

SECTION 2 CHAPTER 29

CONTROL PAGE INITIAL ISSUE

- A. File the attached Temporary Revisions/Alerts in the Manual supplement in ATA Chapter/Section/Subject/Page sequence.
- B. File this control page in front of the chapter TRs/Alerts.
- C. The following list shows active TRs/Alerts together with TRs/Alerts added by this control page.

Chapter Section Subject	Page	TR/Alert No.	Distribution (Ref.P.TEC.01.02 Para 5)
29-11-16-05	5	* BA.29-501	ATP

- D Remove and Destroy the following TR's/Alerts:

* - TR's/Alerts issued with this control page

**ATP
TEMPORARY
REVISION**

NA 351, NA352
757
ILLUSTRATED PARTS CATALOGUE

TR Page 1 of 1
July 1993

THIS TEMPORARY REVISION IS ISSUED BY BRITISH AIRWAYS TECHNICAL SERVICES AND COMPLIES WITH BCAR'S CHAPTER A5-3, B5-3 AND/OR TSS No. 0-2 AS REQUIRED. CAA DESIGN APPROVAL No. DAI/8566/78.



FOR CHIEF ENGINEER TECHNICAL SERVICES

TEMPORARY REVISION NO. 29-501

Manual Reference 29-11-16-05 Page 5

REASON FOR REVISION

To specify that Filter element P/N.043046 supersedes P/N.7553848.

ACTION

Figure 5

Add the following to the nomenclature of item 130 P/N.7553848:- (Superseded by P/N.043046).

Originator: R Ross
(Ref): EAA-F-337
Work Record: 29-133

29-11-16-05
Page 5


BOEING
 757
PARTS CATALOG (MAINTENANCE)

CH-SECT-UNIT-FIG	PAGE NO.	DATE	CH-SECT-UNIT-FIG	PAGE NO.	DATE
*29	1	MAY 20/09	29-00-51- 2C	5	JAN 20/09
*29	2	MAY 20/09	29-00-51- 2C	6	JAN 20/09
*29	3	MAY 20/09	29-00-51- 2C	7	JAN 20/09
*29	4	MAY 20/09	29-00-51- 2C	8	JAN 20/09
*29	5	MAY 20/09	29-00-51- 2C	9	JAN 20/09
*29	6	MAY 20/09	29-00-51- 2C	10	JAN 20/09
*29	7	MAY 20/09	29-00-51- 2C	11	JAN 20/09
*29	8	MAY 20/09	29-00-51- 3	0	MAY 28/07
*29	9	MAY 20/09	29-00-51- 3	1	JAN 20/09
*29	10	MAY 20/09	29-00-51- 3	2	JAN 20/09
*29	11	MAY 20/09	29-00-51- 3C	0	MAY 28/07
*29	12	MAY 20/09	29-00-51- 3C	1	JAN 20/09
*29	13	MAY 20/09	29-00-51- 4	0	MAY 28/07
*29	14	MAY 20/09	29-00-51- 4	1	JAN 20/09
*29	15	MAY 20/09	29-00-51- 4	2	JAN 20/09
*29	16	MAY 20/09	29-00-51- 4	3	JAN 20/09
*29	17	MAY 20/09	29-00-51- 4	4	JAN 20/09
*29	18	MAY 20/09	29-00-51- 5	0	MAY 28/07
*29	19	MAY 20/09	29-00-51- 5	1	JAN 20/09
*29	20	MAY 20/09	29-00-51- 5	2	JAN 20/09
*29	21	MAY 20/09	29-00-51- 5	3	JAN 20/09
*29	22	MAY 20/09	29-00-51- 5	4	JAN 20/09
*29	23	MAY 20/09	29-00-51- 5	5	JAN 20/09
29-00-00	1	MAY 28/07	29-00-51- 5	6	JAN 20/09
29-00-01- 1	0	MAY 28/07	29-00-51- 5	7	JAN 20/09
29-00-01- 1	1	JAN 20/09	29-00-51- 5	8	JAN 20/09
29-00-51- 1	0	MAY 28/07	29-00-51- 5	9	JAN 20/09
29-00-51- 1	1	JAN 20/09	29-00-51- 5	10	JAN 20/09
29-00-51- 1	2	JAN 20/09	29-00-51- 5	11	JAN 20/09
29-00-51- 1	3	JAN 20/09	29-00-51- 5	12	JAN 20/09
29-00-51- 1A	0	MAY 28/07	29-00-51- 5	13	JAN 20/09
29-00-51- 1A	1	JAN 20/09	29-00-51- 5B	0	MAY 28/07
29-00-51- 1A	2	JAN 20/09	29-00-51- 5B	1	JAN 20/09
29-00-51- 1A	3	JAN 20/09	29-00-51- 5B	2	JAN 20/09
29-00-51- 1A	4	JAN 20/09	29-00-51- 5B	3	JAN 20/09
29-00-51- 2	0	MAY 28/07	29-00-51- 5B	4	JAN 20/09
29-00-51- 2	1	JAN 20/09	29-00-51- 5B	5	JAN 20/09
29-00-51- 2	2	JAN 20/09	29-00-51- 6	0	MAY 28/07
29-00-51- 2	3	JAN 20/09	29-00-51- 6	1	JAN 20/09
29-00-51- 2	4	JAN 20/09	29-00-51- 6	2	JAN 20/09
29-00-51- 2B	0	MAY 28/07	29-00-51- 7	0	MAY 28/07
29-00-51- 2B	1	JAN 20/09	29-00-51- 7	1	JAN 20/09
29-00-51- 2B	2	JAN 20/09	29-00-51- 7	2	JAN 20/09
29-00-51- 2B	3	JAN 20/09	29-00-51- 7	3	JAN 20/09
29-00-51- 2B	4	JAN 20/09	29-00-51- 7	4	JAN 20/09
29-00-51- 2B	5	JAN 20/09	29-00-51- 7	5	JAN 20/09
29-00-51- 2C	0	MAY 28/07	29-00-51- 7	6	JAN 20/09
29-00-51- 2C	1	JAN 20/09	29-00-51-11	0	MAY 28/07
29-00-51- 2C	2	JAN 20/09	29-00-51-11	1	JAN 20/09
29-00-51- 2C	3	JAN 20/09	29-00-51-11	2	JAN 20/09
29-00-51- 2C	4	JAN 20/09	29-00-51-11A	0	JAN 20/09

* THE ASTERISK INDICATES PAGES CHANGED OR ADDED BY THE CURRENT REVISION



757
PARTS CATALOG (MAINTENANCE)

CH-SECT-UNIT-FIG	PAGE NO.	DATE	CH-SECT-UNIT-FIG	PAGE NO.	DATE
29-00-51-11A	1	JAN 20/09	29-11-02- 3	0	MAY 28/07
29-11-00	1	MAY 28/07	29-11-02- 3	1	JAN 20/09
29-11-01- 1	0	JAN 20/08	29-11-02- 3	2	JAN 20/09
29-11-01- 1	0A	MAY 28/07	29-11-02- 3	3	JAN 20/09
29-11-01- 1	1	JAN 20/09	29-11-02- 3	4	JAN 20/09
29-11-01- 1	2	JAN 20/09	29-11-02- 3	5	JAN 20/09
29-11-01- 1	3	JAN 20/09	29-11-02- 3	6	JAN 20/09
29-11-01- 1	4	JAN 20/09	29-11-02- 3	7	JAN 20/09
29-11-01- 1	5	JAN 20/09	29-11-02- 3	8	JAN 20/09
29-11-01- 1	6	JAN 20/09	29-11-02- 4	0	MAY 28/07
29-11-01- 1	7	JAN 20/09	29-11-02- 4	1	SEP 20/08
29-11-01- 1	8	JAN 20/09	29-11-02- 4	2	SEP 20/08
29-11-01- 1	9	JAN 20/09	29-11-02- 4	3	SEP 20/08
29-11-01- 1	10	JAN 20/09	29-11-02- 4	4	SEP 20/08
29-11-01- 1	11	JAN 20/09	29-11-02- 5	0	MAY 28/07
29-11-01- 1	12	JAN 20/09	29-11-02- 5	1	JAN 20/09
29-11-01- 1	13	JAN 20/09	29-11-02- 5	2	JAN 20/09
29-11-01- 1	14	JAN 20/09	29-11-02- 5	3	JAN 20/09
29-11-01- 2	0	MAY 28/07	29-11-02- 6	0	MAY 28/07
29-11-01- 2	1	SEP 20/08	29-11-02- 6	1	JAN 20/09
29-11-01- 2	2	SEP 20/08	29-11-02- 6	2	JAN 20/09
29-11-01- 2	3	SEP 20/08	29-11-02- 7	0	MAY 28/07
29-11-01- 2	4	SEP 20/08	29-11-02- 7	1	JAN 20/09
29-11-01- 3	0	MAY 28/07	29-11-02- 7	2	JAN 20/09
29-11-01- 3	1	SEP 20/08	29-11-02- 7	3	JAN 20/09
29-11-01- 3	2	JAN 20/09	29-11-02- 7	4	JAN 20/09
29-11-01- 3	3	JAN 20/09	29-11-05- 1	0	MAY 28/07
29-11-01- 3	4	JAN 20/09	29-11-05- 1	0A	MAY 28/07
29-11-02- 1	0	JAN 20/08	29-11-05- 1	0B	MAY 28/07
29-11-02- 1	1	JAN 20/09	29-11-05- 1	0C	MAY 28/07
29-11-02- 1	2	JAN 20/09	29-11-05- 1	1	JAN 20/09
29-11-02- 1	3	JAN 20/09	29-11-05- 1	2	JAN 20/09
29-11-02- 1	4	JAN 20/09	29-11-05- 1	3	JAN 20/09
29-11-02- 1	5	SEP 20/08	29-11-05- 1	4	JAN 20/09
29-11-02- 1	6	SEP 20/08	29-11-05- 1	5	JAN 20/09
29-11-02- 1	7	SEP 20/08	29-11-05- 1	6	JAN 20/09
29-11-02- 1	8	JAN 20/09	29-11-05- 1	7	JAN 20/09
29-11-02- 1	9	JAN 20/09	29-11-05- 1	8	JAN 20/09
29-11-02- 1	10	JAN 20/09	29-11-05- 1	9	JAN 20/09
29-11-02- 2	0	JAN 20/08	29-11-05- 1	10	JAN 20/09
29-11-02- 2	1	JAN 20/09	29-11-05- 1	11	JAN 20/09
29-11-02- 2	2	JAN 20/09	29-11-05- 1	12	JAN 20/09
29-11-02- 2	3	JAN 20/09	29-11-05- 1	13	JAN 20/09
29-11-02- 2	4	JAN 20/09	29-11-05- 1	14	JAN 20/09
29-11-02- 2	5	SEP 20/08	29-11-05- 1	15	JAN 20/09
29-11-02- 2	6	SEP 20/08	29-11-05- 1	16	JAN 20/09
29-11-02- 2	7	SEP 20/08	29-11-05- 1	17	JAN 20/09
29-11-02- 2	8	SEP 20/08	29-11-05- 1	18	JAN 20/09
29-11-02- 2	9	JAN 20/09	29-11-05- 1	19	JAN 20/09
29-11-02- 2	10	JAN 20/09	29-11-05- 1	20	JAN 20/09
29-11-02- 2	11	JAN 20/09	29-11-05- 1	21	JAN 20/09

* THE ASTERISK INDICATES PAGES CHANGED OR ADDED BY THE CURRENT REVISION

BRI
MAY 20/09

29 - LIST OF EFFECTIVE PAGES
PAGE 2


BOEING
 757
PARTS CATALOG (MAINTENANCE)

CH-SECT-UNIT-FIG	PAGE NO.	DATE	CH-SECT-UNIT-FIG	PAGE NO.	DATE
29-11-05- 1	22	JAN 20/09	29-11-05- 8	8	JAN 20/09
29-11-05- 1	23	JAN 20/09	29-11-05- 8	9	JAN 20/09
29-11-05- 1	24	JAN 20/09	29-11-05- 8	10	JAN 20/09
29-11-05- 1	25	JAN 20/09	29-11-05- 8	11	JAN 20/09
29-11-05- 1	26	JAN 20/09	29-11-05- 8	12	JAN 20/09
29-11-05- 1	27	JAN 20/09	29-11-05- 8	13	JAN 20/09
29-11-05- 1	28	JAN 20/09	29-11-05- 8	14	JAN 20/09
29-11-05- 1B	0	MAY 28/07	29-11-05- 8	15	JAN 20/09
29-11-05- 1B	0A	MAY 28/07	29-11-06- 1	0	MAY 28/07
29-11-05- 1B	0B	MAY 28/07	29-11-06- 1	0A	MAY 28/07
29-11-05- 1B	1	JAN 20/09	29-11-06- 1	1	JAN 20/09
29-11-05- 1B	2	JAN 20/09	29-11-06- 1	2	JAN 20/09
29-11-05- 1B	3	JAN 20/09	29-11-06- 1	3	JAN 20/09
29-11-05- 1B	4	JAN 20/09	29-11-06- 1	4	JAN 20/09
29-11-05- 1B	5	JAN 20/09	29-11-06- 1	5	JAN 20/09
29-11-05- 1B	6	JAN 20/09	29-11-06- 1	6	JAN 20/09
29-11-05- 1B	7	JAN 20/09	29-11-06- 1	7	JAN 20/09
29-11-05- 1B	8	JAN 20/09	29-11-06- 1	8	JAN 20/09
29-11-05- 1B	9	JAN 20/09	29-11-06- 1	9	JAN 20/09
29-11-05- 1B	10	JAN 20/09	29-11-06- 1	10	JAN 20/09
29-11-05- 1B	11	JAN 20/09	29-11-06- 1	11	JAN 20/09
29-11-05- 1B	12	JAN 20/09	29-11-06- 1	12	JAN 20/09
29-11-05- 1B	13	JAN 20/09	29-11-06- 1	13	JAN 20/09
29-11-05- 1B	14	JAN 20/09	29-11-06- 1	14	JAN 20/09
29-11-05- 4	0	MAY 28/07	29-11-06- 1A	0	MAY 28/07
29-11-05- 4	1	JAN 20/09	29-11-06- 1A	0A	MAY 28/07
29-11-05- 4	2	JAN 20/09	29-11-06- 1A	1	JAN 20/09
29-11-05- 4	3	JAN 20/09	29-11-06- 1A	2	JAN 20/09
29-11-05- 4	4	JAN 20/09	29-11-06- 1A	3	JAN 20/09
29-11-05- 4	5	JAN 20/09	29-11-06- 1A	4	JAN 20/09
29-11-05- 4	6	JAN 20/09	29-11-06- 1A	5	JAN 20/09
29-11-05- 4	7	JAN 20/09	29-11-06- 1A	6	JAN 20/09
29-11-05- 4	8	JAN 20/09	29-11-06- 1A	7	JAN 20/09
29-11-05- 5	0	MAY 28/07	29-11-13- 1	0	MAY 28/07
29-11-05- 5	1	JAN 20/09	29-11-13- 1	0A	MAY 28/07
29-11-05- 5	2	JAN 20/09	29-11-13- 1	0B	MAY 28/07
29-11-05- 6	0	MAY 28/07	29-11-13- 1	0C	MAY 28/07
29-11-05- 6	1	JAN 20/09	29-11-13- 1	1	JAN 20/09
29-11-05- 6	2	JAN 20/09	29-11-13- 1	2	JAN 20/09
29-11-05- 6	3	JAN 20/09	29-11-13- 1	3	JAN 20/09
29-11-05- 6	4	JAN 20/09	29-11-13- 1	4	SEP 20/08
29-11-05- 8	0	MAY 28/07	29-11-13- 1	5	SEP 20/08
29-11-05- 8	0A	MAY 28/07	29-11-13- 1	6	SEP 20/08
29-11-05- 8	0B	MAY 28/07	*29-11-13- 1	7	MAY 20/09
29-11-05- 8	1	JAN 20/09	*29-11-13- 1	8	MAY 20/09
29-11-05- 8	2	JAN 20/09	29-11-15- 5	0	MAY 28/07
29-11-05- 8	3	JAN 20/09	29-11-15- 5	0A	MAY 28/07
29-11-05- 8	4	JAN 20/09	29-11-15- 5	0B	MAY 28/07
29-11-05- 8	5	JAN 20/09	29-11-15- 5	1	JAN 20/09
29-11-05- 8	6	JAN 20/09	29-11-15- 5	2	JAN 20/09
29-11-05- 8	7	JAN 20/09	29-11-15- 5	3	SEP 20/08

* THE ASTERISK INDICATES PAGES CHANGED OR ADDED BY THE CURRENT REVISION



757

PARTS CATALOG (MAINTENANCE)

CH-SECT-UNIT-FIG	PAGE NO.	DATE	CH-SECT-UNIT-FIG	PAGE NO.	DATE
29-11-15- 5	4	SEP 20/08	29-11-17- 3	0D	MAY 28/07
29-11-15- 5	5	SEP 20/08	29-11-17- 3	0E	MAY 28/07
29-11-15- 5	6	SEP 20/08	29-11-17- 3	0F	MAY 28/07
29-11-15- 5	7	JAN 20/09	29-11-17- 3	0G	MAY 28/07
29-11-15- 5	8	JAN 20/09	29-11-17- 3	0H	MAY 28/07
29-11-15-51	0	MAY 28/07	29-11-17- 3	0I	MAY 28/07
29-11-15-51	1	SEP 20/08	29-11-17- 3	0J	MAY 28/07
29-11-15-51	2	SEP 20/08	29-11-17- 3	0K	MAY 28/07
29-11-16- 5	0	MAY 28/07	29-11-17- 3	1	JAN 20/09
29-11-16- 5	0A	MAY 28/07	29-11-17- 3	2	JAN 20/09
29-11-16- 5	0B	MAY 28/07	29-11-17- 3	3	JAN 20/09
29-11-16- 5	1	JAN 20/09	29-11-17- 3	4	JAN 20/09
29-11-16- 5	2	JAN 20/09	29-11-17- 3	5	JAN 20/09
29-11-16- 5	3	JAN 20/09	29-11-17- 3	6	JAN 20/09
29-11-16- 5	4	SEP 20/08	29-11-17- 3	7	JAN 20/09
29-11-16- 5	5	SEP 20/08	29-11-17- 3	8	JAN 20/09
29-11-16- 5	6	JAN 20/09	29-11-17- 3	9	JAN 20/09
29-11-17- 2	0	MAY 28/07	29-11-17- 3	10	JAN 20/09
29-11-17- 2	0A	MAY 28/07	*29-11-17- 3	11	MAY 20/09
29-11-17- 2	0B	MAY 28/07	*29-11-17- 3	12	MAY 20/09
29-11-17- 2	0C	MAY 28/07	*29-11-17- 3	13	MAY 20/09
29-11-17- 2	0D	MAY 28/07	*29-11-17- 3	14	MAY 20/09
29-11-17- 2	1	JAN 20/09	*29-11-17- 3	15	MAY 20/09
29-11-17- 2	2	JAN 20/09	*29-11-17- 3	16	MAY 20/09
29-11-17- 2	3	JAN 20/09	*29-11-17- 3	17	MAY 20/09
29-11-17- 2	4	JAN 20/09	29-11-17- 4	0	JAN 20/09
29-11-17- 2	5	JAN 20/09	29-11-17- 4	1	JAN 20/09
29-11-17- 2	6	JAN 20/09	29-11-17- 4	2	JAN 20/09
29-11-17- 2	7	JAN 20/09	29-11-17- 5	0	JAN 20/09
29-11-17- 2	8	MAY 20/09	29-11-17- 5	1	JAN 20/09
*29-11-17- 2	9	MAY 20/09	29-11-17- 5	2	JAN 20/09
*29-11-17- 2	10	JAN 20/09	29-11-17- 5	3	JAN 20/09
29-11-17- 2	11	JAN 20/09	29-11-17- 5	4	JAN 20/09
29-11-17- 2	12	JAN 20/09	29-11-17- 8	0	JAN 20/09
29-11-17- 2	13	JAN 20/09	29-11-17- 8	0A	JAN 20/09
29-11-17- 2	14	JAN 20/09	29-11-17- 8	1	JAN 20/09
29-11-17- 2	15	JAN 20/09	29-11-17- 8	2	JAN 20/09
29-11-17- 2	16	JAN 20/09	29-11-17- 8	3	JAN 20/09
29-11-17- 2	17	JAN 20/09	29-11-17- 9	0	JAN 20/09
29-11-17- 2	18	JAN 20/09	29-11-17- 9	0A	JAN 20/09
*29-11-17- 2	19	MAY 20/09	29-11-17- 9	1	JAN 20/09
29-11-17- 2	20	JAN 20/09	29-11-17- 9	2	JAN 20/09
29-11-17- 2	21	JAN 20/09	29-11-17- 9	3	JAN 20/09
29-11-17- 2	22	JAN 20/09	29-11-18- 1	0	MAY 28/07
29-11-17- 2	23	JAN 20/09	29-11-18- 1	0A	MAY 28/07
29-11-17- 2	24	JAN 20/09	29-11-18- 1	0B	MAY 28/07
29-11-17- 2	25	JAN 20/09	29-11-18- 1	0C	MAY 28/07
29-11-17- 3	0	MAY 28/07	29-11-18- 1	1	JAN 20/09
29-11-17- 3	0A	MAY 28/07	29-11-18- 1	2	JAN 20/09
29-11-17- 3	0B	MAY 28/07	29-11-18- 1	3	JAN 20/09
29-11-17- 3	0C	MAY 28/07	29-11-18- 1	4	JAN 20/09

* THE ASTERISK INDICATES PAGES CHANGED OR ADDED BY THE CURRENT REVISION

BRI
MAY 20/09

29 - LIST OF EFFECTIVE PAGES
PAGE 4



757

PARTS CATALOG (MAINTENANCE)

CH-SECT-UNIT-FIG	PAGE NO.	DATE
29-11-18- 1	5	SEP 20/08
29-11-18- 1	6	SEP 20/08
29-11-18- 1	7	SEP 20/08
29-11-18- 1	8	SEP 20/08
29-11-18- 1	9	SEP 20/08
*29-11-18- 1	10	MAY 20/09
*29-11-18- 1	11	MAY 20/09
*29-11-18- 1	12	MAY 20/09
29-11-18- 1	13	JAN 20/09
29-11-18- 2	0	MAY 28/07
29-11-18- 2	0A	MAY 28/07
29-11-18- 2	0B	MAY 28/07
29-11-18- 2	0C	MAY 28/07
29-11-18- 2	0D	MAY 28/07
29-11-18- 2	1	JAN 20/09
29-11-18- 2	2	JAN 20/09
29-11-18- 2	3	JAN 20/09
29-11-18- 2	4	JAN 20/09
29-11-18- 2	5	JAN 20/09
29-11-18- 2	6	JAN 20/09
29-11-18- 2	7	JAN 20/09
29-11-18- 2	8	JAN 20/09
29-11-18- 2	9	JAN 20/09
29-11-18- 2	10	JAN 20/09
29-11-18- 2	11	JAN 20/09
29-11-18- 2	12	JAN 20/09
29-11-18- 2	13	JAN 20/09
29-11-18- 3	0	JAN 20/09
29-11-18- 3	1	JAN 20/09
29-11-18- 3	2	JAN 20/09
29-11-18- 3	3	JAN 20/09
29-11-18- 3	4	JAN 20/09
29-11-18- 3	5	JAN 20/09
29-11-18- 4	0	JAN 20/09
29-11-18- 4	1	JAN 20/09
29-11-18- 4	2	JAN 20/09
29-11-18- 4	3	JAN 20/09
29-11-18- 4	4	JAN 20/09
29-11-18- 4	5	JAN 20/09
29-11-18- 4	6	JAN 20/09
29-11-18- 4	7	JAN 20/09
29-11-18- 5	0	JAN 20/09
29-11-18- 5	1	JAN 20/09
29-11-18- 5	2	JAN 20/09
29-11-20- 1	0	MAY 28/07
29-11-20- 1	0A	MAY 28/07
29-11-20- 1	1	JAN 20/09
*29-11-20- 1	2	MAY 20/09
29-11-20- 1	3	JAN 20/09
29-11-20- 1	4	JAN 20/09
29-11-20- 1	5	JAN 20/09

CH-SECT-UNIT-FIG	PAGE NO.	DATE
29-11-20- 1	6	JAN 20/09
29-11-20- 4	0	MAY 28/07
29-11-20- 4	0A	MAY 28/07
29-11-20- 4	0B	MAY 28/07
29-11-20- 4	1	JAN 20/09
*29-11-20- 4	2	MAY 20/09
29-11-20- 4	3	JAN 20/09
29-11-20- 4	4	JAN 20/09
29-11-20- 4	5	JAN 20/09
29-11-20- 4	6	JAN 20/09
29-11-20- 4	7	JAN 20/09
29-11-20- 4	8	JAN 20/09
29-11-20- 5	0	MAY 28/07
29-11-20- 5	0A	MAY 28/07
29-11-20- 5	1	JAN 20/09
*29-11-20- 5	2	MAY 20/09
29-11-20- 5	3	JAN 20/09
29-11-20- 5	4	JAN 20/09
29-11-20- 5	5	JAN 20/09
29-11-20- 5	6	JAN 20/09
29-11-20- 5	7	JAN 20/09
29-11-20- 5	8	JAN 20/09
29-11-20- 5	9	JAN 20/09
29-11-20- 5	10	JAN 20/09
29-11-20- 5	11	JAN 20/09
29-11-20- 5	12	JAN 20/09
29-11-21- 1	0	MAY 28/07
29-11-21- 1	0A	MAY 28/07
29-11-21- 1	0B	MAY 28/07
29-11-21- 1	1	JAN 20/09
29-11-21- 1	2	JAN 20/09
29-11-21- 1	3	JAN 20/09
29-11-21- 1	4	JAN 20/09
29-11-21- 1	5	JAN 20/09
29-11-21- 2	0	MAY 28/07
29-11-21- 2	0A	MAY 28/07
29-11-21- 2	1	JAN 20/09
29-11-21- 2	2	JAN 20/09
29-11-21- 2	3	JAN 20/09
29-11-21- 2	4	JAN 20/09
29-11-21- 2	5	JAN 20/09
29-11-21- 2	6	JAN 20/09
29-11-21- 2	7	JAN 20/09
29-11-22- 1	0	MAY 28/07
29-11-22- 1	1	JAN 20/09
29-11-22- 5	0	MAY 28/07
29-11-22- 5	1	JAN 20/09
29-11-22- 5B	0	MAY 28/07
29-11-22- 5B	1	JAN 20/09
29-11-23- 1	0	MAY 28/07
29-11-23- 1	1	JAN 20/09

* THE ASTERISK INDICATES PAGES CHANGED OR ADDED BY THE CURRENT REVISION



757

PARTS CATALOG (MAINTENANCE)

CH-SECT-UNIT-FIG	PAGE NO.	DATE	CH-SECT-UNIT-FIG	PAGE NO.	DATE
29-11-23- 2	0	MAY 28/07	29-11-27- 1	1	JAN 20/09
29-11-23- 2	1	JAN 20/09	29-11-27- 1	2	JAN 20/09
29-11-23- 3	0	MAY 28/07	29-11-27- 1	3	JAN 20/09
29-11-23- 3	1	JAN 20/09	29-11-27- 1	4	JAN 20/09
29-11-23- 4	0	MAY 28/07	29-11-27- 1	5	JAN 20/09
29-11-23- 4	1	JAN 20/09	29-11-27- 1	6	JAN 20/09
29-11-24- 1	0	MAY 28/07	29-11-27- 1	7	JAN 20/09
29-11-24- 1	1	JAN 20/09	29-11-27- 1	8	JAN 20/09
29-11-24- 1	2	SEP 20/08	29-11-27- 1	9	JAN 20/09
29-11-24- 2	0	MAY 28/07	29-11-27- 1	10	JAN 20/09
29-11-24- 2	0A	MAY 28/07	29-11-27- 1	11	JAN 20/09
29-11-24- 2	1	JAN 20/09	29-11-27- 1	12	JAN 20/09
29-11-24- 2	2	JAN 20/09	29-11-27- 1	13	JAN 20/09
29-11-24- 3	0	MAY 28/07	29-11-27- 1	14	JAN 20/09
29-11-24- 3	0A	MAY 28/07	29-11-27- 2	0	JAN 20/09
29-11-24- 3	1	JAN 20/09	29-11-27- 2	1	JAN 20/09
29-11-24- 3	2	JAN 20/09	29-11-27- 2	2	JAN 20/09
29-11-24- 3	3	JAN 20/09	29-11-27- 2	3	JAN 20/09
29-11-24- 4	0	MAY 28/07	29-11-28- 1	0	MAY 28/07
29-11-24- 4	1	JAN 20/09	29-11-28- 1	0A	MAY 28/07
29-11-24- 4	2	SEP 20/08	29-11-28- 1	1	JAN 20/09
29-11-26- 1	0	JAN 20/09	29-11-28- 1	2	JAN 20/09
29-11-26- 1	1	JAN 20/09	29-11-28- 1	3	JAN 20/09
29-11-26- 1	2	JAN 20/09	29-11-28- 1	4	SEP 20/08
29-11-26- 3	0	JAN 20/09	29-11-28- 1	5	SEP 20/08
29-11-26- 3	0A	JAN 20/09	*29-11-28- 1	6	MAY 20/09
29-11-26- 3	0B	JAN 20/09	*29-11-28- 1	7	MAY 20/09
29-11-26- 3	1	JAN 20/09	*29-11-28- 1	8	MAY 20/09
29-11-26- 3	2	JAN 20/09	*29-11-28- 1	9	MAY 20/09
29-11-26- 3	3	JAN 20/09	*29-11-28- 1	10	MAY 20/09
29-11-26- 5	0	MAY 28/07	*29-11-28- 1	11	MAY 20/09
29-11-26- 5	0A	MAY 28/07	29-11-29- 1	0	MAY 28/07
29-11-26- 5	0B	MAY 28/07	29-11-29- 1	1	JAN 20/09
29-11-26- 5	1	JAN 20/09	29-11-29- 1	2	JAN 20/09
29-11-26- 5	2	JAN 20/09	29-11-29- 3	0	JAN 20/09
29-11-26- 5	3	JAN 20/09	29-11-29- 3	1	JAN 20/09
29-11-26- 5	4	JAN 20/09	29-11-30- 1	0	MAY 28/07
29-11-26- 6	0	JAN 20/09	29-11-30- 1	1	JAN 20/09
29-11-26- 6	0A	JAN 20/09	29-11-51- 7	0	JAN 20/09
29-11-26- 6	1	JAN 20/09	29-11-51- 7	0A	JAN 20/09
29-11-26- 6	2	JAN 20/09	29-11-51- 7	0B	JAN 20/09
29-11-26- 6	3	JAN 20/09	29-11-51- 7	0C	JAN 20/09
29-11-26- 6	4	JAN 20/09	29-11-51- 7	0D	JAN 20/09
29-11-26- 6	5	JAN 20/09	29-11-51- 7	0E	JAN 20/09
29-11-26- 7	0	JAN 20/09	29-11-51- 7	0F	JAN 20/09
29-11-26- 7	1	JAN 20/09	29-11-51- 7	0G	JAN 20/09
29-11-26- 7	2	JAN 20/09	29-11-51- 7	0H	JAN 20/09
29-11-26- 8	0	JAN 20/09	29-11-51- 7	1	JAN 20/09
29-11-26- 8	1	JAN 20/09	29-11-51- 7	2	JAN 20/09
29-11-27- 1	0	MAY 28/07	29-11-51- 7	3	JAN 20/09
29-11-27- 1	0A	MAY 28/07	29-11-51- 7	4	JAN 20/09

* THE ASTERISK INDICATES PAGES CHANGED OR ADDED BY THE CURRENT REVISION



757

PARTS CATALOG (MAINTENANCE)

CH-SECT-UNIT-FIG	PAGE NO.	DATE	CH-SECT-UNIT-FIG	PAGE NO.	DATE
29-11-51- 7	5	JAN 20/09	29-11-51-12	26	JAN 20/09
29-11-51- 7	6	JAN 20/09	29-11-51-12	27	JAN 20/09
29-11-51- 7	7	JAN 20/09	29-11-51-12	28	JAN 20/09
29-11-51- 7	8	JAN 20/09	29-11-51-12	29	JAN 20/09
29-11-51- 7	9	JAN 20/09	29-11-51-12	30	JAN 20/09
29-11-51- 7	10	JAN 20/09	29-11-51-12	31	JAN 20/09
29-11-51- 7	11	JAN 20/09	29-11-51-12	32	JAN 20/09
29-11-51- 7	12	JAN 20/09	29-11-51-13	0	MAY 28/07
29-11-51- 7	13	JAN 20/09	29-11-51-13	0A	MAY 28/07
29-11-51- 7	14	JAN 20/09	29-11-51-13	1	JAN 20/09
29-11-51- 7	15	JAN 20/09	29-11-51-13	2	JAN 20/09
29-11-51- 7	16	JAN 20/09	29-11-51-13	3	JAN 20/09
29-11-51- 7	17	JAN 20/09	29-11-51-13	4	JAN 20/09
29-11-51- 7	18	JAN 20/09	29-11-51-13	5	JAN 20/09
29-11-51- 7	19	JAN 20/09	29-11-51-13	6	JAN 20/09
29-11-51- 7	20	JAN 20/09	29-11-51-13	7	JAN 20/09
29-11-51- 7	21	JAN 20/09	29-11-51-13	8	JAN 20/09
29-11-51- 8	0	JAN 20/09	29-11-51-13	9	JAN 20/09
29-11-51- 8	1	JAN 20/09	29-11-51-13	10	JAN 20/09
29-11-51- 8	2	JAN 20/09	29-11-51-13	11	JAN 20/09
29-11-51- 8	3	JAN 20/09	29-11-51-13	12	JAN 20/09
29-11-51- 8	4	JAN 20/09	29-11-51-13	13	JAN 20/09
29-11-51- 8	5	JAN 20/09	29-11-51-14	0	MAY 28/07
29-11-51-12	0	MAY 28/07	29-11-51-14	0A	MAY 28/07
29-11-51-12	0A	MAY 28/07	29-11-51-14	0B	MAY 28/07
29-11-51-12	0B	MAY 28/07	29-11-51-14	0C	MAY 28/07
29-11-51-12	1	JAN 20/09	29-11-51-14	1	JAN 20/09
29-11-51-12	2	JAN 20/09	29-11-51-14	2	JAN 20/09
29-11-51-12	3	JAN 20/09	29-11-51-14	3	JAN 20/09
29-11-51-12	4	JAN 20/09	29-11-51-14	4	JAN 20/09
29-11-51-12	5	JAN 20/09	29-11-51-14	5	JAN 20/09
29-11-51-12	6	JAN 20/09	29-11-51-14	6	JAN 20/09
29-11-51-12	7	JAN 20/09	29-11-51-14	7	JAN 20/09
29-11-51-12	8	JAN 20/09	29-11-51-14	8	JAN 20/09
29-11-51-12	9	JAN 20/09	29-11-51-14	9	JAN 20/09
29-11-51-12	10	JAN 20/09	29-11-51-14	10	JAN 20/09
29-11-51-12	11	JAN 20/09	29-11-51-14	11	JAN 20/09
29-11-51-12	12	JAN 20/09	29-11-51-14	12	JAN 20/09
29-11-51-12	13	JAN 20/09	29-11-51-14	13	JAN 20/09
29-11-51-12	14	JAN 20/09	29-11-51-14	14	JAN 20/09
29-11-51-12	15	JAN 20/09	29-11-51-14	15	JAN 20/09
29-11-51-12	16	JAN 20/09	29-11-51-16	0	JAN 20/09
29-11-51-12	17	JAN 20/09	29-11-51-16	1	JAN 20/09
29-11-51-12	18	JAN 20/09	29-11-51-16	2	JAN 20/09
29-11-51-12	19	JAN 20/09	29-11-51-17	0	MAY 28/07
29-11-51-12	20	JAN 20/09	29-11-51-17	0A	MAY 28/07
29-11-51-12	21	JAN 20/09	29-11-51-17	0B	MAY 28/07
29-11-51-12	22	JAN 20/09	29-11-51-17	0C	MAY 28/07
29-11-51-12	23	JAN 20/09	29-11-51-17	1	JAN 20/09
29-11-51-12	24	JAN 20/09	29-11-51-17	2	JAN 20/09
29-11-51-12	25	JAN 20/09	29-11-51-17	3	JAN 20/09

* THE ASTERISK INDICATES PAGES CHANGED OR ADDED BY THE CURRENT REVISION

BRI
MAY 20/09

29 - LIST OF EFFECTIVE PAGES
PAGE 7



757
PARTS CATALOG (MAINTENANCE)

CH-SECT-UNIT-FIG	PAGE NO.	DATE	CH-SECT-UNIT-FIG	PAGE NO.	DATE
29-11-51-17	4	JAN 20/09	29-11-51-18	5	JAN 20/09
29-11-51-17	5	JAN 20/09	29-11-51-18	6	JAN 20/09
29-11-51-17	6	JAN 20/09	29-11-51-18	7	JAN 20/09
29-11-51-17	7	JAN 20/09	29-11-51-18	8	JAN 20/09
29-11-51-17	8	JAN 20/09	29-11-51-18	9	JAN 20/09
29-11-51-17	9	JAN 20/09	29-11-51-18	10	JAN 20/09
29-11-51-17	10	JAN 20/09	29-11-51-18	11	JAN 20/09
29-11-51-17	11	JAN 20/09	29-11-51-18	12	JAN 20/09
29-11-51-17	12	JAN 20/09	29-11-51-18	13	JAN 20/09
29-11-51-17	13	JAN 20/09	29-11-51-18	14	JAN 20/09
29-11-51-17	14	JAN 20/09	29-11-51-18	15	JAN 20/09
29-11-51-17	15	JAN 20/09	29-11-51-18	16	JAN 20/09
29-11-51-17	16	JAN 20/09	29-11-51-18	17	JAN 20/09
29-11-51-17	17	JAN 20/09	29-11-51-18	18	JAN 20/09
29-11-51-17	18	JAN 20/09	29-11-51-18	19	JAN 20/09
29-11-51-17	19	JAN 20/09	29-11-51-18A	0	MAY 28/07
29-11-51-17	20	JAN 20/09	29-11-51-18A	0A	MAY 28/07
29-11-51-17	21	JAN 20/09	29-11-51-18A	0B	MAY 28/07
29-11-51-17	22	JAN 20/09	29-11-51-18A	0C	MAY 28/07
29-11-51-17	23	JAN 20/09	29-11-51-18A	0D	MAY 28/07
29-11-51-17	24	JAN 20/09	29-11-51-18A	0E	MAY 28/07
29-11-51-17	25	JAN 20/09	29-11-51-18A	0F	MAY 28/07
29-11-51-17	26	JAN 20/09	29-11-51-18A	0G	MAY 28/07
29-11-51-17	27	JAN 20/09	29-11-51-18A	1	JAN 20/09
29-11-51-17	28	JAN 20/09	29-11-51-18A	2	JAN 20/09
29-11-51-17	29	JAN 20/09	29-11-51-18A	3	JAN 20/09
29-11-51-17	30	JAN 20/09	29-11-51-18A	4	JAN 20/09
29-11-51-17	31	JAN 20/09	29-11-51-18A	5	JAN 20/09
29-11-51-17	32	JAN 20/09	29-11-51-18A	6	JAN 20/09
29-11-51-17A	0	MAY 28/07	29-11-51-18A	7	JAN 20/09
29-11-51-17A	0A	MAY 28/07	29-11-51-18A	8	JAN 20/09
29-11-51-17A	1	JAN 20/09	29-11-51-18A	9	JAN 20/09
29-11-51-17A	2	JAN 20/09	29-11-51-18A	10	JAN 20/09
29-11-51-17A	3	JAN 20/09	29-11-51-18B	0	MAY 28/07
29-11-51-17A	4	JAN 20/09	29-11-51-18B	0A	MAY 28/07
29-11-51-17A	5	JAN 20/09	29-11-51-18B	0B	MAY 28/07
29-11-51-17A	6	JAN 20/09	29-11-51-18B	1	JAN 20/09
29-11-51-17A	7	JAN 20/09	29-11-51-18B	2	JAN 20/09
29-11-51-17A	8	JAN 20/09	29-11-51-18B	3	JAN 20/09
29-11-51-17A	9	JAN 20/09	29-11-51-20	0	MAY 28/07
29-11-51-17A	10	JAN 20/09	29-11-51-20	0A	MAY 28/07
29-11-51-17A	11	JAN 20/09	29-11-51-20	1	JAN 20/09
29-11-51-17A	12	JAN 20/09	29-11-51-20	2	JAN 20/09
29-11-51-18	0	MAY 28/07	29-11-51-20	3	JAN 20/09
29-11-51-18	0A	MAY 28/07	29-11-51-20	4	JAN 20/09
29-11-51-18	0B	MAY 28/07	29-11-51-20	5	JAN 20/09
29-11-51-18	0C	MAY 28/07	29-11-51-20	6	JAN 20/09
29-11-51-18	1	JAN 20/09	29-11-51-20	7	JAN 20/09
29-11-51-18	2	JAN 20/09	29-11-51-20	8	JAN 20/09
29-11-51-18	3	JAN 20/09	29-11-51-20	9	JAN 20/09
29-11-51-18	4	JAN 20/09	29-11-51-20	10	JAN 20/09

* THE ASTERISK INDICATES PAGES CHANGED OR ADDED BY THE CURRENT REVISION



757

PARTS CATALOG (MAINTENANCE)

CH-SECT-UNIT-FIG	PAGE NO.	DATE	CH-SECT-UNIT-FIG	PAGE NO.	DATE
29-11-51-20	11	JAN 20/09	29-11-51-24A	9	JAN 20/09
29-11-51-20	12	JAN 20/09	29-11-51-25	0	JAN 20/09
29-11-51-20	13	JAN 20/09	29-11-51-25	0A	JAN 20/09
29-11-51-20	14	JAN 20/09	29-11-51-25	0B	JAN 20/09
29-11-51-20	15	JAN 20/09	29-11-51-25	1	JAN 20/09
29-11-51-20	16	JAN 20/09	29-11-51-25	2	JAN 20/09
29-11-51-20A	0	MAY 28/07	29-11-51-25A	0	JAN 20/09
29-11-51-20A	0A	MAY 28/07	29-11-51-25A	0A	JAN 20/09
29-11-51-20A	0B	MAY 28/07	29-11-51-25A	1	JAN 20/09
29-11-51-20A	1	JAN 20/09	29-11-51-25A	2	JAN 20/09
29-11-51-20A	2	JAN 20/09	29-11-51-26	0	MAY 28/07
29-11-51-20A	3	JAN 20/09	29-11-51-26	0A	MAY 28/07
29-11-51-20A	4	JAN 20/09	29-11-51-26	0B	MAY 28/07
29-11-51-20A	5	JAN 20/09	29-11-51-26	0C	MAY 28/07
29-11-51-20A	6	JAN 20/09	29-11-51-26	0D	MAY 28/07
29-11-51-20A	7	JAN 20/09	29-11-51-26	1	JAN 20/09
29-11-51-20A	8	JAN 20/09	29-11-51-26	2	JAN 20/09
29-11-51-20A	9	JAN 20/09	29-11-51-26	3	JAN 20/09
29-11-51-20A	10	JAN 20/09	29-11-51-26	4	JAN 20/09
29-11-51-23	0	MAY 28/07	29-11-51-26	5	JAN 20/09
29-11-51-23	0A	MAY 28/07	29-11-51-26	6	JAN 20/09
29-11-51-23	0B	MAY 28/07	29-11-51-26	7	JAN 20/09
29-11-51-23	1	JAN 20/09	29-11-51-26	8	JAN 20/09
29-11-51-23	2	JAN 20/09	29-11-51-26	9	JAN 20/09
29-11-51-23	3	JAN 20/09	29-11-51-26	10	JAN 20/09
29-11-51-23	4	JAN 20/09	29-11-51-26	11	JAN 20/09
29-11-51-23	5	JAN 20/09	29-11-51-26A	0	JAN 20/09
29-11-51-23	6	JAN 20/09	29-11-51-26A	0A	JAN 20/09
29-11-51-23	7	JAN 20/09	29-11-51-26A	0B	JAN 20/09
29-11-51-23	8	JAN 20/09	29-11-51-26A	1	JAN 20/09
29-11-51-23A	0	MAY 28/07	29-11-51-26A	2	JAN 20/09
29-11-51-23A	0A	MAY 28/07	29-11-51-27	0	JAN 20/09
29-11-51-23A	0B	MAY 28/07	29-11-51-27	0A	JAN 20/09
29-11-51-23A	0C	MAY 28/07	29-11-51-27	0B	JAN 20/09
29-11-51-23A	0D	MAY 28/07	29-11-51-27	0C	JAN 20/09
29-11-51-23A	0E	MAY 28/07	29-11-51-27	0D	JAN 20/09
29-11-51-23A	1	JAN 20/09	29-11-51-27	0E	JAN 20/09
29-11-51-23A	2	JAN 20/09	29-11-51-27	0F	JAN 20/09
29-11-51-24A	0	JAN 20/09	29-11-51-27	0G	JAN 20/09
29-11-51-24A	0A	JAN 20/09	29-11-51-27	0H	JAN 20/09
29-11-51-24A	0B	JAN 20/09	29-11-51-27	1	JAN 20/09
29-11-51-24A	0C	JAN 20/09	29-11-51-27	2	JAN 20/09
29-11-51-24A	0D	JAN 20/09	29-11-51-27	3	JAN 20/09
29-11-51-24A	1	JAN 20/09	29-11-51-27	4	JAN 20/09
29-11-51-24A	2	JAN 20/09	29-11-51-27	5	JAN 20/09
29-11-51-24A	3	JAN 20/09	29-11-51-27	6	JAN 20/09
29-11-51-24A	4	JAN 20/09	29-11-51-27	7	JAN 20/09
29-11-51-24A	5	JAN 20/09	29-11-51-27	8	JAN 20/09
29-11-51-24A	6	JAN 20/09	29-11-51-27	9	JAN 20/09
29-11-51-24A	7	JAN 20/09	29-11-51-27	10	JAN 20/09
29-11-51-24A	8	JAN 20/09	29-11-51-27	11	JAN 20/09

* THE ASTERISK INDICATES PAGES CHANGED OR ADDED BY THE CURRENT REVISION



757
PARTS CATALOG (MAINTENANCE)

CH-SECT-UNIT-FIG	PAGE NO.	DATE	CH-SECT-UNIT-FIG	PAGE NO.	DATE
29-11-51-27	12	JAN 20/09	*29-11-51-29A	0F	MAY 20/09
29-11-51-27	13	JAN 20/09	29-11-51-29A	1	JAN 20/09
29-11-51-27	14	JAN 20/09	29-11-51-29A	2	JAN 20/09
29-11-51-27	15	JAN 20/09	29-11-51-29A	3	JAN 20/09
29-11-51-27	16	JAN 20/09	29-11-51-29A	4	JAN 20/09
29-11-51-27	17	JAN 20/09	29-11-51-29A	5	JAN 20/09
29-11-51-28	0	MAY 28/07	29-11-51-29A	6	JAN 20/09
29-11-51-28	0A	MAY 28/07	29-11-51-29A	7	JAN 20/09
29-11-51-28	0B	MAY 28/07	29-11-51-29A	8	JAN 20/09
29-11-51-28	0C	MAY 28/07	29-11-51-29A	9	JAN 20/09
29-11-51-28	1	JAN 20/09	29-11-51-29A	10	JAN 20/09
29-11-51-28	2	JAN 20/09	29-11-51-29A	11	JAN 20/09
29-11-51-28	3	JAN 20/09	29-11-51-29A	12	JAN 20/09
29-11-51-28	4	JAN 20/09	29-11-51-29A	13	JAN 20/09
29-11-51-28	5	JAN 20/09	29-11-51-29A	14	JAN 20/09
29-11-51-28	6	JAN 20/09	29-11-51-29A	15	JAN 20/09
29-11-51-28	7	JAN 20/09	29-11-51-29A	16	JAN 20/09
29-11-51-28	8	JAN 20/09	29-11-51-29A	17	JAN 20/09
29-11-51-28	9	JAN 20/09	29-11-51-29A	18	JAN 20/09
29-11-51-28A	0	MAY 28/07	29-11-51-29A	19	JAN 20/09
29-11-51-28A	0A	MAY 28/07	29-11-51-29B	0	JAN 20/09
29-11-51-28A	0B	MAY 28/07	29-11-51-29B	1	JAN 20/09
29-11-51-28A	0C	MAY 28/07	29-11-51-29B	2	JAN 20/09
29-11-51-28A	0D	MAY 28/07	29-11-51-29B	3	JAN 20/09
29-11-51-28A	0E	MAY 28/07	29-11-51-29C	0	JAN 20/09
29-11-51-28A	1	JAN 20/09	29-11-51-29C	1	JAN 20/09
29-11-51-28A	2	JAN 20/09	29-11-51-29C	2	JAN 20/09
29-11-51-28A	3	JAN 20/09	29-11-51-30	0	MAY 28/07
29-11-51-28A	4	JAN 20/09	29-11-51-30	0A	MAY 28/07
29-11-51-28A	5	JAN 20/09	29-11-51-30	0B	MAY 28/07
29-11-51-28A	6	JAN 20/09	29-11-51-30	0C	MAY 28/07
*29-11-51-29	0	MAY 20/09	29-11-51-30	0D	MAY 28/07
29-11-51-29	0A	JAN 20/09	29-11-51-30	1	JAN 20/09
29-11-51-29	0B	JAN 20/09	29-11-51-30	2	JAN 20/09
*29-11-51-29	0C	MAY 20/09	29-11-51-30	3	JAN 20/09
29-11-51-29	0D	JAN 20/09	29-11-51-30	4	JAN 20/09
29-11-51-29	1	JAN 20/09	29-11-51-30	5	JAN 20/09
29-11-51-29	2	JAN 20/09	29-11-51-30	6	JAN 20/09
29-11-51-29	3	JAN 20/09	29-11-51-30	7	JAN 20/09
29-11-51-29	4	JAN 20/09	29-11-51-30	8	JAN 20/09
29-11-51-29	5	JAN 20/09	29-11-51-30	9	JAN 20/09
29-11-51-29	6	JAN 20/09	29-11-51-30	10	JAN 20/09
29-11-51-29	7	JAN 20/09	29-11-51-30	11	JAN 20/09
29-11-51-29	8	JAN 20/09	29-11-51-30	12	JAN 20/09
29-11-51-29	9	JAN 20/09	29-11-51-30	13	JAN 20/09
*29-11-51-29A	0	MAY 20/09	29-11-51-30	14	JAN 20/09
*29-11-51-29A	0A	MAY 20/09	29-11-51-30	15	JAN 20/09
29-11-51-29A	0B	JAN 20/09	29-11-51-30	16	JAN 20/09
29-11-51-29A	0C	JAN 20/09	29-11-51-30	17	JAN 20/09
29-11-51-29A	0D	JAN 20/09	29-11-51-30	18	JAN 20/09
29-11-51-29A	0E	JAN 20/09	29-11-51-30	19	JAN 20/09

* THE ASTERISK INDICATES PAGES CHANGED OR ADDED BY THE CURRENT REVISION


BOEING
 757
PARTS CATALOG (MAINTENANCE)

CH-SECT-UNIT-FIG	PAGE NO.	DATE	CH-SECT-UNIT-FIG	PAGE NO.	DATE
29-11-51-32	0	MAY 28/07	29-11-51-35	9	JAN 20/09
29-11-51-32	0A	MAY 28/07	29-11-51-35	10	JAN 20/09
29-11-51-32	1	JAN 20/09	29-11-51-35	11	JAN 20/09
29-11-51-32	2	JAN 20/09	29-11-51-35	12	JAN 20/09
29-11-51-32	3	JAN 20/09	29-11-51-36	0	MAY 28/07
29-11-51-32	4	JAN 20/09	29-11-51-36	0A	MAY 28/07
29-11-51-32	5	JAN 20/09	29-11-51-36	0B	MAY 28/07
29-11-51-32	6	JAN 20/09	29-11-51-36	0C	MAY 28/07
29-11-51-32	7	JAN 20/09	29-11-51-36	0D	MAY 28/07
29-11-51-32	8	JAN 20/09	29-11-51-36	0E	MAY 28/07
29-11-51-32	9	JAN 20/09	29-11-51-36	0F	MAY 28/07
29-11-51-32	10	JAN 20/09	29-11-51-36	0G	MAY 28/07
29-11-51-32	11	JAN 20/09	29-11-51-36	0H	MAY 28/07
29-11-51-32	12	JAN 20/09	29-11-51-36	1	JAN 20/09
29-11-51-32	13	JAN 20/09	29-11-51-36	2	JAN 20/09
29-11-51-34	0	MAY 28/07	29-11-51-36	3	JAN 20/09
29-11-51-34	0A	MAY 28/07	29-11-51-36	4	JAN 20/09
29-11-51-34	0B	MAY 28/07	29-11-51-36	5	JAN 20/09
29-11-51-34	1	JAN 20/09	29-11-51-36	6	JAN 20/09
29-11-51-34	2	JAN 20/09	29-11-51-36	7	JAN 20/09
29-11-51-34	3	JAN 20/09	29-11-51-36	8	JAN 20/09
29-11-51-34	4	JAN 20/09	29-11-51-36	9	JAN 20/09
29-11-51-34	5	JAN 20/09	29-11-51-36	10	JAN 20/09
29-11-51-34	6	JAN 20/09	29-11-51-36	11	JAN 20/09
29-11-51-34	7	JAN 20/09	29-11-51-36	12	JAN 20/09
29-11-51-34	8	JAN 20/09	29-11-51-36	13	JAN 20/09
29-11-51-34	9	JAN 20/09	29-11-51-36	14	JAN 20/09
29-11-51-34	10	JAN 20/09	29-11-51-36	15	JAN 20/09
29-11-51-34	11	JAN 20/09	29-11-51-36	16	JAN 20/09
29-11-51-34	12	JAN 20/09	29-11-51-36	17	JAN 20/09
29-11-51-34	13	JAN 20/09	29-11-51-36	18	JAN 20/09
29-11-51-34	14	JAN 20/09	29-11-51-36	19	JAN 20/09
29-11-51-34	15	JAN 20/09	29-11-51-36	20	JAN 20/09
29-11-51-34	16	JAN 20/09	29-11-51-36	21	JAN 20/09
29-11-51-34	17	JAN 20/09	29-11-51-36	22	JAN 20/09
29-11-51-34	18	JAN 20/09	29-11-51-36	23	JAN 20/09
29-11-51-34	19	JAN 20/09	29-11-51-36	24	JAN 20/09
29-11-51-34	20	JAN 20/09	29-11-51-36	25	JAN 20/09
29-11-51-34	21	JAN 20/09	29-11-51-36	26	JAN 20/09
29-11-51-34	22	JAN 20/09	29-11-51-36	27	JAN 20/09
29-11-51-34	23	JAN 20/09	29-11-51-36	28	JAN 20/09
29-11-51-35	0	MAY 28/07	29-11-51-36	29	JAN 20/09
29-11-51-35	0A	MAY 28/07	29-11-51-36	30	JAN 20/09
29-11-51-35	1	JAN 20/09	29-11-51-36	31	JAN 20/09
29-11-51-35	2	JAN 20/09	29-11-51-36	32	JAN 20/09
29-11-51-35	3	JAN 20/09	29-11-51-36	33	JAN 20/09
29-11-51-35	4	JAN 20/09	29-11-51-36	34	JAN 20/09
29-11-51-35	5	JAN 20/09	29-11-51-36	35	JAN 20/09
29-11-51-35	6	JAN 20/09	29-11-51-36	36	JAN 20/09
29-11-51-35	7	JAN 20/09	29-11-51-36	37	JAN 20/09
29-11-51-35	8	JAN 20/09	29-11-51-36	38	JAN 20/09

* THE ASTERISK INDICATES PAGES CHANGED OR ADDED BY THE CURRENT REVISION



757
PARTS CATALOG (MAINTENANCE)

CH-SECT-UNIT-FIG	PAGE NO.	DATE	CH-SECT-UNIT-FIG	PAGE NO.	DATE
29-11-51-36	39	JAN 20/09	29-11-51-39	17	JAN 20/09
29-11-51-36	40	JAN 20/09	29-11-51-39	18	JAN 20/09
29-11-51-36	41	JAN 20/09	29-11-51-39	19	JAN 20/09
29-11-51-36	42	JAN 20/09	29-11-51-39	20	JAN 20/09
29-11-51-36	43	JAN 20/09	29-11-51-39	21	JAN 20/09
29-11-51-36	44	JAN 20/09	29-11-51-39	22	JAN 20/09
29-11-51-36	45	JAN 20/09	29-11-51-39	23	JAN 20/09
29-11-51-36	46	JAN 20/09	29-11-51-39	24	JAN 20/09
29-11-51-36	47	JAN 20/09	29-11-51-39	25	JAN 20/09
29-11-51-37	0	MAY 28/07	29-11-51-39	26	JAN 20/09
29-11-51-37	0A	MAY 28/07	29-11-51-39	27	JAN 20/09
29-11-51-37	1	JAN 20/09	29-11-51-39	28	JAN 20/09
29-11-51-37	2	JAN 20/09	29-11-51-39	29	JAN 20/09
29-11-51-37	3	JAN 20/09	*29-11-51-39	30	MAY 20/09
29-11-51-37	4	JAN 20/09	*29-11-51-39	31	MAY 20/09
29-11-51-37	5	JAN 20/09	*29-11-51-39	32	MAY 20/09
29-11-51-37	6	JAN 20/09	*29-11-51-39	33	MAY 20/09
29-11-51-37	7	JAN 20/09	29-11-51-39A	0	MAY 28/07
29-11-51-38	0	MAY 28/07	29-11-51-39A	0A	MAY 28/07
29-11-51-38	0A	MAY 28/07	29-11-51-39A	0B	MAY 28/07
29-11-51-38	1	JAN 20/09	29-11-51-39A	0C	MAY 28/07
29-11-51-38	2	JAN 20/09	29-11-51-39A	1	JAN 20/09
29-11-51-38	3	JAN 20/09	29-11-51-39A	2	JAN 20/09
29-11-51-38	4	JAN 20/09	29-11-51-39A	3	JAN 20/09
29-11-51-38	5	JAN 20/09	29-11-51-39A	4	JAN 20/09
29-11-51-38	6	JAN 20/09	29-11-51-39A	5	JAN 20/09
29-11-51-38	7	JAN 20/09	29-11-51-39A	6	JAN 20/09
29-11-51-38	8	JAN 20/09	29-11-51-39A	7	JAN 20/09
29-11-51-38	9	JAN 20/09	29-11-51-39A	8	JAN 20/09
29-11-51-38	10	JAN 20/09	29-11-51-39A	9	JAN 20/09
29-11-51-39	0	MAY 28/07	29-11-51-39A	10	JAN 20/09
29-11-51-39	0A	MAY 28/07	29-11-51-39A	11	JAN 20/09
29-11-51-39	0B	MAY 28/07	29-11-51-39A	12	JAN 20/09
29-11-51-39	0C	MAY 28/07	29-11-51-39A	13	JAN 20/09
29-11-51-39	0D	MAY 28/07	29-11-51-39A	14	JAN 20/09
29-11-51-39	1	JAN 20/09	29-11-51-39A	15	JAN 20/09
29-11-51-39	2	JAN 20/09	29-11-51-39A	16	JAN 20/09
29-11-51-39	3	JAN 20/09	29-11-51-39A	17	JAN 20/09
29-11-51-39	4	JAN 20/09	29-11-51-39A	18	JAN 20/09
29-11-51-39	5	JAN 20/09	29-11-51-39B	0	MAY 28/07
29-11-51-39	6	JAN 20/09	29-11-51-39B	0A	MAY 28/07
29-11-51-39	7	JAN 20/09	29-11-51-39B	1	JAN 20/09
29-11-51-39	8	JAN 20/09	29-11-51-39B	2	JAN 20/09
29-11-51-39	9	JAN 20/09	29-11-51-39B	3	JAN 20/09
29-11-51-39	10	JAN 20/09	29-11-51-39B	4	JAN 20/09
29-11-51-39	11	JAN 20/09	29-11-51-39B	5	JAN 20/09
29-11-51-39	12	JAN 20/09	29-11-51-39B	6	JAN 20/09
29-11-51-39	13	JAN 20/09	29-11-51-39B	7	JAN 20/09
29-11-51-39	14	JAN 20/09	29-11-51-39B	8	JAN 20/09
29-11-51-39	15	JAN 20/09	29-11-51-39B	9	JAN 20/09
29-11-51-39	16	JAN 20/09	29-11-51-39B	10	JAN 20/09

* THE ASTERISK INDICATES PAGES CHANGED OR ADDED BY THE CURRENT REVISION


BOEING
 757
PARTS CATALOG (MAINTENANCE)

CH-SECT-UNIT-FIG	PAGE NO.	DATE	CH-SECT-UNIT-FIG	PAGE NO.	DATE
29-11-51-39B	11	JAN 20/09	*29-11-51-45	11	MAY 20/09
29-11-51-39B	12	JAN 20/09	*29-11-51-45	12	MAY 20/09
29-11-51-39B	13	JAN 20/09	29-11-51-45	13	JAN 20/09
29-11-51-39D	0	JAN 20/09	29-11-51-45	14	JAN 20/09
29-11-51-39D	0A	JAN 20/09	*29-11-51-45	15	MAY 20/09
29-11-51-39D	0B	JAN 20/09	*29-11-51-45	16	MAY 20/09
29-11-51-39D	0C	JAN 20/09	*29-11-51-45	17	MAY 20/09
29-11-51-39D	1	JAN 20/09	*29-11-51-45	18	MAY 20/09
29-11-51-39D	2	JAN 20/09	*29-11-51-45	19	MAY 20/09
29-11-51-39D	3	JAN 20/09	*29-11-51-45	20	MAY 20/09
29-11-51-39D	4	JAN 20/09	*29-11-51-45	21	MAY 20/09
29-11-51-39D	5	JAN 20/09	*29-11-51-45	22	MAY 20/09
29-11-51-39D	6	JAN 20/09	*29-11-51-45	23	MAY 20/09
29-11-51-39D	7	JAN 20/09	*29-11-51-45	24	MAY 20/09
29-11-51-39D	8	JAN 20/09	*29-11-51-45	25	MAY 20/09
29-11-51-39E	0	JAN 20/09	*29-11-51-45	26	MAY 20/09
29-11-51-39E	0A	JAN 20/09	*29-11-51-45	27	MAY 20/09
29-11-51-39E	0B	JAN 20/09	*29-11-51-45	28	MAY 20/09
29-11-51-39E	1	JAN 20/09	29-11-51-46	0	MAY 28/07
29-11-51-39E	2	JAN 20/09	29-11-51-46	0A	MAY 28/07
29-11-51-39E	3	JAN 20/09	29-11-51-46	0B	MAY 28/07
29-11-51-39E	4	JAN 20/09	*29-11-51-46	0C	MAY 20/09
29-11-51-39E	5	JAN 20/09	29-11-51-46	0D	MAY 28/07
29-11-51-39E	6	JAN 20/09	29-11-51-46	1	JAN 20/09
29-11-51-39E	7	JAN 20/09	29-11-51-46	2	JAN 20/09
29-11-51-39E	8	JAN 20/09	29-11-51-46	3	JAN 20/09
29-11-51-40	0	MAY 28/07	29-11-51-46	4	JAN 20/09
29-11-51-40	1	JAN 20/09	29-11-51-46	5	JAN 20/09
29-11-51-40	2	JAN 20/09	29-11-51-46	6	JAN 20/09
29-11-51-40	3	JAN 20/09	29-11-51-46	7	JAN 20/09
29-11-51-40	4	JAN 20/09	29-11-51-46	8	JAN 20/09
29-11-51-40	5	JAN 20/09	29-11-51-46	9	JAN 20/09
29-11-51-40	6	JAN 20/09	29-11-51-46	10	JAN 20/09
29-11-51-40	7	JAN 20/09	29-11-51-46	11	JAN 20/09
29-11-51-41	0	MAY 28/07	29-11-51-46	12	JAN 20/09
29-11-51-41	1	JAN 20/09	29-11-51-46	13	JAN 20/09
29-11-51-41	2	JAN 20/09	29-11-51-46	14	JAN 20/09
29-11-51-45	0	MAY 28/07	29-11-51-46	15	JAN 20/09
29-11-51-45	0A	MAY 28/07	29-11-51-46	16	JAN 20/09
29-11-51-45	0B	MAY 28/07	29-11-51-46	17	JAN 20/09
*29-11-51-45	0C	MAY 20/09	29-11-51-46	18	JAN 20/09
29-11-51-45	1	JAN 20/09	29-11-51-46	19	JAN 20/09
29-11-51-45	2	JAN 20/09	29-11-51-46	20	JAN 20/09
29-11-51-45	3	JAN 20/09	29-11-51-46	21	JAN 20/09
29-11-51-45	4	JAN 20/09	29-11-51-46	22	JAN 20/09
29-11-51-45	5	JAN 20/09	29-11-51-46	23	JAN 20/09
29-11-51-45	6	JAN 20/09	29-11-51-46	24	JAN 20/09
29-11-51-45	7	JAN 20/09	29-11-51-46	25	JAN 20/09
*29-11-51-45	8	MAY 20/09	29-11-51-46	26	JAN 20/09
*29-11-51-45	9	MAY 20/09	29-11-51-46	27	JAN 20/09
*29-11-51-45	10	MAY 20/09	29-11-51-46	28	JAN 20/09

* THE ASTERISK INDICATES PAGES CHANGED OR ADDED BY THE CURRENT REVISION



757

PARTS CATALOG (MAINTENANCE)

CH-SECT-UNIT-FIG	PAGE NO.	DATE	CH-SECT-UNIT-FIG	PAGE NO.	DATE
29-11-51-46	29	JAN 20/09	29-11-51-48A	4	JAN 20/09
29-11-51-46	30	JAN 20/09	29-11-51-48A	5	JAN 20/09
29-11-51-46	31	JAN 20/09	29-11-51-48A	6	JAN 20/09
29-11-51-47	0	JAN 20/09	29-11-51-48A	7	JAN 20/09
29-11-51-47	0A	JAN 20/09	29-11-51-48A	8	JAN 20/09
29-11-51-47	1	JAN 20/09	29-11-51-48A	9	JAN 20/09
29-11-51-48	0	MAY 28/07	29-11-51-48A	10	JAN 20/09
29-11-51-48	0A	MAY 28/07	29-11-51-48A	11	JAN 20/09
29-11-51-48	0B	MAY 28/07	29-11-51-48A	12	JAN 20/09
29-11-51-48	0C	MAY 28/07	29-11-51-48A	13	JAN 20/09
29-11-51-48	0D	MAY 28/07	29-11-51-48A	14	JAN 20/09
29-11-51-48	0E	MAY 28/07	29-11-51-48A	15	JAN 20/09
29-11-51-48	0F	MAY 28/07	29-11-51-48A	16	JAN 20/09
29-11-51-48	0G	MAY 28/07	29-11-51-48A	17	JAN 20/09
29-11-51-48	1	JAN 20/09	29-11-51-48A	18	JAN 20/09
29-11-51-48	2	JAN 20/09	29-11-51-48B	0	MAY 28/07
29-11-51-48	3	JAN 20/09	29-11-51-48B	0A	MAY 28/07
29-11-51-48	4	JAN 20/09	29-11-51-48B	1	JAN 20/09
29-11-51-48	5	JAN 20/09	29-11-51-48B	2	JAN 20/09
29-11-51-48	6	JAN 20/09	29-11-51-48B	3	JAN 20/09
29-11-51-48	7	JAN 20/09	29-11-51-48B	4	JAN 20/09
29-11-51-48	8	JAN 20/09	29-11-51-50	0	JAN 20/09
29-11-51-48	9	JAN 20/09	29-11-51-50	0A	JAN 20/09
29-11-51-48	10	JAN 20/09	29-11-51-50	0B	JAN 20/09
29-11-51-48	11	JAN 20/09	29-11-51-50	1	JAN 20/09
29-11-51-48	12	JAN 20/09	29-11-51-50	2	JAN 20/09
29-11-51-48	13	JAN 20/09	29-11-51-50	3	JAN 20/09
29-11-51-48	14	JAN 20/09	29-11-51-50	4	JAN 20/09
29-11-51-48	15	JAN 20/09	29-11-51-50	5	JAN 20/09
29-11-51-48	16	JAN 20/09	29-11-51-50	6	JAN 20/09
29-11-51-48	17	JAN 20/09	29-11-51-50	7	JAN 20/09
29-11-51-48	18	JAN 20/09	29-11-51-51	0	MAY 28/07
29-11-51-48	19	JAN 20/09	29-11-51-51	1	JAN 20/09
29-11-51-48	20	JAN 20/09	29-11-51-51	2	JAN 20/09
29-11-51-48	21	JAN 20/09	29-11-51-52	0	MAY 28/07
29-11-51-48	22	JAN 20/09	29-11-51-52	0A	MAY 28/07
29-11-51-48	23	JAN 20/09	29-11-51-52	1	JAN 20/09
29-11-51-48	24	JAN 20/09	29-11-51-52	2	JAN 20/09
29-11-51-48	25	JAN 20/09	29-11-51-52	3	JAN 20/09
29-11-51-48	26	JAN 20/09	29-11-51-52	4	JAN 20/09
29-11-51-48	27	JAN 20/09	29-11-51-52	5	JAN 20/09
29-11-51-48	28	JAN 20/09	29-11-51-52	6	JAN 20/09
29-11-51-48A	0	MAY 28/07	29-11-51-55	0	MAY 28/07
29-11-51-48A	0A	MAY 28/07	29-11-51-55	0A	MAY 28/07
29-11-51-48A	0B	MAY 28/07	29-11-51-55	1	JAN 20/09
29-11-51-48A	0C	MAY 28/07	29-11-51-55	2	JAN 20/09
29-11-51-48A	0D	MAY 28/07	29-11-51-55	3	JAN 20/09
29-11-51-48A	0E	MAY 28/07	29-11-51-55	4	JAN 20/09
29-11-51-48A	1	JAN 20/09	29-11-51-55	5	JAN 20/09
29-11-51-48A	2	JAN 20/09	29-11-51-57	0	JAN 20/09
29-11-51-48A	3	JAN 20/09	29-11-51-57	0A	JAN 20/09

* THE ASTERISK INDICATES PAGES CHANGED OR ADDED BY THE CURRENT REVISION



757

PARTS CATALOG (MAINTENANCE)

CH-SECT-UNIT-FIG	PAGE NO.	DATE	CH-SECT-UNIT-FIG	PAGE NO.	DATE
29-11-51-57	0B	JAN 20/09	29-11-51-63	2	JAN 20/09
29-11-51-57	0C	JAN 20/09	29-11-51-63	3	JAN 20/09
29-11-51-57	1	JAN 20/09	29-11-51-63	4	JAN 20/09
29-11-51-57	2	JAN 20/09	29-11-51-63	5	JAN 20/09
29-11-51-57	3	JAN 20/09	*29-11-51-63	6	MAY 20/09
29-11-51-57	4	JAN 20/09	29-11-51-63	7	JAN 20/09
29-11-51-57	5	JAN 20/09	29-11-51-63	8	JAN 20/09
29-11-51-58	0	MAY 28/07	29-11-51-63	9	JAN 20/09
29-11-51-58	0A	MAY 28/07	29-11-51-63	10	JAN 20/09
29-11-51-58	1	JAN 20/09	29-11-51-64	0	MAY 28/07
29-11-51-58	2	JAN 20/09	29-11-51-64	0A	MAY 28/07
29-11-51-59	0	MAY 28/07	29-11-51-64	0B	MAY 28/07
29-11-51-59	0A	MAY 28/07	29-11-51-64	0C	MAY 28/07
29-11-51-59	1	JAN 20/09	29-11-51-64	0D	MAY 28/07
29-11-51-59	2	JAN 20/09	29-11-51-64	1	JAN 20/09
29-11-51-59	3	JAN 20/09	29-11-51-64	2	JAN 20/09
29-11-51-60	0	MAY 28/07	29-11-51-64	3	JAN 20/09
29-11-51-60	1	JAN 20/09	29-11-51-64	4	JAN 20/09
29-11-51-60	2	JAN 20/09	29-11-51-64	5	JAN 20/09
29-11-51-60	3	JAN 20/09	29-11-51-64	6	JAN 20/09
29-11-51-61	0	MAY 28/07	29-11-51-64	7	JAN 20/09
29-11-51-61	0A	MAY 28/07	29-11-51-64	8	JAN 20/09
29-11-51-61	0B	MAY 28/07	29-11-51-65	0	MAY 28/07
29-11-51-61	0C	MAY 28/07	29-11-51-65	1	JAN 20/09
29-11-51-61	0D	MAY 28/07	29-11-51-67	0	MAY 28/07
29-11-51-61	0E	MAY 28/07	29-11-51-67	0A	MAY 28/07
29-11-51-61	1	JAN 20/09	29-11-51-67	0B	MAY 28/07
29-11-51-61	2	JAN 20/09	29-11-51-67	0C	MAY 28/07
29-11-51-61	3	JAN 20/09	29-11-51-67	1	JAN 20/09
29-11-51-61	4	JAN 20/09	29-11-51-67	2	JAN 20/09
29-11-51-61	5	JAN 20/09	29-11-51-67	3	JAN 20/09
29-11-51-61	6	JAN 20/09	29-11-51-67	4	JAN 20/09
29-11-51-61	7	JAN 20/09	29-11-51-67	5	JAN 20/09
29-11-51-61	8	JAN 20/09	29-11-51-67	6	JAN 20/09
29-11-51-61	9	JAN 20/09	29-11-51-67	7	JAN 20/09
29-11-51-61	10	JAN 20/09	29-11-51-68	0	MAY 28/07
29-11-51-61	11	JAN 20/09	29-11-51-68	0A	MAY 28/07
29-11-51-61	12	JAN 20/09	29-11-51-68	0B	MAY 28/07
29-11-51-61	13	JAN 20/09	29-11-51-68	0C	MAY 28/07
29-11-51-61	14	JAN 20/09	29-11-51-68	0D	MAY 28/07
29-11-51-61	15	JAN 20/09	29-11-51-68	0E	MAY 28/07
29-11-51-61	16	JAN 20/09	29-11-51-68	0F	MAY 28/07
29-11-51-61	17	JAN 20/09	29-11-51-68	0G	MAY 28/07
29-11-51-61	18	JAN 20/09	29-11-51-68	0H	MAY 28/07
29-11-51-61	19	JAN 20/09	29-11-51-68	0I	MAY 28/07
29-11-51-61	20	JAN 20/09	29-11-51-68	0J	MAY 28/07
29-11-51-61	21	JAN 20/09	29-11-51-68	0K	MAY 28/07
29-11-51-61	22	JAN 20/09	29-11-51-68	1	JAN 20/09
29-11-51-63	0	JAN 20/09	29-11-51-68	2	JAN 20/09
29-11-51-63	0A	MAY 28/07	29-11-51-68	3	JAN 20/09
29-11-51-63	1	JAN 20/09	29-11-51-68	4	JAN 20/09

* THE ASTERISK INDICATES PAGES CHANGED OR ADDED BY THE CURRENT REVISION



757

PARTS CATALOG (MAINTENANCE)

CH-SECT-UNIT-FIG	PAGE NO.	DATE
29-11-51-68	5	JAN 20/09
29-11-51-68	6	JAN 20/09
29-11-51-68	7	JAN 20/09
29-11-51-68	8	JAN 20/09
29-11-51-68	9	JAN 20/09
29-11-51-68	10	JAN 20/09
29-11-51-68	11	JAN 20/09
29-11-51-68	12	JAN 20/09
29-11-51-68	13	JAN 20/09
29-11-51-68	14	JAN 20/09
29-11-51-68	15	JAN 20/09
29-11-51-68	16	JAN 20/09
29-11-51-68	17	JAN 20/09
29-11-51-68	18	JAN 20/09
29-11-51-68	19	JAN 20/09
29-11-51-68	20	JAN 20/09
29-11-51-68	21	JAN 20/09
29-11-51-68	22	JAN 20/09
29-11-51-68	23	JAN 20/09
29-11-51-68	24	JAN 20/09
29-11-51-68	25	JAN 20/09
29-11-51-68	26	JAN 20/09
29-11-51-68	27	JAN 20/09
29-11-51-68	28	JAN 20/09
29-11-51-68	29	JAN 20/09
29-11-51-68	30	JAN 20/09
29-11-51-69	0	MAY 28/07
29-11-51-69	1	JAN 20/09
29-11-51-70A	0	MAY 28/07
29-11-51-70A	1	JAN 20/09
29-11-51-70A	2	JAN 20/09
29-11-51-70B	0	JAN 20/09
29-11-51-70B	1	JAN 20/09
29-11-51-70B	2	JAN 20/09
29-11-51-71	0	MAY 28/07
29-11-51-71	0A	MAY 28/07
29-11-51-71	1	JAN 20/09
29-11-51-71	2	JAN 20/09
29-11-51-71	3	JAN 20/09
29-11-51-71	4	JAN 20/09
29-11-51-71	5	JAN 20/09
29-11-51-71	6	JAN 20/09
29-11-51-71	7	JAN 20/09
29-11-51-71	8	JAN 20/09
29-11-51-71	9	JAN 20/09
29-11-51-73	0	MAY 28/07
29-11-51-73	0A	MAY 28/07
*29-11-51-73	0B	MAY 20/09
29-11-51-73	1	JAN 20/09
29-11-51-73	2	JAN 20/09
29-11-51-73	3	JAN 20/09

CH-SECT-UNIT-FIG	PAGE NO.	DATE
29-11-51-73	4	JAN 20/09
29-11-51-73	5	JAN 20/09
29-11-51-73	6	JAN 20/09
29-11-51-73	7	JAN 20/09
29-11-51-73	8	JAN 20/09
29-11-51-73	9	JAN 20/09
29-11-51-73	10	JAN 20/09
29-11-51-73	11	JAN 20/09
29-11-51-73	12	JAN 20/09
29-11-51-75	0	MAY 28/07
29-11-51-75	1	JAN 20/09
29-11-51-77	0	JAN 20/09
29-11-51-77	0A	JAN 20/09
29-11-51-77	1	JAN 20/09
29-11-51-78	0	MAY 28/07
29-11-51-78	0A	MAY 28/07
29-11-51-78	0B	JAN 20/09
29-11-51-78	0C	MAY 28/07
29-11-51-78	0D	MAY 28/07
29-11-51-78	0E	MAY 28/07
29-11-51-78	0F	MAY 28/07
29-11-51-78	0G	MAY 28/07
29-11-51-78	1	JAN 20/09
29-11-51-78	2	JAN 20/09
29-11-51-78	3	JAN 20/09
29-11-51-78	4	JAN 20/09
29-11-51-78	5	JAN 20/09
29-11-51-78	6	JAN 20/09
29-11-51-78	7	JAN 20/09
29-11-51-78	8	JAN 20/09
29-11-51-78	9	JAN 20/09
29-11-51-78	10	JAN 20/09
29-11-51-78	11	JAN 20/09
29-11-51-78	12	JAN 20/09
29-11-51-78	13	JAN 20/09
29-11-51-78	14	JAN 20/09
29-11-51-78	15	JAN 20/09
29-11-51-78	16	JAN 20/09
29-11-51-78	17	JAN 20/09
29-11-51-79	0	JAN 20/09
29-11-51-79	1	JAN 20/09
29-11-51-79	2	JAN 20/09
29-11-51-81	0	MAY 28/07
29-11-51-81	0A	MAY 28/07
29-11-51-81	1	JAN 20/09
29-11-51-81	2	JAN 20/09
29-11-51-83	0	JAN 20/09
29-11-51-83	1	JAN 20/09
29-11-51-84	0	MAY 28/07
29-11-51-84	1	JAN 20/09
29-11-51-84	2	JAN 20/09

* THE ASTERISK INDICATES PAGES CHANGED OR ADDED BY THE CURRENT REVISION



757

PARTS CATALOG (MAINTENANCE)

CH-SECT-UNIT-FIG	PAGE NO.	DATE	CH-SECT-UNIT-FIG	PAGE NO.	DATE
29-11-51-85	0	MAY 28/07	29-11-51-92	9	JAN 20/09
29-11-51-85	1	JAN 20/09	29-11-51-92	10	JAN 20/09
29-11-51-85	2	JAN 20/09	29-11-51-92	11	JAN 20/09
29-11-51-85	3	JAN 20/09	29-11-51-92	12	JAN 20/09
29-11-51-86A	0	JAN 20/09	29-11-51-92	13	JAN 20/09
29-11-51-86A	0A	JAN 20/09	*29-11-51-92	14	MAY 20/09
29-11-51-86A	1	JAN 20/09	29-11-51-92	15	JAN 20/09
29-11-51-86A	2	JAN 20/09	29-11-51-92	16	JAN 20/09
29-11-51-86A	3	JAN 20/09	29-11-51-92	17	JAN 20/09
29-11-51-86A	4	JAN 20/09	*29-11-51-92	18	MAY 20/09
29-11-51-87	0	MAY 28/07	29-11-51-92	19	JAN 20/09
29-11-51-87	1	JAN 20/09	29-11-51-92	20	JAN 20/09
29-11-51-87	2	JAN 20/09	29-11-51-93	0	JAN 20/09
29-11-51-87	3	JAN 20/09	29-11-51-93	0A	JAN 20/09
29-11-51-87	4	JAN 20/09	29-11-51-93	1	JAN 20/09
29-11-51-88	0	JAN 20/09	29-11-51-93	2	JAN 20/09
29-11-51-88	1	JAN 20/09	29-11-51-93	3	JAN 20/09
29-11-51-88	2	JAN 20/09	29-11-51-93	4	JAN 20/09
29-11-51-88	3	JAN 20/09	29-11-51-93	5	JAN 20/09
29-11-51-88	4	JAN 20/09	29-11-51-94	0	MAY 28/07
29-11-51-89	0	MAY 28/07	29-11-51-94	0A	MAY 28/07
29-11-51-89	0A	MAY 28/07	29-11-51-94	0B	MAY 28/07
29-11-51-89	0B	MAY 28/07	29-11-51-94	0C	MAY 28/07
29-11-51-89	0C	MAY 28/07	29-11-51-94	0D	MAY 28/07
29-11-51-89	1	JAN 20/09	29-11-51-94	0E	MAY 28/07
29-11-51-89	2	JAN 20/09	29-11-51-94	0F	MAY 28/07
29-11-51-89	3	JAN 20/09	29-11-51-94	0G	MAY 28/07
29-11-51-89	4	JAN 20/09	29-11-51-94	0H	MAY 28/07
*29-11-51-90	0	MAY 20/09	29-11-51-94	1	JAN 20/09
29-11-51-90	1	JAN 20/09	29-11-51-94	2	JAN 20/09
29-11-51-90	2	JAN 20/09	29-11-51-94	3	JAN 20/09
29-11-51-91	0	MAY 28/07	29-11-51-94	4	JAN 20/09
29-11-51-91	1	JAN 20/09	29-11-51-94	5	JAN 20/09
29-11-51-91	2	JAN 20/09	29-11-51-94	6	JAN 20/09
29-11-51-91	3	JAN 20/09	29-11-51-94	7	JAN 20/09
29-11-51-91	4	JAN 20/09	29-11-51-94	8	JAN 20/09
29-11-51-91	5	JAN 20/09	29-11-51-94	9	JAN 20/09
29-11-51-92	0	MAY 28/07	29-11-51-94	10	JAN 20/09
29-11-51-92	0A	MAY 28/07	29-11-51-94	11	JAN 20/09
29-11-51-92	0B	MAY 28/07	29-11-51-94	12	JAN 20/09
29-11-51-92	0C	MAY 28/07	29-11-51-94	13	JAN 20/09
*29-11-51-92	0D	MAY 20/09	29-11-51-94	14	JAN 20/09
*29-11-51-92	0E	MAY 20/09	*29-11-51-94	15	MAY 20/09
29-11-51-92	1	JAN 20/09	29-11-51-94	16	JAN 20/09
29-11-51-92	2	JAN 20/09	29-11-51-94	17	JAN 20/09
29-11-51-92	3	JAN 20/09	29-11-51-94	18	JAN 20/09
29-11-51-92	4	JAN 20/09	29-11-51-94	19	JAN 20/09
29-11-51-92	5	JAN 20/09	29-11-51-94	20	JAN 20/09
29-11-51-92	6	JAN 20/09	29-11-51-94	21	JAN 20/09
29-11-51-92	7	JAN 20/09	29-11-51-94	22	JAN 20/09
29-11-51-92	8	JAN 20/09	29-11-51-94	23	JAN 20/09

* THE ASTERISK INDICATES PAGES CHANGED OR ADDED BY THE CURRENT REVISION



757

PARTS CATALOG (MAINTENANCE)

CH-SECT-UNIT-FIG	PAGE NO.	DATE	CH-SECT-UNIT-FIG	PAGE NO.	DATE
29-11-51-94	24	JAN 20/09	29-11-52- 6	14	JAN 20/09
29-11-51-94	25	JAN 20/09	29-11-52- 7	0	MAY 28/07
29-11-51-94	26	JAN 20/09	29-11-52- 7	1	JAN 20/09
29-11-51-94	27	JAN 20/09	29-11-52- 7	2	JAN 20/09
29-11-51-94	28	JAN 20/09	29-11-52- 7	3	JAN 20/09
29-11-51-94	29	JAN 20/09	29-11-52- 7	4	JAN 20/09
29-11-51-94	30	JAN 20/09	29-11-52- 7	5	JAN 20/09
29-11-51-94	31	JAN 20/09	29-11-52- 7	6	JAN 20/09
29-11-51-94	32	JAN 20/09	29-11-52- 7	7	JAN 20/09
29-11-51-95	0	MAY 28/07	29-11-52- 7	8	JAN 20/09
29-11-51-95	0A	MAY 28/07	29-11-52- 7	9	JAN 20/09
29-11-51-95	0B	MAY 28/07	29-11-52-14	0	MAY 28/07
29-11-51-95	1	JAN 20/09	29-11-52-14	1	JAN 20/09
29-11-51-95	2	JAN 20/09	29-11-52-14	2	JAN 20/09
29-11-51-95	3	JAN 20/09	29-11-52-18	0	MAY 28/07
29-11-51-95	4	JAN 20/09	29-11-52-18	1	JAN 20/09
29-11-51-95	5	JAN 20/09	29-11-52-18	2	JAN 20/09
29-11-51-96	0	MAY 28/07	29-11-52-20	0	MAY 28/07
29-11-51-96	1	JAN 20/09	29-11-52-20	0A	MAY 28/07
29-11-51-96	2	JAN 20/09	29-11-52-20	0B	MAY 28/07
29-11-51-98	0	MAY 28/07	29-11-52-20	1	JAN 20/09
29-11-51-98	1	JAN 20/09	29-11-52-20	2	JAN 20/09
29-11-51-98	2	JAN 20/09	29-11-52-20	3	JAN 20/09
29-11-52- 1	0	MAY 28/07	29-11-52-20	4	JAN 20/09
29-11-52- 1	1	JAN 20/09	29-11-52-20	5	JAN 20/09
29-11-52- 1	2	JAN 20/09	29-11-52-20	6	JAN 20/09
29-11-52- 1	3	JAN 20/09	29-11-52-22	0	MAY 28/07
29-11-52- 1	4	JAN 20/09	29-11-52-22	0A	MAY 28/07
29-11-52- 1	5	JAN 20/09	29-11-52-22	0B	MAY 28/07
29-11-52- 1	6	JAN 20/09	29-11-52-22	0C	MAY 28/07
29-11-52- 2	0	MAY 28/07	29-11-52-22	1	JAN 20/09
29-11-52- 2	1	JAN 20/09	29-11-52-22	2	JAN 20/09
29-11-52- 2	2	JAN 20/09	29-11-52-22	3	JAN 20/09
29-11-52- 2	3	JAN 20/09	29-11-52-22	4	JAN 20/09
29-11-52- 6	0	MAY 28/07	29-11-52-22	5	JAN 20/09
29-11-52- 6	0A	MAY 28/07	29-11-52-22	6	JAN 20/09
*29-11-52- 6	0B	MAY 20/09	29-11-52-22	7	JAN 20/09
29-11-52- 6	0C	MAY 28/07	29-11-52-22	8	JAN 20/09
29-11-52- 6	1	JAN 20/09	29-11-52-22	9	JAN 20/09
29-11-52- 6	2	JAN 20/09	29-11-52-22	10	JAN 20/09
29-11-52- 6	3	JAN 20/09	29-11-52-22	11	JAN 20/09
29-11-52- 6	4	JAN 20/09	29-11-52-22	12	JAN 20/09
29-11-52- 6	5	JAN 20/09	29-11-52-22	13	JAN 20/09
29-11-52- 6	6	JAN 20/09	29-11-52-22	14	JAN 20/09
29-11-52- 6	7	JAN 20/09	29-11-52-22	15	JAN 20/09
29-11-52- 6	8	JAN 20/09	29-11-52-22	16	JAN 20/09
29-11-52- 6	9	JAN 20/09	29-11-52-22	17	JAN 20/09
29-11-52- 6	10	JAN 20/09	29-11-52-27	0	MAY 28/07
29-11-52- 6	11	JAN 20/09	29-11-52-27	0A	MAY 28/07
29-11-52- 6	12	JAN 20/09	29-11-52-27	1	JAN 20/09
29-11-52- 6	13	JAN 20/09	29-11-52-27	2	JAN 20/09

* THE ASTERISK INDICATES PAGES CHANGED OR ADDED BY THE CURRENT REVISION



757

PARTS CATALOG (MAINTENANCE)

CH-SECT-UNIT-FIG	PAGE NO.	DATE	CH-SECT-UNIT-FIG	PAGE NO.	DATE
29-11-52-27	3	JAN 20/09	29-11-56- 1	1	JAN 20/09
29-11-52-27	4	JAN 20/09	29-11-56- 1	2	JAN 20/09
29-11-52-27	5	JAN 20/09	29-11-56- 1	3	JAN 20/09
29-11-52-27	6	JAN 20/09	29-11-56- 1	4	JAN 20/09
29-11-52-27	7	JAN 20/09	29-11-56- 1	5	JAN 20/09
29-11-52-27	8	JAN 20/09	29-11-56- 1	6	JAN 20/09
29-11-53- 1	0	MAY 28/07	29-11-56- 1	7	JAN 20/09
29-11-53- 1	1	JAN 20/09	29-11-56- 1	8	JAN 20/09
29-11-53- 1	2	JAN 20/09	29-11-56- 1	9	JAN 20/09
29-11-54- 1	0	MAY 28/07	29-11-56- 1	10	JAN 20/09
29-11-54- 1	1	JAN 20/09	29-11-56- 1	11	JAN 20/09
29-11-54- 1	2	JAN 20/09	29-11-56- 1	12	JAN 20/09
*29-11-54- 1	3	MAY 20/09	29-11-56- 1	13	JAN 20/09
*29-11-54- 1	4	MAY 20/09	29-11-56- 1	14	JAN 20/09
29-11-55- 1	0	MAY 28/07	29-11-56- 1	15	JAN 20/09
29-11-55- 1	0A	MAY 28/07	29-11-56- 1	16	JAN 20/09
29-11-55- 1	1	JAN 20/09	29-11-56- 1	17	JAN 20/09
29-11-55- 1	2	JAN 20/09	29-11-56- 1	18	JAN 20/09
29-11-55- 1	3	JAN 20/09	29-11-56- 1	19	JAN 20/09
29-11-55- 1	4	JAN 20/09	29-11-56- 1	20	JAN 20/09
29-11-55- 1	5	JAN 20/09	29-11-56- 1	21	JAN 20/09
29-11-55- 1	6	JAN 20/09	29-11-56- 1	22	JAN 20/09
29-11-55- 1	7	JAN 20/09	29-11-56- 1	23	JAN 20/09
29-11-55- 1	8	JAN 20/09	29-11-56- 1	24	JAN 20/09
29-11-55- 1	9	JAN 20/09	29-11-56- 1	25	JAN 20/09
29-11-55- 1A	0	MAY 28/07	29-11-56- 1	26	JAN 20/09
29-11-55- 1A	0A	MAY 28/07	29-11-56- 1	27	JAN 20/09
29-11-55- 1A	0B	MAY 28/07	29-11-56- 1	28	JAN 20/09
29-11-55- 1A	0C	MAY 28/07	29-11-56- 1	29	JAN 20/09
29-11-55- 1A	0D	MAY 28/07	29-11-56-51	0	MAY 28/07
29-11-55- 1A	0E	MAY 28/07	29-11-56-51	1	SEP 20/08
29-11-55- 1A	1	JAN 20/09	29-11-56-51	2	SEP 20/08
29-11-55- 1A	2	JAN 20/09	29-11-56-51A	0	MAY 28/07
29-11-55- 1A	3	JAN 20/09	29-11-56-51A	1	SEP 20/08
29-11-55- 1A	4	JAN 20/09	29-11-58- 1	0	MAY 28/07
29-11-55- 1A	5	JAN 20/09	29-11-58- 1	1	JAN 20/09
29-11-55- 1A	6	JAN 20/09	29-11-58- 1	2	JAN 20/09
29-11-55- 1A	7	JAN 20/09	29-11-58- 1	3	JAN 20/09
29-11-55- 1A	8	JAN 20/09	29-11-59- 1	0	MAY 28/07
29-11-55- 1A	9	JAN 20/09	29-11-59- 1	1	JAN 20/09
29-11-55- 1A	10	JAN 20/09	29-11-59- 1	2	JAN 20/09
29-11-55- 1A	11	JAN 20/09	29-11-60- 1	0	MAY 28/07
29-11-55- 1A	12	JAN 20/09	29-11-60- 1	1	JAN 20/09
29-11-55- 1A	13	JAN 20/09	29-11-60- 1	2	JAN 20/09
29-11-56- 1	0	MAY 28/07	29-11-60- 1	0	MAY 28/07
29-11-56- 1	0A	MAY 28/07	29-11-67- 1	0A	MAY 28/07
29-11-56- 1	0B	MAY 28/07	29-11-67- 1	1	JAN 20/09
29-11-56- 1	0C	MAY 28/07	29-11-67- 1	2	JAN 20/09
29-11-56- 1	0D	MAY 28/07	29-11-67- 1	3	JAN 20/09
29-11-56- 1	0E	MAY 28/07	29-11-67- 1	4	JAN 20/09
29-11-56- 1	0F	MAY 28/07	29-11-67- 1	5	JAN 20/09

* THE ASTERISK INDICATES PAGES CHANGED OR ADDED BY THE CURRENT REVISION


BOEING
 757
PARTS CATALOG (MAINTENANCE)

CH-SECT-UNIT-FIG	PAGE NO.	DATE	CH-SECT-UNIT-FIG	PAGE NO.	DATE
29-11-67- 1	6	JAN 20/09	29-11-71- 3C	3	JAN 20/09
29-11-67- 1	7	JAN 20/09	29-11-71- 3C	4	JAN 20/09
29-11-67- 1	8	JAN 20/09	29-11-71- 3C	5	JAN 20/09
29-11-67- 1	9	JAN 20/09	29-11-71- 3C	6	JAN 20/09
29-11-67- 1A	0	MAY 28/07	29-11-71- 3C	7	JAN 20/09
29-11-67- 1A	0A	MAY 28/07	29-11-71- 3C	8	JAN 20/09
29-11-67- 1A	1	JAN 20/09	29-11-75- 2	0	MAY 28/07
29-11-67- 1A	2	JAN 20/09	29-11-75- 2	0A	MAY 28/07
29-11-67- 1A	3	JAN 20/09	29-11-75- 2	0B	MAY 28/07
29-11-67- 1A	4	JAN 20/09	29-11-75- 2	1	JAN 20/09
29-11-67- 1A	5	JAN 20/09	29-11-75- 2	2	JAN 20/09
29-11-67- 1A	6	JAN 20/09	29-11-75- 2	3	JAN 20/09
29-11-71- 1	0	MAY 28/07	29-11-75- 2	4	JAN 20/09
29-11-71- 1	1	JAN 20/09	29-11-75- 2	5	JAN 20/09
29-11-71- 1	2	JAN 20/09	29-11-75- 2	6	JAN 20/09
29-11-71- 1	3	JAN 20/09	29-11-75- 2	7	JAN 20/09
29-11-71- 1	4	JAN 20/09	29-11-75- 2	8	JAN 20/09
29-11-71- 1A	0	MAY 28/07	29-11-75- 2	9	JAN 20/09
29-11-71- 1A	1	JAN 20/09	29-11-75- 2	10	JAN 20/09
29-11-71- 1A	2	JAN 20/09	29-11-75- 2	11	JAN 20/09
29-11-71- 1A	3	JAN 20/09	29-11-75- 2	12	JAN 20/09
29-11-71- 1A	4	JAN 20/09	29-11-75- 2	13	JAN 20/09
29-11-71- 1B	0	JAN 20/09	29-11-75- 2	14	JAN 20/09
29-11-71- 1B	1	JAN 20/09	29-11-75- 2	15	JAN 20/09
29-11-71- 1B	2	JAN 20/09	29-11-75- 2	16	JAN 20/09
29-11-71- 1B	3	JAN 20/09	29-11-75- 2	17	JAN 20/09
29-11-71- 3	0	MAY 28/07	29-11-75- 2	18	JAN 20/09
29-11-71- 3	1	JAN 20/09	29-11-75- 2	19	JAN 20/09
29-11-71- 3	2	JAN 20/09	29-11-75- 2	20	JAN 20/09
29-11-71- 3	3	JAN 20/09	29-11-75- 2	21	JAN 20/09
29-11-71- 3	4	JAN 20/09	29-11-75- 2	22	JAN 20/09
29-11-71- 3	5	JAN 20/09	29-11-75- 2	23	JAN 20/09
29-11-71- 3	6	JAN 20/09	*29-11-75- 2	24	MAY 20/09
29-11-71- 3	7	JAN 20/09	*29-11-75- 2	25	MAY 20/09
29-11-71- 3	8	JAN 20/09	29-11-84- 1	0	MAY 28/07
29-11-71- 3	9	JAN 20/09	29-11-84- 1	0A	MAY 28/07
29-11-71- 3	10	JAN 20/09	29-11-84- 1	0B	MAY 28/07
29-11-71- 3A	0	MAY 28/07	29-11-84- 1	0C	MAY 28/07
29-11-71- 3A	0A	MAY 28/07	29-11-84- 1	0D	MAY 28/07
29-11-71- 3A	1	JAN 20/09	29-11-84- 1	1	JAN 20/09
29-11-71- 3A	2	JAN 20/09	29-11-84- 1	2	JAN 20/09
29-11-71- 3A	3	JAN 20/09	29-11-84- 1	3	JAN 20/09
29-11-71- 3A	4	JAN 20/09	29-11-84- 1	4	JAN 20/09
29-11-71- 3A	5	JAN 20/09	29-11-84- 1	5	JAN 20/09
29-11-71- 3A	6	JAN 20/09	29-11-84- 1	6	JAN 20/09
29-11-71- 3A	7	JAN 20/09	29-11-84- 1	7	JAN 20/09
29-11-71- 3A	8	JAN 20/09	29-11-84- 1	8	JAN 20/09
29-11-71- 3C	0	JAN 20/09	29-11-84- 2	0	MAY 28/07
29-11-71- 3C	0A	JAN 20/09	29-11-84- 2	1	JAN 20/09
29-11-71- 3C	1	JAN 20/09	29-11-84- 2	2	JAN 20/09
29-11-71- 3C	2	JAN 20/09	29-11-84- 2	3	JAN 20/09

* THE ASTERISK INDICATES PAGES CHANGED OR ADDED BY THE CURRENT REVISION



757

PARTS CATALOG (MAINTENANCE)

CH-SECT-UNIT-FIG	PAGE NO.	DATE	CH-SECT-UNIT-FIG	PAGE NO.	DATE
29-11-84- 2	4	JAN 20/09	29-11-84- 6A	10	JAN 20/09
29-11-84- 3	0	MAY 28/07	29-11-84- 6A	11	JAN 20/09
29-11-84- 3	0A	MAY 28/07	29-11-84- 6A	12	JAN 20/09
29-11-84- 3	0B	MAY 28/07	29-11-84- 6A	13	JAN 20/09
29-11-84- 3	0C	MAY 28/07	29-11-84- 6A	14	JAN 20/09
29-11-84- 3	0D	MAY 28/07	29-11-84- 6A	15	JAN 20/09
29-11-84- 3	0E	MAY 28/07	29-11-84- 6A	16	JAN 20/09
29-11-84- 3	1	JAN 20/09	29-11-84- 6A	17	JAN 20/09
29-11-84- 3	2	JAN 20/09	29-11-84- 6A	18	JAN 20/09
29-11-84- 3	3	JAN 20/09	29-11-84- 6A	19	JAN 20/09
29-11-84- 3	4	JAN 20/09	29-11-84- 6A	20	JAN 20/09
29-11-84- 3	5	JAN 20/09	29-11-84- 6A	21	JAN 20/09
29-11-84- 3	6	JAN 20/09	29-11-84- 6A	22	JAN 20/09
29-11-84- 3	7	JAN 20/09	29-11-84- 6A	23	JAN 20/09
29-11-84- 5	0	MAY 28/07	29-11-84- 6A	24	JAN 20/09
29-11-84- 5	1	JAN 20/09	29-11-84- 6A	25	JAN 20/09
29-11-84- 5	2	JAN 20/09	29-11-90- 1	0	MAY 28/07
29-11-84- 6	0	MAY 28/07	29-11-90- 1	1	JAN 20/09
29-11-84- 6	0A	MAY 28/07	29-11-90- 1	2	JAN 20/09
29-11-84- 6	0B	MAY 28/07	29-18-00	1	MAY 28/07
29-11-84- 6	0C	MAY 28/07	29-18-01- 1	0	MAY 28/07
29-11-84- 6	0D	MAY 28/07	29-18-01- 1	1	JAN 20/09
29-11-84- 6	0E	MAY 28/07	29-18-01- 1	2	JAN 20/09
29-11-84- 6	1	JAN 20/09	29-18-01- 1	3	JAN 20/09
29-11-84- 6	2	JAN 20/09	29-18-01- 1	4	JAN 20/09
29-11-84- 6	3	JAN 20/09	29-18-01- 2	0	MAY 28/07
29-11-84- 6	4	JAN 20/09	29-18-01- 2	0A	MAY 28/07
29-11-84- 6	5	JAN 20/09	29-18-01- 2	0B	MAY 28/07
29-11-84- 6	6	JAN 20/09	29-18-01- 2	0C	MAY 28/07
29-11-84- 6	7	JAN 20/09	29-18-01- 2	1	JAN 20/09
29-11-84- 6	8	JAN 20/09	29-18-01- 2	2	JAN 20/09
29-11-84- 6	9	JAN 20/09	29-18-01- 2	3	JAN 20/09
29-11-84- 6	10	JAN 20/09	29-18-01- 2	4	JAN 20/09
29-11-84- 6	11	JAN 20/09	29-18-01- 2	5	JAN 20/09
29-11-84- 6	12	JAN 20/09	29-18-01- 2	6	JAN 20/09
29-11-84- 6	13	JAN 20/09	29-18-01- 2	7	JAN 20/09
29-11-84- 6A	0	MAY 28/07	29-18-01- 2	8	JAN 20/09
29-11-84- 6A	0A	MAY 28/07	29-18-01- 2	9	JAN 20/09
29-11-84- 6A	0B	MAY 28/07	29-18-01- 2	10	JAN 20/09
29-11-84- 6A	0C	MAY 28/07	29-18-01- 2A	0	MAY 28/07
29-11-84- 6A	0D	MAY 28/07	29-18-01- 2A	0A	MAY 28/07
29-11-84- 6A	0E	MAY 28/07	29-18-01- 2A	0B	MAY 28/07
29-11-84- 6A	1	JAN 20/09	29-18-01- 2A	0C	MAY 28/07
29-11-84- 6A	2	JAN 20/09	29-18-01- 2A	0D	MAY 28/07
29-11-84- 6A	3	JAN 20/09	29-18-01- 2A	1	JAN 20/09
29-11-84- 6A	4	JAN 20/09	29-18-01- 2A	2	JAN 20/09
29-11-84- 6A	5	JAN 20/09	29-18-01- 2A	3	JAN 20/09
29-11-84- 6A	6	JAN 20/09	29-18-01- 2A	4	JAN 20/09
29-11-84- 6A	7	JAN 20/09	29-18-01- 2A	5	JAN 20/09
29-11-84- 6A	8	JAN 20/09	29-18-01- 2A	6	JAN 20/09
29-11-84- 6A	9	JAN 20/09	29-18-01- 2A	7	JAN 20/09

* THE ASTERISK INDICATES PAGES CHANGED OR ADDED BY THE CURRENT REVISION



757

PARTS CATALOG (MAINTENANCE)

CH-SECT-UNIT-FIG	PAGE NO.	DATE	CH-SECT-UNIT-FIG	PAGE NO.	DATE
29-18-51- 1	0	MAY 28/07	29-21-01- 1	9	JAN 20/09
29-18-51- 1	1	JAN 20/09	29-21-01- 1	10	JAN 20/09
29-18-51- 1	2	JAN 20/09	29-21-01- 1	11	JAN 20/09
29-18-51- 5	0	MAY 28/07	29-21-01- 1	12	JAN 20/09
29-18-51- 5	1	JAN 20/09	29-21-01- 1	13	JAN 20/09
29-18-51- 5	2	JAN 20/09	29-21-01- 1	14	JAN 20/09
29-18-51- 5	3	JAN 20/09	29-21-01- 1	15	JAN 20/09
29-18-51- 6	0	JAN 20/09	29-21-01- 1	16	JAN 20/09
29-18-51- 6	1	JAN 20/09	29-21-01- 1	17	JAN 20/09
29-18-51- 6	2	JAN 20/09	29-21-01- 1	18	JAN 20/09
29-18-51- 8	0	JAN 20/09	29-21-01- 1	19	JAN 20/09
29-18-51- 8	1	JAN 20/09	29-21-01- 1	20	JAN 20/09
29-18-51- 8	2	JAN 20/09	29-21-01- 1	21	JAN 20/09
29-18-51-15	0	MAY 28/07	29-21-01- 1	22	JAN 20/09
29-18-51-15	1	JAN 20/09	29-21-01- 1	23	JAN 20/09
29-18-51-15	2	JAN 20/09	29-21-01- 1	24	JAN 20/09
29-18-51-15	3	JAN 20/09	29-21-01- 1	25	JAN 20/09
29-18-51-15	4	JAN 20/09	29-21-04- 5	0	MAY 28/07
29-18-51-15	5	JAN 20/09	29-21-04- 5	0A	MAY 28/07
29-18-51-15	6	JAN 20/09	29-21-04- 5	1	JAN 20/09
29-18-51-15	7	JAN 20/09	29-21-04- 5	2	JAN 20/09
29-18-51-15A	0	MAY 28/07	29-21-04- 5	3	SEP 20/08
29-18-51-15A	1	JAN 20/09	29-21-04- 5	4	SEP 20/08
29-18-51-15A	2	JAN 20/09	29-21-04- 5	5	JAN 20/09
29-18-51-15A	3	JAN 20/09	29-21-04- 5	6	JAN 20/09
29-18-51-24	0	MAY 28/07	29-21-04- 5	7	JAN 20/09
29-18-51-24	1	JAN 20/09	29-21-04- 5	8	JAN 20/09
29-18-51-24	2	JAN 20/09	29-21-04- 5	9	JAN 20/09
29-18-51-24	3	JAN 20/09	29-21-04- 5	10	JAN 20/09
29-18-51-24	4	JAN 20/09	29-21-04- 5	11	JAN 20/09
29-18-51-25	0	MAY 28/07	29-21-04- 5	12	JAN 20/09
29-18-51-25	1	JAN 20/09	29-21-05- 1	0	MAY 28/07
29-18-51-25	2	JAN 20/09	29-21-05- 1	1	JAN 20/09
29-18-51-25	3	JAN 20/09	29-21-05- 1	2	JAN 20/09
29-18-51-25	4	JAN 20/09	29-21-05- 1	3	JAN 20/09
29-18-52- 1	0	MAY 28/07	29-21-05- 1	4	JAN 20/09
29-18-52- 1	1	JAN 20/09	29-21-05- 1	5	JAN 20/09
29-18-52- 1	2	JAN 20/09	29-21-11- 5	0	MAY 28/07
29-18-52- 1	3	JAN 20/09	29-21-11- 5	0A	MAY 28/07
29-21-00	1	MAY 28/07	29-21-11- 5	1	JAN 20/09
29-21-01- 1	0	MAY 28/07	29-21-11- 5	2	JAN 20/09
29-21-01- 1	0A	MAY 28/07	29-21-11- 5	3	JAN 20/09
29-21-01- 1	0B	MAY 28/07	29-21-11- 5	4	JAN 20/09
29-21-01- 1	1	JAN 20/09	29-21-11- 5	5	JAN 20/09
29-21-01- 1	2	JAN 20/09	29-21-11- 5	6	JAN 20/09
29-21-01- 1	3	SEP 20/08	29-21-11- 5	7	JAN 20/09
29-21-01- 1	4	JAN 20/09	29-21-11- 5	8	JAN 20/09
29-21-01- 1	5	JAN 20/09	29-21-11- 5	9	JAN 20/09
29-21-01- 1	6	JAN 20/09	29-21-14- 5	0	MAY 28/07
29-21-01- 1	7	JAN 20/09	29-21-14- 5	1	JAN 20/09
29-21-01- 1	8	JAN 20/09	29-21-14- 5	2	JAN 20/09

* THE ASTERISK INDICATES PAGES CHANGED OR ADDED BY THE CURRENT REVISION

BRI
MAY 20/09

29 - LIST OF EFFECTIVE PAGES
PAGE 22



757
PARTS CATALOG (MAINTENANCE)

CH-SECT-UNIT-FIG	PAGE NO.	DATE
29-21-14- 5	3	JAN 20/09
29-21-14- 5	4	JAN 20/09
29-21-14- 5	5	JAN 20/09
29-21-14- 5	6	JAN 20/09
29-21-14- 5	7	JAN 20/09
29-21-14- 5	8	JAN 20/09
29-21-18- 1	0	MAY 28/07
29-21-18- 1	1	SEP 20/08
29-21-18- 1	2	SEP 20/08
29-21-18- 1	3	JAN 20/09
29-21-18- 1	4	JAN 20/09
29-21-18- 1	5	JAN 20/09
29-21-18- 1	6	JAN 20/09
29-21-18- 1	7	JAN 20/09
29-21-18- 1	8	JAN 20/09
29-21-51- 1	0	MAY 28/07
29-21-51- 1	1	JAN 20/09
29-21-51- 1	2	JAN 20/09
29-21-51- 1	3	JAN 20/09
29-21-51- 1	4	JAN 20/09
29-21-51- 1	5	JAN 20/09
29-21-51-15	0	MAY 28/07
29-21-51-15	1	JAN 20/09
29-21-51-15	2	SEP 20/08
29-21-51-15	3	SEP 20/08
29-21-51-15	4	SEP 20/08
29-21-51-15	5	JAN 20/09
29-21-51-20	0	MAY 28/07
29-21-51-20	0A	MAY 28/07
29-21-51-20	0B	MAY 28/07
29-21-51-20	1	JAN 20/09
29-21-51-20	2	JAN 20/09
29-21-51-20	3	JAN 20/09
29-21-51-20	4	JAN 20/09
29-21-51-20	5	JAN 20/09
29-21-51-20	6	JAN 20/09
29-21-51-20	7	JAN 20/09
29-21-51-20	8	JAN 20/09
29-21-51-20	9	JAN 20/09
29-21-51-20	10	JAN 20/09
29-21-51-20	11	JAN 20/09
29-21-51-20	12	JAN 20/09
29-21-51-20	13	JAN 20/09
29-21-52- 1	0	MAY 28/07
29-21-52- 1	1	JAN 20/09
29-21-52- 1	2	JAN 20/09
29-21-52- 1	3	JAN 20/09
29-21-52- 1	4	SEP 20/08
29-21-53- 1	0	MAY 28/07
29-21-53- 1	0A	MAY 28/07
29-21-53- 1	1	JAN 20/09

CH-SECT-UNIT-FIG	PAGE NO.	DATE
29-21-53- 1	2	JAN 20/09
29-21-53- 1	3	JAN 20/09
29-21-53- 1	4	JAN 20/09
29-21-54- 1	0	MAY 28/07
29-21-54- 1	1	JAN 20/09
29-21-54- 1	2	JAN 20/09
29-21-54- 1	3	JAN 20/09
29-21-54- 1	4	JAN 20/09
29-21-54- 1	5	JAN 20/09
29-21-54- 1	6	JAN 20/09
29-21-54- 1	7	JAN 20/09
29-21-54- 1	8	JAN 20/09
29-21-54- 1	9	JAN 20/09
29-21-54- 1	10	JAN 20/09
29-21-54- 1	11	JAN 20/09
29-21-54- 1	12	JAN 20/09
29-21-54- 1	13	JAN 20/09
29-21-54- 1	14	JAN 20/09
29-21-54- 1	15	JAN 20/09
29-21-54- 2	0	MAY 28/07
29-21-54- 2	1	JAN 20/09
29-21-54- 2	2	JAN 20/09
29-21-54- 2	3	JAN 20/09
29-21-54- 2	4	JAN 20/09
29-21-54- 2	5	JAN 20/09
29-21-54- 2	6	JAN 20/09
29-21-54- 2	7	JAN 20/09
29-21-54- 2	8	JAN 20/09
29-21-54- 2	9	JAN 20/09
29-21-54- 2	10	JAN 20/09
29-21-54- 3	0	MAY 28/07
29-21-54- 3	1	JAN 20/09
29-21-54- 3	2	JAN 20/09
29-21-54- 3	3	JAN 20/09
29-21-54- 3	4	JAN 20/09
29-21-54- 3	5	JAN 20/09
29-21-54- 3	6	JAN 20/09
29-21-54- 3	7	JAN 20/09
29-21-54- 3	8	JAN 20/09
29-21-54- 3	9	JAN 20/09
29-21-54- 3	10	JAN 20/09
29-21-54- 3	11	JAN 20/09
29-21-54- 3	12	JAN 20/09
29-21-54- 3	13	JAN 20/09
29-21-54- 3	14	JAN 20/09
29-21-54- 3	15	JAN 20/09
29-21-55- 1	0	MAY 28/07
29-21-55- 1	1	JAN 20/09
29-21-55- 1	2	JAN 20/09
29-21-55- 1	3	JAN 20/09
29-21-55- 1	4	JAN 20/09

* THE ASTERISK INDICATES PAGES CHANGED OR ADDED BY THE CURRENT REVISION


BOEING
 757
PARTS CATALOG (MAINTENANCE)

CH-SECT-UNIT-FIG	PAGE NO.	DATE	CH-SECT-UNIT-FIG	PAGE NO.	DATE
29-21-55- 2	0	MAY 28/07	29-22-02- 1	1	JAN 20/09
29-21-55- 2	1	JAN 20/09	29-22-02- 1	2	JAN 20/09
29-21-55- 2	2	JAN 20/09	29-22-02- 1	3	JAN 20/09
29-21-55- 2	3	JAN 20/09	29-22-02- 1	4	JAN 20/09
29-21-55- 2	4	JAN 20/09	29-22-02- 1	5	JAN 20/09
29-21-55- 2	5	JAN 20/09	29-22-02- 1	6	JAN 20/09
29-21-55- 2	6	JAN 20/09	29-22-02- 1	7	JAN 20/09
29-21-55- 2	7	JAN 20/09	29-22-02- 1	8	JAN 20/09
29-21-55- 2	8	JAN 20/09	29-22-02- 1	9	JAN 20/09
29-21-71- 1	0	MAY 28/07	29-22-02- 1	10	JAN 20/09
29-21-71- 1	1	JAN 20/09	29-22-02- 5	0	MAY 28/07
29-21-71- 1	2	JAN 20/09	29-22-02- 5	0A	MAY 28/07
29-21-71- 1	3	JAN 20/09	29-22-02- 5	1	JAN 20/09
29-21-71- 1A	0	MAY 28/07	29-22-02- 5	2	JAN 20/09
29-21-71- 1A	1	JAN 20/09	29-22-02- 5	3	SEP 20/08
29-21-71- 1A	2	JAN 20/09	29-22-02- 5	4	SEP 20/08
29-21-71- 1B	0	MAY 28/07	29-22-02- 5	5	JAN 20/09
29-21-71- 1B	1	JAN 20/09	29-22-03- 5	0	MAY 28/07
29-21-71- 1C	0	JAN 20/09	29-22-03- 5	0A	MAY 28/07
29-21-71- 1C	1	JAN 20/09	29-22-03- 5	1	JAN 20/09
29-21-71- 1C	2	JAN 20/09	29-22-03- 5	2	JAN 20/09
29-21-71- 1C	3	JAN 20/09	29-22-03- 5	3	SEP 20/08
29-21-71- 1D	0	JAN 20/09	29-22-03- 5	4	JAN 20/09
29-21-71- 1D	1	JAN 20/09	*29-22-03- 5	5	MAY 20/09
29-21-71- 1D	2	JAN 20/09	29-22-03- 5	6	SEP 20/08
29-21-71- 1D	3	JAN 20/09	29-22-03- 5	7	JAN 20/09
29-21-71- 1D	4	JAN 20/09	29-22-03- 5	8	SEP 20/08
29-21-71- 1D	5	JAN 20/09	29-22-03- 5	9	SEP 20/08
29-21-71- 3	0	MAY 28/07	29-22-03- 5	10	JAN 20/09
29-21-71- 3	1	JAN 20/09	29-22-03- 5	11	JAN 20/09
29-21-71- 3	2	JAN 20/09	29-22-03- 5	12	JAN 20/09
29-21-71- 3	3	JAN 20/09	29-22-03- 5	13	JAN 20/09
29-21-71- 3	4	JAN 20/09	29-22-06- 1	0	MAY 28/07
29-21-71- 3A	0	MAY 28/07	29-22-06- 1	1	SEP 20/08
29-21-71- 3A	1	JAN 20/09	29-22-06- 1	2	JAN 20/09
29-21-71- 3A	2	JAN 20/09	29-22-51- 1	0	MAY 28/07
29-21-71- 3A	3	JAN 20/09	29-22-51- 1	1	JAN 20/09
29-21-71- 3B	0	JAN 20/09	29-22-51- 1	2	JAN 20/09
29-21-71- 3B	1	JAN 20/09	29-22-51-20	0	MAY 28/07
29-21-71- 3B	2	JAN 20/09	29-22-51-20	0A	JAN 20/09
29-21-71- 3B	3	JAN 20/09	29-22-51-20	0B	SEP 20/08
29-22-00	1	MAY 28/07	29-22-51-20	0C	MAY 28/07
29-22-01- 1	0	MAY 28/07	29-22-51-20	0D	MAY 28/07
29-22-01- 1	1	JAN 20/09	29-22-51-20	1	JAN 20/09
29-22-01- 1	2	JAN 20/09	29-22-51-20	2	JAN 20/09
29-22-01- 2	0	JAN 20/09	29-22-51-20	3	JAN 20/09
29-22-01- 2	1	JAN 20/09	29-22-51-20	4	JAN 20/09
29-22-01- 2	2	JAN 20/09	29-22-51-20	5	JAN 20/09
29-22-02- 1	0	MAY 28/07	29-22-51-20	6	JAN 20/09
29-22-02- 1	0A	MAY 28/07	29-22-51-20	7	JAN 20/09
29-22-02- 1	0B	MAY 28/07	29-22-51-20	8	JAN 20/09

* THE ASTERISK INDICATES PAGES CHANGED OR ADDED BY THE CURRENT REVISION


BOEING
 757
PARTS CATALOG (MAINTENANCE)

CH-SECT-UNIT-FIG	PAGE NO.	DATE
29-22-51-20	9	JAN 20/09
29-22-51-20	10	JAN 20/09
29-22-51-20	11	JAN 20/09
29-22-51-20	12	JAN 20/09
29-22-51-20	13	JAN 20/09
29-22-51-20	14	JAN 20/09
29-22-51-20	15	JAN 20/09
29-22-51-20	16	JAN 20/09
29-22-51-20	17	JAN 20/09
29-22-51-20	18	JAN 20/09
29-22-51-20	19	JAN 20/09
29-22-51-20	20	JAN 20/09
29-22-51-20	21	JAN 20/09
29-22-51-20	22	JAN 20/09
29-22-52- 1	0	MAY 28/07
29-22-52- 1	0A	MAY 28/07
29-22-52- 1	1	JAN 20/09
29-22-52- 1	2	JAN 20/09
29-22-52- 1	3	JAN 20/09
29-22-52- 1	4	JAN 20/09
29-22-52- 1	5	JAN 20/09
29-22-52- 1	6	JAN 20/09
29-22-71- 1	0	MAY 28/07
29-22-71- 1	1	JAN 20/09
29-22-71- 1	2	JAN 20/09
29-22-71- 1	3	JAN 20/09
29-22-71- 1	4	JAN 20/09
29-22-71- 1	5	JAN 20/09
29-22-71- 1A	0	MAY 28/07
29-22-71- 1A	1	JAN 20/09
29-22-71- 1A	2	JAN 20/09
29-22-71- 1B	0	JAN 20/09
29-22-71- 1B	1	JAN 20/09
29-22-71- 1B	2	JAN 20/09
29-22-71- 1B	3	JAN 20/09
29-22-71- 2	0	MAY 28/07
29-22-71- 2	1	JAN 20/09
29-22-71- 2	2	JAN 20/09
29-22-71- 2	3	JAN 20/09
29-31-00	1	MAY 28/07
29-31-00- 1	0	MAY 28/07
29-31-00- 1	1	JAN 20/09
29-31-00- 1	2	JAN 20/09
29-31-00- 1	3	JAN 20/09
29-31-00- 1	4	JAN 20/09
29-31-00- 1	5	JAN 20/09
29-31-00- 1	6	JAN 20/09
29-31-00- 1	7	JAN 20/09
29-31-00- 1	8	JAN 20/09
29-31-00- 2	0	MAY 28/07
29-31-00- 2	1	JAN 20/09

CH-SECT-UNIT-FIG	PAGE NO.	DATE
29-31-00- 2	2	JAN 20/09
29-31-00- 2	3	JAN 20/09
29-31-00- 3	0	MAY 28/07
29-31-00- 3	1	JAN 20/09
29-31-00- 3	2	JAN 20/09
29-31-00- 3	3	JAN 20/09
29-31-00- 3	4	JAN 20/09
29-31-01- 1	0	MAY 28/07
29-31-01- 1	1	JAN 20/09
29-31-01- 2	0	MAY 28/07
29-31-01- 2	1	JAN 20/09
29-31-01- 2	2	JAN 20/09
29-31-01- 3	0	MAY 28/07
29-31-01- 3	1	JAN 20/09
29-31-01- 3	2	JAN 20/09
29-31-01- 3	3	JAN 20/09
29-31-01- 5	0	MAY 28/07
*29-31-01- 5	1	MAY 20/09
*29-31-01- 5	2	MAY 20/09
*29-31-01- 5	3	MAY 20/09
29-31-01- 5	4	JAN 20/09
29-31-02- 5	0	MAY 28/07
29-31-02- 5	1	JAN 20/09
29-31-02- 5	2	JAN 20/09
*29-31-02- 5	3	MAY 20/09
*29-31-02- 5	4	MAY 20/09
29-31-03- 5	0	MAY 28/07
*29-31-03- 5	1	MAY 20/09
29-31-03- 5	2	JAN 20/09
*29-31-03- 5	3	MAY 20/09
29-31-03- 5	4	JAN 20/09
29-32-00	1	MAY 28/07
29-32-03- 1	0	MAY 28/07
29-32-03- 1	1	JAN 20/09
29-32-03- 2	0	MAY 28/07
29-32-03- 2	1	JAN 20/09
29-32-03- 3	0	MAY 28/07
29-32-03- 3	1	JAN 20/09
29-32-51- 1	0	MAY 28/07
29-32-51- 1	1	JAN 20/09
29-32-51- 1	2	JAN 20/09
29-32-51- 1	3	JAN 20/09
29-32-51- 2	0	MAY 28/07
29-32-51- 2	1	JAN 20/09
29-32-51- 2	2	JAN 20/09
29-32-51- 3	0	MAY 28/07
29-32-51- 3	1	JAN 20/09
29-32-51- 3	2	JAN 20/09
29-32-51- 3	3	JAN 20/09
29-32-51- 3	4	JAN 20/09
29-32-51- 3	5	JAN 20/09
29-32-51- 3	6	JAN 20/09

* THE ASTERISK INDICATES PAGES CHANGED OR ADDED BY THE CURRENT REVISION



BOEING
757
PARTS CATALOG (MAINTENANCE)

CH-SECT-UNIT-FIG	PAGE NO.	DATE	CH-SECT-UNIT-FIG	PAGE NO.	DATE
29-32-51- 3	7	JAN 20/09			
29-33-00	1	MAY 28/07			
29-33-51- 1	0	MAY 28/07			
29-33-51- 1	0A	MAY 28/07			
29-33-51- 1	1	JAN 20/09			
29-33-51- 1	2	JAN 20/09			
29-33-51- 1	3	JAN 20/09			
29-33-51- 1B	0	MAY 28/07			
29-33-51- 1B	1	JAN 20/09			
29-33-51- 8	0	JAN 20/09			
29-33-51- 8	1	JAN 20/09			
29-33-52- 1	0	MAY 28/07			
29-33-52- 1	1	JAN 20/09			
29-33-52- 1	2	JAN 20/09			
29-33-52- 1	3	JAN 20/09			
29-33-52- 2	0	MAY 28/07			
29-33-52- 2	1	JAN 20/09			
29-33-52- 2	2	JAN 20/09			
29-33-52- 3	0	MAY 28/07			
29-33-52- 3	1	JAN 20/09			
29-33-52- 3	2	JAN 20/09			
29-33-52- 3	3	JAN 20/09			
29-33-52- 3	4	JAN 20/09			
29-33-52- 3	5	JAN 20/09			
29-33-52- 3	6	JAN 20/09			
29-33-52- 3	7	JAN 20/09			
29-35-00	1	MAY 28/07			
29-35-01- 1	0	MAY 28/07			
29-35-01- 1	1	JAN 20/09			
29-35-01- 2	0	MAY 28/07			
29-35-01- 2	1	JAN 20/09			
29-35-01- 2	2	JAN 20/09			
29-35-01- 3	0	MAY 28/07			
29-35-01- 3	1	JAN 20/09			
29-35-01- 4	0	MAY 28/07			
29-35-01- 4	1	JAN 20/09			
29-35-01- 4	2	JAN 20/09			
29-35-01- 4	3	JAN 20/09			

* THE ASTERISK INDICATES PAGES CHANGED OR ADDED BY THE CURRENT REVISION



BOEING
757
PARTS CATALOG (MAINTENANCE)

CHAPTER 29 — HYDRAULIC POWER

TABLE OF CONTENTS

SUBJECT	CC-SS-UU	FIGURE	EFFECT
HYDRAULIC POWER - GENERAL	29-00-00		
COLLECTOR INSTL-BASIC AND STABLE (HYDRAULIC POWER ONLY)	29-00-51	02C	101102 108120 504903
COLLECTOR INSTL-HYDR (HYDRAULIC POWER ONLY)	29-00-51	05B	101102 108120 504903
COLLECTOR INSTL-PASS. MINOR MODEL (HYDRAULIC POWER ONLY)	29-00-51	01A	101102 108120 504903
COLLECTOR INSTL-PASS. 4-DOOR OPTION (HYDRAULIC POWER ONLY)	29-00-51	02B	101102 108120 504903
COLLECTOR INSTL-PRATT WHITNEY, AND ROLLS ROYCE ENGINES	29-00-51	03C	101102 108120 504903
ELECTRIC PUMP INSTL	29-00-01	01	101102 108120 504903
HYDRAULIC INSTL	29-00-51	04	002004 006100 107107 121503 904999
HYDRAULIC INSTL-SECT 12	29-00-51	01	002004 006100 107107 121503 904999
HYDRAULIC INSTL-SECT 41	29-00-51	03	002004 006100 107107 121503 904999
HYDRAULIC INSTL-SECT 48	29-00-51	06	002004 006100 107107 121503 904999


BOEING
 757
PARTS CATALOG (MAINTENANCE)

CHAPTER 29 — HYDRAULIC POWER

TABLE OF CONTENTS

SUBJECT	CC-SS-UU	FIGURE	EFFECT
HYDRAULIC INSTL-SECT. 31.1	29-00-51	02	002004 006100 107107 121503 904999
HYDRAULIC INSTL-SECT. 44	29-00-51	05	002004 006100 107107 121503 904999
HYDRAULIC INSTL-SECT. 49	29-00-51	07	002004 006100 107107 121503 904999
PREMODULE COLLECTOR-757 RB211 SYSTEMS (HYDRAULIC POWER ONLY)	29-00-51	11	101102 108120 504903
STRUT SYSTEM INSTL 757 RB211 (FIRE PROTECTION ONLY)	29-00-51	11A	103106


BOEING
 757
PARTS CATALOG (MAINTENANCE)

CHAPTER 29 — HYDRAULIC POWER

TABLE OF CONTENTS

SUBJECT	CC-SS-UU	FIGURE	EFFECT
MAIN HYDRAULIC SYSTEMS	29-11-00		
BRACKET INSTL-HYDR SECT. 82	29-11-60	01	002004 006999
BRACKET INSTL-UPR TE PNL HYDR TUBE SPRT	29-11-58	01	002004 006999
DISCONNECT INSTL-CTR SYS PRESSURE GND SVCE QUICK	29-11-53	01	002004 006999
EQUIPMENT, PANEL ASSY-P31 AND P32 GEN PWR PNL (HYDRAULIC POWER ONLY)	29-11-67	01	002004 006100 103107 121503 904999
EXCHANGER INSTL-L, R AND CTR HEAT	29-11-26	05	002004 006999
FITTING INSTL-HYDR SECT. 12	29-11-55	01A	101106 108120 504903
FITTING INSTL-SECT. 12 HYDR	29-11-55	01	002004 006100 107107 121503 904999
HOSE AND TUBE ASSY-HYDR (RB211-535)	29-11-56	51	002004 006999
HOSE ASSY-HYDR	29-11-56	51A	002004 006999
MODULE INSTL-CTR SYS RETURN FILTER	29-11-13	01	002004 006999
MODULE INSTL-ELEC MOTOR PUMP PRESSURE/CASE DRAIN CTR SYS FILTER	29-11-18	02	002004 006999
MODULE INSTL-ELEC MOTOR PUMP PRESSURE/CASE DRAIN L AND R SYS FILTER	29-11-18	01	002004 006999
MODULE INSTL-ENG DRIVEN PUMP CASE DRAIN PRESSURE FILTER	29-11-17	02	002004 006999
MODULE INSTL-L AND R SYS RETURN FILTER AND BRKT	29-11-15	05	002004 006999



BOEING
757
PARTS CATALOG (MAINTENANCE)

CHAPTER 29 — HYDRAULIC POWER

TABLE OF CONTENTS

SUBJECT	CC-SS-UU	FIGURE	EFFECT
MODULE INSTL-R AND L SYS SHUTOFF/ISOLATION VALVE (HYDRAULIC POWER ONLY)	29-11-06	01	002004 006100 107107 121503 904999
MODULE INSTL-RSVR PRESSURIZATION (HYDRAULIC POWER ONLY)	29-11-16	05	002004 006999
OPTION PACKAGE ASSY-P36 MISC RELAY LH (MAIN HYDRAULIC SYSTEMS ONLY)	29-11-71	03A	101102 504903
PACKAGE ASSY-OPTION P31 AND P32 GEN PWR PNL (HYDRAULIC POWER ONLY)	29-11-67	01A	101102 108120 504903
PACKAGE ASSY-OPTION P33 MISC ELECT EQPT (MAIN HYDRAULIC SYSTEMS ONLY)	29-11-71	01A	101102 108120 504903
PANEL ASSY-P36 MISC RELAY (MAIN HYDRAULIC SYSTEMS ONLY) L	29-11-71	03	002004 006100 107107 121503 904999
PANEL INSTL-OVHD (ENGINE-DRIVEN PUMP (EDP) ONLY)	29-11-05	05	011100
PANEL INSTL-OVHD (ENGINE-DRIVEN PUMP (EDP) ONLY)	29-11-05	06	002004 006010 107107 121503 904999
PANEL INSTL-OVHD (MAIN HYDRAULIC SYSTEMS ONLY)	29-11-52	01	002004 006010 107107 121503 904999
PANEL INSTL-P36 L MISC RELAY (MAIN HYDRAULIC SYSTEM ONLY)	29-11-71	03C	103106 108120
PANEL INSTL-P5 OVHD (ENGINE-DRIVEN PUMP (EDP) ONLY)	29-11-05	04	101106 108120 504903
PANEL INSTL-P5 OVHD (MAIN (LEFT, RIGHT, AND CENTER) HYDRAULIC SYSTEMS ONLY)	29-11-52	07	101106 108120 504903



BOEING
757
PARTS CATALOG (MAINTENANCE)

CHAPTER 29 — HYDRAULIC POWER

TABLE OF CONTENTS

SUBJECT	CC-SS-UU	FIGURE	EFFECT
PANEL INSTL-P5 OVHD (MAIN HYDRAULIC SYSTEMS ONLY)	29-11-52	02	011100
PANEL INSTL-P5 OVHD (SYSTEM C ALTERNATING CURRENT MOTOR PUMP (ACMP) NO.1, NO.2 ONLY)	29-11-02	03	101106 108120 504903
PANEL INSTL-P5 OVHD (SYSTEM C ALTERNATING CURRENT MOTOR PUMP (ALMP) NO. 1, NO. 2 ONLY)	29-11-02	07	002004 006010 107107 121503 904999
PANEL INSTL-P5 OVHD (SYSTEM C ALTERNATING CURRENT MOTOR PUMP (ALMP) NO. 1, NO.2 ONLY)	29-11-02	06	011100
PLUMBING AND FITTING INSTL BASIC AND STABLE	29-11-51	48B	101106 108120 504903
PLUMBING AND FITTING INSTL ETOPS ALL	29-11-84	03	101106 108120
PLUMBING INSTL AND BRACKET INSTL SECT 12 L WING OUTBD SPAR (HEAT EXCHANGER ONLY) CTR SYS	29-11-26	03	103106
PLUMBING INSTL BASIC AND STABLE	29-11-51	48	101102 108120 504903
PLUMBING INSTL BASIC AND STABLE	29-11-51	48A	101102 108120 504903
PLUMBING INSTL LH MAIN MLG WHL WELL HYDR KEEL BEAM SECT. 44	29-11-51	93	504903
PLUMBING INSTL- SECT. 12 INBD WING HYDR R (HYDRAULIC POWER ONLY)	29-11-51	18	002004 006100 107107 121503 904999
PLUMBING INSTL- SECT. 12 INBD WING HYDR R (HYDRAULIC POWER ONLY)	29-11-51	18A	101102 108120 504903
PLUMBING INSTL- SECT. 12 INBD WING HYDR R (HYDRAULIC POWER ONLY)	29-11-51	18B	101102 108120 504903



BOEING
757
PARTS CATALOG (MAINTENANCE)

CHAPTER 29 — HYDRAULIC POWER

TABLE OF CONTENTS

SUBJECT	CC-SS-UU	FIGURE	EFFECT
PLUMBING INSTL- SECT. 12 R WING OUTBD HYDR (HYDRAULIC POWER ONLY)	29-11-51	28	002004 006100 107107 121503 904999
PLUMBING INSTL- 49 AC BAY HYDR (HYDRAULIC POWER ONLY)	29-11-51	23	002004 006100 107107 121503 904999
PLUMBING INSTL-BASIC AND STABLE	29-11-84	06	101102 108120 504903
PLUMBING INSTL-CUSTOM/ DELTA NO ETOPS PROVISIONS	29-11-51	83	504903
PLUMBING INSTL-DFDAU BRAKE PRESSURE XMTR, NON-DELTA PROVISIONS	29-11-51	81	101102 108120 504903
PLUMBING INSTL-ENG STRUT ROLLS ROYCE	29-11-51	63	101102 108120 504903
PLUMBING INSTL-FILLET AND TE ROLLS ROYCE RETURN LINES	29-11-51	64	101102 108120 504903
PLUMBING INSTL-FILLET AND TE ROLLS ROYCE RETURN LINES	29-11-51	68	101102 108120 504903
PLUMBING INSTL-HYD SECT. 31.1 RIGHT AFT STRUT FAIRING	29-11-51	71	101102 108120 504903
PLUMBING INSTL-HYDR BAY L SECT. 49 (MAIN HYDR SYS ONLY)	29-11-90	01	101106 108120 504903
PLUMBING INSTL-HYDR NOSE WHEEL WELL SECT. 41	29-11-51	69	101106 108120
PLUMBING INSTL-HYDR NOSE WHEEL WELL SECT. 41	29-11-52	14	101106 108120 504903
PLUMBING INSTL-HYDR SECT. 43	29-11-51	70A	101106 504903

 **BOEING**
757
PARTS CATALOG (MAINTENANCE)

CHAPTER 29 — HYDRAULIC POWER

TABLE OF CONTENTS

SUBJECT	CC-SS-UU	FIGURE	EFFECT
PLUMBING INSTL-HYDR SECT. 43	29-11-51	70B	103106
PLUMBING INSTL-HYDR SECT. 46	29-11-51	87	101102
PLUMBING INSTL-HYDR WING SECT. 12 R	29-11-51	28A	101106
OUTBD			108120
			504903
PLUMBING INSTL-HYDR, MLG WHL WELL, KEEL BEAM	29-11-51	94	101106
			108120
			504903
PLUMBING INSTL-INSPAR SYS CTR CASE DRAIN	29-11-51	59	101102
			108120
			504903
PLUMBING INSTL-MAIN WHL WELL BHD HYDR (MAIN (LEFT, RIGHT AND CENTER) HYDRAULIC SYSTEMS ONLY)	29-11-51	07	103106
PLUMBING INSTL-MAIN WHL WELL BHD HYDR (MAIN HYDRAULIC SYSTEMS ONLY)	29-11-51	39D	103106
PLUMBING INSTL-MAIN WHL WELL BHD HYDR (MAIN HYDRAULIC SYSTEMS ONLY)	29-11-51	39E	103106
PLUMBING INSTL-MAIN WHL WELL BHD HYDR (SYSTEM L AND R ACMP PRESSURE/ CASE DRAIN FILTER MODULE ONLY)	29-11-18	05	103106
PLUMBING INSTL-MAIN WHL WELL BHD HYDR (SYSTEM L AND R RELIEF VALVE ONLY)	29-11-29	03	103106
PLUMBING INSTL-MAIN WHL WELL BHD HYDR (SYSTEM R ISOLATED ACMP SUPPLY SHUTOFF VALVE (V10117) ONLY)	29-11-27	02	103106
PLUMBING INSTL-MAIN WHL WELL FWD BHD HYDR	29-11-51	78	101106
			108120
			504903
PLUMBING INSTL-MAIN WHL WELL FWD BHD HYDR	29-11-51	79	504903
PLUMBING INSTL-MAIN WHL WELL FWD BHD HYDR (HYDRAULIC POWER ONLY)	29-11-51	37	002004
			006100
			107107
			121503
			904999
PLUMBING INSTL-MAIN WHL WELL FWD BHD HYDR (HYDRAULIC POWER ONLY)	29-11-51	38	002004
			006102
			107999


BOEING
 757
PARTS CATALOG (MAINTENANCE)

CHAPTER 29 — HYDRAULIC POWER

TABLE OF CONTENTS

SUBJECT	CC-SS-UU	FIGURE	EFFECT
PLUMBING INSTL-MAIN WHL WELL FWD BHD HYDR (HYDRAULIC POWER ONLY)	29-11-51	39	002004 006100 107107 121503 904999
PLUMBING INSTL-MAIN WHL WELL FWD BHD HYDR (HYDRAULIC POWER ONLY)	29-11-51	39A	101102 108120 504903
PLUMBING INSTL-MAIN WHL WELL FWD BHD HYDR (HYDRAULIC POWER ONLY)	29-11-51	39B	101102 108120 504903
PLUMBING INSTL-MAIN WHL WELL FWD BHD HYDR (HYDRAULIC POWER ONLY)	29-11-51	40	002004 006100 107107 121503 904999
PLUMBING INSTL-MAIN WHL WELL FWD BHD HYDR (HYDRAULIC POWER ONLY)	29-11-51	75	101106 108120
PLUMBING INSTL-MINOR MODEL	29-11-51	08	103106
PLUMBING INSTL-MLG WHL WELL HYDR (HYDRAULIC POWER ONLY)	29-11-51	32	002004 006100 107107 121503 904999
PLUMBING INSTL-MLG WHL WELL KEEL BEAM HYDR	29-11-84	02	101106 108120 504903
PLUMBING INSTL-NO ETOPS PROVISIONS	29-11-51	57	504903
PLUMBING INSTL-NON-DELTA PROVISIONS	29-11-51	84	101106 108120 504903
PLUMBING INSTL-PRESSURE DECK SECT. 44 L (MAIN HYDR SYS ONLY)	29-11-84	06A	101102 108120 504903
PLUMBING INSTL-PRESSURE DECK SECT. 44 L (MAIN HYDR SYS)	29-11-84	05	101102 504903
PLUMBING INSTL-PROVISIONS FOR 10KVA HMG INSTL (ETOPS) (HYD SYSTEMS ONLY)	29-11-51	92	101106 108120

 **BOEING**
757
PARTS CATALOG (MAINTENANCE)

CHAPTER 29 — HYDRAULIC POWER

TABLE OF CONTENTS

SUBJECT	CC-SS-UU	FIGURE	EFFECT
PLUMBING INSTL-ROLLS ROYCE ENG	29-11-51	55	101102 108120 504903
PLUMBING INSTL-SECT 44 MLG WHL WELL HYDR	29-11-52	18	101102 504903
PLUMBING INSTL-SECT. 12 L TRAILING EDGE CTR SYS (ELEC MOTOR PUMP PRESSURE/CASE DRAIN ONLY)	29-11-18	03	103106
PLUMBING INSTL-SECT. 12 L TRAILING EDGE CTR SYS (ENG DRIVEN PUMP CASE DRAIN PRESSURE FILTER ONLY)	29-11-17	04	103106
PLUMBING INSTL-SECT. 12 L TRAILING EDGE CTR SYS (HEAT EXCHANGER ONLY) CTR SYS	29-11-26	06	103106
PLUMBING INSTL-SECT. 12 L TRAILING EDGE CTR SYS (HYDRAULIC POWER ONLY)	29-11-51	27	103106
PLUMBING INSTL-SECT. 12 L TRAILING EDGE CTR SYS (HYDRAULIC POWER ONLY)	29-11-51	29	103106
PLUMBING INSTL-SECT. 12 L WING HYDR (HYDRAULIC POWER ONLY)	29-11-51	26	002004 006999
PLUMBING INSTL-SECT. 12 L WING INBD HYDR (HYDRAULIC POWER ONLY)	29-11-51	13	
PLUMBING INSTL-SECT. 12 L WING INBD HYDR (HYDRAULIC POWER ONLY)	29-11-51	65	101106 108120 504903
PLUMBING INSTL-SECT. 12 L WING INBD HYDR (HYDRAULIC POWER ONLY)	29-11-51	67	101102 108120 504903
PLUMBING INSTL-SECT. 12 L WING INBD HYDR (HYDRAULIC POWER ONLY)	29-11-51	98	101102 108120 504903
PLUMBING INSTL-SECT. 12 L WING INBD HYDR (HYDRAULIC POWER ONLY) (L SYS)	29-11-51	12	002004 006102 107999
PLUMBING INSTL-SECT. 12 L WING INBD HYDR (HYDRAULIC POWER ONLY) CTR SYS	29-11-51	14	002004 006102 107999
PLUMBING INSTL-SECT. 12 L WING INBD SPAR (HEAT EXCHANGER ONLY) CTR SYS	29-11-26	01	103106


BOEING
 757
PARTS CATALOG (MAINTENANCE)

CHAPTER 29 — HYDRAULIC POWER

TABLE OF CONTENTS

SUBJECT	CC-SS-UU	FIGURE	EFFECT
PLUMBING INSTL-SECT. 12 L WING INBD SPAR (HYDRAULIC POWER ONLY) CTR SYS	29-11-51	16	103106
PLUMBING INSTL-SECT. 12 L WING OUTBD SPAR (HYDRAULIC POWER ONLY) CTR SYS	29-11-51	25	103106
PLUMBING INSTL-SECT. 12 R TRAILING EDGE CTR SYS (ELEC MOTOR PUMP PRESSURE/CASE DRAIN ONLY)	29-11-18	04	103106
PLUMBING INSTL-SECT. 12 R TRAILING EDGE CTR SYS (ENG DRIVEN PUMP CASE DRAIN PRESSURE FILTER ONLY)	29-11-17	05	103106
PLUMBING INSTL-SECT. 12 R TRAILING EDGE CTR SYS (HEAT EXCHANGER ONLY)	29-11-26	08	103106
PLUMBING INSTL-SECT. 12 R TRAILING EDGE CTR SYS (HYDRAULIC POWER ONLY)	29-11-51	26A	103106
PLUMBING INSTL-SECT. 12 R TRAILING EDGE CTR SYS (HYDRAULIC POWER ONLY)	29-11-51	50	103106
PLUMBING INSTL-SECT. 12 R WING INBD HYDR (HYDRAULIC POWER ONLY) (R SYS)	29-11-51	17	002004 006100 107107 121503 904999
PLUMBING INSTL-SECT. 12 R WING INBD HYDR (HYDRAULIC POWER ONLY) (R SYS)	29-11-51	17A	101102 108120 504903
PLUMBING INSTL-SECT. 12 R WING INBD SPAR CTR SYS	29-11-51	25A	103106
PLUMBING INSTL-SECT. 12 RL TRAILING EDGE CTR SYS (HEAT EXCHANGER ONLY)	29-11-26	07	103106
PLUMBING INSTL-SECT. 12 RL TRAILING EDGE CTR SYS (HYDRAULIC POWER ONLY)	29-11-51	29A	103106
PLUMBING INSTL-SECT. 31 LEFT ENGINE STRUT 757-200 ROLLS ROYCE (ENGINE DRIVEN PUMP CASE DRAIN ONLY)	29-11-17	08	103106
PLUMBING INSTL-SECT. 31 RIGHT ENGINE STRUT 757-200 ROLLS ROYCE (ENGINE DRIVEN PUMP CASE DRAIN ONLY)	29-11-17	09	103106



BOEING
757
PARTS CATALOG (MAINTENANCE)

CHAPTER 29 — HYDRAULIC POWER

TABLE OF CONTENTS

SUBJECT	CC-SS-UU	FIGURE	EFFECT
PLUMBING INSTL-SECT. 31.1 HYDR (LH) (HYDRAULIC POWER ONLY)	29-11-51	45	002004 006100 107107 121503 904999
PLUMBING INSTL-SECT. 31.1 HYDR (LH) (HYDRAULIC POWER ONLY)	29-11-51	73	101102 108120 504903
PLUMBING INSTL-SECT. 31.1 HYDR (RH) (HYDRAULIC POWER ONLY)	29-11-51	46	002004 006100 107107 121503 904999
PLUMBING INSTL-SECT. 31.1 HYDR (RH) (HYDRAULIC POWER ONLY)	29-11-52	06	101102 108120 504903
PLUMBING INSTL-SECT. 31.1 LEFT AFT ENG STRUT BASIC AND STABLE (HYDRAULIC POWER ONLY)	29-11-51	29B	103106
PLUMBING INSTL-SECT. 31.1 RIGHT AFT ENG STRUT BASIC AND STABLE (HYDRAULIC POWER ONLY)	29-11-51	29C	103106
PLUMBING INSTL-SECT. 43 HYDR (LOWER LEFT FORWARD CARGO AREA STA 560-845)	29-11-51	77	108120
PLUMBING INSTL-SECT. 44 AC BAY HYDR	29-11-51	23A	101106 108120 504903
PLUMBING INSTL-SECT. 44 AFT BHD MLG WHL WELL HYDR	29-11-52	20	101106 108120 504903
PLUMBING INSTL-SECT. 44 AFT BHD MLG WHL WELL HYDR	29-11-52	22	101106 108120 504903
PLUMBING INSTL-SECT. 44 AFT BHD MLG WHL WELL HYDR (HYDRAULIC POWER ONLY)	29-11-51	30	002004 006100 107107 121503 904999



BOEING
757
PARTS CATALOG (MAINTENANCE)

CHAPTER 29 — HYDRAULIC POWER

TABLE OF CONTENTS

SUBJECT	CC-SS-UU	FIGURE	EFFECT
PLUMBING INSTL-SECT. 44 AND SECT. 49 AC BAY	29-11-51	89	101106 108120 504903
PLUMBING INSTL-SECT. 44 HYDR MLG WHL WELL AFT BLKHD	29-11-51	85	101106 108120 504903
PLUMBING INSTL-SECT. 44 MAIN WHL WELL HYDR (HYDRAULIC POWER ONLY)	29-11-51	36	002004 006100 107107 121503 904999
PLUMBING INSTL-SECT. 44 R PRESSURE DECK HYDR (HYDRAULIC POWER ONLY)	29-11-51	34	002004 006100 107107 121503 904999
PLUMBING INSTL-SECT. 44 R PRESSURE DECK HYDR (HYDRAULIC POWER ONLY)	29-11-51	35	002004 006100 107107 121503 904999
PLUMBING INSTL-SECT. 46	29-11-51	95	101102 108120 504903
PLUMBING INSTL-SECT. 48 L HYDR	29-11-52	27	101106 108120 504903
PLUMBING INSTL-SECT. 49 L HYDR BAY	29-11-51	90	101106 108120
PLUMBING INSTL-SECT. 49 L HYDR BAY	29-11-51	91	101106 108120 504903
PLUMBING INSTL-SECT. 49 L HYDR BAY (MAIN HYDR SYSTEM ONLY)	29-11-51	20	002004 006100 107107 121503 904999
PLUMBING INSTL-SECT. 49 L HYDR BAY (MAIN HYDR SYSTEM ONLY)	29-11-51	20A	101106 108120 504903

 **BOEING**
757
PARTS CATALOG (MAINTENANCE)

CHAPTER 29 — HYDRAULIC POWER

TABLE OF CONTENTS

SUBJECT	CC-SS-UU	FIGURE	EFFECT
PLUMBING INSTL-SECT.12 HYD, INBOARD WING, LH	29-11-51	61	101102 108120 504903
PLUMBING INSTL-SECT.44 HYD, LEFT PRESSURE DECK	29-11-51	58	101106 108120 504903
PLUMBING INSTL-SECT.44 HYD, RIGHT PRESSURE DECK	29-11-51	41	101106 108120 504903
PLUMBING INSTL-SECT.44 HYD, RIGHT PRESSURE DECK	29-11-51	51	101106 108120 504903
PLUMBING INSTL-SECT.44 HYD, RIGHT PRESSURE DECK	29-11-51	52	101106 108120 504903
PLUMBING INSTL-SECT.44 R PRESSURE DECK HYDR (HYDRAULIC POWER ONLY)	29-11-51	24A	103106
PLUMBING INSTL-STRUT EDP HYDRAULICS	29-11-17	03	101106 108120 504903
PLUMBING INSTL-TE ALUMINUM RETURN LINES (EXCEPT DELTA)	29-11-51	60	101106 108120 504903
PLUMBING INSTL-200 PASS. AND PF MODEL SECT. 44	29-11-51	96	101106 108120 504903
PLUMBING INSTL-4-DOOR EXIT PROVISIONS	29-11-51	86A	103106 108120
PLUMBING INSTL-4-DOOR, NO GALLEY CHILLERS	29-11-51	88	108120 504903
PLUMBING INSTL-4-DOOR/ PKG FREIGHTER MINOR MODEL	29-11-84	01	101102 108120 504903
PUMP ASSY-HYDR AC ELEC DRIVEN VAR DISPLACEMENT CTR SYSTEM PUMP NO. 1 AND 2	29-11-02	05	002004 006105 107999
PUMP ASSY-HYDR AC ELEC DRIVEN VAR DISPLACEMENT LEFT AND RIGHT SYSTEM	29-11-01	03	002004 006999
PUMP ASSY-HYDR AC MOTOR DRIVEN CTR SYS PUMP NO. 1 AND 2	29-11-02	04	002004 006999



BOEING
757
PARTS CATALOG (MAINTENANCE)

CHAPTER 29 — HYDRAULIC POWER

TABLE OF CONTENTS

SUBJECT	CC-SS-UU	FIGURE	EFFECT
PUMP ASSY-HYDR AC MOTOR DRIVEN LEFT AND RIGHT SYS	29-11-01	02	002004 006999
PUMP INSTL-CTR SYS ELEC MOTOR DRIVEN NO. 1 PUMP (-200 CONFIGURATION)	29-11-02	01	002004 006999
PUMP INSTL-CTR SYS ELEC MOTOR DRIVEN NO. 2 PUMP (-200 CONFIGURATION)	29-11-02	02	002004 006999
PUMP INSTL-ELEC MOTOR DRIVEN SYS L, R	29-11-01	01	002004 006999
PUMP INSTL-HYDRAULIC RB211-535	29-11-05	08	002004 006999
PUMP INSTL-VICKERS AND ABEX (RB211-535)	29-11-05	01B	101106 108120 504903
RESERVOIR ASSY-CTR SYS HYDR (RESERVOIR PRESSURE RELIEF VALVE ONLY)	29-11-24	02	101106 108120 504903
RESERVOIR ASSY-CTR SYS HYDR (RESERVOIR SAMPLING VALVE ONLY)	29-11-23	02	101106 108120 504903
RESERVOIR ASSY-CTR SYS HYDR (RESERVOIR SAMPLING VALVE ONLY)	29-11-23	03	002004 006100 107107 121503 904999
RESERVOIR ASSY-CTR SYS HYDR (RESERVOIR DRAIN PLUG ONLY)	29-11-22	05	002004 006100 107107 121503 904999
RESERVOIR ASSY-CTR SYS HYDR (RESERVOIR DRAIN VALVE ONLY)	29-11-22	05B	101106 108120 504903
RESERVOIR ASSY-HYDR SYS (DRAIN VALVE ONLY) LH SIDE	29-11-22	01	002004 006999
RESERVOIR ASSY-HYDR SYS (PRESSURE RELIEF VALVE ONLY) LH SIDE	29-11-24	01	002004 006999
RESERVOIR ASSY-HYDR SYS (PRESSURIZATION CHECK VALVE ONLY) LH SIDE	29-11-30	01	002004 006999



BOEING
757
PARTS CATALOG (MAINTENANCE)

CHAPTER 29 — HYDRAULIC POWER

TABLE OF CONTENTS

SUBJECT	CC-SS-UU	FIGURE	EFFECT
RESERVOIR ASSY-HYDR SYS (SAMPLING VALVE ONLY) LH SIDE	29-11-23	01	002004 006999
RESERVOIR ASSY-R SYS HYDR (RESERVOIR PRESSURE RELIEF VALVE ONLY)	29-11-24	04	002004 006999
RESERVOIR ASSY-R SYS HYDR (RESERVOIR SAMPLING VALVE ONLY)	29-11-23	04	002004 006999
RESERVOIR INSTL-CTR SYS HYDR	29-11-21	02	002004 006100 107107 121503 904999
RESERVOIR INSTL-CTR SYS HYDR (PRESSURE RELIEF VALVE ONLY)	29-11-24	03	002004 006100 107107 121503 904999
RESERVOIR INSTL-CTR SYS HYDR (SYSTEM C HYDRAULIC RESERVOIR ONLY)	29-11-21	01	101106 108120 504903
RESERVOIR INSTL-R SYS HYDR	29-11-20	01	101106 108120 504903
RESERVOIR INSTL-R SYS HYDR	29-11-20	05	002004 006100 107107 121503 904999
RESERVOIR INSTL-SECT. 44 L SYS HYDR	29-11-20	04	002004 006999
SHIELD ASSY-P33 MISC ELEC EQPT (MAIN HYDRAULIC SYSTEMS ONLY)	29-11-71	01	002004 006100 107107 121503 904999
SHIELD INSTL-P33 MISC ELEC EQPT (MAIN (LEFT, RIGHT, AND CENTER) HYDRAULIC SYSTEM ONLY)	29-11-71	01B	103106
SUPPORT INSTL-L AND R SYS HYDR RSVR	29-11-54	01	002004 006999


BOEING
 757
PARTS CATALOG (MAINTENANCE)

CHAPTER 29 — HYDRAULIC POWER

TABLE OF CONTENTS

SUBJECT	CC-SS-UU	FIGURE	EFFECT
SYSTEM INSTL-STRUT FUEL AND HYDR (HYDRAULIC POWER ONLY) (RB211-535)	29-11-56	01	002004 006102 107999
TUBES AND FITTINGS ENGINE HYDRAULIC (RB211-535)	29-11-05	01	002004 006999
TUBES-ENGINE MOUNTED HYDRAULIC (RB211-535)	29-11-75	02	002004 006999
VALVE INSTL -L HYDR SYSTEM PRESSURE SENSITIVE FLOW LIMITER	29-11-59	01	101106 108120 504903 950951
VALVE INSTL-BRAKE ISOLATION SYS	29-11-27	01	002004 006999
VALVE INSTL-BRAKE ISOLATION SYS	29-11-28	01	002004 006999
VALVE INSTL-EDP SHUTOFF R AND L SYS	29-11-06	01A	101106 108120 504903
VALVE INSTL-L AND R SYS RELIEF (HYDRAULIC POWER ONLY)	29-11-29	01	002004 006999
VALVE/INDICATOR ASSY-RELIEF AND PRESSURE CHANGE	29-11-15	51	002004 006999
WIRE INSTL-ELECTRICAL (HYDRAULIC POWER ONLY) (PW2000)	29-11-51	47	103106
GROUND SERVICING SYSTEM	29-18-00		
DISCONNECT INSTL-L AND R SYS GND SVCE	29-18-51	05	002004 006999
PANEL INSTL-P61 R SIDEWALL (GROUND SERVICING SYSTEM ONLY)	29-18-51	01	011100 107503 904949
PLUMBING INSTL-SECT. 31 LEFT ENGINE STRUT 757-200 ROLLS ROYCE (GROUND SERVICING SYSTEM ONLY)	29-18-51	06	103106
PLUMBING INSTL-SECT. 31 RIGHT ENGINE STRUT 757-200 ROLLS ROYCE (GROUND SERVICING SYSTEM ONLY)	29-18-51	08	103106


BOEING
 757
PARTS CATALOG (MAINTENANCE)

CHAPTER 29 — HYDRAULIC POWER

TABLE OF CONTENTS

SUBJECT	CC-SS-UU	FIGURE	EFFECT
PLUMBING INSTL-SECT. 31.1 HYDR (LH) (GROUND SERVICING SYSTEM ONLY)	29-18-51	24	002004 006100 107107 121503 904999
PLUMBING INSTL-SECT. 31.1 HYDR (RH) (GROUND SERVICING SYSTEM ONLY)	29-18-51	25	002004 006100 107107 121503 904999
PLUMBING INSTL-SECT. 49 L HYDR BAY (GROUND SERVICING SYSTEM ONLY)	29-18-51	15	002004 006100 107107 121503 904999
PLUMBING INSTL-SECT. 49 L HYDR BAY (GROUND SERVICING SYSTEM ONLY)	29-18-51	15A	101106 108120 504903
PLUMBING INSTL-SECT. 44 KEEL BEAM MLG WHL WELL HYDR (GROUND SERVICING SYSTEM ONLY)	29-18-52	01	002004 006007 107107 121503 904949 952952
PUMP INSTL-RSVR CENTRAL FILL SYS HAND	29-18-01	01	002004 006999
SYSTEM INSTL-RESERVOIR CENTRAL FILL (HYDRAULIC POWER ONLY)	29-18-01	02	002004 006100 107107 121503 904999
SYSTEM INSTL-RESERVOIR CENTRAL FILL (HYDRAULIC POWER ONLY)	29-18-01	02A	101106 108120 504903


BOEING
 757
PARTS CATALOG (MAINTENANCE)

CHAPTER 29 — HYDRAULIC POWER

TABLE OF CONTENTS

SUBJECT	CC-SS-UU	FIGURE	EFFECT
RAM AIR TURBINE (RAT) SYSTEM	29-21-00		
ACTUATOR INSTL-RAM AIR TURB	29-21-05	01	002004 006999
MODULE INSTL RAM AIR TURB GND CHECKOUT	29-21-11	05	002004 006999
OPTION PACKAGE ASSY-P36 MISC RELAY L (RAM AIR TURBINE SYSTEM ONLY)	29-21-71	01A	101102 504903
PACKAGE ASSY-OPTION P33 MISC ELECT EQPT (RAM AIR TURBINE SYSTEM ONLY)	29-21-71	03A	101102 108120 504903
PACKAGE ASSY-OPTION P37 MISC RELAY (HYDRAULIC POWER TRANSFER UNIT ONLY)	29-21-71	01B	101102 504903
PANEL ASSY-P36 AND P37 MISC RELAY (HYDRAULIC POWER TRANSFER UNIT ONLY)	29-21-71	01	002004 006100 107107 121503 904999
PANEL INSTL-CAPT AND FIRST OFFICER FWD (HYDRAULIC POWER ONLY)	29-21-55	01	002004 006010 107107 121503 904999
PANEL INSTL-CAPT AND FIRST OFFICER FWD AND P1-3 (HYDRAULIC POWER ONLY)	29-21-55	02	011106 108120 504903
PANEL INSTL-P36 L MISC RELAY (RAM AIR TURBINE SYSTEM ONLY)	29-21-71	01C	103106 108120
PANEL INSTL-P37 R MISC RELAY (HYDRAULIC POWER ONLY)	29-21-71	01D	103106 108120
PANEL INSTL-P5 OVHD (RAM AIR TURBINE (RAT) SYSTEM ONLY)	29-21-54	03	101106 108120 504903
PANEL INSTL-P5 OVHD (RAM AIR TURBINE SYSTEM ONLY)	29-21-54	01	002004 006010 107107 121503 904999
PANEL INSTL-P5 OVHD (RAM AIR TURBINE SYSTEM ONLY)	29-21-54	02	011100


BOEING
 757
PARTS CATALOG (MAINTENANCE)

CHAPTER 29 — HYDRAULIC POWER

TABLE OF CONTENTS

SUBJECT	CC-SS-UU	FIGURE	EFFECT
PLUMBING INSTL-MAIN WHL WELL AFT BHD HYDR (RAM AIR TURBINE SYSTEM ONLY)	29-21-51	20	002004 006100 107107 121503 904999
PLUMBING INSTL-SECT. 49	29-21-51	15	002004 006999
PUMP ASSY-RAM AIR TURB HYDR (RAT WIRING HARNESS ONLY)	29-21-18	01	002004 006999
PUMP INSTL-RAM AIR TURB HYDR	29-21-01	01	002004 006999
SHIELD ASSY-P33 MISC ELEC EQPT (RAM AIR TURBINE SYSTEM ONLY)	29-21-71	03	002004 006100 107107 121503 904999
SHIELD INSTL-P33 MISC ELEC EQPT (RAM AIR TURBINE (RAT) SYSTEM ONLY)	29-21-71	03B	103106
STRUCTURE INSTL-RAM AIR TURB SPRT	29-21-52	01	002004 006999
SWITCH INSTL-ELECTRONICS EQPT CTR RAM AIR TURB LOGIC AIRSPEED (HYDRAULIC POWER ONLY)	29-21-53	01	002004 006999
SWITCH INSTL-RAM AIR TURB TACH IND AND CONT	29-21-51	01	002004 006999
VALVE INSTL-RAM AIR TURB ACTR CONT	29-21-04	05	002004 006999
VALVE INSTL-RAM AIR TURB SAFETY	29-21-14	05	002004 006999
HYDRAULIC POWER TRANSFER UNIT SYSTEM (PTU)	29-22-00		
BRACKET INSTL-PWR TRANSFER UNIT	29-22-51	01	002004 006999
MODULE INSTL-PWR TRANSFER UNIT CASE DRAIN FILL	29-22-02	05	002004 006999
MODULE INSTL-PWR TRANSFER UNIT PRESSURE FILTER (HYDRAULIC POWER ONLY)	29-22-02	01	002004 006999
PACKAGE ASSY-OPTION P33 MISC ELECT EQPT (HYDRAULIC POWER TRANSFER UNIT (PTU) SYSTEM ONLY)	29-22-71	01A	101102 108120 504903



BOEING
757
PARTS CATALOG (MAINTENANCE)

CHAPTER 29 — HYDRAULIC POWER

TABLE OF CONTENTS

SUBJECT	CC-SS-UU	FIGURE	EFFECT
PANEL ASSY-P37 MISC RELAY R (HYDRAULIC POWER ONLY)	29-22-71	02	002004 107107 121503 904949 952952
PANEL INSTL-P61 R SIDEWALL (HYDRAULIC POWER TRANSFER UNIT SYSTEM ONLY)	29-22-52	01	002004 006999
PLUMBING INSTL-MAIN WHL WELL BHD HYDR (HYDRAULIC POWER TRANSFER UNIT (PTU) SYSTEM ONLY)	29-22-01	02	103106
PLUMBING INSTL-SECT. 44 MLG WHL WELL HYDR (HYDRAULIC POWER TRANSFER UNIT SYSTEM ONLY)	29-22-51	20	002004 006102 107503 904999
SHIELD ASSY-P33 MISC ELEC EQPT (HYDRAULIC POWER TRANSFER UNIT ONLY)	29-22-71	01	002004 006100 107107 121503 904999
SHIELD INSTL-P33 MISC ELEC EQPT (HYDRAULIC POWER TRANSFER UNIT (PTU) SYSTEM ONLY)	29-22-71	01B	103106
SWITCH INSTL-L NACELLE PTU CONTROL PRESSURE	29-22-06	01	002004 006999
UNIT INSTL-PWR TRANSFER	29-22-01	01	002004 006999
VALVE INSTL-PTU CONT	29-22-03	05	002004 006999



BOEING
757
PARTS CATALOG (MAINTENANCE)

CHAPTER 29 — HYDRAULIC POWER

TABLE OF CONTENTS

SUBJECT	CC-SS-UU	FIGURE	EFFECT
HYDRAULIC PRESSURE INDICATING SYSTEM	29-31-00		
PANEL INSTL-P5 OVHD (HYDRAULIC PRESSURE INDICATING SYSTEM ONLY)	29-31-00	01	101106 108120 504903
PANEL INSTL-P5 OVHD (HYDRAULIC PRESSURE INDICATING SYSTEM ONLY)	29-31-00	02	011100
PANEL INSTL-P5 OVHD (HYDRAULIC PRESSURE INDICATING SYSTEM ONLY)	29-31-00	03	002004 006010 107107 121503 904999
RESERVOIR ASSY-CTR SYS HYDR (PRESSURE TRANSMITTER ONLY)	29-31-01	02	002004 006100 107107 121503 904999
RESERVOIR ASSY-R SYS HYDR (HYDRAULIC PRESSURE TRANSMITTER ONLY)	29-31-01	03	002004 006999
RESERVOIR INSTL-CTR SYS HYDR (HYDRAULIC PRESSURE TRANSMITTER ONLY)	29-31-01	01	101106 108120 504903
TRANSMITTER INSTL- L SYS PRESSURE	29-31-01	05	002004 006999
TRANSMITTER INSTL-CTR SYS PRESSURE	29-31-03	05	002004 006999
TRANSMITTER INSTL-R SYS PRESSURE	29-31-02	05	002004 006999
HYDRAULIC FLUID TEMPERATURE INDICATING SYSTEM	29-32-00		
PANEL INSTL-P5 OVHD (HYDRAULIC FLUID TEMPERATURE INDICATING SYSTEM ONLY)	29-32-51	01	002004 006010 107107 121503 904999
PANEL INSTL-P5 OVHD (HYDRAULIC FLUID TEMPERATURE INDICATING SYSTEM ONLY)	29-32-51	02	011100
PANEL INSTL-P5 OVHD (HYDRAULIC FLUID TEMPERATURE INDICATING SYSTEM ONLY)	29-32-51	03	101106 108120 504903

 **BOEING**
757
PARTS CATALOG (MAINTENANCE)

CHAPTER 29 — HYDRAULIC POWER

TABLE OF CONTENTS

SUBJECT	CC-SS-UU	FIGURE	EFFECT
RESERVOIR ASSY-CTR SYS HYDR (RESERVOIR TEMPERATURE TRANSMITTER ONLY)	29-32-03	01	101106 108120 504903
RESERVOIR ASSY-CTR SYS HYDR (TEMPERATURE TRANSMITTER ONLY)	29-32-03	02	002004 006100 107107 121503 904999
RESERVOIR ASSY-R SYS HYDR (RESERVOIR TEMPERATURE TRANSMITTER ONLY)	29-32-03	03	002004 006999
HYDRAULIC FLUID QUANTITY INDICATING SYSTEM	29-33-00		
EQUIPMENT INSTL-MAIN ELECTRONICS AND E6 AFT EQPT CTR (HYDRAULIC POWER ONLY)	29-33-51	01	002004 006100 107107 121999
EQUIPMENT INSTL-MAIN ELECTRONICS EQPT CTR (HYDRAULIC POWER ONLY)	29-33-51	01B	101102
EQUIPMENT INSTL-MAIN ELECTRONICS EQPT CTR HYDR QTY MON	29-33-51	08	103106 108120
PANEL INSTL-OVHD (HYDRAULIC FLUID QUANTITY INDICATING SYSTEM ONLY)	29-33-52	01	002004 006010 107107 121503 904999
PANEL INSTL-P5 OVHD (HYDRAULIC FLUID QUANTITY INDICATING SYSTEM ONLY)	29-33-52	02	011100
PANEL INSTL-P5 OVHD (HYDRAULIC FLUID QUANTITY INDICATING SYSTEM ONLY)	29-33-52	03	101106 108120 504903
HYDRAULIC RESERVOIR PRESSURE INDICATION SYSTEM	29-35-00		
RESERVOIR ASSY-CTR SYS HYDR (HYDRAULIC RESERVOIR PRESSURE SWITCH ONLY)	29-35-01	01	101106 108120 504903
RESERVOIR ASSY-CTR SYS HYDR (PRESSURE SWITCH ONLY)	29-35-01	02	002004 006100 107107 121503 904999

 **BOEING**
757
PARTS CATALOG (MAINTENANCE)

CHAPTER 29 — HYDRAULIC POWER

TABLE OF CONTENTS

SUBJECT	CC-SS-UU	FIGURE	EFFECT
RESERVOIR ASSY-R SYS HYDR (HYDRAULIC RESERVOIR PRESSURE SWITCH ONLY)	29-35-01	03	002004 006999
RESERVOIR ASSY-SECT 44 L SYS HYDR (PRESSURE SWITCH ONLY)	29-35-01	04	002004 006999

HYDRAULIC POWER - GENERAL

BRI
MAY 28/07

29-00-00
SECTION TITLE
PAGE 1

 **BOEING**
757
PARTS CATALOG (MAINTENANCE)

NON-ILLUSTRATED FIGURE

THE ITEMS REFLECTED IN THIS FIGURE ARE INTENTIONALLY
NON-ILLUSTRATED. THEY ARE REFERENCED TO EITHER A
NEXT HIGHER OR NEXT LOWER ASSEMBLY/INSTALLATION FIGURE.

ELECTRIC PUMP INSTL
FIGURE 1

29-00-01-01

BRI
MAY 28/07

29-00-01-01
PAGE 0



757

PARTS CATALOG (MAINTENANCE)

FIG ITEM	PART NUMBER	1 2 3 4 5 6 7	NOMENCLATURE	EFFECT FROM TO	UNITS PER ASSY
1			ELECTRIC PUMP INSTL	101102 108120 504903	
- 10	929N1101-1		ELECTRIC PUMP INSTL	108120	RF
- 10	929N1102-1		ELECTRIC PUMP INSTL	506903	RF
- 10	929N1102-2		ELECTRIC PUMP INSTL	101102 504505	RF
- 15	271N1002-9		.PUMP INSTL- POSITION DATA: LH SIDE FOR DETAILS SEE: 29-11-01-01	108120	1
- 15	271N1002-11		.PUMP INSTL- POSITION DATA: LH SIDE FOR DETAILS SEE: 29-11-01-01	101102 504903	1
- 20	271N1002-10		.PUMP INSTL- POSITION DATA: RH SIDE FOR DETAILS SEE: 29-11-01-01	108120	1
- 20	271N1002-12		.PUMP INSTL- POSITION DATA: RH SIDE FOR DETAILS SEE: 29-11-01-01	101102 504903	1
- 25	271N1003-5		.PUMP INSTL-C1 ABEX (-200 CONFIGURATION) FOR DETAILS SEE: 29-11-02-01	108120	1
- 25	271N1003-6		.PUMP INSTL-C1 FOR DETAILS SEE: 29-11-02-01	101102 504903	1
- 30	271N1055-5		.PUMP INSTL-C2 ABEX (-200) FOR DETAILS SEE: 29-11-02-02	108120	1
- 30	271N1055-6		.PUMP INSTL-C2 FOR DETAILS SEE: 29-11-02-02	506903	1
- 35	271N6492-16		.PLUMBING INSTL-HYDR HEAVY WEIGHT ACMP HOSES FOR DETAILS SEE: 29-11-51-20A	101102 504505	1

MISSING ITEM NUMBERS NOT APPLICABLE

- ITEM NOT ILLUSTRATED

29-00-01-01

29-00-01
FIG. 01
PAGE 1
JAN 20/09

BRI

 **BOEING**
757
PARTS CATALOG (MAINTENANCE)

NON-ILLUSTRATED FIGURE

THE ITEMS REFLECTED IN THIS FIGURE ARE INTENTIONALLY
NON-ILLUSTRATED. THEY ARE REFERENCED TO EITHER A
NEXT HIGHER OR NEXT LOWER ASSEMBLY/INSTALLATION FIGURE.

Y 29005101 SKT 1 REV 085

HYDRAULIC INSTL-SECT 12
FIGURE 1

29-00-51-01

BRI
MAY 28/07

29-00-51-01
PAGE 0



757

PARTS CATALOG (MAINTENANCE)

FIG ITEM	PART NUMBER	1 2 3 4 5 6 7	NOMENCLATURE	EFFECT FROM TO	UNITS PER ASSY
1			HYDRAULIC INSTL-SECT 12	002004 006100 107107 121503 904999	
- 1	270N0012-10		HYDRAULIC INSTL- POSITION DATA: SECT. 12 VARIABLE DRAWING REF: 270N0901-103 270N0901-104 270N0901-143 270N0901-144 270N0901-147	002004 006100 107107 121503 904999	1
- 50	271N4001-1		.EXCHANGER INSTL-HEAT POSITION DATA: L FOR DETAILS SEE: 29-11-26-05	002004 006100 107107 121503 904999	1
- 55	271N4001-2		.EXCHANGER INSTL-HEAT POSITION DATA: R FOR DETAILS SEE: 29-11-26-05	002004 006100 107107 121503 904999	1
- 60	271N4001-3		.EXCHANGER INSTL-HEAT POSITION DATA: CTR FOR DETAILS SEE: 29-11-26-05	002004 006100 107107 121503 904999	1
- 100	273N2087-1		.VALVE INSTL-TRUCK POSITIONER SHUTTLE POSITION DATA: LH FOR DETAILS SEE: 32-32-17-01	002004 006100 107107 121503 904999	1
- 105	273N2087-2		.VALVE INSTL-TRUCK POSITIONER SHUTTLE POSITION DATA: RH FOR DETAILS SEE: 32-32-17-01	002004 006100 107107 121503 904999	1

MISSING ITEM NUMBERS NOT APPLICABLE

- ITEM NOT ILLUSTRATED

BRI

29-00-51-01

29-00-51
FIG. 01
PAGE 1
JAN 20/09



757

PARTS CATALOG (MAINTENANCE)

FIG ITEM	PART NUMBER	1 2 3 4 5 6 7	NOMENCLATURE	EFFECT FROM TO	UNITS PER ASSY
1					
- 150	271N6121-1		.PLUMBING INSTL-OUTBD HYDR POSITION DATA: SECT. 12 L WING FUNCTIONAL REFERENCE: FLIGHT CONTROLS FOR DETAILS SEE 27-11-20-03 27-61-02-09 HYDRAULIC POWER FOR DETAILS SEE 29-11-51-26	002004 006100 107107 121503 904999	1
- 155	271N6122-1		.PLUMBING INSTL-INBD HYDR POSITION DATA: SECT. 12 L WING VARIABLE DRAWING REF: 271N6122-4 FUNCTIONAL REFERENCE: 27-61-02-03 HYDRAULIC POWER FOR DETAILS SEE 29-11-51-12 29-11-51-13 29-11-51-26 29-11-51-14 LANDING GEAR FOR DETAILS SEE 32-32-51-15 32-41-51-15 PLACARDS AND MARKINGS FOR DETAILS SEE 11-24-30-01	002004 006100 107107 121503 904999	1
- 157	271N6122-6		.PLUMBING INSTL-INBD HYDR POSITION DATA: SECT. 12 L WING FOR DETAILS SEE: 29-11-51-14	002004 006100 107107 121503 904999	1

MISSING ITEM NUMBERS NOT APPLICABLE

- ITEM NOT ILLUSTRATED

BRI

29-00-51-01

BOEING PROPRIETARY - Copyright © - Unpublished Work - See title page for details.

29-00-51
FIG. 01
PAGE 2
JAN 20/09



757

PARTS CATALOG (MAINTENANCE)

FIG ITEM	PART NUMBER	1 2 3 4 5 6 7	NOMENCLATURE	EFFECT FROM TO	UNITS PER ASSY
1 - 160	271N6123-1		.PLUMBING INSTL-INBD WING HYDR SECT 12 HYDR RH POSITION DATA: SECT. 12 RH VARIABLE DRAWING REF: 271N6123-4 FUNCTIONAL REFERENCE: HYDRAULIC POWER FOR DETAILS SEE 29-11-51-17 29-11-51-18 FLIGHT CONTROLS FOR DETAILS SEE 27-61-51-17 LANDING GEAR FOR DETAILS SEE 32-32-51-16 32-41-51-16 PLACARDS AND MARKINGS FOR DETAILS SEE 11-24-30-01	002004 006100 107107 121503 904999	1
- 165	271N6124-1		.PLUMBING INSTL-OUTBD HYDR POSITION DATA: SECT. 12 R WING FUNCTIONAL REFERENCE: FLIGHT CONTROLS FOR DETAILS SEE 27-11-51-28 27-61-51-28 HYDRAULIC POWER FOR DETAILS SEE 29-11-51-28	002004 006100 107107 121503 904999	1
- 170	271N6125-1		.PLUMBING INSTL-HYDR POSITION DATA: SECT. 12 L FUNCTIONAL REFERENCE: FLIGHT CONTROLS FOR DETAILS SEE 27-81-51-16 PLACARDS AND MARKINGS FOR DETAILS SEE 11-24-30-01	002004 006100 107107 121503 904999	1

MISSING ITEM NUMBERS NOT APPLICABLE

- ITEM NOT ILLUSTRATED

BRI

29-00-51-01

29-00-51
FIG. 01
PAGE 3
JAN 20/09

 **BOEING**
757
PARTS CATALOG (MAINTENANCE)

NON-ILLUSTRATED FIGURE

THE ITEMS REFLECTED IN THIS FIGURE ARE INTENTIONALLY
NON-ILLUSTRATED. THEY ARE REFERENCED TO EITHER A
NEXT HIGHER OR NEXT LOWER ASSEMBLY/INSTALLATION FIGURE.

COLLECTOR INSTL-PASS. MINOR MODEL (HYDRAULIC POWER ONLY)
FIGURE 1A

29-00-51-01A

BRI
MAY 28/07

29-00-51-01A
PAGE 0



757

PARTS CATALOG (MAINTENANCE)

FIG ITEM	PART NUMBER	1 2 3 4 5 6 7	NOMENCLATURE	EFFECT FROM TO	UNITS PER ASSY
1 A			COLLECTOR INSTL-PASS. MINOR MODEL (HYDRAULIC POWER ONLY)	101102 108120 504903	
- 1	270N0100-200		COLLECTOR INSTL-PASS. MINOR MODEL (HYDRAULIC POWER ONLY) FOR OTHER SYS DETAILS SEE: 27-00-00-04 32-00-00-03	101102 108120 504903	RF
- 5	271N1005-9		.PUMP INSTL-RAM AIR TURB HYDR FOR DETAILS SEE: 29-21-01-01	101102 108120 504903	1
- 7	271N1007-7		.ACTUATOR INSTL-RAM AIR TURB POSITION DATA: STA 1231.48 REF STA 1212.10 FOR DETAILS SEE: 29-21-05-01	101102 108120 504903	1
- 25	271N6444-21		.PLUMBING INSTL-200 MINOR MODEL FOR DETAILS SEE: 29-11-51-51	101102 108120 504903	1
- 30	271N6441-31		.PLUMBING INSTL-MAIN WHL WELL BHD HYDR POSITION DATA: SECT. 44 R FOR DETAILS SEE: 29-11-52-18	101102 504903	1
- 60	271N6443-42		.PLUMBING INSTL-200 PASS. AND PF MODEL FOR DETAILS SEE: 29-11-51-96	101102 108120 504903	1
- 65	271N3028-5		.SUPPORT INSTL-SYS HYDR RSVR POSITION DATA: LH FOR DETAILS SEE: 29-11-54-01	101102 108120 504903	1
- 70	271N3028-6		.SUPPORT INSTL-SYS HYDR RSVR POSITION DATA: RH FOR DETAILS SEE: 29-11-54-01	101102 108120 504903	1

MISSING ITEM NUMBERS NOT APPLICABLE

- ITEM NOT ILLUSTRATED

29-00-51-01A

29-00-51
FIG. 01A
PAGE 1
JAN 20/09

BRI



757

PARTS CATALOG (MAINTENANCE)

FIG ITEM	PART NUMBER	1 2 3 4 5 6 7	NOMENCLATURE	EFFECT FROM TO	UNITS PER ASSY
1 A					
- 85	271N6311-11		.PLUMBING INSTL-ENG STRUT POSITION DATA: SECT. 31.1 LH FOR DETAILS SEE: 29-11-51-73	101102 108120 504903	1
- 90	271N6311-12		.PLUMBING INSTL-ENG STRUT POSITION DATA: SECT. 31.1 RH FOR DETAILS SEE: 29-11-52-06	101102 108120 504903	1
- 95	271N3002-8		.RESERVOIR INSTL-SYS HYDR POSITION DATA: CTR FOR DETAILS SEE: 29-11-21-01	101102 108120 504903	100
- 105	271N1011-12		.VALVE INSTL-RAM AIR TURB ACTR CONT FOR DETAILS SEE: 29-21-04-05	101102 504903	1
- 105	271N1011-19		.VALVE INSTL-RAM AIR TURB ACTR CONT FOR DETAILS SEE: 29-21-04-05	108120	1
- 110	271N2004-9		.MODULE INSTL-ELEC MOTOR PUMP PRESSURE/CASE DRAIN SYS FILTER POSITION DATA: CTR FOR DETAILS SEE: 29-11-18-02	101102 108120 504903	1
- 115	271N2026-1		.MODULE INSTL-SYS RETURN FILTER POSITION DATA: CTR FOR DETAILS SEE: 29-11-13-01	101102 108120 504903	1
- 120	271N6445-16		.PLUMBING INSTL-200 PASS. AND PACKAGE FREIGHTER MINOR MODEL POSITION DATA: SECT. 44 RH FOR DETAILS SEE: 29-11-84-02	101102 108120 504903	1
- 125	271N6411-21		.PLUMBING INSTL-HYDR NOSE WHEEL WELL POSITION DATA: SECT. 41 FOR DETAILS SEE: 29-11-52-14	101102 108120 504903	1

MISSING ITEM NUMBERS NOT APPLICABLE

- ITEM NOT ILLUSTRATED

29-00-51-01A

29-00-51
FIG. 01A
PAGE 2
JAN 20/09

BRI

BOEING PROPRIETARY - Copyright © - Unpublished Work - See title page for details.



757

PARTS CATALOG (MAINTENANCE)

FIG ITEM	PART NUMBER	1 2 3 4 5 6 7	NOMENCLATURE	EFFECT FROM TO	UNITS PER ASSY
1A - 130	271N6481-8		.PLUMBING INSTL-200 PASS. AND PKG FRIEGHTER MINOR MODEL POSITION DATA: SECT. 48 L FOR DETAILS SEE: 29-11-52-27	101101	1
- 130	271N6481-10		.PLUMBING INSTL-200 PASS. AND PKG FRIEHTER MINOR MODEL POSITION DATA: SECT. 48 L FOR DETAILS SEE: 29-11-52-27	102102 108120 504903	1
- 145	271N6461-23		.PLUMBING INSTL-200 PASS. AND PACKAGE MINOR MODEL FOR DETAILS SEE: 29-11-51-95	101102 108120 504903	1
- 150	271N3026-2		.SUPPORT INSTL-HYDR RSVR POSITION DATA: CTR SYS FOR DETAILS SEE: 53-61-55-01	101102 108120 504903	1
- 155	271N4001-8		.EXCHANGER INSTL-HEAT HYDR SYS POSITION DATA: LH FOR DETAILS SEE: 29-11-26-05	101102 108120 504903	1
- 160	271N4001-9		.EXCHANGER INSTL-HEAT HYDR SYS POSITION DATA: RH FOR DETAILS SEE: 29-11-26-05	101102 108120 504903	1
- 165	271N4001-10		.EXCHANGER INSTL-HEAT HYDR SYS POSITION DATA: CTR FOR DETAILS SEE: 29-11-26-05	101102 108120 504903	1
- 170	271N5004-1		.DISCONNECT INSTL-PRESSURE GND SVCE QUICK POSITION DATA: CTR SYS FOR DETAILS SEE: 29-11-53-01	101102 108120 504903	1

MISSING ITEM NUMBERS NOT APPLICABLE

- ITEM NOT ILLUSTRATED

BRI

29-00-51-01A

BOEING PROPRIETARY - Copyright © - Unpublished Work - See title page for details.

29-00-51
FIG. 01A
PAGE 3
JAN 20/09



757

PARTS CATALOG (MAINTENANCE)

FIG ITEM	PART NUMBER	1 2 3 4 5 6 7	NOMENCLATURE	EFFECT FROM TO	UNITS PER ASSY
1 A					
- 175	271N5009-5		.PUMP INSTL-RSVR CENTRAL FILL SYS HAND FOR DETAILS SEE: 29-18-01-01	101102 108120 504903	1
- 190	271N6194-29		.FITTING INSTL-HYDR POSITION DATA: SECT. 12 FOR DETAILS SEE: 29-11-55-01A	101102 108120 504903	1
- 195	271N6194-30		.FITTING INSTL-HYDR POSITION DATA: SECT. 12 FOR DETAILS SEE: 29-11-55-01A	101102 108120 504903	1

MISSING ITEM NUMBERS NOT APPLICABLE

- ITEM NOT ILLUSTRATED

BRI

29-00-51-01A

BOEING PROPRIETARY - Copyright © - Unpublished Work - See title page for details.

29-00-51
FIG. 01A
PAGE 4
JAN 20/09

 **BOEING**
757
PARTS CATALOG (MAINTENANCE)

NON-ILLUSTRATED FIGURE

THE ITEMS REFLECTED IN THIS FIGURE ARE INTENTIONALLY
NON-ILLUSTRATED. THEY ARE REFERENCED TO EITHER A
NEXT HIGHER OR NEXT LOWER ASSEMBLY/INSTALLATION FIGURE.

Y 29005102 SHY 1 REV 085

HYDRAULIC INSTL-SECT. 31.1
FIGURE 2

29-00-51-02

BRI
MAY 28/07

29-00-51-02
PAGE 0



757

PARTS CATALOG (MAINTENANCE)

FIG ITEM	PART NUMBER	1 2 3 4 5 6 7	NOMENCLATURE	EFFECT FROM TO	UNITS PER ASSY
2			HYDRAULIC INSTL-SECT. 31.1	002004 006100 107107 121503 904999	
- 1	270N0311-10		HYDRAULIC INSTL- POSITION DATA: SECT 31.1 VARIABLE DRAWING REF: 270N0901-103 270N0901-104 270N0901-143 270N0901-144 270N0901-147	002004 006100 107107 121503 904999	RF
- 15	271N5001-1		.MODULE INSTL-SYSTEM SHUT OFF ISOLATION VALVE POSITION DATA: L VARIABLE DRAWING REF: 271N5001-7 FUNCTIONAL REFERENCE: EXHAUST FOR DETAILS SEE 78-34-05-01 HYDRAULIC POWER FOR DETAILS SEE 29-11-06-01	002004 006100 107107 121503 904999	1
- 20	271N5001-2		.MODULE INSTL-SYSTEM SHUT OFF ISOLATION VALVE POSITION DATA: R VARIABLE DRAWING REF: 271N5001-8 FUNCTIONAL REFERENCE: EXHAUST FOR DETAILS SEE 78-34-05-01 HYDRAULIC POWER FOR DETAILS SEE 29-11-06-01	002004 006100 107107 121503 904999	1
- 60	271N5002-5		.BRACKET INSTL-SHUT OFF/ ISOLATION VALVE MODULE SYSTEM POSITION DATA: L FOR DETAILS SEE: 54-51-56-01	002004 006100 107107 121503 904999	1

MISSING ITEM NUMBERS NOT APPLICABLE

- ITEM NOT ILLUSTRATED

BRI

29-00-51-02

29-00-51
FIG. 02
PAGE 1
JAN 20/09



757

PARTS CATALOG (MAINTENANCE)

FIG ITEM	PART NUMBER	1 2 3 4 5 6 7	NOMENCLATURE	EFFECT FROM TO	UNITS PER ASSY
2					
- 65	271N5002-6		.BRACKET INSTL-SHUT OFF/ ISOLATION VALVE MODULE SYSTEM POSITION DATA: R FOR DETAILS SEE: 54-51-56-01	002004 006100 107107 121503 904999	1
- 100	271N5003-1		.DISCONNECT INSTL-SYSTEM GND SERVICE POSITION DATA: L FOR DETAILS SEE: 29-18-51-05	002004 006100 107107 121503 904999	1
- 105	271N5003-2		.DISCONNECT INSTL-SYSTEM GND SERVICE POSITION DATA: R FOR DETAILS SEE: 29-18-51-05	002004 006100 107107 121503 904999	1
- 115	271N2030-1		.MODULE INSTL-SYS EDP PRESSURE/CASE DRAIN FILTER POSITION DATA: L FOR DETAILS SEE: 29-11-17-02	002004 006100 107107 121503 904999	1
- 120	271N2030-2		.MODULE INSTL-SYS EDP PRESSURE/CASE DRAIN FILTER POSITION DATA: R FOR DETAILS SEE: 29-11-17-02	002004 006100 107107 121503 904999	1

MISSING ITEM NUMBERS NOT APPLICABLE

- ITEM NOT ILLUSTRATED

BRI

29-00-51-02

29-00-51
FIG. 02
PAGE 2
JAN 20/09



757

PARTS CATALOG (MAINTENANCE)

FIG ITEM	PART NUMBER	1 2 3 4 5 6 7	NOMENCLATURE	EFFECT FROM TO	UNITS PER ASSY
2 - 150	271N6311-3		.PLUMBING INSTL-ENGINE STRUT POSITION DATA: SECT 31.1 LH VARIABLE DRAWING REF: 271N6311-5 FUNCTIONAL REFERENCE: FIRE PROTECTION FOR DETAILS SEE 26-21-51-22 HYDRAULIC POWER FOR DETAILS SEE 29-11-51-45 29-18-51-24 PLACARDS AND MARKINGS FOR DETAILS SEE 11-24-30-01	002004 006100 107107 121503 904999	1
- 155	271N6311-4		.PLUMBING INSTL-ENGINE STRUT POSITION DATA: SECT 31.1 RH VARIABLE DRAWING REF: 271N6311-6 FUNCTIONAL REFERENCE: FIRE PROTECTION FOR DETAILS SEE 26-21-51-22 HYDRAULIC POWER FOR DETAILS SEE 29-11-51-46 29-18-51-25 PLACARDS AND MARKINGS FOR DETAILS SEE 11-24-30-01	002004 006100 107107 121503 904999	1
- 160	271N5088-1		.MARKER INSTL- POSITION DATA: LH FOR DETAILS SEE: 11-25-08-01	002004 006100 107107 121503 904999	1
- 165	271N5088-2		.MARKER INSTL- POSITION DATA: RH FOR DETAILS SEE: 11-25-08-01	002004 006100 107107 121503 904999	1
- 170	271N5088-7		.MARKER INSTL- POSITION DATA: LH FOR DETAILS SEE: 11-25-08-01	002004 006100 107107 121503 904999	1

MISSING ITEM NUMBERS NOT APPLICABLE

- ITEM NOT ILLUSTRATED

29-00-51-02

29-00-51
FIG. 02
PAGE 3
JAN 20/09

BRI



757

PARTS CATALOG (MAINTENANCE)

FIG ITEM	PART NUMBER	1 2 3 4 5 6 7	NOMENCLATURE	EFFECT FROM TO	UNITS PER ASSY
2 - 175	271N5088-8		.MARKER INSTL- POSITION DATA: RH FOR DETAILS SEE: 11-25-08-01	002004 006100 107107 121503 904999	1

MISSING ITEM NUMBERS NOT APPLICABLE

- ITEM NOT ILLUSTRATED

BRI

29-00-51-02

BOEING PROPRIETARY - Copyright © - Unpublished Work - See title page for details.

29-00-51
FIG. 02
PAGE 4
JAN 20/09

NON-ILLUSTRATED FIGURE

THE ITEMS REFLECTED IN THIS FIGURE ARE INTENTIONALLY
NON-ILLUSTRATED. THEY ARE REFERENCED TO EITHER A
NEXT HIGHER OR NEXT LOWER ASSEMBLY/INSTALLATION FIGURE.

COLLECTOR INSTL-PASS. 4-DOOR OPTION (HYDRAULIC POWER ONLY)
FIGURE 2B

29-00-51-02B

BRI
MAY 28/07

29-00-51-02B
PAGE 0



757

PARTS CATALOG (MAINTENANCE)

FIG ITEM	PART NUMBER	1 2 3 4 5 6 7	NOMENCLATURE	EFFECT FROM TO	UNITS PER ASSY
2B			COLLECTOR INSTL-PASS. 4-DOOR OPTION (HYDRAULIC POWER ONLY)	101102 108120 504903	
- 1	270N0100-202		COLLECTOR INSTL-PASS. 4-DOOR FOR OTHER SYS DETAILS SEE: 27-00-00-05	101102 108120 504903	1
- 5	271N5003-3		.DISCONNECT INSTL-SYS GND SVCE POSITION DATA: LH FOR DETAILS SEE: 29-18-51-05	101102 108120 504903	1
- 10	271N5003-4		.DISCONNECT INSTL-SYS GND SVCE POSITION DATA: RH FOR DETAILS SEE: 29-18-51-05	101102 108120 504903	1
- 25	271N5024-10		.SYSTEM INSTL-RSVR CENTRAL FILL FOR DETAILS SEE: 29-18-01-02A	101102 108120 504903	1
- 30	271N6411-14		.PLUMBING INSTL-CUSTOMER OPTION (ALUMINUM RETURN LINES) POSITION DATA: NOSE WHEEL WELL FOR DETAILS SEE: 32-34-51-17 32-35-51-15A	101102 108120 504903	1
- 35	271N3001-12		.RESERVOIR INSTL-SYS HYDR POSITION DATA: LH FOR DETAILS SEE: 29-11-20-04	101102 108120 504903	1
- 37	271N3002-10		.RESERVOIR INSTL-SYS HYDR POSITION DATA: CTR FOR DETAILS SEE: 29-11-21-01	101102 108120 504903	1

MISSING ITEM NUMBERS NOT APPLICABLE

- ITEM NOT ILLUSTRATED

29-00-51-02B

29-00-51
FIG. 02B
PAGE 1
JAN 20/09

BRI

BOEING PROPRIETARY - Copyright © - Unpublished Work - See title page for details.



757

PARTS CATALOG (MAINTENANCE)

FIG ITEM	PART NUMBER	1 2 3 4 5 6 7	NOMENCLATURE	EFFECT FROM TO	UNITS PER ASSY
2B					
- 40	271N3004-10		.MODULE INSTL-RSVR PRESSURIZATION FUNCTIONAL REFERENCE: PLACARDS AND MARKINGS FOR DETAILS SEE 11-22-59-01 HYDRAULIC POWER FOR DETAILS SEE 29-11-16-05	101102 108120 504903	1
- 55	271N6491-6		.PLUMBING INSTL-ALL CUSTOMERS EXCEPT DAL POSITION DATA: SECT. 49 FOR DETAILS SEE: 29-11-51-89	101102 108120 504903	1
- 60	271N6122-19		.PLUMBING INSTL-INBD HYDR FOR DETAILS SEE: 29-11-51-98	101102 108120 504903	1
- 70	271N6122-18		.PLUMBING INSTL-INSPAR TUBING AND BRACKETS, SYS HEAT EXCHANGER, EXCEPT DELTA FOR DETAILS SEE: 29-11-51-65	101102 108120 504903	1
- 80	271N6441-21		.PLUMBING INSTL-PASS. NON-DELTA PROVISIONS FOR DETAILS SEE: 29-11-51-78	101102 108120 504903	1
- 85	271N6441-27		.PLUMBING INSTL-DFDAU BRAKE PRESSURE XMTR, NON-DELTA PROVISIONS FOR DETAILS SEE: 29-11-51-81	101102 504903	1
- 87	271N6441-29		.PLUMBING INSTL-NON-DELTA PROVISIONS FOR DETAILS SEE: 29-11-51-78	101102 108120 504903	1
- 95	271N6123-11		.PLUMBING INSTL-FILLET AND TE, VARIABLE POSITION DATA: CTR FOR DETAILS SEE: 29-11-51-18B	101102 108120 504903	1

MISSING ITEM NUMBERS NOT APPLICABLE

- ITEM NOT ILLUSTRATED

29-00-51-02B

29-00-51
FIG. 02B
PAGE 2
JAN 20/09

BRI

BOEING PROPRIETARY - Copyright © - Unpublished Work - See title page for details.



757

PARTS CATALOG (MAINTENANCE)

FIG ITEM	PART NUMBER	1 2 3 4 5 6 7	NOMENCLATURE	EFFECT FROM TO	UNITS PER ASSY
2B - 100	271N6121-7		.PLUMBING INSTL-INSPAR SYS CASE DRAIN (EXCEPT DELTA) POSITION DATA: CTR FOR DETAILS SEE: 29-11-51-59	101102 108120 504903	1
- 105	271N6121-8		.PLUMBING INSTL-TE ALUMINUM RETURN LINES (EXCEPT DELTA) FOR DETAILS SEE: 29-11-51-60	101102 108120 504903	1
- 155	271N6443-20		.PLUMBING INSTL-4 DOOR MINOR MODEL FOR DETAILS SEE: 29-11-84-01	101102 108120 504903	1
- 165	271N6444-10		.PLUMBING INSTL-4 DOOR AND PACKAGE FREIGHTER PROVISIONS POSITION DATA: RH SIDE FUNCTIONAL REFERENCE: PLACARDS AND MARKINGS FOR DETAILS SEE 11-22-06-06 HYDRAULIC POWER FOR DETAILS SEE 29-11-51-52	101102 108120 504903	1
- 175	271N6444-14		.PLUMBING INSTL-DFDAU BRAKE PRESSURE XMTR PROVISIONS POSITION DATA: RH SIDE FOR DETAILS SEE: 32-41-51-23	101102 504903	1
- 180	271N6444-15		.PLUMBING INSTL-NON DELTA PROVISIONS POSITION DATA: RH SIDE FOR DETAILS SEE: 29-11-51-41	101102 108120 504903	1
- 185	271N6445-9		.PLUMBING INSTL-NON-DELTA PROVISIONS FOR DETAILS SEE: 29-11-51-84	101102 108120 504903	1

MISSING ITEM NUMBERS NOT APPLICABLE

- ITEM NOT ILLUSTRATED

29-00-51-02B

29-00-51
FIG. 02B
PAGE 3
JAN 20/09

BRI

BOEING PROPRIETARY - Copyright © - Unpublished Work - See title page for details.



757

PARTS CATALOG (MAINTENANCE)

FIG ITEM	PART NUMBER	1 2 3 4 5 6 7	NOMENCLATURE	EFFECT FROM TO	UNITS PER ASSY
2B - 232	271N2030-16		.MODULE INSTL-SYS ALL CUSTOMER EXCEPT DAL, POSITION DATA: LH FOR DETAILS SEE: 29-11-17-02	101102 108120 504903	1
- 233	271N2030-17		.MODULE INSTL-SYS ALL CUSTOMER EXCEPT DAL POSITION DATA: RH FOR DETAILS SEE: 29-11-17-02	101102 108120 504903	1
- 317	271N6194-31		.FITTING INSTL-HYDR POSITION DATA: SECT. 12 FOR DETAILS SEE: 29-11-55-01A	101102 108120 504903	1
- 435	271N6122-25		.PLUMBING INSTL-INSPAR, FILLET AND TE SYS CASE DRAIN, EXCEPT DELTA FOR DETAILS SEE: 29-11-51-67	101102 108120 504903	1
- 440	271N6122-26		.PLUMBING INSTL-FILLET TE-ALUMINUM RETURN LINES, EXCEPT DELTA FOR DETAILS SEE: 29-11-51-61	101102 108120 504903	1
- 485	271N6443-27		.PLUMBING INSTL-DFDAU BRAKE PRESS TRANS PROVISIONS FOR DETAILS SEE: 29-11-84-05	101102 504903	1
- 507	271N6446-10		.PLUMBING INSTL-4-DOOR AND PACKAGE FREIGHTER POSITION DATA: AFT BHD FOR DETAILS SEE: 29-11-52-20	101102 108120 504903	1
- 515	271N6446-13		.PLUMBING INSTL-NON-DELTA PROVISIONS FOR DETAILS SEE: 29-11-51-85	101102 108120 504903	1
- 595	271N3003-15		.RESERVOIR INSTL-SYS HYDR POSITION DATA: RH FOR DETAILS SEE: 29-11-20-01	101102 108120 504903	1

MISSING ITEM NUMBERS NOT APPLICABLE

- ITEM NOT ILLUSTRATED

29-00-51-02B

29-00-51
FIG. 02B
PAGE 4
JAN 20/09

BRI

BOEING PROPRIETARY - Copyright © - Unpublished Work - See title page for details.



757

PARTS CATALOG (MAINTENANCE)

FIG ITEM	PART NUMBER	1 2 3 4 5 6 7	NOMENCLATURE	EFFECT FROM TO	UNITS PER ASSY
2B - 610	271N6492-10		.PLUMBING INSTL-HYDR BAY POSITION DATA: SECT. 49 L FOR DETAILS SEE: 29-11-51-91	108120	1
- 610	271N6492-14		.PLUMBING INSTL-HYDR BAY POSITION DATA: SECT. 49 L FOR DETAILS SEE: 29-11-51-91	101102 504903	1
- 612	271N6492-12		.PLUMBING INSTL-HYDR BAY POSITION DATA: SECT. 49 L FOR DETAILS SEE: 29-11-90-01	101102 108120 504903	1

MISSING ITEM NUMBERS NOT APPLICABLE

- ITEM NOT ILLUSTRATED

29-00-51-02B

29-00-51
FIG. 02B
PAGE 5
JAN 20/09

BRI

 **BOEING**
757
PARTS CATALOG (MAINTENANCE)

NON-ILLUSTRATED FIGURE

THE ITEMS REFLECTED IN THIS FIGURE ARE INTENTIONALLY
NON-ILLUSTRATED. THEY ARE REFERENCED TO EITHER A
NEXT HIGHER OR NEXT LOWER ASSEMBLY/INSTALLATION FIGURE.

COLLECTOR INSTL-BASIC AND STABLE (HYDRAULIC POWER ONLY)
FIGURE 2C

29-00-51-02C

BRI
MAY 28/07

29-00-51-02C
PAGE 0



757

PARTS CATALOG (MAINTENANCE)

FIG ITEM	PART NUMBER	1 2 3 4 5 6 7	NOMENCLATURE	EFFECT FROM TO	UNITS PER ASSY
2C			COLLECTOR INSTL-BASIC AND STABLE	101102 108120	
- 1	270N0100-100		(HYDRAULIC POWER ONLY) COLLECTOR INSTL-BASIC AND STABLE	504903 101102 108120	RF
			(HYDRAULIC POWER ONLY) FOR OTHER SYS DETAILS SEE:	504903	
			11-00-00-01		
			27-00-00-03		
			32-00-00-02		
- 5	271N5002-7		.BRACKET INSTL-SHUTOFF/ ISOLATION VALVE MODULE	101102 108120	1
			SYS	504903	
			POSITION DATA:		
			L		
			FOR DETAILS SEE:		
			54-51-56-01		
- 10	271N5002-8		.BRACKET INSTL-SHUTOFF/ ISOLATION VALVE MODULE	101102 108120	1
			SYS	504903	
			POSITION DATA:		
			R		
			FOR DETAILS SEE:		
			54-51-56-01		
- 12	271N6121-5		.PLUMBING INSTL-TE	101102	RF
			(HYDRAULIC POWER ONLY)	108120	
			FOR DETAILS SEE:	504903	
			29-11-51-26		
- 20	271N6493-2		.PLUMBING INSTL-HYDR BAY	101102	1
			POSITION DATA:	108120	
			SECT. 49 R	504903	
			FOR DETAILS SEE:		
			29-21-51-15		
- 45	271N5024-9		.SYSTEM INSTL-RSVR CENTRAL	101102	1
			FILL	108120	
			FUNCTIONAL REFERENCE:	504903	
			HYDRAULIC POWER		
			FOR DETAILS SEE		
			29-18-01-02A		
			PLACARDS AND MARKINGS		
			FOR DETAILS SEE		
			11-22-59-03		
- 50	271N3003-13		.RESERVOIR INSTL-SYS HYDR	101102	1
			POSITION DATA:	108120	
			R	504903	
			FOR DETAILS SEE:		
			29-11-20-01		

MISSING ITEM NUMBERS NOT APPLICABLE

- ITEM NOT ILLUSTRATED

29-00-51-02C

29-00-51
FIG. 02C
PAGE 1
JAN 20/09

BRI



757

PARTS CATALOG (MAINTENANCE)

FIG ITEM	PART NUMBER	1 2 3 4 5 6 7	NOMENCLATURE	EFFECT FROM TO	UNITS PER ASSY
2C					
- 60	271N3001-11		.RESERVOIR INSTL-SYS HYDR POSITION DATA: L FOR DETAILS SEE: 29-11-20-04	101102 108120 504903	1
- 65	271N6157-3		.BRACKET INSTL-TE PNL HYDR TUBE SPRT POSITION DATA: UPR LH FOR DETAILS SEE: 29-11-58-01	101102 108120 504903	1
- 70	271N6157-4		.BRACKET INSTL-TE PNL HYDR TUBE SPRT POSITION DATA: UPR RH FOR DETAILS SEE: 29-11-58-01	101102 108120 504903	1
- 75	271N1041-1		.BRACKET INSTL-PWR TRANSFER UNIT FOR DETAILS SEE: 29-22-51-01	101102 108120 504903	1
- 85	271N1008-9		.UNIT INSTL-PWR TRANSFER FOR DETAILS SEE: 29-22-01-01	101102 108120 504903	1
- 90	271N1006-6		.MODULE INSTL-RAM AIR TURB GND CHECKOUT FOR DETAILS SEE: 29-21-11-05	101102 108120 504903	1
- 95	271N2003-5		.MODULE INSTL-ELEC MOTOR PUMP PRESSURE/CASE DRAIN POSITION DATA: L SYS FILTER FOR DETAILS SEE: 29-11-18-01	101102 108120 504903	1
- 100	271N2003-6		.MODULE INSTL-ELEC MOTOR PUMP PRESSURE/CASE DRAIN POSITION DATA: R SYS FILTER FOR DETAILS SEE: 29-11-18-01	101102 108120 504903	1
- 110	271N2009-1		.MODULE INSTL-PWR TRANSFER UNIT PRESSURE FILTER FUNCTIONAL REFERENCE: HYDRAULIC POWER FOR DETAILS SEE 29-22-02-01 PLACARDS AND MARKINGS FOR DETAILS SEE 11-38-40-01	101102 504903	1

MISSING ITEM NUMBERS NOT APPLICABLE

- ITEM NOT ILLUSTRATED

29-00-51-02C

29-00-51
FIG. 02C
PAGE 2
JAN 20/09

BRI



757

PARTS CATALOG (MAINTENANCE)

FIG ITEM	PART NUMBER	1 2 3 4 5 6 7	NOMENCLATURE	EFFECT FROM TO	UNITS PER ASSY
2C - 112	271N2009-4		.MODULE INSTL-PWR TRANSFER UNIT PRESSURE FILTER FUNCTIONAL REFERENCE: HYDRAULIC POWER FOR DETAILS SEE 29-22-02-01 PLACARDS AND MARKINGS FOR DETAILS SEE 11-38-40-01	108120	1
- 115	271N2060-1		.BRACKET INSTL-PWR TRANSFER UNIT FILTER MODULE MTG FOR DETAILS SEE: 29-22-51-01	101102 108120 504903	1
- 120	271N2063-1		.MODULE INSTL-PWR TRANSFER UNIT CASE DRAIN FILTER FOR DETAILS SEE: 29-22-02-05	101102 108120 504903	1
- 130	271N5007-1		.TRANSMITTER INSTL-SYS PRESSURE POSITION DATA: CTR FOR DETAILS SEE: 29-31-03-05	101102 108120 504903	1
- 135	271N5008-1		.TRANSMITTER INSTL-SYS PRESSURE POSITION DATA: R FOR DETAILS SEE: 29-31-02-05	101102 108120 504903	1
- 150	271N5059-1		.TRANSMITTER INSTL-SYS PRESSURE POSITION DATA: L FOR DETAILS SEE: 29-31-01-05	101102 108120 504903	1
- 160	274N1044-7		.VALVE INSTL-BRAKE ISOLATION SYS FOR DETAILS SEE: 29-11-27-01	101102 504903	1
- 160	274N1044-12		.VALVE INSTL-BRAKE ISOLATION SYS FOR DETAILS SEE: 29-11-27-01	108120	1

MISSING ITEM NUMBERS NOT APPLICABLE

- ITEM NOT ILLUSTRATED

BRI

29-00-51-02C

BOEING PROPRIETARY - Copyright © - Unpublished Work - See title page for details.

29-00-51
FIG. 02C
PAGE 3
JAN 20/09

 **BOEING**
757
PARTS CATALOG (MAINTENANCE)

FIG ITEM	PART NUMBER	1 2 3 4 5 6 7	NOMENCLATURE	EFFECT FROM TO	UNITS PER ASSY
2C - 165	271N5063-1		.VALVE INSTL-RELIEF POSITION DATA: L SYS FUNCTIONAL REFERENCE: HYDRAULIC POWER FOR DETAILS SEE 29-11-29-01 PLACARDS AND MARKINGS FOR DETAILS SEE 11-22-06-10	101102 108120 504903	1
- 170	271N5063-2		.VALVE INSTL-RELIEF POSITION DATA: R SYS FUNCTIONAL REFERENCE: HYDRAULIC POWER FOR DETAILS SEE 29-11-29-01 PLACARDS AND MARKINGS FOR DETAILS SEE 11-22-06-10	101102 108120 504903	1
- 235	274N1041-5		.VALVE INSTL-BRAKE ISOLATION SYS FOR DETAILS SEE: 29-11-28-01	101102 504903	1
- 235	274N1041-7		.VALVE INSTL-BRAKE ISOLATION SYS FOR DETAILS SEE: 29-11-28-01	108120	1
- 240	271N6124-4		.PLUMBING INSTL-HYDR WING POSITION DATA: SECT. 12 R OUTBD FOR DETAILS SEE: 29-11-51-28A	101102 108120 504903	1
- 245	271N6491-7		.PLUMBING INSTL-HYDR AC BAY POSITION DATA: SECT. 49 FUNCTIONAL REFERENCE: FLIGHT CONTROL FOR DETAILS SEE 27-81-51-40A HYDRAULIC POWER FOR DETAILS SEE 29-11-51-23A LANDING GEAR FOR DETAILS SEE 32-34-51-40A 32-35-51-40A	101102 504903	1

MISSING ITEM NUMBERS NOT APPLICABLE

- ITEM NOT ILLUSTRATED

BRI

29-00-51-02C

BOEING PROPRIETARY - Copyright © - Unpublished Work - See title page for details.

29-00-51
FIG. 02C
PAGE 4
JAN 20/09



757

PARTS CATALOG (MAINTENANCE)

FIG ITEM	PART NUMBER	1 2 3 4 5 6 7	NOMENCLATURE	EFFECT FROM TO	UNITS PER ASSY
2C - 245	271N6491-9		.PLUMBING INSTL-HYDR AC BAY POSITION DATA: SECT. 49 FUNCTIONAL REFERENCE: FLIGHT CONTROL FOR DETAILS SEE 27-81-51-40A HYDRAULIC POWER FOR DETAILS SEE 29-11-51-23A LANDING GEAR FOR DETAILS SEE 32-34-51-40A 32-35-51-40A	108120	1
- 270	271N6174-2		.BRACKET INSTL-HYDR POSITION DATA: SECT. 82 RH FOR DETAILS SEE: 29-11-60-01	101102 108120 504903	1
- 275	271N6174-3		.BRACKET INSTL-HYDR POSITION DATA: SECT. 82 LH FOR DETAILS SEE: 29-11-60-01	101102 108120 504903	1
- 280	271N6122-22		.PLUMBING INSTL-HYDR POSITION DATA: INBD SECT. 12 LH FUNCTIONAL REFERENCE: PLACARDS AND MARKINGS FOR DETAILS SEE 11-24-30-01 HYDRAULIC POWER FOR DETAILS SEE 29-11-51-12 29-11-51-13 29-11-51-14	101102 108120 504903	RF
- 285	271N6122-12		.PLUMBING INSTL-HYDR POSITION DATA: INBD SECT. 12 LH FOR DETAILS SEE: 29-11-51-14	101102 108120 504903	1

MISSING ITEM NUMBERS NOT APPLICABLE

- ITEM NOT ILLUSTRATED

29-00-51-02C

29-00-51
FIG. 02C
PAGE 5
JAN 20/09

BRI

BOEING PROPRIETARY - Copyright © - Unpublished Work - See title page for details.



757

PARTS CATALOG (MAINTENANCE)

FIG ITEM	PART NUMBER	1 2 3 4 5 6 7	NOMENCLATURE	EFFECT FROM TO	UNITS PER ASSY
2C - 290	271N6441-30		.PLUMBING INSTL-MAIN WHL WELL BHD HYDR POSITION DATA: FWD FUNCTIONAL REFERENCE: HYDRAULIC POWER FOR DETAILS SEE 29-11-51-39A 29-11-51-39B 29-11-51-38 PLACARDS AND MARKINGS FOR DETAILS SEE 11-22-06-05 LANDING GEAR FOR DETAILS SEE 32-41-51-22 32-42-51-22 32-44-51-20	101102 504903	1
- 290	271N6441-35		.PLUMBING INSTL-MAIN WHL WELL BHD HYDR POSITION DATA: FWD FUNCTIONAL REFERENCE: PLACARDS AND MARKINGS FOR DETAILS SEE 11-22-06-05 HYDRAULIC POWER FOR DETAILS SEE 29-11-51-38 29-11-51-39A 29-11-51-39B LANDING GEAR FOR DETAILS SEE 32-41-51-22 32-42-51-22 32-44-51-20	108120	1

MISSING ITEM NUMBERS NOT APPLICABLE

- ITEM NOT ILLUSTRATED

29-00-51-02C

29-00-51
FIG. 02C
PAGE 6
JAN 20/09

BRI



757

PARTS CATALOG (MAINTENANCE)

FIG ITEM	PART NUMBER	1 2 3 4 5 6 7	NOMENCLATURE	EFFECT FROM TO	UNITS PER ASSY
2C - 295	271N6123-13		.PLUMBING INSTL-HYDR WING POSITION DATA: SECT.12 R INBD FUNCTIONAL REFERENCE: FLIGHT CONTROL FOR DETAILS SEE 27-61-51-17 HYDRAULIC POWER FOR DETAILS SEE 29-11-51-17A 29-11-51-18A LANDING GEAR FOR DETAILS SEE 32-32-51-16A 32-41-51-16 PLACARDS AND MARKINGS FOR DETAILS SEE 11-24-30-01	101102 504903	1
- 295	271N6123-17		.PLUMBING INSTL-HYDR WING POSITION DATA: SECT.12 R INBD FUNCTIONAL REFERENCE: PLACARDS AND MARKINGS FOR DETAILS SEE 11-24-30-01 FLIGHT CONTROL FOR DETAILS SEE 27-61-51-17 HYDRAULIC POWER FOR DETAILS SEE 29-11-51-17A 29-11-51-18A LANDING GEAR FOR DETAILS SEE 32-41-51-16	108120	1
- 315	271N6443-40		.PLUMBING INSTL-PRESSURE DECK HYDR POSITION DATA: SECT. 44 LH MAIN WHEEL WELL FUNCTIONAL REFERENCE: HYDRAULIC POWER FOR DETAILS SEE 29-11-84-06 29-11-84-06A PLACARDS AND MARKINGS FOR DETAILS SEE 11-22-06-02	101101	1

MISSING ITEM NUMBERS NOT APPLICABLE

- ITEM NOT ILLUSTRATED

29-00-51-02C

29-00-51
FIG. 02C
PAGE 7
JAN 20/09

BRI



757

PARTS CATALOG (MAINTENANCE)

FIG ITEM	PART NUMBER	1 2 3 4 5 6 7	NOMENCLATURE	EFFECT FROM TO	UNITS PER ASSY
2C - 315	271N6443-43		.PLUMBING INSTL-PRESSURE DECK HYDR POSITION DATA: SECT. 44 LH MAIN WHEEL WELL FUNCTIONAL REFERENCE: PLACARDS AND MARKINGS FOR DETAILS SEE 11-22-06-02 HYDRAULIC POWER FOR DETAILS SEE 29-11-84-06 29-11-84-06A	102102 504903	1
- 315	271N6443-45		.PLUMBING INSTL-PRESSURE DECK HYDR POSITION DATA: SECT. 44 LH MAIN WHEEL WELL FUNCTIONAL REFERENCE: PLACARDS AND MARKINGS FOR DETAILS SEE 11-22-06-02 HYDRAULIC POWER FOR DETAILS SEE 29-11-84-06 29-11-84-06A	108120	1
- 470	271N6444-20		.PLUMBING INSTL-BASIC AND STABLE FOR DETAILS SEE: 29-11-51-48 29-11-51-48A 29-11-51-48B	101102 504903	1
- 470	271N6444-23		.PLUMBING INSTL-BASIC AND STABLE FOR DETAILS SEE: 29-11-51-48 29-11-51-48A 29-11-51-48B	108120	1
- 480	271N6445-15		.PLUMBING INSTL-KEEL BEAM MLG WHL WELL HYDR FUNCTIONAL REFERENCE: LANDING GEAR FOR DETAILS SEE 32-32-04-02 HYDRAULIC POWER FOR DETAILS SEE 29-11-51-94	101102 108120 504903	1

MISSING ITEM NUMBERS NOT APPLICABLE

- ITEM NOT ILLUSTRATED

29-00-51-02C

29-00-51
FIG. 02C
PAGE 8
JAN 20/09

BRI



757

PARTS CATALOG (MAINTENANCE)

FIG ITEM	PART NUMBER	1 2 3 4 5 6 7	NOMENCLATURE	EFFECT FROM TO	UNITS PER ASSY
2C - 485	271N1012-1		.VALVE INSTL-RAM AIR TURB SAFETY FOR DETAILS SEE: 29-21-14-05	101102 108120 504903	1
- 515	271N1010-10		.VALVE INSTL-PWR TRANSFER UNIT CONT FOR DETAILS SEE: 29-22-03-05	101102 504903	1
- 515	271N1010-13		.VALVE INSTL-PWR TRANSFER UNIT CONT FOR DETAILS SEE: 29-22-03-05	108120	1
- 525	271N5001-29		.VALVE INSTL-EDP SHUTOFF SYS POSITION DATA: L FOR DETAILS SEE: 29-11-06-01A	101102 504903	1
- 525	271N5001-45		.VALVE INSTL-EDP SHUTOFF SYS POSITION DATA: L FOR DETAILS SEE: 29-11-06-01A	108120	1
- 530	271N5001-30		.VALVE INSTL-EDP SHUTOFF SYS POSITION DATA: R FOR DETAILS SEE: 29-11-06-01A	101102 504903	1
- 530	271N5001-44		.VALVE INSTL-EDP SHUTOFF SYS POSITION DATA: R FOR DETAILS SEE: 29-11-06-01A	108120	1
- 535	271N1051-10		.SWITCH INSTL-RAM AIR TURB TACH IND AND GND CONT HYDRAULICS POWER ONLY FOR DETAILS SEE: 29-21-51-01	101102 108120 504903	1

MISSING ITEM NUMBERS NOT APPLICABLE

- ITEM NOT ILLUSTRATED

BRI

29-00-51-02C

BOEING PROPRIETARY - Copyright © - Unpublished Work - See title page for details.

29-00-51
FIG. 02C
PAGE 9
JAN 20/09



757

PARTS CATALOG (MAINTENANCE)

FIG ITEM	PART NUMBER	1 2 3 4 5 6 7	NOMENCLATURE	EFFECT FROM TO	UNITS PER ASSY
2C - 540	271N6492-15		.PLUMBING INSTL-HYDR BAY (PARKING BRAKE SYS ONLY) POSITION DATA: SECT. 49 LH FUNCTIONAL REFERENCE: PLACARDS AND MARKINGS FOR DETAILS SEE 11-22-56-01 HYDRAULIC POWER FOR DETAILS SEE 29-11-51-20A 29-18-51-15A LANDING GEAR FOR DETAILS SEE 32-44-51-15A	101102 504903	1
- 540	271N6492-19		.PLUMBING INSTL-HYDR BAY (PARKING BRAKE SYS ONLY) POSITION DATA: SECT. 49 LH FUNCTIONAL REFERENCE: PLACARDS AND MARKINGS FOR DETAILS SEE 11-22-56-01 HYDRAULIC POWER FOR DETAILS SEE 29-11-51-20A 29-18-51-15A LANDING GEAR FOR DETAILS SEE 32-44-51-15A	108120	1
- 543	271N6492-16		.PLUMBING INSTL-HYDR HVY WT ACMP HOSES FOR DETAILS SEE: 29-11-51-20A	108120 506903	1
- 545	271N2030-14		.MODULE INSTL-BASIC AND STABLE POSITION DATA: L FOR DETAILS SEE: 29-11-17-02	101102 108120 504903	1
- 550	271N2030-15		.MODULE INSTL-BASIC AND STABLE POSITION DATA: R FOR DETAILS SEE: 29-11-17-02	101102 108120 504903	1

MISSING ITEM NUMBERS NOT APPLICABLE

- ITEM NOT ILLUSTRATED

29-00-51-02C

29-00-51
FIG. 02C
PAGE 10
JAN 20/09

BRI

 **BOEING**
757
PARTS CATALOG (MAINTENANCE)

FIG ITEM	PART NUMBER	1 2 3 4 5 6 7	NOMENCLATURE	EFFECT FROM TO	UNITS PER ASSY
2C - 555	271N6446-9		.PLUMBING INSTL-MLG WHL WELL HYDR BHD POSITION DATA: AFT FOR DETAILS SEE: 29-11-52-22	101102 108120 504903	1
- 620	271N2006-1		.MODULE INSTL-RETURN FILTER SYS POSITION DATA: L FOR DETAILS SEE: 29-11-15-05	101102 108120 504903	1
- 625	271N2006-2		.MODULE INSTL-RETURN FILTER SYS POSITION DATA: R FOR DETAILS SEE: 29-11-15-05	101102 108120 504903	1
- 630	271N2006-3		.BRACKET INSTL- POSITION DATA: L FOR DETAILS SEE: 29-11-15-05	101102 108120 504903	1
- 635	271N2006-4		.BRACKET INSTL- POSITION DATA: R FOR DETAILS SEE: 29-11-15-05	101102 108120 504903	1

MISSING ITEM NUMBERS NOT APPLICABLE

- ITEM NOT ILLUSTRATED

BRI

29-00-51-02C

BOEING PROPRIETARY - Copyright © - Unpublished Work - See title page for details.

29-00-51
FIG. 02C
PAGE 11
JAN 20/09

 **BOEING**
757
PARTS CATALOG (MAINTENANCE)

NON-ILLUSTRATED FIGURE

THE ITEMS REFLECTED IN THIS FIGURE ARE INTENTIONALLY
NON-ILLUSTRATED. THEY ARE REFERENCED TO EITHER A
NEXT HIGHER OR NEXT LOWER ASSEMBLY/INSTALLATION FIGURE.

HYDRAULIC INSTL-SECT 41
FIGURE 3

29-00-51-03

BRI
MAY 28/07

29-00-51-03
PAGE 0



757

PARTS CATALOG (MAINTENANCE)

FIG ITEM	PART NUMBER	1 2 3 4 5 6 7	NOMENCLATURE	EFFECT FROM TO	UNITS PER ASSY
3			HYDRAULIC INSTL-SECT 41	002004 006100 107107 121503 904999	
- 1	270N0041-10		HYDRAULIC INSTL- POSITION DATA: SECT. 41 VARIABLE DRAWING REF: 270N0901-100 270N0901-103 270N0901-104 270N0901-143 270N0901-144 270N0901-147	002004 006100 107107 121503 904999	1
- 5	273N1080-3		.MODULE INSTL-NLG LOCK UNLOAD VALVE FOR DETAILS SEE: 32-34-04-01	002004 006100 107107 121503 904999	1
- 50	273N1002-3		.VALVE INSTL-NLG OPERATED SEQ FOR DETAILS SEE: 32-34-06-01	002004 006100 107107 121503 904999	1
- 55	273N1003-1		.VALVE INSTL-NLG DOOR OPERATED SEQ FOR DETAILS SEE: 32-34-05-01	107107 904949 952952	1
- 55	273N1003-9		.VALVE INSTL-NLG DOOR OPERATED SEQ FOR DETAILS SEE: 32-34-05-01	003004 006100 121503 950951 953999	1
- 100	273N1001-1		.ACTUATOR INSTL-NLG DOOR FOR DETAILS SEE: 32-34-03-01	002004 006100 107107 121503 904999	1
- 105	273N4003-1		.ACTUATOR INSTL-NLG ALTERNATE UPLOCK RELEASE SYS FOR DETAILS SEE: 32-35-21-01	002004 006100 107107 121503 904999	1

MISSING ITEM NUMBERS NOT APPLICABLE

- ITEM NOT ILLUSTRATED

29-00-51-03

29-00-51
FIG. 03
PAGE 1
JAN 20/09

BRI



757

PARTS CATALOG (MAINTENANCE)

FIG ITEM	PART NUMBER	1 2 3 4 5 6 7	NOMENCLATURE	EFFECT FROM TO	UNITS PER ASSY
3 - 150	271N6411-1		.PLUMBING INSTL- POSITION DATA: NOSE WHEEL WELL FUNCTIONAL REFERENCE: LANDING GEAR FOR DETAILS SEE 32-35-51-15 32-34-51-15 PLACARDS AND MARKINGS FOR DETAILS SEE 11-22-56-01	002004 006100 107107 121503 904999	1
- 155	271N6412-1		.PLUMBING INSTL-BODY FUNCTIONAL REFERENCE: LANDING GEAR FOR DETAILS SEE 32-35-51-16 32-34-51-16	002004 006100 107107 121503 904999	1

MISSING ITEM NUMBERS NOT APPLICABLE

- ITEM NOT ILLUSTRATED

BRI

29-00-51-03

BOEING PROPRIETARY - Copyright © - Unpublished Work - See title page for details.

29-00-51
FIG. 03
PAGE 2
JAN 20/09

 **BOEING**
757
PARTS CATALOG (MAINTENANCE)

NON-ILLUSTRATED FIGURE

THE ITEMS REFLECTED IN THIS FIGURE ARE INTENTIONALLY
NON-ILLUSTRATED. THEY ARE REFERENCED TO EITHER A
NEXT HIGHER OR NEXT LOWER ASSEMBLY/INSTALLATION FIGURE.

COLLECTOR INSTL-PRATT WHITNEY, AND ROLLS ROYCE ENGINES
FIGURE 3C

29-00-51-03C

BRI
MAY 28/07

29-00-51-03C
PAGE 0



757

PARTS CATALOG (MAINTENANCE)

FIG ITEM	PART NUMBER	1 2 3 4 5 6 7	NOMENCLATURE	EFFECT FROM TO	UNITS PER ASSY
3C			COLLECTOR INSTL-PRATT WHITNEY, AND ROLLS ROYCE ENGINES	101102 108120 504903	
- 1	270N0100-301		COLLECTOR INSTL-ALL ROLLS ROYCE ENGINES	101102 108120 504903	RF
- 5	271N5088-1		.MARKER INSTL- POSITION DATA: LH FOR DETAILS SEE: 11-25-08-01	101102 108120 504903	1
- 10	271N5088-2		.MARKER INSTL- POSITION DATA: RH FOR DETAILS SEE: 11-25-08-01	101102 108120 504903	1
- 15	271N5088-7		.MARKER INSTL- POSITION DATA: LH FOR DETAILS SEE: 11-25-08-01	101102 108120 504903	1
- 20	271N5088-8		.MARKER INSTL- POSITION DATA: RH FOR DETAILS SEE: 11-25-08-01	101102 108120 504903	1

MISSING ITEM NUMBERS NOT APPLICABLE

- ITEM NOT ILLUSTRATED

BRI

29-00-51-03C

BOEING PROPRIETARY - Copyright © - Unpublished Work - See title page for details.

29-00-51
FIG. 03C
PAGE 1
JAN 20/09

 **BOEING**
757
PARTS CATALOG (MAINTENANCE)

NON-ILLUSTRATED FIGURE

THE ITEMS REFLECTED IN THIS FIGURE ARE INTENTIONALLY
NON-ILLUSTRATED. THEY ARE REFERENCED TO EITHER A
NEXT HIGHER OR NEXT LOWER ASSEMBLY/INSTALLATION FIGURE.

Y 29008104 SHY 1 REV 085

HYDRAULIC INSTL
FIGURE 4

29-00-51-04

BRI
MAY 28/07

29-00-51-04
PAGE 0



757

PARTS CATALOG (MAINTENANCE)

FIG ITEM	PART NUMBER	1 2 3 4 5 6 7	NOMENCLATURE	EFFECT FROM TO	UNITS PER ASSY
4			HYDRAULIC INSTL	002004 006100 107107 121503 904999	
- 1	270N0043-10		HYDRAULIC INSTL- POSITION DATA: SECT. 43 VARIABLE DRAWING REF: 270N0901-100 270N0901-103 270N0901-104 270N0901-143 270N0901-144 270N0901-147	002004 006100 107107 121503 904999	1
- 5	271N6431-1		.PLUMBING INSTL-NOSE GEAR VARIABLE DRAWING REF: 271N6431-3 FUNCTIONAL REFERENCE: LANDING GEAR FOR DETAILS SEE 32-35-51-20 32-34-51-20	002004 006100 107107 121503 904999	1
- 10	251N5011-9		.VALVE INSTL-LE SLAT BY PASS FUNCTIONAL REFERENCE: FLIGHT CONTROLS FOR DETAILS SEE 27-81-09-01 PLACARDS AND MARKINGS FOR DETAILS SEE 11-24-50-01	002004 006100 107107 121503 904999	1
- 50	270N0046-10		HYDRAULIC INSTL- POSITION DATA: SECT. 46 VARIABLE DRAWING REF: 270N0901-100 270N0901-103 270N0901-104 270N0901-143 270N0901-144 270N0901-147	002004 006100 107107 121503 904999	1

MISSING ITEM NUMBERS NOT APPLICABLE

- ITEM NOT ILLUSTRATED

29-00-51-04

29-00-51
FIG. 04
PAGE 1
JAN 20/09

BRI



757

PARTS CATALOG (MAINTENANCE)

FIG ITEM	PART NUMBER	1 2 3 4 5 6 7	NOMENCLATURE	EFFECT FROM TO	UNITS PER ASSY
4 - 55	271N6461-4		.PLUMBING INSTL- POSITION DATA: SECT. 46 VARIABLE DRAWING REF: 271N6461-5 271N6461-11 FUNCTIONAL REFERENCE: FLIGHT CONTROLS FOR DETAILS SEE 27-23-51-30 27-23-51-31 27-31-51-30	002004 006100 107107 121503 904999	1
- 60	271N6246-1		.PORT INSTL-ELEV FEEL COMPUTER STATIC PRESSURE FUNCTIONAL REFERENCE: FLIGHT CONTROLS FOR DETAILS SEE 27-31-60-01 PLACARDS AND MARKINGS FOR DETAILS SEE 11-21-30-01	002004 006100 107107 121503 904999	1
- 65	271N6246-2		.PORT INSTL-ELEV FEEL COMPUTER STATIC PRESSURE FUNCTIONAL REFERENCE: FLIGHT CONTROLS FOR DETAILS SEE 27-31-60-01 PLACARDS AND MARKINGS FOR DETAILS SEE 11-21-30-01	002004 006100 107107 121503 904999	1
- 70	271N6247-1		.SUPPORT INSTL-ELEV FEEL COMPUTER STATIC PRESSURE TUBE POSITION DATA: SECT. 46 FOR DETAILS SEE: 27-31-56-02	002004 006100 107107 121503 904999	1
- 100	270N0061-10		HYDRAULIC INSTL- POSITION DATA: SECT. 61 VARIABLE DRAWING REF: 270N0901-100 270N0901-103 270N0901-104 270N0901-143 270N0901-144 270N0901-147	002004 006100 107107 121503 904999	1

MISSING ITEM NUMBERS NOT APPLICABLE

- ITEM NOT ILLUSTRATED

29-00-51-04

29-00-51
FIG. 04
PAGE 2
JAN 20/09

BRI



757

PARTS CATALOG (MAINTENANCE)

FIG ITEM	PART NUMBER	1 2 3 4 5 6 7	NOMENCLATURE	EFFECT FROM TO	UNITS PER ASSY
4					
- 105	271N6611-1		.PLUMBING INSTL- POSITION DATA: SECT. 46 FOR DETAILS SEE: 32-41-51-25	002004 006100 107107 121503 904999	1
- 110	271N6611-2		.PLUMBING INSTL-MLG POSITION DATA: R FOR DETAILS SEE: 32-41-51-25	002004 006100 107107 121503 904999	1
- 150	270N0062-10		HYDRAULIC INSTL- POSITION DATA: SECT. 62 VARIABLE DRAWING REF: 270N0901-100 270N0901-103 270N0901-104 270N0901-143 270N0901-144 270N0901-147	002004 006100 107107 121503 904999	1
- 155	271N6621-1		.PLUMBING INSTL-NOSE GEAR FOR DETAILS SEE: 32-51-51-15	002004 006100 107107 121503 904999	1
- 200	270N0070-10		HYDRAULIC INSTL- POSITION DATA: SECT. 70 VARIABLE DRAWING REF: 270N0901-100 270N0901-103 270N0901-104 270N0901-143 270N0901-144 270N0901-147	002004 006100 107107 121503 904999	1

MISSING ITEM NUMBERS NOT APPLICABLE

- ITEM NOT ILLUSTRATED

29-00-51-04

29-00-51
FIG. 04
PAGE 3
JAN 20/09

BRI



757

PARTS CATALOG (MAINTENANCE)

FIG ITEM	PART NUMBER	1 2 3 4 5 6 7	NOMENCLATURE	EFFECT FROM TO	UNITS PER ASSY
4 - 210	271N6701-1		.PLUMBING INSTL-VERTICAL FIN REWORK DRAWING REF: 012N8467-1 012N8467-3 REWORKED BY SB: 29A0030 FUNCTIONAL REFERENCE: AUTOFLIGHT FOR DETAILS SEE 22-13-51-15 FLIGHT CONTROLS FOR DETAILS SEE 27-21-51-15 27-41-51-15 PLACARDS AND MARKINGS FOR DETAILS SEE 11-21-00-04	002004 006100 107107 121503 904999	1
- 250	270N0082-10		HYDRAULIC INSTL- POSITION DATA: SECT. 82 VARIABLE DRAWING REF: 270N0901-100 270N0901-103 270N0901-104 270N0901-143 270N0901-144 270N0901-147	002004 006100 107107 121503 904999	1
- 255	271N6821-1		.PLUMBING INSTL-HORIZ STAB. POSITION DATA: L FUNCTIONAL REFERENCE: FLIGHT CONTROL FOR DETAILS SEE 27-31-51-15 PLACARDS AND MARKINGS FOR DETAILS SEE 11-21-00-04	002004 006100 107107 121503 904999	1
- 260	271N6821-2		.PLUMBING INSTL-HORIZ STAB. POSITION DATA: R FOR DETAILS SEE: 27-31-51-16	002004 006100 107107 121503 904999	1

MISSING ITEM NUMBERS NOT APPLICABLE

- ITEM NOT ILLUSTRATED

BRI

29-00-51-04

29-00-51
FIG. 04
PAGE 4
JAN 20/09

 **BOEING**
757
PARTS CATALOG (MAINTENANCE)

NON-ILLUSTRATED FIGURE

THE ITEMS REFLECTED IN THIS FIGURE ARE INTENTIONALLY
NON-ILLUSTRATED. THEY ARE REFERENCED TO EITHER A
NEXT HIGHER OR NEXT LOWER ASSEMBLY/INSTALLATION FIGURE.

Y 29005105 SH1 1 REV 085

HYDRAULIC INSTL-SECT. 44
FIGURE 5

29-00-51-05

BRI
MAY 28/07

29-00-51-05
PAGE 0



757

PARTS CATALOG (MAINTENANCE)

FIG ITEM	PART NUMBER	1 2 3 4 5 6 7	NOMENCLATURE	EFFECT FROM TO	UNITS PER ASSY
5			HYDRAULIC INSTL-SECT. 44	002004 006100 107107 121503 904999	
- 1	270N0044-10		HYDRAULIC INSTL- POSITION DATA: SECT. 44 VARIABLE DRAWING REF: 270N0044-12 270N0901-103 270N0901-104 270N0901-143 270N0901-144 270N0901-147	002004 006100 107107 121503 904999	1
- 5	251N4016-6		.MODULE INSTL-FLAP AND SLAT DEPRESSURIZATION FOR DETAILS SEE: 27-51-29-01	107107	1
- 5	251N4016-9		.MODULE INSTL-FLAP AND SLAT DEPRESSURIZATION FOR DETAILS SEE: 27-51-29-01	904949 952952	1
- 5	251N4016-11		.MODULE INSTL-FLAP AND SLAT DEPRESSURIZATION FOR DETAILS SEE: 27-51-29-01	002004 006100 121503 950951 953999	1
- 10	271N1006-1		.MODULE INSTL-RAM AIR TURBINE GND CHECKOUT FOR DETAILS SEE: 29-21-11-05	002004 006100 107107 121503 904999	1
- 15	271N2009-1		.MODULE INSTL-PWR TRANSFER UNIT PRESSURE FILTER FUNCTIONAL REFERENCE: HYDRAULIC POWER FOR DETAILS SEE 29-22-02-01 PLACARDS AND MARKINGS FOR DETAILS SEE 11-38-40-01	002004 006100 107107 121503 904999	1

MISSING ITEM NUMBERS NOT APPLICABLE

- ITEM NOT ILLUSTRATED

29-00-51-05

29-00-51
FIG. 05
PAGE 1
JAN 20/09

BRI



757

PARTS CATALOG (MAINTENANCE)

FIG ITEM	PART NUMBER	1 2 3 4 5 6 7	NOMENCLATURE	EFFECT FROM TO	UNITS PER ASSY
5					
- 20	271N3004-1		.MODULE INSTL-BSVR PRESSURIZATION ACCESS PANEL NUMBER: 139DL FUNCTIONAL REFERENCE: HYDRAULIC POWER FOR DETAILS SEE 29-11-16-05 PLACARDS AND MARKINGS FOR DETAILS SEE 11-22-59-01	002004 006100 107107 121503 904999	1
- 25	274N1005-1		.MODULE INSTL-PARKING BRAKE FOR DETAILS SEE: 32-44-03-01	002004 006100 107107 121503 904999	1
- 28	274N1005-3		.BRACKET INSTL-PARKING BRAKE FOR DETAILS SEE: 32-44-03-01	002004 006100 107107 121503 904999	1
- 30	271N1008-1		.UNIT INSTL-PWR TRANSFER FOR DETAILS SEE: 29-22-01-01	002004 006010 107107 121503 904999	1
- 30	271N1008-9		.UNIT INSTL-PWR TRANSFER FOR DETAILS SEE: 29-22-01-01	011100	1
- 35	271N1010-3		.VALVE INSTL-PTU CONT FOR DETAILS SEE: 29-22-03-05	002004 006100 107107 121503 904999	1
- 40	271N1012-1		.VALVE INSTL-RAM AIR TURBINE SAFETY FOR DETAILS SEE: 29-21-14-05	002004 006100 107107 121503 904999	1
- 45	271N5010-1		.VALVE INSTL-SYS EMPENNAGE ISOLATION POSITION DATA: CTR FOR DETAILS SEE: 27-23-01-01	002004 006100 107107 121503 904999	1

MISSING ITEM NUMBERS NOT APPLICABLE

- ITEM NOT ILLUSTRATED

29-00-51-05

29-00-51
FIG. 05
PAGE 2
JAN 20/09

BRI



757

PARTS CATALOG (MAINTENANCE)

FIG ITEM	PART NUMBER	1 2 3 4 5 6 7	NOMENCLATURE	EFFECT FROM TO	UNITS PER ASSY
5					
- 50	271N5011-1		.VALVE INSTL-SYS EMPENNAGE ISOLATION POSITION DATA: R FOR DETAILS SEE: 27-23-01-02	002004 006100 107107 121503 904999	1
- 55	271N5015-1		.VALVE INSTL-SYS EMPENNAGE ISOLATION POSITION DATA: L FOR DETAILS SEE: 27-23-01-03	002004 006100 107107 121503 904999	1
- 60	273N2001-11		.VALVE INSTL-UPLOCK OPERATED SEQUENCE POSITION DATA: STA 1116 FOR DETAILS SEE: 32-32-09-01	002004 006100 107107 121503 904999	1
- 65	273N2001-10		.VALVE INSTL-UPLOCK OPERATED SEQUENCE POSITION DATA: STA 1123 FOR DETAILS SEE: 32-32-09-01	002004 006100 107107 121503 904999	1
- 70	273N2002-5		.VALVE INSTL-MLG DOWNLOCK OPERATED SEQUENCE VALVE FOR DETAILS SEE: 32-32-07-01	002004 006100 107107 121503 904999	1
- 75	273N2002-6		.VALVE INSTL-MLG DOWNLOCK OPERATED SEQUENCE VALVE FOR DETAILS SEE: 32-32-07-01	002004 006100 107107 121503 904999	1
- 80	273N2003-1		.VALVE INSTL-MLG DOOR OPERATED SEQUENCE POSITION DATA: LH FOR DETAILS SEE: 32-32-05-01	002004 006015 107107 121503 904999	1
- 80	273N2003-3		.VALVE INSTL-MLG DOOR OPERATED SEQUENCE POSITION DATA: LH FOR DETAILS SEE: 32-32-05-01	016100	1

MISSING ITEM NUMBERS NOT APPLICABLE

- ITEM NOT ILLUSTRATED

29-00-51-05

29-00-51
FIG. 05
PAGE 3
JAN 20/09

BRI



757

PARTS CATALOG (MAINTENANCE)

FIG ITEM	PART NUMBER	1 2 3 4 5 6 7	NOMENCLATURE	EFFECT FROM TO	UNITS PER ASSY
5					
- 85	273N2003-2		.VALVE INSTL-MLG DOOR OPERATED SEQUENCE POSITION DATA: RH FOR DETAILS SEE: 32-32-05-01	002004 006015 107107 121503 904999	1
- 85	273N2003-4		.VALVE INSTL-MLG DOOR OPERATED SEQUENCE POSITION DATA: RH FOR DETAILS SEE: 32-32-05-01	016100	1
- 90	274N1001-1		.VALVE INSTL-AUTO BRAKE MODULE FOR DETAILS SEE: 32-42-09-01	002004 006100 107107 121503 904999	1
- 95	274N1002-12		.VALVE INSTL-AUTO BRAKE SHUTTLE POSITION DATA: LH VARIABLE DRAWING REF: 274N1002-14 FOR DETAILS SEE: 32-42-10-01	002004 006100 107107 121503 904999	1
- 100	274N1002-13		.VALVE INSTL-AUTO BRAKE SHUTTLE POSITION DATA: RH VARIABLE DRAWING REF: 274N1002-15 FOR DETAILS SEE: 32-42-10-01	002004 006100 107107 121503 904999	1
- 103	273N4500-1		.VALVE INSTL-LG ALTERNATE EXTENSION SHUTTLE FOR DETAILS SEE: 32-35-51-05	002004 006100 107107 121503 904999	1
- 105	274N1003-1		.VALVE INSTL-ALTERATE BRAKE SELECTOR FOR DETAILS SEE: 32-41-04-01	107107 904949	1
- 105	274N1003-11		.VALVE INSTL-ALTERATE BRAKE SELECTOR FOR DETAILS SEE: 32-41-04-01	002004 006100 121503 950999	1

MISSING ITEM NUMBERS NOT APPLICABLE

- ITEM NOT ILLUSTRATED

29-00-51-05

29-00-51
FIG. 05
PAGE 4
JAN 20/09

BRI



757

PARTS CATALOG (MAINTENANCE)

FIG ITEM	PART NUMBER	1 2 3 4 5 6 7	NOMENCLATURE	EFFECT FROM TO	UNITS PER ASSY
5					
- 110	274N1004-11		.VALVE INSTL-ANTISKID SHUTTLE POSITION DATA: LH VARIABLE DRAWING REF: 274N1004-19 FOR DETAILS SEE: 32-42-07-01	002004 006100 107107 121503 904951 953999	1
- 110	274N1004-19		.VALVE INSTL-ANTISKID SHUTTLE POSITION DATA: LH POST SERVICE BULLETIN: 32-0126 FOR DETAILS SEE: 32-42-07-01	952952	1
- 115	274N1004-12		.VALVE INSTL-ANTISKID SHUTTLE POSITION DATA: RH VARIABLE DRAWING REF: 274N1004-20 FOR DETAILS SEE: 32-42-07-01	002004 006100 107107 121503 904951 953999	1
- 115	274N1004-20		.VALVE INSTL-ANTISKID SHUTTLE POSITION DATA: RH POST SERVICE BULLETIN: 32-0126 FOR DETAILS SEE: 32-42-07-01	952952	1
- 120	274N1008-4		.VALVE INSTL-ALTERNATE ANTI-SKID POSITION DATA: LH VARIABLE DRAWING REF: 274N1008-8 FUNCTIONAL REFERENCE: LANDING GEAR FOR DETAILS SEE 32-42-02-02 PLACARDS AND MARKINGS FOR DETAILS SEE 11-22-54-01	002004 006100 107107 121503 904999	1

MISSING ITEM NUMBERS NOT APPLICABLE

- ITEM NOT ILLUSTRATED

29-00-51-05

29-00-51
FIG. 05
PAGE 5
JAN 20/09

BRI



757

PARTS CATALOG (MAINTENANCE)

FIG ITEM	PART NUMBER	1 2 3 4 5 6 7	NOMENCLATURE	EFFECT FROM TO	UNITS PER ASSY
5					
- 125	274N1008-7		.VALVE INSTL-ALTERNATE ANTI-SKID POSITION DATA: RH VARIABLE DRAWING REF: 274N1008-9 FUNCTIONAL REFERENCE: LANDING GEAR FOR DETAILS SEE 32-42-02-02 PLACARDS AND MARKINGS FOR DETAILS SEE 11-22-54-01	002004 006100 107107 121503 904999	1
- 130	274N1028-1		.VALVE INSTL-ACCUMULATOR ISOLATION FOR DETAILS SEE: 32-44-06-01	002004 006100 107107 121503 904999	1
- 135	271N1041-1		.BRACKET INSTL-PTU FOR DETAILS SEE: 29-22-51-01	002004 006100 107107 121503 904999	1
- 140	271N2060-1		.BRACKET INSTL-PTU FILTER MODULE FOR DETAILS SEE: 29-22-51-01	002004 006100 107107 121503 904999	1
- 145	273N2001-3		.BRACKET INSTL-UPLOCK OPERATED SEQUENCE VALVE POSITION DATA: STA 1116 FOR DETAILS SEE: 32-32-09-01	002004 006100 107107 121503 904999	1
- 150	273N2001-4		.BRACKET INSTL-UPLOCK OPERATED SEQUENCE VALVE POSITION DATA: STA 1123 FOR DETAILS SEE: 32-32-09-01	002004 006100 107107 121503 904999	1
- 155	271N3001-3		.RESERVOIR INSTL-SYSTEM HYDR POSITION DATA: L FOR DETAILS SEE: 29-11-20-04	107107 904949	1

MISSING ITEM NUMBERS NOT APPLICABLE

- ITEM NOT ILLUSTRATED

29-00-51-05

29-00-51
FIG. 05
PAGE 6
JAN 20/09

BRI

 **BOEING**
757
PARTS CATALOG (MAINTENANCE)

FIG ITEM	PART NUMBER	1 2 3 4 5 6 7	NOMENCLATURE	EFFECT FROM TO	UNITS PER ASSY
5					
- 155	271N3001-9		.RESERVOIR INSTL-SYSTEM HYDR POSITION DATA: L FOR DETAILS SEE: 29-11-20-04	002004 006100 121503 950999	1
- 160	271N3003-3		.RESERVOIR INSTL-SYSTEM HYDR POSITION DATA: R FOR DETAILS SEE: 29-11-20-05	107107 904949	1
- 160	271N3003-10		.RESERVOIR INSTL-SYSTEM HYDR POSITION DATA: R FOR DETAILS SEE: 29-11-20-05	002004 006100 121503 950999	1
- 165	271N3028-3		.SUPPORT INSTL-SYSTEM HYDR RSVR POSITION DATA: L FOR DETAILS SEE: 29-11-20-05	002004 006100 107107 121503 904999	1
- 170	271N3028-4		.SUPPORT INSTL-SYSTEM HYDR RSVR POSITION DATA: R FOR DETAILS SEE: 29-11-54-01	002004 006100 107107 121503 904999	1
- 175	271N5059-1		.TRANSMITTER INSTL-SYS PRESSURE POSITION DATA: L FOR DETAILS SEE: 29-31-01-05	002004 006100 107107 121503 904999	1
- 180	271N5007-1		.TRANSMITTER INSTL-SYS PRESSURE POSITION DATA: CTR FOR DETAILS SEE: 29-31-03-05	002004 006100 107107 121503 904999	1
- 185	271N5008-1		.TRANSMITTER INSTL-SYS PRESSURE POSITION DATA: R FOR DETAILS SEE: 29-31-02-05	002004 006100 107107 121503 904999	1

MISSING ITEM NUMBERS NOT APPLICABLE

- ITEM NOT ILLUSTRATED

BRI

29-00-51-05

29-00-51
FIG. 05
PAGE 7
JAN 20/09



757

PARTS CATALOG (MAINTENANCE)

FIG ITEM	PART NUMBER	1 2 3 4 5 6 7	NOMENCLATURE	EFFECT FROM TO	UNITS PER ASSY
5 - 200	274N1006-1		.ACCUMULATOR INSTL-PARKING BRAKE FOR DETAILS SEE: 32-44-05-01	002004 006100 107107 121503 904999	1
- 205	274N1006-2		.TRANSMITTER INSTL-PARKING BRAKE PRESSURE FOR DETAILS SEE: 32-44-05-01	002004 006100 107107 121503 904999	1
- 210	271N6441-9		.PLUMBING INSTL-BHD MAIN WHEEL WELL POSITION DATA: FWD VARIABLE DRAWING REF: 271N6441-11 271N6441-12 271N6441-14 FUNCTIONAL REFERENCE: FLIGHT CONTROLS FOR DETAILS SEE 27-51-51-21 HYDRAULIC POWER FOR DETAILS SEE 29-11-51-37 29-11-51-38 29-11-51-39 29-11-51-40 29-22-51-20 LANDING GEAR FOR DETAILS SEE 32-31-51-20 32-35-51-30 32-41-51-22 32-42-51-22 32-44-51-20 PLACARDS AND MARKINGS FOR DETAILS SEE 11-22-06-05	002004 006100 107107 121503 904999	1

MISSING ITEM NUMBERS NOT APPLICABLE

- ITEM NOT ILLUSTRATED

29-00-51-05

29-00-51
FIG. 05
PAGE 8
JAN 20/09

BRI



757

PARTS CATALOG (MAINTENANCE)

FIG ITEM	PART NUMBER	1 2 3 4 5 6 7	NOMENCLATURE	EFFECT FROM TO	UNITS PER ASSY
5 - 215	271N6443-1		.PLUMBING INSTL-PRESSURE DECK HYDR POSITION DATA: SECT. 44 L VARIABLE DRAWING REF: 271N6443-4 271N6443-7 271N6443-8 271N6443-11 271N6443-18 FUNCTIONAL REFERENCE: FLIGHT CONTROLS FOR DETAILS SEE 27-51-51-22 HYDRAULIC POWER FOR DETAILS SEE 29-11-51-30 29-11-51-36 LANDING GEAR FOR DETAILS SEE 32-31-51-20 32-32-51-24 32-35-51-30 32-41-51-22 32-42-51-22 PLACARDS AND MARKINGS FOR DETAILS SEE 11-22-06-02	002004 006100 107107 121503 904999	1
- 220	271N6444-1		.PLUMBING INSTL-PRESSURE DECK HYDR POSITION DATA: SECT. 44 R VARIABLE DRAWING REF: 271N6444-5 FUNCTIONAL REFERENCE: HYDRAULIC POWER FOR DETAILS SEE 29-11-51-34 29-11-51-35 LANDING GEAR FOR DETAILS SEE 32-31-51-22 32-32-51-22 32-35-51-30 32-41-51-22 32-42-51-22	002004 006100 107107 121503 904999	1

MISSING ITEM NUMBERS NOT APPLICABLE

- ITEM NOT ILLUSTRATED

BRI

29-00-51-05

BOEING PROPRIETARY - Copyright © - Unpublished Work - See title page for details.

29-00-51
FIG. 05
PAGE 9
JAN 20/09



757

PARTS CATALOG (MAINTENANCE)

FIG ITEM	PART NUMBER	1 2 3 4 5 6 7	NOMENCLATURE	EFFECT FROM TO	UNITS PER ASSY
5 - 225	271N6445-1		.PLUMBING INSTL-KEEL BEAM MLG WHEEL WELL VARIABLE DRAWING REF: 271N6445-3 271N6445-6 FUNCTIONAL REFERENCE: ELECTRICAL POWER FOR DETAILS SEE 24-25-52-01 FLIGHT CONTROLS FOR DETAILS SEE 27-51-51-20 HYDRAULIC POWER FOR DETAILS SEE 29-18-52-01 29-11-51-30 29-11-51-32 29-22-51-20 LANDING GEAR FOR DETAILS SEE 32-31-51-20 32-35-51-30 32-42-51-22 32-44-51-20 PLACARDS AND MARKINGS FOR DETAILS SEE 11-22-06-03	002004 006100 107107 121503 904999	1
- 230	271N6446-1		.PLUMBING INSTL-BHD MAIN WHEEL WELL POSITION DATA: AFT VARIABLE DRAWING REF: 271N6446-8 FUNCTIONAL REFERENCE: FLIGHT CONTROLS FOR DETAILS SEE 27-23-51-20 HYDRAULIC POWER FOR DETAILS SEE 29-11-51-30 29-21-51-20 LANDING GEAR FOR DETAILS SEE 32-44-51-20 32-44-51-15 PLACARDS AND MARKINGS FOR DETAILS SEE 11-22-06-04	002004 006100 107107 121503 904999	1

MISSING ITEM NUMBERS NOT APPLICABLE

- ITEM NOT ILLUSTRATED

BRI

29-00-51-05

29-00-51
FIG. 05
PAGE 10
JAN 20/09



757

PARTS CATALOG (MAINTENANCE)

FIG ITEM	PART NUMBER	1 2 3 4 5 6 7	NOMENCLATURE	EFFECT FROM TO	UNITS PER ASSY
5					
- 235	273N2005-5		.ACTUATOR INSTL-MLG DOOR POSITION DATA: LH FOR DETAILS SEE: 32-32-12-01	002004 006100 107107 121503 904999	1
- 240	273N2005-6		.ACTUATOR INSTL-MLG DOOR POSITION DATA: RH FOR DETAILS SEE: 32-32-12-01	002004 006100 107107 121503 904999	1
- 245	273N4010-1		.POWER PACK INSTL-ALTERNATE EXTENSION SYS FOR DETAILS SEE: 32-35-10-01	002004 006100 107107 121503 904999	1
- 250	271N2063-1		.MODULE INSTL-PTU CASE DRAIN FILTER FOR DETAILS SEE: 29-22-02-05	002004 006100 107107 121503 904999	1
- 255	274N1044-1		.VALVE INSTL-BRAKE ISOLATION SYS STANDPIPE SELECTOR FOR DETAILS SEE: 29-11-27-01	002004 006100 107107 121503 904999	1
- 260	274N1041-1		.VALVE INSTL-BRAKE ISOLATION SYS SHUT-OFF FOR DETAILS SEE: 29-11-28-01	002004 006100 107107 121503 904999	1
- 270	271N5045-1		.VALVE INSTL-HYDR PRESSURE SENSITIVE FLOW LIMITER POSITION DATA: L FOR DETAILS SEE: 29-11-59-01	950951	1

MISSING ITEM NUMBERS NOT APPLICABLE

- ITEM NOT ILLUSTRATED

BRI

29-00-51-05

BOEING PROPRIETARY - Copyright © - Unpublished Work - See title page for details.

29-00-51
FIG. 05
PAGE 11
JAN 20/09



757

PARTS CATALOG (MAINTENANCE)

FIG ITEM	PART NUMBER	1 2 3 4 5 6 7	NOMENCLATURE	EFFECT FROM TO	UNITS PER ASSY
5 - 317	271N1082-1		.ACCUMULATOR AND SERVICING- INSTL-HYDR MOTOR/GEN POST SERVICE BULLETIN: 24-0048 FUNCTIONAL REFERENCE: ELECTRICAL POWER FOR DETAILS SEE 24-25-04-04 HYDRAULIC POWER FOR DETAILS SEE 29-18-52-01 PLACARDS AND MARKINGS FOR DETAILS SEE 11-22-61-01	107107 904949	1
- 317	271N1082-3		.ACCUMULATOR AND SERVICING- INSTL-HYDR MOTOR/GEN FUNCTIONAL REFERENCE: ELECTRICAL POWER FOR DETAILS SEE 24-25-04-04 HYDRAULIC POWER FOR DETAILS SEE 29-18-52-01 PLACARDS AND MARKINGS FOR DETAILS SEE 11-22-61-01	952952	1
- 317	271N1082-7		.ACCUMULATOR AND SERVICING- INSTL-HYDR MOTOR/GEN FOR DETAILS SEE: 24-25-04-02	002004 006100 121503 953999	1
- 318	271N1082-8		.GAGE INSTL-PRESSURE FUNCTIONAL REFERENCE: ELECTRICAL POWER FOR DETAILS SEE 24-25-04-04 HYDRAULIC POWER FOR DETAILS SEE 29-18-52-01	002004 006007 121503	1
- 318	271N1082-11		.GAGE INSTL-PRESSURE FOR DETAILS SEE: 24-25-04-01	008100 953999	1
- 319	271N1082-9		.MARKER INSTL-HYDR MOTOR/GEN PRE SERVICE BULLETIN: 24-0126 FUNCTIONAL REFERENCE: PLACARDS AND MARKINGS FOR DETAILS SEE 11-22-61-02	002004 006100 121503 953999	1

MISSING ITEM NUMBERS NOT APPLICABLE

- ITEM NOT ILLUSTRATED

29-00-51-05

29-00-51
FIG. 05
PAGE 12
JAN 20/09

BRI



757

PARTS CATALOG (MAINTENANCE)

FIG ITEM	PART NUMBER	1 2 3 4 5 6 7	NOMENCLATURE	EFFECT FROM TO	UNITS PER ASSY
5					
- 350	271N1077-1		.GENERATOR INSTL-HYDR MOTOR POST SERVICE BULLETIN: 24-0048 FOR DETAILS SEE: 24-25-01-04	107107 904949 952952	1
- 350	271N1077-5		.GENERATOR INSTL-HYDR MOTOR FOR DETAILS SEE: 24-25-01-04	002004 006100 121503 953999	1
- 355	271N1078-1		.VALVE INSTL-HYDR MOTOR/ GEN CONT POST SERVICE BULLETIN: 24-0048 FOR DETAILS SEE: 24-25-03-01 24-25-06-01	002004 006008 107107 121503 904949 952999	1
- 355	271N1078-6		.VALVE INSTL-HYDR MOTOR/ GEN CONT FOR DETAILS SEE: 24-25-03-01 24-25-06-01	009100	1
- 380	274N1117-1		.TRANSMITTER INSTL-ALTERNAT BRAKE PRESSURE POSITION DATA: LH FOR DETAILS SEE: 31-31-13-01	002004 006100 121503 950999	1
- 385	274N1117-2		.TRANSMITTER INSTL-ALTERNAT BRAKE PRESSURE POSITION DATA: RH FOR DETAILS SEE: 31-31-13-01	002004 006100 121503 950999	1
- 390	274N1118-1		.TRANSMITTER INSTL-NORMAL BRAKE PRESSURE POSITION DATA: LH FOR DETAILS SEE: 31-31-13-02	002004 006100 121503 950999	1
- 395	274N1118-2		.TRANSMITTER INSTL-NORMAL BRAKE PRESSURE POSITION DATA: RH FOR DETAILS SEE: 31-31-13-02	002004 006100 121503 950999	1

MISSING ITEM NUMBERS NOT APPLICABLE

- ITEM NOT ILLUSTRATED

BRI

29-00-51-05

29-00-51
FIG. 05
PAGE 13
JAN 20/09

 **BOEING**
757
PARTS CATALOG (MAINTENANCE)

NON-ILLUSTRATED FIGURE

THE ITEMS REFLECTED IN THIS FIGURE ARE INTENTIONALLY
NON-ILLUSTRATED. THEY ARE REFERENCED TO EITHER A
NEXT HIGHER OR NEXT LOWER ASSEMBLY/INSTALLATION FIGURE.

COLLECTOR INSTL-HYDR (HYDRAULIC POWER ONLY)
FIGURE 5B

29-00-51-05B

BRI
MAY 28/07

29-00-51-05B
PAGE 0



757

PARTS CATALOG (MAINTENANCE)

FIG ITEM	PART NUMBER	1 2 3 4 5 6 7	NOMENCLATURE	EFFECT FROM TO	UNITS PER ASSY
5B			COLLECTOR INSTL-HYDR (HYDRAULIC POWER ONLY)	101102 108120	
- 1	270N0100-1950		COLLECTOR INSTL-(ILF/NAB) NATIONAL AIRLINES (HYDRAULIC POWER ONLY) FOR OTHER SYS DETAILS SEE: 11-00-00-09 24-00-00-06 78-00-00-04	504903 108120	RF
- 1	270N0100-1620		COLLECTOR INSTL-BRITISH AIRLINES (BAB) (HYDRAULIC POWER ONLY) FOR OTHER SYS DETAILS SEE: 11-00-00-09 24-00-00-06 78-00-00-04	504903	RF
- 3	270N0100-1440		COLLECTOR INSTL-BRITANIA (BRI) FOR OTHER SYS DETAILS SEE: 11-00-00-09 24-00-00-06 78-00-00-04	101102	RF
- 140	271N5045-1		.VALVE INSTL-HYDR PRESSURE SENSITIVE FLOW LIMITER POSITION DATA: L FOR DETAILS SEE: 29-11-59-01	504903	1
- 160	271N6431-12		.PLUMBING INSTL-HYDR LAV S POSITION DATA: SECT. 43 FOR DETAILS SEE: 29-11-51-77	108120	1
- 160	271N6431-13		.PLUMBING INSTL-HYDR WITHOUT LAV S AND T POSITION DATA: SECT. 43 FOR DETAILS SEE: 29-11-51-70A	101102 504903	1
- 195	271N6492-13		.PLUMBING INSTL-HYDR PROVISIONS FOR 10 KVA HMG INSTL (ETOPS) POSITION DATA: SECT. 49 L FOR DETAILS SEE: 29-11-51-90	101102 108120	1

MISSING ITEM NUMBERS NOT APPLICABLE

- ITEM NOT ILLUSTRATED

29-00-51-05B

29-00-51
FIG. 05B
PAGE 1
JAN 20/09

BRI



757

PARTS CATALOG (MAINTENANCE)

FIG ITEM	PART NUMBER	1 2 3 4 5 6 7	NOMENCLATURE	EFFECT FROM TO	UNITS PER ASSY
5B					
- 255	271N6122-10		.PLUMBING INSTL-INBD HYDR FOR DETAILS SEE: 29-11-51-64	101102 108120 504903	1
- 300	271N6441-24		.PLUMBING INSTL-ETOPS PROVISIONS FOR DETAILS SEE: 29-11-51-75	101102 108120	1
- 305	271N6441-33		.PLUMBING INSTL-NON-ETOPS PROVISIONS FOR DETAILS SEE: 29-11-51-79	504903	1
- 325	271N6123-15		.PLUMBING INSTL-FILLET AND TE, ROLLS ROYCE RETURN LINES FOR DETAILS SEE: 29-11-51-68	101102 108120 504903	1
- 335	271N6311-15		.PLUMBING INSTL-ENG STRUT ROLLS ROYCE POSITION DATA: SEC 31.1 LH FUNCTIONAL REFERENCE: HYDRAULIC POWER FOR DETAILS SEE 29-11-51-63 PLACARDS AND MARKINGS FOR DETAILS SEE 11-24-30-01	101102 108120 504903	1
- 340	271N6311-16		.PLUMBING INSTL-ENG STRUT ROLLS ROYCE POSITION DATA: SEC 31.1 RH FUNCTIONAL REFERENCE: HYDRAULIC POWER FOR DETAILS SEE 29-11-51-71 PLACARDS AND MARKINGS FOR DETAILS SEE 11-24-30-01	101102 108120 504903	1
- 405	271N6443-23		.PLUMBING INSTL-ETOPS ALL FUNCTIONAL REFERENCE: PLACARDS AND MARKINGS FOR DETAILS SEE 11-22-06-02 HYDRAULIC POWER FOR DETAILS SEE 29-11-84-03	101102 108120	1

MISSING ITEM NUMBERS NOT APPLICABLE

- ITEM NOT ILLUSTRATED

29-00-51-05B

29-00-51
FIG. 05B
PAGE 2
JAN 20/09

BRI

BOEING PROPRIETARY - Copyright © - Unpublished Work - See title page for details.



757

PARTS CATALOG (MAINTENANCE)

FIG ITEM	PART NUMBER	1 2 3 4 5 6 7	NOMENCLATURE	EFFECT FROM TO	UNITS PER ASSY
5B					
- 420	271N6443-26		.PLUMBING INSTL-ROLLS ROYCE ENG FOR DETAILS SEE: 29-11-51-55	101102 108120 504903	1
- 455	271N6443-33		.PLUMBING INSTL-NO ETOPS PROVISIONS FOR DETAILS SEE: 29-11-51-57	504903	1
- 475	271N6446-14		.PLUMBING INSTL-PROVISIONS FOR 10KVA HMG AND ACCUMULATOR INSTALLATION (ETOPS) POSITION DATA: AFT BHD FOR DETAILS SEE: 29-11-51-85	101102 108120	1
- 475	271N6446-15		.PLUMBING INSTL-NON ETOPS FOR DETAILS SEE: 29-11-51-85	504903	1
- 525	271N6445-10		.PLUMBING INSTL-PROVISIONS FOR 10KVA HMG INSTL (ETOPS) FUNCTIONAL REFERENCE: HYDRAULIC POWER FOR DETAILS SEE 29-11-51-92 PLACARDS AND MARKINGS FOR DETAILS SEE 11-22-06-03	101102	1
- 525	271N6445-19		.PLUMBING INSTL-PROVISIONS FOR 10KVA HMG INSTL (ETOPS) FUNCTIONAL REFERENCE: PLACARDS AND MARKINGS FOR DETAILS SEE 11-22-06-03 HYDRAULIC POWER FOR DETAILS SEE 29-11-51-92	108120	1
- 530	271N6445-11		.PLUMBING INSTL-NON ETOPS PROVISIONS FOR DETAILS SEE: 29-11-51-93	504903	1

MISSING ITEM NUMBERS NOT APPLICABLE

- ITEM NOT ILLUSTRATED

29-00-51-05B

29-00-51
FIG. 05B
PAGE 3
JAN 20/09

BRI

BOEING PROPRIETARY - Copyright © - Unpublished Work - See title page for details.



757

PARTS CATALOG (MAINTENANCE)

FIG ITEM	PART NUMBER	1 2 3 4 5 6 7	NOMENCLATURE	EFFECT FROM TO	UNITS PER ASSY
5B - 535	271N6445-12		.PLUMBING INSTL-PROVISIONS FOR 10KVA HMG INSTL (ETOPS) FUNCTIONAL REFERENCE: PLACARDS AND MARKINGS FOR DETAILS SEE 11-22-06-03 ELECTRICAL POWER FOR DETAILS SEE 24-25-51-01	101102	1
- 535	271N6445-20		.PLUMBING INSTL-PROVISIONS FOR 10KVA HMG INSTL (ETOPS) FUNCTIONAL REFERENCE: PLACARDS AND MARKINGS FOR DETAILS SEE 11-22-06-03 ELECTRICAL POWER FOR DETAILS SEE 24-25-51-01	108120	1
- 575	271N6443-34		.PLUMBING INSTL-ETOPS AND ROLLS ROYCE ENGINE FOR DETAILS SEE: 29-11-51-58	101102 108120	1
- 580	271N6443-35		.PLUMBING INSTL-NO ETOPS AND ROLLS ROYCE ENGINE FOR DETAILS SEE: 29-11-51-58	504903	1
- 590	271N6443-37		.PLUMBING INSTL-CUSTOM NO ETOPS PROVISIONS FOR DETAILS SEE: 29-11-51-83	504903	1
- 675	271N6461-19		.PLUMBING INSTL-4-DOOR, GALLEY 4B CHILLERS FOR DETAILS SEE: 29-11-51-87	101102	1
- 675	271N6461-20		.PLUMBING INSTL-4-DOOR, NO GALLEY CHILLERS FOR DETAILS SEE: 29-11-51-88	108120 504903	1
- 735	271N6411-16		.PLUMBING INSTL-CUSTOMER OPTION (POLYESTER STEERING HOSES) POSITION DATA: SECT. 41 FOR DETAILS SEE: 29-11-51-69	101102 108120	1

MISSING ITEM NUMBERS NOT APPLICABLE

- ITEM NOT ILLUSTRATED

29-00-51-05B

29-00-51
FIG. 05B
PAGE 4
JAN 20/09

BRI



757

PARTS CATALOG (MAINTENANCE)

FIG ITEM	PART NUMBER	1 2 3 4 5 6 7	NOMENCLATURE	EFFECT FROM TO	UNITS PER ASSY
5B - 735	271N6411-17		.PLUMBING INSTL-CUSTOMER OPTION (POLYESTER STEERING HOSES) POSITION DATA: SECT. 41	504903	1

MISSING ITEM NUMBERS NOT APPLICABLE

- ITEM NOT ILLUSTRATED

BRI

29-00-51-05B

BOEING PROPRIETARY - Copyright © - Unpublished Work - See title page for details.

29-00-51
FIG. 05B
PAGE 5
JAN 20/09

 **BOEING**
757
PARTS CATALOG (MAINTENANCE)

NON-ILLUSTRATED FIGURE

THE ITEMS REFLECTED IN THIS FIGURE ARE INTENTIONALLY
NON-ILLUSTRATED. THEY ARE REFERENCED TO EITHER A
NEXT HIGHER OR NEXT LOWER ASSEMBLY/INSTALLATION FIGURE.

Y 28008106 SMT 1 REV 085

HYDRAULIC INSTL-SECT 48
FIGURE 6

29-00-51-06

BRI
MAY 28/07

29-00-51-06
PAGE 0



757

PARTS CATALOG (MAINTENANCE)

FIG ITEM	PART NUMBER	1 2 3 4 5 6 7	NOMENCLATURE	EFFECT FROM TO	UNITS PER ASSY
6			HYDRAULIC INSTL-SECT 48	002004 006100 107107 121503 904999	
- 1	270N0048-10		HYDRAULIC INSTL- POSITION DATA: SECT. 48 VARIABLE DRAWING REF: 270N0901-100 270N0901-103 270N0901-104 270N0901-143 270N0901-144 270N0901-147	002004 006100 107107 121503 904999	1
- 5	251N2024-1		.VALVE INSTL-PRESSURE REDUCING POSITION DATA: R SYS FOR DETAILS SEE: 27-31-13-01	002004 006100 107107 121503 904999	1
- 10	251N2026-1		.VALVE INSTL-PRESSURE REDUCING POSITION DATA: L SYS FOR DETAILS SEE: 27-31-51-01	002004 006100 107107 121503 904999	1
- 15	251N2027-1		.VALVE INSTL-PRESSURE REDUCING POSITION DATA: CTR SYS FOR DETAILS SEE: 27-31-13-05	002004 006100 107107 121503 904999	1
- 20	251N2040-1		.VALVE INSTL-BYPASS ELEV PRESSURE REDUCER FOR DETAILS SEE: 27-31-23-01	002004 006100 107107 121503 904999	1
- 110	271N6481-1		.PLUMBING INSTL-HYDR POSITION DATA: SECT. 48 L FUNCTIONAL REFERENCE: FLIGHT CONTROLS FOR DETAILS SEE 27-23-00-01 27-41-51-20 27-41-51-21	002004 006100 107107 121503 904999	1

MISSING ITEM NUMBERS NOT APPLICABLE

- ITEM NOT ILLUSTRATED

29-00-51-06

29-00-51
FIG. 06
PAGE 1
JAN 20/09

BRI



757

PARTS CATALOG (MAINTENANCE)

FIG ITEM	PART NUMBER	1 2 3 4 5 6 7	NOMENCLATURE	EFFECT FROM TO	UNITS PER ASSY
6 - 115	271N6482-1		.PLUMBING INSTL-HYDR POSITION DATA: SECT. 48 R FUNCTIONAL REFERENCE: FLIGHT CONTROLS FOR DETAILS SEE 27-23-00-02 27-41-51-24	002004 006100 107107 121503 904999	1

MISSING ITEM NUMBERS NOT APPLICABLE

- ITEM NOT ILLUSTRATED

BRI

29-00-51-06

BOEING PROPRIETARY - Copyright © - Unpublished Work - See title page for details.

29-00-51
FIG. 06
PAGE 2
JAN 20/09

 **BOEING**
757
PARTS CATALOG (MAINTENANCE)

NON-ILLUSTRATED FIGURE

THE ITEMS REFLECTED IN THIS FIGURE ARE INTENTIONALLY
NON-ILLUSTRATED. THEY ARE REFERENCED TO EITHER A
NEXT HIGHER OR NEXT LOWER ASSEMBLY/INSTALLATION FIGURE.

Y 29005107 SH1 1 REV 085

HYDRAULIC INSTL-SECT. 49
FIGURE 7

29-00-51-07

BRI
MAY 28/07

29-00-51-07
PAGE 0



757

PARTS CATALOG (MAINTENANCE)

FIG ITEM	PART NUMBER	1 2 3 4 5 6 7	NOMENCLATURE	EFFECT FROM TO	UNITS PER ASSY
7			HYDRAULIC INSTL-SECT. 49	002004 006100 107107 121503 904999	
- 1	270N0049-10		HYDRAULIC INSTL- POSITION DATA: SECT. 49 VARIABLE DRAWING REF: 270N0901-103 270N0901-104 270N0901-143 270N0901-144 270N0901-147	002004 006100 107107 121503 904999	1
- 5	271N2003-1		.MODULE INSTL-ELEC MOTOR PUMP PRESSURE/CASE DRAIN FILTER POSITION DATA: L SYS FOR DETAILS SEE: 29-11-18-01	002004 006100 107107 121503 904999	1
- 10	271N2003-2		.MODULE INSTL-ELEC MOTOR PUMP PRESSURE/CASE DRAIN FILTER POSITION DATA: R SYS FOR DETAILS SEE: 29-11-18-01	002004 006100 107107 121503 904999	1
- 15	271N2004-1		.MODULE INSTL-ELEC MOTOR PUMP PRESSURE/CASE DRAIN FILTER POSITION DATA: CTR SYS FOR DETAILS SEE: 29-11-18-02	002004 006100 107107 121503 904999	1
- 20	271N2006-1		.MODULE INSTL-RETURN FILTER POSITION DATA: L SYS FOR DETAILS SEE: 29-11-15-05	002004 006100 107107 121503 904999	1
- 25	271N2006-2		.MODULE INSTL-RETURN FILTER POSITION DATA: R SYS FOR DETAILS SEE: 29-11-15-05	002004 006100 107107 121503 904999	1

MISSING ITEM NUMBERS NOT APPLICABLE

- ITEM NOT ILLUSTRATED

29-00-51-07

29-00-51
FIG. 07
PAGE 1
JAN 20/09

BRI



757

PARTS CATALOG (MAINTENANCE)

FIG ITEM	PART NUMBER	1 2 3 4 5 6 7	NOMENCLATURE	EFFECT FROM TO	UNITS PER ASSY
7					
- 30	271N2007-1		.MODULE INSTL-RETURN FILTER POSITION DATA: CTR SYS FOR DETAILS SEE: 29-11-13-01	107107 904949	1
- 30	271N2026-1		.MODULE INSTL-RETURN FILTER POSITION DATA: CTR SYS FOR DETAILS SEE: 29-11-13-01	002004 006100 121503 950999	1
- 90	271N5063-1		.VALVE INSTL-RELIEF POSITION DATA: L SYS FUNCTIONAL REFERENCE: HYDRAULIC POWER FOR DETAILS SEE 29-11-29-01 PLACARDS AND MARKINGS FOR DETAILS SEE 11-22-06-10	002004 006100 107107 121503 904999	1
- 95	271N5063-2		.VALVE INSTL-RELIEF POSITION DATA: R SYS FUNCTIONAL REFERENCE: HYDRAULIC POWER FOR DETAILS SEE 29-11-29-01 PLACARDS AND MARKINGS FOR DETAILS SEE 11-22-06-10	002004 006100 107107 121503 904999	1
- 100	271N1011-6		.VALVE INSTL-RAM AIR TURB ACTR CONT FOR DETAILS SEE: 29-21-04-05	002004 006100 107107 121503 904999	1
- 105	274N1007-4		.VALVE INSTL-NORMAL BRAKES ANTISKID POSITION DATA: LH FOR DETAILS SEE: 32-42-02-01	002004 006100 107107 121503 904999	1
- 110	274N1007-5		.VALVE INSTL-NORMAL BRAKES ANTISKID POSITION DATA: RH FOR DETAILS SEE: 32-42-02-01	002004 006100 107107 121503 904999	1

MISSING ITEM NUMBERS NOT APPLICABLE

- ITEM NOT ILLUSTRATED

29-00-51-07

29-00-51
FIG. 07
PAGE 2
JAN 20/09

BRI

 **BOEING**
757
PARTS CATALOG (MAINTENANCE)

FIG ITEM	PART NUMBER	1 2 3 4 5 6 7	NOMENCLATURE	EFFECT FROM TO	UNITS PER ASSY
7					
- 115	274N1030-1		.VALVE AND GAUGE INSTL- BRAKE ACCUMULATOR CHARGING FUNCTIONAL REFERENCE: LANDING GEAR FOR DETAILS SEE 32-44-09-01 PLACARDS AND MARKINGS FOR DETAILS SEE 11-22-15-01	002004 006100 107107 121503 904999	1
- 150	271N1005-1		.PUMP INSTL-RAM AIR TURB HYDR FOR DETAILS SEE: 29-21-01-01	002004 006100 107107 121503 904999	1
- 155	271N5009-1		.PUMP INSTL-RSVR CENTRAL FILL SYS HAND FOR DETAILS SEE: 29-18-01-01	002004 006100 107107 121503 904999	1
- 200	271N6491-1		.PLUMBING INSTL-AC BAY FUNCTIONAL REFERENCE: FLIGHT CONTROLS FOR DETAILS SEE 27-81-51-40 HYDRAULIC POWER FOR DETAILS SEE 29-11-51-23 LANDING GEAR FOR DETAILS SEE 32-34-51-40 32-35-51-40 PLACARDS AND MARKINGS FOR DETAILS SEE 11-22-56-01	002004 006100 107107 121503 904999	1
- 205	271N6492-1		.PLUMBING INSTL-HYDR BAY POSITION DATA: L FUNCTIONAL REFERENCE: HYDRAULIC POWER FOR DETAILS SEE 29-11-51-20 29-18-51-15 LANDING GEAR FOR DETAILS SEE 32-44-51-15 PLACARDS AND MARKINGS FOR DETAILS SEE 11-22-56-01	107107 904949	1

MISSING ITEM NUMBERS NOT APPLICABLE

- ITEM NOT ILLUSTRATED

BRI

29-00-51-07

BOEING PROPRIETARY - Copyright © - Unpublished Work - See title page for details.

29-00-51
FIG. 07
PAGE 3
JAN 20/09



757

PARTS CATALOG (MAINTENANCE)

FIG ITEM	PART NUMBER	1 2 3 4 5 6 7	NOMENCLATURE	EFFECT FROM TO	UNITS PER ASSY
7 - 205	271N6492-5		.PLUMBING INSTL-HYDR BAY POSITION DATA: L VARIABLE DRAWING REF: 271N6492-7 FUNCTIONAL REFERENCE: HYDRAULIC POWER FOR DETAILS SEE 29-11-51-20 29-18-51-15 LANDING GEAR FOR DETAILS SEE 32-44-51-15 PLACARDS AND MARKINGS FOR DETAILS SEE 11-22-56-01	002004 006100 121503 950999	1
- 210	271N6493-1		.PLUMBING INSTL-HYDR BAY POSITION DATA: R FOR DETAILS SEE: 29-21-51-15	002004 006100 107107 121503 904999	1
- 250	271N3002-2		.RESERVOIR INSTL-HYDR POSITION DATA: CTR SYS FOR DETAILS SEE: 29-11-21-02	002004 006100 107107 121503 904999	1
- 260	271N1007-1		.ACTUATOR INSTL-RAM AIR TURB ACTR FOR DETAILS SEE: 29-21-05-01	002004 006100 107107 121503 904999	1
- 270	271N5004-1		.DISCONNECT INSTL-PRESSURE GND SVCE QUICK POSITION DATA: CTR SYS FOR DETAILS SEE: 29-11-53-01	002004 006100 107107 121503 904999	1
- 280	271N1051-1		.SWITCH INSTL-RAM AIR TURB TACH IND AND CONT FUNCTIONAL REFERENCE: HYDRAULIC POWER FOR DETAILS SEE 29-21-51-01 PLACARDS AND MARKINGS FOR DETAILS SEE 11-21-18-01	002004 006100 107107 121503 904999	1

MISSING ITEM NUMBERS NOT APPLICABLE

- ITEM NOT ILLUSTRATED

29-00-51-07

29-00-51
FIG. 07
PAGE 4
JAN 20/09

BRI



757

PARTS CATALOG (MAINTENANCE)

FIG ITEM	PART NUMBER	1 2 3 4 5 6 7	NOMENCLATURE	EFFECT FROM TO	UNITS PER ASSY
7					
- 300	271N5024-1		.SYSTEM INSTL-RESERVOIR CENTRAL FILL FUNCTIONAL REFERENCE: HYDRAULIC POWER FOR DETAILS SEE 29-18-01-02 PLACARDS AND MARKINGS FOR DETAILS SEE 11-35-01-01	002004 006100 107107 121503 904999	1
- 350	271N2006-3		.BRACKET INSTL-RETURN FILTER MODULE POSITION DATA: L SYS FOR DETAILS SEE: 29-11-15-05	002004 006100 107107 121503 904999	1
- 355	271N2006-4		.BRACKET INSTL-RETURN FILTER MODULE POSITION DATA: R SYS FOR DETAILS SEE: 29-11-15-05	002004 006100 107107 121503 904999	1
- 380	271N3026-2		.SUPPORT INSTL-HYDR RSVR POSITION DATA: CTR SYS FOR DETAILS SEE: 53-61-55-01	002004 006100 107107 121503 904999	1
- 400	271N1002-5		.PUMP INSTL-ELEC MOTOR DRIVEN POSITION DATA: L SYS FOR DETAILS SEE: 29-11-01-01	107107 121503 904949 952999	1
- 400	271N1002-7		.PUMP INSTL-ELEC MOTOR DRIVEN POSITION DATA: L SYS FOR DETAILS SEE: 29-11-01-01	002004 006100 950951	1
- 405	271N1002-6		.PUMP INSTL-ELEC MOTOR DRIVEN POSITION DATA: R SYS FOR DETAILS SEE: 29-11-01-01	107107 121503 904949 952999	1

MISSING ITEM NUMBERS NOT APPLICABLE

- ITEM NOT ILLUSTRATED

29-00-51-07

29-00-51
FIG. 07
PAGE 5
JAN 20/09

BRI



757

PARTS CATALOG (MAINTENANCE)

FIG ITEM	PART NUMBER	1 2 3 4 5 6 7	NOMENCLATURE	EFFECT FROM TO	UNITS PER ASSY
7					
- 405	271N1002-8		.PUMP INSTL-ELEC MOTOR DRIVEN POSITION DATA: R SYS FOR DETAILS SEE: 29-11-01-01	002004 006100 950951	1
- 410	271N1003-3		.PUMP INSTL-ELEC MOTOR DRIVEN POSITION DATA: CTR SYS NO. 1 FOR DETAILS SEE: 29-11-02-01	107107 121503 904949 952999	1
- 410	271N1003-4		.PUMP INSTL-ELEC MOTOR DRIVEN POSITION DATA: CTR SYS NO. 1 FOR DETAILS SEE: 29-11-02-01	002004 006100 950951	1
- 415	271N1055-3		.PUMP INSTL-ELEC MOTOR DRIVEN POSITION DATA: CTR SYS NO. 2 FOR DETAILS SEE: 29-11-02-02	107107 121503 904949 952999	1
- 415	271N1055-4		.PUMP INSTL-ELEC MOTOR DRIVEN POSITION DATA: CTR SYS NO. 2 FOR DETAILS SEE: 29-11-02-02	002004 006100 950951	1

MISSING ITEM NUMBERS NOT APPLICABLE

- ITEM NOT ILLUSTRATED

BRI

29-00-51-07

BOEING PROPRIETARY - Copyright © - Unpublished Work - See title page for details.

29-00-51
FIG. 07
PAGE 6
JAN 20/09

 **BOEING**
757
PARTS CATALOG (MAINTENANCE)

NON-ILLUSTRATED FIGURE

THE ITEMS REFLECTED IN THIS FIGURE ARE INTENTIONALLY
NON-ILLUSTRATED. THEY ARE REFERENCED TO EITHER A
NEXT HIGHER OR NEXT LOWER ASSEMBLY/INSTALLATION FIGURE.

Y 29005111 REV 237

PREMODULE COLLECTOR-757 RB211 SYSTEMS (HYDRAULIC POWER ONLY)
FIGURE 11

29-00-51-11

BRI
MAY 28/07

29-00-51-11
PAGE 0



757

PARTS CATALOG (MAINTENANCE)

FIG ITEM	PART NUMBER	1 2 3 4 5 6 7	NOMENCLATURE	EFFECT FROM TO	UNITS PER ASSY
11			PREMODULE COLLECTOR- 757 RB211 SYSTEMS (HYDRAULIC POWER ONLY)	101102 108120	
- 1	301N5090-300		PREMODULE COLLECTOR-RB211 757 RB211 SYSTEMS (HYDRAULIC POWER ONLY)	504903 101102 108120 504903	RF
			POSITION DATA: ENG POS 1 AND 2 FOR OTHER SYS DETAILS SEE: 26-00-00-01 28-00-00-02 30-00-00-01 36-00-00-01 54-00-00-06 71-00-01-02A 78-00-00-05 80-00-00-01		
- 55	312N5080-7		.PREMODULE COLLECTOR-RB211 STRUT SYSTEM (INSTALLED BY ROHR) POSITION DATA: ENG POS 1	101102 504505	RF
- 55	312N5080-9		.PREMODULE COLLECTOR-RB211 STRUT SYSTEM (INSTALLED BY ROHR) POSITION DATA: ENG POS 1	506903	RF
- 55	312N5080-11		.PREMODULE COLLECTOR-RB211 STRUT SYSTEM (INSTALLED BY ROHR) POSITION DATA: ENG POS 1	108120	RF
- 60	312N5080-8		.PREMODULE COLLECTOR-RB211 STRUT SYSTEM (INSTALLED BY ROHR) POSITION DATA: ENG POS 2	101102 504505	RF
- 60	312N5080-10		.PREMODULE COLLECTOR-RB211 STRUT SYSTEM (INSTALLED BY ROHR) POSITION DATA: ENG POS 2	506903	RF
- 60	312N5080-12		.PREMODULE COLLECTOR-RB211 STRUT SYSTEM (INSTALLED BY ROHR) POSITION DATA: ENG POS 2	108120	RF

MISSING ITEM NUMBERS NOT APPLICABLE

- ITEM NOT ILLUSTRATED

BRI

29-00-51-11

29-00-51
FIG. 11
PAGE 1
JAN 20/09



757

PARTS CATALOG (MAINTENANCE)

FIG ITEM	PART NUMBER	1 2 3 4 5 6 7	NOMENCLATURE	EFFECT FROM TO	UNITS PER ASSY
11					
- 65	312N5150-111		. . PLUMBING INSTL-STRUT EDP HYDR POSITION DATA: ENG POSITION 1 AND 2 FOR DETAILS SEE: 29-11-17-03	101102 108120 504903	1
- 70	312N5150-113		. PLUMBING INSTL-STRUT EDP HYDR POSITION DATA: ENG POSITION 1 AND 2 FOR DETAILS SEE: 29-11-17-03	101102 108120 504903	1
- 75	312N5150-107		. PLUMBING INSTL-STRUT HYDR POSITION DATA: LH SIDE FOR DETAILS SEE: 29-11-17-03	101102 108120 504903	1
- 80	312N5150-108		. PLUMBING INSTL-STRUT HYDR POSITION DATA: RH SIDE FOR DETAILS SEE: 29-11-17-03	101102 504903	1
- 80	312N5150-118		. PLUMBING INSTL-STRUT HYDR POSITION DATA: RH SIDE FOR DETAILS SEE: 29-11-17-03	108120	1

MISSING ITEM NUMBERS NOT APPLICABLE

- ITEM NOT ILLUSTRATED

BRI

29-00-51-11

BOEING PROPRIETARY - Copyright © - Unpublished Work - See title page for details.

29-00-51
FIG. 11
PAGE 2
JAN 20/09

 **BOEING**
757
PARTS CATALOG (MAINTENANCE)

NON-ILLUSTRATED FIGURE

THE ITEMS REFLECTED IN THIS FIGURE ARE INTENTIONALLY
NON-ILLUSTRATED. THEY ARE REFERENCED TO EITHER A
NEXT HIGHER OR NEXT LOWER ASSEMBLY/INSTALLATION FIGURE.

Y 29005111A REV 251

STRUT SYSTEM INSTL 757 RB211 (FIRE PROTECTION ONLY)
FIGURE 11A

29-00-51-11A

BRI
JAN 20/09

29-00-51-11A
PAGE 0

BOEING PROPRIETARY - Copyright © - Unpublished Work - See title page for details.



757

PARTS CATALOG (MAINTENANCE)

FIG ITEM	PART NUMBER	1 2 3 4 5 6 7	NOMENCLATURE	EFFECT FROM TO	UNITS PER ASSY
11A			STRUT SYSTEM INSTL 757 RB211 (FIRE PROTECTION ONLY)	103106	
- 1	MODREF23488		STRUT SYSTEMS INSTL-RB211 (HYDRAULIC POWER ONLY) MODULE NUMBER: 312N5080-13 REV B POSITION DATA: ENG POSITION 1 FOR OTHER SYS DETAILS SEE: 26-00-00-01A 28-00-00-02A 30-00-00-01A 36-00-00-01A 54-00-00-06A 78-00-00-05A 80-00-00-01A	103106	1
- 5	MODREF23489		STRUT SYSTEMS INSTL-RB211 (HYDRAULIC POWER ONLY) MODULE NUMBER: 312N5080-14 REV B POSITION DATA: ENG POSITION 2 FOR OTHER SYS DETAILS SEE: 26-00-00-01A 28-00-00-02A 30-00-00-01A 36-00-00-01A 54-00-00-06A 78-00-00-05A 80-00-00-01A	103106	1
- 10	312N5150-111		.PLUMBING INSTL-STRUT EDP HYDR POSITION DATA: ENG POSITION 1 AND 2 FOR DETAILS SEE: 29-11-17-03	103106	1

MISSING ITEM NUMBERS NOT APPLICABLE

- ITEM NOT ILLUSTRATED

29-00-51-11A

29-00-51
FIG. 11A
PAGE 1
JAN 20/09

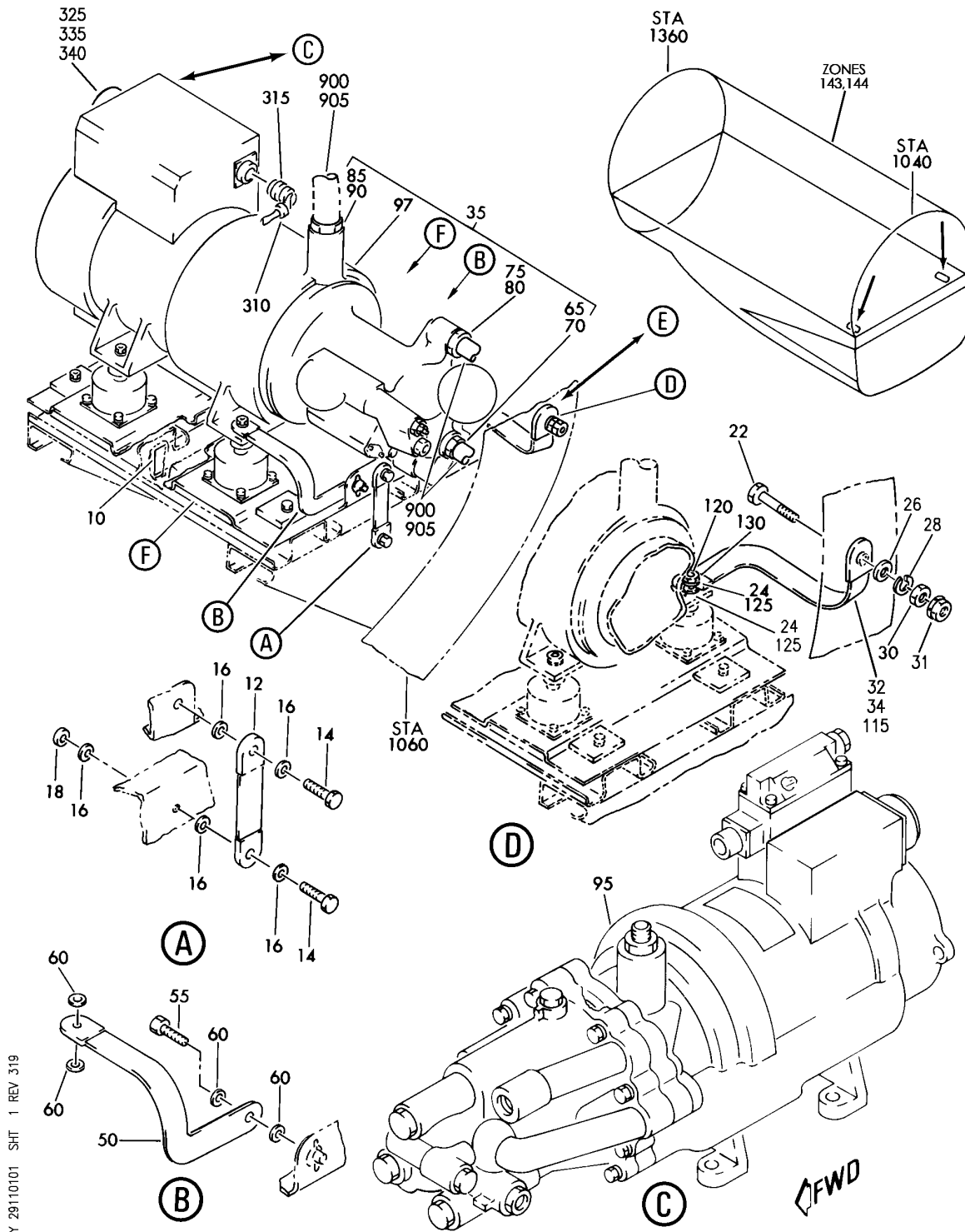
BRI

MAIN HYDRAULIC SYSTEMS

BRI
MAY 28/07

29-11-00
SECTION TITLE
PAGE 1

BOEING
757
PARTS CATALOG (MAINTENANCE)



Y 29110101 SHT 1 REV 319

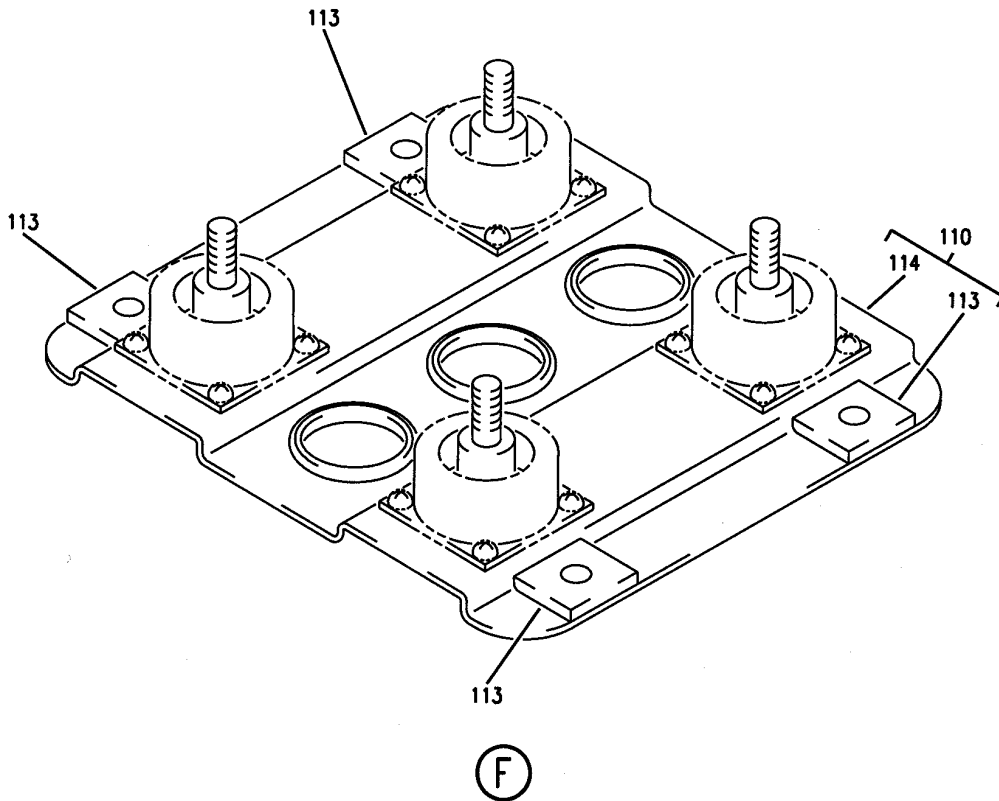
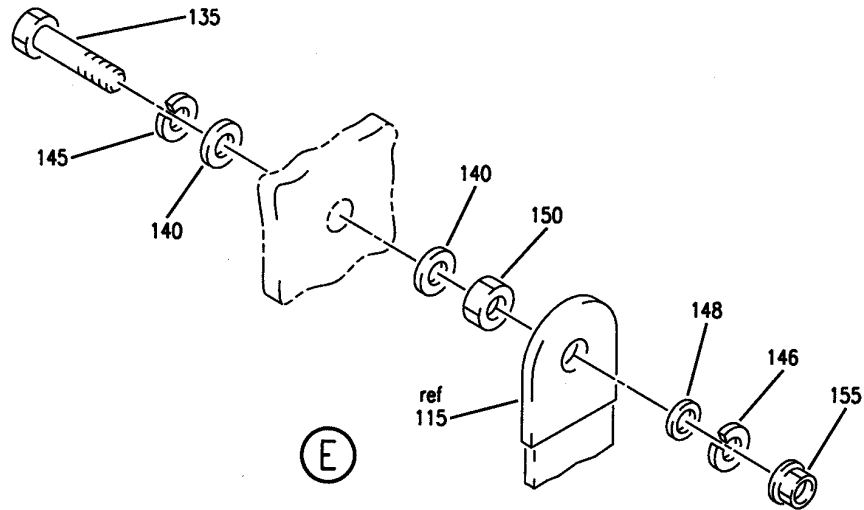
PUMP INSTL-ELEC MOTOR DRIVEN SYS L, R
FIGURE 1 (SHEET 1)

29-11-01-01

BRI
JAN 20/08

29-11-01-01
PAGE 0

BOEING
757
PARTS CATALOG (MAINTENANCE)



Y 29110101 SHT 2 REV 216

PUMP INSTL-ELEC MOTOR DRIVEN SYS L, R
FIGURE 1 (SHEET 2)

29-11-01-01

BRI
MAY 28/07

29-11-01-01
PAGE 0A



757

PARTS CATALOG (MAINTENANCE)

FIG ITEM	PART NUMBER	1 2 3 4 5 6 7	NOMENCLATURE	EFFECT FROM TO	UNITS PER ASSY
1			PUMP INSTL-ELEC MOTOR DRIVEN SYS L, R	002004 006999	
- 1	MODREF8889		PUMP INSTL-ELEC MOTOR DRIVEN SYS MODULE NUMBER: 271N1002-11 REV A POSITION DATA: LH SIDE	103103	1
- 1	271N1002-5		PUMP INSTL-ELEC MOTOR DRIVEN SYS POSITION DATA: LH SIDE FOR NHA SEE: 29-00-51-07	107107 121503 904949 952999	RF
- 1	271N1002-7		PUMP INSTL-ELEC MOTOR DRIVEN SYS POSITION DATA: LH SIDE FOR NHA SEE: 29-00-51-07	002004 006100 950951	RF
- 1	271N1002-9		PUMP INSTL-ELEC MOTOR DRIVEN SYS POSITION DATA: LH SIDE FOR NHA SEE: 29-00-01-01	108120	RF
- 1	271N1002-11		PUMP INSTL-ELEC MOTOR DRIVEN SYS POSITION DATA: LH SIDE FOR NHA SEE: 29-00-01-01	101102 504903	RF
- 1	MODREF27609		PUMP INSTL-ELEC MOTOR DRIVEN SYS MODULE NUMBER: 271N1002-11 REV B POSITION DATA: LH SIDE	104106	1
- 5	MODREF8890		PUMP INSTL-ELEC MOTOR DRIVEN SYS MODULE NUMBER: 271N1002-12 REV A POSITION DATA: RH SIDE	103103	1

MISSING ITEM NUMBERS NOT APPLICABLE

- ITEM NOT ILLUSTRATED

BRI

29-11-01-01

29-11-01
FIG. 01
PAGE 1
JAN 20/09



757

PARTS CATALOG (MAINTENANCE)

FIG ITEM	PART NUMBER	1 2 3 4 5 6 7	NOMENCLATURE	EFFECT FROM TO	UNITS PER ASSY
1					
- 5	271N1002-6		PUMP INSTL-ELEC MOTOR DRIVEN SYS POSITION DATA: RH SIDE FOR NHA SEE: 29-00-51-07	107107 121503 904949 952999	RF
- 5	271N1002-8		PUMP INSTL-ELEC MOTOR DRIVEN SYS POSITION DATA: RH SIDE FOR NHA SEE: 29-00-51-07	002004 006100 950951	RF
- 5	271N1002-10		PUMP INSTL-ELEC MOTOR DRIVEN SYS POSITION DATA: RH SIDE FOR NHA SEE: 29-00-51-07	108120	RF
- 5	271N1002-12		PUMP INSTL-ELEC MOTOR DRIVEN SYS POSITION DATA: RH SIDE FOR NHA SEE: 29-00-01-01	101102 504903	RF
- 5	MODREF27610		PUMP INSTL-ELEC MOTOR DRIVEN SYS MODULE NUMBER: 271N1002-12 REV B POSITION DATA: RH SIDE	104106	1
10	BAC27NHY0116		.MARKER-ALUMINUM FOIL POSITION DATA: LH SIDE PLACARD CONTENT: D3398-FWD D2150-AFT ELECTRIC MOTOR PUMP LEFT SYSTEM M231	002004 006999	1
10	BAC27NHY0087		.MARKER-ALUMINUM FOIL POSITION DATA: RH SIDE PLACARD CONTENT: D3400-FWD D2202-AFT ELECTRIC MOTOR PUMP RIGHT SYSTEM M234	002004 006999	1
22	NAS1801-4-10		.SCREW-	002004 006999	1

MISSING ITEM NUMBERS NOT APPLICABLE

- ITEM NOT ILLUSTRATED

29-11-01-01

29-11-01
FIG. 01
PAGE 2
JAN 20/09

BRI



757

PARTS CATALOG (MAINTENANCE)

FIG ITEM	PART NUMBER	1 2 3 4 5 6 7	NOMENCLATURE	EFFECT FROM TO	UNITS PER ASSY
1	24	AN960-416L	.WASHER-	002004 006100 107107 121503 904999	2
	24	NAS1149F0463P	.WASHER	101106 108120 504903	
	26	AN960-416	.WASHER	002004 006100 107107 121503 904999	1
	26	NAS1149F0463P	.WASHER	101106 108120 504903	
	28	MS35338-44	.WASHER	002004 006102 107999	1
	30	MS35650-3252	.NUT	103106	
	31	MS21042L4	.NUT	002004 006100 107107 121503 904999	1
	31	BRH10C4D	.NUT SUPPLIER CODE: V52828 SPECIFICATION NUMBER: BACN10JC4CD OPTIONAL PART: T6C428JCD V11815 NS202486-048 V80539 102LH9075-4W V72962 H51650-4BAC V15653	101106 108120 504903	
	32	RBEJ40E20-28	.JUMPER ASSY- SUPPLIER CODE: V1GK47 SPECIFICATION NUMBER: BACJ40E20-28 OPTIONAL PART: 740E20-28 V91812	002004 006100 107107 121503 904999	1

MISSING ITEM NUMBERS NOT APPLICABLE

- ITEM NOT ILLUSTRATED

BRI

29-11-01-01

29-11-01
FIG. 01
PAGE 3
JAN 20/09



757

PARTS CATALOG (MAINTENANCE)

FIG ITEM	PART NUMBER	1 2 3 4 5 6 7	NOMENCLATURE	EFFECT FROM TO	UNITS PER ASSY
1	32 69-76221-1		.JUMPER ASSY- OPTIONAL PART: BACJ40D20-28 271N1002-15	002004 006999	1
	32 RBEJ40D20-28		.JUMPER ASSY- SUPPLIER CODE: V1GK47 SPECIFICATION NUMBER: BACJ40D20-28 OPTIONAL PART: 4F28F V79550 69-76221-1	002004 006100 107107 121503 904999	1
-	33 271N1002-15		.SUB KIT ASSY- OPTIONAL PART: 69-76221-1	101106 108120 504903	1
	34 RBEJ40D20-28		..JUMPER ASSY SUPPLIER CODE: V1GK47 SPECIFICATION NUMBER: BACJ40D20-28 OPTIONAL PART: 4F28F V79550	101106 108120 504903	2
	35 271N1058-11		.PUMP ASSY- ELECTRICAL EQUIP NUMBER: M00231 M00234	002004 006106 504903 950951	1
	35 271N1058-12		.PUMP ASSY- ELECTRICAL EQUIP NUMBER: M00231 M00234	107503 904949 952999	1
-	40 BACB30NM4K8		ATTACHING PARTS .BOLT-	002004 006999	4
-	45 BACW10BN4AC		.WASHER- -----*-----	002004 006999	4

MISSING ITEM NUMBERS NOT APPLICABLE

- ITEM NOT ILLUSTRATED

29-11-01-01

29-11-01
FIG. 01
PAGE 4
JAN 20/09

BRI



757

PARTS CATALOG (MAINTENANCE)

FIG ITEM	PART NUMBER	1 2 3 4 5 6 7	NOMENCLATURE	EFFECT FROM TO	UNITS PER ASSY
1 65	AFP23210-8		..REDUCER- SUPPLIER CODE: V30974 SPECIFICATION NUMBER: BACR17E10-8 OPTIONAL PART: AP102710-8 V01673 BC916T10-8 V50948 DBOR17E10-8 V14798 ER21916T10-8 V88334 ER31916-10-8 V88334 F23-10-8 V73197 2-01075T10-8 V11328 31778-10-8 V14397 US2114-10-8 V50808	002004 006999	1
70	NAS1612-10		..PACKING-	002004 006999	1

MISSING ITEM NUMBERS NOT APPLICABLE

- ITEM NOT ILLUSTRATED

BRI

29-11-01-01

BOEING PROPRIETARY - Copyright © - Unpublished Work - See title page for details.

29-11-01
FIG. 01
PAGE 5
JAN 20/09



757

PARTS CATALOG (MAINTENANCE)

FIG ITEM	PART NUMBER	1 2 3 4 5 6 7	NOMENCLATURE	EFFECT FROM TO	UNITS PER ASSY
1 75	AFP2328-6		..REDUCER- SUPPLIER CODE: V30974 SPECIFICATION NUMBER: BACR17E8-6 OPTIONAL PART: AP10278-6 V01673 BC916T8-6 V50948 DBOR17E8-6 V14798 ER21916T8-6 V88334 ER31916-8-6 V88334 F23-8-6 V73197 2-01075T8-6 V11328 31778-8-6 V14397 US2114-8-6 V50508 AP1027T8-6 V01673 US21148-6 V50808 317788-6 V14397	002004 006999	1
80	NAS1612-8		..PACKING-	002004 006999	1
85	MS21902D12		..UNION-	002004 006999	1
90	NAS1612-12		..PACKING-	002004 006999	1

MISSING ITEM NUMBERS NOT APPLICABLE

- ITEM NOT ILLUSTRATED

BRI

29-11-01-01

BOEING PROPRIETARY - Copyright © - Unpublished Work - See title page for details.

29-11-01
FIG. 01
PAGE 6
JAN 20/09



757

PARTS CATALOG (MAINTENANCE)

FIG ITEM	PART NUMBER	1 2 3 4 5 6 7	NOMENCLATURE	EFFECT FROM TO	UNITS PER ASSY
1 95	622199		..PUMP ASSY-HYDR SUPPLIER CODE: V62983 SPECIFICATION NUMBER: S270T201-4 ELECTRICAL EQUIP NUMBER: M00231 M00234 COMPONENT MAINT MANUAL REF: 29-11-16 QUALIFIED I/W DATA: (VICKERS) P/N 622199 I/W (ABEX) P/N 66068-05 OR (VICKERS) P/N 623303 SUBJECT TO CUSTOMER PREFERENCE USED ON: 271N1058-7 FOR DETAILS SEE: 29-11-01-03	002004 006999	1
95	623247		..PUMP ASSY-HYDR SUPPLIER CODE: V62983 SPECIFICATION NUMBER: S270T201-5 ELECTRICAL EQUIP NUMBER: M00231 M00234 USED ON: 271N1058-8 FOR DETAILS SEE: 29-11-01-03	002004 006999	1

MISSING ITEM NUMBERS NOT APPLICABLE

- ITEM NOT ILLUSTRATED

BRI

29-11-01-01

BOEING PROPRIETARY - Copyright © - Unpublished Work - See title page for details.

29-11-01
FIG. 01
PAGE 7
JAN 20/09



757

PARTS CATALOG (MAINTENANCE)

FIG ITEM	PART NUMBER	1 2 3 4 5 6 7 NOMENCLATURE	EFFECT FROM TO	UNITS PER ASSY
1 95	623303	<p>..PUMP ASSY-HYDR SUPPLIER CODE: V62983 SPECIFICATION NUMBER: S270T201-6 ELECTRICAL EQUIP NUMBER: M00231 M00234 COMPONENT MAINT MANUAL REF: 29-11-16 QUALIFIED I/W DATA: (VICKERS) P/N 623303 I/W (VICKERS) P/N'S 623247, 622199, (ABEX) P/N'S 66068-05 OR 66068-06 SUBJECT TO CUSTOMER PREFERENCE OF SUPPLIER EATON/VICKERS PN 731966 (S270T201-7) OR PARKER ABEX PN 66068-08 (S270T200-8) TOGETHER WITH (QTY 4) BARRY CONTROL PN 24008-6, OR PN 23438, OR PN 24008-3 OR EATON/VICKERS PN 570750 SHOCK MOUNTS CAN REPLACE OR BE REPLACED BY EATON/VICKERS PN 623303 (S270T201-6) OR PARKER ABEX PN 66068-06 (S270T200-5). USED ON: 271N1058-11 FOR DETAILS SEE: 29-11-01-03</p>	002004 006999	1

MISSING ITEM NUMBERS NOT APPLICABLE

- ITEM NOT ILLUSTRATED

BRI

29-11-01-01

BOEING PROPRIETARY - Copyright © - Unpublished Work - See title page for details.

29-11-01
 FIG. 01
 PAGE 8
 JAN 20/09



757

PARTS CATALOG (MAINTENANCE)

FIG ITEM	PART NUMBER	1 2 3 4 5 6 7	NOMENCLATURE	EFFECT FROM TO	UNITS PER ASSY
1 97	66068-05		..PUMP ASSY-HYDR SUPPLIER CODE: V93835 SPECIFICATION NUMBER: S270T200-4 ELECTRICAL EQUIP NUMBER: M00231 M00234 COMPONENT MAINT MANUAL REF: 29-11-30 QUALIFIED I/W DATA: ABEX P/N 66068-05 I/W (VICKERS P/N 622199 SUBJECT TO CUSTOMER PREFERENCE OF SUPPLIER USED ON: 271N1058-10 271N1058-6 FOR DETAILS SEE: 29-11-01-02	002004 006999	1
97	66068-06		..PUMP ASSY-HYDR SUPPLIER CODE: V93835 SPECIFICATION NUMBER: S270T200-5 ELECTRICAL EQUIP NUMBER: M00231 M00234 COMPONENT MAINT MANUAL REF: 29-11-30 QUALIFIED I/W DATA: EATON/VICKERS PN 731966 (S270T201-7) OR PARKER ABEX PN 66068-08 (S270T200-8) TOGETHER WITH (QTY 4) BARRY CONTROL PN 24008-6, OR PN 23438, OR PN 24008-3 OR EATON/VICKERS PN 570750 SHOCK MOUNTS CAN REPLACE OR BE REPLACED BY EATON/VICKERS PN 623303 (S270T201-6) OR PARKER ABEX PN 66068-06 (S270T200-5). USED ON: 271N1058-12 FOR DETAILS SEE: 29-11-01-02	002004 006999	1

MISSING ITEM NUMBERS NOT APPLICABLE

- ITEM NOT ILLUSTRATED

BRI

29-11-01-01

29-11-01
FIG. 01
PAGE 9
JAN 20/09



757

PARTS CATALOG (MAINTENANCE)

FIG ITEM	PART NUMBER	1 2 3 4 5 6 7	NOMENCLATURE	EFFECT FROM TO	UNITS PER ASSY
1			ATTACHING PARTS		
- 100	BACB30NT3K5	..	BOLT-	002004 006999	16
- 105	BACW10BP3ACU	..	WASHER-	002004 006999	16
			-----*-----		
110	271N1059-3	..	BRACKET ASSY-MTG USED ON: 271N1058-10 271N1058-11 271N1058-12	002004 006999	1
114	271N1076-1	...	BRACKET-MOUNTING	002004 006999	1
- 300	286N2604-007		WIRE BUNDLE ASSY- POSITION DATA: LH	002004 006100 950999	RF
- 300	286N2604-008		WIRE BUNDLE ASSY- POSITION DATA: LH	107107 904949	RF
- 300	286N2604-011		WIRE BUNDLE ASSY- POSITION DATA: LH	121503	RF
- 300	286N2604-302		WIRE BUNDLE ASSY- POSITION DATA: LH	101102	RF
- 301	286N2604-307		WIRE BUNDLE ASSY- POSITION DATA: LH	504903	RF
- 301	286N2604-309		WIRE BUNDLE ASSY- POSITION DATA: LH	108120	RF
- 301	286N5792-601		WIRE BUNDLE ASSY- POSITION DATA: LH	103106	RF
- 305	286N2606-004		WIRE BUNDLE ASSY- POSITION DATA: RH	002004 006100 950999	RF
- 305	286N2606-005		WIRE BUNDLE ASSY- POSITION DATA: RH	107107 121503 904949	RF
- 305	286N2606-302		WIRE BUNDLE ASSY- POSITION DATA: RH	101102	RF
- 305	286N2606-303		WIRE BUNDLE ASSY- POSITION DATA: RH	108120	RF
- 306	286N2606-306		WIRE BUNDLE ASSY- POSITION DATA: RH	504903	RF

MISSING ITEM NUMBERS NOT APPLICABLE

- ITEM NOT ILLUSTRATED

29-11-01-01

29-11-01
FIG. 01
PAGE 10
JAN 20/09

BRI



757

PARTS CATALOG (MAINTENANCE)

FIG ITEM	PART NUMBER	1 2 3 4 5 6 7	NOMENCLATURE	EFFECT FROM TO	UNITS PER ASSY
1					
- 306	286N5796-601		WIRE BUNDLE ASSY- POSITION DATA: RH	103106	RF
310	GS3418-12CD		.CLAMP- SUPPLIER CODE: V06324 SPECIFICATION NUMBER: BACC10HG12 OPTIONAL PART: S2126-12-8 V07418 POSITION DATA: LH SIDE ELECTRICAL EQUIP NUMBER: D03398T WIRING DIAGRAM REF: 291112	002004 006100 107999	1
310	620AA028NF12L		.CLAMP- SUPPLIER CODE: V06324 SPECIFICATION NUMBER: BACC10KE12 OPTIONAL PART: S3820-12-65 V07418 POSITION DATA: LH SIDE ELECTRICAL EQUIP NUMBER: D03398T WIRING DIAGRAM REF: 291112	103106	1
310	GS3418-12CD		.CLAMP- SUPPLIER CODE: V06324 SPECIFICATION NUMBER: BACC10HG12 OPTIONAL PART: S2126-12-8 V07418 POSITION DATA: LH SIDE ELECTRICAL EQUIP NUMBER: D03398T WIRING DIAGRAM REF: 293211	101102	1

MISSING ITEM NUMBERS NOT APPLICABLE

- ITEM NOT ILLUSTRATED

BRI

29-11-01-01

29-11-01
FIG. 01
PAGE 11
JAN 20/09



757

PARTS CATALOG (MAINTENANCE)

FIG ITEM	PART NUMBER	1 2 3 4 5 6 7	NOMENCLATURE	EFFECT FROM TO	UNITS PER ASSY
1					
- 313	GS3418-12CD	.CLAMP-	SUPPLIER CODE: V06324 SPECIFICATION NUMBER: BACC10HG12 OPTIONAL PART: S2126-12-8 V07418 POSITION DATA: RH SIDE ELECTRICAL EQUIP NUMBER: D03400T WIRING DIAGRAM REF: 291122	107107 121503 904949	1
- 313	GS3418-12CD	.CLAMP-	SUPPLIER CODE: V06324 SPECIFICATION NUMBER: BACC10HG12 OPTIONAL PART: S2126-12-8 V07418 POSITION DATA: RH SIDE ELECTRICAL EQUIP NUMBER: D03400T WIRING DIAGRAM REF: 291122	002004 006102 108120 504903 950999	1
- 313	620AA028NF12L	.CLAMP-	SUPPLIER CODE: V06324 SPECIFICATION NUMBER: BACC10KE12 OPTIONAL PART: S3820-12-65 V07418 POSITION DATA: RH SIDE ELECTRICAL EQUIP NUMBER: D03400T WIRING DIAGRAM REF: 293221	103106	1

MISSING ITEM NUMBERS NOT APPLICABLE

- ITEM NOT ILLUSTRATED

29-11-01-01

29-11-01
FIG. 01
PAGE 12
JAN 20/09

BRI



757

PARTS CATALOG (MAINTENANCE)

FIG ITEM	PART NUMBER	1 2 3 4 5 6 7	NOMENCLATURE	EFFECT FROM TO	UNITS PER ASSY
1 315	R071012A3SNL		.CONNECTOR- SUPPLIER CODE: V41118 SPECIFICATION NUMBER: BACC63BP12A3SNL POSITION DATA: LH SIDE ELECTRICAL EQUIP NUMBER: D03398 WIRING DIAGRAM REF: 291112	002004 006100 103999	1
315	R071012A3SNL		.CONNECTOR- SUPPLIER CODE: V41118 SPECIFICATION NUMBER: BACC63BP12A3SNL POSITION DATA: LH SIDE ELECTRICAL EQUIP NUMBER: D03398 WIRING DIAGRAM REF: 291112	101102	1
- 317	R071012A3SNL		.CONNECTOR- SUPPLIER CODE: V41118 SPECIFICATION NUMBER: BACC63BP12A3SNL POSITION DATA: RH SIDE ELECTRICAL EQUIP NUMBER: D03400 WIRING DIAGRAM REF: 293211	107107 121503 904949	1
- 317	R071012A3SNL		.CONNECTOR- SUPPLIER CODE: V41118 SPECIFICATION NUMBER: BACC63BP12A3SNL POSITION DATA: RH SIDE ELECTRICAL EQUIP NUMBER: D03400 WIRING DIAGRAM REF: 293221	002004 006106 108120 504903 950999	1

MISSING ITEM NUMBERS NOT APPLICABLE

- ITEM NOT ILLUSTRATED

29-11-01-01

29-11-01
FIG. 01
PAGE 13
JAN 20/09

BRI



757

PARTS CATALOG (MAINTENANCE)

FIG ITEM	PART NUMBER	1 2 3 4 5 6 7	NOMENCLATURE	EFFECT FROM TO	UNITS PER ASSY
1 325	G65062-24		.CLAMP- SUPPLIER CODE: V06324 SPECIFICATION NUMBER: BACC10HV24 OPTIONAL PART: S2824-24 V07418 POSITION DATA: LH SIDE ELECTRICAL EQUIP NUMBER: D02150T WIRING DIAGRAM REF: 291112	002004 006999	1
- 330	G65062-24		.CLAMP- SUPPLIER CODE: V06324 SPECIFICATION NUMBER: BACC10HV24 OPTIONAL PART: S2824-24 V07418 POSITION DATA: RH SIDE ELECTRICAL EQUIP NUMBER: D02202T WIRING DIAGRAM REF: 291122	002004 006999	1
335	BACC63CE24-22S		.CONNECTOR- ELECTRICAL EQUIP NUMBER: D02150 D02202 WIRING DIAGRAM REF: 291112 291122	002004 006999	1
900			ILLUSTRATION REFERENCE: PLUMBING INSTL-SECT. 44 MAIN WHL WELL HYDR (HYDRAULIC POWER ONLY) 29-11-51-36	002004 006100 107107 121503 904999	RF
905			ILLUSTRATION REFERENCE: PLUMBING INSTL-SECT. 44 R PRESSURE DECK HYDR (HYDRAULIC POWER ONLY) 29-11-51-34	002004 006100 107107 121503 904999	RF

MISSING ITEM NUMBERS NOT APPLICABLE

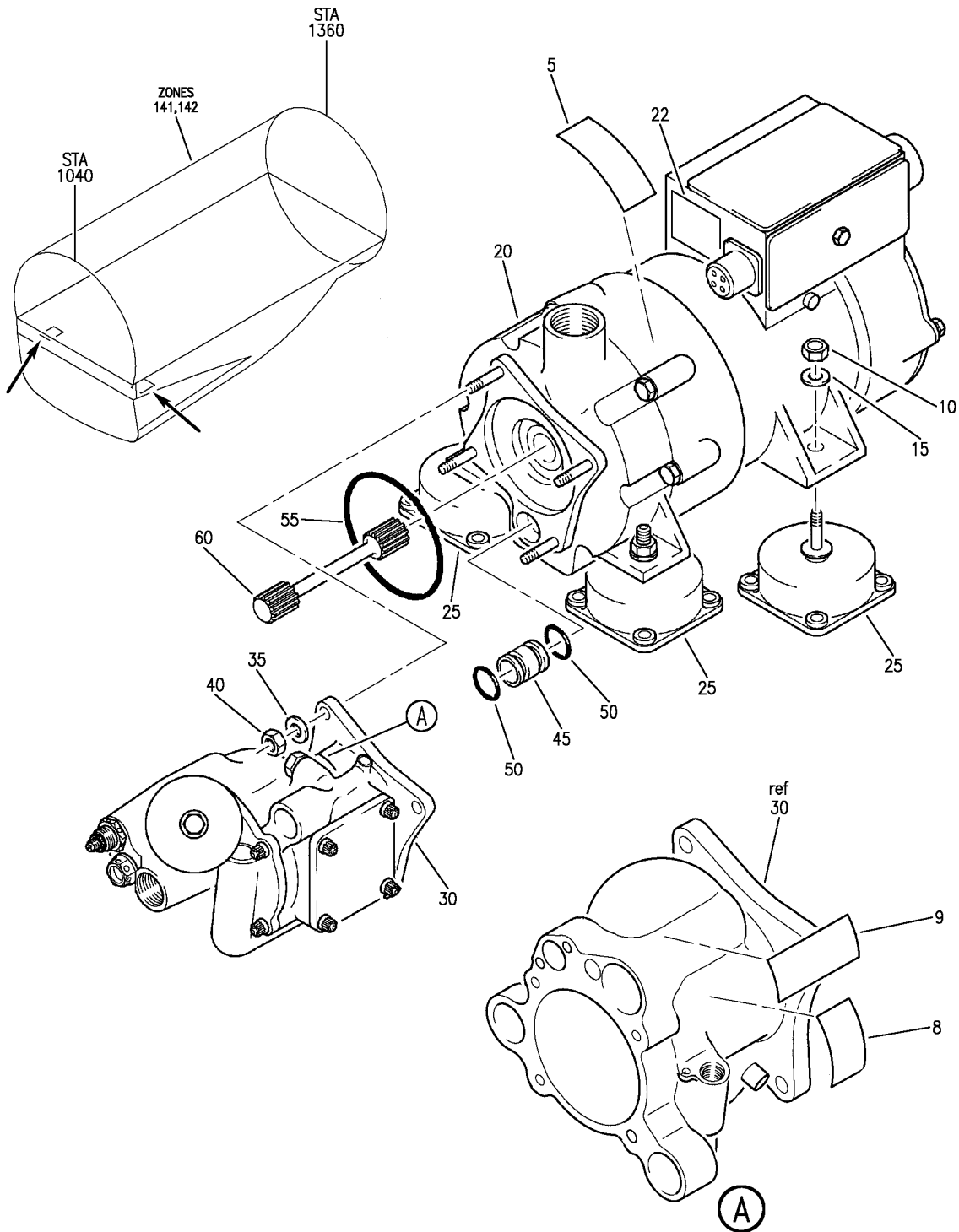
- ITEM NOT ILLUSTRATED

BRI

29-11-01-01

29-11-01
FIG. 01
PAGE 14
JAN 20/09

BOEING
757
PARTS CATALOG (MAINTENANCE)



Y 29110102 REV 285

PUMP ASSY-HYDR AC MOTOR DRIVEN LEFT AND RIGHT SYS
FIGURE 2

29-11-01-02

BRI
MAY 28/07

29-11-01-02
PAGE 0



757

PARTS CATALOG (MAINTENANCE)

FIG ITEM	PART NUMBER	1 2 3 4 5 6 7	NOMENCLATURE	EFFECT FROM TO	UNITS PER ASSY
2					
- 1	66068-05		PUMP ASSY-HYDR AC MOTOR DRIVEN LEFT AND RIGHT SYS PUMP ASSY-HYDR AC MOTOR DRIVEN SUPPLIER CODE: V93835 SPECIFICATION NUMBER: S270T200-4 SB DATA FROM A CMM: PRE SB 29-155 ELECTRICAL EQUIP NUMBER: M00231 M00234 COMPONENT MAINT MANUAL REF: 29-11-30 QUALIFIED I/W DATA: ABEX P/N 66068-05 I/W (VICKERS P/N 622199 SUBJECT TO CUSTOMER PREFERENCE OF SUPPLIER FOR NHA SEE: 29-11-01-01	002004 006999 002004 006999	RF

MISSING ITEM NUMBERS NOT APPLICABLE

- ITEM NOT ILLUSTRATED

BRI

29-11-01-02

BOEING PROPRIETARY - Copyright © - Unpublished Work - See title page for details.

29-11-01
FIG. 02
PAGE 1
SEP 20/08



757

PARTS CATALOG (MAINTENANCE)

FIG ITEM	PART NUMBER	1 2 3 4 5 6 7	NOMENCLATURE	EFFECT FROM TO	UNITS PER ASSY
2 -	1 66068-06		PUMP ASSY-HYDR AC MOTOR DRIVEN SUPPLIER CODE: V93835 SPECIFICATION NUMBER: S270T200-5 SB DATA FROM A CMM: POST SB 29-155 PRE SB 29-194 ELECTRICAL EQUIP NUMBER: M00231 M00234 COMPONENT MAINT MANUAL REF: 29-11-30 QUALIFIED I/W DATA: EATON/VICKERS PN 731966 (S270T201-7) OR PARKER ABEX PN 66068-08 (S270T200-8) TOGETHER WITH (QTY 4) BARRY CONTROL PN 24008-6, OR PN 23438, OR PN 24008-3 OR EATON/VICKERS PN 570750 SHOCK MOUNTS CAN REPLACE OR BE REPLACED BY EATON/VICKERS PN 623303 (S270T201-6) OR PARKER ABEX PN 66068-06 (S270T200-5). FOR NHA SEE: 29-11-01-01	002004 006999	RF
	5 20078		.PLATE-IDENT SUPPLIER CODE: V61846 CONFIG CHG DATA FROM A CMM: REPLD BY 25404	002004 006999	1
	5 25404		.PLATE-IDENT SUPPLIER CODE: V75250 CONFIG CHG DATA FROM A CMM: REPLACES 20078	002004 006999	1
-	7 25414-04		.PLATE-IDENT SUPPLIER CODE: V75250	002004 006999	1
	8 20083		.PLATE-IDENT SUPPLIER CODE: V75250	002004 006999	1

MISSING ITEM NUMBERS NOT APPLICABLE

- ITEM NOT ILLUSTRATED

29-11-01-02

29-11-01
FIG. 02
PAGE 2
SEP 20/08

BRI



757

PARTS CATALOG (MAINTENANCE)

FIG ITEM	PART NUMBER	1 2 3 4 5 6 7	NOMENCLATURE	EFFECT FROM TO	UNITS PER ASSY
2					
9	62466		.PLATE-MOD SUPPLIER CODE: V75250	002004 006999	1
10	MS21042-4		.NUT- CONFIG CHG DATA FROM A CMM: REPLD BY NAS1805-4	002004 006999	4
10	NAS1805-4		.NUT- CONFIG CHG DATA FROM A CMM: REPLACES MS21042-4	002004 006999	4
15	AN960C416L		.WASHER- CONFIG CHG DATA FROM A CMM: REPLD BY NAS1149C0432R	002004 006999	4
15	NAS1149C0432R		.WASHER- CONFIG CHG DATA FROM A CMM: REPLACES AN960C416L	002004 006999	4
20	5060D100-7		.MOTOR-LIQUID COOLED AC SUPPLIER CODE: V17427 CONFIG CHG DATA FROM A CMM: ORDER ABEX PN 62945-02 COMPONENT MAINT MANUAL REF: 29-11-01 USED ON: 66068-05 PRE SERVICE BULLETIN: 62945-02/29-110 V93835	002004 006999	1
20	5060D100-9		.MOTOR-LIQUID COOLED AC SUPPLIER CODE: V72121 CONFIG CHG DATA FROM A CMM: ORDER ABEX PN 62945-03 COMPONENT MAINT MANUAL REF: 29-11-01	002004 006999	1
20	5060D100-15		.MOTOR-ELEC SUPPLIER CODE: V72121 CONFIG CHG DATA FROM A CMM: ORDER ABEX PN 62945-03 COMPONENT MAINT MANUAL REF: 29-11-01	002004 006999	1
22	5060B136-1		..PLATE-IDENT SUPPLIER CODE: V72121	002004 006999	1

MISSING ITEM NUMBERS NOT APPLICABLE

- ITEM NOT ILLUSTRATED

BRI

29-11-01-02

29-11-01
FIG. 02
PAGE 3
SEP 20/08



757

PARTS CATALOG (MAINTENANCE)

FIG ITEM	PART NUMBER	1 2 3 4 5 6 7	NOMENCLATURE	EFFECT FROM TO	UNITS PER ASSY
2					
25	25834-1		. ISOLATOR-VIBRATION SUPPLIER CODE: V81860 MISCELLANEOUS DATA: PARKER PART NO. 23438	002004 006999	4
30	53031-03		. PUMP-HYDR SUPPLIER CODE: V72121 COMPONENT MAINT MANUAL REF: 29-11-30 USED ON: 66068-05	002004 006999	1
30	53031-04		. PUMP-HYDR SUPPLIER CODE: V72121 COMPONENT MAINT MANUAL REF: 29-11-30 USED ON: 66068-06	002004 006999	1
35	AN960C516L		. WASHER- CONFIG CHG DATA FROM A CMM: REPLD BY NAS1149C0532R	002004 006999	4
35	NAS1149C0532R		. WASHER- CONFIG CHG DATA FROM A CMM: REPLACES AN960C516L	002004 006999	4
40	MS21042-4		. NUT- CONFIG CHG DATA FROM A CMM: REPLD BY NAS1805-5	002004 006999	4
40	NAS1805-5		. NUT- CONFIG CHG DATA FROM A CMM: REPLACES MS21042-4	002004 006999	4
45	20053		. COUPLING- SUPPLIER CODE: V72121	002004 006999	1
50	NAS1611-115		. PACKING-	002004 006999	2
55	NAS1611-234		. PACKING-	002004 006999	1
60	20091		. SHAFT- SUPPLIER CODE: V72121	002004 006999	1

MISSING ITEM NUMBERS NOT APPLICABLE

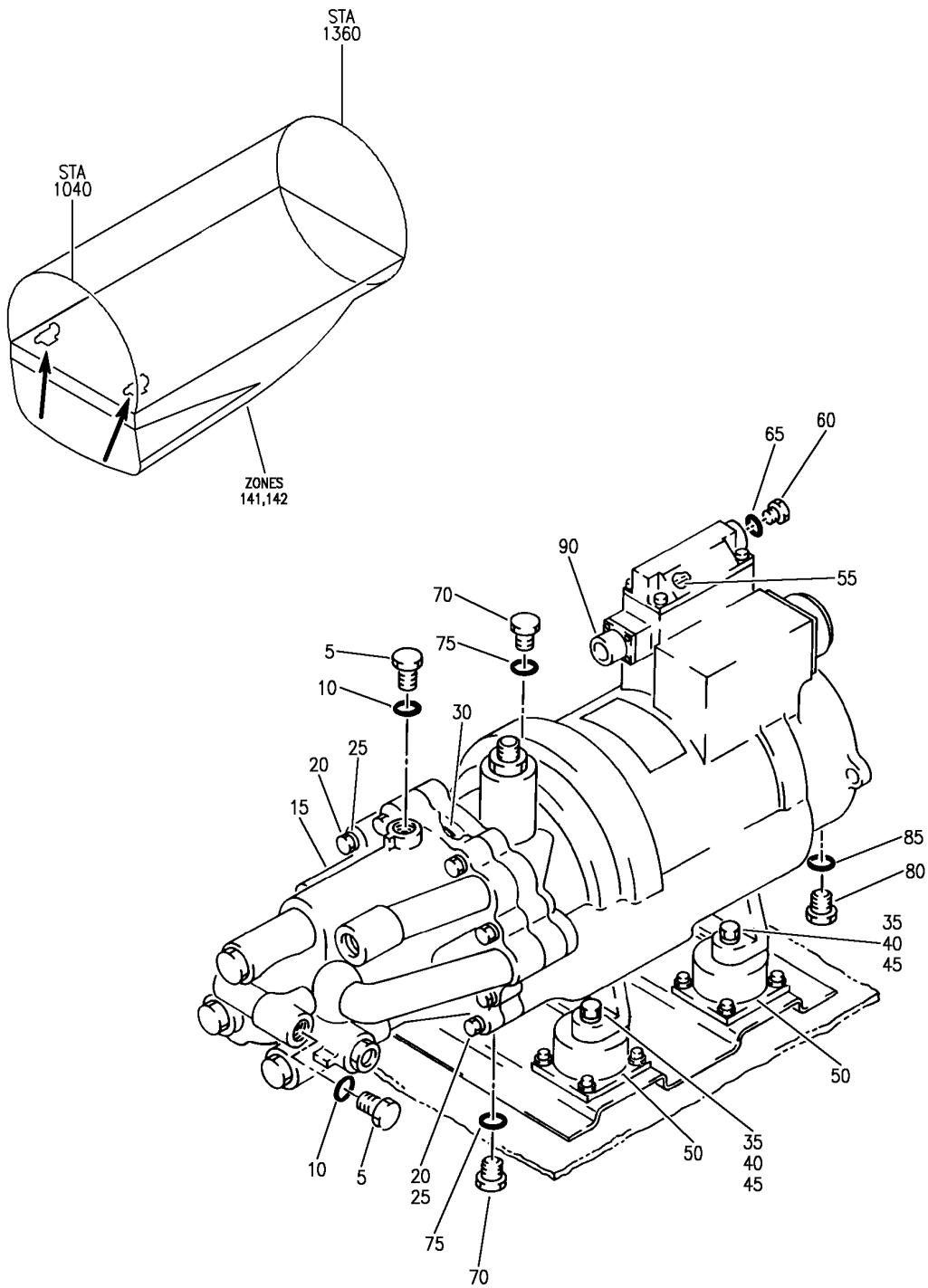
- ITEM NOT ILLUSTRATED

29-11-01-02

29-11-01
FIG. 02
PAGE 4
SEP 20/08

BRI

BOEING
757
PARTS CATALOG (MAINTENANCE)



Y 29110103 REV 307

PUMP ASSY-HYDR AC ELEC DRIVEN VAR DISPLACEMENT LEFT AND RIGHT SYSTEM
FIGURE 3

29-11-01-03

BRI
MAY 28/07

29-11-01-03
PAGE 0



757

PARTS CATALOG (MAINTENANCE)

FIG ITEM	PART NUMBER	1 2 3 4 5 6 7	NOMENCLATURE	EFFECT FROM TO	UNITS PER ASSY
3			PUMP ASSY-HYDR AC ELEC DRIVEN VAR DISPLACEMENT LEFT AND RIGHT SYSTEM	002004 006999	
- 1	622199		PUMP ASSY-HYDR AC ELEC DRIVEN VAR DISPLACEMENT LEFT AND RIGHT SYSTEM SUPPLIER CODE: V62983 SPECIFICATION NUMBER: S270T201-4 ELECTRICAL EQUIP NUMBER: M00231 M00234 COMPONENT MAINT MANUAL REF: 29-11-16 QUALIFIED I/W DATA: (VICKERS) P/N 622199 I/W (ABEX) P/N 66068-05 OR (VICKERS) P/N 623303 SUBJECT TO CUSTOMER PREFERENCE FOR NHA SEE: 29-11-01-01	002004 006999	RF
- 1	623247		PUMP ASSY-HYDR AC ELEC DRIVEN VAR DISPLACEMENT LEFT AND RIGHT SYSTEM SUPPLIER CODE: V62983 SPECIFICATION NUMBER: S270T201-5 ELECTRICAL EQUIP NUMBER: M00231 M00234 FOR NHA SEE: 29-11-01-01	002004 006999	RF

MISSING ITEM NUMBERS NOT APPLICABLE

- ITEM NOT ILLUSTRATED

29-11-01-03

29-11-01
FIG. 03
PAGE 1
SEP 20/08

BRI



757

PARTS CATALOG (MAINTENANCE)

FIG ITEM	PART NUMBER	1 2 3 4 5 6 7	NOMENCLATURE	EFFECT FROM TO	UNITS PER ASSY
3 - 1	623303		PUMP ASSY-HYDR AC ELEC DRIVEN VAR DISPLACEMENT LEFT AND RIGHT SYSTEM SUPPLIER CODE: V62983 SPECIFICATION NUMBER: S270T201-6 ELECTRICAL EQUIP NUMBER: M00231 M00234 COMPONENT MAINT MANUAL REF: 29-11-16 QUALIFIED I/W DATA: (VICKERS) P/N 623303 I/W (VICKERS) P/N'S 623247, 622199, (ABEX) P/N'S 66068-05 OR 66068-06 SUBJECT TO CUSTOMER PREFERENCE OF SUPPLIER EATON/VICKERS PN 731966 (S270T201-7) OR PARKER ABEX PN 66068-08 (S270T200-8) TOGETHER WITH (QTY 4) BARRY CONTROL PN 24008-6, OR PN 23438, OR PN 24008-3 OR EATON/VICKERS PN 570750 SHOCK MOUNTS CAN REPLACE OR BE REPLACED BY EATON/VICKERS PN 623303 (S270T201-6) EXPLANATION DATA OR PARKER ABEX PN 66068-06 REWORKED BY SB: 622199-29-07 V62983 622199-29-10 V62983 POST RAPID REVISION: RR92010-19 FOR NHA SEE: 29-11-01-01 TEMPORARY BREAKDOWN FOR: 623247 .PLUG	002004 006999	RF
5	AN814-4DL			002004 006999	2

MISSING ITEM NUMBERS NOT APPLICABLE

- ITEM NOT ILLUSTRATED

29-11-01-03

29-11-01
FIG. 03
PAGE 2
JAN 20/09

BRI



757

PARTS CATALOG (MAINTENANCE)

FIG ITEM	PART NUMBER	1 2 3 4 5 6 7	NOMENCLATURE	EFFECT FROM TO	UNITS PER ASSY
3					
10	NAS1612-4		.PACKING-	002004 006102 107999	2
15	622154		.HOUSING ASSY-SLEEVES INSERTS AND PINS SUPPLIER CODE: V62983	002004 006999	1
20	NAS624-11		ATTACHING PARTS .BOLT	002004 006999	8
25	417352		.WASHER- SUPPLIER CODE: V62983	002004 006999	8
30	NAS1611-250		-----*----- .PACKING-	002004 006102 107999	1
35	NAS1021A4		.NUT-	002004 006999	4
40	AN960-416		.WASHER-	002004 006999	4
45	570716		.STUD- SUPPLIER CODE: V62983	002004 006999	4
50	570749		.MOUNT-SHOCK SUPPLIER CODE: V62983	002004 006999	4
55	571334		.RETAINER- SUPPLIER CODE: V62983	002004 006999	1
60	570129		.PLUG-BREATHER SUPPLIER CODE: V62983	002004 006999	1
65	NAS1612-4		.PACKING-	002004 006102 107999	1
70	622622		.PLUG- SUPPLIER CODE: V62983	002004 006999	2
75	NAS1612-4		.PACKING-	002004 006102 107999	2
80	570129		.PLUG-BREATHER SUPPLIER CODE: V62983	002004 006999	1
85	NAS1612-4		.PACKING-	002004 006102 107999	1

MISSING ITEM NUMBERS NOT APPLICABLE

- ITEM NOT ILLUSTRATED

29-11-01-03

29-11-01
FIG. 03
PAGE 3
JAN 20/09

BRI

BOEING PROPRIETARY - Copyright © - Unpublished Work - See title page for details.



757

PARTS CATALOG (MAINTENANCE)

FIG ITEM	PART NUMBER	1 2 3 4 5 6 7	NOMENCLATURE	EFFECT FROM TO	UNITS PER ASSY
3 90	571259		.CONNECTOR-ELEC SUPPLIER CODE: V62983	002004 006999	1

MISSING ITEM NUMBERS NOT APPLICABLE

- ITEM NOT ILLUSTRATED

BRI

29-11-01-03

BOEING PROPRIETARY - Copyright © - Unpublished Work - See title page for details.

29-11-01
FIG. 03
PAGE 4
JAN 20/09



757

PARTS CATALOG (MAINTENANCE)

FIG ITEM	PART NUMBER	1 2 3 4 5 6 7	NOMENCLATURE	EFFECT FROM TO	UNITS PER ASSY
1			PUMP INSTL-CTR SYS ELEC MOTOR DRIVEN NO. 1 PUMP (-200 CONFIGURATION)	002004 006999	
- 1	271N1003-4		PUMP INSTL-SYS ELEC MOTOR DRIVEN NO. 1 PUMP POSITION DATA: CTR FOR NHA SEE: 29-00-51-07	002004 006100 950951	RF
- 1	271N1003-6		PUMP INSTL-SYS ELEC MOTOR DRIVEN NO. 1 PUMP POSITION DATA: CTR FOR NHA SEE: 29-00-01-01	101102 504903	RF
- 1	271N1003-3		PUMP INSTL-SYS ELEC MOTOR DRIVEN NO. 1 PUMP POSITION DATA: CTR FOR NHA SEE: 29-00-51-07	107107 121503 904949 952999	RF
- 1	271N1003-5		PUMP INSTL-SYS ELEC MOTOR DRIVEN NO. 1 PUMP POSITION DATA: CTR FOR NHA SEE: 29-00-01-01	108120	RF
- 1	MODREF8893		PUMP INSTL-SYS ELEC MOTOR DRIVEN NO. 1 PUMP MODULE NUMBER: 271N1003-6 REV A POSITION DATA: CTR	103106	1
5	BAC27NHY0136		.MARKER-ALUMINUM FOIL PLACARD CONTENT: D3402 FWD D2204 AFT NO. 1 ELEC. MOTOR PUMP CENTER SYSTEM M10029	002004 006999	1
28	NAS1801-4-10		.SCREW-	002004 006999	1
30	AN960-416L		.WASHER	002004 006999	4
32	AN960-416		.WASHER-	002004 006999	1
34	MS35338-44		.WASHER	002004 006999	1
38	MS21042L4		.NUT	002004 006999	1

MISSING ITEM NUMBERS NOT APPLICABLE

- ITEM NOT ILLUSTRATED

BRI

29-11-02-01

29-11-02
FIG. 01
PAGE 1
JAN 20/09



757

PARTS CATALOG (MAINTENANCE)

FIG ITEM	PART NUMBER	1 2 3 4 5 6 7	NOMENCLATURE	EFFECT FROM TO	UNITS PER ASSY
1					
42	RBEJ40E20-48		.JUMPER ASSY- SUPPLIER CODE: V1GK47 SPECIFICATION NUMBER: BACJ40E20-48 OPTIONAL PART: 740E20-48 V91812	002004 006999	1
42	69-76221-2		.JUMPER ASSY- OPTIONAL PART: 271N1003-10	002004 006999	1
42	271N1003-10		.SUB KIT ASSY- OPTIONAL PART: 69-76221-2	101106 108120 504903	1
43	RBEJ40D20-48		..JUMPER ASSY SUPPLIER CODE: V1GK47 SPECIFICATION NUMBER: BACJ40D20-48	101106 108120 504903	2
45	271N1058-6		.PUMP ASSY-HYDR ELECTRICAL EQUIP NUMBER: M10029 QUALIFIED I/W DATA: I/W ON CUSTOMER APPROVAL	002004 006106 504903 950951	1
45	271N1058-10		.PUMP ASSY-HYDR ELECTRICAL EQUIP NUMBER: M10029	002004 006106 504903 950951	1
45	271N1058-11		.PUMP ASSY-HYDR ELECTRICAL EQUIP NUMBER: M10029 QUALIFIED I/W DATA: I/W ON CUSTOMER APPROVAL	002004 006106 504903 950951	1
45	271N1058-12		.PUMP ASSY-HYDR ELECTRICAL EQUIP NUMBER: M10029 QUALIFIED I/W DATA: I/W ON CUSTOMER APPROVAL	107503 904949 952999	1
50	BACB30NM4K7		ATTACHING PARTS .BOLT-	002004 006999	4
55	BACW10BN4AC		.WASHER- -----*-----	002004 006999	4

MISSING ITEM NUMBERS NOT APPLICABLE

- ITEM NOT ILLUSTRATED

29-11-02-01

29-11-02
FIG. 01
PAGE 2
JAN 20/09

BRI

BOEING PROPRIETARY - Copyright © - Unpublished Work - See title page for details.



757

PARTS CATALOG (MAINTENANCE)

FIG ITEM	PART NUMBER	1 2 3 4 5 6 7	NOMENCLATURE	EFFECT FROM TO	UNITS PER ASSY
1					
60	RBEJ40D20-28		.. JUMPER ASSY- SUPPLIER CODE: V1GK47 SPECIFICATION NUMBER: BACJ40D20-28 OPTIONAL PART: 4F28F V79550 USED ON: 271N1058-6 271N1058-7 271N1058-8 ATTACHING PARTS	002004 006106 504903 950951	1
65	NAS564-21		.. BOLT- USED ON: 271N1058-6 271N1058-7 271N1058-8	002004 006106 504903 950951	1
70	AN960-416L		.. WASHER- USED ON: 271N1058-6 271N1058-7 271N1058-8	002004 006106 504903 950951	2
75	271N1059-1		-----*----- .. BRACKET ASSY- USED ON: 271N1058-6 271N1058-7 271N1058-8	002004 006106 504903 950951	1
75	271N1059-3		.. BRACKET ASSY- USED ON: 271N1058-10 271N1058-11 271N1058-12 ATTACHING PARTS	002004 006999	1
- 80	BACB30NT3K5		.. BOLT-	002004 006999	16
- 85	BACW10BP3ACU		.. WASHER-	002004 006999	16
90	MS21902D12		-----*----- .. UNION-	002004 006999	1
95	NAS1612-12		.. PACKING-	002004 006999	1

MISSING ITEM NUMBERS NOT APPLICABLE

- ITEM NOT ILLUSTRATED

BRI

29-11-02-01

29-11-02
FIG. 01
PAGE 3
JAN 20/09



757

PARTS CATALOG (MAINTENANCE)

FIG ITEM	PART NUMBER	1 2 3 4 5 6 7	NOMENCLATURE	EFFECT FROM TO	UNITS PER ASSY
1 100	AFP2328-6		.. REDUCER- SUPPLIER CODE: V30974 SPECIFICATION NUMBER: BACR17E8-6 OPTIONAL PART: AP10278-6 V01673 BC916T8-6 V50948 DB0R17E8-6 V14798 ER21916T8-6 V88334 ER31916-8-6 V88334 F23-8-6 V73197 2-01075T8-6 V11328 31778-8-6 V14397 US2114-8-6 V50508 AP1027T8-6 V01673 US21148-6 V50808 317788-6 V14397	002004 006999	1
105	NAS1612-8		.. PACKING-	002004 006999	1

MISSING ITEM NUMBERS NOT APPLICABLE

- ITEM NOT ILLUSTRATED

BRI

29-11-02-01

BOEING PROPRIETARY - Copyright © - Unpublished Work - See title page for details.

29-11-02
FIG. 01
PAGE 4
JAN 20/09



757

PARTS CATALOG (MAINTENANCE)

FIG ITEM	PART NUMBER	1 2 3 4 5 6 7	NOMENCLATURE	EFFECT FROM TO	UNITS PER ASSY
1 110	AFP23210-8		..REDUCER- SUPPLIER CODE: V30974 SPECIFICATION NUMBER: BACR17E10-8 OPTIONAL PART: AP102710-8 V01673 BC916T10-8 V50948 DBOR17E10-8 V14798 ER21916T10-8 V88334 ER31916-10-8 V88334 F23-10-8 V73197 2-01075T10-8 V11328 31778-10-8 V14397 US2114-10-8 V50808	002004 006999	1
115	NAS1612-10		..PACKING-	002004 006999	1

MISSING ITEM NUMBERS NOT APPLICABLE

- ITEM NOT ILLUSTRATED

BRI

29-11-02-01

BOEING PROPRIETARY - Copyright © - Unpublished Work - See title page for details.

29-11-02
FIG. 01
PAGE 5
SEP 20/08



757

PARTS CATALOG (MAINTENANCE)

FIG ITEM	PART NUMBER	1 2 3 4 5 6 7	NOMENCLATURE	EFFECT FROM TO	UNITS PER ASSY
1 120	622199		..PUMP ASSY-HYDR SUPPLIER CODE: V62983 SPECIFICATION NUMBER: S270T201-4 ELECTRICAL EQUIP NUMBER: M10029 COMPONENT MAINT MANUAL REF: 29-11-16 QUALIFIED I/W DATA: (VICKERS) P/N 622199 I/W (ABEX) P/N 66068-05 OR (VICKERS) P/N 623303 SUBJECT TO CUSTOMER PREFERENCE (ABEX) P/N 66068-05 I/W (VICKERS) P/N 622199 SUBJECT TO CUSTOMER PREFERENCE OF SUPPLIER USED ON: 271N1058-7 POST SERVICE BULLETIN: 29-0008 FOR DETAILS SEE: 29-11-02-05	002004 006999	1
120	623247		..PUMP ASSY-HYDR SUPPLIER CODE: V62983 SPECIFICATION NUMBER: S270T201-5 ELECTRICAL EQUIP NUMBER: M10029 USED ON: 271N1058-8 FOR DETAILS SEE: 29-11-02-05	002004 006999	1

MISSING ITEM NUMBERS NOT APPLICABLE

- ITEM NOT ILLUSTRATED

BRI

29-11-02-01

BOEING PROPRIETARY - Copyright © - Unpublished Work - See title page for details.

29-11-02
FIG. 01
PAGE 6
SEP 20/08



757

PARTS CATALOG (MAINTENANCE)

FIG ITEM	PART NUMBER	1 2 3 4 5 6 7	NOMENCLATURE	EFFECT FROM TO	UNITS PER ASSY
1 120	623303		<p>..PUMP ASSY-HYDR SUPPLIER CODE: V62983 SPECIFICATION NUMBER: S270T201-6 ELECTRICAL EQUIP NUMBER: M10029 COMPONENT MAINT MANUAL REF: 29-11-16 QUALIFIED I/W DATA: (VICKERS) P/N 623303 I/W (VICKERS) P/N'S 623247, 622199, (ABEX) P/N'S 66068-05 OR 66068-06 SUBJECT TO CUSTOMER PREFERENCE OF SUPPLIER EATON/VICKERS PN 731966 (S270T201-7) OR PARKER ABEX PN 66068-08 (S270T200-8) TOGETHER WITH (QTY 4) BARRY CONTROL PN 24008-6, OR PN 23438, OR PN 24008-3 OR EATON/VICKERS PN 570750 SHOCK MOUNTS CAN REPLACE OR BE REPLACED BY EATON/VICKERS PN 623303 (S270T201-6) OR PARKER ABEX PN 66068-06 (S270T200-5). USED ON: 271N1058-11 FOR DETAILS SEE: 29-11-02-05</p>	002004 006999	1

MISSING ITEM NUMBERS NOT APPLICABLE

- ITEM NOT ILLUSTRATED

BRI

29-11-02-01

BOEING PROPRIETARY - Copyright © - Unpublished Work - See title page for details.

29-11-02
FIG. 01
PAGE 7
SEP 20/08



757

PARTS CATALOG (MAINTENANCE)

FIG ITEM	PART NUMBER	1 2 3 4 5 6 7	NOMENCLATURE	EFFECT FROM TO	UNITS PER ASSY
1 125	66068-05		..PUMP ASSY-HYDR SUPPLIER CODE: V93835 SPECIFICATION NUMBER: S270T200-4 ELECTRICAL EQUIP NUMBER: M10029 COMPONENT MAINT MANUAL REF: 29-11-30 QUALIFIED I/W DATA: (ABEX) P/N 66068-05 I/W (VICKERS) P/N 622199 SUBJECT TO CUSTOMER PREFERENCE OF SUPPLIER USED ON: 271N1058-10 271N1058-6 FOR DETAILS SEE: 29-11-02-04	002004 006999	1
125	66068-06		..PUMP ASSY-HYDR SUPPLIER CODE: V93835 SPECIFICATION NUMBER: S270T200-5 ELECTRICAL EQUIP NUMBER: M10029 COMPONENT MAINT MANUAL REF: 29-11-30 QUALIFIED I/W DATA: EATON/VICKERS PN 731966 (S270T201-7) OR PARKER ABEX PN 66068-08 (S270T200-8) TOGETHER WITH (QTY 4) BARRY CONTROL PN 24008-6, OR PN 23438, OR PN 24008-3 OR EATON/VICKERS PN 570750 SHOCK MOUNTS CAN REPLACE OR BE REPLACED BY EATON/VICKERS PN 623303 (S270T201-6) OR PARKER ABEX PN 66068-06 (S270T200-5). USED ON: 271N1058-12 FOR DETAILS SEE: 29-11-02-04	002004 006999	1

MISSING ITEM NUMBERS NOT APPLICABLE

- ITEM NOT ILLUSTRATED

BRI

29-11-02-01

29-11-02
FIG. 01
PAGE 8
JAN 20/09



757

PARTS CATALOG (MAINTENANCE)

FIG ITEM	PART NUMBER	1 2 3 4 5 6 7	NOMENCLATURE	EFFECT FROM TO	UNITS PER ASSY
1					
- 200	286N2608-007		WIRE BUNDLE ASSY	002004 006100 950999	RF
- 200	286N2608-008		WIRE BUNDLE ASSY-	107107 904949	RF
- 200	286N2608-012		WIRE BUNDLE ASSY-	121503	RF
- 200	286N2608-305		WIRE BUNDLE ASSY-	101102	RF
- 201	286N2608-301		WIRE BUNDLE ASSY-	108120	RF
- 201	286N2608-306		WIRE BUNDLE ASSY-	504903	RF
- 201	286N5788-601		WIRE BUNDLE ASSY	103106	RF
205	GS3418-12CD		.CLAMP- SUPPLIER CODE: V06324 SPECIFICATION NUMBER: BACC10HG12 OPTIONAL PART: S2126-12-8 V07418 ELECTRICAL EQUIP NUMBER: D03402T WIRING DIAGRAM REF: 293231	002004 006102 108903 950999	1
205	GS3418-12CD		.CLAMP- SUPPLIER CODE: V06324 SPECIFICATION NUMBER: BACC10HG12 OPTIONAL PART: S2126-12-8 V07418 ELECTRICAL EQUIP NUMBER: D03402T WIRING DIAGRAM REF: 291131	107107 904949	1
205	620AA028NF12L		.CLAMP- SUPPLIER CODE: V06324 SPECIFICATION NUMBER: BACC10KE12 OPTIONAL PART: S3820-12-65 V07418 ELECTRICAL EQUIP NUMBER: D03402T WIRING DIAGRAM REF: 293231	103106	1

MISSING ITEM NUMBERS NOT APPLICABLE

- ITEM NOT ILLUSTRATED

BRI

29-11-02-01

29-11-02
FIG. 01
PAGE 9
JAN 20/09



757

PARTS CATALOG (MAINTENANCE)

FIG ITEM	PART NUMBER	1 2 3 4 5 6 7	NOMENCLATURE	EFFECT FROM TO	UNITS PER ASSY
1					
210	R071012A3SNL		.CONNECTOR- SUPPLIER CODE: V41118 SPECIFICATION NUMBER: BACC63BP12A3SNL ELECTRICAL EQUIP NUMBER: D03402 WIRING DIAGRAM REF: 291131	107107 904949	1
210	R071012A3SNL		.CONNECTOR- SUPPLIER CODE: V41118 SPECIFICATION NUMBER: BACC63BP12A3SNL ELECTRICAL EQUIP NUMBER: D03402 WIRING DIAGRAM REF: 291131	002004 006106 108903 950999	1
215	G65062-24		.CLAMP- SUPPLIER CODE: V06324 SPECIFICATION NUMBER: BACC10HV24 OPTIONAL PART: S2824-24 V07418 ELECTRICAL EQUIP NUMBER: D02204T WIRING DIAGRAM REF: 291131	002004 006999	1
220	BACC63CE24-22S		.CONNECTOR- ELECTRICAL EQUIP NUMBER: D02204 WIRING DIAGRAM REF: 291131	002004 006999	1
900			ILLUSTRATION REFERENCE: PLUMBING INSTL-SECT. 49 L HYDR BAY (MAIN HYDR SYSTEM ONLY) 29-11-51-20	002004 006100 107107 121503 904999	RF
900			ILLUSTRATION REFERENCE: PLUMBING INSTL-SECT. 49 L HYDR BAY (MAIN HYDR SYSTEM ONLY) 29-11-51-20A	101102 108120 504903	RF

MISSING ITEM NUMBERS NOT APPLICABLE

- ITEM NOT ILLUSTRATED

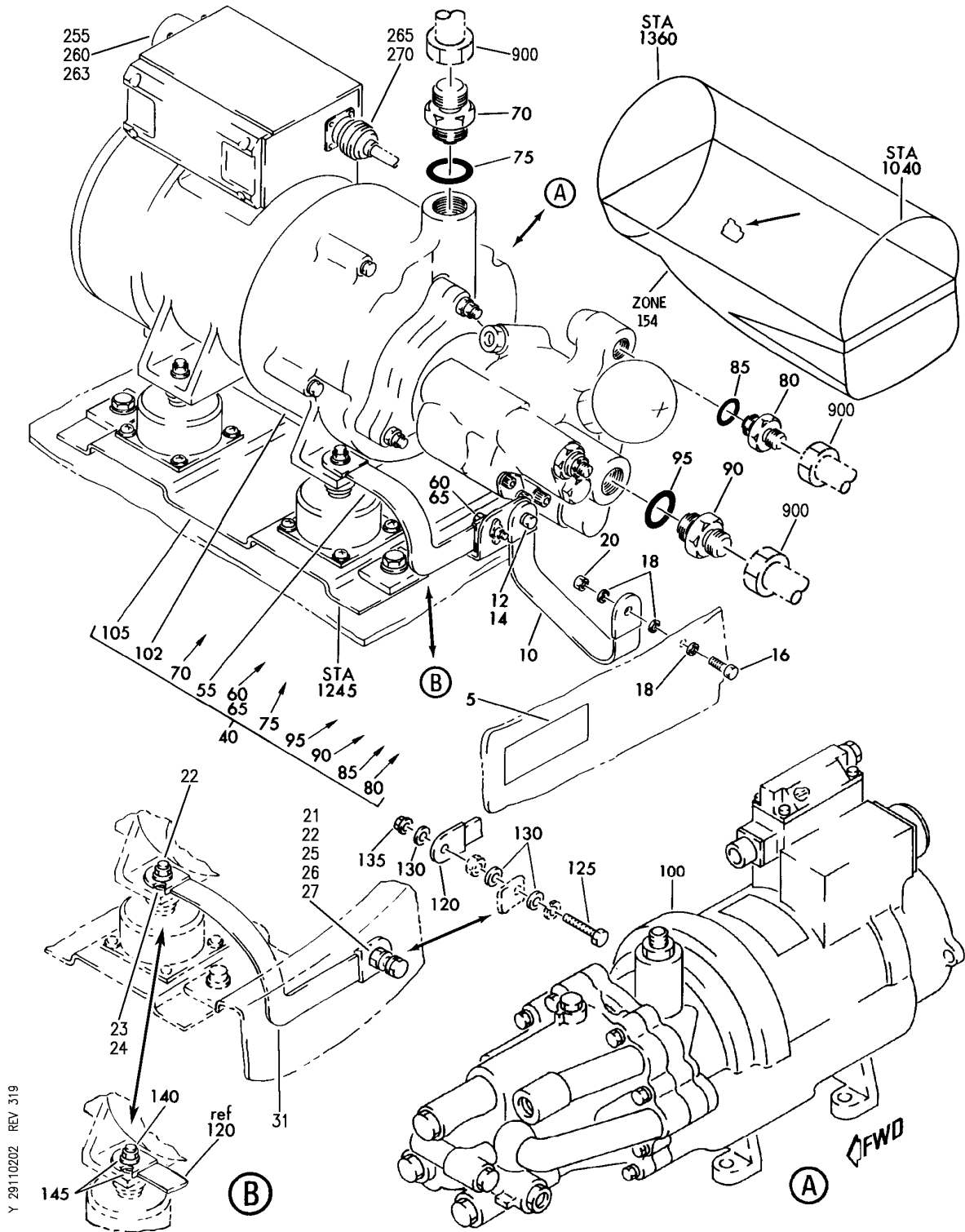
BRI

29-11-02-01

BOEING PROPRIETARY - Copyright © - Unpublished Work - See title page for details.

29-11-02
FIG. 01
PAGE 10
JAN 20/09

BOEING
757
PARTS CATALOG (MAINTENANCE)



Y 29110202 REV 319

PUMP INSTL-CTR SYS ELEC MOTOR DRIVEN NO. 2 PUMP (-200 CONFIGURATION)
FIGURE 2

29-11-02-02

BRI
JAN 20/08

29-11-02-02
PAGE 0



757

PARTS CATALOG (MAINTENANCE)

FIG ITEM	PART NUMBER	1 2 3 4 5 6 7	NOMENCLATURE	EFFECT FROM TO	UNITS PER ASSY
2			PUMP INSTL-CTR SYS ELEC MOTOR DRIVEN NO. 2 PUMP (-200 CONFIGURATION)	002004 006999	
- 1	271N1055-4		PUMP INSTL-SYS ELEC MOTOR DRIVEN NO. 2 PUMP POSITION DATA: CTR FOR NHA SEE: 29-00-51-07	002004 006100 950951	RF
- 1	271N1055-6		PUMP INSTL-SYS ELEC MOTOR DRIVEN NO. 2 PUMP POSITION DATA: CTR FOR NHA SEE: 29-00-01-01	506903	RF
- 1	271N1055-3		PUMP INSTL-SYS ELEC MOTOR DRIVEN NO. 2 PUMP POSITION DATA: CTR FOR NHA SEE: 29-00-51-07	107107 121503 904949 952999	RF
- 1	271N1055-5		PUMP INSTL-SYS ELEC MOTOR DRIVEN NO. 2 PUMP POSITION DATA: CTR FOR NHA SEE: 29-00-01-01	108120	RF
- 1	MODREF6806		PUMP INSTL-SYS ELEC MOTOR DRIVEN NO. 2 PUMP MODULE NUMBER: 271N1055-6 REV A POSITION DATA: CTR	103106	1
5	BAC27NHY0137		.MARKER-ALUMINUM FOIL- PLACARD CONTENT: D3404 FWD D2206 AFT NO. 2 ELEC. MOTOR PUMP CENTER SYSTEM M10030	002004 006999	1
10	4E6F		.JUMPER ASSY- SUPPLIER CODE: V79550 SPECIFICATION NUMBER: BACJ40D11-24 OPTIONAL PART: 740D11-24 V91812	002004 006100 107107 121503 904999	1

MISSING ITEM NUMBERS NOT APPLICABLE

- ITEM NOT ILLUSTRATED

BRI

29-11-02-02

29-11-02
FIG. 02
PAGE 1
JAN 20/09



757

PARTS CATALOG (MAINTENANCE)

FIG ITEM	PART NUMBER	1 2 3 4 5 6 7	NOMENCLATURE	EFFECT FROM TO	UNITS PER ASSY
2			ATTACHING PARTS		
12	NAS564-19		.BOLT-	002004 006100 107107 121503 904999	1
14	AN960-416L		.WASHER-	002004 006100 107107 121503 904999	2
16	NAS563-19		.BOLT	002004 006100 107107 121503 904999	1
18	AN960-10L		.WASHER	002004 006100 107107 121503 904999	3
20	BRH10C3M		.NUT SUPPLIER CODE: V52828 SPECIFICATION NUMBER: BACN10JC3CM OPTIONAL PART: T6C1032JM V11815 97E02 V80539 109LH9075-3W V72962 VN303D02 V92215 NS202101SE02 V80539 H01-3BAC V15653 -----*-----	002004 006100 107107 121503 904999	1
21	NAS1801-4-10		.SCREW	002004 006999	1
22	AN960-416L		.WASHER	002004 006100 103503 904999	4
23	AN960-416		.WASHER-	002004 006102 107999	1

MISSING ITEM NUMBERS NOT APPLICABLE

- ITEM NOT ILLUSTRATED

29-11-02-02

29-11-02
FIG. 02
PAGE 2
JAN 20/09

BRI

BOEING PROPRIETARY - Copyright © - Unpublished Work - See title page for details.



757

PARTS CATALOG (MAINTENANCE)

FIG ITEM	PART NUMBER	1 2 3 4 5 6 7	NOMENCLATURE	EFFECT FROM TO	UNITS PER ASSY
2					
25	MS35338-44	.	WASHER	002004 006102 107999	1
27	MS21042L4	.	NUT	002004 006999	1
31	RBEJ40E20-48	.	JUMPER ASSY- SUPPLIER CODE: V1GK47 SPECIFICATION NUMBER: BACJ40E20-48 OPTIONAL PART: 740E20-48 V91812	002004 006102 107999	1
31	69-76221-2	.	JUMPER ASSY- OPTIONAL PART: BACJ40D20-48 271N1055-10	002004 006999	1
31	RBEJ40D20-48	.	JUMPER ASSY- SUPPLIER CODE: V1GK47 SPECIFICATION NUMBER: BACJ40D20-48 OPTIONAL PART: 69-76221-2	002004 006100 107107 121503 904999	1
- 35	271N1055-10	.	SUB KIT ASSY- OPTIONAL PART: 69-76221-2	101106 108120 504903	1
37	RBEJ40D20-48	..	JUMPER ASSY SUPPLIER CODE: V1GK47 SPECIFICATION NUMBER: BACJ40D20-48	101106 108120 504903	2
40	271N1058-6	.	PUMP ASSY-HYDR QUALIFIED I/W DATA: I/W ON CUSTOMER APPROVAL	002004 006106 504903 950951	1
40	271N1058-10	.	PUMP ASSY-HYDR	002004 006106 504903 950951	1
40	271N1058-11	.	PUMP ASSY-HYDR QUALIFIED I/W DATA: I/W ON CUSTOMER APPROVAL	002004 006106 504903 950951	1

MISSING ITEM NUMBERS NOT APPLICABLE

- ITEM NOT ILLUSTRATED

29-11-02-02

29-11-02
FIG. 02
PAGE 3
JAN 20/09

BRI

BOEING PROPRIETARY - Copyright © - Unpublished Work - See title page for details.



**757
PARTS CATALOG (MAINTENANCE)**

FIG ITEM	PART NUMBER	1 2 3 4 5 6 7	NOMENCLATURE	EFFECT FROM TO	UNITS PER ASSY
2	40 271N1058-12		.PUMP ASSY-HYDR ELECTRICAL EQUIP NUMBER: M10030 QUALIFIED I/W DATA: I/W ON CUSTOMER APPROVAL ATTACHING PARTS	107503 904949 952999	1
-	45 BACB30NM4K7		.BOLT-	002004 006999	4
-	50 BACW10BN4AC		.WASHER-	002004 006999	4
	70 MS21902D12		-----*----- ..UNION-	002004 006999	1
	75 NAS1612-12		..PACKING-	002004 006999	1
	80 AFP2328-6		..REDUCER- SUPPLIER CODE: V30974 SPECIFICATION NUMBER: BACR17E8-6 OPTIONAL PART: AP10278-6 V01673 BC916T8-6 V50948 DBOR17E8-6 V14798 ER21916T8-6 V88334 ER31916-8-6 V88334 F23-8-6 V73197 2-01075T8-6 V11328 31778-8-6 V14397 US2114-8-6 V50508 AP1027T8-6 V01673 US21148-6 V50808 317788-6 V14397	002004 006999	1
	85 NAS1612-8		..PACKING-	002004 006999	1

MISSING ITEM NUMBERS NOT APPLICABLE

- ITEM NOT ILLUSTRATED

BRI

29-11-02-02

BOEING PROPRIETARY - Copyright © - Unpublished Work - See title page for details.

29-11-02
FIG. 02
PAGE 4
JAN 20/09



757

PARTS CATALOG (MAINTENANCE)

FIG ITEM	PART NUMBER	1 2 3 4 5 6 7	NOMENCLATURE	EFFECT FROM TO	UNITS PER ASSY
2 90	AFP23210-8		..REDUCER- SUPPLIER CODE: V30974 SPECIFICATION NUMBER: BACR17E10-8 OPTIONAL PART: AP102710-8 V01673 BC916T10-8 V50948 DBOR17E10-8 V14798 ER21916T10-8 V88334 ER31916-10-8 V88334 F23-10-8 V73197 2-01075T10-8 V11328 31778-10-8 V14397 US2114-10-8 V50808	002004 006999	1
95	NAS1612-10		..PACKING-	002004 006999	1

MISSING ITEM NUMBERS NOT APPLICABLE

- ITEM NOT ILLUSTRATED

BRI

29-11-02-02

BOEING PROPRIETARY - Copyright © - Unpublished Work - See title page for details.

29-11-02
FIG. 02
PAGE 5
SEP 20/08



757

PARTS CATALOG (MAINTENANCE)

FIG ITEM	PART NUMBER	1 2 3 4 5 6 7	NOMENCLATURE	EFFECT FROM TO	UNITS PER ASSY
2 100	622199		..PUMP ASSY-HYDR SUPPLIER CODE: V62983 SPECIFICATION NUMBER: S270T201-4 ELECTRICAL EQUIP NUMBER: M10030 COMPONENT MAINT MANUAL REF: 29-11-16 QUALIFIED I/W DATA: (ABEX) P/N 66068-05 I/W (VICKERS) P/N 622199 SUBJECT TO CUSTOMER PREFERENCE OF SUPPLIER (VICKERS) P/N 622199 I/W (ABEX) P/N 66068-05 OR (VICKERS) P/N 623303 SUBJECT TO CUSTOMER PREFERENCE USED ON: 271N1058-7 POST SERVICE BULLETIN: 29-0008 FOR DETAILS SEE: 29-11-02-05	002004 006999	1
100	623247		..PUMP ASSY-HYDR SUPPLIER CODE: V62983 SPECIFICATION NUMBER: S270T201-5 ELECTRICAL EQUIP NUMBER: M10030 USED ON: 271N1058-8 FOR DETAILS SEE: 29-11-02-05	002004 006999	1

MISSING ITEM NUMBERS NOT APPLICABLE

- ITEM NOT ILLUSTRATED

BRI

29-11-02-02

BOEING PROPRIETARY - Copyright © - Unpublished Work - See title page for details.

29-11-02
FIG. 02
PAGE 6
SEP 20/08



757

PARTS CATALOG (MAINTENANCE)

FIG ITEM	PART NUMBER	1 2 3 4 5 6 7	NOMENCLATURE	EFFECT FROM TO	UNITS PER ASSY
2 100	623303		<p>..PUMP ASSY-HYDR SUPPLIER CODE: V62983 SPECIFICATION NUMBER: S270T201-6 ELECTRICAL EQUIP NUMBER: M10030 COMPONENT MAINT MANUAL REF: 29-11-16 QUALIFIED I/W DATA: (VICKERS) P/N 623303 I/W (VICKERS) P/N'S 623247, 622199, (ABEX) P/N'S 66068-05 OR 66068-06 SUBJECT TO CUSTOMER PREFERENCE OF SUPPLIER (ABEX) P/N 66068-05 I/W (VICKERS) P/N 622199 SUBJECT TO CUSTOMER PREFERENCE OF SUPPLIER EATON/VICKERS PN 731966 (S270T201-7) OR PARKER ABEX PN 66068-08 (S270T200-8) TOGETHER WITH (QTY 4) BARRY CONTROL PN 24008-6, OR PN 23438, OR PN 24008-3 OR EATON/VICKERS PN 570750 SHOCK MOUNTS CAN REPLACE OR BE REPLACED BY EATON/VICKERS PN 623303 (S270T201-6) OR PARKER ABEX PN 66068-06 (S270T200-5). USED ON: 271N1058-11 FOR DETAILS SEE: 29-11-02-05</p>	002004 006999	1

MISSING ITEM NUMBERS NOT APPLICABLE

- ITEM NOT ILLUSTRATED

BRI

29-11-02-02

BOEING PROPRIETARY - Copyright © - Unpublished Work - See title page for details.

29-11-02
FIG. 02
PAGE 7
SEP 20/08



757

PARTS CATALOG (MAINTENANCE)

FIG ITEM	PART NUMBER	1 2 3 4 5 6 7	NOMENCLATURE	EFFECT FROM TO	UNITS PER ASSY
2 102	66068-05		..PUMP ASSY-HYDR SUPPLIER CODE: V93835 SPECIFICATION NUMBER: S270T200-4 ELECTRICAL EQUIP NUMBER: M10030 COMPONENT MAINT MANUAL REF: 29-11-30 QUALIFIED I/W DATA: (ABEX) P/N 66068-05 I/W (VICKERS) P/N 622199 SUBJECT TO CUSTOMER PREFERENCE OF SUPPLIER USED ON: 271N1058-10 271N1058-6 FOR DETAILS SEE: 29-11-02-04	002004 006999	1
102	66068-06		..PUMP ASSY-HYDR SUPPLIER CODE: V93835 SPECIFICATION NUMBER: S270T200-5 ELECTRICAL EQUIP NUMBER: M10030 COMPONENT MAINT MANUAL REF: 29-11-30 QUALIFIED I/W DATA: EATON/VICKERS PN 731966 (S270T201-7) OR PARKER ABEX PN 66068-08 (S270T200-8) TOGETHER WITH (QTY 4) BARRY CONTROL PN 24008-6, OR PN 23438, OR PN 24008-3 OR EATON/VICKERS PN 570750 SHOCK MOUNTS CAN REPLACE OR BE REPLACED BY EATON/VICKERS PN 623303 (S270T201-6) OR PARKER ABEX PN 66068-06 (S270T200-5). USED ON: 271N1058-12 FOR DETAILS SEE: 29-11-02-04	002004 006999	1

MISSING ITEM NUMBERS NOT APPLICABLE

- ITEM NOT ILLUSTRATED

BRI

29-11-02-02

29-11-02
FIG. 02
PAGE 8
SEP 20/08



757

PARTS CATALOG (MAINTENANCE)

FIG ITEM	PART NUMBER	1 2 3 4 5 6 7	NOMENCLATURE	EFFECT FROM TO	UNITS PER ASSY
2 105	271N1059-3		..BRACKET ASSY- USED ON: 271N1058-10 271N1058-11 271N1058-12 ATTACHING PARTS	002004 006999	1
- 110	BACB30NT3K5		..BOLT-	002004 006999	16
- 115	BACW10BP3ACU		..WASHER-	002004 006999	16
- 250	286N2610-004		-----*----- WIRE BUNDLE ASSY-	002004 006100 950999	RF
- 250	286N2610-005		WIRE BUNDLE ASSY	107107 904949	RF
- 250	286N2610-007		WIRE BUNDLE ASSY	121503	RF
- 250	286N2610-304		WIRE BUNDLE ASSY-	101102	RF
- 250	286N2610-306		WIRE BUNDLE ASSY-	504903	RF
- 250	286N2610-308		WIRE BUNDLE ASSY	108120	RF
- 251	286N5798-601		WIRE BUNDLE ASSY	103106	RF
255	G65062-24		.CLAMP- SUPPLIER CODE: V06324 SPECIFICATION NUMBER: BACC10HV24 OPTIONAL PART: S2824-24 V07418 ELECTRICAL EQUIP NUMBER: D02206T WIRING DIAGRAM REF: 291131	002004 006999	1
260	BACC63CE24-22S		.CONNECTOR- ELECTRICAL EQUIP NUMBER: D02206 WIRING DIAGRAM REF: 291131	002004 006999	1

MISSING ITEM NUMBERS NOT APPLICABLE

- ITEM NOT ILLUSTRATED

BRI

29-11-02-02

29-11-02
FIG. 02
PAGE 9
JAN 20/09



757

PARTS CATALOG (MAINTENANCE)

FIG ITEM	PART NUMBER	1 2 3 4 5 6 7	NOMENCLATURE	EFFECT FROM TO	UNITS PER ASSY
2 265	GS3418-12CD	.CLAMP-	SUPPLIER CODE: V06324 SPECIFICATION NUMBER: BACC10HG12 OPTIONAL PART: S2126-12-8 V07418 ELECTRICAL EQUIP NUMBER: D03404T WIRING DIAGRAM REF: 291131	107107 121503 904949	1
265	GS3418-12CD	.CLAMP-	SUPPLIER CODE: V06324 SPECIFICATION NUMBER: BACC10HG12 OPTIONAL PART: S2126-12-8 V07418 ELECTRICAL EQUIP NUMBER: D03404T WIRING DIAGRAM REF: 291131	002004 006102 108120 504903 950999	1
265	620AA028NF12L	.CLAMP-	SUPPLIER CODE: V06324 SPECIFICATION NUMBER: BACC10KE12 OPTIONAL PART: S3820-12-65 V07418 ELECTRICAL EQUIP NUMBER: D03404T WIRING DIAGRAM REF: 293231	103106	1
270	R071012A3SNL	.CONNECTOR-	SUPPLIER CODE: V41118 SPECIFICATION NUMBER: BACC63BP12A3SNL ELECTRICAL EQUIP NUMBER: D03404 WIRING DIAGRAM REF: 291131	107107 121503 904949	1

MISSING ITEM NUMBERS NOT APPLICABLE

- ITEM NOT ILLUSTRATED

BRI

29-11-02-02

BOEING PROPRIETARY - Copyright © - Unpublished Work - See title page for details.

29-11-02
FIG. 02
PAGE 10
JAN 20/09



757

PARTS CATALOG (MAINTENANCE)

FIG ITEM	PART NUMBER	1 2 3 4 5 6 7	NOMENCLATURE	EFFECT FROM TO	UNITS PER ASSY
2 270	R071012A3SNL		.CONNECTOR- SUPPLIER CODE: V41118 SPECIFICATION NUMBER: BACC63BP12A3SNL ELECTRICAL EQUIP NUMBER: D03404 WIRING DIAGRAM REF: 293231	002004 006106 108120 504903 950999	1
900			ILLUSTRATION REFERENCE: PLUMBING INSTL-SECT. 49 L HYDR BAY (MAIN HYDR SYSTEM ONLY) 29-11-51-20A	101102 108120 504903	RF

MISSING ITEM NUMBERS NOT APPLICABLE

- ITEM NOT ILLUSTRATED

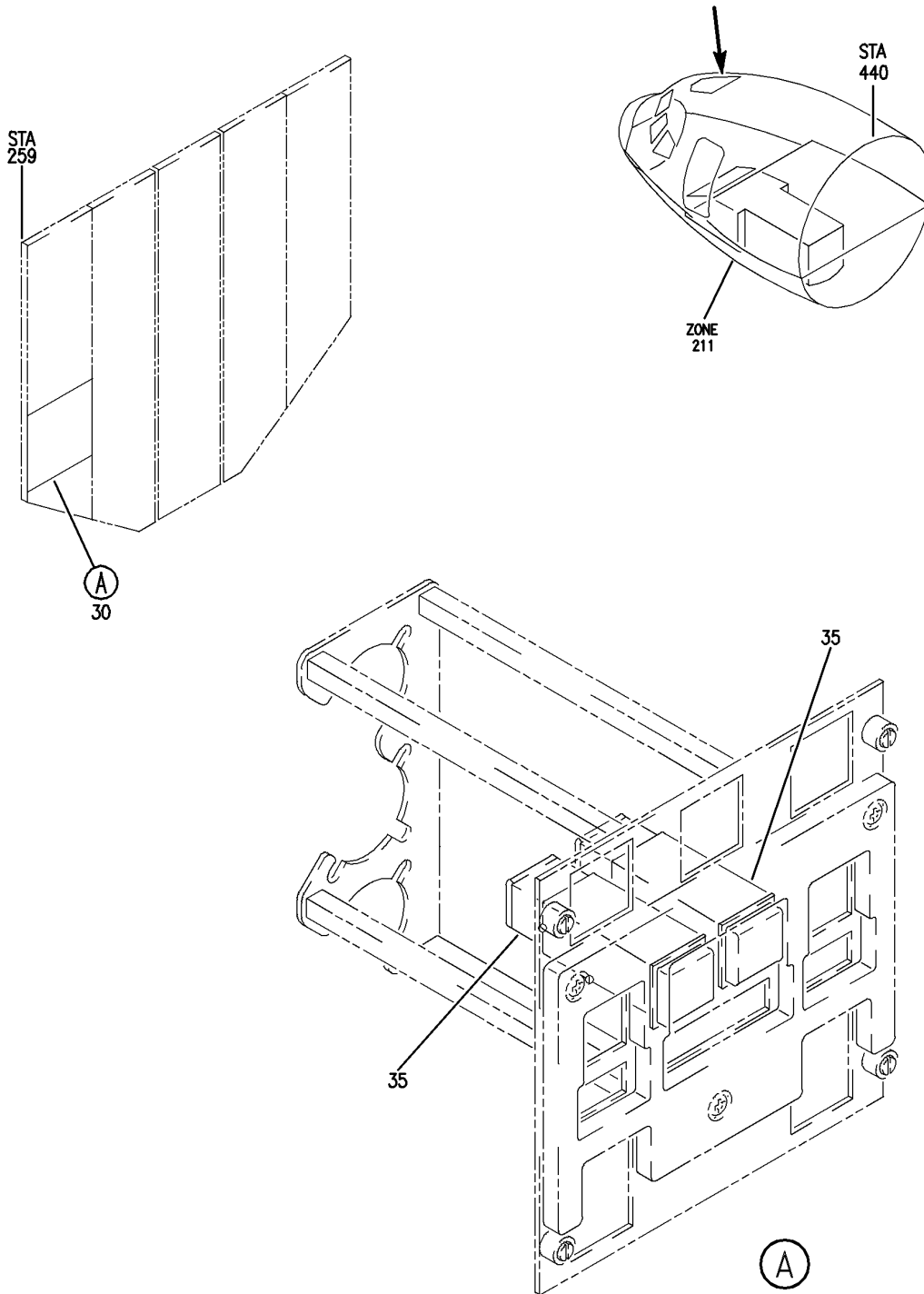
BRI

29-11-02-02

BOEING PROPRIETARY - Copyright © - Unpublished Work - See title page for details.

29-11-02
FIG. 02
PAGE 11
JAN 20/09

BOEING
757
PARTS CATALOG (MAINTENANCE)



Y 29110203 REV 259

PANEL INSTL-P5 OVHD (SYSTEM C ALTERNATING CURRENT MOTOR PUMP (ACMP) NO.1, NO.2 ONLY)
FIGURE 3

BRI
MAY 28/07

29-11-02-03

29-11-02-03
PAGE 0



757

PARTS CATALOG (MAINTENANCE)

FIG ITEM	PART NUMBER	1 2 3 4 5 6 7	NOMENCLATURE	EFFECT FROM TO	UNITS PER ASSY
3			PANEL INSTL-P5 OVHD (SYSTEM C ALTERNATING CURRENT MOTOR PUMP (ACMP) NO.1, NO.2 ONLY)	101106 108120 504903	
- 3	233N3103-59		PANEL INSTL-P5 OVHD (SYSTEM C ALTERNATING CURRENT MOTOR PUMP (ACMP) NO.1, NO.2 ONLY) FOR NHA/OTHER SYS DET SEE: 25-10-00-15E	108120	RF
- 5	233N3103-132		PANEL INSTL-P5 OVHD (SYSTEM C ALTERNATING CURRENT MOTOR PUMP (ACMP) NO.1, NO.2 ONLY) FOR NHA/OTHER SYS DET SEE: 25-10-00-15E	101102	RF
- 5	233N3103-136		PANEL INSTL-P5 OVHD (SYSTEM C ALTERNATING CURRENT MOTOR PUMP (ACMP) NO.1, NO.2 ONLY) FOR NHA/OTHER SYS DET SEE: 25-10-00-15E	504903	RF
- 7	MODREF33760		PANEL INSTL-P5 OVHD (SYSTEM C ALTERNATING CURRENT MOTOR PUMP (ACMP) NO.1, NO.2 ONLY) MODULE NUMBER: 233N3103-351 REV C FOR OTHER SYS DETAILS SEE: 11-31-10-12 21-25-55-03 21-31-01-02 21-33-51-03 21-51-54-03 21-58-19-10 21-58-51-03 21-61-04-03 21-65-51-01 22-21-01-04 22-24-51-02 23-24-01-01 23-32-00-11 23-42-02-02 23-71-05-02 24-11-52-05 24-22-01-03 24-31-01-10 24-31-03-09 24-33-04-01	103103	1

MISSING ITEM NUMBERS NOT APPLICABLE

- ITEM NOT ILLUSTRATED

29-11-02-03

29-11-02
FIG. 03
PAGE 1
JAN 20/09

BRI



**757
PARTS CATALOG (MAINTENANCE)**

FIG ITEM	PART NUMBER	1 2 3 4 5 6 7 NOMENCLATURE	EFFECT FROM TO	UNITS PER ASSY
3		24-41-51-04 24-51-62-01 26-18-51-04 27-21-53-02 27-41-55-01 27-61-51-03 27-62-52-02 28-22-51-02 28-41-04-01 28-41-51-03 29-21-54-03 29-31-00-01 29-32-51-03 29-33-52-03 30-11-51-03 30-21-51-03 30-31-51-02 30-32-51-01 30-33-51-02 30-41-51-03 30-42-51-03 31-12-11-91 31-12-11-91 A 32-42-52-03 33-11-03-03 33-11-51-17 33-13-01-65 33-13-02-03 33-16-51-03 33-24-51-02 33-41-52-04 33-42-01-04 33-42-02-04 33-42-52-04 33-43-51-04 33-44-51-05 33-45-53-03 33-51-08-05 34-21-02-01 35-21-51-04 36-11-04-01 36-21-00-01 36-21-02-05 36-22-51-03 49-41-00-02 49-52-00-01 49-70-00-01 52-51-51-03 52-71-51-02		

MISSING ITEM NUMBERS NOT APPLICABLE

— ITEM NOT ILLUSTRATED

BRI

29-11-02-03

BOEING PROPRIETARY - Copyright © - Unpublished Work - See title page for details.

29-11-02
FIG. 03
PAGE 2
JAN 20/09



757

PARTS CATALOG (MAINTENANCE)

FIG ITEM	PART NUMBER	1 2 3 4 5 6 7	NOMENCLATURE	EFFECT FROM TO	UNITS PER ASSY
3					
- 7	MODREF34038		73-21-52-02 74-31-51-05 75-32-00-01 80-11-09-02 PANEL INSTL-P5 OVHD (SYSTEM C ALTERNATING CURRENT MOTOR PUMP (ACMP) NO.1, NO.2 ONLY) MODULE NUMBER: 233N3103-351 REV D FOR OTHER SYS DETAILS SEE: 11-31-10-12 21-25-55-03 21-31-01-02 21-33-51-03 21-51-54-03 21-58-19-10 21-58-51-03 21-61-04-03 21-65-51-01 22-21-01-04 22-24-51-02 23-24-01-01 23-32-00-11 23-42-02-02 23-71-05-02 24-11-52-05 24-22-01-03 24-31-01-10 24-31-03-09 24-33-04-01 24-41-51-04 24-51-62-01 26-18-51-04 27-21-53-02 27-41-55-01 27-61-51-03 27-62-52-02 28-22-51-02 28-41-04-01 28-41-51-03 29-11-05-04 29-11-52-07 29-21-54-03 29-31-00-01 29-32-51-03 29-33-52-03 30-11-51-03 30-21-51-03	104105	1
MISSING ITEM NUMBERS NOT APPLICABLE					

- ITEM NOT ILLUSTRATED

29-11-02-03

29-11-02
 FIG. 03
 PAGE 3
 JAN 20/09

BRI



757

PARTS CATALOG (MAINTENANCE)

FIG ITEM	PART NUMBER	1 2 3 4 5 6 7	NOMENCLATURE	EFFECT FROM TO	UNITS PER ASSY
3			30-31-51-02 30-32-51-01 30-33-51-02 30-41-51-03 30-42-51-03 31-12-11-91 31-12-11-91A 32-42-52-03 33-11-03-03 33-11-51-17 33-13-01-65 33-13-02-03 33-16-51-03 33-24-51-02 33-41-52-04 33-42-01-04 33-42-02-04 33-42-52-04 33-43-51-04 33-44-51-05 33-45-53-03 33-51-08-05 34-21-02-01 35-21-51-04 36-11-04-01 36-21-00-01 36-21-02-05 36-22-51-03 49-41-00-02 49-52-00-01 49-70-00-01 52-51-51-03 52-71-51-02 73-21-52-02 74-31-51-05 75-32-00-01 80-11-09-02 FOR ADDITIONAL DETAILS SEE: 29-11-05-04 29-11-52-07 - 7 MODREF170180 PANEL INSTL-P5 OVHD (SYSTEM C ALTERNATING CURRENT MOTOR PUMP (ACMP) NO.1, NO.2 ONLY) MODULE NUMBER: 233N3103-353 REV B FOR OTHER SYS DETAILS SEE: 11-31-10-12 21-25-55-03		
				106106	1

MISSING ITEM NUMBERS NOT APPLICABLE

- ITEM NOT ILLUSTRATED

BRI

29-11-02-03

29-11-02
 FIG. 03
 PAGE 4
 JAN 20/09



757

PARTS CATALOG (MAINTENANCE)

FIG ITEM	PART NUMBER	1 2 3 4 5 6 7	NOMENCLATURE	EFFECT FROM TO	UNITS PER ASSY
3			21-31-01-02 21-33-51-03 21-51-54-03 21-58-19-10 21-58-51-03 21-61-04-03 21-65-51-01 22-21-01-04 22-24-51-02 23-24-01-01 23-32-00-11 23-42-02-02 23-71-05-02 24-11-52-05 24-22-01-03 24-31-01-10 24-31-03-09 24-33-04-01 24-41-51-04 24-51-62-01 26-18-51-04 27-21-53-02 27-41-55-01 27-61-51-03 27-62-52-02 28-22-51-02 28-41-04-01 28-41-51-03 29-11-05-04 29-11-52-07 29-21-54-03 29-31-00-01 29-32-51-03 29-33-52-03 30-11-51-03 30-21-51-03 30-31-51-02 30-32-51-01 30-33-51-02 30-41-51-03 30-42-51-03 31-12-11-84 31-12-11-84 A 32-42-52-03 33-11-03-03 33-11-51-17 33-13-01-65 33-13-02-03 33-16-51-03		

MISSING ITEM NUMBERS NOT APPLICABLE

- ITEM NOT ILLUSTRATED

BRI

29-11-02-03

BOEING PROPRIETARY - Copyright © - Unpublished Work - See title page for details.

29-11-02
FIG. 03
PAGE 5
JAN 20/09



757

PARTS CATALOG (MAINTENANCE)

FIG ITEM	PART NUMBER	1 2 3 4 5 6 7	NOMENCLATURE	EFFECT FROM TO	UNITS PER ASSY
3			33-24-51-02 33-41-52-04 33-42-01-04 33-42-02-04 33-42-52-04 33-43-51-04 33-44-51-05 33-45-53-03 33-51-08-05 34-21-02-01 35-21-51-04 36-11-04-01 36-21-00-01 36-21-02-05 36-22-51-03 49-41-00-02 49-52-00-01 49-70-00-01 52-51-51-03 52-71-51-02 73-21-52-02 74-31-51-05 75-32-00-01 80-11-09-02		
- 25	233N3205-300		.PANEL ASSY-HYDR SUPPLIER CODE: V89954 ELECTRICAL EQUIP NUMBER: M10050 COMPONENT MAINT MANUAL REF: 29-00-71 QUALIFIED I/W DATA: 233N3205-300 PANEL ASSY IS I/W 233N3205-24 PANEL ASSY T/W S233T100-6044 LIGHTPLATE	108120	RF
- 25	233N3205-302		.PANEL ASSY-HYDR SUPPLIER CODE: V89954 ELECTRICAL EQUIP NUMBER: M10050 COMPONENT MAINT MANUAL REF: 29-00-71 QUALIFIED I/W DATA: 233N3205-302 PANEL ASSY IS I/W 233N3205-27 PANEL ASSY T/W S233T100-6060 LIGHTPLATE	101106 504903	RF

MISSING ITEM NUMBERS NOT APPLICABLE

- ITEM NOT ILLUSTRATED

BRI

29-11-02-03

29-11-02
FIG. 03
PAGE 6
JAN 20/09



757

PARTS CATALOG (MAINTENANCE)

FIG ITEM	PART NUMBER	1 2 3 4 5 6 7	NOMENCLATURE	EFFECT FROM TO	UNITS PER ASSY
3					
30	233N3205-24	..	PANEL ASSY- SUPPLIER CODE: V89954 COMPONENT MAINT MANUAL REF: 29-00-71 QUALIFIED I/W DATA: 233N3205-300 PANEL ASSY IS I/W 233N3205-24 PANEL ASSY T/W S233T100-6044 LIGHTPLATE	108120	1
30	233N3205-27	..	PANEL ASSY- SUPPLIER CODE: V89954 COMPONENT MAINT MANUAL REF: 29-00-71 QUALIFIED I/W DATA: 233N3205-302 PANEL ASSY IS I/W 233N3205-27 PANEL ASSY T/W S233T100-6060 LIGHTPLATE	101106 504903	1
35	BCREFA0507	...	SWITCH ASSY-LIGHTED PUSH BUTTON IND SUPPLIER CODE: V81590 OVERLENGTH PART NUMBER: 433-673-1004-4020 SPECIFICATION NUMBER: S231T290-4020 FOR DETAILS SEE: 33-13-00-49	101106 108120 504903	2
35	851-30768-2020	...	SWITCH ASSY-LIGHTED PUSH BUTTON IND ON/PRESS SUPPLIER CODE: V96182 SPECIFICATION NUMBER: S231T290-2020 FOR DETAILS SEE: 33-13-00-29	101106 108120 504903	2
35	851-30768-3020	...	SWITCH ASSY-LIGHTED PUSH BUTTON IND ON/PRESS SUPPLIER CODE: V96182 SPECIFICATION NUMBER: S231T290-3020 FOR DETAILS SEE: 33-13-00-39	101106 108120 504903	2

MISSING ITEM NUMBERS NOT APPLICABLE

- ITEM NOT ILLUSTRATED

29-11-02-03

29-11-02
FIG. 03
PAGE 7
JAN 20/09

BRI



757

PARTS CATALOG (MAINTENANCE)

FIG ITEM	PART NUMBER	1 2 3 4 5 6 7	NOMENCLATURE	EFFECT FROM TO	UNITS PER ASSY
3					
35	851-35100-5020		...SWITCH ASSY-LIGHTED PUSH BUTTON IND SUPPLIER CODE: V96182 SPECIFICATION NUMBER: S231T290-5020 OPTIONAL PART: 4336731004-4220 V81590	101106 108120 504903	2
35	4336731004-4220		...SWITCH ASSY-LIGHTED PUSH BUTTON IND SUPPLIER CODE: V81590 SPECIFICATION NUMBER: S231T290-4220 OPTIONAL PART: 851-35100-5020 V96182	101106 108120 504903	2

MISSING ITEM NUMBERS NOT APPLICABLE

- ITEM NOT ILLUSTRATED

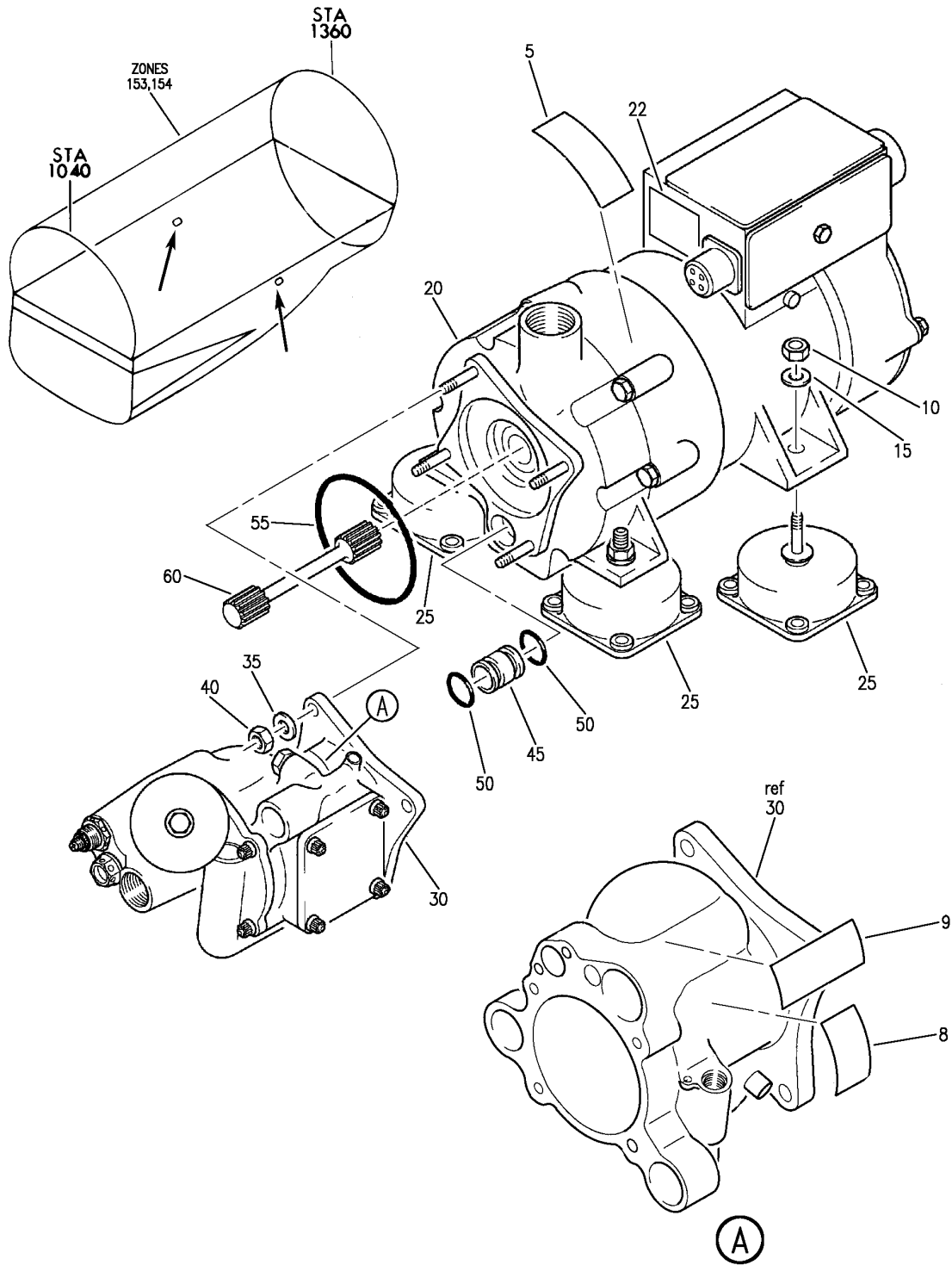
BRI

29-11-02-03

BOEING PROPRIETARY - Copyright © - Unpublished Work - See title page for details.

29-11-02
FIG. 03
PAGE 8
JAN 20/09

BOEING
757
PARTS CATALOG (MAINTENANCE)



Y 29110204 REV 285

PUMP ASSY-HYDR AC MOTOR DRIVEN CTR SYS PUMP NO. 1 AND 2
FIGURE 4

29-11-02-04

BRI
MAY 28/07

29-11-02-04
PAGE 0



757

PARTS CATALOG (MAINTENANCE)

FIG ITEM	PART NUMBER	1 2 3 4 5 6 7	NOMENCLATURE	EFFECT FROM TO	UNITS PER ASSY
4			PUMP ASSY-HYDR AC MOTOR DRIVEN CTR SYS PUMP NO. 1 AND 2	002004 006999	
- 1	66068-05		PUMP ASSY-HYDR AC MOTOR DRIVEN CTR SYS PUMP NO. AND 2 SUPPLIER CODE: V93835 SPECIFICATION NUMBER: S270T200-4 SB DATA FROM A CMM: PRE 29-155 ELECTRICAL EQUIP NUMBER: M10029 M10030 COMPONENT MAINT MANUAL REF: 29-11-30 QUALIFIED I/W DATA: (ABEX) P/N 66068-05 I/W (VICKERS) P/N 622199 SUBJECT TO CUSTOMER PREFERENCE OF SUPPLIER FOR NHA SEE: 29-11-02-01 29-11-02-02	002004 006999	RF

MISSING ITEM NUMBERS NOT APPLICABLE

- ITEM NOT ILLUSTRATED

BRI

29-11-02-04

29-11-02
FIG. 04
PAGE 1
SEP 20/08



757

PARTS CATALOG (MAINTENANCE)

FIG ITEM	PART NUMBER	1 2 3 4 5 6 7	NOMENCLATURE	EFFECT FROM TO	UNITS PER ASSY
4 -	1 66068-06		PUMP ASSY-HYDR AC MOTOR DRIVEN CTR SYS PUMP NO. 1 AND 2 SUPPLIER CODE: V93835 SPECIFICATION NUMBER: S270T200-5 SB DATA FROM A CMM: POST 29-155 PRE 29-194 ELECTRICAL EQUIP NUMBER: M10029 M10030 COMPONENT MAINT MANUAL REF: 29-11-30 QUALIFIED I/W DATA: EATON/VICKERS PN 731966 (S270T201-7) OR PARKER ABEX PN 66068-08 (S270T200-8) TOGETHER WITH (QTY 4) BARRY CONTROL PN 24008-6, OR PN 23438, OR PN 24008-3 OR EATON/VICKERS PN 570750 SHOCK MOUNTS CAN REPLACE OR BE REPLACED BY EATON/VICKERS PN 623303 (S270T201-6) OR PARKER ABEX PN 66068-06 (S270T200-5). FOR NHA SEE: 29-11-02-01 29-11-02-02	002004 006999	RF
	5 20078		.PLATE-IDENT SUPPLIER CODE: V61846 CONFIG CHG DATA FROM A CMM: REPLD BY 25404	002004 006999	1
	5 25404		.PLATE-IDENT SUPPLIER CODE: V75250 CONFIG CHG DATA FROM A CMM: REPLACES 20078	002004 006999	1
-	7 25414-04		.PLATE-IDENT SUPPLIER CODE: V75250	002004 006999	1
	8 20083		.PLATE-IDENT SUPPLIER CODE: V75250	002004 006999	1

MISSING ITEM NUMBERS NOT APPLICABLE

- ITEM NOT ILLUSTRATED

29-11-02-04

29-11-02
FIG. 04
PAGE 2
SEP 20/08

BRI



757

PARTS CATALOG (MAINTENANCE)

FIG ITEM	PART NUMBER	1 2 3 4 5 6 7	NOMENCLATURE	EFFECT FROM TO	UNITS PER ASSY
4					
9	62466		.PLATE-MOD SUPPLIER CODE: V75250	002004 006999	1
10	MS21042-4		.NUT-	002004 006999	4
10	NAS1805-4		.NUT	002004 006999	4
15	AN960C416L		.WASHER- CONFIG CHG DATA FROM A CMM: REPLD BY NAS1149C0432R	002004 006999	4
15	NAS1149C0432R		.WASHER- CONFIG CHG DATA FROM A CMM: REPLACES AN960C416L	002004 006999	4
20	5060D100-7		.MOTOR-LIQUID COOLED AC SUPPLIER CODE: V17427 SB DATA FROM A CMM: PRE SB 29-110 CONFIG CHG DATA FROM A CMM: ORDER ABEX PN 62945-02 COMPONENT MAINT MANUAL REF: 29-11-01 USED ON: 66068-05 PRE SERVICE BULLETIN: 62945-02/29-110 V93835	002004 006999	1
20	5060D100-9		.MOTOR-LIQUID COOLED AC SUPPLIER CODE: V72121 SB DATA FROM A CMM: POST SB 29-110 PRE SB 29-194 CONFIG CHG DATA FROM A CMM: ORDER ABEX PN 62945-03 COMPONENT MAINT MANUAL REF: 29-11-01	002004 006999	1
20	5060D100-15		.MOTOR-LIQUID COOLED AC SUPPLIER CODE: V72121 SB DATA FROM A CMM: POST SB 29-194 CONFIG CHG DATA FROM A CMM: ORDER ABEX PN 62945-04 COMPONENT MAINT MANUAL REF: 29-11-01	002004 006999	1
22	5060B136-1		..PLATE-IDENT SUPPLIER CODE: V72121	002004 006999	1

MISSING ITEM NUMBERS NOT APPLICABLE

- ITEM NOT ILLUSTRATED

29-11-02-04

29-11-02
FIG. 04
PAGE 3
SEP 20/08

BRI



757

PARTS CATALOG (MAINTENANCE)

FIG ITEM	PART NUMBER	1 2 3 4 5 6 7	NOMENCLATURE	EFFECT FROM TO	UNITS PER ASSY
4					
25	25834-1		. ISOLATOR-VIBRATION SUPPLIER CODE: V81860 MISCELLANEOUS DATA: PARKER PART NO. 23438	002004 006999	4
30	53031-03		. PUMP-HYDR SUPPLIER CODE: V72121 COMPONENT MAINT MANUAL REF: 29-11-30 USED ON: 66068-05	002004 006999	1
30	53031-04		. PUMP-HYDR SUPPLIER CODE: V72121 COMPONENT MAINT MANUAL REF: 29-11-30 USED ON: 66068-06	002004 006999	1
35	AN960C516L		. WASHER- CONFIG CHG DATA FROM A CMM: REPLD BY NAS1149C0532R	002004 006999	4
35	NAS1149C0532R		. WASHER- CONFIG CHG DATA FROM A CMM: REPLACES AN960C516L	002004 006999	4
40	MS21042-4		. NUT- CONFIG CHG DATA FROM A CMM: REPLD BY NAS1805-5	002004 006999	4
40	NAS1805-5		. NUT- CONFIG CHG DATA FROM A CMM: REPLACES MS21042-4	002004 006999	4
45	20053		. COUPLING- SUPPLIER CODE: V72121	002004 006999	1
50	NAS1611-115		. PACKING-	002004 006999	2
55	NAS1611-234		. PACKING-	002004 006999	1
60	20091		. SHAFT- SUPPLIER CODE: V72121	002004 006999	1

MISSING ITEM NUMBERS NOT APPLICABLE

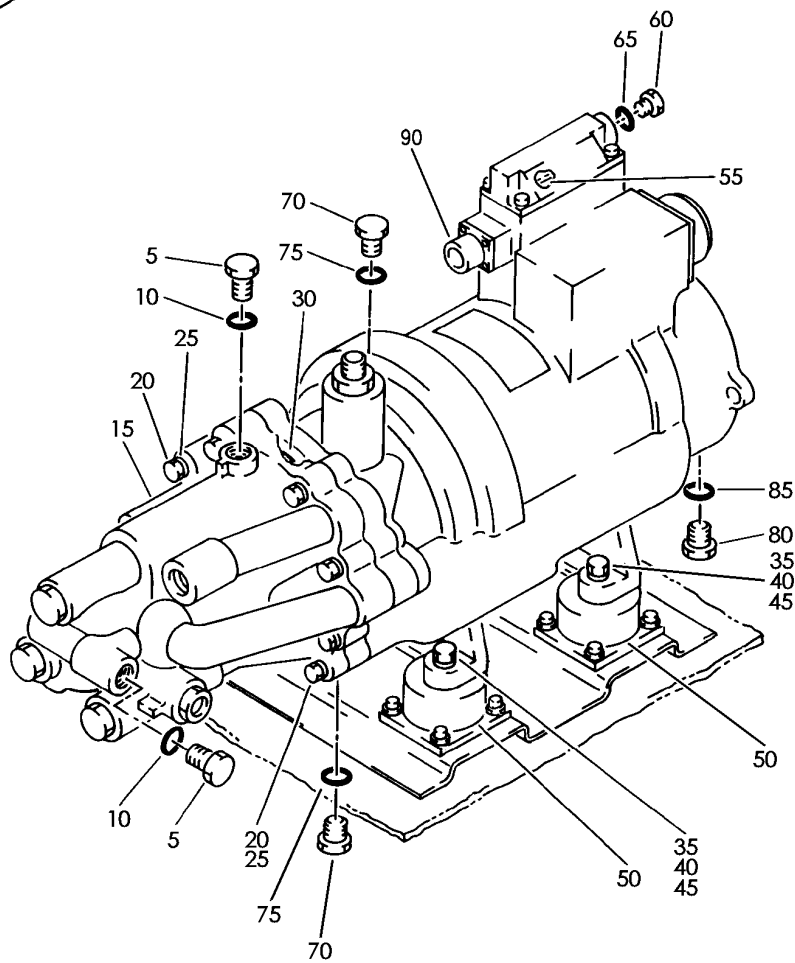
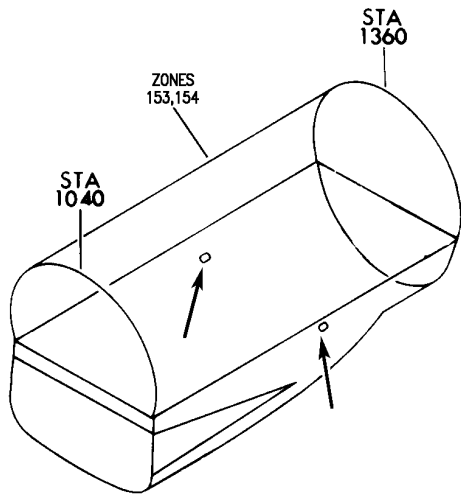
- ITEM NOT ILLUSTRATED

29-11-02-04

29-11-02
FIG. 04
PAGE 4
SEP 20/08

BRI

BOEING
757
PARTS CATALOG (MAINTENANCE)



Y 29110205 REV 307

PUMP ASSY-HYDR AC ELEC DRIVEN VAR DISPLACEMENT CTR SYSTEM PUMP NO. 1 AND 2
FIGURE 5

BRI
MAY 28/07

29-11-02-05

29-11-02-05
PAGE 0



757

PARTS CATALOG (MAINTENANCE)

FIG ITEM	PART NUMBER	1 2 3 4 5 6 7	NOMENCLATURE	EFFECT FROM TO	UNITS PER ASSY
5			PUMP ASSY-HYDR AC ELEC DRIVEN VAR DISPLACEMENT CTR SYSTEM PUMP NO. 1 AND 2	002004 006105 107999	
- 1	622199		PUMP ASSY-HYDR AC ELEC DRIVEN VAR DISPLACEMENT CTR SYSTEM PUMP NO. 1 AND 2 SUPPLIER CODE: V62983 SPECIFICATION NUMBER: S270T201-4 MISCELLANEOUS DATA: (VICKERS) P/N 623303 I/W (VICKERS) P/N'S 623247, 622199, (ABEX) P/N'S 66068-05 OR 66068-06 SUBJECT TO CUSTOMER PREFERENCE OF SUPPLIER) COMPONENT MAINT MANUAL REF: 29-11-16 QUALIFIED I/W DATA: (VICKERS) P/N 622199 I/W (ABEX) P/N 66068-05 OR (VICKERS) P/N 623303 SUBJECT TO CUSTOMER PREFERENCE POST SERVICE BULLETIN: 28-0009 FOR NHA SEE: 29-11-02-01 29-11-02-02	002004 006105 107999	RF
- 1	623247		PUMP ASSY-HYDR AC ELEC DRIVEN VAR DISPLACEMENT CTR SYSTEM PUMP NO. 1 AND 2 SUPPLIER CODE: V62983 SPECIFICATION NUMBER: S270T201-5 FOR NHA SEE: 29-11-02-01 29-11-02-02	002004 006105 107999	RF

MISSING ITEM NUMBERS NOT APPLICABLE

- ITEM NOT ILLUSTRATED

29-11-02-05

29-11-02
FIG. 05
PAGE 1
JAN 20/09

BRI



757

PARTS CATALOG (MAINTENANCE)

FIG ITEM	PART NUMBER	1 2 3 4 5 6 7	NOMENCLATURE	EFFECT FROM TO	UNITS PER ASSY
5 - 1	623303		PUMP ASSY-HYDR AC ELEC DRIVEN VAR DISPLACEMENT CTR SYSTEM PUMP NO. 1 AND 2 SUPPLIER CODE: V62983 SPECIFICATION NUMBER: S270T201-6 COMPONENT MAINT MANUAL REF: 29-11-16 QUALIFIED I/W DATA: (VICKERS) P/N 623303 I/W (VICKERS) P/N'S 623247, 622199, (ABEX) P/N'S 66068-05 OR 66068-06 SUBJECT TO CUSTOMER PREFERENCE OF SUPPLIER EATON/VICKERS PN 731966 (S270T201-7) OR PARKER ABEX PN 66068-08 (S270T200-8) TOGETHER WITH (QTY 4) BARRY CONTROL PN 24008-6, OR PN 23438, OR PN 24008-3 OR EATON/VICKERS PN 570750 SHOCK MOUNTS CAN REPLACE OR BE REPLACED BY EATON/VICKERS PN 623303 (S270T201-6) OR PARKER ABEX PN 66068-06 (S270T200-5). FOR NHA SEE: 29-11-02-01 29-11-02-02 TEMPORARY BREAKDOWN FOR: 623247	002004 006105 107999	RF
5	AN814-4DL		.PLUG	002004 006105 107999	2
10	NAS1612-4		.PACKING-	002004 006105 107999	2
15	622154		.HOUSING ASSY-SLEEVES INSERTS AND PINS SUPPLIER CODE: V62983	002004 006105 107999	1

MISSING ITEM NUMBERS NOT APPLICABLE

- ITEM NOT ILLUSTRATED

29-11-02-05

29-11-02
FIG. 05
PAGE 2
JAN 20/09

BRI



757

PARTS CATALOG (MAINTENANCE)

FIG ITEM	PART NUMBER	1 2 3 4 5 6 7	NOMENCLATURE	EFFECT FROM TO	UNITS PER ASSY
5			ATTACHING PARTS		
20	NAS624-11		.BOLT	002004 006105 107999	8
25	417352		.WASHER- SUPPLIER CODE: V62983	002004 006105 107999	8
30	NAS1611-250		-----*----- .PACKING-	002004 006105 107999	1
35	NAS1021A4		.NUT-	002004 006105 107999	4
40	AN960-416		.WASHER-	002004 006105 107999	4
45	570716		.STUD- SUPPLIER CODE: V62983	002004 006105 107999	4
50	570749		.MOUNT-SHOCK SUPPLIER CODE: V62983	002004 006105 107999	4
55	571334		.RETAINER- SUPPLIER CODE: V62983	002004 006105 107999	1
60	570129		.PLUG-BREATHER SUPPLIER CODE: V62983	002004 006105 107999	1
65	NAS1612-4		.PACKING-	002004 006105 107999	1
70	622622		.PLUG- SUPPLIER CODE: V62983	002004 006105 107999	2
75	NAS1612-4		.PACKING-	002004 006105 107999	2
80	570129		.PLUG-BREATHER SUPPLIER CODE: V62983	002004 006105 107999	1
85	NAS1612-4		.PACKING-	002004 006105 107999	1
90	571259		.CONNECTOR-ELEC SUPPLIER CODE: V62983	002004 006105 107999	1

MISSING ITEM NUMBERS NOT APPLICABLE

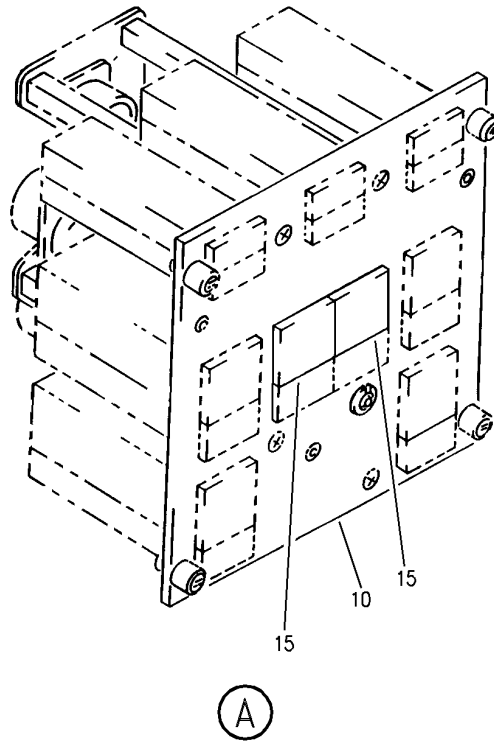
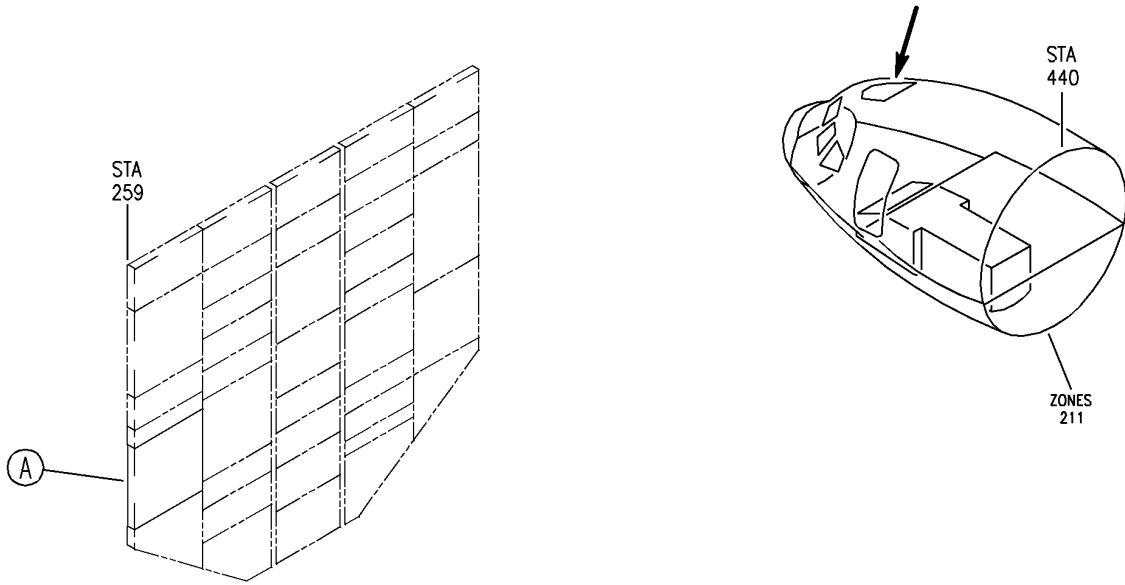
- ITEM NOT ILLUSTRATED

29-11-02-05

29-11-02
FIG. 05
PAGE 3
JAN 20/09

BRI

BOEING
757
PARTS CATALOG (MAINTENANCE)



Y 29110206 REV 241

PANEL INSTL-P5 OVHD (SYSTEM C ALTERNATING CURRENT MOTOR PUMP (ALMP) NO. 1, NO.2 ONLY)
FIGURE 6

BRI
MAY 28/07

29-11-02-06

29-11-02-06
PAGE 0



757

PARTS CATALOG (MAINTENANCE)

FIG ITEM	PART NUMBER	1 2 3 4 5 6 7	NOMENCLATURE	EFFECT FROM TO	UNITS PER ASSY
6			PANEL INSTL-P5 OVHD (SYSTEM C ALTERNATING CURRENT MOTOR PUMP (ALMP) NO. 1, NO.2 ONLY)	011100	
- 1	233N3101-1		PANEL INSTL-P5 OVHD (SYSTEM C ALTERNATING CURRENT MOTOR PUMP (ALMP) NO, 1, NO. 2 ONLY) VARIABLE DRAWING REF: 233N3101-5142 FOR NHA/OTHER SYS DET SEE: 25-10-00-05A	011100	RF
- 5	233N3205-302		.PANEL ASSY-HYDR SUPPLIER CODE: V89954 COMPONENT MAINT MANUAL REF: 29-00-71 QUALIFIED I/W DATA: 233N3205-302 PANEL ASSY IS I/W 233N3205-27 PANEL ASSY T/W S233T100-6060 LIGHTPLATE	011100	RF
10	233N3205-27		..PANEL ASSY-HYDR SUPPLIER CODE: V89954 ELECTRICAL EQUIP NUMBER: M10050 COMPONENT MAINT MANUAL REF: 29-00-71 QUALIFIED I/W DATA: 233N3205-302 PANEL ASSY IS I/W 233N3205-27 PANEL ASSY T/W S233T100-6060 LIGHTPLATE	011100	1
15	BCREFA0507		...SWITCH ASSY-LIGHTED PUSH BUTTON IND SUPPLIER CODE: V81590 OVERLENGTH PART NUMBER: 433-673-1004-4020 SPECIFICATION NUMBER: S231T290-4020 FOR DETAILS SEE: 33-13-00-49	011100	2

MISSING ITEM NUMBERS NOT APPLICABLE

- ITEM NOT ILLUSTRATED

BRI

29-11-02-06

29-11-02
FIG. 06
PAGE 1
JAN 20/09



757

PARTS CATALOG (MAINTENANCE)

FIG ITEM	PART NUMBER	1 2 3 4 5 6 7	NOMENCLATURE	EFFECT FROM TO	UNITS PER ASSY
6					
15	851-30768-2020		...SWITCH ASSY-LIGHTED PUSH BUTTON IND ON/PRESS SUPPLIER CODE: V96182 SPECIFICATION NUMBER: S231T290-2020 FOR DETAILS SEE: 33-13-00-29	011100	2
15	851-30768-3020		...SWITCH ASSY-LIGHTED PUSH BUTTON IND ON/PRESS SUPPLIER CODE: V96182 SPECIFICATION NUMBER: S231T290-3020 FOR DETAILS SEE: 33-13-00-39	011100	2
15	851-35100-5020		...SWITCH ASSY-LIGHTED PUSH SUPPLIER CODE: V96182 SPECIFICATION NUMBER: S231T290-5020 OPTIONAL PART: 4336731004-4220 V81590	011100	2
15	4336731004-4220		...SWITCH ASSY-LIGHTED PUSH BUTTON IND ON/PRESS SUPPLIER CODE: V81590 SPECIFICATION NUMBER: S231T290-4220 OPTIONAL PART: 851-35100-5020 V96182	011100	2

MISSING ITEM NUMBERS NOT APPLICABLE

- ITEM NOT ILLUSTRATED

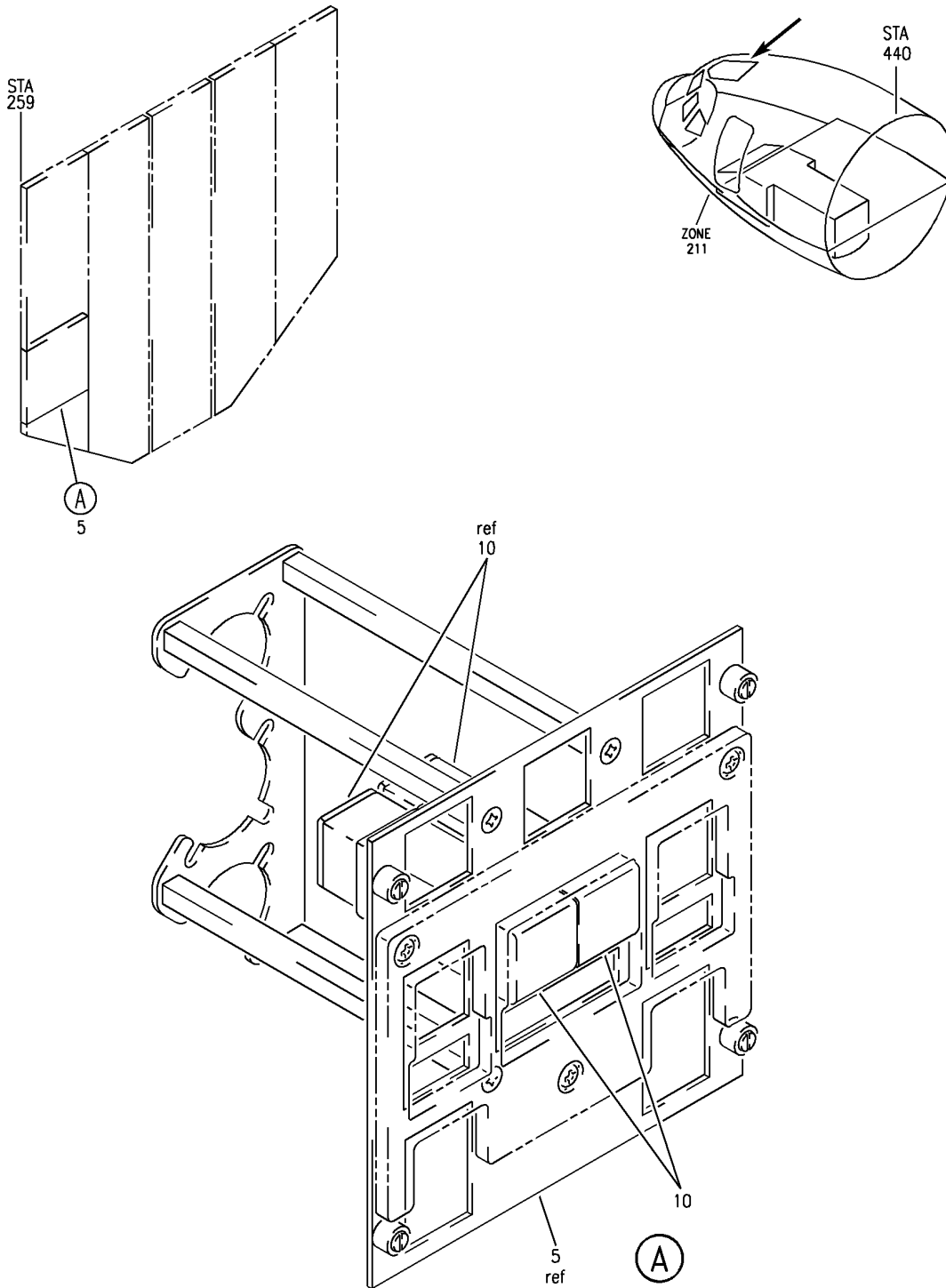
BRI

29-11-02-06

BOEING PROPRIETARY - Copyright © - Unpublished Work - See title page for details.

29-11-02
FIG. 06
PAGE 2
JAN 20/09

BOEING
757
PARTS CATALOG (MAINTENANCE)



Y 29110207 REV 297

PANEL INSTL-P5 OVHD (SYSTEM C ALTERNATING CURRENT MOTOR PUMP (ALMP) NO. 1, NO. 2 ONLY)
FIGURE 7

BRI
MAY 28/07

29-11-02-07

29-11-02-07
PAGE 0



757

PARTS CATALOG (MAINTENANCE)

FIG ITEM	PART NUMBER	1 2 3 4 5 6 7	NOMENCLATURE	EFFECT FROM TO	UNITS PER ASSY
7			PANEL INSTL-P5 OVHD (SYSTEM C ALTERNATING CURRENT MOTOR PUMP (ALMP) NO. 1, NO. 2 ONLY)	002004 006010 107107 121503 904999	
- 1	233N3101-1		PANEL INSTL-P5 OVHD (SYSTEM C ALTERNATING CURRENT MOTOR PUMP (ALMP) NO. 1, NO. 2 ONLY) VARIABLE DRAWING REF: 233N3101-5005 233N3101-5025 233N3101-5041 233N3101-5042 233N3101-5045 FOR NHA/OTHER SYS DET SEE: 25-10-00-05A	002004 006010 107107 121503 904999	RF
5	233N3205-21		.PANEL ASSY-HYDR SUPPLIER CODE: V89954 ELECTRICAL EQUIP NUMBER: M10050 COMPONENT MAINT MANUAL REF: 29-00-71	002004 006010 107107 121503 904999	RF
5	233N3205-19		.PANEL ASSY-HYDR SUPPLIER CODE: V89954 ELECTRICAL EQUIP NUMBER: M10050 COMPONENT MAINT MANUAL REF: 29-00-71	002004 006010 107107 121503 904999	RF
5	233N3205-24		.PANEL ASSY-HYDR SUPPLIER CODE: V89954 ELECTRICAL EQUIP NUMBER: M10050 COMPONENT MAINT MANUAL REF: 29-00-71 QUALIFIED I/W DATA: 233N3205-300 PANEL ASSY IS I/W 233N3205-24 PANEL ASSY T/W S233T100-6044 LIGHTPLATE	002004 006010 107107 121503 904999	RF

MISSING ITEM NUMBERS NOT APPLICABLE

- ITEM NOT ILLUSTRATED

BRI

29-11-02-07

29-11-02
FIG. 07
PAGE 1
JAN 20/09



757

PARTS CATALOG (MAINTENANCE)

FIG ITEM	PART NUMBER	1 2 3 4 5 6 7	NOMENCLATURE	EFFECT FROM TO	UNITS PER ASSY
7					
5	233N3205-25		.PANEL ASSY-HYDR SUPPLIER CODE: V89954 ELECTRICAL EQUIP NUMBER: M10050 COMPONENT MAINT MANUAL REF: 29-00-71 QUALIFIED I/W DATA: 233N3205-301 PANEL ASSY IS I/W 233N3205-25 PANEL ASSY T/W S233T100-6044 LIGHTPLATE	002004 006010 107107 121503 904999	RF
5	233N3205-26		.PANEL ASSY-HYDR SUPPLIER CODE: V89954 ELECTRICAL EQUIP NUMBER: M10050 COMPONENT MAINT MANUAL REF: 29-00-71	002004 006010 107107 121503 904999	RF
5	233N3205-27		.PANEL ASSY-HYDR SUPPLIER CODE: V89954 ELECTRICAL EQUIP NUMBER: M10050 COMPONENT MAINT MANUAL REF: 29-00-71 QUALIFIED I/W DATA: 233N3205-302 PANEL ASSY IS I/W 233N3205-27 PANEL ASSY T/W S233T100-6060 LIGHTPLATE	002004 006010 107107 121503 904999	RF
10	BCREF7608		..SWITCH ASSY-LIGHTED PUSH BUTTON IND ON/PRESS SUPPLIER CODE: V81590 OVERLENGTH PART NUMBER: 433-673-1001-1020 SPECIFICATION NUMBER: S231T290-1020 USED ON: 233N3205-11 233N3205-21 233N3205-25 FOR DETAILS SEE: 33-13-00-19	002004 006010 107107 121503 904999	2

MISSING ITEM NUMBERS NOT APPLICABLE

- ITEM NOT ILLUSTRATED

29-11-02-07

29-11-02
FIG. 07
PAGE 2
JAN 20/09

BRI



757

PARTS CATALOG (MAINTENANCE)

FIG ITEM	PART NUMBER	1 2 3 4 5 6 7	NOMENCLATURE	EFFECT FROM TO	UNITS PER ASSY
7	10 851-35100-5020		..SWITCH ASSY-LIGHTED PUSH SUPPLIER CODE: V96182 SPECIFICATION NUMBER: S231T290-5020 OPTIONAL PART: 851-30768-3020 V96182 4336731004-4220 V81590 USED ON: 233N3205-24 233N3205-26 233N3205-27	002004 006010 107107 121503 904999	2
	10 BCREFA0507		..SWITCH ASSY-LIGHTED PUSH BUTTON IND SUPPLIER CODE: V81590 OVERLENGTH PART NUMBER: 433-673-1004-4020 SPECIFICATION NUMBER: S231T290-4020 USED ON: 233N3205-24 233N3205-25 233N3205-27 PRE SERVICE LETTER: 33-027 FOR DETAILS SEE: 33-13-00-49	002004 006010 107107 121503 904999	2
	10 851-30768-2020		..SWITCH ASSY-LIGHTED PUSH BUTTON IND ON/PRESS SUPPLIER CODE: V96182 SPECIFICATION NUMBER: S231T290-2020 USED ON: 233N3205-11 233N3205-19 FOR DETAILS SEE: 33-13-00-29	002004 006010 107107 121503 904999	2

MISSING ITEM NUMBERS NOT APPLICABLE

- ITEM NOT ILLUSTRATED

29-11-02-07

29-11-02
FIG. 07
PAGE 3
JAN 20/09

BRI



**757
PARTS CATALOG (MAINTENANCE)**

FIG ITEM	PART NUMBER	1 2 3 4 5 6 7	NOMENCLATURE	EFFECT FROM TO	UNITS PER ASSY
7 10	851-30768-3020		..SWITCH ASSY-LIGHTED PUSH BUTTON IND ON/PRESS SUPPLIER CODE: V96182 SPECIFICATION NUMBER: S231T290-3020 OPTIONAL PART: 851-35100-5020 V96182 USED ON: 233N3205-19 233N3205-21 233N3205-26 FOR DETAILS SEE: 33-13-00-39	002004 006010 107107 121503 904999	2
10	4336731004-4220		..SWITCH ASSY-LIGHTED PUSH BUTTON IND ON/PRESS SUPPLIER CODE: V81590 SPECIFICATION NUMBER: S231T290-4220 OPTIONAL PART: 851-35100-5020 V96182 USED ON: 233N3205-27 233N3205-25 233N3205-24 POST SERVICE LETTER: 33-027	002004 006010 107107 121503 904999	2

MISSING ITEM NUMBERS NOT APPLICABLE

— ITEM NOT ILLUSTRATED

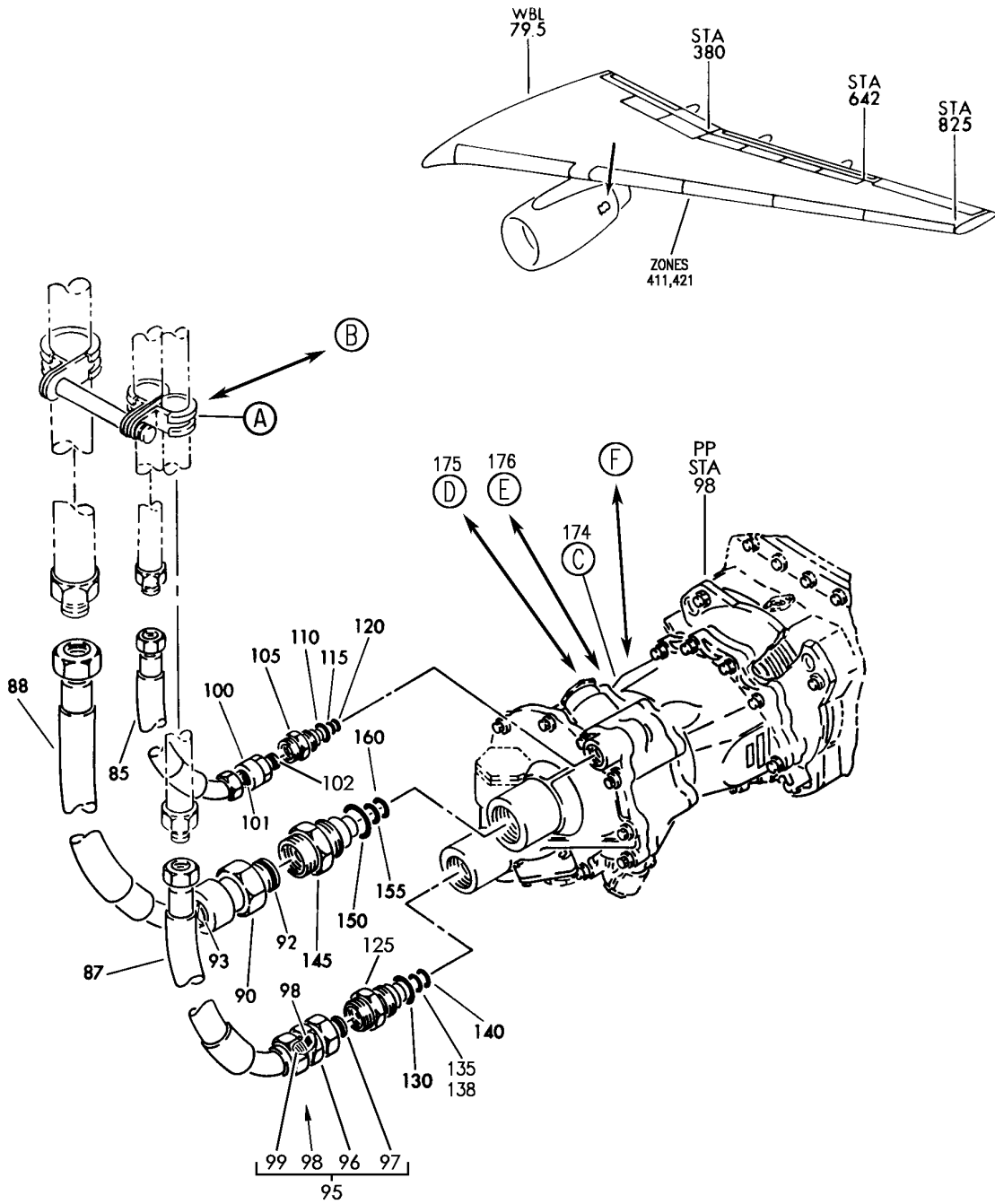
BRI

29-11-02-07

BOEING PROPRIETARY - Copyright © - Unpublished Work - See title page for details.

29-11-02
FIG. 07
PAGE 4
JAN 20/09

BOEING
757
PARTS CATALOG (MAINTENANCE)



Y 29110501 SHT 1 REV 288

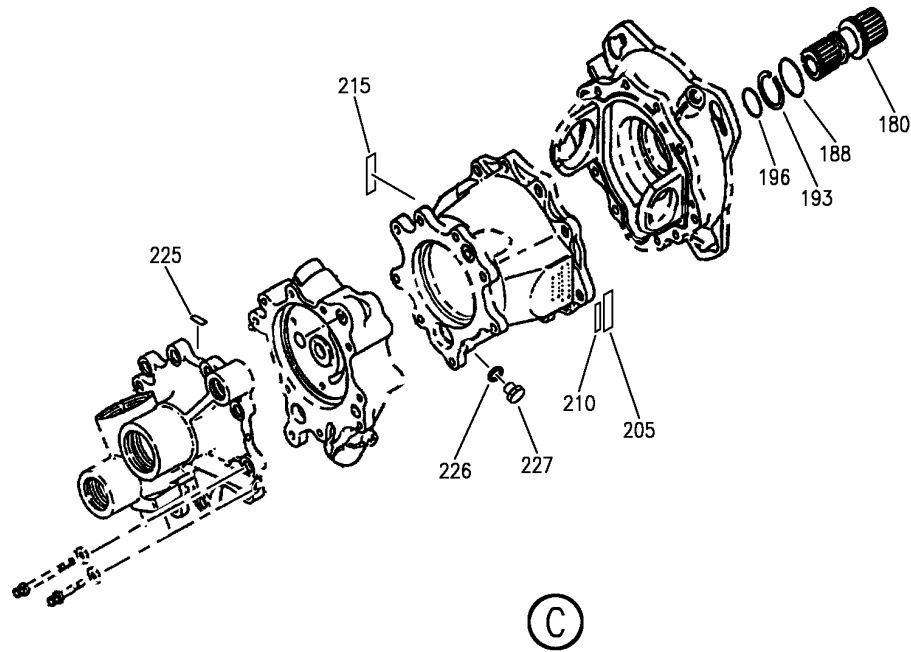
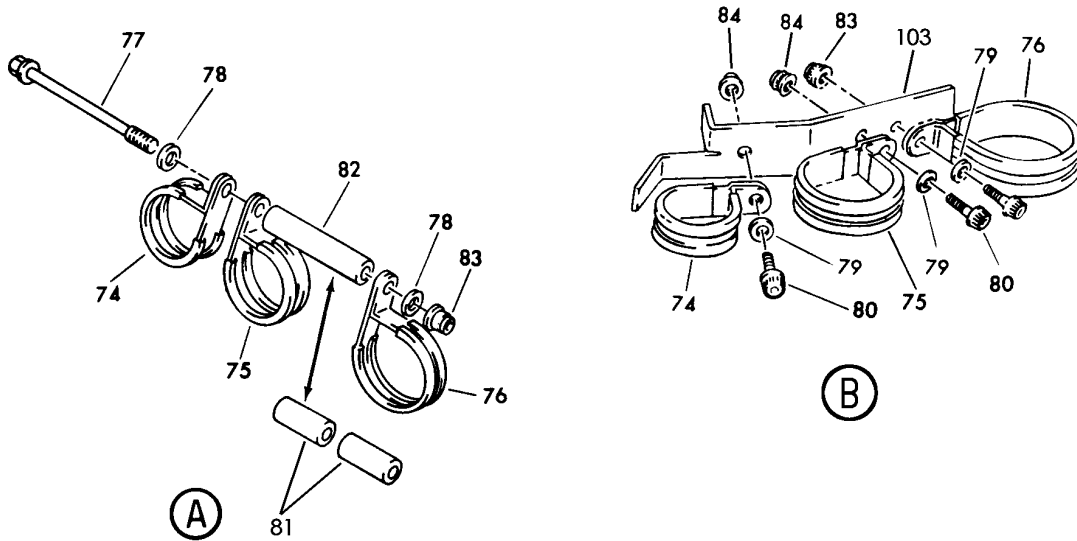
TUBES AND FITTINGS ENGINE HYDRAULIC (RB211-535)
FIGURE 1 (SHEET 1)

29-11-05-01

BRI
MAY 28/07

29-11-05-01
PAGE 0

BOEING
757
PARTS CATALOG (MAINTENANCE)



Y 29110501 SHT 2 REV 273

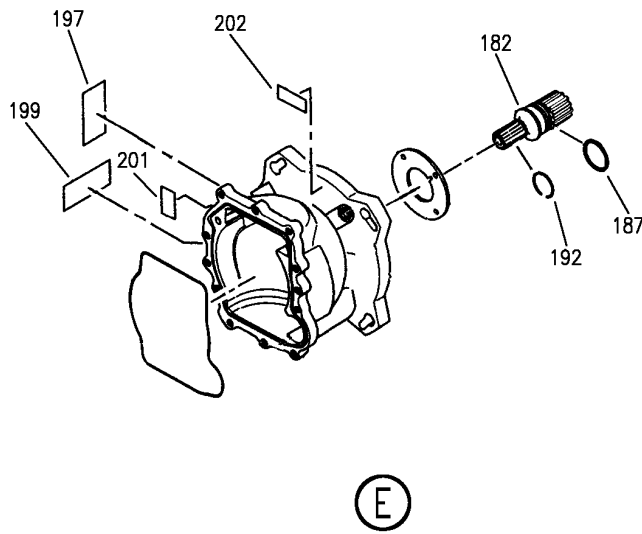
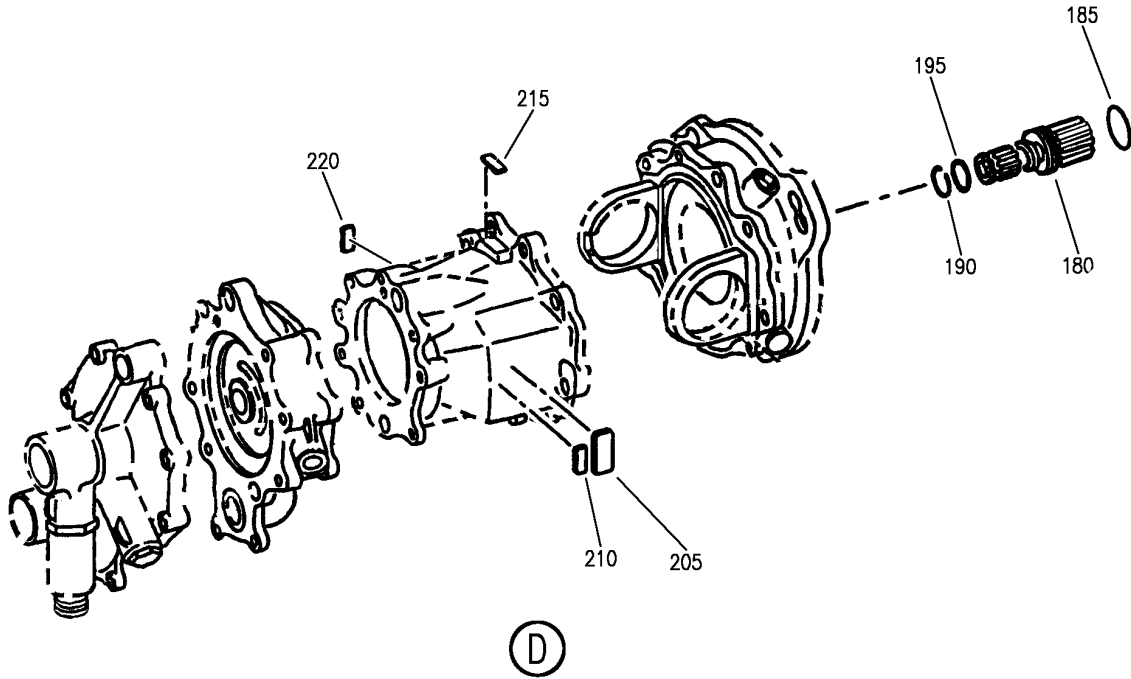
TUBES AND FITTINGS ENGINE HYDRAULIC (RB211-535)
FIGURE 1 (SHEET 2)

29-11-05-01

BRI
MAY 28/07

29-11-05-01
PAGE 0A

BOEING
757
PARTS CATALOG (MAINTENANCE)



Y 29110501 SHT 3 REV 302

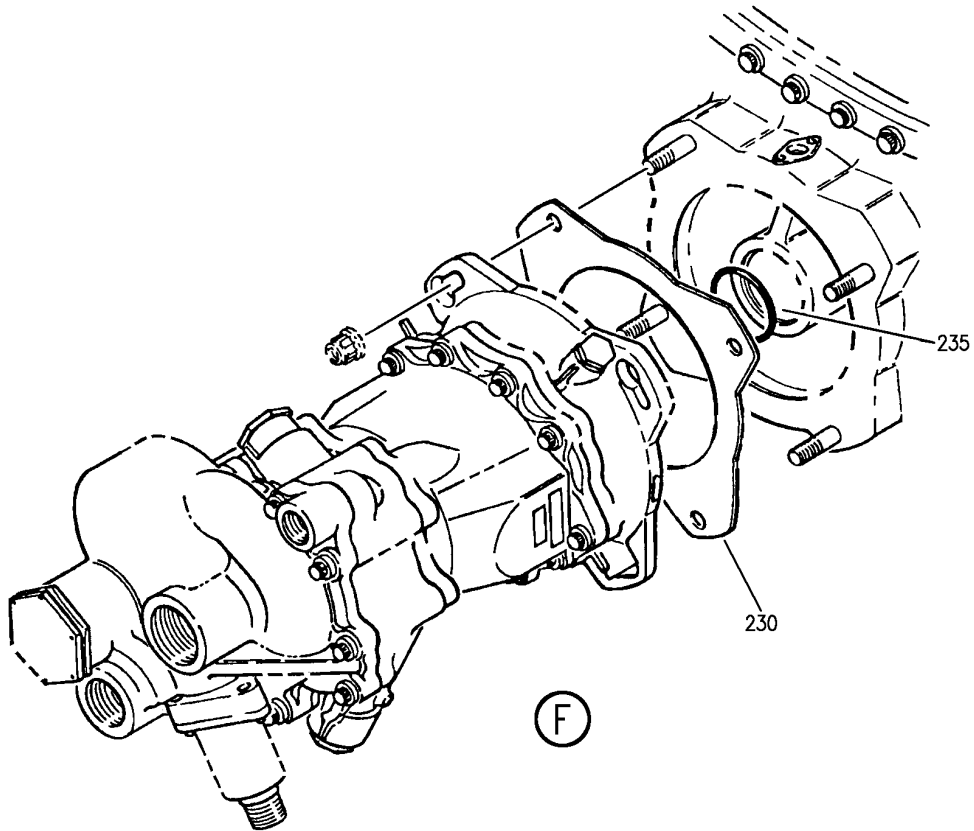
TUBES AND FITTINGS ENGINE HYDRAULIC (RB211-535)
FIGURE 1 (SHEET 3)

29-11-05-01

BRI
MAY 28/07

29-11-05-01
PAGE 0B

BOEING
757
PARTS CATALOG (MAINTENANCE)



Y 29110501 SH1 4 REV 283

TUBES AND FITTINGS ENGINE HYDRAULIC (RB211-535)
FIGURE 1 (SHEET 4)

29-11-05-01

BRI
MAY 28/07

29-11-05-01
PAGE 0C



757

PARTS CATALOG (MAINTENANCE)

FIG ITEM	PART NUMBER	1 2 3 4 5 6 7	NOMENCLATURE	EFFECT FROM TO	UNITS PER ASSY
1			TUBES AND FITTINGS ENGINE HYDRAULIC (RB211-535)	002004 006999	
- 70	UL20702		ENGINE ASSY-Q.E.C.U. RB211-535E43711 BASIC ENG CONFIGURATION WITH GRAVINER FIRE DETECTORS, BAYONET MCD, NON-MODULATED IDG COOLING 40,100 LB THRUST SUPPLIER CODE: VK0680 FOR NHA/OTHER SYS DET SEE: 71-00-02-10	504903	RF
- 70	UL19722		ENGINE ASSY-Q.E.C.U. RB211-535E43711 MAXIMUM NEUT SUPPLIER CODE: VK0680 FOR NHA/OTHER SYS DET SEE: 71-00-02-04	107107	RF
- 71	UL20697		ENGINE ASSY-Q.E.C.U. RB211-535E43711 MAXIMUM NEUT WITH GRAVINER FIRE DETECTORS, BAYONET MCD, NON-MODULATED IDG COOLING 40,000 LB THRUST SUPPLIER CODE: VK0680 REFERENCE SERVICE BULLETIN: 71-0058R4 QUALIFIED SB I/W DATA: INTERMIX OF ONE OR SUBSTITUTION OF TWO DIFFERENT CONFIGURATION RB211-535E4-37/() ENGINES FOR RB211-535 E4 BASE ENGINES REFERENCE SERVICE BULLETIN: RB211-72-C547 VK0680 FOR NHA/OTHER SYS DET SEE: 71-00-02-04	121503 904949 952999	RF

MISSING ITEM NUMBERS NOT APPLICABLE

- ITEM NOT ILLUSTRATED

BRI

29-11-05-01

29-11-05
FIG. 01
PAGE 1
JAN 20/09



757

PARTS CATALOG (MAINTENANCE)

FIG ITEM	PART NUMBER	1 2 3 4 5 6 7	NOMENCLATURE	EFFECT FROM TO	UNITS PER ASSY
1					
- 71	UL20698		ENGINE ASSY-Q.E.C.U. RB211-535E43712 MAXIMUM NEUT SUPPLIER CODE: VK0680 REFERENCE SERVICE BULLETIN: 71-0058R7 QUALIFIED SB I/W DATA: INTERMIX OF ONE OR SUBSTITUTION OF TWO DIFFERENT CONFIGURATION RB211-535E4-37/() ENGINES FOR RB211-535E4 BASE ENGINES OR DIFFERENT CONFIGURATION RB211-535E4-B-37/() ENGINES FOR RB211-535E4-B BASE ENGINES REFERENCE SERVICE BULLETIN: RB211-72C547 VK0680 RB211-72-8910 VK0680 POST RAPID REVISION: RR92014-183A-RC-E FOR NHA/OTHER SYS DET SEE: 71-00-02-04	002004 006100 102102	RF
- 71	UL36209		ENGINE ASSY-Q.E.C.U. RB211-535E43719 MAXIMUM NEUT SUPPLIER CODE: VK0680 FOR NHA/OTHER SYS DET SEE: 71-00-02-04	950951	RF
- 72	BCREF17395		ENGINE ASSY-Q.E.C.U. RB211-535E43739 BASIC ENG CONFIGURATION AND PHASE 5 COMBUSTOR 40,100 LB THRUST SUPPLIER CODE: VK0680 OVERLENGTH PART NUMBER: RB211-535E4-37-39E FOR NHA/OTHER SYS DET SEE: 71-00-02-10	108120	RF

MISSING ITEM NUMBERS NOT APPLICABLE

- ITEM NOT ILLUSTRATED

29-11-05-01

29-11-05
FIG. 01
PAGE 2
JAN 20/09

BRI



757

PARTS CATALOG (MAINTENANCE)

FIG ITEM	PART NUMBER	1 2 3 4 5 6 7	NOMENCLATURE	EFFECT FROM TO	UNITS PER ASSY
1					
- 72	BCREF17101		ENGINE ASSY-Q.E.C.U. RB211-535E43744 BASIC ENG CONFIGURATION, BAYONET MCD AND PHASE 5 COMBUSTOR 40,100 LB THRUST SUPPLIER CODE: VK0680 OVERLENGTH PART NUMBER: RB211-535E4-3744E FOR NHA/OTHER SYS DET SEE: 71-00-02-10	103106	RF
- 72	UL38163		ENGINE ASSY-Q.E.C.U. RB211-535E43724 BASIC ENG CONFIGURATION, BAYONET MCD, 40,100 LB THRUST SUPPLIER CODE: VK0680 FOR NHA/OTHER SYS DET SEE: 71-00-02-10	101101	RF
- 73	UL10896		.PUMP-HYDR INSTL SUPPLIER CODE: VK0680	002004 006999	RF
- 73	UL16413		.TUBES AND FITTINGS-HYDR SYS SUPPLIER CODE: VK0680	002004 006999	RF
74	400WSS15		..CLIP- SUPPLIER CODE: V83930 PRE SERVICE BULLETIN: 29-8401 VK0680	107107 121949 952999	1
74	TA025028-15		..CLIP- SUPPLIER CODE: V84971 POST SERVICE BULLETIN: 29-8401PT01 VK0680	002004 006999	1
75	400WSS23		..CLIP- SUPPLIER CODE: V83930 PRE SERVICE BULLETIN: 29-8401 VK0680	107107 121949 952999	1
75	TA025028-23		..CLIP- SUPPLIER CODE: V84971	002004 006999	1

MISSING ITEM NUMBERS NOT APPLICABLE

- ITEM NOT ILLUSTRATED

29-11-05-01

29-11-05
FIG. 01
PAGE 3
JAN 20/09

BRI



757

PARTS CATALOG (MAINTENANCE)

FIG ITEM	PART NUMBER	1 2 3 4 5 6 7	NOMENCLATURE	EFFECT FROM TO	UNITS PER ASSY
1					
76	400WSS27	..	CLIP- SUPPLIER CODE: V83930 PRE SERVICE BULLETIN: 29-8401 VK0680	107107 121949 952999	1
76	TA025028-27	..	CLIP- SUPPLIER CODE: V84971 POST SERVICE BULLETIN: 29-8401PT01 VK0680	002004 006999	1
77	AS21442	..	BOLT- PRE SERVICE BULLETIN: 29-8401 VK0680	107107 121949 952999	1
77	AS21409	..	BOLT- POST SERVICE BULLETIN: 29-8401PT01 VK0680	002004 006999	1
78	K8831	..	WASHER- SUPPLIER CODE: VK0680 PRE SERVICE BULLETIN: 29-8401 VK0680	107107 121949 952999	2
79	K8831	..	WASHER- SUPPLIER CODE: VK0680 POST SERVICE BULLETIN: 29-8401PT01 VK0680	002004 006999	3
80	AS21409	..	BOLT- POST SERVICE BULLETIN: 29-8401PT01 VK0680	002004 006999	2
81	UP10482	..	SPACER- SUPPLIER CODE: VK0680 PRE SERVICE BULLETIN: 29-8401 VK0680	107107 121949 952999	2
83	AS20624	..	NUT	002004 006999	1
84	AS20624	..	NUT- POST SERVICE BULLETIN: 29-8401PT01 VK0680	002004 006999	2

MISSING ITEM NUMBERS NOT APPLICABLE

- ITEM NOT ILLUSTRATED

29-11-05-01

29-11-05
FIG. 01
PAGE 4
JAN 20/09

BRI



757

PARTS CATALOG (MAINTENANCE)

FIG ITEM	PART NUMBER	1 2 3 4 5 6 7	NOMENCLATURE	EFFECT FROM TO	UNITS PER ASSY
1					
85	AE705958-1		..HOSE ASSY-PUMP DRAIN FLEXIBLE SUPPLIER CODE: V98625 OPTIONAL PART: 108199 V78570 PRE SERVICE BULLETIN: 29-7682 VK0680	107107 121949 952999	1
85	AE705958-2		..HOSE ASSY-PUMP DRAIN FLEXIBLE SUPPLIER CODE: VU2569 OPTIONAL PART: 107315 VK0685 POST SERVICE BULLETIN: 29-7682PTA VK0680 PRE SERVICE BULLETIN: 29-9873 VK0680	002004 006102 107999	1
85	107315		..HOSE ASSY-PUMP DRAIN FLEXIBLE SUPPLIER CODE: VK0685 OPTIONAL PART: AE705958-2 VU2569 POST SERVICE BULLETIN: 29-7682PTA VK0680 PRE SERVICE BULLETIN: 29-9873 VK0680	002004 006102 107999	1
85	108199		..HOSE ASSY-PUMP DRAIN FLEXIBLE SUPPLIER CODE: V78570 OPTIONAL PART: AE705958-1 V98625 PRE SERVICE BULLETIN: 29-7682 VK0680	107107 121949 952999	1

MISSING ITEM NUMBERS NOT APPLICABLE

- ITEM NOT ILLUSTRATED

BRI

29-11-05-01

29-11-05
FIG. 01
PAGE 5
JAN 20/09



757

PARTS CATALOG (MAINTENANCE)

FIG ITEM	PART NUMBER	1 2 3 4 5 6 7	NOMENCLATURE	EFFECT FROM TO	UNITS PER ASSY
1 85	AE709565-1		..HOSE ASSY-P.T.F FLEXIBLE CASE DRAIN SUPPLIER CODE: VU2569 CONFIG CHG DATA FROM A CMM: FOR INTRCHG SEE RR IPC OPTIONAL PART: 103524456 VU1603 POST SERVICE BULLETIN: 29-9873PT01 VK0680	002004 006102 107107 121999	1
85	103524456		..HOSE ASSY-P.T.F.E FLEX CASE DRAIN SUPPLIER CODE: VU1603 CONFIG CHG DATA FROM A CMM: FOT INTRCHG SEE RR IPC OPTIONAL PART: AE709565-1 VU2569 POST SERVICE BULLETIN: 29-9873PT01 VK0680	002004 006102 107107 121999	1
85	AE709565-1		..HOSE ASSY-P.T.F FLEXIBLE CASE DRAIN SUPPLIER CODE: VU2569 OPTIONAL PART: 103524456 VU1603 POST SERVICE BULLETIN: 29-9873PT01 VK0680	103106 108120	1
85	103524456		..HOSE ASSY-P.T.F.E FLEX CASE DRAIN SUPPLIER CODE: VU1603 OPTIONAL PART: AE709565-1 VU2569 POST SERVICE BULLETIN: 29-9873PT01 VK0680	103106 108120	1

MISSING ITEM NUMBERS NOT APPLICABLE

- ITEM NOT ILLUSTRATED

BRI

29-11-05-01

BOEING PROPRIETARY - Copyright © - Unpublished Work - See title page for details.

29-11-05
FIG. 01
PAGE 6
JAN 20/09



757

PARTS CATALOG (MAINTENANCE)

FIG ITEM	PART NUMBER	1 2 3 4 5 6 7	NOMENCLATURE	EFFECT FROM TO	UNITS PER ASSY
1					
87	108198		..HOSE ASSY-PUMP PRESSURE FLEXIBLE SUPPLIER CODE: V78570 PRE SERVICE BULLETIN: 29-7682 VK0680	107107 121949 952999	1
87	107314		..HOSE ASSY-PUMP PRESSURE FLEXIBLE SUPPLIER CODE: VK0685 OPTIONAL PART: AE707854-1 VU2569 POST SERVICE BULLETIN: 29-7682PTA VK0680 PRE SERVICE BULLETIN: 29-9873 VK0680	002004 006102 107107 121949 952999	1
87	AE707854-1		..HOSE ASSY-PUMP PRESSURE SUPPLIER CODE: VU2569 OPTIONAL PART: 107314 VK0685 POST SERVICE BULLETIN: 29-7682PTA VK0680 PRE SERVICE BULLETIN: 29-9873 VK0680	002004 006102 107999	1
87	AE709566-1		..HOSE ASSY-PUMP PRESSURE SUPPLIER CODE: VU2569 CONFIG CHG DATA FROM A CMM: FOR INTRCHG SEE RR IPC OPTIONAL PART: 163624455 VU1603 POST SERVICE BULLETIN: 29-9873PT01 VK0680	002004 006102 107107 121999	1

MISSING ITEM NUMBERS NOT APPLICABLE

- ITEM NOT ILLUSTRATED

BRI

29-11-05-01

BOEING PROPRIETARY - Copyright © - Unpublished Work - See title page for details.

29-11-05
FIG. 01
PAGE 7
JAN 20/09



757

PARTS CATALOG (MAINTENANCE)

FIG ITEM	PART NUMBER	1 2 3 4 5 6 7	NOMENCLATURE	EFFECT FROM TO	UNITS PER ASSY
1					
87	163624455		..HOSE ASSY-PUMP PRESSURE SUPPLIER CODE: VU1603 CONFIG CHG DATA FROM A CMM: FOR INTRCHG SEE RR IPC OPTIONAL PART: AE709566-1 VU2569 POST SERVICE BULLETIN: 29-9873PT01 VK0680	002004 006102 107107 121999	1
87	AE709566-1		..HOSE ASSY-PUMP PRESSURE SUPPLIER CODE: VU2569 OPTIONAL PART: 163624455 VU1603 POST SERVICE BULLETIN: 29-9873PT01 VK0680	103106 108120	1
87	163624455		..HOSE ASSY-PUMP PRESSURE SUPPLIER CODE: VU1603 OPTIONAL PART: AE709566-1 VU2569 POST SERVICE BULLETIN: 29-9873PT01 VK0680	103106 108120	1
88	108197		..HOSE ASSY-PUMP FLEXIBLE SUPPLY SUPPLIER CODE: V78570 OPTIONAL PART: AE706332-1 V98625 PRE SERVICE BULLETIN: 29-7682 VK0680	107107 121949 952999	1

MISSING ITEM NUMBERS NOT APPLICABLE

- ITEM NOT ILLUSTRATED

BRI

29-11-05-01

29-11-05
FIG. 01
PAGE 8
JAN 20/09



757

PARTS CATALOG (MAINTENANCE)

FIG ITEM	PART NUMBER	1 2 3 4 5 6 7	NOMENCLATURE	EFFECT FROM TO	UNITS PER ASSY
1 88	AE706332-1		..HOSE ASSY-PUMP FLEXIBLE SUPPLY SUPPLIER CODE: V98625 OPTIONAL PART: 108197 V78570 PRE SERVICE BULLETIN: 29-7682 VK0680	107107 121949 952999	1
88	107316		..HOSE ASSY-PUMP FLEXIBLE SUPPLY SUPPLIER CODE: VK0685 OPTIONAL PART: AE706332-2 VU2569 POST SERVICE BULLETIN: 29-7682PTA VK0680	002004 006999	1
88	AE706332-2		..HOSE ASSY-PUMP FLEXIBLE SUPPLY SUPPLIER CODE: VU2569 OPTIONAL PART: 107316 VK0685 POST SERVICE BULLETIN: 29-7682PTA VK0680	002004 006999	1
90	AE81520N		..CONNECTOR ASSY-PUMP SUPPLY SUPPLIER CODE: VU2569 OPTIONAL PART: 108157-20 V78570 152520-1-20EW VK0685 POST SERVICE BULLETIN: 29-9820PT01 VK0680 PRE SERVICE BULLETIN: 29-8447 VK0680	002004 006999	1

MISSING ITEM NUMBERS NOT APPLICABLE

- ITEM NOT ILLUSTRATED

BRI

29-11-05-01

BOEING PROPRIETARY - Copyright © - Unpublished Work - See title page for details.

29-11-05
FIG. 01
PAGE 9
JAN 20/09



757

PARTS CATALOG (MAINTENANCE)

FIG ITEM	PART NUMBER	1 2 3 4 5 6 7	NOMENCLATURE	EFFECT FROM TO	UNITS PER ASSY
1 90	152520-1-20EW	..	CONNECTOR ASSY-PUMP SUPPLY SUPPLIER CODE: VK0685 OPTIONAL PART: AE81520N VU2569 108157-20 V78570 POST SERVICE BULLETIN: 29-9820PT01 VK0680	002004 006999	1
90	108157-20	..	CONNECTOR ASSY-PUMP SUPPLY SUPPLIER CODE: V78570 OPTIONAL PART: 152520-1-20EW VK0685 AE81520N VU2569 POST SERVICE BULLETIN: 29-9820PT01 VK0680	002004 006999	1
90	108157-20	..	CONNECTOR ASSY-PUMP SUPPLY SUPPLIER CODE: V78570 OPTIONAL PART: 152520-1-20EW VK0685 AE81520N VU2569 PRE SERVICE BULLETIN: 29-9820 VK0680	002004 006102 107999	1

MISSING ITEM NUMBERS NOT APPLICABLE

- ITEM NOT ILLUSTRATED

29-11-05-01

29-11-05
FIG. 01
PAGE 10
JAN 20/09

BRI



757

PARTS CATALOG (MAINTENANCE)

FIG ITEM	PART NUMBER	1 2 3 4 5 6 7	NOMENCLATURE	EFFECT FROM TO	UNITS PER ASSY
1 90	152520-1-20EW	..	CONNECTOR ASSY-PUMP SUPPLY SUPPLIER CODE: VK0685 OPTIONAL PART: 108157-20 V78570 AE81520N VU2569 POST SERVICE BULLETIN: 29-7682PTB VK0680 PRE SERVICE BULLETIN: 29-9820 VK0680	002004 006102 107999	1
92	NAS1611-024	...	PACKING- USED ON: 152520-1-20EW	002004 006102 107999	1
93	MS28775-024	...	PACKING	002004 006100 107107 121949 952999	1
95	108157-16	..	CONNECTOR ASSY-PUMP PRESSURE SUPPLIER CODE: V78570 OPTIONAL PART: AE81854M VU2569 152516-1-16E VK0685 AE85697M VU2569 POST SERVICE BULLETIN: 29-9820PT01 VK0680 PRE SERVICE BULLETIN: 29-C054 VK0680 29-8447 VK0680	002004 006999	1

MISSING ITEM NUMBERS NOT APPLICABLE

- ITEM NOT ILLUSTRATED

29-11-05-01

29-11-05
FIG. 01
PAGE 11
JAN 20/09

BRI



757

PARTS CATALOG (MAINTENANCE)

FIG ITEM	PART NUMBER	1 2 3 4 5 6 7	NOMENCLATURE	EFFECT FROM TO	UNITS PER ASSY
1 95	AE81854M		.. CONNECTOR ASSY-PUMP PRESSURE SUPPLIER CODE: VU2569 OPTIONAL PART: 108157-16 V78570 152516-1-16E VK0685 AE85697M VU2569 108157-16 V78570 AE85697M VU2569 POST SERVICE BULLETIN: 29-9820PT01 VK0680 PRE SERVICE BULLETIN: 29-C054 VK0680 29-8447 VK0680	002004 006999	1
95	152516-1-16E		.. CONNECTOR ASSY-PUMP PRESSURE SUPPLIER CODE: VK0685 OPTIONAL PART: 108157-16 V78570 AE81854M VU2569 AE85697M VU2569 POST SERVICE BULLETIN: 29-7682PTB VK0680 29-9820PT01 VK0680 PRE SERVICE BULLETIN: 29-C054 VK0680 29-8447 VK0680	002004 006999	1

MISSING ITEM NUMBERS NOT APPLICABLE

- ITEM NOT ILLUSTRATED

BRI

29-11-05-01

BOEING PROPRIETARY - Copyright © - Unpublished Work - See title page for details.

29-11-05
FIG. 01
PAGE 12
JAN 20/09



757

PARTS CATALOG (MAINTENANCE)

FIG ITEM	PART NUMBER	1 2 3 4 5 6 7	NOMENCLATURE	EFFECT FROM TO	UNITS PER ASSY
1					
95	UL22319		.. ADAPTOR ASSY- SUPPLIER CODE: VK0680 POST SERVICE BULLETIN: 29-8447PT01 VK0680 PRE SERVICE BULLETIN: 29-9820 VK0680	002004 006102 107999	1
95	AE85697M		.. CONNECTOR ASSY-PUMP PRESSURE SUPPLIER CODE: VU2569 OPTIONAL PART: 108157-16 V78570 152516-1-16E VK0685 POST SERVICE BULLETIN: 29-C054PTA VK0680	002004 006999	1
95	108157-16		.. CONNECTOR ASSY-PUMP PRESSURE SUPPLIER CODE: V78570 OPTIONAL PART: 152516-1-16E VK0685 AE85697M VU2569 POST SERVICE BULLETIN: 29-C054PTA VK0680 PRE SERVICE BULLETIN: 29-C054 VK0680	002004 006999	1

MISSING ITEM NUMBERS NOT APPLICABLE

- ITEM NOT ILLUSTRATED

29-11-05-01

29-11-05
FIG. 01
PAGE 13
JAN 20/09

BRI



757

PARTS CATALOG (MAINTENANCE)

FIG ITEM	PART NUMBER	1 2 3 4 5 6 7	NOMENCLATURE	EFFECT FROM TO	UNITS PER ASSY
1					
95	152516-1-16E	..	CONNECTOR ASSY-PUMP PRESSURE SUPPLIER CODE: VK0685 OPTIONAL PART: AE85697M VU2569 108157-16 V78570 POST SERVICE BULLETIN: 29-C054PTA VK0680 PRE SERVICE BULLETIN: 29-C054 VK0680	002004 006999	1
97	NAS1611-020	...	PACKING- USED ON: 152516-1-16E	002004 006102 107999	1
98	MS28775-020	...	PACKING	002004 006100 107107 121949 952999	1
100	AE81480J	..	CONNECTOR ASSY-PUMP DRAIN SUPPLIER CODE: VU2569 OPTIONAL PART: 108157-10 V78570 152510-1-10E VK0685	002004 006999	1
100	152510-1-10E	..	CONNECTOR ASSY-PUMP DRAIN SUPPLIER CODE: VK0685 OPTIONAL PART: 108157-10 V78570 AE81480J VU2569 POST SERVICE BULLETIN: 29-7682PTB VK0680	002004 006999	1

MISSING ITEM NUMBERS NOT APPLICABLE

- ITEM NOT ILLUSTRATED

BRI

29-11-05-01

29-11-05
FIG. 01
PAGE 14
JAN 20/09



757

PARTS CATALOG (MAINTENANCE)

FIG ITEM	PART NUMBER	1 2 3 4 5 6 7	NOMENCLATURE	EFFECT FROM TO	UNITS PER ASSY
1 100	108157-10		..CONNECTOR ASSY-PUMP DRAIN SUPPLIER CODE: V78570 OPTIONAL PART: 152510-1-10E VK0685 AE81480J VU2569	002004 006999	1
101	MS28775-015		...PACKING	002004 006100 107107 121949 952999	1
102	NAS1611-014		...PACKING- USED ON: 152510-1-10E	002004 006102 107999	1
103	UL23137		..BRACKET-SPRT SUPPLIER CODE: VK0680 CONFIG CHG DATA FROM A CMM: FOR INTRCHG SEE RR IPC POST SERVICE BULLETIN: 29-8863PT01 VK0680	002004 006100 102102 107107 121949 952999	1
103	UL20628		..BRACKET-SPRT SUPPLIER CODE: VK0680 CONFIG CHG DATA FROM A CMM: FOR INTRCHG SEE RR IPC POST SERVICE BULLETIN: 29-8401PT01 VK0680 PRE SERVICE BULLETIN: 29-8863 VK0680	002004 006100 102102 107107 121949 952999	1
103	UL23137		..BRACKET-SPRT SUPPLIER CODE: VK0680 POST SERVICE BULLETIN: 29-8863PT01 VK0680	101101 103106 108120 950951	1
105	BACA14AZ10A8T		..ADAPTER-DRAIN TUBE	002004 006999	1
110	NAS1612-8		..PACKING-PREFORMED RING CASE DRAIN TUBE	002004 006999	1

MISSING ITEM NUMBERS NOT APPLICABLE

- ITEM NOT ILLUSTRATED

BRI

29-11-05-01

29-11-05
FIG. 01
PAGE 15
JAN 20/09



757

PARTS CATALOG (MAINTENANCE)

FIG ITEM	PART NUMBER	1 2 3 4 5 6 7	NOMENCLATURE	EFFECT FROM TO	UNITS PER ASSY
1 115	C11236-111B		..RING-BACK-UP SUPPLIER CODE: V26879 SPECIFICATION NUMBER: BACR12BM111 OPTIONAL PART: RMR12BM111 V94878 STF800-111 V02107 S30294-111-1 V97820 TF450-111A V07128 2100-111 V26303 CASE DRAIN TUBE	002004 006999	1
120	NAS1611-111		..SEAL-RING-CASE DRAIN TUBE	002004 006999	1
125	DBOA14AZ16T		..ADAPTER-PRESSURE TUBE SUPPLIER CODE: V14798 SPECIFICATION NUMBER: BACA14AZ16AT OPTIONAL PART: ER10724-16T V88334 2-01028-16T V11328 3178716T V14397 467-1122-16T V50948 US1934-16T V50808 AFP233-16-16T V30974 AP1005-16T V01673 POST SERVICE BULLETIN: 29-9820PT01 VK0680 PRE SERVICE BULLETIN: 29-8447 VK0680	002004 006999	1

MISSING ITEM NUMBERS NOT APPLICABLE

- ITEM NOT ILLUSTRATED

BRI

29-11-05-01

BOEING PROPRIETARY - Copyright © - Unpublished Work - See title page for details.

29-11-05
FIG. 01
PAGE 16
JAN 20/09



757

PARTS CATALOG (MAINTENANCE)

FIG ITEM	PART NUMBER	1 2 3 4 5 6 7	NOMENCLATURE	EFFECT FROM TO	UNITS PER ASSY
1 125	485000-14		.. DAMPENER- PULSATION SUPPLIER CODE: V83533 POST SERVICE BULLETIN: 29-8447PT01 VK0680 PRE SERVICE BULLETIN: 29-9820 VK0680	002004 006102 107999	1
130	NAS1612-16		.. PACKING-PREFORMED RING PRESSURE TUBE	002004 006999	1
135	C11236-212B		.. RING-BACK-UP SUPPLIER CODE: V26879 SPECIFICATION NUMBER: BACR12BM212 OPTIONAL PART: RMR12BM212 V94878 STF800-212 V02107 S30294-212-1 V97820 TF450-212A V07128 2100-212 V26303 PRESSURE TUBE POST SERVICE BULLETIN: 29-9820PT01 VK0680 PRE SERVICE BULLETIN: 29-8447 VK0680	002004 006999	1
138	MS28782-17		.. PACKING-RING BACK-UP PRESSURE TUBE OPTIONAL PART: MS28774-212 POST SERVICE BULLETIN: 29-8447PT01 VK0680 PRE SERVICE BULLETIN: 29-9820 VK0680	002004 006102 107999	2

MISSING ITEM NUMBERS NOT APPLICABLE

- ITEM NOT ILLUSTRATED

BRI

29-11-05-01

BOEING PROPRIETARY - Copyright © - Unpublished Work - See title page for details.

29-11-05
FIG. 01
PAGE 17
JAN 20/09



757

PARTS CATALOG (MAINTENANCE)

FIG ITEM	PART NUMBER	1 2 3 4 5 6 7	NOMENCLATURE	EFFECT FROM TO	UNITS PER ASSY
1 138	MS28774-212		.. PACKING-RING BACK-UP PRESSURE TUBE OPTIONAL PART: MS28782-17 POST SERVICE BULLETIN: 29-8447PT01 VK0680 PRE SERVICE BULLETIN: 29-9820 VK0680	002004 006102 107999	2
140	NAS1611-212		.. SEAL-RING PRESSURE TUBE	002004 006999	1
145	DBOA14AZ20T		.. ADAPTER-SUPPLY TUBE SUPPLIER CODE: V14798 SPECIFICATION NUMBER: BACA14AZ20AT OPTIONAL PART: ER10724-20T V88334 2-01028-20T V11328 3178720T V14397 467-1122-20T V50948 US1934-20T V50808 AFP233-20-20T V30974 AP1005-20T V01673	002004 006999	1
150	NAS1612-20		.. PACKING-PREFORMED RING SUPPLY TUBE	002004 006999	1
155	C11236-217B		.. RING-BACK-UP SUPPLY TUBE SUPPLIER CODE: V26879	002004 006999	1
160	NAS1611-217		.. SEAL-RING SUPPLY TUBE	002004 006999	1

MISSING ITEM NUMBERS NOT APPLICABLE

- ITEM NOT ILLUSTRATED

29-11-05-01

29-11-05
FIG. 01
PAGE 18
JAN 20/09

BRI



757

PARTS CATALOG (MAINTENANCE)

FIG ITEM	PART NUMBER	1 2 3 4 5 6 7	NOMENCLATURE	EFFECT FROM TO	UNITS PER ASSY
1 174	887673		..PUMP ASSY- SUPPLIER CODE: V62983 FUNCTIONAL DESCRIPTION: PRIMARY SOURCE OF HYDRAULIC PRESSURE FOR THE LEFT & RIGHT HYDR. SYSTEM. SPECIFICATION NUMBER: 60B00200-12 COMPONENT MAINT MANUAL REF: 29-11-34 OPTIONAL PART: 3031863-001 V62983 OPTIONAL PART: 4205401 V75250 350880-7 V62983 350880-6 V62983 POST SERVICE BULLETIN: 29-9807PTA VK0680	002004 006999	RF
174	3031863-001		..PUMP ASSY- SUPPLIER CODE: V62983 SPECIFICATION NUMBER: 60B00200-12 OPTIONAL PART: 887673 V62983	002004 006999	RF
175	350880-7		..PUMP ASSY- SUPPLIER CODE: V62983 SPECIFICATION NUMBER: 60B00200-4 COMPONENT MAINT MANUAL REF: 29-11-04 OPTIONAL PART: 350880-3 V62983 OPTIONAL PART: 350880-6 V62983 PRE SERVICE BULLETIN: 29-9807 VK0680	002004 006102 107999	RF

MISSING ITEM NUMBERS NOT APPLICABLE

- ITEM NOT ILLUSTRATED

BRI

29-11-05-01

29-11-05
FIG. 01
PAGE 19
JAN 20/09



757

PARTS CATALOG (MAINTENANCE)

FIG ITEM	PART NUMBER	1 2 3 4 5 6 7	NOMENCLATURE	EFFECT FROM TO	UNITS PER ASSY
1 175	350880-6		..PUMP ASSY- SUPPLIER CODE: V62983 SPECIFICATION NUMBER: 60B00200-5 COMPONENT MAINT MANUAL REF: 29-11-03 OPTIONAL PART: 350880-7 V62983 PRE SERVICE BULLETIN: 29-9807 VK0680	002004 006102 107999	RF
175	350880-7		..PUMP ASSY- SUPPLIER CODE: V62983 SPECIFICATION NUMBER: 60B00200-4 COMPONENT MAINT MANUAL REF: 29-11-04 OPTIONAL PART: 350880-3 V62983 OPTIONAL PART: 887673 V62983 4205401 V75250 350880-6 V62983 POST SERVICE BULLETIN: 29-9807PTA VK0680	002004 006999	RF

MISSING ITEM NUMBERS NOT APPLICABLE

- ITEM NOT ILLUSTRATED

BRI

29-11-05-01

BOEING PROPRIETARY - Copyright © - Unpublished Work - See title page for details.

29-11-05
FIG. 01
PAGE 20
JAN 20/09



757

PARTS CATALOG (MAINTENANCE)

FIG ITEM	PART NUMBER	1 2 3 4 5 6 7	NOMENCLATURE	EFFECT FROM TO	UNITS PER ASSY
1 175	350880-6		..PUMP ASSY- SUPPLIER CODE: V62983 SPECIFICATION NUMBER: 60B00200-5 COMPONENT MAINT MANUAL REF: 29-11-03 OPTIONAL PART: 887673 V62983 4205401 V75250 350880-7 V62983 POST SERVICE BULLETIN: 29-9807PTA VK0680	002004 006999	RF
176	4205401		..PUMP ASSY- SUPPLIER CODE: V93835 FUNCTIONAL DESCRIPTION: PRIMARY SOURCE OF HYDRAULIC PRESSURE FOR THE LEFT AND RIGHT HYDRAULIC SYSTEM SPECIFICATION NUMBER: 60B00256-10 COMPONENT MAINT MANUAL REF: 29-11-33 OPTIONAL PART: 887673 V62983 350880-7 V62983 350880-6 V62983 POST SERVICE BULLETIN: 29-9807PTA VK0680	002004 006999	RF
180	346937		...SHAFT-CPLG SUPPLIER CODE: V62983 SB DATA FROM A CMM: PRE 350880-7-29-27 USED ON: 350880-7	002004 006999	1

MISSING ITEM NUMBERS NOT APPLICABLE

- ITEM NOT ILLUSTRATED

BRI

29-11-05-01

BOEING PROPRIETARY - Copyright © - Unpublished Work - See title page for details.

29-11-05
 FIG. 01
 PAGE 21
 JAN 20/09



757

PARTS CATALOG (MAINTENANCE)

FIG ITEM	PART NUMBER	1 2 3 4 5 6 7	NOMENCLATURE	EFFECT FROM TO	UNITS PER ASSY
1					
180	346937	...	SHAFT-CPLG SUPPLIER CODE: V62983 SB DATA FROM A CMM: PRE 350880-6-29-36 USED ON: 350880-6	002004 006999	1
180	887584	...	SHAFT-CPLG SUPPLIER CODE: V62983 SB DATA FROM A CMM: POST 350880-6-29-36 USED ON: 350880-6	002004 006999	1
180	887584	...	SHAFT-CPLG SUPPLIER CODE: V62983 SB DATA FROM A CMM: POST 350880-7-29-27 USED ON: 350880-7	002004 006999	1
180	346937	...	SHAFT-CPLG SUPPLIER CODE: V62983 SB DATA FROM A CMM: PRE 623977-29-07 USED ON: 887673	002004 006999	1
180	887584	...	SHAFT-CPLG SUPPLIER CODE: V62983 SB DATA FROM A CMM: POST 623977-29-07 USED ON: 887673	002004 006999	1
182	22365	...	SHAFT-EXT DRIVE SUPPLIER CODE: V93835 USED ON: 4205401	002004 006999	1
185	M83248-1-216	...	PACKING-SHAFT 62983 395941 SB DATA FROM A CMM: PRE 350880-7-29-17 CONFIG CHG DATA FROM A CMM: SUPSD BY 624912 USED ON: 350880-7	002004 006999	1

MISSING ITEM NUMBERS NOT APPLICABLE

- ITEM NOT ILLUSTRATED

29-11-05-01

29-11-05
FIG. 01
PAGE 22
JAN 20/09

BRI



757

PARTS CATALOG (MAINTENANCE)

FIG ITEM	PART NUMBER	1 2 3 4 5 6 7	NOMENCLATURE	EFFECT FROM TO	UNITS PER ASSY
1					
185	MS29561-216	...	PACKING-SHAFT 62983 157762 SB DATA FROM A CMM: PRE 350880-6-29-18 USED ON: 350880-6	002004 006999	1
185	M83248-1-216	...	PACKING-SHAFT 62983 395941 SB DATA FROM A CMM: POST 350880-6-29-18 PRE 350880-6-29-27 CONFIG CHG DATA FROM A CMM: SUPSD BY 624912 USED ON: 350880-6 FOR SPARES PROCURE: 9216-787 V5F573 9216-797 V5F573 216-20018 2-216V1041-85	002004 006999	1
185	624912	...	PACKING-SHAFT SUPPLIER CODE: V62983 SB DATA FROM A CMM: POST 350880-6-29-27 CONFIG CHG DATA FROM A CMM: SUPERSEDES M83248-1-216 USED ON: 350880-6	002004 006999	1
185	624912	...	PACKING-SHAFT SUPPLIER CODE: V62983 SB DATA FROM A CMM: POST 350880-7-29-17 CONFIG CHG DATA FROM A CMM: SUPERSEDES M83248-1-216 USED ON: 350880-7	002004 006999	1

MISSING ITEM NUMBERS NOT APPLICABLE

- ITEM NOT ILLUSTRATED

BRI

29-11-05-01

BOEING PROPRIETARY - Copyright © - Unpublished Work - See title page for details.

29-11-05
FIG. 01
PAGE 23
JAN 20/09



757

PARTS CATALOG (MAINTENANCE)

FIG ITEM	PART NUMBER	1 2 3 4 5 6 7	NOMENCLATURE	EFFECT FROM TO	UNITS PER ASSY
1 187	9216-797		...PACKING- SUPPLIER CODE: V5F573 OPTIONAL PART: 2-216V1041-85 V02697 216-20018 V25184 USED ON: 4205401	002004 006999	1
187	2-216V1041-85		...PACKING- SUPPLIER CODE: V02697 OPTIONAL PART: 9216-797 V5F573 216-20018 V25184 USED ON: 4205401	002004 006999	1
187	216-20018		...PACKING- SUPPLIER CODE: V25184 OPTIONAL PART: 2-216V1041-85 V02697 9216-797 V5F573 USED ON: 4205401	002004 006999	1
188	624912		...PACKING-SHAFT SUPPLIER CODE: V62983 USED ON: 887673	002004 006999	1
190	343463		...RING-RETAINING SUPPLIER CODE: V62983 USED ON: 350880-6 350880-7	002004 006999	1
192	69887		...RING-RETAINING SUPPLIER CODE: V93835 USED ON: 4205401	002004 006999	1

MISSING ITEM NUMBERS NOT APPLICABLE

- ITEM NOT ILLUSTRATED

BRI

29-11-05-01

29-11-05
FIG. 01
PAGE 24
JAN 20/09



757

PARTS CATALOG (MAINTENANCE)

FIG ITEM	PART NUMBER	1 2 3 4 5 6 7	NOMENCLATURE	EFFECT FROM TO	UNITS PER ASSY
1					
193	343463		...RING-RETAINING SUPPLIER CODE: V62983 USED ON: 887673	002004 006999	1
195	271158		...PACKING-SHAFT SUPPLIER CODE: V62983 SB DATA FROM A CMM: PRE 350880-6-29-36 USED ON: 350880-6	002004 006999	1
195	NAS1611-119		...PACKING-SHAFT SB DATA FROM A CMM: PRE 350880-7-29-7 USED ON: 350880-7	002004 006999	1
196	NAS1611-119		...PACKING-SHAFT USED ON: 887673	002004 006999	1
197	22385		...PLATE-IDENT SUPPLIER CODE: V93835 USED ON: 4205401	002004 006999	1
- 198	MS21318-1		...SCREW- USED ON: 4205401 -----*-----	002004 006999	6
199	56546		...PLATE-ROTATION SUPPLIER CODE: V93835 USED ON: 4205401 ATTACHING PARTS	002004 006999	1
- 200	MS21318-1		...SCREW -----*-----	002004 006999	2
201	22480		...PLATE-IDENT SUPPLIER CODE: V93835 USED ON: 4205401	002004 006999	1
202	62466		...PLATE-IDENT SUPPLIER CODE: V93835 USED ON: 4205401	002004 006999	1

MISSING ITEM NUMBERS NOT APPLICABLE

- ITEM NOT ILLUSTRATED

29-11-05-01

29-11-05
FIG. 01
PAGE 25
JAN 20/09

BRI

BOEING PROPRIETARY - Copyright © - Unpublished Work - See title page for details.



757

PARTS CATALOG (MAINTENANCE)

FIG ITEM	PART NUMBER	1 2 3 4 5 6 7	NOMENCLATURE	EFFECT FROM TO	UNITS PER ASSY
1			ATTACHING PARTS		
- 203	MS21318-1		...SCREW- USED ON: 4205401	002004 006999	4
			-----*-----		
205	343886		...PLATE-IDENT SUPPLIER CODE: V62983 CONFIG CHG DATA FROM A CMM: SUPSD BY 569292 USED ON: 350880-6 350880-7	002004 006999	1
205	569292		...PLATE-IDENT SUPPLIER CODE: V62983 CONFIG CHG DATA FROM A CMM: SUPESEDES 343886 USED ON: 350880-6 350880-7	002004 006999	1
205	569292		...PLATE-IDENT SUPPLIER CODE: V62983 USED ON: 887673	002004 006999	1
210	401515		...PLATE-FLUID IDENT SUPPLIER CODE: V62983 USED ON: 350880-6 350880-7 887673	002004 006999	1
215	344952		...PLATE-INSTRUCTION SUPPLIER CODE: V62983 USED ON: 350880-6 350880-7	002004 006999	1
215	388159		...PLATE-INSTRUCTION SUPPLIER CODE: V62983 USED ON: 887673	002004 006999	1

MISSING ITEM NUMBERS NOT APPLICABLE

- ITEM NOT ILLUSTRATED

29-11-05-01

29-11-05
FIG. 01
PAGE 26
JAN 20/09

BRI



757

PARTS CATALOG (MAINTENANCE)

FIG ITEM	PART NUMBER	1 2 3 4 5 6 7	NOMENCLATURE	EFFECT FROM TO	UNITS PER ASSY
1 220	388159		...PLATE-MOD SUPPLIER CODE: V62983 SB DATA FROM A CMM: PRE 350880-6-29-31 USED ON: 350880-6	002004 006999	1
220	731580		...PLATE-MOD SUPPLIER CODE: V62983 SB DATA FROM A CMM: POST 350880-6-29-31 OPTIONAL PART: 847788 V62983 USED ON: 350880-6	002004 006999	1
220	847788		...PLATE-MOD SUPPLIER CODE: V62983 OPTIONAL PART: 731580 V62983 USED ON: 350880-6	002004 006999	1
220	388159		...PLATE-MOD SUPPLIER CODE: V62983 OPTIONAL PART: 731580 V62983 847788 V62983 USED ON: 350880-7	002004 006999	1
220	731580		...PLATE-MOD SUPPLIER CODE: V62983 OPTIONAL PART: 344952 V62983 847788 V62983 USED ON: 350880-7	002004 006999	1

MISSING ITEM NUMBERS NOT APPLICABLE

- ITEM NOT ILLUSTRATED

BRI

29-11-05-01

29-11-05
FIG. 01
PAGE 27
JAN 20/09



757

PARTS CATALOG (MAINTENANCE)

FIG ITEM	PART NUMBER	1 2 3 4 5 6 7	NOMENCLATURE	EFFECT FROM TO	UNITS PER ASSY
1 220	847788		...PLATE-MOD SUPPLIER CODE: V62983 OPTIONAL PART: 344952 V62983 731580 V62983 USED ON: 350880-7	002004 006999	1
225	344952		...PLATE-INSTRUCTION SUPPLIER CODE: V62983 USED ON: 887673	002004 006999	1
230	69B90191-2		..GASKET- PRE SERVICE BULLETIN: 29-C598 VK0680	002004 006999	RF
230	69B90191-4		..GASKET- POST SERVICE BULLETIN: 29-C598PTA VK0680	002004 006999	RF
235	M83248-1-216		..PACKING-SHAFT SEALING HYDR PUMP FOR SPARES PROCURE: 9216-787 V5F573 9216-797 V5F573 216-20018 2-216V1041-85 PRE SERVICE BULLETIN: 29-C912 VK0680	002004 006999	RF
235	216-20018		..PACKING-SHAFT SEALING HYD PUMP SUPPLIER CODE: V25184 POST SERVICE BULLETIN: 29-C912PTA VK0680	002004 006999	RF

MISSING ITEM NUMBERS NOT APPLICABLE

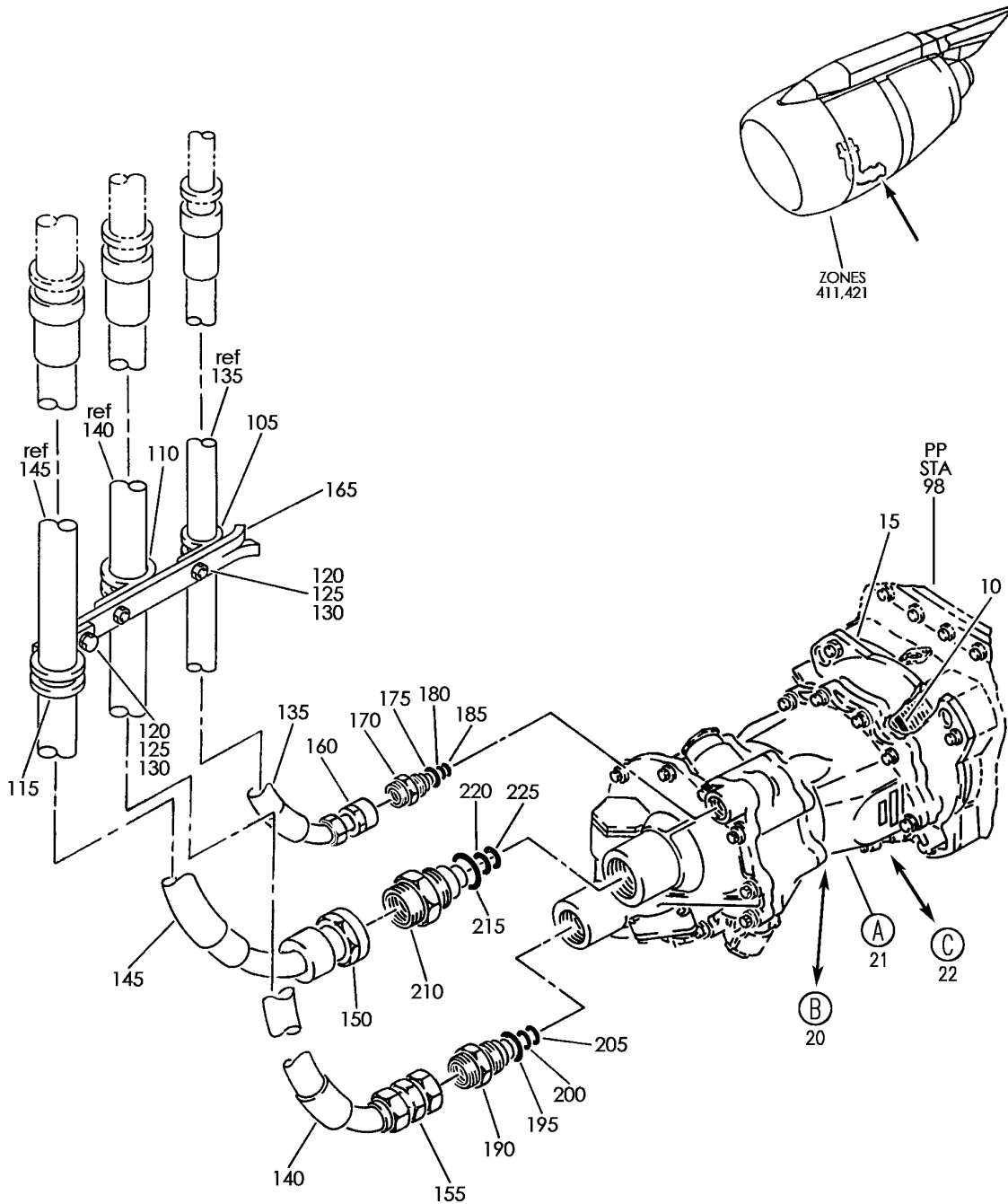
- ITEM NOT ILLUSTRATED

29-11-05-01

29-11-05
FIG. 01
PAGE 28
JAN 20/09

BRI

BOEING
757
PARTS CATALOG (MAINTENANCE)



Y 29110501B SHT 1 REV 268

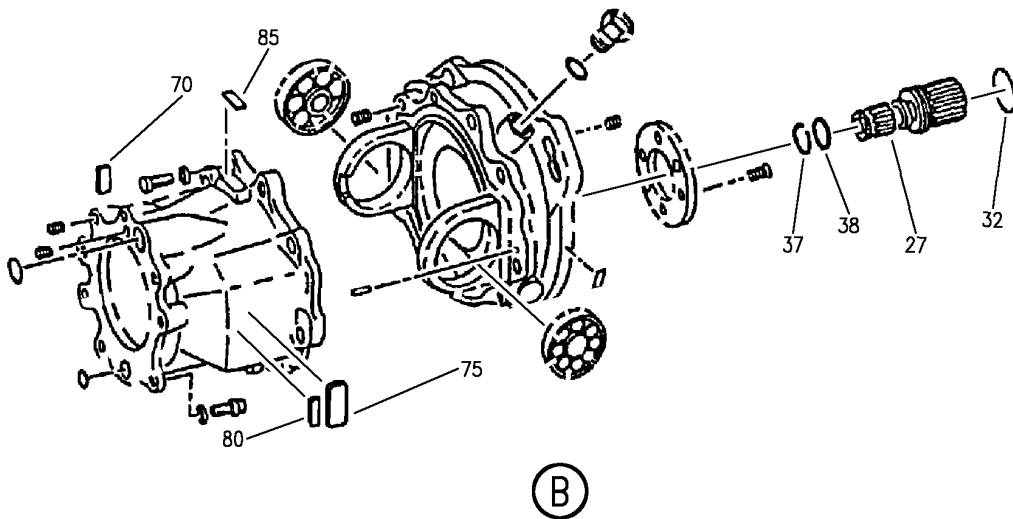
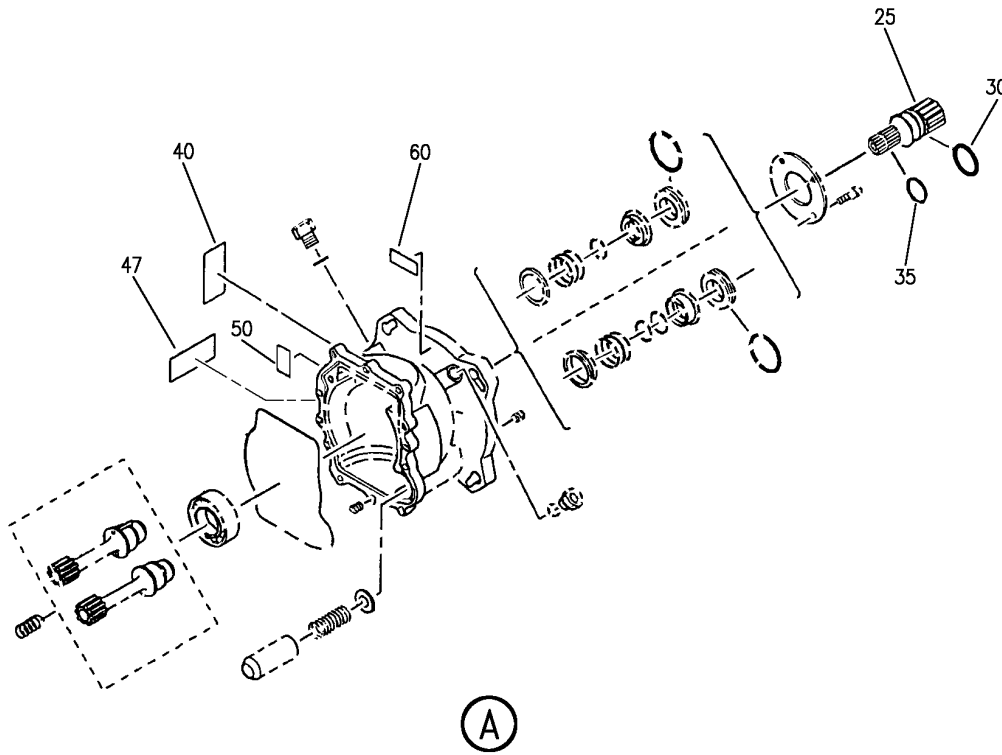
PUMP INSTL-VICKERS AND ABEX (RB211-535)
FIGURE 1B (SHEET 1)

29-11-05-01B

BRI
MAY 28/07

29-11-05-01B
PAGE 0

BOEING
757
PARTS CATALOG (MAINTENANCE)



Y 29110501B SHT 2 REV 302

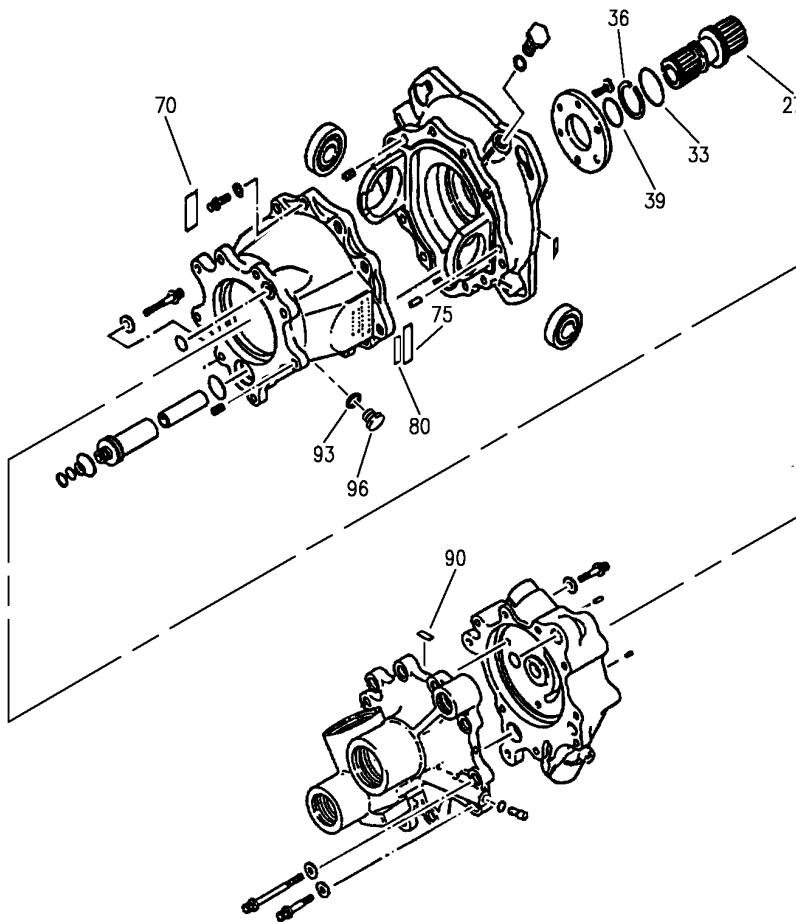
PUMP INSTL-VICKERS AND ABEX (RB211-535)
FIGURE 1B (SHEET 2)

BRI
MAY 28/07

29-11-05-01B

29-11-05-01B
PAGE 0A

BOEING
757
PARTS CATALOG (MAINTENANCE)



(C)

Y 29110501B SHT 3 REV 273

PUMP INSTL-VICKERS AND ABEX (RB211-535)
FIGURE 1B (SHEET 3)

29-11-05-01B

BRI
MAY 28/07

29-11-05-01B
PAGE 0B



757

PARTS CATALOG (MAINTENANCE)

FIG ITEM	PART NUMBER	1 2 3 4 5 6 7	NOMENCLATURE	EFFECT FROM TO	UNITS PER ASSY
1B			PUMP INSTL-VICKERS AND ABEX (RB211-535)	101106 108120 504903	
- 1	332N5001-22		PUMP INSTL-VICKERS FOR NHA SEE: 71-00-01-03A	108120	RF
- 1	332N5001-23		PUMP INSTL-VICKERS FOR NHA SEE: 71-00-01-03A	101102 504903	RF
- 1	MODREF13512		PUMP INSTL-VICKERS MODULE NUMBER: 332N5001-22 REV A	103106	1
10	9216-797		.PACKING- SUPPLIER CODE: V5F573 OPTIONAL PART: 2-216V1041-85 V02697 216-20018 V25184	101106 108120 504903	2
10	2-216V1041-85		.PACKING- SUPPLIER CODE: V02697 OPTIONAL PART: 9216-797 V72902 216-20018 V72902	101106 108120 504903	2
10	216-20018		.PACKING- SUPPLIER CODE: V25184 QUALIFIED I/W DATA: DO NOT USE M83248-1-216 OR 9216-787 FOR SPARES FOR 332N5001 OR 332N3120. REPLACE WITH 216-20018 OR 2-216V1041-85 OR 9216-797 FOR THESE USED ONS. OPTIONAL PART: 2-216V1041-85 V02697 9216-797 V72902	101106 108120 504903	2
15	69B90191-4		.GASKET-HYD	101106 108120 504903	2

MISSING ITEM NUMBERS NOT APPLICABLE

- ITEM NOT ILLUSTRATED

29-11-05-01B

29-11-05
FIG. 01B
PAGE 1
JAN 20/09

BRI

BOEING PROPRIETARY - Copyright © - Unpublished Work - See title page for details.



757

PARTS CATALOG (MAINTENANCE)

FIG ITEM	PART NUMBER	1 2 3 4 5 6 7	NOMENCLATURE	EFFECT FROM TO	UNITS PER ASSY
1B 20	350880-7		.PUMP ASSY-HYD SUPPLIER CODE: V62983 SPECIFICATION NUMBER: 60B00200-4 ELECTRICAL EQUIP NUMBER: V10027 COMPONENT MAINT MANUAL REF: 29-11-04 QUALIFIED I/W DATA: 350880-7 OR 350880-6 I/W 4205401 SUBJECT TO CUSTOMER PREFERENCE FOR 757 OPTIONAL PART: 350880-3 V62983 OPTIONAL PART: 350880-6 V62983	101106 108120 504903	2
20	350880-6		.PUMP ASSY-HYD SUPPLIER CODE: V62983 SPECIFICATION NUMBER: 60B00200-5 ELECTRICAL EQUIP NUMBER: V10027 COMPONENT MAINT MANUAL REF: 29-11-03 QUALIFIED I/W DATA: 350880-7 OR 350880-6 CAN REPLACE OR BE REPLACED BY 4205401 FOR 757 SUBJECT TO CUSTOMER PREFERENCE. OPTIONAL PART: 350880-7 V62983	101106 108120 504903	2

MISSING ITEM NUMBERS NOT APPLICABLE

- ITEM NOT ILLUSTRATED

29-11-05-01B

29-11-05
FIG. 01B
PAGE 2
JAN 20/09

BRI



757

PARTS CATALOG (MAINTENANCE)

FIG ITEM	PART NUMBER	1 2 3 4 5 6 7	NOMENCLATURE	EFFECT FROM TO	UNITS PER ASSY
1B 22	887673	.	PUMP ASSY-HYD SUPPLIER CODE: V62983 FUNCTIONAL DESCRIPTION: PRIMARY SOURCE OF HYDRAULI HYDRAULIC PRESSURE FOR THE LEFT & RIGHT HYDR. SYSTEM. SPECIFICATION NUMBER: 60B00200-12 COMPONENT MAINT MANUAL REF: 29-11-34 QUALIFIED I/W DATA: 887673 I/W 4205401 SUBJECT TO CUSTOMER PREFERENCE FOR 757 ONLY OPTIONAL PART: 3031863-001 V62983	101106 108120 504903	2
22	3031863-001	.	PUMP ASSY-HYD SUPPLIER CODE: V62983 SPECIFICATION NUMBER: 60B00200-12 OPTIONAL PART: 887673 V62983	101106 108120 504903	2
27	346937	..	SHAFT-CPLG SUPPLIER CODE: V62983 SB DATA FROM A CMM: PRE 350880-7-29-27 USED ON: 350880-7	101106 108120 504903	1
27	887584	..	SHAFT-CPLG SUPPLIER CODE: V62983 SB DATA FROM A CMM: POST 350880-7-29-27 USED ON: 350880-7	101106 108120 504903	1
27	346937	..	SHAFT-CPLG SUPPLIER CODE: V62983 SB DATA FROM A CMM: PRE 350880-6-29-36 USED ON: 350880-6	101106 108120 504903	1

MISSING ITEM NUMBERS NOT APPLICABLE

- ITEM NOT ILLUSTRATED

29-11-05-01B

29-11-05
FIG. 01B
PAGE 3
JAN 20/09

BRI

BOEING PROPRIETARY - Copyright © - Unpublished Work - See title page for details.



757

PARTS CATALOG (MAINTENANCE)

FIG ITEM	PART NUMBER	1 2 3 4 5 6 7	NOMENCLATURE	EFFECT FROM TO	UNITS PER ASSY
1B					
27	887584	..	SHAFT-CPLG SUPPLIER CODE: V62983 SB DATA FROM A CMM: POST 350880-6-29-36 USED ON: 350880-6	101106 108120 504903	1
27	346937	..	SHAFT-CPLG SUPPLIER CODE: V62983 SB DATA FROM A CMM: PRE 623977-29-07 USED ON: 887673	101106 108120 504903	1
27	887584	..	SHAFT-CPLG SUPPLIER CODE: V62983 SB DATA FROM A CMM: POST 623977-29-07 USED ON: 887673	101106 108120 504903	1
32	M83248-1-216	..	PACKING- SB DATA FROM A CMM: PRE 350880-7-29-17 CONFIG CHG DATA FROM A CMM: SUPSD BY 624912 USED ON: 350880-7	101106 108120 504903	1
32	624912	..	PACKING- SUPPLIER CODE: V62983 SB DATA FROM A CMM: POST 350880-7-29-17 CONFIG CHG DATA FROM A CMM: SUPERSEDES M83248-1-216 USED ON: 350880-7	101106 108120 504903	1
32	M83248-1-216	..	PACKING- SB DATA FROM A CMM: POST 350880-6-29-18 PRE 350880-6-29-27 CONFIG CHG DATA FROM A CMM: SUPSD BY 624912 SUPERSEDES MS29561-216 USED ON: 350880-6	101106 108120 504903	1

MISSING ITEM NUMBERS NOT APPLICABLE

- ITEM NOT ILLUSTRATED

29-11-05-01B

29-11-05
FIG. 01B
PAGE 4
JAN 20/09

BRI

BOEING PROPRIETARY - Copyright © - Unpublished Work - See title page for details.



757

PARTS CATALOG (MAINTENANCE)

FIG ITEM	PART NUMBER	1 2 3 4 5 6 7	NOMENCLATURE	EFFECT FROM TO	UNITS PER ASSY
1B 32	624912		..PACKING- SUPPLIER CODE: V62983 SB DATA FROM A CMM: POST 350880-6-29-27 CONFIG CHG DATA FROM A CMM: SUPERSEDES M83248-1-216 USED ON: 350880-6	101106 108120 504903	1
32	MS29561-216		..PACKING- SB DATA FROM A CMM: PRE 350880-6-29-18 CONFIG CHG DATA FROM A CMM: SUPSD BY M83248-1-216 USED ON: 350880-6	101106 108120 504903	1
33	624912		..PACKING- SUPPLIER CODE: V62983 USED ON: 887673	101106 108120 504903	1
36	343463		..RING-RETAINING SUPPLIER CODE: V93835 USED ON: 887673	101106 108120 504903	1
37	343463		..RING-RETAINING SUPPLIER CODE: V93835 USED ON: 350880-6 350880-7	101106 108120 504903	1
38	NAS1611-119		..PACKING- SB DATA FROM A CMM: PRE 350880-7-29-7 USED ON: 350880-7	101106 108120 504903	1
38	271158		..PACKING- SUPPLIER CODE: V62983 SB DATA FROM A CMM: PRE 350880-6-29-36 USED ON: 350880-6	101106 108120 504903	1
39	NAS1611-119		..PACKING- USED ON: 887673	101106 108120 504903	1

MISSING ITEM NUMBERS NOT APPLICABLE

- ITEM NOT ILLUSTRATED

29-11-05-01B

29-11-05
FIG. 01B
PAGE 5
JAN 20/09

BRI

BOEING PROPRIETARY - Copyright © - Unpublished Work - See title page for details.



757

PARTS CATALOG (MAINTENANCE)

FIG ITEM	PART NUMBER	1 2 3 4 5 6 7	NOMENCLATURE	EFFECT FROM TO	UNITS PER ASSY
1B					
70	388159		.. PLATE-MOD RECORD SUPPLIER CODE: V62983 OPTIONAL PART: 731580 V62983 847788 V62983 USED ON: 350880-7	101106 108120 504903	1
70	731580		.. PLATE-MOD RECORD SUPPLIER CODE: V62983 OPTIONAL PART: 388159 V62983 847788 V62983 USED ON: 350880-7	101106 108120 504903	1
70	847788		.. PLATE-MOD RECORD SUPPLIER CODE: V62983 OPTIONAL PART: 388159 V62983 731580 V62983 USED ON: 350880-7	101106 108120 504903	1
70	388159		.. PLATE-MOD RECORD SUPPLIER CODE: V62983 SB DATA FROM A CMM: PRE 350880-6-29-31 OPTIONAL PART: 731580 V62983 847788 V62983 USED ON: 350880-6	101106 108120 504903	1

MISSING ITEM NUMBERS NOT APPLICABLE

- ITEM NOT ILLUSTRATED

29-11-05-01B

29-11-05
FIG. 01B
PAGE 6
JAN 20/09

BRI

BOEING PROPRIETARY - Copyright © - Unpublished Work - See title page for details.



757

PARTS CATALOG (MAINTENANCE)

FIG ITEM	PART NUMBER	1 2 3 4 5 6 7	NOMENCLATURE	EFFECT FROM TO	UNITS PER ASSY
1B 70	731580		..PLATE-MOD RECORD SUPPLIER CODE: V62983 SB DATA FROM A CMM: POST 350880-6-29-31 OPTIONAL PART: 388159 V62983 847788 V62983 USED ON: 350880-6	101106 108120 504903	1
70	847788		..PLATE-MOD RECORD SUPPLIER CODE: V62983 OPTIONAL PART: 388159 V62983 731580 V62983 USED ON: 350880-6	101106 108120 504903	1
70	388159		..PLATE-MOD RECORD SUPPLIER CODE: V62983 USED ON: 887673	101106 108120 504903	1
75	343886		..PLATE-IDENT SUPPLIER CODE: V62983 CONFIG CHG DATA FROM A CMM: SUPSD BY 569292 USED ON: 350880-6 350880-7	101106 108120 504903	1
75	569292		..PLATE-IDENT SUPPLIER CODE: V62983 CONFIG CHG DATA FROM A CMM: SUPERSEDES 343886 USED ON: 350880-6 350880-7	101106 108120 504903	1
75	569292		..PLATE-IDENT SUPPLIER CODE: V62983 USED ON: 887673	101106 108120 504903	1

MISSING ITEM NUMBERS NOT APPLICABLE

- ITEM NOT ILLUSTRATED

29-11-05-01B

29-11-05
FIG. 01B
PAGE 7
JAN 20/09

BRI

BOEING PROPRIETARY - Copyright © - Unpublished Work - See title page for details.



757

PARTS CATALOG (MAINTENANCE)

FIG ITEM	PART NUMBER	1 2 3 4 5 6 7	NOMENCLATURE	EFFECT FROM TO	UNITS PER ASSY
1B					
80	401515		..PLATE-FLUID IDENT SUPPLIER CODE: V62983 USED ON: 350880-6 350880-7 887673	101106 108120 504903	1
85	344952		..PLATE-INSTRUCTION SUPPLIER CODE: V62983 USED ON: 350880-6 350880-7	101106 108120 504903	1
90	344952		..PLATE-INSTRUCTION SUPPLIER CODE: V62983 USED ON: 887673	101106 108120 504903	1
- 100	332N5001-18		PUMP INSTL- QECU KIT FOR NHA SEE: 71-00-01-02	101102 108120 504903	RF
- 100	MODREF24583		PUMP INSTL- QECU KIT MODULE NUMBER: 332N5001-24 REV B	103106	1
105	TA025028-15		.CLIP- SUPPLIER CODE: V84971	101106 108120 504903	2
110	TA025028-23		.CLIP- SUPPLIER CODE: V84971	101106 108120 504903	2
115	TA025028-27		.CLIP- SUPPLIER CODE: V84971	101106 108120 504903	2
120	AS21409		.BOLT	101106 108120 504903	6
125	K8831		.WASHER- SUPPLIER CODE: VK0680	101106 108120 504903	6
130	AS20624		.NUT	101106 108120 504903	6

MISSING ITEM NUMBERS NOT APPLICABLE

- ITEM NOT ILLUSTRATED

29-11-05-01B

29-11-05
FIG. 01B
PAGE 8
JAN 20/09

BRI

BOEING PROPRIETARY - Copyright © - Unpublished Work - See title page for details.



757

PARTS CATALOG (MAINTENANCE)

FIG ITEM	PART NUMBER	1 2 3 4 5 6 7	NOMENCLATURE	EFFECT FROM TO	UNITS PER ASSY
1B 135	AE709565-1		.HOSE ASSY-DRAIN (SHORTENED) SUPPLIER CODE: VK1016 OPTIONAL PART: 103524456 VU1603	101106 108120 504903	2
135	103524456		.HOSE ASSY-DRAIN (SHORTENED) SUPPLIER CODE: VU1603 OPTIONAL PART: AE709565-1 VK1016	101106 108120 504903	2
140	AE709566-1		.HOSE ASSY-PRESSURE (SHORTENED) SUPPLIER CODE: VK1016 OPTIONAL PART: 163624455 VU1603	101106 108120 504903	2
140	163624455		.HOSE ASSY-PRESSURE (SHORTENED) SUPPLIER CODE: VU1603 OPTIONAL PART: AE709566-1 VK1016	101106 108120 504903	2
145	107316		.HOSE ASSY-SUPPLY SUPPLIER CODE: VU0054 OPTIONAL PART: AE706332-2 VK1016	101106 108120 504903	2
145	AE706332-2		.HOSE ASSY-SUPPLY SUPPLIER CODE: VK1016 OPTIONAL PART: 107316 VU0054	101106 108120 504903	2
150	AE81520N		.CONNECTOR ASSY-SUPPLY SUPPLIER CODE: VK1016 OPTIONAL PART: 152520-1-20EW VU0054 108157-20 V78570	101106 108120 504903	2

MISSING ITEM NUMBERS NOT APPLICABLE

- ITEM NOT ILLUSTRATED

29-11-05-01B

29-11-05
FIG. 01B
PAGE 9
JAN 20/09

BRI



757

PARTS CATALOG (MAINTENANCE)

FIG ITEM	PART NUMBER	1 2 3 4 5 6 7	NOMENCLATURE	EFFECT FROM TO	UNITS PER ASSY
1B 150	152520-1-20EW	.	CONNECTOR ASSY-SUPPLY SUPPLIER CODE: VK0685 OPTIONAL PART: AE81520N V98625 108157-20 V78570	101106 108120 504903	2
155	108157-16	.	CONNECTOR ASSY-PRESSURE SUPPLIER CODE: V78570 OPTIONAL PART: AE81854M VK1016 152516-1-16E VU0054	101106 108120 504903	2
155	AE81854M	.	CONNECTOR ASSY-PRESSURE SUPPLIER CODE: VK1016 OPTIONAL PART: 108157-16 V78570 152516-1-16E VU0054	101106 108120 504903	2
155	152516-1-16E	.	CONNECTOR ASSY-PRESSURE SUPPLIER CODE: VK0685 OPTIONAL PART: 108157-16 V78570 AE81854M VK1016	101106 108120 504903	2
160	AE81480J	.	CONNECTOR ASSY-DRAIN SUPPLIER CODE: VK1016 OPTIONAL PART: 152510-1-10E VU0054 108157-10 V78570	101106 108120 504903	2
160	152510-1-10E	.	CONNECTOR ASSY-DRAIN SUPPLIER CODE: VK0685 OPTIONAL PART: AE81480J VK1016 108157-10 V78570	101106 108120 504903	2

MISSING ITEM NUMBERS NOT APPLICABLE

- ITEM NOT ILLUSTRATED

29-11-05-01B

29-11-05
FIG. 01B
PAGE 10
JAN 20/09

BRI



757

PARTS CATALOG (MAINTENANCE)

FIG ITEM	PART NUMBER	1 2 3 4 5 6 7	NOMENCLATURE	EFFECT FROM TO	UNITS PER ASSY
1B 165	UL23137		.BRACKET- SUPPLIER CODE: VK0680	101106 108120 504903	2
170	BACA14AZ10A8T		.ADAPTER-	101106 108120 504903	2
175	NAS1612-8		.PACKING-PREFORMED RING CASE DRAIN TUBE OPTIONAL PART: NAS1602-908	101106 108120 504903	2
175	NAS1602-908		.PACKING-PREFORMED RING CASE DRAIN TUBE OPTIONAL PART: NAS1612-8	101106 108120 504903	2
180	C11236-111B		.RING-BACK-UP SUPPLIER CODE: V26879 SPECIFICATION NUMBER: BACR12BM111 OPTIONAL PART: RMR12BM111 V94878 STF800-111 V02107 S30294-111-1 V97820 TF450-111A V07128 2100-111 V26303 CASE DRAIN TUBE	101106 108120 504903	2
185	NAS1611-111		.SEAL-RING-CASE DRAIN TUBE OPTIONAL PART: NAS1601-111	101106 108120 504903	2
185	NAS1601-111		.PACKING-RING-CASE DRAIN TUBE OPTIONAL PART: NAS1611-111	101106 108120 504903	2

MISSING ITEM NUMBERS NOT APPLICABLE

- ITEM NOT ILLUSTRATED

29-11-05-01B

29-11-05
FIG. 01B
PAGE 11
JAN 20/09

BRI

BOEING PROPRIETARY - Copyright © - Unpublished Work - See title page for details.



757

PARTS CATALOG (MAINTENANCE)

FIG ITEM	PART NUMBER	1 2 3 4 5 6 7	NOMENCLATURE	EFFECT FROM TO	UNITS PER ASSY
1B 190	DB0A14AZ16T		.ADAPTER- SUPPLIER CODE: V14798 SPECIFICATION NUMBER: BACA14AZ16AT OPTIONAL PART: ER10724-16T V88334 2-01028-16T V11328 3178716T V14397 467-1122-16T V50948 US1934-16T V50808 AFP233-16-16T V30974 AP1005-16T V01673	101106 108120 504903	2
195	NAS1612-16		.PACKING-PREFORMED RING PRESSURE TUBE OPTIONAL PART: NAS1602-916	101106 108120 504903	2
195	NAS1602-916		.PACKING-PREFORMED RING PRESSURE TUBE OPTIONAL PART: NAS1612-16	101106 108120 504903	2
200	C11236-212B		.RING-BACK-UP SUPPLIER CODE: V26879 SPECIFICATION NUMBER: BACR12BM212 OPTIONAL PART: RMR12BM212 V94878 STF800-212 V02107 S30294-212-1 V97820 TF450-212A V07128 2100-212 V26303 PRESSURE TUBE	101106 108120 504903	2
205	NAS1611-212		.SEAL-RING PRESSURE TUBE OPTIONAL PART: NAS1601-212	101106 108120 504903	2

MISSING ITEM NUMBERS NOT APPLICABLE

- ITEM NOT ILLUSTRATED

29-11-05-01B

29-11-05
FIG. 01B
PAGE 12
JAN 20/09

BRI

BOEING PROPRIETARY - Copyright © - Unpublished Work - See title page for details.



757

PARTS CATALOG (MAINTENANCE)

FIG ITEM	PART NUMBER	1 2 3 4 5 6 7	NOMENCLATURE	EFFECT FROM TO	UNITS PER ASSY
1B 205	NAS1601-212		.PACKING-RING PRESSURE TUBE OPTIONAL PART: NAS1611-212	101106 108120 504903	2
210	DB0A14AZ20T		.ADAPTER- SUPPLIER CODE: V14798 SPECIFICATION NUMBER: BACA14AZ20AT OPTIONAL PART: ER10724-20T V88334 2-01028-20T V11328 3178720T V14397 467-1122-20T V50948 US1934-20T V50808 AFP233-20-20T V30974 AP1005-20T V01673	101106 108120 504903	2
215	NAS1612-20		.PACKING-PREFORMED RING SUPPLY TUBE OPTIONAL PART: NAS1602-920	101106 108120 504903	2
215	NAS1602-920		.PACKING-PREFORMED RING SUPPLY TUBE OPTIONAL PART: NAS1612-20	101106 108120 504903	2
220	C11236-217B		.RING-BACK-UP SUPPLY TUBE SUPPLIER CODE: V26879	101106 108120 504903	2
225	NAS1611-217		.SEAL-RING SUPPLY TUBE OPTIONAL PART: NAS1601-217	101106 108120 504903	2
225	NAS1601-217		.PACKING-RING SUPPLY TUBE OPTIONAL PART: NAS1611-217	101106 108120 504903	2
- 230	AS3510-0218K		.SAFETY CABLE- OPTIONAL PART: MS20995NC32	101106 108120 504903	6

MISSING ITEM NUMBERS NOT APPLICABLE

- ITEM NOT ILLUSTRATED

29-11-05-01B

29-11-05
FIG. 01B
PAGE 13
JAN 20/09

BRI

BOEING PROPRIETARY - Copyright © - Unpublished Work - See title page for details.



757

PARTS CATALOG (MAINTENANCE)

FIG ITEM	PART NUMBER	1 2 3 4 5 6 7	NOMENCLATURE	EFFECT FROM TO	UNITS PER ASSY
1B - 230	MS20995NC32		. LOCK WIRE- OPTIONAL PART: AS3510-0218K	101106 108120 504903	6

MISSING ITEM NUMBERS NOT APPLICABLE

- ITEM NOT ILLUSTRATED

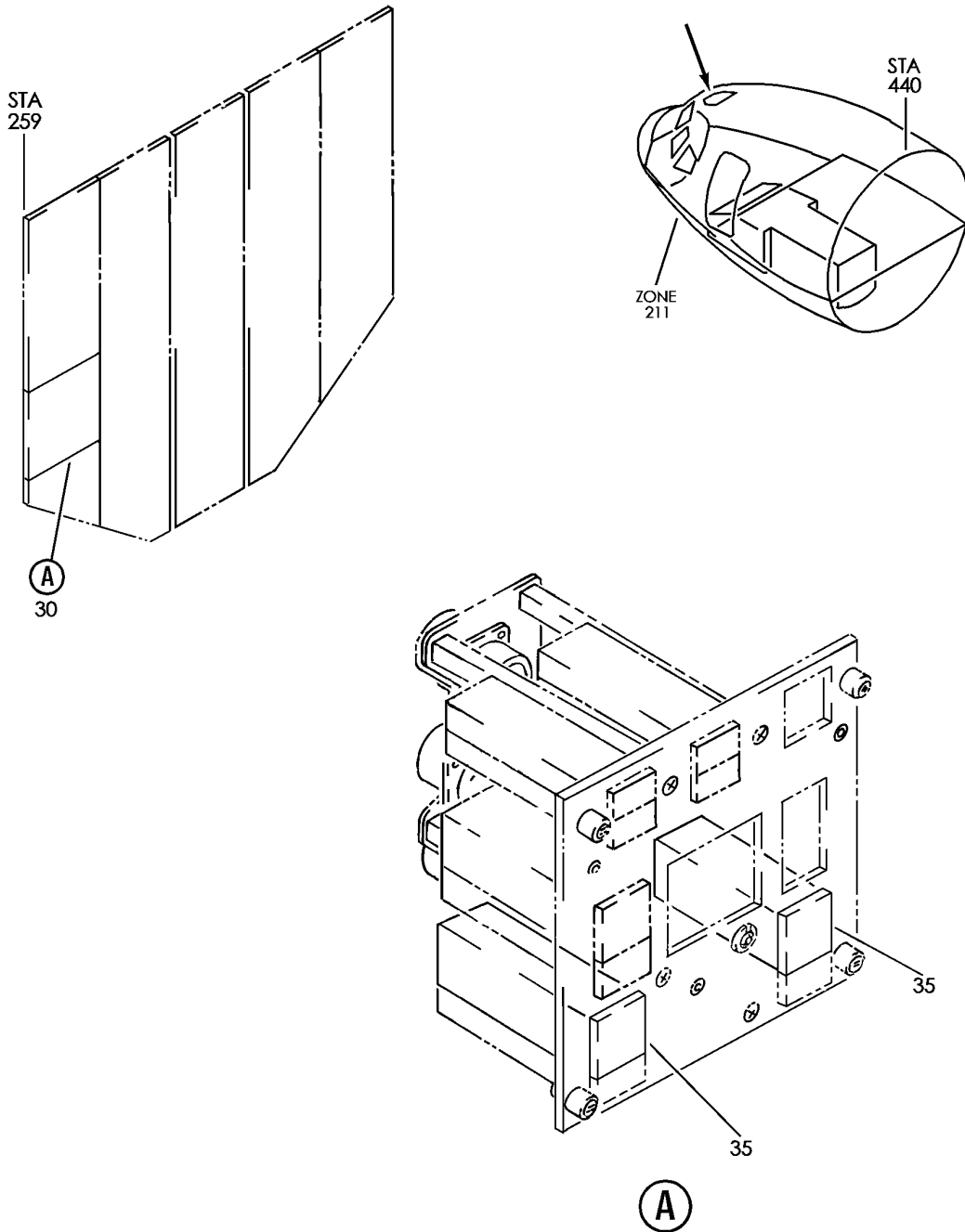
BRI

29-11-05-01B

BOEING PROPRIETARY - Copyright © - Unpublished Work - See title page for details.

29-11-05
FIG. 01B
PAGE 14
JAN 20/09

BOEING
757
PARTS CATALOG (MAINTENANCE)



Y 29110504 REV 240

PANEL INSTL-P5 OVHD (ENGINE-DRIVEN PUMP (EDP) ONLY)
FIGURE 4

29-11-05-04

BRI
MAY 28/07

29-11-05-04
PAGE 0



757

PARTS CATALOG (MAINTENANCE)

FIG ITEM	PART NUMBER	1 2 3 4 5 6 7	NOMENCLATURE	EFFECT FROM TO	UNITS PER ASSY
4			PANEL INSTL-P5 OVHD (ENGINE-DRIVEN PUMP (EDP) ONLY)	101106 108120 504903	
- 3	233N3103-59		PANEL INSTL-P5 OVHD (ENGINE-DRIVEN PUMP (EDP) ONLY) FOR NHA/OTHER SYS DET SEE: 25-10-00-15E	108120	RF
- 5	233N3103-132		PANEL INSTL-P5 OVHD (ENGINE-DRIVEN PUMP (EDP) ONLY) FOR NHA/OTHER SYS DET SEE: 25-10-00-15E	101102	RF
- 5	233N3103-136		PANEL INSTL-P5 OVHD (ENGINE-DRIVEN PUMP (EDP) ONLY) FOR NHA/OTHER SYS DET SEE: 25-10-00-15E	504903	RF
- 7	MODREF33760		PANEL INSTL-P5 OVHD (ENGINE-DRIVEN PUMP (EDP) ONLY) MODULE NUMBER: 233N3103-351 REV C FOR OTHER SYS DETAILS SEE: 11-31-10-12 21-25-55-03 21-31-01-02 21-33-51-03 21-51-54-03 21-58-19-10 21-58-51-03 21-61-04-03 21-65-51-01 22-21-01-04 22-24-51-02 23-24-01-01 23-32-00-11 23-42-02-02 23-71-05-02 24-11-52-05 24-22-01-03 24-31-01-10 24-31-03-09 24-33-04-01 24-41-51-04 24-51-62-01 26-18-51-04 27-21-53-02 27-41-55-01	103103	1

MISSING ITEM NUMBERS NOT APPLICABLE

- ITEM NOT ILLUSTRATED

29-11-05-04

29-11-05
FIG. 04
PAGE 1
JAN 20/09

BRI



757

PARTS CATALOG (MAINTENANCE)

FIG ITEM	PART NUMBER	1 2 3 4 5 6 7	NOMENCLATURE	EFFECT FROM TO	UNITS PER ASSY
4			27-61-51-03 27-62-52-02 28-22-51-02 28-41-04-01 28-41-51-03 29-21-54-03 29-31-00-01 29-32-51-03 29-33-52-03 30-11-51-03 30-21-51-03 30-31-51-02 30-32-51-01 30-33-51-02 30-41-51-03 30-42-51-03 31-12-11-91 31-12-11-91 A 32-42-52-03 33-11-03-03 33-11-51-17 33-13-01-65 33-13-02-03 33-16-51-03 33-24-51-02 33-41-52-04 33-42-01-04 33-42-02-04 33-42-52-04 33-43-51-04 33-44-51-05 33-45-53-03 33-51-08-05 34-21-02-01 35-21-51-04 36-11-04-01 36-21-00-01 36-21-02-05 36-22-51-03 49-41-00-02 49-52-00-01 49-70-00-01 52-51-51-03 52-71-51-02 73-21-52-02 74-31-51-05 75-32-00-01 80-11-09-02		
- 7	MODREF34038		PANEL INSTL-P5 OVHD	104105	1

MISSING ITEM NUMBERS NOT APPLICABLE

- ITEM NOT ILLUSTRATED

BRI

29-11-05-04

29-11-05
FIG. 04
PAGE 2
JAN 20/09



757

PARTS CATALOG (MAINTENANCE)

FIG ITEM	PART NUMBER	1 2 3 4 5 6 7	NOMENCLATURE	EFFECT FROM TO	UNITS PER ASSY
4			(ENGINE-DRIVEN PUMP (EDP) ONLY) MODULE NUMBER: 233N3103-351 REV D FOR OTHER SYS DETAILS SEE: 11-31-10-12 21-25-55-03 21-31-01-02 21-33-51-03 21-51-54-03 21-58-19-10 21-58-51-03 21-61-04-03 21-65-51-01 22-21-01-04 22-24-51-02 23-24-01-01 23-32-00-11 23-42-02-02 23-71-05-02 24-11-52-05 24-22-01-03 24-31-01-10 24-31-03-09 24-33-04-01 24-41-51-04 24-51-62-01 26-18-51-04 27-21-53-02 27-41-55-01 27-61-51-03 27-62-52-02 28-22-51-02 28-41-04-01 28-41-51-03 29-21-54-03 29-31-00-01 29-32-51-03 29-33-52-03 30-11-51-03 30-21-51-03 30-31-51-02 30-32-51-01 30-33-51-02 30-41-51-03 30-42-51-03 31-12-11-91 31-12-11-91A 32-42-52-03		
MISSING ITEM NUMBERS NOT APPLICABLE					

- ITEM NOT ILLUSTRATED

29-11-05-04

29-11-05
FIG. 04
PAGE 3
JAN 20/09

BRI



757

PARTS CATALOG (MAINTENANCE)

FIG ITEM	PART NUMBER	1 2 3 4 5 6 7	NOMENCLATURE	EFFECT FROM TO	UNITS PER ASSY
4			33-11-03-03 33-11-51-17 33-13-01-65 33-13-02-03 33-16-51-03 33-24-51-02 33-41-52-04 33-42-01-04 33-42-02-04 33-42-52-04 33-43-51-04 33-44-51-05 33-45-53-03 33-51-08-05 34-21-02-01 35-21-51-04 36-11-04-01 36-21-00-01 36-21-02-05 36-22-51-03 49-41-00-02 49-52-00-01 49-70-00-01 52-51-51-03 52-71-51-02 73-21-52-02 74-31-51-05 75-32-00-01 80-11-09-02		
-	8 MODREF170180		PANEL INSTL-P5 OVHD (ENGINE-DRIVEN PUMP (EDP) ONLY) MODULE NUMBER: 233N3103-353 REV B FOR OTHER SYS DETAILS SEE: 11-31-10-12 21-25-55-03 21-31-01-02 21-33-51-03 21-51-54-03 21-58-19-10 21-58-51-03 21-61-04-03 21-65-51-01 22-21-01-04 22-24-51-02 23-24-01-01 23-32-00-11 23-42-02-02	106106	1

MISSING ITEM NUMBERS NOT APPLICABLE

- ITEM NOT ILLUSTRATED

BRI

29-11-05-04

29-11-05
 FIG. 04
 PAGE 4
 JAN 20/09



757

PARTS CATALOG (MAINTENANCE)

FIG ITEM	PART NUMBER	1 2 3 4 5 6 7 NOMENCLATURE	EFFECT FROM TO	UNITS PER ASSY
4		23-71-05-02 24-11-52-05 24-22-01-03 24-31-01-10 24-31-03-09 24-33-04-01 24-41-51-04 24-51-62-01 26-18-51-04 27-21-53-02 27-41-55-01 27-61-51-03 27-62-52-02 28-22-51-02 28-41-04-01 28-41-51-03 29-21-54-03 29-31-00-01 29-32-51-03 29-33-52-03 30-11-51-03 30-21-51-03 30-31-51-02 30-32-51-01 30-33-51-02 30-41-51-03 30-42-51-03 31-12-11-84 31-12-11-84 A 32-42-52-03 33-11-03-03 33-11-51-17 33-13-01-65 33-13-02-03 33-16-51-03 33-24-51-02 33-41-52-04 33-42-01-04 33-42-02-04 33-42-52-04 33-43-51-04 33-44-51-05 33-45-53-03 33-51-08-05 34-21-02-01 35-21-51-04 36-11-04-01 36-21-00-01 36-21-02-05		

MISSING ITEM NUMBERS NOT APPLICABLE

- ITEM NOT ILLUSTRATED

29-11-05-04

29-11-05
FIG. 04
PAGE 5
JAN 20/09

BRI



757

PARTS CATALOG (MAINTENANCE)

FIG ITEM	PART NUMBER	1 2 3 4 5 6 7	NOMENCLATURE	EFFECT FROM TO	UNITS PER ASSY
4			36-22-51-03 49-41-00-02 49-52-00-01 49-70-00-01 52-51-51-03 52-71-51-02 73-21-52-02 74-31-51-05 75-32-00-01 80-11-09-02 FOR ADDITIONAL DETAILS SEE: 29-11-02-03 29-11-52-07		
- 25	233N3205-300	.	PANEL ASSY-HYDR SUPPLIER CODE: V89954 ELECTRICAL EQUIP NUMBER: M10050 COMPONENT MAINT MANUAL REF: 29-00-71 QUALIFIED I/W DATA: 233N3205-300 PANEL ASSY IS I/W 233N3205-24 PANEL ASSY T/W S233T100-6044 LIGHTPLATE	108120	RF
- 25	233N3205-302	.	PANEL ASSY-HYDR SUPPLIER CODE: V89954 ELECTRICAL EQUIP NUMBER: M10050 COMPONENT MAINT MANUAL REF: 29-00-71 QUALIFIED I/W DATA: 233N3205-302 PANEL ASSY IS I/W 233N3205-27 PANEL ASSY T/W S233T100-6060 LIGHTPLATE	101106 504903	RF
30	233N3205-24	..	PANEL ASSY- SUPPLIER CODE: V89954 COMPONENT MAINT MANUAL REF: 29-00-71 QUALIFIED I/W DATA: 233N3205-300 PANEL ASSY IS I/W 233N3205-24 PANEL ASSY T/W S233T100-6044 LIGHTPLATE	108120	RF

MISSING ITEM NUMBERS NOT APPLICABLE

- ITEM NOT ILLUSTRATED

29-11-05-04

29-11-05
FIG. 04
PAGE 6
JAN 20/09

BRI



757

PARTS CATALOG (MAINTENANCE)

FIG ITEM	PART NUMBER	1 2 3 4 5 6 7	NOMENCLATURE	EFFECT FROM TO	UNITS PER ASSY
4 30	233N3205-27		..PANEL ASSY- SUPPLIER CODE: V89954 COMPONENT MAINT MANUAL REF: 29-00-71 QUALIFIED I/W DATA: 233N3205-302 PANEL ASSY IS I/W 233N3205-27 PANEL ASSY T/W S233T100-6060 LIGHTPLATE	101106 504903	RF
35	BCREFA0507		...SWITCH ASSY-LIGHTED PUSH BUTTON IND SUPPLIER CODE: V81590 OVERLENGTH PART NUMBER: 433-673-1004-4020 SPECIFICATION NUMBER: S231T290-4020 FOR DETAILS SEE: 33-13-00-49	101106 108120 504903	2
35	851-35100-5020		...SWITCH ASSY-LIGHTED PUSH BUTTON IND SUPPLIER CODE: V96182 SPECIFICATION NUMBER: S231T290-5020 OPTIONAL PART: 4336731004-4220 V81590	101106 108120 504903	2
35	851-30768-2020		...SWITCH ASSY-LIGHTED PUSH BUTTON IND ON/PRESS SUPPLIER CODE: V96182 SPECIFICATION NUMBER: S231T290-2020 FOR DETAILS SEE: 33-13-00-29	101106 108120 504903	2
35	851-30768-3020		...SWITCH ASSY-LIGHTED PUSH BUTTON IND ON/PRESS SUPPLIER CODE: V96182 SPECIFICATION NUMBER: S231T290-3020 FOR DETAILS SEE: 33-13-00-39	101106 108120 504903	2

MISSING ITEM NUMBERS NOT APPLICABLE

- ITEM NOT ILLUSTRATED

29-11-05-04

29-11-05
FIG. 04
PAGE 7
JAN 20/09

BRI



757

PARTS CATALOG (MAINTENANCE)

FIG ITEM	PART NUMBER	1 2 3 4 5 6 7	NOMENCLATURE	EFFECT FROM TO	UNITS PER ASSY
4 35	4336731004-4220		...SWITCH ASSY-LIGHTED PUSH BUTTON IND SUPPLIER CODE: V81590 SPECIFICATION NUMBER: S231T290-4220 OPTIONAL PART: 851-35100-5020 V96182	101106 108120 504903	2

MISSING ITEM NUMBERS NOT APPLICABLE

- ITEM NOT ILLUSTRATED

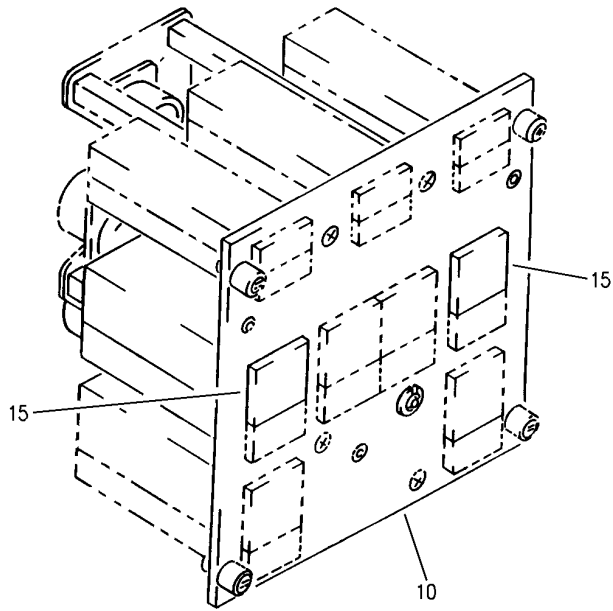
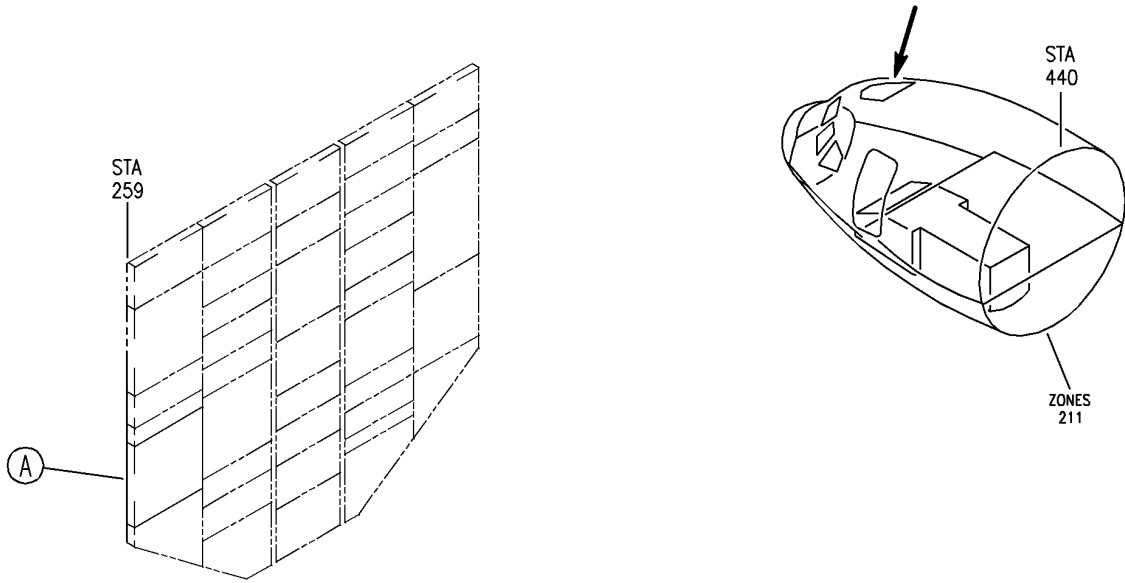
BRI

29-11-05-04

BOEING PROPRIETARY - Copyright © - Unpublished Work - See title page for details.

29-11-05
FIG. 04
PAGE 8
JAN 20/09

BOEING
757
PARTS CATALOG (MAINTENANCE)



Y 29110505 REV 241

PANEL INSTL-OVHD (ENGINE-DRIVEN PUMP (EDP) ONLY)
FIGURE 5

29-11-05-05

BRI
MAY 28/07

29-11-05-05
PAGE 0



757

PARTS CATALOG (MAINTENANCE)

FIG ITEM	PART NUMBER	1 2 3 4 5 6 7	NOMENCLATURE	EFFECT FROM TO	UNITS PER ASSY
5			PANEL INSTL-OVHD (ENGINE-DRIVEN PUMP (EDP) ONLY)	011100	
- 1	233N3101-1		PANEL INSTL-OVHD (ENGINE DRIVEN PUMP (EDP) ONLY) VARIABLE DRAWING REF: 233N3101-5142 FOR NHA/OTHER SYS DET SEE: 25-10-00-05A	011100	RF
- 5	233N3205-302		.PANEL ASSY-HYDR SUPPLIER CODE: V89954 COMPONENT MAINT MANUAL REF: 29-00-71 QUALIFIED I/W DATA: 233N3205-302 PANEL ASSY IS I/W 233N3205-27 PANEL ASSY T/W S233T100-6060 LIGHTPLATE	011100	RF
10	233N3205-27		..PANEL ASSY-HYDR SUPPLIER CODE: V89954 ELECTRICAL EQUIP NUMBER: M10050 COMPONENT MAINT MANUAL REF: 29-00-71 QUALIFIED I/W DATA: 233N3205-302 PANEL ASSY IS I/W 233N3205-27 PANEL ASSY T/W S233T100-6060 LIGHTPLATE	011100	1
15	BCREFA0507		...SWITCH ASSY-LIGHTED PUSH BUTTON IND SUPPLIER CODE: V81590 OVERLENGTH PART NUMBER: 433-673-1004-4020 SPECIFICATION NUMBER: S231T290-4020 FOR DETAILS SEE: 33-13-00-49	011100	2

MISSING ITEM NUMBERS NOT APPLICABLE

- ITEM NOT ILLUSTRATED

BRI

29-11-05-05

29-11-05
FIG. 05
PAGE 1
JAN 20/09



757

PARTS CATALOG (MAINTENANCE)

FIG ITEM	PART NUMBER	1 2 3 4 5 6 7	NOMENCLATURE	EFFECT FROM TO	UNITS PER ASSY
5					
15	851-30768-2020	...	SWITCH ASSY-LIGHTED PUSH BUTTON IND ON/PRESS SUPPLIER CODE: V96182 SPECIFICATION NUMBER: S231T290-2020 FOR DETAILS SEE: 33-13-00-29	011100	2
15	851-30768-3020	...	SWITCH ASSY-LIGHTED PUSH BUTTON IND ON/PRESS SUPPLIER CODE: V96182 SPECIFICATION NUMBER: S231T290-3020 FOR DETAILS SEE: 33-13-00-29	011100	2
15	851-35100-5020	...	SWITCH ASSY-LIGHTED PUSH SUPPLIER CODE: V96182 SPECIFICATION NUMBER: S231T290-5020 OPTIONAL PART: 4336731004-4220 V81590	011100	2
15	4336731004-4220	...	SWITCH ASSY-LIGHTED PUSH BUTTON IND SUPPLIER CODE: V81590 SPECIFICATION NUMBER: S231T290-4220 OPTIONAL PART: 851-35100-5020 V96182	011100	2

MISSING ITEM NUMBERS NOT APPLICABLE

- ITEM NOT ILLUSTRATED

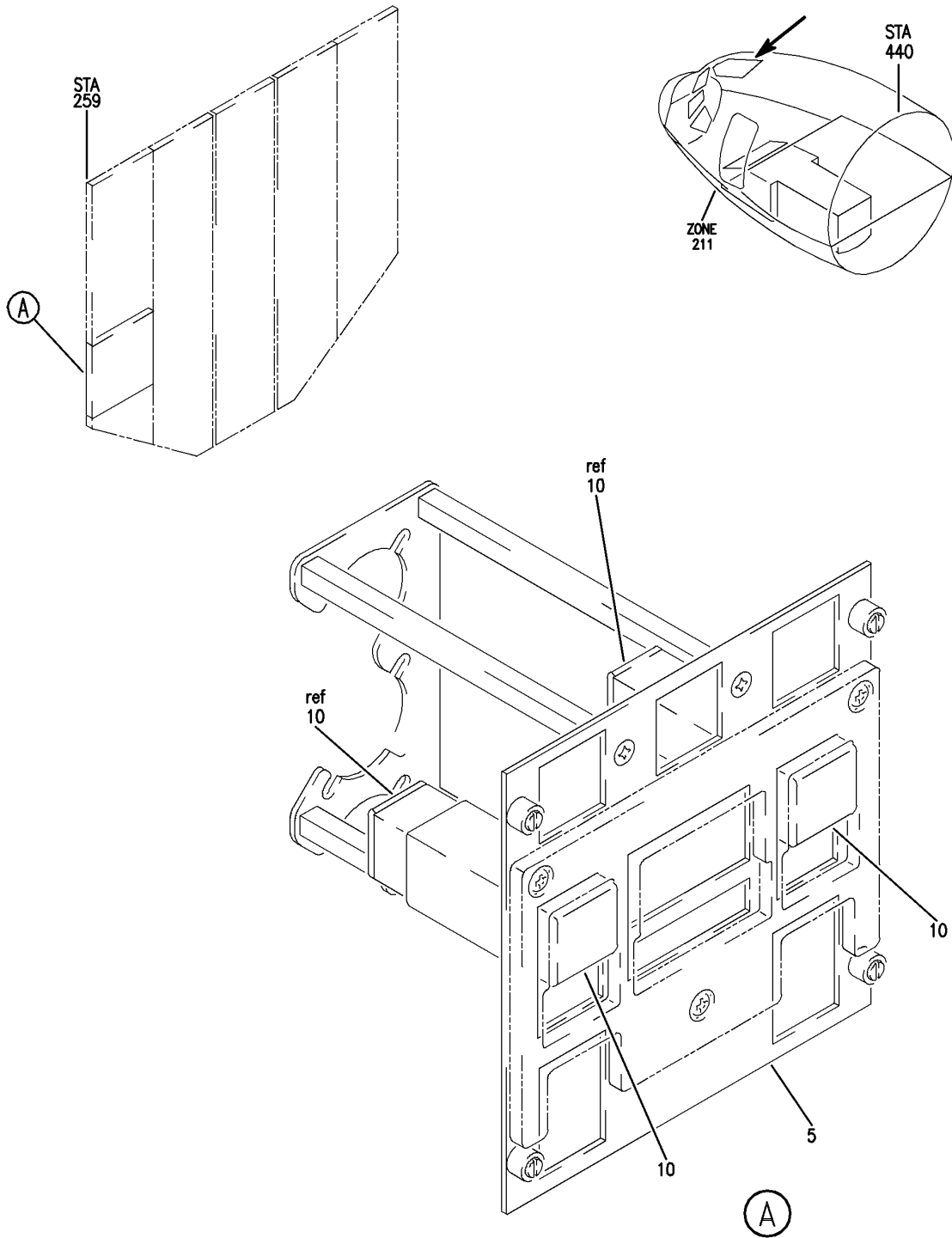
BRI

29-11-05-05

BOEING PROPRIETARY - Copyright © - Unpublished Work - See title page for details.

29-11-05
FIG. 05
PAGE 2
JAN 20/09

BOEING
757
PARTS CATALOG (MAINTENANCE)



Y 29110506 REV 241

PANEL INSTL-OVHD (ENGINE-DRIVEN PUMP (EDP) ONLY)
FIGURE 6

29-11-05-06

BRI
MAY 28/07

29-11-05-06
PAGE 0



757

PARTS CATALOG (MAINTENANCE)

FIG ITEM	PART NUMBER	1 2 3 4 5 6 7	NOMENCLATURE	EFFECT FROM TO	UNITS PER ASSY
6			PANEL INSTL-OVHD (ENGINE-DRIVEN PUMP (EDP) ONLY)	002004 006010 107107 121503 904999	
- 1	233N3101-1		PANEL INSTL-OVHD (ENGINE-DRIVEN PUMP (EDP) ONLY) VARIABLE DRAWING REF: 233N3101-5005 233N3101-5025 233N3101-5041 233N3101-5042 233N3101-5045 FOR NHA/OTHER SYS DET SEE: 25-10-00-05A	002004 006010 107107 121503 904999	RF
5	233N3205-21		.PANEL ASSY-HYDR SUPPLIER CODE: V89954 ELECTRICAL EQUIP NUMBER: M10050 COMPONENT MAINT MANUAL REF: 29-00-71	002004 006010 107107 121503 904999	RF
5	233N3205-19		.PANEL ASSY-HYDR SUPPLIER CODE: V89954 ELECTRICAL EQUIP NUMBER: M10050 COMPONENT MAINT MANUAL REF: 29-00-71	002004 006010 107107 121503 904999	RF
5	233N3205-24		.PANEL ASSY-HYDR SUPPLIER CODE: V89954 ELECTRICAL EQUIP NUMBER: M10050 COMPONENT MAINT MANUAL REF: 29-00-71 QUALIFIED I/W DATA: 233N3205-300 PANEL ASSY IS I/W 233N3205-24 PANEL ASSY T/W S233T100-6044 LIGHTPLATE	002004 006010 107107 121503 904999	RF

MISSING ITEM NUMBERS NOT APPLICABLE

- ITEM NOT ILLUSTRATED

BRI

29-11-05-06

29-11-05
FIG. 06
PAGE 1
JAN 20/09



757

PARTS CATALOG (MAINTENANCE)

FIG ITEM	PART NUMBER	1 2 3 4 5 6 7	NOMENCLATURE	EFFECT FROM TO	UNITS PER ASSY
6	5 233N3205-25		.PANEL ASSY-HYDR SUPPLIER CODE: V89954 ELECTRICAL EQUIP NUMBER: M10050 COMPONENT MAINT MANUAL REF: 29-00-71 QUALIFIED I/W DATA: 233N3205-301 PANEL ASSY IS I/W 233N3205-25 PANEL ASSY T/W S233T100-6044 LIGHTPLATE	002004 006010 107107 121503 904999	RF
	5 233N3205-26		.PANEL ASSY-HYDR SUPPLIER CODE: V89954 ELECTRICAL EQUIP NUMBER: M10050 COMPONENT MAINT MANUAL REF: 29-00-71	002004 006010 107107 121503 904999	RF
	5 233N3205-27		.PANEL ASSY-HYDR SUPPLIER CODE: V89954 ELECTRICAL EQUIP NUMBER: M10050 COMPONENT MAINT MANUAL REF: 29-00-71 QUALIFIED I/W DATA: 233N3205-302 PANEL ASSY IS I/W 233N3205-27 PANEL ASSY T/W S233T100-6060 LIGHTPLATE	002004 006010 107107 121503 904999	RF
	10 BCRE7608		..SWITCH ASSY-LIGHTED PUSH BUTTON IND ON/PRESS SUPPLIER CODE: V81590 OVERLENGTH PART NUMBER: 433-673-1001-1020 SPECIFICATION NUMBER: S231T290-1020 USED ON: 233N3205-11 233N3205-21 233N3205-25 FOR DETAILS SEE: 33-13-00-19	002004 006010 107107 121503 904999	2

MISSING ITEM NUMBERS NOT APPLICABLE

- ITEM NOT ILLUSTRATED

29-11-05-06

29-11-05
FIG. 06
PAGE 2
JAN 20/09

BRI



757

PARTS CATALOG (MAINTENANCE)

FIG ITEM	PART NUMBER	1 2 3 4 5 6 7	NOMENCLATURE	EFFECT FROM TO	UNITS PER ASSY
6	10 851-35100-5020		..SWITCH ASSY-LIGHTED PUSH SUPPLIER CODE: V96182 SPECIFICATION NUMBER: S231T290-5020 OPTIONAL PART: 851-30768-3020 V96182 4336731004-4220 V81590 USED ON: 233N3205-24 233N3205-26 233N3205-27	002004 006010 107107 121503 904999	2
	10 BCREFA0507		..SWITCH ASSY-LIGHTED PUSH BUTTON IND SUPPLIER CODE: V81590 OVERLENGTH PART NUMBER: 433-673-1004-4020 SPECIFICATION NUMBER: S231T290-4020 USED ON: 233N3205-24 233N3205-25 233N3205-27 PRE SERVICE LETTER: 33-027 FOR DETAILS SEE: 33-13-00-49	002004 006010 107107 121503 904999	2
	10 851-30768-2020		..SWITCH ASSY-LIGHTED PUSH BUTTON IND ON/PRESS SUPPLIER CODE: V96182 SPECIFICATION NUMBER: S231T290-2020 USED ON: 233N3205-11 233N3205-19 FOR DETAILS SEE: 33-13-00-29	002004 006010 107107 121503 904999	2

MISSING ITEM NUMBERS NOT APPLICABLE

- ITEM NOT ILLUSTRATED

29-11-05-06

29-11-05
FIG. 06
PAGE 3
JAN 20/09

BRI



757

PARTS CATALOG (MAINTENANCE)

FIG ITEM	PART NUMBER	1 2 3 4 5 6 7	NOMENCLATURE	EFFECT FROM TO	UNITS PER ASSY
6 10	851-30768-3020		..SWITCH ASSY-LIGHTED PUSH BUTTON IND ON/PRESS SUPPLIER CODE: V96182 SPECIFICATION NUMBER: S231T290-3020 OPTIONAL PART: 851-35100-5020 V96182 USED ON: 233N3205-19 233N3205-21 233N3205-26 FOR DETAILS SEE: 33-13-00-39	002004 006010 107107 121503 904999	2
10	4336731004-4220		..SWITCH ASSY-LIGHTED PUSH BUTTON IND SUPPLIER CODE: V81590 SPECIFICATION NUMBER: S231T290-4220 OPTIONAL PART: 851-35100-5020 V96182 USED ON: 233N3205-27 233N3205-25 233N3205-24 POST SERVICE LETTER: 33-027	002004 006010 107107 121503 904999	2

MISSING ITEM NUMBERS NOT APPLICABLE

- ITEM NOT ILLUSTRATED

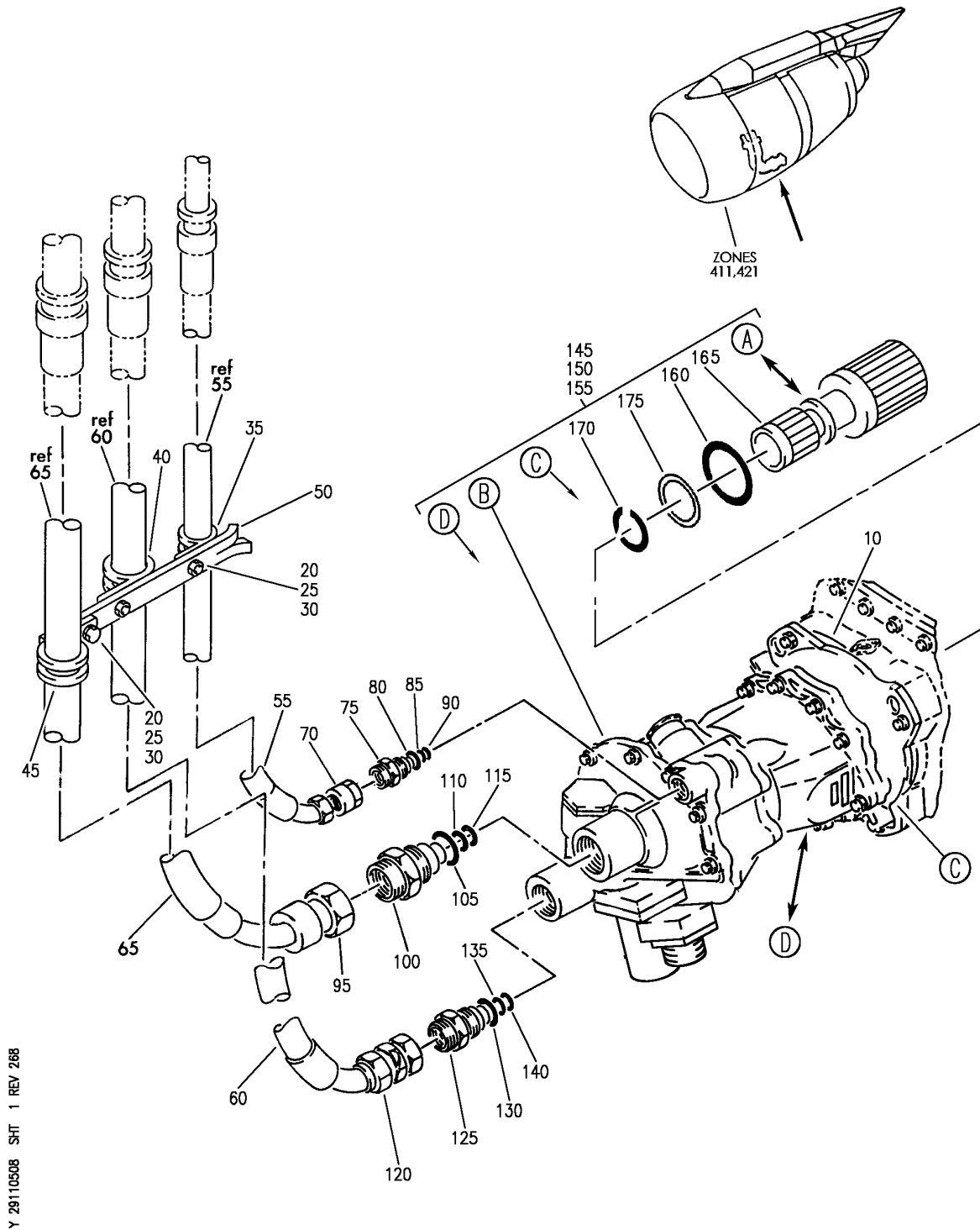
BRI

29-11-05-06

BOEING PROPRIETARY - Copyright © - Unpublished Work - See title page for details.

29-11-05
FIG. 06
PAGE 4
JAN 20/09

BOEING
757
PARTS CATALOG (MAINTENANCE)



Y 29110508 SHT 1 REV 268

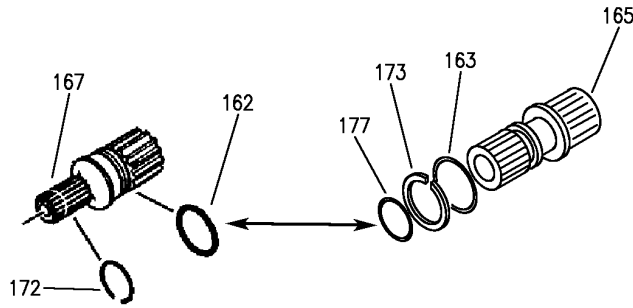
PUMP INSTL-HYDRAULIC RB211-535
FIGURE 8 (SHEET 1)

29-11-05-08

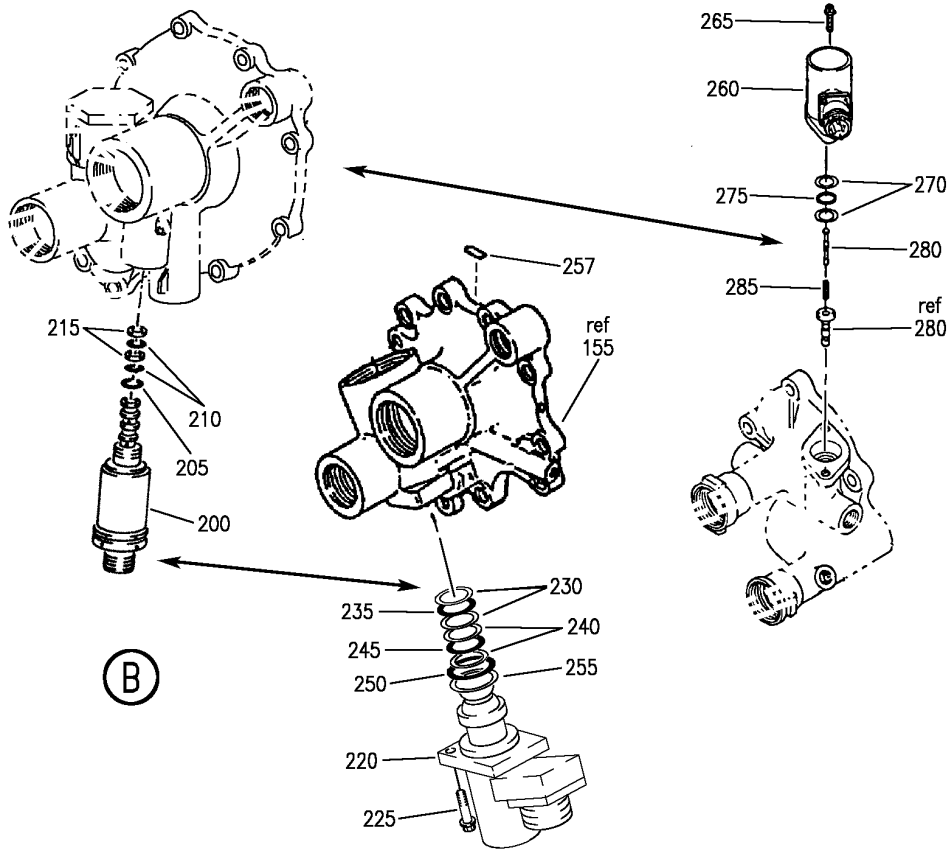
BRI
MAY 28/07

29-11-05-08
PAGE 0

BOEING
757
PARTS CATALOG (MAINTENANCE)



(A)



(B)

Y 29110508 SH1 2 REV 268

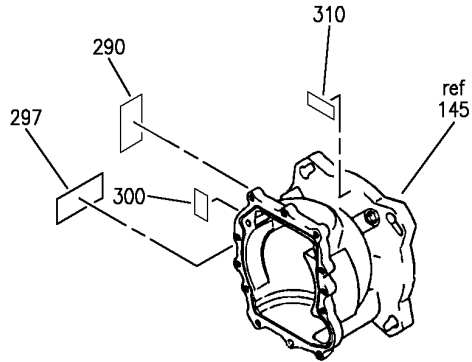
PUMP INSTL-HYDRAULIC RB211-535
FIGURE 8 (SHEET 2)

29-11-05-08

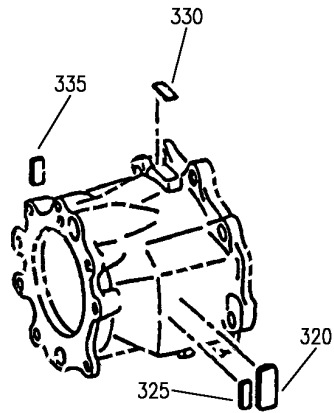
BRI
MAY 28/07

29-11-05-08
PAGE 0A

BOEING
757
PARTS CATALOG (MAINTENANCE)



(C)



(D)

Y 29110508 SH1 3 REV 302

PUMP INSTL-HYDRAULIC RB211-535
FIGURE 8 (SHEET 3)

29-11-05-08

BRI
MAY 28/07

29-11-05-08
PAGE 0B



757

PARTS CATALOG (MAINTENANCE)

FIG ITEM	PART NUMBER	1 2 3 4 5 6 7	NOMENCLATURE	EFFECT FROM TO	UNITS PER ASSY
8			PUMP INSTL-HYDRAULIC RB211-535	002004 006999	
- 1	332N5001-5		PUMP INSTL-HYDRAULIC RB211-535 VARIABLE DRAWING REF: 332N5001-2 332N5001-4 332N5001-6 332N5001-7 FOR NHA SEE: 71-00-02-04	002004 006100 107107 121503 904999	RF
5	216-20018		.PACKING-SHAFT SEALING SUPPLIER CODE: V25184 QUALIFIED I/W DATA: DO NOT USE M83248-1-216 OR 9216-787 FOR SPARES FOR 332N5001 OR 332N3120. REPLACE WITH 216-20018 OR 2-216V1041-85 OR 9216-797 FOR THESE USED ONS. OPTIONAL PART: 9216-787 V72902 9216-797 V72902 M83248-1-216 V81349 2-216V1041-85 V02697	002004 006999	1
5	M83248-1-216		.PACKING-SHAFT SEALING OPTIONAL PART: 216-20018 V25184 FOR SPARES PROCURE: 9216-787 V5F573 9216-797 V5F573 216-20018 2-216V1041-85	002004 006100 107107 121503 904999	1

MISSING ITEM NUMBERS NOT APPLICABLE

- ITEM NOT ILLUSTRATED

BRI

29-11-05-08

BOEING PROPRIETARY - Copyright © - Unpublished Work - See title page for details.

29-11-05
FIG. 08
PAGE 1
JAN 20/09



757

PARTS CATALOG (MAINTENANCE)

FIG ITEM	PART NUMBER	1 2 3 4 5 6 7	NOMENCLATURE	EFFECT FROM TO	UNITS PER ASSY
8	5 2-216V1041-85		.PACKING-SHAFT SEALING SUPPLIER CODE: V02697 QUALIFIED I/W DATA: DO NOT USE M83248-1-216 OR 9216-787 FOR SPARES FOR 332N5001 OR 332N3120. REPLACE WITH 216-20018 OR 2-216V1041-85 OR 9216-797 FOR THESE USED ONS. OPTIONAL PART: 216-20018 V25184	002004 006999	1
	5 9216-787		.PACKING- SUPPLIER CODE: V5F573 QUALIFIED I/W DATA: DO NOT USE M83248-1-216 OR 9216-787 FOR SPARES FOR 332N5001 OR 332N3120. REPLACE WITH 216-20018 OR 2-216V1041-85 OR 9216-797 FOR THESE USED ONS. OPTIONAL PART: 216-20018 V25184	002004 006100 107107 121503 904999	1
	5 9216-797		.PACKING- SUPPLIER CODE: V5F573 QUALIFIED I/W DATA: DO NOT USE M83248-1-216 OR 9216-787 FOR SPARES FOR 332N5001 OR 332N3120. REPLACE WITH 216-20018 OR 2-216V1041-85 OR 9216-797 FOR THESE USED ONS. OPTIONAL PART: 216-20018 V25184	002004 006100 107107 121503 904999	1

MISSING ITEM NUMBERS NOT APPLICABLE

- ITEM NOT ILLUSTRATED

29-11-05-08

29-11-05
FIG. 08
PAGE 2
JAN 20/09

BRI



757

PARTS CATALOG (MAINTENANCE)

FIG ITEM	PART NUMBER	1 2 3 4 5 6 7	NOMENCLATURE	EFFECT FROM TO	UNITS PER ASSY
8					
10	69B90191-2		.GASKET- OPTIONAL PART: 69B90191-4	002004 006100 107107 121503 904999	1
10	69B90191-4		.GASKET- OPTIONAL PART: 69B90191-2	002004 006100 107107 121503 904999	1
20	AS21409		.BOLT	006100 950951 953999	RF
25	K8831		.WASHER- SUPPLIER CODE: VK0680	006100 950951 953999	RF
30	AS20624		.NUT	006100 950951 953999	RF
35	TA025028-15		.CLIP- SUPPLIER CODE: V84971	006100 950951 953999	RF
40	TA025028-23		.CLIP- SUPPLIER CODE: V84971	006100 950951 953999	RF
45	TA025028-27		.CLIP- SUPPLIER CODE: V84971	006100 950951 953999	RF
50	UL23137		.BRACKET-SPRT SUPPLIER CODE: VK0680	006100 950951 953999	RF
55	AE705958-2		.HOSE ASSY-DRAIN FLEXIBLE SUPPLIER CODE: VU2569 OPTIONAL PART: 107315 VK0685	006016 950951 953999	RF
55	107315		.HOSE ASSY-DRAIN FLEXIBLE SUPPLIER CODE: VK0685 OPTIONAL PART: AE705958-2 VU2569	006016 950951 953999	RF

MISSING ITEM NUMBERS NOT APPLICABLE

- ITEM NOT ILLUSTRATED

BRI

29-11-05-08

29-11-05
FIG. 08
PAGE 3
JAN 20/09



757

PARTS CATALOG (MAINTENANCE)

FIG ITEM	PART NUMBER	1 2 3 4 5 6 7	NOMENCLATURE	EFFECT FROM TO	UNITS PER ASSY
8					
55	AE709565-1		.HOSE ASSY-P.T.F FLEXIBLE CASE DRAIN SUPPLIER CODE: VU2569 OPTIONAL PART: 103524456 VU1603	017100	RF
55	103524456		.HOSE ASSY-P.T.F.E FLEX CASE DRAIN SUPPLIER CODE: VU1603 OPTIONAL PART: AE709565-1 VU2569	017100	RF
60	AE707854-1		.HOSE ASSY-PRESSURE SUPPLIER CODE: VU2569 OPTIONAL PART: 107314 VK0685	006016 950951 953999	RF
60	107314		.HOSE ASSY-PRESSURE FLEXIBLE SUPPLIER CODE: VK0685 OPTIONAL PART: AE707854-1 VU2569	006016 950951 953999	RF
60	AE709566-1		.HOSE ASSY-PRESSURE SUPPLIER CODE: VU2569 OPTIONAL PART: 163624455 VU1603	017100	RF
60	163624455		.HOSE ASSY-PRESSURE SUPPLIER CODE: VU1603 OPTIONAL PART: AE709566-1 VU2569	017100	RF
65	AE706332-2		.HOSE ASSY-FLEXIBLE SUPPLY SUPPLIER CODE: VU2569 OPTIONAL PART: 107316 VK0685	002004 006100 121503 950999	RF

MISSING ITEM NUMBERS NOT APPLICABLE

- ITEM NOT ILLUSTRATED

29-11-05-08

29-11-05
FIG. 08
PAGE 4
JAN 20/09

BRI

BOEING PROPRIETARY - Copyright © - Unpublished Work - See title page for details.



757

PARTS CATALOG (MAINTENANCE)

FIG ITEM	PART NUMBER	1 2 3 4 5 6 7	NOMENCLATURE	EFFECT FROM TO	UNITS PER ASSY
8	65 107316		.HOSE ASSY-FLEXIBLE SUPPLY SUPPLIER CODE: VK0685 OPTIONAL PART: AE706332-2 VU2569	002004 006100 121503 950999	RF
	70 AE81480J		.CONNECTOR ASSY-DRAIN SUPPLIER CODE: VK1016 OPTIONAL PART: 152510-1-10E VU0054	002004 006100 121503 950999	RF
	70 152510-1-10E		.CONNECTOR ASSY-DRAIN SUPPLIER CODE: VK0685 OPTIONAL PART: AE81480J VK1016	002004 006100 121503 950999	RF
	75 BACA14AZ10A8T		.ADAPTER-	002004 006100 121503 950999	RF
	80 NAS1602-908		.PACKING-PREFORMED RING CASE DRAIN TUBE OPTIONAL PART: NAS1612-8	002004 006100 121503 950999	RF
	80 NAS1612-8		.PACKING-PREFORMED RING CASE DRAIN TUBE OPTIONAL PART: NAS1602-908	002004 006100 121503 950999	RF
	85 C11236-111B		.RING-BACK-UP SUPPLIER CODE: V26879 SPECIFICATION NUMBER: BACR12BM111 OPTIONAL PART: RMR12BM111 V94878 STF800-111 V02107 S30294-111-1 V97820 TF450-111A V07128 2100-111 V26303 CASE DRAIN TUBE	002004 006100 121503 950999	RF
	MISSING ITEM NUMBERS NOT APPLICABLE				

- ITEM NOT ILLUSTRATED

29-11-05-08

29-11-05
FIG. 08
PAGE 5
JAN 20/09

BRI



757

PARTS CATALOG (MAINTENANCE)

FIG ITEM	PART NUMBER	1 2 3 4 5 6 7	NOMENCLATURE	EFFECT FROM TO	UNITS PER ASSY
8					
90	NAS1601-111		.PACKING-RING-CASE DRAIN TUBE	002004 006100 121503 950999	RF
95	AE81520N		.CONNECTOR ASSY-SUPPLY SUPPLIER CODE: VK1016 OPTIONAL PART: 152520-1-20EW VU0054	002004 006100 121503 950999	RF
95	152520-1-20EW		.CONNECTOR ASSY-SUPPLY SUPPLIER CODE: VK0685 OPTIONAL PART: AE81520N V98625	002004 006100 121503 950999	RF
100	DB0A14AZ20T		.ADAPTER- SUPPLIER CODE: V14798 SPECIFICATION NUMBER: BACA14AZ20AT OPTIONAL PART: ER10724-20T V88334 2-01028-20T V11328 3178720T V14397 467-1122-20T V50948 US1934-20T V50808 AFP233-20-20T V30974 AP1005-20T V01673	002004 006100 121503 950999	RF
105	NAS1602-920		.PACKING-PREFORMED RING SUPPLY TUBE OPTIONAL PART: NAS1612-20	002004 006100 121503 950999	RF
105	NAS1612-20		.PACKING-PREFORMED RING SUPPLY TUBE OPTIONAL PART: NAS1602-920	002004 006100 121503 950999	RF
110	C11236-217B		.RING-BACK-UP SUPPLY TUBE SUPPLIER CODE: V26879	002004 006100 121503 950999	RF

MISSING ITEM NUMBERS NOT APPLICABLE

- ITEM NOT ILLUSTRATED

29-11-05-08

29-11-05
FIG. 08
PAGE 6
JAN 20/09

BRI



757

PARTS CATALOG (MAINTENANCE)

FIG ITEM	PART NUMBER	1 2 3 4 5 6 7	NOMENCLATURE	EFFECT FROM TO	UNITS PER ASSY
8					
115	NAS1601-217	.	PACKING-RING SUPPLY TUBE	002004 006100 121503 950999	RF
120	AE81854M	.	CONNECTOR ASSY-PRESSURE SUPPLIER CODE: VK1016 OPTIONAL PART: 108157-16 V78570 152516-1-16E VU0054	002004 006100 121503 950999	RF
120	108157-16	.	CONNECTOR ASSY-PRESSURE SUPPLIER CODE: V78570 OPTIONAL PART: AE81854M VK1016 152516-1-16E VU0054	002004 006100 121503 950999	RF
120	152516-1-16E	.	CONNECTOR ASSY-PRESSURE SUPPLIER CODE: VK0685 OPTIONAL PART: 108157-16 V78570 AE81854M VK1016	002004 006100 121503 950999	RF
125	DB0A14AZ16T	.	ADAPTER- SUPPLIER CODE: V14798 SPECIFICATION NUMBER: BACA14AZ16AT OPTIONAL PART: ER10724-16T V88334 2-01028-16T V11328 3178716T V14397 467-1122-16T V50948 US1934-16T V50808 AFP233-16-16T V30974 AP1005-16T V01673	002004 006100 121503 950999	RF

MISSING ITEM NUMBERS NOT APPLICABLE

- ITEM NOT ILLUSTRATED

29-11-05-08

29-11-05
FIG. 08
PAGE 7
JAN 20/09

BRI



757

PARTS CATALOG (MAINTENANCE)

FIG ITEM	PART NUMBER	1 2 3 4 5 6 7	NOMENCLATURE	EFFECT FROM TO	UNITS PER ASSY
8					
130	NAS1602-916		.PACKING-PREFORMED RING PRESSURE TUBE OPTIONAL PART: NAS1612-16	002004 006100 121503 950999	RF
130	NAS1612-16		.PACKING-PREFORMED RING PRESSURE TUBE OPTIONAL PART: NAS1602-916	002004 006100 121503 950999	RF
135	C11236-212B		.RING-BACK-UP SUPPLIER CODE: V26879 SPECIFICATION NUMBER: BACR12BM212 OPTIONAL PART: RMR12BM212 V94878 STF800-212 V02107 S30294-212-1 V97820 TF450-212A V07128 2100-212 V26303 PRESSURE TUBE	002004 006100 121503 950999	RF
140	NAS1601-212		.PACKING-RING PRESSURE TUBE	002004 006100 121503 950999	RF
150	350880-7		.PUMP ASSY- SUPPLIER CODE: V62983 SPECIFICATION NUMBER: 60B00200-4 COMPONENT MAINT MANUAL REF: 29-11-04 QUALIFIED I/W DATA: 350880-7 OR 350880-6 CAN REPLACE OR BE REPLACED BY 4205401 SUBJECT TO CUSTOMER PREFERENCE FOR 757 OPTIONAL PART: 350880-3 V62983 OPTIONAL PART: 350880-6 V62983	002004 006100 107107 121503 904999	1

MISSING ITEM NUMBERS NOT APPLICABLE

- ITEM NOT ILLUSTRATED

29-11-05-08

29-11-05
FIG. 08
PAGE 8
JAN 20/09

BRI



757

PARTS CATALOG (MAINTENANCE)

FIG ITEM	PART NUMBER	1 2 3 4 5 6 7	NOMENCLATURE	EFFECT FROM TO	UNITS PER ASSY
8 150	350880-6		.PUMP ASSY- SUPPLIER CODE: V62983 SPECIFICATION NUMBER: 60B00200-5 COMPONENT MAINT MANUAL REF: 29-11-03 QUALIFIED I/W DATA: 350880-7 OR 350880-6 CAN REPLACE OR BE REPLACED BY 4205401 SUBJECT TO CUSTOMER PREFERENCE FOR 757 OPTIONAL PART: 350880-7 V62983	002004 006100 107107 121503 904999	1
155	887673		.PUMP ASSY- SUPPLIER CODE: V62983 FUNCTIONAL DESCRIPTION: PRIMARY SOURCE OF HYDRAULIC PRESSURE FOR THE LEFT & RIGHT HYDR. SYSTEM. SPECIFICATION NUMBER: 60B00200-12 COMPONENT MAINT MANUAL REF: 29-11-34 QUALIFIED I/W DATA: 4205401 CAN REPLACE OR BE REPLACED BY 350880-7 OR 350880-6 OR 887673 OR 3031863-001 SUBJECT TO CUSTOMER PREFERENCE FOR 757. OPTIONAL PART: 3031863-001 V62983	002004 006100 107107 121503 904999	1
155	3031863-001		.PUMP ASSY- SUPPLIER CODE: V62983 SPECIFICATION NUMBER: 60B00200-12 OPTIONAL PART: 887673 V62983	002004 006100 107107 121503 904999	1

MISSING ITEM NUMBERS NOT APPLICABLE

- ITEM NOT ILLUSTRATED

29-11-05-08

29-11-05
FIG. 08
PAGE 9
JAN 20/09

BRI



757

PARTS CATALOG (MAINTENANCE)

FIG ITEM	PART NUMBER	1 2 3 4 5 6 7	NOMENCLATURE	EFFECT FROM TO	UNITS PER ASSY
8					
160	MS29561-216	..	PACKING- SB DATA FROM A CMM: PRE 350880-6-29-18 CONFIG CHG DATA FROM A CMM: SUPSD BY M83248-1-216 MISCELLANEOUS DATA: VICKERS SPEC NO. 157762 USED ON: 350880-6	002004 006100 107107 121503 904999	1
160	M83248-1-216	..	PACKING- SB DATA FROM A CMM: POST 350880-6-29-18 PRE 350880-6-29-27 PRE 350880-7-29-17 CONFIG CHG DATA FROM A CMM: SUPERSEDES MS29561-216 SUPSD BY 624912 MISCELLANEOUS DATA: VICKERS SPEC NO. 395941 USED ON: 350880-6 350880-7	002004 006100 107107 121503 904999	1
160	624912	..	PACKING- SUPPLIER CODE: V62983 SB DATA FROM A CMM: POST 350880-6-29-27 POST 350880-7-29-17 CONFIG CHG DATA FROM A CMM: SUPERSEDES M83248-1-216 USED ON: 350880-6 350880-7	002004 006100 107107 121503 904999	1
163	624912	..	PACKING- SUPPLIER CODE: V62983 USED ON: 887673	002004 006100 107107 121503 904999	1
165	346937	..	SHAFT-COUPLING SUPPLIER CODE: V62983 SB DATA FROM A CMM: PRE 350880-6-29-36 PRE 350880-7-29-27 PRE 623977-29-07	002004 006100 107107 121503 904999	1

MISSING ITEM NUMBERS NOT APPLICABLE

- ITEM NOT ILLUSTRATED

29-11-05-08

29-11-05
FIG. 08
PAGE 10
JAN 20/09

BRI



757

PARTS CATALOG (MAINTENANCE)

FIG ITEM	PART NUMBER	1 2 3 4 5 6 7	NOMENCLATURE	EFFECT FROM TO	UNITS PER ASSY
8					
165	887584		.. SHAFT-COUPLING SUPPLIER CODE: V62983 SB DATA FROM A CMM: POST 350880-6-29-36 POST 350880-7-29-27 POST 623977-29-27	002004 006100 107107 121503 904999	1
170	343463		.. RING-RETAINING SUPPLIER CODE: V62983 USED ON: 350880-6 350880-7	002004 006100 107107 121503 904999	1
173	343463		.. RING-RETAINING SUPPLIER CODE: V62983 USED ON: 887673	002004 006100 107107 121503 904999	1
175	NAS1611-119		.. PACKING- SB DATA FROM A CMM: PRE 350880-6-29-36 PRE 350880-7-29-7 MISCELLANEOUS DATA: VICKERS SPEC NO. 271158 USED ON: 350880-6 350880-7	002004 006100 107107 121503 904999	1
177	NAS1611-119		.. PACKING- SB DATA FROM A CMM: PRE 350880-6-29-36 PRE 350880-7-29-7 MISCELLANEOUS DATA: VICKERS SPEC NO. 271158 USED ON: 887673	002004 006100 107107 121503 904999	1
200	394357		.. VALVE ASSY-SOL. SUPPLIER CODE: V62983 SB DATA FROM A CMM: PRE 350880-6-29-22 PRE 350880-7-29-12 CONFIG CHG DATA FROM A CMM: SUPSD BY 571813 USED ON: 350880-6 350880-7	002004 006100 107107 121503 904999	1

MISSING ITEM NUMBERS NOT APPLICABLE

- ITEM NOT ILLUSTRATED

29-11-05-08

29-11-05
FIG. 08
PAGE 11
JAN 20/09

BRI



757

PARTS CATALOG (MAINTENANCE)

FIG ITEM	PART NUMBER	1 2 3 4 5 6 7	NOMENCLATURE	EFFECT FROM TO	UNITS PER ASSY
8 200	571813		.. VALVE ASSY-SOL. SUPPLIER CODE: V62983 SB DATA FROM A CMM: POST 350880-6-29-22 POST 350880-7-29-12 CONFIG CHG DATA FROM A CMM: SUPERSEDES 394357 USED ON: 350880-6 350880-7	002004 006100 107107 121503 904999	1
205	NAS1612-8		.. PACKING- MISCELLANEOUS DATA: VICKERS SPEC NO. 271088 USED ON: 350880-6 350880-7	002004 006100 107107 121503 904999	1
210	NAS1611-013		.. PACKING- MISCELLANEOUS DATA: VICKERS SPEC NO. 271133 USED ON: 350880-6 350880-7	002004 006100 107107 121503 904999	2
215	MS28774-013		.. RING- MISCELLANEOUS DATA: VICKERS SPEC NO. 197571 USED ON: 350880-6 350880-7	002004 006100 107107 121503 904999	2
220	887677		.. VALVE-SOL. SUPPLIER CODE: V62983 SB DATA FROM A CMM: POST 623977-29-06 USED ON: 887673	002004 006100 107107 121503 904999	1
225	MS21250-03004		ATTACHING PARTS .. BOLT- MISCELLANEOUS DATA: VICKERS SPEC NO. 582142 USED ON: 887673 -----*-----	002004 006100 107107 121503 904999	3

MISSING ITEM NUMBERS NOT APPLICABLE

- ITEM NOT ILLUSTRATED

29-11-05-08

29-11-05
FIG. 08
PAGE 12
JAN 20/09

BRI

BOEING
757
PARTS CATALOG (MAINTENANCE)

FIG ITEM	PART NUMBER	1 2 3 4 5 6 7	NOMENCLATURE	EFFECT FROM TO	UNITS PER ASSY
8					
230	MS27595-015	..	RING-RETAINING MISCELLANEOUS DATA: VICKERS SPEC NO. 388161 USED ON: 887673	002004 006100 107107 121503 904999	2
235	NAS1611-015	..	PACKING- MISCELLANEOUS DATA: VICKERS SPEC NO. 271135 USED ON: 887673	002004 006100 107107 121503 904999	1
240	MS27595-017	..	RING-RETAINING MISCELLANEOUS DATA: VICKERS SPEC NO. 685942 USED ON: 887673	002004 006100 107107 121503 904999	2
245	NAS1611-017	..	PACKING- MISCELLANEOUS DATA: VICKERS SPEC NO. 271137 USED ON: 887673	002004 006100 107107 121503 904999	1
250	NAS1611-019	..	PACKING- MISCELLANEOUS DATA: VICKERS SPEC NO. 271139 USED ON: 887673	002004 006100 107107 121503 904999	1
255	MS27595-019	..	RING-RETAINING MISCELLANEOUS DATA: VICKERS SPEC NO. 685943 USED ON: 887673	002004 006100 107107 121503 904999	1
257	344952	..	PLATE-INSTRUCTION SUPPLIER CODE: V62983 USED ON: 887673	002004 006100 107107 121503 904999	1
320	343886	..	PLATE-IDENT SUPPLIER CODE: V62983 CONFIG CHG DATA FROM A CMM: SUPSD BY 569292 USED ON: 350880-6 350880-7	002004 006100 107107 121503 904999	1

MISSING ITEM NUMBERS NOT APPLICABLE

— ITEM NOT ILLUSTRATED

BRI

29-11-05-08

BOEING PROPRIETARY - Copyright © - Unpublished Work - See title page for details.

29-11-05
FIG. 08
PAGE 13
JAN 20/09



757

PARTS CATALOG (MAINTENANCE)

FIG ITEM	PART NUMBER	1 2 3 4 5 6 7	NOMENCLATURE	EFFECT FROM TO	UNITS PER ASSY
8					
320	569292		..PLATE-IDENT SUPPLIER CODE: V62983 CONFIG CHG DATA FROM A CMM: SUPERSEDES 343886 USED ON: 350880-6 350880-7	002004 006100 107107 121503 904999	1
320	569292		..PLATE-IDENT SUPPLIER CODE: V62983 USED ON: 887673	002004 006100 107107 121503 904999	1
325	401515		..PLATE-FLUID IDENT SUPPLIER CODE: V62983	002004 006100 107107 121503 904999	1
330	344952		..PLATE-INSTRUCTION SUPPLIER CODE: V62983 USED ON: 350880-6 350880-7	002004 006100 107107 121503 904999	1
335	388159		..PLATE-MOD. RECORD SUPPLIER CODE: V62983 SB DATA FROM A CMM: PRE SB350880-6-29-31 USED ON: 350880-6	002004 006100 107107 121503 904999	1
335	731580		..PLATE-MOD. RECORD SUPPLIER CODE: V62983 SB DATA FROM A CMM: POST SB350880-6-29-31 OPTIONAL PART: 847788 V62983 USED ON: 350880-6	002004 006100 107107 121503 904999	1
335	847788		..PLATE-MOD. RECORD SUPPLIER CODE: V62983 OPTIONAL PART: 731580 V62983 USED ON: 350880-6	002004 006100 107107 121503 904999	1

MISSING ITEM NUMBERS NOT APPLICABLE

- ITEM NOT ILLUSTRATED

29-11-05-08

29-11-05
FIG. 08
PAGE 14
JAN 20/09

BRI



757

PARTS CATALOG (MAINTENANCE)

FIG ITEM	PART NUMBER	1 2 3 4 5 6 7	NOMENCLATURE	EFFECT FROM TO	UNITS PER ASSY
8 335	388159		..PLATE-MOD. RECORD SUPPLIER CODE: V62983 OPTIONAL PART: 731580 V62983 847788 V62983 USED ON: 350880-7	002004 006100 107107 121503 904999	1
335	731580		..PLATE-MOD. RECORD SUPPLIER CODE: V62983 OPTIONAL PART: 388159 V62983 847788 V62983 USED ON: 350880-7	002004 006100 107107 121503 904999	1
335	847788		..PLATE-MOD. RECORD SUPPLIER CODE: V62983 OPTIONAL PART: 388159 V62983 731580 V62983 USED ON: 350880-7	002004 006100 107107 121503 904999	1
335	388159		..PLATE-MOD. RECORD SUPPLIER CODE: V62983 USED ON: 887673	002004 006100 107107 121503 904999	1

MISSING ITEM NUMBERS NOT APPLICABLE

- ITEM NOT ILLUSTRATED

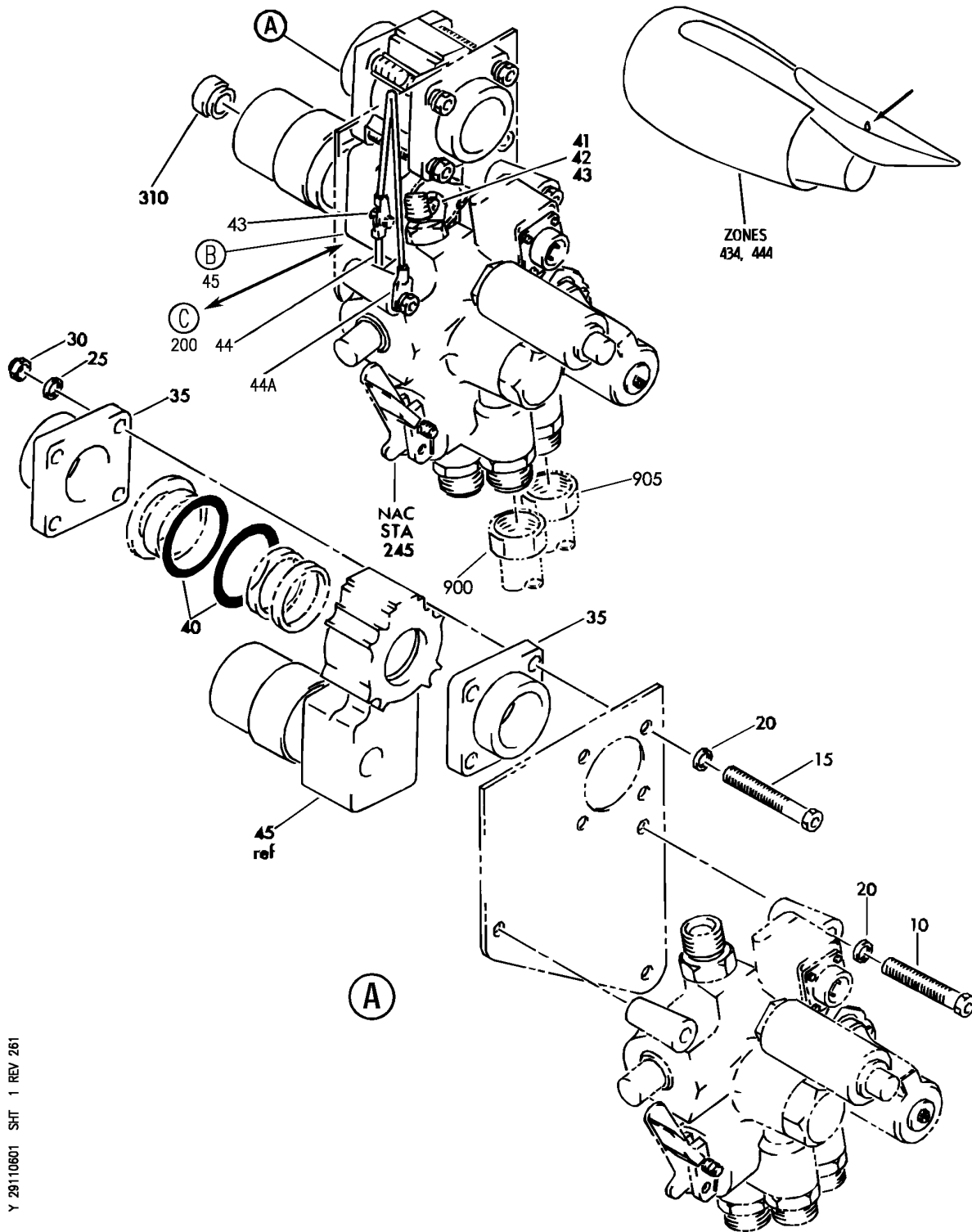
BRI

29-11-05-08

BOEING PROPRIETARY - Copyright © - Unpublished Work - See title page for details.

29-11-05
FIG. 08
PAGE 15
JAN 20/09

BOEING
757
PARTS CATALOG (MAINTENANCE)



Y 29110601 SHT 1 REV 261

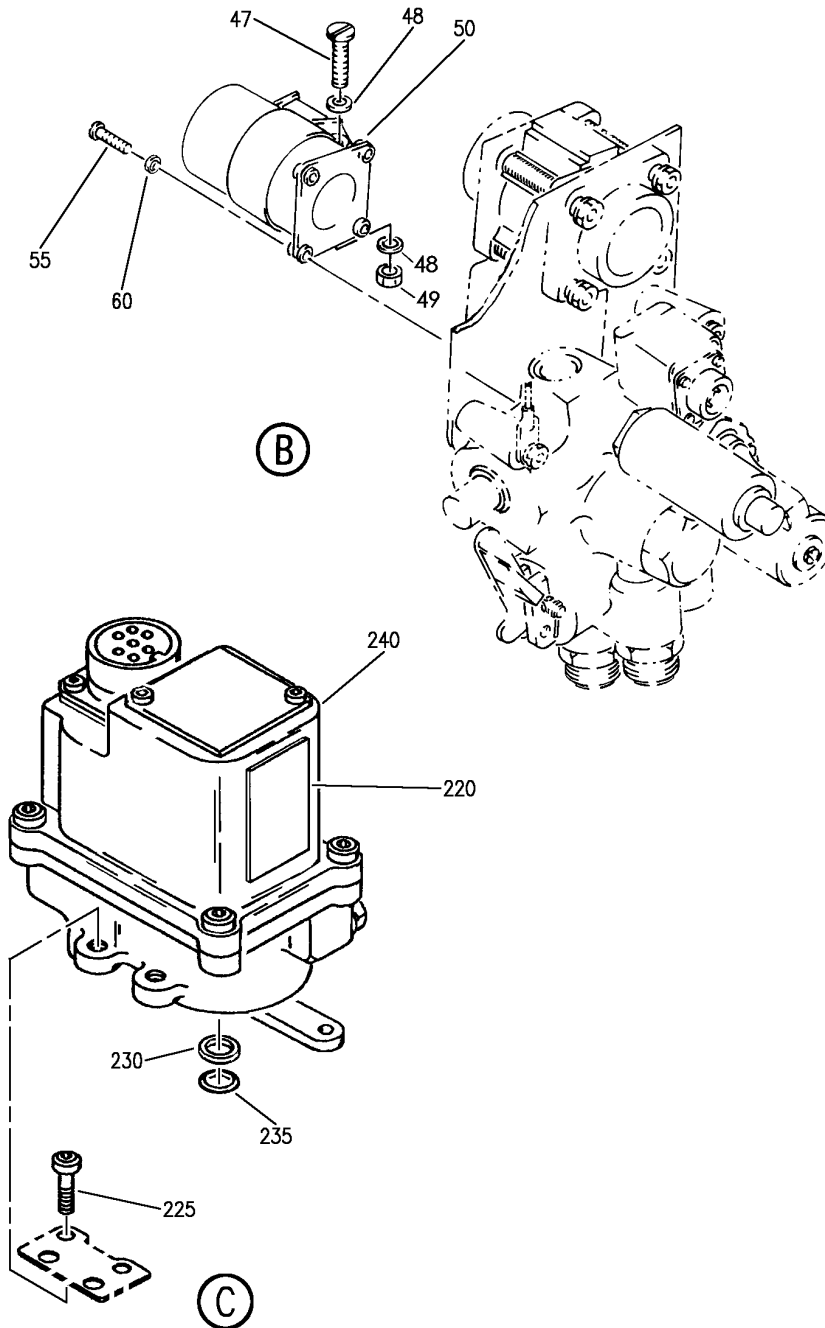
MODULE INSTL-R AND L SYS SHUTOFF/ISOLATION VALVE (HYDRAULIC POWER ONLY)
FIGURE 1 (SHEET 1)

29-11-06-01

BRI
MAY 28/07

29-11-06-01
PAGE 0

BOEING
757
PARTS CATALOG (MAINTENANCE)



Y 29110601 SH-T 2 REV 268

MODULE INSTL-R AND L SYS SHUTOFF/ISOLATION VALVE (HYDRAULIC POWER ONLY)
FIGURE 1 (SHEET 2)

29-11-06-01

BRI
MAY 28/07

29-11-06-01
PAGE 0A



757

PARTS CATALOG (MAINTENANCE)

FIG ITEM	PART NUMBER	1 2 3 4 5 6 7	NOMENCLATURE	EFFECT FROM TO	UNITS PER ASSY
1			MODULE INSTL-R AND L SYS SHUTOFF/ISOLATION VALVE (HYDRAULIC POWER ONLY)	002004 006100 107107 121503 904999	
- 1	271N5001-1		MODULE INSTL-SYS SHUTOFF/ISOLATION VALVE (HYDRAULIC POWER ONLY) POSITION DATA: L VARIABLE DRAWING REF: 271N5001-7 FOR NHA/OTHER SYS DET SEE: 29-00-51-02	002004 006100 107107 121503 904999	RF
- 5	271N5001-2		MODULE INSTL-SYS SHUTOFF/ISOLATION VALVE (HYDRAULIC POWER ONLY) POSITION DATA: R VARIABLE DRAWING REF: 271N5001-8 FOR NHA/OTHER SYS DET SEE: 29-00-51-02	002004 006100 107107 121503 904999	RF
15	BACB30NM4K36		.BOLT-	002004 006100 107107 121503 904999	4
20	BACW10BN4AC		.WASHER-	002004 006100 107107 121503 904999	4
25	BACW10BN4AP		.WASHER-	002004 006100 107107 121503 904999	4

MISSING ITEM NUMBERS NOT APPLICABLE

- ITEM NOT ILLUSTRATED

BRI

29-11-06-01

29-11-06
FIG. 01
PAGE 1
JAN 20/09



757

PARTS CATALOG (MAINTENANCE)

FIG ITEM	PART NUMBER	1 2 3 4 5 6 7	NOMENCLATURE	EFFECT FROM TO	UNITS PER ASSY
1	30 BRH10C4D		.NUT- SUPPLIER CODE: V52828 SPECIFICATION NUMBER: BACN10JC4CD OPTIONAL PART: T6C428JCD V11815 NS202486-048 V80539 102LH9075-4W V72962 H51650-4BAC V15653	002004 006100 107107 121503 904999	4
	35 65B90219-1		.ADAPTOR- OPTIONAL PART: 65B90219-600	002004 006100 107107 121503 904999	2
	35 65B90219-600		.ADAPTOR- OPTIONAL PART: 65B90219-1	002004 006100 107107 121503 904999	2
	40 NAS1611-223		.PACKING-	002004 006100 107107 121503 904999	2
	41 NAS1802-3-8		.SCREW	002004 006100 107107 121503 904999	1
	42 AN960JD10L		.WASHER	002004 006100 107107 121503 904999	1

MISSING ITEM NUMBERS NOT APPLICABLE

- ITEM NOT ILLUSTRATED

BRI

29-11-06-01

BOEING PROPRIETARY - Copyright © - Unpublished Work - See title page for details.

29-11-06
FIG. 01
PAGE 2
JAN 20/09



757

PARTS CATALOG (MAINTENANCE)

FIG ITEM	PART NUMBER	1 2 3 4 5 6 7	NOMENCLATURE	EFFECT FROM TO	UNITS PER ASSY
1	43 BRH10A3	.	NUT SUPPLIER CODE: V52828 SPECIFICATION NUMBER: BACN10JC3 OPTIONAL PART: H10-3BAC V15653 NS202101-02 V80539 RMLH9075-3W V72962 VN303A02 V92215 96-02 V80539 T6S1032J V11815	002004 006100 107107 121503 904999	2
	44 740A20-5	.	JUMPER ASSY SUPPLIER CODE: V91812 SPECIFICATION NUMBER: BACJ40A20-5 OPTIONAL PART: TJEJ40A20-5 V33483 RBEJ20-5 V1GK47	002004 006100 107107 121503 904999	1
	44A BACJ40A21-9	.	JUMPER ASSY	002004 006100 107107 121503 904999	1
	45 233145	.	VALVE-SHUT-OFF MODULE INSTL SUPPLIER CODE: V79318 SPECIFICATION NUMBER: 10-3200-6 MISCELLANEOUS DATA: FOR COMPLETE INTERCHANGEABILITY REGARDING SPECIFIC USAGE, PLEASE REFER TO DRAWING 270T2001 SHEET 1 ELECTRICAL EQUIP NUMBER: V10005 V10006 WIRING DIAGRAM REF:	002004 006100 107107 121503 904999	1

MISSING ITEM NUMBERS NOT APPLICABLE

- ITEM NOT ILLUSTRATED

29-11-06-01

29-11-06
FIG. 01
PAGE 3
JAN 20/09

BRI



757

PARTS CATALOG (MAINTENANCE)

FIG ITEM	PART NUMBER	1 2 3 4 5 6 7	NOMENCLATURE	EFFECT FROM TO	UNITS PER ASSY
1			291111 291121 COMPONENT MAINT MANUAL REF: 29-11-01 SERVICE BULLETIN OPT DATA: EM56-20-5 V91816 REFERENCE SERVICE BULLETIN: 29A0049 POST ALERT SB: 29A0048 29A0049 QUALIFIED SB I/W DATA: CIRCLE SEAL CONTROLS VALVE S270T010-6 (WITH SERIAL NUMBER SUFFIX "R") OR WHITTAKER CONTROLS VALVE 10-3200-6 REPLACES EXISTING VALVE S270T010-3 OR -6 PER REVISION 1 OF 29A0048 WHITTAKER CONTROLS VALVE 10-3200-6 CAN BE USED TO REPLACE EXISTING CIRCLE SEAL CONTROLS VALVE S270T010-3 OR -6 OR -9. PER REVISION 2 AND 3 OF 29A0048 WHITTAKER CONTROLS VALVE 10-3200-6 CAN BE USED TO REPLACE CIRCLE SEAL CONTROLS VALVE S270T010-15. PER 29A0049		
47	100146C14	..	SCREW- SUPPLIER CODE: V79318	002004 006100 107107 121503 904999	1
48	100168-165	..	WASHER- SUPPLIER CODE: V79318	002004 006100 107107 121503 904999	2

MISSING ITEM NUMBERS NOT APPLICABLE

- ITEM NOT ILLUSTRATED

BRI

29-11-06-01

29-11-06
FIG. 01
PAGE 4
JAN 20/09


BOEING
 757
PARTS CATALOG (MAINTENANCE)

FIG ITEM	PART NUMBER	1 2 3 4 5 6 7	NOMENCLATURE	EFFECT FROM TO	UNITS PER ASSY
1					
49	MS20365D440A	..	NUT	002004 006100 107107 121503 904999	1
50	157710-4	..	ACTUATOR ASSY- SUPPLIER CODE: V79318 COMPONENT MAINT MANUAL REF: 29-11-02 ATTACHING PARTS	002004 006100 107107 121503 904999	1
55	100126C12	..	SCREW- SUPPLIER CODE: V79318	002004 006100 107107 121503 904999	4
60	100168-167	..	WASHER- SUPPLIER CODE: V79318 -----*-----	002004 006100 107107 121503 904999	4

MISSING ITEM NUMBERS NOT APPLICABLE

— ITEM NOT ILLUSTRATED

BRI

29-11-06-01

BOEING PROPRIETARY - Copyright © - Unpublished Work - See title page for details.

29-11-06
 FIG. 01
 PAGE 5
 JAN 20/09



757

PARTS CATALOG (MAINTENANCE)

FIG ITEM	PART NUMBER	1 2 3 4 5 6 7 NOMENCLATURE	EFFECT FROM TO	UNITS PER ASSY
1 200	EM56-20-3	. VALVE-SHUT-OFF MODULE INSTL SUPPLIER CODE: V91816 SPECIFICATION NUMBER: S270T010-9 MISCELLANEOUS DATA: FOR COMPLETE INTERCHANGEABILITY REGARDING SPECIFIC USAGE, PLEASE REFER TO DRAWING 270T2001 SHEET 1 COMPONENT MAINT MANUAL REF: 29-11-01 PRE ALERT SB: 29A0049 QUALIFIED SB I/W DATA: CIRCLE SEAL CONTROLS VALVE S270T010-6 (WITH SERIAL NUMBER SUFFIX "R") OR WHITTAKER CONTROLS VALVE 10-3200-6 REPLACES EXISTING VALVE S270T010-3 OR -6 PER REVISION 1 OF 29A0048 WHITTAKER CONTROLS VALVE 10-3200-6 CAN BE USED TO REPLACE EXISTING CIRCLE SEAL CONTROLS VALVE S270T010-3 OR -6 OR -9. PER REVISION 2 AND 3 OF 29A0048 PRE SERVICE BULLETIN: EM56-20-29-02 V91816	018100	1

MISSING ITEM NUMBERS NOT APPLICABLE

- ITEM NOT ILLUSTRATED

BRI

29-11-06-01

BOEING PROPRIETARY - Copyright © - Unpublished Work - See title page for details.

29-11-06
 FIG. 01
 PAGE 6
 JAN 20/09



757

PARTS CATALOG (MAINTENANCE)

FIG ITEM	PART NUMBER	1 2 3 4 5 6 7 NOMENCLATURE	EFFECT FROM TO	UNITS PER ASSY
1 200	EM56-20	. VALVE-SHUT-OFF MODULE INSTL SUPPLIER CODE: V91816 SPECIFICATION NUMBER: S270T010-3 MISCELLANEOUS DATA: USE OF THIS PART NEGATES THE INTENT OF SB 29A0048 AND CIRCLE SEAL SB EM56-20-1 FOR COMPLETE INTERCHANGEABILITY REGARDING SPECIFIC USAGE, PLEASE REFER TO DRAWING 270T2001 SHEET 1 ELECTRICAL EQUIP NUMBER: V10005 V10006 WIRING DIAGRAM REF: 291111 291121 COMPONENT MAINT MANUAL REF: 29-11-01 PRE ALERT SB: 29A0049 PRE SERVICE BULLETIN: EM56-20-29-02 V91816	018100	1

MISSING ITEM NUMBERS NOT APPLICABLE

- ITEM NOT ILLUSTRATED

BRI

29-11-06-01

BOEING PROPRIETARY - Copyright © - Unpublished Work - See title page for details.

29-11-06
 FIG. 01
 PAGE 7
 JAN 20/09



757

PARTS CATALOG (MAINTENANCE)

FIG ITEM	PART NUMBER	1 2 3 4 5 6 7 NOMENCLATURE	EFFECT FROM TO	UNITS PER ASSY
1 200	EM56-20-1	. VALVE-SHUT-OFF MODULE INSTL SUPPLIER CODE: V91816 SPECIFICATION NUMBER: S270T010-6 MISCELLANEOUS DATA: FOR COMPLETE INTERCHANGEABILITY REGARDING SPECIFIC USAGE, PLEASE REFER TO DRAWING 270T2001 SHEET 1 ELECTRICAL EQUIP NUMBER: V10005 V10006 WIRING DIAGRAM REF: 291111 291121 COMPONENT MAINT MANUAL REF: 29-11-01 PRE ALERT SB: 29A0049 QUALIFIED SB I/W DATA: CIRCLE SEAL CONTROLS VALVE S270T010-6 (WITH SERIAL NUMBER SUFFIX "R") OR WHITTAKER CONTROLS VALVE 10-3200-6 REPLACES EXISTING VALVE S270T010-3 OR -6 PER REVISION 1 OF 29A0048 WHITTAKER CONTROLS VALVE 10-3200-6 CAN BE USED TO REPLACE EXISTING CIRCLE SEAL CONTROLS VALVE S270T010-3 OR -6 OR -9. PER REVISION 2 AND 3 OF 29A0048 PRE SERVICE BULLETIN: EM56-20-29-02 V91816	018100	1

MISSING ITEM NUMBERS NOT APPLICABLE

- ITEM NOT ILLUSTRATED

BRI

29-11-06-01

BOEING PROPRIETARY - Copyright © - Unpublished Work - See title page for details.

29-11-06
 FIG. 01
 PAGE 8
 JAN 20/09



757

PARTS CATALOG (MAINTENANCE)

FIG ITEM	PART NUMBER	1 2 3 4 5 6 7	NOMENCLATURE	EFFECT FROM TO	UNITS PER ASSY
1 200	EM56-20-4		. VALVE-SHUT-OFF MODULE INSTL SUPPLIER CODE: V91816 SPECIFICATION NUMBER: S270T010-12 MISCELLANEOUS DATA: FOR COMPLETE INTERCHANGEABILITY REGARDING SPECIFIC USAGE, PLEASE REFER TO DRAWING 270T2001 SHEET 1 ELECTRICAL EQUIP NUMBER: V10005 V10006 COMPONENT MAINT MANUAL REF: 29-11-01	018100	1

MISSING ITEM NUMBERS NOT APPLICABLE

- ITEM NOT ILLUSTRATED

BRI

29-11-06-01

BOEING PROPRIETARY - Copyright © - Unpublished Work - See title page for details.

29-11-06
FIG. 01
PAGE 9
JAN 20/09



757

PARTS CATALOG (MAINTENANCE)

FIG ITEM	PART NUMBER	1 2 3 4 5 6 7	NOMENCLATURE	EFFECT FROM TO	UNITS PER ASSY
1 200	EM56-20-5		. VALVE-SHUT-OFF SUPPLIER CODE: V91816 FUNCTIONAL DESCRIPTION: PROVIDES ON/OFF CONTROL OF THE FLOW OF HYDRAULIC FLUID IN THE AIRCRAFT HYDRAULIC SYSTEM SPECIFICATION NUMBER: S270T010-15 MISCELLANEOUS DATA: FOR COMPLETE INTERCHANGEABILITY REGARDING SPECIFIC USAGE, PLEASE REFER TO DRAWING 270T2001 SHEET 1 ELECTRICAL EQUIP NUMBER: V10005 V10006 COMPONENT MAINT MANUAL REF: 29-11-01 SERVICE BULLETIN OPT DATA: 233145 V79318 POST ALERT SB: 29A0049 QUALIFIED SB I/W DATA: WHITTAKER CONTROLS VALVE 10-3200-6 CAN BE USED TO REPLACE CIRCLE SEAL CONTROLS VALVE S270T010-15. PER 29A0049 POST SERVICE BULLETIN: EM56-20-29-02 V91816	002004 006100 107107 121503 904999	1
220	B2671		.. NAMEPLATE- SUPPLIER CODE: V91816 USED ON: EM56-20	018100	1
220	D2671		.. NAMEPLATE- SUPPLIER CODE: V91816 USED ON: EM56-20-1	018100	1

MISSING ITEM NUMBERS NOT APPLICABLE

- ITEM NOT ILLUSTRATED

29-11-06-01

29-11-06
FIG. 01
PAGE 10
JAN 20/09

BRI



757

PARTS CATALOG (MAINTENANCE)

FIG ITEM	PART NUMBER	1 2 3 4 5 6 7	NOMENCLATURE	EFFECT FROM TO	UNITS PER ASSY
1					
220	E2671		..NAMEPLATE- SUPPLIER CODE: V91816 USED ON: EM56-20-3	018100	1
220	F2671		..NAMEPLATE- SUPPLIER CODE: V91816 USED ON: EM56-20-4	018100	1
220	G2671		..NAMEPLATE- SUPPLIER CODE: V99837 USED ON: EM56-20-5	002004 006100 107107 121503 904999	1
225	NAS1352N08-8P		..SCREW	002004 006100 107107 121503 904999	4
230	S30660-011-5		..RING- SUPPLIER CODE: V09257	002004 006100 107107 121503 904999	1
235	NAS1601-011		..PACKING- CONFIG CHG DATA FROM A CMM: SUPSD BY NAS1611-011A	002004 006100 107107 121503 904999	1
235	NAS1611-011A		..PACKING- CONFIG CHG DATA FROM A CMM: SUPERSEDES NAS1601-011	002004 006100 107107 121503 904999	1
240	P2350-0082		..ACTUATOR ASSY- SUPPLIER CODE: V91816 USED ON: EM56-20	018100	1
240	W2350-0082		..ACTUATOR ASSY- SUPPLIER CODE: V91816 USED ON: EM56-20-3	002004 006100 952999	1

MISSING ITEM NUMBERS NOT APPLICABLE

- ITEM NOT ILLUSTRATED

29-11-06-01

29-11-06
FIG. 01
PAGE 11
JAN 20/09

BRI



757

PARTS CATALOG (MAINTENANCE)

FIG ITEM	PART NUMBER	1 2 3 4 5 6 7	NOMENCLATURE	EFFECT FROM TO	UNITS PER ASSY
1					
240	X2350-0082		.. ACTUATOR ASSY- SUPPLIER CODE: V91816 USED ON: EM56-20-4	002004 006100 107107 121503 904949 952999 018100	1
240	V2350-0082		.. ACTUATOR ASSY- SUPPLIER CODE: V91816 USED ON: EM56-20-1		1
240	Y2350-0082		.. ACTUATOR ASSY- SUPPLIER CODE: V91816 USED ON: EM56-20-5	002004 006100 107107 121503 904999	1
- 300	286N3300-003		WIRE BUNDLE ASSY-(HYDRAULIC POWER ONLY) POSITION DATA: LH	002004 006100 950999	RF
- 300	286N3300-005		WIRE BUNDLE ASSY-(HYDRAULIC POWER ONLY) POSITION DATA: LH	107107 121503 904949	RF
- 300	286N5100-008		WIRE BUNDLE ASSY-(HYDRAULIC POWER ONLY) POSITION DATA: LH	107107 904949	RF
- 300	286N5100-012		WIRE BUNDLE ASSY-(HYDRAULIC POWER ONLY) POSITION DATA: LH	121503	RF
- 300	286N5100-013		WIRE BUNDLE ASSY-(HYDRAULIC POWER ONLY) POSITION DATA: LH	002004 952952	RF
- 301	286N5100-017		WIRE BUNDLE ASSY-(HYDRAULIC POWER ONLY) POSITION DATA: LH	006010 950951 953999	RF
- 301	286N5100-026		WIRE BUNDLE ASSY-(HYDRAULIC POWER ONLY) POSITION DATA: LH	011100	RF
- 305	286N3400-003		WIRE BUNDLE ASSY-(HYDRAULIC POWER ONLY) POSITION DATA: RH	002004 006100 950999	RF

MISSING ITEM NUMBERS NOT APPLICABLE

- ITEM NOT ILLUSTRATED

29-11-06-01

29-11-06
FIG. 01
PAGE 12
JAN 20/09

BRI



757

PARTS CATALOG (MAINTENANCE)

FIG ITEM	PART NUMBER	1 2 3 4 5 6 7	NOMENCLATURE	EFFECT FROM TO	UNITS PER ASSY
1					
- 305	286N3400-005		WIRE BUNDLE ASSY-(HYDRAULIC POWER ONLY) POSITION DATA: RH	107107 121503 904949	RF
- 305	286N5200-008		WIRE BUNDLE ASSY-(HYDRAULIC POWER ONLY) POSITION DATA: RH	107107 121503 904949	RF
- 305	286N5200-013		WIRE BUNDLE ASSY-(HYDRAULIC POWER ONLY) POSITION DATA: RH	002004 952952	RF
- 305	286N5200-015		WIRE BUNDLE ASSY-(HYDRAULIC POWER ONLY) POSITION DATA: RH	006010 950951 953999	RF
- 306	286N5200-021		WIRE BUNDLE ASSY-(HYDRAULIC POWER ONLY) POSITION DATA: RH	011100	RF
310	BACC63CE14SA5S		.CONNECTOR- ELECTRICAL EQUIP NUMBER: D01774 D01846 WIRING DIAGRAM REF: 291111 783411	002004 006100 107107 121503 904999	1
800			ILLUSTRATION REFERENCE: PLUMBING INSTL-SECT. 31.1 HYDR (LH) (HYDRAULIC POWER ONLY) 29-11-51-45	002004 006100 107107 121503 904999	RF
800			ILLUSTRATION REFERENCE: PLUMBING INSTL-SECT. 31.1 HYDR (RH) (HYDRAULIC POWER ONLY) 29-11-51-46	002004 006100 107107 121503 904999	RF
900			ILLUSTRATION REFERENCE: PLUMBING INSTL-SECT. 31.1 HYDR (RH) (HYDRAULIC POWER ONLY) 29-11-51-46	002004 006100 107107 121503 904999	RF

MISSING ITEM NUMBERS NOT APPLICABLE

- ITEM NOT ILLUSTRATED

BRI

29-11-06-01

29-11-06
FIG. 01
PAGE 13
JAN 20/09



757

PARTS CATALOG (MAINTENANCE)

FIG ITEM	PART NUMBER	1 2 3 4 5 6 7	NOMENCLATURE	EFFECT FROM TO	UNITS PER ASSY
1 905			ILLUSTRATION REFERENCE: PLUMBING INSTL-SECT. 31.1 HYDR (RH) (HYDRAULIC POWER ONLY) 29-11-51-46	002004 006100 107107 121503 904999	RF

MISSING ITEM NUMBERS NOT APPLICABLE

- ITEM NOT ILLUSTRATED

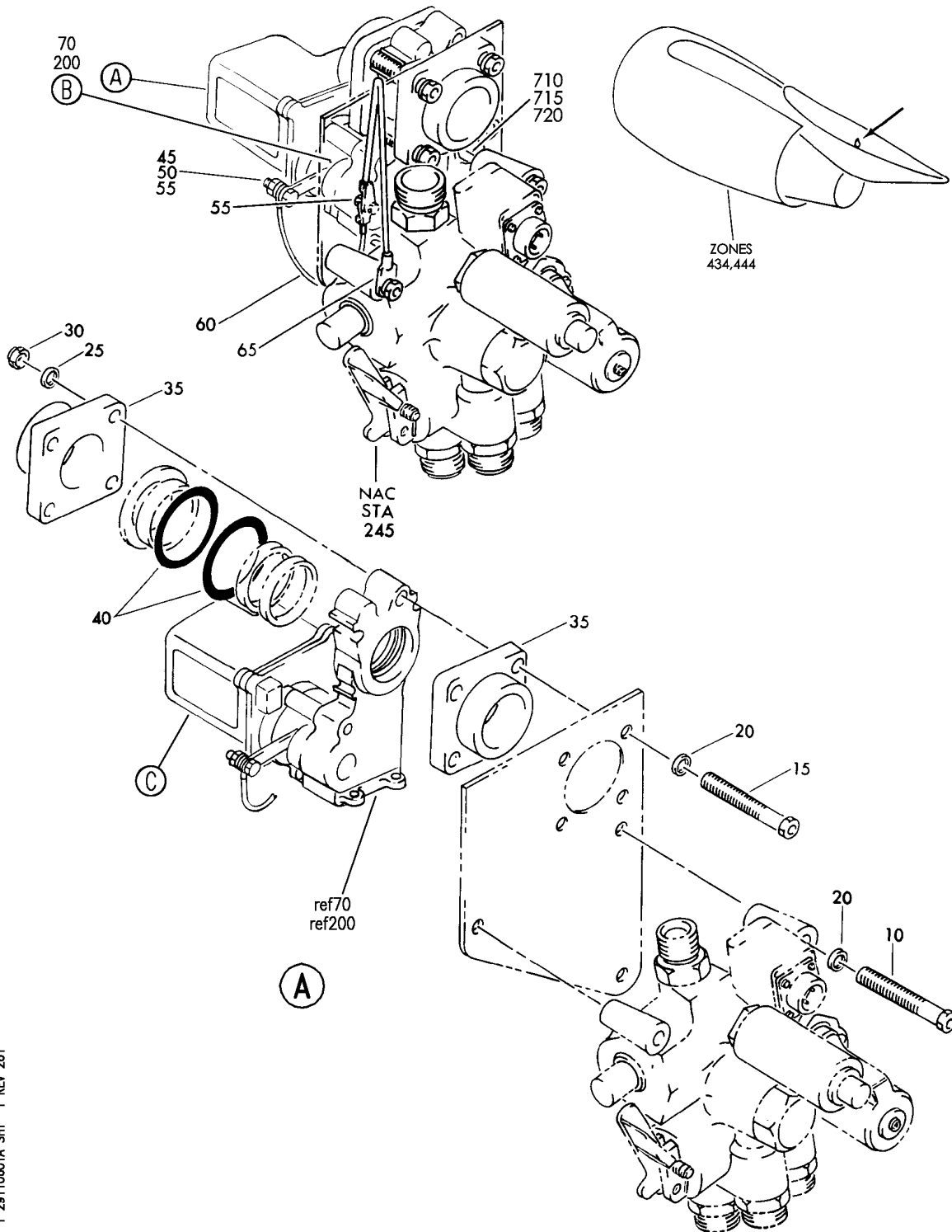
BRI

29-11-06-01

BOEING PROPRIETARY - Copyright © - Unpublished Work - See title page for details.

29-11-06
FIG. 01
PAGE 14
JAN 20/09

BOEING
757
PARTS CATALOG (MAINTENANCE)



Y 29110601A SHT 1 REV 261

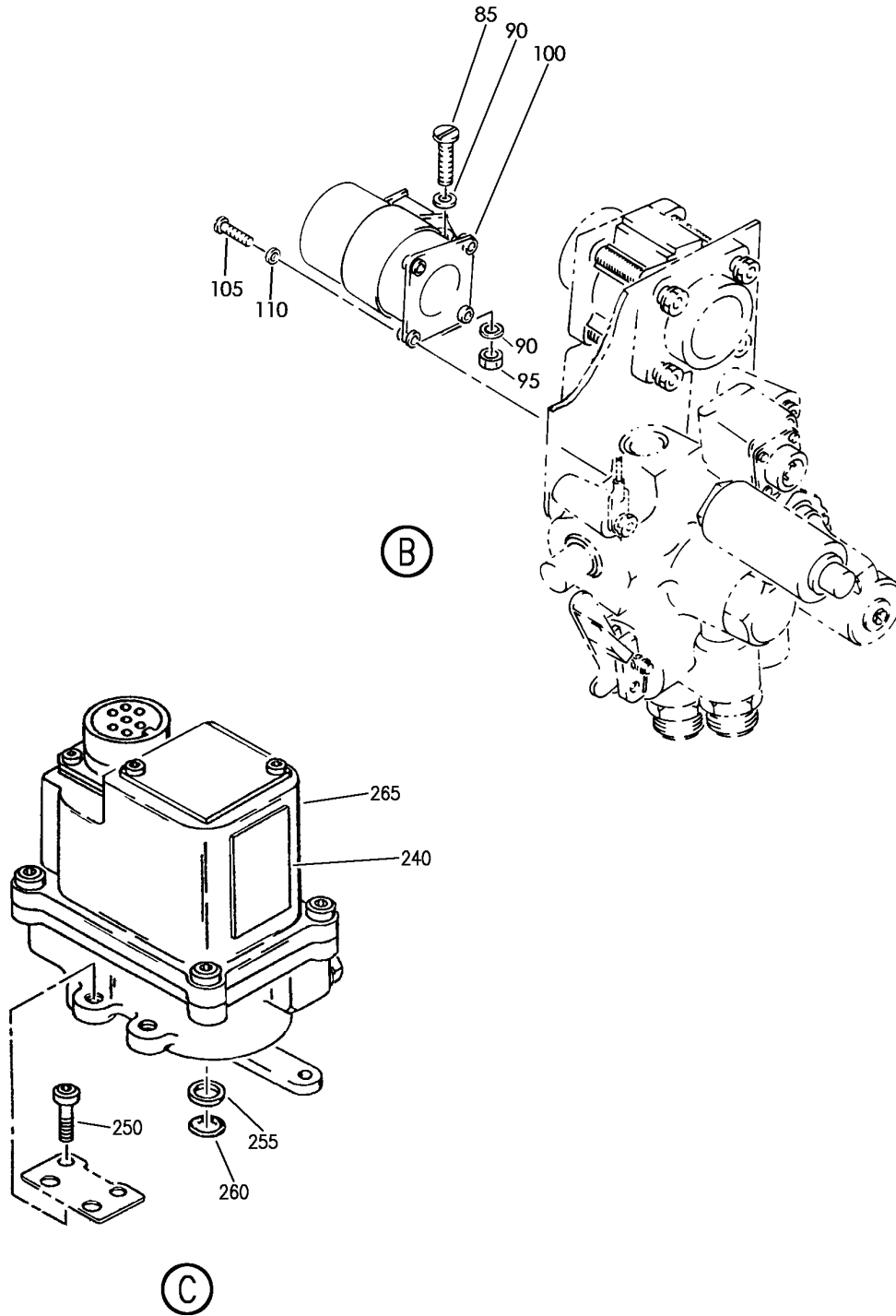
VALVE INSTL-EDP SHUTOFF R AND L SYS
FIGURE 1A (SHEET 1)

BRI
MAY 28/07

29-11-06-01A

29-11-06-01A
PAGE 0

BOEING
757
PARTS CATALOG (MAINTENANCE)



Y 29110601A SHT 2 REV 268

VALVE INSTL-EDP SHUTOFF R AND L SYS
FIGURE 1A (SHEET 2)

29-11-06-01A

BRI
MAY 28/07

29-11-06-01A
PAGE 0A



757

PARTS CATALOG (MAINTENANCE)

FIG ITEM	PART NUMBER	1 2 3 4 5 6 7	NOMENCLATURE	EFFECT FROM TO	UNITS PER ASSY
1 A			VALVE INSTL-EDP SHUTOFF R AND L SYS	101106 108120 504903	
- 1	271N5001-29		VALVE INSTL-EDP SHUTOFF SYS POSITION DATA: L FOR NHA SEE: 29-00-51-02C	101102 504903	RF
- 1	271N5001-45		VALVE INSTL-EDP SHUTOFF SYS POSITION DATA: L FOR NHA SEE: 29-00-51-02C	108120	RF
- 1	MODREF7126		VALVE INSTL-EDP SHUTOFF SYS MODULE NUMBER: 271N5001-45 REV A POSITION DATA: L	103106	1
- 5	271N5001-30		VALVE INSTL-EDP SHUTOFF SYS POSITION DATA: R FOR NHA SEE: 29-00-51-02C	101102 504903	RF
- 5	271N5001-44		VALVE INSTL-EDP SHUTOFF SYS POSITION DATA: R FOR NHA SEE: 29-00-51-02C	108120	RF
- 5	MODREF7125		VALVE INSTL-EDP SHUTOFF SYS MODULE NUMBER: 271N5001-44 REV A POSITION DATA: R	103106	1
15	BACB30NM4K36		.BOLT-	101106 108120 504903	4
20	BACW10BN4AC		.WASHER-	101106 108120 504903	7
25	BACW10BN4AP		.WASHER-	101106 108120 504903	4

MISSING ITEM NUMBERS NOT APPLICABLE

- ITEM NOT ILLUSTRATED

29-11-06-01A

29-11-06
FIG. 01A
PAGE 1
JAN 20/09

BRI

BOEING PROPRIETARY - Copyright © - Unpublished Work - See title page for details.



757

PARTS CATALOG (MAINTENANCE)

FIG ITEM	PART NUMBER	1 2 3 4 5 6 7	NOMENCLATURE	EFFECT FROM TO	UNITS PER ASSY
1 A					
30	BRH10C4D	.NUT-	SUPPLIER CODE: V52828 SPECIFICATION NUMBER: BACN10JC4CD OPTIONAL PART: T6C428JCD V11815 NS202486-048 V80539 102LH9075-4W V72962 H51650-4BAC V15653	101106 108120 504903	4
35	65B90219-600	.ADAPTOR-		101106 108120 504903	2
35	65B90219-1	.ADAPTOR-		101106 108120 504903	2
40	NAS1611-223	.PACKING-		101102 504903	2
40	NAS1611-223A	.PACKING-		103106 108120	2
45	NAS1802-3-8	.SCREW		101106 108120 504903	1
50	NAS1149D0332J	.WASHER		101106 108120 504903	1
55	BRH10C3D	.NUT	SUPPLIER CODE: V52828 SPECIFICATION NUMBER: BACN10JC3CD OPTIONAL PART: T6C1032JCD V11815 NS202486-02 V80539 102LH9075-3W V72962 H51650-3BAC V15653	101106 108120 504903	2

MISSING ITEM NUMBERS NOT APPLICABLE

- ITEM NOT ILLUSTRATED

29-11-06-01A

29-11-06
FIG. 01A
PAGE 2
JAN 20/09

BRI



757

PARTS CATALOG (MAINTENANCE)

FIG ITEM	PART NUMBER	1 2 3 4 5 6 7	NOMENCLATURE	EFFECT FROM TO	UNITS PER ASSY
1A 60	740A20-5	.	JUMPER ASSY SUPPLIER CODE: V91812 SPECIFICATION NUMBER: BACJ40A20-5 OPTIONAL PART: TJEJ40A20-5 V33483 RBEJ20-5 V1GK47	101106 108120 504903	1
70	233145	.	VALVE-SHUT-OFF MODULE INSTL SUPPLIER CODE: V79318 SPECIFICATION NUMBER: 10-3200-6 MISCELLANEOUS DATA: FOR COMPLETE INTERCHANGEABILITY REGARDING SPECIFIC USAGE, PLEASE REFER TO DRAWING 270T2001 SHEET 1 ELECTRICAL EQUIP NUMBER: V10005 V10006 WIRING DIAGRAM REF: 291111 291121 COMPONENT MAINT MANUAL REF: 29-11-01 SERVICE BULLETIN OPT DATA: EM56-20-5 V91816 POST ALERT SB: 29A0049 QUALIFIED SB I/W DATA: WHITTAKER CONTROLS VALVE 10-3200-6 CAN BE USED TO REPLACE CIRCLE SEAL CONTROLS VALVE S270T010-15. PER 29A0049	101106 108120 504903	1
85	100146C14	..	SCREW- SUPPLIER CODE: V79318	101106 108120 504903	1
90	100168-165	..	WASHER- SUPPLIER CODE: V79318	101106 108120 504903	2

MISSING ITEM NUMBERS NOT APPLICABLE

- ITEM NOT ILLUSTRATED

29-11-06-01A

29-11-06
FIG. 01A
PAGE 3
JAN 20/09

BRI



757

PARTS CATALOG (MAINTENANCE)

FIG ITEM	PART NUMBER	1 2 3 4 5 6 7	NOMENCLATURE	EFFECT FROM TO	UNITS PER ASSY
1A					
95	MS20365D440A	..	NUT	101106 108120 504903	1
100	157710-4	..	ACTUATOR ASSY- SUPPLIER CODE: V79318 COMPONENT MAINT MANUAL REF: 29-11-02 ATTACHING PARTS	101106 108120 504903	1
105	100126C12	..	SCREW- SUPPLIER CODE: V79318	101106 108120 504903	4
110	100168-167	..	WASHER- SUPPLIER CODE: V79318	101106 108120 504903	4
200	EM56-20-3	.	VALVE-SHUT-OFF MODULE INSTL SUPPLIER CODE: V91816 SPECIFICATION NUMBER: S270T010-9 MISCELLANEOUS DATA: FOR COMPLETE INTERCHANGEABILITY REGARDING SPECIFIC USAGE, PLEASE REFER TO DRAWING 270T2001 SHEET 1 ELECTRICAL EQUIP NUMBER: V10005 V10006 COMPONENT MAINT MANUAL REF: 29-11-01 PRE ALERT SB: 29A0049 PRE SERVICE BULLETIN: EM56-20-29-02 V91816	101102 505505	1
200	EM56-20-4	.	VALVE-SHUT-OFF SUPPLIER CODE: V91816 SPECIFICATION NUMBER: S270T010-12 ELECTRICAL EQUIP NUMBER: V10005 V10006 COMPONENT MAINT MANUAL REF: 29-11-01	101102 505505	1

MISSING ITEM NUMBERS NOT APPLICABLE

- ITEM NOT ILLUSTRATED

29-11-06-01A

29-11-06
FIG. 01A
PAGE 4
JAN 20/09

BRI

BOEING PROPRIETARY - Copyright © - Unpublished Work - See title page for details.

 **BOEING**
757
PARTS CATALOG (MAINTENANCE)

FIG ITEM	PART NUMBER	1 2 3 4 5 6 7	NOMENCLATURE	EFFECT FROM TO	UNITS PER ASSY
1A 200	EM56-20-5	.	VALVE-SHUT-OFF SUPPLIER CODE: V91816 FUNCTIONAL DESCRIPTION: PROVIDES ON/OFF CONTROL OF THE FLOW OF HYDRAULIC FLUID IN THE AIRCRAFT HYDRAULIC SYSTEM SPECIFICATION NUMBER: S270T010-15 ELECTRICAL EQUIP NUMBER: V10005 V10006 COMPONENT MAINT MANUAL REF: 29-11-01 SERVICE BULLETIN OPT DATA: 233145 V79318 POST ALERT SB: 29A0049 QUALIFIED SB I/W DATA: WHITTAKER CONTROLS VALVE 10-3200-6 CAN BE USED TO REPLACE CIRCLE SEAL CONTROLS VALVE S270T010-15. PER 29A0049 POST SERVICE BULLETIN: EM56-20-29-02 V91816	101106 108120 504903	1
240	B2671	..	NAMEPLATE- SUPPLIER CODE: V91816 USED ON: EM56-20	101106 108120 505505	1
240	E2671	..	NAMEPLATE- SUPPLIER CODE: V91816 USED ON: EM56-20-3	101102 505505	1
240	F2671	..	NAMEPLATE- SUPPLIER CODE: V91816 USED ON: EM56-20-4	101102 505505	1
240	G2671	..	NAMEPLATE- SUPPLIER CODE: V99837 USED ON: EM56-20-5	101106 108120 504903	1

MISSING ITEM NUMBERS NOT APPLICABLE

— ITEM NOT ILLUSTRATED

BRI

29-11-06-01A

BOEING PROPRIETARY - Copyright © - Unpublished Work - See title page for details.

29-11-06
FIG. 01A
PAGE 5
JAN 20/09



757

PARTS CATALOG (MAINTENANCE)

FIG ITEM	PART NUMBER	1 2 3 4 5 6 7	NOMENCLATURE	EFFECT FROM TO	UNITS PER ASSY
1A 250	NAS1352N08-8P	..	SCREW	101106 108120 504903	4
255	S30660-011-5	..	RING- SUPPLIER CODE: V09257	101106 108120 504903	1
260	NAS1601-011	..	PACKING- CONFIG CHG DATA FROM A CMM: SUPSD BY NAS1611-011A	101106 108120 504903	1
260	NAS1611-011A	..	PACKING- CONFIG CHG DATA FROM A CMM: SUPERSEDES NAS1601-011	101106 108120 504903	1
265	P2350-0082	..	ACTUATOR ASSY- SUPPLIER CODE: V91816 USED ON: EM56-20	101106 108120 505505	1
265	W2350-0082	..	ACTUATOR ASSY- SUPPLIER CODE: V91816 USED ON: EM56-20-3	101102 505505	1
265	X2350-0082	..	ACTUATOR ASSY- SUPPLIER CODE: V91816 USED ON: EM56-20-4	101102 505505	1
265	Y2350-0082	..	ACTUATOR ASSY- SUPPLIER CODE: V91816 USED ON: EM56-20-5	101106 108120 504903	1
- 700	286N5100-301		WIRE BUNDLE ASSY-(HYDRAULIC POWER ONLY) POSITION DATA: LH	101102	RF
- 700	286N5100-306		WIRE BUNDLE ASSY-(HYDRAULIC POWER ONLY) POSITION DATA: LH	504903	RF
- 705	286N5200-301		WIRE BUNDLE ASSY-(HYDRAULIC POWER ONLY) POSITION DATA: RH	101102	RF
- 705	286N5200-306		WIRE BUNDLE ASSY-(HYDRAULIC POWER ONLY) POSITION DATA: RH	504903	RF

MISSING ITEM NUMBERS NOT APPLICABLE

- ITEM NOT ILLUSTRATED

29-11-06-01A

29-11-06
FIG. 01A
PAGE 6
JAN 20/09

BRI

BOEING PROPRIETARY - Copyright © - Unpublished Work - See title page for details.



757

PARTS CATALOG (MAINTENANCE)

FIG ITEM	PART NUMBER	1 2 3 4 5 6 7	NOMENCLATURE	EFFECT FROM TO	UNITS PER ASSY
1A 710	BACC63CE14S5S	.	CONNECTOR- POSITION DATA: LH SIDE ELECTRICAL EQUIP NUMBER: D01774 WIRING DIAGRAM REF: 291111	101102 504903	1
715	BACC63CE14SA5S	.	CONNECTOR- POSITION DATA: RH SIDE ELECTRICAL EQUIP NUMBER: D01846 WIRING DIAGRAM REF: 291121	101102 504903	1
720	G65062-14	.	CLAMP- SUPPLIER CODE: V06324 SPECIFICATION NUMBER: BACC10HV14 OPTIONAL PART: S2824-14 V07418 POSITION DATA: LH SIDE ELECTRICAL EQUIP NUMBER: D01774T WIRING DIAGRAM REF: 291111	101102 504903	1

MISSING ITEM NUMBERS NOT APPLICABLE

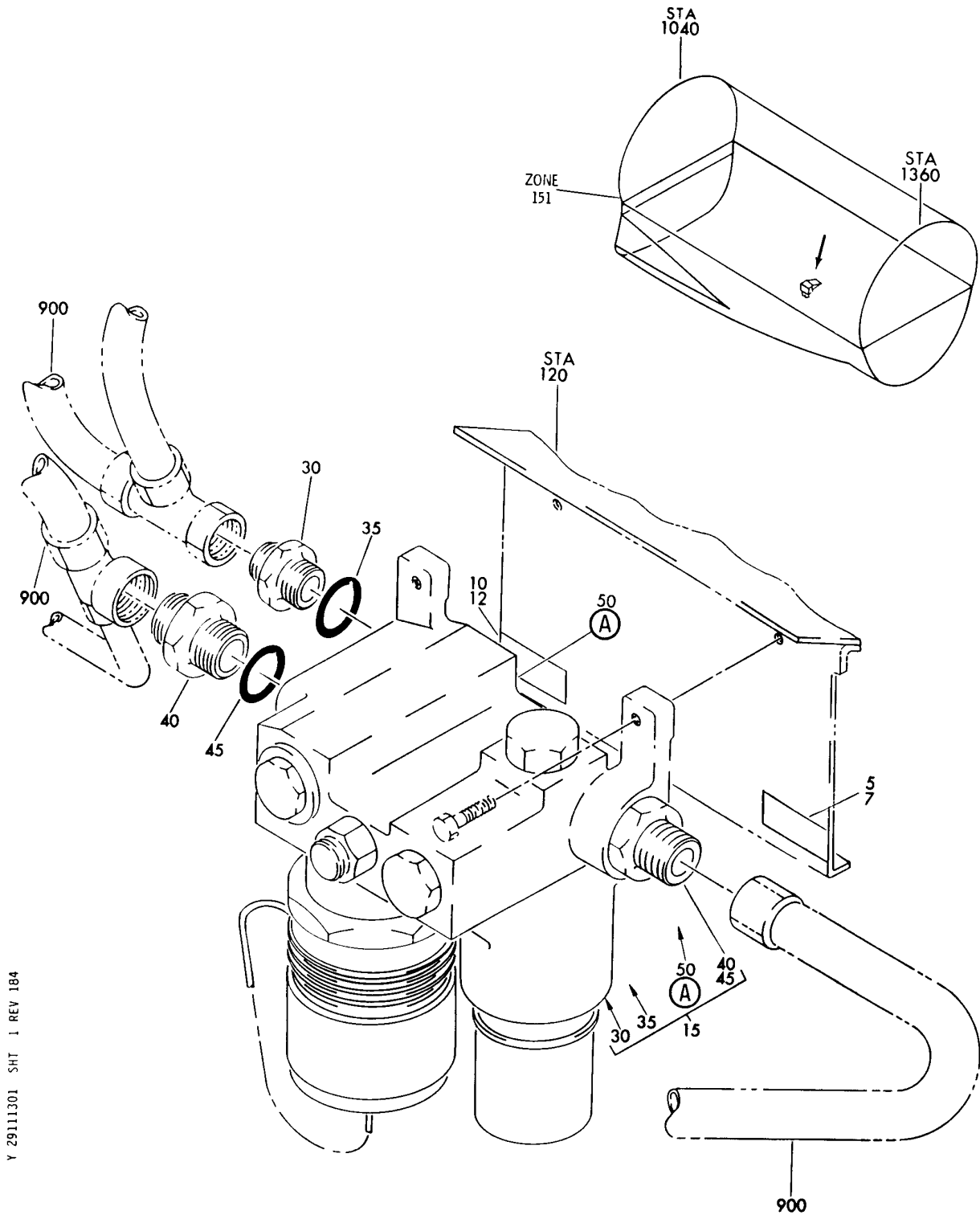
- ITEM NOT ILLUSTRATED

29-11-06-01A

29-11-06
FIG. 01A
PAGE 7
JAN 20/09

BRI

BOEING
757
PARTS CATALOG (MAINTENANCE)



Y 29111301 SHT 1 REV 184

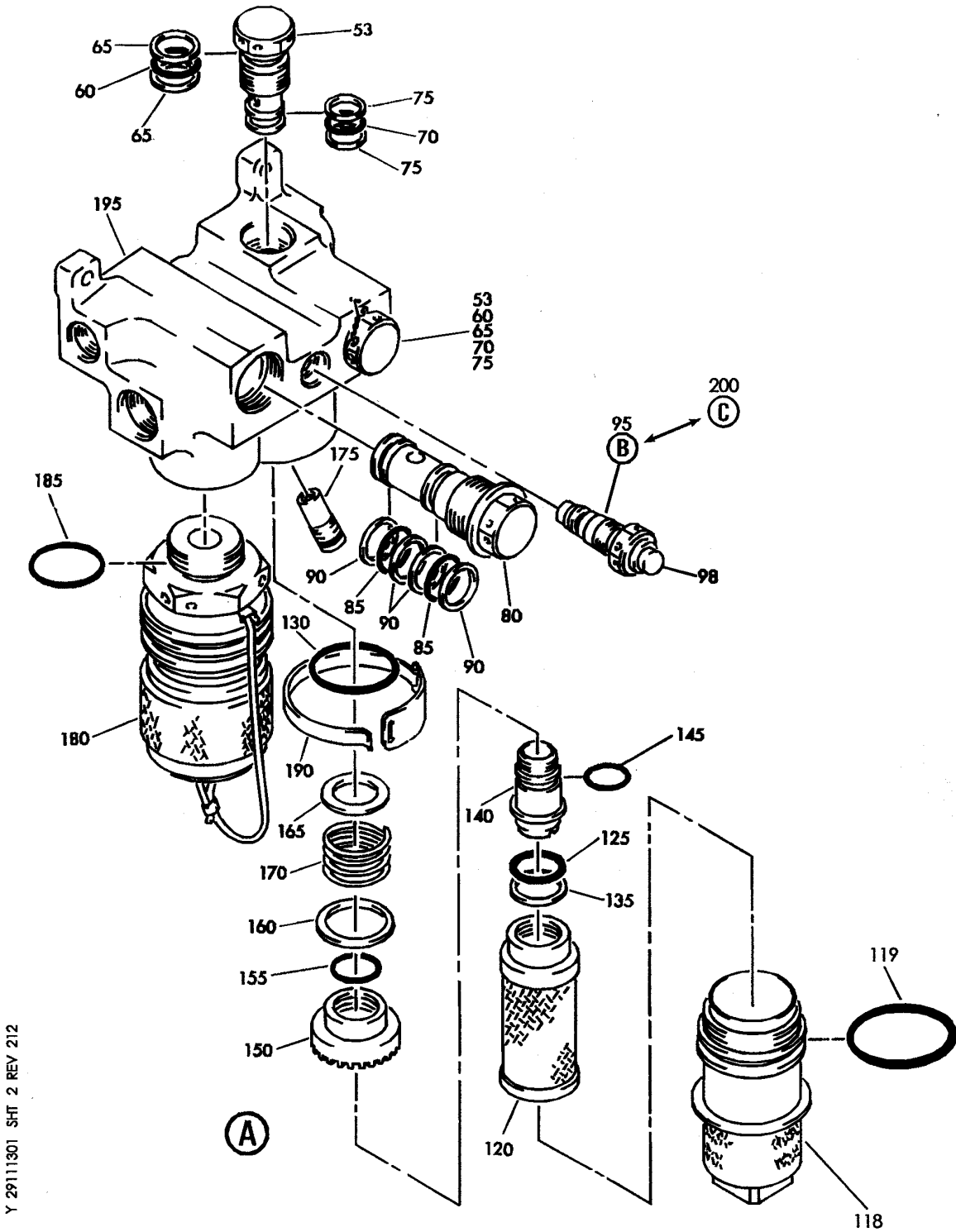
MODULE INSTL-CTR SYS RETURN FILTER
FIGURE 1 (SHEET 1)

29-11-13-01

BRI
MAY 28/07

29-11-13-01
PAGE 0


BOEING
 757
PARTS CATALOG (MAINTENANCE)



Y 29111301 SHT 2 REV 212

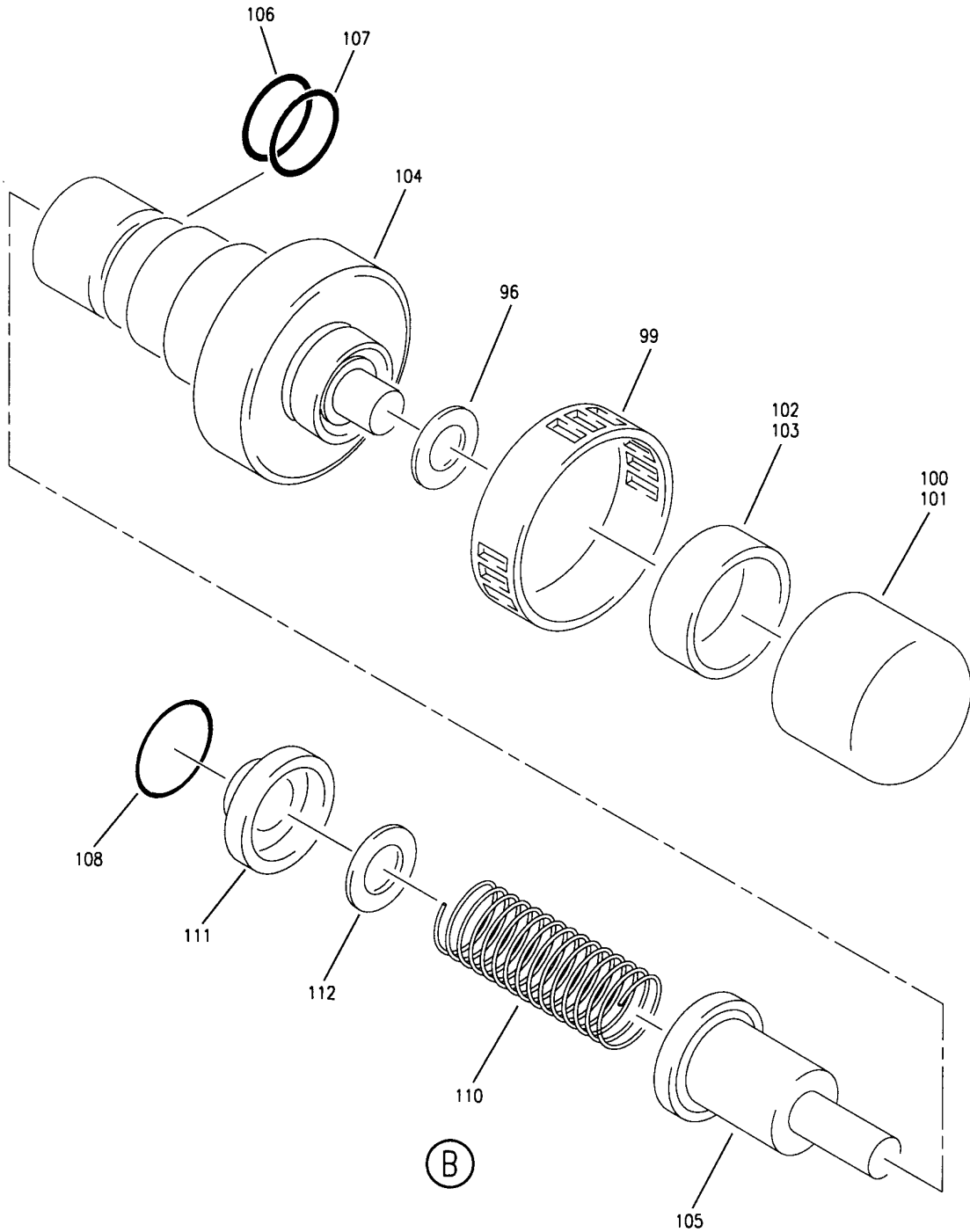
MODULE INSTL-CTR SYS RETURN FILTER
 FIGURE 1 (SHEET 2)

29-11-13-01

BRI
MAY 28/07

29-11-13-01
 PAGE 0A

BOEING
757
PARTS CATALOG (MAINTENANCE)



Y 2911301 SHT 3 REV 197

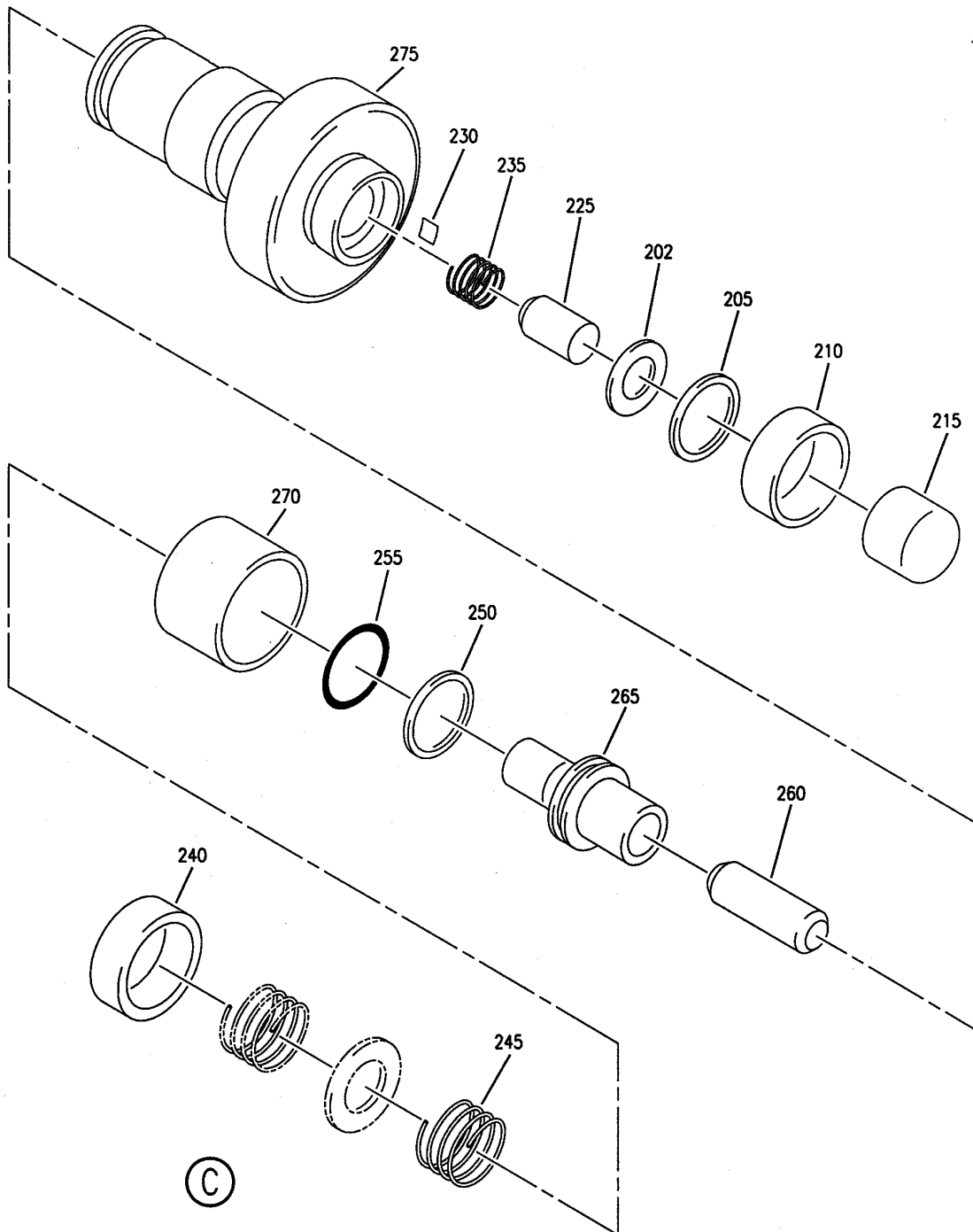
MODULE INSTL-CTR SYS RETURN FILTER
FIGURE 1 (SHEET 3)

29-11-13-01

BRI
MAY 28/07

29-11-13-01
PAGE 0B

BOEING
757
PARTS CATALOG (MAINTENANCE)



Y 29111301 SHT 4 REV 212

MODULE INSTL-CTR SYS RETURN FILTER
FIGURE 1 (SHEET 4)

29-11-13-01

BRI
MAY 28/07

29-11-13-01
PAGE 0C

BOEING
757
PARTS CATALOG (MAINTENANCE)

FIG ITEM	PART NUMBER	1 2 3 4 5 6 7	NOMENCLATURE	EFFECT FROM TO	UNITS PER ASSY
1			MODULE INSTL-CTR SYS RETURN FILTER	002004 006999	RF
- 1	271N2007-1		MODULE INSTL-SYS RETURN FILTER POSITION DATA: CTR FOR NHA SEE: 29-00-51-07	107107 904949	RF
- 1	271N2026-1		MODULE INSTL-SYS RETURN FILTER POSITION DATA: CTR FOR NHA SEE: 29-00-51-07 29-00-51-01A	002004 006102 108903 950999	RF
- 1	MODREF6997		MODULE INSTL-SYS RETURN FILTER MODULE NUMBER: 271N2026-1 REV A POSITION DATA: CTR	103106	1
5	BAC27NHY0085		.MARKER-ALUMINUM FOIL PLACARD CONTENT: CENTER SYSTEM RETURN FILTER	107107 904949	1
7	BAC27NHY0085		.MARKER-ALUMINUM FOIL PLACARD CONTENT: CENTER SYSTEM RETURN FILTER	002004 006106 108903 950999	1
10	BAC27NHY0090		.MARKER-ALUMINUM FOIL PLACARD CONTENT: GRD SERVICE RETURN	107107 904949	1
12	BAC27NHY0090		.MARKER-ALUMINUM FOIL PLACARD CONTENT: GRD SERVICE RETURN	002004 006106 108903 950999	1
15	271N2007-2		.MODULE ASSY	107107 904949	1
15	271N2026-2		.MODULE ASSY	002004 006106 108903 950999	1
- 20	BACB30NR4K11		ATTACHING PARTS .BOLT	002004 006999	3
- 25	BACW10BN4AC		.WASHER -----*-----	002004 006999	3

MISSING ITEM NUMBERS NOT APPLICABLE

- ITEM NOT ILLUSTRATED

BRI

29-11-13-01

29-11-13
FIG. 01
PAGE 1
JAN 20/09



757

PARTS CATALOG (MAINTENANCE)

FIG ITEM	PART NUMBER	1 2 3 4 5 6 7	NOMENCLATURE	EFFECT FROM TO	UNITS PER ASSY
1					
30	BACU24K10	..	UNION	002004 006999	1
35	NAS1612-10	..	PACKING-	002004 006999	1
40	MS21902D12	..	UNION	002004 006999	2
45	NAS1612-12	..	PACKING-	002004 006999	2
50	271N2020-1	..	FILTER ASSY-SYS RET (MAIN HYDRAULIC SYSTEMS ONLY) POSITION DATA: CTR COMPONENT MAINT MANUAL REF: 29-11-62 FUNCTIONAL REFERENCE: PLACARDS AND MARKINGS FOR DETAILS SEE 11-38-45-01	002004 006999	1
53	2790521-102	...	VALVE- SUPPLIER CODE: V92003 SPECIFICATION NUMBER: S270T242-1 COMPONENT MAINT MANUAL REF: 29-09-14 OPTIONAL PART: 1C1244 V99240	002004 006999	2
60	NAS1611-213	...	PACKING-	002004 006999	2
65	MS27595-213	...	RETAINER	002004 006999	4
70	NAS1611-116	...	PACKING-	002004 006999	2
75	MS27595-116	...	RETAINER	002004 006999	4
80	1652	...	VALVE- SUPPLIER CODE: V06177 SPECIFICATION NUMBER: 10-60551-3 COMPONENT MAINT MANUAL REF: 29-10-02	002004 006999	1
85	NAS1611-213	...	PACKING-	002004 006999	2
90	MS28782-18	...	RETAINER	002004 006999	4

MISSING ITEM NUMBERS NOT APPLICABLE

- ITEM NOT ILLUSTRATED

29-11-13-01

29-11-13
FIG. 01
PAGE 2
JAN 20/09

BRI



757

PARTS CATALOG (MAINTENANCE)

FIG ITEM	PART NUMBER	1 2 3 4 5 6 7	NOMENCLATURE	EFFECT FROM TO	UNITS PER ASSY
1					
95	7586630	...	INDICATOR ASSY-DIFF PRESSURE HYDR SUPPLIER CODE: V05228 SPECIFICATION NUMBER: S271T005-5 OPTIONAL PART: TC125UK06Y V18350	002004 006999	1
96	7586651	NAMEPLATE- SUPPLIER CODE: V05228 USED ON: 7586630	002004 006999	1
98	7586649	CAP-PROTECTIVE SUPPLIER CODE: V05228 USED ON: 7586630	002004 006999	1
99	MS3367-5-9	STRAP- CONFIG CHG DATA FROM A CMM: REPLACES 7590761-001 REPLACES 7586779 REPLACES 7586778 MISCELLANEOUS DATA: USED PRIOR TO S/N 6409 FOR 7586630 ASSY AND S/N 3888 FOR 7586631 ASSY USED ON: 7586630 USED WITH: 7586649	002004 006999	1
100	7586649	CAP-PROTECTIVE SUPPLIER CODE: V05228 CONFIG CHG DATA FROM A CMM: REPLACES 7590761-001 REPLACES 7586779 REPLACES 7586778 MISCELLANEOUS DATA: USED PRIOR TO S/N 6409 FOR 7586630 ASSY AND S/N 3888 FOR 7586631 ASSY USED ON: 7586630 USED WITH: MS3367-5-9	002004 006999	1

MISSING ITEM NUMBERS NOT APPLICABLE

- ITEM NOT ILLUSTRATED

29-11-13-01

29-11-13
FIG. 01
PAGE 3
JAN 20/09

BRI



757

PARTS CATALOG (MAINTENANCE)

FIG ITEM	PART NUMBER	1 2 3 4 5 6 7	NOMENCLATURE	EFFECT FROM TO	UNITS PER ASSY
1 101	7590761-001	CAP-PROTECTIVE SUPPLIER CODE: V05228 CONFIG CHG DATA FROM A CMM: REPLD BY MS3367-5-9 REPLD BY 7586649 MISCELLANEOUS DATA: USED PRIOR TO S/N 6409 FOR 7586630 ASSY AND S/N 3888 FOR 7586631 ASSY OPTIONAL PART: 7586779 V05228 USED ON: 7586630	002004 006999	1
102	7586779	CAP-PROTECTIVE SUPPLIER CODE: V05228 CONFIG CHG DATA FROM A CMM: REPLD BY MS3367-5-9 REPLD BY 7586649 MISCELLANEOUS DATA: USED PRIOR TO S/N 6409 FOR 7586630 ASSY AND S/N 3888 FOR 7586631 ASSY OPTIONAL PART: 7590761-001 V05228 USED ON: 7586630 USED WITH: 7586778	002004 006999	1
103	7586778	RETAINER-CAP SUPPLIER CODE: V05228 CONFIG CHG DATA FROM A CMM: REPLD BY MS3367-5-9 REPLD BY 7586649 MISCELLANEOUS DATA: USED PRIOR TO S/N 6409 FOR 7586630 ASSY AND S/N 3888 FOR 7586631 ASSY USED ON: 7586630 USED WITH: 7586779	002004 006999	1

MISSING ITEM NUMBERS NOT APPLICABLE

- ITEM NOT ILLUSTRATED

29-11-13-01

29-11-13
FIG. 01
PAGE 4
SEP 20/08

BRI



757

PARTS CATALOG (MAINTENANCE)

FIG ITEM	PART NUMBER	1 2 3 4 5 6 7	NOMENCLATURE	EFFECT FROM TO	UNITS PER ASSY
1					
104	7586641	HOUSING- SUPPLIER CODE: V05228 USED ON: 7586630	002004 006999	1
105	7586642	PISTON- SUPPLIER CODE: V05228 USED ON: 7586630	002004 006999	1
106	7586811	SEAL-RING SUPPLIER CODE: V05228 USED ON: 7586630	002004 006999	1
107	7586810	PACKING-O-RING SUPPLIER CODE: V05228	002004 006999	1
108	7582499	RING-RTNR SUPPLIER CODE: V05228 CONFIG CHG DATA FROM A CMM: REPLD BY 7582499-001 USED ON: 7586630	002004 006999	1
108	7582499-001	RING-RTNR SUPPLIER CODE: V05228 CONFIG CHG DATA FROM A CMM: REPLACES 7582499 USED ON: 7586630	002004 006999	1
110	7586645	SPRING- SUPPLIER CODE: V05228 USED ON: 7586630	002004 006999	1
111	7586646	RETAINER-SPR SUPPLIER CODE: V05228 USED ON: 7586630	002004 006999	1
112	7586777	SHIM- SUPPLIER CODE: V05228 SELECT FROM ITEM. USED ON: 7586630	002004 006999	AR

MISSING ITEM NUMBERS NOT APPLICABLE

- ITEM NOT ILLUSTRATED

29-11-13-01

29-11-13
FIG. 01
PAGE 5
SEP 20/08

BRI

BOEING PROPRIETARY - Copyright © - Unpublished Work - See title page for details.



757

PARTS CATALOG (MAINTENANCE)

FIG ITEM	PART NUMBER	1 2 3 4 5 6 7	NOMENCLATURE	EFFECT FROM TO	UNITS PER ASSY
1					
116	NAS1612-8	...	PACKING-	002004 006999	1
117	NAS1611-014	...	PACKING-	002004 006999	1
118	271N2023-1	...	BOWL-FILTER	002004 006999	1
119	NAS1611-143	...	PACKING-	002004 006999	1
120	AC7681E1Y2	...	FILTER- SUPPLIER CODE: V18350 SPECIFICATION NUMBER: 10-60592-6 FOR ELEMENT MAINTENANCE USE FILTER MAINT KIT DEFINED IN FILTER MAINT KIT LIST. FILTER MAINTENANCE KIT REF: 654N0035-1 OPTIONAL PART: 7513128 V05228	002004 006999	1
120	7513128	...	FILTER- SUPPLIER CODE: V05228 SPECIFICATION NUMBER: 10-60592-5 FOR ELEMENT MAINTENANCE USE FILTER MAINT KIT DEFINED IN FILTER MAINT KIT LIST. FILTER MAINTENANCE KIT REF: 654N0035-1 OPTIONAL PART: AC7681E1Y2 V18350	002004 006999	1
125	NAS1611-214	...	PACKING-	002004 006999	1
130	NAS1611-138	...	PACKING-	002004 006999	1
135	MS28782-19	...	RING	002004 006999	1
140	271N2024-1	...	NIPPLE-SHUTOFF	002004 006999	1
145	NAS1611-020	...	PACKING-	002004 006999	1
150	271N2031-1	...	DIAPHRAGM-SHUTOFF OPTIONAL PART: 271N2050-1	002004 006999	1

MISSING ITEM NUMBERS NOT APPLICABLE

- ITEM NOT ILLUSTRATED

29-11-13-01

29-11-13
FIG. 01
PAGE 6
SEP 20/08

BRI

 **BOEING**
757
PARTS CATALOG (MAINTENANCE)

FIG ITEM	PART NUMBER	1 2 3 4 5 6 7	NOMENCLATURE	EFFECT FROM TO	UNITS PER ASSY
1					
150	271N2050-1	...	DIAPHRAGM-SHUTOFF OPTIONAL PART: 271N2031-1	002004 006999	1
155	NAS1611-023	...	PACKING-	002004 006999	1
160	271N2028-2	...	WASHER	002004 006999	1
165	271N2028-1	...	WASHER	002004 006999	1
170	271N2025-1	...	SPRING-SHUTOFF	002004 006999	1
175	ABA983-12D3	...	VALVE-BYPASS SUPPLIER CODE: V18350	002004 006999	1
180	AE80994N	...	COUPLING HALF- SUPPLIER CODE: V00624 FUNCTIONAL DESCRIPTION: PROVIDES DISCONNECT FITTING FOR GROUND SERVICING OF THE CENTER HYDRAULIC SYSTEM COMPONENT MAINT MANUAL REF: 29-19-01	002004 006999	1
185	NAS1612-20	...	PACKING-	002004 006999	1
190	69-35587-7	...	STRAP	002004 006999	1
195	271N2022-1	...	HEAD-FILTER	002004 006999	1
200	TC125UK06Y	...	INDICATOR ASSY- SUPPLIER CODE: V18350 SPECIFICATION NUMBER: S271T005-2	002004 006999	1
202	60TA125UK06Y	NAMEPLATE- SUPPLIER CODE: V18350	002004 006999	1
205	AA9500D330	RING-RETAINING SUPPLIER CODE: V18350	002004 006999	1
210	AA9500D822	BAND-BOOT SHRINK SUPPLIER CODE: V18350	002004 006999	1
215	62RB114S0000	BOOT CAP- SUPPLIER CODE: V18350	002004 006999	1

R
R
R
R
R
R
R
R

R
R
R
R

MISSING ITEM NUMBERS NOT APPLICABLE

- ITEM NOT ILLUSTRATED

29-11-13-01

29-11-13
FIG. 01
PAGE 7
MAY 20/09

BRI



757

PARTS CATALOG (MAINTENANCE)

FIG ITEM	PART NUMBER	1 2 3 4 5 6 7	NOMENCLATURE	EFFECT FROM TO	UNITS PER ASSY
1					
225	19RA551P0000	INDICATOR-BUTTON SUPPLIER CODE: V18350	002004 006999	1
230	69RB55100000	BIMETAL- SUPPLIER CODE: V18350	002004 006999	1
235	AA2100-3D5	MAGNET-ACTUATION SPRING SUPPLIER CODE: V18350	002004 006999	1
240	14RA77700000	RETAINER-SPRING SUPPLIER CODE: V18350	002004 006999	1
245	21RA777000K7	SPRING- SUPPLIER CODE: V18350	002004 006999	1
250	AA9500D530	SEAL-RING SUPPLIER CODE: V18350	002004 006999	1
255	NAS1611-011	PACKING-	002004 006999	1
260	27RA65000000	MAGNET- SUPPLIER CODE: V18350	002004 006999	1
265	23TB04200000	PISTON- SUPPLIER CODE: V18350	002004 006999	1
270	92RA77100000	FILTER-SLEEVE, RIGIMESH SUPPLIER CODE: V18350	002004 006999	1
275	08TD12500009	PLUG-DELTADYNE SUPPLIER CODE: V18350	002004 006999	1
900			ILLUSTRATION REFERENCE: PLUMBING INSTL-SECT. 49 L HYDR BAY (MAIN HYDR SYSTEM ONLY) 29-11-51-20	002004 006100 107107 121503 904999	RF
900			ILLUSTRATION REFERENCE: PLUMBING INSTL-SECT. 49 L HYDR BAY (MAIN HYDR SYSTEM ONLY) 29-11-51-20A	101106 108120 504903	RF

MISSING ITEM NUMBERS NOT APPLICABLE

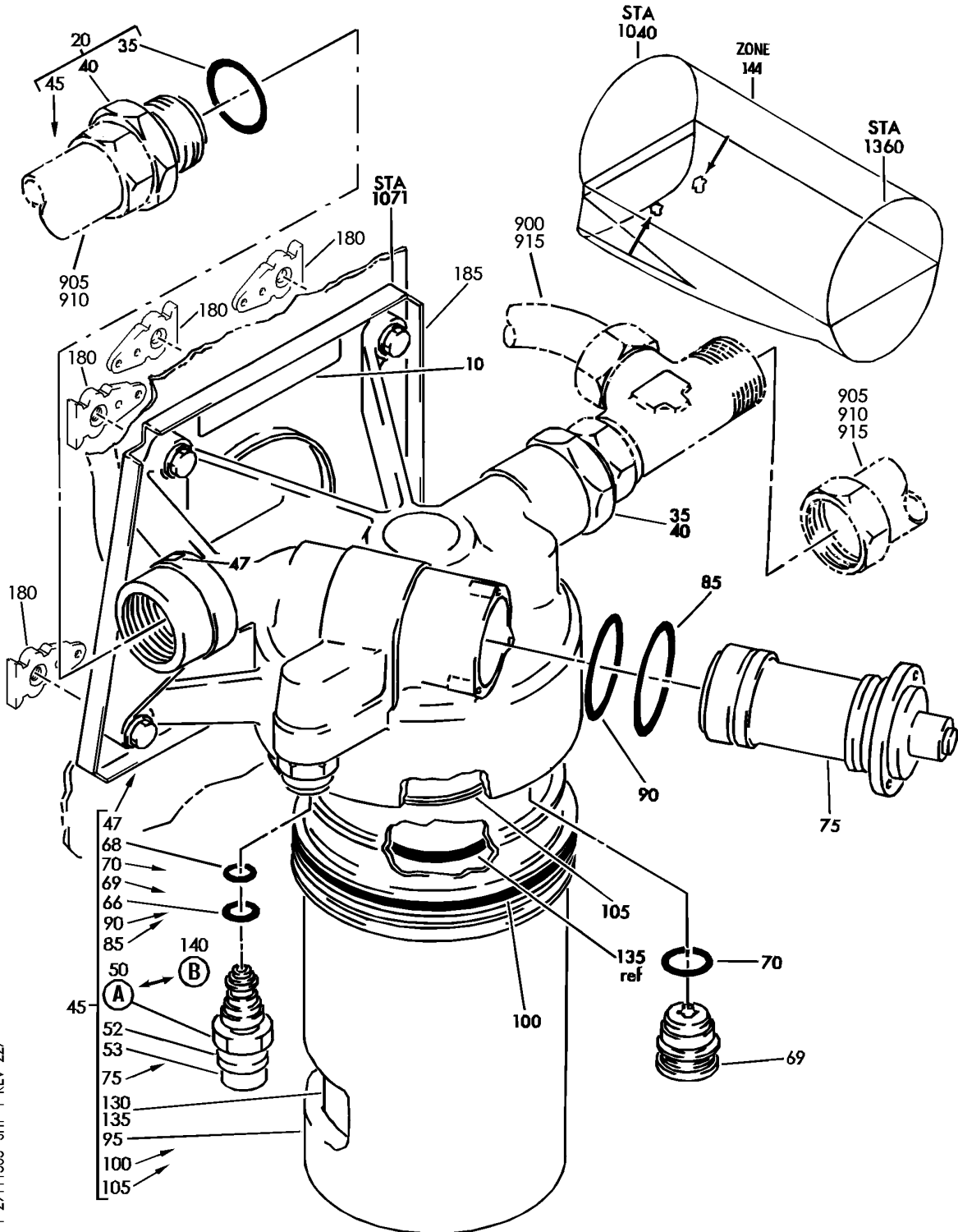
- ITEM NOT ILLUSTRATED

BRI

29-11-13-01

29-11-13
FIG. 01
PAGE 8
MAY 20/09

BOEING
757
PARTS CATALOG (MAINTENANCE)



Y 29111505 SHT 1 REV 227

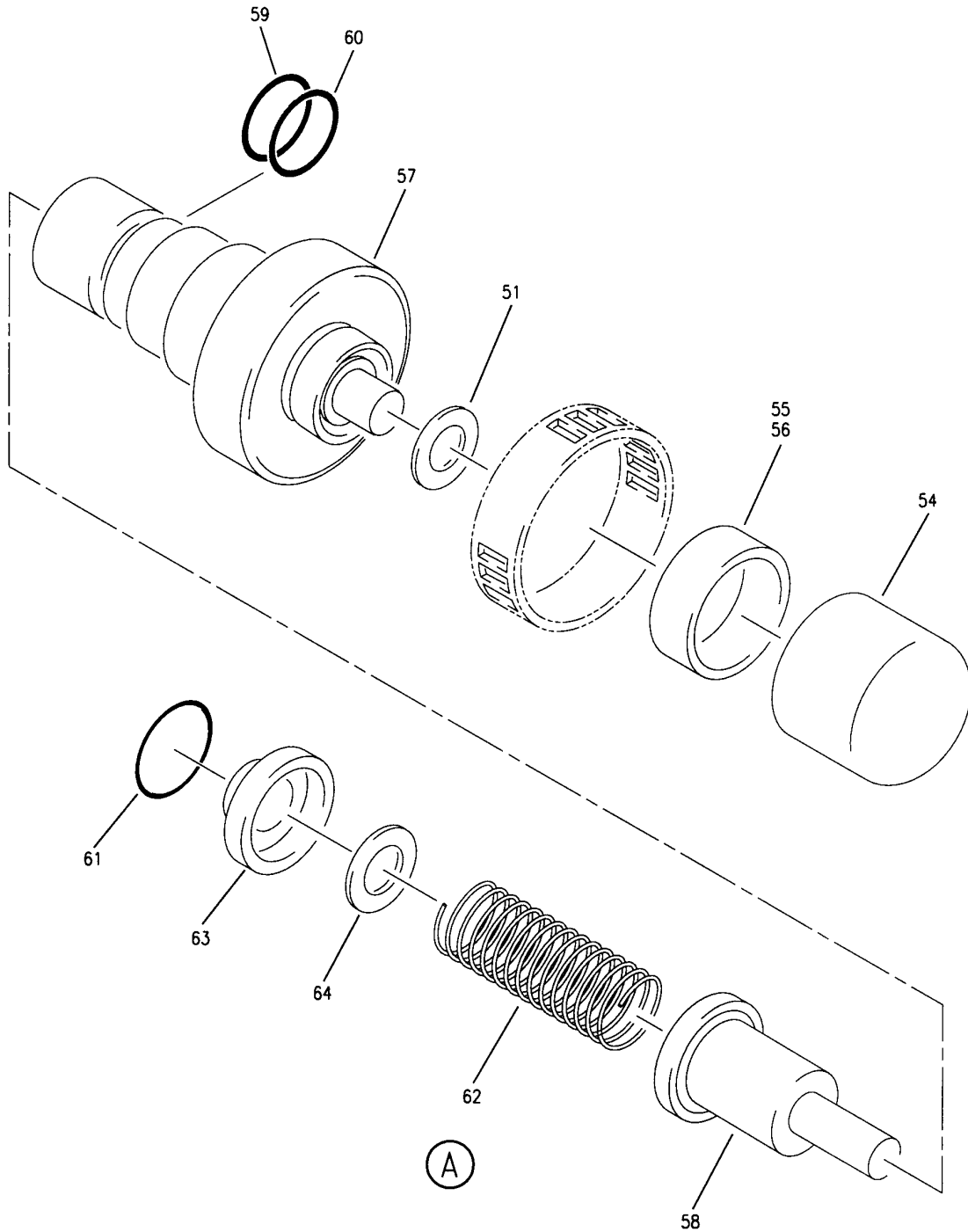
MODULE INSTL-L AND R SYS RETURN FILTER AND BRKT
FIGURE 5 (SHEET 1)

29-11-15-05

BRI
MAY 28/07

29-11-15-05
PAGE 0

BOEING
757
PARTS CATALOG (MAINTENANCE)



Y 29111505 SH1 2 REV 197

MODULE INSTL-L AND R SYS RETURN FILTER AND BRKT
FIGURE 5 (SHEET 2)

29-11-15-05

BRI
MAY 28/07

29-11-15-05
PAGE 0A



757

PARTS CATALOG (MAINTENANCE)

FIG ITEM	PART NUMBER	1 2 3 4 5 6 7	NOMENCLATURE	EFFECT FROM TO	UNITS PER ASSY
5			MODULE INSTL-L AND R SYS RETURN FILTER AND BRKT	002004 006999	
- 1	271N2006-1		MODULE INSTL-SYS RETURN FILTER POSITION DATA: L FOR NHA SEE: 29-00-51-07 29-00-51-02C	002004 006102 107999	RF
- 1	MODREF6911		MODULE INSTL-SYS RETURN FILTER MODULE NUMBER: 271N2006-1 REV A POSITION DATA: L	103106	1
- 5	271N2006-2		MODULE INSTL-SYS RETURN FILTER POSITION DATA: R FOR NHA SEE: 29-00-51-07 29-00-51-02C	002004 006102 107999	RF
- 5	MODREF6912		MODULE INSTL-SYS RETURN FILTER MODULE NUMBER: 271N2006-2 REV A POSITION DATA: R	103106	1
10	BAC27NHY0045		.MARKER- PLACARD CONTENT: RETURN FILTER MODULE LEFT HYDRAULIC SYSTEM	002004 006999	1
- 15	BAC27NHY0046		.MARKER- PLACARD CONTENT: RETURN FILTER MODULE RIGHT HYDRAULIC SYSTEM	002004 006999	1
20	271N2006-5		.MODULE ASSY	002004 006999	1
- 25	BACB30NM5K6		ATTACHING PARTS .BOLT	002004 006999	4
- 30	BACW10BN5AC		.WASHER-	002004 006999	4
35	NAS1612-16		-----*----- ..PACKING-	002004 006999	2
40	MS21902D16		..UNION	002004 006999	2

MISSING ITEM NUMBERS NOT APPLICABLE

- ITEM NOT ILLUSTRATED

29-11-15-05

29-11-15
FIG. 05
PAGE 1
JAN 20/09

BRI



757

PARTS CATALOG (MAINTENANCE)

FIG ITEM	PART NUMBER	1 2 3 4 5 6 7	NOMENCLATURE	EFFECT FROM TO	UNITS PER ASSY
5					
45	271T0001-2	..	MODULE ASSY- COMPONENT MAINT MANUAL REF: 29-11-35	002004 006999	1
47	7585859	...	NAMEPLATE- SUPPLIER CODE: V05228	002004 006999	1
50	7586630	...	INDICATOR ASSY-DIFF PRESSURE HYDR SUPPLIER CODE: V05228 SPECIFICATION NUMBER: S271T005-5 OPTIONAL PART: TC125UK06Y V18350	002004 006999	1
51	7586651	NAMEPLATE- SUPPLIER CODE: V05228 USED ON: 7586630	002004 006999	1
52	MS3367-5-9	STRAP- CONFIG CHG DATA FROM A CMM: REPLACES 7590761-001 REPLACES 7586779 REPLACES 7586778 MISCELLANEOUS DATA: USED PRIOR TO S/N 6409 FOR 7586630 ASSY AND S/N 3888 FOR 7586631 ASSY USED ON: 7586630 USED WITH: 7586649	002004 006999	1
53	7586649	CAP-PROTECTIVE SUPPLIER CODE: V05228 CONFIG CHG DATA FROM A CMM: REPLACES 7590761-001 REPLACES 7586779 REPLACES 7586778 MISCELLANEOUS DATA: USED PRIOR TO S/N 6409 FOR 7586630 ASSY AND S/N 3888 FOR 7586631 ASSY USED ON: 7586630	002004 006999	1

MISSING ITEM NUMBERS NOT APPLICABLE

- ITEM NOT ILLUSTRATED

29-11-15-05

29-11-15
FIG. 05
PAGE 2
JAN 20/09

BRI

BOEING PROPRIETARY - Copyright © - Unpublished Work - See title page for details.



757

PARTS CATALOG (MAINTENANCE)

FIG ITEM	PART NUMBER	1 2 3 4 5 6 7	NOMENCLATURE	EFFECT FROM TO	UNITS PER ASSY
5 54	7590761-001	CAP-PROTECTIVE SUPPLIER CODE: V05228 CONFIG CHG DATA FROM A CMM: REPLD BY MS3367-5-9 REPLD BY 7586649 MISCELLANEOUS DATA: USED PRIOR TO S/N 6409 FOR 7586630 ASSY AND S/N 3888 FOR 7586631 ASSY OPTIONAL PART: 7586779 V05228 USED ON: 7586630	002004 006999	1
55	7586779	CAP-PROTECTIVE SUPPLIER CODE: V05228 CONFIG CHG DATA FROM A CMM: REPLD BY MS3367-5-9 REPLD BY 7586649 MISCELLANEOUS DATA: USED PRIOR TO S/N 6409 FOR 7586630 ASSY AND S/N 3888 FOR 7586631 ASSY OPTIONAL PART: 7590761-001 V05228 USED ON: 7586630 USED WITH: 7586778	002004 006999	1
56	7586778	RETAINER-CAP SUPPLIER CODE: V05228 CONFIG CHG DATA FROM A CMM: REPLD BY MS3367-5-9 REPLD BY 7586649 MISCELLANEOUS DATA: USED PRIOR TO S/N 6409 FOR 7586630 ASSY AND S/N 3888 FOR 7586631 ASSY USED ON: 7586630 USED WITH: 7586779	002004 006999	1

MISSING ITEM NUMBERS NOT APPLICABLE

- ITEM NOT ILLUSTRATED

29-11-15-05

29-11-15
FIG. 05
PAGE 3
SEP 20/08

BRI



757

PARTS CATALOG (MAINTENANCE)

FIG ITEM	PART NUMBER	1 2 3 4 5 6 7	NOMENCLATURE	EFFECT FROM TO	UNITS PER ASSY
5					
57	7586641	HOUSING- SUPPLIER CODE: V05228 USED ON: 7586630	002004 006999	1
58	7586642	PISTON- SUPPLIER CODE: V05228 USED ON: 7586630	002004 006999	1
59	7586811	SEAL-RING SUPPLIER CODE: V05228 USED ON: 7586630	002004 006999	1
60	7586810	PACKING-O-RING SUPPLIER CODE: V05228 USED ON: 7586630	002004 006999	1
61	7582499	RING-RTNR SUPPLIER CODE: V05228 CONFIG CHG DATA FROM A CMM: REPLD BY 7582499-001 USED ON: 7586630	002004 006999	1
61	7582499-001	RING-RTNR SUPPLIER CODE: V05228 CONFIG CHG DATA FROM A CMM: REPLACES 7582499 USED ON: 7586630	002004 006999	1
62	7586645	SPRING- SUPPLIER CODE: V05228 USED ON: 7586630	002004 006999	1
63	7586646	RETAINER-SPR SUPPLIER CODE: V05228 USED ON: 7586630	002004 006999	1

MISSING ITEM NUMBERS NOT APPLICABLE

- ITEM NOT ILLUSTRATED

29-11-15-05

29-11-15
FIG. 05
PAGE 4
SEP 20/08

BRI

BOEING PROPRIETARY - Copyright © - Unpublished Work - See title page for details.



757

PARTS CATALOG (MAINTENANCE)

FIG ITEM	PART NUMBER	1 2 3 4 5 6 7	NOMENCLATURE	EFFECT FROM TO	UNITS PER ASSY
5					
64	7586777	SHIM- SUPPLIER CODE: V05228 SELECT FROM ITEM. USED ON: 7586630	002004 006999	AR
66	NAS1612-8	...	PACKING-	002004 006999	1
68	NAS1611-014	...	PACKING-	002004 006999	1
69	7585520	...	VALVE ASSY-CHK SUPPLIER CODE: V05228	002004 006999	1
70	NAS1611-019	...	PACKING-	002004 006999	1
75	7585802	...	VALVE/INDICATOR ASSY- RELIEF AND PRESSURE CHANGE SUPPLIER CODE: V05228 FOR DETAILS SEE: 29-11-15-51 ATTACHING PARTS	002004 006999	1
- 80	NAS1351-3-8P	...	SCREW -----*-----	002004 006999	3
85	NAS1611-125	...	PACKING-	002004 006999	1
90	NAS1611-026	...	PACKING-	002004 006999	1
95	271T0003-1	...	CASE-	002004 006999	1
95	271T0006-1	...	CASE-	002004 006999	1
100	NAS1611-430	...	PACKING-	002004 006999	1
105	7554834	...	SPRING-MODULE ASSY SUPPLIER CODE: V05228	002004 006999	1
130	7585381	...	FILTER-ELEMENT SUPPLIER CODE: V05228 SPECIFICATION NUMBER: S271T006-1 FOR ELEMENT MAINTENANCE USE FILTER MAINT KIT DEFINED IN FILTER MAINT KIT LIST. FILTER MAINTENANCE KIT REF: 654T0035-5	002004 006999	1

MISSING ITEM NUMBERS NOT APPLICABLE

- ITEM NOT ILLUSTRATED

29-11-15-05

29-11-15
FIG. 05
PAGE 5
SEP 20/08

BRI



757

PARTS CATALOG (MAINTENANCE)

FIG ITEM	PART NUMBER	1 2 3 4 5 6 7	NOMENCLATURE	EFFECT FROM TO	UNITS PER ASSY
5					
135	NAS1611-224	PACKING-	002004 006999	1
140	TC125UK06Y	...	INDICATOR ASSY-DIFF PRESSURE HYDR SUPPLIER CODE: V18350 SPECIFICATION NUMBER: S271T005-2 OPTIONAL PART: 7586630 V05228	002004 006999	1
142	60TA125UK06Y	NAMEPLATE- SUPPLIER CODE: V18350	002004 006999	1
144	AA9500D330	RING-RETAINING SUPPLIER CODE: V18350	002004 006999	1
146	AA9500D822	BAND-BOOT SHRINK SUPPLIER CODE: V18350	002004 006999	1
148	62RB114S0000	BOOT CAP- SUPPLIER CODE: V18350	002004 006999	1
150	19RA551P0000	INDICATOR-BUTTON SUPPLIER CODE: V18350	002004 006999	1
152	69RB55100000	BIMETAL- SUPPLIER CODE: V18350	002004 006999	1
154	AA2100-3D5	MAGNET-ACTUATION SPRING SUPPLIER CODE: V18350	002004 006999	1
156	14RA77700000	RETAINER-SPRING SUPPLIER CODE: V18350	002004 006999	1
158	21RA777000K7	SPRING- SUPPLIER CODE: V18350	002004 006999	1
160	AA9500D530	SEAL-RING SUPPLIER CODE: V18350	002004 006999	1
162	NAS1611-011	PACKING-	002004 006999	1
164	27RA65000000	MAGNET- SUPPLIER CODE: V18350	002004 006999	1

MISSING ITEM NUMBERS NOT APPLICABLE

- ITEM NOT ILLUSTRATED

29-11-15-05

29-11-15
FIG. 05
PAGE 6
SEP 20/08

BRI



757

PARTS CATALOG (MAINTENANCE)

FIG ITEM	PART NUMBER	1 2 3 4 5 6 7	NOMENCLATURE	EFFECT FROM TO	UNITS PER ASSY
5					
166	23TB04200000	PISTON- SUPPLIER CODE: V18350	002004 006999	1
168	92RA77100000	FILTER-SLEEVE, RIGIMESH SUPPLIER CODE: V18350	002004 006999	1
170	08TD12500009	PLUG-DELTADYNE SUPPLIER CODE: V18350	002004 006999	1
- 172	271N2006-3		BRACKET INSTL- POSITION DATA: L FOR NHA SEE: 29-00-51-07 29-00-51-02C	002004 006102 107999	RF
- 172	MODREF6913		BRACKET INSTL- MODULE NUMBER: 271N2006-3 REV A POSITION DATA: L	103106	1
- 176	271N2006-4		BRACKET INSTL- POSITION DATA: R FOR NHA SEE: 29-00-51-07 29-00-51-02C	002004 006102 107999	RF
- 176	MODREF6914		BRACKET INSTL- MODULE NUMBER: 271N2006-4 REV A POSITION DATA: R	103106	1
180	BR1000C5D		ATTACHING PARTS .NUTPLATE SUPPLIER CODE: V52828 SPECIFICATION NUMBER: BACN10KB5CD OPTIONAL PART: K51595-5 V15653 102A9207P5 V72962 NS202440-054 V80539	002004 006999	4
- 183	BACR15DR4A		.RIVET- SIZE DETERMINED ON INSTL. -----*-----	002004 006999	8

MISSING ITEM NUMBERS NOT APPLICABLE

- ITEM NOT ILLUSTRATED

29-11-15-05

29-11-15
FIG. 05
PAGE 7
JAN 20/09

BRI

BOEING PROPRIETARY - Copyright © - Unpublished Work - See title page for details.



757

PARTS CATALOG (MAINTENANCE)

FIG ITEM	PART NUMBER	1 2 3 4 5 6 7	NOMENCLATURE	EFFECT FROM TO	UNITS PER ASSY
5 185	271N2062-3		.BRACKET- POSITION DATA: L	002004 006999	1
- 190	271N2062-4		.BRACKET- POSITION DATA: R	002004 006999	1
- 195	BACR15FT5D		ATTACHING PARTS .RIVET- SIZE DETERMINED ON INSTL. -----*-----	002004 006999	17
905			ILLUSTRATION REFERENCE: PLUMBING INSTL-SECT. 44 R PRESSURE DECK HYDR (HYDRAULIC POWER ONLY) 29-11-51-34	002004 006100 107107 121503 904999	RF
910			ILLUSTRATION REFERENCE: PLUMBING INSTL-SECT. 44 MAIN WHL WELL HYDR (HYDRAULIC POWER ONLY) 29-11-51-36	002004 006100 107107 121503 904999	RF
915			ILLUSTRATION REFERENCE: PLUMBING INSTL-SECT. 44 MAIN WHL WELL HYDR (HYDRAULIC POWER ONLY) 29-11-51-36	002004 006100 107107 121503 904999	RF
915			ILLUSTRATION REFERENCE: PLUMBING INSTL-PRESSURE DECK SECT. 44 L (MAIN HYDR SYS ONLY) 29-11-84-06A	101102 108120 504903	RF

MISSING ITEM NUMBERS NOT APPLICABLE

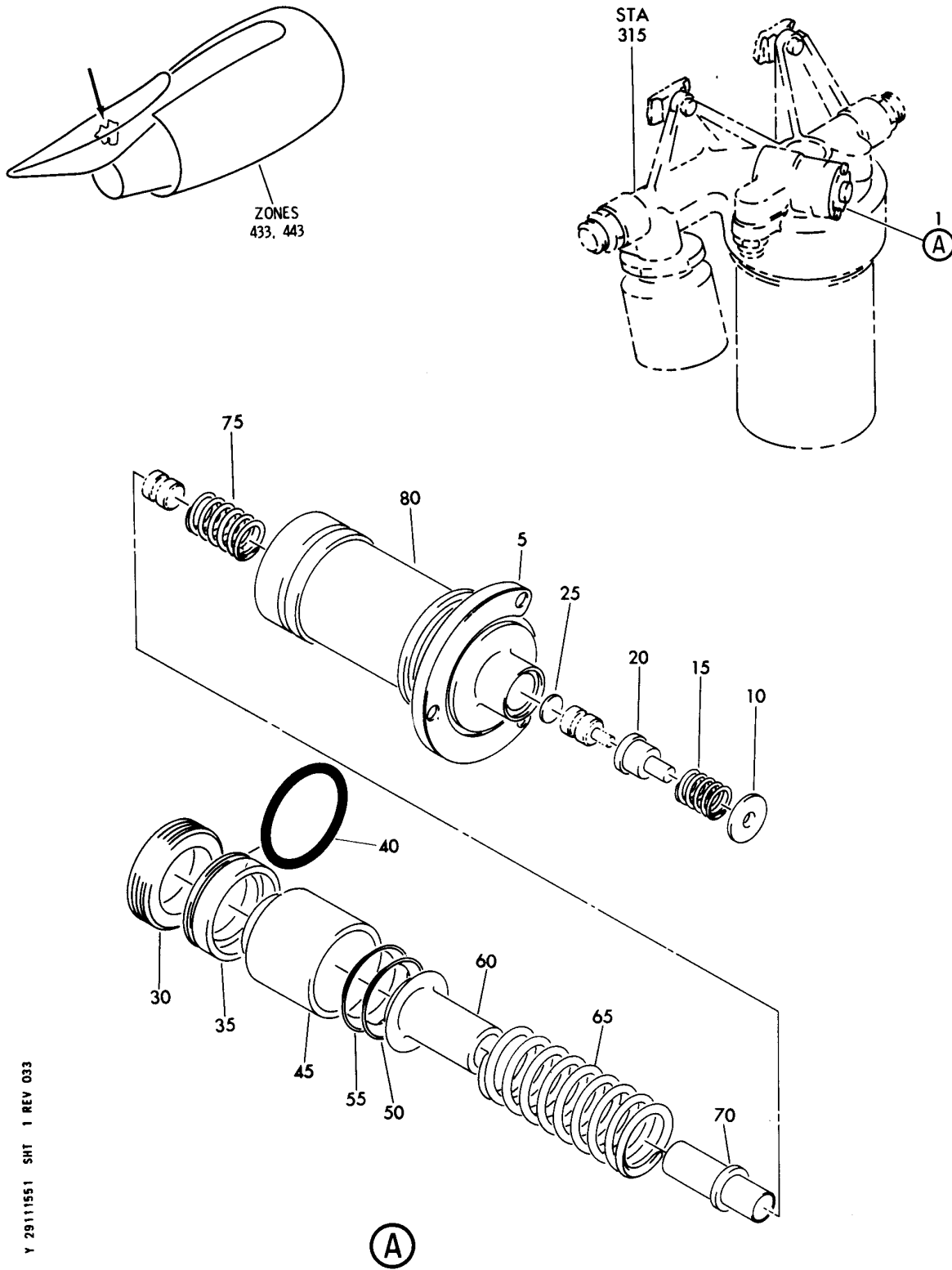
- ITEM NOT ILLUSTRATED

29-11-15-05

29-11-15
FIG. 05
PAGE 8
JAN 20/09

BRI

BOEING
757
PARTS CATALOG (MAINTENANCE)



Y 2911551 SHT 1 REV 033

VALVE/INDICATOR ASSY-RELIEF AND PRESSURE CHANGE
FIGURE 51

29-11-15-51

BRI
MAY 28/07

29-11-15-51
PAGE 0



757

PARTS CATALOG (MAINTENANCE)

FIG ITEM	PART NUMBER	1 2 3 4 5 6 7	NOMENCLATURE	EFFECT FROM TO	UNITS PER ASSY
51			VALVE/INDICATOR ASSY- RELIEF AND PRESSURE CHANGE	002004 006999	
1	7585802		VALVE/INDICATOR ASSY- RELIEF AND PRESSURE CHANGE SUPPLIER CODE: V05228 FOR NHA SEE: 29-11-15-05	002004 006999	RF
5	7585837		.NAMEPLATE- SUPPLIER CODE: V05228	002004 006999	1
10	7505867		.CAP- SUPPLIER CODE: V05228	002004 006999	1
15	7505865		.SPRING-CPRSN SUPPLIER CODE: V05228	002004 006999	1
20	7505933		.SIGNAL ASSY- SUPPLIER CODE: V05228	002004 006999	1
25	7506041		.DISC- SUPPLIER CODE: V05228	002004 006999	1
30	7575819		.RETAINER- SUPPLIER CODE: V05228	002004 006999	1
35	7575818		.SEAT- SUPPLIER CODE: V05228	002004 006999	1
40	NAS1611-023		.PACKING-	002004 006999	1
45	7575529		.POPPET- SUPPLIER CODE: V05228	002004 006999	1
50	7576188		.SHIM- SUPPLIER CODE: V05228	002004 006999	AR
55	7576189		.SHIM- SUPPLIER CODE: V05228	002004 006999	AR
60	7554863		.CYLINDER- SUPPLIER CODE: V05228	002004 006999	1
65	7585836		.SPRING-CPRSN SUPPLIER CODE: V05228	002004 006999	1

MISSING ITEM NUMBERS NOT APPLICABLE

- ITEM NOT ILLUSTRATED

29-11-15-51

29-11-15
FIG. 51
PAGE 1
SEP 20/08

BRI



757

PARTS CATALOG (MAINTENANCE)

FIG ITEM	PART NUMBER	1 2 3 4 5 6 7	NOMENCLATURE	EFFECT FROM TO	UNITS PER ASSY
51					
70	7554838		.SENSOR ASSY- SUPPLIER CODE: V05228	002004 006999	1
75	7554840		.SPRING-CPRSN SUPPLIER CODE: V05228	002004 006999	1
80	7554835		.HOUSING- SUPPLIER CODE: V05228	002004 006999	1

MISSING ITEM NUMBERS NOT APPLICABLE

- ITEM NOT ILLUSTRATED

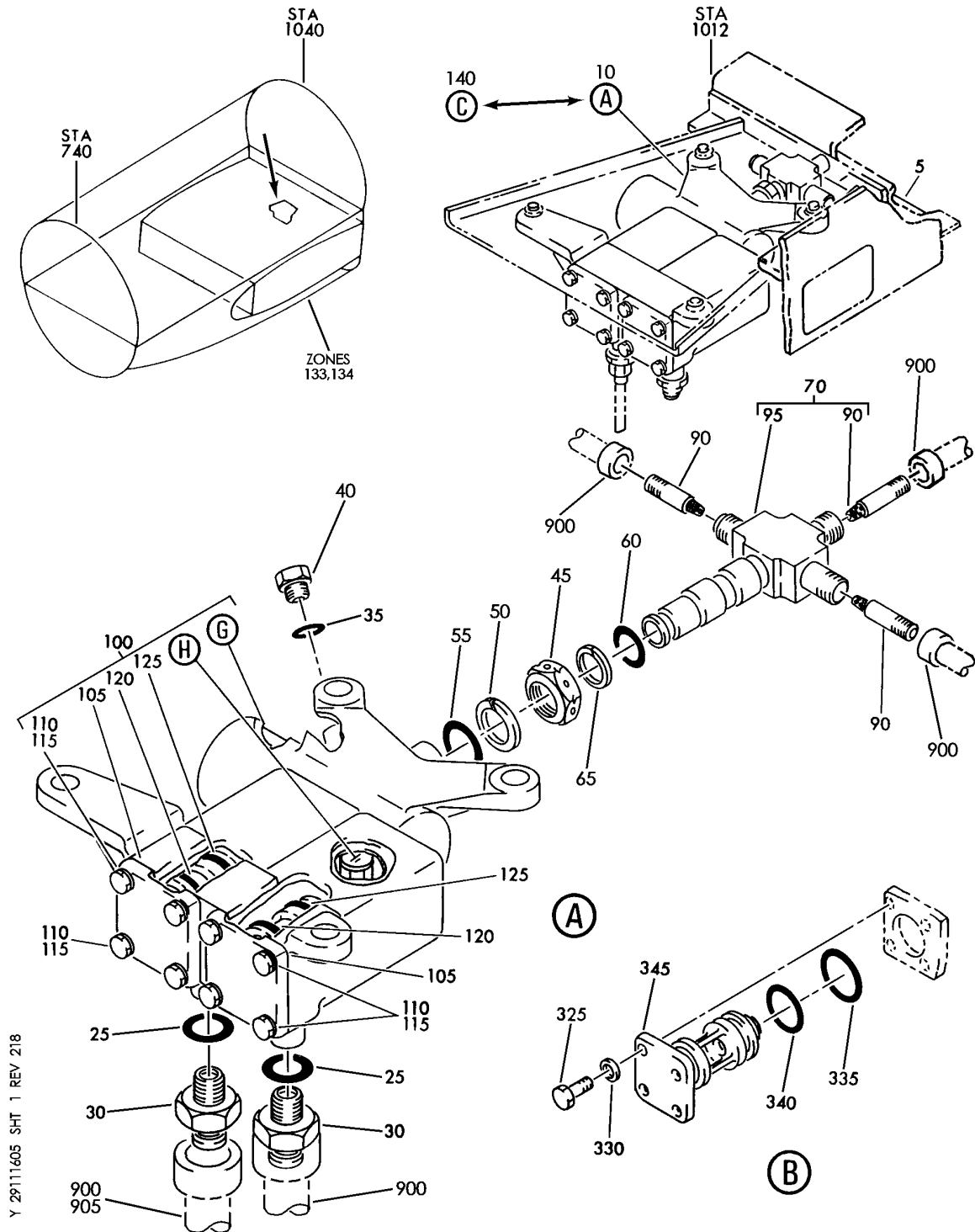
BRI

29-11-15-51

BOEING PROPRIETARY - Copyright © - Unpublished Work - See title page for details.

29-11-15
FIG. 51
PAGE 2
SEP 20/08

BOEING
757
PARTS CATALOG (MAINTENANCE)



Y 29111605 SHT 1 REV 218

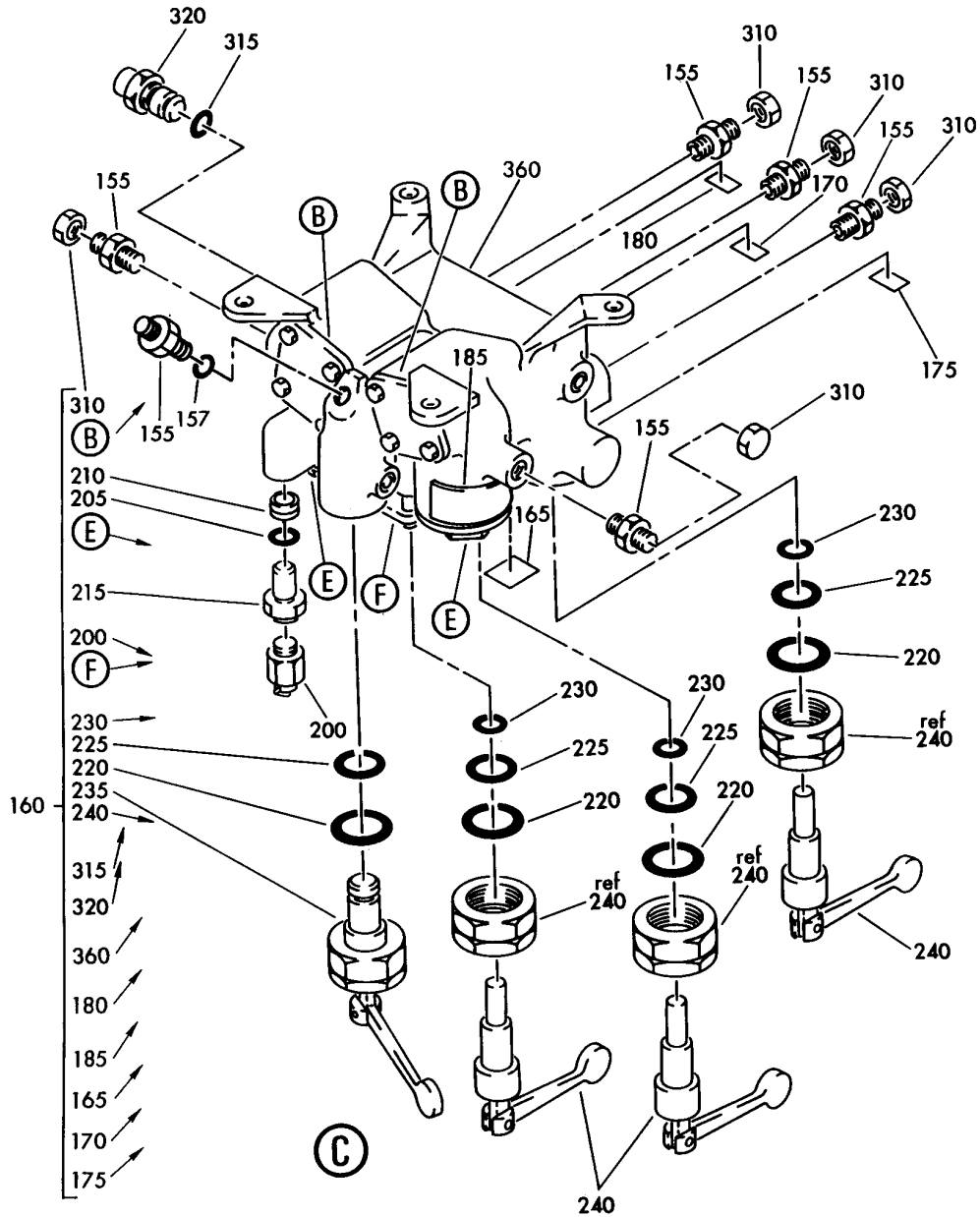
MODULE INSTL-RSVR PRESSURIZATION (HYDRAULIC POWER ONLY)
FIGURE 5 (SHEET 1)

29-11-16-05

BRI
MAY 28/07

29-11-16-05
PAGE 0

BOEING
757
PARTS CATALOG (MAINTENANCE)



Y 29111605 SHT 2 REV 115

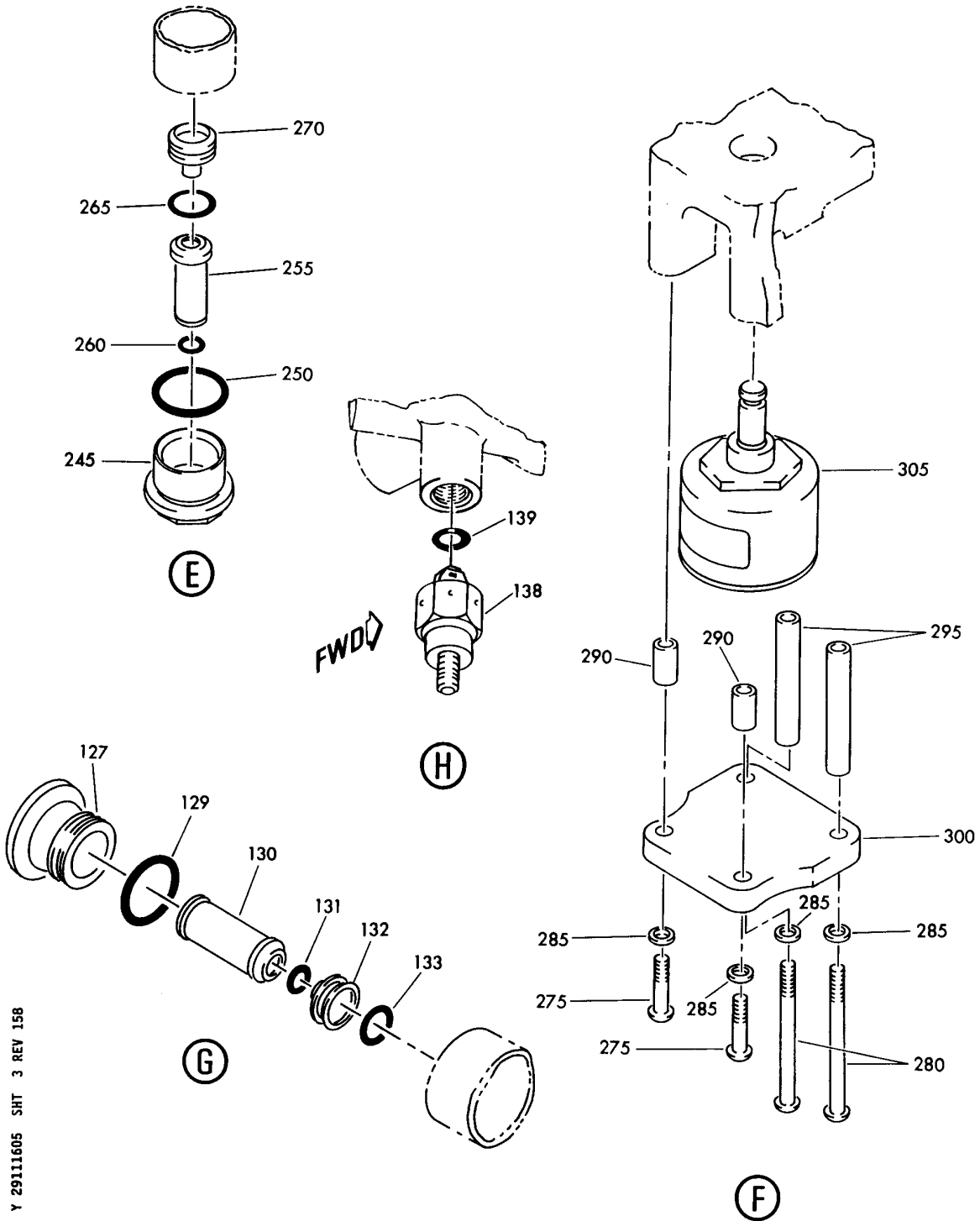
MODULE INSTL-RSVR PRESSURIZATION (HYDRAULIC POWER ONLY)
FIGURE 5 (SHEET 2)

29-11-16-05

BRI
MAY 28/07

29-11-16-05
PAGE 0A

BOEING
757
PARTS CATALOG (MAINTENANCE)



MODULE INSTL-RSVR PRESSURIZATION (HYDRAULIC POWER ONLY)
FIGURE 5 (SHEET 3)

29-11-16-05

BRI
MAY 28/07

29-11-16-05
PAGE 0B



757

PARTS CATALOG (MAINTENANCE)

FIG ITEM	PART NUMBER	1 2 3 4 5 6 7	NOMENCLATURE	EFFECT FROM TO	UNITS PER ASSY
5			MODULE INSTL-RSVR PRESSURIZATION (HYDRAULIC POWER ONLY)	002004 006999	
- 1	271N3004-10		MODULE INSTL-RSVR PRESSURIZATION (HYDRAULIC POWER ONLY)	101102 108120 504903	RF
- 1	271N3004-1		FOR NHA SEE: 29-00-51-02B MODULE INSTL-RSVR PRESSURIZATION (HYDRAULIC POWER ONLY)	002004 006100 107107 121503 904999	RF
- 1	MODREF7101		ACCESS PANEL NUMBER: 139DL FOR NHA/OTHER SYS DET SEE: 29-00-51-05 MODULE INSTL-RSVR PRESSURIZATION (HYDRAULIC POWER ONLY)	103106	1
5	BAC27NHY0048		MODULE NUMBER: 271N3004-10 REV A FOR OTHER SYS DETAILS SEE: 11-22-59-01 .MARKER-ALUMINUM FOIL- PLACARD CONTENT: RESERVOIR PRESS MODULE	002004 006999	1
10	271N3004-2		.MODULE ASSY-	002004 006010 107107 121503 904999	1
10	271N3004-9		.MODULE ASSY-	011106 108120 504903	1
- 15	BACB30NM4K5		ATTACHING PARTS .BOLT-	002004 006999	4
- 20	BACW10BN4AC		.WASHER-	002004 006999	4
25	NAS1612-6		-----*----- . . PACKING-	002004 006999	2

MISSING ITEM NUMBERS NOT APPLICABLE

- ITEM NOT ILLUSTRATED

29-11-16-05

29-11-16
FIG. 05
PAGE 1
JAN 20/09

BRI



757

PARTS CATALOG (MAINTENANCE)

FIG ITEM	PART NUMBER	1 2 3 4 5 6 7	NOMENCLATURE	EFFECT FROM TO	UNITS PER ASSY
5					
30	AFP2326-4		.. REDUCER SUPPLIER CODE: V30974 SPECIFICATION NUMBER: BACR17E6-4 OPTIONAL PART: AP10276-4 V01673 BC916T6-4 V50948 DBOR17E6-4 V14798 ER21916T6-4 V88334 ER31916-6-4 V88334 F23-6-4 V73197 2-01075T6-4 V11328 31778-6-4 V14397 US2114-6-4 V50808 AP1027T6-4 V01673 US21146-4 V50808 317786-4 V14397	002004 006999	2
35	NAS1612-4		.. PACKING-	002004 006999	1
40	AN814-4DL		.. PLUG	002004 006999	1
45	AN6289D6		.. NUT	002004 006999	1
50	MS28773-06		.. RETAINER	002004 006999	1
55	NAS1612-6		.. PACKING-	002004 006999	1
60	NAS1611-011		.. PACKING-	002004 006999	1

MISSING ITEM NUMBERS NOT APPLICABLE

- ITEM NOT ILLUSTRATED

29-11-16-05

29-11-16
FIG. 05
PAGE 2
JAN 20/09

BRI

BOEING PROPRIETARY - Copyright © - Unpublished Work - See title page for details.



757

PARTS CATALOG (MAINTENANCE)

FIG ITEM	PART NUMBER	1 2 3 4 5 6 7	NOMENCLATURE	EFFECT FROM TO	UNITS PER ASSY
5					
65	C11236-011B		..RING SUPPLIER CODE: V26879 SPECIFICATION NUMBER: BACR12BM011 OPTIONAL PART: RMR12BM011 V94878 STF800-011 V02107 S30294-011-1 V97820 TF450-011A V07128 2100-011 V26303	002004 006999	1
70	271N3034-1		..ORIFICE ASSY-	002004 006010 107107 121503 904999	1
70	271N3034-3		..ORIFICE ASSY-	011106 108120 504903	1
90	JEHA1875200L		...RESTRICTOR- SUPPLIER CODE: V92555	002004 006999	3
95	271N3034-2		...HOUSING-ORF	002004 006010 107107 121503 904999	1
95	271N3034-4		...HOUSING-ORF	011106 108120 504903	1
100	732-11240-01		..MODULAR ASSY- SUPPLIER CODE: VS4096 SPECIFICATION NUMBER: 60B00226-3 SB DATA FROM A CMM: PRE SB 732-11240-29-3 FOR ELEMENT MAINTENANCE USE FILTER MAINT KIT DEFINED IN FILTER MAINT KIT LIST. FILTER MAINTENANCE KIT REF: 63B10463-20 COMPONENT MAINT MANUAL REF: 29-20-01	002004 006999	1

MISSING ITEM NUMBERS NOT APPLICABLE

- ITEM NOT ILLUSTRATED

29-11-16-05

29-11-16
FIG. 05
PAGE 3
JAN 20/09

BRI



757

PARTS CATALOG (MAINTENANCE)

FIG ITEM	PART NUMBER	1 2 3 4 5 6 7	NOMENCLATURE	EFFECT FROM TO	UNITS PER ASSY
5 100	732-11240-04		..MODULAR ASSY- SUPPLIER CODE: VS4096 SPECIFICATION NUMBER: 60B00226-8 SB DATA FROM A CMM: POST SB 732-11240-29-3 FOR ELEMENT MAINTENANCE USE FILTER MAINT KIT DEFINED IN FILTER MAINT KIT LIST. FILTER MAINTENANCE KIT REF: 63B10463-20 COMPONENT MAINT MANUAL REF: 29-20-01	002004 006999	1
105	F61A0048		...VALVE-SWING CHECK SUPPLIER CODE: V92003 SPECIFICATION NUMBER: 10-60567-1 COMPONENT MAINT MANUAL REF: 29-17-01 OPTIONAL PART: 7579846 V05228 2810039-101 V92003	002004 006999	2
105	7579846		...VALVE-SWING CHECK SUPPLIER CODE: V05228 OPTIONAL PART: F61A0048 V92003 2810039-101 V92003	002004 006999	2
105	2810039-101		...VALVE-SWING CHECK SUPPLIER CODE: V92003 SPECIFICATION NUMBER: 60B00278-1 COMPONENT MAINT MANUAL REF: 29-10-33 OPTIONAL PART: F61A0048 V92003 7579846 V05228	002004 006999	2

MISSING ITEM NUMBERS NOT APPLICABLE

- ITEM NOT ILLUSTRATED

29-11-16-05

29-11-16
FIG. 05
PAGE 4
SEP 20/08

BRI



757

PARTS CATALOG (MAINTENANCE)

FIG ITEM	PART NUMBER	1 2 3 4 5 6 7	NOMENCLATURE	EFFECT FROM TO	UNITS PER ASSY
5			ATTACHING PARTS		
110	MS24678-10	...	SCREW	002004 006999	8
115	AN960PD10L	...	WASHER	002004 006999	8
			-----*-----		
120	NAS1611-213	...	PACKING-	002004 006999	2
125	NAS1611-212	...	SEAL-	002004 006999	2
127	732-11243	...	CAP-FILTER SUPPLIER CODE: VS4096	002004 006999	1
129	NAS1611-216	...	PACKING-	002004 006999	1
130	7553848	...	ELEMENT ASSY- SUPPLIER CODE: V05228 SB DATA FROM A CMM: PRE SB 732-111240-29-3 OPTIONAL PART: 043046 V90005	002004 006999	1
130	043046	...	ELEMENT- SUPPLIER CODE: V90005 OPTIONAL PART: 7553848 V81321 7592113-101 V05228	002004 006999	1
130	7592113-101	...	ELEMENT- SUPPLIER CODE: V05228 SB DATA FROM A CMM: POST SB 732-11240-29-3 OPTIONAL PART: 043046 V90005	002004 006999	1
131	NAS1611-012	...	PACKING-	002004 006999	1
132	732-11282	...	SLEEVE-FILTER SUPPLIER CODE: VS4096	002004 006999	1
133	NAS1611-115	...	PACKING-	002004 006999	1

MISSING ITEM NUMBERS NOT APPLICABLE

- ITEM NOT ILLUSTRATED

29-11-16-05

29-11-16
FIG. 05
PAGE 5
SEP 20/08

BRI

BOEING PROPRIETARY - Copyright © - Unpublished Work - See title page for details.



757

PARTS CATALOG (MAINTENANCE)

FIG ITEM	PART NUMBER	1 2 3 4 5 6 7	NOMENCLATURE	EFFECT FROM TO	UNITS PER ASSY
5 138	P59-228		... VALVE-BLEED SUPPLIER CODE: V91816 SB DATA FROM A CMM: PRE SB 732-11240-29-3 QUALIFIED I/W DATA: P/N'S P59-228 AND HV22-31 ARE I/W ON 60B00226 ONLY	002004 006999	1
138	HV22-31		... VALVE-BLEED SUPPLIER CODE: V91816 FUNCTIONAL DESCRIPTION: PERMITS OPERATOR TO BLEED OFF AIR AND OR AIR-OIL MIXTURE FROM HYDRAULIC SYSTEM SPECIFICATION NUMBER: S271U122-1 SB DATA FROM A CMM: POST SB 732-11240-29-3 QUALIFIED I/W DATA: P/N'S P59-228 AND HV22-31 ARE I/W ON 60B00226 ONLY	002004 006999	1
139	NAS1612-4		... PACKING-	002004 006999	1
905			ILLUSTRATION REFERENCE: PLUMBING INSTL- 49 AC BAY HYDR (HYDRAULIC POWER ONLY) 29-11-51-23	002004 006100 107107 121503 904999	RF

MISSING ITEM NUMBERS NOT APPLICABLE

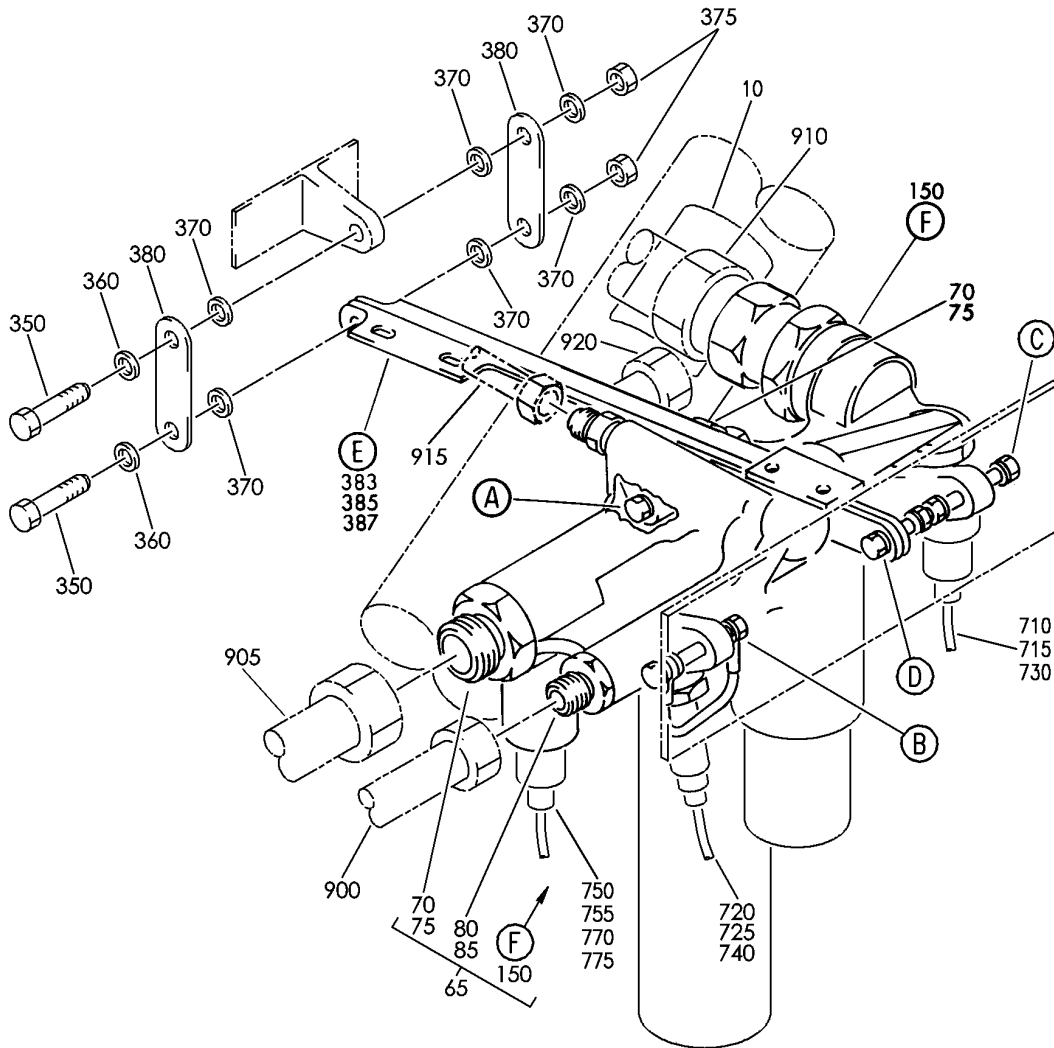
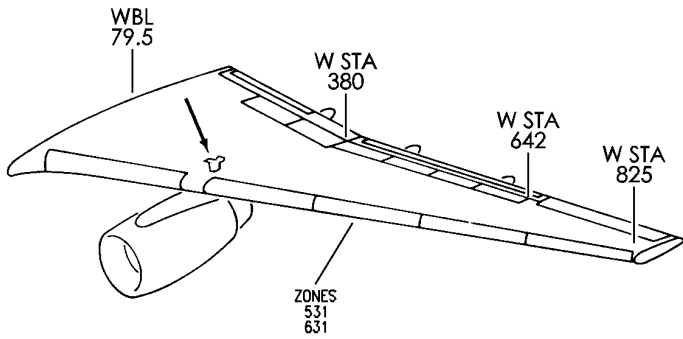
- ITEM NOT ILLUSTRATED

BRI

29-11-16-05

29-11-16
FIG. 05
PAGE 6
JAN 20/09

BOEING
757
PARTS CATALOG (MAINTENANCE)



Y 2911702 SH1 1 REV 256

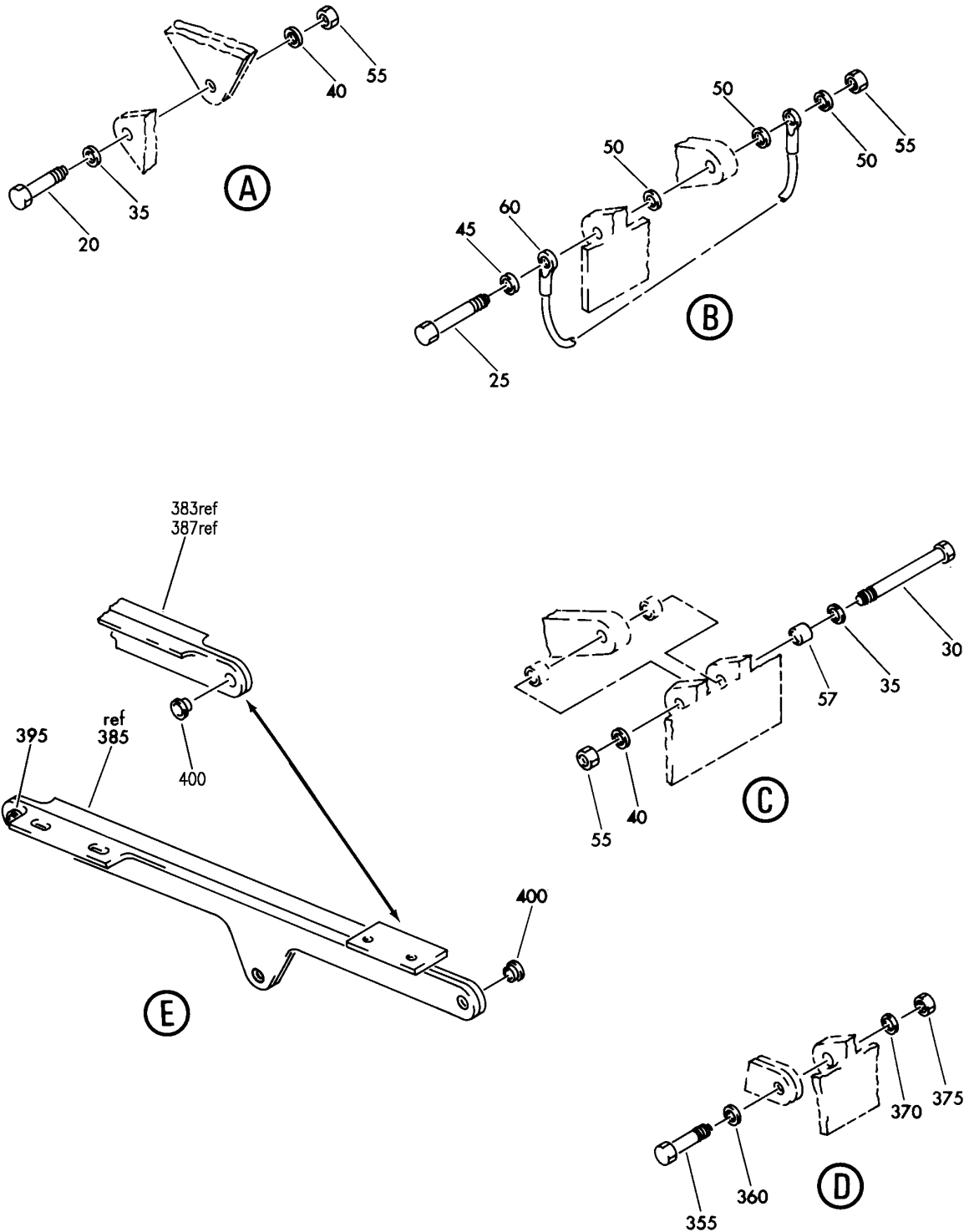
MODULE INSTL-ENG DRIVEN PUMP CASE DRAIN PRESSURE FILTER
FIGURE 2 (SHEET 1)

29-11-17-02

BRI
MAY 28/07

29-11-17-02
PAGE 0

BOEING
757
PARTS CATALOG (MAINTENANCE)



Y 2911702 SH1 2 REV 256

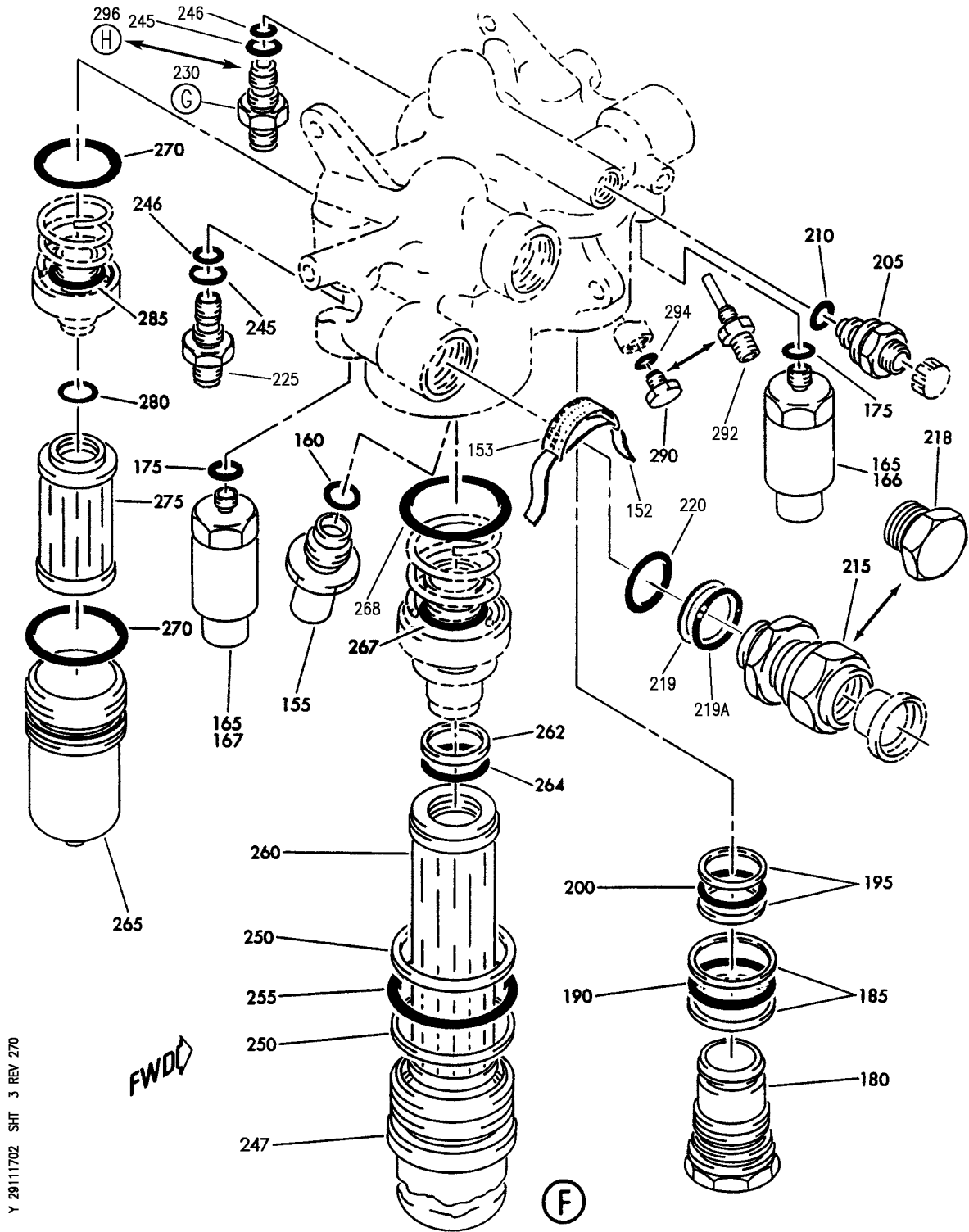
MODULE INSTL-ENG DRIVEN PUMP CASE DRAIN PRESSURE FILTER
FIGURE 2 (SHEET 2)

29-11-17-02

BRI
MAY 28/07

29-11-17-02
PAGE 0A


BOEING
 757
PARTS CATALOG (MAINTENANCE)



Y 2911702 SHT 3 REV 270

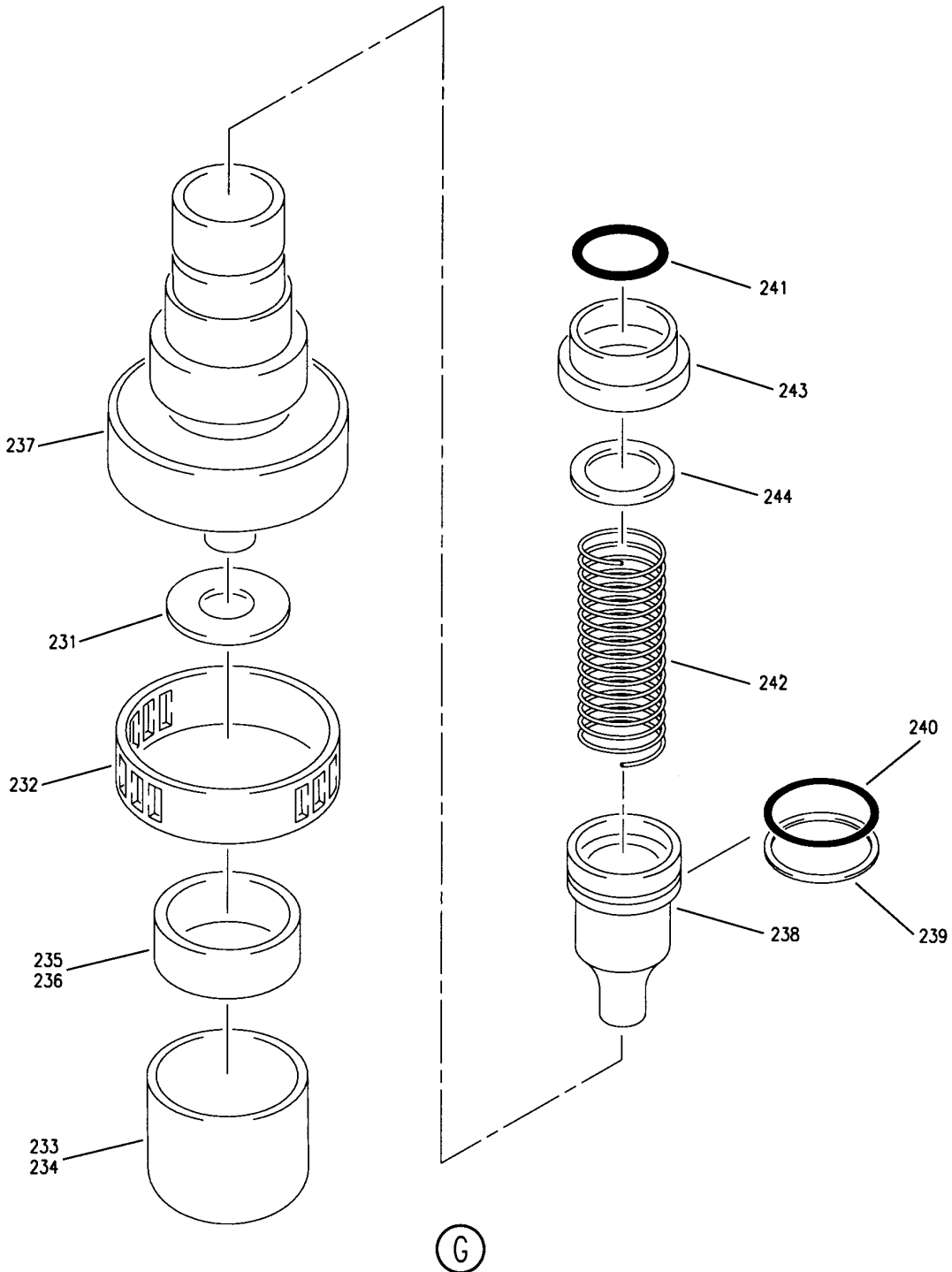
FWD ↗

MODULE INSTL-ENG DRIVEN PUMP CASE DRAIN PRESSURE FILTER
 FIGURE 2 (SHEET 3)

29-11-17-02

BRI
 MAY 28/07

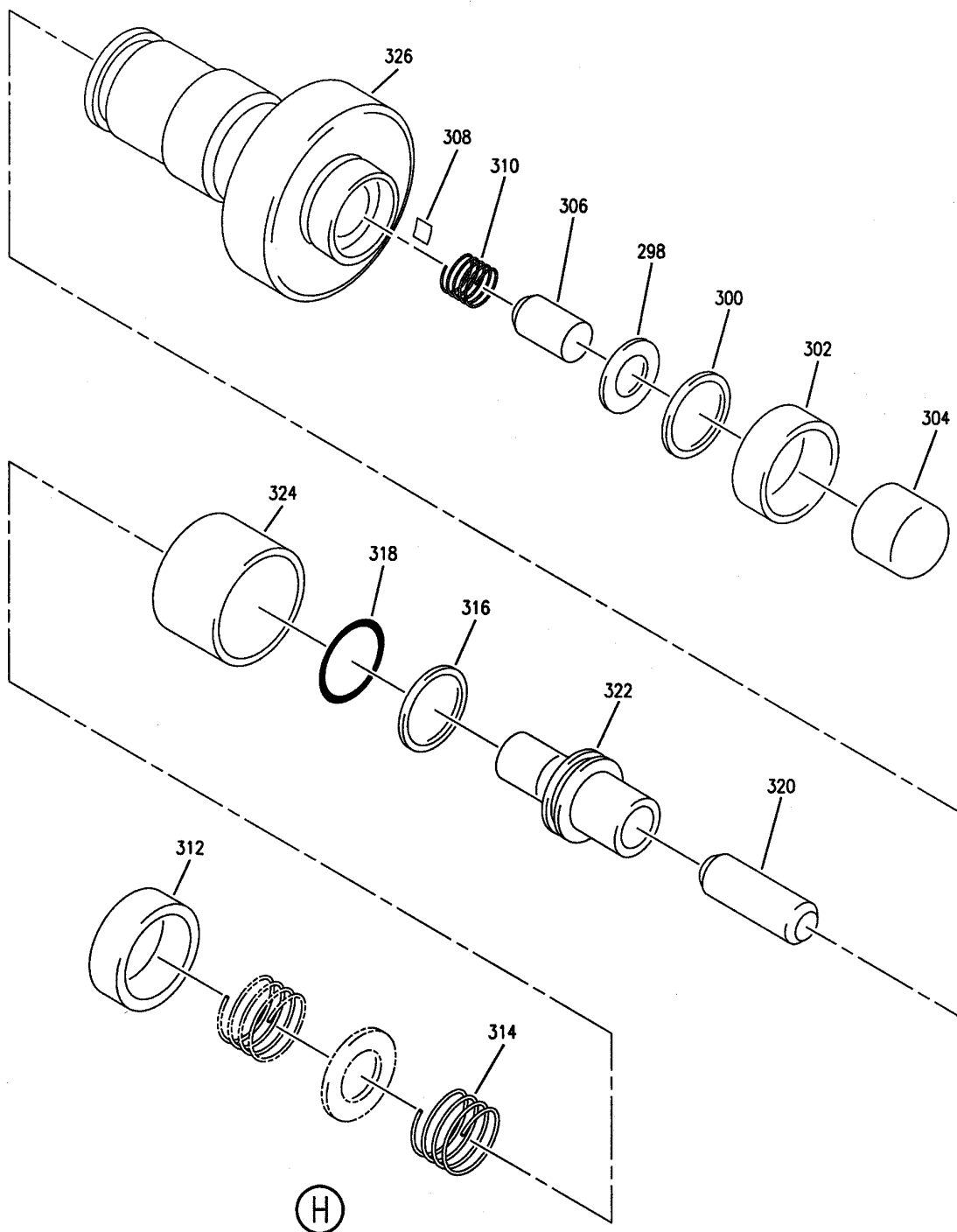
29-11-17-02
 PAGE 0B



MODULE INSTL-ENG DRIVEN PUMP CASE DRAIN PRESSURE FILTER
FIGURE 2 (SHEET 4)

29-11-17-02

BOEING
757
PARTS CATALOG (MAINTENANCE)



Y 29111702 SHIT 5 REV 212

MODULE INSTL-ENG DRIVEN PUMP CASE DRAIN PRESSURE FILTER
FIGURE 2 (SHEET 5)

29-11-17-02

BRI
MAY 28/07

29-11-17-02
PAGE 0D



757

PARTS CATALOG (MAINTENANCE)

FIG ITEM	PART NUMBER	1 2 3 4 5 6 7	NOMENCLATURE	EFFECT FROM TO	UNITS PER ASSY
2			MODULE INSTL-ENG DRIVEN PUMP CASE DRAIN PRESSURE FILTER	002004 006999	RF
- 1	271N2030-1		MODULE INSTL-ENG DRIVEN PUMP CASE DRAIN PRESSURE FILTER SYS POSITION DATA: LH FOR NHA SEE: 29-00-51-02	002004 006100 107107 121503 904999	RF
- 1	271N2030-16		MODULE INSTL-ENG DRIVEN PUMP CASE DRAIN PRESSURE FILTER SYS POSITION DATA: LH FOR NHA SEE: 29-00-51-02B	101102 108120 504903	RF
- 1	MODREF7001		MODULE INSTL-ENG DRIVEN PUMP CASE DRAIN PRESSURE FILTER SYS MODULE NUMBER: 271N2030-16 REV A POSITION DATA: LH	103106	1
- 3	271N2030-14		MODULE INSTL-ENG DRIVEN PUMP CASE DRAIN PRESSURE FILTER SYS POSITION DATA: LH FOR NHA SEE: 29-00-51-02C	101102 108120 504903	RF
- 3	MODREF6999		MODULE INSTL-ENG DRIVEN PUMP CASE DRAIN PRESSURE FILTER SYS MODULE NUMBER: 271N2030-14 REV A POSITION DATA: LH	103106	1
- 5	271N2030-2		MODULE INSTL-ENG DRIVEN PUMP CASE DRAIN PRESSURE FILTER SYS POSITION DATA: RH FOR NHA SEE: 29-00-51-02	002004 006100 107107 121503 904999	RF

MISSING ITEM NUMBERS NOT APPLICABLE

- ITEM NOT ILLUSTRATED

BRI

29-11-17-02

29-11-17
FIG. 02
PAGE 1
JAN 20/09



757

PARTS CATALOG (MAINTENANCE)

FIG ITEM	PART NUMBER	1 2 3 4 5 6 7	NOMENCLATURE	EFFECT FROM TO	UNITS PER ASSY
2					
- 5	271N2030-17		MODULE INSTL-ENG DRIVEN PUMP CASE DRAIN PRESSURE FILTER SYS POSITION DATA: RH FOR NHA SEE: 29-00-51-02B	101102 108120 504903	RF
- 5	MODREF7002		MODULE INSTL-ENG DRIVEN PUMP CASE DRAIN PRESSURE FILTER SYS MODULE NUMBER: 271N2030-17 REV A POSITION DATA: RH	103106	1
- 7	271N2030-15		MODULE INSTL-ENG DRIVEN PUMP CASE DRAIN PRESSURE FILTER SYS POSITION DATA: RH FOR NHA SEE: 29-00-51-02C	101102 108120 504903	RF
- 7	MODREF7000		MODULE INSTL-ENG DRIVEN PUMP CASE DRAIN PRESSURE FILTER SYS MODULE NUMBER: 271N2030-15 REV A POSITION DATA: RH	103106	1
10	BAC27NHY0199		.MARKER- POSITION DATA: LH SIDE PLACARD CONTENT: L SYS USED ON: 271N2030-1 271N2030-14 MODREF6999	002004 006999	1
- 15	BAC27NHY0200		.MARKER- POSITION DATA: RH SIDE PLACARD CONTENT: R SYS USED ON: 271N2030-2 271N2030-15 MODREF7000	002004 006999	1

MISSING ITEM NUMBERS NOT APPLICABLE

- ITEM NOT ILLUSTRATED

29-11-17-02

29-11-17
FIG. 02
PAGE 2
JAN 20/09

BRI

BOEING PROPRIETARY - Copyright © - Unpublished Work - See title page for details.



757

PARTS CATALOG (MAINTENANCE)

FIG ITEM	PART NUMBER	1 2 3 4 5 6 7	NOMENCLATURE	EFFECT FROM TO	UNITS PER ASSY
2	20 BACB30MR4K14		.BOLT- USED ON: 271N2030-1 271N2030-2 271N2030-14 271N2030-15 MODREF6999 MODREF7000	002004 006999	1
	25 BACB30MR4K21		.BOLT- USED ON: 271N2030-1 271N2030-2 271N2030-14 271N2030-15 MODREF6999 MODREF7000	002004 006999	1
	30 BACB30MR4K27		.BOLT- POSITION DATA: LH SIDE USED ON: 271N2030-1 271N2030-14 MODREF6999	002004 006999	1
-	33 BACB30MR4K29		.BOLT- POSITION DATA: RH SIDE USED ON: 271N2030-2 271N2030-15 MODREF7000	002004 006999	1
	35 BACW10BP4CD		.WASHER- USED ON: 271N2030-1 271N2030-2 271N2030-14 271N2030-15 MODREF6999 MODREF7000	002004 006999	2
	40 BACW10BP4DP		.WASHER- USED ON: 271N2030-1 271N2030-2 271N2030-14 271N2030-15 MODREF6999 MODREF7000	002004 006999	2

MISSING ITEM NUMBERS NOT APPLICABLE

- ITEM NOT ILLUSTRATED

29-11-17-02

29-11-17
FIG. 02
PAGE 3
JAN 20/09

BRI



757

PARTS CATALOG (MAINTENANCE)

FIG ITEM	PART NUMBER	1 2 3 4 5 6 7	NOMENCLATURE	EFFECT FROM TO	UNITS PER ASSY
2	45 BACW10BN4AC		.WASHER- USED ON: 271N2030-1 271N2030-2 271N2030-14 271N2030-15 MODREF6999 MODREF7000	002004 006999	1
	50 AN960JD416L		.WASHER- USED ON: 271N2030-1 271N2030-2	002004 006100 107107 121503 904999	3
	50 NAS1149D0416J		.WASHER- USED ON: 271N2030-14 271N2030-15 MODREF6999 MODREF7000	101106 108120 504903	3
	55 NAS1805-4N		.NUT- USED ON: 271N2030-1 271N2030-2	002004 006100 107107 121503 904999	3
	55 NAS1805-4L		.NUT- USED ON: 271N2030-14 271N2030-15 MODREF6999 MODREF7000	101106 108120 504903	3
	57 BACB28AK04-140		.BUSHING- USED ON: 271N2030-1 271N2030-2 271N2030-14 271N2030-15 MODREF6999 MODREF7000	002004 006999	1
	60 BACJ40A30-4		.JUMPER ASSY- USED ON: 271N2030-1 271N2030-2 271N2030-14 271N2030-15 MODREF6999 MODREF7000	002004 006999	1

MISSING ITEM NUMBERS NOT APPLICABLE

- ITEM NOT ILLUSTRATED

29-11-17-02

29-11-17
FIG. 02
PAGE 4
JAN 20/09

BRI



757

PARTS CATALOG (MAINTENANCE)

FIG ITEM	PART NUMBER	1 2 3 4 5 6 7	NOMENCLATURE	EFFECT FROM TO	UNITS PER ASSY
2					
65	271N2030-10		.MODULE ASSY- QUALIFIED I/W DATA: 271N2030-12 MAY REPLACE -10 FOR DELTA ONLY USED ON: 271N2030-1 271N2030-2 271N2030-16 271N2030-17 MODREF7001 MODREF7002	002004 006999	1
65	271N2030-11		.MODULE ASSY- USED ON: 271N2030-1 271N2030-2 271N2030-16 271N2030-17 MODREF7001 MODREF7002	002004 006999	1
70	BACU24K16		..UNION- USED ON: 271N2030-4 271N2030-5 271N2030-10 271N2030-12	002004 006999	2
70	MS21902-16T		..UNION- USED ON: 271N2030-11 271N2030-13 271N2030-20	002004 006999	2
75	NAS1612-16		..PACKING-	002004 006999	2
80	MS21916D8-6		..REDUCER	002004 006999	1
85	NAS1612-6		..PACKING-	002004 006999	1

MISSING ITEM NUMBERS NOT APPLICABLE

- ITEM NOT ILLUSTRATED

29-11-17-02

29-11-17
FIG. 02
PAGE 5
JAN 20/09

BRI

BOEING PROPRIETARY - Copyright © - Unpublished Work - See title page for details.



757

PARTS CATALOG (MAINTENANCE)

FIG ITEM	PART NUMBER	1 2 3 4 5 6 7	NOMENCLATURE	EFFECT FROM TO	UNITS PER ASSY
2 150	7588587-103	..	FILTER ASSY- SUPPLIER CODE: V05228 SPECIFICATION NUMBER: S271N203-5 COMPONENT MAINT MANUAL REF: 29-11-01 QUALIFIED I/W DATA: 7588587-101 CAN BE REPLACED BY -103 WITH INCORPORATION OF SB-757-29-0031 USED ON: 271N2030-11	002004 006999	1
152	7587640	...	STRAP-NAMEPLATE SUPPLIER CODE: V05228	002004 006999	1
153	7588698-003	...	NAMEPLATE- SUPPLIER CODE: V05228 USED ON: 7588587-103	002004 006999	1
155	1122364	...	SWITCH-THRM SUPPLIER CODE: V60678 SPECIFICATION NUMBER: S271T454-1 MISCELLANEOUS DATA: PTI SPEC NO. 7585535	002004 006999	1
160	NAS1612-12	...	PACKING-	002004 006999	1

MISSING ITEM NUMBERS NOT APPLICABLE

- ITEM NOT ILLUSTRATED

BRI

29-11-17-02

BOEING PROPRIETARY - Copyright © - Unpublished Work - See title page for details.

29-11-17
FIG. 02
PAGE 6
JAN 20/09



757

PARTS CATALOG (MAINTENANCE)

FIG ITEM	PART NUMBER	1 2 3 4 5 6 7	NOMENCLATURE	EFFECT FROM TO	UNITS PER ASSY
2 166	211C223-525	...	SWITCH- SUPPLIER CODE: V02750 SPECIFICATION NUMBER: S271T452-15 ELECTRICAL EQUIP NUMBER: S10540 S10541 COMPONENT MAINT MANUAL REF: 29-09-06 OPTIONAL PART: 211C223-327 V02750 USED ON: 7588587-101 7588587-102 7588587-103 7588587-104	002004 006999	1
166	211C223-327	...	SWITCH- SUPPLIER CODE: V02750 SPECIFICATION NUMBER: S271T452-15 SB DATA FROM A CMM: POST 870301 POST 870302 CONFIG CHG DATA FROM A CMM: REPLACES 211C223-296 MISCELLANEOUS DATA: PTI SPEC NO. 7589949 ELECTRICAL EQUIP NUMBER: S10540 S10541 COMPONENT MAINT MANUAL REF: 29-09-03 OPTIONAL PART: 211C223-525 V02750 USED ON: 7588587-101 7588587-102 7588587-103 7588587-104	002004 006999	1

MISSING ITEM NUMBERS NOT APPLICABLE

- ITEM NOT ILLUSTRATED

BRI

29-11-17-02

BOEING PROPRIETARY - Copyright © - Unpublished Work - See title page for details.

29-11-17
FIG. 02
PAGE 7
JAN 20/09


BOEING
 757
PARTS CATALOG (MAINTENANCE)

FIG ITEM	PART NUMBER	1 2 3 4 5 6 7	NOMENCLATURE	EFFECT FROM TO	UNITS PER ASSY
R R	2 167	211C223-528	...SWITCH- SUPPLIER CODE: V02750 FUNCTIONAL DESCRIPTION: CLOSSES AN ELECTRICAL CIRCUIT WHEN HYDRAULIC PRESSURE IS PRESENT SPECIFICATION NUMBER: S271T452-18 ELECTRICAL EQUIP NUMBER: S00027 S00032 COMPONENT MAINT MANUAL REF: 29-09-03 OPTIONAL PART: 211C223-326 V02750 USED ON: 7588587-101 7588587-102 7588587-103 7588587-104	002004 006999	1
	167	211C223-326	...SWITCH- SUPPLIER CODE: V02750 SPECIFICATION NUMBER: S271T452-18 SB DATA FROM A CMM: POST 870301 POST 870302 CONFIG CHG DATA FROM A CMM: REPLACES 211C223-296 MISCELLANEOUS DATA: PTI SPEC NO. 7589948 ELECTRICAL EQUIP NUMBER: S00027 S00032 COMPONENT MAINT MANUAL REF: 29-09-03 OPTIONAL PART: 211C223-528 V02750 USED ON: 7588587-101 7588587-102 7588587-103 7588587-104	002004 006999	1

MISSING ITEM NUMBERS NOT APPLICABLE

— ITEM NOT ILLUSTRATED

BRI

29-11-17-02

BOEING PROPRIETARY - Copyright © - Unpublished Work - See title page for details.

29-11-17
 FIG. 02
 PAGE 8
 MAY 20/09



757

PARTS CATALOG (MAINTENANCE)

FIG ITEM	PART NUMBER	1 2 3 4 5 6 7	NOMENCLATURE	EFFECT FROM TO	UNITS PER ASSY
2					
175	NAS1612-6	...	PACKING-	002004 006999	2
180	7585818	...	VALVE-CHK SUPPLIER CODE: V05228 SPECIFICATION NUMBER: S270T242-3 CONFIG CHG DATA FROM A CMM: REPLD BY 2790523-101	002004 006999	1
180	2790523-101	...	VALVE-CHK SUPPLIER CODE: V92003 SPECIFICATION NUMBER: S270T242-5 CONFIG CHG DATA FROM A CMM: REPLS 7585818 MISCELLANEOUS DATA: PTI SPEC NO. 7586786 COMPONENT MAINT MANUAL REF: 29-09-15	002004 006999	1
185	MS28774-223	...	RETAINER	002004 006999	2
190	NAS1611-223	...	PACKING-	002004 006999	1
195	MS27595-125	...	RETAINER- USED ON: 7588587 7588587-101 7588587-102 7588587-103 7588587-104	002004 006999	2
200	NAS1611-125	...	PACKING-	002004 006999	1
205	1C1358A	...	VALVE-CHK SUPPLIER CODE: V99240 CONFIG CHG DATA FROM A CMM: REPLD BY 1C3608A MISCELLANEOUS DATA: PTI SPEC NO. 7586786 OPTIONAL PART: BACV10CE2A	002004 006999	1

MISSING ITEM NUMBERS NOT APPLICABLE

- ITEM NOT ILLUSTRATED

29-11-17-02

29-11-17
FIG. 02
PAGE 9
MAY 20/09

BRI



757

PARTS CATALOG (MAINTENANCE)

FIG ITEM	PART NUMBER	1 2 3 4 5 6 7	NOMENCLATURE	EFFECT FROM TO	UNITS PER ASSY
2 205	1C3608A	...	VALVE-CHK SUPPLIER CODE: V99240 CONFIG CHG DATA FROM A CMM: REPLS 1C1358A MISCELLANEOUS DATA: PTI SPEC NO. 7586786 OPTIONAL PART: BACV10CE12A	002004 006999	1
205	BACV10CE2A	...	VALVE-CHK OPTIONAL PART: 1C1358A V99240	002004 006999	1
205	BACV10CE12A	...	VALVE-CHK OPTIONAL PART: 1C3608A V99240	002004 006999	1
210	NAS1612-6	...	PACKING-	002004 006999	1
215	1C3600A	...	VALVE-CHK SUPPLIER CODE: V99240 CONFIG CHG DATA FROM A CMM: REPLS 1C1354A USED ON: 7586592 7588587 7588587-101	002004 006999	1
215	1C2250	...	VALVE-CHK SUPPLIER CODE: V99240 USED ON: 7588587-103	002004 006999	1
215	1C1354A	...	VALVE-CHK SUPPLIER CODE: V99240 CONFIG CHG DATA FROM A CMM: REPLD BY 1C3600A USED ON: 7586592 7588587 7588587-101	002004 006999	1
219	MS28774-212	...	PACKING- USED ON: 7588587-103 7588587-104	002004 006999	1

MISSING ITEM NUMBERS NOT APPLICABLE

- ITEM NOT ILLUSTRATED

29-11-17-02

29-11-17
FIG. 02
PAGE 10
JAN 20/09

BRI



757

PARTS CATALOG (MAINTENANCE)

FIG ITEM	PART NUMBER	1 2 3 4 5 6 7	NOMENCLATURE	EFFECT FROM TO	UNITS PER ASSY
2 219A	NAS1611-212	...	SEAL- USED ON: 7588587-103 7588587-104	002004 006999	1
220	NAS1612-16	...	PACKING-	002004 006999	1
225	7586631	...	INDICATOR ASSY-DIFF HYDR SUPPLIER CODE: V05228 SPECIFICATION NUMBER: S271T005-4	002004 006999	1
230	7586630	...	INDICATOR ASSY-DIFF HYDR SUPPLIER CODE: V05228 SPECIFICATION NUMBER: S271T005-5	002004 006999	1
231	7586651	NAMEPLATE- SUPPLIER CODE: V05228 USED ON: 7586630	002004 006999	1
231	7586652	NAMEPLATE- SUPPLIER CODE: V05228 USED ON: 7586631	002004 006999	1
232	MS3367-5-9	STRAP- CONFIG CHG DATA FROM A CMM: REPLACES 7590761-001 REPLACES 7586779 REPLACES 7586778 MISCELLANEOUS DATA: USED PRIOR TO S/N 6409 FOR 7586630 ASSY AND S/N 3888 FOR 7586631 ASSY USED ON: 7586630 7586631 USED WITH: 7586649	002004 006999	1
232	A9500D822	BAND-BOOT SHRINK SUPPLIER CODE: V18350 USED ON: TC125UK00ZY	002004 006999	1

MISSING ITEM NUMBERS NOT APPLICABLE

- ITEM NOT ILLUSTRATED

BRI

29-11-17-02

29-11-17
FIG. 02
PAGE 11
JAN 20/09



757

PARTS CATALOG (MAINTENANCE)

FIG ITEM	PART NUMBER	1 2 3 4 5 6 7	NOMENCLATURE	EFFECT FROM TO	UNITS PER ASSY
2 233	7586649	CAP-PROTECTIVE SUPPLIER CODE: V05228 CONFIG CHG DATA FROM A CMM: REPLACES 7590761-001 REPLACES 7586779 REPLACES 7586778 MISCELLANEOUS DATA: USED PRIOR TO S/N 6409 FOR 7586630 ASSY AND S/N 3888 FOR 7586631 ASSY USED ON: 7586630 7586631 USED WITH: MS3367-5-9	002004 006999	1
233	62RB114S0000	BOOT CAP- SUPPLIER CODE: V18350 USED ON: TC125UK00ZY	002004 006999	1
234	7590761-001	CAP-PROTECTIVE SUPPLIER CODE: V05228 CONFIG CHG DATA FROM A CMM: REPLD BY MS3367-5-9 REPLD BY 7586649 MISCELLANEOUS DATA: USED PRIOR TO S/N 6409 FOR 7586630 ASSY AND S/N 3888 FOR 7586631 ASSY OPTIONAL PART: 7586779 V05228 USED ON: 7586630 7586631	002004 006999	1

MISSING ITEM NUMBERS NOT APPLICABLE

- ITEM NOT ILLUSTRATED

BRI

29-11-17-02

BOEING PROPRIETARY - Copyright © - Unpublished Work - See title page for details.

29-11-17
FIG. 02
PAGE 12
JAN 20/09



757

PARTS CATALOG (MAINTENANCE)

FIG ITEM	PART NUMBER	1 2 3 4 5 6 7	NOMENCLATURE	EFFECT FROM TO	UNITS PER ASSY
2 235	7586779	CAP-PROTECTIVE SUPPLIER CODE: V05228 CONFIG CHG DATA FROM A CMM: REPLD BY S3367-5-9 REPLD BY 7586649 MISCELLANEOUS DATA: USED PRIOR TO S/N 6409 FOR 7586630 ASSY AND S/N 3888 FOR 7586631 ASSY OPTIONAL PART: 7590761-001 V05228 USED ON: 7586630 7586631 USED WITH: 7586778	002004 006999	1
236	7586778	RETAINER-CAP SUPPLIER CODE: V05228 CONFIG CHG DATA FROM A CMM: REPLD BY MS3367-5-9 REPLD BY 7586649 MISCELLANEOUS DATA: USED PRIOR TO S/N 6409 FOR 7586630 ASSY AND S/N 3888 FOR 7586631 ASSY USED ON: 7586630 7586631 USED WITH: 7586779	002004 006999	1
237	7586641	HOUSING- SUPPLIER CODE: V05228 USED ON: 7586630 7586631	002004 006999	1
238	7586642	PISTON- SUPPLIER CODE: V05228 USED ON: 7586630 7586631	002004 006999	1

MISSING ITEM NUMBERS NOT APPLICABLE

- ITEM NOT ILLUSTRATED

29-11-17-02

29-11-17
FIG. 02
PAGE 13
JAN 20/09

BRI



757

PARTS CATALOG (MAINTENANCE)

FIG ITEM	PART NUMBER	1 2 3 4 5 6 7	NOMENCLATURE	EFFECT FROM TO	UNITS PER ASSY
2					
239	7586811	SEAL-RING SUPPLIER CODE: V05228 USED ON: 7586630 7586631	002004 006999	1
240	7586810	PACKING-O-RING SUPPLIER CODE: V05228 USED ON: 7586630 7586631	002004 006999	1
241	7582499	RING-RTNR SUPPLIER CODE: V05228 CONFIG CHG DATA FROM A CMM: REPLD BY 7582499-001 USED ON: 7586630 7586631	002004 006999	1
241	7582499-001	RING-RTNR SUPPLIER CODE: V05228 CONFIG CHG DATA FROM A CMM: REPLACES 7582499 USED ON: 7586630 7586631	002004 006999	1
242	7586645	SPRING-PISTON SUPPLIER CODE: V05228 USED ON: 7586630	002004 006999	1
242	7586644	SPRING- SUPPLIER CODE: V05228 USED ON: 7586630	002004 006999	1
243	7586646	RETAINER-SPR SUPPLIER CODE: V05228 USED ON: 7586630 7586631	002004 006999	1

MISSING ITEM NUMBERS NOT APPLICABLE

- ITEM NOT ILLUSTRATED

29-11-17-02

29-11-17
FIG. 02
PAGE 14
JAN 20/09

BRI

BOEING PROPRIETARY - Copyright © - Unpublished Work - See title page for details.



757

PARTS CATALOG (MAINTENANCE)

FIG ITEM	PART NUMBER	1 2 3 4 5 6 7	NOMENCLATURE	EFFECT FROM TO	UNITS PER ASSY
2 244	7586777	SHIM- SUPPLIER CODE: V05228 SELECT FROM ITEM. USED ON: 7586630 7586631	002004 006999	AR
245	NAS1612-8	...	PACKING-	002004 006999	2
246	NAS1611-014	...	PACKING-	002004 006999	2
247	7586834	...	CASE- SUPPLIER CODE: V05228 OPTIONAL PART: 7592739-001 V05228 USED ON: 7586592 7588587 7588587-101 7588587-102 7588587-103 7588587-104	002004 006999	1
247	7592739-001	...	CASE- SUPPLIER CODE: V05228 OPTIONAL PART: 7586834 V05228 USED ON: 7588587 7588587-101 7588587-102 7588587-103 7588587-104	002004 006999	1
250	MS27595-231	...	RETAINER- USED ON: 7588587 7588587-101 7588587-102 7588587-103 7588587-104	002004 006999	2
255	NAS1611-231	...	PACKING-	002004 006999	1

MISSING ITEM NUMBERS NOT APPLICABLE

- ITEM NOT ILLUSTRATED

29-11-17-02

29-11-17
FIG. 02
PAGE 15
JAN 20/09

BRI



757

PARTS CATALOG (MAINTENANCE)

FIG ITEM	PART NUMBER	1 2 3 4 5 6 7	NOMENCLATURE	EFFECT FROM TO	UNITS PER ASSY
2 260	7515128		...ELEMENT- SUPPLIER CODE: V05228 SPECIFICATION NUMBER: 60B00204-1 MISCELLANEOUS DATA: PALL SPEC NO. AC9012F2 FOR ELEMENT MAINTENANCE USE FILTER MAINT KIT DEFINED IN FILTER MAINT KIT LIST. FILTER MAINTENANCE KIT REF: 654N0035-10 OPTIONAL PART: AC9012F1 V18350 AC9012F2 V18350	002004 006999	1
262	MS28774-218	RING	002004 006999	1
264	NAS1611-218	PACKING-	002004 006999	1
265	7585470		...CASE- SUPPLIER CODE: V05228 OPTIONAL PART: 7585960K1-2J8J8 V05228 OPTIONAL PART: 7585960 V05228	002004 006999	1
265	7585960		...CASE- SUPPLIER CODE: V05228 OPTIONAL PART: 7585470 V05228	002004 006999	1
267	7582485		...PACKING- SUPPLIER CODE: V05228 CONFIG CHG DATA FROM A CMM: REPLS NAS1612-18	002004 006999	1
268	NAS1611-229		...PACKING-	002004 006999	1
270	NAS1611-226		...PACKING-	002004 006999	2

MISSING ITEM NUMBERS NOT APPLICABLE

- ITEM NOT ILLUSTRATED

29-11-17-02

29-11-17
FIG. 02
PAGE 16
JAN 20/09

BRI



757

PARTS CATALOG (MAINTENANCE)

FIG ITEM	PART NUMBER	1 2 3 4 5 6 7	NOMENCLATURE	EFFECT FROM TO	UNITS PER ASSY
2 275	7553276		...ELEMENT- SUPPLIER CODE: V05228 SPECIFICATION NUMBER: 60B00211-3 MISCELLANEOUS DATA: PALL SPEC NO. AC9008E11 FOR ELEMENT MAINTENANCE USE FILTER MAINT KIT DEFINED IN FILTER MAINT KIT LIST. FILTER MAINTENANCE KIT REF: 654T0035-3 OPTIONAL PART: AC9008E1 V18350 AC9008E11 V18350	002004 006999	1
280	NAS1611-214	PACKING-	002004 006999	1
285	7582484		...PACKING- SUPPLIER CODE: V05228	002004 006999	1
290	AN814-6DL		...PLUG	002004 006999	1
292	1122410		...TRANSMITTER-TEMP SUPPLIER CODE: V60678 SPECIFICATION NUMBER: S270T245-1 MISCELLANEOUS DATA: REPLACES AN814-6DL WHEN INSTALLED BY BAC	002004 006999	1
294	NAS1612-6		...PACKING-	002004 006999	1
350	BACB30MR4K14		.BOLT- USED ON: 271N2030-1 271N2030-2 271N2030-14 271N2030-15 MODREF6999 MODREF7000	002004 006999	2

MISSING ITEM NUMBERS NOT APPLICABLE

- ITEM NOT ILLUSTRATED

29-11-17-02

29-11-17
FIG. 02
PAGE 17
JAN 20/09

BRI



757

PARTS CATALOG (MAINTENANCE)

FIG ITEM	PART NUMBER	1 2 3 4 5 6 7	NOMENCLATURE	EFFECT FROM TO	UNITS PER ASSY
2 355	BACB30MR4K10		.BOLT- POSITION DATA: LH SIDE USED ON: 271N2030-1 271N2030-14 MODREF6999	002004 006999	1
- 357	BACB30MR4K12		.BOLT- POSITION DATA: RH SIDE USED ON: 271N2030-2 271N2030-15 MODREF7000	002004 006999	1
360	BACW10BP4CD		.WASHER- USED ON: 271N2030-1 271N2030-2 271N2030-14 271N2030-15 MODREF7001 MODREF7002	002004 006999	3
370	BACW10BP4DP		.WASHER- USED ON: 271N2030-1 271N2030-2 271N2030-14 271N2030-15 MODREF7001 MODREF7002	002004 006999	7
375	NAS1805-4N		.NUT- USED ON: 271N2030-1 271N2030-2	002004 006100 107107 121503 904999	3
375	NAS1805-4L		.NUT- USED ON: 271N2030-14 271N2030-15 MODREF7001 MODREF7002	101106 108120 504903	3
380	271N2034-1		.LINK- USED ON: 271N2030-1 271N2030-2 271N2030-14 271N2030-15 MODREF7001 MODREF7002	002004 006999	2

MISSING ITEM NUMBERS NOT APPLICABLE

- ITEM NOT ILLUSTRATED

29-11-17-02

29-11-17
FIG. 02
PAGE 18
JAN 20/09

BRI



757

PARTS CATALOG (MAINTENANCE)

FIG ITEM	PART NUMBER	1 2 3 4 5 6 7	NOMENCLATURE	EFFECT FROM TO	UNITS PER ASSY
2 383	271N2033-1		.BRACKET ASSY- POSITION DATA: LH SIDE USED ON: 271N2030-1	107107	1
387	271N2033-9		.BRACKET ASSY-SYS POSITION DATA: LH SIDE USED ON: 271N2030-1 271N2030-14 MODREF6999	002004 006106 108999	1
- 390	271N2033-1		.BRACKET ASSY-SYS POSITION DATA: RH SIDE USED ON: 271N2030-2	107107	1
- 390	271N2033-8		.BRACKET ASSY-SYS POSITION DATA: RH SIDE USED ON: 271N2030-2 271N2030-15 MODREF7000	002004 006999	1
395	AG4VCR		..BEARING SUPPLIER CODE: V15860 SPECIFICATION NUMBER: BACB10AG4 OPTIONAL PART: BSSN4797S V81376 HSBG4-117 V02758 NG4F V73134 NC4G2 V56644 BNG4E111 V16746 ABG4V5 VS0352 03-505-04E033 V09455	002004 006999	1
400	BACB28X4C023		..BUSHING-SYS	002004 006999	1

R
R
R
R
R
R
R
R
R
R
R
R
R
R
R
R
R
R
R
R
R
R

MISSING ITEM NUMBERS NOT APPLICABLE

- ITEM NOT ILLUSTRATED

29-11-17-02

29-11-17
FIG. 02
PAGE 19
MAY 20/09

BRI



757

PARTS CATALOG (MAINTENANCE)

FIG ITEM	PART NUMBER	1 2 3 4 5 6 7	NOMENCLATURE	EFFECT FROM TO	UNITS PER ASSY
2					
- 700	286N5100-301		WIRE BUNDLE ASSY-(HYDRAULIC POWER ONLY) POSITION DATA: LH	101102	RF
- 700	286N5100-306		WIRE BUNDLE ASSY-(HYDRAULIC POWER ONLY) POSITION DATA: LH	504903	RF
- 705	286N5200-301		WIRE BUNDLE ASSY-(HYDRAULIC POWER ONLY) POSITION DATA: RH	101102	RF
- 705	286N5200-306		WIRE BUNDLE ASSY-(HYDRAULIC POWER ONLY) POSITION DATA: RH	504903	RF
710	BACC63BP12A3S7L		.CONNECTOR- ELECTRICAL EQUIP NUMBER: D03100 D03064 WIRING DIAGRAM REF: 291112 291122	101102 504903	1
720	R071014A7SNL		.CONNECTOR- SUPPLIER CODE: V41118 SPECIFICATION NUMBER: BACC63BP14A7SNL MISCELLANEOUS DATA: OPTIONAL PART NUMBERS: BACC63BP14A7SN (81205) BACC63BP14R7SN (81205) BACC63BP14R7SNL (81205) ELECTRICAL EQUIP NUMBER: D06240 D06242 WIRING DIAGRAM REF: 291112 291122	101102 504903	1

MISSING ITEM NUMBERS NOT APPLICABLE

- ITEM NOT ILLUSTRATED

BRI

29-11-17-02

29-11-17
FIG. 02
PAGE 20
JAN 20/09



757

PARTS CATALOG (MAINTENANCE)

FIG ITEM	PART NUMBER	1 2 3 4 5 6 7	NOMENCLATURE	EFFECT FROM TO	UNITS PER ASSY
2 730	G899312		.CLAMP- SUPPLIER CODE: V06324 SPECIFICATION NUMBER: BACC10HF12A OPTIONAL PART: G8993M12 V06324 S2251-12-8 V07418 6000-123-0012 V14283 900-555F12-34 V31461 POSITION DATA: LH SIDE ELECTRICAL EQUIP NUMBER: D03100T WIRING DIAGRAM REF: 291112	101102 504903	1
- 735	G899312		.CLAMP- SUPPLIER CODE: V06324 SPECIFICATION NUMBER: BACC10HF12A OPTIONAL PART: G8993M12 V06324 S2251-12-8 V07418 6000-123-0012 V14283 900-555F12-34 V31461 POSITION DATA: RH SIDE ELECTRICAL EQUIP NUMBER: D03064T WIRING DIAGRAM REF: 291122	101102 504903	1

MISSING ITEM NUMBERS NOT APPLICABLE

- ITEM NOT ILLUSTRATED

BRI

29-11-17-02

BOEING PROPRIETARY - Copyright © - Unpublished Work - See title page for details.

29-11-17
FIG. 02
PAGE 21
JAN 20/09



757

PARTS CATALOG (MAINTENANCE)

FIG ITEM	PART NUMBER	1 2 3 4 5 6 7	NOMENCLATURE	EFFECT FROM TO	UNITS PER ASSY
2 740	G899314		.CLAMP- SUPPLIER CODE: V06324 SPECIFICATION NUMBER: BACC10HF14A OPTIONAL PART: G8993M14 V06324 S2251-14-8 V07418 900-555F14-34 V31461 6000-123-0014 V14283 GS3417-14AC V06324 S2125-14A8 V07418 POSITION DATA: LH SIDE ELECTRICAL EQUIP NUMBER: D06240T WIRING DIAGRAM REF: 291112	101102 504903	1
- 745	G899314		.CLAMP- SUPPLIER CODE: V06324 SPECIFICATION NUMBER: BACC10HF14A OPTIONAL PART: G8993M14 V06324 S2251-14-8 V07418 900-555F14-34 V31461 6000-123-0014 V14283 GS3417-14AC V06324 S2125-14A8 V07418 POSITION DATA: RH SIDE ELECTRICAL EQUIP NUMBER: D06242T WIRING DIAGRAM REF: 291122	101102 504903	1

MISSING ITEM NUMBERS NOT APPLICABLE

- ITEM NOT ILLUSTRATED

BRI

29-11-17-02

BOEING PROPRIETARY - Copyright © - Unpublished Work - See title page for details.

29-11-17
FIG. 02
PAGE 22
JAN 20/09



757

PARTS CATALOG (MAINTENANCE)

FIG ITEM	PART NUMBER	1 2 3 4 5 6 7	NOMENCLATURE	EFFECT FROM TO	UNITS PER ASSY
2					
- 760	286N5102-302		WIRE BUNDLE ASSY-(HYDRAULIC POWER ONLY) POSITION DATA: LH	101102	RF
- 760	286N5102-304		WIRE BUNDLE ASSY-(HYDRAULIC POWER ONLY) POSITION DATA: LH	504903	RF
- 765	286N5202-302		WIRE BUNDLE ASSY-(HYDRAULIC POWER ONLY) POSITION DATA: RH	101102	RF
- 765	286N5202-304		WIRE BUNDLE ASSY-(HYDRAULIC POWER ONLY) POSITION DATA: RH	504903	RF
770	R071012AS10L		.CONNECTOR- SUPPLIER CODE: V41118 SPECIFICATION NUMBER: BCREF100882 OVERLENGTH PART NUMBER: BACC63BP12A3S10L ELECTRICAL EQUIP NUMBER: D02152 D02200 WIRING DIAGRAM REF: 293211 293221	101102 504903	1
775	G899312		.CLAMP- SUPPLIER CODE: V06324 SPECIFICATION NUMBER: BACC10HF12A OPTIONAL PART: G8993M12 V06324 S2251-12-8 V07418 6000-123-0012 V14283 900-555F12-34 V31461 ELECTRICAL EQUIP NUMBER: D02152T D02200T WIRING DIAGRAM REF: 293211 293221	101102 504903	1

MISSING ITEM NUMBERS NOT APPLICABLE

- ITEM NOT ILLUSTRATED

29-11-17-02

29-11-17
FIG. 02
PAGE 23
JAN 20/09

BRI



757

PARTS CATALOG (MAINTENANCE)

FIG ITEM	PART NUMBER	1 2 3 4 5 6 7	NOMENCLATURE	EFFECT FROM TO	UNITS PER ASSY
2 900			ILLUSTRATION REFERENCE: SYSTEM INSTL-STRUT FUEL AND HYDR (HYDRAULIC POWER ONLY) (RB211-535) 29-11-56-01	002004 006100 107107 121503 904999	RF
900			ILLUSTRATION REFERENCE: PLUMBING INSTL-STRUT EDP HYDRAULICS 29-11-17-03	101106 108120 504903	RF
905			ILLUSTRATION REFERENCE: PLUMBING INSTL-STRUT EDP HYDRAULICS 29-11-17-03	101106 108120 504903	RF
905			ILLUSTRATION REFERENCE: SYSTEM INSTL-STRUT FUEL AND HYDR (HYDRAULIC POWER ONLY) (RB211-535) 29-11-56-01	018100	RF
910			ILLUSTRATION REFERENCE: PLUMBING INSTL-SECT. 31.1 HYDR (LH) (GROUND SERVICING SYSTEM ONLY) 29-18-51-24	002004 006100 107107 121503 904999	RF
910			ILLUSTRATION REFERENCE: PLUMBING INSTL-ENG STRUT ROLLS ROYCE 29-11-51-63	101102 108120 504903	RF
910			ILLUSTRATION REFERENCE: PLUMBING INSTL-HYD SECT. 31.1 RIGHT AFT STRUT FAIRING 29-11-51-71	101102 108120 504903	RF
910			ILLUSTRATION REFERENCE: PLUMBING INSTL-SECT. 31.1 HYDR (RH) (GROUND SERVICING SYSTEM ONLY) 29-18-51-25	002004 006100 107107 121503 904999	RF
915			ILLUSTRATION REFERENCE: PLUMBING INSTL-SECT. 31.1 HYDR (LH) (HYDRAULIC POWER ONLY) 29-11-51-73	101102 108120 504903	RF

MISSING ITEM NUMBERS NOT APPLICABLE

- ITEM NOT ILLUSTRATED

BRI

29-11-17-02

29-11-17
FIG. 02
PAGE 24
JAN 20/09



757

PARTS CATALOG (MAINTENANCE)

FIG ITEM	PART NUMBER	1 2 3 4 5 6 7	NOMENCLATURE	EFFECT FROM TO	UNITS PER ASSY
2 915			ILLUSTRATION REFERENCE: PLUMBING INSTL-SECT. 31.1 HYDR (RH) (HYDRAULIC POWER ONLY) 29-11-52-06	101102 108120 504903	RF
920			ILLUSTRATION REFERENCE: PLUMBING INSTL-SECT. 31.1 HYDR (LH) (HYDRAULIC POWER ONLY) 29-11-51-73	101102 108120 504903	RF
920			ILLUSTRATION REFERENCE: PLUMBING INSTL-SECT. 31.1 HYDR (RH) (HYDRAULIC POWER ONLY) 29-11-52-06	101102 108120 504903	RF

MISSING ITEM NUMBERS NOT APPLICABLE

- ITEM NOT ILLUSTRATED

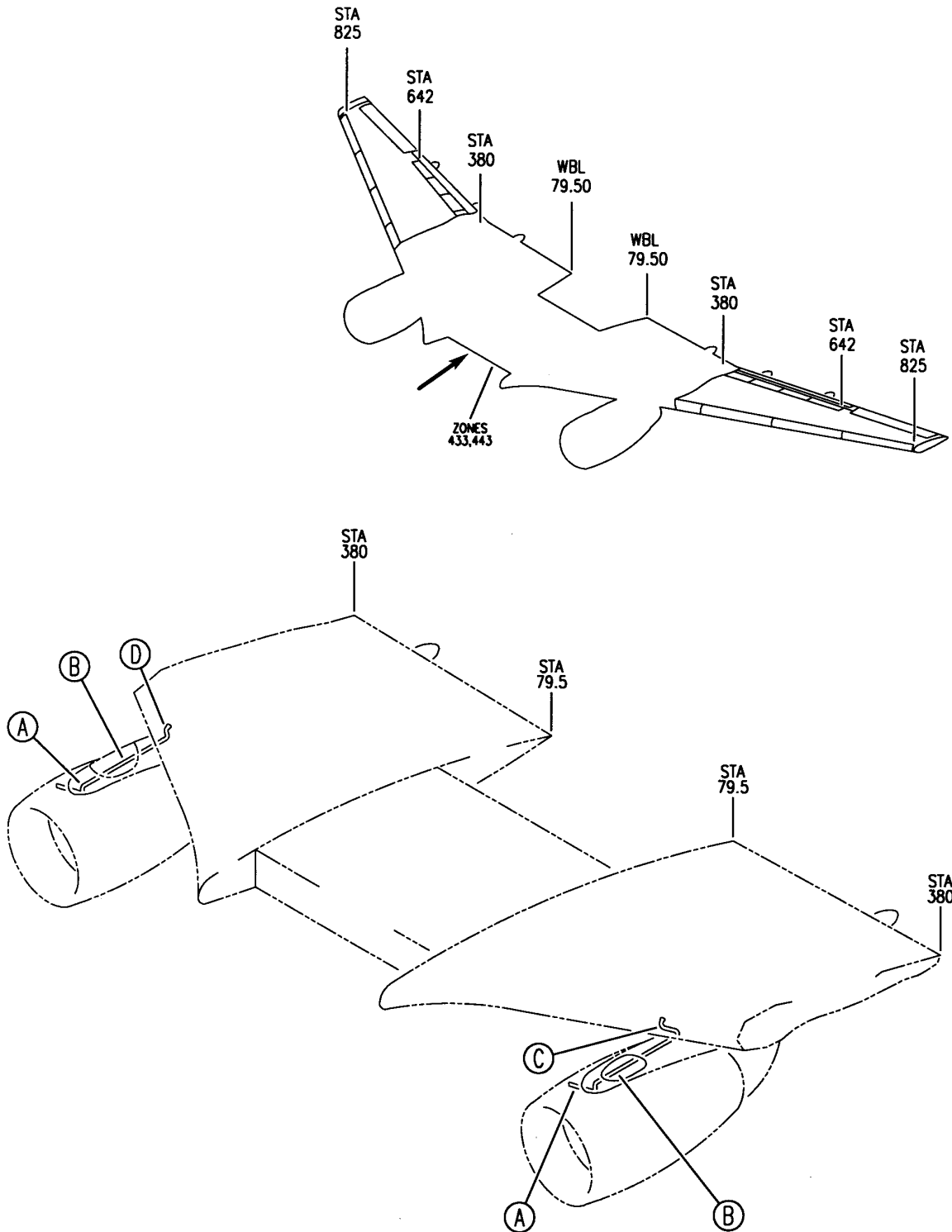
BRI

29-11-17-02

BOEING PROPRIETARY - Copyright © - Unpublished Work - See title page for details.

29-11-17
FIG. 02
PAGE 25
JAN 20/09

BOEING
757
PARTS CATALOG (MAINTENANCE)



Y 2911703 SH1 1 REV 210

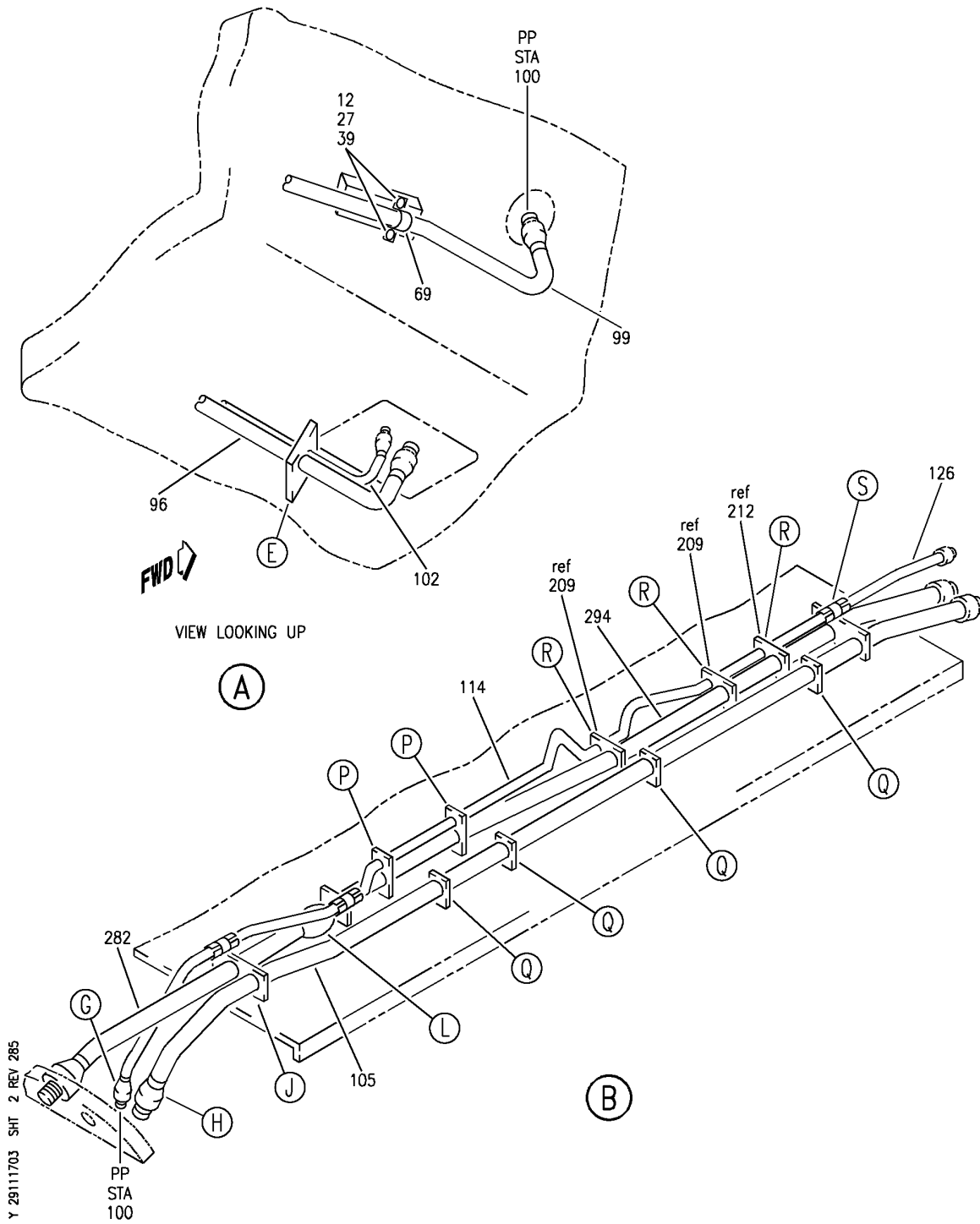
PLUMBING INSTL-STRUT EDP HYDRAULICS
FIGURE 3 (SHEET 1)

29-11-17-03

BRI
MAY 28/07

29-11-17-03
PAGE 0

BOEING
757
PARTS CATALOG (MAINTENANCE)



Y 29111703 SHT 2 REV 285

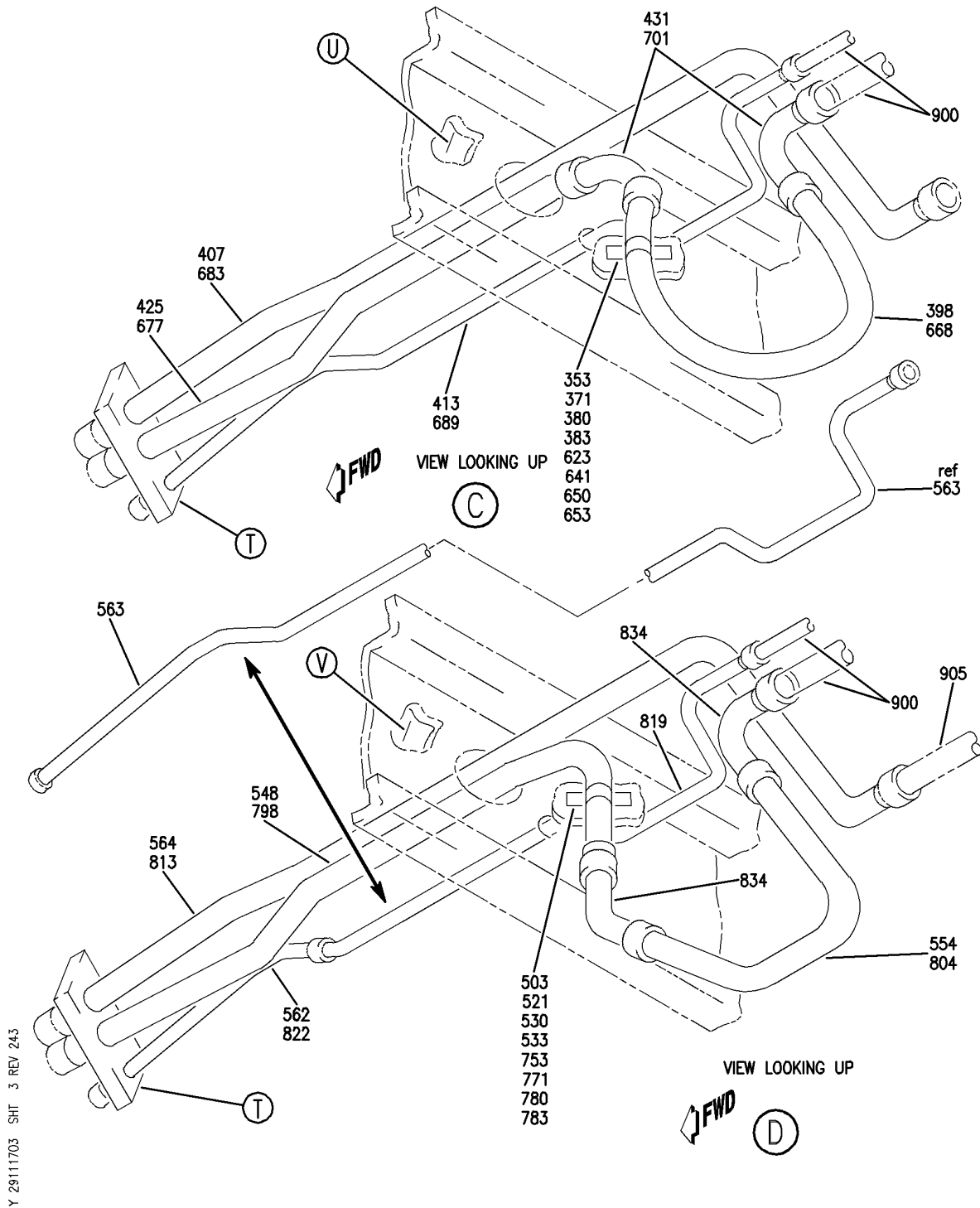
PLUMBING INSTL-STRUT EDP HYDRAULICS
FIGURE 3 (SHEET 2)

29-11-17-03

BRI
MAY 28/07

29-11-17-03
PAGE 0A

BOEING
757
PARTS CATALOG (MAINTENANCE)



Y 29111703 SH1 3 REV 243

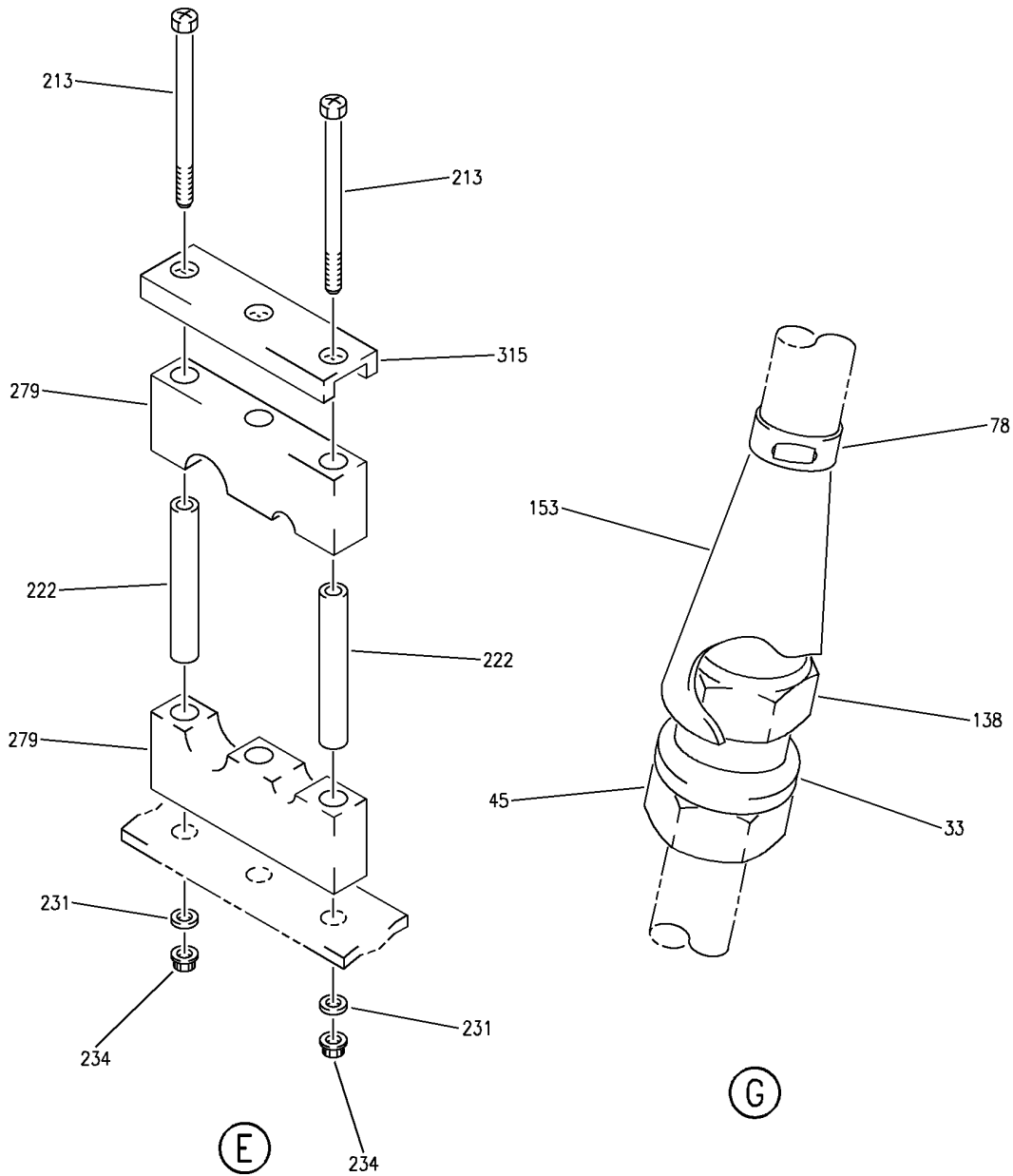
PLUMBING INSTL-STRUT EDP HYDRAULICS
FIGURE 3 (SHEET 3)

29-11-17-03

BRI
MAY 28/07

29-11-17-03
PAGE 0B

BOEING
757
PARTS CATALOG (MAINTENANCE)



Y 29111703 SH1 4 REV 285

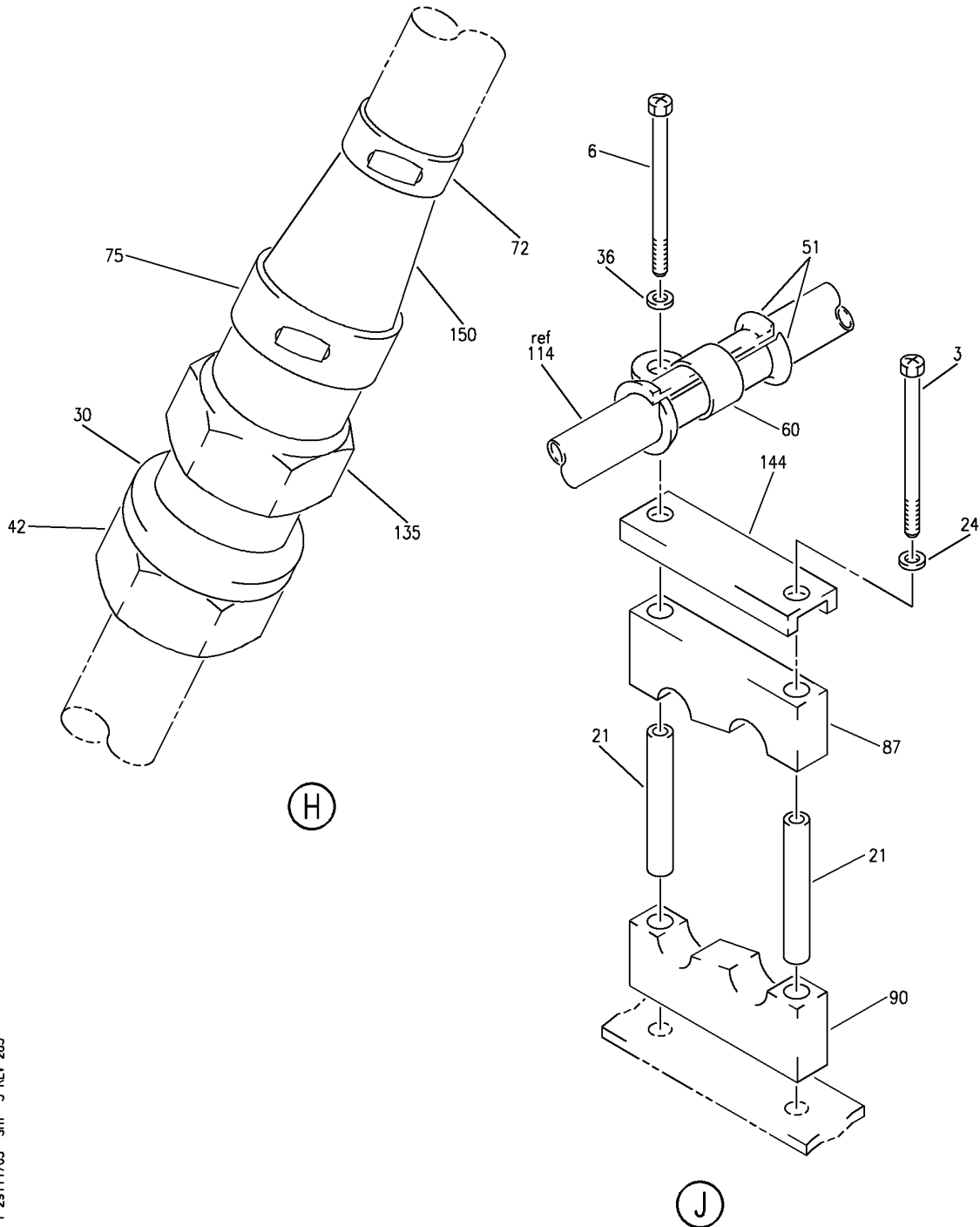
PLUMBING INSTL-STRUT EDP HYDRAULICS
FIGURE 3 (SHEET 4)

29-11-17-03

BRI
MAY 28/07

29-11-17-03
PAGE 0C

BOEING
757
PARTS CATALOG (MAINTENANCE)



Y 29111703 SHT 5 REV 285

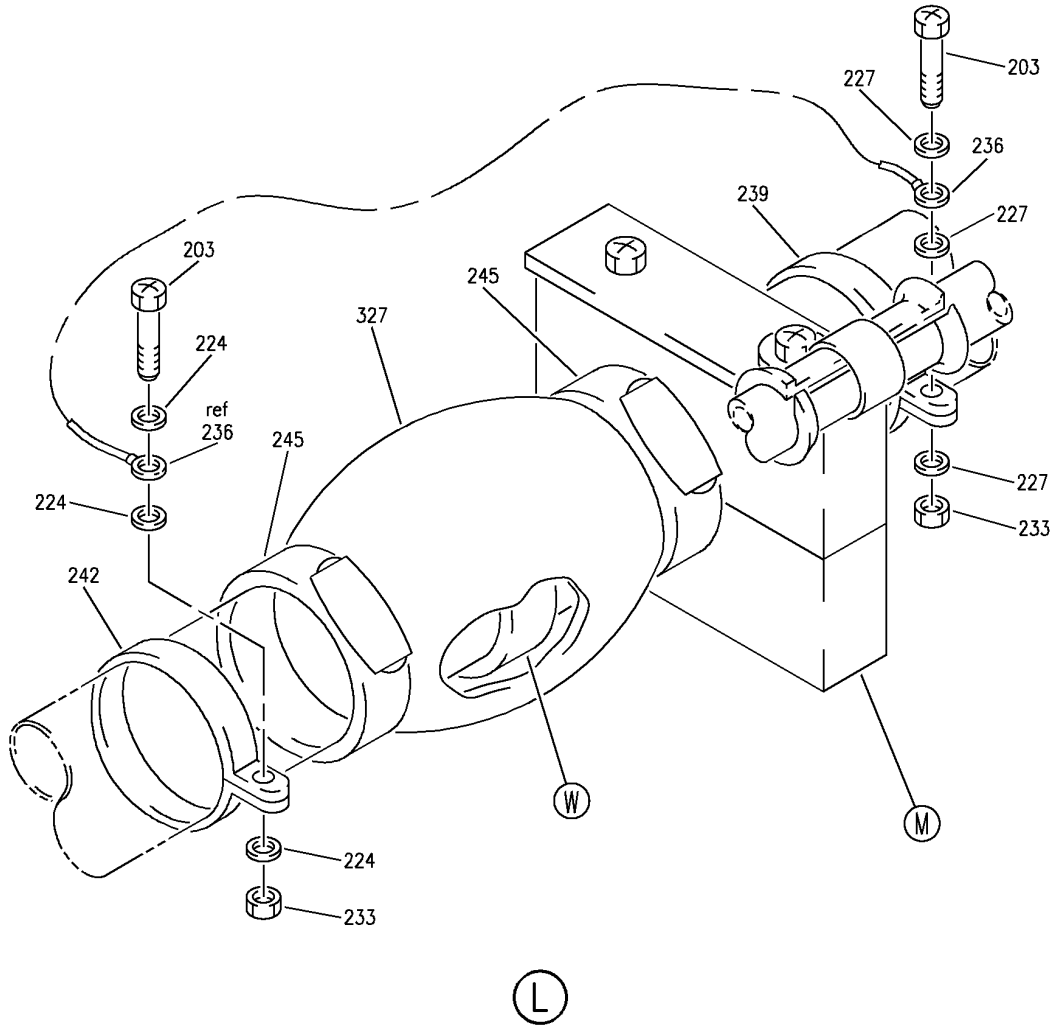
PLUMBING INSTL-STRUT EDP HYDRAULICS
FIGURE 3 (SHEET 5)

29-11-17-03

BRI
MAY 28/07

29-11-17-03
PAGE 0D

BOEING
757
PARTS CATALOG (MAINTENANCE)



Y 29111703 SH1 6 REV 285

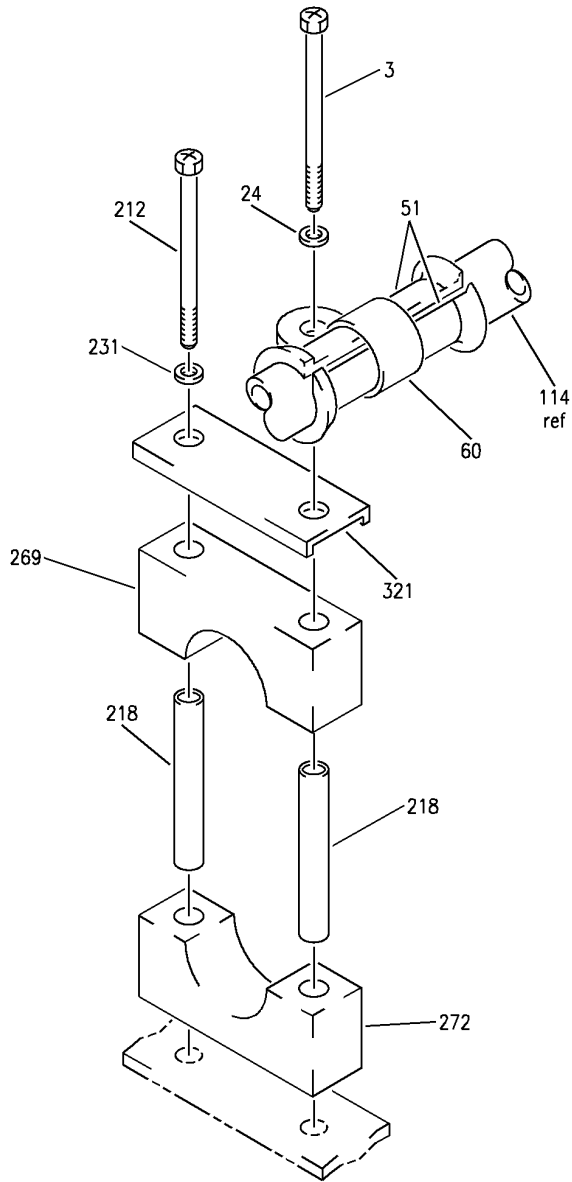
PLUMBING INSTL-STRUT EDP HYDRAULICS
FIGURE 3 (SHEET 6)

BRI
MAY 28/07

29-11-17-03

29-11-17-03
PAGE 0E

BOEING
757
PARTS CATALOG (MAINTENANCE)



(M)

Y 29111703 SHT 7 REV 285

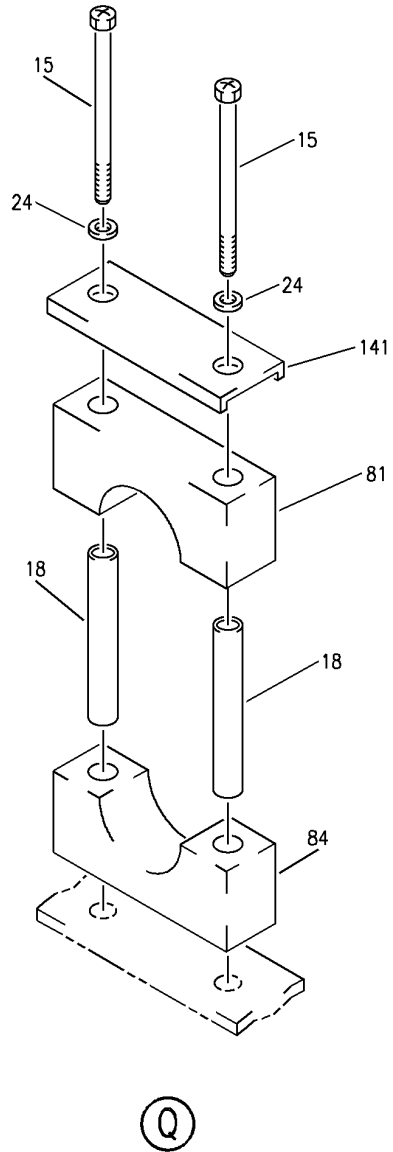
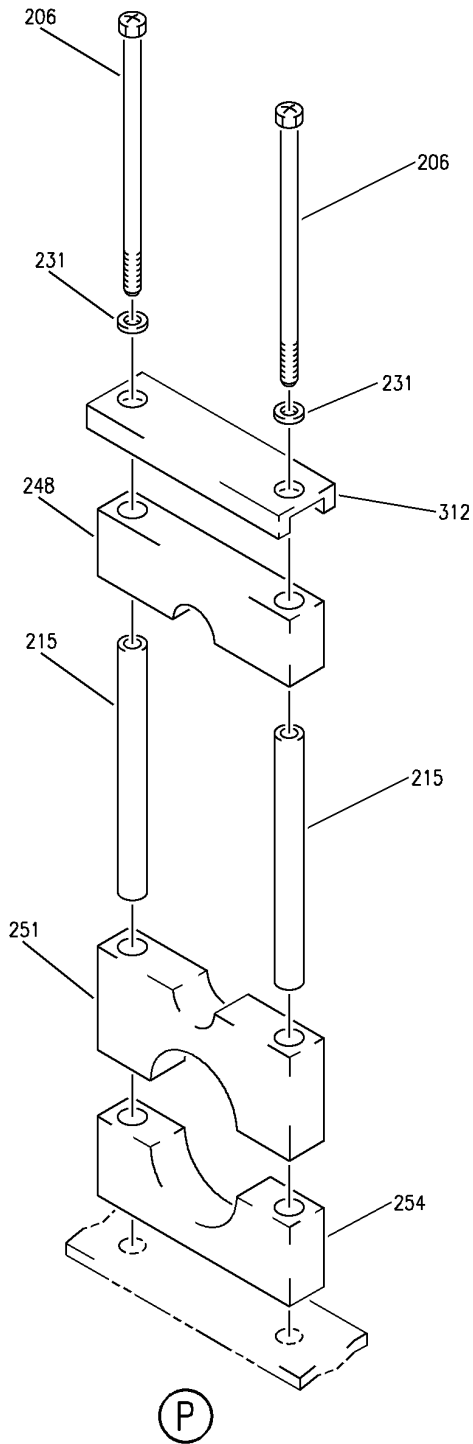
PLUMBING INSTL-STRUT EDP HYDRAULICS
FIGURE 3 (SHEET 7)

29-11-17-03

BRI
MAY 28/07

29-11-17-03
PAGE OF

BOEING
757
PARTS CATALOG (MAINTENANCE)



Y 29111703 SHT 8 REV 285

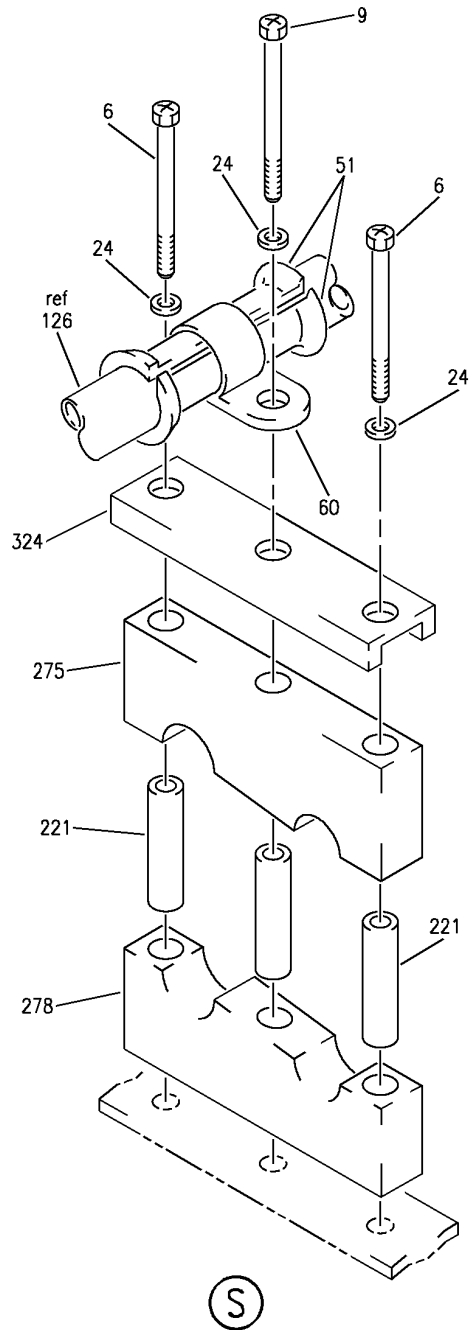
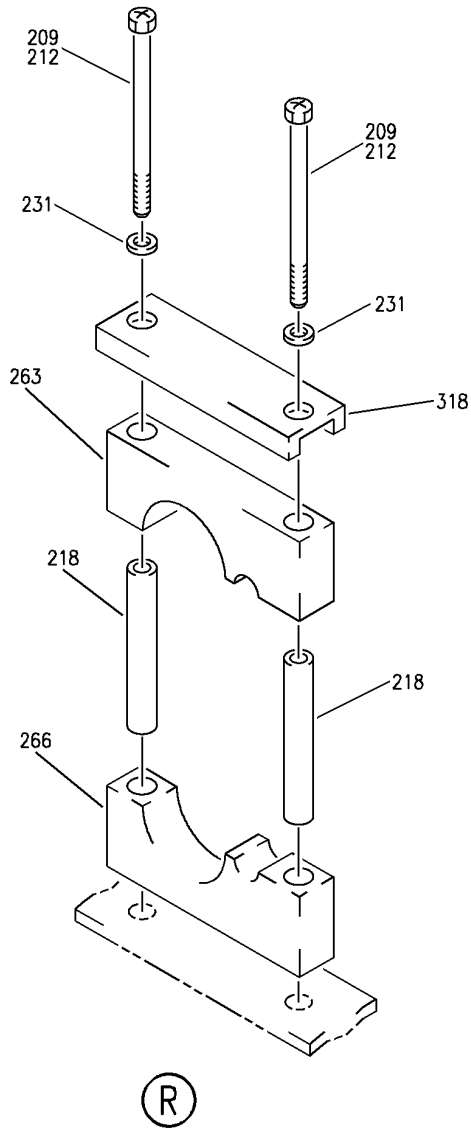
PLUMBING INSTL-STRUT EDP HYDRAULICS
FIGURE 3 (SHEET 8)

29-11-17-03

BRI
MAY 28/07

29-11-17-03
PAGE 0G

BOEING
757
PARTS CATALOG (MAINTENANCE)



Y 29111703 SH1 9 REV 285

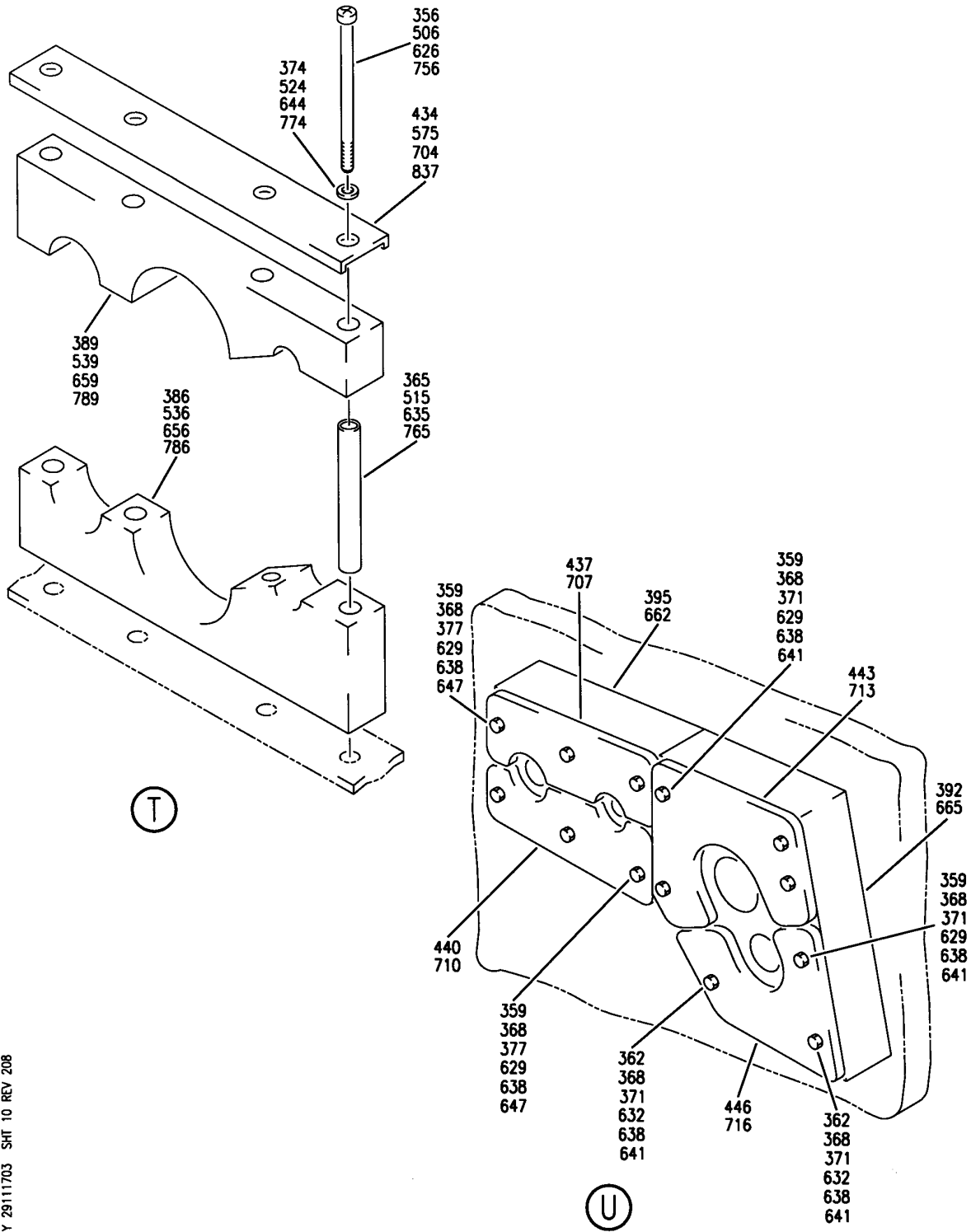
PLUMBING INSTL-STRUT EDP HYDRAULICS
FIGURE 3 (SHEET 9)

29-11-17-03

BRI
MAY 28/07

29-11-17-03
PAGE 0H

BOEING
757
PARTS CATALOG (MAINTENANCE)



Y 29111703 SHT 10 REV 208

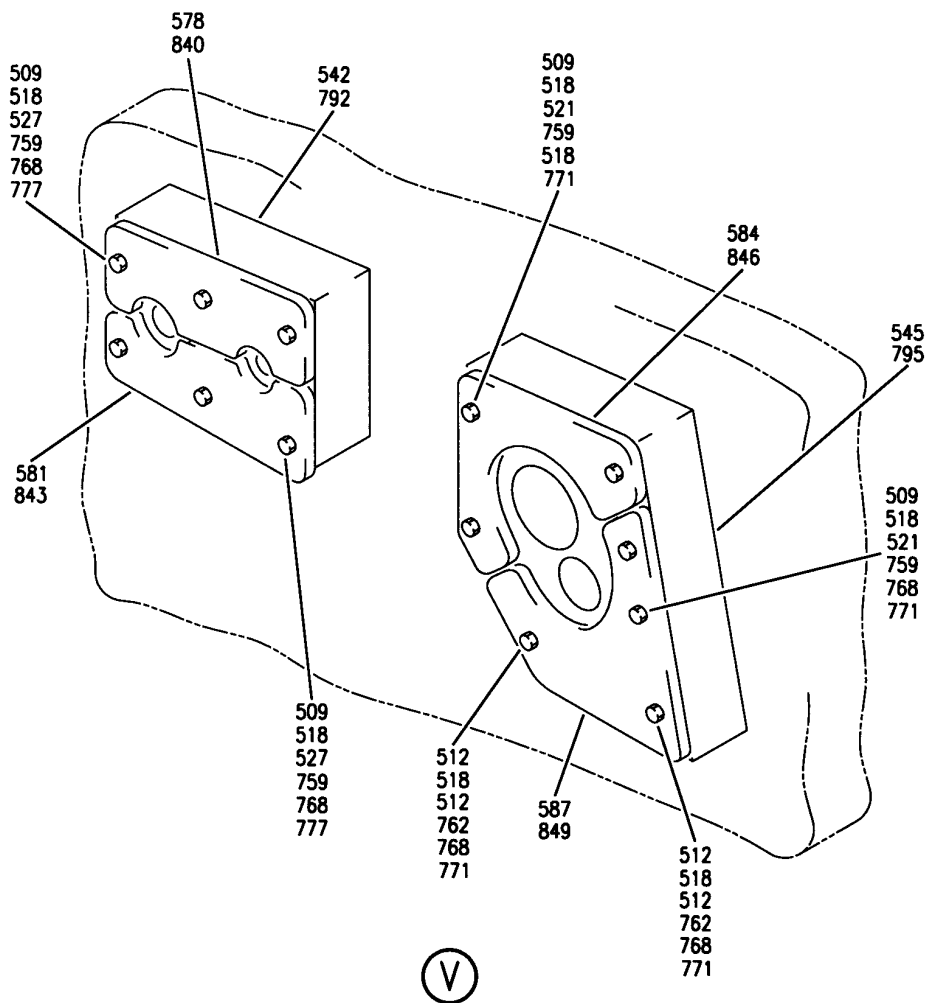
PLUMBING INSTL-STRUT EDP HYDRAULICS
FIGURE 3 (SHEET 10)

29-11-17-03

BRI
MAY 28/07

29-11-17-03
PAGE 01

BOEING
757
PARTS CATALOG (MAINTENANCE)



Y 29111703 SHT 11 REV 208

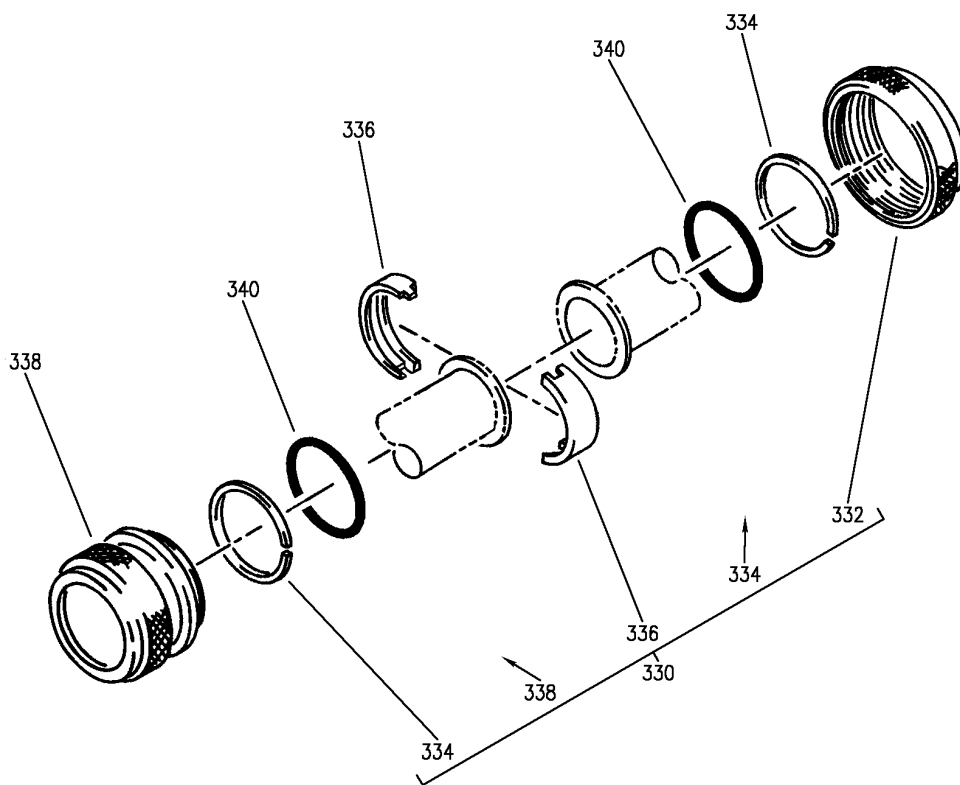
PLUMBING INSTL-STRUT EDP HYDRAULICS
FIGURE 3 (SHEET 11)

29-11-17-03

BRI
MAY 28/07

29-11-17-03
PAGE 0J

BOEING
757
PARTS CATALOG (MAINTENANCE)



Y 2911703 SH1 12 REV 285

PLUMBING INSTL-STRUT EDP HYDRAULICS
FIGURE 3 (SHEET 12)

29-11-17-03

BRI
MAY 28/07

29-11-17-03
PAGE OK



757

PARTS CATALOG (MAINTENANCE)

FIG ITEM	PART NUMBER	1 2 3 4 5 6 7	NOMENCLATURE	EFFECT FROM TO	UNITS PER ASSY
3			PLUMBING INSTL-STRUT EDP HYDRAULICS	101106 108120 504903	
- 1	312N5150-113		PLUMBING INSTL-STRUT EDP HYDRAULICS POSITION DATA: ENG POSITION 1 AND 2 FOR NHA SEE: 29-00-51-11	101102 108120 504903	RF
- 1	MODREF23496		PLUMBING INSTL-STRUT EDP HYDRAULICS MODULE NUMBER: 312N5150-113 REV B POSITION DATA: ENG POSITION 1 AND 2	103106	1
3	NAS1801-3-40		.SCREW	101106 108120 504903	4
6	NAS1801-3-41		.SCREW	101106 108120 504903	6
9	NAS1801-3-42		.SCREW	101106 108120 504903	2
12	NAS1802-3-7		.SCREW	101106 108120 504903	4
15	NAS1801-3-35		.SCREW	101106 108120 504903	16
18	NAS43DD3-106FC		.SPACER	101106 108120 504903	16
21	NAS43DD3-122FC		.SPACER	101106 108120 504903	4
24	NAS1149D0363J		.WASHER-	101106 108120 504903	22
27	NAS1149C0332R		.WASHER	101106 108120 504903	4
30	NAS1149D2116J		.WASHER	101106 108120 504903	2
33	NAS1149C1232R		.WASHER	101106 108120 504903	2

MISSING ITEM NUMBERS NOT APPLICABLE

- ITEM NOT ILLUSTRATED

29-11-17-03

29-11-17
FIG. 03
PAGE 1
JAN 20/09

BRI

BOEING PROPRIETARY - Copyright © - Unpublished Work - See title page for details.



757

PARTS CATALOG (MAINTENANCE)

FIG ITEM	PART NUMBER	1 2 3 4 5 6 7	NOMENCLATURE	EFFECT FROM TO	UNITS PER ASSY
3					
36	NAS1149D0363J	.	WASHER	101106 108120 504903	6
39	PLH53CM	.	NUT SUPPLIER CODE: VF0224 SPECIFICATION NUMBER: BACN10YR3CM OPTIONAL PART: H52732-3CM V15653	101106 108120 504903	4
42	BACN10DR16J	.	NUT	101106 108120 504903	2
45	BACN10DR8J	.	NUT	101106 108120 504903	2
51	BACC10GT2-08	.	CLAMPSHELL SUPPLIER CODE: V83930 SPECIFICATION NUMBER: BACC10GT2-08	101106 108120 504903	12
60	BACC10GT1-08	.	CLAMP-BAND	101106 108120 504903	6
69	TA0910004H128	.	CLAMP SUPPLIER CODE: V84971 SPECIFICATION NUMBER: BACC10HB28C	101106 108120 504903	2
72	12	.	CLAMP SUPPLIER CODE: V7Z588 SPECIFICATION NUMBER: STBC10GG34-38 OPTIONAL PART: WWD34-38H V66295	101106 108120 504903	2
75	28	.	CLAMP SUPPLIER CODE: V7Z588 SPECIFICATION NUMBER: STBC10GG58-66 OPTIONAL PART: WWD58-66H V66295	101106 108120 504903	2

MISSING ITEM NUMBERS NOT APPLICABLE

- ITEM NOT ILLUSTRATED

29-11-17-03

29-11-17
FIG. 03
PAGE 2
JAN 20/09

BRI

BOEING PROPRIETARY - Copyright © - Unpublished Work - See title page for details.



**757
PARTS CATALOG (MAINTENANCE)**

FIG ITEM	PART NUMBER	1 2 3 4 5 6 7	NOMENCLATURE	EFFECT FROM TO	UNITS PER ASSY	
3	78 06		.CLAMP SUPPLIER CODE: V7Z588 SPECIFICATION NUMBER: STBC10GG22-26 OPTIONAL PART: WWD22-26H V66295	101106 108120 504903	2	
	81 312N5112-17		.BLOCK	101106 108120 504903	8	
	84 312N5112-18		.BLOCK	101106 108120 504903	8	
	87 312N5112-25		.BLOCK	101106 108120 504903	2	
	90 312N5112-26		.BLOCK	101106 108120 504903	2	
	96 108062-68		.HOSE ASSY- SUPPLIER CODE: V78570 SPECIFICATION NUMBER: S270T230-68 COMPONENT MAINT MANUAL REF: 29-11-04 FOR DETAILS SEE: 29-11-56-51	101106 108120 504903	2	
	99 AE706128-69		.HOSE ASSY- SUPPLIER CODE: V00624 SPECIFICATION NUMBER: S270T230-69 COMPONENT MAINT MANUAL REF: 29-11-58 FOR DETAILS SEE: 29-11-56-51A	101106 108120 504903	2	
	102 AE706127-67		.TUBE ASSY- SUPPLIER CODE: V00624 SPECIFICATION NUMBER: S270T230-67 COMPONENT MAINT MANUAL REF: 29-11-58 FOR DETAILS SEE: 29-11-56-51	101106 108120 504903	2	
	MISSING ITEM NUMBERS NOT APPLICABLE					

— ITEM NOT ILLUSTRATED

29-11-17-03

29-11-17
FIG. 03
PAGE 3
JAN 20/09

BRI



757

PARTS CATALOG (MAINTENANCE)

FIG ITEM	PART NUMBER	1 2 3 4 5 6 7	NOMENCLATURE	EFFECT FROM TO	UNITS PER ASSY
3					
105	312N5101-38		.TUBE ASSY-PRESSURE TUBING MATERIAL: 1.0 IN. OD .051 IN. WALL 96.0 IN. LG TI BMS 7-234 TI-3AL-2.5V COLD WORKED, STRESS RELIEVED TUBING	101106 108120 504903	2
- 108	AS1581T16		..SLEEVE	101106 108120 504903	4
- 111	BACN10YA16		..NUT	101106 108120 504903	4
114	312N5101-42		.TUBE ASSY-CASE DRAIN TUBING MATERIAL: .5 IN. OD .026 IN. WALL 65.5 IN. LG TI BMS 7-234 TI-3AL-2.5V COLD WORKED, STRESS RELIEVED TUBING	101106 108120 504903	2
- 117	AS1581T08		..SLEEVE	101106 108120 504903	2
- 120	BACN10YA8		..NUT	101106 108120 504903	2
- 123	AS1582T08		..UNION	101106 108120 504903	2
126	312N5101-5		.TUBE ASSY-CASE DRAIN TUBING MATERIAL: .5 IN. OD .026 IN. WALL 34.7 IN. LG TI BMS 7-234 TI-3AL-2.5V COLD WORKED, STRESS RELIEVED TUBING	101106 108120 504903	2
- 129	AS1581T08		..SLEEVE	101106 108120 504903	4
- 132	BACN10YA8		..NUT	101106 108120 504903	4
135	MS21924J16		.UNION	101106 108120 504903	2
138	MS21924J8		.UNION	101106 108120 504903	2

MISSING ITEM NUMBERS NOT APPLICABLE

- ITEM NOT ILLUSTRATED

29-11-17-03

29-11-17
FIG. 03
PAGE 4
JAN 20/09

BRI



757

PARTS CATALOG (MAINTENANCE)

FIG ITEM	PART NUMBER	1 2 3 4 5 6 7	NOMENCLATURE	EFFECT FROM TO	UNITS PER ASSY
3					
141	312N5112-16	.	CHANNEL	101106 108120 504903	8
144	312N5112-24	.	CHANNEL	101106 108120 504903	2
150	312N5115-6	.	SHROUD	101106 108120 504903	2
153	312N5115-7	.	SHROUD	101106 108120 504903	2
- 200	312N5150-111		PLUMBING INSTL-STRUT EDP HYDRAULICS POSITION DATA: ENG POSITION 1 AND 2 FOR NHA SEE: 29-00-51-11 29-00-51-11A	101106 108120 504903	RF
203	NAS1801-3-9	.	SCREW	101106 108120 504903	2
206	NAS1801-3-52	.	SCREW	101106 108120 504903	4
209	NAS1801-3-38	.	SCREW	101106 108120 504903	4
212	NAS1801-3-39	.	SCREW	101106 108120 504903	3
213	NAS1801-3-35	.	SCREW	101106 108120 504903	3
215	NAS43DD3-172FC	.	SPACER	101106 108120 504903	4
218	NAS43DD3-122FC	.	SPACER	101106 108120 504903	8
221	NAS43DD3-132FC	.	SPACER	101106 108120 504903	3
222	NAS43DD3-106FC	.	SPACER	101106 108120 504903	3
224	NAS1149C0332R	.	WASHER	101106 108120 504903	3

MISSING ITEM NUMBERS NOT APPLICABLE

- ITEM NOT ILLUSTRATED

29-11-17-03

29-11-17
FIG. 03
PAGE 5
JAN 20/09

BRI

BOEING PROPRIETARY - Copyright © - Unpublished Work - See title page for details.



757

PARTS CATALOG (MAINTENANCE)

FIG ITEM	PART NUMBER	1 2 3 4 5 6 7	NOMENCLATURE	EFFECT FROM TO	UNITS PER ASSY
3					
227	NAS1149D0316H	.	WASHER	101106 108120 504903	3
231	NAS1149D0363J	.	WASHER	101106 108120 504903	14
233	PLH53CD	.	NUT SUPPLIER CODE: VF0224 SPECIFICATION NUMBER: BACN10YR3CD OPTIONAL PART: H52732-3CD V15653	101106 108120 504903	2
234	MS21042L3	.	NUT	101106 108120 504903	3
236	BACJ40A20-7	.	JUMPER ASSY	101106 108120 504903	1
239	AN735D20	.	CLAMP	101106 108120 504903	1
242	AN735-20	.	CLAMP	101106 108120 504903	1
245	16	.	CLAMP SUPPLIER CODE: V7Z588 SPECIFICATION NUMBER: STBC10GG38-48 OPTIONAL PART: WWD38-48H V66295	101106 108120 504903	2
248	312N5112-10	.	BLOCK	101106 108120 504903	2
251	312N5112-11	.	BLOCK	101106 108120 504903	2
254	312N5112-12	.	BLOCK	101106 108120 504903	2
263	312N5112-28	.	BLOCK	101106 108120 504903	3
266	312N5112-30	.	BLOCK	101106 108120 504903	3

MISSING ITEM NUMBERS NOT APPLICABLE

- ITEM NOT ILLUSTRATED

BRI

29-11-17-03

29-11-17
FIG. 03
PAGE 6
JAN 20/09



**757
PARTS CATALOG (MAINTENANCE)**

FIG ITEM	PART NUMBER	1 2 3 4 5 6 7	NOMENCLATURE	EFFECT FROM TO	UNITS PER ASSY
3					
269	312N5112-14	.	BLOCK	101106 108120 504903	1
272	312N5112-12	.	BLOCK	101106 108120 504903	1
275	312N5112-38	.	BLOCK	101106 108120 504903	1
278	312N5112-39	.	BLOCK	101106 108120 504903	1
279	312N5116-1	.	BLOCK	101106 108120 504903	2
282	312N5101-24	.	TUBE ASSY- TUBING MATERIAL: TUBING CRES AISI 304 MIL-T-6845 F-25.01 1.25 IN OD 0.028 IN WALL 30.0 IN LG	101106 108120 504903	1
- 285	AFP175V20P	..	SLEEVE SUPPLIER CODE: V30974 SPECIFICATION NUMBER: BACS13BX20HP OPTIONAL PART: 2-02901-20HP V11328 35025VN20 V08199	101106 108120 504903	1
- 288	MS21921-20J	..	NUT	101106 108120 504903	1
- 291	63152-20	..	FERRULE- SUPPLIER CODE: V79326	101106 108120 504903	1
294	312N5101-25	.	TUBE ASSY- TUBING MATERIAL: STOCK 1.25 DIA X .035 WALL 6061-T6 ALUMINUM TUBE PER MIL-T-7081	101106 108120 504903	1

MISSING ITEM NUMBERS NOT APPLICABLE

- ITEM NOT ILLUSTRATED

29-11-17-03

29-11-17
FIG. 03
PAGE 7
JAN 20/09

BRI



757

PARTS CATALOG (MAINTENANCE)

FIG ITEM	PART NUMBER	1 2 3 4 5 6 7	NOMENCLATURE	EFFECT FROM TO	UNITS PER ASSY
3					
- 297	AFP175V20P	..	SLEEVE SUPPLIER CODE: V30974 SPECIFICATION NUMBER: BACS13BX20HP OPTIONAL PART: 2-02901-20HP V11328 35025VN20 V08199	101106 108120 504903	1
- 300	BACN10YL20L	..	NUT-	101106 108120 504903	1
- 303	AS1716D20	..	FERRULE	101106 108120 504903	1
312	312N5112-9	.	CHANNEL	101106 108120 504903	2
315	312N5117-1	.	CHANNEL	101106 108120 504903	1
318	312N5112-29	.	CHANNEL	101106 108120 504903	3
321	312N5112-45	.	CHANNEL	101106 108120 504903	1
324	312N5112-37	.	CHANNEL	101106 108120 504903	1
327	312N5115-2	.	SHROUD-HYDRAULIC	101106 108120 504903	1
330	12J63-20A	.	COUPLING ASSY SUPPLIER CODE: V24984 SPECIFICATION NUMBER: AS1712D20 OPTIONAL PART: 83051-20A V79326	101106 108120 504903	1

MISSING ITEM NUMBERS NOT APPLICABLE

- ITEM NOT ILLUSTRATED

29-11-17-03

29-11-17
FIG. 03
PAGE 8
JAN 20/09

BRI



757

PARTS CATALOG (MAINTENANCE)

FIG ITEM	PART NUMBER	1 2 3 4 5 6 7	NOMENCLATURE	EFFECT FROM TO	UNITS PER ASSY
3					
332	12N63-20A		..NUT ASSY SUPPLIER CODE: V24984 SPECIFICATION NUMBER: AS1714D20 OPTIONAL PART: AS6305-20-03 V79326	101106 108120 504903	1
334	AS1715-20		..WASHER	101106 108120 504903	2
336	12R63-20A		..RETAINER SUPPLIER CODE: V24984 SPECIFICATION NUMBER: AS1717D20	101106 108120 504903	2
338	12C63-20A		..BODY SUPPLIER CODE: V24984 SPECIFICATION NUMBER: AS1718D20 OPTIONAL PART: AS6305-20-1 V79326	101106 108120 504903	1
340	NAS1611-220		.PACKING	101106 108120 504903	2
- 350	312N5150-107		PLUMBING INSTL-STRUT HYDR POSITION DATA: LH FOR NHA SEE: 29-00-51-11	101102 108120 504903	RF
- 350	MODREF24014		PLUMBING INSTL-STRUT HYDR MODULE NUMBER: 312N5150-125 REV B POSITION DATA: LH	103106	1
353	NAS1801-3-8		.SCREW	101106 108120 504903	2
356	NAS1801-3-39		.SCREW	101106 108120 504903	4
359	NAS1801-3-16		.SCREW	101106 108120 504903	11

MISSING ITEM NUMBERS NOT APPLICABLE

- ITEM NOT ILLUSTRATED

BRI

29-11-17-03

29-11-17
FIG. 03
PAGE 9
JAN 20/09

 **BOEING**
757
PARTS CATALOG (MAINTENANCE)

FIG ITEM	PART NUMBER	1 2 3 4 5 6 7	NOMENCLATURE	EFFECT FROM TO	UNITS PER ASSY
3					
362	NAS1801-3-17	.	SCREW	101106 108120 504903	2
365	NAS43DD3-122FC	.	SPACER	101106 108120 504903	4
368	NAS43DD3-37FC	.	SPACER	101106 108120 504903	13
371	NAS1149C0332R	.	WASHER	101106 108120 504903	9
374	NAS1149D0363J	.	WASHER	101106 108120 504903	4
377	NAS1149D0332J	.	WASHER	101106 108120 504903	6
380	PLH53CD	.	NUT SUPPLIER CODE: VF0224 SPECIFICATION NUMBER: BACN10YR3CD OPTIONAL PART: H52732-3CD V15653	101106 108120 504903	2
383	TA0910004H116	.	CLAMP SUPPLIER CODE: V84971 SPECIFICATION NUMBER: BACC10HB16C	101106 108120 504903	1
386	312N5112-50	.	BLOCK	101106 108120 504903	1
389	312N5112-51	.	BLOCK	101106 108120 504903	1
392	312N5110-5	.	BLOCK	101106 108120 504903	1
395	312N5110-7	.	BLOCK	101106 108120 504903	1
398	312N5101-46	.	TUBE ASSY-PRESSURE POSITION DATA: LH SIDE TUBING MATERIAL: 3AL-2.5V TITANIUM TUBE 1.00 OD X .051 WALL	101106 108120 504903	1

MISSING ITEM NUMBERS NOT APPLICABLE

— ITEM NOT ILLUSTRATED

BRI

29-11-17-03

29-11-17
FIG. 03
PAGE 10
JAN 20/09



757

PARTS CATALOG (MAINTENANCE)

FIG ITEM	PART NUMBER	1 2 3 4 5 6 7	NOMENCLATURE	EFFECT FROM TO	UNITS PER ASSY
3					
- 401	AS1581T16	..	SLEEVE	101106 108120 504903	2
- 404	BACN10YA16L	..	NUT	101106 108120 504903	2
407	312N5101-48	.	TUBE ASSY-PRESSURE POSITION DATA: LH SIDE TUBING MATERIAL: 3AL-2.5V TITANIUM TUBE 1.00 OD X 051 WALL	101102 108120 504903	1
407	312N5101-71	.	TUBE ASSY-PRESSURE POSITION DATA: LH SIDE TUBING MATERIAL: 1,00 IN. OD .051 IN. WALL 34.436 IN. LG TI BMS 7-234 TI-3AL-2.5V COLD WORKED, STRESS RELIEVED TUBING	103106	1
- 410	AS1582T16	..	UNION	101106 108120 504903	2
413	312N5101-57	.	TUBE ASSY-CASE DRAIN TUBING MATERIAL: .5 IN. OD .026 IN. WALL 37.1 IN. LG TITANIUM ALLOY TUBING	101102 108120 504903	1
413	312N5101-60	.	TUBE ASSY-CASE DRAIN TUBING MATERIAL: 3AL-2.5V TITANIUM TUBE .50 OD X .026 WALL QUALIFIED I/W DATA: 312N5101-70 TOGETHER WITH 312N5101-69 CAN REPLACE BUT NOT BE REPLACED BY 312N5101-60 ON RH HAND STRUT ONLY INSTL 312N5101-61, -62,-68, 312N5150-109, -110,-123,-125 AND MODULE 312N5150-123, AND -125.	101106 108120 504903	1
- 416	AS1581T08	..	SLEEVE	101106 108120 504903	1

R
R
R
R
R
R
R
R
R
R
R
R
R
R
R

MISSING ITEM NUMBERS NOT APPLICABLE

- ITEM NOT ILLUSTRATED

29-11-17-03

29-11-17
FIG. 03
PAGE 11
MAY 20/09

BRI



757

PARTS CATALOG (MAINTENANCE)

FIG ITEM	PART NUMBER	1 2 3 4 5 6 7	NOMENCLATURE	EFFECT FROM TO	UNITS PER ASSY
3					
- 419	BACN10YA8L	..	NUT	101106 108120 504903	1
- 422	AS1582T08	..	UNION	101106 108120 504903	1
425	312N5101-59	.	TUBE ASSY-SUPPLY POSITION DATA: LH SIDE TUBING MATERIAL: 1.25 IN. OD 0.035 IN WALL 43.30 IN. LG 6061-T6 MIL-T-7081	101106 108120 504903	1
- 428	35056GV20	..	UNION SUPPLIER CODE: V08199 SPECIFICATION NUMBER: BACU24AB20W OPTIONAL PART: 4671097W20 V50948 2-01027-20W V11328 31875-20W V14397 AP1004W20 V01673 AFP941W20 V30974 DBOU24AB20W V14798	101106 108120 504903	2
431	AP1042T1616	.	ELBOW SUPPLIER CODE: V01673 SPECIFICATION NUMBER: BACE21BT1616T	101106 108120 504903	2
434	312N5112-49	.	CHANNEL	101106 108120 504903	1
437	312N5111-9	.	ANGLE-BLOCK SPRT	101106 108120 504903	1
440	312N5111-7	.	ANGLE-BLOCK SPRT	101106 108120 504903	1
443	312N5111-3	.	ANGLE-BLOCK SPRT	101106 108120 504903	1

MISSING ITEM NUMBERS NOT APPLICABLE

- ITEM NOT ILLUSTRATED

29-11-17-03

29-11-17
FIG. 03
PAGE 12
MAY 20/09

BRI



757

PARTS CATALOG (MAINTENANCE)

FIG ITEM	PART NUMBER	1 2 3 4 5 6 7	NOMENCLATURE	EFFECT FROM TO	UNITS PER ASSY
3					
446	312N5111-2	.	ANGLE-BLOCK SPRT	101106 108120 504903	1
- 500	312N5150-108		PLUMBING INSTL-STRUT HYDR POSITION DATA: RH FOR NHA SEE: 29-00-51-11	101102 504903	RF
- 500	312N5150-118		PLUMBING INSTL-STRUT HYDR POSITION DATA: RH FOR NHA SEE: 29-00-51-11	108120	RF
- 500	MODREF24013		PLUMBING INSTL-STRUT MODULE NUMBER: 312N5150-124 REV B POSITION DATA: RH	103106	1
503	NAS1801-3-8	.	SCREW	101106 108120 504903	2
506	NAS1801-3-39	.	SCREW	101106 108120 504903	4
509	NAS1801-3-16	.	SCREW	101106 108120 504903	11
512	NAS1801-3-17	.	SCREW	101106 108120 504903	2
515	NAS43DD3-122FC	.	SPACER	101106 108120 504903	4
518	NAS43DD3-37FC	.	SPACER	101106 108120 504903	13
521	NAS1149C0332R	.	WASHER	101106 108120 504903	8
524	NAS1149D0363J	.	WASHER	101106 108120 504903	4
527	NAS1149D0332J	.	WASHER	101106 108120 504903	6

MISSING ITEM NUMBERS NOT APPLICABLE

- ITEM NOT ILLUSTRATED

BRI

29-11-17-03

29-11-17
FIG. 03
PAGE 13
MAY 20/09



757

PARTS CATALOG (MAINTENANCE)

FIG ITEM	PART NUMBER	1 2 3 4 5 6 7	NOMENCLATURE	EFFECT FROM TO	UNITS PER ASSY
3					
530	PLH53CD	.	NUT SUPPLIER CODE: VF0224 SPECIFICATION NUMBER: BACN10YR3CD OPTIONAL PART: H52732-3CD V15653	101106 108120 504903	2
533	TA0910004H116	.	CLAMP SUPPLIER CODE: V84971 SPECIFICATION NUMBER: BACC10HB16C	101106 108120 504903	1
536	312N5112-50	.	BLOCK	101106 108120 504903	1
539	312N5112-51	.	BLOCK	101106 108120 504903	1
542	312N5110-6	.	BLOCK	101106 108120 504903	1
545	312N5110-8	.	BLOCK	101102 504903	1
545	312N5110-11	.	BLOCK	103106 108120	1
548	312N5101-44	.	TUBE ASSY-PRESSURE POSITION DATA: RH SIDE TUBING MATERIAL: 3AL-2.5V TITANIUM TUBE 1.00 OD X .051 WALL	101106 108120 504903	1
- 551	AS1582T16	..	UNION	101106 108120 504903	2
554	312N5101-46	.	TUBE ASSY-PRESSURE POSITION DATA: RH SIDE TUBING MATERIAL: 3AL-2.5V TITANIUM TUBE 1.00 OD X .051 WALL	101106 108120 504903	1
- 557	AS1581T16	..	SLEEVE	101106 108120 504903	2
- 560	BACN10YA16L	..	NUT	101106 108120 504903	2

MISSING ITEM NUMBERS NOT APPLICABLE

- ITEM NOT ILLUSTRATED

29-11-17-03

29-11-17
FIG. 03
PAGE 14
MAY 20/09

BRI



757

PARTS CATALOG (MAINTENANCE)

FIG ITEM	PART NUMBER	1 2 3 4 5 6 7	NOMENCLATURE	EFFECT FROM TO	UNITS PER ASSY
3 562	312N5101-57		.TUBE ASSY-CASE DRAIN TUBING MATERIAL: .5 IN. OD .026 IN. WALL 37.1 IN. LG TITANIUM ALLOY TUBING	101102 108120 504903	1
562	312N5101-60		.TUBE ASSY-CASE DRAIN QUALIFIED I/W DATA: 312N5101-69 TOGETHER WITH 312N5101-70 CAN REPLACE BUT NOT BE REPLACED BY 312N5101-60 ON RH HAND STRUT ONLY INSTL 312N5101-61,-62, -68,312N5150-109,-110, -123,-125 AND MODULE 312N5150-123, AND -125. 312N5101-70 TOGETHER WITH 312N5101-69 CAN REPLACE BUT NOT BE REPLACED BY 312N5101-60 ON RH HAND STRUT ONLY INSTL 312N5101-61, -62,-68, 312N5150-109, -110,-123,-125 AND MODULE 312N5150-123, AND -125.	101102 108120 504903	1
563	312N5101-69		.TUBE ASSY-CASE DRAIN TUBING MATERIAL: 3AL-2.5V TITANIUM TUBE .50 OD X .026 WALL QUALIFIED I/W DATA: 312N5101-69 TOGETHER WITH 312N5101-70 CAN REPLACE BUT NOT BE REPLACED BY 312N5101-60 ON RH HAND STRUT ONLY INSTL 312N5101-61,-62, -68,312N5150-109,-110, -123,-125 AND MODULE 312N5150-123, AND -125.	103106	1

MISSING ITEM NUMBERS NOT APPLICABLE

- ITEM NOT ILLUSTRATED

29-11-17-03

29-11-17
FIG. 03
PAGE 15
MAY 20/09

BRI



757

PARTS CATALOG (MAINTENANCE)

FIG ITEM	PART NUMBER	1 2 3 4 5 6 7	NOMENCLATURE	EFFECT FROM TO	UNITS PER ASSY
3 564	312N5101-70	.	TUBE ASSY-CASE DRAIN TUBING MATERIAL: 3AL-2.5V TITANIUM TUBE .50 OD X .026 WALL QUALIFIED I/W DATA: 312N5101-70 TOGETHER WITH 312N5101-69 CAN REPLACE BUT NOT BE REPLACED BY 312N5101-60 ON RH HAND STRUT ONLY INSTL 312N5101-61, -62,-68, 312N5150-109, -110,-123,-125 AND MODULE 312N5150-123, AND -125.	103106	1
565	312N5101-58	.	TUBE ASSY-SUPPLY TUBING MATERIAL: STOCK 1.25 O.D. X .035 WALL 6061-T4 ALUMINUM TUBE PER MIL-T-7081	101102 108120 504903	1
565	312N5101-72	.	TUBE ASSY-SUPPLY	103106	1
- 566	AS1581T08	..	SLEEVE	101102 108120 504903	1
- 566	AS1581T08	..	SLEEVE	103106	1
- 569	BACN10YA8L	..	NUT	101102 108120 504903	1
- 569	BACN10YA8L	..	NUT	103106	1
- 572	AS1582T08	..	UNION-	101102 108120 504903	1
- 573	AP1042T1616	.	ELBOW SUPPLIER CODE: V01673 SPECIFICATION NUMBER: BACE21BT1616T	101106 108120 504903	1
575	312N5112-49	.	CHANNEL	101106 108120 504903	1
578	312N5111-10	.	ANGLE-BLOCK SPRT	101106 108120 504903	1
581	312N5111-8	.	ANGLE-BLOCK SPRT	101106 108120 504903	1
584	312N5111-12	.	ANGLE-BLOCK SPRT	101102 504903	1

MISSING ITEM NUMBERS NOT APPLICABLE

- ITEM NOT ILLUSTRATED

29-11-17-03

29-11-17
FIG. 03
PAGE 16
MAY 20/09

BRI



757

PARTS CATALOG (MAINTENANCE)

FIG ITEM	PART NUMBER	1 2 3 4 5 6 7	NOMENCLATURE	EFFECT FROM TO	UNITS PER ASSY
3					
584	312N5111-15	.	ANGLE-BLOCK SPRT	103106 108120	1
587	312N5111-11	.	ANGLE-BLOCK SPRT	101106 108120 504903	1
900			ILLUSTRATION REFERENCE: MODULE INSTL-ENG DRIVEN PUMP CASE DRAIN PRESSURE FILTER 29-11-17-02	101106 108120 504903	RF

MISSING ITEM NUMBERS NOT APPLICABLE

- ITEM NOT ILLUSTRATED

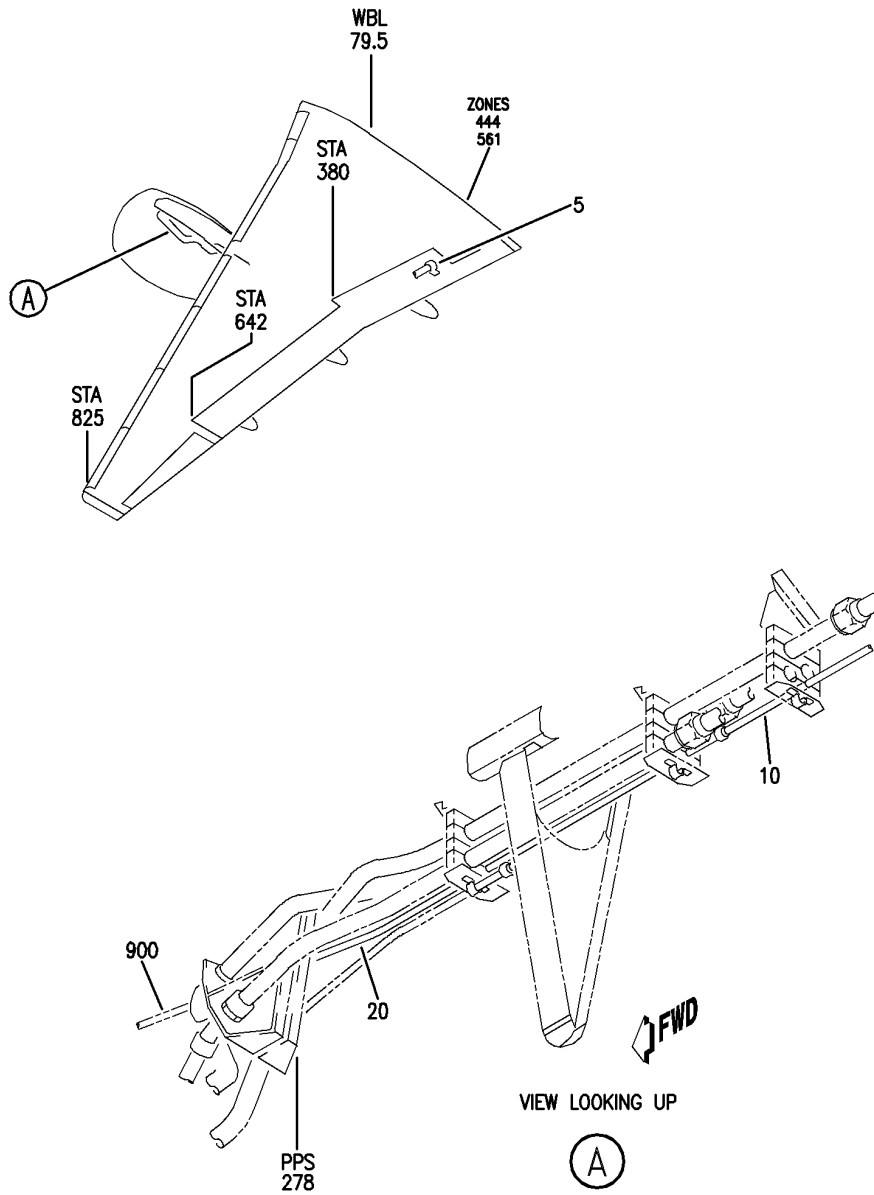
BRI

29-11-17-03

BOEING PROPRIETARY - Copyright © - Unpublished Work - See title page for details.

29-11-17
FIG. 03
PAGE 17
MAY 20/09

BOEING
757
PARTS CATALOG (MAINTENANCE)



Y 29111704 REV 247

PLUMBING INSTL-SECT. 12 L TRAILING EDGE CTR SYS (ENG DRIVEN PUMP CASE DRAIN PRESSURE FILTER ONLY)
FIGURE 4

BRI
JAN 20/09

29-11-17-04

29-11-17-04
PAGE 0



757

PARTS CATALOG (MAINTENANCE)

FIG ITEM	PART NUMBER	1 2 3 4 5 6 7	NOMENCLATURE	EFFECT FROM TO	UNITS PER ASSY
4			PLUMBING INSTL-SECT. 12 L TRAILING EDGE CTR SYS (ENG DRIVEN PUMP CASE DRAIN PRESSURE FILTER ONLY)	103106	
- 1	MODREF29850		PLUMBING INSTL-HYDR CTR SYS (ENG DRIVEN PUMP CASE DRAIN PRESSURE FILTER MODULE NUMBER: 271N6122-36 REV B POSITION DATA: SECT. 12 L TRAILING EDGE FOR OTHER SYS DETAILS SEE: 26-21-51-21 27-61-02-05 FOR ADDITIONAL DETAILS SEE: 29-11-51-29	103106	1
5	TA0910004H106		.CLAMP SUPPLIER CODE: V84971 SPECIFICATION NUMBER: BACC10HB06C	103106	1
10	271N6122-1153		.TUBE ASSY-CASE DRAIN SYS POSITION DATA: L TUBING MATERIAL: .375 IN. OD .035 IN. WALL 39.00 IN. LG AL	103106	1
- 15	35056GV06		..UNION SUPPLIER CODE: V08199 SPECIFICATION NUMBER: BACU24AB6W OPTIONAL PART: 2-01027-6W V11328 31875-6W V14397 4671097W6 V50948 AP1004W06 V01673 AFP941W6 V30974 DBOU24AB6W V14798	103106	2

MISSING ITEM NUMBERS NOT APPLICABLE

- ITEM NOT ILLUSTRATED

BRI

29-11-17-04

29-11-17
FIG. 04
PAGE 1
JAN 20/09



757

PARTS CATALOG (MAINTENANCE)

FIG ITEM	PART NUMBER	1 2 3 4 5 6 7	NOMENCLATURE	EFFECT FROM TO	UNITS PER ASSY
4	20 271N6311-1073		.TUBE ASSY-CASE DRAIN SYS POSITION DATA: L TUBING MATERIAL: .375 IN. OD .035 IN. WALL 37.80 IN. LG AL AMS 4083 6061 T6 TUBING	103106	1
- 25	AP2097HP06		..SLEEVE SUPPLIER CODE: V01673 SPECIFICATION NUMBER: BACS13BX06HP OPTIONAL PART: 2-02903-06HP V11328 35235VN06 V08199 AFP175V06P V30974 DBOS13BX06HP V14798	103106	2
- 30	BACN10YL06		..NUT ILLUSTRATION REFERENCE: PLUMBING INSTL-SECT. 12 L TRAILING EDGE CTR SYS (ELEC MOTOR PUMP PRESSURE/CASE DRAIN ONLY) 29-11-18-03	103106	2
900				103106	RF

MISSING ITEM NUMBERS NOT APPLICABLE

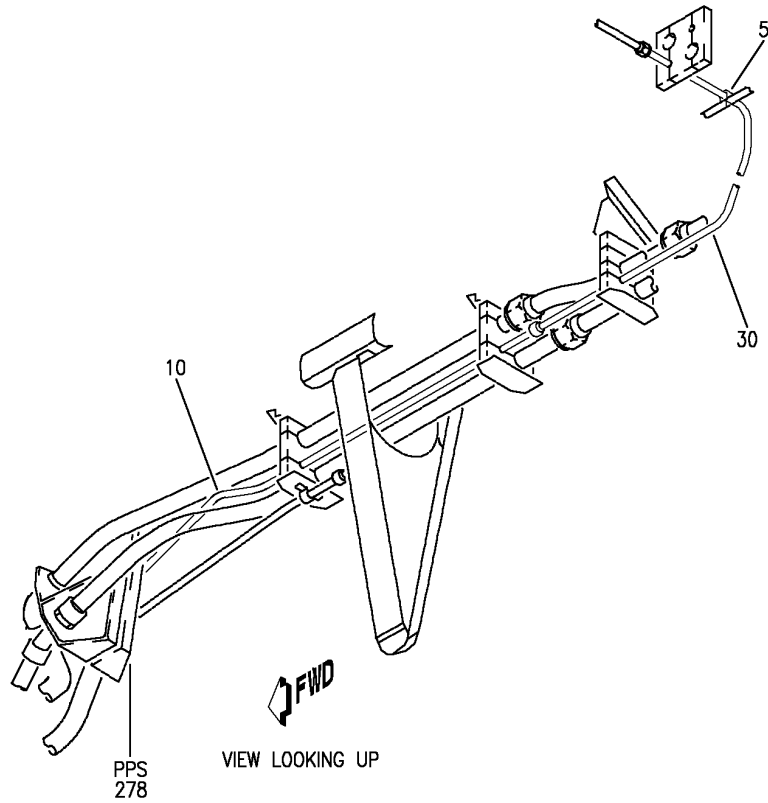
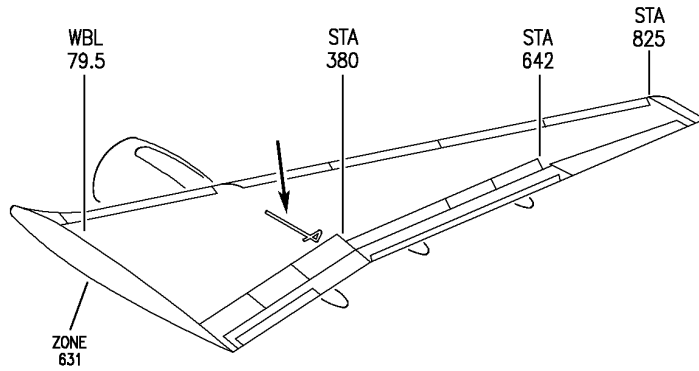
- ITEM NOT ILLUSTRATED

29-11-17-04

29-11-17
FIG. 04
PAGE 2
JAN 20/09

BRI

BOEING
757
PARTS CATALOG (MAINTENANCE)



Y 2911705 REV 248

PLUMBING INSTL-SECT. 12 R TRAILING EDGE CTR SYS (ENG DRIVEN PUMP CASE DRAIN PRESSURE FILTER ONLY)

FIGURE 5

29-11-17-05

BRI
JAN 20/09

29-11-17-05
PAGE 0



757

PARTS CATALOG (MAINTENANCE)

FIG ITEM	PART NUMBER	1 2 3 4 5 6 7	NOMENCLATURE	EFFECT FROM TO	UNITS PER ASSY
5			PLUMBING INSTL-SECT. 12 R TRAILING EDGE CTR SYS (ENG DRIVEN PUMP CASE DRAIN PRESSURE FILTER ONLY)	103106	
- 1	MODREF31799		PLUMBING INSTL-HYDR CTR SYS (ENG DRIVEN PUMP CASE DRAIN PRESSURE FILTER ONLY) MODULE NUMBER: 271N6123-23 REV B POSITION DATA: SECT. 12 R TRAILING EDGE FOR OTHER SYS DETAILS SEE: 26-21-51-23 27-61-02-07 FOR ADDITIONAL DETAILS SEE: 29-11-51-50	103106	1
5	TA0910004H106		.CLAMP SUPPLIER CODE: V84971 SPECIFICATION NUMBER: BACC10HB06C	103106	1
10	270N2000-239		.CLAMP ASSY-BLK	103106	1
15	NAS1801-3-70		..SCREW	103106	2
20	NAS43DD3-241		..SPACER	103106	2
25	AN960KD10L		..WASHER	103106	2
30	BRH10A3		..NUT SUPPLIER CODE: V52828 SPECIFICATION NUMBER: BACN10JC3 OPTIONAL PART: H10-3BAC V15653 NS202101-02 V80539 RMLH9075-3W V72962 VN303A02 V92215 96-02 V80539 T6S1032J V11815	103106	2
35	270N2000-800		..CHANNEL	103106	1
40	270N2000-577		..BLOCK	103106	1

MISSING ITEM NUMBERS NOT APPLICABLE

- ITEM NOT ILLUSTRATED

29-11-17-05

29-11-17
FIG. 05
PAGE 1
JAN 20/09

BRI



757

PARTS CATALOG (MAINTENANCE)

FIG ITEM	PART NUMBER	1 2 3 4 5 6 7	NOMENCLATURE	EFFECT FROM TO	UNITS PER ASSY
5					
45	270N2000-6	.CLAMP	ASSY-BLK	103106	1
50	NAS1801-3-66	..SCREW		103106	3
55	AN960PD10L	..WASHER		103106	3
60	NAS43DD3-227	..SPACER		103106	3
65	BRH10A3	..NUT		103106	3
		SUPPLIER CODE: V52828			
		SPECIFICATION NUMBER: BACN10JC3			
		OPTIONAL PART: H10-3BAC			
		V15653			
		NS202101-02			
		V80539			
		RMLH9075-3W			
		V72962			
		VN303A02			
		V92215			
		96-02			
		V80539			
		T6S1032J			
		V11815			
70	270N2000-804	..CHANNEL		103106	1
75	270N2000-405	..BLOCK		103106	1
80	270N2000-406	..BLOCK		103106	1
85	270N2000-407	..BLOCK		103106	1
90	271N6311-1074	.TUBE ASSY-CASE DRAIN SYS		103106	1
		POSITION DATA: R			
		TUBING MATERIAL: .375 IN. OD .035 IN. WALL 38.50 IN. LG AL AMS 4083 6061 T6 TUBING			
- 95	AP2097HP06	..SLEEVE		103106	1
		SUPPLIER CODE: V01673			
		SPECIFICATION NUMBER: BACS13BX06HP			
		OPTIONAL PART: 2-02903-06HP			
		V11328			
		35235VN06			
		V08199			
		AFP175V06P			
		V30974			
		DBOS13BX06HP			
		V14798			
- 100	BACN10YL06	..NUT		103106	1

MISSING ITEM NUMBERS NOT APPLICABLE

- ITEM NOT ILLUSTRATED

29-11-17-05

29-11-17
FIG. 05
PAGE 2
JAN 20/09

BRI



757

PARTS CATALOG (MAINTENANCE)

FIG ITEM	PART NUMBER	1 2 3 4 5 6 7	NOMENCLATURE	EFFECT FROM TO	UNITS PER ASSY
5 - 105	35056GV06		.. UNION SUPPLIER CODE: V08199 SPECIFICATION NUMBER: BACU24AB6W OPTIONAL PART: 2-01027-6W V11328 31875-6W V14397 4671097W6 V50948 AP1004W06 V01673 AFP941W6 V30974 DBOU24AB6W V14798	103106	1
110	271N6123-1200		. TUBE ASSY-CASE DRAIN SYS POSITION DATA: R TUBING MATERIAL: .375 IN. OD .035 IN. WALL 39.20 IN. LG AL AMS 4083 6061 T6 TUBING	103106	1
- 115	AP2097HP06		.. SLEEVE SUPPLIER CODE: V01673 SPECIFICATION NUMBER: BACS13BX06HP OPTIONAL PART: 2-02903-06HP V11328 35235VN06 V08199 AFP175V06P V30974 DBOS13BX06HP V14798	103106	1
- 120	BACN10YL06		.. NUT	103106	1

MISSING ITEM NUMBERS NOT APPLICABLE

- ITEM NOT ILLUSTRATED

BRI

29-11-17-05

BOEING PROPRIETARY - Copyright © - Unpublished Work - See title page for details.

29-11-17
FIG. 05
PAGE 3
JAN 20/09



**757
PARTS CATALOG (MAINTENANCE)**

FIG ITEM	PART NUMBER	1 2 3 4 5 6 7	NOMENCLATURE	EFFECT FROM TO	UNITS PER ASSY
5 - 125	35056GV06	. .	UNION SUPPLIER CODE: V08199 SPECIFICATION NUMBER: BACU24AB6W OPTIONAL PART: 2-01027-6W V11328 31875-6W V14397 4671097W6 V50948 AP1004W06 V01673 AFP941W6 V30974 DBOU24AB6W V14798	103106	1
130	270N2006-64	. SHIM		103106	AR
135	270N2006-65	. SHIM		103106	AR
140	270N2006-66	. SHIM		103106	AR

MISSING ITEM NUMBERS NOT APPLICABLE

- ITEM NOT ILLUSTRATED

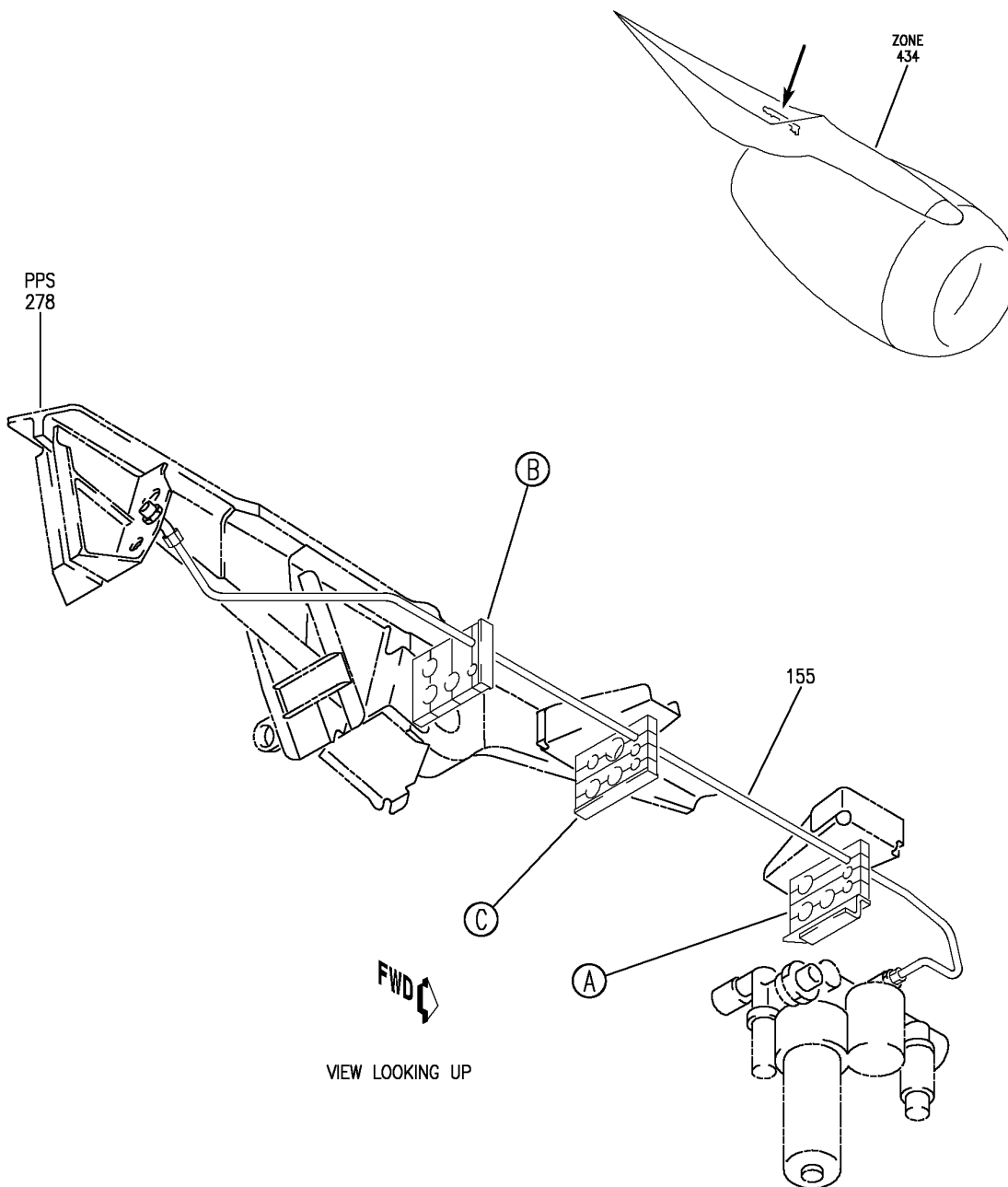
BRI

29-11-17-05

BOEING PROPRIETARY - Copyright © - Unpublished Work - See title page for details.

29-11-17
FIG. 05
PAGE 4
JAN 20/09

BOEING
757
PARTS CATALOG (MAINTENANCE)



Y 2911708 SH1 1 REV 249

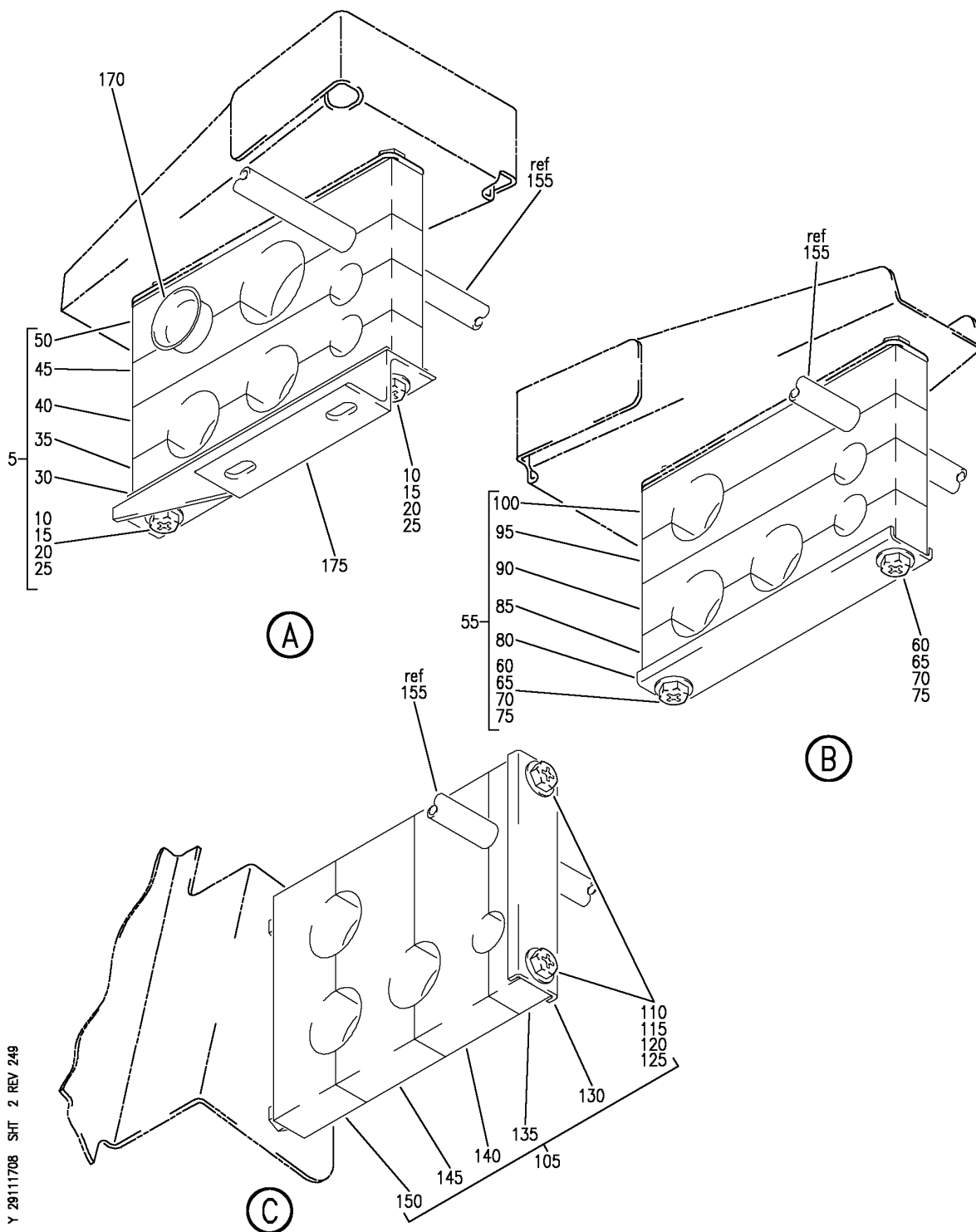
PLUMBING INSTL-SECT. 31 LEFT ENGINE STRUT 757-200 ROLLS ROYCE (ENGINE DRIVEN PUMP CASE DRAIN ONLY)
FIGURE 8 (SHEET 1)

BRI
JAN 20/09

29-11-17-08

29-11-17-08
PAGE 0

BOEING
757
PARTS CATALOG (MAINTENANCE)



Y 2911708 SH1 2 REV 249

PLUMBING INSTL-SECT. 31 LEFT ENGINE STRUT 757-200 ROLLS ROYCE (ENGINE DRIVEN PUMP CASE DRAIN ONLY)
FIGURE 8 (SHEET 2)

BRI
JAN 20/09

29-11-17-08

29-11-17-08
PAGE 0A



757

PARTS CATALOG (MAINTENANCE)

FIG ITEM	PART NUMBER	1 2 3 4 5 6 7	NOMENCLATURE	EFFECT FROM TO	UNITS PER ASSY
8			PLUMBING INSTL-SECT. 31 LEFT ENGINE STRUT 757-200 ROLLS ROYCE (ENGINE DRIVEN PUMP CASE DRAIN ONLY)	103106	
- 1	MODREF27629		PLUMBING INSTL-HYDR ENGINE STRUT 757-200 ROLLS ROYCE (ENGINE DRIVEN PUMP CASE DRAIN ONLY) MODULE NUMBER: 271N6311-25 REV B POSITION DATA: SECT. 31 L FOR OTHER SYS DETAILS SEE: 78-34-05-04 FOR ADDITIONAL DETAILS SEE: 29-18-51-06	103106	1
5	270N2000-1320		.CLAMP ASSY	103106	1
10	NAS1801-3-61		..SCREW	103106	2
15	NAS43DD3-211		..SPACER	103106	2
20	AN960KD10L		..WASHER	103106	2
25	BRH10A3		..NUT SUPPLIER CODE: V52828 SPECIFICATION NUMBER: BACN10JC3 OPTIONAL PART: H10-3BAC V15653 NS202101-02 V80539 RMLH9075-3W V72962 VN303A02 V92215 96-02 V80539 T6S1032J V11815	103106	2
30	270N2000-1017		..CHANNEL	103106	1
35	270N2000-1233		..BLOCK	103106	1
40	270N2000-1234		..BLOCK	103106	1
45	270N2000-1289		..BLOCK	103106	1
50	270N2000-1288		..BLOCK	103106	1
55	270N2000-1303		.CLAMP ASSY	103106	1
60	NAS1801-3-59		..SCREW	103106	2
65	NAS43DD3-203		..SPACER	103106	2
70	AN960KD10L		..WASHER	103106	2

MISSING ITEM NUMBERS NOT APPLICABLE

- ITEM NOT ILLUSTRATED

29-11-17-08

29-11-17
FIG. 08
PAGE 1
JAN 20/09

BRI



757

PARTS CATALOG (MAINTENANCE)

FIG ITEM	PART NUMBER	1 2 3 4 5 6 7	NOMENCLATURE	EFFECT FROM TO	UNITS PER ASSY
8					
75	BRH10A3	..	NUT SUPPLIER CODE: V52828 SPECIFICATION NUMBER: BACN10JC3 OPTIONAL PART: H10-3BAC V15653 NS202101-02 V80539 RMLH9075-3W V72962 VN303A02 V92215 96-02 V80539 T6S1032J V11815	103106	2
80	270N2000-1018	..	CHANNEL	103106	1
85	270N2000-1240	..	BLOCK	103106	1
90	270N2000-1241	..	BLOCK	103106	1
95	270N2000-1242	..	BLOCK	103106	1
100	270N2000-1243	..	BLOCK	103106	1
105	270N2000-1322	.	CLAMP ASSY	103106	1
110	NAS1801-3-84	..	SCREW	103106	2
115	NAS43DD3-302	..	SPACER	103106	2
120	AN960KD10L	..	WASHER	103106	2
125	BRH10A3	..	NUT SUPPLIER CODE: V52828 SPECIFICATION NUMBER: BACN10JC3 OPTIONAL PART: H10-3BAC V15653 NS202101-02 V80539 RMLH9075-3W V72962 VN303A02 V92215 96-02 V80539 T6S1032J V11815	103106	2
130	270N2000-823	..	CHANNEL	103106	1
135	270N2000-1223	..	BLOCK	103106	1
140	270N2000-1224	..	BLOCK	103106	1
145	270N2000-1225	..	BLOCK	103106	1

MISSING ITEM NUMBERS NOT APPLICABLE

- ITEM NOT ILLUSTRATED

29-11-17-08

29-11-17
FIG. 08
PAGE 2
JAN 20/09

BRI

BOEING PROPRIETARY - Copyright © - Unpublished Work - See title page for details.



757

PARTS CATALOG (MAINTENANCE)

FIG ITEM	PART NUMBER	1 2 3 4 5 6 7	NOMENCLATURE	EFFECT FROM TO	UNITS PER ASSY
8					
150	270N2000-1226		..BLOCK	103106	1
155	271N6311-1059		.TUBE ASSY-CASE DRAIN SYS POSITION DATA: L TUBING MATERIAL: .375 IN. OD .035 IN. WALL 59.80 IN. LG AL AMS 4083 6061 T6 TUBING	103106	1
- 160	AP2097HP06		..SLEEVE SUPPLIER CODE: V01673 SPECIFICATION NUMBER: BACS13BX06HP OPTIONAL PART: 2-02903-06HP V11328 35235VN06 V08199 AFP175V06P V30974 DBOS13BX06HP V14798	103106	2
- 165	BACN10YL06		..NUT	103106	2
170	270N0005-5		.FILLER-CLAMP BLOCK	103106	1
175	271N6274-1		.BRACKET	103106	1

MISSING ITEM NUMBERS NOT APPLICABLE

- ITEM NOT ILLUSTRATED

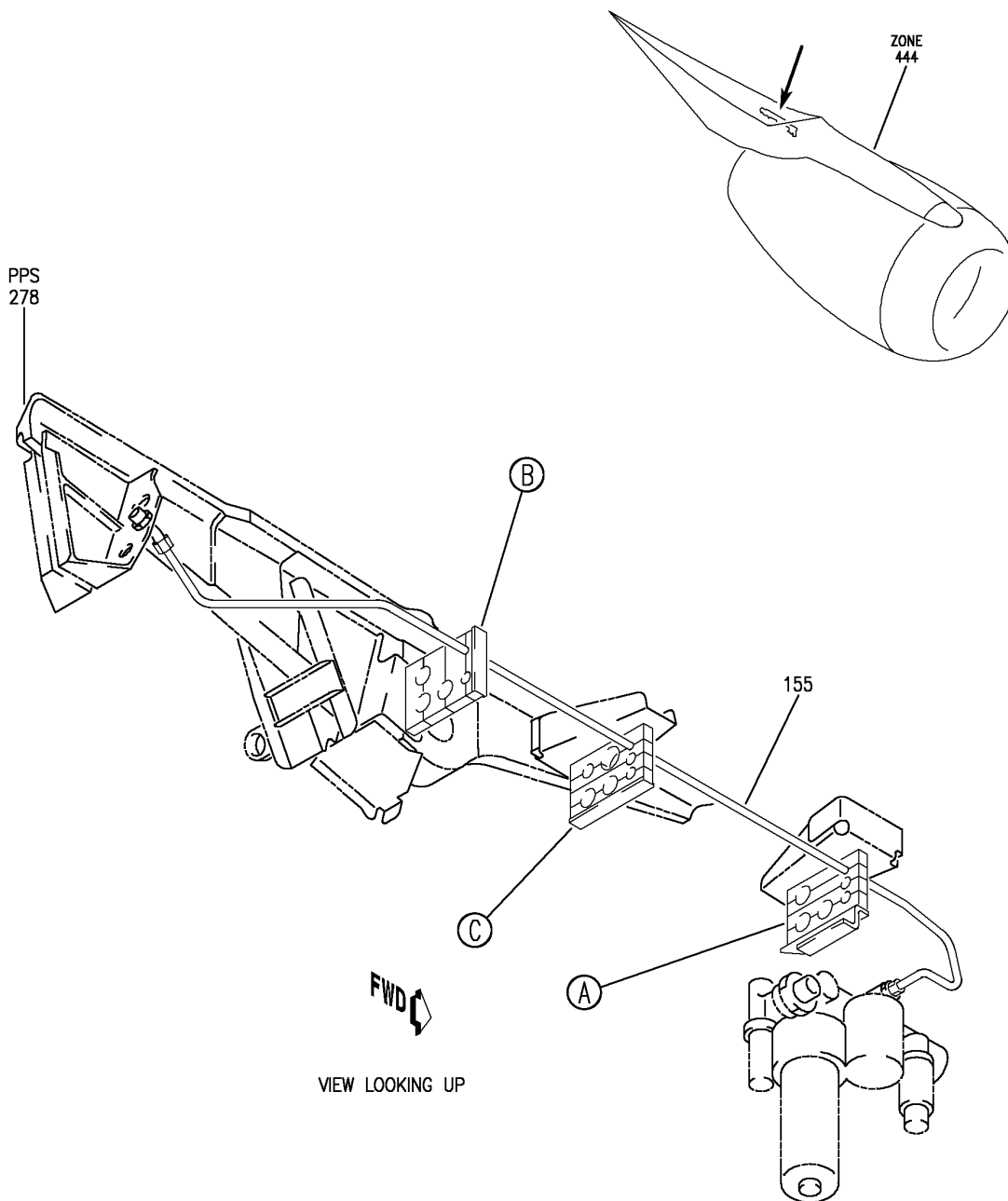
BRI

29-11-17-08

BOEING PROPRIETARY - Copyright © - Unpublished Work - See title page for details.

29-11-17
FIG. 08
PAGE 3
JAN 20/09

BOEING
757
PARTS CATALOG (MAINTENANCE)



Y 2911708 SH1 1 REV 249

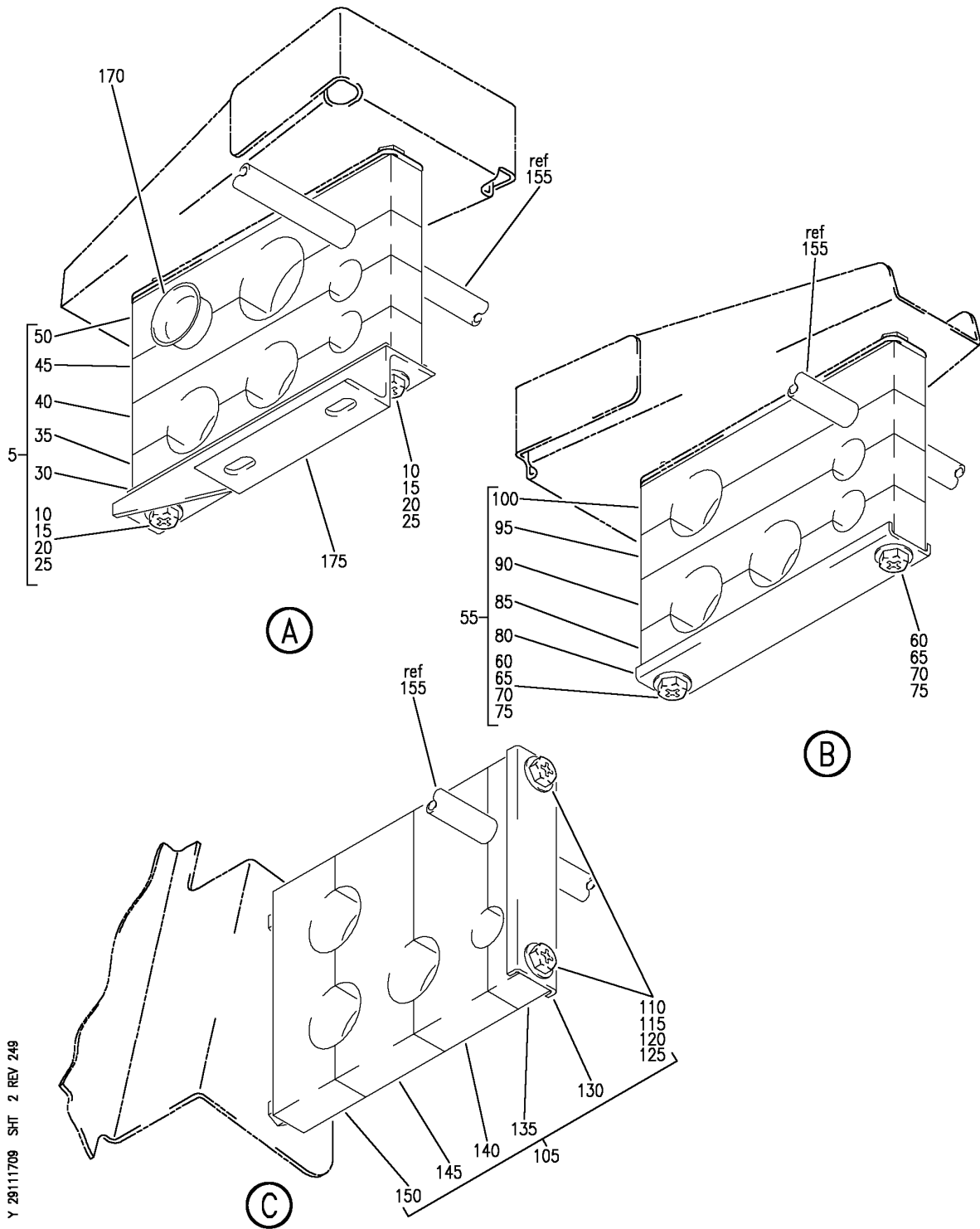
PLUMBING INSTL-SECT. 31 RIGHT ENGINE STRUT 757-200 ROLLS ROYCE (ENGINE DRIVEN PUMP CASE DRAIN ONLY)
FIGURE 9 (SHEET 1)

BRI
JAN 20/09

29-11-17-09

29-11-17-09
PAGE 0

BOEING
757
PARTS CATALOG (MAINTENANCE)



Y 2911708 SH1 2 REV 249

PLUMBING INSTL-SECT. 31 RIGHT ENGINE STRUT 757-200 ROLLS ROYCE (ENGINE DRIVEN PUMP CASE DRAIN ONLY)
FIGURE 9 (SHEET 2)

BRI
JAN 20/09

29-11-17-09

29-11-17-09
PAGE 0A



757

PARTS CATALOG (MAINTENANCE)

FIG ITEM	PART NUMBER	1 2 3 4 5 6 7	NOMENCLATURE	EFFECT FROM TO	UNITS PER ASSY
9			PLUMBING INSTL-SECT. 31 RIGHT ENGINE STRUT 757-200 ROLLS ROYCE (ENGINE DRIVEN PUMP CASE DRAIN ONLY)	103106	
- 1	MODREF27630		PLUMBING INSTL-HYDR ENGINE STRUT 757-200 ROLLS ROYCE (ENGINE DRIVEN PUMP CASE DRAIN ONLY) MODULE NUMBER: 271N6311-26 REV B POSITION DATA: SECT. 31 L FOR OTHER SYS DETAILS SEE: 78-34-05-05 FOR ADDITIONAL DETAILS SEE: 29-18-51-08	103106	1
5	270N2000-1320		.CLAMP ASSY	103106	1
10	NAS1801-3-61		..SCREW	103106	2
15	NAS43DD3-211		..SPACER	103106	2
20	AN960KD10L		..WASHER	103106	2
25	BRH10A3		..NUT SUPPLIER CODE: V52828 SPECIFICATION NUMBER: BACN10JC3 OPTIONAL PART: H10-3BAC V15653 NS202101-02 V80539 RMLH9075-3W V72962 VN303A02 V92215 96-02 V80539 T6S1032J V11815	103106	2
30	270N2000-1017		..CHANNEL	103106	1
35	270N2000-1233		..BLOCK	103106	1
40	270N2000-1234		..BLOCK	103106	1
45	270N2000-1289		..BLOCK	103106	1
50	270N2000-1288		..BLOCK	103106	1
55	270N2000-1303		.CLAMP ASSY	103106	1
60	NAS1801-3-59		..SCREW	103106	2
65	NAS43DD3-203		..SPACER	103106	2
70	AN960KD10L		..WASHER	103106	2

MISSING ITEM NUMBERS NOT APPLICABLE

- ITEM NOT ILLUSTRATED

29-11-17-09

29-11-17
FIG. 09
PAGE 1
JAN 20/09

BRI



757

PARTS CATALOG (MAINTENANCE)

FIG ITEM	PART NUMBER	1 2 3 4 5 6 7	NOMENCLATURE	EFFECT FROM TO	UNITS PER ASSY
9					
75	BRH10A3	..	NUT SUPPLIER CODE: V52828 SPECIFICATION NUMBER: BACN10JC3 OPTIONAL PART: H10-3BAC V15653 NS202101-02 V80539 RMLH9075-3W V72962 VN303A02 V92215 96-02 V80539 T6S1032J V11815	103106	2
80	270N2000-1018	..	CHANNEL	103106	1
85	270N2000-1240	..	BLOCK	103106	1
90	270N2000-1241	..	BLOCK	103106	1
95	270N2000-1242	..	BLOCK	103106	1
100	270N2000-1243	..	BLOCK	103106	1
105	270N2000-1322	.	CLAMP ASSY	103106	1
110	NAS1801-3-84	..	SCREW	103106	2
115	NAS43DD3-302	..	SPACER	103106	2
120	AN960KD10L	..	WASHER	103106	2
125	BRH10A3	..	NUT SUPPLIER CODE: V52828 SPECIFICATION NUMBER: BACN10JC3 OPTIONAL PART: H10-3BAC V15653 NS202101-02 V80539 RMLH9075-3W V72962 VN303A02 V92215 96-02 V80539 T6S1032J V11815	103106	2
130	270N2000-823	..	CHANNEL	103106	1
135	270N2000-1223	..	BLOCK	103106	1
140	270N2000-1224	..	BLOCK	103106	1
145	270N2000-1225	..	BLOCK	103106	1

MISSING ITEM NUMBERS NOT APPLICABLE

- ITEM NOT ILLUSTRATED

29-11-17-09

29-11-17
FIG. 09
PAGE 2
JAN 20/09

BRI



**757
PARTS CATALOG (MAINTENANCE)**

FIG ITEM	PART NUMBER	1 2 3 4 5 6 7	NOMENCLATURE	EFFECT FROM TO	UNITS PER ASSY
9					
150	270N2000-1226		..BLOCK	103106	1
155	271N6311-1059		.TUBE ASSY-CASE DRAIN SYS POSITION DATA: L TUBING MATERIAL: .375 IN. OD .035 IN. WALL 59.80 IN. LG AL AMS 4083 6061 T6 TUBING	103106	1
- 160	AP2097HP06		..SLEEVE SUPPLIER CODE: V01673 SPECIFICATION NUMBER: BACS13BX06HP OPTIONAL PART: 2-02903-06HP V11328 35235VN06 V08199 AFP175V06P V30974 DBOS13BX06HP V14798	103106	2
- 165	BACN10YL06		..NUT	103106	2
170	270N0005-5		.FILLER-CLAMP BLOCK	103106	1
175	271N6274-1		.BRACKET	103106	1

MISSING ITEM NUMBERS NOT APPLICABLE

- ITEM NOT ILLUSTRATED

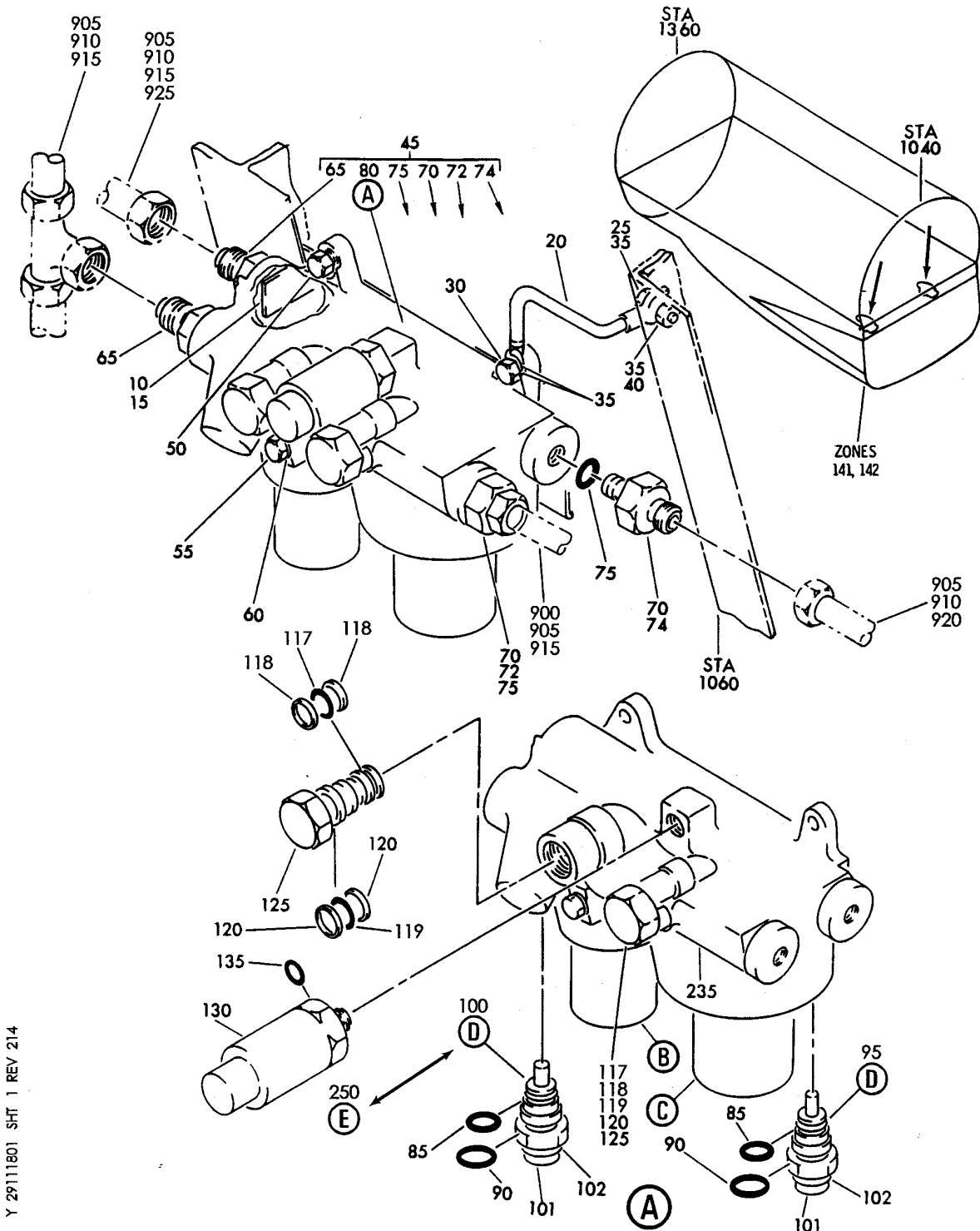
BRI

29-11-17-09

BOEING PROPRIETARY - Copyright © - Unpublished Work - See title page for details.

29-11-17
FIG. 09
PAGE 3
JAN 20/09

BOEING
757
PARTS CATALOG (MAINTENANCE)



Y 29111801 SHT 1 REV 214

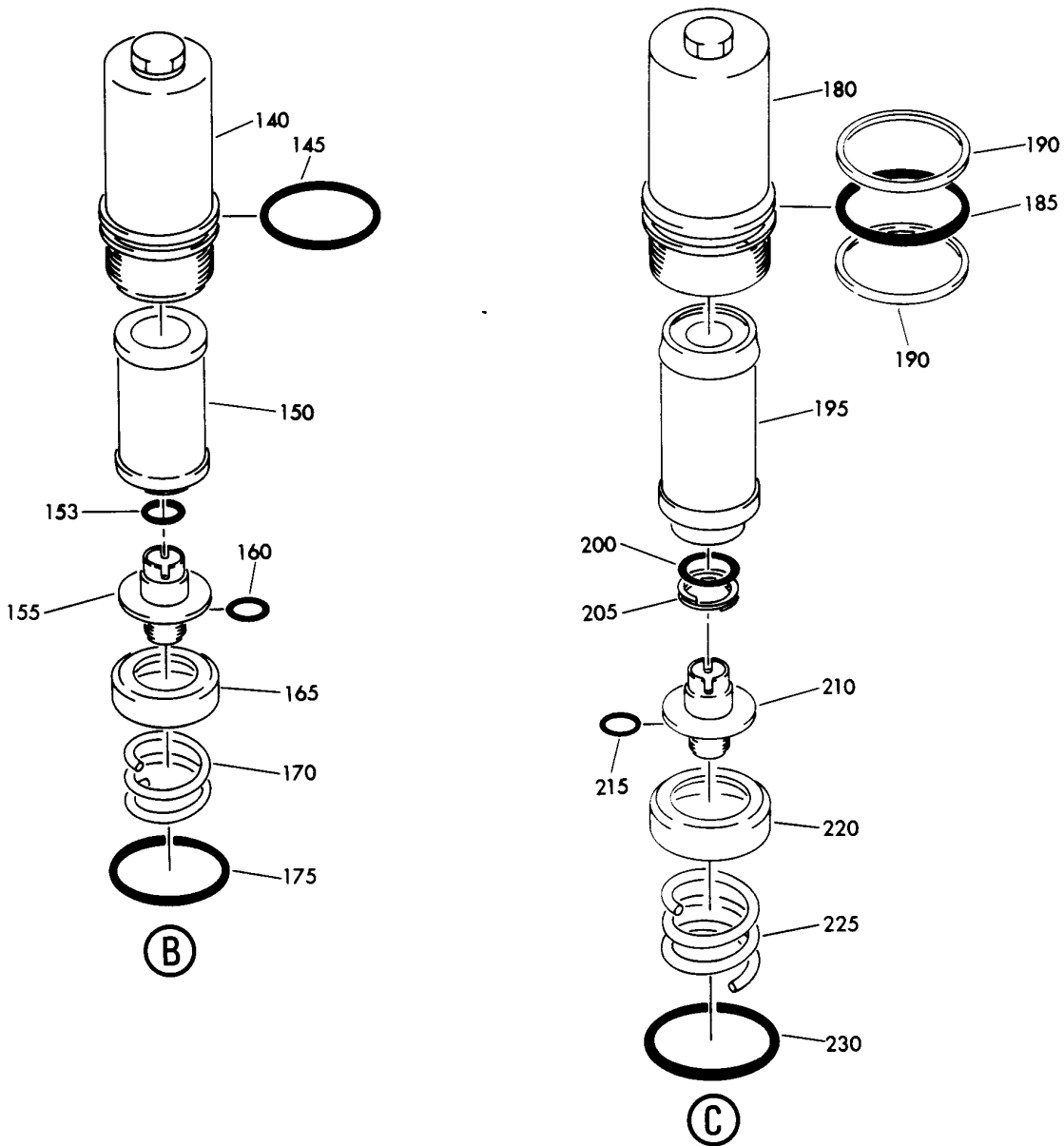
MODULE INSTL-ELEC MOTOR PUMP PRESSURE/CASE DRAIN L AND R SYS FILTER
FIGURE 1 (SHEET 1)

29-11-18-01

BRI
MAY 28/07

29-11-18-01
PAGE 0

BOEING
757
PARTS CATALOG (MAINTENANCE)



Y 2911801 SHT 2 REV 070

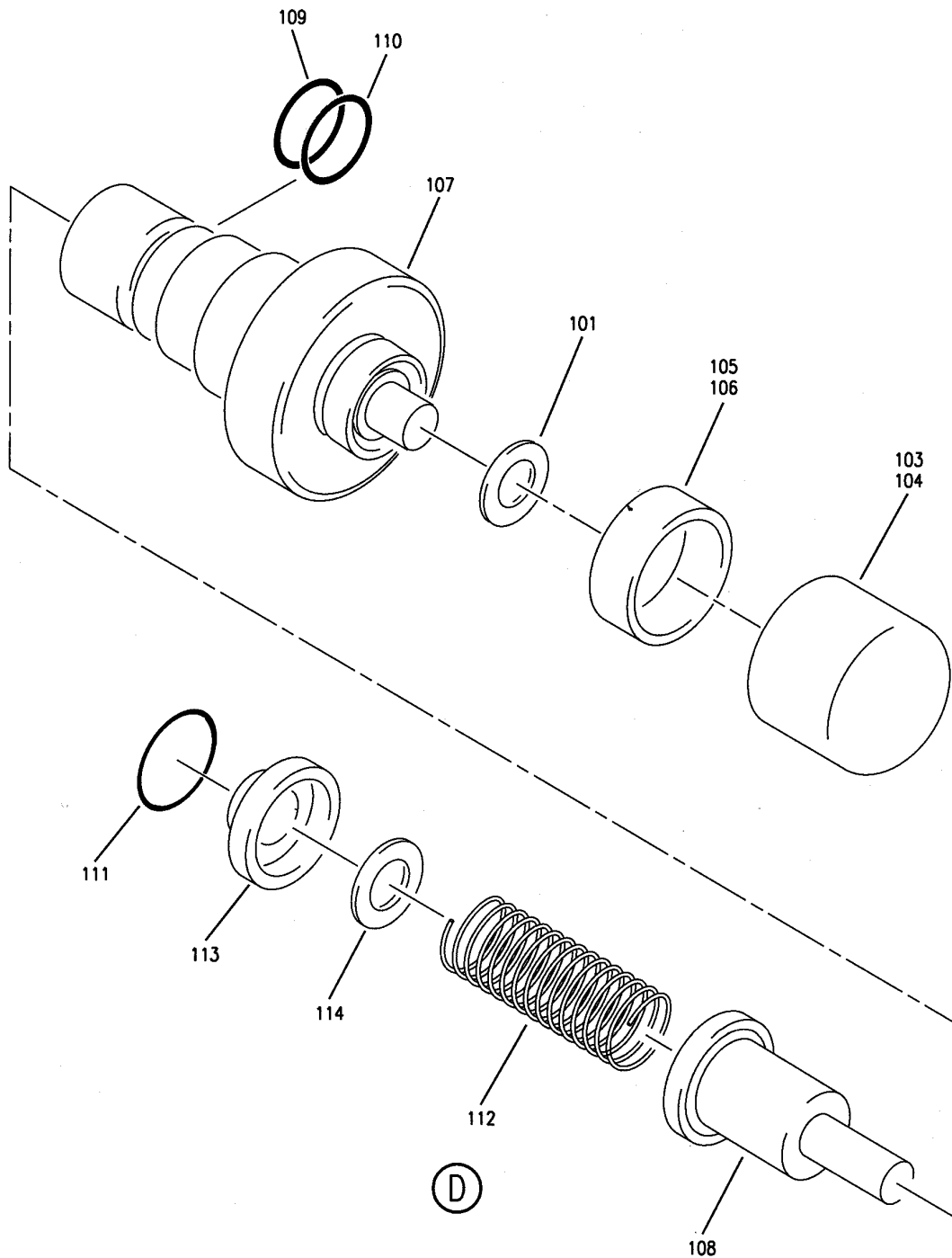
MODULE INSTL-ELEC MOTOR PUMP PRESSURE/CASE DRAIN L AND R SYS FILTER
FIGURE 1 (SHEET 2)

BRI
MAY 28/07

29-11-18-01

29-11-18-01
PAGE 0A

BOEING
757
PARTS CATALOG (MAINTENANCE)



Y 29111801 SHT 3 REV 214

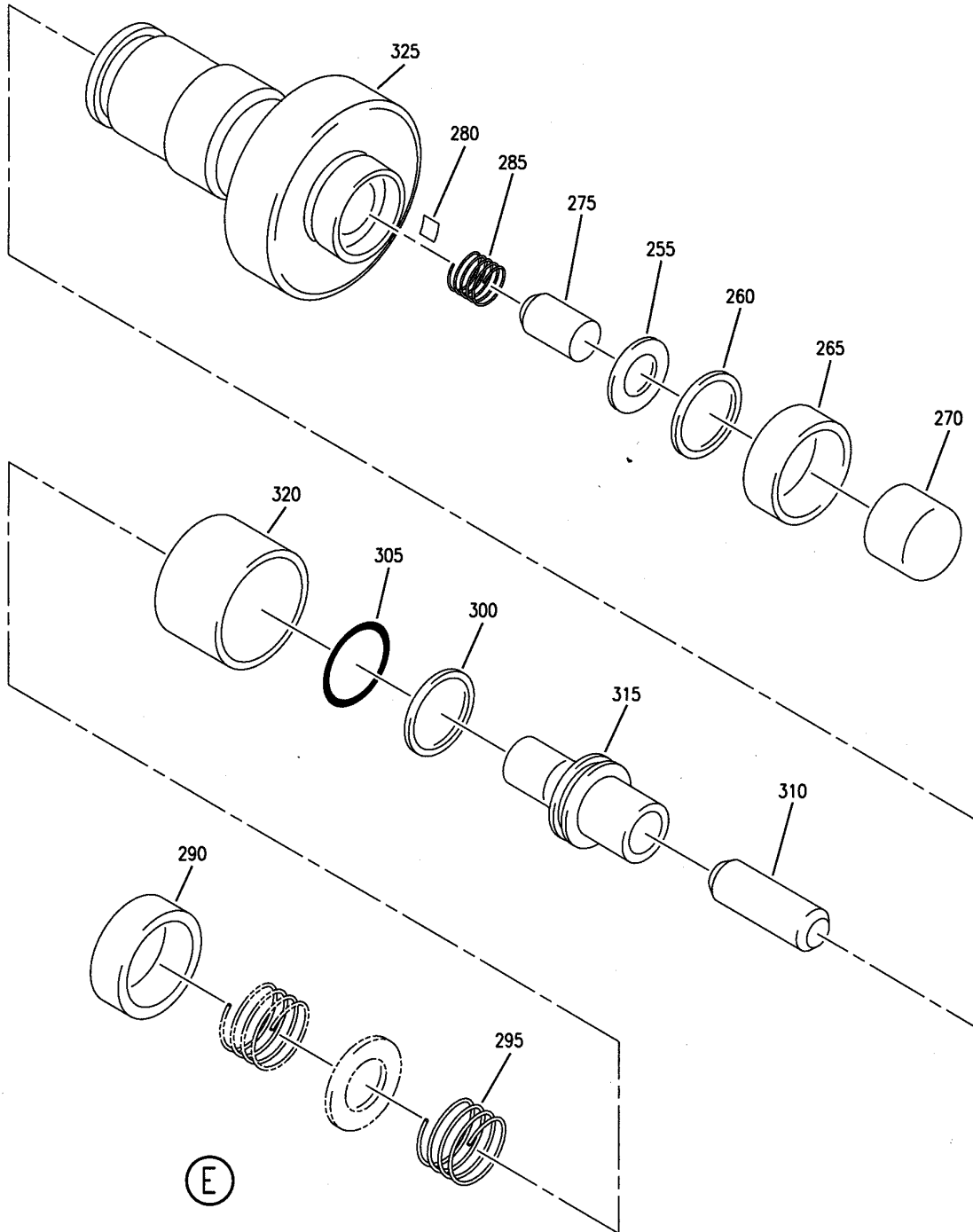
MODULE INSTL-ELEC MOTOR PUMP PRESSURE/CASE DRAIN L AND R SYS FILTER
FIGURE 1 (SHEET 3)

29-11-18-01

BRI
MAY 28/07

29-11-18-01
PAGE 0B

BOEING
757
PARTS CATALOG (MAINTENANCE)



Y 2911801 SHT 4 REV 214

MODULE INSTL-ELEC MOTOR PUMP PRESSURE/CASE DRAIN L AND R SYS FILTER
FIGURE 1 (SHEET 4)

29-11-18-01

BRI
MAY 28/07

29-11-18-01
PAGE 0C



757

PARTS CATALOG (MAINTENANCE)

FIG ITEM	PART NUMBER	1 2 3 4 5 6 7	NOMENCLATURE	EFFECT FROM TO	UNITS PER ASSY
1			MODULE INSTL-ELEC MOTOR PUMP PRESSURE/CASE DRAIN L AND R SYS FILTER	002004 006999	
- 1	271N2003-1		MODULE INSTL-ELEC MOTOR PUMP PRESSURE/CASE DRAIN SYS FILTER POSITION DATA: L FOR NHA SEE: 29-00-51-07	002004 006100 107107 121503 904999	RF
- 1	271N2003-5		MODULE INSTL-ELEC MOTOR PUMP PRESSURE/CASE DRAIN POSITION DATA: L SYS FILTER FOR NHA SEE: 29-00-51-02C	101102 108120 504903	RF
- 1	MODREF6907		MODULE INSTL-ELEC MOTOR PUMP PRESSURE/CASE DRAIN MODULE NUMBER: 271N2003-5 REV A POSITION DATA: L SYS FILTER	103106	1
- 5	271N2003-2		MODULE INSTL-ELEC MOTOR PUMP PRESSURE/CASE DRAIN SYS FILTER POSITION DATA: R FOR NHA SEE: 29-00-51-07	002004 006100 107107 121503 904999	RF
- 5	271N2003-6		MODULE INSTL-ELEC MOTOR PUMP PRESSURE/CASE DRAIN POSITION DATA: R SYS FILTER FOR NHA SEE: 29-00-51-02C	101102 108120 504903	RF
- 5	MODREF6908		MODULE INSTL-ELEC MOTOR PUMP PRESSURE/CASE DRAIN MODULE NUMBER: 271N2003-6 REV A POSITION DATA: R SYS FILTER	103106	1
10	BAC27NHY0092		.MARKER-ALUMINUM FOIL PLACARD CONTENT: D3102 PRESS/CD FILTER MOD L SYS S25 USED ON: 271N2003-1 271N2003-5 MODREF6907	002004 006999	1

MISSING ITEM NUMBERS NOT APPLICABLE

- ITEM NOT ILLUSTRATED

29-11-18-01

29-11-18
FIG. 01
PAGE 1
JAN 20/09

BRI

 **BOEING**
757
PARTS CATALOG (MAINTENANCE)

FIG ITEM	PART NUMBER	1 2 3 4 5 6 7	NOMENCLATURE	EFFECT FROM TO	UNITS PER ASSY
1					
15	BAC27NHY0093		.MARKER-ALUMINUM FOIL PLACARD CONTENT: D3066 PRESS/CD FILTER MOD R SYS S30 USED ON: 271N2003-2 271N2003-6 MODREF6908	002004 006999	1
20	1002CC5		.JUMPER ASSY SUPPLIER CODE: V1FF12 SPECIFICATION NUMBER: BACJ40A30-5 OPTIONAL PART: 30793 V00779 CF5F V79550 ATTACHING PARTS	002004 006999	1
25	NAS564-17		.BOLT	002004 006999	1
30	NAS564-41		.BOLT	002004 006999	1
35	AN960-416L		.WASHER	002004 006999	5
40	BRH10A4		.NUT SUPPLIER CODE: V52828 SPECIFICATION NUMBER: BACN10JC4 OPTIONAL PART: T6S428J V11815 96-048 V80539 VN303A048 V92215 RMLH9075-4W V72962 NS202101-048 V80539 H10-4BAC V15653 -----*-----	002004 006999	1
45	271N2003-4		.MODULE ASSY-	002004 006999	1
50	BACB30NM4K12		ATTACHING PARTS .BOLT	002004 006999	1

MISSING ITEM NUMBERS NOT APPLICABLE

— ITEM NOT ILLUSTRATED

BRI

29-11-18-01

29-11-18
FIG. 01
PAGE 2
JAN 20/09

BOEING PROPRIETARY - Copyright © - Unpublished Work - See title page for details.

 **BOEING**
757
PARTS CATALOG (MAINTENANCE)

FIG ITEM	PART NUMBER	1 2 3 4 5 6 7	NOMENCLATURE	EFFECT FROM TO	UNITS PER ASSY
1					
55	BACB30NM4K40	.	BOLT	002004 006999	1
60	BACW10BN4AC	.	WASHER	002004 006999	2
			-----*-----		
65	MS21916D8-6	..	REDUCER	002004 006999	2
72	AFP23210-8	..	REDUCER- SUPPLIER CODE: V30974 SPECIFICATION NUMBER: BACR17E10-8 OPTIONAL PART: AP102710-8 V01673 BC916T10-8 V50948 DBOR17E10-8 V14798 ER21916T10-8 V88334 ER31916-10-8 V88334 F23-10-8 V73197 2-01075T10-8 V11328 31778-10-8 V14397 US2114-10-8 V50808	002004 006999	1
74	9R3358	..	VALVE-CHK SUPPLIER CODE: V99240	002004 006999	1
75	NAS1612-10	..	PACKING-	002004 006999	2
80	271T0042-3	..	MODULE- COMPONENT MAINT MANUAL REF: 29-11-41	002004 006999	1
85	NAS1611-014	...	PACKING-	002004 006999	2
90	NAS1612-8	...	PACKING-	002004 006999	2
95	TC125UK00ZY1	...	INDICATOR ASSY- SUPPLIER CODE: V18350 SPECIFICATION NUMBER: S271T005-3	002004 006999	1

MISSING ITEM NUMBERS NOT APPLICABLE

— ITEM NOT ILLUSTRATED

BRI

29-11-18-01

29-11-18
FIG. 01
PAGE 3
JAN 20/09



757

PARTS CATALOG (MAINTENANCE)

FIG ITEM	PART NUMBER	1 2 3 4 5 6 7	NOMENCLATURE	EFFECT FROM TO	UNITS PER ASSY
1					
95	7586631		...INDICATOR ASSY-DELTA PRESSURE SUPPLIER CODE: V05228 SPECIFICATION NUMBER: S271T005-4	002004 006999	1
100	7586630		...INDICATOR ASSY-DIFF PRESSURE HYDR SUPPLIER CODE: V05228 SPECIFICATION NUMBER: S271T005-5	002004 006999	1
101	7586651	NAMEPLATE- SUPPLIER CODE: V05228 USED ON: 7586630	002004 006999	1
101	7586652	NAMEPLATE- SUPPLIER CODE: V05228 USED ON: 7586631	002004 006999	1
102	AA9500D822	BAND- SUPPLIER CODE: V18350 USED ON: TC125UK00ZY1	002004 006999	1
102	MS3367-5-9	STRAP- USED ON: 7586630 7586631	002004 006999	1
103	62RB114S0000	BOOT CAP- SUPPLIER CODE: V18350 USED ON: TC125UK00ZY1	002004 006999	1
103	7586649	CAP-PROTECTIVE SUPPLIER CODE: V05228 USED ON: 7586630 7586631	002004 006999	1

MISSING ITEM NUMBERS NOT APPLICABLE

- ITEM NOT ILLUSTRATED

29-11-18-01

29-11-18
FIG. 01
PAGE 4
JAN 20/09

BRI

BOEING PROPRIETARY - Copyright © - Unpublished Work - See title page for details.



757

PARTS CATALOG (MAINTENANCE)

FIG ITEM	PART NUMBER	1 2 3 4 5 6 7	NOMENCLATURE	EFFECT FROM TO	UNITS PER ASSY
1 104	7590761-001	CAP-PROTECTIVE SUPPLIER CODE: V05228 CONFIG CHG DATA FROM A CMM: REPLD BY MS3367-5-9 REPLD BY 7586649 MISCELLANEOUS DATA: USED PRIOR TO S/N 6409 FOR 7586630 ASSY AND S/N 3888 FOR 7586631 ASSY OPTIONAL PART: 7586779 V05228 USED ON: 7586630 7586631	002004 006999	1
105	7586779	CAP-PROTECTIVE SUPPLIER CODE: V05228 CONFIG CHG DATA FROM A CMM: REPLD BY MS3367-5-9 REPLD BY 7586649 MISCELLANEOUS DATA: USED PRIOR TO S/N 6409 FOR 7586630 ASSY AND S/N 3888 FOR 7586631 ASSY OPTIONAL PART: 7590761-001 V05228 USED ON: 7586630 7586631 USED WITH: 7586778	002004 006999	1
106	7586778	RETAINER-CAP SUPPLIER CODE: V05228 CONFIG CHG DATA FROM A CMM: REPLD BY MS3367-5-9 REPLD BY 7586649 MISCELLANEOUS DATA: USED PRIOR TO S/N 6409 FOR 7586630 ASSY AND S/N 3888 FOR 7586631 ASSY USED ON: 7586630 7586631 USED WITH: 7586779	002004 006999	1

MISSING ITEM NUMBERS NOT APPLICABLE

- ITEM NOT ILLUSTRATED

29-11-18-01

29-11-18
FIG. 01
PAGE 5
SEP 20/08

BRI



757

PARTS CATALOG (MAINTENANCE)

FIG ITEM	PART NUMBER	1 2 3 4 5 6 7	NOMENCLATURE	EFFECT FROM TO	UNITS PER ASSY
1 107	7586641	HOUSING- SUPPLIER CODE: V05228 USED ON: 7586630 7586631	002004 006999	1
108	7586642	PISTON- SUPPLIER CODE: V05228 USED ON: 7586630 7586631	002004 006999	1
109	7586811	SEAL-RING SUPPLIER CODE: V05228 USED ON: 7586630 7586631	002004 006999	1
110	7586810	PACKING-0-RING SUPPLIER CODE: V05228 USED ON: 7586630 7586631	002004 006999	1
111	7582499	RING-RETAINER SUPPLIER CODE: V05228 CONFIG CHG DATA FROM A CMM: REPLD BY 7582499-001 USED ON: 7586630 7586631	002004 006999	1
111	7582499-001	RING-RETAINER SUPPLIER CODE: V05228 CONFIG CHG DATA FROM A CMM: REPLACES 7582499 USED ON: 7586630 7586631	002004 006999	1
112	7586645	SPRING-PISTON SUPPLIER CODE: V05228 USED ON: 7586630	002004 006999	1

MISSING ITEM NUMBERS NOT APPLICABLE

- ITEM NOT ILLUSTRATED

29-11-18-01

29-11-18
FIG. 01
PAGE 6
SEP 20/08

BRI



757

PARTS CATALOG (MAINTENANCE)

FIG ITEM	PART NUMBER	1 2 3 4 5 6 7	NOMENCLATURE	EFFECT FROM TO	UNITS PER ASSY
1					
112	7586644	SPRING- SUPPLIER CODE: V05228 USED ON: 7586631	002004 006999	1
113	7586646	RETAINER-SPR SUPPLIER CODE: V05228 USED ON: 7586630 7586631	002004 006999	1
114	7586777	SHIM- SUPPLIER CODE: V05228 SELECT FROM ITEM. USED ON: 7586630 7586631	002004 006999	AR
117	NAS1611-116	...	PACKING-	002004 006999	2
118	MS27595-116	...	RETAINER- OPTIONAL PART: BACR12BM116	002004 006999	4
118	C11236-116B	...	RING- SUPPLIER CODE: V26879 SPECIFICATION NUMBER: BACR12BM116 OPTIONAL PART: RMR12BM116 V94878 STF800-116 V02107 S30294-116-1 V97820 TF450-116A V07128 2100-116 V26303 MS27595-116	002004 006999	4
119	NAS1611-213	...	PACKING-	002004 006999	2
120	MS27595-213	...	RETAINER- OPTIONAL PART: BACR12BM213	002004 006999	4

MISSING ITEM NUMBERS NOT APPLICABLE

- ITEM NOT ILLUSTRATED

29-11-18-01

29-11-18
FIG. 01
PAGE 7
SEP 20/08

BRI



757

PARTS CATALOG (MAINTENANCE)

FIG ITEM	PART NUMBER	1 2 3 4 5 6 7	NOMENCLATURE	EFFECT FROM TO	UNITS PER ASSY
1 120	C11236-213B		...RETAINER- SUPPLIER CODE: V26879 SPECIFICATION NUMBER: BACR12BM213 OPTIONAL PART: RMR12BM213 V94878 STF800-213 V02107 S30294-213-1 V97820 TF450-213A V07128 2100-213 V26303 MS27595-213	002004 006999	4
125	2790521-102		...VALVE-CHK SUPPLIER CODE: V92003 SPECIFICATION NUMBER: S270T242-1 COMPONENT MAINT MANUAL REF: 29-09-14 OPTIONAL PART: 1C1244 V99240	002004 006999	2
130	211C223-209		...SWITCH-PRESSURE HYDR SUPPLIER CODE: V02750 SPECIFICATION NUMBER: S271T452-8 COMPONENT MAINT MANUAL REF: 29-09-02 OPTIONAL PART: 211C223-296 V02750 211C223-519 V02750	002004 006999	1

MISSING ITEM NUMBERS NOT APPLICABLE

- ITEM NOT ILLUSTRATED

BRI

29-11-18-01

BOEING PROPRIETARY - Copyright © - Unpublished Work - See title page for details.

29-11-18
 FIG. 01
 PAGE 8
 SEP 20/08



757

PARTS CATALOG (MAINTENANCE)

FIG ITEM	PART NUMBER	1 2 3 4 5 6 7	NOMENCLATURE	EFFECT FROM TO	UNITS PER ASSY
1 130	211C223-296	...	SWITCH-PRESSURE HYDR SUPPLIER CODE: V02750 SPECIFICATION NUMBER: S271T452-8 COMPONENT MAINT MANUAL REF: 29-09-02 OPTIONAL PART: 211C223-209 V02750 211C223-519 V02750	002004 006999	1
130	211C223-519	...	SWITCH-PRESSURE HYDR SUPPLIER CODE: V02750 SPECIFICATION NUMBER: S271T452-8 COMPONENT MAINT MANUAL REF: 29-09-02 OPTIONAL PART: 211C223-296 V02750 211C223-209 V02750	002004 006999	1
135	NAS1612-6	...	PACKING-	002004 006999	1
140	271T0044-1	...	CASE- OPTIONAL PART: 271T0047-1	002004 006999	1
140	271T0047-1	...	CASE- OPTIONAL PART: 271T0044-1	002004 006999	1
145	NAS1611-226	...	PACKING-	002004 006999	1
150	7553276	...	ELEMENT-FILTER SUPPLIER CODE: V05228 SPECIFICATION NUMBER: 60B00211-3 FOR ELEMENT MAINTENANCE USE FILTER MAINT KIT DEFINED IN FILTER MAINT KIT LIST. FILTER MAINTENANCE KIT REF: 654T0035-2 OPTIONAL PART: AC9008E11 V18350 AC9008E1 V18350	002004 006999	1

MISSING ITEM NUMBERS NOT APPLICABLE

- ITEM NOT ILLUSTRATED

29-11-18-01

29-11-18
FIG. 01
PAGE 9
SEP 20/08

BRI



757

PARTS CATALOG (MAINTENANCE)

FIG ITEM	PART NUMBER	1 2 3 4 5 6 7	NOMENCLATURE	EFFECT FROM TO	UNITS PER ASSY
1					
153	NAS1611-214	...	PACKING- MISCELLANEOUS DATA: (SUPPLIED WITH 7553276, AC9008E1, AC9008E11)	002004 006999	1
155	7553414	...	FITTING- SUPPLIER CODE: V05228	002004 006999	1
160	7582484	...	PACKING- SUPPLIER CODE: V05228	002004 006999	1
165	7506161	...	SLEEVE- SUPPLIER CODE: V05228	002004 006999	1
170	7589401	...	SPRING- SUPPLIER CODE: V05228	002004 006999	1
175	NAS1611-226	...	PACKING-	002004 006999	1
180	271T0045-3	...	CASE	002004 006999	1
185	NAS1611-228	...	PACKING-	002004 006999	1
190	MS27595-228	...	RETAINER- OPTIONAL PART: BACR12BM228	002004 006999	2
190	C11236-228B	...	RETAINER- SUPPLIER CODE: V26879 SPECIFICATION NUMBER: BACR12BM228 OPTIONAL PART: RMR12BM228 V94878 STF800-228 V02107 S30294-228-1 V97820 TF450-228A V07128 2100-228 V26303 MS27595-228	002004 006999	2

R
R
R

MISSING ITEM NUMBERS NOT APPLICABLE

- ITEM NOT ILLUSTRATED

29-11-18-01

29-11-18
FIG. 01
PAGE 10
MAY 20/09

BRI



757

PARTS CATALOG (MAINTENANCE)

FIG ITEM	PART NUMBER	1 2 3 4 5 6 7	NOMENCLATURE	EFFECT FROM TO	UNITS PER ASSY
1					
195	7513128	...	FILTER- SUPPLIER CODE: V05228 SPECIFICATION NUMBER: 10-60592-5 FOR ELEMENT MAINTENANCE USE FILTER MAINT KIT DEFINED IN FILTER MAINT KIT LIST. FILTER MAINTENANCE KIT REF: 654T0035-2 OPTIONAL PART: AC7681E1Y2 V18350	002004 006999	1
195	AC7681E1Y2	...	FILTER- SUPPLIER CODE: V18350 SPECIFICATION NUMBER: 10-60592-6 FOR ELEMENT MAINTENANCE USE FILTER MAINT KIT DEFINED IN FILTER MAINT KIT LIST. FILTER MAINTENANCE KIT REF: 654T0035-2 OPTIONAL PART: 7513128 V05228	002004 006999	1
200	NAS1611-214	...	PACKING- MISCELLANEOUS DATA: (SUPPLIED WITH 7513128, AC7681E1Y2)	002004 006999	1
205	MS28782-19	...	RING	002004 006999	1
210	7553414	...	FITTING- SUPPLIER CODE: V05228	002004 006999	1
215	7582484	...	PACKING- SUPPLIER CODE: V05228	002004 006999	1
220	7585481	...	SLEEVE- SUPPLIER CODE: V05228	002004 006999	1
225	7554814	...	SPRING- SUPPLIER CODE: V05228	002004 006999	1
230	NAS1611-228	...	PACKING-	002004 006999	1
235	271T0050-1	...	HOUSING ASSY-	002004 006999	1

R
R
R

MISSING ITEM NUMBERS NOT APPLICABLE

- ITEM NOT ILLUSTRATED

29-11-18-01

29-11-18
FIG. 01
PAGE 11
MAY 20/09

BRI

BOEING PROPRIETARY - Copyright © - Unpublished Work - See title page for details.

 **BOEING**
757
PARTS CATALOG (MAINTENANCE)

FIG ITEM	PART NUMBER	1 2 3 4 5 6 7	NOMENCLATURE	EFFECT FROM TO	UNITS PER ASSY
1					
235	271T0046-3	...	HOUSING ASSY-	002004 006999	1
250	TC125UK06Y	...	INDICATOR ASSY- SUPPLIER CODE: V18350 SPECIFICATION NUMBER: S271T005-2	002004 006999	1
255	60TA125UK06Y	NAMEPLATE- SUPPLIER CODE: V18350	002004 006999	1
260	AA9500D330	RING-RETAINING SUPPLIER CODE: V18350	002004 006999	1
265	AA9500D822	BAND-BOOT SHRINK SUPPLIER CODE: V18350	002004 006999	1
270	62RB114S0000	BOOT CAP- SUPPLIER CODE: V18350	002004 006999	1
275	19RA551P0000	INDICATOR-BUTTON SUPPLIER CODE: V18350	002004 006999	1
280	69RB55100000	BIMETAL- SUPPLIER CODE: V18350	002004 006999	1
285	AA2100-3D5	MAGNET-ACTUATION SPRING SUPPLIER CODE: V18350	002004 006999	1
290	14RA77700000	RETAINER-SPRING SUPPLIER CODE: V18350	002004 006999	1
295	21RA777000K7	SPRING- SUPPLIER CODE: V18350	002004 006999	1
300	AA9500D530	SEAL-RING SUPPLIER CODE: V18350	002004 006999	1
305	NAS1611-011	PACKING-	002004 006999	1
310	27RA65000000	MAGNET- SUPPLIER CODE: V18350	002004 006999	1
315	23TB04200000	PISTON- SUPPLIER CODE: V18350	002004 006999	1
320	92RA77100000	FILTER-SLEEVE, RIGIMESH SUPPLIER CODE: V18350	002004 006999	1

MISSING ITEM NUMBERS NOT APPLICABLE

— ITEM NOT ILLUSTRATED

BRI

29-11-18-01

29-11-18
FIG. 01
PAGE 12
MAY 20/09



757

PARTS CATALOG (MAINTENANCE)

FIG ITEM	PART NUMBER	1 2 3 4 5 6 7	NOMENCLATURE	EFFECT FROM TO	UNITS PER ASSY
1					
325	08TD12500009	PLUG-DELTADYNE SUPPLIER CODE: V18350	002004 006999	1
905			ILLUSTRATION REFERENCE: PLUMBING INSTL-SECT. 44 MAIN WHL WELL HYDR (HYDRAULIC POWER ONLY) 29-11-51-36	002004 006100 107107 121503 904999	RF
910			ILLUSTRATION REFERENCE: PLUMBING INSTL-SECT. 44 R PRESSURE DECK HYDR (HYDRAULIC POWER ONLY) 29-11-51-34	002004 006100 107107 121503 904999	RF
915			ILLUSTRATION REFERENCE: PLUMBING AND FITTING INSTL ETOPS ALL 29-11-84-03	101102 108120	RF
920			ILLUSTRATION REFERENCE: PLUMBING INSTL-PRESSURE DECK SECT. 44 L (MAIN HYDR SYS ONLY) 29-11-84-06A	101102 108120 504903	RF
925			ILLUSTRATION REFERENCE: PLUMBING INSTL-FILLET AND TE ROLLS ROYCE RETURN LINES 29-11-51-68	101102 108120 504903	RF

MISSING ITEM NUMBERS NOT APPLICABLE

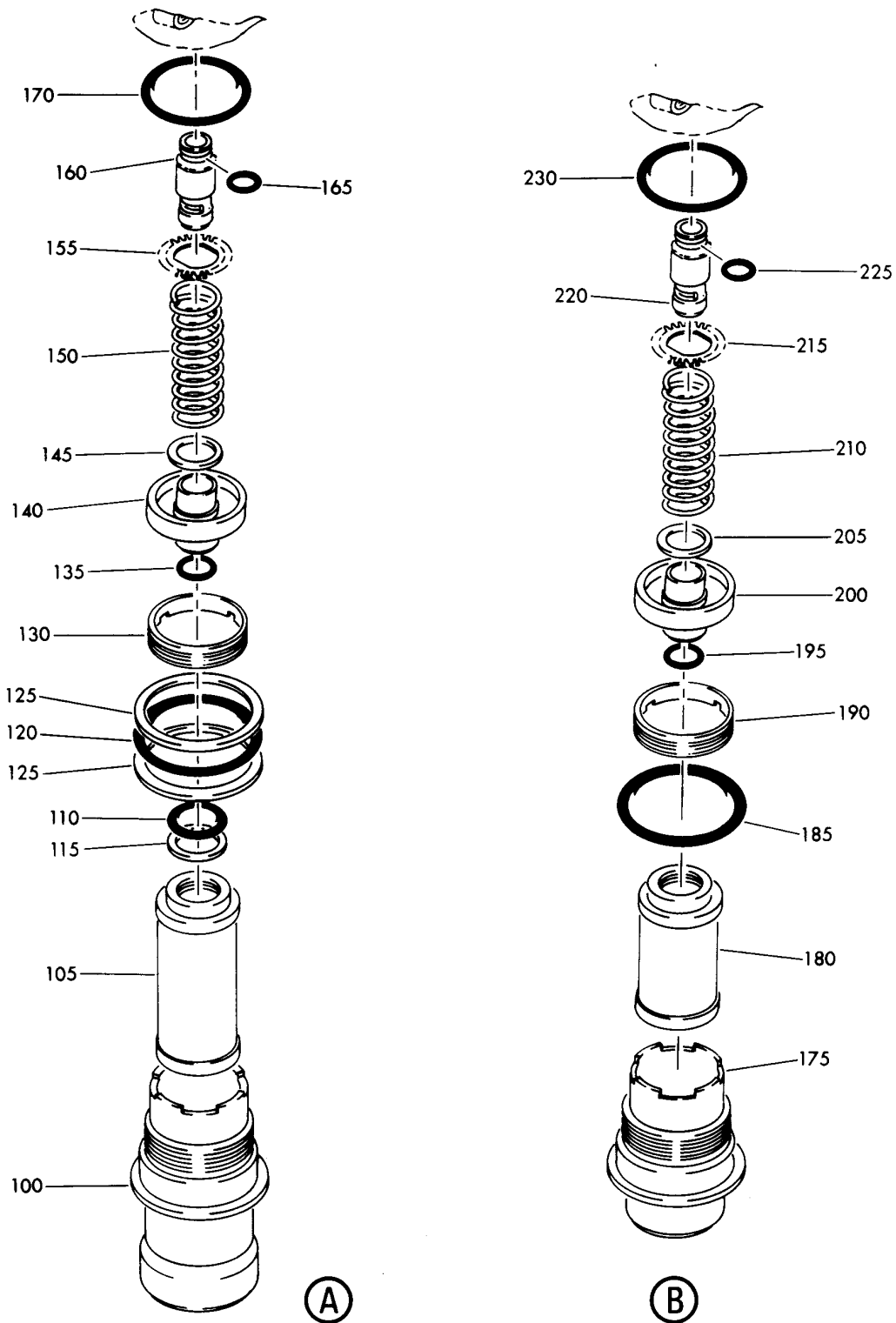
- ITEM NOT ILLUSTRATED

BRI

29-11-18-01

29-11-18
FIG. 01
PAGE 13
JAN 20/09

BOEING
757
PARTS CATALOG (MAINTENANCE)



Y 29111802 SHT 2 REV 028

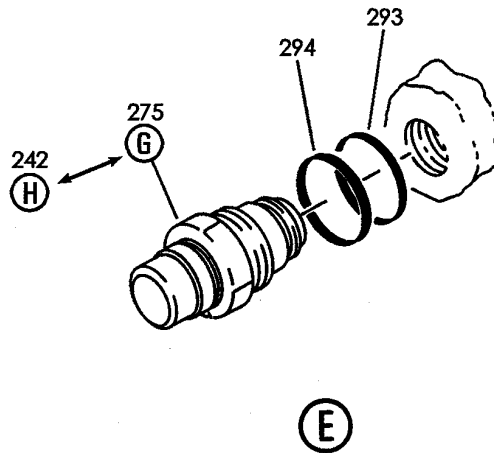
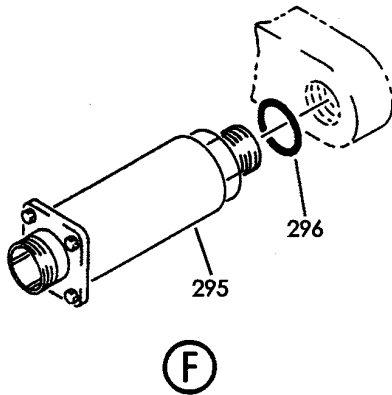
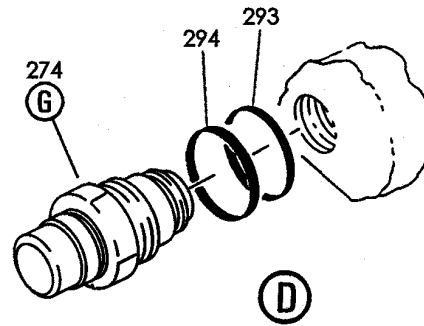
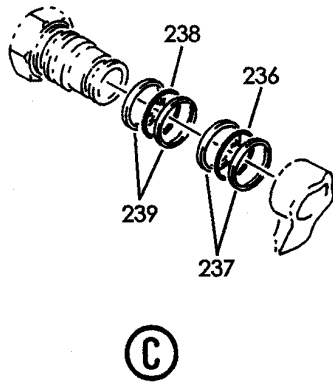
MODULE INSTL-ELEC MOTOR PUMP PRESSURE/CASE DRAIN CTR SYS FILTER
FIGURE 2 (SHEET 2)

29-11-18-02

BRI
MAY 28/07

29-11-18-02
PAGE 0A

BOEING
757
PARTS CATALOG (MAINTENANCE)



Y 29111802 SHT 3 REV 212

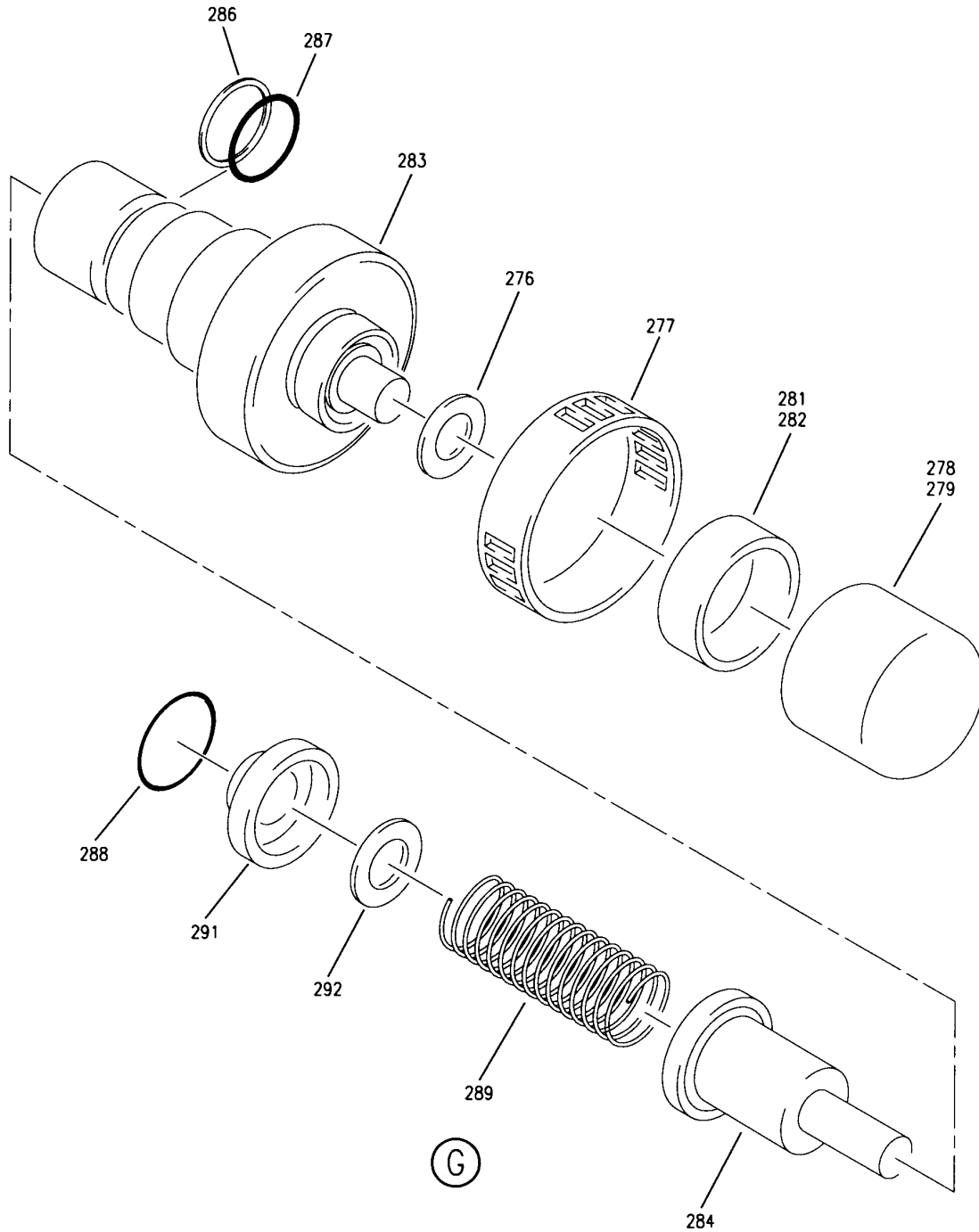
MODULE INSTL-ELEC MOTOR PUMP PRESSURE/CASE DRAIN CTR SYS FILTER
FIGURE 2 (SHEET 3)

29-11-18-02

BRI
MAY 28/07

29-11-18-02
PAGE 0B

BOEING
757
PARTS CATALOG (MAINTENANCE)



Y 29111802 SHT 4 REV 197

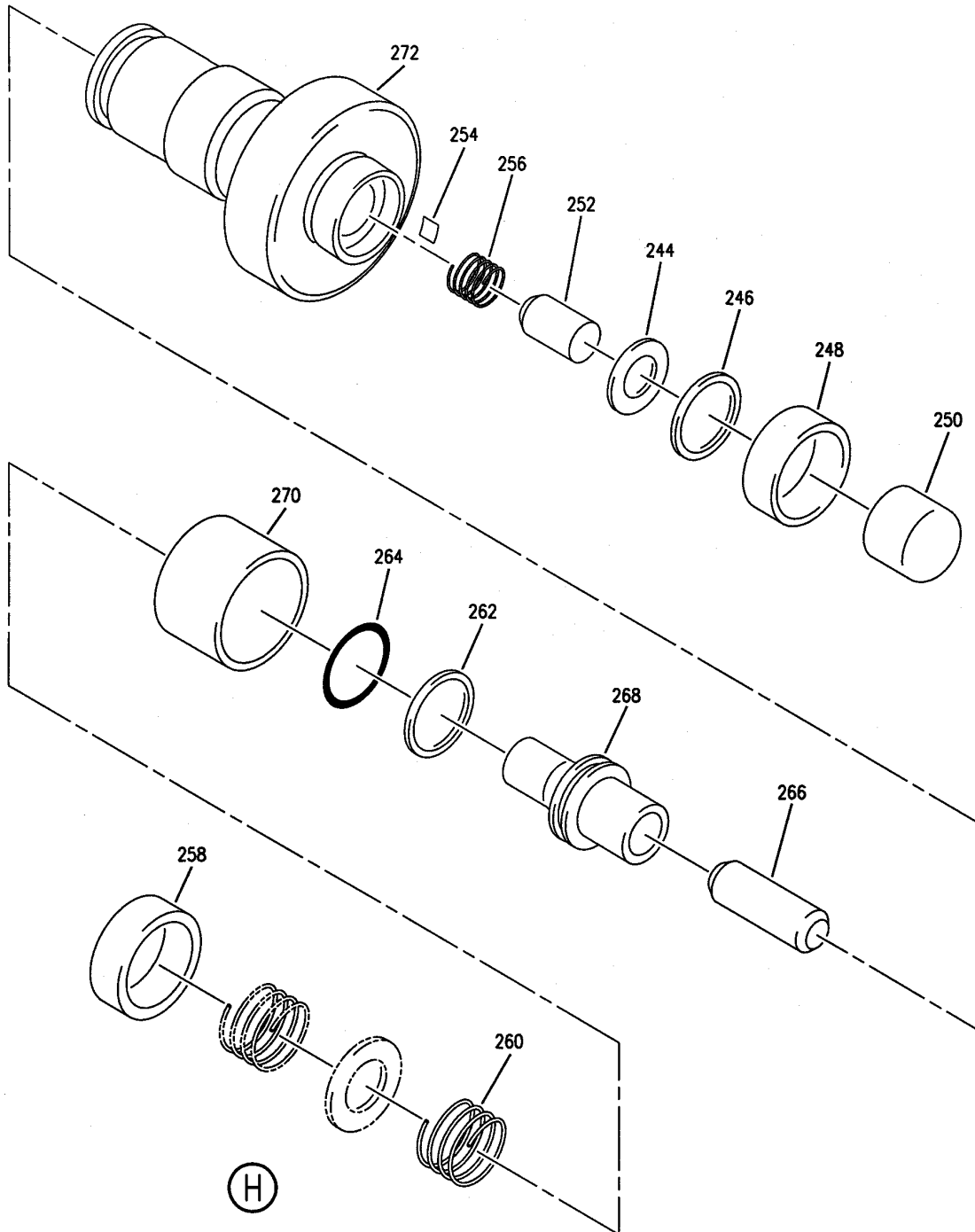
MODULE INSTL-ELEC MOTOR PUMP PRESSURE/CASE DRAIN CTR SYS FILTER
FIGURE 2 (SHEET 4)

29-11-18-02

BRI
MAY 28/07

29-11-18-02
PAGE 0C

BOEING
757
PARTS CATALOG (MAINTENANCE)



Y 29111802 SHT 5 REV 212

MODULE INSTL-ELEC MOTOR PUMP PRESSURE/CASE DRAIN CTR SYS FILTER
FIGURE 2 (SHEET 5)

29-11-18-02

BRI
MAY 28/07

29-11-18-02
PAGE 0D



757

PARTS CATALOG (MAINTENANCE)

FIG ITEM	PART NUMBER	1 2 3 4 5 6 7	NOMENCLATURE	EFFECT FROM TO	UNITS PER ASSY
2			MODULE INSTL-ELEC MOTOR PUMP PRESSURE/CASE DRAIN CTR SYS FILTER	002004 006999	
- 1	271N2004-1		MODULE INSTL-ELEC MOTOR PUMP PRESSURE/CASE DRAIN SYS FILTER POSITION DATA: CTR FOR NHA SEE: 29-00-51-07	002004 006100 107107 121503 904999	RF
- 1	271N2004-9		MODULE INSTL-ELEC MOTOR PUMP PRESSURE/CASE DRAIN SYS FILTER POSITION DATA: CTR FOR NHA SEE: 29-00-51-01A	101102 108120 504903	RF
- 1	MODREF6910		MODULE INSTL-ELEC MOTOR PUMP PRESSURE/CASE DRAIN SYS FILTER MODULE NUMBER: 271N2004-9 REV A POSITION DATA: CTR	103106	1
5	BAC27NHY0141		.MARKER-ALUMINUM FOIL PLACARD CONTENT: DUAL PRESS/CASE DRAIN FILTER MOD-C SYS D2928 S10016 D2924 S10002 D2926 S1000	002004 006999	1
10	BACJ40A21-9		.JUMPER ASSY	002004 006999	1
15	NAS563-25		ATTACHING PARTS .BOLT	002004 006999	1
20	AN960-10L		.WASHER	002004 006100 107107 121503 904999	2
20	NAS1149D0332J		.WASHER	101106 108120 504903	2
25	NAS564-33		.BOLT	002004 006999	1

MISSING ITEM NUMBERS NOT APPLICABLE

- ITEM NOT ILLUSTRATED

29-11-18-02

29-11-18
FIG. 02
PAGE 1
JAN 20/09

BRI



757

PARTS CATALOG (MAINTENANCE)

FIG ITEM	PART NUMBER	1 2 3 4 5 6 7	NOMENCLATURE	EFFECT FROM TO	UNITS PER ASSY
2	30 AN960-416L	.	WASHER	002004 006100 107107 121503 904999	2
	30 NAS1149D0432J	.	WASHER	101106 108120 504903	2
			-----*-----		
35	271N2004-3	.	MODULE ASSY-	002004 006100 121503 904999	1
35	271N2004-8	.	MODULE ASSY- POST SERVICE BULLETIN: 29-0026R2 ATTACHING PARTS	002004 006999	1
40	BACB30NM4K8	.	BOLT	002004 006999	3
45	BACW10BN4AC	.	WASHER	002004 006999	3
			-----*-----		
50	MS21902D8	..	UNION	002004 006999	1
53	BACU24K8	..	UNION	002004 006999	1
55	9R3398	..	VALVE-CHK SUPPLIER CODE: V99240 POST SERVICE BULLETIN: 29-0026R2	002004 006999	1
60	NAS1612-8	..	PACKING-	002004 006100 107107 121503 904999	2
65	MS21902D6	..	UNION	002004 006999	2
70	NAS1612-6	..	PACKING-	002004 006100 107107 121503 904999	2
75	BACU24K10	..	UNION	002004 006999	1
80	NAS1612-10	..	PACKING-	002004 006999	1

MISSING ITEM NUMBERS NOT APPLICABLE

- ITEM NOT ILLUSTRATED

29-11-18-02

29-11-18
FIG. 02
PAGE 2
JAN 20/09

BRI



757

PARTS CATALOG (MAINTENANCE)

FIG ITEM	PART NUMBER	1 2 3 4 5 6 7	NOMENCLATURE	EFFECT FROM TO	UNITS PER ASSY
2 85	AFP23212-10		..REDUCER SUPPLIER CODE: V30974 SPECIFICATION NUMBER: BACR17E12-10 OPTIONAL PART: AP102712-10 V01673 BC916T12-10 V50948 DBOR17E12-10 V14798 ER21916T12-10 V88334 ER31916-12-10 V88334 F23-12-10 V73197 2-01075T12-10 V11328 31778-12-10 V14397 US2114-12-10 V50808	002004 006999	1
90	NAS1612-12		..PACKING-	002004 006999	1
95	41004750-102		..MODULE-DUAL SUPPLIER CODE: V81873 SPECIFICATION NUMBER: S271N201-2 ELECTRICAL EQUIP NUMBER: S10003 S10002 S10016 COMPONENT MAINT MANUAL REF: 29-20-01	002004 006100 107107 121503 904999	1

MISSING ITEM NUMBERS NOT APPLICABLE

- ITEM NOT ILLUSTRATED

BRI

29-11-18-02

BOEING PROPRIETARY - Copyright © - Unpublished Work - See title page for details.

29-11-18
FIG. 02
PAGE 3
JAN 20/09



757

PARTS CATALOG (MAINTENANCE)

FIG ITEM	PART NUMBER	1 2 3 4 5 6 7	NOMENCLATURE	EFFECT FROM TO	UNITS PER ASSY
2 95	41004750-103	..	MODULE-DUAL SUPPLIER CODE: V81873 SPECIFICATION NUMBER: S271N201-3 FOR ELEMENT MAINTENANCE USE FILTER MAINT KIT DEFINED IN FILTER MAINT KIT LIST. FILTER MAINTENANCE KIT REF: 654N0035-3 ELECTRICAL EQUIP NUMBER: S10003 S10002 S10016 COMPONENT MAINT MANUAL REF: 29-20-01	002004 006999	1
100	41005257-001	...	BOWL-PRESSURE SUPPLIER CODE: V81873 USED ON: 41004750-103	002004 006999	2
100	41005257	...	BOWL-PRESSURE SUPPLIER CODE: V81873 USED ON: 41004750-102	002004 006100 107107 121503 904999	2
105	AC7681E1Y2	...	FILTER- SUPPLIER CODE: V18350 SPECIFICATION NUMBER: 10-60592-6 OPTIONAL PART: 751328 V05228	002004 006999	2
105	7513128	...	FILTER- SUPPLIER CODE: V05228 SPECIFICATION NUMBER: 10-60592-5 OPTIONAL PART: AC7681E1Y2 V18350	002004 006999	2
110	NAS1611-214	...	PACKING-	002004 006999	2
115	MS28782-19	...	RING	002004 006999	2
120	NAS1611-231	...	PACKING-	002004 006999	2

MISSING ITEM NUMBERS NOT APPLICABLE

- ITEM NOT ILLUSTRATED

29-11-18-02

29-11-18
FIG. 02
PAGE 4
JAN 20/09

BRI



757

PARTS CATALOG (MAINTENANCE)

FIG ITEM	PART NUMBER	1 2 3 4 5 6 7	NOMENCLATURE	EFFECT FROM TO	UNITS PER ASSY
2					
125	MS27595-231	...	RETAINER	002004 006999	4
130	41005258-102	...	NUT-RTNR SUPPLIER CODE: V81873	002004 006999	2
135	NAS1611-116	...	PACKING-	002004 006999	2
140	41005255	...	PISTON-SHUTOFF VALVE SUPPLIER CODE: V81873	002004 006999	2
145	41005264	...	WASHER-SPRING SUPPLIER CODE: V81873	002004 006999	2
150	41005543	...	SPRING-SHUTOFF SUPPLIER CODE: V81873	002004 006999	2
155	41005262	...	WASHER-TAB SUPPLIER CODE: V81873	002004 006999	2
160	41005544	...	TUBE-OUTLET SUPPLIER CODE: V81873	002004 006999	2
165	NAS1612-8	...	PACKING-	002004 006999	2
170	NAS1611-228	...	PACKING-	002004 006999	2
175	41005259	...	BOWL-CASE DRAIN SUPPLIER CODE: V81873	002004 006999	2
180	7553276	...	ELEMENT-FILTER SUPPLIER CODE: V05228 SPECIFICATION NUMBER: 60B00211-3 OPTIONAL PART: AC9008E1 V18350 AC9008E11 V18350	002004 006999	2
185	NAS1611-230	...	PACKING-	002004 006999	2
190	41005258-101	...	NUT-RTNR SUPPLIER CODE: V81873	002004 006999	2
195	NAS1611-116	...	PACKING-	002004 006999	2
200	41005255	...	PISTON-SHUTOFF VALVE SUPPLIER CODE: V81873	002004 006999	2

MISSING ITEM NUMBERS NOT APPLICABLE

- ITEM NOT ILLUSTRATED

29-11-18-02

29-11-18
FIG. 02
PAGE 5
JAN 20/09

BRI

BOEING PROPRIETARY - Copyright © - Unpublished Work - See title page for details.



757

PARTS CATALOG (MAINTENANCE)

FIG ITEM	PART NUMBER	1 2 3 4 5 6 7	NOMENCLATURE	EFFECT FROM TO	UNITS PER ASSY
2					
205	41005264	...	WASHER-SPRING SUPPLIER CODE: V81873	002004 006999	2
210	41005543	...	SPRING-SHUTOFF SUPPLIER CODE: V81873	002004 006999	2
215	41005262	...	WASHER-TAB SUPPLIER CODE: V81873	002004 006999	2
220	41005544	...	TUBE-OUTLET SUPPLIER CODE: V81873	002004 006999	2
225	NAS1612-8	...	PACKING-	002004 006999	2
230	NAS1611-228	...	PACKING-	002004 006999	2
- 235	2790521-102	...	VALVE-CHK SUPPLIER CODE: V92003 SPECIFICATION NUMBER: S270T242-1 COMPONENT MAINT MANUAL REF: 29-09-14 OPTIONAL PART: 1C1244 V99240	002004 006999	6
236	NAS1611-116	...	PACKING-	002004 006999	6
237	MS27595-116	...	RETAINER	002004 006999	12
238	NAS1611-213	...	PACKING-	002004 006999	6
239	MS27595-213	...	RETAINER	002004 006999	12
242	TC125UK06Y	...	INDICATOR ASSY-PRESSURE SUPPLIER CODE: V18350 SPECIFICATION NUMBER: S271T005-2	002004 006999	2
244	60TA125UK06Y	NAMEPLATE- SUPPLIER CODE: V18350	002004 006999	1
246	AA9500D330	RING-RETAINING SUPPLIER CODE: V18350	002004 006999	1
248	AA9500D822	BAND-BOOT SHRINK SUPPLIER CODE: V18350	002004 006999	1

MISSING ITEM NUMBERS NOT APPLICABLE

- ITEM NOT ILLUSTRATED

29-11-18-02

29-11-18
FIG. 02
PAGE 6
JAN 20/09

BRI



757

PARTS CATALOG (MAINTENANCE)

FIG ITEM	PART NUMBER	1 2 3 4 5 6 7	NOMENCLATURE	EFFECT FROM TO	UNITS PER ASSY
2					
250	62RB114S0000	BOOT CAP- SUPPLIER CODE: V18350	002004 006999	1
252	19RA551P0000	INDICATOR-BUTTON SUPPLIER CODE: V18350	002004 006999	1
254	69RB55100000	BIMETAL- SUPPLIER CODE: V18350	002004 006999	1
256	AA2100-3D5	MAGNET-ACTUATION SPRING SUPPLIER CODE: V18350	002004 006999	1
258	14RA77700000	RETAINER-SPRING SUPPLIER CODE: V18350	002004 006999	1
260	21RA777000K7	SPRING- SUPPLIER CODE: V18350	002004 006999	1
262	AA9500D530	SEAL-RING SUPPLIER CODE: V18350	002004 006999	1
264	NAS1611-011	PACKING-	002004 006999	1
266	27RA65000000	MAGNET- SUPPLIER CODE: V18350	002004 006999	1
268	23TB04200000	PISTON- SUPPLIER CODE: V18350	002004 006999	1
270	92RA77100000	FILTER-SLEEVE, RIGIMESH SUPPLIER CODE: V18350	002004 006999	1
272	08TD12500009	PLUG-DELTADYNE SUPPLIER CODE: V18350	002004 006999	1
274	TC125UK00ZY1	...	INDICATOR ASSY-PRESSURE SUPPLIER CODE: V18350 SPECIFICATION NUMBER: S271T005-3	002004 006999	2
274	7586631	...	INDICATOR ASSY- PRESSURE SUPPLIER CODE: V05228 SPECIFICATION NUMBER: S271T005-4	002004 006999	2

MISSING ITEM NUMBERS NOT APPLICABLE

- ITEM NOT ILLUSTRATED

29-11-18-02

29-11-18
FIG. 02
PAGE 7
JAN 20/09

BRI

BOEING PROPRIETARY - Copyright © - Unpublished Work - See title page for details.

 **BOEING**
757
PARTS CATALOG (MAINTENANCE)

FIG ITEM	PART NUMBER	1 2 3 4 5 6 7	NOMENCLATURE	EFFECT FROM TO	UNITS PER ASSY
2					
275	7586630	...	INDICATOR ASSY-CASE DRAIN SUPPLIER CODE: V05228 SPECIFICATION NUMBER: S271T005-5	002004 006999	2
276	7586651	NAMEPLATE- SUPPLIER CODE: V05228 USED ON: 7586630	002004 006999	1
276	7586652	NAMEPLATE- SUPPLIER CODE: V05228 USED ON: 7586631	002004 006999	1
277	AA9500D822	BAND-BOOT SHRINK SUPPLIER CODE: V18350 USED ON: TC125UK00ZY1	002004 006999	1
277	MS3367-5-9	STRAP- CONFIG CHG DATA FROM A CMM: REPLACES 7590761-001 REPLACES 7586779 REPLACES 7586778 MISCELLANEOUS DATA: USED PRIOR TO S/N 6409 FOR 7586630 ASSY AND S/N 3888 FOR 7586631 ASSY USED ON: 7586630 7586631 USED WITH: 7586649	002004 006999	1
278	62RB114S0000	BOOT CAP- SUPPLIER CODE: V18350 USED ON: TC125UK00ZY1	002004 006999	1

MISSING ITEM NUMBERS NOT APPLICABLE

— ITEM NOT ILLUSTRATED

BRI

29-11-18-02

BOEING PROPRIETARY - Copyright © - Unpublished Work - See title page for details.

29-11-18
FIG. 02
PAGE 8
JAN 20/09



757

PARTS CATALOG (MAINTENANCE)

FIG ITEM	PART NUMBER	1 2 3 4 5 6 7	NOMENCLATURE	EFFECT FROM TO	UNITS PER ASSY
2 278	7586649	CAP-PROTECTIVE SUPPLIER CODE: V05228 CONFIG CHG DATA FROM A CMM: REPLS 7590761-001 REPLS 7586779 REPLS 7586778 MISCELLANEOUS DATA: USED PRIOR TO S/N 6409 FOR 7586630 ASSY AND S/N 3888 FOR 7586631 ASSY USED ON: 7586630 7586631 USED WITH: MS3367-5-9	002004 006999	1
279	7590761-001	CAP-PROTECTIVE SUPPLIER CODE: V05228 CONFIG CHG DATA FROM A CMM: REPLD BY MS3367-5-9 REPLD BY 7586649 MISCELLANEOUS DATA: USED PRIOR TO S/N 6409 FOR 7586630 ASSY AND S/N 3888 FOR 7586631 ASSY OPTIONAL PART: 7586779 V05228 USED ON: 7586630 7586631	002004 006999	1

MISSING ITEM NUMBERS NOT APPLICABLE

- ITEM NOT ILLUSTRATED

29-11-18-02

29-11-18
FIG. 02
PAGE 9
JAN 20/09

BRI



757

PARTS CATALOG (MAINTENANCE)

FIG ITEM	PART NUMBER	1 2 3 4 5 6 7	NOMENCLATURE	EFFECT FROM TO	UNITS PER ASSY
2 281	7586779	CAP-PROTECTIVE SUPPLIER CODE: V05228 CONFIG CHG DATA FROM A CMM: REPLD BY MS3367-5-9 REPLD BY 7586649 MISCELLANEOUS DATA: USED PRIOR TO S/N 6409 FOR 7586630 ASSY AND S/N 3888 FOR 7586631 ASSY OPTIONAL PART: 7590761-001 V05228 USED ON: 7586630 7586631 USED WITH: 7586778	002004 006999	1
282	7586778	RETAINER-CAP SUPPLIER CODE: V05228 CONFIG CHG DATA FROM A CMM: REPLD BY MS3367-5-9 REPLD BY 7586649 MISCELLANEOUS DATA: USED PRIOR TO S/N 6409 FOR 7586630 ASSY AND S/N 3888 FOR 7586631 ASSY USED ON: 7586630 7586631 USED WITH: 7586779	002004 006999	1
283	7586641	HOUSING- SUPPLIER CODE: V05228 USED ON: 7586630 7586631	002004 006999	1
284	7586642	PISTON- SUPPLIER CODE: V05228 USED ON: 7586630 7586631	002004 006999	1

MISSING ITEM NUMBERS NOT APPLICABLE

- ITEM NOT ILLUSTRATED

29-11-18-02

29-11-18
FIG. 02
PAGE 10
JAN 20/09

BRI



757

PARTS CATALOG (MAINTENANCE)

FIG ITEM	PART NUMBER	1 2 3 4 5 6 7	NOMENCLATURE	EFFECT FROM TO	UNITS PER ASSY
2 286	7586811	SEAL-RING SUPPLIER CODE: V05228 USED ON: 7586630 7586631	002004 006999	1
287	7586810	PACKING-O-RING SUPPLIER CODE: V05228 USED ON: 7586630 7586631	002004 006999	1
288	7582499	RING-RTNR SUPPLIER CODE: V05228 CONFIG CHG DATA FROM A CMM: REPLD BY 7582499-001 USED ON: 7586630 7586631	002004 006999	1
288	7582499-001	RING-RTNR SUPPLIER CODE: V05228 CONFIG CHG DATA FROM A CMM: REPLACES 7582499 USED ON: 7586630 7586631	002004 006999	1
289	7586645	SPRING-PISTON SUPPLIER CODE: V05228 USED ON: 7586630	002004 006999	1
289	7586644	SPRING- SUPPLIER CODE: V05228 USED ON: 7586631	002004 006999	1
291	7586646	RETAINER-SPR SUPPLIER CODE: V05228 USED ON: 7586630 7586631	002004 006999	1

MISSING ITEM NUMBERS NOT APPLICABLE

- ITEM NOT ILLUSTRATED

BRI

29-11-18-02

29-11-18
FIG. 02
PAGE 11
JAN 20/09



757

PARTS CATALOG (MAINTENANCE)

FIG ITEM	PART NUMBER	1 2 3 4 5 6 7	NOMENCLATURE	EFFECT FROM TO	UNITS PER ASSY
2 292	7586777	SHIM- SUPPLIER CODE: V05228 SELECT FROM ITEM. USED ON: 7586630 7586631	002004 006999	AR
293	NAS1611-014	...	PACKING-	002004 006999	4
294	NAS1612-8	...	PACKING-	002004 006999	4
295	211C223-209	...	SWITCH-PRESSURE HYDR SUPPLIER CODE: V02750 SPECIFICATION NUMBER: S271T452-8 COMPONENT MAINT MANUAL REF: 29-09-02 OPTIONAL PART: 211C223-296 V02750 211C223-519 V02750	002004 006999	3
295	211C223-296	...	SWITCH-PRESSURE HYDR SUPPLIER CODE: V02750 SPECIFICATION NUMBER: S271T452-8 COMPONENT MAINT MANUAL REF: 29-09-02 OPTIONAL PART: 211C223-209 V02750 211C223-519 V02750	002004 006999	3
295	211C223-519	...	SWITCH- SUPPLIER CODE: V02750 SPECIFICATION NUMBER: S271T452-8 COMPONENT MAINT MANUAL REF: 29-09-02 OPTIONAL PART: 211C223-296 V02750 211C223-209 V02750	002004 006999	3
296	NAS1612-6	...	PACKING-	002004 006999	3

MISSING ITEM NUMBERS NOT APPLICABLE

- ITEM NOT ILLUSTRATED

29-11-18-02

29-11-18
FIG. 02
PAGE 12
JAN 20/09

BRI



757

PARTS CATALOG (MAINTENANCE)

FIG ITEM	PART NUMBER	1 2 3 4 5 6 7	NOMENCLATURE	EFFECT FROM TO	UNITS PER ASSY
2 296	NAS1612-6A		...PACKING- POST SERVICE LETTER: 20-031	002004 006999	3
- 300	286N2612-002		WIRE BUNDLE ASSY	002004 006100 107107 950999	RF
- 300	286N2612-003		WIRE BUNDLE ASSY	904949	RF
- 300	286N2612-008		WIRE BUNDLE ASSY	121503	RF
- 300	286N2612-303		WIRE BUNDLE ASSY-	108120	RF
- 301	286N2612-304		WIRE BUNDLE ASSY	101102	RF
- 301	286N2612-308		WIRE BUNDLE ASSY	504903	RF
305	GS3417-12C		.CLAMP- SUPPLIER CODE: V06324 SPECIFICATION NUMBER: BACC10HF12 OPTIONAL PART: S2125-12-8 V07418 ELECTRICAL EQUIP NUMBER: D02924T D02926T WIRING DIAGRAM REF: 291131	002004 006102 107999	2
310	BACC63BP12A3S7L		.CONNECTOR- ELECTRICAL EQUIP NUMBER: D02924 D02926 WIRING DIAGRAM REF: 291131	002004 006102 107999	2
900			ILLUSTRATION REFERENCE: PLUMBING INSTL-SECT. 49 L HYDR BAY (MAIN HYDR SYSTEM ONLY) 29-11-51-20	002004 006100 107107 121503 904999	RF
900			ILLUSTRATION REFERENCE: PLUMBING INSTL-SECT. 49 L HYDR BAY (MAIN HYDR SYSTEM ONLY) 29-11-51-20A	101106 108120 504903	RF

MISSING ITEM NUMBERS NOT APPLICABLE

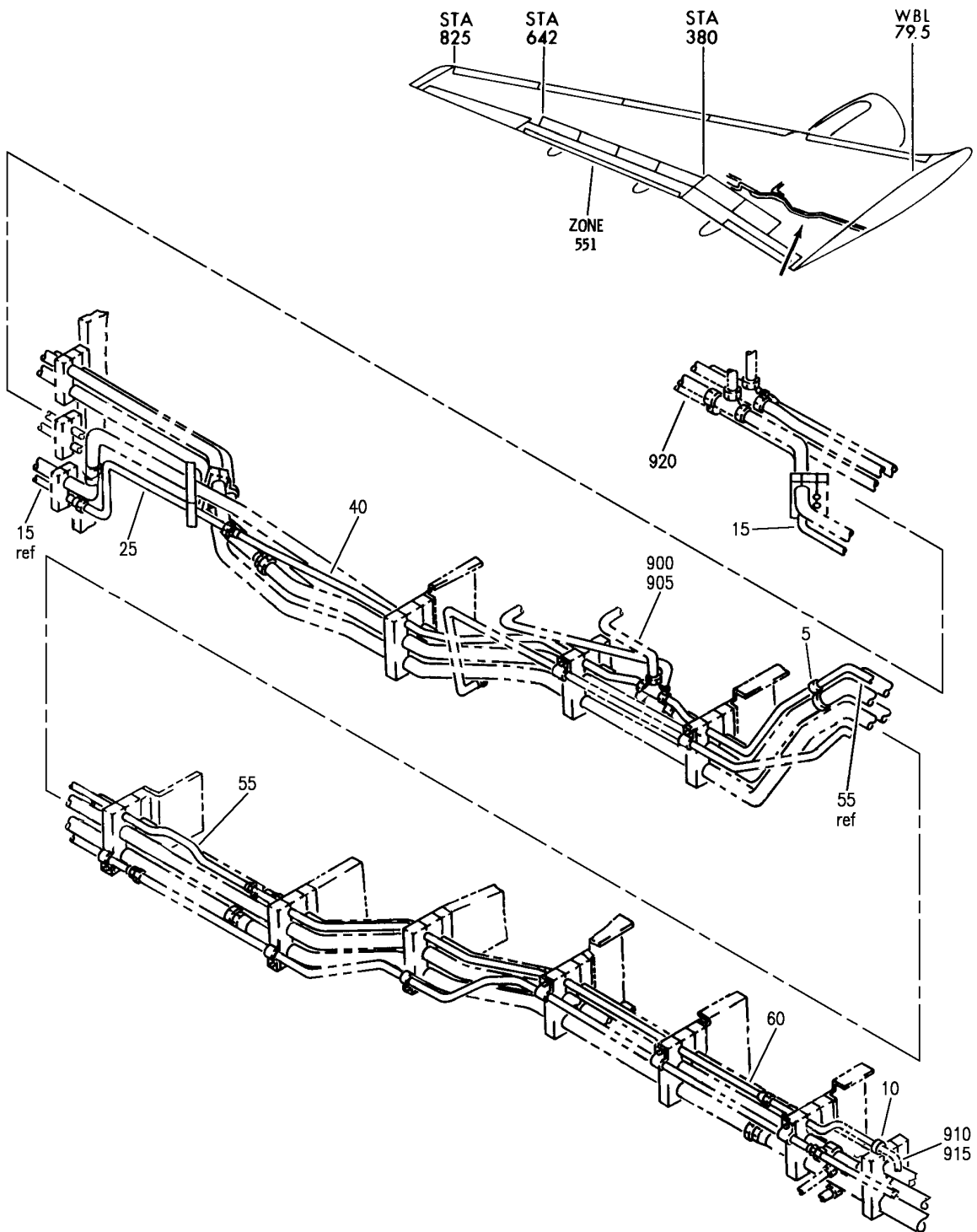
- ITEM NOT ILLUSTRATED

BRI

29-11-18-02

29-11-18
FIG. 02
PAGE 13
JAN 20/09

BOEING
757
PARTS CATALOG (MAINTENANCE)



Y 29111803 REV 331

PLUMBING INSTL-SECT. 12 L TRAILING EDGE CTR SYS (ELEC MOTOR PUMP PRESSURE/CASE DRAIN ONLY)
FIGURE 3

BRI
JAN 20/09

29-11-18-03

29-11-18-03
PAGE 0



757

PARTS CATALOG (MAINTENANCE)

FIG ITEM	PART NUMBER	1 2 3 4 5 6 7	NOMENCLATURE	EFFECT FROM TO	UNITS PER ASSY
3			PLUMBING INSTL-SECT. 12 L TRAILING EDGE CTR SYS (ELEC MOTOR PUMP PRESSURE/CASE DRAIN ONLY)	103106	
- 1	MODREF31342		PLUMBING INSTL-HYDR CTR SYS (ELEC MOTOR PUMP PRESSURE/CASE DRAIN ONLY) MODULE NUMBER: 271N6122-34 REV B POSITION DATA: SECT. 12 L TRAILING EDGE FOR OTHER SYS DETAILS SEE: 27-61-02-03 32-32-01-04 32-32-02-03 32-32-07-02 32-32-17-02 32-32-51-01 32-41-51-06 FOR ADDITIONAL DETAILS SEE: 29-11-26-06 29-11-51-27	103106	1
5	M85052-2-6		.CLAMP	103106	1
10	TA0910004H106		.CLAMP SUPPLIER CODE: V84971 SPECIFICATION NUMBER: BACC10HB06C	103106	1
15	271N6122-1053		.TUBE ASSY-CASE DRAIN SYS POSITION DATA: L TUBING MATERIAL: .375 IN. OD .035 IN. WALL 28.00 IN. LG AL	103106	1

MISSING ITEM NUMBERS NOT APPLICABLE

- ITEM NOT ILLUSTRATED

29-11-18-03

29-11-18
FIG. 03
PAGE 1
JAN 20/09

BRI



757

PARTS CATALOG (MAINTENANCE)

FIG ITEM	PART NUMBER	1 2 3 4 5 6 7	NOMENCLATURE	EFFECT FROM TO	UNITS PER ASSY
3					
- 20	35056GV06		..UNION SUPPLIER CODE: V08199 SPECIFICATION NUMBER: BACU24AB6W OPTIONAL PART: 2-01027-6W V11328 31875-6W V14397 4671097W6 V50948 AP1004W06 V01673 AFP941W6 V30974 DBOU24AB6W V14798	103106	2
	25 271N6122-1045		.TUBE ASSY-CASE DRAIN SYS POSITION DATA: L TUBING MATERIAL: .375 IN. OD .035 IN. WALL 25.00 IN. LG AL	103106	1
- 30	AP2097HP06		..SLEEVE SUPPLIER CODE: V01673 SPECIFICATION NUMBER: BACS13BX06HP OPTIONAL PART: 2-02903-06HP V11328 35235VN06 V08199 AFP175V06P V30974 DBOS13BX06HP V14798	103106	2
- 35	BACN10YL06		..NUT- OPTIONAL PART: MS21921-6D	103106	2
- 35	MS21921-6D		..NUT- OPTIONAL PART: BACN10YL06	103106	2

MISSING ITEM NUMBERS NOT APPLICABLE

- ITEM NOT ILLUSTRATED

29-11-18-03

29-11-18
FIG. 03
PAGE 2
JAN 20/09

BRI



757

PARTS CATALOG (MAINTENANCE)

FIG ITEM	PART NUMBER	1 2 3 4 5 6 7	NOMENCLATURE	EFFECT FROM TO	UNITS PER ASSY
3					
40	271N6122-1042		.TUBE ASSY-CASE DRAIN SYS POSITION DATA: L TUBING MATERIAL: .375 IN. OD .035 IN. WALL 39.90 IN. LG AL	103106	1
- 45	AP2097HP06		..SLEEVE SUPPLIER CODE: V01673 SPECIFICATION NUMBER: BACS13BX06HP OPTIONAL PART: 2-02903-06HP V11328 35235VN06 V08199 AFP175V06P V30974 DBOS13BX06HP V14798	103106	1
- 50	BACN10YL06		..NUT- OPTIONAL PART: MS21921-6D	103106	1
- 50	MS21921-6D		..NUT- OPTIONAL PART: BACN10YL06	103106	1
55	271N6122-1201		.TUBE ASSY-CASE DRAIN SYS POSITION DATA: L TUBING MATERIAL: .375 IN. OD .035 IN. WALL 51.00 IN. LG AL	103106	1
60	271N6122-1034		.TUBE ASSY-CASE DRAIN SYS POSITION DATA: L TUBING MATERIAL: .375 IN. OD .035 IN. WALL 60.00 IN. LG AL	103106	1

MISSING ITEM NUMBERS NOT APPLICABLE

- ITEM NOT ILLUSTRATED

BRI

29-11-18-03

BOEING PROPRIETARY - Copyright © - Unpublished Work - See title page for details.

29-11-18
FIG. 03
PAGE 3
JAN 20/09



757

PARTS CATALOG (MAINTENANCE)

FIG ITEM	PART NUMBER	1 2 3 4 5 6 7	NOMENCLATURE	EFFECT FROM TO	UNITS PER ASSY
3					
- 65	AP2097HP06	..	SLEEVE SUPPLIER CODE: V01673 SPECIFICATION NUMBER: BACS13BX06HP OPTIONAL PART: 2-02903-06HP V11328 35235VN06 V08199 AFP175V06P V30974 DBOS13BX06HP V14798	103106	1
- 70	BACN10YLO6	..	NUT- OPTIONAL PART: MS21921-6D	103106	1
- 70	MS21921-6D	..	NUT- OPTIONAL PART: BACN10YLO6	103106	1
- 75	35056GV06	..	UNION SUPPLIER CODE: V08199 SPECIFICATION NUMBER: BACU24AB6W OPTIONAL PART: 2-01027-6W V11328 31875-6W V14397 4671097W6 V50948 AP1004W06 V01673 AFP941W6 V30974 DBOU24AB6W V14798	103106	1
900			ILLUSTRATION REFERENCE: PLUMBING INSTL AND BRACKET INSTL SECT 12 L WING OUTBD SPAR (HEAT EXCHANGER ONLY) CTR SYS 29-11-26-03	103106	RF

MISSING ITEM NUMBERS NOT APPLICABLE

- ITEM NOT ILLUSTRATED

BRI

29-11-18-03

BOEING PROPRIETARY - Copyright © - Unpublished Work - See title page for details.

29-11-18
FIG. 03
PAGE 4
JAN 20/09



757

PARTS CATALOG (MAINTENANCE)

FIG ITEM	PART NUMBER	1 2 3 4 5 6 7	NOMENCLATURE	EFFECT FROM TO	UNITS PER ASSY
3 905			ILLUSTRATION REFERENCE: PLUMBING INSTL-SECT. 12 L TRAILING EDGE CTR SYS (HEAT EXCHANGER ONLY) CTR SYS 29-11-26-06	103106	RF
915			ILLUSTRATION REFERENCE: PLUMBING INSTL-PRESSURE DECK SECT. 44 L (MAIN HYDR SYS ONLY) 29-11-84-06A	103106	RF
920			ILLUSTRATION REFERENCE: PLUMBING INSTL-SECT. 12 L TRAILING EDGE CTR SYS (ENG DRIVEN PUMP CASE DRAIN PRESSURE FILTER ONLY) 29-11-17-04	103106	RF

MISSING ITEM NUMBERS NOT APPLICABLE

- ITEM NOT ILLUSTRATED

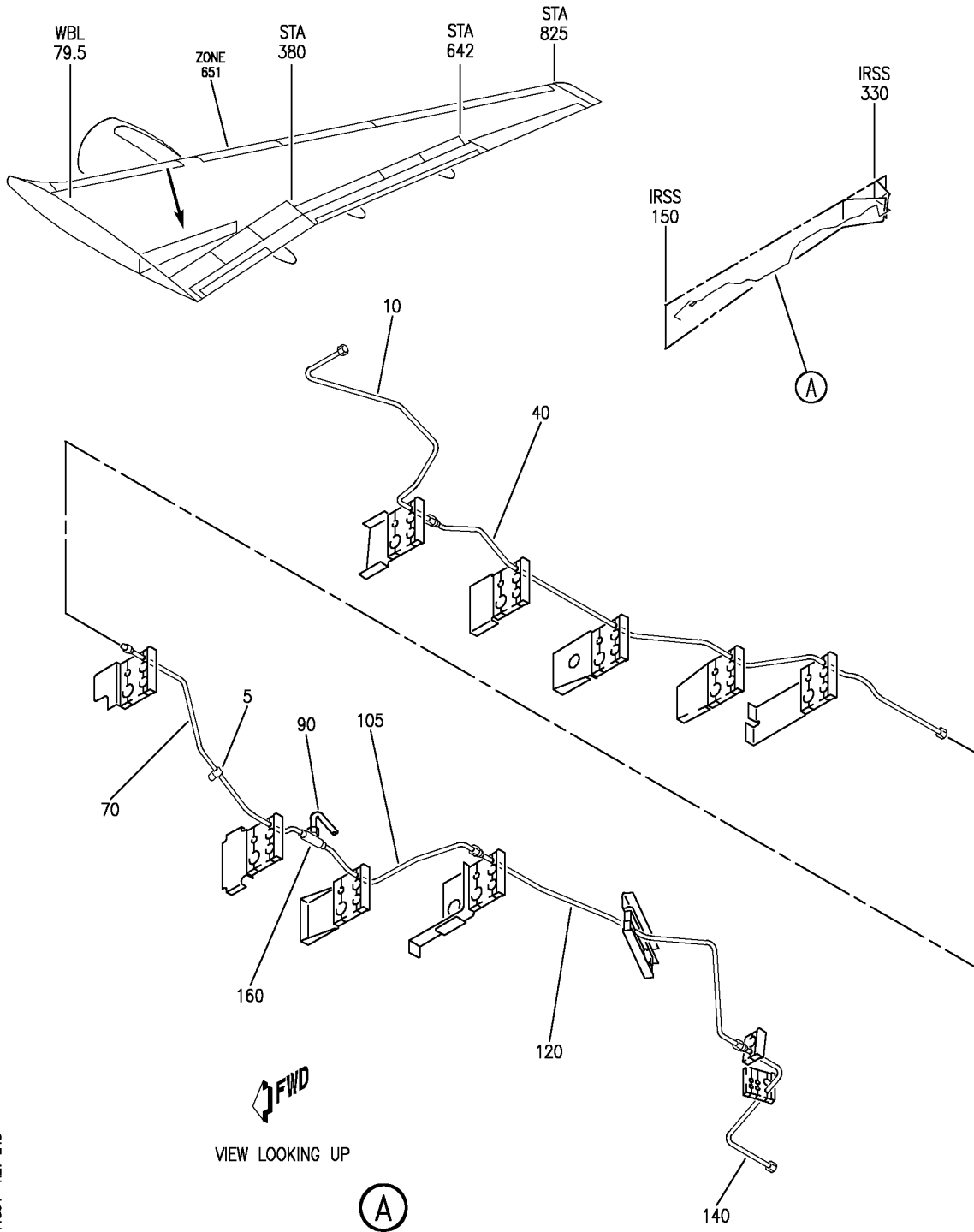
BRI

29-11-18-03

BOEING PROPRIETARY - Copyright © - Unpublished Work - See title page for details.

29-11-18
FIG. 03
PAGE 5
JAN 20/09

BOEING
757
PARTS CATALOG (MAINTENANCE)



Y 29111804 REV 248

PLUMBING INSTL-SECT. 12 R TRAILING EDGE CTR SYS (ELEC MOTOR PUMP PRESSURE/CASE DRAIN ONLY)
FIGURE 4

BRI
JAN 20/09

29-11-18-04

29-11-18-04
PAGE 0



757

PARTS CATALOG (MAINTENANCE)

FIG ITEM	PART NUMBER	1 2 3 4 5 6 7	NOMENCLATURE	EFFECT FROM TO	UNITS PER ASSY
4			PLUMBING INSTL-SECT. 12 R TRAILING EDGE CTR SYS (ELEC MOTOR PUMP PRESSURE/CASE DRAIN ONLY)	103106	
- 1	MODREF24143		PLUMBING INSTL-HYDR CTR SYS (ELEC MOTOR PUMP PRESSURE/CASE DRAIN ONLY) MODULE NUMBER: 271N6123-21 REV B POSITION DATA: SECT. 12 R TRAILING EDGE FOR OTHER SYS DETAILS SEE: 27-61-02-06 32-32-01-05 32-32-02-04 32-32-07-03 32-32-17-03 32-32-51-02 32-41-51-07 FOR ADDITIONAL DETAILS SEE: 29-11-26-07 29-11-51-29A	103105	1
- 1	MODREF34199		PLUMBING INSTL-HYDR CTR SYS (ELEC MOTOR PUMP PRESSURE/CASE DRAIN ONLY) MODULE NUMBER: 271N6123-21 REV C POSITION DATA: SECT. 12 R TRAILING EDGE FOR OTHER SYS DETAILS SEE: 27-61-02-06 32-32-01-05 32-32-02-04 32-32-07-03 32-32-17-03 32-32-51-02 32-41-51-07 FOR ADDITIONAL DETAILS SEE: 29-11-26-07 29-11-51-29A	106106	1
5	M85052-2-6		.CLAMP	103106	1

MISSING ITEM NUMBERS NOT APPLICABLE

- ITEM NOT ILLUSTRATED

BRI

29-11-18-04

29-11-18
FIG. 04
PAGE 1
JAN 20/09



757

PARTS CATALOG (MAINTENANCE)

FIG ITEM	PART NUMBER	1 2 3 4 5 6 7	NOMENCLATURE	EFFECT FROM TO	UNITS PER ASSY
4	10 271N6123-1292		.TUBE ASSY-CASE DRAIN SYS POSITION DATA: R TUBING MATERIAL: .375 IN. OD .035 IN. WALL 39.10 IN. LG AL AMS 4083 6061 T6 TUBING	103106	1
- 15	AP2097HP06		..SLEEVE SUPPLIER CODE: V01673 SPECIFICATION NUMBER: BACS13BX06HP OPTIONAL PART: 2-02903-06HP V11328 35235VN06 V08199 AFP175V06P V30974 DBOS13BX06HP V14798	103106	1
- 25	BACN10YL06		..NUT	103106	1
- 35	35056GV06		..UNION SUPPLIER CODE: V08199 SPECIFICATION NUMBER: BACU24AB6W OPTIONAL PART: 2-01027-6W V11328 31875-6W V14397 4671097W6 V50948 AP1004W06 V01673 AFP941W6 V30974 DBOU24AB6W V14798	103106	1
40	271N6123-1112		.TUBE ASSY-CASE DRAIN SYS POSITION DATA: R TUBING MATERIAL: .375 IN. OD .035 IN. WALL 76.40 IN. LG AL AMS 4083 6061 T6 TUBING	103106	1

MISSING ITEM NUMBERS NOT APPLICABLE

- ITEM NOT ILLUSTRATED

BRI

29-11-18-04

29-11-18
FIG. 04
PAGE 2
JAN 20/09



757

PARTS CATALOG (MAINTENANCE)

FIG ITEM	PART NUMBER	1 2 3 4 5 6 7	NOMENCLATURE	EFFECT FROM TO	UNITS PER ASSY
4					
- 45	AP2097HP06	..	SLEEVE SUPPLIER CODE: V01673 SPECIFICATION NUMBER: BACS13BX06HP OPTIONAL PART: 2-02903-06HP V11328 35235VN06 V08199 AFP175V06P V30974 DBOS13BX06HP V14798	103106	2
- 55	BACN10YL06	..	NUT- OPTIONAL PART: MS21921-6D	103106	2
- 55	MS21921-6D	..	NUT- OPTIONAL PART: BACN10YL06	103106	2
70	271N6123-1142	.	TUBE ASSY-CASE DRAIN SYS POSITION DATA: R TUBING MATERIAL: .375 IN. OD .035 IN. WALL 31.50 IN. LG AL AMS 4083 6061 T6 TUBING	103106	1
- 75	AP2097HP06	..	SLEEVE SUPPLIER CODE: V01673 SPECIFICATION NUMBER: BACS13BX06HP OPTIONAL PART: 2-02903-06HP V11328 35235VN06 V08199 AFP175V06P V30974 DBOS13BX06HP V14798	103106	1
- 80	BACN10YL06	..	NUT- OPTIONAL PART: MS21921-6D	103106	1
- 80	MS21921-6D	..	NUT- OPTIONAL PART: BACN10YL06	103106	1

MISSING ITEM NUMBERS NOT APPLICABLE

- ITEM NOT ILLUSTRATED

29-11-18-04

29-11-18
FIG. 04
PAGE 3
JAN 20/09

BRI



757

PARTS CATALOG (MAINTENANCE)

FIG ITEM	PART NUMBER	1 2 3 4 5 6 7	NOMENCLATURE	EFFECT FROM TO	UNITS PER ASSY
4 - 85	35056GV06		.. UNION SUPPLIER CODE: V08199 SPECIFICATION NUMBER: BACU24AB6W OPTIONAL PART: 2-01027-6W V11328 31875-6W V14397 4671097W6 V50948 AP1004W06 V01673 AFP941W6 V30974 DBOU24AB6W V14798	103106	1
90	271N6123-1301		. TUBE ASSY-CASE DRAIN SYS POSITION DATA: R TUBING MATERIAL: .625 IN. OD X .035 IN. ALUMINUM	103106	1
- 95	AP2097HP10		.. SLEEVE SUPPLIER CODE: V01673 SPECIFICATION NUMBER: BACS13BX10HP OPTIONAL PART: 2-02903-10HP V11328 35235VN10 V08199 AFP175V10P V30974 DBOS13BX10HP V14798	103106	2
- 100	BACN10YL10		.. NUT- OPTIONAL PART: MS21921-10D	103106	2
- 100	MS21921-10D		.. NUT- OPTIONAL PART: BACN10YL10	103106	2

MISSING ITEM NUMBERS NOT APPLICABLE

- ITEM NOT ILLUSTRATED

29-11-18-04

29-11-18
FIG. 04
PAGE 4
JAN 20/09

BRI



757

PARTS CATALOG (MAINTENANCE)

FIG ITEM	PART NUMBER	1 2 3 4 5 6 7	NOMENCLATURE	EFFECT FROM TO	UNITS PER ASSY
4 105	271N6123-1284		.TUBE ASSY-CASE DRAIN SYS POSITION DATA: R TUBING MATERIAL: .375 IN. OD .035 IN. WALL 21.80 IN. LG AL AMS 4083 6061 T6 TUBING	103106	1
- 110	AP2097HP06		..SLEEVE SUPPLIER CODE: V01673 SPECIFICATION NUMBER: BACS13BX06HP OPTIONAL PART: 2-02903-06HP V11328 35235VN06 V08199 AFP175V06P V30974 DBOS13BX06HP V14798	103106	2
- 115	BACN10YL06		..NUT- OPTIONAL PART: MS21921-6D	103106	2
- 115	MS21921-6D		..NUT- OPTIONAL PART: BACN10YL06	103106	2
120	271N6123-1283		.TUBE ASSY-CASE DRAIN SYS POSITION DATA: R TUBING MATERIAL: .375 IN. OD .035 IN. WALL 42.00 IN. LG AL	103106	1
- 125	AP2097HP06		..SLEEVE SUPPLIER CODE: V01673 SPECIFICATION NUMBER: BACS13BX06HP OPTIONAL PART: 2-02903-06HP V11328 35235VN06 V08199 AFP175V06P V30974 DBOS13BX06HP V14798	103106	1

MISSING ITEM NUMBERS NOT APPLICABLE

- ITEM NOT ILLUSTRATED

29-11-18-04

29-11-18
FIG. 04
PAGE 5
JAN 20/09

BRI



757

PARTS CATALOG (MAINTENANCE)

FIG ITEM	PART NUMBER	1 2 3 4 5 6 7	NOMENCLATURE	EFFECT FROM TO	UNITS PER ASSY
4					
- 130	BACN10YL06	..	NUT- OPTIONAL PART: MS21921-6D	103106	1
- 130	MS21921-6D	..	NUT- OPTIONAL PART: BACN10YL06	103106	1
- 135	35056GV06	..	UNION SUPPLIER CODE: V08199 SPECIFICATION NUMBER: BACU24AB6W OPTIONAL PART: 2-01027-6W V11328 31875-6W V14397 4671097W6 V50948 AP1004W06 V01673 AFP941W6 V30974 DBOU24AB6W V14798	103106	1
140	271N6123-1047	.	TUBE ASSY-CASE DRAIN SYS POSITION DATA: R TUBING MATERIAL: .375 IN. OD .035 IN. WALL 29.20 IN. LG AL AMS 4083 6061 T6 TUBING	103106	1
- 145	AP2097HP06	..	SLEEVE SUPPLIER CODE: V01673 SPECIFICATION NUMBER: BACS13BX06HP OPTIONAL PART: 2-02903-06HP V11328 35235VN06 V08199 AFP175V06P V30974 DBOS13BX06HP V14798	103106	1
- 150	BACN10YL06	..	NUT	103106	1

MISSING ITEM NUMBERS NOT APPLICABLE

- ITEM NOT ILLUSTRATED

29-11-18-04

29-11-18
FIG. 04
PAGE 6
JAN 20/09

BRI



757

PARTS CATALOG (MAINTENANCE)

FIG ITEM	PART NUMBER	1 2 3 4 5 6 7	NOMENCLATURE	EFFECT FROM TO	UNITS PER ASSY
4 - 155	35056GV06		..UNION SUPPLIER CODE: V08199 SPECIFICATION NUMBER: BACU24AB6W OPTIONAL PART: 2-01027-6W V11328 31875-6W V14397 4671097W6 V50948 AP1004W06 V01673 AFP941W6 V30974 DBOU24AB6W V14798	103106	1
160	APX824F060610W		.TEE- SUPPLIER CODE: V01673 SPECIFICATION NUMBER: BACT16AS060610W OPTIONAL PART: APX824-060610W V01673 DBOT16AS060610W V14798 ER824-060610W V50948 FER1571-060610W V14397 LER824-060610W V11328 NAF1824-060610W V52930 US1925-060610W V50808 AFP325-060610W V30974	103106	1

MISSING ITEM NUMBERS NOT APPLICABLE

- ITEM NOT ILLUSTRATED

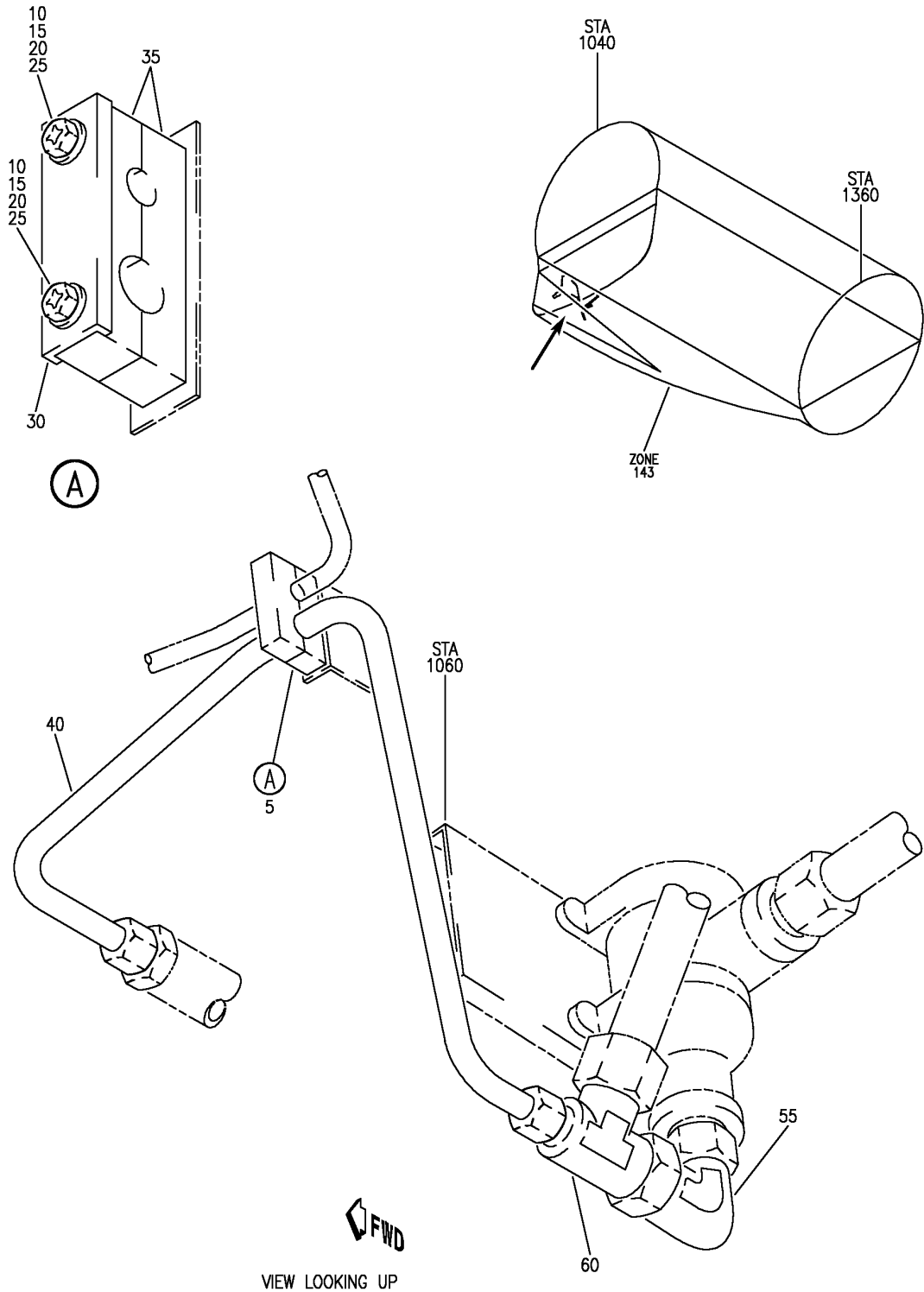
BRI

29-11-18-04

BOEING PROPRIETARY - Copyright © - Unpublished Work - See title page for details.

29-11-18
FIG. 04
PAGE 7
JAN 20/09

BOEING
757
PARTS CATALOG (MAINTENANCE)



Y 29111805 REV 249

PLUMBING INSTL-MAIN WHL WELL BHD HYDR (SYSTEM L AND R ACMP PRESSURE/ CASE DRAIN FILTER MODULE ONLY)
FIGURE 5

BRI
JAN 20/09

29-11-18-05

29-11-18-05
PAGE 0



757

PARTS CATALOG (MAINTENANCE)

FIG ITEM	PART NUMBER	1 2 3 4 5 6 7	NOMENCLATURE	EFFECT FROM TO	UNITS PER ASSY
5			PLUMBING INSTL-MAIN WHL WELL BHD HYDR (SYSTEM L AND R ACMP PRESSURE/ CASE DRAIN FILTER MODULE ONLY)	103106	
- 1	MODREF31807		PLUMBING INSTL-PRESSURE WELL BHD HYDR (SYSTEM L AND R ACMP PRESSURE/CASE DRAIN FILTER MODULE ONLY) MODULE NUMBER: 271N6443-47 REV B FOR OTHER SYS DETAILS SEE: 11-22-06-02 27-51-26-02 32-32-05-04 32-41-02-13 32-41-04-03 32-42-02-05 32-42-07-02 FOR ADDITIONAL DETAILS SEE: 29-11-29-03 29-11-51-07	103106	1
5	270N2000-123		.CLAMP ASSY	103106	1
10	NAS1801-3-26		..SCREW	103106	2
15	NAS43DD3-67		..SPACER	103106	2
20	AN960PD10L		..WASHER	103106	2
25	BRH10A3		..NUT	103106	2
			SUPPLIER CODE: V52828 SPECIFICATION NUMBER: BACN10JC3 OPTIONAL PART: H10-3BAC V15653 NS202101-02 V80539 RMLH9075-3W V72962 VN303A02 V92215 96-02 V80539 T6S1032J V11815		
30	270N2000-868		..CHANNEL	103106	1
35	270N2000-556		..BLOCK	103106	2

MISSING ITEM NUMBERS NOT APPLICABLE

- ITEM NOT ILLUSTRATED

29-11-18-05

29-11-18
FIG. 05
PAGE 1
JAN 20/09

BRI



757

PARTS CATALOG (MAINTENANCE)

FIG ITEM	PART NUMBER	1 2 3 4 5 6 7	NOMENCLATURE	EFFECT FROM TO	UNITS PER ASSY
5					
40	271N6443-1114		.TUBE ASSY- TUBING MATERIAL: .500 IN. OD .026 IN. WALL 32.50 IN. LG TI BMS 7-234 TI-3AL-2.5V COLD WORKED, STRESS RELIEVED TUBING	103106	1
- 45	AS1581T08		..SLEEVE	103106	2
- 50	BACN10YA8		..NUT	103106	2
55	AP1042JN1616		.ELBOW SUPPLIER CODE: V01673 SPECIFICATION NUMBER: BACE21BT1616JN	103106	1
60	BCREF116867		.TEE- OVERLENGTH PART NUMBER: BACT16BR160816JN	103106	1

MISSING ITEM NUMBERS NOT APPLICABLE

- ITEM NOT ILLUSTRATED

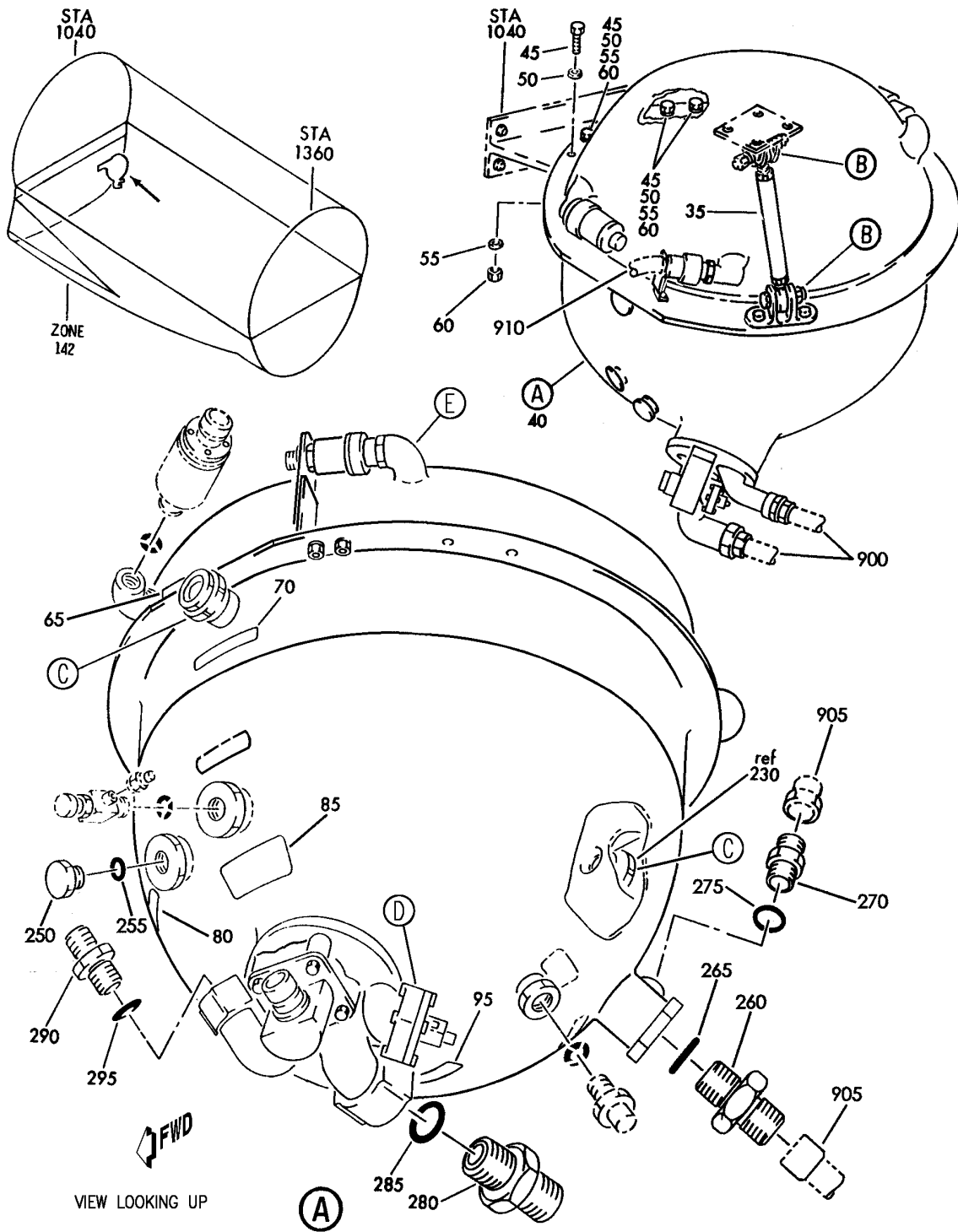
BRI

29-11-18-05

BOEING PROPRIETARY - Copyright © - Unpublished Work - See title page for details.

29-11-18
FIG. 05
PAGE 2
JAN 20/09

BOEING
757
PARTS CATALOG (MAINTENANCE)



Y 29112001 SHT 1 REV 262

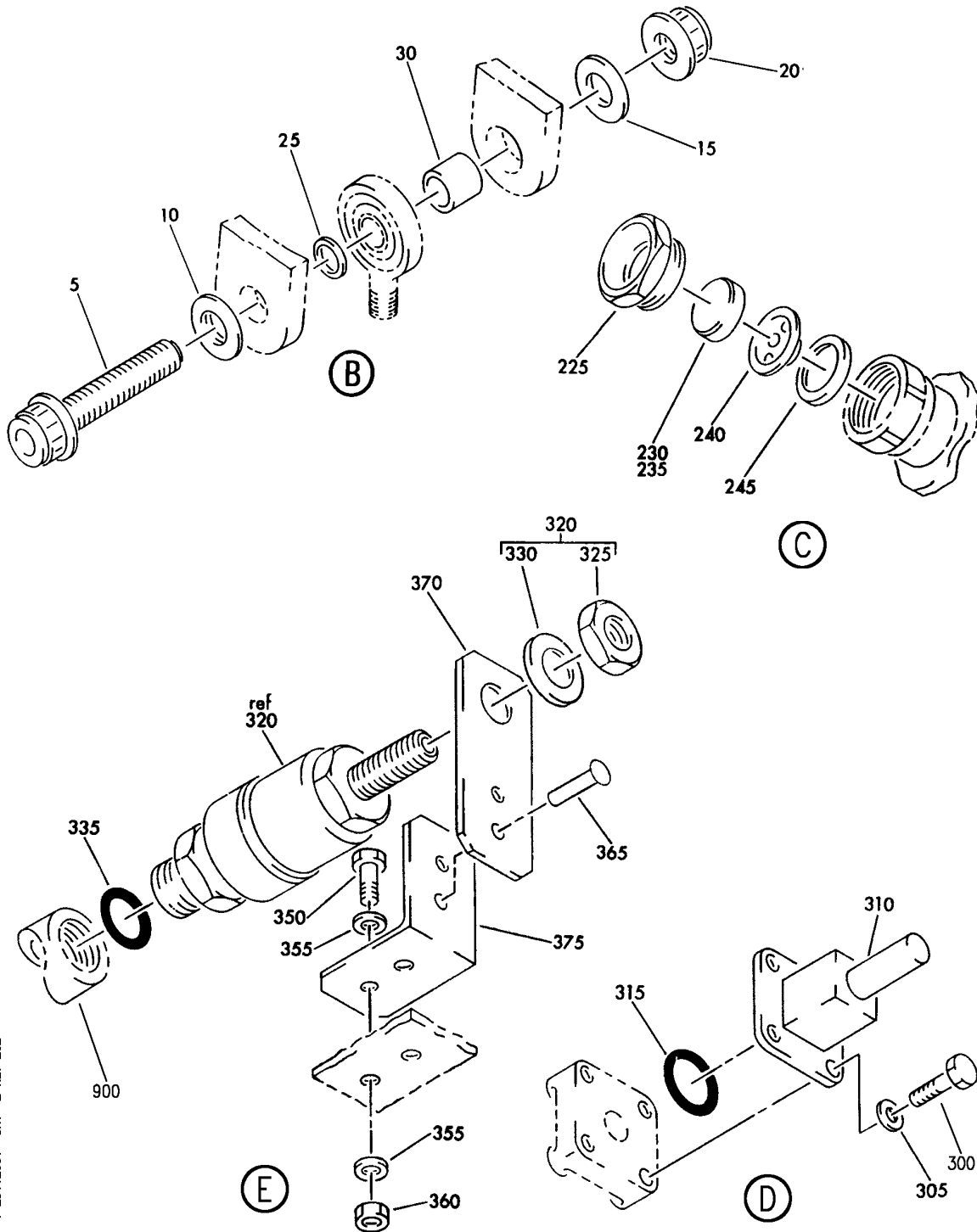
RESERVOIR INSTL-R SYS HYDR
FIGURE 1 (SHEET 1)

29-11-20-01

BRI
MAY 28/07

29-11-20-01
PAGE 0

BOEING
757
PARTS CATALOG (MAINTENANCE)



Y 29112001 SHT 2 REV 262

RESERVOIR INSTL-R SYS HYDR
FIGURE 1 (SHEET 2)

29-11-20-01

BRI
MAY 28/07

29-11-20-01
PAGE 0A



757

PARTS CATALOG (MAINTENANCE)

FIG ITEM	PART NUMBER	1 2 3 4 5 6 7	NOMENCLATURE	EFFECT FROM TO	UNITS PER ASSY
1			RESERVOIR INSTL-R SYS HYDR	101106 108120 504903	
- 2	271N3003-13		RESERVOIR INSTL-SYS HYDR POSITION DATA: R FOR NHA SEE: 29-00-51-02C	101102 108120 504903	RF
- 2	MODREF7017		RESERVOIR INSTL-SYS HYDR MODULE NUMBER: 271N3003-13 REV A POSITION DATA: R	103106	1
- 3	271N3003-15		RESERVOIR INSTL-SYS HYDR POSITION DATA: R FOR NHA SEE: 29-00-51-02B	101102 108120 504903	RF
- 3	MODREF7019		RESERVOIR INSTL-SYS HYDR MODULE NUMBER: 271N3003-15 REV A POSITION DATA: R	103106	1
5	BACB30LE6U21		.BOLT- USED ON: 271N3003-13 MODREF7017	101106 108120 504903	2
10	BACW10BP6CD		.WASHER- POSITION DATA: UNDER HEAD USED ON: 271N3003-13 MODREF7017	101106 108120 504903	2
15	BACW10BP6DP		.WASHER- POSITION DATA: UNDER NUT USED ON: 271N3003-13 MODREF7017	101106 108120 504903	2

MISSING ITEM NUMBERS NOT APPLICABLE

- ITEM NOT ILLUSTRATED

BRI

29-11-20-01

29-11-20
FIG. 01
PAGE 1
JAN 20/09



757

PARTS CATALOG (MAINTENANCE)

FIG ITEM	PART NUMBER	1 2 3 4 5 6 7	NOMENCLATURE	EFFECT FROM TO	UNITS PER ASSY
1	40 271N3007-11		.RESERVOIR ASSY-HYDR COMPONENT MAINT MANUAL REF: 29-11-24 USED ON: 271N3003-15 MODREF7019 FUNCTIONAL REFERENCE: PLACARDS AND MARKINGS FOR DETAILS SEE 11-22-59-02 HYDRAULIC POWER FOR DETAILS SEE 29-11-23-04 29-11-24-04 29-31-01-03 29-32-03-03 29-35-01-03 ATTACHING PARTS	101106 108120 504903	1
	45 BACB30MR5K10		.BOLT	101106 108120 504903	4
	50 BACW10BN5AC		.WASHER- POSITION DATA: UNDER HEAD	101106 108120 504903	4
	55 BACW10BN5AP		.WASHER	101106 108120 504903	4
	60 NAS1805-5L		.NUT	101106 108120 504903	4
	65 BAC27NHY0043		-----*----- ..MARKER- PLACARD CONTENT: D532 RESV PRESS SW R SYS S10034	101106 108120 504903	1
	70 BAC27THY28		..MARKER- PLACARD CONTENT: SIGHT GAUGE	101106 108120 504903	1
	80 BAC27THY15		..MARKER- PLACARD CONTENT: ACMP SUPPLY	101106 108120 504903	1
	85 BAC27NHY0040		..MARKER- PLACARD CONTENT: D2490 RESV QTY XMTR R SYS M340	101106 108120 504903	1
	95 BAC27THY16		..MARKER- PLACARD CONTENT: EDP SUPPLY	101106 108120 504903	1

MISSING ITEM NUMBERS NOT APPLICABLE

- ITEM NOT ILLUSTRATED

BRI

29-11-20-01

29-11-20
FIG. 01
PAGE 3
JAN 20/09



757

PARTS CATALOG (MAINTENANCE)

FIG ITEM	PART NUMBER	1 2 3 4 5 6 7	NOMENCLATURE	EFFECT FROM TO	UNITS PER ASSY
1					
225	BACC14B1H	..	CAP-SIGHT GLASS	101106 108120 504903	2
230	69B80825-1	..	BLANK-BULLSEYE OPTIONAL PART: BACG21A1	101106 108120 504903	1
230	BACG21A1	..	GLASS-SIGHT OPTIONAL PART: 69B80825-1	101106 108120 504903	1
235	BACG21A1	..	GLASS-SIGHT	101106 108120 504903	1
240	69B80894-1	..	REFLECTOR	101106 108120 504903	2
245	69B80919-1	..	WASHER-SEAL	101106 108120 504903	2
250	AN814-6DL	..	PLUG	101106 108120 504903	1
255	NAS1612-6A	..	PACKING-	101106 108120 504903	1
260	MS21902D16	..	UNION	101106 108120 504903	1
265	NAS1612-16A	..	PACKING-	101106 108120 504903	1
270	MS21916D10-8	..	UNION	101106 108120 504903	1
275	NAS1612-8	..	PACKING-	101106 108120 504903	1
280	MS21902D20	..	UNION	101106 108120 504903	1
285	NAS1612-20A	..	PACKING-	101106 108120 504903	1
290	MS21916D16-12	..	UNION	101106 108120 504903	1
295	NAS1612-16A	..	PACKING-	101106 108120 504903	1

MISSING ITEM NUMBERS NOT APPLICABLE

- ITEM NOT ILLUSTRATED

BRI

29-11-20-01

29-11-20
FIG. 01
PAGE 4
JAN 20/09



757

PARTS CATALOG (MAINTENANCE)

FIG ITEM	PART NUMBER	1 2 3 4 5 6 7	NOMENCLATURE	EFFECT FROM TO	UNITS PER ASSY
1					
300	NAS6603H4	..	BOLT-	101106 108120 504903	4
305	NAS1149D0363J	..	WASHER-	101106 108120 504903	4
310	3-111794	..	VALVE-DRAIN SUPPLIER CODE: V92003 SPECIFICATION NUMBER: 10-60561-1 COMPONENT MAINT MANUAL REF: 29-10-11	101106 108120 504903	1
315	NAS1611-213A	..	PACKING-	101106 108120 504903	1
320	0091520200-2	..	VALVE-VENT SUPPLIER CODE: V83533 SPECIFICATION NUMBER: S271N301-2 COMPONENT MAINT MANUAL REF: 29-11-02 USED ON: 271N3007-11	101106 108120 504903	1
325	AN924-4S	...	NUT	101106 108120 504903	1
330	AN960-716	...	WASHER	101106 108120 504903	1
335	NAS1612-6A	..	PACKING- USED ON: 271N3007-11	101106 108120 504903	1
350	NAS6603-9	..	BOLT- USED ON: 271N3007-11	101106 108120 504903	2
355	NAS1149D0363J	..	WASHER- USED ON: 271N3007-11	101106 108120 504903	4

MISSING ITEM NUMBERS NOT APPLICABLE

- ITEM NOT ILLUSTRATED

BRI

29-11-20-01

29-11-20
FIG. 01
PAGE 5
JAN 20/09



757

PARTS CATALOG (MAINTENANCE)

FIG ITEM	PART NUMBER	1 2 3 4 5 6 7	NOMENCLATURE	EFFECT FROM TO	UNITS PER ASSY
1 360	BRH10C3D		..NUT- SUPPLIER CODE: V52828 SPECIFICATION NUMBER: BACN10JC3CD OPTIONAL PART: T6C1032JCD V11815 NS202486-02 V80539 102LH9075-3W V72962 H51650-3BAC V15653 USED ON: 271N3007-11	101106 108120 504903	2
365	BACR15FT6AD		..RIVET- USED ON: 271N3007-11	101106 108120 504903	2
370	271N3036-3		..BRACKET-VENT VALVE USED ON: 271N3007-11	101106 108120 504903	1
375	271N3036-2		..BRACKET-VENT VALVE USED ON: 271N3007-11	101106 108120 504903	1
900			ILLUSTRATION REFERENCE: PLUMBING INSTL-MAIN WHL WELL FWD BHD HYDR (HYDRAULIC POWER ONLY) 29-11-51-39A	101102 108120 504903	RF
905			ILLUSTRATION REFERENCE: PLUMBING INSTL BASIC AND STABLE 29-11-51-48	101102 108120 504903	RF
910			ILLUSTRATION REFERENCE: PLUMBING INSTL-MAIN WHL WELL FWD BHD HYDR 29-11-51-78	101102 108120 504903	RF

MISSING ITEM NUMBERS NOT APPLICABLE

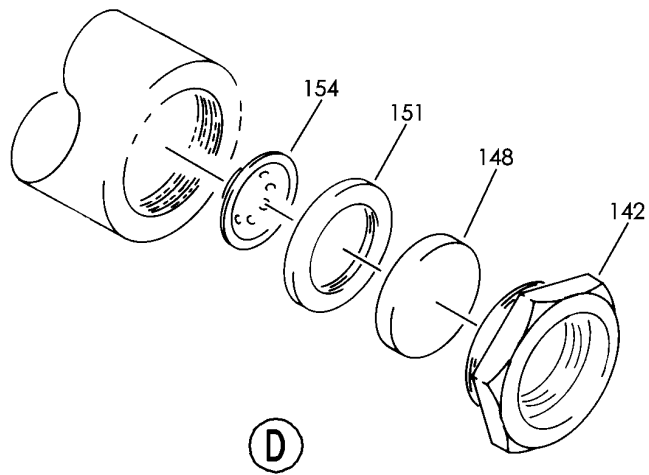
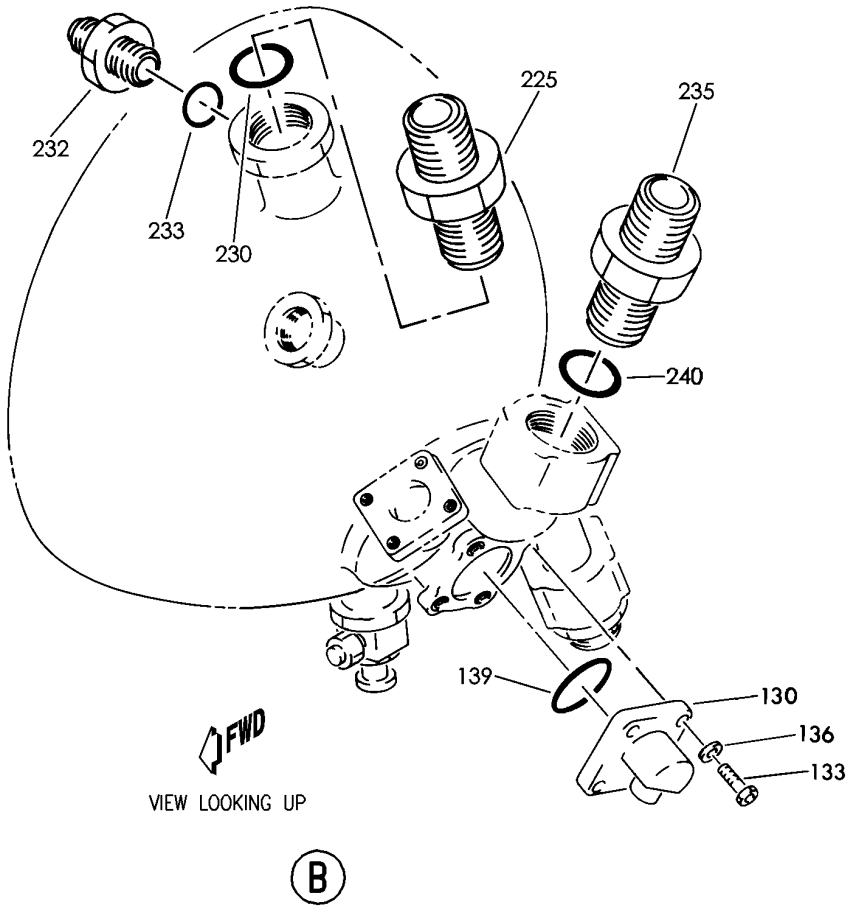
- ITEM NOT ILLUSTRATED

BRI

29-11-20-01

29-11-20
FIG. 01
PAGE 6
JAN 20/09

BOEING
757
PARTS CATALOG (MAINTENANCE)



Y 29112004 SHT 2 REV 242

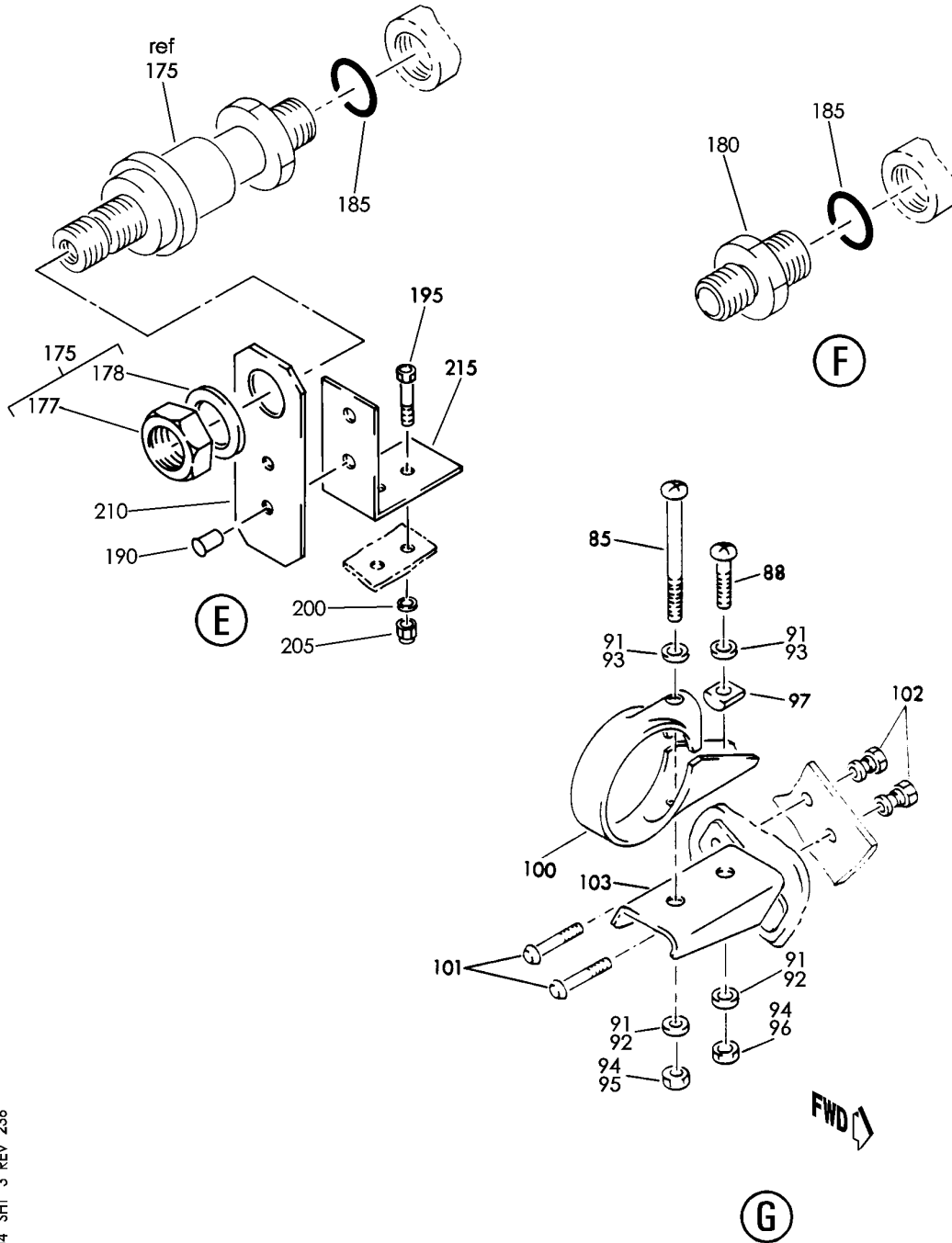
RESERVOIR INSTL-SECT. 44 L SYS HYDR
FIGURE 4 (SHEET 2)

BRI
MAY 28/07

29-11-20-04

29-11-20-04
PAGE 0A

BOEING
757
PARTS CATALOG (MAINTENANCE)



Y 29112004 SH1 3 REV 236

RESERVOIR INSTL-SECT. 44 L SYS HYDR
FIGURE 4 (SHEET 3)

29-11-20-04

BRI
MAY 28/07

29-11-20-04
PAGE 0B



757

PARTS CATALOG (MAINTENANCE)

FIG ITEM	PART NUMBER	1 2 3 4 5 6 7	NOMENCLATURE	EFFECT FROM TO	UNITS PER ASSY
4			RESERVOIR INSTL-SECT. 44 L SYS HYDR	002004 006999	
- 1	271N3001-3		RESERVOIR INSTL-SYS HYDR POSITION DATA: L FOR NHA SEE: 29-00-51-05	107107 904949	RF
- 1	271N3001-9		RESERVOIR INSTL-SYS HYDR POSITION DATA: L FOR NHA SEE: 29-00-51-05	002004 006100 121503 950999	RF
- 1	271N3001-11		RESERVOIR INSTL-SYS HYDR POSITION DATA: L FOR NHA SEE: 29-00-51-05	101102 108120 504903	RF
- 1	MODREF7010		RESERVOIR INSTL-SYS HYDR MODULE NUMBER: 271N3001-11 REV A POSITION DATA: L	103106	1
- 3	271N3001-12		RESERVOIR INSTL-SYS HYDR POSITION DATA: SECT. 44 L FOR NHA SEE: 29-00-51-02B	101102 108120 504903	RF
- 3	MODREF7011		RESERVOIR INSTL-SYS HYDR MODULE NUMBER: 271N3001-12 REV A POSITION DATA: SECT. 44 L	103106	1
5	BACB30LE6U21		.BOLT- USED ON: 271N3001-1 271N3001-2 271N3001-3 271N3001-9 271N3001-11 MODREF7010	002004 006999	2
10	BACW10BP6CD		.WASHER- USED ON: 271N3001-1 271N3001-2 271N3001-3 271N3001-9 271N3001-11 MODREF7010	002004 006999	2

MISSING ITEM NUMBERS NOT APPLICABLE

- ITEM NOT ILLUSTRATED

BRI

29-11-20-04

29-11-20
FIG. 04
PAGE 1
JAN 20/09



757

PARTS CATALOG (MAINTENANCE)

FIG ITEM	PART NUMBER	1 2 3 4 5 6 7	NOMENCLATURE	EFFECT FROM TO	UNITS PER ASSY
4	25	BACB28AK06-005	.BUSHING- USED ON: 271N3001-1 271N3001-2 271N3001-3 271N3001-9 271N3001-11 MODREF7010	002004 006999	2
	30	BACB28AK06-046	.BUSHING- USED ON: 271N3001-1 271N3001-2 271N3001-3 271N3001-9 271N3001-11 MODREF7010	002004 006999	2
	35	250N2004-324	.ROD ASSY-CONT COMPONENT MAINT MANUAL REF: 27-00-12 USED ON: 271N3001-1 271N3001-2 271N3001-3 271N3001-9 271N3001-11 MODREF7010	002004 006999	1
	40	271N3005-16	.RESERVOIR ASSY-HYDR SYS POSITION DATA: LH SIDE COMPONENT MAINT MANUAL REF: 29-11-15 USED ON: 271N3001-12 MODREF7011 FOR DETAILS SEE: 29-11-22-01 29-11-23-01 29-11-24-01 29-11-30-01 29-35-01-04	101106 108120 504903	1

MISSING ITEM NUMBERS NOT APPLICABLE

- ITEM NOT ILLUSTRATED

BRI

29-11-20-04

BOEING PROPRIETARY - Copyright © - Unpublished Work - See title page for details.

29-11-20
FIG. 04
PAGE 3
JAN 20/09



757

PARTS CATALOG (MAINTENANCE)

FIG ITEM	PART NUMBER	1 2 3 4 5 6 7	NOMENCLATURE	EFFECT FROM TO	UNITS PER ASSY
4					
40	271N3005-13		.RESERVOIR ASSY-HYDR SYS POSITION DATA: LH SIDE COMPONENT MAINT MANUAL REF: 29-11-15 FOR DETAILS SEE: 29-11-22-01 29-11-23-01 29-11-24-01 29-35-01-04 29-11-30-01	107107 904949	1
40	271N3005-14		.RESERVOIR ASSY-HYDR SYS POSITION DATA: LH SIDE COMPONENT MAINT MANUAL REF: 29-11-15 FOR DETAILS SEE: 29-35-01-04	002004 006100 121503 950999	1
40	271N3005-16		.RESERVOIR ASSY-HYDR SYS POSITION DATA: LH SIDE COMPONENT MAINT MANUAL REF: 29-11-15 FOR DETAILS SEE: 29-11-22-01 29-11-23-01 29-11-24-01 29-35-01-04 29-11-30-01 ATTACHING PARTS	002004 006100 121503 950999	1
45	BACB30MR5K10		.BOLT-	002004 006999	4
50	BACW10BN5AC		.WASHER-	002004 006999	4
			-----*-----		
85	BACB30NT3K36		..BOLT-	002004 006999	1
88	BACB30NT3K5		..BOLT- USED WITH: 69B80826-1	002004 006999	1
91	NAS1149D0363J		..WASHER-	002004 006999	4

MISSING ITEM NUMBERS NOT APPLICABLE

- ITEM NOT ILLUSTRATED

29-11-20-04

29-11-20
FIG. 04
PAGE 4
JAN 20/09

BRI



757

PARTS CATALOG (MAINTENANCE)

FIG ITEM	PART NUMBER	1 2 3 4 5 6 7	NOMENCLATURE	EFFECT FROM TO	UNITS PER ASSY
4 94	BRH10C3D	..	NUT- SUPPLIER CODE: V52828 SPECIFICATION NUMBER: BACN10JC3CD OPTIONAL PART: T6C1032JCD V11815 NS202486-02 V80539 102LH9075-3W V72962 H51650-3BAC V15653	002004 006999	2
97	69B80826-1	..	FILLER- USED WITH: BACB30NT3K5	002004 006999	1
100	BACC10AA32-20	..	CLAMP-	002004 006999	1
101	2LPYE5-7	..	BOLT SUPPLIER CODE: V11815 SPECIFICATION NUMBER: BACB30GP5-7 OPTIONAL PART: 2LPYE5-7 V17446	002004 006999	2
102	NAS1080D5	..	COLLAR	002004 006999	2
103	271N3043-10	..	BRACKET	002004 006999	1
130	019-012-001	..	TRANSMITTER- SUPPLIER CODE: V26055 FUNCTIONAL DESCRIPTION: TRANSMITS HYDRAULIC FLUID QUANTITY IN THE LEFT AND RIGHT RESERVOIR TO THE EICAS COMPUTER SPECIFICATION NUMBER: S271T455-3 ELECTRICAL EQUIP NUMBER: M00338 COMPONENT MAINT MANUAL REF: 29-33-25	002004 006999	1
133	NAS6604H2	..	ATTACHING PARTS BOLT-	002004 006999	4

MISSING ITEM NUMBERS NOT APPLICABLE

- ITEM NOT ILLUSTRATED

29-11-20-04

29-11-20
FIG. 04
PAGE 5
JAN 20/09

BRI



757

PARTS CATALOG (MAINTENANCE)

FIG ITEM	PART NUMBER	1 2 3 4 5 6 7	NOMENCLATURE	EFFECT FROM TO	UNITS PER ASSY
4					
- 136	NAS1149D0463J	..	WASHER-	002004 006999	4
			-----*-----		
139	NAS1611-224A	..	PACKING-	002004 006999	1
142	BACC14B1H	..	CAP-SIGHT GLASS	002004 006999	2
148	BACG21A1	..	GLASS-SIGHT	002004 006999	2
			OPTIONAL PART: 69B80825-1		
148	69B80825-1	..	BLANK-BULLSEYE	002004 006999	2
			OPTIONAL PART: BACG21A1		
151	69B80919-1	..	WASHER-SEALING	002004 006999	2
154	69B80894-1	..	REFLECTOR	002004 006999	2
155	AN814-6DL	..	PLUG	002004 006999	1
157	1122410	..	TRANSMITTER-TEMP	002004 006100	1
			SUPPLIER CODE: V60678		
			SPECIFICATION NUMBER: S270T245-1		
160	NAS1612-6A	..	PACKING-	002004 006999	1
175	0091520200-2	..	VALVE-VENT	002004 006999	1
			SUPPLIER CODE: V83533		
			SPECIFICATION NUMBER: S271N301-2		
			COMPONENT MAINT MANUAL REF: 29-11-02		
177	AN924-4S	...	NUT-	002004 006999	1
178	NAS1149F0763P	...	WASHER-	002004 006999	1

MISSING ITEM NUMBERS NOT APPLICABLE

- ITEM NOT ILLUSTRATED

29-11-20-04

29-11-20
FIG. 04
PAGE 6
JAN 20/09

BRI

BOEING PROPRIETARY - Copyright © - Unpublished Work - See title page for details.



757

PARTS CATALOG (MAINTENANCE)

FIG ITEM	PART NUMBER	1 2 3 4 5 6 7	NOMENCLATURE	EFFECT FROM TO	UNITS PER ASSY
4 180	AFP2326-4		..REDUCER-RESTRICTOR SUPPLIER CODE: V30974 SPECIFICATION NUMBER: BACR17E6-4 OPTIONAL PART: AP10276-4 V01673 BC916T6-4 V50948 DBOR17E6-4 V14798 ER21916T6-4 V88334 ER31916-6-4 V88334 F23-6-4 V73197 2-01075T6-4 V11328 31778-6-4 V14397 US2114-6-4 V50808 AP1027T6-4 V01673 US21146-4 V50808 317786-4 V14397	002004 006100 121503 950999	1
185	NAS1612-6A		..PACKING-	002004 006999	1
190	BACR15FT6AD		..RIVET- SIZE DETERMINED ON INSTL.	002004 006999	2
195	NAS6603-9		..BOLT-	002004 006999	2
200	NAS1149D0363J		..WASHER-	002004 006999	2

MISSING ITEM NUMBERS NOT APPLICABLE

- ITEM NOT ILLUSTRATED

29-11-20-04

29-11-20
FIG. 04
PAGE 7
JAN 20/09

BRI

BOEING
757
PARTS CATALOG (MAINTENANCE)

FIG ITEM	PART NUMBER	1 2 3 4 5 6 7	NOMENCLATURE	EFFECT FROM TO	UNITS PER ASSY
4 205	BRH10C3D	..	NUT- SUPPLIER CODE: V52828 SPECIFICATION NUMBER: BACN10JC3CD OPTIONAL PART: T6C1032JCD V11815 NS202486-02 V80539 102LH9075-3W V72962 H51650-3BAC V15653	002004 006999	2
210	271N3036-2	..	BRACKET-	002004 006999	1
215	271N3036-3	..	BRACKET-	002004 006999	1
225	MS21902D16	..	UNION-	002004 006999	1
230	NAS1612-16A	..	PACKING-	002004 006999	1
232	MS21902D8	..	UNION-	002004 006999	1
233	NAS1612-8A	..	PACKING-	002004 006999	1
235	MS21902D20	..	UNION-	002004 006999	1
240	NAS1612-20A	..	PACKING-	002004 006999	1
900			ILLUSTRATION REFERENCE: PLUMBING INSTL-SECT. 44 MAIN WHL WELL HYDR (HYDRAULIC POWER ONLY) 29-11-51-36	002004 006100 107107 121503 904999	RF

MISSING ITEM NUMBERS NOT APPLICABLE

— ITEM NOT ILLUSTRATED

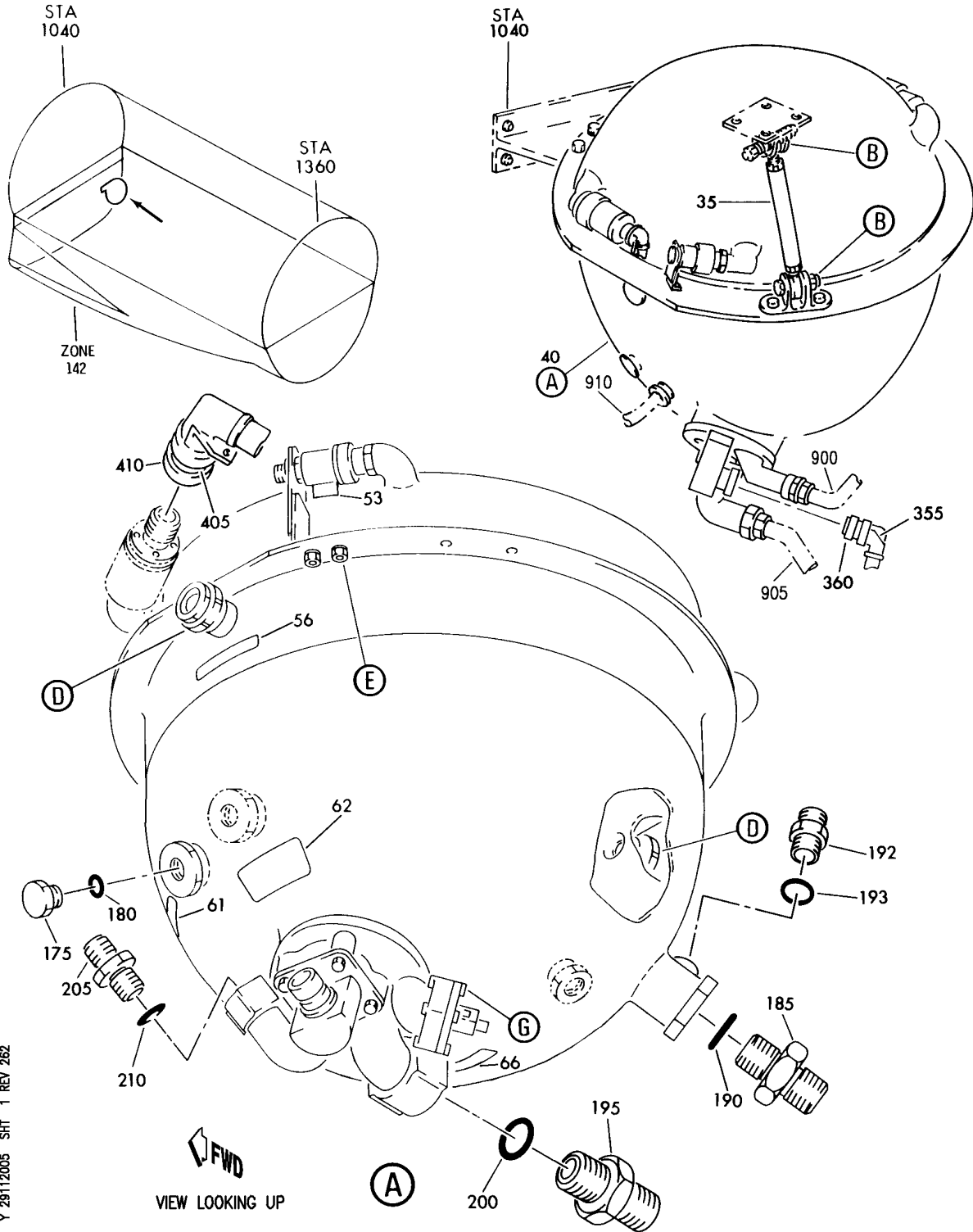
BRI

29-11-20-04

BOEING PROPRIETARY - Copyright © - Unpublished Work - See title page for details.

29-11-20
FIG. 04
PAGE 8
JAN 20/09

BOEING
757
PARTS CATALOG (MAINTENANCE)



Y 29112005 SHT 1 REV 262

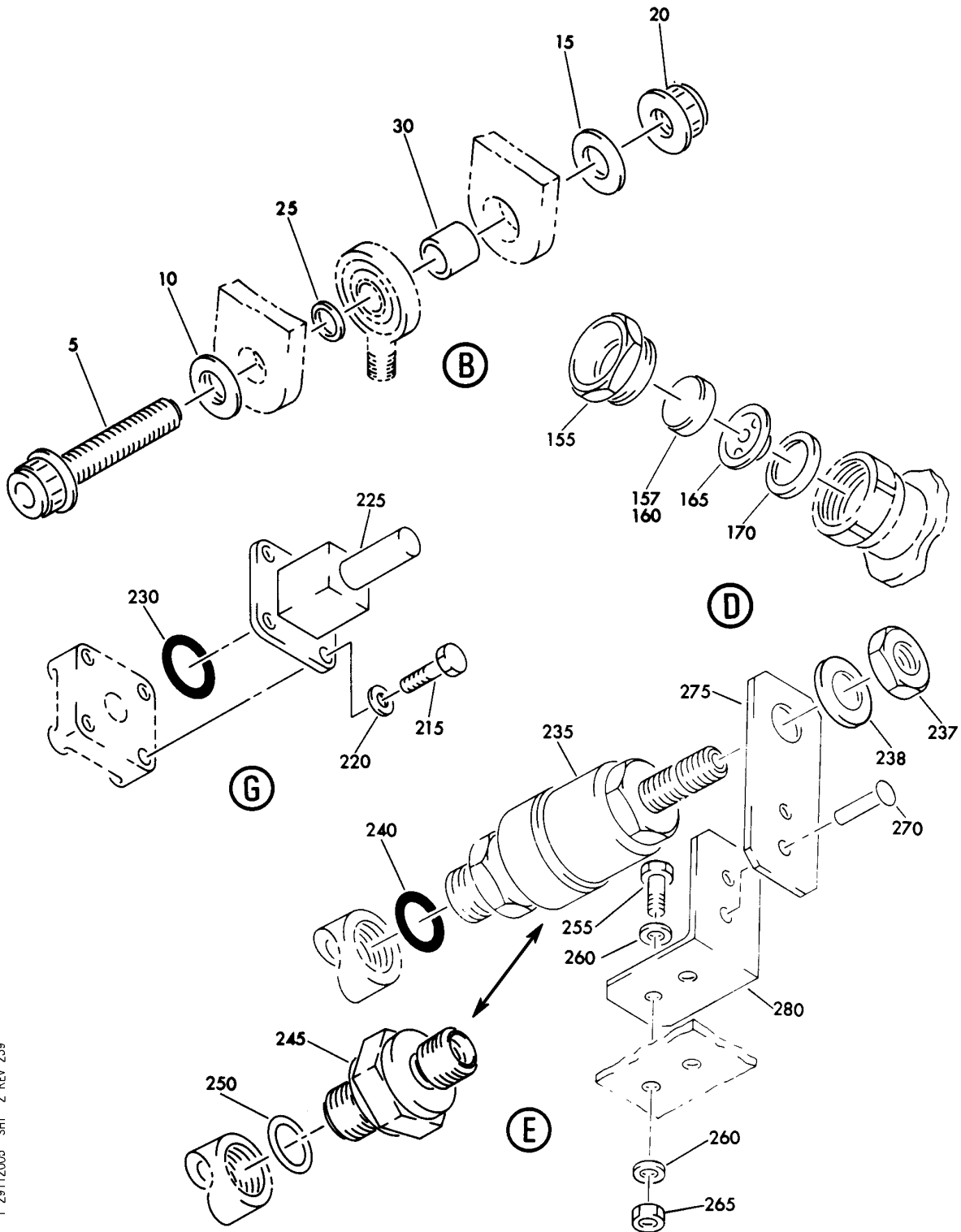
RESERVOIR INSTL-R SYS HYDR
FIGURE 5 (SHEET 1)

29-11-20-05

BRI
MAY 28/07

29-11-20-05
PAGE 0

BOEING
757
PARTS CATALOG (MAINTENANCE)



Y 29112005 SH1 2 REV 239

RESERVOIR INSTL-R SYS HYDR
FIGURE 5 (SHEET 2)

29-11-20-05

BRI
MAY 28/07

29-11-20-05
PAGE 0A



757

PARTS CATALOG (MAINTENANCE)

FIG ITEM	PART NUMBER	1 2 3 4 5 6 7	NOMENCLATURE	EFFECT FROM TO	UNITS PER ASSY
5			RESERVOIR INSTL-R SYS HYDR	002004 006100 107107 121503 904999	
- 1	271N3003-3		RESERVOIR INSTL-SYS HYDR POSITION DATA: R FOR NHA SEE: 29-00-51-05	107107 904999	RF
- 1	271N3003-10		RESERVOIR INSTL-SYS HYDR POSITION DATA: R FOR NHA SEE: 29-00-51-05	002004 006100 121503 950999	RF
5	BACB30LE6U21		.BOLT-	002004 006100 107107 121503 904999	2
10	BACW10BP6CD		.WASHER- POSITION DATA: UNDER HEAD	002004 006100 107107 121503 904999	2
15	BACW10BP6DP		.WASHER- POSITION DATA: UNDER NUT	002004 006100 107107 121503 904999	2

MISSING ITEM NUMBERS NOT APPLICABLE

- ITEM NOT ILLUSTRATED

BRI

29-11-20-05

BOEING PROPRIETARY - Copyright © - Unpublished Work - See title page for details.

29-11-20
FIG. 05
PAGE 1
JAN 20/09



757

PARTS CATALOG (MAINTENANCE)

FIG ITEM	PART NUMBER	1 2 3 4 5 6 7	NOMENCLATURE	EFFECT FROM TO	UNITS PER ASSY
R R R R R R R R R R R R R R R R R R R R	5 20	BMN10HRCWD3-6	.NUT- SUPPLIER CODE: V97928 SPECIFICATION NUMBER: BACN10HR6CD OPTIONAL PART: H51560-6 V15653 67832CD624 V56878 102LH9031-6 V72962 BH00303CM6 V27238 SL7108C624 V11815 BMN5024CWD36 V97928 SL7108C6 V11815 102LH90316 V72962 67832CD6 V56878 VCU0005D6 V06710 CR60306 VF0224 CR60306 VF0224	002004 006100 107107 121503 904999	2
	25	BACB28AK06-005	.BUSHING	002004 006100 107107 121503 904999	2
	30	BACB28AK06-046	.BUSHING	002004 006100 107107 121503 904999	2
	35	250N2004-324	.ROD ASSY-CONT COMPONENT MAINT MANUAL REF: 27-00-12	002004 006100 107107 121503 904999	1

MISSING ITEM NUMBERS NOT APPLICABLE

- ITEM NOT ILLUSTRATED

29-11-20-05

29-11-20
FIG. 05
PAGE 2
MAY 20/09

BRI



757

PARTS CATALOG (MAINTENANCE)

FIG ITEM	PART NUMBER	1 2 3 4 5 6 7	NOMENCLATURE	EFFECT FROM TO	UNITS PER ASSY
5					
40	271N3007-6		.RESERVOIR ASSY-HYDR COMPONENT MAINT MANUAL REF: 29-11-24 FUNCTIONAL REFERENCE: PLACARDS AND MARKINGS FOR DETAILS SEE 11-22-59-02 HYDRAULIC POWER FOR DETAILS SEE 29-11-23-04 29-11-24-04 29-31-01-03 29-32-03-03 29-35-01-03	107107 904949	1
40	271N3007-11		.RESERVOIR ASSY-HYDR COMPONENT MAINT MANUAL REF: 29-11-24 FUNCTIONAL REFERENCE: PLACARDS AND MARKINGS FOR DETAILS SEE 11-22-59-02 HYDRAULIC POWER FOR DETAILS SEE 29-11-23-04 29-11-24-04 29-31-01-03 29-32-03-03 29-35-01-03	002004 006100 121503 950999	1
- 43	BACB30MR5K10		ATTACHING PARTS .BOLT-	002004 006100 107107 121503 904999	4
- 46	BACW10BN5AC		.WASHER- POSITION DATA: UNDER HEAD	002004 006100 107107 121503 904999	4
- 48	BACW10BN5AP		.WASHER-	002004 006100 107107 121503 904999	4

MISSING ITEM NUMBERS NOT APPLICABLE

- ITEM NOT ILLUSTRATED

BRI

29-11-20-05

29-11-20
FIG. 05
PAGE 3
JAN 20/09

 **BOEING**
757
PARTS CATALOG (MAINTENANCE)

FIG ITEM	PART NUMBER	1 2 3 4 5 6 7	NOMENCLATURE	EFFECT FROM TO	UNITS PER ASSY
5 - 51	NAS1805-5N	.	NUT-	002004 006100 107107 121503 904999	4
53	BAC27NHY0043	-----*----- ..	MARKER- PLACARD CONTENT: D532 RESV PRESS SW R SYS S10034	002004 006100 107107 121503 904999	1
56	BAC27THY28	..	MARKER- PLACARD CONTENT: SIGHT GAUGE	002004 006100 107107 121503 904999	1
61	BAC27THY15	..	MARKER- PLACARD CONTENT: ACMP SUPPLY	002004 006100 107107 121503 904999	1
62	BAC27NHY0040	..	MARKER- PLACARD CONTENT: D2490 RESV QTY XMTR R SYS M340	002004 006100 107107 121503 904999	1
66	BAC27THY16	..	MARKER- PLACARD CONTENT: EDP SUPPLY	002004 006100 107107 121503 904999	1
155	BACC14B1H	..	CAP-SIGHT GLASS	002004 006100 107107 121503 904999	2
157	69B80825-1	..	BLANK-BULLSEYE USED ON: 271N3007-10 271N3007-11 271N3007-12 271N3007-13	002004 006100 121503 950999	1

MISSING ITEM NUMBERS NOT APPLICABLE

- ITEM NOT ILLUSTRATED

BRI

29-11-20-05

BOEING PROPRIETARY - Copyright © - Unpublished Work - See title page for details.

29-11-20
FIG. 05
PAGE 4
JAN 20/09

 **BOEING**
757
PARTS CATALOG (MAINTENANCE)

FIG ITEM	PART NUMBER	1 2 3 4 5 6 7	NOMENCLATURE	EFFECT FROM TO	UNITS PER ASSY
5					
157	BACG21A1		.. GLASS-SIGHT USED ON: 271N3007-1 271N3007-4 271N3007-6 271N3007-7 271N3007-8 271N3007-14	107107 904949	1
160	BACG21A1		.. GLASS-SIGHT	002004 006100 107107 121503 904999	2
165	69B80894-1		.. REFLECTOR	002004 006100 107107 121503 904999	2
170	69B80919-1		.. WASHER-SEAL	002004 006100 107107 121503 904999	2
175	AN814-6DL		.. PLUG	002004 006100 107107 121503 904999	1
180	NAS1612-6		.. PACKING- USED ON: 271N3007-10 271N3007-11 271N3007-12 271N3007-13	002004 006100 121503 950999	1
180	NAS1612-6A		.. PACKING- USED ON: 271N3007-1 271N3007-4 271N3007-6 271N3007-7 271N3007-8 271N3007-14	107107 904949	1
185	MS21902D16		.. UNION-	002004 006100 107107 121503 904999	1

MISSING ITEM NUMBERS NOT APPLICABLE

— ITEM NOT ILLUSTRATED

BRI

29-11-20-05

BOEING PROPRIETARY - Copyright © - Unpublished Work - See title page for details.

29-11-20
FIG. 05
PAGE 5
JAN 20/09



757

PARTS CATALOG (MAINTENANCE)

FIG ITEM	PART NUMBER	1 2 3 4 5 6 7	NOMENCLATURE	EFFECT FROM TO	UNITS PER ASSY
5					
190	NAS1612-16	..	PACKING- USED ON: 271N3007-10 271N3007-11 271N3007-12 271N3007-13	002004 006100 121503 950999	1
190	NAS1612-16A	..	PACKING- USED ON: 271N3007-1 271N3007-4 271N3007-6 271N3007-7 271N3007-8 271N3007-14	107107 904949	1
192	MS21916D10-8	..	UNION-	107107 904949	1
193	NAS1612-8	..	PACKING-	002004 006100 107107 121503 904999	1
195	MS21902D20	..	UNION-	002004 006100 107107 121503 904999	1
200	NAS1612-20A	..	PACKING- USED ON: 271N3007-1 271N3007-4 271N3007-6 271N3007-7 271N3007-8 271N3007-14	107107 904949	1
200	NAS1612-20	..	PACKING- USED ON: 271N3007-10 271N3007-11 271N3007-12 271N3007-13	002004 006100 121503 950999	1
205	MS21916D16-12	..	UNION-	002004 006100 107107 121503 904999	1

MISSING ITEM NUMBERS NOT APPLICABLE

- ITEM NOT ILLUSTRATED

BRI

29-11-20-05

29-11-20
FIG. 05
PAGE 6
JAN 20/09

 **BOEING**
757
PARTS CATALOG (MAINTENANCE)

FIG ITEM	PART NUMBER	1 2 3 4 5 6 7	NOMENCLATURE	EFFECT FROM TO	UNITS PER ASSY
5					
210	NAS1612-16	..	PACKING- USED ON: 271N3007-10 271N3007-11 271N3007-12 271N3007-13	002004 006100 121503 950999	1
210	NAS1612-16A	..	PACKING- USED ON: 271N3007-1 271N3007-4 271N3007-6 271N3007-7 271N3007-8 271N3007-14	107107 904949	1
215	BACB30NE3H4	..	BOLT- USED ON: 271N3007-10 271N3007-11 271N3007-12 271N3007-13	002004 006100 121503 950999	4
215	NAS6603H4	..	BOLT- USED ON: 271N3007-1 271N3007-4 271N3007-6 271N3007-7 271N3007-8 271N3007-14	107107 904949	4
220	AN960PD10	..	WASHER- USED ON: 271N3007-10 271N3007-11 271N3007-12 271N3007-13	002004 006100 121503 950999	4
220	NAS1149D0363J	..	WASHER- USED ON: 271N3007-1 271N3007-4 271N3007-6 271N3007-7 271N3007-8	107107 904949	4
225	3-111794	..	VALVE-DRAIN SUPPLIER CODE: V92003 SPECIFICATION NUMBER: 10-60561-1 COMPONENT MAINT MANUAL REF: 29-10-11	002004 006100 107107 121503 904999	1

MISSING ITEM NUMBERS NOT APPLICABLE

— ITEM NOT ILLUSTRATED

BRI

29-11-20-05

BOEING PROPRIETARY - Copyright © - Unpublished Work - See title page for details.

29-11-20
FIG. 05
PAGE 7
JAN 20/09



757

PARTS CATALOG (MAINTENANCE)

FIG ITEM	PART NUMBER	1 2 3 4 5 6 7	NOMENCLATURE	EFFECT FROM TO	UNITS PER ASSY
5					
230	NAS1611-213		.. PACKING- USED ON: 271N3007-10 271N3007-11 271N3007-12 271N3007-13	002004 006100 121503 950999	1
230	NAS1611-213A		.. PACKING- USED ON: 271N3007-1 271N3007-4 271N3007-6 271N3007-7 271N3007-8 271N3007-14	107107 904949	1
235	0091520200-1		.. VALVE-VENT SUPPLIER CODE: V83533 SPECIFICATION NUMBER: S271N301-1 COMPONENT MAINT MANUAL REF: 29-21-05	002004 006100 107107 121503 904999	1
235	0091520200-2		.. VALVE-VENT SUPPLIER CODE: V83533 SPECIFICATION NUMBER: S271N301-2 COMPONENT MAINT MANUAL REF: 29-11-02	002004 006100 107107 121503 904999	1
237	AN924-4S		.. NUT-	002004 006100 107107 121503 904999	1
238	AN960-716		.. WASHER- USED ON: 271N3007-10 271N3007-11 271N3007-12 271N3007-13 271N3007-14	002004 006100 121503 950999	1
238	NAS1149F0763P		.. WASHER- USED ON: 271N3007-1 271N3007-4 271N3007-6 271N3007-7 271N3007-8	107107 904949	1

MISSING ITEM NUMBERS NOT APPLICABLE

- ITEM NOT ILLUSTRATED

29-11-20-05

29-11-20
FIG. 05
PAGE 8
JAN 20/09

BRI



757

PARTS CATALOG (MAINTENANCE)

FIG ITEM	PART NUMBER	1 2 3 4 5 6 7	NOMENCLATURE	EFFECT FROM TO	UNITS PER ASSY
5					
240	NAS1612-6		.. PACKING- USED ON: 271N3007-10 271N3007-11 271N3007-12 271N3007-13	002004 006100 121503 950999	1
240	NAS1612-6A		.. PACKING- USED ON: 271N3007-1 271N3007-4 271N3007-6 271N3007-7 271N3007-8 271N3007-14	107107 904949	1
255	NAS6603-9		.. BOLT- USED ON: 271N3007-1 271N3007-4 271N3007-6 271N3007-7 271N3007-8	107107 904949	2
255	BACB30NE3-9		.. BOLT- USED ON: 271N3007-10 271N3007-11 271N3007-12 271N3007-13 271N3007-14	002004 006100 121503 950999	2
260	NAS1149D0363J		.. WASHER- USED ON: 271N3007-1 271N3007-4 271N3007-6 271N3007-7 271N3007-8	107107 904949	4
260	AN960PD10		.. WASHER- USED ON: 271N3007-10 271N3007-11 271N3007-12 271N3007-13 271N3007-14	002004 006100 121503 950999	4

MISSING ITEM NUMBERS NOT APPLICABLE

- ITEM NOT ILLUSTRATED

29-11-20-05

29-11-20
FIG. 05
PAGE 9
JAN 20/09

BRI

BOEING PROPRIETARY - Copyright © - Unpublished Work - See title page for details.



757

PARTS CATALOG (MAINTENANCE)

FIG ITEM	PART NUMBER	1 2 3 4 5 6 7	NOMENCLATURE	EFFECT FROM TO	UNITS PER ASSY
5 265	BRH10A3		..NUT- SUPPLIER CODE: V52828 SPECIFICATION NUMBER: BACN10JC3 OPTIONAL PART: H10-3BAC V15653 NS202101-02 V80539 RMLH9075-3W V72962 VN303A02 V92215 96-02 V80539 T6S1032J V11815 USED ON: 271N3007-10 271N3007-11 271N3007-12 271N3007-13 271N3007-14	002004 006100 121503 950999	2
265	BRH10C3D		..NUT- SUPPLIER CODE: V52828 SPECIFICATION NUMBER: BACN10JC3CD OPTIONAL PART: T6C1032JCD V11815 NS202486-02 V80539 102LH9075-3W V72962 H51650-3BAC V15653 USED ON: 271N3007-1 271N3007-4 271N3007-6 271N3007-7 271N3007-8	107107 904949	2
270	BACR15FT6AD		..RIVET-	002004 006100 107107 121503 904999	2

MISSING ITEM NUMBERS NOT APPLICABLE

- ITEM NOT ILLUSTRATED

BRI

29-11-20-05

BOEING PROPRIETARY - Copyright © - Unpublished Work - See title page for details.

29-11-20
FIG. 05
PAGE 10
JAN 20/09



757

PARTS CATALOG (MAINTENANCE)

FIG ITEM	PART NUMBER	1 2 3 4 5 6 7	NOMENCLATURE	EFFECT FROM TO	UNITS PER ASSY
5					
275	271N3036-3	..	BRACKET-VENT VALVE	002004 006100 107107 121503 904999	1
280	271N3036-2	..	BRACKET-VENT VALVE	002004 006100 107107 121503 904999	1
- 350	286N2516-004		WIRE BUNDLE ASSY	002004 006100 950999	RF
- 350	286N2516-005		WIRE BUNDLE ASSY	107107 121503 904949	RF
355	GS3418-14CD	.CLAMP-	SUPPLIER CODE: V06324 SPECIFICATION NUMBER: BACC10HG14 OPTIONAL PART: S2126-14-8 V07418 ELECTRICAL EQUIP NUMBER: D02490T WIRING DIAGRAM REF: 293311	002004 006100 107107 121503 904999	1
360	R071014R7SNL	.CONNECTOR-	SUPPLIER CODE: V41118 SPECIFICATION NUMBER: BACC63BP14R7SNL MISCELLANEOUS DATA: OPTIONAL PART NUMBERS: BACC63BP14R7SN (81205) BACC63BP14A7SN (81205) BACC63BP14A7SNL (81205) ELECTRICAL EQUIP NUMBER: D02490 WIRING DIAGRAM REF: 293311	002004 006100 107107 121503 904999	1
- 400	286N2510-004		WIRE BUNDLE ASSY	002004 006100 950999	RF
- 400	286N2510-005		WIRE BUNDLE ASSY	107107 121503 904949	RF

MISSING ITEM NUMBERS NOT APPLICABLE

- ITEM NOT ILLUSTRATED

29-11-20-05

29-11-20
FIG. 05
PAGE 11
JAN 20/09

BRI



757

PARTS CATALOG (MAINTENANCE)

FIG ITEM	PART NUMBER	1 2 3 4 5 6 7	NOMENCLATURE	EFFECT FROM TO	UNITS PER ASSY
5 405	GS3418-10CD	.CLAMP-	SUPPLIER CODE: V06324 SPECIFICATION NUMBER: BACC10HG10 OPTIONAL PART: S2126-10-8 V07418 ELECTRICAL EQUIP NUMBER: D00532T WIRING DIAGRAM REF: 293511	002004 006100 107107 121503 904999	1
405	620AA028NF10L	.CLAMP-	SUPPLIER CODE: V06324 SPECIFICATION NUMBER: BACC10KE10 OPTIONAL PART: S3820-10-65 V07418 ELECTRICAL EQUIP NUMBER: D00532T WIRING DIAGRAM REF: 293511	002004 006100 107107 121503 904999	1
410	R071010R5SNL	.CONNECTOR-	SUPPLIER CODE: V41118 SPECIFICATION NUMBER: BACC63BP10R5SNL ELECTRICAL EQUIP NUMBER: D00532 WIRING DIAGRAM REF: 293511	002004 006100 107107 121503 904999	1
905		ILLUSTRATION REFERENCE: PLUMBING INSTL-MAIN WHL WELL FWD BHD HYDR (HYDRAULIC POWER ONLY) 29-11-51-39		002004 006100 107107 121503 904999	RF
910		ILLUSTRATION REFERENCE: PLUMBING INSTL-SECT. 44 R PRESSURE DECK HYDR (HYDRAULIC POWER ONLY) 29-11-51-34		002004 006100 107107 121503 904999	RF

MISSING ITEM NUMBERS NOT APPLICABLE

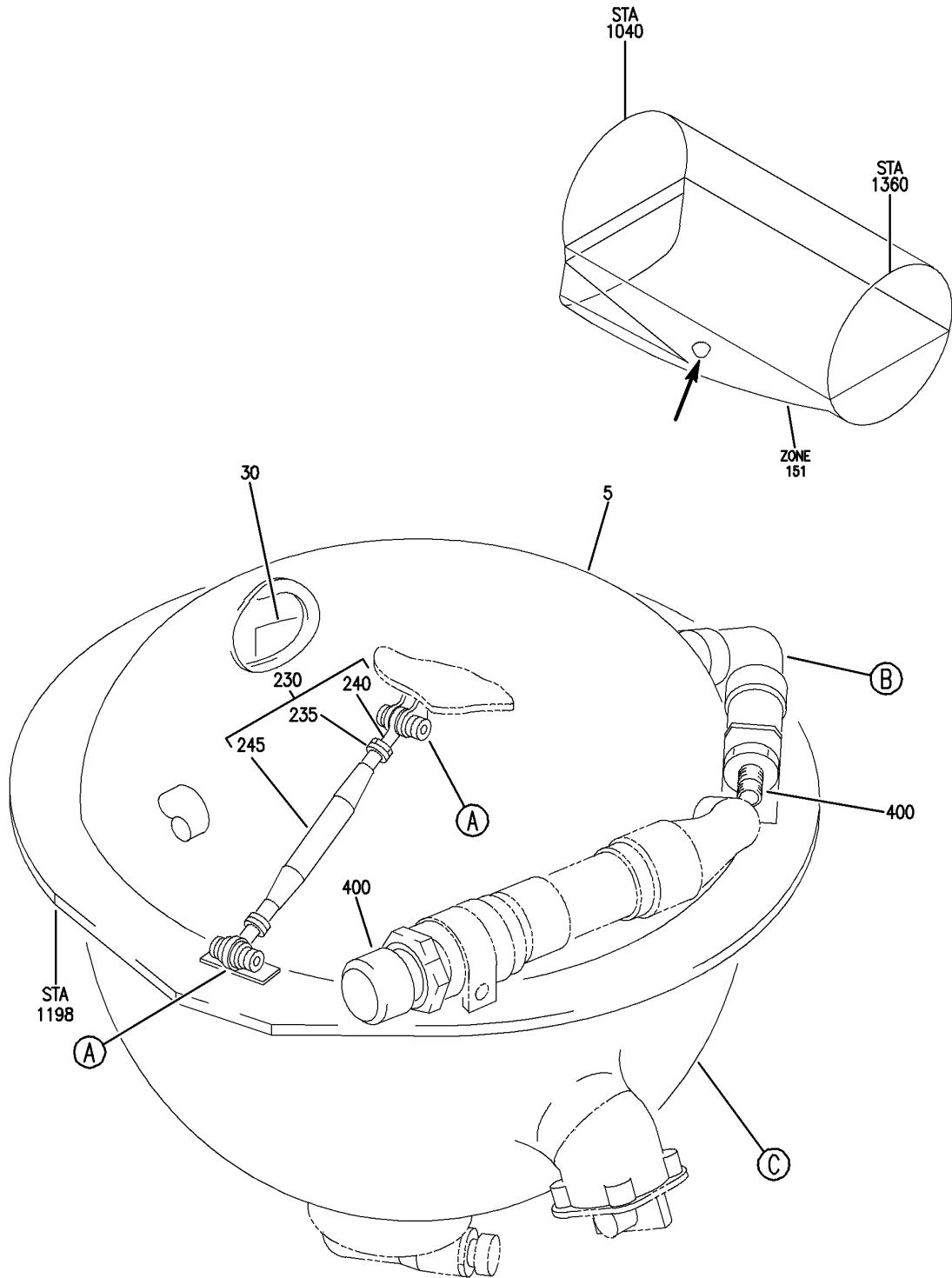
- ITEM NOT ILLUSTRATED

29-11-20-05

29-11-20
FIG. 05
PAGE 12
JAN 20/09

BRI

BOEING
757
PARTS CATALOG (MAINTENANCE)



Y 29112101 SHT 1 REV 239

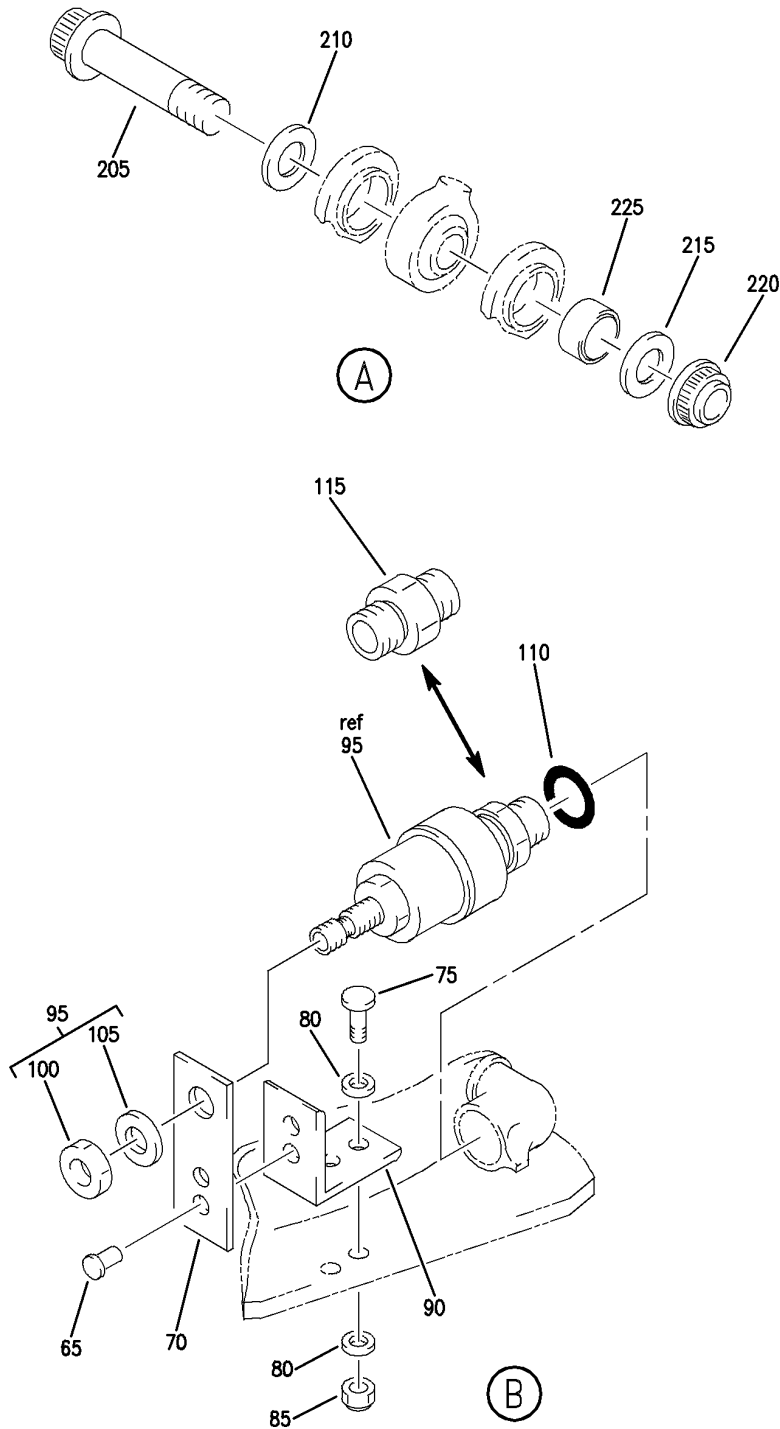
RESERVOIR INSTL-CTR SYS HYDR(SYSTEM C HYDRAULIC RESERVOIR ONLY)
FIGURE 1 (SHEET 1)

29-11-21-01

BRI
MAY 28/07

29-11-21-01
PAGE 0

BOEING
757
PARTS CATALOG (MAINTENANCE)



Y 29112101 SHT 2 REV 239

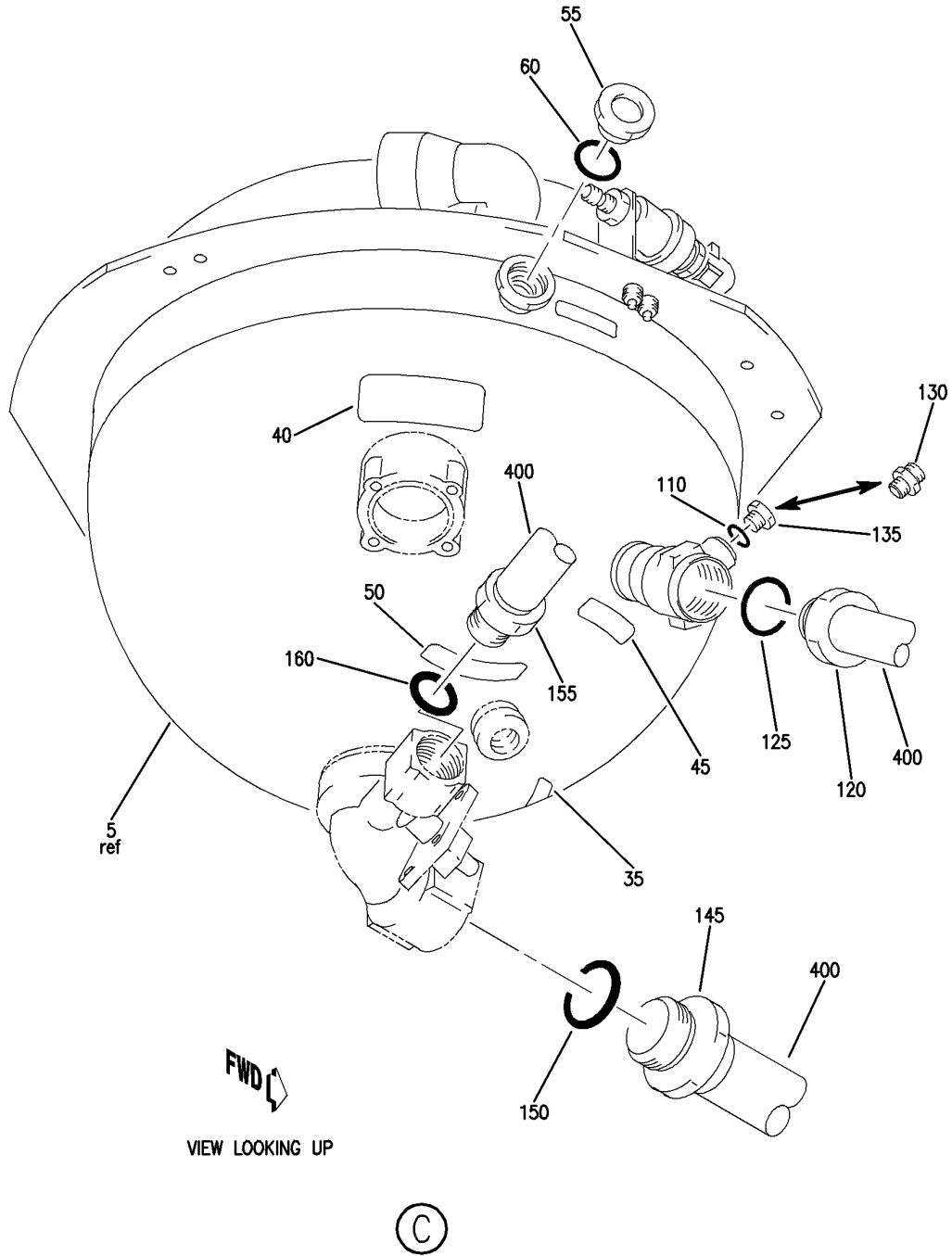
RESERVOIR INSTL-CTR SYS HYDR(SYSTEM C HYDRAULIC RESERVOIR ONLY)
FIGURE 1 (SHEET 2)

29-11-21-01

BRI
MAY 28/07

29-11-21-01
PAGE 0A

BOEING
757
PARTS CATALOG (MAINTENANCE)



Y 29112101 SHT 3 REV 239

RESERVOIR INSTL-CTR SYS HYDR(SYSTEM C HYDRAULIC RESERVOIR ONLY)
FIGURE 1 (SHEET 3)

29-11-21-01

BRI
MAY 28/07

29-11-21-01
PAGE 0B



757

PARTS CATALOG (MAINTENANCE)

FIG ITEM	PART NUMBER	1 2 3 4 5 6 7	NOMENCLATURE	EFFECT FROM TO	UNITS PER ASSY
1			RESERVOIR INSTL-CTR SYS HYDR(SYSTEM C HYDRAULIC RESERVOIR ONLY)	101106 108120 504903	
- 1	271N3002-10		RESERVOIR INSTL-SYS HYDR POSITION DATA: CTR	101102 108120 504903	RF
- 1	MODREF7013		FOR NHA SEE: 29-00-51-02B RESERVOIR INSTL-SYS HYDR MODULE NUMBER: 271N3002-10 REV A POSITION DATA: CTR	103106	1
5	271N3006-14		.RESERVOIR ASSY-HYDR FOR DETAILS SEE: 29-11-22-05B 29-11-23-02 29-11-24-02 29-31-01-01 29-32-03-01 29-35-01-01 ATTACHING PARTS	101106 108120 504903	1
- 10	BACB30MR4K10		.BOLT-	101106 108120 504903	4
- 15	BACW10BN4AC		.WASHER-	101106 108120 504903	4
- 20	BACW10BN4AP		.WASHER-	101106 108120 504903	4
- 25	NAS1805-4L		.NUT-	101106 108120 504903	4
30	BAC27NHY0266		-----*----- .MARKER	101106 108120 504903	1
35	BAC27THY15		.MARKER- PLACARD CONTENT: ACMP SUPPLY	101106 108120 504903	1
40	BAC27NHY0039		.MARKER- PLACARD CONTENT: D2540 RESV QTY XMTR C SYS M339	101106 108120 504903	1
45	BAC27THY14		.MARKER- PLACARD CONTENT: RETURN	101106 108120 504903	1

MISSING ITEM NUMBERS NOT APPLICABLE

- ITEM NOT ILLUSTRATED

BRI

29-11-21-01

29-11-21
FIG. 01
PAGE 1
JAN 20/09



757

PARTS CATALOG (MAINTENANCE)

FIG ITEM	PART NUMBER	1 2 3 4 5 6 7	NOMENCLATURE	EFFECT FROM TO	UNITS PER ASSY
1					
47	BAC27THY28		.MARKER- PLACARD CONTENT: SIGHT GAUGE	101106 108120 504903	1
50	BAC27NHY0012		.MARKER	101106 108120 504903	1
55	PS53J		.EYE-OIL SUPPLIER CODE: V97484	101106 108120 504903	1
60	NAS1612-8		.PACKING-	101106 108120 504903	1
65	BACR15FT6AD		.RIVET- SIZE DETERMINED ON INSTL.	101106 108120 504903	2
70	271N3036-2		.BRACKET-VENT VALVE	101106 108120 504903	1
75	BACB30NE3-6		.BOLT-	101106 108120 504903	2
80	AN960PD10		.WASHER-	101106 108120 504903	4
85	BRH10A3		.NUT- SUPPLIER CODE: V52828 SPECIFICATION NUMBER: BACN10JC3 OPTIONAL PART: H10-3BAC V15653 NS202101-02 V80539 RMLH9075-3W V72962 VN303A02 V92215 96-02 V80539 T6S1032J V11815	101106 108120 504903	2
90	271N3036-3		.BRACKET-VENT VALVE	101106 108120 504903	1

MISSING ITEM NUMBERS NOT APPLICABLE

- ITEM NOT ILLUSTRATED

BRI

29-11-21-01

29-11-21
FIG. 01
PAGE 2
JAN 20/09



757

PARTS CATALOG (MAINTENANCE)

FIG ITEM	PART NUMBER	1 2 3 4 5 6 7	NOMENCLATURE	EFFECT FROM TO	UNITS PER ASSY
1					
95	0091520200-2	.	VALVE-VENT SUPPLIER CODE: V83533 SPECIFICATION NUMBER: S271N301-2 COMPONENT MAINT MANUAL REF: 29-11-02	101106 108120 504903	1
95	0091520200-1	.	VALVE-VENT SUPPLIER CODE: V83533 SPECIFICATION NUMBER: S271N301-1 COMPONENT MAINT MANUAL REF: 29-21-05	101106 108120 504903	1
100	AN924-4S	..	NUT-	101106 108120 504903	1
105	AN960-716	..	WASHER-	101106 108120 504903	1
110	NAS1612-6	.	PACKING-	101106 108120 504903	1
120	MS21916D16-12	.	UNION-	101106 108120 504903	1
125	NAS1612-16	.	PACKING-	101106 108120 504903	1
135	AN814-8D	.	PLUG	101106 108120 504903	1
140	NAS1612-8	.	PACKING-	101106 108120 504903	1
145	MS1916D20-16	.	REDUCER-	101106 108120 504903	1
150	NAS1612-20	.	PACKING-	101106 108120 504903	1
155	MS21902D12	.	UNION-	101106 108120 504903	1
160	NAS1612-12	.	PACKING-	101106 108120 504903	1

MISSING ITEM NUMBERS NOT APPLICABLE

- ITEM NOT ILLUSTRATED

29-11-21-01

29-11-21
FIG. 01
PAGE 3
JAN 20/09

BRI



757

PARTS CATALOG (MAINTENANCE)

FIG ITEM	PART NUMBER	1 2 3 4 5 6 7	NOMENCLATURE	EFFECT FROM TO	UNITS PER ASSY
1					
- 200	271N3002-8		RESERVOIR INSTL-SYS HYDR POSITION DATA: CTR FOR NHA SEE: 29-00-51-01A	101102 108120 504903	RF
- 200	MODREF7015		RESERVOIR INSTL-SYS HYDR MODULE NUMBER: 271N3002-8 REV A POSITION DATA: CTR	103106	1
205	BACB30LE5U19		.BOLT-	101106 108120 504903	2
210	BACW10BP5CD		.WASHER-	101106 108120 504903	2
215	BACW10BP5DP		.WASHER-	101106 108120 504903	2
220	BH00303CM5		.NUT- SUPPLIER CODE: V27238 SPECIFICATION NUMBER: BACN10HR5CD OPTIONAL PART: H51560-5 V15653 67832CD524 V56878 102LH9031-5 V72962 SL7108C524 V11815 BMN5024CWD35 V97928 SL7108C5 V11815 VCU0005D5 V06710 102LH90315 V72962 BMN10HRCWD3-5 V97928 67832CD5 V56878 CR6030-5 VF0224 67832CD5 V56878	101106 108120 504903	2
MISSING ITEM NUMBERS NOT APPLICABLE					

- ITEM NOT ILLUSTRATED

29-11-21-01

29-11-21
FIG. 01
PAGE 4
JAN 20/09

BRI



757

PARTS CATALOG (MAINTENANCE)

FIG ITEM	PART NUMBER	1 2 3 4 5 6 7	NOMENCLATURE	EFFECT FROM TO	UNITS PER ASSY
1					
225	BACB28AK05-039	.	BUSHING	101106 108120 504903	2
230	250N2004-329	.	ROD ASSY-CONT COMPONENT MAINT MANUAL REF: 27-00-12	101106 108120 504903	1
235	NAS513-5	..	WASHER	101106 108120 504903	2
240	10E5-116M	..	BEARING SUPPLIER CODE: V16746 SPECIFICATION NUMBER: BACB10Y5M OPTIONAL PART: BRES5-2001M1 V81376 HB5E212KM V02758 KBE5-150WD5 V97613 MSSK5AS1 V73134 51588-051DD V09455 ASMK5-1DM V56644 AR5E7W13 VS0352 ARB5E60MW V15860	101106 108120 504903	2
245	250N2005-350	..	TUBE	101106 108120 504903	1
400			ILLUSTRATION REFERENCE: PLUMBING INSTL-SECT. 49 L HYDR BAY (MAIN HYDR SYSTEM ONLY) 29-11-51-20A	101106 108120 504903	RF

MISSING ITEM NUMBERS NOT APPLICABLE

- ITEM NOT ILLUSTRATED

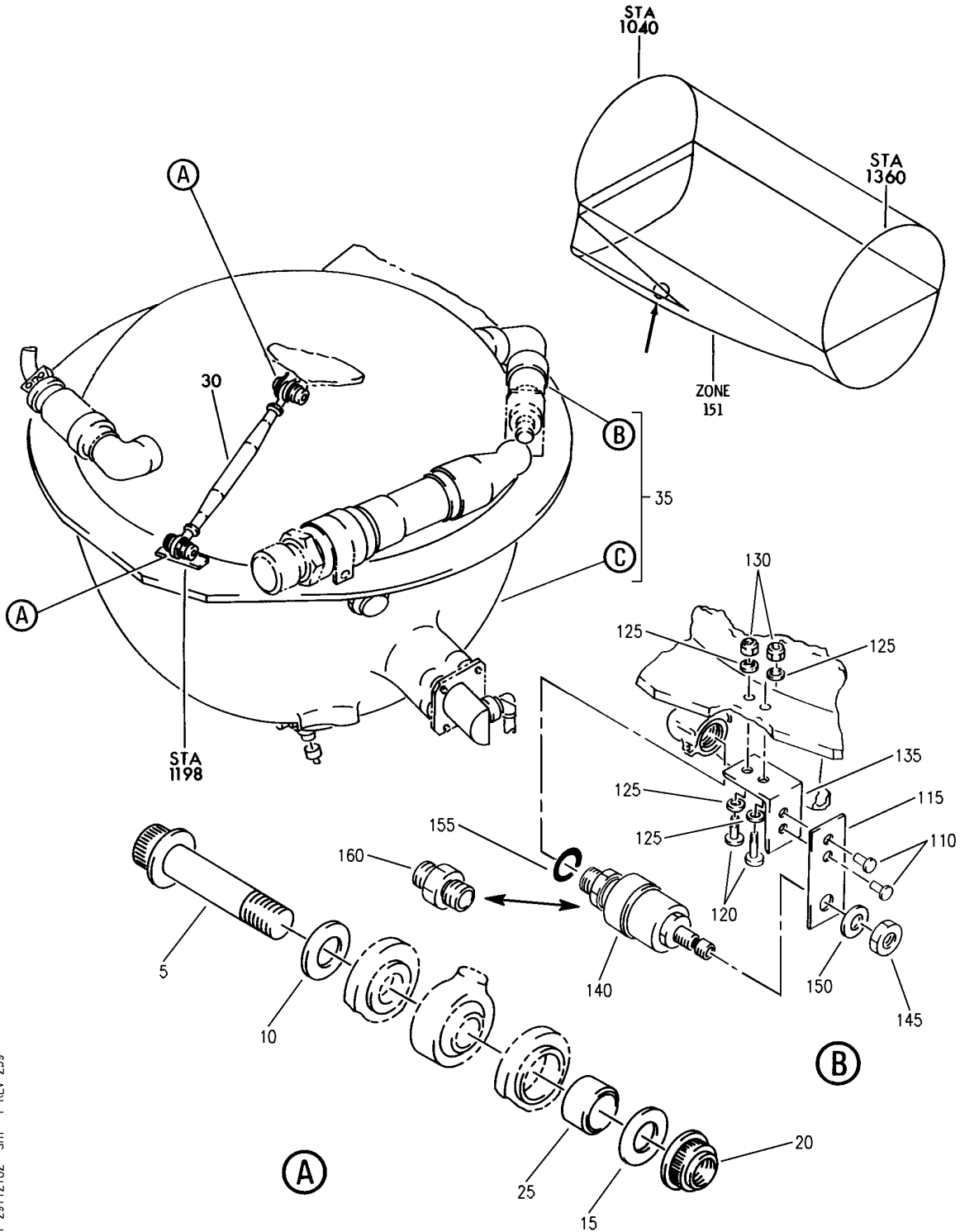
BRI

29-11-21-01

BOEING PROPRIETARY - Copyright © - Unpublished Work - See title page for details.

29-11-21
FIG. 01
PAGE 5
JAN 20/09

BOEING
757
PARTS CATALOG (MAINTENANCE)



Y 29112102 SHT 1 REV 239

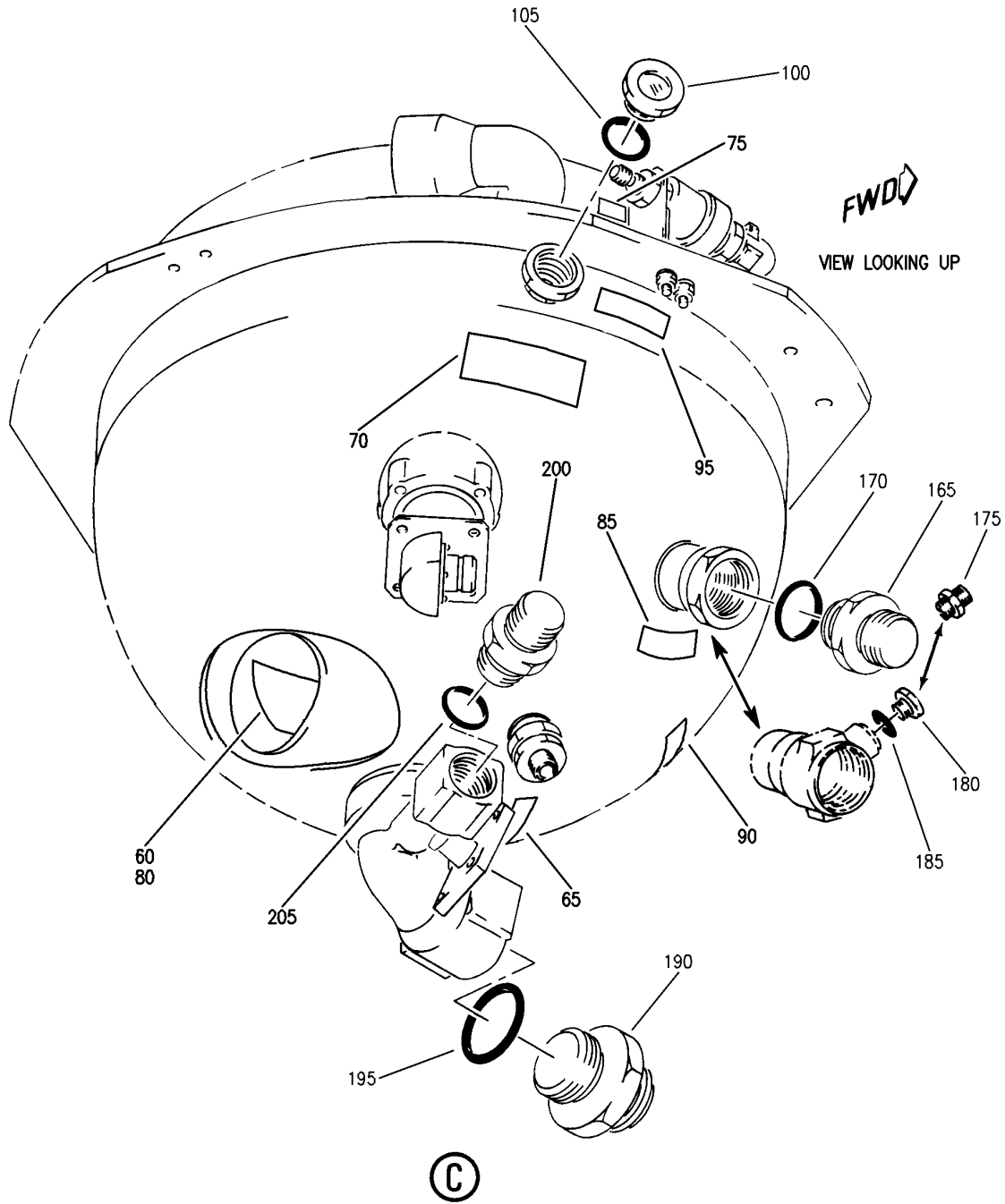
RESERVOIR INSTL-CTR SYS HYDR
FIGURE 2 (SHEET 1)

29-11-21-02

BRI
MAY 28/07

29-11-21-02
PAGE 0

BOEING
757
PARTS CATALOG (MAINTENANCE)



Y 29112102 SHT 2 REV 239

RESERVOIR INSTL-CTR SYS HYDR
FIGURE 2 (SHEET 2)

29-11-21-02

BRI
MAY 28/07

29-11-21-02
PAGE 0A



757

PARTS CATALOG (MAINTENANCE)

FIG ITEM	PART NUMBER	1 2 3 4 5 6 7	NOMENCLATURE	EFFECT FROM TO	UNITS PER ASSY
2			RESERVOIR INSTL-CTR SYS HYDR	002004 006100 107107 121503 904999	
- 1	271N3002-2		RESERVOIR INSTL-SYS HYDR POSITION DATA: CTR FOR NHA SEE: 29-00-51-07	002004 006100 107107 121503 904999	RF
5	BACB30LE5U19		.BOLT-	002004 006100 107107 121503 904999	2
10	BACW10BP5CD		.WASHER-	002004 006100 107107 121503 904999	2
15	BACW10BP5DP		.WASHER-	002004 006100 107107 121503 904999	2

MISSING ITEM NUMBERS NOT APPLICABLE

- ITEM NOT ILLUSTRATED

BRI

29-11-21-02

BOEING PROPRIETARY - Copyright © - Unpublished Work - See title page for details.

29-11-21
FIG. 02
PAGE 1
JAN 20/09



757

PARTS CATALOG (MAINTENANCE)

FIG ITEM	PART NUMBER	1 2 3 4 5 6 7	NOMENCLATURE	EFFECT FROM TO	UNITS PER ASSY
2 20	BH00303CM5	.NUT-	SUPPLIER CODE: V27238 SPECIFICATION NUMBER: BACN10HR5CD OPTIONAL PART: H51560-5 V15653 67832CD524 V56878 102LH9031-5 V72962 SL7108C524 V11815 BMN5024CWD35 V97928 SL7108C5 V11815 VCU0005D5 V06710 102LH90315 V72962 BMN10HRCWD3-5 V97928 67832CD5 V56878 CR6030-5 VF0224 67832CD5 V56878	002004 006100 107107 121503 904999	2
25	BACB28AK05-039	.BUSHING		002004 006100 107107 121503 904999	2
30	250N2004-329	.ROD ASSY-CONT	COMPONENT MAINT MANUAL REF: 27-00-12	002004 006100 107107 121503 904999	1

MISSING ITEM NUMBERS NOT APPLICABLE

- ITEM NOT ILLUSTRATED

BRI

29-11-21-02

BOEING PROPRIETARY - Copyright © - Unpublished Work - See title page for details.

29-11-21
FIG. 02
PAGE 2
JAN 20/09



757

PARTS CATALOG (MAINTENANCE)

FIG ITEM	PART NUMBER	1 2 3 4 5 6 7	NOMENCLATURE	EFFECT FROM TO	UNITS PER ASSY
2					
35	271N3006-7		.RESERVOIR ASSY-HYDR COMPONENT MAINT MANUAL REF: 29-11-22 FOR DETAILS SEE: 29-11-22-05 29-11-23-03 29-11-24-03 29-31-01-02 29-32-03-02 29-35-01-02	107107 904949	1
35	271N3006-12		.RESERVOIR ASSY-HYDR COMPONENT MAINT MANUAL REF: 29-11-22 FOR DETAILS SEE: 29-11-22-05 29-11-23-03 29-11-24-03 29-31-01-02 29-32-03-02 29-35-01-02	002004 006100 121503 950999	1
- 40	BACB30MR4K10		.ATTACHING PARTS .BOLT-	002004 006100 107107 121503 904999	4
- 45	BACW10BN4AC		.WASHER-	002004 006100 107107 121503 904999	4
- 50	BACW10BN4AP		.WASHER-	002004 006100 107107 121503 904999	4
- 55	NAS1805-4N		.NUT-	002004 006100 107107 121503 904999	4
60	BAC27NH0010		-----*----- . . MARKER	002004 006100 107107 121503 904999	1

MISSING ITEM NUMBERS NOT APPLICABLE

- ITEM NOT ILLUSTRATED

BRI

29-11-21-02

29-11-21
FIG. 02
PAGE 3
JAN 20/09



757

PARTS CATALOG (MAINTENANCE)

FIG ITEM	PART NUMBER	1 2 3 4 5 6 7	NOMENCLATURE	EFFECT FROM TO	UNITS PER ASSY
2					
65	BAC27NHY0012	..	MARKER	002004 006100 107107 121503 904999	1
70	BAC27NHY0039	..	MARKER- PLACARD CONTENT: D2540 RESV QTY XMTR C SYS M339	002004 006100 107107 121503 904999	1
75	BAC27NHY0042	..	MARKER- PLACARD CONTENT: D530 RESV PRESS SW C SYS S10033	002004 006100 107107 121503 904999	1
80	BAC27NHY0266	..	MARKER	002004 006100 107107 121503 904999	1
85	BAC27THY14	..	MARKER- PLACARD CONTENT: RETURN	002004 006100 107107 121503 904999	1
90	BAC27THY15	..	MARKER- PLACARD CONTENT: ACMP SUPPLY	002004 006100 107107 121503 904999	1
95	BAC27THY28	..	MARKER- PLACARD CONTENT: SIGHT GAUGE	002004 006100 107107 121503 904999	1
100	PS53J	..	EYE-OIL SUPPLIER CODE: V97484	002004 006100 107107 121503 904999	1
105	NAS1612-8	..	PACKING-	002004 006100 107107 121503 904999	1

MISSING ITEM NUMBERS NOT APPLICABLE

- ITEM NOT ILLUSTRATED

29-11-21-02

29-11-21
FIG. 02
PAGE 4
JAN 20/09

BRI



757

PARTS CATALOG (MAINTENANCE)

FIG ITEM	PART NUMBER	1 2 3 4 5 6 7	NOMENCLATURE	EFFECT FROM TO	UNITS PER ASSY
2					
110	BACR15FT6AD	..	RIVET- SIZE DETERMINED ON INSTL.	002004 006100 107107 121503 904999	2
115	271N3036-2	..	BRACKET-VENT VALVE	002004 006100 107107 121503 904999	1
120	BACB30NE3-6	..	BOLT-	002004 006100 107107 121503 904999	2
125	AN960PD10	..	WASHER-	002004 006100 107107 121503 904999	4
130	BRH10A3	..	NUT- SUPPLIER CODE: V52828 SPECIFICATION NUMBER: BACN10JC3 OPTIONAL PART: H10-3BAC V15653 NS202101-02 V80539 RMLH9075-3W V72962 VN303A02 V92215 96-02 V80539 T6S1032J V11815	002004 006100 107107 121503 904999	2
135	271N3036-3	..	BRACKET-VENT VALVE	002004 006100 107107 121503 904999	1

MISSING ITEM NUMBERS NOT APPLICABLE

- ITEM NOT ILLUSTRATED

BRI

29-11-21-02

29-11-21
FIG. 02
PAGE 5
JAN 20/09



757

PARTS CATALOG (MAINTENANCE)

FIG ITEM	PART NUMBER	1 2 3 4 5 6 7	NOMENCLATURE	EFFECT FROM TO	UNITS PER ASSY
2					
140	0091520200-1	..	VALVE-VENT SUPPLIER CODE: V83533 SPECIFICATION NUMBER: S271N301-1 COMPONENT MAINT MANUAL REF: 29-21-05	002004 006100 107107 121503 904999	1
140	0091520200-2	..	VALVE-VENT SUPPLIER CODE: V83533 SPECIFICATION NUMBER: S271N301-2 COMPONENT MAINT MANUAL REF: 29-11-02	002004 006100 107107 121503 904999	1
145	AN924-4S	...	NUT-	002004 006100 107107 121503 904999	1
150	AN960-716	...	WASHER-	002004 006100 107107 121503 904999	1
155	NAS1612-6	..	PACKING-	002004 006100 107107 121503 904999	1
165	MS21916D16-12	..	UNION-	002004 006100 107107 121503 904999	1
170	NAS1612-16	..	PACKING-	002004 006100 107107 121503 904999	1
185	NAS1612-8	..	PACKING-	002004 006100 107107 121503 904999	1
190	MS1916D20-16	..	REDUCER-	002004 006100 107107 121503 904999	1

MISSING ITEM NUMBERS NOT APPLICABLE

- ITEM NOT ILLUSTRATED

BRI

29-11-21-02

29-11-21
FIG. 02
PAGE 6
JAN 20/09



757

PARTS CATALOG (MAINTENANCE)

FIG ITEM	PART NUMBER	1 2 3 4 5 6 7	NOMENCLATURE	EFFECT FROM TO	UNITS PER ASSY
2	195	NAS1612-20	.. PACKING-	002004 006100 107107 121503 904999	1
	200	MS21902D12	.. UNION-	002004 006100 107107 121503 904999	1
	205	NAS1612-12	.. PACKING-	002004 006100 107107 121503 904999	1

MISSING ITEM NUMBERS NOT APPLICABLE

- ITEM NOT ILLUSTRATED

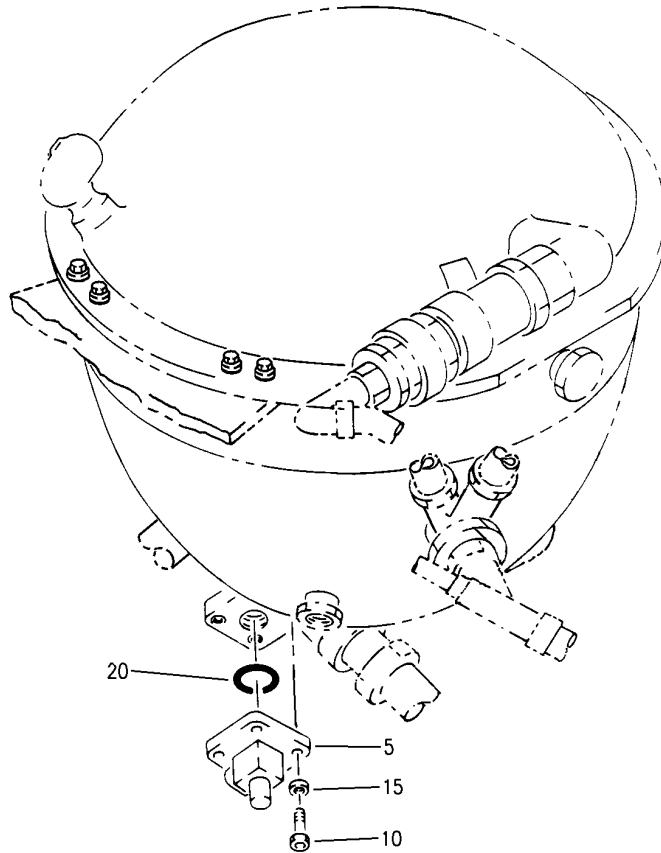
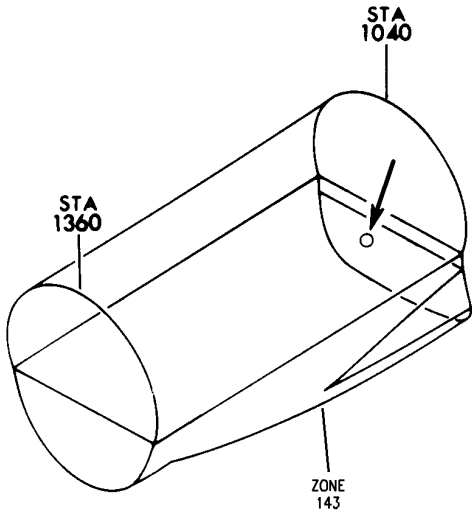
BRI

29-11-21-02

BOEING PROPRIETARY - Copyright © - Unpublished Work - See title page for details.

29-11-21
FIG. 02
PAGE 7
JAN 20/09

BOEING
757
PARTS CATALOG (MAINTENANCE)



Y 29112201 REV 236

RESERVOIR ASSY-HYDR SYS (DRAIN VALVE ONLY) LH SIDE
FIGURE 1

29-11-22-01

BRI
MAY 28/07

29-11-22-01
PAGE 0



757

PARTS CATALOG (MAINTENANCE)

FIG ITEM	PART NUMBER	1 2 3 4 5 6 7	NOMENCLATURE	EFFECT FROM TO	UNITS PER ASSY
1			RESERVOIR ASSY-HYDR SYS (DRAIN VALVE ONLY) LH SIDE	002004 006999	
- 1	271N3005-16		RESERVOIR ASSY-HYDR SYS (DRAIN VALVE ONLY) POSITION DATA: LH SIDE COMPONENT MAINT MANUAL REF: 29-11-15 FOR NHA/OTHER SYS DET SEE: 29-11-20-04	101106 108120 504903	RF
- 1	271N3005-13		RESERVOIR ASSY-HYDR SYS (DRAIN VALVE ONLY) POSITION DATA: LH SIDE COMPONENT MAINT MANUAL REF: 29-11-15 FOR NHA/OTHER SYS DET SEE: 29-11-20-04	107107 904949	RF
- 1	271N3005-16		RESERVOIR ASSY-HYDR SYS (DRAIN VALVE ONLY) POSITION DATA: LH SIDE COMPONENT MAINT MANUAL REF: 29-11-15 FOR NHA/OTHER SYS DET SEE: 29-11-20-04	002004 006100 121503 950999	RF
- 1	271N3005-14		RESERVOIR ASSY-HYDR SYS (DRAIN VALVE ONLY) POSITION DATA: LH SIDE COMPONENT MAINT MANUAL REF: 29-11-15 FOR NHA/OTHER SYS DET SEE: 29-11-20-04	002004 006100 121503 950999	RF
5	3-111794		.VALVE-DRAIN SUPPLIER CODE: V92003 SPECIFICATION NUMBER: 10-60561-1 COMPONENT MAINT MANUAL REF: 29-10-11	002004 006999	1
10	NAS6603H4		ATTACHING PARTS .BOLT-	002004 006999	4
15	NAS1149D0363J		.WASHER	002004 006999	4
20	NAS1611-213A		-----*----- .PACKING-	002004 006999	1

MISSING ITEM NUMBERS NOT APPLICABLE

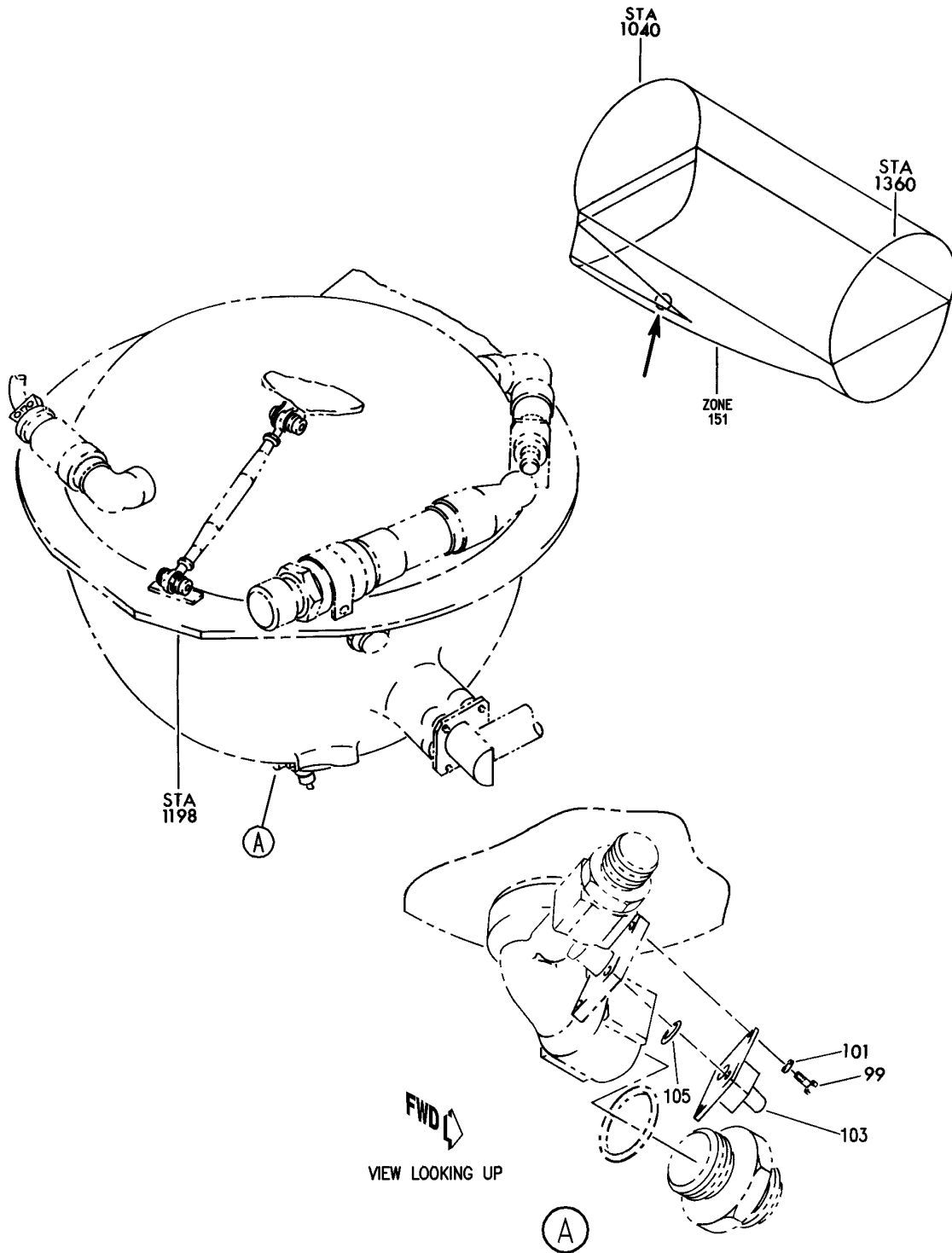
- ITEM NOT ILLUSTRATED

BRI

29-11-22-01

29-11-22
FIG. 01
PAGE 1
JAN 20/09

BOEING
757
PARTS CATALOG (MAINTENANCE)



Y 29112205 REV 239

RESERVOIR ASSY-CTR SYS HYDR(RESERVOIR DRAIN PLUG ONLY)
FIGURE 5

29-11-22-05

BRI
MAY 28/07

29-11-22-05
PAGE 0



757

PARTS CATALOG (MAINTENANCE)

FIG ITEM	PART NUMBER	1 2 3 4 5 6 7	NOMENCLATURE	EFFECT FROM TO	UNITS PER ASSY
5			RESERVOIR ASSY-CTR SYS HYDR(RESERVOIR DRAIN PLUG ONLY)	002004 006100 107107 121503 904999	
- 35	271N3006-7		RESERVOIR ASSY-HYDR HYDR(RESERVOIR DRAIN PLUG ONLY) COMPONENT MAINT MANUAL REF: 29-11-22 FOR NHA/ADDITIONAL DET SEE: 29-11-21-02	107107 904949	RF
- 35	271N3006-12		RESERVOIR ASSY-HYDR HYDR(RESERVOIR DRAIN PLUG ONLY) COMPONENT MAINT MANUAL REF: 29-11-22 FOR NHA/ADDITIONAL DET SEE: 29-11-21-02	002004 006100 121503 950999	RF
99	BACB30NE3H4		.BOLT-	002004 006100 107107 121503 904999	4
101	AN960PD10		.WASHER-	002004 006100 107107 121503 904999	4
103	3-111794		.VALVE-DRAIN SUPPLIER CODE: V92003 SPECIFICATION NUMBER: 10-60561-1 COMPONENT MAINT MANUAL REF: 29-10-11	002004 006100 107107 121503 904999	1
105	NAS1611-213		.PACKING-	002004 006100 107107 121503 904999	1

MISSING ITEM NUMBERS NOT APPLICABLE

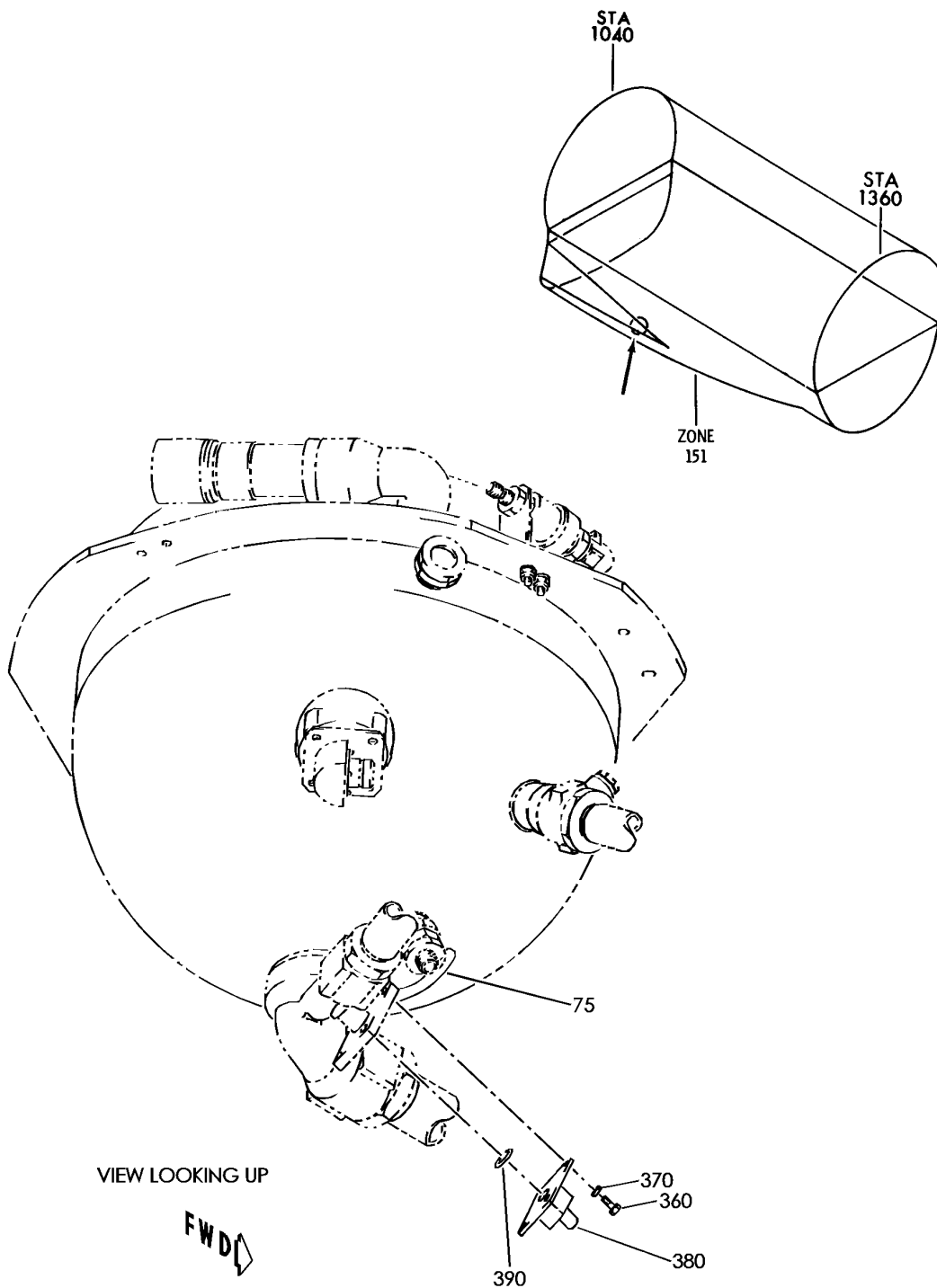
- ITEM NOT ILLUSTRATED

BRI

29-11-22-05

29-11-22
FIG. 05
PAGE 1
JAN 20/09

BOEING
757
PARTS CATALOG (MAINTENANCE)



Y 29112205B REV 239

RESERVOIR ASSY-CTR SYS HYDR(RESERVOIR DRAIN VALVE ONLY)
FIGURE 5B

29-11-22-05B

BRI
MAY 28/07

29-11-22-05B
PAGE 0



757

PARTS CATALOG (MAINTENANCE)

FIG ITEM	PART NUMBER	1 2 3 4 5 6 7	NOMENCLATURE	EFFECT FROM TO	UNITS PER ASSY
5B			RESERVOIR ASSY-CTR SYS	101106	
			HYDR(RESERVOIR DRAIN VALVE ONLY)	108120	
- 70	271N3006-14		RESERVOIR ASSY-HYDR (RESERVOIR DRAIN VALVE ONLY)	504903	RF
			FOR NHA/ADDITIONAL DET SEE: 29-11-21-01		
75	BAC27THY35		.MARKER- PLACARD CONTENT: RESERVOIR DRAIN VALVE MUST BE LOCKWIRED "CLOSED" FOR FLIGHT.	101106 108120 504903	1
360	NAS6603H4		.BOLT-	101106 108120 504903	4
370	AN960PD10		.WASHER-	101106 108120 504903	4
380	3-111794		.VALVE-DRAIN SUPPLIER CODE: V92003 SPECIFICATION NUMBER: 10-60561-1 COMPONENT MAINT MANUAL REF: 29-10-11	101106 108120 504903	1
390	NAS1611-213		.PACKING-	101106 108120 504903	1

MISSING ITEM NUMBERS NOT APPLICABLE

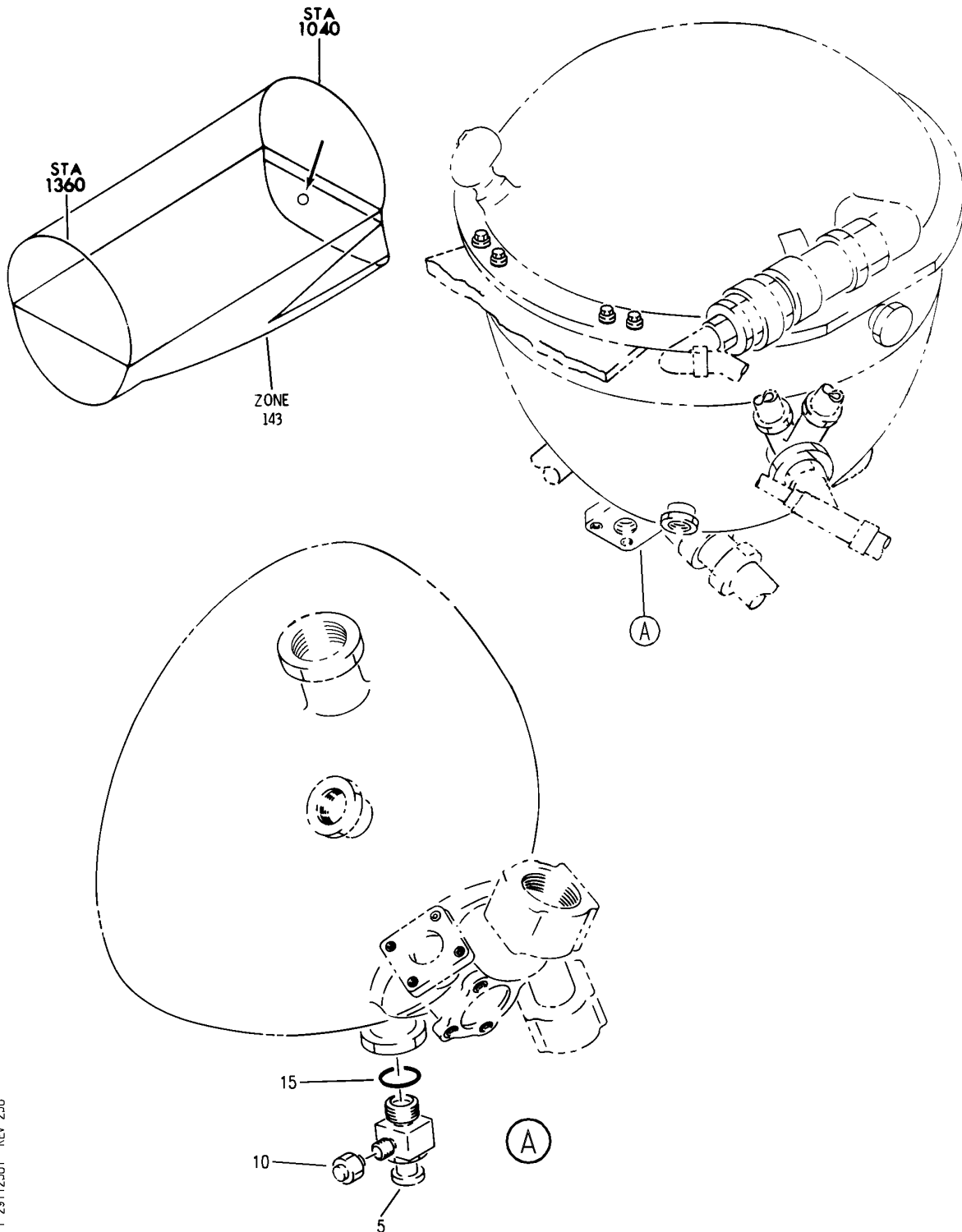
- ITEM NOT ILLUSTRATED

29-11-22-05B

29-11-22
FIG. 05B
PAGE 1
JAN 20/09

BRI

BOEING
757
PARTS CATALOG (MAINTENANCE)



Y 29112301 REV 236

RESERVOIR ASSY-HYDR SYS (SAMPLING VALVE ONLY) LH SIDE
FIGURE 1

29-11-23-01

BRI
MAY 28/07

29-11-23-01
PAGE 0



757

PARTS CATALOG (MAINTENANCE)

FIG ITEM	PART NUMBER	1 2 3 4 5 6 7	NOMENCLATURE	EFFECT FROM TO	UNITS PER ASSY
1			RESERVOIR ASSY-HYDR SYS (SAMPLING VALVE ONLY) LH SIDE	002004 006999	
- 1	271N3005-16		RESERVOIR ASSY-HYDR SYS (SAMPLING VALUE ONLY) POSITION DATA: LH SIDE COMPONENT MAINT MANUAL REF: 29-11-15 FOR NHA/OTHER SYS DET SEE: 29-11-20-04	101106 108120 504903	RF
- 1	271N3005-13		RESERVOIR ASSY-HYDR SYS (SAMPLING VALUE ONLY) POSITION DATA: LH SIDE COMPONENT MAINT MANUAL REF: 29-11-15 FOR NHA/OTHER SYS DET SEE: 29-11-20-04	107107 904949	RF
- 1	271N3005-16		RESERVOIR ASSY-HYDR SYS (SAMPLING VALUE ONLY) POSITION DATA: LH SIDE COMPONENT MAINT MANUAL REF: 29-11-15 FOR NHA/OTHER SYS DET SEE: 29-11-20-04	002004 006100 121503 950999	RF
- 1	271N3005-14		RESERVOIR ASSY-HYDR SYS (SAMPLING VALUE ONLY) POSITION DATA: LH SIDE COMPONENT MAINT MANUAL REF: 29-11-15 FOR NHA/OTHER SYS DET SEE: 29-11-20-04	002004 006100 121503 950999	RF
5	S1105-01		.VALVE-SAMPLING SUPPLIER CODE: V98939	002004 006999	1
10	AN929A2		.CAP-	002004 006999	1
15	NAS1612-4A		.PACKING-	002004 006999	1

MISSING ITEM NUMBERS NOT APPLICABLE

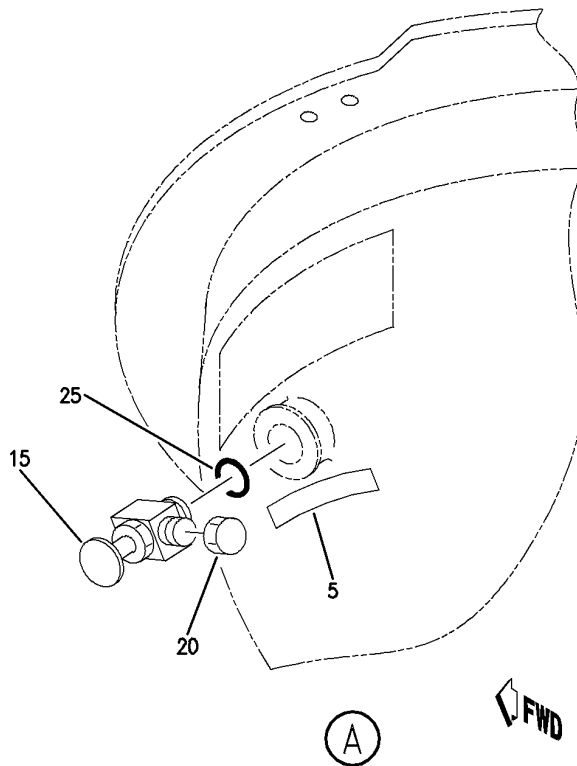
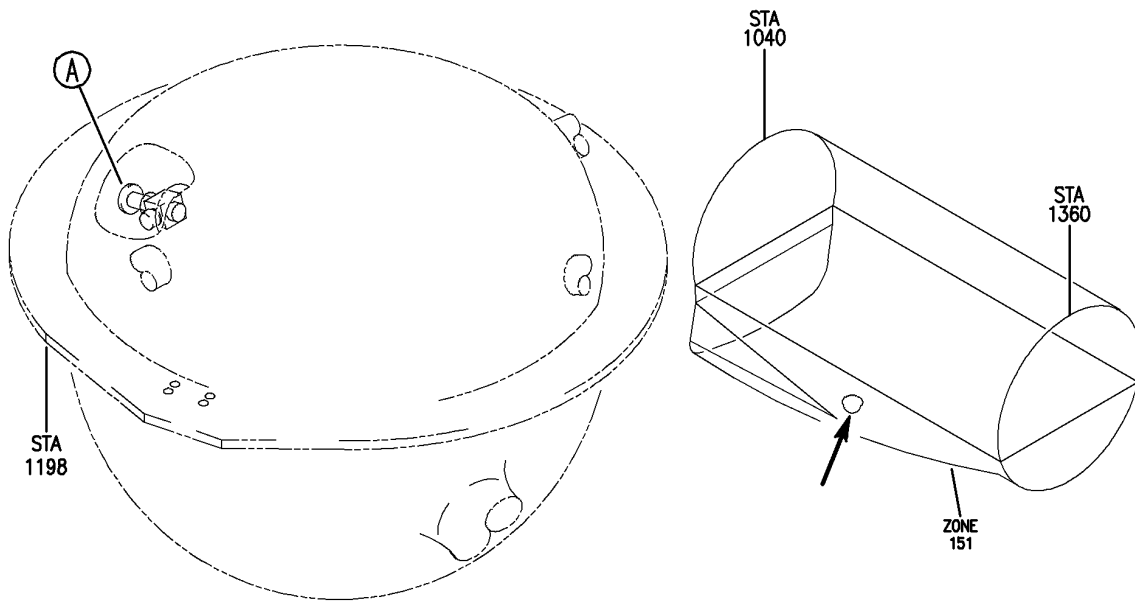
- ITEM NOT ILLUSTRATED

29-11-23-01

29-11-23
FIG. 01
PAGE 1
JAN 20/09

BRI

BOEING
757
PARTS CATALOG (MAINTENANCE)



VIEW LOOKING UP

Y 29112302 REV 259

RESERVOIR ASSY-CTR SYS HYDR (RESERVOIR SAMPLING VALVE ONLY)
FIGURE 2

29-11-23-02

BRI
MAY 28/07

29-11-23-02
PAGE 0



757

PARTS CATALOG (MAINTENANCE)

FIG ITEM	PART NUMBER	1 2 3 4 5 6 7	NOMENCLATURE	EFFECT FROM TO	UNITS PER ASSY
2			RESERVOIR ASSY-CTR SYS	101106	
			HYDR (RESERVOIR SAMPLING VALVE ONLY)	108120	
- 1	271N3006-14		RESERVOIR ASSY-HYDR (RESERVOIR SAMPLING VALVE ONLY)	504903	RF
			FOR NHA/ADDITIONAL DET SEE: 29-11-21-01	101106	
5	BAC27THY36		.MARKER- PLACARD CONTENT: FLUID SAMPLING VALVE BMS 3-11 FLUID	108120	1
				504903	
15	S1105-01		.VALVE-SAMPLING SUPPLIER CODE: V98939	101106	1
				108120	
20	AN929A2		.CAP-	504903	1
				101106	
				108120	
25	NAS1612-4		.PACKING-	504903	1
				101106	
				108120	
				504903	

MISSING ITEM NUMBERS NOT APPLICABLE

- ITEM NOT ILLUSTRATED

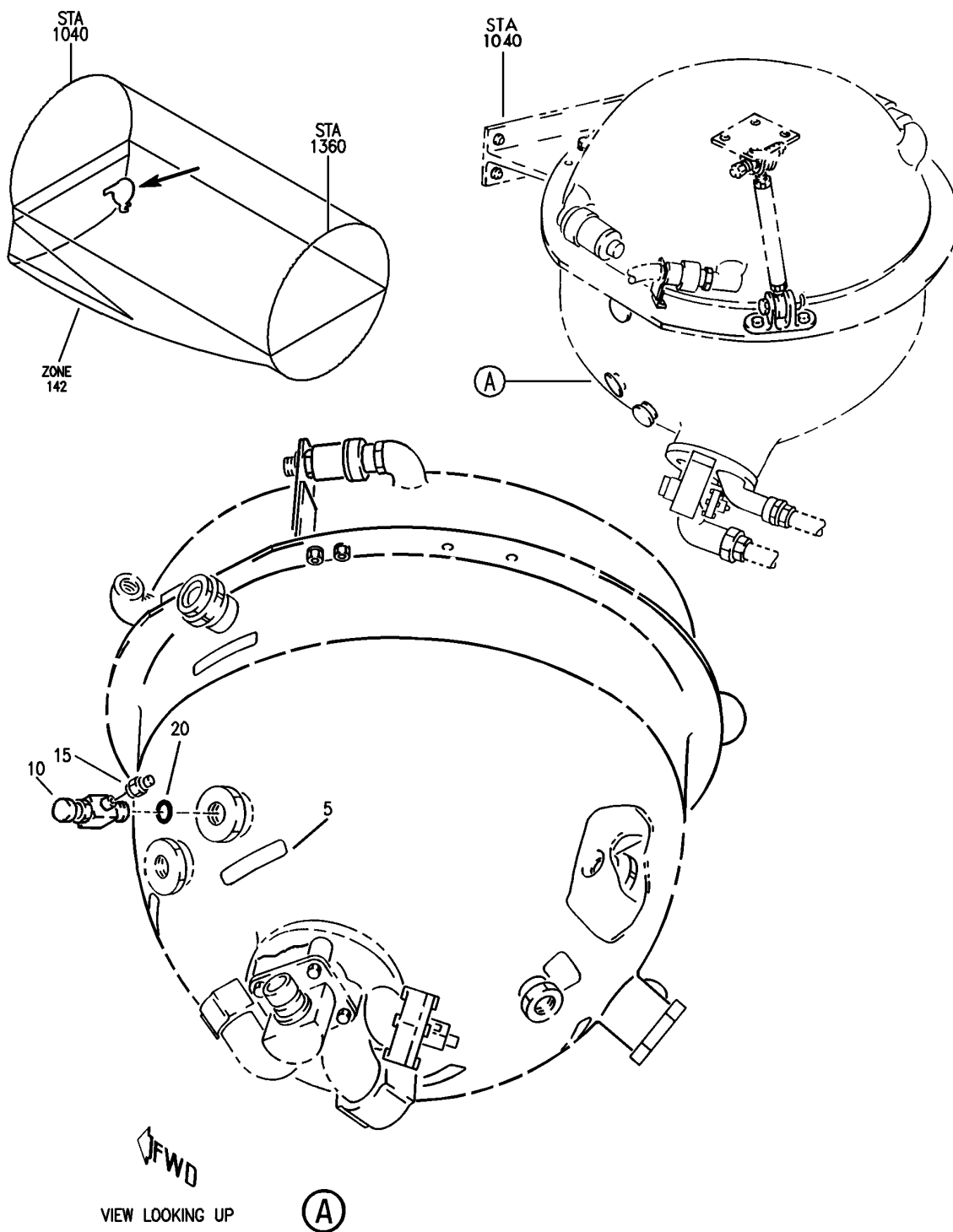
BRI

29-11-23-02

BOEING PROPRIETARY - Copyright © - Unpublished Work - See title page for details.

29-11-23
FIG. 02
PAGE 1
JAN 20/09

BOEING
757
PARTS CATALOG (MAINTENANCE)



Y 29112303 REV 259

FWD
VIEW LOOKING UP

RESERVOIR ASSY-CTR SYS HYDR (RESERVOIR SAMPLING VALVE ONLY)
FIGURE 3

29-11-23-03

BRI
MAY 28/07

29-11-23-03
PAGE 0



757

PARTS CATALOG (MAINTENANCE)

FIG ITEM	PART NUMBER	1 2 3 4 5 6 7	NOMENCLATURE	EFFECT FROM TO	UNITS PER ASSY
3			RESERVOIR ASSY-CTR SYS HYDR (RESERVOIR SAMPLING VALVE ONLY)	002004 006100 107107 121503 904999	
- 1	271N3006-7		RESERVOIR ASSY-HYDR (RESERVOIR SAMPLING VALVE ONLY) COMPONENT MAINT MANUAL REF: 29-11-22 FOR NHA/ADDITIONAL DET SEE: 29-11-21-02	107107 904949	RF
- 1	271N3006-12		RESERVOIR ASSY-HYDR (RESERVOIR SAMPLING VALVE ONLY) COMPONENT MAINT MANUAL REF: 29-11-22 FOR NHA/ADDITIONAL DET SEE: 29-11-21-02	002004 006100 121503 950999	RF
5	BAC27THY36		.MARKER- PLACARD CONTENT: FLUID SAMPLING VALVE BMS 3-11 FLUID	002004 006100 107107 121503 904999	1
10	S1105-01		.VALVE-SAMPLING SUPPLIER CODE: V98939	002004 006100 107107 121503 904999	1
15	AN929A2		.CAP-	002004 006100 107107 121503 904999	1
20	NAS1612-4		.PACKING-	002004 006100 107107 121503 904999	1

MISSING ITEM NUMBERS NOT APPLICABLE

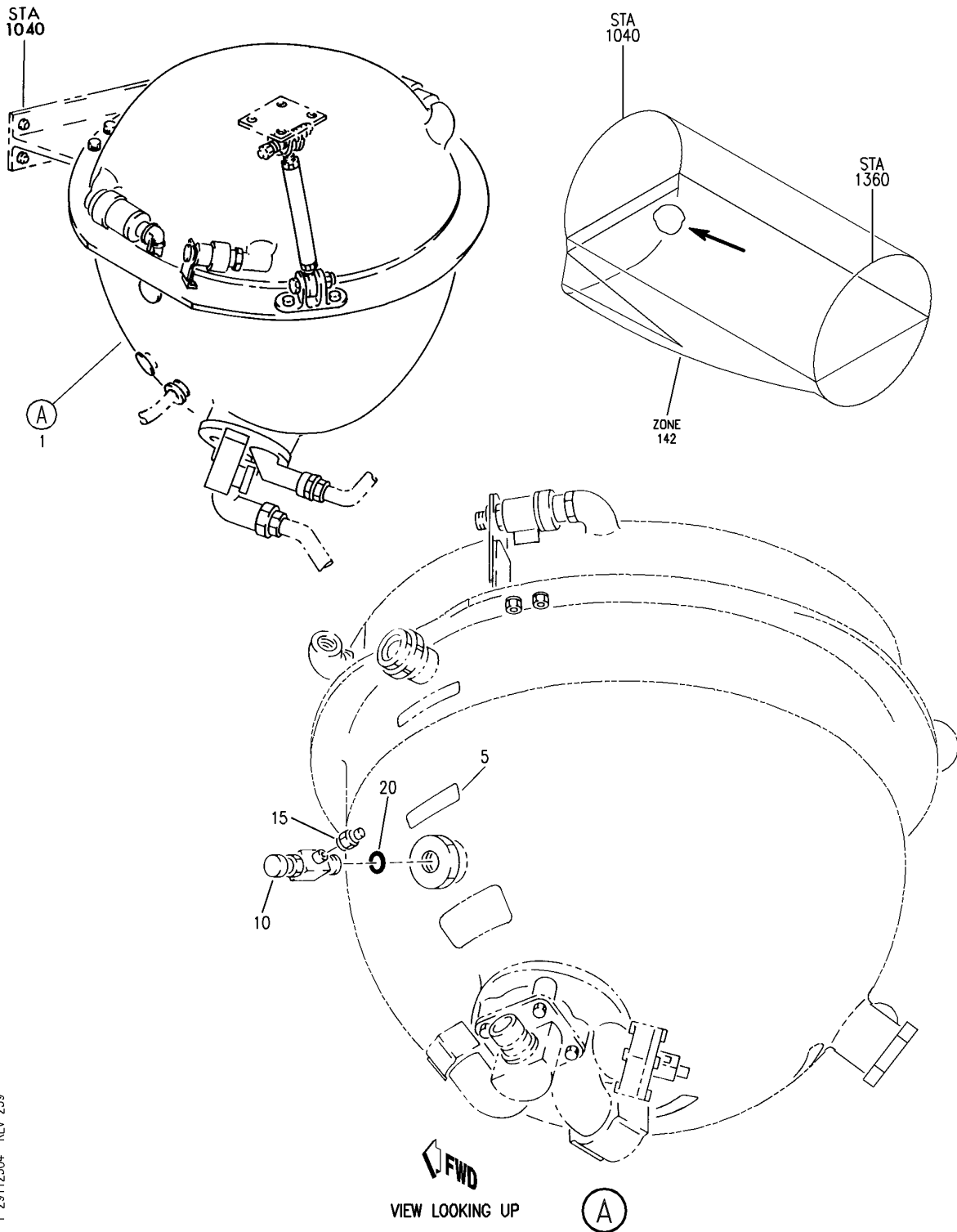
- ITEM NOT ILLUSTRATED

BRI

29-11-23-03

29-11-23
FIG. 03
PAGE 1
JAN 20/09

BOEING
757
PARTS CATALOG (MAINTENANCE)



Y 29112304 REV 239

RESERVOIR ASSY-R SYS HYDR (RESERVOIR SAMPLING VALVE ONLY)
FIGURE 4

29-11-23-04

BRI
MAY 28/07

29-11-23-04
PAGE 0



757

PARTS CATALOG (MAINTENANCE)

FIG ITEM	PART NUMBER	1 2 3 4 5 6 7	NOMENCLATURE	EFFECT FROM TO	UNITS PER ASSY
4			RESERVOIR ASSY-R SYS HYDR (RESERVOIR SAMPLING VALVE ONLY)	002004 006999	
- 1	271N3007-6		RESERVOIR ASSY-HYDR (RESERVOIR SAMPLING VALVE ONLY) COMPONENT MAINT MANUAL REF: 29-11-24 FOR NHA/OTHER SYS DET SEE: 29-11-20-05	107107 904949	RF
- 1	271N3007-11		RESERVOIR ASSY-HYDR (RESERVOIR SAMPLING VALVE ONLY) COMPONENT MAINT MANUAL REF: 29-11-24 FOR NHA/OTHER SYS DET SEE: 29-11-20-05 29-11-20-01	002004 006106 108903 950999	RF
5	BAC27THY36		.MARKER- PLACARD CONTENT: FLUID SAMPLING VALVE BMS 3-11 FLUID	002004 006999	1
10	S1105-01		.VALVE-SAMPLING SUPPLIER CODE: V98939	002004 006999	1
15	AN929A2		.CAP-	002004 006999	1
20	NAS1612-4A		.PACKING-	002004 006999	1

MISSING ITEM NUMBERS NOT APPLICABLE

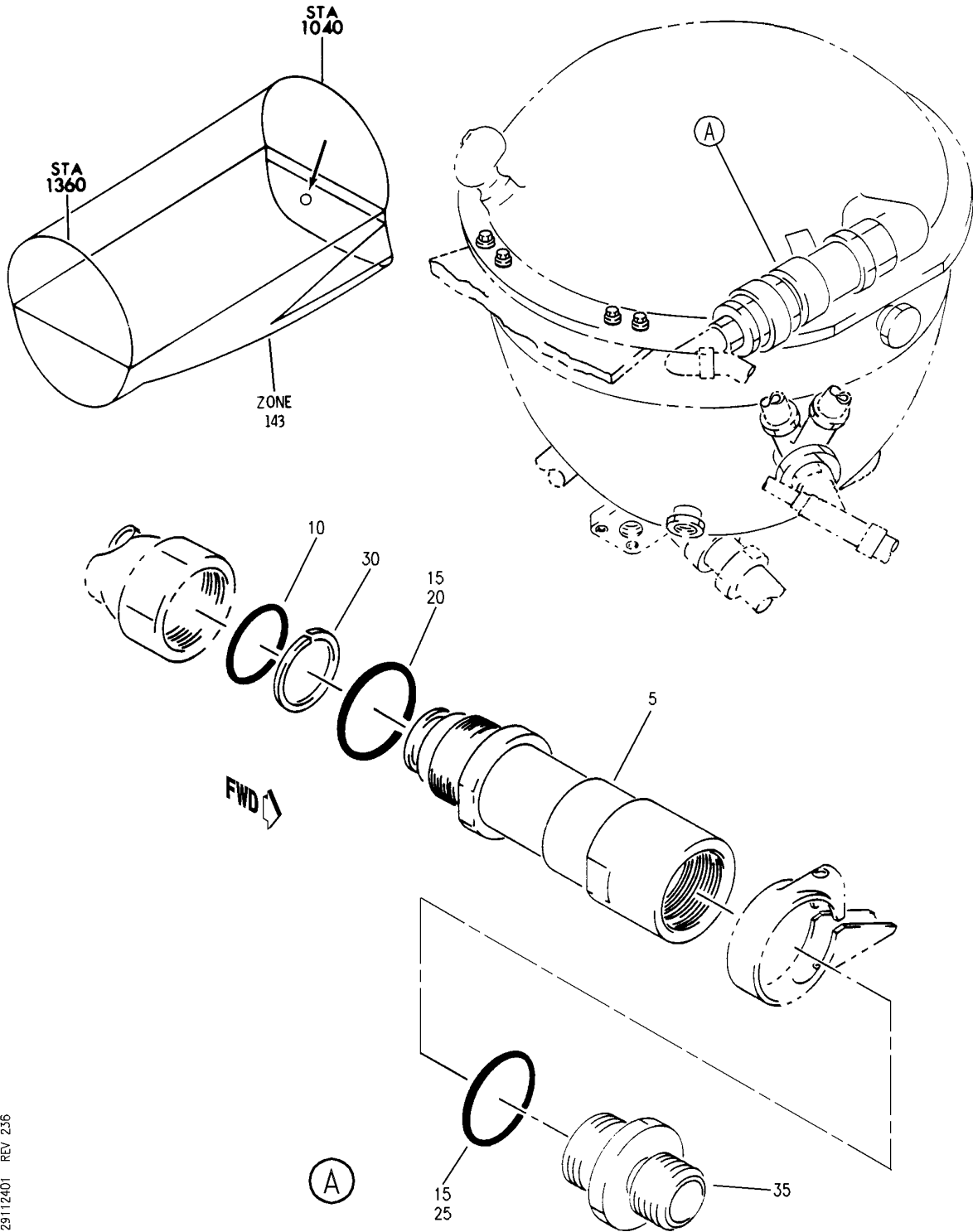
- ITEM NOT ILLUSTRATED

BRI

29-11-23-04

29-11-23
FIG. 04
PAGE 1
JAN 20/09

BOEING
757
PARTS CATALOG (MAINTENANCE)



Y 29112401 REV 256

RESERVOIR ASSY-HYDR SYS (PRESSURE RELIEF VALUE ONLY) LH SIDE
FIGURE 1

29-11-24-01

BRI
MAY 28/07

29-11-24-01
PAGE 0



757

PARTS CATALOG (MAINTENANCE)

FIG ITEM	PART NUMBER	1 2 3 4 5 6 7	NOMENCLATURE	EFFECT FROM TO	UNITS PER ASSY
1			RESERVOIR ASSY-HYDR SYS (PRESSURE RELIEF VALUE ONLY) LH SIDE	002004 006999	
- 1	271N3005-16		RESERVOIR ASSY-HYDR SYS (PRESSURE RELIEF VALUE ONLY) POSITION DATA: LH SIDE COMPONENT MAINT MANUAL REF: 29-11-15 FOR NHA/OTHER SYS DET SEE: 29-11-20-04	101106 108120 504903	RF
- 1	271N3005-13		RESERVOIR ASSY-HYDR SYS (PRESSURE RELIEF VALUE ONLY) POSITION DATA: LH SIDE COMPONENT MAINT MANUAL REF: 29-11-15 FOR NHA/OTHER SYS DET SEE: 29-11-20-04	107107 904949	RF
- 1	271N3005-16		RESERVOIR ASSY-HYDR SYS (PRESSURE RELIEF VALUE ONLY) POSITION DATA: LH SIDE COMPONENT MAINT MANUAL REF: 29-11-15 FOR NHA/OTHER SYS DET SEE: 29-11-20-04	002004 006100 121503 950999	RF
- 1	271N3005-14		RESERVOIR ASSY-HYDR SYS (PRESSURE RELIEF VALUE ONLY) POSITION DATA: LH SIDE COMPONENT MAINT MANUAL REF: 29-11-15	002004 006100 121503 950999	RF

MISSING ITEM NUMBERS NOT APPLICABLE

- ITEM NOT ILLUSTRATED

BRI

29-11-24-01

29-11-24
FIG. 01
PAGE 1
JAN 20/09



757

PARTS CATALOG (MAINTENANCE)

FIG ITEM	PART NUMBER	1 2 3 4 5 6 7	NOMENCLATURE	EFFECT FROM TO	UNITS PER ASSY
1	5 1800		.VALVE-RELIEF SUPPLIER CODE: V06177 FUNCTIONAL DESCRIPTION: REMOVES EXCESSIVE AIR AND/ OR FLUIDS FROM THE HYDRAULIC FLUIDS RESERVOIR. SPECIFICATION NUMBER: 60B00246-2 COMPONENT MAINT MANUAL REF: 29-11-13	002004 006999	1
	10 NAS1611-217A		.PACKING-	002004 006999	1
	15 NAS1612-20A		.PACKING-	002004 006999	2
	30 C11236-217B		.RING- SUPPLIER CODE: V26879	002004 006999	1
	35 MS21916D20-12		.REDUCER-	002004 006999	1

MISSING ITEM NUMBERS NOT APPLICABLE

- ITEM NOT ILLUSTRATED

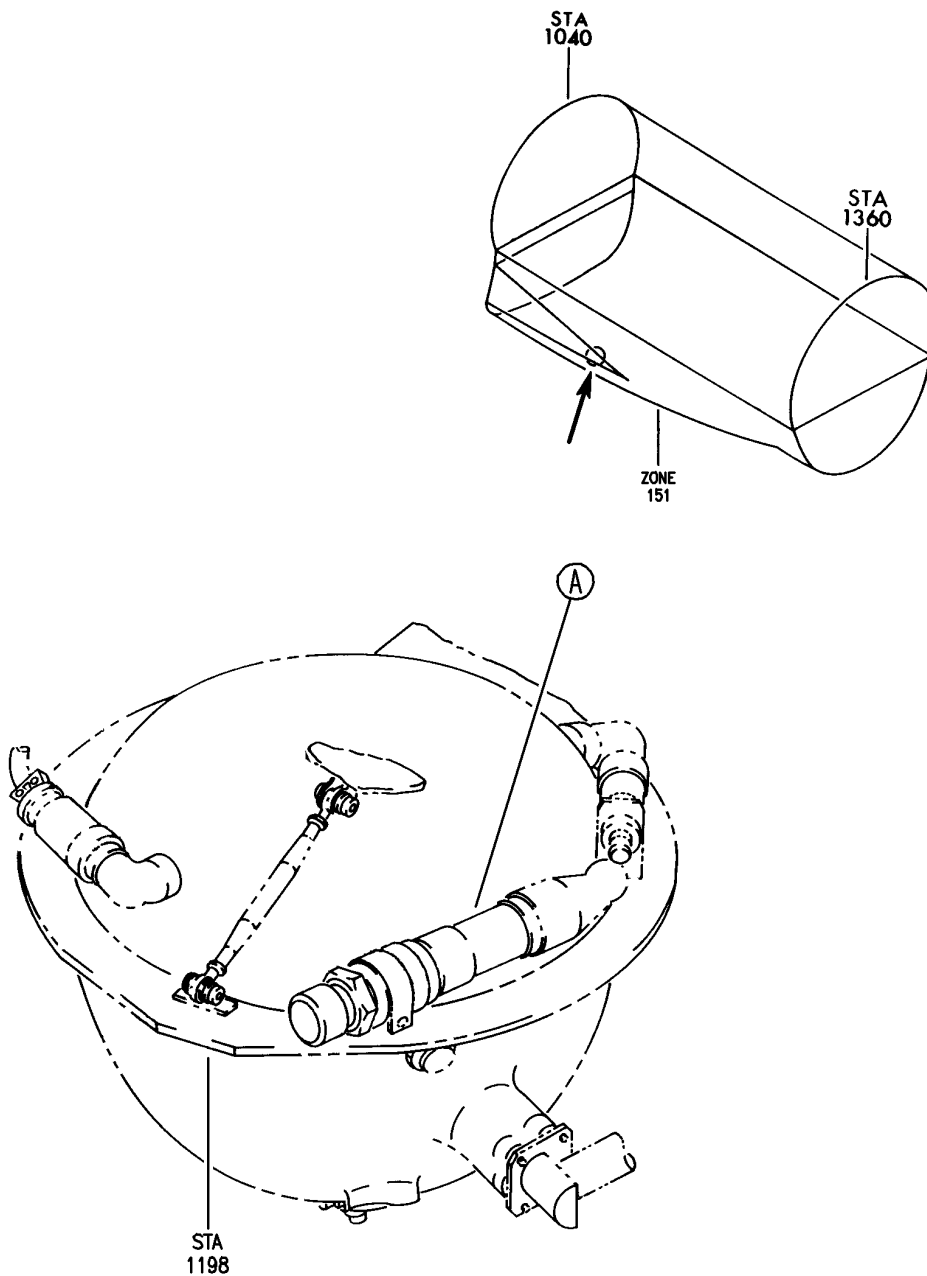
BRI

29-11-24-01

BOEING PROPRIETARY - Copyright © - Unpublished Work - See title page for details.

29-11-24
FIG. 01
PAGE 2
SEP 20/08

BOEING
757
PARTS CATALOG (MAINTENANCE)



Y 29112402 SH1 1 REV 239

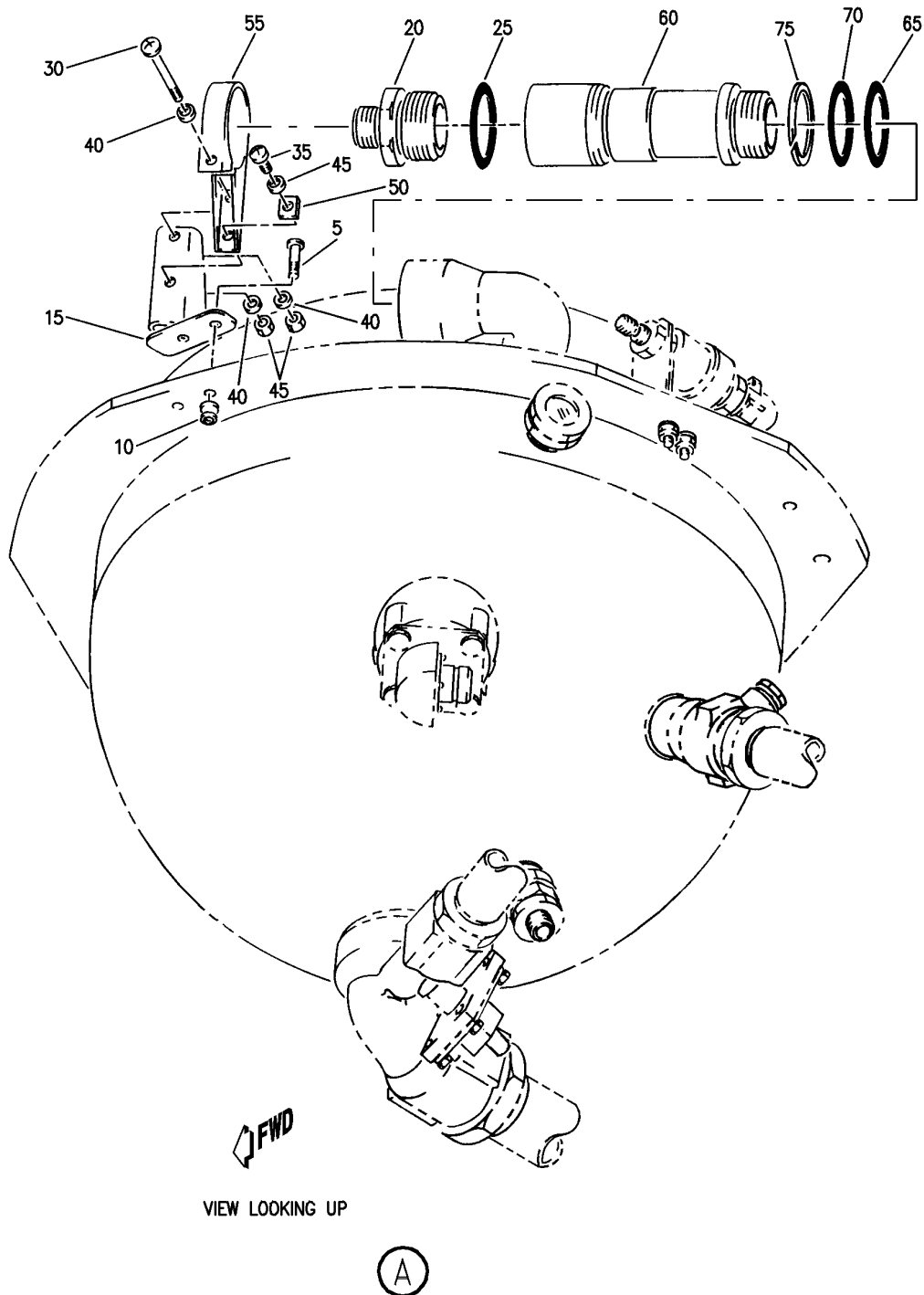
RESERVOIR ASSY-CTR SYS HYDR (RESERVOIR PRESSURE RELIEF VALVE ONLY)
FIGURE 2 (SHEET 1)

29-11-24-02

BRI
MAY 28/07

29-11-24-02
PAGE 0

BOEING
757
PARTS CATALOG (MAINTENANCE)



Y 29112402 SH1 2 REV 239

RESERVOIR ASSY-CTR SYS HYDR (RESERVOIR PRESSURE RELIEF VALVE ONLY)
FIGURE 2 (SHEET 2)

29-11-24-02

BRI
MAY 28/07

29-11-24-02
PAGE 0A



757

PARTS CATALOG (MAINTENANCE)

FIG ITEM	PART NUMBER	1 2 3 4 5 6 7	NOMENCLATURE	EFFECT FROM TO	UNITS PER ASSY
2			RESERVOIR ASSY-CTR SYS	101106	
			HYDR (RESERVOIR PRESSURE	108120	
			RELIEF VALVE ONLY)	504903	
- 1	271N3006-14		RESERVOIR ASSY-HYDR	101106	RF
			(RESERVOIR PRESSURE	108120	
			RELIEF VALVE ONLY)	504903	
			FOR NHA/ADDITIONAL DET SEE:		
			29-11-21-01		
5	BACB30GP5		.BOLT-	101106	2
			SIZE DETERMINED ON INSTL.	108120	
				504903	
10	NAS1080D5		.COLLAR	101106	2
				108120	
				504903	
15	271N3043-2		.SUPPORT WELDMENT-RELIEF	101106	1
			VALVE	108120	
				504903	
20	MS21916D20-12		.REDUCER-	101106	1
				108120	
				504903	
25	NAS1612-20		.PACKING-	101106	1
				108120	
				504903	
30	BACB30NT3K36		.BOLT-	101106	1
				108120	
				504903	
35	BACB30NT3K5		.BOLT-	101106	1
			USED WITH:	108120	
			69B80826-1	504903	
40	AN960PD10		.WASHER-	101106	4
				108120	
				504903	

MISSING ITEM NUMBERS NOT APPLICABLE

- ITEM NOT ILLUSTRATED

BRI

29-11-24-02

29-11-24
FIG. 02
PAGE 1
JAN 20/09



757

PARTS CATALOG (MAINTENANCE)

FIG ITEM	PART NUMBER	1 2 3 4 5 6 7	NOMENCLATURE	EFFECT FROM TO	UNITS PER ASSY
2					
45	BRH10A3	.NUT-	SUPPLIER CODE: V52828 SPECIFICATION NUMBER: BACN10JC3 OPTIONAL PART: H10-3BAC V15653 NS202101-02 V80539 RMLH9075-3W V72962 VN303A02 V92215 96-02 V80539 T6S1032J V11815	101106 108120 504903	2
50	69B80826-1	.FILLER-	USED WITH: BACB30NT3K5	101106 108120 504903	1
55	BACC10AA32-24	.CLAMP-		101106 108120 504903	1
60	1800	.VALVE-RELIEF	SUPPLIER CODE: V06177 FUNCTIONAL DESCRIPTION: REMOVES EXCESSIVE AIR AND/ OR FLUIDS FROM THE HYDRAULIC FLUIDS SPECIFICATION NUMBER: 60B00246-2 COMPONENT MAINT MANUAL REF: 29-11-13	101106 108120 504903	1
65	NAS1611-217	.SEAL-		101106 108120 504903	1
70	NAS1612-20	.PACKING-		101106 108120 504903	1
75	C11236-217B	.RING-	SUPPLIER CODE: V26879	101106 108120 504903	1

MISSING ITEM NUMBERS NOT APPLICABLE

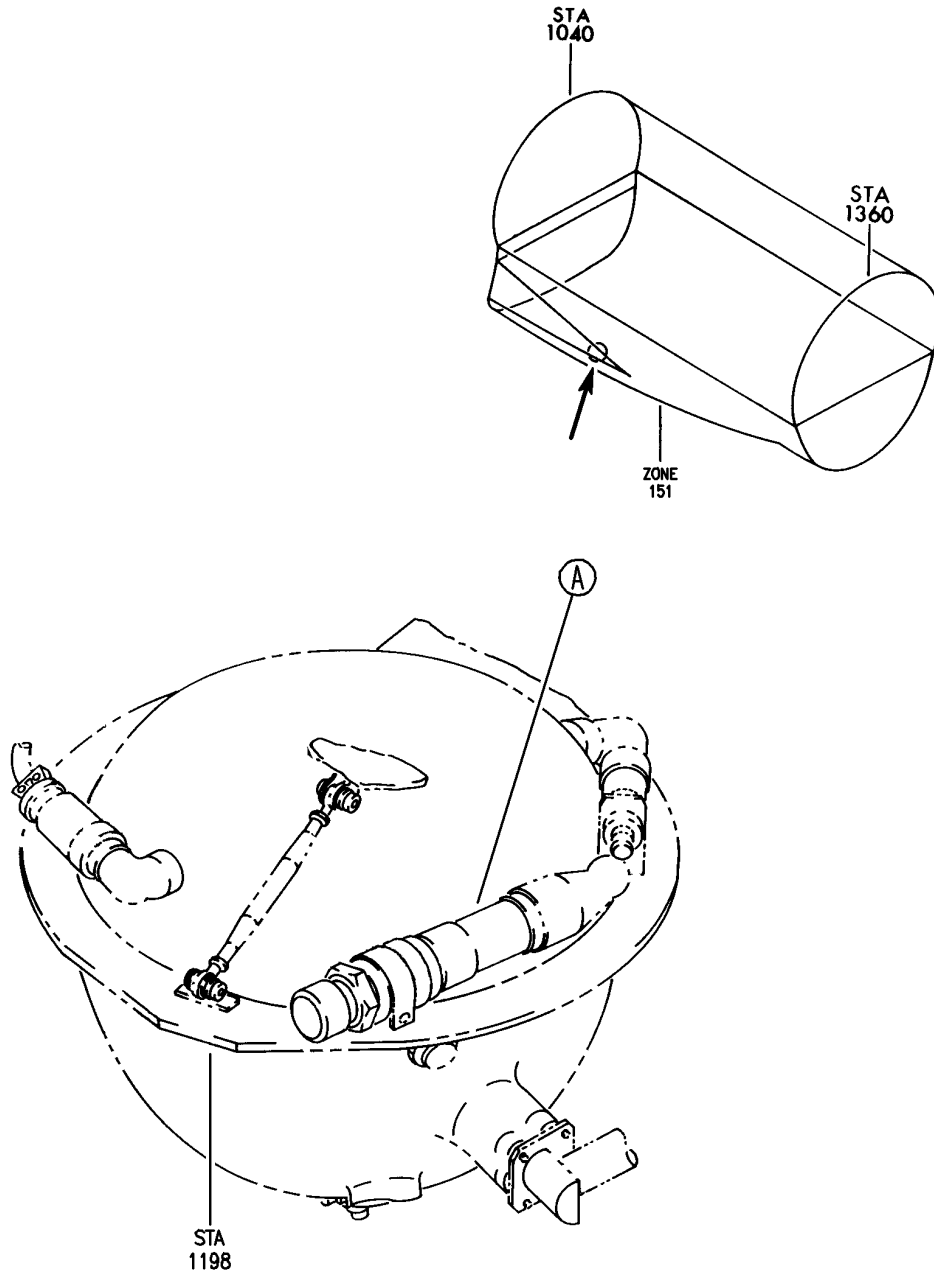
- ITEM NOT ILLUSTRATED

29-11-24-02

29-11-24
FIG. 02
PAGE 2
JAN 20/09

BRI

BOEING
757
PARTS CATALOG (MAINTENANCE)



Y 29112403 SHT 1 REV 239

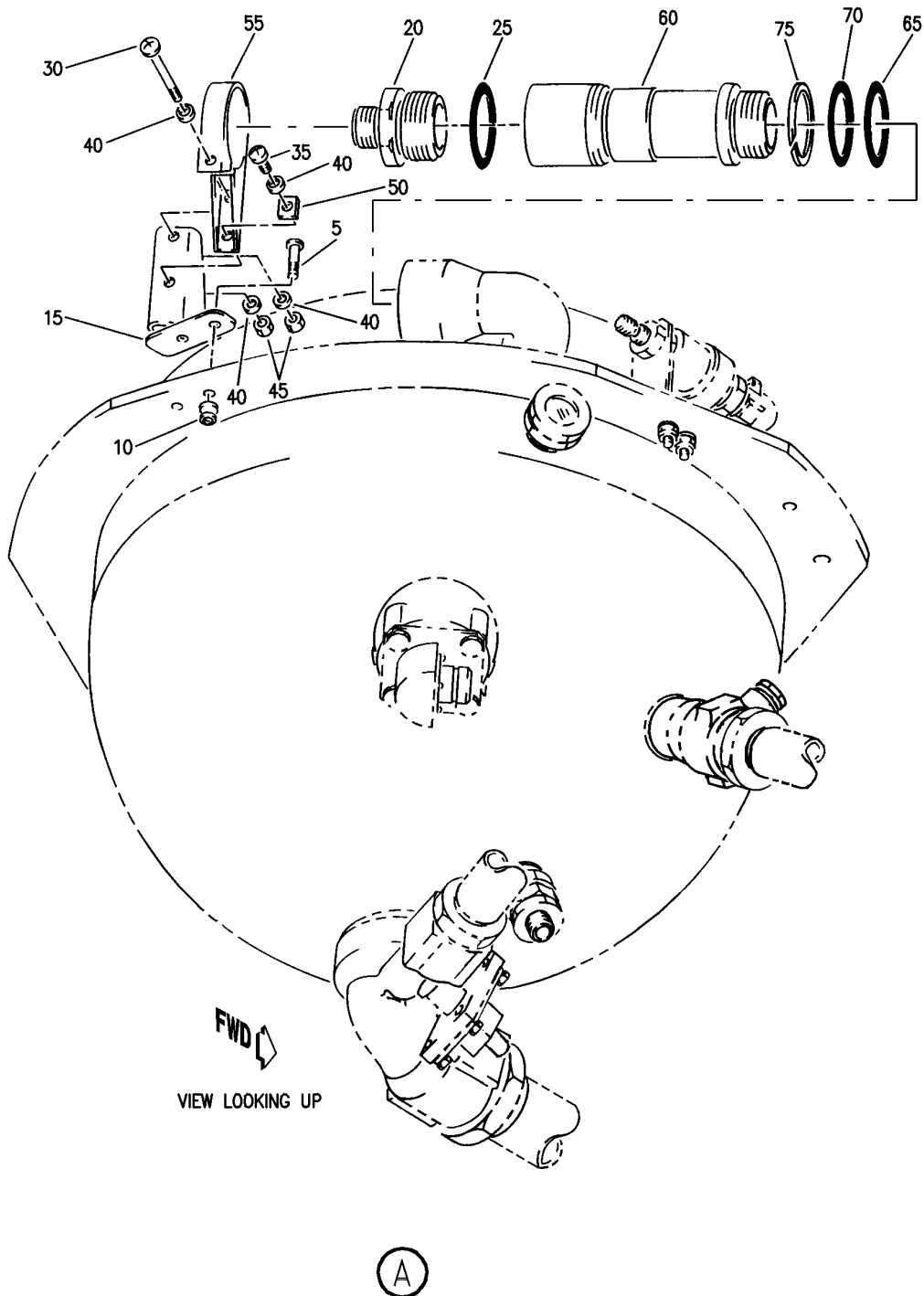
RESERVOIR INSTL-CTR SYS HYDR (PRESSURE RELIEF VALVE ONLY)
FIGURE 3 (SHEET 1)

29-11-24-03

BRI
MAY 28/07

29-11-24-03
PAGE 0

BOEING
757
PARTS CATALOG (MAINTENANCE)



Y 29112403 SH1 2 REV 239

RESERVOIR INSTL-CTR SYS HYDR (PRESSURE RELIEF VALVE ONLY)
FIGURE 3 (SHEET 2)

29-11-24-03

BRI
MAY 28/07

29-11-24-03
PAGE 0A



757

PARTS CATALOG (MAINTENANCE)

FIG ITEM	PART NUMBER	1 2 3 4 5 6 7	NOMENCLATURE	EFFECT FROM TO	UNITS PER ASSY
3			RESERVOIR INSTL-CTR SYS HYDR (PRESSURE RELIEF VALVE ONLY)	002004 006100 107107 121503 904999	
- 1	271N3006-7		RESERVOIR ASSY-HYDR (PRESSURE RELIEF VALVE ONLY) COMPONENT MAINT MANUAL REF: 29-11-22 FOR NHA/ADDITIONAL DET SEE: 29-11-21-02	107107 904949	RF
- 1	271N3006-12		RESERVOIR ASSY-HYDR (PRESSURE RELIEF VALVE ONLY) COMPONENT MAINT MANUAL REF: 29-11-22 FOR NHA/ADDITIONAL DET SEE: 29-11-21-02	002004 006100 121503 950999	RF
5	BACB30GP5		.BOLT- SIZE DETERMINED ON INSTL.	002004 006100 107107 121503 904999	2
10	NAS1080D5		.COLLAR	002004 006100 107107 121503 904999	2
15	271N3043-2		.SUPPORT WELDMENT-RELIEF VALVE	002004 006100 107107 121503 904999	1
20	MS21916D20-12		.REDUCER-	002004 006100 107107 121503 904999	1
25	NAS1612-20		.PACKING-	002004 006100 107107 121503 904999	1
30	BACB30NT3K36		.BOLT-	002004 006100 107107 121503 904999	1

MISSING ITEM NUMBERS NOT APPLICABLE

- ITEM NOT ILLUSTRATED

BRI

29-11-24-03

29-11-24
FIG. 03
PAGE 1
JAN 20/09



757

PARTS CATALOG (MAINTENANCE)

FIG ITEM	PART NUMBER	1 2 3 4 5 6 7	NOMENCLATURE	EFFECT FROM TO	UNITS PER ASSY
3	35	BACB30NT3K5	.BOLT- USED WITH: 69B80826-1	002004 006100 107107 121503 904999	1
	40	AN960PD10	.WASHER-	002004 006100 107107 121503 904999	4
	45	BRH10A3	.NUT- SUPPLIER CODE: V52828 SPECIFICATION NUMBER: BACN10JC3 OPTIONAL PART: H10-3BAC V15653 NS202101-02 V80539 RMLH9075-3W V72962 VN303A02 V92215 96-02 V80539 T6S1032J V11815	002004 006100 107107 121503 904999	2
50	69B80826-1	.FILLER- USED WITH: BACB30NT3K5	002004 006100 107107 121503 904999	1	
55	BACC10AA32-24	.CLAMP-	002004 006100 107107 121503 904999	1	
60	1800	..VALVE-RELIEF SUPPLIER CODE: V06177 FUNCTIONAL DESCRIPTION: REMOVES EXCESSIVE AIR AND/ OR FLUIDS FROM THE HYDRAULIC FLUIDS SPECIFICATION NUMBER: 60B00246-2 COMPONENT MAINT MANUAL REF: 29-11-13	002004 006100 107107 121503 904999	1	

MISSING ITEM NUMBERS NOT APPLICABLE

- ITEM NOT ILLUSTRATED

29-11-24-03

29-11-24
FIG. 03
PAGE 2
JAN 20/09

BRI



757

PARTS CATALOG (MAINTENANCE)

FIG ITEM	PART NUMBER	1 2 3 4 5 6 7	NOMENCLATURE	EFFECT FROM TO	UNITS PER ASSY
3	65	NAS1611-217	.SEAL-	002004 006100 107107 121503 904999	1
	70	NAS1612-20	.PACKING-	002004 006100 107107 121503 904999	1
	75	C11236-217B	.RING- SUPPLIER CODE: V26879	002004 006100 107107 121503 904999	1

MISSING ITEM NUMBERS NOT APPLICABLE

- ITEM NOT ILLUSTRATED

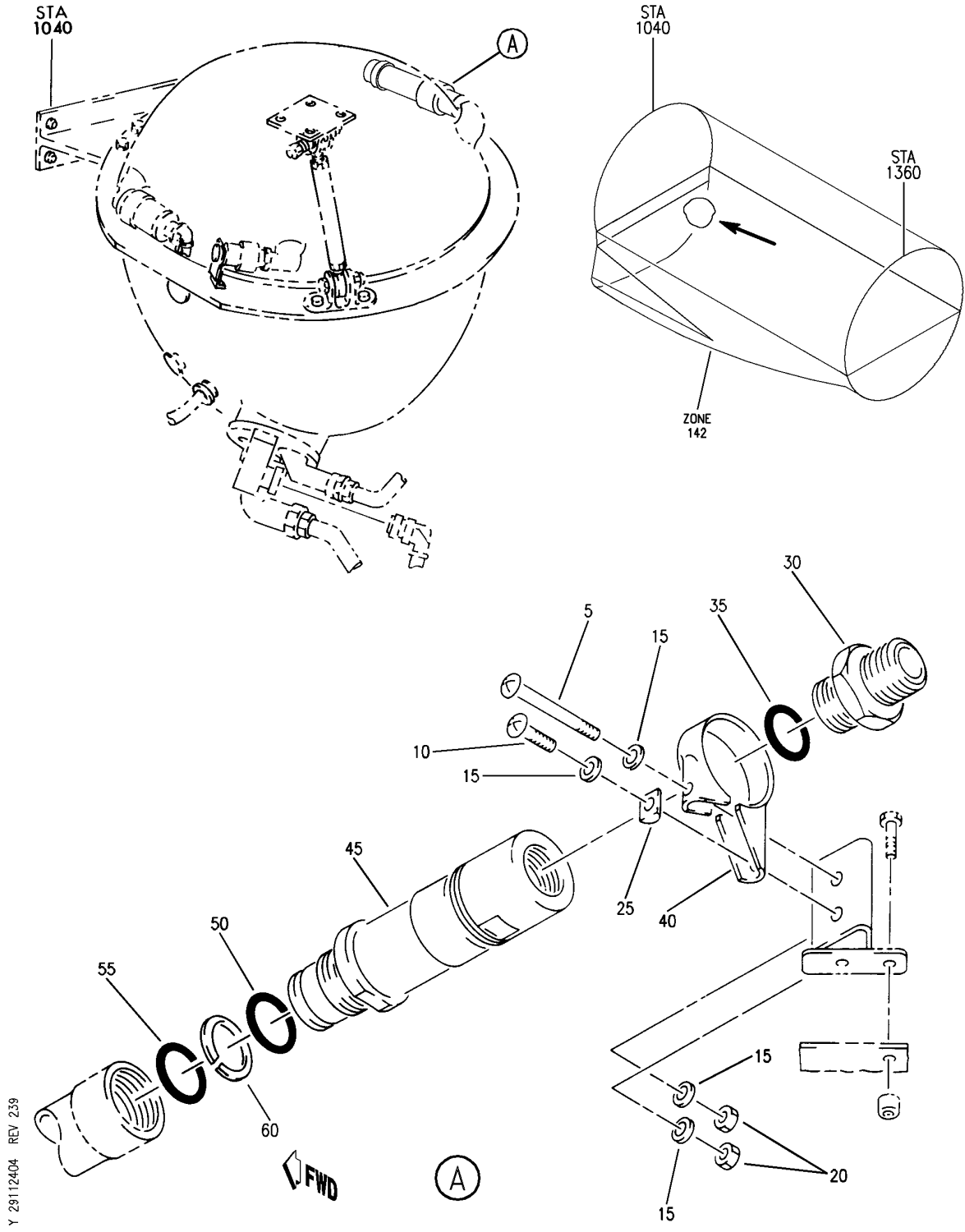
BRI

29-11-24-03

BOEING PROPRIETARY - Copyright © - Unpublished Work - See title page for details.

29-11-24
FIG. 03
PAGE 3
JAN 20/09

BOEING
757
PARTS CATALOG (MAINTENANCE)



Y 29112404 REV 239

RESERVOIR ASSY-R SYS HYDR (RESERVOIR PRESSURE RELIEF VALVE ONLY)
FIGURE 4

29-11-24-04

BRI
MAY 28/07

29-11-24-04
PAGE 0



757

PARTS CATALOG (MAINTENANCE)

FIG ITEM	PART NUMBER	1 2 3 4 5 6 7	NOMENCLATURE	EFFECT FROM TO	UNITS PER ASSY
4			RESERVOIR ASSY-R SYS HYDR (RESERVOIR PRESSURE RELIEF VALVE ONLY)	002004 006999	
- 1	271N3007-6		RESERVOIR ASSY-HYDR (RESERVOIR PRESSURE RELIEF VALVE ONLY) COMPONENT MAINT MANUAL REF: 29-11-24 FOR NHA/OTHER SYS DET SEE: 29-11-20-05	107107 904949	RF
- 1	271N3007-11		RESERVOIR ASSY-HYDR (RESERVOIR PRESSURE RELIEF VALVE ONLY) COMPONENT MAINT MANUAL REF: 29-11-24 FOR NHA/OTHER SYS DET SEE: 29-11-20-05 29-11-20-01	002004 006106 108903 950999	RF
5	BACB30NT3K36		.BOLT-	002004 006999	1
10	BACB30NT3K5		.BOLT- USED WITH: 69B00826-1	002004 006999	1
15	NAS1149D0363J		.WASHER	002004 006999	4
20	BRH10C3D		.NUT SUPPLIER CODE: V52828 SPECIFICATION NUMBER: BACN10JC3CD OPTIONAL PART: T6C1032JCD V11815 NS202486-02 V80539 102LH9075-3W V72962 H51650-3BAC V15653	002004 006999	2
25	69B00826-1		.FILLER- USED WITH: BACB30NT3K5	002004 006999	1
30	MS21916D20-12		.REDUCER-	002004 006999	1
35	NAS1612-20A		.PACKING-	002004 006999	1
40	BACC10AA32-20		.CLAMP-	002004 006999	1

MISSING ITEM NUMBERS NOT APPLICABLE

- ITEM NOT ILLUSTRATED

29-11-24-04

29-11-24
FIG. 04
PAGE 1
JAN 20/09

BRI



757

PARTS CATALOG (MAINTENANCE)

FIG ITEM	PART NUMBER	1 2 3 4 5 6 7	NOMENCLATURE	EFFECT FROM TO	UNITS PER ASSY
4 45	1800		.VALVE-RELIEF SUPPLIER CODE: V06177 FUNCTIONAL DESCRIPTION: REMOVES EXCESSIVE AIR AND/ OR FLUIDS FROM THE HYDRAULIC FLUIDS SPECIFICATION NUMBER: 60B00246-2 COMPONENT MAINT MANUAL REF: 29-11-13	002004 006999	1
50	NAS1612-20A		.PACKING-	002004 006999	1
55	NAS1611-217A		.PACKING-	002004 006999	1
60	C11236-217B		.RING- SUPPLIER CODE: V26879	002004 006999	1

MISSING ITEM NUMBERS NOT APPLICABLE

- ITEM NOT ILLUSTRATED

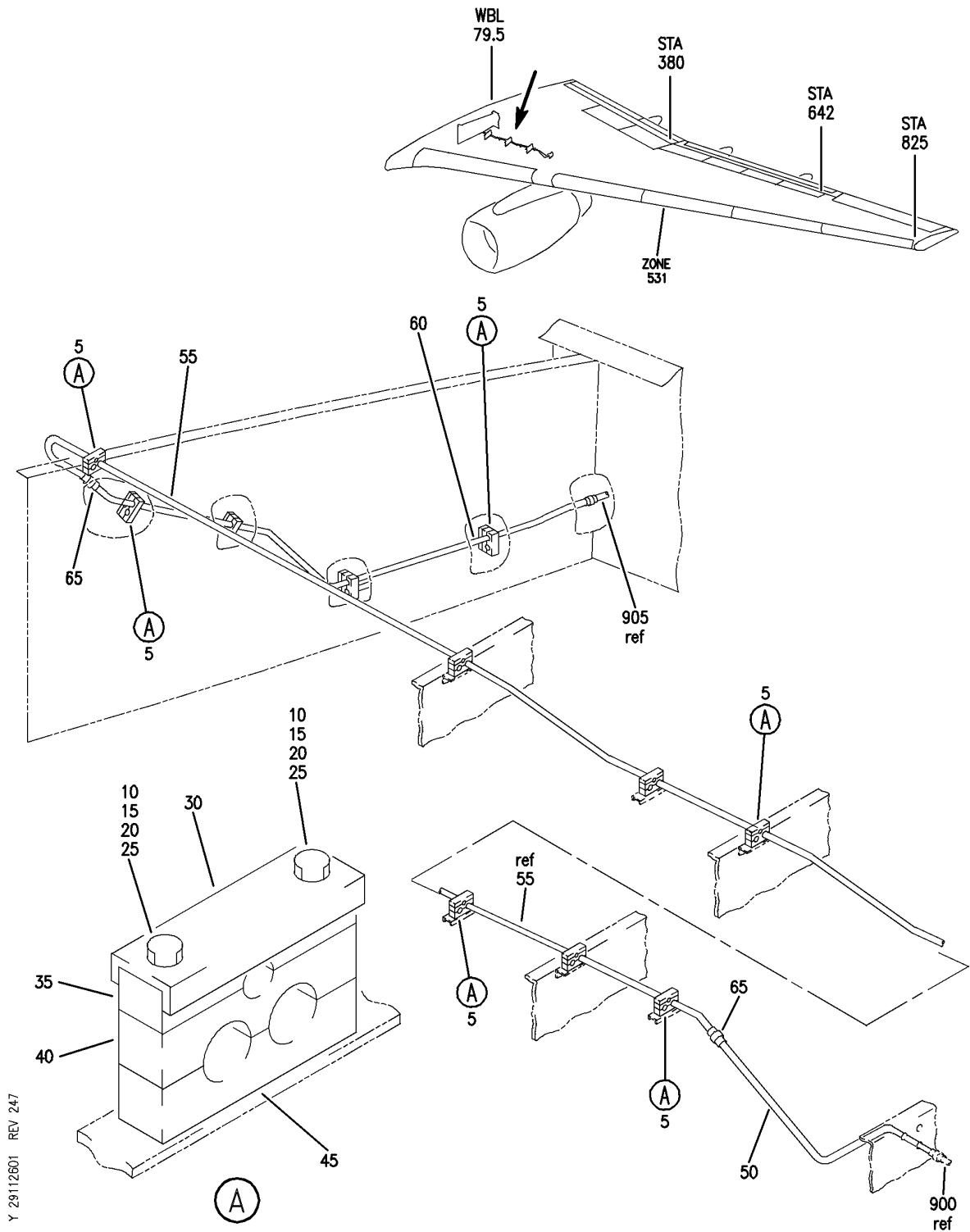
BRI

29-11-24-04

BOEING PROPRIETARY - Copyright © - Unpublished Work - See title page for details.

29-11-24
FIG. 04
PAGE 2
SEP 20/08

BOEING
757
PARTS CATALOG (MAINTENANCE)



Y 29112601 REV 247

PLUMBING INSTL-SECT. 12 L WING INBD SPAR (HEAT EXCHANGER ONLY) CTR SYS
FIGURE 1

29-11-26-01

BRI
JAN 20/09

29-11-26-01
PAGE 0



757

PARTS CATALOG (MAINTENANCE)

FIG ITEM	PART NUMBER	1 2 3 4 5 6 7	NOMENCLATURE	EFFECT FROM TO	UNITS PER ASSY
1			PLUMBING INSTL-SECT. 12 L WING INBD SPAR (HEAT EXCHANGER ONLY) CTR SYS	103106	
- 1	MODREF31340		PLUMBING INST-HYDR (HEAT EXCHANGER ONLY) CTR SYS MODULE NUMBER: 271N6122-30 REV B POSITION DATA: SECT. 12 L WING OUTBD FOR ADDITIONAL DETAILS SEE: 29-11-51-16	103106	1
5	270N2001-11		.CLAMP ASSY-BLK	103106	11
10	NAS1801-3-36		..SCREW	103106	2
15	NAS43DD3-107		..SPACER	103106	2
20	AN960PD10L		..WASHER	103106	2
25	BRH10A3		..NUT SUPPLIER CODE: V52828 SPECIFICATION NUMBER: BACN10JC3 OPTIONAL PART: H10-3BAC V15653 NS202101-02 V80539 RMLH9075-3W V72962 VN303A02 V92215 96-02 V80539 T6S1032J V11815	103106	2
30	270N2001-806		..CHANNEL	103106	1
35	270N2001-406		..BLOCK	103106	1
40	270N2001-407		..BLOCK	103106	1
45	270N2001-408		..BLOCK	103106	1
50	271N6122-1216		.TUBE ASSY-TO HEAT EXCHANGER CTR SYS TUBING MATERIAL: .625 IN. OD X .035 IN WALL X 20.3 IN. LG 6061-T6 ALUMINUM SEAMLESS TUBING PER MIL-T-7081.	103106	1

MISSING ITEM NUMBERS NOT APPLICABLE

- ITEM NOT ILLUSTRATED

BRI

29-11-26-01

29-11-26
FIG. 01
PAGE 1
JAN 20/09



757

PARTS CATALOG (MAINTENANCE)

FIG ITEM	PART NUMBER	1 2 3 4 5 6 7	NOMENCLATURE	EFFECT FROM TO	UNITS PER ASSY
1					
55	271N6122-1062		.TUBE ASSY-TO HEAT EXCHANGER CTR SYS TUBING MATERIAL: .625 IN. OD X .035 IN. WALL X 100.15 IN. LG 6061-T6 ALUMINUM SEAMLESS TUBING PER MIL-T-7081.	103106	1
60	271N6122-1326		.TUBE ASSY-TO HEAT EXCHANGER CTR SYS	103106	1
65	D10282J10		.UNION SUPPLIER CODE: V14798 SPECIFICATION NUMBER: BACU24BS1010D	103106	2
900			ILLUSTRATION REFERENCE: PLUMBING INSTL AND BRACKET INSTL SECT 12 L WING OUTBD SPAR (HEAT EXCHANGER ONLY) CTR SYS 29-11-26-03	103106	RF
905			ILLUSTRATION REFERENCE: PLUMBING INSTL-SECT. 12 L TRAILING EDGE CTR SYS (HEAT EXCHANGER ONLY) CTR SYS 29-11-26-06	103106	RF

MISSING ITEM NUMBERS NOT APPLICABLE

- ITEM NOT ILLUSTRATED

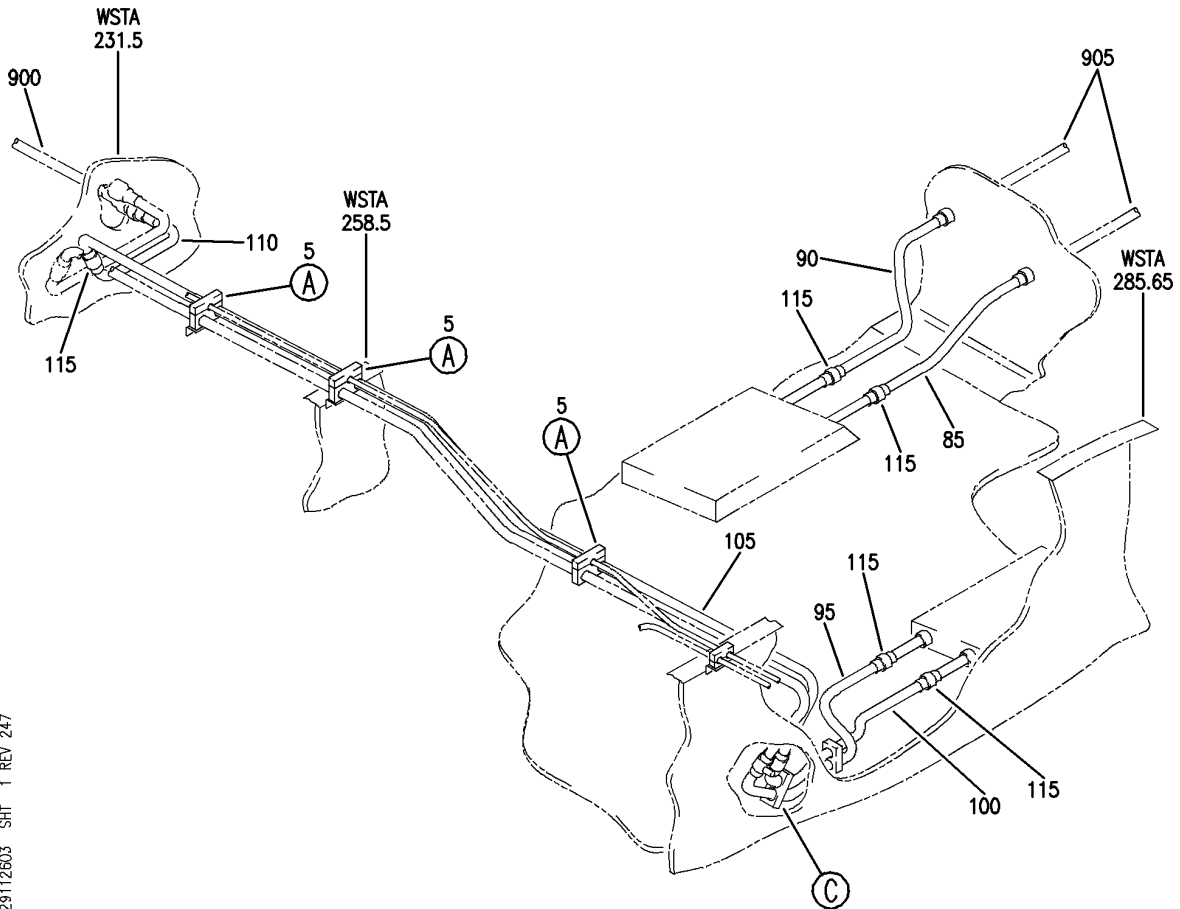
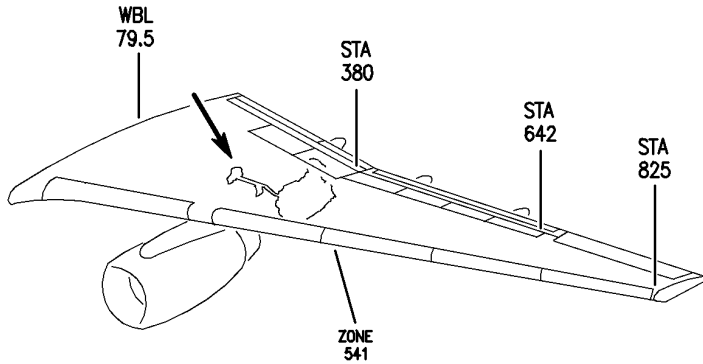
BRI

29-11-26-01

BOEING PROPRIETARY - Copyright © - Unpublished Work - See title page for details.

29-11-26
FIG. 01
PAGE 2
JAN 20/09

BOEING
757
PARTS CATALOG (MAINTENANCE)



Y 29112603 SH1 1 REV 247

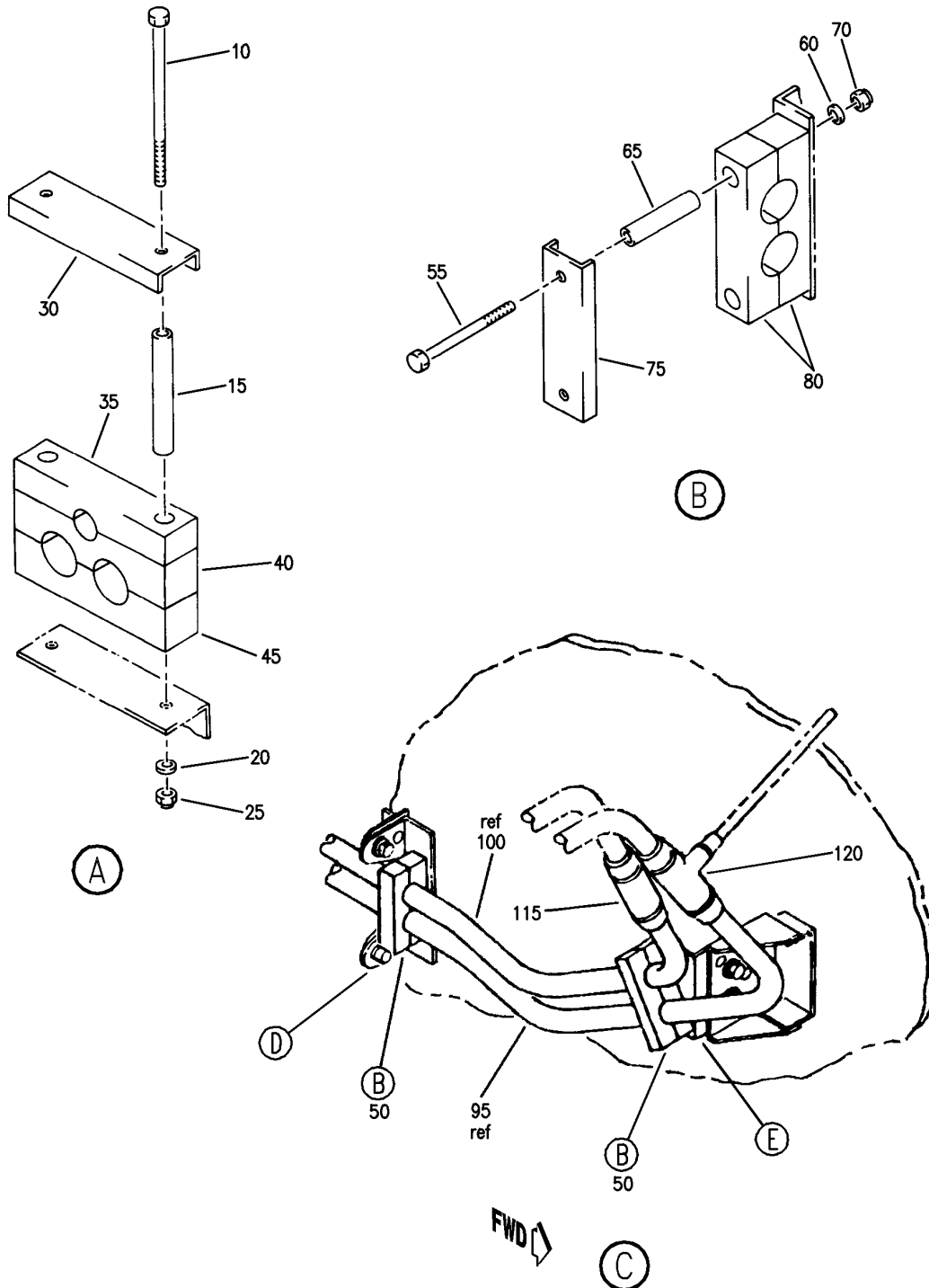
PLUMBING INSTL AND BRACKET INSTL SECT 12 L WING OUTBD SPAR (HEAT EXCHANGER ONLY) CTR SYS
FIGURE 3 (SHEET 1)

BRI
JAN 20/09

29-11-26-03

29-11-26-03
PAGE 0


BOEING
 757
PARTS CATALOG (MAINTENANCE)



Y 29112603 SHT 2 REV 247

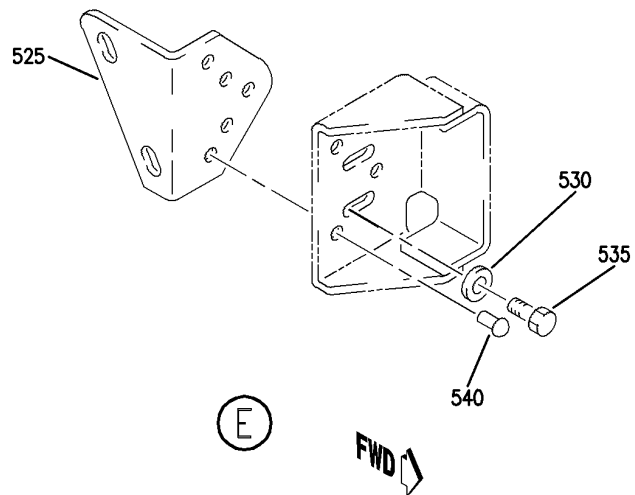
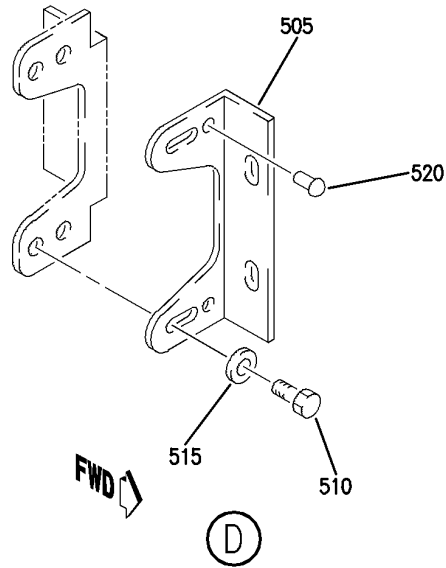
PLUMBING INSTL AND BRACKET INSTL SECT 12 L WING OUTBD SPAR (HEAT EXCHANGER ONLY) CTR SYS
 FIGURE 3 (SHEET 2)

BRI
JAN 20/09

29-11-26-03

29-11-26-03
 PAGE 0A

BOEING
757
PARTS CATALOG (MAINTENANCE)



Y 29112603 SHT 3 REV 247

PLUMBING INSTL AND BRACKET INSTL SECT 12 L WING OUTBD SPAR (HEAT EXCHANGER ONLY) CTR SYS
FIGURE 3 (SHEET 3)

BRI
JAN 20/09

29-11-26-03

29-11-26-03
PAGE 0B



757

PARTS CATALOG (MAINTENANCE)

FIG ITEM	PART NUMBER	1 2 3 4 5 6 7	NOMENCLATURE	EFFECT FROM TO	UNITS PER ASSY
3			PLUMBING INSTL AND BRACKET INSTL SECT 12 L WING OUTBD SPAR (HEAT EXCHANGER ONLY) CTR SYS	103106	
- 1	MODREF29848		PLUMBING INST-HYDR (HEAT EXCHANGER ONLY) CTR SYS MODULE NUMBER: 271N6122-32 REV B POSITION DATA: SECT. 12 L WING OUTBD FOR ADDITIONAL DETAILS SEE: 29-11-51-25	103106	1
5	270N2001-11		.CLAMP ASSY-BLK	103106	3
10	NAS1801-3-36		..SCREW	103106	2
15	NAS43DD3-107		..SPACER	103106	2
20	AN960PD10L		..WASHER	103106	2
25	BRH10A3		..NUT	103106	2
			SUPPLIER CODE: V52828 SPECIFICATION NUMBER: BACN10JC3 OPTIONAL PART: H10-3BAC V15653 NS202101-02 V80539 RMLH9075-3W V72962 VN303A02 V92215 96-02 V80539 T6S1032J V11815		
30	270N2001-806		..CHANNEL	103106	1
35	270N2001-406		..BLOCK	103106	1
40	270N2001-407		..BLOCK	103106	1
45	270N2001-408		..BLOCK	103106	1
50	270N2001-12		.CLAMP ASSY-BLK	103106	2
55	NAS1801-3-28		..SCREW	103106	2
60	AN960PD10L		..WASHER	103106	2
65	NAS43DD3-75		..SPACER	103106	2

MISSING ITEM NUMBERS NOT APPLICABLE

- ITEM NOT ILLUSTRATED

29-11-26-03

29-11-26
FIG. 03
PAGE 1
JAN 20/09

BRI



757

PARTS CATALOG (MAINTENANCE)

FIG ITEM	PART NUMBER	1 2 3 4 5 6 7	NOMENCLATURE	EFFECT FROM TO	UNITS PER ASSY
3					
70	BRH10A3	..	NUT SUPPLIER CODE: V52828 SPECIFICATION NUMBER: BACN10JC3 OPTIONAL PART: H10-3BAC V15653 NS202101-02 V80539 RMLH9075-3W V72962 VN303A02 V92215 96-02 V80539 T6S1032J V11815	103106	2
75	270N2001-806	..	CHANNEL	103106	1
80	270N2001-806	..	CHANNEL	103106	1
85	271N6122-1335	.TUBE	ASSY-FROM HEAT EXCHANGER	103106	1
90	271N6122-1334	.TUBE	ASSY-TO HEAT EXCHANGER	103106	1
95	271N6122-1279	.TUBE	ASSY-FROM HEAT EXCHANGER CTR SYS TUBING MATERIAL: .625 IN. OD X .035 IN. WALL X 40.3 IN. LG 6061-T6 ALUMINUM SEAMLESS TUBING PER MIL-T-7081.	103106	1
100	271N6122-1280	.TUBE	ASSY-TO HEAT EXCHANGER CTR SYS TUBING MATERIAL: .625 IN. OD X .035 IN. WALL X 35.1 IN. LG 6061-T6 ALUMINUM SEAMLESS TUBING PER MIL-T-7081.	103106	1
105	271N6122-1213	.TUBE	ASSY-TO HEAT EXCHANGER CTR SYS TUBING MATERIAL: .625 IN. OD X .035 IN. WALL X 44.0 IN. LG 6061-T6 ALUMINUM SEAMLESS TUBING PER MIL-T-7081.	103106	1

MISSING ITEM NUMBERS NOT APPLICABLE

- ITEM NOT ILLUSTRATED

29-11-26-03

29-11-26
FIG. 03
PAGE 2
JAN 20/09

BRI

BOEING PROPRIETARY - Copyright © - Unpublished Work - See title page for details.



757

PARTS CATALOG (MAINTENANCE)

FIG ITEM	PART NUMBER	1 2 3 4 5 6 7	NOMENCLATURE	EFFECT FROM TO	UNITS PER ASSY
3					
110	271N6122-1272		.TUBE ASSY-TO HEAT EXCHANGER CTR SYS TUBING MATERIAL: .625 IN. OD X .035 IN. WALL X 17.3 IN. LG 6061-T6 ALUMINUM SEAMLESS TUBING PER MIL-T-7081.	103106	1
115	D10282J10		.UNION SUPPLIER CODE: V14798 SPECIFICATION NUMBER: BACU24BS1010D	103106	6
120	D10280D101006		.TEE- SUPPLIER CODE: V14798	103106	1
- 500	MODREF31339		BRACKET INSTL- CTR SYS HEAT EXCHANGER TUBE SUPPORT MODULE NUMBER: 271N6122-29 REV B	103106	1
505	271N6297-2		.BRACKET-HYDR ATTACHING PARTS	103106	1
510	NAS623-3-7		.SCREW	103106	2
515	NAS1149D0332J		.WASHER	103106	2
520	BACR15FT6D6C		.RIVET	103106	2
			-----*-----		
525	271N6298-1		.BRACKET ASSY-HYDR ATTACHING PARTS	103106	1
530	NAS1149D0332J		.WASHER	103106	2
535	NAS623-3-6		.SCREW	103106	2
540	BACR15FT6D6C		.RIVET	103106	2
			-----*-----		
900			ILLUSTRATION REFERENCE: PLUMBING INSTL-SECT. 12 L WING INBD SPAR (HEAT EXCHANGER ONLY) CTR SYS 29-11-26-01	103106	RF
905			ILLUSTRATION REFERENCE: PLUMBING INSTL-SECT. 12 L TRAILING EDGE CTR SYS (HEAT EXCHANGER ONLY) CTR SYS 29-11-26-06	103106	RF

MISSING ITEM NUMBERS NOT APPLICABLE

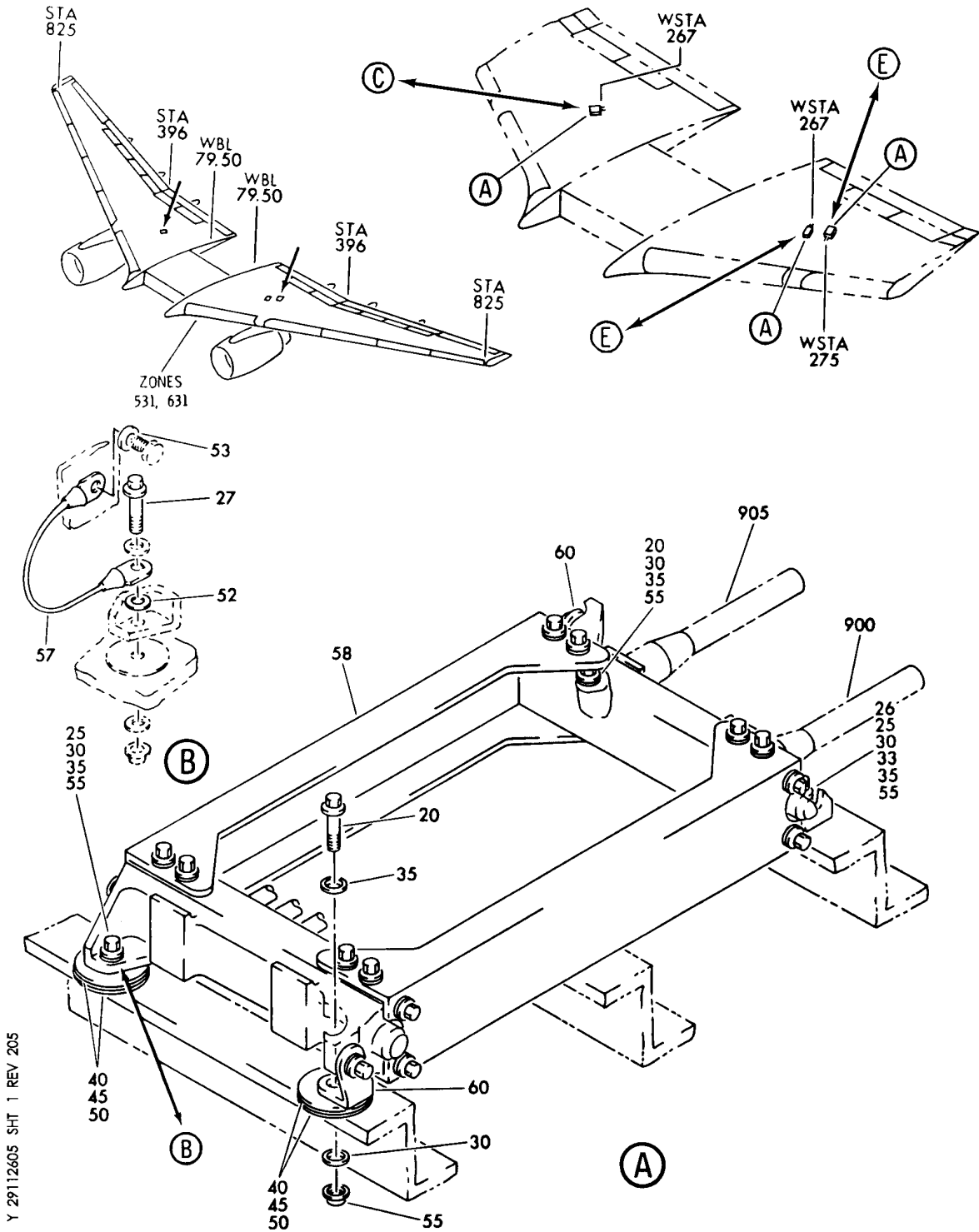
- ITEM NOT ILLUSTRATED

BRI

29-11-26-03

29-11-26
FIG. 03
PAGE 3
JAN 20/09

BOEING
757
PARTS CATALOG (MAINTENANCE)



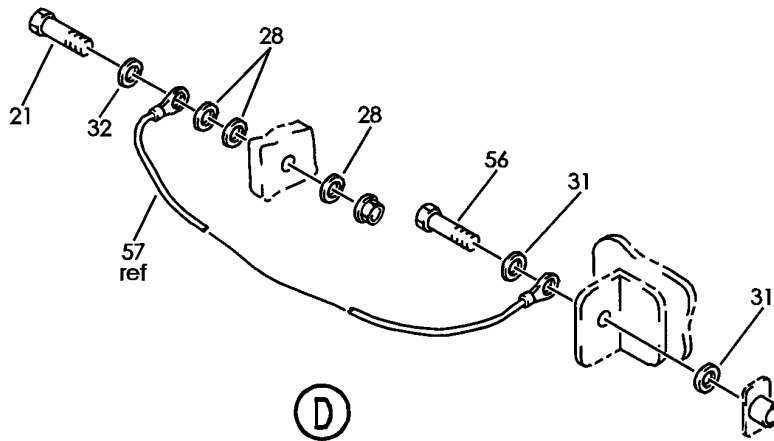
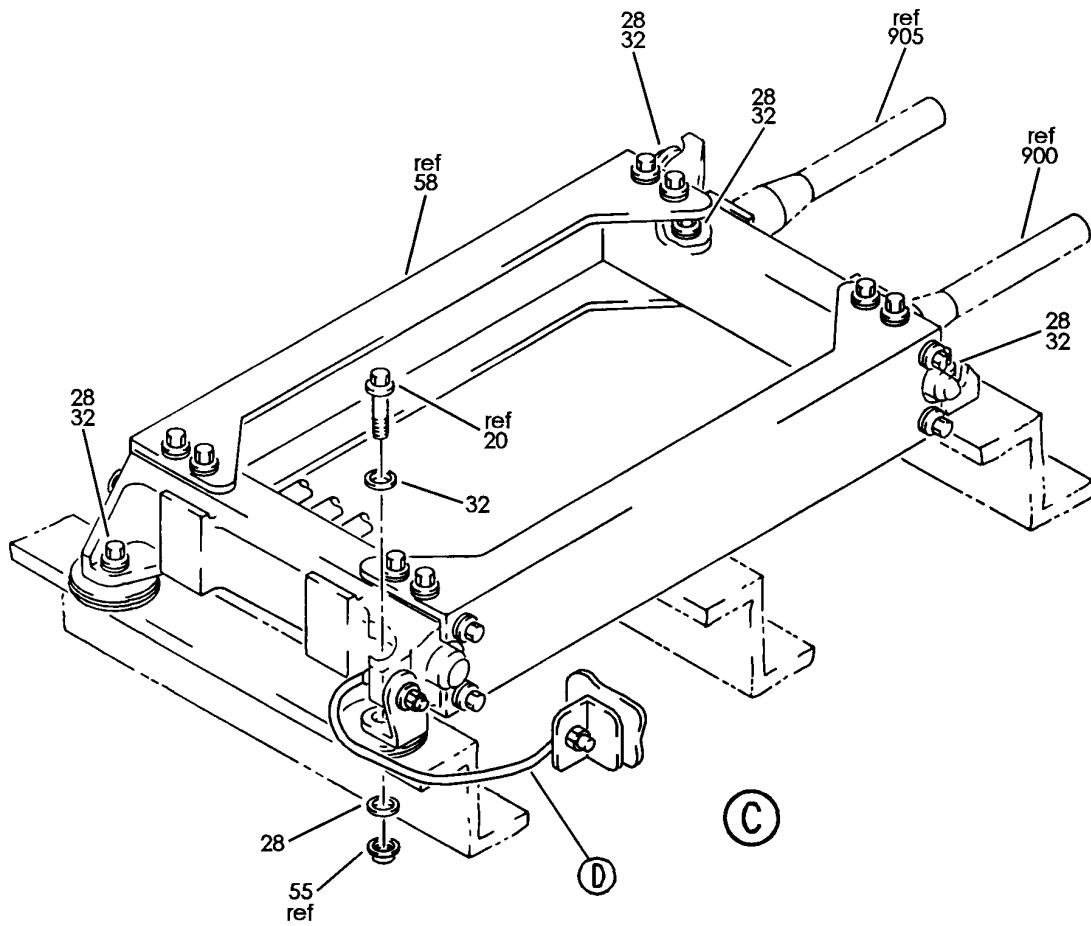
EXCHANGER INSTL-L, R AND CTR HEAT
FIGURE 5 (SHEET 1)

29-11-26-05

BRI
MAY 28/07

29-11-26-05
PAGE 0

BOEING
757
PARTS CATALOG (MAINTENANCE)



Y 29112605 SHT 2 REV 205

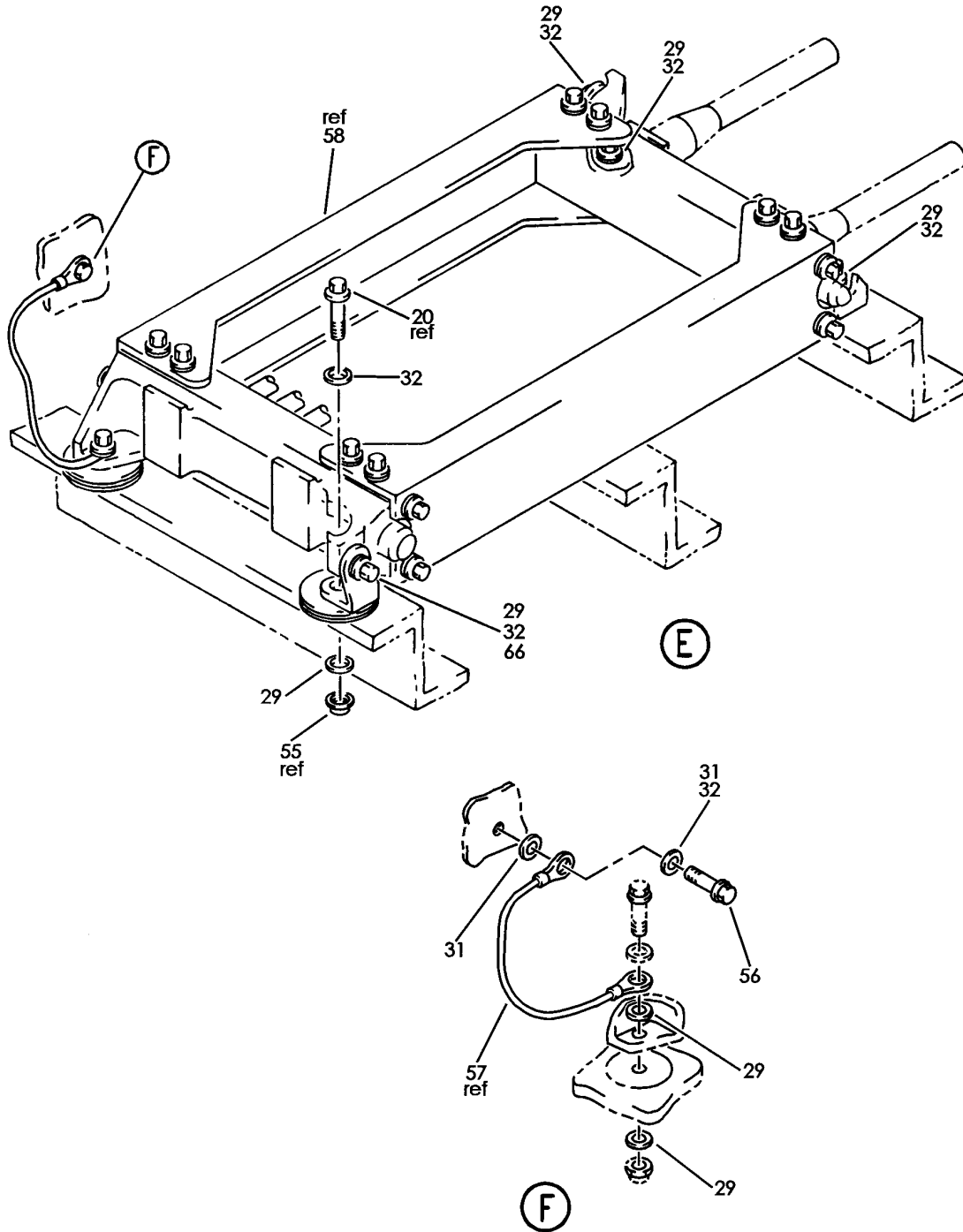
EXCHANGER INSTL-L, R AND CTR HEAT
FIGURE 5 (SHEET 2)

29-11-26-05

BRI
MAY 28/07

29-11-26-05
PAGE 0A

BOEING
757
PARTS CATALOG (MAINTENANCE)



Y 29112605 SHT 3 REV 205

EXCHANGER INSTL-L, R AND CTR HEAT
FIGURE 5 (SHEET 3)

29-11-26-05

BRI
MAY 28/07

29-11-26-05
PAGE 0B



757

PARTS CATALOG (MAINTENANCE)

FIG ITEM	PART NUMBER	1 2 3 4 5 6 7	NOMENCLATURE	EFFECT FROM TO	UNITS PER ASSY
5			EXCHANGER INSTL-L, R AND CTR HEAT	002004 006999	
- 1	271N4001-8		EXCHANGER INSTL-HEAT POSITION DATA: LH SIDE FOR NHA SEE: 29-00-51-01A	101102 108120 504903	RF
- 1	271N4001-1		EXCHANGER INSTL-HEAT POSITION DATA: LH SIDE FOR NHA SEE: 29-00-51-01	002004 006100 107107 121503 904999	RF
- 1	MODREF7117		EXCHANGER INSTL-HEAT MODULE NUMBER: 271N4001-8 REV A POSITION DATA: LH SIDE	103106	1
- 5	271N4001-2		EXCHANGER INSTL-HEAT POSITION DATA: RH SIDE FOR NHA SEE: 29-00-51-01	002004 006100 107107 121503 904999	RF
- 5	271N4001-9		EXCHANGER INSTL-HEAT POSITION DATA: RH SIDE FOR NHA SEE: 29-00-51-01A	101102 108120 504903	RF
- 5	MODREF7118		EXCHANGER INSTL-HEAT MODULE NUMBER: 271N4001-9 REV A POSITION DATA: RH SIDE	103106	1
- 10	271N4001-3		EXCHANGER INSTL-HEAT POSITION DATA: CTR FOR NHA SEE: 29-00-51-01	002004 006100 107107 121503 904999	RF
- 10	271N4001-10		EXCHANGER INSTL-HEAT POSITION DATA: CTR FOR NHA SEE: 29-00-51-01A	101102 108120 504903	RF
- 10	MODREF7113		EXCHANGER INSTL-HEAT MODULE NUMBER: 271N4001-10 REV A POSITION DATA: CTR	103106	1
20	BACB30MR4K10		.BOLT	002004 006999	2

MISSING ITEM NUMBERS NOT APPLICABLE

- ITEM NOT ILLUSTRATED

29-11-26-05

29-11-26
FIG. 05
PAGE 1
JAN 20/09

BRI



757

PARTS CATALOG (MAINTENANCE)

FIG ITEM	PART NUMBER	1 2 3 4 5 6 7	NOMENCLATURE	EFFECT FROM TO	UNITS PER ASSY
5					
26	BACB30MR4K12	.	BOLT	002004 006102 107999	1
27	BACB30MR4K14	.	BOLT	002004 006102 107999	1
30	AN960PD416L	.	WASHER-	002004 006100 107107 121503 904999	4
30	NAS1149D0416J	.	WASHER	101106 108120 504903	4
33	AN960PD416L	.	WASHER	002004 006100 107107 121503 904999	1
35	BACW10BN4AC	.	WASHER	002004 006999	4
40	BACW10P328L	.	WASHER- MISCELLANEOUS DATA: (USE (1) WITH (1) BACW10P332L FOR GAPS 0.093-0.079; USE (1) WITH (1) BACW10P330L FOR GAPS 0.063-0.048; USE (1) FOR GAPS 0.031- 0.016)	002004 006999	AR
45	BACW10P330L	.	WASHER- MISCELLANEOUS DATA: (USE (1) WITH (1) BACW10P328L FOR GAPS 0.063-0.048; USE (1) FOR GAPS 0.047-0.032; USE (2) FOR GAPS 0.078- 0.064)	002004 006999	AR
50	BACW10P332L	.	WASHER- MISCELLANEOUS DATA: (USE (1) WITH (1) BACW10P328L FOR GAPS 0.093-0.079)	002004 006999	AR
52	AN960JD416	.	WASHER	002004 006100 107107 121503 904999	1

MISSING ITEM NUMBERS NOT APPLICABLE

- ITEM NOT ILLUSTRATED

29-11-26-05

29-11-26
FIG. 05
PAGE 2
JAN 20/09

BRI

BOEING PROPRIETARY - Copyright © - Unpublished Work - See title page for details.



757

PARTS CATALOG (MAINTENANCE)

FIG ITEM	PART NUMBER	1 2 3 4 5 6 7	NOMENCLATURE	EFFECT FROM TO	UNITS PER ASSY
5					
52	NAS1149D0463J	.	WASHER	101106 108120 504903	1
53	AN960JD10M	.	WASHER	002004 006102 107999	1
55	NAS1804-4	.	NUT	002004 006100 107107 121503 904999	4
55	NAS1805-4L	.	NUT	101106 108120 504903	4
57	BACJ40A21-6	.	JUMPER ASSY	002004 006102 107999	1
58	11483-000	.	EXCHANGER- SUPPLIER CODE: V12536 SPECIFICATION NUMBER: S271N401-1	002004 006999	1
60	271N4004-2	.	SUPPORT- ATTACHING PARTS	002004 006999	2
- 65	BACB30MR4K7	.	BOLT	002004 006102 107999	2
- 70	BACW10BN4AC	.	WASHER	002004 006999	2
- 75	AN960PD416L	.	WASHER	002004 006100 107107 121503 904999	2
- 75	NAS1149D0416J	.	WASHER	101106 108120 504903	2
- 80	NAS1804-4	.	NUT	002004 006100 107107 121503 904999	2
- 80	NAS1805-4	.	NUT	101106 108120 504903	2
			-----*		

MISSING ITEM NUMBERS NOT APPLICABLE

- ITEM NOT ILLUSTRATED

BRI

29-11-26-05

29-11-26
FIG. 05
PAGE 3
JAN 20/09



757

PARTS CATALOG (MAINTENANCE)

FIG ITEM	PART NUMBER	1 2 3 4 5 6 7	NOMENCLATURE	EFFECT FROM TO	UNITS PER ASSY
5 900			ILLUSTRATION REFERENCE: PLUMBING INSTL-SECT. 12 L WING INBD HYDR (HYDRAULIC POWER ONLY) (L SYS) 29-11-51-12	002004 006999	RF

MISSING ITEM NUMBERS NOT APPLICABLE

- ITEM NOT ILLUSTRATED

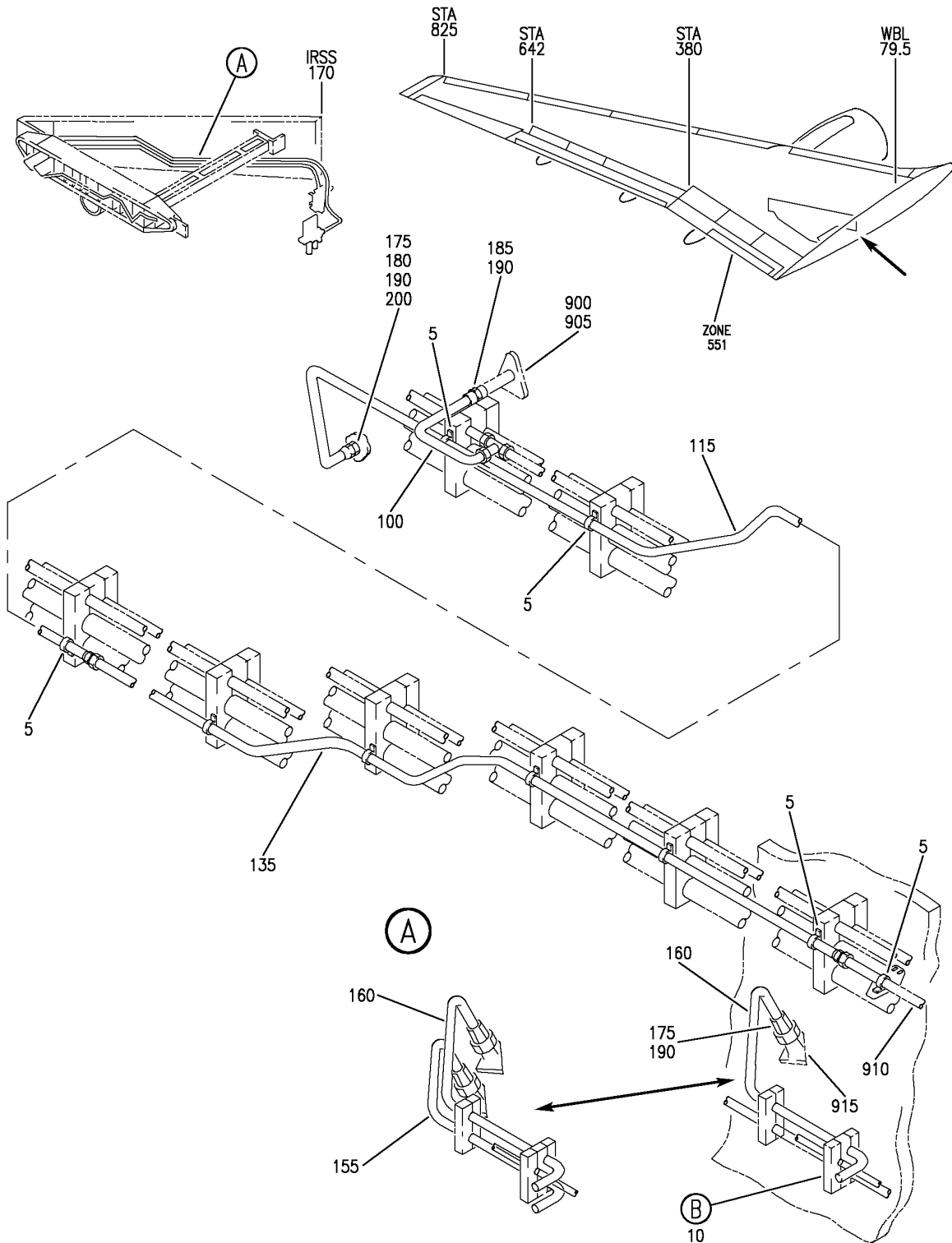
BRI

29-11-26-05

BOEING PROPRIETARY - Copyright © - Unpublished Work - See title page for details.

29-11-26
FIG. 05
PAGE 4
JAN 20/09

BOEING
757
PARTS CATALOG (MAINTENANCE)



Y 29112606 SH-T 1 REV 331

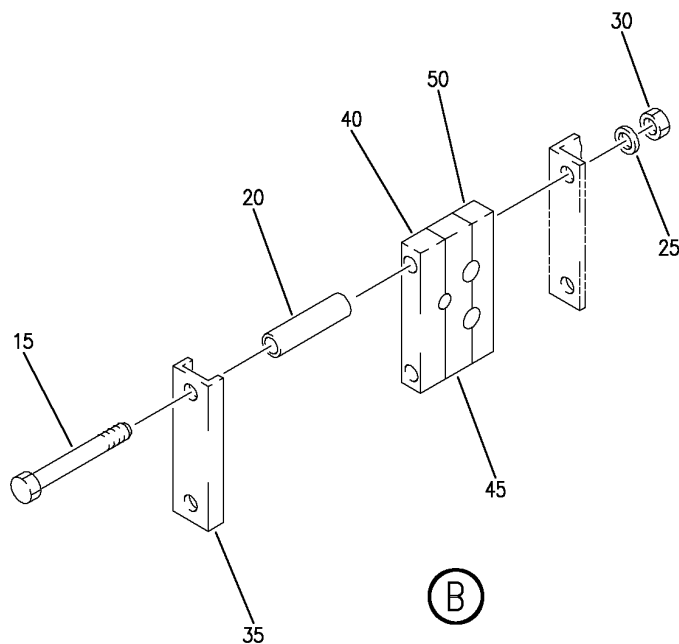
PLUMBING INSTL-SECT. 12 L TRAILING EDGE CTR SYS (HEAT EXCHANGER ONLY) CTR SYS
FIGURE 6 (SHEET 1)

BRI
JAN 20/09

29-11-26-06

29-11-26-06
PAGE 0

BOEING
757
PARTS CATALOG (MAINTENANCE)



Y 29112606 SH1 2 REV 331

PLUMBING INSTL-SECT. 12 L TRAILING EDGE CTR SYS (HEAT EXCHANGER ONLY) CTR SYS
FIGURE 6 (SHEET 2)

BRI
JAN 20/09

29-11-26-06

29-11-26-06
PAGE 0A



757

PARTS CATALOG (MAINTENANCE)

FIG ITEM	PART NUMBER	1 2 3 4 5 6 7	NOMENCLATURE	EFFECT FROM TO	UNITS PER ASSY
6			PLUMBING INSTL-SECT. 12 L TRAILING EDGE CTR SYS (HEAT EXCHANGER ONLY) CTR SYS	103106	
- 1	MODREF31342		PLUMBING INSTL-HYDR CTR SYS (HEAT EXCHANGER ONLY) MODULE NUMBER: 271N6122-34 REV B POSITION DATA: SECT. 12 L TRAILING EDGE FOR OTHER SYS DETAILS SEE: 27-61-02-03 32-32-01-04 32-32-02-03 32-32-07-02 32-32-17-02 32-32-51-01 32-41-51-06 FOR ADDITIONAL DETAILS SEE: 29-11-18-03 29-11-51-27	103106	1
5	M85052-2-8		.CLAMP	103106	9
10	270N2000-69		.CLAMP ASSY-BLOCK	103106	1
15	NAS1801-3-41		..SCREW	103106	2
20	NAS43DD3-130		..SPACER	103106	2
25	AN960PD10L		..WASHER	103106	2
30	BRH10A3		..NUT SUPPLIER CODE: V52828 SPECIFICATION NUMBER: BACN10JC3 OPTIONAL PART: H10-3BAC V15653 NS202101-02 V80539 RMLH9075-3W V72962 VN303A02 V92215 96-02 V80539 T6S1032J V11815	103106	2
35	270N2000-821		..CHANNEL	103106	1
40	270N2000-483		..BLOCK	103106	1
45	270N2000-499		..BLOCK	103106	1

MISSING ITEM NUMBERS NOT APPLICABLE

- ITEM NOT ILLUSTRATED

29-11-26-06

29-11-26
FIG. 06
PAGE 1
JAN 20/09

BRI



757

PARTS CATALOG (MAINTENANCE)

FIG ITEM	PART NUMBER	1 2 3 4 5 6 7	NOMENCLATURE	EFFECT FROM TO	UNITS PER ASSY
6					
50	270N2000-447		..BLOCK	103106	1
100	271N6122-1319		.TUBE ASSY-TO HEAT EXCHANGER POSITION DATA: L TUBING MATERIAL: .625 IN. OD ALUMINUM	103106	1
- 105	AP2097HP10		..SLEEVE SUPPLIER CODE: V01673 SPECIFICATION NUMBER: BACS13BX10HP OPTIONAL PART: 2-02903-10HP V11328 35235VN10 V08199 AFP175V10P V30974 DBOS13BX10HP V14798	103106	2
- 110	BACN10YL10		..NUT- OPTIONAL PART: MS21921-10D	103106	2
- 110	MS21921-10D		..NUT- OPTIONAL PART: BACN10YL10	103106	2
115	271N6122-1323		.TUBE ASSY-FROM HEAT EXCHANGER POSITION DATA: L TUBING MATERIAL: 1/2 IN AL	103106	1
- 120	AP2097HP08		..SLEEVE SUPPLIER CODE: V01673 SPECIFICATION NUMBER: BACS13BX08HP OPTIONAL PART: 2-02903-08HP V11328 35235VN08 V08199 AFP175V08P V30974 DBOS13BX08HP V14798	103106	1
- 125	BACN10YL08		..NUT	103106	1

MISSING ITEM NUMBERS NOT APPLICABLE

- ITEM NOT ILLUSTRATED

29-11-26-06

29-11-26
FIG. 06
PAGE 2
JAN 20/09

BRI



757

PARTS CATALOG (MAINTENANCE)

FIG ITEM	PART NUMBER	1 2 3 4 5 6 7	NOMENCLATURE	EFFECT FROM TO	UNITS PER ASSY
6 - 130	35056GV08		..UNION SUPPLIER CODE: V08199 SPECIFICATION NUMBER: BACU24AB8W OPTIONAL PART: 2-01027-8W V11328 31875-8W V14397 4671097W8 V50948 AP1004W08 V01673 AFP941W8 V30974 DBOU24AB8W V14798	103106	1
135	271N6122-1219		.TUBE ASSY-RETURN SYS FROM HEAT EXCHANGER POSITION DATA: L TUBING MATERIAL: .500 IN. OD .035 IN. WALL 82.00 IN. LG AL	103106	1
- 140	AP2097HP08		..SLEEVE SUPPLIER CODE: V01673 SPECIFICATION NUMBER: BACS13BX08HP OPTIONAL PART: 2-02903-08HP V11328 35235VN08 V08199 AFP175V08P V30974 DBOS13BX08HP V14798	103106	1
- 145	BACN10YL08		..NUT- OPTIONAL PART: MS21921-8D	103106	1
- 145	MS21921-8D		..NUT- OPTIONAL PART: BACN10YL08	103106	1

MISSING ITEM NUMBERS NOT APPLICABLE

- ITEM NOT ILLUSTRATED

29-11-26-06

29-11-26
FIG. 06
PAGE 3
JAN 20/09

BRI



757

PARTS CATALOG (MAINTENANCE)

FIG ITEM	PART NUMBER	1 2 3 4 5 6 7	NOMENCLATURE	EFFECT FROM TO	UNITS PER ASSY
6 - 150	35056GV08	..	UNION SUPPLIER CODE: V08199 SPECIFICATION NUMBER: BACU24AB8W OPTIONAL PART: 2-01027-8W V11328 31875-8W V14397 4671097W8 V50948 AP1004W08 V01673 AFP941W8 V30974 DBOU24AB8W V14798	103106	1
155	271N6122-1317	.TUBE	ASSY-FROM HEAT EXCHANGER TUBING MATERIAL: 1/2 IN OD ALUMINUM	103106	1
160	271N6122-1318	.TUBE	ASSY-TO HEAT EXCHANGER TUBING MATERIAL: 1/2 IN OD ALUMINUM	103106	1
- 165	AP2097HP08	..	SLEEVE SUPPLIER CODE: V01673 SPECIFICATION NUMBER: BACS13BX08HP OPTIONAL PART: 2-02903-08HP V11328 35235VN08 V08199 AFP175V08P V30974 DBOS13BX08HP V14798	103106	2
- 170	BACN10YL08	..	NUT	103106	2
175	MS21916D10-8	.UNION		103106	2
185	MS21902D10	.UNION		103106	1
190	NAS1612-10A	.PACKING		103106	3

MISSING ITEM NUMBERS NOT APPLICABLE

- ITEM NOT ILLUSTRATED

29-11-26-06

29-11-26
FIG. 06
PAGE 4
JAN 20/09

BRI



757

PARTS CATALOG (MAINTENANCE)

FIG ITEM	PART NUMBER	1 2 3 4 5 6 7	NOMENCLATURE	EFFECT FROM TO	UNITS PER ASSY
6 900			ILLUSTRATION REFERENCE: PLUMBING INSTL-SECT. 12 L TRAILING EDGE CTR SYS (ELEC MOTOR PUMP PRESSURE/CASE DRAIN ONLY) 29-11-18-03	103106	RF
905			ILLUSTRATION REFERENCE: PLUMBING INSTL AND BRACKET INSTL SECT 12 L WING OUTBD SPAR (HEAT EXCHANGER ONLY) CTR SYS 29-11-26-03	103106	RF
910			ILLUSTRATION REFERENCE: PLUMBING INSTL-MAIN WHL WELL BHD HYDR (MAIN (LEFT, RIGHT AND CENTER) HYDRAULIC SYSTEMS ONLY) 29-11-51-07	103106	RF
915			ILLUSTRATION REFERENCE: PLUMBING INSTL-SECT. 12 L WING INBD SPAR (HEAT EXCHANGER ONLY) CTR SYS 29-11-26-01	103106	RF

MISSING ITEM NUMBERS NOT APPLICABLE

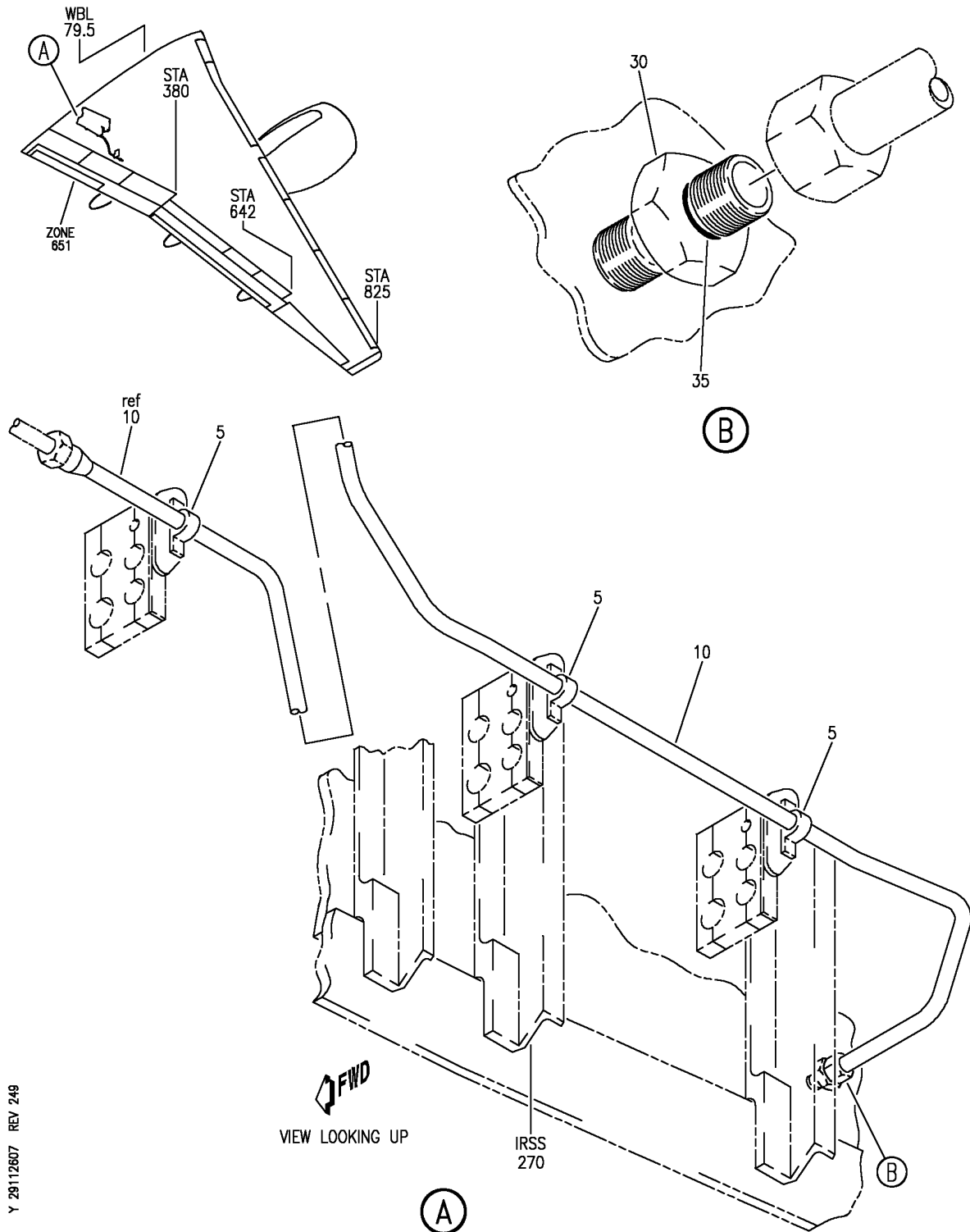
- ITEM NOT ILLUSTRATED

29-11-26-06

29-11-26
FIG. 06
PAGE 5
JAN 20/09

BRI

BOEING
757
PARTS CATALOG (MAINTENANCE)



Y 29112607 REV 249

PLUMBING INSTL-SECT. 12 RL TRAILING EDGE CTR SYS (HEAT EXCHANGER ONLY)
FIGURE 7

BRI
JAN 20/09

29-11-26-07

29-11-26-07
PAGE 0



757

PARTS CATALOG (MAINTENANCE)

FIG ITEM	PART NUMBER	1 2 3 4 5 6 7	NOMENCLATURE	EFFECT FROM TO	UNITS PER ASSY
7			PLUMBING INSTL-SECT. 12 RL TRAILING EDGE CTR SYS (HEAT EXCHANGER ONLY)	103106	
- 1	MODREF24143		PLUMBING INSTL-HYDR CTR SYS (HEAT EXCHANGER ONLY) MODULE NUMBER: 271N6123-21 REV B POSITION DATA: SECT. 12 R TRAILING EDGE FOR OTHER SYS DETAILS SEE: 27-61-02-06 32-32-01-05 32-32-02-04 32-32-07-03 32-32-17-03 32-32-51-02 32-41-51-07 FOR ADDITIONAL DETAILS SEE: 29-11-18-04 29-11-51-29A	103105	1
- 1	MODREF34199		PLUMBING INSTL-HYDR CTR SYS (HEAT EXCHANGER ONLY) MODULE NUMBER: 271N6123-21 REV C POSITION DATA: SECT. 12 R TRAILING EDGE FOR OTHER SYS DETAILS SEE: 27-61-02-06 32-32-01-05 32-32-02-04 32-32-07-03 32-32-17-03 32-32-51-02 32-41-51-07 FOR ADDITIONAL DETAILS SEE: 29-11-18-04 29-11-51-29A	106106	1
5	TA0910004H110		.CLAMP-SADDLE SUPPLIER CODE: V84971 SPECIFICATION NUMBER: BACC10HB10C	103106	3

MISSING ITEM NUMBERS NOT APPLICABLE

- ITEM NOT ILLUSTRATED

BRI

29-11-26-07

29-11-26
FIG. 07
PAGE 1
JAN 20/09



**757
PARTS CATALOG (MAINTENANCE)**

FIG ITEM	PART NUMBER	1 2 3 4 5 6 7	NOMENCLATURE	EFFECT FROM TO	UNITS PER ASSY
7 10	271N6123-1303		.TUBE ASSY-FROM HEAT EXCHANGER POSITION DATA: R TUBING MATERIAL: 5/8 IN AL	103106	1
- 15	AP2097HP10		..SLEEVE SUPPLIER CODE: V01673 SPECIFICATION NUMBER: BACS13BX10HP OPTIONAL PART: 2-02903-10HP V11328 35235VN10 V08199 AFP175V10P V30974 DBOS13BX10HP V14798	103106	1
- 20	BACN10YL10		..NUT	103106	1
- 25	35056GV10		..UNION SUPPLIER CODE: V08199 SPECIFICATION NUMBER: BACU24AB10W OPTIONAL PART: 4671097W10 V50948 2-01027-10W V11328 31875-10W V14397 AP1004W10 V01673 AFP941W10 V30974 DBOU24AB10W V14798	103106	1
30	MS21902D10		.UNION	103106	1
35	NAS1612-10A		.PACKING	103106	1

MISSING ITEM NUMBERS NOT APPLICABLE

- ITEM NOT ILLUSTRATED

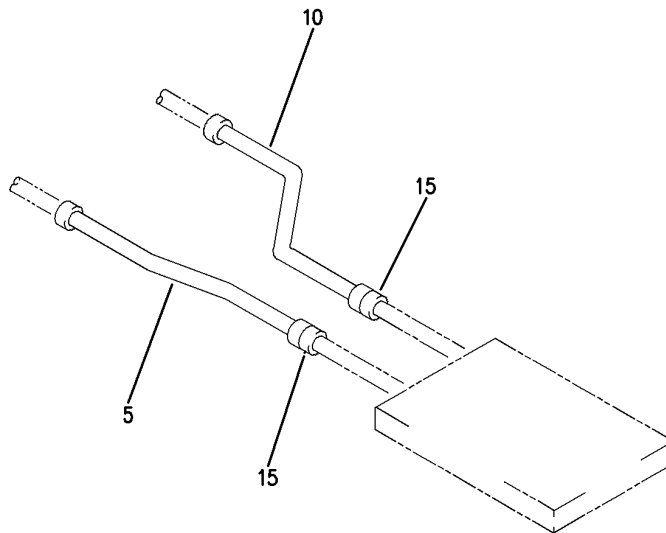
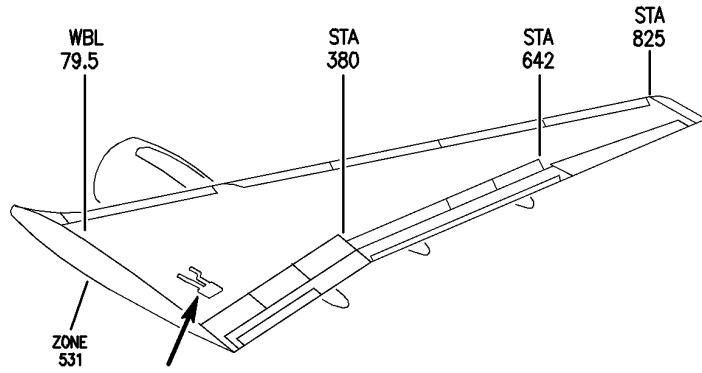
BRI

29-11-26-07

BOEING PROPRIETARY - Copyright © - Unpublished Work - See title page for details.

29-11-26
FIG. 07
PAGE 2
JAN 20/09

BOEING
757
PARTS CATALOG (MAINTENANCE)



Y 29112608 REV 248

PLUMBING INSTL-SECT. 12 R TRAILING EDGE CTR SYS (HEAT EXCHANGER ONLY)
FIGURE 8

BRI
JAN 20/09

29-11-26-08

29-11-26-08
PAGE 0



757

PARTS CATALOG (MAINTENANCE)

FIG ITEM	PART NUMBER	1 2 3 4 5 6 7	NOMENCLATURE	EFFECT FROM TO	UNITS PER ASSY
8			PLUMBING INSTL-SECT. 12 R TRAILING EDGE CTR SYS (HEAT EXCHANGER ONLY)	103106	
- 1	MODREF31664		PLUMBING INSTL-HYDR CTR SYS (HEAT EXCHANGER ONLY) MODULE NUMBER: 271N6123-20 REV B POSITION DATA: SECT. 12 R WING INBD FOR ADDITIONAL DETAILS SEE: 29-11-51-26A	103106	1
5	271N6123-1309		.TUBE ASSY-TO HEAT EXCHANGER POSITION DATA: R TUBING MATERIAL: 5/8 ALUMINUM	103106	1
10	271N6123-1310		.TUBE ASSY-FROM HEAT EXCHANGER POSITION DATA: R TUBING MATERIAL: 5/8 ALUMINUM	103106	1
15	D10282J10		.UNION SUPPLIER CODE: V14798 SPECIFICATION NUMBER: BACU24BS1010D	103106	2

MISSING ITEM NUMBERS NOT APPLICABLE

- ITEM NOT ILLUSTRATED

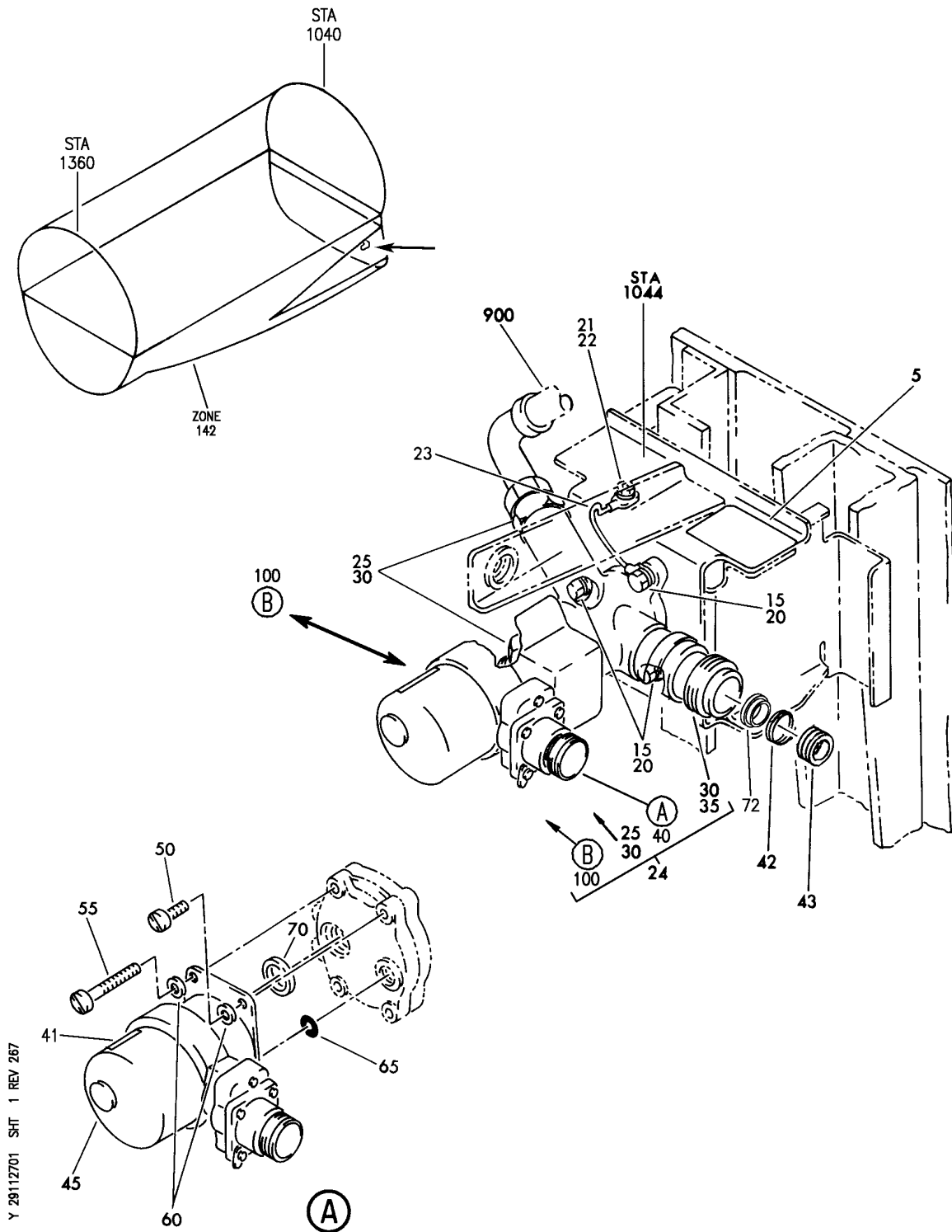
BRI

29-11-26-08

BOEING PROPRIETARY - Copyright © - Unpublished Work - See title page for details.

29-11-26
FIG. 08
PAGE 1
JAN 20/09

BOEING
757
PARTS CATALOG (MAINTENANCE)



Y 29112701 SHT 1 REV 267

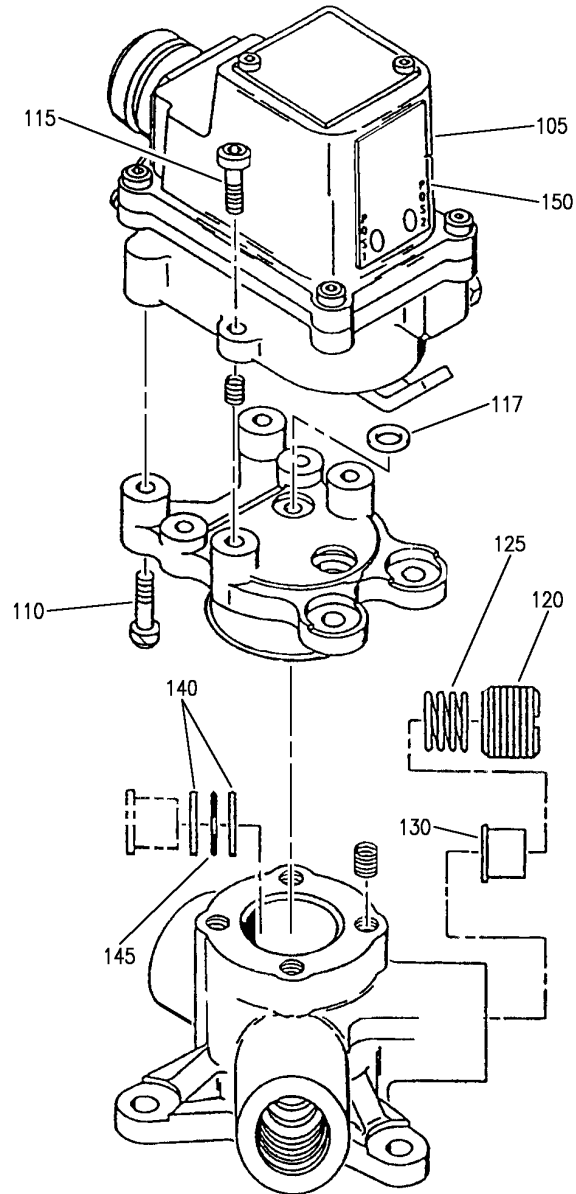
VALVE INSTL-BRAKE ISOLATION SYS
FIGURE 1 (SHEET 1)

29-11-27-01

BRI
MAY 28/07

29-11-27-01
PAGE 0

BOEING
757
PARTS CATALOG (MAINTENANCE)



(B)

Y 29112701 SH1 2 REV 259

VALVE INSTL-BRAKE ISOLATION SYS
FIGURE 1 (SHEET 2)

29-11-27-01

BRI
MAY 28/07

29-11-27-01
PAGE 0A



757

PARTS CATALOG (MAINTENANCE)

FIG ITEM	PART NUMBER	1 2 3 4 5 6 7	NOMENCLATURE	EFFECT FROM TO	UNITS PER ASSY
1			VALVE INSTL-BRAKE ISOLATION SYS	002004 006999	
- 1	274N1044-1		VALVE INSTL-BRAKE ISOLATION SYS FOR NHA SEE: 29-00-51-05	002004 006100 107107 121503 904999	RF
- 1	274N1044-7		VALVE INSTL-BRAKE ISOLATION SYS FOR NHA SEE: 29-00-51-02C	101102 504903	RF
- 1	274N1044-12		VALVE INSTL-BRAKE ISOLATION SYS FOR NHA SEE: 29-00-51-02C	108120	RF
- 1	MODREF8556		VALVE INSTL-BRAKE ISOLATION SYS MODULE NUMBER: 274N1044-12 REV A	103106	1
5	BAC27NHY0152		.MARKER-ALUMINUM FOIL PLACARD CONTENT: D5118 STANDPIPE SELECTOR VALVE BRAKE ISOLATION SYS V10117	002004 006999	1
15	BACB30NR4K6		.BOLT-	002004 006999	3
20	BACW10BN4AC		.WASHER	002004 006999	3
21	AN960JD10L		.WASHER	002004 006100 107107 121503 904999	1
21	NAS1149D0332J		.WASHER	101106 108120 504903	1

MISSING ITEM NUMBERS NOT APPLICABLE

- ITEM NOT ILLUSTRATED

BRI

29-11-27-01

29-11-27
FIG. 01
PAGE 1
JAN 20/09



757

PARTS CATALOG (MAINTENANCE)

FIG ITEM	PART NUMBER	1 2 3 4 5 6 7	NOMENCLATURE	EFFECT FROM TO	UNITS PER ASSY
1	22 BRH10A3	.	NUT SUPPLIER CODE: V52828 SPECIFICATION NUMBER: BACN10JC3 OPTIONAL PART: H10-3BAC V15653 NS202101-02 V80539 RMLH9075-3W V72962 VN303A02 V92215 96-02 V80539 T6S1032J V11815	002004 006100 107107 121503 904999	1
	22 BRH10C3D	.	NUT SUPPLIER CODE: V52828 SPECIFICATION NUMBER: BACN10JC3CD OPTIONAL PART: T6C1032JCD V11815 NS202486-02 V80539 102LH9075-3W V72962 H51650-3BAC V15653	101106 108120 504903	1
	23 BACJ40A21-5	.	JUMPER ASSY	002004 006999	1
	24 274N1044-3	.	VALVE ASSY- QUALIFIED I/W DATA: 274N1044-3 CAN REPLACE BUT NOT BE REPLACED BY 274N1044-4	002004 006100 107107 121503 904999	1
	24 274N1044-4	.	VALVE ASSY- QUALIFIED I/W DATA: 274N1044-3 CAN REPLACE BUT NOT BE REPLACED BY 274N1044-4	018100	1
	24 274N1044-6	.	VALVE ASSY-	002004 006100 107107 121503 904999	1

MISSING ITEM NUMBERS NOT APPLICABLE

- ITEM NOT ILLUSTRATED

29-11-27-01

29-11-27
FIG. 01
PAGE 2
JAN 20/09

BRI



757

PARTS CATALOG (MAINTENANCE)

FIG ITEM	PART NUMBER	1 2 3 4 5 6 7	NOMENCLATURE	EFFECT FROM TO	UNITS PER ASSY
1					
24	274N1044-8	.	VALVE ASSY	101102 504903	1
24	274N1044-11	.	VALVE ASSY-	103106 108120	1
25	AFP23212-10	..	REDUCER SUPPLIER CODE: V30974 SPECIFICATION NUMBER: BACR17E12-10 OPTIONAL PART: AP102712-10 V01673 BC916T12-10 V50948 DBOR17E12-10 V14798 ER21916T12-10 V88334 ER31916-12-10 V88334 F23-12-10 V73197 2-01075T12-10 V11328 31778-12-10 V14397 US2114-12-10 V50808	002004 006999	2
30	NAS1612-10	..	PACKING-	002004 006102 107107 121999	3
30	NAS1612-10A	..	PACKING-	103106 108120	3
35	AE82384J	..	DISCONNECT- SUPPLIER CODE: V00624 SPECIFICATION NUMBER: S270T202-20	002004 006999	1

MISSING ITEM NUMBERS NOT APPLICABLE

- ITEM NOT ILLUSTRATED

BRI

29-11-27-01

BOEING PROPRIETARY - Copyright © - Unpublished Work - See title page for details.

29-11-27
FIG. 01
PAGE 3
JAN 20/09



757

PARTS CATALOG (MAINTENANCE)

FIG ITEM	PART NUMBER	1 2 3 4 5 6 7	NOMENCLATURE	EFFECT FROM TO	UNITS PER ASSY
1 40	340545		<p>.. VALVE ASSY-MOTOR ACTUATED ROTARY SELECTOR SUPPLIER CODE: V79318 FUNCTIONAL DESCRIPTION: PROVIDES ON-OFF CONTROL OF HYDRAULIC FLUID FLOW TO AC MOTOR DRIVEN PUMP SPECIFICATION NUMBER: S270T002-3 MISCELLANEOUS DATA: FOR COMPLETE INTERCHANGEABILITY REGARDING SPECIFIC USAGE, PLEASE REFER TO DRAWING 270T2001 SHEET 1 COMPONENT MAINT MANUAL REF: 27-13-03 SERVICE BULLETIN OPT DATA: 340015-1 V79318 EM91-80-5 V91816 USED ON: 274N1044-3 274N1044-13 POST SERVICE BULLETIN: 29-0050 POST SERVICE BULLETIN: EM91-80-3 V91816 EM91-80-29-02 V91816</p>	002004 006999	1

MISSING ITEM NUMBERS NOT APPLICABLE

- ITEM NOT ILLUSTRATED

BRI

29-11-27-01

BOEING PROPRIETARY - Copyright © - Unpublished Work - See title page for details.

29-11-27
FIG. 01
PAGE 4
JAN 20/09



757

PARTS CATALOG (MAINTENANCE)

FIG ITEM	PART NUMBER	1 2 3 4 5 6 7	NOMENCLATURE	EFFECT FROM TO	UNITS PER ASSY
1 40	340015-1		.. VALVE ASSY-MOTOR ACTUATED ROTARY SELECTOR SUPPLIER CODE: V79318 SPECIFICATION NUMBER: S270T002-2 MISCELLANEOUS DATA: FOR COMPLETE INTERCHANGEABILITY REGARDING SPECIFIC USAGE, PLEASE REFER TO DRAWING 270T2001 SHEET 1 ELECTRICAL EQUIP NUMBER: V10059 COMPONENT MAINT MANUAL REF: 27-13-01 SERVICE BULLETIN OPT DATA: 340545 V79318 EM91-80-5 V91816 POST SERVICE BULLETIN: 29-0050 POST ALERT SB: 29A0049R1 QUALIFIED SB I/W DATA: WHITTAKER CONTROLS VALVE S270T002-2 OR -3 CAN BE USED TO REPLACE CIRCLE SEAL CONTROLS VALVE S270T010-13 29A0049R1 POST SERVICE BULLETIN: EM91-80-29-02 V91816	002004 006999	1
41	201066		... PLATE-IDENT SUPPLIER CODE: V79318 USED ON: 340015-1	002004 006999	1
41	201073		... PLATE-IDENT SUPPLIER CODE: V79318 USED ON: 340545	002004 006999	1
42	145549		... SPRING- SUPPLIER CODE: V79318	002004 006999	2

MISSING ITEM NUMBERS NOT APPLICABLE

- ITEM NOT ILLUSTRATED

BRI

29-11-27-01

29-11-27
 FIG. 01
 PAGE 5
 JAN 20/09



757

PARTS CATALOG (MAINTENANCE)

FIG ITEM	PART NUMBER	1 2 3 4 5 6 7	NOMENCLATURE	EFFECT FROM TO	UNITS PER ASSY
1					
43	145561		...RETAINER-SPR SUPPLIER CODE: V79318	002004 006999	2
45	157720-2		...ACTUATOR ASSY- SUPPLIER CODE: V79318 COMPONENT MAINT MANUAL REF: 27-13-02 ATTACHING PARTS	002004 006999	1
50	NAS1351-3-20P		...SCREW	002004 006999	2
55	NAS1351-3-28P		...SCREW	002004 006999	2
60	100168-168		...WASHER-FLAT SUPPLIER CODE: V79318 -----*-----	002004 006999	4
65	NAS1611-009		...PACKING-	002004 006999	1
70	145572		...RING-RETAINING SUPPLIER CODE: V79318	002004 006999	1
72	145562		...RETAINER-SPR SUPPLIER CODE: V79318	002004 006999	2

MISSING ITEM NUMBERS NOT APPLICABLE

- ITEM NOT ILLUSTRATED

BRI

29-11-27-01

BOEING PROPRIETARY - Copyright © - Unpublished Work - See title page for details.

29-11-27
FIG. 01
PAGE 6
JAN 20/09



757

PARTS CATALOG (MAINTENANCE)

FIG ITEM	PART NUMBER	1 2 3 4 5 6 7 NOMENCLATURE	EFFECT FROM TO	UNITS PER ASSY
1 100	EM91-80-1	.. VALVE ASSY-MOTOR ACTUATED ROTARY SELECTOR SUPPLIER CODE: V91816 FUNCTIONAL DESCRIPTION: PROVIDES ON-OFF CONTROL OF HYDRAULIC FLUID FLOW TO AC MOTOR DRIVEN PUMP SPECIFICATION NUMBER: S270T010-4 CONFIG CHG DATA FROM A CMM: SUPSDS EM91-80 SUPSD BY EM91-80-3 MISCELLANEOUS DATA: FOR COMPLETE INTERCHANGEABILITY REGARDING SPECIFIC USAGE, PLEASE REFER TO DRAWING 270T2001 SHEET 1 COMPONENT MAINT MANUAL REF: 27-13-01 USED ON: 274N1044-6 PRE SERVICE BULLETIN: 29-0050 PRE SERVICE BULLETIN: EM91-80-29-02 V91816 EM91-80-3 V91816	002004 006100 107107 121503 904949 952999	1

MISSING ITEM NUMBERS NOT APPLICABLE

- ITEM NOT ILLUSTRATED

BRI

29-11-27-01

29-11-27
FIG. 01
PAGE 7
JAN 20/09



757

PARTS CATALOG (MAINTENANCE)

FIG ITEM	PART NUMBER	1 2 3 4 5 6 7 NOMENCLATURE	EFFECT FROM TO	UNITS PER ASSY
1 100	EM91-80	.. VALVE ASSY-MOTOR ACTUATED ROTARY SELECTOR SUPPLIER CODE: V91816 FUNCTIONAL DESCRIPTION: PROVIDES ON-OFF CONTROL OF HYDRAULIC FLUID FLOW TO AC MOTOR DRIVEN PUMP SPECIFICATION NUMBER: S270T010-1 CONFIG CHG DATA FROM A CMM: SUPSD BY EM91-80-1 MISCELLANEOUS DATA: FOR COMPLETE INTERCHANGEABILITY REGARDING SPECIFIC USAGE, PLEASE REFER TO DRAWING 270T2001 SHEET 1 COMPONENT MAINT MANUAL REF: 27-13-01 USED ON: 274N1044-4 PRE SERVICE BULLETIN: 29-0050 PRE SERVICE BULLETIN: EM91-80-29-02 V91816	018100	1

MISSING ITEM NUMBERS NOT APPLICABLE

- ITEM NOT ILLUSTRATED

BRI

29-11-27-01

BOEING PROPRIETARY - Copyright © - Unpublished Work - See title page for details.

29-11-27
 FIG. 01
 PAGE 8
 JAN 20/09



757

PARTS CATALOG (MAINTENANCE)

FIG ITEM	PART NUMBER	1 2 3 4 5 6 7 NOMENCLATURE	EFFECT FROM TO	UNITS PER ASSY
1 100	EM91-80-3	.. VALVE ASSY-MOTOR ACTUATED SUPPLIER CODE: V91816 FUNCTIONAL DESCRIPTION: PROVIDES ON-OFF CONTROL OF HYDRAULIC FLUID FLOW TO AC MOTOR DRIVEN PUMP SPECIFICATION NUMBER: S270T010-7 CONFIG CHG DATA FROM A CMM: SUPSD EM91-80-1 SUPSD BY EM91-80-4 MISCELLANEOUS DATA: FOR COMPLETE INTERCHANGEABILITY REGARDING SPECIFIC USAGE, PLEASE REFER TO DRAWING 270T2001 SHEET 1 ELECTRICAL EQUIP NUMBER: V10117 COMPONENT MAINT MANUAL REF: 27-13-01 USED ON: 274N1044-8 PRE SERVICE BULLETIN: 29-0050 POST SERVICE BULLETIN: EM91-80-3 V91816 PRE SERVICE BULLETIN: EM91-80-29-02 V91816	002004 006102 107107 121503 505505 904949 952999	1

MISSING ITEM NUMBERS NOT APPLICABLE

- ITEM NOT ILLUSTRATED

BRI

29-11-27-01

BOEING PROPRIETARY - Copyright © - Unpublished Work - See title page for details.

29-11-27
FIG. 01
PAGE 9
JAN 20/09



757

PARTS CATALOG (MAINTENANCE)

FIG ITEM	PART NUMBER	1 2 3 4 5 6 7	NOMENCLATURE	EFFECT FROM TO	UNITS PER ASSY
1 100	EM91-80-4		<p>.. VALVE ASSY-MOTOR ACTUATED SUPPLIER CODE: V91816 FUNCTIONAL DESCRIPTION: PROVIDES ON-OFF CONTROL OF HYDRAULIC FLUID FLOW TO AC MOTOR DRIVEN PUMP SPECIFICATION NUMBER: S270T010-10 CONFIG CHG DATA FROM A CMM: SUPSDS EM91-80-3 SUPSD BY EM91-80-5 MISCELLANEOUS DATA: FOR COMPLETE INTERCHANGEABILITY REGARDING SPECIFIC USAGE, PLEASE REFER TO DRAWING 270T2001 SHEET 1 COMPONENT MAINT MANUAL REF: 27-13-01 USED ON: 274N1044-9</p>	002004 006102 107107 121503 505505 904949 952999	1

MISSING ITEM NUMBERS NOT APPLICABLE

- ITEM NOT ILLUSTRATED

BRI

29-11-27-01

BOEING PROPRIETARY - Copyright © - Unpublished Work - See title page for details.

29-11-27
FIG. 01
PAGE 10
JAN 20/09



757

PARTS CATALOG (MAINTENANCE)

FIG ITEM	PART NUMBER	1 2 3 4 5 6 7	NOMENCLATURE	EFFECT FROM TO	UNITS PER ASSY
1 100	EM91-80-5		.. VALVE ASSY-MOTOR ACTUATED SUPPLIER CODE: V91816 FUNCTIONAL DESCRIPTION: PROVIDES ON-OFF CONTROL OF HYDRAULIC FLUID FLOW TO AC MOTOR DRIVEN PUMP SPECIFICATION NUMBER: S270T010-13 CONFIG CHG DATA FROM A CMM: SUPSDS EM91-80-4 MISCELLANEOUS DATA: FOR COMPLETE INTERCHANGEABILITY REGARDING SPECIFIC USAGE, PLEASE REFER TO DRAWING 270T2001 SHEET 1 COMPONENT MAINT MANUAL REF: 27-13-01 SERVICE BULLETIN OPT DATA: 340015-1 V79318 340545 V79318 USED ON: 274N1044-11 POST SERVICE BULLETIN: 29-0050 POST ALERT SB: 29A0049R1 QUALIFIED SB I/W DATA: WHITTAKER CONTROLS VALVE S270T002-2 OR -3 CAN BE USED TO REPLACE CIRCLE SEAL CONTROLS VALVE S270T010-13 PER 29A0049R1 POST SERVICE BULLETIN: EM91-80-29-02 V91816	002004 006999	1
105	P2350-0075		... ACTUATOR- SUPPLIER CODE: V91816 COMPONENT MAINT MANUAL REF: 27-12-03 USED ON: EM91-80	018100	1

MISSING ITEM NUMBERS NOT APPLICABLE

- ITEM NOT ILLUSTRATED

BRI

29-11-27-01

29-11-27
 FIG. 01
 PAGE 11
 JAN 20/09



757

PARTS CATALOG (MAINTENANCE)

FIG ITEM	PART NUMBER	1 2 3 4 5 6 7	NOMENCLATURE	EFFECT FROM TO	UNITS PER ASSY
1					
105	V2350-0075	...	ACTUATOR- SUPPLIER CODE: V91816 COMPONENT MAINT MANUAL REF: 27-12-03 USED ON: EM91-80-1	002004 006100 107107 121503 904949 952999	1
105	W2350-0075	...	ACTUATOR- SUPPLIER CODE: V91816 COMPONENT MAINT MANUAL REF: 27-12-03 USED ON: EM91-80-3	002004 006102 107107 121503 505505 904949 952999	1
105	X2350-0075	...	ACTUATOR- SUPPLIER CODE: V91816 COMPONENT MAINT MANUAL REF: 27-12-03 USED ON: EM91-80-4	002004 006102 107107 121503 505505 904949 952999	1
105	Y2350-0075	...	ACTUATOR- SUPPLIER CODE: V91816 COMPONENT MAINT MANUAL REF: 27-12-03 USED ON: EM91-80-5	002004 006999	1
110	NAS1352N08-16P	...	SCREW- MISCELLANEOUS DATA: (V91816 SCD 2301-0362)	002004 006999	2
115	NAS1352N08-8P	...	SCREW- MISCELLANEOUS DATA: (V91816 SCD 2301-0360)	002004 006999	2
117	NAS1601-009	...	PACKING- CONFIG CHG DATA FROM A CMM: SUPSD BY NAS1611-009A	002004 006999	1
117	NAS1611-009A	...	PACKING- CONFIG CHG DATA FROM A CMM: SUPERSEDES NAS1601-009 MISCELLANEOUS DATA: (V91816 SCD 4798)	002004 006999	1
120	G37434	...	RETAINER-SPR SUPPLIER CODE: V91816	002004 006999	2

MISSING ITEM NUMBERS NOT APPLICABLE

- ITEM NOT ILLUSTRATED

29-11-27-01

29-11-27
FIG. 01
PAGE 12
JAN 20/09

BRI

BOEING PROPRIETARY - Copyright © - Unpublished Work - See title page for details.



757

PARTS CATALOG (MAINTENANCE)

FIG ITEM	PART NUMBER	1 2 3 4 5 6 7	NOMENCLATURE	EFFECT FROM TO	UNITS PER ASSY
1					
125	A37446	...	SPRING- SUPPLIER CODE: V91816	002004 006999	2
130	D37433	...	RETAINER- SUPPLIER CODE: V91816	002004 006999	2
- 135	B18998	...	STEM ASSY- SUPPLIER CODE: V91816	002004 006999	2
140	MS28774-114	...	RETAINER- MISCELLANEOUS DATA: (V91816 SCD 8114)	002004 006999	4
145	NAS1601-114	...	PACKING- CONFIG CHG DATA FROM A CMM: SUPSD BY NAS1611-114A	002004 006999	2
145	NAS1611-114A	...	PACKING- CONFIG CHG DATA FROM A CMM: SUPERSEDES NAS1601-114	002004 006999	2
150	B2687	...	NAMEPLATE- SUPPLIER CODE: V91816 USED ON: EM91-80	018100	1
150	D2687	...	NAMEPLATE- SUPPLIER CODE: V91816 USED ON: EM91-80-1	002004 006100 107107 121503 904949 952999	1
150	E2687	...	NAMEPLATE- SUPPLIER CODE: V91816 USED ON: EM91-80-3	002004 006102 107107 121503 505505 904949 952999	1
150	F2687	...	NAMEPLATE- SUPPLIER CODE: V91816 USED ON: EM91-80-4	002004 006102 107107 121503 505505 904949 952999	1
150	G2687	...	NAMEPLATE- SUPPLIER CODE: V91816 USED ON: EM91-80-5	002004 006999	1

MISSING ITEM NUMBERS NOT APPLICABLE

- ITEM NOT ILLUSTRATED

29-11-27-01

29-11-27
FIG. 01
PAGE 13
JAN 20/09

BRI



757

PARTS CATALOG (MAINTENANCE)

FIG ITEM	PART NUMBER	1 2 3 4 5 6 7	NOMENCLATURE	EFFECT FROM TO	UNITS PER ASSY
1 900			ILLUSTRATION REFERENCE: PLUMBING INSTL-SECT. 44 R PRESSURE DECK HYDR (HYDRAULIC POWER ONLY) 29-11-51-34	002004 006100 107107 121503 904999	RF

MISSING ITEM NUMBERS NOT APPLICABLE

- ITEM NOT ILLUSTRATED

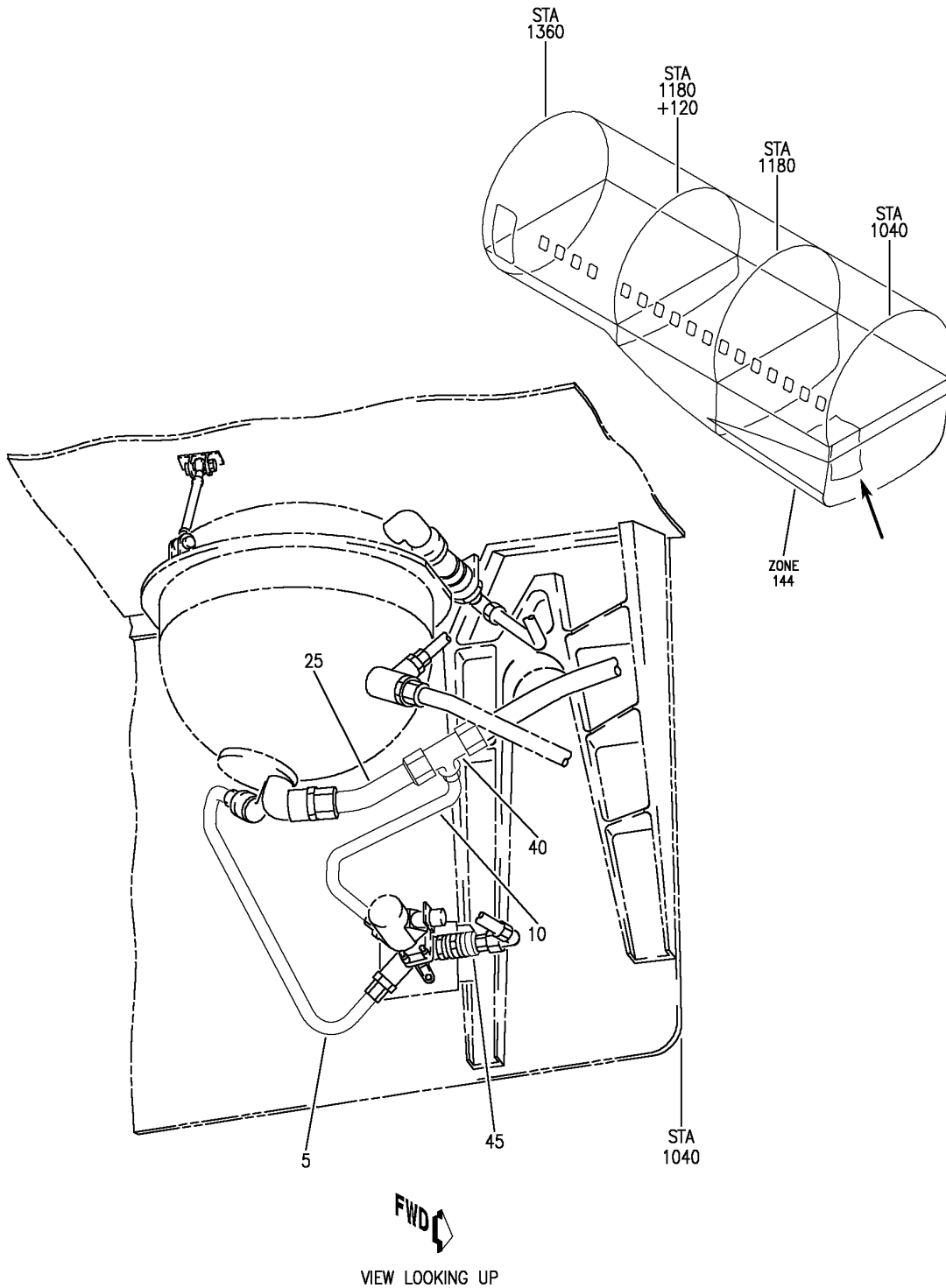
BRI

29-11-27-01

BOEING PROPRIETARY - Copyright © - Unpublished Work - See title page for details.

29-11-27
FIG. 01
PAGE 14
JAN 20/09

BOEING
757
PARTS CATALOG (MAINTENANCE)



Y 29112702 REV 249

PLUMBING INSTL-MAIN WHL WELL BHD HYDR (SYSTEM R ISOLATED ACMP SUPPLY SHUTOFF VALVE (V10117) ONLY)

FIGURE 2

29-11-27-02

BRI
JAN 20/09

29-11-27-02
PAGE 0



757

PARTS CATALOG (MAINTENANCE)

FIG ITEM	PART NUMBER	1 2 3 4 5 6 7	NOMENCLATURE	EFFECT FROM TO	UNITS PER ASSY
2			PLUMBING INSTL-MAIN WHL WELL BHD HYDR (SYSTEM R ISOLATED ACMP SUPPLY SHUTOFF VALVE (V10117) ONLY)	103106	
- 1	MODREF31486		PLUMBING INSTL-MAIN WHL WELL BHD HYDR (SYSTEM R ISOLATED ACMP SUPPLY SHUTOFF VALVE (V10117) ONLY) MODULE NUMBER: 271N6441-41 REV B POSITION DATA: FWD FOR OTHER SYS DETAILS SEE: 11-22-06-05 27-11-14-12 29-22-01-02 32-35-10-02 32-41-02-11 32-41-02-12 32-41-04-02 32-42-02-03 32-42-02-04 32-42-09-02 32-42-10-02 32-44-03-03 32-44-06-02 FOR ADDITIONAL DETAILS SEE: 29-11-51-39D 29-11-51-39E	103106	1
5	271N6441-1402		.TUBE ASSY-RETURN SYS TUBING MATERIAL: .750 IN. OD .035 IN. WALL 27.70 IN. LG AL AMS 4083 6061 T6 TUBING	103106	1
10	271N6441-1415		.TUBE ASSY-RETURN SYS TUBING MATERIAL: .750 IN. OD .035 IN. WALL 19.10 IN. LG AL AMS 4083 6061 T6 TUBING	103106	1

MISSING ITEM NUMBERS NOT APPLICABLE

- ITEM NOT ILLUSTRATED

BRI

29-11-27-02

29-11-27
FIG. 02
PAGE 1
JAN 20/09



757

PARTS CATALOG (MAINTENANCE)

FIG ITEM	PART NUMBER	1 2 3 4 5 6 7	NOMENCLATURE	EFFECT FROM TO	UNITS PER ASSY
2 - 15	AP2097HP12	..	SLEEVE SUPPLIER CODE: V01673 SPECIFICATION NUMBER: BACS13BX12HP OPTIONAL PART: 2-02903-12HP V11328 35235VN12 V08199 AFP175V12P V30974 DBOS13BX12HP V14798	103106	2
- 20	BACN10YL12	..	NUT	103106	2
25	271N6441-1416	.TUBE ASSY-RETURN SYS	TUBING MATERIAL: 1.25 IN. OD .035 IN. WALL 7.70 IN. LG AL AMS 4083 6061 T6 TUBING	103106	1
- 30	DBOS13BD20HP	..	SLEEVE SUPPLIER CODE: V14798 SPECIFICATION NUMBER: BACS13BD20HP OPTIONAL PART: 118-10722-20-00 V88334 2-02901-20HP V11328 2-02901-20HP V70195 35044VN20 V08199 4690008-20-2 V45681 4690008-20-2 V92003 AFP176V20HP V30974 35044V20HP V08199	103106	2
- 35	BACN10YL20L	..	NUT ATTACHING PARTS -----*-----	103106	2

MISSING ITEM NUMBERS NOT APPLICABLE

- ITEM NOT ILLUSTRATED

BRI

29-11-27-02

29-11-27
FIG. 02
PAGE 2
JAN 20/09



757

PARTS CATALOG (MAINTENANCE)

FIG ITEM	PART NUMBER	1 2 3 4 5 6 7	NOMENCLATURE	EFFECT FROM TO	UNITS PER ASSY
2 40	APX824F202012W	. TEE	SUPPLIER CODE: V01673 SPECIFICATION NUMBER: BACT16AS202012W OPTIONAL PART: APX824-202012W V01673 DB0T16AS202012W V14798 ER824-202012W V50948 FER1571-202012W V14397 LER824-202012W V11328 NAF1824-202012W V52930 US1925-202012W V50808 AFP325-202012W V30974	103106	1
45	AE81565K	. COUPLER-	SUPPLIER CODE: V00624 SPECIFICATION NUMBER: S270T202-5	103106	1

MISSING ITEM NUMBERS NOT APPLICABLE

- ITEM NOT ILLUSTRATED

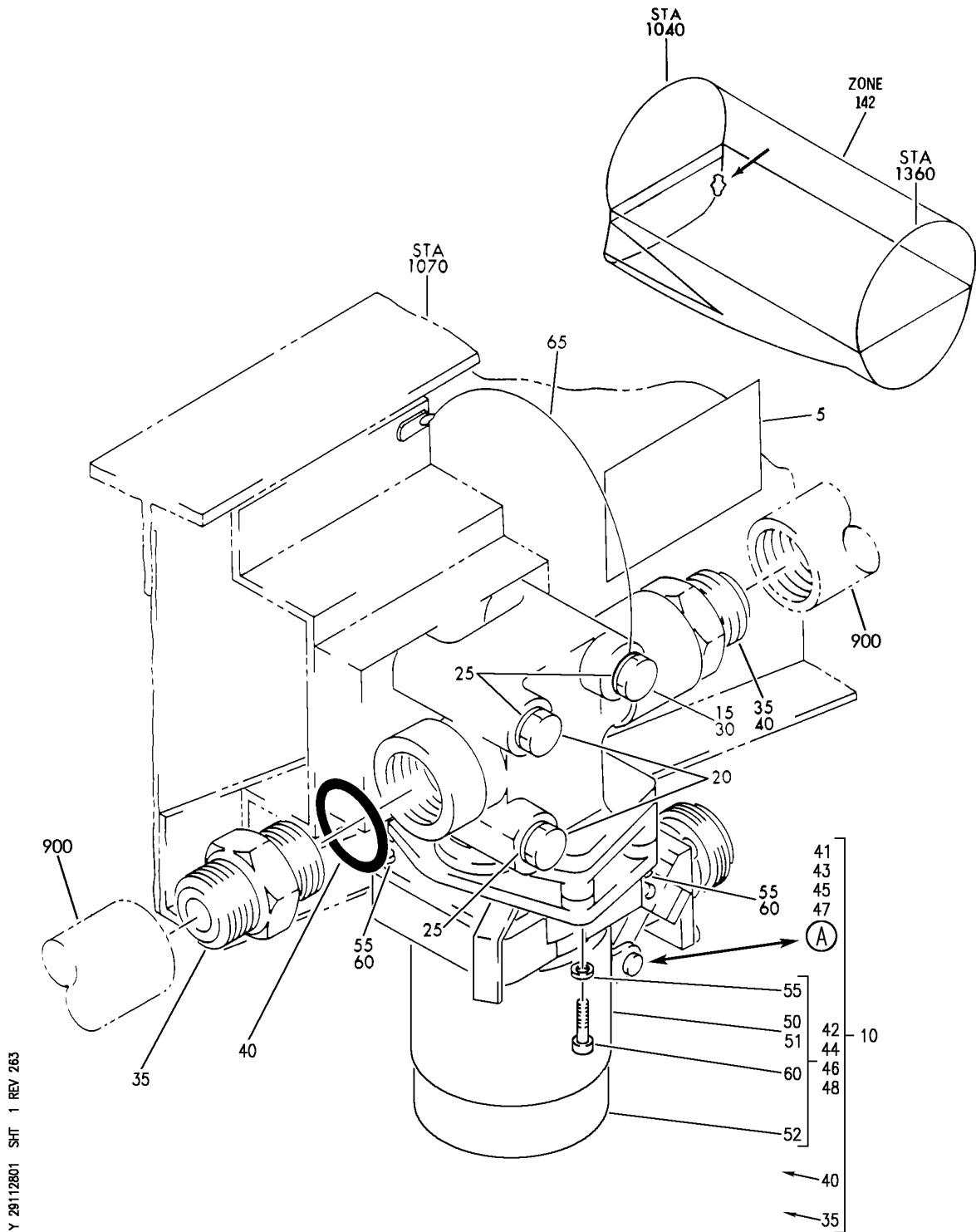
BRI

29-11-27-02

BOEING PROPRIETARY - Copyright © - Unpublished Work - See title page for details.

29-11-27
 FIG. 02
 PAGE 3
 JAN 20/09

BOEING
 757
 PARTS CATALOG (MAINTENANCE)



Y 29112801 SH1 1 REV 263

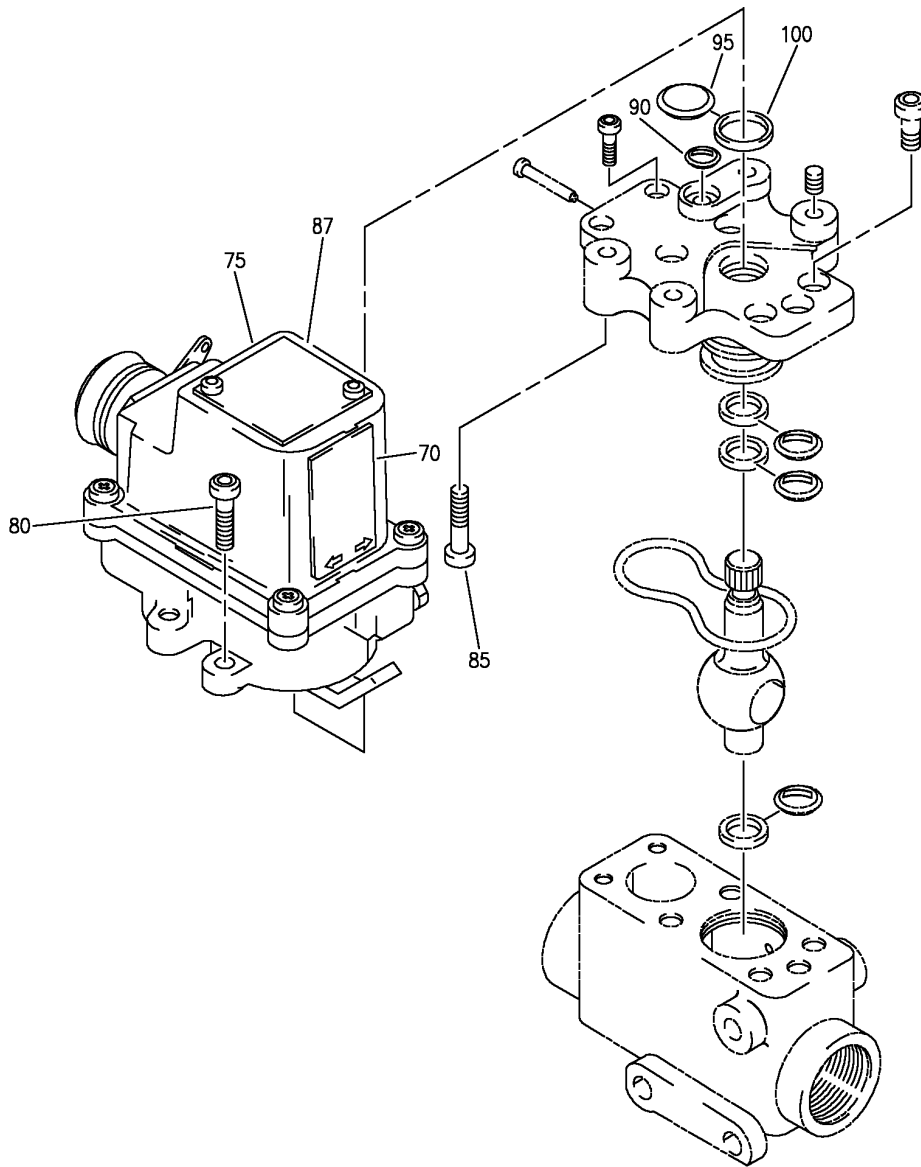
VALVE INSTL-BRAKE ISOLATION SYS
 FIGURE 1 (SHEET 1)

29-11-28-01

BRI
 MAY 28/07

29-11-28-01
 PAGE 0

BOEING
757
PARTS CATALOG (MAINTENANCE)



Y 29112801 SH1 2 REV 275

VALVE INSTL-BRAKE ISOLATION SYS
FIGURE 1 (SHEET 2)

29-11-28-01

BRI
MAY 28/07

29-11-28-01
PAGE 0A



757

PARTS CATALOG (MAINTENANCE)

FIG ITEM	PART NUMBER	1 2 3 4 5 6 7	NOMENCLATURE	EFFECT FROM TO	UNITS PER ASSY
1			VALVE INSTL-BRAKE ISOLATION SYS	002004 006999	
- 1	274N1041-1		VALVE INSTL-BRAKE ISOLATION SYS FOR NHA SEE: 29-00-51-05	002004 006100 107107 121503 904999	RF
- 1	274N1041-5		VALVE INSTL-BRAKE ISOLATION SYS FOR NHA SEE: 29-00-51-02C	101102 504903	RF
- 1	274N1041-7		VALVE INSTL-BRAKE ISOLATION SYS FOR NHA SEE: 29-00-51-02C	108120	RF
- 1	MODREF8554		VALVE INSTL-BRAKE ISOLATION SYS MODULE NUMBER: 274N1041-7 REV A	103106	1
5	BAC27NHY0148		.MARKER-ALUMINUM FOIL PLACARD CONTENT: D5120 SHUTOFF VALVE BRAKE ISOLATION SYS V10118	002004 006999	1
10	274N1005-4		.VALVE ASSY- QUALIFIED I/W DATA: 274N1005-4 OR -9 CAN REPLACE BUT NOT BE REPLACED BY 274N1005-10	002004 006100 107107 121503 904999	1
10	274N1005-9		.VALVE ASSY- QUALIFIED I/W DATA: 274N1005-4 OR -9 CAN REPLACE BUT NOT BE REPLACED BY 274N1005-10	002004 006100 107107 121503 904999	1
10	274N1005-13		.VALVE ASSY-	002004 006100 107107 121503 904999	1
10	274N1005-14		.VALVE ASSY-	002004 006102 107107 121999	1
10	274N1005-19		.VALVE ASSY-	103106 108120	1
10	274N1005-21		.VALVE ASSY-	103106 108120	1

MISSING ITEM NUMBERS NOT APPLICABLE

- ITEM NOT ILLUSTRATED

29-11-28-01

29-11-28
FIG. 01
PAGE 1
JAN 20/09

BRI



757

PARTS CATALOG (MAINTENANCE)

FIG ITEM	PART NUMBER	1 2 3 4 5 6 7	NOMENCLATURE	EFFECT FROM TO	UNITS PER ASSY
1			ATTACHING PARTS		
15	BACB30NR4K47	.BOLT		002004 006999	1
20	BACB30NR4K45	.BOLT		002004 006999	2
25	BACW10BN4AC	.WASHER		002004 006999	3
30	BACW10BN4AP	.WASHER		002004 006999	1
35	BACU24K10	-----*----- ..UNION-		002004 006100 107107 121503 904999	2
35	MS21902-10T	..UNION-		002004 006999	2
40	NAS1612-10	..PACKING-		002004 006102 107107 121999	2
40	NAS1612-10A	..PACKING-		103106 108120	2
45	EM91-79-1	..VALVE-BALL SHUTOFF, 2 WAY 2 POSITION SUPPLIER CODE: V91816 SPECIFICATION NUMBER: S270T010-5 CONFIG CHG DATA FROM A CMM: SUPERSEDES EM91-79 SUPSD BY EM91-79-3 MISCELLANEOUS DATA: FOR COMPLETE INTERCHANGEABILITY REGARDING SPECIFIC USAGE, PLEASE REFER TO DRAWING 270T2001 SHEET 1 ELECTRICAL EQUIP NUMBER: V10118 COMPONENT MAINT MANUAL REF: 29-22-01 USED ON: 274N1005-13 PRE SERVICE BULLETIN: 29-0050 PRE SERVICE BULLETIN: EM91-79-29-02 V91816		002004 006100 107107 121503 904999	1

MISSING ITEM NUMBERS NOT APPLICABLE

- ITEM NOT ILLUSTRATED

BRI

29-11-28-01

29-11-28
FIG. 01
PAGE 2
JAN 20/09



757

PARTS CATALOG (MAINTENANCE)

FIG ITEM	PART NUMBER	1 2 3 4 5 6 7	NOMENCLATURE	EFFECT FROM TO	UNITS PER ASSY
1 45	EM91-79-3		.. VALVE-BALL SHUTOFF, 2 WAY 2 POSITION SUPPLIER CODE: V91816 SPECIFICATION NUMBER: S270T010-8 CONFIG CHG DATA FROM A CMM: SUPSD BY EM91-79-4 SUPERSEDES EM91-79-1 MISCELLANEOUS DATA: FOR COMPLETE INTERCHANGEABILITY REGARDING SPECIFIC USAGE, PLEASE REFER TO DRAWING 270T2001 SHEET 1 ELECTRICAL EQUIP NUMBER: V10118 COMPONENT MAINT MANUAL REF: 29-22-01 USED ON: 274N1005-14 PRE SERVICE BULLETIN: 29-0050 PRE SERVICE BULLETIN: EM91-79-29-02 V91816	002004 006102 107107 121999	1
45	EM91-79-4		.. VALVE-BALL SHUTOFF, 2 WAY 2 POSITION SUPPLIER CODE: V91816 SPECIFICATION NUMBER: S270T010-11 CONFIG CHG DATA FROM A CMM: SUPERSEDES EM91-79-3 SUPSD BY EM91-79-5 MISCELLANEOUS DATA: FOR COMPLETE INTERCHANGEABILITY REGARDING SPECIFIC USAGE, PLEASE REFER TO DRAWING 270T2001 SHEET 1 ELECTRICAL EQUIP NUMBER: V10118 COMPONENT MAINT MANUAL REF: 29-22-01 USED ON: 274N1005-17	002004 006999	1

MISSING ITEM NUMBERS NOT APPLICABLE

- ITEM NOT ILLUSTRATED

29-11-28-01

29-11-28
FIG. 01
PAGE 3
JAN 20/09

BRI



757

PARTS CATALOG (MAINTENANCE)

FIG ITEM	PART NUMBER	1 2 3 4 5 6 7	NOMENCLATURE	EFFECT FROM TO	UNITS PER ASSY
1 45	EM91-79-5		.. VALVE-BALL SHUTOFF, 2 WAY 2 POSITION SUPPLIER CODE: V91816 SPECIFICATION NUMBER: S270T010-14 CONFIG CHG DATA FROM A CMM: SUPERSEDES EM91-79-4 MISCELLANEOUS DATA: FOR COMPLETE INTERCHANGEABILITY REGARDING SPECIFIC USAGE, PLEASE REFER TO DRAWING 270T2001 SHEET 1 ELECTRICAL EQUIP NUMBER: V10118 COMPONENT MAINT MANUAL REF: 29-22-01 SERVICE BULLETIN OPT DATA: 340565 V79318 341525 V79318 341525-1 V79318 USED ON: 274N1005-19 POST SERVICE BULLETIN: 29-0050 POST SERVICE BULLETIN: EM91-79-29-02 V91816	002004 006999	1

MISSING ITEM NUMBERS NOT APPLICABLE

- ITEM NOT ILLUSTRATED

BRI

29-11-28-01

BOEING PROPRIETARY - Copyright © - Unpublished Work - See title page for details.

29-11-28
FIG. 01
PAGE 4
SEP 20/08



757

PARTS CATALOG (MAINTENANCE)

FIG ITEM	PART NUMBER	1 2 3 4 5 6 7	NOMENCLATURE	EFFECT FROM TO	UNITS PER ASSY
1 46	340565		.. VALVE-MODULE ASSY SUPPLIER CODE: V79318 SPECIFICATION NUMBER: S271N501-2 MISCELLANEOUS DATA: FOR COMPLETE INTERCHANGEABILITY REGARDING SPECIFIC USAGE, PLEASE REFER TO DRAWING 270T2001 SHEET 1 ELECTRICAL EQUIP NUMBER: V10118 COMPONENT MAINT MANUAL REF: 29-22-02 SERVICE BULLETIN OPT DATA: EM91-79-5 V91816 341525 V79318 341525-1 V79318 USED ON: 274N1005-4 USED ON: 274N1005-4 POST SERVICE BULLETIN: 29-0050 POST SERVICE BULLETIN: EM91-79-29-02 V91816	002004 006999	1

MISSING ITEM NUMBERS NOT APPLICABLE

- ITEM NOT ILLUSTRATED

BRI

29-11-28-01

BOEING PROPRIETARY - Copyright © - Unpublished Work - See title page for details.

29-11-28
FIG. 01
PAGE 5
SEP 20/08

 **BOEING**
757
PARTS CATALOG (MAINTENANCE)

FIG ITEM	PART NUMBER	1 2 3 4 5 6 7	NOMENCLATURE	EFFECT FROM TO	UNITS PER ASSY
1 46	341525		<p>.. VALVE-MODULE ASSY SUPPLIER CODE: V79318 SPECIFICATION NUMBER: S271N501-3 MISCELLANEOUS DATA: FOR COMPLETE INTERCHANGEABILITY REGARDING SPECIFIC USAGE, PLEASE REFER TO DRAWING 270T2001 SHEET 1 ELECTRICAL EQUIP NUMBER: V10118 COMPONENT MAINT MANUAL REF: 29-22-03 OPTIONAL PART: 341525-1 V79318 SERVICE BULLETIN OPT DATA: EM91-79-5 V91816 340565 V79318 USED ON: 274N1005-9 USED ON: 274N1005-9 POST SERVICE BULLETIN: 29-0050 POST SERVICE BULLETIN: EM91-79-29-02 V79318</p>	002004 006999	1

R
R
R
R
R
R
R
R
R
R
R
R
R
R
R
R
R
R
R
R
R
R

MISSING ITEM NUMBERS NOT APPLICABLE

— ITEM NOT ILLUSTRATED

BRI

29-11-28-01

BOEING PROPRIETARY - Copyright © - Unpublished Work - See title page for details.

29-11-28
FIG. 01
PAGE 6
MAY 20/09

 **BOEING**
757
PARTS CATALOG (MAINTENANCE)

FIG ITEM	PART NUMBER	1 2 3 4 5 6 7	NOMENCLATURE	EFFECT FROM TO	UNITS PER ASSY
1	46 341525-1		.. VALVE- SUPPLIER CODE: V79318 SPECIFICATION NUMBER: S271N501-3 MISCELLANEOUS DATA: FOR COMPLETE INTERCHANGEABILITY REGARDING SPECIFIC USAGE, PLEASE REFER TO DRAWING 270T2001 SHEET 1 ELECTRICAL EQUIP NUMBER: V10118 COMPONENT MAINT MANUAL REF: 29-22-03 OPTIONAL PART: 341525 V79318 SERVICE BULLETIN OPT DATA: EM91-79-5 V91816 340565 V79318 USED ON: 274N1005-9 USED ON: 274N1005-9 POST SERVICE BULLETIN: 29-0050	002004 006999	1
50	201074-1		... PLATE-IDENT SUPPLIER CODE: V79318 USED ON: 341525 341525-1	002004 006999	1
51	201074		... PLATE-IDENT SUPPLIER CODE: V79318 USED ON: 340565	002004 006999	1
52	157720-1		... ACTUATOR ASSY- SUPPLIER CODE: V79318 COMPONENT MAINT MANUAL REF: 27-13-02 USED ON: 341525 341525-1 340565	002004 006999	1

MISSING ITEM NUMBERS NOT APPLICABLE

— ITEM NOT ILLUSTRATED

BRI

29-11-28-01

BOEING PROPRIETARY - Copyright © - Unpublished Work - See title page for details.

29-11-28
FIG. 01
PAGE 7
MAY 20/09



757

PARTS CATALOG (MAINTENANCE)

FIG ITEM	PART NUMBER	1 2 3 4 5 6 7	NOMENCLATURE	EFFECT FROM TO	UNITS PER ASSY
1			ATTACHING PARTS		
55	NAS1101E3-12	...	SCREW- USED ON: 341525 341525-1 340565	002004 006999	4
60	AN960C10L	...	WASHER- USED ON: 341525 341525-1 340565	002004 006999	4
65	940CW21-8	-----*	JUMPER ASSY- SUPPLIER CODE: V91812 SPECIFICATION NUMBER: BACJ40AB21-8 OPTIONAL PART: 100221-8 V1FF12 RBEJ40AB21-8 V1GK47	002004 006999	1
70	D2686	...	NAMEPLATE- USED ON: EM91-79-1	002004 006100 107107 121503 904999	1
70	E2686	...	NAMEPLATE- USED ON: EM91-79-3	002004 006102 107107 121999	1
70	F2686	...	NAMEPLATE- USED ON: EM91-79-4	002004 006999	1
70	G2686	...	NAMEPLATE- USED ON: EM91-79-5	002004 006999	1
75	N2350-0074	...	ACTUATOR-MOTOR SUPPLIER CODE: V91816 COMPONENT MAINT MANUAL REF: 29-22-01 USED ON: EM91-79 EM91-79-1	002004 006100 107107 121503 904999	1

MISSING ITEM NUMBERS NOT APPLICABLE

- ITEM NOT ILLUSTRATED

29-11-28-01

29-11-28
FIG. 01
PAGE 8
MAY 20/09

BRI



757

PARTS CATALOG (MAINTENANCE)

FIG ITEM	PART NUMBER	1 2 3 4 5 6 7	NOMENCLATURE	EFFECT FROM TO	UNITS PER ASSY
1					
75	V2350-0074	...	ACTUATOR-MOTOR SUPPLIER CODE: V91816 COMPONENT MAINT MANUAL REF: 29-22-02 USED ON: EM91-79-3	002004 006102 107107 121999	1
75	W2350-0074	...	ACTUATOR-MOTOR SUPPLIER CODE: V91816 COMPONENT MAINT MANUAL REF: 29-22-02 USED ON: EM91-79-4	002004 006999	1
75	X2350-0074	...	ACTUATOR-MOTOR SUPPLIER CODE: V91816 COMPONENT MAINT MANUAL REF: 29-22-02 USED ON: EM91-79-5	002004 006999	1
80	NAS1352N08-8P	...	SCREW- ATTACHING PARTS USED ON: EM91-79 EM91-79-1 EM91-79-3 EM91-79-4 EM91-79-5	002004 006999	2
85	NAS1352N08-10P	...	SCREW- USED ON: EM91-79 EM91-79-1 EM91-79-3 EM91-79-4 EM91-79-5	002004 006999	2
87	C37112	-----*PLATE-MOD SUPPLIER CODE: V91816 USED ON: V2350-0074 W2350-0074 X2350-0074	002004 006999	1

MISSING ITEM NUMBERS NOT APPLICABLE

- ITEM NOT ILLUSTRATED

BRI

29-11-28-01

BOEING PROPRIETARY - Copyright © - Unpublished Work - See title page for details.

29-11-28
FIG. 01
PAGE 9
MAY 20/09



757

PARTS CATALOG (MAINTENANCE)

FIG ITEM	PART NUMBER	1 2 3 4 5 6 7	NOMENCLATURE	EFFECT FROM TO	UNITS PER ASSY
1 90	NAS1601-009		...PACKING- CONFIG CHG DATA FROM A CMM: SUPSD BY NAS1611-009A USED ON: EM91-79 EM91-79-1 EM91-79-3 EM91-79-4 EM91-79-5	002004 006999	1
90	NAS1611-009A		...PACKING- CONFIG CHG DATA FROM A CMM: SUPERSEDES NAS1601-009 USED ON: EM91-79 EM91-79-1 EM91-79-3 EM91-79-4 EM91-79-5	002004 006999	1
95	NAS1601-112		...PACKING- CONFIG CHG DATA FROM A CMM: SUPSD BY NAS1611-112A USED ON: EM91-79 EM91-79-1 EM91-79-3 EM91-79-4 EM91-79-5	002004 006999	1
95	NAS1611-112A		...PACKING- CONFIG CHG DATA FROM A CMM: SUPERSEDES NAS1601-112 USED ON: EM91-79 EM91-79-1 EM91-79-3 EM91-79-4 EM91-79-5	002004 006999	1
100	S30650-112-5		...SEAL-SLIPPER SUPPLIER CODE: V09257 MISCELLANEOUS DATA: CIRCLE SEAL CONTROL DWG 4809 USED ON: EM91-79 EM91-79-1 EM91-79-3 EM91-79-4 EM91-79-5	002004 006999	1

MISSING ITEM NUMBERS NOT APPLICABLE

- ITEM NOT ILLUSTRATED

29-11-28-01

29-11-28
FIG. 01
PAGE 10
MAY 20/09

BRI



757

PARTS CATALOG (MAINTENANCE)

FIG ITEM	PART NUMBER	1 2 3 4 5 6 7	NOMENCLATURE	EFFECT FROM TO	UNITS PER ASSY
1 900			ILLUSTRATION REFERENCE: PLUMBING INSTL-SECT. 44 R PRESSURE DECK HYDR (HYDRAULIC POWER ONLY) 29-11-51-34	002004 006100 107107 121503 904999	RF

MISSING ITEM NUMBERS NOT APPLICABLE

- ITEM NOT ILLUSTRATED

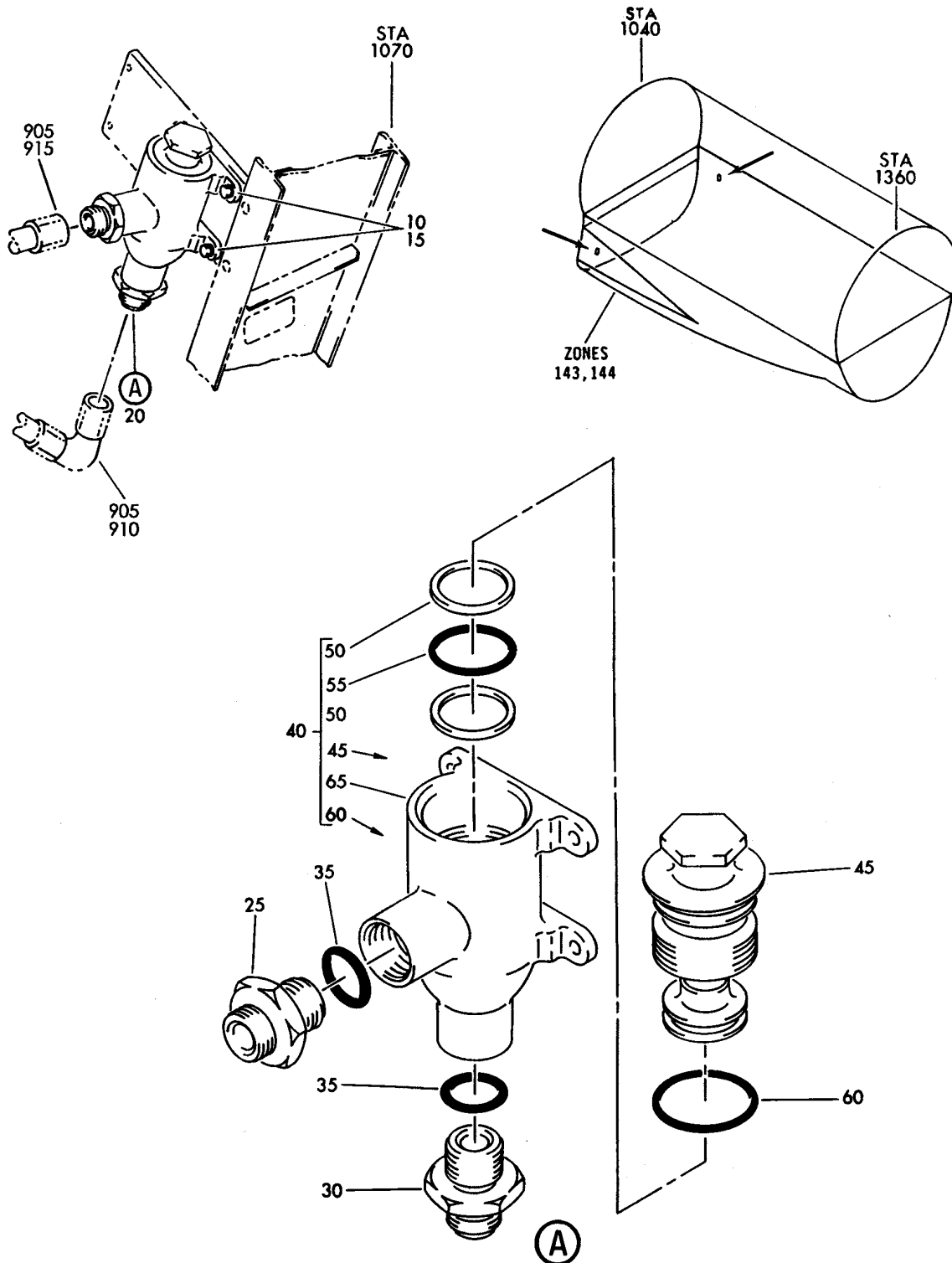
BRI

29-11-28-01

BOEING PROPRIETARY - Copyright © - Unpublished Work - See title page for details.

29-11-28
FIG. 01
PAGE 11
MAY 20/09

BOEING
757
PARTS CATALOG (MAINTENANCE)



Y 29112901 REV 209

VALVE INSTL-L AND R SYS RELIEF (HYDRAULIC POWER ONLY)
FIGURE 1

29-11-29-01

BRI
MAY 28/07

29-11-29-01
PAGE 0



757

PARTS CATALOG (MAINTENANCE)

FIG ITEM	PART NUMBER	1 2 3 4 5 6 7	NOMENCLATURE	EFFECT FROM TO	UNITS PER ASSY
1			VALVE INSTL-L AND R SYS RELIEF (HYDRAULIC POWER ONLY)	002004 006999	
- 1	271N5063-1		VALVE INSTL-SYS RELIEF (HYDRAULIC POWER ONLY) POSITION DATA: L FOR NHA/OTHER SYS DET SEE: 29-00-51-07 29-00-51-02C	002004 006102 107999	RF
- 1	MODREF7312		VALVE INSTL-SYS RELIEF (HYDRAULIC POWER ONLY) MODULE NUMBER: 271N5063-1 REV A POSITION DATA: L FOR OTHER SYS DETAILS SEE: 11-22-06-10	103106	1
- 5	271N5063-2		VALVE INSTL-SYS RELIEF (HYDRAULIC POWER ONLY) POSITION DATA: R FOR NHA/OTHER SYS DET SEE: 29-00-51-07 29-00-51-02C	002004 006102 107999	RF
- 5	MODREF7313		VALVE INSTL-SYS RELIEF (HYDRAULIC POWER ONLY) MODULE NUMBER: 271N5063-2 REV A POSITION DATA: R FOR OTHER SYS DETAILS SEE: 11-22-06-10	103106	1
10	BACB30NM4K5		.BOLT-	002004 006999	4
15	BACW10BN4AC		.WASHER-	002004 006999	4
20	271N5063-3		.VALVE ASSY	002004 006999	1
25	MS21902D16		..UNION	002004 006999	1
30	BACU24K16		..UNION-	002004 006999	1
35	NAS1612-16		..PACKING-	002004 006999	2
40	271N5065-1		..VALVE MODULE ASSY	002004 006999	1

MISSING ITEM NUMBERS NOT APPLICABLE

- ITEM NOT ILLUSTRATED

29-11-29-01

29-11-29
FIG. 01
PAGE 1
JAN 20/09

BRI



757

PARTS CATALOG (MAINTENANCE)

FIG ITEM	PART NUMBER	1 2 3 4 5 6 7	NOMENCLATURE	EFFECT FROM TO	UNITS PER ASSY
1					
45	68770-1		...VALVE- SUPPLIER CODE: V99643 FUNCTIONAL DESCRIPTION: PASSES FLOW TO THE SYSTEM RETURN LINE IN THE EVENT OF EXCESSIVE HYDRAULIC PRESSURE SPECIFICATION NUMBER: S271N202-3 COMPONENT MAINT MANUAL REF: 29-11-03	002004 006999	1
50	MS27595-225		...RING	002004 006999	2
55	NAS1611-225		...PACKING-	002004 006999	1
60	NAS1611-228		...PACKING-	002004 006999	1
65	271N5066-1		...HOUSING- OPTIONAL PART: 271N5066-3	002004 006999	1
65	271N5066-3		...HOUSING- OPTIONAL PART: 271N5066-1	002004 006999	1
900			ILLUSTRATION REFERENCE: PLUMBING INSTL-SECT. 12 R WING INBD HYDR (HYDRAULIC POWER ONLY) (R SYS) 29-11-51-17	002004 006100 107107 121503 904999	RF
905			ILLUSTRATION REFERENCE: PLUMBING INSTL-SECT. 44 MAIN WHL WELL HYDR (HYDRAULIC POWER ONLY) 29-11-51-36	002004 006100 107107 121503 904999	RF

MISSING ITEM NUMBERS NOT APPLICABLE

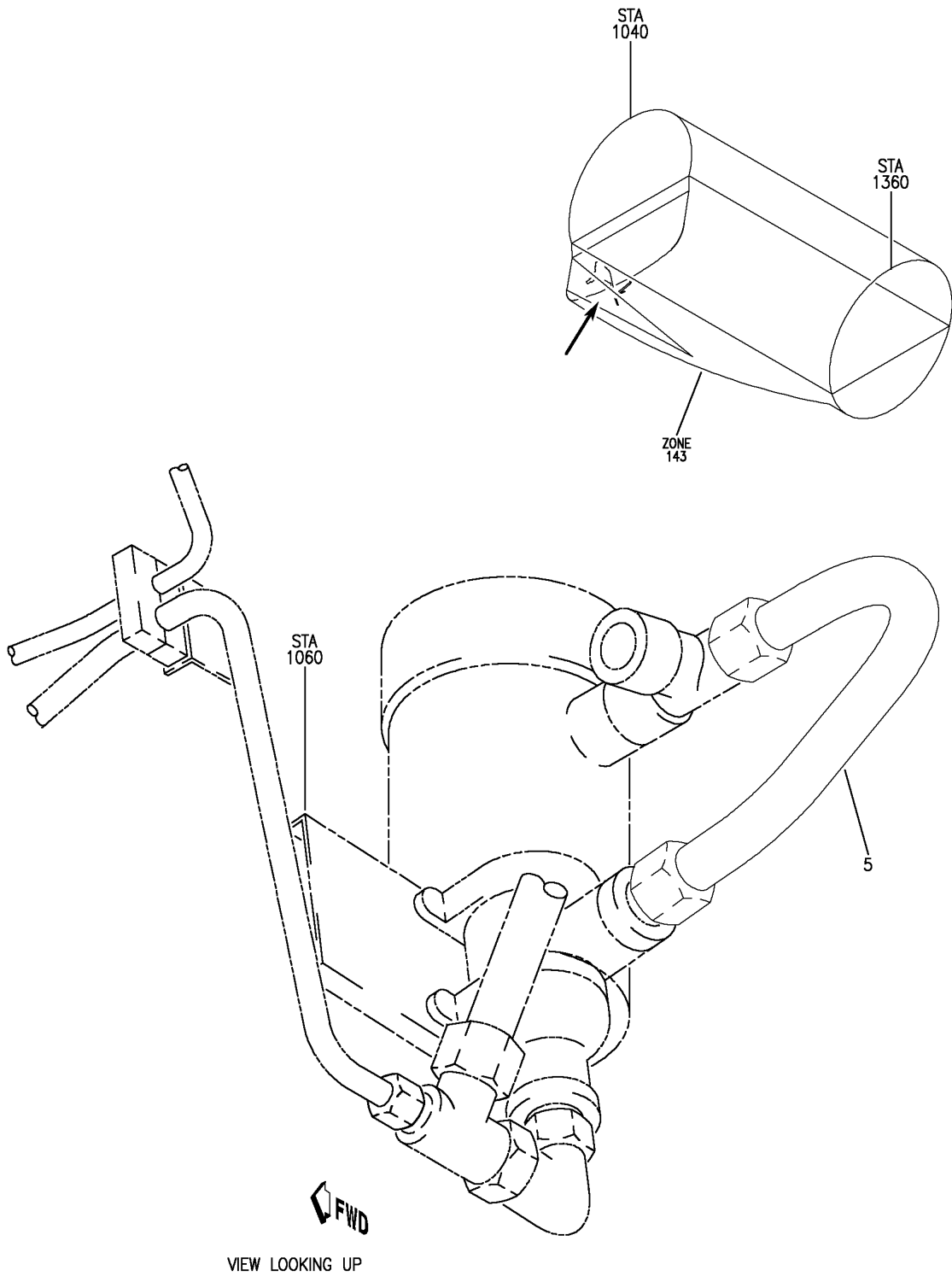
- ITEM NOT ILLUSTRATED

BRI

29-11-29-01

29-11-29
FIG. 01
PAGE 2
JAN 20/09

BOEING
757
PARTS CATALOG (MAINTENANCE)



Y 29112903 REV 249

PLUMBING INSTL-MAIN WHL WELL BHD HYDR (SYSTEM L AND R RELIEF VALVE ONLY)
FIGURE 3

BRI
JAN 20/09

29-11-29-03

29-11-29-03
PAGE 0



757

PARTS CATALOG (MAINTENANCE)

FIG ITEM	PART NUMBER	1 2 3 4 5 6 7	NOMENCLATURE	EFFECT FROM TO	UNITS PER ASSY
3			PLUMBING INSTL-MAIN WHL WELL BHD HYDR (SYSTEM L AND R RELIEF VALVE ONLY)	103106	
- 1	MODREF31807		PLUMBING INSTL-MAIN WHL WELL BHD HYDR (SYSTEM L AND R RELIEF VALVE ONLY) MODULE NUMBER: 271N6443-47 REV B FOR OTHER SYS DETAILS SEE: 11-22-06-02 27-51-26-02 32-32-05-04 32-41-02-13 32-41-04-03 32-42-02-05 32-42-07-02 FOR ADDITIONAL DETAILS SEE: 29-11-18-05 29-11-51-07	103106	1
	5 271N6443-1116		.TUBE ASSY- TUBING MATERIAL: 1.00 IN. OD .035 IN. WALL 15.80 IN. LG AL AMS 4083 6061 T6 TUBING	103106	1
- 10	AP2097HP16		..SLEEVE SUPPLIER CODE: V01673 SPECIFICATION NUMBER: BACS13BX16HP OPTIONAL PART: 2-02903-16HP V11328 35235VN16 V08199 AFP175V16P V30974 DBOS13BX16HP V14798	103106	2
- 15	BACN10YL16L		..NUT	103106	2

MISSING ITEM NUMBERS NOT APPLICABLE

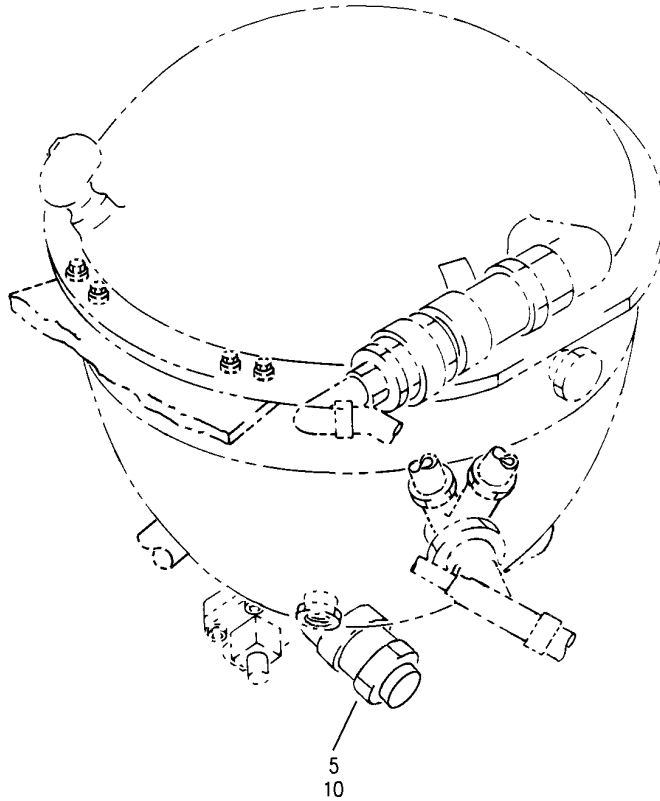
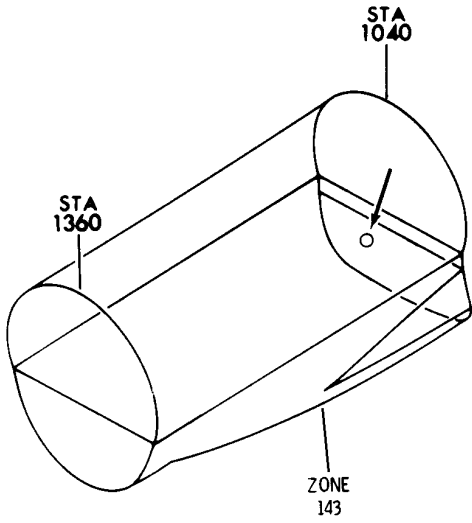
- ITEM NOT ILLUSTRATED

29-11-29-03

29-11-29
FIG. 03
PAGE 1
JAN 20/09

BRI

BOEING
757
PARTS CATALOG (MAINTENANCE)



Y 29113001 REV 236

RESERVOIR ASSY-HYDR SYS (PRESSURIZATION CHECK VALUE ONLY) LH SIDE
FIGURE 1

BRI
MAY 28/07

29-11-30-01

29-11-30-01
PAGE 0



757

PARTS CATALOG (MAINTENANCE)

FIG ITEM	PART NUMBER	1 2 3 4 5 6 7	NOMENCLATURE	EFFECT FROM TO	UNITS PER ASSY
1			RESERVOIR ASSY-HYDR SYS (PRESSURIZATION CHECK VALUE ONLY) LH SIDE	002004 006999	
- 1	271N3005-16		RESERVOIR ASSY-HYDR SYS (PRESSURIZATION CHECK VALUE ONLY) POSITION DATA: LH SIDE COMPONENT MAINT MANUAL REF: 29-11-15 FOR NHA/OTHER SYS DET SEE: 29-11-20-04	101106 108120 504903	RF
- 1	271N3005-13		RESERVOIR ASSY-HYDR SYS (PRESSURIZATION CHECK VALUE ONLY) POSITION DATA: LH SIDE COMPONENT MAINT MANUAL REF: 29-11-15 FOR NHA/OTHER SYS DET SEE: 29-11-20-04	107107 904949	RF
- 1	271N3005-16		RESERVOIR ASSY-HYDR SYS (PRESSURIZATION CHECK VALUE ONLY) POSITION DATA: LH SIDE COMPONENT MAINT MANUAL REF: 29-11-15 FOR NHA/OTHER SYS DET SEE: 29-11-20-04	002004 006100 121503 950999	RF
- 1	271N3005-14		RESERVOIR ASSY-HYDR SYS (PRESSURIZATION CHECK VALUE ONLY) POSITION DATA: LH SIDE COMPONENT MAINT MANUAL REF: 29-11-15 FOR NHA/OTHER SYS DET SEE: 29-11-20-04	002004 006100 121503 950999	RF
5	2S2966		.VALVE-CHK SUPPLIER CODE: V99240	002004 006999	1
10	NAS1612-16A		.PACKING-	002004 006999	1

MISSING ITEM NUMBERS NOT APPLICABLE

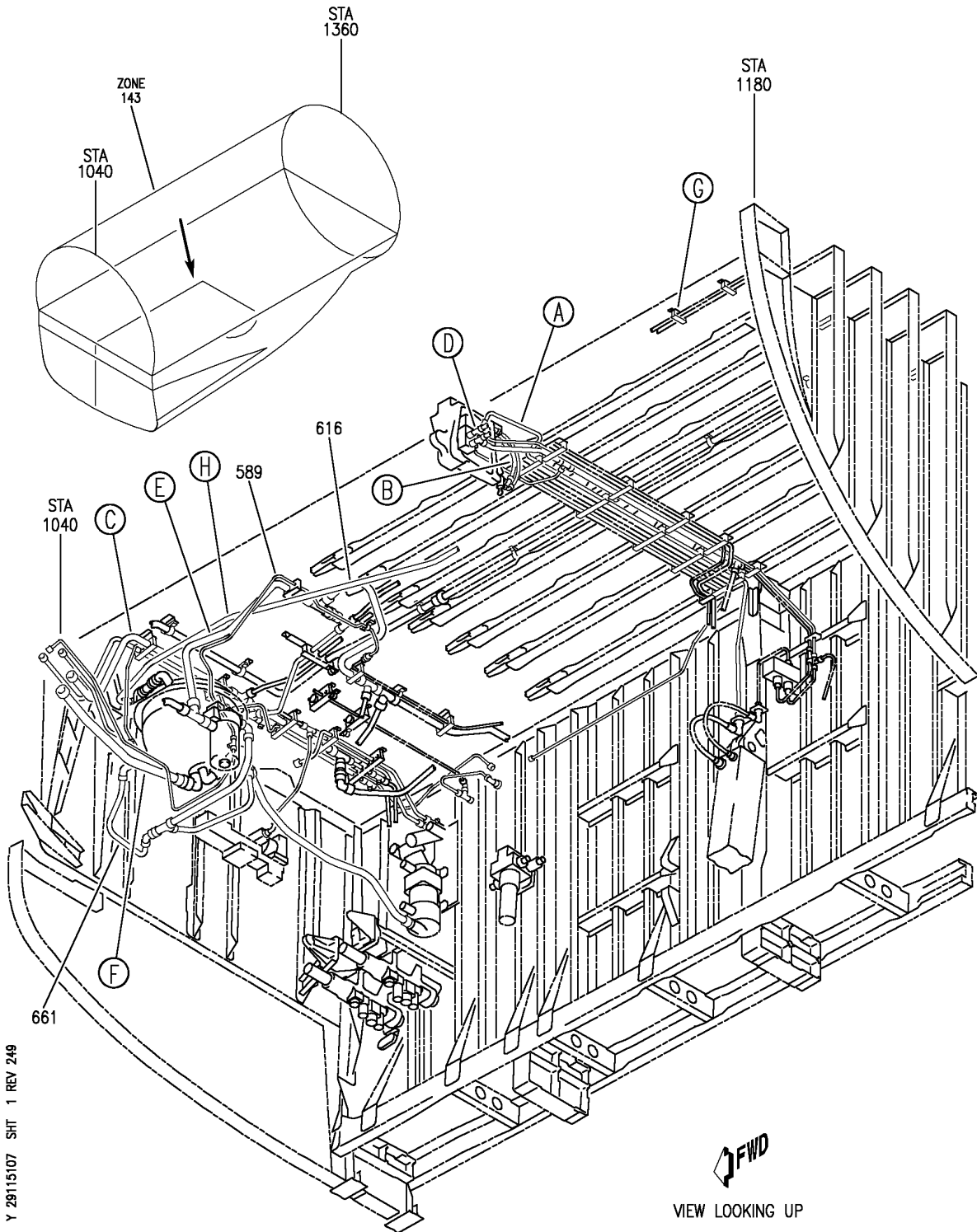
- ITEM NOT ILLUSTRATED

29-11-30-01

29-11-30
FIG. 01
PAGE 1
JAN 20/09

BRI

BOEING
757
PARTS CATALOG (MAINTENANCE)



Y 29115107 SHT 1 REV 249

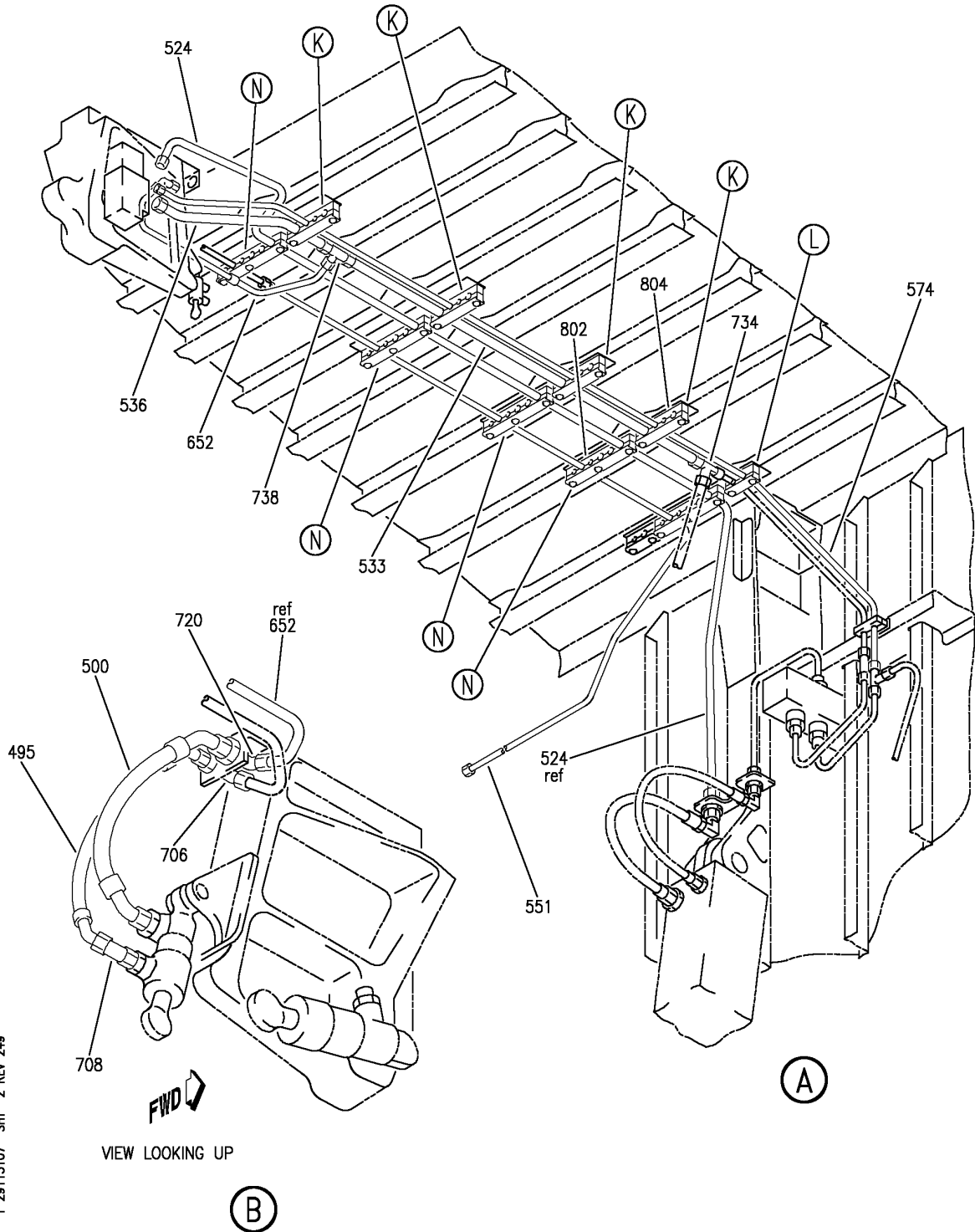
PLUMBING INSTL-MAIN WHL WELL BHD HYDR (MAIN (LEFT, RIGHT AND CENTER) HYDRAULIC SYSTEMS ONLY)
FIGURE 7 (SHEET 1)

BRI
JAN 20/09

29-11-51-07

29-11-51-07
PAGE 0

BOEING
757
PARTS CATALOG (MAINTENANCE)



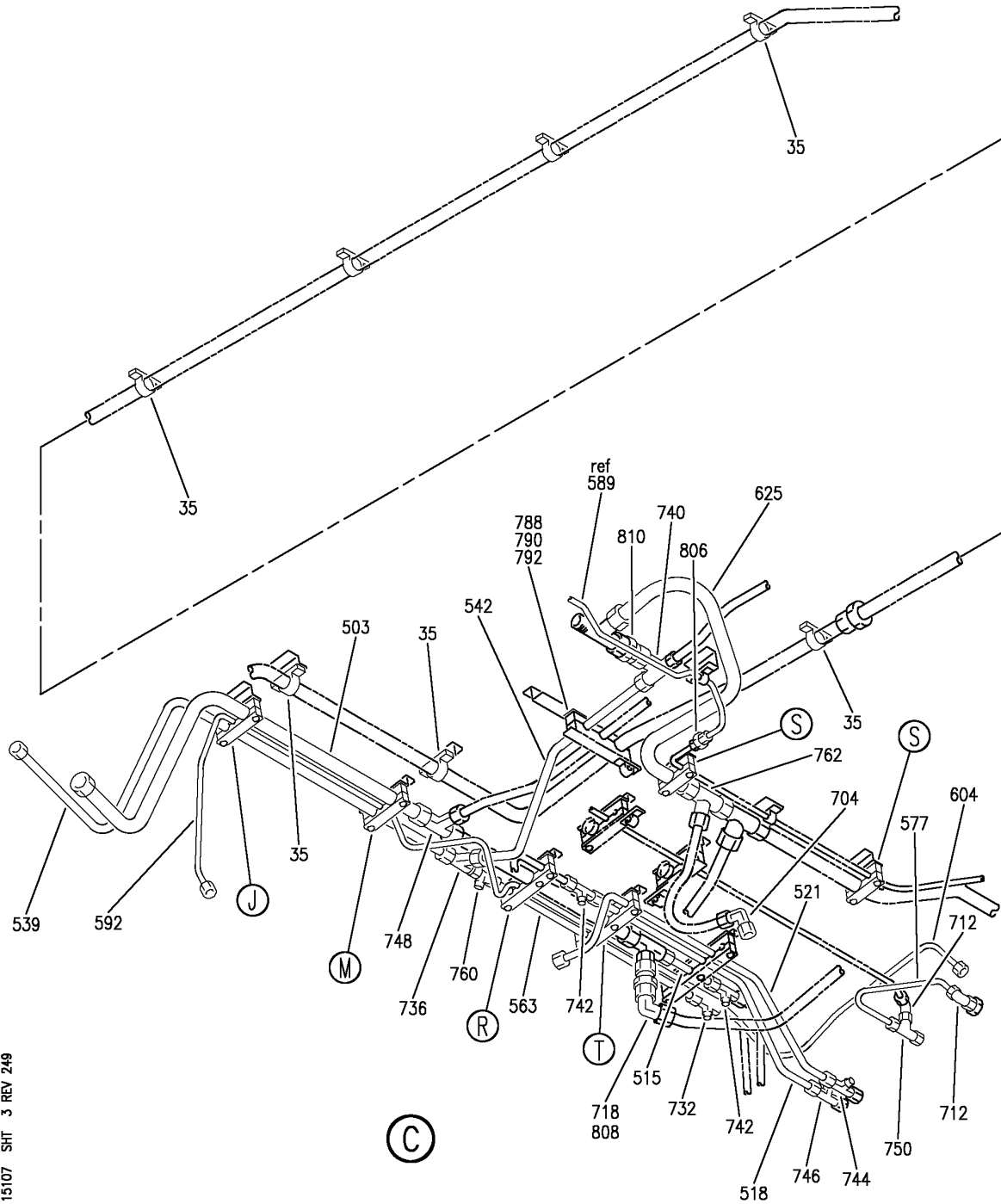
PLUMBING INSTL-MAIN WHL WELL BHD HYDR (MAIN (LEFT, RIGHT AND CENTER) HYDRAULIC SYSTEMS ONLY)
FIGURE 7 (SHEET 2)

BRI
JAN 20/09

29-11-51-07

29-11-51-07
PAGE 0A

BOEING
757
PARTS CATALOG (MAINTENANCE)



Y 29115107 SHT 3 REV 249

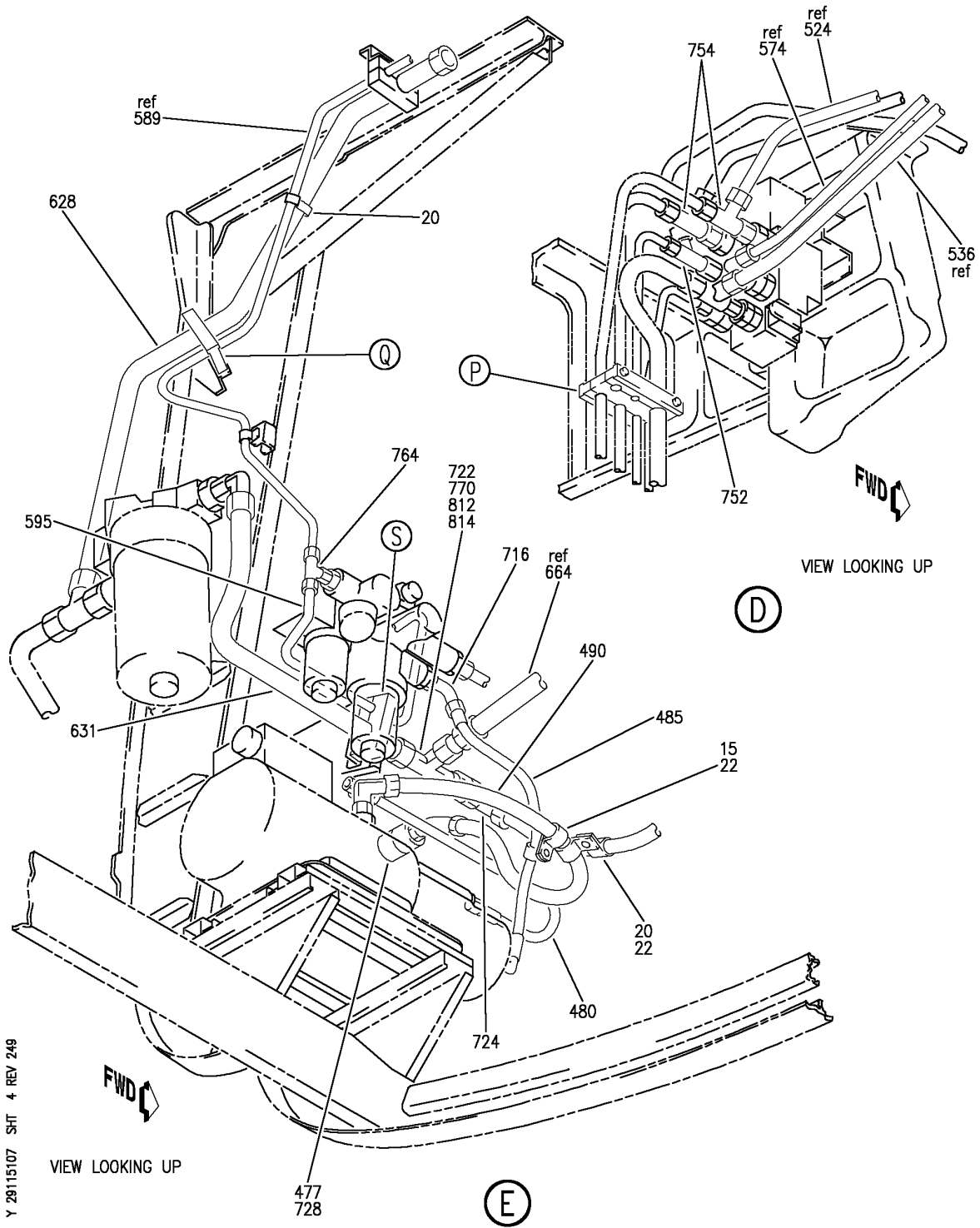
PLUMBING INSTL-MAIN WHL WELL BHD HYDR (MAIN (LEFT, RIGHT AND CENTER) HYDRAULIC SYSTEMS ONLY)
FIGURE 7 (SHEET 3)

BRI
JAN 20/09

29-11-51-07

29-11-51-07
PAGE 0B

BOEING
757
PARTS CATALOG (MAINTENANCE)



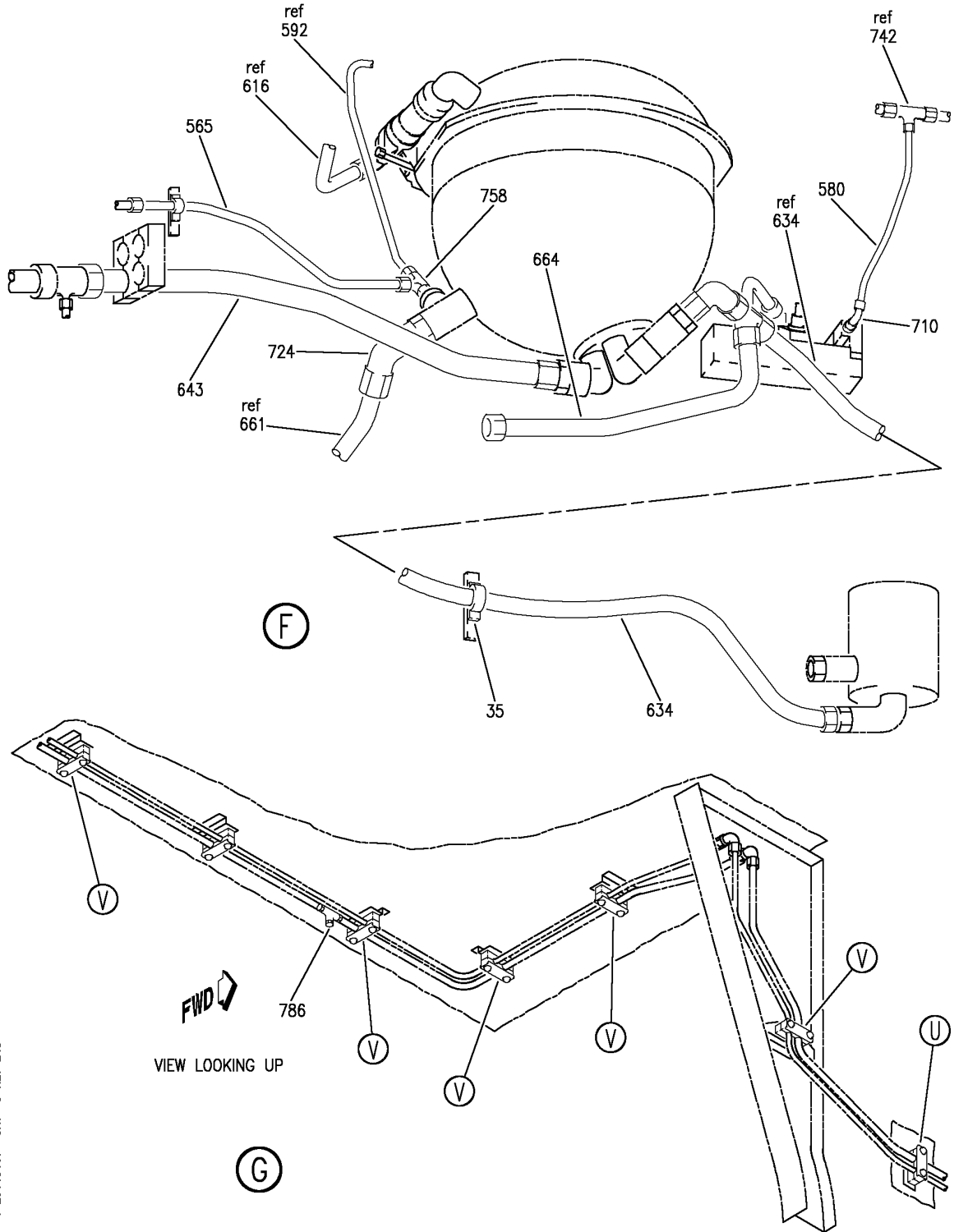
PLUMBING INSTL-MAIN WHL WELL BHD HYDR (MAIN (LEFT, RIGHT AND CENTER) HYDRAULIC SYSTEMS ONLY)
FIGURE 7 (SHEET 4)

BRI
JAN 20/09

29-11-51-07

29-11-51-07
PAGE 0C

BOEING
757
PARTS CATALOG (MAINTENANCE)



Y 29115107 SHT 5 REV 248

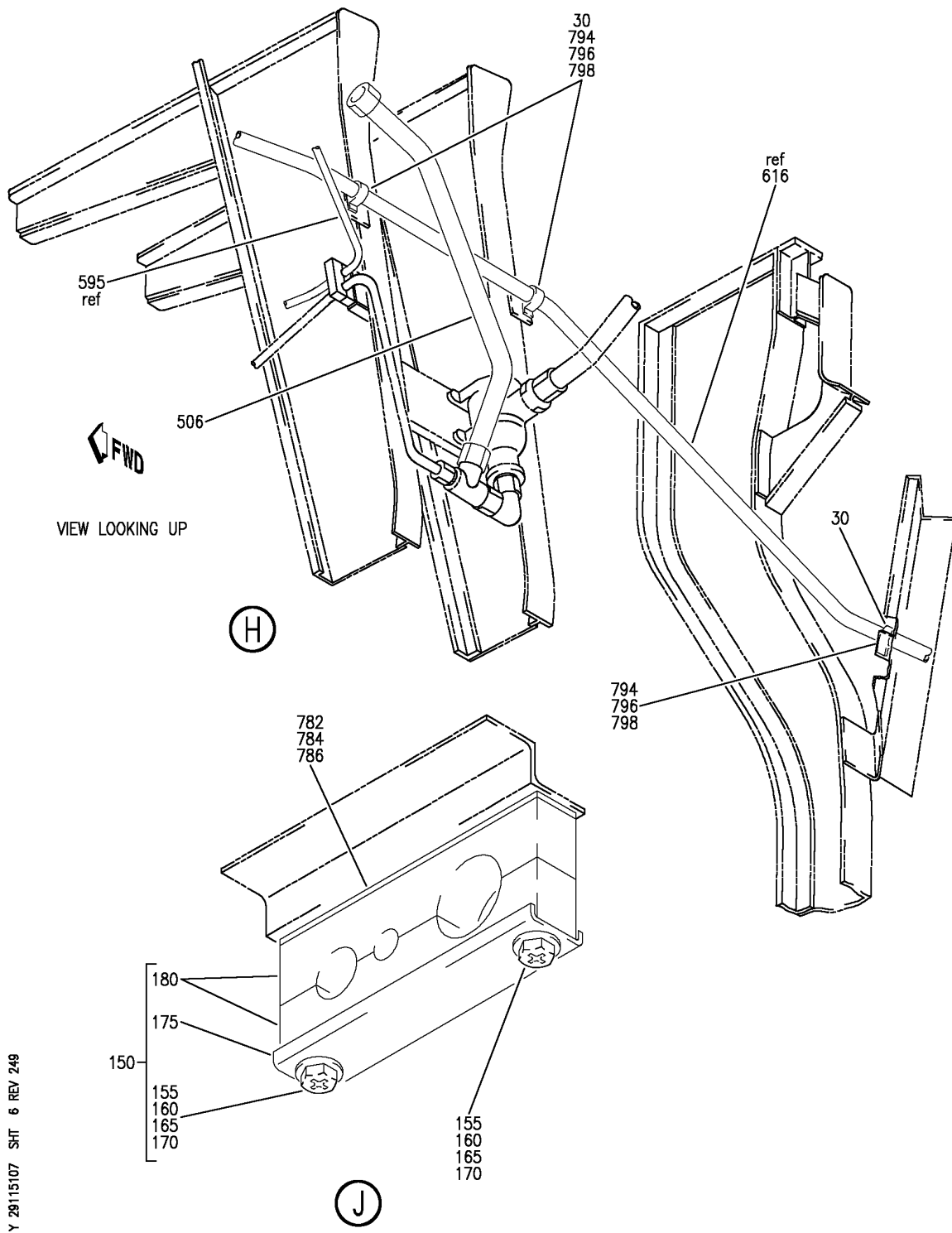
PLUMBING INSTL-MAIN WHL WELL BHD HYDR (MAIN (LEFT, RIGHT AND CENTER) HYDRAULIC SYSTEMS ONLY)
FIGURE 7 (SHEET 5)

BRI
JAN 20/09

29-11-51-07

29-11-51-07
PAGE 0D

BOEING
757
PARTS CATALOG (MAINTENANCE)



Y 29115107 SHT 6 REV 249

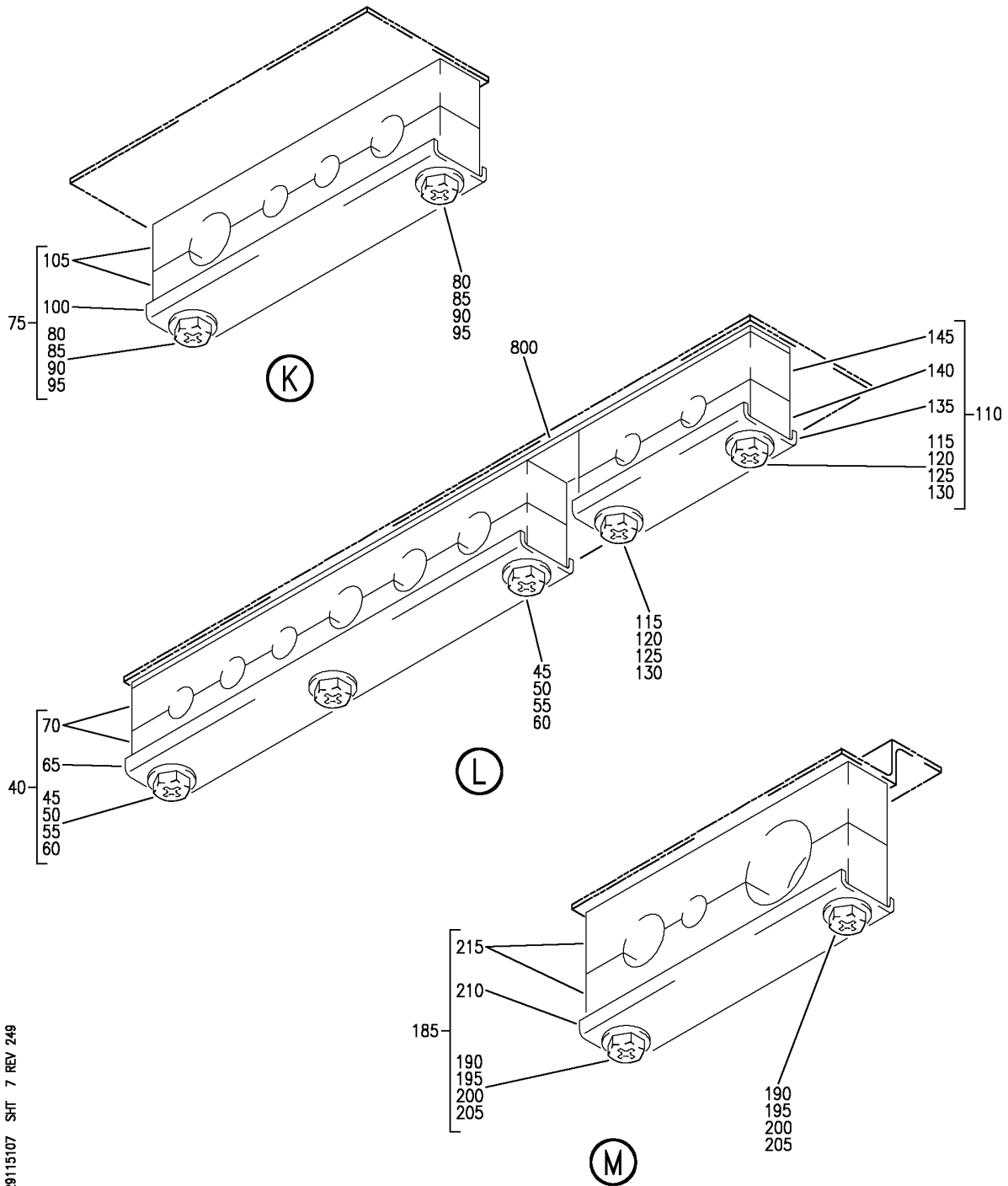
PLUMBING INSTL-MAIN WHL WELL BHD HYDR (MAIN (LEFT, RIGHT AND CENTER) HYDRAULIC SYSTEMS ONLY)
FIGURE 7 (SHEET 6)

BRI
JAN 20/09

29-11-51-07

29-11-51-07
PAGE 0E

BOEING
757
PARTS CATALOG (MAINTENANCE)



Y 29115107 SHT 7 REV 249

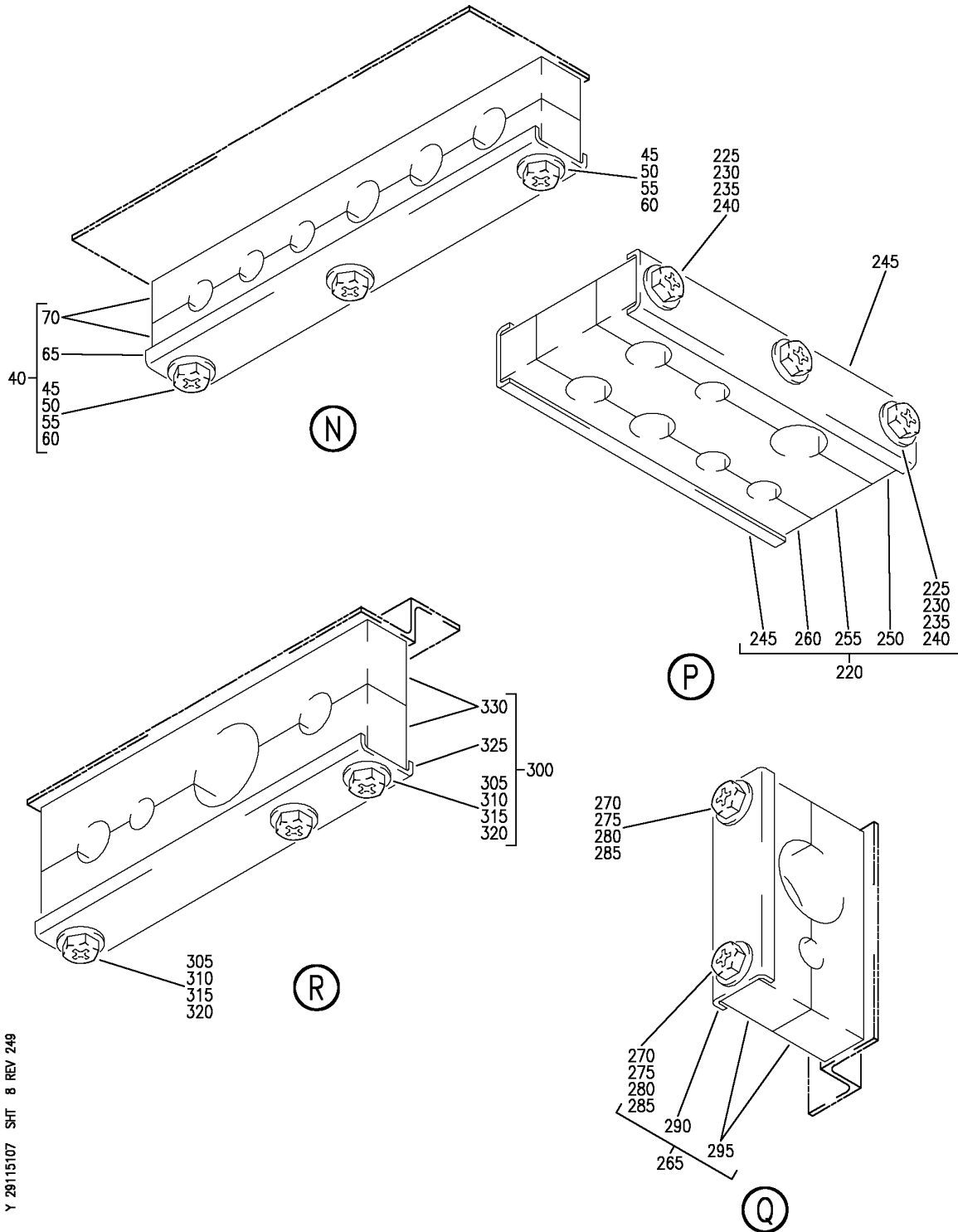
PLUMBING INSTL-MAIN WHL WELL BHD HYDR (MAIN (LEFT, RIGHT AND CENTER) HYDRAULIC SYSTEMS ONLY)
FIGURE 7 (SHEET 7)

29-11-51-07

BRI
JAN 20/09

29-11-51-07
PAGE OF

BOEING
757
PARTS CATALOG (MAINTENANCE)



Y 29115107 SHT 8 REV 249

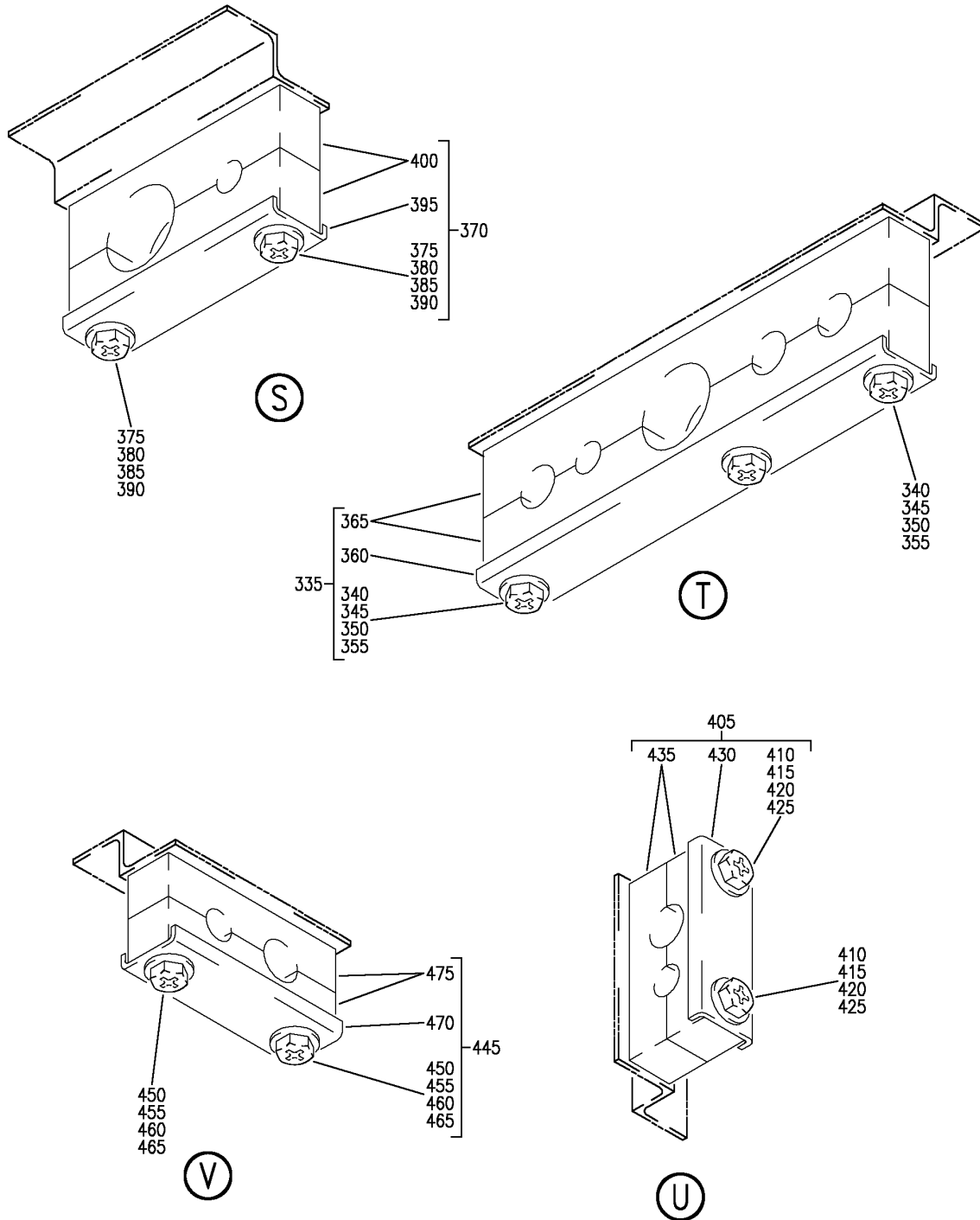
PLUMBING INSTL-MAIN WHL WELL BHD HYDR (MAIN (LEFT, RIGHT AND CENTER) HYDRAULIC SYSTEMS ONLY)
FIGURE 7 (SHEET 8)

BRI
JAN 20/09

29-11-51-07

29-11-51-07
PAGE 0G

BOEING
757
PARTS CATALOG (MAINTENANCE)



Y 29115107 SHT 9 REV 249

PLUMBING INSTL-MAIN WHL WELL BHD HYDR (MAIN (LEFT, RIGHT AND CENTER) HYDRAULIC SYSTEMS ONLY)
FIGURE 7 (SHEET 9)

BRI
JAN 20/09

29-11-51-07

29-11-51-07
PAGE 0H



757

PARTS CATALOG (MAINTENANCE)

FIG ITEM	PART NUMBER	1 2 3 4 5 6 7	NOMENCLATURE	EFFECT FROM TO	UNITS PER ASSY
7			PLUMBING INSTL-MAIN WHL WELL BHD HYDR (MAIN (LEFT, RIGHT AND CENTER) HYDRAULIC SYSTEMS ONLY)	103106	
- 1	MODREF31807		PLUMBING INSTL-MAIN WHL WELL BHD HYDR (MAIN (LEFT, RIGHT AND CENTER) HYDRAULIC SYSTEMS ONLY) MODULE NUMBER: 271N6443-47 REV B FOR OTHER SYS DETAILS SEE: 11-22-06-02 27-51-26-02 32-32-05-04 32-41-02-13 32-41-04-03 32-42-02-05 32-42-07-02 FOR ADDITIONAL DETAILS SEE: 29-11-18-05 29-11-29-03 29-11-51-07	103106	1
- 5	M85052-2-4	.CLAMP		103106	8
- 10	M85052-2-6	.CLAMP		103106	9
15	M85052-2-11	.CLAMP		103106	1
20	M85052-2-16	.CLAMP		103106	2
22	M85052-2-19	.CLAMP		103106	2
- 24	TA0910004H106	.CLAMP		103106	7
			SUPPLIER CODE: V84971 SPECIFICATION NUMBER: BACC10HB06C		
26	TA0910004H110	.CLAMP		103106	1
			SUPPLIER CODE: V84971 SPECIFICATION NUMBER: BACC10HB10C		
30	TA0910004H112	.CLAMP		103106	3
			SUPPLIER CODE: V84971 SPECIFICATION NUMBER: BACC10HB12C		
35	TA0910004H116	.CLAMP		103106	8
			SUPPLIER CODE: V84971 SPECIFICATION NUMBER: BACC10HB16C		

MISSING ITEM NUMBERS NOT APPLICABLE

- ITEM NOT ILLUSTRATED

29-11-51-07

29-11-51
FIG. 07
PAGE 1
JAN 20/09

BRI



757

PARTS CATALOG (MAINTENANCE)

FIG ITEM	PART NUMBER	1 2 3 4 5 6 7	NOMENCLATURE	EFFECT FROM TO	UNITS PER ASSY
7					
40	270N2000-105	.	CLAMP ASSY-BLK POSITION DATA: STA 1120	103106	5
45	NAS1801-3-26	..	SCREW	103106	3
50	NAS43DD3-67	..	SPACER	103106	3
55	AN960PD10L	..	WASHER	103106	3
60	BRH10A3	..	NUT SUPPLIER CODE: V52828 SPECIFICATION NUMBER: BACN10JC3 OPTIONAL PART: H10-3BAC V15653 NS202101-02 V80539 RMLH9075-3W V72962 VN303A02 V92215 96-02 V80539 T6S1032J V11815	103106	3
65	270N2000-852	..	CHANNEL	103106	1
70	270N2000-539	..	BLOCK	103106	2
75	270N2000-107	.	CLAMP ASSY-BLK POSITION DATA: STA 1120	103106	4
80	NAS1801-3-28	..	SCREW	103106	2
85	NAS43DD3-75	..	SPACER	103106	2
90	AN960PD10L	..	WASHER	103106	2

MISSING ITEM NUMBERS NOT APPLICABLE

- ITEM NOT ILLUSTRATED

BRI

29-11-51-07

BOEING PROPRIETARY - Copyright © - Unpublished Work - See title page for details.

29-11-51
FIG. 07
PAGE 2
JAN 20/09



757

PARTS CATALOG (MAINTENANCE)

FIG ITEM	PART NUMBER	1 2 3 4 5 6 7	NOMENCLATURE	EFFECT FROM TO	UNITS PER ASSY
7 95	BRH10A3	..	NUT SUPPLIER CODE: V52828 SPECIFICATION NUMBER: BACN10JC3 OPTIONAL PART: H10-3BAC V15653 NS202101-02 V80539 RMLH9075-3W V72962 VN303A02 V92215 96-02 V80539 T6S1032J V11815	103106	2
100	270N2000-855	..	CHANNEL	103106	1
105	270N2000-540	..	BLOCK	103106	2
110	270N2000-108	.CLAMP ASSY-BLK POSITION DATA: STA 1120		103106	1
115	NAS1801-3-26	..	SCREW	103106	2
120	NAS43DD3-68	..	SPACER	103106	2
125	AN960PD10L	..	WASHER	103106	2
130	BRH10A3	..	NUT SUPPLIER CODE: V52828 SPECIFICATION NUMBER: BACN10JC3 OPTIONAL PART: H10-3BAC V15653 NS202101-02 V80539 RMLH9075-3W V72962 VN303A02 V92215 96-02 V80539 T6S1032J V11815	103106	2
135	270N2000-861	..	CHANNEL	103106	1
140	270N2000-541	..	BLOCK	103106	1
145	270N2000-542	..	BLOCK	103106	1

MISSING ITEM NUMBERS NOT APPLICABLE

- ITEM NOT ILLUSTRATED

29-11-51-07

29-11-51
FIG. 07
PAGE 3
JAN 20/09

BRI



757

PARTS CATALOG (MAINTENANCE)

FIG ITEM	PART NUMBER	1 2 3 4 5 6 7	NOMENCLATURE	EFFECT FROM TO	UNITS PER ASSY
7					
150	270N2000-1313	.	CLAMP ASSY-BLK POSITION DATA: STA 1040	103106	1
155	NAS1801-3-34	..	SCREW	103106	2
160	NAS43DD3-101	..	SPACER	103106	2
165	AN960KD10L	..	WASHER	103106	2
170	BRH10A3	..	NUT SUPPLIER CODE: V52828 SPECIFICATION NUMBER: BACN10JC3 OPTIONAL PART: H10-3BAC V15653 NS202101-02 V80539 RMLH9075-3W V72962 VN303A02 V92215 96-02 V80539 T6S1032J V11815	103106	2
175	270N2000-853	..	CHANNEL	103106	1
180	270N2000-1268	..	BLOCK	103106	2
185	270N2000-1314	.	CLAMP ASSY-BLK POSITION DATA: STA 1040	103106	1
190	NAS514P1032-34P	..	SCREW	103106	2
195	NAS43DD3-101	..	SPACER	103106	2
200	AN960KD10L	..	WASHER	103106	2

MISSING ITEM NUMBERS NOT APPLICABLE

- ITEM NOT ILLUSTRATED

BRI

29-11-51-07

BOEING PROPRIETARY - Copyright © - Unpublished Work - See title page for details.

29-11-51
FIG. 07
PAGE 4
JAN 20/09



757

PARTS CATALOG (MAINTENANCE)

FIG ITEM	PART NUMBER	1 2 3 4 5 6 7	NOMENCLATURE	EFFECT FROM TO	UNITS PER ASSY
7 205	BRH10A3	..	NUT SUPPLIER CODE: V52828 SPECIFICATION NUMBER: BACN10JC3 OPTIONAL PART: H10-3BAC V15653 NS202101-02 V80539 RMLH9075-3W V72962 VN303A02 V92215 96-02 V80539 T6S1032J V11815	103106	2
210	270N2000-1026	..	CHANNEL	103106	1
215	270N2000-1268	..	BLOCK	103106	2
220	270N2000-156	.	CLAMP ASSY-BLK	103106	1
225	NAS1801-3-42	..	SCREW	103106	3
230	NAS43DD3-130	..	SPACER	103106	3
235	AN960PD10L	..	WASHER	103106	3
240	BRH10A3	..	NUT SUPPLIER CODE: V52828 SPECIFICATION NUMBER: BACN10JC3 OPTIONAL PART: H10-3BAC V15653 NS202101-02 V80539 RMLH9075-3W V72962 VN303A02 V92215 96-02 V80539 T6S1032J V11815	103106	3
245	270N2000-1003	..	CHANNEL	103106	2
250	270N2000-615	..	BLOCK	103106	1
255	270N2000-616	..	BLOCK	103106	1
260	270N2000-617	..	BLOCK	103106	1
265	270N2000-16	.	CLAMP ASSY-BLK POSITION DATA: STA 1080	103106	1

MISSING ITEM NUMBERS NOT APPLICABLE

- ITEM NOT ILLUSTRATED

29-11-51-07

29-11-51
FIG. 07
PAGE 5
JAN 20/09

BRI



757

PARTS CATALOG (MAINTENANCE)

FIG ITEM	PART NUMBER	1 2 3 4 5 6 7	NOMENCLATURE	EFFECT FROM TO	UNITS PER ASSY
7					
270	NAS1801-3-34	..	SCREW	103106	2
275	NAS43DD3-99	..	SPACER	103106	2
280	AN960PD10L	..	WASHER	103106	2
285	BRH10A3	..	NUT	103106	2
			SUPPLIER CODE: V52828		
			SPECIFICATION NUMBER: BACN10JC3		
			OPTIONAL PART: H10-3BAC		
			V15653		
			NS202101-02		
			V80539		
			RMLH9075-3W		
			V72962		
			VN303A02		
			V92215		
			96-02		
			V80539		
			T6S1032J		
			V11815		
290	270N2000-805	..	CHANNEL	103106	1
295	270N2000-425	..	BLOCK	103106	2
300	270N2000-248	.CLAMP ASSY-BLK		103106	1
		POSITION DATA: STA 1050			
305	NAS1801-3-35	..	SCREW	103106	3
310	NAS43DD3-108	..	SPACER	103106	3
315	AN960KD10L	..	WASHER	103106	3
320	BRH10A3	..	NUT	103106	3
			SUPPLIER CODE: V52828		
			SPECIFICATION NUMBER: BACN10JC3		
			OPTIONAL PART: H10-3BAC		
			V15653		
			NS202101-02		
			V80539		
			RMLH9075-3W		
			V72962		
			VN303A02		
			V92215		
			96-02		
			V80539		
			T6S1032J		
			V11815		
325	270N2000-843	..	CHANNEL	103106	1
330	270N2000-1271	..	BLOCK	103106	2

MISSING ITEM NUMBERS NOT APPLICABLE

- ITEM NOT ILLUSTRATED

29-11-51-07

29-11-51
FIG. 07
PAGE 6
JAN 20/09

BRI

BOEING PROPRIETARY - Copyright © - Unpublished Work - See title page for details.



757

PARTS CATALOG (MAINTENANCE)

FIG ITEM	PART NUMBER	1 2 3 4 5 6 7	NOMENCLATURE	EFFECT FROM TO	UNITS PER ASSY
7					
335	270N2000-249	.	CLAMP ASSY-BLK POSITION DATA: STA 1050	103106	1
340	NAS1801-3-35	..	SCREW	103106	3
345	NAS43DD3-108	..	SPACER	103106	3
350	AN960KD10L	..	WASHER	103106	3
355	BRH10A3	..	NUT SUPPLIER CODE: V52828 SPECIFICATION NUMBER: BACN10JC3 OPTIONAL PART: H10-3BAC V15653 NS202101-02 V80539 RMLH9075-3W V72962 VN303A02 V92215 96-02 V80539 T6S1032J V11815	103106	3
360	270N2000-850	..	CHANNEL	103106	1
365	270N2000-1272	..	BLOCK	103106	2
370	270N2000-72	.	CLAMP ASSY-BLK POSITION DATA: STA 1070	103106	3
375	NAS1801-3-32	..	SCREW	103106	2
380	NAS43DD3-99	..	SPACER	103106	2
385	AN960PD10L	..	WASHER	103106	2

MISSING ITEM NUMBERS NOT APPLICABLE

- ITEM NOT ILLUSTRATED

29-11-51-07

29-11-51
FIG. 07
PAGE 7
JAN 20/09

BRI

BOEING PROPRIETARY - Copyright © - Unpublished Work - See title page for details.



757

PARTS CATALOG (MAINTENANCE)

FIG ITEM	PART NUMBER	1 2 3 4 5 6 7	NOMENCLATURE	EFFECT FROM TO	UNITS PER ASSY
7 390	BRH10A3	..	NUT SUPPLIER CODE: V52828 SPECIFICATION NUMBER: BACN10JC3 OPTIONAL PART: H10-3BAC V15653 NS202101-02 V80539 RMLH9075-3W V72962 VN303A02 V92215 96-02 V80539 T6S1032J V11815	103106	2
395	270N2000-892	..	CHANNEL	103106	1
400	270N2000-573	..	BLOCK	103106	2
405	270N2000-5	.	CLAMP ASSY-BLK	103106	1
410	NAS1801-3-26	..	SCREW	103106	2
415	NAS43DD3-67	..	SPACER	103106	2
420	AN960PD10L	..	WASHER	103106	2
425	BRH10A3	..	NUT SUPPLIER CODE: V52828 SPECIFICATION NUMBER: BACN10JC3 OPTIONAL PART: H10-3BAC V15653 NS202101-02 V80539 RMLH9075-3W V72962 VN303A02 V92215 96-02 V80539 T6S1032J V11815	103106	2
430	270N2000-803	..	CHANNEL	103106	1
435	270N2000-404	..	BLOCK	103106	2
445	270N2000-123	.	CLAMP ASSY-BLK	103106	6
450	NAS1801-3-26	..	SCREW	103106	2
455	NAS43DD3-67	..	SPACER	103106	2
460	AN960PD10L	..	WASHER	103106	2

MISSING ITEM NUMBERS NOT APPLICABLE

- ITEM NOT ILLUSTRATED

BRI

29-11-51-07

29-11-51
FIG. 07
PAGE 8
JAN 20/09



757

PARTS CATALOG (MAINTENANCE)

FIG ITEM	PART NUMBER	1 2 3 4 5 6 7	NOMENCLATURE	EFFECT FROM TO	UNITS PER ASSY
7 465	BRH10A3	..	NUT SUPPLIER CODE: V52828 SPECIFICATION NUMBER: BACN10JC3 OPTIONAL PART: H10-3BAC V15653 NS202101-02 V80539 RMLH9075-3W V72962 VN303A02 V92215 96-02 V80539 T6S1032J V11815	103106	2
470	270N2000-868	..	CHANNEL	103106	1
475	270N2000-556	..	BLOCK	103106	2
477	AE81565K	.COUPLER-DISC.	SUPPLIER CODE: V00624 SPECIFICATION NUMBER: S270T202-5	103106	1
480	AS115-06K0140	.HOSE ASSY-	POSITION DATA: STA 1060 WL 170	103106	1
485	AS117-08K0170	.HOSE ASSY-	POSITION DATA: STA 1060 WL 170	103106	1
490	AS1634A12K0330	.HOSE ASSY-	POSITION DATA: STA 1060 WL 170	103106	1
495	AS118E120K000	.HOSE ASSY-	POSITION DATA: STA 1130	103106	1
500	AS118G107K000	.HOSE ASSY-	POSITION DATA: STA 1130	103106	1
503	271N6443-1001	.TUBE ASSY-	TUBING MATERIAL: 1.00 IN. OD .051 IN. WALL 37.50 IN. LG TI BMS 7-234 TI-3AL-2.5V COLD WORKED, STRESS RELIEVED TUBING	103106	1

MISSING ITEM NUMBERS NOT APPLICABLE

- ITEM NOT ILLUSTRATED

29-11-51-07

29-11-51
FIG. 07
PAGE 9
JAN 20/09

BRI



757

PARTS CATALOG (MAINTENANCE)

FIG ITEM	PART NUMBER	1 2 3 4 5 6 7	NOMENCLATURE	EFFECT FROM TO	UNITS PER ASSY
7 506	271N6443-1232		.TUBE ASSY- TUBING MATERIAL: 1.0 IN. OD .051 IN. WALL 20.20 IN. LG TI 3AL-2.5V TITANIUM SEAMLESS TUBING PER BMS7-234	103106	1
- 509	AS1581T16		..SLEEVE	103106	2
- 512	BACN10YA16N		..NUT- USED ON: 271N6443-1232	103106	2
- 513	BACN10YA16L		..NUT- USED ON: 271N6443-1001	103106	2
515	271N6443-1003		.TUBE ASSY- TUBING MATERIAL: .500 IN. OD .026 IN. WALL 3.60 IN. LG TI BMS 7-234 TI-3AL-2.5V COLD WORKED, STRESS RELIEVED TUBING	103106	1
518	271N6443-1015		.TUBE ASSY- TUBING MATERIAL: .500 IN. OD .026 IN. WALL 24.10 IN. LG TI BMS 7-234 TI03AL-2.5V COLD WORKED, STRESS RELIEVED TUBING	103106	1
521	271N6443-1198		.TUBE ASSY- TUBING MATERIAL: .500 IN. OD .026 IN. WALL 35.70 IN. LG TI BMS 7-234 TI-3AL-2.5V COLD WORKED, STRESS RELIEVED TUBING	103106	1
524	271N6443-1203		.TUBE ASSY-DOOR OPEN TUBING MATERIAL: .500 IN. OD X .026 IN. WALL X 82.5 IN. LG TI BMS 7-234 TI03AL-2.5V COLD WORKED, STRESS RELIEVED TUBING	103106	1
- 527	AS1581T08		..SLEEVE	103106	2
- 530	BACN10YA8		..NUT	103106	2

MISSING ITEM NUMBERS NOT APPLICABLE

- ITEM NOT ILLUSTRATED

29-11-51-07

29-11-51
FIG. 07
PAGE 10
JAN 20/09

BRI

BOEING PROPRIETARY - Copyright © - Unpublished Work - See title page for details.



757

PARTS CATALOG (MAINTENANCE)

FIG ITEM	PART NUMBER	1 2 3 4 5 6 7	NOMENCLATURE	EFFECT FROM TO	UNITS PER ASSY
7 533	271N6443-1029		.TUBE ASSY- TUBING MATERIAL: .625 IN. OD X .035 IN. WALL X 34.5 IN. LG AL AMS 4083 6061 T6 TUBING	103106	1
536	271N6443-1088		.TUBE ASSY- TUBING MATERIAL: .625 IN. OD X .035 IN. WALL 18.4 IN. LG AL AMS 4083 6061 T6 TUBING	103106	1
539	271N6443-1094		.TUBE ASSY- TUBING MATERIAL: .625 IN. OD .035 IN. WALL 52.10 IN. LG AL AMS 4083 6061 T6 TUBING	103106	1
542	271N6443-1096		.TUBE ASSY- TUBING MATERIAL: .625 IN. OD .035 IN. WALL 23.30 IN. LG AL AMS 4083 6061 T6 TUBING	103106	1
- 545	AP2097HP10		..SLEEVE SUPPLIER CODE: V01673 SPECIFICATION NUMBER: BACS13BX10HP OPTIONAL PART: 2-02903-10HP V11328 35235VN10 V08199 AFP175V10P V30974 DBOS13BX10HP V14798	103106	2
- 548	BACN10YL10		..NUT	103106	2
551	271N6443-1052		.TUBE ASSY- TUBING MATERIAL: .375 IN. OD X .019 IN. WALL X 92.40 IN. LG TI BMS 7-234 TI-3AL-2.5V COLD WORKED, STRESS RELIEVED TUBING	103106	1
- 554	AS1581T06		..SLEEVE	103106	1
- 557	AS1582T06		..UNION	103106	1
- 560	BACN10YA6		..NUT	103106	1

MISSING ITEM NUMBERS NOT APPLICABLE

- ITEM NOT ILLUSTRATED

29-11-51-07

29-11-51
FIG. 07
PAGE 11
JAN 20/09

BRI



757

PARTS CATALOG (MAINTENANCE)

FIG ITEM	PART NUMBER	1 2 3 4 5 6 7	NOMENCLATURE	EFFECT FROM TO	UNITS PER ASSY
7 563	271N6443-1082		.TUBE ASSY- TUBING MATERIAL: .500 IN. OD .035 IN. WALL 19.50 IN. LG AL AMS 4083 6061 T6 TUBING	103106	1
565	271N6443-1141		.TUBE ASSY- TUBING MATERIAL: .500 IN. OD .035 IN. WALL 25.10 IN. LG AL AMS 4083 6061 T6 TUBING	103106	1
- 568	AP2097HP08		..SLEEVE SUPPLIER CODE: V01673 SPECIFICATION NUMBER: BACS13BX08HP OPTIONAL PART: 2-02903-08HP V11328 35235VN08 V08199 AFP175V08P V30974 DBOS13BX08HP V14798	103106	2
- 571	BACN10YL08		..NUT	103106	2
574	271N6443-1089		.TUBE ASSY- TUBING MATERIAL: .375 IN. OD X .019 IN. WALL X 78.0 IN LG TI BMS 7-234 TI03AL-2.5V COLD WORKED, STRESS RELIEVED TUBING	103106	1
577	271N6443-1185		.TUBE ASSY- TUBING MATERIAL: .375 IN. OD .019 IN. WALL 17.8 IN. LG TI BMS 7-234 TI-3AL-2.5V COLD WORKED, STRESS RELIEVED TUBING	103106	1
580	271N6443-1217		.TUBE ASSY- TUBING MATERIAL: .375 IN. OD .019 IN. WALL 11.40 IN. LG TI BMS 7-234 TI03AL-2.5V COLD WORKED, STRESS RELIEVED TUBING	103106	1
- 583	AS1581T06		..SLEEVE	103106	2

MISSING ITEM NUMBERS NOT APPLICABLE

- ITEM NOT ILLUSTRATED

29-11-51-07

29-11-51
FIG. 07
PAGE 12
JAN 20/09

BRI



757

PARTS CATALOG (MAINTENANCE)

FIG ITEM	PART NUMBER	1 2 3 4 5 6 7	NOMENCLATURE	EFFECT FROM TO	UNITS PER ASSY
7					
- 586	BACN10YA6		..NUT	103106	2
589	271N6443-1119		.TUBE ASSY- TUBING MATERIAL: .375 IN. OD .035 IN. WALL 62.10 IN. LG AL AMS 4083 6061 T6 TUBING	103106	1
592	271N6443-1121		.TUBE ASSY- TUBING MATERIAL: .375 IN. OD .035 IN. WALL 61.10 IN. LG AL AMS 4083 6061 T6 TUBING	103106	1
595	271N6443-1138		.TUBE ASSY- TUBING MATERIAL: .375 IN. OD .035 IN. WALL 56.30 IN. LG AL AMS 4083 6061 T6 TUBING	103106	1
- 598	AP2097HP06		..SLEEVE SUPPLIER CODE: V01673 SPECIFICATION NUMBER: BACS13BX06HP OPTIONAL PART: 2-02903-06HP V11328 35235VN06 V08199 AFP175V06P V30974 DBOS13BX06HP V14798	103106	2
- 601	BACN10YL06		..NUT	103106	2
604	271N6443-1120		.TUBE ASSY- TUBING MATERIAL: .375 IN. OD .035 IN. WALL 28.00 IN. LG AL AMS 4083 6061 T6 TUBING	103106	1

MISSING ITEM NUMBERS NOT APPLICABLE

- ITEM NOT ILLUSTRATED

29-11-51-07

29-11-51
FIG. 07
PAGE 13
JAN 20/09

BRI



757

PARTS CATALOG (MAINTENANCE)

FIG ITEM	PART NUMBER	1 2 3 4 5 6 7	NOMENCLATURE	EFFECT FROM TO	UNITS PER ASSY
7 - 607	AP2097HP06		.. SLEEVE SUPPLIER CODE: V01673 SPECIFICATION NUMBER: BACS13BX06HP OPTIONAL PART: 2-02903-06HP V11328 35235VN06 V08199 AFP175V06P V30974 DBOS13BX06HP V14798	103106	1
- 610	35056GV06		.. UNION SUPPLIER CODE: V08199 SPECIFICATION NUMBER: BACU24AB6W OPTIONAL PART: 2-01027-6W V11328 31875-6W V14397 4671097W6 V50948 AP1004W06 V01673 AFP941W6 V30974 DBOU24AB6W V14798	103106	1
- 613	BACN10YLO6		.. NUT	103106	1
616	271N6443-1130		. TUBE ASSY- TUBING MATERIAL: .750 IN. OD .035 IN. WALL 62.90 IN. LG AL AMS 4083 6061 T6 TUBING	103106	1

MISSING ITEM NUMBERS NOT APPLICABLE

- ITEM NOT ILLUSTRATED

29-11-51-07

29-11-51
FIG. 07
PAGE 14
JAN 20/09

BRI



757

PARTS CATALOG (MAINTENANCE)

FIG ITEM	PART NUMBER	1 2 3 4 5 6 7	NOMENCLATURE	EFFECT FROM TO	UNITS PER ASSY
7 - 619	AP2097HP12	..	SLEEVE SUPPLIER CODE: V01673 SPECIFICATION NUMBER: BACS13BX12HP OPTIONAL PART: 2-02903-12HP V11328 35235VN12 V08199 AFP175V12P V30974 DBOS13BX12HP V14798	103106	1
- 622 625	BACN10YL12 271N6443-1134	..	NUT	103106	1
		.	TUBE ASSY- TUBING MATERIAL: 1.00 IN. OD .035 IN. WALL 33.00 IN. LG AL AMS 4083 6061 T6 TUBING	103106	1
628	271N6443-1199	.	TUBE ASSY- TUBING MATERIAL: 1.00 IN. OD .035 IN. WALL 35.60 IN. LG AL AMS 4083 6061 T6 TUBING	103106	1
631	271N6443-1200	.	TUBE ASSY- TUBING MATERIAL: 1.00 IN. OD .035 IN. WALL 25.50 IN. LG AL AMS 4083 6061 T6 TUBING	103106	1
634	271N6443-1231	.	TUBE ASSY- TUBING MATERIAL: 1.00 IN. OD .035 IN. WALL 41.40 IN. LG AL AMS 4083 6061 T6 TUBING	103106	1

MISSING ITEM NUMBERS NOT APPLICABLE

- ITEM NOT ILLUSTRATED

BRI

29-11-51-07

29-11-51
FIG. 07
PAGE 15
JAN 20/09



757

PARTS CATALOG (MAINTENANCE)

FIG ITEM	PART NUMBER	1 2 3 4 5 6 7	NOMENCLATURE	EFFECT FROM TO	UNITS PER ASSY
7 - 637	AP2097HP16	..	SLEEVE SUPPLIER CODE: V01673 SPECIFICATION NUMBER: BACS13BX16HP OPTIONAL PART: 2-02903-16HP V11328 35235VN16 V08199 AFP175V16P V30974 DBOS13BX16HP V14798	103106	2
- 640 643	BACN10YL16L 271N6443-1227	..	NUT .TUBE ASSY- TUBING MATERIAL: .250 IN. OD .350 IN. WALL 32.90 IN. LG AL AMS 4083 6061 T6 TUBING	103106 103106	2 1
- 646	AFP175V20P	..	SLEEVE SUPPLIER CODE: V30974 SPECIFICATION NUMBER: BACS13BX20HP OPTIONAL PART: 2-02901-20HP V11328 35025VN20 V08199	103106	2
- 649 652	BACN10YL20L 271N6443-1247	..	NUT .TUBE ASSY-RETURN SYS TUBING MATERIAL: .375 IN. OD X .035 IN. WALL X 22.0 IN. LG 6061-T6 ALUMINUM SEAMLESS TUBING PER MIL-T-7081.	103106 103106	2 1

MISSING ITEM NUMBERS NOT APPLICABLE

- ITEM NOT ILLUSTRATED

29-11-51-07

29-11-51
FIG. 07
PAGE 16
JAN 20/09

BRI



757

PARTS CATALOG (MAINTENANCE)

FIG ITEM	PART NUMBER	1 2 3 4 5 6 7	NOMENCLATURE	EFFECT FROM TO	UNITS PER ASSY
7 - 655	AP2097HP06	..	SLEEVE SUPPLIER CODE: V01673 SPECIFICATION NUMBER: BACS13BX06HP OPTIONAL PART: 2-02903-06HP V11328 35235VN06 V08199 AFP175V06P V30974 DBOS13BX06HP V14798	103106	2
- 658	BACN10YL06	..	NUT	103106	2
661	271N6443-1248	.TUBE ASSY-	TUBE ASSY- TUBING MATERIAL: 1.00 IN. OD .350 IN. WALL 13.46 IN. LG AL AMS 4083 6061 T6 TUBING	103106	1
664	271N6443-1249	.TUBE ASSY	TUBE ASSY	103106	1
- 667	AP2097HP16	..	SLEEVE SUPPLIER CODE: V01673 SPECIFICATION NUMBER: BACS13BX16HP OPTIONAL PART: 2-02903-16HP V11328 35235VN16 V08199 AFP175V16P V30974 DBOS13BX16HP V14798	103106	2
- 670	BACN10YL16L	..	NUT	103106	2
- 700	D10036-04	.UNION-	UNION- SUPPLIER CODE: V14798 OPTIONAL PART: D10282-04 V14798	103106	1
- 700	D10282-04	.UNION-	UNION- SUPPLIER CODE: V14798 OPTIONAL PART: D10036-04 V14798	103106	1

MISSING ITEM NUMBERS NOT APPLICABLE

- ITEM NOT ILLUSTRATED

29-11-51-07

29-11-51
FIG. 07
PAGE 17
JAN 20/09

BRI



757

PARTS CATALOG (MAINTENANCE)

FIG ITEM	PART NUMBER	1 2 3 4 5 6 7	NOMENCLATURE	EFFECT FROM TO	UNITS PER ASSY
7					
- 702	MS21924D6	.	UNION	103106	1
704	NAS1762W1010	.	ELBOW	103106	1
706	BACE21BN0406J	.	ELBOW	103106	1
708	BACE21BR0404JN	.	ELBOW	103106	1
710	AP1042JN0406	.	ELBOW	103106	1
			SUPPLIER CODE: V01673		
			SPECIFICATION NUMBER: BACE21BT0406JN		
712	AP1042JN0606	.	ELBOW	103106	2
			SUPPLIER CODE: V01673		
			SPECIFICATION NUMBER: BACE21BT0606JN		
- 714	AP1042P0606	.	ELBOW	103106	1
			SUPPLIER CODE: V01673		
			SPECIFICATION NUMBER: BACE21BT0606P		
716	AP1042JN0808	.	ELBOW	103106	1
			SUPPLIER CODE: V01673		
			SPECIFICATION NUMBER: BACE21BT0808JN		
718	AP1042JN1212	.	ELBOW	103106	1
			SUPPLIER CODE: V01673		
			SPECIFICATION NUMBER: BACE21BT1212JN		
720	MS21908W6	.	ELBOW	103106	1
722	MS21910W16	.	TEE	103106	1
724	NAS1761W1616	.	ELBOW	103106	3
726	NAS1762W1212	.	ELBOW	103106	1
728	AE81566K	.	NIPPLE ASSY-	103106	1
			SUPPLIER CODE: V00624		
			SPECIFICATION NUMBER: S270T202-6		
732	BACT16AS080806W	.	TEE	103106	1

MISSING ITEM NUMBERS NOT APPLICABLE

- ITEM NOT ILLUSTRATED

29-11-51-07

29-11-51
FIG. 07
PAGE 18
JAN 20/09

BRI

BOEING PROPRIETARY - Copyright © - Unpublished Work - See title page for details.



757

PARTS CATALOG (MAINTENANCE)

FIG ITEM	PART NUMBER	1 2 3 4 5 6 7	NOMENCLATURE	EFFECT FROM TO	UNITS PER ASSY
7 734	APX824F100610W	. TEE	SUPPLIER CODE: V01673 SPECIFICATION NUMBER: BACT16AS100610W OPTIONAL PART: APX824-100610W V01673 DBOT16AS100610W V14798 ER824-100610W V50948 FER1571-100610W V14397 LER824-100610W V11328 NAF1824-100610W V52930 US1925-100610W V50808 AFP325-100610W V30974	103106	1
736	APX824F100810W	. TEE	SUPPLIER CODE: V01673 SPECIFICATION NUMBER: BACT16AS100810W OPTIONAL PART: APX824-100810W V01673 DBOT16AS100810W V14798 ER824-100810W V50948 FER1571-100810W V14397 LER824-100810W V11328 NAF1824-100810W V52930 US1925-100810W V50808 AFP325-100810W V30974	103106	1

MISSING ITEM NUMBERS NOT APPLICABLE

- ITEM NOT ILLUSTRATED

BRI

29-11-51-07

BOEING PROPRIETARY - Copyright © - Unpublished Work - See title page for details.

29-11-51
FIG. 07
PAGE 19
JAN 20/09



757

PARTS CATALOG (MAINTENANCE)

FIG ITEM	PART NUMBER	1 2 3 4 5 6 7	NOMENCLATURE	EFFECT FROM TO	UNITS PER ASSY
7 738	APX824F101006W	.TEE	SUPPLIER CODE: V01673 SPECIFICATION NUMBER: BACT16AS101006W OPTIONAL PART: APX824-101006W V01673 DBOT16AS101006W V14798 ER824-101006W V50948 FER1571-101006W V14397 LER824-101006W V11328 NAF1824-101006W V52930 US1925-101006W V50808 AFP325-101006W V30974	103106	1
740	BACT16AS101016W	.TEE		103106	1
742	BACT16BL080806J	.TEE		103106	2
744	BACT16BL100810J	.TEE		103106	1
746	BACT16BL120810J	.TEE		103106	1
748	BACT16BL161610J	.TEE		103106	1
750	BCREF116854	.TEE-	OVERLENGTH PART NUMBER: BACT16BR060606JN	103106	2
752	BCREF116856	.TEE-	OVERLENGTH PART NUMBER: BACT16BR080608JN	103106	1
754	BCREF116858	.TEE-	OVERLENGTH PART NUMBER: BACT16BR080808JN	103106	2
758	NAS1763W080608	.TEE		103106	1
760	NAS1763W080806	.TEE		103106	1
762	NAS1763W161610	.TEE		103106	1
764	NAS1764W060606	.TEE		103106	1
768	NAS1764W080806	.TEE		103106	1
770	NAS1612-16	.PACKING		103106	1
- 772	AN924-6D	.NUT		103106	4
- 774	AN924-8D	.NUT		103106	1
- 776	NAS1149D0763J	.WASHER		103106	1
778	NAS1149D0963J	.WASHER		103106	1
- 780	NAS1149D1290J	.WASHER		103106	1
782	270N2006-58	.SHIM		103106	1
784	270N2006-59	.SHIM		103106	1

MISSING ITEM NUMBERS NOT APPLICABLE

- ITEM NOT ILLUSTRATED

29-11-51-07

29-11-51
FIG. 07
PAGE 20
JAN 20/09

BRI



757

PARTS CATALOG (MAINTENANCE)

FIG ITEM	PART NUMBER	1 2 3 4 5 6 7	NOMENCLATURE	EFFECT FROM TO	UNITS PER ASSY
7					
786	270N2006-60	.SHIM		103106	1
788	270N2007-10	.SHIM		103106	1
790	270N2007-11	.SHIM		103106	1
792	270N2007-12	.SHIM		103106	1
794	270N2008-120	.SHIM		103106	3
796	270N2008-121	.SHIM		103106	3
798	270N2008-122	.SHIM		103106	3
800	271N6214-1	.SHIM		103106	AR
802	271N6214-3	.SHIM		103106	AR
804	271N6214-5	.SHIM		103106	AR
806	1C3594	.VALVE		103106	1
			SUPPLIER CODE: V99240		
			SPECIFICATION NUMBER: BACV10CD12		
			OPTIONAL PART: 0121520900-12 V83533		
808	1C3598	.VALVE		103106	1
			SUPPLIER CODE: V99240		
			SPECIFICATION NUMBER: BACV10CD15		
			OPTIONAL PART: 0121520900-15 V83533		
810	1C3600	.VALVE		103106	1
			SUPPLIER CODE: V99240		
			SPECIFICATION NUMBER: BACV10CD16		
			OPTIONAL PART: 0121520900-16 V83533		
812	1C3614	.VALVE		103106	1
			SUPPLIER CODE: V99240		
			SPECIFICATION NUMBER: BACV10CE16		
			OPTIONAL PART: 0121520600-16 V83533		
814	9R3396	.VALVE-		103106	1
			SUPPLIER CODE: V99240		

MISSING ITEM NUMBERS NOT APPLICABLE

- ITEM NOT ILLUSTRATED

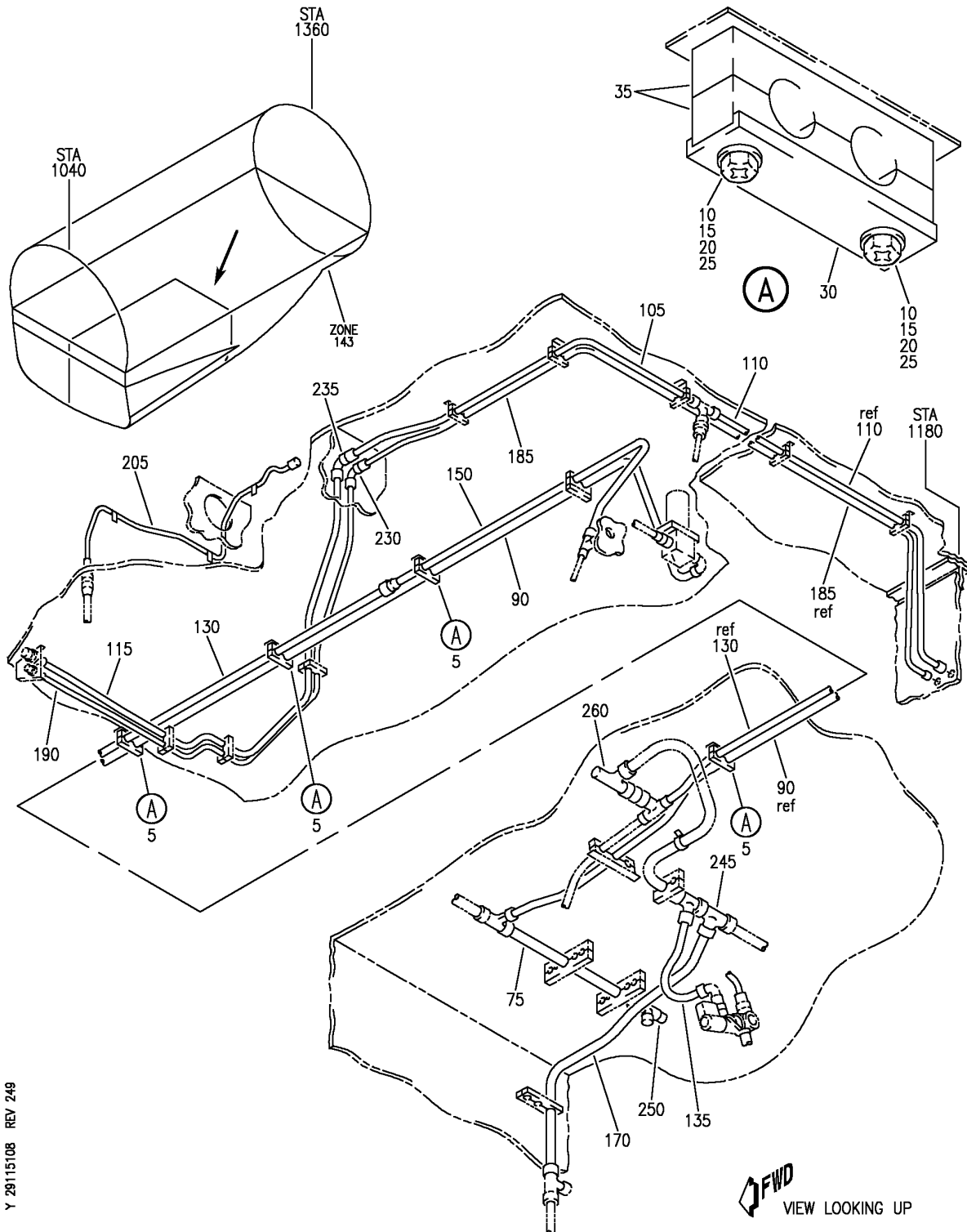
29-11-51-07

29-11-51
FIG. 07
PAGE 21
JAN 20/09

BRI

BOEING PROPRIETARY - Copyright © - Unpublished Work - See title page for details.

BOEING
757
PARTS CATALOG (MAINTENANCE)



Y 29115108 REV 249

PLUMBING INSTL-MINOR MODEL
FIGURE 8

29-11-51-08

BRI
JAN 20/09

29-11-51-08
PAGE 0



757

PARTS CATALOG (MAINTENANCE)

FIG ITEM	PART NUMBER	1 2 3 4 5 6 7	NOMENCLATURE	EFFECT FROM TO	UNITS PER ASSY
8			PLUMBING INSTL-MINOR MODEL	103106	
- 1	MODREF31808		PLUMBING INSTL-MINOR MODEL MODULE NUMBER: 271N6443-48 REV B	103106	1
5	270N2000-101		.CLAMP ASSY	103106	4
10	NAS1801-3-28		..SCREW	103106	2
15	NAS43DD3-75		..SPACER	103106	2
20	AN960PD10L		..WASHER	103106	2
25	BRH10A3		..NUT SUPPLIER CODE: V52828 SPECIFICATION NUMBER: BACN10JC3 OPTIONAL PART: H10-3BAC V15653 NS202101-02 V80539 RMLH9075-3W V72962 VN303A02 V92215 96-02 V80539 T6S1032J V11815	103106	2
30	270N2000-833		..CHANNEL	103106	1
35	270N2000-520		..BLOCK- OPTIONAL PART: 270N2000-479	103106	2
35	270N2000-479		..BLOCK- OPTIONAL PART: 270N2000-520	103106	2
- 40	M85052-2-4		.CLAMP	103106	1
75	271N6443-1002		.TUBE ASSY- TUBING MATERIAL: 1.00 IN WALL 0.051 IN. WALL 14.70 IN. LENGTH BMS 7-234 TI-3AL-2.5V COLD WORKED, STRESS RELIEVED TUBING	103106	1
- 80	AS1581T16		..SLEEVE	103106	2
- 85	BACN10YA16L		..NUT	103106	2

MISSING ITEM NUMBERS NOT APPLICABLE

- ITEM NOT ILLUSTRATED

29-11-51-08

29-11-51
FIG. 08
PAGE 1
JAN 20/09

BRI

 **BOEING**
757
PARTS CATALOG (MAINTENANCE)

FIG ITEM	PART NUMBER	1 2 3 4 5 6 7	NOMENCLATURE	EFFECT FROM TO	UNITS PER ASSY
8					
90	271N6443-1004		.TUBE ASSY- TUBING MATERIAL: .625 IN. OD .032 IN. WALL 131.2 IN. LG TI BMS 7-234 TI-3AL-2.5V COLD WORKED, STRESS RELIEVED TUBING	103106	1
- 95	AS1581T10		..SLEEVE	103106	2
- 100	BACN10YA10		..NUT	103106	2
105	271N6443-1038		.TUBE ASSY- TUBING MATERIAL: .500 IN. OD 0.035 IN. WALL 48.10 IN. LG AL AMS 4083 6061 T6 TUBING	103106	1
110	271N6443-1039		.TUBE ASSY- TUBING MATERIAL: .500 IN. OD 0.035 IN. WALL 46.20 IN. LG AL AMS 4083 6061 T6 TUBING	103106	1
115	271N6122-1262		.TUBE ASSY- TUBING MATERIAL: .500 IN. OD X .035 IN. WALL X 47.9 IN. LG 6061-T6 ALUMINUM SEAMLESS TUBING PER MIL-T-7081.	103106	1
- 120	AP2097HP08		..SLEEVE SUPPLIER CODE: V01673 SPECIFICATION NUMBER: BACS13BX08HP OPTIONAL PART: 2-02903-08HP V11328 35235VN08 V08199 AFP175V08P V30974 DBOS13BX08HP V14798	103106	2
- 125	BACN10YL08		..NUT	103106	2
130	271N6443-1062		.TUBE ASSY- TUBING MATERIAL: .625 IN. OD .035 IN. WALL 63.2 IN. AL AMS 4083 6061 T6 TUBING	103106	1

MISSING ITEM NUMBERS NOT APPLICABLE

- ITEM NOT ILLUSTRATED

BRI

29-11-51-08

BOEING PROPRIETARY - Copyright © - Unpublished Work - See title page for details.

29-11-51
FIG. 08
PAGE 2
JAN 20/09



757

PARTS CATALOG (MAINTENANCE)

FIG ITEM	PART NUMBER	1 2 3 4 5 6 7	NOMENCLATURE	EFFECT FROM TO	UNITS PER ASSY
8 135	271N6443-1216		.TUBE ASSY- TUBING MATERIAL: .625 IN. OD .035 IN. WALL 16.2 IN. LG AL AMS 4083 6061 T6 TUBING	103106	1
- 140	AP2097HP10		..SLEEVE SUPPLIER CODE: V01673 SPECIFICATION NUMBER: BACS13BX10HP OPTIONAL PART: 2-02903-10HP V11328 35235VN10 V08199 AFP175V10P V30974 DBOS13BX10HP V14798	103106	2
- 145	BACN10YL10		..NUT	103106	2
150	271N6443-1072		.TUBE ASSY- TUBING MATERIAL: .625 IN. OD .035 IN. WALL 43.8 IN. LG AL AMS 4083 6061 T6 TUBING	103106	1
- 155	AP2097HP10		..SLEEVE SUPPLIER CODE: V01673 SPECIFICATION NUMBER: BACS13BX10HP OPTIONAL PART: 2-02903-10HP V11328 35235VN10 V08199 AFP175V10P V30974 DBOS13BX10HP V14798	103106	1

MISSING ITEM NUMBERS NOT APPLICABLE

- ITEM NOT ILLUSTRATED

BRI

29-11-51-08

29-11-51
FIG. 08
PAGE 3
JAN 20/09



757

PARTS CATALOG (MAINTENANCE)

FIG ITEM	PART NUMBER	1 2 3 4 5 6 7	NOMENCLATURE	EFFECT FROM TO	UNITS PER ASSY
8 - 160	35056GV10	..	UNION SUPPLIER CODE: V08199 SPECIFICATION NUMBER: BACU24AB10W OPTIONAL PART: 4671097W10 V50948 2-01027-10W V11328 31875-10W V14397 AP1004W10 V01673 AFP941W10 V30974 DBOU24AB10W V14798	103106	1
- 165 170	BACN10YL10 271N6443-1139	.. .	NUT TUBE ASSY- TUBING MATERIAL: .750 IN. OD .035 IN. WALL 31.6 IN. LG AL AMS 4083 6061 T6 TUBING	103106 103106	1 1
- 175	AP2097HP12	..	SLEEVE SUPPLIER CODE: V01673 SPECIFICATION NUMBER: BACS13BX12HP OPTIONAL PART: 2-02903-12HP V11328 35235VN12 V08199 AFP175V12P V30974 DBOS13BX12HP V14798	103106	2
- 180 185	BACN10YL12 271N6443-1210	.. .	NUT TUBE ASSY- TUBING MATERIAL: .375 IN. OD .019 IN. WALL 93.10 IN. LG TI BMS 7-234 TI-3AL-2.5V COLD WORKED, STRESS RELIEVED TUBING	103106 103106	2 1

MISSING ITEM NUMBERS NOT APPLICABLE

- ITEM NOT ILLUSTRATED

29-11-51-08

29-11-51
FIG. 08
PAGE 4
JAN 20/09

BRI



757

PARTS CATALOG (MAINTENANCE)

FIG ITEM	PART NUMBER	1 2 3 4 5 6 7	NOMENCLATURE	EFFECT FROM TO	UNITS PER ASSY
8					
190	271N6122-1261		.TUBE ASSY- TUBING MATERIAL: .375 IN. OD X .019 IN. WALL X 48.8 IN. LG 3AL-2.5V TITANIUM SEAMLESS TUBING PER BMS7-234.	103106	1
- 195	AS1581T06		..SLEEVE	103106	2
- 200	BACN10YA6		..NUT	103106	2
205	271N6443-1036		.TUBE ASSY- TUBING MATERIAL: 0.250 IN. OD 0.016 IN. WALL 39.40 IN. LG TI BMS 7-234 TI-3AL-2.5V COLD WORKED, STRESS RELIEVED TUBING	103106	1
230	BACE21BN0606J		.ELBOW	103106	1
235	MS21908W8		.ELBOW	103106	1
- 240	NAS1762W1616		.ELBOW	103106	AR
245	APX824F161612W		.TEE SUPPLIER CODE: V01673 SPECIFICATION NUMBER: BACT16AS161612W OPTIONAL PART: APX824-161612W V01673 DBOT16AS161612W V14798 ER824-161612W V50948 FER1571-161612W V14397 LER824-161612W V11328 NAF1824-161612W V52930 US1925-161612W V50808 AFP325-161612W V30974	103106	1
250	BACT16BL160812J		.TEE	103106	1
- 255	NAS1763W061010		.TEE	103106	1
260	NAS1763W161616		.TEE	103106	1

MISSING ITEM NUMBERS NOT APPLICABLE

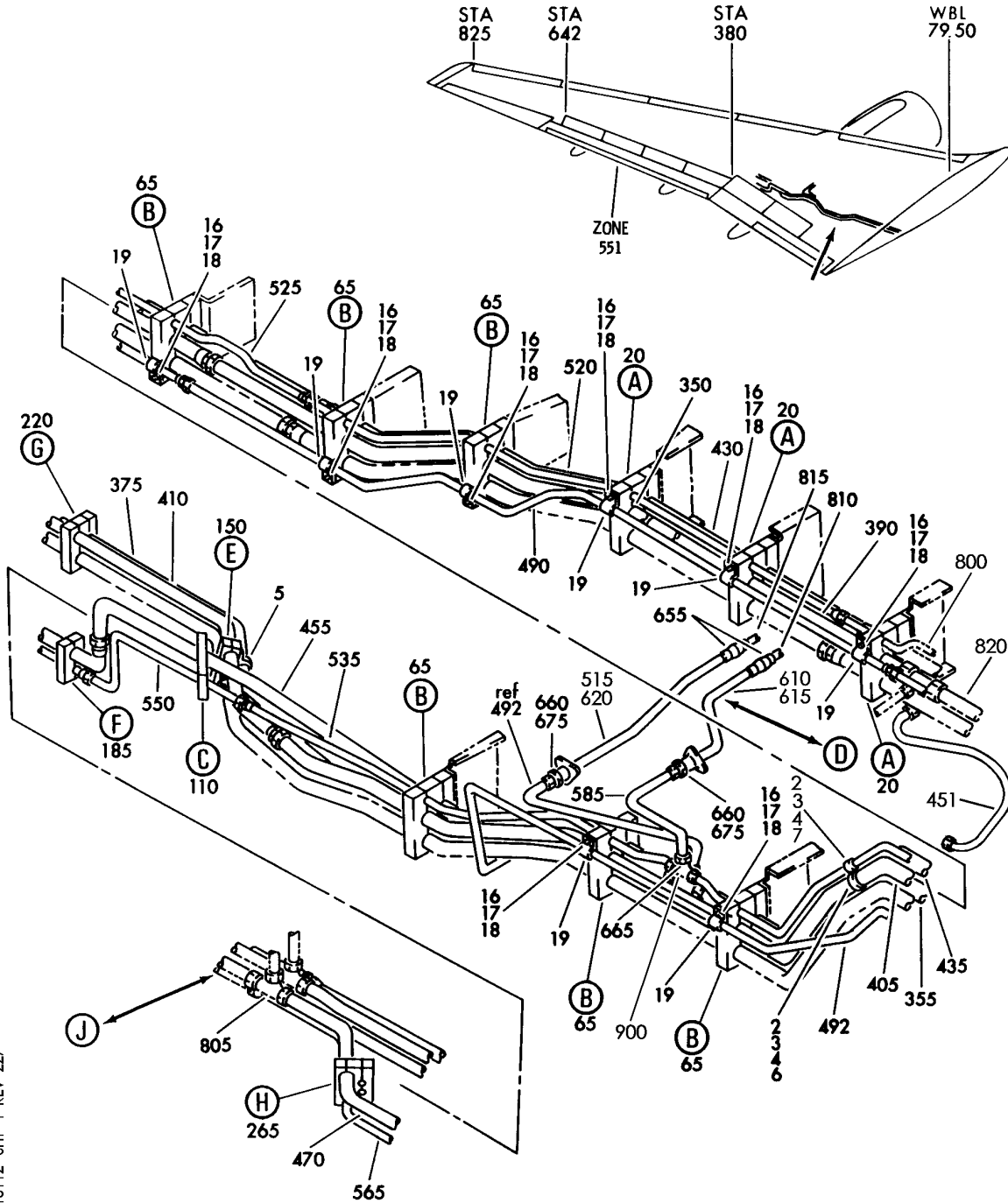
- ITEM NOT ILLUSTRATED

29-11-51-08

29-11-51
FIG. 08
PAGE 5
JAN 20/09

BRI

BOEING
757
PARTS CATALOG (MAINTENANCE)



Y 29115112 SHT 1 REV 227

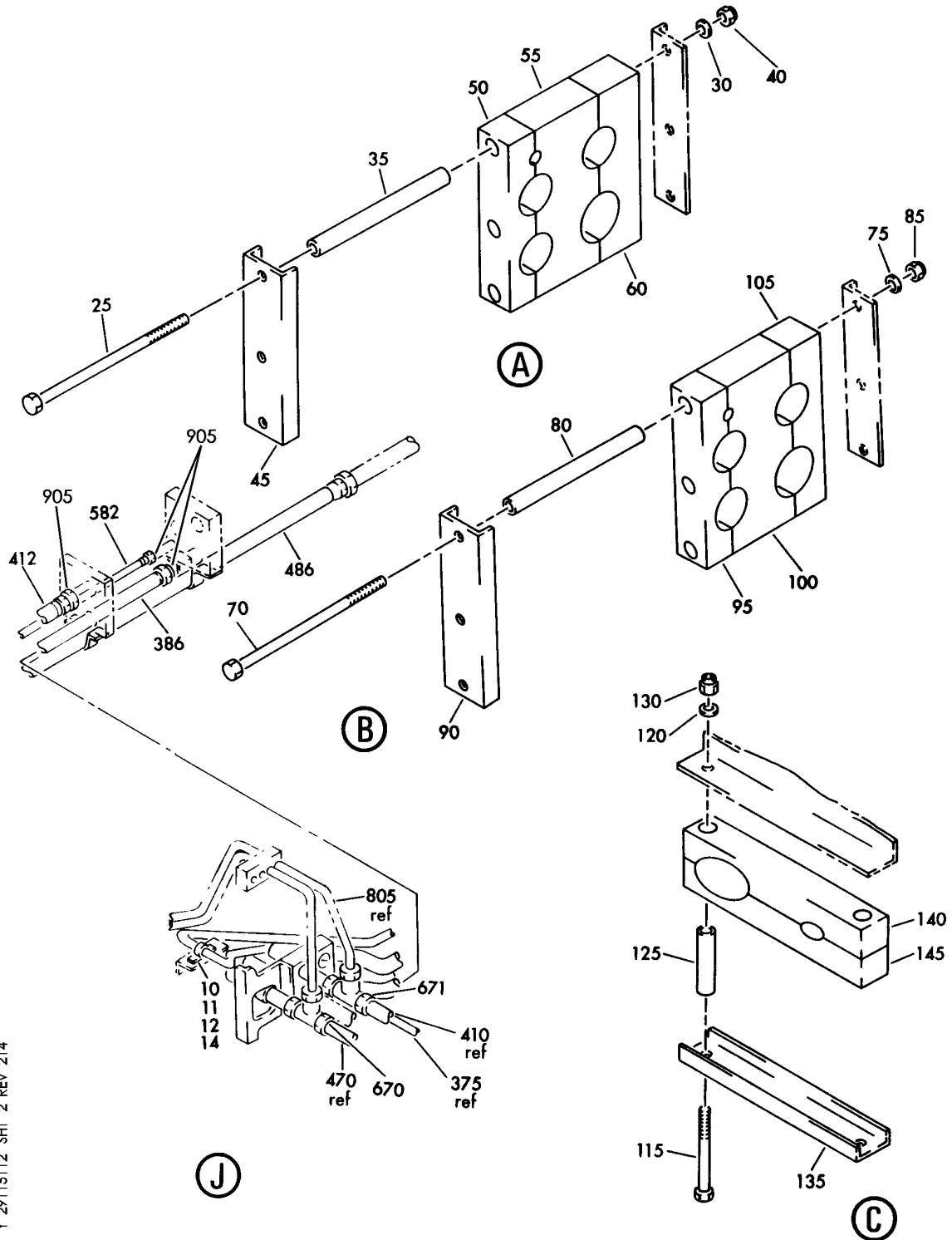
PLUMBING INSTL-SECT. 12 L WING INBD HYDR (HYDRAULIC POWER ONLY) (L SYS)
FIGURE 12 (SHEET 1)

29-11-51-12

BRI
MAY 28/07

29-11-51-12
PAGE 0

BOEING
757
PARTS CATALOG (MAINTENANCE)



Y 29115112 SHT 2 REV 214

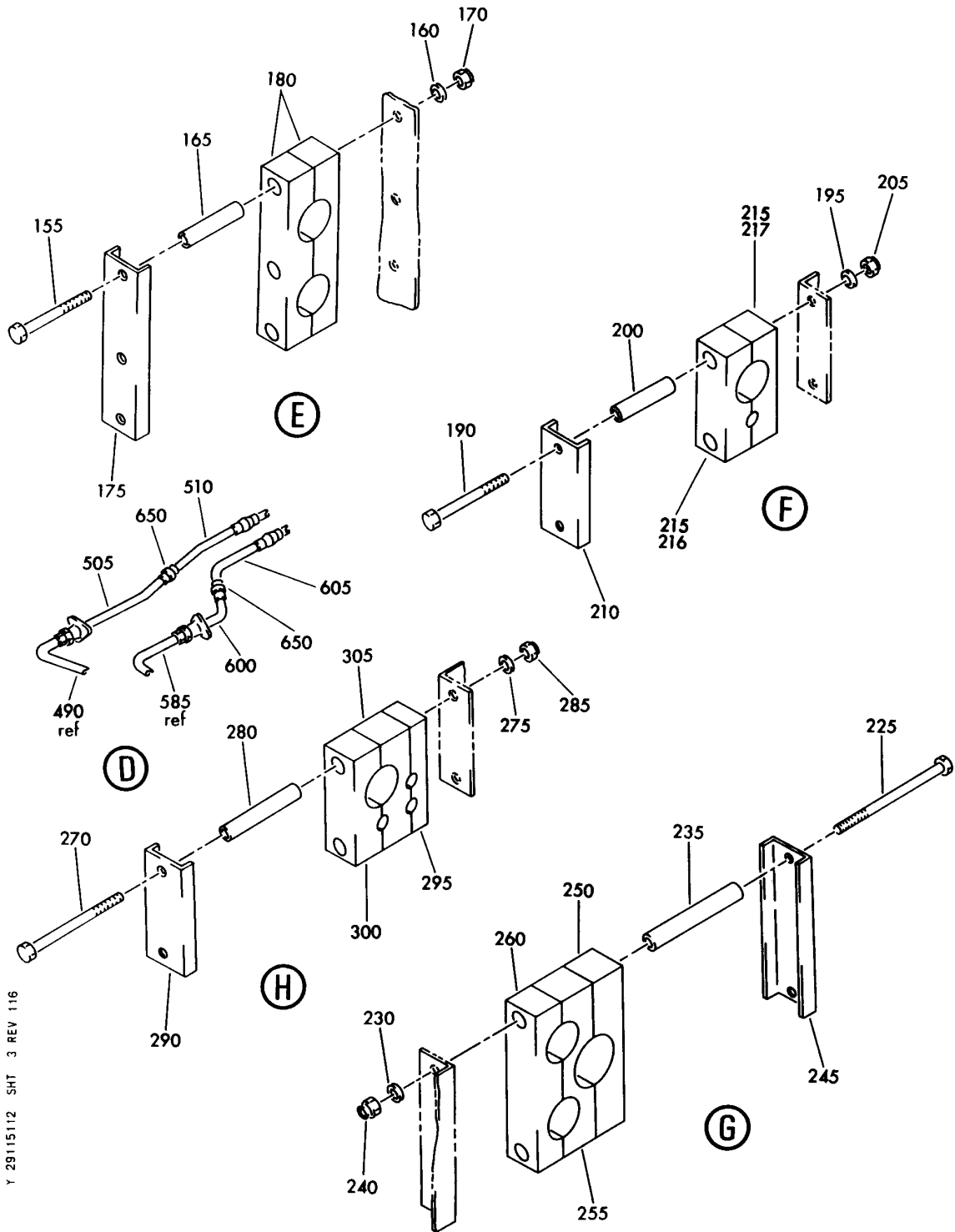
PLUMBING INSTL-SECT. 12 L WING INBD HYDR (HYDRAULIC POWER ONLY) (L SYS)
FIGURE 12 (SHEET 2)

BRI
MAY 28/07

29-11-51-12

29-11-51-12
PAGE 0A

BOEING
757
PARTS CATALOG (MAINTENANCE)



Y 29115112 SHT 3 REV 116

PLUMBING INSTL-SECT. 12 L WING INBD HYDR (HYDRAULIC POWER ONLY) (L SYS)
FIGURE 12 (SHEET 3)

BRI
MAY 28/07

29-11-51-12

29-11-51-12
PAGE 0B



757

PARTS CATALOG (MAINTENANCE)

FIG ITEM	PART NUMBER	1 2 3 4 5 6 7	NOMENCLATURE	EFFECT FROM TO	UNITS PER ASSY
12			PLUMBING INSTL-SECT. 12 L WING INBD HYDR (HYDRAULIC POWER ONLY) (L SYS)	002004 006102 107999	
- 1	271N6122-1		PLUMBING INSTL-WING HYDR SYS (HYDRAULIC POWER ONLY) POSITION DATA: SECT. 12 L INBD L VARIABLE DRAWING REF: 271N6122-4 FOR NHA/OTHER SYS DET SEE: 29-00-51-01	002004 006100 107107 121503 904999	RF
- 1	271N6122-22		PLUMBING INSTL-WING HYDR SYS (HYDRAULIC POWER ONLY) POSITION DATA: SECT. 12 L INBD L FOR NHA/OTHER SYS DET SEE: 29-00-51-02C	101102 108120 504903	RF
2	NAS1801-3		.SCREW- SIZE DETERMINED ON INSTL.	002004 006102 107999	4
3	AN960KD10L		.WASHER	002004 006102 107999	4
4	MS21042L3		.NUT-	002004 006102 107999	4
5	TA0910004H120		.CLAMP SUPPLIER CODE: V84971 SPECIFICATION NUMBER: BACC10HB20C	002004 006102 107999	1
6	M85052-2-16		.CLAMP	002004 006102 107999	1
7	M85052-2-6		.CLAMP	002004 006102 107999	1
10	NAS1801-3		.SCREW- SIZE DETERMINED ON INSTL.	002004 006102 107999	2
11	AN960KD10L		.WASHER	002004 006102 107999	2
12	MS21042L3		.NUT-	002004 006102 107999	2

MISSING ITEM NUMBERS NOT APPLICABLE

- ITEM NOT ILLUSTRATED

29-11-51-12

29-11-51
FIG. 12
PAGE 1
JAN 20/09

BRI



757

PARTS CATALOG (MAINTENANCE)

FIG ITEM	PART NUMBER	1 2 3 4 5 6 7	NOMENCLATURE	EFFECT FROM TO	UNITS PER ASSY
12					
14	TA0910004H106	.CLAMP-	SUPPLIER CODE: V84971 SPECIFICATION NUMBER: BACC10HB06C	002004 006102 107999	1
16	NAS1801-3	.SCREW-	SIZE DETERMINED ON INSTL.	002004 006102 107999	8
17	AN960KD10L	.WASHER		002004 006102 107999	8
18	MS21042L3	.NUT-		002004 006102 107999	8
19	M85052-2-8	.CLAMP		002004 006102 107999	8
20	270N2000-220	.CLAMP ASSY-BLK		002004 006100 107107 121503 904999	4
20	270N2000-221	.CLAMP ASSY-BLK		101102 108120 504903	4
25	NAS1801-3-76	..SCREW-		002004 006102 107999	3
30	AN960PD10L	..WASHER-		002004 006102 107999	3
30	AN960KD10L	..WASHER-		002004 006100 107107 121503 904999	3
35	NAS43DD3-253	..SPACER-		002004 006102 107999	3
45	270N2000-811	..CHANNEL		002004 006102 107999	1
50	270N2000-1252	..BLOCK-		002004 006102 107999	1

MISSING ITEM NUMBERS NOT APPLICABLE

- ITEM NOT ILLUSTRATED

BRI

29-11-51-12

29-11-51
FIG. 12
PAGE 2
JAN 20/09



757

PARTS CATALOG (MAINTENANCE)

FIG ITEM	PART NUMBER	1 2 3 4 5 6 7	NOMENCLATURE	EFFECT FROM TO	UNITS PER ASSY
12					
55	270N2000-1219	..	BLOCK-	002004 006100 107107 121503 904999	1
55	270N2000-1253	..	BLOCK-	101102 108120 504903	1
60	270N2000-1221	..	BLOCK-	002004 006100 107107 121503 904999	1
60	270N2000-1218	..	BLOCK-	101102 108120 504903	1
65	270N2000-20	.	CLAMP ASSY-BLK	101102 108120 504903	6
65	270N2000-225	.	CLAMP ASSY-BLK	002004 006100 107107 121503 904999	6
65	270N2000-226	.	CLAMP ASSY-BLK	002004 006102 107999	6
70	NAS1801-3-67	..	SCREW-	002004 006102 107999	3
75	AN960PD10L	..	WASHER-	002004 006102 107999	3
75	AN960KD10L	..	WASHER-	002004 006100 107107 121503 904999	3
80	NAS43DD3-232	..	SPACER-	101102 108120 504903	3
80	NAS43DD3-234	..	SPACER-	002004 006100 107107 121503 904999	3

MISSING ITEM NUMBERS NOT APPLICABLE

- ITEM NOT ILLUSTRATED

BRI

29-11-51-12

29-11-51
FIG. 12
PAGE 3
JAN 20/09



757

PARTS CATALOG (MAINTENANCE)

FIG ITEM	PART NUMBER	1 2 3 4 5 6 7	NOMENCLATURE	EFFECT FROM TO	UNITS PER ASSY
12 85	BRH10A3	..	NUT SUPPLIER CODE: V52828 SPECIFICATION NUMBER: BACN10JC3 OPTIONAL PART: H10-3BAC V15653 NS202101-02 V80539 RMLH9075-3W V72962 VN303A02 V92215 96-02 V80539 T6S1032J V11815	002004 006102 107999	3
90	270N2000-811	..	CHANNEL	002004 006102 107999	1
95	270N2000-431	..	BLOCK-	101102 108120 504903	1
95	270N2000-1252	..	BLOCK-	002004 006100 107107 121503 904999	1
100	270N2000-432	..	BLOCK-	101102 108120 504903	1
100	270N2000-1219	..	BLOCK-	002004 006100 107107 121503 904999	1
105	270N2000-433	..	BLOCK-	101102 108120 504903	1
105	270N2000-1220	..	BLOCK-	002004 006100 107107 121503 904999	1

MISSING ITEM NUMBERS NOT APPLICABLE

- ITEM NOT ILLUSTRATED

BRI

29-11-51-12

29-11-51
FIG. 12
PAGE 4
JAN 20/09



757

PARTS CATALOG (MAINTENANCE)

FIG ITEM	PART NUMBER	1 2 3 4 5 6 7	NOMENCLATURE	EFFECT FROM TO	UNITS PER ASSY
12					
110	270N2000-229	.	CLAMP ASSY-BLK	002004 006100 107107 121503 904999	1
110	270N2000-230	.	CLAMP ASSY-BLK	002004 006102 107999	1
115	NAS1801-3-34	..	SCREW-	002004 006102 107999	2
120	AN960PD10L	..	WASHER-	002004 006100 107107 121503 904999	2
120	AN960KD10L	..	WASHER-	002004 006102 107999	2
125	NAS43DD3-101	..	SPACER-	002004 006102 107999	2
130	BRH10A3	..	NUT SUPPLIER CODE: V52828 SPECIFICATION NUMBER: BACN10JC3 OPTIONAL PART: H10-3BAC V15653 NS202101-02 V80539 RMLH9075-3W V72962 VN303A02 V92215 96-02 V80539 T6S1032J V11815	002004 006100 107107 121503 904999	2
135	270N2000-808	..	CHANNEL	002004 006102 107999	1
140	270N2000-1209	..	BLOCK-	002004 006100 107107 121503 904999	1

MISSING ITEM NUMBERS NOT APPLICABLE

- ITEM NOT ILLUSTRATED

BRI

29-11-51-12

29-11-51
FIG. 12
PAGE 5
JAN 20/09



757

PARTS CATALOG (MAINTENANCE)

FIG ITEM	PART NUMBER	1 2 3 4 5 6 7	NOMENCLATURE	EFFECT FROM TO	UNITS PER ASSY
12					
140	270N2000-1207	..	BLOCK-	101102 108120 504903	1
145	270N2000-1210	..	BLOCK-	002004 006100 107107 121503 904999	1
145	270N2000-1208	..	BLOCK-	101102 108120 504903	1
150	270N2000-21	.	CLAMP ASSY-BLK	002004 006102 107999	1
155	NAS1801-3-34	..	SCREW-	002004 006102 107999	3
160	AN960PD10L	..	WASHER	002004 006102 107999	3
165	NAS43DD3-99	..	SPACER	002004 006102 107999	3
170	BRH10A3	..	NUT SUPPLIER CODE: V52828 SPECIFICATION NUMBER: BACN10JC3 OPTIONAL PART: H10-3BAC V15653 NS202101-02 V80539 RMLH9075-3W V72962 VN303A02 V92215 96-02 V80539 T6S1032J V11815	002004 006102 107999	3
175	270N2000-812	..	CHANNEL	002004 006102 107999	1
180	270N2000-434	..	BLOCK	002004 006102 107999	2

MISSING ITEM NUMBERS NOT APPLICABLE

- ITEM NOT ILLUSTRATED

29-11-51-12

29-11-51
FIG. 12
PAGE 6
JAN 20/09

BRI



757

PARTS CATALOG (MAINTENANCE)

FIG ITEM	PART NUMBER	1 2 3 4 5 6 7	NOMENCLATURE	EFFECT FROM TO	UNITS PER ASSY
12					
185	270N2000-222	.	CLAMP ASSY-BLK	002004 006100 107107 121503 904999	1
185	270N2000-223	.	CLAMP ASSY-BLK	101102 108120 504903	1
190	NAS1801-3-31	..	SCREW-	002004 006100 107107 121503 904999	3
190	NAS1801-3-30	..	SCREW-	101102 108120 504903	3
195	AN960PD10L	..	WASHER-	002004 006100 107107 121503 904999	2
195	AN960KD10L	..	WASHER-	002004 006102 107999	2
200	NAS43DD3-88	..	SPACER-	002004 006100 107107 121503 904999	2
200	NAS43DD3-85	..	SPACER-	101102 108120 504903	2

MISSING ITEM NUMBERS NOT APPLICABLE

- ITEM NOT ILLUSTRATED

BRI

29-11-51-12

BOEING PROPRIETARY - Copyright © - Unpublished Work - See title page for details.

29-11-51
FIG. 12
PAGE 7
JAN 20/09



757

PARTS CATALOG (MAINTENANCE)

FIG ITEM	PART NUMBER	1 2 3 4 5 6 7	NOMENCLATURE	EFFECT FROM TO	UNITS PER ASSY
12 205	BRH10A3	. .	NUT SUPPLIER CODE: V52828 SPECIFICATION NUMBER: BACN10JC3 OPTIONAL PART: H10-3BAC V15653 NS202101-02 V80539 RMLH9075-3W V72962 VN303A02 V92215 96-02 V80539 T6S1032J V11815	002004 006102 107999	2
210	270N2000-805	. .	CHANNEL	002004 006102 107999	1
216	270N2000-1215	. .	BLOCK-	002004 006100 107107 121503 904999	1
216	270N2000-1211	. .	BLOCK-	101102 108120 504903	1
217	270N2000-1248	. .	BLOCK-	002004 006100 107107 121503 904999	1
217	270N2000-1250	. .	BLOCK-	101102 108120 504903	1
220	270N2000-18	. .	CLAMP ASSY-BLK	002004 006102 107999	1
225	NAS1801-3-52	. .	SCREW-	002004 006100 107107 121503 904999	2

MISSING ITEM NUMBERS NOT APPLICABLE

- ITEM NOT ILLUSTRATED

BRI

29-11-51-12

29-11-51
FIG. 12
PAGE 8
JAN 20/09



757

PARTS CATALOG (MAINTENANCE)

FIG ITEM	PART NUMBER	1 2 3 4 5 6 7	NOMENCLATURE	EFFECT FROM TO	UNITS PER ASSY
12 230	AN960PD10L	..	WASHER	002004 006100 107107 121503 904999	2
235	NAS43DD3-171	..	SPACER	002004 006100 107107 121503 904999	2
240	BRH10A3	..	NUT SUPPLIER CODE: V52828 SPECIFICATION NUMBER: BACN10JC3 OPTIONAL PART: H10-3BAC V15653 NS202101-02 V80539 RMLH9075-3W V72962 VN303A02 V92215 96-02 V80539 T6S1032J V11815	002004 006100 107107 121503 904999	2
245	270N2000-820	..	CHANNEL	002004 006100 107107 121503 904999	1
250	270N2000-426	..	BLOCK	002004 006100 107107 121503 904999	1
255	270N2000-427	..	BLOCK	002004 006100 107107 121503 904999	1
260	270N2000-428	..	BLOCK	002004 006100 107107 121503 904999	1

MISSING ITEM NUMBERS NOT APPLICABLE

- ITEM NOT ILLUSTRATED

BRI

29-11-51-12

29-11-51
FIG. 12
PAGE 9
JAN 20/09



757

PARTS CATALOG (MAINTENANCE)

FIG ITEM	PART NUMBER	1 2 3 4 5 6 7	NOMENCLATURE	EFFECT FROM TO	UNITS PER ASSY
12 265	270N2000-218	.	CLAMP ASSY-BLK	002004 006100 107107 121503 904999	1
270	NAS1801-3-41	..	SCREW-	002004 006100 107107 121503 904999	3
275	AN960PD10L	..	WASHER-	002004 006100 107107 121503 904999	2
275	AN960KD10L	..	WASHER-	002004 006100 107107 121503 904999	2
280	NAS43DD3-130	..	SPACER-	002004 006100 107107 121503 904999	2
285	BRH10A3	..	NUT SUPPLIER CODE: V52828 SPECIFICATION NUMBER: BACN10JC3 OPTIONAL PART: H10-3BAC V15653 NS202101-02 V80539 RMLH9075-3W V72962 VN303A02 V92215 96-02 V80539 T6S1032J V11815	002004 006100 107107 121503 904999	2
290	270N2000-805	..	CHANNEL	002004 006100 107107 121503 904999	1

MISSING ITEM NUMBERS NOT APPLICABLE

- ITEM NOT ILLUSTRATED

BRI

29-11-51-12

29-11-51
FIG. 12
PAGE 10
JAN 20/09



757

PARTS CATALOG (MAINTENANCE)

FIG ITEM	PART NUMBER	1 2 3 4 5 6 7	NOMENCLATURE	EFFECT FROM TO	UNITS PER ASSY
12 295	270N2000-1214	..	BLOCK-	002004 006100 107107 121503 904999	1
300	270N2000-1215	..	BLOCK-	002004 006100 107107 121503 904999	1
305	270N2000-1216	..	BLOCK-	002004 006100 107107 121503 904999	1
350	271N6122-1031	.	TUBE ASSY-SUPPLY SYS POSITION DATA: L TUBING MATERIAL: 1.25 IN. OD .035 IN. WALL 82.00 IN. LG AL	002004 006100 107107 121503 904999	1
355	271N6122-1148	.	TUBE ASSY-SUPPLY SYS POSITION DATA: L TUBING MATERIAL: IN. OD .035 IN. WALL 77.00 IN. LG AL	002004 006100 107107 121503 904999	1
- 360	DB0S13BD20HP	..	SLEEVE SUPPLIER CODE: V14798 SPECIFICATION NUMBER: BACS13BD20HP OPTIONAL PART: 118-10722-20-00 V88334 2-02901-20HP V11328 2-02901-20HP V70195 35044VN20 V08199 4690008-20-2 V45681 4690008-20-2 V92003 AFP176V20HP V30974 35044V20HP V08199	002004 006102 107999	1

MISSING ITEM NUMBERS NOT APPLICABLE

- ITEM NOT ILLUSTRATED

29-11-51-12

29-11-51
FIG. 12
PAGE 11
JAN 20/09

BRI



757

PARTS CATALOG (MAINTENANCE)

FIG ITEM	PART NUMBER	1 2 3 4 5 6 7	NOMENCLATURE	EFFECT FROM TO	UNITS PER ASSY
12					
- 365	MS21921-20D	..	NUT- OPTIONAL PART: BACN10YL20	002004 006102 107999	1
- 365	BACN10YL20	..	NUT- OPTIONAL PART: MS21921-20D	002004 006102 107999	1
- 370	35056GV20	..	UNION- SUPPLIER CODE: V08199 SPECIFICATION NUMBER: BACU24AB20W OPTIONAL PART: 4671097W20 V50948 2-01027-20W V11328 31875-20W V14397 AP1004W20 V01673 AFP941W20 V30974 DBOU24AB20W V14798	002004 006102 107999	1
- 370	35056V20	..	UNION- SUPPLIER CODE: V08199 SPECIFICATION NUMBER: BACU24AB20H OPTIONAL PART: 4671097H20 V50948 2-01027-20H V11328 31875-20H V14397 AP1004H20 V01673 AFP941H20 V30974 DBOU24AB20H V14798	002004 006100 107107 121503 904999	1
375	271N6122-1043	.	TUBE ASSY-SUPPLY SYS POSITION DATA: L TUBING MATERIAL: 1.25 IN. OD .035 IN. WALL 40.00 IN. LG AL	002004 006102 107999	1

MISSING ITEM NUMBERS NOT APPLICABLE

- ITEM NOT ILLUSTRATED

29-11-51-12

29-11-51
FIG. 12
PAGE 12
JAN 20/09

BRI

BOEING PROPRIETARY - Copyright © - Unpublished Work - See title page for details.



757

PARTS CATALOG (MAINTENANCE)

FIG ITEM	PART NUMBER	1 2 3 4 5 6 7	NOMENCLATURE	EFFECT FROM TO	UNITS PER ASSY
12 - 380	DB0S13BD20HP	..	SLEEVE SUPPLIER CODE: V14798 SPECIFICATION NUMBER: BACS13BD20HP OPTIONAL PART: 118-10722-20-00 V88334 2-02901-20HP V11328 2-02901-20HP V70195 35044VN20 V08199 4690008-20-2 V45681 4690008-20-2 V92003 AFP176V20HP V30974 35044V20HP V08199	002004 006102 107999	2
- 385	MS21921-20D	..	NUT- OPTIONAL PART: BACN10YL20	002004 006102 107999	2
- 385	BACN10YL20	..	NUT- OPTIONAL PART: MS21921-20D	002004 006102 107999	2
386	271N6122-1157	.TUBE ASSY-SUPPLY SYS POSITION DATA: L TUBING MATERIAL: 1.25 IN. OD .035 IN. WALL 43.00 IN. LG AL	002004 006100 107107 121503 904999	1	

MISSING ITEM NUMBERS NOT APPLICABLE

- ITEM NOT ILLUSTRATED

BRI

29-11-51-12

BOEING PROPRIETARY - Copyright © - Unpublished Work - See title page for details.

29-11-51
FIG. 12
PAGE 13
JAN 20/09



757

PARTS CATALOG (MAINTENANCE)

FIG ITEM	PART NUMBER	1 2 3 4 5 6 7	NOMENCLATURE	EFFECT FROM TO	UNITS PER ASSY
12 - 387	DB0S13BD20HP	..	SLEEVE SUPPLIER CODE: V14798 SPECIFICATION NUMBER: BACS13BD20HP OPTIONAL PART: 118-10722-20-00 V88334 2-02901-20HP V11328 2-02901-20HP V70195 35044VN20 V08199 4690008-20-2 V45681 4690008-20-2 V92003 AFP176V20HP V30974 35044V20HP V08199	002004 006100 107107 121503 904999	1
- 388	MS21921-20D	..	NUT- OPTIONAL PART: BACN10YL20	002004 006100 107107 121503 904999	1
- 388	BACN10YL20	..	NUT- OPTIONAL PART: MS21921-20D	002004 006100 107107 121503 904999	1

MISSING ITEM NUMBERS NOT APPLICABLE

- ITEM NOT ILLUSTRATED

BRI

29-11-51-12

BOEING PROPRIETARY - Copyright © - Unpublished Work - See title page for details.

29-11-51
FIG. 12
PAGE 14
JAN 20/09



757

PARTS CATALOG (MAINTENANCE)

FIG ITEM	PART NUMBER	1 2 3 4 5 6 7	NOMENCLATURE	EFFECT FROM TO	UNITS PER ASSY
12 - 389	35056GV20	..	UNION SUPPLIER CODE: V08199 SPECIFICATION NUMBER: BACU24AB20W OPTIONAL PART: 4671097W20 V50948 2-01027-20W V11328 31875-20W V14397 AP1004W20 V01673 AFP941W20 V30974 DBOU24AB20W V14798	002004 006100 107107 121503 904999	1
390	271N6122-1032	.TUBE ASSY-PRESSURE SYS POSITION DATA: L TUBING MATERIAL: 1.00 IN. OD .051 IN. WALL 77.35 IN. LG TI		002004 006102 107999	1
- 395	AS1581T16	..SLEEVE		002004 006102 107999	2
- 400	BACN10YA16	..NUT		002004 006102 107999	2
405	271N6122-1040	.TUBE ASSY-PRESSURE SYS POSITION DATA: L TUBING MATERIAL: 1.00 IN. OD .051 IN. WALL 77.00 IN. LG TITANIUM		002004 006102 107999	1
410	271N6122-1044	.TUBE ASSY-PRESSURE SYS POSITION DATA: L TUBING MATERIAL: 1.00 IN. OD .051 IN. WALL 35.00 IN. LG TI		002004 006102 107999	1
412	271N6122-1298	.TUBE ASSY-PRESSURE SYS POSITION DATA: L TUBING MATERIAL: 1.00 IN. OD .051 IN. WALL 25.70 IN. LG TI		002004 006100 107107 121503 904999	1

MISSING ITEM NUMBERS NOT APPLICABLE

- ITEM NOT ILLUSTRATED

BRI

29-11-51-12

29-11-51
FIG. 12
PAGE 15
JAN 20/09



757

PARTS CATALOG (MAINTENANCE)

FIG ITEM	PART NUMBER	1 2 3 4 5 6 7	NOMENCLATURE	EFFECT FROM TO	UNITS PER ASSY
12					
- 415	AS1581T16	..	SLEEVE	002004 006102 107999	1
- 420	BACN10YA16	..	NUT-	101102 108120 504903	1
- 420	BACN10YA16N	..	NUT-	002004 006100 107107 121503 904999	1
- 425	AS1582T16	..	UNION	002004 006102 107999	1
430	271N6122-1165	.TUBE ASSY-RETURN SYS POSITION DATA: L TUBING MATERIAL: .625 IN. OD .035 IN. WALL 63.50 IN. LG AL		002004 006100 107107 121503 904999	1
430	271N6122-1166	.TUBE ASSY-RETURN SYS POSITION DATA: L TUBING MATERIAL: .500 IN. OD .035 IN. WALL 60.50 IN. LG AL		101102 108120 504903	1
435	271N6122-1163	.TUBE ASSY-RETURN SYS POSITION DATA: L TUBING MATERIAL: .625 IN. OD .035 IN. WALL 51.00 IN. LG AL		002004 006100 107107 121503 904999	1
435	271N6122-1164	.TUBE ASSY-RETURN SYS POSITION DATA: L TUBING MATERIAL: .500 IN. OD .035 IN. WALL 50.00 IN. LG AL		101102 108120 504903	1

MISSING ITEM NUMBERS NOT APPLICABLE

- ITEM NOT ILLUSTRATED

29-11-51-12

29-11-51
FIG. 12
PAGE 16
JAN 20/09

BRI



757

PARTS CATALOG (MAINTENANCE)

FIG ITEM	PART NUMBER	1 2 3 4 5 6 7	NOMENCLATURE	EFFECT FROM TO	UNITS PER ASSY
12					
- 440	AP2097HP10	..	SLEEVE- SUPPLIER CODE: V01673 SPECIFICATION NUMBER: BACS13BX10HP OPTIONAL PART: 2-02903-10HP V11328 35235VN10 V08199 AFP175V10P V30974 DBOS13BX10HP V14798	002004 006100 107107 121503 904999	1
- 440	AP2097HP08	..	SLEEVE- SUPPLIER CODE: V01673 SPECIFICATION NUMBER: BACS13BX08HP OPTIONAL PART: 2-02903-08HP V11328 35235VN08 V08199 AFP175V08P V30974 DBOS13BX08HP V14798	101102 108120 504903	1
- 445	MS21921-10D	..	NUT- OPTIONAL PART: BACN10YL10	002004 006100 107107 121503 904999	1
- 445	MS21921-8D	..	NUT- OPTIONAL PART: BACN10YL08	101102 108120 504903	1
- 445	BACN10YL10	..	NUT- OPTIONAL PART: MS21921-10D	002004 006100 107107 121503 904999	1

MISSING ITEM NUMBERS NOT APPLICABLE

- ITEM NOT ILLUSTRATED

29-11-51-12

29-11-51
FIG. 12
PAGE 17
JAN 20/09

BRI



757

PARTS CATALOG (MAINTENANCE)

FIG ITEM	PART NUMBER	1 2 3 4 5 6 7	NOMENCLATURE	EFFECT FROM TO	UNITS PER ASSY
12 - 450	35056GV10		..UNION- SUPPLIER CODE: V08199 SPECIFICATION NUMBER: BACU24AB10W OPTIONAL PART: 4671097W10 V50948 2-01027-10W V11328 31875-10W V14397 AP1004W10 V01673 AFP941W10 V30974 DBOU24AB10W V14798	002004 006100 107107 121503 904999	1
- 450	35056GV08		..UNION- SUPPLIER CODE: V08199 SPECIFICATION NUMBER: BACU24AB8W OPTIONAL PART: 2-01027-8W V11328 31875-8W V14397 4671097W8 V50948 AP1004W08 V01673 AFP941W8 V30974 DBOU24AB8W V14798	101102 108120 504903	1
- 451	271N6122-1336		.TUBE ASSY-SUPPLY SYS POSITION DATA: L TUBING MATERIAL: .750 IN. OD ALUMINUM	101102 108120 504903	1

MISSING ITEM NUMBERS NOT APPLICABLE

- ITEM NOT ILLUSTRATED

BRI

29-11-51-12

BOEING PROPRIETARY - Copyright © - Unpublished Work - See title page for details.

29-11-51
FIG. 12
PAGE 18
JAN 20/09



757

PARTS CATALOG (MAINTENANCE)

FIG ITEM	PART NUMBER	1 2 3 4 5 6 7	NOMENCLATURE	EFFECT FROM TO	UNITS PER ASSY
12					
- 452	AP2097HP12	..	SLEEVE SUPPLIER CODE: V01673 SPECIFICATION NUMBER: BACS13BX12HP OPTIONAL PART: 2-02903-12HP V11328 35235VN12 V08199 AFP175V12P V30974 DBOS13BX12HP V14798	101102 108120 504903	2
- 453	BACN10YL12	..	NUT	101102 108120 504903	2
455	271N6122-1161	.TUBE ASSY-RETURN SYS POSITION DATA: L TUBING MATERIAL: .625 IN. OD .035 IN. WALL 60.00 IN. LG AL		002004 006100 107107 121503 904999	1
455	271N6122-1162	.TUBE ASSY-RETURN SYS POSITION DATA: L TUBING MATERIAL: .500 IN. OD .035 IN. WALL 58.00 IN. LG AL		101102 108120 504903	1
- 460	AP2097HP10	..	SLEEVE- SUPPLIER CODE: V01673 SPECIFICATION NUMBER: BACS13BX10HP OPTIONAL PART: 2-02903-10HP V11328 35235VN10 V08199 AFP175V10P V30974 DBOS13BX10HP V14798	002004 006100 107107 121503 904999	1

MISSING ITEM NUMBERS NOT APPLICABLE

- ITEM NOT ILLUSTRATED

BRI

29-11-51-12

BOEING PROPRIETARY - Copyright © - Unpublished Work - See title page for details.

29-11-51
FIG. 12
PAGE 19
JAN 20/09



757

PARTS CATALOG (MAINTENANCE)

FIG ITEM	PART NUMBER	1 2 3 4 5 6 7	NOMENCLATURE	EFFECT FROM TO	UNITS PER ASSY
12					
- 460	AP2097HP08	..	SLEEVE- SUPPLIER CODE: V01673 SPECIFICATION NUMBER: BACS13BX08HP OPTIONAL PART: 2-02903-08HP V11328 35235VN08 V08199 AFP175V08P V30974 DBOS13BX08HP V14798	101102 108120 504903	1
- 465	MS21921-10D	..	NUT- OPTIONAL PART: BACN10YL10	002004 006100 107107 121503 904999	1
- 465	MS21921-8D	..	NUT- OPTIONAL PART: BACN10YL08	101102 108120 504903	1
- 465	BACN10YL10	..	NUT- OPTIONAL PART: MS21921-10D	002004 006100 107107 121503 904999	1
- 465	BACN10YL08	..	NUT- OPTIONAL PART: MS21921-8D	101102 108120 504903	1
- 467	35056GV10	..	UNION- SUPPLIER CODE: V08199 SPECIFICATION NUMBER: BACU24AB10W OPTIONAL PART: 4671097W10 V50948 2-01027-10W V11328 31875-10W V14397 AP1004W10 V01673 AFP941W10 V30974 DBOU24AB10W V14798	002004 006100 107107 121503 904999	1

MISSING ITEM NUMBERS NOT APPLICABLE

- ITEM NOT ILLUSTRATED

29-11-51-12

29-11-51
FIG. 12
PAGE 20
JAN 20/09

BRI



757

PARTS CATALOG (MAINTENANCE)

FIG ITEM	PART NUMBER	1 2 3 4 5 6 7	NOMENCLATURE	EFFECT FROM TO	UNITS PER ASSY
12 470	271N6122-1159		.TUBE ASSY-RETURN SYS POSITION DATA: L TUBING MATERIAL: .625 IN. OD .035 IN. WALL 29.00 IN. LG AL	002004 006100 107107 121503 904999	1
470	271N6122-1160		.TUBE ASSY-RETURN SYS POSITION DATA: L TUBING MATERIAL: .500 IN. OD .035 IN. WALL 32.00 IN. LG AL	101102 108120 504903	1
- 475	AP2097HP10		..SLEEVE- SUPPLIER CODE: V01673 SPECIFICATION NUMBER: BACS13BX10HP OPTIONAL PART: 2-02903-10HP V11328 35235VN10 V08199 AFP175V10P V30974 DBOS13BX10HP V14798	002004 006100 107107 121503 904999	1
- 475	AP2097HP08		..SLEEVE- SUPPLIER CODE: V01673 SPECIFICATION NUMBER: BACS13BX08HP OPTIONAL PART: 2-02903-08HP V11328 35235VN08 V08199 AFP175V08P V30974 DBOS13BX08HP V14798	101102 108120 504903	1
- 480	MS21921-10D		..NUT- OPTIONAL PART: BACN10YL10	002004 006100 107107 121503 904999	1
- 480	MS21921-8D		..NUT- OPTIONAL PART: BACN10YL08	101102 108120 504903	1

MISSING ITEM NUMBERS NOT APPLICABLE

- ITEM NOT ILLUSTRATED

29-11-51-12

29-11-51
FIG. 12
PAGE 21
JAN 20/09

BRI



757

PARTS CATALOG (MAINTENANCE)

FIG ITEM	PART NUMBER	1 2 3 4 5 6 7	NOMENCLATURE	EFFECT FROM TO	UNITS PER ASSY
12					
- 480	BACN10YL10	..	NUT- OPTIONAL PART: MS21921-10D	002004 006100 107107 121503 904999	1
- 480	BACN10YL08	..	NUT- OPTIONAL PART: MS21921-8D	101102 108120 504903	1
- 485	35056GV10	..	UNION- SUPPLIER CODE: V08199 SPECIFICATION NUMBER: BACU24AB10W OPTIONAL PART: 4671097W10 V50948 2-01027-10W V11328 31875-10W V14397 AP1004W10 V01673 AFP941W10 V30974 DBOU24AB10W V14798	002004 006100 107107 121503 904999	1
486	271N6122-1155	.	TUBE ASSY-RETURN SYS POSITION DATA: L TUBING MATERIAL: .625 IN. OD .035 IN. WALL 58.00 IN. LG AL	002004 006100 107107 121503 904999	1
- 487	AP2097HP10	..	SLEEVE SUPPLIER CODE: V01673 SPECIFICATION NUMBER: BACS13BX10HP OPTIONAL PART: 2-02903-10HP V11328 35235VN10 V08199 AFP175V10P V30974 DBOS13BX10HP V14798	002004 006100 107107 121503 904999	1

MISSING ITEM NUMBERS NOT APPLICABLE

- ITEM NOT ILLUSTRATED

29-11-51-12

29-11-51
FIG. 12
PAGE 22
JAN 20/09

BRI



757

PARTS CATALOG (MAINTENANCE)

FIG ITEM	PART NUMBER	1 2 3 4 5 6 7	NOMENCLATURE	EFFECT FROM TO	UNITS PER ASSY
12					
- 488	MS21921-10D	..	NUT- OPTIONAL PART: BACN10YL10	002004 006100 107107 121503 904999	1
-488B	BACN10YL10	..	NUT- OPTIONAL PART: MS21921-10D	002004 006100 107107 121503 904999	1
- 489	35056GV10	..	UNION SUPPLIER CODE: V08199 SPECIFICATION NUMBER: BACU24AB10W OPTIONAL PART: 4671097W10 V50948 2-01027-10W V11328 31875-10W V14397 AP1004W10 V01673 AFP941W10 V30974 DBOU24AB10W V14798	002004 006100 107107 121503 904999	1
490	271N6122-1219	.TUBE ASSY-RETURN SYS POSITION DATA: L TUBING MATERIAL: .500 IN. OD .035 IN. WALL 82.00 IN. LG AL		002004 006100 107107 121503 904999	1
492	271N6122-1221	.TUBE ASSY-RETURN SYS POSITION DATA: L TUBING MATERIAL: .500 IN. OD .035 IN. WALL 59.30 IN. LG AL		002004 006100 107107 121503 904999	1

MISSING ITEM NUMBERS NOT APPLICABLE

- ITEM NOT ILLUSTRATED

BRI

29-11-51-12

BOEING PROPRIETARY - Copyright © - Unpublished Work - See title page for details.

29-11-51
FIG. 12
PAGE 23
JAN 20/09



757

PARTS CATALOG (MAINTENANCE)

FIG ITEM	PART NUMBER	1 2 3 4 5 6 7	NOMENCLATURE	EFFECT FROM TO	UNITS PER ASSY
12 - 495	AP2097HP08	..	SLEEVE- SUPPLIER CODE: V01673 SPECIFICATION NUMBER: BACS13BX08HP OPTIONAL PART: 2-02903-08HP V11328 35235VN08 V08199 AFP175V08P V30974 DBOS13BX08HP V14798	002004 006102 107999	1
- 495	AS1581T08	..	SLEEVE-	002004 006100 107107 121503 904999	1
- 500	BACN10YL08	..	NUT- OPTIONAL PART: MS21921-8D	002004 006100 107107 121503 904999	1
- 500	MS21921-8D	..	NUT- OPTIONAL PART: BACN10YL08	002004 006100 107107 121503 904999	1
- 502	35056GV08	..	UNION- SUPPLIER CODE: V08199 SPECIFICATION NUMBER: BACU24AB8W OPTIONAL PART: 2-01027-8W V11328 31875-8W V14397 4671097W8 V50948 AP1004W08 V01673 AFP941W8 V30974 DBOU24AB8W V14798	002004 006102 107999	1

MISSING ITEM NUMBERS NOT APPLICABLE

- ITEM NOT ILLUSTRATED

29-11-51-12

29-11-51
FIG. 12
PAGE 24
JAN 20/09

BRI



757

PARTS CATALOG (MAINTENANCE)

FIG ITEM	PART NUMBER	1 2 3 4 5 6 7	NOMENCLATURE	EFFECT FROM TO	UNITS PER ASSY
12 - 502	AS1582T08		..UNION-	002004 006100 107107 121503 904999	1
515	271N6122-1109		.TUBE ASSY-RETURN SYS POSITION DATA: L TUBING MATERIAL: .625 IN. OD .035 IN. WALL 15.50 IN. LG AL	002004 006100 107107 121503 904999	1
520	271N6122-1034		.TUBE ASSY-RETURN SYS POSITION DATA: L TUBING MATERIAL: .375 IN. OD .035 IN. WALL 60.00 IN. LG AL	002004 006100 107107 121503 904999	1
525	271N6122-1201		.TUBE ASSY-RETURN SYS POSITION DATA: L TUBING MATERIAL: .375 IN. OD .035 IN. WALL 51.00 IN. LG AL	002004 006100 107107 121503 904999	1
- 528	AP2097HP06		..SLEEVE SUPPLIER CODE: V01673 SPECIFICATION NUMBER: BACS13BX06HP OPTIONAL PART: 2-02903-06HP V11328 35235VN06 V08199 AFP175V06P V30974 DBOS13BX06HP V14798	002004 006100 107107 121503 904999	1
- 530	BACN10YL06		..NUT- OPTIONAL PART: MS21921-6D	002004 006100 107107 121503 904999	1
- 530	MS21921-6D		..NUT- OPTIONAL PART: BACN10YL06	002004 006100 107107 121503 904999	1

MISSING ITEM NUMBERS NOT APPLICABLE

- ITEM NOT ILLUSTRATED

29-11-51-12

29-11-51
FIG. 12
PAGE 25
JAN 20/09

BRI



757

PARTS CATALOG (MAINTENANCE)

FIG ITEM	PART NUMBER	1 2 3 4 5 6 7	NOMENCLATURE	EFFECT FROM TO	UNITS PER ASSY
12 - 532	35056GV06	..	UNION SUPPLIER CODE: V08199 SPECIFICATION NUMBER: BACU24AB6W OPTIONAL PART: 2-01027-6W V11328 31875-6W V14397 4671097W6 V50948 AP1004W06 V01673 AFP941W6 V30974 DBOU24AB6W V14798	002004 006100 107107 121503 904999	1
535	271N6122-1042	.TUBE ASSY-RETURN SYS POSITION DATA: L TUBING MATERIAL: .375 IN. OD .035 IN. WALL 39.90 IN. LG AL		002004 006102 107999	1
- 538	AP2097HP06	..SLEEVE SUPPLIER CODE: V01673 SPECIFICATION NUMBER: BACS13BX06HP OPTIONAL PART: 2-02903-06HP V11328 35235VN06 V08199 AFP175V06P V30974 DBOS13BX06HP V14798		002004 006100 107107 121503 904999	1
- 540	MS21921-6D	..NUT- OPTIONAL PART: BACN10YL06		002004 006100 107107 121503 904999	1
- 540	BACN10YL06	..NUT- OPTIONAL PART: MS21921-6D		002004 006100 107107 121503 904999	1

MISSING ITEM NUMBERS NOT APPLICABLE

- ITEM NOT ILLUSTRATED

29-11-51-12

29-11-51
FIG. 12
PAGE 26
JAN 20/09

BRI



757

PARTS CATALOG (MAINTENANCE)

FIG ITEM	PART NUMBER	1 2 3 4 5 6 7	NOMENCLATURE	EFFECT FROM TO	UNITS PER ASSY
12 - 545	35056GV06	..	UNION SUPPLIER CODE: V08199 SPECIFICATION NUMBER: BACU24AB6W OPTIONAL PART: 2-01027-6W V11328 31875-6W V14397 4671097W6 V50948 AP1004W06 V01673 AFP941W6 V30974 DBOU24AB6W V14798	002004 006100 107107 121503 904999	1
550	271N6122-1045	.TUBE ASSY-RETURN SYS POSITION DATA: L TUBING MATERIAL: .375 IN. OD .035 IN. WALL 25.00 IN. LG AL		002004 006102 107999	2
- 555	AP2097HP06	..SLEEVE SUPPLIER CODE: V01673 SPECIFICATION NUMBER: BACS13BX06HP OPTIONAL PART: 2-02903-06HP V11328 35235VN06 V08199 AFP175V06P V30974 DBOS13BX06HP V14798		002004 006100 107107 121503 904999	2
- 560	MS21921-6D	..NUT- OPTIONAL PART: BACN10YL06		002004 006100 107107 121503 904999	2
- 560	BACN10YL06	..NUT- OPTIONAL PART: MS21921-6D		002004 006100 107107 121503 904999	2

MISSING ITEM NUMBERS NOT APPLICABLE

- ITEM NOT ILLUSTRATED

29-11-51-12

29-11-51
FIG. 12
PAGE 27
JAN 20/09

BRI



757

PARTS CATALOG (MAINTENANCE)

FIG ITEM	PART NUMBER	1 2 3 4 5 6 7	NOMENCLATURE	EFFECT FROM TO	UNITS PER ASSY
12 565	271N6122-1053		.TUBE ASSY-RETURN SYS POSITION DATA: L TUBING MATERIAL: .375 IN. OD .035 IN. WALL 28.00 IN. LG AL	002004 006102 107999	1
- 570	AP2097HP06		..SLEEVE SUPPLIER CODE: V01673 SPECIFICATION NUMBER: BACS13BX06HP OPTIONAL PART: 2-02903-06HP V11328 35235VN06 V08199 AFP175V06P V30974 DBOS13BX06HP V14798	002004 006102 107999	1
- 575	BACN10YLO6N		..NUT-	002004 006102 107999	1
- 580	BACU24AB06W		..UNION-	002004 006102 107999	1
582	271N6122-1153		.TUBE ASSY-CASE DRAIN SYS POSITION DATA: L TUBING MATERIAL: .375 IN. OD .035 IN. WALL 39.00 IN. LG AL	002004 006100 107107 121503 904999	1

MISSING ITEM NUMBERS NOT APPLICABLE

- ITEM NOT ILLUSTRATED

BRI

29-11-51-12

29-11-51
FIG. 12
PAGE 28
JAN 20/09



757

PARTS CATALOG (MAINTENANCE)

FIG ITEM	PART NUMBER	1 2 3 4 5 6 7	NOMENCLATURE	EFFECT FROM TO	UNITS PER ASSY
12 - 583	35056GV06		.. UNION SUPPLIER CODE: V08199 SPECIFICATION NUMBER: BACU24AB6W OPTIONAL PART: 2-01027-6W V11328 31875-6W V14397 4671097W6 V50948 AP1004W06 V01673 AFP941W6 V30974 DBOU24AB6W V14798	002004 006100 107107 121503 904999	2
585	271N6122-1039		. TUBE ASSY-RETURN SYS POSITION DATA: L TUBING MATERIAL: .625 IN. OD .035 IN. WALL 20.12 IN. LG AL	002004 006100 107107 121503 904999	1
585	271N6122-1319		. TUBE ASSY-RETURN SYS TO HEAT EXCHANGER POSITION DATA: L TUBING MATERIAL: .625 IN. OD ALUMINUM	101102 108120 504903	1
- 590	AP2097HP10		.. SLEEVE SUPPLIER CODE: V01673 SPECIFICATION NUMBER: BACS13BX10HP OPTIONAL PART: 2-02903-10HP V11328 35235VN10 V08199 AFP175V10P V30974 DBOS13BX10HP V14798	002004 006102 107999	2
- 595	MS21921-10D		.. NUT- OPTIONAL PART: BACN10YL10	002004 006100 107107 121503 904999	2

MISSING ITEM NUMBERS NOT APPLICABLE

- ITEM NOT ILLUSTRATED

29-11-51-12

29-11-51
FIG. 12
PAGE 29
JAN 20/09

BRI



757

PARTS CATALOG (MAINTENANCE)

FIG ITEM	PART NUMBER	1 2 3 4 5 6 7	NOMENCLATURE	EFFECT FROM TO	UNITS PER ASSY
12					
- 595	BACN10YL10		. . NUT- OPTIONAL PART: MS21921-10D	002004 006102 107999	2
610	271N6122-1268		. TUBE ASSY-RETURN SYS POSITION DATA: L TUBING MATERIAL: .625 IN. OD .035 IN. WALL 20.00 IN. LG AL	002004 006100 107107 121503 904999	1
615	271N6122-1334		. TUBE ASSY-TO HEAT EXCHANGER POSITION DATA: L TUBING MATERIAL: .625 IN. OD ALUMINUM	101102 108120 504903	1
620	271N6122-1335		. TUBE ASSY-FROM HEAT EXCHANGER POSITION DATA: L TUBING MATERIAL: .625 IN. OD ALUMINUM	101102 108120 504903	1
655	D10036D10		. UNION- SUPPLIER CODE: V14798 OPTIONAL PART: D10282D10 V14798	002004 006100 107107 121503 904999	2
655	D10282D10		. UNION- SUPPLIER CODE: V14798 OPTIONAL PART: D10036D10 V14798	002004 006100 107107 121503 904999	2
660	MS21916D10-8		. UNION-	002004 006102 107999	2

MISSING ITEM NUMBERS NOT APPLICABLE

- ITEM NOT ILLUSTRATED

BRI

29-11-51-12

29-11-51
FIG. 12
PAGE 30
JAN 20/09



757

PARTS CATALOG (MAINTENANCE)

FIG ITEM	PART NUMBER	1 2 3 4 5 6 7	NOMENCLATURE	EFFECT FROM TO	UNITS PER ASSY
12 665	APX824D060610	. TEE-	SUPPLIER CODE: V01673 SPECIFICATION NUMBER: BACT16AS060610D OPTIONAL PART: APX824-060610D V01673 DBOT16AS060610D V14798 ER824-060610D V50948 FER1571-060610D V14397 LER824-060610D V11328 NAF1824-060610D V52930 US1925-060610D V50808 AFP325-060610D V30974	002004 006100 107107 121503 904999	1
670	APX824D101006	. TEE-	SUPPLIER CODE: V01673 SPECIFICATION NUMBER: BACT16AS101006D OPTIONAL PART: APX824-101006D V01673 DBOT16AS101006D V14798 ER824-101006D V50948 FER1571-101006D V14397 LER824-101006D V11328 NAF1824-101006D V52930 US1925-101006D V50808 AFP325-101006D V30974	002004 006100 107107 121503 904999	1
671	BACT16BL161606T	. TEE		002004 006100 107107 121503 904999	1

MISSING ITEM NUMBERS NOT APPLICABLE

- ITEM NOT ILLUSTRATED

BRI

29-11-51-12

29-11-51
FIG. 12
PAGE 31
JAN 20/09



757

PARTS CATALOG (MAINTENANCE)

FIG ITEM	PART NUMBER	1 2 3 4 5 6 7	NOMENCLATURE	EFFECT FROM TO	UNITS PER ASSY
12 675	NAS1612-10		.PACKING-	002004 006102 107999	2
800			ILLUSTRATION REFERENCE: PLUMBING INSTL-SECT. 44 MAIN WHL WELL HYDR (HYDRAULIC POWER ONLY) 29-11-51-36	002004 006100 107107 121503 904999	RF
805			ILLUSTRATION REFERENCE: PLUMBING INSTL-SECT. 12 L WING HYDR (HYDRAULIC POWER ONLY) 29-11-51-26	002004 006100 107107 121503 904999	RF
810			ILLUSTRATION REFERENCE: EXCHANGER INSTL-L, R AND CTR HEAT 29-11-26-05	002004 006100 107107 121503 904999	RF
815			ILLUSTRATION REFERENCE: PLUMBING INSTL-SECT. 31.1 HYDR (LH) (HYDRAULIC POWER ONLY) 29-11-51-45	002004 006100 107107 121503 904999	RF
820			ILLUSTRATION REFERENCE: PLUMBING INSTL-PRESSURE DECK SECT. 44 L (MAIN HYDR SYS ONLY) 29-11-84-06A	101102 108120 504903	RF
905			ILLUSTRATION REFERENCE: PLUMBING INSTL-SECT. 31.1 HYDR (LH) (HYDRAULIC POWER ONLY) 29-11-51-73	101102 108120 504903	RF

MISSING ITEM NUMBERS NOT APPLICABLE

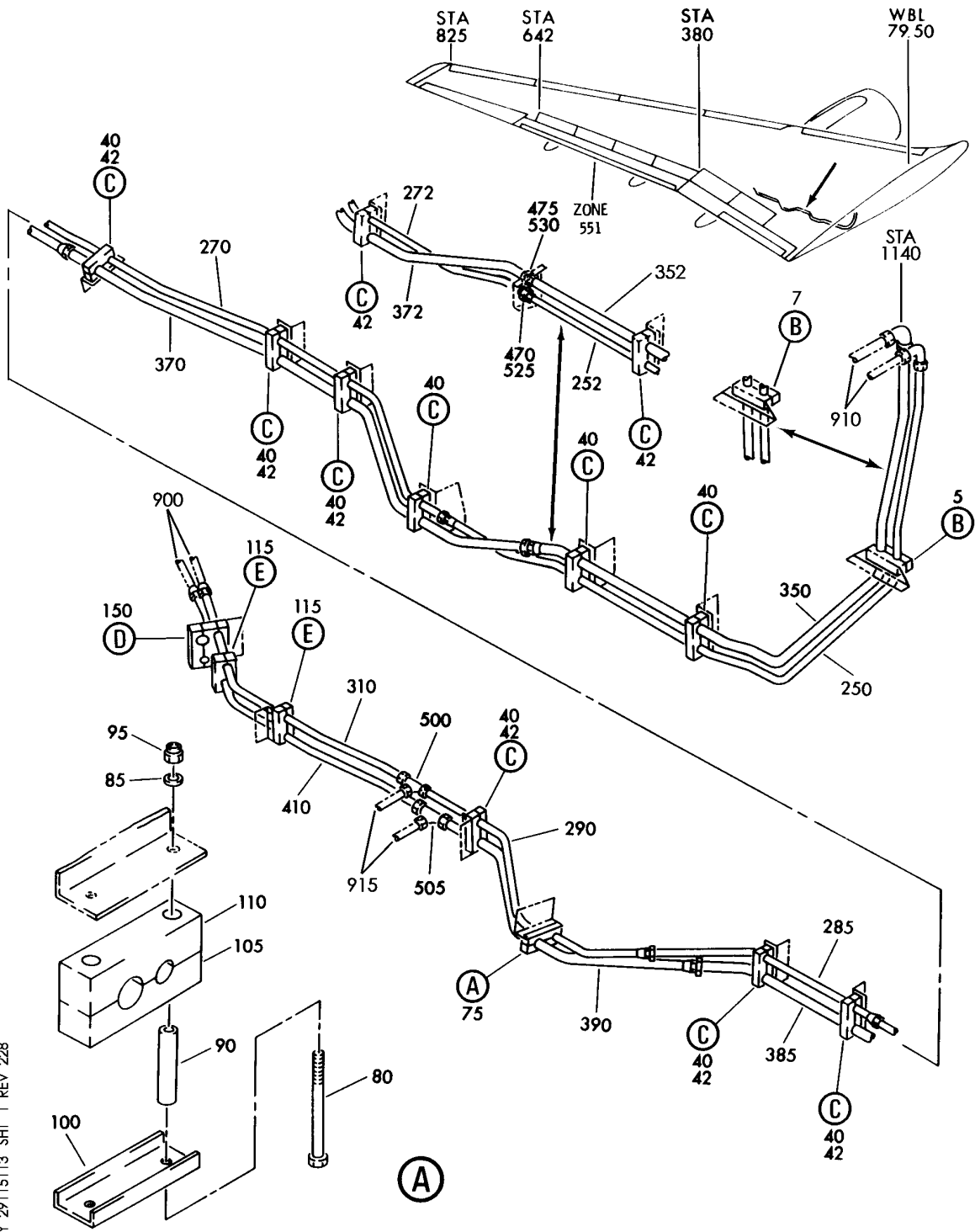
- ITEM NOT ILLUSTRATED

BRI

29-11-51-12

29-11-51
FIG. 12
PAGE 32
JAN 20/09


BOEING
 757
PARTS CATALOG (MAINTENANCE)



Y 29115113 SHT 1 REV 228

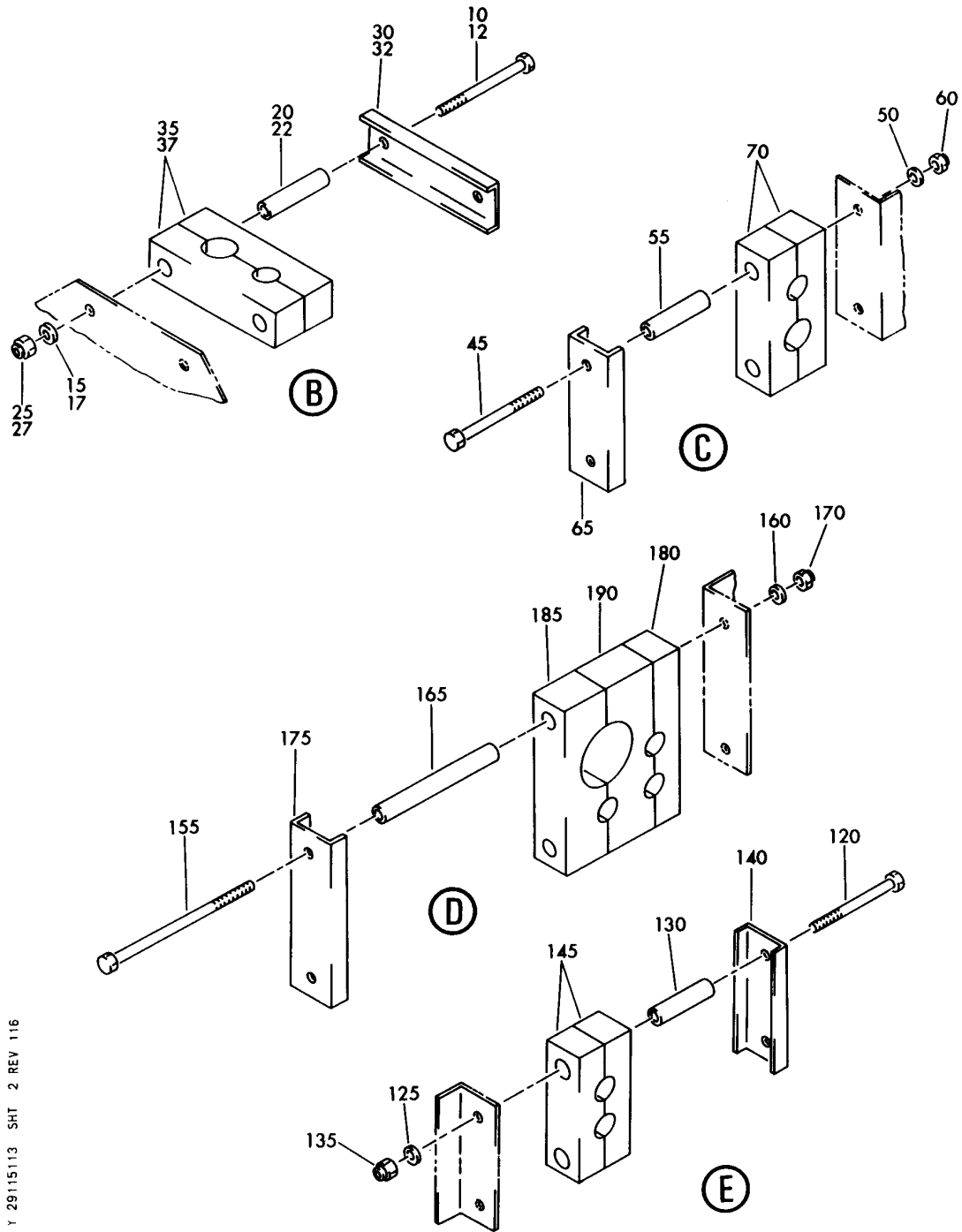
PLUMBING INSTL-SECT. 12 L WING INBD HYDR (HYDRAULIC POWER ONLY)
 FIGURE 13 (SHEET 1)

29-11-51-13

BRI
MAY 28/07

29-11-51-13
 PAGE 0

BOEING
757
PARTS CATALOG (MAINTENANCE)



Y 29115113 SHT 2 REV 116

PLUMBING INSTL-SECT. 12 L WING INBD HYDR (HYDRAULIC POWER ONLY)
FIGURE 13 (SHEET 2)

29-11-51-13

BRI
MAY 28/07

29-11-51-13
PAGE 0A



757

PARTS CATALOG (MAINTENANCE)

FIG ITEM	PART NUMBER	1 2 3 4 5 6 7	NOMENCLATURE	EFFECT FROM TO	UNITS PER ASSY
13			PLUMBING INSTL-SECT. 12 L WING INBD HYDR (HYDRAULIC POWER ONLY)		
- 1	271N6122-1		PLUMBING INSTL-WING HYDR (HYDRAULIC POWER ONLY) POSITION DATA: SECT. 12 L INBD VARIABLE DRAWING REF: 271N6122-4 FOR NHA/OTHER SYS DET SEE: 29-00-51-01	002004 006100 107107 121503 904999	RF
- 1	271N6122-22		PLUMBING INSTL-WING HYDR (HYDRAULIC POWER ONLY) POSITION DATA: SECT. 12 L INBD FOR NHA/OTHER SYS DET SEE: 29-00-51-02C	101102 108120 504903	RF
5	270N2000-123		.CLAMP ASSY-BLK	002004 006100 107107 121503 904999	1
10	NAS1801-3-26		..SCREW-	002004 006100 107107 121503 904999	2
15	AN960PD10L		..WASHER	002004 006100 107107 121503 904999	2
20	NAS43DD3-67		..SPACER	002004 006100 107107 121503 904999	2

MISSING ITEM NUMBERS NOT APPLICABLE

- ITEM NOT ILLUSTRATED

BRI

29-11-51-13

29-11-51
FIG. 13
PAGE 1
JAN 20/09



757

PARTS CATALOG (MAINTENANCE)

FIG ITEM	PART NUMBER	1 2 3 4 5 6 7	NOMENCLATURE	EFFECT FROM TO	UNITS PER ASSY
13 25	BRH10A3	..	NUT SUPPLIER CODE: V52828 SPECIFICATION NUMBER: BACN10JC3 OPTIONAL PART: H10-3BAC V15653 NS202101-02 V80539 RMLH9075-3W V72962 VN303A02 V92215 96-02 V80539 T6S1032J V11815	002004 006100 107107 121503 904999	2
30	270N2000-868	..	CHANNEL	002004 006100 107107 121503 904999	1
35	270N2000-556	..	BLOCK	002004 006100 107107 121503 904999	2
42	270N2000-5	.	CLAMP ASSY-BLOCK	002004 006100 107107 121503 904999	8
43	270N2000-5	.	CLAMP ASSY-BLOCK	101102 108120 504903	7
45	NAS1801-3-26	..	SCREW-	002004 006100 107107 121503 904999	2
45	NAS1801-3-26	..	SCREW	101102 108120 504903	2
50	AN960PD10L	..	WASHER	002004 006100 107107 121503 904999	2

MISSING ITEM NUMBERS NOT APPLICABLE

- ITEM NOT ILLUSTRATED

29-11-51-13

29-11-51
FIG. 13
PAGE 2
JAN 20/09

BRI

BOEING PROPRIETARY - Copyright © - Unpublished Work - See title page for details.



757

PARTS CATALOG (MAINTENANCE)

FIG ITEM	PART NUMBER	1 2 3 4 5 6 7	NOMENCLATURE	EFFECT FROM TO	UNITS PER ASSY
13					
50	AN960PD10L	..	WASHER	101102 108120 504903	2
55	NAS43DD3-67	..	SPACER	002004 006100 107107 121503 904999	2
55	NAS43DD3-67	..	SPACER	101102 108120 504903	2
60	BRH10A3	..	NUT SUPPLIER CODE: V52828 SPECIFICATION NUMBER: BACN10JC3 OPTIONAL PART: H10-3BAC V15653 NS202101-02 V80539 RMLH9075-3W V72962 VN303A02 V92215 96-02 V80539 T6S1032J V11815	002004 006100 107107 121503 904999	2
60	BRH10A3	..	NUT SUPPLIER CODE: V52828 SPECIFICATION NUMBER: BACN10JC3 OPTIONAL PART: H10-3BAC V15653 NS202101-02 V80539 RMLH9075-3W V72962 VN303A02 V92215 96-02 V80539 T6S1032J V11815	101102 108120 504903	2

MISSING ITEM NUMBERS NOT APPLICABLE

- ITEM NOT ILLUSTRATED

29-11-51-13

29-11-51
FIG. 13
PAGE 3
JAN 20/09

BRI



757

PARTS CATALOG (MAINTENANCE)

FIG ITEM	PART NUMBER	1 2 3 4 5 6 7	NOMENCLATURE	EFFECT FROM TO	UNITS PER ASSY
13					
65	270N2000-803	..	CHANNEL	002004 006100 107107 121503 904999	1
65	270N2000-803	..	CHANNEL	101102 108120 504903	1
70	270N2000-404	..	BLOCK	002004 006100 107107 121503 904999	2
70	270N2000-404	..	BLOCK	101102 108120 504903	2
75	270N2000-23	.	CLAMP ASSY-BLOCK		1
80	NAS1801-3-28	..	SCREW-		2
85	AN960PD10L	..	WASHER		2
90	NAS43DD3-76	..	SPACER		2
95	BRH10A3	..	NUT		2
			SUPPLIER CODE: V52828		
			SPECIFICATION NUMBER: BACN10JC3		
			OPTIONAL PART: H10-3BAC V15653 NS202101-02 V80539 RMLH9075-3W V72962 VN303A02 V92215 96-02 V80539 T6S1032J V11815		
100	270N2000-803	..	CHANNEL		1
105	270N2000-404	..	BLOCK		1
110	270N2000-436	..	BLOCK		1
115	270N2000-3	.	CLAMP ASSY-BLOCK	101102 108120 504903	2
120	NAS1801-3-24	..	SCREW-	101102 108120 504903	4

MISSING ITEM NUMBERS NOT APPLICABLE

- ITEM NOT ILLUSTRATED

29-11-51-13

29-11-51
FIG. 13
PAGE 4
JAN 20/09

BRI

BOEING PROPRIETARY - Copyright © - Unpublished Work - See title page for details.



757

PARTS CATALOG (MAINTENANCE)

FIG ITEM	PART NUMBER	1 2 3 4 5 6 7	NOMENCLATURE	EFFECT FROM TO	UNITS PER ASSY
13					
125	AN960PD10L	..	WASHER	101102 108120 504903	4
130	NAS43DD3-59	..	SPACER	101102 108120 504903	4
135	BRH10A3	..	NUT SUPPLIER CODE: V52828 SPECIFICATION NUMBER: BACN10JC3 OPTIONAL PART: H10-3BAC V15653 NS202101-02 V80539 RMLH9075-3W V72962 VN303A02 V92215 96-02 V80539 T6S1032J V11815	101102 108120 504903	4
140	270N2000-801	..	CHANNEL	101102 108120 504903	2
145	270N2000-401	..	BLOCK	101102 108120 504903	4
150	270N2000-219	.	CLAMP ASSY-BLOCK	002004 006100 107107 121503 904999	1
155	NAS1801-3-40	..	SCREW-	002004 006100 107107 121503 904999	2
160	AN960PD10L	..	WASHER-	002004 006100 107107 121503 904999	2

MISSING ITEM NUMBERS NOT APPLICABLE

- ITEM NOT ILLUSTRATED

29-11-51-13

29-11-51
FIG. 13
PAGE 5
JAN 20/09

BRI



757

PARTS CATALOG (MAINTENANCE)

FIG ITEM	PART NUMBER	1 2 3 4 5 6 7	NOMENCLATURE	EFFECT FROM TO	UNITS PER ASSY
13 160	AN960KD10L	..	WASHER-	002004 006100 107107 121503 904999	2
165	NAS43DD3-126	..	SPACER-	002004 006100 107107 121503 904999	2
175	270N2000-805	..	CHANNEL	002004 006100 107107 121503 904999	1
180	270N2000-1211	..	BLOCK-	002004 006100 107107 121503 904999	1
185	270N2000-1214	..	BLOCK-	002004 006100 107107 121503 904999	1
190	270N2000-1212	..	BLOCK-	002004 006100 107107 121503 904999	1
252	271N6122-1261	.TUBE ASSY-PRESSURE SYS POSITION DATA: R TUBING MATERIAL: .375 IN. OD .019 IN. WALL 50.00 IN. LG TI		002004 006100 107107 121503 904999	1
252	271N6122-1259	.TUBE ASSY-PRESSURE SYS POSITION DATA: R TUBING MATERIAL: .375 IN. OD .019 IN. WALL 57.00 IN. LG TI		101102 108120 504903	1
- 257	AS1581T06	..	SLEEVE	002004 006100 107107 121503 904999	2

MISSING ITEM NUMBERS NOT APPLICABLE

- ITEM NOT ILLUSTRATED

29-11-51-13

29-11-51
FIG. 13
PAGE 6
JAN 20/09

BRI

BOEING PROPRIETARY - Copyright © - Unpublished Work - See title page for details.



757

PARTS CATALOG (MAINTENANCE)

FIG ITEM	PART NUMBER	1 2 3 4 5 6 7	NOMENCLATURE	EFFECT FROM TO	UNITS PER ASSY
13					
- 260	AS1582T06	..	UNION- USED ON: 271N6122-1037 271N6122-1259	101102 108120 504903	1
- 265	BACN10YA6N	..	NUT-	101102 108120 504903	1
- 267	BACN10YA6N	..	NUT	002004 006100 107107 121503 904999	2
272	271N6122-1288	.TUBE	ASSY-PRESSURE SYS POSITION DATA: R TUBING MATERIAL: .375 IN. OD .019 IN. WALL 67.00 IN. LG TI	002004 006102 107999	1
- 275	AS1581T06	..	SLEEVE		2
- 280	BACN10YA6	..	NUT-	002004 006100 107107 121503 904999	2
- 280	BACN10YA6N	..	NUT-		2
285	271N6122-1048	.TUBE	ASSY-PRESSURE SYS POSITION DATA: R TUBING MATERIAL: .375 IN. OD .019 IN. WALL 31.00 IN. LG TI		1
290	271N6122-1091	.TUBE	ASSY-PRESSURE SYS POSITION DATA: R TUBING MATERIAL: .375 IN. OD .019 IN. WALL 25.50 IN. LG TITANIUM		1
- 295	AS1581T06	..	SLEEVE		1
- 300	AS1582T06	..	UNION		1
- 305	BACN10YA6	..	NUT		1

MISSING ITEM NUMBERS NOT APPLICABLE

- ITEM NOT ILLUSTRATED

29-11-51-13

29-11-51
FIG. 13
PAGE 7
JAN 20/09

BRI



757

PARTS CATALOG (MAINTENANCE)

FIG ITEM	PART NUMBER	1 2 3 4 5 6 7	NOMENCLATURE	EFFECT FROM TO	UNITS PER ASSY
13 310	271N6122-1245		.TUBE ASSY-PRESSURE SYS POSITION DATA: R TUBING MATERIAL: .375 IN. OD .019 IN. WALL 53.00 IN. LG TITANIUM	002004 006100 107107 121503 904999	1
- 315	AS1581T06		..SLEEVE	002004 006100 107107 121503 904999	2
- 320	BACN10YA6		..NUT-	002004 006100 107107 121503 904999	2
- 320	BACN10YA6N		..NUT-	002004 006100 107107 121503 904999	2
352	271N6122-1262		.TUBE ASSY-RETURN SYS POSITION DATA: R TUBING MATERIAL: .500 IN. OD .035 IN. WALL 48.00 IN. LG AL	002004 006100 107107 121503 904999	1
352	271N6122-1260		.TUBE ASSY-RETURN SYS POSITION DATA: R TUBING MATERIAL: .500 IN. OD .035 IN. WALL 55.00 IN. LG AL	002004 006100 107107 121503 904999	1

MISSING ITEM NUMBERS NOT APPLICABLE

- ITEM NOT ILLUSTRATED

29-11-51-13

29-11-51
FIG. 13
PAGE 8
JAN 20/09

BRI



757

PARTS CATALOG (MAINTENANCE)

FIG ITEM	PART NUMBER	1 2 3 4 5 6 7	NOMENCLATURE	EFFECT FROM TO	UNITS PER ASSY
13					
- 357	AP2097HP08	..	SLEEVE SUPPLIER CODE: V01673 SPECIFICATION NUMBER: BACS13BX08HP OPTIONAL PART: 2-02903-08HP V11328 35235VN08 V08199 AFP175V08P V30974 DBOS13BX08HP V14798	002004 006100 107107 121503 904999	2
- 367	MS21921-8D	..	NUT- OPTIONAL PART: BACN10YL08	002004 006100 107107 121503 904999	2
- 367	BACN10YL08	..	NUT- OPTIONAL PART: MS21921-8D	002004 006100 107107 121503 904999	2
372	271N6122-1256	.TUBE ASSY-RETURN SYS POSITION DATA: R TUBING MATERIAL: .500 IN. OD .035 IN. WALL 65.30 IN. LG AL		002004 006102 107999	1
- 375	AP2097HP08	..	SLEEVE SUPPLIER CODE: V01673 SPECIFICATION NUMBER: BACS13BX08HP OPTIONAL PART: 2-02903-08HP V11328 35235VN08 V08199 AFP175V08P V30974 DBOS13BX08HP V14798	002004 006102 107999	2
- 380	MS21921-8D	..	NUT- OPTIONAL PART: BACN10YL08	002004 006102 107999	2

MISSING ITEM NUMBERS NOT APPLICABLE

- ITEM NOT ILLUSTRATED

29-11-51-13

29-11-51
FIG. 13
PAGE 9
JAN 20/09

BRI

BOEING PROPRIETARY - Copyright © - Unpublished Work - See title page for details.



757

PARTS CATALOG (MAINTENANCE)

FIG ITEM	PART NUMBER	1 2 3 4 5 6 7	NOMENCLATURE	EFFECT FROM TO	UNITS PER ASSY
13					
- 380	BACN10YLO8		..NUT- OPTIONAL PART: MS21921-8D	002004 006102 107999	2
385	271N6122-1047		.TUBE ASSY-RETURN SYS POSITION DATA: R TUBING MATERIAL: .500 IN. OD .035 IN. WALL 19.00 IN. LG AL	002004 006102 107999	1
390	271N6122-1203		.TUBE ASSY-RETURN SYS POSITION DATA: R TUBING MATERIAL: .500 IN. OD .026 IN. WALL 31.00 IN. LG TI	002004 006102 107999	1
- 395	AP2097HP08		..SLEEVE- SUPPLIER CODE: V01673 SPECIFICATION NUMBER: BACS13BX08HP OPTIONAL PART: 2-02903-08HP V11328 35235VN08 V08199 AFP175V08P V30974 DBOS13BX08HP V14798		1
- 395	AS1581T08		..SLEEVE-	002004 006100 107107 121503 904999	1

MISSING ITEM NUMBERS NOT APPLICABLE

- ITEM NOT ILLUSTRATED

BRI

29-11-51-13

BOEING PROPRIETARY - Copyright © - Unpublished Work - See title page for details.

29-11-51
FIG. 13
PAGE 10
JAN 20/09



**757
PARTS CATALOG (MAINTENANCE)**

FIG ITEM	PART NUMBER	1 2 3 4 5 6 7	NOMENCLATURE	EFFECT FROM TO	UNITS PER ASSY
13 - 400	35056GV08		..UNION- SUPPLIER CODE: V08199 SPECIFICATION NUMBER: BACU24AB8W OPTIONAL PART: 2-01027-8W V11328 31875-8W V14397 4671097W8 V50948 AP1004W08 V01673 AFP941W8 V30974 DBOU24AB8W V14798		1
- 400	AS1582T08		..UNION-	002004 006100 107107 121503 904999	1
- 405	MS21921-8D		..NUT- OPTIONAL PART: BACN10YL08	002004 006100 107107 121503 904999	1
- 405	BACN10YL08		..NUT- OPTIONAL PART: MS21921-8D	002004 006100 107107 121503 904999	1
410	271N6122-1197		.TUBE ASSY-RETURN SYS POSITION DATA: R TUBING MATERIAL: .375 IN. OD .035 IN. WALL 46.00 IN. LG AL	002004 006100 107107 121503 904999	1
- 420	MS21921-6D		..NUT- OPTIONAL PART: BACN10YL06	002004 006100 107107 121503 904999	2

MISSING ITEM NUMBERS NOT APPLICABLE

- ITEM NOT ILLUSTRATED

29-11-51-13

29-11-51
FIG. 13
PAGE 11
JAN 20/09

BRI



757

PARTS CATALOG (MAINTENANCE)

FIG ITEM	PART NUMBER	1 2 3 4 5 6 7	NOMENCLATURE	EFFECT FROM TO	UNITS PER ASSY
13 - 420	BACN10YL06	. .	NUT- OPTIONAL PART: MS21921-6D	002004 006100 107107 121503 904999	2
470	BACU24L6	.UNION		002004 006100 107107 121503 904999	1
475	MS21924D8	.UNION		002004 006102 107999	1
500	BACT16BL060604T	.TEE-		002004 006100 107107 121503 904999	1
500 505	BACT16BL060604J APX824D080606	.TEE- .TEE-	SUPPLIER CODE: V01673 SPECIFICATION NUMBER: BACT16AS080606D OPTIONAL PART: APX824-080606D V01673 DB0T16AS080606D V14798 ER824-080606D V50948 FER1571-080606D V14397 LER824-080606D V11328 NAF1824-080606D V52930 US1925-080606D V50808 AFP325-080606D V30974	002004 006100 107107 121503 904999	1 1
505	BACT16AS080606W	.TEE		101102 108120 504903	1
525	AN924-6D	.NUT		002004 006102 107999	1

MISSING ITEM NUMBERS NOT APPLICABLE

- ITEM NOT ILLUSTRATED

29-11-51-13

29-11-51
FIG. 13
PAGE 12
JAN 20/09

BRI



757

PARTS CATALOG (MAINTENANCE)

FIG ITEM	PART NUMBER	1 2 3 4 5 6 7	NOMENCLATURE	EFFECT FROM TO	UNITS PER ASSY
13 530	AN924-8D	.	NUT	002004 006102 107999	1
900			ILLUSTRATION REFERENCE: PLUMBING INSTL-SECT. 12 L WING HYDR (HYDRAULIC POWER ONLY) 29-11-51-26	002004 006100 107107 121503 904999	RF
910			ILLUSTRATION REFERENCE: PLUMBING INSTL-SECT. 44 AFT BHD MLG WHL WELL HYDR (HYDRAULIC POWER ONLY) 29-11-51-30	002004 006100 107107 121503 904999	RF

MISSING ITEM NUMBERS NOT APPLICABLE

- ITEM NOT ILLUSTRATED

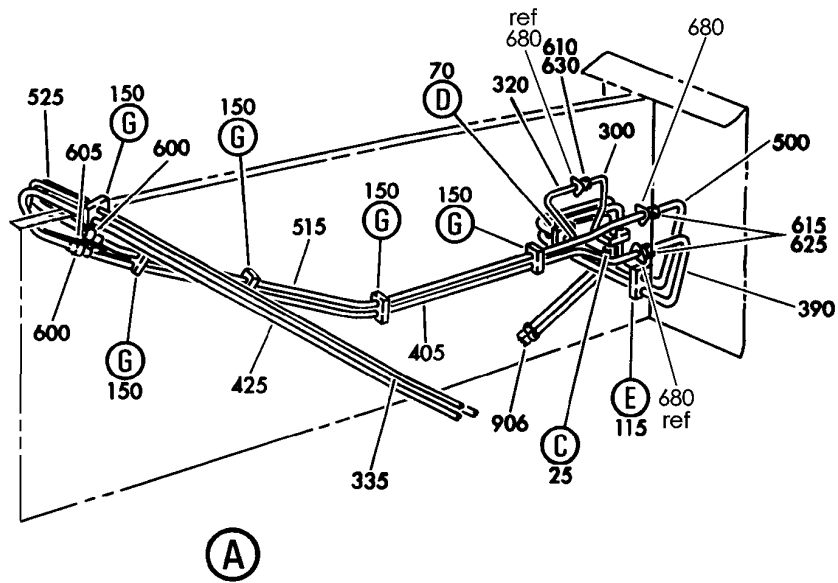
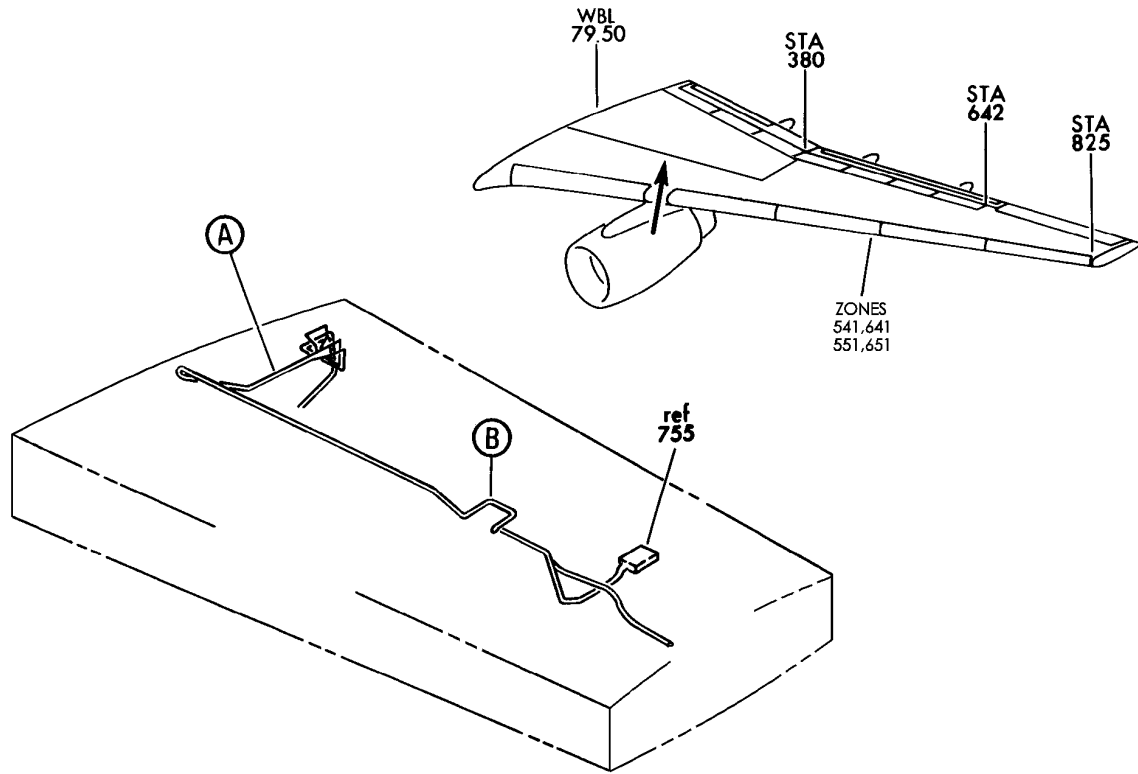
BRI

29-11-51-13

BOEING PROPRIETARY - Copyright © - Unpublished Work - See title page for details.

29-11-51
FIG. 13
PAGE 13
JAN 20/09

BOEING
757
PARTS CATALOG (MAINTENANCE)



Y 29115114 SHT 1 REV 229

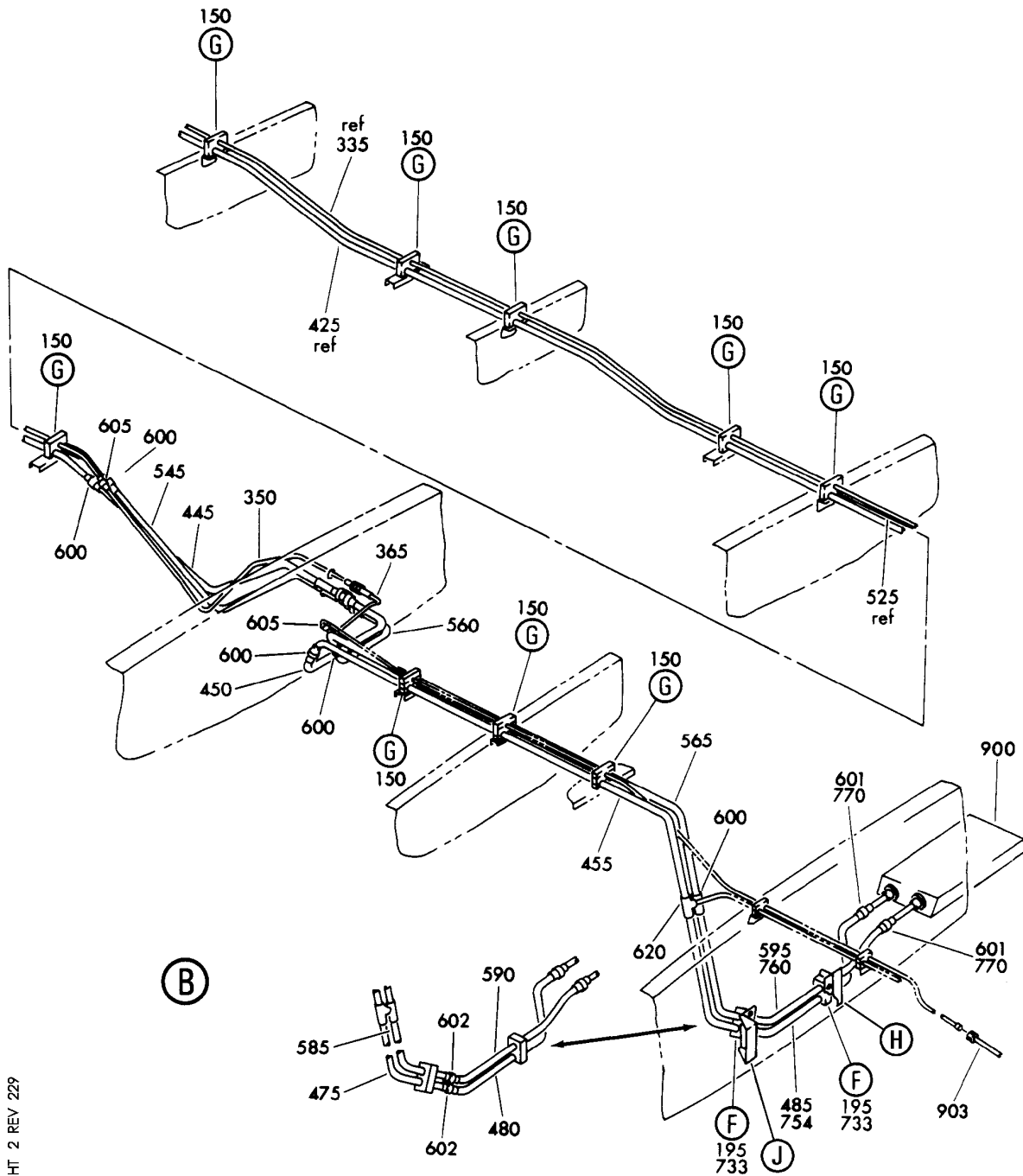
PLUMBING INSTL-SECT. 12 L WING INBD HYDR (HYDRAULIC POWER ONLY) CTR SYS
FIGURE 14 (SHEET 1)

BRI
MAY 28/07

29-11-51-14

29-11-51-14
PAGE 0


BOEING
 757
PARTS CATALOG (MAINTENANCE)



Y 29115114 SHT 2 REV 229

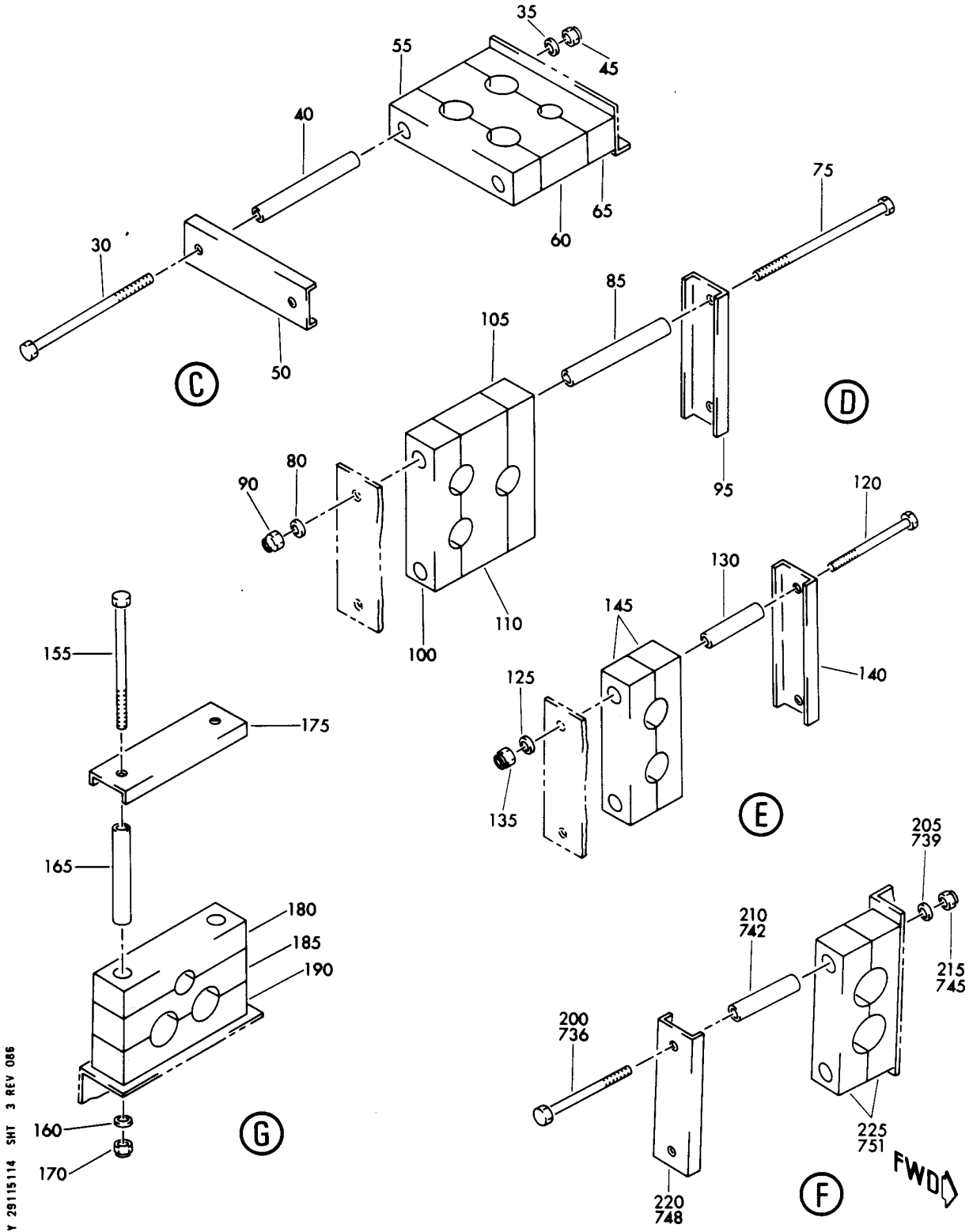
PLUMBING INSTL-SECT. 12 L WING INBD HYDR (HYDRAULIC POWER ONLY) CTR SYS
 FIGURE 14 (SHEET 2)

BRI
MAY 28/07

29-11-51-14

29-11-51-14
PAGE 0A


BOEING
 757
PARTS CATALOG (MAINTENANCE)



Y 29115114 SHT 3 REV 086

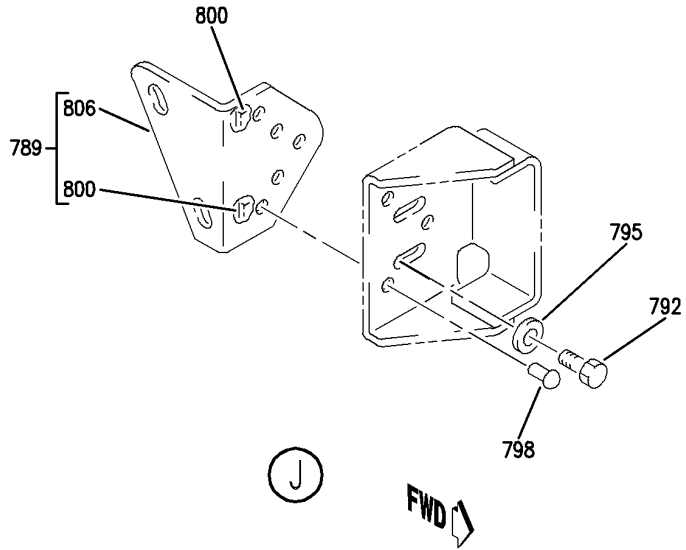
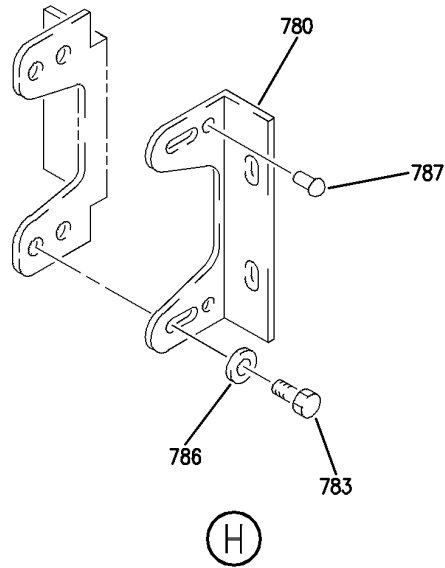
PLUMBING INSTL-SECT. 12 L WING INBD HYDR (HYDRAULIC POWER ONLY) CTR SYS
 FIGURE 14 (SHEET 3)

BRI
 MAY 28/07

29-11-51-14

29-11-51-14
 PAGE 0B

BOEING
757
PARTS CATALOG (MAINTENANCE)



Y 29115114 SH1 4 REV 229

PLUMBING INSTL-SECT. 12 L WING INBD HYDR (HYDRAULIC POWER ONLY) CTR SYS
FIGURE 14 (SHEET 4)

BRI
MAY 28/07

29-11-51-14

29-11-51-14
PAGE 0C



757

PARTS CATALOG (MAINTENANCE)

FIG ITEM	PART NUMBER	1 2 3 4 5 6 7	NOMENCLATURE	EFFECT FROM TO	UNITS PER ASSY
14			PLUMBING INSTL-SECT. 12 L WING INBD HYDR (HYDRAULIC POWER ONLY) CTR SYS	002004 006102 107999	
- 1	271N6122-1		PLUMBING INSTL-HYDR (HYDRAULIC POWER ONLY) CTR SYS POSITION DATA: SECT. 12 L WING INBD VARIABLE DRAWING REF: 271N6122-4 FOR NHA/OTHER SYS DET SEE: 29-00-51-01	002004 006100 107107 121503 904999	RF
- 1	271N6122-22		PLUMBING INSTL-HYDR (HYDRAULIC POWER ONLY) CTR SYS POSITION DATA: SECT. 12 L WING INBD FOR NHA/OTHER SYS DET SEE: 29-00-51-02C	101102 108120 504903	RF
25	270N2000-153		.CLAMP ASSY-BLK	002004 006100 107107 121503 904999	1
30	NAS1801-3-41		.. SCREW-	002004 006100 107107 121503 904999	2
35	AN960PD10L		.. WASHER	002004 006100 107107 121503 904999	2
40	NAS43DD3-130		.. SPACER	002004 006100 107107 121503 904999	2

MISSING ITEM NUMBERS NOT APPLICABLE

- ITEM NOT ILLUSTRATED

29-11-51-14

29-11-51
FIG. 14
PAGE 1
JAN 20/09

BRI



757

PARTS CATALOG (MAINTENANCE)

FIG ITEM	PART NUMBER	1 2 3 4 5 6 7	NOMENCLATURE	EFFECT FROM TO	UNITS PER ASSY
14					
45	BRH10A3		.. NUT SUPPLIER CODE: V52828 SPECIFICATION NUMBER: BACN10JC3 OPTIONAL PART: H10-3BAC V15653 NS202101-02 V80539 RMLH9075-3W V72962 VN303A02 V92215 96-02 V80539 T6S1032J V11815	002004 006100 107107 121503 904999	2
50	270N2000-821		.. CHANNEL	002004 006100 107107 121503 904999	1
55	270N2000-447		.. BLOCK	002004 006100 107107 121503 904999	1
60	270N2000-621		.. BLOCK	002004 006100 107107 121503 904999	1
65	270N2000-623		.. BLOCK	002004 006100 107107 121503 904999	1
70	270N2000-69		. CLAMP ASSY-BLK	002004 006102 107999	1
75	NAS1801-3-41		.. SCREW-	002004 006102 107999	2
80	AN960PD10L		.. WASHER	002004 006102 107999	2

MISSING ITEM NUMBERS NOT APPLICABLE

- ITEM NOT ILLUSTRATED

29-11-51-14

29-11-51
FIG. 14
PAGE 2
JAN 20/09

BRI

BOEING PROPRIETARY - Copyright © - Unpublished Work - See title page for details.



757

PARTS CATALOG (MAINTENANCE)

FIG ITEM	PART NUMBER	1 2 3 4 5 6 7	NOMENCLATURE	EFFECT FROM TO	UNITS PER ASSY
14					
85	NAS43DD3-130	..	SPACER	002004 006102 107999	2
90	BRH10A3	..	NUT SUPPLIER CODE: V52828 SPECIFICATION NUMBER: BACN10JC3 OPTIONAL PART: H10-3BAC V15653 NS202101-02 V80539 RMLH9075-3W V72962 VN303A02 V92215 96-02 V80539 T6S1032J V11815	002004 006102 107999	2
95	270N2000-821	..	CHANNEL	002004 006102 107999	1
100	270N2000-447	..	BLOCK	002004 006102 107999	1
105	270N2000-483	..	BLOCK	002004 006102 107999	1
110	270N2000-499	..	BLOCK	002004 006102 107999	1
115	270N2000-32	.	CLAMP ASSY-BLK	002004 006102 107999	1
120	NAS1801-3-24	..	SCREW	002004 006102 107999	2
125	AN960PD10L	..	WASHER	002004 006102 107999	2
130	NAS43DD3-67	..	SPACER	002004 006102 107999	2

MISSING ITEM NUMBERS NOT APPLICABLE

- ITEM NOT ILLUSTRATED

29-11-51-14

29-11-51
FIG. 14
PAGE 3
JAN 20/09

BRI

BOEING PROPRIETARY - Copyright © - Unpublished Work - See title page for details.



757

PARTS CATALOG (MAINTENANCE)

FIG ITEM	PART NUMBER	1 2 3 4 5 6 7	NOMENCLATURE	EFFECT FROM TO	UNITS PER ASSY
14 135	BRH10A3	..	NUT SUPPLIER CODE: V52828 SPECIFICATION NUMBER: BACN10JC3 OPTIONAL PART: H10-3BAC V15653 NS202101-02 V80539 RMLH9075-3W V72962 VN303A02 V92215 96-02 V80539 T6S1032J V11815	002004 006102 107999	2
140	270N2000-821	..	CHANNEL	002004 006102 107999	1
145	270N2000-447	..	BLOCK	002004 006102 107999	2
150	270N2001-11	.	CLAMP ASSY-BLK	002004 006100 107107 121503 904999	14
155	NAS1801-3-36	..	SCREW-	002004 006100 107107 121503 904999	2
160	AN960PD10L	..	WASHER	002004 006100 107107 121503 904999	2
165	NAS43DD3-107	..	SPACER	002004 006100 107107 121503 904999	2

MISSING ITEM NUMBERS NOT APPLICABLE

- ITEM NOT ILLUSTRATED

29-11-51-14

29-11-51
FIG. 14
PAGE 4
JAN 20/09

BRI



757

PARTS CATALOG (MAINTENANCE)

FIG ITEM	PART NUMBER	1 2 3 4 5 6 7	NOMENCLATURE	EFFECT FROM TO	UNITS PER ASSY
14 170	BRH10A3	..	NUT SUPPLIER CODE: V52828 SPECIFICATION NUMBER: BACN10JC3 OPTIONAL PART: H10-3BAC V15653 NS202101-02 V80539 RMLH9075-3W V72962 VN303A02 V92215 96-02 V80539 T6S1032J V11815	002004 006100 107107 121503 904999	2
175	270N2001-806	..	CHANNEL	002004 006100 107107 121503 904999	1
180	270N2001-406	..	BLOCK- USED ON: 270N2001-11	002004 006100 107107 121503 904999	1
185	270N2001-407	..	BLOCK- USED ON: 270N2001-11	002004 006100 107107 121503 904999	1
190	270N2001-408	..	BLOCK- USED ON: 270N2001-11	002004 006100 107107 121503 904999	1
300	271N6122-1029	.	TUBE ASSY-PRESSURE-CTR SYS TUBING MATERIAL: .500 IN. O.D. X .026 IN. WALL X 49.0 IN. LG 3AL-2.5V TITANIUM SEAMLESS TUBING PER BMS7-234.	002004 006100 107107 121503 904999	1

MISSING ITEM NUMBERS NOT APPLICABLE

- ITEM NOT ILLUSTRATED

29-11-51-14

29-11-51
FIG. 14
PAGE 5
JAN 20/09

BRI



757

PARTS CATALOG (MAINTENANCE)

FIG ITEM	PART NUMBER	1 2 3 4 5 6 7	NOMENCLATURE	EFFECT FROM TO	UNITS PER ASSY
14					
- 305	AS1581T08	..	SLEEVE	002004 006100 107107 121503 904999	1
- 310	AS1582T08	..	UNION	002004 006100 107107 121503 904999	1
- 315	BACN10YA8	..	NUT	002004 006100 107107 121503 904999	1
320	271N6122-1059	.	TUBE ASSY-PRESSURE-CTR SYS TUBING MATERIAL: .375 IN. O.D. X .019 IN. WALL X 63.0 IN. LG 3AL-2.5V TITANIUM SEAMLESS TUBING PER BMS7-234.	002004 006100 107107 121503 904999	1
335	271N6122-1063	.	TUBE ASSY-PRESSURE-CTR SYS TUBING MATERIAL: .375 IN. O.D. X .019 IN. WALL X 105.0 IN. LG 3AL-2.5V TITANIUM SEAMLESS TUBING PER BMS7-234.	002004 006100 107107 121503 904999	1
350	271N6122-1066	.	TUBE ASSY-PRESSURE-CTR SYS TUBING MATERIAL: .375 IN. O.D. X .019 IN. WALL X 23.12 IN. LG 3AL-2.5V TITANIUM SEAMLESS TUBING PER BMS7-234.	002004 006100 107107 121503 904999	1
365	271N6122-1069	.	TUBE ASSY-PRESSURE-CTR SYS TUBING MATERIAL: .375 IN. O.D. X .019 IN. WALL X 14.43 IN. LG 3AL-2.5V TITANIUM SEAMLESS TUBING PER BMS7-234.	002004 006100 107107 121503 904999	1

MISSING ITEM NUMBERS NOT APPLICABLE

- ITEM NOT ILLUSTRATED

29-11-51-14

29-11-51
FIG. 14
PAGE 6
JAN 20/09

BRI



757

PARTS CATALOG (MAINTENANCE)

FIG ITEM	PART NUMBER	1 2 3 4 5 6 7	NOMENCLATURE	EFFECT FROM TO	UNITS PER ASSY
14 390	271N6122-1289		.TUBE ASSY-RETURN CTR SYS TUBING MATERIAL: .50 IN. O.D. X .035 IN. WALL X 58.5 IN. LG 6061-T6 ALUMINUM SEAMLESS TUBING PER MIL-T-7081.	002004 006100 107107 121503 904999	1
- 395	AP2097HP08		..SLEEVE SUPPLIER CODE: V01673 SPECIFICATION NUMBER: BACS13BX08HP OPTIONAL PART: 2-02903-08HP V11328 35235VN08 V08199 AFP175V08P V30974 DBOS13BX08HP V14798	002004 006100 107107 121503 904999	2
- 400	MS21921-8D		..NUT- OPTIONAL PART: BACN10YL08	002004 006100 107107 121503 904999	2
- 400	BACN10YL08		..NUT- OPTIONAL PART: MS21921-8D	002004 006100 107107 121503 904999	2
405	271N6122-1129		.TUBE ASSY-RETURN CTR SYS TUBING MATERIAL: .625 IN. OD X .035 IN. WALL X 62.0 IN. LG 6061-T6 ALUMINUM SEAMLESS TUBING PER MIL-T-7081.	002004 006100 107107 121503 904999	1
425	271N6122-1064		.TUBE ASSY-RETURN CTR SYS TUBING MATERIAL: .625 IN. OD X .035 IN. WALL X 103.5 IN. LG 6061-T6 ALUMINUM SEAMLESS TUBING PER MIL-T-7081.	002004 006100 107107 121503 904999	1

MISSING ITEM NUMBERS NOT APPLICABLE

- ITEM NOT ILLUSTRATED

29-11-51-14

29-11-51
FIG. 14
PAGE 7
JAN 20/09

BRI



757

PARTS CATALOG (MAINTENANCE)

FIG ITEM	PART NUMBER	1 2 3 4 5 6 7	NOMENCLATURE	EFFECT FROM TO	UNITS PER ASSY
14 445	271N6122-1065		.TUBE ASSY-RETURN CTR SYS TUBING MATERIAL: .625 IN. OD X .035 IN. WALL X 24.0 IN. LG 6061-T6 ALUMINUM SEAMLESS TUBING PER MIL-T-7081.	002004 006100 107107 121503 904999	1
450	271N6122-1070		.TUBE ASSY-RETURN CTR SYS TUBING MATERIAL: .625 IN. OD X .035 IN. WALL X 22.0 IN. LG 6061-T6 ALUMINUM SEAMLESS TUBING PER MIL-T-7081.	002004 006100 107107 121503 904999	1
455	271N6122-1071		.TUBE ASSY-RETURN CTR SYS TUBING MATERIAL: .625 IN. OD X .035 IN. WALL X 43.5 IN. LG AL 6061-T6 ALUMINUM SEAMLESS TUBING PER MIL-T-7081.	002004 006100 107107 121503 904999	1
500	271N6122-1304		.TUBE ASSY-RETURN CTR SYS TUBING MATERIAL: .500 IN. OD X .035 IN. WALL X 60.27 IN. LG 6061-T6 ALUMINUM SEAMLESS TUBING PER MIL-T-7081.	904949 952952	1
500	271N6122-1130		.TUBE ASSY-RETURN CTR SYS TUBING MATERIAL: .500 IN. OD X .035 IN. WALL X 63.0 IN. LG 6061-T6 ALUMINUM SEAMLESS TUBING PER MIL-T-7081 HT-TR	107107	1
500	271N6122-1308		.TUBE ASSY-RETURN CTR SYS TUBING MATERIAL: .500 IN. OD X .035 IN. WALL X 60.1 IN. LG 6061-T6 ALUMINUM SEAMLESS TUBING PER MIL-T-7081.	002004 006100 121503 950999	1
500	271N6122-1318		.TUBE ASSY-RETURN CTR SYS TUBING MATERIAL: .500 IN OD ALUMINUM	101102 108120 504903	1

MISSING ITEM NUMBERS NOT APPLICABLE

- ITEM NOT ILLUSTRATED

29-11-51-14

29-11-51
FIG. 14
PAGE 8
JAN 20/09

BRI

BOEING PROPRIETARY - Copyright © - Unpublished Work - See title page for details.



757

PARTS CATALOG (MAINTENANCE)

FIG ITEM	PART NUMBER	1 2 3 4 5 6 7	NOMENCLATURE	EFFECT FROM TO	UNITS PER ASSY
14					
- 505	AP2097HP08	..	SLEEVE SUPPLIER CODE: V01673 SPECIFICATION NUMBER: BACS13BX08HP OPTIONAL PART: 2-02903-08HP V11328 35235VN08 V08199 AFP175V08P V30974 DBOS13BX08HP V14798	002004 006102 107999	2
- 510	BACN10YL08	..	NUT- OPTIONAL PART: MS21921-8D	002004 006102 107999	2
- 510	MS21921-8D	..	NUT- OPTIONAL PART: BACN10YL08	002004 006102 107999	2
515	271N6122-1061	.TUBE ASSY-RETURN CTR SYS TUBING MATERIAL: .625 IN. OD X .035 IN. WALL X 62.0 IN. LG 6061-T6 ALUMINUM SEAMLESS TUBING PER MIL-T-7081.		002004 006100 107107 121503 904999	1
515	271N6122-1326	.TUBE ASSY-RETURN CTR SYS MISCELLANEOUS DATA: .625 IN OD ALUMINUM		101102 108120 504903	1
525	271N6122-1062	.TUBE ASSY-RETURN CTR SYS TUBING MATERIAL: .625 IN. OD X .035 IN. WALL X 100.15 IN. LG 6061-T6 ALUMINUM SEAMLESS TUBING PER MIL-T-7081.		002004 006102 107999	1
545	271N6122-1216	.TUBE ASSY-RETURN CTR SYS TUBING MATERIAL: .625 IN. OD X .035 IN. WALL X 20.4 IN. LG 6061-T6 ALUMINUM SEAMLESS TUBING PER MIL-T-7081.		002004 006102 107999	1

MISSING ITEM NUMBERS NOT APPLICABLE

- ITEM NOT ILLUSTRATED

29-11-51-14

29-11-51
FIG. 14
PAGE 9
JAN 20/09

BRI



757

PARTS CATALOG (MAINTENANCE)

FIG ITEM	PART NUMBER	1 2 3 4 5 6 7	NOMENCLATURE	EFFECT FROM TO	UNITS PER ASSY
14 560	271N6122-1272		.TUBE ASSY-RETURN CTR SYS TUBING MATERIAL: .625 IN. OD X .035 IN. WALL X 17.3 IN. LG 6061-T6 ALUMINUM SEAMLESS TUBING PER MIL-T-7081.	002004 006102 107999	1
565	271N6122-1213		.TUBE ASSY-RETURN CTR SYS TUBING MATERIAL: .625 IN. OD X .035 IN. WALL X 44.0 IN. LG 6061-T6 ALUMINUM SEAMLESS TUBING PER MIL-T-7081.	002004 006102 107999	1
600	D10036D10		.UNION- SUPPLIER CODE: V14798 OPTIONAL PART: D10282D10 V14798	002004 006100 107107 121503 904999	7
600	D10282J10		.UNION- SUPPLIER CODE: V14798 SPECIFICATION NUMBER: BACU24BS1010D	101102 108120 504903	7
602	D10282J10		.UNION SUPPLIER CODE: V14798 SPECIFICATION NUMBER: BACU24BS1010D	101102 108120 504903	2
605	D10282-06		.UNION- SUPPLIER CODE: V14798 OPTIONAL PART: D10036-06 V14798	002004 006102 107999	3
605	D10282-0606J		.UNION SUPPLIER CODE: V14798 SPECIFICATION NUMBER: BACU24BS0606J	101102 108120 504903	3

MISSING ITEM NUMBERS NOT APPLICABLE

- ITEM NOT ILLUSTRATED

29-11-51-14

29-11-51
FIG. 14
PAGE 10
JAN 20/09

BRI



757

PARTS CATALOG (MAINTENANCE)

FIG ITEM	PART NUMBER	1 2 3 4 5 6 7	NOMENCLATURE	EFFECT FROM TO	UNITS PER ASSY
14 610	AFP2328-6	.	REDUCER SUPPLIER CODE: V30974 SPECIFICATION NUMBER: BACR17E8-6 OPTIONAL PART: AP10278-6 V01673 BC916T8-6 V50948 DB0R17E8-6 V14798 ER21916T8-6 V88334 ER31916-8-6 V88334 F23-8-6 V73197 2-01075T8-6 V11328 31778-8-6 V14397 US2114-8-6 V50508 AP1027T8-6 V01673 US21148-6 V50808 317788-6 V14397	002004 006102 107999	1
615	MS21916D10-8	.	UNION	002004 006102 107999	2
620	D10023D101006	.	TEE- SUPPLIER CODE: V14798	002004 006100 107107 121503 904999	1
625	NAS1612-10	.	PACKING-	002004 006102 107999	2
630	NAS1612-6	.	PACKING-	002004 006102 107999	1
680	271N6194-18	.	FITTING INSTL- FOR DETAILS SEE: 29-11-55-01	002004 006100 107107 121503 904999	1

MISSING ITEM NUMBERS NOT APPLICABLE

- ITEM NOT ILLUSTRATED

29-11-51-14

29-11-51
FIG. 14
PAGE 11
JAN 20/09

BRI



757

PARTS CATALOG (MAINTENANCE)

FIG ITEM	PART NUMBER	1 2 3 4 5 6 7	NOMENCLATURE	EFFECT FROM TO	UNITS PER ASSY
14					
- 730	271N6122-6		PLUMBING INSTL-HYDR (HYDRAULIC POWER ONLY) CTR SYS POSITION DATA: SECT. 12 L WING INBD FOR NHA/ADDITIONAL DET SEE: 29-00-51-01	002004 006100 107107 121503 904999	RF
- 730	271N6122-12		PLUMBING INSTL-HYDR (HYDRAULIC POWER ONLY) CTR SYS POSITION DATA: SECT. 12 L WING INBD FOR NHA SEE: 29-00-51-02C	101102 108120 504903	RF
733	270N2001-12		.CLAMP ASSY-BLK	002004 006102 107999	2
736	NAS1801-3-28		..SCREW-	002004 006102 107999	2
739	AN960PD10L		..WASHER	002004 006102 107999	2
742	NAS43DD3-75		..SPACER	002004 006102 107999	2
745	BRH10A3		..NUT SUPPLIER CODE: V52828 SPECIFICATION NUMBER: BACN10JC3 OPTIONAL PART: H10-3BAC V15653 NS202101-02 V80539 RMLH9075-3W V72962 VN303A02 V92215 96-02 V80539 T6S1032J V11815	002004 006102 107999	2
748	270N2001-806		..CHANNEL	002004 006102 107999	1

MISSING ITEM NUMBERS NOT APPLICABLE

- ITEM NOT ILLUSTRATED

BRI

29-11-51-14

29-11-51
FIG. 14
PAGE 12
JAN 20/09



757

PARTS CATALOG (MAINTENANCE)

FIG ITEM	PART NUMBER	1 2 3 4 5 6 7	NOMENCLATURE	EFFECT FROM TO	UNITS PER ASSY
14 751	270N2001-408	..	BLOCK	002004 006102 107999	2
754	271N6122-1279	.TUBE ASSY-RETURN CTR SYS TUBING MATERIAL: .625 IN. OD X .035 IN. WALL X 40.3 IN. LG 6061-T6 ALUMINUM SEAMLESS TUBING PER MIL-T-7081.		002004 006100 107107 121503 904999	1
760	271N6122-1280	.TUBE ASSY-RETURN CTR SYS TUBING MATERIAL: .625 IN. OD X .035 IN. WALL X 35.1 IN. LG 6061-T6 ALUMINUM SEAMLESS TUBING PER MIL-T-7081.		002004 006102 107999	1
770	D10036D10	.UNION- SUPPLIER CODE: V14798 OPTIONAL PART: D10282D10 V14798		002004 006102 107999	2
770	D10282D10	.UNION- SUPPLIER CODE: V14798 OPTIONAL PART: D10036D10 V14798		002004 006102 107999	2
780	271N6297-2	.BRACKET-HYDR		002004 006102 107999	1
783	NAS623-3-7	ATTACHING PARTS .SCREW		002004 006102 107999	2
786	AN960JD10L	.WASHER-		002004 006102 107999	2
787	BACR15FT5D	.RIVET- SIZE DETERMINED ON INSTL.		002004 006102 107999	2
789	271N6298-1	-----*----- .BRACKET ASSY-HYDR		002004 006102 107999	1

MISSING ITEM NUMBERS NOT APPLICABLE

- ITEM NOT ILLUSTRATED

29-11-51-14

29-11-51
FIG. 14
PAGE 13
JAN 20/09

BRI

BOEING PROPRIETARY - Copyright © - Unpublished Work - See title page for details.



757

PARTS CATALOG (MAINTENANCE)

FIG ITEM	PART NUMBER	1 2 3 4 5 6 7	NOMENCLATURE	EFFECT FROM TO	UNITS PER ASSY
14			ATTACHING PARTS		
792	NAS623-3-6		.SCREW	002004 006102 107999	2
795	AN960JD10L		.WASHER-	002004 006102 107999	2
798	BACR15FT5D		.RIVET- SIZE DETERMINED ON INSTL.	002004 006102 107999	3
800	MF53050-3CD		-----*----- ..NUTPLATE SUPPLIER CODE: V15653 SPECIFICATION NUMBER: BACN10JN3CD OPTIONAL PART: BRFM20C3D V52828 102F9201M3 V72962 NS202487-02 V80539 MF51637-3 V15653	002004 006102 107999	2
- 803	BACR15BA3FAD		ATTACHING PARTS ..RIVET- SIZE DETERMINED ON INSTL.	002004 006102 107999	4
806	271N6298-2		-----*----- ..BRACKET	002004 006102 107999	1
900			ILLUSTRATION REFERENCE: EXCHANGER INSTL-L, R AND CTR HEAT 29-11-26-05	002004 006100 107107 121503 904999	RF
903			ILLUSTRATION REFERENCE: PLUMBING INSTL-SECT. 12 L WING HYDR (HYDRAULIC POWER ONLY) 29-11-51-26	002004 006100 107107 121503 904999	RF

MISSING ITEM NUMBERS NOT APPLICABLE

- ITEM NOT ILLUSTRATED

29-11-51-14

29-11-51
FIG. 14
PAGE 14
JAN 20/09

BRI



757

PARTS CATALOG (MAINTENANCE)

FIG ITEM	PART NUMBER	1 2 3 4 5 6 7	NOMENCLATURE	EFFECT FROM TO	UNITS PER ASSY
14 906			ILLUSTRATION REFERENCE: PLUMBING INSTL-MAIN WHL WELL FWD BHD HYDR (HYDRAULIC POWER ONLY) 29-11-51-38	002004 006100 107107 121503 904999	RF

MISSING ITEM NUMBERS NOT APPLICABLE

- ITEM NOT ILLUSTRATED

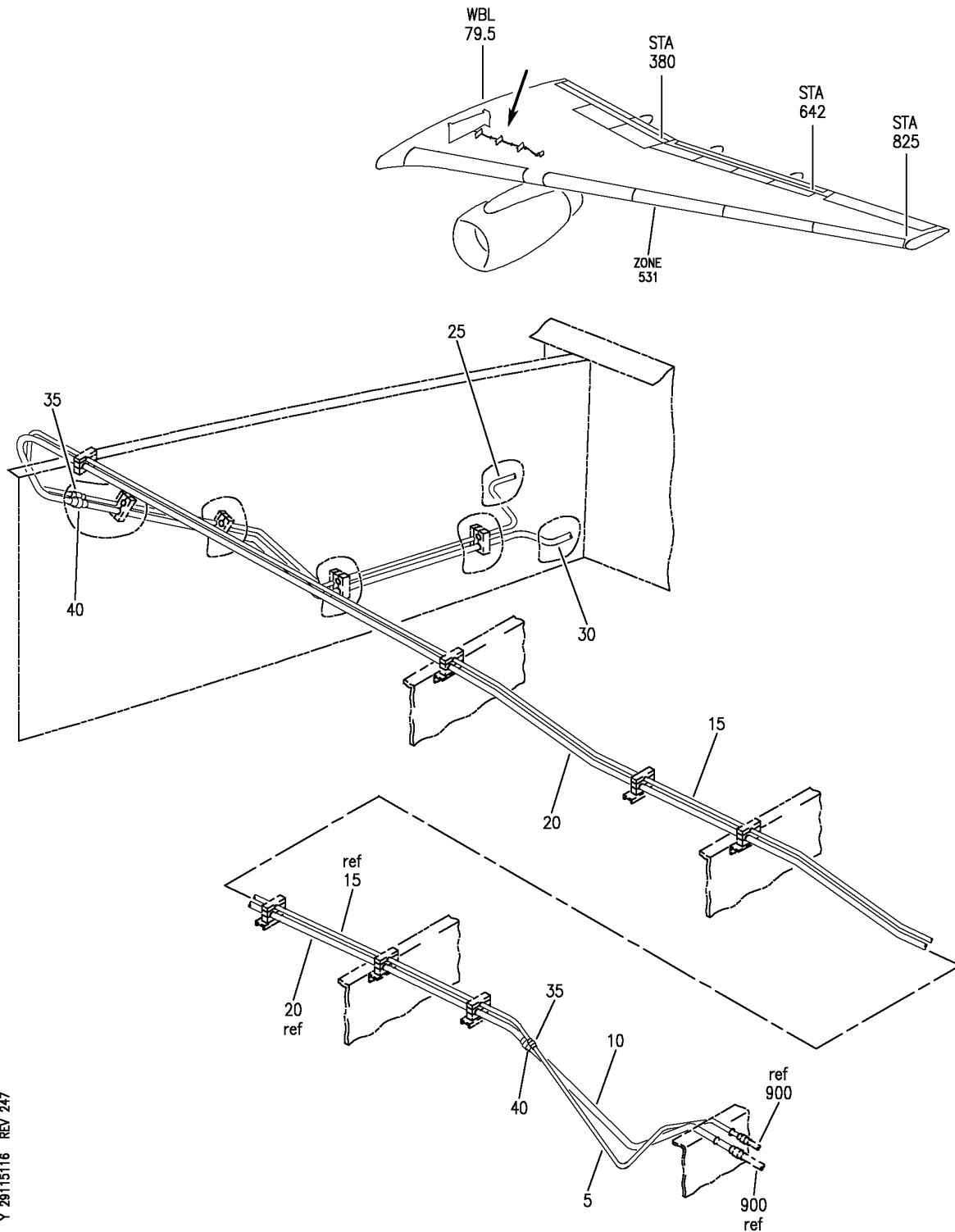
BRI

29-11-51-14

BOEING PROPRIETARY - Copyright © - Unpublished Work - See title page for details.

29-11-51
FIG. 14
PAGE 15
JAN 20/09

BOEING
757
PARTS CATALOG (MAINTENANCE)



Y 29115116 REV 247

PLUMBING INSTL-SECT. 12 L WING INBD SPAR (HYDRAULIC POWER ONLY) CTR SYS
FIGURE 16

BRI
JAN 20/09

29-11-51-16

29-11-51-16
PAGE 0



757

PARTS CATALOG (MAINTENANCE)

FIG ITEM	PART NUMBER	1 2 3 4 5 6 7	NOMENCLATURE	EFFECT FROM TO	UNITS PER ASSY
16			PLUMBING INSTL-SECT. 12 L WING INBD SPAR (HYDRAULIC POWER ONLY) CTR SYS	103106	
- 1	MODREF31340		PLUMBING INST-HYDR (HYDRAULIC POWER ONLY) CTR SYS MODULE NUMBER: 271N6122-30 REV B POSITION DATA: SECT. 12 L WING OUTBD FOR ADDITIONAL DETAILS SEE: 29-11-26-01	103106	1
5	271N6122-1066		.TUBE ASSY-PRESSURE-CTR SYS TUBING MATERIAL: .375 IN. O.D. X .019 IN. WALL X 23.12 IN. LG 3AL-2.5V TITANIUM SEAMLESS TUBING PER BMS7-234.	103106	1
10	271N6122-1065		.TUBE ASSY-RETURN CTR SYS TUBING MATERIAL: .625 IN. OD X .035 IN. WALL X 24.0 IN. LG 6061-T6 ALUMINUM SEAMLESS TUBING PER MIL-T-7081.	103106	1
15	271N6122-1063		.TUBE ASSY-PRESSURE-CTR SYS TUBING MATERIAL: .375 IN. O.D. X .019 IN. WALL X 105.0 IN. LG 3AL-2.5V TITANIUM SEAMLESS TUBING PER BMS7-234.	103106	1
20	271N6122-1064		.TUBE ASSY-RETURN CTR SYS TUBING MATERIAL: .625 IN. OD X .035 IN. WALL X 103.5 IN. LG 6061-T6 ALUMINUM SEAMLESS TUBING PER MIL-T-7081.	103106	1
25	271N6122-1330		.TUBE ASSY-PRESSURE-CTR SYS TUBING MATERIAL: .375 IN. OD TITANIUM	103106	1
30	271N6122-1331		.TUBE ASSY-RETURN CTR SYS TUBING MATERIAL: .625 IN. OD ALUMINUM	103106	1

MISSING ITEM NUMBERS NOT APPLICABLE

- ITEM NOT ILLUSTRATED

29-11-51-16

29-11-51
FIG. 16
PAGE 1
JAN 20/09

BRI



757

PARTS CATALOG (MAINTENANCE)

FIG ITEM	PART NUMBER	1 2 3 4 5 6 7	NOMENCLATURE	EFFECT FROM TO	UNITS PER ASSY
16 35	D10282-0606J	.	UNION SUPPLIER CODE: V14798 SPECIFICATION NUMBER: BACU24BS0606J	103106	2
40	D10282J10	.	UNION SUPPLIER CODE: V14798 SPECIFICATION NUMBER: BACU24BS1010D	103106	2
900			ILLUSTRATION REFERENCE: PLUMBING INSTL-SECT. 12 L WING OUTBD SPAR (HYDRAULIC POWER ONLY) CTR SYS 29-11-51-25	103106	RF

MISSING ITEM NUMBERS NOT APPLICABLE

- ITEM NOT ILLUSTRATED

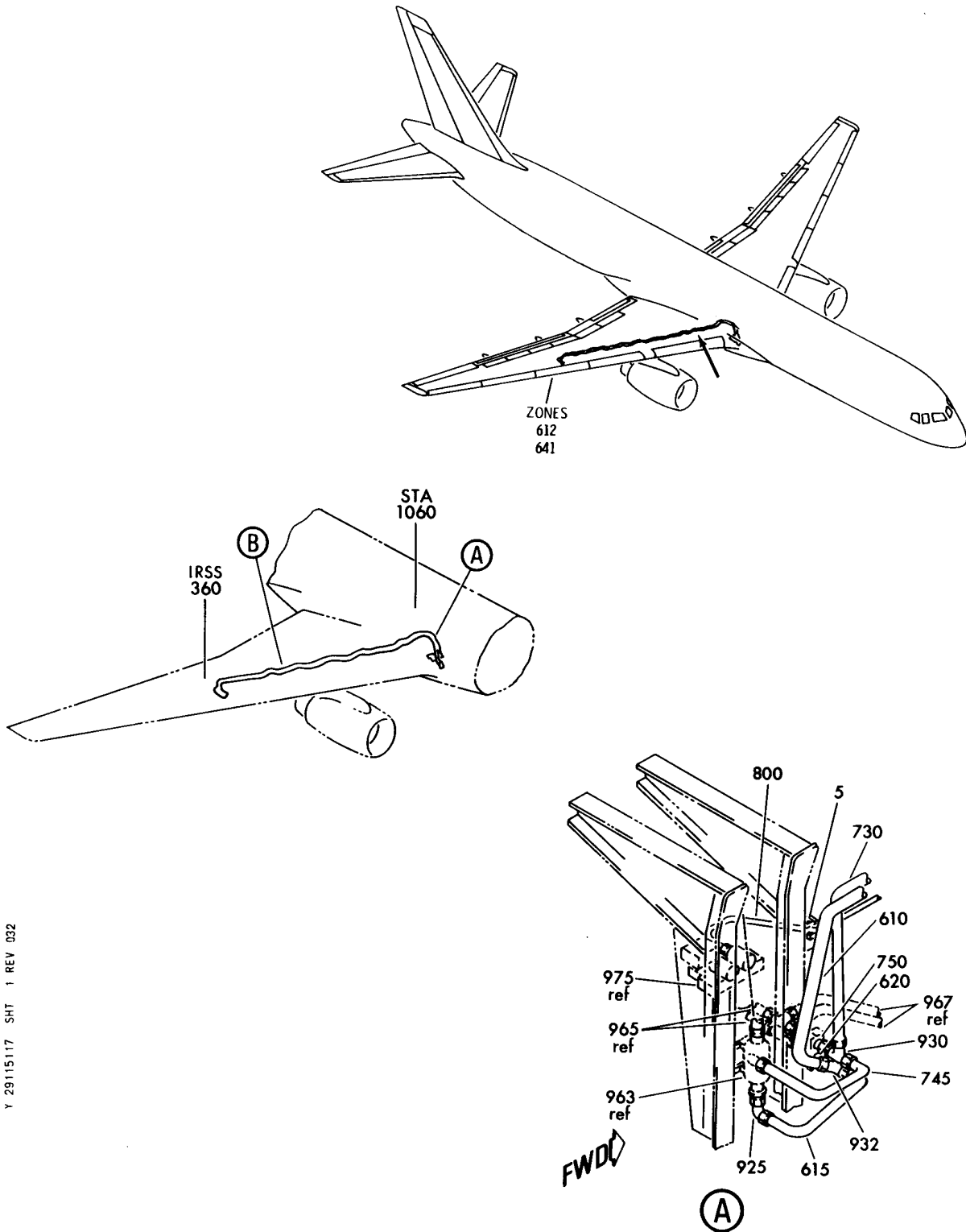
BRI

29-11-51-16

BOEING PROPRIETARY - Copyright © - Unpublished Work - See title page for details.

29-11-51
FIG. 16
PAGE 2
JAN 20/09

BOEING
757
PARTS CATALOG (MAINTENANCE)



Y 29115117 SHT 1 REV 032

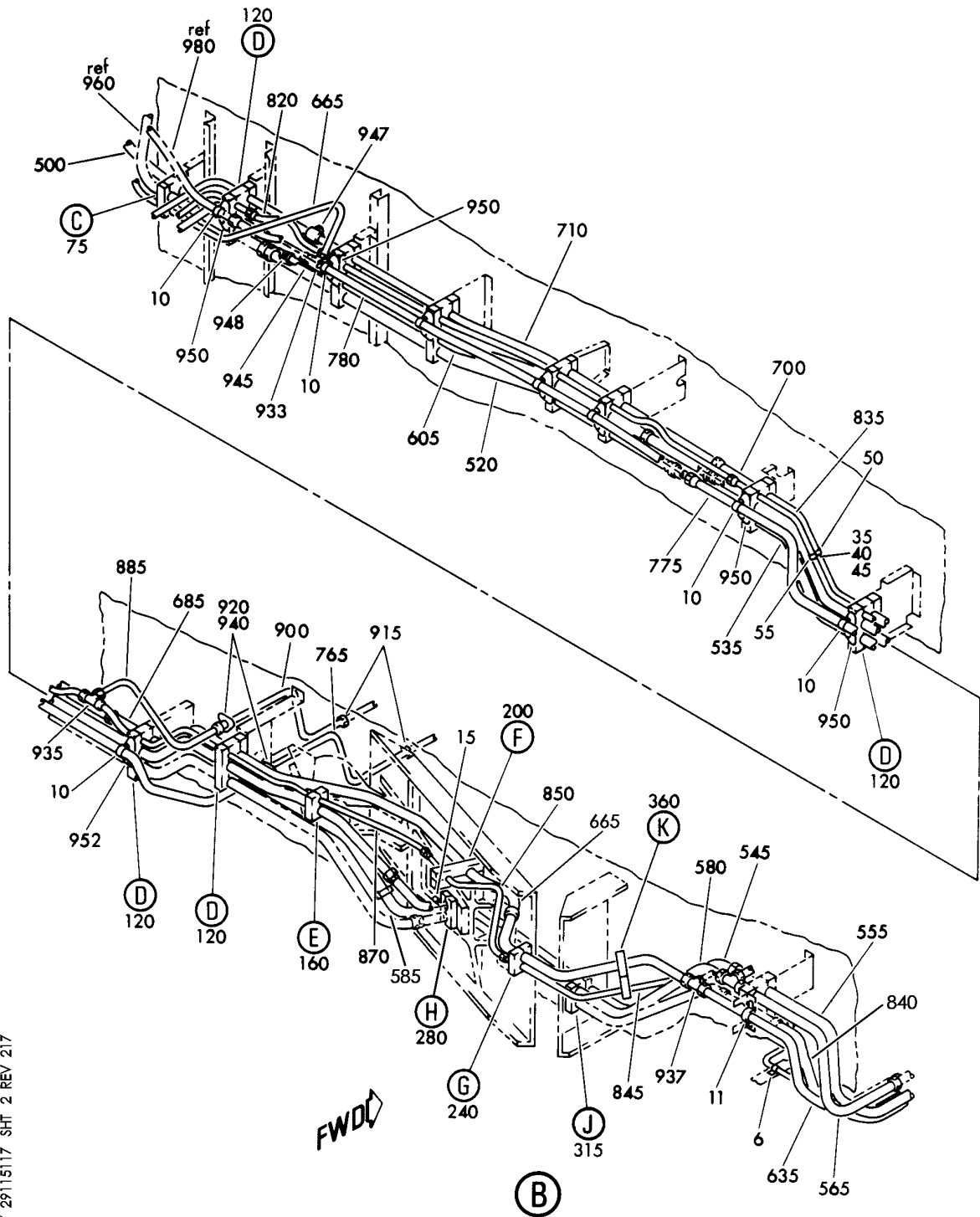
PLUMBING INSTL-SECT. 12 R WING INBD HYDR (HYDRAULIC POWER ONLY) (R SYS)
FIGURE 17 (SHEET 1)

29-11-51-17

BRI
MAY 28/07

29-11-51-17
PAGE 0

BOEING
757
PARTS CATALOG (MAINTENANCE)



Y 29115117 SHT 2 REV 217

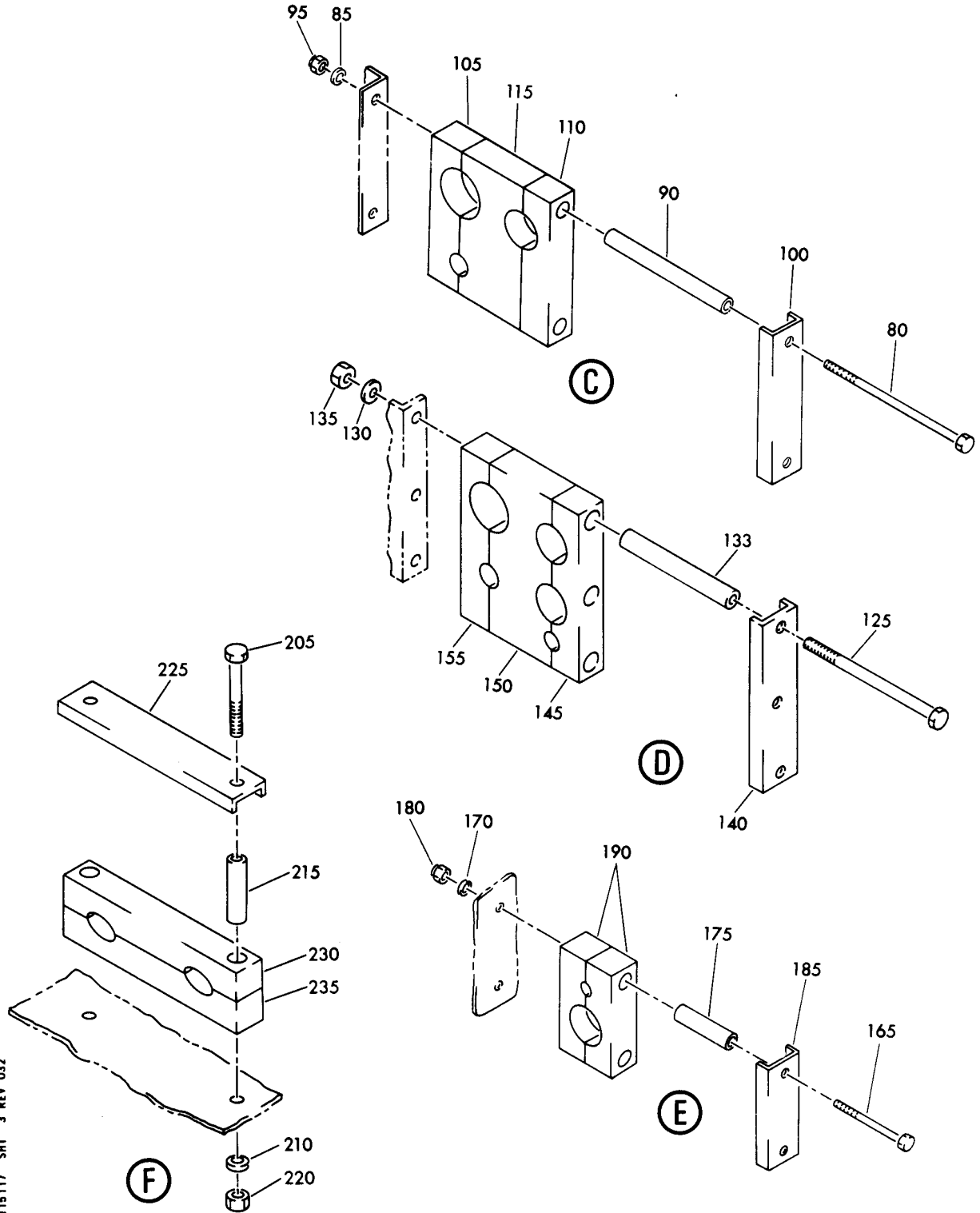
PLUMBING INSTL-SECT. 12 R WING INBD HYDR (HYDRAULIC POWER ONLY) (R SYS)
FIGURE 17 (SHEET 2)

BRI
MAY 28/07

29-11-51-17

29-11-51-17
PAGE 0A

BOEING
757
PARTS CATALOG (MAINTENANCE)



Y 29115117 SHT 3 REV 032

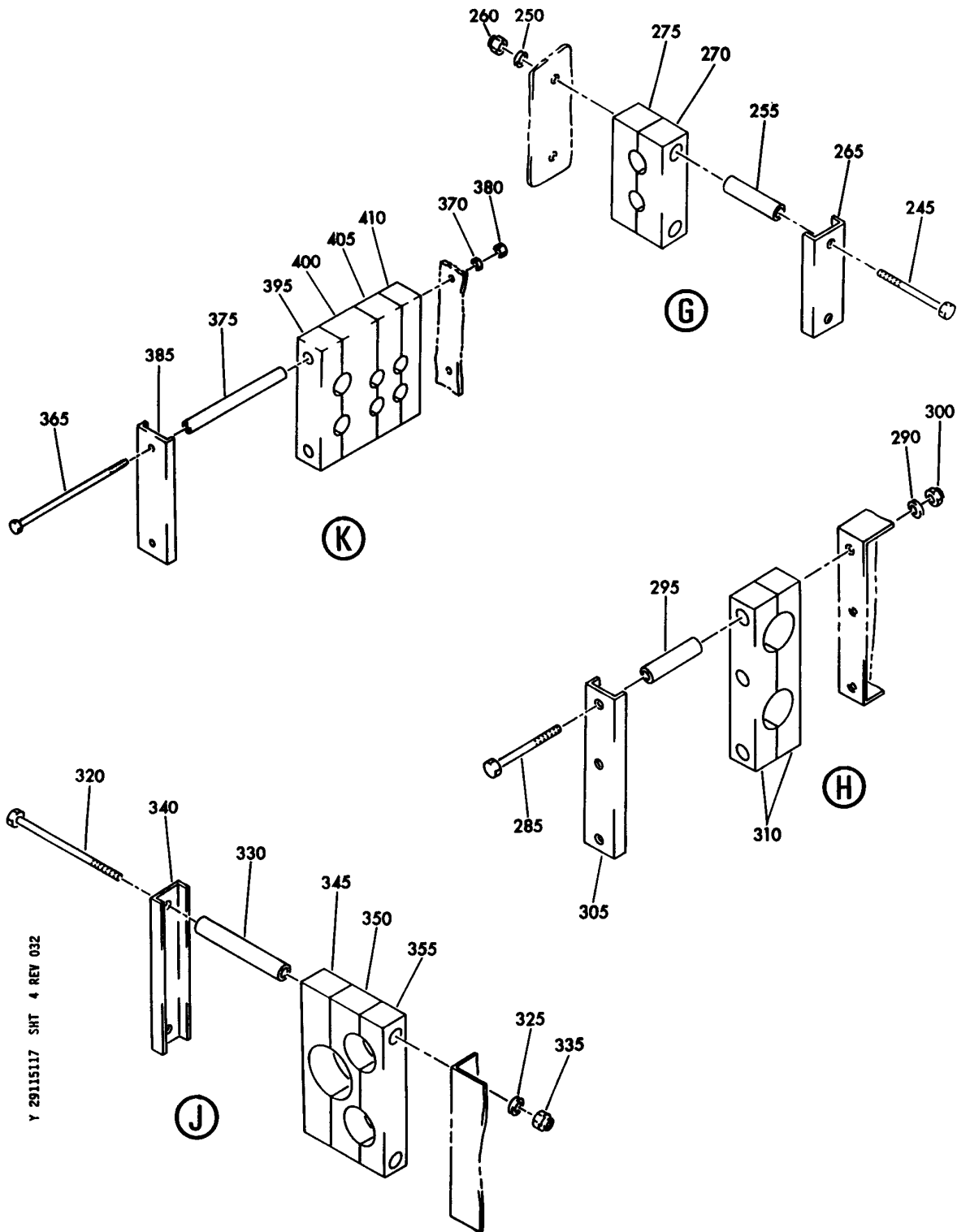
PLUMBING INSTL-SECT. 12 R WING INBD HYDR (HYDRAULIC POWER ONLY) (R SYS)
FIGURE 17 (SHEET 3)

BRI
MAY 28/07

29-11-51-17

29-11-51-17
PAGE 0B

BOEING
757
PARTS CATALOG (MAINTENANCE)



Y 29115117 SHT 4 REV 032

PLUMBING INSTL-SECT. 12 R WING INBD HYDR (HYDRAULIC POWER ONLY) (R SYS)
FIGURE 17 (SHEET 4)

BRI
MAY 28/07

29-11-51-17

29-11-51-17
PAGE 0C



757

PARTS CATALOG (MAINTENANCE)

FIG ITEM	PART NUMBER	1 2 3 4 5 6 7	NOMENCLATURE	EFFECT FROM TO	UNITS PER ASSY
17			PLUMBING INSTL-SECT. 12 R WING INBD HYDR (HYDRAULIC POWER ONLY) (R SYS)	002004 006100 107107 121503 904999	
- 1	271N6123-1		PLUMBING INSTL-HYDR (HYDRAULIC POWER ONLY) (R SYS) POSITION DATA: SECT. 12 R WING INBD VARIABLE DRAWING REF: 271N6123-4 FOR NHA/OTHER SYS DET SEE: 29-00-51-01	002004 006100 107107 121503 904999	RF
5	TA0910004DC6		.CLAMP SUPPLIER CODE: V84971 SPECIFICATION NUMBER: BACC10HB6A	002004 006100 107107 121503 904999	1
6	TA0910004H106		.CLAMP SUPPLIER CODE: V84971 SPECIFICATION NUMBER: BACC10HB06C	002004 006100 107107 121503 904999	1
10	TA0910004H110		.CLAMP SUPPLIER CODE: V84971 SPECIFICATION NUMBER: BACC10HB10C	002004 006100 107107 121503 904999	8
11	TA0910004H110		.CLAMP- SUPPLIER CODE: V84971 SPECIFICATION NUMBER: BACC10HB10C	002004 006100 107107 121503 904999	1
15	TA0910004H120		.CLAMP SUPPLIER CODE: V84971 SPECIFICATION NUMBER: BACC10HB20C	002004 006100 107107 121503 904999	1
- 20	NAS1801-3		ATTACHING PARTS .SCREW- SIZE DETERMINED ON INSTL.	002004 006100 107107 121503 904999	14

MISSING ITEM NUMBERS NOT APPLICABLE

- ITEM NOT ILLUSTRATED

29-11-51-17

29-11-51
FIG. 17
PAGE 1
JAN 20/09

BRI

 **BOEING**
757
PARTS CATALOG (MAINTENANCE)

FIG ITEM	PART NUMBER	1 2 3 4 5 6 7	NOMENCLATURE	EFFECT FROM TO	UNITS PER ASSY
17					
- 25	AN960KD10L	.	WASHER	002004 006100 107107 121503 904999	14
- 30	MS21042L3	.	NUT-	002004 006100 107107 121503 904999	14
			-----*-----		
35	NAS1801-3	.	SCREW- SIZE DETERMINED ON INSTL.	002004 006100 107107 121503 904999	1
40	AN960KD10L	.	WASHER	002004 006100 107107 121503 904999	1
45	MS21042L3	.	NUT-	002004 006100 107107 121503 904999	1
50	M85052-2-6	.	CLAMP	002004 006100 107107 121503 904999	1
55	M85052-2-16	.	CLAMP	002004 006100 107107 121503 904999	1
75	270N2000-192	.	CLAMP ASSY-BLK	002004 006100 107107 121503 904999	1
80	NAS1801-3-66	..	SCREW-	002004 006100 107107 121503 904999	2

MISSING ITEM NUMBERS NOT APPLICABLE

- ITEM NOT ILLUSTRATED

BRI

29-11-51-17

BOEING PROPRIETARY - Copyright © - Unpublished Work - See title page for details.

29-11-51
FIG. 17
PAGE 2
JAN 20/09



757

PARTS CATALOG (MAINTENANCE)

FIG ITEM	PART NUMBER	1 2 3 4 5 6 7	NOMENCLATURE	EFFECT FROM TO	UNITS PER ASSY
17					
85	AN960KD10L	..	WASHER	002004 006100 107107 121503 904999	2
90	NAS43DD3-232	..	SPACER	002004 006100 107107 121503 904999	2
95	BRH10A3	..	NUT SUPPLIER CODE: V52828 SPECIFICATION NUMBER: BACN10JC3 OPTIONAL PART: H10-3BAC V15653 NS202101-02 V80539 RMLH9075-3W V72962 VN303A02 V92215 96-02 V80539 T6S1032J V11815	002004 006100 107107 121503 904999	2
100	270N2000-1007	..	CHANNEL	002004 006100 107107 121503 904999	1
105	270N2000-672	..	BLOCK	002004 006100 107107 121503 904999	1
110	270N2000-673	..	BLOCK	002004 006100 107107 121503 904999	1
115	270N2000-674	..	BLOCK	002004 006100 107107 121503 904999	1

MISSING ITEM NUMBERS NOT APPLICABLE

- ITEM NOT ILLUSTRATED

29-11-51-17

29-11-51
FIG. 17
PAGE 3
JAN 20/09

BRI

BOEING PROPRIETARY - Copyright © - Unpublished Work - See title page for details.



757

PARTS CATALOG (MAINTENANCE)

FIG ITEM	PART NUMBER	1 2 3 4 5 6 7	NOMENCLATURE	EFFECT FROM TO	UNITS PER ASSY
17 120	270N2000-225	.	CLAMP ASSY-BLK	002004 006100 107107 121503 904999	9
125	NAS1801-3-67	..	SCREW-	002004 006100 107107 121503 904999	3
130	AN960KD10L	..	WASHER	002004 006100 107107 121503 904999	3
133	NAS43DD3-234	..	SPACER	002004 006100 107107 121503 904999	3
135	BRH10A3	..	NUT SUPPLIER CODE: V52828 SPECIFICATION NUMBER: BACN10JC3 OPTIONAL PART: H10-3BAC V15653 NS202101-02 V80539 RMLH9075-3W V72962 VN303A02 V92215 96-02 V80539 T6S1032J V11815	002004 006100 107107 121503 904999	3
140	270N2000-811	..	CHANNEL	002004 006100 107107 121503 904999	1
145	270N2000-1252	..	BLOCK	002004 006100 107107 121503 904999	1

MISSING ITEM NUMBERS NOT APPLICABLE

- ITEM NOT ILLUSTRATED

29-11-51-17

29-11-51
FIG. 17
PAGE 4
JAN 20/09

BRI



757

PARTS CATALOG (MAINTENANCE)

FIG ITEM	PART NUMBER	1 2 3 4 5 6 7	NOMENCLATURE	EFFECT FROM TO	UNITS PER ASSY
17 150	270N2000-1219	..	BLOCK-	002004 006100 107107 121503 904999	1
155	270N2000-1220	..	BLOCK-	002004 006100 107107 121503 904999	1
160	270N2000-16	.	CLAMP ASSY-BLK	002004 006100 107107 121503 904999	1
170	AN960KD10L	..	WASHER	002004 006100 107107 121503 904999	2
175	NAS43DD3-99	..	SPACER	002004 006100 107107 121503 904999	2
180	BRH10A3	..	NUT SUPPLIER CODE: V52828 SPECIFICATION NUMBER: BACN10JC3 OPTIONAL PART: H10-3BAC V15653 NS202101-02 V80539 RMLH9075-3W V72962 VN303A02 V92215 96-02 V80539 T6S1032J V11815	002004 006100 107107 121503 904999	2
185	270N2000-805	..	CHANNEL	002004 006100 107107 121503 904999	1

MISSING ITEM NUMBERS NOT APPLICABLE

- ITEM NOT ILLUSTRATED

29-11-51-17

29-11-51
FIG. 17
PAGE 5
JAN 20/09

BRI



757

PARTS CATALOG (MAINTENANCE)

FIG ITEM	PART NUMBER	1 2 3 4 5 6 7	NOMENCLATURE	EFFECT FROM TO	UNITS PER ASSY
17					
190	270N2000-425	. .	BLOCK	002004 006100 107107 121503 904999	2
200	270N2000-229	. .	CLAMP ASSY-BLK	002004 006100 107107 121503 904999	1
205	NAS1801-3-34	. .	SCREW-	002004 006100 107107 121503 904999	2
210	AN960KD10L	. .	WASHER-	002004 006100 107107 121503 904999	2
215	NAS43DD3-101	. .	SPACER	002004 006100 107107 121503 904999	2
220	BRH10A3	. .	NUT SUPPLIER CODE: V52828 SPECIFICATION NUMBER: BACN10JC3 OPTIONAL PART: H10-3BAC V15653 NS202101-02 V80539 RMLH9075-3W V72962 VN303A02 V92215 96-02 V80539 T6S1032J V11815	002004 006100 107107 121503 904999	2
225	270N2000-808	. .	CHANNEL	002004 006100 107107 121503 904999	1

MISSING ITEM NUMBERS NOT APPLICABLE

- ITEM NOT ILLUSTRATED

29-11-51-17

29-11-51
FIG. 17
PAGE 6
JAN 20/09

BRI

BOEING PROPRIETARY - Copyright © - Unpublished Work - See title page for details.



757

PARTS CATALOG (MAINTENANCE)

FIG ITEM	PART NUMBER	1 2 3 4 5 6 7	NOMENCLATURE	EFFECT FROM TO	UNITS PER ASSY
17 230	270N2000-1209 BLOCK-	002004 006100 107107 121503 904999	1
235	270N2000-1210 BLOCK-	002004 006100 107107 121503 904999	1
240	270N2000-222	.	. CLAMP ASSY-BLK	002004 006100 107107 121503 904999	1
245	NAS1801-3-31 SCREW-	002004 006100 107107 121503 904999	2
250	AN960KD10L WASHER	002004 006100 107107 121503 904999	2
255	NAS43DD3-88 SPACER-	002004 006100 107107 121503 904999	2
260	BRH10A3 NUT SUPPLIER CODE: V52828 SPECIFICATION NUMBER: BACN10JC3 OPTIONAL PART: H10-3BAC V15653 NS202101-02 V80539 RMLH9075-3W V72962 VN303A02 V92215 96-02 V80539 T6S1032J V11815	002004 006100 107107 121503 904999	2

MISSING ITEM NUMBERS NOT APPLICABLE

- ITEM NOT ILLUSTRATED

29-11-51-17

29-11-51
FIG. 17
PAGE 7
JAN 20/09

BRI



757

PARTS CATALOG (MAINTENANCE)

FIG ITEM	PART NUMBER	1 2 3 4 5 6 7	NOMENCLATURE	EFFECT FROM TO	UNITS PER ASSY
17 265	270N2000-805	. .	CHANNEL	002004 006100 107107 121503 904999	1
270	270N2000-1215	. .	BLOCK-	002004 006100 107107 121503 904999	1
275	270N2000-1248	. .	BLOCK-	002004 006100 107107 121503 904999	1
280	270N2000-21	. .	CLAMP ASSY-BLK	002004 006100 107107 121503 904999	1
285	NAS1801-3-34	. .	SCREW-	002004 006100 107107 121503 904999	3
290	AN960KD10L	. .	WASHER	002004 006100 107107 121503 904999	3
295	NAS43DD3-99	. .	SPACER	002004 006100 107107 121503 904999	3

MISSING ITEM NUMBERS NOT APPLICABLE

- ITEM NOT ILLUSTRATED

BRI

29-11-51-17

BOEING PROPRIETARY - Copyright © - Unpublished Work - See title page for details.

29-11-51
FIG. 17
PAGE 8
JAN 20/09



757

PARTS CATALOG (MAINTENANCE)

FIG ITEM	PART NUMBER	1 2 3 4 5 6 7	NOMENCLATURE	EFFECT FROM TO	UNITS PER ASSY
17 300	BRH10A3	. .	NUT SUPPLIER CODE: V52828 SPECIFICATION NUMBER: BACN10JC3 OPTIONAL PART: H10-3BAC V15653 NS202101-02 V80539 RMLH9075-3W V72962 VN303A02 V92215 96-02 V80539 T6S1032J V11815	002004 006100 107107 121503 904999	3
305	270N2000-812	. .	CHANNEL	002004 006100 107107 121503 904999	1
310	270N2000-434	. .	BLOCK	002004 006100 107107 121503 904999	2
315	270N2000-18	. .	CLAMP ASSY-BLK	002004 006100 107107 121503 904999	1
320	NAS1801-3-52	. .	SCREW-	002004 006100 107107 121503 904999	2
325	AN960KD10L	. .	WASHER	002004 006100 107107 121503 904999	2
330	NAS43DD3-171	. .	SPACER	002004 006100 107107 121503 904999	2

MISSING ITEM NUMBERS NOT APPLICABLE

- ITEM NOT ILLUSTRATED

29-11-51-17

29-11-51
FIG. 17
PAGE 9
JAN 20/09

BRI

BOEING PROPRIETARY - Copyright © - Unpublished Work - See title page for details.



757

PARTS CATALOG (MAINTENANCE)

FIG ITEM	PART NUMBER	1 2 3 4 5 6 7	NOMENCLATURE	EFFECT FROM TO	UNITS PER ASSY
17 335	BRH10A3	. .	NUT SUPPLIER CODE: V52828 SPECIFICATION NUMBER: BACN10JC3 OPTIONAL PART: H10-3BAC V15653 NS202101-02 V80539 RMLH9075-3W V72962 VN303A02 V92215 96-02 V80539 T6S1032J V11815	002004 006100 107107 121503 904999	2
340	270N2000-820	. .	CHANNEL	002004 006100 107107 121503 904999	1
345	270N2000-426	. .	BLOCK	002004 006100 107107 121503 904999	1
350	270N2000-427	. .	BLOCK	002004 006100 107107 121503 904999	1
355	270N2000-428	. .	BLOCK	002004 006100 107107 121503 904999	1
360	270N2000-227	. .	CLAMP ASSY-BLK	002004 006100 107107 121503 904999	1
365	NAS1801-3-51	. .	SCREW-	002004 006100 107107 121503 904999	2

MISSING ITEM NUMBERS NOT APPLICABLE

- ITEM NOT ILLUSTRATED

29-11-51-17

29-11-51
FIG. 17
PAGE 10
JAN 20/09

BRI

BOEING PROPRIETARY - Copyright © - Unpublished Work - See title page for details.



757

PARTS CATALOG (MAINTENANCE)

FIG ITEM	PART NUMBER	1 2 3 4 5 6 7	NOMENCLATURE	EFFECT FROM TO	UNITS PER ASSY
17 370	AN960KD10L	. .	WASHER	002004 006100 107107 121503 904999	2
375	NAS43DD3-169	. .	SPACER-	002004 006100 107107 121503 904999	2
380	BRH10A3	. .	NUT SUPPLIER CODE: V52828 SPECIFICATION NUMBER: BACN10JC3 OPTIONAL PART: H10-3BAC V15653 NS202101-02 V80539 RMLH9075-3W V72962 VN303A02 V92215 96-02 V80539 T6S1032J V11815	002004 006100 107107 121503 904999	2
385	270N2000-805	. .	CHANNEL	002004 006100 107107 121503 904999	1
395	270N2000-1215	. .	BLOCK-	002004 006100 107107 121503 904999	1
400	270N2000-1216	. .	BLOCK-	002004 006100 107107 121503 904999	1
405	270N2000-1213	. .	BLOCK	002004 006100 107107 121503 904999	1

MISSING ITEM NUMBERS NOT APPLICABLE

- ITEM NOT ILLUSTRATED

29-11-51-17

29-11-51
FIG. 17
PAGE 11
JAN 20/09

BRI

BOEING PROPRIETARY - Copyright © - Unpublished Work - See title page for details.



757

PARTS CATALOG (MAINTENANCE)

FIG ITEM	PART NUMBER	1 2 3 4 5 6 7	NOMENCLATURE	EFFECT FROM TO	UNITS PER ASSY
17 410	270N2000-1214	..	BLOCK	002004 006100 107107 121503 904999	1
500	271N6123-1108	.TUBE ASSY-SUPPLY SYS POSITION DATA: R TUBING MATERIAL: 1.25 IN. OD .035 IN. WALL 39.50 IN. LG AL AMS 4083 6061 T6 TUBING		107107 904949 952952	1
500	271N6123-1293	.TUBE ASSY-SUPPLY SYS POSITION DATA: R TUBING MATERIAL: 1.25 IN. OD .035 IN. WALL 39.10 IN. LG AL AMS 4083 6061 T6 TUBING		002004 006100 121503 950951 953999	1
- 505	AFP175V20P	..SLEEVE- SUPPLIER CODE: V30974 SPECIFICATION NUMBER: BACS13BX20HP OPTIONAL PART: 2-02901-20HP V11328 35025VN20 V08199		002004 006100 107107 121503 904999	1
- 510	BACN10YL20L	..NUT-		002004 006100 107107 121503 904999	1
520	271N6123-1070	.TUBE ASSY-SUPPLY SYS POSITION DATA: R TUBING MATERIAL: 1.25 IN. OD .035 IN. WALL 63.60 IN. LG AL AMS 4083 6061 T6 TUBING		002004 006100 107107 121503 904999	1

MISSING ITEM NUMBERS NOT APPLICABLE

- ITEM NOT ILLUSTRATED

BRI

29-11-51-17

29-11-51
FIG. 17
PAGE 12
JAN 20/09



757

PARTS CATALOG (MAINTENANCE)

FIG ITEM	PART NUMBER	1 2 3 4 5 6 7	NOMENCLATURE	EFFECT FROM TO	UNITS PER ASSY
17 - 525	AFP175V20P	..	SLEEVE- SUPPLIER CODE: V30974 SPECIFICATION NUMBER: BACS13BX20HP OPTIONAL PART: 2-02901-20HP V11328 35025VN20 V08199	002004 006100 107107 121503 904999	2
- 530	BACN10YL20L	..	NUT-	002004 006100 107107 121503 904999	2
535	271N6123-1034	.	TUBE ASSY-SUPPLY SYS POSITION DATA: R TUBING MATERIAL: 1.25 IN. OD .035 IN. WALL 74.60 IN. LG AL AMS 4083 6061 T6 TUBING	002004 006100 107107 121503 904999	1
- 539	BACN10YL20L	..	NUT-	002004 006100 107107 121503 904999	1
545	271N6123-1044	.	TUBE ASSY-SUPPLY SYS POSITION DATA: R TUBING MATERIAL: 1.25 IN. OD .035 IN. WALL 36.00 IN. LG AL AMS 4083 6061 T6 TUBING	002004 006100 107107 121503 904999	1
- 547	AFP175V20P	..	SLEEVE- SUPPLIER CODE: V30974 SPECIFICATION NUMBER: BACS13BX20HP OPTIONAL PART: 2-02901-20HP V11328 35025VN20 V08199	002004 006100 107107 121503 904999	1

MISSING ITEM NUMBERS NOT APPLICABLE

- ITEM NOT ILLUSTRATED

29-11-51-17

29-11-51
FIG. 17
PAGE 13
JAN 20/09

BRI



757

PARTS CATALOG (MAINTENANCE)

FIG ITEM	PART NUMBER	1 2 3 4 5 6 7	NOMENCLATURE	EFFECT FROM TO	UNITS PER ASSY
17					
- 550	BACN10YL20L	..	NUT-	002004 006100 107107 121503 904999	1
555	271N6123-1277	.TUBE ASSY-SUPPLY SYS POSITION DATA: R TUBING MATERIAL: 1.25 IN. OD .035 IN. WALL 42.80 IN. LG AL AMS 4083 6061 T6 TUBING		002004 006100 107107 121503 904999	1
- 557	AFP175V20P	..SLEEVE- SUPPLIER CODE: V30974 SPECIFICATION NUMBER: BACS13BX20HP OPTIONAL PART: 2-02901-20HP V11328 35025VN20 V08199		002004 006100 107107 121503 904999	1
- 559	BACN10YL20L	..	NUT-	002004 006100 107107 121503 904999	1
565	271N6123-1278	.TUBE ASSY-PRESSURE SYS POSITION DATA: R TUBING MATERIAL: 1.00 IN. OD .051 IN. WALL 24.50 IN. LG TI BMS 7-234 TI-3AL-2.5V COLD WORKED, STRESS RELIEVED TUBING		002004 006100 107107 121503 904999	1
- 570	AS1581T16	..	SLEEVE	002004 006100 107107 121503 904999	2
- 575	BACN10YA16L	..	NUT-	002004 006100 107107 121503 904999	2

MISSING ITEM NUMBERS NOT APPLICABLE

- ITEM NOT ILLUSTRATED

29-11-51-17

29-11-51
FIG. 17
PAGE 14
JAN 20/09

BRI



757

PARTS CATALOG (MAINTENANCE)

FIG ITEM	PART NUMBER	1 2 3 4 5 6 7	NOMENCLATURE	EFFECT FROM TO	UNITS PER ASSY
17 580	271N6123-1280		.TUBE ASSY-PRESSURE SYS POSITION DATA: R TUBING MATERIAL: 1.00 IN. OD .051 IN. WALL 33.30 IN. LG TI BMS 7-234 TI-3AL-2.5V COLD WORKED, STRESS RELIEVED TUBING	002004 006100 107107 121503 904999	1
585	271N6123-1265		.TUBE ASSY-PRESSURE SYS POSITION DATA: R TUBING MATERIAL: 1.00 IN. OD .051 IN. WALL 87.20 IN. LG TI BMS 7-234 TI-3AL-2.5V COLD WORKED, STRESS RELIEVED TUBING	002004 006100 107107 121503 904999	1
- 590	AS1581T16		..SLEEVE	002004 006100 107107 121503 904999	1
- 600	AS1582T16		..UNION	002004 006100 107107 121503 904999	1
605	271N6123-1113		.TUBE ASSY-PRESSURE SYS POSITION DATA: R TUBING MATERIAL: 1.00 IN. OD .051 IN. WALL 51.00 IN. LG TI BMS 7-234 TI-3AL-2.5V COLD WORKED, STRESS RELIEVED TUBING	002004 006100 107107 121503 904999	1
610	271N6123-1282		.TUBE ASSY-PRESSURE SYS POSITION DATA: R TUBING MATERIAL: 1.00 IN. OD .051 IN. WALL 33.00 IN. LG TI BMS 7-234 TI-3AL-2.5V COLD WORKED, STRESS RELEIVED TUBING	003004 006100 121503 904999	1

MISSING ITEM NUMBERS NOT APPLICABLE

- ITEM NOT ILLUSTRATED

BRI

29-11-51-17

29-11-51
FIG. 17
PAGE 15
JAN 20/09



757

PARTS CATALOG (MAINTENANCE)

FIG ITEM	PART NUMBER	1 2 3 4 5 6 7	NOMENCLATURE	EFFECT FROM TO	UNITS PER ASSY
17 615	271N6123-1187		.TUBE ASSY-PRESSURE SYS POSITION DATA: R TUBING MATERIAL: 1.00 IN. OD .051 IN. WALL 18.50 IN. LG TI BMS 7-234 TI-3AL-2.5V COLD WORKED, STRESS RELIEVED TUBING	002004 006100 107107 121503 904999	1
620	271N6123-1149		.TUBE ASSY-PRESSURE SYS POSITION DATA: R TUBING MATERIAL: 1.00 IN. OD .051 IN. WALL 4.20 IN. LG TI BMS 7-234 TI-3AL-2.5V COLD WORKED, STRESS RELIEVED TUBING	002004 006100 107107 121503 904999	1
- 625	AS1581T16		..SLEEVE	002004 006100 107107 121503 904999	2
- 630	BACN10YA16L		..NUT-	002004 006100 107107 121503 904999	2
635	271N6123-1166		.TUBE ASSY-RETURN SYS POSITION DATA: R TUBING MATERIAL: .625 IN. OD .035 IN. WALL 58.40 IN. LG AL AMS 4083 6061 T6 TUBING	107107	1
635	271N6123-1285		.TUBE ASSY-RETURN SYS POSITION DATA: R TUBING MATERIAL: .625 IN. OD .035 IN. WALL 58.80 IN. LG AL AMS 4083 6061 T6 TUBING	002004 006100 121503 904999	1

MISSING ITEM NUMBERS NOT APPLICABLE

- ITEM NOT ILLUSTRATED

BRI

29-11-51-17

29-11-51
FIG. 17
PAGE 16
JAN 20/09



757

PARTS CATALOG (MAINTENANCE)

FIG ITEM	PART NUMBER	1 2 3 4 5 6 7	NOMENCLATURE	EFFECT FROM TO	UNITS PER ASSY
17 - 645	AP2097HP10	..	SLEEVE- SUPPLIER CODE: V01673 SPECIFICATION NUMBER: BACS13BX10HP OPTIONAL PART: 2-02903-10HP V11328 35235VN10 V08199 AFP175V10P V30974 DBOS13BX10HP V14798	002004 006100 107107 121503 904999	1
- 655	BACN10YL10	..	NUT-	002004 006100 107107 121503 904999	1
665	271N6123-1161	.	TUBE ASSY-RETURN SYS POSITION DATA: R TUBING MATERIAL: .625 IN. OD .035 IN. WALL 29.30 IN. LG AL AMS 4083 6061 T6 TUBING	002004 006100 107107 121503 904999	1
- 670	AP2097HP10	..	SLEEVE- SUPPLIER CODE: V01673 SPECIFICATION NUMBER: BACS13BX10HP OPTIONAL PART: 2-02903-10HP V11328 35235VN10 V08199 AFP175V10P V30974 DBOS13BX10HP V14798	002004 006100 107107 121503 904999	1
- 675	BACN10YL10	..	NUT	002004 006100 107107 121503 904999	1

MISSING ITEM NUMBERS NOT APPLICABLE

- ITEM NOT ILLUSTRATED

BRI

29-11-51-17

29-11-51
FIG. 17
PAGE 17
JAN 20/09



757

PARTS CATALOG (MAINTENANCE)

FIG ITEM	PART NUMBER	1 2 3 4 5 6 7	NOMENCLATURE	EFFECT FROM TO	UNITS PER ASSY
17 685	271N6123-1159		.TUBE ASSY-RETURN SYS POSITION DATA: R TUBING MATERIAL: .625 IN. OD .035 IN. WALL 56.30 IN. LG AMS 4083 6061 T6 TUBING	002004 006100 107107 121503 904999	1
- 690	AP2097HP10		..SLEEVE- SUPPLIER CODE: V01673 SPECIFICATION NUMBER: BACS13BX10HP OPTIONAL PART: 2-02903-10HP V11328 35235VN10 V08199 AFP175V10P V30974 DBOS13BX10HP V14798	002004 006100 107107 121503 904999	2
- 695	BACN10YL10		..NUT-	002004 006100 107107 121503 904999	2
700	271N6123-1157		.TUBE ASSY-RETURN SYS POSITION DATA: R TUBING MATERIAL: .625 IN. OD .035 IN. WALL 37.10 IN. LG AL AMS 4083 6061 T6 TUBING	002004 006100 107107 121503 904999	1

MISSING ITEM NUMBERS NOT APPLICABLE

- ITEM NOT ILLUSTRATED

BRI

29-11-51-17

29-11-51
FIG. 17
PAGE 18
JAN 20/09



757

PARTS CATALOG (MAINTENANCE)

FIG ITEM	PART NUMBER	1 2 3 4 5 6 7	NOMENCLATURE	EFFECT FROM TO	UNITS PER ASSY
17 - 705	35056GV10		..UNION- SUPPLIER CODE: V08199 SPECIFICATION NUMBER: BACU24AB10W OPTIONAL PART: 4671097W10 V50948 2-01027-10W V11328 31875-10W V14397 AP1004W10 V01673 AFP941W10 V30974 DBOU24AB10W V14798	002004 006100 107107 121503 904999	2
710	271N6123-1155		.TUBE ASSY-RETURN SYS POSITION DATA: R TUBING MATERIAL: .625 IN. OD .035 IN. WALL 69.70 IN. LG AL AMS 4083 6061 T6 TUBING	002004 006100 107107 121503 904999	1
- 715	AP2097HP10		..SLEEVE- SUPPLIER CODE: V01673 SPECIFICATION NUMBER: BACS13BX10HP OPTIONAL PART: 2-02903-10HP V11328 35235VN10 V08199 AFP175V10P V30974 DBOS13BX10HP V14798	002004 006100 107107 121503 904999	1
- 720	BACN10YL10		..NUT- OPTIONAL PART: MS21921-10D	002004 006100 107107 121503 904999	1

MISSING ITEM NUMBERS NOT APPLICABLE

- ITEM NOT ILLUSTRATED

BRI

29-11-51-17

29-11-51
FIG. 17
PAGE 19
JAN 20/09



757

PARTS CATALOG (MAINTENANCE)

FIG ITEM	PART NUMBER	1 2 3 4 5 6 7	NOMENCLATURE	EFFECT FROM TO	UNITS PER ASSY
17 730	271N6123-1152		.TUBE ASSY-RETURN SYS POSITION DATA: R TUBING MATERIAL: .625 IN. OD .035 IN. WALL 28.70 IN. LG AL AMS 4083 6061 T6 TUBING	002004 006100 107107 121503 904999	1
- 735	AP2097HP10		..SLEEVE- SUPPLIER CODE: V01673 SPECIFICATION NUMBER: BACS13BX10HP OPTIONAL PART: 2-02903-10HP V11328 35235VN10 V08199 AFP175V10P V30974 DBOS13BX10HP V14798	002004 006100 107107 121503 904999	2
- 740	BACN10YL10		..NUT-	002004 006100 107107 121503 904999	2
745	271N6123-1188		.TUBE ASSY-RETURN SYS POSITION DATA: R TUBING MATERIAL: 1.00 IN. OD .035 IN. WALL 15.70 IN. LG AL AMS 4083 6061 T6 TUBING	002004 006100 107107 121503 904999	1
750	271N6123-1151		.TUBE ASSY-RETURN SYS POSITION DATA: R TUBING MATERIAL: 1.00 IN. OD .035 IN. WALL 5.20 IN. LG AL AMS 4083 6061 T6 TUBING	002004 006100 107107 121503 904999	1

MISSING ITEM NUMBERS NOT APPLICABLE

- ITEM NOT ILLUSTRATED

BRI

29-11-51-17

29-11-51
FIG. 17
PAGE 20
JAN 20/09



757

PARTS CATALOG (MAINTENANCE)

FIG ITEM	PART NUMBER	1 2 3 4 5 6 7	NOMENCLATURE	EFFECT FROM TO	UNITS PER ASSY
17 - 755	AP2097HP16	..	SLEEVE SUPPLIER CODE: V01673 SPECIFICATION NUMBER: BACS13BX16HP OPTIONAL PART: 2-02903-16HP V11328 35235VN16 V08199 AFP175V16P V30974 DBOS13BX16HP V14798	002004 006100 107107 121503 904999	2
- 760	BACN10YL16L	..	NUT-	002004 006100 107107 121503 904999	2
765	271N6123-1202	.TUBE ASSY-SYS POSITION DATA: R TUBING MATERIAL: .625 IN. OD .035 IN. WALL 15.40 IN. LG AL AMS 4083 6061 T6 TUBING		002004 006100 107107 121503 904999	1
775	271N6123-1173	.TUBE ASSY-CASE DRAIN SYS POSITION DATA: R TUBING MATERIAL: .625 IN. OD .035 IN. WALL 60.70 IN. LG AL AMS 4083 6061 T6 TUBING		002004 006100 107107 121503 904999	1
780	271N6123-1174	.TUBE ASSY-CASE DRAIN SYS POSITION DATA: R TUBING MATERIAL: .625 IN. OD .035 IN. WALL 67.90 IN. LG AL AMS 4083 6061 T6 TUBING		002004 006100 107107 121503 904999	1

MISSING ITEM NUMBERS NOT APPLICABLE

- ITEM NOT ILLUSTRATED

BRI

29-11-51-17

29-11-51
FIG. 17
PAGE 21
JAN 20/09



757

PARTS CATALOG (MAINTENANCE)

FIG ITEM	PART NUMBER	1 2 3 4 5 6 7	NOMENCLATURE	EFFECT FROM TO	UNITS PER ASSY
17 - 785	AP2097HP10	..	SLEEVE SUPPLIER CODE: V01673 SPECIFICATION NUMBER: BACS13BX10HP OPTIONAL PART: 2-02903-10HP V11328 35235VN10 V08199 AFP175V10P V30974 DBOS13BX10HP V14798	002004 006100 107107 121503 904999	1
- 790	BACN10YL10	..	NUT-	002004 006100 107107 121503 904999	1
800	271N6123-1251	.TUBE ASSY-CASE DRAIN SYS POSITION DATA: R TUBING MATERIAL: .375 IN. OD .035 IN. WALL 38.40 IN. LG AL AMS 4083 6061 T6 TUBING		107107 904949 952952	1
800	271N6123-1292	.TUBE ASSY-CASE DRAIN SYS POSITION DATA: R TUBING MATERIAL: .375 IN. OD .035 IN. WALL 39.10 IN. LG AL AMS 4083 6061 T6 TUBING		002004 006100 121503 950951 953999	1
- 805	AP2097HP06	..	SLEEVE SUPPLIER CODE: V01673 SPECIFICATION NUMBER: BACS13BX06HP OPTIONAL PART: 2-02903-06HP V11328 35235VN06 V08199 AFP175V06P V30974 DBOS13BX06HP V14798	002004 006100 107107 121503 904999	1

MISSING ITEM NUMBERS NOT APPLICABLE

- ITEM NOT ILLUSTRATED

29-11-51-17

29-11-51
FIG. 17
PAGE 22
JAN 20/09

BRI



757

PARTS CATALOG (MAINTENANCE)

FIG ITEM	PART NUMBER	1 2 3 4 5 6 7	NOMENCLATURE	EFFECT FROM TO	UNITS PER ASSY
17 - 810	BACN10YL06	..	NUT-	002004 006100 107107 121503 904999	1
820	271N6123-1112	.	TUBE ASSY-CASE DRAIN SYS POSITION DATA: R TUBING MATERIAL: .375 IN. OD .035 IN. WALL 76.40 IN. LG AL AMS 4083 6061 T6 TUBING	002004 006100 107107 121503 904999	1
- 825	AP2097HP06	..	SLEEVE SUPPLIER CODE: V01673 SPECIFICATION NUMBER: BACS13BX06HP OPTIONAL PART: 2-02903-06HP V11328 35235VN06 V08199 AFP175V06P V30974 DBOS13BX06HP V14798	002004 006100 107107 121503 904999	2
- 830	BACN10YL06	..	NUT	002004 006100 107107 121503 904999	2
835	271N6123-1142	.	TUBE ASSY-RETURN SYS POSITION DATA: R TUBING MATERIAL: .375 IN. OD .035 IN. WALL 31.50 IN. LG AL AMS 4083 6061 T6 TUBING	002004 006100 107107 121503 904999	1

MISSING ITEM NUMBERS NOT APPLICABLE

- ITEM NOT ILLUSTRATED

BRI

29-11-51-17

29-11-51
FIG. 17
PAGE 23
JAN 20/09



757

PARTS CATALOG (MAINTENANCE)

FIG ITEM	PART NUMBER	1 2 3 4 5 6 7	NOMENCLATURE	EFFECT FROM TO	UNITS PER ASSY
17 - 837	AP2097HP06	..	SLEEVE SUPPLIER CODE: V01673 SPECIFICATION NUMBER: BACS13BX06HP OPTIONAL PART: 2-02903-06HP V11328 35235VN06 V08199 AFP175V06P V30974 DBOS13BX06HP V14798	002004 006100 107107 121503 904999	1
- 838	BACN10YLO6	..	NUT	002004 006100 107107 121503 904999	1
840	271N6123-1200	.TUBE ASSY-CASE DRAIN SYS POSITION DATA: R TUBING MATERIAL: .375 IN. OD .035 IN. WALL 39.20 IN. LG AL AMS 4083 6061 T6 TUBING		002004 006100 107107 121503 904999	1
845	271N6123-1047	.TUBE ASSY-RETURN SYS POSITION DATA: R TUBING MATERIAL: .375 IN. OD .035 IN. WALL 29.20 IN. LG AL AMS 4083 6061 T6 TUBING		002004 006100 107107 121503 904999	1
850	271N6123-1027	.TUBE ASSY-RETURN SYS POSITION DATA: R TUBING MATERIAL: .375 IN. OD .035 IN. WALL 22.60 IN. LG AL MS 4083 6061 T6 TUBING		107107	1

MISSING ITEM NUMBERS NOT APPLICABLE

- ITEM NOT ILLUSTRATED

BRI

29-11-51-17

BOEING PROPRIETARY - Copyright © - Unpublished Work - See title page for details.

29-11-51
FIG. 17
PAGE 24
JAN 20/09



757

PARTS CATALOG (MAINTENANCE)

FIG ITEM	PART NUMBER	1 2 3 4 5 6 7	NOMENCLATURE	EFFECT FROM TO	UNITS PER ASSY
17 850	271N6123-1283		.TUBE ASSY-RETURN SYS POSITION DATA: R TUBING MATERIAL: .375 IN. OD .035 IN. WALL 41.40 IN. LG AL AMS 4083 6061 T6 TUBING	003004 006100 121503 904999	1
- 855	AP2097HP06		..SLEEVE SUPPLIER CODE: V01673 SPECIFICATION NUMBER: BACS13BX06HP OPTIONAL PART: 2-02903-06HP V11328 35235VN06 V08199 AFP175V06P V30974 DBOS13BX06HP V14798	002004 006100 107107 121503 904999	1
- 860	BACN10YLO6		..NUT	002004 006100 107107 121503 904999	1
870	271N6123-1041		.TUBE ASSY-RETURN SYS POSITION DATA: R TUBING MATERIAL: .375 IN. OD .035 IN. WALL 40.50 IN. LG AL AMS 4083 6061 T6 TUBING	107107	1
870	271N6123-1284		.TUBE ASSY-RETURN SYS POSITION DATA: R TUBING MATERIAL: .375 IN. OD .035 IN. WALL 21.80 IN. LG AL AMS 4083 6061 T6 TUBING	003004 006100 121503 904999	1

MISSING ITEM NUMBERS NOT APPLICABLE

- ITEM NOT ILLUSTRATED

BRI

29-11-51-17

29-11-51
FIG. 17
PAGE 25
JAN 20/09



757

PARTS CATALOG (MAINTENANCE)

FIG ITEM	PART NUMBER	1 2 3 4 5 6 7	NOMENCLATURE	EFFECT FROM TO	UNITS PER ASSY
17 - 875	AP2097HP06	..	SLEEVE SUPPLIER CODE: V01673 SPECIFICATION NUMBER: BACS13BX06HP OPTIONAL PART: 2-02903-06HP V11328 35235VN06 V08199 AFP175V06P V30974 DBOS13BX06HP V14798	002004 006100 107107 121503 904999	2
- 880	BACN10YL06	..	NUT	002004 006100 107107 121503 904999	2
885	271N6123-1043	.TUBE ASSY-RETURN SYS POSITION DATA: R TUBING MATERIAL: .625 IN. OD .035 IN. WALL 18.00 IN. LG AL AMS 4083 6061 T6 TUBING		002004 006100 107107 121503 904999	1
- 890	AP2097HP10	..	SLEEVE SUPPLIER CODE: V01673 SPECIFICATION NUMBER: BACS13BX10HP OPTIONAL PART: 2-02903-10HP V11328 35235VN10 V08199 AFP175V10P V30974 DBOS13BX10HP V14798	002004 006100 107107 121503 904999	2
- 895	BACN10YL10	..	NUT	002004 006100 107107 121503 904999	2

MISSING ITEM NUMBERS NOT APPLICABLE

- ITEM NOT ILLUSTRATED

BRI

29-11-51-17

29-11-51
FIG. 17
PAGE 26
JAN 20/09



757

PARTS CATALOG (MAINTENANCE)

FIG ITEM	PART NUMBER	1 2 3 4 5 6 7	NOMENCLATURE	EFFECT FROM TO	UNITS PER ASSY
17 900	271N6123-1101		.TUBE ASSY-SYS POSITION DATA: R TUBING MATERIAL: .625 IN. OD .035 IN. WALL 18.30 IN. LG AL AMS 4083 6061 T6 TUBING	002004 006100 107107 121503 904999	1
915	D10036D10		.UNION- SUPPLIER CODE: V14798 OPTIONAL PART: D10282D10 V14798	002004 006100 107107 121503 904999	2
915	D10282D10		.UNION- SUPPLIER CODE: V14798 OPTIONAL PART: D10036D10 V14798	002004 006100 107107 121503 904999	2
920	MS21902D10		.UNION	002004 006100 107107 121503 904999	2
925	NAS1762T1616		.ELBOW-	002004 006100 107107 121503 904999	1
925	NAS1762J1616		.ELBOW-	002004 006100 107107 121503 904999	1

MISSING ITEM NUMBERS NOT APPLICABLE

- ITEM NOT ILLUSTRATED

BRI

29-11-51-17

29-11-51
FIG. 17
PAGE 27
JAN 20/09



757

PARTS CATALOG (MAINTENANCE)

FIG ITEM	PART NUMBER	1 2 3 4 5 6 7	NOMENCLATURE	EFFECT FROM TO	UNITS PER ASSY
17 930	APX824D161610	. TEE-	SUPPLIER CODE: V01673 SPECIFICATION NUMBER: BACT16AS161610D OPTIONAL PART: APX824-161610D V01673 DB0T16AS161610D V14798 ER824-161610D V50948 FER1571-161610D V14397 LER824-161610D V11328 NAF1824-161610D V52930 US1925-161610D V50808 AFP325-161610D V30974	002004 006100 107107 121503 904999	1
932	BACT16BL161616T	. TEE-		002004 006100 107107 121503 904999	1
932	BACT16BL161616J	. TEE-		002004 006100 107107 121503 904999	1
933	BACT16BL161612T	. TEE-		002004 006100 107107 121503 904999	1
933	BACT16BL161612J	. TEE-		002004 006100 107107 121503 904999	1

MISSING ITEM NUMBERS NOT APPLICABLE

- ITEM NOT ILLUSTRATED

29-11-51-17

29-11-51
FIG. 17
PAGE 28
JAN 20/09

BRI



757

PARTS CATALOG (MAINTENANCE)

FIG ITEM	PART NUMBER	1 2 3 4 5 6 7	NOMENCLATURE	EFFECT FROM TO	UNITS PER ASSY
17 935	APX824D060610	. TEE-	SUPPLIER CODE: V01673 SPECIFICATION NUMBER: BACT16AS060610D OPTIONAL PART: APX824-060610D V01673 DB0T16AS060610D V14798 ER824-060610D V50948 FER1571-060610D V14397 LER824-060610D V11328 NAF1824-060610D V52930 US1925-060610D V50808 AFP325-060610D V30974	002004 006100 107107 121503 904999	1
935	BACT16BL060610J	. TEE-	OPTIONAL PART: BACT16AS060610J	002004 006100 107107 121503 904999	1

MISSING ITEM NUMBERS NOT APPLICABLE

- ITEM NOT ILLUSTRATED

BRI

29-11-51-17

BOEING PROPRIETARY - Copyright © - Unpublished Work - See title page for details.

29-11-51
FIG. 17
PAGE 29
JAN 20/09



757

PARTS CATALOG (MAINTENANCE)

FIG ITEM	PART NUMBER	1 2 3 4 5 6 7	NOMENCLATURE	EFFECT FROM TO	UNITS PER ASSY
17 935	APX824J060610	. TEE-	SUPPLIER CODE: V01673 SPECIFICATION NUMBER: BACT16AS060610J OPTIONAL PART: APX824-060610J V01673 DBOT16AS060610J V14798 ER824-060610J V50948 FER1571-060610J V14397 LER824-060610J V11328 NAF1824-060610J V52930 US1925-060610J V50808 AFP325-060610J V30974 BACT16BL060610J	002004 006100 107107 121503 904999	1
937	APX824D101008	. TEE-	SUPPLIER CODE: V01673 SPECIFICATION NUMBER: BACT16AS101008D OPTIONAL PART: APX824-101008D V01673 DBOT16AS101008D V14798 ER824-101008D V50948 FER1571-101008D V14397 LER824-101008D V11328 NAF1824-101008D V52930 US1925-101008D V50808 AFP325-101008D V30974	002004 006100 107107 121503 904999	1

MISSING ITEM NUMBERS NOT APPLICABLE

- ITEM NOT ILLUSTRATED

BRI

29-11-51-17

BOEING PROPRIETARY - Copyright © - Unpublished Work - See title page for details.

29-11-51
FIG. 17
PAGE 30
JAN 20/09

BOEING
757
PARTS CATALOG (MAINTENANCE)

FIG ITEM	PART NUMBER	1 2 3 4 5 6 7	NOMENCLATURE	EFFECT FROM TO	UNITS PER ASSY
17 938	BACT16BL161606T	.	TEE	002004 006100 107107 121503 904999	1
940	NAS1612-10	.	PACKING-	002004 006100 107107 121503 904999	2
945	1C1350	.	VALVE- SUPPLIER CODE: V99240 SPECIFICATION NUMBER: BACV10CD4	002004 006100 107107 121503 904999	1
947	1C1354	.	VALVE- SUPPLIER CODE: V99240 SPECIFICATION NUMBER: BACV10CD6	002004 006100 107107 121503 904999	1
950	271N6226-1	.	BRACKET-SPRT	002004 006100 107107 121503 904999	7
952	271N6226-2	.	BRACKET-SPRT	002004 006100 107107 121503 904999	1
960			ILLUSTRATION REFERENCE: RESERVOIR INSTL-R SYS HYDR 29-11-20-05	002004 006100 107107 121503 904999	RF
963			ILLUSTRATION REFERENCE: VALVE INSTL-L AND R SYS RELIEF (HYDRAULIC POWER ONLY) 29-11-29-01	002004 006100 107107 121503 904999	RF
965			ILLUSTRATION REFERENCE: PLUMBING INSTL- SECT. 12 R WING OUTBD HYDR (HYDRAULIC POWER ONLY) 29-11-51-28	002004 006100 107107 121503 904999	RF

MISSING ITEM NUMBERS NOT APPLICABLE

— ITEM NOT ILLUSTRATED

BRI

29-11-51-17

29-11-51
FIG. 17
PAGE 31
JAN 20/09



757

PARTS CATALOG (MAINTENANCE)

FIG ITEM	PART NUMBER	1 2 3 4 5 6 7	NOMENCLATURE	EFFECT FROM TO	UNITS PER ASSY
17 967			ILLUSTRATION REFERENCE: PLUMBING INSTL-MAIN WHL WELL FWD BHD HYDR (HYDRAULIC POWER ONLY) 29-11-51-39	002004 006100 107107 121503 904999	RF
970			ILLUSTRATION REFERENCE: PLUMBING INSTL-SECT. 31.1 HYDR (LH) (HYDRAULIC POWER ONLY) 29-11-51-45	002004 006100 107107 121503 904999	RF
973			ILLUSTRATION REFERENCE: EXCHANGER INSTL-L, R AND CTR HEAT 29-11-26-05	002004 006100 107107 121503 904999	RF
975			ILLUSTRATION REFERENCE: MODULE INSTL-ELEC MOTOR PUMP PRESSURE/CASE DRAIN L AND R SYS FILTER 29-11-18-01	002004 006100 107107 121503 904999	RF
980			ILLUSTRATION REFERENCE: PLUMBING INSTL-SECT. 44 R PRESSURE DECK HYDR (HYDRAULIC POWER ONLY) 29-11-51-34	002004 006100 107107 121503 904999	RF

MISSING ITEM NUMBERS NOT APPLICABLE

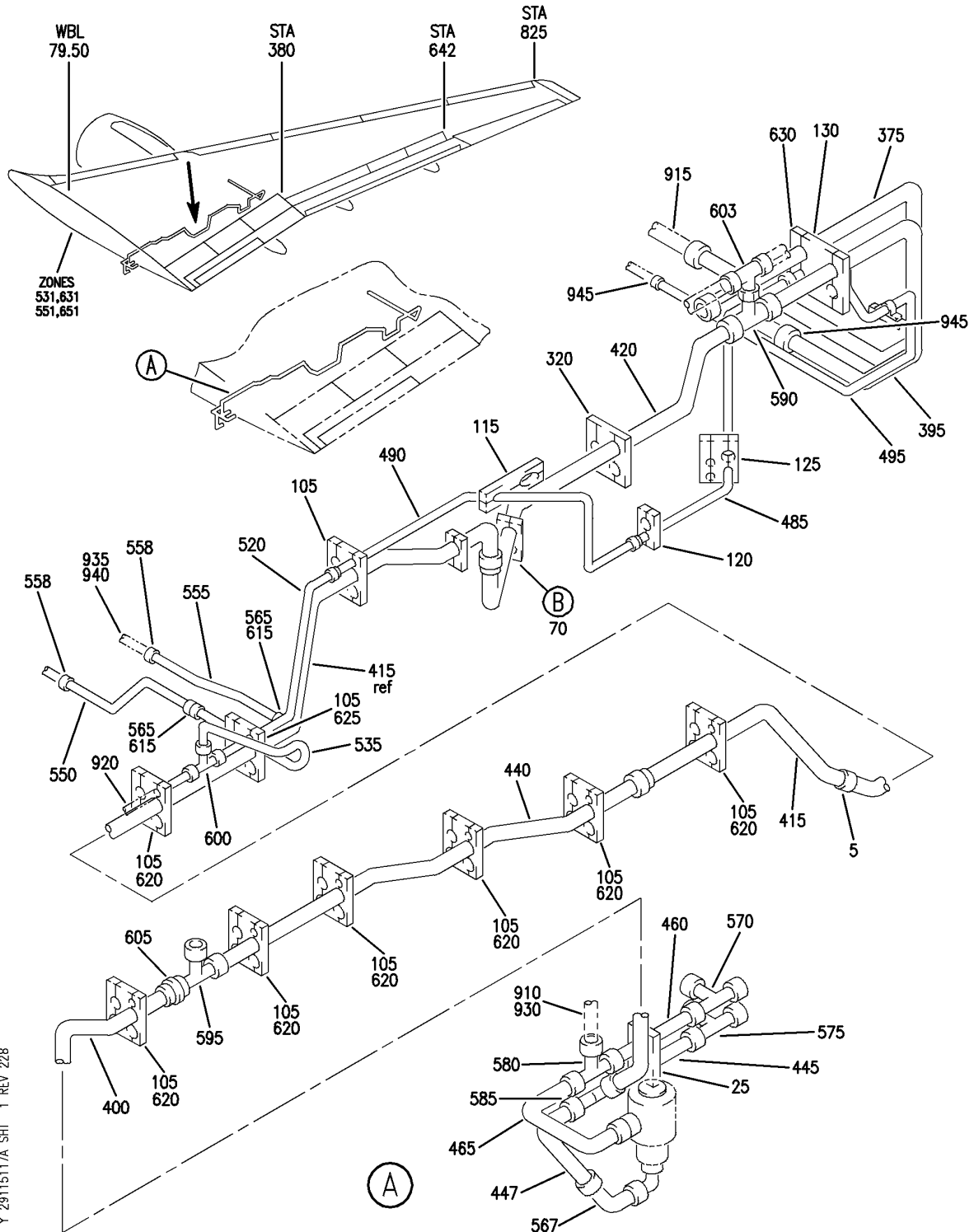
- ITEM NOT ILLUSTRATED

BRI

29-11-51-17

29-11-51
FIG. 17
PAGE 32
JAN 20/09


BOEING
 757
PARTS CATALOG (MAINTENANCE)



Y 29115117A SH1 1 REV 228

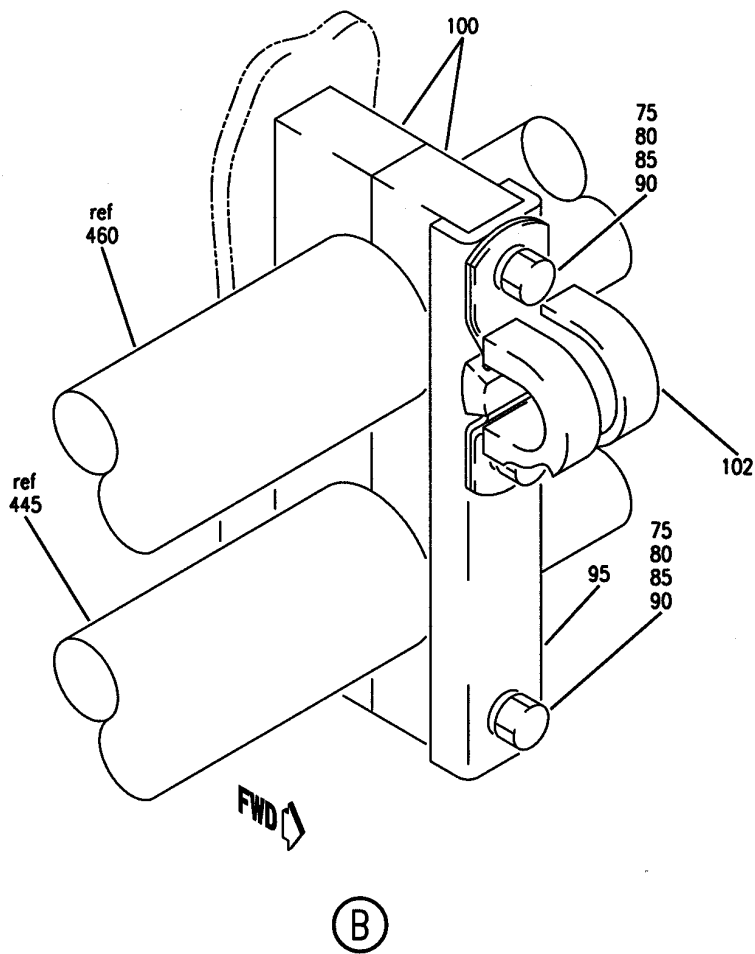
PLUMBING INSTL-SECT. 12 R WING INBD HYDR (HYDRAULIC POWER ONLY) (R SYS)
 FIGURE 17A (SHEET 1)

29-11-51-17A

BRI
MAY 28/07

29-11-51-17A
 PAGE 0

BOEING
757
PARTS CATALOG (MAINTENANCE)



Y 29115117A SHT 2 REV 218

PLUMBING INSTL-SECT. 12 R WING INBD HYDR (HYDRAULIC POWER ONLY) (R SYS)
FIGURE 17A (SHEET 2)

BRI
MAY 28/07

29-11-51-17A

29-11-51-17A
PAGE 0A



757

PARTS CATALOG (MAINTENANCE)

FIG ITEM	PART NUMBER	1 2 3 4 5 6 7	NOMENCLATURE	EFFECT FROM TO	UNITS PER ASSY
17A			PLUMBING INSTL-SECT. 12 R WING INBD HYDR (HYDRAULIC POWER ONLY) (R SYS)	101102 108120 504903	
- 1	271N6123-13		PLUMBING INSTL-HYDR (HYDRAULIC POWER ONLY) (R SYS) POSITION DATA: SECT. 12 R WING INBD FOR NHA/OTHER SYS DET SEE: 29-00-51-02C	101102 504903	RF
- 1	271N6123-17		PLUMBING INSTL-HYDR (HYDRAULIC POWER ONLY) (R SYS) POSITION DATA: SECT. 12 R WING INBD FOR NHA/OTHER SYS DET SEE: 29-00-51-02C	108120	RF
5	TA0910004H110		.CLAMP SUPPLIER CODE: V84971 SPECIFICATION NUMBER: BACC10HB10C ATTACHING PARTS	101102 108120 504903	1
- 10	NAS1801-3		.SCREW- SIZE DETERMINED ON INSTL.	101102 108120 504903	1
- 15	AN960KD10L		.WASHER	101102 108120 504903	1
- 20	MS21042L3		.NUT	101102 108120 504903	1
25	270N2000-87		-----*----- .CLAMP ASSY-BLK	101102 108120 504903	1
70	270N2000-21		.CLAMP ASSY-BLK	101102 108120 504903	1
75	NAS1801-3-34		..SCREW	101102 108120 504903	3
80	NAS43DD3-99		..SPACER	101102 108120 504903	3
85	AN960PD10L		..WASHER	101102 108120 504903	3

MISSING ITEM NUMBERS NOT APPLICABLE

- ITEM NOT ILLUSTRATED

29-11-51-17A

29-11-51
FIG. 17A
PAGE 1
JAN 20/09

BRI

BOEING PROPRIETARY - Copyright © - Unpublished Work - See title page for details.



757

PARTS CATALOG (MAINTENANCE)

FIG ITEM	PART NUMBER	1 2 3 4 5 6 7	NOMENCLATURE	EFFECT FROM TO	UNITS PER ASSY
17A 90	BRH10A3	. .	NUT SUPPLIER CODE: V52828 SPECIFICATION NUMBER: BACN10JC3 OPTIONAL PART: H10-3BAC V15653 NS202101-02 V80539 RMLH9075-3W V72962 VN303A02 V92215 96-02 V80539 T6S1032J V11815	101102 108120 504903	3
95	270N2000-812	. .	CHANNEL	101102 108120 504903	1
100	270N2000-434	. .	BLOCK	101102 108120 504903	2
102	TA0910004H120	. .	CLAMP SUPPLIER CODE: V84971 SPECIFICATION NUMBER: BACC10HB20C	101102 108120 504903	1
105	270N2000-1307	. .	CLAMP ASSY-BLK FOR BREAKDOWN SEE: 29-11-51-68	101102 108120 504903	RF
110	270N2000-16	. .	CLAMP ASSY-BLK FOR BREAKDOWN SEE: 29-11-84-06A	101102 108120 504903	RF
115	270N2000-1309	. .	CLAMP ASSY-BLK FOR BREAKDOWN SEE: 29-11-51-68	101102 108120 504903	RF
120	270N2000-1306	. .	CLAMP ASSY-BLK FOR BREAKDOWN SEE: 29-11-51-68	101102 108120 504903	RF
125	270N2000-1308	. .	CLAMP ASSY-BLK FOR BREAKDOWN SEE: 29-11-51-68	101102 108120 504903	RF
130	270N2000-6	. .	CLAMP ASSY-BLK FOR BREAKDOWN SEE: 29-11-51-26	101102 108120 504903	RF

MISSING ITEM NUMBERS NOT APPLICABLE

- ITEM NOT ILLUSTRATED

29-11-51-17A

29-11-51
FIG. 17A
PAGE 2
JAN 20/09

BRI

BOEING PROPRIETARY - Copyright © - Unpublished Work - See title page for details.



757

PARTS CATALOG (MAINTENANCE)

FIG ITEM	PART NUMBER	1 2 3 4 5 6 7	NOMENCLATURE	EFFECT FROM TO	UNITS PER ASSY
17A 320	270N2000-18	.	CLAMP ASSY-BLK	101102 108120 504903	1
325	NAS1801-3-52	..	SCREW	101102 108120 504903	2
330	NAS43DD3-171	..	SPACER	101102 108120 504903	2
335	AN960PD10L	..	WASHER	101102 108120 504903	2
340	BRH10A3	..	NUT SUPPLIER CODE: V52828 SPECIFICATION NUMBER: BACN10JC3 OPTIONAL PART: H10-3BAC V15653 NS202101-02 V80539 RMLH9075-3W V72962 VN303A02 V92215 96-02 V80539 T6S1032J V11815	101102 108120 504903	2
345	270N2000-820	..	CHANNEL	101102 108120 504903	1
350	270N2000-426	..	BLOCK	101102 108120 504903	1
355	270N2000-427	..	BLOCK	101102 108120 504903	1
360	270N2000-428	..	BLOCK	101102 108120 504903	1
375	271N6123-1277	.	TUBE ASSY-SUPPLY SYS POSITION DATA: R TUBING MATERIAL: 1.25 IN. OD .035 IN. WALL 52.00 IN. LG AL	101102 108120 504903	1

MISSING ITEM NUMBERS NOT APPLICABLE

- ITEM NOT ILLUSTRATED

29-11-51-17A

29-11-51
FIG. 17A
PAGE 3
JAN 20/09

BRI

BOEING PROPRIETARY - Copyright © - Unpublished Work - See title page for details.



757

PARTS CATALOG (MAINTENANCE)

FIG ITEM	PART NUMBER	1 2 3 4 5 6 7	NOMENCLATURE	EFFECT FROM TO	UNITS PER ASSY
17A - 380	DB0S13BD20HP		.. SLEEVE SUPPLIER CODE: V14798 SPECIFICATION NUMBER: BACS13BD20HP OPTIONAL PART: 118-10722-20-00 V88334 2-02901-20HP V11328 2-02901-20HP V70195 35044VN20 V08199 4690008-20-2 V45681 4690008-20-2 V92003 AFP176V20HP V30974 35044V20HP V08199	101102 108120 504903	1
- 385	BACN10YL20		.. NUT- OPTIONAL PART: MS21921-20D	101102 108120 504903	1
- 385	MS21921-20D		.. NUT- OPTIONAL PART: BACN10YL20	101102 108120 504903	1
- 390	35056GV20		.. UNION SUPPLIER CODE: V08199 SPECIFICATION NUMBER: BACU24AB20W OPTIONAL PART: 4671097W20 V50948 2-01027-20W V11328 31875-20W V14397 AP1004W20 V01673 AFP941W20 V30974 DBOU24AB20W V14798	101102 108120 504903	1

MISSING ITEM NUMBERS NOT APPLICABLE

- ITEM NOT ILLUSTRATED

29-11-51-17A

29-11-51
FIG. 17A
PAGE 4
JAN 20/09

BRI



757

PARTS CATALOG (MAINTENANCE)

FIG ITEM	PART NUMBER	1 2 3 4 5 6 7	NOMENCLATURE	EFFECT FROM TO	UNITS PER ASSY
17A 395	271N6123-1278		.TUBE ASSY-PRESSURE SYS POSITION DATA: R TUBING MATERIAL: 1.00 IN. OD .051 IN. WALL 30.00 IN. LG TI	101102 108120 504903	1
400	271N6123-1282		.TUBE ASSY-PRESSURE SYS POSITION DATA: R TUBING MATERIAL: 1.00 IN. OD .051 IN. WALL 33.00 IN. LG TI	101102 108120 504903	1
- 405	AS1581T16		..SLEEVE	101102 108120 504903	2
- 410	BACN10YA16N		..NUT-	101102 108120 504903	2
415	271N6123-1265		.TUBE ASSY-PRESSURE SYS POSITION DATA: R TUBING MATERIAL: 1.00 IN. OD .051 IN. WALL 88.00 IN. LG TI	101102 108120 504903	1
420	271N6123-1280		.TUBE ASSY-PRESSURE SYS POSITION DATA: R TUBING MATERIAL: 1.00 IN. OD .051 IN. WALL 39.00 IN. LG TI	101102 108120 504903	1
- 425	AS1581T16		..SLEEVE	101102 108120 504903	1
- 430	BACN10YA16N		..NUT	101102 108120 504903	1
- 435	AS1582T16		..UNION	101102 108120 504903	1
440	271N6123-1113		.TUBE ASSY-PRESSURE SYS POSITION DATA: R TUBING MATERIAL: 1.00 IN. OD .051 IN. WALL 49.50 IN. LG TI	101102 108120 504903	1

MISSING ITEM NUMBERS NOT APPLICABLE

- ITEM NOT ILLUSTRATED

29-11-51-17A

29-11-51
FIG. 17A
PAGE 5
JAN 20/09

BRI

BOEING PROPRIETARY - Copyright © - Unpublished Work - See title page for details.



757

PARTS CATALOG (MAINTENANCE)

FIG ITEM	PART NUMBER	1 2 3 4 5 6 7	NOMENCLATURE	EFFECT FROM TO	UNITS PER ASSY
17A 445	271N6123-1149		.TUBE ASSY-PRESSURE SYS POSITION DATA: R TUBING MATERIAL: 1.00 IN. OD .051 IN. WALL 4.18 IN. LG TITANIUM	101102 108120 504903	1
447	271N6123-1187		.TUBE ASSY-PRESSURE SYS POSITION DATA: R TUBING MATERIAL: 1.00 IN. OD .051 IN. WALL 18.65 IN. LG TI	101102 108120 504903	1
- 450	AS1581T16		..SLEEVE	101102 108120 504903	2
- 455	BACN10YA16		..NUT	101102 108120 504903	2
460	271N6123-1151		.TUBE ASSY-RETURN SYS POSITION DATA: R TUBING MATERIAL: 1.00 IN. OD .035 IN. WALL 5.18 IN. LG AL	101102 108120 504903	1
465	271N6123-1188		.TUBE ASSY-RETURN SYS POSITION DATA: R TUBING MATERIAL: 1.00 IN. OD .035 IN. WALL 20.50 IN. LG AL	101102 108120 504903	1
- 470	AP2097HP16		..SLEEVE SUPPLIER CODE: V01673 SPECIFICATION NUMBER: BACS13BX16HP OPTIONAL PART: 2-02903-16HP V11328 35235VN16 V08199 AFP175V16P V30974 DBOS13BX16HP V14798	101102 108120 504903	2
- 475	BACN10YL16		..NUT- OPTIONAL PART: MS21921-16D	101102 108120 504903	2

MISSING ITEM NUMBERS NOT APPLICABLE

- ITEM NOT ILLUSTRATED

29-11-51-17A

29-11-51
FIG. 17A
PAGE 6
JAN 20/09

BRI

BOEING PROPRIETARY - Copyright © - Unpublished Work - See title page for details.



757

PARTS CATALOG (MAINTENANCE)

FIG ITEM	PART NUMBER	1 2 3 4 5 6 7	NOMENCLATURE	EFFECT FROM TO	UNITS PER ASSY
17A - 475	MS21921-16D	..	NUT- OPTIONAL PART: BACN10YL16	101102 108120 504903	2
485	271N6123-1047	.TUBE ASSY-RETURN SYS POSITION DATA: R TUBING MATERIAL: .375 IN. OD .035 IN. WALL 30.06 IN. LG AL		101102 108120 504903	1
490	271N6123-1283	.TUBE ASSY-RETURN SYS POSITION DATA: R TUBING MATERIAL: .375 IN. OD .035 IN. WALL 30.06 IN. LG AL		101102 108120 504903	1
495	271N6123-1200	.TUBE ASSY-CASE DRAIN SYS POSITION DATA: R TUBING MATERIAL: .375 IN. OD .035 IN. WALL 42.00 IN. LG AL		101102 108120 504903	1
- 500	AP2097HP06	..SLEEVE SUPPLIER CODE: V01673 SPECIFICATION NUMBER: BACS13BX06HP OPTIONAL PART: 2-02903-06HP V11328 35235VN06 V08199 AFP175V06P V30974 DBOS13BX06HP V14798		101102 108120 504903	1
- 510	BACN10YL06	..NUT- OPTIONAL PART: MS21921-6D		101102 108120 504903	1
- 510	MS21921-6D	..NUT- OPTIONAL PART: BACN10YL06		101102 108120 504903	1

MISSING ITEM NUMBERS NOT APPLICABLE

- ITEM NOT ILLUSTRATED

29-11-51-17A

29-11-51
FIG. 17A
PAGE 7
JAN 20/09

BRI

BOEING PROPRIETARY - Copyright © - Unpublished Work - See title page for details.



757

PARTS CATALOG (MAINTENANCE)

FIG ITEM	PART NUMBER	1 2 3 4 5 6 7	NOMENCLATURE	EFFECT FROM TO	UNITS PER ASSY
17A - 515	35056GV06	..	UNION SUPPLIER CODE: V08199 SPECIFICATION NUMBER: BACU24AB6W OPTIONAL PART: 2-01027-6W V11328 31875-6W V14397 4671097W6 V50948 AP1004W06 V01673 AFP941W6 V30974 DBOU24AB6W V14798	101102 108120 504903	1
520	271N6123-1284	.TUBE ASSY-RETURN SYS POSITION DATA: R TUBING MATERIAL: .375 IN. OD .035 IN. WALL 25.00 IN. LG AL		101102 108120 504903	1
- 525	AP2097HP06	..SLEEVE SUPPLIER CODE: V01673 SPECIFICATION NUMBER: BACS13BX06HP OPTIONAL PART: 2-02903-06HP V11328 35235VN06 V08199 AFP175V06P V30974 DBOS13BX06HP V14798		101102 108120 504903	2
- 530	BACN10YL06	..NUT- OPTIONAL PART: MS21921-6D		101102 108120 504903	2
- 530	MS21921-6D	..NUT- OPTIONAL PART: BACN10YL06		101102 108120 504903	2

MISSING ITEM NUMBERS NOT APPLICABLE

- ITEM NOT ILLUSTRATED

29-11-51-17A

29-11-51
FIG. 17A
PAGE 8
JAN 20/09

BRI



757

PARTS CATALOG (MAINTENANCE)

FIG ITEM	PART NUMBER	1 2 3 4 5 6 7	NOMENCLATURE	EFFECT FROM TO	UNITS PER ASSY
17A 535	271N6123-1301		.TUBE ASSY-RETURN SYS POSITION DATA: R TUBING MATERIAL: .625 IN. OD X .035 IN. ALUMINUM	101102 108120 504903	1
- 540	AP2097HP10		..SLEEVE SUPPLIER CODE: V01673 SPECIFICATION NUMBER: BACS13BX10HP OPTIONAL PART: 2-02903-10HP V11328 35235VN10 V08199 AFP175V10P V30974 DBOS13BX10HP V14798	101102 108120 504903	2
- 545	BACN10YL10		..NUT-	101102 108120 504903	2
550	271N6123-1304		.TUBE ASSY-SYS POSITION DATA: R TUBING MATERIAL: .625 IN. OD .035 IN. ALUMINUM	101102 504903	1
550	271N6123-1309		.TUBE ASSY-SYS POSITION DATA: R TUBING MATERIAL: .625 IN. OD .035 IN. ALUMINUM	108120	1
555	271N6123-1305		.TUBE ASSY-SYS POSITION DATA: R TUBING MATERIAL: .625 IN. OD X .035 IN. ALUMINUM	101102 504903	1
555	271N6123-1310		.TUBE ASSY-SYS POSITION DATA: R TUBING MATERIAL: .625 IN. OD X .035 IN. ALUMINUM	108120	1

MISSING ITEM NUMBERS NOT APPLICABLE

- ITEM NOT ILLUSTRATED

29-11-51-17A

29-11-51
FIG. 17A
PAGE 9
JAN 20/09

BRI

BOEING PROPRIETARY - Copyright © - Unpublished Work - See title page for details.



757

PARTS CATALOG (MAINTENANCE)

FIG ITEM	PART NUMBER	1 2 3 4 5 6 7	NOMENCLATURE	EFFECT FROM TO	UNITS PER ASSY
17A 558	D10282J10	.	UNION SUPPLIER CODE: V14798 SPECIFICATION NUMBER: BACU24BS1010D	101102 108120 504903	2
565	MS21902D10	.	UNION	101102 108120 504903	2
567	NAS1762J1616	.	ELBOW	101102 108120 504903	1
570	MS21905W16	.	TEE	101102 108120 504903	1
575	BACT16BL161016J	.	TEE	101102 108120 504903	1
580	APX824F161610W	.	TEE SUPPLIER CODE: V01673 SPECIFICATION NUMBER: BACT16AS161610W OPTIONAL PART: APX824-161610W V01673 DBOT16AS161610W V14798 ER824-161610W V50948 FER1571-161610W V14397 LER824-161610W V11328 NAF1824-161610W V52930 US1925-161610W V50808 AFP325-161610W V30974	101102 108120 504903	1
585	BACT16BL161616J	.	TEE	101102 108120 504903	1
590	BACT16BL161606J	.	TEE	101102 108120 504903	1
595	BACT16BL161612J	.	TEE	101102 108120 504903	1

MISSING ITEM NUMBERS NOT APPLICABLE

- ITEM NOT ILLUSTRATED

29-11-51-17A

29-11-51
FIG. 17A
PAGE 10
JAN 20/09

BRI

BOEING PROPRIETARY - Copyright © - Unpublished Work - See title page for details.

 **BOEING**
757
PARTS CATALOG (MAINTENANCE)

FIG ITEM	PART NUMBER	1 2 3 4 5 6 7	NOMENCLATURE	EFFECT FROM TO	UNITS PER ASSY
17A 600	BACT16BL060610J	.	TEE	101102 108120 504903	1
603	NAS1764J060606	.	TEE	101102 108120 504903	1
605	1C3600	.	VALVE- SUPPLIER CODE: V99240 SPECIFICATION NUMBER: BACV10CD16 OPTIONAL PART: 0121520900-16 V83533	101102 108120 504903	1
615	NAS1612-10	.	PACKING-	101102 504903	2
615 620	NAS1612-10A 271N6226-1	.	PACKING- BRACKET-SPRT	108120 101102 108120 504903	2 7
625	271N6226-2	.	BRACKET-SPRT	101102 108120 504903	1
630	271N6257-8	.	PLATE-SPRT	101102 108120 504903	1
910			ILLUSTRATION REFERENCE: VALVE INSTL-L AND R SYS RELIEF (HYDRAULIC POWER ONLY) 29-11-29-01	101102 108120 504903	RF
915			ILLUSTRATION REFERENCE: PLUMBING INSTL-FILLET AND TE ROLLS ROYCE RETURN LINES 29-11-51-68	101102 108120 504903	RF
915			ILLUSTRATION REFERENCE: PLUMBING INSTL-SECT. 31.1 HYDR (RH) (HYDRAULIC POWER ONLY) 29-11-52-06	101102 108120 504903	RF
920			ILLUSTRATION REFERENCE: PLUMBING INSTL-FILLET AND TE ROLLS ROYCE RETURN LINES 29-11-51-68	101102 108120 504903	RF

MISSING ITEM NUMBERS NOT APPLICABLE

— ITEM NOT ILLUSTRATED

BRI

29-11-51-17A

29-11-51
FIG. 17A
PAGE 11
JAN 20/09



757

PARTS CATALOG (MAINTENANCE)

FIG ITEM	PART NUMBER	1 2 3 4 5 6 7	NOMENCLATURE	EFFECT FROM TO	UNITS PER ASSY
17A 925			ILLUSTRATION REFERENCE: PLUMBING INSTL BASIC AND STABLE 29-11-51-48	101102 108120 504903	RF
930			ILLUSTRATION REFERENCE: PLUMBING INSTL-FILLET AND TE ROLLS ROYCE RETURN LINES 29-11-51-68	101102 108120 504903	RF
935			ILLUSTRATION REFERENCE: EXCHANGER INSTL-L, R AND CTR HEAT 29-11-26-05	101102 108120 504903	RF
945			ILLUSTRATION REFERENCE: PLUMBING INSTL-SECT. 31.1 HYDR (RH) (HYDRAULIC POWER ONLY) 29-11-52-06	101102 108120 504903	RF

MISSING ITEM NUMBERS NOT APPLICABLE

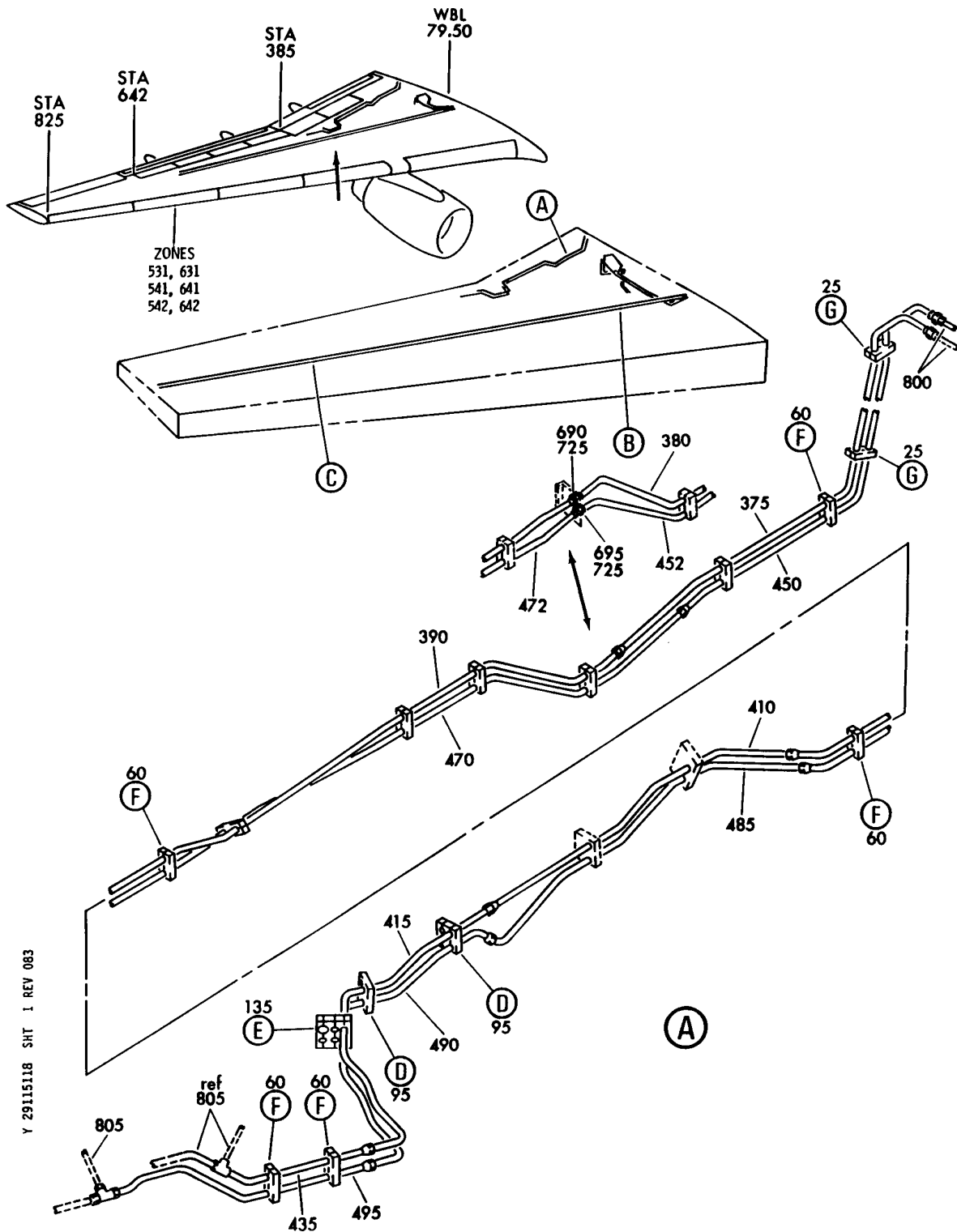
- ITEM NOT ILLUSTRATED

29-11-51-17A

29-11-51
FIG. 17A
PAGE 12
JAN 20/09

BRI


BOEING
 757
PARTS CATALOG (MAINTENANCE)



Y 29115118 SHT 1 REV 083

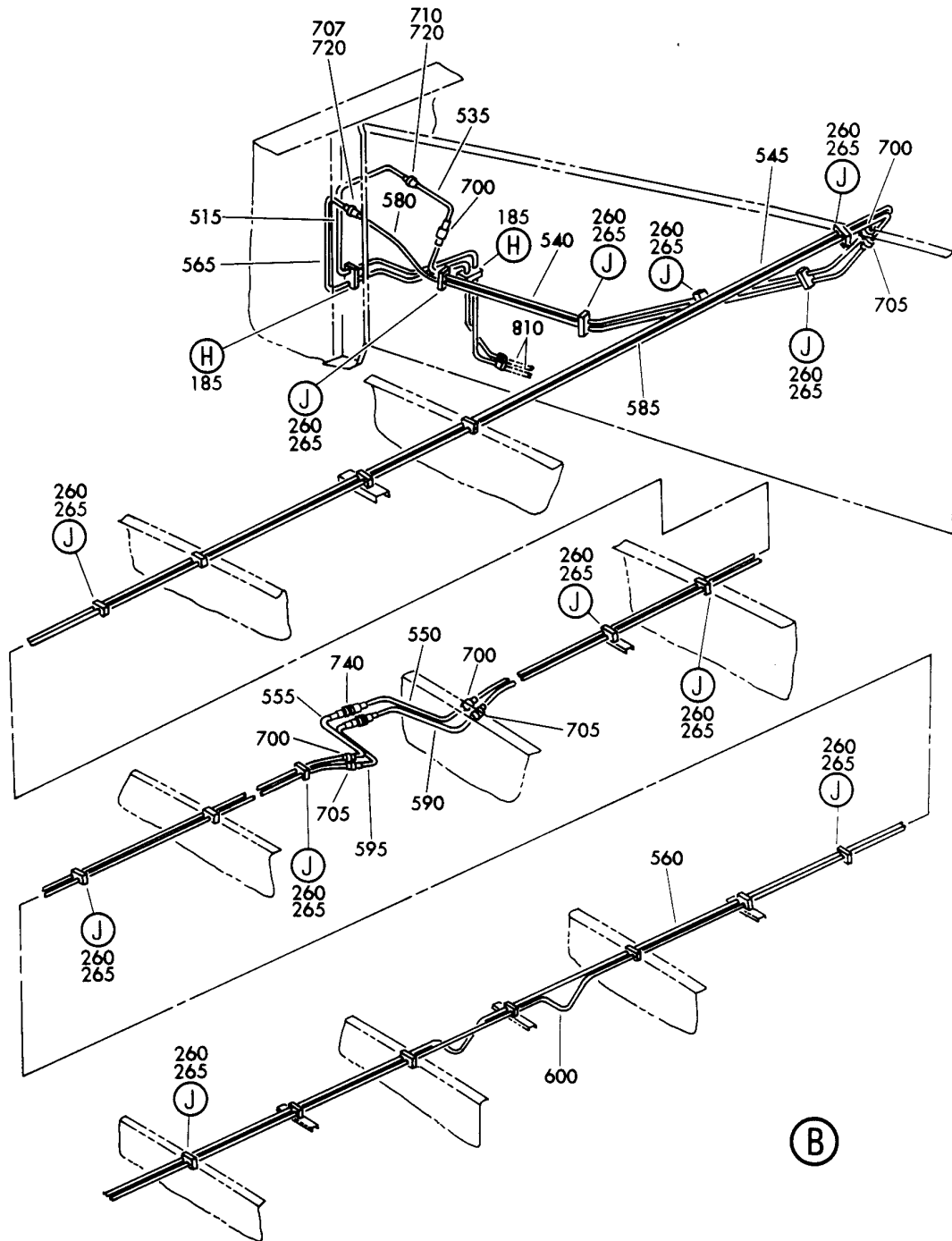
PLUMBING INSTL- SECT. 12 INBD WING HYDR R (HYDRAULIC POWER ONLY)
 FIGURE 18 (SHEET 1)

29-11-51-18

BRI
 MAY 28/07

29-11-51-18
 PAGE 0

BOEING
757
PARTS CATALOG (MAINTENANCE)



Y 29115118 SHT 2 REV 029

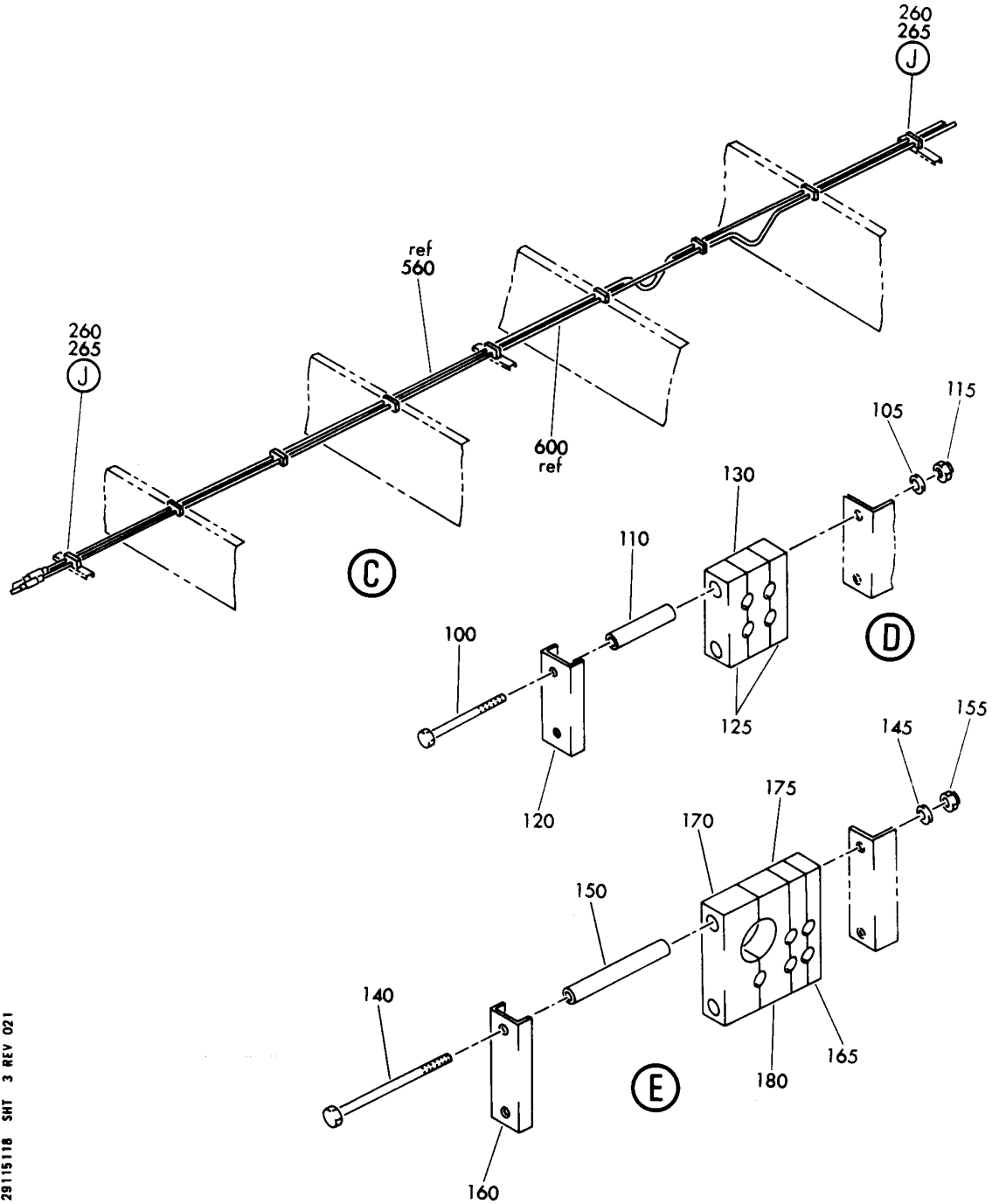
PLUMBING INSTL- SECT. 12 INBD WING HYDR R (HYDRAULIC POWER ONLY)
FIGURE 18 (SHEET 2)

29-11-51-18

BRI
MAY 28/07

29-11-51-18
PAGE 0A

BOEING
757
PARTS CATALOG (MAINTENANCE)



Y 29115118 SHT 3 REV 021

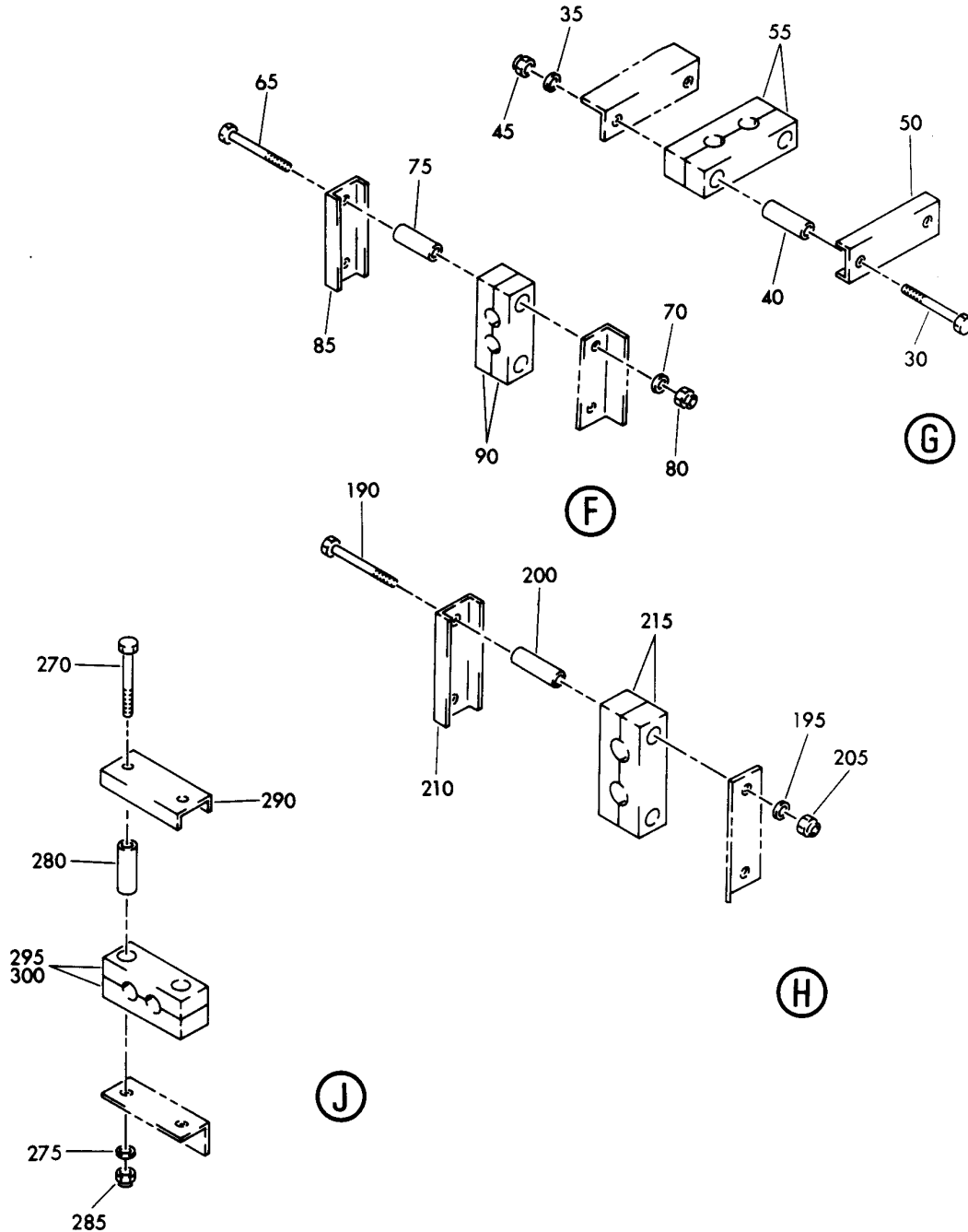
PLUMBING INSTL- SECT. 12 INBD WING HYDR R (HYDRAULIC POWER ONLY)
FIGURE 18 (SHEET 3)

29-11-51-18

BRI
MAY 28/07

29-11-51-18
PAGE 0B

BOEING
757
PARTS CATALOG (MAINTENANCE)



Y 29115-118 SMT 4 REV 021

PLUMBING INSTL- SECT. 12 INBD WING HYDR R (HYDRAULIC POWER ONLY)
FIGURE 18 (SHEET 4)

29-11-51-18

BRI
MAY 28/07

29-11-51-18
PAGE 0C



757

PARTS CATALOG (MAINTENANCE)

FIG ITEM	PART NUMBER	1 2 3 4 5 6 7	NOMENCLATURE	EFFECT FROM TO	UNITS PER ASSY
18			PLUMBING INSTL- SECT. 12 INBD WING HYDR R (HYDRAULIC POWER ONLY)	002004 006100 107107 121503 904999	
- 1	271N6123-1		PLUMBING INSTL-HYDR (HYDRAULIC POWER ONLY) POSITION DATA: SECT. 12 R WING INBD VARIABLE DRAWING REF: 271N6123-4 FOR NHA/OTHER SYS DET SEE: 29-00-51-01	002004 006100 107107 121503 904999	RF
25	270N2000-157		.CLAMP ASSY-BLK	002004 006100 107107 121503 904999	2
30	NAS1801-3-26		..SCREW-	002004 006100 107107 121503 904999	2
35	AN960PD10L		..WASHER	002004 006100 107107 121503 904999	2
40	NAS43DD3-67		..SPACER	002004 006100 107107 121503 904999	2

MISSING ITEM NUMBERS NOT APPLICABLE

- ITEM NOT ILLUSTRATED

BRI

29-11-51-18

29-11-51
FIG. 18
PAGE 1
JAN 20/09



757

PARTS CATALOG (MAINTENANCE)

FIG ITEM	PART NUMBER	1 2 3 4 5 6 7	NOMENCLATURE	EFFECT FROM TO	UNITS PER ASSY
18					
45	BRH10A3	..	NUT SUPPLIER CODE: V52828 SPECIFICATION NUMBER: BACN10JC3 OPTIONAL PART: H10-3BAC V15653 NS202101-02 V80539 RMLH9075-3W V72962 VN303A02 V92215 96-02 V80539 T6S1032J V11815	002004 006100 107107 121503 904999	2
50	270N2000-868	..	CHANNEL	002004 006100 107107 121503 904999	1
55	270N2000-631	..	BLOCK	002004 006100 107107 121503 904999	2
60	270N2000-3	.	CLAMP ASSY-BLK	002004 006100 107107 121503 904999	10
65	NAS1801-3-24	..	SCREW-	002004 006100 107107 121503 904999	2
70	AN960PD10L	..	WASHER	002004 006100 107107 121503 904999	2
75	NAS43DD3-59	..	SPACER	002004 006100 107107 121503 904999	2

MISSING ITEM NUMBERS NOT APPLICABLE

- ITEM NOT ILLUSTRATED

29-11-51-18

29-11-51
FIG. 18
PAGE 2
JAN 20/09

BRI

BOEING PROPRIETARY - Copyright © - Unpublished Work - See title page for details.



757

PARTS CATALOG (MAINTENANCE)

FIG ITEM	PART NUMBER	1 2 3 4 5 6 7	NOMENCLATURE	EFFECT FROM TO	UNITS PER ASSY
18 80	BRH10A3	. .	NUT SUPPLIER CODE: V52828 SPECIFICATION NUMBER: BACN10JC3 OPTIONAL PART: H10-3BAC V15653 NS202101-02 V80539 RMLH9075-3W V72962 VN303A02 V92215 96-02 V80539 T6S1032J V11815	002004 006100 107107 121503 904999	2
85	270N2000-801	. .	CHANNEL	002004 006100 107107 121503 904999	1
90	270N2000-401	. .	BLOCK	002004 006100 107107 121503 904999	2
95	270N2000-2	. .	CLAMP ASSY-BLK	002004 006100 107107 121503 904999	2
105	AN960PD10L	. .	WASHER	002004 006100 107107 121503 904999	2
110	NAS43DD3-100	. .	SPACER	002004 006100 107107 121503 904999	2

MISSING ITEM NUMBERS NOT APPLICABLE

- ITEM NOT ILLUSTRATED

29-11-51-18

29-11-51
FIG. 18
PAGE 3
JAN 20/09

BRI

BOEING PROPRIETARY - Copyright © - Unpublished Work - See title page for details.



757

PARTS CATALOG (MAINTENANCE)

FIG ITEM	PART NUMBER	1 2 3 4 5 6 7	NOMENCLATURE	EFFECT FROM TO	UNITS PER ASSY
18 115	BRH10A3	..	NUT SUPPLIER CODE: V52828 SPECIFICATION NUMBER: BACN10JC3 OPTIONAL PART: H10-3BAC V15653 NS202101-02 V80539 RMLH9075-3W V72962 VN303A02 V92215 96-02 V80539 T6S1032J V11815	002004 006100 107107 121503 904999	2
120	270N2000-801	..	CHANNEL	002004 006100 107107 121503 904999	2
125	270N2000-401	..	BLOCK	002004 006100 107107 121503 904999	2
130	270N2000-402	..	BLOCK	002004 006100 107107 121503 904999	1
135	270N2000-169	.	CLAMP ASSY-BLK	002004 006100 107107 121503 904999	1
140	NAS1801-3-54	..	SCREW-	002004 006100 107107 121503 904999	2
145	AN960PD10L	..	WASHER	002004 006100 107107 121503 904999	2

MISSING ITEM NUMBERS NOT APPLICABLE

- ITEM NOT ILLUSTRATED

29-11-51-18

29-11-51
FIG. 18
PAGE 4
JAN 20/09

BRI

BOEING PROPRIETARY - Copyright © - Unpublished Work - See title page for details.



757

PARTS CATALOG (MAINTENANCE)

FIG ITEM	PART NUMBER	1 2 3 4 5 6 7	NOMENCLATURE	EFFECT FROM TO	UNITS PER ASSY
18					
150	NAS43DD3-180	..	SPACER	002004 006100 107107 121503 904999	2
155	BRH10A3	..	NUT SUPPLIER CODE: V52828 SPECIFICATION NUMBER: BACN10JC3 OPTIONAL PART: H10-3BAC V15653 NS202101-02 V80539 RMLH9075-3W V72962 VN303A02 V92215 96-02 V80539 T6S1032J V11815	002004 006100 107107 121503 904999	2
160	270N2000-805	..	CHANNEL	002004 006100 107107 121503 904999	1
165	270N2000-423	..	BLOCK	002004 006100 107107 121503 904999	1
170	270N2000-425	..	BLOCK	002004 006100 107107 121503 904999	1
175	270N2000-638	..	BLOCK	002004 006100 107107 121503 904999	1
180	270N2000-639	..	BLOCK	002004 006100 107107 121503 904999	1

MISSING ITEM NUMBERS NOT APPLICABLE

- ITEM NOT ILLUSTRATED

29-11-51-18

29-11-51
FIG. 18
PAGE 5
JAN 20/09

BRI

BOEING PROPRIETARY - Copyright © - Unpublished Work - See title page for details.



757

PARTS CATALOG (MAINTENANCE)

FIG ITEM	PART NUMBER	1 2 3 4 5 6 7	NOMENCLATURE	EFFECT FROM TO	UNITS PER ASSY
18					
185	270N2000-32	.	CLAMP ASSY-BLK	002004 006100 107107 121503 904999	2
190	NAS1801-3-26	..	SCREW-	002004 006100 107107 121503 904999	2
195	AN960PD10L	..	WASHER	002004 006100 107107 121503 904999	2
200	NAS43DD3-67	..	SPACER	002004 006100 107107 121503 904999	2
205	BRH10A3	..	NUT SUPPLIER CODE: V52828 SPECIFICATION NUMBER: BACN10JC3 OPTIONAL PART: H10-3BAC V15653 NS202101-02 V80539 RMLH9075-3W V72962 VN303A02 V92215 96-02 V80539 T6S1032J V11815	002004 006100 107107 121503 904999	2
210	270N2000-821	..	CHANNEL	002004 006100 107107 121503 904999	1
215	270N2000-447	..	BLOCK	002004 006100 107107 121503 904999	2

MISSING ITEM NUMBERS NOT APPLICABLE

- ITEM NOT ILLUSTRATED

29-11-51-18

29-11-51
FIG. 18
PAGE 6
JAN 20/09

BRI

BOEING PROPRIETARY - Copyright © - Unpublished Work - See title page for details.



757

PARTS CATALOG (MAINTENANCE)

FIG ITEM	PART NUMBER	1 2 3 4 5 6 7	NOMENCLATURE	EFFECT FROM TO	UNITS PER ASSY
18 265	270N2001-10	.	CLAMP ASSY-BLK	002004 006100 107107 121503 904999	30
270	NAS1801-3-24	..	SCREW-	002004 006100 107107 121503 904999	2
275	AN960PD10L	..	WASHER	002004 006100 107107 121503 904999	2
280	NAS43DD3-59	..	SPACER	002004 006100 107107 121503 904999	2
285	BRH10A3	..	NUT SUPPLIER CODE: V52828 SPECIFICATION NUMBER: BACN10JC3 OPTIONAL PART: H10-3BAC V15653 NS202101-02 V80539 RMLH9075-3W V72962 VN303A02 V92215 96-02 V80539 T6S1032J V11815	002004 006100 107107 121503 904999	2
290	270N2001-805	..	CHANNEL	002004 006100 107107 121503 904999	1
300	270N2001-405	..	BLOCK- USED ON: 270N2001-10	002004 006100 107107 121503 904999	2

MISSING ITEM NUMBERS NOT APPLICABLE

- ITEM NOT ILLUSTRATED

29-11-51-18

29-11-51
FIG. 18
PAGE 7
JAN 20/09

BRI

BOEING PROPRIETARY - Copyright © - Unpublished Work - See title page for details.



757

PARTS CATALOG (MAINTENANCE)

FIG ITEM	PART NUMBER	1 2 3 4 5 6 7	NOMENCLATURE	EFFECT FROM TO	UNITS PER ASSY
18 380	271N6123-1261		.TUBE ASSY-PRESSURE SYS POSITION DATA: L TUBING MATERIAL: .375 IN. OD .019 IN. WALL 62.50 IN. LG TITANIUM	002004 006100 107107 121503 904999	1
- 383	AS1581T06		..SLEEVE	002004 006100 107107 121503 904999	2
- 386	BACN10YA6N		..NUT-	002004 006100 107107 121503 904999	2
390	271N6123-1255		.TUBE ASSY-PRESSURE SYS POSITION DATA: L TUBING MATERIAL: .375 IN. OD .019 IN. WALL 86.50 IN. LG TITANIUM	002004 006100 107107 121503 904999	1
- 402	AS1581T06		..SLEEVE	002004 006100 107107 121503 904999	1
- 404	BACN10YA6N		..NUT-	002004 006100 107107 121503 904999	1
- 406	AS1582T06		..UNION	002004 006100 107107 121503 904999	1
410	271N6123-1075		.TUBE ASSY-PRESSURE SYS POSITION DATA: L TUBING MATERIAL: .375 IN. OD .019 IN. WALL 43.00 IN. LG TITANIUM	107107	1

MISSING ITEM NUMBERS NOT APPLICABLE

- ITEM NOT ILLUSTRATED

29-11-51-18

29-11-51
FIG. 18
PAGE 8
JAN 20/09

BRI



757

PARTS CATALOG (MAINTENANCE)

FIG ITEM	PART NUMBER	1 2 3 4 5 6 7	NOMENCLATURE	EFFECT FROM TO	UNITS PER ASSY
18					
410	271N6123-1286		.TUBE ASSY-PRESSURE SYS POSITION DATA: L TUBING MATERIAL: .375 IN. OD .019 IN. WALL 43.50 IN. LG TITANIUM	003004 006100 121503 904999	1
415	271N6123-1051		.TUBE ASSY-PRESSURE SYS POSITION DATA: L TUBING MATERIAL: .375 IN. OD .019 IN. WALL 41.00 IN. LG TITANIUM	107107	1
415	271N6123-1287		.TUBE ASSY-PRESSURE SYS POSITION DATA: L TUBING MATERIAL: .375 IN. OD .019 IN. WALL 41.50 IN. LG TITANIUM	003004 006100 121503 904999	1
- 420	AS1581T06		..SLEEVE	107107	1
- 420	AS1581T06		..SLEEVE	003004 006100 121503 904999	1
- 422	AS1581T06		..SLEEVE	003004 006100 121503 904999	2
- 425	BACN10YA6		..NUT-	107107	1
- 425	BACN10YA6		..NUT	003004 006100 121503 904999	1
- 427	BACN10YA6N		..NUT-	003004 006100 121503 904999	2
- 430	AS1582T06		..UNION	107107	1
- 430	AS1582T06		..UNION	003004 006100 121503 904999	1

MISSING ITEM NUMBERS NOT APPLICABLE

- ITEM NOT ILLUSTRATED

29-11-51-18

29-11-51
FIG. 18
PAGE 9
JAN 20/09

BRI



757

PARTS CATALOG (MAINTENANCE)

FIG ITEM	PART NUMBER	1 2 3 4 5 6 7	NOMENCLATURE	EFFECT FROM TO	UNITS PER ASSY
18					
435	271N6123-1074		.TUBE ASSY-PRESSURE SYS POSITION DATA: L TUBING MATERIAL: .375 IN. OD .019 IN. WALL 17.00 IN. LG TITANIUM	107107	1
435	271N6123-1288		.TUBE ASSY-PRESSURE SYS POSITION DATA: L TUBING MATERIAL: .375 IN. OD .019 IN. WALL 16.00 IN. LG TITANIUM	003004 006100 121503 904999	1
- 440	AS1581T06		..SLEEVE	107107	2
- 442	AS1581T06		..SLEEVE	003004 006100 121503 904999	1
- 445	BACN10YA6		..NUT-	107107	2
- 447	BACN10YA6N		..NUT-	003004 006100 121503 904999	1
- 448	AS1582T06		..UNION	003004 006100 121503 904999	1
452	271N6123-1262		.TUBE ASSY-RETURN SYS POSITION DATA: L TUBING MATERIAL: .375 IN. OD .035 IN. WALL 60.00 IN. LG ALUMINUM	002004 006100 107107 121503 904999	1
- 457	AP2097HP06		..SLEEVE SUPPLIER CODE: V01673 SPECIFICATION NUMBER: BACS13BX06HP OPTIONAL PART: 2-02903-06HP V11328 35235VN06 V08199 AFP175V06P V30974 DBOS13BX06HP V14798	002004 006100 107107 121503 904999	2

MISSING ITEM NUMBERS NOT APPLICABLE

- ITEM NOT ILLUSTRATED

29-11-51-18

29-11-51
FIG. 18
PAGE 10
JAN 20/09

BRI



757

PARTS CATALOG (MAINTENANCE)

FIG ITEM	PART NUMBER	1 2 3 4 5 6 7	NOMENCLATURE	EFFECT FROM TO	UNITS PER ASSY
18					
- 462	MS21921-6D	..	NUT- OPTIONAL PART: BACN10YL06	002004 006100 107107 121503 904999	2
- 462	BACN10YL06	..	NUT- OPTIONAL PART: MS21921-6D	002004 006100 107107 121503 904999	2
- 465	AS1582T06	..	UNION-	002004 006100 107107 121503 904999	1
472	271N6123-1256	.	TUBE ASSY-RETURN SYS POSITION DATA: L TUBING MATERIAL: .375 IN. OD .035 IN. WALL 84.00 IN. LG ALUMINUM	002004 006100 107107 121503 904999	1
- 475	AP2097HP06	..	SLEEVE- SUPPLIER CODE: V01673 SPECIFICATION NUMBER: BACS13BX06HP OPTIONAL PART: 2-02903-06HP V11328 35235VN06 V08199 AFP175V06P V30974 DBOS13BX06HP V14798	002004 006100 107107 121503 904999	2
- 475	AS1581T06	..	SLEEVE-	002004 006100 107107 121503 904999	2
- 480	MS21921-6D	..	NUT- OPTIONAL PART: BACN10YL06	002004 006100 107107 121503 904999	2

MISSING ITEM NUMBERS NOT APPLICABLE

- ITEM NOT ILLUSTRATED

29-11-51-18

29-11-51
FIG. 18
PAGE 11
JAN 20/09

BRI

BOEING PROPRIETARY - Copyright © - Unpublished Work - See title page for details.



757

PARTS CATALOG (MAINTENANCE)

FIG ITEM	PART NUMBER	1 2 3 4 5 6 7	NOMENCLATURE	EFFECT FROM TO	UNITS PER ASSY
18					
- 480	BACN10YL06		..NUT- OPTIONAL PART: MS21921-6D	002004 006100 107107 121503 904999	2
485	271N6123-1072		.TUBE ASSY-RETURN SYS POSITION DATA: L TUBING MATERIAL: .375 IN. OD .035 IN. WALL 46.00 IN. LG ALUMINUM	002004 006100 107107 121503 904999	1
- 487	AP2097HP06		..SLEEVE SUPPLIER CODE: V01673 SPECIFICATION NUMBER: BACS13BX06HP OPTIONAL PART: 2-02903-06HP V11328 35235VN06 V08199 AFP175V06P V30974 DBOS13BX06HP V14798	002004 006100 107107 121503 904999	1
- 488	MS21921-6D		..NUT- OPTIONAL PART: BACN10YL06	002004 006100 107107 121503 904999	1
- 488	BACN10YL06		..NUT- OPTIONAL PART: MS21921-6D	002004 006100 107107 121503 904999	1

MISSING ITEM NUMBERS NOT APPLICABLE

- ITEM NOT ILLUSTRATED

BRI

29-11-51-18

29-11-51
FIG. 18
PAGE 12
JAN 20/09



757

PARTS CATALOG (MAINTENANCE)

FIG ITEM	PART NUMBER	1 2 3 4 5 6 7	NOMENCLATURE	EFFECT FROM TO	UNITS PER ASSY
18 - 489	35056GV06		..UNION SUPPLIER CODE: V08199 SPECIFICATION NUMBER: BACU24AB6W OPTIONAL PART: 2-01027-6W V11328 31875-6W V14397 4671097W6 V50948 AP1004W06 V01673 AFP941W6 V30974 DBOU24AB6W V14798	002004 006100 107107 121503 904999	1
490	271N6123-1050		.TUBE ASSY-RETURN SYS POSITION DATA: L TUBING MATERIAL: .375 IN. OD .035 IN. WALL 43.00 IN. LG ALUMINUM	002004 006100 107107 121503 904999	1
- 491	AP2097HP06		..SLEEVE SUPPLIER CODE: V01673 SPECIFICATION NUMBER: BACS13BX06HP OPTIONAL PART: 2-02903-06HP V11328 35235VN06 V08199 AFP175V06P V30974 DBOS13BX06HP V14798	002004 006100 107107 121503 904999	1
- 492	MS21921-6D		..NUT- OPTIONAL PART: BACN10YLO6	002004 006100 107107 121503 904999	1
- 492	BACN10YLO6		..NUT- OPTIONAL PART: MS21921-6D	002004 006100 107107 121503 904999	1

MISSING ITEM NUMBERS NOT APPLICABLE

- ITEM NOT ILLUSTRATED

29-11-51-18

29-11-51
FIG. 18
PAGE 13
JAN 20/09

BRI



757

PARTS CATALOG (MAINTENANCE)

FIG ITEM	PART NUMBER	1 2 3 4 5 6 7	NOMENCLATURE	EFFECT FROM TO	UNITS PER ASSY
18 - 493	35056GV06		..UNION SUPPLIER CODE: V08199 SPECIFICATION NUMBER: BACU24AB6W OPTIONAL PART: 2-01027-6W V11328 31875-6W V14397 4671097W6 V50948 AP1004W06 V01673 AFP941W6 V30974 DBOU24AB6W V14798	002004 006100 107107 121503 904999	1
495	271N6123-1071		.TUBE ASSY-RETURN SYS POSITION DATA: L TUBING MATERIAL: .375 IN. OD .035 IN. WALL 26.50 IN. LG ALUMINUM	002004 006100 107107 121503 904999	1
- 500	AP2097HP06		..SLEEVE SUPPLIER CODE: V01673 SPECIFICATION NUMBER: BACS13BX06HP OPTIONAL PART: 2-02903-06HP V11328 35235VN06 V08199 AFP175V06P V30974 DBOS13BX06HP V14798	002004 006100 107107 121503 904999	1
- 505	MS21921-6D		..NUT- OPTIONAL PART: BACN10YL06	002004 006100 107107 121503 904999	1
- 505	BACN10YL06		..NUT- OPTIONAL PART: MS21921-6D	002004 006100 107107 121503 904999	1

MISSING ITEM NUMBERS NOT APPLICABLE

- ITEM NOT ILLUSTRATED

29-11-51-18

29-11-51
FIG. 18
PAGE 14
JAN 20/09

BRI



757

PARTS CATALOG (MAINTENANCE)

FIG ITEM	PART NUMBER	1 2 3 4 5 6 7	NOMENCLATURE	EFFECT FROM TO	UNITS PER ASSY
18					
- 510	35056GV06	..	UNION SUPPLIER CODE: V08199 SPECIFICATION NUMBER: BACU24AB6W OPTIONAL PART: 2-01027-6W V11328 31875-6W V14397 4671097W6 V50948 AP1004W06 V01673 AFP941W6 V30974 DBOU24AB6W V14798	002004 006100 107107 121503 904999	1
515	271N6123-1214	.TUBE	ASSY-PRESSURE CTR SYS TUBING MATERIAL: .500 IN. OD .026 IN. WALL 63.00 IN. LG TITANIUM	002004 006100 107107 121503 904999	1
- 520	AS1581T08	..	SLEEVE	002004 006100 107107 121503 904999	1
- 525	BACN10YA8	..	NUT	002004 006100 107107 121503 904999	1
- 530	AS1582T08	..	UNION	002004 006100 107107 121503 904999	1
535	271N6123-1276	.TUBE	ASSY-PRESSURE CTR SYS TUBING MATERIAL: .375 IN. OD .019 IN. WALL 8.00 IN. LG TITANIUM	002004 006100 107107 121503 904999	1
540	271N6123-1058	.TUBE	ASSY-PRESSURE CTR SYS TUBING MATERIAL: .375 IN. OD .019 IN. WALL 58.50 IN. LG TITANIUM	002004 006100 107107 121503 904999	1

MISSING ITEM NUMBERS NOT APPLICABLE

- ITEM NOT ILLUSTRATED

29-11-51-18

29-11-51
FIG. 18
PAGE 15
JAN 20/09

BRI



757

PARTS CATALOG (MAINTENANCE)

FIG ITEM	PART NUMBER	1 2 3 4 5 6 7	NOMENCLATURE	EFFECT FROM TO	UNITS PER ASSY
18 545	271N6123-1061		.TUBE ASSY-PRESSURE CTR SYS TUBING MATERIAL: .375 IN. OD .019 IN. WALL 97.00 IN. LG TITANIUM	002004 006100 107107 121503 904999	1
550	271N6123-1063		.TUBE ASSY-PRESSURE CTR SYS TUBING MATERIAL: .375 IN. OD .019 IN. WALL 15.50 IN. LG TITANIUM	002004 006100 107107 121503 904999	1
555	271N6123-1065		.TUBE ASSY-PRESSURE CTR SYS TUBING MATERIAL: .375 IN. OD .019 IN. WALL 15.00 IN. LG TITANIUM	002004 006100 107107 121503 904999	1
565	271N6123-1032		.TUBE ASSY-RETURN CTR SYS TUBING MATERIAL: .500 IN. OD .035 IN. WALL 57.00 IN. LG ALUMINUM	002004 006100 107107 121503 904999	1
- 570	AP2097HP08		..SLEEVE SUPPLIER CODE: V01673 SPECIFICATION NUMBER: BACS13BX08HP OPTIONAL PART: 2-02903-08HP V11328 35235VN08 V08199 AFP175V08P V30974 DBOS13BX08HP V14798	002004 006100 107107 121503 904999	2
- 575	MS21921-8D		..NUT- OPTIONAL PART: BACN10YL08	002004 006100 107107 121503 904999	2
- 575	BACN10YL08		..NUT- OPTIONAL PART: MS21921-8D	002004 006100 107107 121503 904999	2
580	271N6123-1056		.TUBE ASSY-RETURN CTR SYS TUBING MATERIAL: .375 IN. OD .035 IN. WALL 65.75 IN. LG ALUMINUM	002004 006100 107107 121503 904999	1

MISSING ITEM NUMBERS NOT APPLICABLE

- ITEM NOT ILLUSTRATED

29-11-51-18

29-11-51
FIG. 18
PAGE 16
JAN 20/09

BRI



757

PARTS CATALOG (MAINTENANCE)

FIG ITEM	PART NUMBER	1 2 3 4 5 6 7	NOMENCLATURE	EFFECT FROM TO	UNITS PER ASSY
18					
585	271N6123-1060		.TUBE ASSY-RETURN CTR SYS TUBING MATERIAL: .375 IN. OD .035 IN. WALL 96.00 IN. LG ALUMINUM	002004 006100 107107 121503 904999	1
590	271N6123-1062		.TUBE ASSY-RETURN CTR SYS TUBING MATERIAL: .375 IN. OD .035 IN. WALL 15.37 IN. LG ALUMINUM	002004 006100 107107 121503 904999	1
595	271N6123-1064		.TUBE ASSY-RETURN CTR SYS TUBING MATERIAL: .375 IN. OD .035 IN. WALL 15.18 IN. LG ALUMINUM	002004 006100 107107 121503 904999	1
690	BACU24L6		.UNION	002004 006100 107107 121503 904999	1
695	MS21924D6		.UNION	002004 006100 107107 121503 904999	1
700	D10282-06		.UNION- SUPPLIER CODE: V14798	002004 006100 107107 121503 904999	4
705	D10282D06		.UNION- SUPPLIER CODE: V14798	002004 006100 107107 121503 904999	3
707	MS21916D8-6		.REDUCER	002004 006100 107107 121503 904999	1

MISSING ITEM NUMBERS NOT APPLICABLE

- ITEM NOT ILLUSTRATED

29-11-51-18

29-11-51
FIG. 18
PAGE 17
JAN 20/09

BRI

BOEING PROPRIETARY - Copyright © - Unpublished Work - See title page for details.



757

PARTS CATALOG (MAINTENANCE)

FIG ITEM	PART NUMBER	1 2 3 4 5 6 7	NOMENCLATURE	EFFECT FROM TO	UNITS PER ASSY
18 710	AFP2328-6		.REDUCER SUPPLIER CODE: V30974 SPECIFICATION NUMBER: BACR17E8-6 OPTIONAL PART: AP10278-6 V01673 BC916T8-6 V50948 DB0R17E8-6 V14798 ER21916T8-6 V88334 ER31916-8-6 V88334 F23-8-6 V73197 2-01075T8-6 V11328 31778-8-6 V14397 US2114-8-6 V50508 AP1027T8-6 V01673 US21148-6 V50808 317788-6 V14397	002004 006100 107107 121503 904999	1
720	NAS1612-6		.PACKING-	002004 006100 107107 121503 904999	2
725	AN924-6D		.NUT	002004 006100 107107 121503 904999	2
740	271N6194-3		.FITTING INSTL-HYDR POSITION DATA: SECT. 12 FOR DETAILS SEE: 29-11-55-01	002004 006100 107107 121503 904999	1

MISSING ITEM NUMBERS NOT APPLICABLE

- ITEM NOT ILLUSTRATED

BRI

29-11-51-18

BOEING PROPRIETARY - Copyright © - Unpublished Work - See title page for details.

29-11-51
FIG. 18
PAGE 18
JAN 20/09



757

PARTS CATALOG (MAINTENANCE)

FIG ITEM	PART NUMBER	1 2 3 4 5 6 7	NOMENCLATURE	EFFECT FROM TO	UNITS PER ASSY
18					
- 745	271N6156-2		.BRACKET INSTL- FOR DETAILS SEE: 32-11-51-01	002004 006100 107107 121503 904999	1
- 750	271N6157-2		.BRACKET INSTL- FOR DETAILS SEE: 29-11-58-01	002004 006100 107107 121503 904999	1
800			ILLUSTRATION REFERENCE: PLUMBING INSTL-SECT. 44 R PRESSURE DECK HYDR (HYDRAULIC POWER ONLY) 29-11-51-35	002004 006100 107107 121503 904999	RF
805			ILLUSTRATION REFERENCE: PLUMBING INSTL- SECT. 12 R WING OUTBD HYDR (HYDRAULIC POWER ONLY) 29-11-51-28	002004 006100 107107 121503 904999	RF
810			ILLUSTRATION REFERENCE: PLUMBING INSTL-MAIN WHL WELL FWD BHD HYDR (HYDRAULIC POWER ONLY) 29-11-51-38	002004 006100 107107 121503 904999	RF

MISSING ITEM NUMBERS NOT APPLICABLE

- ITEM NOT ILLUSTRATED

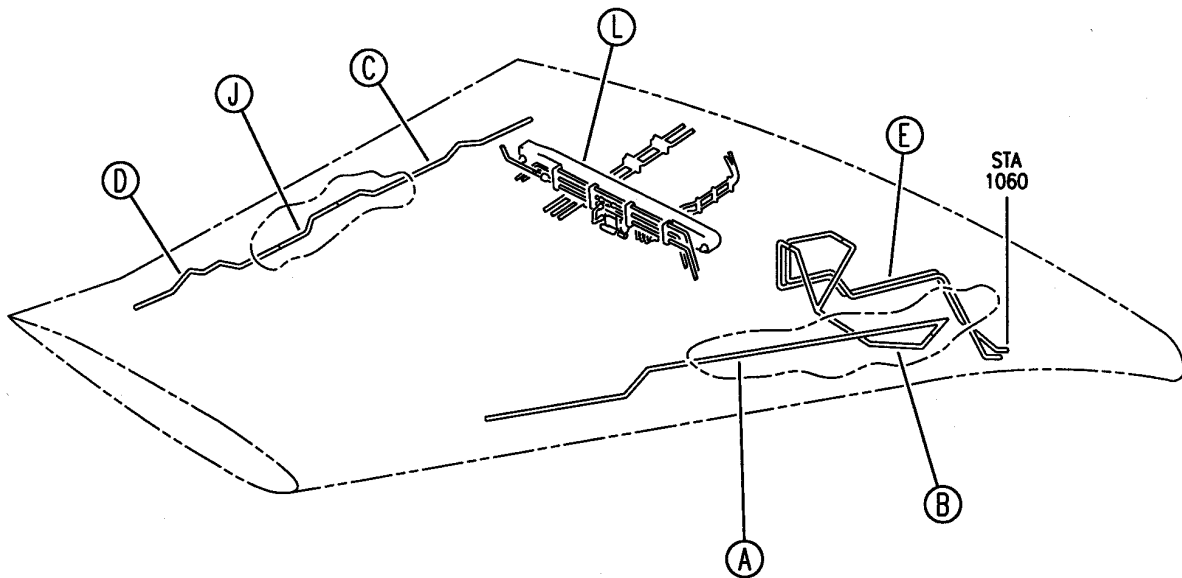
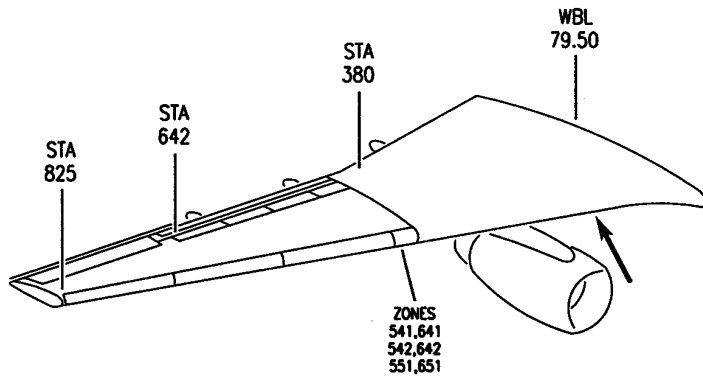
BRI

29-11-51-18

BOEING PROPRIETARY - Copyright © - Unpublished Work - See title page for details.

29-11-51
FIG. 18
PAGE 19
JAN 20/09

BOEING
757
PARTS CATALOG (MAINTENANCE)



Y 2911518A SHT 1 REV 218

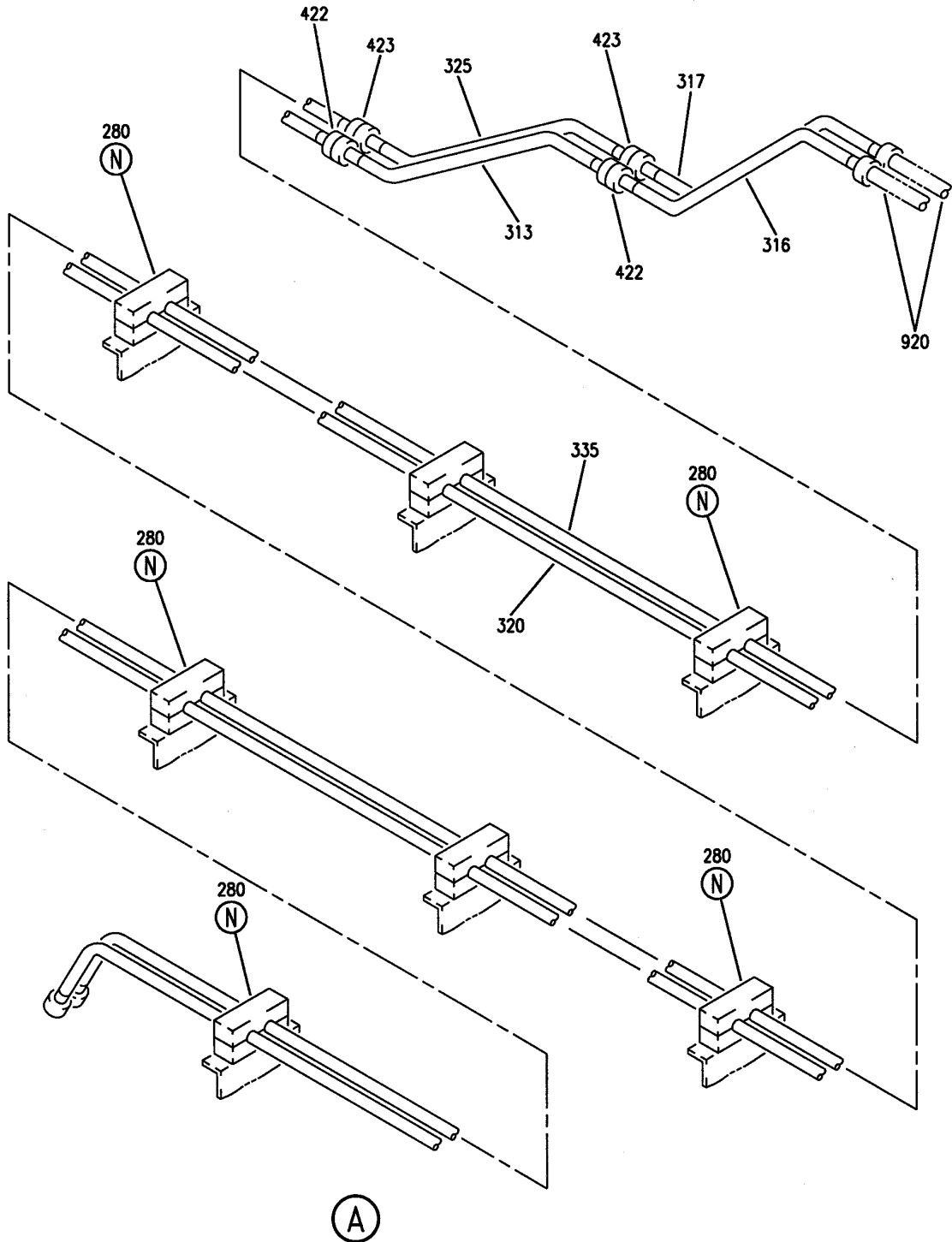
PLUMBING INSTL- SECT. 12 INBD WING HYDR R (HYDRAULIC POWER ONLY)
FIGURE 18A (SHEET 1)

BRI
MAY 28/07

29-11-51-18A

29-11-51-18A
PAGE 0

BOEING
757
PARTS CATALOG (MAINTENANCE)



Y 29115118A SHT 2 REV 218

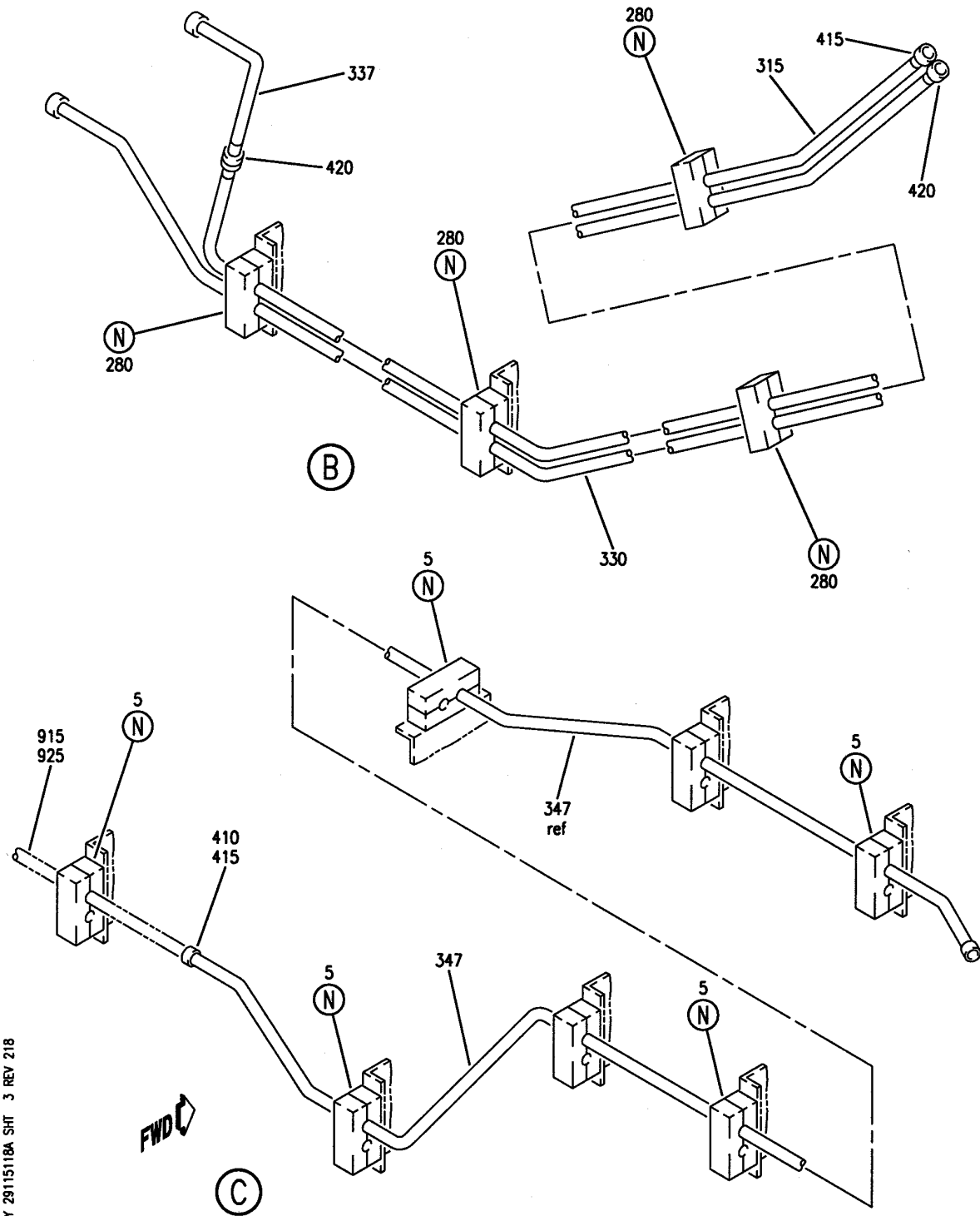
PLUMBING INSTL- SECT. 12 INBD WING HYDR R (HYDRAULIC POWER ONLY)
FIGURE 18A (SHEET 2)

29-11-51-18A

BRI
MAY 28/07

29-11-51-18A
PAGE 0A

BOEING
757
PARTS CATALOG (MAINTENANCE)



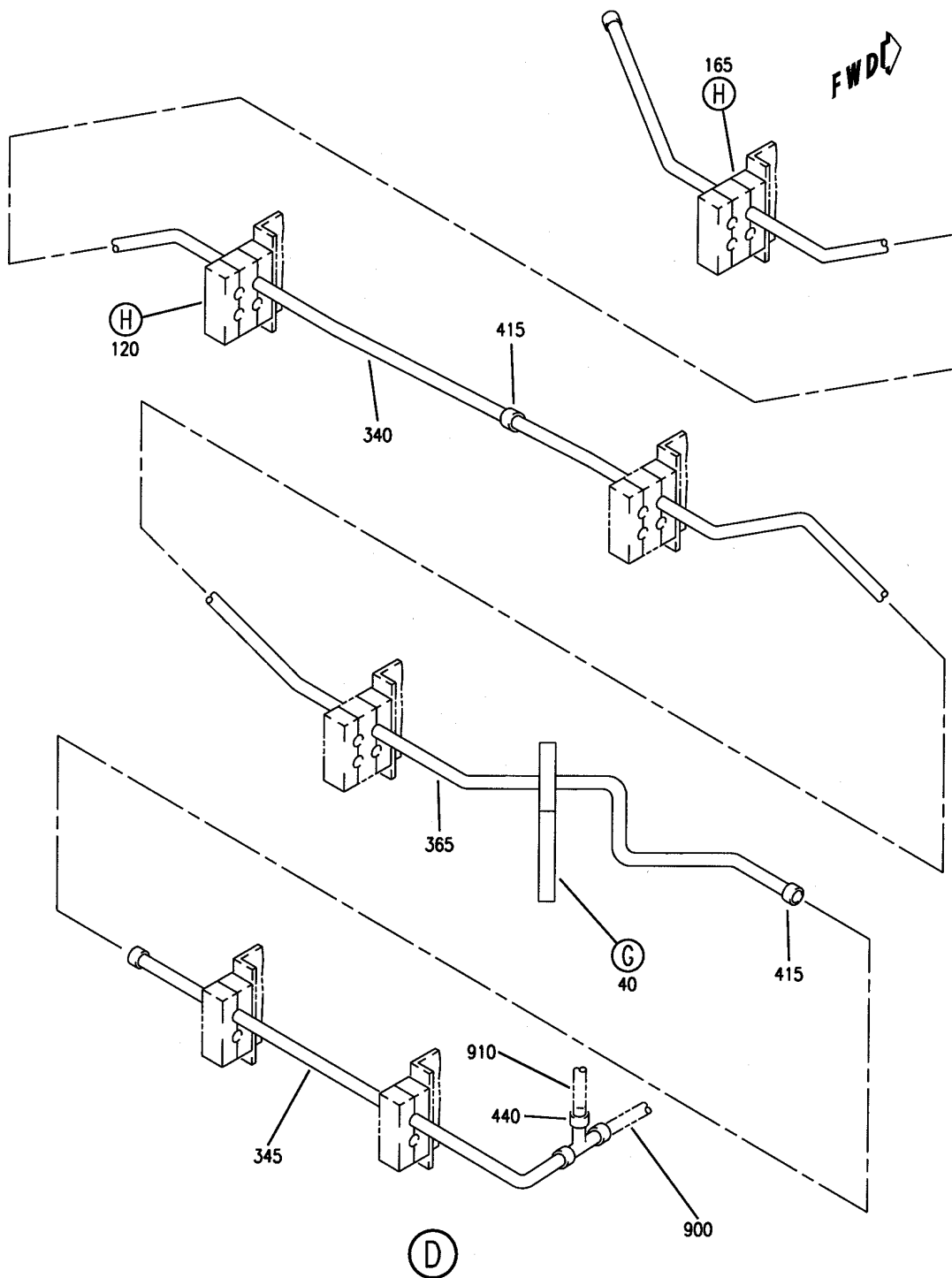
PLUMBING INSTL- SECT. 12 INBD WING HYDR R (HYDRAULIC POWER ONLY)
FIGURE 18A (SHEET 3)

29-11-51-18A

BRI
MAY 28/07

29-11-51-18A
PAGE 0B

BOEING
757
PARTS CATALOG (MAINTENANCE)



Y 29115118A SHT 4 REV 212

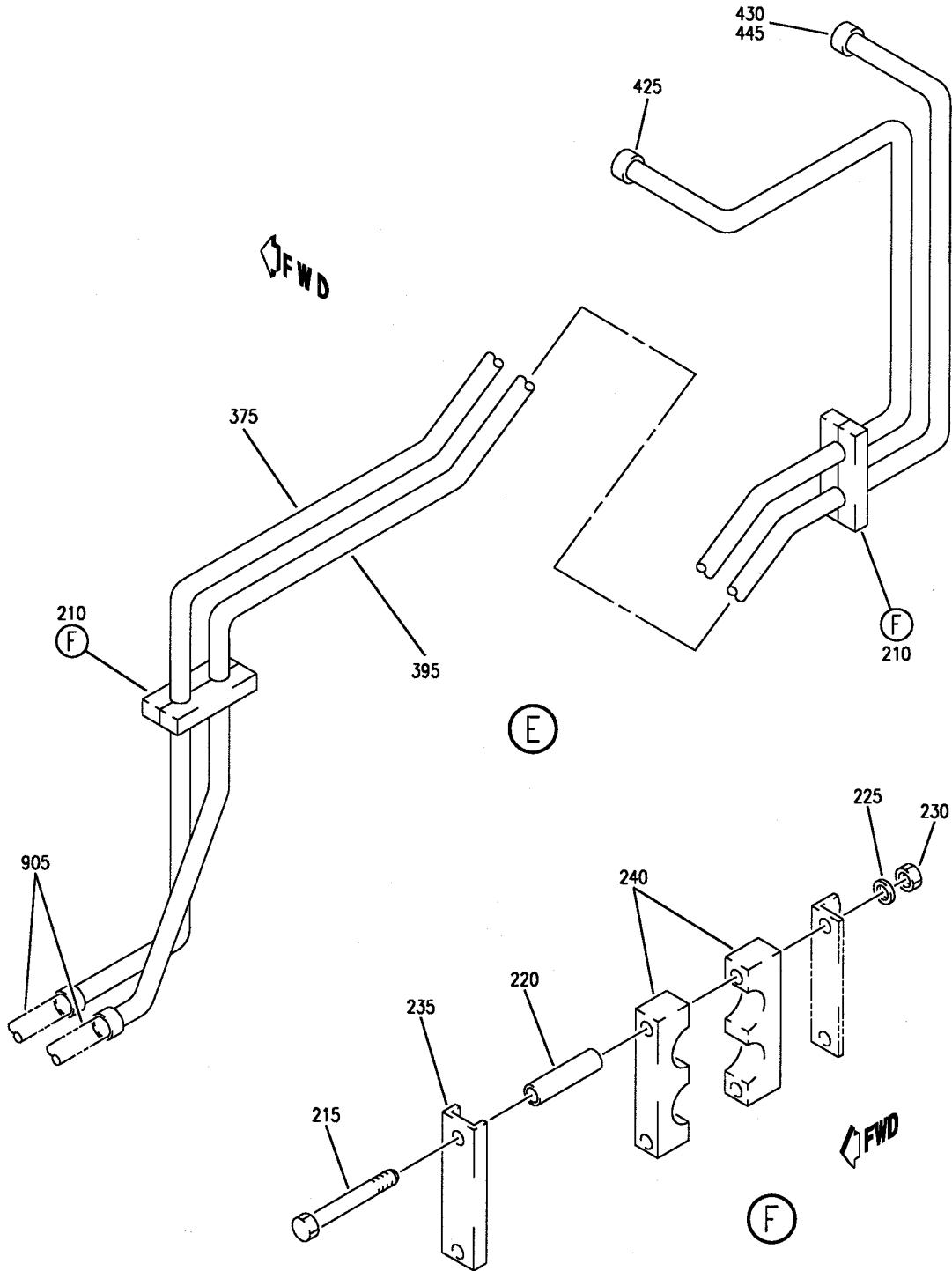
PLUMBING INSTL- SECT. 12 INBD WING HYDR R (HYDRAULIC POWER ONLY)
FIGURE 18A (SHEET 4)

29-11-51-18A

BRI
MAY 28/07

29-11-51-18A
PAGE 0C

BOEING
757
PARTS CATALOG (MAINTENANCE)



Y 29115118A SHT 5 REV 212

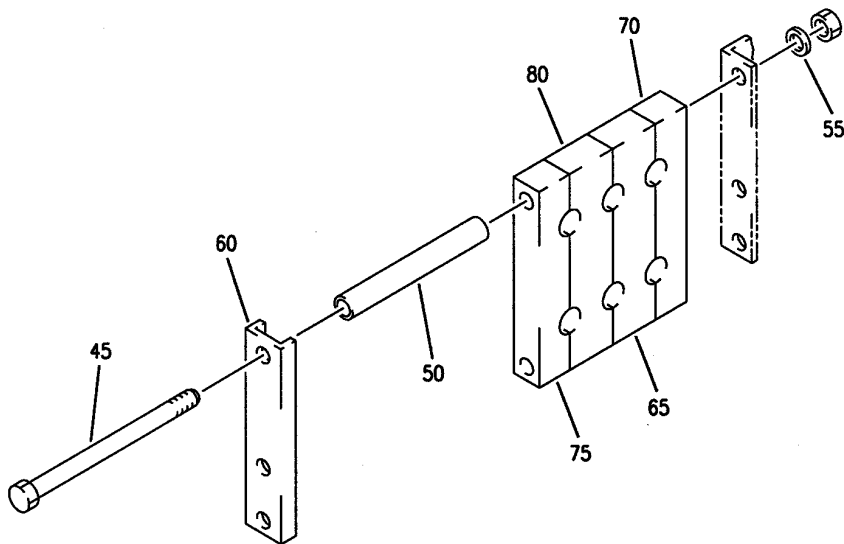
PLUMBING INSTL- SECT. 12 INBD WING HYDR R (HYDRAULIC POWER ONLY)
FIGURE 18A (SHEET 5)

29-11-51-18A

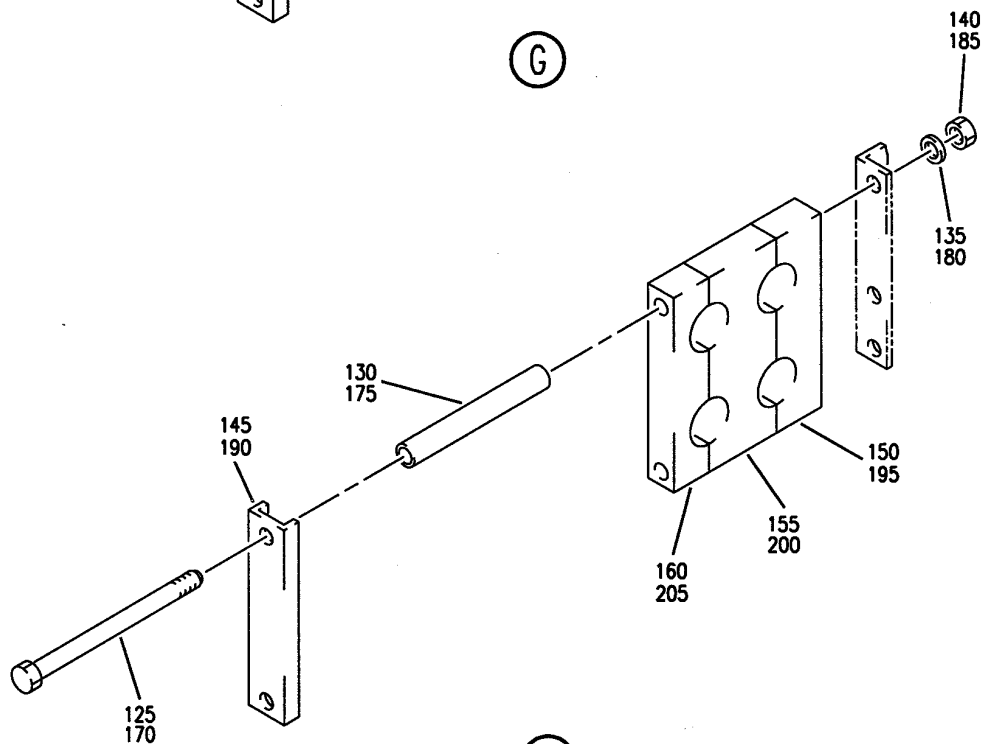
BRI
MAY 28/07

29-11-51-18A
PAGE 0D

BOEING
757
PARTS CATALOG (MAINTENANCE)



(G)



(H)

Y 29115118A SHT 6 REV 218

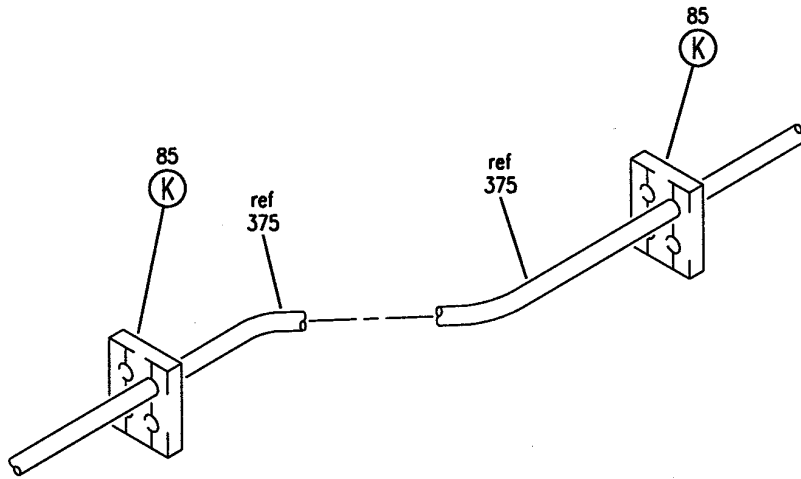
PLUMBING INSTL- SECT. 12 INBD WING HYDR R (HYDRAULIC POWER ONLY)
FIGURE 18A (SHEET 6)

29-11-51-18A

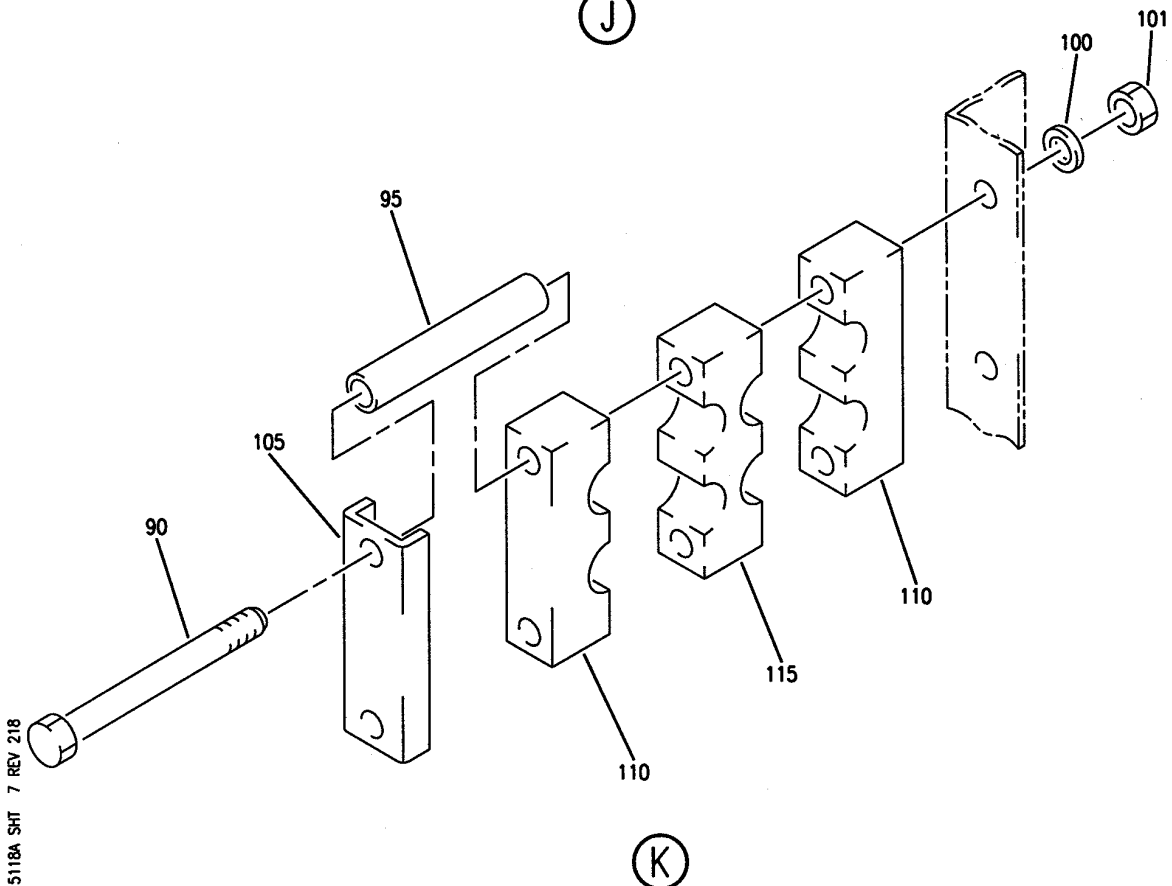
BRI
MAY 28/07

29-11-51-18A
PAGE 0E

BOEING
757
PARTS CATALOG (MAINTENANCE)



(J)



Y 29115118A SHT 7 REV 218

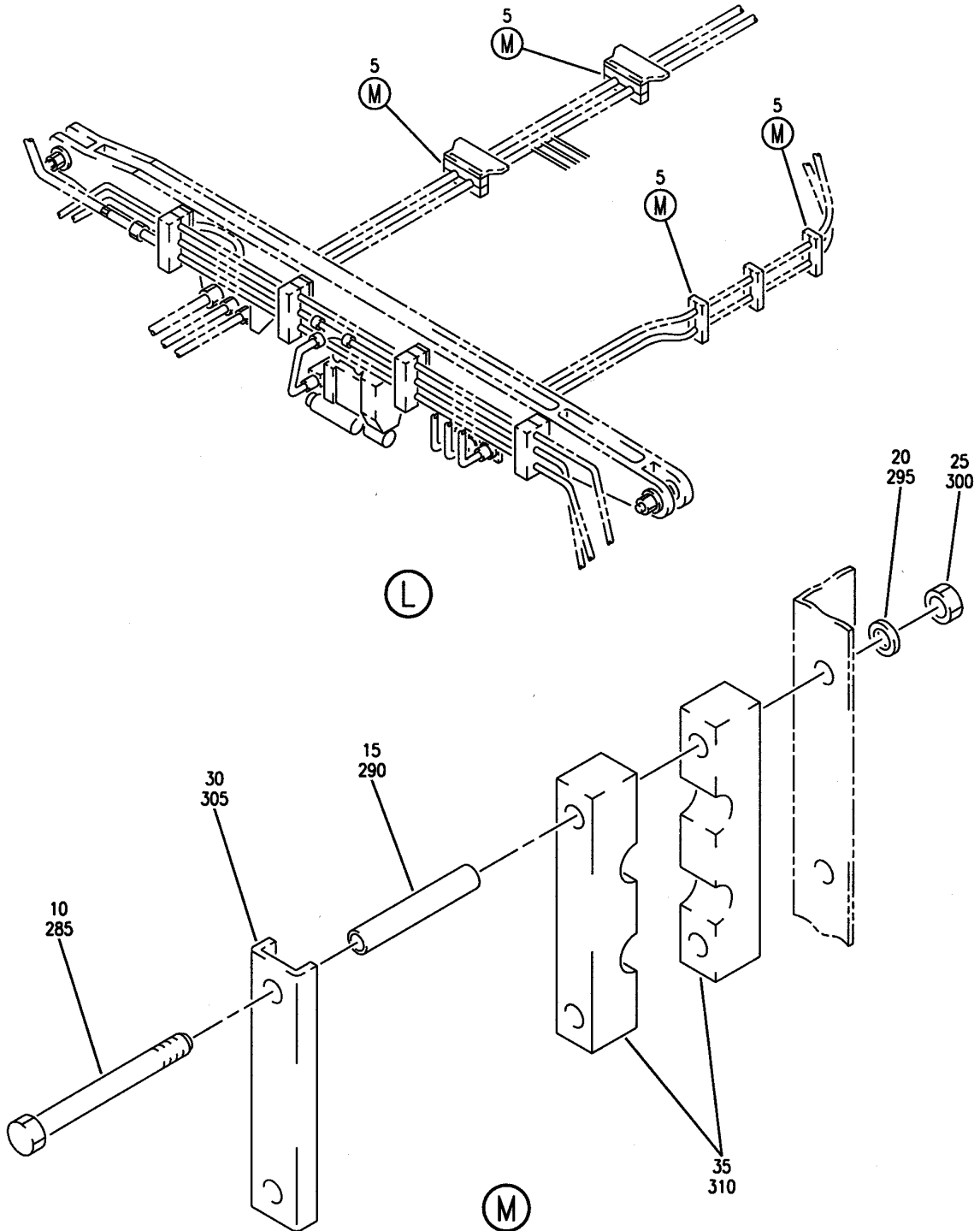
PLUMBING INSTL- SECT. 12 INBD WING HYDR R (HYDRAULIC POWER ONLY)
FIGURE 18A (SHEET 7)

29-11-51-18A

BRI
MAY 28/07

29-11-51-18A
PAGE OF

BOEING
757
PARTS CATALOG (MAINTENANCE)



Y 29115118A SHT 8 REV 218

PLUMBING INSTL- SECT. 12 INBD WING HYDR R (HYDRAULIC POWER ONLY)
FIGURE 18A (SHEET 8)

29-11-51-18A

BRI
MAY 28/07

29-11-51-18A
PAGE 08



757

PARTS CATALOG (MAINTENANCE)

FIG ITEM	PART NUMBER	1 2 3 4 5 6 7	NOMENCLATURE	EFFECT FROM TO	UNITS PER ASSY
18A			PLUMBING INSTL- SECT. 12 INBD WING HYDR R (HYDRAULIC POWER ONLY)	101102 108120 504903	
- 1	271N6123-13		PLUMBING INSTL-HYDR (R SYS HYDR POWER ONLY) POSITION DATA: SECT. 12 R WING INBD FOR NHA/OTHER SYS DET SEE: 29-00-51-02C	101102 504903	RF
- 1	271N6123-17		PLUMBING INSTL-HYDR (R SYS HYDR POWER ONLY) POSITION DATA: SECT. 12 R WING INBD FOR NHA/OTHER SYS DET SEE: 29-00-51-02C	108120	RF
5	270N2000-3		.CLAMP ASSY	101102 108120 504903	12
10	NAS1801-3-24		..SCREW	101102 108120 504903	2
15	NAS43DD3-59		..SPACER	101102 108120 504903	2
20	AN960PD10L		..WASHER	101102 108120 504903	2
25	BRH10A3		..NUT SUPPLIER CODE: V52828 SPECIFICATION NUMBER: BACN10JC3 OPTIONAL PART: H10-3BAC V15653 NS202101-02 V80539 RMLH9075-3W V72962 VN303A02 V92215 96-02 V80539 T6S1032J V11815	101102 108120 504903	2
30	270N2000-801		..CHANNEL	101102 108120 504903	2

MISSING ITEM NUMBERS NOT APPLICABLE

- ITEM NOT ILLUSTRATED

29-11-51-18A

29-11-51
FIG. 18A
PAGE 1
JAN 20/09

BRI

BOEING PROPRIETARY - Copyright © - Unpublished Work - See title page for details.

 **BOEING**
757
PARTS CATALOG (MAINTENANCE)

FIG ITEM	PART NUMBER	1 2 3 4 5 6 7	NOMENCLATURE	EFFECT FROM TO	UNITS PER ASSY
18A					
35	270N2000-401	..	BLOCK	101102 108120 504903	2
85	270N2000-2	.CLAMP	ASSY	101102 108120 504903	2
90	NAS1801-3-34	..	SCREW	101102 108120 504903	2
95	NAS43DD3-100	..	SPACER	101102 108120 504903	2
100	AN960PD10L	..	WASHER	101102 108120 504903	2
102	BRH10A3	..	NUT SUPPLIER CODE: V52828 SPECIFICATION NUMBER: BACN10JC3 OPTIONAL PART: H10-3BAC V15653 NS202101-02 V80539 RMLH9075-3W V72962 VN303A02 V92215 96-02 V80539 T6S1032J V11815	101102 108120 504903	2
105	270N2000-801	..	CHANNEL	101102 108120 504903	1
110	270N2000-401	..	BLOCK	101102 108120 504903	2
115	270N2000-402	..	BLOCK	101102 108120 504903	1
120	270N2000-179	.CLAMP	ASSY	101102 108120 504903	1
125	NAS1801-3-37	..	SCREW	101102 108120 504903	2

MISSING ITEM NUMBERS NOT APPLICABLE

— ITEM NOT ILLUSTRATED

BRI

29-11-51-18A

BOEING PROPRIETARY - Copyright © - Unpublished Work - See title page for details.

29-11-51
FIG. 18A
PAGE 2
JAN 20/09



757

PARTS CATALOG (MAINTENANCE)

FIG ITEM	PART NUMBER	1 2 3 4 5 6 7	NOMENCLATURE	EFFECT FROM TO	UNITS PER ASSY
18A 130	NAS43DD3-113	..	SPACER	101102 108120 504903	2
135	AN960PD10L	..	WASHER	101102 108120 504903	2
140	BRH10A3	..	NUT SUPPLIER CODE: V52828 SPECIFICATION NUMBER: BACN10JC3 OPTIONAL PART: H10-3BAC V15653 NS202101-02 V80539 RMLH9075-3W V72962 VN303A02 V92215 96-02 V80539 T6S1032J V11815	101102 108120 504903	2
145	270N2000-801	..	CHANNEL	101102 108120 504903	1
150	270N2000-401	..	BLOCK	101102 108120 504903	1
155	270N2000-648	..	BLOCK	101102 108120 504903	1
160	270N2000-649	..	BLOCK	101102 108120 504903	1
165	270N2000-177	.	CLAMP ASSY	101102 108120 504903	1
170	NAS1801-3-34	..	SCREW	101102 108120 504903	2
175	NAS43DD3-100	..	SPACER	101102 108120 504903	2
180	AN960PD10L	..	WASHER	101102 108120 504903	2

MISSING ITEM NUMBERS NOT APPLICABLE

- ITEM NOT ILLUSTRATED

29-11-51-18A

29-11-51
FIG. 18A
PAGE 3
JAN 20/09

BRI

BOEING PROPRIETARY - Copyright © - Unpublished Work - See title page for details.



757

PARTS CATALOG (MAINTENANCE)

FIG ITEM	PART NUMBER	1 2 3 4 5 6 7	NOMENCLATURE	EFFECT FROM TO	UNITS PER ASSY
18A 185	BRH10A3	..	NUT SUPPLIER CODE: V52828 SPECIFICATION NUMBER: BACN10JC3 OPTIONAL PART: H10-3BAC V15653 NS202101-02 V80539 RMLH9075-3W V72962 VN303A02 V92215 96-02 V80539 T6S1032J V11815	101102 108120 504903	2
190	270N2000-801	..	CHANNEL	101102 108120 504903	1
195	270N2000-401	..	BLOCK	101102 108120 504903	1
200	270N2000-648	..	BLOCK	101102 108120 504903	1
205	270N2000-650	..	BLOCK	101102 108120 504903	1
- 210	270N2000-32	.	CLAMP ASSY	101102 108120 504903	1
215	NAS1801-3-24	..	SCREW	101102 108120 504903	2
220	NAS43DD3-67	..	SPACER-	101102 108120 504903	2
- 225	AN960PD10L	..	WASHER	101102 108120 504903	2

MISSING ITEM NUMBERS NOT APPLICABLE

- ITEM NOT ILLUSTRATED

29-11-51-18A

29-11-51
FIG. 18A
PAGE 4
JAN 20/09

BRI

BOEING PROPRIETARY - Copyright © - Unpublished Work - See title page for details.



757

PARTS CATALOG (MAINTENANCE)

FIG ITEM	PART NUMBER	1 2 3 4 5 6 7	NOMENCLATURE	EFFECT FROM TO	UNITS PER ASSY
18A - 230	BRH10A3		..NUT SUPPLIER CODE: V52828 SPECIFICATION NUMBER: BACN10JC3 OPTIONAL PART: H10-3BAC V15653 NS202101-02 V80539 RMLH9075-3W V72962 VN303A02 V92215 96-02 V80539 T6S1032J V11815	101102 108120 504903	2
235	270N2000-821		..CHANNEL-	101102 108120 504903	1
240	270N2000-447		..BLOCK-	101102 108120 504903	2
280	270N2001-10		.CLAMP ASSY	101102 108120 504903	11
285	NAS1801-3-24		..SCREW	101102 108120 504903	2
290	NAS43DD3-59		..SPACER	101102 108120 504903	2
295	AN960PD10L		..WASHER	101102 108120 504903	1

MISSING ITEM NUMBERS NOT APPLICABLE

- ITEM NOT ILLUSTRATED

29-11-51-18A

29-11-51
FIG. 18A
PAGE 5
JAN 20/09

BRI

BOEING PROPRIETARY - Copyright © - Unpublished Work - See title page for details.



757

PARTS CATALOG (MAINTENANCE)

FIG ITEM	PART NUMBER	1 2 3 4 5 6 7	NOMENCLATURE	EFFECT FROM TO	UNITS PER ASSY
18A 300	BRH10A3	..	NUT SUPPLIER CODE: V52828 SPECIFICATION NUMBER: BACN10JC3 OPTIONAL PART: H10-3BAC V15653 NS202101-02 V80539 RMLH9075-3W V72962 VN303A02 V92215 96-02 V80539 T6S1032J V11815	101102 108120 504903	2
305	270N2001-805	..	CHANNEL	101102 108120 504903	1
310	270N2001-405	..	BLOCK	101102 108120 504903	2
313	271N6123-1062	.TUBE ASSY-RETURN CTR SYS	TUBING MATERIAL: .375 IN. OD .035 IN. WALL 15.37 IN. LG ALUMINUM	101102 108120 504903	1
316	271N6123-1065	.TUBE ASSY-PRESSURE CTR SYS	TUBING MATERIAL: .375 IN. OD .019 IN. WALL 15.00 IN. LG TITANIUM	101102 108120 504903	1
317	271N6123-1064	.TUBE ASSY-RETURN CTR SYS	TUBING MATERIAL: .375 IN. OD .035 IN. WALL 15.18 IN. LG ALUMINUM	101102 108120 504903	1
320	271N6123-1061	.TUBE ASSY-PRESSURE CTR SYS	TUBING MATERIAL: .375 IN. OD .019 IN. WALL 97.00 IN. LG TITANIUM	101102 108120 504903	1
325	271N6123-1063	.TUBE ASSY-PRESSURE CTR SYS	TUBING MATERIAL: .375 IN. OD .019 IN. WALL 15.50 IN. LG TITANIUM	101102 108120 504903	1

MISSING ITEM NUMBERS NOT APPLICABLE

- ITEM NOT ILLUSTRATED

29-11-51-18A

29-11-51
FIG. 18A
PAGE 6
JAN 20/09

BRI

BOEING PROPRIETARY - Copyright © - Unpublished Work - See title page for details.



757

PARTS CATALOG (MAINTENANCE)

FIG ITEM	PART NUMBER	1 2 3 4 5 6 7	NOMENCLATURE	EFFECT FROM TO	UNITS PER ASSY
18A 330	271N6123-1300		.TUBE ASSY-RETURN CTR SYS TUBING MATERIAL: .375 IN. OD .035 IN. WALL ALUMINUM	101102 108120 504903	1
335	271N6123-1060		.TUBE ASSY-RETURN CTR SYS TUBING MATERIAL: .375 IN. OD .035 IN. WALL 96.00 IN. LG ALUMINUM	101102 108120 504903	1
337	271N6123-1299		.TUBE ASSY-PRESSURE CTR SYS TUBING MATERIAL: .375 IN. OD .019 IN. WALL TITANIUM	101102 108120 504903	1
340	271N6123-1286		.TUBE ASSY-PRESSURE SYS POSITION DATA: L TUBING MATERIAL: .375 IN. OD .019 IN. WALL 43.50 IN. LG TITANIUM	101102 108120 504903	1
345	271N6123-1288		.TUBE ASSY-PRESSURE SYS POSITION DATA: L TUBING MATERIAL: .375 IN. OD .019 IN. WALL 16.00 IN. LG TITANIUM	101102 108120 504903	1
347	271N6123-1255		.TUBE ASSY-PRESSURE SYS POSITION DATA: L TUBING MATERIAL: .375 IN. OD .019 IN. WALL 86.50 IN. LG TITANIUM	101102 108120 504903	1
- 350	AS1581T06		..SLEEVE	101102 108120 504903	1
- 355	BACN10YA6N		..NUT	101102 108120 504903	1
- 360	AS1582T06		..UNION	101102 108120 504903	1

MISSING ITEM NUMBERS NOT APPLICABLE

- ITEM NOT ILLUSTRATED

29-11-51-18A

29-11-51
FIG. 18A
PAGE 7
JAN 20/09

BRI

BOEING PROPRIETARY - Copyright © - Unpublished Work - See title page for details.



757

PARTS CATALOG (MAINTENANCE)

FIG ITEM	PART NUMBER	1 2 3 4 5 6 7	NOMENCLATURE	EFFECT FROM TO	UNITS PER ASSY
18A 365	271N6123-1287		.TUBE ASSY-PRESSURE SYS POSITION DATA: L TUBING MATERIAL: .375 IN. OD .019 IN. WALL 41.50 IN. LG TITANIUM	101102 108120 504903	1
- 370	AS1581T06		..SLEEVE	101102 108120 504903	1
- 372	BACN10YA6N		..NUT	101102 108120 504903	1
375	271N6123-1306		.TUBE ASSY-PRESSURE SYS POSITION DATA: C TUBING MATERIAL: .500 IN. OD TITANIUM	101102 108120 504903	1
- 380	AS1581T08		..SLEEVE	101102 108120 504903	1
- 385	BACN10YA8		..NUT	101102 108120 504903	1
- 390	AS1582T08		..UNION	101102 108120 504903	1
395	271N6123-1307		.TUBE ASSY-PRESSURE SYS POSITION DATA: C TUBING MATERIAL: .500 IN. OD ALUMINUM	101102 108120 504903	1
- 400	AP2097HP08		..SLEEVE SUPPLIER CODE: V01673 SPECIFICATION NUMBER: BACS13BX08HP OPTIONAL PART: 2-02903-08HP V11328 35235VN08 V08199 AFP175V08P V30974 DBOS13BX08HP V14798	101102 108120 504903	2

MISSING ITEM NUMBERS NOT APPLICABLE

- ITEM NOT ILLUSTRATED

29-11-51-18A

29-11-51
FIG. 18A
PAGE 8
JAN 20/09

BRI

BOEING PROPRIETARY - Copyright © - Unpublished Work - See title page for details.



757

PARTS CATALOG (MAINTENANCE)

FIG ITEM	PART NUMBER	1 2 3 4 5 6 7	NOMENCLATURE	EFFECT FROM TO	UNITS PER ASSY
18A					
- 405	BACN10YL08	. . NUT-	OPTIONAL PART: MS21921-8D	101102 108120 504903	2
- 405	MS21921-8D	. . NUT-	OPTIONAL PART: BACN10YL08	101102 108120 504903	2
410	MS21924-6T	. UNION-		101102 108120 504903	1
422	D10282-0606D	. UNION	SUPPLIER CODE: V14798 SPECIFICATION NUMBER: BACU24BS0606D	101102 108120 504903	2
423	D10282-0606J	. UNION	SUPPLIER CODE: V14798 SPECIFICATION NUMBER: BACU24BS0606J	101102 108120 504903	2
425	MS21916-6-4T	. REDUCER-		101102 108120 504903	1
440	BACT16BL060604J	. TEE		101102 108120 504903	1
445	NAS1612-6	. PACKING-		101102 108120 504903	1
450	AN924-6D	. NUT		101102 108120 504903	1
900			ILLUSTRATION REFERENCE: PLUMBING INSTL-SECT. 12 HYDR R WING INBD (MAIN GEAR EXTENSION AND RETRACTION ONLY) 32-32-51-16A	101102 108120 504903	RF
905			ILLUSTRATION REFERENCE: PLUMBING INSTL-MAIN WHL WELL FWD BHD HYDR 29-11-51-78	101102 108120 504903	RF
910			ILLUSTRATION REFERENCE: PLUMBING INSTL-HYDR WING SECT. 12 R OUTBD 27-61-51-28A	101102 108120 504903	RF

MISSING ITEM NUMBERS NOT APPLICABLE

- ITEM NOT ILLUSTRATED

29-11-51-18A

29-11-51
FIG. 18A
PAGE 9
JAN 20/09

BRI

BOEING PROPRIETARY - Copyright © - Unpublished Work - See title page for details.



757

PARTS CATALOG (MAINTENANCE)

FIG ITEM	PART NUMBER	1 2 3 4 5 6 7	NOMENCLATURE	EFFECT FROM TO	UNITS PER ASSY
18A 915			ILLUSTRATION REFERENCE: PLUMBING INSTL- SECT. 12 INBD WING HYDR R (HYDRAULIC POWER ONLY) 29-11-51-18B	101102 108120 504903	RF
920			ILLUSTRATION REFERENCE: PLUMBING INSTL-HYDR WING SECT. 12 R OUTBD 29-11-51-28A	101102 108120 504903	RF

MISSING ITEM NUMBERS NOT APPLICABLE

- ITEM NOT ILLUSTRATED

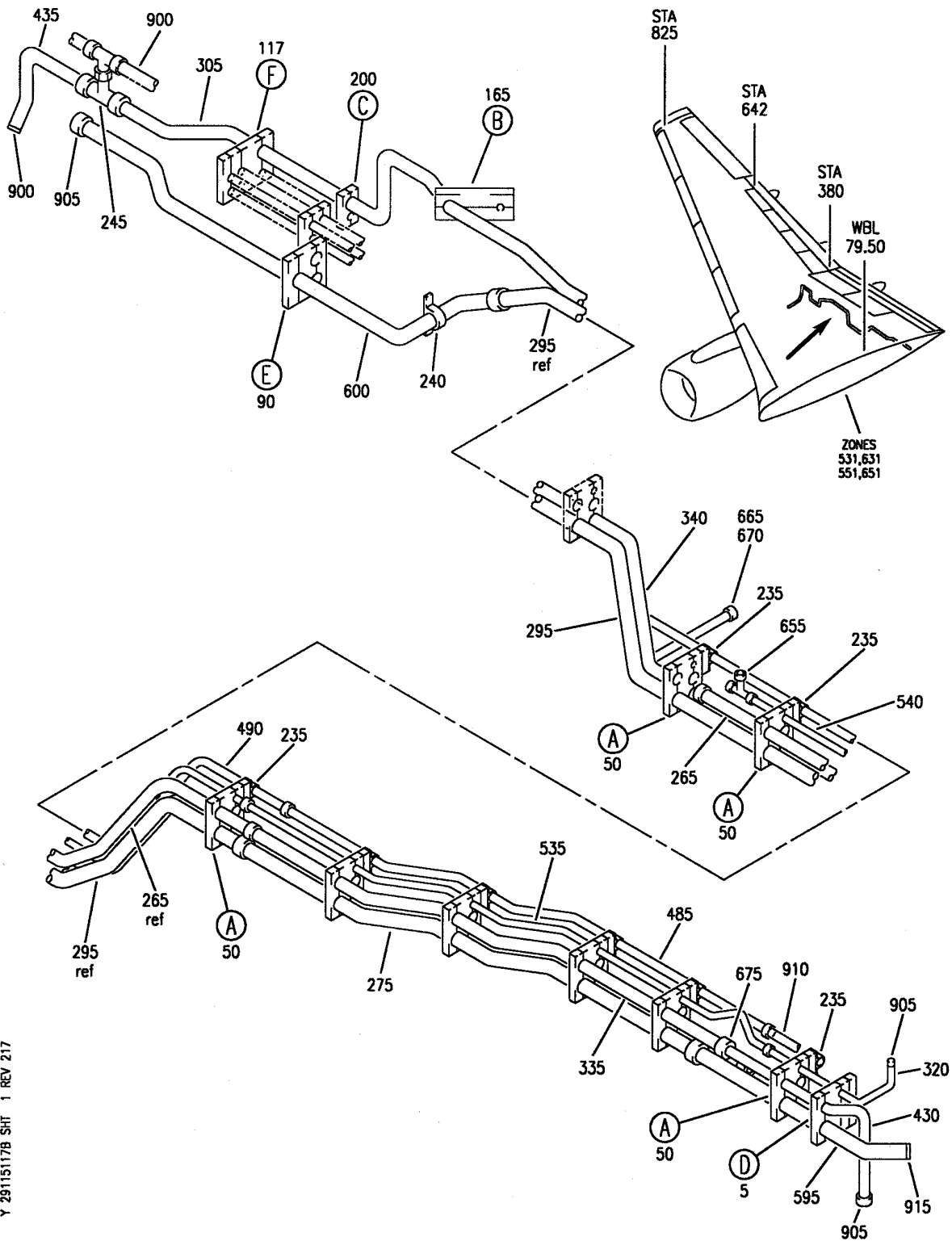
BRI

29-11-51-18A

BOEING PROPRIETARY - Copyright © - Unpublished Work - See title page for details.

29-11-51
FIG. 18A
PAGE 10
JAN 20/09


BOEING
 757
PARTS CATALOG (MAINTENANCE)



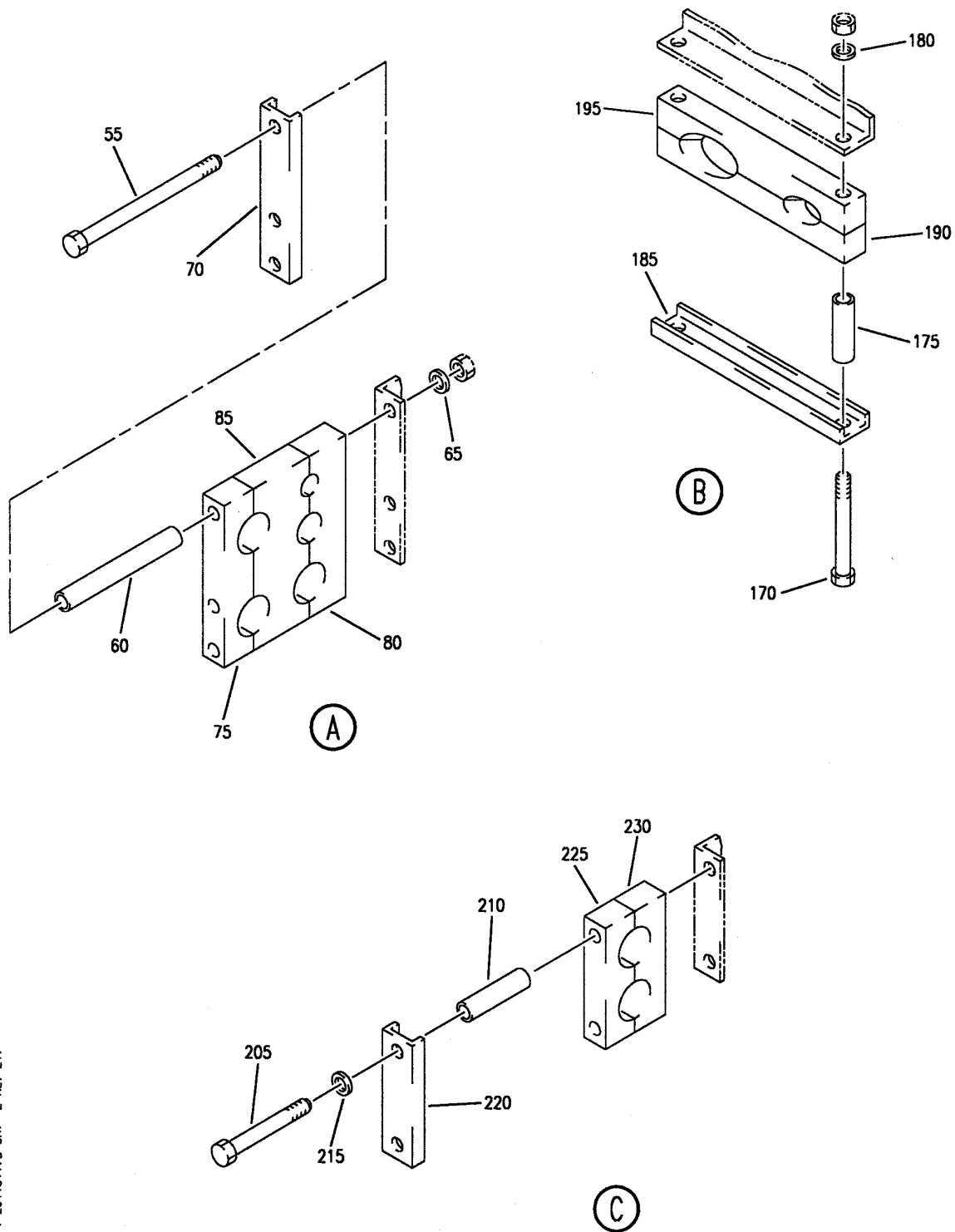
PLUMBING INSTL- SECT. 12 INBD WING HYDR R (HYDRAULIC POWER ONLY)
 FIGURE 18B (SHEET 1)

29-11-51-18B

BRI
 MAY 28/07

29-11-51-18B
 PAGE 0

BOEING
757
PARTS CATALOG (MAINTENANCE)



Y 29115117B SH1 2 REV 217

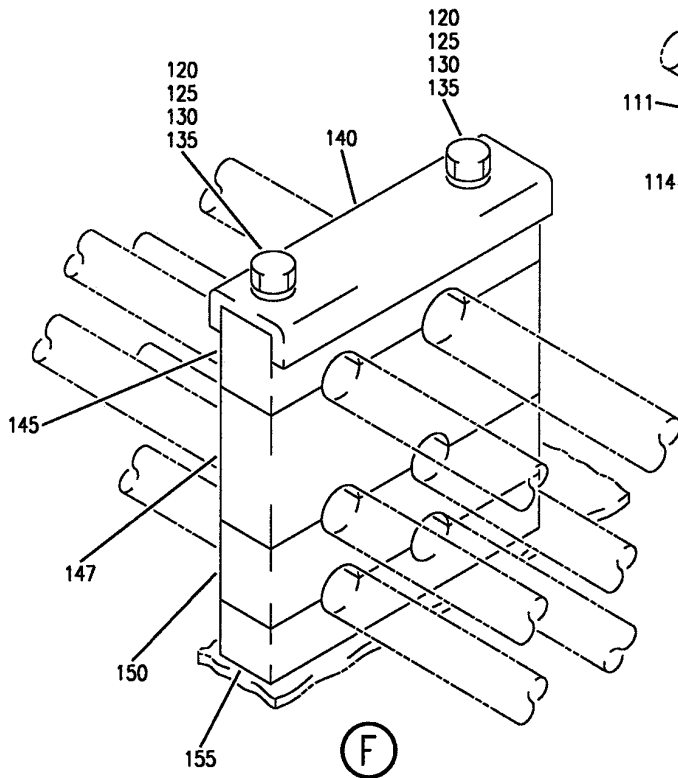
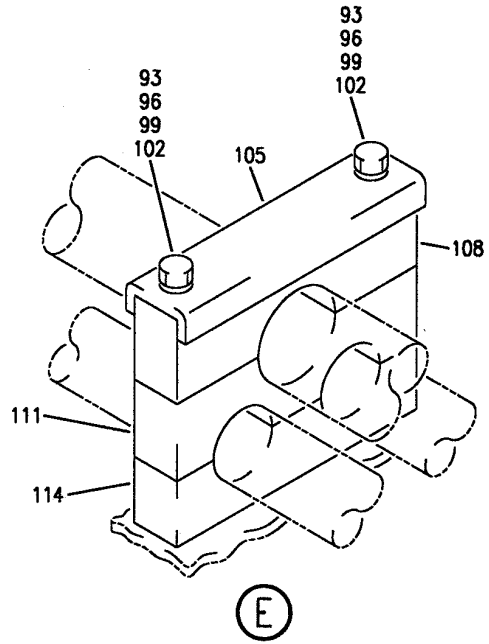
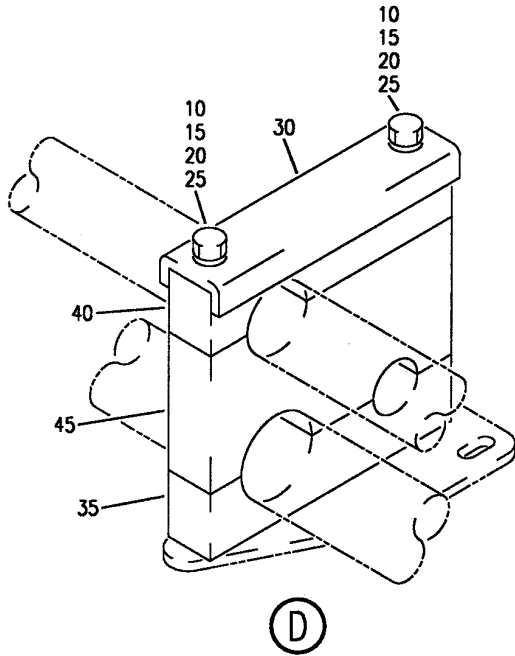
PLUMBING INSTL- SECT. 12 INBD WING HYDR R (HYDRAULIC POWER ONLY)
FIGURE 18B (SHEET 2)

29-11-51-18B

BRI
MAY 28/07

29-11-51-18B
PAGE 0A

BOEING
757
PARTS CATALOG (MAINTENANCE)



Y 29115117B SH 3 REV 217

PLUMBING INSTL- SECT. 12 INBD WING HYDR R (HYDRAULIC POWER ONLY)
FIGURE 18B (SHEET 3)

BRI
MAY 28/07

29-11-51-18B

29-11-51-18B
PAGE 0B



757

PARTS CATALOG (MAINTENANCE)

FIG ITEM	PART NUMBER	1 2 3 4 5 6 7	NOMENCLATURE	EFFECT FROM TO	UNITS PER ASSY
18B			PLUMBING INSTL- SECT. 12 INBD WING HYDR R (HYDRAULIC POWER ONLY)	101102 108120 504903	
- 285	271N6123-11		PLUMBING INSTL-HYDR POSITION DATA: SECT. 12 R WING INBD FOR NHA SEE: 29-00-51-02B	101102 108120 504903	RF
287	270N2000-157		.CLAMP ASSY-BLK	101102 108120 504903	2
290	NAS1801-3-26		..SCREW	101102 108120 504903	2
293	AN960PD10L		..WASHER	101102 108120 504903	2
296	NAS43DD3-67		..SPACER	101102 108120 504903	2
299	BRH10A3		..NUT SUPPLIER CODE: V52828 SPECIFICATION NUMBER: BACN10JC3 OPTIONAL PART: H10-3BAC V15653 NS202101-02 V80539 RMLH9075-3W V72962 VN303A02 V92215 96-02 V80539 T6S1032J V11815	101102 108120 504903	2
302	270N2000-868		..CHANNEL	101102 108120 504903	1
305	270N2000-631		..BLOCK	101102 108120 504903	2

MISSING ITEM NUMBERS NOT APPLICABLE

- ITEM NOT ILLUSTRATED

29-11-51-18B

29-11-51
FIG. 18B
PAGE 1
JAN 20/09

BRI

BOEING PROPRIETARY - Copyright © - Unpublished Work - See title page for details.



757

PARTS CATALOG (MAINTENANCE)

FIG ITEM	PART NUMBER	1 2 3 4 5 6 7	NOMENCLATURE	EFFECT FROM TO	UNITS PER ASSY
18B 310	271N6123-1261		.TUBE ASSY-PRESSURE SYS POSITION DATA: L TUBING MATERIAL: .375 IN. OD .019 IN. WALL 62.50 IN. LG TITANIUM	101102 108120 504903	1
- 315	AS1581T06		..SLEEVE	101102 108120 504903	2
- 320	BACN10YA6N		..NUT	101102 108120 504903	2
325	271N6123-1262		.TUBE ASSY-RETURN SYS POSITION DATA: L TUBING MATERIAL: .375 IN. OD .035 IN. WALL 60.00 IN. LG ALUMINUM	101102 108120 504903	1
- 330	AP2097HP06		..SLEEVE SUPPLIER CODE: V01673 SPECIFICATION NUMBER: BACS13BX06HP OPTIONAL PART: 2-02903-06HP V11328 35235VN06 V08199 AFP175V06P V30974 DBOS13BX06HP V14798	101102 108120 504903	2
- 335	BACN10YL06		..NUT- OPTIONAL PART: MS21921-6D	101102 108120 504903	2
- 335	MS21921-6D		..NUT- OPTIONAL PART: BACN10YL06	101102 108120 504903	2
905			ILLUSTRATION REFERENCE: PLUMBING INSTL BASIC AND STABLE 29-11-51-48	101102 108120 504903	RF
905			ILLUSTRATION REFERENCE: PLUMBING INSTL-SECT.44 HYD, RIGHT PRESSURE DECK 29-11-51-51	101102 108120 504903	RF

MISSING ITEM NUMBERS NOT APPLICABLE

- ITEM NOT ILLUSTRATED

29-11-51-18B

29-11-51
FIG. 18B
PAGE 2
JAN 20/09

BRI

BOEING PROPRIETARY - Copyright © - Unpublished Work - See title page for details.



757

PARTS CATALOG (MAINTENANCE)

FIG ITEM	PART NUMBER	1 2 3 4 5 6 7	NOMENCLATURE	EFFECT FROM TO	UNITS PER ASSY
18B 910			ILLUSTRATION REFERENCE: PLUMBING INSTL- SECT. 12 INBD WING HYDR R (HYDRAULIC POWER ONLY) 29-11-51-18A	101102 108120 504903	RF
915			ILLUSTRATION REFERENCE: PLUMBING INSTL-FILLET AND TE ROLLS ROYCE RETURN LINES 29-11-51-68	101102 108120 504903	RF

MISSING ITEM NUMBERS NOT APPLICABLE

- ITEM NOT ILLUSTRATED

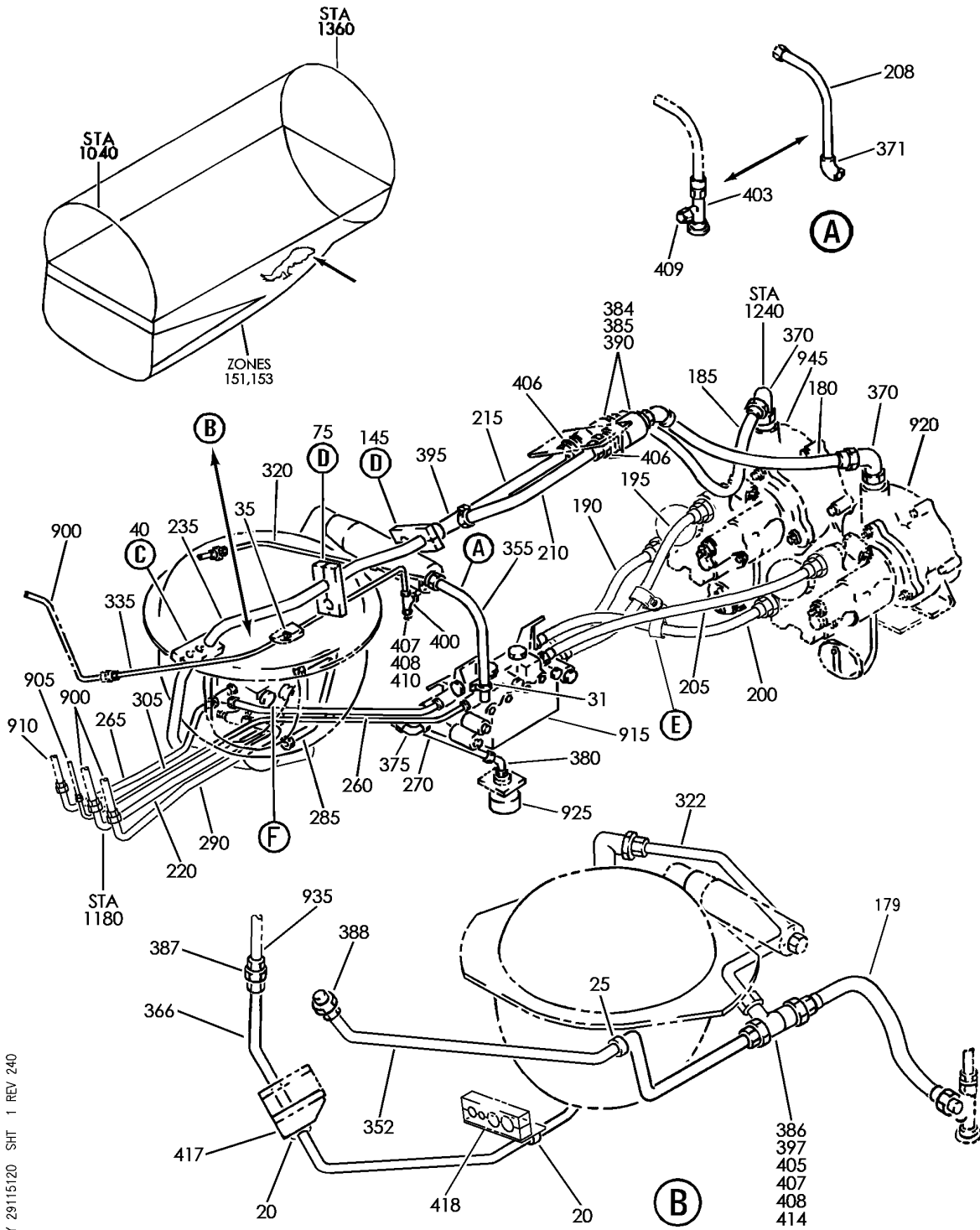
BRI

29-11-51-18B

BOEING PROPRIETARY - Copyright © - Unpublished Work - See title page for details.

29-11-51
FIG. 18B
PAGE 3
JAN 20/09

BOEING
757
PARTS CATALOG (MAINTENANCE)



Y 29115120 SHT 1 REV 240

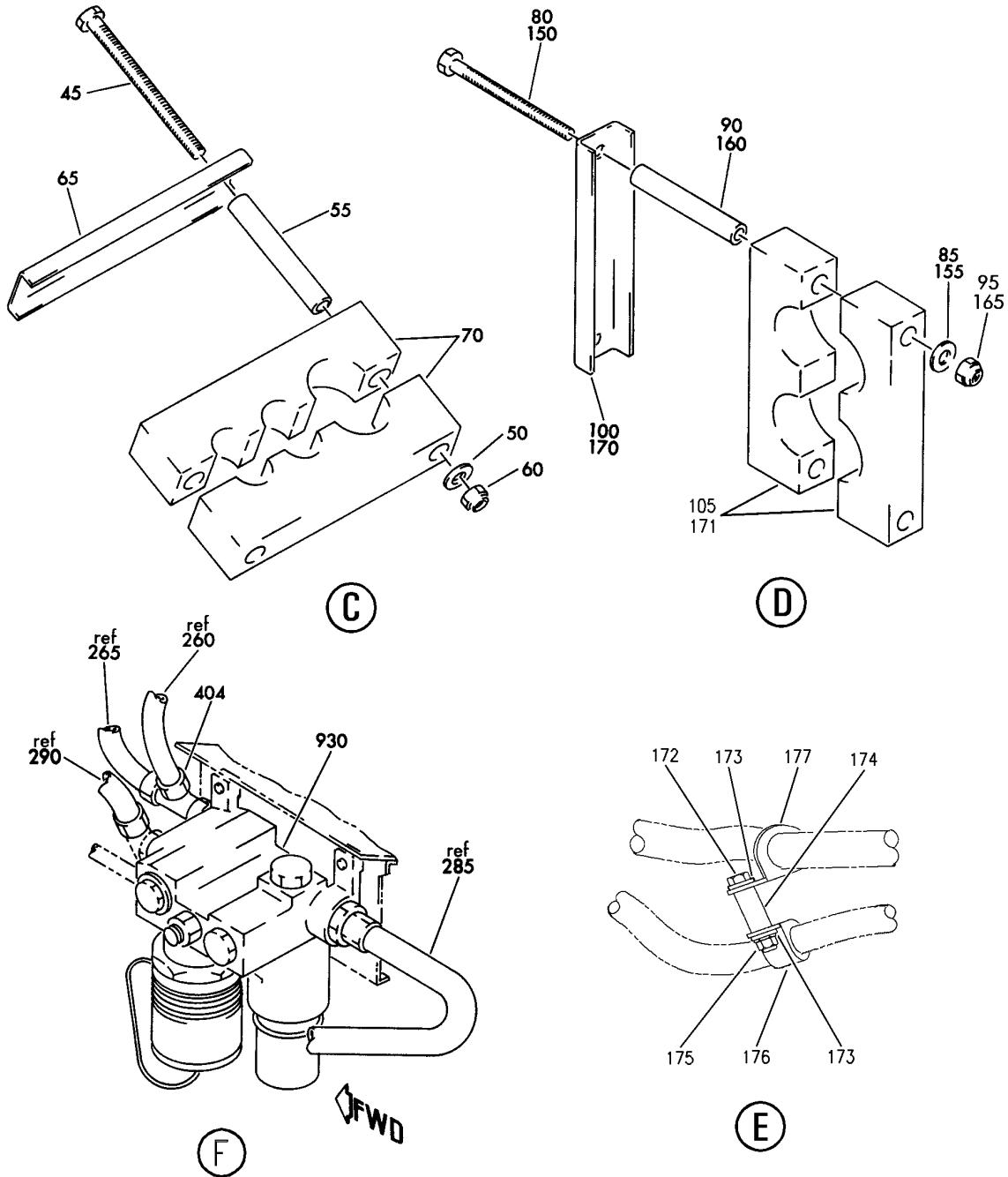
PLUMBING INSTL-SECT. 49 L HYDR BAY (MAIN HYDR SYSTEM ONLY)
FIGURE 20 (SHEET 1)

29-11-51-20

BRI
MAY 28/07

29-11-51-20
PAGE 0

BOEING
757
PARTS CATALOG (MAINTENANCE)



Y 29115120 SH 2 REV 240

PLUMBING INSTL-SECT. 49 L HYDR BAY (MAIN HYDR SYSTEM ONLY)
FIGURE 20 (SHEET 2)

29-11-51-20

BRI
MAY 28/07

29-11-51-20
PAGE 0A



757

PARTS CATALOG (MAINTENANCE)

FIG ITEM	PART NUMBER	1 2 3 4 5 6 7	NOMENCLATURE	EFFECT FROM TO	UNITS PER ASSY
20			PLUMBING INSTL-SECT. 49 L HYDR BAY (MAIN HYDR SYSTEM ONLY)	002004 006100 107107 121503 904999	
- 1	271N6492-1		PLUMBING INSTL-HYDR BAY (HYDRAULIC POWER ONLY) POSITION DATA: SECT. 49 L FOR NHA/OTHER SYS DET SEE: 29-00-51-07	107107 904949	RF
- 1	271N6492-5		PLUMBING INSTL-HYDR BAY (HYDRAULIC POWER ONLY) POSITION DATA: SECT. 49 L VARIABLE DRAWING REF: 271N6492-7 FOR NHA/OTHER SYS DET SEE: 29-00-51-07	002004 006100 121503 950999	RF
35	M85052-2-6		.CLAMP-	002004 006100 107107 121503 904999	1
40	270N2000-103		.CLAMP ASSY-BLK	002004 006100 121503 904999	1
40	270N2000-260		.CLAMP ASSY-BLK ALTERED FROM PART NUMBER: 270N2000-103 POST SERVICE BULLETIN: 24-0048	107107	1
45	NAS1801-3-34		..SCREW-	002004 006100 107107 121503 904999	2
50	AN960PD10L		..WASHER	002004 006100 107107 121503 904999	2
55	NAS43DD3-99		..SPACER	002004 006100 107107 121503 904999	2

MISSING ITEM NUMBERS NOT APPLICABLE

- ITEM NOT ILLUSTRATED

29-11-51-20

29-11-51
FIG. 20
PAGE 1
JAN 20/09

BRI

BOEING PROPRIETARY - Copyright © - Unpublished Work - See title page for details.



757

PARTS CATALOG (MAINTENANCE)

FIG ITEM	PART NUMBER	1 2 3 4 5 6 7	NOMENCLATURE	EFFECT FROM TO	UNITS PER ASSY
20					
60	BRH10A3	..	NUT SUPPLIER CODE: V52828 SPECIFICATION NUMBER: BACN10JC3 OPTIONAL PART: H10-3BAC V15653 NS202101-02 V80539 RMLH9075-3W V72962 VN303A02 V92215 96-02 V80539 T6S1032J V11815	002004 006100 107107 121503 904999	2
65	270N2000-851	..	CHANNEL-	002004 006100 121503 904999	1
65	270N2000-1030	..	CHANNEL- POST SERVICE BULLETIN: 24-0048	107107	1
70	270N2000-537	..	BLOCK	002004 006100 107107 121503 904999	2
75	270N2000-130	.	CLAMP ASSY-BLK	002004 006100 107107 121503 904999	1
80	NAS1801-3-34	..	SCREW-	002004 006100 107107 121503 904999	2
85	AN960PD10L	..	WASHER	002004 006100 107107 121503 904999	2

MISSING ITEM NUMBERS NOT APPLICABLE

- ITEM NOT ILLUSTRATED

BRI

29-11-51-20

BOEING PROPRIETARY - Copyright © - Unpublished Work - See title page for details.

29-11-51
FIG. 20
PAGE 2
JAN 20/09



757

PARTS CATALOG (MAINTENANCE)

FIG ITEM	PART NUMBER	1 2 3 4 5 6 7	NOMENCLATURE	EFFECT FROM TO	UNITS PER ASSY
20					
90	NAS43DD3-99	..	SPACER	002004 006100 107107 121503 904999	2
95	BRH10A3	..	NUT SUPPLIER CODE: V52828 SPECIFICATION NUMBER: BACN10JC3 OPTIONAL PART: H10-3BAC V15653 NS202101-02 V80539 RMLH9075-3W V72962 VN303A02 V92215 96-02 V80539 T6S1032J V11815	002004 006100 107107 121503 904999	2
100	270N2000-823	..	CHANNEL	002004 006100 107107 121503 904999	1
105	270N2000-453	..	BLOCK	002004 006100 107107 121503 904999	2
145	270N2000-149	.	CLAMP ASSY-BLK	002004 006100 107107 121503 904999	1
150	NAS1801-3-34	..	SCREW-	002004 006100 107107 121503 904999	2
155	AN960PD10L	..	WASHER	002004 006100 107107 121503 904999	2

MISSING ITEM NUMBERS NOT APPLICABLE

- ITEM NOT ILLUSTRATED

29-11-51-20

29-11-51
FIG. 20
PAGE 3
JAN 20/09

BRI

BOEING PROPRIETARY - Copyright © - Unpublished Work - See title page for details.



757

PARTS CATALOG (MAINTENANCE)

FIG ITEM	PART NUMBER	1 2 3 4 5 6 7	NOMENCLATURE	EFFECT FROM TO	UNITS PER ASSY
20					
160	NAS43DD3-99	..	SPACER	002004 006100 107107 121503 904999	2
165	BRH10A3	..	NUT SUPPLIER CODE: V52828 SPECIFICATION NUMBER: BACN10JC3 OPTIONAL PART: H10-3BAC V15653 NS202101-02 V80539 RMLH9075-3W V72962 VN303A02 V92215 96-02 V80539 T6S1032J V11815	002004 006100 107107 121503 904999	2
170	270N2000-820	..	CHANNEL	002004 006100 107107 121503 904999	1
171	270N2000-428	..	BLOCK	002004 006100 107107 121503 904999	2
180	AS1634A12-0176	.HOSE	ASSY-	002004 006100 107107 121503 904999	1
185	AS1634A12-0196	.HOSE	ASSY	002004 006100 107107 121503 904999	1
190	AS115-08-0154	.HOSE	ASSY-	002004 006100 107107 121503 904999	1

MISSING ITEM NUMBERS NOT APPLICABLE

- ITEM NOT ILLUSTRATED

29-11-51-20

29-11-51
FIG. 20
PAGE 4
JAN 20/09

BRI

BOEING PROPRIETARY - Copyright © - Unpublished Work - See title page for details.



757

PARTS CATALOG (MAINTENANCE)

FIG ITEM	PART NUMBER	1 2 3 4 5 6 7	NOMENCLATURE	EFFECT FROM TO	UNITS PER ASSY
20 195	AS115-06-0172	.HOSE	ASSY-	002004 006100 107107 121503 904999	1
200	AS115-08-0200	.HOSE	ASSY-	002004 006100 107107 121503 904999	1
205	AS115-06-0220	.HOSE	ASSY-	002004 006100 107107 121503 904999	1
208	AS117-12K0134	.HOSE	ASSY-	002004 006100 107107 121503 904999	1
210	271N6492-1007	.TUBE	ASSY-SUPPLY CTR SYS TUBING MATERIAL: .750 IN. OD .035 IN. WALL 20.6 IN LG AL AMS 4083 6061 T6 TUBING	002004 006100 107107 121503 904999	1
215	271N6492-1006	.TUBE	ASSY-SUPPLY CTR SYS TUBING MATERIAL: .750 IN. OD .035 IN. WALL 14.00 IN. LG AL AMS 4083 6061 T6 TUBING	002004 006100 107107 121503 904999	1
- 217	AP2097HP12	..SLEEVE	SUPPLIER CODE: V01673 SPECIFICATION NUMBER: BACS13BX12HP OPTIONAL PART: 2-02903-12HP V11328 35235VN12 V08199 AFP175V12P V30974 DB0S13BX12HP V14798	002004 006100 107107 121503 904999	2

MISSING ITEM NUMBERS NOT APPLICABLE

- ITEM NOT ILLUSTRATED

29-11-51-20

29-11-51
FIG. 20
PAGE 5
JAN 20/09

BRI



**757
PARTS CATALOG (MAINTENANCE)**

FIG ITEM	PART NUMBER	1 2 3 4 5 6 7	NOMENCLATURE	EFFECT FROM TO	UNITS PER ASSY
20 - 218	BACN10YL12	..	NUT	002004 006100 107107 121503 904999	2
220	271N6492-1045	.TUBE ASSY-SUPPLY CTR SYS TUBING MATERIAL: .750 IN. OD .035 IN. WALL 44.3 IN. LG AL AMS 4083 6061 T6 TUBING		107107 904949	1
220	271N6492-1094	.TUBE ASSY-SUPPLY CTR SYS MANUFACTURED FROM: .750 IN. OD X .035 IN. WALL X 22.83 IN. LG 6061-T6 ALUMINUM SEAMLESS TUBING PER MIL-T-7081. TUBING MATERIAL: .750 IN. OD .035 IN. WALL 22.7 IN. LG AL AMS 4083 6061 T6 TUBING		002004 006100 121503 950999	1
- 225	AP2097HP12	..SLEEVE SUPPLIER CODE: V01673 SPECIFICATION NUMBER: BACS13BX12HP OPTIONAL PART: 2-02903-12HP V11328 35235VN12 V08199 AFP175V12P V30974 DBOS13BX12HP V14798		002004 006100 107107 121503 904999	2
- 230	BACN10YL12	..	NUT	002004 006100 107107 121503 904999	2
235	271N6492-1037	.TUBE ASSY-SUPPLY CTR SYS TUBING MATERIAL: 1.00 IN. OD .035 IN. WALL 48.5 IN. LG AL AMS 4083 6061 T6 TUBING		107107 904949	1

MISSING ITEM NUMBERS NOT APPLICABLE

- ITEM NOT ILLUSTRATED

BRI

29-11-51-20

29-11-51
FIG. 20
PAGE 6
JAN 20/09



757

PARTS CATALOG (MAINTENANCE)

FIG ITEM	PART NUMBER	1 2 3 4 5 6 7	NOMENCLATURE	EFFECT FROM TO	UNITS PER ASSY
20					
235	271N6492-1079	.	TUBE ASSY-SUPPLY CTR SYS TUBING MATERIAL: 1.00 IN. OD .035 IN. WALL 48,8 IN. LG AL AMS 4083 6061 T6 TUBING	002004 006100 121503 950999	1
- 240	AP2097HP16	..	SLEEVE SUPPLIER CODE: V01673 SPECIFICATION NUMBER: BACS13BX16HP OPTIONAL PART: 2-02903-16HP V11328 35235VN16 V08199 AFP175V16P V30974 DBOS13BX16HP V14798	002004 006100 107107 121503 904999	2
- 245	BACN10YL16L	..	NUT	002004 006100 107107 121503 904999	2
260	271N6492-1053	.	TUBE ASSY-PRESSURE CTR SYS TUBING MATERIAL: .625 IN. OD .032 IN. WALL 14.6 IN. LG BMS 7-234 TI-3AL-2.5V COLD WORKED, STRESS RELIEVED TUBING	107107 904949	1
260	271N6492-1092	.	TUBE ASSY-PRESSURE CTR SYS TUBING MATERIAL: .625 IN. OD .032 IN. WALL 14.9 IN. LG BMS 7-234 TI-3AL-2.5V COLD WORKED, STRESS RELIEVED TUBING	002004 006100 121503 950999	1
- 262	AS1581T10	..	SLEEVE	002004 006100 107107 121503 904999	2
- 263	BACN10YA10	..	NUT	002004 006100 107107 121503 904999	2

MISSING ITEM NUMBERS NOT APPLICABLE

- ITEM NOT ILLUSTRATED

BRI

29-11-51-20

29-11-51
FIG. 20
PAGE 7
JAN 20/09



757

PARTS CATALOG (MAINTENANCE)

FIG ITEM	PART NUMBER	1 2 3 4 5 6 7	NOMENCLATURE	EFFECT FROM TO	UNITS PER ASSY
20 265	271N6492-1009		.TUBE ASSY-PRESSURE CTR SYS TUBING MATERIAL: .625 IN. OD .032 IN. WALL 27,6 IN. LG BMS 7-234 TI-3AL-2.5V COLD WORKED, STRESS RELIEVED TUBING	107107	1
265	271N6492-1055		.TUBE ASSY-PRESSURE CTR SYS	002004 006100 121503 950999	1
265	271N6492-1075		.TUBE ASSY-PRESSURE CTR SYS TUBING MATERIAL: .625 IN. OD .032 IN. WALL 27.9 IN. LG TI BMS 7-234 TI-3AL-2.5V COLD WORKED, STRESS RELIEVED TUBING	904949	1
265	271N6492-1091		.TUBE ASSY-PRESSURE CTR SYS TUBING MATERIAL: .625 IN. OD 032 IN. WALL 7.1 IN. LG TI BMS 7-234 TI-3AL-2.5V COLD WORKED, STRESS RELIEVED TUBING	002004 006100 121503 950999	1
- 267	AS1581T10		..SLEEVE	002004 006100 107107 121503 904999	2
- 268	BACN10YA10		..NUT-	107107 904949	2
- 268	BACN10YA10N		..NUT-	002004 006100 107107 121503 904999	2
270	271N6492-1036		.TUBE ASSY-PRESSURE CTR SYS TUBING MATERIAL: .625 IN. OD .032 IN. WALL 10.4 IN. LG BMS 7-234 TI-3AL-2.5V COLD WORKED, STRESS RELIEVED TUBING	107107 904949	1

MISSING ITEM NUMBERS NOT APPLICABLE

- ITEM NOT ILLUSTRATED

BRI

29-11-51-20

29-11-51
FIG. 20
PAGE 8
JAN 20/09



757

PARTS CATALOG (MAINTENANCE)

FIG ITEM	PART NUMBER	1 2 3 4 5 6 7	NOMENCLATURE	EFFECT FROM TO	UNITS PER ASSY
20					
270	271N6492-1087		.TUBE ASSY-PRESSURE CTR SYS TUBING MATERIAL: .625 IN. OD .032 IN. WALL 10.7 IN. LG BMS 7-234 TI-3AL-2.5V COLD WORKED, STRESS RELIEVED TUBING	002004 006100 121503 950999	1
- 275	AS1581T10		..SLEEVE	002004 006100 107107 121503 904999	2
- 280	BACN10YA10		..NUT	002004 006100 107107 121503 904999	2
285	271N6492-1029		.TUBE ASSY-RETURN CTR SYS TUBING MATERIAL: .750 IN. OD .035 IN. WALL 23.00 IN. LG AMS 4083 6061 T6 TUBING	107107 904949	1
285	271N6492-1095		.TUBE ASSY-RETURN CTR SYS TUBING MATERIAL: .750 IN. OD .035 IN. WALL 22.9 IN. LG AMS 4083 6061 T6 TUBING	002004 006100 121503 950999	1
290	271N6492-1012		.TUBE ASSY-RETURN CTR SYS TUBING MATERIAL: .750 IN. OD .035 IN. WALL 34.2 IN. LG AMS 4083 6061 T6 TUBING	107107	1
290	271N6492-1074		.TUBE ASSY-RETURN CTR SYS TUBING MATERIAL: .750 IN. OD .035 IN. WALL 32.9 IN. LG AMS 4083 6061 T6 TUBING	904949	1
290	271N6492-1089		.TUBE ASSY-RETURN CTR SYS TUBING MATERIAL: .750 IN. OD .035 IN. WALL 13.2 IN. LG AL AMS 4083 6061 T6 TUBING	002004 006100 121503 950999	1

MISSING ITEM NUMBERS NOT APPLICABLE

- ITEM NOT ILLUSTRATED

BRI

29-11-51-20

29-11-51
FIG. 20
PAGE 9
JAN 20/09



757

PARTS CATALOG (MAINTENANCE)

FIG ITEM	PART NUMBER	1 2 3 4 5 6 7	NOMENCLATURE	EFFECT FROM TO	UNITS PER ASSY
20 - 295	AP2097HP12	..	SLEEVE SUPPLIER CODE: V01673 SPECIFICATION NUMBER: BACS13BX12HP OPTIONAL PART: 2-02903-12HP V11328 35235VN12 V08199 AFP175V12P V30974 DBOS13BX12HP V14798	002004 006100 107107 121503 904999	2
- 300	BACN10YL12	..	NUT	002004 006100 107107 121503 904999	2
305	271N6492-1043	.TUBE	ASSY-TO HEAT EXCHANGER TUBING MATERIAL: .500 IN. OD .035 IN. WALL 45.2 IN. LG AMS 4083 6061 T6 TUBING	107107 904949	1
305	271N6492-1086	.TUBE	ASSY-TO HEAT EXCHANGER TUBING MATERIAL: .500 IN. OD .035 IN. WALL 25.4 IN. LG AMS 4083 6061 T6 TUBING	002004 006100 121503 950999	1
- 310	AP2097HP08	..	SLEEVE SUPPLIER CODE: V01673 SPECIFICATION NUMBER: BACS13BX08HP OPTIONAL PART: 2-02903-08HP V11328 35235VN08 V08199 AFP175V08P V30974 DBOS13BX08HP V14798	002004 006100 107107 121503 904999	2

MISSING ITEM NUMBERS NOT APPLICABLE

- ITEM NOT ILLUSTRATED

BRI

29-11-51-20

29-11-51
FIG. 20
PAGE 10
JAN 20/09



757

PARTS CATALOG (MAINTENANCE)

FIG ITEM	PART NUMBER	1 2 3 4 5 6 7	NOMENCLATURE	EFFECT FROM TO	UNITS PER ASSY
20 - 315	BACN10YL08	..	NUT	002004 006100 107107 121503 904999	2
320	271N6492-1051	.TUBE	ASSY-HYDR RSVR PRESSURE TUBING MATERIAL: .250 IN. OD .016 IN. WALL 16.3 IN. LG BMS 7-234 TI-3AL-2.5V COLD WORKED, STRESS RELIEVED TUBING	107107 904949	1
320	271N6492-1093	.TUBE	ASSY-HYDR RSVR PRESSURE TUBING MATERIAL: .250 IN. OD .016 IN. WALL 16.1 IN. LG BMS 7-234 TI-3AL-2.5V COLD WORKED, STRESS RELIEVED TUBING	002004 006100 121503 950999	1
- 325	AS1581T04	..	SLEEVE	002004 006100 107107 121503 904999	2
- 330	BACN10YA4	..	NUT	002004 006100 107107 121503 904999	2
335	271N6492-1003	.TUBE	ASSY-HYDR RSVR PRESSURE TUBING MATERIAL: .375 IN. OD .035 IN. WALL 33.2 IN. LG AL AMS 4083 6061 T6 TUBING	107107 904949	1
335	271N6492-1077	.TUBE	ASSY-HYDR RSVR PRESSURE TUBING MATERIAL: .375 IN. OD .035 IN. WALL 33.3 IN. LG AL AMS 4083 6061 T6 TUBING	002004 006100 121503 950999	1

MISSING ITEM NUMBERS NOT APPLICABLE

- ITEM NOT ILLUSTRATED

BRI

29-11-51-20

29-11-51
FIG. 20
PAGE 11
JAN 20/09



757

PARTS CATALOG (MAINTENANCE)

FIG ITEM	PART NUMBER	1 2 3 4 5 6 7	NOMENCLATURE	EFFECT FROM TO	UNITS PER ASSY
20					
- 340	AP2097HP06	..	SLEEVE SUPPLIER CODE: V01673 SPECIFICATION NUMBER: BACS13BX06HP OPTIONAL PART: 2-02903-06HP V11328 35235VN06 V08199 AFP175V06P V30974 DBOS13BX06HP V14798	002004 006100 107107 121503 904999	1
- 345	BACN10YLO6	..	NUT	002004 006100 107107 121503 904999	1
- 350	35056GV06	..	UNION SUPPLIER CODE: V08199 SPECIFICATION NUMBER: BACU24AB6W OPTIONAL PART: 2-01027-6W V11328 31875-6W V14397 4671097W6 V50948 AP1004W06 V01673 AFP941W6 V30974 DBOU24AB6W V14798	002004 006100 107107 121503 904999	1
370	NAS1762D1212	.	ELBOW-	107107	2
370	NAS1762W1212	.	ELBOW-	002004 006100 121503 904999	2
371	NAS1762D1212	.	ELBOW-	002004 006100 107107 121503 904999	1

MISSING ITEM NUMBERS NOT APPLICABLE

- ITEM NOT ILLUSTRATED

29-11-51-20

29-11-51
FIG. 20
PAGE 12
JAN 20/09

BRI

BOEING PROPRIETARY - Copyright © - Unpublished Work - See title page for details.



757

PARTS CATALOG (MAINTENANCE)

FIG ITEM	PART NUMBER	1 2 3 4 5 6 7	NOMENCLATURE	EFFECT FROM TO	UNITS PER ASSY
20					
375	NAS1762T1010	.	ELBOW-	002004 006100 107107 121503 904999	1
375	NAS1762J1010	.	ELBOW-	002004 006100 107107 121503 904999	1
380	NAS1762T1610	.	ELBOW-	002004 006100 107107 121503 904999	1
380	NAS1762J1610	.	ELBOW-	002004 006100 107107 121503 904999	1
384	AE81566K	.	NIPPLE ASSY-DISC. SUPPLIER CODE: V00624 SPECIFICATION NUMBER: S270T202-6	002004 006100 107107 121503 904999	2
385	22610-117	..	PACKING- SUPPLIER CODE: V00624	002004 006100 107107 121503 904999	1
390	AE81565K	.	COUPLER-DISC. SUPPLIER CODE: V00624 SPECIFICATION NUMBER: S270T202-5	002004 006100 107107 121503 904999	2

MISSING ITEM NUMBERS NOT APPLICABLE

- ITEM NOT ILLUSTRATED

BRI

29-11-51-20

BOEING PROPRIETARY - Copyright © - Unpublished Work - See title page for details.

29-11-51
FIG. 20
PAGE 13
JAN 20/09



757

PARTS CATALOG (MAINTENANCE)

FIG ITEM	PART NUMBER	1 2 3 4 5 6 7	NOMENCLATURE	EFFECT FROM TO	UNITS PER ASSY
20 395	APX824D161212	. TEE-	SUPPLIER CODE: V01673 SPECIFICATION NUMBER: BACT16AS161212D OPTIONAL PART: APX824-161212D V01673 DB0T16AS161212D V14798 ER824-161212D V50948 FER1571-161212D V14397 LER824-161212D V11328 NAF1824-161212D V52930 US1925-161212D V50808 AFP325-161212D V30974	107107	1
395	BACT16AS161212W	. TEE-		002004 006100 121503 904999	1
400	BACT16BM060604T	. TEE-		002004 006100 107107 121503 904999	1
400	BACT16BM060604J	. TEE-		002004 006100 107107 121503 904999	1
403	NAS1763D121206	. TEE-		107107	1
403	NAS1763W121206	. TEE-		002004 006100 121503 904999	1
404	NAS1763T101010	. TEE-		002004 006100 107107 121503 904999	1

MISSING ITEM NUMBERS NOT APPLICABLE

- ITEM NOT ILLUSTRATED

BRI

29-11-51-20

29-11-51
FIG. 20
PAGE 14
JAN 20/09

 **BOEING**
757
PARTS CATALOG (MAINTENANCE)

FIG ITEM	PART NUMBER	1 2 3 4 5 6 7	NOMENCLATURE	EFFECT FROM TO	UNITS PER ASSY
20					
404	NAS1763J101010	.	TEE-	002004 006100 107107 121503 904999	1
406	AN924-12D	.	NUT	002004 006100 107107 121503 904999	2
407	AN924-4D	.	NUT	002004 006100 107107 121503 904999	1
408	AN960-716	.	WASHER	002004 006100 107107 121503 904999	1
409	AP1008-06D	.	CAP ASSY SUPPLIER CODE: V01673 SPECIFICATION NUMBER: BACC14AD06D OPTIONAL PART: DBOC14AD06D V14798 FER22661-06D V14397 2-02813-06D V11328 4690009-06D V50948 AFP241-06D V30974 US2103-06D V50808	002004 006100 107107 121503 904999	1
410	69B83900-2	.	CAP ASSY-VENT MISCELLANEOUS DATA: NOT AN INITIAL PROVISIONING SPARE ALTERED FROM PART NUMBER: BACC14AD06JL	002004 006100 107107 121503 904999	1

MISSING ITEM NUMBERS NOT APPLICABLE

— ITEM NOT ILLUSTRATED

BRI

29-11-51-20

BOEING PROPRIETARY - Copyright © - Unpublished Work - See title page for details.

29-11-51
FIG. 20
PAGE 15
JAN 20/09



757

PARTS CATALOG (MAINTENANCE)

FIG ITEM	PART NUMBER	1 2 3 4 5 6 7	NOMENCLATURE	EFFECT FROM TO	UNITS PER ASSY
20					
900			ILLUSTRATION REFERENCE: PLUMBING INSTL-MLG WHL WELL HYDR (HYDRAULIC POWER ONLY) 29-11-51-32	002004 006100 107107 121503 904999	RF
905			ILLUSTRATION REFERENCE: PLUMBING INSTL-SECT. 44 AFT BHD MLG WHL WELL HYDR (HYDRAULIC POWER ONLY) 29-11-51-30	002004 006100 107107 121503 904999	RF
910			ILLUSTRATION REFERENCE: RESERVOIR ASSY-CTR SYS HYDR (RESERVOIR DRAIN PLUG ONLY) 29-11-22-05	002004 006100 107107 121503 904999	RF
915			ILLUSTRATION REFERENCE: MODULE INSTL-ELEC MOTOR PUMP PRESSURE/CASE DRAIN CTR SYS FILTER 29-11-18-02	002004 006100 107107 121503 904999	RF
920			ILLUSTRATION REFERENCE: PUMP INSTL-CTR SYS ELEC MOTOR DRIVEN NO. 1 PUMP (-200 CONFIGURATION) 29-11-02-01	002004 006100 107107 121503 904999	RF
925			ILLUSTRATION REFERENCE: DISCONNECT INSTL-CTR SYS PRESSURE GND SVCE QUICK 29-11-53-01	002004 006100 107107 121503 904999	RF
930			ILLUSTRATION REFERENCE: MODULE INSTL-CTR SYS RETURN FILTER 29-11-13-01	002004 006100 107107 121503 904999	RF
945			ILLUSTRATION REFERENCE: PUMP INSTL-CTR SYS ELEC MOTOR DRIVEN NO. 2 PUMP (-200 CONFIGURATION) 29-11-02-02	002004 006100 107107 121503 904999	RF

MISSING ITEM NUMBERS NOT APPLICABLE

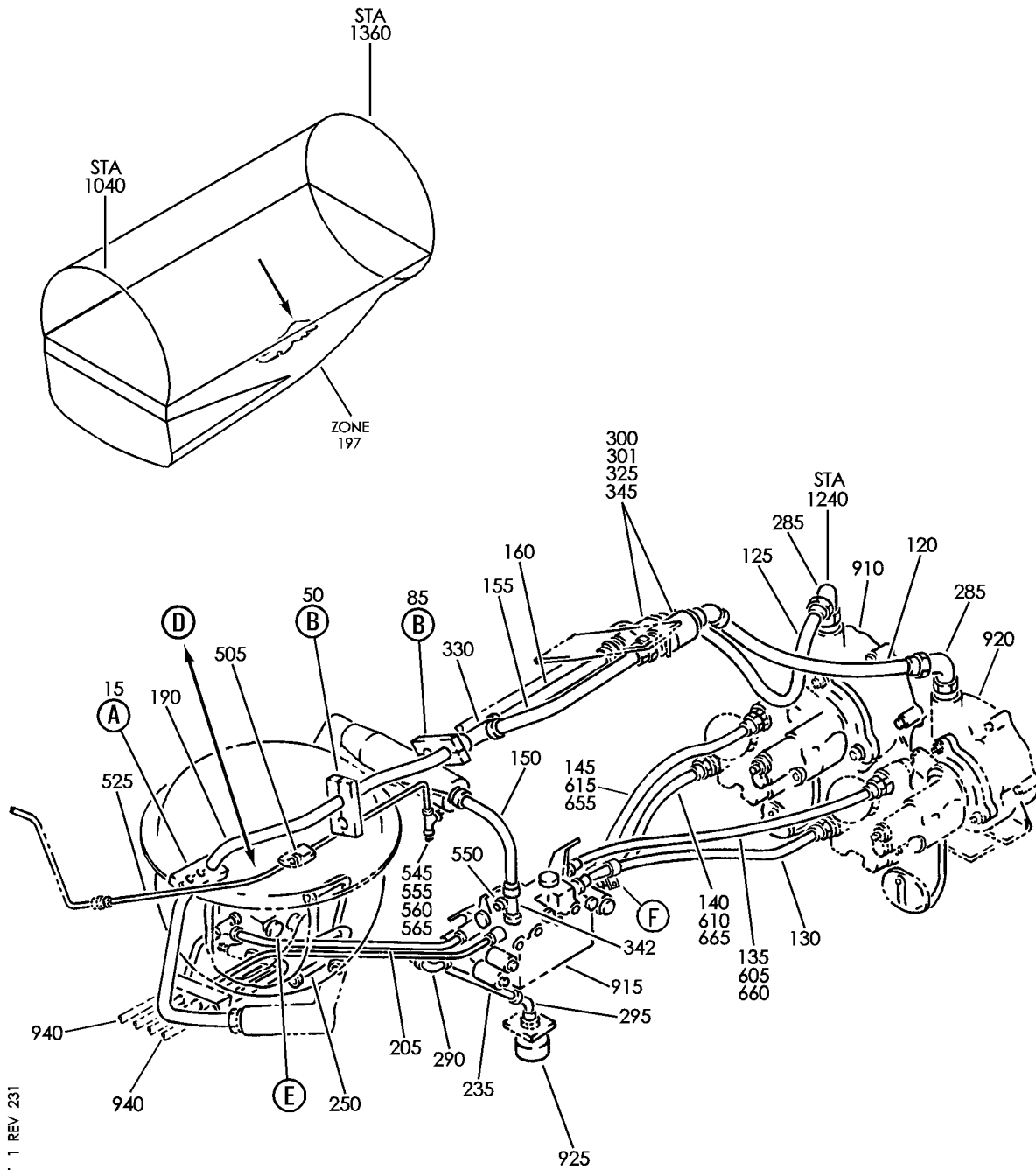
- ITEM NOT ILLUSTRATED

29-11-51-20

29-11-51
FIG. 20
PAGE 16
JAN 20/09

BRI

BOEING
757
PARTS CATALOG (MAINTENANCE)



Y 29115120A SHT 1 REV 231

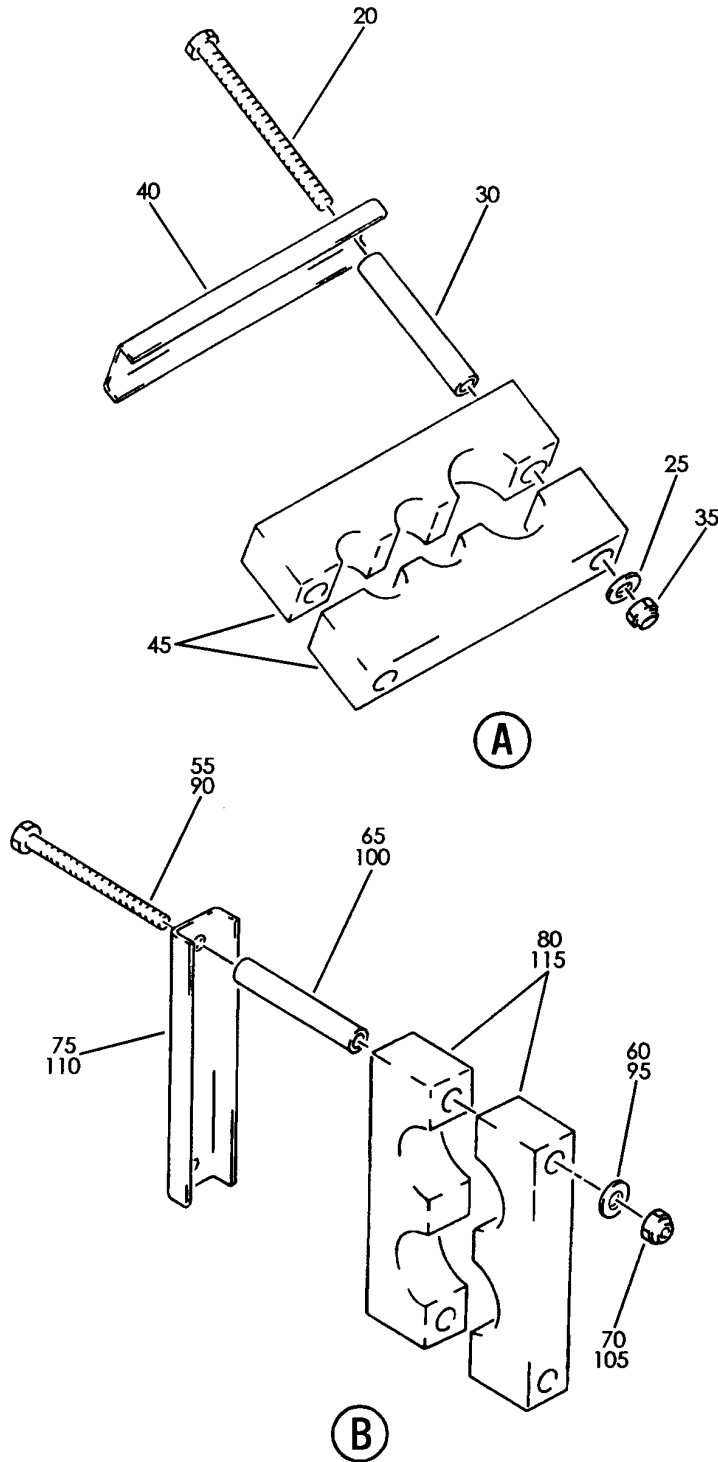
PLUMBING INSTL-SECT. 49 L HYDR BAY (MAIN HYDR SYSTEM ONLY)
FIGURE 20A (SHEET 1)

29-11-51-20A

BRI
MAY 28/07

29-11-51-20A
PAGE 0

BOEING
757
PARTS CATALOG (MAINTENANCE)



Y 29115120A SHT 2 REV 192

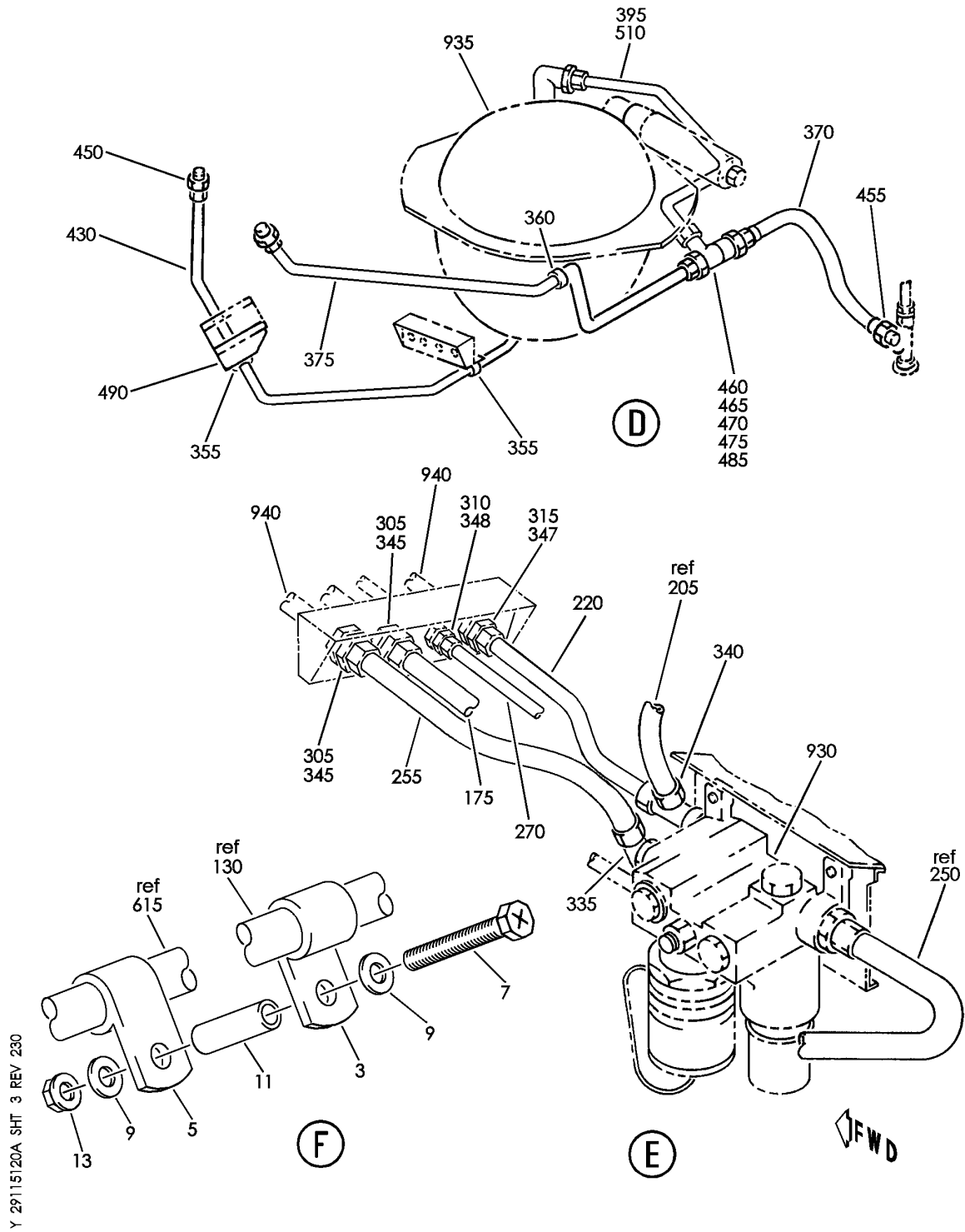
PLUMBING INSTL-SECT. 49 L HYDR BAY (MAIN HYDR SYSTEM ONLY)
FIGURE 20A (SHEET 2)

29-11-51-20A

BRI
MAY 28/07

29-11-51-20A
PAGE 0A

BOEING
757
PARTS CATALOG (MAINTENANCE)



PLUMBING INSTL-SECT. 49 L HYDR BAY (MAIN HYDR SYSTEM ONLY)
FIGURE 20A (SHEET 3)

29-11-51-20A

BRI
MAY 28/07

29-11-51-20A
PAGE 0B



757

PARTS CATALOG (MAINTENANCE)

FIG ITEM	PART NUMBER	1 2 3 4 5 6 7	NOMENCLATURE	EFFECT FROM TO	UNITS PER ASSY
20A			PLUMBING INSTL-SECT. 49 L HYDR BAY (MAIN HYDR SYSTEM ONLY)	101106 108120 504903	RF
- 1	271N6492-15		PLUMBING INSTL-SECT. 49 L HYDR BAY (HYDRAULIC POWER ONLY) FOR NHA/OTHER SYS DET SEE: 29-00-51-02C	101102 504903	RF
- 1	271N6492-19		PLUMBING INSTL-SECT. 49 L HYDR BAY (HYDRAULIC POWER ONLY) FOR NHA/OTHER SYS DET SEE: 29-00-51-02C	108120	RF
- 1	MODREF32347		PLUMBING INSTL-HYDR BAY HYDR BAY (HYDRAULIC POWER ONLY) MODULE NUMBER: 271N6492-23 REV B POSITION DATA: SECT. 49 L FOR OTHER SYS DETAILS SEE: 11-22-56-01 29-18-51-15A 32-44-51-15A	103106	1
3	MS21919WCE8		.CLAMP-	103106 108120	1
5	MS21919WCE10		.CLAMP-	103106 108120	1
7	BACS12GU3K20		ATTACHING PARTS .SCREW	103106 108120	1
9	NAS1149D0363J		.WASHER	103106 108120	2
11	NAS43DD3-48FC		.SPACER	103106 108120	1
13	PLH53CD		.NUT SUPPLIER CODE: VF0224 SPECIFICATION NUMBER: BACN10YR3CD OPTIONAL PART: H52732-3CD V15653	103106 108120	1
15	270N2000-103		-----*----- .CLAMP ASSY-BLK	101106 108120 504903	1

MISSING ITEM NUMBERS NOT APPLICABLE

- ITEM NOT ILLUSTRATED

29-11-51-20A

29-11-51
FIG. 20A
PAGE 1
JAN 20/09

BRI

BOEING PROPRIETARY - Copyright © - Unpublished Work - See title page for details.



757

PARTS CATALOG (MAINTENANCE)

FIG ITEM	PART NUMBER	1 2 3 4 5 6 7	NOMENCLATURE	EFFECT FROM TO	UNITS PER ASSY
20A					
20	NAS1801-3-34	..	SCREW	101106 108120 504903	2
25	AN960PD10L	..	WASHER	101106 108120 504903	2
30	NAS43DD3-99	..	SPACER	101106 108120 504903	2
35	BRH10A3	..	NUT	101106 108120 504903	2
			SUPPLIER CODE: V52828		
			SPECIFICATION NUMBER: BACN10JC3		
			OPTIONAL PART: H10-3BAC		
			V15653		
			NS202101-02		
			V80539		
			RMLH9075-3W		
			V72962		
			VN303A02		
			V92215		
			96-02		
			V80539		
			T6S1032J		
			V11815		
40	270N2000-851	..	CHANNEL	101106 108120 504903	1
45	270N2000-537	..	BLOCK	101106 108120 504903	2
- 46	270N2006-37	.	SHIM	101106 108120 504903	AR
- 47	270N2006-38	.	SHIM	101106 108120 504903	AR
- 48	270N2006-39	.	SHIM	101106 108120 504903	AR
50	270N2000-130	.	CLAMP ASSY-BLK	101106 108120 504903	1
55	NAS1801-3-34	..	SCREW	101106 108120 504903	2

MISSING ITEM NUMBERS NOT APPLICABLE

- ITEM NOT ILLUSTRATED

29-11-51-20A

29-11-51
FIG. 20A
PAGE 2
JAN 20/09

BRI

BOEING PROPRIETARY - Copyright © - Unpublished Work - See title page for details.



757

PARTS CATALOG (MAINTENANCE)

FIG ITEM	PART NUMBER	1 2 3 4 5 6 7	NOMENCLATURE	EFFECT FROM TO	UNITS PER ASSY
20A					
60	AN960PD10L	..	WASHER	101106 108120 504903	2
65	NAS43DD3-99	..	SPACER	101106 108120 504903	2
70	BRH10A3	..	NUT SUPPLIER CODE: V52828 SPECIFICATION NUMBER: BACN10JC3 OPTIONAL PART: H10-3BAC V15653 NS202101-02 V80539 RMLH9075-3W V72962 VN303A02 V92215 96-02 V80539 T6S1032J V11815	101106 108120 504903	2
75	270N2000-823	..	CHANNEL	101106 108120 504903	1
80	270N2000-453	..	BLOCK	101106 108120 504903	2
85	270N2000-149	.	CLAMP ASSY-BLK	101106 108120 504903	1
90	NAS1801-3-34	..	SCREW	101106 108120 504903	2
95	AN960PD10L	..	WASHER	101106 108120 504903	2
100	NAS43DD3-99	..	SPACER	101106 108120 504903	2

MISSING ITEM NUMBERS NOT APPLICABLE

- ITEM NOT ILLUSTRATED

29-11-51-20A

29-11-51
FIG. 20A
PAGE 3
JAN 20/09

BRI

BOEING PROPRIETARY - Copyright © - Unpublished Work - See title page for details.



757

PARTS CATALOG (MAINTENANCE)

FIG ITEM	PART NUMBER	1 2 3 4 5 6 7	NOMENCLATURE	EFFECT FROM TO	UNITS PER ASSY
20A 105	BRH10A3	..	NUT SUPPLIER CODE: V52828 SPECIFICATION NUMBER: BACN10JC3 OPTIONAL PART: H10-3BAC V15653 NS202101-02 V80539 RMLH9075-3W V72962 VN303A02 V92215 96-02 V80539 T6S1032J V11815	101106 108120 504903	2
110	270N2000-820	..	CHANNEL	101106 108120 504903	1
115	270N2000-428	..	BLOCK	101106 108120 504903	2
120	AS1634A12-0176	.HOSE ASSY-	POSITION DATA: OUTBD	101106 108120 504903	1
125	AS1634A12-0196	.HOSE ASSY-	POSITION DATA: INBD	101106 108120 504903	1
130	AS115-08-0200	.HOSE ASSY-	POSITION DATA: OUTBD	101106 108120 504903	1
150	AS117-12K0134	.HOSE ASSY		101106 108120 504903	1
155	271N6492-1007	.TUBE ASSY-SUPPLY CTR SYS	TUBING MATERIAL: .750 IN. OD .035 IN. WALL 20.6 IN LG AL AMS 4083 6061 T6 TUBING	101106 108120 504903	1
160	271N6492-1006	.TUBE ASSY-SUPPLY CTR SYS	TUBING MATERIAL: .750 IN. OD .035 IN. WALL 14.00 IN. LG AL AMS 4083 6061 T6 TUBING	101106 108120 504903	1

MISSING ITEM NUMBERS NOT APPLICABLE

- ITEM NOT ILLUSTRATED

29-11-51-20A

29-11-51
FIG. 20A
PAGE 4
JAN 20/09

BRI

BOEING PROPRIETARY - Copyright © - Unpublished Work - See title page for details.



757

PARTS CATALOG (MAINTENANCE)

FIG ITEM	PART NUMBER	1 2 3 4 5 6 7	NOMENCLATURE	EFFECT FROM TO	UNITS PER ASSY
20A - 165	AP2097HP12	..	SLEEVE SUPPLIER CODE: V01673 SPECIFICATION NUMBER: BACS13BX12HP OPTIONAL PART: 2-02903-12HP V11328 35235VN12 V08199 AFP175V12P V30974 DBOS13BX12HP V14798	101106 108120 504903	2
- 170	BACN10YL12	..	NUT	101106 108120 504903	2
175	271N6492-1094	.TUBE ASSY-SUPPLY CTR SYS MANUFACTURED FROM: .750 IN. OD X .035 IN. WALL X 22.83 IN. LG 6061-T6 ALUMINUM SEAMLESS TUBING PER MIL-T-7081.		101106 108120 504903	1
- 180	AP2097HP12	..	SLEEVE SUPPLIER CODE: V01673 SPECIFICATION NUMBER: BACS13BX12HP OPTIONAL PART: 2-02903-12HP V11328 35235VN12 V08199 AFP175V12P V30974 DBOS13BX12HP V14798	101106 108120 504903	2
- 185	MS21921-12D	..	NUT	101106 108120 504903	2
- 185	BACN10YL12	..	NUT- OPTIONAL PART: MS21921-12D	101106 108120 504903	2

MISSING ITEM NUMBERS NOT APPLICABLE

- ITEM NOT ILLUSTRATED

29-11-51-20A

29-11-51
FIG. 20A
PAGE 5
JAN 20/09

BRI

BOEING PROPRIETARY - Copyright © - Unpublished Work - See title page for details.



757

PARTS CATALOG (MAINTENANCE)

FIG ITEM	PART NUMBER	1 2 3 4 5 6 7	NOMENCLATURE	EFFECT FROM TO	UNITS PER ASSY
20A 190	271N6492-1079		.TUBE ASSY-SUPPLY CTR SYS TUBING MATERIAL: 1.00 IN. OD .035 IN. WALL 48,8 IN. LG AL AMS 4083 6061 T6 TUBING	101106 108120 504903	1
- 195	AP2097HP16		..SLEEVE SUPPLIER CODE: V01673 SPECIFICATION NUMBER: BACS13BX16HP OPTIONAL PART: 2-02903-16HP V11328 35235VN16 V08199 AFP175V16P V30974 DBOS13BX16HP V14798	101106 108120 504903	2
- 200	BACN10YL16		..NUT	101106 108120 504903	2
205	271N6492-1092		.TUBE ASSY-PRESSURE CTR SYS TUBING MATERIAL: .625 IN. OD .032 IN. WALL 14.9 IN. LG BMS 7-234 TI-3AL-2.5V COLD WORKED, STRESS RELIEVED TUBING	101106 108120 504903	1
- 210	AS1581T10		..SLEEVE	101106 108120 504903	2
- 215	BACN10YA10		..NUT-	101106 108120 504903	2
220	271N6492-1091		.TUBE ASSY-PRESSURE CTR SYS TUBING MATERIAL: .625 IN. OD 032 IN. WALL 7.1 IN. LG TI BMS 7-234 TI-3AL-2.5V COLD WORKED, STRESS RELIEVED TUBING	101106 108120 504903	1
- 225	AS1581T10		..SLEEVE	101106 108120 504903	2
- 230	BACN10YA10		..NUT-	101106 108120 504903	2

MISSING ITEM NUMBERS NOT APPLICABLE

- ITEM NOT ILLUSTRATED

29-11-51-20A

29-11-51
FIG. 20A
PAGE 6
JAN 20/09

BRI

BOEING PROPRIETARY - Copyright © - Unpublished Work - See title page for details.



757

PARTS CATALOG (MAINTENANCE)

FIG ITEM	PART NUMBER	1 2 3 4 5 6 7	NOMENCLATURE	EFFECT FROM TO	UNITS PER ASSY
20A 235	271N6492-1087		.TUBE ASSY-PRESSURE CTR SYS TUBING MATERIAL: .625 IN. OD .032 IN. WALL 10.7 IN. LG BMS 7-234 TI-3AL-2.5V COLD WORKED, STRESS RELIEVED TUBING	101106 108120 504903	1
- 240	AS1581T10		..SLEEVE	101106 108120 504903	2
- 245	BACN10YA10		..NUT-	101106 108120 504903	2
250	271N6492-1095		.TUBE ASSY-RETURN CTR SYS TUBING MATERIAL: .750 IN. OD .035 IN. WALL 22.9 IN. LG AMS 4083 6061 T6 TUBING	101106 108120 504903	1
255	271N6492-1089		.TUBE ASSY-RETURN CTR SYS TUBING MATERIAL: .750 IN. OD .035 IN. WALL 13.2 IN. LG AL AMS 4083 6061 T6 TUBING	101106 108120 504903	1
- 260	AP2097HP12		..SLEEVE SUPPLIER CODE: V01673 SPECIFICATION NUMBER: BACS13BX12HP OPTIONAL PART: 2-02903-12HP V11328 35235VN12 V08199 AFP175V12P V30974 DBOS13BX12HP V14798	101106 108120 504903	2
- 265	BACN10YL12		..NUT	101106 108120 504903	2
270	271N6492-1086		.TUBE ASSY-TO HEAT EXCHANGER TUBING MATERIAL: .500 IN. OD .035 IN. WALL 25.4 IN. LG AMS 4083 6061 T6 TUBING	101106 108120 504903	1

MISSING ITEM NUMBERS NOT APPLICABLE

- ITEM NOT ILLUSTRATED

29-11-51-20A

29-11-51
FIG. 20A
PAGE 7
JAN 20/09

BRI

BOEING PROPRIETARY - Copyright © - Unpublished Work - See title page for details.



757

PARTS CATALOG (MAINTENANCE)

FIG ITEM	PART NUMBER	1 2 3 4 5 6 7	NOMENCLATURE	EFFECT FROM TO	UNITS PER ASSY
20A - 275	AP2097HP08	..	SLEEVE SUPPLIER CODE: V01673 SPECIFICATION NUMBER: BACS13BX08HP OPTIONAL PART: 2-02903-08HP V11328 35235VN08 V08199 AFP175V08P V30974 DBOS13BX08HP V14798	101106 108120 504903	2
- 280	BACN10YLO8	..	NUT	101106 108120 504903	2
285	NAS1762W1212	.	ELBOW	101106 108120 504903	2
290	AP1042JN1010	.	ELBOW SUPPLIER CODE: V01673 SPECIFICATION NUMBER: BACE21BT1010JN	101106 108120 504903	1
295	AP1042JN1610	.	ELBOW SUPPLIER CODE: V01673 SPECIFICATION NUMBER: BACE21BT1610JN	101106 108120 504903	1
300	AE81566K	.	NIPPLE ASSY-DISC. SUPPLIER CODE: V00624 SPECIFICATION NUMBER: S270T202-6	101106 108120 504903	2
301	22610-117	..	PACKING- SUPPLIER CODE: V00624	101106 108120 504903	1
305	MS21924D12	.	UNION	101106 108120 504903	2
310	MS21924D8	.	UNION	101106 108120 504903	1
315	MS21924-10T	.	UNION	101106 108120 504903	1

MISSING ITEM NUMBERS NOT APPLICABLE

- ITEM NOT ILLUSTRATED

29-11-51-20A

29-11-51
FIG. 20A
PAGE 8
JAN 20/09

BRI

BOEING PROPRIETARY - Copyright © - Unpublished Work - See title page for details.



757

PARTS CATALOG (MAINTENANCE)

FIG ITEM	PART NUMBER	1 2 3 4 5 6 7	NOMENCLATURE	EFFECT FROM TO	UNITS PER ASSY
20A 325	AE81565K		.COUPLER-DISC. SUPPLIER CODE: V00624 SPECIFICATION NUMBER: S270T202-5	101106 108120 504903	2
330	BACT16AS161212W		.TEE	101106 108120 504903	1
340	BCREF116861		.TEE- OVERLENGTH PART NUMBER: BACT16BR101010JN	101106 108120 504903	1
342	NAS1763W121206		.TEE	101106 108120 504903	1
345	AN924-12D		.NUT	101106 108120 504903	2
347	AN924-10D		.NUT	101106 108120 504903	1
348	AN924-8D		.NUT	101106 108120 504903	1
- 600	271N6492-16		PLUMBING INSTL-HYDR HEAVY WEIGHT ACMP HOSES FOR NHA SEE: 29-00-01-01 29-00-51-02C	101102 108120 504903	RF
- 600	MODREF31929		PLUMBING INSTL-HYDR HEAVY WEIGHT ACMP HOSES MODULE NUMBER: 271N6492-16 REV B	103106	1
605	AS115-06-0220		.HOSE ASSY	101106 108120 504903	1
610	AS115-08-0154		.HOSE ASSY	101106 108120 504903	1
615	AS115-06-0172		.HOSE ASSY	101106 108120 504903	1
910			ILLUSTRATION REFERENCE: PUMP INSTL-CTR SYS ELEC MOTOR DRIVEN NO. 2 PUMP (-200 CONFIGURATION) 29-11-02-02	101102 108120 504903	RF

MISSING ITEM NUMBERS NOT APPLICABLE

- ITEM NOT ILLUSTRATED

BRI

29-11-51-20A

BOEING PROPRIETARY - Copyright © - Unpublished Work - See title page for details.

29-11-51
FIG. 20A
PAGE 9
JAN 20/09



757

PARTS CATALOG (MAINTENANCE)

FIG ITEM	PART NUMBER	1 2 3 4 5 6 7	NOMENCLATURE	EFFECT FROM TO	UNITS PER ASSY
20A 915			ILLUSTRATION REFERENCE: MODULE INSTL-ELEC MOTOR PUMP PRESSURE/CASE DRAIN CTR SYS FILTER 29-11-18-02	101106 108120 504903	RF
920			ILLUSTRATION REFERENCE: PUMP INSTL-CTR SYS ELEC MOTOR DRIVEN NO. 1 PUMP (-200 CONFIGURATION) 29-11-02-01	101102 108120 504903	RF
925			ILLUSTRATION REFERENCE: DISCONNECT INSTL-CTR SYS PRESSURE GND SVCE QUICK 29-11-53-01	101106 108120 504903	RF
930			ILLUSTRATION REFERENCE: MODULE INSTL-CTR SYS RETURN FILTER 29-11-13-01	101106 108120 504903	RF
935			ILLUSTRATION REFERENCE: RESERVOIR ASSY-CTR SYS HYDR(RESERVOIR DRAIN VALVE ONLY) 29-11-22-05B	101106 108120 504903	RF
940			ILLUSTRATION REFERENCE: PLUMBING INSTL-SECT. 44 AFT BHD MLG WHL WELL HYDR 29-11-52-22	101106 108120 504903	RF
945			ILLUSTRATION REFERENCE: RESERVOIR INSTL-CTR SYS HYDR(SYSTEM C HYDRAULIC RESERVOIR ONLY) 29-11-21-01	101106 108120 504903	RF

MISSING ITEM NUMBERS NOT APPLICABLE

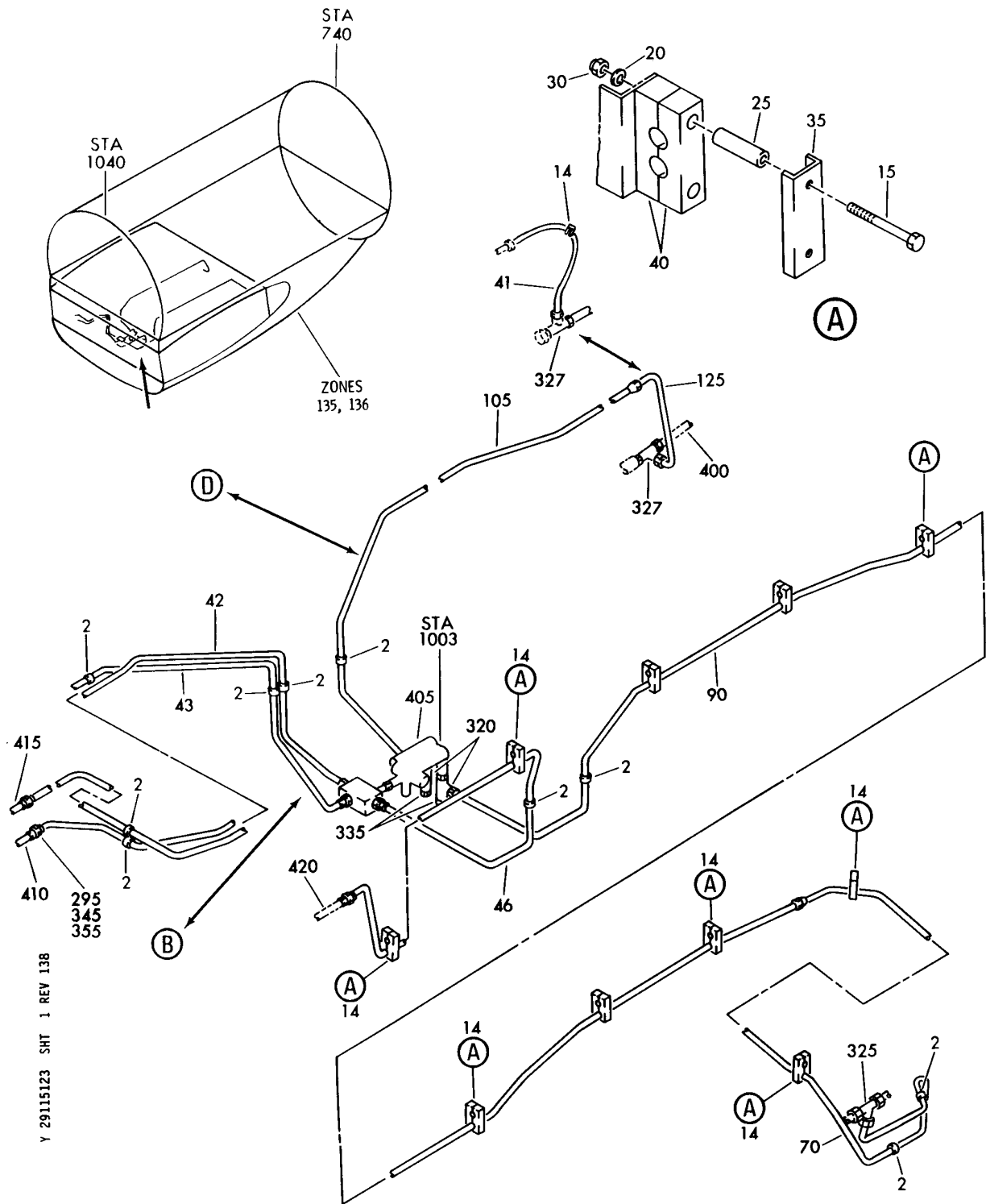
- ITEM NOT ILLUSTRATED

29-11-51-20A

29-11-51
FIG. 20A
PAGE 10
JAN 20/09

BRI

BOEING
757
PARTS CATALOG (MAINTENANCE)



Y 29115123 SHT 1 REV 138

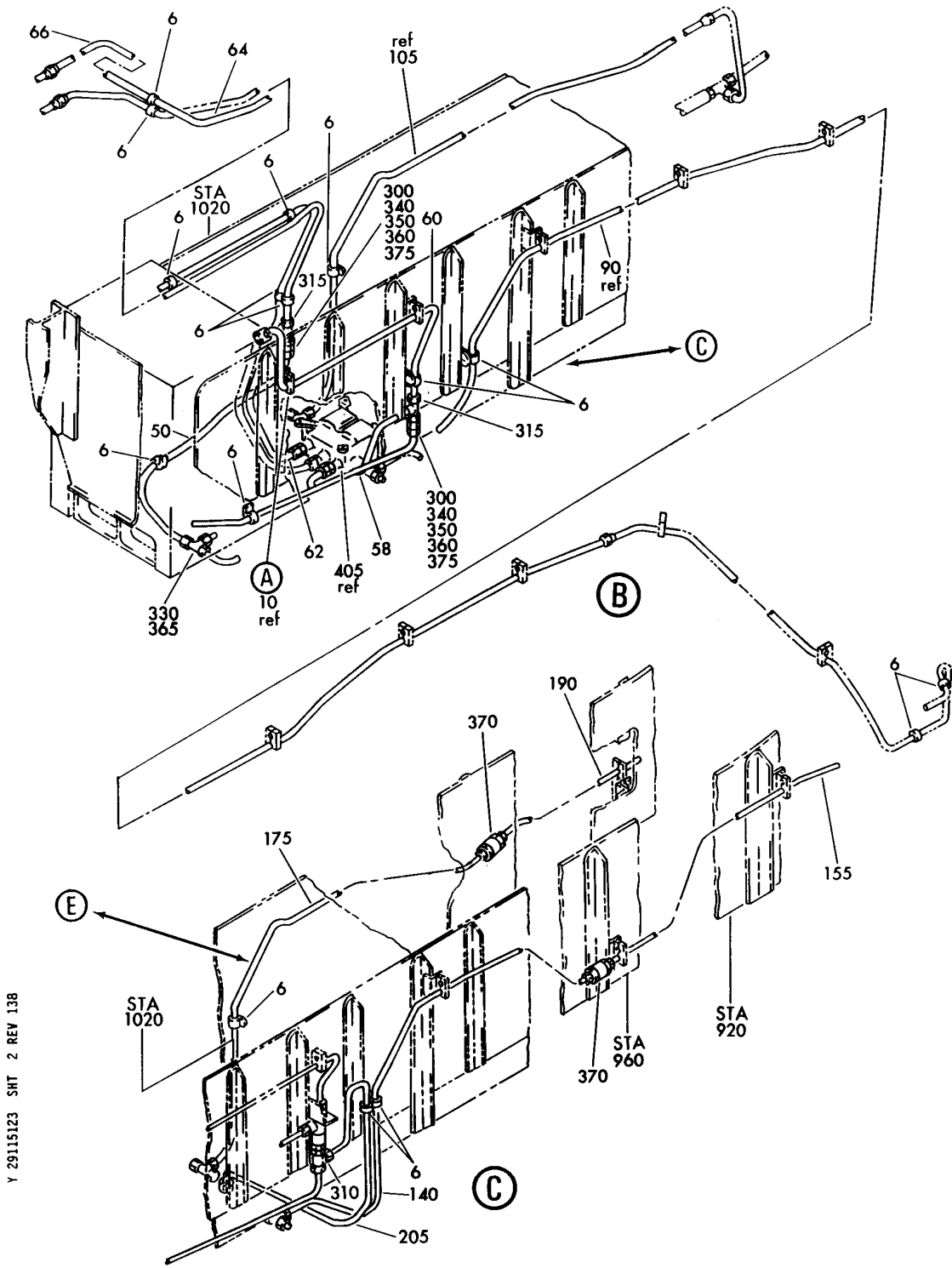
PLUMBING INSTL- 49 AC BAY HYDR (HYDRAULIC POWER ONLY)
FIGURE 23 (SHEET 1)

29-11-51-23

BRI
MAY 28/07

29-11-51-23
PAGE 0

BOEING
757
PARTS CATALOG (MAINTENANCE)



Y 29115123 SHT 2 REV 138

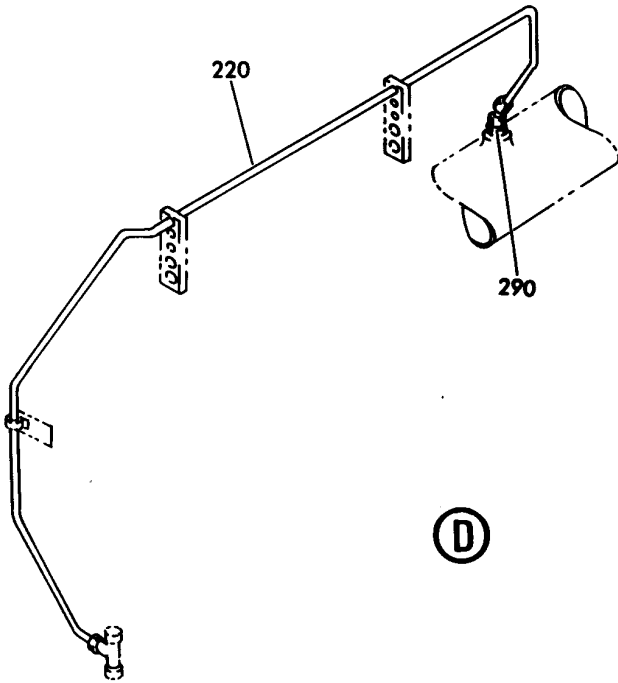
PLUMBING INSTL- 49 AC BAY HYDR (HYDRAULIC POWER ONLY)
FIGURE 23 (SHEET 2)

29-11-51-23

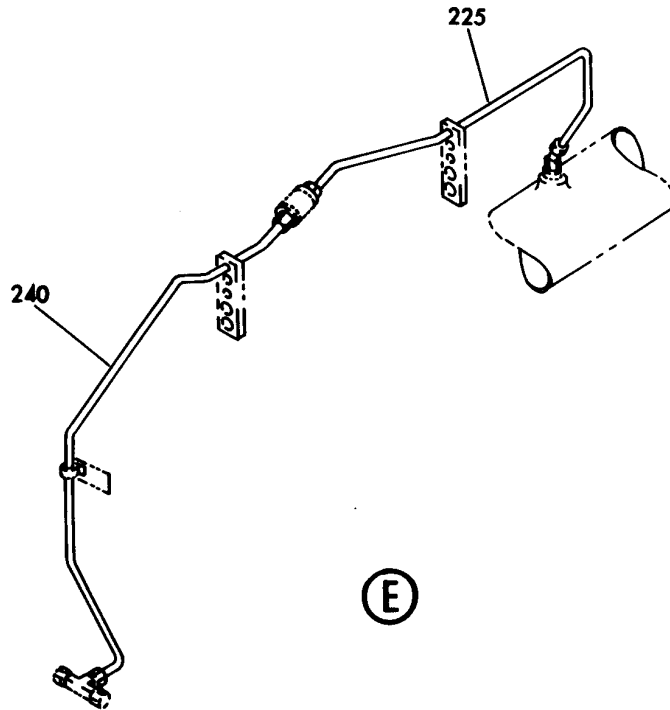
BRI
MAY 28/07

29-11-51-23
PAGE 0A

BOEING
757
PARTS CATALOG (MAINTENANCE)



(D)



(E)

Y 29115123 SHT 3 REV 138

PLUMBING INSTL- 49 AC BAY HYDR (HYDRAULIC POWER ONLY)
FIGURE 23 (SHEET 3)

29-11-51-23

BRI
MAY 28/07

29-11-51-23
PAGE 0B



757

PARTS CATALOG (MAINTENANCE)

FIG ITEM	PART NUMBER	1 2 3 4 5 6 7	NOMENCLATURE	EFFECT FROM TO	UNITS PER ASSY
23			PLUMBING INSTL- 49 AC BAY HYDR (HYDRAULIC POWER ONLY)	002004 006100 107107 121503 904999	
- 1	271N6491-1		PLUMBING INSTL-AC BAY HYDR (HYDRAULIC POWER ONLY) POSITION DATA: SECT. 49 FOR NHA/OTHER SYS DET SEE: 29-00-51-07	002004 006100 107107 121503 904999	RF
	2 M85052-2-4		.CLAMP	002004 006100 107107 121503 904999	10
- 3	NAS1801-3		ATTACHING PARTS .SCREW- SIZE DETERMINED ON INSTL.	002004 006100 107107 121503 904999	10
- 4	AN960KD10L		.WASHER-	002004 006100 107107 121503 904999	AR
- 5	MS21042L3		.NUT-	002004 006100 107107 121503 904999	10
	10 M85052-2-4		-----*----- .CLAMP	002004 006007 107107 121503 904949 952952	1
	14 270N2000-128		.CLAMP ASSY-BLK	002004 006100 107107 121503 904999	10
	15 NAS1801-3-22		..SCREW-	002004 006100 107107 121503 904999	2

MISSING ITEM NUMBERS NOT APPLICABLE

- ITEM NOT ILLUSTRATED

29-11-51-23

29-11-51
FIG. 23
PAGE 1
JAN 20/09

BRI

BOEING PROPRIETARY - Copyright © - Unpublished Work - See title page for details.



757

PARTS CATALOG (MAINTENANCE)

FIG ITEM	PART NUMBER	1 2 3 4 5 6 7	NOMENCLATURE	EFFECT FROM TO	UNITS PER ASSY
23					
20	AN960PD10L	..	WASHER	002004 006100 107107 121503 904999	2
25	NAS43DD3-51	..	SPACER	002004 006100 107107 121503 904999	2
30	BRH10A3	..	NUT SUPPLIER CODE: V52828 SPECIFICATION NUMBER: BACN10JC3 OPTIONAL PART: H10-3BAC V15653 NS202101-02 V80539 RMLH9075-3W V72962 VN303A02 V92215 96-02 V80539 T6S1032J V11815	002004 006100 107107 121503 904999	2
35	270N2000-700	..	CHANNEL	002004 006100 107107 121503 904999	1
40	270N2000-586	..	BLOCK	002004 006100 107107 121503 904999	2
41	AS115-04K0162	.	HOSE ASSY-	002004 006007 107107 121503 904949 952952	1

MISSING ITEM NUMBERS NOT APPLICABLE

- ITEM NOT ILLUSTRATED

29-11-51-23

29-11-51
FIG. 23
PAGE 2
JAN 20/09

BRI



757

PARTS CATALOG (MAINTENANCE)

FIG ITEM	PART NUMBER	1 2 3 4 5 6 7	NOMENCLATURE	EFFECT FROM TO	UNITS PER ASSY
23					
42	271N6491-1047		.TUBE ASSY-HYDR RSVR PRESSURE TUBING MATERIAL: .250 IN. OD .016 IN. WALL 65.20 IN. LG TI BMS 7-234 TI-3AL-2.5V COLD WORKED, STRESS RELIEVED TUBING	002004 006100 107107 121503 904999	1
43	271N6491-1038		.TUBE ASSY-HYDR RSVR PRESSURE TUBING MATERIAL: .250 IN. OD .016 IN. WALL 58.30 IN. LG TI BMS 7-234 TI-3AL-2.5V COLD WORKED, STRESS RELIEVED TUBING	002004 006100 107107 121503 904999	1
- 44	AS1581T04		..SLEEVE	002004 006100 107107 121503 904999	2
- 45	BACN10YA4		..NUT-	002004 006100 107107 121503 904999	2
46	271N6491-1063		.TUBE ASSY-HYDR RSVR PRESSURE TUBING MATERIAL: .250 IN. OD X .016 IN. WALL X 55.10 IN. LG TI BMS 7-234 TI-3AL-2.5V COLD WORKED, STRESS RELIEVED TUBING	002004 006100 107107 121503 904999	1
- 47	AS1581T04		..SLEEVE	002004 006100 107107 121503 904999	2
- 48	BACN10YA4		..NUT-	002004 006100 107107 121503 904999	2

MISSING ITEM NUMBERS NOT APPLICABLE

- ITEM NOT ILLUSTRATED

29-11-51-23

29-11-51
FIG. 23
PAGE 3
JAN 20/09

BRI



757

PARTS CATALOG (MAINTENANCE)

FIG ITEM	PART NUMBER	1 2 3 4 5 6 7	NOMENCLATURE	EFFECT FROM TO	UNITS PER ASSY
23					
70	271N6491-1035	.TUBE ASSY-HYDR RSVR PRESSURE TUBING MATERIAL: .250 IN. OD .016 IN. WALL 65.40 IN. LG TI BMS 7-234 TI-3AL-2.5V COLD WORKED, STRESS RELIEVED TUBING		002004 006007 107107 121503 904949 952952	1
70	271N6491-1072	.TUBE ASSY-HYDR RSVR PRESSURE TUBING MATERIAL: .250 IN. OD X .016 IN. WALL 65.60 IN. LG TI BMS 7-234 TI-3AL-2.5V COLD WORKED, STRESS RELIEVED TUBING		008100 950951 953999	1
- 75	AS1581T04	..SLEEVE		002004 006100 107107 121503 904999	1
- 80	BACN10YA4	..NUT		002004 006100 107107 121503 904999	1
- 85	AS1582T04	..UNION		002004 006100 107107 121503 904999	1
90	271N6491-1009	.TUBE ASSY-HYDR RSVR PRESSURE TUBING MATERIAL: .250 IN. OD .016 IN. WALL 119.50 IN. LG TI BMS 7-234 TI-3AL-2.5V COLD WORKED, STRESS RELIEVED TUBING		002004 006100 107107 121503 904999	1
- 95	AS1581T04	..SLEEVE		002004 006100 107107 121503 904999	2
- 100	BACN10YA4	..NUT		002004 006100 107107 121503 904999	2

MISSING ITEM NUMBERS NOT APPLICABLE

- ITEM NOT ILLUSTRATED

29-11-51-23

29-11-51
FIG. 23
PAGE 4
JAN 20/09

BRI



757

PARTS CATALOG (MAINTENANCE)

FIG ITEM	PART NUMBER	1 2 3 4 5 6 7	NOMENCLATURE	EFFECT FROM TO	UNITS PER ASSY
23 105	271N6491-1005		.TUBE ASSY-HYDR RSVR PRESSURE TUBING MATERIAL: .250 IN. OD .016 IN. WALL 111.60 IN. LG TI BMS 7-234 TI-3AL-2.5V COLD WORKED, STRESS RELIEVED TUBING	002004 006007 107107 121503 904949 952952	1
- 110	AS1581T04		..SLEEVE	002004 006007 107107 121503 904949 952952	1
- 115	BACN10YA4		..NUT	002004 006007 107107 121503 904949 952952	1
- 120	AS1582T04		..UNION	002004 006007 107107 121503 904949 952952	1
- 130	AS1581T04		..SLEEVE	002004 006100 107107 121503 904999	2
- 135	BACN10YA4		..NUT-	002004 006100 107107 121503 904999	2
220	271N6491-1071		.TUBE ASSY-VENT TUBING MATERIAL: .250 IN. OD X .016 IN. WALL X 61.30 IN. LG TI BMS 7-234 TI-3AL-2.5V COLD WORKED, STRESS BELIEVED TUBING	008100 950951 953999	1
- 230	AS1581T04		..SLEEVE	008100 950951 953999	2
- 235	BACN10YA4		..NUT-	008100 950951 953999	2

MISSING ITEM NUMBERS NOT APPLICABLE

- ITEM NOT ILLUSTRATED

29-11-51-23

29-11-51
FIG. 23
PAGE 5
JAN 20/09

BRI



757

PARTS CATALOG (MAINTENANCE)

FIG ITEM	PART NUMBER	1 2 3 4 5 6 7	NOMENCLATURE	EFFECT FROM TO	UNITS PER ASSY
23					
290	NAS1761J0604	.	ELBOW	008100 950951 953999	1
295	APX832T0604	.	UNION SUPPLIER CODE: V01673 SPECIFICATION NUMBER: BACU24AA0604T OPTIONAL PART: ER832-0604T V50948 2-010890604T V11328 AFP238-0604T V30974 APX832-0604T V01673 DBOU24AA0604T V61498 FER1579-0604T V14397 US2113-0604T V50808 2-01089T0604 V11328	002004 006100 107107 121503 904999	1
320	NAS1763T040604	.	TEE-	002004 006100 107107 121503 904999	2
320	NAS1763J040604	.	TEE-	002004 006100 107107 121503 904999	2
325	NAS1763T060604	.	TEE-	002004 006100 107107 121503 904999	1
325	NAS1763J060604	.	TEE-	002004 006100 107107 121503 904999	1

MISSING ITEM NUMBERS NOT APPLICABLE

- ITEM NOT ILLUSTRATED

29-11-51-23

29-11-51
FIG. 23
PAGE 6
JAN 20/09

BRI

BOEING PROPRIETARY - Copyright © - Unpublished Work - See title page for details.



757

PARTS CATALOG (MAINTENANCE)

FIG ITEM	PART NUMBER	1 2 3 4 5 6 7	NOMENCLATURE	EFFECT FROM TO	UNITS PER ASSY
23 327	NAS1763T060604	. TEE-		002004 006007 107107 121503 904949 952952	1
327	NAS1763J060604	. TEE-		002004 006007 107107 121503 904949 952952	1
335	69B83900-2	.CAP ASSY-VENT MISCELLANEOUS DATA: NOT AN INITIAL PROVISIONING SPARE ALTERED FROM PART NUMBER: BACC14AD06JL		002004 006100 107107 121503 904999	2
345	AN924-4D	.NUT		002004 006100 107107 121503 904999	1
355	AN960PD716	.WASHER		002004 006100 107107 121503 904999	1
400		ILLUSTRATION REFERENCE: DUCT AND CLAMP INSTL-UNDER WING AIR SUPPLY (AIR SUPPLY DISTRIBUTION ONLY) 36-11-01-07		002004 006100 107107 121503 904999	RF
405		ILLUSTRATION REFERENCE: MODULE INSTL-RSVR PRESSURIZATION (HYDRAULIC POWER ONLY) 29-11-16-05		002004 006100 107107 121503 904999	RF
410		ILLUSTRATION REFERENCE: PLUMBING INSTL-MLG WHL WELL HYDR (HYDRAULIC POWER ONLY) 29-11-51-32		002004 006100 107107 121503 904999	RF

MISSING ITEM NUMBERS NOT APPLICABLE

- ITEM NOT ILLUSTRATED

29-11-51-23

29-11-51
FIG. 23
PAGE 7
JAN 20/09

BRI

BOEING PROPRIETARY - Copyright © - Unpublished Work - See title page for details.



757

PARTS CATALOG (MAINTENANCE)

FIG ITEM	PART NUMBER	1 2 3 4 5 6 7	NOMENCLATURE	EFFECT FROM TO	UNITS PER ASSY
23 415			ILLUSTRATION REFERENCE: PLUMBING INSTL-MAIN WHL WELL FWD BHD HYDR (HYDRAULIC POWER ONLY) 29-11-51-37	002004 006100 107107 121503 904999	RF
420			ILLUSTRATION REFERENCE: PLUMBING INSTL-MAIN WHL WELL FWD BHD HYDR (HYDRAULIC POWER ONLY) 29-11-51-39	002004 006100 107107 121503 904999	RF

MISSING ITEM NUMBERS NOT APPLICABLE

- ITEM NOT ILLUSTRATED

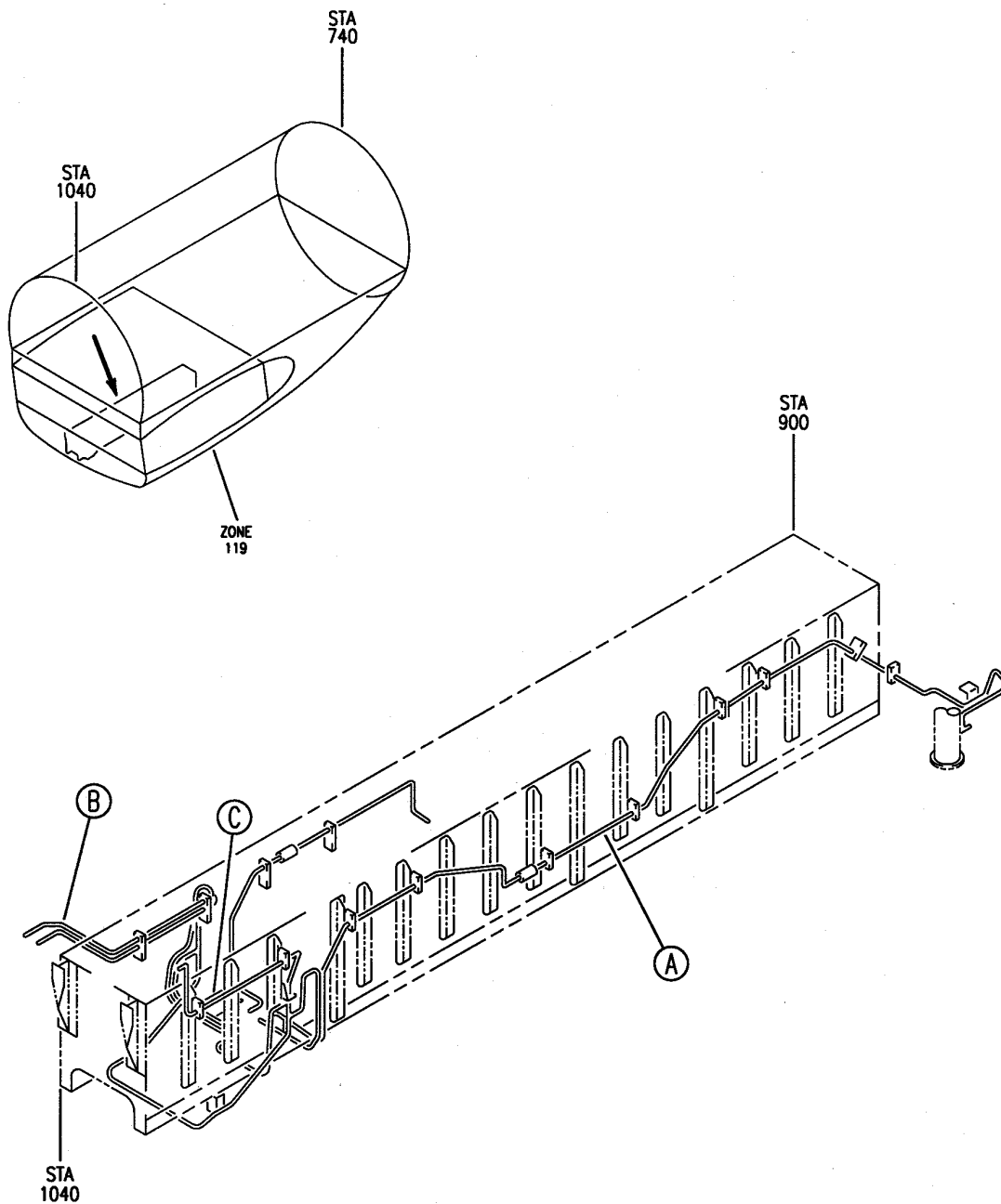
BRI

29-11-51-23

BOEING PROPRIETARY - Copyright © - Unpublished Work - See title page for details.

29-11-51
FIG. 23
PAGE 8
JAN 20/09

BOEING
757
PARTS CATALOG (MAINTENANCE)



Y 29115123A SH1 1 REV 221

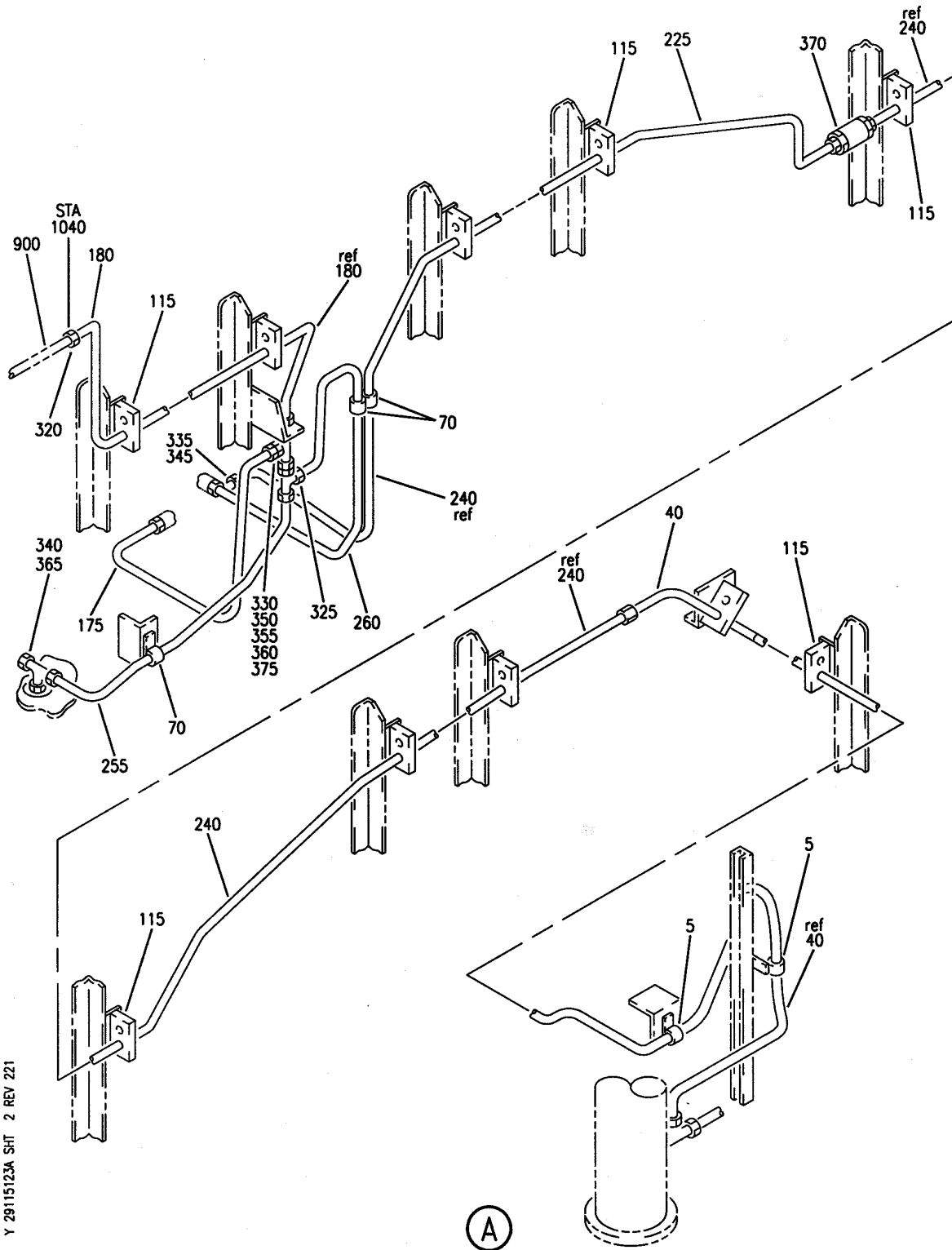
PLUMBING INSTL-SECT. 44 AC BAY HYDR
FIGURE 23A (SHEET 1)

29-11-51-23A

BRI
MAY 28/07

29-11-51-23A
PAGE 0

BOEING
757
PARTS CATALOG (MAINTENANCE)



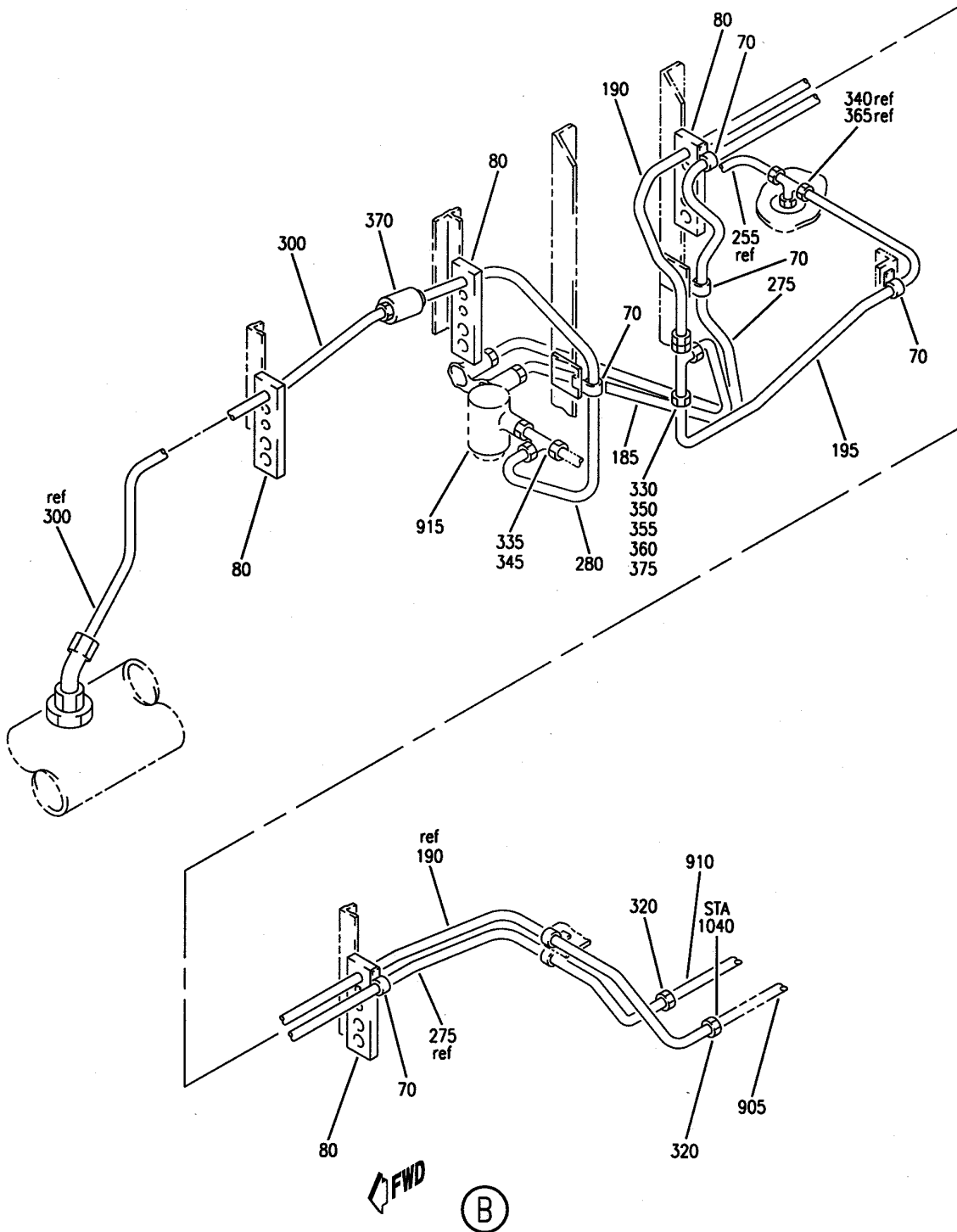
PLUMBING INSTL-SECT. 44 AC BAY HYDR
FIGURE 23A (SHEET 2)

29-11-51-23A

BRI
MAY 28/07

29-11-51-23A
PAGE 0A

BOEING
757
PARTS CATALOG (MAINTENANCE)



Y 29115123A SHT 3 REV 221

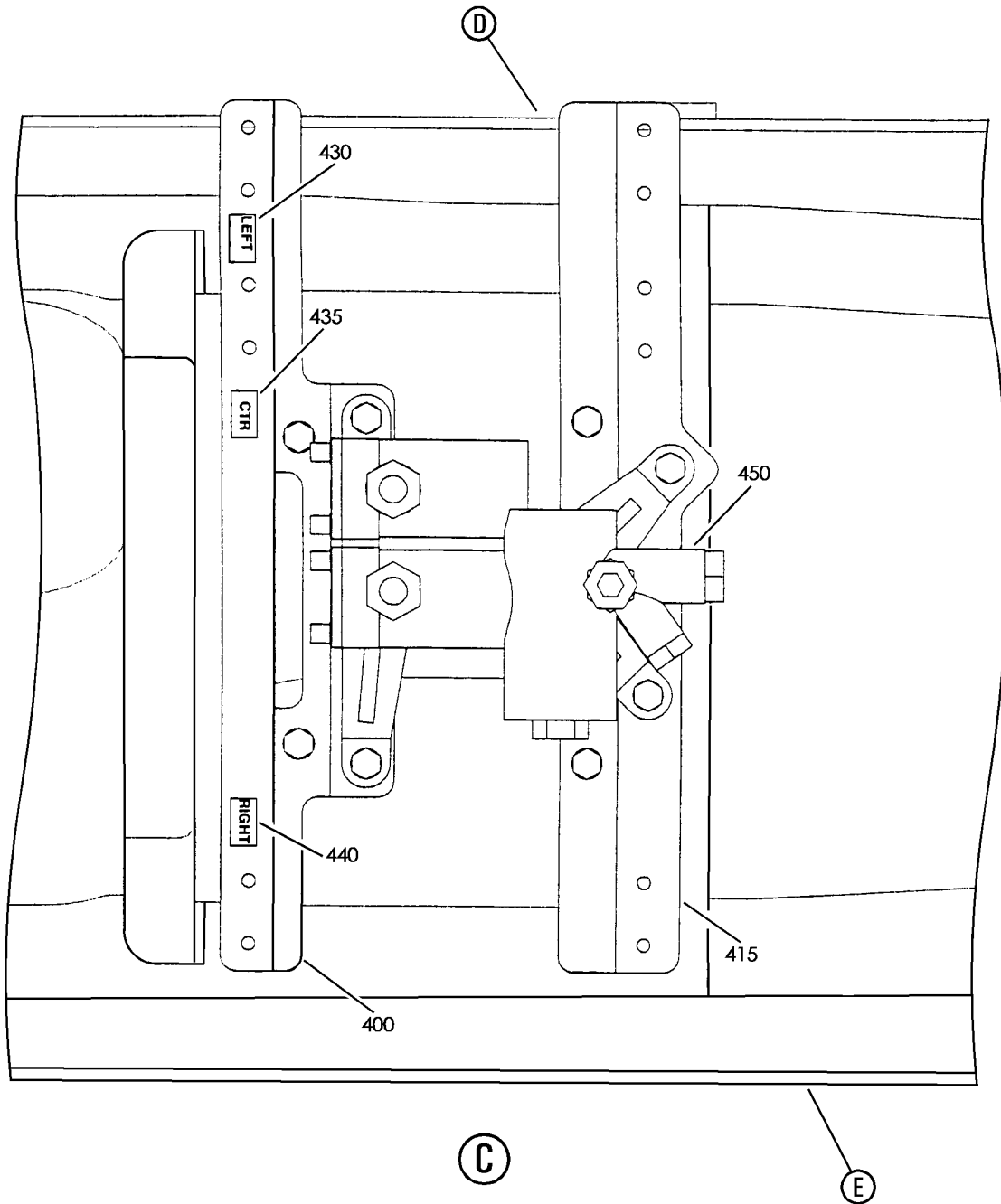
PLUMBING INSTL-SECT. 44 AC BAY HYDR
FIGURE 23A (SHEET 3)

29-11-51-23A

BRI
MAY 28/07

29-11-51-23A
PAGE 0B

BOEING
757
PARTS CATALOG (MAINTENANCE)



Y 29115123A SHT 4 REV 221

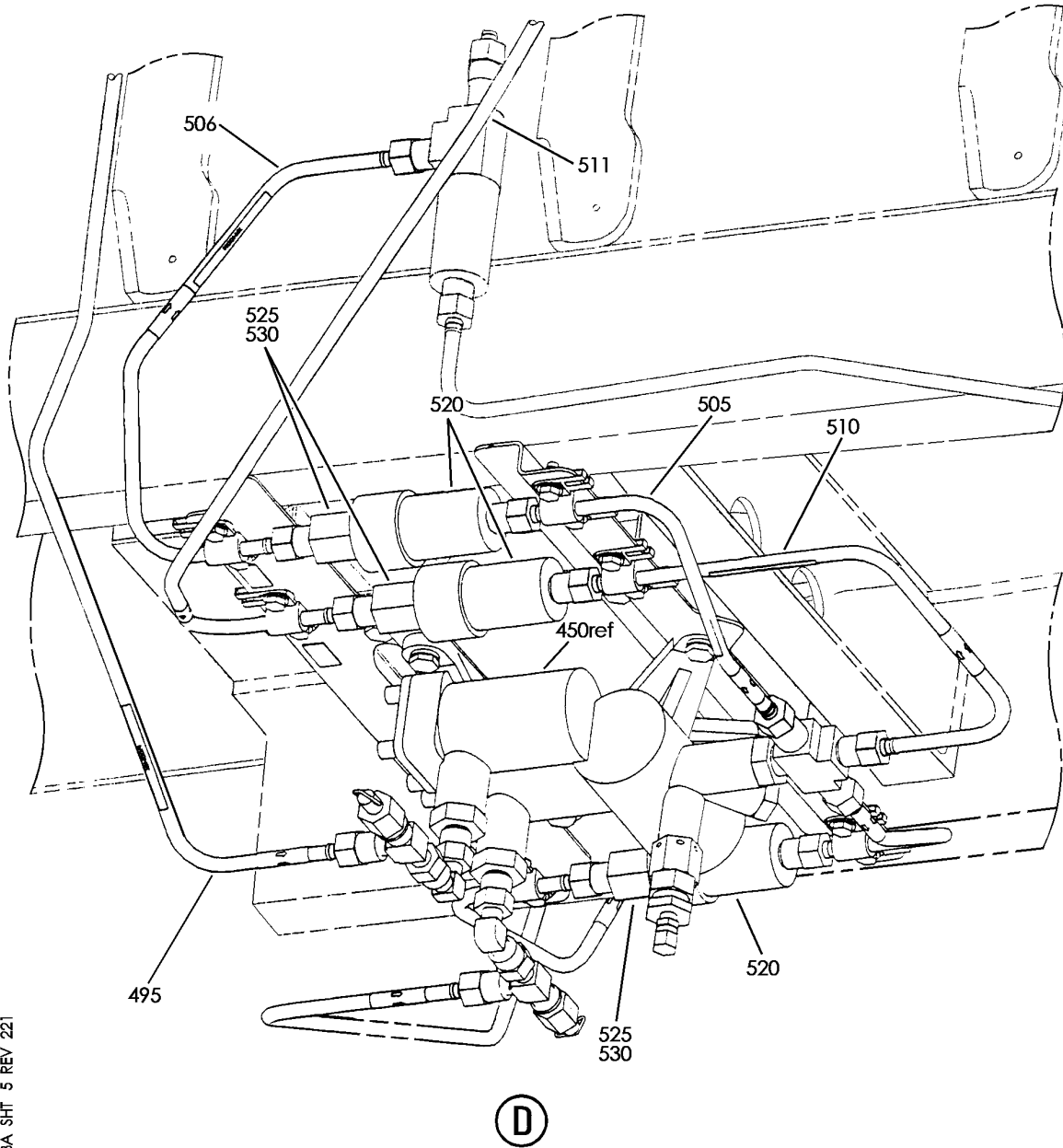
PLUMBING INSTL-SECT. 44 AC BAY HYDR
FIGURE 23A (SHEET 4)

29-11-51-23A

BRI
MAY 28/07

29-11-51-23A
PAGE 0C

BOEING
757
PARTS CATALOG (MAINTENANCE)



Y 29115123A SHT 5 REV 221

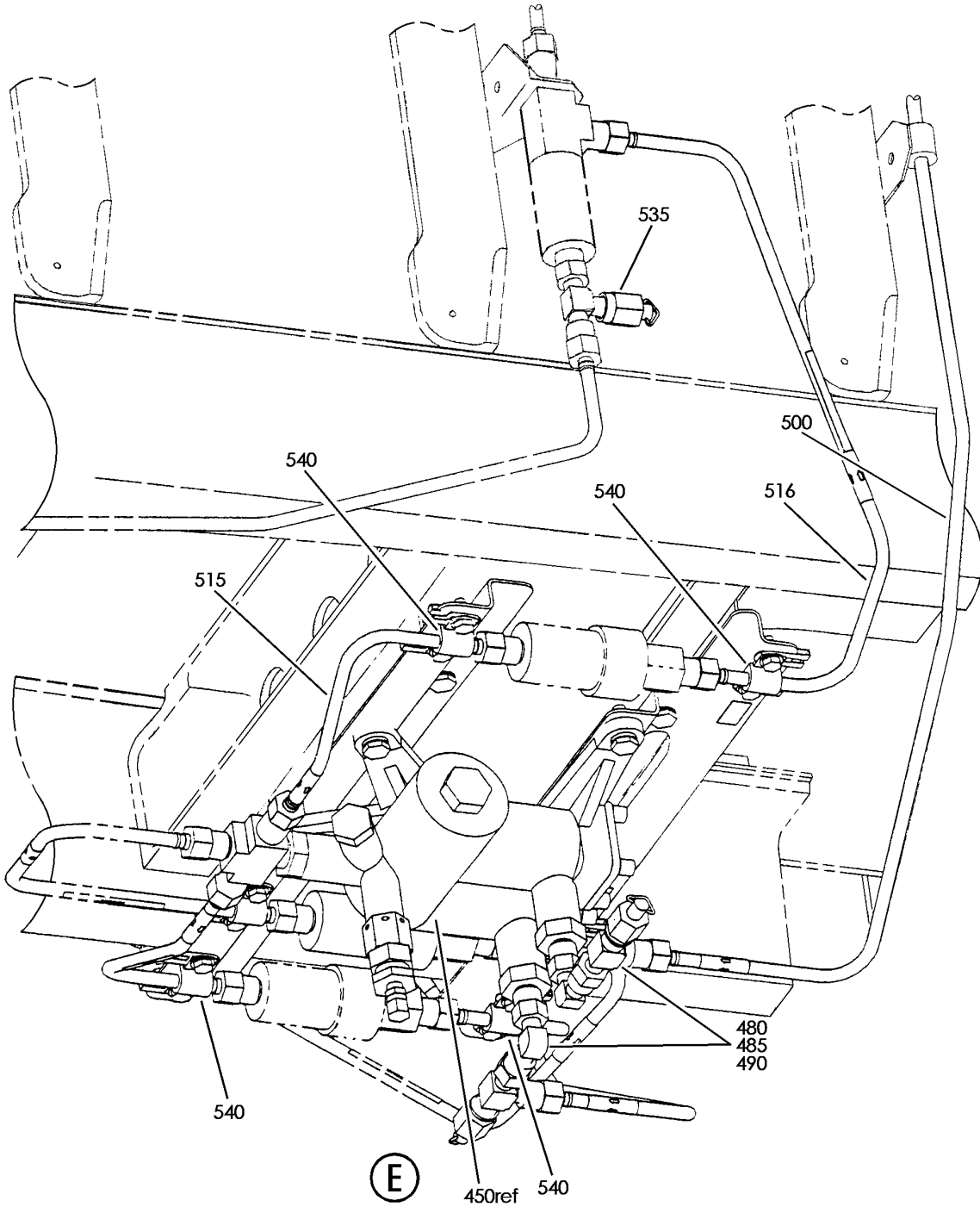
PLUMBING INSTL-SECT. 44 AC BAY HYDR
FIGURE 23A (SHEET 5)

29-11-51-23A

BRI
MAY 28/07

29-11-51-23A
PAGE 0D

BOEING
 757
 PARTS CATALOG (MAINTENANCE)



Y 29115123A SHT 6 REV 221

PLUMBING INSTL-SECT. 44 AC BAY HYDR
 FIGURE 23A (SHEET 6)

29-11-51-23A

BRI
 MAY 28/07

29-11-51-23A
 PAGE 0E



757

PARTS CATALOG (MAINTENANCE)

FIG ITEM	PART NUMBER	1 2 3 4 5 6 7	NOMENCLATURE	EFFECT FROM TO	UNITS PER ASSY
23A			PLUMBING INSTL-SECT. 44 AC BAY HYDR	101106 108120 504903	
- 1	271N6491-7		PLUMBING INSTL-AC BAY HYDR (HYDRAULIC POWER ONLY) POSITION DATA: SECT. 44	101102 504903	RF
- 1	271N6491-9		PLUMBING INSTL-AC BAY HYDR (HYDRAULIC POWER ONLY) POSITION DATA: SECT. 44	108120	RF
- 1	MODREF30329		FOR NHA/OTHER SYS DET SEE: 29-00-51-02C PLUMBING INSTL-AC BAY HYDR (HYDRAULIC POWER ONLY) MODULE NUMBER: 271N6491-9 REV B POSITION DATA: SECT. 44 FOR OTHER SYS DETAILS SEE: 27-81-51-40A 32-34-51-40A 32-35-51-40A	103106	1
5	M85052-2-4		.CLAMP	101106 108120 504903	2
- 10	NAS1801-3		ATTACHING PARTS .SCREW	101106 108120 504903	2
- 15	AN960JD10L		.WASHER	101106 108120 504903	AR
- 20	MS21042L3		.NUT	101106 108120 504903	2
40	271N6491-1072		-----*----- .TUBE ASSY-HYDR RSVR PRESSURE TUBING MATERIAL: .250 IN. OD X .016 IN. WALL X 65.60 IN. LG TI BMS 7-234 TI-3AL-2.5V COLD WORKED, STRESS RELIEVED TUBING	101106 108120 504903	1
- 45	AS1581T04		..SLEEVE	101106 108120 504903	1

MISSING ITEM NUMBERS NOT APPLICABLE

- ITEM NOT ILLUSTRATED

29-11-51-23A

29-11-51
FIG. 23A
PAGE 1
JAN 20/09

BRI

BOEING PROPRIETARY - Copyright © - Unpublished Work - See title page for details.



**757
PARTS CATALOG (MAINTENANCE)**

FIG ITEM	PART NUMBER	1 2 3 4 5 6 7	NOMENCLATURE	EFFECT FROM TO	UNITS PER ASSY
23A - 50	BACN10YA4		..NUT-	101106 108120 504903	1
- 55	AS1582T04		..UNION	101106 108120 504903	1

MISSING ITEM NUMBERS NOT APPLICABLE

- ITEM NOT ILLUSTRATED

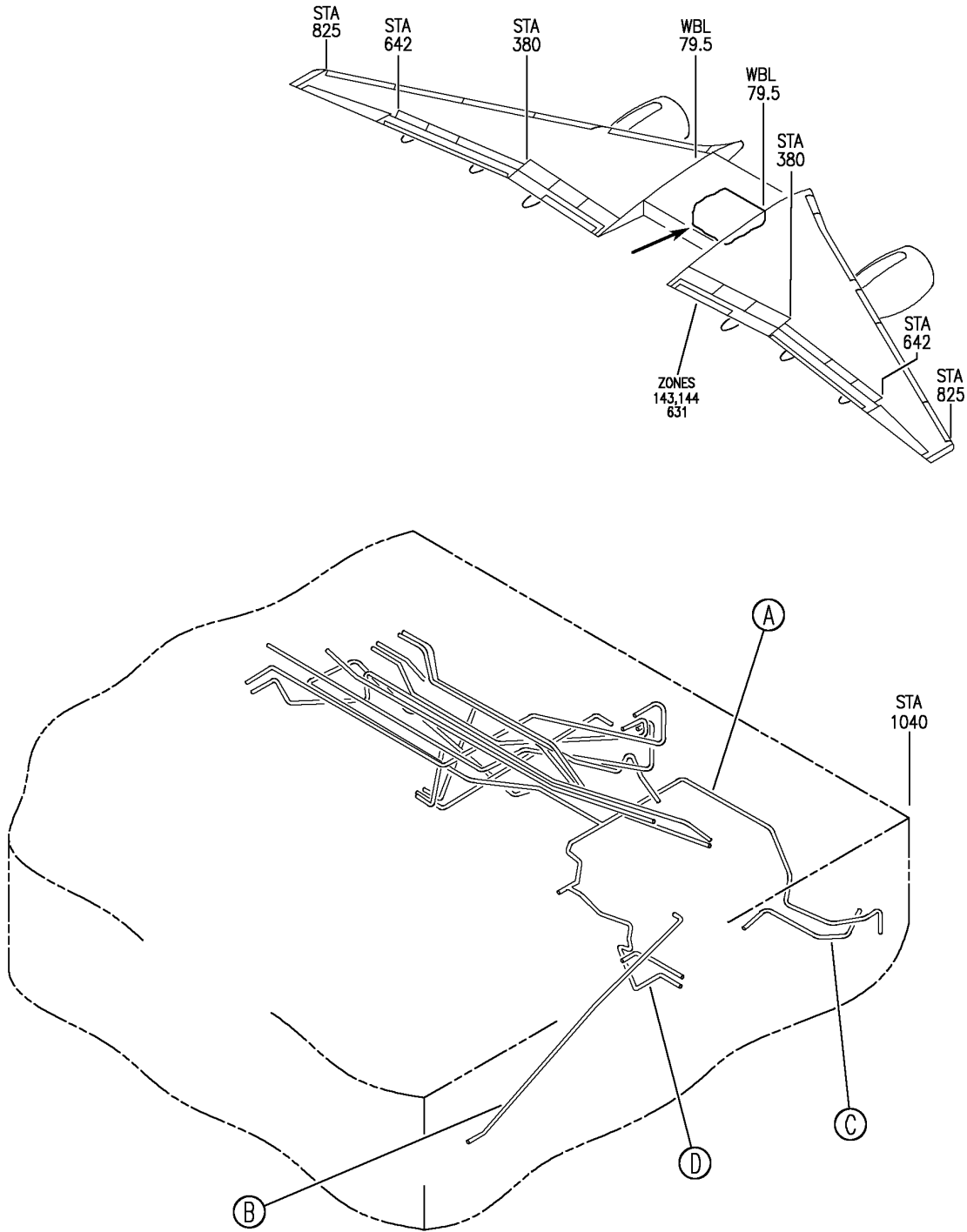
BRI

29-11-51-23A

BOEING PROPRIETARY - Copyright © - Unpublished Work - See title page for details.

29-11-51
FIG. 23A
PAGE 2
JAN 20/09

BOEING
757
PARTS CATALOG (MAINTENANCE)



Y 29115124A SHT 1 REV 249

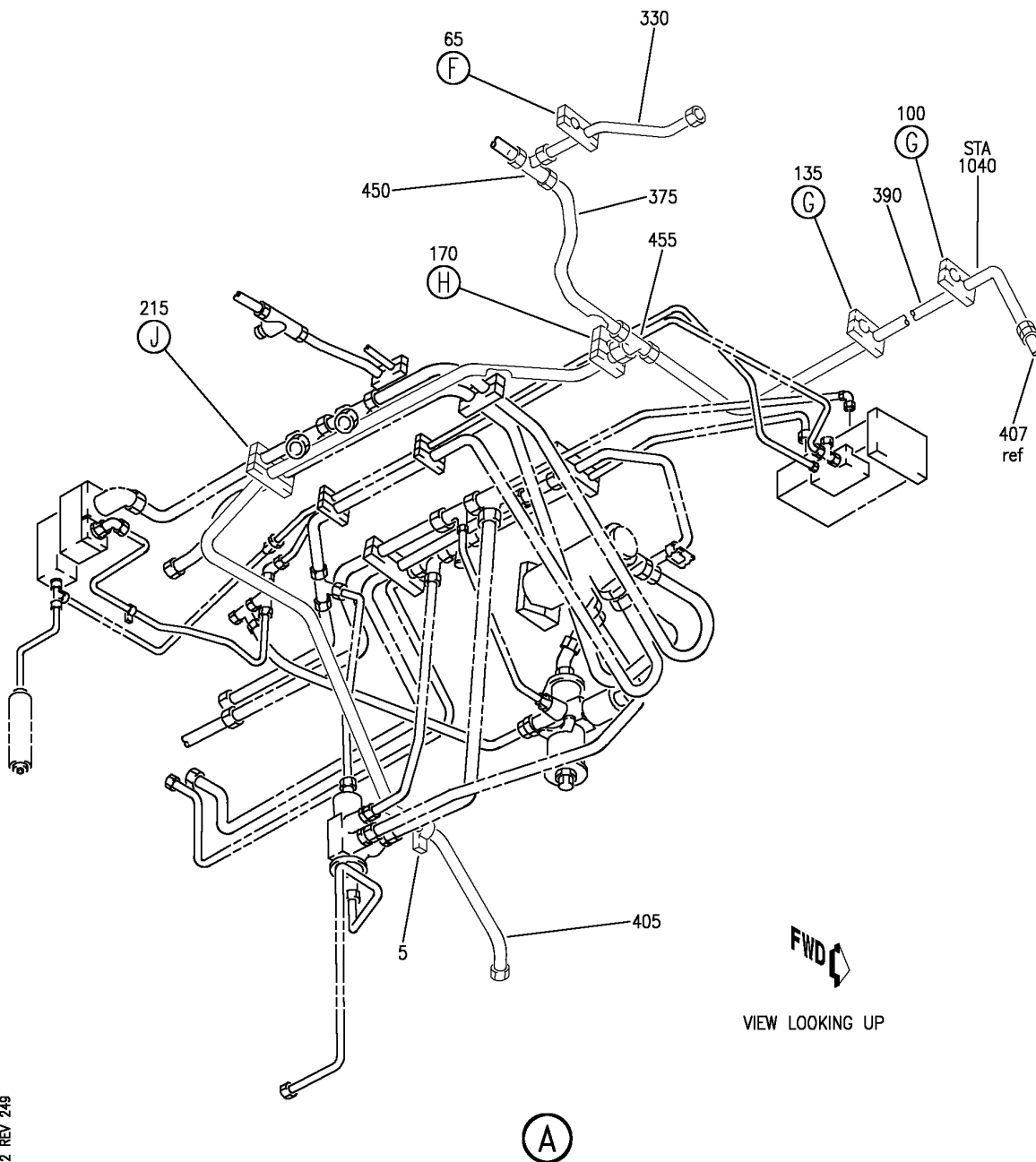
PLUMBING INSTL-SECT.44 R PRESSURE DECK HYDR (HYDRAULIC POWER ONLY)
FIGURE 24A (SHEET 1)

29-11-51-24A

BRI
JAN 20/09

29-11-51-24A
PAGE 0

BOEING
757
PARTS CATALOG (MAINTENANCE)



Y 29115124A SHT 2 REV 249

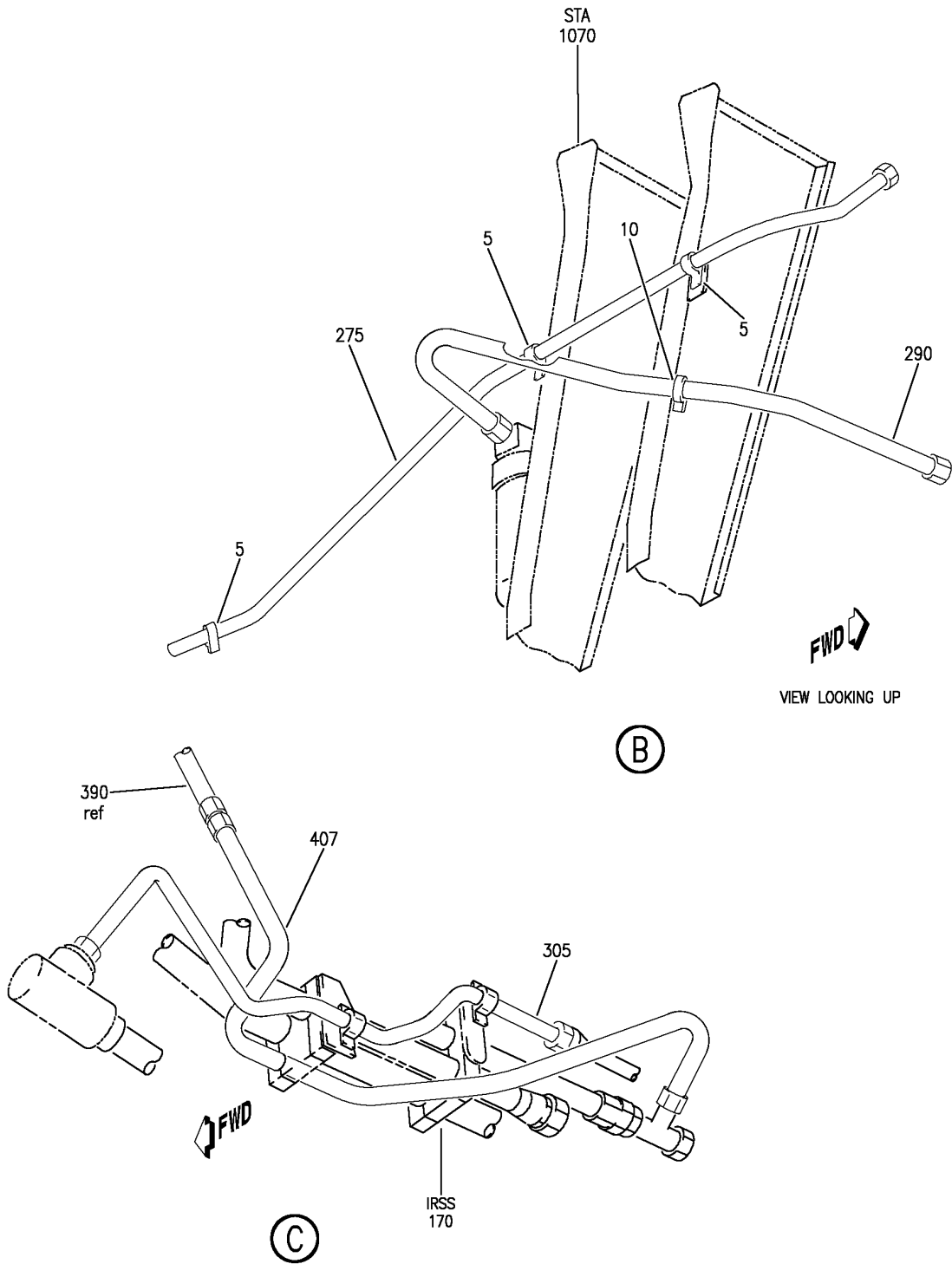
PLUMBING INSTL-SECT.44 R PRESSURE DECK HYDR (HYDRAULIC POWER ONLY)
FIGURE 24A (SHEET 2)

29-11-51-24A

BRI
JAN 20/09

29-11-51-24A
PAGE 0A

BOEING
757
PARTS CATALOG (MAINTENANCE)



Y 29115124A SHT 3 REV 249

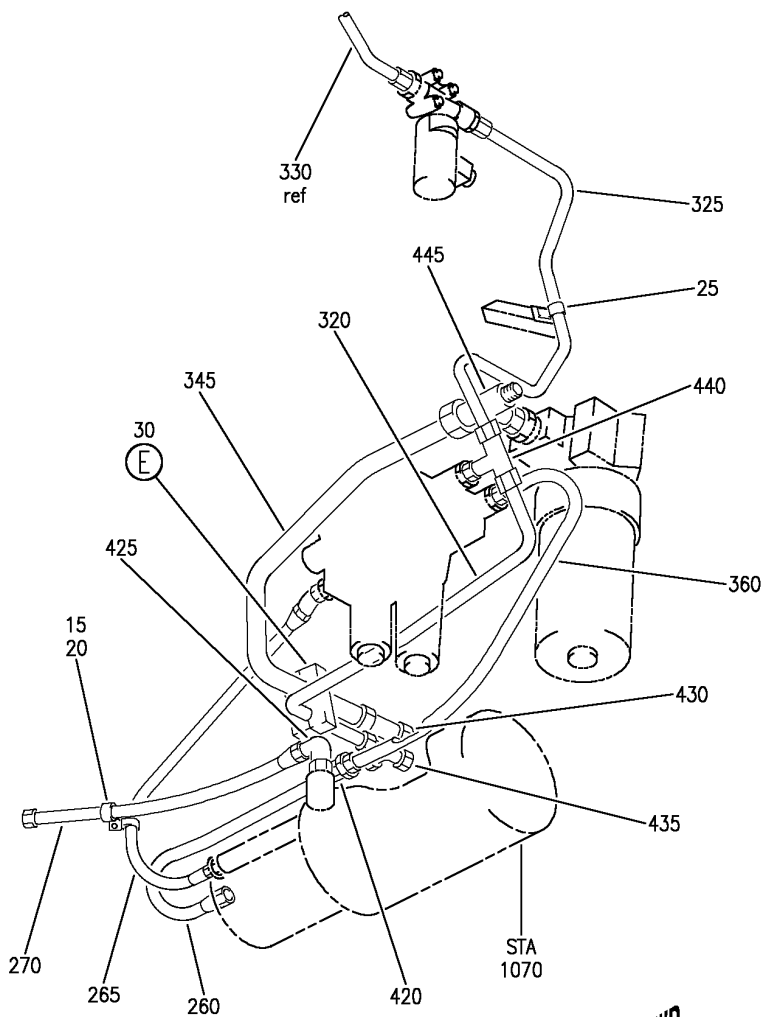
PLUMBING INSTL-SECT.44 R PRESSURE DECK HYDR (HYDRAULIC POWER ONLY)
FIGURE 24A (SHEET 3)

BRI
JAN 20/09

29-11-51-24A

29-11-51-24A
PAGE 0B

BOEING
757
PARTS CATALOG (MAINTENANCE)



VIEW LOOKING UP

(D)

Y 29115124A SHT 4 REV 249

PLUMBING INSTL-SECT.44 R PRESSURE DECK HYDR (HYDRAULIC POWER ONLY)
FIGURE 24A (SHEET 4)

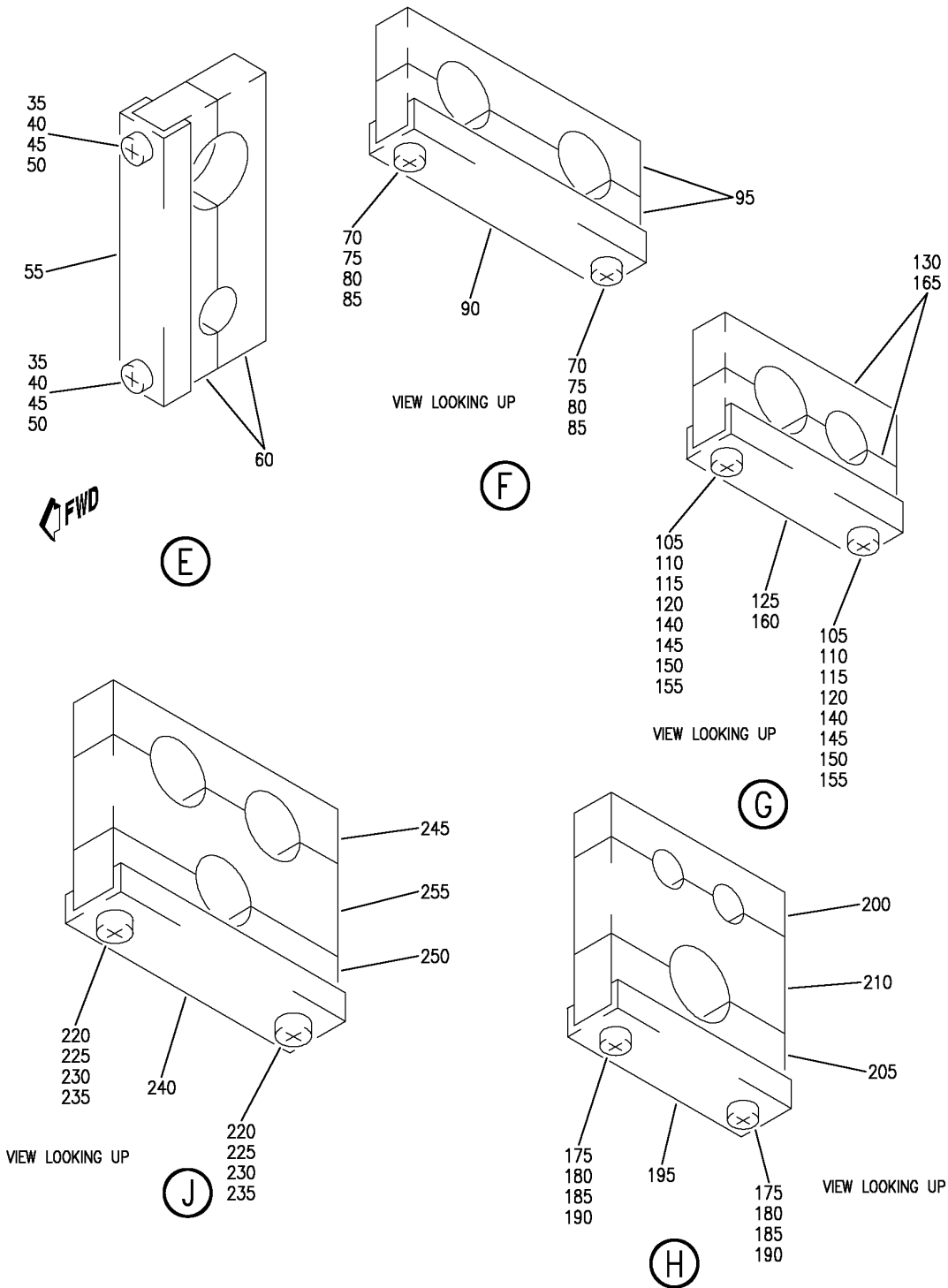
29-11-51-24A

BRI
JAN 20/09

29-11-51-24A
PAGE 0C

BOEING PROPRIETARY - Copyright © - Unpublished Work - See title page for details.

BOEING
757
PARTS CATALOG (MAINTENANCE)



Y 29115124A SHT 5 REV 249

PLUMBING INSTL-SECT.44 R PRESSURE DECK HYDR (HYDRAULIC POWER ONLY)
FIGURE 24A (SHEET 5)

29-11-51-24A

BRI
JAN 20/09

29-11-51-24A
PAGE 0D



757

PARTS CATALOG (MAINTENANCE)

FIG ITEM	PART NUMBER	1 2 3 4 5 6 7	NOMENCLATURE	EFFECT FROM TO	UNITS PER ASSY
24A			PLUMBING INSTL-SECT.44 R PRESSURE DECK HYDR (HYDRAULIC POWER ONLY)	103106	RF
- 1	MODREF31623		PLUMBING INSTL-PRESSURE DECK HYDR (HYDRAULIC POWER ONLY) MODULE NUMBER: 271N6444-24 REV B POSITION DATA: SECT 44 R FOR OTHER SYS DETAILS SEE: 32-31-51-23 32-32-51-23 32-35-51-31 32-41-51-24 32-42-51-24	103105	1
- 1	MODREF34294		PLUMBING INSTL-PRESSURE DECK HYDR (HYDRAULIC POWER ONLY) MODULE NUMBER: 271N6444-24 REV C POSITION DATA: SECT 44 R FOR OTHER SYS DETAILS SEE: 32-31-51-23 32-32-51-23 32-35-51-31 32-41-51-24 32-42-51-24	106106	1
5	TA0910004H112		.CLAMP SUPPLIER CODE: V84971 SPECIFICATION NUMBER: BACC10HB12C	103106	4
10	TA0910004H116		.CLAMP SUPPLIER CODE: V84971 SPECIFICATION NUMBER: BACC10HB16C	103106	1
15	M85052-2-8		.CLAMP	103106	1
20	M85052-2-19		.CLAMP	103106	1
25	TA0910004H110		.CLAMP SUPPLIER CODE: V84971 SPECIFICATION NUMBER: BACC10HB10C	103106	1
30	270N2000-89		.CLAMP ASSY-BLK	103106	1
35	NAS1801-3-34		.. SCREW	103106	2
40	NAS43DD3-99		.. SPACER	103106	2

MISSING ITEM NUMBERS NOT APPLICABLE

- ITEM NOT ILLUSTRATED

29-11-51-24A

29-11-51
FIG. 24A
PAGE 1
JAN 20/09

BRI

BOEING PROPRIETARY - Copyright © - Unpublished Work - See title page for details.



757

PARTS CATALOG (MAINTENANCE)

FIG ITEM	PART NUMBER	1 2 3 4 5 6 7	NOMENCLATURE	EFFECT FROM TO	UNITS PER ASSY
24A					
45	AN960PD10L	..	WASHER	103106	2
50	BRH10A3	..	NUT	103106	2
			SUPPLIER CODE: V52828		
			SPECIFICATION NUMBER: BACN10JC3		
			OPTIONAL PART: H10-3BAC		
			V15653		
			NS202101-02		
			V80539		
			RMLH9075-3W		
			V72962		
			VN303A02		
			V92215		
			96-02		
			V80539		
			T6S1032J		
			V11815		
55	270N2000-853	..	CHANNEL	103106	1
60	270N2000-511	..	BLOCK	103106	2
65	270N2000-101	.	CLAMP ASSY-BLK	103106	1
70	NAS1801-3-28	..	SCREW	103106	2
75	NAS43DD3-75	..	SPACER	103106	2
80	AN960PD10L	..	WASHER	103106	2
85	BRH10A3	..	NUT	103106	2
			SUPPLIER CODE: V52828		
			SPECIFICATION NUMBER: BACN10JC3		
			OPTIONAL PART: H10-3BAC		
			V15653		
			NS202101-02		
			V80539		
			RMLH9075-3W		
			V72962		
			VN303A02		
			V92215		
			96-02		
			V80539		
			T6S1032J		
			V11815		
90	270N2000-833	..	CHANNEL	103106	1
95	270N2000-479	..	BLOCK-	103106	2
			OPTIONAL PART: 270N2000-520		

MISSING ITEM NUMBERS NOT APPLICABLE

- ITEM NOT ILLUSTRATED

29-11-51-24A

29-11-51
FIG. 24A
PAGE 2
JAN 20/09

BRI

BOEING PROPRIETARY - Copyright © - Unpublished Work - See title page for details.



757

PARTS CATALOG (MAINTENANCE)

FIG ITEM	PART NUMBER	1 2 3 4 5 6 7	NOMENCLATURE	EFFECT FROM TO	UNITS PER ASSY
24A 95	270N2000-520	..	BLOCK- OPTIONAL PART: 270N2000-479	103106	2
100	270N2000-191	.	CLAMP ASSY-BLK	103106	1
105	NAS1801-3-33	..	SCREW	103106	2
110	NAS43DD3-99	..	SPACER	103106	2
115	AN960PD10L	..	WASHER	103106	2
120	BRH10A3	..	NUT SUPPLIER CODE: V52828 SPECIFICATION NUMBER: BACN10JC3 OPTIONAL PART: H10-3BAC V15653 NS202101-02 V80539 RMLH9075-3W V72962 VN303A02 V92215 96-02 V80539 T6S1032J V11815	103106	2
125	270N2000-1006	..	CHANNEL	103106	1
130	270N2000-671	..	BLOCK	103106	2
135	270N2000-255	.	CLAMP ASSY-BLK	103106	1
140	NAS514P1032-38P	..	SCREW	103106	2
145	NAS43DD3-99	..	SPACER	103106	2
150	AN960PD10L	..	WASHER	103106	2
155	BRH10A3	..	NUT SUPPLIER CODE: V52828 SPECIFICATION NUMBER: BACN10JC3 OPTIONAL PART: H10-3BAC V15653 NS202101-02 V80539 RMLH9075-3W V72962 VN303A02 V92215 96-02 V80539 T6S1032J V11815	103106	2

MISSING ITEM NUMBERS NOT APPLICABLE

- ITEM NOT ILLUSTRATED

29-11-51-24A

29-11-51
FIG. 24A
PAGE 3
JAN 20/09

BRI

BOEING PROPRIETARY - Copyright © - Unpublished Work - See title page for details.



757

PARTS CATALOG (MAINTENANCE)

FIG ITEM	PART NUMBER	1 2 3 4 5 6 7	NOMENCLATURE	EFFECT FROM TO	UNITS PER ASSY
24A					
160	270N2000-1024	..	CHANNEL	103106	1
165	270N2000-671	..	BLOCK	103106	2
170	270N2000-190	.CLAMP	ASSY-BLK	103106	1
175	NAS1801-3-43	..	SCREW	103106	2
180	NAS43DD3-141	..	SPACER	103106	2
185	AN960PD10L	..	WASHER	103106	2
190	BRH10A3	..	NUT	103106	2
			SUPPLIER CODE: V52828		
			SPECIFICATION NUMBER: BACN10JC3		
			OPTIONAL PART: H10-3BAC		
			V15653		
			NS202101-02		
			V80539		
			RMLH9075-3W		
			V72962		
			VN303A02		
			V92215		
			96-02		
			V80539		
			T6S1032J		
			V11815		
195	270N2000-844	..	CHANNEL	103106	1
200	270N2000-502	..	BLOCK	103106	1
205	270N2000-669	..	BLOCK	103106	1
210	270N2000-670	..	BLOCK	103106	1
215	270N2000-189	.CLAMP	ASSY-BLK	103106	1
220	NAS1801-3-47	..	SCREW	103106	2
225	NAS43DD3-157	..	SPACER	103106	2
230	AN960PD10L	..	WASHER	103106	2

MISSING ITEM NUMBERS NOT APPLICABLE

- ITEM NOT ILLUSTRATED

29-11-51-24A

29-11-51
FIG. 24A
PAGE 4
JAN 20/09

BRI

BOEING PROPRIETARY - Copyright © - Unpublished Work - See title page for details.



757

PARTS CATALOG (MAINTENANCE)

FIG ITEM	PART NUMBER	1 2 3 4 5 6 7	NOMENCLATURE	EFFECT FROM TO	UNITS PER ASSY
24A 235	BRH10A3	..	NUT SUPPLIER CODE: V52828 SPECIFICATION NUMBER: BACN10JC3 OPTIONAL PART: H10-3BAC V15653 NS202101-02 V80539 RMLH9075-3W V72962 VN303A02 V92215 96-02 V80539 T6S1032J V11815	103106	2
240	270N2000-841	..	CHANNEL	103106	1
245	270N2000-468	..	BLOCK	103106	1
250	270N2000-667	..	BLOCK	103106	1
255	270N2000-668	..	BLOCK	103106	1
260	AS115-08K0174	.	HOSE ASSY	103106	1
265	AS116-06K0204	.	HOSE ASSY	103106	1
270	AS1635A12K0200	.	HOSE ASSY	103106	1
275	271N6444-1131	.	TUBE ASSY-HYDR RSVR VENT POSITION DATA: STA 1040 RBL 60 TUBING MATERIAL: .750 IN. OD .035 IN. WALL 63.00 IN. LG AL AMS 4083 6061 T6 TUBING	103106	1
- 280	AP2097HP12	..	SLEEVE SUPPLIER CODE: V01673 SPECIFICATION NUMBER: BACS13BX12HP OPTIONAL PART: 2-02903-12HP V11328 35235VN12 V08199 AFP175V12P V30974 DBOS13BX12HP V14798	103106	1
- 285	BACN10YL12	..	NUT	103106	1

MISSING ITEM NUMBERS NOT APPLICABLE

- ITEM NOT ILLUSTRATED

29-11-51-24A

29-11-51
FIG. 24A
PAGE 5
JAN 20/09

BRI

BOEING PROPRIETARY - Copyright © - Unpublished Work - See title page for details.



757

PARTS CATALOG (MAINTENANCE)

FIG ITEM	PART NUMBER	1 2 3 4 5 6 7	NOMENCLATURE	EFFECT FROM TO	UNITS PER ASSY
24A 290	271N6444-1139		.TUBE ASSY-RETURN SYS POSITION DATA: STA 1040 RBL 60 TUBING MATERIAL: 1.00 IN. OD .035 IN. WALL 39.90 IN. LG AL AMS 4083 6061 T6 TUBING	103106	1
- 295	AP2097HP16		..SLEEVE SUPPLIER CODE: V01673 SPECIFICATION NUMBER: BACS13BX16HP OPTIONAL PART: 2-02903-16HP V11328 35235VN16 V08199 AFP175V16P V30974 DBOS13BX16HP V14798	103106	2
- 300	BACN10YL16		..NUT	103106	2
305	271N6444-1140		.TUBE ASSY-RETURN SYS POSITION DATA: STA 1040 RBL 50 WL 190 TUBING MATERIAL: .625 IN. OD .035 IN. WALL 40.10 IN. LG AL AMS 4083 6061 T6 TUBING	103106	1
- 310	AP2097HP10		..SLEEVE SUPPLIER CODE: V01673 SPECIFICATION NUMBER: BACS13BX10HP OPTIONAL PART: 2-02903-10HP V11328 35235VN10 V08199 AFP175V10P V30974 DBOS13BX10HP V14798	103106	2
- 315	BACN10YL10		..NUT	103106	2

MISSING ITEM NUMBERS NOT APPLICABLE

- ITEM NOT ILLUSTRATED

29-11-51-24A

29-11-51
FIG. 24A
PAGE 6
JAN 20/09

BRI

BOEING PROPRIETARY - Copyright © - Unpublished Work - See title page for details.



757

PARTS CATALOG (MAINTENANCE)

FIG ITEM	PART NUMBER	1 2 3 4 5 6 7	NOMENCLATURE	EFFECT FROM TO	UNITS PER ASSY
24A 320	271N6444-1237		.TUBE ASSY-PRESSURE SYS POSITION DATA: STA 1070 RBL 60 WL TUBING MATERIAL: .625 IN. OD .032 IN. WALL 22.60 IN. LG TI BMS 7-234 TI-3AL-2.5V COLD WORKED, STRESS RELIEVED TUBING	103106	1
325	271N6444-1064		.TUBE ASSY-PRESSURE SYS TUBING MATERIAL: .625 IN. OD .032 IN. WALL 34.00 IN. LG TI BMS 7-235 TI-3AL-2.5V COLD WORKED, STRESS RELIEVED TUBING	103106	1
330	271N6444-1112		.TUBE ASSY-PRESSURE SYS TUBING MATERIAL: .625 IN. OD .032 IN. WALL 12.00 IN. LG TI BMS 7-234 TI-3AL-2.5V COLD WORKED, STRESS RELIEVED TUBING	103106	1
- 335	AS1581T10		..SLEEVE	103106	2
- 340	BACN10YA10		..NUT	103106	2
345	271N6444-1258		.TUBE ASSY-RETURN SYS POSITION DATA: STA 1060 RBL 60 TUBING MATERIAL: 1.00 IN. OD .035 IN. WALL 25.70 IN. LG AL AMS 4083 6061 T6 TUBING	103106	1
- 350	AP2097HP16		..SLEEVE SUPPLIER CODE: V01673 SPECIFICATION NUMBER: BACS13BX16HP OPTIONAL PART: 2-02903-16HP V11328 35235VN16 V08199 AFP175V16P V30974 DBOS13BX16HP V14798	103106	2
- 355	BACN10YL16L		..NUT	103106	2

MISSING ITEM NUMBERS NOT APPLICABLE

- ITEM NOT ILLUSTRATED

29-11-51-24A

29-11-51
FIG. 24A
PAGE 7
JAN 20/09

BRI

BOEING PROPRIETARY - Copyright © - Unpublished Work - See title page for details.



757

PARTS CATALOG (MAINTENANCE)

FIG ITEM	PART NUMBER	1 2 3 4 5 6 7	NOMENCLATURE	EFFECT FROM TO	UNITS PER ASSY
24A 360	271N6444-1168		.TUBE ASSY-PRESSURE SYS POSITION DATA: STA 1080 RBL 60 WL 160 TUBING MATERIAL: .500 IN. OD .026 IN. WALL 20.10 IN. LG TI BMS 7-234 TI-3AL-2.5V COLD WORKED, STRESS RELIEVED TUBING	103106	1
- 365	AS1581T08		..SLEEVE-WELDED	103106	2
- 370	BACN10YA8		..NUT-	103106	2
375	271N6444-1220		.TUBE ASSY-PRESSURE SYS POSITION DATA: STA 1070 RBL 45 TUBING MATERIAL: .625 IN. OD .032 IN. WALL 16.00 IN. LG TI BMS 7-234 TI-3AL-2.5V COLD WORKED, STRESS RELIEVED TUBING	103106	1
- 380	AS1581T10		..SLEEVE	103106	2
- 385	BACN10YA10		..NUT	103106	2
390	271N6444-1127		.TUBE ASSY-PRESSURE SYS POSITION DATA: STA 1040 RBL 50 TUBING MATERIAL: .750 IN. OD .039 IN. WALL 40.10 IN. LG TI BMS 7-234 TI-3AL-2.5V COLD WORKED, STRESS RELIEVED TUBING	103106	1
- 395	AS1581T12		..SLEEVE	103106	1
- 400	BACN10YA12		..NUT	103106	1
405	271N6444-1142		.TUBE ASSY-PRESSURE SYS TUBING MATERIAL: .750 IN. OD .039 IN. WALL 63.60 IN. LG TI BMS 7-234 TI-3AL-2.5V COLD WORKED, STRESS RELIEVED TUBING	103106	1
407	271N6444-1148		.TUBE ASSY-PRESSURE SYS TUBING MATERIAL: .750 IN. OD .039 IN. WALL 41.50 IN. LG TI BMS 7-234 TI-3AL-2.5V COLD WORKED, STRESS RELIEVED TUBING	103106	1
- 410	AS1581T12		..SLEEVE	103106	2
- 415	BACN10YA12		..NUT	103106	2

MISSING ITEM NUMBERS NOT APPLICABLE

- ITEM NOT ILLUSTRATED

29-11-51-24A

29-11-51
FIG. 24A
PAGE 8
JAN 20/09

BRI

BOEING PROPRIETARY - Copyright © - Unpublished Work - See title page for details.



757

PARTS CATALOG (MAINTENANCE)

FIG ITEM	PART NUMBER	1 2 3 4 5 6 7	NOMENCLATURE	EFFECT FROM TO	UNITS PER ASSY
24A					
420	MS21924-8T	.	UNION	103106	1
425	NAS1762W1212	.	ELBOW	103106	1
430	MS21905W16	.	TEE	103106	1
435	BACT16BL161016J	.	TEE	103106	1
440	BCREF116876	.	TEE-	103106	1
			OVERLENGTH PART NUMBER: BACT16BT101008JN		
445	NAS1764W161016	.	TEE	103106	1
450	BACT16BL101010J	.	TEE	103106	1
455	BACT16BL121012J	.	TEE	103106	1
- 460	270N2008-120	.	SHIM	103106	AR
- 465	270N2008-121	.	SHIM	103106	AR
- 470	270N2008-122	.	SHIM	103106	AR

MISSING ITEM NUMBERS NOT APPLICABLE

- ITEM NOT ILLUSTRATED

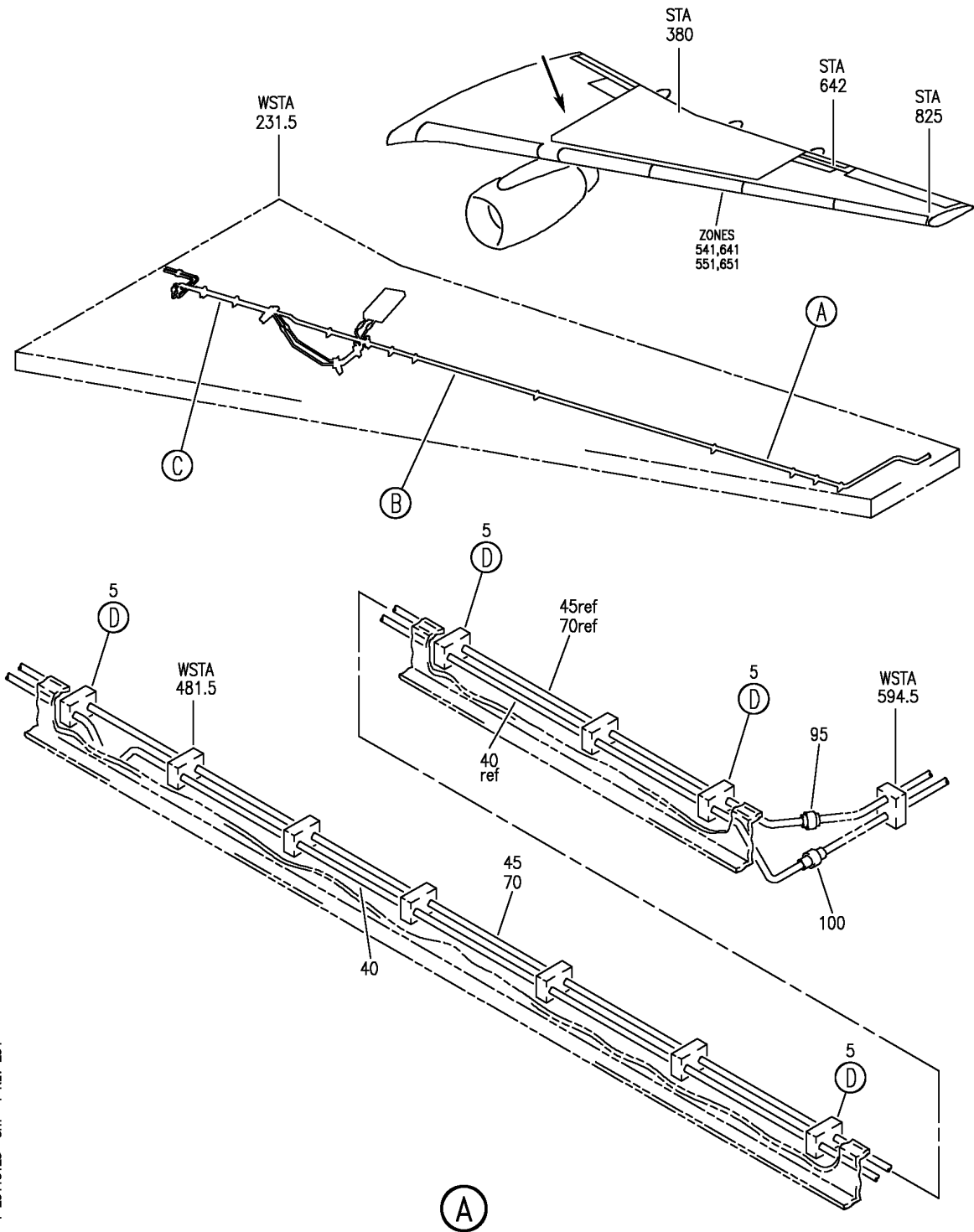
BRI

29-11-51-24A

BOEING PROPRIETARY - Copyright © - Unpublished Work - See title page for details.

29-11-51
FIG. 24A
PAGE 9
JAN 20/09

BOEING
757
PARTS CATALOG (MAINTENANCE)



Y 29115125 SHT 1 REV 254

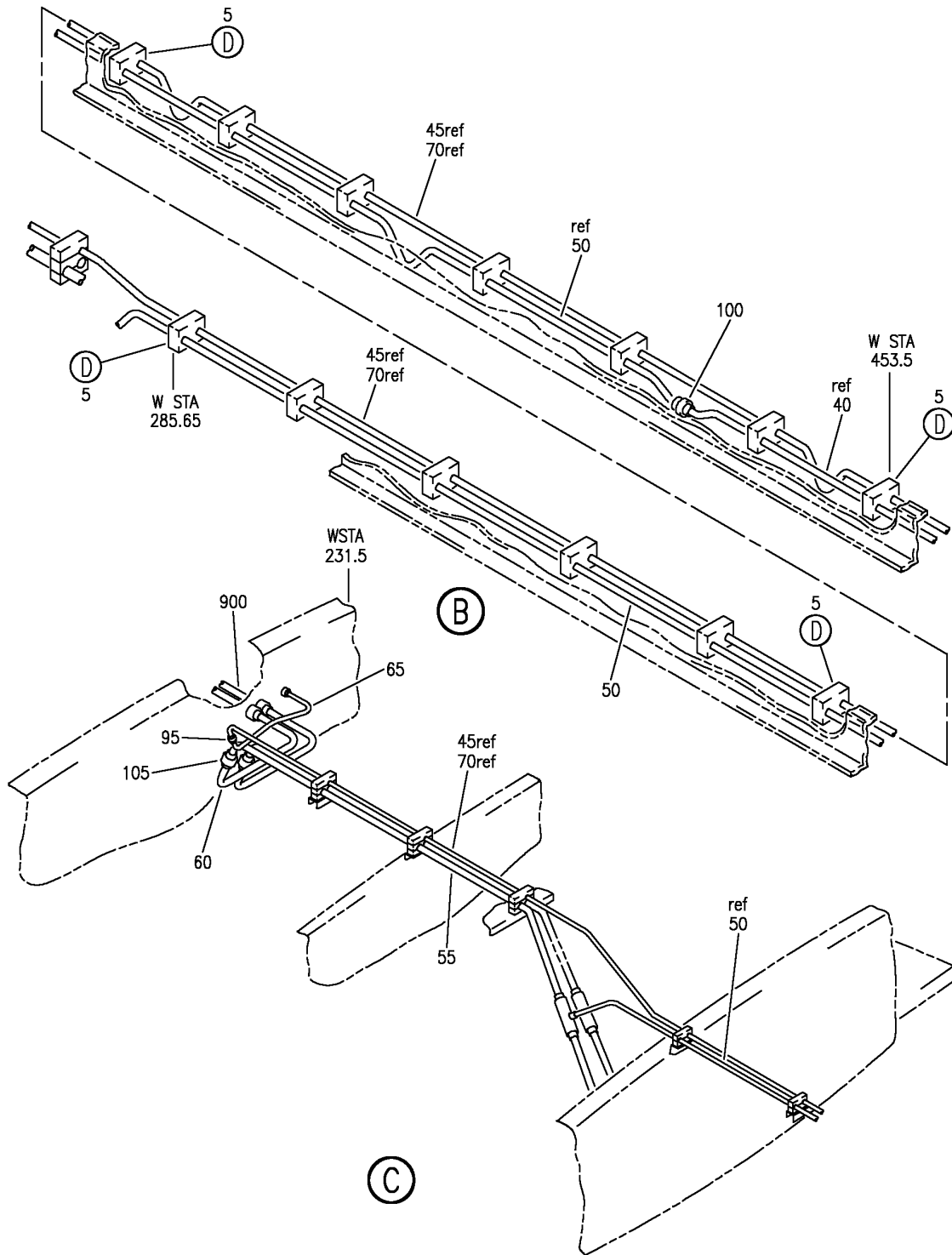
PLUMBING INSTL-SECT. 12 L WING OUTBD SPAR (HYDRAULIC POWER ONLY) CTR SYS
FIGURE 25 (SHEET 1)

BRI
JAN 20/09

29-11-51-25

29-11-51-25
PAGE 0

BOEING
757
PARTS CATALOG (MAINTENANCE)



Y 29115125 SHT 2 REV 254

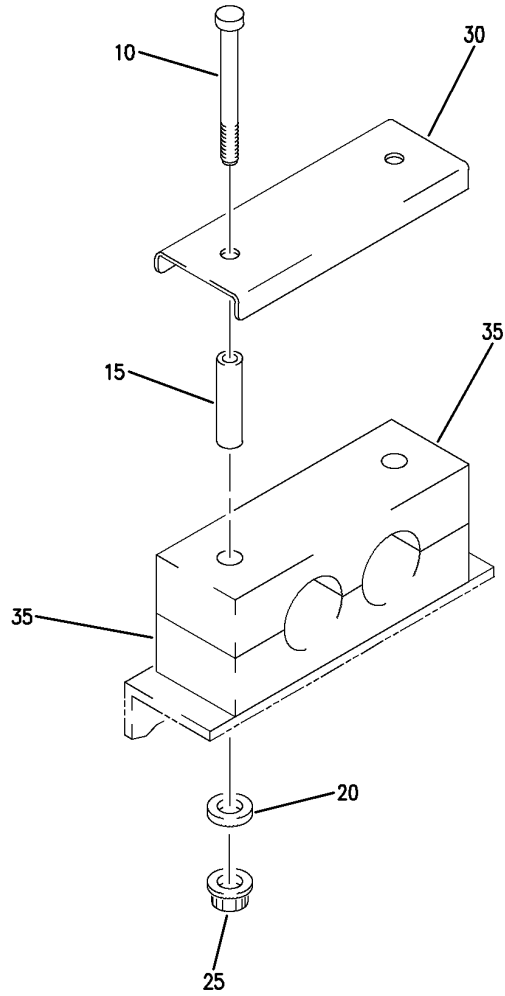
PLUMBING INSTL-SECT. 12 L WING OUTBD SPAR (HYDRAULIC POWER ONLY) CTR SYS
FIGURE 25 (SHEET 2)

BRI
JAN 20/09

29-11-51-25

29-11-51-25
PAGE 0A

BOEING
757
PARTS CATALOG (MAINTENANCE)



(D)

Y 29115125 SHT 3 REV 247

PLUMBING INSTL-SECT. 12 L WING OUTBD SPAR (HYDRAULIC POWER ONLY) CTR SYS
FIGURE 25 (SHEET 3)

BRI
JAN 20/09

29-11-51-25

29-11-51-25
PAGE 0B

BOEING
757
PARTS CATALOG (MAINTENANCE)

FIG ITEM	PART NUMBER	1 2 3 4 5 6 7	NOMENCLATURE	EFFECT FROM TO	UNITS PER ASSY
25			PLUMBING INSTL-SECT. 12 L WING OUTBD SPAR (HYDRAULIC POWER ONLY) CTR SYS	103106	
- 1	MODREF29848		PLUMBING INST-HYDR (HYDRAULIC POWER ONLY) CTR SYS MODULE NUMBER: 271N6122-32 REV B POSITION DATA: SECT. 12 L WING OUTBD FOR ADDITIONAL DETAILS SEE: 29-11-26-03	103106	1
5	270N2001-10		.CLAMP ASSY	103106	23
10	NAS1801-3-24		..SCREW	103106	2
15	NAS43DD3-59		..SPACER	103106	2
20	AN960PD10L		..WASHER	103106	2
25	BRH10A3		..NUT	103106	2
			SUPPLIER CODE: V52828 SPECIFICATION NUMBER: BACN10JC3 OPTIONAL PART: H10-3BAC V15653 NS202101-02 V80539 RMLH9075-3W V72962 VN303A02 V92215 96-02 V80539 T6S1032J V11815		
30	270N2001-805		..CHANNEL	103106	1
35	270N2001-405		..BLOCK	103106	2
40	271N6122-1305		.TUBE ASSY-RETURN SYS POSITION DATA: CTR TUBING MATERIAL: .375 IN. OD .035 IN. WALL 177.00 IN. LG AL	103106	1
45	271N6121-1098		.TUBE ASSY-PRESSURE SYS	103106	1

MISSING ITEM NUMBERS NOT APPLICABLE

- ITEM NOT ILLUSTRATED

BRI

29-11-51-25

BOEING PROPRIETARY - Copyright © - Unpublished Work - See title page for details.

29-11-51
FIG. 25
PAGE 1
JAN 20/09



757

PARTS CATALOG (MAINTENANCE)

FIG ITEM	PART NUMBER	1 2 3 4 5 6 7	NOMENCLATURE	EFFECT FROM TO	UNITS PER ASSY
25					
50	271N6122-1306		.TUBE ASSY-RETURN SYS POSITION DATA: CTR TUBING MATERIAL: .375 IN. OD .035 IN. WALL 161.00 IN. LG AL	103106	1
55	271N6122-1071		.TUBE ASSY-RETURN CTR SYS TUBING MATERIAL: .625 IN. OD X .035 IN. WALL X 43.5 IN. LG AL 6061-T6 ALUMINUM SEAMLESS TUBING PER MIL-T-7081.	103106	1
60	271N6122-1070		.TUBE ASSY-RETURN CTR SYS TUBING MATERIAL: .625 IN. OD X .035 IN. WALL X 22.0 IN. LG 6061-T6 ALUMINUM SEAMLESS TUBING PER MIL-T-7081.	103106	1
65	271N6122-1069		.TUBE ASSY-PRESSURE-CTR SYS TUBING MATERIAL: .375 IN. O.D. X .019 IN. WALL X 14.43 IN. LG 3AL-2.5V TITANIUM SEAMLESS TUBING PER BMS7-234.	103106	1
95	D10282-0606J		.UNION SUPPLIER CODE: V14798 SPECIFICATION NUMBER: BACU24BS0606J	103106	2
100	D10282-0606D		.UNION SUPPLIER CODE: V14798 SPECIFICATION NUMBER: BACU24BS0606D	103106	2
105	D10282J10		.UNION SUPPLIER CODE: V14798 SPECIFICATION NUMBER: BACU24BS1010D	103106	1
900			ILLUSTRATION REFERENCE: PLUMBING INSTL-SECT. 12 L WING INBD SPAR (HYDRAULIC POWER ONLY) CTR SYS 29-11-51-16	103106	RF

MISSING ITEM NUMBERS NOT APPLICABLE

- ITEM NOT ILLUSTRATED

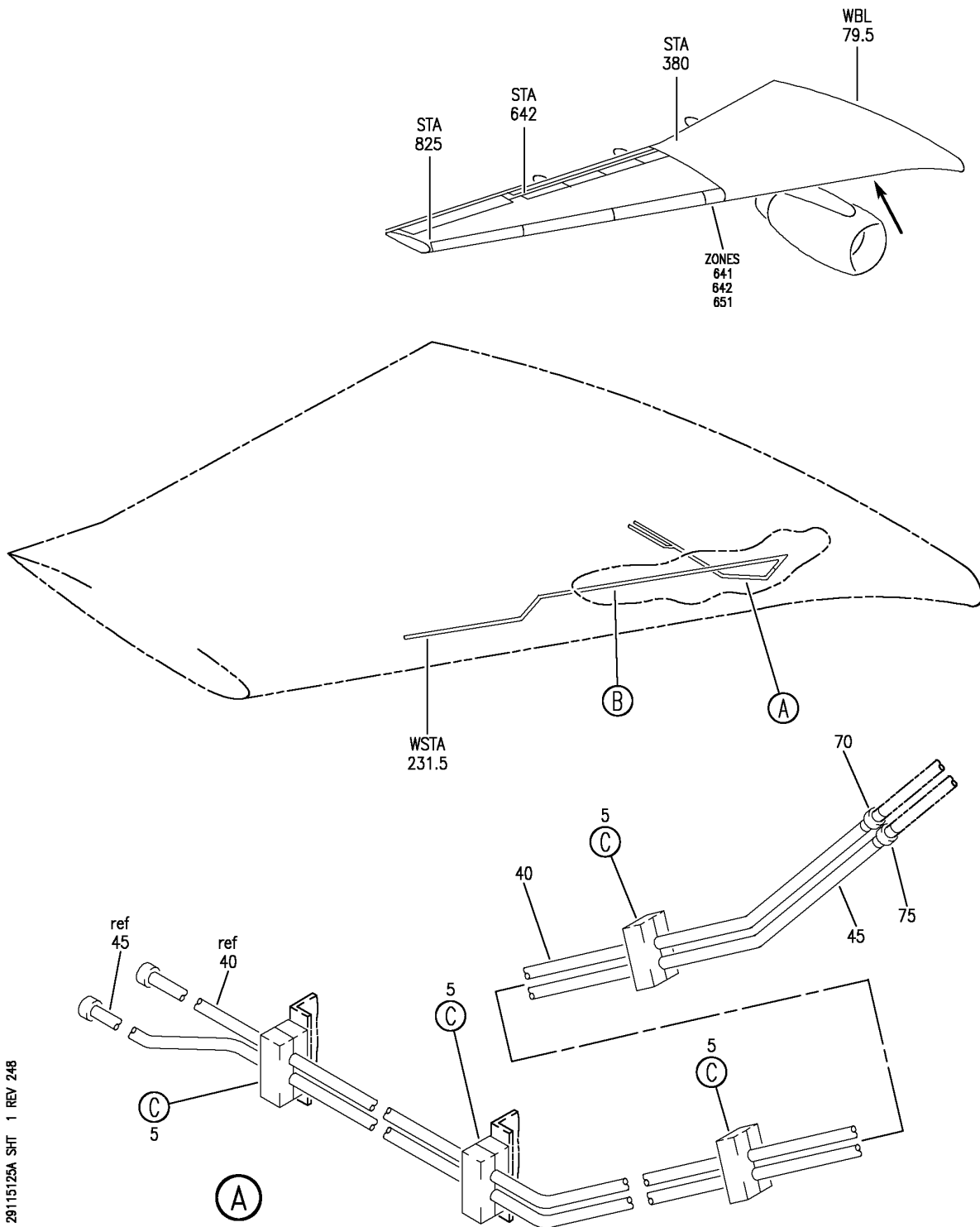
29-11-51-25

29-11-51
FIG. 25
PAGE 2
JAN 20/09

BRI

BOEING PROPRIETARY - Copyright © - Unpublished Work - See title page for details.

BOEING
757
PARTS CATALOG (MAINTENANCE)



Y 29115125A SHT 1 REV 248

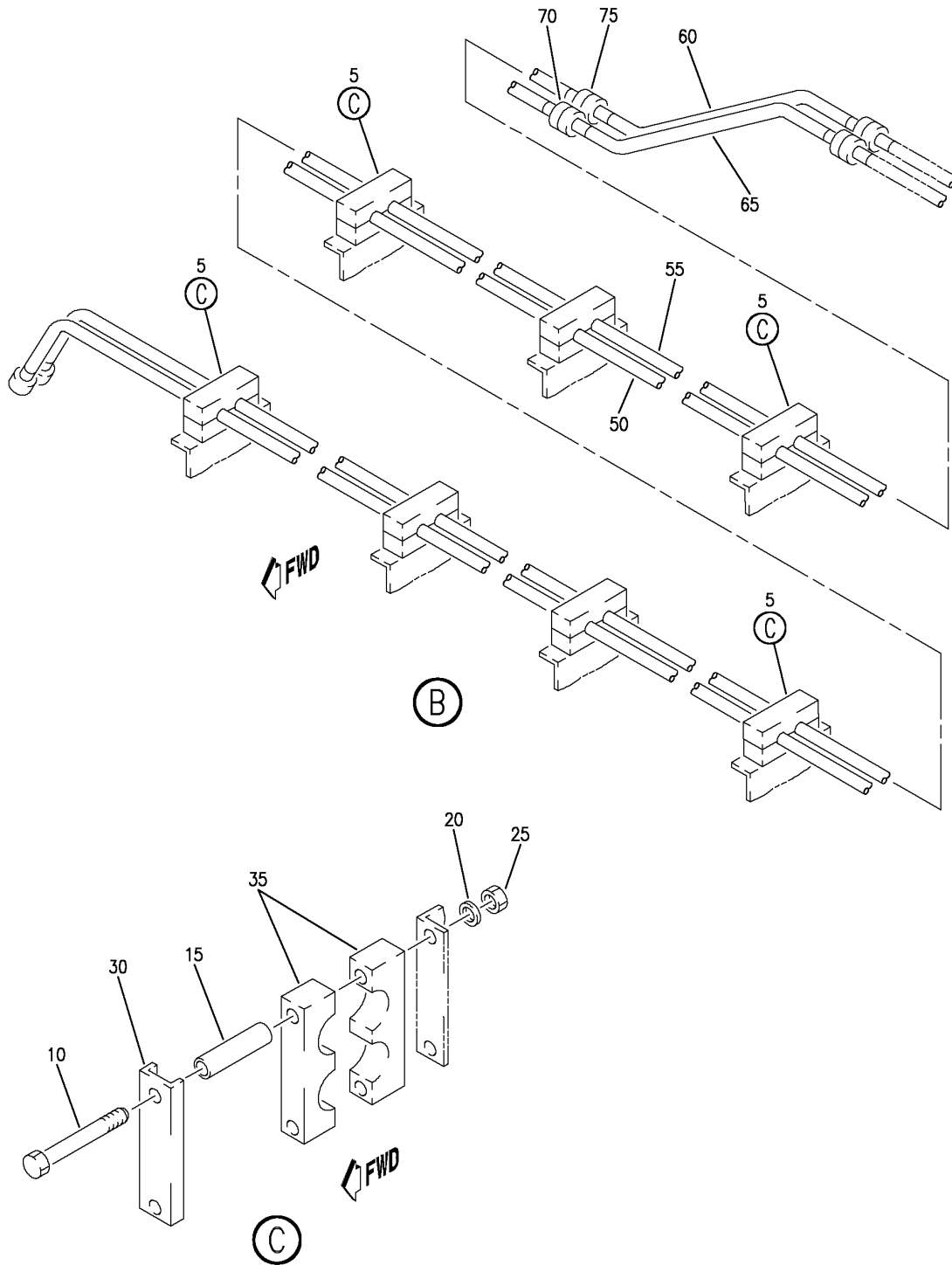
PLUMBING INSTL-SECT. 12 R WING INBD SPAR CTR SYS
FIGURE 25A (SHEET 1)

29-11-51-25A

BRI
JAN 20/09

29-11-51-25A
PAGE 0

BOEING
757
PARTS CATALOG (MAINTENANCE)



Y 29115125A SHT 2 REV 248

PLUMBING INSTL-SECT. 12 R WING INBD SPAR CTR SYS
FIGURE 25A (SHEET 2)

29-11-51-25A

BRI
JAN 20/09

29-11-51-25A
PAGE 0A



757

PARTS CATALOG (MAINTENANCE)

FIG ITEM	PART NUMBER	1 2 3 4 5 6 7	NOMENCLATURE	EFFECT FROM TO	UNITS PER ASSY
25A			PLUMBING INSTL-SECT. 12 R WING INBD SPAR CTR SYS	103106	
- 1	MODREF31746		PLUMBING INSTL-HYDR CTR SYS MODULE NUMBER: 271N6123-19 REV B POSITION DATA: SECT. 12 R WING INBD	103106	1
5	270N2001-10		.CLAMP ASSY	103106	11
10	NAS1801-3-24		..SCREW	103106	2
15	NAS43DD3-59		..SPACER	103106	2
20	AN960PD10L		..WASHER	103106	2
25	BRH10A3		..NUT SUPPLIER CODE: V52828 SPECIFICATION NUMBER: BACN10JC3 OPTIONAL PART: H10-3BAC V15653 NS202101-02 V80539 RMLH9075-3W V72962 VN303A02 V92215 96-02 V80539 T6S1032J V11815	103106	2
30	270N2001-805		..CHANNEL	103106	1
35	270N2001-405		..BLOCK	103106	2
40	271N6123-1299		.TUBE ASSY-PRESSURE CTR SYS TUBING MATERIAL: .375 IN. OD .019 IN. WALL TITANIUM	103106	1
45	271N6123-1300		.TUBE ASSY-RETURN CTR SYS TUBING MATERIAL: .375 IN. OD .035 IN. WALL ALUMINUM	103106	1
50	271N6123-1061		.TUBE ASSY-PRESSURE CTR SYS TUBING MATERIAL: .375 IN. OD .019 IN. WALL 97.00 IN. LG TITANIUM	103106	1

MISSING ITEM NUMBERS NOT APPLICABLE

- ITEM NOT ILLUSTRATED

29-11-51-25A

29-11-51
FIG. 25A
PAGE 1
JAN 20/09

BRI

BOEING PROPRIETARY - Copyright © - Unpublished Work - See title page for details.



757

PARTS CATALOG (MAINTENANCE)

FIG ITEM	PART NUMBER	1 2 3 4 5 6 7	NOMENCLATURE	EFFECT FROM TO	UNITS PER ASSY
25A 55	271N6123-1060		.TUBE ASSY-RETURN CTR SYS TUBING MATERIAL: .375 IN. OD .035 IN. WALL 96.00 IN. LG ALUMINUM	103106	1
60	271N6123-1063		.TUBE ASSY-PRESSURE CTR SYS TUBING MATERIAL: .375 IN. OD .019 IN. WALL 15.50 IN. LG TITANIUM	103106	1
65	271N6123-1062		.TUBE ASSY-RETURN CTR SYS TUBING MATERIAL: .375 IN. OD .035 IN. WALL 15.37 IN. LG ALUMINUM	103106	1
70	D10282-0606J		.UNION SUPPLIER CODE: V14798 SPECIFICATION NUMBER: BACU24BS0606J	103106	2
75	D10282-0606D		.UNION SUPPLIER CODE: V14798 SPECIFICATION NUMBER: BACU24BS0606D	103106	2

MISSING ITEM NUMBERS NOT APPLICABLE

- ITEM NOT ILLUSTRATED

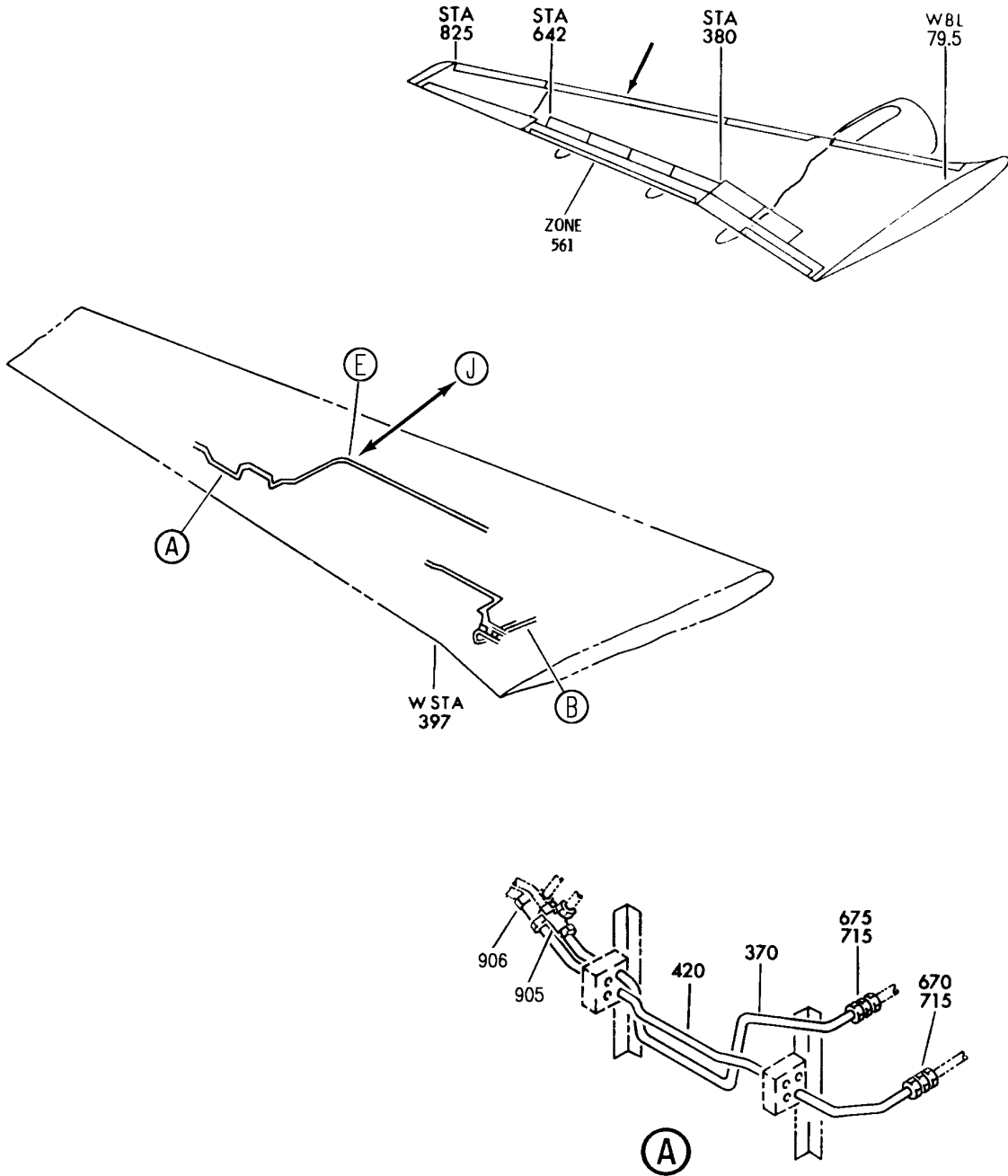
29-11-51-25A

29-11-51
FIG. 25A
PAGE 2
JAN 20/09

BRI

BOEING PROPRIETARY - Copyright © - Unpublished Work - See title page for details.

BOEING
757
PARTS CATALOG (MAINTENANCE)



Y 29115126 SHT 1 REV 262

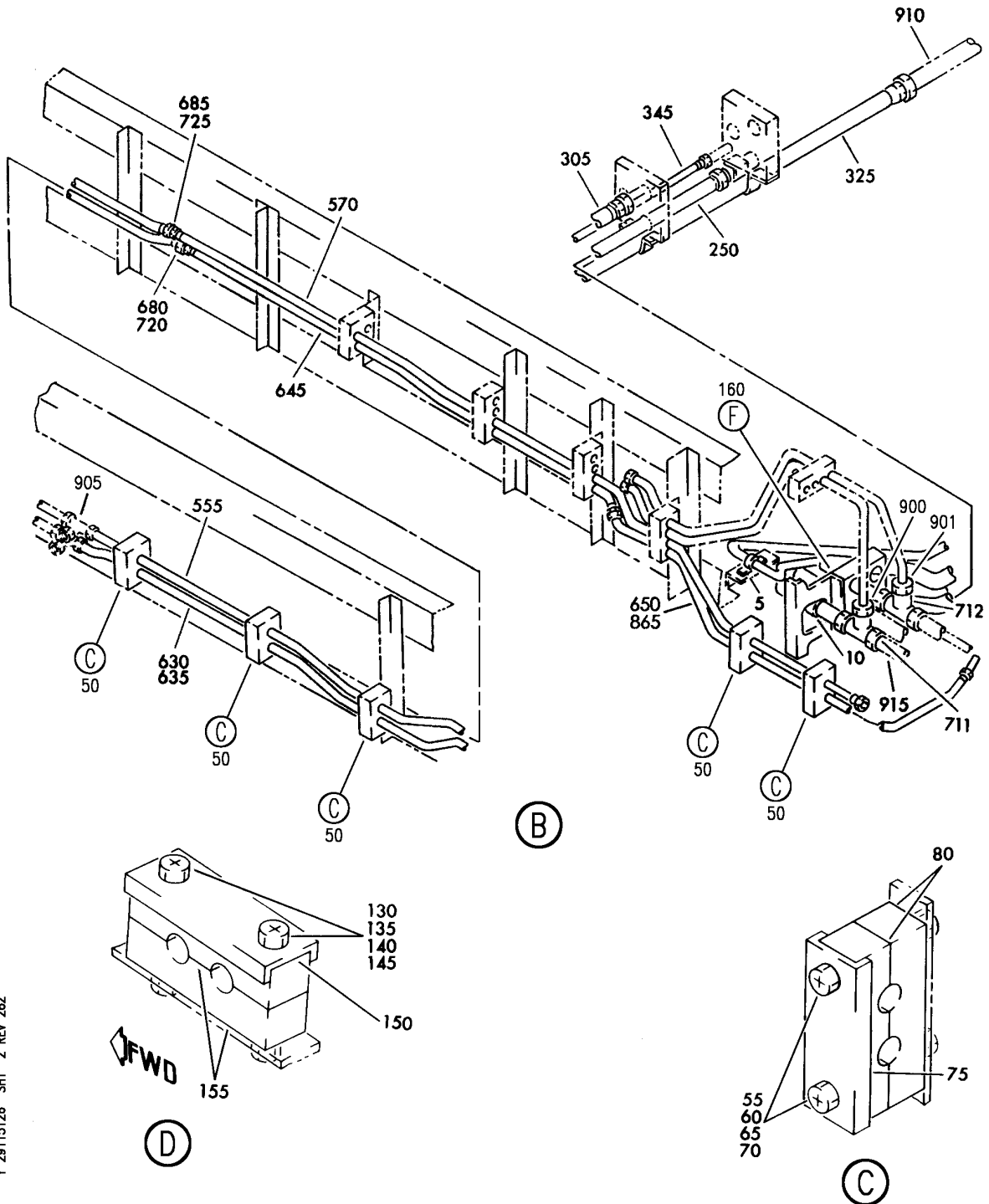
PLUMBING INSTL-SECT. 12 L WING HYDR (HYDRAULIC POWER ONLY)
FIGURE 26 (SHEET 1)

29-11-51-26

BRI
MAY 28/07

29-11-51-26
PAGE 0

BOEING
757
PARTS CATALOG (MAINTENANCE)



Y 29115126 SHT 2 REV 262

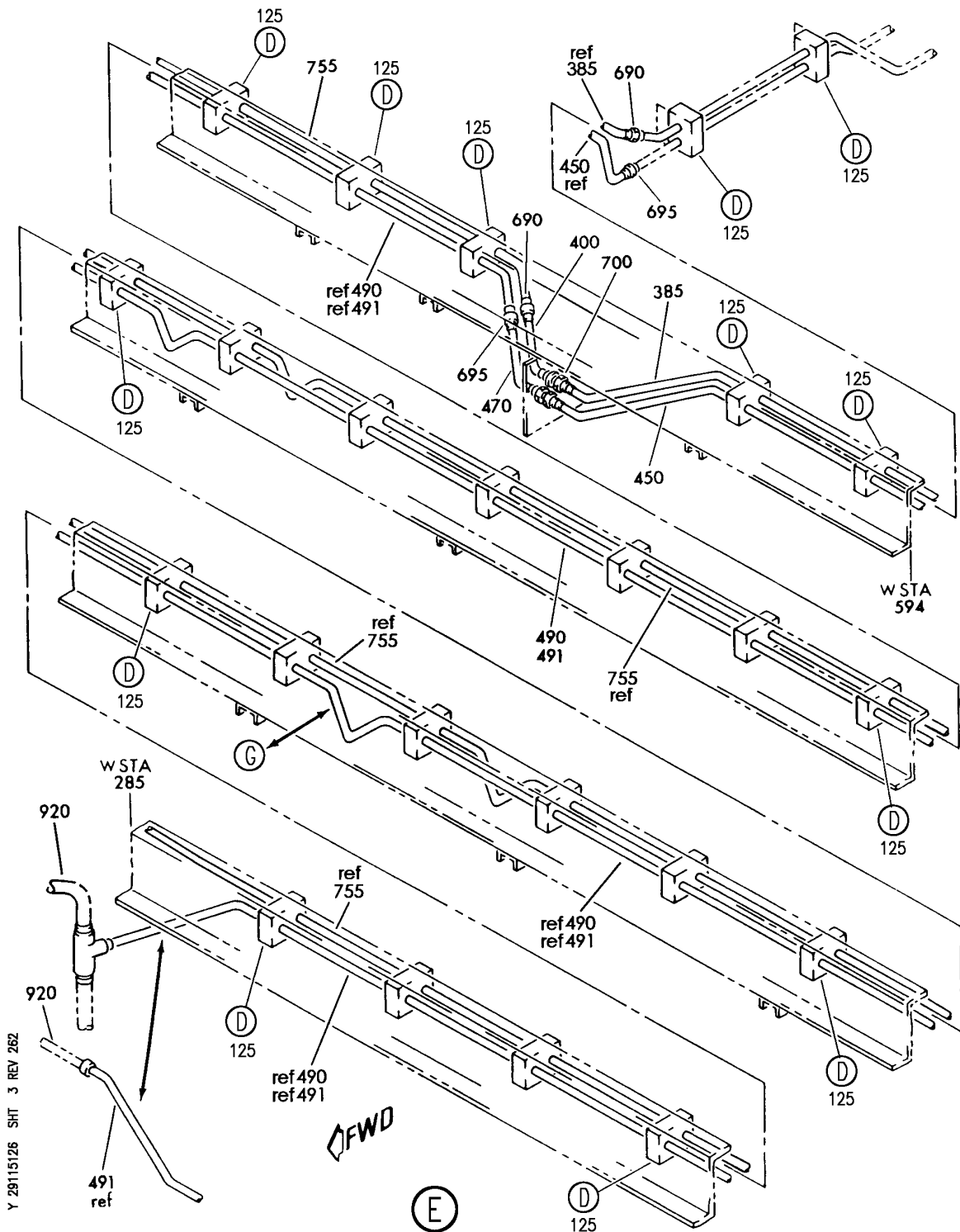
PLUMBING INSTL-SECT. 12 L WING HYDR (HYDRAULIC POWER ONLY)
FIGURE 26 (SHEET 2)

29-11-51-26

BRI
MAY 28/07

29-11-51-26
PAGE 0A

BOEING
757
PARTS CATALOG (MAINTENANCE)



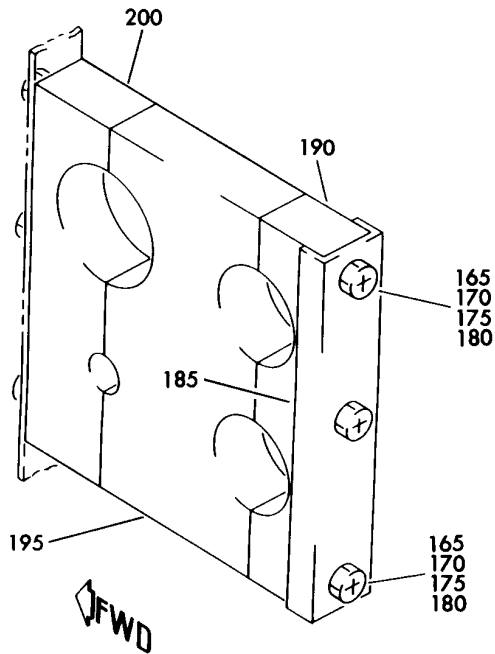
PLUMBING INSTL-SECT. 12 L WING HYDR (HYDRAULIC POWER ONLY)
FIGURE 26 (SHEET 3)

29-11-51-26

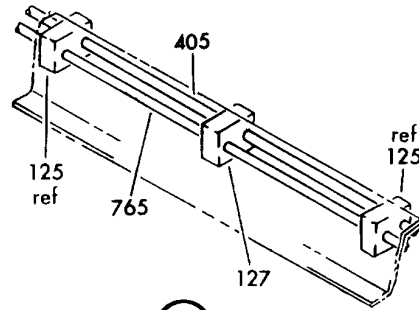
BRI
MAY 28/07

29-11-51-26
PAGE 0B

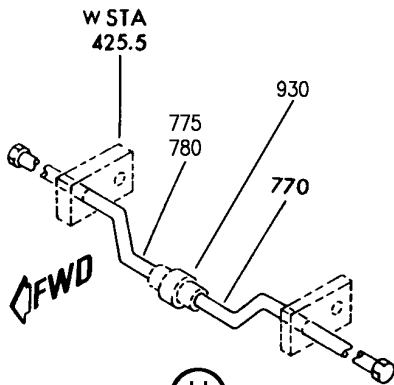
BOEING
757
PARTS CATALOG (MAINTENANCE)



(F)



(G)



(H)

Y 29115126 SH1 4 REV 262

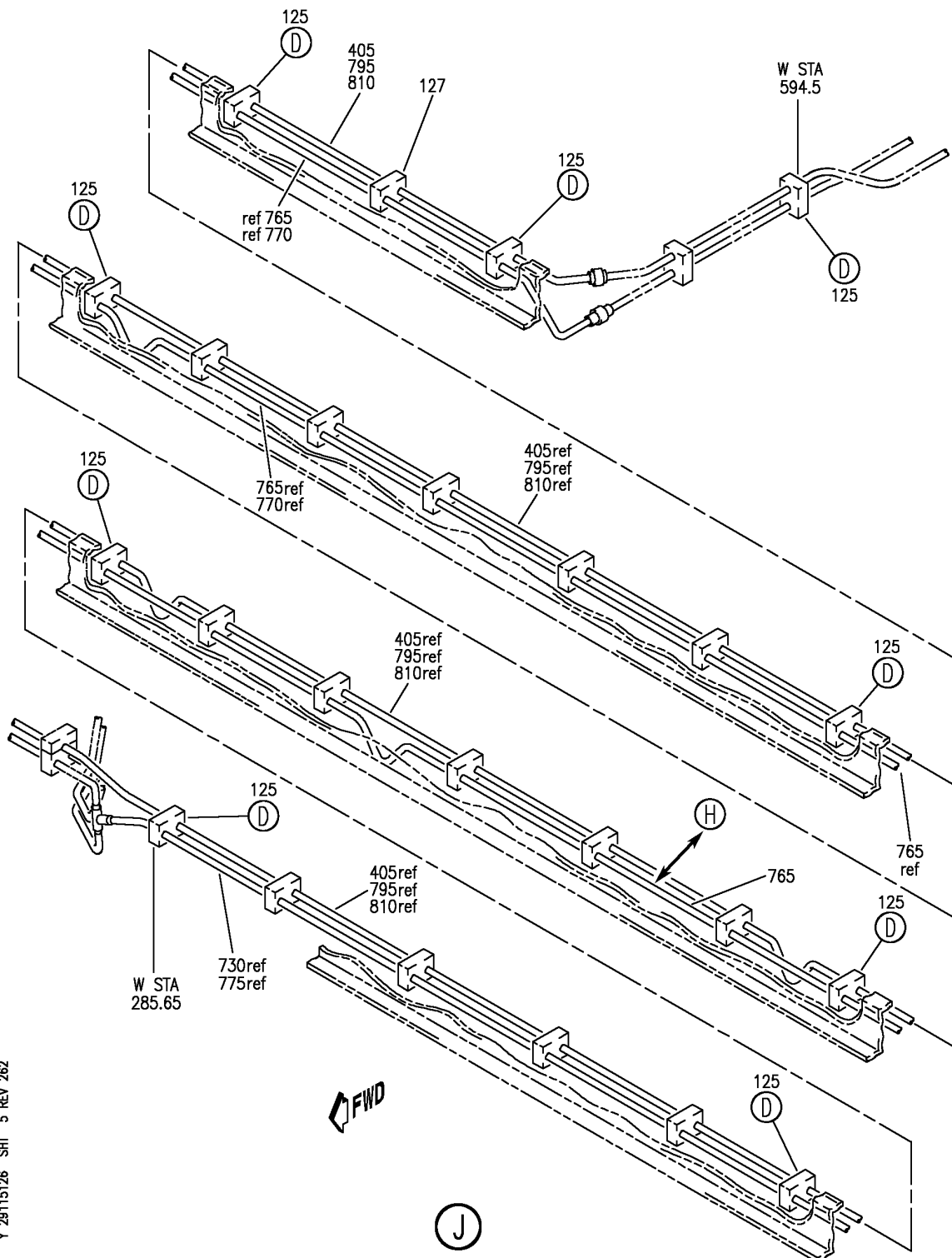
PLUMBING INSTL-SECT. 12 L WING HYDR (HYDRAULIC POWER ONLY)
FIGURE 26 (SHEET 4)

29-11-51-26

BRI
MAY 28/07

29-11-51-26
PAGE 0C

BOEING
757
PARTS CATALOG (MAINTENANCE)



Y 29115126 SHIT 5 REV 262

PLUMBING INSTL-SECT. 12 L WING HYDR (HYDRAULIC POWER ONLY)
FIGURE 26 (SHEET 5)

29-11-51-26

BRI
MAY 28/07

29-11-51-26
PAGE 0D

BOEING PROPRIETARY - Copyright © - Unpublished Work - See title page for details.



757

PARTS CATALOG (MAINTENANCE)

FIG ITEM	PART NUMBER	1 2 3 4 5 6 7	NOMENCLATURE	EFFECT FROM TO	UNITS PER ASSY
26			PLUMBING INSTL-SECT. 12 L WING HYDR (HYDRAULIC POWER ONLY)	002004 006999	
- 1	271N6121-1		PLUMBING INSTL-WING HYDR (HYDRAULIC POWER ONLY) POSITION DATA: SECT. 12 L OUTBD FOR NHA/OTHER SYS DET SEE: 29-00-51-01	002004 006100 107107 121503 904999	RF
- 1	271N6121-5		PLUMBING INSTL-WING HYDR (HYDRAULIC POWER ONLY) FOR NHA SEE: 29-00-51-02C	101102 108120 504903	RF
- 1	MODREF31338		PLUMBING INSTL-WING OUTBD HYDR (HYDRAULIC POWER ONLY) MODULE NUMBER: 271N6121-10 REV B FOR OTHER SYS DETAILS SEE: 27-11-20-03 27-61-02-08	103106	1
5	TA0910004H16		.CLAMP SUPPLIER CODE: V84971 SPECIFICATION NUMBER: BACC10HB6C	002004 006999	1
50	270N2000-3		.CLAMP ASSY-BLK	002004 006999	5
55	NAS1801-3-24		..SCREW-	002004 006999	2
60	AN960PD10L		..WASHER	002004 006999	2
65	NAS43DD3-59		..SPACER	002004 006999	2

MISSING ITEM NUMBERS NOT APPLICABLE

- ITEM NOT ILLUSTRATED

29-11-51-26

29-11-51
FIG. 26
PAGE 1
JAN 20/09

BRI



757

PARTS CATALOG (MAINTENANCE)

FIG ITEM	PART NUMBER	1 2 3 4 5 6 7	NOMENCLATURE	EFFECT FROM TO	UNITS PER ASSY
26					
70	BRH10A3	. .	NUT SUPPLIER CODE: V52828 SPECIFICATION NUMBER: BACN10JC3 OPTIONAL PART: H10-3BAC V15653 NS202101-02 V80539 RMLH9075-3W V72962 VN303A02 V92215 96-02 V80539 T6S1032J V11815	002004 006999	2
75	270N2000-801	. .	CHANNEL	002004 006999	1
80	270N2000-401	. .	BLOCK	002004 006999	2
125	270N2001-10	. .	CLAMP ASSY-BLK	002004 006102 107999	24
127	270N2001-10	. .	CLAMP ASSY-BLK	002004 006102 107999	1
130	NAS1801-3-24	. .	SCREW-	002004 006102 107999	2
135	AN960PD10L	. .	WASHER	002004 006102 107999	2
140	NAS43DD3-59	. .	SPACER	002004 006102 107999	2

MISSING ITEM NUMBERS NOT APPLICABLE

- ITEM NOT ILLUSTRATED

29-11-51-26

29-11-51
FIG. 26
PAGE 2
JAN 20/09

BRI



757

PARTS CATALOG (MAINTENANCE)

FIG ITEM	PART NUMBER	1 2 3 4 5 6 7	NOMENCLATURE	EFFECT FROM TO	UNITS PER ASSY
26 145	BRH10A3	..	NUT SUPPLIER CODE: V52828 SPECIFICATION NUMBER: BACN10JC3 OPTIONAL PART: H10-3BAC V15653 NS202101-02 V80539 RMLH9075-3W V72962 VN303A02 V92215 96-02 V80539 T6S1032J V11815	002004 006102 107999	2
150	270N2001-805	..	CHANNEL	002004 006102 107999	1
155	270N2001-405	..	BLOCK- USED ON: 270N2001-10	002004 006102 107999	2
160	270N2000-6	.	CLAMP ASSY-BLK	002004 006102 107999	1
165	NAS1801-3-66	..	SCREW-	002004 006102 107999	3
170	AN960PD10L	..	WASHER	002004 006102 107999	3
175	NAS43DD3-227	..	SPACER	002004 006102 107999	3

MISSING ITEM NUMBERS NOT APPLICABLE

- ITEM NOT ILLUSTRATED

BRI

29-11-51-26

29-11-51
FIG. 26
PAGE 3
JAN 20/09



757

PARTS CATALOG (MAINTENANCE)

FIG ITEM	PART NUMBER	1 2 3 4 5 6 7	NOMENCLATURE	EFFECT FROM TO	UNITS PER ASSY
26 180	BRH10A3	..	NUT SUPPLIER CODE: V52828 SPECIFICATION NUMBER: BACN10JC3 OPTIONAL PART: H10-3BAC V15653 NS202101-02 V80539 RMLH9075-3W V72962 VN303A02 V92215 96-02 V80539 T6S1032J V11815	002004 006102 107999	3
185	270N2000-804	..	CHANNEL	002004 006102 107999	1
190	270N2000-405	..	BLOCK	002004 006102 107999	1
195	270N2000-406	..	BLOCK	002004 006102 107999	1
200	270N2000-407	..	BLOCK	002004 006102 107999	1
370	271N6121-1017	.TUBE ASSY-PRESSURE SYS POSITION DATA: CTR TUBING MATERIAL: .375 IN. OD .019 IN. WALL 24.87 IN. LG TI	002004 006999	1	
- 375	AS1581T06	..	SLEEVE	002004 006999	2
- 380	BACN10YA6	..	NUT	002004 006999	2
405	271N6121-1098	.TUBE ASSY-PRESSURE SYS POSITION DATA: CTR TUBING MATERIAL: .375 IN. OD .019 IN. WALL 372.00 IN. LG TITANIUM	002004 006100 107107 121503 904999	1	

MISSING ITEM NUMBERS NOT APPLICABLE

- ITEM NOT ILLUSTRATED

29-11-51-26

29-11-51
FIG. 26
PAGE 4
JAN 20/09

BRI



757

PARTS CATALOG (MAINTENANCE)

FIG ITEM	PART NUMBER	1 2 3 4 5 6 7	NOMENCLATURE	EFFECT FROM TO	UNITS PER ASSY
26 420	271N6121-1018		.TUBE ASSY-RETURN SYS POSITION DATA: CTR TUBING MATERIAL: .375 IN. OD .035 IN. WALL 33.00 IN. LG AL	002004 006999	1
- 423	AS1580T06		..RING-T USED ON: 271N6121-1098 271N6121-1118	002004 006100 107107 121503 904999	AR
- 425	AP2097HP06		..SLEEVE SUPPLIER CODE: V01673 SPECIFICATION NUMBER: BACS13BX06HP OPTIONAL PART: 2-02903-06HP V11328 35235VN06 V08199 AFP175V06P V30974 DBOS13BX06HP V14798	002004 006999	2
- 430	MS21921-6D		..NUT- OPTIONAL PART: BACN10YL06	002004 006999	2
- 430	BACN10YL06		..NUT- OPTIONAL PART: MS21921-6D	002004 006999	2
555	271N6121-1125		.TUBE ASSY-PRESSURE SYS POSITION DATA: R TUBING MATERIAL: .375 IN. OD .019 IN. WALL 39.00 IN. LG TI	002004 006999	1
- 560	AS1581T06		..SLEEVE	002004 006999	2
- 563	BACN10YA6N		..NUT	002004 006999	1
- 564	BACN10YA6		..NUT	002004 006999	2

MISSING ITEM NUMBERS NOT APPLICABLE

- ITEM NOT ILLUSTRATED

29-11-51-26

29-11-51
FIG. 26
PAGE 5
JAN 20/09

BRI



757

PARTS CATALOG (MAINTENANCE)

FIG ITEM	PART NUMBER	1 2 3 4 5 6 7	NOMENCLATURE	EFFECT FROM TO	UNITS PER ASSY
26 570	271N6121-1087		.TUBE ASSY-PRESSURE SYS POSITION DATA: R TUBING MATERIAL: .375 IN. OD .019 IN. WALL 67.50 IN. LG TITANIUM	002004 006102 107999	1
- 575	AS1581T06		..SLEEVE	002004 006102 107999	1
- 580	BACN10YA6		..NUT	002004 006102 107999	1
- 585	AS1582T06		..UNION	002004 006102 107999	1
630	271N6121-1102		.TUBE ASSY-RETURN SYS POSITION DATA: R TUBING MATERIAL: .375 IN. OD .035 IN. WALL 43.00 IN. LG AL	002004 006999	1
- 632	AP2097HP06		..SLEEVE SUPPLIER CODE: V01673 SPECIFICATION NUMBER: BACS13BX06HP OPTIONAL PART: 2-02903-06HP V11328 35235VN06 V08199 AFP175V06P V30974 DBOS13BX06HP V14798	002004 006999	2
- 633	MS21921-6D		..NUT- OPTIONAL PART: BACN10YL06	002004 006999	2
- 633	BACN10YL06		..NUT- OPTIONAL PART: MS21921-6D	002004 006999	2
645	271N6121-1088		.TUBE ASSY-RETURN SYS POSITION DATA: R TUBING MATERIAL: .375 IN. OD .035 IN. WALL 42.00 IN. LG AL	002004 006102 107999	1

MISSING ITEM NUMBERS NOT APPLICABLE

- ITEM NOT ILLUSTRATED

29-11-51-26

29-11-51
FIG. 26
PAGE 6
JAN 20/09

BRI



757

PARTS CATALOG (MAINTENANCE)

FIG ITEM	PART NUMBER	1 2 3 4 5 6 7	NOMENCLATURE	EFFECT FROM TO	UNITS PER ASSY
26 650	271N6121-1043		.TUBE ASSY-RETURN SYS POSITION DATA: R TUBING MATERIAL: .375 IN. OD .035 IN. WALL 40.00 IN. LG AL AMS 4083 6061 T6 TUBING	002004 006100 107107 121503 904999	1
- 655	AP2097HP06		..SLEEVE SUPPLIER CODE: V01673 SPECIFICATION NUMBER: BACS13BX06HP OPTIONAL PART: 2-02903-06HP V11328 35235VN06 V08199 AFP175V06P V30974 DBOS13BX06HP V14798	002004 006102 107999	1
- 660	MS21921-6D		..NUT- OPTIONAL PART: BACN10YL06	002004 006102 107999	1
- 660	BACN10YL06		..NUT- OPTIONAL PART: MS21921-6D	002004 006102 107999	1
- 665	35056GV06		..UNION SUPPLIER CODE: V08199 SPECIFICATION NUMBER: BACU24AB6W OPTIONAL PART: 2-01027-6W V11328 31875-6W V14397 4671097W6 V50948 AP1004W06 V01673 AFP941W6 V30974 DBOU24AB6W V14798	002004 006102 107999	1
670	MS21902D6		.UNION	002004 006102 107999	1

MISSING ITEM NUMBERS NOT APPLICABLE

- ITEM NOT ILLUSTRATED

29-11-51-26

29-11-51
FIG. 26
PAGE 7
JAN 20/09

BRI

BOEING PROPRIETARY - Copyright © - Unpublished Work - See title page for details.



757

PARTS CATALOG (MAINTENANCE)

FIG ITEM	PART NUMBER	1 2 3 4 5 6 7	NOMENCLATURE	EFFECT FROM TO	UNITS PER ASSY
26					
675	BACU24K6	.	UNION	002004 006999	1
680	MS21924D6	.	UNION	002004 006102 107999	1
685	BACU24L6	.	UNION	002004 006999	1
700	271N6194-1	.	FITTING INSTL-HYDR POSITION DATA: SECT. 12 FOR DETAILS SEE: 29-11-55-01	002004 006999	1
711	APX824D101006	.	TEE SUPPLIER CODE: V01673 SPECIFICATION NUMBER: BACT16AS101006D OPTIONAL PART: APX824-101006D V01673 DBOT16AS101006D V14798 ER824-101006D V50948 FER1571-101006D V14397 LER824-101006D V11328 NAF1824-101006D V52930 US1925-101006D V50808 AFP325-101006D V30974	107107	1

MISSING ITEM NUMBERS NOT APPLICABLE

- ITEM NOT ILLUSTRATED

29-11-51-26

29-11-51
FIG. 26
PAGE 8
JAN 20/09

BRI



757

PARTS CATALOG (MAINTENANCE)

FIG ITEM	PART NUMBER	1 2 3 4 5 6 7	NOMENCLATURE	EFFECT FROM TO	UNITS PER ASSY
26 711	APX824F101006W	. TEE	SUPPLIER CODE: V01673 SPECIFICATION NUMBER: BACT16AS101006W OPTIONAL PART: APX824-101006W V01673 DB0T16AS101006W V14798 ER824-101006W V50948 FER1571-101006W V14397 LER824-101006W V11328 NAF1824-101006W V52930 US1925-101006W V50808 AFP325-101006W V30974	002004 006102 108999	1
711	BACT16AS080806W	. TEE		101106 108949	1
712	BACT16BL161606T	. TEE-		002004 006102 107999	1
712	BACT16BL161606J	. TEE-		002004 006102 107999	1
715	NAS1612-6	. PACKING-		002004 006102 107999	2
715	NAS1612-6A	. PACKING-		103106	2
720	AN924-6D	. NUT-		002004 006102 107999	2
720	AS5178D06	. NUT-		103106	2
725	AN924-6T	. NUT-		002004 006102 107999	2
725	AS5178T06	. NUT-		103106	2

MISSING ITEM NUMBERS NOT APPLICABLE

- ITEM NOT ILLUSTRATED

29-11-51-26

29-11-51
FIG. 26
PAGE 9
JAN 20/09

BRI

BOEING PROPRIETARY - Copyright © - Unpublished Work - See title page for details.



757

PARTS CATALOG (MAINTENANCE)

FIG ITEM	PART NUMBER	1 2 3 4 5 6 7	NOMENCLATURE	EFFECT FROM TO	UNITS PER ASSY
26 - 750	271N6122-1		PLUMBING INSTL-WING HYDR (HYDRAULIC POWER ONLY) POSITION DATA: SECT. 12 L INBD VARIABLE DRAWING REF: 271N6122-4 FOR NHA/OTHER SYS DET SEE: 29-00-51-01	002004 006100 107107 121503 904999	RF
765	271N6122-1290		.TUBE ASSY-RETURN SYS POSITION DATA: CTR TUBING MATERIAL: .375 IN. OD .035 IN. WALL 340.00 IN. LG AL	002004 107107 904949 952952	1
770	271N6122-1305		.TUBE ASSY-RETURN SYS POSITION DATA: CTR TUBING MATERIAL: .375 IN. OD .035 IN. WALL 177.00 IN. LG AL	006100 121503 950951 953999	1
775	271N6122-1306		.TUBE ASSY-RETURN SYS POSITION DATA: CTR TUBING MATERIAL: .375 IN. OD .035 IN. WALL 161.00 IN. LG AL	006100 121503 950951 953999	1
900			ILLUSTRATION REFERENCE: PLUMBING INSTL-SECT. 13 L WING OUTBD HYDR (SPOILER POWER CONTROL SYSTEM ONLY) 27-61-02-09	002004 006102 107999	RF
901			ILLUSTRATION REFERENCE: PLUMBING INSTL-SECT. 13 L WING OUTBD HYDR (SPOILER POWER CONTROL SYSTEM ONLY) 27-61-02-09	002004 006102 107999	RF
905			ILLUSTRATION REFERENCE: PLUMBING INSTL-SECT. 13 L WING OUTBD HYDR (SPOILER POWER CONTROL SYSTEM ONLY) 27-61-02-08	103106	RF

MISSING ITEM NUMBERS NOT APPLICABLE

- ITEM NOT ILLUSTRATED

BRI

29-11-51-26

29-11-51
FIG. 26
PAGE 10
JAN 20/09



757

PARTS CATALOG (MAINTENANCE)

FIG ITEM	PART NUMBER	1 2 3 4 5 6 7	NOMENCLATURE	EFFECT FROM TO	UNITS PER ASSY
26 905			ILLUSTRATION REFERENCE: PLUMBING INSTL-SECT. 13 L WING OUTBD HYDR (SPOILER POWER CONTROL SYSTEM ONLY) 27-61-02-09	002004 006102 107999	RF
906			ILLUSTRATION REFERENCE: PLUMBING INSTL-SECT. 13 L WING OUTBD HYDR (SPOILER POWER CONTROL SYSTEM ONLY) 27-61-02-08	103106	RF
906			ILLUSTRATION REFERENCE: PLUMBING INSTL-SECT. 13 L WING OUTBD HYDR (SPOILER POWER CONTROL SYSTEM ONLY) 27-61-02-09	002004 006102 107999	RF
915			ILLUSTRATION REFERENCE: PLUMBING INSTL-SECT. 12 L WING INBD HYDR (HYDRAULIC POWER ONLY) (L SYS) 29-11-51-12	002004 006102 107999	RF
915			ILLUSTRATION REFERENCE: PLUMBING INSTL-FILLET AND TE ROLLS ROYCE RETURN LINES 29-11-51-64	101102 108120 504903	RF
930			ILLUSTRATION REFERENCE: PLUMBING INSTL-SECT. 12 L WING INBD HYDR (HYDRAULIC POWER ONLY) 29-11-51-67	101102 108120 504903	RF
935			ILLUSTRATION REFERENCE: PLUMBING INSTL-TE ALUMINUM RETURN LINES (EXCEPT DELTA) 29-11-51-60	101106 108120 504903	RF

MISSING ITEM NUMBERS NOT APPLICABLE

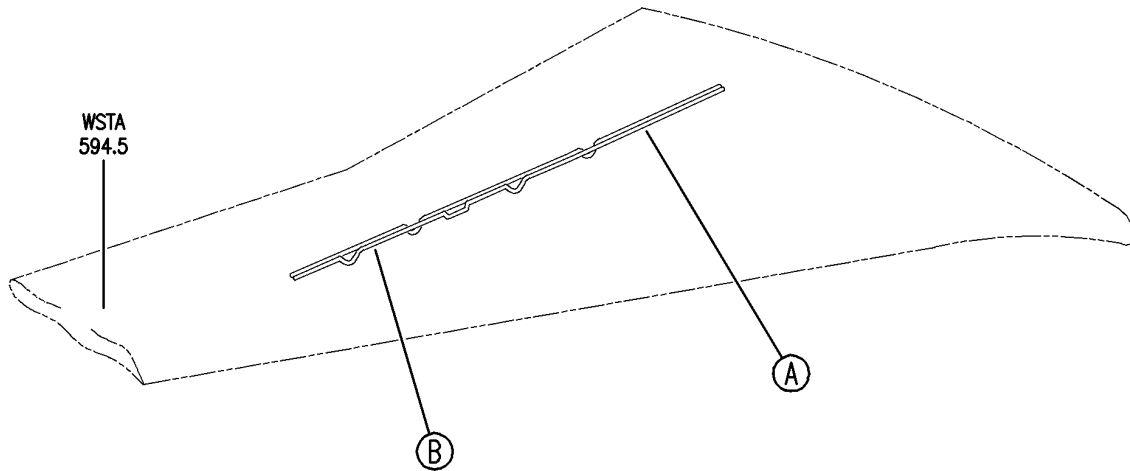
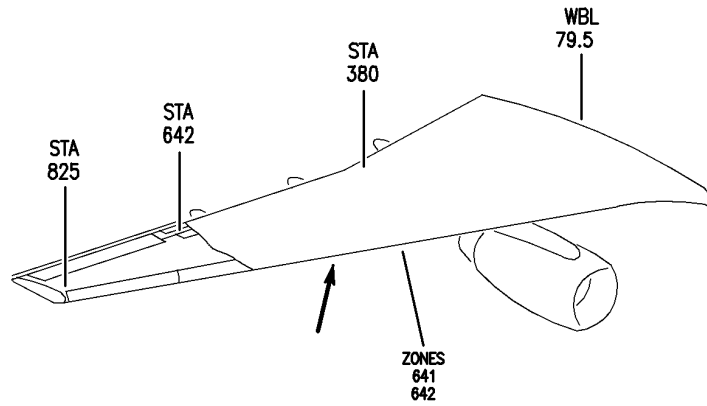
- ITEM NOT ILLUSTRATED

29-11-51-26

29-11-51
FIG. 26
PAGE 11
JAN 20/09

BRI

BOEING
757
PARTS CATALOG (MAINTENANCE)



Y 29115126A SH1 1 REV 248

PLUMBING INSTL-SECT. 12 R TRAILING EDGE CTR SYS (HYDRAULIC POWER ONLY)
FIGURE 26A (SHEET 1)

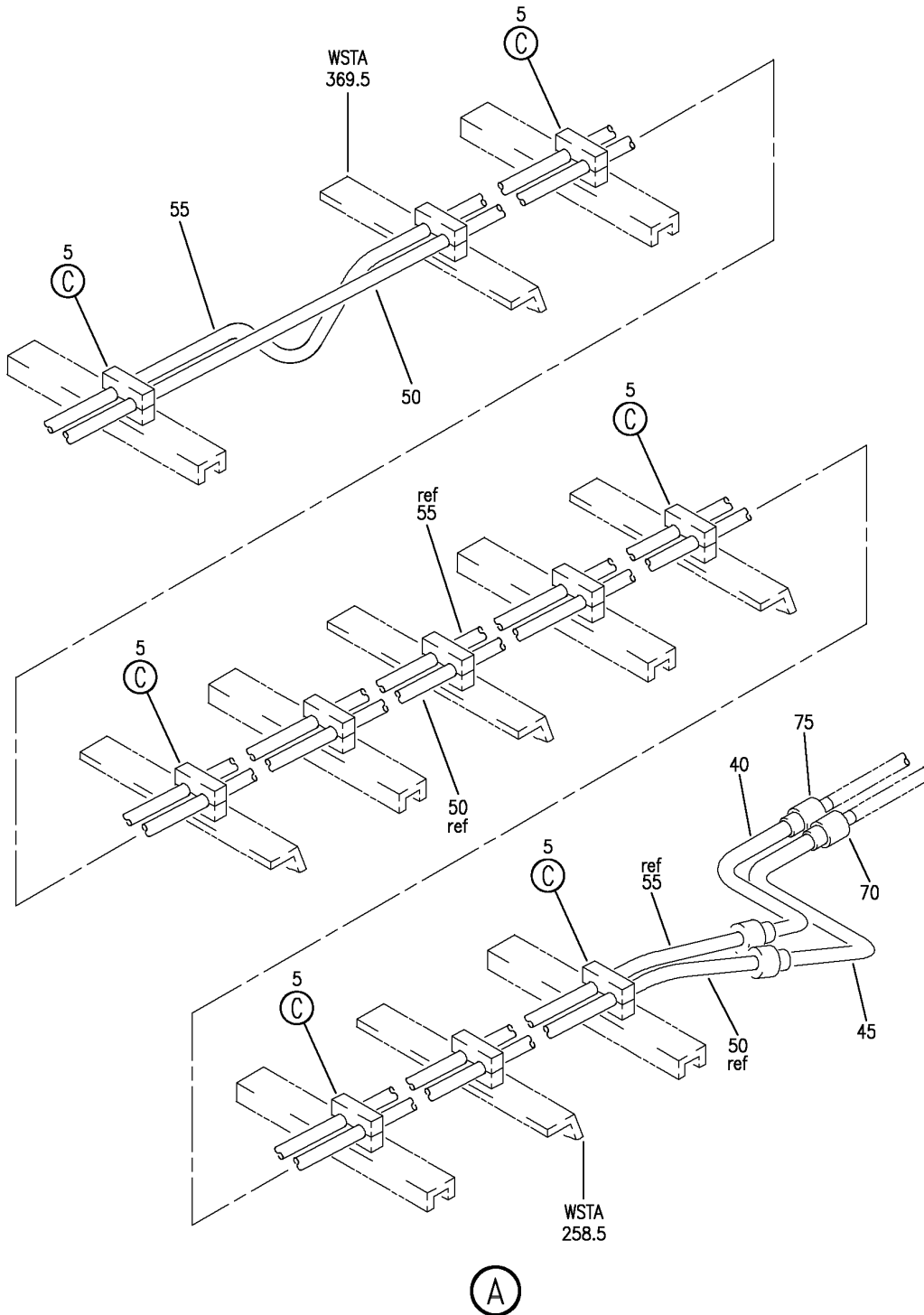
BRI
JAN 20/09

29-11-51-26A

29-11-51-26A
PAGE 0

BOEING PROPRIETARY - Copyright © - Unpublished Work - See title page for details.

BOEING
757
PARTS CATALOG (MAINTENANCE)



Y 29115126A SHT 2 REV 248

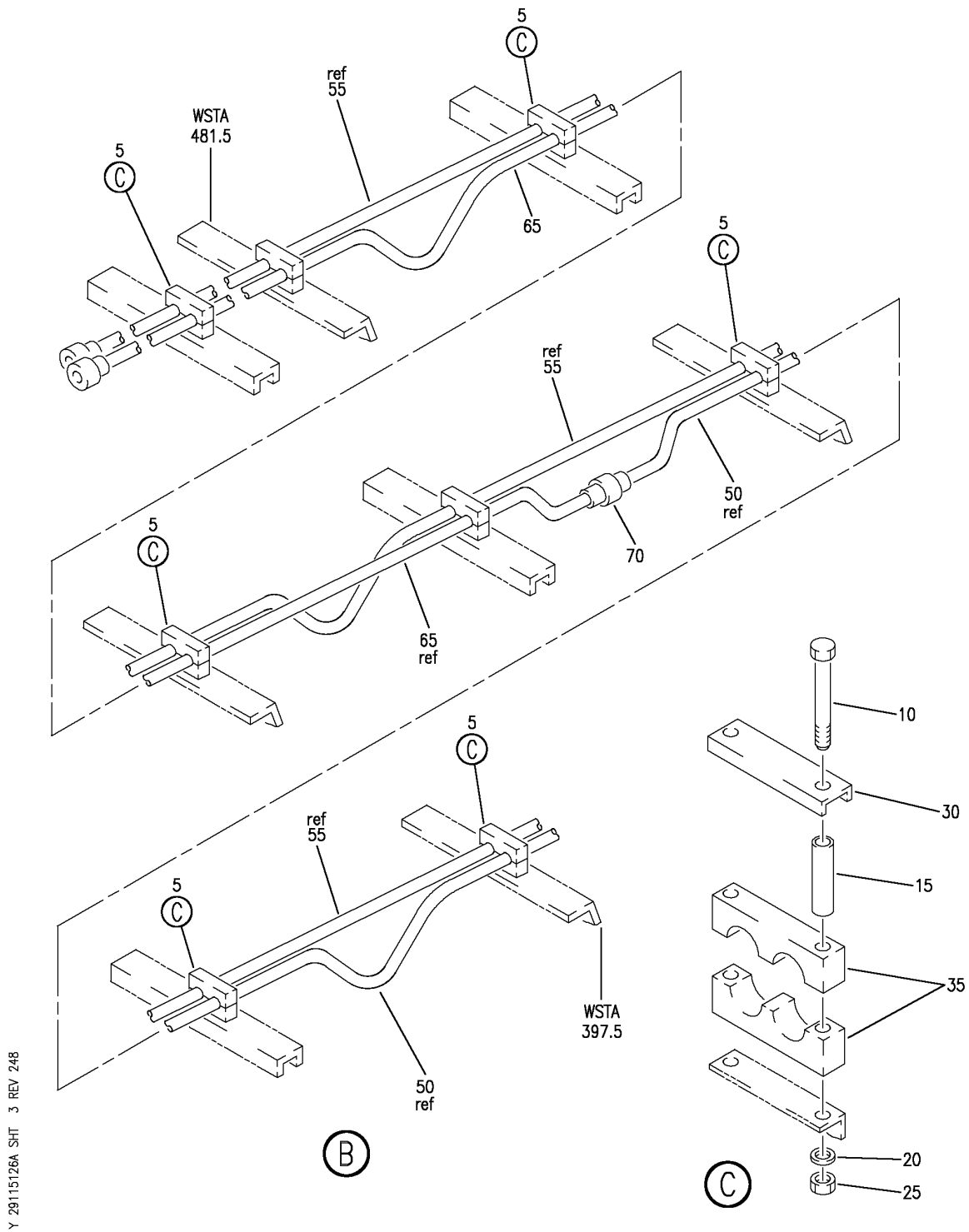
PLUMBING INSTL-SECT. 12 R TRAILING EDGE CTR SYS (HYDRAULIC POWER ONLY)
FIGURE 26A (SHEET 2)

29-11-51-26A

BRI
JAN 20/09

29-11-51-26A
PAGE 0A


BOEING
 757
PARTS CATALOG (MAINTENANCE)



Y 29115126A SHT 3 REV 248

PLUMBING INSTL-SECT. 12 R TRAILING EDGE CTR SYS (HYDRAULIC POWER ONLY)
 FIGURE 26A (SHEET 3)

BRI
JAN 20/09

29-11-51-26A

29-11-51-26A
 PAGE 0B



757

PARTS CATALOG (MAINTENANCE)

FIG ITEM	PART NUMBER	1 2 3 4 5 6 7	NOMENCLATURE	EFFECT FROM TO	UNITS PER ASSY
26A			PLUMBING INSTL-SECT. 12 R TRAILING EDGE CTR SYS (HYDRAULIC POWER ONLY)	103106	
- 1	MODREF31664		PLUMBING INSTL-HYDR CTR SYS (HYDRAULIC POWER ONLY) MODULE NUMBER: 271N6123-20 REV B POSITION DATA: SECT. 12 R WING INBD FOR ADDITIONAL DETAILS SEE: 29-11-26-08	103106	RF
5	270N2001-10	.	CLAMP ASSY	103106	19
10	NAS1801-3-24	..	SCREW	103106	2
15	NAS43DD3-59	..	SPACER	103106	2
20	AN960PD10L	..	WASHER	103106	1
25	BRH10A3	..	NUT	103106	2
			SUPPLIER CODE: V52828 SPECIFICATION NUMBER: BACN10JC3 OPTIONAL PART: H10-3BAC V15653 NS202101-02 V80539 RMLH9075-3W V72962 VN303A02 V92215 96-02 V80539 T6S1032J V11815		
30	270N2001-805	..	CHANNEL	103106	1
35	270N2001-405	..	BLOCK	103106	2
40	271N6123-1065	.	TUBE ASSY-PRESSURE CTR SYS TUBING MATERIAL: .375 IN. OD .019 IN. WALL 15.00 IN. LG TITANIUM	103106	1
45	271N6123-1064	.	TUBE ASSY-RETURN CTR SYS TUBING MATERIAL: .375 IN. OD .035 IN. WALL 15.18 IN. LG ALUMINUM	103106	1

MISSING ITEM NUMBERS NOT APPLICABLE

- ITEM NOT ILLUSTRATED

29-11-51-26A

29-11-51
FIG. 26A
PAGE 1
JAN 20/09

BRI

BOEING PROPRIETARY - Copyright © - Unpublished Work - See title page for details.



757

PARTS CATALOG (MAINTENANCE)

FIG ITEM	PART NUMBER	1 2 3 4 5 6 7	NOMENCLATURE	EFFECT FROM TO	UNITS PER ASSY
26A 50	271N6124-1122		.TUBE ASSY-RETURN SYS POSITION DATA: CTR TUBING MATERIAL: .375 IN. OD .035 IN. WALL 199.50 IN. LG AMS 4083 6061 T6 TUBING	103106	1
55	271N6124-1126		.TUBE ASSY- TUBING MATERIAL: .375 IN. OD X .019 IN. WALL X 358.50 IN. LG 3AL-2.5V TITANIUM SEAMLESS TUBING PER BMS7-234.	103106	1
- 60	AS1580T06		..RING	103106	AR
65	271N6124-1121		.TUBE ASSY-RETURN SYS POSITION DATA: CTR TUBING MATERIAL: .375 IN. OD .035 IN. WALL 162.30 IN. LG AMS 4083 6061 T6 TUBING	103106	1
70	D10282-0606D		.UNION SUPPLIER CODE: V14798 SPECIFICATION NUMBER: BACU24BS0606D	103106	2
75	D10282-0606J		.UNION SUPPLIER CODE: V14798 SPECIFICATION NUMBER: BACU24BS0606J	103106	1

MISSING ITEM NUMBERS NOT APPLICABLE

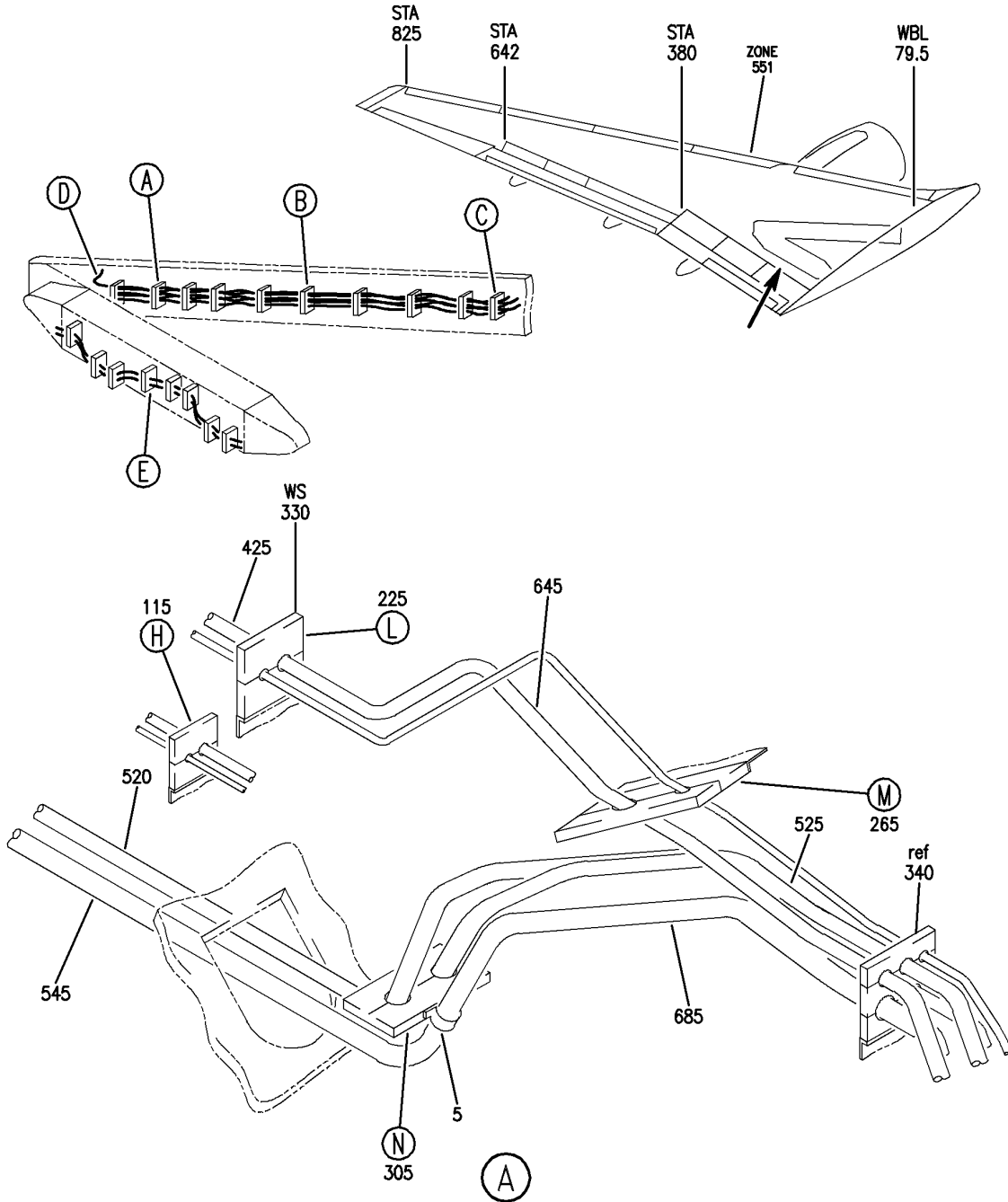
- ITEM NOT ILLUSTRATED

29-11-51-26A

29-11-51
FIG. 26A
PAGE 2
JAN 20/09

BRI

BOEING
757
PARTS CATALOG (MAINTENANCE)



Y 29115127 SH1 1 REV 247

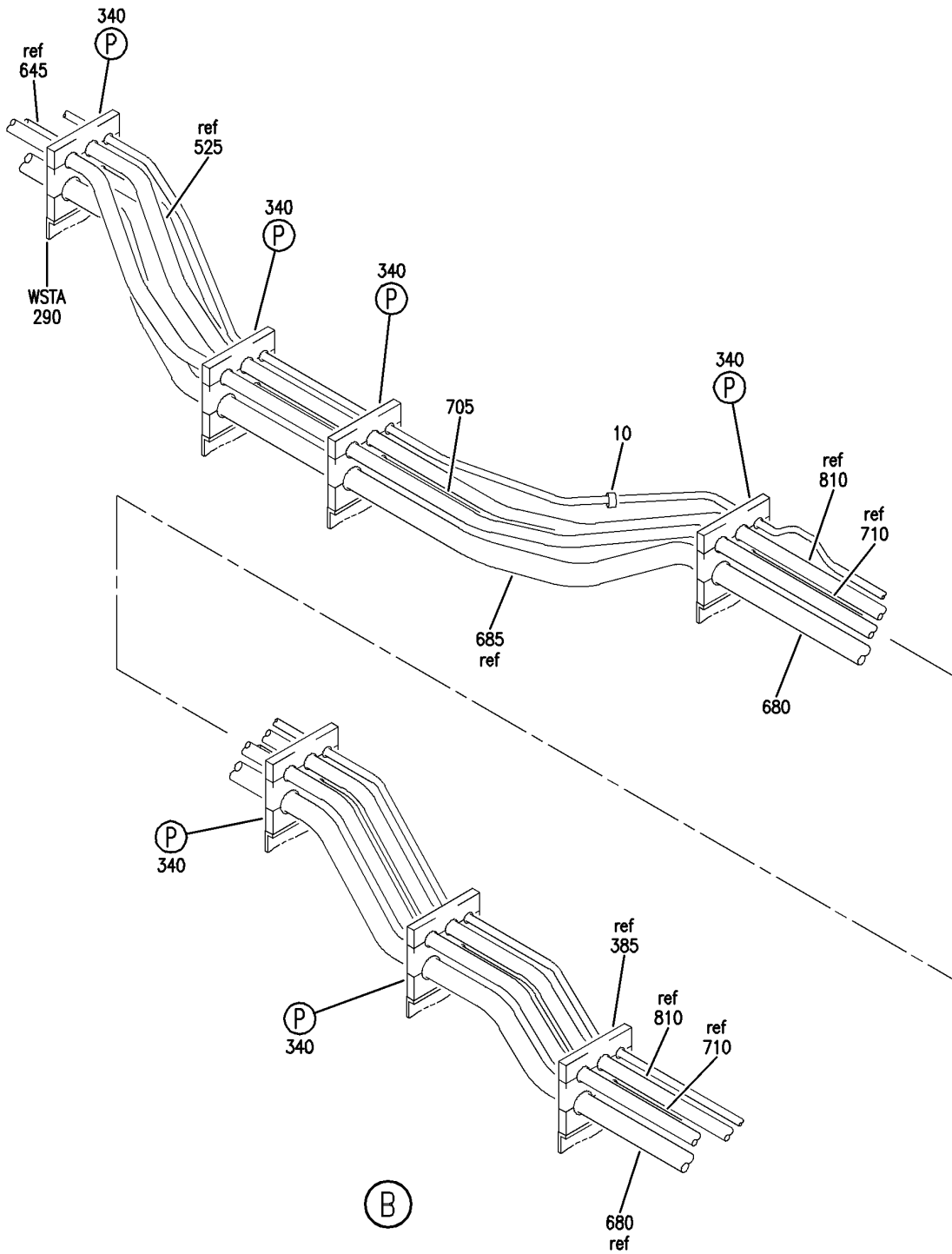
PLUMBING INSTL-SECT. 12 L TRAILING EDGE CTR SYS (HYDRAULIC POWER ONLY)
FIGURE 27 (SHEET 1)

29-11-51-27

BRI
JAN 20/09

29-11-51-27
PAGE 0

BOEING
757
PARTS CATALOG (MAINTENANCE)



Y 29115127 SH1 2 REV 247

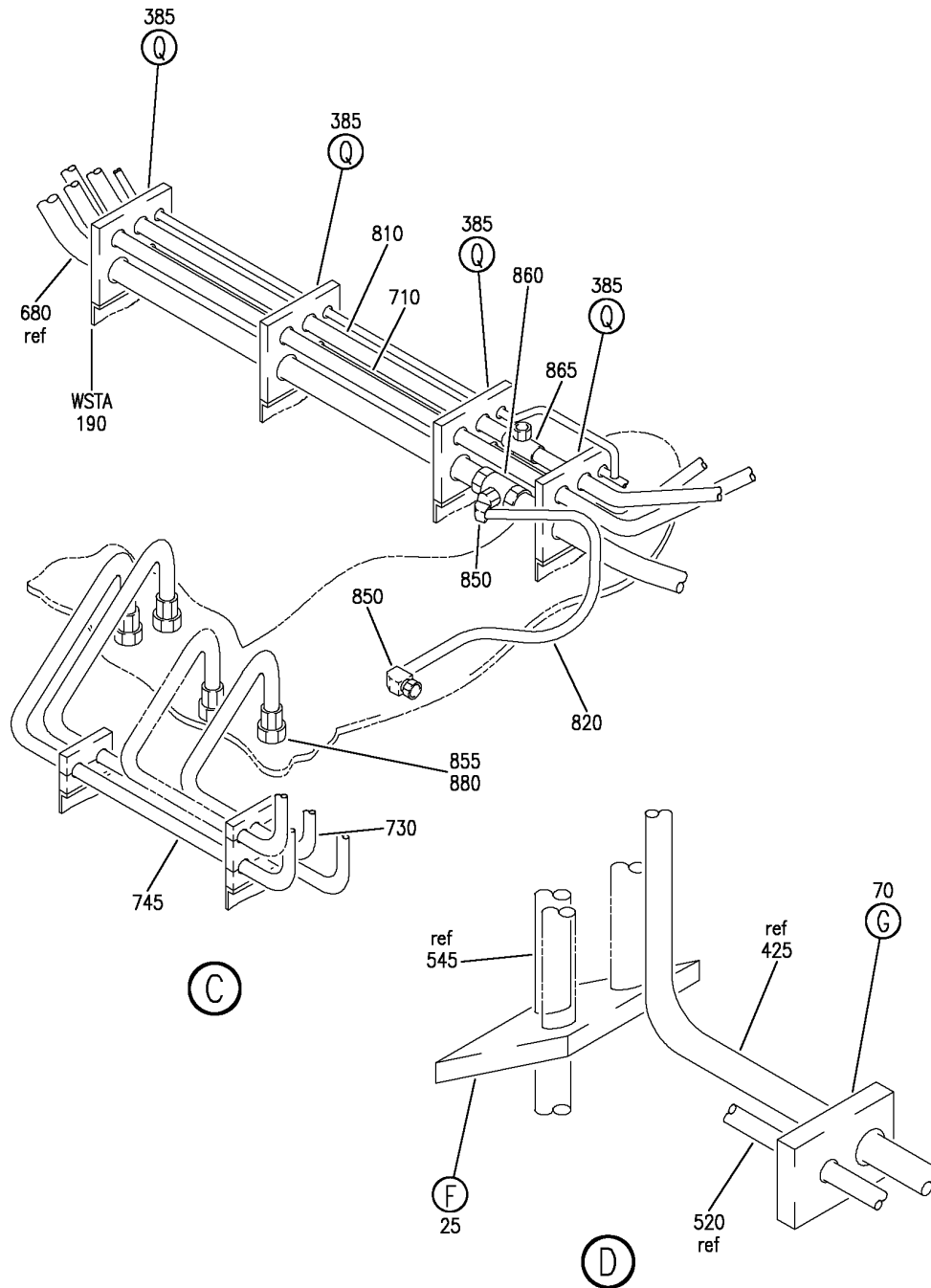
PLUMBING INSTL-SECT. 12 L TRAILING EDGE CTR SYS (HYDRAULIC POWER ONLY)
FIGURE 27 (SHEET 2)

29-11-51-27

BRI
JAN 20/09

29-11-51-27
PAGE 0A

BOEING
757
PARTS CATALOG (MAINTENANCE)



Y 29115127 SH1 3 REV 331

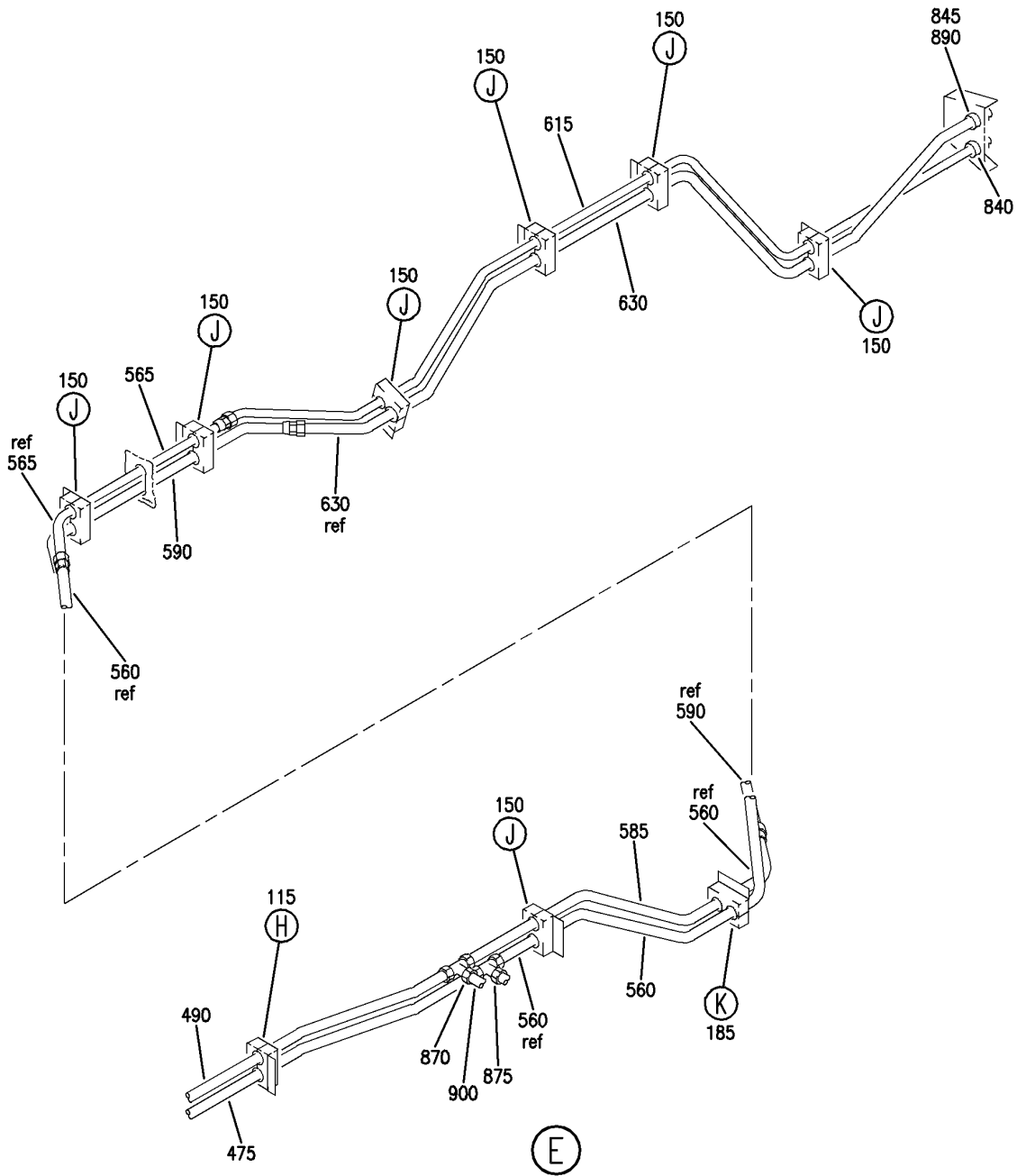
PLUMBING INSTL-SECT. 12 L TRAILING EDGE CTR SYS (HYDRAULIC POWER ONLY)
FIGURE 27 (SHEET 3)

29-11-51-27

BRI
JAN 20/09

29-11-51-27
PAGE 0B

BOEING
757
PARTS CATALOG (MAINTENANCE)



Y 29115127 SHIT 4 REV 247

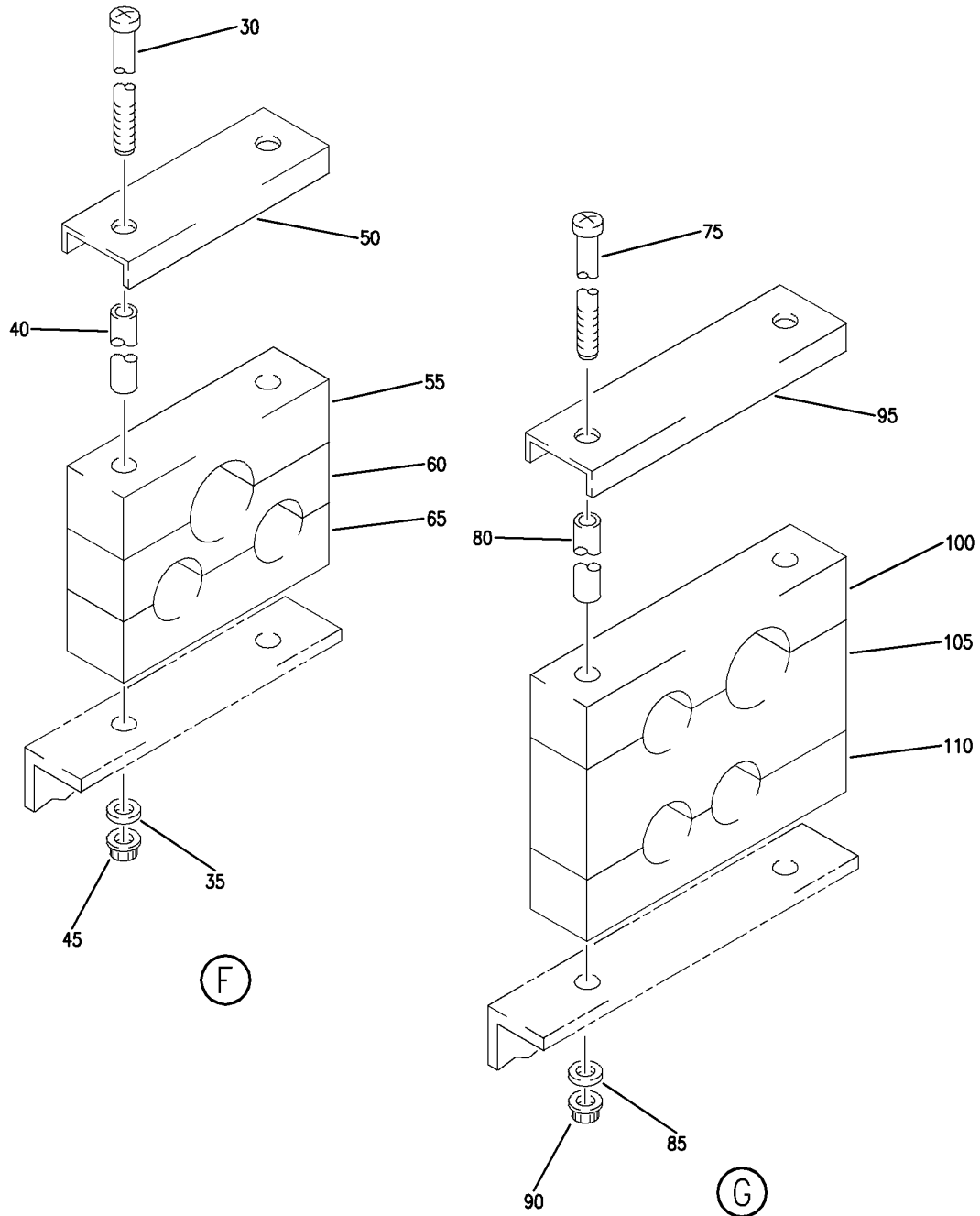
PLUMBING INSTL-SECT. 12 L TRAILING EDGE CTR SYS (HYDRAULIC POWER ONLY)
FIGURE 27 (SHEET 4)

BRI
JAN 20/09

29-11-51-27

29-11-51-27
PAGE 0C

BOEING
757
PARTS CATALOG (MAINTENANCE)



Y 29115127 SH 5 REV 247

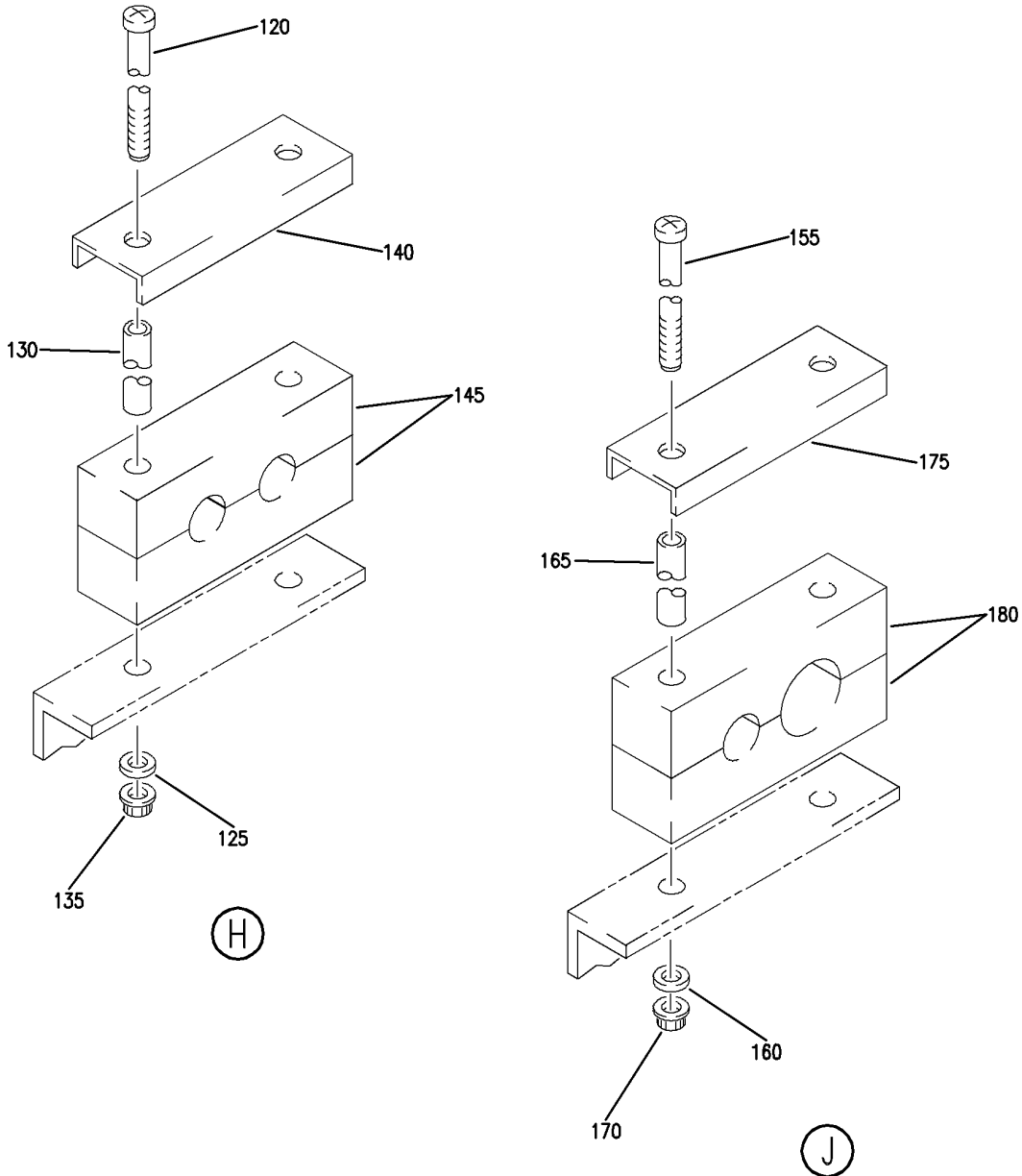
PLUMBING INSTL-SECT. 12 L TRAILING EDGE CTR SYS (HYDRAULIC POWER ONLY)
FIGURE 27 (SHEET 5)

BRI
JAN 20/09

29-11-51-27

29-11-51-27
PAGE 0D

BOEING
757
PARTS CATALOG (MAINTENANCE)



Y 29115127 SH 6 REV 247

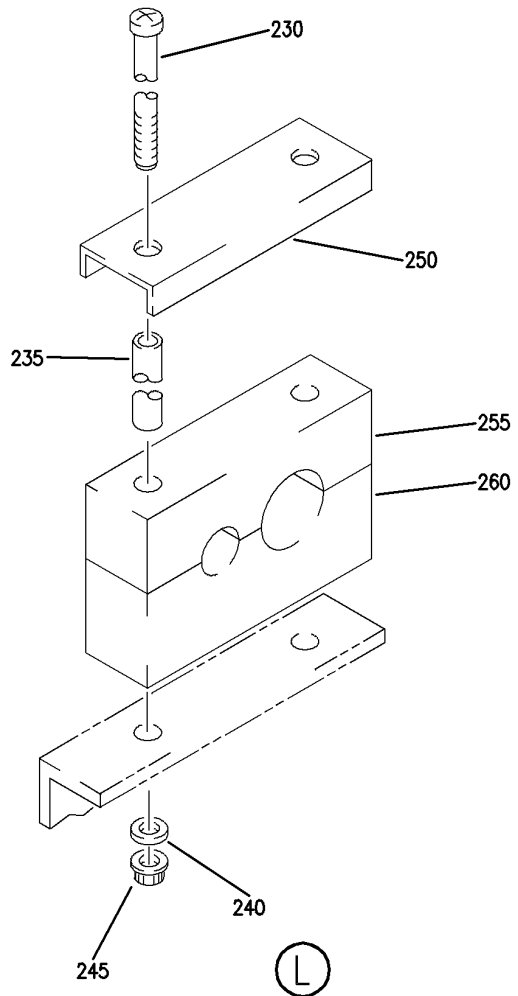
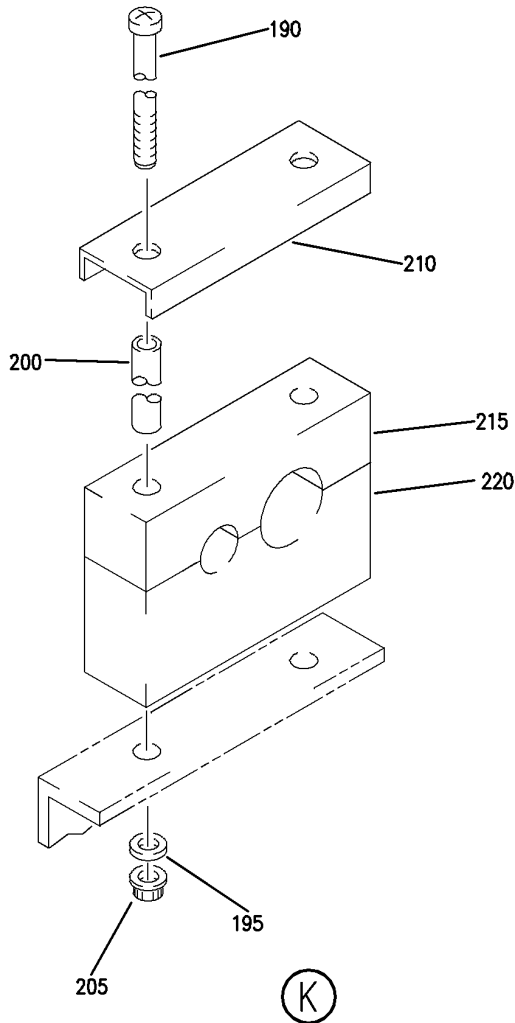
PLUMBING INSTL-SECT. 12 L TRAILING EDGE CTR SYS (HYDRAULIC POWER ONLY)
FIGURE 27 (SHEET 6)

BRI
JAN 20/09

29-11-51-27

29-11-51-27
PAGE 0E

BOEING
757
PARTS CATALOG (MAINTENANCE)



Y 29115127 SHT 7 REV 247

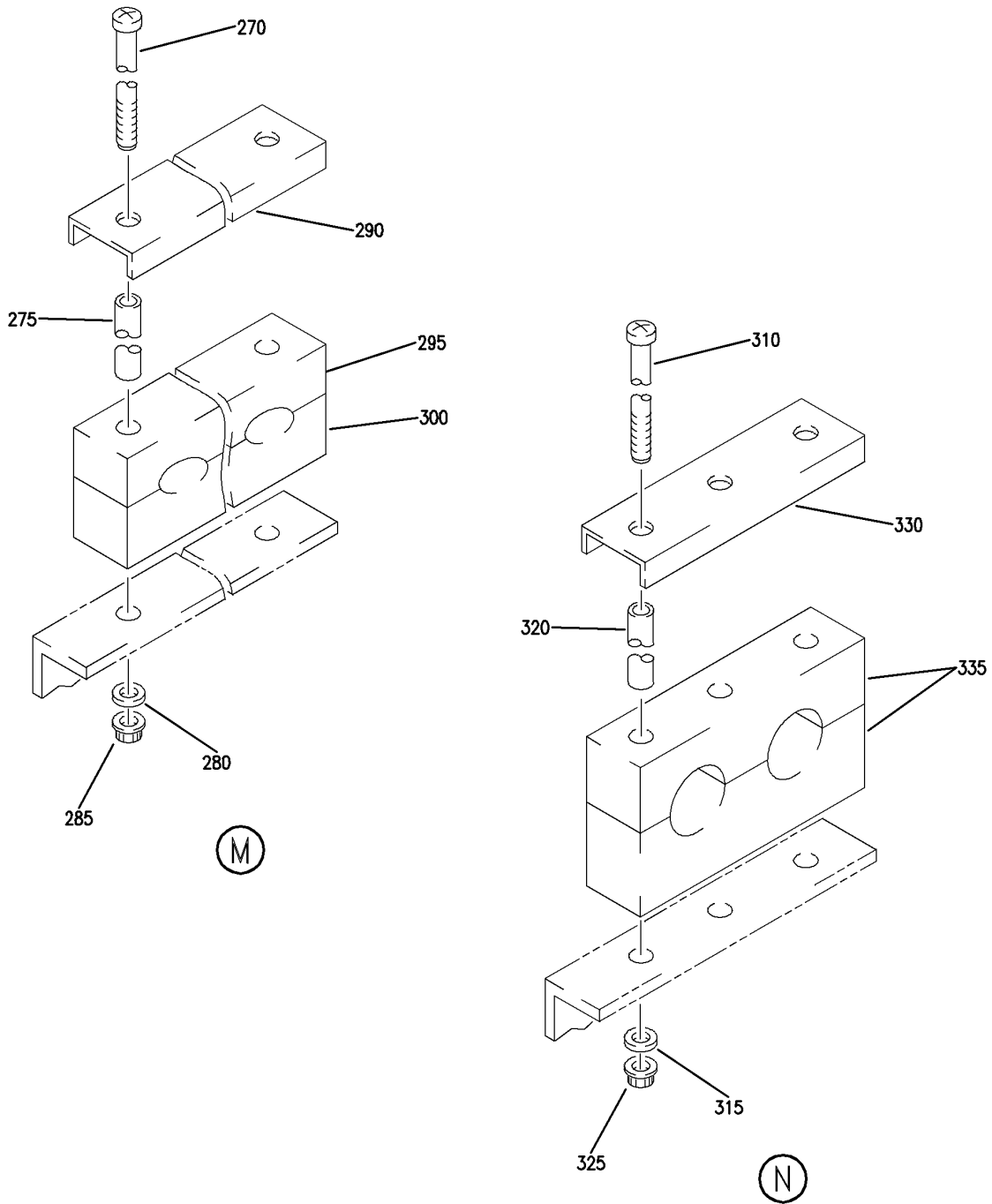
PLUMBING INSTL-SECT. 12 L TRAILING EDGE CTR SYS (HYDRAULIC POWER ONLY)
FIGURE 27 (SHEET 7)

BRI
JAN 20/09

29-11-51-27

29-11-51-27
PAGE OF

BOEING
757
PARTS CATALOG (MAINTENANCE)



Y 29115127 SHT 8 REV 247

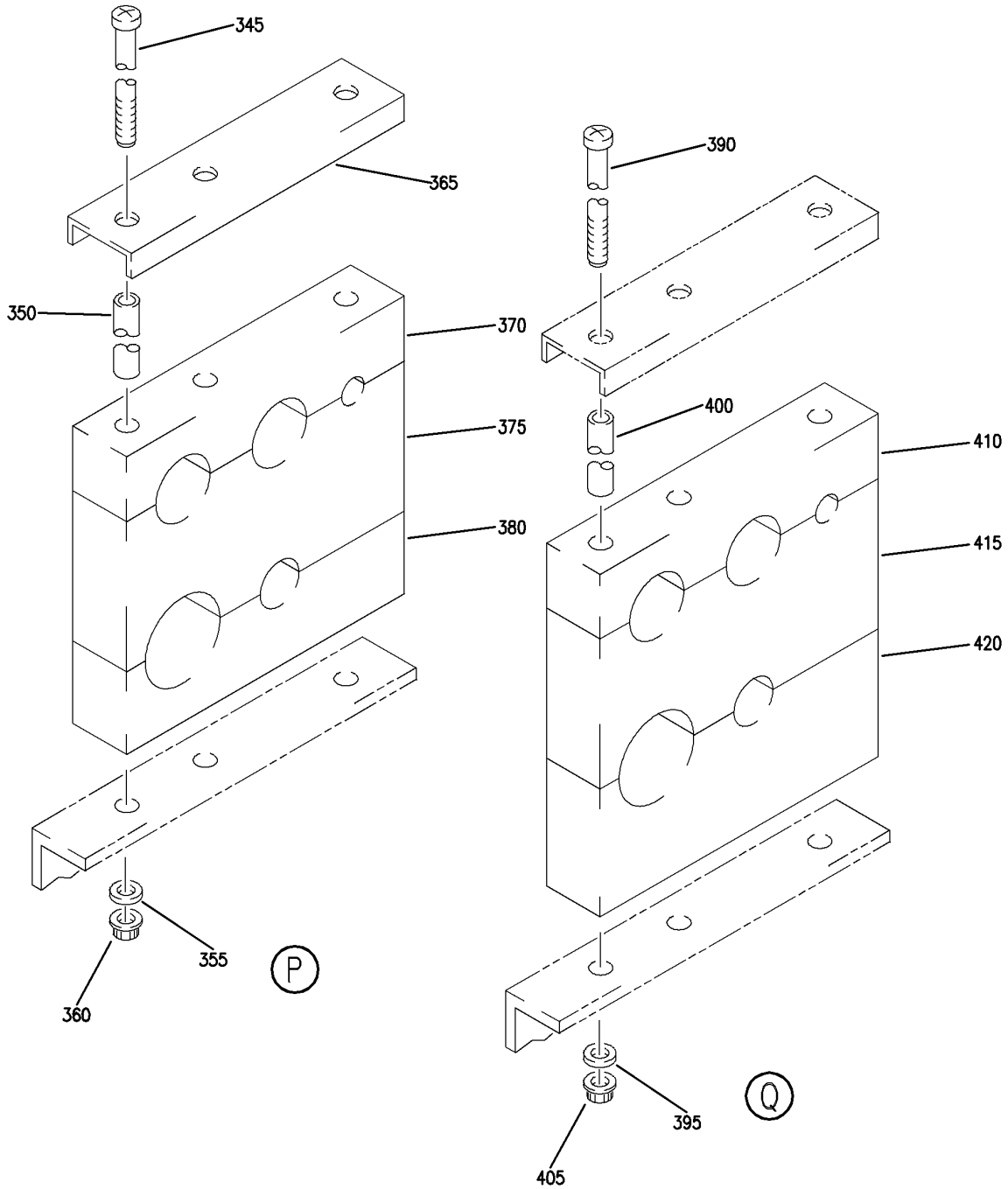
PLUMBING INSTL-SECT. 12 L TRAILING EDGE CTR SYS (HYDRAULIC POWER ONLY)
FIGURE 27 (SHEET 8)

29-11-51-27

BRI
JAN 20/09

29-11-51-27
PAGE 0G

BOEING
757
PARTS CATALOG (MAINTENANCE)



Y 29115127 SHT 9 REV 247

PLUMBING INSTL-SECT. 12 L TRAILING EDGE CTR SYS (HYDRAULIC POWER ONLY)
FIGURE 27 (SHEET 9)

BRI
JAN 20/09

29-11-51-27

29-11-51-27
PAGE 0H



757

PARTS CATALOG (MAINTENANCE)

FIG ITEM	PART NUMBER	1 2 3 4 5 6 7	NOMENCLATURE	EFFECT FROM TO	UNITS PER ASSY
27			PLUMBING INSTL-SECT. 12 L TRAILING EDGE CTR SYS (HYDRAULIC POWER ONLY)	103106	
- 1	MODREF31342		PLUMBING INSTL-HYDR CTR SYS (HYDRAULIC POWER ONLY) MODULE NUMBER: 271N6122-34 REV B POSITION DATA: SECT. 12 L TRAILING EDGE FOR OTHER SYS DETAILS SEE: 27-61-02-03 32-32-01-04 32-32-02-03 32-32-07-02 32-32-17-02 32-32-51-01 32-41-51-06 FOR ADDITIONAL DETAILS SEE: 29-11-18-03 29-11-26-06	103106	1
5	TA0910004H120		.CLAMP SUPPLIER CODE: V84971 SPECIFICATION NUMBER: BACC10HB20C	103106	1
10	M85052-2-16		.CLAMP	103106	1
25	270N2000-18		.CLAMP ASSY-BLK	103106	1
30	NAS1801-3-52		..SCREW	103106	2
35	AN960PD10L		..WASHER	103106	2
40	NAS43DD3-171		..SPACER	103106	2

MISSING ITEM NUMBERS NOT APPLICABLE

- ITEM NOT ILLUSTRATED

29-11-51-27

29-11-51
FIG. 27
PAGE 1
JAN 20/09

BRI



757

PARTS CATALOG (MAINTENANCE)

FIG ITEM	PART NUMBER	1 2 3 4 5 6 7	NOMENCLATURE	EFFECT FROM TO	UNITS PER ASSY
27 45	BRH10A3	..	NUT SUPPLIER CODE: V52828 SPECIFICATION NUMBER: BACN10JC3 OPTIONAL PART: H10-3BAC V15653 NS202101-02 V80539 RMLH9075-3W V72962 VN303A02 V92215 96-02 V80539 T6S1032J V11815	103106	2
50	270N2000-820	..	CHANNEL	103106	1
55	270N2000-426	..	BLOCK	103106	1
60	270N2000-427	..	BLOCK	103106	1
65	270N2000-428	..	BLOCK	103106	1
70	270N2000-1304	.	CLAMP ASSY	103106	1
75	NAS1801-3-41	..	SCREW	103106	2
80	NAS43DD3-130	..	SPACER	103106	2
80	NAS43DD3-126	..	SPACER	103106	2
85	AN960KD10L	..	WASHER	103106	2
90	BRH10A3	..	NUT SUPPLIER CODE: V52828 SPECIFICATION NUMBER: BACN10JC3 OPTIONAL PART: H10-3BAC V15653 NS202101-02 V80539 RMLH9075-3W V72962 VN303A02 V92215 96-02 V80539 T6S1032J V11815	103106	2
95	270N2000-805	..	CHANNEL	103106	1
100	270N2000-1215	..	BLOCK	103106	1
105	270N2000-1216	..	BLOCK	103106	1
110	270N2000-1214	..	BLOCK	103106	1

MISSING ITEM NUMBERS NOT APPLICABLE

- ITEM NOT ILLUSTRATED

29-11-51-27

29-11-51
FIG. 27
PAGE 2
JAN 20/09

BRI



757

PARTS CATALOG (MAINTENANCE)

FIG ITEM	PART NUMBER	1 2 3 4 5 6 7	NOMENCLATURE	EFFECT FROM TO	UNITS PER ASSY
27					
115	270N2000-3	.CLAMP	ASSY-BLOCK	103106	2
120	NAS1801-3-24	..SCREW		103106	2
125	AN960PD10L	..WASHER		103106	2
130	NAS43DD3-59	..SPACER		103106	2
135	BRH10A3	..NUT		103106	2
			SUPPLIER CODE: V52828		
			SPECIFICATION NUMBER: BACN10JC3		
			OPTIONAL PART: H10-3BAC		
			V15653		
			NS202101-02		
			V80539		
			RMLH9075-3W		
			V72962		
			VN303A02		
			V92215		
			96-02		
			V80539		
			T6S1032J		
			V11815		
140	270N2000-801	..CHANNEL		103106	1
145	270N2000-401	..BLOCK		103106	2
150	270N2000-5	.CLAMP	ASSY-BLOCK	103106	7
155	NAS1801-3-26	..SCREW		103106	2
160	AN960PD10L	..WASHER		103106	2
165	NAS43DD3-67	..SPACER		103106	2
170	BRH10A3	..NUT		103106	2
			SUPPLIER CODE: V52828		
			SPECIFICATION NUMBER: BACN10JC3		
			OPTIONAL PART: H10-3BAC		
			V15653		
			NS202101-02		
			V80539		
			RMLH9075-3W		
			V72962		
			VN303A02		
			V92215		
			96-02		
			V80539		
			T6S1032J		
			V11815		
175	270N2000-803	..CHANNEL		103106	1
180	270N2000-404	..BLOCK		103106	2
185	270N2000-23	.CLAMP	ASSY-BLOCK	103106	1

MISSING ITEM NUMBERS NOT APPLICABLE

- ITEM NOT ILLUSTRATED

29-11-51-27

29-11-51
FIG. 27
PAGE 3
JAN 20/09

BRI

BOEING PROPRIETARY - Copyright © - Unpublished Work - See title page for details.



757

PARTS CATALOG (MAINTENANCE)

FIG ITEM	PART NUMBER	1 2 3 4 5 6 7	NOMENCLATURE	EFFECT FROM TO	UNITS PER ASSY
27					
190	NAS1801-3-28	..	SCREW	103106	2
195	AN960PD10L	..	WASHER	103106	2
200	NAS43DD3-76	..	SPACER	103106	2
205	BRH10A3	..	NUT	103106	2
			SUPPLIER CODE: V52828		
			SPECIFICATION NUMBER: BACN10JC3		
			OPTIONAL PART: H10-3BAC		
			V15653		
			NS202101-02		
			V80539		
			RMLH9075-3W		
			V72962		
			VN303A02		
			V92215		
			96-02		
			V80539		
			T6S1032J		
			V11815		
210	270N2000-803	..	CHANNEL	103106	1
215	270N2000-404	..	BLOCK	103106	1
220	270N2000-436	..	BLOCK	103106	1
225	270N2000-1306	.	CLAMP ASSY	103106	1
230	NAS1801-3-31	..	SCREW	103106	2
235	NAS43DD3-88	..	SPACER	103106	2
240	AN960KD10L	..	WASHER	103106	2
245	BRH10A3	..	NUT	103106	2
			SUPPLIER CODE: V52828		
			SPECIFICATION NUMBER: BACN10JC3		
			OPTIONAL PART: H10-3BAC		
			V15653		
			NS202101-02		
			V80539		
			RMLH9075-3W		
			V72962		
			VN303A02		
			V92215		
			96-02		
			V80539		
			T6S1032J		
			V11815		
250	270N2000-805	..	CHANNEL	103106	1
255	270N2000-1215	..	BLOCK	103106	1
260	270N2000-1248	..	BLOCK	103106	1

MISSING ITEM NUMBERS NOT APPLICABLE

- ITEM NOT ILLUSTRATED

29-11-51-27

29-11-51
FIG. 27
PAGE 4
JAN 20/09

BRI

BOEING PROPRIETARY - Copyright © - Unpublished Work - See title page for details.



757

PARTS CATALOG (MAINTENANCE)

FIG ITEM	PART NUMBER	1 2 3 4 5 6 7	NOMENCLATURE	EFFECT FROM TO	UNITS PER ASSY
27					
265	270N2000-1309	.	CLAMP ASSY-BLK	103106	1
270	NAS1801-3-34	..	SCREW	103106	2
275	NAS43DD3-101	..	SPACER	103106	2
280	AN960KD10L	..	WASHER	103106	2
285	BRH10A3	..	NUT	103106	2
			SUPPLIER CODE: V52828		
			SPECIFICATION NUMBER: BACN10JC3		
			OPTIONAL PART: H10-3BAC		
			V15653		
			NS202101-02		
			V80539		
			RMLH9075-3W		
			V72962		
			VN303A02		
			V92215		
			96-02		
			V80539		
			T6S1032J		
			V11815		
290	270N2000-808	..	CHANNEL	103106	1
295	270N2000-1209	..	BLOCK	103106	1
300	270N2000-1210	..	BLOCK	103106	1
305	270N2000-21	.	CLAMP ASSY-BLK	103106	1
310	NAS1801-3-34	..	SCREW	103106	3
315	AN960PD10L	..	WASHER	103106	3
320	NAS43DD3-99	..	SPACER	103106	3
325	BRH10A3	..	NUT	103106	3
			SUPPLIER CODE: V52828		
			SPECIFICATION NUMBER: BACN10JC3		
			OPTIONAL PART: H10-3BAC		
			V15653		
			NS202101-02		
			V80539		
			RMLH9075-3W		
			V72962		
			VN303A02		
			V92215		
			96-02		
			V80539		
			T6S1032J		
			V11815		
330	270N2000-812	..	CHANNEL	103106	1
335	270N2000-434	..	BLOCK	103106	2

MISSING ITEM NUMBERS NOT APPLICABLE

- ITEM NOT ILLUSTRATED

29-11-51-27

29-11-51
FIG. 27
PAGE 5
JAN 20/09

BRI

BOEING PROPRIETARY - Copyright © - Unpublished Work - See title page for details.



757

PARTS CATALOG (MAINTENANCE)

FIG ITEM	PART NUMBER	1 2 3 4 5 6 7	NOMENCLATURE	EFFECT FROM TO	UNITS PER ASSY
27					
340	270N2000-1307	.	CLAMP ASSY-BLK	103106	6
345	NAS1801-3-67	..	SCREW	103106	3
350	NAS43DD3-234	..	SPACER	103106	3
355	AN960KD10L	..	WASHER	103106	3
360	BRH10A3	..	NUT	103106	3
			SUPPLIER CODE: V52828		
			SPECIFICATION NUMBER: BACN10JC3		
			OPTIONAL PART: H10-3BAC		
			V15653		
			NS202101-02		
			V80539		
			RMLH9075-3W		
			V72962		
			VN303A02		
			V92215		
			96-02		
			V80539		
			T6S1032J		
			V11815		
365	270N2000-811	..	CHANNEL	103106	1
370	270N2000-1252	..	BLOCK	103106	1
375	270N2000-1219	..	BLOCK	103106	1
380	270N2000-1220	..	BLOCK	103106	1
385	270N2000-1305	.	CLAMP ASSY	103106	4
390	NAS1801-3-76	..	SCREW	103106	3
395	AN960KD10L	..	WASHER	103106	3
400	NAS43DD3-253	..	SPACER	103106	3
405	BRH10A3	..	NUT	103106	3
			SUPPLIER CODE: V52828		
			SPECIFICATION NUMBER: BACN10JC3		
			OPTIONAL PART: H10-3BAC		
			V15653		
			NS202101-02		
			V80539		
			RMLH9075-3W		
			V72962		
			VN303A02		
			V92215		
			96-02		
			V80539		
			T6S1032J		
			V11815		
410	270N2000-1252	..	BLOCK	103106	1

MISSING ITEM NUMBERS NOT APPLICABLE

- ITEM NOT ILLUSTRATED

29-11-51-27

29-11-51
FIG. 27
PAGE 6
JAN 20/09

BRI

BOEING PROPRIETARY - Copyright © - Unpublished Work - See title page for details.



757

PARTS CATALOG (MAINTENANCE)

FIG ITEM	PART NUMBER	1 2 3 4 5 6 7	NOMENCLATURE	EFFECT FROM TO	UNITS PER ASSY
27					
415	270N2000-1219	..	BLOCK	103106	1
420	270N2000-1221	..	BLOCK	103106	1
425	271N6122-1159	.TUBE ASSY-RETURN SYS		103106	1
			POSITION DATA:		
			L		
			TUBING MATERIAL:		
			.625 IN. OD .035 IN.		
			WALL 29.00 IN. LG AL		
- 430	AP2097HP10	..	SLEEVE	103106	1
			SUPPLIER CODE:		
			V01673		
			SPECIFICATION NUMBER:		
			BACS13BX10HP		
			OPTIONAL PART:		
			2-02903-10HP		
			V11328		
			35235VN10		
			V08199		
			AFP175V10P		
			V30974		
			DBOS13BX10HP		
			V14798		
- 440	BACN10YL10	..	NUT-	103106	1
			OPTIONAL PART:		
			MS21921-10D		
- 440	MS21921-10D	..	NUT-	103106	1
			OPTIONAL PART:		
			BACN10YL10		
- 450	35056GV10	..	UNION	103106	1
			SUPPLIER CODE:		
			V08199		
			SPECIFICATION NUMBER:		
			BACU24AB10W		
			OPTIONAL PART:		
			4671097W10		
			V50948		
			2-01027-10W		
			V11328		
			31875-10W		
			V14397		
			AP1004W10		
			V01673		
			AFP941W10		
			V30974		
			DBOU24AB10W		
			V14798		

MISSING ITEM NUMBERS NOT APPLICABLE

- ITEM NOT ILLUSTRATED

29-11-51-27

29-11-51
FIG. 27
PAGE 7
JAN 20/09

BRI



757

PARTS CATALOG (MAINTENANCE)

FIG ITEM	PART NUMBER	1 2 3 4 5 6 7	NOMENCLATURE	EFFECT FROM TO	UNITS PER ASSY
27 475	271N6122-1245		.TUBE ASSY-PRESSURE SYS POSITION DATA: R TUBING MATERIAL: .375 IN. OD .019 IN. WALL 53.00 IN. LG TITANIUM	103106	1
- 480	AS1581T06		..SLEEVE	103106	2
- 485	BACN10YA6N		..NUT	103106	2
490	271N6122-1313		.TUBE ASSY-RETURN SYS TUBING MATERIAL: .375 OD .035 IN WALL 42.1 IN LNG ALUMINUM	103106	1
- 495	AP2097HP06		..SLEEVE SUPPLIER CODE: V01673 SPECIFICATION NUMBER: BACS13BX06HP OPTIONAL PART: 2-02903-06HP V11328 35235VN06 V08199 AFP175V06P V30974 DBOS13BX06HP V14798	103106	2
- 505	BACN10YLO6N		..NUT	103106	2
520	271N6122-1044		.TUBE ASSY-PRESSURE SYS POSITION DATA: L TUBING MATERIAL: 1.00 IN. OD .051 IN. WALL 35.00 IN. LG TI	103106	1
525	271N6122-1040		.TUBE ASSY-PRESSURE SYS POSITION DATA: L TUBING MATERIAL: 1.00 IN. OD .051 IN. WALL 77.00 IN. LG TITANIUM	103106	1
- 530	AS1581T16		..SLEEVE	103106	1
- 535	BACN10YA16		..NUT	103106	1
- 540	AS1582T16		..UNION	103106	1

MISSING ITEM NUMBERS NOT APPLICABLE

- ITEM NOT ILLUSTRATED

29-11-51-27

29-11-51
FIG. 27
PAGE 8
JAN 20/09

BRI



757

PARTS CATALOG (MAINTENANCE)

FIG ITEM	PART NUMBER	1 2 3 4 5 6 7	NOMENCLATURE	EFFECT FROM TO	UNITS PER ASSY
27 545	271N6122-1043		.TUBE ASSY-SUPPLY SYS POSITION DATA: L TUBING MATERIAL: 1.25 IN. OD .035 IN. WALL 40.00 IN. LG AL	103106	1
- 550	DB0S13BD20HP		..SLEEVE SUPPLIER CODE: V14798 SPECIFICATION NUMBER: BACS13BD20HP OPTIONAL PART: 118-10722-20-00 V88334 2-02901-20HP V11328 2-02901-20HP V70195 35044VN20 V08199 4690008-20-2 V45681 4690008-20-2 V92003 AFP176V20HP V30974 35044V20HP V08199	103106	2
- 555	BACN10YL20		..NUT- OPTIONAL PART: MS21921-20D	103106	2
- 555	MS21921-20D		..NUT- OPTIONAL PART: BACN10YL20	103106	2
560	271N6122-1091		.TUBE ASSY-PRESSURE SYS POSITION DATA: R TUBING MATERIAL: .375 IN. OD .019 IN. WALL 25.50 IN. LG TITANIUM	103106	1
565	271N6122-1048		.TUBE ASSY-PRESSURE SYS POSITION DATA: R TUBING MATERIAL: .375 IN. OD .019 IN. WALL 31.00 IN. LG TI	103106	1
- 570	AS1581T06		..SLEEVE	103106	1

MISSING ITEM NUMBERS NOT APPLICABLE

- ITEM NOT ILLUSTRATED

29-11-51-27

29-11-51
FIG. 27
PAGE 9
JAN 20/09

BRI



757

PARTS CATALOG (MAINTENANCE)

FIG ITEM	PART NUMBER	1 2 3 4 5 6 7	NOMENCLATURE	EFFECT FROM TO	UNITS PER ASSY
27					
- 575	AS1582T06	..	UNION	103106	1
- 580	BACN10YA6	..	NUT	103106	1
585	271N6122-1203	.TUBE ASSY-RETURN SYS		103106	1
			POSITION DATA:		
			R		
			TUBING MATERIAL:		
			.500 IN. OD .026 IN.		
			WALL 31.00 IN. LG		
			TI		
590	271N6122-1047	.TUBE ASSY-RETURN SYS		103106	1
			POSITION DATA:		
			R		
			TUBING MATERIAL:		
			.500 IN. OD .035 IN.		
			WALL 19.00 IN. LG		
			AL		
- 595	AP2097HP08	..SLEEVE		103106	1
			SUPPLIER CODE:		
			V01673		
			SPECIFICATION NUMBER:		
			BACS13BX08HP		
			OPTIONAL PART:		
			2-02903-08HP		
			V11328		
			35235VN08		
			V08199		
			AFP175V08P		
			V30974		
			DBOS13BX08HP		
			V14798		
- 600	35056GV08	..UNION		103106	1
			SUPPLIER CODE:		
			V08199		
			SPECIFICATION NUMBER:		
			BACU24AB8W		
			OPTIONAL PART:		
			2-01027-8W		
			V11328		
			31875-8W		
			V14397		
			4671097W8		
			V50948		
			AP1004W08		
			V01673		
			AFP941W8		
			V30974		
			DBOU24AB8W		
			V14798		

MISSING ITEM NUMBERS NOT APPLICABLE

- ITEM NOT ILLUSTRATED

29-11-51-27

29-11-51
FIG. 27
PAGE 10
JAN 20/09

BRI



757

PARTS CATALOG (MAINTENANCE)

FIG ITEM	PART NUMBER	1 2 3 4 5 6 7	NOMENCLATURE	EFFECT FROM TO	UNITS PER ASSY
27					
- 605	BACN10YL08	..NUT-	OPTIONAL PART: MS21921-8D	103106	1
- 605	MS21921-8D	..NUT-	OPTIONAL PART: BACN10YL08	103106	1
615	271N6122-1288	.TUBE ASSY-PRESSURE SYS	POSITION DATA: R TUBING MATERIAL: .375 IN. OD .019 IN. WALL 67.00 IN. LG TI	103106	1
- 620	AS1581T06	..SLEEVE		103106	2
- 625	BACN10YA6N	..NUT		103106	2
630	271N6122-1256	.TUBE ASSY-RETURN SYS	POSITION DATA: R TUBING MATERIAL: .500 IN. OD .035 IN. WALL 65.30 IN. LG AL	103106	1
- 635	AP2097HP08	..SLEEVE	SUPPLIER CODE: V01673 SPECIFICATION NUMBER: BACS13BX08HP OPTIONAL PART: 2-02903-08HP V11328 35235VN08 V08199 AFP175V08P V30974 DBOS13BX08HP V14798	103106	2
- 640	BACN10YL08	..NUT-	OPTIONAL PART: MS21921-8D	103106	2
- 640	MS21921-8D	..NUT-	OPTIONAL PART: BACN10YL08	103106	2
645	271N6122-1161	.TUBE ASSY-RETURN SYS	POSITION DATA: L TUBING MATERIAL: .625 IN. OD .035 IN. WALL 60.00 IN. LG AL	103106	1

MISSING ITEM NUMBERS NOT APPLICABLE

- ITEM NOT ILLUSTRATED

29-11-51-27

29-11-51
FIG. 27
PAGE 11
JAN 20/09

BRI



757

PARTS CATALOG (MAINTENANCE)

FIG ITEM	PART NUMBER	1 2 3 4 5 6 7	NOMENCLATURE	EFFECT FROM TO	UNITS PER ASSY
27 - 650	AP2097HP10	..	SLEEVE SUPPLIER CODE: V01673 SPECIFICATION NUMBER: BACS13BX10HP OPTIONAL PART: 2-02903-10HP V11328 35235VN10 V08199 AFP175V10P V30974 DBOS13BX10HP V14798	103106	1
- 655	BACN10YL10	..	NUT- OPTIONAL PART: MS21921-10D	103106	1
- 655	MS21921-10D	..	NUT- OPTIONAL PART: BACN10YL10	103106	1
- 670	35056GV10	..	UNION SUPPLIER CODE: V08199 SPECIFICATION NUMBER: BACU24AB10W OPTIONAL PART: 4671097W10 V50948 2-01027-10W V11328 31875-10W V14397 AP1004W10 V01673 AFP941W10 V30974 DBOU24AB10W V14798	103106	1
680	271N6122-1031	.TUBE ASSY-SUPPLY SYS POSITION DATA: L TUBING MATERIAL: 1.25 IN. OD .035 IN. WALL 82.00 IN. LG AL		103106	1

MISSING ITEM NUMBERS NOT APPLICABLE

- ITEM NOT ILLUSTRATED

BRI

29-11-51-27

BOEING PROPRIETARY - Copyright © - Unpublished Work - See title page for details.

29-11-51
FIG. 27
PAGE 12
JAN 20/09



757

PARTS CATALOG (MAINTENANCE)

FIG ITEM	PART NUMBER	1 2 3 4 5 6 7	NOMENCLATURE	EFFECT FROM TO	UNITS PER ASSY
27 685	271N6122-1148		.TUBE ASSY-SUPPLY SYS POSITION DATA: L TUBING MATERIAL: IN. OD .035 IN. WALL 77.00 IN. LG AL	103106	1
- 690	DB0S13BD20HP		..SLEEVE SUPPLIER CODE: V14798 SPECIFICATION NUMBER: BACS13BD20HP OPTIONAL PART: 118-10722-20-00 V88334 2-02901-20HP V11328 2-02901-20HP V70195 35044VN20 V08199 4690008-20-2 V45681 4690008-20-2 V92003 AFP176V20HP V30974 35044V20HP V08199	103106	1
- 695	BACN10YL20		..NUT- OPTIONAL PART: MS21921-20D	103106	1
- 695	MS21921-20D		..NUT- OPTIONAL PART: BACN10YL20	103106	1

MISSING ITEM NUMBERS NOT APPLICABLE

- ITEM NOT ILLUSTRATED

BRI

29-11-51-27

BOEING PROPRIETARY - Copyright © - Unpublished Work - See title page for details.

29-11-51
FIG. 27
PAGE 13
JAN 20/09



757

PARTS CATALOG (MAINTENANCE)

FIG ITEM	PART NUMBER	1 2 3 4 5 6 7	NOMENCLATURE	EFFECT FROM TO	UNITS PER ASSY
27 - 700	35056GV20		..UNION SUPPLIER CODE: V08199 SPECIFICATION NUMBER: BACU24AB20W OPTIONAL PART: 4671097W20 V50948 2-01027-20W V11328 31875-20W V14397 AP1004W20 V01673 AFP941W20 V30974 DBOU24AB20W V14798	103106	1
705	271N6122-1163		.TUBE ASSY-RETURN SYS POSITION DATA: L TUBING MATERIAL: .625 IN. OD .035 IN. WALL 51.00 IN. LG AL	103106	1
710	271N6122-1165		.TUBE ASSY-RETURN SYS POSITION DATA: L TUBING MATERIAL: .625 IN. OD .035 IN. WALL 63.50 IN. LG AL	103106	1
- 715	AP2097HP10		..SLEEVE SUPPLIER CODE: V01673 SPECIFICATION NUMBER: BACS13BX10HP OPTIONAL PART: 2-02903-10HP V11328 35235VN10 V08199 AFP175V10P V30974 DBOS13BX10HP V14798	103106	1
- 720	BACN10YL10		..NUT- OPTIONAL PART: MS21921-10D	103106	1

MISSING ITEM NUMBERS NOT APPLICABLE

- ITEM NOT ILLUSTRATED

29-11-51-27

29-11-51
FIG. 27
PAGE 14
JAN 20/09

BRI



757

PARTS CATALOG (MAINTENANCE)

FIG ITEM	PART NUMBER	1 2 3 4 5 6 7	NOMENCLATURE	EFFECT FROM TO	UNITS PER ASSY
27					
- 720	MS21921-10D	..	NUT- OPTIONAL PART: BACN10YL10	103106	1
- 725	35056GV10	..	UNION SUPPLIER CODE: V08199 SPECIFICATION NUMBER: BACU24AB10W OPTIONAL PART: 4671097W10 V50948 2-01027-10W V11328 31875-10W V14397 AP1004W10 V01673 AFP941W10 V30974 DBOU24AB10W V14798	103106	1
730	271N6122-1321	.TUBE	ASSY-PRESSURE-CTR SYS TUBING MATERIAL: .500 IN. OD TITANIUM	103106	1
- 735	AS1581T08	..	SLEEVE	103106	1
- 740	BACN10YA8	..	NUT	103106	1
745	271N6122-1322	.TUBE	ASSY-RETURN CTR SYS TUBING MATERIAL: .500 IN. OD AMLUMINUM	103106	1
- 750	AP2097HP08	..	SLEEVE SUPPLIER CODE: V01673 SPECIFICATION NUMBER: BACS13BX08HP OPTIONAL PART: 2-02903-08HP V11328 35235VN08 V08199 AFP175V08P V30974 DBOS13BX08HP V14798	103106	2
- 755	BACN10YL08	..	NUT	103106	2
- 795	AS1582T08	..	UNION	103106	1

MISSING ITEM NUMBERS NOT APPLICABLE

- ITEM NOT ILLUSTRATED

29-11-51-27

29-11-51
FIG. 27
PAGE 15
JAN 20/09

BRI



757

PARTS CATALOG (MAINTENANCE)

FIG ITEM	PART NUMBER	1 2 3 4 5 6 7	NOMENCLATURE	EFFECT FROM TO	UNITS PER ASSY
27 810	271N6122-1032		.TUBE ASSY-PRESSURE SYS POSITION DATA: L TUBING MATERIAL: 1.00 IN. OD .051 IN. WALL 77.35 IN. LG TI	103106	1
- 815	AS1581T16		..SLEEVE	103106	2
- 817	BACN10YA16		..NUT	103106	2
820	271N6122-1336		.TUBE ASSY-SUPPLY SYS POSITION DATA: L TUBING MATERIAL: .750 IN. OD ALUMINUM	103106	1
- 825	AP2097HP12		..SLEEVE SUPPLIER CODE: V01673 SPECIFICATION NUMBER: BACS13BX12HP OPTIONAL PART: 2-02903-12HP V11328 35235VN12 V08199 AFP175V12P V30974 DBOS13BX12HP V14798	103106	2
- 830	BACN10YL12		..NUT	103106	2
840	MS21924-6T		.UNION	103106	1
845	MS21924-8T		.UNION	103106	1
850	BACE21AW1212W		.ELBOW-	103106	2
855	MS21916-8-6T		.REDUCER	103106	1

MISSING ITEM NUMBERS NOT APPLICABLE

- ITEM NOT ILLUSTRATED

29-11-51-27

29-11-51
FIG. 27
PAGE 16
JAN 20/09

BRI



757

PARTS CATALOG (MAINTENANCE)

FIG ITEM	PART NUMBER	1 2 3 4 5 6 7	NOMENCLATURE	EFFECT FROM TO	UNITS PER ASSY
27 860	APX824F202012W	.TEE	SUPPLIER CODE: V01673 SPECIFICATION NUMBER: BACT16AS202012W OPTIONAL PART: APX824-202012W V01673 DBOT16AS202012W V14798 ER824-202012W V50948 FER1571-202012W V14397 LER824-202012W V11328 NAF1824-202012W V52930 US1925-202012W V50808 AFP325-202012W V30974	103106	1
865	BACT16BL161616J	.TEE		103106	1
870	BACT16BL060604J	.TEE		103106	1
875	BACT16AS080606W	.TEE		103106	1
880	NAS1612-6A	.PACKING		103106	1
890	AS5178D08	.NUT		103106	1
900		ILLUSTRATION REFERENCE: PLUMBING INSTL-SECT. 13 L TRAILING EDGE CTR SYS (SPOILER POWER CONTROL SYSTEM ONLY) 27-61-02-03		103106	RF
915		ILLUSTRATION REFERENCE: PLUMBING INSTL-SECT. 12 L TRAILING EDGE CTR SYS (HYDRAULIC POWER ONLY) 29-11-51-29		103106	RF

MISSING ITEM NUMBERS NOT APPLICABLE

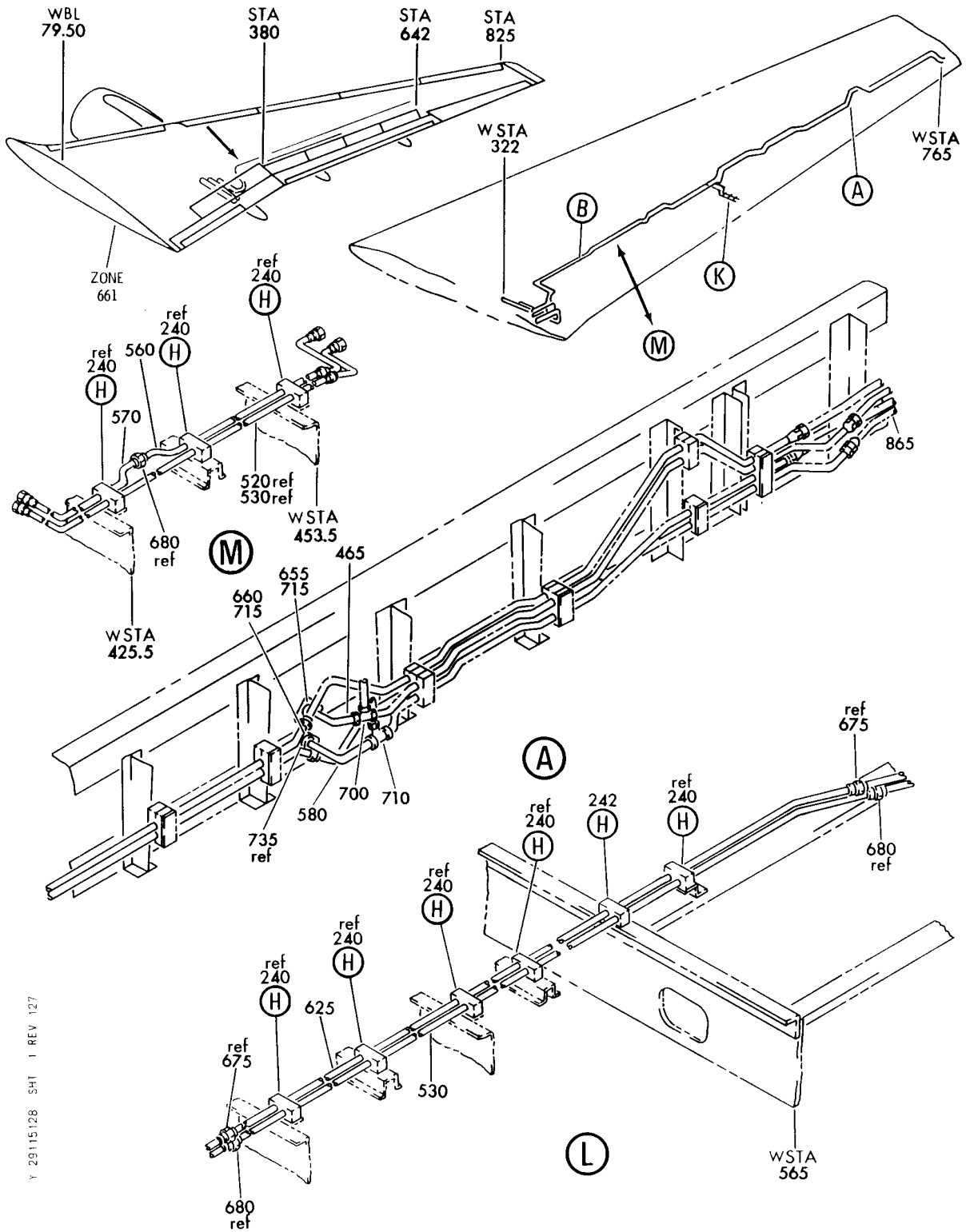
- ITEM NOT ILLUSTRATED

29-11-51-27

29-11-51
FIG. 27
PAGE 17
JAN 20/09

BRI


BOEING
 757
PARTS CATALOG (MAINTENANCE)



Y 29115128 SHT 1 REV 127

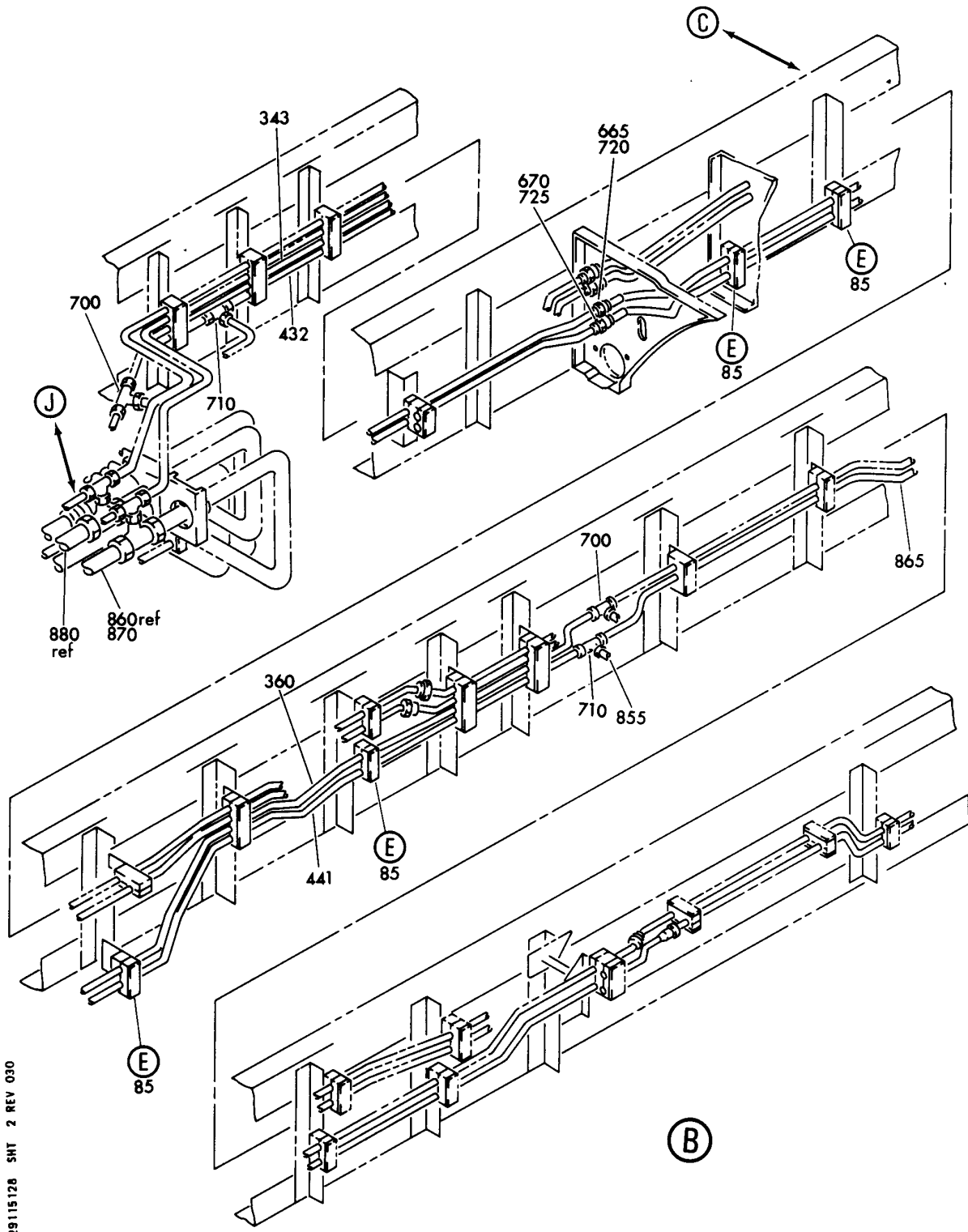
PLUMBING INSTL- SECT. 12 R WING OUTBD HYDR (HYDRAULIC POWER ONLY)
 FIGURE 28 (SHEET 1)

29-11-51-28

BRI
 MAY 28/07

29-11-51-28
 PAGE 0

BOEING
757
PARTS CATALOG (MAINTENANCE)



Y 29115128 SHT 2 REV 030

PLUMBING INSTL- SECT. 12 R WING OUTBD HYDR (HYDRAULIC POWER ONLY)
FIGURE 28 (SHEET 2)

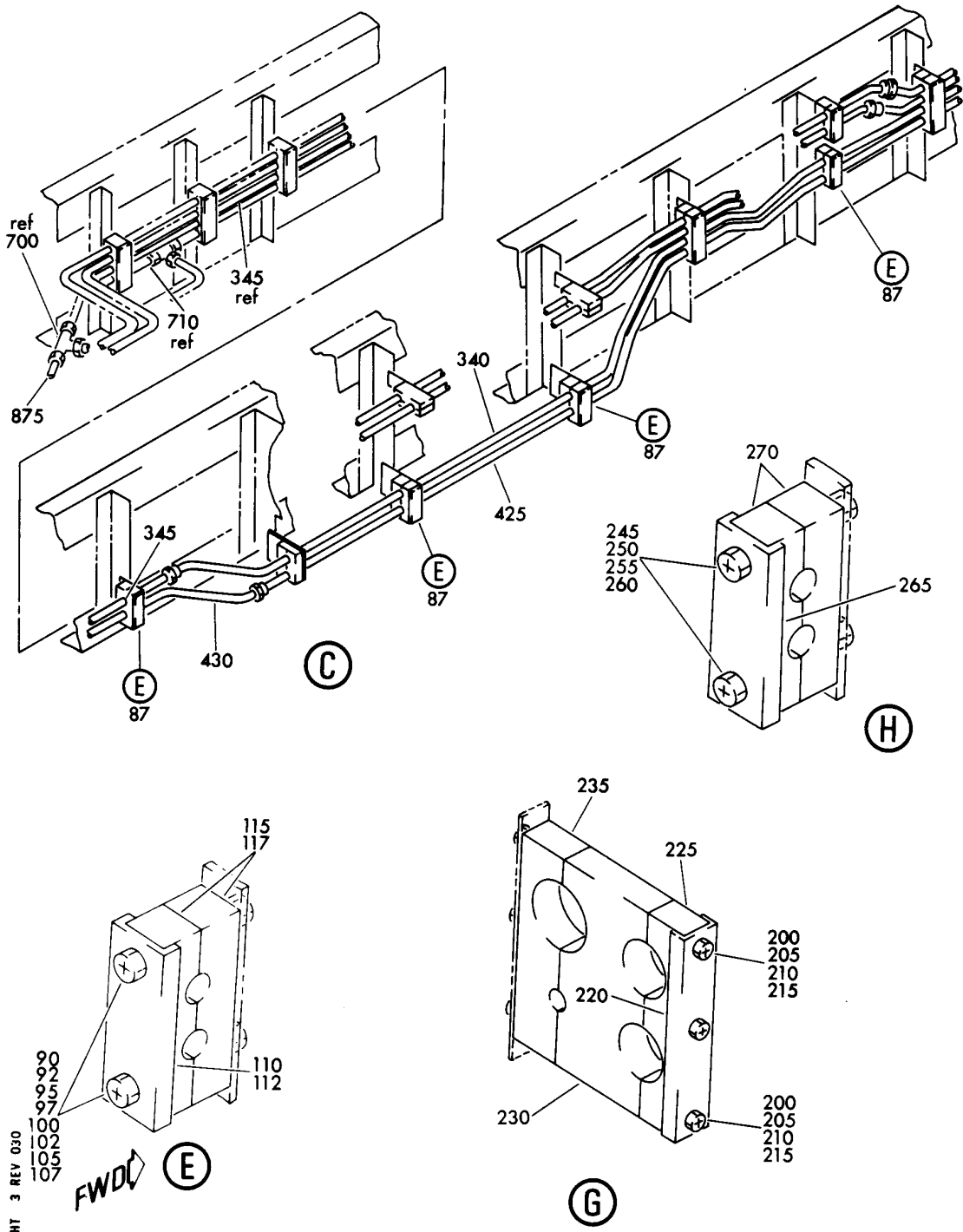
29-11-51-28

BRI
MAY 28/07

29-11-51-28
PAGE 0A

BOEING PROPRIETARY - Copyright © - Unpublished Work - See title page for details.

BOEING
757
PARTS CATALOG (MAINTENANCE)



Y 29115128 SHT 3 REV 030

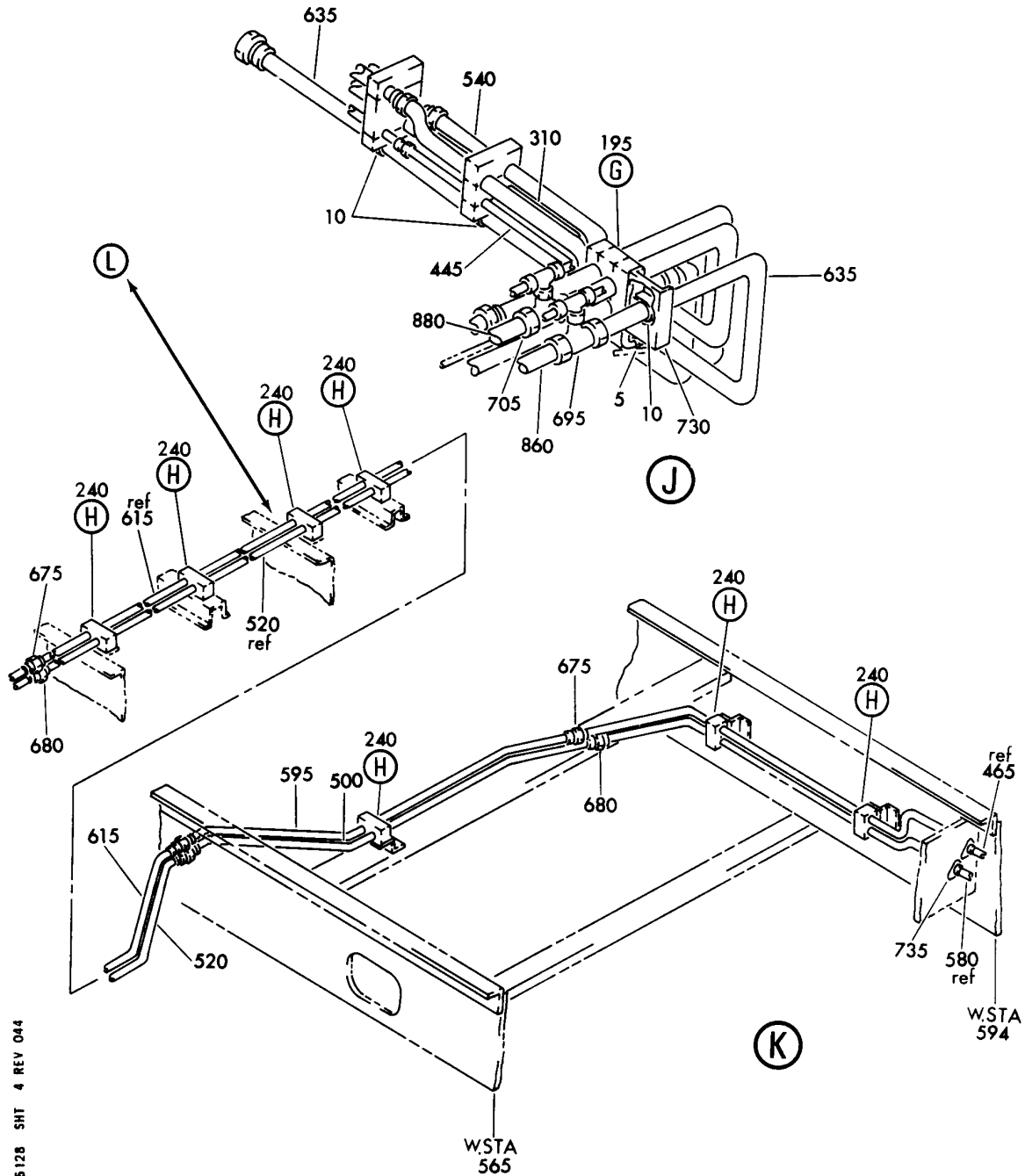
PLUMBING INSTL- SECT. 12 R WING OUTBD HYDR (HYDRAULIC POWER ONLY)
FIGURE 28 (SHEET 3)

BRI
MAY 28/07

29-11-51-28

29-11-51-28
PAGE 0B


BOEING
 757
PARTS CATALOG (MAINTENANCE)



PLUMBING INSTL- SECT. 12 R WING OUTBD HYDR (HYDRAULIC POWER ONLY)
 FIGURE 28 (SHEET 4)

29-11-51-28

BRI
 MAY 28/07

29-11-51-28
 PAGE 0C



757

PARTS CATALOG (MAINTENANCE)

FIG ITEM	PART NUMBER	1 2 3 4 5 6 7	NOMENCLATURE	EFFECT FROM TO	UNITS PER ASSY
28			PLUMBING INSTL- SECT. 12 R WING OUTBD HYDR (HYDRAULIC POWER ONLY)	002004 006100 107107 121503 904999	
- 1	271N6124-1		PLUMBING INSTL-WING HYDR (HYDRAULIC POWER ONLY) POSITION DATA: SECT. 12 R OUTBD FOR NHA/OTHER SYS DET SEE: 29-00-51-01	002004 006100 107107 121503 904999	RF
87	270N2000-3		.CLAMP ASSY-BLK	002004 006100 107107 121503 904999	4
92	NAS1801-3-24		..SCREW-	002004 006100 107107 121503 904999	2
97	AN960PD10L		..WASHER	002004 006100 107107 121503 904999	2
102	NAS43DD3-59		..SPACER	002004 006100 107107 121503 904999	2
107	BRH10A3		..NUT SUPPLIER CODE: V52828 SPECIFICATION NUMBER: BACN10JC3 OPTIONAL PART: H10-3BAC V15653 NS202101-02 V80539 RMLH9075-3W V72962 VN303A02 V92215 96-02 V80539 T6S1032J V11815	002004 006100 107107 121503 904999	2

MISSING ITEM NUMBERS NOT APPLICABLE

- ITEM NOT ILLUSTRATED

29-11-51-28

29-11-51
FIG. 28
PAGE 1
JAN 20/09

BRI



757

PARTS CATALOG (MAINTENANCE)

FIG ITEM	PART NUMBER	1 2 3 4 5 6 7	NOMENCLATURE	EFFECT FROM TO	UNITS PER ASSY
28					
112	270N2000-801	. .	CHANNEL	002004 006100 107107 121503 904999	1
117	270N2000-401	. .	BLOCK	002004 006100 107107 121503 904999	2
240	270N2001-10	. .	CLAMP ASSY-BLK	002004 006100 107107 121503 904999	7
242	270N2001-10	. .	CLAMP ASSY-BLK	002004 006100 107107 121503 904999	1
245	NAS1801-3-24	. .	SCREW-	002004 006100 107107 121503 904999	2
250	AN960PD10L	. .	WASHER	002004 006100 107107 121503 904999	2
255	NAS43DD3-59	. .	SPACER	002004 006100 107107 121503 904999	2

MISSING ITEM NUMBERS NOT APPLICABLE

- ITEM NOT ILLUSTRATED

BRI

29-11-51-28

29-11-51
FIG. 28
PAGE 2
JAN 20/09



757

PARTS CATALOG (MAINTENANCE)

FIG ITEM	PART NUMBER	1 2 3 4 5 6 7	NOMENCLATURE	EFFECT FROM TO	UNITS PER ASSY
28 260	BRH10A3	..	NUT SUPPLIER CODE: V52828 SPECIFICATION NUMBER: BACN10JC3 OPTIONAL PART: H10-3BAC V15653 NS202101-02 V80539 RMLH9075-3W V72962 VN303A02 V92215 96-02 V80539 T6S1032J V11815	002004 006100 107107 121503 904999	2
265	270N2001-805	..	CHANNEL	002004 006100 107107 121503 904999	1
270	270N2001-405	..	BLOCK	002004 006100 107107 121503 904999	2
340	271N6124-1091	.TUBE ASSY-PRESSURE SYS POSITION DATA: L TUBING MATERIAL: .375 IN. OD .019 IN. WALL 87.00 IN. LG TI BMS 7-234 TI-3AL-2.5V COLD WORKED, STRESS RELIEVED TUBING	002004 006100 107107 121503 904999	1	
345	271N6124-1089	.TUBE ASSY-PRESSURE SYS POSITION DATA: L TUBING MATERIAL: .375 IN. OD .019 IN. WALL 51.70 IN. LG TI BMS 7-234 TI-3AL-2.5V COLD WORKED, STRESS RELIEVED TUBING	002004 006100 107107 121503 904999	1	

MISSING ITEM NUMBERS NOT APPLICABLE

- ITEM NOT ILLUSTRATED

29-11-51-28

29-11-51
FIG. 28
PAGE 3
JAN 20/09

BRI



757

PARTS CATALOG (MAINTENANCE)

FIG ITEM	PART NUMBER	1 2 3 4 5 6 7	NOMENCLATURE	EFFECT FROM TO	UNITS PER ASSY
28					
- 350	AS1581T06	..	SLEEVE	002004 006100 107107 121503 904999	2
- 355	BACN10YA6	..	NUT	002004 006100 107107 121503 904999	2
425	271N6124-1092	.TUBE ASSY-RETURN SYS POSITION DATA: L TUBING MATERIAL: .375 IN. OD .035 IN. WALL 85.20 IN. LG AMS 4083 6061 T6 TUBING		002004 006100 107107 121503 904999	1
430	271N6124-1090	.TUBE ASSY-RETURN SYS POSITION DATA: L TUBING MATERIAL: .375 IN. OD .035 IN. WALL 41.90 IN. LG AMS 4083 6061 T6 TUBING		002004 006100 107107 121503 904999	1
- 435	AP2097HP06	..SLEEVE SUPPLIER CODE: V01673 SPECIFICATION NUMBER: BACS13BX06HP OPTIONAL PART: 2-02903-06HP V11328 35235VN06 V08199 AFP175V06P V30974 DBOS13BX06HP V14798		002004 006100 107107 121503 904999	2
- 440	BACN10YL06	..	NUT	002004 006100 107107 121503 904999	2

MISSING ITEM NUMBERS NOT APPLICABLE

- ITEM NOT ILLUSTRATED

29-11-51-28

29-11-51
FIG. 28
PAGE 4
JAN 20/09

BRI



757

PARTS CATALOG (MAINTENANCE)

FIG ITEM	PART NUMBER	1 2 3 4 5 6 7	NOMENCLATURE	EFFECT FROM TO	UNITS PER ASSY
28 465	271N6124-1060		.TUBE ASSY-PRESSURE SYS POSITION DATA: CTR TUBING MATERIAL: .375 IN. OD .019 IN. WALL 3.90 IN. LG TI BMS 7-234 TI-3AL-2.5V COLD WORKED, STRESS RELIEVED TUBING	002004 006100 107107 121503 904999	1
- 470	AS1581T06		..SLEEVE	002004 006100 107107 121503 904999	2
- 475	BACN10YA6		..NUT	002004 006100 107107 121503 904999	2
530	271N6124-1097		.TUBE ASSY-PRESSURE SYS POSITION DATA: CTR TUBING MATERIAL: .375 IN. OD .019 IN. WALL 358.50 IN. LG TI 3AL-2.5V TITANIUM SEAMLESS TUBING PER BMS7-234	002004 006100 107107 121503 904999	1
560	271N6124-1121		.TUBE ASSY-RETURN SYS POSITION DATA: CTR TUBING MATERIAL: .375 IN. OD .035 IN. WALL 162.30 IN. LG AMS 4083 6061 T6 TUBING	006100 121503 950951 953999	1
570	271N6124-1122		.TUBE ASSY-RETURN SYS POSITION DATA: CTR TUBING MATERIAL: .375 IN. OD .035 IN. WALL 199.50 IN. LG AMS 4083 6061 T6 TUING	006100 121503 950951 953999	1

MISSING ITEM NUMBERS NOT APPLICABLE

- ITEM NOT ILLUSTRATED

BRI

29-11-51-28

29-11-51
FIG. 28
PAGE 5
JAN 20/09



757

PARTS CATALOG (MAINTENANCE)

FIG ITEM	PART NUMBER	1 2 3 4 5 6 7	NOMENCLATURE	EFFECT FROM TO	UNITS PER ASSY
28 580	271N6124-1061		.TUBE ASSY-RETURN SYS POSITION DATA: CTR TUBING MATERIAL: .375 IN. OD .035 IN. WALL 8.60 IN. LG AMS 4083 6061 T6 TUBING	002004 006100 107107 121503 904999	1
- 585	AP2097HP06		..SLEEVE SUPPLIER CODE: V01673 SPECIFICATION NUMBER: BACS13BX06HP OPTIONAL PART: 2-02903-06HP V11328 35235VN06 V08199 AFP175V06P V30974 DBOS13BX06HP V14798	002004 006100 107107 121503 904999	2
- 590	BACN10YL06		..NUT	002004 006100 107107 121503 904999	2
625	271N6124-1098		.TUBE ASSY-RETURN SYS POSITION DATA: CTR TUBING MATERIAL: .375 IN. OD .035 IN. WALL 360.40 IN. LG AMS 4083 6061 T6 TUBING	002004 107107 904949 952952	1
655	BACU24K6		.UNION	002004 006100 107107 121503 904999	1
660	MS21902D6		.UNION	002004 006100 107107 121503 904999	1

MISSING ITEM NUMBERS NOT APPLICABLE

- ITEM NOT ILLUSTRATED

29-11-51-28

29-11-51
FIG. 28
PAGE 6
JAN 20/09

BRI



757

PARTS CATALOG (MAINTENANCE)

FIG ITEM	PART NUMBER	1 2 3 4 5 6 7	NOMENCLATURE	EFFECT FROM TO	UNITS PER ASSY
28 665	BACU24L6	.	UNION	002004 006100 107107 121503 904999	1
670	MS21924D6	.	UNION	002004 006100 107107 121503 904999	1
675	D10036-06	.	UNION- SUPPLIER CODE: V14798 OPTIONAL PART: D10282-06 V14798	002004 006100 107107 121503 904999	2
675	D10282-06	.	UNION- SUPPLIER CODE: V14798 OPTIONAL PART: D10036-06 V14798	002004 006100 107107 121503 904999	2
680	D10036D06	.	UNION- SUPPLIER CODE: V14798 OPTIONAL PART: D10282D06 V14798	002004 006100 107107 121503 904999	2
680	D10282D06	.	UNION- SUPPLIER CODE: V14798 OPTIONAL PART: D10036D06 V14798	002004 006100 107107 121503 904999	2
700	BACT16BL060604T	.	TEE-	002004 006100 107107 121503 904999	3
700	BACT16BL060604J	.	TEE-	002004 006100 107107 121503 904999	3
705	BACT16BL161606T	.	TEE-	107107	1
705	BACT16BL161606J	.	TEE-	002004 006100 121503 904999	1

MISSING ITEM NUMBERS NOT APPLICABLE

- ITEM NOT ILLUSTRATED

29-11-51-28

29-11-51
FIG. 28
PAGE 7
JAN 20/09

BRI

BOEING PROPRIETARY - Copyright © - Unpublished Work - See title page for details.



757

PARTS CATALOG (MAINTENANCE)

FIG ITEM	PART NUMBER	1 2 3 4 5 6 7	NOMENCLATURE	EFFECT FROM TO	UNITS PER ASSY
28 710	MS21905D6	.	TEE-	002004 006100 107107 121503 904999	3
715	NAS1612-6	.	PACKING-	002004 006100 107107 121503 904999	2
720	AN924-6T	.	NUT	002004 006100 107107 121503 904999	1
725	AN924-6D	.	NUT-	002004 006100 107107 121503 904999	1
730	271N6192-12	.	BRACKET ASSY-	002004 006100 107107 121503 904999	1
735	271N6194-12	.	FITTING INSTL- FOR DETAILS SEE: 29-11-55-01	002004 006100 107107 121503 904999	1
855			ILLUSTRATION REFERENCE: PLUMBING INSTL-SECT. 12 R WING OUTBD HYDR (SPOILER CONTROL SYSTEM) 27-61-51-28	002004 006100 107107 121503 904999	RF
865			ILLUSTRATION REFERENCE: PLUMBING INSTL-SECT. 12 HYDR R WING OUTBD (AILERON AND AILERON TRIM CONTROL SYSTEM ONLY) 27-11-51-28	002004 006100 107107 121503 904999	RF
875			ILLUSTRATION REFERENCE: PLUMBING INSTL- SECT. 12 INBD WING HYDR R (HYDRAULIC POWER ONLY) 29-11-51-18	002004 006100 107107 121503 904999	RF

MISSING ITEM NUMBERS NOT APPLICABLE

- ITEM NOT ILLUSTRATED

29-11-51-28

29-11-51
FIG. 28
PAGE 8
JAN 20/09

BRI



757

PARTS CATALOG (MAINTENANCE)

FIG ITEM	PART NUMBER	1 2 3 4 5 6 7	NOMENCLATURE	EFFECT FROM TO	UNITS PER ASSY
28 880			ILLUSTRATION REFERENCE: PLUMBING INSTL-SECT. 12 R WING INBD HYDR (SPOILER CONTROL SYSTEM ONLY) 27-61-51-17	002004 006100 107107 121503 904999	RF

MISSING ITEM NUMBERS NOT APPLICABLE

- ITEM NOT ILLUSTRATED

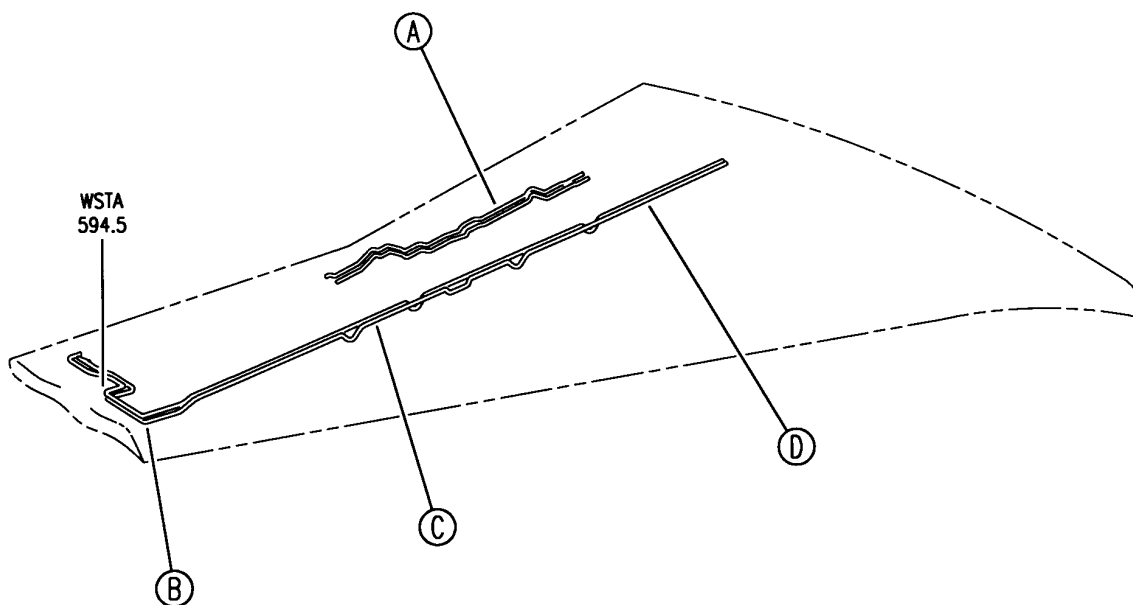
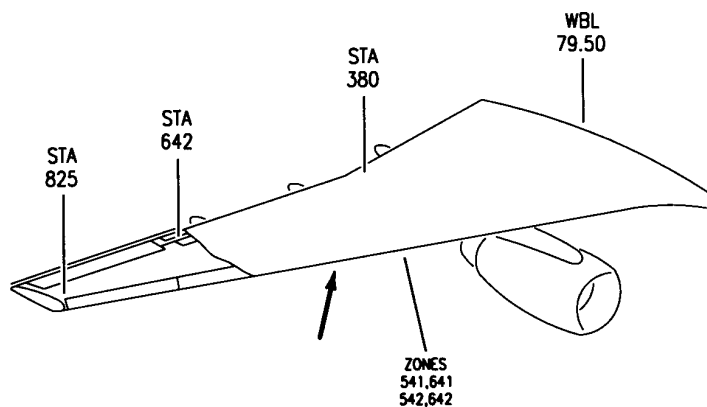
BRI

29-11-51-28

BOEING PROPRIETARY - Copyright © - Unpublished Work - See title page for details.

29-11-51
FIG. 28
PAGE 9
JAN 20/09

BOEING
757
PARTS CATALOG (MAINTENANCE)



Y 29115128A SH1 1 REV 193

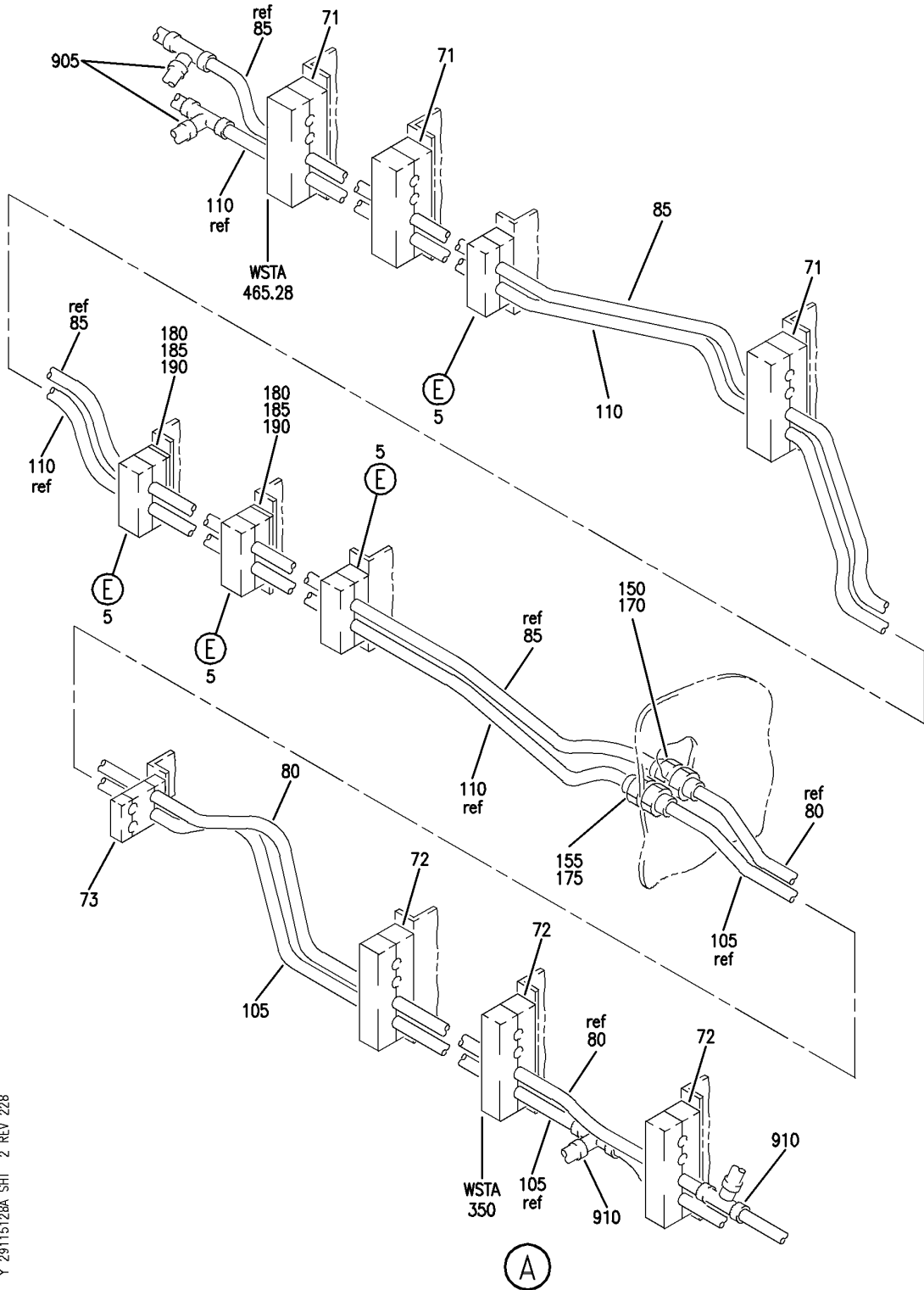
PLUMBING INSTL-HYDR WING SECT. 12 R OUTBD
FIGURE 28A (SHEET 1)

29-11-51-28A

BRI
MAY 28/07

29-11-51-28A
PAGE 0


BOEING
 757
PARTS CATALOG (MAINTENANCE)



Y 29115128A SH1 2 REV 228

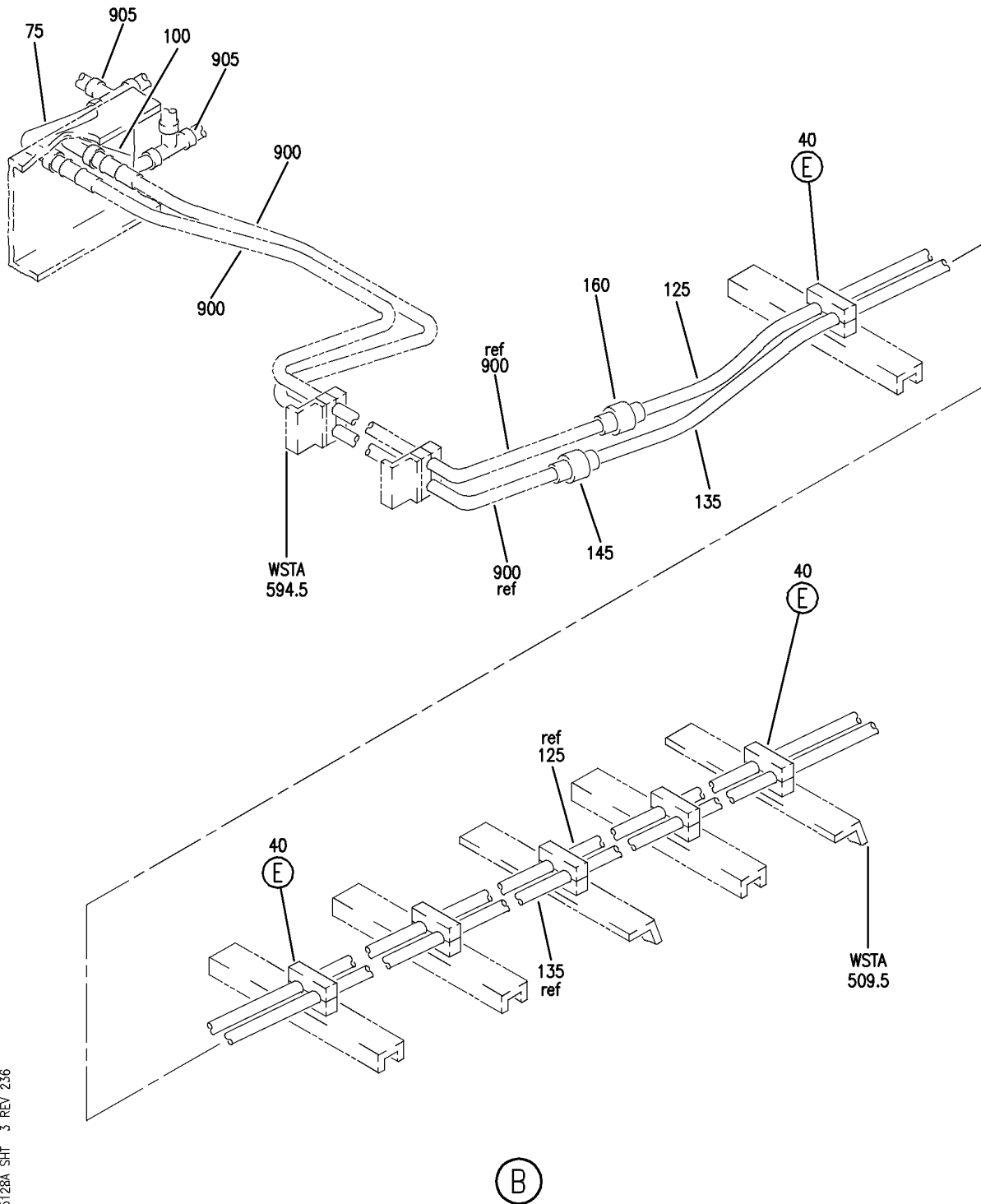
PLUMBING INSTL-HYDR WING SECT. 12 R OUTBD
 FIGURE 28A (SHEET 2)

29-11-51-28A

BRI
 MAY 28/07

29-11-51-28A
 PAGE 0A

BOEING
757
PARTS CATALOG (MAINTENANCE)



Y 29115128A SHT 3 REV 236

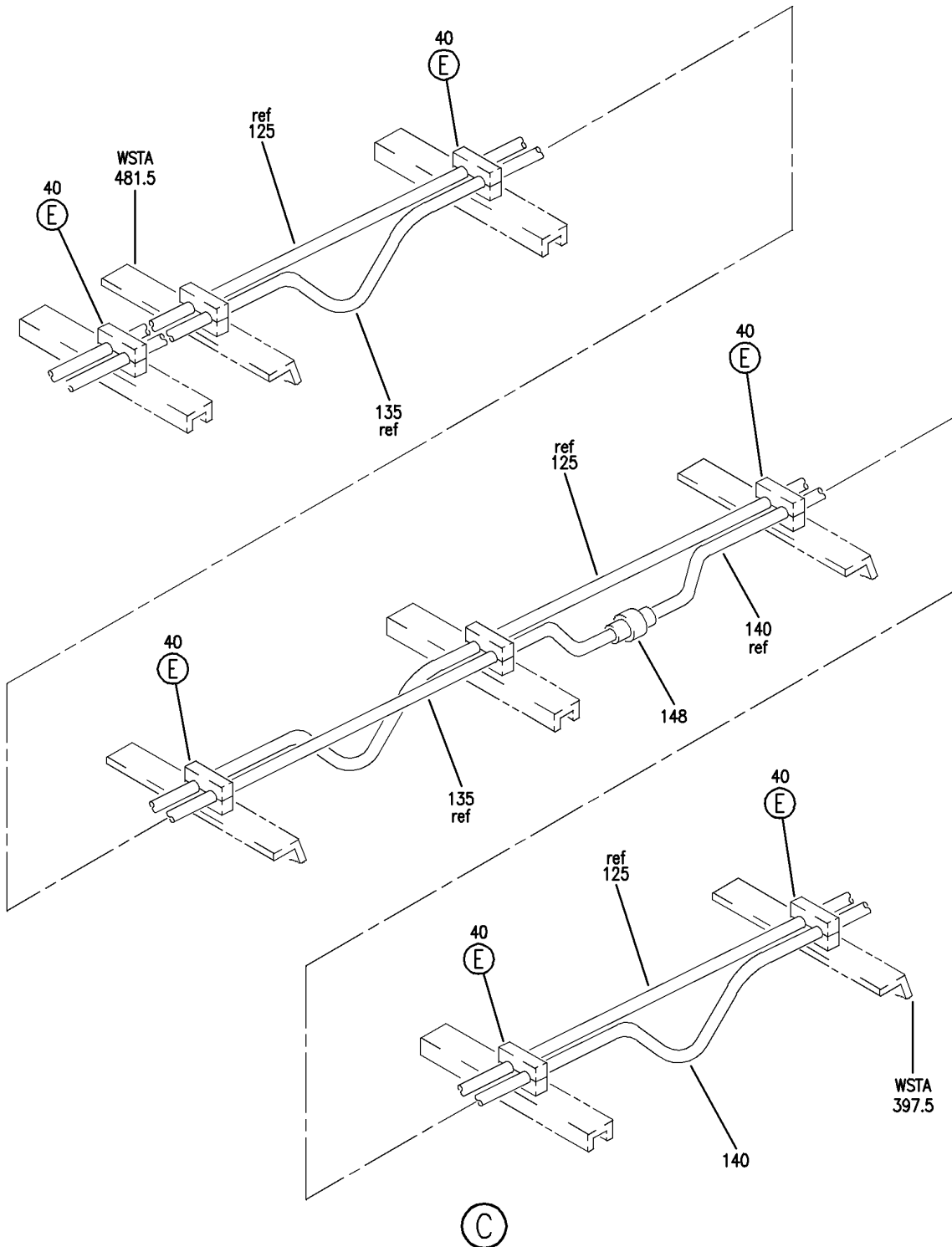
PLUMBING INSTL-HYDR WING SECT. 12 R OUTBD
FIGURE 28A (SHEET 3)

29-11-51-28A

BRI
MAY 28/07

29-11-51-28A
PAGE 0B

BOEING
757
PARTS CATALOG (MAINTENANCE)



Y 29115128A SH1 4 REV 228

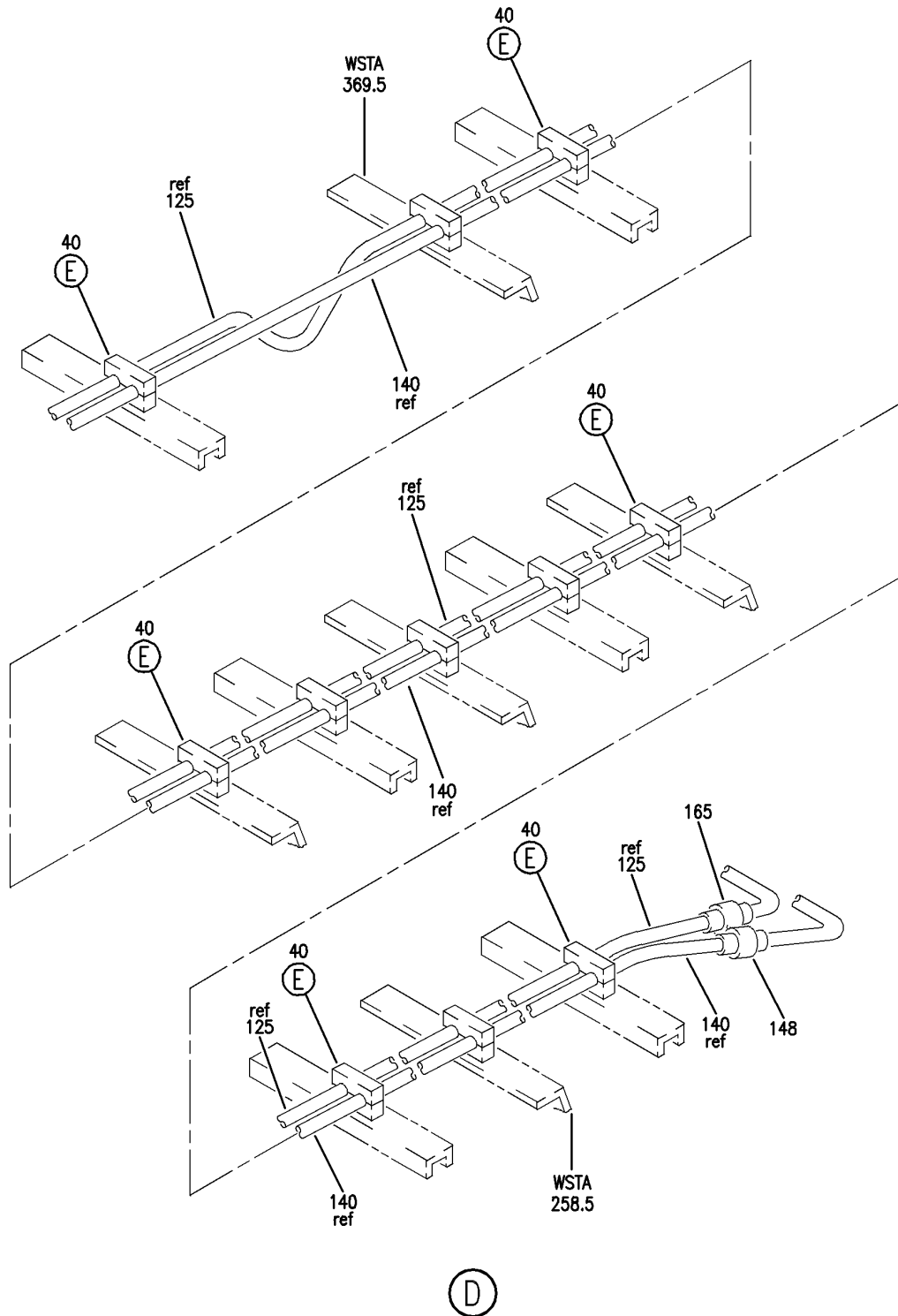
PLUMBING INSTL-HYDR WING SECT. 12 R OUTBD
FIGURE 28A (SHEET 4)

29-11-51-28A

BRI
MAY 28/07

29-11-51-28A
PAGE 0C

BOEING
757
PARTS CATALOG (MAINTENANCE)



Y 29115128A SH 5 REV 228

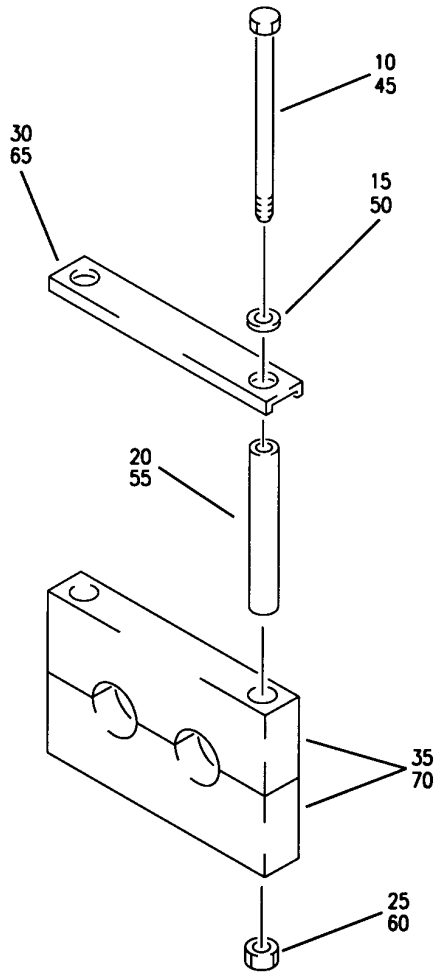
PLUMBING INSTL-HYDR WING SECT. 12 R OUTBD
FIGURE 28A (SHEET 5)

29-11-51-28A

BRI
MAY 28/07

29-11-51-28A
PAGE 0D

BOEING
757
PARTS CATALOG (MAINTENANCE)



(E)

Y 29115128A SHT 6 REV 193

PLUMBING INSTL-HYDR WING SECT. 12 R OUTBD
FIGURE 28A (SHEET 6)

29-11-51-28A

BRI
MAY 28/07

29-11-51-28A
PAGE 0E



757

PARTS CATALOG (MAINTENANCE)

FIG ITEM	PART NUMBER	1 2 3 4 5 6 7	NOMENCLATURE	EFFECT FROM TO	UNITS PER ASSY
28A			PLUMBING INSTL-HYDR WING SECT. 12 R OUTBD	101106 108120 504903	
- 1	271N6124-4		PLUMBING INSTL-HYDR WING (HYDRAULIC POWER ONLY) POSITION DATA: SECT. 12 R OUTBD FOR NHA SEE: 29-00-51-02C	101102 108120 504903	RF
- 1	MODREF31829		PLUMBING INSTL-HYDR (HYDRAULIC POWER ONLY) MODULE NUMBER: 271N6124-5 REV B POSITION DATA: SECT. 12 R OUTBD FOR OTHER SYS DETAILS SEE: 27-11-51-28A 27-61-51-28A	103106	1
5	270N2000-3		.CLAMP ASSY-BLK	101106 108120 504903	4
10	NAS1801-3-24		..SCREW	101106 108120 504903	2
15	AN960PD10L		..WASHER	101106 108120 504903	2
20	NAS43DD3-59		..SPACER	101106 108120 504903	2
25	BRH10A3		..NUT SUPPLIER CODE: V52828 SPECIFICATION NUMBER: BACN10JC3 OPTIONAL PART: H10-3BAC V15653 NS202101-02 V80539 RMLH9075-3W V72962 VN303A02 V92215 96-02 V80539 T6S1032J V11815	101106 108120 504903	2

MISSING ITEM NUMBERS NOT APPLICABLE

- ITEM NOT ILLUSTRATED

29-11-51-28A

29-11-51
FIG. 28A
PAGE 1
JAN 20/09

BRI

 **BOEING**
757
PARTS CATALOG (MAINTENANCE)

FIG ITEM	PART NUMBER	1 2 3 4 5 6 7	NOMENCLATURE	EFFECT FROM TO	UNITS PER ASSY
28A					
30	270N2000-801	..	CHANNEL	101106 108120 504903	1
35	270N2000-401	..	BLOCK	101106 108120 504903	2
40	270N2001-10	.	CLAMP ASSY-BLK	101102 108120 504903	25
45	NAS1801-3-24	..	SCREW	101102 108120 504903	2
50	AN960PD10L	..	WASHER	101102 108120 504903	2
55	NAS43DD3-59	..	SPACER	101102 108120 504903	2
60	BRH10A3	..	NUT SUPPLIER CODE: V52828 SPECIFICATION NUMBER: BACN10JC3 OPTIONAL PART: H10-3BAC V15653 NS202101-02 V80539 RMLH9075-3W V72962 VN303A02 V92215 96-02 V80539 T6S1032J V11815	101102 108120 504903	2
65	270N2001-805	..	CHANNEL	101102 108120 504903	1
70	270N2001-405	..	BLOCK	101102 108120 504903	2
71	270N2000-1	.	CLAMP ASSY-BLK FOR BREAKDOWN SEE: 27-61-51-28A	101106 108120 504903	RF
72	270N2000-4	.	CLAMP ASSY-BLK FOR BREAKDOWN SEE: 27-61-51-28A	101102 108120 504903	RF

MISSING ITEM NUMBERS NOT APPLICABLE

— ITEM NOT ILLUSTRATED

BRI

29-11-51-28A

BOEING PROPRIETARY - Copyright © - Unpublished Work - See title page for details.

29-11-51
FIG. 28A
PAGE 2
JAN 20/09



757

PARTS CATALOG (MAINTENANCE)

FIG ITEM	PART NUMBER	1 2 3 4 5 6 7	NOMENCLATURE	EFFECT FROM TO	UNITS PER ASSY
28A					
73	270N2000-7		.CLAMP ASSY-BLK FOR BREAKDOWN SEE: 27-61-51-28A	101102 108120 504903	RF
75	271N6124-1060		.TUBE ASSY- TUBING MATERIAL: .375 IN. OD X .019 IN. WALL X 3.9 IN. LG TI BMS 7-234 TI-3AL-2.5V COLD WORKED, STRESS RELIEVED TUBING	101106 108120 504903	1
80	271N6124-1089		.TUBE ASSY- TUBING MATERIAL: .375 IN. OD X .019 IN. WALL X 51.7 IN. LG TI BMS 7-234 TI-3AL-2.5V COLD WORKED, STRESS RELIEVED TUBING	101102 108120 504903	1
85	271N6124-1091		.TUBE ASSY- TUBING MATERIAL: .375 IN. OD X .019 IN. WALL X 87.0 IN. LG TI BMS 7-234 TI-3AL-2.5V COLD WORKED, STRESS RELIEVED TUBING	101106 108120 504903	1
- 90	AS1581T06		..SLEEVE	101106 108120 504903	2
- 95	BACN10YA6		..NUT	101106 108120 504903	2
100	271N6124-1061		.TUBE ASSY- TUBING MATERIAL: .375 IN. OD X .035 IN. WALL X 8.60 IN. LG AMS 4083 6061 T6 TUBING	101106 108120 504903	1
105	271N6124-1090		.TUBE ASSY- TUBING MATERIAL: .375 IN. OD X .035 IN. WALL X 41.9 IN. LG AMS 4083 6061 T6 TUBING	101102 108120 504903	1
110	271N6124-1092		.TUBE ASSY- TUBING MATERIAL: .375 IN. OD X .035 IN. WALL X 85.2 IN. LG AMS 4083 6061 T6 TUBING	101106 108120 504903	1

MISSING ITEM NUMBERS NOT APPLICABLE

- ITEM NOT ILLUSTRATED

29-11-51-28A

29-11-51
FIG. 28A
PAGE 3
JAN 20/09

BRI

BOEING PROPRIETARY - Copyright © - Unpublished Work - See title page for details.



757

PARTS CATALOG (MAINTENANCE)

FIG ITEM	PART NUMBER	1 2 3 4 5 6 7	NOMENCLATURE	EFFECT FROM TO	UNITS PER ASSY
28A - 115	AP2097HP06	..	SLEEVE SUPPLIER CODE: V01673 SPECIFICATION NUMBER: BACS13BX06HP OPTIONAL PART: 2-02903-06HP V11328 35235VN06 V08199 AFP175V06P V30974 DBOS13BX06HP V14798	101106 108120 504903	2
- 120	BACN10YLO6	..	NUT	101106 108120 504903	2
125	271N6124-1097	.TUBE ASSY-	TUBING MATERIAL: .375 IN. OD X .019 IN. WALL X 358.50 IN. LG 3AL-2.5V TITANIUM SEAMLESS TUBING PER BMS7-234. OPTIONAL PART: 271N6124-1126	101102 108120 504903	1
125	271N6124-1126	.TUBE ASSY-	TUBING MATERIAL: .375 IN. OD X .019 IN. WALL X 358.50 IN. LG 3AL-2.5V TITANIUM SEAMLESS TUBING PER BMS7-234. OPTIONAL PART: 271N6124-1097	101102 108120 504903	1
- 130	AS1580T06	..	RING	101102 108120 504903	AR
135	271N6124-1121	.TUBE ASSY-	TUBING MATERIAL: .375 IN. OD X .035 IN. WALL X 162.3 IN. LG AMS 4083 6061 T6 TUBING	101102 108120 504903	1

MISSING ITEM NUMBERS NOT APPLICABLE

- ITEM NOT ILLUSTRATED

29-11-51-28A

29-11-51
FIG. 28A
PAGE 4
JAN 20/09

BRI

BOEING PROPRIETARY - Copyright © - Unpublished Work - See title page for details.



757

PARTS CATALOG (MAINTENANCE)

FIG ITEM	PART NUMBER	1 2 3 4 5 6 7	NOMENCLATURE	EFFECT FROM TO	UNITS PER ASSY
28A 140	271N6124-1122		.TUBE ASSY- TUBING MATERIAL: .375 IN. OD X .035 IN. WALL X 199.5 IN. LG AMS 4083 6061 T6 TUBING	101102 108120 504903	1
145	D10282D06		.UNION- SUPPLIER CODE: V14798	101102 108120 504903	1
148	D10282-0606D		.UNION SUPPLIER CODE: V14798 SPECIFICATION NUMBER: BACU24BS0606D	101106 108120 504903	2
150	BACU24L6		.UNION	101102 108120 504903	1
155	MS21924D6		.UNION	101102 108120 504903	1
160	D10036-06		.UNION- SUPPLIER CODE: V14798 OPTIONAL PART: D10282-06 V14798	101102 108120 504903	1
160	D10282-06		.UNION- SUPPLIER CODE: V14798 OPTIONAL PART: BACU24BS0606J OPTIONAL PART: D10036-06 V14798	101102 108120 504903	1
165	D10282-06		.UNION- SUPPLIER CODE: V14798 OPTIONAL PART: BACU24BS0606J	101102 108120 504903	1
165	D10282-0606J		.UNION SUPPLIER CODE: V14798 SPECIFICATION NUMBER: BACU24BS0606J	101102 108120 504903	1
170	AN924-6T		.NUT	101102 108120 504903	1

MISSING ITEM NUMBERS NOT APPLICABLE

- ITEM NOT ILLUSTRATED

29-11-51-28A

29-11-51
FIG. 28A
PAGE 5
JAN 20/09

BRI

BOEING PROPRIETARY - Copyright © - Unpublished Work - See title page for details.



757

PARTS CATALOG (MAINTENANCE)

FIG ITEM	PART NUMBER	1 2 3 4 5 6 7	NOMENCLATURE	EFFECT FROM TO	UNITS PER ASSY
28A 175	AN924D6	.	NUT	101102 108120 504903	1
180	270N2006-22	.	SHIM- POSITION DATA: WING STA 413.32 WING STA 425.5	101106 108120 504903	AR
185	270N2006-23	.	SHIM- POSITION DATA: WING STA 413.32 WING STA 425.5	101106 108120 504903	AR
190	270N2006-24	.	SHIM- POSITION DATA: WING STA 413.32 WING STA 425.5	101106 108120 504903	AR
900			ILLUSTRATION REFERENCE: FITTING INSTL-HYDR SECT. 12 29-11-55-01A	101106 108120 504903	RF
905			ILLUSTRATION REFERENCE: PLUMBING INSTL-HYDR WING SECT. 12 R OUTBD 27-11-51-28A	101106 108120 504903	RF
910			ILLUSTRATION REFERENCE: PLUMBING INSTL-HYDR WING SECT. 12 R OUTBD 27-61-51-28A	101106 108120 504903	RF

MISSING ITEM NUMBERS NOT APPLICABLE

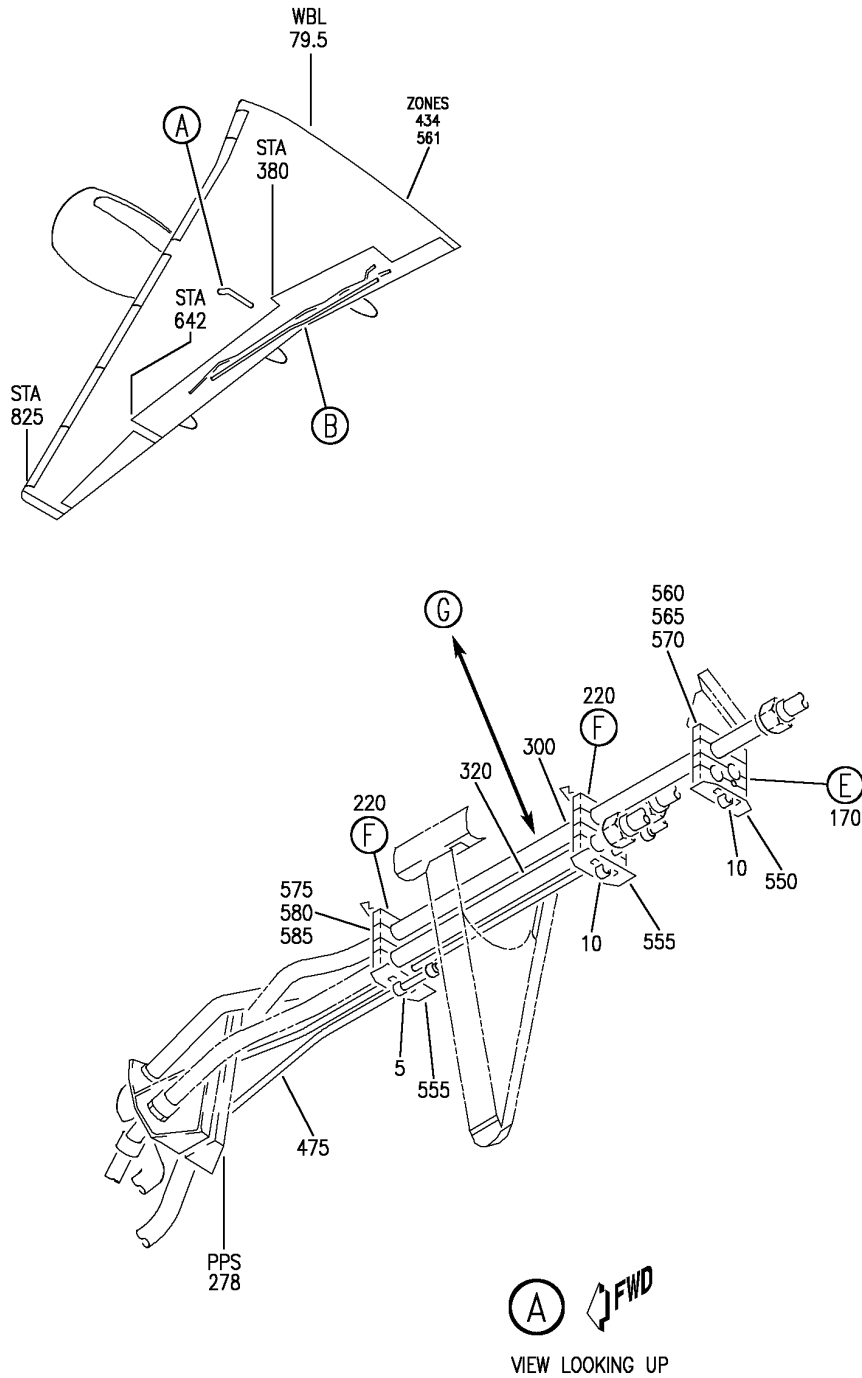
- ITEM NOT ILLUSTRATED

29-11-51-28A

29-11-51
FIG. 28A
PAGE 6
JAN 20/09

BRI

BOEING
757
PARTS CATALOG (MAINTENANCE)



Y 29115129 SH1 1 REV 335

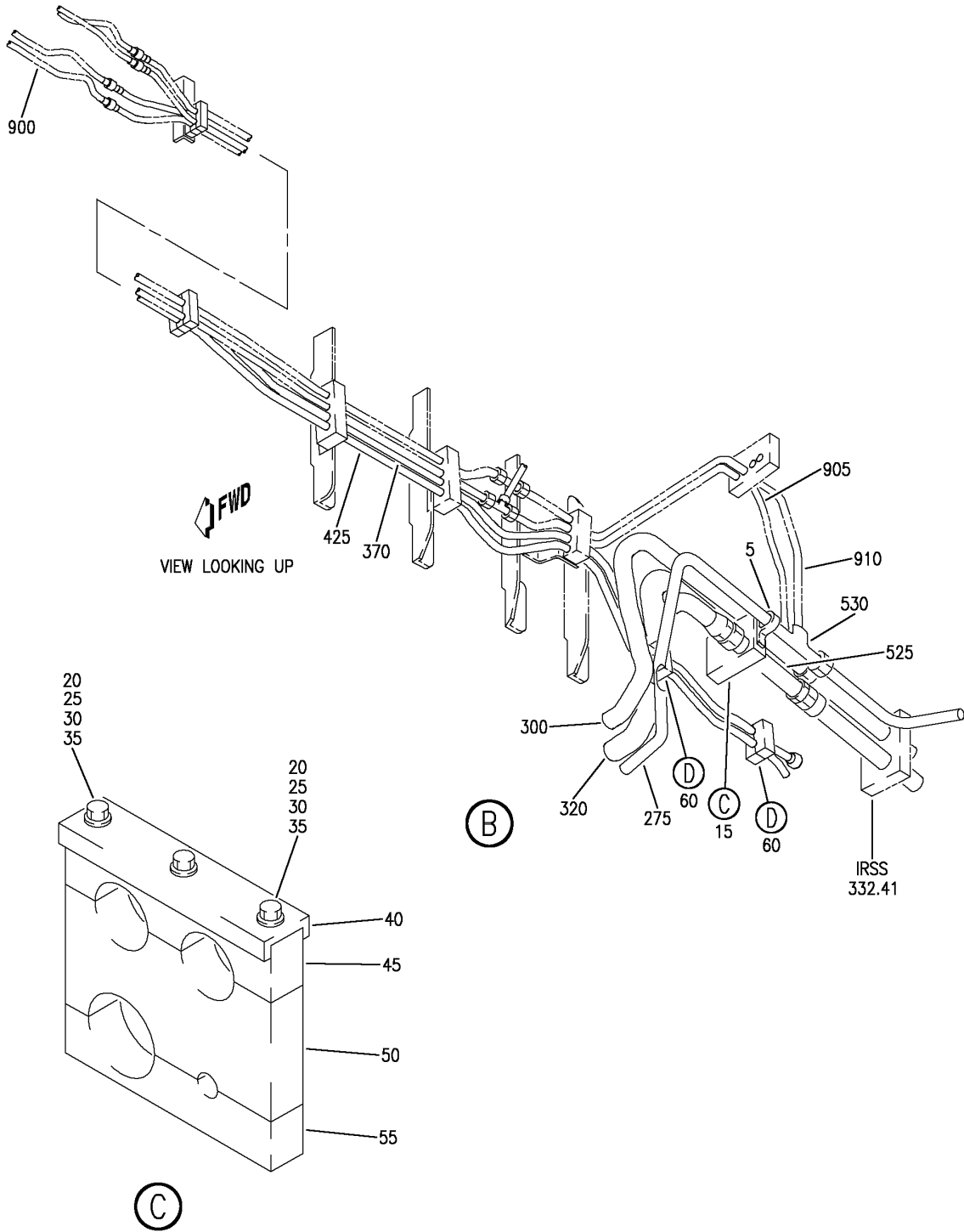
PLUMBING INSTL-SECT. 12 L TRAILING EDGE CTR SYS (HYDRAULIC POWER ONLY)
FIGURE 29 (SHEET 1)

29-11-51-29

BRI
MAY 20/09

29-11-51-29
PAGE 0

BOEING
757
PARTS CATALOG (MAINTENANCE)



Y 29115129 SH1 2 REV 331

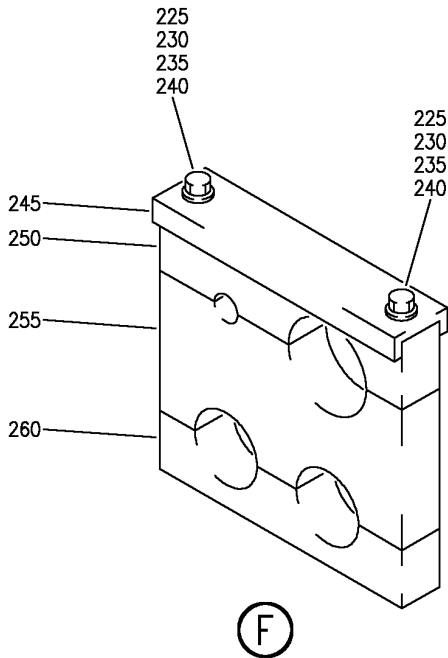
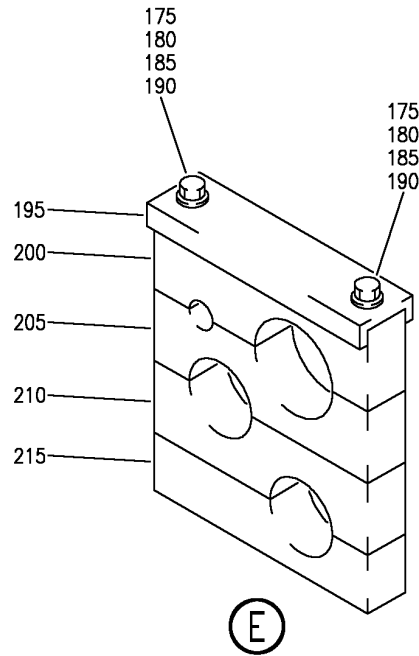
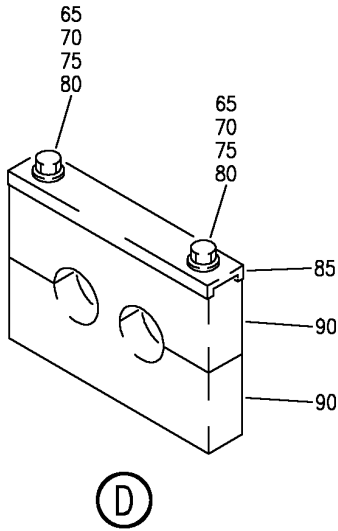
PLUMBING INSTL-SECT. 12 L TRAILING EDGE CTR SYS (HYDRAULIC POWER ONLY)
FIGURE 29 (SHEET 2)

BRI
JAN 20/09

29-11-51-29

29-11-51-29
PAGE 0A


BOEING
 757
PARTS CATALOG (MAINTENANCE)



Y 29115129 SH1 3 REV 262

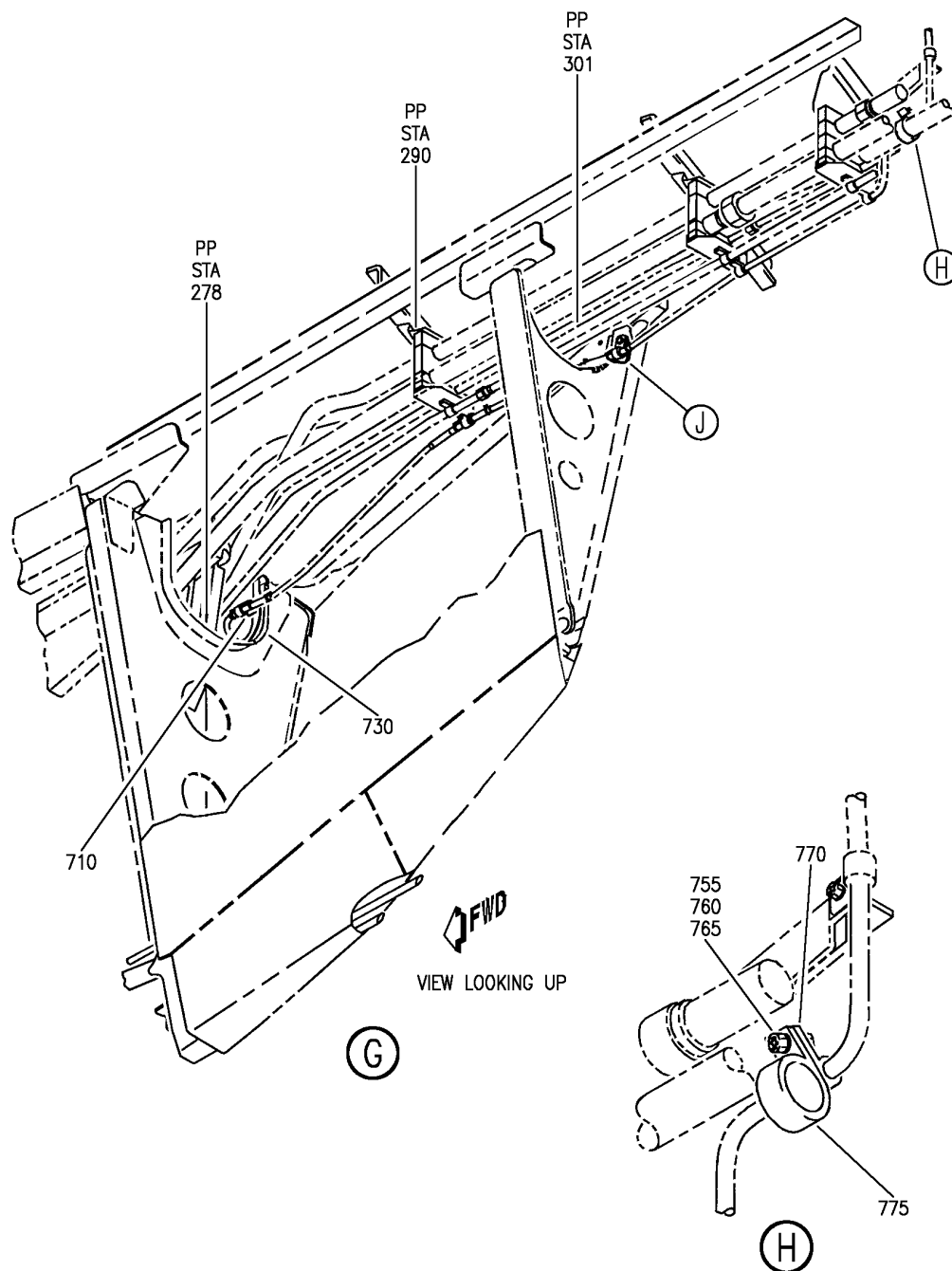
PLUMBING INSTL-SECT. 12 L TRAILING EDGE CTR SYS (HYDRAULIC POWER ONLY)
 FIGURE 29 (SHEET 3)

BRI
JAN 20/09

29-11-51-29

29-11-51-29
 PAGE 0B

BOEING
757
PARTS CATALOG (MAINTENANCE)



Y 29115129 SH1 4 REV 335

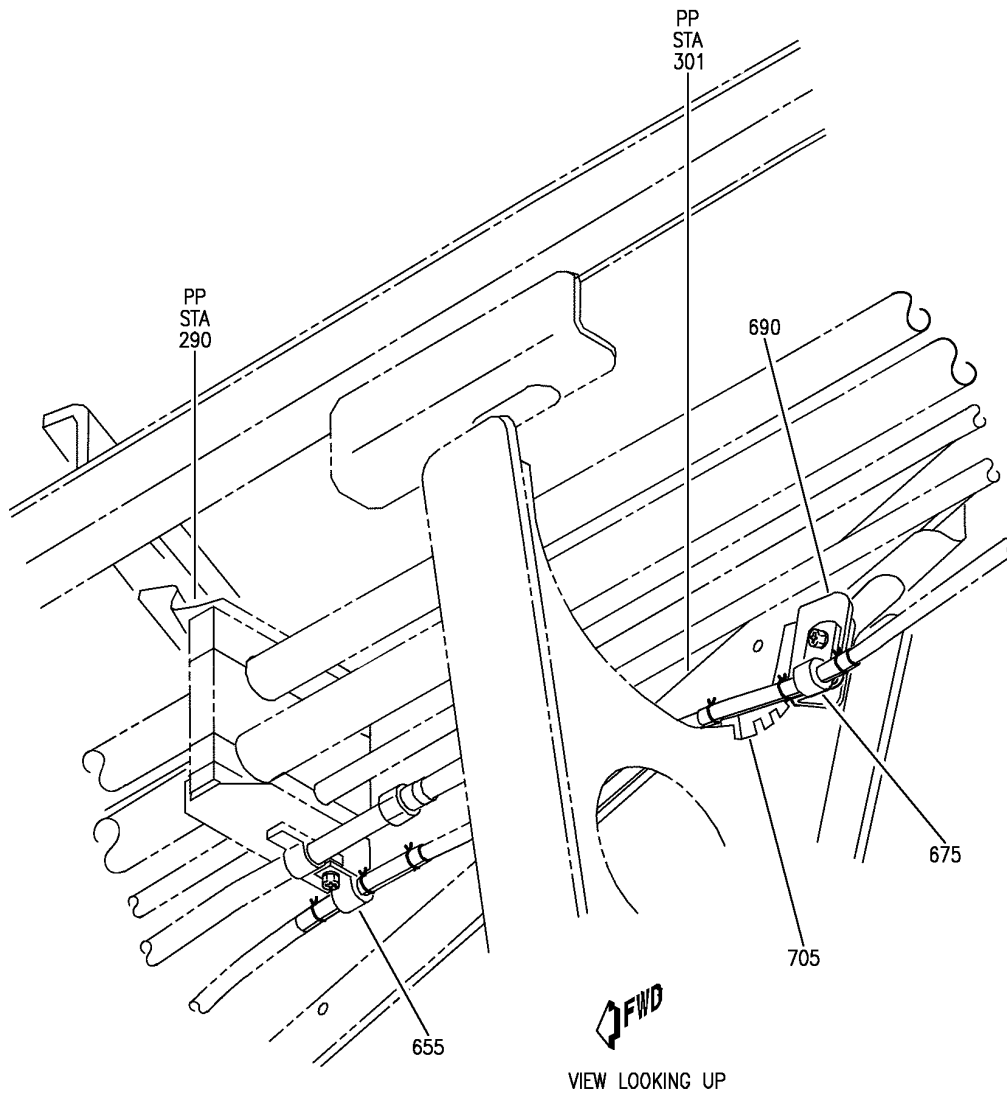
PLUMBING INSTL-SECT. 12 L TRAILING EDGE CTR SYS (HYDRAULIC POWER ONLY)
FIGURE 29 (SHEET 4)

BRI
MAY 20/09

29-11-51-29

29-11-51-29
PAGE 0C

BOEING
757
PARTS CATALOG (MAINTENANCE)



J

Y 29115129 SH1 5 REV 296

PLUMBING INSTL-SECT. 12 L TRAILING EDGE CTR SYS (HYDRAULIC POWER ONLY)
FIGURE 29 (SHEET 5)

BRI
JAN 20/09

29-11-51-29

29-11-51-29
PAGE 0D



757

PARTS CATALOG (MAINTENANCE)

FIG ITEM	PART NUMBER	1 2 3 4 5 6 7	NOMENCLATURE	EFFECT FROM TO	UNITS PER ASSY
29			PLUMBING INSTL-SECT. 12 L TRAILING EDGE CTR SYS (HYDRAULIC POWER ONLY)	103106	
- 1	MODREF29850		PLUMBING INSTL-HYDR CTR SYS (HYDRAULIC POWER ONLY) MODULE NUMBER: 271N6122-36 REV B POSITION DATA: SECT. 12 L TRAILING EDGE FOR OTHER SYS DETAILS SEE: 26-21-51-21 27-61-02-05 FOR ADDITIONAL DETAILS SEE: 29-11-17-04	103106	1
5	TA0910004H110		.CLAMP SUPPLIER CODE: V84971 SPECIFICATION NUMBER: BACC10HB10C	103106	2
10	TA0910004H108		.CLAMP SUPPLIER CODE: V84971 SPECIFICATION NUMBER: BACC10HB08C	103106	2
15	270N2000-6		.CLAMP ASSY-BLK	103106	1
20	NAS1801-3-66		..SCREW	103106	3
25	AN960PD10L		..WASHER	103106	3
30	NAS43DD3-227		..SPACER	103106	3
35	BRH10A3		..NUT SUPPLIER CODE: V52828 SPECIFICATION NUMBER: BACN10JC3 OPTIONAL PART: H10-3BAC V15653 NS202101-02 V80539 RMLH9075-3W V72962 VN303A02 V92215 96-02 V80539 T6S1032J V11815	103106	3
40	270N2000-804		..CHANNEL	103106	1

MISSING ITEM NUMBERS NOT APPLICABLE

- ITEM NOT ILLUSTRATED

29-11-51-29

29-11-51
FIG. 29
PAGE 1
JAN 20/09

BRI



757

PARTS CATALOG (MAINTENANCE)

FIG ITEM	PART NUMBER	1 2 3 4 5 6 7	NOMENCLATURE	EFFECT FROM TO	UNITS PER ASSY
29					
45	270N2000-405	..	BLOCK	103106	1
50	270N2000-406	..	BLOCK	103106	1
55	270N2000-407	..	BLOCK	103106	1
60	270N2000-3	.CLAMP	ASSY-BLK	103106	2
65	NAS1801-3-24	..	SCREW	103106	2
70	AN960PD10L	..	WASHER	103106	2
75	NAS43DD3-59	..	SPACER	103106	2
80	BRH10A3	..	NUT	103106	2
			SUPPLIER CODE: V52828		
			SPECIFICATION NUMBER: BACN10JC3		
			OPTIONAL PART: H10-3BAC		
			V15653		
			NS202101-02		
			V80539		
			RMLH9075-3W		
			V72962		
			VN303A02		
			V92215		
			96-02		
			V80539		
			T6S1032J		
			V11815		
85	270N2000-801	..	CHANNEL	103106	1
90	270N2000-401	..	BLOCK	103106	2
170	270N2000-239	.CLAMP	ASSY-BLK	103106	1
175	NAS1801-3-70	..	SCREW	103106	2
180	NAS43DD3-241	..	SPACER	103106	2
185	AN960KD10L	..	WASHER	103106	2
190	BRH10A3	..	NUT	103106	2
			SUPPLIER CODE: V52828		
			SPECIFICATION NUMBER: BACN10JC3		
			OPTIONAL PART: H10-3BAC		
			V15653		
			NS202101-02		
			V80539		
			RMLH9075-3W		
			V72962		
			VN303A02		
			V92215		
			96-02		
			V80539		
			T6S1032J		
			V11815		

MISSING ITEM NUMBERS NOT APPLICABLE

- ITEM NOT ILLUSTRATED

29-11-51-29

29-11-51
FIG. 29
PAGE 2
JAN 20/09

BRI



757

PARTS CATALOG (MAINTENANCE)

FIG ITEM	PART NUMBER	1 2 3 4 5 6 7	NOMENCLATURE	EFFECT FROM TO	UNITS PER ASSY
29					
195	270N2000-800	..	CHANNEL	103106	1
200	270N2000-577	..	BLOCK	103106	1
205	270N2000-578	..	BLOCK	103106	1
210	270N2000-579	..	BLOCK	103106	1
215	270N2000-580	..	BLOCK	103106	1
220	270N2000-240	.	CLAMP ASSY	103106	2
225	NAS1801-3-67	..	SCREW	103106	2
230	NAS43DD3-232	..	SPACER	103106	2
235	AN960KD10L	..	WASHER	103106	2
240	BRH10A3	..	NUT	103106	2
			SUPPLIER CODE: V52828		
			SPECIFICATION NUMBER: BACN10JC3		
			OPTIONAL PART: H10-3BAC		
			V15653		
			NS202101-02		
			V80539		
			RMLH9075-3W		
			V72962		
			VN303A02		
			V92215		
			96-02		
			V80539		
			T6S1032J		
			V11815		
245	270N2000-824	..	CHANNEL	103106	1
250	270N2000-454	..	BLOCK	103106	1
255	270N2000-455	..	BLOCK	103106	1
260	270N2000-456	..	BLOCK	103106	1
275	271N6122-1155	.	TUBE ASSY-L SYS RETURN	103106	1
			TUBING MATERIAL: .625 IN. OD .035 IN. WALL 58.1 IN. LG AL		
- 280	AP2097HP10	..	SLEEVE	103106	1
			SUPPLIER CODE: V01673		
			SPECIFICATION NUMBER: BACS13BX10HP		
			OPTIONAL PART: 2-02903-10HP		
			V11328		
			35235VN10		
			V08199		
			AFP175V10P		
			V30974		
			DB0S13BX10HP		
			V14798		

MISSING ITEM NUMBERS NOT APPLICABLE

- ITEM NOT ILLUSTRATED

29-11-51-29

29-11-51
FIG. 29
PAGE 3
JAN 20/09

BRI



757

PARTS CATALOG (MAINTENANCE)

FIG ITEM	PART NUMBER	1 2 3 4 5 6 7	NOMENCLATURE	EFFECT FROM TO	UNITS PER ASSY
29					
- 290	BACN10YL10	..	NUT- OPTIONAL PART: MS21921-10D	103106	1
- 290	MS21921-10D	..	NUT- OPTIONAL PART: BACN10YL10	103106	1
300	271N6122-1298	.TUBE ASSY-PRESSURE SYS POSITION DATA: L TUBING MATERIAL: 1.00 IN. OD .051 IN. WALL 25.70 IN. LG TI		103106	1
- 305	AS1581T16	..	SLEEVE	103106	1
- 310	BACN10YA16N	..	NUT	103106	1
- 315	AS1582T16	..	UNION	103106	1
320	271N6122-1157	.TUBE ASSY-SUPPLY SYS POSITION DATA: L TUBING MATERIAL: 1.25 IN. OD .035 IN. WALL 43.00 IN. LG AL		103106	1
- 325	DB0S13BD20HP	..	SLEEVE SUPPLIER CODE: V14798 SPECIFICATION NUMBER: BACS13BD20HP OPTIONAL PART: 118-10722-20-00 V88334 2-02901-20HP V11328 2-02901-20HP V70195 35044VN20 V08199 4690008-20-2 V45681 4690008-20-2 V92003 AFP176V20HP V30974 35044V20HP V08199	103106	1
- 330	BACN10YL20	..	NUT- OPTIONAL PART: MS21921-20D	103106	1
- 330	MS21921-20D	..	NUT- OPTIONAL PART: BACN10YL20	103106	1

MISSING ITEM NUMBERS NOT APPLICABLE

- ITEM NOT ILLUSTRATED

29-11-51-29

29-11-51
FIG. 29
PAGE 4
JAN 20/09

BRI



757

PARTS CATALOG (MAINTENANCE)

FIG ITEM	PART NUMBER	1 2 3 4 5 6 7	NOMENCLATURE	EFFECT FROM TO	UNITS PER ASSY
29 - 335	35056GV20	..	UNION SUPPLIER CODE: V08199 SPECIFICATION NUMBER: BACU24AB20W OPTIONAL PART: 4671097W20 V50948 2-01027-20W V11328 31875-20W V14397 AP1004W20 V01673 AFP941W20 V30974 DBOU24AB20W V14798	103106	1
370	271N6121-1087	.TUBE ASSY-PRESSURE SYS POSITION DATA: R TUBING MATERIAL: .375 IN. OD .019 IN. WALL 67.50 IN. LG TITANIUM	103106	1	
- 375	AS1581T06	..	SLEEVE	103106	1
- 380	BACN10YA6	..	NUT	103106	1
- 385	AS1582T06	..	UNION	103106	1
- 390	271N6121-1043	.TUBE ASSY-RETURN SYS POSITION DATA: R TUBING MATERIAL: .375 IN. OD .035 IN. WALL 40.00 IN. LG AL AMS 4083 6061 T6 TUBING	103106	1	

MISSING ITEM NUMBERS NOT APPLICABLE

- ITEM NOT ILLUSTRATED

BRI

29-11-51-29

29-11-51
FIG. 29
PAGE 5
JAN 20/09



757

PARTS CATALOG (MAINTENANCE)

FIG ITEM	PART NUMBER	1 2 3 4 5 6 7	NOMENCLATURE	EFFECT FROM TO	UNITS PER ASSY
29 - 395	AP2097HP06	..	SLEEVE SUPPLIER CODE: V01673 SPECIFICATION NUMBER: BACS13BX06HP OPTIONAL PART: 2-02903-06HP V11328 35235VN06 V08199 AFP175V06P V30974 DBOS13BX06HP V14798	103106	1
- 400	BACN10YLO6	..	NUT- OPTIONAL PART: MS21921-6D	103106	1
- 400	MS21921-6D	..	NUT- OPTIONAL PART: BACN10YLO6	103106	1
- 405	35056GV06	..	UNION SUPPLIER CODE: V08199 SPECIFICATION NUMBER: BACU24AB6W OPTIONAL PART: 2-01027-6W V11328 31875-6W V14397 4671097W6 V50948 AP1004W06 V01673 AFP941W6 V30974 DBOU24AB6W V14798	103106	1
425	271N6121-1088	.	TUBE ASSY-RETURN SYS POSITION DATA: R TUBING MATERIAL: .375 IN. OD .035 IN. WALL 42.00 IN. LG AL	103106	1

MISSING ITEM NUMBERS NOT APPLICABLE

- ITEM NOT ILLUSTRATED

BRI

29-11-51-29

29-11-51
FIG. 29
PAGE 6
JAN 20/09



757

PARTS CATALOG (MAINTENANCE)

FIG ITEM	PART NUMBER	1 2 3 4 5 6 7	NOMENCLATURE	EFFECT FROM TO	UNITS PER ASSY
29 - 430	AP2097HP06	..	SLEEVE SUPPLIER CODE: V01673 SPECIFICATION NUMBER: BACS13BX06HP OPTIONAL PART: 2-02903-06HP V11328 35235VN06 V08199 AFP175V06P V30974 DBOS13BX06HP V14798	103106	1
- 435	BACN10YLO6	..	NUT- OPTIONAL PART: MS21921-6D	103106	1
- 435	MS21921-6D	..	NUT- OPTIONAL PART: BACN10YLO6	103106	1
- 440	35056GV06	..	UNION SUPPLIER CODE: V08199 SPECIFICATION NUMBER: BACU24AB6W OPTIONAL PART: 2-01027-6W V11328 31875-6W V14397 4671097W6 V50948 AP1004W06 V01673 AFP941W6 V30974 DBOU24AB6W V14798	103106	1
475	271N6311-1069	.	TUBE ASSY-RETURN SYS POSITION DATA: L TUBING MATERIAL: .625 IN. OD .035 IN. WALL 20.80 IN. LG AL AMS 4083 6061 T6 TUBING	103106	1

MISSING ITEM NUMBERS NOT APPLICABLE

- ITEM NOT ILLUSTRATED

BRI

29-11-51-29

29-11-51
FIG. 29
PAGE 7
JAN 20/09



757

PARTS CATALOG (MAINTENANCE)

FIG ITEM	PART NUMBER	1 2 3 4 5 6 7	NOMENCLATURE	EFFECT FROM TO	UNITS PER ASSY
29					
- 480	AP2097HP10	..	SLEEVE SUPPLIER CODE: V01673 SPECIFICATION NUMBER: BACS13BX10HP OPTIONAL PART: 2-02903-10HP V11328 35235VN10 V08199 AFP175V10P V30974 DBOS13BX10HP V14798	103106	2
- 485	BACN10YL10	..	NUT	103106	2
- 490	35056GV06	..	UNION SUPPLIER CODE: V08199 SPECIFICATION NUMBER: BACU24AB6W OPTIONAL PART: 2-01027-6W V11328 31875-6W V14397 4671097W6 V50948 AP1004W06 V01673 AFP941W6 V30974 DBOU24AB6W V14798	103106	1
525	BACT16BL161606J	.	TEE	103106	1
530	BACT16AS080806W	.	TEE	103106	1
550	271N6317-3	.	BRACKET	103106	1
555	271N6317-6	.	BRACKET	103106	2
560	270N2006-64	.	SHIM	103106	AR
565	270N2006-65	.	SHIM	103106	AR
570	270N2006-66	.	SHIM	103106	AR
575	270N2006-67	.	SHIM	103106	AR
580	270N2006-68	.	SHIM	103106	AR
585	270N2006-69	.	SHIM	103106	AR
- 750	012N1023-6		STRUT KIT-WIRE BUNDLE ROUTING POST ALERT SB: 28A0073R1	103106	1
755	BACS12HN3-10	.	SCREW	103106	1
760	NAS1149D0332J	.	WASHER	103106	1

MISSING ITEM NUMBERS NOT APPLICABLE

- ITEM NOT ILLUSTRATED

29-11-51-29

29-11-51
FIG. 29
PAGE 8
JAN 20/09

BRI



757

PARTS CATALOG (MAINTENANCE)

FIG ITEM	PART NUMBER	1 2 3 4 5 6 7	NOMENCLATURE	EFFECT FROM TO	UNITS PER ASSY
29 765	PLH53CD	.NUT	SUPPLIER CODE: VF0224 SPECIFICATION NUMBER: BACN10YR3CD OPTIONAL PART: H52732-3CD V15653	103106	1
770	BACC10DK20	.CLAMP		103106	1
775	S717-101	.CLAMP	SUPPLIER CODE: V18076 SPECIFICATION NUMBER: BACC10GU101 OPTIONAL PART: 534CS101 V83930 JM44LC39S101RG V22175	103106	1
900			ILLUSTRATION REFERENCE: PLUMBING INSTL-SECT. 12 L TRAILING EDGE CTR SYS (HYDRAULIC POWER ONLY) 29-11-51-27	103106	RF
905			ILLUSTRATION REFERENCE: PLUMBING INSTL-SECT. 12 L TRAILING EDGE CTR SYS (SPOILER POWER CONTROL ACTUATOR ONLY) 27-61-02-05	103106	RF
910			ILLUSTRATION REFERENCE: PLUMBING INSTL-SECT. 12 L TRAILING EDGE CTR SYS (SPOILER POWER CONTROL ACTUATOR ONLY) 27-61-02-05	103106	RF

MISSING ITEM NUMBERS NOT APPLICABLE

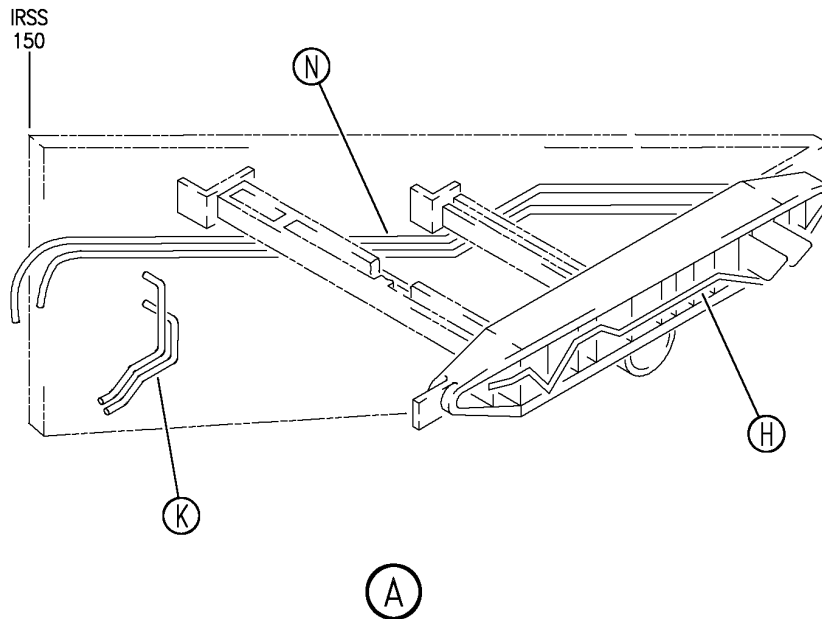
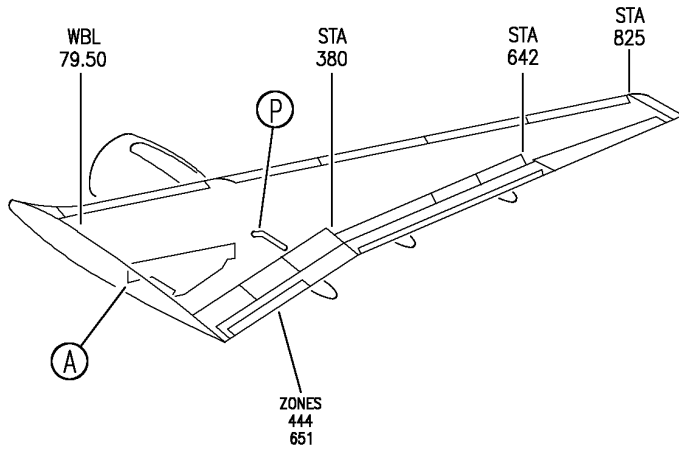
- ITEM NOT ILLUSTRATED

29-11-51-29

29-11-51
FIG. 29
PAGE 9
JAN 20/09

BRI

BOEING
757
PARTS CATALOG (MAINTENANCE)



Y 29115129A SHT 1 REV 335

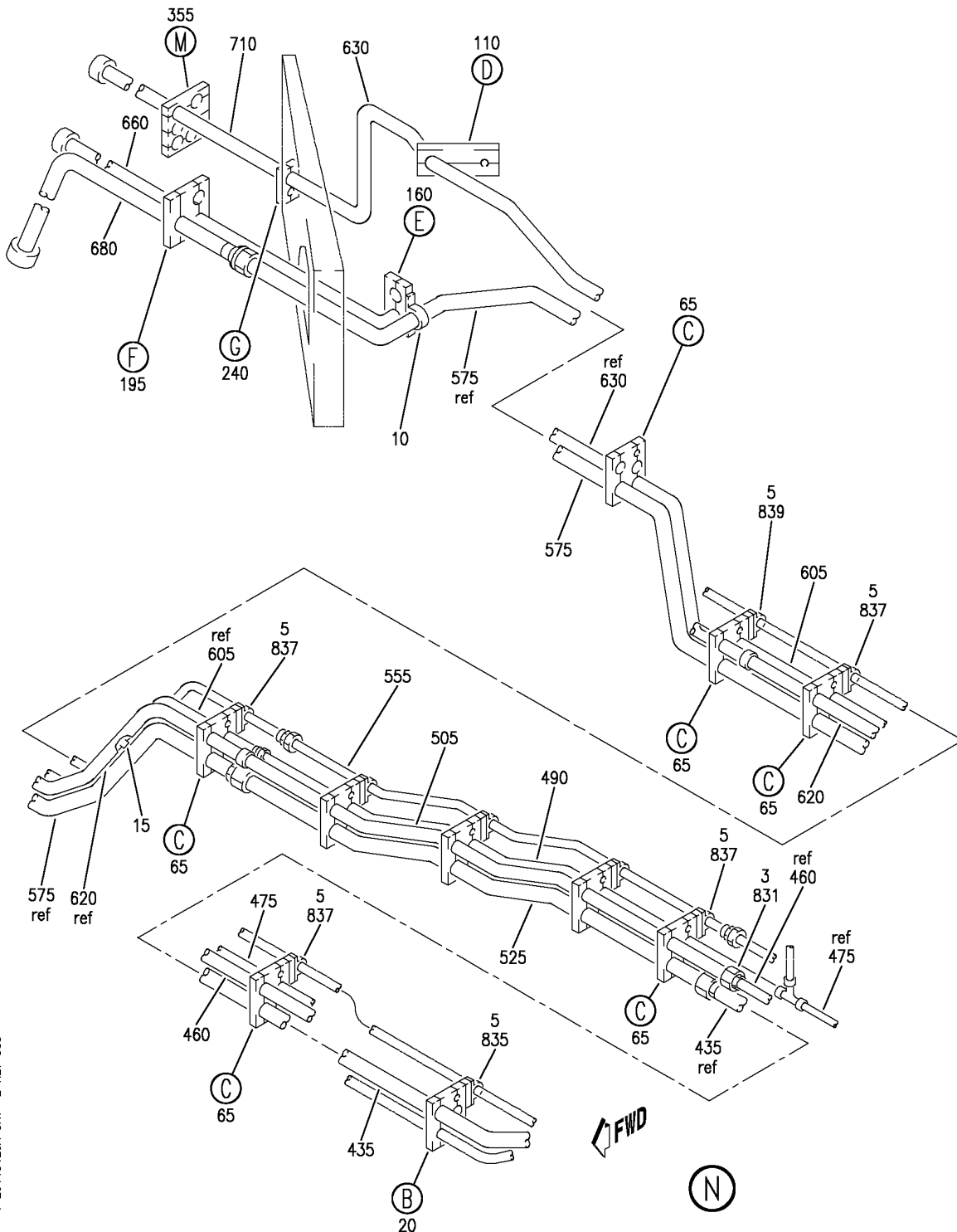
PLUMBING INSTL-SECT. 12 RL TRAILING EDGE CTR SYS (HYDRAULIC POWER ONLY)
FIGURE 29A (SHEET 1)

BRI
MAY 20/09

29-11-51-29A

29-11-51-29A
PAGE 0


BOEING
 757
PARTS CATALOG (MAINTENANCE)



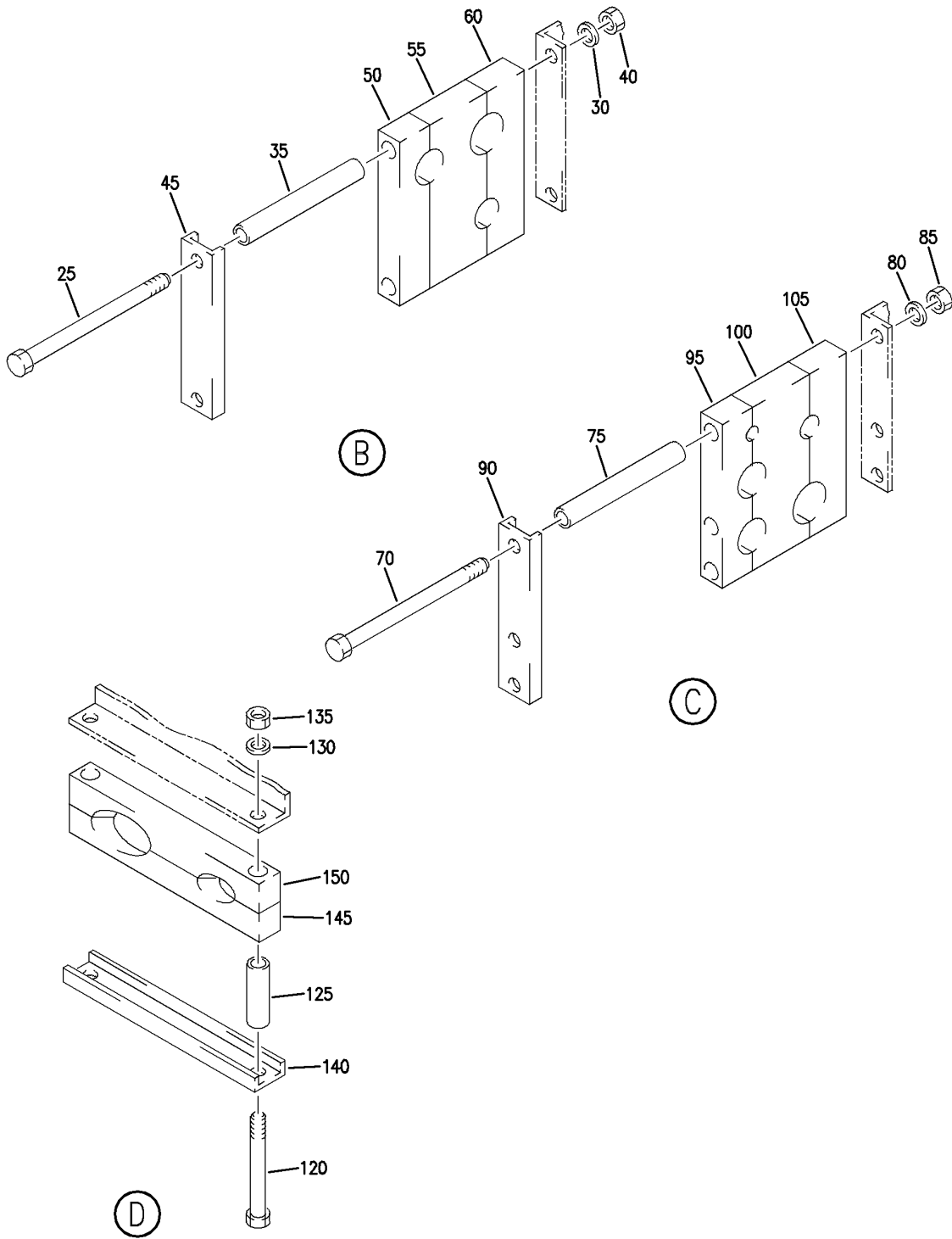
PLUMBING INSTL-SECT. 12 RL TRAILING EDGE CTR SYS (HYDRAULIC POWER ONLY)
 FIGURE 29A (SHEET 2)

29-11-51-29A

BRI
 MAY 20/09

29-11-51-29A
 PAGE 0A


BOEING
 757
PARTS CATALOG (MAINTENANCE)



Y 29115129A SHT 3 REV 248

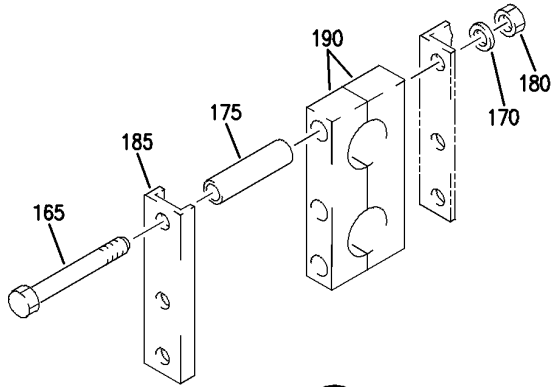
PLUMBING INSTL-SECT. 12 RL TRAILING EDGE CTR SYS (HYDRAULIC POWER ONLY)
 FIGURE 29A (SHEET 3)

BRI
JAN 20/09

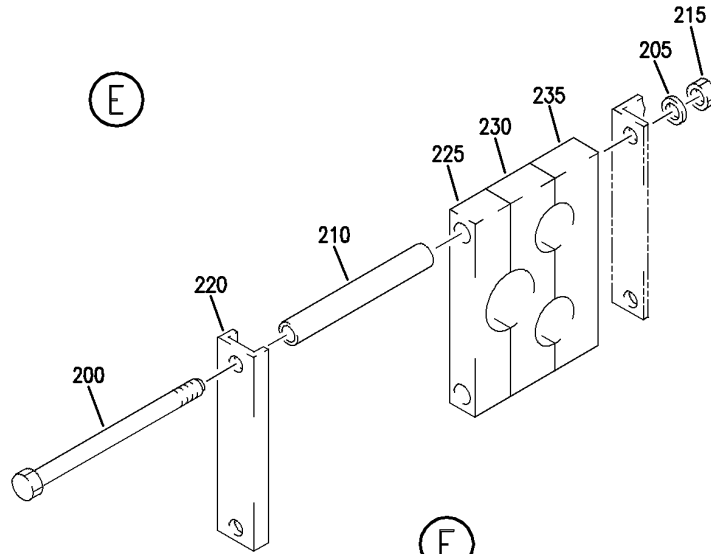
29-11-51-29A

29-11-51-29A
 PAGE 0B

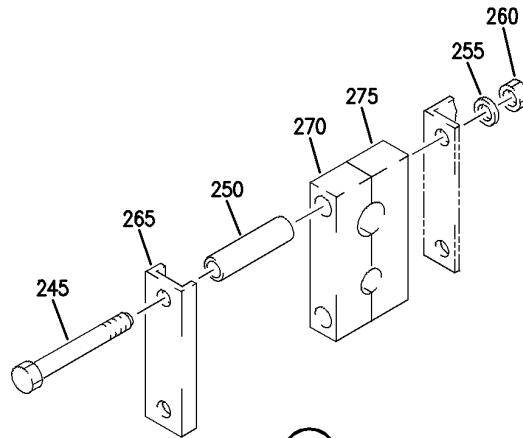
BOEING
757
PARTS CATALOG (MAINTENANCE)



(E)



(F)



(G)

Y 29115129A SH1 4 REV 248

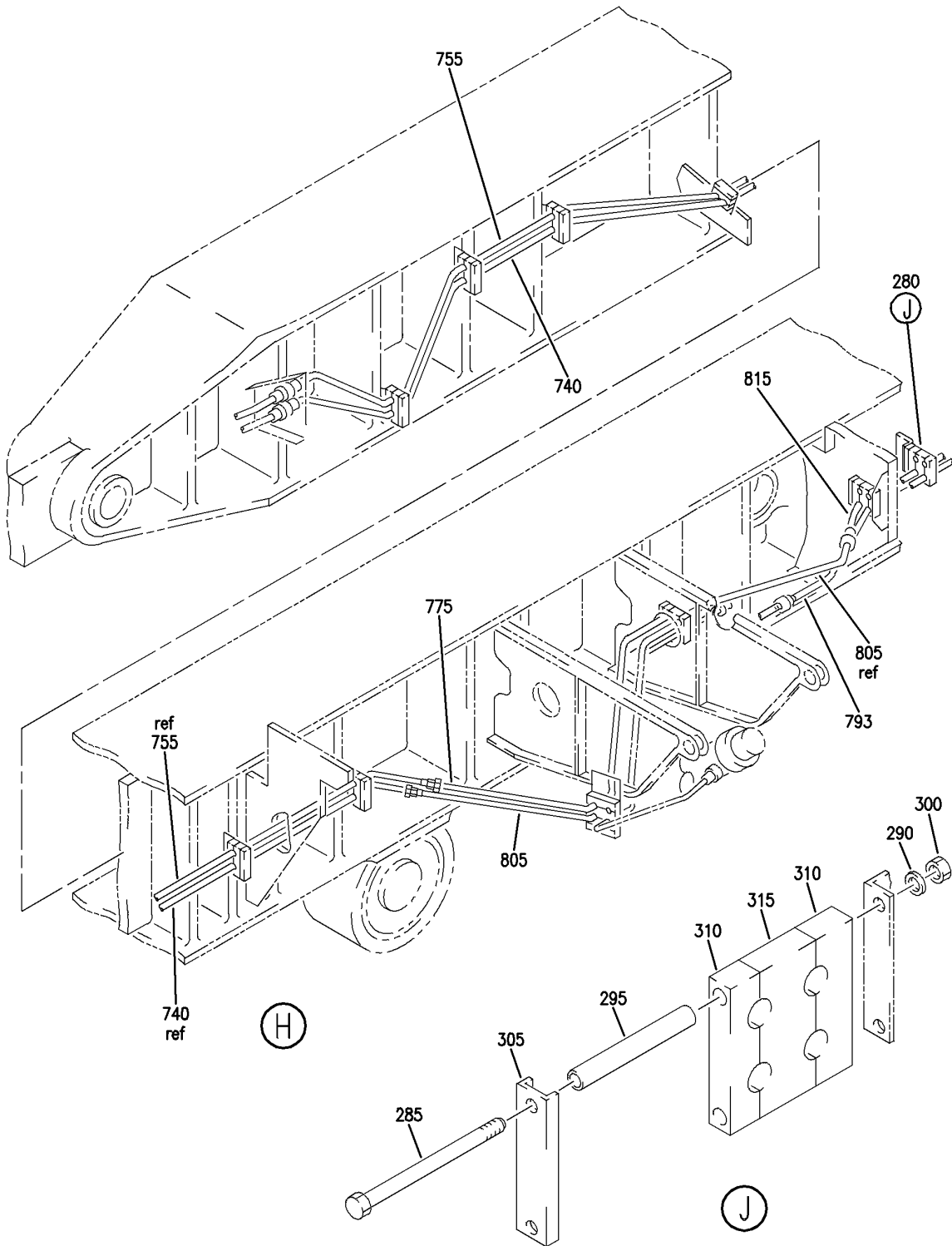
PLUMBING INSTL-SECT. 12 RL TRAILING EDGE CTR SYS (HYDRAULIC POWER ONLY)
FIGURE 29A (SHEET 4)

BRI
JAN 20/09

29-11-51-29A

29-11-51-29A
PAGE 0C

BOEING
757
PARTS CATALOG (MAINTENANCE)



Y 29115129A SH1 5 REV 248

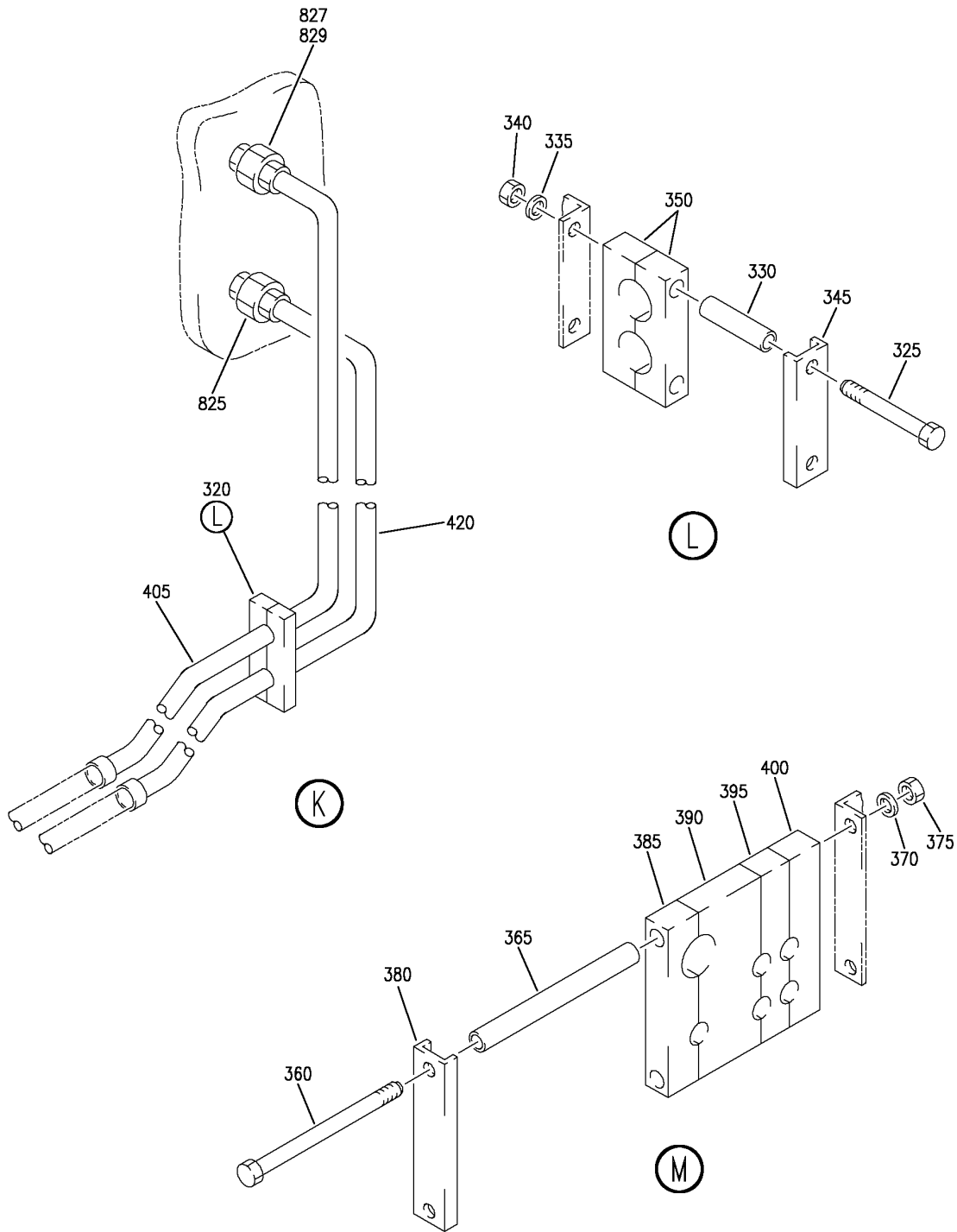
PLUMBING INSTL-SECT. 12 RL TRAILING EDGE CTR SYS (HYDRAULIC POWER ONLY)
FIGURE 29A (SHEET 5)

29-11-51-29A

BRI
JAN 20/09

29-11-51-29A
PAGE 0D

BOEING
757
PARTS CATALOG (MAINTENANCE)



Y 29115129A SHT 6 REV 248

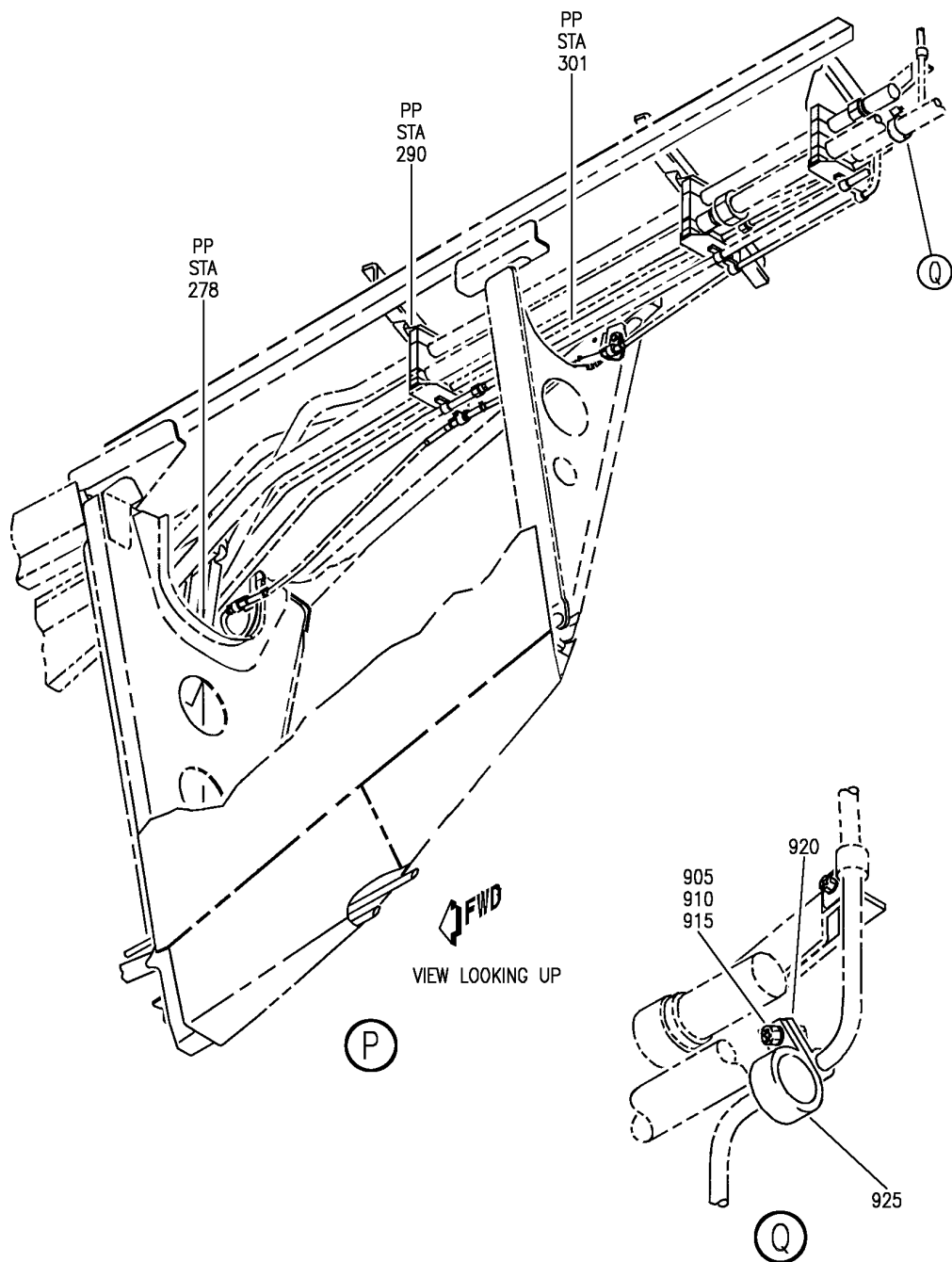
PLUMBING INSTL-SECT. 12 RL TRAILING EDGE CTR SYS (HYDRAULIC POWER ONLY)
FIGURE 29A (SHEET 6)

BRI
JAN 20/09

29-11-51-29A

29-11-51-29A
PAGE 0E

BOEING
757
PARTS CATALOG (MAINTENANCE)



Y 29115129A SHT 7 REV 335

PLUMBING INSTL-SECT. 12 RL TRAILING EDGE CTR SYS (HYDRAULIC POWER ONLY)
FIGURE 29A (SHEET 7)

BRI
MAY 20/09

29-11-51-29A

29-11-51-29A
PAGE OF



757

PARTS CATALOG (MAINTENANCE)

FIG ITEM	PART NUMBER	1 2 3 4 5 6 7	NOMENCLATURE	EFFECT FROM TO	UNITS PER ASSY
29A			PLUMBING INSTL-SECT. 12 RL TRAILING EDGE CTR SYS (HYDRAULIC POWER ONLY)	103106	
- 1	MODREF24143		PLUMBING INSTL-HYDR CTR SYS (HYDRAULIC POWER ONLY) MODULE NUMBER: 271N6123-21 REV B POSITION DATA: SECT. 12 R TRAILING EDGE FOR OTHER SYS DETAILS SEE: 27-61-02-06 32-32-01-05 32-32-02-04 32-32-07-03 32-32-17-03 32-32-51-02 32-41-51-07 FOR ADDITIONAL DETAILS SEE: 29-11-18-04 29-11-26-07	103105	1
- 1	MODREF34199		PLUMBING INSTL-HYDR CTR SYS (HYDRAULIC POWER ONLY) MODULE NUMBER: 271N6123-21 REV C POSITION DATA: SECT. 12 R TRAILING EDGE FOR OTHER SYS DETAILS SEE: 27-61-02-06 32-32-01-05 32-32-02-04 32-32-07-03 32-32-17-03 32-32-51-02 32-41-51-07 FOR ADDITIONAL DETAILS SEE: 29-11-18-04 29-11-26-07	106106	1
3	BACM10V21-2JH		.MARKER-ALUMINUM FOIL	103106	1
5	TA0910004H110		.CLAMP-SADDLE SUPPLIER CODE: V84971 SPECIFICATION NUMBER: BACC10HB10C	103106	9

MISSING ITEM NUMBERS NOT APPLICABLE

- ITEM NOT ILLUSTRATED

29-11-51-29A

29-11-51
FIG. 29A
PAGE 1
JAN 20/09

BRI



757

PARTS CATALOG (MAINTENANCE)

FIG ITEM	PART NUMBER	1 2 3 4 5 6 7	NOMENCLATURE	EFFECT FROM TO	UNITS PER ASSY
29A					
10	TA0910004H120	.	CLAMP-SADDLE SUPPLIER CODE: V84971 SPECIFICATION NUMBER: BACC10HB20C	103106	1
15	M85052-2-16	.	CLAMP	103106	1
20	270N2000-192	.	CLAMP ASSY-BLK	103106	1
25	NAS1801-3-66	..	SCREW	103106	2
30	AN960KD10L	..	WASHER	103106	2
35	NAS43DD3-232	..	SPACER	103106	2
40	BRH10A3	..	NUT SUPPLIER CODE: V52828 SPECIFICATION NUMBER: BACN10JC3 OPTIONAL PART: H10-3BAC V15653 NS202101-02 V80539 RMLH9075-3W V72962 VN303A02 V92215 96-02 V80539 T6S1032J V11815	103106	2
45	270N2000-1007	..	CHANNEL	103106	1
50	270N2000-672	..	BLOCK	103106	1
55	270N2000-673	..	BLOCK	103106	1
60	270N2000-674	..	BLOCK	103106	1
65	270N2000-1307	.	CLAMP ASSY-BLK	103106	9
70	NAS1801-3-67	..	SCREW	103106	3
75	NAS43DD3-234	..	SPACER	103106	3
80	AN960KD10L	..	WASHER	103106	3

MISSING ITEM NUMBERS NOT APPLICABLE

- ITEM NOT ILLUSTRATED

29-11-51-29A

29-11-51
FIG. 29A
PAGE 2
JAN 20/09

BRI

BOEING PROPRIETARY - Copyright © - Unpublished Work - See title page for details.



757

PARTS CATALOG (MAINTENANCE)

FIG ITEM	PART NUMBER	1 2 3 4 5 6 7	NOMENCLATURE	EFFECT FROM TO	UNITS PER ASSY
29A 85	BRH10A3	..	NUT SUPPLIER CODE: V52828 SPECIFICATION NUMBER: BACN10JC3 OPTIONAL PART: H10-3BAC V15653 NS202101-02 V80539 RMLH9075-3W V72962 VN303A02 V92215 96-02 V80539 T6S1032J V11815	103106	3
90	270N2000-811	..	CHANNEL	103106	1
95	270N2000-1252	..	BLOCK	103106	1
100	270N2000-1219	..	BLOCK	103106	1
105	270N2000-1220	..	BLOCK	103106	1
110	270N2000-1309	.	CLAMP ASSY-BLK	103106	1
120	NAS1801-3-34	..	SCREW	103106	2
125	NAS43DD3-101	..	SPACER	103106	2
130	AN960KD10L	..	WASHER	103106	2
135	BRH10A3	..	NUT SUPPLIER CODE: V52828 SPECIFICATION NUMBER: BACN10JC3 OPTIONAL PART: H10-3BAC V15653 NS202101-02 V80539 RMLH9075-3W V72962 VN303A02 V92215 96-02 V80539 T6S1032J V11815	103106	2
140	270N2000-808	..	CHANNEL	103106	1
145	270N2000-1209	..	BLOCK	103106	1
150	270N2000-1210	..	BLOCK	103106	1
160	270N2000-21	.	CLAMP ASSY-BLK	103106	1
165	NAS1801-3-34	..	SCREW	103106	3

MISSING ITEM NUMBERS NOT APPLICABLE

- ITEM NOT ILLUSTRATED

29-11-51-29A

29-11-51
FIG. 29A
PAGE 3
JAN 20/09

BRI

BOEING PROPRIETARY - Copyright © - Unpublished Work - See title page for details.



757

PARTS CATALOG (MAINTENANCE)

FIG ITEM	PART NUMBER	1 2 3 4 5 6 7	NOMENCLATURE	EFFECT FROM TO	UNITS PER ASSY
29A					
170	AN960PD10L	..	WASHER	103106	3
175	NAS43DD3-99	..	SPACER	103106	3
180	BRH10A3	..	NUT	103106	3
			SUPPLIER CODE: V52828		
			SPECIFICATION NUMBER: BACN10JC3		
			OPTIONAL PART: H10-3BAC		
			V15653		
			NS202101-02		
			V80539		
			RMLH9075-3W		
			V72962		
			VN303A02		
			V92215		
			96-02		
			V80539		
			T6S1032J		
			V11815		
185	270N2000-812	..	CHANNEL	103106	1
190	270N2000-434	..	BLOCK	103106	2
195	270N2000-18	.	CLAMP ASSY-BLK	103106	1
200	NAS1801-3-52	..	SCREW	103106	2
205	AN960PD10L	..	WASHER	103106	2
210	NAS43DD3-171	..	SPACER	103106	2
215	BRH10A3	..	NUT	103106	2
			SUPPLIER CODE: V52828		
			SPECIFICATION NUMBER: BACN10JC3		
			OPTIONAL PART: H10-3BAC		
			V15653		
			NS202101-02		
			V80539		
			RMLH9075-3W		
			V72962		
			VN303A02		
			V92215		
			96-02		
			V80539		
			T6S1032J		
			V11815		
220	270N2000-820	..	CHANNEL	103106	1
225	270N2000-426	..	BLOCK	103106	1
230	270N2000-427	..	BLOCK	103106	1
235	270N2000-428	..	BLOCK	103106	1
240	270N2000-223	.	CLAMP ASSY-BLK	103106	1

MISSING ITEM NUMBERS NOT APPLICABLE

- ITEM NOT ILLUSTRATED

29-11-51-29A

29-11-51
FIG. 29A
PAGE 4
JAN 20/09

BRI

BOEING PROPRIETARY - Copyright © - Unpublished Work - See title page for details.



757

PARTS CATALOG (MAINTENANCE)

FIG ITEM	PART NUMBER	1 2 3 4 5 6 7	NOMENCLATURE	EFFECT FROM TO	UNITS PER ASSY
29A					
245	NAS1801-3-30	..	SCREW	103106	2
250	NAS43DD3-85	..	SPACER	103106	2
255	AN960KD10L	..	WASHER	103106	2
260	BRH10A3	..	NUT	103106	2
			SUPPLIER CODE: V52828		
			SPECIFICATION NUMBER: BACN10JC3		
			OPTIONAL PART: H10-3BAC		
			V15653		
			NS202101-02		
			V80539		
			RMLH9075-3W		
			V72962		
			VN303A02		
			V92215		
			96-02		
			V80539		
			T6S1032J		
			V11815		
265	270N2000-805	..	CHANNEL	103106	1
270	270N2000-1211	..	BLOCK	103106	1
275	270N2000-1250	..	BLOCK	103106	1
280	270N2000-2	.	CLAMP ASSY	103106	1
285	NAS1801-3-34	..	SCREW	103106	2
290	AN960PD10L	..	WASHER	103106	2
295	NAS43DD3-100	..	SPACER	103106	2
300	BRH10A3	..	NUT	103106	2
			SUPPLIER CODE: V52828		
			SPECIFICATION NUMBER: BACN10JC3		
			OPTIONAL PART: H10-3BAC		
			V15653		
			NS202101-02		
			V80539		
			RMLH9075-3W		
			V72962		
			VN303A02		
			V92215		
			96-02		
			V80539		
			T6S1032J		
			V11815		
305	270N2000-801	..	CHANNEL	103106	1
310	270N2000-401	..	BLOCK	103106	2
315	270N2000-402	..	BLOCK	103106	1

MISSING ITEM NUMBERS NOT APPLICABLE

- ITEM NOT ILLUSTRATED

29-11-51-29A

29-11-51
FIG. 29A
PAGE 5
JAN 20/09

BRI

BOEING PROPRIETARY - Copyright © - Unpublished Work - See title page for details.



757

PARTS CATALOG (MAINTENANCE)

FIG ITEM	PART NUMBER	1 2 3 4 5 6 7	NOMENCLATURE	EFFECT FROM TO	UNITS PER ASSY
29A					
320	270N2000-32	.	CLAMP ASSY-BLK	103106	1
325	NAS1801-3-24	..	SCREW	103106	2
330	NAS43DD3-67	..	SPACER	103106	2
335	AN960PD10L	..	WASHER	103106	2
340	BRH10A3	..	NUT	103106	2
			SUPPLIER CODE: V52828		
			SPECIFICATION NUMBER: BACN10JC3		
			OPTIONAL PART: H10-3BAC		
			V15653		
			NS202101-02		
			V80539		
			RMLH9075-3W		
			V72962		
			VN303A02		
			V92215		
			96-02		
			V80539		
			T6S1032J		
			V11815		
345	270N2000-821	..	CHANNEL	103106	1
350	270N2000-447	..	BLOCK	103106	2
355	270N2000-1308	.	CLAMP ASSY-BLK	103106	1
360	NAS1801-3-51	..	SCREW	103106	2
365	NAS43DD3-169	..	SPACER	103106	2
370	AN960KD10L	..	WASHER	103106	2
375	BRH10A3	..	NUT	103106	2
			SUPPLIER CODE: V52828		
			SPECIFICATION NUMBER: BACN10JC3		
			OPTIONAL PART: H10-3BAC		
			V15653		
			NS202101-02		
			V80539		
			RMLH9075-3W		
			V72962		
			VN303A02		
			V92215		
			96-02		
			V80539		
			T6S1032J		
			V11815		
380	270N2000-805	..	CHANNEL	103106	1
385	270N2000-1215	..	BLOCK	103106	1
390	270N2000-1216	..	BLOCK	103106	1

MISSING ITEM NUMBERS NOT APPLICABLE

- ITEM NOT ILLUSTRATED

29-11-51-29A

29-11-51
FIG. 29A
PAGE 6
JAN 20/09

BRI

BOEING PROPRIETARY - Copyright © - Unpublished Work - See title page for details.



757

PARTS CATALOG (MAINTENANCE)

FIG ITEM	PART NUMBER	1 2 3 4 5 6 7	NOMENCLATURE	EFFECT FROM TO	UNITS PER ASSY
29A					
395	270N2000-1213	..	BLOCK	103106	1
400	270N2000-1214	..	BLOCK	103106	1
405	271N6123-1306	.TUBE ASSY-PRESSURE SYS		103106	1
			POSITION DATA:		
			C		
			TUBING MATERIAL:		
			.500 IN. OD		
			TITANIUM		
- 410	BACN10YA8	..	NUT	103106	1
- 415	AS1582T08	..	UNION	103106	1
420	271N6123-1307	.TUBE ASSY-PRESSURE SYS		103106	1
			POSITION DATA:		
			C		
			TUBING MATERIAL:		
			.500 IN. OD		
			ALUMINUM		
- 425	AP2097HP08	..	SLEEVE	103106	2
			SUPPLIER CODE:		
			V01673		
			SPECIFICATION NUMBER:		
			BACS13BX08HP		
			OPTIONAL PART:		
			2-02903-08HP		
			V11328		
			35235VN08		
			V08199		
			AFP175V08P		
			V30974		
			DB0S13BX08HP		
			V14798		
- 430	BACN10YL08	..	NUT	103106	2
435	271N6123-1293	.TUBE ASSY-SUPPLY SYS		103106	1
			POSITION DATA:		
			R		
			TUBING MATERIAL:		
			1.25 IN. OD .035 IN.		
			WALL 39.10 IN. LG AL		
			AMS 4083 6061 T6		
			TUBING		
- 440	AFP175V20P	..	SLEEVE	103106	1
			SUPPLIER CODE:		
			V30974		
			SPECIFICATION NUMBER:		
			BACS13BX20HP		
			OPTIONAL PART:		
			2-02901-20HP		
			V11328		
			35025VN20		
			V08199		

MISSING ITEM NUMBERS NOT APPLICABLE

- ITEM NOT ILLUSTRATED

29-11-51-29A

29-11-51
FIG. 29A
PAGE 7
JAN 20/09

BRI



757

PARTS CATALOG (MAINTENANCE)

FIG ITEM	PART NUMBER	1 2 3 4 5 6 7	NOMENCLATURE	EFFECT FROM TO	UNITS PER ASSY
29A					
- 450	BACN10YL20	..	NUT	103106	1
460	271N6123-1312	.TUBE ASSY-PRESSURE SYS		103106	1
			POSITION DATA:		
			R		
- 465	AS1581T16	..	SLEEVE	103106	2
- 470	BACN10YA16L	..	NUT	103106	2
475	271N6123-1152	.TUBE ASSY-RETURN SYS		103106	1
			POSITION DATA:		
			R		
			TUBING MATERIAL:		
			.625 IN. OD .035 IN.		
			WALL 28.70 IN. LG AL		
			AMS 4083 6061 T6		
			TUBING		
- 480	AP2097HP10	..	SLEEVE	103106	2
			SUPPLIER CODE:		
			V01673		
			SPECIFICATION NUMBER:		
			BACS13BX10HP		
			OPTIONAL PART:		
			2-02903-10HP		
			V11328		
			35235VN10		
			V08199		
			AFP175V10P		
			V30974		
			DBOS13BX10HP		
			V14798		
- 485	BACN10YL10	..	NUT	103106	2
490	271N6123-1113	.TUBE ASSY-PRESSURE SYS		103106	1
			POSITION DATA:		
			R		
			TUBING MATERIAL:		
			1.00 IN. OD .051 IN.		
			WALL 51.00 IN. LG TI		
			BMS 7-234 TI-3AL-2.5V		
			COLD WORKED, STRESS		
			RELIEVED TUBING		
- 495	AS1581T16	..	SLEEVE	103106	2
- 500	BACN10YA16L	..	NUT	103106	2
505	271N6123-1155	.TUBE ASSY-RETURN SYS		103106	1
			POSITION DATA:		
			R		
			TUBING MATERIAL:		
			.625 IN. OD .035 IN.		
			WALL 69.70 IN. LG AL		
			AMS 4083 6061 T6		
			TUBING		

MISSING ITEM NUMBERS NOT APPLICABLE

- ITEM NOT ILLUSTRATED

29-11-51-29A

29-11-51
FIG. 29A
PAGE 8
JAN 20/09

BRI

BOEING PROPRIETARY - Copyright © - Unpublished Work - See title page for details.



757

PARTS CATALOG (MAINTENANCE)

FIG ITEM	PART NUMBER	1 2 3 4 5 6 7	NOMENCLATURE	EFFECT FROM TO	UNITS PER ASSY
29A - 510	AP2097HP10	..	SLEEVE SUPPLIER CODE: V01673 SPECIFICATION NUMBER: BACS13BX10HP OPTIONAL PART: 2-02903-10HP V11328 35235VN10 V08199 AFP175V10P V30974 DBOS13BX10HP V14798	103106	1
- 515	BACN10YL10	..	NUT	103106	1
- 520	35056GV10	..	UNION SUPPLIER CODE: V08199 SPECIFICATION NUMBER: BACU24AB10W OPTIONAL PART: 4671097W10 V50948 2-01027-10W V11328 31875-10W V14397 AP1004W10 V01673 AFP941W10 V30974 DBOU24AB10W V14798	103106	1
525	271N6123-1070	.TUBE ASSY-SUPPLY SYS POSITION DATA: R TUBING MATERIAL: 1.25 IN. OD .035 IN. WALL 63.60 IN. LG AL AMS 4083 6061 T6 TUBING		103106	1

MISSING ITEM NUMBERS NOT APPLICABLE

- ITEM NOT ILLUSTRATED

29-11-51-29A

29-11-51
FIG. 29A
PAGE 9
JAN 20/09

BRI

BOEING PROPRIETARY - Copyright © - Unpublished Work - See title page for details.



757

PARTS CATALOG (MAINTENANCE)

FIG ITEM	PART NUMBER	1 2 3 4 5 6 7	NOMENCLATURE	EFFECT FROM TO	UNITS PER ASSY
29A - 530	AFP175V20P	..	SLEEVE SUPPLIER CODE: V30974 SPECIFICATION NUMBER: BACS13BX20HP OPTIONAL PART: 2-02901-20HP V11328 35025VN20 V08199	103106	2
- 540	BACN10YL20L	..	NUT	103106	2
555	271N6123-1174	.TUBE ASSY-RETURN SYS	POSITION DATA: R TUBING MATERIAL: .625 IN. OD .035 IN. WALL 67.90 IN. LG AL AMS 4083 6061 T6 TUBING	103106	1
- 560	AP2097HP10	..	SLEEVE SUPPLIER CODE: V01673 SPECIFICATION NUMBER: BACS13BX10HP OPTIONAL PART: 2-02903-10HP V11328 35235VN10 V08199 AFP175V10P V30974 DBOS13BX10HP V14798	103106	1
- 565	BACN10YL10	..	NUT	103106	1

MISSING ITEM NUMBERS NOT APPLICABLE

- ITEM NOT ILLUSTRATED

29-11-51-29A

29-11-51
FIG. 29A
PAGE 10
JAN 20/09

BRI

BOEING PROPRIETARY - Copyright © - Unpublished Work - See title page for details.



757

PARTS CATALOG (MAINTENANCE)

FIG ITEM	PART NUMBER	1 2 3 4 5 6 7	NOMENCLATURE	EFFECT FROM TO	UNITS PER ASSY
29A - 570	35056GV10		.. UNION SUPPLIER CODE: V08199 SPECIFICATION NUMBER: BACU24AB10W OPTIONAL PART: 4671097W10 V50948 2-01027-10W V11328 31875-10W V14397 AP1004W10 V01673 AFP941W10 V30974 DBOU24AB10W V14798	103106	1
575	271N6123-1034		. TUBE ASSY-SUPPLY SYS POSITION DATA: R TUBING MATERIAL: 1.25 IN. OD .035 IN. WALL 74.60 IN. LG AL AMS 4083 6061 T6 TUBING	103106	1
- 580	AFP175V20P		.. SLEEVE SUPPLIER CODE: V30974 SPECIFICATION NUMBER: BACS13BX20HP OPTIONAL PART: 2-02901-20HP V11328 35025VN20 V08199	103106	1
- 585	BACN10YL20L		.. NUT	103106	1

MISSING ITEM NUMBERS NOT APPLICABLE

- ITEM NOT ILLUSTRATED

29-11-51-29A

29-11-51
FIG. 29A
PAGE 11
JAN 20/09

BRI

BOEING PROPRIETARY - Copyright © - Unpublished Work - See title page for details.



757

PARTS CATALOG (MAINTENANCE)

FIG ITEM	PART NUMBER	1 2 3 4 5 6 7	NOMENCLATURE	EFFECT FROM TO	UNITS PER ASSY
29A - 595	35056GV20		..UNION SUPPLIER CODE: V08199 SPECIFICATION NUMBER: BACU24AB20W OPTIONAL PART: 4671097W20 V50948 2-01027-20W V11328 31875-20W V14397 AP1004W20 V01673 AFP941W20 V30974 DBOU24AB20W V14798	103106	1
605	271N6123-1265		.TUBE ASSY-PRESSURE SYS POSITION DATA: R TUBING MATERIAL: 1.00 IN. OD .051 IN. WALL 87.20 IN. LG TI BMS 7-234 TI-3AL-2.5V COLD WORKED, STRESS RELIEVED TUBING	103106	1
- 610	AS1581T16		..SLEEVE	103106	1
- 615	AS1582T16		..UNION	103106	1
620	271N6123-1157		.TUBE ASSY-RETURN SYS POSITION DATA: R TUBING MATERIAL: .625 IN. OD .035 IN. WALL 37.10 IN. LG AL AMS 4083 6061 T6 TUBING	103106	1

MISSING ITEM NUMBERS NOT APPLICABLE

- ITEM NOT ILLUSTRATED

29-11-51-29A

29-11-51
FIG. 29A
PAGE 12
JAN 20/09

BRI



757

PARTS CATALOG (MAINTENANCE)

FIG ITEM	PART NUMBER	1 2 3 4 5 6 7	NOMENCLATURE	EFFECT FROM TO	UNITS PER ASSY
29A - 625	35056GV10		.. UNION SUPPLIER CODE: V08199 SPECIFICATION NUMBER: BACU24AB10W OPTIONAL PART: 4671097W10 V50948 2-01027-10W V11328 31875-10W V14397 AP1004W10 V01673 AFP941W10 V30974 DBOU24AB10W V14798	103106	2
630	271N6123-1159		. TUBE ASSY-RETURN SYS POSITION DATA: R TUBING MATERIAL: .625 IN. OD .035 IN. WALL 56.30 IN. LG AMS 4083 6061 T6 TUBING	103106	1
- 635	AP2097HP10		.. SLEEVE SUPPLIER CODE: V01673 SPECIFICATION NUMBER: BACS13BX10HP OPTIONAL PART: 2-02903-10HP V11328 35235VN10 V08199 AFP175V10P V30974 DBOS13BX10HP V14798	103106	2
- 645	BACN10YL10		.. NUT	103106	2

MISSING ITEM NUMBERS NOT APPLICABLE

- ITEM NOT ILLUSTRATED

29-11-51-29A

29-11-51
FIG. 29A
PAGE 13
JAN 20/09

BRI

BOEING PROPRIETARY - Copyright © - Unpublished Work - See title page for details.



757

PARTS CATALOG (MAINTENANCE)

FIG ITEM	PART NUMBER	1 2 3 4 5 6 7	NOMENCLATURE	EFFECT FROM TO	UNITS PER ASSY
29A 660	271N6123-1280	.	TUBE ASSY-PRESSURE SYS POSITION DATA: R TUBING MATERIAL: 1.00 IN. OD .051 IN. WALL 33.30 IN. LG TI BMS 7-234 TI-3AL-2.5V COLD WORKED, STRESS RELIEVED TUBING	103106	1
- 665	AS1581T16	..	SLEEVE	103106	1
- 670	BACN10YA16L	..	NUT	103106	1
- 675	AS1582T16	..	UNION	103106	1
680	271N6123-1044	.	TUBE ASSY-SUPPLY SYS POSITION DATA: R TUBING MATERIAL: 1.25 IN. OD .035 IN. WALL 36.00 IN. LG AL AMS 4083 6061 T6 TUBING	103106	1
- 685	AFP175V20P	..	SLEEVE SUPPLIER CODE: V30974 SPECIFICATION NUMBER: BACS13BX20HP OPTIONAL PART: 2-02901-20HP V11328 35025VN20 V08199	103106	1
- 695	BACN10YL20L	..	NUT	103106	1
- 705	35056GV20	..	UNION SUPPLIER CODE: V08199 SPECIFICATION NUMBER: BACU24AB20W OPTIONAL PART: 4671097W20 V50948 2-01027-20W V11328 31875-20W V14397 AP1004W20 V01673 AFP941W20 V30974 DBOU24AB20W V14798	103106	1

MISSING ITEM NUMBERS NOT APPLICABLE

- ITEM NOT ILLUSTRATED

29-11-51-29A

29-11-51
FIG. 29A
PAGE 14
JAN 20/09

BRI



757

PARTS CATALOG (MAINTENANCE)

FIG ITEM	PART NUMBER	1 2 3 4 5 6 7	NOMENCLATURE	EFFECT FROM TO	UNITS PER ASSY
29A 710	271N6123-1161		.TUBE ASSY-RETURN SYS POSITION DATA: R TUBING MATERIAL: .625 IN. OD .035 IN. WALL 29.30 IN. LG AL AMS 4083 6061 T6 TUBING	103106	1
- 715	AP2097HP10		..SLEEVE SUPPLIER CODE: V01673 SPECIFICATION NUMBER: BACS13BX10HP OPTIONAL PART: 2-02903-10HP V11328 35235VN10 V08199 AFP175V10P V30974 DBOS13BX10HP V14798	103106	1
- 725	BACN10YL10		..NUT	103106	1
- 735	35056GV10		..UNION SUPPLIER CODE: V08199 SPECIFICATION NUMBER: BACU24AB10W OPTIONAL PART: 4671097W10 V50948 2-01027-10W V11328 31875-10W V14397 AP1004W10 V01673 AFP941W10 V30974 DBOU24AB10W V14798	103106	1
740	271N6123-1256		.TUBE ASSY-RETURN SYS POSITION DATA: L TUBING MATERIAL: .375 IN. OD .035 IN. WALL 84.00 IN. LG ALUMINUM	103106	1

MISSING ITEM NUMBERS NOT APPLICABLE

- ITEM NOT ILLUSTRATED

29-11-51-29A

29-11-51
FIG. 29A
PAGE 15
JAN 20/09

BRI

BOEING PROPRIETARY - Copyright © - Unpublished Work - See title page for details.



757

PARTS CATALOG (MAINTENANCE)

FIG ITEM	PART NUMBER	1 2 3 4 5 6 7	NOMENCLATURE	EFFECT FROM TO	UNITS PER ASSY
29A 740	271N6123-1315		.TUBE ASSY-RETURN SYS POSITION DATA: L TUBING MATERIAL: .375 IN. OD .035 IN. WALL 83.9 IN. LG AMS 4083 6061 T6 TUBING	106106	1
- 745	AP2097HP06		..SLEEVE SUPPLIER CODE: V01673 SPECIFICATION NUMBER: BACS13BX06HP OPTIONAL PART: 2-02903-06HP V11328 35235VN06 V08199 AFP175V06P V30974 DBOS13BX06HP V14798	103106	2
- 750	BACN10YL06		..NUT- OPTIONAL PART: MS21921-6D	103106	2
- 750	MS21921-6D		..NUT- OPTIONAL PART: BACN10YL06	103106	2
755	271N6123-1255		.TUBE ASSY-PRESSURE SYS POSITION DATA: L TUBING MATERIAL: .375 IN. OD .019 IN. WALL 86.50 IN. LG TITANIUM	103106	1
- 760	AS1581T06		..SLEEVE	103106	1
- 765	BACN10YA6N		..NUT	103106	1
- 770	AS1582T06		..UNION	103106	1
775	271N6123-1286		.TUBE ASSY-PRESSURE SYS POSITION DATA: L TUBING MATERIAL: .375 IN. OD .019 IN. WALL 43.50 IN. LG TITANIUM	103106	1
- 780	AS1581T06		..SLEEVE	103106	1
- 785	BACN10YA6N		..NUT	103106	1
- 790	AS1582T06		..UNION	103106	1

MISSING ITEM NUMBERS NOT APPLICABLE

- ITEM NOT ILLUSTRATED

29-11-51-29A

29-11-51
FIG. 29A
PAGE 16
JAN 20/09

BRI

BOEING PROPRIETARY - Copyright © - Unpublished Work - See title page for details.



757

PARTS CATALOG (MAINTENANCE)

FIG ITEM	PART NUMBER	1 2 3 4 5 6 7	NOMENCLATURE	EFFECT FROM TO	UNITS PER ASSY
29A 793	271N6123-1287	.	TUBE ASSY-PRESSURE SYS POSITION DATA: L TUBING MATERIAL: .375 IN. OD .019 IN. WALL 41.50 IN. LG TITANIUM	103106	1
- 796	AS1581T06	..	SLEEVE	103106	2
- 799	BACN10YA6N	..	NUT	103106	2
- 803	AS1582T06	..	UNION	103106	2
805	271N6123-1072	.	TUBE ASSY-RETURN SYS POSITION DATA: L TUBING MATERIAL: .375 IN. OD .035 IN. WALL 46.00 IN. LG ALUMINUM	103106	1
- 807	AP2097HP06	..	SLEEVE SUPPLIER CODE: V01673 SPECIFICATION NUMBER: BACS13BX06HP OPTIONAL PART: 2-02903-06HP V11328 35235VN06 V08199 AFP175V06P V30974 DBOS13BX06HP V14798	103106	1
- 809	BACN10YL06	..	NUT- OPTIONAL PART: MS21921-6D	103106	1
- 809	MS21921-6D	..	NUT- OPTIONAL PART: BACN10YL06	103106	1

MISSING ITEM NUMBERS NOT APPLICABLE

- ITEM NOT ILLUSTRATED

29-11-51-29A

29-11-51
FIG. 29A
PAGE 17
JAN 20/09

BRI



757

PARTS CATALOG (MAINTENANCE)

FIG ITEM	PART NUMBER	1 2 3 4 5 6 7	NOMENCLATURE	EFFECT FROM TO	UNITS PER ASSY
29A - 811	35056GV06		..UNION SUPPLIER CODE: V08199 SPECIFICATION NUMBER: BACU24AB6W OPTIONAL PART: 2-01027-6W V11328 31875-6W V14397 4671097W6 V50948 AP1004W06 V01673 AFP941W6 V30974 DBOU24AB6W V14798	103106	1
815	271N6123-1050		.TUBE ASSY-RETURN SYS POSITION DATA: L TUBING MATERIAL: .375 IN. OD .035 IN. WALL 43.00 IN. LG ALUMINUM	103106	1
- 817	AP2097HP06		..SLEEVE SUPPLIER CODE: V01673 SPECIFICATION NUMBER: BACS13BX06HP OPTIONAL PART: 2-02903-06HP V11328 35235VN06 V08199 AFP175V06P V30974 DBOS13BX06HP V14798	103106	1
- 819	BACN10YL06		..NUT- OPTIONAL PART: MS21921-6D	103106	1
- 819	MS21921-6D		..NUT- OPTIONAL PART: BACN10YL06	103106	1

MISSING ITEM NUMBERS NOT APPLICABLE

- ITEM NOT ILLUSTRATED

29-11-51-29A

29-11-51
FIG. 29A
PAGE 18
JAN 20/09

BRI



757

PARTS CATALOG (MAINTENANCE)

FIG ITEM	PART NUMBER	1 2 3 4 5 6 7	NOMENCLATURE	EFFECT FROM TO	UNITS PER ASSY
29A - 821	35056GV06	. .	UNION SUPPLIER CODE: V08199 SPECIFICATION NUMBER: BACU24AB6W OPTIONAL PART: 2-01027-6W V11328 31875-6W V14397 4671097W6 V50948 AP1004W06 V01673 AFP941W6 V30974 DBOU24AB6W V14798	103106	1
825	MS21916D8-6	. REDUCER		103106	1
827	MS21916-8-6T	. REDUCER		103106	1
829	NAS1612-6A	. PACKING		103106	1
831	1C3596	. VALVE SUPPLIER CODE: V99240 SPECIFICATION NUMBER: BACV10CD14 OPTIONAL PART: 0121520900-14 V83533		103106	1
835	271N6257-8	. PLATE-SPRT		103106	1
837	271N6226-1	. BRACKET-SPRT		103106	7
839	271N6226-2	. BRACKET-SPRT		103106	1

MISSING ITEM NUMBERS NOT APPLICABLE

- ITEM NOT ILLUSTRATED

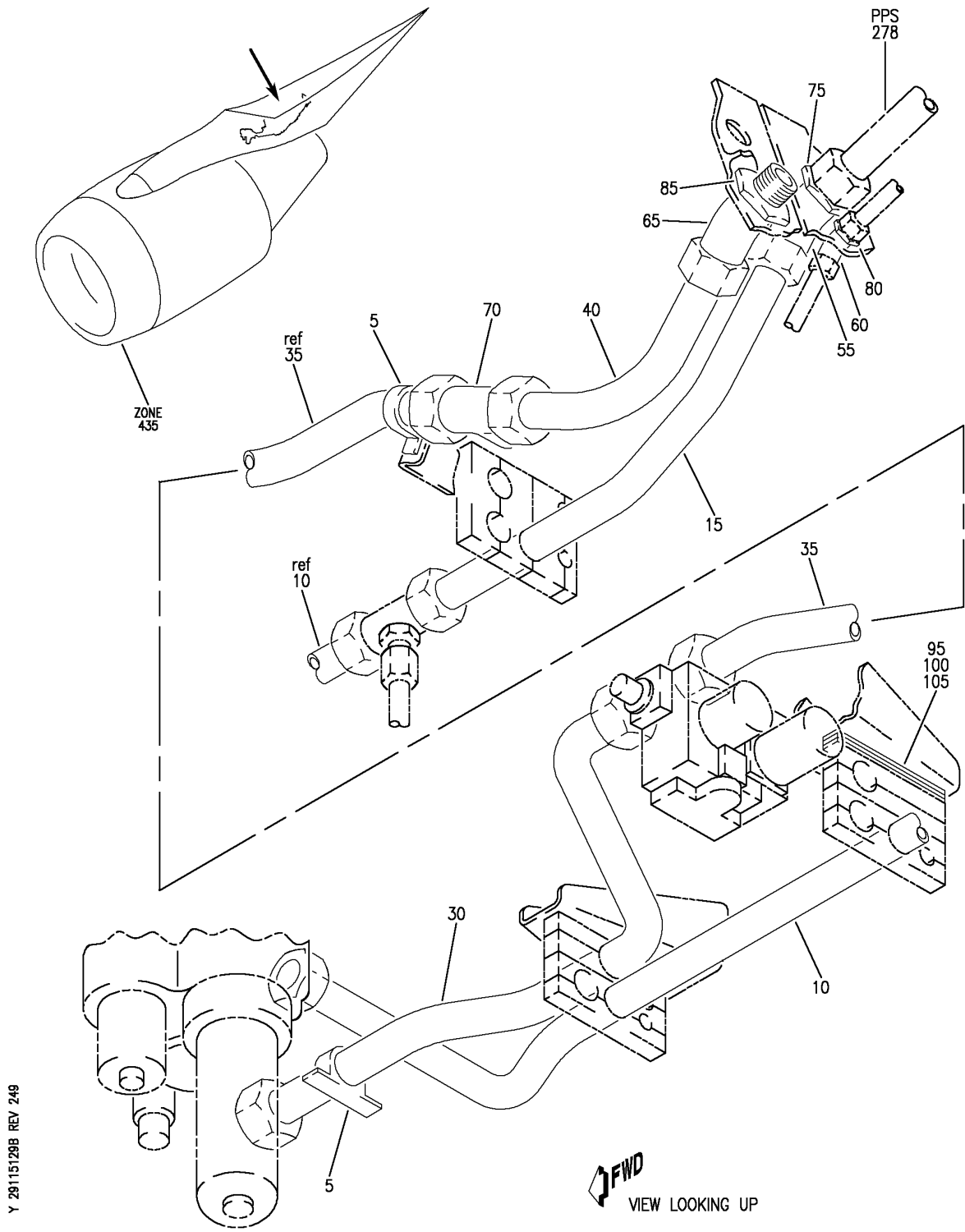
29-11-51-29A

29-11-51
FIG. 29A
PAGE 19
JAN 20/09

BRI

BOEING PROPRIETARY - Copyright © - Unpublished Work - See title page for details.

BOEING
757
PARTS CATALOG (MAINTENANCE)



PLUMBING INSTL-SECT. 31.1 LEFT AFT ENG STRUT BASIC AND STABLE (HYDRAULIC POWER ONLY)
FIGURE 29B

BRI
JAN 20/09

29-11-51-29B

29-11-51-29B
PAGE 0

BOEING PROPRIETARY - Copyright © - Unpublished Work - See title page for details.



757

PARTS CATALOG (MAINTENANCE)

FIG ITEM	PART NUMBER	1 2 3 4 5 6 7	NOMENCLATURE	EFFECT FROM TO	UNITS PER ASSY
29B			PLUMBING INSTL-SECT. 31.1 LEFT AFT ENG STRUT BASIC AND STABLE (HYDRAULIC POWER ONLY)	103106	RF
- 1	271N6311-23		PLUMBING INSTL-HYDR LEFT AFT STRUT BASIC AND STABLE POSITION DATA: SECT. 31.L	103105	RF
- 1	MODREF31365		PLUMBING INSTL-HYDR LEFT AFT STRUT BASIC AND STABLE (HYDRAULIC POWER ONLY) MODULE NUMBER: 271N6311-23 REV B FOR OTHER SYS DETAILS SEE: 26-21-51-24	103106	1
5	TA0910004H120		.CLAMP SUPPLIER CODE: V84971 SPECIFICATION NUMBER: BACC10HB20C	103106	2
10	271N6311-1053		.TUBE ASSY-L SYS PRESSURE TUBING MATERIAL: 1.00 IN. OD .051 IN. WALL 29.50 IN. LG TI BMS 7-234 TI-3AL-2.5V COLD WORKED, STRESS RELIEVED TUBING	103106	1
15	271N6311-1055		.TUBE ASSY-L SYS PRESSURE TUBING MATERIAL: 1.00 IN. OD .051 IN. WALL 19.70 IN. LG TI BMS 7-234 TI-3AL-2.5V COLD WORKED, STRESS RELIEVED TUBING	103106	1
- 20	AS1581T16		..SLEEVE	103106	2
- 25	BACN10YA16L		..NUT	103106	2
30	271N6311-1045		.TUBE ASSY-SUPPLY SYS TUBING MATERIAL: 1.25 IN. OD .035 IN. WALL 31.8 IN. LG AL AMS 4083 6061 T6 TUBING	103106	1

MISSING ITEM NUMBERS NOT APPLICABLE

- ITEM NOT ILLUSTRATED

29-11-51-29B

29-11-51
FIG. 29B
PAGE 1
JAN 20/09

BRI



757

PARTS CATALOG (MAINTENANCE)

FIG ITEM	PART NUMBER	1 2 3 4 5 6 7	NOMENCLATURE	EFFECT FROM TO	UNITS PER ASSY
29B 35	271N6311-1047	.	TUBE ASSY-SUPPLY SYS TUBING MATERIAL: 1.25 IN. OD .035 IN. WALL 17.7 IN. LG AL AMS 4083 6061 T6 TUBING	103106	1
40	271N6311-1175	.	TUBE ASSY-SUPPLY SYS TUBING MATERIAL: 1.25 IN. OD .035 IN WALL 10.3 IN. LG AL AMS 4083 6061 T6 TUBING	103106	1
- 45	AFP175V20P	..	SLEEVE SUPPLIER CODE: V30974 SPECIFICATION NUMBER: BACS13BX20HP OPTIONAL PART: 2-02901-20HP V11328 35025VN20 V08199	103106	2
- 50	BACN10YL20L	..	NUT	103106	2
55	BACE21BM1616J	.	ELBOW	103106	1
60	MS21907W6	.	ELBOW	103106	1
65	MS21907W20	.	ELBOW	103106	1
70	APX824F202016W	.	TEE SUPPLIER CODE: V01673 SPECIFICATION NUMBER: BACT16AS202016W OPTIONAL PART: APX824-202016W V01673 DBOT16AS202016W V14798 ER824-202016W V50948 FER1571-202016W V14397 LER824-202016W V11328 NAF1824-202016W V52930 US1925-202016W V50808 AFP325-202016W V30974	103106	1
75	AS5178J16	.	NUT	103106	1

MISSING ITEM NUMBERS NOT APPLICABLE

- ITEM NOT ILLUSTRATED

29-11-51-29B

29-11-51
FIG. 29B
PAGE 2
JAN 20/09

BRI

BOEING PROPRIETARY - Copyright © - Unpublished Work - See title page for details.



757

PARTS CATALOG (MAINTENANCE)

FIG ITEM	PART NUMBER	1 2 3 4 5 6 7	NOMENCLATURE	EFFECT FROM TO	UNITS PER ASSY
29B					
80	AS5178D06	.	NUT	103106	1
85	AS5178D20	.	NUT	103106	1
- 90	AS5178D10	.	NUT	103106	1
95	270N2006-63	.	SHIM	103106	AR
100	270N2006-64	.	SHIM	103106	AR
105	270N2006-65	.	SHIM	103106	AR

MISSING ITEM NUMBERS NOT APPLICABLE

- ITEM NOT ILLUSTRATED

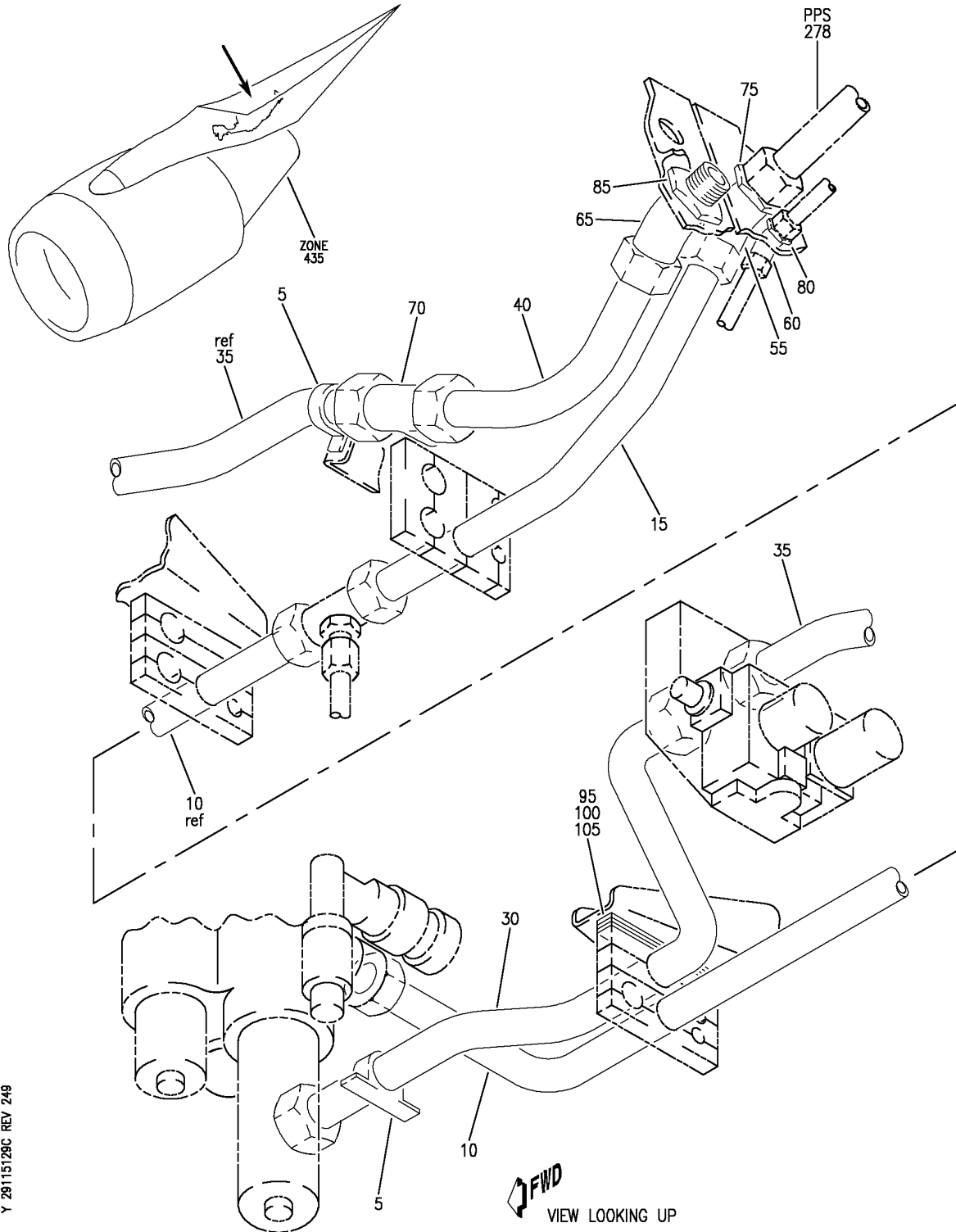
BRI

29-11-51-29B

BOEING PROPRIETARY - Copyright © - Unpublished Work - See title page for details.

29-11-51
FIG. 29B
PAGE 3
JAN 20/09

BOEING
757
PARTS CATALOG (MAINTENANCE)



Y 29115129C REV 249

PLUMBING INSTL-SECT. 31.1 RIGHT AFT ENG STRUT BASIC AND STABLE (HYDRAULIC POWER ONLY)
FIGURE 29C

BRI
JAN 20/09

29-11-51-29C

29-11-51-29C
PAGE 0



757

PARTS CATALOG (MAINTENANCE)

FIG ITEM	PART NUMBER	1 2 3 4 5 6 7	NOMENCLATURE	EFFECT FROM TO	UNITS PER ASSY
29C			PLUMBING INSTL-SECT. 31.1 RIGHT AFT ENG STRUT BASIC AND STABLE (HYDRAULIC POWER ONLY)	103106	RF
- 1	MODREF31366		PLUMBING INSTL-HYDR LEFT AFT STRUT BASIC AND STABLE (HYDRAULIC POWER ONLY) MODULE NUMBER: 271N6311-24 REV B POSITION DATA: SECT. 31.1 R FOR OTHER SYS DETAILS SEE: 26-21-51-25	103106	1
5	TA0910004H120		.CLAMP SUPPLIER CODE: V84971 SPECIFICATION NUMBER: BACC10HB20C	103106	2
10	271N6311-1054		.TUBE ASSY-R SYS PRESSURE TUBING MATERIAL: 1.00 IN. OD .051 IN. WALL 29.50 IN. LG TI BMS 7-234 TI-3AL-2.5V COLD WORKED, STRESS RELIEVED TUBING	103106	1
15	271N6311-1056		.TUBE ASSY-R SYS PRESSURE TUBING MATERIAL: 1.00 IN. OD .051 IN. WALL 19.70 IN. LG TI BMS 7-234 TI-3AL-2.5V COLD WORKED, STRESS RELIEVED TUBING	103106	1
- 20	AS1581T16		..SLEEVE	103106	2
- 25	BACN10YA16L		..NUT	103106	2
30	271N6311-1046		.TUBE ASSY-R SYS SUPPLY TUBING MATERIAL: 1.25 IN. OD .035 IN. WALL 31.80 IN. LG AL AMS 4083 6061 T6 TUBING	103106	1
35	271N6311-1048		.TUBE ASSY-R SYS SUPPLY TUBING MATERIAL: 1.25 IN. OD .035 IN. WALL 17.70 IN. LG AL AMS 4083 6061 T6 TUBING	103106	1

MISSING ITEM NUMBERS NOT APPLICABLE

- ITEM NOT ILLUSTRATED

29-11-51-29C

29-11-51
FIG. 29C
PAGE 1
JAN 20/09

BRI

BOEING PROPRIETARY - Copyright © - Unpublished Work - See title page for details.



757

PARTS CATALOG (MAINTENANCE)

FIG ITEM	PART NUMBER	1 2 3 4 5 6 7	NOMENCLATURE	EFFECT FROM TO	UNITS PER ASSY
29C 40	271N6311-1176	.	TUBE ASSY-R SYS SUPPLY TUBING MATERIAL: 1.25 IN. OD .035 IN. WALL 10.3 IN. LG AL AMS 4083 6061 T6 TUBING	103106	1
- 45	AFP175V20P	..	SLEEVE SUPPLIER CODE: V30974 SPECIFICATION NUMBER: BACS13BX20HP OPTIONAL PART: 2-02901-20HP V11328 35025VN20 V08199	103106	2
- 50	BACN10YL20L	..	NUT	103106	2
55	BACE21BM1616J	.	ELBOW	103106	1
60	MS21907W6	.	ELBOW	103106	1
65	MS21907W20	.	ELBOW	103106	1
70	APX824F202016W	.	TEE SUPPLIER CODE: V01673 SPECIFICATION NUMBER: BACT16AS202016W OPTIONAL PART: APX824-202016W V01673 DBOT16AS202016W V14798 ER824-202016W V50948 FER1571-202016W V14397 LER824-202016W V11328 NAF1824-202016W V52930 US1925-202016W V50808 AFP325-202016W V30974	103106	1
75	AS5178J16	.	NUT	103106	1
80	AS5178D06	.	NUT	103106	1
85	AS5178D20	.	NUT	103106	1
- 90	AS5178D10	.	NUT	103106	1
95	270N2006-61	.	SHIM	103106	AR
100	270N2006-62	.	SHIM	103106	AR
105	270N2006-63	.	SHIM	103106	AR

MISSING ITEM NUMBERS NOT APPLICABLE

- ITEM NOT ILLUSTRATED

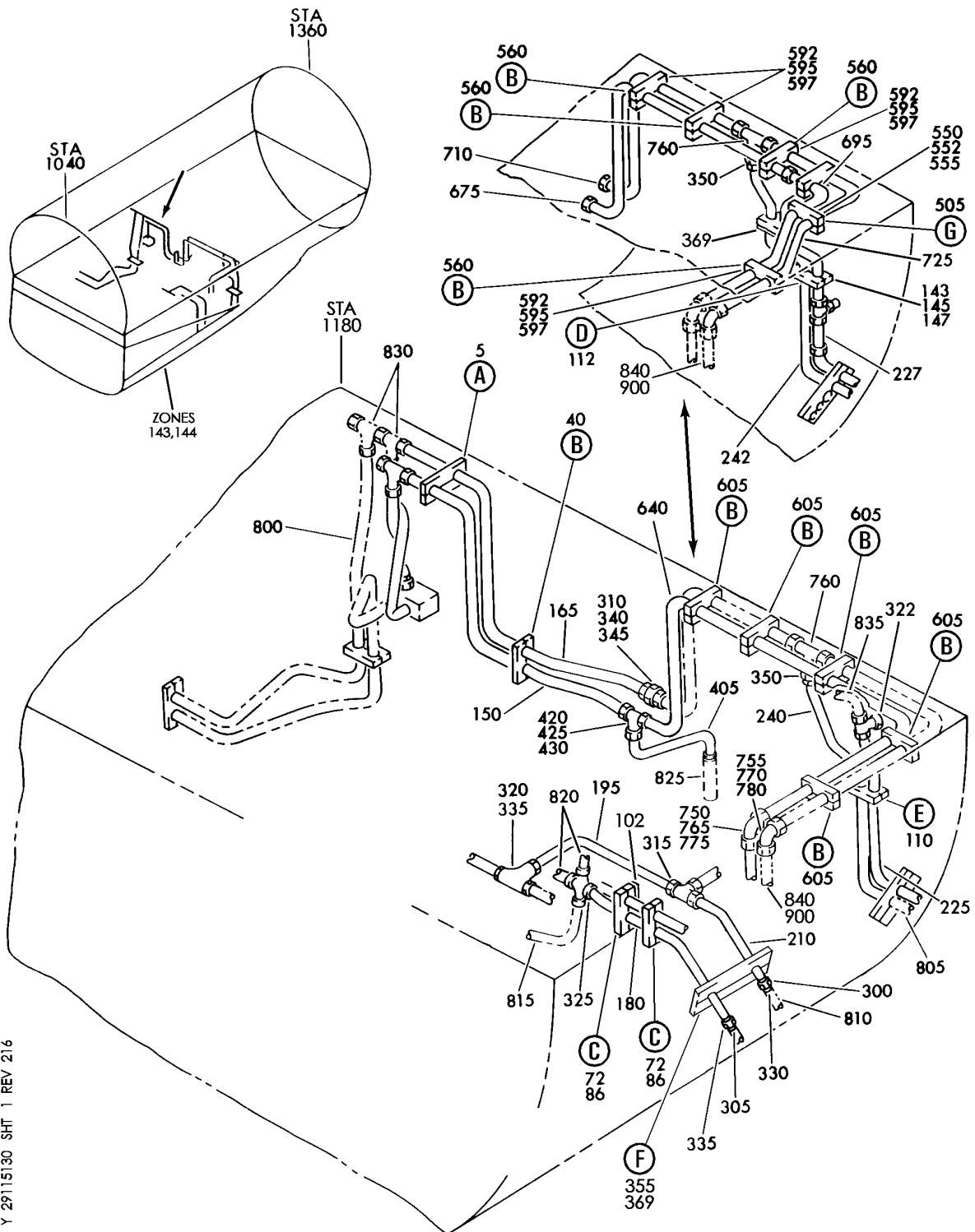
29-11-51-29C

29-11-51
FIG. 29C
PAGE 2
JAN 20/09

BRI

BOEING PROPRIETARY - Copyright © - Unpublished Work - See title page for details.

BOEING
757
PARTS CATALOG (MAINTENANCE)



Y 29115130 SHT 1 REV 216

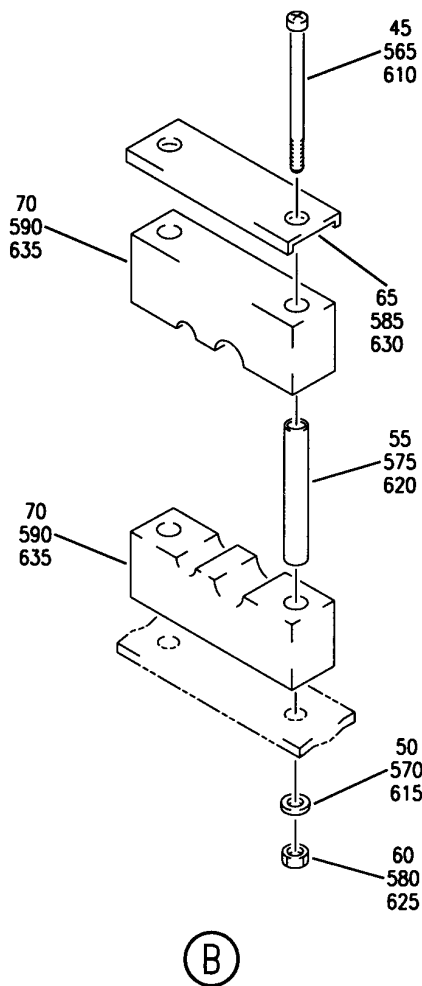
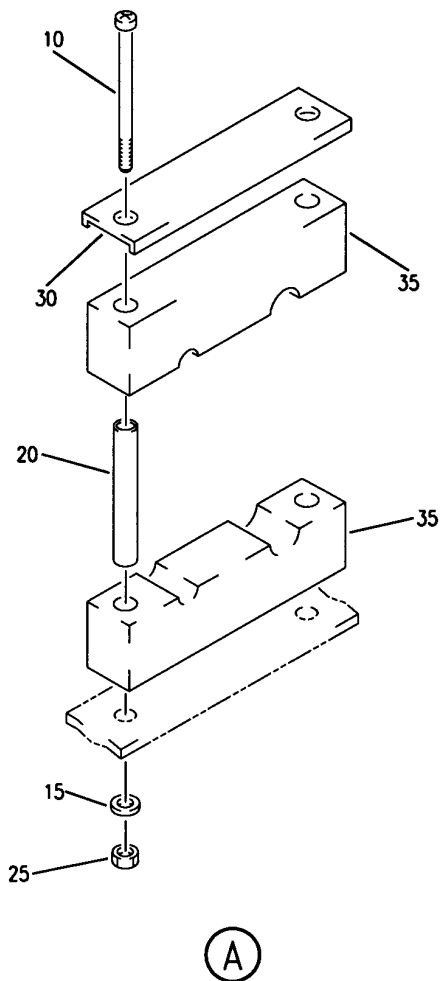
PLUMBING INSTL-SECT. 44 AFT BHD MLG WHL WELL HYDR (HYDRAULIC POWER ONLY)
FIGURE 30 (SHEET 1)

29-11-51-30

BRI
MAY 28/07

29-11-51-30
PAGE 0

BOEING
757
PARTS CATALOG (MAINTENANCE)



Y 29115130 SH1 2 REV 208

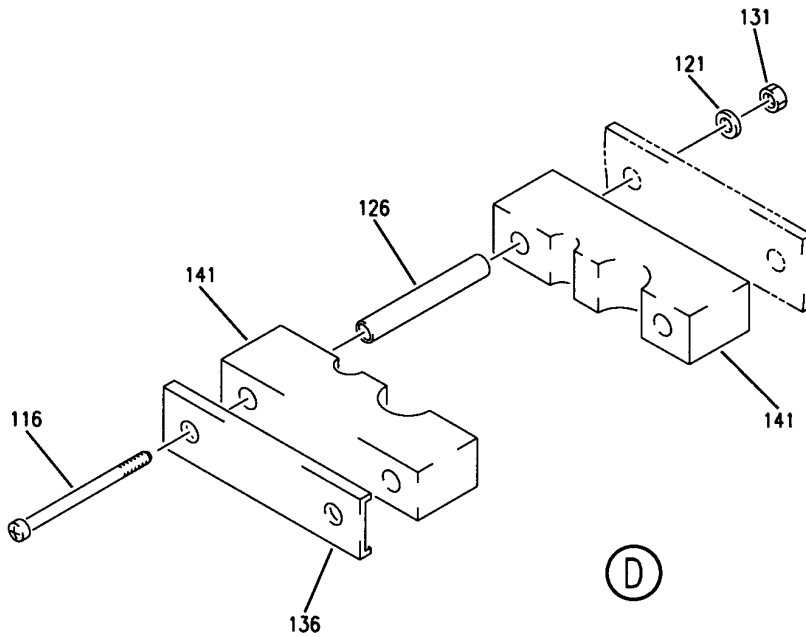
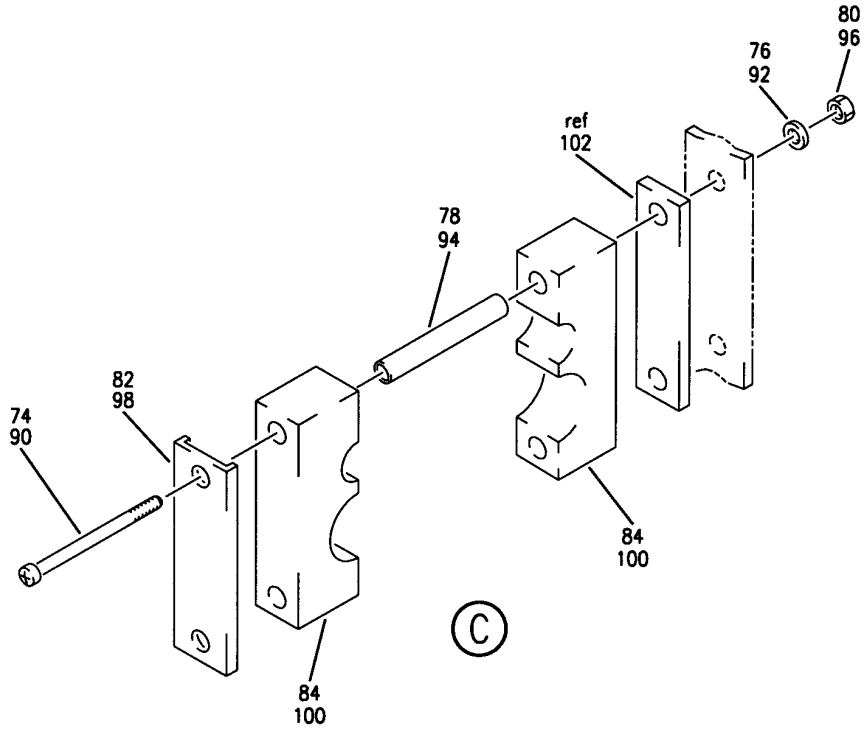
PLUMBING INSTL-SECT. 44 AFT BHD MLG WHL WELL HYDR (HYDRAULIC POWER ONLY)
FIGURE 30 (SHEET 2)

29-11-51-30

BRI
MAY 28/07

29-11-51-30
PAGE 0A

BOEING
757
PARTS CATALOG (MAINTENANCE)



Y 29115130 SHT 3 REV 208

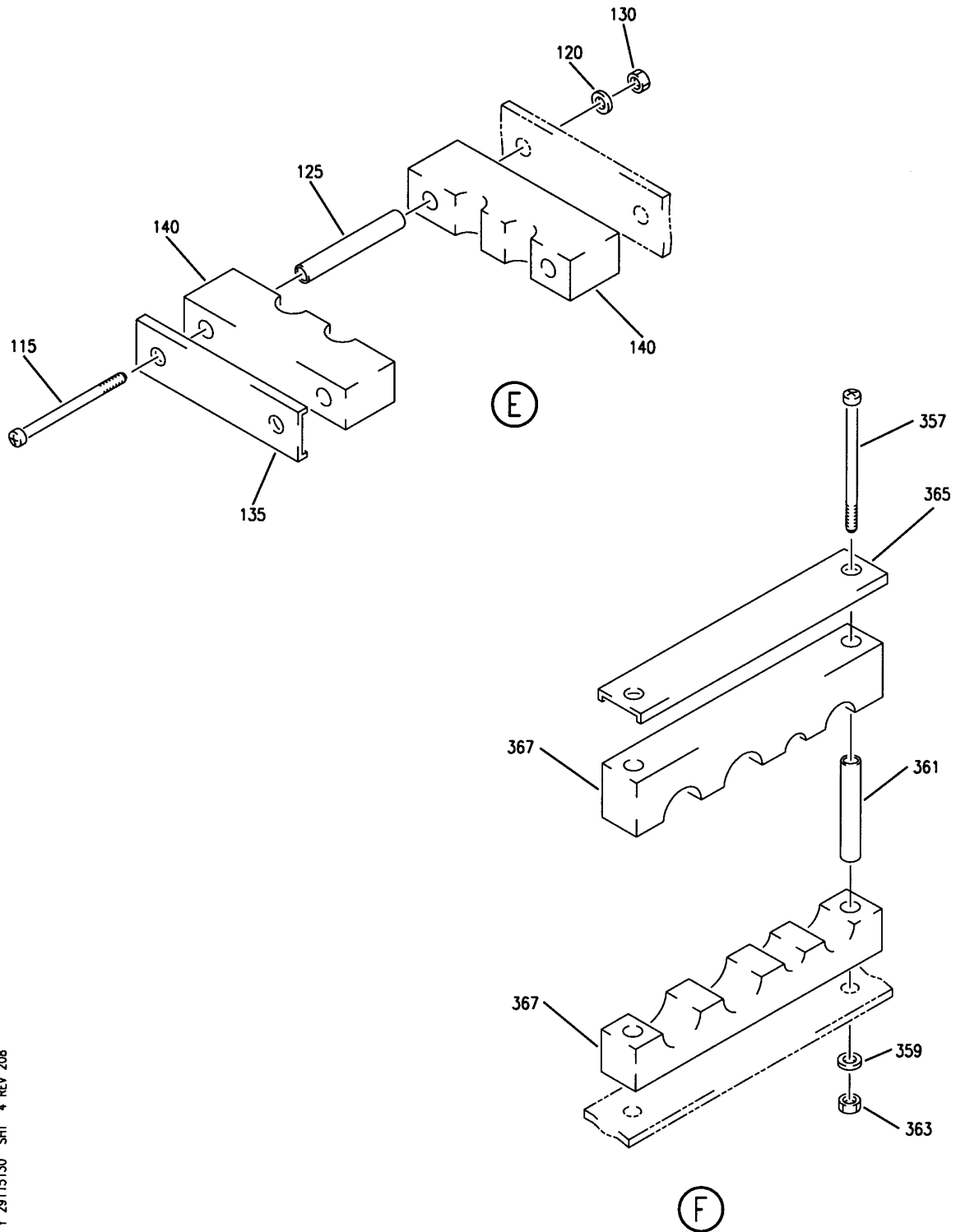
PLUMBING INSTL-SECT. 44 AFT BHD MLG WHL WELL HYDR (HYDRAULIC POWER ONLY)
FIGURE 30 (SHEET 3)

BRI
MAY 28/07

29-11-51-30

29-11-51-30
PAGE 08

BOEING
757
PARTS CATALOG (MAINTENANCE)



Y 29115130 SHT 4 REV 208

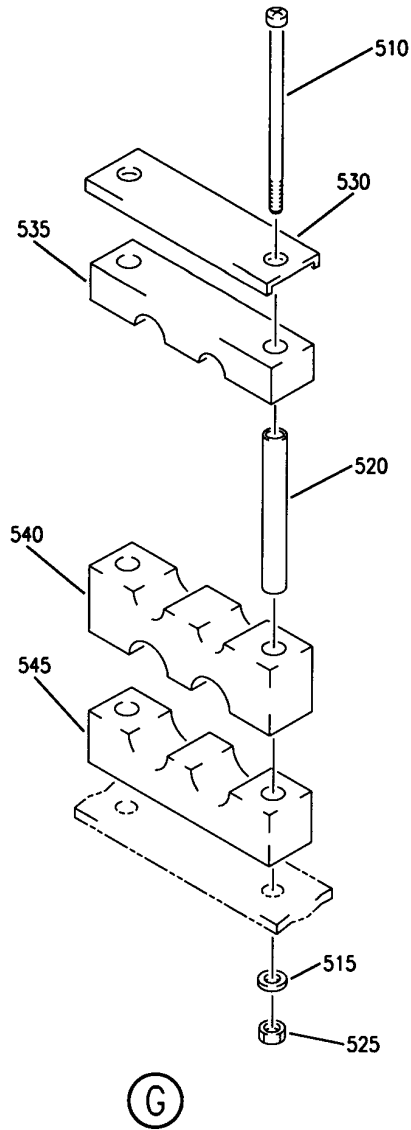
PLUMBING INSTL-SECT. 44 AFT BHD MLG WHL WELL HYDR (HYDRAULIC POWER ONLY)
FIGURE 30 (SHEET 4)

29-11-51-30

BRI
MAY 28/07

29-11-51-30
PAGE 0C

BOEING
757
PARTS CATALOG (MAINTENANCE)



Y 29115130 SH1 5 REV 208

PLUMBING INSTL-SECT. 44 AFT BHD MLG WHL WELL HYDR (HYDRAULIC POWER ONLY)
FIGURE 30 (SHEET 5)

BRI
MAY 28/07

29-11-51-30

29-11-51-30
PAGE 0D



757

PARTS CATALOG (MAINTENANCE)

FIG ITEM	PART NUMBER	1 2 3 4 5 6 7	NOMENCLATURE	EFFECT FROM TO	UNITS PER ASSY
30			PLUMBING INSTL-SECT. 44 AFT BHD MLG WHL WELL HYDR (HYDRAULIC POWER ONLY)	002004 006100 107107 121503 904999	RF
- 1	271N6446-1		PLUMBING INSTL-MAIN WHL WELL BHD HYDR (HYDRAULIC POWER ONLY) POSITION DATA: AFT VARIABLE DRAWING REF: 271N6446-8 FOR NHA/OTHER SYS DET SEE: 29-00-51-05	002004 006100 107107 121503 904999	RF
5	270N2000-84		.CLAMP ASSY-BLK	002004 006100 107107 121503 904999	1
10	NAS1801-3-27		..SCREW-	002004 006100 107107 121503 904999	2
15	AN960PD10L		..WASHER	002004 006100 107107 121503 904999	2
20	NAS43DD3-75		..SPACER	002004 006100 107107 121503 904999	2

MISSING ITEM NUMBERS NOT APPLICABLE

- ITEM NOT ILLUSTRATED

BRI

29-11-51-30

29-11-51
FIG. 30
PAGE 1
JAN 20/09



757

PARTS CATALOG (MAINTENANCE)

FIG ITEM	PART NUMBER	1 2 3 4 5 6 7	NOMENCLATURE	EFFECT FROM TO	UNITS PER ASSY
30 25	BRH10A3	..	NUT SUPPLIER CODE: V52828 SPECIFICATION NUMBER: BACN10JC3 OPTIONAL PART: H10-3BAC V15653 NS202101-02 V80539 RMLH9075-3W V72962 VN303A02 V92215 96-02 V80539 T6S1032J V11815	002004 006100 107107 121503 904999	2
30	270N2000-849	..	CHANNEL	002004 006100 107107 121503 904999	1
35	270N2000-507	..	BLOCK	002004 006100 107107 121503 904999	2
40	270N2000-123	.	CLAMP ASSY-BLK	002004 006100 107107 121503 904999	1
45	NAS1801-3-26	..	SCREW-	002004 006100 107107 121503 904999	2
50	AN960PD10L	..	WASHER	002004 006100 107107 121503 904999	2
55	NAS43DD3-67	..	SPACER	002004 006100 107107 121503 904999	2

MISSING ITEM NUMBERS NOT APPLICABLE

- ITEM NOT ILLUSTRATED

29-11-51-30

29-11-51
FIG. 30
PAGE 2
JAN 20/09

BRI

BOEING PROPRIETARY - Copyright © - Unpublished Work - See title page for details.



757

PARTS CATALOG (MAINTENANCE)

FIG ITEM	PART NUMBER	1 2 3 4 5 6 7	NOMENCLATURE	EFFECT FROM TO	UNITS PER ASSY
30					
60	BRH10A3	..	NUT SUPPLIER CODE: V52828 SPECIFICATION NUMBER: BACN10JC3 OPTIONAL PART: H10-3BAC V15653 NS202101-02 V80539 RMLH9075-3W V72962 VN303A02 V92215 96-02 V80539 T6S1032J V11815	002004 006100 107107 121503 904999	2
65	270N2000-868	..	CHANNEL	002004 006100 107107 121503 904999	1
70	270N2000-556	..	BLOCK	002004 006100 107107 121503 904999	2
86	270N2000-253	.	CLAMP ASSY-BLK	002004 006100 107107 121503 904999	2
- 88	270N2000-73	..	CLAMP ASSY-BLK	002004 006100 107107 121503 904999	1
90	NAS1801-3-28	...	SCREW-	002004 006100 107107 121503 904999	2
92	AN960PD10L	...	WASHER	002004 006100 107107 121503 904999	2

MISSING ITEM NUMBERS NOT APPLICABLE

- ITEM NOT ILLUSTRATED

29-11-51-30

29-11-51
FIG. 30
PAGE 3
JAN 20/09

BRI

BOEING PROPRIETARY - Copyright © - Unpublished Work - See title page for details.



757

PARTS CATALOG (MAINTENANCE)

FIG ITEM	PART NUMBER	1 2 3 4 5 6 7	NOMENCLATURE	EFFECT FROM TO	UNITS PER ASSY
30					
94	NAS43DD3-75	...	SPACER	002004 006100 107107 121503 904999	2
96	BRH10A3	...	NUT SUPPLIER CODE: V52828 SPECIFICATION NUMBER: BACN10JC3 OPTIONAL PART: H10-3BAC V15653 NS202101-02 V80539 RMLH9075-3W V72962 VN303A02 V92215 96-02 V80539 T6S1032J V11815	002004 006100 107107 121503 904999	2
98	270N2000-893	...	CHANNEL	002004 006100 107107 121503 904999	1
100	270N2000-574	...	BLOCK	002004 006100 107107 121503 904999	2
102	270N2000-1023	..	SPACER	002004 006100 107107 121503 904999	1
110	270N2000-78	.	CLAMP ASSY-BLK	002004 006100 107107 121503 904999	1
115	NAS1801-3-24	..	SCREW-	002004 006100 107107 121503 904999	2

MISSING ITEM NUMBERS NOT APPLICABLE

- ITEM NOT ILLUSTRATED

29-11-51-30

29-11-51
FIG. 30
PAGE 4
JAN 20/09

BRI

BOEING PROPRIETARY - Copyright © - Unpublished Work - See title page for details.



757

PARTS CATALOG (MAINTENANCE)

FIG ITEM	PART NUMBER	1 2 3 4 5 6 7	NOMENCLATURE	EFFECT FROM TO	UNITS PER ASSY
30					
120	AN960PD10L	..	WASHER	002004 006100 107107 121503 904999	2
125	NAS43DD3-59	..	SPACER	002004 006100 107107 121503 904999	2
130	BRH10A3	..	NUT SUPPLIER CODE: V52828 SPECIFICATION NUMBER: BACN10JC3 OPTIONAL PART: H10-3BAC V15653 NS202101-02 V80539 RMLH9075-3W V72962 VN303A02 V92215 96-02 V80539 T6S1032J V11815	002004 006100 107107 121503 904999	2
135	270N2000-844	..	CHANNEL-	002004 006100 107107 121503 904999	1
140	270N2000-502	..	BLOCK	002004 006100 107107 121503 904999	2
150	271N6446-1008	.TUBE ASSY-PRESSURE SYS POSITION DATA: R TUBING MATERIAL: .375 IN. OD .019 IN. WALL 32.70 IN. LG TI BMS 7-234 TI-3AL-2.5V COLD WORKED, STRESS RELIEVED TUBING	002004 006100 107107 121503 904999	1	

MISSING ITEM NUMBERS NOT APPLICABLE

- ITEM NOT ILLUSTRATED

29-11-51-30

29-11-51
FIG. 30
PAGE 5
JAN 20/09

BRI

BOEING PROPRIETARY - Copyright © - Unpublished Work - See title page for details.



757

PARTS CATALOG (MAINTENANCE)

FIG ITEM	PART NUMBER	1 2 3 4 5 6 7	NOMENCLATURE	EFFECT FROM TO	UNITS PER ASSY
30					
- 155	AS1581T06	..	SLEEVE	002004 006100 107107 121503 904999	2
- 160	BACN10YA6	..	NUT	002004 006100 107107 121503 904999	2
165	271N6446-1009	.TUBE ASSY-RETURN SYS POSITION DATA: R TUBING MATERIAL: .500 IN. OD .035 IN. WALL 34.00 IN. LG AL AMS 4083 6061 T6 TUBING		002004 006100 107107 121503 904999	1
- 170	AP2097HP08	..SLEEVE SUPPLIER CODE: V01673 SPECIFICATION NUMBER: BACS13BX08HP OPTIONAL PART: 2-02903-08HP V11328 35235VN08 V08199 AFP175V08P V30974 DBOS13BX08HP V14798		002004 006100 107107 121503 904999	2
- 175	BACN10YL08	..	NUT	002004 006100 107107 121503 904999	2
180	271N6446-1079	.TUBE ASSY-PRESSURE SYS POSITION DATA: CTR TUBING MATERIAL: .625 IN. OD .032 IN. WALL 22.50 IN. LG AL BMS 7-234 TI-3AL-2.5V COLD WORKED, STRESS RELIEVED TUBING		107107 904949	1

MISSING ITEM NUMBERS NOT APPLICABLE

- ITEM NOT ILLUSTRATED

BRI

29-11-51-30

29-11-51
FIG. 30
PAGE 6
JAN 20/09



757

PARTS CATALOG (MAINTENANCE)

FIG ITEM	PART NUMBER	1 2 3 4 5 6 7	NOMENCLATURE	EFFECT FROM TO	UNITS PER ASSY
30 180	271N6446-1095		.TUBE ASSY-PRESSURE SYS POSITION DATA: CTR TUBING MATERIAL: .625 IN. OD .032 IN. WALL 42.10 IN. LG TI BMS 7-234 TI-3AL-2.5V COLD WORKED, STRESS RELIEVED TUBING	002004 006100 121503 950999	1
- 185	AS1581T10		..SLEEVE	002004 006100 107107 121503 904999	2
195	271N6446-1065		.TUBE ASSY-RETURN SYS POSITION DATA: CTR TUBING MATERIAL: .625 IN. OD .035 IN. WALL 22.60 IN. LG AL AMS 4083 6061 T6 TUBING	002004 006100 107107 121503 904999	1
- 200	AP2097HP10		..SLEEVE SUPPLIER CODE: V01673 SPECIFICATION NUMBER: BACS13BX10HP OPTIONAL PART: 2-02903-10HP V11328 35235VN10 V08199 AFP175V10P V30974 DBOS13BX10HP V14798	002004 006100 107107 121503 904999	2
- 205	BACN10YL10		..NUT	002004 006100 107107 121503 904999	2
210	271N6446-1073		.TUBE ASSY-RETURN SYS POSITION DATA: CTR TUBING MATERIAL: .75 IN. OD .035 IN. WALL 19.90 IN. LG AL AMS 4083 6061 T6 TUBING	107107 904949	1

MISSING ITEM NUMBERS NOT APPLICABLE

- ITEM NOT ILLUSTRATED

29-11-51-30

29-11-51
FIG. 30
PAGE 7
JAN 20/09

BRI



757

PARTS CATALOG (MAINTENANCE)

FIG ITEM	PART NUMBER	1 2 3 4 5 6 7	NOMENCLATURE	EFFECT FROM TO	UNITS PER ASSY
30					
210	271N6446-1094		.TUBE ASSY-RETURN SYS POSITION DATA: CTR TUBING MATERIAL: .750 IN. OD .035 IN. WALL 38.8 IN. LG AL AMS 4083 6061 T6 TUBING	002004 006100 121503 950999	1
- 215	AP2097HP12		..SLEEVE SUPPLIER CODE: V01673 SPECIFICATION NUMBER: BACS13BX12HP OPTIONAL PART: 2-02903-12HP V11328 35235VN12 V08199 AFP175V12P V30974 DBOS13BX12HP V14798	002004 006100 107107 121503 904999	2
- 220	MS21921-12D		..NUT-	002004 006100 107107 121503 904999	2
- 220	BACN10YL12		..NUT-	002004 006100 107107 121503 904999	2
225	271N6446-1019		.TUBE ASSY-RETURN SYS POSITION DATA: L TUBING MATERIAL: .375 IN. OD .035 IN. WALL 13.60 IN. LG AL AMS 4083 6061 T6 TUBING	002004 006100 107107 121503 904999	1

MISSING ITEM NUMBERS NOT APPLICABLE

- ITEM NOT ILLUSTRATED

BRI

29-11-51-30

29-11-51
FIG. 30
PAGE 8
JAN 20/09



757

PARTS CATALOG (MAINTENANCE)

FIG ITEM	PART NUMBER	1 2 3 4 5 6 7	NOMENCLATURE	EFFECT FROM TO	UNITS PER ASSY
30					
- 230	AP2097HP06	..	SLEEVE SUPPLIER CODE: V01673 SPECIFICATION NUMBER: BACS13BX06HP OPTIONAL PART: 2-02903-06HP V11328 35235VN06 V08199 AFP175V06P V30974 DBOS13BX06HP V14798	002004 006100 107107 121503 904999	2
- 235	BACN10YLO6	..	NUT	002004 006100 107107 121503 904999	2
240	271N6446-1052	.TUBE ASSY-RETURN SYS POSITION DATA: R TUBING MATERIAL: .375 IN. OD .035 IN. WALL 40.50 IN. LG AL AMS 4083 6061 T6 TUBING		002004 006100 107107 121503 904999	1
300	MS21924D12	.UNION		002004 006100 107107 121503 904999	1
305	BACU24L10	.UNION		002004 006100 107107 121503 904999	1
310	MS21924D8	.UNION		002004 006100 107107 121503 904999	1
315	NAS1764D121010	.TEE-		002004 006100 107107 121503 904999	1

MISSING ITEM NUMBERS NOT APPLICABLE

- ITEM NOT ILLUSTRATED

29-11-51-30

29-11-51
FIG. 30
PAGE 9
JAN 20/09

BRI

BOEING PROPRIETARY - Copyright © - Unpublished Work - See title page for details.



757

PARTS CATALOG (MAINTENANCE)

FIG ITEM	PART NUMBER	1 2 3 4 5 6 7	NOMENCLATURE	EFFECT FROM TO	UNITS PER ASSY
30					
320	MS21912D10	. TEE-		002004 006100 107107 121503 904999	1
322	NAS1764D100610	. TEE-		002004 006100 107107 121503 904999	1
325	BACC27N10101008	. CROSS-	OPTIONAL PART: BACC27H10101008	107107	1
325	BACC27H10101008	. CROSS-	OPTIONAL PART: BACC27N10101008	002004 006100 107107 121503 904999	1
330	AN924-12D	. NUT		002004 006100 107107 121503 904999	1
335	AN924-10D	. NUT		002004 006100 107107 121503 904999	2
340	AN924-8D	. NUT		002004 006100 107107 121503 904999	1
345	AN960KD1216	. WASHER		002004 006100 107107 121503 904999	1
350	0121520900-2	. VALVE-	SUPPLIER CODE: V83533 SPECIFICATION NUMBER: BACV10CD2 OPTIONAL PART: 1C1346 V99240	002004 006100 107107 121503 904999	1

MISSING ITEM NUMBERS NOT APPLICABLE

- ITEM NOT ILLUSTRATED

BRI

29-11-51-30

29-11-51
FIG. 30
PAGE 10
JAN 20/09



757

PARTS CATALOG (MAINTENANCE)

FIG ITEM	PART NUMBER	1 2 3 4 5 6 7	NOMENCLATURE	EFFECT FROM TO	UNITS PER ASSY
30					
355	270N2000-131	.	CLAMP ASSY-BLK	002004 006100 107107 121503 904999	1
357	NAS1801-3-30	..	SCREW	002004 006100 107107 121503 904999	2
359	AN960PD10L	..	WASHER	002004 006100 107107 121503 904999	2
361	NAS43DD3-83	..	SPACER	002004 006100 107107 121503 904999	2
363	BRH10A3	..	NUT SUPPLIER CODE: V52828 SPECIFICATION NUMBER: BACN10JC3 OPTIONAL PART: H10-3BAC V15653 NS202101-02 V80539 RMLH9075-3W V72962 VN303A02 V92215 96-02 V80539 T6S1032J V11815	002004 006100 107107 121503 904999	2
365	270N2000-895	..	CHANNEL	002004 006100 107107 121503 904999	1
367	270N2000-581	..	BLOCK	002004 006100 107107 121503 904999	2

MISSING ITEM NUMBERS NOT APPLICABLE

- ITEM NOT ILLUSTRATED

29-11-51-30

29-11-51
FIG. 30
PAGE 11
JAN 20/09

BRI

BOEING PROPRIETARY - Copyright © - Unpublished Work - See title page for details.



757

PARTS CATALOG (MAINTENANCE)

FIG ITEM	PART NUMBER	1 2 3 4 5 6 7	NOMENCLATURE	EFFECT FROM TO	UNITS PER ASSY
30					
369	271N6378-4	.	SHIM	002004 006100 107107 121503 904999	AR
- 400	271N6445-1		PLUMBING INSTL-KEEL BEAM MLG WHL WELL HYDR (HYDRAULIC POWER ONLY) POSITION DATA: SECT. 44 VARIABLE DRAWING REF: 271N6445-3 271N6445-6 FOR NHA/OTHER SYS DET SEE: 29-00-51-05	002004 006100 107107 121503 904999	RF
405	271N6445-1142	.	TUBE ASSY-PRESSURE SYS POSITION DATA: R TUBING MATERIAL: .375 IN. OD .019 IN. WALL 11.00 IN. LG TI	002004 006100 107107 121503 904999	1
- 410	AS1581T06	..	SLEEVE	006100 107107 121503 904999	2
- 415	BACN10YA6	..	NUT	006100 107107 121503 904999	2
420	BACT16BN060606T	.	TEE-	002004 006100 107107 121503 904999	1
420	BACT16BN060606J	.	TEE-	002004 006100 107107 121503 904999	1
425	AN9246D	.	WASHER	002004 006100 107107 121503 904999	1
430	AN960KD916	.	WASHER	002004 006100 107107 121503 904999	1

MISSING ITEM NUMBERS NOT APPLICABLE

- ITEM NOT ILLUSTRATED

29-11-51-30

29-11-51
FIG. 30
PAGE 12
JAN 20/09

BRI



757

PARTS CATALOG (MAINTENANCE)

FIG ITEM	PART NUMBER	1 2 3 4 5 6 7	NOMENCLATURE	EFFECT FROM TO	UNITS PER ASSY
30 - 500	271N6443-1		PLUMBING INSTL-PRESSURE DECK HYDR (HYDRAULIC POWER ONLY) POSITION DATA: SECT. 44 L VARIABLE DRAWING REF: 271N6443-4 271N6443-7 271N6443-8 271N6443-11 271N6443-18 FOR NHA/OTHER SYS DET SEE: 29-00-51-05	002004 006100 107107 121503 904999	RF
505	270N2000-242		.CLAMP ASSY-BLK	002004 006100 107107 121503 904999	1
510	NAS1801-3-40		..SCREW	002004 006100 107107 121503 904999	2
515	AN960KD10L		..WASHER	002004 006100 107107 121503 904999	2
520	NAS43DDD3-126		..SPACER	002004 006100 107107 121503 904999	2

MISSING ITEM NUMBERS NOT APPLICABLE

- ITEM NOT ILLUSTRATED

BRI

29-11-51-30

BOEING PROPRIETARY - Copyright © - Unpublished Work - See title page for details.

29-11-51
FIG. 30
PAGE 13
JAN 20/09



757

PARTS CATALOG (MAINTENANCE)

FIG ITEM	PART NUMBER	1 2 3 4 5 6 7	NOMENCLATURE	EFFECT FROM TO	UNITS PER ASSY
30 525	BRH10A3	. .	NUT SUPPLIER CODE: V52828 SPECIFICATION NUMBER: BACN10JC3 OPTIONAL PART: H10-3BAC V15653 NS202101-02 V80539 RMLH9075-3W V72962 VN303A02 V92215 96-02 V80539 T6S1032J V11815	002004 006100 107107 121503 904999	2
530	270N2000-833	. .	CHANNEL	002004 006100 107107 121503 904999	1
535	270N2000-1260	. .	BLOCK	002004 006100 107107 121503 904999	1
540	270N2000-1261	. .	BLOCK	002004 006100 107107 121503 904999	1
545	270N2000-520	. .	BLOCK	002004 006100 107107 121503 904999	1
550	270N2006-34	. .	SHIM-	002004 006100 107107 121503 904999	AR
552	270N2006-35	. .	SHIM-	002004 006100 107107 121503 904999	AR

MISSING ITEM NUMBERS NOT APPLICABLE

- ITEM NOT ILLUSTRATED

29-11-51-30

29-11-51
FIG. 30
PAGE 14
JAN 20/09

BRI

BOEING PROPRIETARY - Copyright © - Unpublished Work - See title page for details.



757

PARTS CATALOG (MAINTENANCE)

FIG ITEM	PART NUMBER	1 2 3 4 5 6 7	NOMENCLATURE	EFFECT FROM TO	UNITS PER ASSY
30					
555	270N2006-36	.	SHIM-	002004 006100 107107 121503 904999	AR
560	270N2000-123	.	CLAMP ASSY-BLK	002004 006100 107107 121503 904999	4
565	NAS1801-3-24	..	SCREW	002004 006100 107107 121503 904999	2
570	AN960PD10L	..	WASHER	002004 006100 107107 121503 904999	2
575	NAS43DD3-67	..	SPACER	002004 006100 107107 121503 904999	2
580	BRH10A3	..	NUT SUPPLIER CODE: V52828 SPECIFICATION NUMBER: BACN10JC3 OPTIONAL PART: H10-3BAC V15653 NS202101-02 V80539 RMLH9075-3W V72962 VN303A02 V92215 96-02 V80539 T6S1032J V11815	002004 006100 107107 121503 904999	2
585	270N2000-868	..	CHANNEL	002004 006100 107107 121503 904999	1

MISSING ITEM NUMBERS NOT APPLICABLE

- ITEM NOT ILLUSTRATED

29-11-51-30

29-11-51
FIG. 30
PAGE 15
JAN 20/09

BRI

BOEING PROPRIETARY - Copyright © - Unpublished Work - See title page for details.



757

PARTS CATALOG (MAINTENANCE)

FIG ITEM	PART NUMBER	1 2 3 4 5 6 7	NOMENCLATURE	EFFECT FROM TO	UNITS PER ASSY
30					
590	270N2000-556	. .	BLOCK	002004 006100 107107 121503 904999	2
592	270N2006-28	. SHIM		002004 006100 107107 121503 904999	AR
595	270N2006-29	. SHIM		002004 006100 107107 121503 904999	AR
597	270N2006-30	. SHIM		002004 006100 107107 121503 904999	AR
605	270N2000-123	. CLAMP	ASSY-BLK	002004 006100 107107 121503 904999	5
610	NAS1801-3-24	. .	SCREW	002004 006100 107107 121503 904999	2
615	AN960PD10L	. .	WASHER	002004 006100 107107 121503 904999	2
620	NAS43DD3-67	. .	SPACER	002004 006100 107107 121503 904999	2

MISSING ITEM NUMBERS NOT APPLICABLE

- ITEM NOT ILLUSTRATED

BRI

29-11-51-30

29-11-51
FIG. 30
PAGE 16
JAN 20/09



757

PARTS CATALOG (MAINTENANCE)

FIG ITEM	PART NUMBER	1 2 3 4 5 6 7	NOMENCLATURE	EFFECT FROM TO	UNITS PER ASSY
30 625	BRH10A3	. .	NUT SUPPLIER CODE: V52828 SPECIFICATION NUMBER: BACN10JC3 OPTIONAL PART: H10-3BAC V15653 NS202101-02 V80539 RMLH9075-3W V72962 VN303A02 V92215 96-02 V80539 T6S1032J V11815	002004 006100 107107 121503 904999	2
630	270N2000-868	. .	CHANNEL	002004 006100 107107 121503 904999	1
635	270N2000-556	. .	BLOCK	002004 006100 107107 121503 904999	2
750	BACE21BN0606T	. .	ELBOW-	002004 006100 107107 121503 904999	1
750	BACE21BN0606J	. .	ELBOW-	002004 006100 121503 904999	1
755	MS21908D8	. .	ELBOW-	107107	1
755	MS21908W8	. .	ELBOW-	002004 006100 121503 904999	1
760	NAS1764D080806	. .	TEE	107107	1
765	AN924-6D	. .	NUT	002004 006100 107107 121503 904999	4

MISSING ITEM NUMBERS NOT APPLICABLE

- ITEM NOT ILLUSTRATED

29-11-51-30

29-11-51
FIG. 30
PAGE 17
JAN 20/09

BRI

BOEING PROPRIETARY - Copyright © - Unpublished Work - See title page for details.



757

PARTS CATALOG (MAINTENANCE)

FIG ITEM	PART NUMBER	1 2 3 4 5 6 7	NOMENCLATURE	EFFECT FROM TO	UNITS PER ASSY
30 770	AN924-8D	.	NUT	002004 006100 107107 121503 904999	1
775	AN960KD916	.	WASHER	002004 006100 107107 121503 904999	1
780	AN960KD1216	.	WASHER	002004 006100 107107 121503 904999	1
800			ILLUSTRATION REFERENCE: PLUMBING INSTL-MAIN WHL WELL AFT BHD HYDR (RAM AIR TURBINE SYSTEM ONLY) 29-21-51-20	002004 006100 107107 121503 904999	RF
805			ILLUSTRATION REFERENCE: PLUMBING INSTL-SECT. 49 L HYDR BAY (MAIN HYDR SYSTEM ONLY) 29-11-51-20	002004 006100 107107 121503 904999	RF
810			ILLUSTRATION REFERENCE: PLUMBING INSTL-SECT. 49 L HYDR BAY (GROUND SERVICING SYSTEM ONLY) 29-18-51-15	002004 006100 107107 121503 904999	RF
815			ILLUSTRATION REFERENCE: PLUMBING INSTL-MLG WHL WELL HYDR (HYDRAULIC POWER ONLY) 29-11-51-32	002004 006100 107107 121503 904999	RF
820			ILLUSTRATION REFERENCE: PLUMBING INSTL-MAIN WHL WELL AFT BHD HYDR (FLIGHT CONTROL ONLY) 27-23-51-20	002004 006100 107107 121503 904999	RF

MISSING ITEM NUMBERS NOT APPLICABLE

- ITEM NOT ILLUSTRATED

BRI

29-11-51-30

29-11-51
FIG. 30
PAGE 18
JAN 20/09



757

PARTS CATALOG (MAINTENANCE)

FIG ITEM	PART NUMBER	1 2 3 4 5 6 7	NOMENCLATURE	EFFECT FROM TO	UNITS PER ASSY
30 825			ILLUSTRATION REFERENCE: TRANSMITTER INSTL-R SYS PRESSURE 29-31-02-05	002004 006100 107107 121503 904999	RF
830			ILLUSTRATION REFERENCE: PLUMBING INSTL-SECT. 44 R PRESSURE DECK HYDR (HYDRAULIC POWER ONLY) 29-11-51-34	002004 006100 107107 121503 904999	RF
835			ILLUSTRATION REFERENCE: PLUMBING INSTL-SECT. 44 MAIN WHL WELL HYDR (HYDRAULIC POWER ONLY) 29-11-51-36	002004 006100 107107 121503 904999	RF
840			ILLUSTRATION REFERENCE: PLUMBING INSTL-SECT. 12 L WING INBD HYDR (HYDRAULIC POWER ONLY) 29-11-51-13	002004 006100 107107 121503 904999	RF

MISSING ITEM NUMBERS NOT APPLICABLE

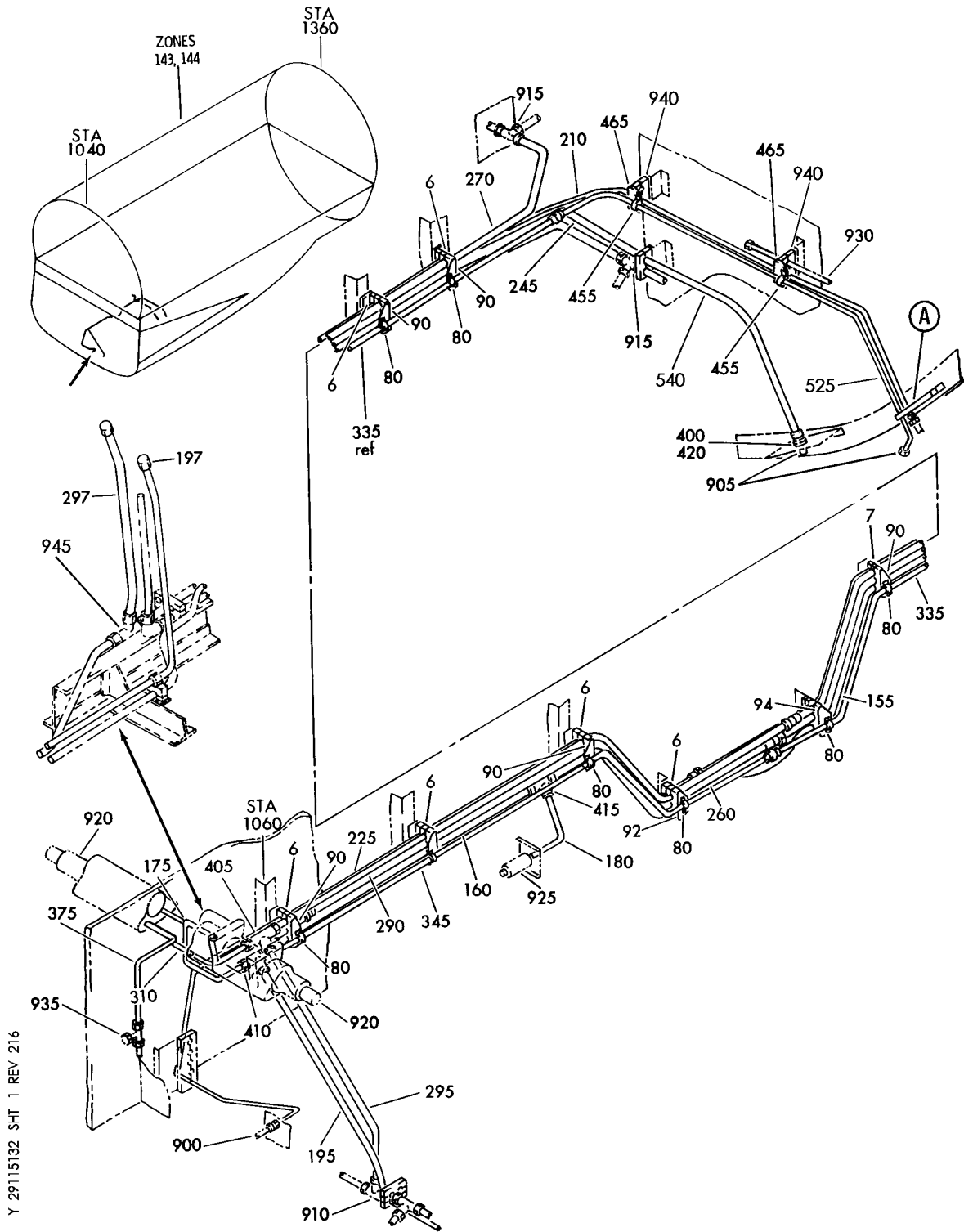
- ITEM NOT ILLUSTRATED

29-11-51-30

29-11-51
FIG. 30
PAGE 19
JAN 20/09

BRI

BOEING
757
PARTS CATALOG (MAINTENANCE)



Y 29115132 SHT 1 REV 216

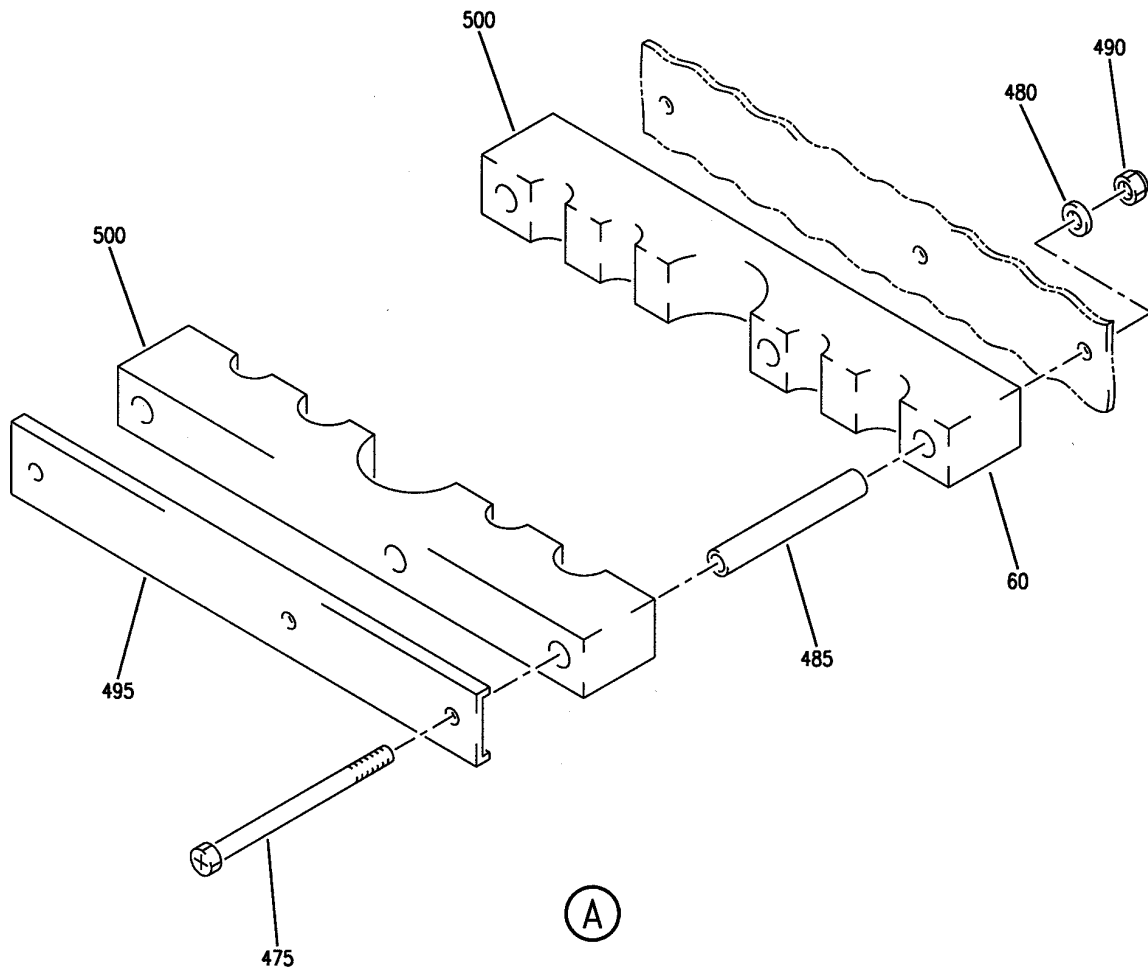
PLUMBING INSTL-MLG WHL WELL HYDR (HYDRAULIC POWER ONLY)
FIGURE 32 (SHEET 1)

29-11-51-32

BRI
MAY 28/07

29-11-51-32
PAGE 0

BOEING
757
PARTS CATALOG (MAINTENANCE)



Y 29115132 SHT 2 REV 216

PLUMBING INSTL-MLG WHL WELL HYDR (HYDRAULIC POWER ONLY)
FIGURE 32 (SHEET 2)

29-11-51-32

BRI
MAY 28/07

29-11-51-32
PAGE 0A



757

PARTS CATALOG (MAINTENANCE)

FIG ITEM	PART NUMBER	1 2 3 4 5 6 7	NOMENCLATURE	EFFECT FROM TO	UNITS PER ASSY
32			PLUMBING INSTL-MLG WHL WELL HYDR (HYDRAULIC POWER ONLY)	002004 006100 107107 121503 904999	
- 1	271N6445-1		PLUMBING INSTL-KEEL BEAM MLG WHL WELL HYDR (HYDRAULIC POWER ONLY) VARIABLE DRAWING REF: 271N6445-3 271N6445-6 FOR NHA/OTHER SYS DET SEE: 29-00-51-05	002004 006100 107107 121503 904999	RF
6	270N2000-137		.CLAMP ASSY-BLK POSITION DATA: STA 1170 WL 150 STA 1160 WL 150 STA 1060 WL 150 STA 1110 WL 145 STA 1100 WL 150 STA 1080 WL 150	002004 006100 107107 121503 904999	6
7	270N2000-137		.CLAMP ASSY-BLK POSITION DATA: STA 1140 WL 150	002004 006100 107107 121503 904999	1
10	NAS1801-3-36		..SCREW-	002004 006100 107107 121503 904999	2
15	AN960PD10L		..WASHER	002004 006100 107107 121503 904999	2
20	NAS43DD3-107		..SPACER	002004 006100 107107 121503 904999	2

MISSING ITEM NUMBERS NOT APPLICABLE

- ITEM NOT ILLUSTRATED

29-11-51-32

29-11-51
FIG. 32
PAGE 1
JAN 20/09

BRI



757

PARTS CATALOG (MAINTENANCE)

FIG ITEM	PART NUMBER	1 2 3 4 5 6 7	NOMENCLATURE	EFFECT FROM TO	UNITS PER ASSY
32 25	BRH10A3	..	NUT SUPPLIER CODE: V52828 SPECIFICATION NUMBER: BACN10JC3 OPTIONAL PART: H10-3BAC V15653 NS202101-02 V80539 RMLH9075-3W V72962 VN303A02 V92215 96-02 V80539 T6S1032J V11815	002004 006100 107107 121503 904999	2
30	270N2000-703	..	CHANNEL- OPTIONAL PART: 270N2000-828	002004 006100 107107 121503 904999	1
30	270N2000-828	..	CHANNEL- OPTIONAL PART: 270N2000-703	002004 006100 107107 121503 904999	1
40	270N2000-591	..	BLOCK	002004 006100 107107 121503 904999	1
45	270N2000-592	..	BLOCK	002004 006100 107107 121503 904999	1
50	270N2000-593	..	BLOCK	002004 006100 107107 121503 904999	1
60	270N2000-205	.	CLAMP ASSY-BLK POSITION DATA: STA 1130 WL 145	002004 006100 107107 121503 904999	1

MISSING ITEM NUMBERS NOT APPLICABLE

- ITEM NOT ILLUSTRATED

29-11-51-32

29-11-51
FIG. 32
PAGE 2
JAN 20/09

BRI



757

PARTS CATALOG (MAINTENANCE)

FIG ITEM	PART NUMBER	1 2 3 4 5 6 7	NOMENCLATURE	EFFECT FROM TO	UNITS PER ASSY
32					
62	NAS1801-3-36	..	SCREW-	002004 006100 107107 121503 904999	2
64	AN960PD10L	..	WASHER	002004 006100 107107 121503 904999	2
66	NAS43DD3-109	..	SPACER	002004 006100 107107 121503 904999	2
68	BRH10A3	..	NUT SUPPLIER CODE: V52828 SPECIFICATION NUMBER: BACN10JC3 OPTIONAL PART: H10-3BAC V15653 NS202101-02 V80539 RMLH9075-3W V72962 VN303A02 V92215 96-02 V80539 T6S1032J V11815	002004 006100 107107 121503 904999	2
70	270N2000-893	..	CHANNEL	002004 006100 107107 121503 904999	1
72	270N2000-574	..	BLOCK	002004 006100 107107 121503 904999	1
74	270N2000-694	..	BLOCK	002004 006100 107107 121503 904999	1

MISSING ITEM NUMBERS NOT APPLICABLE

- ITEM NOT ILLUSTRATED

BRI

29-11-51-32

29-11-51
FIG. 32
PAGE 3
JAN 20/09



757

PARTS CATALOG (MAINTENANCE)

FIG ITEM	PART NUMBER	1 2 3 4 5 6 7	NOMENCLATURE	EFFECT FROM TO	UNITS PER ASSY
32					
76	270N2000-695	..	BLOCK	002004 006100 107107 121503 904999	1
155	271N6445-1113	.TUBE ASSY-PRESSURE SYS POSITION DATA: CTR TUBING MATERIAL: .500 IN. OD .026 IN. WALL 98.50 IN. LG TI		002004 006100 107107 121503 904999	1
160	271N6445-1028	.TUBE ASSY-PRESSURE SYS POSITION DATA: CTR TUBING MATERIAL: .500 IN. OD .026 IN. WALL 36.68 IN. LG TITANIUM		002004 006100 107107 121503 904999	1
- 165	AS1581T08	..	SLEEVE	002004 006100 107107 121503 904999	2
- 170	BACN10YA8	..	NUT	002004 006100 107107 121503 904999	2
175	271N6445-1021	.TUBE ASSY-PRESSURE SYS POSITION DATA: CTR TUBING MATERIAL: .375 IN. OD .019 IN. WALL 12.0 IN. LG TI		002004 006100 107107 121503 904999	1
180	271N6445-1017	.TUBE ASSY-PRESSURE SYS POSITION DATA: CTR TUBING MATERIAL: .375 IN. OD .019 IN. WALL 11.00 IN. LG TI		002004 006100 107107 121503 904999	1
- 185	AS1581T06	..	SLEEVE	002004 006100 107107 121503 904999	2

MISSING ITEM NUMBERS NOT APPLICABLE

- ITEM NOT ILLUSTRATED

29-11-51-32

29-11-51
FIG. 32
PAGE 4
JAN 20/09

BRI

BOEING PROPRIETARY - Copyright © - Unpublished Work - See title page for details.



757

PARTS CATALOG (MAINTENANCE)

FIG ITEM	PART NUMBER	1 2 3 4 5 6 7	NOMENCLATURE	EFFECT FROM TO	UNITS PER ASSY
32 - 190	BACN10YA6	..	NUT	002004 006100 107107 121503 904999	2
195	271N6445-1023	.TUBE ASSY-PRESSURE SYS POSITION DATA: CTR TUBING MATERIAL: .500 IN. OD .026 IN. WALL 19.25 IN. LG TITANIUM		002004 006100 107107 121503 904999	1
- 200	AS1581T08	..	SLEEVE	002004 006100 107107 121503 904999	2
- 205	BACN10YA8	..	NUT	002004 006100 107107 121503 904999	2
210	271N6445-1031	.TUBE ASSY-HYDR RSVR PRESSURE SYS POSITION DATA: CTR TUBING MATERIAL: .375 IN. OD .035 IN. WALL 118.0 IN. LG AL		002004 006100 107107 121503 904999	1
- 215	AP2097HP06	..SLEEVE SUPPLIER CODE: V01673 SPECIFICATION NUMBER: BACS13BX06HP OPTIONAL PART: 2-02903-06HP V11328 35235VN06 V08199 AFP175V06P V30974 DBOS13BX06HP V14798		002004 006100 107107 121503 904999	2
- 220	MS21921-6D	..NUT- OPTIONAL PART: BACN10YL06		002004 006100 107107 121503 904999	2

MISSING ITEM NUMBERS NOT APPLICABLE

- ITEM NOT ILLUSTRATED

29-11-51-32

29-11-51
FIG. 32
PAGE 5
JAN 20/09

BRI



757

PARTS CATALOG (MAINTENANCE)

FIG ITEM	PART NUMBER	1 2 3 4 5 6 7	NOMENCLATURE	EFFECT FROM TO	UNITS PER ASSY
32					
- 220	BACN10YL06	..	NUT- OPTIONAL PART: MS21921-6D	002004 006100 107107 121503 904999	2
225	271N6445-1143	.TUBE	ASSY-HYDR RSVR PRESSURE SYS POSITION DATA: CTR TUBING MATERIAL: .375 IN. OD .035 IN. WALL 103.00 IN. LG AL	002004 006100 107107 121503 904999	1
- 230	AP2097HP06	..	SLEEVE SUPPLIER CODE: V01673 SPECIFICATION NUMBER: BACS13BX06HP OPTIONAL PART: 2-02903-06HP V11328 35235VN06 V08199 AFP175V06P V30974 DBOS13BX06HP V14798	002004 006100 107107 121503 904999	1
- 235	MS21921-6D	..	NUT- OPTIONAL PART: BACN10YL06	002004 006100 107107 121503 904999	1
- 235	BACN10YL06	..	NUT- OPTIONAL PART: MS21921-6D	002004 006100 107107 121503 904999	1

MISSING ITEM NUMBERS NOT APPLICABLE

- ITEM NOT ILLUSTRATED

BRI

29-11-51-32

29-11-51
FIG. 32
PAGE 6
JAN 20/09



757

PARTS CATALOG (MAINTENANCE)

FIG ITEM	PART NUMBER	1 2 3 4 5 6 7	NOMENCLATURE	EFFECT FROM TO	UNITS PER ASSY
32 - 240	35056GV06		..UNION- SUPPLIER CODE: V08199 SPECIFICATION NUMBER: BACU24AB6W OPTIONAL PART: 2-01027-6W V11328 31875-6W V14397 4671097W6 V50948 AP1004W06 V01673 AFP941W6 V30974 DBOU24AB6W V14798	002004 006100 107107 121503 904999	1
245	271N6445-1032		.TUBE ASSY-CASE DRAIN SYS POSITION DATA: CTR TUBING MATERIAL: .500 IN. OD .035 IN. WALL 88.0 IN. LG AL	107107 904949	1
260	271N6445-1104		.TUBE ASSY-CASE DRAIN SYS POSITION DATA: CTR TUBING MATERIAL: .500 IN. OD .035 IN. WALL 68.50 IN. LG AL	002004 006100 107107 121503 904999	1
- 265	35056GV08		..UNION SUPPLIER CODE: V08199 SPECIFICATION NUMBER: BACU24AB8W OPTIONAL PART: 2-01027-8W V11328 31875-8W V14397 4671097W8 V50948 AP1004W08 V01673 AFP941W8 V30974 DBOU24AB8W V14798	002004 006100 107107 121503 904999	2

MISSING ITEM NUMBERS NOT APPLICABLE

- ITEM NOT ILLUSTRATED

29-11-51-32

29-11-51
FIG. 32
PAGE 7
JAN 20/09

BRI



757

PARTS CATALOG (MAINTENANCE)

FIG ITEM	PART NUMBER	1 2 3 4 5 6 7	NOMENCLATURE	EFFECT FROM TO	UNITS PER ASSY
32 270	271N6445-1030		.TUBE ASSY-RETURN SYS POSITION DATA: CTR TUBING MATERIAL: .625 IN. OD .035 IN. WALL 61.50 IN. LG AL	002004 006100 107107 121503 904999	1
- 275	AP2097HP10		..SLEEVE SUPPLIER CODE: V01673 SPECIFICATION NUMBER: BACS13BX10HP OPTIONAL PART: 2-02903-10HP V11328 35235VN10 V08199 AFP175V10P V30974 DBOS13BX10HP V14798	002004 006100 107107 121503 904999	1
- 280	MS21921-10D		..NUT- OPTIONAL PART: BACN10YL10	002004 006100 107107 121503 904999	1
- 280	BACN10YL10		..NUT- OPTIONAL PART: MS21921-10D	002004 006100 107107 121503 904999	1
- 285	35056GV10		..UNION SUPPLIER CODE: V08199 SPECIFICATION NUMBER: BACU24AB10W OPTIONAL PART: 4671097W10 V50948 2-01027-10W V11328 31875-10W V14397 AP1004W10 V01673 AFP941W10 V30974 DBOU24AB10W V14798	002004 006100 107107 121503 904999	1

MISSING ITEM NUMBERS NOT APPLICABLE

- ITEM NOT ILLUSTRATED

29-11-51-32

29-11-51
FIG. 32
PAGE 8
JAN 20/09

BRI



757

PARTS CATALOG (MAINTENANCE)

FIG ITEM	PART NUMBER	1 2 3 4 5 6 7	NOMENCLATURE	EFFECT FROM TO	UNITS PER ASSY
32 290	271N6445-1024	.	TUBE ASSY-RETURN SYS POSITION DATA: CTR TUBING MATERIAL: .625 IN. OD .035 IN. WALL 77.0 IN. LG AL	002004 006100 107107 121503 904999	1
295	271N6445-1091	.	TUBE ASSY-RETURN SYS POSITION DATA: CTR TUBING MATERIAL: .625 IN. OD .035 IN. WALL 19.0 IN. LG AL	002004 006100 107107 121503 904999	1
- 300	AP2097HP10	..	SLEEVE SUPPLIER CODE: V01673 SPECIFICATION NUMBER: BACS13BX10HP OPTIONAL PART: 2-02903-10HP V11328 35235VN10 V08199 AFP175V10P V30974 DBOS13BX10HP V14798	002004 006100 107107 121503 904999	2
- 305	MS21921-10D	..	NUT- OPTIONAL PART: BACN10YL10	002004 006100 107107 121503 904999	2
- 305	BACN10YL10	..	NUT- OPTIONAL PART: MS21921-10D	002004 006100 107107 121503 904999	2

MISSING ITEM NUMBERS NOT APPLICABLE

- ITEM NOT ILLUSTRATED

BRI

29-11-51-32

29-11-51
FIG. 32
PAGE 9
JAN 20/09



757

PARTS CATALOG (MAINTENANCE)

FIG ITEM	PART NUMBER	1 2 3 4 5 6 7	NOMENCLATURE	EFFECT FROM TO	UNITS PER ASSY
32					
- 315	AP2097HP06	..	SLEEVE SUPPLIER CODE: V01673 SPECIFICATION NUMBER: BACS13BX06HP OPTIONAL PART: 2-02903-06HP V11328 35235VN06 V08199 AFP175V06P V30974 DBOS13BX06HP V14798	002004 006100 107107 121503 904999	2
- 320	MS21921-6D	..	NUT- OPTIONAL PART: BACN10YL06	002004 006100 107107 121503 904999	2
- 320	BACN10YL06	..	NUT- OPTIONAL PART: MS21921-6D	002004 006100 107107 121503 904999	2
380	271N6445-1236	.TUBE ASSY-CASE DRAIN SYS POSITION DATA: CTR TUBING MATERIAL: .500 IN. OD .035 IN. WALL 56.00 IN. LG AL		002004 006100 121503 950999	1
- 385	AP2097HP08	..	SLEEVE SUPPLIER CODE: V01673 SPECIFICATION NUMBER: BACS13BX08HP OPTIONAL PART: 2-02903-08HP V11328 35235VN08 V08199 AFP175V08P V30974 DBOS13BX08HP V14798	002004 006100 107107 121503 904999	2
- 390	MS21921-8D	.NUT- OPTIONAL PART: BACN10YL08		002004 006100 107107 121503 904999	2

MISSING ITEM NUMBERS NOT APPLICABLE

- ITEM NOT ILLUSTRATED

29-11-51-32

29-11-51
FIG. 32
PAGE 10
JAN 20/09

BRI



757

PARTS CATALOG (MAINTENANCE)

FIG ITEM	PART NUMBER	1 2 3 4 5 6 7	NOMENCLATURE	EFFECT FROM TO	UNITS PER ASSY
32 - 390	BACN10YL08	.NUT-	OPTIONAL PART: MS21921-8D	002004 006100 107107 121503 904999	2
400	MS21924D8	.UNION-		002004 006100 107107 121503 904999	1
405	APX824D100610	.TEE-	SUPPLIER CODE: V01673 SPECIFICATION NUMBER: BACT16AS100610D OPTIONAL PART: APX824-100610D V01673 DBOT16AS100610D V14798 ER824-100610D V50948 FER1571-100610D V14397 LER824-100610D V11328 NAF1824-100610D V52930 US1925-100610D V50808 AFP325-100610D V30974	002004 006100 107107 121503 904999	1
410	BACT16BL080608T	.TEE-		002004 006100 107107 121503 904999	1
410	BACT16BL080608J	.TEE-		002004 006100 107107 121503 904999	1
415	BACT16BL080806T	.TEE		002004 006100 107107 121503 904999	1

MISSING ITEM NUMBERS NOT APPLICABLE

- ITEM NOT ILLUSTRATED

29-11-51-32

29-11-51
FIG. 32
PAGE 11
JAN 20/09

BRI



757

PARTS CATALOG (MAINTENANCE)

FIG ITEM	PART NUMBER	1 2 3 4 5 6 7	NOMENCLATURE	EFFECT FROM TO	UNITS PER ASSY
32 420	AN924-8D	.	NUT	002004 006100 107107 121503 904999	1
540	271N6446-1096	.	TUBE ASSY-CASE DRAIN SYS POSITION DATA: CTR TUBING MATERIAL: .500 IN. OD .035 IN. WALL 50.20 IN. LG AL AMS 4083 6061 T6 TUBING	002004 006100 121503 950999	1
- 545	AP2097HP08	.	SLEEVE SUPPLIER CODE: V01673 SPECIFICATION NUMBER: BACS13BX08HP OPTIONAL PART: 2-02903-08HP V11328 35235VN08 V08199 AFP175V08P V30974 DB0S13BX08HP V14798	002004 006100 121503 950999	1
- 550	35056GV08	.	UNION SUPPLIER CODE: V08199 SPECIFICATION NUMBER: BACU24AB8W OPTIONAL PART: 2-01027-8W V11328 31875-8W V14397 4671097W8 V50948 AP1004W08 V01673 AFP941W8 V30974 DB0U24AB8W V14798	002004 006100 121503 950999	1
- 555	BACN10YL08	..	NUT- OPTIONAL PART: MS21921-8D	002004 006100 121503 950999	2

MISSING ITEM NUMBERS NOT APPLICABLE

- ITEM NOT ILLUSTRATED

29-11-51-32

29-11-51
FIG. 32
PAGE 12
JAN 20/09

BRI



757

PARTS CATALOG (MAINTENANCE)

FIG ITEM	PART NUMBER	1 2 3 4 5 6 7	NOMENCLATURE	EFFECT FROM TO	UNITS PER ASSY
32 900			ILLUSTRATION REFERENCE: PLUMBING INSTL- 49 AC BAY HYDR (HYDRAULIC POWER ONLY) 29-11-51-23	002004 006100 107107 121503 904999	RF
905			ILLUSTRATION REFERENCE: PLUMBING INSTL-SECT. 49 L HYDR BAY (MAIN HYDR SYSTEM ONLY) 29-11-51-20	002004 006100 107107 121503 904999	RF
910			ILLUSTRATION REFERENCE: PLUMBING INSTL-MAIN WHL WELL FWD BHD HYDR (HYDRAULIC POWER ONLY) 29-11-51-38	002004 006100 107107 121503 904999	RF
915			ILLUSTRATION REFERENCE: PLUMBING INSTL-SECT. 44 AFT BHD MLG WHL WELL HYDR (HYDRAULIC POWER ONLY) 29-11-51-30	002004 006100 107107 121503 904999	RF
925			ILLUSTRATION REFERENCE: TRANSMITTER INSTL-CTR SYS PRESSURE 29-31-03-05	002004 006100 107107 121503 904999	RF
930			ILLUSTRATION REFERENCE: PLUMBING INSTL-SECT. 49 L HYDR BAY (MAIN HYDR SYSTEM ONLY) 29-11-51-20	002004 006100 121503 950999	RF
935			ILLUSTRATION REFERENCE: PLUMBING INSTL-MAIN WHL WELL FWD BHD HYDR (HYDRAULIC POWER ONLY) 29-11-51-40	002004 006100 107107 121503 904999	RF
940			ILLUSTRATION REFERENCE: PLUMBING INSTL-SECT. 44 MLG WHL WELL HYDR (PARKING BRAKE SYSTEM ONLY) 32-44-51-20	002004 006100 950999	RF

MISSING ITEM NUMBERS NOT APPLICABLE

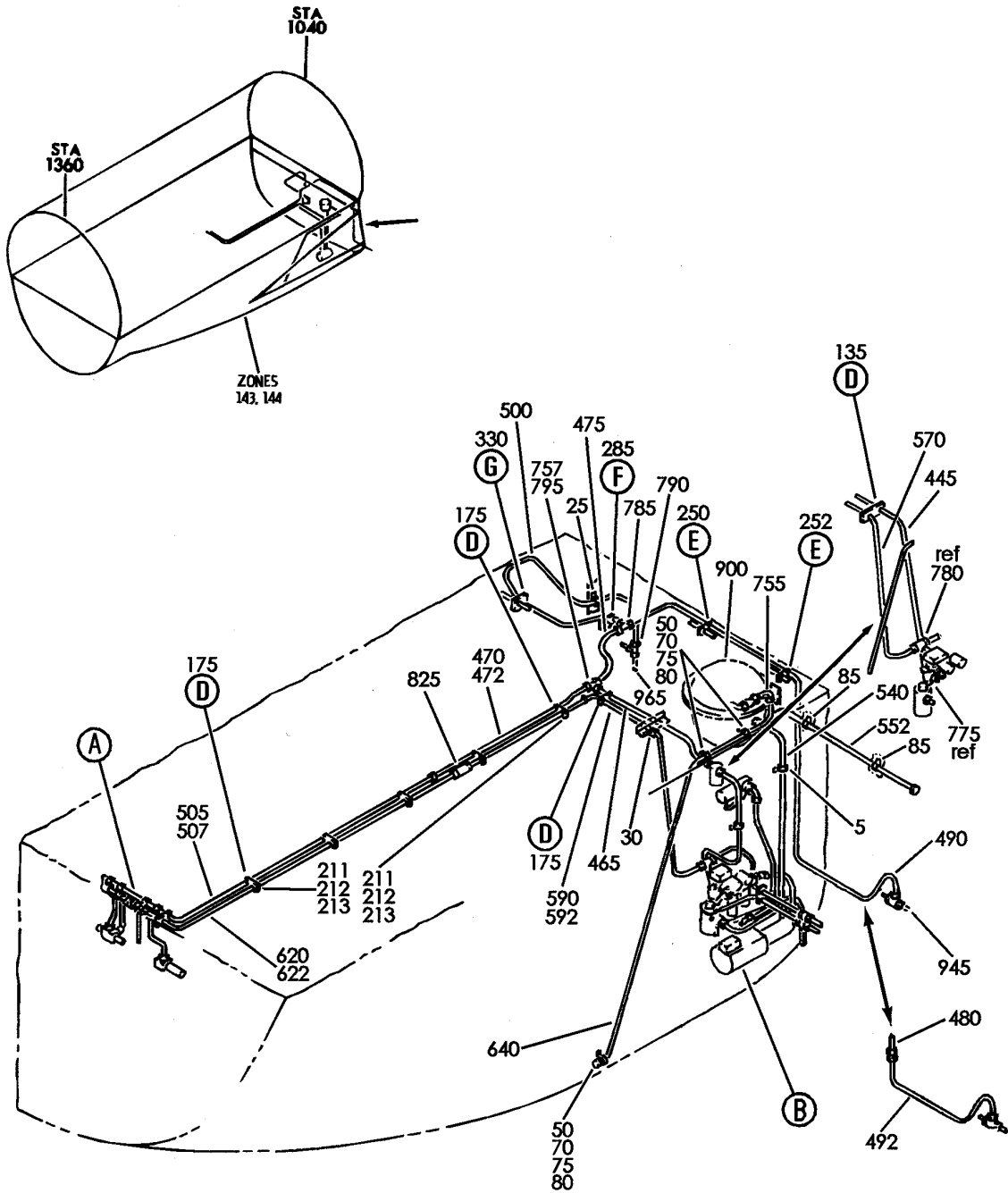
- ITEM NOT ILLUSTRATED

29-11-51-32

29-11-51
FIG. 32
PAGE 13
JAN 20/09

BRI

BOEING
757
PARTS CATALOG (MAINTENANCE)



Y 29115134 SHT 1 REV 213

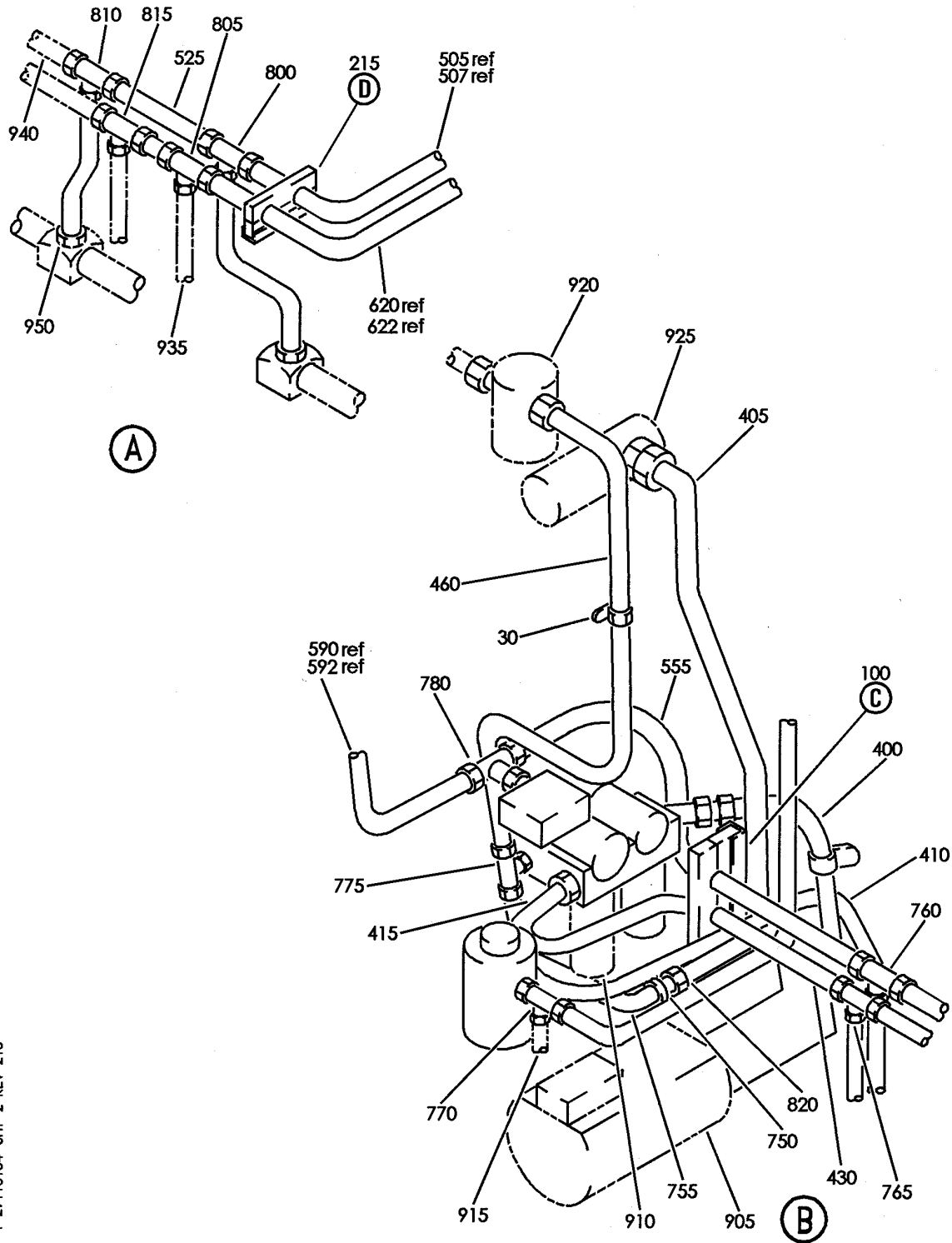
PLUMBING INSTL-SECT. 44 R PRESSURE DECK HYDR (HYDRAULIC POWER ONLY)
FIGURE 34 (SHEET 1)

29-11-51-34

BRI
MAY 28/07

29-11-51-34
PAGE 0

BOEING
757
PARTS CATALOG (MAINTENANCE)



Y 29115134 SHT 2 REV 213

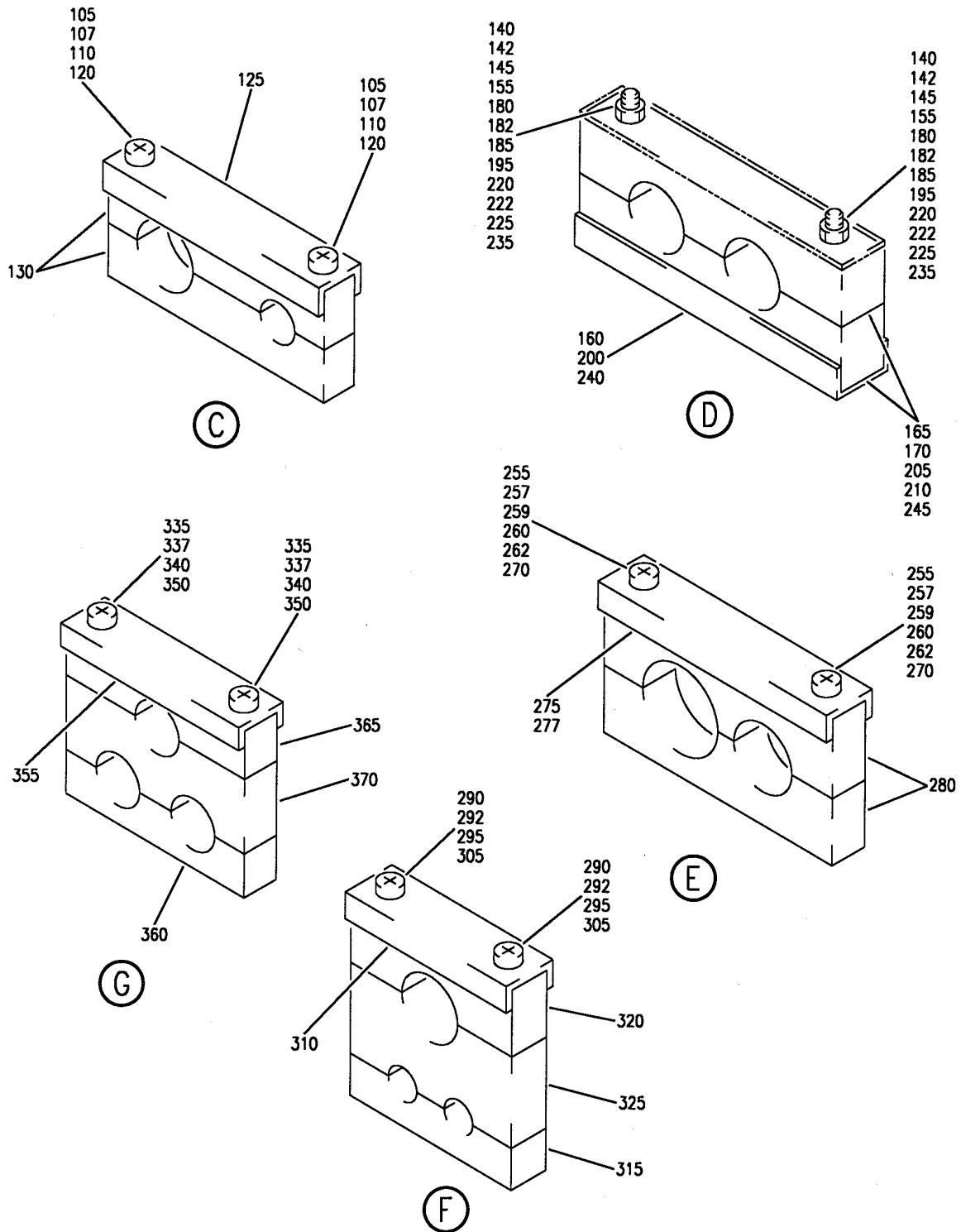
PLUMBING INSTL-SECT. 44 R PRESSURE DECK HYDR (HYDRAULIC POWER ONLY)
FIGURE 34 (SHEET 2)

29-11-51-34

BRI
MAY 28/07

29-11-51-34
PAGE 0A


BOEING
 757
PARTS CATALOG (MAINTENANCE)



Y 29115134 SH1 3 REV 213

PLUMBING INSTL-SECT. 44 R PRESSURE DECK HYDR (HYDRAULIC POWER ONLY)
 FIGURE 34 (SHEET 3)

29-11-51-34

BRI
 MAY 28/07

29-11-51-34
 PAGE 0B



757

PARTS CATALOG (MAINTENANCE)

FIG ITEM	PART NUMBER	1 2 3 4 5 6 7	NOMENCLATURE	EFFECT FROM TO	UNITS PER ASSY
34			PLUMBING INSTL-SECT. 44 R PRESSURE DECK HYDR (HYDRAULIC POWER ONLY)	002004 006100 107107 121503 904999	RF
- 1	271N6444-1		PLUMBING INSTL-PRESSURE DECK HYDR (HYDRAULIC POWER ONLY) POSITION DATA: SECT. 44 R VARIABLE DRAWING REF: 271N6444-5 FOR NHA/OTHER SYS DET SEE: 29-00-51-05	002004 006100 107107 121503 904999	RF
5	TA0910004DC		.CLAMP SUPPLIER CODE: V84971 SPECIFICATION NUMBER: BACC10HB16A ATTACHING PARTS	002004 006100 107107 121503 904999	1
- 10	NAS1801-3		.SCREW- SIZE DETERMINED ON INSTL.	002004 006100 107107 121503 904999	2
- 15	AN960PD10		.WASHER	002004 006100 107107 121503 904999	AR
- 20	MS21042L3		.NUT-	002004 006100 107107 121503 904999	2
25	TA0910004H112		-----*----- .CLAMP SUPPLIER CODE: V84971 SPECIFICATION NUMBER: BACC10HB12C	002004 006100 107107 121503 904999	1
30	TA0910004H110		.CLAMP SUPPLIER CODE: V84971 SPECIFICATION NUMBER: BACC10HB10C	002004 006100 107107 121503 904999	2

MISSING ITEM NUMBERS NOT APPLICABLE

- ITEM NOT ILLUSTRATED

29-11-51-34

29-11-51
FIG. 34
PAGE 1
JAN 20/09

BRI



757

PARTS CATALOG (MAINTENANCE)

FIG ITEM	PART NUMBER	1 2 3 4 5 6 7	NOMENCLATURE	EFFECT FROM TO	UNITS PER ASSY
34			ATTACHING PARTS		
- 35	NAS1801-3		.SCREW- SIZE DETERMINED ON INSTL.	002004 006100 107107 121503 904999	6
- 40	AN960PD10		.WASHER	002004 006100 107107 121503 904999	AR
- 45	MS21042L3		.NUT-	002004 006100 107107 121503 904999	6
			-----*-----		
85	TA0910004H110		.CLAMP SUPPLIER CODE: V84971 SPECIFICATION NUMBER: BACC10HB10C	002004 006100 107107 121503 904999	2
- 87	NAS1801-3		ATTACHING PARTS .SCREW- SIZE DETERMINED ON INSTL.	002004 006100 107107 121503 904999	2
- 88	AN960PD10		.WASHER	002004 006100 107107 121503 904999	2

MISSING ITEM NUMBERS NOT APPLICABLE

- ITEM NOT ILLUSTRATED

BRI

29-11-51-34

BOEING PROPRIETARY - Copyright © - Unpublished Work - See title page for details.

29-11-51
FIG. 34
PAGE 2
JAN 20/09



757

PARTS CATALOG (MAINTENANCE)

FIG ITEM	PART NUMBER	1 2 3 4 5 6 7	NOMENCLATURE	EFFECT FROM TO	UNITS PER ASSY
34 - 89	BRH10A3	.NUT	SUPPLIER CODE: V52828 SPECIFICATION NUMBER: BACN10JC3 OPTIONAL PART: H10-3BAC V15653 NS202101-02 V80539 RMLH9075-3W V72962 VN303A02 V92215 96-02 V80539 T6S1032J V11815	002004 006100 107107 121503 904999	2
100	270N2000-89	-----*----- .CLAMP ASSY-BLK		002004 006100 107107 121503 904999	1
105	NAS1801-3-34	..SCREW-		002004 006100 107107 121503 904999	2
107	NAS43DD3-99	..SPACER		002004 006100 107107 121503 904999	2
110	AN960PD10L	..WASHER		002004 006100 107107 121503 904999	2

MISSING ITEM NUMBERS NOT APPLICABLE

- ITEM NOT ILLUSTRATED

BRI

29-11-51-34

29-11-51
FIG. 34
PAGE 3
JAN 20/09



757

PARTS CATALOG (MAINTENANCE)

FIG ITEM	PART NUMBER	1 2 3 4 5 6 7	NOMENCLATURE	EFFECT FROM TO	UNITS PER ASSY
34 120	BRH10A3	..	NUT SUPPLIER CODE: V52828 SPECIFICATION NUMBER: BACN10JC3 OPTIONAL PART: H10-3BAC V15653 NS202101-02 V80539 RMLH9075-3W V72962 VN303A02 V92215 96-02 V80539 T6S1032J V11815	002004 006100 107107 121503 904999	2
125	270N2000-853	..	CHANNEL	002004 006100 107107 121503 904999	1
130	270N2000-511	..	BLOCK	002004 006100 107107 121503 904999	2
175	270N2000-101	.CLAMP ASSY-BLK POSITION DATA: RBL 30 STA 1160,1140 RBL 30 STA 1100,1080 RBL 30 STA 1120 RBL 45 STA 1075		002004 006100 107107 121503 904999	6
180	NAS1801-3-28	..	SCREW-	002004 006100 107107 121503 904999	2
182	NAS43DD3-75	..	SPACER	002004 006100 107107 121503 904999	2
185	AN960PD10L	..	WASHER	002004 006100 107107 121503 904999	2

MISSING ITEM NUMBERS NOT APPLICABLE

- ITEM NOT ILLUSTRATED

29-11-51-34

29-11-51
FIG. 34
PAGE 4
JAN 20/09

BRI



757

PARTS CATALOG (MAINTENANCE)

FIG ITEM	PART NUMBER	1 2 3 4 5 6 7	NOMENCLATURE	EFFECT FROM TO	UNITS PER ASSY
34 195	BRH10A3	..	NUT SUPPLIER CODE: V52828 SPECIFICATION NUMBER: BACN10JC3 OPTIONAL PART: H10-3BAC V15653 NS202101-02 V80539 RMLH9075-3W V72962 VN303A02 V92215 96-02 V80539 T6S1032J V11815	002004 006100 107107 121503 904999	2
200	270N2000-833	..	CHANNEL	002004 006100 107107 121503 904999	1
205	270N2000-479	..	BLOCK- OPTIONAL PART: 270N2000-520	002004 006100 107107 121503 904999	2
210	270N2000-520	..	BLOCK- OPTIONAL PART: 270N2000-479	002004 006100 107107 121503 904999	2
215	270N2000-85	.	CLAMP ASSY-BLK	002004 006100 107107 121503 904999	1
220	NAS1801-3-28	..	SCREW-	002004 006100 107107 121503 904999	2
222	NAS43DD3-75	..	SPACER	002004 006100 107107 121503 904999	2

MISSING ITEM NUMBERS NOT APPLICABLE

- ITEM NOT ILLUSTRATED

29-11-51-34

29-11-51
FIG. 34
PAGE 5
JAN 20/09

BRI

BOEING PROPRIETARY - Copyright © - Unpublished Work - See title page for details.

 **BOEING**
757
PARTS CATALOG (MAINTENANCE)

FIG ITEM	PART NUMBER	1 2 3 4 5 6 7	NOMENCLATURE	EFFECT FROM TO	UNITS PER ASSY
34					
225	AN960PD10L	..	WASHER	002004 006100 107107 121503 904999	2
235	BRH10A3	..	NUT SUPPLIER CODE: V52828 SPECIFICATION NUMBER: BACN10JC3 OPTIONAL PART: H10-3BAC V15653 NS202101-02 V80539 RMLH9075-3W V72962 VN303A02 V92215 96-02 V80539 T6S1032J V11815	002004 006100 107107 121503 904999	2
240	270N2000-849	..	CHANNEL	002004 006100 107107 121503 904999	1
245	270N2000-508	..	BLOCK	002004 006100 107107 121503 904999	2
250	270N2000-191	.	CLAMP ASSY-BLK	002004 006100 107107 121503 904999	1
252	270N2000-255	.	CLAMP ASSY-BLK POSITION DATA: RBL 45 STA 1050	002004 006100 107107 121503 904999	1
255	NAS1801-3-33	..	SCREW- USED ON: 270N2000-191	002004 006100 107107 121503 904999	2

MISSING ITEM NUMBERS NOT APPLICABLE

— ITEM NOT ILLUSTRATED

BRI

29-11-51-34

29-11-51
FIG. 34
PAGE 6
JAN 20/09



757

PARTS CATALOG (MAINTENANCE)

FIG ITEM	PART NUMBER	1 2 3 4 5 6 7	NOMENCLATURE	EFFECT FROM TO	UNITS PER ASSY
34					
257	NAS514P1032-38P	..	SCREW- USED ON: 270N2000-255	002004 006100 107107 121503 904999	2
259	NAS43DD3-99	..	SPACER	002004 006100 107107 121503 904999	2
260	AN960PD10L	..	WASHER- USED ON: 270N2000-191	002004 006100 107107 121503 904999	2
270	BRH10A3	..	NUT SUPPLIER CODE: V52828 SPECIFICATION NUMBER: BACN10JC3 OPTIONAL PART: H10-3BAC V15653 NS202101-02 V80539 RMLH9075-3W V72962 VN303A02 V92215 96-02 V80539 T6S1032J V11815	002004 006100 107107 121503 904999	2
275	270N2000-1006	..	CHANNEL- USED ON: 270N2000-191	002004 006100 107107 121503 904999	1
277	270N2000-1024	..	CHANNEL- USED ON: 270N2000-255	002004 006100 107107 121503 904999	1
280	270N2000-671	..	BLOCK	002004 006100 107107 121503 904999	2

MISSING ITEM NUMBERS NOT APPLICABLE

- ITEM NOT ILLUSTRATED

29-11-51-34

29-11-51
FIG. 34
PAGE 7
JAN 20/09

BRI

BOEING PROPRIETARY - Copyright © - Unpublished Work - See title page for details.



757

PARTS CATALOG (MAINTENANCE)

FIG ITEM	PART NUMBER	1 2 3 4 5 6 7	NOMENCLATURE	EFFECT FROM TO	UNITS PER ASSY
34 285	270N2000-190	.	CLAMP ASSY-BLK	002004 006100 107107 121503 904999	1
290	NAS1801-3-43	..	SCREW-	002004 006100 107107 121503 904999	2
292	NAS43DD3-141	..	SPACER	002004 006100 107107 121503 904999	2
295	AN960PD10L	..	WASHER	002004 006100 107107 121503 904999	2
305	BRH10A3	..	NUT SUPPLIER CODE: V52828 SPECIFICATION NUMBER: BACN10JC3 OPTIONAL PART: H10-3BAC V15653 NS202101-02 V80539 RMLH9075-3W V72962 VN303A02 V92215 96-02 V80539 T6S1032J V11815	002004 006100 107107 121503 904999	2
310	270N2000-844	..	CHANNEL	002004 006100 107107 121503 904999	1
315	270N2000-502	..	BLOCK	002004 006100 107107 121503 904999	1

MISSING ITEM NUMBERS NOT APPLICABLE

- ITEM NOT ILLUSTRATED

29-11-51-34

29-11-51
FIG. 34
PAGE 8
JAN 20/09

BRI

BOEING PROPRIETARY - Copyright © - Unpublished Work - See title page for details.



757

PARTS CATALOG (MAINTENANCE)

FIG ITEM	PART NUMBER	1 2 3 4 5 6 7	NOMENCLATURE	EFFECT FROM TO	UNITS PER ASSY
34					
320	270N2000-669	..	BLOCK	002004 006100 107107 121503 904999	1
325	270N2000-670	..	BLOCK	002004 006100 107107 121503 904999	1
330	270N2000-189	.CLAMP ASSY-BLK POSITION DATA: STA 1060 RBL 10		002004 006100 107107 121503 904999	1
335	NAS1801-3-47	..	SCREW-	002004 006100 107107 121503 904999	2
337	NAS43DD3-157	..	SPACER	002004 006100 107107 121503 904999	2
340	AN960PD10L	..	WASHER	002004 006100 107107 121503 904999	2
350	BRH10A3	..	NUT SUPPLIER CODE: V52828 SPECIFICATION NUMBER: BACN10JC3 OPTIONAL PART: H10-3BAC V15653 NS202101-02 V80539 RMLH9075-3W V72962 VN303A02 V92215 96-02 V80539 T6S1032J V11815	002004 006100 107107 121503 904999	2

MISSING ITEM NUMBERS NOT APPLICABLE

- ITEM NOT ILLUSTRATED

29-11-51-34

29-11-51
FIG. 34
PAGE 9
JAN 20/09

BRI



757

PARTS CATALOG (MAINTENANCE)

FIG ITEM	PART NUMBER	1 2 3 4 5 6 7	NOMENCLATURE	EFFECT FROM TO	UNITS PER ASSY
34					
355	270N2000-841	. .	CHANNEL	002004 006100 107107 121503 904999	1
360	270N2000-468	. .	BLOCK	002004 006100 107107 121503 904999	1
365	270N2000-667	. .	BLOCK	002004 006100 107107 121503 904999	1
370	270N2000-668	. .	BLOCK	002004 006100 107107 121503 904999	1
400	AS116-06D0204	. HOSE	ASSY-	002004 006100 107107 121503 904999	1
400	AS116-06K0204	. HOSE	ASSY-	002004 006100 107107 121503 904999	1
405	AS1635A12D0200	. HOSE	ASSY-	002004 006100 107107 121503 904999	1
410	AS115-08D0174	. HOSE	ASSY-	002004 006100 107107 121503 904999	1
410	AS115-08K0174	. HOSE	ASSY-	002004 006100 107107 121503 904999	1

MISSING ITEM NUMBERS NOT APPLICABLE

- ITEM NOT ILLUSTRATED

29-11-51-34

29-11-51
FIG. 34
PAGE 10
JAN 20/09

BRI

BOEING PROPRIETARY - Copyright © - Unpublished Work - See title page for details.



757

PARTS CATALOG (MAINTENANCE)

FIG ITEM	PART NUMBER	1 2 3 4 5 6 7	NOMENCLATURE	EFFECT FROM TO	UNITS PER ASSY
34 415	271N6444-1168		.TUBE ASSY-PRESSURE SYS POSITION DATA: R TUBING MATERIAL: .500 IN. OD .026 IN. WALL 20.10 IN. LG TI BMS 7-234 TI-3AL-2.5V COLD WORKED, STRESS RELIEVED TUBING	002004 006100 107107 121503 904999	1
- 420	AS1581T08		..SLEEVE	002004 006100 107107 121503 904999	2
- 425	BACN10YA8		..NUT	002004 006100 107107 121503 904999	2
430	271N6444-1146		.TUBE ASSY-PRESSURE SYS POSITION DATA: R TUBING MATERIAL: .625 IN. OD .032 IN. WALL 22.70 IN. LG TI BMS 7-234 TI-3AL-2.5V COLD WORKED, STRESS RELIEVED TUBING	107107	1
430	271N6444-1237		.TUBE ASSY-PRESSURE SYS POSITION DATA: R TUBING MATERIAL: .625 IN. OD .032 IN. WALL 22.60 IN. LG TI BMS 7-234 TI-3AL-2.5V COLD WORKED, STRESS RELIEVED TUBING	002004 006100 121503 904999	1
- 435	AS1581T10		..SLEEVE	002004 006100 107107 121503 904999	2
- 440	BACN10YA10		..NUT	002004 006100 107107 121503 904999	2

MISSING ITEM NUMBERS NOT APPLICABLE

- ITEM NOT ILLUSTRATED

29-11-51-34

29-11-51
FIG. 34
PAGE 11
JAN 20/09

BRI



757

PARTS CATALOG (MAINTENANCE)

FIG ITEM	PART NUMBER	1 2 3 4 5 6 7	NOMENCLATURE	EFFECT FROM TO	UNITS PER ASSY
34 460	271N6444-1064		.TUBE ASSY-PRESSURE SYS POSITION DATA: R TUBING MATERIAL: .625 IN. OD .032 IN. WALL 34.00 IN. LG TI BMS 7-234 TI-3AL-2.5V COLD WORKED, STRESS RELIEVED TUBING	002004 006100 107107 121503 904999	1
465	271N6444-1112		.TUBE ASSY-PRESSURE SYS POSITION DATA: R TUBING MATERIAL: .625 IN. OD .032 IN. WALL 12.00 IN. LG TI BMS 7-234 TI-3AL-2.5V COLD WORKED, STRESS RELIEVED TUBING	002004 006100 107107 121503 904999	1
470	271N6444-1061		.TUBE ASSY-PRESSURE SYS POSITION DATA: R TUBING MATERIAL: .625 IN. OD .032 IN. WALL 19.00 IN. LG TI BMS 7-234 TI-3AL-2.5V COLD WORKED, STRESS RELIEVED TUBING USED ON: 271N6444-1	002004 006100 107107 121503 904999	1
472	271N6444-1078		.TUBE ASSY-PRESSURE SYS POSITION DATA: R TUBING MATERIAL: .625 IN. OD .032 IN. WALL 44.00 IN. LG TI BMS 7-234 TI-3AL-2.5V COLD WORKED, STRESS RELIEVED TUBING	002004 006100 107107 121503 904999	1
475	271N6444-1220		.TUBE ASSY-PRESSURE SYS POSITION DATA: R TUBING MATERIAL: .625 IN. OD .032 IN. WALL 16.00 IN. LG TI BMS 7-234 TI-3AL-2.5V COLD WORKED, STRESS RELIEVED TUBING	107107	1

MISSING ITEM NUMBERS NOT APPLICABLE

- ITEM NOT ILLUSTRATED

29-11-51-34

29-11-51
FIG. 34
PAGE 12
JAN 20/09

BRI



757

PARTS CATALOG (MAINTENANCE)

FIG ITEM	PART NUMBER	1 2 3 4 5 6 7	NOMENCLATURE	EFFECT FROM TO	UNITS PER ASSY
34					
- 477	AS1581T10	..	SLEEVE	002004 006100 107107 121503 904999	2
- 478	BACN10YA10	..	NUT	002004 006100 107107 121503 904999	2
480	271N6444-1127	.	TUBE ASSY-PRESSURE SYS POSITION DATA: R TUBING MATERIAL: .750 IN. OD .039 IN. WALL 40.10 IN. LG TI BMS 7-234 TI-3AL-2.5V COLD WORKED, STRESS RELIEVED TUBING	002004 006100 107107 121503 904999	1
- 482	AS1581T12	..	SLEEVE	002004 006100 107107 121503 904999	1
- 484	BACN10YA12	..	NUT	002004 006100 107107 121503 904999	1
- 486	AS1582T12	..	UNION	002004 006100 107107 121503 904999	1
492	271N6444-1148	.	TUBE ASSY-PRESSURE SYS POSITION DATA: R TUBING MATERIAL: .750 IN. OD .039 IN. WALL 41.50 IN. LG TI BMS 7-234 TI-3AL-2.5V COLD WORKED, STRESS RELIEVED TUBING	002004 006100 107107 121503 904999	1
- 495	AS1581T12	..	SLEEVE	002004 006100 107107 121503 904999	2

MISSING ITEM NUMBERS NOT APPLICABLE

- ITEM NOT ILLUSTRATED

29-11-51-34

29-11-51
FIG. 34
PAGE 13
JAN 20/09

BRI

BOEING PROPRIETARY - Copyright © - Unpublished Work - See title page for details.



757

PARTS CATALOG (MAINTENANCE)

FIG ITEM	PART NUMBER	1 2 3 4 5 6 7	NOMENCLATURE	EFFECT FROM TO	UNITS PER ASSY
34					
- 497	BACN10YA12	..	NUT-	002004 006100 107107 121503 904999	2
500	271N6444-1142	.	TUBE ASSY-PRESSURE SYS POSITION DATA: R TUBING MATERIAL: .750 IN. OD .039 IN. WALL 63.60 IN. LG TI BMS 7-234 TI-3AL-2.5V COLD WORKED, STRESS RELIEVED TUBING	002004 006100 107107 121503 904999	1
- 502	AS1581T12	..	SLEEVE	002004 006100 107107 121503 904999	2
- 504	BACN10YA12	..	NUT	002004 006100 107107 121503 904999	2
505	271N6444-1047	.	TUBE ASSY-PRESSURE SYS POSITION DATA: R TUBING MATERIAL: .625 IN. OD .032 IN. WALL 83.50 IN. LG TI BMS 7-234 TI-3AL-2.5V COLD WORKED, STRESS RELIEVED TUBING	002004 006100 107107 121503 904999	1
- 510	AS1581T10	..	SLEEVE	002004 006100 107107 121503 904999	1
- 515	BACN10YA10	..	NUT	002004 006100 107107 121503 904999	1
- 520	AS1582T10	..	UNION	002004 006100 107107 121503 904999	1

MISSING ITEM NUMBERS NOT APPLICABLE

- ITEM NOT ILLUSTRATED

29-11-51-34

29-11-51
FIG. 34
PAGE 14
JAN 20/09

BRI

BOEING PROPRIETARY - Copyright © - Unpublished Work - See title page for details.



757

PARTS CATALOG (MAINTENANCE)

FIG ITEM	PART NUMBER	1 2 3 4 5 6 7	NOMENCLATURE	EFFECT FROM TO	UNITS PER ASSY
34 525	271N6444-1048		.TUBE ASSY-PRESSURE SYS POSITION DATA: R TUBING MATERIAL: .375 IN. OD .019 IN. WALL 2.60 IN. LG TI BMS 7-234 TI-3AL-2.5V COLD WORKED, STRESS RELIEVED TUBING	002004 006100 107107 121503 904999	1
- 530	AS1581T06		..SLEEVE	002004 006100 107107 121503 904999	2
- 535	BACN10YA6		..NUT	002004 006100 107107 121503 904999	2
540	271N6444-1139		.TUBE ASSY-RETURN SYS POSITION DATA: R TUBING MATERIAL: 1.00 IN. OD .035 IN. WALL 39.90 IN. LG AL AMS 4083 6061 T6 TUBING	002004 006100 107107 121503 904999	1
- 545	AP2097HP16		..SLEEVE SUPPLIER CODE: V01673 SPECIFICATION NUMBER: BACS13BX16HP OPTIONAL PART: 2-02903-16HP V11328 35235VN16 V08199 AFP175V16P V30974 DBOS13BX16HP V14798	002004 006100 107107 121503 904999	2
- 550	BACN10YL16		..NUT	002004 006100 107107 121503 904999	2

MISSING ITEM NUMBERS NOT APPLICABLE

- ITEM NOT ILLUSTRATED

29-11-51-34

29-11-51
FIG. 34
PAGE 15
JAN 20/09

BRI



757

PARTS CATALOG (MAINTENANCE)

FIG ITEM	PART NUMBER	1 2 3 4 5 6 7	NOMENCLATURE	EFFECT FROM TO	UNITS PER ASSY
34 552	271N6444-1140	.	TUBE ASSY-RETURN SYS POSITION DATA: R TUBING MATERIAL: .625 IN. OD .035 IN. WALL 40.10 IN. LG AL AMS 4083 6061 T6 TUBING	002004 006100 107107 121503 904999	1
- 553	AP2097HP10	..	SLEEVE SUPPLIER CODE: V01673 SPECIFICATION NUMBER: BACS13BX10HP OPTIONAL PART: 2-02903-10HP V11328 35235VN10 V08199 AFP175V10P V30974 DBOS13BX10HP V14798	002004 006100 107107 121503 904999	2
- 554	BACN10YL10	..	NUT	002004 006100 107107 121503 904999	2
555	271N6444-1128	.	TUBE ASSY-RETURN SYS POSITION DATA: R TUBING MATERIAL: 1.00 IN. OD .035 IN. WALL 25.50 IN. LG AL AMS 4083 6061 T6 TUBING	107107 904949 952952	1
555	271N6444-1258	.	TUBE ASSY-RETURN SYS POSITION DATA: R TUBING MATERIAL: 1.00 IN. OD .035 IN. WALL 25.70 IN. LG AL AMS 4083 6061 T6 TUBING	003004 006100 121503 950951 953999	1

MISSING ITEM NUMBERS NOT APPLICABLE

- ITEM NOT ILLUSTRATED

BRI

29-11-51-34

29-11-51
FIG. 34
PAGE 16
JAN 20/09



757

PARTS CATALOG (MAINTENANCE)

FIG ITEM	PART NUMBER	1 2 3 4 5 6 7	NOMENCLATURE	EFFECT FROM TO	UNITS PER ASSY
34 - 560	AP2097HP16	..	SLEEVE SUPPLIER CODE: V01673 SPECIFICATION NUMBER: BACS13BX16HP OPTIONAL PART: 2-02903-16HP V11328 35235VN16 V08199 AFP175V16P V30974 DBOS13BX16HP V14798	002004 006100 107107 121503 904999	2
- 565	BACN10YL16	..	NUT	002004 006100 107107 121503 904999	2
590	271N6444-1081	.TUBE ASSY-RETURN SYS POSITION DATA: R TUBING MATERIAL: .625 IN. OD .035 IN. WALL 63.30 IN. LG AL AMS 4083 6061 T6 TUBING		002004 006100 107107 121503 904999	1
- 595	AP2097HP10	..	SLEEVE SUPPLIER CODE: V01673 SPECIFICATION NUMBER: BACS13BX10HP OPTIONAL PART: 2-02903-10HP V11328 35235VN10 V08199 AFP175V10P V30974 DBOS13BX10HP V14798	002004 006100 107107 121503 904999	2
- 600	BACN10YL10	..	NUT	002004 006100 107107 121503 904999	2

MISSING ITEM NUMBERS NOT APPLICABLE

- ITEM NOT ILLUSTRATED

29-11-51-34

29-11-51
FIG. 34
PAGE 17
JAN 20/09

BRI



757

PARTS CATALOG (MAINTENANCE)

FIG ITEM	PART NUMBER	1 2 3 4 5 6 7	NOMENCLATURE	EFFECT FROM TO	UNITS PER ASSY
34 620	271N6444-1082		.TUBE ASSY-RETURN SYS POSITION DATA: R TUBING MATERIAL: .625 IN. OD .035 IN. WALL 83.90 IN. LG AL AMS 4083 6061 T6 TUBING	002004 006100 107107 121503 904999	1
- 625	AP2097HP10		..SLEEVE SUPPLIER CODE: V01673 SPECIFICATION NUMBER: BACS13BX10HP OPTIONAL PART: 2-02903-10HP V11328 35235VN10 V08199 AFP175V10P V30974 DBOS13BX10HP V14798	002004 006100 107107 121503 904999	1
- 630	BACN10YL10		..NUT	002004 006100 107107 121503 904999	1
- 635	35056GV10		..UNION SUPPLIER CODE: V08199 SPECIFICATION NUMBER: BACU24AB10W OPTIONAL PART: 4671097W10 V50948 2-01027-10W V11328 31875-10W V14397 AP1004W10 V01673 AFP941W10 V30974 DBOU24AB10W V14798	002004 006100 107107 121503 904999	1

MISSING ITEM NUMBERS NOT APPLICABLE

- ITEM NOT ILLUSTRATED

BRI

29-11-51-34

29-11-51
FIG. 34
PAGE 18
JAN 20/09

BOEING
757
PARTS CATALOG (MAINTENANCE)

FIG ITEM	PART NUMBER	1 2 3 4 5 6 7	NOMENCLATURE	EFFECT FROM TO	UNITS PER ASSY
34 640	271N6444-1131		.TUBE ASSY-HYDR RSVR VENT TUBING MATERIAL: .750 IN. OD .035 IN. WALL 63.00 IN. LG AL AMS 4083 6061 T6 TUBING	002004 006100 107107 121503 904999	1
- 645	AP2097HP12		..SLEEVE SUPPLIER CODE: V01673 SPECIFICATION NUMBER: BACS13BX12HP OPTIONAL PART: 2-02903-12HP V11328 35235VN12 V08199 AFP175V12P V30974 DBOS13BX12HP V14798	002004 006100 107107 121503 904999	1
- 650	BACN10YL12		..NUT	002004 006100 107107 121503 904999	1
750	BACU24L8		.UNION	002004 006100 107107 121503 904999	1
755	NAS1762D1212		.ELBOW-	002004 006100 107107 121503 904999	2
760	MS21905D16		.TEE-	002004 006100 107107 121503 904999	1
765	BACT16BL161016T		.TEE-	002004 006100 107107 121503 904999	1

MISSING ITEM NUMBERS NOT APPLICABLE

- ITEM NOT ILLUSTRATED

BRI

29-11-51-34

BOEING PROPRIETARY - Copyright © - Unpublished Work - See title page for details.

29-11-51
FIG. 34
PAGE 19
JAN 20/09



757

PARTS CATALOG (MAINTENANCE)

FIG ITEM	PART NUMBER	1 2 3 4 5 6 7	NOMENCLATURE	EFFECT FROM TO	UNITS PER ASSY
34 765	BACT16BL161016J	. TEE-		002004 006100 107107 121503 904999	1
770	NAS1763D161610	. TEE		002004 006100 107107 121503 904999	1
775	NAS1764T101008	. TEE-		002004 006100 107107 121503 904999	1
775	NAS1764J101008	. TEE-		002004 006100 107107 121503 904999	1
780	NAS1764D161016	. TEE-		002004 006100 107107 121503 904999	1
785	BACT16BL121012T	. TEE-		002004 006100 107107 121503 904999	1
785	BACT16BL121012J	. TEE-		002004 006100 107107 121503 904999	1
790	BACT16BL121206J	. TEE-		002004 006100 107107 121503 904999	1
790	BACT16BL121206T	. TEE-		002004 006100 107107 121503 904999	1

MISSING ITEM NUMBERS NOT APPLICABLE

- ITEM NOT ILLUSTRATED

29-11-51-34

29-11-51
FIG. 34
PAGE 20
JAN 20/09

BRI



757

PARTS CATALOG (MAINTENANCE)

FIG ITEM	PART NUMBER	1 2 3 4 5 6 7	NOMENCLATURE	EFFECT FROM TO	UNITS PER ASSY
34 795	BACT16BL101010T	. TEE-		002004 006100 107107 121503 904999	1
795	BACT16BL101010J	. TEE-		002004 006100 107107 121503 904999	1
800	BACT16BL100610T	. TEE-		002004 006100 107107 121503 904999	1
800	BACT16BL100610J	. TEE-		002004 006100 107107 121503 904999	1
805	APX824D100810	. TEE-	SUPPLIER CODE: V01673 SPECIFICATION NUMBER: BACT16AS100810D OPTIONAL PART: APX824-100810D V01673 DB0T16AS100810D V14798 ER824-100810D V50948 FER1571-100810D V14397 LER824-100810D V11328 NAF1824-100810D V52930 US1925-100810D V50808 AFP325-100810D V30974	002004 006100 107107 121503 904999	1
810	BACT16BL060606T	. TEE-		002004 006100 107107 121503 904999	1

MISSING ITEM NUMBERS NOT APPLICABLE

- ITEM NOT ILLUSTRATED

29-11-51-34

29-11-51
FIG. 34
PAGE 21
JAN 20/09

BRI



757

PARTS CATALOG (MAINTENANCE)

FIG ITEM	PART NUMBER	1 2 3 4 5 6 7	NOMENCLATURE	EFFECT FROM TO	UNITS PER ASSY
34 810	BACT16BL060606J	.	TEE-	002004 006100 107107 121503 904999	1
815	NAS1763D080806	.	TEE- MISCELLANEOUS DATA: REPLACED ONE-WAY FORWARD I/W BY NAS1763W080806	002004 006100 107107 121503 904999	1
820	AN924-8D	.	NUT	002004 006100 107107 121503 904999	1
825	0121520900-4	.	VALVE-CHECK SUPPLIER CODE: V83533 SPECIFICATION NUMBER: BACV10CD4 OPTIONAL PART: 1C1350 V99240	002004 006100 107107 121503 904999	1
900			ILLUSTRATION REFERENCE: RESERVOIR INSTL-R SYS HYDR 29-11-20-05	002004 006100 107107 121503 904999	RF
905			ILLUSTRATION REFERENCE: PUMP INSTL-ELEC MOTOR DRIVEN SYS L, R 29-11-01-01	002004 006100 107107 121503 904999	RF
910			ILLUSTRATION REFERENCE: MODULE INSTL-ELEC MOTOR PUMP PRESSURE/CASE DRAIN L AND R SYS FILTER 29-11-18-01	002004 006100 107107 121503 904999	RF
915			ILLUSTRATION REFERENCE: MODULE INSTL-L AND R SYS RETURN FILTER AND BRKT 29-11-15-05	002004 006100 107107 121503 904999	RF

MISSING ITEM NUMBERS NOT APPLICABLE

- ITEM NOT ILLUSTRATED

29-11-51-34

29-11-51
FIG. 34
PAGE 22
JAN 20/09

BRI



757

PARTS CATALOG (MAINTENANCE)

FIG ITEM	PART NUMBER	1 2 3 4 5 6 7	NOMENCLATURE	EFFECT FROM TO	UNITS PER ASSY
34 920			ILLUSTRATION REFERENCE: VALVE INSTL-BRAKE ISOLATION SYS 29-11-28-01	002004 006100 107107 121503 904999	RF
935			ILLUSTRATION REFERENCE: PLUMBING INSTL-MAIN WHL WELL AFT BHD HYDR (FLIGHT CONTROL ONLY) 27-23-51-20	002004 006100 107107 121503 904999	RF
940			ILLUSTRATION REFERENCE: PLUMBING INSTL-SECT. 44 AFT BHD MLG WHL WELL HYDR (HYDRAULIC POWER ONLY) 29-11-51-30	002004 006100 107107 121503 904999	RF
945			ILLUSTRATION REFERENCE: PLUMBING INSTL-SECT. 12 R WING INBD HYDR (HYDRAULIC POWER ONLY) (R SYS) 29-11-51-17	002004 006100 107107 121503 904999	RF
950			ILLUSTRATION REFERENCE: PLUMBING INSTL-MAIN WHL WELL AFT BHD HYDR (RAM AIR TURBINE SYSTEM ONLY) 29-21-51-20	002004 006100 107107 121503 904999	RF
965			ILLUSTRATION REFERENCE: PLUMBING INSTL-MAIN WHL WELL FWD BHD HYDR (HYDRAULIC POWER ONLY) 29-11-51-40	002004 006100 107107 121503 904999	RF

MISSING ITEM NUMBERS NOT APPLICABLE

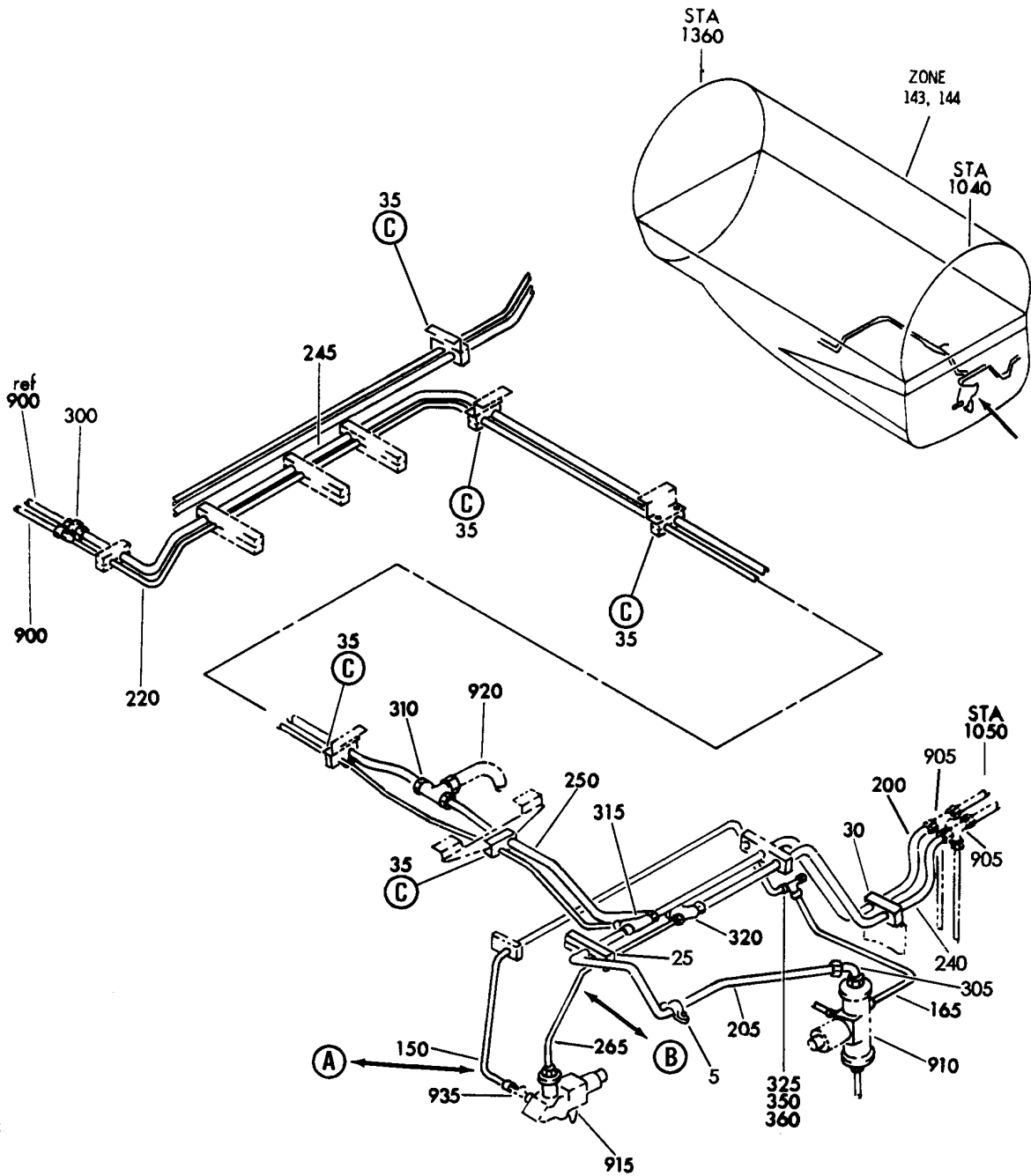
- ITEM NOT ILLUSTRATED

29-11-51-34

29-11-51
FIG. 34
PAGE 23
JAN 20/09

BRI

BOEING
757
PARTS CATALOG (MAINTENANCE)



Y 29115135 SHT 1 REV 209

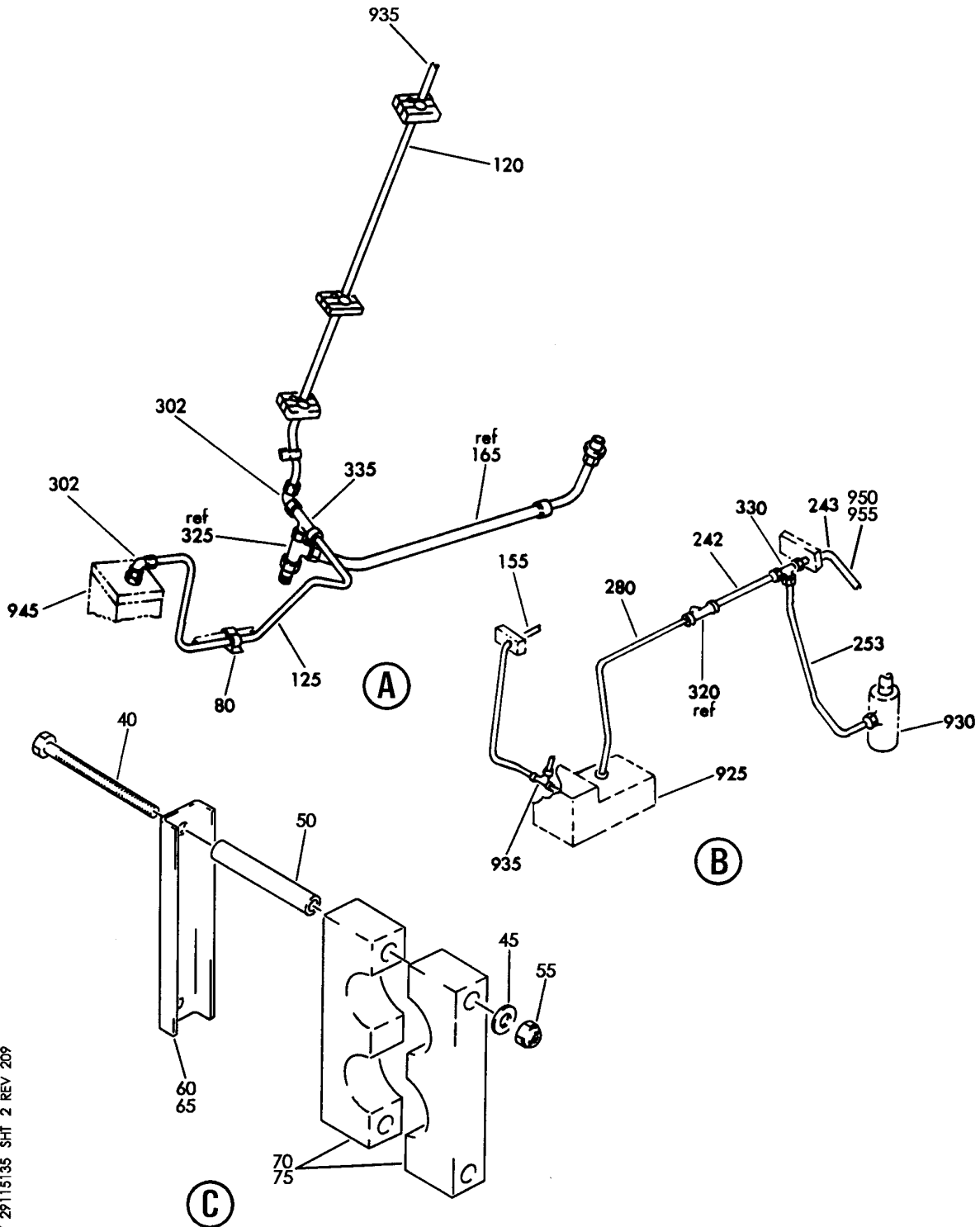
PLUMBING INSTL-SECT. 44 R PRESSURE DECK HYDR (HYDRAULIC POWER ONLY)
FIGURE 35 (SHEET 1)

29-11-51-35

BRI
MAY 28/07

29-11-51-35
PAGE 0

BOEING
757
PARTS CATALOG (MAINTENANCE)



Y 29115135 SHT. 2 REV 209

PLUMBING INSTL-SECT. 44 R PRESSURE DECK HYDR (HYDRAULIC POWER ONLY)
FIGURE 35 (SHEET 2)

29-11-51-35

BRI
MAY 28/07

29-11-51-35
PAGE 0A



757

PARTS CATALOG (MAINTENANCE)

FIG ITEM	PART NUMBER	1 2 3 4 5 6 7	NOMENCLATURE	EFFECT FROM TO	UNITS PER ASSY
35			PLUMBING INSTL-SECT. 44 R PRESSURE DECK HYDR (HYDRAULIC POWER ONLY)	002004 006100 107107 121503 904999	
- 1	271N6444-1		PLUMBING INSTL-PRESSURE DECK HYDR (HYDRAULIC POWER ONLY) POSITION DATA: SECT. 44 R VARIABLE DRAWING REF: 271N6444-5 FOR NHA/OTHER SYS DET SEE: 29-00-51-05	002004 006100 107107 121503 904999	RF
5	TA0910004H108		.CLAMP SUPPLIER CODE: V84971 SPECIFICATION NUMBER: BACC10HB08C ATTACHING PARTS	002004 006100 107107 121503 904999	1
- 10	NAS1801-3		.SCREW- SIZE DETERMINED ON INSTL.	002004 006100 107107 121503 904999	2
- 15	AN960KD10L		.WASHER-	002004 006100 107107 121503 904999	2
- 20	MS21042L3		.NUT-	002004 006100 107107 121503 904999	2
25	270N2000-159		-----*----- .CLAMP ASSY-BLK	002004 006100 107107 121503 904999	1
30	270N2000-115		.CLAMP ASSY-BLK	002004 006100 107107 121503 904999	1

MISSING ITEM NUMBERS NOT APPLICABLE

- ITEM NOT ILLUSTRATED

29-11-51-35

29-11-51
FIG. 35
PAGE 1
JAN 20/09

BRI



757

PARTS CATALOG (MAINTENANCE)

FIG ITEM	PART NUMBER	1 2 3 4 5 6 7	NOMENCLATURE	EFFECT FROM TO	UNITS PER ASSY
35					
35	270N2000-123	.	CLAMP ASSY-BLK	002004 006100 107107 121503 904999	5
40	NAS1801-3-26	..	SCREW-	002004 006100 107107 121503 904999	2
45	AN960PD10L	..	WASHER	002004 006100 107107 121503 904999	2
50	NAS43DD3-67	..	SPACER	002004 006100 107107 121503 904999	2
55	BRH10A3	..	NUT SUPPLIER CODE: V52828 SPECIFICATION NUMBER: BACN10JC3 OPTIONAL PART: H10-3BAC V15653 NS202101-02 V80539 RMLH9075-3W V72962 VN303A02 V92215 96-02 V80539 T6S1032J V11815	002004 006100 107107 121503 904999	2
60	270N2000-871	..	CHANNEL- USED ON: 270N2000-115	002004 006100 107107 121503 904999	1
65	270N2000-868	..	CHANNEL- USED ON: 270N2000-123	002004 006100 107107 121503 904999	1

MISSING ITEM NUMBERS NOT APPLICABLE

- ITEM NOT ILLUSTRATED

29-11-51-35

29-11-51
FIG. 35
PAGE 2
JAN 20/09

BRI

BOEING PROPRIETARY - Copyright © - Unpublished Work - See title page for details.

 **BOEING**
757
PARTS CATALOG (MAINTENANCE)

FIG ITEM	PART NUMBER	1 2 3 4 5 6 7	NOMENCLATURE	EFFECT FROM TO	UNITS PER ASSY
35					
70	270N2000-549	..	BLOCK- USED ON: 270N2000-115	002004 006100 107107 121503 904999	2
75	270N2000-556	..	BLOCK- USED ON: 270N2000-123	002004 006100 107107 121503 904999	2
120	271N6444-1210	.TUBE ASSY-PRESSURE SYS POSITION DATA: L TUBING MATERIAL: .375 IN. OD .019 IN. WALL 51.50 IN. LG TI BMS 7-234 TI-3AL-2.5V COLD WORKED, STRESS RELIEVED TUBING		002004 006100 121503 950999	1
125	271N6444-1209	.TUBE ASSY-PRESSURE SYS POSITION DATA: L TUBING MATERIAL: .375 IN. OD .019 IN. WALL 31.20 IN. LG TI BMS 7-234 TI-3AL-2.5V COLD WORKED, STRESS RELIEVED TUBING		002004 006100 121503 950999	1
- 130	AS1581T06	..	SLEEVE	002004 006100 121503 950999	2
- 135	BACN10YA6N	..	NUT	002004 006100 121503 950999	2
150	271N6444-1135	.TUBE ASSY-PRESSURE SYS POSITION DATA: L TUBING MATERIAL: .375 IN. OD .019 IN. WALL 44.20 IN. LG TI BMS 7-234 TI-3AL-2.5V COLD WORKED, STRESS RELIEVED TUBING		107107 121503 904949	1

MISSING ITEM NUMBERS NOT APPLICABLE

- ITEM NOT ILLUSTRATED

BRI

29-11-51-35

BOEING PROPRIETARY - Copyright © - Unpublished Work - See title page for details.

29-11-51
FIG. 35
PAGE 3
JAN 20/09



757

PARTS CATALOG (MAINTENANCE)

FIG ITEM	PART NUMBER	1 2 3 4 5 6 7	NOMENCLATURE	EFFECT FROM TO	UNITS PER ASSY
35 155	271N6444-1157		.TUBE ASSY-PRESSURE SYS POSITION DATA: L TUBING MATERIAL: .375 IN. OD .019 IN. WALL 53.60 IN. LG TI BMS 7-234 TI-3AL-2.5V COLD WORKED, STRESS RELIEVED TUBING	002004 006100 950999	1
- 157	AS1581T06		..SLEEVE	002004 006100 107107 121503 904999	2
- 160	BACN10YA6		..NUT-	002004 006100 107107 121503 904999	2
165	271N6444-1215		.TUBE ASSY-PRESSURE SYS POSITION DATA: L TUBING MATERIAL: .500 IN. OD .026 IN. WALL 19.20 IN. LG TI BMS 7-234 TI-3AL-2.5V COLD WORKED, STRESS RELIEVED TUBING	107107	1
165	271N6444-1236		.TUBE ASSY-PRESSURE SYS POSITION DATA: L TUBING MATERIAL: .500 IN. OD .026 IN. WALL 19.80 IN. LG TI BMS 7-234 TI-3AL-2.5V COLD WORKED, STRESS RELIEVED TUBING	002004 006100 121503 904999	1
- 167	AS1581T08		..SLEEVE	002004 006100 107107 121503 904999	2
- 170	BACN10YA8		..NUT	002004 006100 107107 121503 904999	2

MISSING ITEM NUMBERS NOT APPLICABLE

- ITEM NOT ILLUSTRATED

29-11-51-35

29-11-51
FIG. 35
PAGE 4
JAN 20/09

BRI



757

PARTS CATALOG (MAINTENANCE)

FIG ITEM	PART NUMBER	1 2 3 4 5 6 7	NOMENCLATURE	EFFECT FROM TO	UNITS PER ASSY
35 175	271N6444-1226		.TUBE ASSY-PRESSURE SYS POSITION DATA: L TUBING MATERIAL: .750 IN. OD .039 IN. WALL 53.40 IN. LG TI BMS 7-234 TI-3AL-2.5V COLD WORKED, STRESS RELIEVED TUBING	107107	1
175	271N6444-1247		.TUBE ASSY-PRESSURE SYS POSITION DATA: L TUBING MATERIAL: .750 IN. OD .039 IN. WALL 62.40 IN. LG TI BMS 7-234 TI-3AL-2.5V COLD WORKED, STRESS RELIEVED TUBING	904949 952952	1
- 177	AS1581T12		..SLEEVE	002004 006100 107107 121503 904999	2
- 178	BACN10YA12		..NUT-	002004 006100 107107 121503 904999	2
200	271N6444-1001		.TUBE ASSY-PRESSURE SYS POSITION DATA: L TUBING MATERIAL: .500 IN. OD .026 IN. WALL 42.40 IN. LG TI BMS 7-234 TI-3AL-2.5V COLD WORKED, STRESS RELIEVED TUBING	002004 006100 107107 121503 904999	1
205	271N6444-1003		.TUBE ASSY-PRESSURE SYS POSITION DATA: L TUBING MATERIAL: .500 IN. OD .026 IN. WALL 29.60 IN. LG TI BMS 7-234 TI-3AL-2.5V COLD WORKED, STRESS RELIEVED TUBING	002004 006100 107107 121503 904999	1

MISSING ITEM NUMBERS NOT APPLICABLE

- ITEM NOT ILLUSTRATED

BRI

29-11-51-35

29-11-51
FIG. 35
PAGE 5
JAN 20/09



757

PARTS CATALOG (MAINTENANCE)

FIG ITEM	PART NUMBER	1 2 3 4 5 6 7	NOMENCLATURE	EFFECT FROM TO	UNITS PER ASSY
35					
- 210	AS1581T08	..	SLEEVE	002004 006100 107107 121503 904999	2
- 215	BACN10YA8	..	NUT	002004 006100 107107 121503 904999	2
220	271N6444-1002	.	TUBE ASSY-PRESSURE SYS POSITION DATA: L TUBING MATERIAL: .375 IN. OD .019 IN. WALL 114.40 IN. LG TI BMS 7-234 TI-3AL-2.5V COLD WORKED, STRESS RELIEVED TUBING USED ON: 271N6444-1	002004 006100 107107 121503 904999	1
- 225	AS1581T06	..	SLEEVE	002004 006100 107107 121503 904999	1
- 230	BACN10YA6	..	NUT	002004 006100 107107 121503 904999	1
- 235	AS1582T06	..	UNION	002004 006100 107107 121503 904999	1
243	271N6444-1175	.	TUBE ASSY-RETURN SYS POSITION DATA: L TUBING MATERIAL: .500 IN. OD .035 IN. WALL 34.30 IN. LG AL AMS 4083 6061 T6 TUBING	002004 006100 107107 121503 904999	1

MISSING ITEM NUMBERS NOT APPLICABLE

- ITEM NOT ILLUSTRATED

29-11-51-35

29-11-51
FIG. 35
PAGE 6
JAN 20/09

BRI



757

PARTS CATALOG (MAINTENANCE)

FIG ITEM	PART NUMBER	1 2 3 4 5 6 7	NOMENCLATURE	EFFECT FROM TO	UNITS PER ASSY
35 245	271N6444-1092		.TUBE ASSY-RETURN SYS POSITION DATA: L TUBING MATERIAL: .500 IN. OD .035 IN. WALL 94.50 IN. LG AL AMS 4083 6061 T6 TUBING	002004 006100 107107 121503 904999	1
250	271N6444-1222		.TUBE ASSY-RETURN SYS POSITION DATA: L TUBING MATERIAL: .500 IN. OD .035 IN. WALL 27.90 IN. LG AL AMS 4083 6061 T6 TUBING	003004 006100 107107 121503 904999	1
253	271N6444-1182		.TUBE ASSY-RETURN SYS POSITION DATA: L TUBING MATERIAL: .500 IN. OD .035 IN. WALL 18.00 IN. LG AL AMS 4083 6061 T6 TUBING	107107	1
253	271N6444-1246		USED ON: 271N6444-1 .TUBE ASSY-RETURN SYS POSITION DATA: L TUBING MATERIAL: .500 IN. OD .035 IN. WALL 18.70 IN. LG AL AMS 4083 6061 T6 TUBING	002004 006100 121503 904999	1
- 255	AP2097HP08		..SLEEVE SUPPLIER CODE: V01673 SPECIFICATION NUMBER: BACS13BX08HP OPTIONAL PART: 2-02903-08HP V11328 35235VN08 V08199 AFP175V08P V30974 DBOS13BX08HP V14798	002004 006100 107107 121503 904999	2

MISSING ITEM NUMBERS NOT APPLICABLE

- ITEM NOT ILLUSTRATED

29-11-51-35

29-11-51
FIG. 35
PAGE 7
JAN 20/09

BRI



757

PARTS CATALOG (MAINTENANCE)

FIG ITEM	PART NUMBER	1 2 3 4 5 6 7	NOMENCLATURE	EFFECT FROM TO	UNITS PER ASSY
35 - 260	BACN10YL08	..	NUT	002004 006100 107107 121503 904999	2
265	271N6444-1224	.	TUBE ASSY-RETURN SYS POSITION DATA: L TUBING MATERIAL: .375 IN. OD .035 IN. WALL 23.80 IN. LG AL AMS 4083 6061 T6 TUBING	107107 904949	1
- 270	AP2097HP06	..	SLEEVE SUPPLIER CODE: V01673 SPECIFICATION NUMBER: BACS13BX06HP OPTIONAL PART: 2-02903-06HP V11328 35235VN06 V08199 AFP175V06P V30974 DBOS13BX06HP V14798	002004 006100 107107 121503 904999	2
- 275	BACN10YL06	..	NUT	002004 006100 107107 121503 904999	2
280	271N6444-1223	.	TUBE ASSY-RETURN SYS POSITION DATA: L TUBING MATERIAL: .375 IN. OD .019 IN. WALL 23.50 IN. LG TI BMS 7-234 TI-3AL-2.5V COLD WORKED, STRESS RELIEVED TUBING	003004 006100 107107 121503 904999	1
- 282	AS1581T06	..	SLEEVE	002004 006100 107107 121503 904999	2

MISSING ITEM NUMBERS NOT APPLICABLE

- ITEM NOT ILLUSTRATED

29-11-51-35

29-11-51
FIG. 35
PAGE 8
JAN 20/09

BRI

BOEING PROPRIETARY - Copyright © - Unpublished Work - See title page for details.



757

PARTS CATALOG (MAINTENANCE)

FIG ITEM	PART NUMBER	1 2 3 4 5 6 7	NOMENCLATURE	EFFECT FROM TO	UNITS PER ASSY
35 - 285	BACN10YA6	. .	NUT-	002004 006100 107107 121503 904999	2
300	MS21916D8-6	. .	REDUCER-	002004 006100 107107 121503 904999	1
305	NAS1761T0808	. .	ELBOW	002004 006100 107107 121503 904999	1
310	APX824D080816	. .	TEE- SUPPLIER CODE: V01673 SPECIFICATION NUMBER: BACT16AS080816D OPTIONAL PART: APX824-080816D V01673 DBOT16AS080816D V14798 ER824-080816D V50948 FER1571-080816D V14397 LER824-080816D V11328 NAF1824-080816D V52930 US1925-080816D V50808 AFP325-080816D V30974	002004 006100 107107 121503 904999	1
315	BACT16BL080806T	. .	TEE-	002004 006100 107107 121503 904999	1
315	BACT16BL080806J	. .	TEE-	002004 006100 107107 121503 904999	1

MISSING ITEM NUMBERS NOT APPLICABLE

- ITEM NOT ILLUSTRATED

BRI

29-11-51-35

BOEING PROPRIETARY - Copyright © - Unpublished Work - See title page for details.

29-11-51
FIG. 35
PAGE 9
JAN 20/09



757

PARTS CATALOG (MAINTENANCE)

FIG ITEM	PART NUMBER	1 2 3 4 5 6 7	NOMENCLATURE	EFFECT FROM TO	UNITS PER ASSY
35 320	APX824D080608	. TEE-	SUPPLIER CODE: V01673 SPECIFICATION NUMBER: BACT16AS080608D OPTIONAL PART: APX824-080608D V01673 DB0T16AS080608D V14798 ER824-080608D V50948 FER1571-080608D V14397 LER824-080608D V11328 NAF1824-080608D V52930 US1925-080608D V50808 AFP325-080608D V30974	002004 006100 107107 121503 904999	1
320	NAS1763W080608	. TEE		002004 006100 107107 121503 904999	1
325	BACT16BN060608T	. TEE		002004 006100 107107 121503 904999	1
330	MS21905D8	. TEE-		002004 006100 107107 121503 904999	1
350	AN924-6D	. NUT		002004 006100 107107 121503 904999	1
360	AN960PD1016	. WASHER		002004 006100 107107 121503 904999	1

MISSING ITEM NUMBERS NOT APPLICABLE

- ITEM NOT ILLUSTRATED

29-11-51-35

29-11-51
FIG. 35
PAGE 10
JAN 20/09

BRI

BOEING PROPRIETARY - Copyright © - Unpublished Work - See title page for details.



757

PARTS CATALOG (MAINTENANCE)

FIG ITEM	PART NUMBER	1 2 3 4 5 6 7	NOMENCLATURE	EFFECT FROM TO	UNITS PER ASSY
35 900			ILLUSTRATION REFERENCE: PLUMBING INSTL- SECT. 12 INBD WING HYDR R (HYDRAULIC POWER ONLY) 29-11-51-18	002004 006100 107107 121503 904999	RF
905			ILLUSTRATION REFERENCE: PLUMBING INSTL-SECT. 44 MAIN WHL WELL HYDR (HYDRAULIC POWER ONLY) 29-11-51-36	002004 006100 107107 121503 904999	RF
910			ILLUSTRATION REFERENCE: VALVE INSTL-ALTERNATE BRAKE SELECTOR 32-41-04-01	002004 006100 107107 121503 904999	RF
920			ILLUSTRATION REFERENCE: PLUMBING INSTL-SECT. 44 KEEL BEAM MLG WHL WELL HYDR 32-35-51-30	002004 006100 107107 121503 904999	RF
925			ILLUSTRATION REFERENCE: MODULE AND SUPPORT INSTL-LG BRAKE METERING VALVE 32-41-02-05	002004 006100 107107 121503 904999	RF
930			ILLUSTRATION REFERENCE: VALVE INSTL-LG ALTERNATE EXTENSION SHUTTLE 32-35-51-05	002004 006100 107107 121503 904999	RF
935			ILLUSTRATION REFERENCE: PLUMBING INSTL-MAIN WHL WELL FWD BHD HYDR (HYDRAULIC POWER ONLY) 29-11-51-39	002004 006100 107107 121503 904999	RF
940			ILLUSTRATION REFERENCE: CONTROL INSTL-LG SELECTOR VALVE 32-31-02-02	002004 006100 107107 121503 904999	RF

MISSING ITEM NUMBERS NOT APPLICABLE

- ITEM NOT ILLUSTRATED

29-11-51-35

29-11-51
FIG. 35
PAGE 11
JAN 20/09

BRI



757

PARTS CATALOG (MAINTENANCE)

FIG ITEM	PART NUMBER	1 2 3 4 5 6 7	NOMENCLATURE	EFFECT FROM TO	UNITS PER ASSY
35 945			ILLUSTRATION REFERENCE: VALVE INSTL-ALTERNATE ANTISKID (LANDING GEAR ONLY) 32-42-02-02	002004 006100 121503 950999	RF

MISSING ITEM NUMBERS NOT APPLICABLE

- ITEM NOT ILLUSTRATED

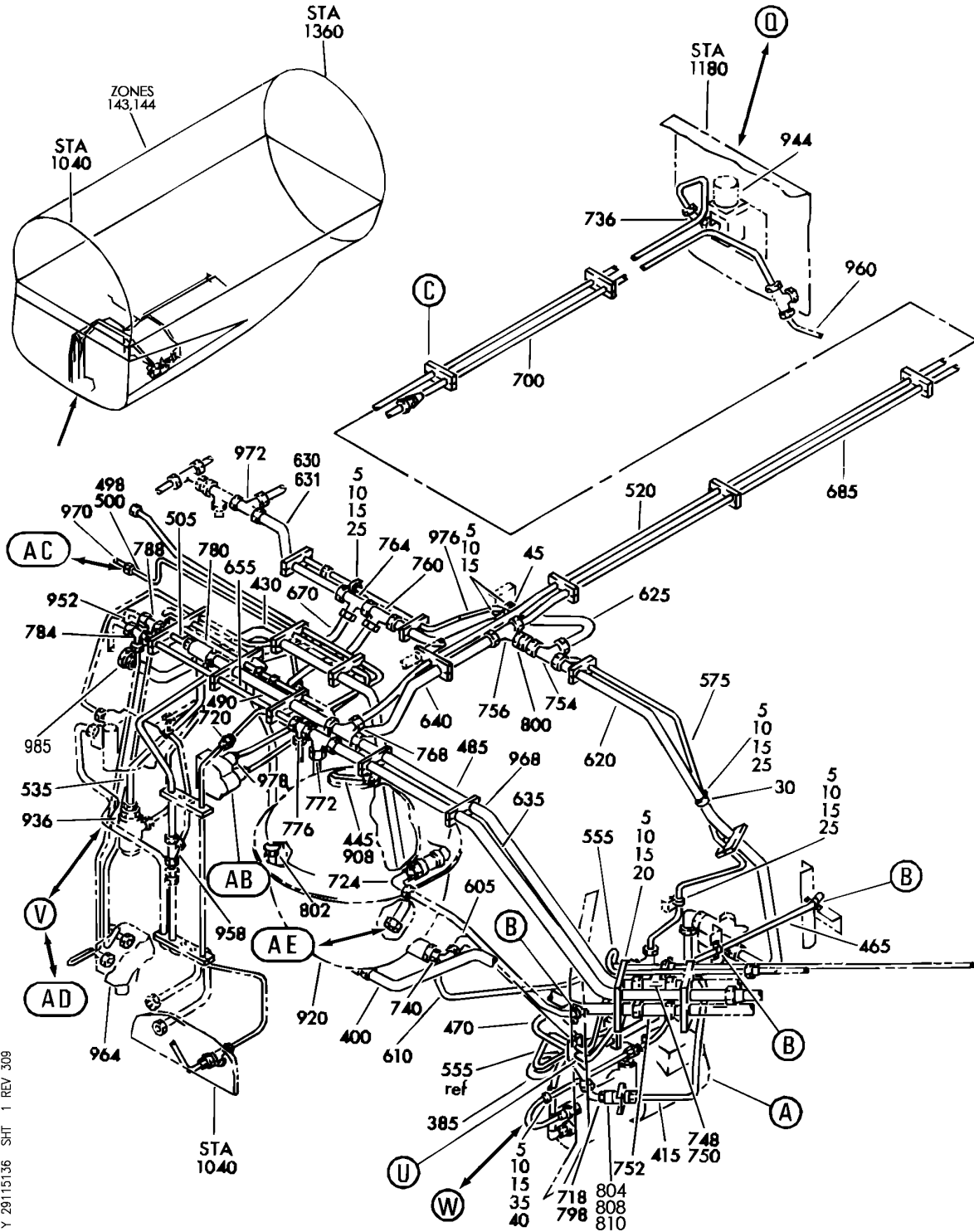
BRI

29-11-51-35

BOEING PROPRIETARY - Copyright © - Unpublished Work - See title page for details.

29-11-51
FIG. 35
PAGE 12
JAN 20/09

BOEING
757
PARTS CATALOG (MAINTENANCE)



Y 29115136 SHT 1 REV 309

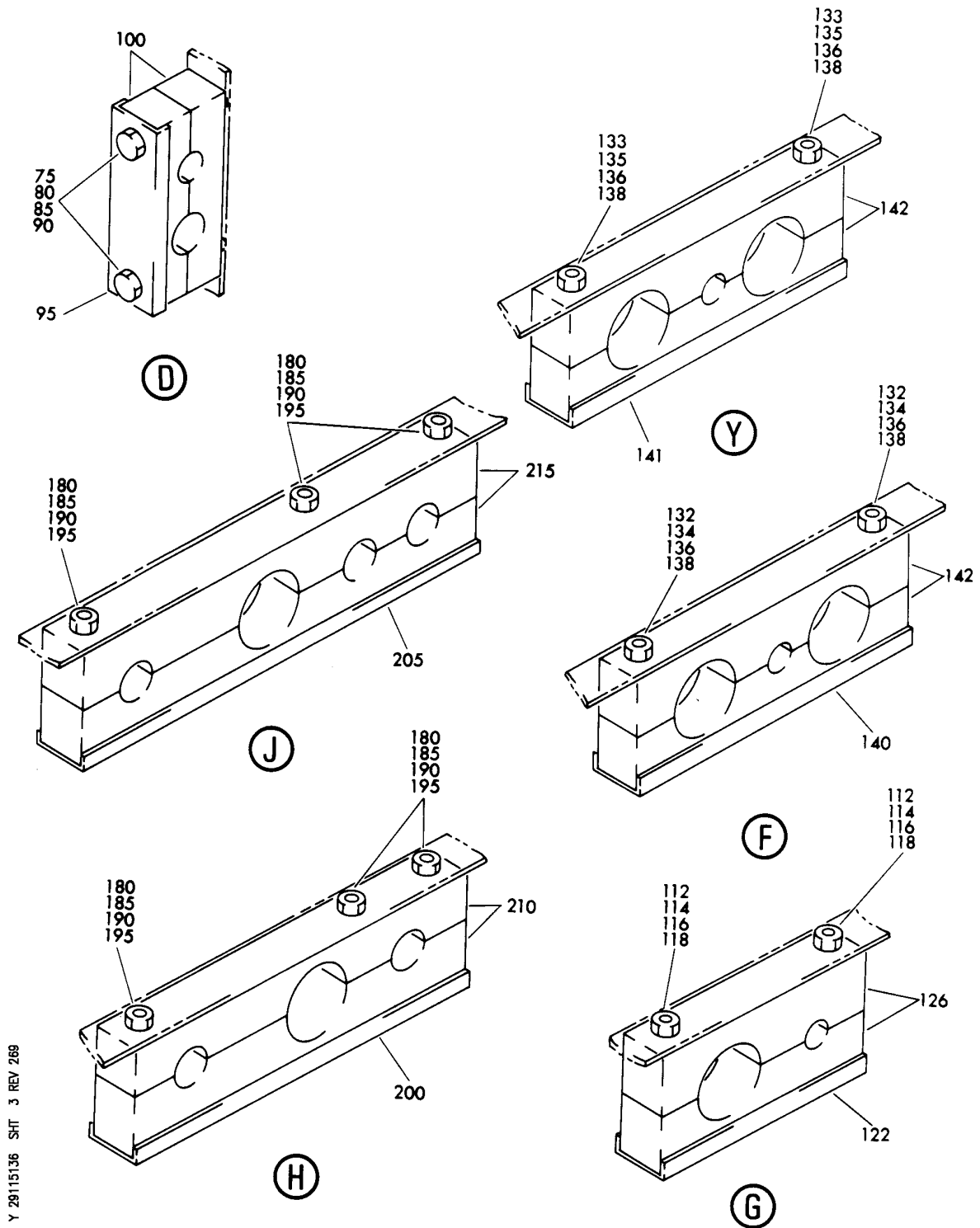
PLUMBING INSTL-SECT. 44 MAIN WHL WELL HYDR (HYDRAULIC POWER ONLY)
FIGURE 36 (SHEET 1)

BRI
MAY 28/07

29-11-51-36

29-11-51-36
PAGE 0

BOEING
757
PARTS CATALOG (MAINTENANCE)



Y 29115136 SHT. 3 REV 269

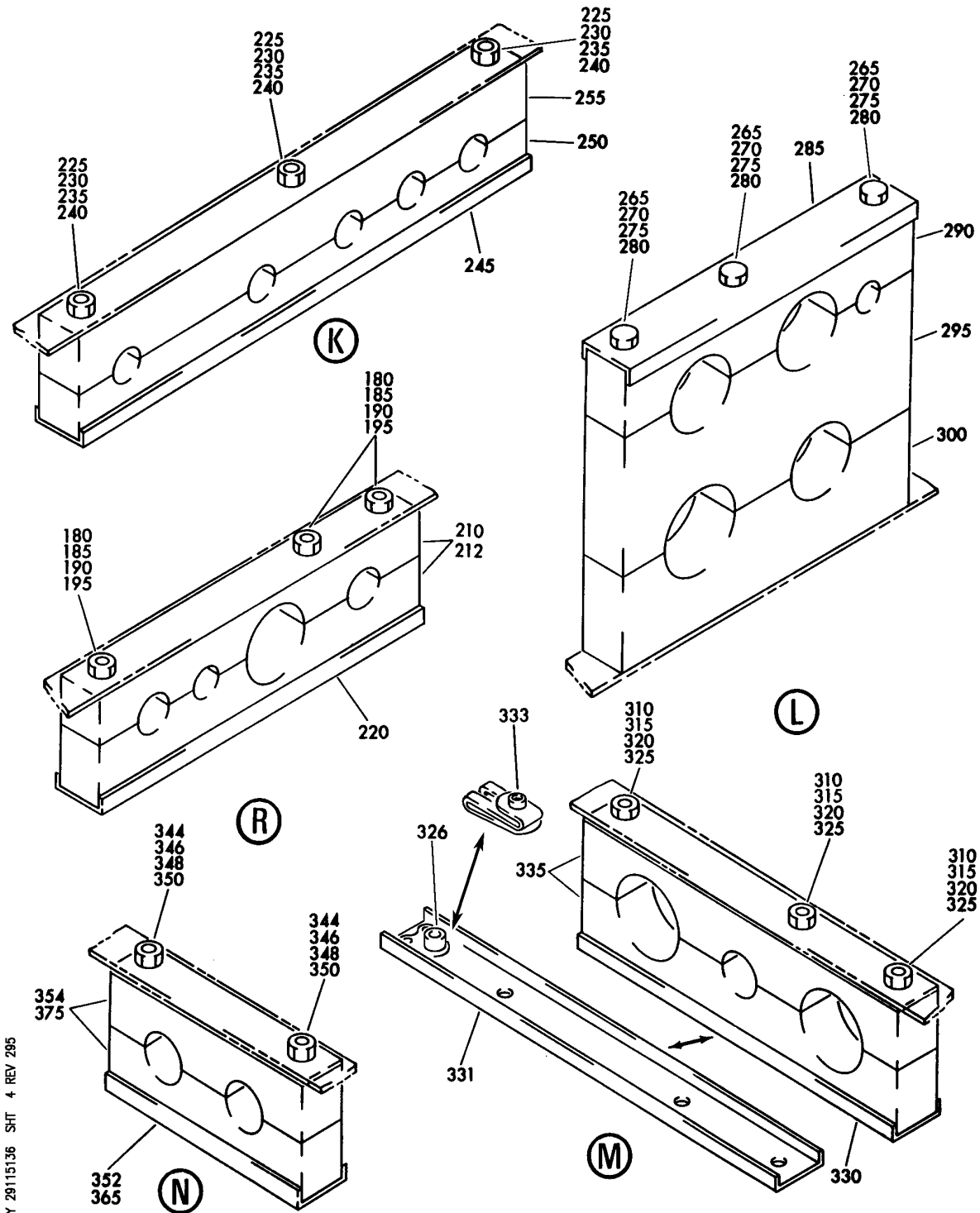
PLUMBING INSTL-SECT. 44 MAIN WHL WELL HYDR (HYDRAULIC POWER ONLY)
FIGURE 36 (SHEET 3)

29-11-51-36

BRI
MAY 28/07

29-11-51-36
PAGE 0B

BOEING
757
PARTS CATALOG (MAINTENANCE)



Y 29115136 SHT 4 REV 295

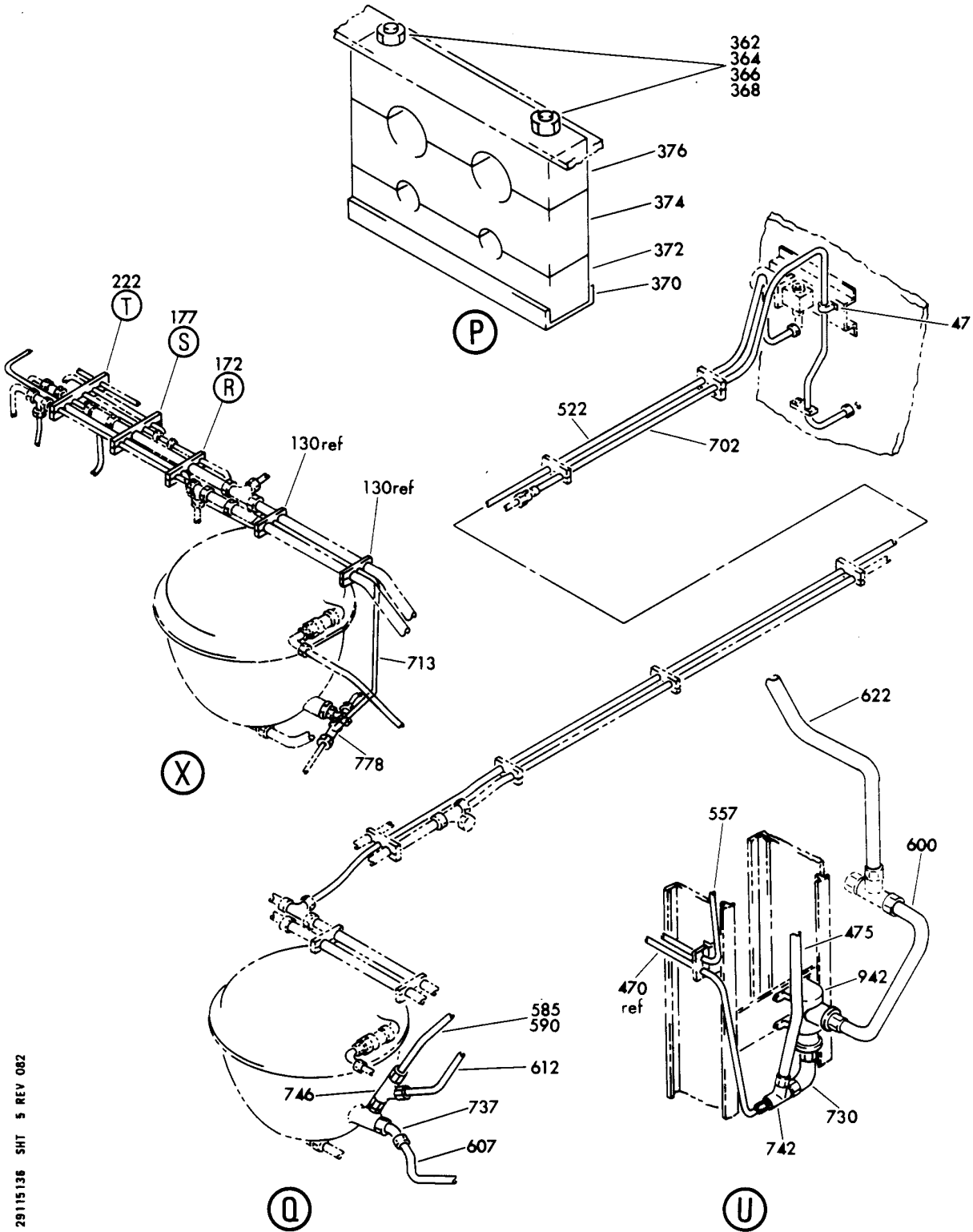
PLUMBING INSTL-SECT. 44 MAIN WHL WELL HYDR (HYDRAULIC POWER ONLY)
FIGURE 36 (SHEET 4)

BRI
MAY 28/07

29-11-51-36

29-11-51-36
PAGE 0C

BOEING
757
PARTS CATALOG (MAINTENANCE)



Y 29115136 SHT 5 REV 082

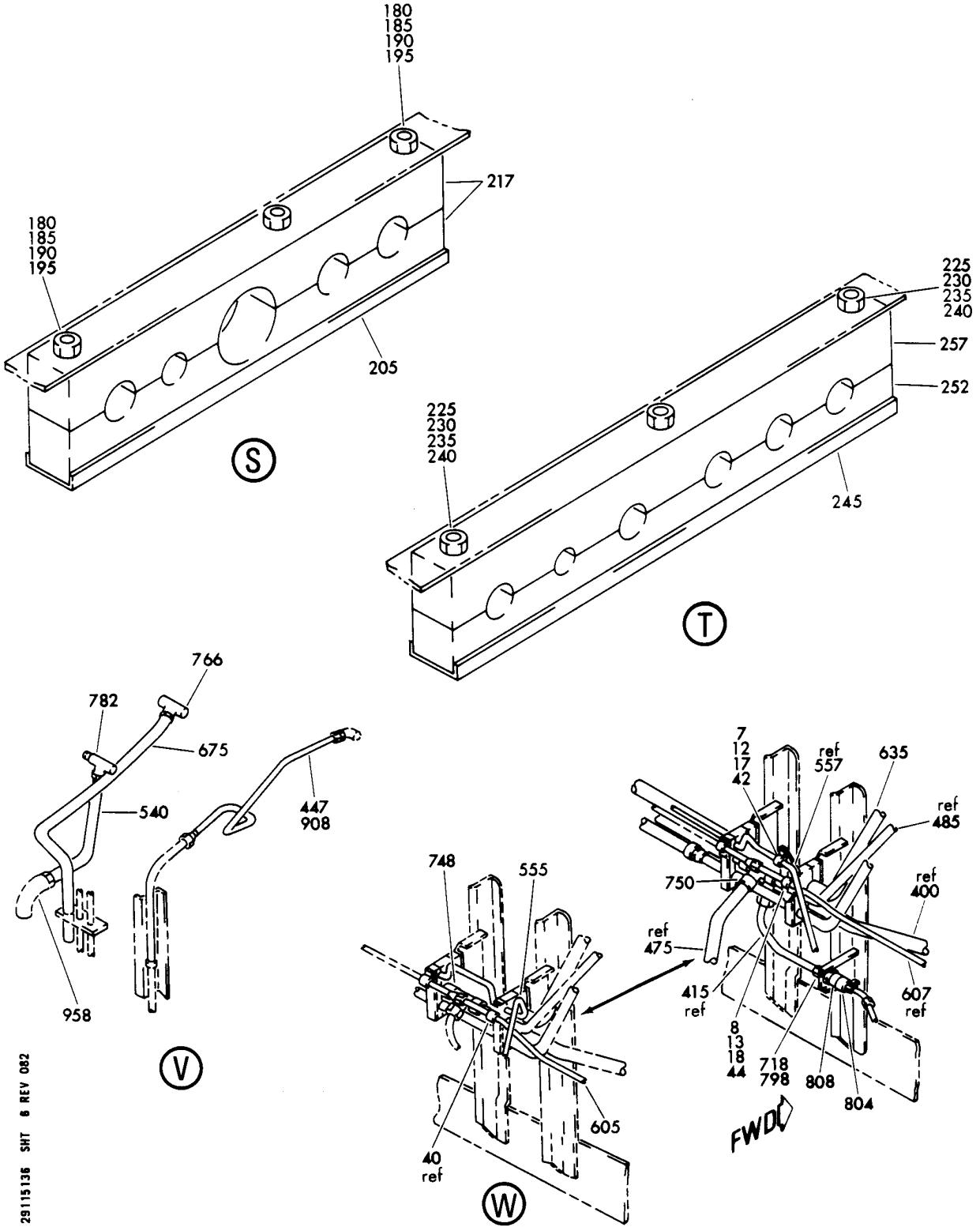
PLUMBING INSTL-SECT. 44 MAIN WHL WELL HYDR (HYDRAULIC POWER ONLY)
FIGURE 36 (SHEET 5)

29-11-51-36

BRI
MAY 28/07

29-11-51-36
PAGE 0D

BOEING
757
PARTS CATALOG (MAINTENANCE)



Y 29115136 SHT 6 REV 082

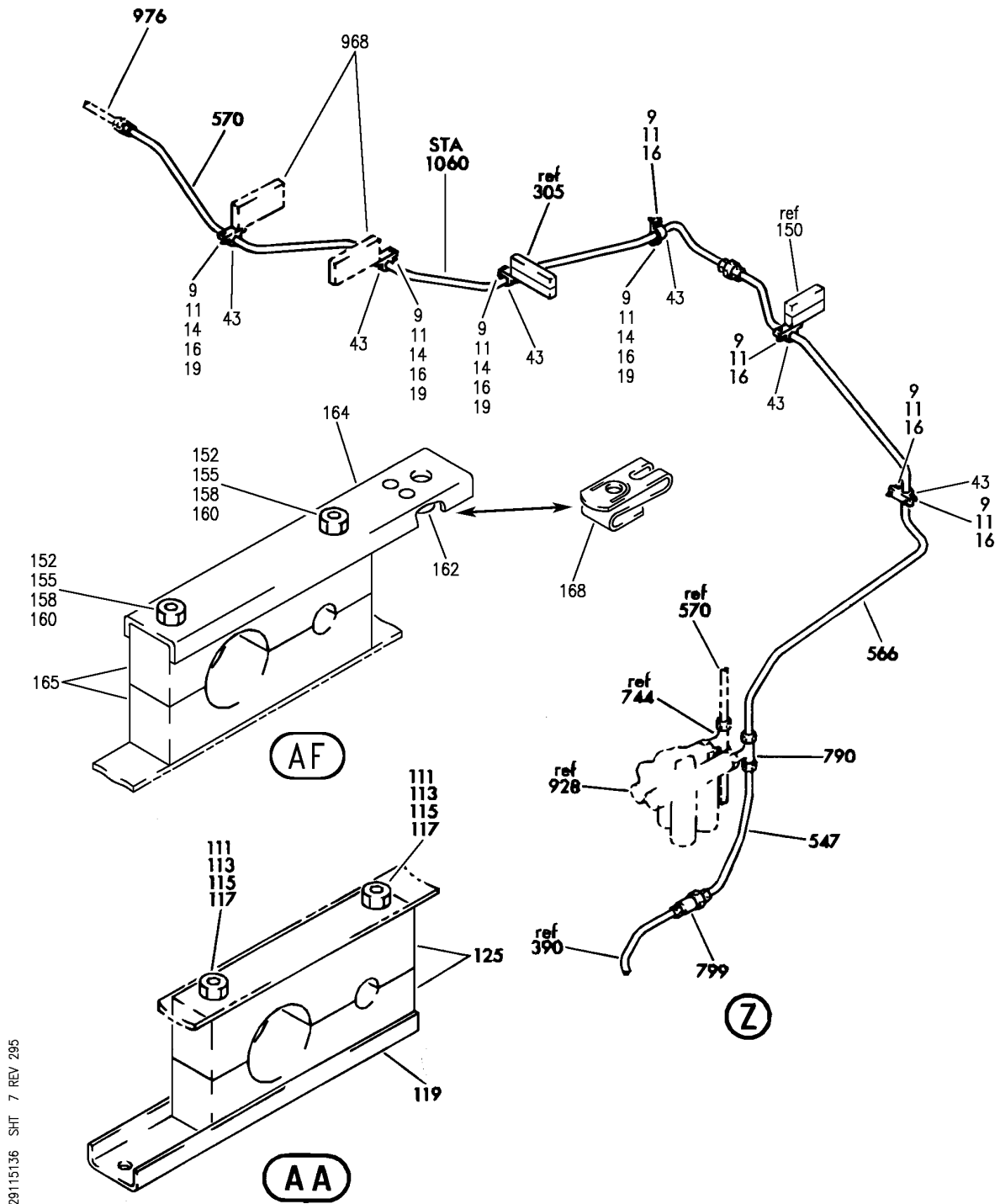
PLUMBING INSTL-SECT. 44 MAIN WHL WELL HYDR (HYDRAULIC POWER ONLY)
FIGURE 36 (SHEET 6)

BRI
MAY 28/07

29-11-51-36

29-11-51-36
PAGE 0E

BOEING
757
PARTS CATALOG (MAINTENANCE)



Y 29115136 SH7 7 REV 295

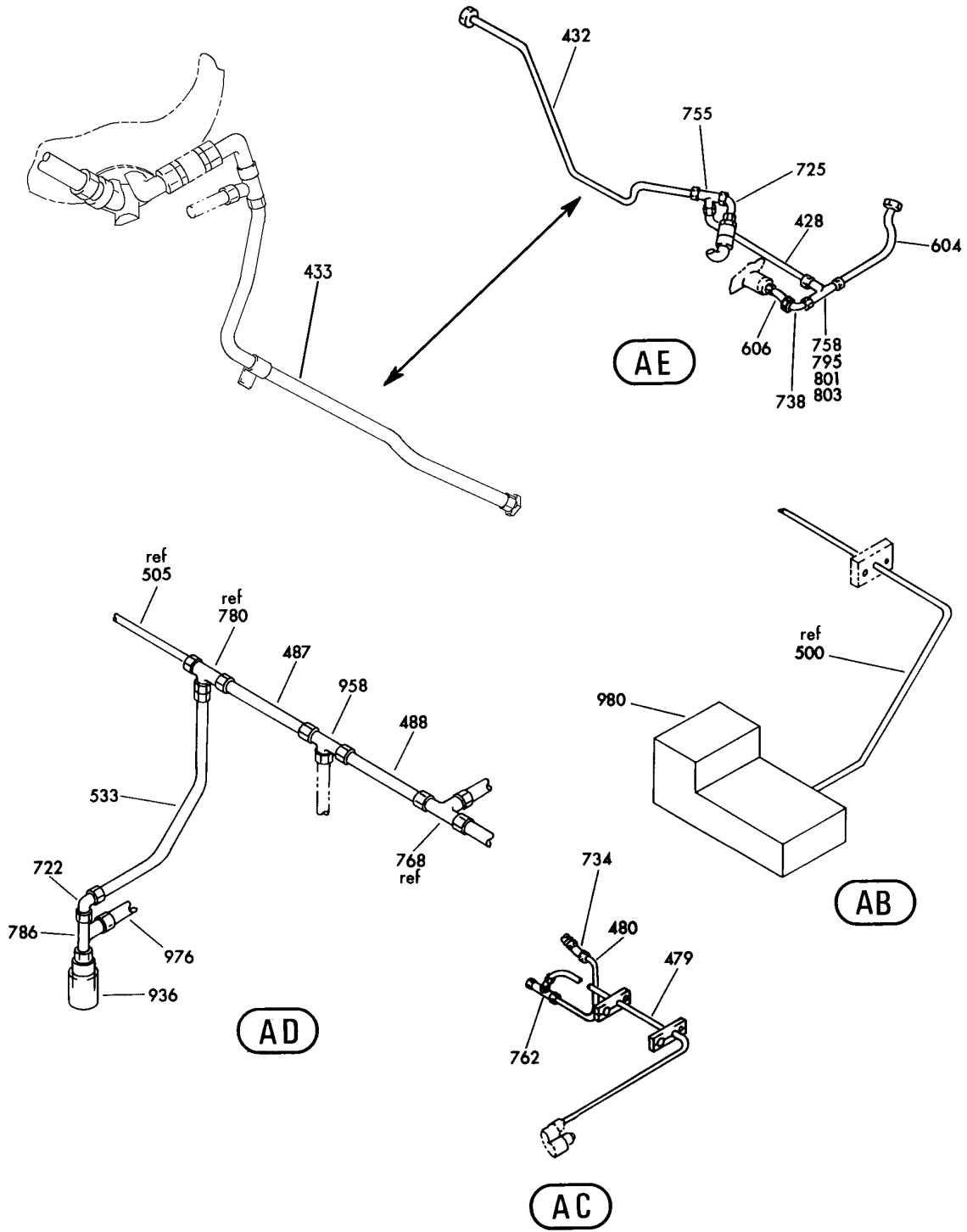
PLUMBING INSTL-SECT. 44 MAIN WHL WELL HYDR (HYDRAULIC POWER ONLY)
FIGURE 36 (SHEET 7)

29-11-51-36

BRI
MAY 28/07

29-11-51-36
PAGE OF

BOEING
757
PARTS CATALOG (MAINTENANCE)



Y 29115136 SHT 8 REV 233

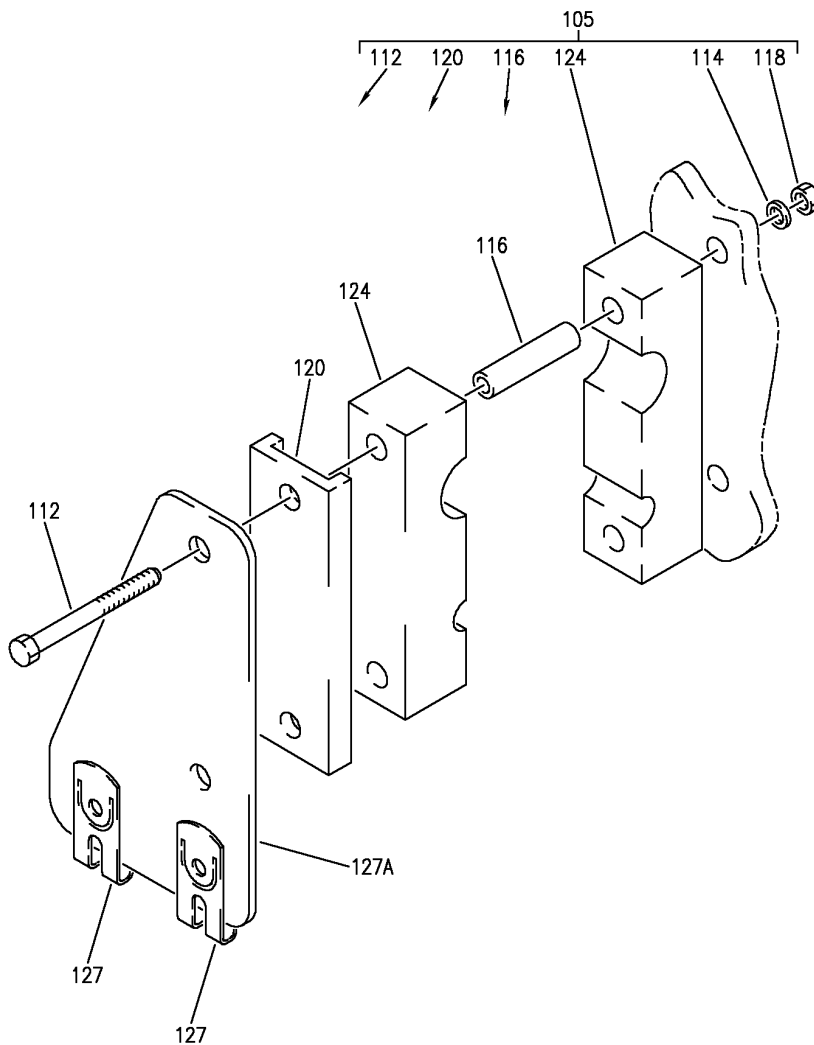
PLUMBING INSTL-SECT. 44 MAIN WHL WELL HYDR (HYDRAULIC POWER ONLY)
FIGURE 36 (SHEET 8)

BRI
MAY 28/07

29-11-51-36

29-11-51-36
PAGE 0G

BOEING
757
PARTS CATALOG (MAINTENANCE)



AG

Y 29115136 SH1 9 REV 269

PLUMBING INSTL-SECT. 44 MAIN WHL WELL HYDR (HYDRAULIC POWER ONLY)
FIGURE 36 (SHEET 9)

29-11-51-36

BRI
MAY 28/07

29-11-51-36
PAGE 0H



757

PARTS CATALOG (MAINTENANCE)

FIG ITEM	PART NUMBER	1 2 3 4 5 6 7	NOMENCLATURE	EFFECT FROM TO	UNITS PER ASSY
36			PLUMBING INSTL-SECT. 44 MAIN WHL WELL HYDR (HYDRAULIC POWER ONLY)	002004 006100 107107 121503 904999	RF
- 1	271N6443-1		PLUMBING INSTL-PRESSURE DECK HYDR (HYDRAULIC POWER ONLY) POSITION DATA: SECT. 44 L VARIABLE DRAWING REF: 271N6443-4 271N6443-7 271N6443-8 271N6443-11 271N6443-18 FOR NHA/OTHER SYS DET SEE: 29-00-51-05	002004 006100 107107 121503 904999	RF
5	NAS1801-3		.SCREW- SIZE DETERMINED ON INSTL.	002004 006100 107107 121503 904999	16
8	NAS1801-3		.SCREW- SIZE DETERMINED ON INSTL.	002004 006100 107107 121503 904999	4
9	NAS1801-3		.SCREW- SIZE DETERMINED ON INSTL. POST SERVICE BULLETIN: 24-0048	107107 121503 904949 952999	8
10	AN960PD10		.WASHER	002004 006100 107107 121503 904999	16
11	AN960PD10		.WASHER-	107107 121503 904949 952999	8
13	AN960PD10		.WASHER	002004 006100 107107 121503 904999	4

MISSING ITEM NUMBERS NOT APPLICABLE

- ITEM NOT ILLUSTRATED

29-11-51-36

29-11-51
FIG. 36
PAGE 1
JAN 20/09

BRI

BOEING PROPRIETARY - Copyright © - Unpublished Work - See title page for details.



757

PARTS CATALOG (MAINTENANCE)

FIG ITEM	PART NUMBER	1 2 3 4 5 6 7	NOMENCLATURE	EFFECT FROM TO	UNITS PER ASSY
36 15	BRH10A3	.NUT	SUPPLIER CODE: V52828 SPECIFICATION NUMBER: BACN10JC3 OPTIONAL PART: H10-3BAC V15653 NS202101-02 V80539 RMLH9075-3W V72962 VN303A02 V92215 96-02 V80539 T6S1032J V11815	002004 006100 107107 121503 904999	16
16	BRH10A3	.NUT-	SUPPLIER CODE: V52828 SPECIFICATION NUMBER: BACN10JC3 OPTIONAL PART: H10-3BAC V15653 NS202101-02 V80539 RMLH9075-3W V72962 VN303A02 V92215 96-02 V80539 T6S1032J V11815	107107 121503 904949 952999	8

MISSING ITEM NUMBERS NOT APPLICABLE

- ITEM NOT ILLUSTRATED

BRI

29-11-51-36

BOEING PROPRIETARY - Copyright © - Unpublished Work - See title page for details.

29-11-51
FIG. 36
PAGE 2
JAN 20/09



757

PARTS CATALOG (MAINTENANCE)

FIG ITEM	PART NUMBER	1 2 3 4 5 6 7	NOMENCLATURE	EFFECT FROM TO	UNITS PER ASSY
36 18	BRH10A3	.	NUT SUPPLIER CODE: V52828 SPECIFICATION NUMBER: BACN10JC3 OPTIONAL PART: H10-3BAC V15653 NS202101-02 V80539 RMLH9075-3W V72962 VN303A02 V92215 96-02 V80539 T6S1032J V11815	002004 006100 107107 121503 904999	4
20	M85052-2-8	.	CLAMP	002004 006100 107107 121503 904999	1
25	M85052-2-6	.	CLAMP	002004 006100 107107 121503 904999	3
30	M85052-2-16	.	CLAMP	002004 006100 107107 121503 904999	1
35	M85052-2-11	.	CLAMP	002004 006100 107107 121503 904999	1
40	M85052-2-19	.	CLAMP	002004 006100 107107 121503 904999	1
42	TA0910004H106	.	CLAMP SUPPLIER CODE: V84971 SPECIFICATION NUMBER: BACC10HB06C	002004 006100 107107 121503 904999	1

MISSING ITEM NUMBERS NOT APPLICABLE

- ITEM NOT ILLUSTRATED

29-11-51-36

29-11-51
FIG. 36
PAGE 3
JAN 20/09

BRI

BOEING PROPRIETARY - Copyright © - Unpublished Work - See title page for details.



757

PARTS CATALOG (MAINTENANCE)

FIG ITEM	PART NUMBER	1 2 3 4 5 6 7	NOMENCLATURE	EFFECT FROM TO	UNITS PER ASSY
36					
43	TA0910004H106	.CLAMP-	SUPPLIER CODE: V84971 SPECIFICATION NUMBER: BACC10HB06C POST SERVICE BULLETIN: 24-0048	107107 121503 904949 952999	6
44	TA0910004H108	.CLAMP	SUPPLIER CODE: V84971 SPECIFICATION NUMBER: BACC10HB08C	002004 006100 107107 121503 904999	1
45	TA0910004H106	.CLAMP-	SUPPLIER CODE: V84971 SPECIFICATION NUMBER: BACC10HB06C	002004 006100 107107 121503 904999	1
47	TA0910004H110	.CLAMP	SUPPLIER CODE: V84971 SPECIFICATION NUMBER: BACC10HB10C	002004 006100 107107 121503 904999	1
50	TA0910004DC12	.CLAMP	SUPPLIER CODE: V84971 SPECIFICATION NUMBER: BACC10HB12A	002004 006100 107107 121503 904999	3
55	270N2008-120	.SHIM-		002004 006100 107107 121503 904999	AR
60	270N2008-121	.SHIM-		002004 006100 107107 121503 904999	AR
65	270N2008-122	.SHIM-		002004 006100 107107 121503 904999	AR
70	270N2000-123	.CLAMP ASSY-BLK		002004 006100 107107 121503 904999	1

MISSING ITEM NUMBERS NOT APPLICABLE

- ITEM NOT ILLUSTRATED

29-11-51-36

29-11-51
FIG. 36
PAGE 4
JAN 20/09

BRI



757

PARTS CATALOG (MAINTENANCE)

FIG ITEM	PART NUMBER	1 2 3 4 5 6 7	NOMENCLATURE	EFFECT FROM TO	UNITS PER ASSY
36					
75	NAS1801-3-26	..	SCREW-	002004 006100 107107 121503 904999	2
80	AN960PD10L	..	WASHER	002004 006100 107107 121503 904999	2
85	NAS43DD3-67	..	SPACER	002004 006100 107107 121503 904999	2
90	BRH10A3	..	NUT SUPPLIER CODE: V52828 SPECIFICATION NUMBER: BACN10JC3 OPTIONAL PART: H10-3BAC V15653 NS202101-02 V80539 RMLH9075-3W V72962 VN303A02 V92215 96-02 V80539 T6S1032J V11815	002004 006100 107107 121503 904999	2
95	270N2000-868	..	CHANNEL	002004 006100 107107 121503 904999	1
100	270N2000-556	..	BLOCK	002004 006100 107107 121503 904999	2
105	270N2000-16	.	CLAMP ASSY-BLK	002004 006100 107107 121503 904999	1

MISSING ITEM NUMBERS NOT APPLICABLE

- ITEM NOT ILLUSTRATED

29-11-51-36

29-11-51
FIG. 36
PAGE 5
JAN 20/09

BRI

BOEING PROPRIETARY - Copyright © - Unpublished Work - See title page for details.



757

PARTS CATALOG (MAINTENANCE)

FIG ITEM	PART NUMBER	1 2 3 4 5 6 7	NOMENCLATURE	EFFECT FROM TO	UNITS PER ASSY
36					
106	270N2000-72	.	CLAMP ASSY-BLK	002004 006100 121503 904999	1
107	270N2000-262	.	CLAMP ASSY-BLK ALTERED FROM PART NUMBER: 270N2000-72 POST SERVICE BULLETIN: 24-0048	107107 121503 904949 952999	1
110	270N2000-72	.	CLAMP ASSY-BLK	002004 006100 107107 121503 904999	2
111	NAS1801-3-34	..	SCREW-	107107 121503 904949	2
112	NAS1801-3-34	..	SCREW-	002004 006100 950999	2
113	AN960PD10L	..	WASHER	107107 121503 904949	2
114	AN960PD10L	..	WASHER	002004 006100 950999	2
115	NAS43DD3-99	..	SPACER	107107 121503 904949	2
116	NAS43DD3-99	..	SPACER	002004 006100 950999	2

MISSING ITEM NUMBERS NOT APPLICABLE

- ITEM NOT ILLUSTRATED

29-11-51-36

29-11-51
FIG. 36
PAGE 6
JAN 20/09

BRI

BOEING PROPRIETARY - Copyright © - Unpublished Work - See title page for details.



757

PARTS CATALOG (MAINTENANCE)

FIG ITEM	PART NUMBER	1 2 3 4 5 6 7	NOMENCLATURE	EFFECT FROM TO	UNITS PER ASSY
36 117	BRH10A3	..	NUT SUPPLIER CODE: V52828 SPECIFICATION NUMBER: BACN10JC3 OPTIONAL PART: H10-3BAC V15653 NS202101-02 V80539 RMLH9075-3W V72962 VN303A02 V92215 96-02 V80539 T6S1032J V11815	107107 121503 904949	2
118	BRH10A3	..	NUT SUPPLIER CODE: V52828 SPECIFICATION NUMBER: BACN10JC3 OPTIONAL PART: H10-3BAC V15653 NS202101-02 V80539 RMLH9075-3W V72962 VN303A02 V92215 96-02 V80539 T6S1032J V11815	002004 006100 950999	2
119	270N2000-1028	..	CHANNEL- USED ON: 270N2000-262	107107 121503 904949	1
120	270N2000-805	..	CHANNEL- USED ON: 270N2000-16	002004 006100 107107 121503 904999	1
122	270N2000-892	..	CHANNEL- USED ON: 270N2000-72	002004 006100 121503 904999	1

MISSING ITEM NUMBERS NOT APPLICABLE

- ITEM NOT ILLUSTRATED

29-11-51-36

29-11-51
FIG. 36
PAGE 7
JAN 20/09

BRI



757

PARTS CATALOG (MAINTENANCE)

FIG ITEM	PART NUMBER	1 2 3 4 5 6 7	NOMENCLATURE	EFFECT FROM TO	UNITS PER ASSY
36					
124	270N2000-425	..	BLOCK- USED ON: 270N2000-16	002004 006100 107107 121503 904999	2
125	270N2000-573	..	BLOCK- USED ON: 270N2000-72 270N2000-262	107107 121503 904949	2
126	270N2000-573	..	BLOCK- USED ON: 270N2000-72	002004 006100 107107 950999	2
128	270N2000-256	.	CLAMP ASSY-BLK	002004 006100 953999	1
128	270N2000-257	.	CLAMP ASSY-BLK	107107 904952	1
130	270N2000-246	.	CLAMP ASSY-BLK	107107 904952	1
130	270N2000-245	.	CLAMP ASSY-BLK	002004 006100 953999	1
132	NAS1801-3-36	..	SCREW- USED ON: 270N2000-245 270N2000-246	002004 006100 107107 121503 904999	2
133	NAS514P1032-38	..	SCREW- USED ON: 270N2000-257	002004 006100 107107 121503 904999	2
133	NAS514P1032-38P	..	SCREW- USED ON: 270N2000-256	002004 006100 107107 121503 904999	2
134	AN960PD10L	..	WASHER	002004 006100 107107 121503 904999	2
136	NAS43DD3-101	..	SPACER-	002004 006100 107107 121503 904999	2

MISSING ITEM NUMBERS NOT APPLICABLE

- ITEM NOT ILLUSTRATED

29-11-51-36

29-11-51
FIG. 36
PAGE 8
JAN 20/09

BRI

BOEING PROPRIETARY - Copyright © - Unpublished Work - See title page for details.

BOEING
757
PARTS CATALOG (MAINTENANCE)

FIG ITEM	PART NUMBER	1 2 3 4 5 6 7	NOMENCLATURE	EFFECT FROM TO	UNITS PER ASSY
36 138	BRH10A3	..	NUT SUPPLIER CODE: V52828 SPECIFICATION NUMBER: BACN10JC3 OPTIONAL PART: H10-3BAC V15653 NS202101-02 V80539 RMLH9075-3W V72962 VN303A02 V92215 96-02 V80539 T6S1032J V11815	002004 006100 107107 121503 904999	2
140	270N2000-853	..	CHANNEL- USED ON: 270N2000-246	107107 121503 904949	1
140	270N2000-1007	..	CHANNEL- USED ON: 270N2000-245	002004 006100 953999	1
141	270N2000-1025	..	CHANNEL- USED ON: 270N2000-256	002004 006100 953999	1
141	270N2000-1026	..	CHANNEL- USED ON: 270N2000-257	107107 121503 904949	1
142	270N2000-1268	..	BLOCK-	107107 121503 904949	2
142	270N2000-1267	..	BLOCK-	002004 006100 953999	2
144	270N2006-58	.	SHIM	002004 006100 107107 121503 904999	AR
146	270N2006-59	.	SHIM	002004 006100 107107 121503 904999	AR

MISSING ITEM NUMBERS NOT APPLICABLE

— ITEM NOT ILLUSTRATED

BRI

29-11-51-36

BOEING PROPRIETARY - Copyright © - Unpublished Work - See title page for details.

29-11-51
FIG. 36
PAGE 9
JAN 20/09



757

PARTS CATALOG (MAINTENANCE)

FIG ITEM	PART NUMBER	1 2 3 4 5 6 7	NOMENCLATURE	EFFECT FROM TO	UNITS PER ASSY
36 148	270N2006-60	.	SHIM	002004 006100 107107 121503 904999	AR
172	270N2000-248	.	CLAMP ASSY-BLK	002004 006100 107107 121503 904999	1
177	270N2000-249	.	CLAMP ASSY-BLK	002004 006100 107107 121503 904999	1
180	NAS1801-3-38	..	SCREW-	002004 006100 107107 121503 904999	3
185	AN960PD10L	..	WASHER	002004 006100 107107 121503 904999	3
190	NAS43DD3-108	..	SPACER-	002004 006100 107107 121503 904999	3
195	BRH10A3	..	NUT SUPPLIER CODE: V52828 SPECIFICATION NUMBER: BACN10JC3 OPTIONAL PART: H10-3BAC V15653 NS202101-02 V80539 RMLH9075-3W V72962 VN303A02 V92215 96-02 V80539 T6S1032J V11815	002004 006100 107107 121503 904999	3

MISSING ITEM NUMBERS NOT APPLICABLE

- ITEM NOT ILLUSTRATED

29-11-51-36

29-11-51
FIG. 36
PAGE 10
JAN 20/09

BRI

BOEING PROPRIETARY - Copyright © - Unpublished Work - See title page for details.



757

PARTS CATALOG (MAINTENANCE)

FIG ITEM	PART NUMBER	1 2 3 4 5 6 7	NOMENCLATURE	EFFECT FROM TO	UNITS PER ASSY
36 200	270N2000-843	..	CHANNEL- USED ON: 270N2000-161 270N2000-248	002004 006100 107107 121503 904999	1
205	270N2000-850	..	CHANNEL- USED ON: 270N2000-162 270N2000-249	002004 006100 107107 121503 904999	1
212	270N2000-1271	..	BLOCK- USED ON: 270N2000-248	002004 006100 107107 121503 904999	2
217	270N2000-1272	..	BLOCK- USED ON: 270N2000-249	002004 006100 107107 121503 904999	2
222	270N2000-247	.	CLAMP ASSY-BLK	002004 006100 107107 121503 904999	1
225	NAS1801-3-33	..	SCREW-	002004 006100 107107 121503 904999	3
230	AN960PD10L	..	WASHER	002004 006100 107107 121503 904999	3
235	NAS43DD3-89	..	SPACER-	002004 006100 107107 121503 904999	3

MISSING ITEM NUMBERS NOT APPLICABLE

- ITEM NOT ILLUSTRATED

29-11-51-36

29-11-51
FIG. 36
PAGE 11
JAN 20/09

BRI



757

PARTS CATALOG (MAINTENANCE)

FIG ITEM	PART NUMBER	1 2 3 4 5 6 7	NOMENCLATURE	EFFECT FROM TO	UNITS PER ASSY
36 240	BRH10A3	..	NUT SUPPLIER CODE: V52828 SPECIFICATION NUMBER: BACN10JC3 OPTIONAL PART: H10-3BAC V15653 NS202101-02 V80539 RMLH9075-3W V72962 VN303A02 V92215 96-02 V80539 T6S1032J V11815	002004 006100 107107 121503 904999	3
245	270N2000-842	..	CHANNEL	002004 006100 107107 121503 904999	1
252	270N2000-1269	..	BLOCK-	002004 006100 107107 121503 904999	1
257	270N2000-1270	..	BLOCK-	002004 006100 107107 121503 904999	1
260	270N2000-220	.	CLAMP ASSY-BLK	107107 121503 904949	1
260	270N2000-221	.	CLAMP ASSY-BLK	002004 006100 950999	1
265	NAS1801-3-72	..	SCREW-	107107 121503 904949	3
265	NAS1801-3-76	..	SCREW-	002004 006100 950999	3

MISSING ITEM NUMBERS NOT APPLICABLE

- ITEM NOT ILLUSTRATED

29-11-51-36

29-11-51
FIG. 36
PAGE 12
JAN 20/09

BRI

BOEING PROPRIETARY - Copyright © - Unpublished Work - See title page for details.



757

PARTS CATALOG (MAINTENANCE)

FIG ITEM	PART NUMBER	1 2 3 4 5 6 7	NOMENCLATURE	EFFECT FROM TO	UNITS PER ASSY
36	270 AN960PD10L	..	WASHER	002004 006100 107107 121503 904999	3
275	NAS43DD3-253	..	SPACER-	002004 006100 107107 121503 904999	3
280	BRH10A3	..	NUT SUPPLIER CODE: V52828 SPECIFICATION NUMBER: BACN10JC3 OPTIONAL PART: H10-3BAC V15653 NS202101-02 V80539 RMLH9075-3W V72962 VN303A02 V92215 96-02 V80539 T6S1032J V11815	002004 006100 107107 121503 904999	3
285	270N2000-811	..	CHANNEL	002004 006100 107107 121503 904999	1
290	270N2000-1252	..	BLOCK-	002004 006100 107107 121503 904999	1
295	270N2000-1219	..	BLOCK-	107107 121503 904949	1
295	270N2000-1253	..	BLOCK-	002004 006100 950999	1
300	270N2000-1221	..	BLOCK-	107107 121503 904949	1

MISSING ITEM NUMBERS NOT APPLICABLE

- ITEM NOT ILLUSTRATED

29-11-51-36

29-11-51
FIG. 36
PAGE 13
JAN 20/09

BRI

BOEING PROPRIETARY - Copyright © - Unpublished Work - See title page for details.



757

PARTS CATALOG (MAINTENANCE)

FIG ITEM	PART NUMBER	1 2 3 4 5 6 7	NOMENCLATURE	EFFECT FROM TO	UNITS PER ASSY
36					
300	270N2000-1218	..	BLOCK-	002004 006100 950999	1
305	270N2000-231	.	CLAMP ASSY-BLK	950951	1
305	270N2000-232	.	CLAMP ASSY-BLK	002004 006100	1
305	270N2000-266	.	CLAMP ASSY-BLK	107107	1
			POST SERVICE BULLETIN: 24-0048	121503 904949 952999	
310	NAS1801-3-34	..	SCREW-	002004 006100 107107 121503 904999	3
315	AN960KD10L	..	WASHER	002004 006100 107107 121503 904999	3
320	NAS43DD3-101	..	SPACER-	002004 006100 107107 121503 904999	3
325	BRH10A3	..	NUT	002004	3
			SUPPLIER CODE: V52828	006100 107107	
			SPECIFICATION NUMBER: BACN10JC3	121503 904999	
			OPTIONAL PART: H10-3BAC V15653 NS202101-02 V80539 RMLH9075-3W V72962 VN303A02 V92215 96-02 V80539 T6S1032J V11815		

MISSING ITEM NUMBERS NOT APPLICABLE

- ITEM NOT ILLUSTRATED

BRI

29-11-51-36

29-11-51
FIG. 36
PAGE 14
JAN 20/09



757

PARTS CATALOG (MAINTENANCE)

FIG ITEM	PART NUMBER	1 2 3 4 5 6 7	NOMENCLATURE	EFFECT FROM TO	UNITS PER ASSY
36 326	FS1651-3		..NUTPLATE- SUPPLIER CODE: V15653 SPECIFICATION NUMBER: BACN10KH3CD OPTIONAL PART: 102F9209M3 V72962 NS202496-02 V80539 POST SERVICE BULLETIN: 24-0048 ATTACHING PARTS	107107 121503 904949 952999	1
- 327	BACR15BA3AD		..RIVET- SIZE DETERMINED ON INSTL.	107107 121503 904949 952999	2
			-----*-----		
330	270N2000-1016		..CHANNEL-	002004 006100 121503 904951	1
331	270N2000-1029		..CHANNEL- POST SERVICE BULLETIN: 24-0048	107107 121503 904949 952999	1
335	270N2000-1264		..BLOCK-	107107 121503 904949	2
335	270N2000-1206		..BLOCK-	002004 006100	2
337	270N2007-10		.SHIM	002004 006100 107107 121503 904999	AR
338	270N2007-11		.SHIM	002004 006100 107107 121503 904999	AR
339	270N2007-12		.SHIM	002004 006100 107107 121503 904999	AR

MISSING ITEM NUMBERS NOT APPLICABLE

- ITEM NOT ILLUSTRATED

29-11-51-36

29-11-51
FIG. 36
PAGE 15
JAN 20/09

BRI

BOEING PROPRIETARY - Copyright © - Unpublished Work - See title page for details.



757

PARTS CATALOG (MAINTENANCE)

FIG ITEM	PART NUMBER	1 2 3 4 5 6 7	NOMENCLATURE	EFFECT FROM TO	UNITS PER ASSY
36					
340	270N2000-101	.	CLAMP ASSY-BLK	002004 006100 107107 121503 904999	5
344	NAS1801-3-28	..	SCREW-	002004 006100 107107 121503 904999	2
346	AN960PD10L	..	WASHER	002004 006100 107107 121503 904999	2
348	NAS43DD3-75	..	SPACER	002004 006100 107107 121503 904999	2
350	BRH10A3	..	NUT SUPPLIER CODE: V52828 SPECIFICATION NUMBER: BACN10JC3 OPTIONAL PART: H10-3BAC V15653 NS202101-02 V80539 RMLH9075-3W V72962 VN303A02 V92215 96-02 V80539 T6S1032J V11815	002004 006100 107107 121503 904999	2
352	270N2000-833	..	CHANNEL	002004 006100 107107 121503 904999	1
354	270N2000-520	..	BLOCK	002004 006100 107107 121503 904999	2

MISSING ITEM NUMBERS NOT APPLICABLE

- ITEM NOT ILLUSTRATED

29-11-51-36

29-11-51
FIG. 36
PAGE 16
JAN 20/09

BRI



757

PARTS CATALOG (MAINTENANCE)

FIG ITEM	PART NUMBER	1 2 3 4 5 6 7	NOMENCLATURE	EFFECT FROM TO	UNITS PER ASSY
36 385	AS1634A12D0330	.HOSE	ASSY-	002004 006100 107107 121503 904999	1
390	AS115-06K0140	.HOSE	ASSY	002004 006100 107107 121503 904999	1
395	AS117-08K0170	.HOSE	ASSY	002004 006100 107107 121503 904999	1
400	271N6443-1128	.TUBE	ASSY-SUPPLY SYS POSITION DATA: L TUBING MATERIAL: 1.25 IN. OD .035 IN. WALL 32.80 IN. LG AL AMS 4083 6061 T6 TUBING	107107	1
400	271N6443-1211	.TUBE	ASSY-SUPPLY SYS POSITION DATA: L TUBING MATERIAL: 1.25 IN. OD .035 IN. WALL 33.50 IN. LG AL AMS 4083 6061 T6 TUBING	904949	1
400	271N6443-1227	.TUBE	ASSY-SUPPLY SYS POSITION DATA: L TUBING MATERIAL: 1.25 IN. OD .035 IN. WALL 32.90 IN. LG AL AMS 4083 6061 T6 TUBING	002004 006100 121503 950999	1
- 405	AFP175V20P	..SLEEVE-	SUPPLIER CODE: V30974 SPECIFICATION NUMBER: BACS13BX20HP OPTIONAL PART: 2-02901-20HP V11328 35025VN20 V08199	002004 006100 107107 121503 904999	2

MISSING ITEM NUMBERS NOT APPLICABLE

- ITEM NOT ILLUSTRATED

29-11-51-36

29-11-51
FIG. 36
PAGE 17
JAN 20/09

BRI



757

PARTS CATALOG (MAINTENANCE)

FIG ITEM	PART NUMBER	1 2 3 4 5 6 7	NOMENCLATURE	EFFECT FROM TO	UNITS PER ASSY
36 - 410	BACN10YL20L	..	NUT-	002004 006100 107107 121503 904999	2
415	271N6443-1176	.TUBE ASSY-SUPPLY SYS POSITION DATA: L TUBING MATERIAL: .750 IN. OD .035 IN. WALL 13.90 IN. LG AL AMS 4083 6061 T6 TUBING		002004 006100 107107 121503 904999	1
- 420	AP2097HP12	..SLEEVE SUPPLIER CODE: V01673 SPECIFICATION NUMBER: BACS13BX12HP OPTIONAL PART: 2-02903-12HP V11328 35235VN12 V08199 AFP175V12P V30974 DBOS13BX12HP V14798		002004 006100 107107 121503 904999	2
- 425	BACN10YL12	..	NUT	002004 006100 107107 121503 904999	2
428	271N6443-1196	.TUBE ASSY-SUPPLY SYS POSITION DATA: L TUBING MATERIAL: 1.00 IN. OD .035 IN. WALL 27.60 IN. LG AL AMS 4083 6061 T6 TUBING		107107	1
428	271N6443-1224	.TUBE ASSY-SUPPLY SYS POSITION DATA: L TUBING MATERIAL: 1.00 IN. OD .035 IN. WALL 28.10 IN. LG AL AMS 4083 6061 T6 TUBING		002004 006100 121503 904999	1

MISSING ITEM NUMBERS NOT APPLICABLE

- ITEM NOT ILLUSTRATED

29-11-51-36

29-11-51
FIG. 36
PAGE 18
JAN 20/09

BRI



757

PARTS CATALOG (MAINTENANCE)

FIG ITEM	PART NUMBER	1 2 3 4 5 6 7	NOMENCLATURE	EFFECT FROM TO	UNITS PER ASSY
36 432	271N6443-1197		.TUBE ASSY-SUPPLY SYS POSITION DATA: L TUBING MATERIAL: 1.00 IN. OD .035 IN. WALL 42.90 IN. LG AL AMS 4083 6061 T6 TUBING	107107	1
432	271N6443-1223		.TUBE ASSY-SUPPLY SYS POSITION DATA: L TUBING MATERIAL: 1.00 IN. OD .035 IN. WALL 42.10 IN. LG AL AMS 4083 6061 T6 TUBING	002004 006010 121503 904999	1
433	271N6443-1231		.TUBE ASSY-SUPPLY SYS POSITION DATA: L TUBING MATERIAL: 1.00 IN. OD .035 IN. WALL 41.40 IN. LG AL AMS 4083 6061 T6 TUBING	011100	1
- 435	AP2097HP16		..SLEEVE- SUPPLIER CODE: V01673 SPECIFICATION NUMBER: BACS13BX16HP OPTIONAL PART: 2-02903-16HP V11328 35235VN16 V08199 AFP175V16P V30974 DBOS13BX16HP V14798 USED ON: 271N6443-1191 271N6443-1193 271N6443-1196 271N6443-1197	002004 006100 107107 121503 904999	2
- 440	BACN10YL16L		..NUT-	002004 006100 107107 121503 904999	2

MISSING ITEM NUMBERS NOT APPLICABLE

- ITEM NOT ILLUSTRATED

29-11-51-36

29-11-51
FIG. 36
PAGE 19
JAN 20/09

BRI

BOEING PROPRIETARY - Copyright © - Unpublished Work - See title page for details.



757

PARTS CATALOG (MAINTENANCE)

FIG ITEM	PART NUMBER	1 2 3 4 5 6 7	NOMENCLATURE	EFFECT FROM TO	UNITS PER ASSY
36					
- 450	AS1581T04	..	SLEEVE	002004 006100 107107 121503 904999	1
- 455	BACN10YA4	..	NUT-	002004 006100 107107 121503 904999	1
- 460	AS1582T04	..	UNION	002004 006100 107107 121503 904999	1
465	271N6443-1130	.	TUBE ASSY-HYDR RSVR VENT TUBING MATERIAL: .750 IN. OD .035 IN. WALL 62.90 IN. LG AL AMS 4083 6061 T6 TUBING	002004 006100 107107 121503 904999	1
- 467	AP2097HP12	..	SLEEVE SUPPLIER CODE: V01673 SPECIFICATION NUMBER: BACS13BX12HP OPTIONAL PART: 2-02903-12HP V11328 35235VN12 V08199 AFP175V12P V30974 DBOS13BX12HP V14798	002004 006100 107107 121503 904999	2
- 468	BACN10YL12	..	NUT	002004 006100 107107 121503 904999	2
470	271N6443-1114	.	TUBE ASSY-PRESSURE SYS POSITION DATA: L TUBING MATERIAL: .500 IN. OD .026 IN. WALL 32.50 IN. LG TI BMS 7-234 TI-3AL-2.5V COLD WORKED, STRESS RELIEVED TUBING	002004 006100 107107 121503 904999	1

MISSING ITEM NUMBERS NOT APPLICABLE

- ITEM NOT ILLUSTRATED

BRI

29-11-51-36

29-11-51
FIG. 36
PAGE 20
JAN 20/09

BOEING
757
PARTS CATALOG (MAINTENANCE)

FIG ITEM	PART NUMBER	1 2 3 4 5 6 7	NOMENCLATURE	EFFECT FROM TO	UNITS PER ASSY
36 - 472	AS1581T08	..	SLEEVE	002004 006100 107107 121503 904999	2
- 473	BACN10YA8	..	NUT	002004 006100 107107 121503 904999	2
475	271N6443-1115	.TUBE ASSY-PRESSURE SYS POSITION DATA: L TUBING MATERIAL: 1.00 IN. OD .051 IN. WALL 21.20 IN. LG TI BMS 7-234 TI-3AL-2.5V COLD WORKED, STRESS RELIEVED TUBING		002004 006016 107107 121503 904999	1
475	271N6443-1232	.TUBE ASSY-PRESSURE SYS POSITION DATA: L TUBING MATERIAL: 1.00 IN. OD .051 IN. WALL 20.20 IN. LG TI 3AL-2.5V TITANIUM SEAMLESS TUBING PER BMS7-234		017100	1
- 477	AS1581T16	..	SLEEVE	002004 006100 107107 121503 904999	2
- 478	BACN10YA16L	..	NUT-	002004 006100 107107 121503 904999	2
479	271N6443-1184	.TUBE ASSY-PRESSURE SYS POSITION DATA: L TUBING MATERIAL: .375 IN. OD .019 IN. WALL 51.50 IN. LG TI BMS 7-234 TI-3AL-2.5V COLD WORKED, STRESS RELIEVED TUBING		002004 006100 107107 121503 904999	1

MISSING ITEM NUMBERS NOT APPLICABLE

- ITEM NOT ILLUSTRATED

BRI

29-11-51-36

BOEING PROPRIETARY - Copyright © - Unpublished Work - See title page for details.

29-11-51
FIG. 36
PAGE 21
JAN 20/09



757

PARTS CATALOG (MAINTENANCE)

FIG ITEM	PART NUMBER	1 2 3 4 5 6 7	NOMENCLATURE	EFFECT FROM TO	UNITS PER ASSY
36 480	271N6443-1185	.	TUBE ASSY-PRESSURE SYS POSITION DATA: L TUBING MATERIAL: .375 IN. OD .019 IN. WALL 17.8 IN. LG TI BMS 70234 TI-3AL-2.5V COLD WORKED, STRESS RELIEVED TUBING	002004 006100 950999	1
- 482	AS1581T06	..	SLEEVE	002004 006100 950999	2
- 483	BACN10YA6	..	NUT-	002004 006100 950999	2
485	271N6443-1001	.	TUBE ASSY-PRESSURE SYS POSITION DATA: L TUBING MATERIAL: 1.00 IN. OD .051 IN. WALL 37.50 IN. LG TI BMS 7-234 TI-3AL-2.5V COLD WORKED, STRESS RELIEVED TUBING	002004 006100 107107 121503 904999	1
490	271N6443-1002	.	TUBE ASSY-PRESSURE SYS POSITION DATA: L TUBING MATERIAL: 1.00 IN. OD .051 IN. WALL 14.70 IN. LG TI BMS 7-234 TI-3AL-2.5V COLD WORKED. STRESS RELIEVED TUBING	002004 006100 107107 121503 904999	1
- 495	AS1581T16	..	SLEEVE	002004 006100 107107 121503 904999	2
- 496	BACN10YA16L	..	NUT-	002004 006100 107107 121503 904999	2

MISSING ITEM NUMBERS NOT APPLICABLE

- ITEM NOT ILLUSTRATED

29-11-51-36

29-11-51
FIG. 36
PAGE 22
JAN 20/09

BRI

BOEING PROPRIETARY - Copyright © - Unpublished Work - See title page for details.



757

PARTS CATALOG (MAINTENANCE)

FIG ITEM	PART NUMBER	1 2 3 4 5 6 7	NOMENCLATURE	EFFECT FROM TO	UNITS PER ASSY
36 498	271N6443-1090	.	TUBE ASSY-PRESSURE SYS POSITION DATA: L TUBING MATERIAL: .375 IN. OD .019 IN. WALL 49.50 IN. LG TI BMS 7-234 TI-3AL-2.5V COLD WORKED, STRESS RELIEVED TUBING	107107 904949	1
- 502	AS1581T06	..	SLEEVE	107107 121503 904949	2
- 503	BACN10YA6L	..	NUT-	107107 121503 904949	2
505	271N6443-1003	.	TUBE ASSY-PRESSURE SYS POSITION DATA: L TUBING MATERIAL: .500 IN. OD .026 IN. WALL 3.60 IN. LG TI BMS 70234 TI-3AL-2.5V COLD WORKED, STRESS RELIEVED TUBING	002004 006100 107107 121503 904999	1
- 510	AS1581T08	..	SLEEVE	002004 006100 107107 121503 904999	2
- 515	BACN10YA8	..	NUT	002004 006100 107107 121503 904999	2
520	271N6443-1004	.	TUBE ASSY-PRESSURE SYS POSITION DATA: L TUBING MATERIAL: .625 IN. OD .032 IN. WALL 131.2 IN. LG TI BMS 7-235 TI-3AL-2.5V COLD WORKED, STRESS RELIEVED TUBING	002004 006100 107107 121503 904999	1
- 525	AS1581T10	..	SLEEVE	002004 006100 107107 121503 904999	2

MISSING ITEM NUMBERS NOT APPLICABLE

- ITEM NOT ILLUSTRATED

BRI

29-11-51-36

29-11-51
FIG. 36
PAGE 23
JAN 20/09



757

PARTS CATALOG (MAINTENANCE)

FIG ITEM	PART NUMBER	1 2 3 4 5 6 7	NOMENCLATURE	EFFECT FROM TO	UNITS PER ASSY
36					
- 530	BACN10YA10	..	NUT	002004 006100 107107 121503 904999	2
533	271N6443-1171	.TUBE ASSY-PRESSURE SYS POSITION DATA: L TUBING MATERIAL: .750 IN. OD .039 IN. WALL 11.00 IN. LG TI BMS 7-234 TI-3AL-2.5V COLD WORKED, STRESS RELIEVD TUBING		950951	1
- 537	AS1581T12	..	SLEEVE	121503 904999	2
- 538	BACN10YA12	..	NUT	121503 904999	2
547	271N6443-1167	.TUBE ASSY-CASE DRAIN SYS POSITION DATA: L TUBING MATERIAL: .375 IN. OD .019 IN. WALL 12.30 IN. LG TI BMS 7-234 TI-3AL-2.5V COLD WORKED, STRESS RELIEVED TUBING POST SERVICE BULLETIN: 24-0048		002004 006100 107107 121503 904949 952999	1
- 548	AS1581T06	..	SLEEVE-	002004 006100 107107 121503 904949 952999	2
- 549	BACN10YA6	..	NUT	002004 006100 107107 121503 904949 952999	2
550	271N6443-1048	.TUBE ASSY-CASE DRAIN SYS POSITION DATA: L TUBING MATERIAL: .375 IN. OD .035 IN. WALL 18.10 IN. LG AL AMS 4083 6061 T6 TUBING		950951	1

MISSING ITEM NUMBERS NOT APPLICABLE

- ITEM NOT ILLUSTRATED

29-11-51-36

29-11-51
FIG. 36
PAGE 24
JAN 20/09

BRI



757

PARTS CATALOG (MAINTENANCE)

FIG ITEM	PART NUMBER	1 2 3 4 5 6 7	NOMENCLATURE	EFFECT FROM TO	UNITS PER ASSY
36 - 552	AP2097HP06		.. SLEEVE- SUPPLIER CODE: V01673 SPECIFICATION NUMBER: BACS13BX06HP OPTIONAL PART: 2-02903-06HP V11328 35235VN06 V08199 AFP175V06P V30974 DBOS13BX06HP V14798	950951	2
- 553 557	BACN10YL06 271N6443-1138		.. NUT . TUBE ASSY-CASE DRAIN SYS POSITION DATA: L TUBING MATERIAL: .375 IN. OD .035 IN. WALL 56.30 IN. LG AL AMS 4083 6061 T6 TUBING	950951 002004 006100 107107 121503 904999	2 1
- 560	AP2097HP06		.. SLEEVE- SUPPLIER CODE: V01673 SPECIFICATION NUMBER: BACS13BX06HP OPTIONAL PART: 2-02903-06HP V11328 35235VN06 V08199 AFP175V06P V30974 DBOS13BX06HP V14798	002004 006100 107107 121503 904999	2
- 565	BACN10YL06		.. NUT	002004 006100 107107 121503 904999	2

MISSING ITEM NUMBERS NOT APPLICABLE

- ITEM NOT ILLUSTRATED

BRI

29-11-51-36

29-11-51
FIG. 36
PAGE 25
JAN 20/09



757

PARTS CATALOG (MAINTENANCE)

FIG ITEM	PART NUMBER	1 2 3 4 5 6 7	NOMENCLATURE	EFFECT FROM TO	UNITS PER ASSY
36 566	271N6443-1166		.TUBE ASSY-CASE DRAIN SYS POSITION DATA: L TUBING MATERIAL: .375 IN. OD .019 IN. WALL 40.90 IN. LG TI BMS 7-234 TI-3AL-2.5V COLD WORKED, STRESS RELIEVED TUBING POST SERVICE BULLETIN: 24-0048	002004 006100 107107 121503 904949 952999	1
- 567	AS1581T06		..SLEEVE	002004 006100 107107 121503 904949 952999	2
- 568	BACN10YA6		..NUT-	002004 006100 107107 121503 904949 952999	2
570	271N6443-1178		.TUBE ASSY-CASE DRAIN SYS POSITION DATA: L TUBING MATERIAL: .375 IN. OD .019 IN. WALL 44.90 IN. LG TI BMS 7-234 TI03AL-2.5V COLD WORKED, STRESS RELIEVED TUBING POST SERVICE BULLETIN: 24-0048	002004 006100 107107 121503 904949 952999	1
- 571	AS1581T06		..SLEEVE	002004 006100 107107 121503 904949 952999	1
- 572	BACN10YA6		..NUT-	002004 006100 107107 121503 904949 952999	1

MISSING ITEM NUMBERS NOT APPLICABLE

- ITEM NOT ILLUSTRATED

29-11-51-36

29-11-51
FIG. 36
PAGE 26
JAN 20/09

BRI



757

PARTS CATALOG (MAINTENANCE)

FIG ITEM	PART NUMBER	1 2 3 4 5 6 7	NOMENCLATURE	EFFECT FROM TO	UNITS PER ASSY
36					
- 573	AS1582T06		.. UNION	002004 006100 107107 121503 904949 952999	1
575	271N6443-1119		.TUBE ASSY-CASE DRAIN SYS POSITION DATA: L TUBING MATERIAL: .375 IN. OD .035 IN. WALL 62.10 IN. LG AL AMS 4083 6061 T6 TUBING	002004 006100 107107 121503 904999	1
- 577	AP2097HP06		.. SLEEVE- SUPPLIER CODE: V01673 SPECIFICATION NUMBER: BACS13BX06HP OPTIONAL PART: 2-02903-06HP V11328 35235VN06 V08199 AFP175V06P V30974 DBOS13BX06HP V14798	002004 006100 107107 121503 904999	2
- 582	BACN10YL06		.. NUT	002004 006100 107107 121503 904999	2
585	271N6443-1121		.TUBE ASSY-CASE DRAIN SYS POSITION DATA: L TUBING MATERIAL: .375 IN. OD .035 IN. WALL 61.10 IN. LG AL AMS 4083 6061 T6 TUBING	002004 006100 107107 121503 904999	1

MISSING ITEM NUMBERS NOT APPLICABLE

- ITEM NOT ILLUSTRATED

29-11-51-36

29-11-51
FIG. 36
PAGE 27
JAN 20/09

BRI



757

PARTS CATALOG (MAINTENANCE)

FIG ITEM	PART NUMBER	1 2 3 4 5 6 7	NOMENCLATURE	EFFECT FROM TO	UNITS PER ASSY
36 - 587	AP2097HP06	..	SLEEVE- SUPPLIER CODE: V01673 SPECIFICATION NUMBER: BACS13BX06HP OPTIONAL PART: 2-02903-06HP V11328 35235VN06 V08199 AFP175V06P V30974 DBOS13BX06HP V14798	002004 006100 107107 121503 904999	2
- 588	BACN10YLO6	..	NUT	002004 006100 107107 121503 904999	2
590	271N6443-1120	.TUBE ASSY-CASE DRAIN SYS POSITION DATA: L TUBING MATERIAL: .375 IN. OD .035 IN. WALL 28.00 IN. LG AL AMS 4083 6061 T6 TUBING		002004 006100 107107 121503 904999	1
- 593	AP2097HP06	..	SLEEVE- SUPPLIER CODE: V01673 SPECIFICATION NUMBER: BACS13BX06HP OPTIONAL PART: 2-02903-06HP V11328 35235VN06 V08199 AFP175V06P V30974 DBOS13BX06HP V14798	002004 006100 107107 121503 904999	1
- 595	BACN10YLO6	..	NUT	002004 006100 107107 121503 904999	1

MISSING ITEM NUMBERS NOT APPLICABLE

- ITEM NOT ILLUSTRATED

BRI

29-11-51-36

29-11-51
FIG. 36
PAGE 28
JAN 20/09



757

PARTS CATALOG (MAINTENANCE)

FIG ITEM	PART NUMBER	1 2 3 4 5 6 7	NOMENCLATURE	EFFECT FROM TO	UNITS PER ASSY
36 - 597	35056GV06	..	UNION SUPPLIER CODE: V08199 SPECIFICATION NUMBER: BACU24AB6W OPTIONAL PART: 2-01027-6W V11328 31875-6W V14397 4671097W6 V50948 AP1004W06 V01673 AFP941W6 V30974 DBOU24AB6W V14798	002004 006100 107107 121503 904999	1
600	271N6443-1116	.TUBE ASSY-RETURN SYS POSITION DATA: L TUBING MATERIAL: 1.00 IN. OD .035 IN. WALL 15.80 IN. LG AL AMS 4083 6061 T6 TUBING		002004 006100 107107 121503 904999	1
- 602	AP2097HP16	..SLEEVE- SUPPLIER CODE: V01673 SPECIFICATION NUMBER: BACS13BX16HP OPTIONAL PART: 2-02903-16HP V11328 35235VN16 V08199 AFP175V16P V30974 DBOS13BX16HP V14798		002004 006100 107107 121503 904999	2
- 603	BACN10YL16	..NUT		002004 006100 107107 121503 904999	2

MISSING ITEM NUMBERS NOT APPLICABLE

- ITEM NOT ILLUSTRATED

BRI

29-11-51-36

BOEING PROPRIETARY - Copyright © - Unpublished Work - See title page for details.

29-11-51
FIG. 36
PAGE 29
JAN 20/09



757

PARTS CATALOG (MAINTENANCE)

FIG ITEM	PART NUMBER	1 2 3 4 5 6 7	NOMENCLATURE	EFFECT FROM TO	UNITS PER ASSY
36 604	271N6443-1200		.TUBE ASSY-RETURN SYS POSITION DATA: L TUBING MATERIAL: 1.00 IN. OD .035 IN. WALL 25.50 IN. LG AL AMS 4083 6061 T6 TUBING	002004 006100 107107 121503 904999	1
606	271N6443-1201		.TUBE ASSY-RETURN SYS POSITION DATA: L TUBING MATERIAL: 1.00 IN. OD .035 IN. WALL 13.70 IN. LG AL AMS 4083 6061 T6 TUBING	107107	1
606	271N6443-1222		.TUBE ASSY-RETURN L SYS TUBING MATERIAL: 1.00 IN. OD .035 IN. WALL 13.60 IN. LG AL AMS 4083 6061 T6 TUBING	002004 006100 121503 904999	1
- 608	AP2097HP16		..SLEEVE- SUPPLIER CODE: V01673 SPECIFICATION NUMBER: BACS13BX16HP OPTIONAL PART: 2-02903-16HP V11328 35235VN16 V08199 AFP175V16P V30974 DBOS13BX16HP V14798 USED ON: 271N6443-1192 271N6443-1194 271N6443-1200 271N6443-1201	002004 006100 107107 121503 904999	2
- 609	BACN10YL16L		..NUT-	002004 006100 107107 121503 904999	2

MISSING ITEM NUMBERS NOT APPLICABLE

- ITEM NOT ILLUSTRATED

BRI

29-11-51-36

29-11-51
FIG. 36
PAGE 30
JAN 20/09



757

PARTS CATALOG (MAINTENANCE)

FIG ITEM	PART NUMBER	1 2 3 4 5 6 7	NOMENCLATURE	EFFECT FROM TO	UNITS PER ASSY
36 612	271N6443-1141		.TUBE ASSY-RETURN SYS POSITION DATA: L TUBING MATERIAL: .500 IN. OD .035 IN. WALL 25.10 IN. LG AL AMS 4083 6061 T6 TUBING	002004 006100 107107 121503 904999	1
- 614	AP2097HP08		..SLEEVE- SUPPLIER CODE: V01673 SPECIFICATION NUMBER: BACS13BX08HP OPTIONAL PART: 2-02903-08HP V11328 35235VN08 V08199 AFP175V08P V30974 DBOS13BX08HP V14798	002004 006100 107107 121503 904999	2
- 615	BACN10YL08		..NUT	002004 006100 107107 121503 904999	2
622	271N6443-1199		.TUBE ASSY-RETURN SYS POSITION DATA: L TUBING MATERIAL: 1.00 IN. OD .035 IN. WALL 35.60 IN. LG AL AMS 4083 6061 T6 TUBING	002004 006100 107107 121503 904999	1
625	271N6443-1134		.TUBE ASSY-RETURN SYS POSITION DATA: L TUBING MATERIAL: 1.00 IN. OD .035 IN. WALL 33.00 IN. LG AL AMS 4083 6061 T6 TUBING	002004 006100 107107 121503 904999	1

MISSING ITEM NUMBERS NOT APPLICABLE

- ITEM NOT ILLUSTRATED

BRI

29-11-51-36

29-11-51
FIG. 36
PAGE 31
JAN 20/09



757

PARTS CATALOG (MAINTENANCE)

FIG ITEM	PART NUMBER	1 2 3 4 5 6 7	NOMENCLATURE	EFFECT FROM TO	UNITS PER ASSY
36 630	271N6443-1063		.TUBE ASSY-RETURN SYS POSITION DATA: L TUBING MATERIAL: 1.00 IN. OD .035 IN. WALL 22.20 IN. LG AL AMS 4083 6061 T6 TUBING	002004 006100 107107 121503 904999	1
- 632	AP2097HP16		..SLEEVE- SUPPLIER CODE: V01673 SPECIFICATION NUMBER: BACS13BX16HP OPTIONAL PART: 2-02903-16HP V11328 35235VN16 V08199 AFP175V16P V30974 DBOS13BX16HP V14798	002004 006100 107107 121503 904999	2
- 634	BACN10YL16L		..NUT-	002004 006100 107107 121503 904999	2
635	271N6443-1094		.TUBE ASSY-RETURN SYS POSITION DATA: L TUBING MATERIAL: .625 IN. OD .035 IN. WALL 52.10 IN. LG AL AMS 4083 6061 T6 TUBING	002004 006100 107107 121503 904999	1
640	271N6443-1096		.TUBE ASSY-RETURN SYS POSITION DATA: L TUBING MATERIAL: .625 IN. OD .035 IN. WALL 23.30 IN. LG AL AMS 4083 6061 T6 TUBING	002004 006100 107107 121503 904999	1

MISSING ITEM NUMBERS NOT APPLICABLE

- ITEM NOT ILLUSTRATED

BRI

29-11-51-36

29-11-51
FIG. 36
PAGE 32
JAN 20/09



757

PARTS CATALOG (MAINTENANCE)

FIG ITEM	PART NUMBER	1 2 3 4 5 6 7	NOMENCLATURE	EFFECT FROM TO	UNITS PER ASSY
36 - 645	AP2097HP10		.. SLEEVE- SUPPLIER CODE: V01673 SPECIFICATION NUMBER: BACS13BX10HP OPTIONAL PART: 2-02903-10HP V11328 35235VN10 V08199 AFP175V10P V30974 DBOS13BX10HP V14798	002004 006100 107107 121503 904999	2
- 650	BACN10YL10		.. NUT-	002004 006100 107107 121503 904999	2
655	271N6443-1082		. TUBE ASSY-RETURN SYS POSITION DATA: L TUBING MATERIAL: .500 IN. OD .035 IN. WALL 19.50 IN. LG AL AMS 4083 6061 T6 TUBING	002004 006100 107107 121503 904999	1
- 660	AP2097HP08		.. SLEEVE- SUPPLIER CODE: V01673 SPECIFICATION NUMBER: BACS13BX08HP OPTIONAL PART: 2-02903-08HP V11328 35235VN08 V08199 AFP175V08P V30974 DBOS13BX08HP V14798	002004 006100 107107 121503 904999	2
- 665	BACN10YL08		.. NUT	002004 006100 107107 121503 904999	2

MISSING ITEM NUMBERS NOT APPLICABLE

- ITEM NOT ILLUSTRATED

29-11-51-36

29-11-51
FIG. 36
PAGE 33
JAN 20/09

BRI



**757
PARTS CATALOG (MAINTENANCE)**

FIG ITEM	PART NUMBER	1 2 3 4 5 6 7	NOMENCLATURE	EFFECT FROM TO	UNITS PER ASSY
36 670	271N6443-1139		.TUBE ASSY-RETURN SYS POSITION DATA: L TUBING MATERIAL: .500 IN. OD .035 IN. WALL 31.60 IN. LG AL AMS 4083 6061 T6 TUBING	002004 006100 107107 121503 904999	1
- 672	AP2097HP12		..SLEEVE- SUPPLIER CODE: V01673 SPECIFICATION NUMBER: BACS13BX12HP OPTIONAL PART: 2-02903-12HP V11328 35235VN12 V08199 AFP175V12P V30974 DBOS13BX12HP V14798	002004 006100 107107 121503 904999	2
- 673	BACN10YL12		..NUT	002004 006100 107107 121503 904999	2
685	271N6443-1062		.TUBE ASSY-RETURN SYS POSITION DATA: L TUBING MATERIAL: .625 IN. OD .035 IN. WALL 63.20 IN. LG AL AMS 4083 6061 T6 TUBING	002004 006100 107107 121503 904999	1
- 690	AP2097HP10		..SLEEVE- SUPPLIER CODE: V01673 SPECIFICATION NUMBER: BACS13BX10HP OPTIONAL PART: 2-02903-10HP V11328 35235VN10 V08199 AFP175V10P V30974 DBOS13BX10HP V14798	002004 006100 107107 121503 904999	2

MISSING ITEM NUMBERS NOT APPLICABLE

- ITEM NOT ILLUSTRATED

BRI

29-11-51-36

BOEING PROPRIETARY - Copyright © - Unpublished Work - See title page for details.

29-11-51
FIG. 36
PAGE 34
JAN 20/09



757

PARTS CATALOG (MAINTENANCE)

FIG ITEM	PART NUMBER	1 2 3 4 5 6 7	NOMENCLATURE	EFFECT FROM TO	UNITS PER ASSY
36 - 695	BACN10YL10	. .	NUT	002004 006100 107107 121503 904999	2
700	271N6443-1072	. .	TUBE ASSY-RETURN SYS POSITION DATA: L TUBING MATERIAL: .625 IN. OD .035 IN. WALL 43.80 IN. LG AL AMS 4083 6061 T6 TUBING	002004 006100 107107 121503 904999	1
- 704	AP2097HP10	. .	SLEEVE- SUPPLIER CODE: V01673 SPECIFICATION NUMBER: BACS13BX10HP OPTIONAL PART: 2-02903-10HP V11328 35235VN10 V08199 AFP175V10P V30974 DBOS13BX10HP V14798	002004 006100 107107 121503 904999	1
- 708	BACN10YL10	. .	NUT	002004 006100 107107 121503 904999	1

MISSING ITEM NUMBERS NOT APPLICABLE

- ITEM NOT ILLUSTRATED

BRI

29-11-51-36

29-11-51
FIG. 36
PAGE 35
JAN 20/09



757

PARTS CATALOG (MAINTENANCE)

FIG ITEM	PART NUMBER	1 2 3 4 5 6 7	NOMENCLATURE	EFFECT FROM TO	UNITS PER ASSY
36 - 712	35056GV10	. .	UNION SUPPLIER CODE: V08199 SPECIFICATION NUMBER: BACU24AB10W OPTIONAL PART: 4671097W10 V50948 2-01027-10W V11328 31875-10W V14397 AP1004W10 V01673 AFP941W10 V30974 DBOU24AB10W V14798	002004 006100 107107 121503 904999	1
716	MS21924D6	. UNION-		002004 006100 107107 950999	1
718	MS21924D12	. UNION		002004 006100 107107 121503 904999	1
722	AP1042T1212	. ELBOW- SUPPLIER CODE: V01673 SPECIFICATION NUMBER: BACE21BT1212T		107107 950951	1
724	NAS1762D1212	. ELBOW-		002004 006100 107107 121503 904999	2
725	NAS1762D1616	. ELBOW-		002004 006100 107107 121503 904999	1
728	NAS1762D1616	. ELBOW-		002004 006100 107107 121503 904999	1

MISSING ITEM NUMBERS NOT APPLICABLE

- ITEM NOT ILLUSTRATED

29-11-51-36

29-11-51
FIG. 36
PAGE 36
JAN 20/09

BRI

BOEING PROPRIETARY - Copyright © - Unpublished Work - See title page for details.



757

PARTS CATALOG (MAINTENANCE)

FIG ITEM	PART NUMBER	1 2 3 4 5 6 7	NOMENCLATURE	EFFECT FROM TO	UNITS PER ASSY
36					
730	NAS1762T1616	.	ELBOW-	002004 006100 107107 121503 904999	1
730	NAS1762J1616	.	ELBOW-	002004 006100 107107 121503 904999	1
732	NAS1762T0808	.	ELBOW-	107107	1
732	NAS1762J0808	.	ELBOW-	002004	1
			MISCELLANEOUS DATA: REPLACES NAS1762T0808	006100 121503 904999	
734	NAS1762J0606	.	ELBOW-	002004	2
			MISCELLANEOUS DATA: OPTIONAL PART NUMBER: BAC21BT0606JN (81205)	006100 950999	
736	NAS1762T1010	.	ELBOW	002004 006100 107107 121503 904999	1
737	NAS1761D1616	.	ELBOW-	002004 006100 107107 121503 904999	1
742	NAS1764T160816	.	TEE	002004 006100 107107 121503 904999	1
744	NAS1764D060606	.	TEE-	002004 006100 107107 121503 904999	1
746	NAS1763D080608	.	TEE-	002004 006100 107107 121503 904999	1
750	BACT16BL161616T	.	TEE	002004 006100 107107 121503 904999	1

MISSING ITEM NUMBERS NOT APPLICABLE

- ITEM NOT ILLUSTRATED

29-11-51-36

29-11-51
FIG. 36
PAGE 37
JAN 20/09

BRI

BOEING PROPRIETARY - Copyright © - Unpublished Work - See title page for details.



757

PARTS CATALOG (MAINTENANCE)

FIG ITEM	PART NUMBER	1 2 3 4 5 6 7	NOMENCLATURE	EFFECT FROM TO	UNITS PER ASSY
36 752	APX824D202012	. TEE	SUPPLIER CODE: V01673 SPECIFICATION NUMBER: BACT16AS202012D OPTIONAL PART: APX824-202012D V01673 DBOT16AS202012D V14798 ER824-202012D V50948 FER1571-202012D V14397 LER824-202012D V11328 NAF1824-202012D V52930 US1925-202012D V50808 AFP325-202012D V30974	002004 006100 107107 121503 904999	1
754	NAS1763D161616	. TEE-		002004 006100 107107 121503 904999	1
755	NAS1763D161616	. TEE-		002004 006100 107107 121503 904999	1

MISSING ITEM NUMBERS NOT APPLICABLE

- ITEM NOT ILLUSTRATED

29-11-51-36

29-11-51
FIG. 36
PAGE 38
JAN 20/09

BRI

BOEING PROPRIETARY - Copyright © - Unpublished Work - See title page for details.



**757
PARTS CATALOG (MAINTENANCE)**

FIG ITEM	PART NUMBER	1 2 3 4 5 6 7	NOMENCLATURE	EFFECT FROM TO	UNITS PER ASSY
36 756	APX824D101016	. TEE-	SUPPLIER CODE: V01673 SPECIFICATION NUMBER: BACT16AS101016D OPTIONAL PART: APX824-101016D V01673 DB0T16AS101016D V14798 ER824-101016D V50948 FER1571-101016D V14397 LER824-101016D V11328 NAF1824-101016D V52930 US1925-101016D V50808 AFP325-101016D V30974	107107	1
756	BACT16AS101016W	. TEE-		002004 006100 121503 904999	1
758	MS21910D16	. TEE-		002004 006100 107107 121503 904999	1
760	NAS1763D161610	. TEE-		002004 006100 107107 121503 904999	1
762	NAS1763T060606	. TEE-		002004 006100 950999	1
762	NAS1763J060606	. TEE-		002004 006100 950999	1

MISSING ITEM NUMBERS NOT APPLICABLE

— ITEM NOT ILLUSTRATED

BRI

29-11-51-36

BOEING PROPRIETARY - Copyright © - Unpublished Work - See title page for details.

29-11-51
FIG. 36
PAGE 39
JAN 20/09



757

PARTS CATALOG (MAINTENANCE)

FIG ITEM	PART NUMBER	1 2 3 4 5 6 7	NOMENCLATURE	EFFECT FROM TO	UNITS PER ASSY
36 764	APX824D161612	. TEE-	SUPPLIER CODE: V01673 SPECIFICATION NUMBER: BACT16AS161612D OPTIONAL PART: APX824-161612D V01673 DB0T16AS161612D V14798 ER824-161612D V50948 FER1571-161612D V14397 LER824-161612D V11328 NAF1824-161612D V52930 US1925-161612D V50808 AFP325-161612D V30974	002004 006100 107107 121503 904999	1
768	BACT16BL161610T	. TEE-		002004 006100 107107 121503 904999	1
768	BACT16BL161610J	. TEE-		002004 006100 107107 121503 904999	1

MISSING ITEM NUMBERS NOT APPLICABLE

- ITEM NOT ILLUSTRATED

29-11-51-36

29-11-51
FIG. 36
PAGE 40
JAN 20/09

BRI

BOEING PROPRIETARY - Copyright © - Unpublished Work - See title page for details.



**757
PARTS CATALOG (MAINTENANCE)**

FIG ITEM	PART NUMBER	1 2 3 4 5 6 7	NOMENCLATURE	EFFECT FROM TO	UNITS PER ASSY
36 772	APX824D100810	. TEE-	SUPPLIER CODE: V01673 SPECIFICATION NUMBER: BACT16AS100810D OPTIONAL PART: APX824-100810D V01673 DBOT16AS100810D V14798 ER824-100810D V50948 FER1571-100810D V14397 LER824-100810D V11328 NAF1824-100810D V52930 US1925-100810D V50808 AFP325-100810D V30974	107107	1
772	APX824F100810W	. TEE-	SUPPLIER CODE: V01673 SPECIFICATION NUMBER: BACT16AS100810W OPTIONAL PART: APX824-100810W V01673 DBOT16AS100810W V14798 ER824-100810W V50948 FER1571-100810W V14397 LER824-100810W V11328 NAF1824-100810W V52930 US1925-100810W V50808 AFP325-100810W V30974	002004 006100 121503 904999	1
776	NAS1763D080806	. TEE-	MISCELLANEOUS DATA: REPLACED ONE-WAY FORWARD I/W BY NAS1763W080806	002004 006100 107107 121503 904999	1

MISSING ITEM NUMBERS NOT APPLICABLE

— ITEM NOT ILLUSTRATED

BRI

29-11-51-36

BOEING PROPRIETARY - Copyright © - Unpublished Work - See title page for details.

29-11-51
FIG. 36
PAGE 41
JAN 20/09



757

PARTS CATALOG (MAINTENANCE)

FIG ITEM	PART NUMBER	1 2 3 4 5 6 7	NOMENCLATURE	EFFECT FROM TO	UNITS PER ASSY
36 780	BACT16BL160812T	. TEE-		002004 006100 107107 121503 904999	1
780	BACT16BL160812J	. TEE-		002004 006100 107107 121503 904999	1
784	APX824D080806	. TEE-	SUPPLIER CODE: V01673 SPECIFICATION NUMBER: BACT16AS080806D OPTIONAL PART: APX824-080806D V01673 DBOT16AS080806D V14798 ER824-080806D V50948 FER1571-080806D V14397 LER824-080806D V11328 NAF1824-080806D V52930 US1925-080806D V50808 AFP325-080806D V30974	002004 006100 107107 121503 904999	1
786	BACT16BR121212T	. TEE-	OPTIONAL PART: BACT16AY121212M	107107 950951	1

MISSING ITEM NUMBERS NOT APPLICABLE

- ITEM NOT ILLUSTRATED

BRI

29-11-51-36

29-11-51
FIG. 36
PAGE 42
JAN 20/09



**757
PARTS CATALOG (MAINTENANCE)**

FIG ITEM	PART NUMBER	1 2 3 4 5 6 7	NOMENCLATURE	EFFECT FROM TO	UNITS PER ASSY
36 786	AP1013M121212	. TEE-	SUPPLIER CODE: V01673 SPECIFICATION NUMBER: BACT16AY121212M OPTIONAL PART: AP1013-121212M V01673 ER10604M121212M V88334 FER1573-121212M V14397 W30804M121212 V11328 4671113-121212M V50948 US1930-121212M V50808 DB0T16AY121212M V14798 AFP310-121212M V30974 BACT16BR121212T	107107 950951	1
788	BACT16BL080806T	. TEE-		002004 006100 107107 121503 904999	1
788	BACT16BL080806J	. TEE-		002004 006100 107107 121503 904999	1
790	BACT16BT060606T	. TEE-		121503 904949 952999	1
790	BACT16BT060606P	. TEE-	POST SERVICE BULLETIN: 24-0048	107107	1
798	AN924-12D	. NUT		002004 006100 107107 121503 904999	1

MISSING ITEM NUMBERS NOT APPLICABLE

- ITEM NOT ILLUSTRATED

BRI

29-11-51-36

BOEING PROPRIETARY - Copyright © - Unpublished Work - See title page for details.

29-11-51
FIG. 36
PAGE 43
JAN 20/09



757

PARTS CATALOG (MAINTENANCE)

FIG ITEM	PART NUMBER	1 2 3 4 5 6 7	NOMENCLATURE	EFFECT FROM TO	UNITS PER ASSY
36 799	0121520900-2		.VALVE-CHECK SUPPLIER CODE: V83533 SPECIFICATION NUMBER: BACV10CD2 OPTIONAL PART: 1C1346 V99240 POST SERVICE BULLETIN: 24-0048 POST AIRLINE MOD: MC0225MP5008 VMON	107107 121503 904949 952999	1
800	0121520900-6		.VALVE- SUPPLIER CODE: V83533 SPECIFICATION NUMBER: BACV10CD6 OPTIONAL PART: 1C1354 V99240	002004 006100 107107 121503 904999	1
801	9R3396		.VALVE-CHECK RESTRICTOR SUPPLIER CODE: V99240	002004 006100 107107 121503 904999	1
802	0121520900-5		.VALVE- SUPPLIER CODE: V83533 SPECIFICATION NUMBER: BACV10CD5 OPTIONAL PART: 1C1352 V99240	107107 950951	1
803	BACV10CE6		.VALVE-	002004 006100 107107 121503 904999	1
804	AE81565K		.COUPLER- SUPPLIER CODE: V00624 SPECIFICATION NUMBER: S270T202-5	002004 006100 107107 121503 904999	1
808	AE81566K		.NIPPLE ASSY- SUPPLIER CODE: V00624 SPECIFICATION NUMBER: S270T202-6	002004 006100 107107 121503 904999	1

MISSING ITEM NUMBERS NOT APPLICABLE

- ITEM NOT ILLUSTRATED

29-11-51-36

29-11-51
FIG. 36
PAGE 44
JAN 20/09

BRI



757

PARTS CATALOG (MAINTENANCE)

FIG ITEM	PART NUMBER	1 2 3 4 5 6 7	NOMENCLATURE	EFFECT FROM TO	UNITS PER ASSY
36 810	22610-117		.. PACKING- SUPPLIER CODE: V00624	002004 006100 107107 121503 904999	1
920			ILLUSTRATION REFERENCE: RESERVOIR INSTL-SECT. 44 L SYS HYDR 29-11-20-04	002004 006100 107107 121503 904999	RF
924			ILLUSTRATION REFERENCE: PUMP INSTL-ELEC MOTOR DRIVEN SYS L, R 29-11-01-01	002004 006100 107107 121503 904999	RF
928			ILLUSTRATION REFERENCE: MODULE INSTL-ELEC MOTOR PUMP PRESSURE/CASE DRAIN L AND R SYS FILTER 29-11-18-01	002004 006100 107107 121503 904999	RF
932			ILLUSTRATION REFERENCE: MODULE INSTL-L AND R SYS RETURN FILTER AND BRKT 29-11-15-05	002004 006100 107107 121503 904999	RF
936			ILLUSTRATION REFERENCE: VALVE INSTL -L HYDR SYSTEM PRESSURE SENSITIVE FLOW LIMITER 29-11-59-01	950951	RF
942			ILLUSTRATION REFERENCE: VALVE INSTL-L AND R SYS RELIEF (HYDRAULIC POWER ONLY) 29-11-29-01	002004 006100 107107 121503 904999	RF
944			ILLUSTRATION REFERENCE: VALVE INSTL-L SYS EMPENNAGE ISOLATION 27-23-01-03	002004 006100 107107 121503 904999	RF

MISSING ITEM NUMBERS NOT APPLICABLE

- ITEM NOT ILLUSTRATED

29-11-51-36

29-11-51
FIG. 36
PAGE 45
JAN 20/09

BRI



757

PARTS CATALOG (MAINTENANCE)

FIG ITEM	PART NUMBER	1 2 3 4 5 6 7	NOMENCLATURE	EFFECT FROM TO	UNITS PER ASSY
36					
952			ILLUSTRATION REFERENCE: PLUMBING INSTL-SECT. 44 R PRESSURE DECK HYDR (HYDRAULIC POWER ONLY) 29-11-51-34	002004 006100 107107 121503 904999	RF
958			ILLUSTRATION REFERENCE: PLUMBING INSTL-MAIN WHL WELL FWD BHD HYDR (HYDRAULIC POWER ONLY) 29-11-51-37	002004 006100 107107 121503 904999	RF
960			ILLUSTRATION REFERENCE: PLUMBING INSTL-SECT. 44 AFT BHD MLG WHL WELL HYDR (HYDRAULIC POWER ONLY) 29-11-51-30	002004 006100 107107 121503 904999	RF
964			ILLUSTRATION REFERENCE: PLUMBING INSTL-SECT. 44 MLG WHL WELL HYDR (TRAILING EDGE FLAP SYSTEM ONLY) 27-51-51-20	002004 006100 107107 121503 904999	RF
968			ILLUSTRATION REFERENCE: PLUMBING INSTL-SECT. 44 MLG WHL WELL HYDR (HYDRAULIC BRAKE SYSTEM ONLY) 32-41-51-22	002004 006100 107107 121503 904999	RF
970			ILLUSTRATION REFERENCE: PLUMBING INSTL-SECT. 44 R PRESSURE DECK HYDR (HYDRAULIC POWER ONLY) 29-11-51-35	002004 006100 107107 121503 904999	RF
972			ILLUSTRATION REFERENCE: PLUMBING INSTL-SECT 44 MLG WHL WELL HYDR (ANTISKID/AUTOBRAKE SYSTEM ONLY) 32-42-51-22	002004 006100 107107 121503 904999	RF
976			ILLUSTRATION REFERENCE: PLUMBING INSTL-SECT. 44 MLG WHL WELL HYDR (HYDRAULIC POWER TRANSFER UNIT SYSTEM ONLY) 29-22-51-20	002004 006100 107107 121503 904999	RF

MISSING ITEM NUMBERS NOT APPLICABLE

- ITEM NOT ILLUSTRATED

29-11-51-36

29-11-51
FIG. 36
PAGE 46
JAN 20/09

BRI



757

PARTS CATALOG (MAINTENANCE)

FIG ITEM	PART NUMBER	1 2 3 4 5 6 7	NOMENCLATURE	EFFECT FROM TO	UNITS PER ASSY
36 980			ILLUSTRATION REFERENCE: MODULE AND SUPPORT INSTL-LG BRAKE METERING VALVE 32-41-02-05	002004 006100 107107 121503 904999	RF
985			ILLUSTRATION REFERENCE: UNIT INSTL-PWR TRANSFER 29-22-01-01	002004 006100 107107 121503 904999	RF

MISSING ITEM NUMBERS NOT APPLICABLE

- ITEM NOT ILLUSTRATED

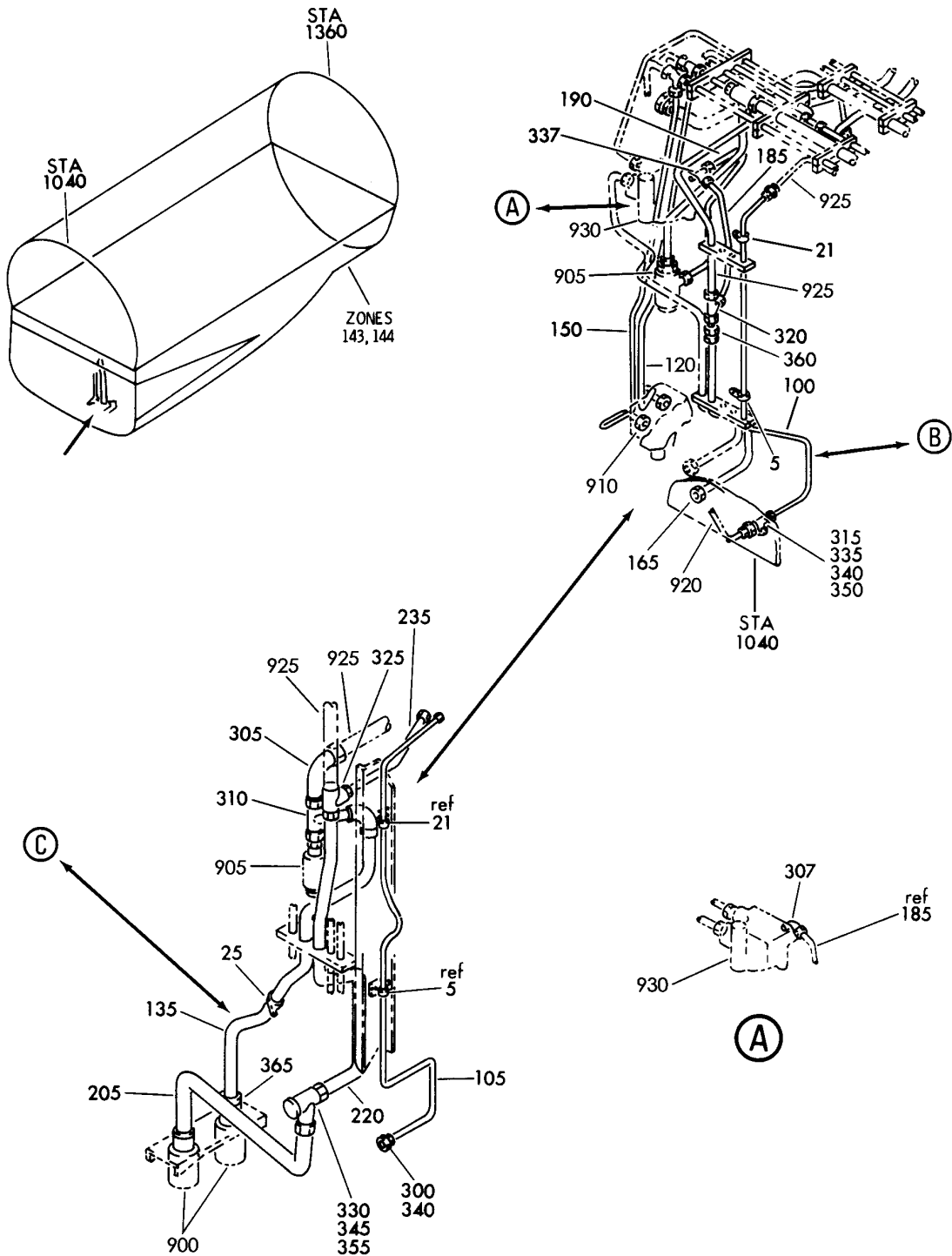
BRI

29-11-51-36

BOEING PROPRIETARY - Copyright © - Unpublished Work - See title page for details.

29-11-51
FIG. 36
PAGE 47
JAN 20/09

BOEING
757
PARTS CATALOG (MAINTENANCE)



Y 29115137 SHT 1 REV 309

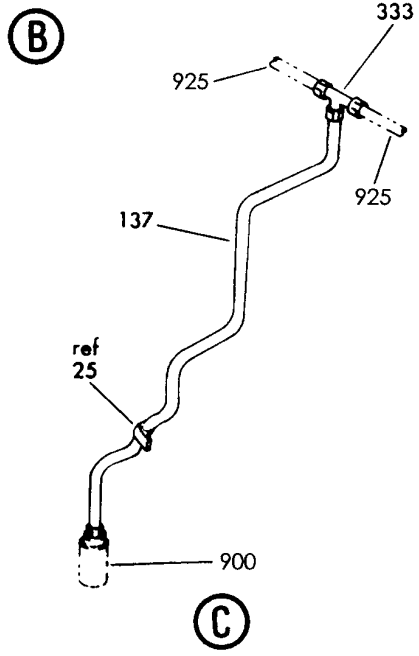
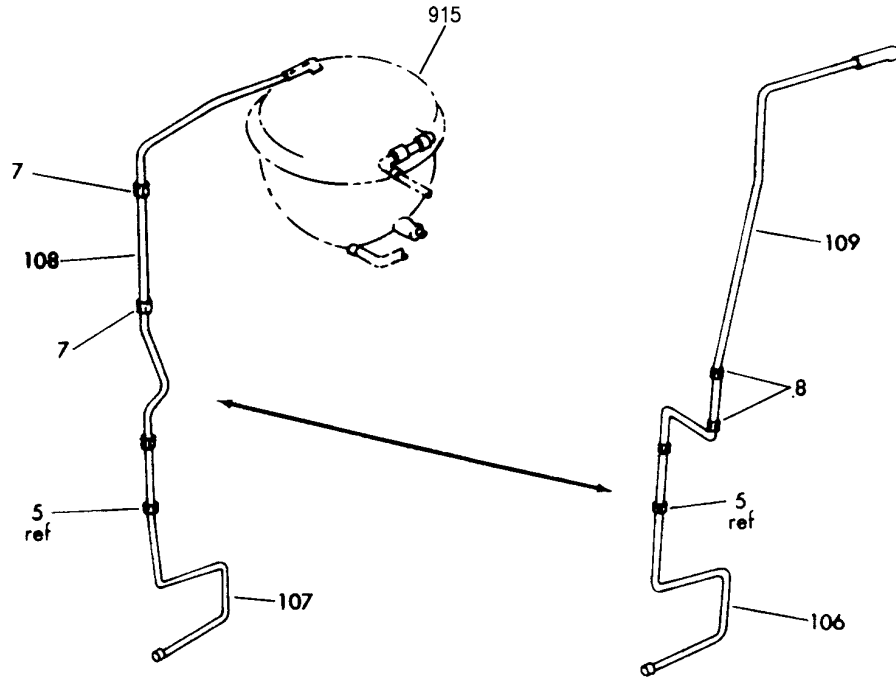
PLUMBING INSTL-MAIN WHL WELL FWD BHD HYDR (HYDRAULIC POWER ONLY)
FIGURE 37 (SHEET 1)

29-11-51-37

BRI
MAY 28/07

29-11-51-37
PAGE 0

BOEING
757
PARTS CATALOG (MAINTENANCE)



Y 29115137 SH1 2 REV 309

PLUMBING INSTL-MAIN WHL WELL FWD BHD HYDR (HYDRAULIC POWER ONLY)
FIGURE 37 (SHEET 2)

29-11-51-37

BRI
MAY 28/07

29-11-51-37
PAGE 0A



757

PARTS CATALOG (MAINTENANCE)

FIG ITEM	PART NUMBER	1 2 3 4 5 6 7	NOMENCLATURE	EFFECT FROM TO	UNITS PER ASSY
37			PLUMBING INSTL-MAIN WHL WELL FWD BHD HYDR (HYDRAULIC POWER ONLY)	002004 006100 107107 121503 904999	
- 1	271N6441-9		PLUMBING INSTL-MAIN WHL WELL BHD HYDR (HYDRAULIC POWER ONLY) POSITION DATA: FWD VARIABLE DRAWING REF: 271N6441-11 271N6441-12 271N6441-14 FOR NHA/OTHER SYS DET SEE: 29-00-51-05	002004 006100 107107 121503 904999	RF
5	M85052-2-4		.CLAMP	002004 006100 107107 121503 904999	1
7	M85052-2-4		.CLAMP-	107107 904949	2
8	M85052-2-4		.CLAMP-	002004 006100 950999	2
- 13	NAS1801-3		ATTACHING PARTS .SCREW- SIZE DETERMINED ON INSTL.	107107 121503 904949	3
- 15	AN960KD10L		.WASHER	107107 121503 904949	AR
- 20	MS21042L3		.NUT	107107 121503 904949	3
106	271N6441-1317		-----*----- .TUBE ASSY-RSVR PRESSURE SYS POSITION DATA: L TUBING MATERIAL: .250 IN. OD .016 IN. WALL 25.70 IN. LG TI BMS 7-234 TI-3AL-2.5V COLD WORKED, STRESS RELIEVED TUBING	002004 006100 950999	1

MISSING ITEM NUMBERS NOT APPLICABLE

- ITEM NOT ILLUSTRATED

BRI

29-11-51-37

29-11-51
FIG. 37
PAGE 1
JAN 20/09



757

PARTS CATALOG (MAINTENANCE)

FIG ITEM	PART NUMBER	1 2 3 4 5 6 7	NOMENCLATURE	EFFECT FROM TO	UNITS PER ASSY
37 107	271N6441-1283		.TUBE ASSY-RSVR PRESSURE SYS POSITION DATA: L TUBING MATERIAL: .250 IN. OD .016 IN. WALL 27.10 IN. LG TI BMS 7-234 TI-3AL-2.5V COLD WORKED, STRESS RELIEVED TUBING	107107 904949	1
108	271N6441-1372		.TUBE ASSY-HYDR RSVR PRESSURE SYS POSITION DATA: L TUBING MATERIAL: .250 IN. OD .016 IN. WALL 28.90 IN. LG TI BMS 7-234 TI-3AL-2.5V COLD WORKED, STRESS RELIEVED TUBING	107107 904949	1
109	271N6441-1371		.TUBE ASSY-RSVR PRESSURE SYS POSITION DATA: L TUBING MATERIAL: .250 IN. OD .016 IN. WALL 29.00 IN. LG TI BMS 7-234 TI-3AL-2.5V COLD WORKED, STRESS RELIEVED TUBING	002004 006100 950999	1
- 110	AS1581T04		..SLEEVE- USED ON: 271N6441-1036 271N6441-1116 271N6441-1134 271N6441-1264 271N6441-1276 271N6441-1283 271N6441-1317 271N6441-1321	002004 006100 107107 121503 904999	2
- 112	AS1581T04		..SLEEVE- USED ON: 271N6441-1277 271N6441-1284 271N6441-1318 271N6441-1322 271N6441-1371 271N6441-1372	002004 006100 107107 121503 904999	1

MISSING ITEM NUMBERS NOT APPLICABLE

- ITEM NOT ILLUSTRATED

29-11-51-37

29-11-51
FIG. 37
PAGE 2
JAN 20/09

BRI



**757
PARTS CATALOG (MAINTENANCE)**

FIG ITEM	PART NUMBER	1 2 3 4 5 6 7	NOMENCLATURE	EFFECT FROM TO	UNITS PER ASSY
37					
- 115	BACN10YA4	..	NUT- USED ON: 271N6441-1036 271N6441-1116 271N6441-1134	002004 006100 107107 121503 904999	2
- 116	BACN10YA4	..	NUT- USED ON: 271N6441-1277 271N6441-1284 271N6441-1318 271N6441-1322 271N6441-1371 271N6441-1372	002004 006100 107107 121503 904999	1
- 118	AS1582T04	..	UNION- USED ON: 271N6441-1277 271N6441-1284 271N6441-1318 271N6441-1322 271N6441-1371 271N6441-1372	002004 006100 107107 121503 904999	1
120	271N6441-1147	.	TUBE ASSY-PRESSURE SYS POSITION DATA: L TUBING MATERIAL: .375 IN. OD .019 IN. WALL 49.10 IN. LG TI BMS 7-234 TI-3AL-2.5V COLD WORKED STRESS RELIEVED TUBING	002004 006100 107107 121503 904999	1
- 125	AS1581T06	..	SLEEVE	002004 006100 107107 121503 904999	2
- 130	BACN10YA6	..	NUT	002004 006100 107107 121503 904999	2
150	271N6441-1395	.	TUBE ASSY-RETURN SYS POSITION DATA: L TUBING MATERIAL: .375 IN. OD .035 IN. WALL 50.30 IN. LG AL AMS 4083 6061 T6 TUBING	002004 006100 107107 121503 904999	1

MISSING ITEM NUMBERS NOT APPLICABLE

- ITEM NOT ILLUSTRATED

BRI

29-11-51-37

29-11-51
FIG. 37
PAGE 3
JAN 20/09



757

PARTS CATALOG (MAINTENANCE)

FIG ITEM	PART NUMBER	1 2 3 4 5 6 7	NOMENCLATURE	EFFECT FROM TO	UNITS PER ASSY
37 - 155	AP2097HP06	..	SLEEVE SUPPLIER CODE: V01673 SPECIFICATION NUMBER: BACS13BX06HP OPTIONAL PART: 2-02903-06HP V11328 35235VN06 V08199 AFP175V06P V30974 DBOS13BX06HP V14798	002004 006100 107107 121503 904999	2
- 160	BACN10YL06	..	NUT	002004 006100 107107 121503 904999	2
165	271N6441-1063	.TUBE ASSY-RETURN SYS POSITION DATA: L TUBING MATERIAL: .750 IN. OD .035 IN. WALL 35.10 IN. LG AL AMS 4083 6061 T6 TUBING		002004 006100 107107 121503 904999	1
- 170	AP2097HP12	..	SLEEVE SUPPLIER CODE: V01673 SPECIFICATION NUMBER: BACS13BX12HP OPTIONAL PART: 2-02903-12HP V11328 35235VN12 V08199 AFP175V12P V30974 DBOS13BX12HP V14798	002004 006100 107107 121503 904999	1
- 175	BACN10YL12	..	NUT	002004 006100 107107 121503 904999	1

MISSING ITEM NUMBERS NOT APPLICABLE

- ITEM NOT ILLUSTRATED

29-11-51-37

29-11-51
FIG. 37
PAGE 4
JAN 20/09

BRI



757

PARTS CATALOG (MAINTENANCE)

FIG ITEM	PART NUMBER	1 2 3 4 5 6 7	NOMENCLATURE	EFFECT FROM TO	UNITS PER ASSY
37 - 180	35056GV12		.. UNION SUPPLIER CODE: V08199 SPECIFICATION NUMBER: BACU24AB12W OPTIONAL PART: 4671097W12 V50948 2-01027-12W V11328 31875-12W V14397 AP1004W12 V01673 AFP941W12 V30974 DBOU24AB12W V14798	002004 006100 107107 121503 904999	1
185	271N6441-1391		. TUBE ASSY-RETURN SYS POSITION DATA: L TUBING MATERIAL: .375 IN. OD .035 IN. WALL 13.70 IN. LG AL AMS 4083 6061 T6 TUBING	002004 006100 107107 121503 904999	1
190	271N6441-1141		. TUBE ASSY-RETURN SYS POSITION DATA: L TUBING MATERIAL: .375 IN. OD .035 IN. WALL 21.30 IN. LG AL AMS 4083 6061 T6 TUBING	950951	1
- 195	AP2097HP06		.. SLEEVE SUPPLIER CODE: V01673 SPECIFICATION NUMBER: BACS13BX06HP OPTIONAL PART: 2-02903-06HP V11328 35235VN06 V08199 AFP175V06P V30974 DBOS13BX06HP V14798	121503 904951	2

MISSING ITEM NUMBERS NOT APPLICABLE

- ITEM NOT ILLUSTRATED

BRI

29-11-51-37

29-11-51
FIG. 37
PAGE 5
JAN 20/09

 **BOEING**
757
PARTS CATALOG (MAINTENANCE)

FIG ITEM	PART NUMBER	1 2 3 4 5 6 7	NOMENCLATURE	EFFECT FROM TO	UNITS PER ASSY
37 - 200	BACN10YL06	. .	NUT	121503 904951	2
307	NAS1762D0606	. ELBOW-	MISCELLANEOUS DATA: MAY USE NAS1762W0606 POST SERVICE BULLETIN: 24-0048	107107	1
307	NAS1762W0606	. ELBOW-		002004 006100 121503 952999	1
315	BACT16BN040406T	. TEE-		002004 006100 107107 121503 904999	1
315	BACT16BN040406J	. TEE-		002004 006100 107107 121503 904999	1
320	NAS1763D121206	. TEE-		002004 006100 107107 121503 904999	1
335	69B83900-2	. CAP ASSY-	MISCELLANEOUS DATA: NOT AN INITIAL PROVISIONING SPARE ALTERED FROM PART NUMBER: BACC14AD06JL	002004 006100 107107 121503 904999	1
337	NAS1763D060606	. TEE-		904951	1
337	NAS1763W060606	. TEE-		002004 006100 121503 952999	1
340	AN924-4D	. NUT		002004 006100 107107 121503 904999	1
350	AN960KD716	. WASHER		002004 006100 107107 121503 904999	1

MISSING ITEM NUMBERS NOT APPLICABLE

- ITEM NOT ILLUSTRATED

BRI

29-11-51-37

BOEING PROPRIETARY - Copyright © - Unpublished Work - See title page for details.

29-11-51
FIG. 37
PAGE 6
JAN 20/09



757

PARTS CATALOG (MAINTENANCE)

FIG ITEM	PART NUMBER	1 2 3 4 5 6 7	NOMENCLATURE	EFFECT FROM TO	UNITS PER ASSY
37 360	0121520900-5		. VALVE- SUPPLIER CODE: V83533 SPECIFICATION NUMBER: BACV10CD5 OPTIONAL PART: 1C1352 V99240	002004 006100 107107 121503 904999	1
910			ILLUSTRATION REFERENCE: MECHANISM INSTL-LATERAL CONT WHL WELL 27-11-14-02	002004 006100 107107 121503 904999	RF
915			ILLUSTRATION REFERENCE: PLUMBING INSTL- 49 AC BAY HYDR (HYDRAULIC POWER ONLY) 29-11-51-23	002004 006100 107107 121503 904999	RF
920			ILLUSTRATION REFERENCE: PLUMBING INSTL-SECT. 44 MAIN WHL WELL HYDR (HYDRAULIC POWER ONLY) 29-11-51-36	002004 006100 107107 121503 904999	RF
925			ILLUSTRATION REFERENCE: MODULE INSTL-FLAP AND SLAT DEPRESSURIZATION 27-51-29-01	002004 006100 107107 121503 904999	RF
930			ILLUSTRATION REFERENCE: RESERVOIR INSTL-SECT. 44 L SYS HYDR 29-11-20-04	107107 121503 904949	RF

MISSING ITEM NUMBERS NOT APPLICABLE

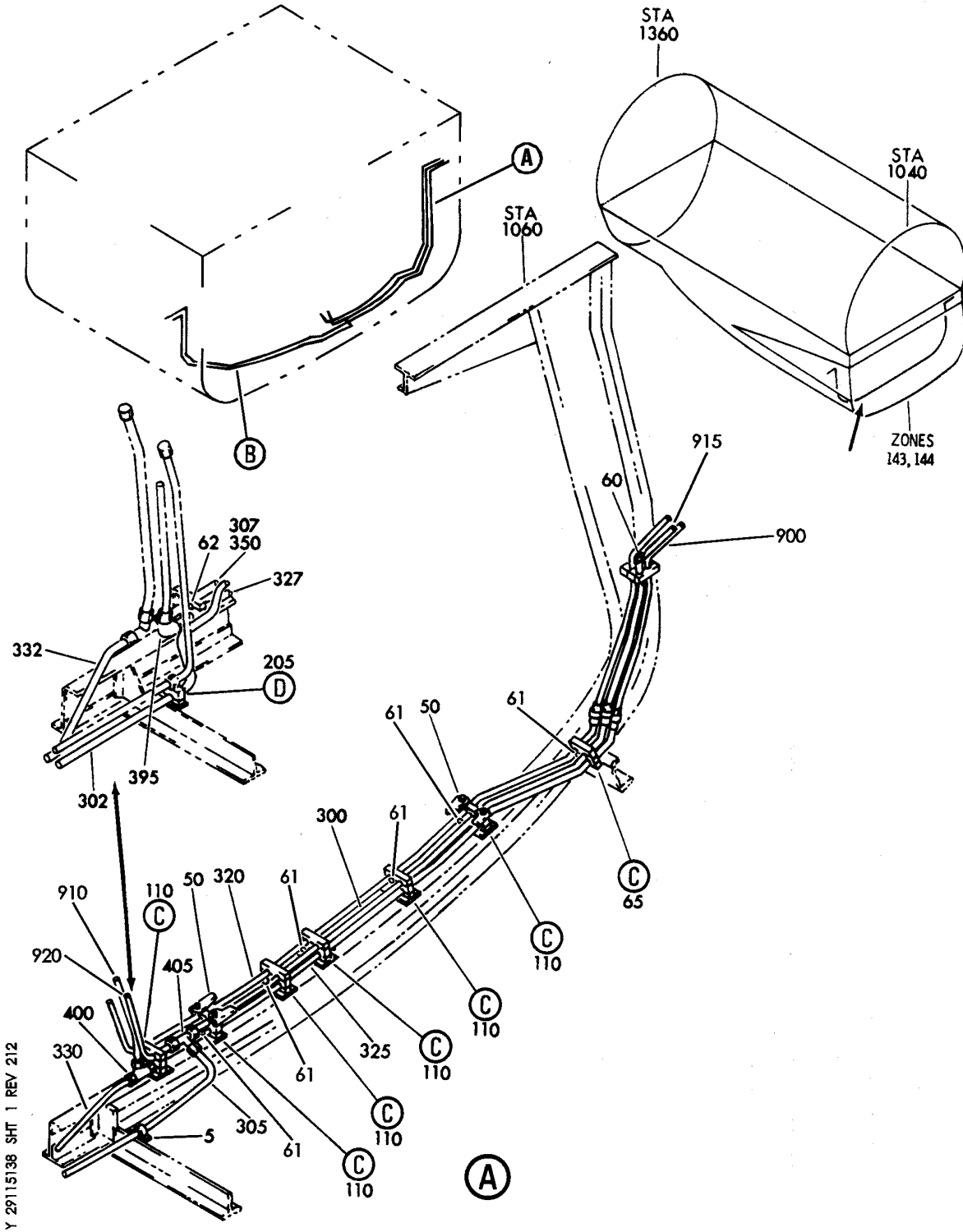
- ITEM NOT ILLUSTRATED

29-11-51-37

29-11-51
FIG. 37
PAGE 7
JAN 20/09

BRI

BOEING
757
PARTS CATALOG (MAINTENANCE)



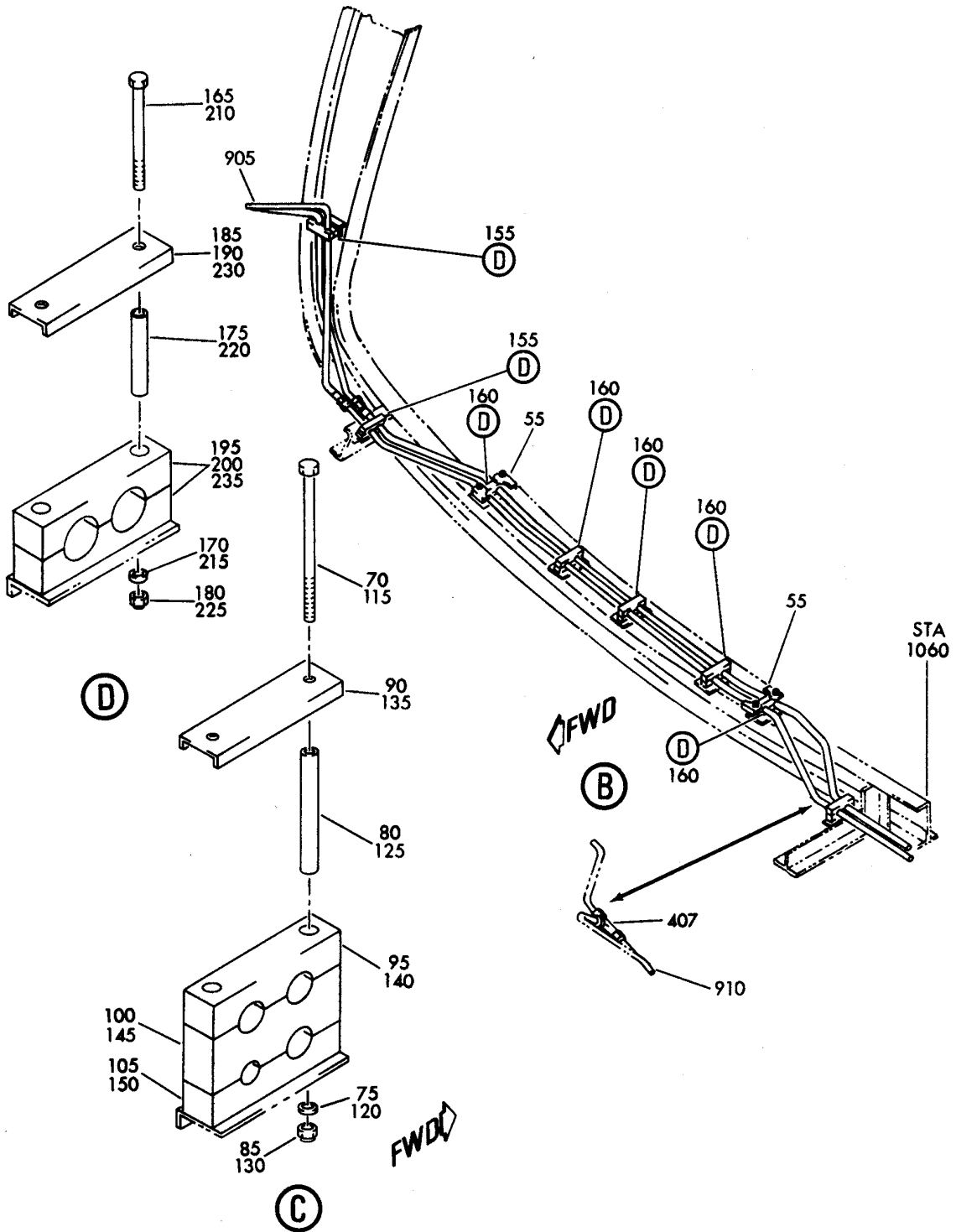
PLUMBING INSTL-MAIN WHL WELL FWD BHD HYDR (HYDRAULIC POWER ONLY)
FIGURE 38 (SHEET 1)

BRI
MAY 28/07

29-11-51-38

29-11-51-38
PAGE 0


BOEING
 757
PARTS CATALOG (MAINTENANCE)



Y 29115138 SHT 2 REV 212

PLUMBING INSTL-MAIN WHL WELL FWD BHD HYDR (HYDRAULIC POWER ONLY)
 FIGURE 38 (SHEET 2)

29-11-51-38

BRI
 MAY 28/07

29-11-51-38
 PAGE 0A



**757
PARTS CATALOG (MAINTENANCE)**

FIG ITEM	PART NUMBER	1 2 3 4 5 6 7	NOMENCLATURE	EFFECT FROM TO	UNITS PER ASSY
38			PLUMBING INSTL-MAIN WHL WELL FWD BHD HYDR (HYDRAULIC POWER ONLY)	002004 006102 107999	
- 1	271N6441-9		PLUMBING INSTL-MAIN WHL WELL BHD HYDR (HYDRAULIC POWER ONLY) POSITION DATA: FWD VARIABLE DRAWING REF: 271N6441-11 271N6441-12 271N6441-14 FOR NHA/OTHER SYS DET SEE: 29-00-51-05	002004 006100 107107 121503 904999	RF
	5 TA0910004DC08		.CLAMP- SUPPLIER CODE: V84971 SPECIFICATION NUMBER: BACC10HB08A	002004 006100 107107 121503 904999	1
- 10	NAS1801-3		ATTACHING PARTS .SCREW- SIZE DETERMINED ON INSTL.	002004 006100 107107 121503 904999	2
- 15	AN960KD10L		.WASHER-	002004 006100 107107 121503 904999	2
- 20	MS21042L3		.NUT-	002004 006100 107107 121503 904999	2
	50 271N6203-5		-----*----- .GUARD-PLUMBING	002004 006100 107107 121503 904999	2
	55 271N6203-8		.GUARD-PLUMBING	002004 006100 107107 121503 904999	2

MISSING ITEM NUMBERS NOT APPLICABLE

- ITEM NOT ILLUSTRATED

BRI

29-11-51-38

BOEING PROPRIETARY - Copyright © - Unpublished Work - See title page for details.

29-11-51
FIG. 38
PAGE 1
JAN 20/09



757

PARTS CATALOG (MAINTENANCE)

FIG ITEM	PART NUMBER	1 2 3 4 5 6 7	NOMENCLATURE	EFFECT FROM TO	UNITS PER ASSY
38					
60	270N0005-3	.	FILLER-BLK CLAMP	002004 006100 107107 121503 904999	7
65	270N2000-207	.	CLAMP ASSY-BLK	002004 006100 107107 121503 904999	1
70	NAS1801-3-41	..	SCREW-	002004 006100 107107 121503 904999	2
75	AN960PD10L	..	WASHER	002004 006100 107107 121503 904999	2
80	NAS43DD3-132	..	SPACER	002004 006100 107107 121503 904999	2
85	BRH10A3	..	NUT SUPPLIER CODE: V52828 SPECIFICATION NUMBER: BACN10JC3 OPTIONAL PART: H10-3BAC V15653 NS202101-02 V80539 RMLH9075-3W V72962 VN303A02 V92215 96-02 V80539 T6S1032J V11815	002004 006100 107107 121503 904999	2
90	270N2000-861	..	CHANNEL	002004 006100 107107 121503 904999	1

MISSING ITEM NUMBERS NOT APPLICABLE

- ITEM NOT ILLUSTRATED

BRI

29-11-51-38

29-11-51
FIG. 38
PAGE 2
JAN 20/09



757

PARTS CATALOG (MAINTENANCE)

FIG ITEM	PART NUMBER	1 2 3 4 5 6 7	NOMENCLATURE	EFFECT FROM TO	UNITS PER ASSY
38					
95	270N2000-697	..	BLOCK	002004 006100 107107 121503 904999	1
100	270N2000-698	..	BLOCK	002004 006100 107107 121503 904999	1
105	270N2000-697	..	BLOCK	002004 006100 107107 121503 904999	1
110	270N2000-208	.C	CLAMP ASSY-BLK	002004 006100 107107 121503 904999	6
115	NAS1801-3-41	..	SCREW-	002004 006100 107107 121503 904999	2
120	AN960PD10L	..	WASHER	002004 006100 107107 121503 904999	2
125	NAS43DD3-130	..	SPACER	002004 006100 107107 121503 904999	2

MISSING ITEM NUMBERS NOT APPLICABLE

- ITEM NOT ILLUSTRATED

BRI

29-11-51-38

29-11-51
FIG. 38
PAGE 3
JAN 20/09



757

PARTS CATALOG (MAINTENANCE)

FIG ITEM	PART NUMBER	1 2 3 4 5 6 7	NOMENCLATURE	EFFECT FROM TO	UNITS PER ASSY
38 130	BRH10A3	. .	NUT SUPPLIER CODE: V52828 SPECIFICATION NUMBER: BACN10JC3 OPTIONAL PART: H10-3BAC V15653 NS202101-02 V80539 RMLH9075-3W V72962 VN303A02 V92215 96-02 V80539 T6S1032J V11815	002004 006100 107107 121503 904999	2
135	270N2000-1000	. .	CHANNEL	002004 006100 107107 121503 904999	1
145	270N2000-696	. .	BLOCK	002004 006100 107107 121503 904999	1
155	270N2000-32	. .	CLAMP ASSY-BLK	002004 006100 107107 121503 904999	2
160	270N2000-154	. .	CLAMP ASSY-BLK	002004 006100 107107 121503 904999	5
165	NAS1801-3-26	. .	SCREW-	002004 006100 107107 121503 904999	2
170	AN960PD10L	. .	WASHER	002004 006100 107107 121503 904999	2

MISSING ITEM NUMBERS NOT APPLICABLE

- ITEM NOT ILLUSTRATED

29-11-51-38

29-11-51
FIG. 38
PAGE 4
JAN 20/09

BRI

BOEING PROPRIETARY - Copyright © - Unpublished Work - See title page for details.



**757
PARTS CATALOG (MAINTENANCE)**

FIG ITEM	PART NUMBER	1 2 3 4 5 6 7	NOMENCLATURE	EFFECT FROM TO	UNITS PER ASSY
38 175	NAS43DD3-67	..	SPACER	002004 006100 107107 121503 904999	2
180	BRH10A3	..	NUT SUPPLIER CODE: V52828 SPECIFICATION NUMBER: BACN10JC3 OPTIONAL PART: H10-3BAC V15653 NS202101-02 V80539 RMLH9075-3W V72962 VN303A02 V92215 96-02 V80539 T6S1032J V11815	002004 006100 107107 121503 904999	2
185	270N2000-821	..	CHANNEL- USED ON: 270N2000-32	002004 006100 107107 121503 904999	1
190	270N2000-1000	..	CHANNEL- USED ON: 270N2000-154	002004 006100 107107 121503 904999	1
195	270N2000-447	..	BLOCK- USED ON: 270N2000-32	002004 006100 107107 121503 904999	2
200	270N2000-622	..	BLOCK- USED ON: 270N2000-154	002004 006100 107107 121503 904999	2

MISSING ITEM NUMBERS NOT APPLICABLE

— ITEM NOT ILLUSTRATED

BRI

29-11-51-38

BOEING PROPRIETARY - Copyright © - Unpublished Work - See title page for details.

29-11-51
FIG. 38
PAGE 5
JAN 20/09



757

PARTS CATALOG (MAINTENANCE)

FIG ITEM	PART NUMBER	1 2 3 4 5 6 7	NOMENCLATURE	EFFECT FROM TO	UNITS PER ASSY
38 300	271N6441-1044		.TUBE ASSY-PRESSURE SYS POSITION DATA: CTR TUBING MATERIAL: .500 IN. OD .026 IN. WALL 51.50 IN. LG TI BMS 7-234 TI-3AL-2.5V COLD WORKED, STRESS RELIEVED TUBING	002004 006100 107107 121503 904999	1
305	271N6441-1048		.TUBE ASSY-PRESSURE SYS POSITION DATA: CTR TUBING MATERIAL: .500 IN. OD .026 IN. WALL 87.20 IN. LG TI BMS 7-234 TI-3AL-2.5V COLD WORKED, STRESS RELIEVED TUBING	002004 006100 107107 121503 904999	1
- 310	AS1581T08		..SLEEVE	002004 006100 107107 121503 904999	2
- 315	BACN10YA8		..NUT	002004 006100 107107 121503 904999	2
320	271N6441-1045		.TUBE ASSY-RETURN SYS POSITION DATA: CTR TUBING MATERIAL: .500 IN. OD .035 IN. WALL 79.90 IN. LG AL AMS 4083 6061 T6 TUBING	002004 006100 107107 121503 904999	1
325	271N6441-1365		.TUBE ASSY-RETURN SYS POSITION DATA: CTR TUBING MATERIAL: .500 IN. OD .035 IN. WALL 58.50 IN. LG AL AMS 4083 6061 T6 TUBING	002004 006100 107107 121503 904999	1

MISSING ITEM NUMBERS NOT APPLICABLE

- ITEM NOT ILLUSTRATED

29-11-51-38

29-11-51
FIG. 38
PAGE 6
JAN 20/09

BRI



757

PARTS CATALOG (MAINTENANCE)

FIG ITEM	PART NUMBER	1 2 3 4 5 6 7	NOMENCLATURE	EFFECT FROM TO	UNITS PER ASSY
38					
330	271N6441-1047		.TUBE ASSY-RETURN SYS POSITION DATA: CTR TUBING MATERIAL: .500 IN. OD .035 IN. WALL 77.30 IN. LG AL AMS 4083 6061 T6 TUBING	002004 006100 107107 121503 904999	1
- 335	AP2097HP08		..SLEEVE SUPPLIER CODE: V01673 SPECIFICATION NUMBER: BACS13BX08HP OPTIONAL PART: 2-02903-08HP V11328 35235VN08 V08199 AFP175V08P V30974 DBOS13BX08HP V14798	002004 006100 107107 121503 904999	1
- 340	BACN10YL08		..NUT	002004 006100 107107 121503 904999	1
- 345	35056GV08		..UNION SUPPLIER CODE: V08199 SPECIFICATION NUMBER: BACU24AB8W OPTIONAL PART: 2-01027-8W V11328 31875-8W V14397 4671097W8 V50948 AP1004W08 V01673 AFP941W8 V30974 DBOU24AB8W V14798	002004 006100 107107 121503 904999	1

MISSING ITEM NUMBERS NOT APPLICABLE

- ITEM NOT ILLUSTRATED

29-11-51-38

29-11-51
FIG. 38
PAGE 7
JAN 20/09

BRI



757

PARTS CATALOG (MAINTENANCE)

FIG ITEM	PART NUMBER	1 2 3 4 5 6 7	NOMENCLATURE	EFFECT FROM TO	UNITS PER ASSY
38 400	APX824D080810	. TEE-	SUPPLIER CODE: V01673 SPECIFICATION NUMBER: BACT16AS080810D OPTIONAL PART: APX824-080810D V01673 DB0T16AS080810D V14798 ER824-080810D V50948 FER1571-080810D V14397 LER824-080810D V11328 NAF1824-080810D V52930 US1925-080810D V50808 AFP325-080810D V30974	002004 006100 107107 121503 904999	1
405	BACT16BL080808T	. TEE-		002004 006100 107107 121503 904999	1
405	BACT16BL080808J	. TEE-		002004 006100 107107 121503 904999	1
- 410	271N6441-30		PLUMBING INSTL-MAIN WHL WELL BHD HYDR (HYDRAULIC POWER ONLY) POSITION DATA: L FOR NHA/OTHER SYS DET SEE: 29-00-51-02C	101102 504903	RF
- 410	271N6441-35		PLUMBING INSTL-MAIN WHL WELL BHD HYDR (HYDRAULIC POWER ONLY) POSITION DATA: L FOR NHA/OTHER SYS DET SEE: 29-00-51-02C	108120	RF

MISSING ITEM NUMBERS NOT APPLICABLE

- ITEM NOT ILLUSTRATED

BRI

29-11-51-38

29-11-51
FIG. 38
PAGE 8
JAN 20/09



757

PARTS CATALOG (MAINTENANCE)

FIG ITEM	PART NUMBER	1 2 3 4 5 6 7	NOMENCLATURE	EFFECT FROM TO	UNITS PER ASSY
38 415	271N6441-1045		.TUBE ASSY-RETURN SYS POSITION DATA: CTR TUBING MATERIAL: .500 IN. OD .035 IN. WALL 80.00 IN. LG AL	101102 108120 504903	1
- 420	AP2097HP08		..SLEEVE SUPPLIER CODE: V01673 SPECIFICATION NUMBER: BACS13BX08HP OPTIONAL PART: 2-02903-08HP V11328 35235VN08 V08199 AFP175V08P V30974 DBOS13BX08HP V14798	101102 108120 504903	1
- 425	BACN10YL08		..NUT- OPTIONAL PART: MS21921-8D	101102 108120 504903	1
- 425	MS21921-8D		..NUT- OPTIONAL PART: BACN10YL08	101102 108120 504903	1
- 430	35056GV08		..UNION SUPPLIER CODE: V08199 SPECIFICATION NUMBER: BACU24AB8W OPTIONAL PART: 2-01027-8W V11328 31875-8W V14397 4671097W8 V50948 AP1004W08 V01673 AFP941W8 V30974 DBOU24AB8W V14798	101102 108120 504903	1

MISSING ITEM NUMBERS NOT APPLICABLE

- ITEM NOT ILLUSTRATED

BRI

29-11-51-38

29-11-51
FIG. 38
PAGE 9
JAN 20/09



757

PARTS CATALOG (MAINTENANCE)

FIG ITEM	PART NUMBER	1 2 3 4 5 6 7	NOMENCLATURE	EFFECT FROM TO	UNITS PER ASSY
38 905			ILLUSTRATION REFERENCE: PLUMBING INSTL- SECT. 12 INBD WING HYDR R (HYDRAULIC POWER ONLY) 29-11-51-18	002004 006100 107107 121503 904999	RF
910			ILLUSTRATION REFERENCE: PLUMBING INSTL-MLG WHL WELL HYDR (HYDRAULIC POWER ONLY) 29-11-51-32	002004 006100 107107 121503 904999	RF
920			ILLUSTRATION REFERENCE: PLUMBING INSTL-NON-DELTA PROVISIONS 29-11-51-84	101102 108120 504903	RF

MISSING ITEM NUMBERS NOT APPLICABLE

- ITEM NOT ILLUSTRATED

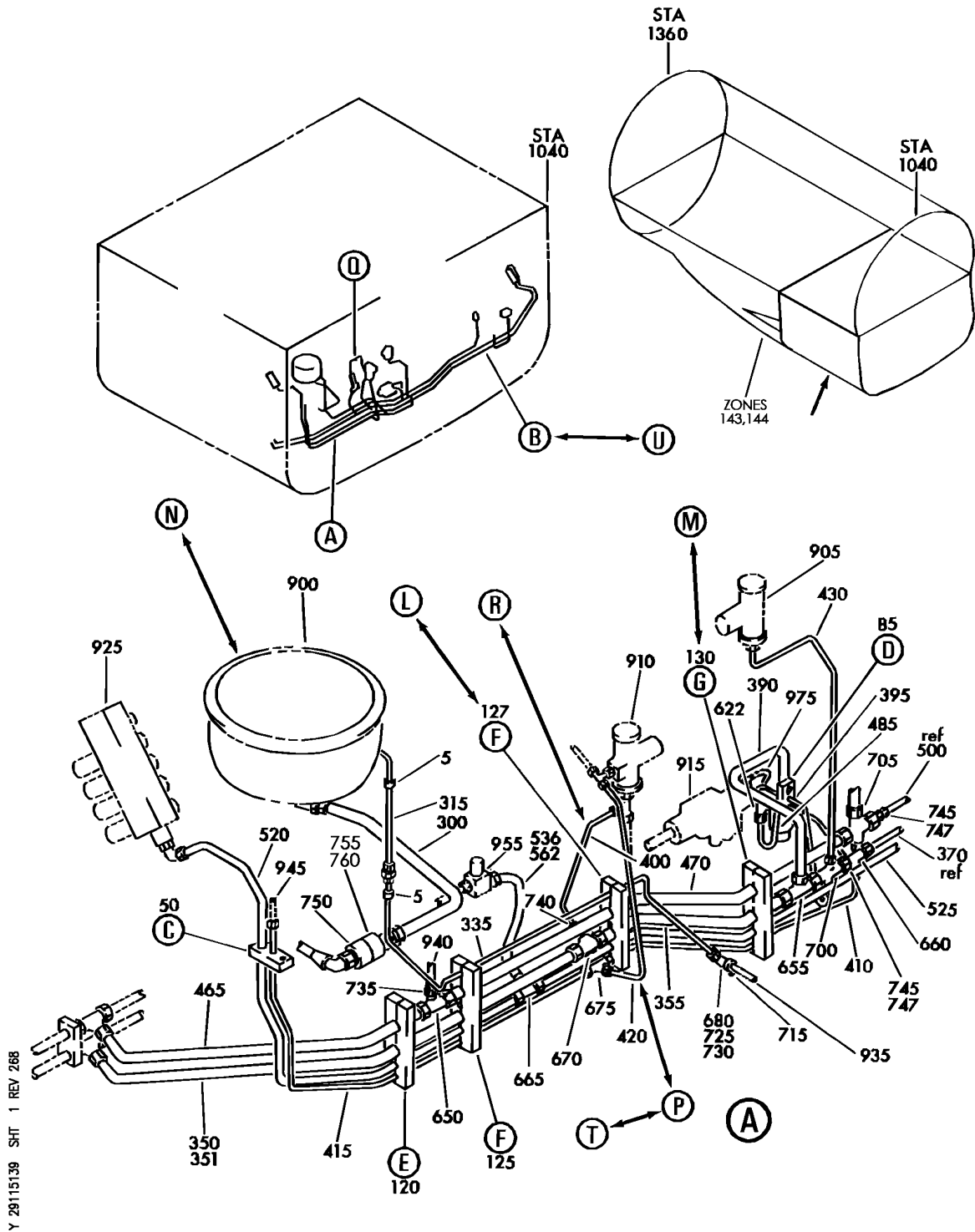
BRI

29-11-51-38

BOEING PROPRIETARY - Copyright © - Unpublished Work - See title page for details.

29-11-51
FIG. 38
PAGE 10
JAN 20/09

BOEING
757
PARTS CATALOG (MAINTENANCE)



Y 29115139 SHT 1 REV 268

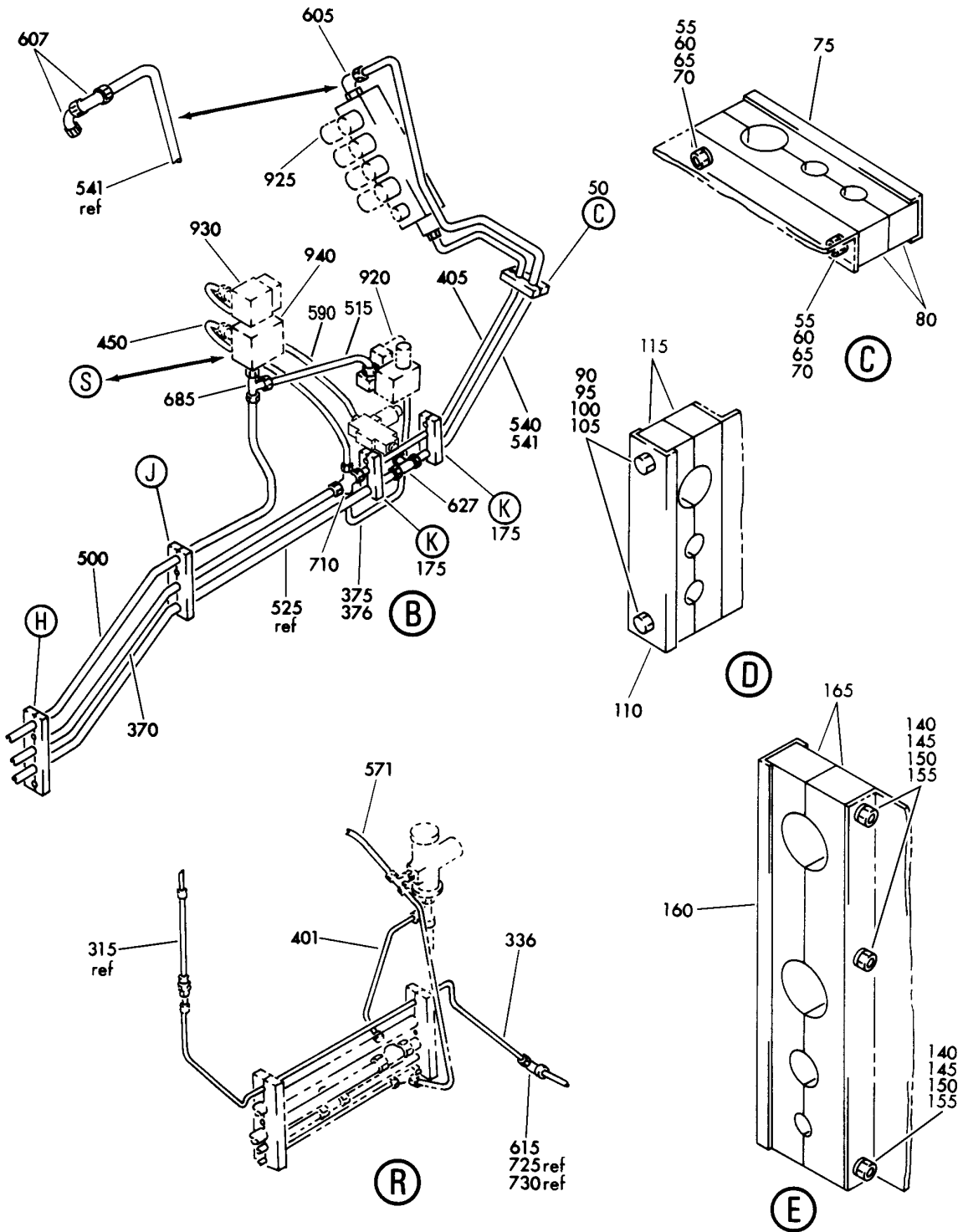
PLUMBING INSTL-MAIN WHL WELL FWD BHD HYDR (HYDRAULIC POWER ONLY)
FIGURE 39 (SHEET 1)

29-11-51-39

BRI
MAY 28/07

29-11-51-39
PAGE 0


BOEING
 757
PARTS CATALOG (MAINTENANCE)



Y 29115139 SHT 2 REV 2688

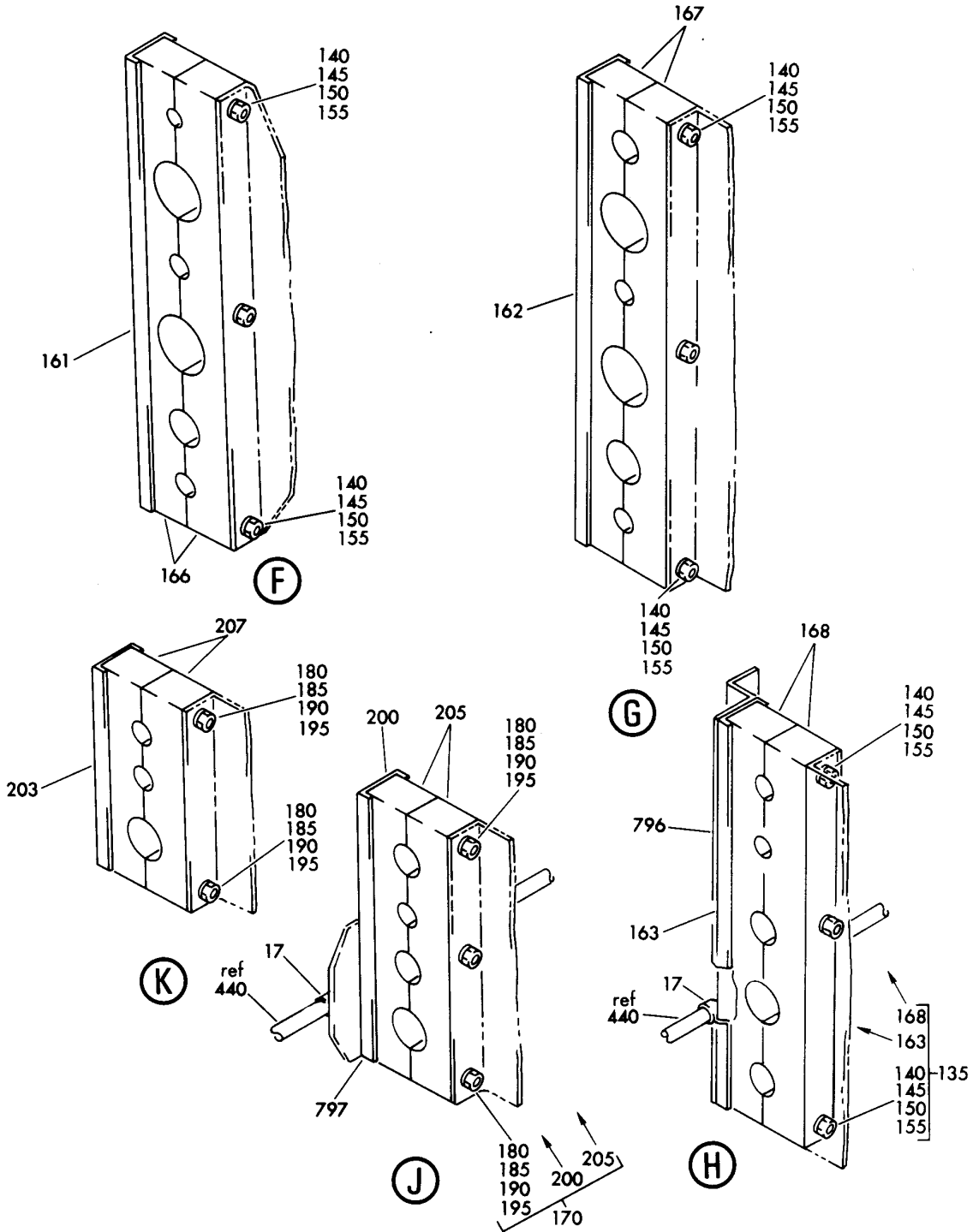
PLUMBING INSTL-MAIN WHL WELL FWD BHD HYDR (HYDRAULIC POWER ONLY)
 FIGURE 39 (SHEET 2)

29-11-51-39

BRI
MAY 28/07

29-11-51-39
 PAGE 0A


BOEING
 757
PARTS CATALOG (MAINTENANCE)



Y 29115139 SH1 3 REV 063

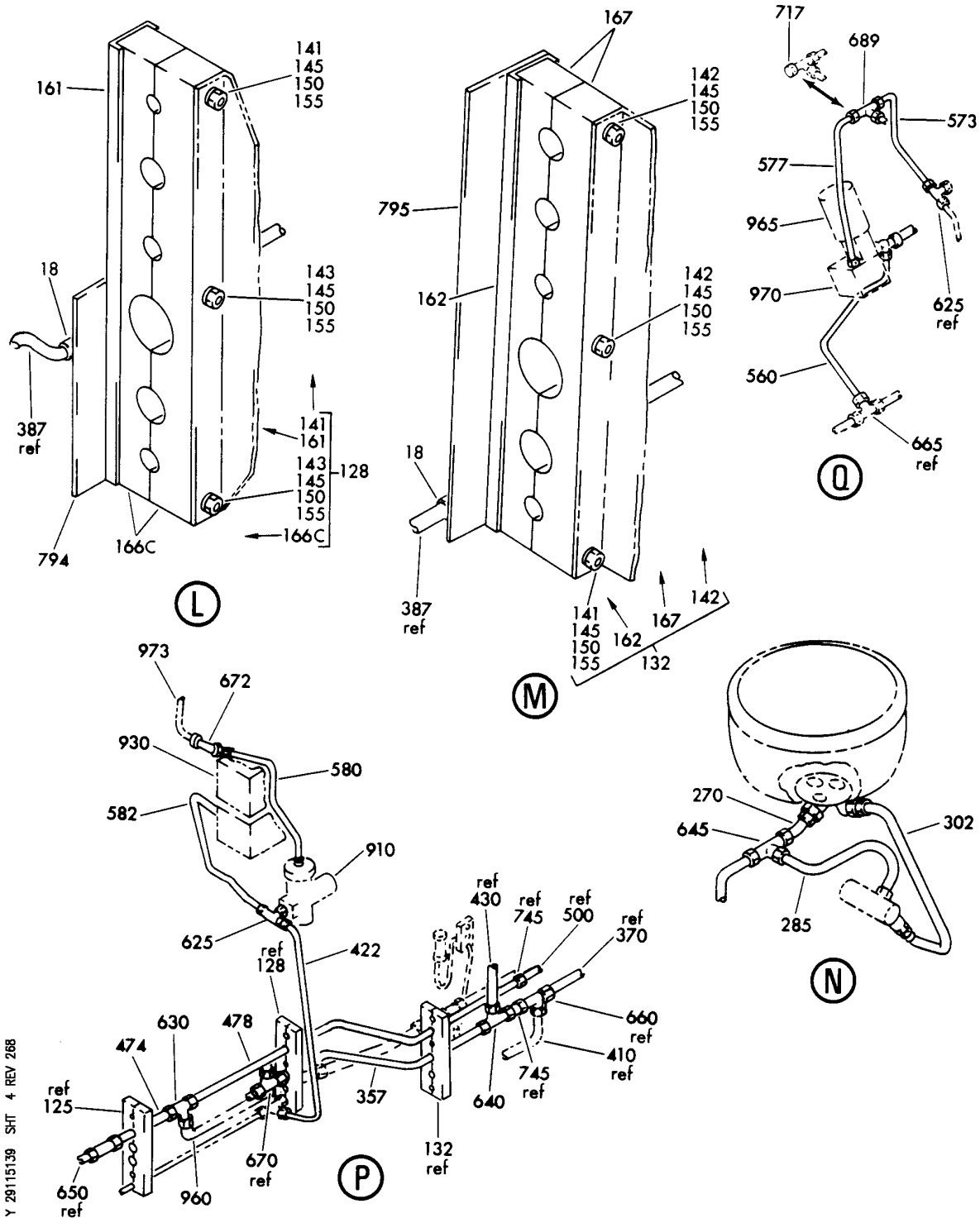
PLUMBING INSTL-MAIN WHL WELL FWD BHD HYDR (HYDRAULIC POWER ONLY)
 FIGURE 39 (SHEET 3)

29-11-51-39

BRI
 MAY 28/07

29-11-51-39
 PAGE 0B

BOEING
757
PARTS CATALOG (MAINTENANCE)



Y 29115139 SH1 4 REV 268

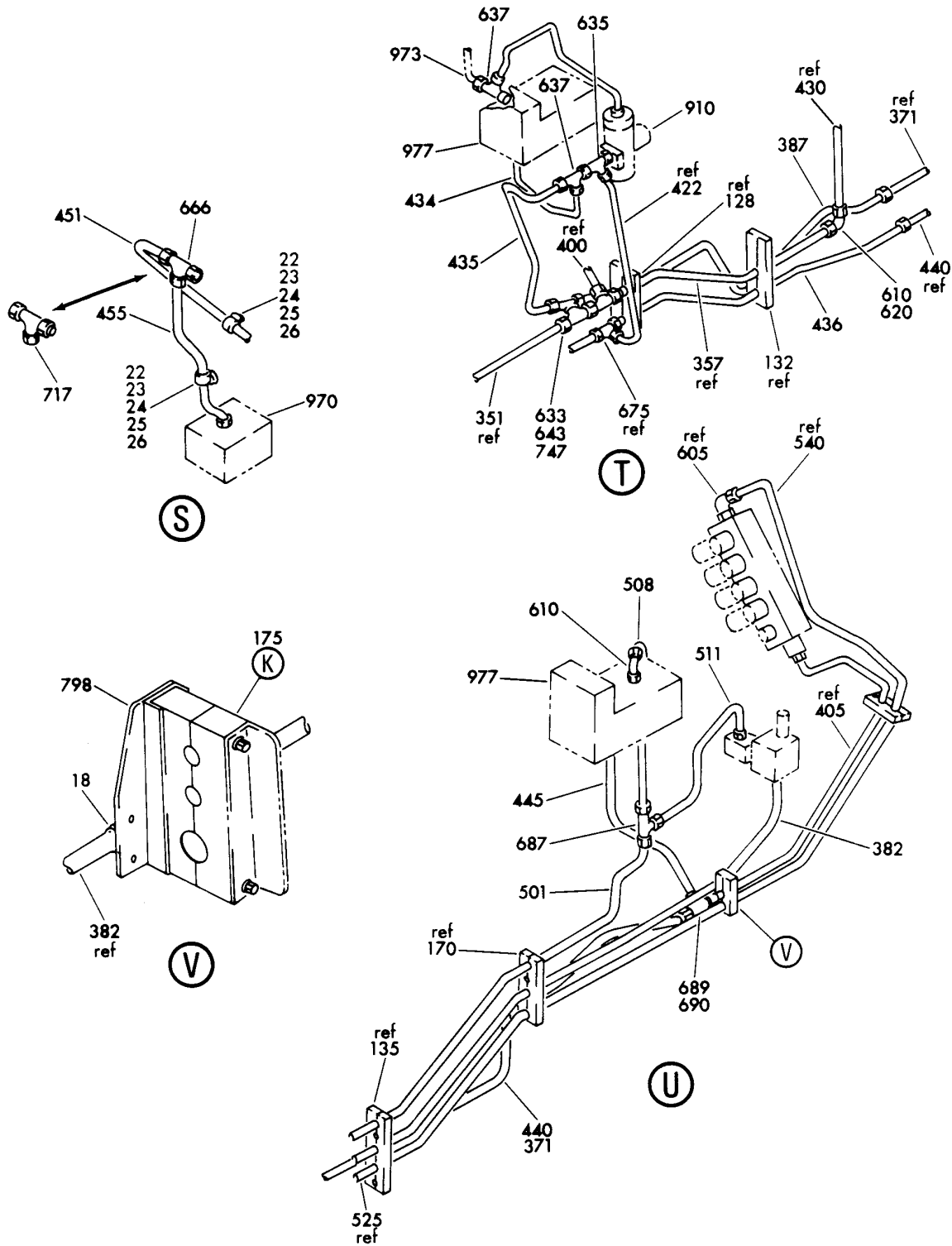
PLUMBING INSTL-MAIN WHL WELL FWD BHD HYDR (HYDRAULIC POWER ONLY)
FIGURE 39 (SHEET 4)

29-11-51-39

BRI
MAY 28/07

29-11-51-39
PAGE 0C

BOEING
757
PARTS CATALOG (MAINTENANCE)



Y 29115139 SHT 5 REV 268

PLUMBING INSTL-MAIN WHL WELL FWD BHD HYDR (HYDRAULIC POWER ONLY)
FIGURE 39 (SHEET 5)

29-11-51-39

BRI
MAY 28/07

29-11-51-39
PAGE 0D



757

PARTS CATALOG (MAINTENANCE)

FIG ITEM	PART NUMBER	1 2 3 4 5 6 7	NOMENCLATURE	EFFECT FROM TO	UNITS PER ASSY
39			PLUMBING INSTL-MAIN WHL WELL FWD BHD HYDR (HYDRAULIC POWER ONLY)	002004 006100 107107 121503 904999	
- 1	271N6441-9		PLUMBING INSTL-MAIN WHL WELL BHD HYDR (HYDRAULIC POWER ONLY) POSITION DATA: FWD VARIABLE DRAWING REF: 271N6441-11 271N6441-12 271N6441-14 FOR NHA/OTHER SYS DET SEE: 29-00-51-05	002004 006100 107107 121503 904999	RF
5	M85052-2-4		.CLAMP	002004 006100 107107 121503 904999	2
- 10	NAS1801-3		ATTACHING PARTS .SCREW- SIZE DETERMINED ON INSTL.	002004 006100 107107 121503 904999	2
- 15	AN960KD10L		.WASHER	002004 006100 107107 121503 904999	AR
- 16	MS21042L3		.NUT	002004 006100 107107 121503 904999	2
17	TA0910004H106		-----*----- .CLAMP- SUPPLIER CODE: V84971 SPECIFICATION NUMBER: BACC10HB06C	002004 006100 121503 950999	2
18	TA0910004H108		.CLAMP- SUPPLIER CODE: V84971 SPECIFICATION NUMBER: BACC10HB08C	002004 006100 121503 950999	3

MISSING ITEM NUMBERS NOT APPLICABLE

- ITEM NOT ILLUSTRATED

29-11-51-39

29-11-51
FIG. 39
PAGE 1
JAN 20/09

BRI



757

PARTS CATALOG (MAINTENANCE)

FIG ITEM	PART NUMBER	1 2 3 4 5 6 7	NOMENCLATURE	EFFECT FROM TO	UNITS PER ASSY
39			ATTACHING PARTS		
- 19	NAS1801-3		.SCREW- SIZE DETERMINED ON INSTL.	002004 006100 121503 950999	10
- 20	AN960PD10L		.WASHER-	002004 006100 121503 950999	AR
- 21	MS21042L3		.NUT-	002004 006100 121503 950999	10
			-----*-----		
50	270N2000-95		.CLAMP ASSY-BLK	002004 006100 107107 121503 904999	2
55	NAS1801-3-34		..SCREW-	002004 006100 107107 121503 904999	2
60	AN960PD10L		..WASHER	002004 006100 107107 121503 904999	2
65	NAS43DD3-75		..SPACER	002004 006100 107107 121503 904999	2

MISSING ITEM NUMBERS NOT APPLICABLE

- ITEM NOT ILLUSTRATED

BRI

29-11-51-39

29-11-51
FIG. 39
PAGE 2
JAN 20/09



757

PARTS CATALOG (MAINTENANCE)

FIG ITEM	PART NUMBER	1 2 3 4 5 6 7	NOMENCLATURE	EFFECT FROM TO	UNITS PER ASSY
39					
70	BRH10A3	..	NUT SUPPLIER CODE: V52828 SPECIFICATION NUMBER: BACN10JC3 OPTIONAL PART: H10-3BAC V15653 NS202101-02 V80539 RMLH9075-3W V72962 VN303A02 V92215 96-02 V80539 T6S1032J V11815	002004 006100 107107 121503 904999	2
75	270N2000-884	..	CHANNEL	002004 006100 107107 121503 904999	1
80	270N2000-563	..	BLOCK	002004 006100 107107 121503 904999	2
85	270N2000-122	.	CLAMP ASSY-BLK	002004 006100 107107 121503 904999	1
90	NAS1801-3-24	..	SCREW	002004 006100 107107 121503 904999	2
95	AN960PD10L	..	WASHER	002004 006100 107107 121503 904999	2
100	NAS43DD3-67	..	SPACER	002004 006100 107107 121503 904999	2

MISSING ITEM NUMBERS NOT APPLICABLE

- ITEM NOT ILLUSTRATED

29-11-51-39

29-11-51
FIG. 39
PAGE 3
JAN 20/09

BRI

BOEING PROPRIETARY - Copyright © - Unpublished Work - See title page for details.



757

PARTS CATALOG (MAINTENANCE)

FIG ITEM	PART NUMBER	1 2 3 4 5 6 7	NOMENCLATURE	EFFECT FROM TO	UNITS PER ASSY
39 105	BRH10A3	. .	NUT SUPPLIER CODE: V52828 SPECIFICATION NUMBER: BACN10JC3 OPTIONAL PART: H10-3BAC V15653 NS202101-02 V80539 RMLH9075-3W V72962 VN303A02 V92215 96-02 V80539 T6S1032J V11815	002004 006100 107107 121503 904999	2
110	270N2000-878	. .	CHANNEL	002004 006100 107107 121503 904999	1
115	270N2000-557	. .	BLOCK	002004 006100 107107 121503 904999	2
120	270N2000-88	. .	CLAMP ASSY-BLK	002004 006100 107107 121503 904999	1
125	270N2000-97	. .	CLAMP ASSY-BLK	002004 006100 107107 121503 904999	1
128	270N2000-194	. .	CLAMP ASSY-BLK	002004 006100 107107 121503 904999	1
132	270N2000-193	. .	CLAMP ASSY-BLK	002004 006100 107107 121503 904999	1

MISSING ITEM NUMBERS NOT APPLICABLE

- ITEM NOT ILLUSTRATED

29-11-51-39

29-11-51
FIG. 39
PAGE 4
JAN 20/09

BRI

BOEING PROPRIETARY - Copyright © - Unpublished Work - See title page for details.



757

PARTS CATALOG (MAINTENANCE)

FIG ITEM	PART NUMBER	1 2 3 4 5 6 7	NOMENCLATURE	EFFECT FROM TO	UNITS PER ASSY
39					
135	270N2000-91	.	CLAMP ASSY-BLK	002004 006100 107107 121503 904999	1
140	NAS1801-3-34	..	SCREW- USED ON: 270N2000-88 270N2000-91 270N2000-97	002004 006100 107107 121503 904999	3
141	NAS1801-3-34	..	SCREW- USED ON: 270N2000-193 270N2000-194	002004 006100 107107 121503 904999	1
142	NAS1801-3-35	..	SCREW- USED ON: 270N2000-193	002004 006100 107107 121503 904999	2
143	NAS1801-3-39	..	SCREW- USED ON: 270N2000-194	002004 006100 107107 121503 904999	2
145	AN960PD10L	..	WASHER	002004 006100 107107 121503 904999	3
150	NAS43DD3-99	..	SPACER	002004 006100 107107 121503 904999	3

MISSING ITEM NUMBERS NOT APPLICABLE

- ITEM NOT ILLUSTRATED

29-11-51-39

29-11-51
FIG. 39
PAGE 5
JAN 20/09

BRI

BOEING PROPRIETARY - Copyright © - Unpublished Work - See title page for details.



757

PARTS CATALOG (MAINTENANCE)

FIG ITEM	PART NUMBER	1 2 3 4 5 6 7	NOMENCLATURE	EFFECT FROM TO	UNITS PER ASSY
39 155	BRH10A3	..	NUT SUPPLIER CODE: V52828 SPECIFICATION NUMBER: BACN10JC3 OPTIONAL PART: H10-3BAC V15653 NS202101-02 V80539 RMLH9075-3W V72962 VN303A02 V92215 96-02 V80539 T6S1032J V11815	002004 006100 107107 121503 904999	3
160	270N2000-879	..	CHANNEL- USED ON: 270N2000-88	002004 006100 107107 121503 904999	1
161	270N2000-888	..	CHANNEL- USED ON: 270N2000-97 270N2000-194	002004 006100 107107 121503 904999	1
162	270N2000-880	..	CHANNEL- USED ON: 270N2000-90 270N2000-193	002004 006100 107107 121503 904999	1
163	270N2000-881	..	CHANNEL- USED ON: 270N2000-91	002004 006100 107107 121503 904999	1
165	270N2000-879	..	CHANNEL- USED ON: 270N2000-88	002004 006100 107107 121503 904999	2
166	270N2000-567	..	BLOCK- USED ON: 270N2000-97	002004 006100 107107 121503 904999	2

MISSING ITEM NUMBERS NOT APPLICABLE

- ITEM NOT ILLUSTRATED

29-11-51-39

29-11-51
FIG. 39
PAGE 6
JAN 20/09

BRI

BOEING PROPRIETARY - Copyright © - Unpublished Work - See title page for details.



757

PARTS CATALOG (MAINTENANCE)

FIG ITEM	PART NUMBER	1 2 3 4 5 6 7	NOMENCLATURE	EFFECT FROM TO	UNITS PER ASSY
39 166C	270N2000-675	..	BLOCK- USED ON: 270N2000-194	002004 006100 107107 121503 904999	2
167	270N2000-676	..	BLOCK- USED ON: 270N2000-193	002004 006100 107107 121503 904999	2
168	270N2000-560	..	BLOCK- USED ON: 270N2000-91	002004 006100 107107 121503 904999	2
170	270N2000-93	.	CLAMP ASSY-BLK	002004 006100 107107 121503 904999	1
175	270N2000-92	.	CLAMP ASSY-BLK	002004 006100 107107 121503 904999	2
180	NAS1801-3-28	..	SCREW-	002004 006100 107107 121503 904999	2
185	AN960PD10L	..	WASHER	002004 006100 107107 121503 904999	2
190	NAS43DD3-75	..	SPACER	002004 006100 107107 121503 904999	2

MISSING ITEM NUMBERS NOT APPLICABLE

- ITEM NOT ILLUSTRATED

BRI

29-11-51-39

29-11-51
FIG. 39
PAGE 7
JAN 20/09



757

PARTS CATALOG (MAINTENANCE)

FIG ITEM	PART NUMBER	1 2 3 4 5 6 7	NOMENCLATURE	EFFECT FROM TO	UNITS PER ASSY
39 195	BRH10A3	..	NUT SUPPLIER CODE: V52828 SPECIFICATION NUMBER: BACN10JC3 OPTIONAL PART: H10-3BAC V15653 NS202101-02 V80539 RMLH9075-3W V72962 VN303A02 V92215 96-02 V80539 T6S1032J V11815	002004 006100 107107 121503 904999	2
200	270N2000-882	..	CHANNEL- USED ON: 270N2000-93	002004 006100 107107 121503 904999	1
203	270N2000-883	..	CHANNEL- USED ON: 270N2000-92	002004 006100 107107 121503 904999	1
205	270N2000-561	..	BLOCK- USED ON: 270N2000-93	002004 006100 107107 121503 904999	1
207	270N2000-562	..	BLOCK- USED ON: 270N2000-92	002004 006100 107107 121503 904999	1
270	271N6441-1079	.	TUBE ASSY-SUPPLY SYS POSITION DATA: R TUBING MATERIAL: 1.25 IN. OD .035 IN. WALL 6.90 IN. LG AL AMS 4083 6061 T6 TUBING	107107	1

MISSING ITEM NUMBERS NOT APPLICABLE

- ITEM NOT ILLUSTRATED

29-11-51-39

29-11-51
FIG. 39
PAGE 8
JAN 20/09

BRI

BOEING PROPRIETARY - Copyright © - Unpublished Work - See title page for details.



757

PARTS CATALOG (MAINTENANCE)

FIG ITEM	PART NUMBER	1 2 3 4 5 6 7	NOMENCLATURE	EFFECT FROM TO	UNITS PER ASSY
39 270	271N6441-1416		.TUBE ASSY-SUPPLY SYS POSITION DATA: R TUBING MATERIAL: 1.25 IN. OD .035 IN. WALL 7.70 IN. LG AL AMS 4083 6061 T6 TUBING	002004 006100 121503 904999	1
- 275	AFP175V20P		..SLEEVE SUPPLIER CODE: V30974 SPECIFICATION NUMBER: BACS13BX20HP OPTIONAL PART: 2-02901-20HP V11328 35025VN20 V08199	002004 006100 107107 121503 904999	2
- 280	BACN10YL20L		..NUT-	002004 006100 107107 121503 904999	2
285	271N6441-1078		.TUBE ASSY-SUPPLY SYS POSITION DATA: R TUBING MATERIAL: .750 IN. OD .035 IN. WALL 16.50 IN. LG AL AMS 4083 6061 T6 TUBING	107107	1
285	271N6441-1415		.TUBE ASSY-SUPPLY SYS POSITION DATA: R TUBING MATERIAL: .750 IN. OD .035 IN. WALL 19.10 IN. LG AL AMS 4083 6061 T6	002004 006100 121503 904999	1

MISSING ITEM NUMBERS NOT APPLICABLE

- ITEM NOT ILLUSTRATED

29-11-51-39

29-11-51
FIG. 39
PAGE 9
JAN 20/09

BRI



757

PARTS CATALOG (MAINTENANCE)

FIG ITEM	PART NUMBER	1 2 3 4 5 6 7	NOMENCLATURE	EFFECT FROM TO	UNITS PER ASSY
39					
- 290	AP2097HP12	..	SLEEVE SUPPLIER CODE: V01673 SPECIFICATION NUMBER: BACS13BX12HP OPTIONAL PART: 2-02903-12HP V11328 35235VN12 V08199 AFP175V12P V30974 DBOS13BX12HP V14798	002004 006100 107107 121503 904999	2
- 295	BACN10YL12	..	NUT	002004 006100 107107 121503 904999	2
302	271N6441-1402	.TUBE ASSY-SUPPLY SYS POSITION DATA: R TUBING MATERIAL: .750 IN. OD .035 IN. WALL 27.70 IN. LG AL AMS 4083 6061 T6 TUBING		002004 006100 107107 121503 904999	1
- 305	AP2097HP12	..	SLEEVE SUPPLIER CODE: V01673 SPECIFICATION NUMBER: BACS13BX12HP OPTIONAL PART: 2-02903-12HP V11328 35235VN12 V08199 AFP175V12P V30974 DBOS13BX12HP V14798	002004 006100 107107 121503 904999	2
- 310	BACN10YL12	..	NUT	002004 006100 107107 121503 904999	2

MISSING ITEM NUMBERS NOT APPLICABLE

- ITEM NOT ILLUSTRATED

BRI

29-11-51-39

29-11-51
FIG. 39
PAGE 10
JAN 20/09



757

PARTS CATALOG (MAINTENANCE)

FIG ITEM	PART NUMBER	1 2 3 4 5 6 7	NOMENCLATURE	EFFECT FROM TO	UNITS PER ASSY
39					
315	271N6441-1171	.	TUBE ASSY-HYDR RSVR PRESSURE TUBING MATERIAL: .250 IN. OD .016 IN. WALL 29.90 IN. LG TI BMS 7-234 TI-3AL-2.5V COLD WORKED, STRESS RELIEVED TUBING	107107	1
315	271N6441-1410	.	TUBE ASSY-HYDR RSVR PRESSURE TUBING MATERIAL: .250 IN. OD .016 IN. WALL 30.40 IN. LG TI BMS 7-234 TI-3AL-2.5V COLD WORKED, STRESS RELIEVED TUBING	002004 006100 121503 904999	1
- 320	AS1581T04	..	SLEEVE	002004 006100 107107 121503 904999	1
- 325	BACN10YA4	..	NUT-	002004 006100 107107 121503 904999	1
- 330	AS1582T04	..	UNION	002004 006100 107107 121503 904999	1
335	271N6441-1099	.	TUBE ASSY-HYDR RSVR PRESSURE TUBING MATERIAL: .250 IN. OD .016 IN. WALL 51.30 IN. LG TI BMS 7-234 TI-3AL-2.5V COLD WORKED, STRESS RELIEVED TUBING	002004 006100 107107 121503 904999	1
- 340	AS1581T04	..	SLEEVE	002004 006100 107107 121503 904999	2
- 345	BACN10YA4	..	NUT	002004 006100 107107 121503 904999	2

MISSING ITEM NUMBERS NOT APPLICABLE

- ITEM NOT ILLUSTRATED

29-11-51-39

29-11-51
FIG. 39
PAGE 11
JAN 20/09

BRI



757

PARTS CATALOG (MAINTENANCE)

FIG ITEM	PART NUMBER	1 2 3 4 5 6 7	NOMENCLATURE	EFFECT FROM TO	UNITS PER ASSY
39 346	271N6441-1315		.TUBE ASSY-PRESSURE SYS POSITION DATA: R TUBING MATERIAL: .500 IN. OD .026 IN. WALL 47.70 IN. LG TI BMS 7-234 TI-3AL-2.5V COLD WORKED, STRESS RELIEVED TUBING	002004 006100 121503 950999	1
- 347	AS1581T08		..SLEEVE	002004 006100 121503 950999	1
- 348	BACN10YA8		..NUT-	002004 006100 121503 950999	1
- 349	AS1582T08		..UNION	002004 006100 121503 950999	1
350	271N6441-1001		.TUBE ASSY-PRESSURE SYS POSITION DATA: R TUBING MATERIAL: 1.00 IN. OD .051 IN. WALL 44.10 IN. LG TI BMS 7-234 TI-3AL-2.5V COLD WORKED, STRESS RELIEVED TUBING	107107 904949	1
351	271N6441-1323		.TUBE ASSY-PRESSURE SYS POSITION DATA: R TUBING MATERIAL: 1.00 IN. OD .051 IN. WALL 41.10 IN. LG TI BMS 7-234 TI-3AL-2.5V COLD WORKED, STRESS RELIEVED TUBING	002004 006100 121503 950999	1
357	271N6441-1085		.TUBE ASSY-PRESSURE SYS POSITION DATA: R TUBING MATERIAL: 1.00 IN. OD .051 IN. WALL 25.00 IN. LG TI BMS 7-234 TI-3AL-2.5V COLD WORKED, STRESS RELIEVED TUBING	002004 006100 107107 121503 904999	1

MISSING ITEM NUMBERS NOT APPLICABLE

- ITEM NOT ILLUSTRATED

BRI

29-11-51-39

29-11-51
FIG. 39
PAGE 12
JAN 20/09



757

PARTS CATALOG (MAINTENANCE)

FIG ITEM	PART NUMBER	1 2 3 4 5 6 7	NOMENCLATURE	EFFECT FROM TO	UNITS PER ASSY
39					
- 360	AS1581T16	..	SLEEVE	002004 006100 107107 121503 904999	2
- 365	BACN10YA16L	..	NUT-	002004 006100 107107 121503 904999	2
370	271N6441-1004	.	TUBE ASSY-PRESSURE SYS POSITION DATA: R TUBING MATERIAL: .500 IN. OD .026 IN. WALL 40.00 IN. LG TI BMS 7-234 TI-3AL-2.5V COLD WORKED, STRESS RELIEVED TUBING	107107 904949	1
- 372	AS1581T08	..	SLEEVE	107107 904949	2
- 373	BACN10YA8	..	NUT-	107107 904949	2
375	271N6441-1175	.	TUBE ASSY-PRESSURE SYS POSITION DATA: R TUBING MATERIAL: .500 IN. OD .026 IN. WALL 19.90 IN. LG TI BMS 7-234 TI-3AL-2.5V COLD WORKED, STRESS RELIEVED TUBING	107107 904949	1
- 380	AS1581T08	..	SLEEVE	107107 904949	2
- 381	BACN10YA8	..	NUT-	107107 904949	2
382	271N6441-1314	.	TUBE ASSY-PRESSURE SYS POSITION DATA: R TUBING MATERIAL: .500 IN. OD .026 IN. WALL 15.50 IN. LG TI BMS 7-234 TI-3AL-2.5V COLD WORKED, STRESS RELIEVED TUBING	002004 006100 121503 950999	1
- 384	AS1581T08	..	SLEEVE	002004 006100 121503 950999	1

MISSING ITEM NUMBERS NOT APPLICABLE

- ITEM NOT ILLUSTRATED

29-11-51-39

29-11-51
FIG. 39
PAGE 13
JAN 20/09

BRI

 **BOEING**
757
PARTS CATALOG (MAINTENANCE)

FIG ITEM	PART NUMBER	1 2 3 4 5 6 7	NOMENCLATURE	EFFECT FROM TO	UNITS PER ASSY
39					
- 385	BACN10YA8	..	NUT-	002004 006100 121503 950999	1
- 386	AS1582T08	..	UNION	002004 006100 121503 950999	1
387	271N6441-1331	.	TUBE ASSY-PRESSURE SYS POSITION DATA: R TUBING MATERIAL: .500 IN. OD .026 IN. WALL 47.30 IN. LG TI BMS 7-234 TI-3AL-2.5V COLD WORKED, STRESS RLIEVD TUBING	002004 006100 121503 950999	1
- 388	AS1581T08	..	SLEEVE	002004 006100 121503 950999	2
- 389	BACN10YA8	..	NUT-	002004 006100 121503 950999	2
400	271N6441-1059	.	TUBE ASSY-PRESSURE SYS POSITION DATA: R TUBING MATERIAL: .375 IN. OD .019 IN. WALL 11.60 IN. LG TI BMS 7-234 TI-3AL-2.5V COLD WORKED, STRESS RELIEVED TUBING	002004 107107 121503 904949 952952	1
400	271N6441-1426	.	TUBE ASSY-PRESSURE SYS POSITION DATA: R TUBING MATERIAL: .375 IN. OD .019 IN. WALL 11.80 IN. LG TI BMS 7-234 TI-3AL-2.5V COLD WORKED, STRESS RELIEVED TUBING	002004 006100 121503 950951 953999	1
- 402	AS1581T06	..	SLEEVE	002004 006100 107107 121503 904999	2

MISSING ITEM NUMBERS NOT APPLICABLE

- ITEM NOT ILLUSTRATED

BRI

29-11-51-39

29-11-51
FIG. 39
PAGE 14
JAN 20/09



757

PARTS CATALOG (MAINTENANCE)

FIG ITEM	PART NUMBER	1 2 3 4 5 6 7	NOMENCLATURE	EFFECT FROM TO	UNITS PER ASSY
39 - 403	BACN10YA6	. .	NUT-	002004 006100 107107 121503 904999	2
405	271N6441-1005	. TUBE ASSY-PRESSURE SYS POSITION DATA: R TUBING MATERIAL: .375 IN. OD .019 IN. WALL 49.90 IN. LG TI BMS 7-234 TI-3AL-2.5V COLD WORKED, STRESS RELIEVED TUBING		002004 006100 107107 121503 904999	1
410	271N6441-1010	. TUBE ASSY-PRESSURE SYS POSITION DATA: R TUBING MATERIAL: .375 IN. OD .019 IN. WALL 33.60 IN. LG TI BMS 7-234 TI-3AL-2.5V COLD WORKED, STRESS RELIEVED TUBING		107107 904949	1
415	271N6441-1011	. TUBE ASSY-PRESSURE SYS POSITION DATA: R TUBING MATERIAL: .375 IN. OD .019 IN. WALL 48.60 IN. LG TI BMS 7-234 TI-3AL-2.5V COLD WORKED, STRESS RELIEVED TUBING		002004 006100 107107 121503 904999	1
422	271N6441-1159	. TUBE ASSY-PRESSURE SYS POSITION DATA: R TUBING MATERIAL: .375 IN. OD .019 IN. WALL 16.70 IN. LG TI BMS 7-234 TI-3AL-2.5V COLD WORKED, STRESS RELIEVED TUBING		002004 006100 107107 121503 904999	1

MISSING ITEM NUMBERS NOT APPLICABLE

- ITEM NOT ILLUSTRATED

29-11-51-39

29-11-51
FIG. 39
PAGE 15
JAN 20/09

BRI



757

PARTS CATALOG (MAINTENANCE)

FIG ITEM	PART NUMBER	1 2 3 4 5 6 7	NOMENCLATURE	EFFECT FROM TO	UNITS PER ASSY
39					
430	271N6441-1082		.TUBE ASSY-PRESSURE SYS POSITION DATA: R TUBING MATERIAL: .375 IN. OD .019 IN. WALL 32.90 IN. LG TI BMS 7-234 TI-3AL-2.5V COLD WORKED, STRESS RELIEVED TUBING	002004 006100 107107 121503 904999	1
- 431	AS1581T06		..SLEEVE-	107107 904949	2
- 431	AS1581T06		..SLEEVE-	002004 006100 121503 950999	2
- 432	BACN10YA6		..NUT-	107107 904949	2
- 432	BACN10YA6		..NUT-	002004 006100 121503 950999	2
434	271N6441-1326		.TUBE ASSY-PRESSURE SYS POSITION DATA: R TUBING MATERIAL: .375 IN. OD .019 IN. WALL 11.90 IN. LG TI BMS 7-234 TI-3AL-2.5V COLD WORKED, STRESS RELIEVED TUBING	002004 006100 121503 950999	1
435	271N6441-1327		.TUBE ASSY-PRESSURE SYS POSITION DATA: R TUBING MATERIAL: .375 IN. OD .019 IN. WALL 22.10 IN. LG TI BMS 7-234 TI-3AL-2.5V COLD WORKED, STRESS RELIEVED TUBING	002004 006100 121503 950999	1
436	271N6441-1316		.TUBE ASSY-PRESSURE SYS POSITION DATA: R TUBING MATERIAL: .375 IN. OD .019 IN. WALL 38.80 IN. LG TI BMS 7-234 TI-3AL-2.5V COLD WORKED, STRESS RELIEVED TUBING	002004 006100 121503 950999	1

MISSING ITEM NUMBERS NOT APPLICABLE

- ITEM NOT ILLUSTRATED

29-11-51-39

29-11-51
FIG. 39
PAGE 16
JAN 20/09

BRI



757

PARTS CATALOG (MAINTENANCE)

FIG ITEM	PART NUMBER	1 2 3 4 5 6 7	NOMENCLATURE	EFFECT FROM TO	UNITS PER ASSY
39					
- 437	AS1581T06	..	SLEEVE	002004 006100 121503 950999	2
- 438	BACN10YA6	..	NUT-	002004 006100 121503 950999	2
440	271N6441-1369	.	TUBE ASSY-PRESSURE SYS POSITION DATA: R TUBING MATERIAL: .375 IN. OD .019 IN. WALL 37.70 IN. LG TI BMS 7-234 TI-3AL-2.5V COLD WORKED, STRESS RELIEVED TUBING	002004 006100 121503 950999	1
- 441	AS1581T06	..	SLEEVE	002004 006100 121503 950999	1
- 442	BACN10YA6	..	NUT-	002004 006100 121503 950999	1
- 443	AS1582T06	..	UNION	002004 006100 121503 950999	1
445	271N6441-1378	.	TUBE ASSY-PRESSURE SYS POSITION DATA: R TUBING MATERIAL: .375 IN. OD .019 IN. WALL 19.40 IN. LG TI BMS 7-234 TI-3AL-2.5V COLD WORKED, STRESS RELIEVED TUBING	002004 006100 121503 950999	1
- 446	AS1581T06	..	SLEEVE	002004 006100 121503 950999	2
- 447	BACN10YA6	..	NUT-	002004 006100 121503 950999	2

MISSING ITEM NUMBERS NOT APPLICABLE

- ITEM NOT ILLUSTRATED

29-11-51-39

29-11-51
FIG. 39
PAGE 17
JAN 20/09

BRI



757

PARTS CATALOG (MAINTENANCE)

FIG ITEM	PART NUMBER	1 2 3 4 5 6 7	NOMENCLATURE	EFFECT FROM TO	UNITS PER ASSY
39 450	271N6441-1108		.TUBE ASSY-PRESSURE SYS POSITION DATA: R TUBING MATERIAL: .375 IN. OD .019 IN. WALL 27.70 IN. LG TI BMS 7-234 TI-3AL-2.5V COLD WORKED, STRESS RELIEVED TUBING	107107 904949	1
- 452	AS1581T06		..SLEEVE	107107 904949	2
- 453	BACN10YA6		..NUT-	107107 904949	2
465	271N6441-1170		.TUBE ASSY-RETURN SYS POSITION DATA: R TUBING MATERIAL: 1.00 IN. OD .035 IN. WALL 27.70 IN. LG AL AMS 4083 6061 T6 TUBING	002004 006100 107107 121503 904999	1
- 467	AP2097HP16		..SLEEVE SUPPLIER CODE: V01673 SPECIFICATION NUMBER: BACS13BX16HP OPTIONAL PART: 2-02903-16HP V11328 35235VN16 V08199 AFP175V16P V30974 DBOS13BX16HP V14798	002004 006100 107107 121503 904999	2
- 468	MS21921-16D		..NUT- OPTIONAL PART: BACN10YL16	002004 006100 107107 121503 904999	2
- 468	BACN10YL16		..NUT- OPTIONAL PART: MS21921-16D	002004 006100 107107 121503 904999	2

MISSING ITEM NUMBERS NOT APPLICABLE

- ITEM NOT ILLUSTRATED

29-11-51-39

29-11-51
FIG. 39
PAGE 18
JAN 20/09

BRI



757

PARTS CATALOG (MAINTENANCE)

FIG ITEM	PART NUMBER	1 2 3 4 5 6 7	NOMENCLATURE	EFFECT FROM TO	UNITS PER ASSY
39 474	271N6441-1088		.TUBE ASSY-RETURN SYS POSITION DATA: R TUBING MATERIAL: 1.00 IN. OD .035 IN. WALL 7.70 IN. LG AL AMS 4083 6061 T6 TUBING	002004 006100 107107 121503 904999	1
- 475	AP2097HP16		..SLEEVE SUPPLIER CODE: V01673 SPECIFICATION NUMBER: BACS13BX16HP OPTIONAL PART: 2-02903-16HP V11328 35235VN16 V08199 AFP175V16P V30974 DBOS13BX16HP V14798	002004 006100 107107 121503 904999	2
- 476	BACN10YL16L		..NUT-	002004 006100 107107 121503 904999	2
478	271N6441-1084		.TUBE ASSY-RETURN SYS POSITION DATA: R TUBING MATERIAL: .500 IN. OD .035 IN. WALL 46.10 IN. LG AL AMS 4083 6061 T6 TUBING	002004 006100 107107 121503 904999	1
- 479	AP2097HP08		..SLEEVE SUPPLIER CODE: V01673 SPECIFICATION NUMBER: BACS13BX08HP OPTIONAL PART: 2-02903-08HP V11328 35235VN08 V08199 AFP175V08P V30974 DBOS13BX08HP V14798	002004 006100 107107 121503 904999	2

MISSING ITEM NUMBERS NOT APPLICABLE

- ITEM NOT ILLUSTRATED

29-11-51-39

29-11-51
FIG. 39
PAGE 19
JAN 20/09

BRI



757

PARTS CATALOG (MAINTENANCE)

FIG ITEM	PART NUMBER	1 2 3 4 5 6 7	NOMENCLATURE	EFFECT FROM TO	UNITS PER ASSY
39 - 480	BACN10YL08	..	NUT	002004 006100 107107 121503 904999	2
500	271N6441-1174	.TUBE ASSY-RETURN SYS POSITION DATA: R TUBING MATERIAL: .500 IN. OD .035 IN. WALL 39.50 IN. LG AL AMS 4083 6061 T6 TUBING		107107 121503 904949	1
501	271N6441-1414	.TUBE ASSY-RETURN SYS POSITION DATA: R TUBING MATERIAL: .500 IN. OD .035 IN. WALL 34.40 IN. LG AL AMS 4083 6061 T6 TUBING		002004 006100 950999	1
- 502	AP2097HP08	..SLEEVE SUPPLIER CODE: V01673 SPECIFICATION NUMBER: BACS13BX08HP OPTIONAL PART: 2-02903-08HP V11328 35235VN08 V08199 AFP175V08P V30974 DBOS13BX08HP V14798		002004 006100 107107 121503 904999	1
- 504	BACN10YL08	..	NUT-	002004 006100 107107 121503 904999	1

MISSING ITEM NUMBERS NOT APPLICABLE

- ITEM NOT ILLUSTRATED

BRI

29-11-51-39

29-11-51
FIG. 39
PAGE 20
JAN 20/09



757

PARTS CATALOG (MAINTENANCE)

FIG ITEM	PART NUMBER	1 2 3 4 5 6 7	NOMENCLATURE	EFFECT FROM TO	UNITS PER ASSY
39 - 506	35056GV08		.. UNION SUPPLIER CODE: V08199 SPECIFICATION NUMBER: BACU24AB8W OPTIONAL PART: 2-01027-8W V11328 31875-8W V14397 4671097W8 V50948 AP1004W08 V01673 AFP941W8 V30974 DBOU24AB8W V14798	002004 006100 107107 121503 904999	1
508	271N6441-1377		. TUBE ASSY-RETURN SYS POSITION DATA: R TUBING MATERIAL: .625 IN. OD .035 IN. WALL 22.40 IN. LG AL AMS 4083 6061 T6 TUBING	002004 006100 121503 950999	1
- 509	AP2097HP10		.. SLEEVE SUPPLIER CODE: V01673 SPECIFICATION NUMBER: BACS13BX10HP OPTIONAL PART: 2-02903-10HP V11328 35235VN10 V08199 AFP175V10P V30974 DBOS13BX10HP V14798	002004 006100 121503 950999	2
- 510	BACN10YL10		.. NUT	002004 006100 121503 950999	2

MISSING ITEM NUMBERS NOT APPLICABLE

- ITEM NOT ILLUSTRATED

BRI

29-11-51-39

29-11-51
FIG. 39
PAGE 21
JAN 20/09



757

PARTS CATALOG (MAINTENANCE)

FIG ITEM	PART NUMBER	1 2 3 4 5 6 7	NOMENCLATURE	EFFECT FROM TO	UNITS PER ASSY
39 511	271N6441-1308		.TUBE ASSY-RETURN SYS POSITION DATA: R TUBING MATERIAL: .375 IN. OD .019 IN. WALL 18.80 IN. LG TI BMS 7-234 TI-3AL-2.5V COLD WORKED, STRESS RELIEVED TUBING	002004 006100 121503 950999	1
- 512	AS1581T06		..SLEEVE	002004 006100 121503 950999	2
- 513	BACN10YA6		..NUT-	002004 006100 121503 950999	2
515	271N6441-1155		.TUBE ASSY-RETURN SYS POSITION DATA: R TUBING MATERIAL: .375 IN. OD .035 IN. WALL 21.30 IN. LG AL AMS 4083 6061 T6 TUBING	107107 904949	1
- 517	AP2097HP06		..SLEEVE SUPPLIER CODE: V01673 SPECIFICATION NUMBER: BACS13BX06HP OPTIONAL PART: 2-02903-06HP V11328 35235VN06 V08199 AFP175V06P V30974 DBOS13BX06HP V14798	107107 904949	2
- 518	BACN10YL06		..NUT	107107 904949	2

MISSING ITEM NUMBERS NOT APPLICABLE

- ITEM NOT ILLUSTRATED

BRI

29-11-51-39

29-11-51
FIG. 39
PAGE 22
JAN 20/09



757

PARTS CATALOG (MAINTENANCE)

FIG ITEM	PART NUMBER	1 2 3 4 5 6 7	NOMENCLATURE	EFFECT FROM TO	UNITS PER ASSY
39 520	271N6441-1405		.TUBE ASSY-RETURN SYS POSITION DATA: R TUBING MATERIAL: .625 IN. OD .032 IN. WALL 55.60 IN. LG TI BMS 7-234 TI-3AL-2.5V COLD WORKED, STRESS RELIEVED TUBING	002004 006100 107107 121503 904999	1
525	271N6441-1032		.TUBE ASSY-RETURN SYS POSITION DATA: R TUBING MATERIAL: .625 IN. OD .032 IN. WALL 91.30 IN. LG TI BMS 7-234 TI-3AL-2.5V COLD WORKED, STRESS RELIEVED TUBING	002004 006100 107107 121503 904999	1
- 530	AS1581T10		..SLEEVE	002004 006100 107107 121503 904999	2
- 535	BACN10YA10		..NUT- USED ON: 271N6441-1032	002004 006100 107107 121503 904999	2
536	271N6441-1030		.TUBE ASSY-RETURN SYS POSITION DATA: R TUBING MATERIAL: .625 IN. OD .032 IN. WALL 20.60 IN. LG TI BMS 7-234 TI-3AL-2.5V COLD WORKED, STRESS RELIEVED TUBING	002004 006100 107107 121503 904999	1
- 537	AS1581T10		..SLEEVE	002004 006100 107107 121503 904999	2
- 538	BACN10YA10		..NUT	002004 006100 107107 121503 904999	2

MISSING ITEM NUMBERS NOT APPLICABLE

- ITEM NOT ILLUSTRATED

29-11-51-39

29-11-51
FIG. 39
PAGE 23
JAN 20/09

BRI



757

PARTS CATALOG (MAINTENANCE)

FIG ITEM	PART NUMBER	1 2 3 4 5 6 7	NOMENCLATURE	EFFECT FROM TO	UNITS PER ASSY
39					
540	271N6441-1033		.TUBE ASSY-RETURN SYS POSITION DATA: R TUBING MATERIAL: .625 IN. OD .032 IN. WALL 65.10 IN. LG TI BMS 7-234 TI-3AL-2.5V COLD WORKED, STRESS RELIEVED TUBING	002004 006100 121503 950999	1
540	271N6441-1278		.TUBE ASSY-RETURN SYS POSITION DATA: R TUBING MATERIAL: .625 IN. OD .032 IN. WALL 64.90 IN. LG TI BMS 7-234 TI-3AL-2.5V COLD WORKED, STRESS RELIEVED TUBING	002004 006100 107107 121503 904999	1
- 545	AS1581T10		..SLEEVE-	002004 006100 107107 121503 904999	1
- 550	BACN10YA10		..NUT- USED ON: 271N6441-1033 271N6441-1151 271N6441-1177 271N6441-1278	002004 006100 107107 121503 904999	1
- 555	AS1582T10		..UNION-	002004 006100 107107 121503 904999	1
572	271N6441-1156		.TUBE ASSY-PRESSURE SYS POSITION DATA: R TUBING MATERIAL: .375 IN. OD .019 IN. WALL 14.50 IN. LG TI BMS 7-234 TI-3AL-2.5V COLD WORKED, STRESS RELIEVED TUBING	107107 121503 904949	1
- 574	AS1581T06		..SLEEVE	107107 121503 904949	2
- 575	BACN10YA6		..NUT-	107107 121503 904949	2

MISSING ITEM NUMBERS NOT APPLICABLE

- ITEM NOT ILLUSTRATED

29-11-51-39

29-11-51
FIG. 39
PAGE 24
JAN 20/09

BRI



757

PARTS CATALOG (MAINTENANCE)

FIG ITEM	PART NUMBER	1 2 3 4 5 6 7	NOMENCLATURE	EFFECT FROM TO	UNITS PER ASSY
39 580	271N6441-1154		.TUBE ASSY-PRESSURE SYS POSITION DATA: L TUBING MATERIAL: .375 IN. OD .019 IN. WALL 14.20 IN. LG TI BMS 7-234 TI-3AL-2.5V COLD WORKED, STRESS RELIEVED TUBING	107107 904949	1
582	271N6441-1300		.TUBE ASSY-PRESSURE SYS POSITION DATA: L TUBING MATERIAL: .375 IN. OD .019 IN. WALL 21.50 IN. LG TI BMS 7-234 TI-3AL-2.5V COLD WORKED, STRESS RELIEVED TUBING	002004 006100 121503 950999	1
- 584	AS1581T06		..SLEEVE	002004 006100 107107 121503 904999	2
- 585	BACN10YA6		..NUT-	002004 006100 107107 121503 904999	2
605	NAS1762T1010		.ELBOW	002004 006100 107107 121503 904999	1
620	BACE21BL1606T		.ELBOW-	002004 006100 121503 950999	1
625	NAS1764T060608		.TEE-	107107 121503 904949	1
627	BACT16BL101006T		.TEE- OPTIONAL PART: BACT16AS101006T BACT16BL101006P	002004 006100 950999	1

MISSING ITEM NUMBERS NOT APPLICABLE

- ITEM NOT ILLUSTRATED

BRI

29-11-51-39

29-11-51
FIG. 39
PAGE 25
JAN 20/09



757

PARTS CATALOG (MAINTENANCE)

FIG ITEM	PART NUMBER	1 2 3 4 5 6 7	NOMENCLATURE	EFFECT FROM TO	UNITS PER ASSY
39 627	APX824T101006	. TEE-	SUPPLIER CODE: V01673 SPECIFICATION NUMBER: BACT16AS101006T OPTIONAL PART: ER824-101006T V50948 FER1571-101006T V14397 2-02025-101006T V11328 NAF1824-101006T V52930 US1925-101006T V50808 AFP325-101006T V30974 DB0T16AS101006T V14798 APX824-101006T V01673 BACT16BL101006T BACT16BL101006P	002004 006100 950999	1
627	BACT16BL101006P	. TEE-	OPTIONAL PART: BACT16BL101006T BACT16AS101006T	002004 006100 950999	1

MISSING ITEM NUMBERS NOT APPLICABLE

- ITEM NOT ILLUSTRATED

BRI

29-11-51-39

BOEING PROPRIETARY - Copyright © - Unpublished Work - See title page for details.

29-11-51
FIG. 39
PAGE 26
JAN 20/09



757

PARTS CATALOG (MAINTENANCE)

FIG ITEM	PART NUMBER	1 2 3 4 5 6 7	NOMENCLATURE	EFFECT FROM TO	UNITS PER ASSY
39 630	APX824D160812	. TEE-	SUPPLIER CODE: V01673 SPECIFICATION NUMBER: BACT16AS160812D OPTIONAL PART: APX824-160812D V01673 DBOT16AS160812D V14798 ER824-160812D V50948 FER1571-160812D V14397 LER824-160812D V11328 NAF1824-160812D V52930 US1925-160812D V50808 AFP325-160812D V30974	002004 006100 107107 121503 904999	1
633	BACT16BT080608T	. TEE-		002004 006100 121503 950999	1
633	BACT16BT080608P	. TEE-		002004 006100 121503 950999	1
635	BACT16BR080606T	. TEE-		002004 006100 121503 950999	1
637	BACT16BR060606T	. TEE-		002004 006100 121503 950999	2
637	BACT16BR060606P	. TEE-		002004 006100 121503 950999	2
640	BACT16BL160806T	. TEE-		107107 121503 904949	1
643	BACT16BR161608T	. TEE-		002004 006100 950999	1

MISSING ITEM NUMBERS NOT APPLICABLE

- ITEM NOT ILLUSTRATED

29-11-51-39

29-11-51
FIG. 39
PAGE 27
JAN 20/09

BRI

BOEING PROPRIETARY - Copyright © - Unpublished Work - See title page for details.



757

PARTS CATALOG (MAINTENANCE)

FIG ITEM	PART NUMBER	1 2 3 4 5 6 7	NOMENCLATURE	EFFECT FROM TO	UNITS PER ASSY
39 645	APX824D202012	. TEE-	SUPPLIER CODE: V01673 SPECIFICATION NUMBER: BACT16AS202012D OPTIONAL PART: APX824-202012D V01673 DB0T16AS202012D V14798 ER824-202012D V50948 FER1571-202012D V14397 LER824-202012D V11328 NAF1824-202012D V52930 US1925-202012D V50808 AFP325-202012D V30974	002004 006100 107107 121503 904999	1
650	NAS1764D161610	. TEE-		002004 006100 107107 121503 904999	1
660	NAS1763T080806	. TEE-		107107 904949	1
660	NAS1763J080806	. TEE-		107107 904949	1
665	BACT16BL101010J	. TEE-		002004 006100 107107 121503 904999	1
665	BACT16BL101010T	. TEE-		002004 006100 107107 121503 904999	1
670	BACT16BL161606T	. TEE-		002004 006100 107107 121503 904999	1

MISSING ITEM NUMBERS NOT APPLICABLE

- ITEM NOT ILLUSTRATED

29-11-51-39

29-11-51
FIG. 39
PAGE 28
JAN 20/09

BRI

BOEING PROPRIETARY - Copyright © - Unpublished Work - See title page for details.

 **BOEING**
757
PARTS CATALOG (MAINTENANCE)

FIG ITEM	PART NUMBER	1 2 3 4 5 6 7	NOMENCLATURE	EFFECT FROM TO	UNITS PER ASSY
39					
670	BACT16BL161606J	. TEE-		002004 006100 107107 121503 904999	1
672	NAS1763T060606	. TEE-		107107 904949	1
675	BACT16BL060606T	. TEE-		002004 006100 107107 121503 904999	1
675	BACT16BL060606J	. TEE-		002004 006100 107107 121503 904999	1
680	BACT16BM060404T	. TEE-		002004 006100 107107 121503 904999	1
680	BACT16BM060404J	. TEE-		107107 121503 904949	1
685	NAS1763D100806	. TEE-		107107 904949	1
687	APX824D100806	. TEE-		002004 006100 107107 121503 904999	1
			SUPPLIER CODE: V01673 SPECIFICATION NUMBER: BACT16AS100806D OPTIONAL PART: FER1571-100806D V14397 LER824-100806D V11328 NAF1824-100806D V52930 US1925-100806D V50808 AFP325-100806D V30974 ER824-100806D V50948 DB0T16AS100806D V14798 APX824-100806D V01673		
MISSING ITEM NUMBERS NOT APPLICABLE					

— ITEM NOT ILLUSTRATED

BRI

29-11-51-39

BOEING PROPRIETARY - Copyright © - Unpublished Work - See title page for details.

29-11-51
FIG. 39
PAGE 29
JAN 20/09



757

PARTS CATALOG (MAINTENANCE)

FIG ITEM	PART NUMBER	1 2 3 4 5 6 7	NOMENCLATURE	EFFECT FROM TO	UNITS PER ASSY
39 690	BACT16BL060606T	. TEE-		002004 006100 121503 950999	1
710	BACC27N08060806	. CROSS-		002004 006100 107107 121503 904999	1
715	69B83900-2	. CAP ASSY-	MISCELLANEOUS DATA: NOT AN INITIAL PROVISIONING SPARE ALTERED FROM PART NUMBER: BACC14AD06JL	107107 121503 904949	1
720	AN924-12D	. NUT		002004 006100 107107 121503 904999	1
725	AN924-4D	. NUT		002004 006100 107107 121503 904999	1
730	AN960KD716	. WASHER		002004 006100 107107 121503 904999	1
735	1C1350	. VALVE-CHECK	SUPPLIER CODE: V99240 SPECIFICATION NUMBER: BACV10CD4	002004 006100 107107 121503 904999	1
740	2R2910	. VALVE-CHECK	SUPPLIER CODE: V99240	002004 107107 121503 904949 952952	1
740	1C1346	. VALVE-CHECK	SUPPLIER CODE: V99240	006100 950951 953999	1
745	1C1348	. VALVE-CHECK	SUPPLIER CODE: V99240 SPECIFICATION NUMBER: BACV10CD3	107107 121503 904949	2

MISSING ITEM NUMBERS NOT APPLICABLE

- ITEM NOT ILLUSTRATED

29-11-51-39

29-11-51
FIG. 39
PAGE 30
MAY 20/09

BRI



757

PARTS CATALOG (MAINTENANCE)

FIG ITEM	PART NUMBER	1 2 3 4 5 6 7	NOMENCLATURE	EFFECT FROM TO	UNITS PER ASSY
39					
747	1C1348		.VALVE-CHECK SUPPLIER CODE: V99240 SPECIFICATION NUMBER: BACV10CD3	002004 006100 950999	3
750	AE81565K		.COUPLER- SUPPLIER CODE: V00624 SPECIFICATION NUMBER: S270T202-5	002004 006100 107107 121503 904999	1
794	271N6303-2		.BRACKET ASSY-	002004 006100 121503 950999	1
795	271N6303-1		.BRACKET ASSY-	002004 006100 121503 950999	1
796	271N6301-3		.BRACKET ASSY-	002004 006100 121503 950999	1
797	271N6303-5		.BRACKET ASSY-	002004 006100 121503 950999	1
798	271N6303-6		.BRACKET ASSY-	002004 006100 121503 950999	1
900			ILLUSTRATION REFERENCE: RESERVOIR INSTL-R SYS HYDR 29-11-20-05	002004 006100 107107 121503 904999	RF
905			ILLUSTRATION REFERENCE: VALVE INSTL-ALTERNATE BRAKE SELECTOR 32-41-04-01	002004 006100 107107 121503 904999	RF
910			ILLUSTRATION REFERENCE: VALVE INSTL-ACCUMULATOR ISOLATION 32-44-06-01	002004 006100 107107 121503 904999	RF

MISSING ITEM NUMBERS NOT APPLICABLE

- ITEM NOT ILLUSTRATED

29-11-51-39

29-11-51
FIG. 39
PAGE 31
MAY 20/09

BRI



757

PARTS CATALOG (MAINTENANCE)

FIG ITEM	PART NUMBER	1 2 3 4 5 6 7	NOMENCLATURE	EFFECT FROM TO	UNITS PER ASSY
39					
920			ILLUSTRATION REFERENCE: VALVE INSTL-AUTO BRAKE MODULE 32-42-09-01	002004 006100 107107 121503 904999	RF
925			ILLUSTRATION REFERENCE: VALVE INSTL-NORMAL BRAKES ANTISKID 32-42-02-01	002004 006100 107107 121503 904999	RF
935			ILLUSTRATION REFERENCE: PLUMBING INSTL- 49 AC BAY HYDR (HYDRAULIC POWER ONLY) 29-11-51-23	002004 006100 107107 121503 904999	RF
940			ILLUSTRATION REFERENCE: PLUMBING INSTL-SECT. 44 MLG WHL WELL HYDR (HYDRAULIC BRAKE SYSTEM ONLY) 32-41-51-22	002004 006100 107107 121503 904999	RF
945			ILLUSTRATION REFERENCE: PLUMBING INSTL-SECT 44 MLG WHL WELL HYDR (ANTISKID/AUTOBRAKE SYSTEM ONLY) 32-42-51-22	002004 006100 107107 121503 904999	RF
955			ILLUSTRATION REFERENCE: MODULE AND BRACKET INSTL- PARKING BRAKE 32-44-03-01	107107 904949	RF
960			ILLUSTRATION REFERENCE: PLUMBING INSTL-MAIN WHL WELL FWD BHD HYDR (HYDRAULIC POWER ONLY) 29-11-51-40	002004 006100 107107 121503 904999	RF
973			ILLUSTRATION REFERENCE: PLUMBING INSTL-SECT. 44 R PRESSURE DECK HYDR (HYDRAULIC POWER ONLY) 29-11-51-35	002004 006100 107107 121503 904999	RF

MISSING ITEM NUMBERS NOT APPLICABLE

- ITEM NOT ILLUSTRATED

29-11-51-39

29-11-51
FIG. 39
PAGE 32
MAY 20/09

BRI



757

PARTS CATALOG (MAINTENANCE)

FIG ITEM	PART NUMBER	1 2 3 4 5 6 7	NOMENCLATURE	EFFECT FROM TO	UNITS PER ASSY
39 977			ILLUSTRATION REFERENCE: MODULE AND SUPPORT INSTL-LG BRAKE METERING VALVE 32-41-02-05	002004 006100 107107 121503 904999	RF

MISSING ITEM NUMBERS NOT APPLICABLE

- ITEM NOT ILLUSTRATED

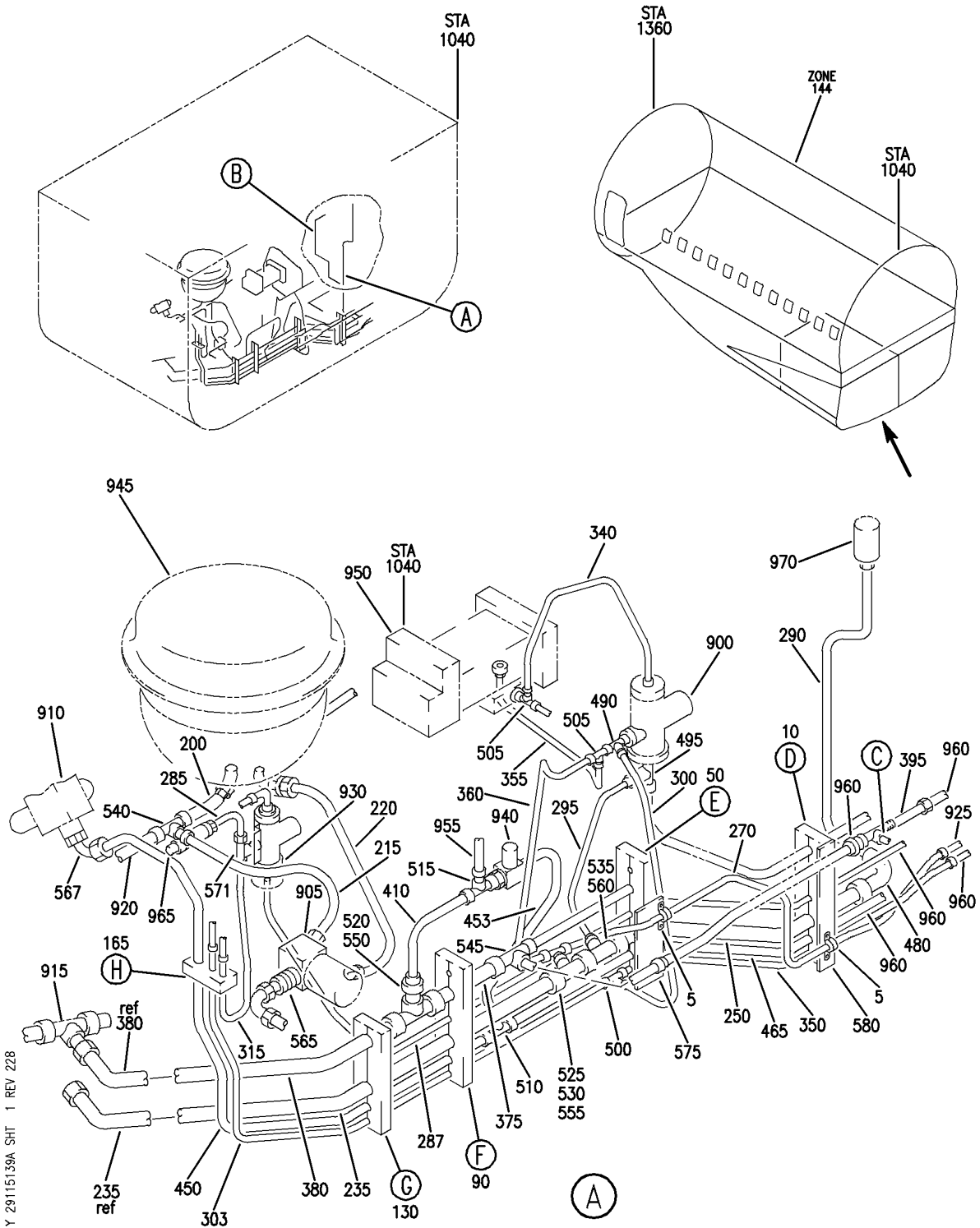
BRI

29-11-51-39

BOEING PROPRIETARY - Copyright © - Unpublished Work - See title page for details.

29-11-51
FIG. 39
PAGE 33
MAY 20/09

BOEING
757
PARTS CATALOG (MAINTENANCE)



Y 29115139A SHT 1 REV 228

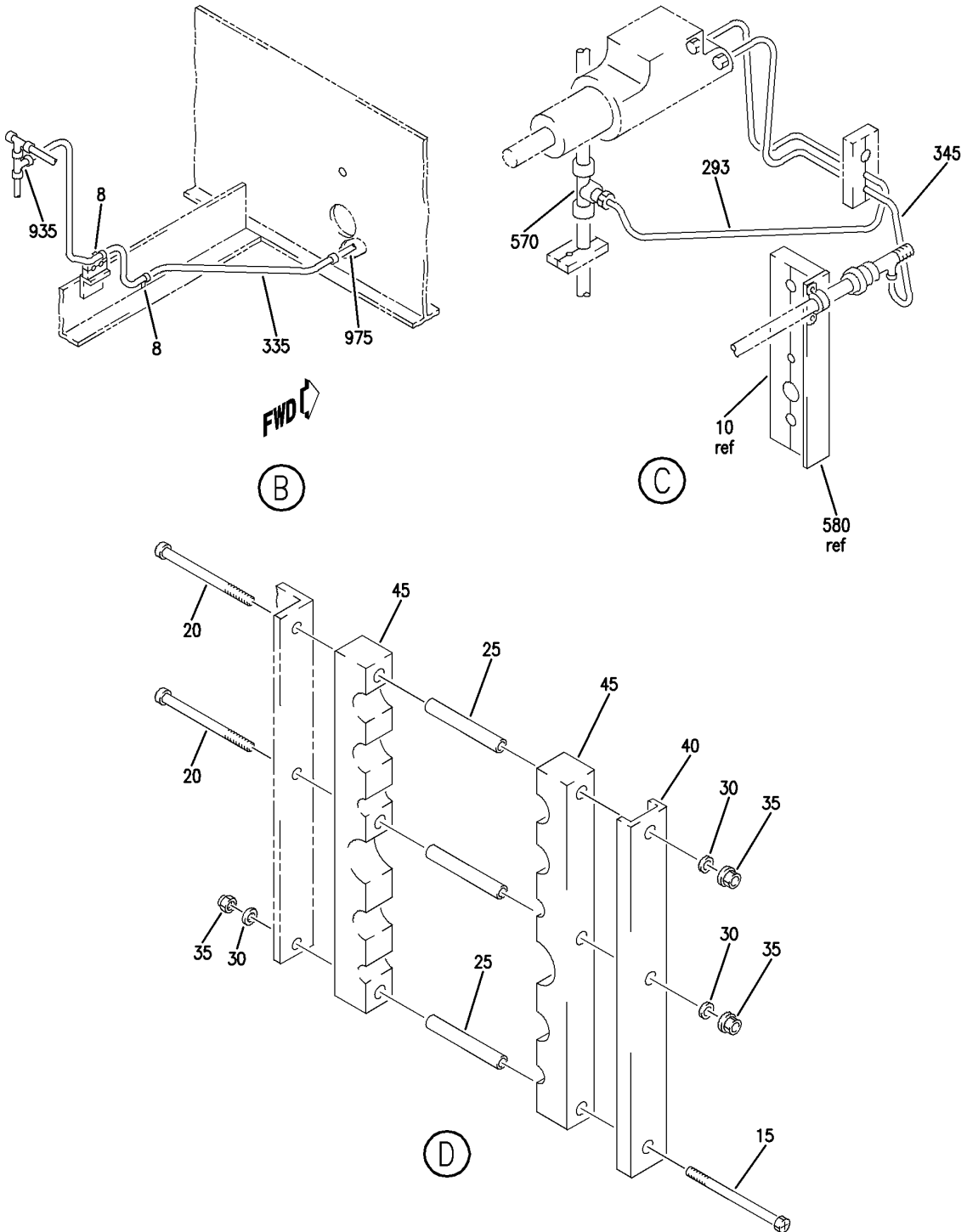
PLUMBING INSTL-MAIN WHL WELL FWD BHD HYDR (HYDRAULIC POWER ONLY)
FIGURE 39A (SHEET 1)

BRI
MAY 28/07

29-11-51-39A

29-11-51-39A
PAGE 0

BOEING
757
PARTS CATALOG (MAINTENANCE)



Y 29115139A SH1 2 REV 227

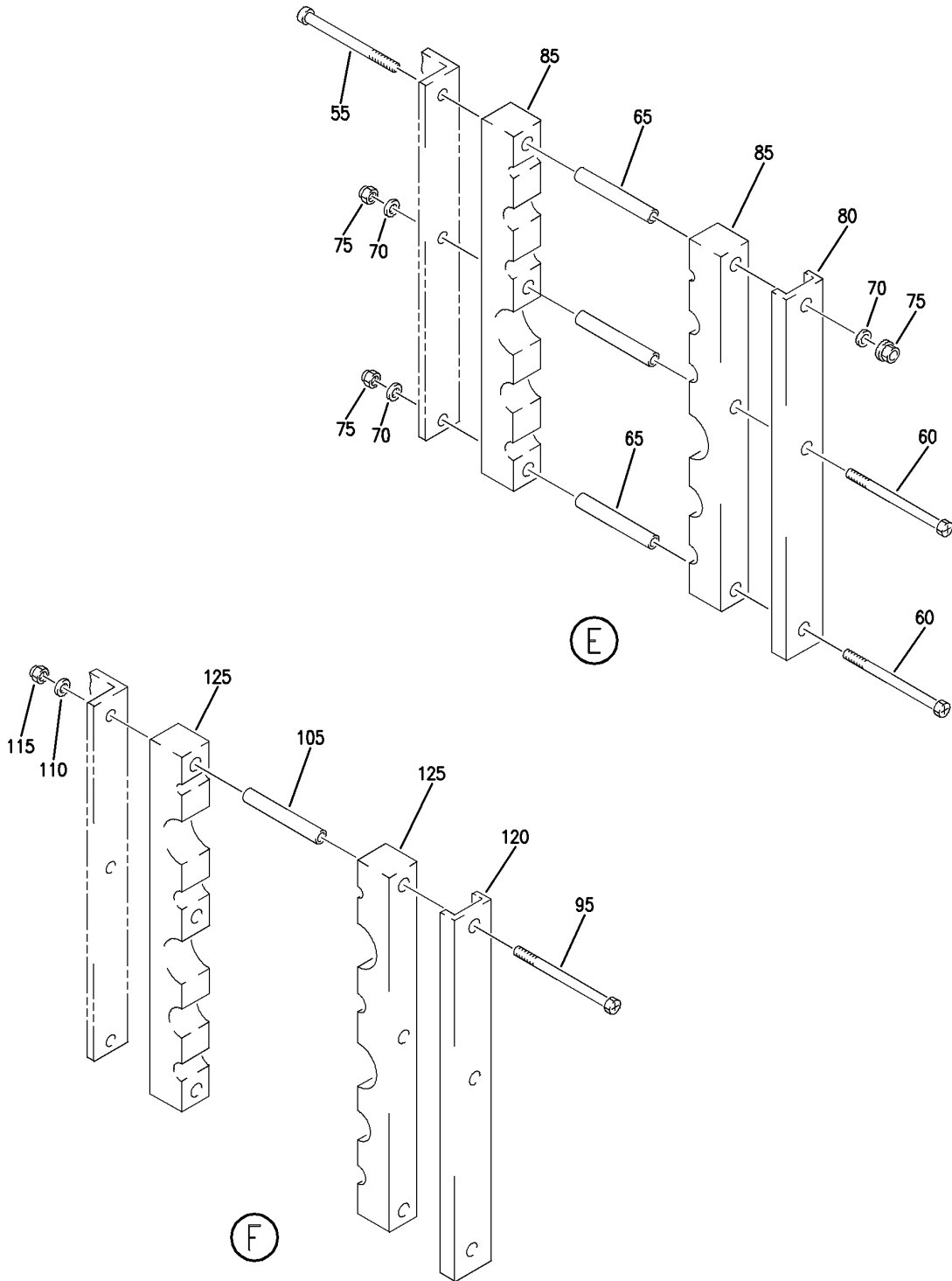
PLUMBING INSTL-MAIN WHL WELL FWD BHD HYDR (HYDRAULIC POWER ONLY)
FIGURE 39A (SHEET 2)

29-11-51-39A

BRI
MAY 28/07

29-11-51-39A
PAGE 0A

BOEING
757
PARTS CATALOG (MAINTENANCE)



Y 29115139A SH1 3 REV 227

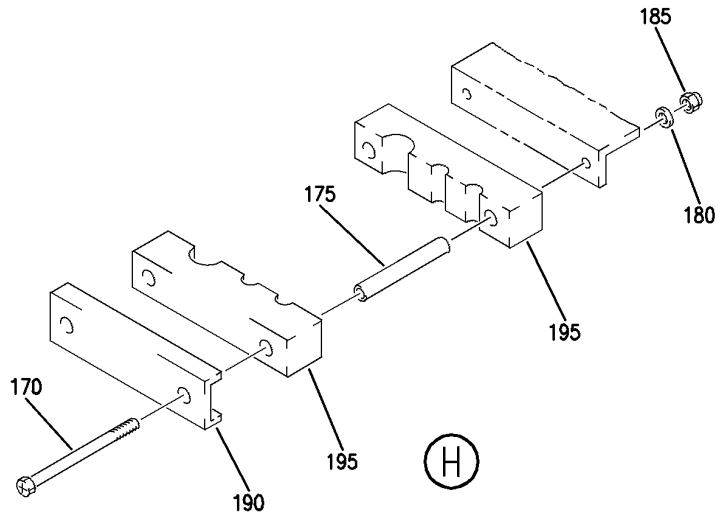
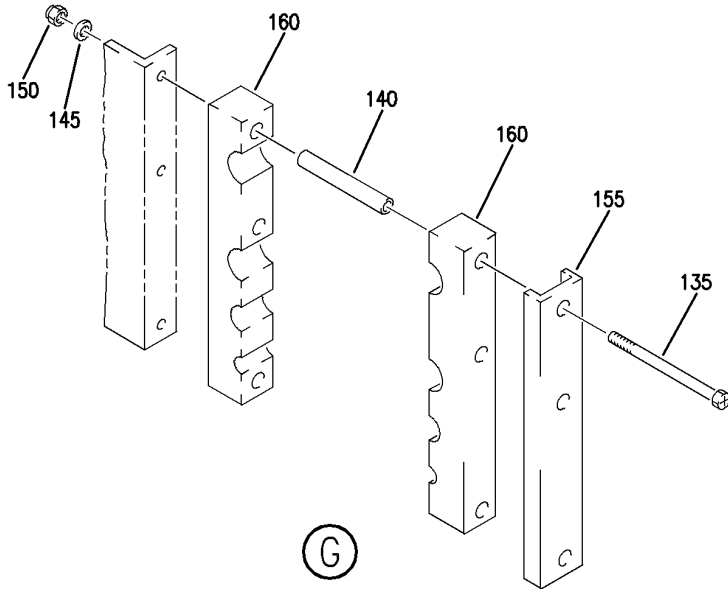
PLUMBING INSTL-MAIN WHL WELL FWD BHD HYDR (HYDRAULIC POWER ONLY)
FIGURE 39A (SHEET 3)

29-11-51-39A

BRI
MAY 28/07

29-11-51-39A
PAGE 0B

BOEING
757
PARTS CATALOG (MAINTENANCE)



Y 29115139A SH1 4 REV 227

PLUMBING INSTL-MAIN WHL WELL FWD BHD HYDR (HYDRAULIC POWER ONLY)
FIGURE 39A (SHEET 4)

BRI
MAY 28/07

29-11-51-39A

29-11-51-39A
PAGE 0C



757

PARTS CATALOG (MAINTENANCE)

FIG ITEM	PART NUMBER	1 2 3 4 5 6 7	NOMENCLATURE	EFFECT FROM TO	UNITS PER ASSY
39A					
- 1	271N6441-30		PLUMBING INSTL-MAIN WHL WELL FWD BHD HYDR (HYDRAULIC POWER ONLY)	101102 108120 504903	
- 1	271N6441-35		PLUMBING INSTL-MAIN WHL WELL BHD HYDR (HYDRAULIC POWER ONLY) POSITION DATA: FWD R FOR NHA/OTHER SYS DET SEE: 29-00-51-02C	101102 504903	RF
5	TA0910004H108		.CLAMP SUPPLIER CODE: V84971 SPECIFICATION NUMBER: BACC10HB08C	101102 108120 504903	2
8	M85052-2-6		.CLAMP	101102 108120 504903	2
10	270N2000-193		.CLAMP ASSY	101102 108120 504903	1
15	NAS1801-3-34		..SCREW	101102 108120 504903	1
20	NAS1801-3-35		..SCREW	101102 108120 504903	2
25	NAS43DD3-99		..SPACER	101102 108120 504903	3
30	AN960PD10L		..WASHER	101102 108120 504903	3

MISSING ITEM NUMBERS NOT APPLICABLE

- ITEM NOT ILLUSTRATED

29-11-51-39A

29-11-51
FIG. 39A
PAGE 1
JAN 20/09

BRI

BOEING PROPRIETARY - Copyright © - Unpublished Work - See title page for details.



757

PARTS CATALOG (MAINTENANCE)

FIG ITEM	PART NUMBER	1 2 3 4 5 6 7	NOMENCLATURE	EFFECT FROM TO	UNITS PER ASSY
39A 35	BRH10A3	..	NUT SUPPLIER CODE: V52828 SPECIFICATION NUMBER: BACN10JC3 OPTIONAL PART: H10-3BAC V15653 NS202101-02 V80539 RMLH9075-3W V72962 VN303A02 V92215 96-02 V80539 T6S1032J V11815	101102 108120 504903	3
40	270N2000-880	..	CHANNEL	101102 108120 504903	1
45	270N2000-676	..	BLOCK	101102 108120 504903	2
50	270N2000-194	.	CLAMP ASSY	101102 108120 504903	1
55	NAS1801-3-34	..	SCREW	101102 108120 504903	1
60	NAS1801-3-39	..	SCREW	101102 108120 504903	2
65	NAS43DD3-99	..	SPACER	101102 108120 504903	3
70	AN960PDIOL	..	WASHER	101102 108120 504903	3

MISSING ITEM NUMBERS NOT APPLICABLE

- ITEM NOT ILLUSTRATED

29-11-51-39A

29-11-51
FIG. 39A
PAGE 2
JAN 20/09

BRI

BOEING PROPRIETARY - Copyright © - Unpublished Work - See title page for details.



757

PARTS CATALOG (MAINTENANCE)

FIG ITEM	PART NUMBER	1 2 3 4 5 6 7	NOMENCLATURE	EFFECT FROM TO	UNITS PER ASSY
39A 75	BRH10A3	..	NUT SUPPLIER CODE: V52828 SPECIFICATION NUMBER: BACN10JC3 OPTIONAL PART: H10-3BAC V15653 NS202101-02 V80539 RMLH9075-3W V72962 VN303A02 V92215 96-02 V80539 T6S1032J V11815	101102 108120 504903	3
80	270N2000-888	..	CHANNEL	101102 108120 504903	1
85	270N2000-675	..	BLOCK	101102 108120 504903	2
90	270N2000-97	.	CLAMP ASSY	101102 108120 504903	1
95	NAS1801-3-34	..	SCREW	101102 108120 504903	3
105	NAS43DD3-99	..	SPACER	101102 108120 504903	3
110	AN960PD10L	..	WASHER	101102 108120 504903	3

MISSING ITEM NUMBERS NOT APPLICABLE

- ITEM NOT ILLUSTRATED

29-11-51-39A

29-11-51
FIG. 39A
PAGE 3
JAN 20/09

BRI

BOEING PROPRIETARY - Copyright © - Unpublished Work - See title page for details.



757

PARTS CATALOG (MAINTENANCE)

FIG ITEM	PART NUMBER	1 2 3 4 5 6 7	NOMENCLATURE	EFFECT FROM TO	UNITS PER ASSY
39A 115	BRH10A3	. .	NUT SUPPLIER CODE: V52828 SPECIFICATION NUMBER: BACN10JC3 OPTIONAL PART: H10-3BAC V15653 NS202101-02 V80539 RMLH9075-3W V72962 VN303A02 V92215 96-02 V80539 T6S1032J V11815	101102 108120 504903	3
120	270N2000-888	. .	CHANNEL	101102 108120 504903	1
125	270N2000-567	. .	BLOCK-	101102 108120 504903	2
130	270N2000-88	. .	CLAMP ASSY	101102 108120 504903	1
135	NAS1801-3-34	. .	SCREW	101102 108120 504903	3
140	NAS43DD3-99	. .	SPACER	101102 108120 504903	3
145	AN960PD10L	. .	WASHER	101102 108120 504903	3

MISSING ITEM NUMBERS NOT APPLICABLE

- ITEM NOT ILLUSTRATED

29-11-51-39A

29-11-51
FIG. 39A
PAGE 4
JAN 20/09

BRI

BOEING PROPRIETARY - Copyright © - Unpublished Work - See title page for details.



757

PARTS CATALOG (MAINTENANCE)

FIG ITEM	PART NUMBER	1 2 3 4 5 6 7	NOMENCLATURE	EFFECT FROM TO	UNITS PER ASSY
39A 150	BRH10A3	. .	NUT SUPPLIER CODE: V52828 SPECIFICATION NUMBER: BACN10JC3 OPTIONAL PART: H10-3BAC V15653 NS202101-02 V80539 RMLH9075-3W V72962 VN303A02 V92215 96-02 V80539 T6S1032J V11815	101102 108120 504903	3
155	270N2000-879	. .	CHANNEL	101102 108120 504903	1
160	270N2000-588	. .	BLOCK-	101102 108120 504903	2
160	270N2000-558	. .	BLOCK-	101102 108120 504903	2
165	270N2000-95	. .	CLAMP ASSY	101102 108120 504903	1
170	NAS1801-3-28	. .	SCREW	101102 108120 504903	2
175	NAS43DD3-75	. .	SPACER	101102 108120 504903	2
180	AN960PD10L	. .	WASHER	101102 108120 504903	2

MISSING ITEM NUMBERS NOT APPLICABLE

- ITEM NOT ILLUSTRATED

29-11-51-39A

29-11-51
FIG. 39A
PAGE 5
JAN 20/09

BRI

BOEING PROPRIETARY - Copyright © - Unpublished Work - See title page for details.



757

PARTS CATALOG (MAINTENANCE)

FIG ITEM	PART NUMBER	1 2 3 4 5 6 7	NOMENCLATURE	EFFECT FROM TO	UNITS PER ASSY
39A 185	BRH10A3	. .	NUT SUPPLIER CODE: V52828 SPECIFICATION NUMBER: BACN10JC3 OPTIONAL PART: H10-3BAC V15653 NS202101-02 V80539 RMLH9075-3W V72962 VN303A02 V92215 96-02 V80539 T6S1032J V11815	101102 108120 504903	2
190	270N2000-884	. .	CHANNEL	101102 108120 504903	1
195	270N2000-563	. .	BLOCK	101102 108120 504903	2
200	271N6441-1416	. TUBE ASSY-SUPPLY SYS POSITION DATA: R TUBING MATERIAL: 1.25 IN. OD .035 IN. WALL 7.70 IN. LG AL AMS 4083 6061 T6 TUBING	101102 108120 504903	1	

MISSING ITEM NUMBERS NOT APPLICABLE

- ITEM NOT ILLUSTRATED

29-11-51-39A

29-11-51
FIG. 39A
PAGE 6
JAN 20/09

BRI

BOEING PROPRIETARY - Copyright © - Unpublished Work - See title page for details.



757

PARTS CATALOG (MAINTENANCE)

FIG ITEM	PART NUMBER	1 2 3 4 5 6 7	NOMENCLATURE	EFFECT FROM TO	UNITS PER ASSY
39A - 205	DB0S13BD20HP	..	SLEEVE SUPPLIER CODE: V14798 SPECIFICATION NUMBER: BACS13BD20HP OPTIONAL PART: 118-10722-20-00 V88334 2-02901-20HP V11328 2-02901-20HP V70195 35044VN20 V08199 4690008-20-2 V45681 4690008-20-2 V92003 AFP176V20HP V30974 35044V20HP V08199	101102 108120 504903	2
- 210	BACN10YL20L	..	NUT-	101102 108120 504903	2
215	271N6441-1415	.TUBE ASSY-SUPPLY SYS POSITION DATA: R TUBING MATERIAL: .750 IN. OD .035 IN. WALL 19.10 IN. LG AL AMS 4083 6061 T6 TUBING	101102 108120 504903	1	
220	271N6441-1402	.TUBE ASSY-SUPPLY SYS POSITION DATA: R TUBING MATERIAL: .750 IN. OD .035 IN. WALL 27.70 IN. LG AL AMS 4083 6061 T6 TUBING	101102 108120 504903	1	

MISSING ITEM NUMBERS NOT APPLICABLE

- ITEM NOT ILLUSTRATED

29-11-51-39A

29-11-51
FIG. 39A
PAGE 7
JAN 20/09

BRI

BOEING PROPRIETARY - Copyright © - Unpublished Work - See title page for details.



757

PARTS CATALOG (MAINTENANCE)

FIG ITEM	PART NUMBER	1 2 3 4 5 6 7	NOMENCLATURE	EFFECT FROM TO	UNITS PER ASSY
39A - 225	AP2097HP12	..	SLEEVE SUPPLIER CODE: V01673 SPECIFICATION NUMBER: BACS13BX12HP OPTIONAL PART: 2-02903-12HP V11328 35235VN12 V08199 AFP175V12P V30974 DBOS13BX12HP V14798	101102 108120 504903	2
- 230	BACN10YL12	..	NUT	101102 108120 504903	2
235	271N6441-1323	.TUBE ASSY-PRESSURE SYS POSITION DATA: R TUBING MATERIAL: 1.00 IN. OD .051 IN. WALL 41.10 IN. LG TI BMS 7-234 TI-3AL-2.5V COLD WORKED, STRESS RELIEVED TUBING		101102 108120 504903	1
- 240	AS1581T16	..	SLEEVE-	101102 108120 504903	2
- 245	BACN10YA16L	..	NUT-	101102 108120 504903	2
250	271N6441-1085	.TUBE ASSY-PRESSURE SYS POSITION DATA: R TUBING MATERIAL: 1.00 IN. OD .051 IN. WALL 25.00 IN. LG TI BMS 7-234 TI-3AL-2.5V COLD WORKED, STRESS RELIEVED TUBING		101102 108120 504903	1
- 255	AS1581T16	..	SLEEVE	101102 108120 504903	2
- 260	BACN10YA16L	..	NUT-	101102 108120 504903	2

MISSING ITEM NUMBERS NOT APPLICABLE

- ITEM NOT ILLUSTRATED

29-11-51-39A

29-11-51
FIG. 39A
PAGE 8
JAN 20/09

BRI

BOEING PROPRIETARY - Copyright © - Unpublished Work - See title page for details.



757

PARTS CATALOG (MAINTENANCE)

FIG ITEM	PART NUMBER	1 2 3 4 5 6 7	NOMENCLATURE	EFFECT FROM TO	UNITS PER ASSY
39A 270	271N6441-1331		.TUBE ASSY-PRESSURE SYS POSITION DATA: R TUBING MATERIAL: .500 IN. OD .026 IN. WALL 47.30 IN. LG TI BMS 7-234 TI-3AL-2.5V COLD WORKED, STRESS RELIEVED TUBING	101102 108120 504903	1
- 275	AS1581T08		..SLEEVE	101102 108120 504903	2
- 280	BACN10YA8		..NUT-	101102 108120 504903	2
285	271N6441-1434		.TUBE ASSY	108120	1
287	271N6441-1071		.TUBE ASSY-BRAKE PRESSURE SYS POSITION DATA: R TUBING MATERIAL: .375 IN. OD .019 IN. WALL 103.50 IN. LG TI BMS 7-234 TI-3AL-2.5V COLD WORKED, STRESS RELIEVED TUBING	101102 108120 504903	1
290	271N6441-1082		.TUBE ASSY-PRESSURE SYS POSITION DATA: R TUBING MATERIAL: .375 IN. OD .019 IN. WALL 32.90 IN. LG TI BMS 7-234 TI-3AL-2.5V COLD WORKED, STRESS RELIEVED TUBING	101102 108120 504903	1
293	271N6441-1075		.TUBE ASSY-PRESSURE SYS POSITION DATA: R TUBING MATERIAL: .375 IN. OD .019 IN. WALL 32.6 IN. LG TI BMS 7-234 TI-3AL-2.5V COLD WORKED, STRESS RELIEVED TUBING	101102 108120 504903	1

MISSING ITEM NUMBERS NOT APPLICABLE

- ITEM NOT ILLUSTRATED

29-11-51-39A

29-11-51
FIG. 39A
PAGE 9
JAN 20/09

BRI



757

PARTS CATALOG (MAINTENANCE)

FIG ITEM	PART NUMBER	1 2 3 4 5 6 7	NOMENCLATURE	EFFECT FROM TO	UNITS PER ASSY
39A 295	271N6441-1159		.TUBE ASSY-PRESSURE SYS POSITION DATA: R TUBING MATERIAL: .375 IN. OD .019 IN. WALL 16.70 IN. LG TI BMS 7-234 TI-3AL-2.5V COLD WORKED, STRESS RELIEVED TUBING	101102 108120 504903	1
300	271N6441-1426		.TUBE ASSY-PRESSURE SYS POSITION DATA: R TUBING MATERIAL: .250 IN. OD .016 IN. WALL 11.80 IN. LG TI BMS T-234 TI-3AL-2.5V COLD WORKED, STRESS RELIEVED TUBING	101102 108120 504903	1
303	271N6441-1011		.TUBE ASSY-PRESSURE SYS POSITION DATA: R TUBING MATERIAL: .375 IN. OD .019 IN. WALL 48.60 IN. LG TI BMS 7-234 TI-3AL-2.5V COLD WORKED, STRESS RELIEVED TUBING	101102 108120 504903	1
- 305	AS1581T06		..SLEEVE	101102 108120 504903	2
- 310	BACN10YA6		..NUT	101102 108120 504903	2
315	271N6441-1435		.TUBE ASSY	108120	1
- 320	AS1581T06		..SLEEVE	108120	1
- 325	AS1582T06		..UNION	108120	1
- 330	BACN10YA6		..NUT	108120	1
335	271N6441-1431		.TUBE ASSY-ALTERNATE EXTEND PRESSURE TUBING MATERIAL: .375 IN. OD .019 IN. WALL 42.50 IN. LG TI BMS 7-234 TI-3AL-2.5V COLD WORKED, STRESS RELIEVED TUBING	101102 108120 504903	1

MISSING ITEM NUMBERS NOT APPLICABLE

- ITEM NOT ILLUSTRATED

29-11-51-39A

29-11-51
FIG. 39A
PAGE 10
JAN 20/09

BRI

BOEING PROPRIETARY - Copyright © - Unpublished Work - See title page for details.



757

PARTS CATALOG (MAINTENANCE)

FIG ITEM	PART NUMBER	1 2 3 4 5 6 7	NOMENCLATURE	EFFECT FROM TO	UNITS PER ASSY
39A 340	271N6441-1300		.TUBE ASSY-PRESSURE SYS POSITION DATA: L TUBING MATERIAL: .375 IN. OD .019 IN. WALL 21.50 IN. LG TI BMS 7-234 TI-3AL-2.5V COLD WORKED, STRESS RELIEVED TUBING	101102 108120 504903	1
345	271N6441-1401		.TUBE ASSY-RETURN SYS POSITION DATA: R TUBING MATERIAL: .375 IN. OD .019 IN. WALL 13.8 IN. LG TI BMS 7-234 TI-3AL-2.5V COLD WORKED, STRESS RELIEVED TUBING	101102 108120 504903	1
350	271N6441-1316		.TUBE ASSY-PRESSURE SYS POSITION DATA: R TUBING MATERIAL: .375 IN. OD .019 IN. WALL 38.80 IN. LG TI BMS 7-234 TI-3AL-2.5V COLD WORKED, STRESS RELIEVED TUBING	101102 108120 504903	1
355	271N6441-1326		.TUBE ASSY-PRESSURE SYS POSITION DATA: R TUBING MATERIAL: .375 IN. OD .019 IN. WALL 11.90 IN. LG TI BMS 7-234 TI-3AL-2.5V COLD WORKED, STRESS RELIEVED TUBING	101102 108120 504903	1
360	271N6441-1327		.TUBE ASSY-PRESSURE SYS POSITION DATA: R TUBING MATERIAL: .375 IN. OD .019 IN. WALL 22.10 IN. LG TI BMS 7-234 TI-3AL-2.5V COLD WORKED, STRESS RELIEVED TUBING	101102 108120 504903	1
- 365	AS1581T06		..SLEEVE	101102 108120 504903	2

MISSING ITEM NUMBERS NOT APPLICABLE

- ITEM NOT ILLUSTRATED

29-11-51-39A

29-11-51
FIG. 39A
PAGE 11
JAN 20/09

BRI

BOEING PROPRIETARY - Copyright © - Unpublished Work - See title page for details.



757

PARTS CATALOG (MAINTENANCE)

FIG ITEM	PART NUMBER	1 2 3 4 5 6 7	NOMENCLATURE	EFFECT FROM TO	UNITS PER ASSY
39A - 370	BACN10YA6	..	NUT-	101102 108120 504903	2
375	271N6441-1088	.TUBE ASSY-RETURN SYS POSITION DATA: R TUBING MATERIAL: 1.00 IN. OD .035 IN. WALL 7.70 IN. LG AL AMS 4083 6061 T6 TUBING		101102 108120 504903	1
380	271N6441-1170	.TUBE ASSY-RETURN SYS POSITION DATA: R TUBING MATERIAL: 1.00 IN. OD .035 IN. WALL 27.70 IN. LG AL AMS 4083 6061 T6 TUBING		101102 108120 504903	1
- 385	AP2097HP16	..SLEEVE SUPPLIER CODE: V01673 SPECIFICATION NUMBER: BACS13BX16HP OPTIONAL PART: 2-02903-16HP V11328 35235VN16 V08199 AFP175V16P V30974 DBOS13BX16HP V14798		101102 108120 504903	2
- 390	BACN10YL16L	..NUT-		101102 108120 504903	2
395	271N6441-1084	.TUBE ASSY-RETURN SYS POSITION DATA: R TUBING MATERIAL: .500 IN. OD .035 IN. WALL 46.10 IN. LG AL AMS 4083 6061 T6 TUBING		101102 108120 504903	1

MISSING ITEM NUMBERS NOT APPLICABLE

- ITEM NOT ILLUSTRATED

29-11-51-39A

29-11-51
FIG. 39A
PAGE 12
JAN 20/09

BRI



757

PARTS CATALOG (MAINTENANCE)

FIG ITEM	PART NUMBER	1 2 3 4 5 6 7	NOMENCLATURE	EFFECT FROM TO	UNITS PER ASSY
39A - 400	AP2097HP08	..	SLEEVE SUPPLIER CODE: V01673 SPECIFICATION NUMBER: BACS13BX08HP OPTIONAL PART: 2-02903-08HP V11328 35235VN08 V08199 AFP175V08P V30974 DBOS13BX08HP V14798	101102 108120 504903	2
- 405	BACN10YLO8	..	NUT	101102 108120 504903	2
410	271N6441-1097	.TUBE ASSY-RETURN SYS POSITION DATA: R TUBING MATERIAL: .625 IN. OD .035 IN. WALL 11.2 IN. LG AL AMS 4083 6061 T6 TUBING		101102 108120 504903	RF
- 415	AP2097HP10	..	SLEEVE SUPPLIER CODE: V01673 SPECIFICATION NUMBER: BACS13BX10HP OPTIONAL PART: 2-02903-10HP V11328 35235VN10 V08199 AFP175V10P V30974 DBOS13BX10HP V14798	101102 108120 504903	RF

MISSING ITEM NUMBERS NOT APPLICABLE

- ITEM NOT ILLUSTRATED

29-11-51-39A

29-11-51
FIG. 39A
PAGE 13
JAN 20/09

BRI



757

PARTS CATALOG (MAINTENANCE)

FIG ITEM	PART NUMBER	1 2 3 4 5 6 7	NOMENCLATURE	EFFECT FROM TO	UNITS PER ASSY
39A - 420	35056GV10	..	UNION SUPPLIER CODE: V08199 SPECIFICATION NUMBER: BACU24AB10W OPTIONAL PART: 4671097W10 V50948 2-01027-10W V11328 31875-10W V14397 AP1004W10 V01673 AFP941W10 V30974 DBOU24AB10W V14798	101102 108120 504903	RF
- 425	BACN10YL10	..	NUT	101102 108120 504903	RF
450	271N6441-1405	.TUBE ASSY-RETURN SYS POSITION DATA: R TUBING MATERIAL: .625 IN. OD .032 IN. WALL 55.60 IN. LG TI BMS 7-234 TI-3AL-2.5V COLD WORKED, STRESS RELIEVED TUBING	101102 108120 504903	1	
453	271N6441-1030	.TUBE ASSY-RETURN SYS POSITION DATA: R TUBING MATERIAL: .625 IN. OD .032 IN. WALL 20.60 IN. LG TI BMS 7-234 TI-3AL-2.5V COLD WORKED, STRESS RELIEVED TUBING	101102 108120 504903	1	
- 455	AS1581T10	..	SLEEVE	101102 108120 504903	2
- 460	BACN10YA10	..	NUT	101102 108120 504903	2

MISSING ITEM NUMBERS NOT APPLICABLE

- ITEM NOT ILLUSTRATED

29-11-51-39A

29-11-51
FIG. 39A
PAGE 14
JAN 20/09

BRI

BOEING PROPRIETARY - Copyright © - Unpublished Work - See title page for details.



757

PARTS CATALOG (MAINTENANCE)

FIG ITEM	PART NUMBER	1 2 3 4 5 6 7	NOMENCLATURE	EFFECT FROM TO	UNITS PER ASSY
39A 465	271N6441-1032	.	TUBE ASSY-RETURN SYS POSITION DATA: R TUBING MATERIAL: .625 IN. OD .032 IN. WALL 91.30 IN. LG TI BMS 7-234 TI-3AL-2.5V COLD WORKED, STRESS RELIEVED TUBING	101102 108120 504903	1
- 470	AS1581T10	..	SLEEVE	101102 108120 504903	2
- 475	BACN10YA10	..	NUT-	101102 108120 504903	2
480	BACE21BL1606J	.	ELBOW	101102 108120 504903	1
490	BCREF118517	.	TEE- OVERLENGTH PART NUMBER: BACT16BR080606JN	101102 108120 504903	1
495	BCREF119106	.	TEE- OVERLENGTH PART NUMBER: BACT16BR080806JN	101102 108120 504903	1
500	BACT16BL060606J	.	TEE	101102 108120 504903	1
505	BACT16BL060606P	.	TEE	101102 108120 504903	2
510	BACT16BL101010J	.	TEE-	101102 108120 504903	1
515	NAS1763W101010	.	TEE	101102 108120 504903	1
520	NAS1764W161610	.	TEE-	101102 108120 504903	1
525	BCREF116868	.	TEE- OVERLENGTH PART NUMBER: BACT16BR161608JN	101102 108120 504903	1
530	BACT16BT080608P	.	TEE	101102 108120 504903	1
535	BACT16BL161606J	.	TEE-	101102 108120 504903	1

MISSING ITEM NUMBERS NOT APPLICABLE

- ITEM NOT ILLUSTRATED

29-11-51-39A

29-11-51
FIG. 39A
PAGE 15
JAN 20/09

BRI

BOEING PROPRIETARY - Copyright © - Unpublished Work - See title page for details.



757

PARTS CATALOG (MAINTENANCE)

FIG ITEM	PART NUMBER	1 2 3 4 5 6 7	NOMENCLATURE	EFFECT FROM TO	UNITS PER ASSY
39A 540	APX824F202012W	. TEE	SUPPLIER CODE: V01673 SPECIFICATION NUMBER: BACT16AS202012W OPTIONAL PART: APX824-202012W V01673 DB0T16AS202012W V14798 ER824-202012W V50948 FER1571-202012W V14397 LER824-202012W V11328 NAF1824-202012W V52930 US1925-202012W V50808 AFP325-202012W V30974	101102 108120 504903	1
545	BACT16AS160812W	. TEE-REDUCER		101102 108120 504903	1
550	1C3596	. VALVE-	SUPPLIER CODE: V99240 SPECIFICATION NUMBER: BACV10CD14 OPTIONAL PART: 0121520900-14 V83533	101102 108120 504903	1
555	0121520900-13	. VALVE-	SUPPLIER CODE: V83533 SPECIFICATION NUMBER: BACV10CD13	101102 108120 504903	1
560	1C3594	. VALVE-	SUPPLIER CODE: V99240 SPECIFICATION NUMBER: BACV10CD12 OPTIONAL PART: 0121520900-12 V83533	101102 108120 504903	1

MISSING ITEM NUMBERS NOT APPLICABLE

- ITEM NOT ILLUSTRATED

29-11-51-39A

29-11-51
FIG. 39A
PAGE 16
JAN 20/09

BRI



757

PARTS CATALOG (MAINTENANCE)

FIG ITEM	PART NUMBER	1 2 3 4 5 6 7	NOMENCLATURE	EFFECT FROM TO	UNITS PER ASSY
39A 565	AE81565K		.COUPLER- SUPPLIER CODE: V00624 SPECIFICATION NUMBER: S270T202-5	101102 108120 504903	1
567	AP1042JN1010		.ELBOW SUPPLIER CODE: V01673 SPECIFICATION NUMBER: BACE21BT1010JN	101102 108120 504903	1
570	BACT16BL121206J		.TEE- POSITION DATA: STA 1060 RBL 30	101102 108120 504903	1
571	BACT16BT060606T		.TEE	108120	1
575	271N6303-2		.BRACKET ASSY	101102 108120 504903	1
580	271N6303-1		.BRACKET ASSY	101102 108120 504903	1
900			ILLUSTRATION REFERENCE: VALVE INSTL-ACCUMULATOR ISOLATION 32-44-06-01	101102 108120 504903	RF
905			ILLUSTRATION REFERENCE: VALVE INSTL-BRAKE ISOLATION SYS 29-11-27-01	101102 108120 504903	RF
910			ILLUSTRATION REFERENCE: VALVE INSTL-NORMAL BRAKES ANTISKID 32-42-02-01	101102 108120 504903	RF
915			ILLUSTRATION REFERENCE: PLUMBING INSTL BASIC AND STABLE 29-11-51-48	101102 108120 504903	RF
920			ILLUSTRATION REFERENCE: PLUMBING INSTL-FILLET AND TE ROLLS ROYCE RETURN LINES 29-11-51-68	101102 108120 504903	RF
925			ILLUSTRATION REFERENCE: PLUMBING INSTL-MAIN WHL WELL FWD BHD HYDR 29-11-51-78	101102 108120 504903	RF
930			ILLUSTRATION REFERENCE: VALVE INSTL-AUTOBRAKE SHUTTLE 32-42-10-01	101102 108120 504903	RF

MISSING ITEM NUMBERS NOT APPLICABLE

- ITEM NOT ILLUSTRATED

29-11-51-39A

29-11-51
FIG. 39A
PAGE 17
JAN 20/09

BRI



757

PARTS CATALOG (MAINTENANCE)

FIG ITEM	PART NUMBER	1 2 3 4 5 6 7	NOMENCLATURE	EFFECT FROM TO	UNITS PER ASSY
39A 935			ILLUSTRATION REFERENCE: PLUMBING INSTL-SECT. 44 MLG WHL WELL HYDR (HYDRAULIC BRAKE SYSTEM ONLY) 32-41-51-22	101102 108120 504903	RF
940			ILLUSTRATION REFERENCE: MODULE AND BRACKET INSTL- PARKING BRAKE 32-44-03-01	101102 108120 504903	RF
945			ILLUSTRATION REFERENCE: RESERVOIR INSTL-R SYS HYDR 29-11-20-01	101102 108120 504903	RF
950			ILLUSTRATION REFERENCE: MODULE AND SUPPORT INSTL-LG BRAKE METERING VALVE 32-41-02-05	101102 108120 504903	RF
955			ILLUSTRATION REFERENCE: PLUMBING INSTL-SECT. 44 MLG WHL WELL HYDR (HYDRAULIC BRAKE SYSTEM ONLY) 32-41-51-22	101102 108120 504903	RF
960			ILLUSTRATION REFERENCE: PLUMBING INSTL-MAIN WHL WELL FWD BHD HYDR (HYDRAULIC POWER ONLY) 29-11-51-39B	101102 108120 504903	RF
965			ILLUSTRATION REFERENCE: TRANSMITTER INSTL-NORMAL BRAKE PRESSURE 31-31-13-02	101102 108120 504903	RF
970			ILLUSTRATION REFERENCE: VALVE INSTL-ALTERNATE BRAKE SELECTOR 32-41-04-01	101102 108120 504903	RF
975			ILLUSTRATION REFERENCE: PLUMBING INSTL-SECT. 49 AND SECT. 44 AC BAY HYDR 32-35-51-40A	101102 108120 504903	RF

MISSING ITEM NUMBERS NOT APPLICABLE

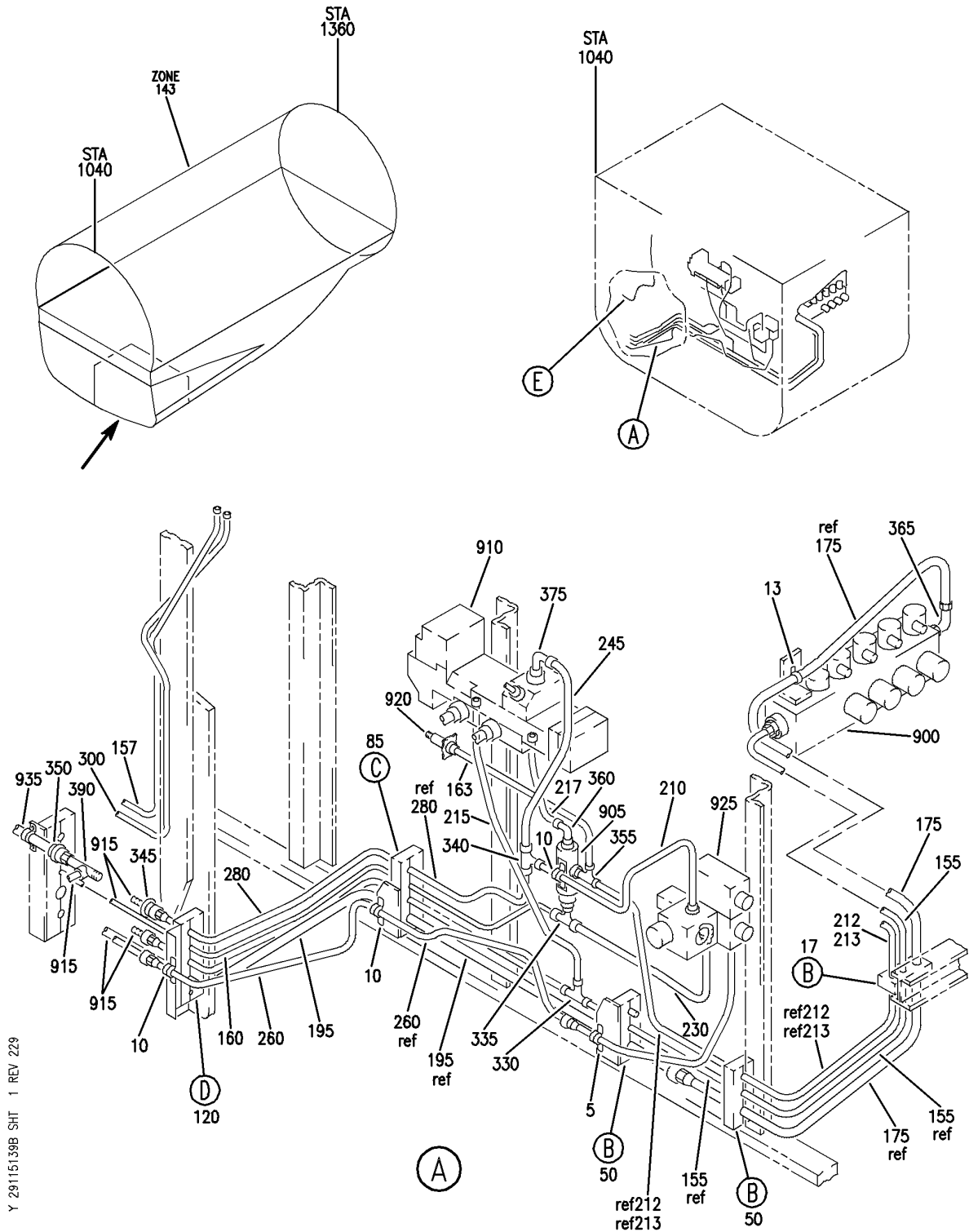
- ITEM NOT ILLUSTRATED

29-11-51-39A

29-11-51
FIG. 39A
PAGE 18
JAN 20/09

BRI

BOEING
757
PARTS CATALOG (MAINTENANCE)



Y 29115139B SHT 1 REV 229

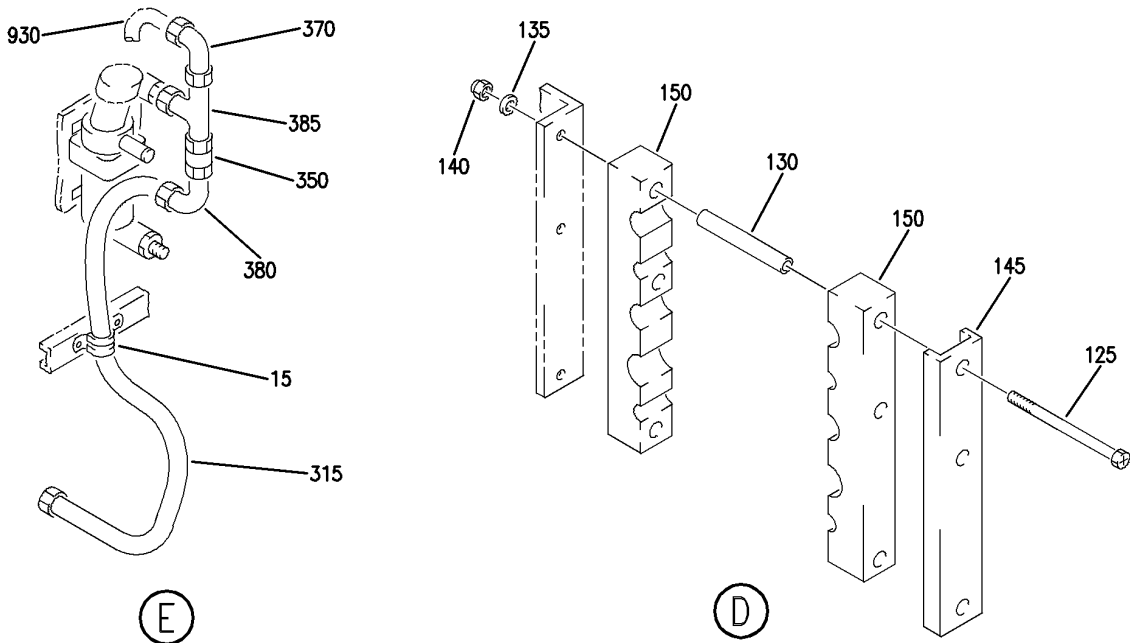
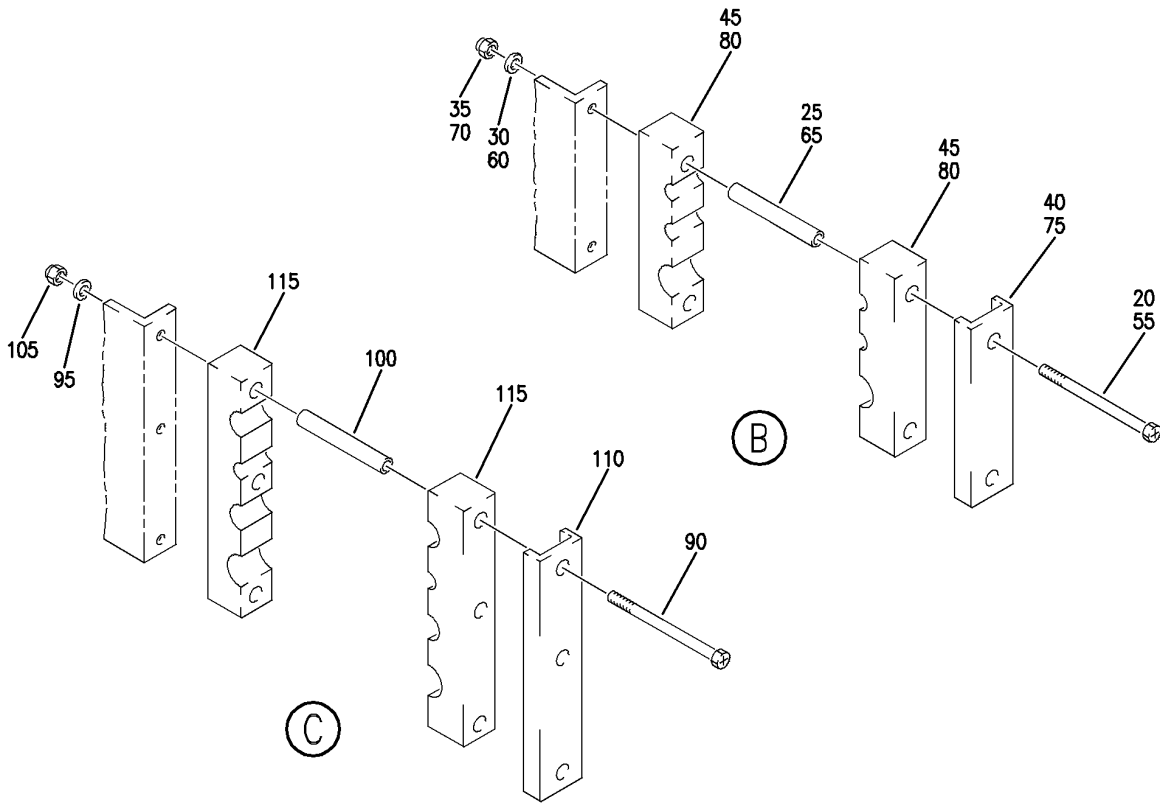
PLUMBING INSTL-MAIN WHL WELL FWD BHD HYDR (HYDRAULIC POWER ONLY)
FIGURE 39B (SHEET 1)

29-11-51-39B

BRI
MAY 28/07

29-11-51-39B
PAGE 0

BOEING
757
PARTS CATALOG (MAINTENANCE)



Y 29115139B SHT 2 REV 227

PLUMBING INSTL-MAIN WHL WELL FWD BHD HYDR (HYDRAULIC POWER ONLY)
FIGURE 39B (SHEET 2)

BRI
MAY 28/07

29-11-51-39B

29-11-51-39B
PAGE 0A



757

PARTS CATALOG (MAINTENANCE)

FIG ITEM	PART NUMBER	1 2 3 4 5 6 7	NOMENCLATURE	EFFECT FROM TO	UNITS PER ASSY
39B					
- 1	271N6441-30		PLUMBING INSTL-MAIN WHL WELL FWD BHD HYDR (HYDRAULIC POWER ONLY)	101102 108120 504903	
- 1	271N6441-35		PLUMBING INSTL-MAIN WHL WELL BHD HYDR (HYDRAULIC POWER ONLY) POSITION DATA: FWD L FOR NHA/OTHER SYS DET SEE: 29-00-51-02C	101102 504903	RF
5	TA0910004H108		.CLAMP SUPPLIER CODE: V84971 SPECIFICATION NUMBER: BACC10HB08C	101102 108120 504903	1
10	TA0910004H106		.CLAMP SUPPLIER CODE: V84971 SPECIFICATION NUMBER: BACC10HB06C	101102 108120 504903	3
13	TA0910004H110		.CLAMP SUPPLIER CODE: V84971 SPECIFICATION NUMBER: BACC10HB10C	101102 108120 504903	1
15	TA0910004H112		.CLAMP SUPPLIER CODE: V84971 SPECIFICATION NUMBER: BACC10HB12C	101102 108120 504903	1
17	270N2000-95		.CLAMP ASSY-	101102 108120 504903	1
20	NAS1801-3-28		.. SCREW	101102 108120 504903	2
25	NAS43DD3-75		.. SPACER	101102 108120 504903	2
30	AN960PD10L		.. WASHER	101102 108120 504903	2

MISSING ITEM NUMBERS NOT APPLICABLE

- ITEM NOT ILLUSTRATED

29-11-51-39B

29-11-51
FIG. 39B
PAGE 1
JAN 20/09

BRI

BOEING PROPRIETARY - Copyright © - Unpublished Work - See title page for details.



757

PARTS CATALOG (MAINTENANCE)

FIG ITEM	PART NUMBER	1 2 3 4 5 6 7	NOMENCLATURE	EFFECT FROM TO	UNITS PER ASSY
39B 35	BRH10A3	. .	NUT SUPPLIER CODE: V52828 SPECIFICATION NUMBER: BACN10JC3 OPTIONAL PART: H10-3BAC V15653 NS202101-02 V80539 RMLH9075-3W V72962 VN303A02 V92215 96-02 V80539 T6S1032J V11815	101102 108120 504903	2
40	270N2000-884	. .	CHANNEL	101102 108120 504903	1
45	270N2000-563	. .	BLOCK	101102 108120 504903	2
50	270N2000-92	. .	CLAMP ASSY-BLK	101102 108120 504903	2
55	NAS1801-3-28	. .	SCREW	101102 108120 504903	2
60	AN960PD10L	. .	WASHER	101102 108120 504903	2
65	NAS43DD3-75	. .	SPACER	101102 108120 504903	2

MISSING ITEM NUMBERS NOT APPLICABLE

- ITEM NOT ILLUSTRATED

29-11-51-39B

29-11-51
FIG. 39B
PAGE 2
JAN 20/09

BRI

BOEING PROPRIETARY - Copyright © - Unpublished Work - See title page for details.



757

PARTS CATALOG (MAINTENANCE)

FIG ITEM	PART NUMBER	1 2 3 4 5 6 7	NOMENCLATURE	EFFECT FROM TO	UNITS PER ASSY
39B 70	BRH10A3	..	NUT SUPPLIER CODE: V52828 SPECIFICATION NUMBER: BACN10JC3 OPTIONAL PART: H10-3BAC V15653 NS202101-02 V80539 RMLH9075-3W V72962 VN303A02 V92215 96-02 V80539 T6S1032J V11815	101102 108120 504903	2
75	270N2000-883	..	CHANNEL	101102 108120 504903	1
80	270N2000-562	..	BLOCK	101102 108120 504903	2
85	270N2000-93	.	CLAMP ASSY-BLK	101102 108120 504903	1
90	NAS1801-3-28	..	SCREW	101102 108120 504903	3
95	AN960PD10L	..	WASHER	101102 108120 504903	3
100	NAS43DD3-75	..	SPACER	101102 108120 504903	3

MISSING ITEM NUMBERS NOT APPLICABLE

- ITEM NOT ILLUSTRATED

29-11-51-39B

29-11-51
FIG. 39B
PAGE 3
JAN 20/09

BRI

BOEING PROPRIETARY - Copyright © - Unpublished Work - See title page for details.



757

PARTS CATALOG (MAINTENANCE)

FIG ITEM	PART NUMBER	1 2 3 4 5 6 7	NOMENCLATURE	EFFECT FROM TO	UNITS PER ASSY
39B 105	BRH10A3	..	NUT SUPPLIER CODE: V52828 SPECIFICATION NUMBER: BACN10JC3 OPTIONAL PART: H10-3BAC V15653 NS202101-02 V80539 RMLH9075-3W V72962 VN303A02 V92215 96-02 V80539 T6S1032J V11815	101102 108120 504903	3
110	270N2000-882	..	CHANNEL	101102 108120 504903	1
115	270N2000-561	..	BLOCK	101102 108120 504903	2
120	270N2000-91	.	CLAMP ASSY-BLK	101102 108120 504903	1
125	NAS1801-3-24	..	SCREW	101102 108120 504903	3
130	NAS43DD3-99	..	SPACER	101102 108120 504903	3
135	AN960PD10L	..	WASHER	101102 108120 504903	3

MISSING ITEM NUMBERS NOT APPLICABLE

- ITEM NOT ILLUSTRATED

29-11-51-39B

29-11-51
FIG. 39B
PAGE 4
JAN 20/09

BRI

BOEING PROPRIETARY - Copyright © - Unpublished Work - See title page for details.



757

PARTS CATALOG (MAINTENANCE)

FIG ITEM	PART NUMBER	1 2 3 4 5 6 7	NOMENCLATURE	EFFECT FROM TO	UNITS PER ASSY
39B 140	BRH10A3	..	NUT SUPPLIER CODE: V52828 SPECIFICATION NUMBER: BACN10JC3 OPTIONAL PART: H10-3BAC V15653 NS202101-02 V80539 RMLH9075-3W V72962 VN303A02 V92215 96-02 V80539 T6S1032J V11815	101102 108120 504903	3
145	270N2000-881	..	CHANNEL	101102 108120 504903	1
150	270N2000-560	..	BLOCK	101102 108120 504903	2
155	271N6441-1005	.TUBE ASSY-R	PRESSURE SYS TUBING MATERIAL: .375 IN. OD .019 IN. WALL 49.90 IN. LG TI BMS 7-234 TI-3AL-2.5V COLD WORKED, STRESS RELIEVED TUBING	101102 108120 504903	1
157	271N6441-1147	.TUBE ASSY-L	PRESSURE SYS TUBING MATERIAL: .375 IN. OD .019 IN. WALL 49.10 IN. LG TI BMS 7-234 TI-3AL-2.5V COLD WORKED, STRESS RELIEVED TUBING	101102 108120 504903	1
160	271N6441-1071	.TUBE ASSY-R	BRAKE PRESSURE SYS TUBING MATERIAL: .375 IN. OD .019 IN. WALL 103.50 IN. LG TI BMS 7-234 TI-3AL-2.5V COLD WORKED, STRESS RELIEVED TUBING	101102 108120 504903	RF
163	271N6441-1432	.TUBE ASSY-R	BRAKE PRESSURE SYS	108120	1

MISSING ITEM NUMBERS NOT APPLICABLE

- ITEM NOT ILLUSTRATED

29-11-51-39B

29-11-51
FIG. 39B
PAGE 5
JAN 20/09

BRI

BOEING PROPRIETARY - Copyright © - Unpublished Work - See title page for details.



757

PARTS CATALOG (MAINTENANCE)

FIG ITEM	PART NUMBER	1 2 3 4 5 6 7	NOMENCLATURE	EFFECT FROM TO	UNITS PER ASSY
39B - 165	AS1581T06	..	SLEEVE	101102 108120 504903	2
- 170	BACN10YA6	..	NUT	101102 108120 504903	2
175	271N6441-1278	.TUBE ASSY-R RETURN SYS TUBING MATERIAL: .625 IN. OD .032 IN. WALL 64.90 IN. LG TI BMS 7-234 TI-3AL-2.5V COLD WORKED, STRESS RELIEVED TUBING		101102 108120 504903	1
- 180	AS1581T10	..	SLEEVE	101102 108120 504903	1
- 185	BACN10YA10	..	NUT-	101102 108120 504903	1
- 190	AS1582T10	..	UNION	101102 108120 504903	1
195	271N6441-1032	.TUBE ASSY-R RETURN SYS TUBING MATERIAL: .625 IN. OD .032 IN. WALL 91.30 IN. LG TI BMS 7-234 TI-3AL-2.5V COLD WORKED, STRESS RELIEVED TUBING		101102 108120 504903	RF
- 200	AS1581T10	..	SLEEVE	101102 108120 504903	2
- 205	BACN10YA10	..	NUT	101102 108120 504903	2
210	271N6441-1308	.TUBE ASSY-R RETURN SYS TUBING MATERIAL: .375 IN. OD .019 IN. WALL 18.88 IN. LG TI BMS 7-234 TI-3AL-2.5V COLD WORKED, STRESS RELIEVED TUBING		101102 108120 504903	1
213	271N6441-1433	.TUBE ASSY-R BRAKE PRESSURE SYS TUBING MATERIAL: .375 IN OD .019 IN WALL 53.20 IN LG TI		108120	1

MISSING ITEM NUMBERS NOT APPLICABLE

- ITEM NOT ILLUSTRATED

29-11-51-39B

29-11-51
FIG. 39B
PAGE 6
JAN 20/09

BRI

BOEING PROPRIETARY - Copyright © - Unpublished Work - See title page for details.



757

PARTS CATALOG (MAINTENANCE)

FIG ITEM	PART NUMBER	1 2 3 4 5 6 7	NOMENCLATURE	EFFECT FROM TO	UNITS PER ASSY
39B 215	271N6441-1378		.TUBE ASSY-R PRESSURE SYS TUBING MATERIAL: .375 IN. OD .019 IN. WALL 19.40 IN. LG TI BMS 7-234 TI-3AL-2.5V COLD WORKED, STRESS RELIEVED TUBING	101102 108120 504903	1
217	271N6441-1412		.TUBE ASSY-R BRAKE PRESSURE SYS TUBING MATERIAL: .375 IN. OD .019 IN. WALL 7.0 IN. LG TI BMS 7-234 TI-3AL-2.5V COLD WORKED, STRESS RELIEVED TUBING	108120	RF
- 220	AS1581T06		..SLEEVE	108120	2
- 220	AS1581T06		..SLEEVE	101102 504903	2
- 225	BACN10YA6		..NUT- USED ON: 271N6441-1308 271N6441-1378 271N6441-1433	108120	2
- 225	BACN10YA6		..NUT-	101102 504903	2
- 225	BACN10YA6L		..NUT- USED ON: 271N6441-1412	108120	2
230	271N6441-1419		.TUBE ASSY-R BRAKE PRESSURE SYS TUBING MATERIAL: .500 IN. OD .026 IN. WALL 11.50 IN. LG TI BMS 7-234 TI-3AL-2.5V COLD WORKED, STRESS RELIEVED TUBING	101102 108120 504903	RF
- 235	AS1581T08		..SLEEVE	101102 108120 504903	2
- 240	BACN10YA8		..NUT-	101102 108120 504903	2
245	271N6441-1377		.TUBE ASSY-R RETURN SYS TUBING MATERIAL: .625 IN. OD .035 IN. WALL 22.40 IN. LG AL AMS 4083 6061 T6 TUBING	101102 108120 504903	1

MISSING ITEM NUMBERS NOT APPLICABLE

- ITEM NOT ILLUSTRATED

29-11-51-39B

29-11-51
FIG. 39B
PAGE 7
JAN 20/09

BRI

BOEING PROPRIETARY - Copyright © - Unpublished Work - See title page for details.



757

PARTS CATALOG (MAINTENANCE)

FIG ITEM	PART NUMBER	1 2 3 4 5 6 7	NOMENCLATURE	EFFECT FROM TO	UNITS PER ASSY
39B - 250	AP2097HP10	..	SLEEVE SUPPLIER CODE: V01673 SPECIFICATION NUMBER: BACS13BX10HP OPTIONAL PART: 2-02903-10HP V11328 35235VN10 V08199 AFP175V10P V30974 DBOS13BX10HP V14798	101102 108120 504903	2
- 255	BACN10YL10	..	NUT	101102 108120 504903	2
260	271N6441-1369	.TUBE ASSY-R PRESSURE SYS TUBING MATERIAL: .375 IN. OD .019 IN. WALL 37.70 IN. LG TI BMS 7-234 TI-3AL-2.5V COLD WORKED, STRESS RELIEVED TUBING	101102 108120 504903	1	
- 265	AS1581T06	..	SLEEVE	101102 108120 504903	1
- 270	BACN10YA6	..	NUT-	101102 108120 504903	1
- 275	AS1582T06	..	UNION	101102 108120 504903	1
280	271N6441-1414	.TUBE ASSY-R RETURN SYS TUBING MATERIAL: .500 IN. OD .035 IN. WALL 34.40 IN. LG AL AMS 4083 6061 T6 COLD WORKED, STRESS RELIEVED TUBING	101102 108120 504903	1	

MISSING ITEM NUMBERS NOT APPLICABLE

- ITEM NOT ILLUSTRATED

29-11-51-39B

29-11-51
FIG. 39B
PAGE 8
JAN 20/09

BRI

BOEING PROPRIETARY - Copyright © - Unpublished Work - See title page for details.



757

PARTS CATALOG (MAINTENANCE)

FIG ITEM	PART NUMBER	1 2 3 4 5 6 7	NOMENCLATURE	EFFECT FROM TO	UNITS PER ASSY
39B - 285	AP2097HP08	..	SLEEVE SUPPLIER CODE: V01673 SPECIFICATION NUMBER: BACS13BX08HP OPTIONAL PART: 2-02903-08HP V11328 35235VN08 V08199 AFP175V08P V30974 DBOS13BX08HP V14798	101102 108120 504903	1
- 290	BACN10YLO8	..	NUT	101102 108120 504903	1
- 295	35056GV08	..	UNION SUPPLIER CODE: V08199 SPECIFICATION NUMBER: BACU24AB8W OPTIONAL PART: 2-01027-8W V11328 31875-8W V14397 4671097W8 V50948 AP1004W08 V01673 AFP941W8 V30974 DBOU24AB8W V14798	101102 108120 504903	1
300	271N6441-1395	.TUBE ASSY-L	RETURN SYS TUBING MATERIAL: .375 IN. OD .035 IN. WALL 50.3 IN. LG AL AMS 4083 6061 T6 TUBING	101102 108120 504903	1

MISSING ITEM NUMBERS NOT APPLICABLE

- ITEM NOT ILLUSTRATED

29-11-51-39B

29-11-51
FIG. 39B
PAGE 9
JAN 20/09

BRI

BOEING PROPRIETARY - Copyright © - Unpublished Work - See title page for details.



757

PARTS CATALOG (MAINTENANCE)

FIG ITEM	PART NUMBER	1 2 3 4 5 6 7	NOMENCLATURE	EFFECT FROM TO	UNITS PER ASSY
39B - 305	AP2097HP06	..	SLEEVE SUPPLIER CODE: V01673 SPECIFICATION NUMBER: BACS13BX06HP OPTIONAL PART: 2-02903-06HP V11328 35235VN06 V08199 AFP175V06P V30974 DBOS13BX06HP V14798	101102 108120 504903	2
- 310	BACN10YL06	..	NUT	101102 108120 504903	2
315	271N6441-1429	.TUBE ASSY-R RETURN SYS TUBING MATERIAL: .750 IN. OD .035 IN. WALL 38.6 IN. LG AL AMS 4081 6061 T6 COLD WORKED, STRESS RELIEVED TUBING		101102 108120 504903	1
- 320	AP2097HP12	..	SLEEVE SUPPLIER CODE: V01673 SPECIFICATION NUMBER: BACS13BX12HP OPTIONAL PART: 2-02903-12HP V11328 35235VN12 V08199 AFP175V12P V30974 DBOS13BX12HP V14798	101102 108120 504903	2
- 325	BACN10YL12	..	NUT	101102 108120 504903	2
330	BACT16BL060606J	.TEE		101102 108120 504903	1
335	BCREF116872	.TEE- OVERLENGTH PART NUMBER: BACT16BT080606JN		101102 108120 504903	1

MISSING ITEM NUMBERS NOT APPLICABLE

- ITEM NOT ILLUSTRATED

29-11-51-39B

29-11-51
FIG. 39B
PAGE 10
JAN 20/09

BRI

BOEING PROPRIETARY - Copyright © - Unpublished Work - See title page for details.



757

PARTS CATALOG (MAINTENANCE)

FIG ITEM	PART NUMBER	1 2 3 4 5 6 7	NOMENCLATURE	EFFECT FROM TO	UNITS PER ASSY
39B 340	APX824F100806W	. TEE	SUPPLIER CODE: V01673 SPECIFICATION NUMBER: BACT16AS100806W OPTIONAL PART: APX824-100806W V01673 DBOT16AS100806W V14798 ER824-100806W V50948 FER1571-100806W V14397 LER824-100806W V11328 NAF1824-100806W V52930 US1925-100806W V50808 AFP325-100806W V30974	101102 108120 504903	1
345	1C3510	. VALVE-CHECK	SUPPLIER CODE: V99240 SPECIFICATION NUMBER: BACV10CD13 OPTIONAL PART: 0121520900-13 V83533	101102 108120 504903	1
350	1C3598	. VALVE-CHECK	SUPPLIER CODE: V99240 SPECIFICATION NUMBER: BACV10CD15 OPTIONAL PART: 0121520900-15 V83533	101102 108120 504903	2
355	BCREF116854	. TEE-	OVERLENGTH PART NUMBER: BACT16BR060606JN	108120	1
360	AP1042JN0606	. ELBOW	SUPPLIER CODE: V01673 SPECIFICATION NUMBER: BACE21BT0606JN	101102 108120 504903	1

MISSING ITEM NUMBERS NOT APPLICABLE

- ITEM NOT ILLUSTRATED

29-11-51-39B

29-11-51
FIG. 39B
PAGE 11
JAN 20/09

BRI

BOEING PROPRIETARY - Copyright © - Unpublished Work - See title page for details.



757

PARTS CATALOG (MAINTENANCE)

FIG ITEM	PART NUMBER	1 2 3 4 5 6 7	NOMENCLATURE	EFFECT FROM TO	UNITS PER ASSY
39B 365	AP1042JN1010	.ELBOW	SUPPLIER CODE: V01673 SPECIFICATION NUMBER: BACE21BT1010JN	101102 108120 504903	1
370	NAS1762W0606	.ELBOW		101102 108120 504903	1
375	NAS1762W1010	.ELBOW		101102 108120 504903	1
380	NAS1762W1212	.ELBOW		101102 108120 504903	1
385	NAS1764W120616	.TEE		101102 108120 504903	1
390	APX824F121206W	.TEE	SUPPLIER CODE: V01673 SPECIFICATION NUMBER: BACT16AS121206W OPTIONAL PART: APX824-121206W V01673 DBOT16AS121206W V14798 ER824-121206W V50948 FER1571-121206W V14397 LER824-121206W V11328 NAF1824-121206W V52930 US1925-121206W V50808 AFP325-121206W V30974	101102 108120 504903	1
900			ILLUSTRATION REFERENCE: VALVE INSTL-NORMAL BRAKES ANTISKID 32-42-02-01	101102 108120 504903	RF
905			ILLUSTRATION REFERENCE: VALVE INSTL-AUTOBRAKE SHUTTLE 32-42-10-01	101102 108120 504903	RF

MISSING ITEM NUMBERS NOT APPLICABLE

- ITEM NOT ILLUSTRATED

29-11-51-39B

29-11-51
FIG. 39B
PAGE 12
JAN 20/09

BRI

BOEING PROPRIETARY - Copyright © - Unpublished Work - See title page for details.



757

PARTS CATALOG (MAINTENANCE)

FIG ITEM	PART NUMBER	1 2 3 4 5 6 7	NOMENCLATURE	EFFECT FROM TO	UNITS PER ASSY
39B 910			ILLUSTRATION REFERENCE: MODULE AND SUPPORT INSTL-LG BRAKE METERING VALVE 32-41-02-05	101102 108120 504903	RF
915			ILLUSTRATION REFERENCE: PLUMBING INSTL-MAIN WHL WELL FWD BHD HYDR (HYDRAULIC POWER ONLY) 29-11-51-39A	101102 108120 504903	RF
920			ILLUSTRATION REFERENCE: TRANSMITTER INSTL-NORMAL BRAKE PRESSURE 31-31-13-02	101102 108120 504903	RF
925			ILLUSTRATION REFERENCE: VALVE INSTL-AUTO BRAKE MODULE 32-42-09-01	101102 108120 504903	RF
930			ILLUSTRATION REFERENCE: PLUMBING INSTL-HYDR, MLG WHL WELL, KEEL BEAM 29-11-51-94	101102 108120 504903	RF
935			ILLUSTRATION REFERENCE: PLUMBING INSTL-MAIN WHL WELL FWD BHD HYDR (HYDRAULIC POWER ONLY) 29-11-51-39A	101102 108120 504903	RF

MISSING ITEM NUMBERS NOT APPLICABLE

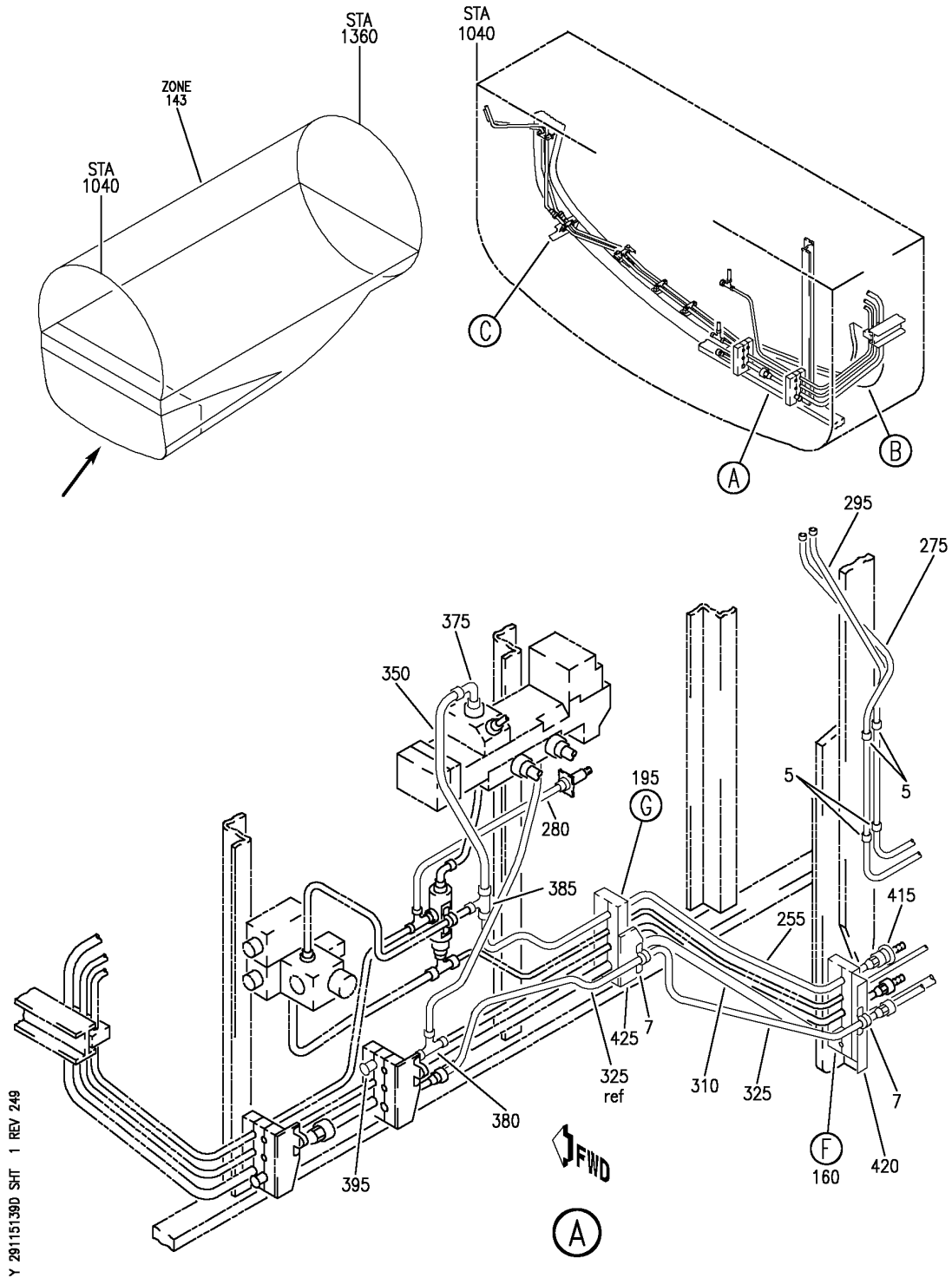
- ITEM NOT ILLUSTRATED

29-11-51-39B

29-11-51
FIG. 39B
PAGE 13
JAN 20/09

BRI

BOEING
757
PARTS CATALOG (MAINTENANCE)



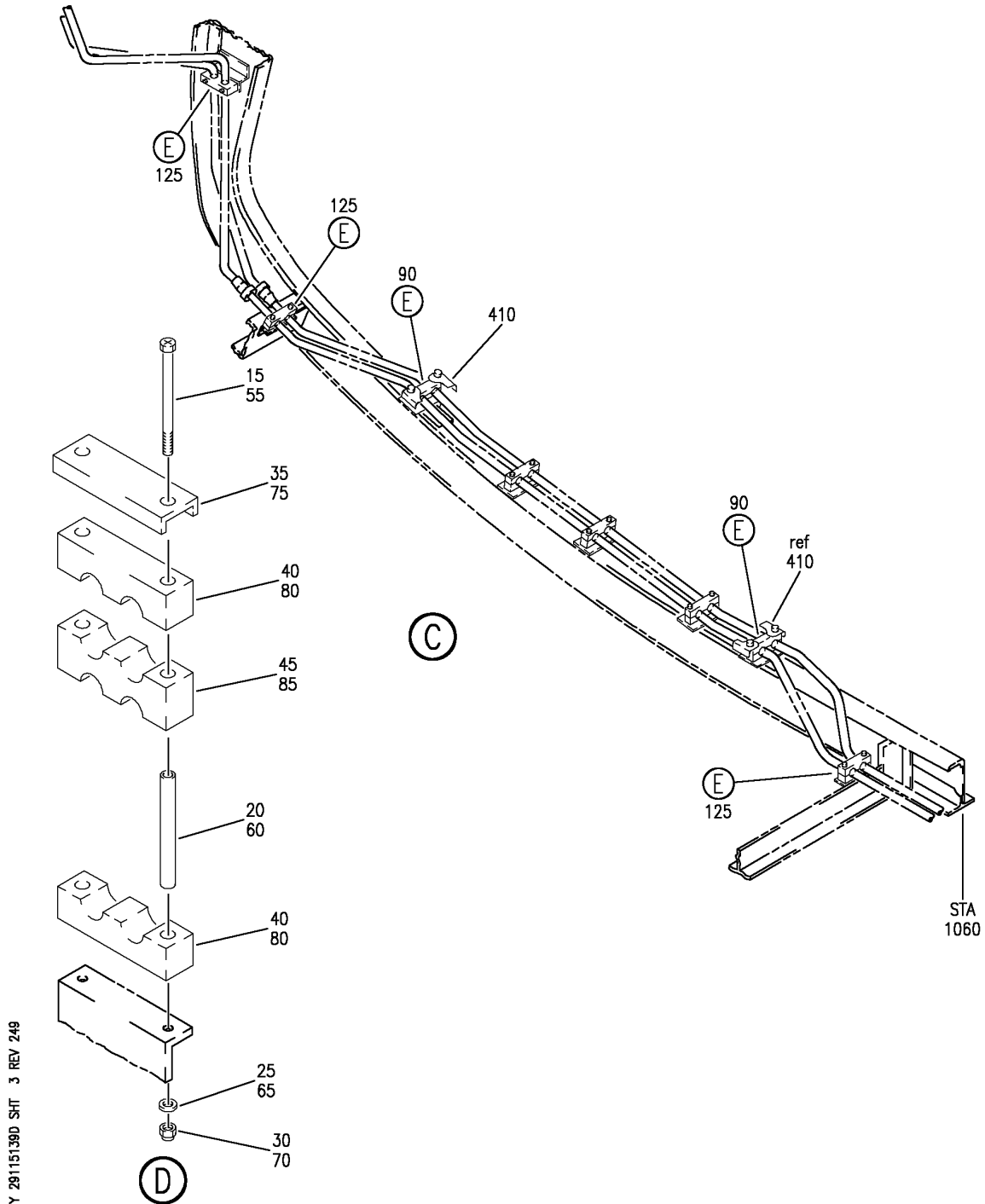
PLUMBING INSTL-MAIN WHL WELL BHD HYDR (MAIN HYDRAULIC SYSTEMS ONLY)
FIGURE 39D (SHEET 1)

BRI
JAN 20/09

29-11-51-39D

29-11-51-39D
PAGE 0

BOEING
757
PARTS CATALOG (MAINTENANCE)



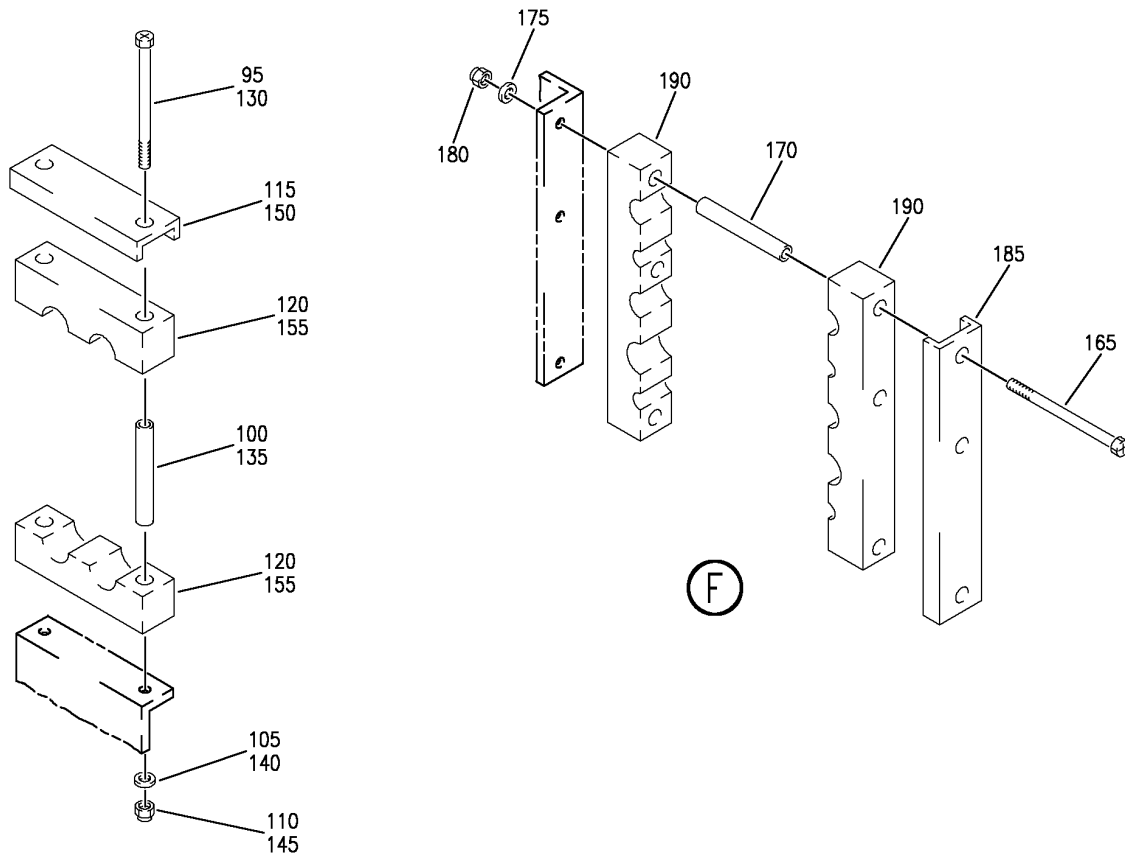
PLUMBING INSTL-MAIN WHL WELL BHD HYDR (MAIN HYDRAULIC SYSTEMS ONLY)
FIGURE 39D (SHEET 3)

29-11-51-39D

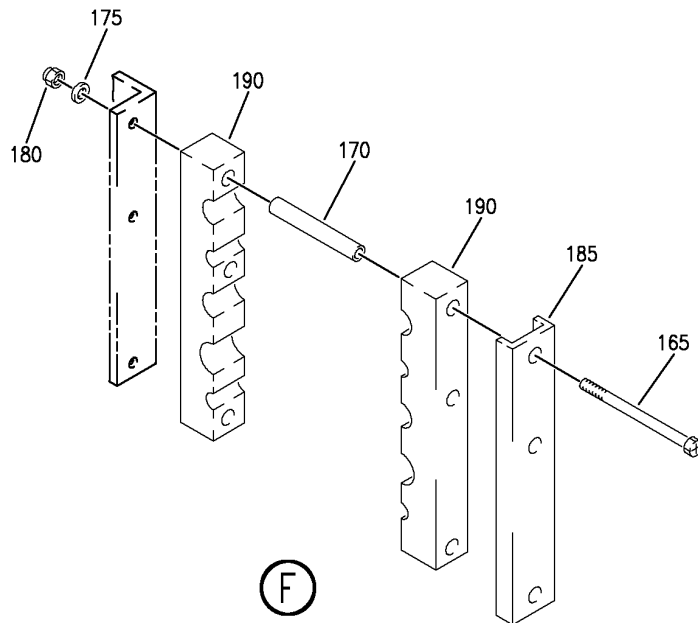
BRI
JAN 20/09

29-11-51-39D
PAGE 0B

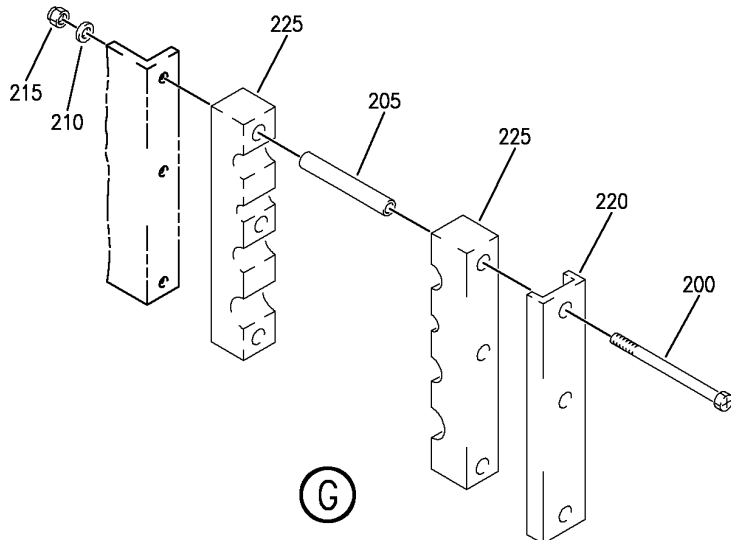
BOEING
757
PARTS CATALOG (MAINTENANCE)



(E)



(F)



(G)

Y 29115139D SHT 4 REV 249

PLUMBING INSTL-MAIN WHL WELL BHD HYDR (MAIN HYDRAULIC SYSTEMS ONLY)
FIGURE 39D (SHEET 4)

29-11-51-39D

BRI
JAN 20/09

29-11-51-39D
PAGE 0C



757

PARTS CATALOG (MAINTENANCE)

FIG ITEM	PART NUMBER	1 2 3 4 5 6 7	NOMENCLATURE	EFFECT FROM TO	UNITS PER ASSY
39D			PLUMBING INSTL-MAIN WHL WELL BHD HYDR (MAIN HYDRAULIC SYSTEMS ONLY)	103106	
- 1	MODREF31486		PLUMBING INSTL-MAIN WHL WELL BHD HYDR (MAIN HYDRAULIC SYSTEMS ONLY) MODULE NUMBER: 271N6441-41 REV B POSITION DATA: FWD FOR OTHER SYS DETAILS SEE: 11-22-06-05 27-11-14-12 29-22-01-02 32-35-10-02 32-41-02-11 32-41-02-12 32-41-04-02 32-42-02-03 32-42-02-04 32-42-09-02 32-42-10-02 32-44-03-03 32-44-06-02 FOR ADDITIONAL DETAILS SEE: 29-11-27-02 29-11-51-39E	103106	1
5	M85052-2-6		.CLAMP	103106	4
7	TA0910004H106		.CLAMP SUPPLIER CODE: V84971 SPECIFICATION NUMBER: BACC10HB06C	103106	2
10	270N2000-207		.CLAMP ASSY-BLK	103106	2
15	NAS1801-3-41		..SCREW	103106	2
20	NAS43DD3-132		..SPACER	103106	2
25	AN960PD10L		..WASHER	103106	2

MISSING ITEM NUMBERS NOT APPLICABLE

- ITEM NOT ILLUSTRATED

29-11-51-39D

29-11-51
FIG. 39D
PAGE 1
JAN 20/09

BRI



757

PARTS CATALOG (MAINTENANCE)

FIG ITEM	PART NUMBER	1 2 3 4 5 6 7	NOMENCLATURE	EFFECT FROM TO	UNITS PER ASSY
39D 30	BRH10A3	..	NUT SUPPLIER CODE: V52828 SPECIFICATION NUMBER: BACN10JC3 OPTIONAL PART: H10-3BAC V15653 NS202101-02 V80539 RMLH9075-3W V72962 VN303A02 V92215 96-02 V80539 T6S1032J V11815	103106	2
35	270N2000-861	..	CHANNEL	103106	1
40	270N2000-697	..	BLOCK	103106	2
45	270N2000-698	..	BLOCK	103106	1
50	270N2000-208	.	CLAMP ASSY-BLK	103106	6
55	NAS1801-3-41	..	SCREW	103106	2
60	NAS43DD3-132	..	SPACER	103106	2
65	AN960PD10L	..	WASHER	103106	2
70	BRH10A3	..	NUT SUPPLIER CODE: V52828 SPECIFICATION NUMBER: BACN10JC3 OPTIONAL PART: H10-3BAC V15653 NS202101-02 V80539 RMLH9075-3W V72962 VN303A02 V92215 96-02 V80539 T6S1032J V11815	103106	2
75	270N2000-1000	..	CHANNEL	103106	1
80	270N2000-622	..	BLOCK	103106	2
85	270N2000-696	..	BLOCK	103106	1
90	270N2000-154	.	CLAMP ASSY-BLK	103106	5
95	NAS1801-3-26	..	SCREW	103106	2
100	NAS43DD3-67	..	SPACER	103106	2

MISSING ITEM NUMBERS NOT APPLICABLE

- ITEM NOT ILLUSTRATED

29-11-51-39D

29-11-51
FIG. 39D
PAGE 2
JAN 20/09

BRI

BOEING PROPRIETARY - Copyright © - Unpublished Work - See title page for details.



757

PARTS CATALOG (MAINTENANCE)

FIG ITEM	PART NUMBER	1 2 3 4 5 6 7	NOMENCLATURE	EFFECT FROM TO	UNITS PER ASSY
39D					
105	AN960PD10L	..	WASHER	103106	2
110	BRH10A3	..	NUT	103106	2
			SUPPLIER CODE: V52828		
			SPECIFICATION NUMBER: BACN10JC3		
			OPTIONAL PART: H10-3BAC		
			V15653		
			NS202101-02		
			V80539		
			RMLH9075-3W		
			V72962		
			VN303A02		
			V92215		
			96-02		
			V80539		
			T6S1032J		
			V11815		
115	270N2000-1000	..	CHANNEL	103106	1
120	270N2000-622	..	BLOCK	103106	2
125	270N2000-32	.CLAMP	ASSY-BLK	103106	3
130	NAS1801-3-26	..	SCREW	103106	2
135	NAS43DD3-67	..	SPACER	103106	2
140	AN960PD10L	..	WASHER	103106	2
145	BRH10A3	..	NUT	103106	2
			SUPPLIER CODE: V52828		
			SPECIFICATION NUMBER: BACN10JC3		
			OPTIONAL PART: H10-3BAC		
			V15653		
			NS202101-02		
			V80539		
			RMLH9075-3W		
			V72962		
			VN303A02		
			V92215		
			96-02		
			V80539		
			T6S1032J		
			V11815		
150	270N2000-821	..	CHANNEL	103106	1
155	270N2000-447	..	BLOCK	103106	2
160	270N2000-91	.CLAMP	ASSY-BLK	103106	1
165	NAS1801-3-34	..	SCREW	103106	3
170	NAS43DD3-99	..	SPACER	103106	3
175	AN960PD10L	..	WASHER	103106	3

MISSING ITEM NUMBERS NOT APPLICABLE

- ITEM NOT ILLUSTRATED

29-11-51-39D

29-11-51
FIG. 39D
PAGE 3
JAN 20/09

BRI

BOEING PROPRIETARY - Copyright © - Unpublished Work - See title page for details.



757

PARTS CATALOG (MAINTENANCE)

FIG ITEM	PART NUMBER	1 2 3 4 5 6 7	NOMENCLATURE	EFFECT FROM TO	UNITS PER ASSY
39D 180	BRH10A3	..	NUT SUPPLIER CODE: V52828 SPECIFICATION NUMBER: BACN10JC3 OPTIONAL PART: H10-3BAC V15653 NS202101-02 V80539 RMLH9075-3W V72962 VN303A02 V92215 96-02 V80539 T6S1032J V11815	103106	3
185	270N2000-881	..	CHANNEL	103106	1
190	270N2000-560	..	BLOCK	103106	2
195	270N2000-93	.	CLAMP ASSY-BLK	103106	1
200	NAS1801-3-28	..	SCREW	103106	3
205	NAS43DD3-75	..	SPACER	103106	3
210	AN960PD10L	..	WASHER	103106	3
215	BRH10A3	..	NUT SUPPLIER CODE: V52828 SPECIFICATION NUMBER: BACN10JC3 OPTIONAL PART: H10-3BAC V15653 NS202101-02 V80539 RMLH9075-3W V72962 VN303A02 V92215 96-02 V80539 T6S1032J V11815	103106	3
220	270N2000-882	..	CHANNEL	103106	1
225	270N2000-561	..	BLOCK	103106	2

MISSING ITEM NUMBERS NOT APPLICABLE

- ITEM NOT ILLUSTRATED

BRI

29-11-51-39D

BOEING PROPRIETARY - Copyright © - Unpublished Work - See title page for details.

29-11-51
FIG. 39D
PAGE 4
JAN 20/09



757

PARTS CATALOG (MAINTENANCE)

FIG ITEM	PART NUMBER	1 2 3 4 5 6 7	NOMENCLATURE	EFFECT FROM TO	UNITS PER ASSY
39D 250	271N6441-1045		.TUBE ASSY-RETURN SYS TUBING MATERIAL: .500 IN. OD .035 IN. WALL 79.90 IN. LG AL AMS 4083 6061 T6 TUBING	103106	1
255	271N6441-1414		.TUBE ASSY-RETURN SYS TUBING MATERIAL: .500 IN. OD .035 IN. WALL 34.40 IN. LG AL AMS 4083 6061 T6 COLD WORKED, STRESS RELIEVED TUBING	103106	1
- 260	AP2097HP08		..SLEEVE SUPPLIER CODE: V01673 SPECIFICATION NUMBER: BACS13BX08HP OPTIONAL PART: 2-02903-08HP V11328 35235VN08 V08199 AFP175V08P V30974 DBOS13BX08HP V14798	103106	1
- 265	35056GV08		..UNION SUPPLIER CODE: V08199 SPECIFICATION NUMBER: BACU24AB8W OPTIONAL PART: 2-01027-8W V11328 31875-8W V14397 4671097W8 V50948 AP1004W08 V01673 AFP941W8 V30974 DBOU24AB8W V14798	103106	1
- 270	BACN10YLO8		..NUT	103106	1

MISSING ITEM NUMBERS NOT APPLICABLE

- ITEM NOT ILLUSTRATED

BRI

29-11-51-39D

BOEING PROPRIETARY - Copyright © - Unpublished Work - See title page for details.

29-11-51
FIG. 39D
PAGE 5
JAN 20/09



757

PARTS CATALOG (MAINTENANCE)

FIG ITEM	PART NUMBER	1 2 3 4 5 6 7	NOMENCLATURE	EFFECT FROM TO	UNITS PER ASSY
39D 275	271N6441-1147	.	TUBE ASSY-RETURN SYS TUBING MATERIAL: .375 IN. OD .019 IN. WALL 49.10 IN. LG TI BMS 7-234 TI-3AL-2.5V COLD WORKED, STRESS RELIEVED TUBING	103106	1
280	271N6441-1432	.	TUBE ASSY-RETURN SYS	103106	1
- 285	AS1581T06	..	SLEEVE	103106	2
- 290	BACN10YA6	..	NUT	103106	2
295	271N6441-1395	.	TUBE ASSY-RETURN SYS TUBING MATERIAL: .375 IN. OD .035 IN. WALL 50.3 IN. LG AL AMS 4083 6061 T6 TUBING	103106	1
- 300	AP2097HP06	..	SLEEVE SUPPLIER CODE: V01673 SPECIFICATION NUMBER: BACS13BX06HP OPTIONAL PART: 2-02903-06HP V11328 35235VN06 V08199 AFP175V06P V30974 DBOS13BX06HP V14798	103106	2
- 305	BACN10YL06	..	NUT	103106	2
310	271N6441-1032	.	TUBE ASSY-RETURN SYS TUBING MATERIAL: .625 IN. OD .032 IN. WALL 91.30 IN. LG TI BMS 7-234 TI-3AL-2.5V COLD WORKED, STRESS RELIEVED TUBING	103106	1
- 315	AS1581T10	..	SLEEVE	103106	2
- 320	BACN10YA10	..	NUT	103106	2
325	271N6441-1369	.	TUBE ASSY-RETURN TUBING MATERIAL: .375 IN. OD .019 IN. WALL 37.70 IN. LG TI BMS 7-234 TI-3AL-2.5V COLD WORKED, STRESS RELIEVED TUBING	103106	1
- 330	AS1581T06	..	SLEEVE	103106	1
- 335	AS1582T06	..	UNION	103106	1

MISSING ITEM NUMBERS NOT APPLICABLE

- ITEM NOT ILLUSTRATED

29-11-51-39D

29-11-51
FIG. 39D
PAGE 6
JAN 20/09

BRI

BOEING PROPRIETARY - Copyright © - Unpublished Work - See title page for details.



757

PARTS CATALOG (MAINTENANCE)

FIG ITEM	PART NUMBER	1 2 3 4 5 6 7	NOMENCLATURE	EFFECT FROM TO	UNITS PER ASSY
39D					
- 340	BACN10YA6	..	NUT	103106	1
350	271N6441-1377	.TUBE ASSY-RETURN SYS		103106	1
		TUBING MATERIAL:			
		.625 IN. OD .035 IN.			
		WALL 22.40 IN. LG AL			
		AMS 4083 6061 T6			
		TUBING			
- 355	AP2097HP10	..SLEEVE		103106	2
		SUPPLIER CODE:			
		V01673			
		SPECIFICATION NUMBER:			
		BACS13BX10HP			
		OPTIONAL PART:			
		2-02903-10HP			
		V11328			
		35235VN10			
		V08199			
		AFP175V10P			
		V30974			
		DBOS13BX10HP			
		V14798			
- 360	BACN10YL10	..NUT		103106	2
375	NAS1762W1010	.ELBOW		103106	1
380	BACT16BL060606J	.TEE		103106	1
385	APX824F100806W	.TEE		103106	1
		SUPPLIER CODE:			
		V01673			
		SPECIFICATION NUMBER:			
		BACT16AS100806W			
		OPTIONAL PART:			
		APX824-100806W			
		V01673			
		DBOT16AS100806W			
		V14798			
		ER824-100806W			
		V50948			
		FER1571-100806W			
		V14397			
		LER824-100806W			
		V11328			
		NAF1824-100806W			
		V52930			
		US1925-100806W			
		V50808			
		AFP325-100806W			
		V30974			
390	BACT16BL080808J	.TEE		103106	1
395	270N0005-2	.FILLER-BLK CLAMP		103106	1
400	270N0005-3	.FILLER-BLK CLAMP		103106	8

MISSING ITEM NUMBERS NOT APPLICABLE

- ITEM NOT ILLUSTRATED

29-11-51-39D

29-11-51
FIG. 39D
PAGE 7
JAN 20/09

BRI

BOEING PROPRIETARY - Copyright © - Unpublished Work - See title page for details.



757

PARTS CATALOG (MAINTENANCE)

FIG ITEM	PART NUMBER	1 2 3 4 5 6 7	NOMENCLATURE	EFFECT FROM TO	UNITS PER ASSY
39D					
405	271N6203-5	.	GUARD	103106	1
410	271N6203-8	.	GUARD	103106	1
415	1C3510	.	VALVE	103106	1
			SUPPLIER CODE: V99240		
			SPECIFICATION NUMBER: BACV10CD13		
			OPTIONAL PART: 0121520900-13 V83533		
420	271N6301-3	.	BRACKET ASSY	103106	1
425	271N6303-5	.	BRACKET ASSY	103106	1

MISSING ITEM NUMBERS NOT APPLICABLE

- ITEM NOT ILLUSTRATED

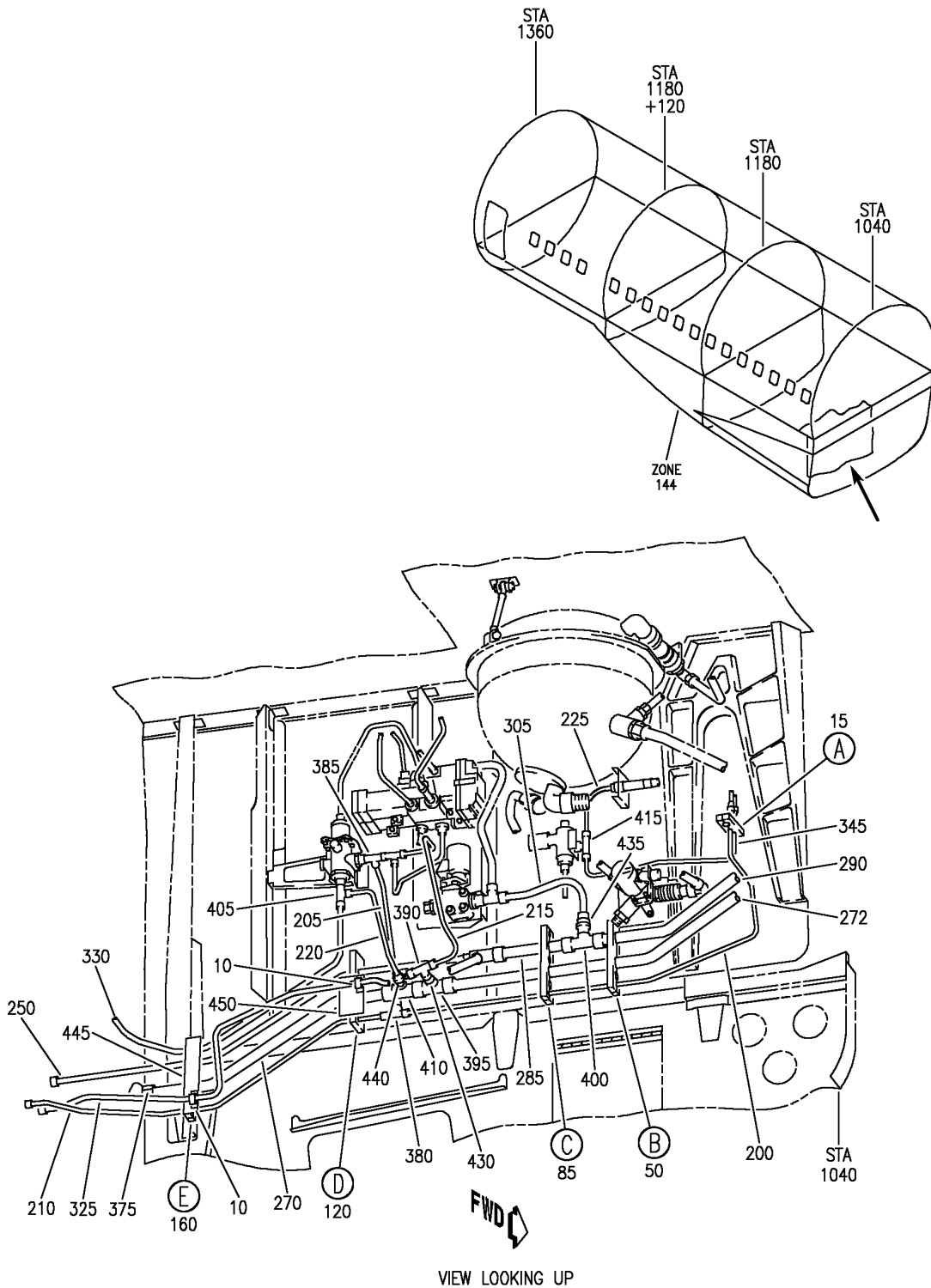
BRI

29-11-51-39D

BOEING PROPRIETARY - Copyright © - Unpublished Work - See title page for details.

29-11-51
FIG. 39D
PAGE 8
JAN 20/09

BOEING
757
PARTS CATALOG (MAINTENANCE)



Y 29115139E SHT 1 REV 249

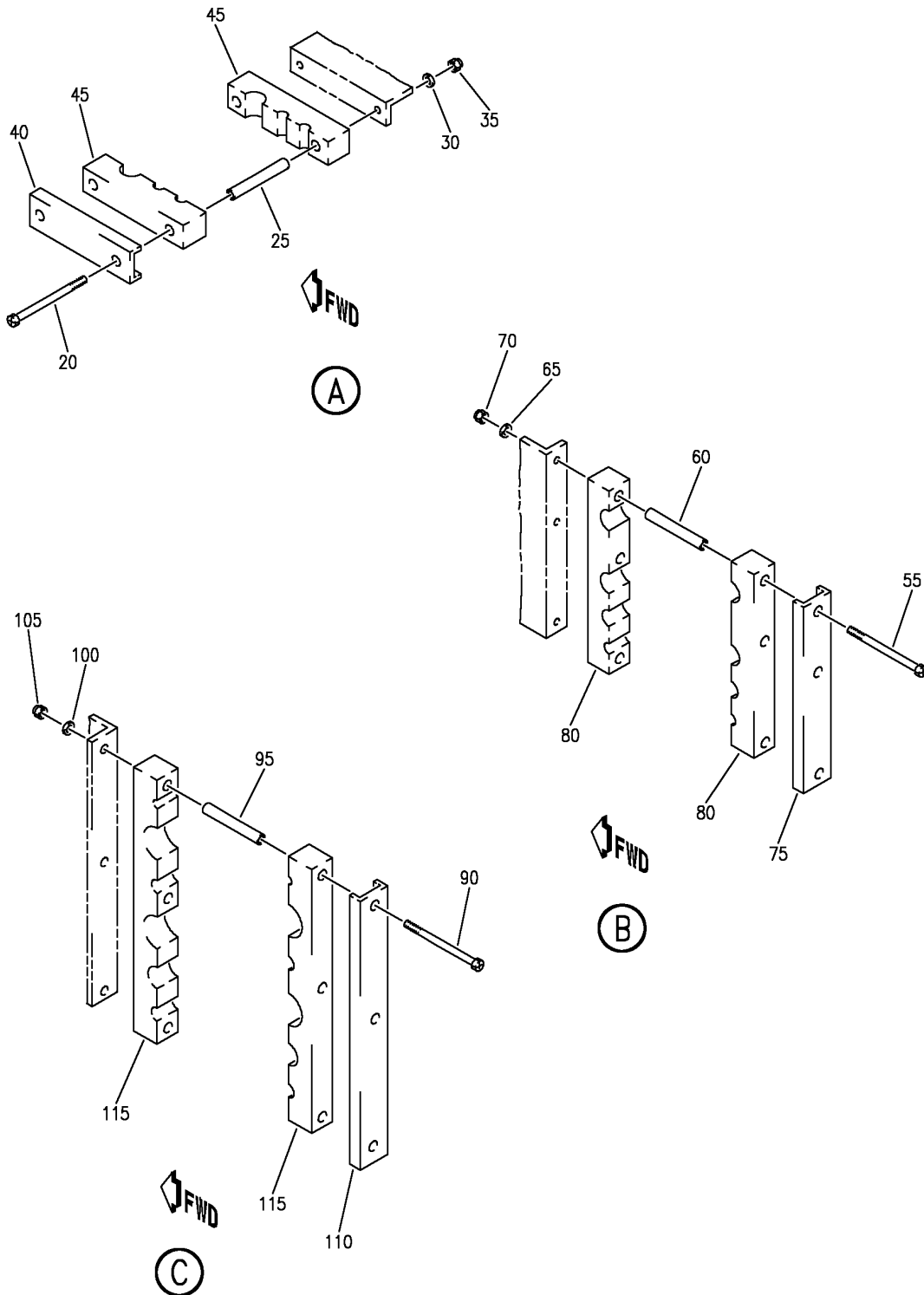
PLUMBING INSTL-MAIN WHL WELL BHD HYDR (MAIN HYDRAULIC SYSTEMS ONLY)
FIGURE 39E (SHEET 1)

29-11-51-39E

BRI
JAN 20/09

29-11-51-39E
PAGE 0

BOEING
757
PARTS CATALOG (MAINTENANCE)



Y 29115139E SHT 2 REV 249

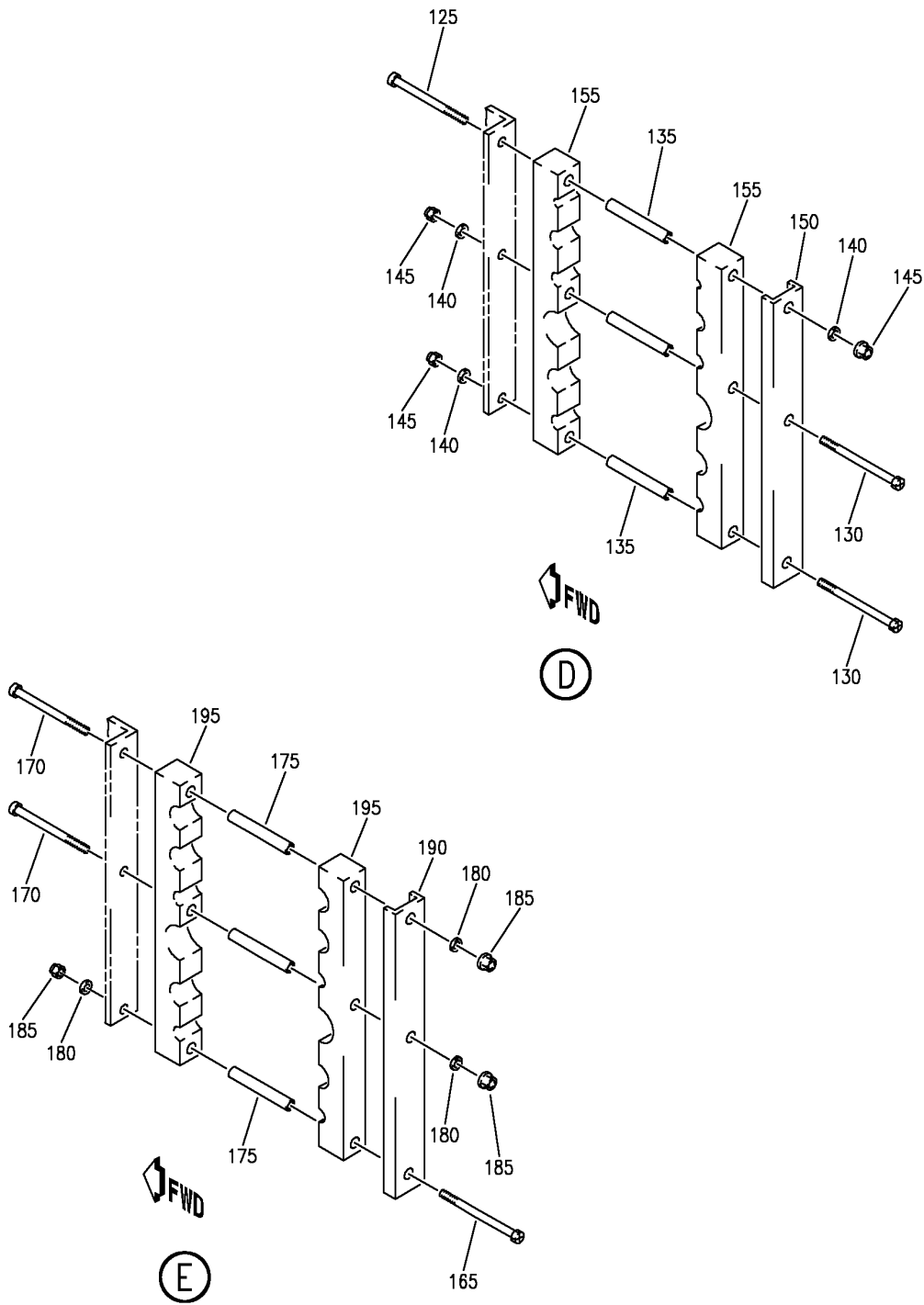
PLUMBING INSTL-MAIN WHL WELL BHD HYDR (MAIN HYDRAULIC SYSTEMS ONLY)
FIGURE 39E (SHEET 2)

29-11-51-39E

BRI
JAN 20/09

29-11-51-39E
PAGE 0A

BOEING
757
PARTS CATALOG (MAINTENANCE)



Y 29115139E SHT. 3 REV. 249

PLUMBING INSTL-MAIN WHL WELL BHD HYDR (MAIN HYDRAULIC SYSTEMS ONLY)
FIGURE 39E (SHEET 3)

BRI
JAN 20/09

29-11-51-39E

29-11-51-39E
PAGE 0B



757

PARTS CATALOG (MAINTENANCE)

FIG ITEM	PART NUMBER	1 2 3 4 5 6 7	NOMENCLATURE	EFFECT FROM TO	UNITS PER ASSY
39E			PLUMBING INSTL-MAIN WHL WELL BHD HYDR (MAIN HYDRAULIC SYSTEMS ONLY)	103106	
- 1	MODREF31486		PLUMBING INSTL-MAIN WHL WELL BHD HYDR (MAIN HYDRAULIC SYSTEMS ONLY) MODULE NUMBER: 271N6441-41 REV B POSITION DATA: FWD FOR OTHER SYS DETAILS SEE: 11-22-06-05 27-11-14-12 29-22-01-02 32-35-10-02 32-41-02-11 32-41-02-12 32-41-04-02 32-42-02-03 32-42-02-04 32-42-09-02 32-42-10-02 32-44-03-03 32-44-06-02 FOR ADDITIONAL DETAILS SEE: 29-11-27-02 29-11-51-39D	103106	1
10	TA0910004H108		.CLAMP SUPPLIER CODE: V84971 SPECIFICATION NUMBER: BACC10HB08C	103106	2
15	270N2000-95		.CLAMP ASSY-	103106	1
20	NAS1801-3-28		..SCREW	103106	2
25	NAS43DD3-75		..SPACER	103106	2
30	AN960PD10L		..WASHER	103106	2

MISSING ITEM NUMBERS NOT APPLICABLE

- ITEM NOT ILLUSTRATED

29-11-51-39E

29-11-51
FIG. 39E
PAGE 1
JAN 20/09

BRI



757

PARTS CATALOG (MAINTENANCE)

FIG ITEM	PART NUMBER	1 2 3 4 5 6 7	NOMENCLATURE	EFFECT FROM TO	UNITS PER ASSY
39E 35	BRH10A3	..	NUT SUPPLIER CODE: V52828 SPECIFICATION NUMBER: BACN10JC3 OPTIONAL PART: H10-3BAC V15653 NS202101-02 V80539 RMLH9075-3W V72962 VN303A02 V92215 96-02 V80539 T6S1032J V11815	103106	2
40	270N2000-884	..	CHANNEL	103106	1
45	270N2000-563	..	BLOCK	103106	2
50	270N2000-88	.	CLAMP ASSY-	103106	1
55	NAS1801-3-34	..	SCREW	103106	3
60	NAS43DD3-99	..	SPACER	103106	3
65	AN960PD10L	..	WASHER	103106	3
70	BRH10A3	..	NUT SUPPLIER CODE: V52828 SPECIFICATION NUMBER: BACN10JC3 OPTIONAL PART: H10-3BAC V15653 NS202101-02 V80539 RMLH9075-3W V72962 VN303A02 V92215 96-02 V80539 T6S1032J V11815	103106	3
75	270N2000-879	..	CHANNEL	103106	1
80	270N2000-558	..	BLOCK	103106	2
85	270N2000-97	.	CLAMP ASSY-	103106	1
90	NAS1801-3-34	..	SCREW	103106	3
95	NAS43DD3-99	..	SPACER	103106	3
100	AN960PD10L	..	WASHER	103106	3

MISSING ITEM NUMBERS NOT APPLICABLE

- ITEM NOT ILLUSTRATED

29-11-51-39E

29-11-51
FIG. 39E
PAGE 2
JAN 20/09

BRI

BOEING PROPRIETARY - Copyright © - Unpublished Work - See title page for details.



757

PARTS CATALOG (MAINTENANCE)

FIG ITEM	PART NUMBER	1 2 3 4 5 6 7	NOMENCLATURE	EFFECT FROM TO	UNITS PER ASSY
39E 105	BRH10A3	..	NUT SUPPLIER CODE: V52828 SPECIFICATION NUMBER: BACN10JC3 OPTIONAL PART: H10-3BAC V15653 NS202101-02 V80539 RMLH9075-3W V72962 VN303A02 V92215 96-02 V80539 T6S1032J V11815	103106	3
110	270N2000-888	..	CHANNEL	103106	1
115	270N2000-567	..	BLOCK	103106	2
120	270N2000-194	.	CLAMP ASSY-	103106	1
125	NAS1801-3-34	..	SCREW	103106	1
130	NAS1801-3-39	..	SCREW	103106	2
135	NAS43DD3-99	..	SPACER	103106	3
140	AN960PD10L	..	WASHER	103106	3
145	BRH10A3	..	NUT SUPPLIER CODE: V52828 SPECIFICATION NUMBER: BACN10JC3 OPTIONAL PART: H10-3BAC V15653 NS202101-02 V80539 RMLH9075-3W V72962 VN303A02 V92215 96-02 V80539 T6S1032J V11815	103106	3
150	270N2000-888	..	CHANNEL	103106	1
155	270N2000-675	..	BLOCK	103106	2
160	270N2000-193	.	CLAMP ASSY-	103106	1
165	NAS1801-3-34	..	SCREW	103106	1
170	NAS1801-3-35	..	SCREW	103106	2
175	NAS43DD3-99	..	SPACER	103106	3

MISSING ITEM NUMBERS NOT APPLICABLE

- ITEM NOT ILLUSTRATED

29-11-51-39E

29-11-51
FIG. 39E
PAGE 3
JAN 20/09

BRI

BOEING PROPRIETARY - Copyright © - Unpublished Work - See title page for details.



757

PARTS CATALOG (MAINTENANCE)

FIG ITEM	PART NUMBER	1 2 3 4 5 6 7	NOMENCLATURE	EFFECT FROM TO	UNITS PER ASSY
39E					
180	AN960PD10L	..	WASHER	103106	3
185	BRH10A3	..	NUT	103106	3
			SUPPLIER CODE: V52828		
			SPECIFICATION NUMBER: BACN10JC3		
			OPTIONAL PART: H10-3BAC		
			V15653		
			NS202101-02		
			V80539		
			RMLH9075-3W		
			V72962		
			VN303A02		
			V92215		
			96-02		
			V80539		
			T6S1032J		
			V11815		
190	270N2000-880	..	CHANNEL	103106	1
195	270N2000-676	..	BLOCK	103106	2
200	271N6441-1011	.TUBE ASSY-RETURN SYS		103106	1
		TUBING MATERIAL:			
		.375 IN. OD .019 IN.			
		WALL 48.60 IN. LG TI			
		BMS 7-234 TI-3AL-2.5V			
		COLD WORKED, STRESS			
		RELIEVED TUBING			
205	271N6441-1159	.TUBE ASSY-RETURN SYS		103106	1
		TUBING MATERIAL:			
		.375 IN. OD .019 IN.			
		WALL 16.70 IN. LG TI			
		BMS 7-234 TI-3AL-2.5V			
		COLD WORKED, STRESS			
		RELIEVED TUBING			
210	271N6441-1316	.TUBE ASSY-RETURN SYS		103106	1
		TUBING MATERIAL:			
		.375 IN. OD .019 IN.			
		WALL 38.80 IN. LG TI			
		BMS 7-234 TI-3AL-2.5V			
		COLD WORKED, STRESS			
		RELIEVED TUBING			
215	271N6441-1327	.TUBE ASSY-RETURN SYS		103106	1
		TUBING MATERIAL:			
		.375 IN. OD .019 IN.			
		WALL 22.10 IN. LG TI			
		BMS 7-234 TI-3AL-2.5V			
		COLD WORKED, STRESS			
		RELIEVED TUBING			

MISSING ITEM NUMBERS NOT APPLICABLE

- ITEM NOT ILLUSTRATED

29-11-51-39E

29-11-51
FIG. 39E
PAGE 4
JAN 20/09

BRI

BOEING PROPRIETARY - Copyright © - Unpublished Work - See title page for details.



757

PARTS CATALOG (MAINTENANCE)

FIG ITEM	PART NUMBER	1 2 3 4 5 6 7	NOMENCLATURE	EFFECT FROM TO	UNITS PER ASSY
39E 220	271N6441-1426		.TUBE ASSY-RETURN SYS TUBING MATERIAL: .250 IN. OD .016 IN. WALL 11.80 IN. LG TI BMS T-234 TI-3AL-2.5V COLD WORKED, STRESS RELIEVED TUBING	103106	1
225	271N6441-1434		.TUBE ASSY-RETURN SYS	103106	1
- 230	AS1581T06		..SLEEVE	103106	2
- 235	BACN10YA6		..NUT	103106	2
250	271N6441-1084		.TUBE ASSY-RETURN SYS TUBING MATERIAL: .500 IN. OD .035 IN. WALL 46.10 IN. LG AL AMS 4083 6061 T6 TUBING	103106	1
- 255	AP2097HP08		..SLEEVE SUPPLIER CODE: V01673 SPECIFICATION NUMBER: BACS13BX08HP OPTIONAL PART: 2-02903-08HP V11328 35235VN08 V08199 AFP175V08P V30974 DBOS13BX08HP V14798	103106	2
- 260	BACN10YL08		..NUT	103106	2
270	271N6441-1085		.TUBE ASSY-RETURN SYS TUBING MATERIAL: 1.00 IN. OD .051 IN. WALL 25.00 IN. LG TI BMS 7-234 TI-3AL-2.5V COLD WORKED, STRESS RELIEVED TUBING	103106	1
272	271N6441-1323		.TUBE ASSY-RETURN SYS TUBING MATERIAL: 1.00 IN. OD .051 IN. WALL 41.10 IN. LG TI BMS 7-234 TI-3AL-2.5V COLD WORKED, STRESS RELIEVED TUBING	103106	1
- 275	AS1581T16		..SLEEVE	103106	2
- 280	BACN10YA6L		..NUT	103106	2

MISSING ITEM NUMBERS NOT APPLICABLE

- ITEM NOT ILLUSTRATED

29-11-51-39E

29-11-51
FIG. 39E
PAGE 5
JAN 20/09

BRI

BOEING PROPRIETARY - Copyright © - Unpublished Work - See title page for details.



**757
PARTS CATALOG (MAINTENANCE)**

FIG ITEM	PART NUMBER	1 2 3 4 5 6 7	NOMENCLATURE	EFFECT FROM TO	UNITS PER ASSY
39E 285	271N6441-1088	.	TUBE ASSY-RETURN SYS TUBING MATERIAL: 1.00 IN. OD .035 IN. WALL 7.70 IN. LG AL AMS 4083 6061 T6 TUBING	103106	1
290	271N6441-1170	.	TUBE ASSY-RETURN SYS TUBING MATERIAL: 1.00 IN. OD .035 IN. WALL 27.70 IN. LG AL AMS 4083 6061 T6 TUBING	103106	1
- 295	AP2097HP16	..	SLEEVE SUPPLIER CODE: V01673 SPECIFICATION NUMBER: BACS13BX16HP OPTIONAL PART: 2-02903-16HP V11328 35235VN16 V08199 AFP175V16P V30974 DBOS13BX16HP V14798	103106	2
- 300	BACN10YL16L	..	NUT	103106	2
305	271N6441-1097	.	TUBE ASSY-RETURN SYS TUBING MATERIAL: .625 IN. OD .035 IN. WALL 11.2 IN. LG AL AMS 4083 6061 T6 TUBING	103106	1
- 310	AP2097HP10	..	SLEEVE SUPPLIER CODE: V01673 SPECIFICATION NUMBER: BACS13BX10HP OPTIONAL PART: 2-02903-10HP V11328 35235VN10 V08199 AFP175V10P V30974 DBOS13BX10HP V14798	103106	1

MISSING ITEM NUMBERS NOT APPLICABLE

- ITEM NOT ILLUSTRATED

BRI

29-11-51-39E

BOEING PROPRIETARY - Copyright © - Unpublished Work - See title page for details.

29-11-51
FIG. 39E
PAGE 6
JAN 20/09



757

PARTS CATALOG (MAINTENANCE)

FIG ITEM	PART NUMBER	1 2 3 4 5 6 7	NOMENCLATURE	EFFECT FROM TO	UNITS PER ASSY
39E - 315	35056GV10	..	UNION SUPPLIER CODE: V08199 SPECIFICATION NUMBER: BACU24AB10W OPTIONAL PART: 4671097W10 V50948 2-01027-10W V11328 31875-10W V14397 AP1004W10 V01673 AFP941W10 V30974 DBOU24AB10W V14798	103106	1
- 320	BACN10YL10	..	NUT	103106	1
325	271N6441-1331	.TUBE ASSY-RETURN SYS	TUBING MATERIAL: .500 IN. OD .026 IN. WALL 47.30 IN. LG TI BMS 7-234 TI-3AL-2.5V COLD WORKED, STRESS RELIEVED TUBING	103106	1
330	271N6441-1399	.TUBE ASSY-RETURN SYS	TUBING MATERIAL: .500 IN. OD .026 IN. WALL 54.00 IN. LG TI BMS 7-234 TI-3AL-2.5V COLD WORKED, STRESS RELIEVED TUBING	103106	1
- 335	AS1581T08	..	SLEEVE	103106	2
- 340	BACN10YA8	..	NUT	103106	2
345	271N6441-1440	.TUBING ASSY-RETURN SYS		103106	1
- 350	AS1581T06	..	SLEEVE	103106	2
- 355	AS1582T06	..	UNION	103106	2
- 360	BACN10YA6	..	NUT	103106	2
375	BACE21BL1606J	.ELBOW		103106	1
380	BACT16BL060606J	.TEE		103106	1
385	BCREF118517	.TEE-	OVERLENGTH PART NUMBER: BACT16BR080606JN	103106	1
390	BCREF116868	.TEE-	OVERLENGTH PART NUMBER: BACT16BR161608JN	103106	1
395	BACT16BT080608P	.TEE		103106	1
400	NAS1764W161610	.TEE		103106	1

MISSING ITEM NUMBERS NOT APPLICABLE

- ITEM NOT ILLUSTRATED

29-11-51-39E

29-11-51
FIG. 39E
PAGE 7
JAN 20/09

BRI

BOEING PROPRIETARY - Copyright © - Unpublished Work - See title page for details.



757

PARTS CATALOG (MAINTENANCE)

FIG ITEM	PART NUMBER	1 2 3 4 5 6 7	NOMENCLATURE	EFFECT FROM TO	UNITS PER ASSY
39E 405	BCTREF119106	.TEE-	OVERLENGTH PART NUMBER: BACT16BR080806JN	103106	1
410	BACT16BL161606J	.TEE		103106	1
415	BACT16BT060606T	.TEE		103106	1
430	1C3510	.VALVE	SUPPLIER CODE: V99240 SPECIFICATION NUMBER: BACV10CD13 OPTIONAL PART: 0121520900-13 V83533	103106	1
435	1C3596	.VALVE	SUPPLIER CODE: V99240 SPECIFICATION NUMBER: BACV10CD14 OPTIONAL PART: 0121520900-14 V83533	103106	1
440	1C3594	.VALVE	SUPPLIER CODE: V99240 SPECIFICATION NUMBER: BACV10CD12 OPTIONAL PART: 0121520900-12 V83533	103106	1
445	271N6303-1	.BRACKET ASSY		103106	1
450	271N6303-2	.BRACKET ASSY		103106	1

MISSING ITEM NUMBERS NOT APPLICABLE

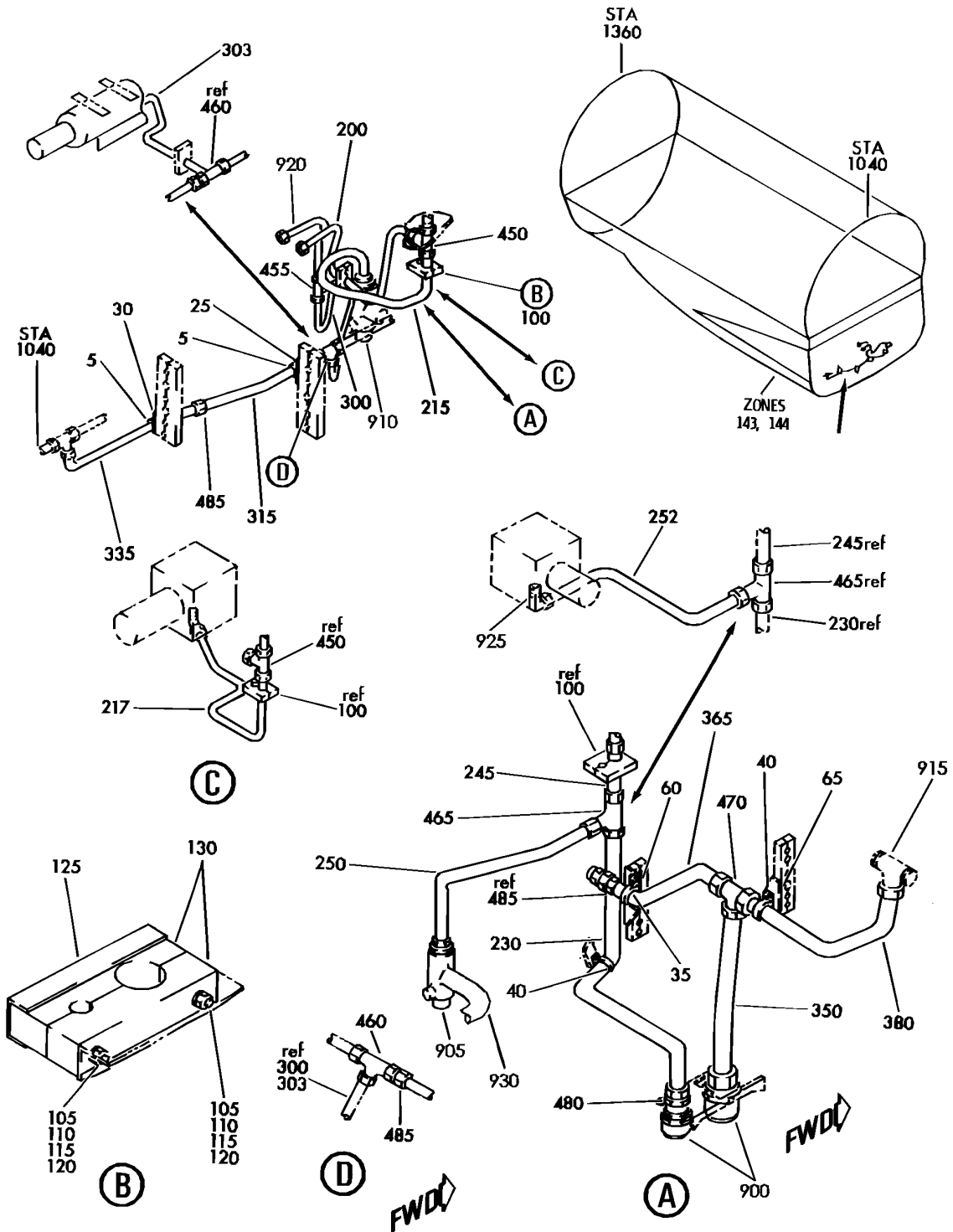
- ITEM NOT ILLUSTRATED

29-11-51-39E

29-11-51
FIG. 39E
PAGE 8
JAN 20/09

BRI

BOEING
757
PARTS CATALOG (MAINTENANCE)



PLUMBING INSTL-MAIN WHL WELL FWD BHD HYDR (HYDRAULIC POWER ONLY)
FIGURE 40

29-11-51-40

BRI
MAY 28/07

29-11-51-40
PAGE 0



757

PARTS CATALOG (MAINTENANCE)

FIG ITEM	PART NUMBER	1 2 3 4 5 6 7	NOMENCLATURE	EFFECT FROM TO	UNITS PER ASSY
40			PLUMBING INSTL-MAIN WHL WELL FWD BHD HYDR (HYDRAULIC POWER ONLY)	002004 006100 107107 121503 904999	
- 1	271N6441-9		PLUMBING INSTL-MAIN WHL WELL BHD HYDR (HYDRAULIC POWER ONLY) POSITION DATA: FWD VARIABLE DRAWING REF: 271N6441-11 271N6441-12 271N6441-14 FOR NHA/OTHER SYS DET SEE: 29-00-51-05	002004 006100 107107 121503 904999	RF
5	TA0910004H112		.CLAMP SUPPLIER CODE: V84971 SPECIFICATION NUMBER: BACC10HB12C ATTACHING PARTS	002004 006010 107107 121503 904999	2
- 10	NAS1801-3		.SCREW- SIZE DETERMINED ON INSTL.	002004 006010 107107 121503 904999	4
- 15	AN960KD10L		.WASHER	002004 006010 107107 121503 904999	AR
- 20	MS21042L3		.NUT	002004 006010 107107 121503 904999	4
25	271N6227-2		-----*----- .BRACKET-	107107 904949	1
30	271N6229-1		.BRACKET ASSY	107107 904949	1
100	270N2000-98		.CLAMP ASSY-BLK	002004 006100 107107 121503 904999	1

MISSING ITEM NUMBERS NOT APPLICABLE

- ITEM NOT ILLUSTRATED

29-11-51-40

29-11-51
FIG. 40
PAGE 1
JAN 20/09

BRI

BOEING PROPRIETARY - Copyright © - Unpublished Work - See title page for details.



757

PARTS CATALOG (MAINTENANCE)

FIG ITEM	PART NUMBER	1 2 3 4 5 6 7	NOMENCLATURE	EFFECT FROM TO	UNITS PER ASSY
40					
105	NAS1801-3-30	..	SCREW-	002004 006100 107107 121503 904999	2
110	AN960PD10L	..	WASHER	002004 006100 107107 121503 904999	2
115	NAS43DD3-83	..	SPACER	002004 006100 107107 121503 904999	2
120	BRH10A3	..	NUT SUPPLIER CODE: V52828 SPECIFICATION NUMBER: BACN10JC3 OPTIONAL PART: H10-3BAC V15653 NS202101-02 V80539 RMLH9075-3W V72962 VN303A02 V92215 96-02 V80539 T6S1032J V11815	002004 006100 107107 121503 904999	2
125	270N2000-887	..	CHANNEL	002004 006100 107107 121503 904999	1
130	270N2000-566	..	BLOCK	002004 006100 107107 121503 904999	2

MISSING ITEM NUMBERS NOT APPLICABLE

- ITEM NOT ILLUSTRATED

29-11-51-40

29-11-51
FIG. 40
PAGE 2
JAN 20/09

BRI

BOEING PROPRIETARY - Copyright © - Unpublished Work - See title page for details.



757

PARTS CATALOG (MAINTENANCE)

FIG ITEM	PART NUMBER	1 2 3 4 5 6 7	NOMENCLATURE	EFFECT FROM TO	UNITS PER ASSY
40 200	271N6441-1075		.TUBE ASSY-PRESSURE SYS POSITION DATA: R TUBING MATERIAL: .375 IN. OD .019 IN. WALL 32.6 IN. LG TI BMS 7-234 TI-3AL-2.5V COLD WORKED, STRESS RELIEVED TUBING	002004 006100 107107 121503 904999	1
- 205	AS1581T06		..SLEEVE	002004 006100 107107 121503 904999	2
- 210	BACN10YA6		..NUT	002004 006100 107107 121503 904999	2
217	271N6441-1296		.TUBE ASSY-PRESSURE SYS POSITION DATA: R TUBING MATERIAL: .750 IN. OD .039 IN. WALL 29.20 IN. LG TI BMS 7-234 TI-3AL-2.5V COLD WORKED, STRESS RELIEVED TUBING	107107 904949	1
217	271N6441-1423		.TUBE ASSY-PRESSURE SYS POSITION DATA: R TUBING MATERIAL: .750 IN. OD .039 IN. WALL 29.50IN. LG TI BMS 7-234 TI-3AL-2.5V COLD WORKED, STRESS RELIEVED TUBING	002004 006100 121503 950999	1
- 220	AS1581T12		..SLEEVE	002004 006100 107107 121503 904999	2
- 225	BACN10YA12		..NUT	002004 006100 107107 121503 904999	2

MISSING ITEM NUMBERS NOT APPLICABLE

- ITEM NOT ILLUSTRATED

29-11-51-40

29-11-51
FIG. 40
PAGE 3
JAN 20/09

BRI



757

PARTS CATALOG (MAINTENANCE)

FIG ITEM	PART NUMBER	1 2 3 4 5 6 7	NOMENCLATURE	EFFECT FROM TO	UNITS PER ASSY
40 303	271N6441-1401		.TUBE ASSY-RETURN SYS POSITION DATA: R TUBING MATERIAL: .375 IN. OD .019 IN. WALL 13.80 IN. LG TI BMS 7-234 TI-3AL-2.5V COLD WORKED, STRESS RELIEVED TUBING	002004 006100 107107 121503 904999	1
- 305	AS1581T06		..SLEEVE	002004 006100 107107 121503 904999	2
- 310	BACN10YA6		..NUT-	002004 006100 107107 121503 904999	2
315	271N6441-1093		.TUBE ASSY-RETURN SYS POSITION DATA: R TUBING MATERIAL: .750 IN. OD .035 IN. WALL 17.20 IN. LG AL AMS 4083 6061 T6 TUBING	002004 006100 107107 121503 904999	1
- 320	AP2097HP12		..SLEEVE SUPPLIER CODE: V01673 SPECIFICATION NUMBER: BACS13BX12HP OPTIONAL PART: 2-02903-12HP V11328 35235VN12 V08199 AFP175V12P V30974 DBOS13BX12HP V14798	002004 006100 107107 121503 904999	1
- 325	BACN10YL12		..NUT	002004 006100 107107 121503 904999	1

MISSING ITEM NUMBERS NOT APPLICABLE

- ITEM NOT ILLUSTRATED

BRI

29-11-51-40

29-11-51
FIG. 40
PAGE 4
JAN 20/09



757

PARTS CATALOG (MAINTENANCE)

FIG ITEM	PART NUMBER	1 2 3 4 5 6 7	NOMENCLATURE	EFFECT FROM TO	UNITS PER ASSY
40 - 330	35056GV12		.. UNION SUPPLIER CODE: V08199 SPECIFICATION NUMBER: BACU24AB12W OPTIONAL PART: 4671097W12 V50948 2-01027-12W V11328 31875-12W V14397 AP1004W12 V01673 AFP941W12 V30974 DBOU24AB12W V14798	002004 006100 107107 121503 904999	1
335	271N6441-1083		. TUBE ASSY-RETURN SYS POSITION DATA: R TUBING MATERIAL: .750 IN. OD .035 IN. WALL 19.0 IN. LG AL AMS 4083 6061 T6 TUBING	002004 006100 107107 121503 904999	1
- 340	AP2097HP12		.. SLEEVE SUPPLIER CODE: V01673 SPECIFICATION NUMBER: BACS13BX12HP OPTIONAL PART: 2-02903-12HP V11328 35235VN12 V08199 AFP175V12P V30974 DBOS13BX12HP V14798	002004 006100 107107 121503 904999	2
- 345	BACN10YL12		.. NUT	002004 006100 107107 121503 904999	2

MISSING ITEM NUMBERS NOT APPLICABLE

- ITEM NOT ILLUSTRATED

29-11-51-40

29-11-51
FIG. 40
PAGE 5
JAN 20/09

BRI



757

PARTS CATALOG (MAINTENANCE)

FIG ITEM	PART NUMBER	1 2 3 4 5 6 7	NOMENCLATURE	EFFECT FROM TO	UNITS PER ASSY
40					
450	BACT16BL121206T	. TEE-		002004 006100 107107 121503 904999	1
450	BACT16BL121206J	. TEE-		002004 006100 107107 121503 904999	1
460	APX824D121206	. TEE-	SUPPLIER CODE: V01673 SPECIFICATION NUMBER: BACT16AS121206D OPTIONAL PART: APX824-121206D V01673 DBOT16AS121206D V14798 ER824-121206D V50948 FER1571-121206D V14397 LER824-121206D V11328 NAF1824-121206D V52930 US1925-121206D V50808 AFP325-121206D V30974	002004 006100 107107 121503 904999	1
485	0121520900-5	. VALVE-CHK	SUPPLIER CODE: V83533 SPECIFICATION NUMBER: BACV10CD5 OPTIONAL PART: 1C1352 V99240	002004 006100 107107 121503 904999	1
915			ILLUSTRATION REFERENCE: PLUMBING INSTL-MAIN WHL WELL FWD BHD HYDR (HYDRAULIC POWER ONLY) 29-11-51-39	002004 006100 107107 121503 904999	RF

MISSING ITEM NUMBERS NOT APPLICABLE

- ITEM NOT ILLUSTRATED

29-11-51-40

29-11-51
FIG. 40
PAGE 6
JAN 20/09

BRI



757

PARTS CATALOG (MAINTENANCE)

FIG ITEM	PART NUMBER	1 2 3 4 5 6 7	NOMENCLATURE	EFFECT FROM TO	UNITS PER ASSY
40 925			ILLUSTRATION REFERENCE: VALVE INSTL-PTU CONT 29-22-03-05	002004 006100 107107 121503 904999	RF

MISSING ITEM NUMBERS NOT APPLICABLE

- ITEM NOT ILLUSTRATED

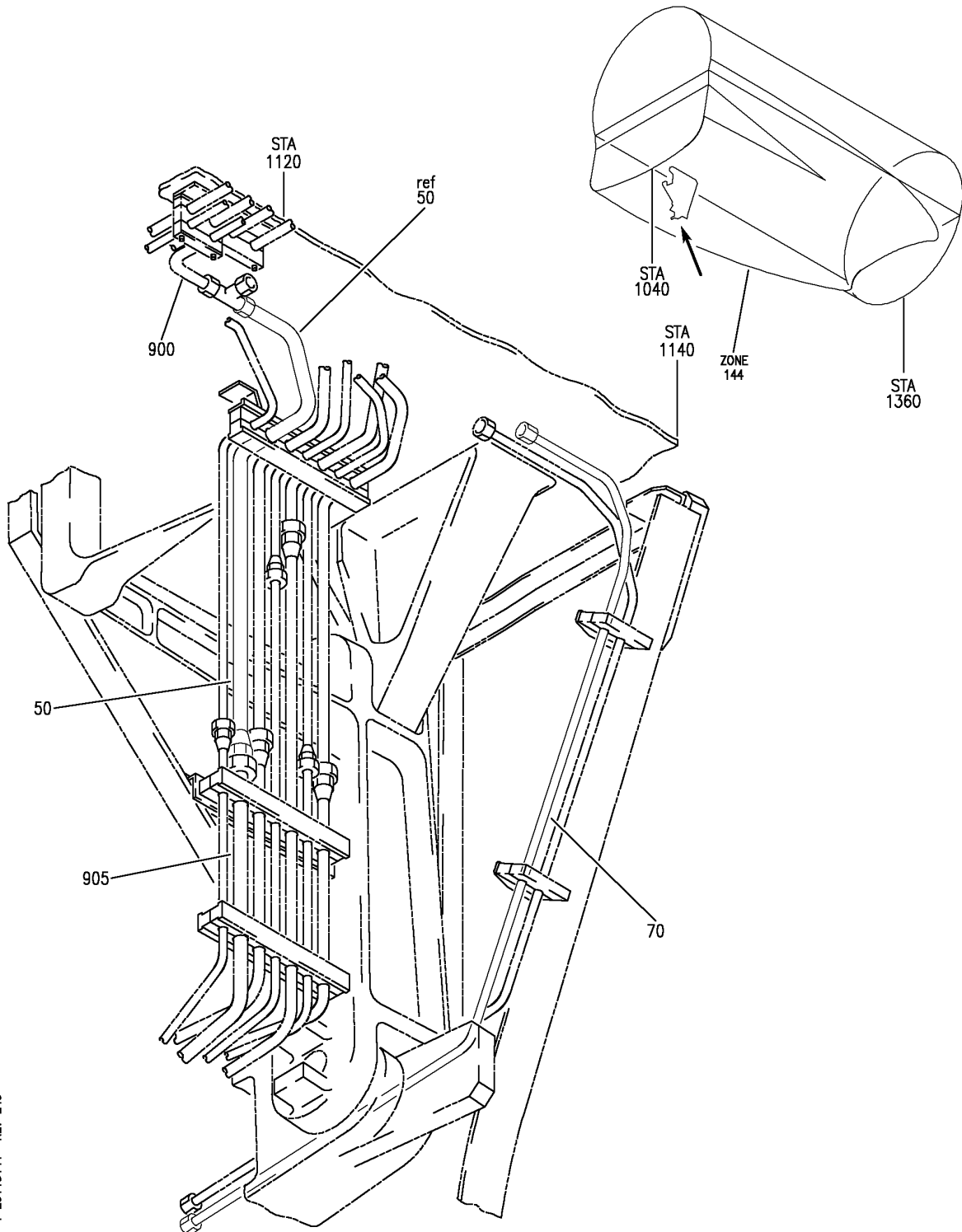
BRI

29-11-51-40

BOEING PROPRIETARY - Copyright © - Unpublished Work - See title page for details.

29-11-51
FIG. 40
PAGE 7
JAN 20/09

BOEING
757
PARTS CATALOG (MAINTENANCE)



Y 29115141 REV 249

PLUMBING INSTL-SECT.44 HYD, RIGHT PRESSURE DECK
FIGURE 41

29-11-51-41

BRI
MAY 28/07

29-11-51-41
PAGE 0



757

PARTS CATALOG (MAINTENANCE)

FIG ITEM	PART NUMBER	1 2 3 4 5 6 7	NOMENCLATURE	EFFECT FROM TO	UNITS PER ASSY
41			PLUMBING INSTL-SECT.44 HYD, RIGHT PRESSURE DECK	101106 108120 504903	RF
- 1	271N6444-15		PLUMBING INSTL-HYD RIGHT PRESSURE DECK FOR NHA SEE: 29-00-51-02B	101102 108120 504903	RF
- 1	MODREF7948		PLUMBING INSTL-HYD RIGHT PRESSURE DECK MODULE NUMBER: 271N6444-15 REV A	103106	1
50	271N6444-1228		.TUBE ASSY-RETURN SYS POSITION DATA: STA 1120 RBL6 0 WL 180 TUBING MATERIAL: .625 IN. OD X .035 IN. WALL X 21.4 IN. LG AMS 4083 6061 T6 TUBING	101106 108120 504903	1
- 55	AP2097HP10		..SLEEVE SUPPLIER CODE: V01673 SPECIFICATION NUMBER: BACS13BX10HP OPTIONAL PART: 2-02903-10HP V11328 35235VN10 V08199 AFP175V10P V30974 DBOS13BX10HP V14798	101106 108120 504903	1
- 60	BACN10YL10		..NUT-	101106 108120 504903	1

MISSING ITEM NUMBERS NOT APPLICABLE

- ITEM NOT ILLUSTRATED

BRI

29-11-51-41

BOEING PROPRIETARY - Copyright © - Unpublished Work - See title page for details.

29-11-51
FIG. 41
PAGE 1
JAN 20/09



757

PARTS CATALOG (MAINTENANCE)

FIG ITEM	PART NUMBER	1 2 3 4 5 6 7	NOMENCLATURE	EFFECT FROM TO	UNITS PER ASSY
41 - 65	35056GV10		..UNION SUPPLIER CODE: V08199 SPECIFICATION NUMBER: BACU24AB10W OPTIONAL PART: 4671097W10 V50948 2-01027-10W V11328 31875-10W V14397 AP1004W10 V01673 AFP941W10 V30974 DBOU24AB10W V14798	101106 108120 504903	1
70	271N6123-1260		.TUBE ASSY-RETURN SYS POSITION DATA: R TUBING MATERIAL: .375 IN. OD .035 IN. WALL 60.00 IN. LG ALUMINUM	103106	1
- 75	AP2097HP06		..SLEEVE SUPPLIER CODE: V01673 SPECIFICATION NUMBER: BACS13BX06HP OPTIONAL PART: 2-02903-06HP V11328 35235VN06 V08199 AFP175V06P V30974 DBOS13BX06HP V14798	103106	2
- 80 900	BACN10YL06		..NUT ILLUSTRATION REFERENCE: PLUMBING INSTL BASIC AND STABLE 29-11-51-48A	103106 101102 108120 504903	2 RF
905			ILLUSTRATION REFERENCE: PLUMBING INSTL-FILLET AND TE ROLLS ROYCE RETURN LINES 29-11-51-68	101102 108120 504903	RF

MISSING ITEM NUMBERS NOT APPLICABLE

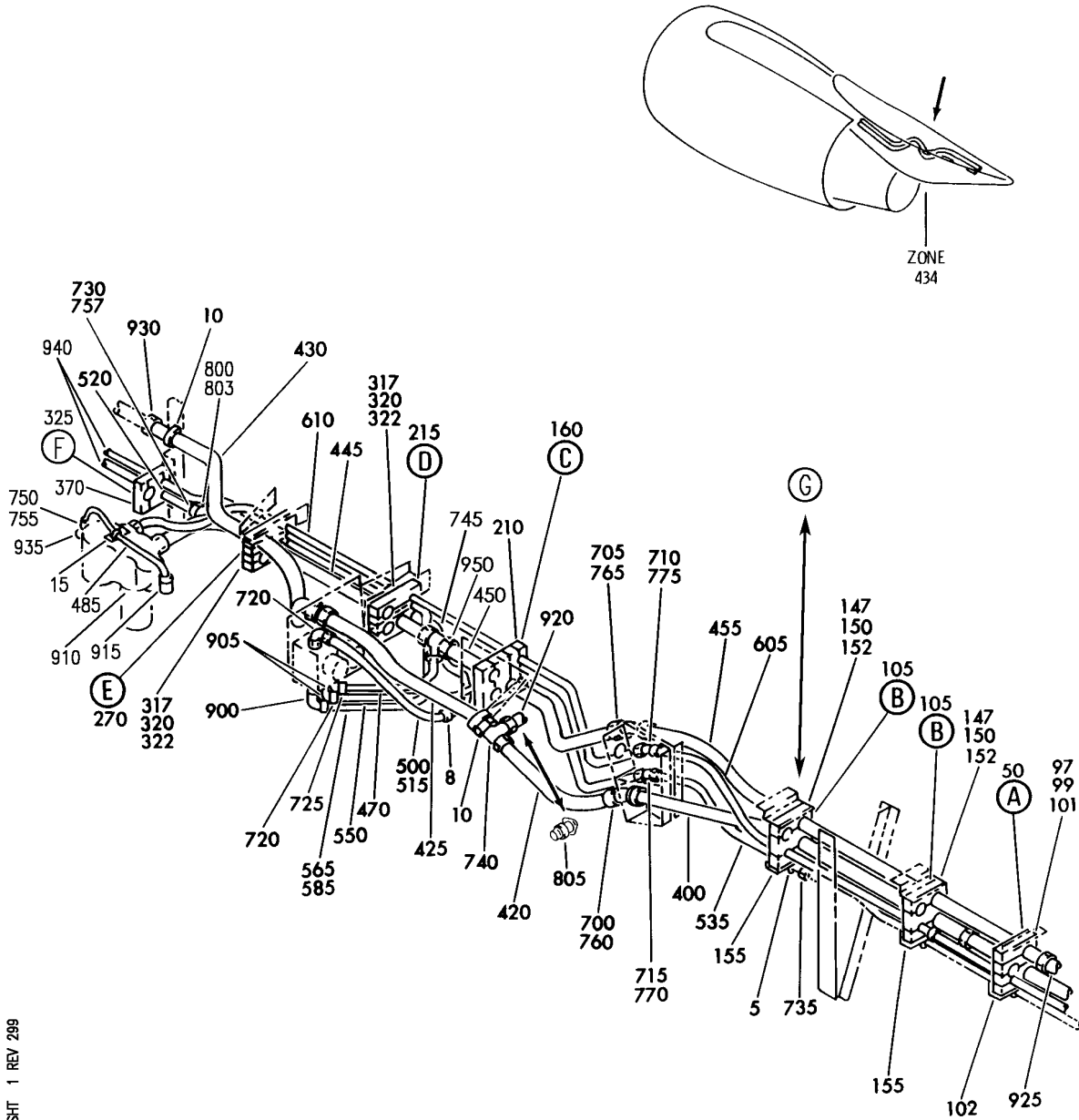
- ITEM NOT ILLUSTRATED

29-11-51-41

29-11-51
FIG. 41
PAGE 2
JAN 20/09

BRI

BOEING
757
PARTS CATALOG (MAINTENANCE)



Y 29115145 SH1 1 REV 299

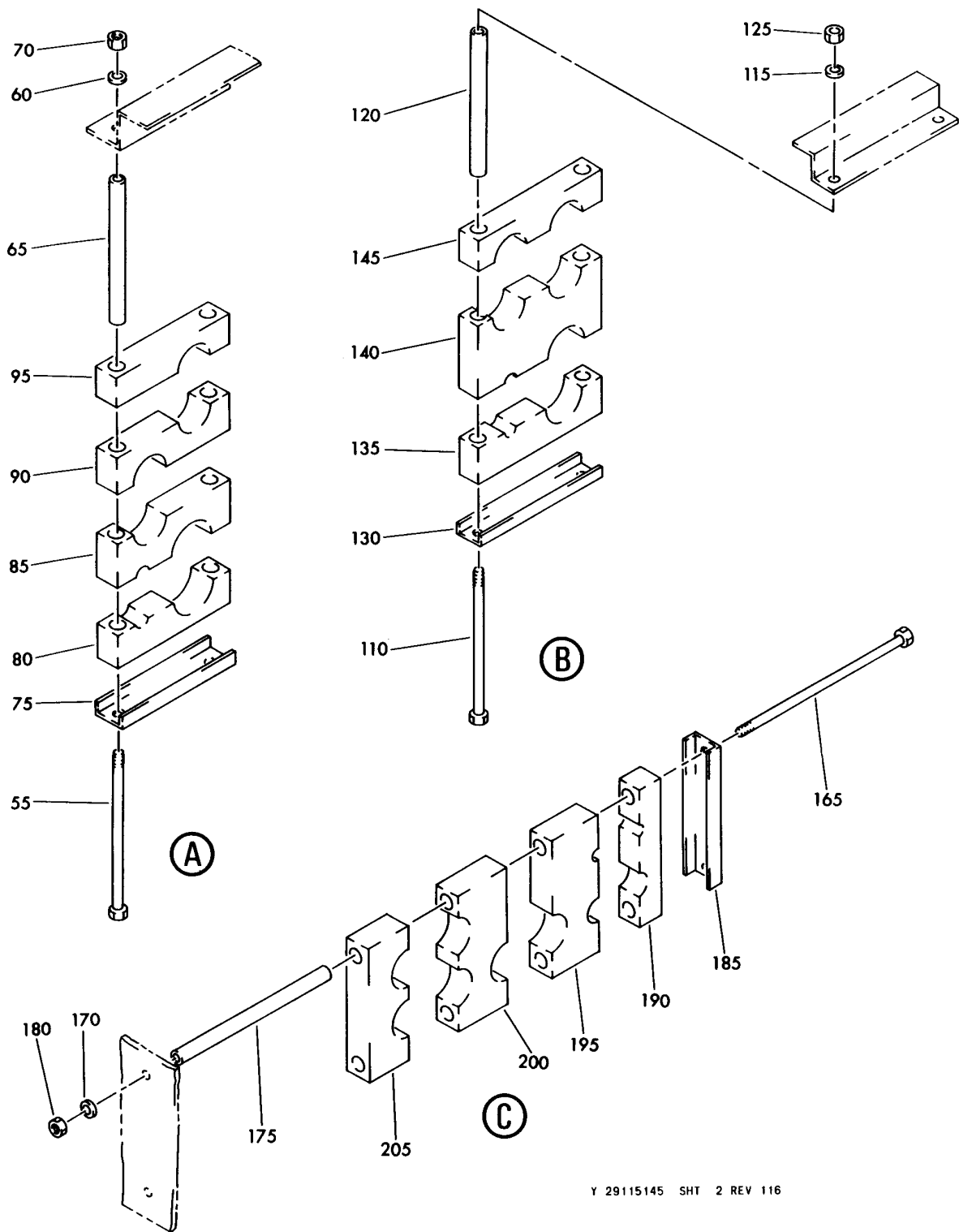
PLUMBING INSTL-SECT. 31.1 HYDR (LH) (HYDRAULIC POWER ONLY)
FIGURE 45 (SHEET 1)

29-11-51-45

BRI
MAY 28/07

29-11-51-45
PAGE 0

BOEING
757
PARTS CATALOG (MAINTENANCE)



Y 29115145 SHT 2 REV 116

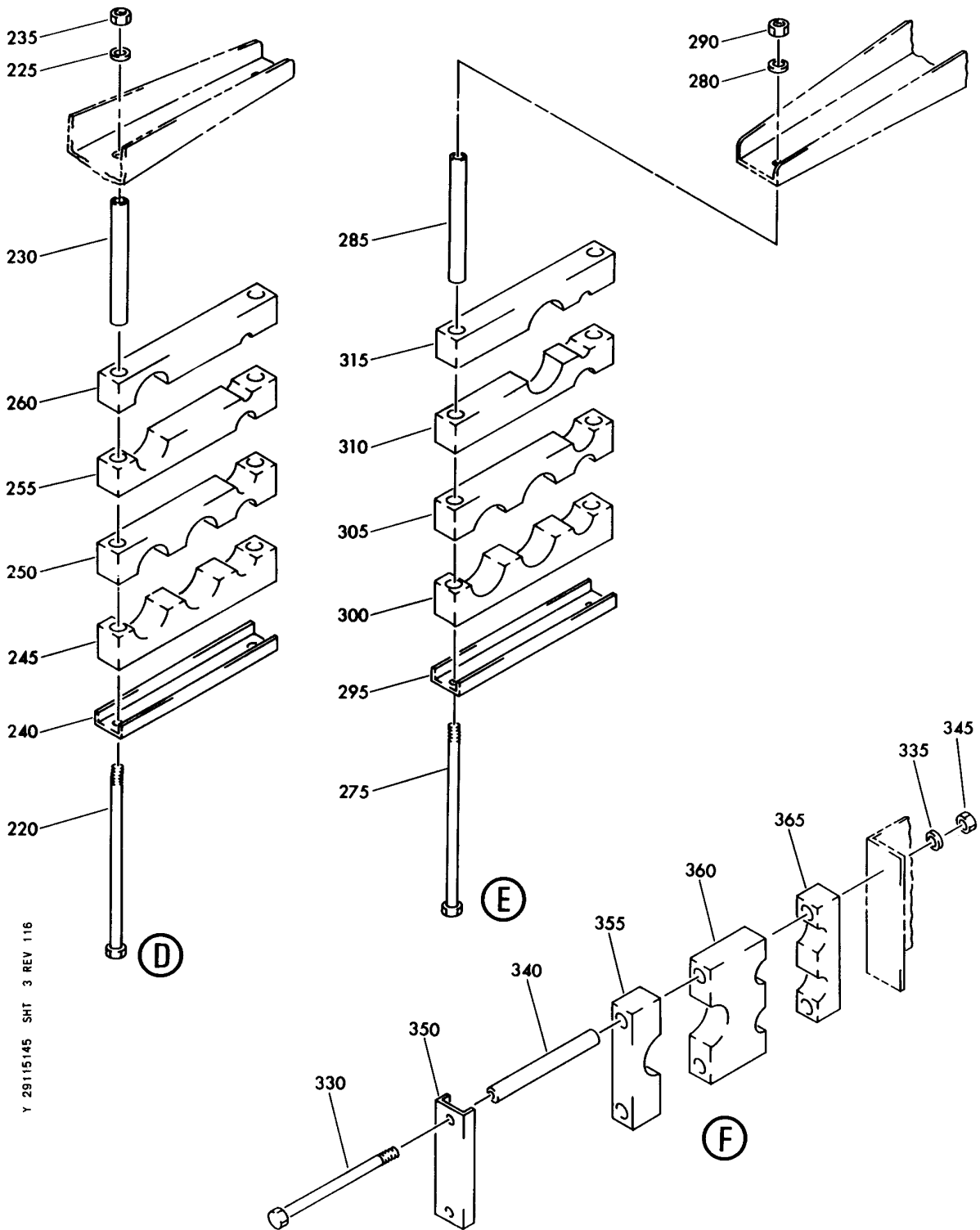
PLUMBING INSTL-SECT. 31.1 HYDR (LH) (HYDRAULIC POWER ONLY)
FIGURE 45 (SHEET 2)

BRI
MAY 28/07

29-11-51-45

29-11-51-45
PAGE 0A


BOEING
 757
PARTS CATALOG (MAINTENANCE)



Y 29115145 SHT 3 REV 116

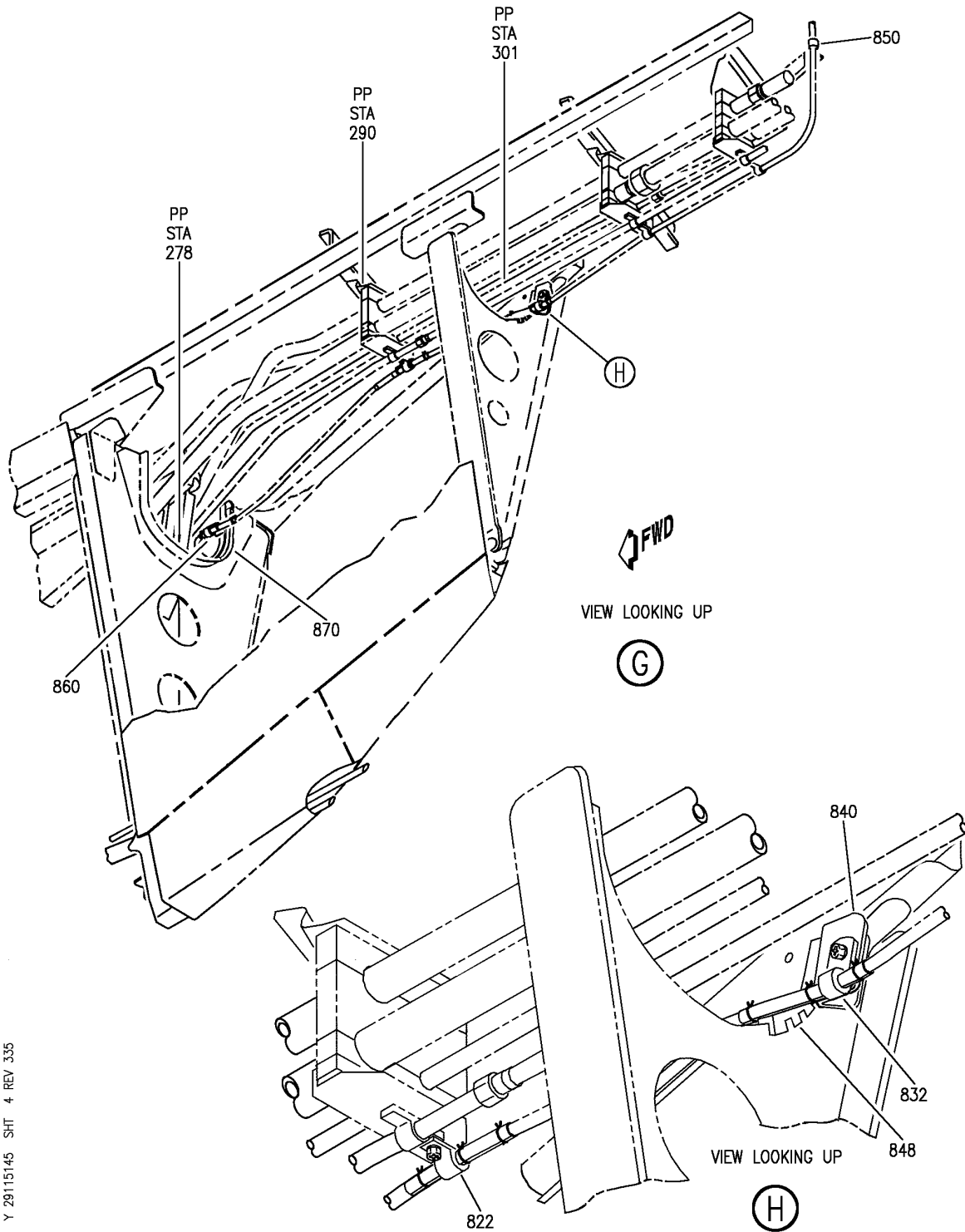
PLUMBING INSTL-SECT. 31.1 HYDR (LH) (HYDRAULIC POWER ONLY)
 FIGURE 45 (SHEET 3)

29-11-51-45

BRI
MAY 28/07

29-11-51-45
 PAGE 0B

BOEING
757
PARTS CATALOG (MAINTENANCE)



Y 29115145 SHT 4 REV 335

PLUMBING INSTL-SECT. 31.1 HYDR (LH) (HYDRAULIC POWER ONLY)
FIGURE 45 (SHEET 4)

29-11-51-45

BRI
MAY 20/09

29-11-51-45
PAGE 0C



757

PARTS CATALOG (MAINTENANCE)

FIG ITEM	PART NUMBER	1 2 3 4 5 6 7	NOMENCLATURE	EFFECT FROM TO	UNITS PER ASSY
45			PLUMBING INSTL-SECT. 31.1 HYDR (LH) (HYDRAULIC POWER ONLY)	002004 006100 107107 121503 904999	
1	271N6311-3		PLUMBING INSTL-HYDR (HYDRAULIC POWER ONLY) POSITION DATA: SECT. 31.1 LH VARIABLE DRAWING REF: 271N6311-5 FOR NHA/OTHER SYS DET SEE: 29-00-51-02	002004 006100 107107 121503 904999	RF
5	TA0910004H110		.CLAMP SUPPLIER CODE: V84971 SPECIFICATION NUMBER: BACC10HB10C	002004 006100 107107 121503 904999	1
8	TA0910004H108		.CLAMP- SUPPLIER CODE: V84971 SPECIFICATION NUMBER: BACC10HB08C	002004 006100 107107 121503 904999	1
10	TA0910004H120		.CLAMP SUPPLIER CODE: V84971 SPECIFICATION NUMBER: BACC10HB20C	002004 006100 107107 121503 904999	2
15	TA0910004H106		.CLAMP SUPPLIER CODE: V84971 SPECIFICATION NUMBER: BACC10HB06C	002004 006100 107107 121503 904999	1
- 20	NAS1801-3		ATTACHING PARTS .SCREW- SIZE DETERMINED ON INSTL.	002004 006100 107107 121503 904999	16
- 25	AN960PD10L		.WASHER-	002004 006100 107107 121503 904999	AR

MISSING ITEM NUMBERS NOT APPLICABLE

- ITEM NOT ILLUSTRATED

BRI

29-11-51-45

29-11-51
FIG. 45
PAGE 1
JAN 20/09

 **BOEING**
757
PARTS CATALOG (MAINTENANCE)

FIG ITEM	PART NUMBER	1 2 3 4 5 6 7	NOMENCLATURE	EFFECT FROM TO	UNITS PER ASSY
45					
- 30	MS21042L3	.	NUT-	002004 006100 107107 121503 904999	16
50	270N2000-239	-----*	. CLAMP ASSY-BLK	002004 006100 107107 121503 904999	1
55	NAS1801-3-70	..	SCREW-	002004 006100 107107 121503 904999	2
60	AN960KD10L	..	WASHER	002004 006100 107107 121503 904999	2
65	NAS43DD3-241	..	SPACER	002004 006100 107107 121503 904999	2
70	BRH10A3	..	NUT SUPPLIER CODE: V52828 SPECIFICATION NUMBER: BACN10JC3 OPTIONAL PART: H10-3BAC V15653 NS202101-02 V80539 RMLH9075-3W V72962 VN303A02 V92215 96-02 V80539 T6S1032J V11815	002004 006100 107107 121503 904999	2
75	270N2000-800	..	CHANNEL- OPTIONAL PART: 270N2000-894	002004 006100 107107 121503 904999	1

MISSING ITEM NUMBERS NOT APPLICABLE

- ITEM NOT ILLUSTRATED

BRI

29-11-51-45

BOEING PROPRIETARY - Copyright © - Unpublished Work - See title page for details.

29-11-51
FIG. 45
PAGE 2
JAN 20/09



757

PARTS CATALOG (MAINTENANCE)

FIG ITEM	PART NUMBER	1 2 3 4 5 6 7	NOMENCLATURE	EFFECT FROM TO	UNITS PER ASSY
45					
80	270N2000-577	. .	BLOCK	002004 006100 107107 121503 904999	1
85	270N2000-578	. .	BLOCK	002004 006100 107107 121503 904999	1
90	270N2000-579	. .	BLOCK	002004 006100 107107 121503 904999	1
95	270N2000-580	. .	BLOCK	002004 006100 107107 121503 904999	1
97	270N2006-64	. SHIM		002004 006100 107107 121503 904999	AR
99	270N2006-65	. SHIM		002004 006100 107107 121503 904999	AR
101	270N2006-66	. SHIM		002004 006100 107107 121503 904999	AR
102	271N6317-3	. BRACKET		002004 006100 107107 121503 904999	1
105	270N2000-240	. CLAMP ASSY-BLK		002004 006100 107107 121503 904999	2

MISSING ITEM NUMBERS NOT APPLICABLE

- ITEM NOT ILLUSTRATED

BRI

29-11-51-45

BOEING PROPRIETARY - Copyright © - Unpublished Work - See title page for details.

29-11-51
FIG. 45
PAGE 3
JAN 20/09



757

PARTS CATALOG (MAINTENANCE)

FIG ITEM	PART NUMBER	1 2 3 4 5 6 7	NOMENCLATURE	EFFECT FROM TO	UNITS PER ASSY
45 110	NAS1801-3-67	..	SCREW-	002004 006100 107107 121503 904999	2
115	AN960KD10L	..	WASHER	002004 006100 107107 121503 904999	2
120	NAS43DD3-232	..	SPACER	002004 006100 107107 121503 904999	2
125	BRH10A3	..	NUT SUPPLIER CODE: V52828 SPECIFICATION NUMBER: BACN10JC3 OPTIONAL PART: H10-3BAC V15653 NS202101-02 V80539 RMLH9075-3W V72962 VN303A02 V92215 96-02 V80539 T6S1032J V11815	002004 006100 107107 121503 904999	2
130	270N2000-824	..	CHANNEL	002004 006100 107107 121503 904999	1
135	270N2000-454	..	BLOCK	002004 006100 107107 121503 904999	1
140	270N2000-455	..	BLOCK	002004 006100 107107 121503 904999	1

MISSING ITEM NUMBERS NOT APPLICABLE

- ITEM NOT ILLUSTRATED

29-11-51-45

29-11-51
FIG. 45
PAGE 4
JAN 20/09

BRI

BOEING PROPRIETARY - Copyright © - Unpublished Work - See title page for details.



757

PARTS CATALOG (MAINTENANCE)

FIG ITEM	PART NUMBER	1 2 3 4 5 6 7	NOMENCLATURE	EFFECT FROM TO	UNITS PER ASSY
45					
145	270N2000-456	. .	BLOCK	002004 006100 107107 121503 904999	1
147	270N2006-67	. SHIM		002004 006100 107107 121503 904999	AR
150	270N2006-68	. SHIM		002004 006100 107107 121503 904999	AR
152	270N2006-69	. SHIM		002004 006100 107107 121503 904999	AR
155	271N6317-6	. BRACKET		002004 006100 107107 121503 904999	2
160	270N2000-251	. CLAMP ASSY-BLK		107107 904949	1
160	270N2000-280	. CLAMP ASSY-BLOCK		002004 006100 107107 121503 904999	1
165	NAS1801-3-84	. . SCREW		002004 006100 107107 121503 904999	2
165	NAS1801-3-83	. . SCREW		002004 006100 121503 950999	2
170	AN960KD10L	. . WASHER		002004 006100 107107 121503 904999	2

MISSING ITEM NUMBERS NOT APPLICABLE

- ITEM NOT ILLUSTRATED

29-11-51-45

29-11-51
FIG. 45
PAGE 5
JAN 20/09

BRI

BOEING PROPRIETARY - Copyright © - Unpublished Work - See title page for details.



757

PARTS CATALOG (MAINTENANCE)

FIG ITEM	PART NUMBER	1 2 3 4 5 6 7	NOMENCLATURE	EFFECT FROM TO	UNITS PER ASSY
45 175	NAS43DD3-302	..	SPACER-	002004 006100 107107 121503 904999	2
180	BRH10A3	..	NUT SUPPLIER CODE: V52828 SPECIFICATION NUMBER: BACN10JC3 OPTIONAL PART: H10-3BAC V15653 NS202101-02 V80539 RMLH9075-3W V72962 VN303A02 V92215 96-02 V80539 T6S1032J V11815	002004 006100 107107 121503 904999	2
185	270N2000-823	..	CHANNEL	002004 006100 107107 121503 904999	1
190	270N2000-1223	..	BLOCK-	002004 006100 107107 121503 904999	1
195	270N2000-1224	..	BLOCK-	002004 006100 107107 121503 904999	1
200	270N2000-1225	..	BLOCK	002004 006100 107107 121503 904999	1
205	270N2000-1226	..	BLOCK	002004 006100 107107 121503 904999	1

MISSING ITEM NUMBERS NOT APPLICABLE

- ITEM NOT ILLUSTRATED

29-11-51-45

29-11-51
FIG. 45
PAGE 6
JAN 20/09

BRI

BOEING PROPRIETARY - Copyright © - Unpublished Work - See title page for details.



757

PARTS CATALOG (MAINTENANCE)

FIG ITEM	PART NUMBER	1 2 3 4 5 6 7	NOMENCLATURE	EFFECT FROM TO	UNITS PER ASSY
45					
210	270N2006-7	.	SHIM	002004 006100 107107 121503 904999	AR
210	270N2006-8	.	SHIM	002004 006100 107107 121503 904999	AR
210	270N2006-9	.	SHIM	002004 006100 107107 121503 904999	AR
215	270N2000-214	.	CLAMP ASSY-BLK	002004 006100 107107 121503 904999	1
220	NAS1801-3-59	..	SCREW-	002004 006100 107107 121503 904999	2
225	AN960KD10L	..	WASHER	002004 006100 107107 121503 904999	2
230	NAS43DD3-203	..	SPACER	002004 006100 107107 121503 904999	2

MISSING ITEM NUMBERS NOT APPLICABLE

- ITEM NOT ILLUSTRATED

BRI

29-11-51-45

BOEING PROPRIETARY - Copyright © - Unpublished Work - See title page for details.

29-11-51
FIG. 45
PAGE 7
JAN 20/09



757

PARTS CATALOG (MAINTENANCE)

FIG ITEM	PART NUMBER	1 2 3 4 5 6 7	NOMENCLATURE	EFFECT FROM TO	UNITS PER ASSY
45 235	BRH10A3	. .	NUT SUPPLIER CODE: V52828 SPECIFICATION NUMBER: BACN10JC3 OPTIONAL PART: H10-3BAC V15653 NS202101-02 V80539 RMLH9075-3W V72962 VN303A02 V92215 96-02 V80539 T6S1032J V11815	002004 006100 107107 121503 904999	2
240	270N2000-1018	. .	CHANNEL	002004 006100 107107 121503 904999	1
245	270N2000-1240	. .	BLOCK-	002004 006100 107107 121503 904999	1
250	270N2000-1241	. .	BLOCK-	002004 006100 107107 121503 904999	1
255	270N2000-1242	. .	BLOCK-	002004 006100 107107 121503 904999	1
260	270N2000-1243	. .	BLOCK	002004 006100 107107 121503 904999	1

MISSING ITEM NUMBERS NOT APPLICABLE

- ITEM NOT ILLUSTRATED

29-11-51-45

29-11-51
FIG. 45
PAGE 8
MAY 20/09

BRI

BOEING PROPRIETARY - Copyright © - Unpublished Work - See title page for details.



757

PARTS CATALOG (MAINTENANCE)

FIG ITEM	PART NUMBER	1 2 3 4 5 6 7	NOMENCLATURE	EFFECT FROM TO	UNITS PER ASSY
R R R R R R R	45 270	270N2000-273	.CLAMP ASSY-BLK USED ON: 271N6311-3 271N6311-13 271N6311-29 POST SERVICE BULLETIN: 29-0031R1	002004 006100 950951	1
	270	270N2000-272	.CLAMP ASSY-BLK USED ON: 271N6311-3	107107 121503 904949 952999	1
	275	NAS1801-3-61	..SCREW-	002004 006100 107107 121503 904999	2
	280	AN960KD10L	..WASHER	002004 006100 107107 121503 904999	2
	285	NAS43DD3-211	..SPACER	002004 006100 107107 121503 904999	2
	290	BRH10A3	..NUT SUPPLIER CODE: V52828 SPECIFICATION NUMBER: BACN10JC3 OPTIONAL PART: H10-3BAC V15653 NS202101-02 V80539 RMLH9075-3W V72962 VN303A02 V92215 96-02 V80539 T6S1032J V11815	002004 006100 107107 121503 904999	2
	295	270N2000-1017	..CHANNEL	002004 006100 107107 121503 904999	1
	MISSING ITEM NUMBERS NOT APPLICABLE				
	- ITEM NOT ILLUSTRATED				

29-11-51-45

29-11-51
FIG. 45
PAGE 9
MAY 20/09

BRI

 **BOEING**
757
PARTS CATALOG (MAINTENANCE)

FIG ITEM	PART NUMBER	1 2 3 4 5 6 7	NOMENCLATURE	EFFECT FROM TO	UNITS PER ASSY
45					
300	270N2000-1233	. .	BLOCK-	002004 006100 107107 121503 904999	1
305	270N2000-1234	. .	BLOCK-	002004 006100 107107 121503 904999	1
310	270N2000-1290	. .	BLOCK-	002004 006100 950951	1
310	270N2000-1289	. .	BLOCK-	107107 121503 904949 952999	1
315	270N2000-1288	. .	BLOCK-	002004 006100 107107 121503 904999	1
317	270N2006-61	. SHIM		002004 006100 107107 121503 904999	AR
320	270N2006-62	. SHIM		002004 006100 107107 121503 904999	AR
322	270N2006-63	. SHIM		002004 006100 107107 121503 904999	AR
325	270N2000-210	. CLAMP	ASSY-BLK	002004 006100 107107 121503 904999	1
330	NAS1801-3-58	. .	SCREW-	002004 006100 107107 121503 904999	2

R
R
R
R
R

MISSING ITEM NUMBERS NOT APPLICABLE

- ITEM NOT ILLUSTRATED

BRI

29-11-51-45

BOEING PROPRIETARY - Copyright © - Unpublished Work - See title page for details.

29-11-51
FIG. 45
PAGE 10
MAY 20/09



757

PARTS CATALOG (MAINTENANCE)

FIG ITEM	PART NUMBER	1 2 3 4 5 6 7	NOMENCLATURE	EFFECT FROM TO	UNITS PER ASSY
45 335	AN960KD10L	..	WASHER	002004 006100 107107 121503 904999	2
340	NAS43DD3-198	..	SPACER	002004 006100 107107 121503 904999	2
345	BRH10A3	..	NUT SUPPLIER CODE: V52828 SPECIFICATION NUMBER: BACN10JC3 OPTIONAL PART: H10-3BAC V15653 NS202101-02 V80539 RMLH9075-3W V72962 VN303A02 V92215 96-02 V80539 T6S1032J V11815	002004 006100 107107 121503 904999	2
350	270N2000-1006	..	CHANNEL	002004 006100 107107 121503 904999	1
355	270N2000-1228	..	BLOCK	002004 006100 107107 121503 904999	1
360	270N2000-1229	..	BLOCK-	002004 006100 107107 121503 904999	1
365	270N2000-1230	..	BLOCK-	002004 006100 107107 121503 904999	1

MISSING ITEM NUMBERS NOT APPLICABLE

- ITEM NOT ILLUSTRATED

29-11-51-45

29-11-51
FIG. 45
PAGE 11
MAY 20/09

BRI

BOEING PROPRIETARY - Copyright © - Unpublished Work - See title page for details.



757

PARTS CATALOG (MAINTENANCE)

FIG ITEM	PART NUMBER	1 2 3 4 5 6 7	NOMENCLATURE	EFFECT FROM TO	UNITS PER ASSY
45 370	270N2006-37	. SHIM		002004 006100 107107 121503 904999	AR
370	270N2006-38	. SHIM		002004 006100 107107 121503 904999	AR
370	270N2006-39	. SHIM		002004 006100 107107 121503 904999	AR
400	271N6311-1071	. TUBE ASSY-SUPPLY SYS POSITION DATA: L TUBING MATERIAL: 1.25 IN. OD .035 IN. WALL 38.90 IN. LG AL AMS 4083 6061 T6 TUBING		002004 006100 107107 121503 904999	1
- 405	AFP175V20P	.. SLEEVE- SUPPLIER CODE: V30974 SPECIFICATION NUMBER: BACS13BX20HP OPTIONAL PART: 2-02901-20HP V11328 35025VN20 V08199		002004 006100 107107 121503 904999	1
- 410	BACN10YL20L	.. NUT-		002004 006100 107107 121503 904999	1

MISSING ITEM NUMBERS NOT APPLICABLE

- ITEM NOT ILLUSTRATED

BRI

29-11-51-45

29-11-51
FIG. 45
PAGE 12
MAY 20/09



757

PARTS CATALOG (MAINTENANCE)

FIG ITEM	PART NUMBER	1 2 3 4 5 6 7	NOMENCLATURE	EFFECT FROM TO	UNITS PER ASSY
45 - 415	35056GV20		.. UNION SUPPLIER CODE: V08199 SPECIFICATION NUMBER: BACU24AB20W OPTIONAL PART: 4671097W20 V50948 2-01027-20W V11328 31875-20W V14397 AP1004W20 V01673 AFP941W20 V30974 DBOU24AB20W V14798	002004 006100 107107 121503 904999	1
420	271N6311-1175		.TUBE ASSY-SUPPLY SYS POSITION DATA: L TUBING MATERIAL: 1.25 IN. OD .035 IN. WALL 10.30 IN LG AL AMS 4083 6061 T6 TUBING	018100	1
420	271N6311-1143		.TUBE ASSY-SUPPLY SYS POSITION DATA: L TUBING MATERIAL: 1.25 IN. OD .035 IN. WALL 10.10 IN. LG AL AMS 4083 6061 T6 TUBING USED ON: 271N6311-3	002004 006017 107107 121503 904999	1
425	271N6311-1047		.TUBE ASSY-SUPPLY SYS POSITION DATA: L TUBING MATERIAL: 1.25 IN. OD .035 IN. WALL 17.70 IN. LG AL AMS 4083 6061 T6 TUBING	002004 006100 107107 121503 904999	1

MISSING ITEM NUMBERS NOT APPLICABLE

- ITEM NOT ILLUSTRATED

29-11-51-45

29-11-51
FIG. 45
PAGE 13
JAN 20/09

BRI



757

PARTS CATALOG (MAINTENANCE)

FIG ITEM	PART NUMBER	1 2 3 4 5 6 7	NOMENCLATURE	EFFECT FROM TO	UNITS PER ASSY
45 430	271N6311-1045	.	TUBE ASSY-SUPPLY SYS POSITION DATA: L TUBING MATERIAL: 1.25 IN. OD .035 IN. WALL 31.80 IN. LG AL AMS 4083 6061 T6 TUBING	002004 006100 107107 121503 904999	1
- 435	AFP175V20P	..	SLEEVE- SUPPLIER CODE: V30974 SPECIFICATION NUMBER: BACS13BX20HP OPTIONAL PART: 2-02901-20HP V11328 35025VN20 V08199	002004 006100 107107 121503 904999	2
- 440	BACN10YL20L	..	NUT-	002004 006100 107107 121503 904999	2
445	271N6311-1053	.	TUBE ASSY-PRESSURE SYS POSITION DATA: L TUBING MATERIAL: 1.00 IN. OD .051 IN. WALL 29.50 IN. LG TI BMS 7-234 TI-3AL-2.5V COLD WORKED, STRESS RELIEVE TUBING	002004 006100 107107 121503 904999	1
450	271N6311-1055	.	TUBE ASSY-PRESSURE SYS POSITION DATA: L TUBING MATERIAL: 1.00 IN. OD .051 IN. WALL 19.70 IN. LG TI BMS 7-234 TI-3AL-2.5V COLD WORKED, STRESS RELIEVED TUBING	002004 006100 107107 121503 904999	1

MISSING ITEM NUMBERS NOT APPLICABLE

- ITEM NOT ILLUSTRATED

BRI

29-11-51-45

29-11-51
FIG. 45
PAGE 14
JAN 20/09

BOEING
757
PARTS CATALOG (MAINTENANCE)

FIG ITEM	PART NUMBER	1 2 3 4 5 6 7	NOMENCLATURE	EFFECT FROM TO	UNITS PER ASSY
45 455	271N6311-1075		.TUBE ASSY-PRESSURE SYS POSITION DATA: L TUBING MATERIAL: 1.00 IN. OD .051 IN. WALL 47.90 IN. LG TI BMS 7-234 TI-3AL-2.5V COLD WORKED, STRESS RELIEVED TUBING	002004 006100 107107 121503 904999	1
- 460	AS1581T16		..SLEEVE	002004 006100 107107 121503 904999	2
- 465	BACN10YA16L		..NUT-	002004 006100 107107 121503 904999	2
R R R R R R R R R R	470	271N6311-1057	.TUBE ASSY-PRESSURE SYS POSITION DATA: L TUBING MATERIAL: .625 IN. OD .032 IN. WALL 10.70 IN. LG TI BMS 7-234 TI-3AL-2.5V COLD WORKED, STRESS RELIEVED TUBING USED ON: 271N6311-3	002004 006100 107107 121503 904999	1
- 475	AS1581T10		..SLEEVE-	002004 006100 107107 121503 904999	2
- 480	BACN10YA10		..NUT-	002004 006100 107107 121503 904999	2

MISSING ITEM NUMBERS NOT APPLICABLE

- ITEM NOT ILLUSTRATED

BRI

29-11-51-45

BOEING PROPRIETARY - Copyright © - Unpublished Work - See title page for details.

29-11-51
FIG. 45
PAGE 15
MAY 20/09



**757
PARTS CATALOG (MAINTENANCE)**

FIG ITEM	PART NUMBER	1 2 3 4 5 6 7	NOMENCLATURE	EFFECT FROM TO	UNITS PER ASSY
45 485	271N6311-1099	.	TUBE ASSY-PRESSURE SYS POSITION DATA: L TUBING MATERIAL: .375 IN. OD .019 IN. WALL 28.10 IN. LG TI BMS 7-234 TI-3AL-2.5V COLD WORKED, STRESS RELIEVED TUBING USED ON: 271N6311-3	002004 006100 107107 121503 904999	1
- 490	AS1581T06	..	SLEEVE	002004 006100 107107 121503 904999	2
- 495	BACN10YA6	..	NUT	002004 006100 107107 121503 904999	2
R R	515	271N6311-1133	.TUBE ASSY-THRUST REVERSER PRESSURE SYS POSITION DATA: L TUBING MATERIAL: .625 IN. OD .032 IN. WALL 46.30 IN. LG TI BMS 7-234 TI-3AL-2.5V COLD WORKED, STRESS RELIEVED TUBING USED ON: 271N6311-3	002004 006100 107107 121503 904999	1
	520	271N6311-1077	.TUBE ASSY-THRUST REVERSER PRESSURE SYS POSITION DATA: L TUBING MATERIAL: .625 IN. OD .032 IN. WALL 3.50 IN. LG TI BMS 7-234 TI-3AL-2.5V COLD WORKED, STRESS RELIEVED TUBING USED ON: 271N6311-3	002004 006100 107107 121503 904999	1

MISSING ITEM NUMBERS NOT APPLICABLE

- ITEM NOT ILLUSTRATED

29-11-51-45

29-11-51
FIG. 45
PAGE 16
MAY 20/09

BRI



757

PARTS CATALOG (MAINTENANCE)

FIG ITEM	PART NUMBER	1 2 3 4 5 6 7	NOMENCLATURE	EFFECT FROM TO	UNITS PER ASSY
45					
- 525	AS1581T10	..	SLEEVE-	002004 006100 107107 121503 904999	2
R					
- 530	BACN10YA10N	..	NUT	002004 006100 107107 121503 904999	2
R					
R					
R					
535	271N6311-1069	.TUBE ASSY-RETURN SYS POSITION DATA: L TUBING MATERIAL: .625 IN. OD .035 IN. WALL 20.80 IN. LG AL AMS 4083 6061 T6 TUBING		002004 006100 107107 121503 904999	1
- 540	AP2097HP10	..SLEEVE SUPPLIER CODE: V01673 SPECIFICATION NUMBER: BACS13BX10HP OPTIONAL PART: 2-02903-10HP V11328 35235VN10 V08199 AFP175V10P V30974 DBOS13BX10HP V14798		002004 006100 107107 121503 904999	2
- 545	BACN10YL10	..	NUT	002004 006100 107107 121503 904999	2
R					
R					
R					
R					
R					
R					
R					
R					
550	271N6311-1061	.TUBE ASSY-RETURN SYS POSITION DATA: L TUBING MATERIAL: .625 IN. OD .035 IN. WALL 37.50 IN. LG AL AMS 4083 6061 T6 TUBING USED ON: 271N6311-3		002004 006100 107107 121503 904999	1

MISSING ITEM NUMBERS NOT APPLICABLE

- ITEM NOT ILLUSTRATED

29-11-51-45

29-11-51
FIG. 45
PAGE 17
MAY 20/09

BRI



757

PARTS CATALOG (MAINTENANCE)

FIG ITEM	PART NUMBER	1 2 3 4 5 6 7	NOMENCLATURE	EFFECT FROM TO	UNITS PER ASSY
45 - 555	AP2097HP10	..	SLEEVE- SUPPLIER CODE: V01673 SPECIFICATION NUMBER: BACS13BX10HP OPTIONAL PART: 2-02903-10HP V11328 35235VN10 V08199 AFP175V10P V30974 DBOS13BX10HP V14798	002004 006100 107107 121503 904999	2
- 560	BACN10YL10	..	NUT	002004 006100 107107 121503 904999	2
- 580	35056GV08	..	UNION- SUPPLIER CODE: V08199 SPECIFICATION NUMBER: BACU24AB8W OPTIONAL PART: 2-01027-8W V11328 31875-8W V14397 4671097W8 V50948 AP1004W08 V01673 AFP941W8 V30974 DBOU24AB8W V14798	002004 006100 107107 121503 904999	1
585	271N6311-1151	.TUBE ASSY-THRUST REVERSER RETURN SYS POSITION DATA: L TUBING MATERIAL: .625 IN. OD .035 IN. WALL 53.10 IN. LG AL AMS 4083 6061 T6 TUBING	002004 006100 107107 121503 904999	1	

MISSING ITEM NUMBERS NOT APPLICABLE

- ITEM NOT ILLUSTRATED

29-11-51-45

29-11-51
FIG. 45
PAGE 18
MAY 20/09

BRI



757

PARTS CATALOG (MAINTENANCE)

FIG ITEM	PART NUMBER	1 2 3 4 5 6 7	NOMENCLATURE	EFFECT FROM TO	UNITS PER ASSY
45 - 590	AP2097HP10	..	SLEEVE- SUPPLIER CODE: V01673 SPECIFICATION NUMBER: BACS13BX10HP OPTIONAL PART: 2-02903-10HP V11328 35235VN10 V08199 AFP175V10P V30974 DBOS13BX10HP V14798	002004 006100 107107 121503 904999	1
- 595	BACN10YL10	..	NUT	002004 006100 107107 121503 904999	1
- 600	35056GV10	..	UNION- SUPPLIER CODE: V08199 SPECIFICATION NUMBER: BACU24AB10W OPTIONAL PART: 4671097W10 V50948 2-01027-10W V11328 31875-10W V14397 AP1004W10 V01673 AFP941W10 V30974 DBOU24AB10W V14798	002004 006100 107107 121503 904999	1
605	271N6311-1073	.TUBE ASSY-CASE DRAIN SYS POSITION DATA: L TUBING MATERIAL: .375 IN. OD .035 IN. WALL 37.80 IN. LG AL AMS 4083 6061 T6 TUBING	002004 006100 107107 121503 904999	1	

MISSING ITEM NUMBERS NOT APPLICABLE

- ITEM NOT ILLUSTRATED

BRI

29-11-51-45

29-11-51
FIG. 45
PAGE 19
MAY 20/09

BOEING
757
PARTS CATALOG (MAINTENANCE)

FIG ITEM	PART NUMBER	1 2 3 4 5 6 7	NOMENCLATURE	EFFECT FROM TO	UNITS PER ASSY	
R R R R R R R R	45 610		.TUBE ASSY-CASE DRAIN SYS POSITION DATA: L TUBING MATERIAL: .375 IN. OD .035 IN. WALL 59.80 IN. LG AL AMS 4083 6061 T6 TUBING USED ON: 271N6311-3 271N6311-29	002004 006100 107107 121503 904999	1	
	- 615	AP2097HP06	..SLEEVE SUPPLIER CODE: V01673 SPECIFICATION NUMBER: BACS13BX06HP OPTIONAL PART: 2-02903-06HP V11328 35235VN06 V08199 AFP175V06P V30974 DBOS13BX06HP V14798	002004 006100 107107 121503 904999	2	
	- 620	BACN10YLO6	..NUT	002004 006100 107107 121503 904999	2	
	700	MS21907D20	.ELBOW-	002004 006100 107107 121503 904999	1	
	705	BACE21BM1616T	.ELBOW-	002004 006100 107107 121503 904999	1	
	705	BACE21BM1616J	.ELBOW-	002004 006100 107107 121503 904999	1	
	MISSING ITEM NUMBERS NOT APPLICABLE					
	- ITEM NOT ILLUSTRATED					

BRI

29-11-51-45

BOEING PROPRIETARY - Copyright © - Unpublished Work - See title page for details.

29-11-51
FIG. 45
PAGE 20
MAY 20/09

BOEING
757
PARTS CATALOG (MAINTENANCE)

FIG ITEM	PART NUMBER	1 2 3 4 5 6 7	NOMENCLATURE	EFFECT FROM TO	UNITS PER ASSY
45 710	MS21907D6	.ELBOW-		002004 006100 107107 121503 904999	1
715	APX837D1008	.ELBOW-	SUPPLIER CODE: V01673 SPECIFICATION NUMBER: BACE21AT1008D OPTIONAL PART: DB0E21AT1008D V14798 ER837-1008D V50948 ER837-1008D V88334 FER1584-1008D V14397 LER837-1008D V11328 APX837-1008D V01673 NAF1783-1008D V52930 US1944-1008D V50808 AFP317-1008D V30974	107107 904949	1
715	MS21907D10	.ELBOW-		107107	1
715	MS21907W10	.ELBOW-		002004 006100 121503 904999	1
715	BACE21AT1008W	.ELBOW-BHD, 45, RED	STANDARD CALLOUT	002004 006100 121503 950999	1
720	AP1042T0808	.ELBOW-	SUPPLIER CODE: V01673 SPECIFICATION NUMBER: BACE21BT0808T	002004 006100 950951	2
720	AP1042P0808	.ELBOW-	SUPPLIER CODE: V01673 SPECIFICATION NUMBER: BACE21BT0808P	002004 006100 950951	2

R
R
R
R
R
R
R
R
R

MISSING ITEM NUMBERS NOT APPLICABLE

- ITEM NOT ILLUSTRATED

29-11-51-45

29-11-51
FIG. 45
PAGE 21
MAY 20/09

BRI



757

PARTS CATALOG (MAINTENANCE)

FIG ITEM	PART NUMBER	1 2 3 4 5 6 7	NOMENCLATURE	EFFECT FROM TO	UNITS PER ASSY
45					
720	AP1042T1010	.ELBOW-	SUPPLIER CODE: V01673 SPECIFICATION NUMBER: BACE21BT1010T	107107	2
720	NAS1762J1010	.ELBOW-		002004 006100 121503 904999	2
725	NAS1762D0808	.ELBOW-		107107 904949	1
725	NAS1762D1010	.ELBOW-		107107	1
725	NAS1762W1010	.ELBOW-		002004 006100 121503 904999	1
725	NAS1762W0808	.ELBOW-		002004 006100 121503 950999	1
730	MS21915J12-10	.BUSHING		002004 006100 107107 121503 904999	1
735	MS21916D10-8	.UNION		002004 006100 107107 121503 904999	1

R
R
R
R

MISSING ITEM NUMBERS NOT APPLICABLE

- ITEM NOT ILLUSTRATED

29-11-51-45

29-11-51
FIG. 45
PAGE 22
MAY 20/09

BRI



**757
PARTS CATALOG (MAINTENANCE)**

FIG ITEM	PART NUMBER	1 2 3 4 5 6 7	NOMENCLATURE	EFFECT FROM TO	UNITS PER ASSY
45 740	APX824D202016	. TEE-	SUPPLIER CODE: V01673 SPECIFICATION NUMBER: BACT16AS202016D OPTIONAL PART: APX824-202016D V01673 DB0T16AS202016D V14798 ER824-202016D V50948 FER1571-202016D V14397 LER824-202016D V11328 NAF1824-202016D V52930 US1925-202016D V50808 AFP325-202016D V30974	002004 006100 107107 121503 904999	1
R R R	745	BACT16BL161608T	. TEE-	002004 006100 950951	1
	745	BACT16BL161610T	. TEE-	002004 006100 107107 121503 904999	1
R R R	745	BACT16BL161608J	. TEE-	002004 006100 950951	1
	745	BACT16BL161610J	. TEE-	002004 006100 107107 121503 904999	1
	750	BACT16BR161606T	. TEE-	107107 904949	1
	750	BACT16BR161606P	. TEE-	107107 904949	1
	755	BACT16BT160616T	. TEE-	002004 006100 107107 121503 904999	1

MISSING ITEM NUMBERS NOT APPLICABLE

— ITEM NOT ILLUSTRATED

29-11-51-45

29-11-51
FIG. 45
PAGE 23
MAY 20/09

BRI

BOEING PROPRIETARY - Copyright © - Unpublished Work - See title page for details.

BOEING
757
PARTS CATALOG (MAINTENANCE)

FIG ITEM	PART NUMBER	1 2 3 4 5 6 7	NOMENCLATURE	EFFECT FROM TO	UNITS PER ASSY
45 755	BACT16BT160616P	.	TEE-	002004 006100 107107 121503 904999	1
757	NAS1612-12	.	PACKING-	002004 006100 107107 121503 904999	1
760	AN924-20D	.	NUT	002004 006100 107107 121503 904999	1
765	AN924-16D	.	NUT	002004 006100 107107 121503 904999	1
770	AN924-10D	.	NUT	002004 006100 107107 121503 904999	1
775	AN924-6D	.	NUT	002004 006100 107107 121503 904999	1
800	P31-595	.	VALVE ASSY- SUPPLIER CODE: V91816 SPECIFICATION NUMBER: S273T458-8 COMPONENT MAINT MANUAL REF: 29-10-08	002004 006100 107107 121503 904999	1
803	2612	..	NAMEPLATE- SUPPLIER CODE: V06177	002004 006100 107107 121503 904999	1
- 820	012N1023-2		STRUT KIT-WIRE BUNDLE ROUTING POST ALERT SB: 28A0073	002004 006100 107107 121503 904999	1

MISSING ITEM NUMBERS NOT APPLICABLE

- ITEM NOT ILLUSTRATED

BRI

29-11-51-45

BOEING PROPRIETARY - Copyright © - Unpublished Work - See title page for details.

29-11-51
FIG. 45
PAGE 24
MAY 20/09



757

PARTS CATALOG (MAINTENANCE)

FIG ITEM	PART NUMBER	1 2 3 4 5 6 7	NOMENCLATURE	EFFECT FROM TO	UNITS PER ASSY
45 822	TA025041-02		.CLAMP- SUPPLIER CODE: V84971	002004 006100 107107 121503 904999	1
- 825	NAS1801-3		ATTACHING PARTS .SCREW- SIZE DETERMINED ON INSTL.	002004 006100 107107 121503 904999	RF
- 828	AN960KD10L		.WASHER	002004 006100 107107 121503 904999	RF
- 830	MS21042L3		.NUT	002004 006100 107107 121503 904999	RF
832	TA025041-02		-----*----- .CLAMP- SUPPLIER CODE: V84971	002004 006100 107107 121503 904999	1
- 835	NAS1801-3-8		ATTACHING PARTS .SCREW	002004 006100 107107 121503 904999	1
- 838	NAS1149D0332J		.WASHER	002004 006100 107107 121503 904999	1
840	313N5033-134		-----*----- .BRACKET ASSY	002004 006100 107107 121503 904999	1

MISSING ITEM NUMBERS NOT APPLICABLE

- ITEM NOT ILLUSTRATED

29-11-51-45

29-11-51
FIG. 45
PAGE 25
MAY 20/09

BRI

BOEING PROPRIETARY - Copyright © - Unpublished Work - See title page for details.



757

PARTS CATALOG (MAINTENANCE)

FIG ITEM	PART NUMBER	1 2 3 4 5 6 7	NOMENCLATURE	EFFECT FROM TO	UNITS PER ASSY
45			ATTACHING PARTS		
- 842	HL1022AZ6-3		.BOLT SUPPLIER CODE: V97928 SPECIFICATION NUMBER: BACB30NX6K3X OPTIONAL PART: HL1022AZ6-3 V06725 HL1022AZ6-3 V56878 HL1022AZ6-3 V73197 HL112VAZ6-3 V06725 HL112VAZ6-3 V56878 HL112VAZ6-3 V73197 HL112VAZ6-3 V92215 HL112VAZ6-3 V97928 HL1022AZ6-3 V06950 HL1022AZ6-3 V17446 HL1022AZ6-3 V56878 HL1022AZ6-3 V73197	002004 006100 107107 121503 904999	2
- 845	HL79-6		.COLLAR SUPPLIER CODE: V5M902 SPECIFICATION NUMBER: BACC30M6 OPTIONAL PART: HL79-6 V73197 HL79-6 V92215 66014-6 V56878 HL79-6 V56878 -----*	002004 006100 107107 121503 904999	2

MISSING ITEM NUMBERS NOT APPLICABLE

- ITEM NOT ILLUSTRATED

BRI

29-11-51-45

BOEING PROPRIETARY - Copyright © - Unpublished Work - See title page for details.

29-11-51
FIG. 45
PAGE 26
MAY 20/09



757

PARTS CATALOG (MAINTENANCE)

FIG ITEM	PART NUMBER	1 2 3 4 5 6 7	NOMENCLATURE	EFFECT FROM TO	UNITS PER ASSY
45 848	BACG20ZE001275	.	GROMMET	002004 006100 107107 121503 904999	1
850	S717-101	.	CLAMP SUPPLIER CODE: V18076 SPECIFICATION NUMBER: BACC10GU101 OPTIONAL PART: 534CS101 V83930 JM44LC39S101RG V22175 ATTACHING PARTS	002004 006100 107107 121503 904999	1
- 852	NAS1801-3	.	SCREW- SIZE DETERMINED ON INSTL.	002004 006100 107107 121503 904999	1
- 855	AN960PD10L	.	WASHER	002004 006100 107107 121503 904999	1
- 858	BRH10A3	.	NUT SUPPLIER CODE: V52828 SPECIFICATION NUMBER: BACN10JC3 OPTIONAL PART: H10-3BAC V15653 NS202101-02 V80539 RMLH9075-3W V72962 VN303A02 V92215 96-02 V80539 T6S1032J V11815 -----*-----	002004 006100 107107 121503 904999	1

MISSING ITEM NUMBERS NOT APPLICABLE

- ITEM NOT ILLUSTRATED

BRI

29-11-51-45

29-11-51
FIG. 45
PAGE 27
MAY 20/09



757

PARTS CATALOG (MAINTENANCE)

FIG ITEM	PART NUMBER	1 2 3 4 5 6 7	NOMENCLATURE	EFFECT FROM TO	UNITS PER ASSY
45 900			ILLUSTRATION REFERENCE: MODULE INSTL-R AND L SYS SHUTOFF/ISOLATION VALVE (HYDRAULIC POWER ONLY) 29-11-06-01	002004 006100 107107 121503 904999	RF
905			ILLUSTRATION REFERENCE: MODULE INSTL-R AND L SYS SHUTOFF/ISOLATION VALVE (EXHAUST ONLY) 78-34-05-01	002004 006100 107107 121503 904999	RF
910			ILLUSTRATION REFERENCE: MODULE INSTL-ENG DRIVEN PUMP CASE DRAIN PRESSURE FILTER 29-11-17-02	002004 006100 107107 121503 904999	RF
915			ILLUSTRATION REFERENCE: SWITCH INSTL-L NACELLE PTU CONTROL PRESSURE 29-22-06-01	002004 006100 107107 121503 904999	RF
920			ILLUSTRATION REFERENCE: PLUMBING INSTL-SECT. 31.1 HYDR (LH) (GROUND SERVICING SYSTEM ONLY) 29-18-51-24	002004 006100 107107 121503 904999	RF
925			ILLUSTRATION REFERENCE: PLUMBING INSTL-SECT. 12 L WING INBD HYDR (HYDRAULIC POWER ONLY) (L SYS) 29-11-51-12	002004 006100 107107 121503 904999	RF
935			ILLUSTRATION REFERENCE: SYSTEM INSTL-STRUT FUEL AND HYDR (HYDRAULIC POWER ONLY) (RB211-535) 29-11-56-01	002004 006100 107107 121503 904999	RF
940			ILLUSTRATION REFERENCE: TUBE INSTL-STRUT THRUST REVERSER ACTUATION (RB211-535) 78-34-01-02	002004 006100 107107 121503 904999	RF

MISSING ITEM NUMBERS NOT APPLICABLE

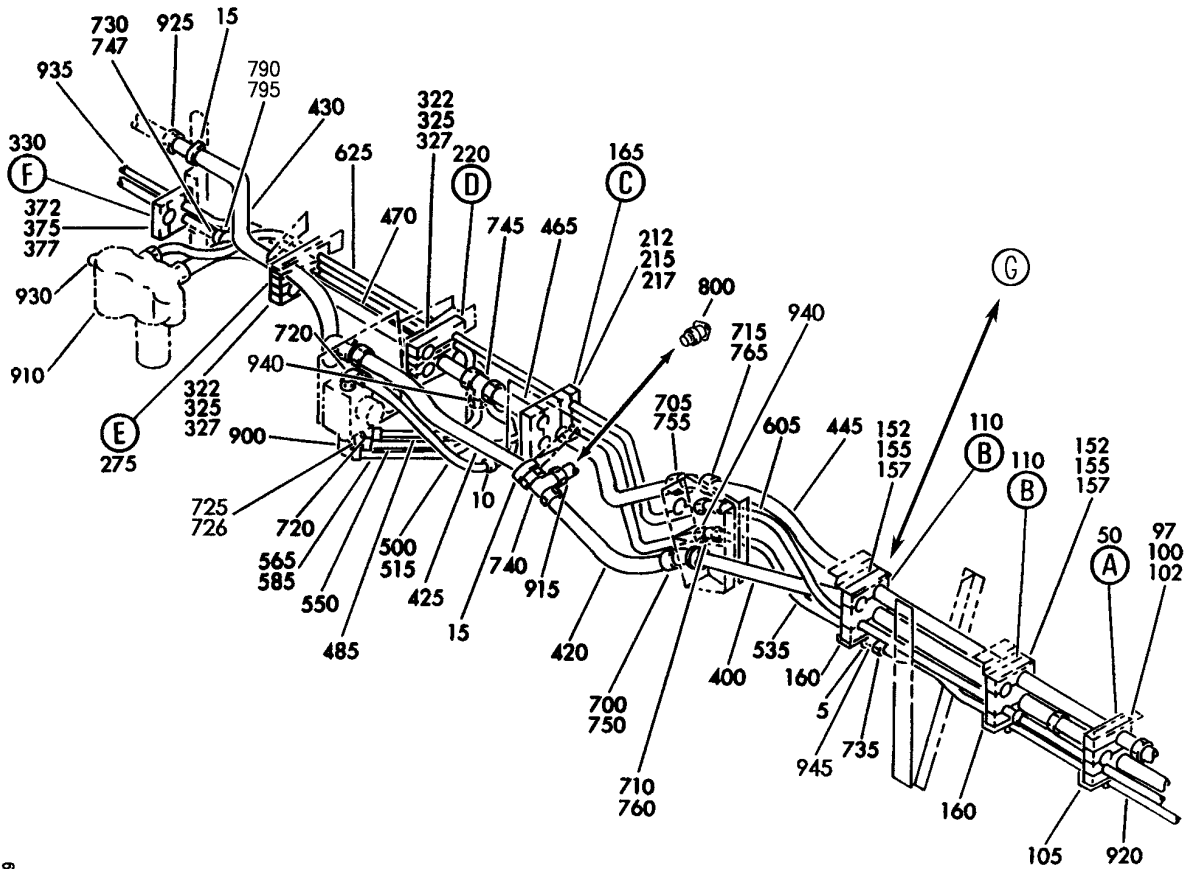
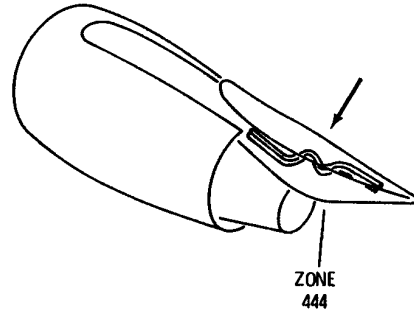
- ITEM NOT ILLUSTRATED

29-11-51-45

29-11-51
FIG. 45
PAGE 28
MAY 20/09

BRI

BOEING
757
PARTS CATALOG (MAINTENANCE)



Y 29115146 SH1 1 REV 299

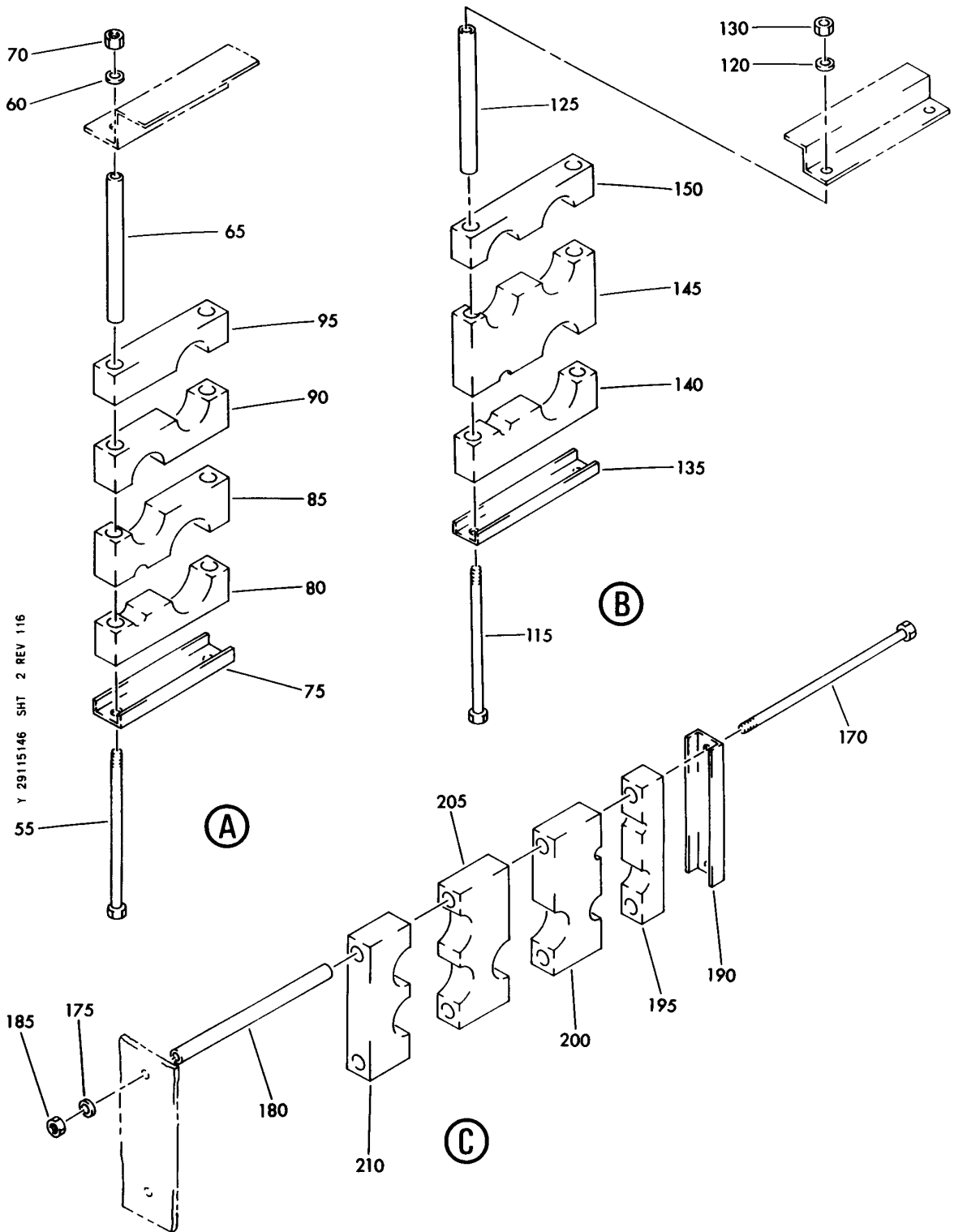
PLUMBING INSTL-SECT. 31.1 HYDR (RH) (HYDRAULIC POWER ONLY)
FIGURE 46 (SHEET 1)

29-11-51-46

BRI
MAY 28/07

29-11-51-46
PAGE 0

BOEING
757
PARTS CATALOG (MAINTENANCE)



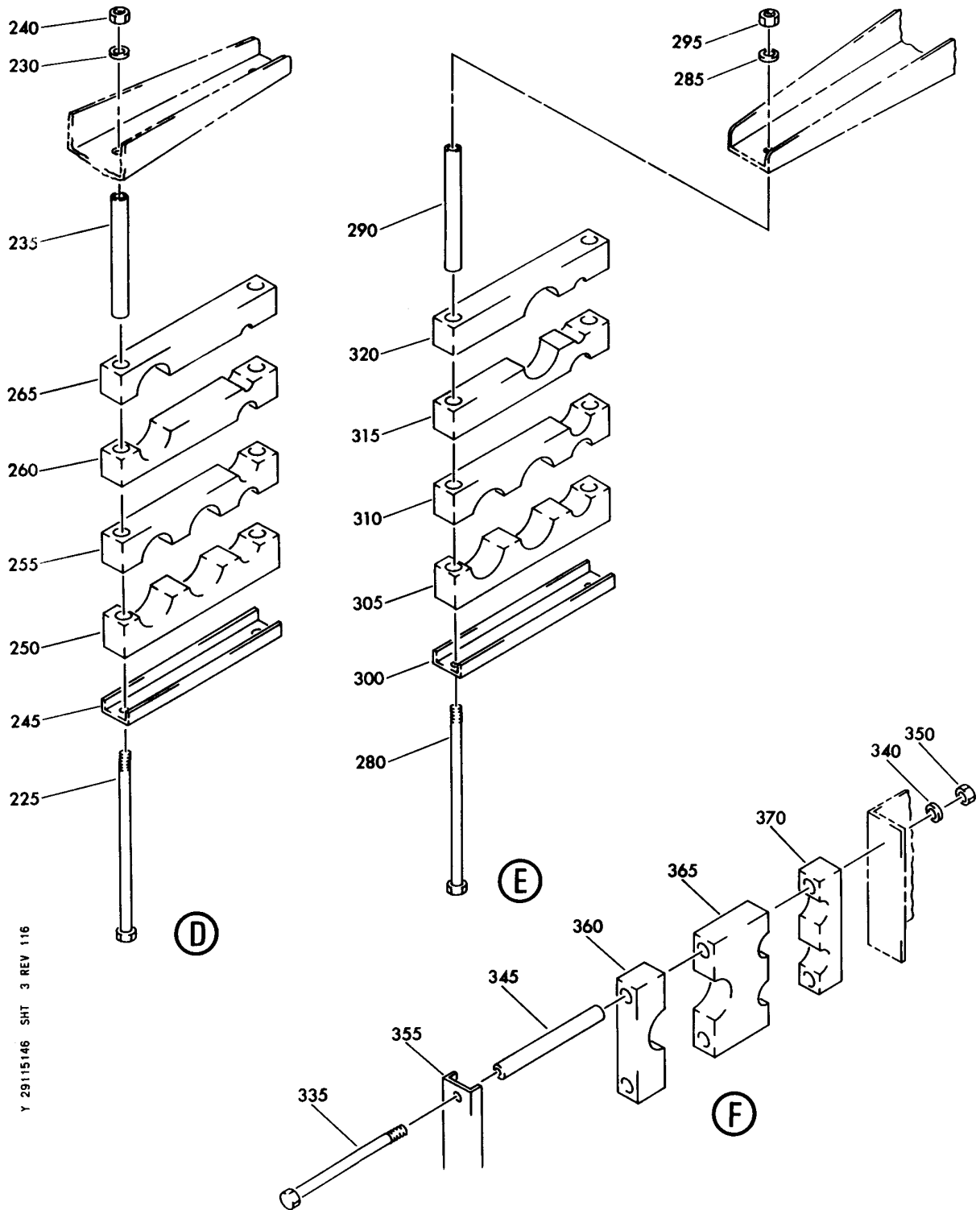
PLUMBING INSTL-SECT. 31.1 HYDR (RH) (HYDRAULIC POWER ONLY)
FIGURE 46 (SHEET 2)

29-11-51-46

BRI
MAY 28/07

29-11-51-46
PAGE 0A

BOEING
757
PARTS CATALOG (MAINTENANCE)



Y 29115146 SHT 3 REV 116

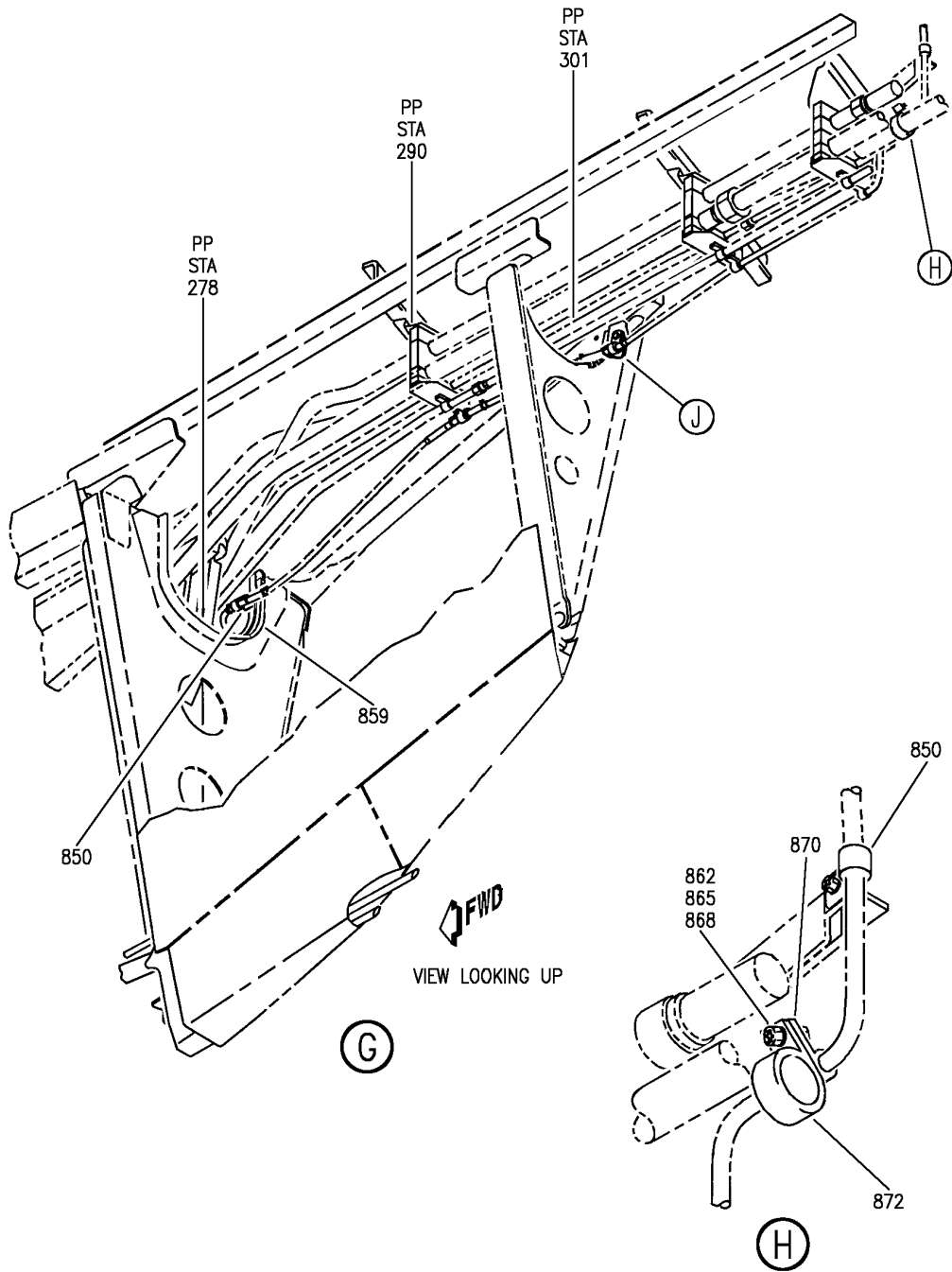
PLUMBING INSTL-SECT. 31.1 HYDR (RH) (HYDRAULIC POWER ONLY)
FIGURE 46 (SHEET 3)

BRI
MAY 28/07

29-11-51-46

29-11-51-46
PAGE 0B

BOEING
757
PARTS CATALOG (MAINTENANCE)



Y 29115146 SH1 4 REV 335

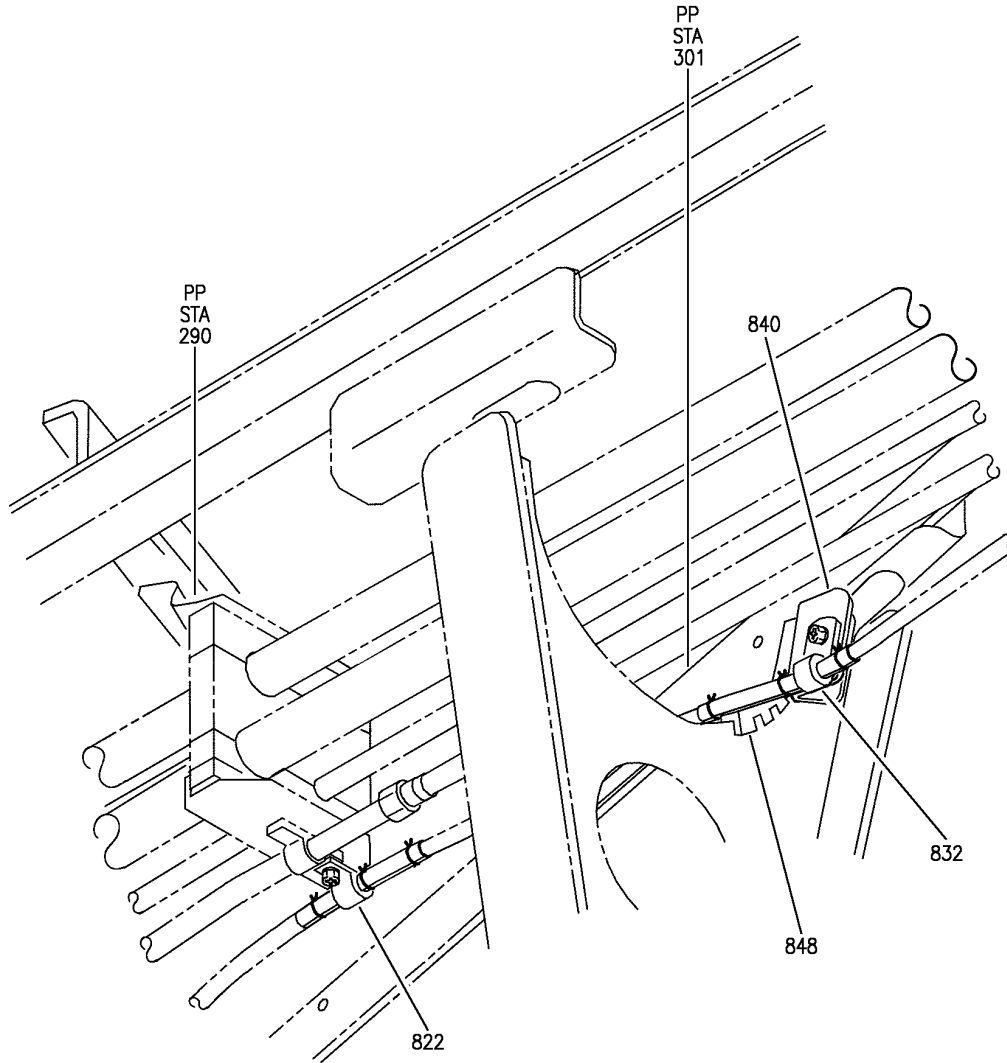
PLUMBING INSTL-SECT. 31.1 HYDR (RH) (HYDRAULIC POWER ONLY)
FIGURE 46 (SHEET 4)

29-11-51-46

BRI
MAY 20/09

29-11-51-46
PAGE 0C

BOEING
757
PARTS CATALOG (MAINTENANCE)



VIEW LOOKING UP

(J)

Y 29115146 SH1 5 REV 287

PLUMBING INSTL-SECT. 31.1 HYDR (RH) (HYDRAULIC POWER ONLY)
FIGURE 46 (SHEET 5)

29-11-51-46

BRI
MAY 28/07

29-11-51-46
PAGE 0D



757

PARTS CATALOG (MAINTENANCE)

FIG ITEM	PART NUMBER	1 2 3 4 5 6 7	NOMENCLATURE	EFFECT FROM TO	UNITS PER ASSY
46			PLUMBING INSTL-SECT. 31.1 HYDR (RH) (HYDRAULIC POWER ONLY)	002004 006100 107107 121503 904999	
- 1	271N6311-4		PLUMBING INSTL-HYDR BSC RH (HYDRAULIC POWER ONLY) POSITION DATA: SECT. 31.1 RH VARIABLE DRAWING REF: 271N6311-6 FOR NHA/OTHER SYS DET SEE: 29-00-51-02	002004 006100 107107 121503 904999	RF
5	TA0910004H110		.CLAMP SUPPLIER CODE: V84971 SPECIFICATION NUMBER: BACC10HB10C	002004 006100 107107 121503 904999	1
10	TA0910004H108		.CLAMP SUPPLIER CODE: V84971 SPECIFICATION NUMBER: BACC10HB08C	002004 006100 107107 121503 904999	3
15	TA0910004H120		.CLAMP SUPPLIER CODE: V84971 SPECIFICATION NUMBER: BACC10HB20C	002004 006100 107107 121503 904999	2
- 20	NAS1801-3		ATTACHING PARTS .SCREW- SIZE DETERMINED ON INSTL.	002004 006100 107107 121503 904999	8
- 25	AN960PD10		.WASHER	002004 006100 107107 121503 904999	AR
- 30	MS21042L3		.NUT	002004 006100 107107 121503 904999	8
			-----*-----		

MISSING ITEM NUMBERS NOT APPLICABLE

- ITEM NOT ILLUSTRATED

29-11-51-46

29-11-51
FIG. 46
PAGE 1
JAN 20/09

BRI



**757
PARTS CATALOG (MAINTENANCE)**

FIG ITEM	PART NUMBER	1 2 3 4 5 6 7	NOMENCLATURE	EFFECT FROM TO	UNITS PER ASSY
46					
50	270N2000-239	.	CLAMP ASSY-BLK	002004 006100 107107 121503 904999	1
55	NAS1801-3-70	..	SCREW-	002004 006100 107107 121503 904999	2
60	AN960KD10L	..	WASHER	002004 006100 107107 121503 904999	2
65	NAS43DD3-241	..	SPACER	002004 006100 107107 121503 904999	2
70	BRH10A3	..	NUT SUPPLIER CODE: V52828 SPECIFICATION NUMBER: BACN10JC3 OPTIONAL PART: H10-3BAC V15653 NS202101-02 V80539 RMLH9075-3W V72962 VN303A02 V92215 96-02 V80539 T6S1032J V11815	002004 006100 107107 121503 904999	2
75	270N2000-800	..	CHANNEL- OPTIONAL PART: 270N2000-894	002004 006100 107107 121503 904999	1
75	270N2000-894	..	CHANNEL- OPTIONAL PART: 270N2000-800	002004 006100 107107 121503 904999	1

MISSING ITEM NUMBERS NOT APPLICABLE

- ITEM NOT ILLUSTRATED

29-11-51-46

29-11-51
FIG. 46
PAGE 2
JAN 20/09

BRI

BOEING PROPRIETARY - Copyright © - Unpublished Work - See title page for details.



757

PARTS CATALOG (MAINTENANCE)

FIG ITEM	PART NUMBER	1 2 3 4 5 6 7	NOMENCLATURE	EFFECT FROM TO	UNITS PER ASSY
46					
80	270N2000-577	. .	BLOCK	002004 006100 107107 121503 904999	1
85	270N2000-578	. .	BLOCK	002004 006100 107107 121503 904999	1
90	270N2000-579	. .	BLOCK	002004 006100 107107 121503 904999	1
95	270N2000-580	. .	BLOCK	002004 006100 107107 121503 904999	1
97	270N2006-64	. SHIM		002004 006100 107107 121503 904999	AR
100	270N2006-65	. SHIM		002004 006100 107107 121503 904999	AR
102	270N2006-66	. SHIM		002004 006100 107107 121503 904999	AR
105	271N6317-3	. BRACKET		002004 006100 107107 121503 904999	1
110	270N2000-240	. CLAMP	ASSY-BLK	002004 006100 107107 121503 904999	2

MISSING ITEM NUMBERS NOT APPLICABLE

- ITEM NOT ILLUSTRATED

29-11-51-46

29-11-51
FIG. 46
PAGE 3
JAN 20/09

BRI

BOEING PROPRIETARY - Copyright © - Unpublished Work - See title page for details.



757

PARTS CATALOG (MAINTENANCE)

FIG ITEM	PART NUMBER	1 2 3 4 5 6 7	NOMENCLATURE	EFFECT FROM TO	UNITS PER ASSY
46 115	NAS1801-3-67	..	SCREW-	002004 006100 107107 121503 904999	2
120	AN960KD10L	..	WASHER	002004 006100 107107 121503 904999	2
125	NAS43DD3-232	..	SPACER	002004 006100 107107 121503 904999	2
130	BRH10A3	..	NUT SUPPLIER CODE: V52828 SPECIFICATION NUMBER: BACN10JC3 OPTIONAL PART: H10-3BAC V15653 NS202101-02 V80539 RMLH9075-3W V72962 VN303A02 V92215 96-02 V80539 T6S1032J V11815	002004 006100 107107 121503 904999	2
135	270N2000-824	..	CHANNEL	002004 006100 107107 121503 904999	1
140	270N2000-454	..	BLOCK	002004 006100 107107 121503 904999	1
145	270N2000-455	..	BLOCK	002004 006100 107107 121503 904999	1

MISSING ITEM NUMBERS NOT APPLICABLE

- ITEM NOT ILLUSTRATED

29-11-51-46

29-11-51
FIG. 46
PAGE 4
JAN 20/09

BRI

BOEING PROPRIETARY - Copyright © - Unpublished Work - See title page for details.



757

PARTS CATALOG (MAINTENANCE)

FIG ITEM	PART NUMBER	1 2 3 4 5 6 7	NOMENCLATURE	EFFECT FROM TO	UNITS PER ASSY
46					
150	270N2000-456	. .	BLOCK	002004 006100 107107 121503 904999	1
152	270N2006-67	. SHIM		002004 006100 107107 121503 904999	AR
155	270N2006-68	. SHIM		002004 006100 107107 121503 904999	AR
157	270N2006-69	. SHIM		002004 006100 107107 121503 904999	AR
160	271N6317-6	. BRACKET		002004 006100 107107 121503 904999	2
165	270N2000-216	. CLAMP ASSY-BLK USED ON: 271N6311-4		107107	1
165	270N2000-280	. CLAMP ASSY-BLK USED ON: 271N6311-4		950951	1
165	270N2000-281	. CLAMP ASSY-BLK USED ON: 271N6311-4		002004 006100 121503 904999	1
170	NAS1801-3-83	. . SCREW- USED ON: 270N2000-280		950951	2
170	NAS1801-3-84	. . SCREW- USED ON: 270N2000-216 270N2000-281		002004 006100 107107 121503 904999	2
175	AN960KD10L	. . WASHER		002004 006100 107107 121503 904999	2

MISSING ITEM NUMBERS NOT APPLICABLE

- ITEM NOT ILLUSTRATED

29-11-51-46

29-11-51
FIG. 46
PAGE 5
JAN 20/09

BRI

BOEING PROPRIETARY - Copyright © - Unpublished Work - See title page for details.

 **BOEING**
757
PARTS CATALOG (MAINTENANCE)

FIG ITEM	PART NUMBER	1 2 3 4 5 6 7	NOMENCLATURE	EFFECT FROM TO	UNITS PER ASSY
46					
180	NAS43DD3-298	..	SPACER- USED ON: 270N2000-280	950951	2
180	NAS43DD3-302	..	SPACER- USED ON: 270N2000-216 270N2000-281	002004 006100 107107 121503 904999	2
185	BRH10A3	..	NUT SUPPLIER CODE: V52828 SPECIFICATION NUMBER: BACN10JC3 OPTIONAL PART: H10-3BAC V15653 NS202101-02 V80539 RMLH9075-3W V72962 VN303A02 V92215 96-02 V80539 T6S1032J V11815	002004 006100 107107 121503 904999	2
190	270N2000-823	..	CHANNEL	002004 006100 107107 121503 904999	1
195	270N2000-1227	..	BLOCK- USED ON: 270N2000-280	950951	1
195	270N2000-1223	..	BLOCK- USED ON: 270N2000-216 270N2000-281	002004 006100 107107 121503 904999	1
200	270N2000-1266	..	BLOCK- USED ON: 270N2000-280	950951	1
200	270N2000-1224	..	BLOCK- USED ON: 270N2000-216 270N2000-281	002004 006100 107107 121503 904999	1

MISSING ITEM NUMBERS NOT APPLICABLE

— ITEM NOT ILLUSTRATED

BRI

29-11-51-46

BOEING PROPRIETARY - Copyright © - Unpublished Work - See title page for details.

29-11-51
FIG. 46
PAGE 6
JAN 20/09



757

PARTS CATALOG (MAINTENANCE)

FIG ITEM	PART NUMBER	1 2 3 4 5 6 7	NOMENCLATURE	EFFECT FROM TO	UNITS PER ASSY
46 205	270N2000-1225	. .	BLOCK	002004 006100 107107 121503 904999	1
210	270N2000-1226	. .	BLOCK	002004 006100 107107 121503 904999	1
212	270N2006-7	. .	SHIM	002004 006100 107107 121503 904999	AR
215	270N2006-8	. .	SHIM	002004 006100 107107 121503 904999	AR
217	270N2006-9	. .	SHIM	002004 006100 107107 121503 904999	AR
220	270N2000-215	. .	CLAMP ASSY-BLK USED ON: 271N6311-4	002004 006100 107107 121503 904999	1
220	270N2000-214	. .	CLAMP ASSY-BLK	002004 006100 107107 121503 904999	1
225	NAS1801-3-59	. .	SCREW-	002004 006100 107107 121503 904999	2
230	AN960KD10L	. .	WASHER	002004 006100 107107 121503 904999	2

MISSING ITEM NUMBERS NOT APPLICABLE

- ITEM NOT ILLUSTRATED

29-11-51-46

29-11-51
FIG. 46
PAGE 7
JAN 20/09

BRI

BOEING PROPRIETARY - Copyright © - Unpublished Work - See title page for details.



757

PARTS CATALOG (MAINTENANCE)

FIG ITEM	PART NUMBER	1 2 3 4 5 6 7	NOMENCLATURE	EFFECT FROM TO	UNITS PER ASSY
46 235	NAS43DD3-203	..	SPACER	002004 006100 107107 121503 904999	2
240	BRH10A3	..	NUT SUPPLIER CODE: V52828 SPECIFICATION NUMBER: BACN10JC3 OPTIONAL PART: H10-3BAC V15653 NS202101-02 V80539 RMLH9075-3W V72962 VN303A02 V92215 96-02 V80539 T6S1032J V11815	002004 006100 107107 121503 904999	2
245	270N2000-1018	..	CHANNEL	002004 006100 107107 121503 904999	1
250	270N2000-1246	..	BLOCK- USED ON: 270N2000-215	002004 006100 107107 121503 904999	1
250	270N2000-1240	..	BLOCK- USED ON: 270N2000-214	002004 006100 107107 121503 904999	1
255	270N2000-1245	..	BLOCK- USED ON: 270N2000-215	002004 006100 107107 121503 904999	1
255	270N2000-1241	..	BLOCK- USED ON: 270N2000-214	002004 006100 107107 121503 904999	1

MISSING ITEM NUMBERS NOT APPLICABLE

- ITEM NOT ILLUSTRATED

29-11-51-46

29-11-51
FIG. 46
PAGE 8
JAN 20/09

BRI



757

PARTS CATALOG (MAINTENANCE)

FIG ITEM	PART NUMBER	1 2 3 4 5 6 7	NOMENCLATURE	EFFECT FROM TO	UNITS PER ASSY
46 260	270N2000-1244	..	BLOCK- USED ON: 270N2000-215	002004 006100 107107 121503 904999	1
260	270N2000-1242	..	BLOCK- USED ON: 270N2000-214	002004 006100 107107 121503 904999	1
265	270N2000-1243	..	BLOCK- USED ON: 270N2000-214 270N2000-215	002004 006100 107107 121503 904999	1
275	270N2000-273	.CLAMP	ASSY-BLK USED ON: 271N6311-4	950951	1
275	270N2000-272	.CLAMP	ASSY-BLK USED ON: 271N6311-4 POST SERVICE BULLETIN: 29-0031R1	002004 006100 107107 121503 904949 952999	1
280	NAS1801-3-61	..	SCREW-	002004 006100 107107 121503 904999	2
285	AN960KD10L	..	WASHER	002004 006100 107107 121503 904999	2
290	NAS43DD3-211	..	SPACER	002004 006100 107107 121503 904999	2

MISSING ITEM NUMBERS NOT APPLICABLE

- ITEM NOT ILLUSTRATED

BRI

29-11-51-46

BOEING PROPRIETARY - Copyright © - Unpublished Work - See title page for details.

29-11-51
FIG. 46
PAGE 9
JAN 20/09



757

PARTS CATALOG (MAINTENANCE)

FIG ITEM	PART NUMBER	1 2 3 4 5 6 7	NOMENCLATURE	EFFECT FROM TO	UNITS PER ASSY
46 295	BRH10A3		..NUT SUPPLIER CODE: V52828 SPECIFICATION NUMBER: BACN10JC3 OPTIONAL PART: H10-3BAC V15653 NS202101-02 V80539 RMLH9075-3W V72962 VN303A02 V92215 96-02 V80539 T6S1032J V11815	002004 006100 107107 121503 904999	2
300	270N2000-1017		..CHANNEL	002004 006100 107107 121503 904999	1
305	270N2000-1239		..BLOCK- USED ON: 270N2000-273	950951	1
305	270N2000-1233		..BLOCK- USED ON: 270N2000-272	002004 006100 107107 121503 904949 952999	1
310	270N2000-1238		..BLOCK- USED ON: 270N2000-273	950951	1
310	270N2000-1234		..BLOCK- USED ON: 270N2000-272	002004 006100 107107 121503 904949 952999	1
315	270N2000-1290		..BLOCK- USED ON: 270N2000-273	950951	1

MISSING ITEM NUMBERS NOT APPLICABLE

- ITEM NOT ILLUSTRATED

BRI

29-11-51-46

BOEING PROPRIETARY - Copyright © - Unpublished Work - See title page for details.

29-11-51
FIG. 46
PAGE 10
JAN 20/09



757

PARTS CATALOG (MAINTENANCE)

FIG ITEM	PART NUMBER	1 2 3 4 5 6 7	NOMENCLATURE	EFFECT FROM TO	UNITS PER ASSY
46 315	270N2000-1289	. .	BLOCK- USED ON: 270N2000-272	002004 006100 107107 121503 904949 952999	1
320	270N2000-1288	. .	BLOCK- USED ON: 270N2000-272 270N2000-273	002004 006100 107107 121503 904999	1
322	270N2006-61	. .	SHIM	002004 006100 107107 121503 904999	AR
325	270N2006-62	. .	SHIM	002004 006100 107107 121503 904999	AR
327	270N2006-63	. .	SHIM	002004 006100 107107 121503 904999	AR
330	270N2000-211	. .	CLAMP ASSY-BLK USED ON: 271N6311-4	002004 006100 107107 121503 904999	1
330	270N2000-210	. .	CLAMP ASSY-BLK USED ON: 271N6311-4	002004 006100 107107 121503 904999	1
335	NAS1801-3-58	. .	SCREW-	002004 006100 107107 121503 904999	2
340	AN960KD10L	. .	WASHER	002004 006100 107107 121503 904999	2

MISSING ITEM NUMBERS NOT APPLICABLE

- ITEM NOT ILLUSTRATED

29-11-51-46

29-11-51
FIG. 46
PAGE 11
JAN 20/09

BRI



757

PARTS CATALOG (MAINTENANCE)

FIG ITEM	PART NUMBER	1 2 3 4 5 6 7	NOMENCLATURE	EFFECT FROM TO	UNITS PER ASSY
46					
345	NAS43DD3-198	..	SPACER	002004 006100 107107 121503 904999	2
350	BRH10A3	..	NUT SUPPLIER CODE: V52828 SPECIFICATION NUMBER: BACN10JC3 OPTIONAL PART: H10-3BAC V15653 NS202101-02 V80539 RMLH9075-3W V72962 VN303A02 V92215 96-02 V80539 T6S1032J V11815	002004 006100 107107 121503 904999	2
355	270N2000-1006	..	CHANNEL	002004 006100 107107 121503 904999	1
360	270N2000-1228	..	BLOCK	002004 006100 107107 121503 904999	1
365	270N2000-1229	..	BLOCK- USED ON: 270N2000-210	002004 006100 107107 121503 904999	1
370	270N2000-1230	..	BLOCK- USED ON: 270N2000-210	002004 006100 107107 121503 904999	1
372	270N2006-37	.	SHIM	002004 006100 107107 121503 904999	AR

MISSING ITEM NUMBERS NOT APPLICABLE

- ITEM NOT ILLUSTRATED

29-11-51-46

29-11-51
FIG. 46
PAGE 12
JAN 20/09

BRI

BOEING PROPRIETARY - Copyright © - Unpublished Work - See title page for details.



757

PARTS CATALOG (MAINTENANCE)

FIG ITEM	PART NUMBER	1 2 3 4 5 6 7	NOMENCLATURE	EFFECT FROM TO	UNITS PER ASSY
46 375	270N2006-38	.SHIM		002004 006100 107107 121503 904999	AR
377	270N2006-39	.SHIM		002004 006100 107107 121503 904999	AR
400	271N6311-1128	.TUBE ASSY-SUPPLY SYS POSITION DATA: R TUBING MATERIAL: 1.25 IN. OD .035 IN. WALL 39.30 IN. LG AL AMS 4083 6061 T6 TUBING USED ON: 271N6311-4		002004 006100 107107 121503 904999	1
- 405	AFP175V20P	..SLEEVE- SUPPLIER CODE: V30974 SPECIFICATION NUMBER: BACS13BX20HP OPTIONAL PART: 2-02901-20HP V11328 35025VN20 V08199		002004 006100 107107 121503 904999	1
- 410	BACN10YL20L	..NUT-		002004 006100 107107 121503 904999	1

MISSING ITEM NUMBERS NOT APPLICABLE

- ITEM NOT ILLUSTRATED

29-11-51-46

29-11-51
FIG. 46
PAGE 13
JAN 20/09

BRI



757

PARTS CATALOG (MAINTENANCE)

FIG ITEM	PART NUMBER	1 2 3 4 5 6 7	NOMENCLATURE	EFFECT FROM TO	UNITS PER ASSY
46 - 415	35056GV20		..UNION SUPPLIER CODE: V08199 SPECIFICATION NUMBER: BACU24AB20W OPTIONAL PART: 4671097W20 V50948 2-01027-20W V11328 31875-20W V14397 AP1004W20 V01673 AFP941W20 V30974 DBOU24AB20W V14798	002004 006100 107107 121503 904999	1
420	271N6311-1176		.TUBE ASSY-SUPPLY SYS POSITION DATA: R TUBING MATERIAL: 1.25 IN. OD .035 IN. WALL 10.30 IN. LG AL AMS 4083 6061 T6 TUBING USED ON: 271N6311-4	018100	1
420	271N6311-1144		.TUBE ASSY-SUPPLY SYS POSITION DATA: R TUBING MATERIAL: 1.25 IN. OD .035 IN. WALL 10.10 IN. LG AL AMS 4083 6061 T6 TUBING USED ON: 271N6311-4	002004 006017 107107 121503 904999	1
425	271N6311-1048		.TUBE ASSY-SUPPLY SYS POSITION DATA: R TUBING MATERIAL: 1.25 IN. OD .035 IN. WALL 17.70 IN. LG AL AMS 4083 6061 T6 TUBING USED ON: 271N6311-4	002004 006100 107107 121503 904999	1

MISSING ITEM NUMBERS NOT APPLICABLE

- ITEM NOT ILLUSTRATED

29-11-51-46

29-11-51
FIG. 46
PAGE 14
JAN 20/09

BRI



757

PARTS CATALOG (MAINTENANCE)

FIG ITEM	PART NUMBER	1 2 3 4 5 6 7	NOMENCLATURE	EFFECT FROM TO	UNITS PER ASSY
46 430	271N6311-1046		.TUBE ASSY-SUPPLY SYS POSITION DATA: R TUBING MATERIAL: 1.25 IN. OD .035 IN. WALL 31.80 IN. LG AL AMS 4083 6061 T6 TUBING USED ON: 271N6311-4	002004 006100 107107 121503 904999	1
- 435	DB0S13BD20HP		..SLEEVE SUPPLIER CODE: V14798 SPECIFICATION NUMBER: BACS13BD20HP OPTIONAL PART: 118-10722-20-00 V88334 2-02901-20HP V11328 2-02901-20HP V70195 35044VN20 V08199 4690008-20-2 V45681 4690008-20-2 V92003 AFP176V20HP V30974 35044V20HP V08199	002004 006100 107107 121503 904999	2
- 440	BACN10YL20L		..NUT-	002004 006100 107107 121503 904999	2
445	271N6311-1076		.TUBE ASSY-PRESSURE SYS POSITION DATA: R TUBING MATERIAL: 1.00 IN. OD .051 IN. WALL 47.20 IN. LG TI BMS 7-234 TI-3AL-2.5V COLD WORKED, STRESS RELIEVED TUBING USED ON: 271N6311-4	002004 006100 107107 121503 904999	1

MISSING ITEM NUMBERS NOT APPLICABLE

- ITEM NOT ILLUSTRATED

29-11-51-46

29-11-51
FIG. 46
PAGE 15
JAN 20/09

BRI

BOEING
757
PARTS CATALOG (MAINTENANCE)

FIG ITEM	PART NUMBER	1 2 3 4 5 6 7	NOMENCLATURE	EFFECT FROM TO	UNITS PER ASSY
46					
- 450	AS1581T16	..	SLEEVE	002004 006100 107107 121503 904999	1
- 455	BACN10YA16L	..	NUT-	002004 006100 107107 121503 904999	1
- 460	AS1582T16	..	UNION	002004 006100 107107 121503 904999	1
465	271N6311-1056	.TUBE ASSY-PRESSURE SYS POSITION DATA: R TUBING MATERIAL: 1.00 IN. OD .051 IN. WALL 19.70 IN. LG TI BMS 7-234 TI-3AL-2.5V COLD WORKED, STRESS RELIEVED TUBING USED ON: 271N6311-4		002004 006100 107107 121503 904999	1
470	271N6311-1054	.TUBE ASSY-PRESSURE SYS POSITION DATA: R TUBING MATERIAL: 1.00 IN. OD .051 IN. WALL 29.50 IN. LG TI BMS 7-234 TI-3AL-2.5V COLD WORKED, STRESS RELIEVED TUBING USED ON: 271N6311-4		002004 006100 107107 121503 904999	1
- 475	AS1581T16	..	SLEEVE	002004 006100 107107 121503 904999	2
- 480	BACN10YA16L	..	NUT-	002004 006100 107107 121503 904999	2

MISSING ITEM NUMBERS NOT APPLICABLE

- ITEM NOT ILLUSTRATED

BRI

29-11-51-46

29-11-51
FIG. 46
PAGE 16
JAN 20/09



757

PARTS CATALOG (MAINTENANCE)

FIG ITEM	PART NUMBER	1 2 3 4 5 6 7	NOMENCLATURE	EFFECT FROM TO	UNITS PER ASSY
46 485	271N6311-1080		.TUBE ASSY-THRUST REVERSER PRESSURE SYS POSITION DATA: R TUBING MATERIAL: .500 IN. OD .026 IN. WALL 11.10 IN. LG TI BMS 7-234 TI-3AL-2.5V COLD WORKED, STRESS RELIEVED TUBING USED ON: 271N6311-4	002004 006100 107107 121503 904999	1
485	271N6311-1058		.TUBE ASSY-THRUST REVERSER PRESSURE SYS POSITION DATA: R TUBING MATERIAL: .625 IN. OD .032 IN. WALL 10.70 IN. LG TI BMS 7-234 TI-3AL-2.5V COLD WORKED, STRESS RELIEVED TUBING USED ON: 271N6311-4	002004 006100 952999	1
- 490	AS1581T08		..SLEEVE-	002004 006100 107107 121503 904999	2
- 490	AS1581T10		..SLEEVE-	002004 006100 952999	2
- 495	BACN10YA8		..NUT-	002004 006100 107107 121503 904999	2
- 495	BACN10YA10		..NUT-	002004 006100 952999	2

MISSING ITEM NUMBERS NOT APPLICABLE

- ITEM NOT ILLUSTRATED

29-11-51-46

29-11-51
FIG. 46
PAGE 17
JAN 20/09

BRI



757

PARTS CATALOG (MAINTENANCE)

FIG ITEM	PART NUMBER	1 2 3 4 5 6 7	NOMENCLATURE	EFFECT FROM TO	UNITS PER ASSY
46 515	271N6311-1134		.TUBE ASSY-THRUST REVERSER PRESSURE SYS POSITION DATA: R TUBING MATERIAL: .625 IN. OD .032 IN. WALL 46.30 IN. LG TI BMS 7-234 TI-3AL-2.5V COLD WORKED, STRESS RELIEVED TUBING	002004 006100 107107 121503 904999	1
- 525	AS1581T10		..SLEEVE-	002004 006100 107107 121503 904999	2
- 530	BACN10YA10		..NUT-	002004 006100 107107 121503 904999	2
535	271N6311-1070		.TUBE ASSY-RETURN SYS POSITION DATA: R TUBING MATERIAL: .625 IN. OD .035 IN. WALL 20.70 IN. LG AL AMS 4083 6061 T6 TUING USED ON: 271N6311-4	002004 006100 107107 121503 904999	1
- 540	AP2097HP10		..SLEEVE SUPPLIER CODE: V01673 SPECIFICATION NUMBER: BACS13BX10HP OPTIONAL PART: 2-02903-10HP V11328 35235VN10 V08199 AFP175V10P V30974 DBOS13BX10HP V14798	002004 006100 107107 121503 904999	2
- 545	BACN10YL10		..NUT	002004 006100 107107 121503 904999	2

MISSING ITEM NUMBERS NOT APPLICABLE

- ITEM NOT ILLUSTRATED

29-11-51-46

29-11-51
FIG. 46
PAGE 18
JAN 20/09

BRI



757

PARTS CATALOG (MAINTENANCE)

FIG ITEM	PART NUMBER	1 2 3 4 5 6 7	NOMENCLATURE	EFFECT FROM TO	UNITS PER ASSY
46 550	271N6311-1082		.TUBE ASSY-RETURN SYS POSITION DATA: R TUBING MATERIAL: .500 IN. OD .035 IN. WALL 37.80 IN. LG AL AMS 4083 6061 T6 TUBING USED ON: 271N6311-4	002004 006100 107107 121503 904999	1
550	271N6311-1062		.TUBE ASSY-RETURN SYS POSITION DATA: R TUBING MATERIAL: .625 IN. OD .035 IN. WALL 37.50 IN. LG AL AMS 4083 6061 T6 TUBING USED ON: 271N6311-4	002004 006100 107107 121503 904999	1
- 555	AP2097HP08		..SLEEVE- SUPPLIER CODE: V01673 SPECIFICATION NUMBER: BACS13BX08HP OPTIONAL PART: 2-02903-08HP V11328 35235VN08 V08199 AFP175V08P V30974 DBOS13BX08HP V14798	002004 006100 107107 121503 904999	2
- 555	AP2097HP10		..SLEEVE- SUPPLIER CODE: V01673 SPECIFICATION NUMBER: BACS13BX10HP OPTIONAL PART: 2-02903-10HP V11328 35235VN10 V08199 AFP175V10P V30974 DBOS13BX10HP V14798	002004 006100 107107 121503 904999	2

MISSING ITEM NUMBERS NOT APPLICABLE

- ITEM NOT ILLUSTRATED

29-11-51-46

29-11-51
FIG. 46
PAGE 19
JAN 20/09

BRI



757

PARTS CATALOG (MAINTENANCE)

FIG ITEM	PART NUMBER	1 2 3 4 5 6 7	NOMENCLATURE	EFFECT FROM TO	UNITS PER ASSY
46 - 560	BACN10YL08	. .	NUT	002004 006100 107107 121503 904999	2
- 560	BACN10YL10	. .	NUT	002004 006100 107107 121503 904999	2
565	271N6311-1150	. TUBE ASSY-THRUST REVERSER RETURN SYS POSITION DATA: R TUBING MATERIAL: .500 IN. OD .035 IN. WALL 52.40 IN. LG AL AMS 4083 6061 T6 TUBING USED ON: 271N6311-4		002004 006100 950999	1
- 570	AP2097HP08	. . SLEEVE- SUPPLIER CODE: V01673 SPECIFICATION NUMBER: BACS13BX08HP OPTIONAL PART: 2-02903-08HP V11328 35235VN08 V08199 AFP175V08P V30974 DBOS13BX08HP V14798		002004 006100 950999	1
- 575	BACN10YL08	. .	NUT	002004 006100 950999	1

MISSING ITEM NUMBERS NOT APPLICABLE

- ITEM NOT ILLUSTRATED

29-11-51-46

29-11-51
FIG. 46
PAGE 20
JAN 20/09

BRI



**757
PARTS CATALOG (MAINTENANCE)**

FIG ITEM	PART NUMBER	1 2 3 4 5 6 7	NOMENCLATURE	EFFECT FROM TO	UNITS PER ASSY
46 - 580	35056GV08		..UNION- SUPPLIER CODE: V08199 SPECIFICATION NUMBER: BACU24AB8W OPTIONAL PART: 2-01027-8W V11328 31875-8W V14397 4671097W8 V50948 AP1004W08 V01673 AFP941W8 V30974 DBOU24AB8W V14798	002004 006100 950999	1
585	271N6311-1152		.TUBE ASSY-THRUST REVERSER RETURN SYS POSITION DATA: R TUBING MATERIAL: .375 IN. OD .035 IN. WALL 53.10 IN. LG AL AMS 4083 6061 T6 TUBING	002004 006100 107107 121503 904999	1
- 590	AP2097HP10		..SLEEVE- SUPPLIER CODE: V01673 SPECIFICATION NUMBER: BACS13BX10HP OPTIONAL PART: 2-02903-10HP V11328 35235VN10 V08199 AFP175V10P V30974 DBOS13BX10HP V14798	002004 006100 107107 121503 904999	1
- 595	BACN10YL10		..NUT	002004 006100 107107 121503 904999	1

MISSING ITEM NUMBERS NOT APPLICABLE

- ITEM NOT ILLUSTRATED

BRI

29-11-51-46

BOEING PROPRIETARY - Copyright © - Unpublished Work - See title page for details.

29-11-51
FIG. 46
PAGE 21
JAN 20/09



757

PARTS CATALOG (MAINTENANCE)

FIG ITEM	PART NUMBER	1 2 3 4 5 6 7	NOMENCLATURE	EFFECT FROM TO	UNITS PER ASSY
46 - 600	35056GV10		..UNION- SUPPLIER CODE: V08199 SPECIFICATION NUMBER: BACU24AB10W OPTIONAL PART: 4671097W10 V50948 2-01027-10W V11328 31875-10W V14397 AP1004W10 V01673 AFP941W10 V30974 DBOU24AB10W V14798	002004 006100 107107 121503 904999	1
605	271N6311-1074		.TUBE ASSY-CASE DRAIN SYS POSITION DATA: R TUBING MATERIAL: .375 IN. OD .035 IN. WALL 38.50 IN. LG AL AMS 4083 6061 T6 TUBING USED ON: 271N6311-4	002004 006100 107107 121503 904999	1
- 610	AP2097HP06		..SLEEVE SUPPLIER CODE: V01673 SPECIFICATION NUMBER: BACS13BX06HP OPTIONAL PART: 2-02903-06HP V11328 35235VN06 V08199 AFP175V06P V30974 DBOS13BX06HP V14798	002004 006100 107107 121503 904999	1
- 615	BACN10YL06		..NUT	002004 006100 107107 121503 904999	1

MISSING ITEM NUMBERS NOT APPLICABLE

- ITEM NOT ILLUSTRATED

BRI

29-11-51-46

29-11-51
FIG. 46
PAGE 22
JAN 20/09



757

PARTS CATALOG (MAINTENANCE)

FIG ITEM	PART NUMBER	1 2 3 4 5 6 7	NOMENCLATURE	EFFECT FROM TO	UNITS PER ASSY
46 - 620	35056GV06		.. UNION SUPPLIER CODE: V08199 SPECIFICATION NUMBER: BACU24AB6W OPTIONAL PART: 2-01027-6W V11328 31875-6W V14397 4671097W6 V50948 AP1004W06 V01673 AFP941W6 V30974 DBOU24AB6W V14798	002004 006100 107107 121503 904999	1
625	271N6311-1060		. TUBE ASSY-CASE DRAIN SYS POSITION DATA: R TUBING MATERIAL: .375 IN. OD .035 IN. WALL 59.80 IN. LG AL AMS 4083 6061 T6 TUBING USED ON: 271N6311-4	002004 006100 107107 121503 904999	1
- 630	AP2097HP06		.. SLEEVE SUPPLIER CODE: V01673 SPECIFICATION NUMBER: BACS13BX06HP OPTIONAL PART: 2-02903-06HP V11328 35235VN06 V08199 AFP175V06P V30974 DBOS13BX06HP V14798	002004 006100 107107 121503 904999	2
- 635	BACN10YL06		.. NUT	002004 006100 107107 121503 904999	2

MISSING ITEM NUMBERS NOT APPLICABLE

- ITEM NOT ILLUSTRATED

29-11-51-46

29-11-51
FIG. 46
PAGE 23
JAN 20/09

BRI

BOEING PROPRIETARY - Copyright © - Unpublished Work - See title page for details.

 **BOEING**
757
PARTS CATALOG (MAINTENANCE)

FIG ITEM	PART NUMBER	1 2 3 4 5 6 7	NOMENCLATURE	EFFECT FROM TO	UNITS PER ASSY
46					
700	MS21907D20	.	ELBOW-	002004 006100 107107 121503 904999	1
705	BACE21BM1616T	.	ELBOW-	002004 006100 107107 121503 904999	1
705	BACE21BM1616J	.	ELBOW-	002004 006100 107107 121503 904999	1
710	MS21907D10	.	ELBOW-	107107	1
710	MS21907W10	.	ELBOW-	002004 006100 121503 904999	1
715	MS21907D6	.	ELBOW-	002004 006100 107107 121503 904999	1
720	BACT21BT1010T	.	ELBOW-	107107	2
720	BACT21BT1010J	.	ELBOW-	002004 006100 121503 904999	2
725	AP1042T0808	.	ELBOW- SUPPLIER CODE: V01673 SPECIFICATION NUMBER: BACE21BT0808T	002004 006100 121503 904999	1
725	NAS1762D1010	.	ELBOW-	107107	1
725	AP1042P0808	.	ELBOW- SUPPLIER CODE: V01673 SPECIFICATION NUMBER: BACE21BT0808P	002004 006100 121503 904999	1
725	NAS1762W1010	.	ELBOW-	002004 006100 121503 904999	1

MISSING ITEM NUMBERS NOT APPLICABLE

— ITEM NOT ILLUSTRATED

BRI

29-11-51-46

BOEING PROPRIETARY - Copyright © - Unpublished Work - See title page for details.

29-11-51
FIG. 46
PAGE 24
JAN 20/09



757

PARTS CATALOG (MAINTENANCE)

FIG ITEM	PART NUMBER	1 2 3 4 5 6 7	NOMENCLATURE	EFFECT FROM TO	UNITS PER ASSY
46 726	NAS1762W0808	.	ELBOW	002004 006100 107107 121503 904999	1
730	MS21915J12-10	.	BUSHING	002004 006100 107107 121503 904999	1
735	MS21916D10-8	.	UNION	002004 006100 107107 121503 904999	1
740	APX824D202016	.	TEE- SUPPLIER CODE: V01673 SPECIFICATION NUMBER: BACT16AS202016D OPTIONAL PART: APX824-202016D V01673 DBOT16AS202016D V14798 ER824-202016D V50948 FER1571-202016D V14397 LER824-202016D V11328 NAF1824-202016D V52930 US1925-202016D V50808 AFP325-202016D V30974	002004 006100 107107 121503 904999	1
745	BACT16BL161608T	.	TEE-	002004 006100 121503 904999	1
745	BACT16BL161610T	.	TEE-	107107	1
745	BACT16BL161608J	.	TEE-	002004 006100 121503 904999	1

MISSING ITEM NUMBERS NOT APPLICABLE

- ITEM NOT ILLUSTRATED

29-11-51-46

29-11-51
FIG. 46
PAGE 25
JAN 20/09

BRI

BOEING PROPRIETARY - Copyright © - Unpublished Work - See title page for details.



757

PARTS CATALOG (MAINTENANCE)

FIG ITEM	PART NUMBER	1 2 3 4 5 6 7	NOMENCLATURE	EFFECT FROM TO	UNITS PER ASSY
46 745	BACT16BL161610J	.	TEE-	002004 006100 121503 904999	1
747	NAS1612-12	.	PACKING-	002004 006100 107107 121503 904999	1
750	AN924-20D	.	NUT	002004 006100 107107 121503 904999	1
755	AN924-16D	.	NUT	002004 006100 107107 121503 904999	1
760	AN924-10D	.	NUT	002004 006100 107107 121503 904999	1
765	AN924-6D	.	NUT	002004 006100 107107 121503 904999	1
790	P31-595	.	VALVE ASSY- SUPPLIER CODE: V91816 SPECIFICATION NUMBER: S273T458-8 COMPONENT MAINT MANUAL REF: 29-10-08	002004 006100 107107 121503 904999	1
795	2612	..	NAMEPLATE- SUPPLIER CODE: V06177	002004 006100 107107 121503 904999	1
- 820	012N1023-2		STRUT KIT-WIRE BUNDLE ROUTING POST ALERT SB: 28A0073	002004 006100 107107 121503 904999	1

MISSING ITEM NUMBERS NOT APPLICABLE

- ITEM NOT ILLUSTRATED

BRI

29-11-51-46

29-11-51
FIG. 46
PAGE 26
JAN 20/09



757

PARTS CATALOG (MAINTENANCE)

FIG ITEM	PART NUMBER	1 2 3 4 5 6 7	NOMENCLATURE	EFFECT FROM TO	UNITS PER ASSY
46 822	TA025041-02		.CLAMP- SUPPLIER CODE: V84971	002004 006100 107107 121503 904999	1
- 825	NAS1801-3		ATTACHING PARTS .SCREW- SIZE DETERMINED ON INSTL.	002004 006100 107107 121503 904999	RF
- 828	AN960KD10L		.WASHER	002004 006100 107107 121503 904999	RF
- 830	MS21042L3		.NUT	002004 006100 107107 121503 904999	RF
832	TA025041-02		-----*----- .CLAMP- SUPPLIER CODE: V84971	002004 006100 107107 121503 904999	1
- 835	NAS1801-3-8		ATTACHING PARTS .SCREW	002004 006100 107107 121503 904999	1
- 838	NAS1149D0332J		.WASHER	002004 006100 107107 121503 904999	1
840	313N5033-134		-----*----- .BRACKET ASSY	002004 006100 107107 121503 904999	1

MISSING ITEM NUMBERS NOT APPLICABLE

- ITEM NOT ILLUSTRATED

29-11-51-46

29-11-51
FIG. 46
PAGE 27
JAN 20/09

BRI

BOEING PROPRIETARY - Copyright © - Unpublished Work - See title page for details.

 **BOEING**
757
PARTS CATALOG (MAINTENANCE)

FIG ITEM	PART NUMBER	1 2 3 4 5 6 7	NOMENCLATURE	EFFECT FROM TO	UNITS PER ASSY
46			ATTACHING PARTS		
- 842	HL1022AZ6-3		.BOLT SUPPLIER CODE: V97928 SPECIFICATION NUMBER: BACB30NX6K3X OPTIONAL PART: HL1022AZ6-3 V06725 HL1022AZ6-3 V56878 HL1022AZ6-3 V73197 HL112VAZ6-3 V06725 HL112VAZ6-3 V56878 HL112VAZ6-3 V73197 HL112VAZ6-3 V92215 HL112VAZ6-3 V97928 HL1022AZ6-3 V06950 HL1022AZ6-3 V17446 HL1022AZ6-3 V56878 HL1022AZ6-3 V73197	002004 006100 107107 121503 904999	2
- 845	HL79-6		.COLLAR SUPPLIER CODE: V5M902 SPECIFICATION NUMBER: BACC30M6 OPTIONAL PART: HL79-6 V73197 HL79-6 V92215 66014-6 V56878 HL79-6 V56878 -----*	002004 006100 107107 121503 904999	2

MISSING ITEM NUMBERS NOT APPLICABLE

- ITEM NOT ILLUSTRATED

BRI

29-11-51-46

BOEING PROPRIETARY - Copyright © - Unpublished Work - See title page for details.

29-11-51
FIG. 46
PAGE 28
JAN 20/09

BOEING
757
PARTS CATALOG (MAINTENANCE)

FIG ITEM	PART NUMBER	1 2 3 4 5 6 7	NOMENCLATURE	EFFECT FROM TO	UNITS PER ASSY
46 848	BACG20ZE001275	.	GROMMET	002004 006100 107107 121503 904999	1
850	S717-101	.	CLAMP SUPPLIER CODE: V18076 SPECIFICATION NUMBER: BACC10GU101 OPTIONAL PART: 534CS101 V83930 JM44LC39S101RG V22175 ATTACHING PARTS	002004 006100 107107 121503 904999	2
- 852	NAS1801-3	.	SCREW- SIZE DETERMINED ON INSTL.	002004 006100 107107 121503 904999	2
- 855	AN960PD10L	.	WASHER	002004 006100 107107 121503 904999	2
- 858	BRH10A3	.	NUT SUPPLIER CODE: V52828 SPECIFICATION NUMBER: BACN10JC3 OPTIONAL PART: H10-3BAC V15653 NS202101-02 V80539 RMLH9075-3W V72962 VN303A02 V92215 96-02 V80539 T6S1032J V11815 -----*-----	002004 006100 107107 121503 904999	2

MISSING ITEM NUMBERS NOT APPLICABLE

- ITEM NOT ILLUSTRATED

BRI

29-11-51-46

BOEING PROPRIETARY - Copyright © - Unpublished Work - See title page for details.

29-11-51
FIG. 46
PAGE 29
JAN 20/09



757

PARTS CATALOG (MAINTENANCE)

FIG ITEM	PART NUMBER	1 2 3 4 5 6 7	NOMENCLATURE	EFFECT FROM TO	UNITS PER ASSY
46 - 860	012N1023-6		STRUT KIT-WIRE BUNDLE ROUTING POST ALERT SB: 28A0073R1	002004 006100 107107 121503 904999	1
862	BACS12HN3-10	.	SCREW	002004 006100 107107 121503 904999	1
865	NAS1149D0332J	.	WASHER	002004 006100 107107 121503 904999	1
868	PLH53CD	.	NUT SUPPLIER CODE: VF0224 SPECIFICATION NUMBER: BACN10YR3CD OPTIONAL PART: H52732-3CD V15653	002004 006100 107107 121503 904999	1
870	BACC10DK20	.	CLAMP	002004 006100 107107 121503 904999	1
872	S717-101	.	CLAMP SUPPLIER CODE: V18076 SPECIFICATION NUMBER: BACC10GU101 OPTIONAL PART: 534CS101 V83930 JM44LC39S101RG V22175	002004 006100 107107 121503 904999	1
900			ILLUSTRATION REFERENCE: MODULE INSTL-R AND L SYS SHUTOFF/ISOLATION VALVE (HYDRAULIC POWER ONLY) 29-11-06-01	002004 006100 107107 121503 904999	RF

MISSING ITEM NUMBERS NOT APPLICABLE

- ITEM NOT ILLUSTRATED

BRI

29-11-51-46

BOEING PROPRIETARY - Copyright © - Unpublished Work - See title page for details.

29-11-51
FIG. 46
PAGE 30
JAN 20/09



757

PARTS CATALOG (MAINTENANCE)

FIG ITEM	PART NUMBER	1 2 3 4 5 6 7	NOMENCLATURE	EFFECT FROM TO	UNITS PER ASSY
46 900			ILLUSTRATION REFERENCE: MODULE INSTL-R AND L SYS SHUTOFF/ISOLATION VALVE (EXHAUST ONLY) 78-34-05-01	002004 006100 107107 121503 904999	RF
910			ILLUSTRATION REFERENCE: MODULE INSTL-ENG DRIVEN PUMP CASE DRAIN PRESSURE FILTER 29-11-17-02	002004 006100 107107 121503 904999	RF
915			ILLUSTRATION REFERENCE: PLUMBING INSTL-SECT. 31.1 HYDR (LH) (GROUND SERVICING SYSTEM ONLY) 29-18-51-24	002004 006100 107107 121503 904999	RF
920			ILLUSTRATION REFERENCE: PLUMBING INSTL-SECT. 12 R WING INBD HYDR (HYDRAULIC POWER ONLY) (R SYS) 29-11-51-17	002004 006100 107107 121503 904999	RF
930			ILLUSTRATION REFERENCE: SYSTEM INSTL-STRUT FUEL AND HYDR (HYDRAULIC POWER ONLY) (RB211-535) 29-11-56-01	002004 006100 107107 121503 904999	RF
935			ILLUSTRATION REFERENCE: TUBE INSTL-STRUT THRUST REVERSER ACTUATION (RB211-535) 78-34-01-02	002004 006100 107107 121503 904999	RF
945			ILLUSTRATION REFERENCE: PLUMBING INSTL-SECT. 12 R WING INBD HYDR (HYDRAULIC POWER ONLY) (R SYS) 29-11-51-17	002004 006100 121503 904999	RF

MISSING ITEM NUMBERS NOT APPLICABLE

- ITEM NOT ILLUSTRATED

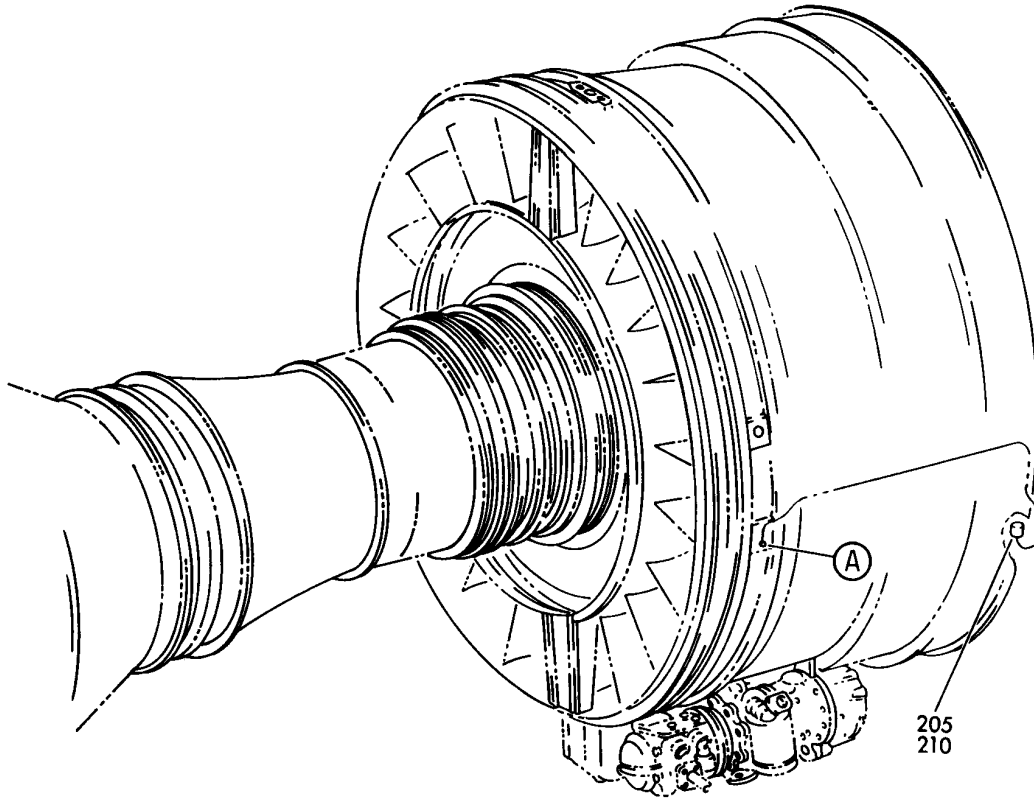
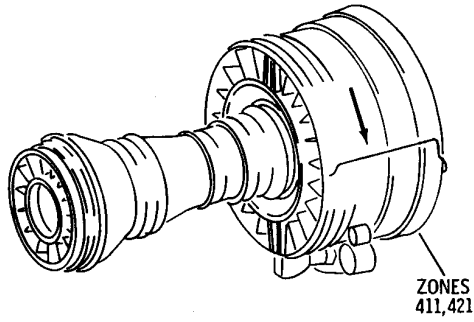
BRI

29-11-51-46

BOEING PROPRIETARY - Copyright © - Unpublished Work - See title page for details.

29-11-51
FIG. 46
PAGE 31
JAN 20/09

BOEING
757
PARTS CATALOG (MAINTENANCE)



Y 29115147 SHT 1 REV 153

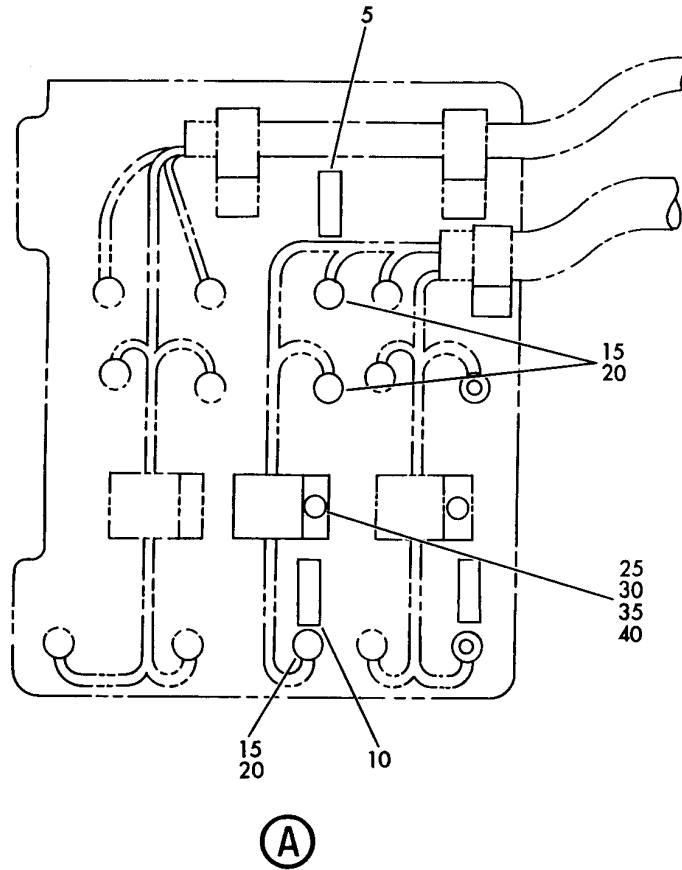
WIRE INSTL-ELECTRICAL (HYDRAULIC POWER ONLY) (PW2000)
FIGURE 47 (SHEET 1)

29-11-51-47

BRI
JAN 20/09

29-11-51-47
PAGE 0

BOEING
757
PARTS CATALOG (MAINTENANCE)



Y 29115147 SHT 2 REV 153

WIRE INSTL-ELECTRICAL (HYDRAULIC POWER ONLY) (PW2000)
FIGURE 47 (SHEET 2)

29-11-51-47

BRI
JAN 20/09

29-11-51-47
PAGE 0A



757

PARTS CATALOG (MAINTENANCE)

FIG ITEM	PART NUMBER	1 2 3 4 5 6 7	NOMENCLATURE	EFFECT FROM TO	UNITS PER ASSY
47			WIRE INSTL-ELECTRICAL (HYDRAULIC POWER ONLY) (PW2000)	103106	
- 200	286N5600-012		.WIRE BUNDLE ASSY-	103106	1
205	G899312NF		..CLAMP-	103106	1
			SUPPLIER CODE: V06324		
			SPECIFICATION NUMBER: BACC10HF12C		
			OPTIONAL PART: S2251-12-65		
			V07418		
			900-555F12-55		
			V31461		
			ELECTRICAL EQUIP NUMBER: D05056T		
210	BCREF117547		..PLUG-	103106	1
			SUPPLIER CODE: V13556		
			OVERLENGTH PART NUMBER: CN0966A12G03SN000		
			ELECTRICAL EQUIP NUMBER: D05056		
			WIRING DIAGRAM REF: 291111		

MISSING ITEM NUMBERS NOT APPLICABLE

- ITEM NOT ILLUSTRATED

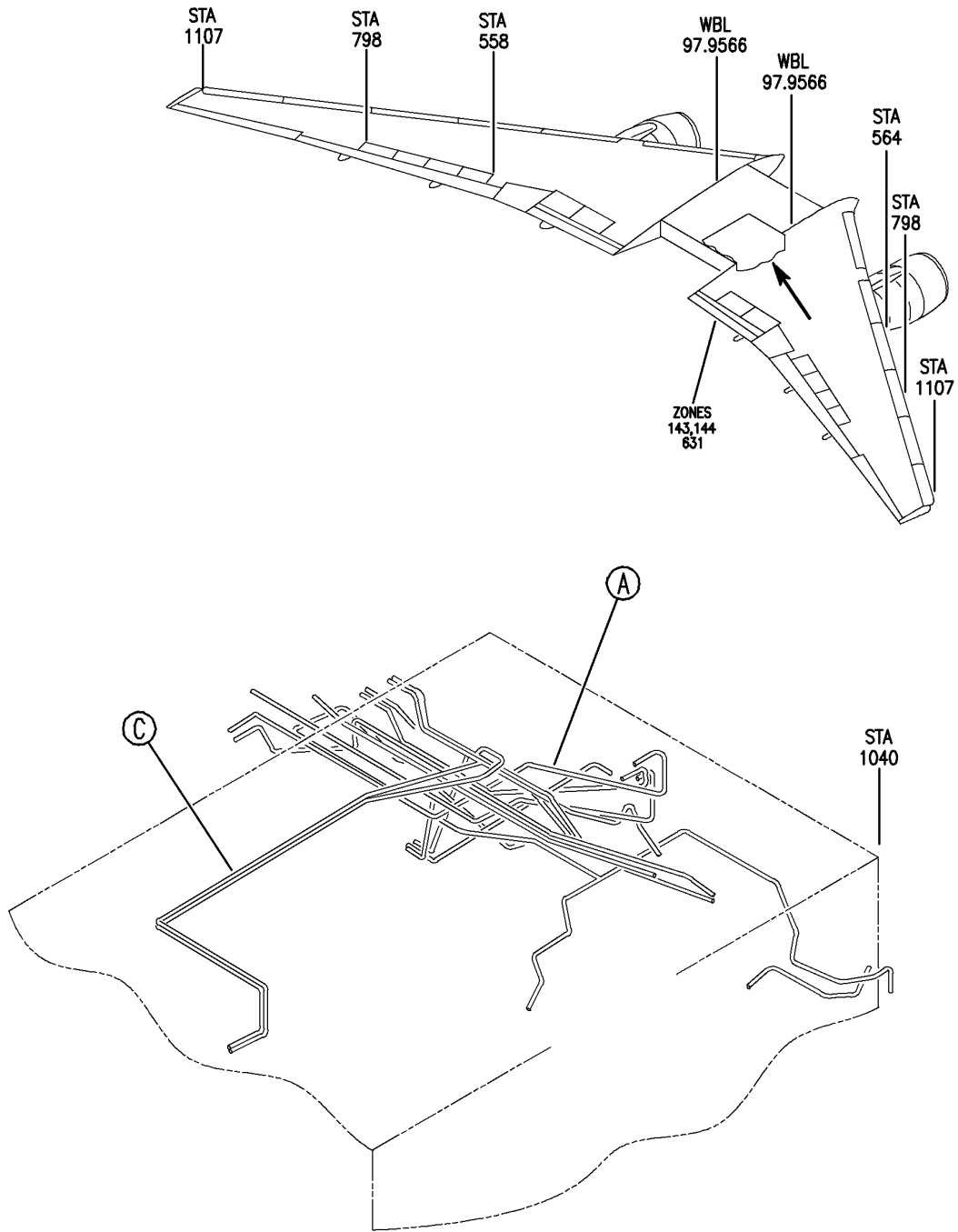
29-11-51-47

29-11-51
FIG. 47
PAGE 1
JAN 20/09

BRI

BOEING PROPRIETARY - Copyright © - Unpublished Work - See title page for details.

BOEING
757
PARTS CATALOG (MAINTENANCE)



Y 29115148 SHT 1 REV 227

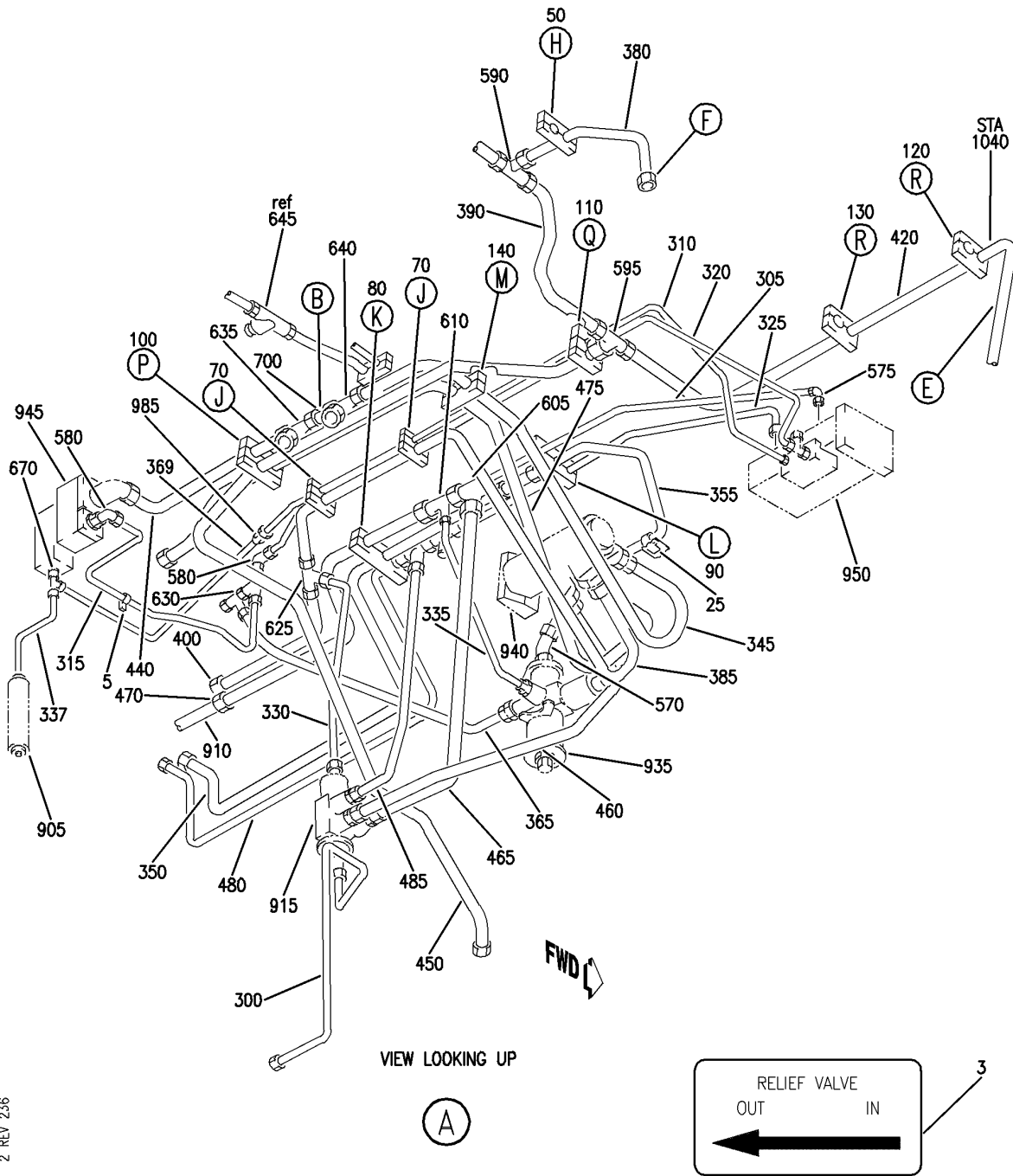
PLUMBING INSTL BASIC AND STABLE
FIGURE 48 (SHEET 1)

29-11-51-48

BRI
MAY 28/07

29-11-51-48
PAGE 0

BOEING
757
PARTS CATALOG (MAINTENANCE)



Y 29115148 SHT 2 REV 236

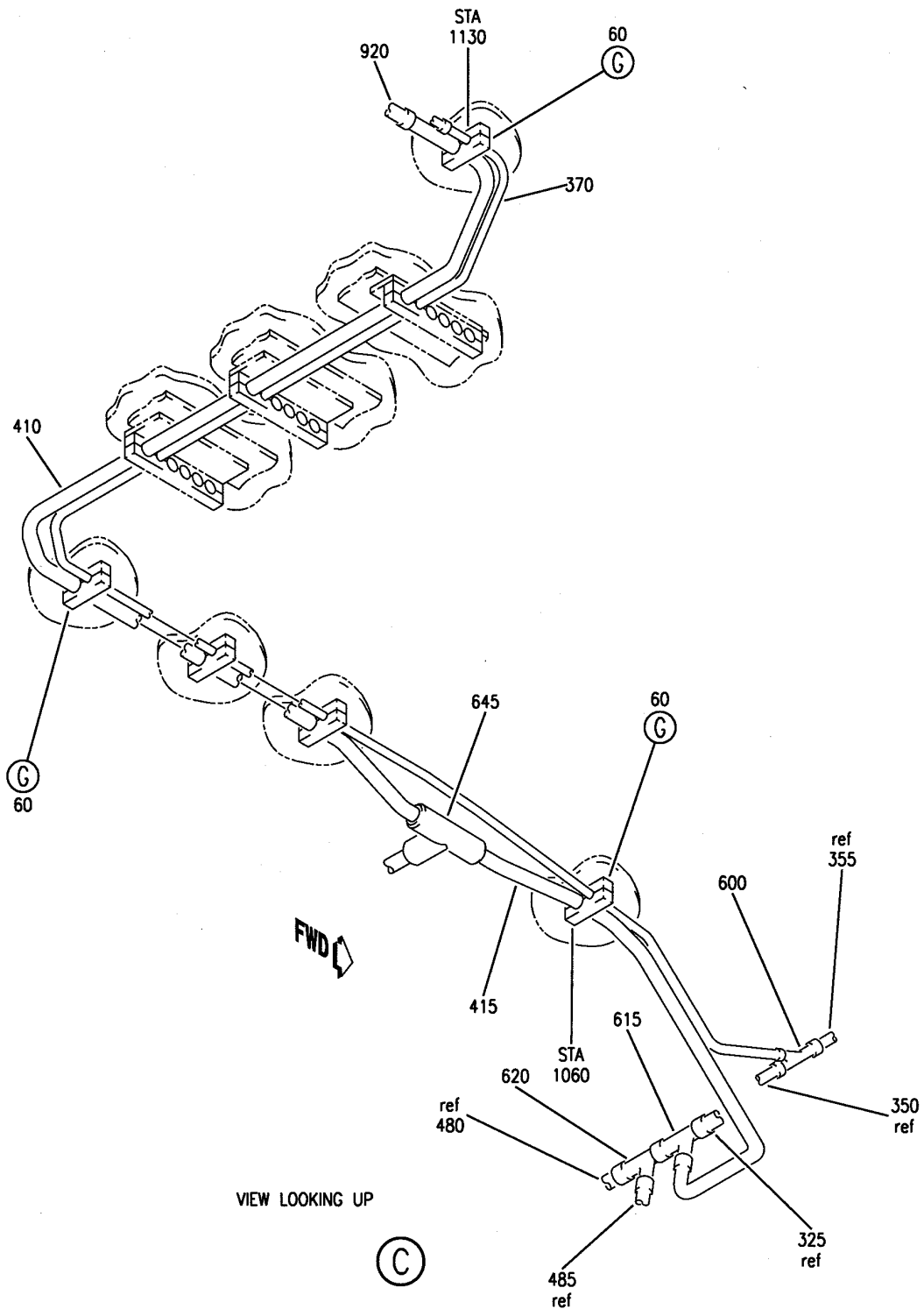
PLUMBING INSTL BASIC AND STABLE
FIGURE 48 (SHEET 2)

29-11-51-48

BRI
MAY 28/07

29-11-51-48
PAGE 0A

BOEING
757
PARTS CATALOG (MAINTENANCE)



Y 29115148 SHT 3 REV 213

VIEW LOOKING UP

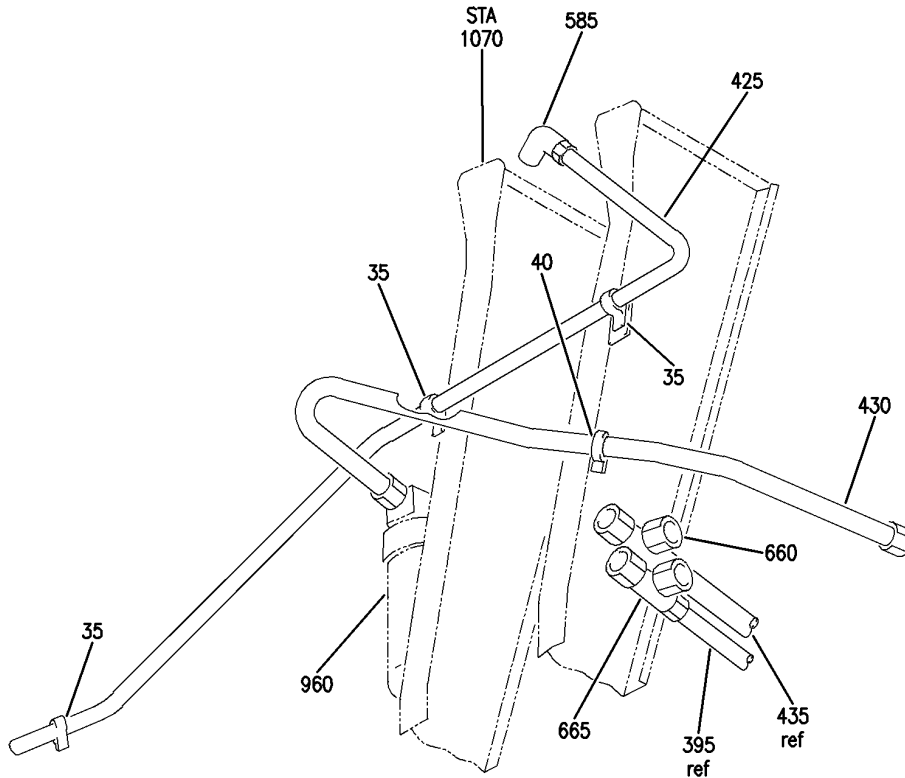
PLUMBING INSTL BASIC AND STABLE
FIGURE 48 (SHEET 3)

29-11-51-48

BRI
MAY 28/07

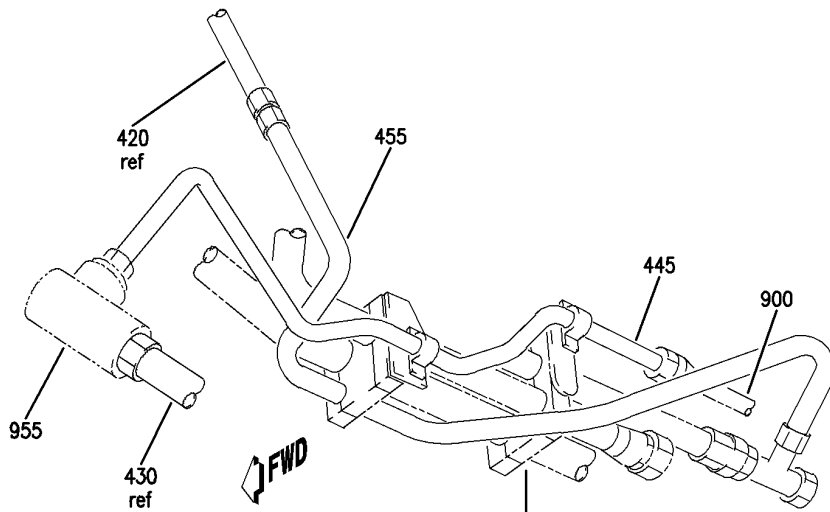
29-11-51-48
PAGE 0B

BOEING
757
PARTS CATALOG (MAINTENANCE)



FWD ↗

(D)



↙ FWD

(E)

Y 29115148 SHT 4 REV 227

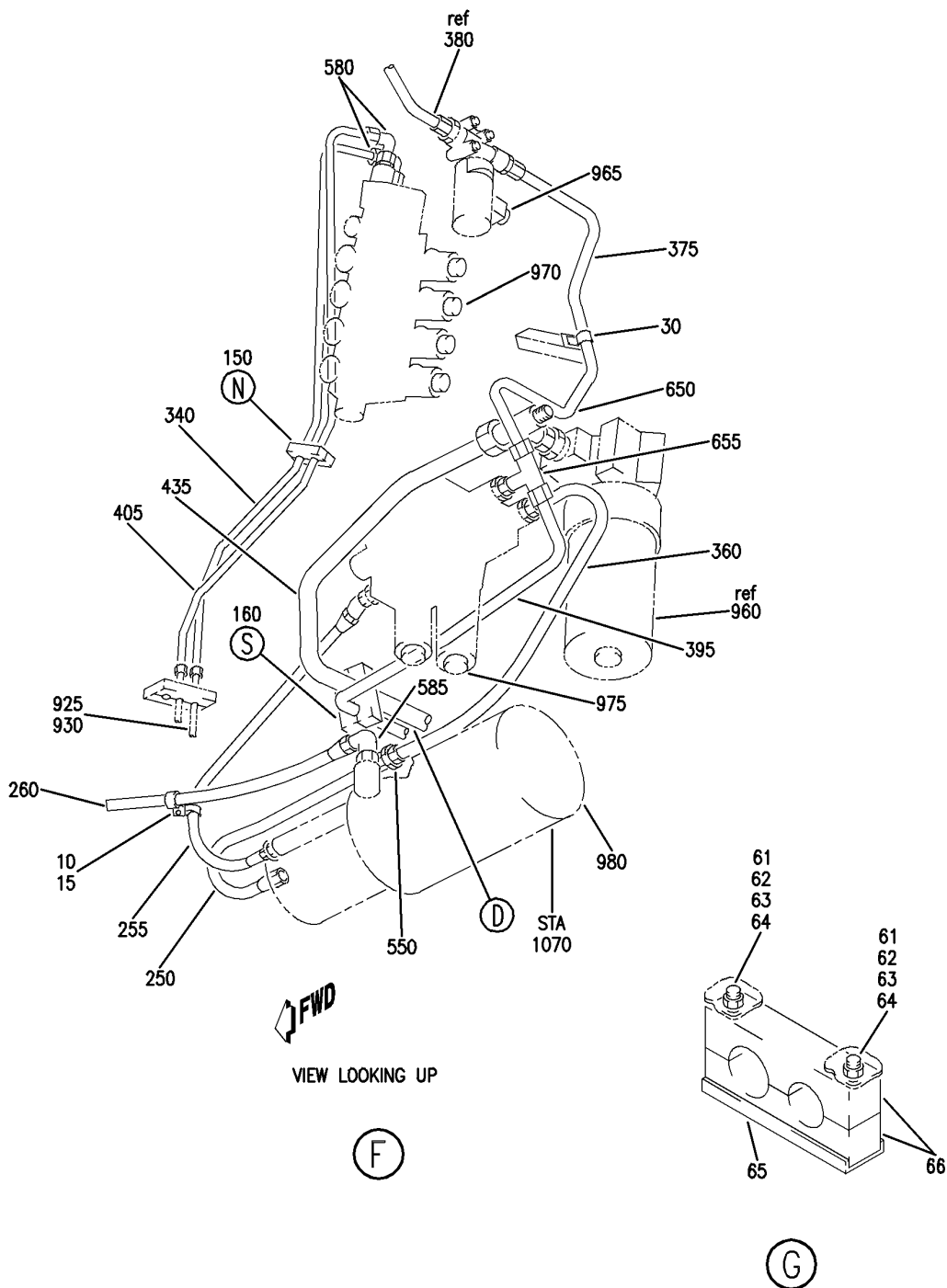
PLUMBING INSTL BASIC AND STABLE
FIGURE 48 (SHEET 4)

29-11-51-48

BRI
MAY 28/07

29-11-51-48
PAGE 0C

BOEING
757
PARTS CATALOG (MAINTENANCE)



Y 29115148 SHT 5 REV 227

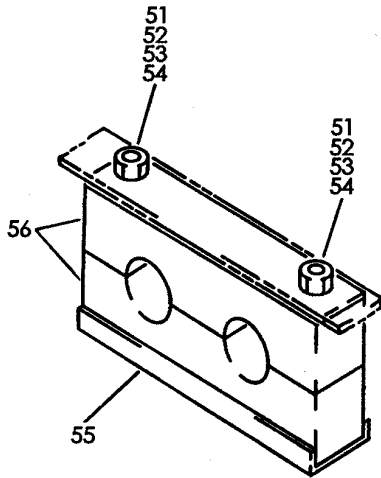
PLUMBING INSTL BASIC AND STABLE
FIGURE 48 (SHEET 5)

29-11-51-48

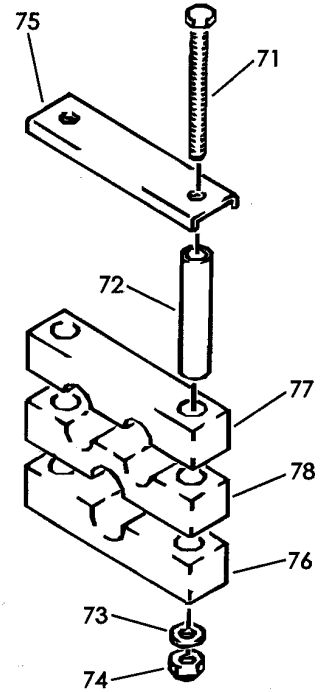
BRI
MAY 28/07

29-11-51-48
PAGE 0D

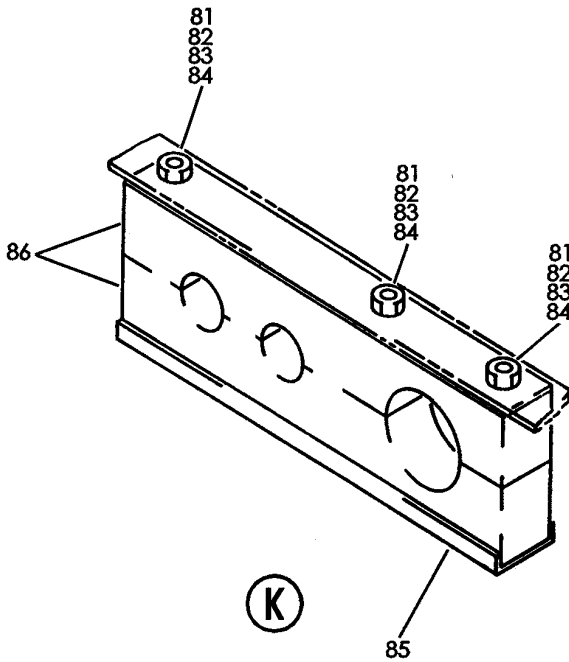
BOEING
757
PARTS CATALOG (MAINTENANCE)



(H)



(J)



(K)

Y 291151-48 SHT 6 REV 210

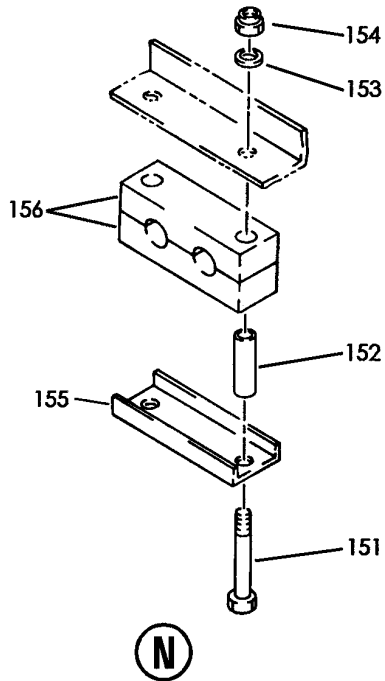
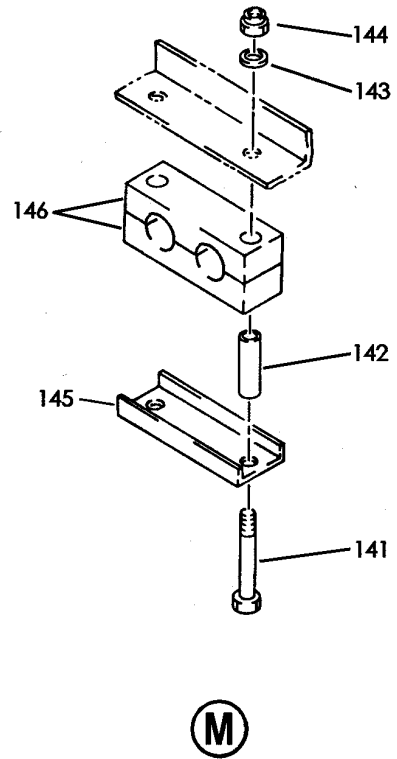
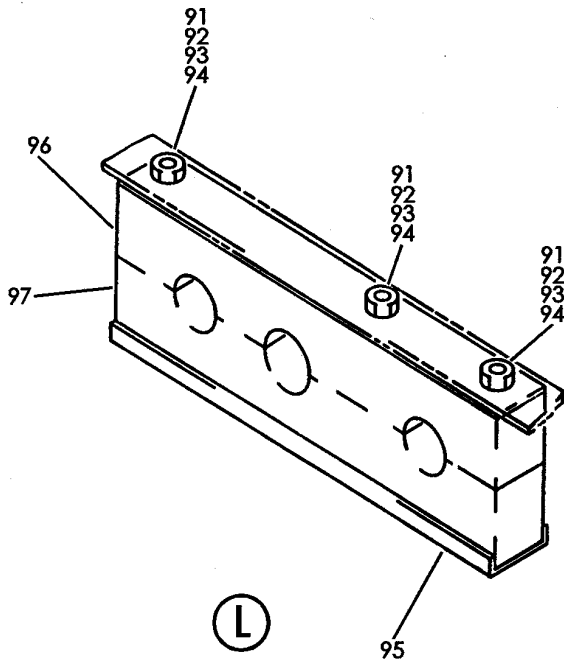
PLUMBING INSTL BASIC AND STABLE
FIGURE 48 (SHEET 6)

29-11-51-48

BRI
MAY 28/07

29-11-51-48
PAGE 0E


BOEING
 757
PARTS CATALOG (MAINTENANCE)



Y 29115148 SHT 7 REV 210

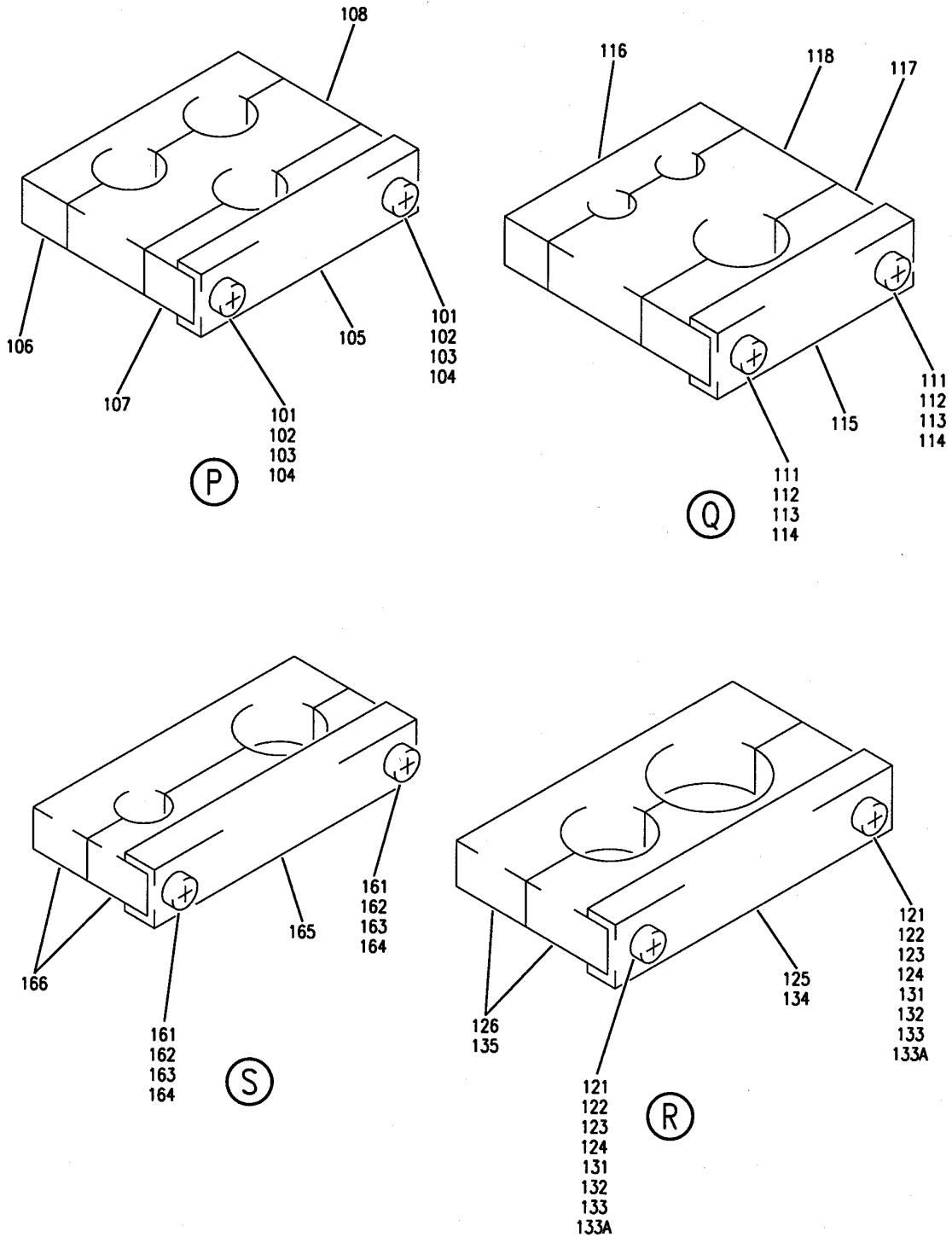
PLUMBING INSTL BASIC AND STABLE
FIGURE 48 (SHEET 7)

29-11-51-48

BRI
MAY 28/07

29-11-51-48
PAGE OF

BOEING
757
PARTS CATALOG (MAINTENANCE)



Y 29115148 SH1 8 REV 210

PLUMBING INSTL BASIC AND STABLE
FIGURE 48 (SHEET 8)

29-11-51-48

BRI
MAY 28/07

29-11-51-48
PAGE 0G



757

PARTS CATALOG (MAINTENANCE)

FIG ITEM	PART NUMBER	1 2 3 4 5 6 7	NOMENCLATURE	EFFECT FROM TO	UNITS PER ASSY
48			PLUMBING INSTL BASIC AND STABLE	101102 108120 504903	
- 1	271N6444-20		PLUMBING INSTL-BASIC AND STABLE FOR NHA/OTHER SYS DET SEE: 29-00-51-02C	101102 504903	RF
- 1	271N6444-23		PLUMBING INSTL-BASIC AND STABLE FOR NHA/OTHER SYS DET SEE: 29-00-51-02C	108120	RF
3	BAC27DHY0340		.MARKER-ALUMINUM FOIL POSITION DATA: STA 1060 RBL 20	101102 108120 504903	1
5	M85052-2-6		.CLAMP- POSITION DATA: STA 1070 WL 180	101102 108120 504903	1
10	M85052-2-8		.CLAMP	101102 108120 504903	1
15	M85052-2-19		.CLAMP	101102 108120 504903	1
- 16	NAS1801-3		ATTACHING PARTS .SCREW	101102 108120 504903	3
- 17	AN960YD10L		.WASHER	101102 108120 504903	3
- 18	MS21042L3		.NUT	101102 108120 504903	3
25	TA0910004H108		-----*----- .CLAMP- SUPPLIER CODE: V84971 SPECIFICATION NUMBER: BACC10HB08C	101102 108120 504903	1
30	TA0910004H110		.CLAMP SUPPLIER CODE: V84971 SPECIFICATION NUMBER: BACC10HB10C	101102 108120 504903	1
35	TA0910004H112		.CLAMP- SUPPLIER CODE: V84971 SPECIFICATION NUMBER: BACC10HB12C	101102 108120 504903	3

MISSING ITEM NUMBERS NOT APPLICABLE

- ITEM NOT ILLUSTRATED

29-11-51-48

29-11-51
FIG. 48
PAGE 1
JAN 20/09

BRI



757

PARTS CATALOG (MAINTENANCE)

FIG ITEM	PART NUMBER	1 2 3 4 5 6 7	NOMENCLATURE	EFFECT FROM TO	UNITS PER ASSY
48					
40	TA0910004H116		.CLAMP- SUPPLIER CODE: V84971 SPECIFICATION NUMBER: BACC10HB16C POSITION DATA: STA 1070 RBL 70 WL 200 ATTACHING PARTS	101102 108120 504903	1
- 41	NAS1801-3		.SCREW	101102 108120 504903	2
- 42	AN960YD10L		.WASHER	101102 108120 504903	2
- 43	MS21042L3		.NUT	101102 108120 504903	2
			-----*-----		
50	270N2000-101		.CLAMP ASSY-BLK POSITION DATA: RBL 45 STA 1075	101102 108120 504903	1
51	NAS1801-3-28		..SCREW	101102 108120 504903	2
52	NAS43DD3-75		..SPACER	101102 108120 504903	2
53	AN960PD10L		..WASHER	101102 108120 504903	2
54	BRH10A3		..NUT SUPPLIER CODE: V52828 SPECIFICATION NUMBER: BACN10JC3 OPTIONAL PART: H10-3BAC V15653 NS202101-02 V80539 RMLH9075-3W V72962 VN303A02 V92215 96-02 V80539 T6S1032J V11815	101102 108120 504903	2

MISSING ITEM NUMBERS NOT APPLICABLE

- ITEM NOT ILLUSTRATED

29-11-51-48

29-11-51
FIG. 48
PAGE 2
JAN 20/09

BRI



757

PARTS CATALOG (MAINTENANCE)

FIG ITEM	PART NUMBER	1 2 3 4 5 6 7	NOMENCLATURE	EFFECT FROM TO	UNITS PER ASSY
48					
55	270N2000-833	..	CHANNEL	101102 108120 504903	1
56	270N2000-479	..	BLOCK- OPTIONAL PART: 270N2000-520	101102 108120 504903	2
56	270N2000-520	..	BLOCK- OPTIONAL PART: 270N2000-479	101102 108120 504903	2
60	270N2000-123	.CLAMP ASSY-BLK	POSITION DATA: STA 1070 RBL 15 STA 1080 RBL 15 STA 1100 RBL 15 STA 1120 RBL 15 STA 1125 RBL 55	101102 108120 504903	5
61	NAS1801-3-26	..	SCREW	101102 108120 504903	2
62	NAS43DD3-67	..	SPACER	101102 108120 504903	2
63	AN960PD10L	..	WASHER	101102 108120 504903	2
64	BRH10A3	..	NUT SUPPLIER CODE: V52828 SPECIFICATION NUMBER: BACN10JC3 OPTIONAL PART: H10-3BAC V15653 NS202101-02 V80539 RMLH9075-3W V72962 VN303A02 V92215 96-02 V80539 T6S1032J V11815	101102 108120 504903	2
65	270N2000-868	..	CHANNEL	101102 108120 504903	1
66	270N2000-556	..	BLOCK	101102 108120 504903	2

MISSING ITEM NUMBERS NOT APPLICABLE

- ITEM NOT ILLUSTRATED

29-11-51-48

29-11-51
FIG. 48
PAGE 3
JAN 20/09

BRI

BOEING PROPRIETARY - Copyright © - Unpublished Work - See title page for details.



757

PARTS CATALOG (MAINTENANCE)

FIG ITEM	PART NUMBER	1 2 3 4 5 6 7	NOMENCLATURE	EFFECT FROM TO	UNITS PER ASSY
48					
70	270N2000-155	.CLAMP ASSY-BLK POSITION DATA: STA 1060 RBL 10 STA 1060 RBL 5		101102 108120 504903	2
71	NAS1801-3-38	..SCREW		101102 108120 504903	2
72	NAS43DD3-115	..SPACER		101102 108120 504903	2
73	AN960PD10L	..WASHER		101102 108120 504903	2
74	BRH10A3	..NUT SUPPLIER CODE: V52828 SPECIFICATION NUMBER: BACN10JC3 OPTIONAL PART: H10-3BAC V15653 NS202101-02 V80539 RMLH9075-3W V72962 VN303A02 V92215 96-02 V80539 T6S1032J V11815		101102 108120 504903	2
75	270N2000-844	..CHANNEL		101102 108120 504903	1
76	270N2000-502	..BLOCK		101102 108120 504903	1
77	270N2000-626	..BLOCK		101102 108120 504903	1
78	270N2000-627	..BLOCK		101102 108120 504903	1
80	270N2000-158	.CLAMP ASSY- POSITION DATA: STA 1050 RBL 10		101102 108120 504903	1
81	NAS1801-3-32	..SCREW		101102 108120 504903	3

MISSING ITEM NUMBERS NOT APPLICABLE

- ITEM NOT ILLUSTRATED

29-11-51-48

29-11-51
FIG. 48
PAGE 4
JAN 20/09

BRI

BOEING PROPRIETARY - Copyright © - Unpublished Work - See title page for details.

 **BOEING**
757
PARTS CATALOG (MAINTENANCE)

FIG ITEM	PART NUMBER	1 2 3 4 5 6 7	NOMENCLATURE	EFFECT FROM TO	UNITS PER ASSY
48					
82	NAS43DD3-94	..	SPACER	101102 108120 504903	3
83	AN960PD10L	..	WASHER	101102 108120 504903	3
84	BRH10A3	..	NUT SUPPLIER CODE: V52828 SPECIFICATION NUMBER: BACN10JC3 OPTIONAL PART: H10-3BAC V15653 NS202101-02 V80539 RMLH9075-3W V72962 VN303A02 V92215 96-02 V80539 T6S1032J V11815	101102 108120 504903	3
85	270N2000-1001	..	CHANNEL	101102 108120 504903	1
86	270N2000-618	..	BLOCK	101102 108120 504903	2
90	270N2000-159	.	CLAMP ASSY- POSITION DATA: STA 1050 RBL 20	101102 108120 504903	1
91	NAS1801-3-29	..	SCREW	101102 108120 504903	3
92	NAS43DD3-80	..	SPACER	101102 108120 504903	3
93	AN960PD10L	..	WASHER	101102 108120 504903	3

MISSING ITEM NUMBERS NOT APPLICABLE

— ITEM NOT ILLUSTRATED

BRI

29-11-51-48

BOEING PROPRIETARY - Copyright © - Unpublished Work - See title page for details.

29-11-51
FIG. 48
PAGE 5
JAN 20/09



757

PARTS CATALOG (MAINTENANCE)

FIG ITEM	PART NUMBER	1 2 3 4 5 6 7	NOMENCLATURE	EFFECT FROM TO	UNITS PER ASSY
48					
94	BRH10A3	..	NUT SUPPLIER CODE: V52828 SPECIFICATION NUMBER: BACN10JC3 OPTIONAL PART: H10-3BAC V15653 NS202101-02 V80539 RMLH9075-3W V72962 VN303A02 V92215 96-02 V80539 T6S1032J V11815	101102 108120 504903	3
95	270N2000-1002	..	CHANNEL	101102 108120 504903	1
96	270N2000-619	..	BLOCK	101102 108120 504903	1
97	270N2000-620	..	BLOCK	101102 108120 504903	1
100	270N2000-189	.	CLAMP ASSY-BLK POSITION DATA: STA 1070 RBL 5	101102 108120 504903	1
101	NAS1801-3-47	..	SCREW	101102 108120 504903	2
102	NAS43DD3-157	..	SPACER	101102 108120 504903	2
103	AN960PD10L	..	WASHER	101102 108120 504903	2

MISSING ITEM NUMBERS NOT APPLICABLE

- ITEM NOT ILLUSTRATED

29-11-51-48

29-11-51
FIG. 48
PAGE 6
JAN 20/09

BRI

BOEING PROPRIETARY - Copyright © - Unpublished Work - See title page for details.



757

PARTS CATALOG (MAINTENANCE)

FIG ITEM	PART NUMBER	1 2 3 4 5 6 7	NOMENCLATURE	EFFECT FROM TO	UNITS PER ASSY
48 104	BRH10A3	..	NUT SUPPLIER CODE: V52828 SPECIFICATION NUMBER: BACN10JC3 OPTIONAL PART: H10-3BAC V15653 NS202101-02 V80539 RMLH9075-3W V72962 VN303A02 V92215 96-02 V80539 T6S1032J V11815	101102 108120 504903	2
105	270N2000-841	..	CHANNEL	101102 108120 504903	1
106	270N2000-468	..	BLOCK	101102 108120 504903	1
107	270N2000-667	..	BLOCK	101102 108120 504903	1
108	270N2000-668	..	BLOCK	101102 108120 504903	1
110	270N2000-190	.CLAMP ASSY-BLK POSITION DATA: STA 1080 RBL 40		101102 108120 504903	1
111	NAS1801-3-43	..	SCREW	101102 108120 504903	2
112	NAS43DD3-141	..	SPACER	101102 108120 504903	2
113	AN960PD10L	..	WASHER	101102 108120 504903	2

MISSING ITEM NUMBERS NOT APPLICABLE

- ITEM NOT ILLUSTRATED

29-11-51-48

29-11-51
FIG. 48
PAGE 7
JAN 20/09

BRI

BOEING PROPRIETARY - Copyright © - Unpublished Work - See title page for details.



757

PARTS CATALOG (MAINTENANCE)

FIG ITEM	PART NUMBER	1 2 3 4 5 6 7	NOMENCLATURE	EFFECT FROM TO	UNITS PER ASSY
48 114	BRH10A3	..	NUT SUPPLIER CODE: V52828 SPECIFICATION NUMBER: BACN10JC3 OPTIONAL PART: H10-3BAC V15653 NS202101-02 V80539 RMLH9075-3W V72962 VN303A02 V92215 96-02 V80539 T6S1032J V11815	101102 108120 504903	2
115	270N2000-844	..	CHANNEL	101102 108120 504903	1
116	270N2000-502	..	BLOCK	101102 108120 504903	1
117	270N2000-669	..	BLOCK	101102 108120 504903	1
118	270N2000-670	..	BLOCK	101102 108120 504903	1
120	270N2000-191	.CLAMP ASSY-BLK POSITION DATA: STA 1040 RBL 70		101102 108120 504903	1
121	NAS1801-3-33	..	SCREW	101102 108120 504903	2
122	NAS43DD3-99	..	SPACER	101102 108120 504903	2
123	AN960PD10L	..	WASHER	101102 108120 504903	2

MISSING ITEM NUMBERS NOT APPLICABLE

- ITEM NOT ILLUSTRATED

29-11-51-48

29-11-51
FIG. 48
PAGE 8
JAN 20/09

BRI

BOEING PROPRIETARY - Copyright © - Unpublished Work - See title page for details.



757

PARTS CATALOG (MAINTENANCE)

FIG ITEM	PART NUMBER	1 2 3 4 5 6 7	NOMENCLATURE	EFFECT FROM TO	UNITS PER ASSY
48 124	BRH10A3	..	NUT SUPPLIER CODE: V52828 SPECIFICATION NUMBER: BACN10JC3 OPTIONAL PART: H10-3BAC V15653 NS202101-02 V80539 RMLH9075-3W V72962 VN303A02 V92215 96-02 V80539 T6S1032J V11815	101102 108120 504903	2
125	270N2000-1006	..	CHANNEL	101102 108120 504903	1
126	270N2000-671	..	BLOCK	101102 108120 504903	2
130	270N2000-255	.CLAMP ASSY-BLK POSITION DATA: RBL 45 STA 1050		101102 108120 504903	1
131	NAS514P1032-38P	..	SCREW	101102 108120 504903	2
132	NAS43DD3-99	..	SPACER	101102 108120 504903	2
133	AN960PD10L	..	WASHER	101102 108120 504903	2

MISSING ITEM NUMBERS NOT APPLICABLE

- ITEM NOT ILLUSTRATED

29-11-51-48

29-11-51
FIG. 48
PAGE 9
JAN 20/09

BRI



757

PARTS CATALOG (MAINTENANCE)

FIG ITEM	PART NUMBER	1 2 3 4 5 6 7	NOMENCLATURE	EFFECT FROM TO	UNITS PER ASSY
48 133A	BRH10A3	. .	NUT SUPPLIER CODE: V52828 SPECIFICATION NUMBER: BACN10JC3 OPTIONAL PART: H10-3BAC V15653 NS202101-02 V80539 RMLH9075-3W V72962 VN303A02 V92215 96-02 V80539 T6S1032J V11815	101102 108120 504903	2
134	270N2000-1024	. .	CHANNEL	101102 108120 504903	1
135	270N2000-671	. .	BLOCK	101102 108120 504903	2
140	270N2000-67	. .	CLAMP ASSY-BLK POSITION DATA: STA 1080 RBL 30	101102 108120 504903	1
141	NAS1801-3-30	. .	SCREW	101102 108120 504903	2
142	NAS43DD3-83	. .	SPACER	101102 108120 504903	2
143	AN960PD10L	. .	WASHER	101102 108120 504903	2

MISSING ITEM NUMBERS NOT APPLICABLE

- ITEM NOT ILLUSTRATED

29-11-51-48

29-11-51
FIG. 48
PAGE 10
JAN 20/09

BRI



757

PARTS CATALOG (MAINTENANCE)

FIG ITEM	PART NUMBER	1 2 3 4 5 6 7	NOMENCLATURE	EFFECT FROM TO	UNITS PER ASSY
48 144	BRH10A3	..	NUT SUPPLIER CODE: V52828 SPECIFICATION NUMBER: BACN10JC3 OPTIONAL PART: H10-3BAC V15653 NS202101-02 V80539 RMLH9075-3W V72962 VN303A02 V92215 96-02 V80539 T6S1032J V11815	101102 108120 504903	2
145	270N2000-841	..	CHANNEL	101102 108120 504903	1
146	270N2000-468	..	BLOCK	101102 108120 504903	2
150	270N2000-78	.	CLAMP ASSY-BLK POSITION DATA: STA 1040 RBL 70.5	101102 108120 504903	1
151	NAS1801-3-24	..	SCREW	101102 108120 504903	2
152	NAS43DD3-59	..	SPACER	101102 108120 504903	2
153	AN960PD10L	..	WASHER	101102 108120 504903	2

MISSING ITEM NUMBERS NOT APPLICABLE

- ITEM NOT ILLUSTRATED

BRI

29-11-51-48

BOEING PROPRIETARY - Copyright © - Unpublished Work - See title page for details.

29-11-51
FIG. 48
PAGE 11
JAN 20/09



757

PARTS CATALOG (MAINTENANCE)

FIG ITEM	PART NUMBER	1 2 3 4 5 6 7	NOMENCLATURE	EFFECT FROM TO	UNITS PER ASSY
48 154	BRH10A3	..	NUT SUPPLIER CODE: V52828 SPECIFICATION NUMBER: BACN10JC3 OPTIONAL PART: H10-3BAC V15653 NS202101-02 V80539 RMLH9075-3W V72962 VN303A02 V92215 96-02 V80539 T6S1032J V11815	101102 108120 504903	2
155	270N2000-844	..	CHANNEL	101102 108120 504903	1
156	270N2000-502	..	BLOCK	101102 108120 504903	2
160	270N2000-89	.	CLAMP ASSY-BLK POSITION DATA: STA 1060 WL 170	101102 108120 504903	1
161	NAS1801-3-34	..	SCREW	101102 108120 504903	2
162	NAS43DD3-99	..	SPACER	101102 108120 504903	2
163	AN960PD10L	..	WASHER	101102 108120 504903	2

MISSING ITEM NUMBERS NOT APPLICABLE

- ITEM NOT ILLUSTRATED

29-11-51-48

29-11-51
FIG. 48
PAGE 12
JAN 20/09

BRI



757

PARTS CATALOG (MAINTENANCE)

FIG ITEM	PART NUMBER	1 2 3 4 5 6 7	NOMENCLATURE	EFFECT FROM TO	UNITS PER ASSY
48 164	BRH10A3	..	NUT SUPPLIER CODE: V52828 SPECIFICATION NUMBER: BACN10JC3 OPTIONAL PART: H10-3BAC V15653 NS202101-02 V80539 RMLH9075-3W V72962 VN303A02 V92215 96-02 V80539 T6S1032J V11815	101102 108120 504903	2
165	270N2000-853	..	CHANNEL	101102 108120 504903	1
166	270N2000-511	..	BLOCK	101102 108120 504903	2
250	AS115-08K0174	.HOSE ASSY-	POSITION DATA: STA 1070 WL 170	101102 108120 504903	1
255	AS116-06K0204	.HOSE ASSY-	POSITION DATA: STA 1070 WL 170	101102 108120 504903	1
260	AS1635A12K0200	.HOSE ASSY-	POSITION DATA: STA 1070 WL 170	101102 108120 504903	1
300	271N6444-1184	.TUBE ASSY-ALTERNATE EXTEND	PRESSURE POSITION DATA: STA 1080 RBL 5 WL 140 TUBING MATERIAL: .375 IN. OD .019 IN. WALL 29.80 IN. LG TI BMS 7-234 TI-3AL-2.5V COLD WORKED, STRESS RELIEVED TUBING	101102 108120 504903	1

MISSING ITEM NUMBERS NOT APPLICABLE

- ITEM NOT ILLUSTRATED

29-11-51-48

29-11-51
FIG. 48
PAGE 13
JAN 20/09

BRI



757

PARTS CATALOG (MAINTENANCE)

FIG ITEM	PART NUMBER	1 2 3 4 5 6 7	NOMENCLATURE	EFFECT FROM TO	UNITS PER ASSY
48 305	271N6444-1191		.TUBE ASSY-LG UP POSITION DATA: STA 1080 RBL 40 WL 195 TUBING MATERIAL: .375 IN. OD .019 IN. WALL 23.30 IN. LG TI BMS 7-234 TI-3AL-2.5V COLD WORKED, STRESS RELIEVED TUBING	101102 108120 504903	1
310	271N6444-1195		.TUBE ASSY-BRAKE PRESSURE SYS POSITION DATA: STA 1080 RBL 40 TUBING MATERIAL: .375 IN. OD .019 IN. WALL 53.90 IN. LG TI BMS 7-234 TI-3AL-2.5V COLD WORKED, STRESS RELIEVED TUBING	101102 108120 504903	1
315	271N6444-1209		.TUBE ASSY-PRESSURE SYS POSITION DATA: STA 1070 RBL 0 WL 180 TUBING MATERIAL: .375 IN. OD .019 IN. WALL 31.20 IN. LG TI BMS 7-234 TI-3AL-2.5V COLD WORKED, STRESS RELIEVED TUBING	101102 108120 504903	1
320	271N6444-1210		.TUBE ASSY-PRESSURE SYS POSITION DATA: STA 1060 RBL 40 TUBING MATERIAL: .375 IN. OD .019 IN. WALL 51.50 IN. LG TI BMS 7-234 TI-3AL-2.5V COLD WORKED, STRESS RELIEVED TUBING	101102 108120 504903	1
325	271N6444-1223		.TUBE ASSY-RETURN SYS POSITION DATA: STA 1050 RBL 30 TUBING MATERIAL: .375 IN. OD .019 IN. WALL 23.50 IN. LG TI BMS 7-234 TI-3AL-2.5V COLD WORKED, STRESS RELIEVED TUBING	101102 108120 504903	1

MISSING ITEM NUMBERS NOT APPLICABLE

- ITEM NOT ILLUSTRATED

29-11-51-48

29-11-51
FIG. 48
PAGE 14
JAN 20/09

BRI



757

PARTS CATALOG (MAINTENANCE)

FIG ITEM	PART NUMBER	1 2 3 4 5 6 7	NOMENCLATURE	EFFECT FROM TO	UNITS PER ASSY
48 330	271N6444-1230		.TUBE ASSY-LG DOWN POSITION DATA: STA 1060 WL 180 TUBING MATERIAL: .375 IN. OD .019 IN. WALL 13.20 IN. LG TI BMS 7-234 TI-3AL-2.5V COLD WORKED, STRESS RELIEVED TUBING	101102 108120 504903	1
335	271N6444-1239		.TUBE ASSY-LG UP POSITION DATA: STA 1050 RBL 20 WL 180 TUBING MATERIAL: .375 IN. OD .019 IN. WALL 11.90 IN. LG TI BMS 7-234 TI-3AL-2.5V COLD WORKED, STRESS RELIEVED TUBING	101102 108120 504903	1
337	271N6444-1240		.TUBE ASSY-L BRAKE PRESSURE SYSTEMS POSITION DATA: STA 1080 RBL 5 WL 170 TUBING MATERIAL: .375 IN. OD .019 IN. WALL 8.90 IN. LG TI BMS 7-234 TI-3AL-2.5V COLD WORKED, STRESS RELIEVED TUBING	108120	1
340	271N6444-1260		.TUBE ASSY-BRAKE PRESSURE SYS TUBING MATERIAL: .375 IN. OD .019 IN. WALL 37.80 IN. LG TI BMS 7-234 TI-3AL-2.5V COLD WORKED, STRESS RELIEVED TUBING	101102 108120 504903	1
- 341	AS1581T06		..SLEEVE	101102 108120 504903	2
- 342	BACN10YA6		..NUT-	101102 108120 504903	2

MISSING ITEM NUMBERS NOT APPLICABLE

- ITEM NOT ILLUSTRATED

29-11-51-48

29-11-51
FIG. 48
PAGE 15
JAN 20/09

BRI



757

PARTS CATALOG (MAINTENANCE)

FIG ITEM	PART NUMBER	1 2 3 4 5 6 7	NOMENCLATURE	EFFECT FROM TO	UNITS PER ASSY
48 345	271N6444-1267		.TUBE ASSY-RETURN SYS POSITION DATA: STA 1045 RBL 30 WL 180 TUBING MATERIAL: .750 IN. OD .035 IN. WALL 38.0 IN. LG AL AMS 4083 6061 T6 TUBING	101102 108120 504903	1
- 346	AP2097HP12		..SLEEVE SUPPLIER CODE: V01673 SPECIFICATION NUMBER: BACS13BX12HP OPTIONAL PART: 2-02903-12HP V11328 35235VN12 V08199 AFP175V12P V30974 DBOS13BX12HP V14798	101102 108120 504903	2
- 347	BACN10YL12		..NUT-	101102 108120 504903	2
350	271N6444-1001		.TUBE ASSY- TUBING MATERIAL: .500 IN. OD .026 IN. WALL 42.40 IN. LG TI BMS 7-234 TI-3AL-2.5V COLD WORKED, STRESS RELIEVED TUBING	101102 108120 504903	1
355	271N6444-1003		.TUBE ASSY- TUBING MATERIAL: .500 IN. OD .026 IN WALL 29.60 IN. LG TI BMS 7-234 TI-3AL-2.5V COLD WORKED, STRESS RELIEVED TUBING	101102 108120 504903	1
360	271N6444-1168		.TUBE ASSY-PRESSURE SYS POSITION DATA: STA 1080 RBL 60 WL 160 TUBING MATERIAL: .500 IN. OD .026 IN. WALL 20.10 IN. LG TI BMS 7-234 TI-3AL-2.5V COLD WORKED, STRESS RELIEVED TUBING	101102 108120 504903	1

MISSING ITEM NUMBERS NOT APPLICABLE

- ITEM NOT ILLUSTRATED

29-11-51-48

29-11-51
FIG. 48
PAGE 16
JAN 20/09

BRI



757

PARTS CATALOG (MAINTENANCE)

FIG ITEM	PART NUMBER	1 2 3 4 5 6 7	NOMENCLATURE	EFFECT FROM TO	UNITS PER ASSY
48 365	271N6444-1236		.TUBE ASSY-PRESSURE SYS POSITION DATA: STA 1080 RBL 0 WL 160 TUBING MATERIAL: .500 IN. OD .026 IN. WALL 19.80 IN. LG TI BMS 7-234 TI-3AL-2.5V COLD WORKED, STRESS RELIEVED TUBING	101102 108120 504903	1
- 366	AS1581T08		..SLEEVE-WELDED	101102 108120 504903	2
- 367	BACN10YA8		..NUT-	101102 108120 504903	2
369	271N6444-1238		.TUBE ASSY-L BRAKE PRESSURE SYSTEMS POSITION DATA: STA 1080 RBL 5 WL 170 TUBING MATERIAL: .375 IN. OD .019 IN. WALL 21.00 IN. LG TI BMS 7-234 TI-3AL-2.5V COLD WORKED, STRESS RELIEVED TUBING	108120	1
375	271N6444-1064		.TUBE ASSY-PRESSURE SYS POSITION DATA: STA 1070 RBL 70 WL 190 TUBING MATERIAL: .625 IN. OD .032 IN. WALL 34.00 IN. LG TI BMS 7-235 TI-3AL-2.5V COLD WORKED, STRESS RELIEVED TUBING	101102 108120 504903	1
380	271N6444-1112		.TUBE ASSY-PRESSURE SYS POSITION DATA: STA 1070 RBL 45 TUBING MATERIAL: .625 IN. OD .032 IN. WALL 12.00 IN. LG TI BMS 7-234 TI-3AL-2.5V COLD WORKED, STRESS RELIEVED TUBING	101102 108120 504903	1

MISSING ITEM NUMBERS NOT APPLICABLE

- ITEM NOT ILLUSTRATED

29-11-51-48

29-11-51
FIG. 48
PAGE 17
JAN 20/09

BRI



757

PARTS CATALOG (MAINTENANCE)

FIG ITEM	PART NUMBER	1 2 3 4 5 6 7	NOMENCLATURE	EFFECT FROM TO	UNITS PER ASSY
48 385	271N6444-1176		.TUBE ASSY-LG DOWN POSITION DATA: STA 1080 RBL 20 WL 160 TUBING MATERIAL: .625 IN. OD .032 IN. WALL 41.40 IN. LG TI BMS 7-234 TI-3AL-2.5V COLD WORKED, STRESS RELIEVED TUBING	101102 108120 504903	1
390	271N6444-1220		.TUBE ASSY-PRESSURE SYS POSITION DATA: STA 1070 RBL 45 TUBING MATERIAL: .625 IN. OD .032 IN. WALL 16.00 IN. LG TI BMS 7-234 TI-3AL-2.5V COLD WORKED, STRESS RELIEVED TUBING	101102 108120 504903	1
395	271N6444-1237		.TUBE ASSY-PRESSURE SYS POSITION DATA: STA 1070 RBL 60 WL TUBING MATERIAL: .625 IN. OD .032 IN. WALL 22.60 IN. LG TI BMS 7-234 TI-3AL-2.5V COLD WORKED, STRESS RELIEVED TUBING	101102 108120 504903	1
400	271N6444-1253		.TUBE ASSY-LG DOWN POSITION DATA: STA 1070 RBL 0 WL 175 TUBING MATERIAL: .625 IN. OD .032 IN. WALL 8.30 IN. LG TI BMS 7-234 TI-3AL-2.5V COLD WORKED, STRESS RELIEVED TUBING	101102 108120 504903	1
- 401	AS1581T10		..SLEEVE	101102 108120 504903	2
- 402	BACN10YA10		..NUT-	101102 108120 504903	2

MISSING ITEM NUMBERS NOT APPLICABLE

- ITEM NOT ILLUSTRATED

29-11-51-48

29-11-51
FIG. 48
PAGE 18
JAN 20/09

BRI



757

PARTS CATALOG (MAINTENANCE)

FIG ITEM	PART NUMBER	1 2 3 4 5 6 7	NOMENCLATURE	EFFECT FROM TO	UNITS PER ASSY
48 405	271N6444-1053		.TUBE ASSY-BRAKE PRESSURE SYS POSITION DATA: STA 1060 RBL 60 TUBING MATERIAL: .375 IN. OD .019 IN. WALL 38.30 IN. LG TI BMS 7-234 TI-3AL-2.5V COLD WORKED, STRESS RELIEVED TUBING	101102 108120 504903	1
- 406	AS1581T06		..SLEEVE	101102 108120 504903	1
- 407	BACN10YA6		..NUT	101102 108120 504903	1
- 408	AS1582T06		..UNION	101102 108120 504903	1
420	271N6444-1127		.TUBE ASSY-PRESSURE SYS POSITION DATA: STA 1040 RBL 50 TUBING MATERIAL: .750 IN. OD .039 IN. WALL 40.10 IN. LG TI BMS 7-234 TI-3AL-2.5V COLD WORKED, STRESS RELIEVED TUBING	101102 108120 504903	1
- 421	AS1581T12		..SLEEVE	101102 108120 504903	1
- 422	BACN10YA12		..NUT	101102 108120 504903	1
- 423	AS1582T12		..UNION	101102 108120 504903	1
425	271N6444-1131		.TUBE ASSY-HYDR RSVR VENT POSITION DATA: STA 1040 RBL 60 TUBING MATERIAL: .750 IN. OD .035 IN. WALL 63.00 IN. LG AL AMS 4083 6061 T6 TUBING	101102 108120 504903	1

MISSING ITEM NUMBERS NOT APPLICABLE

- ITEM NOT ILLUSTRATED

29-11-51-48

29-11-51
FIG. 48
PAGE 19
JAN 20/09

BRI



757

PARTS CATALOG (MAINTENANCE)

FIG ITEM	PART NUMBER	1 2 3 4 5 6 7	NOMENCLATURE	EFFECT FROM TO	UNITS PER ASSY
48 - 426	AP2097HP12	..	SLEEVE SUPPLIER CODE: V01673 SPECIFICATION NUMBER: BACS13BX12HP OPTIONAL PART: 2-02903-12HP V11328 35235VN12 V08199 AFP175V12P V30974 DBOS13BX12HP V14798	101102 108120 504903	1
- 427	BACN10YL12	..	NUT	101102 108120 504903	1
430	271N6444-1139	.TUBE ASSY-RETURN SYS POSITION DATA: STA 1040 RBL 60 TUBING MATERIAL: 1.00 IN. OD .035 IN. WALL 39.90 IN. LG AL AMS 4083 6061 T6 TUBING	101102 108120 504903	1	
- 431	AP2097HP16	..	SLEEVE SUPPLIER CODE: V01673 SPECIFICATION NUMBER: BACS13BX16HP OPTIONAL PART: 2-02903-16HP V11328 35235VN16 V08199 AFP175V16P V30974 DBOS13BX16HP V14798	101102 108120 504903	2
- 432	BACN10YL16	..	NUT	101102 108120 504903	2

MISSING ITEM NUMBERS NOT APPLICABLE

- ITEM NOT ILLUSTRATED

29-11-51-48

29-11-51
FIG. 48
PAGE 20
JAN 20/09

BRI



757

PARTS CATALOG (MAINTENANCE)

FIG ITEM	PART NUMBER	1 2 3 4 5 6 7	NOMENCLATURE	EFFECT FROM TO	UNITS PER ASSY
48					
435	271N6444-1258		.TUBE ASSY-RETURN SYS POSITION DATA: STA 1060 RBL 60 TUBING MATERIAL: 1.00 IN. OD .035 IN. WALL 25.70 IN. LG AL AMS 4083 6061 T6 TUBING	101102 108120 504903	1
- 436	AP2097HP16		..SLEEVE SUPPLIER CODE: V01673 SPECIFICATION NUMBER: BACS13BX16HP OPTIONAL PART: 2-02903-16HP V11328 35235VN16 V08199 AFP175V16P V30974 DBOS13BX16HP V14798	101102 108120 504903	2
- 437	BACN10YL16L		..NUT-	101102 108120 504903	2
440	271N6444-1108		.TUBE ASSY-RETURN SYS POSITION DATA: STA 1060 RBL 10 TUBING MATERIAL: .750 IN. OD .035 IN. WALL 11.90 IN. LG AL AMS 4083 6061 T6 TUBING	101102 108120 504903	1
- 441	AP2097HP12		..SLEEVE SUPPLIER CODE: V01673 SPECIFICATION NUMBER: BACS13BX12HP OPTIONAL PART: 2-02903-12HP V11328 35235VN12 V08199 AFP175V12P V30974 DBOS13BX12HP V14798	101102 108120 504903	2

MISSING ITEM NUMBERS NOT APPLICABLE

- ITEM NOT ILLUSTRATED

29-11-51-48

29-11-51
FIG. 48
PAGE 21
JAN 20/09

BRI



757

PARTS CATALOG (MAINTENANCE)

FIG ITEM	PART NUMBER	1 2 3 4 5 6 7	NOMENCLATURE	EFFECT FROM TO	UNITS PER ASSY
48					
- 442	BACN10YL12	..	NUT	101102 108120 504903	2
445	271N6444-1140	.TUBE ASSY-RETURN SYS POSITION DATA: STA 1040 RBL 50 WL 190 TUBING MATERIAL: .625 IN. OD .035 IN. WALL 40.10 IN. LG AL AMS 4083 6061 T6 TUBING		101102 108120 504903	1
- 446	AP2097HP10	..SLEEVE SUPPLIER CODE: V01673 SPECIFICATION NUMBER: BACS13BX10HP OPTIONAL PART: 2-02903-10HP V11328 35235VN10 V08199 AFP175V10P V30974 DBOS13BX10HP V14798		101102 108120 504903	2
- 447	BACN10YL10	..	NUT	101102 108120 504903	2
450	271N6444-1142	.TUBE ASSY-PRESSURE SYS POSITION DATA: STA 1060 RBL 5 WL 180 TUBING MATERIAL: .750 IN. OD .039 IN. WALL 63.60 IN. LG TI BMS 7-234 TI-3AL-2.5V COLD WORKED, STRESS RELIEVED TUBING		101102 108120 504903	1
455	271N6444-1148	.TUBE ASSY-PRESSURE SYS POSITION DATA: STA IRSS 160 TUBING MATERIAL: .750 IN. OD .039 IN. WALL 41.50 IN. LG TI BMS 7-234 TI-3AL-2.5V COLD WORKED, STRESS RELIEVED TUBING		101102 108120 504903	1

MISSING ITEM NUMBERS NOT APPLICABLE

- ITEM NOT ILLUSTRATED

29-11-51-48

29-11-51
FIG. 48
PAGE 22
JAN 20/09

BRI



757

PARTS CATALOG (MAINTENANCE)

FIG ITEM	PART NUMBER	1 2 3 4 5 6 7	NOMENCLATURE	EFFECT FROM TO	UNITS PER ASSY
48 460	271N6444-1213		.TUBE ASSY-LG UP POSITION DATA: STA 1050 RBL 5 WL 180 TUBING MATERIAL: .750 IN. OD .039 IN. WALL 27.70 IN. LG TI BMS 7-234 TI-3AL-2.5V COLD WORKED, STRESS RELIEVED TUBING	101102 108120 504903	1
465	271N6444-1214		.TUBE ASSY-LG UP POSITION DATA: STA 1050 RBL 5 WL 180 TUBING MATERIAL: .750 IN. OD .039 IN. WALL 20.40 IN. LG TI BMS 7-234 TI-3AL-2.5V COLD WORKED, STRESS RELIEVED TUBING	101102 108120 504903	1
470	271N6444-1229		.TUBE ASSY-LG UP POSITION DATA: STA 1050 RBL 30 WL 195 TUBING MATERIAL: .750 IN. OD .039 IN. WALL 15.90 IN. LG TI BMS 7-234 TI-3AL-2.5V COLD WORKED, STRESS RELIEVED TUBING	101102 108120 504903	1
475	271N6444-1256		.TUBE ASSY-PRESSURE SYS POSITION DATA: STA 1050 RBL 25 WL 180 TUBING MATERIAL: .750 IN. OD .039 IN. WALL 62.10 IN. LG TI BMS 7-234 TI-3AL-2.5V COLD WORKED, STRESS RELIEVED TUBING	101102 108120 504903	1
- 476	AS1581T12		..SLEEVE	101102 108120 504903	2
- 477	BACN10YA12		..NUT-	101102 108120 504903	2

MISSING ITEM NUMBERS NOT APPLICABLE

- ITEM NOT ILLUSTRATED

29-11-51-48

29-11-51
FIG. 48
PAGE 23
JAN 20/09

BRI

BOEING PROPRIETARY - Copyright © - Unpublished Work - See title page for details.



757

PARTS CATALOG (MAINTENANCE)

FIG ITEM	PART NUMBER	1 2 3 4 5 6 7	NOMENCLATURE	EFFECT FROM TO	UNITS PER ASSY
48					
480	271N6444-1175		.TUBE ASSY-RETURN SYS POSITION DATA: STA 1050 RBL 5 WL 195 TUBING MATERIAL: .500 IN. OD .035 IN. WALL 34.30 IN. LG AL AMS 4083 6061 T6 TUBING	101102 108120 504903	1
485	271N6444-1246		.TUBE ASSY-RETURN SYS POSITION DATA: STA 1050 RBL 10 WL 190 TUBING MATERIAL: .500 IN. OD .035 IN. WALL 18.70 IN. LG AL AMS 4083 6061 T6 TUBING	101102 108120 504903	1
- 486	AP2097HP08		..SLEEVE SUPPLIER CODE: V01673 SPECIFICATION NUMBER: BACS13BX08HP OPTIONAL PART: 2-02903-08HP V11328 35235VN08 V08199 AFP175V08P V30974 DBOS13BX08HP V14798	101102 108120 504903	2
- 487	BACN10YL08		..NUT	101102 108120 504903	2
550	MS21924-8T		.UNION- POSITION DATA: STA 1060 RBL 60 WL 170	101102 108120 504903	1
570	BACE21BR0808JN		.ELBOW- POSITION DATA: STA 1080 RBL 0 WL 190	101102 108120 504903	1
575	AP1042JN0406		.ELBOW- SUPPLIER CODE: V01673 SPECIFICATION NUMBER: BACE21BT0406JN POSITION DATA: STA 1040 RBL 30 WL 190	101102 108120 504903	1

MISSING ITEM NUMBERS NOT APPLICABLE

- ITEM NOT ILLUSTRATED

29-11-51-48

29-11-51
FIG. 48
PAGE 24
JAN 20/09

BRI



757

PARTS CATALOG (MAINTENANCE)

FIG ITEM	PART NUMBER	1 2 3 4 5 6 7	NOMENCLATURE	EFFECT FROM TO	UNITS PER ASSY
48 580	AP1042JN0606		.ELBOW- SUPPLIER CODE: V01673 SPECIFICATION NUMBER: BACE21BT0606JN POSITION DATA: STA 1060 RBL 55 WL 190 STA 1060 RBL 55 WL 190 STA 1060 RBL 0 WL 180 STA 1060 RBL 5 WL 180	101102 108120 504903	4
585	NAS1762W1212		.ELBOW- POSITION DATA: STA 1060 RBL 60 WL 170 STA 1040 RBL 60 WL 195	101102 108120 504903	2
590	BACT16BL101010J		.TEE- POSITION DATA: STA 1070 RBL 50	101102 108120 504903	1
595	BACT16BL121012J		.TEE- POSITION DATA: STA 1060 RBL 40	101102 108120 504903	1
600	BACT16BL080806J		.TEE- POSITION DATA: STA 1060 RBL 30	101102 108120 504903	1
605	BACT16BR120612J		.TEE- POSITION DATA: STA 1060 RBL 30	101102 108120 504903	1
610	BACT16BL121206J		.TEE- POSITION DATA: STA 1060 RBL 30	101102 108120 504903	1
615	NAS1763W080608		.TEE- POSITION DATA: STA 1060 RBL 30	101102 108120 504903	1
620	MS21905W8		.TEE- POSITION DATA: STA 1060 RBL 25	101102 108120 504903	1
625	BACT16BL101006J		.TEE- POSITION DATA: STA 1060 RBL 10	101102 108120 504903	1
630	BACT16BT060606J		.TEE- POSITION DATA: STA 1060 RBL 5	101102 108120 504903	1
635	NAS1763W121210		.TEE- POSITION DATA: STA 1065 RBL 10	101102 108120 504903	1
640	MS21905W12		.TEE- POSITION DATA: STA 1065 RBL 10	101102 108120 504903	1

MISSING ITEM NUMBERS NOT APPLICABLE

- ITEM NOT ILLUSTRATED

29-11-51-48

29-11-51
FIG. 48
PAGE 25
JAN 20/09

BRI

BOEING PROPRIETARY - Copyright © - Unpublished Work - See title page for details.



757

PARTS CATALOG (MAINTENANCE)

FIG ITEM	PART NUMBER	1 2 3 4 5 6 7	NOMENCLATURE	EFFECT FROM TO	UNITS PER ASSY
48					
645	BACT16AS080816W	.TEE-	POSITION DATA: STA 1070 RBL 30	101102 108120 504903	1
650	NAS1764W161016	.TEE-	POSITION DATA: STA 1080 RBL 60	101102 108120 504903	1
655	BACT16BT101008J	.TEE-	POSITION DATA: STA 1080 RBL 60	101102 108120 504903	1
660	MS21905W16	.TEE-	POSITION DATA: STA 1080 RBL 70	101102 108120 504903	1
665	BACT16BL161016J	.TEE-	POSITION DATA: STA 1080 RBL 70	101102 108120 504903	1
670	BCREF116854	.TEE-	POSITION DATA: STA 1080 RBL 5 WL 170 OVERLENGTH PART NUMBER: BACT16BRO60606JN	101102 108120 504903	1
700	9R3590	.VALVE-RSTR, RELIEF SUPPLIER CODE: V99240	POSITION DATA: STA 1060 RBL 25	101102 108120 504903	1
- 720	270N2008-120	.SHIM		101102 108120 504903	AR
- 725	270N2008-121	.SHIM		101102 108120 504903	AR
- 730	270N2008-122	.SHIM		101102 108120 504903	AR
- 750	AN924-8D	.NUT		101102 108120 504903	1
900			ILLUSTRATION REFERENCE: PLUMBING INSTL-FILLET AND TE ROLLS ROYCE RETURN LINES 29-11-51-68	101102 108120 504903	RF
905			ILLUSTRATION REFERENCE: TRANSMITTER INSTL-ALTERNATE BRAKE PRESSURE (LH) 31-31-13-01	101102 108120 504903	RF

MISSING ITEM NUMBERS NOT APPLICABLE

- ITEM NOT ILLUSTRATED

29-11-51-48

29-11-51
FIG. 48
PAGE 26
JAN 20/09

BRI



757

PARTS CATALOG (MAINTENANCE)

FIG ITEM	PART NUMBER	1 2 3 4 5 6 7	NOMENCLATURE	EFFECT FROM TO	UNITS PER ASSY
48 910			ILLUSTRATION REFERENCE: PLUMBING INSTL LH MAIN MLG WHL WELL HYDR KEEL BEAM SECT. 44 29-11-51-93	504903	RF
915			ILLUSTRATION REFERENCE: VALVE INSTL-LG ALTERNATE EXTENSION SHUTTLE 32-35-51-05	101102 108120 504903	RF
930			ILLUSTRATION REFERENCE: PLUMBING INSTL-SECT 44 MLG WHL WELL HYDR 29-11-52-18	101102 504903	RF
935			ILLUSTRATION REFERENCE: VALVE INSTL-ALTERNATE BRAKE SELECTOR 32-41-04-01	101102 108120 504903	RF
940			ILLUSTRATION REFERENCE: CABLE AND HANDLE INSTL LG CONTROL 32-31-02-03	101102 108120 504903	RF
945			ILLUSTRATION REFERENCE: VALVE INSTL-ALTERNATE ANTISKID (LANDING GEAR ONLY) 32-42-02-02	101102 108120 504903	RF
950			ILLUSTRATION REFERENCE: MODULE AND SUPPORT INSTL-LG BRAKE METERING VALVE 32-41-02-05	101102 108120 504903	RF
955			ILLUSTRATION REFERENCE: RESERVOIR INSTL-R SYS HYDR 29-11-20-01	101102 108120 504903	RF
960			ILLUSTRATION REFERENCE: MODULE INSTL-L AND R SYS RETURN FILTER AND BRKT 29-11-15-05	101102 108120 504903	RF
965			ILLUSTRATION REFERENCE: VALVE INSTL-BRAKE ISOLATION SYS 29-11-28-01	101102 108120 504903	RF
970			ILLUSTRATION REFERENCE: VALVE INSTL-NORMAL BRAKES ANTISKID 32-42-02-01	101102 108120 504903	RF

MISSING ITEM NUMBERS NOT APPLICABLE

- ITEM NOT ILLUSTRATED

29-11-51-48

29-11-51
FIG. 48
PAGE 27
JAN 20/09

BRI



757

PARTS CATALOG (MAINTENANCE)

FIG ITEM	PART NUMBER	1 2 3 4 5 6 7	NOMENCLATURE	EFFECT FROM TO	UNITS PER ASSY
48 975			ILLUSTRATION REFERENCE: MODULE INSTL-ELEC MOTOR PUMP PRESSURE/CASE DRAIN L AND R SYS FILTER 29-11-18-01	101102 108120 504903	RF
980			ILLUSTRATION REFERENCE: PUMP INSTL-ELEC MOTOR DRIVEN SYS L, R 29-11-01-01	101102 108120 504903	RF
985			ILLUSTRATION REFERENCE: PLUMBING INSTL-SECT. 44 DFDAU BRAKE PRESSURE TRANSMITTER PROV. 32-41-51-23	101102 504903	RF

MISSING ITEM NUMBERS NOT APPLICABLE

- ITEM NOT ILLUSTRATED

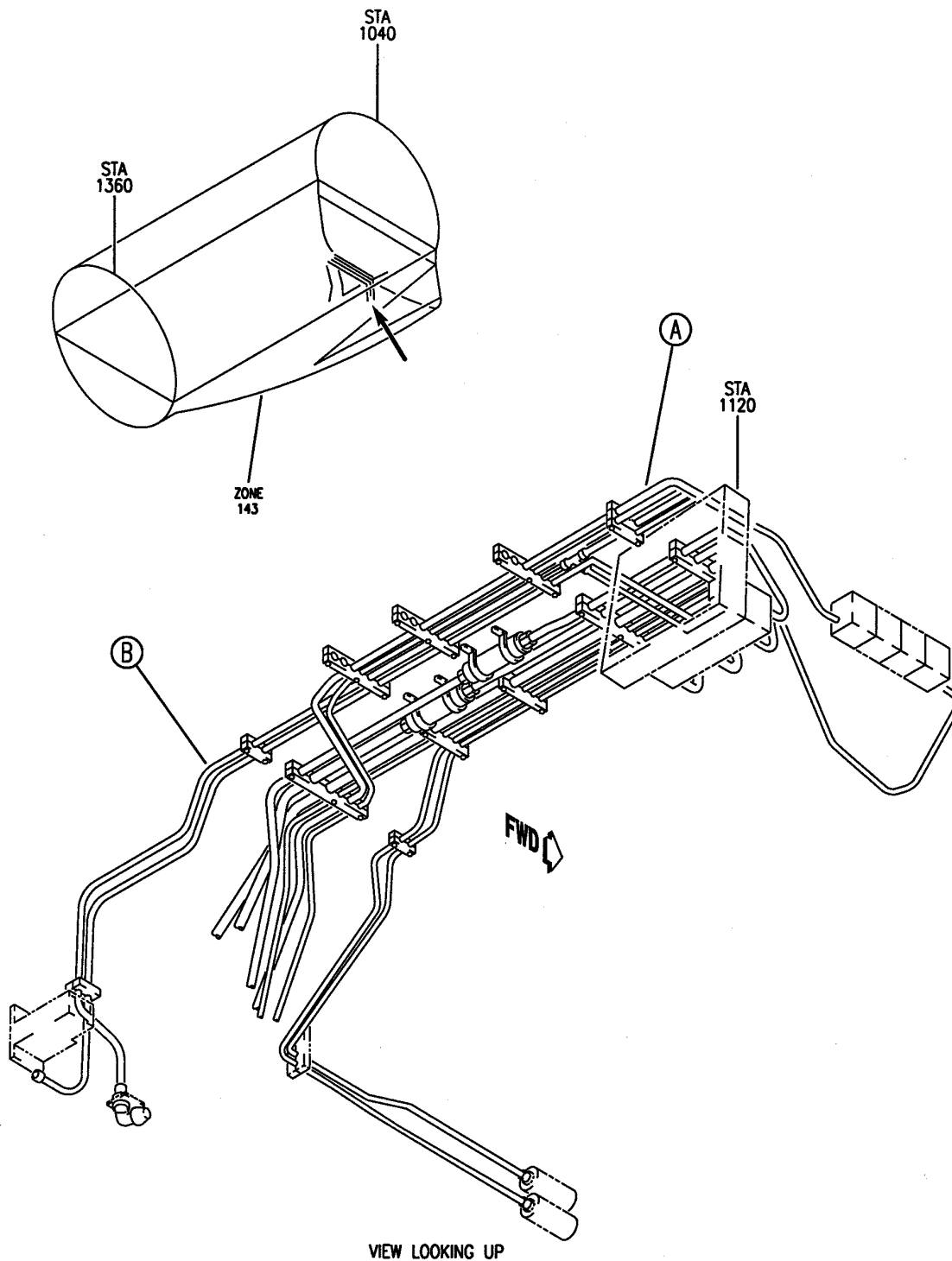
BRI

29-11-51-48

BOEING PROPRIETARY - Copyright © - Unpublished Work - See title page for details.

29-11-51
FIG. 48
PAGE 28
JAN 20/09

BOEING
757
PARTS CATALOG (MAINTENANCE)



Y 29115148A SHT 1 REV 219

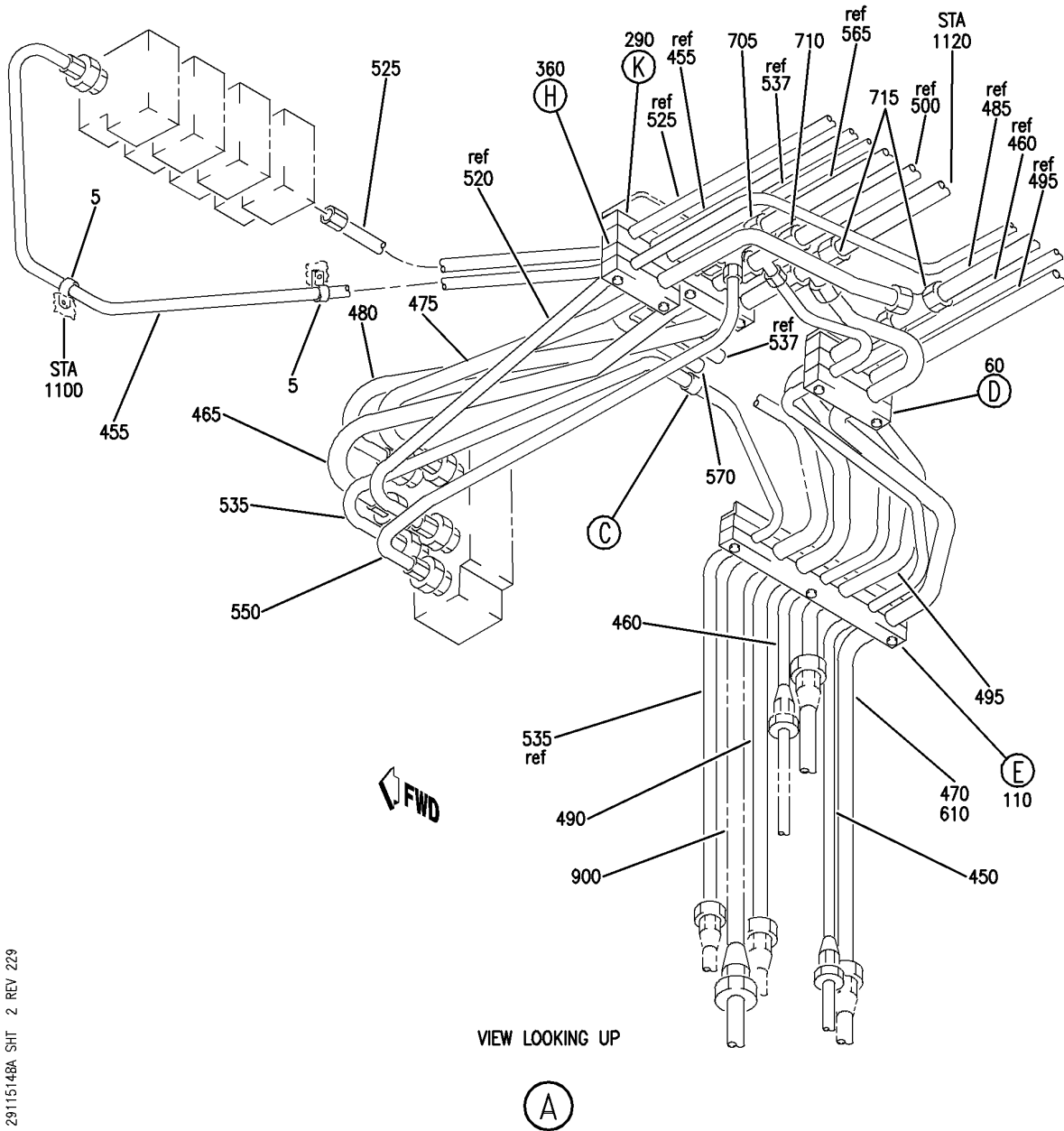
PLUMBING INSTL BASIC AND STABLE
FIGURE 48A (SHEET 1)

29-11-51-48A

BRI
MAY 28/07

29-11-51-48A
PAGE 0

BOEING
757
PARTS CATALOG (MAINTENANCE)



Y 29115148A SH1 2 REV 229

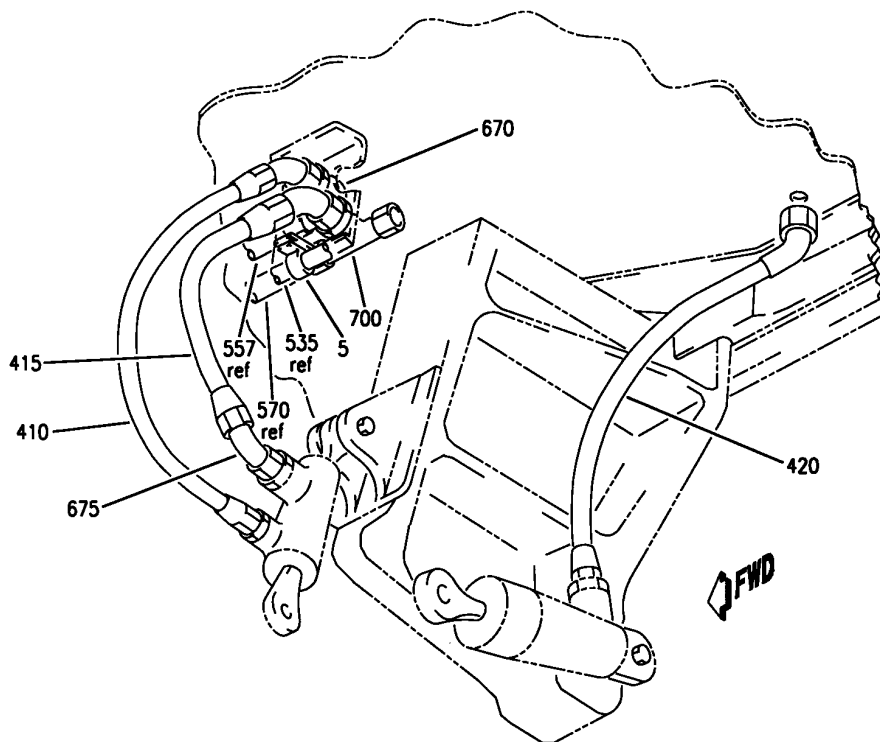
PLUMBING INSTL BASIC AND STABLE
FIGURE 48A (SHEET 2)

29-11-51-48A

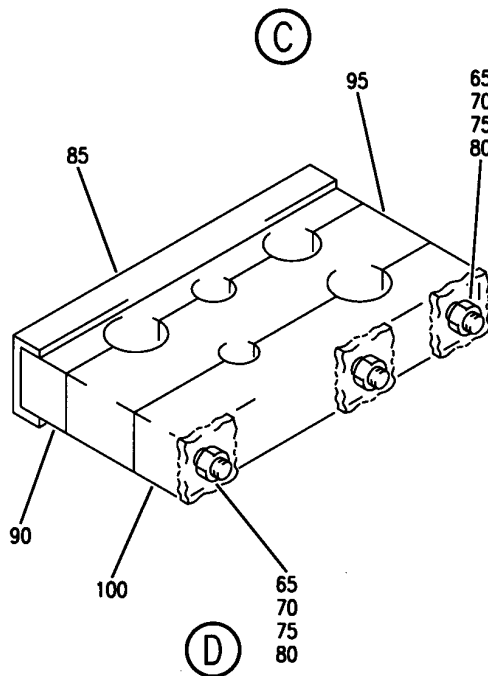
BRI
MAY 28/07

29-11-51-48A
PAGE 0A

BOEING
757
PARTS CATALOG (MAINTENANCE)



VIEW LOOKING UP



Y 29115148A SHT 4 REV 209

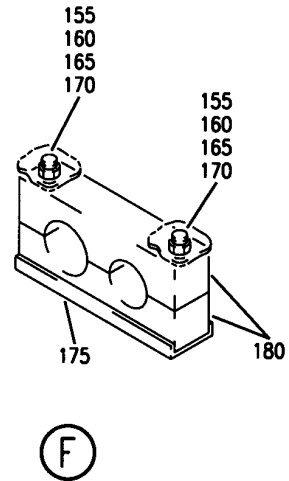
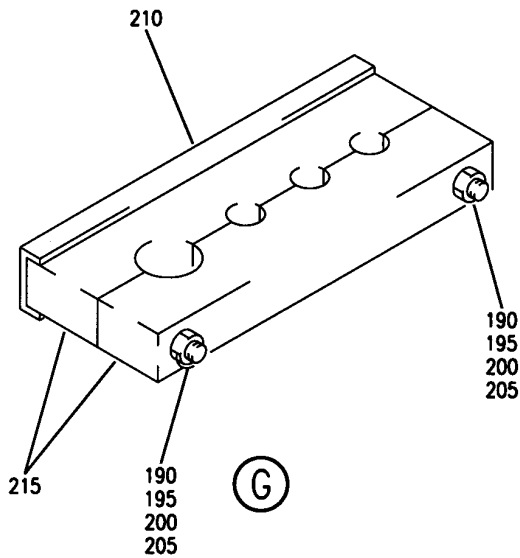
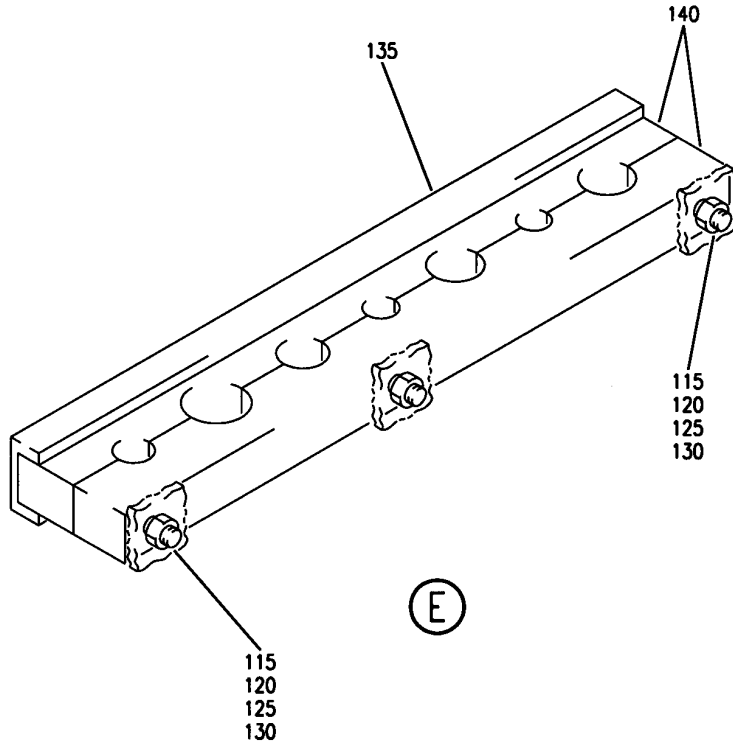
PLUMBING INSTL BASIC AND STABLE
FIGURE 48A (SHEET 4)

29-11-51-48A

BRI
MAY 28/07

29-11-51-48A
PAGE 0C

BOEING
757
PARTS CATALOG (MAINTENANCE)



Y 29115148A SHT 5 REV 209

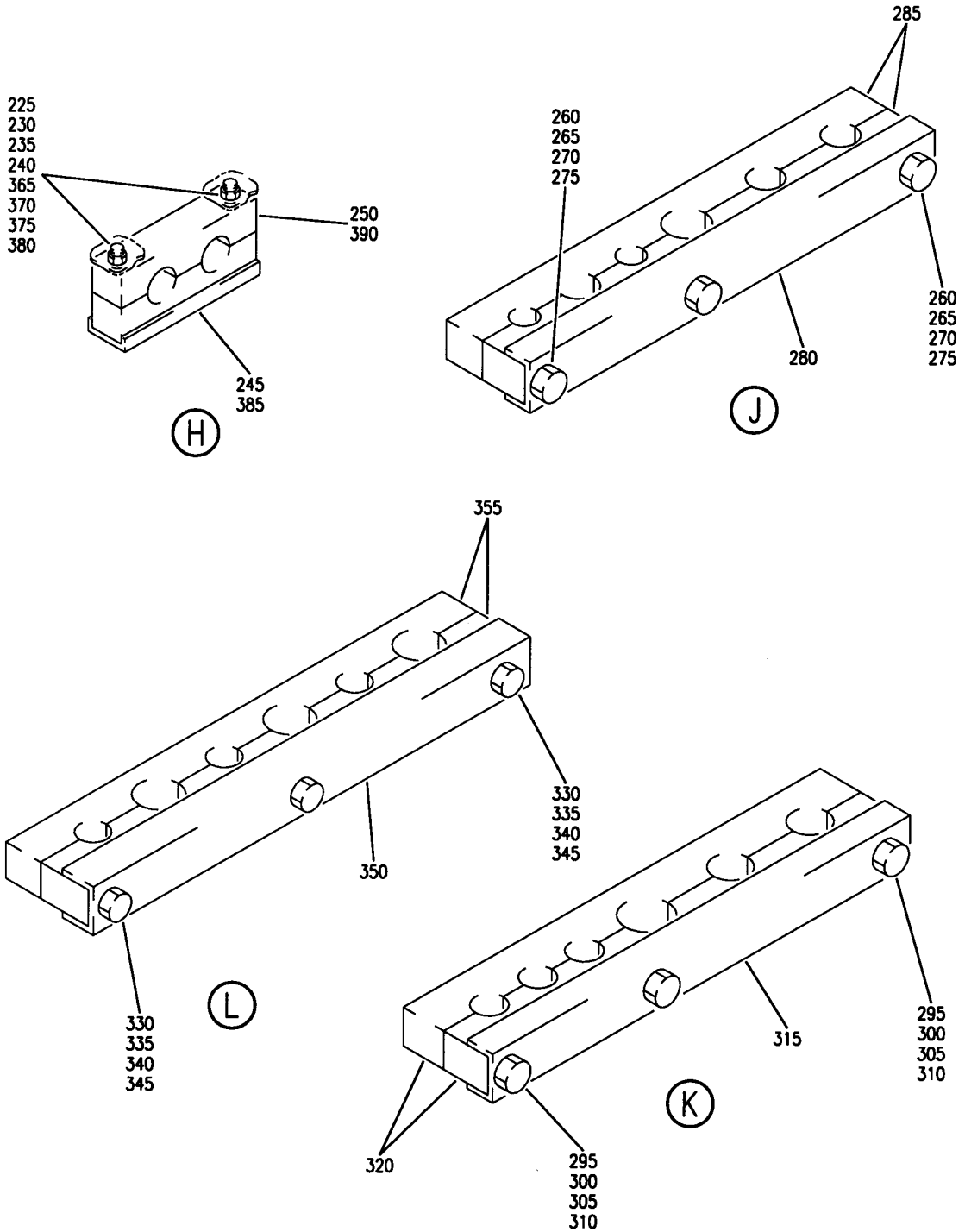
PLUMBING INSTL BASIC AND STABLE
FIGURE 48A (SHEET 5)

29-11-51-48A

BRI
MAY 28/07

29-11-51-48A
PAGE 0D

BOEING
757
PARTS CATALOG (MAINTENANCE)



Y 29115148A SHT 6 REV 209

PLUMBING INSTL BASIC AND STABLE
FIGURE 48A (SHEET 6)

29-11-51-48A

BRI
MAY 28/07

29-11-51-48A
PAGE 0E



757

PARTS CATALOG (MAINTENANCE)

FIG ITEM	PART NUMBER	1 2 3 4 5 6 7	NOMENCLATURE	EFFECT FROM TO	UNITS PER ASSY
48A			PLUMBING INSTL BASIC AND STABLE	101102 108120 504903	
- 1	271N6444-20		PLUMBING INSTL-BASIC AND STABLE FOR NHA/OTHER SYS DET SEE: 29-00-51-02C	101102 504903	RF
- 1	271N6444-23		PLUMBING INSTL-BASIC AND STABLE FOR NHA/OTHER SYS DET SEE: 29-00-51-02C	108120	RF
	2 BACM10F8DB		.MARKER-ALUMINUM FOIL POSITION DATA: STA 1120 RBL 40	101102 108120 504903	2
	5 M85052-2-6		.CLAMP- POSITION DATA: STA 1120 RBL 60 STA 1110 RBL 70	101102 108120 504903	3
- 10	NAS1801-3		ATTACHING PARTS .SCREW	101102 108120 504903	3
- 15	AN960YD10L		.WASHER	101102 108120 504903	3
- 20	MS21042L3		.NUT	101102 108120 504903	3
			-----*-----		
	30 TA0910004H124		.CLAMP- SUPPLIER CODE: V84971 SPECIFICATION NUMBER: BACC10HB24C POSITION DATA: STA 1120 RBL 40	101102 108120 504903	4
- 35	NAS1801-3		ATTACHING PARTS .SCREW	101102 108120 504903	8
- 40	AN960YD10L		.WASHER	101102 108120 504903	8
- 45	MS21042L3		.NUT	101102 108120 504903	8
			-----*-----		

MISSING ITEM NUMBERS NOT APPLICABLE

- ITEM NOT ILLUSTRATED

29-11-51-48A

29-11-51
FIG. 48A
PAGE 1
JAN 20/09

BRI

BOEING PROPRIETARY - Copyright © - Unpublished Work - See title page for details.



757

PARTS CATALOG (MAINTENANCE)

FIG ITEM	PART NUMBER	1 2 3 4 5 6 7	NOMENCLATURE	EFFECT FROM TO	UNITS PER ASSY
48A					
60	270N2000-132	.	CLAMP ASSY-BLK POSITION DATA: STA 1120 RBL 55	101102 108120 504903	1
65	NAS1801-3-38	..	SCREW	101102 108120 504903	3
70	NAS43DD3-116	..	SPACER	101102 108120 504903	3
75	AN960PD10L	..	WASHER	101102 108120 504903	3
80	BRH10A3	..	NUT SUPPLIER CODE: V52828 SPECIFICATION NUMBER: BACN10JC3 OPTIONAL PART: H10-3BAC V15653 NS202101-02 V80539 RMLH9075-3W V72962 VN303A02 V92215 96-02 V80539 T6S1032J V11815	101102 108120 504903	3
85	270N2000-890	..	CHANNEL	101102 108120 504903	1
90	270N2000-569	..	BLOCK	101102 108120 504903	1
95	270N2000-570	..	BLOCK	101102 108120 504903	1
100	270N2000-571	..	BLOCK	101102 108120 504903	1
110	270N2000-133	.	CLAMP ASSY-BLK POSITION DATA: STA 1120 RBL 65	101102 108120 504903	1
115	NAS1801-3-28	..	SCREW	101102 108120 504903	3

MISSING ITEM NUMBERS NOT APPLICABLE

- ITEM NOT ILLUSTRATED

29-11-51-48A

29-11-51
FIG. 48A
PAGE 2
JAN 20/09

BRI

BOEING PROPRIETARY - Copyright © - Unpublished Work - See title page for details.

 **BOEING**
757
PARTS CATALOG (MAINTENANCE)

FIG ITEM	PART NUMBER	1 2 3 4 5 6 7	NOMENCLATURE	EFFECT FROM TO	UNITS PER ASSY
48A 120	NAS43DD3-75	..	SPACER	101102 108120 504903	3
125	AN960PD10L	..	WASHER	101102 108120 504903	3
130	BRH10A3	..	NUT SUPPLIER CODE: V52828 SPECIFICATION NUMBER: BACN10JC3 OPTIONAL PART: H10-3BAC V15653 NS202101-02 V80539 RMLH9075-3W V72962 VN303A02 V92215 96-02 V80539 T6S1032J V11815	101102 108120 504903	3
135	270N2000-889	..	CHANNEL	101102 108120 504903	1
140	270N2000-568	..	BLOCK	101102 108120 504903	2
150	270N2000-123	.CLAMP ASSY-BLK POSITION DATA: STA 1125 RBL 10 STA 1120 WL 170		101102 108120 504903	2
155	NAS1801-3-26	..	SCREW	101102 108120 504903	2
160	NAS43DD3-67	..	SPACER	101102 108120 504903	2
165	AN960PD10L	..	WASHER	101102 108120 504903	2

MISSING ITEM NUMBERS NOT APPLICABLE

— ITEM NOT ILLUSTRATED

BRI

29-11-51-48A

BOEING PROPRIETARY - Copyright © - Unpublished Work - See title page for details.

29-11-51
FIG. 48A
PAGE 3
JAN 20/09



757

PARTS CATALOG (MAINTENANCE)

FIG ITEM	PART NUMBER	1 2 3 4 5 6 7	NOMENCLATURE	EFFECT FROM TO	UNITS PER ASSY
48A 170	BRH10A3	..	NUT SUPPLIER CODE: V52828 SPECIFICATION NUMBER: BACN10JC3 OPTIONAL PART: H10-3BAC V15653 NS202101-02 V80539 RMLH9075-3W V72962 VN303A02 V92215 96-02 V80539 T6S1032J V11815	101102 108120 504903	2
175	270N2000-868	..	CHANNEL	101102 108120 504903	1
180	270N2000-556	..	BLOCK	101102 108120 504903	2
185	270N2000-279	.CLAMP ASSY-BLK POSITION DATA: STA 1120 RBL 40 STA 1120 RBL 30		101102 108120 504903	2
190	NAS1801-3-32	..	SCREW	101102 108120 504903	2
195	NAS43DD3-94	..	SPACER	101102 108120 504903	2
200	AN960KD10L	..	WASHER	101102 108120 504903	2

MISSING ITEM NUMBERS NOT APPLICABLE

- ITEM NOT ILLUSTRATED

29-11-51-48A

29-11-51
FIG. 48A
PAGE 4
JAN 20/09

BRI

BOEING PROPRIETARY - Copyright © - Unpublished Work - See title page for details.



757

PARTS CATALOG (MAINTENANCE)

FIG ITEM	PART NUMBER	1 2 3 4 5 6 7	NOMENCLATURE	EFFECT FROM TO	UNITS PER ASSY
48A 205	BRH10A3	..	NUT SUPPLIER CODE: V52828 SPECIFICATION NUMBER: BACN10JC3 OPTIONAL PART: H10-3BAC V15653 NS202101-02 V80539 RMLH9075-3W V72962 VN303A02 V92215 96-02 V80539 T6S1032J V11815	101102 108120 504903	2
210	270N2000-1034	..	CHANNEL	101102 108120 504903	1
215	270N2000-1294	..	CHANNEL	101102 108120 504903	2
220	270N2000-78	.CLAMP ASSY-BLK POSITION DATA: STA 1115 RBL 20		101102 108120 504903	1
225	NAS1801-3-24	..	SCREW	101102 108120 504903	2
230	NAS43DD3-59	..	SPACER	101102 108120 504903	2
235	AN960PD10L	..	WASHER	101102 108120 504903	2

MISSING ITEM NUMBERS NOT APPLICABLE

- ITEM NOT ILLUSTRATED

29-11-51-48A

29-11-51
FIG. 48A
PAGE 5
JAN 20/09

BRI

BOEING PROPRIETARY - Copyright © - Unpublished Work - See title page for details.



757

PARTS CATALOG (MAINTENANCE)

FIG ITEM	PART NUMBER	1 2 3 4 5 6 7	NOMENCLATURE	EFFECT FROM TO	UNITS PER ASSY
48A 240	BRH10A3	. .	NUT SUPPLIER CODE: V52828 SPECIFICATION NUMBER: BACN10JC3 OPTIONAL PART: H10-3BAC V15653 NS202101-02 V80539 RMLH9075-3W V72962 VN303A02 V92215 96-02 V80539 T6S1032J V11815	101102 108120 504903	2
245	270N2000-844	. .	CHANNEL	101102 108120 504903	1
250	270N2000-502	. .	BLOCK	101102 108120 504903	2
255	270N2000-81	. .	CLAMP ASSY-BLK POSITION DATA: STA 1120 RBL 20	101102 108120 504903	1
260	NAS1801-3-29	. .	SCREW	101102 108120 504903	3
265	NAS43DD3-75	. .	SPACER	101102 108120 504903	3
270	AN960PD10L	. .	WASHER	101102 108120 504903	3

MISSING ITEM NUMBERS NOT APPLICABLE

- ITEM NOT ILLUSTRATED

29-11-51-48A

29-11-51
FIG. 48A
PAGE 6
JAN 20/09

BRI

BOEING PROPRIETARY - Copyright © - Unpublished Work - See title page for details.

 **BOEING**
757
PARTS CATALOG (MAINTENANCE)

FIG ITEM	PART NUMBER	1 2 3 4 5 6 7	NOMENCLATURE	EFFECT FROM TO	UNITS PER ASSY
48A 275	BRH10A3	..	NUT SUPPLIER CODE: V52828 SPECIFICATION NUMBER: BACN10JC3 OPTIONAL PART: H10-3BAC V15653 NS202101-02 V80539 RMLH9075-3W V72962 VN303A02 V92215 96-02 V80539 T6S1032J V11815	101102 108120 504903	3
280	270N2000-846	..	CHANNEL	101102 108120 504903	1
285	270N2000-504	..	BLOCK	101102 108120 504903	2
290	270N2000-82	.	CLAMP ASSY-BLK POSITION DATA: STA 1120 RBL 45 AND 55	101102 108120 504903	2
295	NAS1801-3-28	..	SCREW	101102 108120 504903	3
300	NAS43DD3-76	..	SPACER	101102 108120 504903	3
305	AN960PD10L	..	WASHER	101102 108120 504903	3

MISSING ITEM NUMBERS NOT APPLICABLE

— ITEM NOT ILLUSTRATED

BRI

29-11-51-48A

BOEING PROPRIETARY - Copyright © - Unpublished Work - See title page for details.

29-11-51
FIG. 48A
PAGE 7
JAN 20/09



757

PARTS CATALOG (MAINTENANCE)

FIG ITEM	PART NUMBER	1 2 3 4 5 6 7	NOMENCLATURE	EFFECT FROM TO	UNITS PER ASSY
48A 310	BRH10A3	..	NUT SUPPLIER CODE: V52828 SPECIFICATION NUMBER: BACN10JC3 OPTIONAL PART: H10-3BAC V15653 NS202101-02 V80539 RMLH9075-3W V72962 VN303A02 V92215 96-02 V80539 T6S1032J V11815	101102 108120 504903	3
315	270N2000-847	..	CHANNEL	101102 108120 504903	1
320	270N2000-505	..	BLOCK	101102 108120 504903	2
325	270N2000-83	.CLAMP ASSY-BLK POSITION DATA: STA 1120 RBL 45 STA 1120 RBL 30 STA 1120 RBL 20		101102 108120 504903	3
330	NAS1801-3-26	..	SCREW	101102 108120 504903	3
335	NAS43DD3-67	..	SPACER	101102 108120 504903	3
340	AN960PD10L	..	WASHER	101102 108120 504903	3

MISSING ITEM NUMBERS NOT APPLICABLE

- ITEM NOT ILLUSTRATED

29-11-51-48A

29-11-51
FIG. 48A
PAGE 8
JAN 20/09

BRI

BOEING PROPRIETARY - Copyright © - Unpublished Work - See title page for details.



757

PARTS CATALOG (MAINTENANCE)

FIG ITEM	PART NUMBER	1 2 3 4 5 6 7	NOMENCLATURE	EFFECT FROM TO	UNITS PER ASSY
48A 345	BRH10A3	..	NUT SUPPLIER CODE: V52828 SPECIFICATION NUMBER: BACN10JC3 OPTIONAL PART: H10-3BAC V15653 NS202101-02 V80539 RMLH9075-3W V72962 VN303A02 V92215 96-02 V80539 T6S1032J V11815	101102 108120 504903	3
350	270N2000-848	..	CHANNEL	101102 108120 504903	1
355	270N2000-506	..	BLOCK	101102 108120 504903	2
360	270N2000-86	.	CLAMP ASSY-BLK POSITION DATA: STA 1110 RBL 55	101102 108120 504903	1
365	NAS1801-3-45	..	SCREW	101102 108120 504903	2
370	NAS43DD3-144	..	SPACER	101102 108120 504903	2
375	AN960PD10L	..	WASHER	101102 108120 504903	2

MISSING ITEM NUMBERS NOT APPLICABLE

- ITEM NOT ILLUSTRATED

29-11-51-48A

29-11-51
FIG. 48A
PAGE 9
JAN 20/09

BRI

BOEING PROPRIETARY - Copyright © - Unpublished Work - See title page for details.



757

PARTS CATALOG (MAINTENANCE)

FIG ITEM	PART NUMBER	1 2 3 4 5 6 7	NOMENCLATURE	EFFECT FROM TO	UNITS PER ASSY
48A 380	BRH10A3	..	NUT SUPPLIER CODE: V52828 SPECIFICATION NUMBER: BACN10JC3 OPTIONAL PART: H10-3BAC V15653 NS202101-02 V80539 RMLH9075-3W V72962 VN303A02 V92215 96-02 V80539 T6S1032J V11815	101102 108120 504903	2
385	270N2000-815	..	CHANNEL	101102 108120 504903	1
390	270N2000-509	..	BLOCK	101102 108120 504903	2
410	AS116-04K0134	.HOSE ASSY-	POSITION DATA: STA 1130 RBL 55	101102 108120 504903	1
415	AS116-06K0094	.HOSE ASSY-	POSITION DATA: STA 1130 RBL 55	101102 108120 504903	1
420	AS117-06K0160	.HOSE ASSY-	POSITION DATA: STA 1140 RBL 65	101102 108120 504903	1
450	271N6444-1027	.TUBE ASSY-LG UP	POSITION DATA: STA 1120 RBL 55 WL 190 TUBING MATERIAL: .375 IN. OD .019 IN. WALL 34.00 IN. LG TI BMS 7-234 TI-3AL-2.5V COLD WORKED, STRESS RELIEVED TUBING	101102 108120 504903	1

MISSING ITEM NUMBERS NOT APPLICABLE

- ITEM NOT ILLUSTRATED

29-11-51-48A

29-11-51
FIG. 48A
PAGE 10
JAN 20/09

BRI

BOEING PROPRIETARY - Copyright © - Unpublished Work - See title page for details.



757

PARTS CATALOG (MAINTENANCE)

FIG ITEM	PART NUMBER	1 2 3 4 5 6 7	NOMENCLATURE	EFFECT FROM TO	UNITS PER ASSY
48A 455	271N6444-1052		.TUBE ASSY-BRAKE PRESSURE SYS POSITION DATA: STA 1110 RBL 50 TUBING MATERIAL: .375 IN. OD .019 IN. WALL 57.50 IN. LG TI BMS 7-234 TI-3AL-2.5V COLD WORKED, STRESS RELIEVED TUBING	101102 108120 504903	1
460	271N6444-1227		.TUBE ASSY-LG DOWN POSITION DATA: STA 1125 RBL 50 TUBING MATERIAL: .375 IN. OD .019 IN. WALL 84.70 IN. LG TI BMS 7-234 TI-3AL-2.5V COLD WORKED, STRESS RELIEVED TUBING	101102 108120 504903	1
- 461	AS1581T06		..SLEEVE	101102 108120 504903	1
- 462	BACN10YA6		..NUT-	101102 108120 504903	1
- 463	AS1582T06		..UNION	101102 108120 504903	1
465	271N6444-1028		.TUBE ASSY-LG UP POSITION DATA: STA 1110 RBL 60 TUBING MATERIAL: .500 IN. OD .026 IN. WALL 17.20 IN. LG TI BMS 7-234 TI-3AL-2.5V COLD WORKED, STRESS RELIEVED TUBING	101102 108120 504903	1
470	271N6444-1030		.TUBE ASSY-LG DOWN POSITION DATA: STA 1130 RBL 60 TUBING MATERIAL: .500 IN. OD .026 IN. WALL 32.00 IN. LG TI BMS 7-234 TI-3AL-2.5V COLD WORKED, STRESS RELIEVED TUBING	101102 504903	1

MISSING ITEM NUMBERS NOT APPLICABLE

- ITEM NOT ILLUSTRATED

29-11-51-48A

29-11-51
FIG. 48A
PAGE 11
JAN 20/09

BRI

BOEING PROPRIETARY - Copyright © - Unpublished Work - See title page for details.

 **BOEING**
757
PARTS CATALOG (MAINTENANCE)

FIG ITEM	PART NUMBER	1 2 3 4 5 6 7	NOMENCLATURE	EFFECT FROM TO	UNITS PER ASSY
48A 475	271N6444-1083		.TUBE ASSY-DOOR OPEN POSITION DATA: STA 1110 RBL 60 TUBING MATERIAL: .500 IN. OD .026 IN. WALL 24.00 IN. LG TI BMS 7-234 TI-3AL-2.5V COLD WORKED, STRESS RELIEVED TUBING	101102 108120 504903	1
480	271N6444-1124		.TUBE ASSY-LG DOWN POSITION DATA: STA 1110 RBL 60 TUBING MATERIAL: .500 IN. OD .026 IN. WALL 18.20 IN. LG TI BMS 7-234 TI-3AL-2.5V COLD WORKED, STRESS RELIEVED TUBING	101102 108120 504903	1
485	271N6444-1217		.TUBE ASSY-DOOR OPEN POSITION DATA: STA 1120 RBL 50 TUBING MATERIAL: .500 IN. OD .026 IN. WALL 63.60 IN. LG TI BMS 7-234 TI-3AL-2.5V COLD WORKED, STRESS RELIEVED TUBING	101102 108120 504903	1
490	271N6444-1218		.TUBE ASSY-DOOR OPEN POSITION DATA: STA 1120 RBL 60 TUBING MATERIAL: .500 IN. OD .026 IN. WALL 26.30 IN. LG TI BMS 7-234 TI-3AL-2.5V COLD WORKED, STRESS RELIEVED TUBING	101102 108120 504903	1
495	271N6444-1219		.TUBE ASSY-LG UP POSITION DATA: STA 1120 RBL 50 TUBING MATERIAL: .500 IN. OD .026 IN. WALL 80.60 IN. LG TI BMS 7-234 TI-3AL-2.5V COLD WORKED, STRESS RELIEVED TUBING	101102 108120 504903	1

MISSING ITEM NUMBERS NOT APPLICABLE

— ITEM NOT ILLUSTRATED

BRI

29-11-51-48A

BOEING PROPRIETARY - Copyright © - Unpublished Work - See title page for details.

29-11-51
FIG. 48A
PAGE 12
JAN 20/09



757

PARTS CATALOG (MAINTENANCE)

FIG ITEM	PART NUMBER	1 2 3 4 5 6 7	NOMENCLATURE	EFFECT FROM TO	UNITS PER ASSY
48A 500	271N6444-1241		.TUBE ASSY-LG UP POSITION DATA: STA 1120 RBL 50 TUBING MATERIAL: .500 IN. OD .026 IN. WALL 15.30 IN. LG TI BMS 7-234 TI-3AL-2.5V COLD WORKED, STRESS RELIEVED TUBING	101102 108120 504903	1
505	271N6444-1254		.TUBE ASSY-LG DOWN POSITION DATA: STA 1120 RBL 50 TUBING MATERIAL: .500 IN. OD .026 IN. WALL 7.10 IN. LG TI BMS 7-234 TI-3AL-2.5V COLD WORKED, STRESS RELIEVED TUBING	101102 108120 504903	1
- 510	AS1581T08		..SLEEVE	101102 504903	2
- 510	AS1581T08		..SLEEVE	108120	2
- 515	BACN10YA8		..NUT-	101102 504903	2
- 515	BACN10YA8		..NUT-	108120	2
520	271N6444-1032		.TUBE ASSY-DOOR CLOSED POSITION DATA: STA 1120 RBL 50 TUBING MATERIAL: .375 IN. OD .019 IN. WALL 92.50 IN. LG TI BMS 7-234 TI-3AL-2.5V COLD WORKED, STRESS RELIEVED TUBING	101102 108120 504903	1
525	271N6444-1104		.TUBE ASSY-BRAKE PRESSURE SYS POSITION DATA: STA 1120 RBL 50 TUBING MATERIAL: .375 IN. OD .019 IN. WALL 91.70 IN. LG TI BMS 7-234 TI-3AL-2.5V COLD WORKED, STRESS RELIEVED TUBING	101102 108120 504903	1

MISSING ITEM NUMBERS NOT APPLICABLE

- ITEM NOT ILLUSTRATED

29-11-51-48A

29-11-51
FIG. 48A
PAGE 13
JAN 20/09

BRI

BOEING PROPRIETARY - Copyright © - Unpublished Work - See title page for details.



757

PARTS CATALOG (MAINTENANCE)

FIG ITEM	PART NUMBER	1 2 3 4 5 6 7	NOMENCLATURE	EFFECT FROM TO	UNITS PER ASSY
48A 530	271N6444-1105	.	TUBE ASSY-BRAKE PRESSURE SYS POSITION DATA: STA 1110 RBL 45 TUBING MATERIAL: .375 IN. OD .019 IN. WALL 65.00 IN. LG TI BMS 7-234 TI-3AL-2.5V COLD WORKED, STRESS RELIEVED TUBING	101102 108120 504903	1
535	271N6444-1147	.	TUBE ASSY-PRESSURE SYS POSITION DATA: STA 1120 RBL 60 WL 180 TUBING MATERIAL: .375 IN. OD .019 IN. WALL 37.30 IN LG TI BMS 7-234 TI-3AL-2.5V COLD WORKED, STRESS RELIEVED TUBING	101102 108120 504903	1
537	271N6444-1250	.	TUBE ASSY-UNLOCK POSITION DATA: STA 1120 RBL 50 TUBING MATERIAL: .375 IN. OD .019 IN. WALL 67.90 IN. LG TI BMS 7-234 TI-3AL-2.5V COLD WORKED, STRESS RELIEVED TUBING	101102 108120 504903	1
- 540	AS1581T06	..	SLEEVE	101102 108120 504903	2
- 545	BACN10YA6	..	NUT-	101102 108120 504903	2
550	271N6444-1118	.	TUBE ASSY-RETURN SYS POSITION DATA: STA 1110 RBL 60 TUBING MATERIAL: .375 IN. OD .035 IN. WALL 19.30 IN. LG AL AMS 4083 6061 T6 TUBING	101102 108120 504903	1

MISSING ITEM NUMBERS NOT APPLICABLE

- ITEM NOT ILLUSTRATED

29-11-51-48A

29-11-51
FIG. 48A
PAGE 14
JAN 20/09

BRI



757

PARTS CATALOG (MAINTENANCE)

FIG ITEM	PART NUMBER	1 2 3 4 5 6 7	NOMENCLATURE	EFFECT FROM TO	UNITS PER ASSY
48A - 555	AP2097HP06	..	SLEEVE SUPPLIER CODE: V01673 SPECIFICATION NUMBER: BACS13BX06HP OPTIONAL PART: 2-02903-06HP V11328 35235VN06 V08199 AFP175V06P V30974 DBOS13BX06HP V14798	101102 108120 504903	2
- 560	BACN10YLO6	..	NUT	101102 108120 504903	2
565	271N6444-1225	.TUBE ASSY-RETURN SYS POSITION DATA: STA 1120 RBL 50 TUBING MATERIAL: .625 IN. OD .035 IN. WALL 53.00 IN. LG AL AMS 4083 6061 T6 TUBING		101102 108120 504903	1
570	271N6444-1251	.TUBE ASSY-RETURN SYS POSITION DATA: STA 1120 RBL 60 TUBING MATERIAL: .625 IN. OD .035 IN. WALL 9.00 IN. LG AL AMS 4083 6061 T6 TUBING		101102 108120 504903	1
- 575	AP2097HP10	..	SLEEVE SUPPLIER CODE: V01673 SPECIFICATION NUMBER: BACS13BX10HP OPTIONAL PART: 2-02903-10HP V11328 35235VN10 V08199 AFP175V10P V30974 DBOS13BX10HP V14798	101102 108120 504903	2

MISSING ITEM NUMBERS NOT APPLICABLE

- ITEM NOT ILLUSTRATED

29-11-51-48A

29-11-51
FIG. 48A
PAGE 15
JAN 20/09

BRI

BOEING PROPRIETARY - Copyright © - Unpublished Work - See title page for details.



757

PARTS CATALOG (MAINTENANCE)

FIG ITEM	PART NUMBER	1 2 3 4 5 6 7	NOMENCLATURE	EFFECT FROM TO	UNITS PER ASSY
48A - 580	BACN10YL10	..	NUT	101102 108120 504903	2
585	271N6444-1255	.TUBE ASSY-LG DOWN POSITION DATA: STA 1120 RBL 30 TUBING MATERIAL: .500 IN. OD .026 IN. WALL 38.90 IN. LG TI BMS 7-234 TI-3AL-2.5V COLD WORKED, STRESS RELIEVED TUBING		101102 108120 504903	1
590	271N6444-1259	.TUBE ASSY-LG UP POSITION DATA: STA 1120 RBL 35 TUBING MATERIAL: .500 IN. OD .026 IN. WALL 25.50 IN. LG TI BMS 7-234 TI-3AL-2.5V COLD WORKED, STRESS RELIEVED TUBING		101102 504903	1
- 595	AS1581T08	..	SLEEVE	101102 504903	1
- 595	AS1581T08	..	SLEEVE	108120	1
- 600	BACN10YA8	..	NUT-	101102 504903	1
- 600	BACN10YA8	..	NUT-	108120	1
- 605	AS1582T08	..	UNION	101102 504903	1
- 605	AS1582T08	..	UNION	108120	1
610	271N6444-1271	.TUBE ASSY-LG DOWN POSITION DATA: STA 1130 RBL 60 TUBING MATERIAL: .500 IN. OD .026 IN. WALL 31.80 IN. LG TI BMS 7-234 TI-3AL-2.5V COLD WORKED, STRESS RELIEVED TUBING		108120	1
- 615	AS1581T08	..	SLEEVE	108120	2
- 620	BACN10YA8	..	NUT	108120	2

MISSING ITEM NUMBERS NOT APPLICABLE

- ITEM NOT ILLUSTRATED

29-11-51-48A

29-11-51
FIG. 48A
PAGE 16
JAN 20/09

BRI

BOEING PROPRIETARY - Copyright © - Unpublished Work - See title page for details.



757

PARTS CATALOG (MAINTENANCE)

FIG ITEM	PART NUMBER	1 2 3 4 5 6 7	NOMENCLATURE	EFFECT FROM TO	UNITS PER ASSY
48A 630	271N6444-1272		.TUBE ASSY-LG UP POSITION DATA: STA 1120 RBL 35 TUBING MATERIAL: .500 IN. OD .026 IN. WALL 25.30 IN. LG TI BMS 7-234 TI-3AL-2.5V COLD WORKED, STRESS RELIEVED TUBING	108120	1
- 635	AS1581T08		..SLEEVE	108120	1
- 640	BACN10YA8		..NUT	108120	1
- 645	AS1582T08		..UNION	108120	1
650	MS21924-8T		.UNION- POSITION DATA: STA 1120 RBL 0 WL 160	101102 108120	1
670	BACE21BN0606J		.ELBOW- POSITION DATA: STA 1140 RBL 60	504903 101102	1
675	BACE21BR0606JN		.ELBOW- POSITION DATA: STA 1060 RBL 60 WL 185	108120 504903	1
700	BACT16AW101006W		.TEE- POSITION DATA: STA 1130 RBL 55	101102 108120	1
705	APX824F101006W		.TEE- SUPPLIER CODE: V01673 SPECIFICATION NUMBER: BACT16AS101006W OPTIONAL PART: APX824-101006W V01673 DBOT16AS101006W V14798 ER824-101006W V50948 FER1571-101006W V14397 LER824-101006W V11328 NAF1824-101006W V52930 US1925-101006W V50808 AFP325-101006W V30974 POSITION DATA: STA 1120 RBL 55	504903 108120 504903	1

MISSING ITEM NUMBERS NOT APPLICABLE

- ITEM NOT ILLUSTRATED

29-11-51-48A

29-11-51
FIG. 48A
PAGE 17
JAN 20/09

BRI

 **BOEING**
757
PARTS CATALOG (MAINTENANCE)

FIG ITEM	PART NUMBER	1 2 3 4 5 6 7	NOMENCLATURE	EFFECT FROM TO	UNITS PER ASSY
48A 710	BACT16BL080806J	.TEE-	POSITION DATA: STA 1120 RBL 55	101102 108120 504903	1
715	BACT16BL080808J	.TEE-	POSITION DATA: STA 1120 RBL 55	101102 108120 504903	2
750	2-8020-18	.FUSE ASSY-HYDR	SUPPLIER CODE: V97415	101102 108120 504903	2
			POSITION DATA: STA 1120 RBL 40 SPECIFICATION NUMBER: S273N203-4 MISCELLANEOUS DATA: FOR HYDRAULIC FUSE REPLACEMENT INFORMATION, REFERENCE SERVICE BULLETIN 757-29-0022NSC02 WHICH INTRODUCES SPARES ASSEMBLY 271N6444-7. SPARES ASSEMBLY 271N6444-7 IS APPLICABLE TO AIRPLANES FOR WHICH SERVICE BULLETIN 757-29-0022 IS EFFECTIVE AND ALSO TO AIRPLANES WHICH WERE DELIVERED WITH FUSE INSTALLATION 273N2021-3 (273N2021-3 CONTAINS FUSE P/N 2-7641-2) COMPONENT MAINT MANUAL REF: 32-31-04		
- 770	AN924-8D	.NUT		101102 108120 504903	1
- 790	271N6214-2	.SHIM-	POSITION DATA: STA 1120 RBL 10	101102 108120 504903	AR
900			ILLUSTRATION REFERENCE: PLUMBING INSTL-SECT.44 HYD, RIGHT PRESSURE DECK 29-11-51-41	101102 108120 504903	RF

MISSING ITEM NUMBERS NOT APPLICABLE

- ITEM NOT ILLUSTRATED

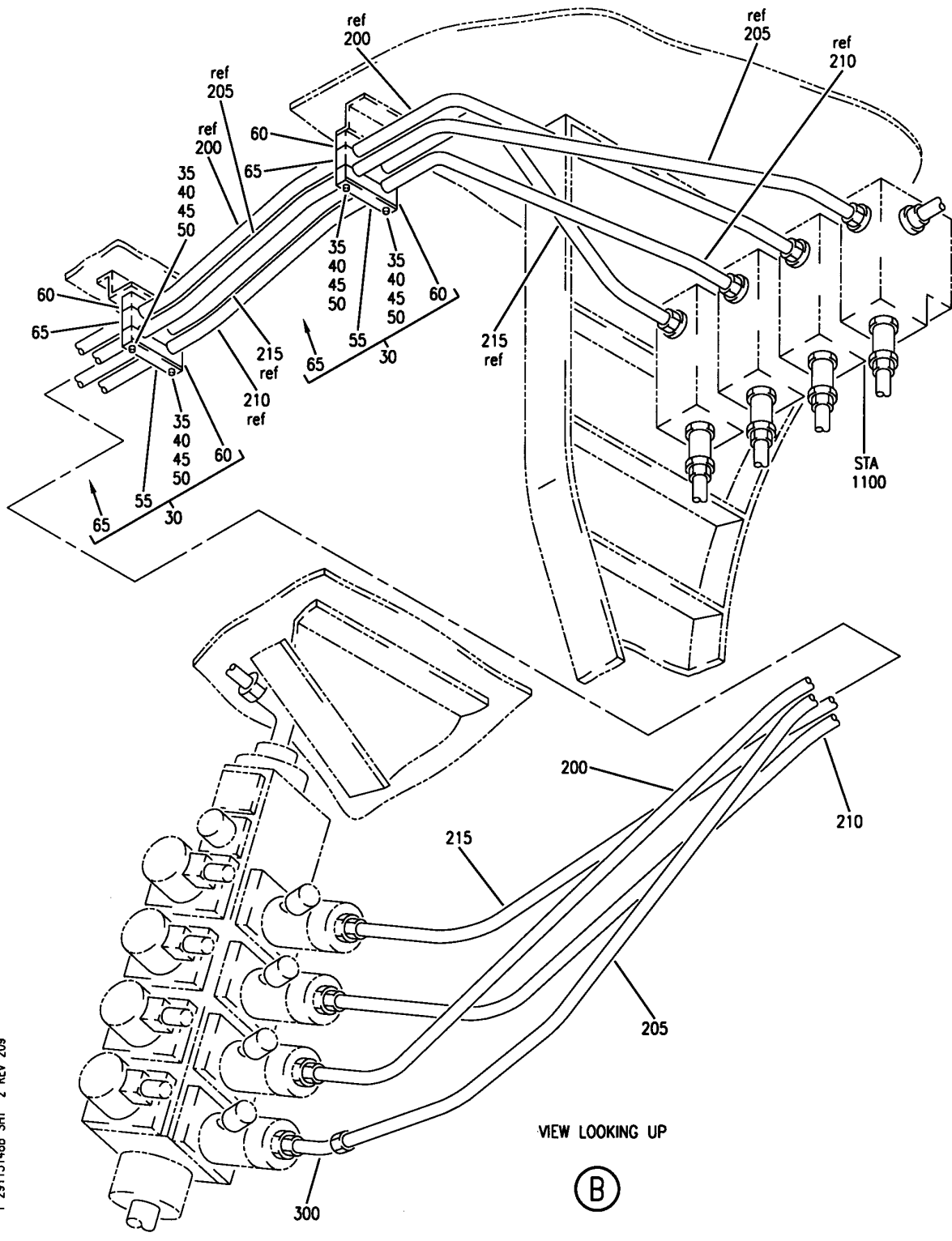
BRI

29-11-51-48A

BOEING PROPRIETARY - Copyright © - Unpublished Work - See title page for details.

29-11-51
FIG. 48A
PAGE 18
JAN 20/09

BOEING
757
PARTS CATALOG (MAINTENANCE)



Y 29115148B SHT 2 REV 209

PLUMBING AND FITTING INSTL BASIC AND STABLE
FIGURE 48B (SHEET 2)

29-11-51-48B

BRI
MAY 28/07

29-11-51-48B
PAGE 0A

BOEING PROPRIETARY - Copyright © - Unpublished Work - See title page for details.



757

PARTS CATALOG (MAINTENANCE)

FIG ITEM	PART NUMBER	1 2 3 4 5 6 7	NOMENCLATURE	EFFECT FROM TO	UNITS PER ASSY
48B			PLUMBING AND FITTING INSTL BASIC AND STABLE	101106 108120 504903	
- 1	271N6444-20		PLUMBING INSTL-BASIC AND STABLE FOR NHA/OTHER SYS DET SEE: 29-00-51-02C	101102 504903	RF
- 1	271N6444-23		PLUMBING INSTL-BASIC AND STABLE FOR NHA/OTHER SYS DET SEE: 29-00-51-02C	108120	RF
5	M85052-2-4		.CLAMP- POSITION DATA: STA 1140 RBL 0-45 ATTACHING PARTS	101102 108120 504903	5
- 10	NAS1801-3		.SCREW	101102 108120 504903	5
- 15	AN960YD10L		.WASHER	101102 108120 504903	5
- 20	MS21042L3		.NUT	101102 108120 504903	5
			-----*-----		
30	270N2000-2		.CLAMP ASSY-BLK POSITION DATA: RBL 55 STA 1080,1090	101102 108120 504903	2
35	NAS1801-3-34		..SCREW	101102 108120 504903	2
40	NAS43DD3-100		..SPACER	101102 108120 504903	2
45	AN960PD10L		..WASHER	101102 108120 504903	2

MISSING ITEM NUMBERS NOT APPLICABLE

- ITEM NOT ILLUSTRATED

29-11-51-48B

29-11-51
FIG. 48B
PAGE 1
JAN 20/09

BRI

BOEING PROPRIETARY - Copyright © - Unpublished Work - See title page for details.

BOEING
757
PARTS CATALOG (MAINTENANCE)

FIG ITEM	PART NUMBER	1 2 3 4 5 6 7	NOMENCLATURE	EFFECT FROM TO	UNITS PER ASSY
48B 50	BRH10A3	..	NUT SUPPLIER CODE: V52828 SPECIFICATION NUMBER: BACN10JC3 OPTIONAL PART: H10-3BAC V15653 NS202101-02 V80539 RMLH9075-3W V72962 VN303A02 V92215 96-02 V80539 T6S1032J V11815	101102 108120 504903	2
55	270N2000-801	..	CHANNEL	101102 108120 504903	1
60	270N2000-401	..	BLOCK	101102 108120 504903	2
65	270N2000-402	..	BLOCK	101102 108120 504903	1
200	271N6444-1121	.TUBE ASSY-BRAKE PRESSURE SYS POSITION DATA: STA 1100 RBL 60 TUBING MATERIAL: .375 IN. OD .019 IN. WALL 45.20 IN. LG TI BMS 7-234 TI-3AL-2.5V COLD WOKRED, STRESS RELIEVED TUBING	101102 108120 504903	1	
205	271N6444-1122	.TUBE ASSY-BRAKE PRESSURE SYS POSITION DATA: STA 1100 RBL 60 TUBING MATERIAL: .375 IN. OD .019 IN. WALL 46.50 IN. LG TI BMS 7-234 TI-3AL-2.5V COLD WORKED, STRESS RELIEVED TUBING	101102 108120 504903	1	

MISSING ITEM NUMBERS NOT APPLICABLE

— ITEM NOT ILLUSTRATED

BRI

29-11-51-48B

BOEING PROPRIETARY - Copyright © - Unpublished Work - See title page for details.

29-11-51
FIG. 48B
PAGE 2
JAN 20/09



757

PARTS CATALOG (MAINTENANCE)

FIG ITEM	PART NUMBER	1 2 3 4 5 6 7	NOMENCLATURE	EFFECT FROM TO	UNITS PER ASSY
48B 210	271N6444-1125		.TUBE ASSY-BRAKE PRESSURE SYS POSITION DATA: STA 1100 RBL 60 TUBING MATERIAL: .375 IN. OD .019 IN. WALL 40.2 IN. LG TI BMS 7-234 TI-3AL-2.5V COLD WORKED, STRESS RELIEVED TUBING	101102 108120 504903	1
215	271N6444-1126		.TUBE ASSY-BRAKE PRESSURE POSITION DATA: STA 1100 RBL 60 MANUFACTURED FROM: SYS TUBING MATERIAL: .375 IN. OD .019 IN. WALL 37.10 IN. LG TI BMS 7-234 TI-3AL-2.5V COLD WORKED, STRESS RELIEVED TUBING	101102 108120 504903	1
- 220	AS1581T06		..SLEEVE	101102 108120 504903	2
- 225	BACN10YA6		..NUT-	101102 108120 504903	2
230	271N6444-1008		.TUBE ASSY-ALTERNATE EXTEND PRESSURE TUBING MATERIAL: .250 IN. OD .016 IN. WALL 78.70 IN. LG TI BMS 7-234 TI-3AL-2.5V COLD WORKED, STRESS RELIEVED TUBING	101102 108120 504903	1
300	BACE21BR0606JN		.ELBOW- POSITION DATA: STA 1140 RBL 55	101102 108120 504903	1
- 500	271N6444-4		FITTING INSTL-HYD PRESSURE DECK BLKHD MWW POSITION DATA: RT FOR NHA SEE: 32-00-00-02	101102 108120 504903	RF

MISSING ITEM NUMBERS NOT APPLICABLE

- ITEM NOT ILLUSTRATED

29-11-51-48B

29-11-51
FIG. 48B
PAGE 3
JAN 20/09

BRI



757

PARTS CATALOG (MAINTENANCE)

FIG ITEM	PART NUMBER	1 2 3 4 5 6 7	NOMENCLATURE	EFFECT FROM TO	UNITS PER ASSY
48B - 503	MODREF31625		FITTING INSTL-HYD PRESSURE DECK BLKHD MWW MODULE NUMBER: 271N6444-4 REV B POSITION DATA: RT	103106	RF
510	D10199-0604		.UNION- SUPPLIER CODE: V14798	101106 108120 504903	1

MISSING ITEM NUMBERS NOT APPLICABLE

- ITEM NOT ILLUSTRATED

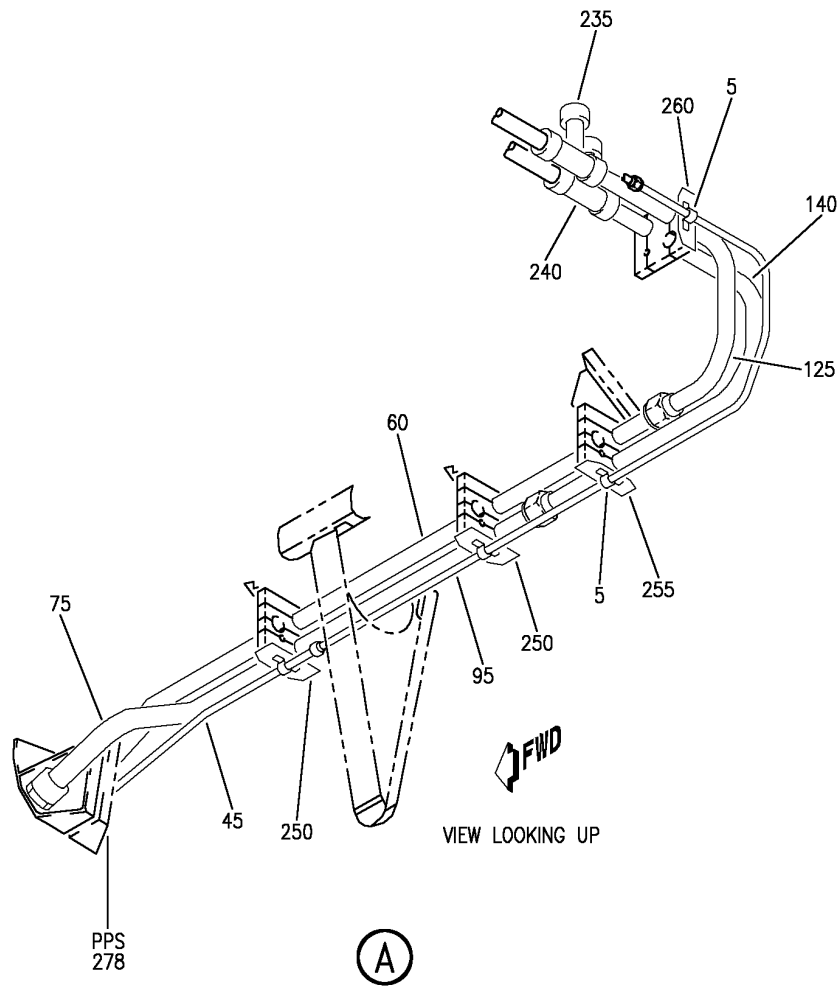
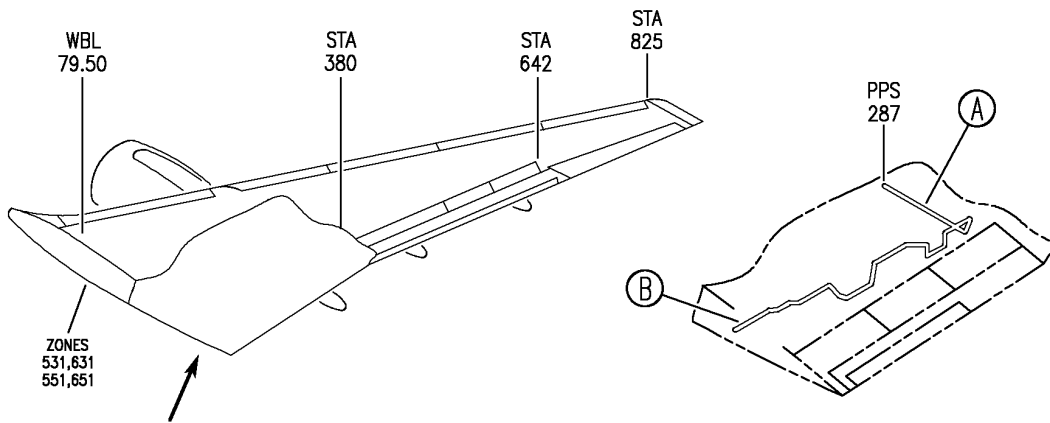
29-11-51-48B

29-11-51
FIG. 48B
PAGE 4
JAN 20/09

BRI

BOEING PROPRIETARY - Copyright © - Unpublished Work - See title page for details.

BOEING
757
PARTS CATALOG (MAINTENANCE)



Y 29115150 SHT 1 REV 248

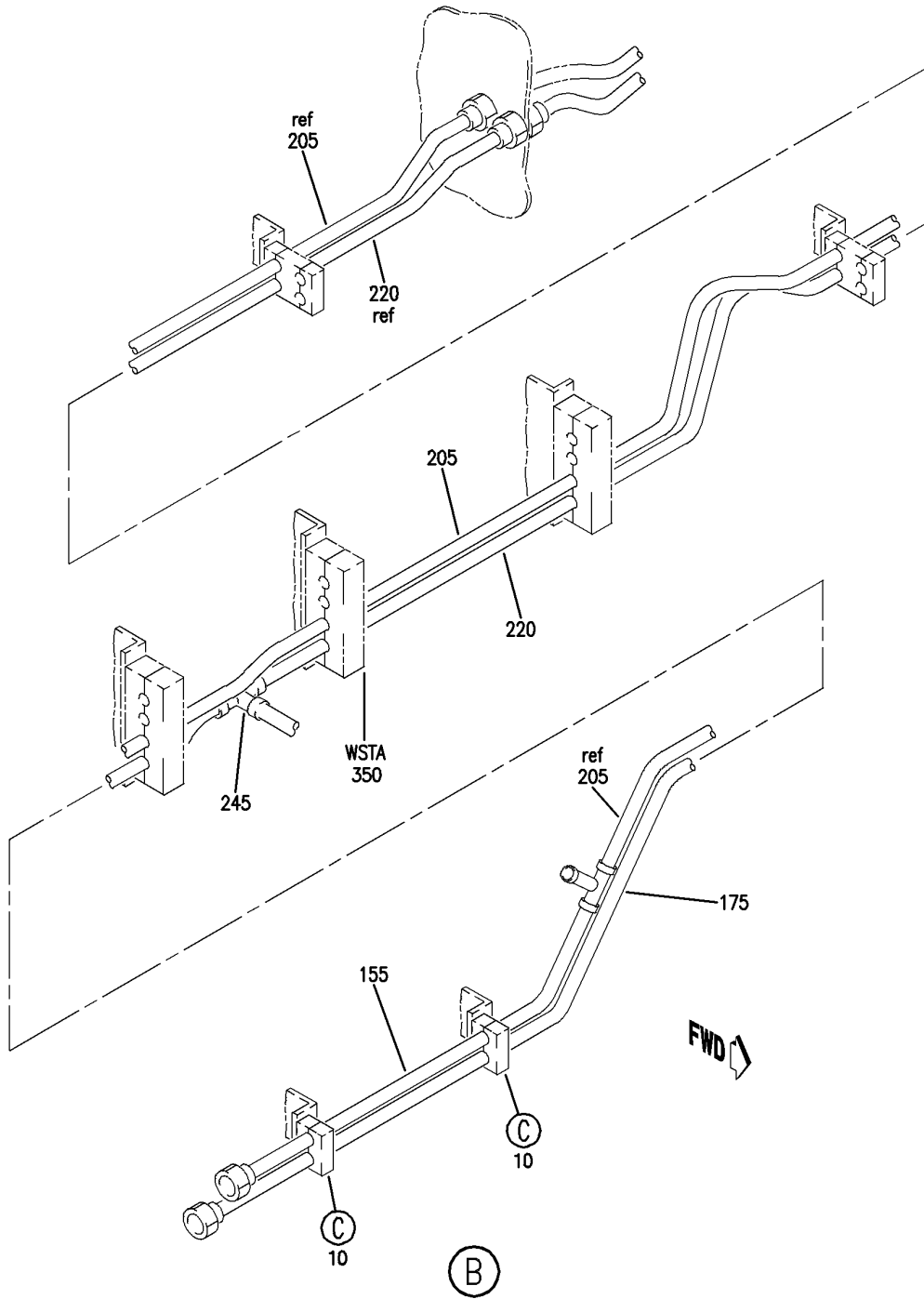
PLUMBING INSTL-SECT. 12 R TRAILING EDGE CTR SYS (HYDRAULIC POWER ONLY)
FIGURE 50 (SHEET 1)

BRI
JAN 20/09

29-11-51-50

29-11-51-50
PAGE 0

BOEING
757
PARTS CATALOG (MAINTENANCE)



Y 29115150 SHT 2 REV 248

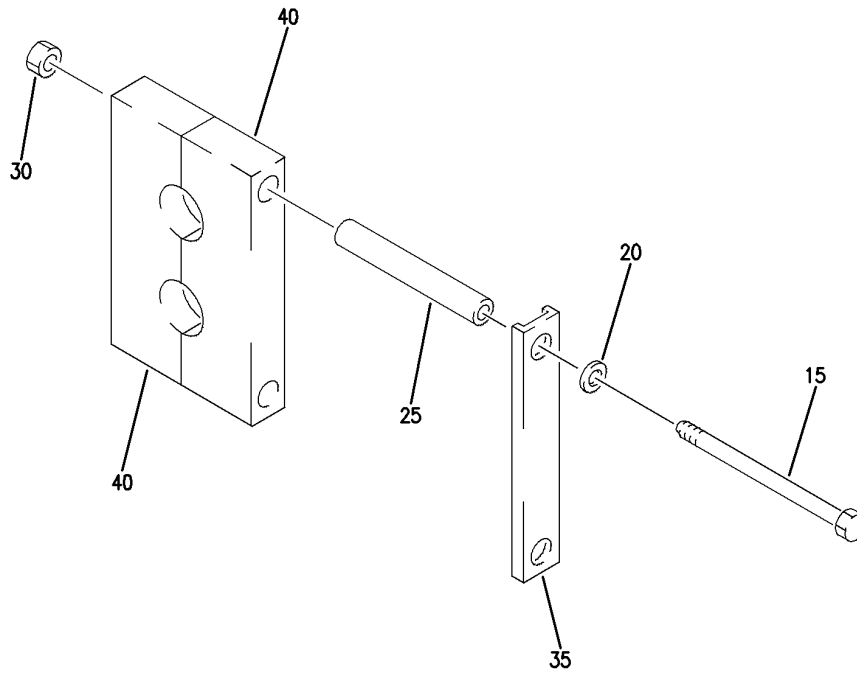
PLUMBING INSTL-SECT. 12 R TRAILING EDGE CTR SYS (HYDRAULIC POWER ONLY)
FIGURE 50 (SHEET 2)

29-11-51-50

BRI
JAN 20/09

29-11-51-50
PAGE 0A

BOEING
757
PARTS CATALOG (MAINTENANCE)



(C)

Y 29115150 SHT 3 REV 248

PLUMBING INSTL-SECT. 12 R TRAILING EDGE CTR SYS (HYDRAULIC POWER ONLY)
FIGURE 50 (SHEET 3)

BRI
JAN 20/09

29-11-51-50

29-11-51-50
PAGE 0B

BOEING PROPRIETARY - Copyright © - Unpublished Work - See title page for details.



757

PARTS CATALOG (MAINTENANCE)

FIG ITEM	PART NUMBER	1 2 3 4 5 6 7	NOMENCLATURE	EFFECT FROM TO	UNITS PER ASSY
50			PLUMBING INSTL-SECT. 12 R TRAILING EDGE CTR SYS (HYDRAULIC POWER ONLY)	103106	
- 1	MODREF31799		PLUMBING INSTL-HYDR CTR SYS (HYDRAULIC POWER ONLY) MODULE NUMBER: 271N6123-23 REV B POSITION DATA: SECT. 12 R TRAILING EDGE FOR OTHER SYS DETAILS SEE: 26-21-51-23 27-61-02-07 FOR ADDITIONAL DETAILS SEE: 29-11-17-05	103106	1
5	TA0910004H110		.CLAMP SUPPLIER CODE: V84971 SPECIFICATION NUMBER: BACC10HB10C	103106	2
10	270N2000-3		.CLAMP ASSY-BLK	103106	2
15	NAS1801-3-24		..SCREW	103106	2
20	AN960PD10L		..WASHER	103106	2
25	NAS43DD3-59		..SPACER	103106	2
30	BRH10A3		..NUT SUPPLIER CODE: V52828 SPECIFICATION NUMBER: BACN10JC3 OPTIONAL PART: H10-3BAC V15653 NS202101-02 V80539 RMLH9075-3W V72962 VN303A02 V92215 96-02 V80539 T6S1032J V11815	103106	2
35	270N2000-801		..CHANNEL	103106	1
40	270N2000-401		..BLOCK	103106	2

MISSING ITEM NUMBERS NOT APPLICABLE

- ITEM NOT ILLUSTRATED

29-11-51-50

29-11-51
FIG. 50
PAGE 1
JAN 20/09

BRI



757

PARTS CATALOG (MAINTENANCE)

FIG ITEM	PART NUMBER	1 2 3 4 5 6 7	NOMENCLATURE	EFFECT FROM TO	UNITS PER ASSY
50					
- 45	271N6311-1070		.TUBE ASSY-RETURN SYS POSITION DATA: R TUBING MATERIAL: .625 IN. OD .035 IN. WALL 20.7 IN. LG AL AMS 4083 6061 T6 TUBING	103106	1
- 50	AP2097HP10		..SLEEVE SUPPLIER CODE: V01673 SPECIFICATION NUMBER: BACS13BX10HP OPTIONAL PART: 2-02903-10HP V11328 35235VN10 V08199 AFP175V10P V30974 DBOS13BX10HP V14798	103106	2
- 55	BACN10YL10		..NUT	103106	2
- 60	271N6311-1076		.TUBE ASSY-PRESSURE SYS POSITION DATA: R TUBING MATERIAL: 1.00 IN. OD .051 IN. WALL 47.20 IN. LG TI BMS 7-234 TI-3AL-2.5V COLD WORKED, STRESS RELIEVED TUBING	103106	1
- 65	AS1581T16		..SLEEVE	103106	1
- 70	BACN10YA16L		..NUT	103106	1
- 75	271N6311-1128		.TUBE ASSY-SUPPLY SYS POSITION DATA: R TUBING MATERIAL: 1.25 IN. OD .035 IN. WALL 39.30 IN. LG AL AMS 4083 6061 T6 TUBING	103106	1

MISSING ITEM NUMBERS NOT APPLICABLE

- ITEM NOT ILLUSTRATED

BRI

29-11-51-50

29-11-51
FIG. 50
PAGE 2
JAN 20/09



757

PARTS CATALOG (MAINTENANCE)

FIG ITEM	PART NUMBER	1 2 3 4 5 6 7	NOMENCLATURE	EFFECT FROM TO	UNITS PER ASSY
50					
- 80	AFP175V20P	..	SLEEVE SUPPLIER CODE: V30974 SPECIFICATION NUMBER: BACS13BX20HP OPTIONAL PART: 2-02901-20HP V11328 35025VN20 V08199	103106	1
- 85	BACN10YL20L	..	NUT	103106	1
- 90	35056GV20	..	UNION SUPPLIER CODE: V08199 SPECIFICATION NUMBER: BACU24AB20W OPTIONAL PART: 4671097W20 V50948 2-01027-20W V11328 31875-20W V14397 AP1004W20 V01673 AFP941W20 V30974 DBOU24AB20W V14798	103106	1
95	271N6123-1285	.TUBE ASSY-RETURN SYS POSITION DATA: R TUBING MATERIAL: .625 IN. OD .035 IN. WALL 58.80 IN. LG AL AMS 4083 6061 T6 TUBING		103106	1

MISSING ITEM NUMBERS NOT APPLICABLE

- ITEM NOT ILLUSTRATED

BRI

29-11-51-50

BOEING PROPRIETARY - Copyright © - Unpublished Work - See title page for details.

29-11-51
FIG. 50
PAGE 3
JAN 20/09



757

PARTS CATALOG (MAINTENANCE)

FIG ITEM	PART NUMBER	1 2 3 4 5 6 7	NOMENCLATURE	EFFECT FROM TO	UNITS PER ASSY
50 - 100	AP2097HP10	..	SLEEVE SUPPLIER CODE: V01673 SPECIFICATION NUMBER: BACS13BX10HP OPTIONAL PART: 2-02903-10HP V11328 35235VN10 V08199 AFP175V10P V30974 DBOS13BX10HP V14798	103106	1
- 110	BACN10YL10	..	NUT	103106	1
- 120	35056GV10	..	UNION SUPPLIER CODE: V08199 SPECIFICATION NUMBER: BACU24AB10W OPTIONAL PART: 4671097W10 V50948 2-01027-10W V11328 31875-10W V14397 AP1004W10 V01673 AFP941W10 V30974 DBOU24AB10W V14798	103106	1
125	271N6123-1278	.	TUBE ASSY-PRESSURE SYS POSITION DATA: R TUBING MATERIAL: 1.00 IN. OD .051 IN. WALL 24.50 IN. LG TI BMS 7-234 TI-3AL-2.5V COLD WORKED, STRESS RELIEVED TUBING	103106	1
- 130	AS1581T16	..	SLEEVE	103106	2
- 135	BACN10YA16L	..	NUT	103106	2

MISSING ITEM NUMBERS NOT APPLICABLE

- ITEM NOT ILLUSTRATED

29-11-51-50

29-11-51
FIG. 50
PAGE 4
JAN 20/09

BRI



757

PARTS CATALOG (MAINTENANCE)

FIG ITEM	PART NUMBER	1 2 3 4 5 6 7	NOMENCLATURE	EFFECT FROM TO	UNITS PER ASSY
50					
140	271N6123-1277		.TUBE ASSY-SUPPLY SYS POSITION DATA: R TUBING MATERIAL: 1.25 IN. OD .035 IN. WALL 42.80 IN. LG AL AMS 4083 6061 T6 TUBING	103106	1
- 145	AFP175V20P		..SLEEVE SUPPLIER CODE: V30974 SPECIFICATION NUMBER: BACS13BX20HP OPTIONAL PART: 2-02901-20HP V11328 35025VN20 V08199	103106	1
- 150	BACN10YL20L		..NUT	103106	1
155	271N6123-1288		.TUBE ASSY-PRESSURE SYS POSITION DATA: L TUBING MATERIAL: .375 IN. OD .019 IN. WALL 16.00 IN. LG TITANIUM	103106	1
- 160	AS1581T06		..SLEEVE	103106	1
- 165	BACN10YA6N		..NUT	103106	1
- 170	AS1582T06		..UNION	103106	1
175	271N6123-1071		.TUBE ASSY-RETURN SYS POSITION DATA: L TUBING MATERIAL: .375 IN. OD .035 IN. WALL 26.50 IN. LG ALUMINUM	103106	1

MISSING ITEM NUMBERS NOT APPLICABLE

- ITEM NOT ILLUSTRATED

29-11-51-50

29-11-51
FIG. 50
PAGE 5
JAN 20/09

BRI



757

PARTS CATALOG (MAINTENANCE)

FIG ITEM	PART NUMBER	1 2 3 4 5 6 7	NOMENCLATURE	EFFECT FROM TO	UNITS PER ASSY
50 - 180	AP2097HP06	..	SLEEVE SUPPLIER CODE: V01673 SPECIFICATION NUMBER: BACS13BX06HP OPTIONAL PART: 2-02903-06HP V11328 35235VN06 V08199 AFP175V06P V30974 DBOS13BX06HP V14798	103106	1
- 190	BACN10YLO6	..	NUT	103106	1
- 200	35056GV06	..	UNION SUPPLIER CODE: V08199 SPECIFICATION NUMBER: BACU24AB6W OPTIONAL PART: 2-01027-6W V11328 31875-6W V14397 4671097W6 V50948 AP1004W06 V01673 AFP941W6 V30974 DBOU24AB6W V14798	103106	1
205	271N6124-1089	.TUBE ASSY-	TUBING MATERIAL: .375 IN. OD X .019 IN. WALL X 51.7 IN. LG TI BMS 7-234 TI-3AL-2.5V COLD WORKED, STRESS RELIEVED TUBING	103106	1
- 210	AS1581T06	..	SLEEVE	103106	2
- 215	BACN10YA6	..	NUT	103106	2
220	271N6124-1090	.TUBE ASSY-	TUBING MATERIAL: .375 IN. OD X .035 IN. WALL X 41.9 IN. LG AMS 4083 6061 T6 TUBING	103106	1

MISSING ITEM NUMBERS NOT APPLICABLE

- ITEM NOT ILLUSTRATED

29-11-51-50

29-11-51
FIG. 50
PAGE 6
JAN 20/09

BRI

BOEING PROPRIETARY - Copyright © - Unpublished Work - See title page for details.



757

PARTS CATALOG (MAINTENANCE)

FIG ITEM	PART NUMBER	1 2 3 4 5 6 7	NOMENCLATURE	EFFECT FROM TO	UNITS PER ASSY
50 - 225	AP2097HP06	..	SLEEVE SUPPLIER CODE: V01673 SPECIFICATION NUMBER: BACS13BX06HP OPTIONAL PART: 2-02903-06HP V11328 35235VN06 V08199 AFP175V06P V30974 DBOS13BX06HP V14798	103106	2
- 230	BACN10YLO6	..	NUT	103106	2
235	APX824F101008W	.TEE-	REDUCER SUPPLIER CODE: V01673 SPECIFICATION NUMBER: BACT16AS101008W OPTIONAL PART: APX824-101008W V01673 DBOT16AS101008W V14798 ER824-101008W V50948 FER1571-101008W V14397 LER824-101008W V11328 NAF1824-101008W V52930 US1925-101008W V50808 AFP325-101008W V30974	103106	1
240	BACT16BL161606J	.TEE		103106	1
245	MS21905W6	.TEE		103106	1
250	271N6317-6	.BRACKET		103106	2
255	271N6317-3	.BRACKET		103106	1
260	271N6192-12	.BRACKET	ASSY	103106	1

MISSING ITEM NUMBERS NOT APPLICABLE

- ITEM NOT ILLUSTRATED

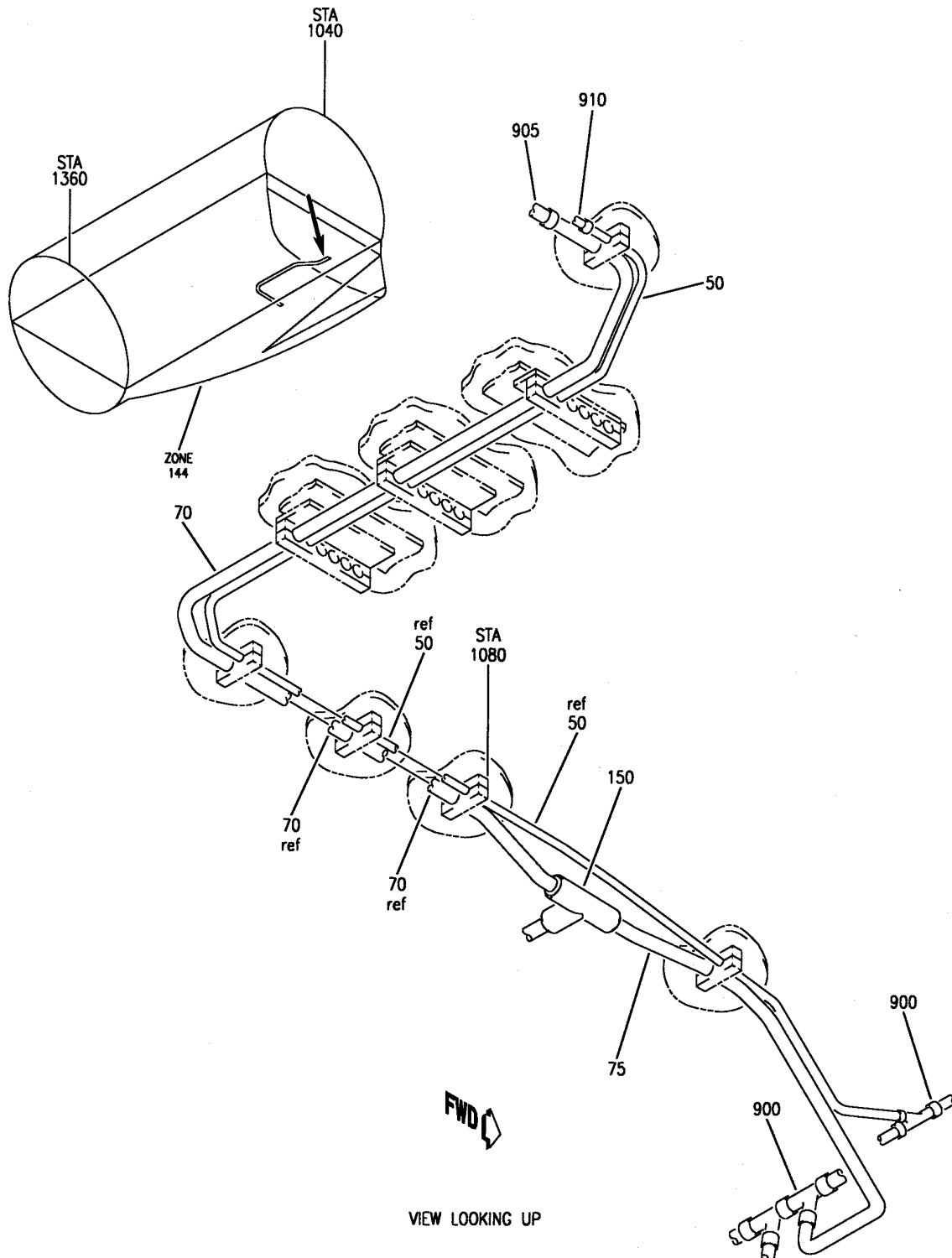
29-11-51-50

29-11-51
FIG. 50
PAGE 7
JAN 20/09

BRI

BOEING PROPRIETARY - Copyright © - Unpublished Work - See title page for details.

BOEING
757
PARTS CATALOG (MAINTENANCE)



Y 29115151 REV 213

PLUMBING INSTL-SECT.44 HYD, RIGHT PRESSURE DECK
FIGURE 51

29-11-51-51

BRI
MAY 28/07

29-11-51-51
PAGE 0



757

PARTS CATALOG (MAINTENANCE)

FIG ITEM	PART NUMBER	1 2 3 4 5 6 7	NOMENCLATURE	EFFECT FROM TO	UNITS PER ASSY
51			PLUMBING INSTL-SECT.44 HYD, RIGHT PRESSURE DECK	101106 108120 504903	RF
- 1	271N6444-21		PLUMBING INSTL-200 NINOR MODEL FOR NHA SEE: 29-00-51-01A	101102 108120 504903	RF
- 1	MODREF31815		PLUMBING INSTL-200 NINOR MODEL MODULE NUMBER: 271N6444-21 REV B	103106	1
50	271N6444-1002		.TUBE ASSY-PRESSURE SYS POSITION DATA: STA 1120 RBL 50 TUBING MATERIAL: .375 IN. OD .019 IN. WALL 114.40 IN. LG TI BMS 7-234 TI-3AL-2.5V COLD WORKED, STRESS RELIEVED TUBING	101106 108120 504903	1
- 55	AS1581T06		..SLEEVE	101106 108120 504903	1
- 60	BACN10YA6		..NUT	101106 108120 504903	1
- 65	AS1582T06		..UNION	101106 108120 504903	1
70	271N6444-1092		.TUBE ASSY-RETURN SYS POSITION DATA: STA 1120 RBL 50 TUBING MATERIAL: .500 IN. OD .035 IN. WALL 94.50 IN. LG AL AMS 4083 6061 T6 TUBING	101106 108120 504903	1
75	271N6444-1222		.TUBE ASSY-RETURN SYS POSITION DATA: STA 1070 RBL 30 TUBING MATERIAL: .500 IN. OD .035 IN. WALL 27.90 IN. LG AL AMS 4083 6061 T6 TUBING	101106 108120 504903	1

MISSING ITEM NUMBERS NOT APPLICABLE

- ITEM NOT ILLUSTRATED

BRI

29-11-51-51

29-11-51
FIG. 51
PAGE 1
JAN 20/09



757

PARTS CATALOG (MAINTENANCE)

FIG ITEM	PART NUMBER	1 2 3 4 5 6 7	NOMENCLATURE	EFFECT FROM TO	UNITS PER ASSY
51					
- 80	AP2097HP08	..	SLEEVE SUPPLIER CODE: V01673 SPECIFICATION NUMBER: BACS13BX08HP OPTIONAL PART: 2-02903-08HP V11328 35235VN08 V08199 AFP175V08P V30974 DBOS13BX08HP V14798	101106 108120 504903	2
- 85	BACN10YL08	..	NUT	101106 108120 504903	2
150	BACT16AS080816W	.TEE-	POSITION DATA: STA 1070 RBL 30	101106 108120 504903	1
900		ILLUSTRATION REFERENCE: PLUMBING INSTL	BASIC AND STABLE 29-11-51-48	101102 108120 504903	RF
905		ILLUSTRATION REFERENCE: PLUMBING INSTL- SECT. 12	INBD WING HYDR R (HYDRAULIC POWER ONLY) 29-11-51-18B	101102 108120 504903	RF

MISSING ITEM NUMBERS NOT APPLICABLE

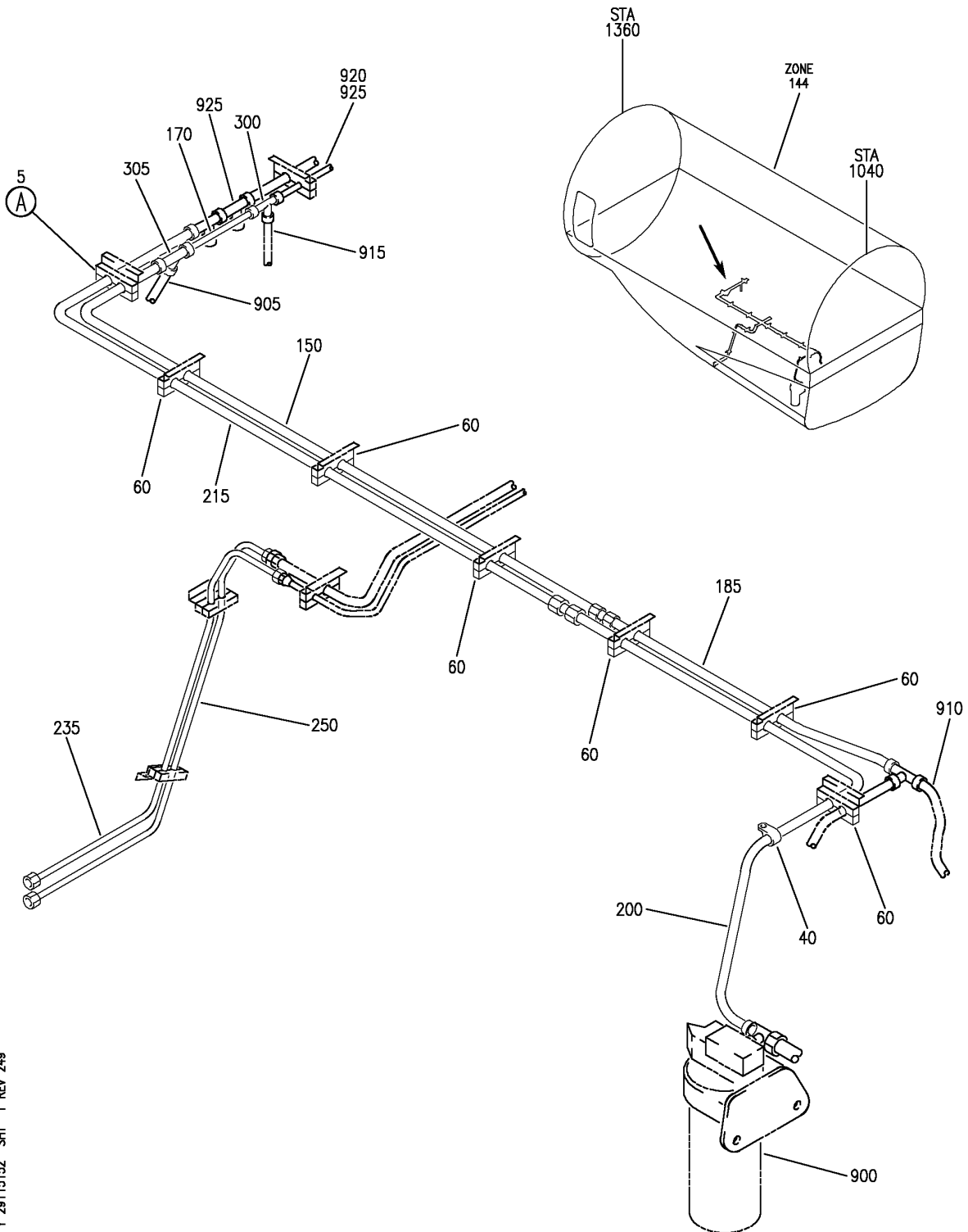
- ITEM NOT ILLUSTRATED

29-11-51-51

29-11-51
FIG. 51
PAGE 2
JAN 20/09

BRI


BOEING
 757
PARTS CATALOG (MAINTENANCE)



Y 29115152 SHT 1 REV 249

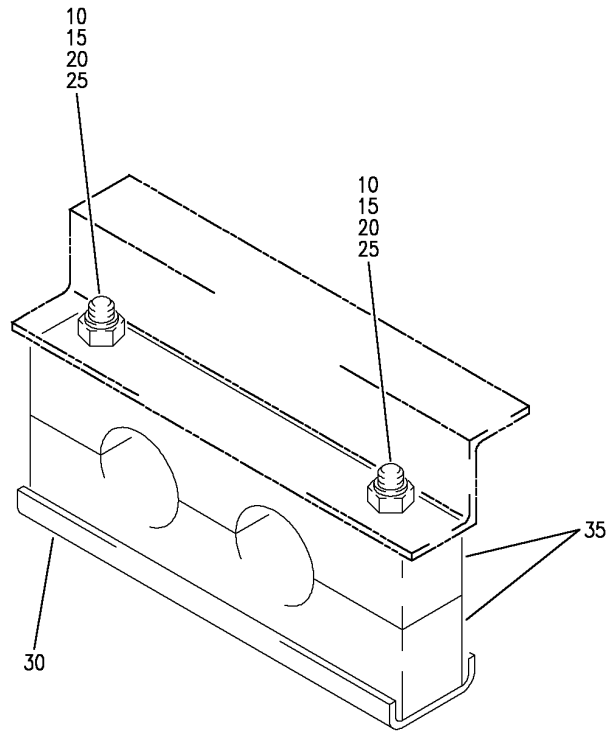
PLUMBING INSTL-SECT.44 HYD, RIGHT PRESSURE DECK
 FIGURE 52 (SHEET 1)

29-11-51-52

BRI
 MAY 28/07

29-11-51-52
 PAGE 0

BOEING
757
PARTS CATALOG (MAINTENANCE)



(A)

Y 29115152 SHT 2 REV 249

PLUMBING INSTL-SECT.44 HYD, RIGHT PRESSURE DECK
FIGURE 52 (SHEET 2)

29-11-51-52

BRI
MAY 28/07

29-11-51-52
PAGE 0A



757

PARTS CATALOG (MAINTENANCE)

FIG ITEM	PART NUMBER	1 2 3 4 5 6 7	NOMENCLATURE	EFFECT FROM TO	UNITS PER ASSY
52			PLUMBING INSTL-SECT.44 HYD, RIGHT PRESSURE DECK	101106 108120 504903	
- 1	271N6444-10		PLUMBING INSTL-4 DOOR AND PACKAGE FREIGHTER POSITION DATA: RH MAIN WHEEL WELL SECT 44 STA 1040-1180 FOR NHA/OTHER SYS DET SEE: 29-00-51-02B	101102 108120 504903	RF
- 1	MODREF31612		PLUMBING INSTL-4 DOORRE AND PAKAGE FREIGHTER MODULE NUMBER: 271N6444-25 REV B POSITION DATA: RH MAIN WHEEL WELL SECT 44 STA 1040-1180	103106	1
5	270N2000-85		.CLAMP ASSY-BLK	101106 108120 504903	1
10	NAS1801-3-28		.. SCREW	101106 108120 504903	2
15	NAS43DD3-75		.. SPACER	101106 108120 504903	2
20	AN960PD10L		.. WASHER	101106 108120 504903	2
25	BRH10A3		.. NUT SUPPLIER CODE: V52828 SPECIFICATION NUMBER: BACN10JC3 OPTIONAL PART: H10-3BAC V15653 NS202101-02 V80539 RMLH9075-3W V72962 VN303A02 V92215 96-02 V80539 T6S1032J V11815	101106 108120 504903	2

MISSING ITEM NUMBERS NOT APPLICABLE

- ITEM NOT ILLUSTRATED

29-11-51-52

29-11-51
FIG. 52
PAGE 1
JAN 20/09

BRI



757

PARTS CATALOG (MAINTENANCE)

FIG ITEM	PART NUMBER	1 2 3 4 5 6 7	NOMENCLATURE	EFFECT FROM TO	UNITS PER ASSY
52					
30	270N2000-849	. .	CHANNEL	101106 108120 504903	1
35	270N2000-508	. .	BLOCK	101106 108120 504903	2
40	TA0910004H110	. .	CLAMP SUPPLIER CODE: V84971 SPECIFICATION NUMBER: BACC10HB10C	101106 108120 504903	1
- 45	NAS1801-3	. .	SCREW- SIZE DETERMINED ON INSTL.	101106 108120 504903	1
- 50	AN960PD10L	. .	WASHER	101106 108120 504903	1
- 55	BRH10A3	. .	NUT SUPPLIER CODE: V52828 SPECIFICATION NUMBER: BACN10JC3 OPTIONAL PART: H10-3BAC V15653 NS202101-02 V80539 RMLH9075-3W V72962 VN303A02 V92215 96-02 V80539 T6S1032J V11815	101106 108120 504903	1
60	270N2000-101	. .	CLAMP ASSY-BLK POSITION DATA: RBL 30 STA 1160,1140 RBL 30 STA 1100,1080 RBL 30 STA 1120 RBL 45 STA 1075 FOR BREAKDOWN SEE: 29-11-51-48	101106 108120 504903	RF

MISSING ITEM NUMBERS NOT APPLICABLE

- ITEM NOT ILLUSTRATED

BRI

29-11-51-52

29-11-51
FIG. 52
PAGE 2
JAN 20/09



757

PARTS CATALOG (MAINTENANCE)

FIG ITEM	PART NUMBER	1 2 3 4 5 6 7	NOMENCLATURE	EFFECT FROM TO	UNITS PER ASSY
52					
150	271N6444-1047		.TUBE ASSY-PRESSURE SYS POSITION DATA: STA 1180 RBL 30 TUBING MATERIAL: .625 IN. OD .032 IN. WALL 83.50 IN. LG TI BMS 7-234 TI-3AL-2.5V COLD WORKED, STRESS RELIEVED TUBING	101106 108120 504903	1
- 155	AS1581T10		..SLEEVE	101106 108120 504903	1
- 160	BACN10YA10		..NUT	101106 108120 504903	1
- 165	AS1582T10		..UNION	101106 108120 504903	1
170	271N6444-1048		.TUBE ASSY-PRESSURE SYS POSITION DATA: STA 1180 RBL 30 TUBING MATERIAL: .375 IN. OD .019 IN. WALL 2.60 IN. LG TI BMS 7-234 TI-3AL-2.5V COLD WORKED, STRESS RELIEVED TUBING	101106 108120 504903	1
- 175	AS1581T06		..SLEEVE	101106 108120 504903	2
- 180	BACN10YA6		..NUT	101106 108120 504903	2
185	271N6444-1061		.TUBE ASSY-PRESSURE SYS POSITION DATA: STA 1090 RBL 40 TUBING MATERIAL: .625 IN. OD .032 IN. WALL 19.00 IN. LG TI BMS 7-234 TI-3AL-2.5V COLD WORKED, STRESS RELIEVED TUBING	101106 108120 504903	1
- 190	AS1581T10		..SLEEVE	101106 108120 504903	2
- 195	BACN10YA10		..NUT	101106 108120 504903	2

MISSING ITEM NUMBERS NOT APPLICABLE

- ITEM NOT ILLUSTRATED

29-11-51-52

29-11-51
FIG. 52
PAGE 3
JAN 20/09

BRI



757

PARTS CATALOG (MAINTENANCE)

FIG ITEM	PART NUMBER	1 2 3 4 5 6 7	NOMENCLATURE	EFFECT FROM TO	UNITS PER ASSY
52 200	271N6444-1081		.TUBE ASSY-RETURN SYS POSITION DATA: STA 1080 RBL 50 TUBING MATERIAL: .625 IN. OD .035 IN. WALL 63.30 IN. LG AL AMS 4083 6061 T6 TUBING	101106 108120 504903	1
- 205	AP2097HP10		..SLEEVE SUPPLIER CODE: V01673 SPECIFICATION NUMBER: BACS13BX10HP OPTIONAL PART: 2-02903-10HP V11328 35235VN10 V08199 AFP175V10P V30974 DBOS13BX10HP V14798	101106 108120 504903	2
- 210	BACN10YL10		..NUT	101106 108120 504903	2
215	271N6444-1082		.TUBE ASSY-RETURN SYS POSITION DATA: STA 1180 RBL 45 TUBING MATERIAL: .625 IN. OD .035 IN. WALL 83.90 IN. LG AL AMS 4083 6061 T6 TUBING	101106 108120 504903	1
- 220	AP2097HP10		..SLEEVE SUPPLIER CODE: V01673 SPECIFICATION NUMBER: BACS13BX10HP OPTIONAL PART: 2-02903-10HP V11328 35235VN10 V08199 AFP175V10P V30974 DBOS13BX10HP V14798	101106 108120 504903	1

MISSING ITEM NUMBERS NOT APPLICABLE

- ITEM NOT ILLUSTRATED

29-11-51-52

29-11-51
FIG. 52
PAGE 4
JAN 20/09

BRI



757

PARTS CATALOG (MAINTENANCE)

FIG ITEM	PART NUMBER	1 2 3 4 5 6 7	NOMENCLATURE	EFFECT FROM TO	UNITS PER ASSY
52					
- 225	BACN10YL10		..NUT	101106 108120 504903	1
- 230	35056GV10		..UNION SUPPLIER CODE: V08199 SPECIFICATION NUMBER: BACU24AB10W OPTIONAL PART: 4671097W10 V50948 2-01027-10W V11328 31875-10W V14397 AP1004W10 V01673 AFP941W10 V30974 DBOU24AB10W V14798	101106 108120 504903	1
235	271N6123-1261		.TUBE ASSY-PRESSURE SYS POSITION DATA: L TUBING MATERIAL: .375 IN. OD .019 IN. WALL 62.50 IN. LG TITANIUM	103106	1
- 240	AS1581T06		..SLEEVE	103106	2
- 245	BACN10YA6N		..NUT	103106	2
250	271N6123-1262		.TUBE ASSY-RETURN SYS POSITION DATA: L TUBING MATERIAL: .375 IN. OD .035 IN. WALL 60.00 IN. LG ALUMINUM	103106	1

MISSING ITEM NUMBERS NOT APPLICABLE

- ITEM NOT ILLUSTRATED

29-11-51-52

29-11-51
FIG. 52
PAGE 5
JAN 20/09

BRI



757

PARTS CATALOG (MAINTENANCE)

FIG ITEM	PART NUMBER	1 2 3 4 5 6 7	NOMENCLATURE	EFFECT FROM TO	UNITS PER ASSY
52					
- 255	AP2097HP06	..	SLEEVE SUPPLIER CODE: V01673 SPECIFICATION NUMBER: BACS13BX06HP OPTIONAL PART: 2-02903-06HP V11328 35235VN06 V08199 AFP175V06P V30974 DBOS13BX06HP V14798	103106	2
- 260	BACN10YLO6	..	NUT	103106	2
300	BACT16BL060606J	.	TEE	101106	1
				108120	
				504903	
305	BACT16BL100610J	.	TEE	101106	1
				108120	
				504903	
900			ILLUSTRATION REFERENCE: MODULE INSTL-L AND R SYS RETURN FILTER AND BRKT 29-11-15-05	101106	RF
				108120	
				504903	
905			ILLUSTRATION REFERENCE: PLUMBING INSTL-SECT. 44 AFT BHD MLG WHL WELL HYDR 29-11-52-20	101106	RF
				108120	
				504903	
910			ILLUSTRATION REFERENCE: PLUMBING INSTL BASIC AND STABLE 29-11-51-48	101102	RF
				108120	
				504903	
915			ILLUSTRATION REFERENCE: PLUMBING INSTL-SECT. 44 AFT BHD MLG WHL WELL HYDR 29-11-52-20	101106	RF
				108120	
				504903	
925			ILLUSTRATION REFERENCE: PLUMBING INSTL-SECT. 44 AFT BHD MLG WHL WELL HYDR 29-11-52-22	101106	RF
				108120	
				504903	

MISSING ITEM NUMBERS NOT APPLICABLE

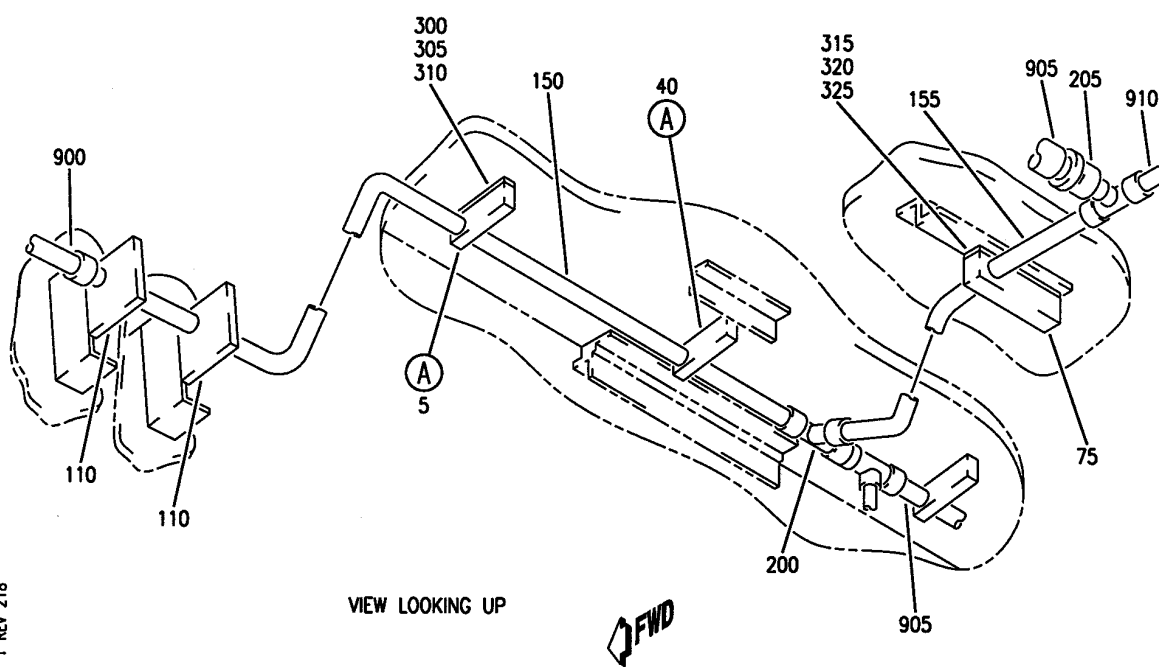
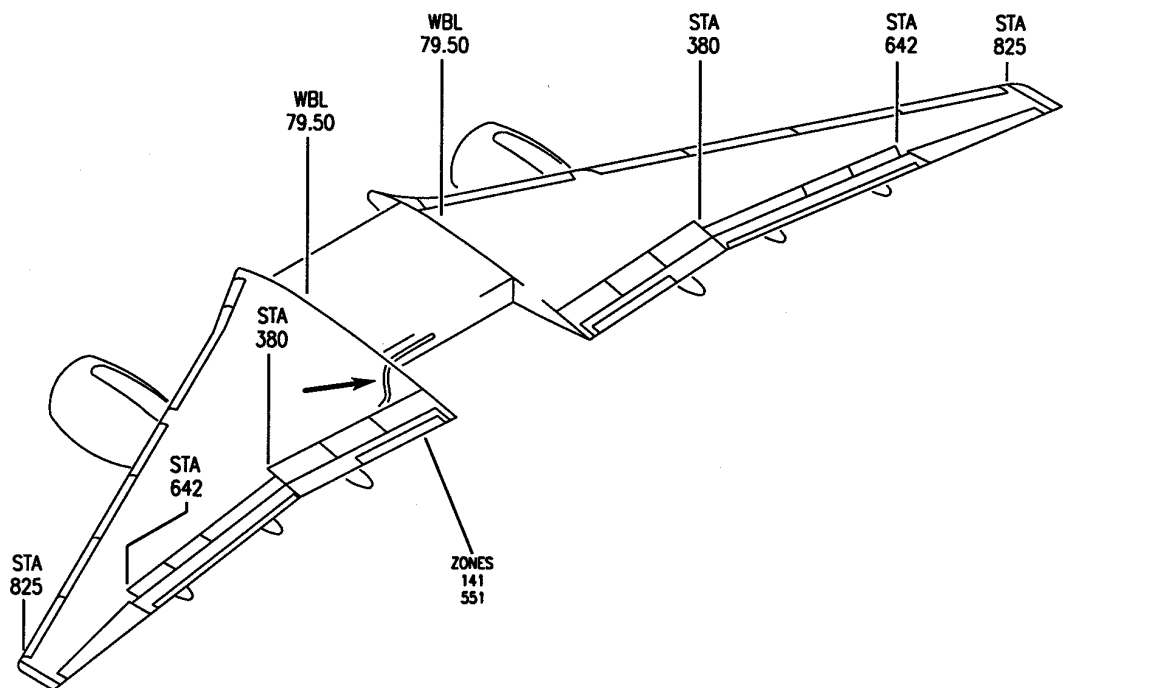
- ITEM NOT ILLUSTRATED

29-11-51-52

29-11-51
FIG. 52
PAGE 6
JAN 20/09

BRI

BOEING
757
PARTS CATALOG (MAINTENANCE)



Y 29115155 SHT 1 REV 218

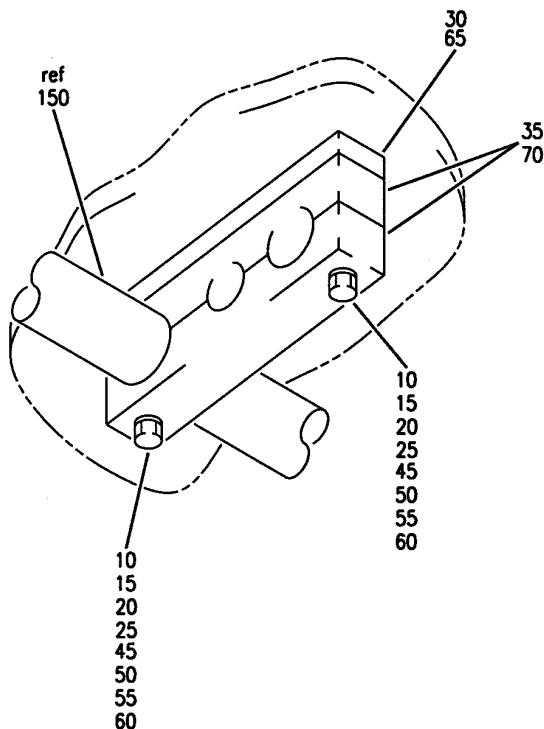
PLUMBING INSTL-ROLLS ROYCE ENG
FIGURE 55 (SHEET 1)

29-11-51-55

BRI
MAY 28/07

29-11-51-55
PAGE 0

BOEING
757
PARTS CATALOG (MAINTENANCE)



(A)

Y 29115155 SH 2 REV 218

PLUMBING INSTL-ROLLS ROYCE ENG
FIGURE 55 (SHEET 2)

29-11-51-55

BRI
MAY 28/07

29-11-51-55
PAGE 0A



757

PARTS CATALOG (MAINTENANCE)

FIG ITEM	PART NUMBER	1 2 3 4 5 6 7	NOMENCLATURE	EFFECT FROM TO	UNITS PER ASSY
55			PLUMBING INSTL-ROLLS ROYCE ENG	101102 108120 504903	RF
- 1	271N6443-26		PLUMBING INSTL-ROLLS ROYCE ENG FOR NHA SEE: 29-00-51-05B	101102 108120 504903	RF
5	270N2000-1313		.CLAMP ASSY- POSITION DATA: STA 1040 LBL 60	101102 108120 504903	1
10	NAS1801-3-34		..SCREW	101102 108120 504903	2
15	NAS43DD3-101		..SPACER	101102 108120 504903	2
20	AN960KD10L		..WASHER	101102 108120 504903	2
25	BRH10A3		..NUT SUPPLIER CODE: V52828 SPECIFICATION NUMBER: BACN10JC3 OPTIONAL PART: H10-3BAC V15653 NS202101-02 V80539 RMLH9075-3W V72962 VN303A02 V92215 96-02 V80539 T6S1032J V11815	101102 108120 504903	2
30	270N2000-853		..CHANNEL	101102 108120 504903	1
35	270N2000-1268		..BLOCK	101102 108120 504903	2
40	270N2000-1314		.CLAMP ASSY- POSITION DATA: STA 1040 LBL 50	101102 108120 504903	1
45	NAS514P1032-34P		..SCREW	101102 108120 504903	2

MISSING ITEM NUMBERS NOT APPLICABLE

- ITEM NOT ILLUSTRATED

BRI

29-11-51-55

29-11-51
FIG. 55
PAGE 1
JAN 20/09



757

PARTS CATALOG (MAINTENANCE)

FIG ITEM	PART NUMBER	1 2 3 4 5 6 7	NOMENCLATURE	EFFECT FROM TO	UNITS PER ASSY
55					
50	NAS43DD3-101	..	SPACER	101102 108120 504903	2
55	AN960KD10L	..	WASHER	101102 108120 504903	2
60	BRH10A3	..	NUT SUPPLIER CODE: V52828 SPECIFICATION NUMBER: BACN10JC3 OPTIONAL PART: H10-3BAC V15653 NS202101-02 V80539 RMLH9075-3W V72962 VN303A02 V92215 96-02 V80539 T6S1032J V11815	101102 108120 504903	2
65	270N2000-1026	..	CHANNEL	101102 108120 504903	1
70	270N2000-1268	..	BLOCK	101102 108120 504903	2
75	270N2000-1310	.CLAMP ASSY-	POSITION DATA: STA 1070 LBL 30 FOR BREAKDOWN SEE: 29-11-51-58	504903	RF
75	270N2000-1319	.CLAMP ASSY-	POSITION DATA: STA 1070 LBL 30 FOR BREAKDOWN SEE: 29-11-51-58	101102 108120	RF
110	270N2000-1305	.CLAMP ASSY-	FOR BREAKDOWN SEE: 29-11-51-64	101102 108120 504903	RF

MISSING ITEM NUMBERS NOT APPLICABLE

- ITEM NOT ILLUSTRATED

BRI

29-11-51-55

29-11-51
FIG. 55
PAGE 2
JAN 20/09



757

PARTS CATALOG (MAINTENANCE)

FIG ITEM	PART NUMBER	1 2 3 4 5 6 7	NOMENCLATURE	EFFECT FROM TO	UNITS PER ASSY
55 150	271N6443-1094	.	TUBE ASSY-RETURN SYS POSITION DATA: LH TUBING MATERIAL: .625 IN. OD .035 IN. WALL 52.10 IN. LG AL AMS 4083 6061 T6 TUBING	101102 108120 504903	1
155	271N6443-1096	.	TUBE ASSY-RETURN SYS POSITION DATA: LH TUBING MATERIAL: .625 IN. OD .035 IN. WALL 23.30 IN. LG AL AMS 4083 6061 T6 TUBING	101102 108120 504903	1
- 160	AP2097HP10	..	SLEEVE SUPPLIER CODE: V01673 SPECIFICATION NUMBER: BACS13BX10HP OPTIONAL PART: 2-02903-10HP V11328 35235VN10 V08199 AFP175V10P V30974 DBOS13BX10HP V14798	101102 108120 504903	2
- 165	MS21921-10D	..	NUT- OPTIONAL PART: BACN10YL10	101102 108120 504903	2
- 165	BACN10YL10	..	NUT- OPTIONAL PART: MS21921-10D	101102 108120 504903	2

MISSING ITEM NUMBERS NOT APPLICABLE

- ITEM NOT ILLUSTRATED

29-11-51-55

29-11-51
FIG. 55
PAGE 3
JAN 20/09

BRI



757

PARTS CATALOG (MAINTENANCE)

FIG ITEM	PART NUMBER	1 2 3 4 5 6 7	NOMENCLATURE	EFFECT FROM TO	UNITS PER ASSY
55 200	APX824F100810W	. TEE	SUPPLIER CODE: V01673 SPECIFICATION NUMBER: BACT16AS100810W OPTIONAL PART: APX824-100810W V01673 DBOT16AS100810W V14798 ER824-100810W V50948 FER1571-100810W V14397 LER824-100810W V11328 NAF1824-100810W V52930 US1925-100810W V50808 AFP325-100810W V30974	101102 108120 504903	1
205	APX824F100816W	. TEE	SUPPLIER CODE: V01673 SPECIFICATION NUMBER: BACT16AS100816W OPTIONAL PART: APX824-100816W V01673 DBOT16AS100816W V14798 ER824-100816W V50948 FER1571-100816W V14397 LER824-100816W V11328 NAF1824-100816W V52930 US1925-100806W V50808 AFP325-100816W V30974	101102 108120 504903	1
300	270N2006-58	. SHIM		101102 108120 504903	AR

MISSING ITEM NUMBERS NOT APPLICABLE

- ITEM NOT ILLUSTRATED

BRI

29-11-51-55

BOEING PROPRIETARY - Copyright © - Unpublished Work - See title page for details.

29-11-51
FIG. 55
PAGE 4
JAN 20/09



757

PARTS CATALOG (MAINTENANCE)

FIG ITEM	PART NUMBER	1 2 3 4 5 6 7	NOMENCLATURE	EFFECT FROM TO	UNITS PER ASSY
55					
305	270N2006-59	.	SHIM	101102 108120 504903	AR
310	270N2006-60	.	SHIM	101102 108120 504903	AR
315	270N2007-10	.	SHIM	101102 108120 504903	AR
320	270N2007-11	.	SHIM	101102 108120 504903	AR
325	270N2007-12	.	SHIM	101102 108120 504903	AR
900			ILLUSTRATION REFERENCE: PLUMBING INSTL-FILLET AND TE ROLLS ROYCE RETURN LINES 29-11-51-64	101102 108120 504903	RF
905			ILLUSTRATION REFERENCE: PLUMBING INSTL-PRESSURE DECK SECT. 44 L (MAIN HYDR SYS ONLY) 29-11-84-06A	101102 108120 504903	RF
910			ILLUSTRATION REFERENCE: PLUMBING INSTL-4-DOOR/ PKG FREIGHTER MINOR MODEL 29-11-84-01	101102 108120 504903	RF

MISSING ITEM NUMBERS NOT APPLICABLE

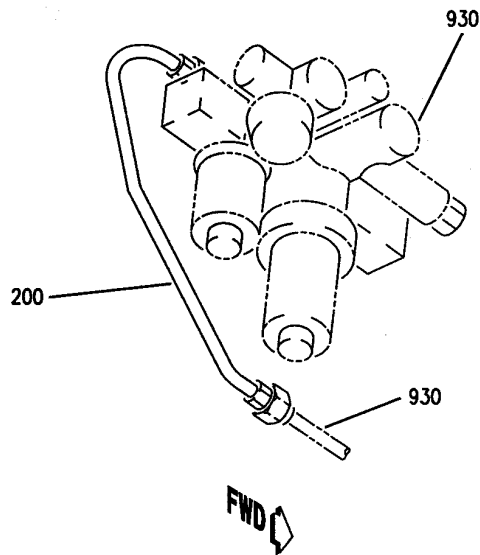
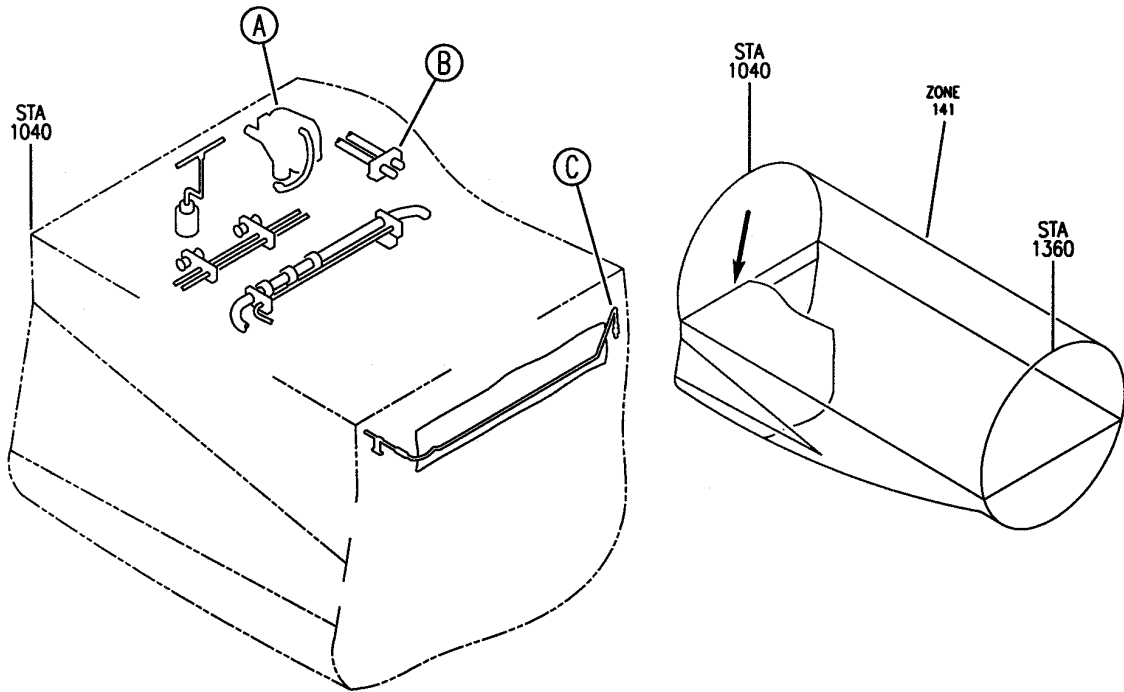
- ITEM NOT ILLUSTRATED

BRI

29-11-51-55

29-11-51
FIG. 55
PAGE 5
JAN 20/09

BOEING
757
PARTS CATALOG (MAINTENANCE)



VIEW LOOKING UP

(A)

Y 29115157 SHT 1 REV 219

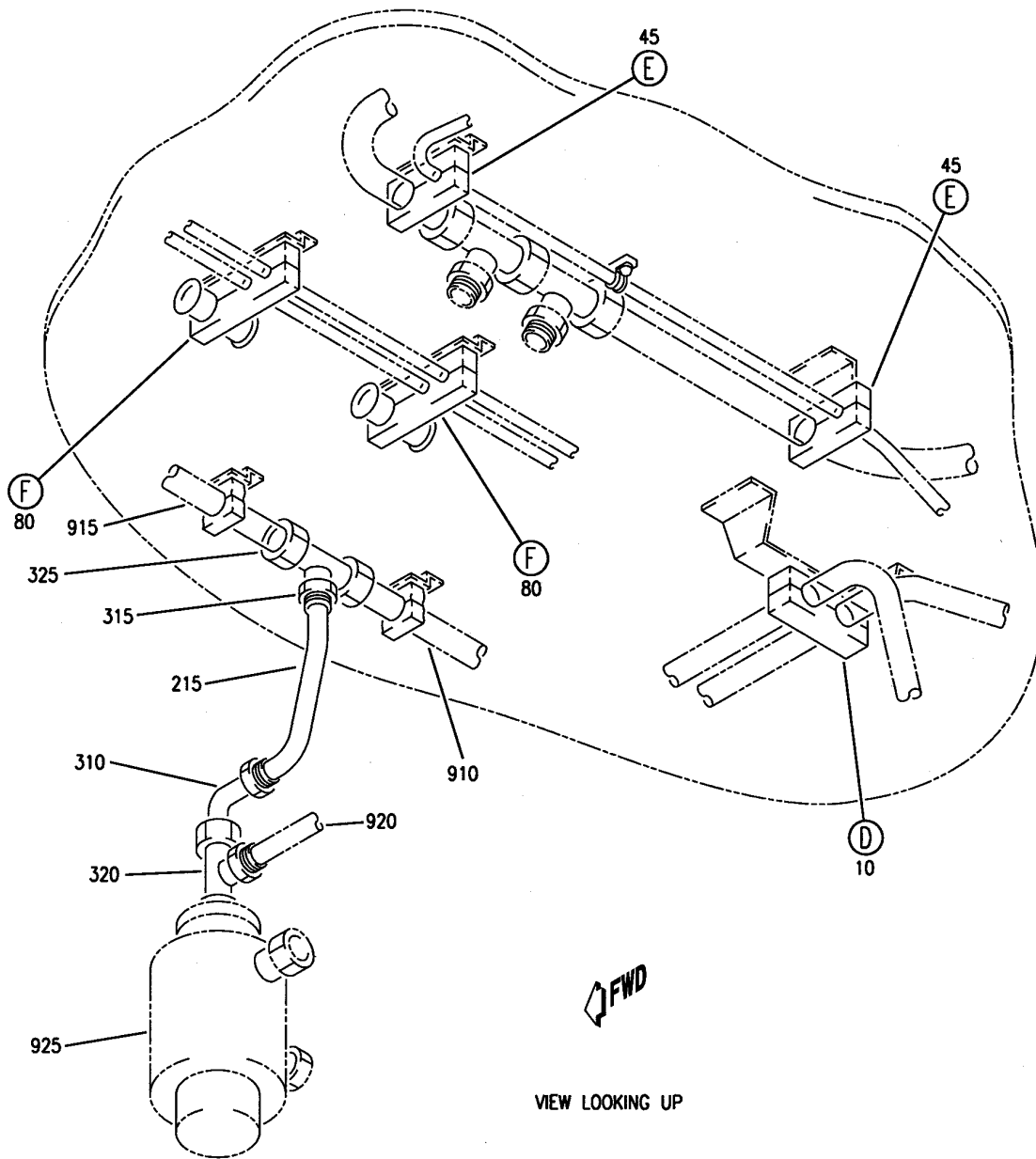
PLUMBING INSTL-NO ETOPS PROVISIONS
FIGURE 57 (SHEET 1)

29-11-51-57

BRI
JAN 20/09

29-11-51-57
PAGE 0

BOEING
757
PARTS CATALOG (MAINTENANCE)



Y 29115157 SH1 2 REV 212



VIEW LOOKING UP

(B)

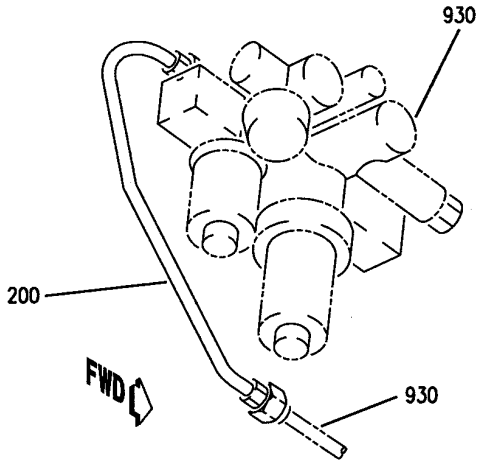
PLUMBING INSTL-NO ETOPS PROVISIONS
FIGURE 57 (SHEET 2)

29-11-51-57

BRI
JAN 20/09

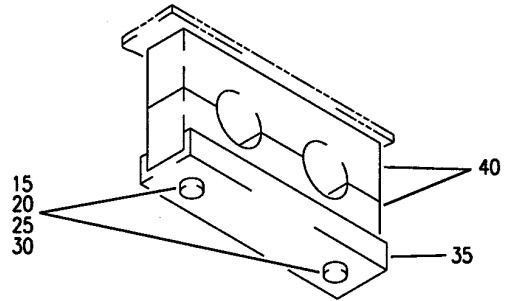
29-11-51-57
PAGE 0A

BOEING
757
PARTS CATALOG (MAINTENANCE)



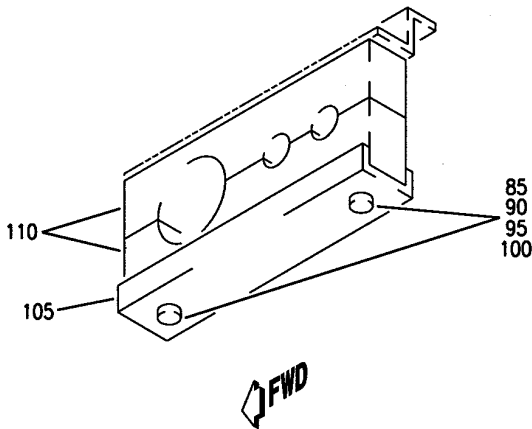
VIEW LOOKING UP

(C)



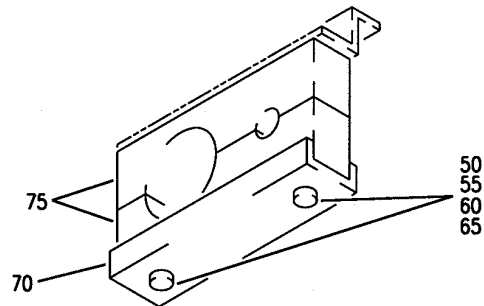
VIEW LOOKING UP

(D)



VIEW LOOKING UP

(F)



VIEW LOOKING UP

(E)

Y 29115157 SHT 3 REV 212

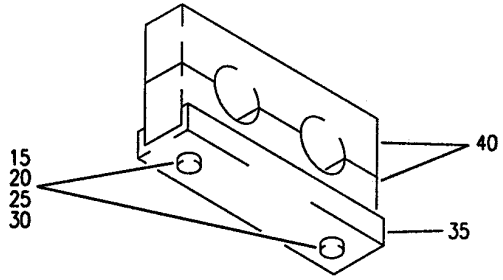
PLUMBING INSTL-NO ETOPS PROVISIONS
FIGURE 57 (SHEET 3)

29-11-51-57

BRI
JAN 20/09

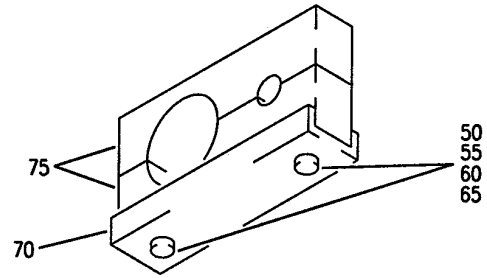
29-11-51-57
PAGE 0B

BOEING
757
PARTS CATALOG (MAINTENANCE)



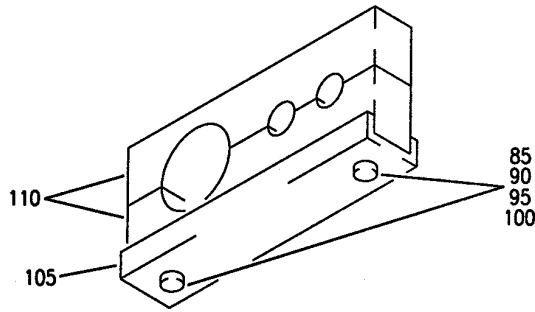
FWD
VIEW LOOKING UP

(D)



FWD
VIEW LOOKING UP

(E)



FWD
VIEW LOOKING UP

(F)

Y 29115157 SH 4 REV 219

PLUMBING INSTL-NO ETOPS PROVISIONS
FIGURE 57 (SHEET 4)

29-11-51-57

BRI
JAN 20/09

29-11-51-57
PAGE 0C



757

PARTS CATALOG (MAINTENANCE)

FIG ITEM	PART NUMBER	1 2 3 4 5 6 7	NOMENCLATURE	EFFECT FROM TO	UNITS PER ASSY
57			PLUMBING INSTL-NO ETOPS PROVISIONS	504903	RF
- 1	271N6443-33		PLUMBING INSTL-NO ETOPS PROVISIONS FOR NHA SEE: 29-00-51-05B	504903	RF
5	M85052-2-4		.CLAMP-	504903	4
10	270N2000-67		.CLAMP ASSY-BLOCK	504903	1
15	NAS1801-3-30		..SCREW	504903	2
20	NAS43DD3-83		..SPACER	504903	2
25	AN96PD10L		..WASHER	504903	2
30	BRH10A3		..NUT	504903	2
			SUPPLIER CODE: V52828		
			SPECIFICATION NUMBER: BACN10JC3		
			OPTIONAL PART: H10-3BAC V15653 NS202101-02 V80539 RMLH9075-3W V72962 VN303A02 V92215 96-02 V80539 T6S1032J V11815		
35	270N2000-841		..CHANNEL	504903	1
40	270N2000-468		..BLOCK-CLAMP	504903	2
45	270N2000-72		.CLAMP ASSY-BLOCK	504903	2
50	NAS1801-3-32		..SCREW	504903	2
55	NAS43DD3-99		..SPACER	504903	2
60	AN960PD10L		..WASHER	504903	2

MISSING ITEM NUMBERS NOT APPLICABLE

- ITEM NOT ILLUSTRATED

29-11-51-57

29-11-51
FIG. 57
PAGE 1
JAN 20/09

BRI

BOEING PROPRIETARY - Copyright © - Unpublished Work - See title page for details.



757

PARTS CATALOG (MAINTENANCE)

FIG ITEM	PART NUMBER	1 2 3 4 5 6 7	NOMENCLATURE	EFFECT FROM TO	UNITS PER ASSY
57					
65	BRH10A3	..	NUT SUPPLIER CODE: V52828 SPECIFICATION NUMBER: BACN10JC3 OPTIONAL PART: H10-3BAC V15653 NS202101-02 V80539 RMLH9075-3W V72962 VN303A02 V92215 96-02 V80539 T6S1032J V11815	504903	2
70	270N2000-892	..	CHANNEL	504903	1
75	270N2000-573	..	BLOCK-CLAMP	504903	2
80	270N2000-103	.	CLAMP ASSY-BLOCK	504903	2
85	NAS1801-3-34	..	SCREW	504903	2
90	NAS43DD3-99	..	SPACER	504903	2
95	AN960PD10L	..	WASHER	504903	2
100	BRH10A3	..	NUT SUPPLIER CODE: V52828 SPECIFICATION NUMBER: BACN10JC3 OPTIONAL PART: H10-3BAC V15653 NS202101-02 V80539 RMLH9075-3W V72962 VN303A02 V92215 96-02 V80539 T6S1032J V11815	504903	2
105	270N2000-851	..	CHANNEL	504903	1
110	270N2000-537	..	BLOCK-CLAMP	504903	2

MISSING ITEM NUMBERS NOT APPLICABLE

- ITEM NOT ILLUSTRATED

BRI

29-11-51-57

29-11-51
FIG. 57
PAGE 2
JAN 20/09



757

PARTS CATALOG (MAINTENANCE)

FIG ITEM	PART NUMBER	1 2 3 4 5 6 7	NOMENCLATURE	EFFECT FROM TO	UNITS PER ASSY
57 200	271N6443-1048		.TUBE ASSY-CASE DRAIN SYS POSITION DATA: L TUBING MATERIAL: .375 IN. OD .035 IN. WALL 18.10 IN. LG AL AMS 4083 6061 T6 TUBING	504903	1
- 205	AP2097HP06		..SLEEVE SUPPLIER CODE: V01673 SPECIFICATION NUMBER: BACS13BX06HP OPTIONAL PART: 2-02903-06HP V11328 35235VN06 V08199 AFP175V06P V30974 DBOS13BX06HP V14798	504903	2
- 210	BACN10YL06		..NUT-	504903	2
215	271N6443-1171		.TUBE ASSY-PRESSURE SYS POSITION DATA: L TUBING MATERIAL: .750 IN. OD .039 IN. WALL 11.00 IN. LG TI BMS7-234 TI-3AL-2.5V COLD WORKED, STRESS RELIEVED RUBING	504903	1
- 220	AS1581T12		..SLEEVE	504903	2
- 225	BACN10YA12		..NUT-	504903	2
230	271N6443-1035		.TUBE ASSY-ALTERNATE EXTEND PRESSURE TUBING MATERIAL: .250 IN. OD .016 IN. WALL 55.30 IN. LG BMS 7-234 TI-3AL-2.5V COLD WORKED, STRESS RELIEVED TUBING	504903	1
300	D10282-04		.UNION- SUPPLIER CODE: V14798	504903	1

MISSING ITEM NUMBERS NOT APPLICABLE

- ITEM NOT ILLUSTRATED

29-11-51-57

29-11-51
FIG. 57
PAGE 3
JAN 20/09

BRI



757

PARTS CATALOG (MAINTENANCE)

FIG ITEM	PART NUMBER	1 2 3 4 5 6 7	NOMENCLATURE	EFFECT FROM TO	UNITS PER ASSY
57 305	D10199-0604		.UNION- SUPPLIER CODE: V14798 USED WITH: AN924-6D	504903	1
310	NAS1762J1212		.ELBOW- USED WITH: NAS1763J121212	504903	1
315	0121520900-5		.VALVE- SUPPLIER CODE: V83533 SPECIFICATION NUMBER: BACV10CD5 OPTIONAL PART: 1C1352 V99240 USED WITH: BACM10V21-2JG	504903	1
320	NAS1763J121212		.TEE- USED WITH: NAS1762J1212	504903	1
325	BACT16BL160812J		.TEE	504903	1
330	AN924-6D		.NUT- USED WITH: D10199-0604	504903	1
900			ILLUSTRATION REFERENCE: PLUMBING INSTL LH MAIN MLG WHL WELL HYDR KEEL BEAM SECT. 44 29-11-51-93	504903	RF
905			ILLUSTRATION REFERENCE: PLUMBING INSTL-4-DOOR/ PKG FREIGHTER MINOR MODEL 29-11-84-01	504903	RF
910			ILLUSTRATION REFERENCE: PLUMBING INSTL-PRESSURE DECK SECT. 44 L (MAIN HYDR SYS ONLY) 29-11-84-06A	504903	RF
915			ILLUSTRATION REFERENCE: PLUMBING INSTL-4-DOOR/ PKG FREIGHTER MINOR MODEL 29-11-84-01	504903	RF

MISSING ITEM NUMBERS NOT APPLICABLE

- ITEM NOT ILLUSTRATED

BRI

29-11-51-57

29-11-51
FIG. 57
PAGE 4
JAN 20/09



757

PARTS CATALOG (MAINTENANCE)

FIG ITEM	PART NUMBER	1 2 3 4 5 6 7	NOMENCLATURE	EFFECT FROM TO	UNITS PER ASSY
57 920			ILLUSTRATION REFERENCE: PLUMBING INSTL LH MAIN MLG WHL WELL HYDR KEEL BEAM SECT. 44 29-11-51-93	504903	RF
930			ILLUSTRATION REFERENCE: MODULE INSTL-ELEC MOTOR PUMP PRESSURE/CASE DRAIN L AND R SYS FILTER 29-11-18-01	504903	RF
930			ILLUSTRATION REFERENCE: PLUMBING INSTL-BASIC AND STABLE 29-11-84-06	504903	RF
930			ILLUSTRATION REFERENCE: PLUMBING INSTL-PRESSURE DECK SECT. 44 L (MAIN HYDR SYS ONLY) 29-11-84-06A	504903	RF

MISSING ITEM NUMBERS NOT APPLICABLE

- ITEM NOT ILLUSTRATED

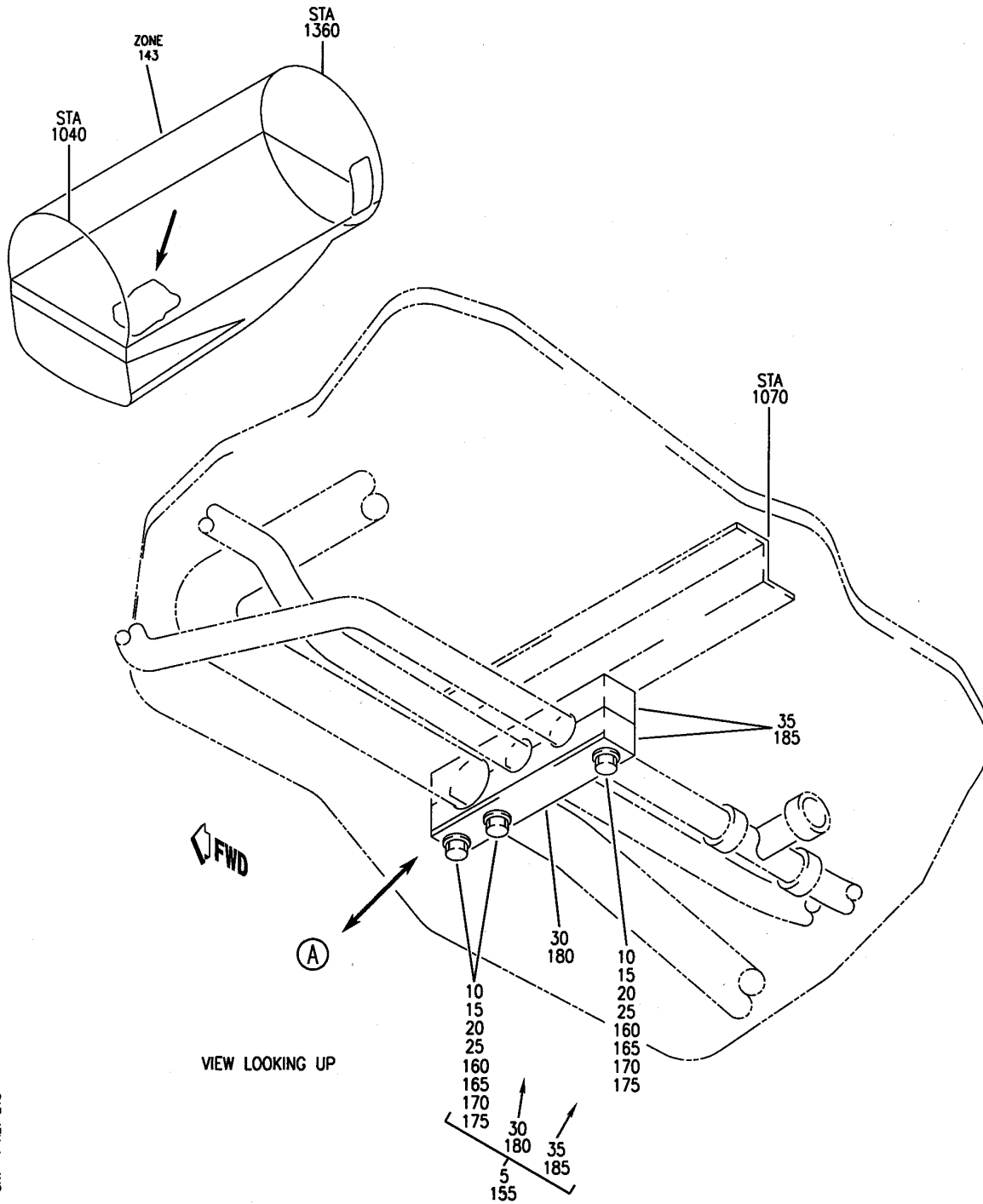
BRI

29-11-51-57

BOEING PROPRIETARY - Copyright © - Unpublished Work - See title page for details.

29-11-51
FIG. 57
PAGE 5
JAN 20/09

BOEING
757
PARTS CATALOG (MAINTENANCE)



Y 29115158 SHT 1 REV 215

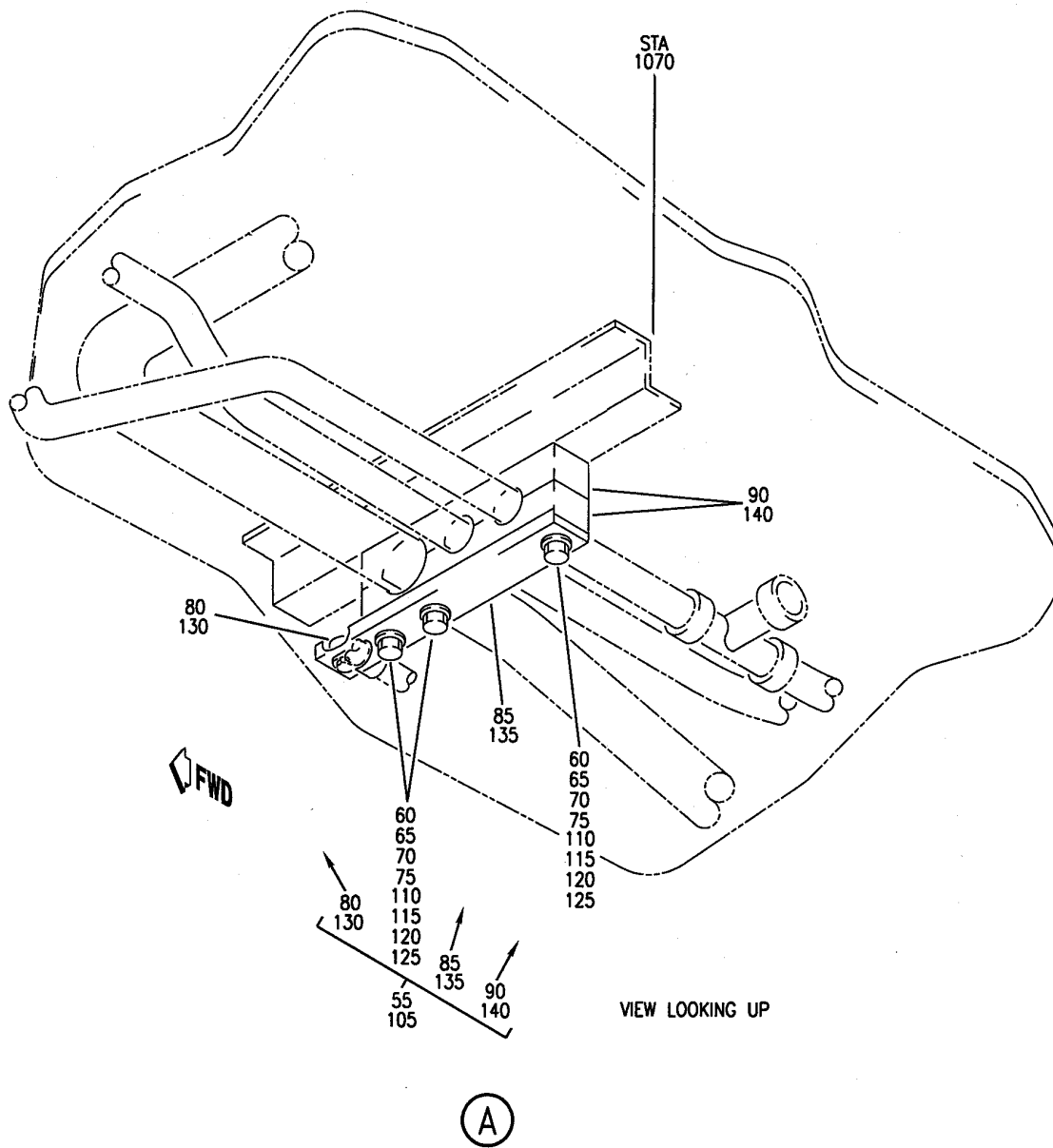
PLUMBING INSTL-SECT.44 HYD, LEFT PRESSURE DECK
FIGURE 58 (SHEET 1)

29-11-51-58

BRI
MAY 28/07

29-11-51-58
PAGE 0

BOEING
757
PARTS CATALOG (MAINTENANCE)



Y 29115158 SHT 2 REV 215

PLUMBING INSTL-SECT.44 HYD, LEFT PRESSURE DECK
FIGURE 58 (SHEET 2)

29-11-51-58

BRI
MAY 28/07

29-11-51-58
PAGE 0A



757

PARTS CATALOG (MAINTENANCE)

FIG ITEM	PART NUMBER	1 2 3 4 5 6 7	NOMENCLATURE	EFFECT FROM TO	UNITS PER ASSY
58			PLUMBING INSTL-SECT.44 HYD, LEFT PRESSURE DECK	101106 108120	RF
- 1	271N6443-35		PLUMBING INSTL-NO ETOPS AND ROLLS ROYCE ENG FOR NHA SEE: 29-00-51-05B	504903 504903	RF
5	270N2000-1310		.CLAMP ASSY- POSITION DATA: STA 1070 LBL 30	504903	1
10	NAS1801-3-34		..SCREW	504903	3
15	NAS43DD3-101		..SPACER	504903	3
20	AN960KD10L		..WASHER	504903	3
25	BRH10A3		..NUT	504903	3
			SUPPLIER CODE: V52828		
			SPECIFICATION NUMBER: BACN10JC3		
			OPTIONAL PART: H10-3BAC		
			V15653		
			NS202101-02		
			V80539		
			RMLH9075-3W		
			V72962		
			VN303A02		
			V92215		
			96-02		
			V80539		
			T6S1032J		
			V11815		
30	270N2000-1016		..CHANNEL	504903	1
35	270N2000-1264		..BLOCK	504903	2
- 100	271N6443-34		PLUMBING INSTL-ETOPS AND ROLLS ROYCE ENG FOR NHA SEE: 29-00-51-05B	101102 108120	RF
- 100	MODREF31803		PLUMBING INSTL-ETOPS AND ROLLS ROYCE ENG MODULE NUMBER: 271N6443-34 REV B	103106	1
105	270N2000-1319		.CLAMP ASSY-BLOCK POSITION DATA: STA 1070 LBL 30	101106 108120	1
110	NAS1801-3-34		..SCREW	101106 108120	3
115	NAS43DD3-101		..SPACER	101106 108120	3

MISSING ITEM NUMBERS NOT APPLICABLE

- ITEM NOT ILLUSTRATED

29-11-51-58

29-11-51
FIG. 58
PAGE 1
JAN 20/09

BRI



757

PARTS CATALOG (MAINTENANCE)

FIG ITEM	PART NUMBER	1 2 3 4 5 6 7	NOMENCLATURE	EFFECT FROM TO	UNITS PER ASSY
58					
120	AN960KD10L	..	WASHER	101106 108120	3
125	BRH10A3	..	NUT	101106 108120	3
			SUPPLIER CODE: V52828		
			SPECIFICATION NUMBER: BACN10JC3		
			OPTIONAL PART: H10-3BAC		
			V15653		
			NS202101-02		
			V80539		
			RMLH9075-3W		
			V72962		
			VN303A02		
			V92215		
			96-02		
			V80539		
			T6S1032J		
			V11815		
130	FS1651-3	..	NUTPLATE	101106 108120	1
			SUPPLIER CODE: V15653		
			SPECIFICATION NUMBER: BACN10KH3CD		
			OPTIONAL PART: 102F9209M3		
			V72962		
			NS202496-02		
			V80539		
135	270N2000-1029	..	CHANNEL	101106 108120	1
140	270N2000-1264	..	BLOCK	101106 108120	2

MISSING ITEM NUMBERS NOT APPLICABLE

- ITEM NOT ILLUSTRATED

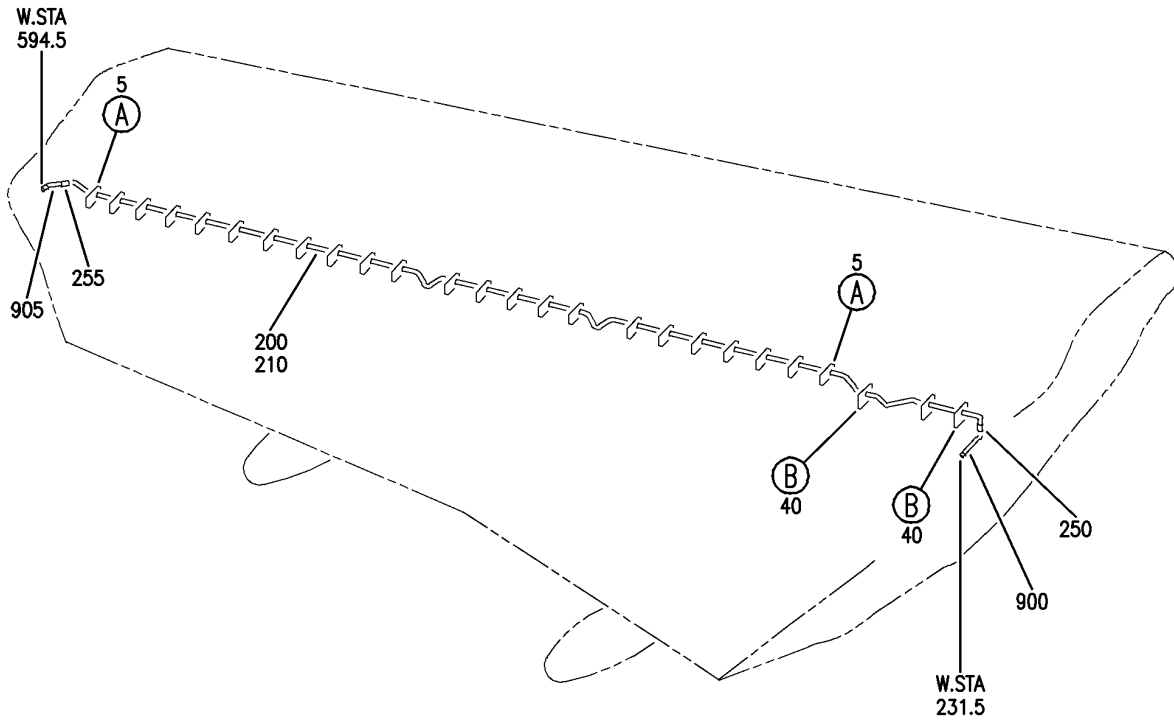
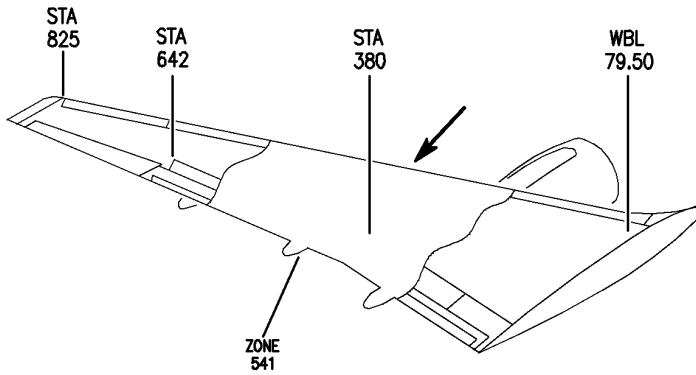
29-11-51-58

29-11-51
FIG. 58
PAGE 2
JAN 20/09

BRI

BOEING PROPRIETARY - Copyright © - Unpublished Work - See title page for details.

BOEING
757
PARTS CATALOG (MAINTENANCE)



Y 29115159 SH1 1 REV 230

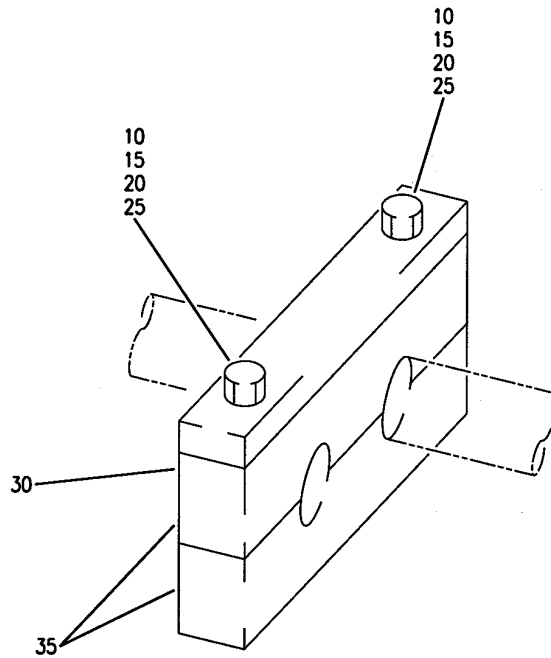
PLUMBING INSTL-INSPAR SYS CTR CASE DRAIN
FIGURE 59 (SHEET 1)

29-11-51-59

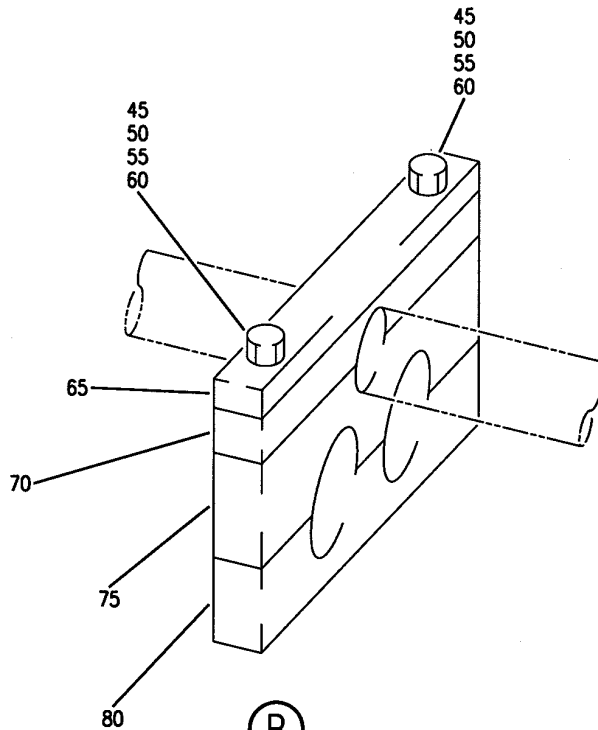
BRI
MAY 28/07

29-11-51-59
PAGE 0

BOEING
757
PARTS CATALOG (MAINTENANCE)



(A)



(B)

Y 29115159 SH1 2 REV 211

PLUMBING INSTL-INSPAR SYS CTR CASE DRAIN
FIGURE 59 (SHEET 2)

29-11-51-59

BRI
MAY 28/07

29-11-51-59
PAGE 0A



757

PARTS CATALOG (MAINTENANCE)

FIG ITEM	PART NUMBER	1 2 3 4 5 6 7	NOMENCLATURE	EFFECT FROM TO	UNITS PER ASSY
59			PLUMBING INSTL-INSPAR SYS CTR CASE DRAIN	101102 108120 504903	
- 1	271N6121-7		PLUMBING INSTL-INSPAR SYS CASE DRAIN POSITION DATA: CTR FOR NHA SEE: 29-00-51-02B	101102 108120 504903	RF
5	270N2001-10		.CLAMP ASSY-BLK	101102 108120 504903	23
10	NAS1801-3-24		..SCREW	101102 108120 504903	2
15	NAS43DD3-59		..SPACER	101102 108120 504903	2
20	AN960PD10L		..WASHER	101102 108120 504903	2
25	BRH10A3		..NUT SUPPLIER CODE: V52828 SPECIFICATION NUMBER: BACN10JC3 OPTIONAL PART: H10-3BAC V15653 NS202101-02 V80539 RMLH9075-3W V72962 VN303A02 V92215 96-02 V80539 T6S1032J V11815	101102 108120 504903	2
30	270N2001-805		..CHANNEL	101102 108120 504903	1
35	270N2001-405		..BLOCK	101102 108120 504903	2
40	270N2001-11		.CLAMP ASSY-BLK	101102 108120 504903	3

MISSING ITEM NUMBERS NOT APPLICABLE

- ITEM NOT ILLUSTRATED

BRI

29-11-51-59

29-11-51
FIG. 59
PAGE 1
JAN 20/09



757

PARTS CATALOG (MAINTENANCE)

FIG ITEM	PART NUMBER	1 2 3 4 5 6 7	NOMENCLATURE	EFFECT FROM TO	UNITS PER ASSY
59					
45	NAS1801-3-36	..	SCREW	101102 108120 504903	2
50	NAS43DD3-107	..	SPACER	101102 108120 504903	2
55	AN960PD10L	..	WASHER	101102 108120 504903	2
60	BRH10A3	..	NUT SUPPLIER CODE: V52828 SPECIFICATION NUMBER: BACN10JC3 OPTIONAL PART: H10-3BAC V15653 NS202101-02 V80539 RMLH9075-3W V72962 VN303A02 V92215 96-02 V80539 T6S1032J V11815	101102 108120 504903	2
65	270N2001-806	..	CHANNEL	101102 108120 504903	1
70	270N2001-406	..	BLOCK	101102 108120 504903	1
75	270N2001-407	..	BLOCK	101102 108120 504903	1
80	270N2001-408	..	BLOCK	101102 108120 504903	1
200	271N6121-1098	.TUBE ASSY-	TUBING MATERIAL: .375 IN. OD X .019 IN. WALL X 371.1 IN. LG 3AL-2.5V TITANIUM SEAMLESS TUBING PER BMS7-234. OPTIONAL PART: 271N6121-1133	101102 108120 504903	1

MISSING ITEM NUMBERS NOT APPLICABLE

- ITEM NOT ILLUSTRATED

29-11-51-59

29-11-51
FIG. 59
PAGE 2
JAN 20/09

BRI

BOEING PROPRIETARY - Copyright © - Unpublished Work - See title page for details.



757

PARTS CATALOG (MAINTENANCE)

FIG ITEM	PART NUMBER	1 2 3 4 5 6 7	NOMENCLATURE	EFFECT FROM TO	UNITS PER ASSY
59					
- 205	AS1580T06		..RING	101102 108120 504903	AR
210	271N6121-1133		.TUBE ASSY-	101102	1
			OPTIONAL PART:	108120	
			271N6121-1098	504903	
- 215	271N6121-1139		..TUBE ASSY-	101102	1
			TUBING MATERIAL:	108120	
			.375 IN. OD X .019 IN.	504903	
			WALL X 119 IN. LG		
			3AL-2.5V TITANIUM		
			SEAMLESS TUBING PER		
			BMS7-234.		
- 220	271N6121-1140		..TUBE ASSY-	101102	1
			TUBING MATERIAL:	108120	
			.375 IN. OD X .019 IN.	504903	
			WALL X 121.5 IN. LG		
			3AL-2.5V TITANIUM		
			SEAMLESS TUBING PER		
			BMS7-234.		
- 225	271N6121-1136		..TUBE ASSY-	101102	1
			TUBING MATERIAL:	108120	
			.375 IN. OD X .019 IN.	504903	
			WALL X 130.8 IN. LG		
			3AL-2.5V TITANIUM		
			SEAMLESS TUBING PER		
			BMS7-234.		
- 230	AS1580T06		..RING	101102	2
				108120	
				504903	
250	D10282-0606J		.UNION	101102	1
			SUPPLIER CODE:	108120	
			V14798	504903	
			SPECIFICATION NUMBER:		
			BACU24BS0606J		
255	D10282-06		.UNION-	101102	1
			SUPPLIER CODE:	108120	
			V14798	504903	
			OPTIONAL PART:		
			BACU24BS0606J		
900			ILLUSTRATION REFERENCE:	101102	RF
			PLUMBING INSTL-SECT. 12	108120	
			L WING INBD HYDR	504903	
			(HYDRAULIC POWER ONLY)		
			29-11-51-67		
905			ILLUSTRATION REFERENCE:	101102	RF
			FITTING INSTL-HYDR	108120	
			SECT. 12	504903	
			29-11-55-01A		

MISSING ITEM NUMBERS NOT APPLICABLE

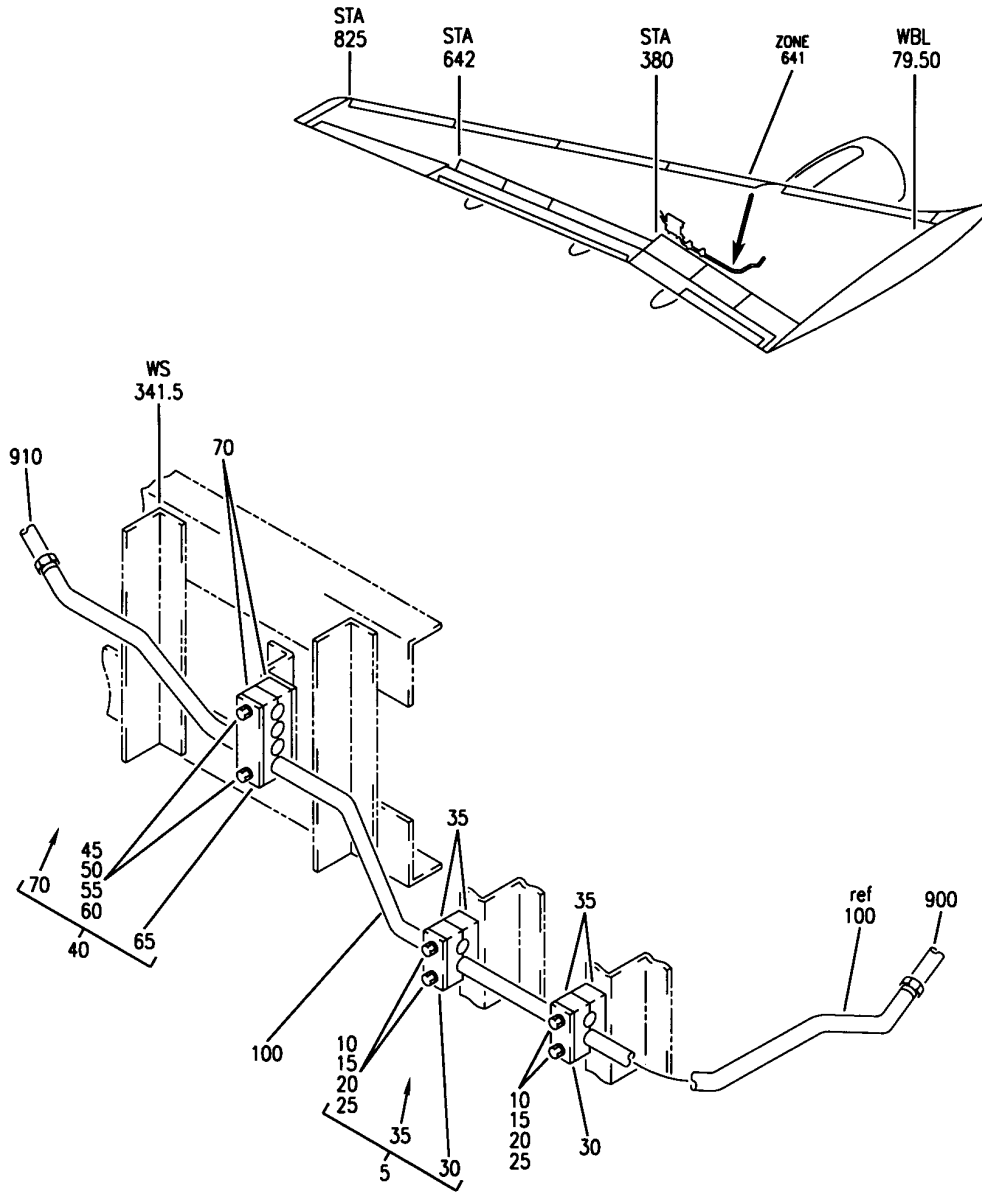
- ITEM NOT ILLUSTRATED

29-11-51-59

29-11-51
FIG. 59
PAGE 3
JAN 20/09

BRI

BOEING
757
PARTS CATALOG (MAINTENANCE)



Y 29115160 REV 211

PLUMBING INSTL-TE ALUMINUM RETURN LINES (EXCEPT DELTA)
FIGURE 60

29-11-51-60

BRI
MAY 28/07

29-11-51-60
PAGE 0



757

PARTS CATALOG (MAINTENANCE)

FIG ITEM	PART NUMBER	1 2 3 4 5 6 7	NOMENCLATURE	EFFECT FROM TO	UNITS PER ASSY
60			PLUMBING INSTL-TE ALUMINUM RETURN LINES (EXCEPT DELTA)	101106 108120 504903	
- 1	271N6121-8		PLUMBING INSTL-TE ALUMINUM RETURN LINES (EXCEPT DELTA FOR NHA SEE: 29-00-51-02B	101106 108120 504903	RF
5	270N2000-3		.CLAMP ASSY-BLK	101106 108120 504903	2
10	NAS1801-3-24		..SCREW	101106 108120 504903	2
15	NAS43DD3-59		..SPACER	101106 108120 504903	2
20	AN960PD10L		..WASHER	101106 108120 504903	2
25	BRH10A3		..NUT SUPPLIER CODE: V52828 SPECIFICATION NUMBER: BACN10JC3 OPTIONAL PART: H10-3BAC V15653 NS202101-02 V80539 RMLH9075-3W V72962 VN303A02 V92215 96-02 V80539 T6S1032J V11815	101106 108120 504903	2
30	270N2000-801		..CHANNEL	101106 108120 504903	1
35	270N2000-401		..BLOCK	101106 108120 504903	2
40	270N2000-1		.CLAMP ASSY-BLK	101106 108120 504903	1

MISSING ITEM NUMBERS NOT APPLICABLE

- ITEM NOT ILLUSTRATED

BRI

29-11-51-60

29-11-51
FIG. 60
PAGE 1
JAN 20/09



757

PARTS CATALOG (MAINTENANCE)

FIG ITEM	PART NUMBER	1 2 3 4 5 6 7	NOMENCLATURE	EFFECT FROM TO	UNITS PER ASSY
60					
45	NAS1801-3-24	..	SCREW	101106 108120 504903	2
50	NAS43DD3-59	..	SPACER	101106 108120 504903	2
55	AN960PD10L	..	WASHER	101106 108120 504903	2
60	BRH10A3	..	NUT SUPPLIER CODE: V52828 SPECIFICATION NUMBER: BACN10JC3 OPTIONAL PART: H10-3BAC V15653 NS202101-02 V80539 RMLH9075-3W V72962 VN303A02 V92215 96-02 V80539 T6S1032J V11815	101106 108120 504903	2
65	270N2000-800	..	CHANNEL- OPTIONAL PART: 270N2000-894	101106 108120 504903	1
65	270N2000-894	..	CHANNEL- OPTIONAL PART: 270N2000-800	101106 108120 504903	1
70	270N2000-400	..	BLOCK	101106 108120 504903	2
100	271N6121-1043	.TUBE ASSY-	TUBING MATERIAL: .375 IN. OD X .019 IN. WALL X 40.0 IN. LG AL AMS 4083 6061 T6 TUBING	101106 108120 504903	1
- 105	AS1581T06	..	SLEEVE	101106 108120 504903	1
- 110	MS21921-6D	..	NUT- OPTIONAL PART: BACN10YL06	101106 108120 504903	1

MISSING ITEM NUMBERS NOT APPLICABLE

- ITEM NOT ILLUSTRATED

29-11-51-60

29-11-51
FIG. 60
PAGE 2
JAN 20/09

BRI

BOEING PROPRIETARY - Copyright © - Unpublished Work - See title page for details.



757

PARTS CATALOG (MAINTENANCE)

FIG ITEM	PART NUMBER	1 2 3 4 5 6 7	NOMENCLATURE	EFFECT FROM TO	UNITS PER ASSY
60					
- 110	BACN10YLO6		..NUT- OPTIONAL PART: MS21921-6D	101106 108120 504903	1
- 115	35056GV06		..UNION SUPPLIER CODE: V08199 SPECIFICATION NUMBER: BACU24AB6W OPTIONAL PART: 2-01027-6W V11328 31875-6W V14397 4671097W6 V50948 AP1004W06 V01673 AFP941W6 V30974 DBOU24AB6W V14798	101106 108120 504903	1
900			ILLUSTRATION REFERENCE: PLUMBING INSTL-SECT.12 HYD, INBOARD WING, LH 29-11-51-61	101102 108120 504903	RF
910			ILLUSTRATION REFERENCE: PLUMBING INSTL-SECT. 12 L WING HYDR (HYDRAULIC POWER ONLY) 29-11-51-26	101106 108120 504903	RF

MISSING ITEM NUMBERS NOT APPLICABLE

- ITEM NOT ILLUSTRATED

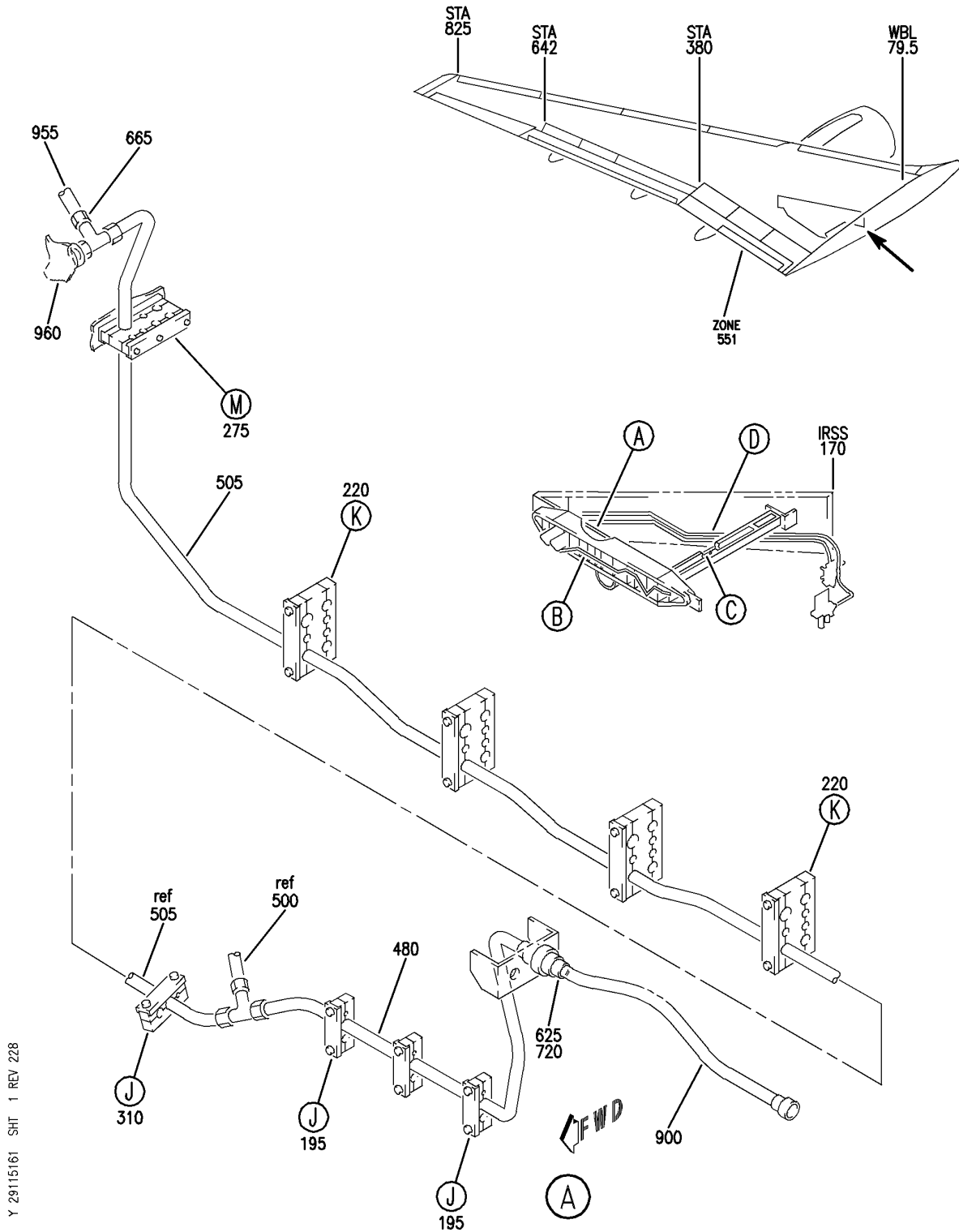
BRI

29-11-51-60

BOEING PROPRIETARY - Copyright © - Unpublished Work - See title page for details.

29-11-51
FIG. 60
PAGE 3
JAN 20/09

BOEING
757
PARTS CATALOG (MAINTENANCE)



Y 29115161 SHT 1 REV 228

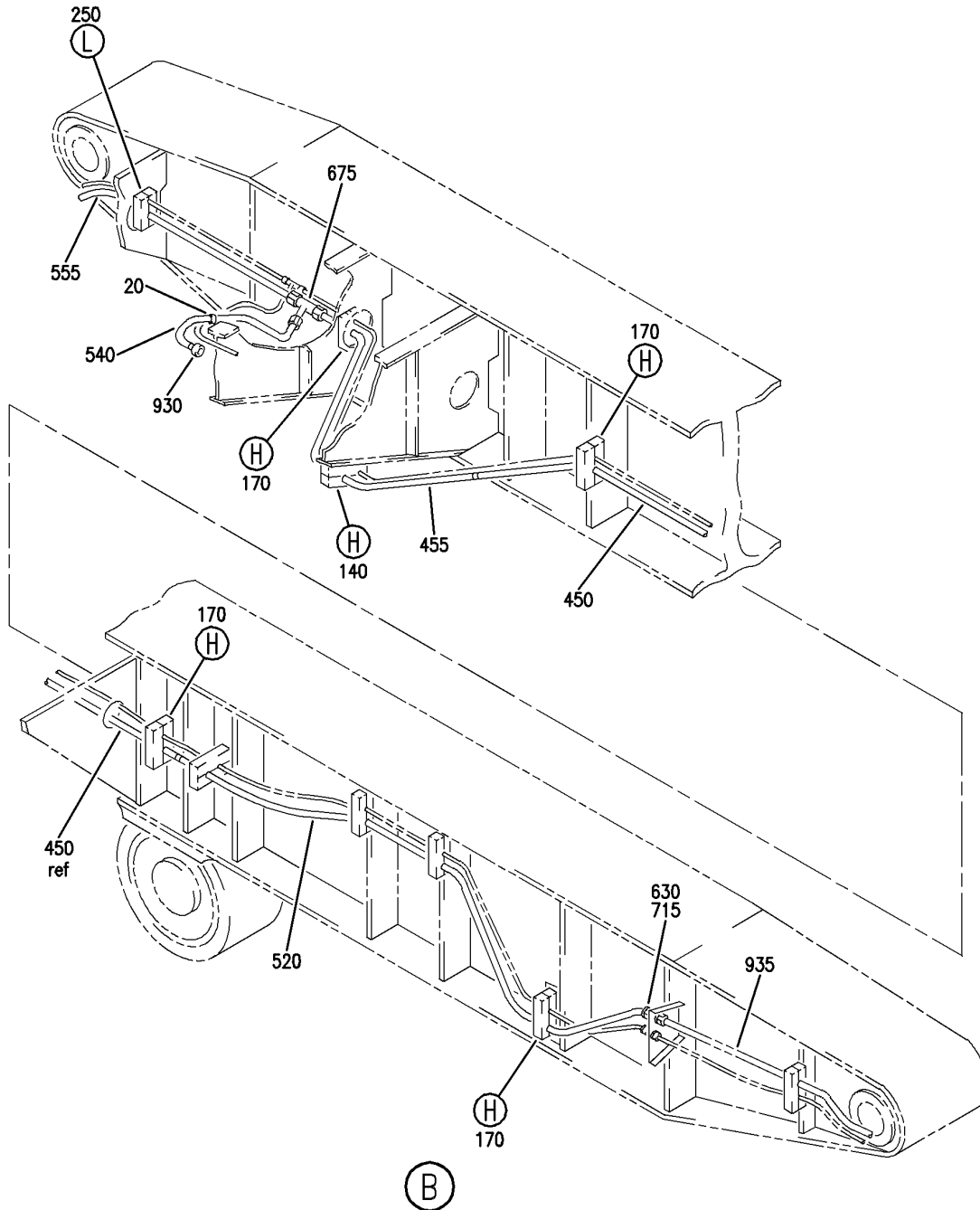
PLUMBING INSTL-SECT.12 HYD, INBOARD WING, LH
FIGURE 61 (SHEET 1)

29-11-51-61

BRI
MAY 28/07

29-11-51-61
PAGE 0

BOEING
757
PARTS CATALOG (MAINTENANCE)



Y 29115161 SHT 2 REV 228

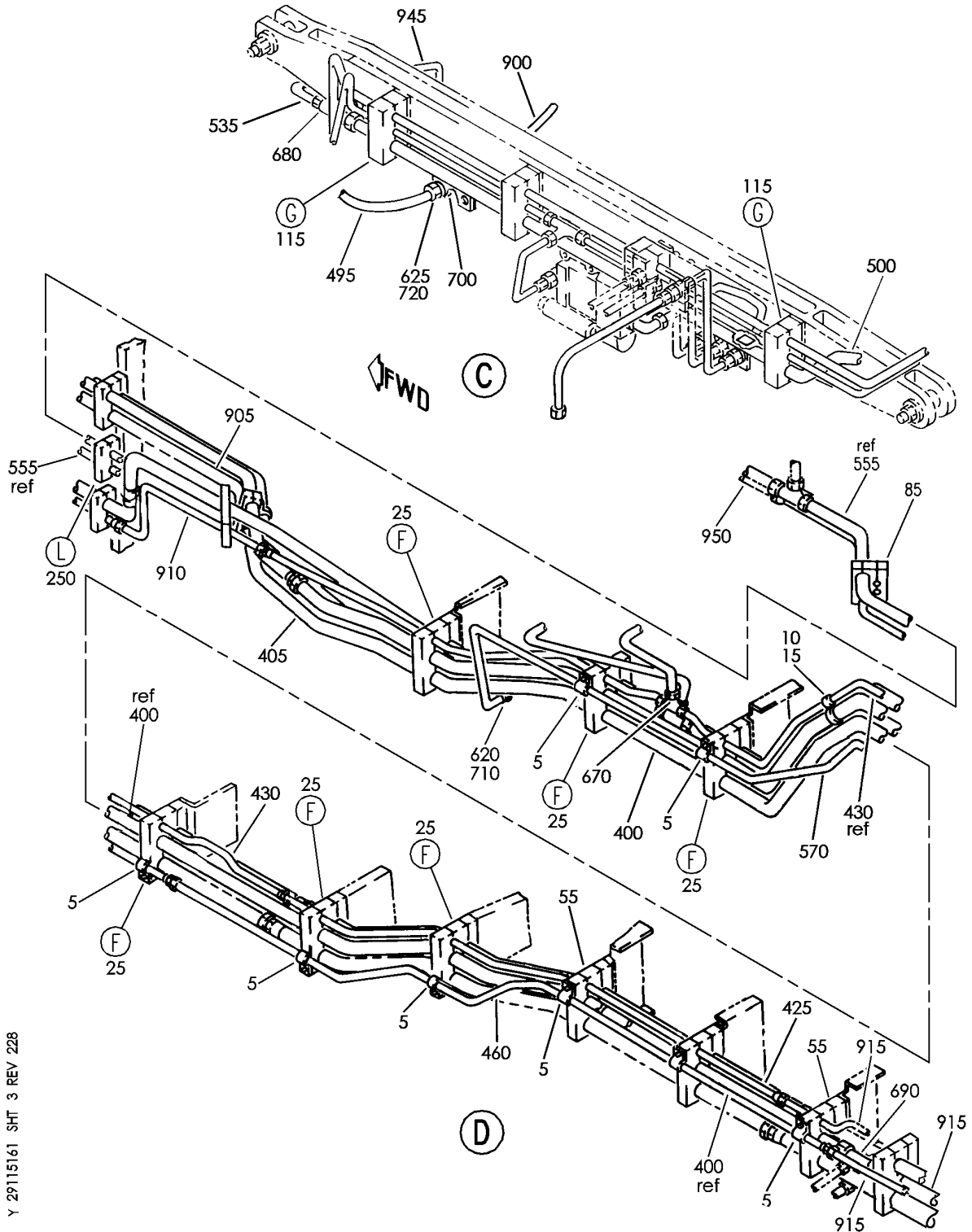
PLUMBING INSTL-SECT.12 HYD, INBOARD WING, LH
FIGURE 61 (SHEET 2)

29-11-51-61

BRI
MAY 28/07

29-11-51-61
PAGE 0A

BOEING
757
PARTS CATALOG (MAINTENANCE)



Y 29115161 SHT 3 REV 228

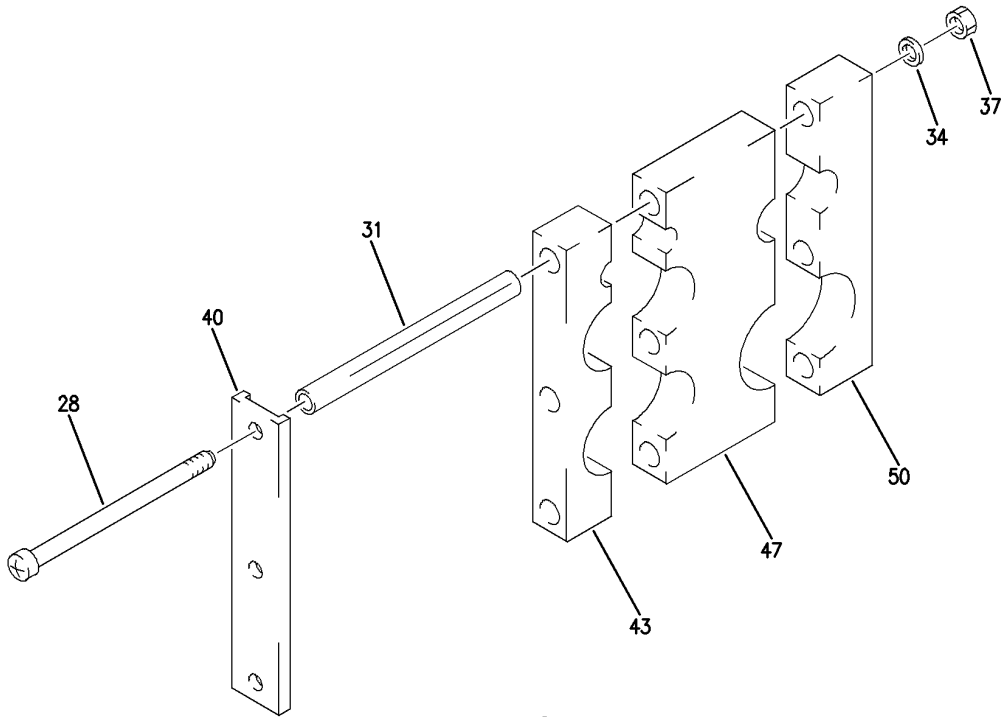
PLUMBING INSTL-SECT.12 HYD, INBOARD WING, LH
FIGURE 61 (SHEET 3)

29-11-51-61

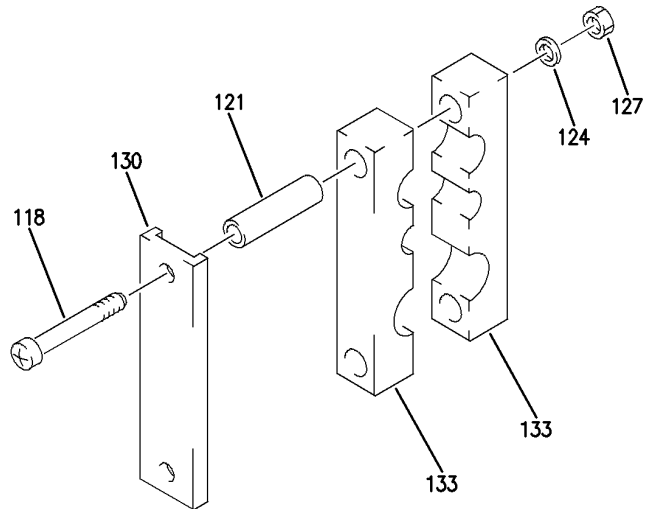
BRI
MAY 28/07

29-11-51-61
PAGE 0B

BOEING
757
PARTS CATALOG (MAINTENANCE)



(F)



(G)

Y 29115161 SHT 4 REV 228

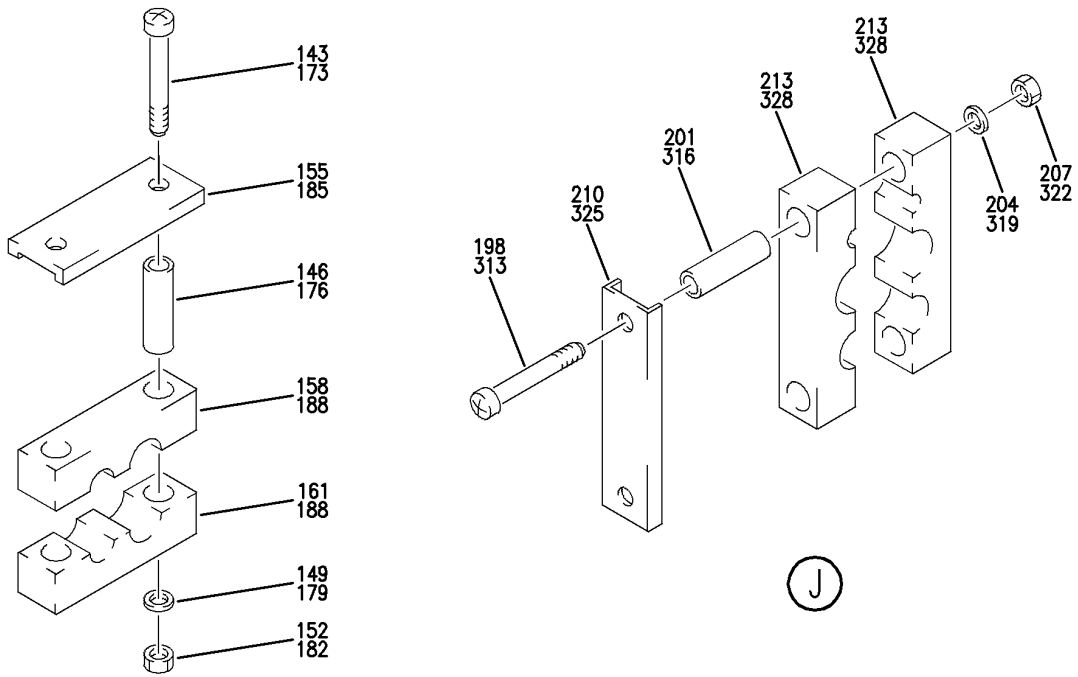
PLUMBING INSTL-SECT.12 HYD, INBOARD WING, LH
FIGURE 61 (SHEET 4)

29-11-51-61

BRI
MAY 28/07

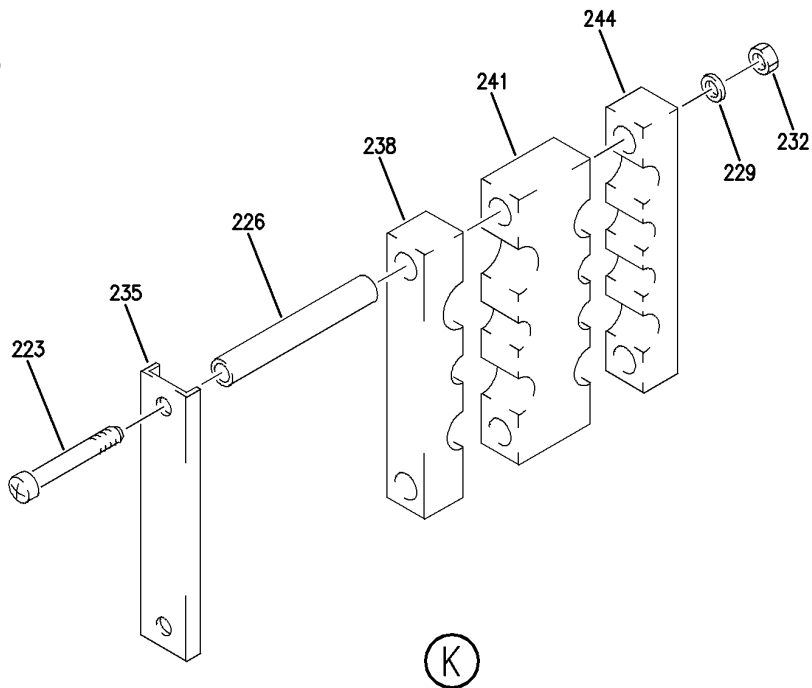
29-11-51-61
PAGE 0C


BOEING
 757
PARTS CATALOG (MAINTENANCE)



(H)

(J)



(K)

Y 29115161 SHT 5 REV 228

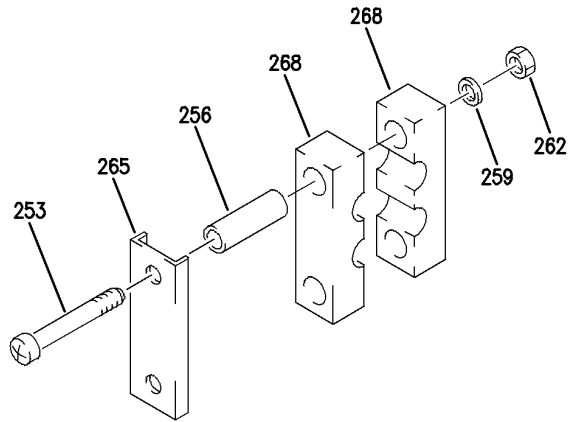
PLUMBING INSTL-SECT.12 HYD, INBOARD WING, LH
FIGURE 61 (SHEET 5)

29-11-51-61

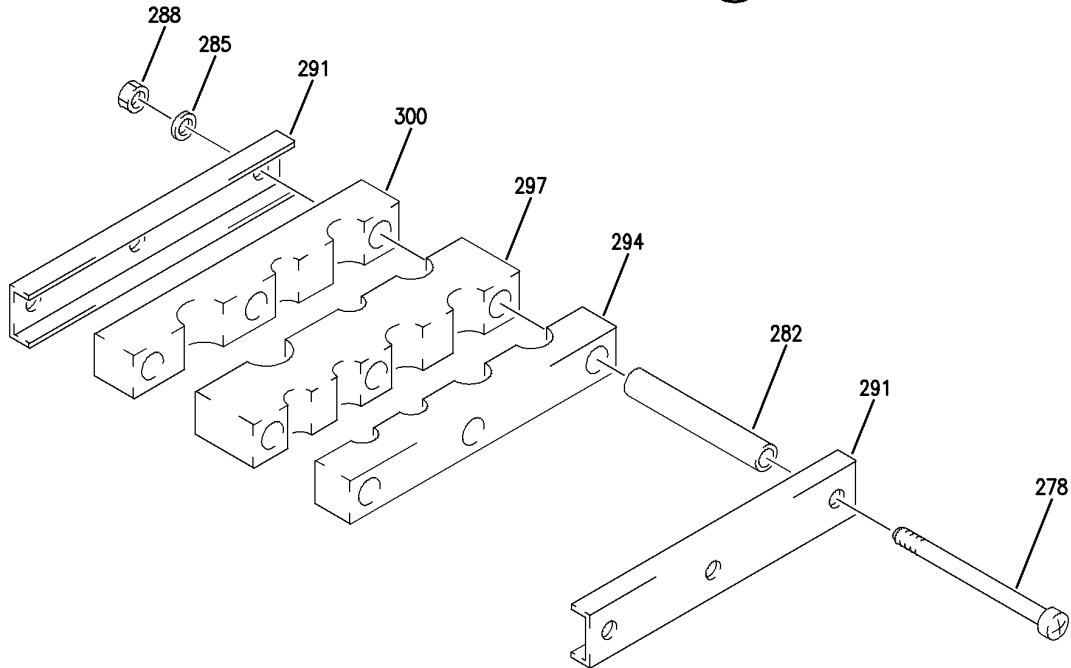
BRI
MAY 28/07

29-11-51-61
PAGE 0D

BOEING
757
PARTS CATALOG (MAINTENANCE)



(L)



(M)

Y 29115161 SHT 6 REV 228

PLUMBING INSTL-SECT.12 HYD, INBOARD WING, LH
FIGURE 61 (SHEET 6)

29-11-51-61

BRI
MAY 28/07

29-11-51-61
PAGE 0E



757

PARTS CATALOG (MAINTENANCE)

FIG ITEM	PART NUMBER	1 2 3 4 5 6 7	NOMENCLATURE	EFFECT FROM TO	UNITS PER ASSY
61			PLUMBING INSTL-SECT.12 HYD, INBOARD WING, LH	101102 108120 504903	RF
- 1	271N6122-26		PLUMBING INSTL-FILLET AND TRAILING EDGE ALUMINUM RETURN LINES EXCEPT DELTA POSITION DATA: SECT. 13 L INBD FOR NHA SEE: 29-00-51-02B	101102 108120 504903	RF
5	M85052-2-8		.CLAMP	101102 108120 504903	8
10	M85052-2-6		.CLAMP- USED WITH: M85052-2-16	101102 108120 504903	1
15	M85052-2-16		.CLAMP- USED WITH: M85052-2-6	101102 108120 504903	1
20	M85052-2-6		.CLAMP	101102 108120 504903	1
25	270N2000-1307		.CLAMP ASSY-BLOCK	101102 108120 504903	6
28	NAS1801-3-67		..SCREW	101102 108120 504903	3
31	NAS43DD3-234		..SPACER	101102 108120 504903	3
34	AN960KD10L		..WASHER	101102 108120 504903	3

MISSING ITEM NUMBERS NOT APPLICABLE

- ITEM NOT ILLUSTRATED

BRI

29-11-51-61

29-11-51
FIG. 61
PAGE 1
JAN 20/09



757

PARTS CATALOG (MAINTENANCE)

FIG ITEM	PART NUMBER	1 2 3 4 5 6 7	NOMENCLATURE	EFFECT FROM TO	UNITS PER ASSY
61					
37	BRH10A3	..	NUT SUPPLIER CODE: V52828 SPECIFICATION NUMBER: BACN10JC3 OPTIONAL PART: H10-3BAC V15653 NS202101-02 V80539 RMLH9075-3W V72962 VN303A02 V92215 96-02 V80539 T6S1032J V11815	101102 108120 504903	3
40	270N2000-811	..	CHANNEL	101102 108120 504903	1
43	270N2000-1252	..	BLOCK	101102 108120 504903	1
47	270N2000-1219	..	BLOCK	101102 108120 504903	1
50	270N2000-1220	..	BLOCK	101102 108120 504903	1
55	270N2000-221	.	CLAMP ASSY-BLOCK	101102 108120 504903	RF
85	270N2000-1304	.	CLAMP ASSY-BLOCK FOR BREAKDOWN SEE: 29-11-51-64	101102 108120 504903	RF
115	270N2000-28	.	CLAMP ASSY-BLOCK	101102 108120 504903	4
118	NAS1801-3-28	..	SCREW	101102 108120 504903	2
121	NAS43DD3-75	..	SPACER	101102 108120 504903	2
124	AN960PD10L	..	WASHER	101102 108120 504903	2

MISSING ITEM NUMBERS NOT APPLICABLE

- ITEM NOT ILLUSTRATED

29-11-51-61

29-11-51
FIG. 61
PAGE 2
JAN 20/09

BRI



757

PARTS CATALOG (MAINTENANCE)

FIG ITEM	PART NUMBER	1 2 3 4 5 6 7	NOMENCLATURE	EFFECT FROM TO	UNITS PER ASSY
61 127	BRH10A3	. .	NUT SUPPLIER CODE: V52828 SPECIFICATION NUMBER: BACN10JC3 OPTIONAL PART: H10-3BAC V15653 NS202101-02 V80539 RMLH9075-3W V72962 VN303A02 V92215 96-02 V80539 T6S1032J V11815	101102 108120 504903	2
130	270N2000-814	. .	CHANNEL	101102 108120 504903	1
133	270N2000-439	. .	BLOCK-CLAMP	101102 108120 504903	2
140	270N2000-23	. .	CLAMP ASSY-BLOCK	101102 108120 504903	1
143	NAS1801-3-28	. .	SCREW	101102 108120 504903	2
146	NAS43DD3-76	. .	SPACER	101102 108120 504903	2
149	AN960PD10L	. .	WASHER	101102 108120 504903	2

MISSING ITEM NUMBERS NOT APPLICABLE

- ITEM NOT ILLUSTRATED

29-11-51-61

29-11-51
FIG. 61
PAGE 3
JAN 20/09

BRI

BOEING PROPRIETARY - Copyright © - Unpublished Work - See title page for details.



757

PARTS CATALOG (MAINTENANCE)

FIG ITEM	PART NUMBER	1 2 3 4 5 6 7	NOMENCLATURE	EFFECT FROM TO	UNITS PER ASSY
61 152	BRH10A3	. .	NUT SUPPLIER CODE: V52828 SPECIFICATION NUMBER: BACN10JC3 OPTIONAL PART: H10-3BAC V15653 NS202101-02 V80539 RMLH9075-3W V72962 VN303A02 V92215 96-02 V80539 T6S1032J V11815	101102 108120 504903	2
155	270N2000-803	. .	CHANNEL	101102 108120 504903	1
158	270N2000-404	. .	BLOCK-CLAMP	101102 108120 504903	1
161	270N2000-436	. .	BLOCK-CLAMP	101102 108120 504903	1
170	270N2000-5	. .	CLAMP ASSY-BLOCK	101102 108120 504903	7
173	NAS1801-3-26	. .	SCREW	101102 108120 504903	2
176	NAS43DD3-67	. .	SPACER	101102 108120 504903	2
179	AN960PD10L	. .	WASHER	101102 108120 504903	2

MISSING ITEM NUMBERS NOT APPLICABLE

- ITEM NOT ILLUSTRATED

BRI

29-11-51-61

BOEING PROPRIETARY - Copyright © - Unpublished Work - See title page for details.

29-11-51
FIG. 61
PAGE 4
JAN 20/09



757

PARTS CATALOG (MAINTENANCE)

FIG ITEM	PART NUMBER	1 2 3 4 5 6 7	NOMENCLATURE	EFFECT FROM TO	UNITS PER ASSY
61 182	BRH10A3	..	NUT SUPPLIER CODE: V52828 SPECIFICATION NUMBER: BACN10JC3 OPTIONAL PART: H10-3BAC V15653 NS202101-02 V80539 RMLH9075-3W V72962 VN303A02 V92215 96-02 V80539 T6S1032J V11815	101102 108120 504903	2
185	270N2000-803	..	CHANNEL	101102 108120 504903	1
188	270N2000-404	..	BLOCK	101102 108120 504903	2
195	270N2000-9	.	CLAMP ASSY-BLOCK	101102 108120 504903	3
198	NAS1801-3-28	..	SCREW	101102 108120 504903	2
201	NAS43DD3-75	..	SPACER	101102 108120 504903	2
204	AN960PD10L	..	WASHER	101102 108120 504903	2

MISSING ITEM NUMBERS NOT APPLICABLE

- ITEM NOT ILLUSTRATED

BRI

29-11-51-61

BOEING PROPRIETARY - Copyright © - Unpublished Work - See title page for details.

29-11-51
FIG. 61
PAGE 5
JAN 20/09



757

PARTS CATALOG (MAINTENANCE)

FIG ITEM	PART NUMBER	1 2 3 4 5 6 7	NOMENCLATURE	EFFECT FROM TO	UNITS PER ASSY
61 207	BRH10A3	. .	NUT SUPPLIER CODE: V52828 SPECIFICATION NUMBER: BACN10JC3 OPTIONAL PART: H10-3BAC V15653 NS202101-02 V80539 RMLH9075-3W V72962 VN303A02 V92215 96-02 V80539 T6S1032J V11815	101102 108120 504903	2
210	270N2000-806	. .	CHANNEL	101102 108120 504903	1
213	270N2000-411	. .	BLOCK-CLAMP	101102 108120 504903	2
220	270N2000-136	. .	CLAMP ASSY-BLOCK	101102 108120 504903	4
223	NAS1801-3-45	. .	SCREW	101102 108120 504903	2
226	NAS43DD3-144	. .	SPACER	101102 108120 504903	2
229	AN960PD10L	. .	WASHER	101102 108120 504903	2

MISSING ITEM NUMBERS NOT APPLICABLE

- ITEM NOT ILLUSTRATED

BRI

29-11-51-61

BOEING PROPRIETARY - Copyright © - Unpublished Work - See title page for details.

29-11-51
FIG. 61
PAGE 6
JAN 20/09



757

PARTS CATALOG (MAINTENANCE)

FIG ITEM	PART NUMBER	1 2 3 4 5 6 7	NOMENCLATURE	EFFECT FROM TO	UNITS PER ASSY
61 232	BRH10A3	. .	NUT SUPPLIER CODE: V52828 SPECIFICATION NUMBER: BACN10JC3 OPTIONAL PART: H10-3BAC V15653 NS202101-02 V80539 RMLH9075-3W V72962 VN303A02 V92215 96-02 V80539 T6S1032J V11815	101102 108120 504903	2
235	270N2000-807	. .	CHANNEL	101102 108120 504903	1
238	270N2000-412	. .	BLOCK-CLAMP	101102 108120 504903	1
241	270N2000-589	. .	BLOCK-CLAMP	101102 108120 504903	1
244	270N2000-414	. .	BLOCK-CLAMP	101102 108120 504903	1
250	270N2000-3	. .	CLAMP ASSY-BLOCK	101102 108120 504903	1
253	NAS1801-3-24	. .	SCREW	101102 108120 504903	2
256	NAS43DD3-59	. .	SPACER	101102 108120 504903	2
259	AN960PD10L	. .	WASHER	101102 108120 504903	2

MISSING ITEM NUMBERS NOT APPLICABLE

- ITEM NOT ILLUSTRATED

BRI

29-11-51-61

29-11-51
FIG. 61
PAGE 7
JAN 20/09



757

PARTS CATALOG (MAINTENANCE)

FIG ITEM	PART NUMBER	1 2 3 4 5 6 7	NOMENCLATURE	EFFECT FROM TO	UNITS PER ASSY
61 262	BRH10A3	. .	NUT SUPPLIER CODE: V52828 SPECIFICATION NUMBER: BACN10JC3 OPTIONAL PART: H10-3BAC V15653 NS202101-02 V80539 RMLH9075-3W V72962 VN303A02 V92215 96-02 V80539 T6S1032J V11815	101102 108120 504903	2
265	270N2000-801	. .	CHANNEL	101102 108120 504903	1
268	270N2000-401	. .	BLOCK-CLAMP	101102 108120 504903	2
275	270N2000-156	. .	CLAMP ASSY-BLOCK	101102 108120 504903	1
278	NAS1801-3-42	. .	SCREW	101102 108120 504903	3
282	NAS43DD3-130	. .	SPACER	101102 108120 504903	3
285	AN960PD10L	. .	WASHER	101102 108120 504903	3

MISSING ITEM NUMBERS NOT APPLICABLE

- ITEM NOT ILLUSTRATED

BRI

29-11-51-61

BOEING PROPRIETARY - Copyright © - Unpublished Work - See title page for details.

29-11-51
FIG. 61
PAGE 8
JAN 20/09



757

PARTS CATALOG (MAINTENANCE)

FIG ITEM	PART NUMBER	1 2 3 4 5 6 7	NOMENCLATURE	EFFECT FROM TO	UNITS PER ASSY
61 288	BRH10A3	..	NUT SUPPLIER CODE: V52828 SPECIFICATION NUMBER: BACN10JC3 OPTIONAL PART: H10-3BAC V15653 NS202101-02 V80539 RMLH9075-3W V72962 VN303A02 V92215 96-02 V80539 T6S1032J V11815	101102 108120 504903	3
291	270N2000-1003	..	CHANNEL	101102 108120 504903	2
294	270N2000-615	..	BLOCK	101102 108120 504903	1
297	270N2000-616	..	BLOCK	101102 108120 504903	1
300	270N2000-617	..	BLOCK	101102 108120 504903	1
310	270N2000-57	.	CLAMP ASSY-BLOCK	101102 108120 504903	1
313	NAS1801-3-28	..	SCREW	101102 108120 504903	2
316	NAS43DD3-75	..	SPACER	101102 108120 504903	2
319	AN960PD10L	..	WASHER	101102 108120 504903	2

MISSING ITEM NUMBERS NOT APPLICABLE

- ITEM NOT ILLUSTRATED

29-11-51-61

29-11-51
FIG. 61
PAGE 9
JAN 20/09

BRI

BOEING PROPRIETARY - Copyright © - Unpublished Work - See title page for details.



757

PARTS CATALOG (MAINTENANCE)

FIG ITEM	PART NUMBER	1 2 3 4 5 6 7	NOMENCLATURE	EFFECT FROM TO	UNITS PER ASSY
61 322	BRH10A3	. .	NUT SUPPLIER CODE: V52828 SPECIFICATION NUMBER: BACN10JC3 OPTIONAL PART: H10-3BAC V15653 NS202101-02 V80539 RMLH9075-3W V72962 VN303A02 V92215 96-02 V80539 T6S1032J V11815	101102 108120 504903	2
325	270N2000-866	. .	CHANNEL	101102 108120 504903	1
328	270N2000-534	. .	BLOCK-CLAMP	101102 108120 504903	2
400	271N6122-1031	. TUBE ASSY-SUPPLY SYS POSITION DATA: LH TUBING MATERIAL: STOCK 1.2500.D.X.035WALL 6061-T6 ALUMINUM TUBING PER MIL-T-7081.		101102 108120 504903	1
405	271N6122-1148	. TUBE ASSY-SUPPLY SYS POSITION DATA: LH TUBING MATERIAL: STOCK 1.250.D.X.035WALL 6061-T6 SEAMLESS AL ALLOY TUBING PER MIL-T-7081		101102 108120 504903	1

MISSING ITEM NUMBERS NOT APPLICABLE

- ITEM NOT ILLUSTRATED

29-11-51-61

29-11-51
FIG. 61
PAGE 10
JAN 20/09

BRI



757

PARTS CATALOG (MAINTENANCE)

FIG ITEM	PART NUMBER	1 2 3 4 5 6 7	NOMENCLATURE	EFFECT FROM TO	UNITS PER ASSY
61 - 410	DB0S13BD20HP	..	SLEEVE SUPPLIER CODE: V14798 SPECIFICATION NUMBER: BACS13BD20HP OPTIONAL PART: 118-10722-20-00 V88334 2-02901-20HP V11328 2-02901-20HP V70195 35044VN20 V08199 4690008-20-2 V45681 4690008-20-2 V92003 AFP176V20HP V30974 35044V20HP V08199	101102 108120 504903	1
- 415	MS21921-20D	..	NUT- OPTIONAL PART: BACN10YL20	101102 108120 504903	1
- 415	BACN10YL20	..	NUT- OPTIONAL PART: MS21921-20D	101102 108120 504903	1
- 420	35056GV20	..	UNION SUPPLIER CODE: V08199 SPECIFICATION NUMBER: BACU24AB20W OPTIONAL PART: 4671097W20 V50948 2-01027-20W V11328 31875-20W V14397 AP1004W20 V01673 AFP941W20 V30974 DBOU24AB20W V14798	101102 108120 504903	1

MISSING ITEM NUMBERS NOT APPLICABLE

- ITEM NOT ILLUSTRATED

29-11-51-61

29-11-51
FIG. 61
PAGE 11
JAN 20/09

BRI



757

PARTS CATALOG (MAINTENANCE)

FIG ITEM	PART NUMBER	1 2 3 4 5 6 7	NOMENCLATURE	EFFECT FROM TO	UNITS PER ASSY
61 425	271N6122-1034		.TUBE ASSY-RETURN SYS POSITION DATA: LH TUBING MATERIAL: STOCK .3750.D.X.035WALL 6061-T6 ALUMINUM TUBING PER MIL-T-7081	101102 108120 504903	1
430	271N6122-1201		.TUBE ASSY-RETURN SYS POSITION DATA: LH TUBING MATERIAL: STOCK .3750.D.X.035WALL 6061-T6 ALUMINUM TUBING PER MIL-T-7081	101102 108120 504903	1
- 435	AP2097HP06		..SLEEVE SUPPLIER CODE: V01673 SPECIFICATION NUMBER: BACS13BX06HP OPTIONAL PART: 2-02903-06HP V11328 35235VN06 V08199 AFP175V06P V30974 DBOS13BX06HP V14798	101102 108120 504903	1
- 440	MS21921-6D		..NUT- OPTIONAL PART: BACN10YL06	101102 108120 504903	1
- 440	BACN10YL06		..NUT- OPTIONAL PART: MS21921-6D	101102 108120 504903	1

MISSING ITEM NUMBERS NOT APPLICABLE

- ITEM NOT ILLUSTRATED

BRI

29-11-51-61

29-11-51
FIG. 61
PAGE 12
JAN 20/09



757

PARTS CATALOG (MAINTENANCE)

FIG ITEM	PART NUMBER	1 2 3 4 5 6 7	NOMENCLATURE	EFFECT FROM TO	UNITS PER ASSY
61 - 445	35056GV06		..UNION SUPPLIER CODE: V08199 SPECIFICATION NUMBER: BACU24AB6W OPTIONAL PART: 2-01027-6W V11328 31875-6W V14397 4671097W6 V50948 AP1004W06 V01673 AFP941W6 V30974 DBOU24AB6W V14798	101102 108120 504903	1
450	271N6122-1047		.TUBE ASSY-RETURN SYS POSITION DATA: LH TUBING MATERIAL: STOCK .5000.D.X.035WALL 6061-T6 ALUMINUM TUBING PER MIL-T-7081	101102 108120 504903	1
455	271N6122-1203		.TUBE ASSY-RETURN SYS POSITION DATA: LH TUBING MATERIAL: STOCK .5000.D.X.035WALL 6061-T6 ALUMINUM TUBING PER MIL-T-7081	101102 108120 504903	1
460	271N6122-1219		.TUBE ASSY-RETURN SYS POSITION DATA: LH TUBING MATERIAL: STOCK .500 OD X .035 W X 81.9 6061-T6 ALUMINUM TUBING PER MIL-T-7081	101102 108120 504903	1

MISSING ITEM NUMBERS NOT APPLICABLE

- ITEM NOT ILLUSTRATED

29-11-51-61

29-11-51
FIG. 61
PAGE 13
JAN 20/09

BRI



757

PARTS CATALOG (MAINTENANCE)

FIG ITEM	PART NUMBER	1 2 3 4 5 6 7	NOMENCLATURE	EFFECT FROM TO	UNITS PER ASSY
61 - 465	AP2097HP08	..	SLEEVE SUPPLIER CODE: V01673 SPECIFICATION NUMBER: BACS13BX08HP OPTIONAL PART: 2-02903-08HP V11328 35235VN08 V08199 AFP175V08P V30974 DBOS13BX08HP V14798	101102 108120 504903	1
- 470	MS21921-8D	..	NUT- OPTIONAL PART: BACN10YL08	101102 108120 504903	1
- 470	BACN10YL08	..	NUT- OPTIONAL PART: MS21921-8D	101102 108120 504903	1
- 475	35056GV08	..	UNION SUPPLIER CODE: V08199 SPECIFICATION NUMBER: BACU24AB8W OPTIONAL PART: 2-01027-8W V11328 31875-8W V14397 4671097W8 V50948 AP1004W08 V01673 AFP941W8 V30974 DBOU24AB8W V14798	101102 108120 504903	1
480	271N6122-1247	.	TUBE ASSY-RETURN SYS POSITION DATA: LH TUBING MATERIAL: STOCK .6250DX.035WALL 6061-T6 ALUMINUM TUBING PER MIL-T-7081	101102 108120 504903	1

MISSING ITEM NUMBERS NOT APPLICABLE

- ITEM NOT ILLUSTRATED

29-11-51-61

29-11-51
FIG. 61
PAGE 14
JAN 20/09

BRI



757

PARTS CATALOG (MAINTENANCE)

FIG ITEM	PART NUMBER	1 2 3 4 5 6 7	NOMENCLATURE	EFFECT FROM TO	UNITS PER ASSY
61 - 485	AP2097HP10	..	SLEEVE SUPPLIER CODE: V01673 SPECIFICATION NUMBER: BACS13BX10HP OPTIONAL PART: 2-02903-10HP V11328 35235VN10 V08199 AFP175V10P V30974 DBOS13BX10HP V14798	101102 108120 504903	2
- 490	BACN10YL10	..	NUT- OPTIONAL PART: MS21921-10D	101102 108120 504903	2
495	271N6122-1253	.TUBE	ASSY-RETURN SYS POSITION DATA: LH TUBING MATERIAL: STOCK .625 OD X .035 W X 24.1 6061-T6 AL TUBING PER MIL-T-7081	101102 108120 504903	1
500	271N6122-1263	.TUBE	ASSY-RETURN SYS POSITION DATA: LH TUBING MATERIAL: STOCK .625 OD X .035 W X 55.3 6061-T6 ALUM TUBING PER MIL-T-7081	101102 108120 504903	1
505	271N6122-1297	.TUBE	ASSY-RETURN SYS POSITION DATA: LH TUBING MATERIAL: STOCK .625 O.D. X .035 WALL X 91.4 6061-T6 ALUMINUM TUBING PER MIL-T-7081	101102 108120 504903	1

MISSING ITEM NUMBERS NOT APPLICABLE

- ITEM NOT ILLUSTRATED

29-11-51-61

29-11-51
FIG. 61
PAGE 15
JAN 20/09

BRI



757

PARTS CATALOG (MAINTENANCE)

FIG ITEM	PART NUMBER	1 2 3 4 5 6 7	NOMENCLATURE	EFFECT FROM TO	UNITS PER ASSY
61					
- 510	AP2097HP10	..	SLEEVE SUPPLIER CODE: V01673 SPECIFICATION NUMBER: BACS13BX10HP OPTIONAL PART: 2-02903-10HP V11328 35235VN10 V08199 AFP175V10P V30974 DBOS13BX10HP V14798	101102 108120 504903	2
- 515	BACN10YL10	..	NUT- OPTIONAL PART: MS21921-10D	101102 108120 504903	2
- 515	MS21921-10D	..	NUT- OPTIONAL PART: BACN10YL10	101102 108120 504903	2
520	271N6122-1256	.	TUBE ASSY-RETURN SYS POSITION DATA: LH TUBING MATERIAL: STOCK .500 O D X .035W X 65.4 6061-T6 ALUM TUBING PER MIL-T-7081	101102 108120 504903	1
- 525	AP2097HP08	..	SLEEVE SUPPLIER CODE: V01673 SPECIFICATION NUMBER: BACS13BX08HP OPTIONAL PART: 2-02903-08HP V11328 35235VN08 V08199 AFP175V08P V30974 DBOS13BX08HP V14798	101102 108120 504903	2
- 530	BACN10YL08	..	NUT- OPTIONAL PART: MS21621-8D	101102 108120 504903	2
- 530	MS21921-8D	..	NUT- OPTIONAL PART: BACN10YL08	101102 108120 504903	2

MISSING ITEM NUMBERS NOT APPLICABLE

- ITEM NOT ILLUSTRATED

29-11-51-61

29-11-51
FIG. 61
PAGE 16
JAN 20/09

BRI



757

PARTS CATALOG (MAINTENANCE)

FIG ITEM	PART NUMBER	1 2 3 4 5 6 7	NOMENCLATURE	EFFECT FROM TO	UNITS PER ASSY
61 535	271N6122-1283	.	TUBE ASSY-RETURN SYS POSITION DATA: LH TUBING MATERIAL: STOCK .375 OD X .035W X 17.6 6061-T6 ALUMINUM SEAMLESS TUBING PER MIL-T-7081	101102 108120 504903	1
540	271N6122-1300	.	TUBE ASSY-RETURN SYS POSITION DATA: LH TUBING MATERIAL: STOCK .375 OD X .035 WALL X 18.4 6061-T6 ALUMINUM TUBING PER MIL-T-7081	101102 108120 504903	1
- 545	AP2097HP06	..	SLEEVE SUPPLIER CODE: V01673 SPECIFICATION NUMBER: BACS13BX06HP OPTIONAL PART: 2-02903-06HP V11328 35235VN06 V08199 AFP175V06P V30974 DBOS13BX06HP V14798	101102 108120 504903	2
- 550	MS21921-6D	..	NUT- OPTIONAL PART: BACN10YL06	101102 108120 504903	2
- 550	BACN10YA6N	..	NUT- OPTIONAL PART: MS21921-6D	101102 108120 504903	2
555	271N6122-1313	.	TUBE ASSY-RETURN SYS POSITION DATA: LH TUBING MATERIAL: STOCK .375 OD X .035 WALL X 43.8 6061-T6 ALUMINUM SEAMLESS TUBING PER MIL-T-7081	101102 108120 504903	1

MISSING ITEM NUMBERS NOT APPLICABLE

- ITEM NOT ILLUSTRATED

29-11-51-61

29-11-51
FIG. 61
PAGE 17
JAN 20/09

BRI



757

PARTS CATALOG (MAINTENANCE)

FIG ITEM	PART NUMBER	1 2 3 4 5 6 7	NOMENCLATURE	EFFECT FROM TO	UNITS PER ASSY
61 - 560	AP2097HP06	..	SLEEVE SUPPLIER CODE: V01673 SPECIFICATION NUMBER: BACS13BX06HP OPTIONAL PART: 2-02903-06HP V11328 35235VN06 V08199 AFP175V06P V30974 DBOS13BX06HP V14798	101102 108120 504903	2
- 565	BACN10YLO6N	..	NUT	101102 108120 504903	2
570	271N6122-1323	.TUBE ASSY-RETURN LINES POSITION DATA: LH TUBING MATERIAL: 1/2 IN AL		101102 108120 504903	1
- 575	AP2097HP08	..	SLEEVE SUPPLIER CODE: V01673 SPECIFICATION NUMBER: BACS13BX08HP OPTIONAL PART: 2-02903-08HP V11328 35235VN08 V08199 AFP175V08P V30974 DBOS13BX08HP V14798	101102 108120 504903	1
- 580	BACN10YLO8	..	NUT	101102 108120 504903	1

MISSING ITEM NUMBERS NOT APPLICABLE

- ITEM NOT ILLUSTRATED

29-11-51-61

29-11-51
FIG. 61
PAGE 18
JAN 20/09

BRI



757

PARTS CATALOG (MAINTENANCE)

FIG ITEM	PART NUMBER	1 2 3 4 5 6 7	NOMENCLATURE	EFFECT FROM TO	UNITS PER ASSY
61 - 585	35056GV08	. .	UNION SUPPLIER CODE: V08199 SPECIFICATION NUMBER: BACU24AB8W OPTIONAL PART: 2-01027-8W V11328 31875-8W V14397 4671097W8 V50948 AP1004W08 V01673 AFP941W8 V30974 DBOU24AB8W V14798	101102 108120 504903	1
620	MS21916D10-8	. UNION-	USED WITH: NAS1612-10	101102 108120 504903	1
625	MS21924D10	. UNION-	USED WITH: AN924-10D	101102 108120 504903	2
630	MS21924D8	. UNION-	USED WITH: AN924-8D	101102 108120 504903	1
665	NAS1763W061010	. TEE		101102 108120 504903	1

MISSING ITEM NUMBERS NOT APPLICABLE

- ITEM NOT ILLUSTRATED

BRI

29-11-51-61

BOEING PROPRIETARY - Copyright © - Unpublished Work - See title page for details.

29-11-51
FIG. 61
PAGE 19
JAN 20/09



757

PARTS CATALOG (MAINTENANCE)

FIG ITEM	PART NUMBER	1 2 3 4 5 6 7	NOMENCLATURE	EFFECT FROM TO	UNITS PER ASSY
61 670	APX824F060610W	. TEE	SUPPLIER CODE: V01673 SPECIFICATION NUMBER: BACT16AS060610W OPTIONAL PART: APX824-060610W V01673 DBOT16AS060610W V14798 ER824-060610W V50948 FER1571-060610W V14397 LER824-060610W V11328 NAF1824-060610W V52930 US1925-060610W V50808 AFP325-060610W V30974	101102 108120 504903	1
675	BACT16AS080606W	. TEE		101102 108120 504903	1
680	APX824F100610W	. TEE	SUPPLIER CODE: V01673 SPECIFICATION NUMBER: BACT16AS100610W OPTIONAL PART: APX824-100610W V01673 DBOT16AS100610W V14798 ER824-100610W V50948 FER1571-100610W V14397 LER824-100610W V11328 NAF1824-100610W V52930 US1925-100610W V50808 AFP325-100610W V30974	101102 108120 504903	1

MISSING ITEM NUMBERS NOT APPLICABLE

- ITEM NOT ILLUSTRATED

BRI

29-11-51-61

BOEING PROPRIETARY - Copyright © - Unpublished Work - See title page for details.

29-11-51
FIG. 61
PAGE 20
JAN 20/09



757

PARTS CATALOG (MAINTENANCE)

FIG ITEM	PART NUMBER	1 2 3 4 5 6 7	NOMENCLATURE	EFFECT FROM TO	UNITS PER ASSY
61					
685	MS21905W10	.	TEE	101102 108120 504903	1
690	BAC16AS202012W	.	TEE	101102 108120 504903	1
700	0121520900-4	.	VALVE- SUPPLIER CODE: V83533 SPECIFICATION NUMBER: BACV10CD4 OPTIONAL PART: 1C1350 V99240 USED WITH: BACM10V21-2JG	101102 108120 504903	1
710	NAS1612-10	.	PACKING- USED WITH: MS21916D10-8	101102 108120 504903	1
715	AN924-8D	.	NUT- USED WITH: MS21924D8	101102 108120 504903	1
720	AN924-10D	.	NUT- USED WITH: MS21924D10	101102 108120 504903	1
900			ILLUSTRATION REFERENCE: PLUMBING INSTL-INBD WING SECT. 12 HYDR LH (MAIN GEAR EXTENSION AND RETRACTION ONLY) 32-32-51-15	101102 108120 504903	RF
900			ILLUSTRATION REFERENCE: PLUMBING INSTL-SECT. 12 L WING INBD HYDR (HYDR BRAKE SYS ONLY) 32-41-51-15	101102 108120 504903	RF
905			ILLUSTRATION REFERENCE: PLUMBING INSTL-SECT. 12 L WING INBD HYDR (HYDRAULIC POWER ONLY) (L SYS) 29-11-51-12	101102 108120 504903	RF
910			ILLUSTRATION REFERENCE: PLUMBING INSTL-SECT. 12 L WING INBD HYDR (HYDRAULIC POWER ONLY) (L SYS) 29-11-51-12	101102 108120 504903	RF

MISSING ITEM NUMBERS NOT APPLICABLE

- ITEM NOT ILLUSTRATED

29-11-51-61

29-11-51
FIG. 61
PAGE 21
JAN 20/09

BRI



757

PARTS CATALOG (MAINTENANCE)

FIG ITEM	PART NUMBER	1 2 3 4 5 6 7	NOMENCLATURE	EFFECT FROM TO	UNITS PER ASSY
61					
915			ILLUSTRATION REFERENCE: PLUMBING INSTL-PRESSURE DECK SECT. 44 L (MAIN HYDR SYS ONLY) 29-11-84-06A	101102 108120 504903	RF
920			ILLUSTRATION REFERENCE: PLUMBING INSTL-PRESSURE DECK SECT. 44 L (MAIN HYDR SYS ONLY) 29-11-84-06A	101102 108120 504903	RF
930			ILLUSTRATION REFERENCE: ACTUATOR INSTL-SPOILER NO. 6 AND 7 (FLIGHT CONTROLS ONLY) 27-61-02-02	101102 108120 504903	RF
935			ILLUSTRATION REFERENCE: PLUMBING INSTL-SECT. 12 L WING INBD HYDR (HYDRAULIC POWER ONLY) 29-11-51-98	101102 108120 504903	RF
945			ILLUSTRATION REFERENCE: VALVE INSTL-MLG DOWNLOCK OPERATED DOOR SEQUENCE 32-32-07-01	101102 108120 504903	RF
950			ILLUSTRATION REFERENCE: PLUMBING INSTL-TE ALUMINUM RETURN LINES (EXCEPT DELTA) 29-11-51-60	101102 108120 504903	RF
955			ILLUSTRATION REFERENCE: PLUMBING INSTL-BASIC AND STABLE 29-11-84-06	101102 108120 504903	RF
960			ILLUSTRATION REFERENCE: VALVE AND BRACKET INSTL-STA 1116 AND 1123 UPLOCK OPERATED SEQUENCE 32-32-09-01	101102 108120 504903	RF

MISSING ITEM NUMBERS NOT APPLICABLE

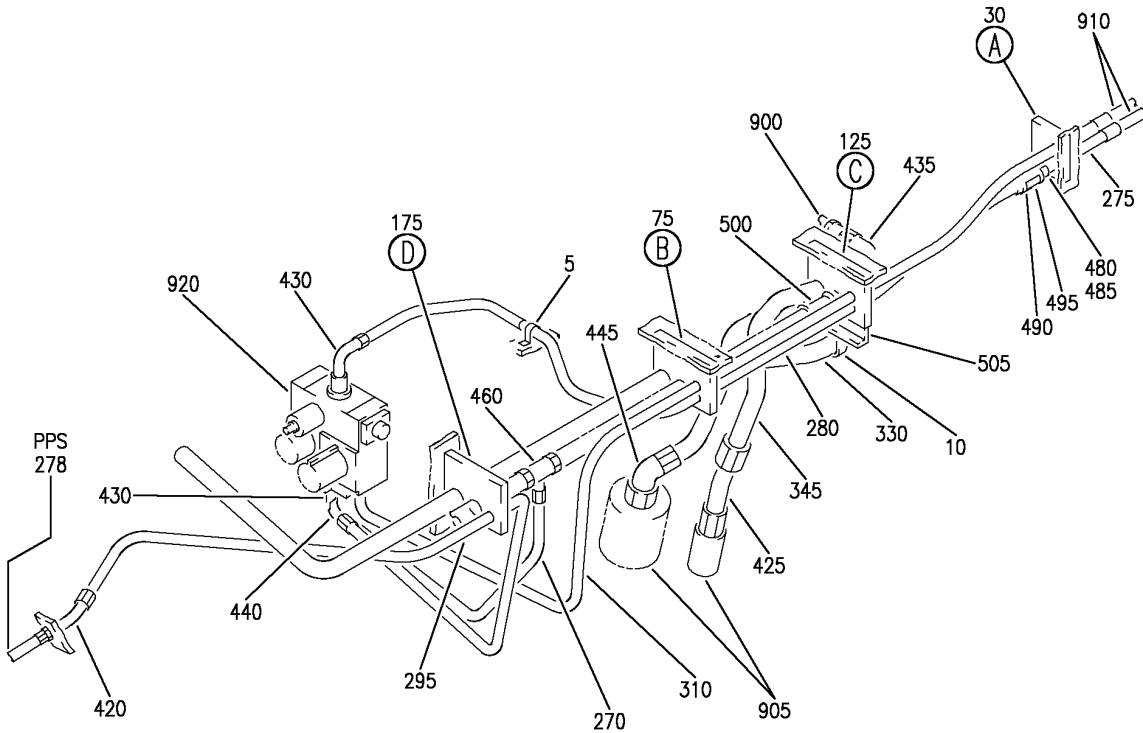
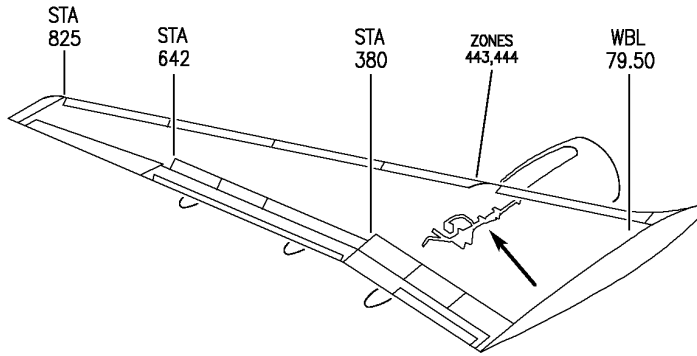
- ITEM NOT ILLUSTRATED

29-11-51-61

29-11-51
FIG. 61
PAGE 22
JAN 20/09

BRI

BOEING
757
PARTS CATALOG (MAINTENANCE)



Y 29115163 SH1 1 REV 329

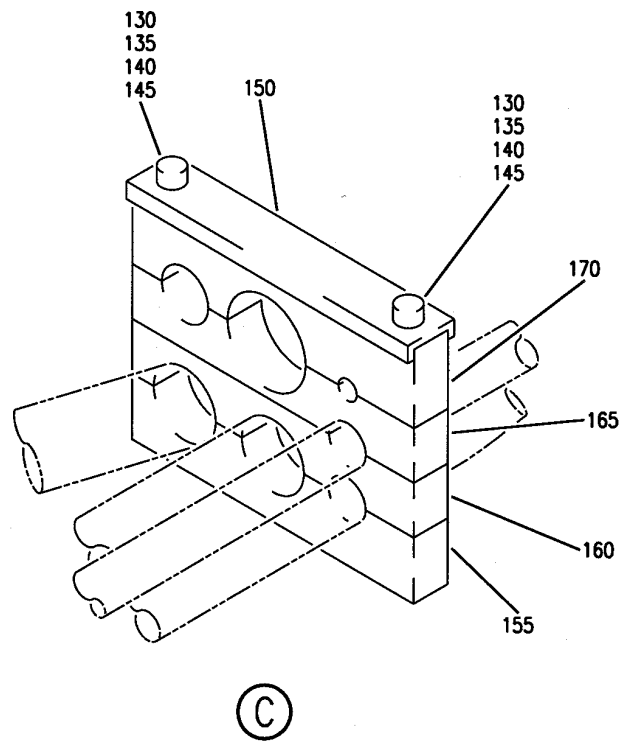
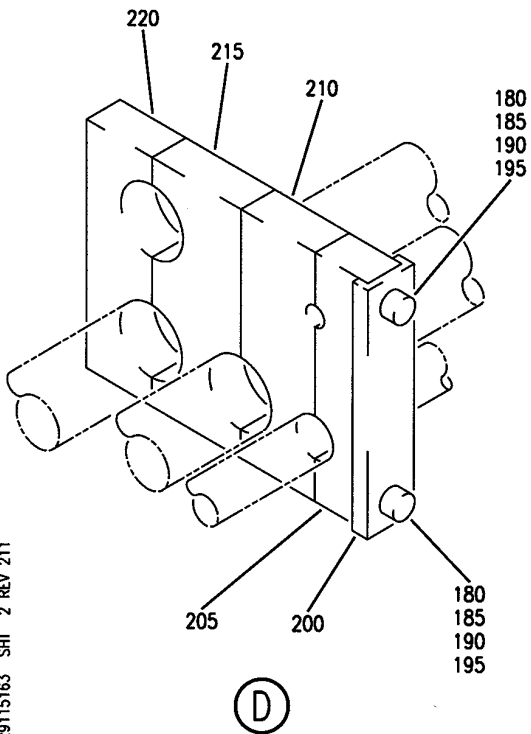
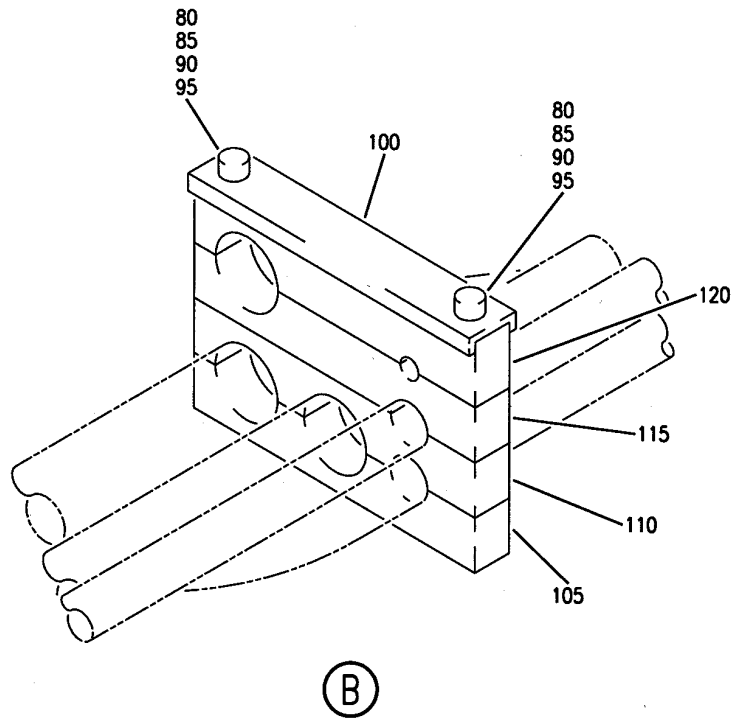
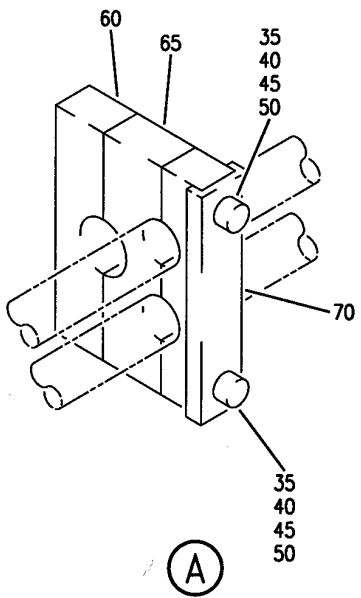
PLUMBING INSTL-ENG STRUT ROLLS ROYCE
FIGURE 63 (SHEET 1)

29-11-51-63

BRI
JAN 20/09

29-11-51-63
PAGE 0

BOEING
757
PARTS CATALOG (MAINTENANCE)



Y 29115163 SH 2 REV 211

PLUMBING INSTL-ENG STRUT ROLLS ROYCE
FIGURE 63 (SHEET 2)

29-11-51-63

BRI
MAY 28/07

29-11-51-63
PAGE 0A



757

PARTS CATALOG (MAINTENANCE)

FIG ITEM	PART NUMBER	1 2 3 4 5 6 7	NOMENCLATURE	EFFECT FROM TO	UNITS PER ASSY
63			PLUMBING INSTL-ENG STRUT ROLLS ROYCE	101102 108120 504903	
- 1	271N6311-15		PLUMBING INSTL-ENG STRUT ROLLS ROYCE (HYDRAULIC POWER ONLY) FOR NHA/OTHER SYS DET SEE: 29-00-51-05B	101102 108120 504903	RF
5	TA0910004H110		.CLAMP SUPPLIER CODE: V84971 SPECIFICATION NUMBER: BACC10HB10C	101102 108120 504903	1
10	TA0910004H116		.CLAMP SUPPLIER CODE: V84971 SPECIFICATION NUMBER: BACC10HB16C	101102 108120 504903	1
- 15	NAS1801-3		ATTACHING PARTS .SCREW	101102 108120 504903	4
- 20	AN960JD10J		.WASHER	101102 108120 504903	4
- 25	BRH10A3		.NUT SUPPLIER CODE: V52828 SPECIFICATION NUMBER: BACN10JC3 OPTIONAL PART: H10-3BAC V15653 NS202101-02 V80539 RMLH9075-3W V72962 VN303A02 V92215 96-02 V80539 T6S1032J V11815	101102 108120 504903	4
30	270N2000-1302		-----*----- .CLAMP ASSY	101102 108120 504903	1

MISSING ITEM NUMBERS NOT APPLICABLE

- ITEM NOT ILLUSTRATED

BRI

29-11-51-63

29-11-51
FIG. 63
PAGE 1
JAN 20/09



757

PARTS CATALOG (MAINTENANCE)

FIG ITEM	PART NUMBER	1 2 3 4 5 6 7	NOMENCLATURE	EFFECT FROM TO	UNITS PER ASSY
63					
35	NAS1801-3-58	..	SCREW	101102 108120 504903	2
40	NAS43DD3-198	..	SPACER	101102 108120 504903	2
45	AN960KD10L	..	WASHER	101102 108120 504903	2
50	BRH10A3	..	NUT	101102 108120 504903	2
			SUPPLIER CODE: V52828		
			SPECIFICATION NUMBER: BACN10JC3		
			OPTIONAL PART: H10-3BAC		
			V15653		
			NS202101-02		
			V80539		
			RMLH9075-3W		
			V72962		
			VN303A02		
			V92215		
			96-02		
			V80539		
			T6S1032J		
			V11815		
55	270N2000-1006	..	CHANNEL	101102 108120 504903	1
60	270N2000-1228	..	BLOCK	101102 108120 504903	1
65	270N2000-1229	..	BLOCK	101102 108120 504903	1
70	270N2000-1230	..	BLOCK	101102 108120 504903	1
75	270N2000-1303	.	CLAMP ASSY	101102 108120 504903	1
80	NAS1801-3-59	..	SCREW	101102 108120 504903	2
85	NAS43DD3-203	..	SPACER	101102 108120 504903	2

MISSING ITEM NUMBERS NOT APPLICABLE

- ITEM NOT ILLUSTRATED

29-11-51-63

29-11-51
FIG. 63
PAGE 2
JAN 20/09

BRI

BOEING PROPRIETARY - Copyright © - Unpublished Work - See title page for details.



757

PARTS CATALOG (MAINTENANCE)

FIG ITEM	PART NUMBER	1 2 3 4 5 6 7	NOMENCLATURE	EFFECT FROM TO	UNITS PER ASSY
63					
90	AN960KD10L	..	WASHER	101102 108120 504903	2
95	BRH10A3	..	NUT SUPPLIER CODE: V52828 SPECIFICATION NUMBER: BACN10JC3 OPTIONAL PART: H10-3BAC V15653 NS202101-02 V80539 RMLH9075-3W V72962 VN303A02 V92215 96-02 V80539 T6S1032J V11815	101102 108120 504903	2
100	270N2000-1018	..	CHANNEL	101102 108120 504903	1
105	270N2000-1240	..	BLOCK	101102 108120 504903	1
110	270N2000-1241	..	BLOCK	101102 108120 504903	1
115	270N2000-1242	..	BLOCK	101102 108120 504903	1
120	270N2000-1243	..	BLOCK	101102 108120 504903	1
125	270N2000-1320	.	CLAMP ASSY	101102 108120 504903	1
130	NAS1801-3-61	..	SCREW	101102 108120 504903	2
135	NAS43DD3-211	..	SPACER	101102 108120 504903	2
140	AN960KD10L	..	WASHER	101102 108120 504903	2

MISSING ITEM NUMBERS NOT APPLICABLE

- ITEM NOT ILLUSTRATED

29-11-51-63

29-11-51
FIG. 63
PAGE 3
JAN 20/09

BRI

BOEING PROPRIETARY - Copyright © - Unpublished Work - See title page for details.



757

PARTS CATALOG (MAINTENANCE)

FIG ITEM	PART NUMBER	1 2 3 4 5 6 7	NOMENCLATURE	EFFECT FROM TO	UNITS PER ASSY
63 145	BRH10A3	..	NUT SUPPLIER CODE: V52828 SPECIFICATION NUMBER: BACN10JC3 OPTIONAL PART: H10-3BAC V15653 NS202101-02 V80539 RMLH9075-3W V72962 VN303A02 V92215 96-02 V80539 T6S1032J V11815	101102 108120 504903	2
150	270N2000-1017	..	CHANNEL	101102 108120 504903	1
155	270N2000-1233	..	BLOCK	101102 108120 504903	1
160	270N2000-1234	..	BLOCK	101102 108120 504903	1
165	270N2000-1289	..	BLOCK	101102 108120 504903	1
170	270N2000-1288	..	BLOCK	101102 108120 504903	1
175	270N2000-1322	.	CLAMP ASSY	101102 108120 504903	1
180	NAS1801-3-84	..	SCREW	101102 108120 504903	2
185	NAS43DD3-302	..	SPACER	101102 108120 504903	2
190	AN960KD10L	..	WASHER	101102 108120 504903	2

MISSING ITEM NUMBERS NOT APPLICABLE

- ITEM NOT ILLUSTRATED

29-11-51-63

29-11-51
FIG. 63
PAGE 4
JAN 20/09

BRI

BOEING PROPRIETARY - Copyright © - Unpublished Work - See title page for details.



757

PARTS CATALOG (MAINTENANCE)

FIG ITEM	PART NUMBER	1 2 3 4 5 6 7	NOMENCLATURE	EFFECT FROM TO	UNITS PER ASSY
63 195	BRH10A3	..	NUT SUPPLIER CODE: V52828 SPECIFICATION NUMBER: BACN10JC3 OPTIONAL PART: H10-3BAC V15653 NS202101-02 V80539 RMLH9075-3W V72962 VN303A02 V92215 96-02 V80539 T6S1032J V11815	101102 108120 504903	2
200	270N2000-823	..	CHANNEL	101102 108120 504903	1
205	270N2000-1223	..	BLOCK	101102 108120 504903	1
210	270N2000-1224	..	BLOCK	101102 108120 504903	1
215	270N2000-1225	..	BLOCK	101102 108120 504903	1
220	270N2000-1226	..	BLOCK	101102 108120 504903	1
270	271N6311-1057	.	TUBE ASSY-L SYS PRESSURE TUBING MATERIAL: .625 IN. OD .032 IN. WALL 10.70 IN. LG TI BMS 7-234 TI-3AL-2.5V COLD WORKED, STRESS RELIEVED TUBING	101102 108120 504903	1
275	271N6311-1077	.	TUBE ASSY-L SYS PRESSURE TUBING MATERIAL: .625 IN. OD .032 IN. WALL 3.50 IN. LG TI BMS 7-234 TI-3AL-2.5V COLD WORKED, STRESS RELIEVED TUBING	101102 108120 504903	1

MISSING ITEM NUMBERS NOT APPLICABLE

- ITEM NOT ILLUSTRATED

29-11-51-63

29-11-51
FIG. 63
PAGE 5
JAN 20/09

BRI

BOEING PROPRIETARY - Copyright © - Unpublished Work - See title page for details.



757

PARTS CATALOG (MAINTENANCE)

FIG ITEM	PART NUMBER	1 2 3 4 5 6 7	NOMENCLATURE	EFFECT FROM TO	UNITS PER ASSY
63 280	271N6311-1133		.TUBE ASSY-L SYS PRESSURE TUBING MATERIAL: .625 IN. OD .032 IN. WALL 46.30 IN. LG TI BMS 7-234 TI-3AL-2.5V COLD WORKED, STRESS RELIEVED TUBING	101102 108120 504903	1
- 285	AS1581T10		..SLEEVE	101102 108120 504903	2
- 290	BACN10YA10N		..NUT	101102 108120 504903	2
295	271N6311-1061		.TUBE ASSY-L SYS RETURN TUBING MATERIAL: .625 IN. OD .035 IN. WALL 37.50 IN. LG AL AMS 4083 6061 T6 TUBING	101102 108120 504903	1
- 300	AP2097HP10		..SLEEVE SUPPLIER CODE: V01673 SPECIFICATION NUMBER: BACS13BX10HP OPTIONAL PART: 2-02903-10HP V11328 35235VN10 V08199 AFP175V10P V30974 DBOS13BX10HP V14798	101102 108120 504903	2
- 305	BACN10YL10		..NUT	101102 108120 504903	2
310	271N6311-1151		.TUBE ASSY-R SYS RETURN TUBING MATERIAL: .625 IN. OD .035 IN. WALL 53.10 IN. LG AL AMS 4083 6061 T6 TUBING	101102 108120 504903	1

MISSING ITEM NUMBERS NOT APPLICABLE

- ITEM NOT ILLUSTRATED

29-11-51-63

29-11-51
FIG. 63
PAGE 6
MAY 20/09

BRI



757

PARTS CATALOG (MAINTENANCE)

FIG ITEM	PART NUMBER	1 2 3 4 5 6 7	NOMENCLATURE	EFFECT FROM TO	UNITS PER ASSY
63 - 315	AP2097HP10	..	SLEEVE SUPPLIER CODE: V01673 SPECIFICATION NUMBER: BACS13BX10HP OPTIONAL PART: 2-02903-10HP V11328 35235VN10 V08199 AFP175V10P V30974 DBOS13BX10HP V14798	101102 108120 504903	1
- 320	BACN10YL10	..	NUT	101102 108120 504903	1
- 325	35056GV10	..	UNION SUPPLIER CODE: V08199 SPECIFICATION NUMBER: BACU24AB10W OPTIONAL PART: 4671097W10 V50948 2-01027-10W V11328 31875-10W V14397 AP1004W10 V01673 AFP941W10 V30974 DBOU24AB10W V14798	101102 108120 504903	1
330	271N6311-1159	.TUBE ASSY-L	SYS SUPPLY TUBING MATERIAL: 1.00 IN. OD .035 IN. WALL 51.80 IN. LG AL AMS 4083 6061 T6 TUBING	101102 108120 504903	1

MISSING ITEM NUMBERS NOT APPLICABLE

- ITEM NOT ILLUSTRATED

BRI

29-11-51-63

29-11-51
FIG. 63
PAGE 7
JAN 20/09



757

PARTS CATALOG (MAINTENANCE)

FIG ITEM	PART NUMBER	1 2 3 4 5 6 7	NOMENCLATURE	EFFECT FROM TO	UNITS PER ASSY
63					
- 335	AP2097HP16	..	SLEEVE SUPPLIER CODE: V01673 SPECIFICATION NUMBER: BACS13BX16HP OPTIONAL PART: 2-02903-16HP V11328 35235VN16 V08199 AFP175V16P V30974 DBOS13BX16HP V14798	101102 108120 504903	2
- 340	BACN10YL16L	..	NUT-	101102 108120 504903	2
345	271N6311-1171	.	TUBE ASSY-L SYS PRESSURE TUBING MATERIAL: .750 IN. OD .039 IN. WALL 14.00 IN. LG TI BMS 7-234 TI-3AL-2.5V COLD WORKED, STRESS RELIEVED TUBING	101102 108120 504903	1
- 350	AS1581T12	..	SLEEVE	101102 108120 504903	1
- 355	BACN10YA12	..	NUT-	101102 108120 504903	1
- 360	BACN10YA16L	..	NUT-	101102 108120 504903	1
- 365	32282T16-12	..	SLEEVE- SUPPLIER CODE: V14397	101102 108120 504903	1
420	MS21907W10	.	ELBOW	101102 108120 504903	1
425	NAS1761J1616	.	ELBOW	101102 108120 504903	1
430	NAS1762J1010	.	ELBOW	101102 108120 504903	2
435	NAS1762J1212	.	ELBOW	101102 108120 504903	1

MISSING ITEM NUMBERS NOT APPLICABLE

- ITEM NOT ILLUSTRATED

29-11-51-63

29-11-51
FIG. 63
PAGE 8
JAN 20/09

BRI

BOEING PROPRIETARY - Copyright © - Unpublished Work - See title page for details.

 **BOEING**
757
PARTS CATALOG (MAINTENANCE)

FIG ITEM	PART NUMBER	1 2 3 4 5 6 7	NOMENCLATURE	EFFECT FROM TO	UNITS PER ASSY
63					
440	NAS1762W1010	.	ELBOW	101102 108120 504903	1
445	NAS1762W2016	.	ELBOW	101102 108120 504903	1
460	BACT16BL161610J	.	TEE	101102 108120 504903	1
480	MS21915J12-10	.	BUSHING	101102 108120 504903	1
485	NAS1612-12	.	PACKING	101102 108120 504903	1
490	P31-595	.	VALVE ASSY- SUPPLIER CODE: V91816 SPECIFICATION NUMBER: S273T458-8 COMPONENT MAINT MANUAL REF: 29-10-08	101102 108120 504903	1
495	2612	..	NAMEPLATE- SUPPLIER CODE: V06177	101102 108120 504903	1
500	270N0005-5	.	FILLER-CLAMP BLOCK	101102 108120 504903	1
505	271N6274-1	.	BRACKET	101102 108120 504903	1
- 510	270N2006-7	.	SHIM	101102 108120 504903	AR
- 515	270N2006-8	.	SHIM	101102 108120 504903	AR
- 520	270N2006-9	.	SHIM	101102 108120 504903	AR
- 525	270N2006-37	.	SHIM	101102 108120 504903	AR
- 530	270N2006-38	.	SHIM	101102 108120 504903	AR
- 535	270N2006-39	.	SHIM	101102 108120 504903	AR

MISSING ITEM NUMBERS NOT APPLICABLE

- ITEM NOT ILLUSTRATED

BRI

29-11-51-63

29-11-51
FIG. 63
PAGE 9
JAN 20/09



757

PARTS CATALOG (MAINTENANCE)

FIG ITEM	PART NUMBER	1 2 3 4 5 6 7	NOMENCLATURE	EFFECT FROM TO	UNITS PER ASSY
63					
- 540	270N2006-61	. SHIM		101102 108120 504903	AR
- 545	270N2006-62	. SHIM		101102 108120 504903	AR
- 550	270N2006-63	. SHIM		101102 108120 504903	AR
900			ILLUSTRATION REFERENCE: MODULE INSTL-ENG DRIVEN PUMP CASE DRAIN PRESSURE FILTER 29-11-17-02	101102 108120 504903	RF
905			ILLUSTRATION REFERENCE: DISCONNECT INSTL-L AND R SYS GND SVCE 29-18-51-05	101102 108120 504903	RF
925			ILLUSTRATION REFERENCE: PLUMBING INSTL-SECT. 31.1 HYDR (LH) (HYDRAULIC POWER ONLY) 29-11-51-73	101102 108120 504903	RF

MISSING ITEM NUMBERS NOT APPLICABLE

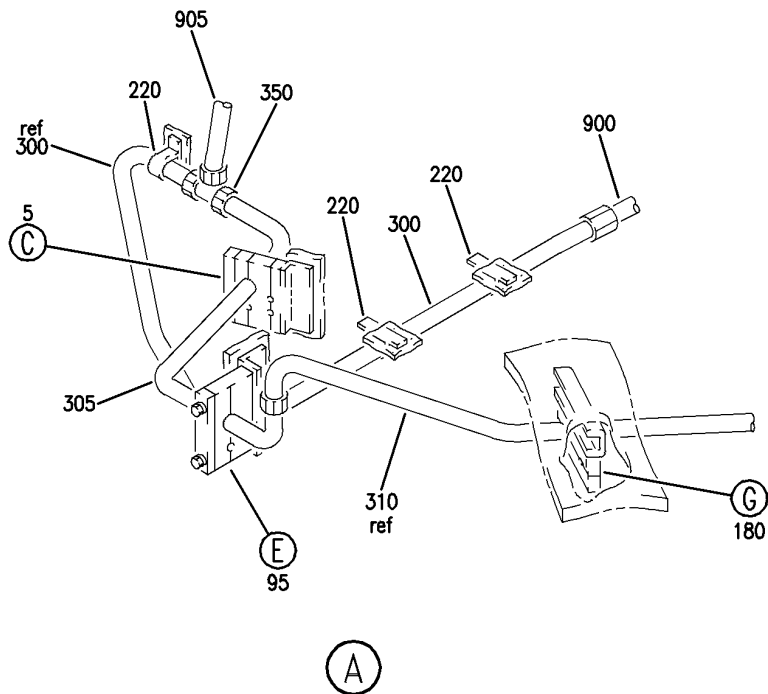
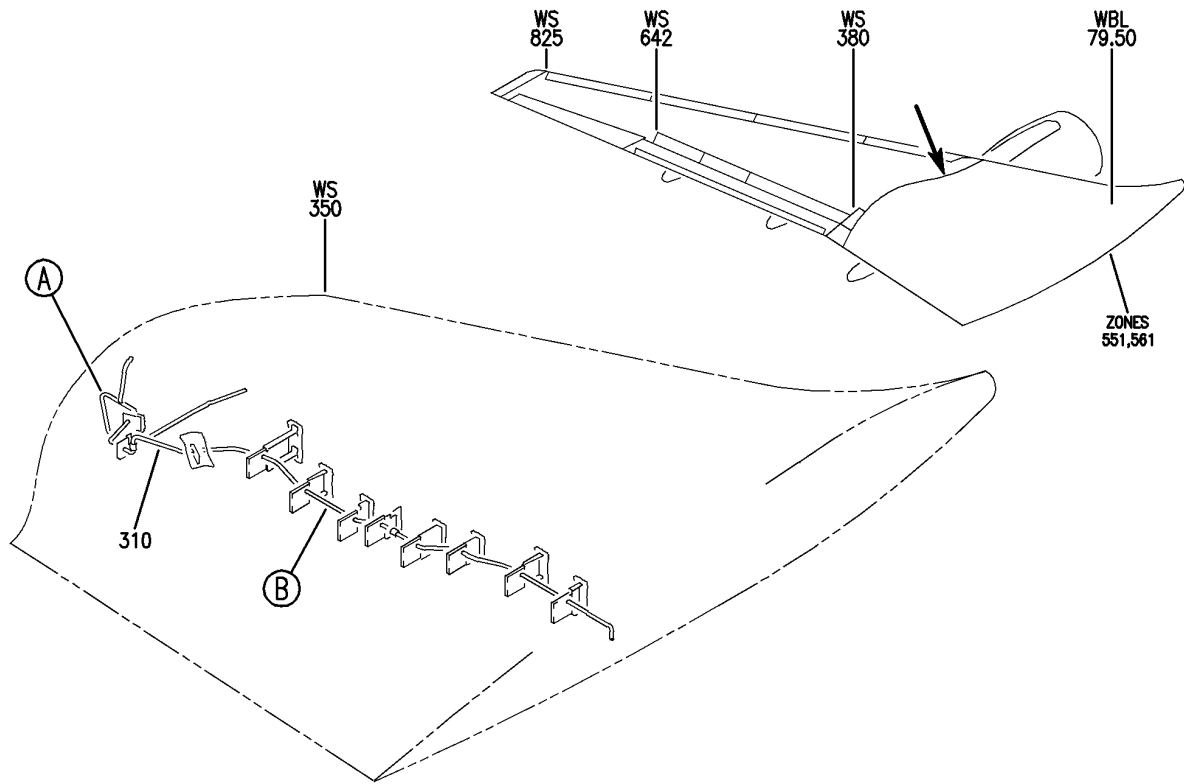
- ITEM NOT ILLUSTRATED

BRI

29-11-51-63

29-11-51
FIG. 63
PAGE 10
JAN 20/09

BOEING
757
PARTS CATALOG (MAINTENANCE)



Y 29115164 SHT 1 REV 227

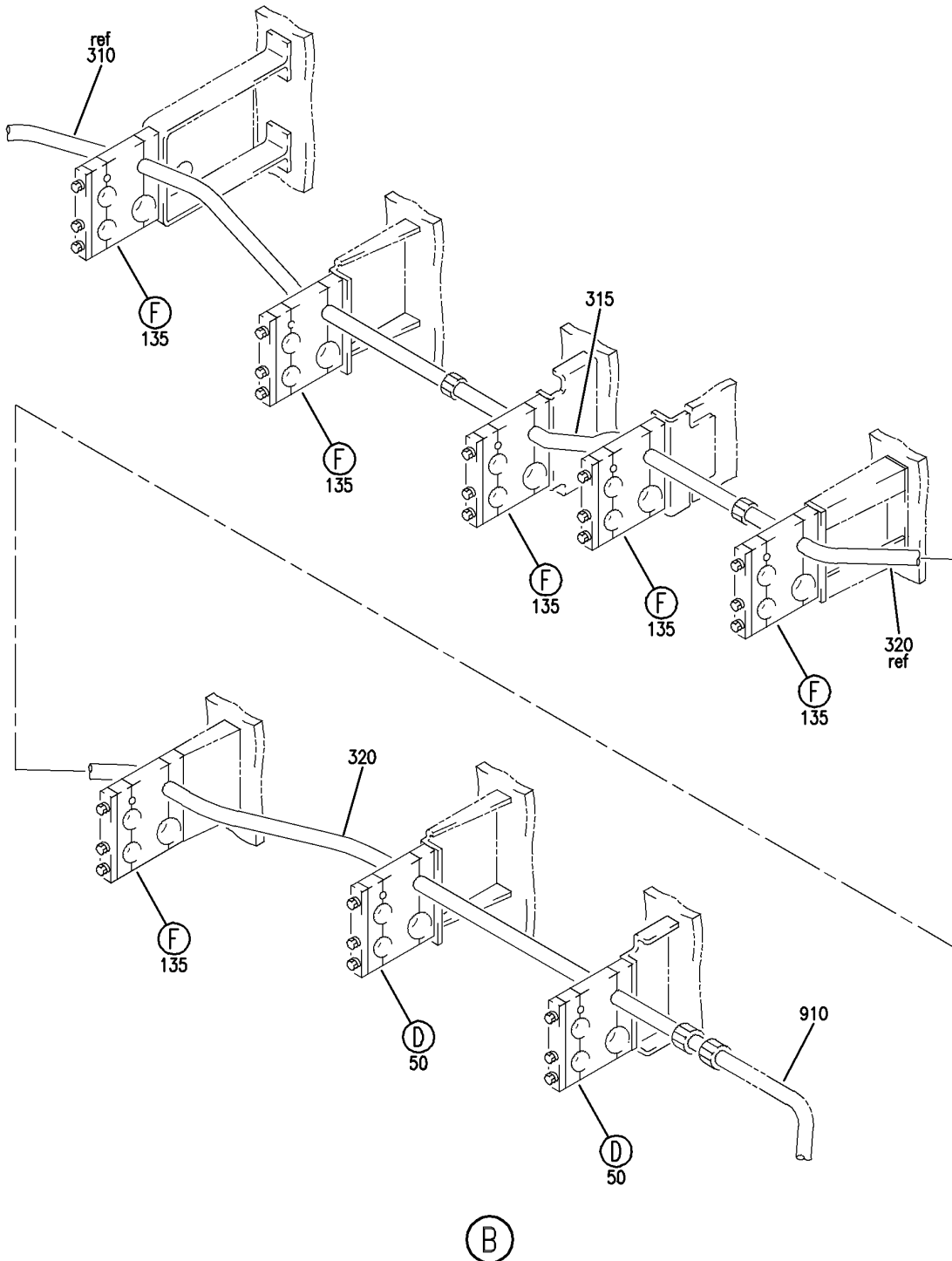
PLUMBING INSTL-FILLET AND TE ROLLS ROYCE RETURN LINES
FIGURE 64 (SHEET 1)

29-11-51-64

BRI
MAY 28/07

29-11-51-64
PAGE 0

BOEING
757
PARTS CATALOG (MAINTENANCE)



Y 29115164 SH1 2 REV 227

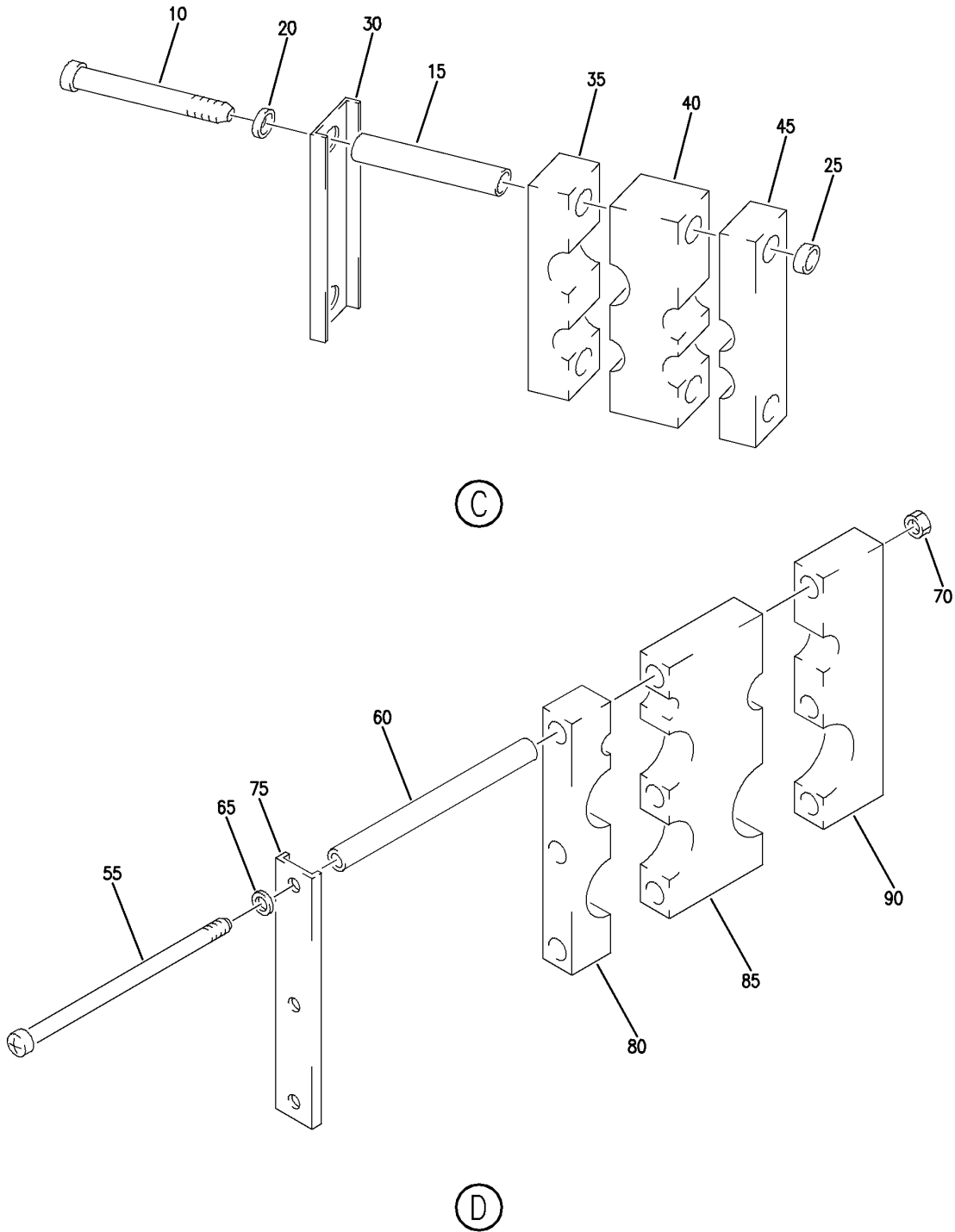
PLUMBING INSTL-FILLET AND TE ROLLS ROYCE RETURN LINES
FIGURE 64 (SHEET 2)

29-11-51-64

BRI
MAY 28/07

29-11-51-64
PAGE 0A


BOEING
 757
PARTS CATALOG (MAINTENANCE)



Y 29115164 SHT 3 REV 227

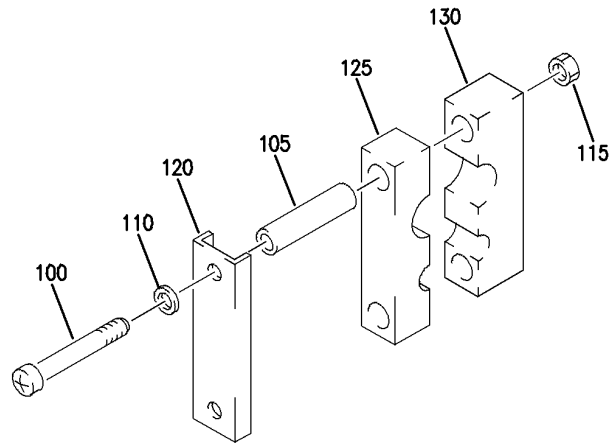
PLUMBING INSTL-FILLET AND TE ROLLS ROYCE RETURN LINES
 FIGURE 64 (SHEET 3)

29-11-51-64

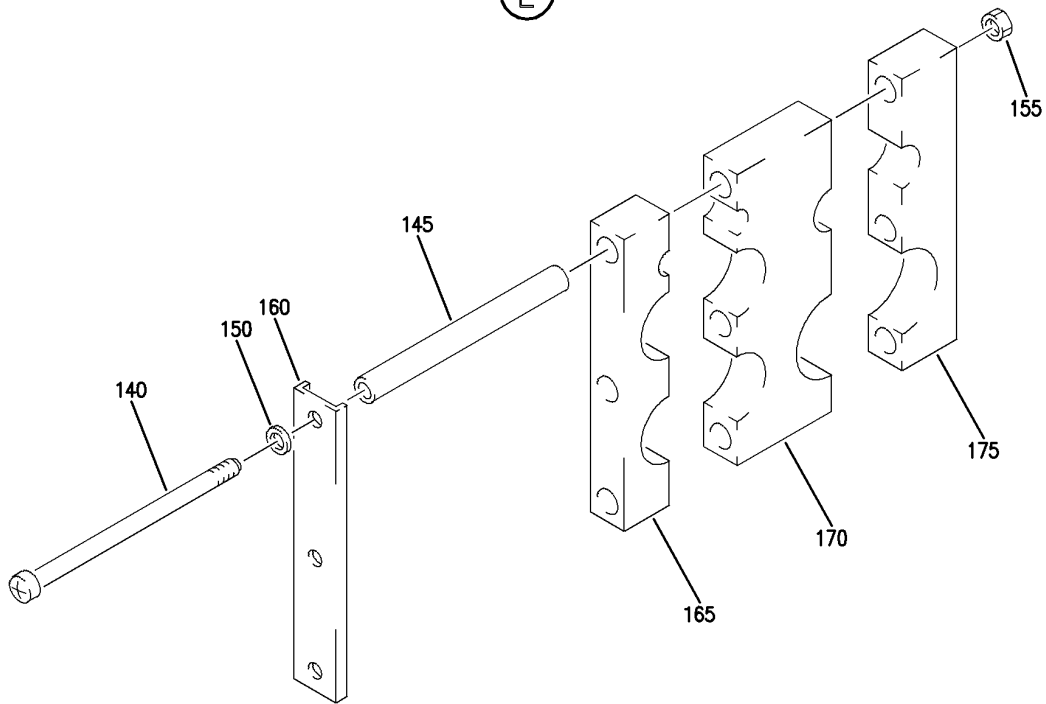
BRI
 MAY 28/07

29-11-51-64
 PAGE 0B

BOEING
757
PARTS CATALOG (MAINTENANCE)



(E)



(F)

Y 29115164 SHT 4 REV 227

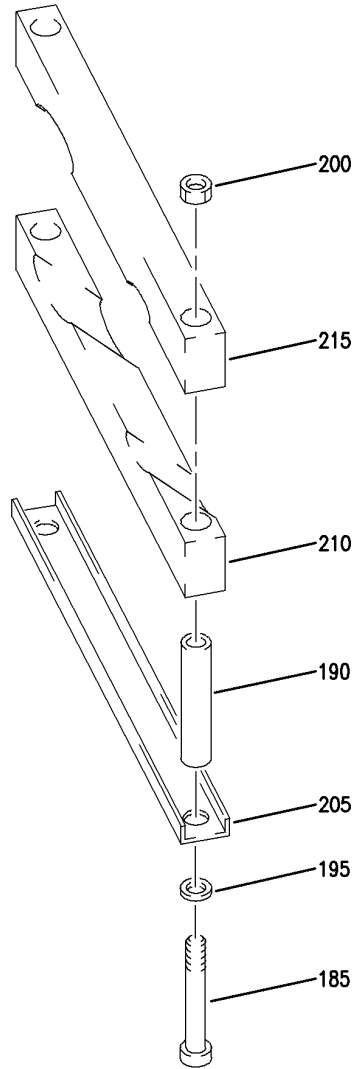
PLUMBING INSTL-FILLET AND TE ROLLS ROYCE RETURN LINES
FIGURE 64 (SHEET 4)

29-11-51-64

BRI
MAY 28/07

29-11-51-64
PAGE 0C

BOEING
757
PARTS CATALOG (MAINTENANCE)



(G)

Y 29115164 SHT 5 REV 227

PLUMBING INSTL-FILLET AND TE ROLLS ROYCE RETURN LINES
FIGURE 64 (SHEET 5)

29-11-51-64

BRI
MAY 28/07

29-11-51-64
PAGE 0D

BOEING PROPRIETARY - Copyright © - Unpublished Work - See title page for details.



757

PARTS CATALOG (MAINTENANCE)

FIG ITEM	PART NUMBER	1 2 3 4 5 6 7	NOMENCLATURE	EFFECT FROM TO	UNITS PER ASSY
64			PLUMBING INSTL-FILLET AND TE ROLLS ROYCE RETURN LINES	101102 108120 504903	
- 1	271N6122-10		PLUMBING INSTL-FILLET AND TE ROLLS ROYCE RETURN LINES	101102 108120 504903	RF
	5 270N2000-1304		.CLAMP ASSY	101102 108120 504903	1
	10 NAS1801-3-41		..SCREW	101102 108120 504903	2
	15 NAS43DD3-130		..SPACER	101102 108120 504903	2
	20 AN960KD10L		..WASHER	101102 108120 504903	2
	25 BRH10A3		..NUT	101102 108120 504903	2
			SUPPLIER CODE: V52828		
			SPECIFICATION NUMBER: BACN10JC3		
			OPTIONAL PART: H10-3BAC		
			V15653		
			NS202101-02		
			V80539		
			RMLH9075-3W		
			V72962		
			VN303A02		
			V92215		
			96-02		
			V80539		
			T6S1032J		
			V11815		
	30 270N2000-805		..CHANNEL	101102 108120 504903	1
	35 270N2000-1215		..BLOCK	101102 108120 504903	1
	40 270N2000-1216		..BLOCK	101102 108120 504903	1

MISSING ITEM NUMBERS NOT APPLICABLE

- ITEM NOT ILLUSTRATED

BRI

29-11-51-64

29-11-51
FIG. 64
PAGE 1
JAN 20/09



757

PARTS CATALOG (MAINTENANCE)

FIG ITEM	PART NUMBER	1 2 3 4 5 6 7	NOMENCLATURE	EFFECT FROM TO	UNITS PER ASSY
64					
45	270N2000-1214	..	BLOCK	101102 108120 504903	1
50	270N2000-1305	.CLAMP	ASSY	101102 108120 504903	2
55	NAS1801-3-76	..	SCREW	101102 108120 504903	3
60	NAS43DD3-253	..	SPACER	101102 108120 504903	3
65	AN960KD10L	..	WASHER	101102 108120 504903	3
70	BRH10A3	..	NUT SUPPLIER CODE: V52828 SPECIFICATION NUMBER: BACN10JC3 OPTIONAL PART: H10-3BAC V15653 NS202101-02 V80539 RMLH9075-3W V72962 VN303A02 V92215 96-02 V80539 T6S1032J V11815	101102 108120 504903	3
75	270N2000-811	..	CHANNEL	101102 108120 504903	1
80	270N2000-1252	..	BLOCK	101102 108120 504903	1
85	270N2000-1219	..	BLOCK	101102 108120 504903	1
90	270N2000-1221	..	BLOCK	101102 108120 504903	1
95	270N2000-1306	.CLAMP	ASSY	101102 108120 504903	1

MISSING ITEM NUMBERS NOT APPLICABLE

- ITEM NOT ILLUSTRATED

BRI

29-11-51-64

29-11-51
FIG. 64
PAGE 2
JAN 20/09



757

PARTS CATALOG (MAINTENANCE)

FIG ITEM	PART NUMBER	1 2 3 4 5 6 7	NOMENCLATURE	EFFECT FROM TO	UNITS PER ASSY
64					
100	NAS1801-3-31	..	SCREW	101102 108120 504903	2
105	NAS43DD3-88	..	SPACER	101102 108120 504903	2
110	AN960KD10L	..	WASHER	101102 108120 504903	2
115	BRH10A3	..	NUT	101102 108120 504903	2
			SUPPLIER CODE: V52828		
			SPECIFICATION NUMBER: BACN10JC3		
			OPTIONAL PART: H10-3BAC		
			V15653		
			NS202101-02		
			V80539		
			RMLH9075-3W		
			V72962		
			VN303A02		
			V92215		
			96-02		
			V80539		
			T6S1032J		
			V11815		
120	270N2000-805	..	CHANNEL	101102 108120 504903	1
125	270N2000-1215	..	BLOCK	101102 108120 504903	1
130	270N2000-1248	..	BLOCK	101102 108120 504903	1
135	270N2000-1307	.	CLAMP ASSY	101102 108120 504903	6
140	NAS1801-3-67	..	SCREW	101102 108120 504903	3
145	NAS43DD3-234	..	SPACER	101102 108120 504903	3
150	AN960KD10L	..	WASHER	101102 108120 504903	3

MISSING ITEM NUMBERS NOT APPLICABLE

- ITEM NOT ILLUSTRATED

29-11-51-64

29-11-51
FIG. 64
PAGE 3
JAN 20/09

BRI

BOEING PROPRIETARY - Copyright © - Unpublished Work - See title page for details.



757

PARTS CATALOG (MAINTENANCE)

FIG ITEM	PART NUMBER	1 2 3 4 5 6 7	NOMENCLATURE	EFFECT FROM TO	UNITS PER ASSY
64 155	BRH10A3	..	NUT SUPPLIER CODE: V52828 SPECIFICATION NUMBER: BACN10JC3 OPTIONAL PART: H10-3BAC V15653 NS202101-02 V80539 RMLH9075-3W V72962 VN303A02 V92215 96-02 V80539 T6S1032J V11815	101102 108120 504903	3
160	270N2000-811	..	CHANNEL	101102 108120 504903	1
165	270N2000-1252	..	BLOCK	101102 108120 504903	1
170	270N2000-1219	..	BLOCK	101102 108120 504903	1
175	270N2000-1220	..	BLOCK	101102 108120 504903	1
180	270N2000-1309	.	CLAMP ASSY	101102 108120 504903	1
185	NAS1801-3-34	..	SCREW	101102 108120 504903	2
190	NAS43DD3-101	..	SPACER	101102 108120 504903	2
195	AN960KD10L	..	WASHER	101102 108120 504903	2

MISSING ITEM NUMBERS NOT APPLICABLE

- ITEM NOT ILLUSTRATED

29-11-51-64

29-11-51
FIG. 64
PAGE 4
JAN 20/09

BRI

BOEING PROPRIETARY - Copyright © - Unpublished Work - See title page for details.



757

PARTS CATALOG (MAINTENANCE)

FIG ITEM	PART NUMBER	1 2 3 4 5 6 7	NOMENCLATURE	EFFECT FROM TO	UNITS PER ASSY
64 200	BRH10A3	. .	NUT SUPPLIER CODE: V52828 SPECIFICATION NUMBER: BACN10JC3 OPTIONAL PART: H10-3BAC V15653 NS202101-02 V80539 RMLH9075-3W V72962 VN303A02 V92215 96-02 V80539 T6S1032J V11815	101102 108120 504903	2
205	270N2000-808	. .	CHANNEL	101102 108120 504903	1
210	270N2000-1209	. .	BLOCK	101102 108120 504903	1
215	270N2000-1210	. .	BLOCK	101102 108120 504903	1
220	TA0910004H110	. .	CLAMP SUPPLIER CODE: V84971 SPECIFICATION NUMBER: BACC10HB10C ATTACHING PARTS	101102 108120 504903	3
- 225	NAS1801-3	. .	SCREW- SIZE DETERMINED ON INSTL.	101102 108120 504903	6
- 230	AN960PD10L	. .	WASHER	101102 108120 504903	6
- 235	MS21042L3	. .	NUT	101102 108120 504903	6
300	271N6122-1155	-----*-----	TUBE ASSY-L SYS RETURN TUBING MATERIAL: .625 IN. OD .035 IN. WALL 58.1 IN. LG AL	101102 108120 504903	1

MISSING ITEM NUMBERS NOT APPLICABLE

- ITEM NOT ILLUSTRATED

29-11-51-64

29-11-51
FIG. 64
PAGE 5
JAN 20/09

BRI

BOEING PROPRIETARY - Copyright © - Unpublished Work - See title page for details.



757

PARTS CATALOG (MAINTENANCE)

FIG ITEM	PART NUMBER	1 2 3 4 5 6 7	NOMENCLATURE	EFFECT FROM TO	UNITS PER ASSY
64					
305	271N6122-1159		.TUBE ASSY-L SYS RETURN TUBING MATERIAL: .625 IN. OD .035 IN. WALL 29.00 IN. LG AL	101102 108120 504903	1
310	271N6122-1161		.TUBE ASSY-L SYS RETURN TUBING MATERIAL: .625 IN. OD .035 IN. WALL 58.4 IN. LG AL	101102 108120 504903	1
315	271N6122-1163		.TUBE ASSY-L SYS RETURN TUBING MATERIAL: .625 IN. OD .035 IN. WALL 47.5 IN. LG AL	101102 108120 504903	1
320	271N6122-1165		.TUBE ASSY-L SYS RETURN TUBING MATERIAL: .625 IN. OD .035 IN. WALL 60.30 IN. LG AL	101102 108120 504903	1
- 325	AP2097HP10		..SLEEVE SUPPLIER CODE: V01673 SPECIFICATION NUMBER: BACS13BX10HP OPTIONAL PART: 2-02903-10HP V11328 35235VN10 V08199 AFP175V10P V30974 DBOS13BX10HP V14798	101102 108120 504903	1
- 330	MS21921-10D		..NUT- OPTIONAL PART: BACN10YL10	101102 108120 504903	1
- 330	BACN10YL10		..NUT- OPTIONAL PART: MS21921-10D	101102 108120 504903	1

MISSING ITEM NUMBERS NOT APPLICABLE

- ITEM NOT ILLUSTRATED

29-11-51-64

29-11-51
FIG. 64
PAGE 6
JAN 20/09

BRI



757

PARTS CATALOG (MAINTENANCE)

FIG ITEM	PART NUMBER	1 2 3 4 5 6 7	NOMENCLATURE	EFFECT FROM TO	UNITS PER ASSY
64 - 335	35056GV10	. .	UNION SUPPLIER CODE: V08199 SPECIFICATION NUMBER: BACU24AB10W OPTIONAL PART: 4671097W10 V50948 2-01027-10W V11328 31875-10W V14397 AP1004W10 V01673 AFP941W10 V30974 DBOU24AB10W V14798	101102 108120 504903	1
350	APX824F101006W	. TEE	SUPPLIER CODE: V01673 SPECIFICATION NUMBER: BACT16AS101006W OPTIONAL PART: APX824-101006W V01673 DBOT16AS101006W V14798 ER824-101006W V50948 FER1571-101006W V14397 LER824-101006W V11328 NAF1824-101006W V52930 US1925-101006W V50808 AFP325-101006W V30974	101102 108120 504903	1
900			ILLUSTRATION REFERENCE: PLUMBING INSTL-SECT. 31.1 HYDR (LH) (HYDRAULIC POWER ONLY) 29-11-51-73	101102 108120 504903	RF

MISSING ITEM NUMBERS NOT APPLICABLE

- ITEM NOT ILLUSTRATED

BRI

29-11-51-64

BOEING PROPRIETARY - Copyright © - Unpublished Work - See title page for details.

29-11-51
FIG. 64
PAGE 7
JAN 20/09



757

PARTS CATALOG (MAINTENANCE)

FIG ITEM	PART NUMBER	1 2 3 4 5 6 7	NOMENCLATURE	EFFECT FROM TO	UNITS PER ASSY
64 905			ILLUSTRATION REFERENCE: PLUMBING INSTL-SECT. 12 L WING HYDR (HYDRAULIC POWER ONLY) 29-11-51-26	101102 108120 504903	RF
910			ILLUSTRATION REFERENCE: PLUMBING INSTL-ROLLS ROYCE ENG 29-11-51-55	101102 108120 504903	RF

MISSING ITEM NUMBERS NOT APPLICABLE

- ITEM NOT ILLUSTRATED

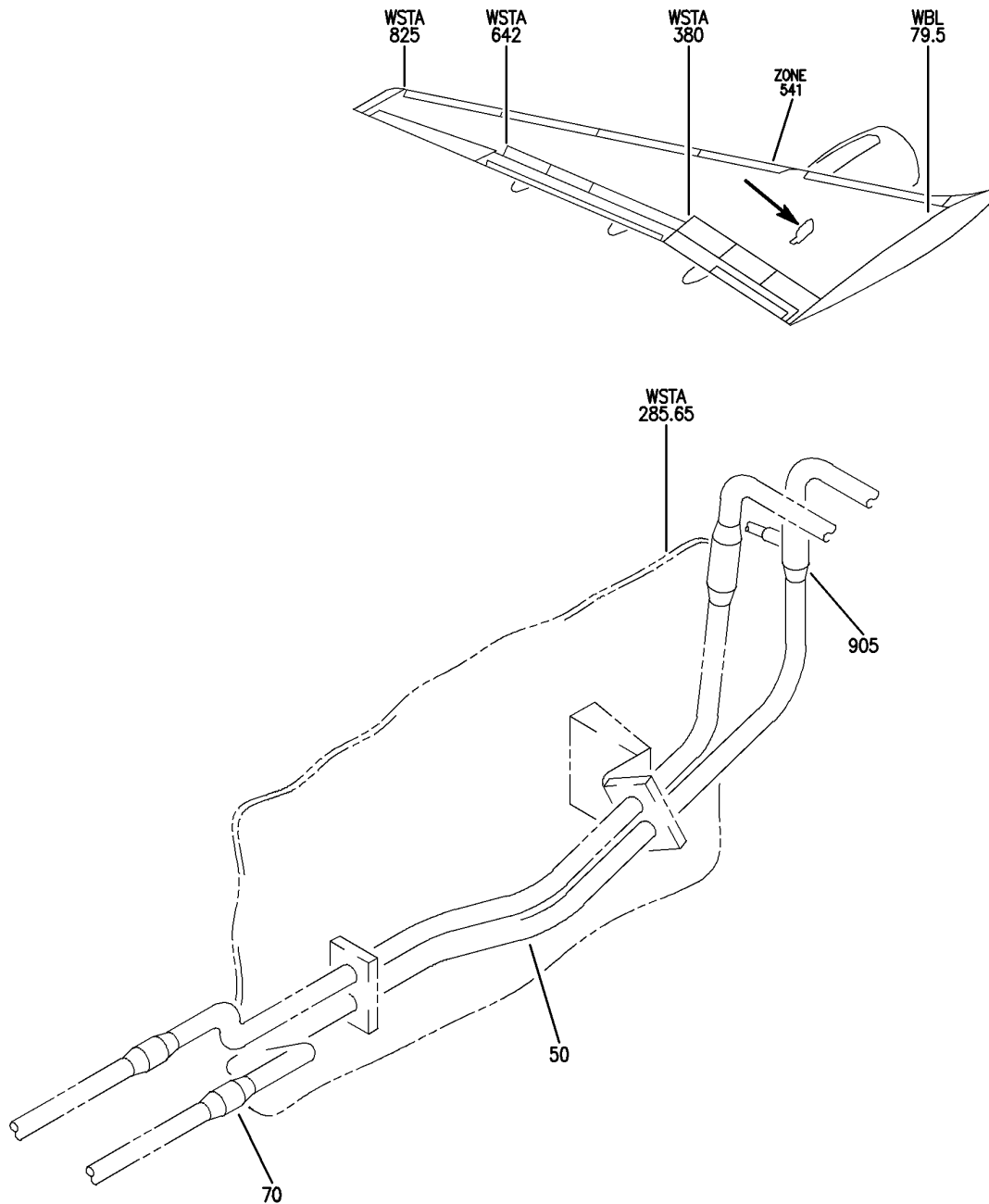
BRI

29-11-51-64

BOEING PROPRIETARY - Copyright © - Unpublished Work - See title page for details.

29-11-51
FIG. 64
PAGE 8
JAN 20/09

BOEING
757
PARTS CATALOG (MAINTENANCE)



Y 29115165 REV 229

PLUMBING INSTL-SECT. 12 L WING INBD HYDR (HYDRAULIC POWER ONLY)
FIGURE 65

29-11-51-65

BRI
MAY 28/07

29-11-51-65
PAGE 0



757

PARTS CATALOG (MAINTENANCE)

FIG ITEM	PART NUMBER	1 2 3 4 5 6 7	NOMENCLATURE	EFFECT FROM TO	UNITS PER ASSY
65			PLUMBING INSTL-SECT. 12 L WING INBD HYDR (HYDRAULIC POWER ONLY)	101106 108120 504903	
- 1	271N6122-18		PLUMBING INSTL-INSPAR TUBING AND BRACKETS CTR SYS	101106 108120 504903	RF
50	271N6122-1279		POSITION DATA: SECT. 12 L WING INBD FOR NHA SEE: 29-00-51-02B .TUBE ASSY-FHX TUBING MATERIAL: .625 IN. OD .035 IN. WALL 40.0 IN. LG AL	101106 108120 504903	1
70	D10282J10		.UNION SUPPLIER CODE: V14798 SPECIFICATION NUMBER: BACU24BS1010D	101106 108120 504903	1
905			ILLUSTRATION REFERENCE: PLUMBING INSTL-SECT. 12 L WING INBD HYDR (HYDRAULIC POWER ONLY) 29-11-51-67	101102 108120 504903	RF

MISSING ITEM NUMBERS NOT APPLICABLE

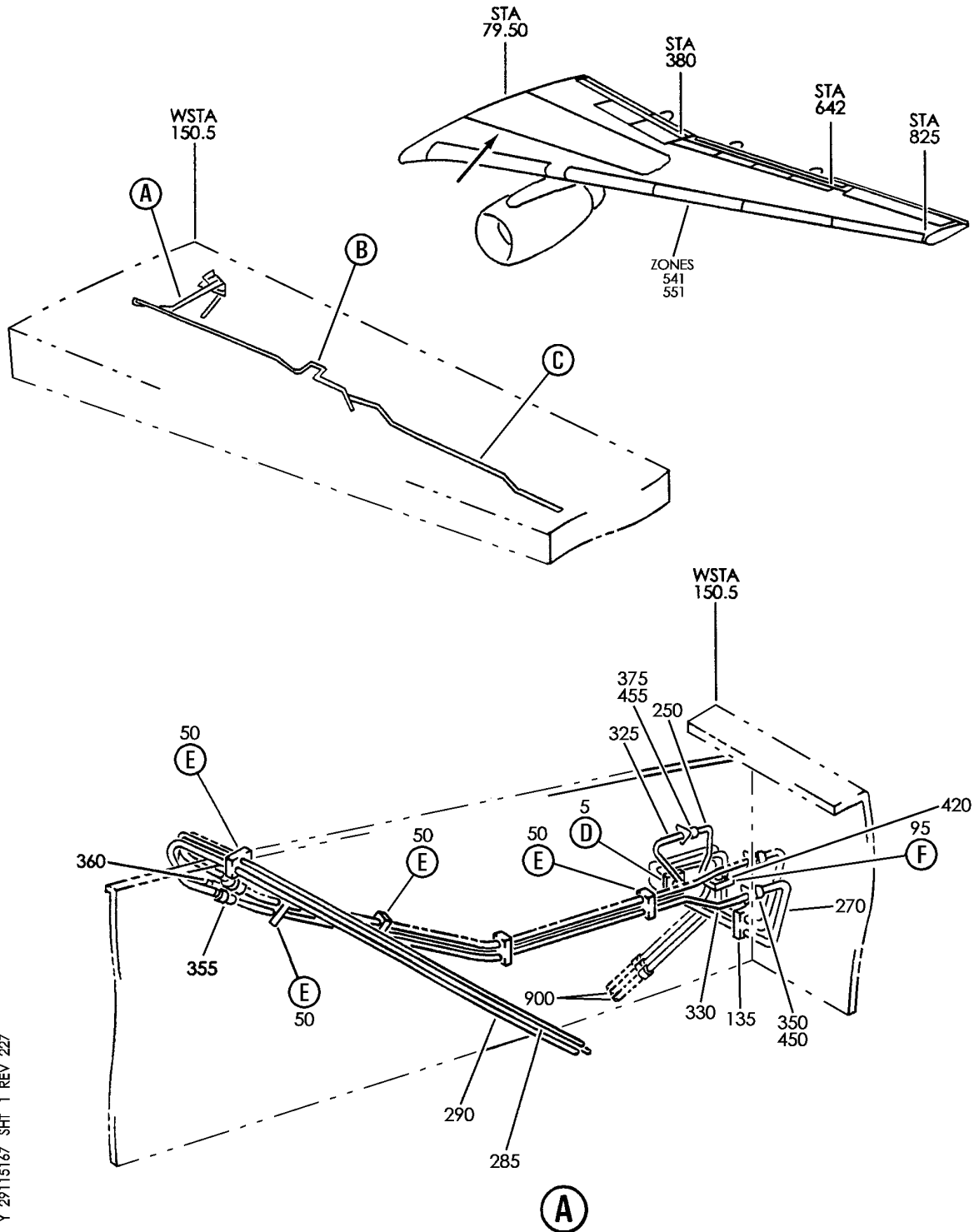
- ITEM NOT ILLUSTRATED

BRI

29-11-51-65

29-11-51
FIG. 65
PAGE 1
JAN 20/09

BOEING
757
PARTS CATALOG (MAINTENANCE)



Y 29115167 SHT 1 REV 227

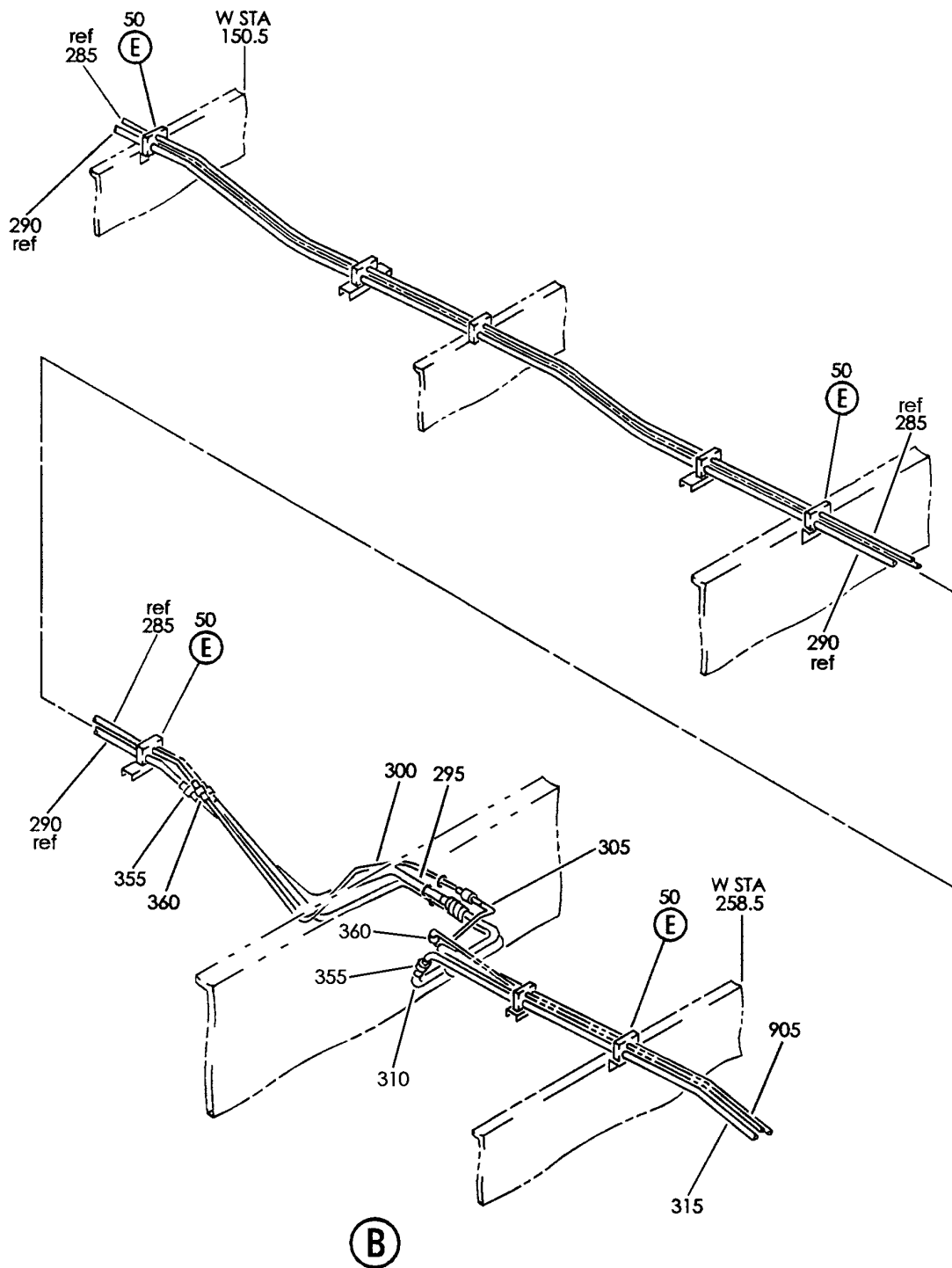
PLUMBING INSTL-SECT. 12 L WING INBD HYDR (HYDRAULIC POWER ONLY)
FIGURE 67 (SHEET 1)

29-11-51-67

BRI
MAY 28/07

29-11-51-67
PAGE 0

BOEING
757
PARTS CATALOG (MAINTENANCE)



Y 29115167 SHT 2 REV 227

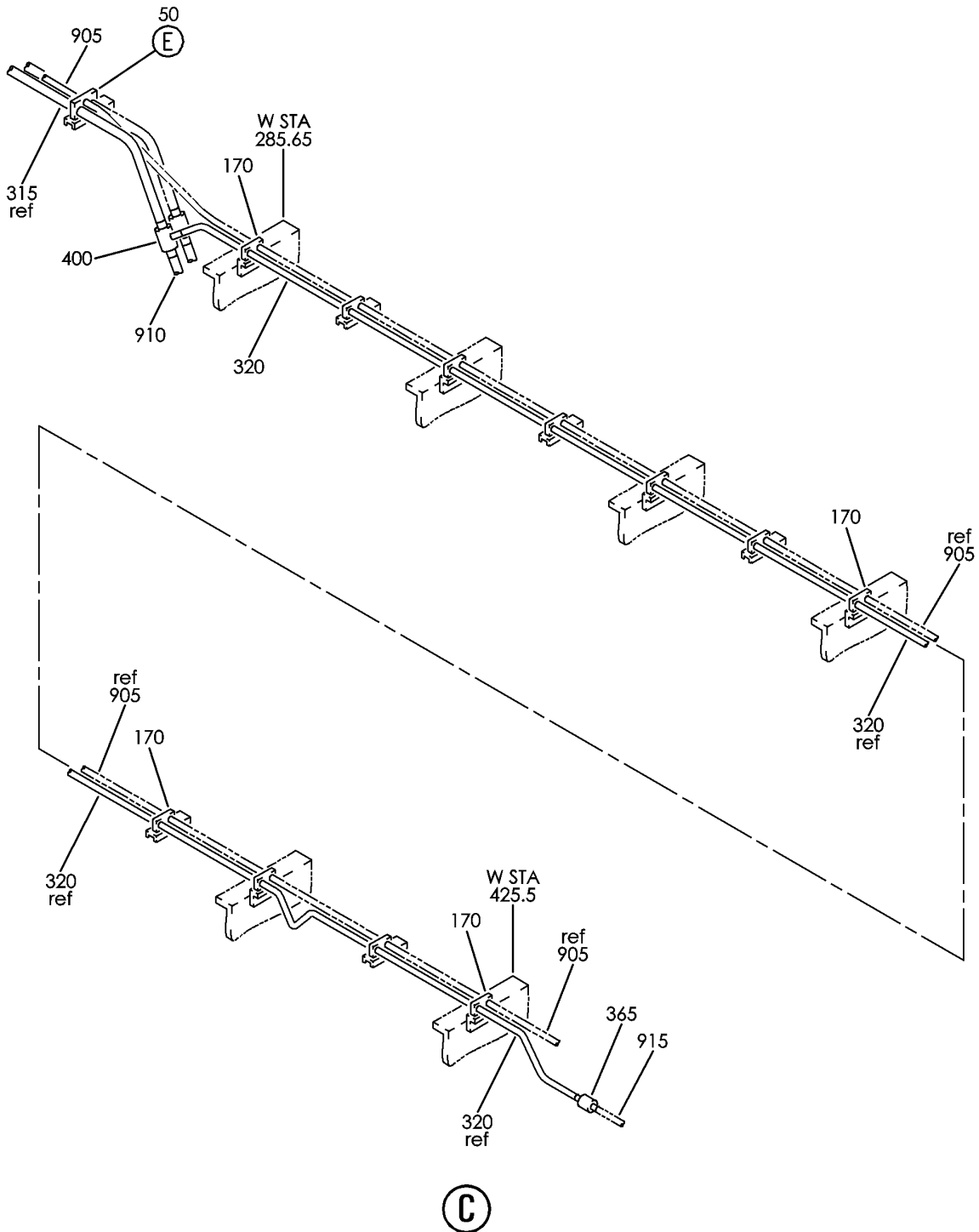
PLUMBING INSTL-SECT. 12 L WING INBD HYDR (HYDRAULIC POWER ONLY)
FIGURE 67 (SHEET 2)

29-11-51-67

BRI
MAY 28/07

29-11-51-67
PAGE 0A


BOEING
 757
PARTS CATALOG (MAINTENANCE)



Y 29115167 SHT 3 REV 227

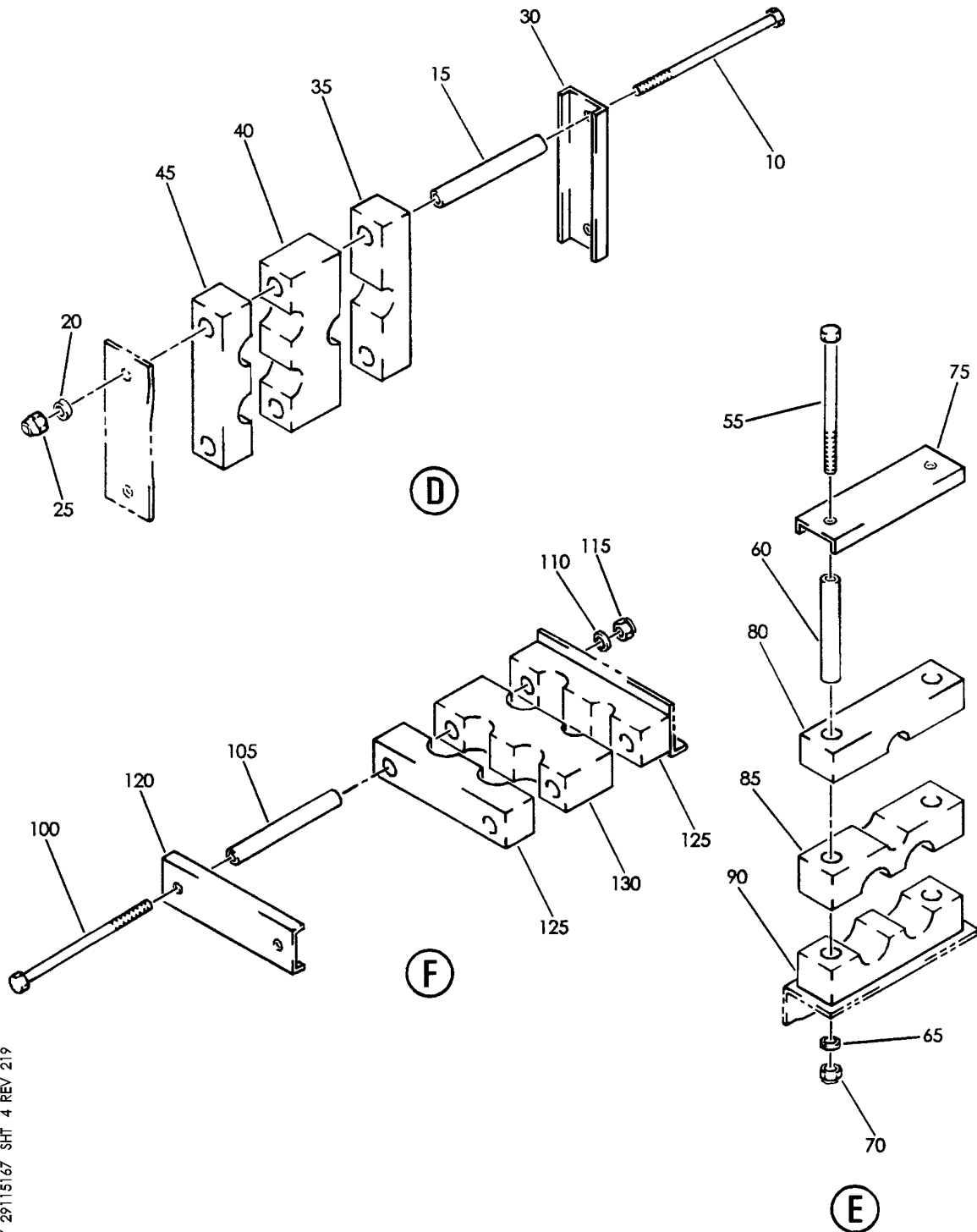
PLUMBING INSTL-SECT. 12 L WING INBD HYDR (HYDRAULIC POWER ONLY)
 FIGURE 67 (SHEET 3)

29-11-51-67

BRI
 MAY 28/07

29-11-51-67
 PAGE 0B

BOEING
757
PARTS CATALOG (MAINTENANCE)



Y 29115167 SHT 4 REV 219

PLUMBING INSTL-SECT. 12 L WING INBD HYDR (HYDRAULIC POWER ONLY)
FIGURE 67 (SHEET 4)

29-11-51-67

BRI
MAY 28/07

29-11-51-67
PAGE 0C



757

PARTS CATALOG (MAINTENANCE)

FIG ITEM	PART NUMBER	1 2 3 4 5 6 7	NOMENCLATURE	EFFECT FROM TO	UNITS PER ASSY
67			PLUMBING INSTL-SECT. 12 L WING INBD HYDR (HYDRAULIC POWER ONLY)	101102 108120 504903	
- 1	271N6122-25		PLUMBING INSTL-INSPAR FILLET AND TRAILING EDGE CTR SYS CASE DRAIN EXCEPT DELTA POSITION DATA: SECT. 12 L WING INBD FOR NHA SEE: 29-00-51-02B	101102 108120 504903	RF
5	270N2000-69		.CLAMP ASSY-BLOCK	101102 108120 504903	1
10	NAS1801-3-41		..SCREW	101102 108120 504903	2
15	NAS43DD3-130		..SPACER	101102 108120 504903	2
20	AN960PD10L		..WASHER	101102 108120 504903	2
25	BRH10A3		..NUT SUPPLIER CODE: V52828 SPECIFICATION NUMBER: BACN10JC3 OPTIONAL PART: H10-3BAC V15653 NS202101-02 V80539 RMLH9075-3W V72962 VN303A02 V92215 96-02 V80539 T6S1032J V11815	101102 108120 504903	2
30	270N2000-821		..CHANNEL	101102 108120 504903	1
35	270N2000-483		..BLOCK	101102 108120 504903	1

MISSING ITEM NUMBERS NOT APPLICABLE

- ITEM NOT ILLUSTRATED

BRI

29-11-51-67

29-11-51
FIG. 67
PAGE 1
JAN 20/09



757

PARTS CATALOG (MAINTENANCE)

FIG ITEM	PART NUMBER	1 2 3 4 5 6 7	NOMENCLATURE	EFFECT FROM TO	UNITS PER ASSY
67					
40	270N2000-499	..	BLOCK	101102 108120 504903	1
45	270N2000-447	..	BLOCK	101102 108120 504903	1
50	270N2001-11	.CLAMP	ASSY-BLOCK	101102 108120 504903	14
55	NAS1801-3-36	..	SCREW	101102 108120 504903	2
60	NAS43DD3-107	..	SPACER	101102 108120 504903	2
65	AN960PD10L	..	WASHER	101102 108120 504903	2
70	BRH10A3	..	NUT	101102 108120 504903	2
			SUPPLIER CODE: V52828		
			SPECIFICATION NUMBER: BACN10JC3		
			OPTIONAL PART: H10-3BAC		
			V15653		
			NS202101-02		
			V80539		
			RMLH9075-3W		
			V72962		
			VN303A02		
			V92215		
			96-02		
			V80539		
			T6S1032J		
			V11815		
75	270N2001-806	..	CHANNEL	101102 108120 504903	1
80	270N2001-406	..	BLOCK	101102 108120 504903	1
85	270N2001-407	..	BLOCK	101102 108120 504903	1
90	270N2001-408	..	BLOCK	101102 108120 504903	1

MISSING ITEM NUMBERS NOT APPLICABLE

- ITEM NOT ILLUSTRATED

29-11-51-67

29-11-51
FIG. 67
PAGE 2
JAN 20/09

BRI

BOEING PROPRIETARY - Copyright © - Unpublished Work - See title page for details.



757

PARTS CATALOG (MAINTENANCE)

FIG ITEM	PART NUMBER	1 2 3 4 5 6 7	NOMENCLATURE	EFFECT FROM TO	UNITS PER ASSY
67					
95	270N2000-207	.	CLAMP ASSY-BLOCK	101102 108120 504903	1
100	NAS1801-3-41	..	SCREW	101102 108120 504903	2
105	NAS43DD3-132	..	SPACER	101102 108120 504903	2
110	AN960PD10L	..	WASHER	101102 108120 504903	2
115	BRH10A3	..	NUT SUPPLIER CODE: V52828 SPECIFICATION NUMBER: BACN10JC3 OPTIONAL PART: H10-3BAC V15653 NS202101-02 V80539 RMLH9075-3W V72962 VN303A02 V92215 96-02 V80539 T6S1032J V11815	101102 108120 504903	2
120	270N2000-861	..	CHANNEL	101102 108120 504903	1
125	270N2000-697	..	BLOCK	101102 108120 504903	2
130	270N2000-698	..	BLOCK	101102 108120 504903	1
135	270N2000-32	.	CLAMP ASSY-BLOCK FOR BREAKDOWN SEE: 29-11-51-14	101102 108120 504903	RF
170	270N2001-10	.	CLAMP ASSY-BLOCK FOR BREAKDOWN SEE: 29-11-51-59	101102 108120 504903	RF
250	271N6122-1321	.	TUBE ASSY-PRESSURE-CTR SYS TUBING MATERIAL: .500 IN. OD TITANIUM	101102 108120 504903	1

MISSING ITEM NUMBERS NOT APPLICABLE

- ITEM NOT ILLUSTRATED

29-11-51-67

29-11-51
FIG. 67
PAGE 3
JAN 20/09

BRI



757

PARTS CATALOG (MAINTENANCE)

FIG ITEM	PART NUMBER	1 2 3 4 5 6 7	NOMENCLATURE	EFFECT FROM TO	UNITS PER ASSY
67					
- 255	AS1581T08	..	SLEEVE	101102 108120 504903	1
- 260	BACN10YA8	..	NUT	101102 108120 504903	1
270	271N6122-1322	.TUBE	ASSY-RETURN CTR SYS TUBING MATERIAL: .500 IN. OD AMLUMINUM	101102 108120 504903	1
- 275	AP2097HP08	..	SLEEVE SUPPLIER CODE: V01673 SPECIFICATION NUMBER: BACS13BX08HP OPTIONAL PART: 2-02903-08HP V11328 35235VN08 V08199 AFP175V08P V30974 DBOS13BX08HP V14798	101102 108120 504903	2
- 280	BACN10YL08	..	NUT	101102 108120 504903	2
285	271N6122-1063	.TUBE	ASSY-PRESSURE-CTR SYS TUBING MATERIAL: .375 IN. OD .019 IN. WALL 105.0 IN. LG TI	101102 108120 504903	1
290	271N6122-1064	.TUBE	ASSY-RETURN CTR SYS TUBING MATERIAL: .625 IN. OD .035 IN WALL 103.5 IN LG AL	101102 108120 504903	1
295	271N6122-1065	.TUBE	ASSY-RETURN CTR SYS TUBING MATERIAL: .625 IN. OD .035 IN. WALL 24.0 IN. LG AL	101102 108120 504903	1
300	271N6122-1066	.TUBE	ASSY-PRESSURE-CTR SYS TUBING MATERIAL: .375 IN. OD .019 IN. WALL 23.12 IN. LG TI	101102 108120 504903	1
305	271N6122-1069	.TUBE	ASSY-PRESSURE-CTR SYS TUBING MATERIAL: .375 IN. OD .019 IN. WALL 14.43 IN. LG TI	101102 108120 504903	1

MISSING ITEM NUMBERS NOT APPLICABLE

- ITEM NOT ILLUSTRATED

29-11-51-67

29-11-51
FIG. 67
PAGE 4
JAN 20/09

BRI



757

PARTS CATALOG (MAINTENANCE)

FIG ITEM	PART NUMBER	1 2 3 4 5 6 7	NOMENCLATURE	EFFECT FROM TO	UNITS PER ASSY
67					
310	271N6122-1070		.TUBE ASSY-RETURN CTR SYS TUBING MATERIAL: .625 IN. OD .035 IN. WALL 22.0 IN. LG AL	101102 108120 504903	1
315	271N6122-1071		.TUBE ASSY-RETURN CTR SYS TUBING MATERIAL: .625 IN. OD .035 IN. WALL 43.5 IN. LG AL	101102 108120 504903	1
320	271N6122-1306		.TUBE ASSY-RETURN SYS POSITION DATA: CTR TUBING MATERIAL: .375 IN. OD .035 IN. WALL 161.0 IN. LG AL	101102 108120 504903	1
325	271N6122-1330		.TUBE ASSY-PRESSURE-CTR SYS TUBING MATERIAL: .375 IN. OD TITANIUM	101102 108120 504903	1
330	271N6122-1331		.TUBE ASSY-RETURN CTR SYS TUBING MATERIAL: .625 IN. OD ALUMINUM	101102 108120 504903	1
350	MS21916D10-8		.UNION	101102 108120 504903	1
355	D10282J10		.UNION SUPPLIER CODE: V14798 SPECIFICATION NUMBER: BACU24BS1010D	101102 108120 504903	3
360	D10282-0606J		.UNION SUPPLIER CODE: V14798 SPECIFICATION NUMBER: BACU24BS0606J	101102 108120 504903	3
365	D10282-0606D		.UNION SUPPLIER CODE: V14798 SPECIFICATION NUMBER: BACU24BS0606D	101102 108120 504903	1

MISSING ITEM NUMBERS NOT APPLICABLE

- ITEM NOT ILLUSTRATED

BRI

29-11-51-67

29-11-51
FIG. 67
PAGE 5
JAN 20/09



757

PARTS CATALOG (MAINTENANCE)

FIG ITEM	PART NUMBER	1 2 3 4 5 6 7	NOMENCLATURE	EFFECT FROM TO	UNITS PER ASSY
67 375	AFP2328-6	.	REDUCER SUPPLIER CODE: V30974 SPECIFICATION NUMBER: BACR17E8-6 OPTIONAL PART: AP10278-6 V01673 BC916T8-6 V50948 DB0R17E8-6 V14798 ER21916T8-6 V88334 ER31916-8-6 V88334 F23-8-6 V73197 2-01075T8-6 V11328 31778-8-6 V14397 US2114-8-6 V50508 AP1027T8-6 V01673 US21148-6 V50808 317788-6 V14397	101102 108120 504903	1
400	D10280D101006	.	TEE- SUPPLIER CODE: V14798	101102 108120 504903	1
420	270N0005-3	.	FILLER-PLUG	101102 108120 504903	1
450	NAS1612-10	.	PACKING-	101102 108120 504903	1
455	NAS1612-6	.	PACKING-	101102 108120 504903	1
900			ILLUSTRATION REFERENCE: PLUMBING INSTL-MAIN WHL WELL FWD BHD HYDR 29-11-51-78	101102 108120 504903	RF

MISSING ITEM NUMBERS NOT APPLICABLE

- ITEM NOT ILLUSTRATED

29-11-51-67

29-11-51
FIG. 67
PAGE 6
JAN 20/09

BRI



757

PARTS CATALOG (MAINTENANCE)

FIG ITEM	PART NUMBER	1 2 3 4 5 6 7	NOMENCLATURE	EFFECT FROM TO	UNITS PER ASSY
67 905			ILLUSTRATION REFERENCE: PLUMBING INSTL-INSPAR SYS CTR CASE DRAIN 29-11-51-59	101102 108120 504903	RF
910			ILLUSTRATION REFERENCE: PLUMBING INSTL-SECT. 12 L WING INBD HYDR (HYDRAULIC POWER ONLY) 29-11-51-65	101102 108120 504903	RF
915			ILLUSTRATION REFERENCE: PLUMBING INSTL-SECT. 12 L WING HYDR (HYDRAULIC POWER ONLY) 29-11-51-26	101102 108120 504903	RF

MISSING ITEM NUMBERS NOT APPLICABLE

- ITEM NOT ILLUSTRATED

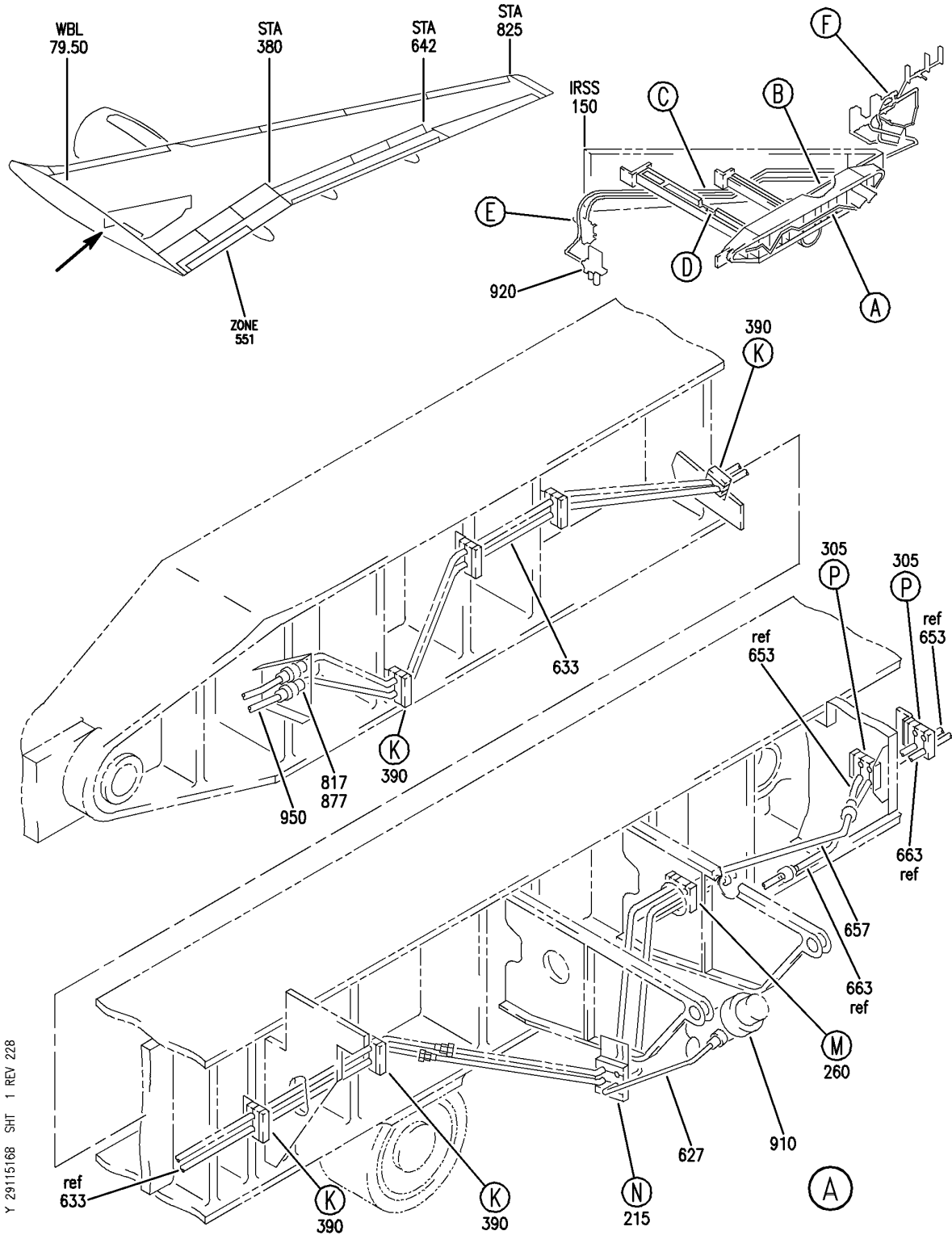
BRI

29-11-51-67

BOEING PROPRIETARY - Copyright © - Unpublished Work - See title page for details.

29-11-51
FIG. 67
PAGE 7
JAN 20/09


BOEING
 757
PARTS CATALOG (MAINTENANCE)



Y 29115168 SHT 1 REV 228

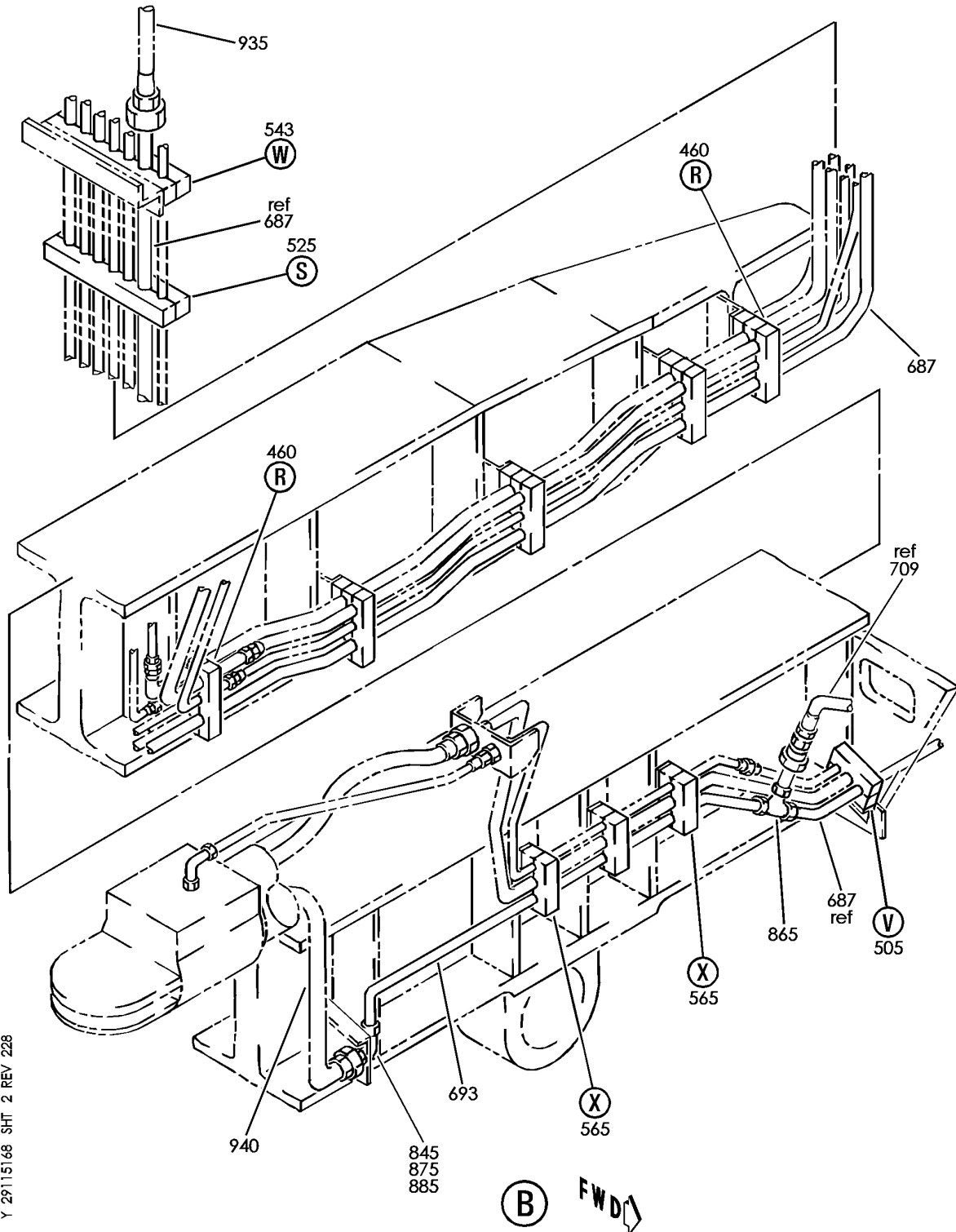
PLUMBING INSTL-FILLET AND TE ROLLS ROYCE RETURN LINES
 FIGURE 68 (SHEET 1)

29-11-51-68

BRI
 MAY 28/07

29-11-51-68
 PAGE 0

BOEING
757
PARTS CATALOG (MAINTENANCE)



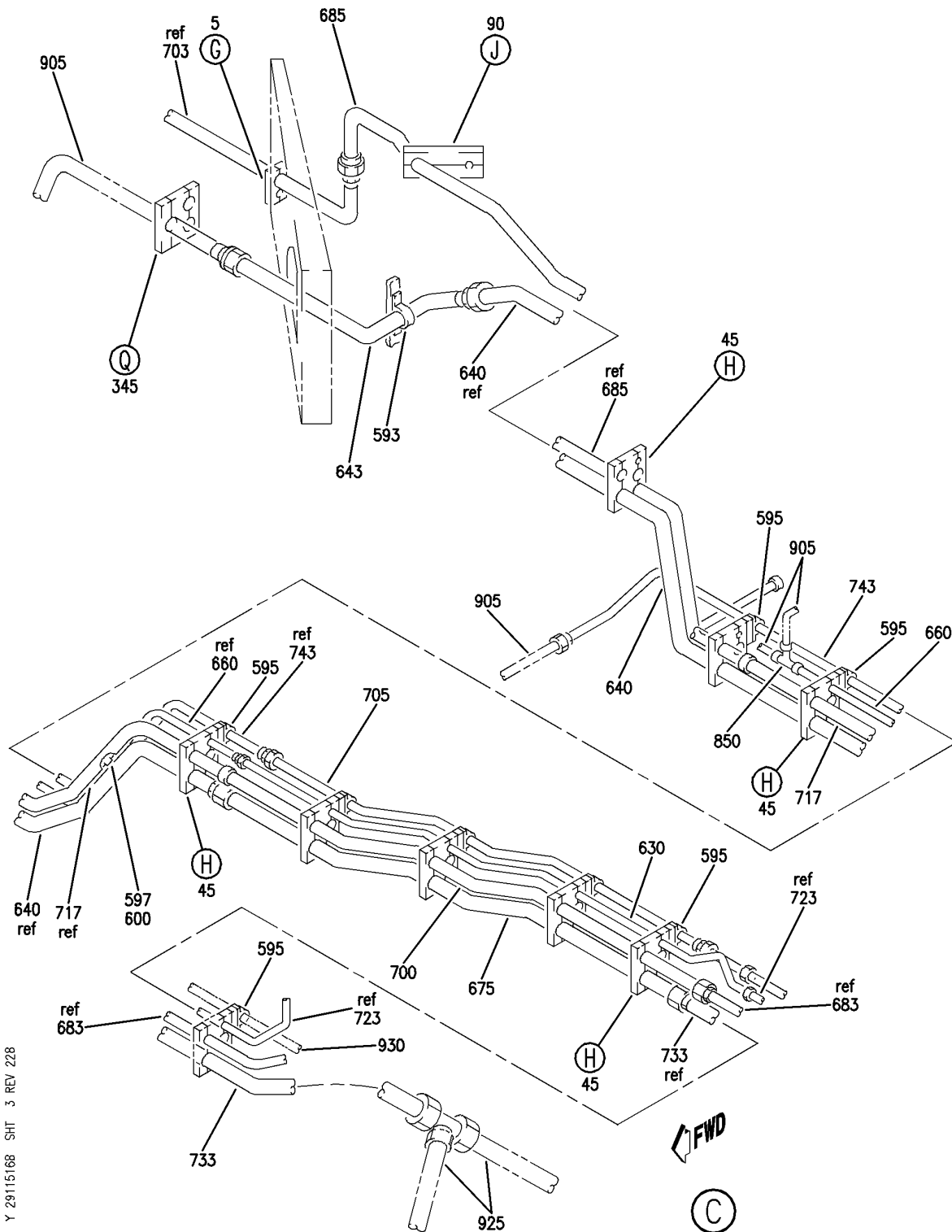
PLUMBING INSTL-FILLET AND TE ROLLS ROYCE RETURN LINES
FIGURE 68 (SHEET 2)

29-11-51-68

BRI
MAY 28/07

29-11-51-68
PAGE 0A


BOEING
 757
PARTS CATALOG (MAINTENANCE)



Y 29115168 SH1 3 REV 228

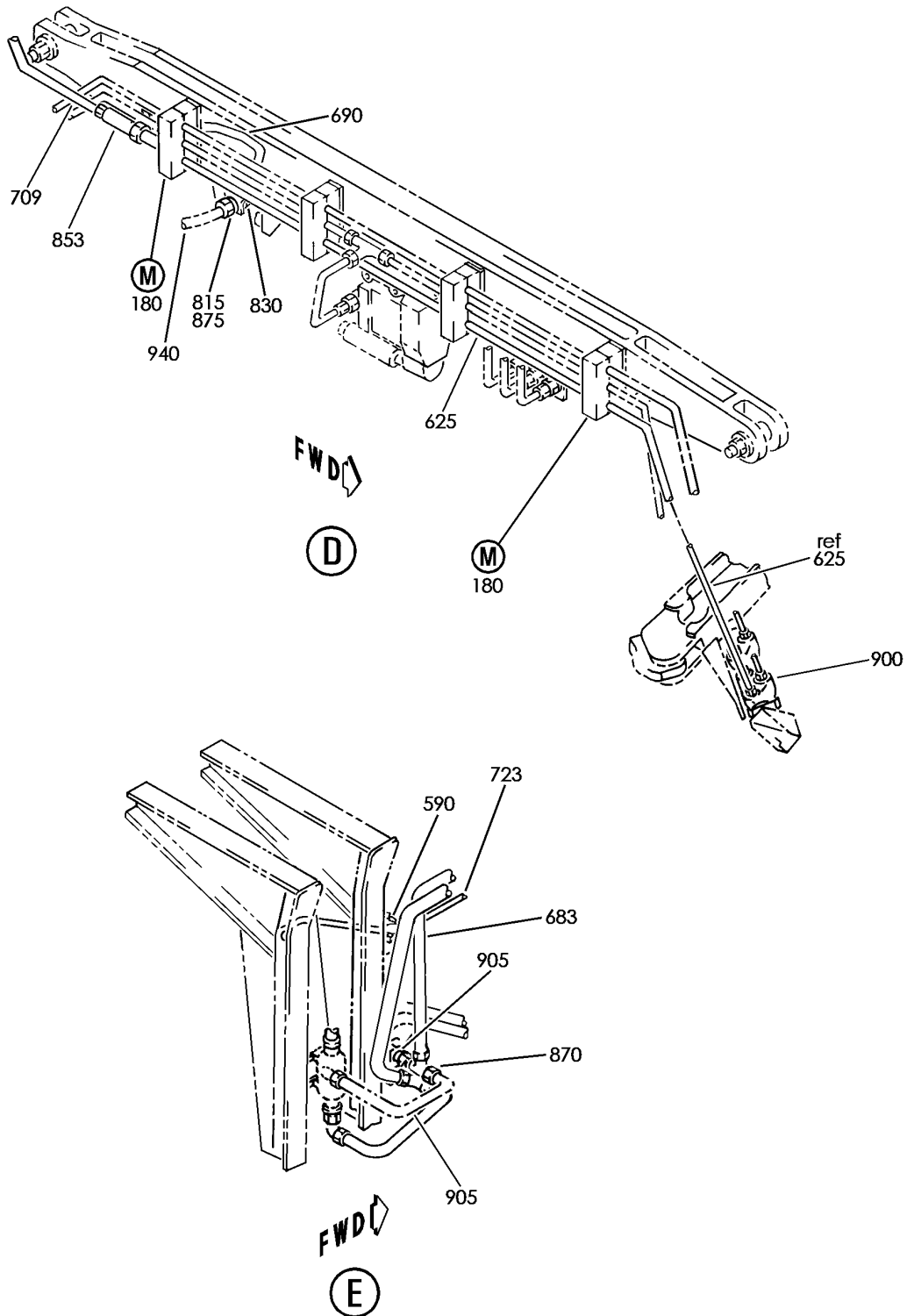
PLUMBING INSTL-FILLET AND TE ROLLS ROYCE RETURN LINES
 FIGURE 68 (SHEET 3)

29-11-51-68

BRI
 MAY 28/07

29-11-51-68
 PAGE 0B

BOEING
757
PARTS CATALOG (MAINTENANCE)



Y 29115168 SH1 4 REV 228

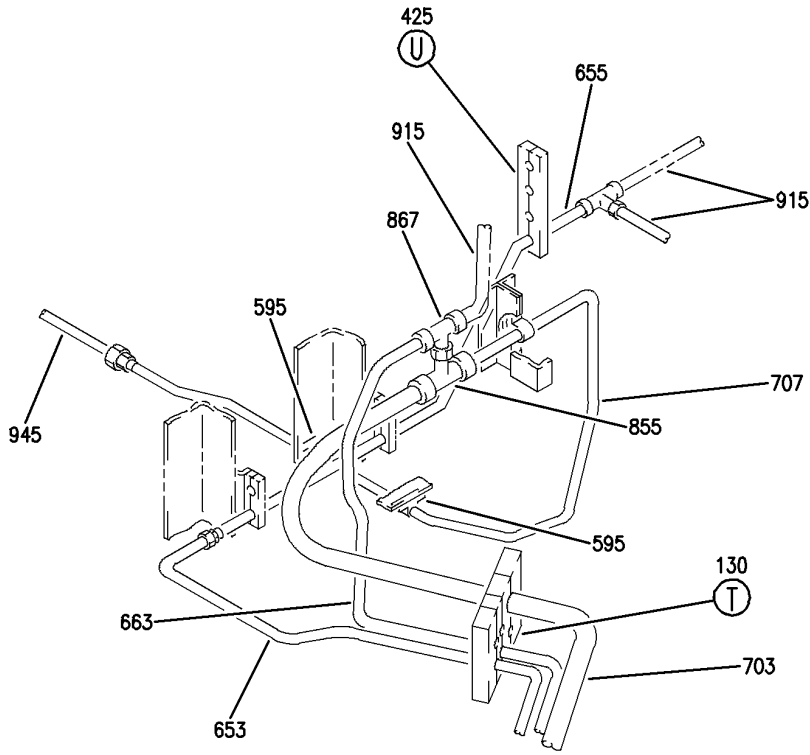
PLUMBING INSTL-FILLET AND TE ROLLS ROYCE RETURN LINES
FIGURE 68 (SHEET 4)

29-11-51-68

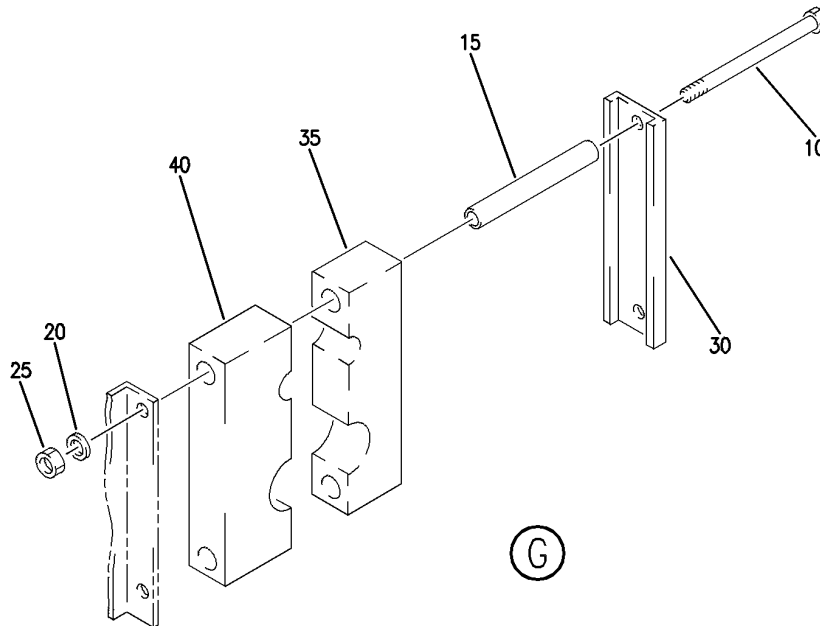
BRI
MAY 28/07

29-11-51-68
PAGE 0C

BOEING
757
PARTS CATALOG (MAINTENANCE)



(F)



(G)

Y 29115168 SHT 5 REV 228

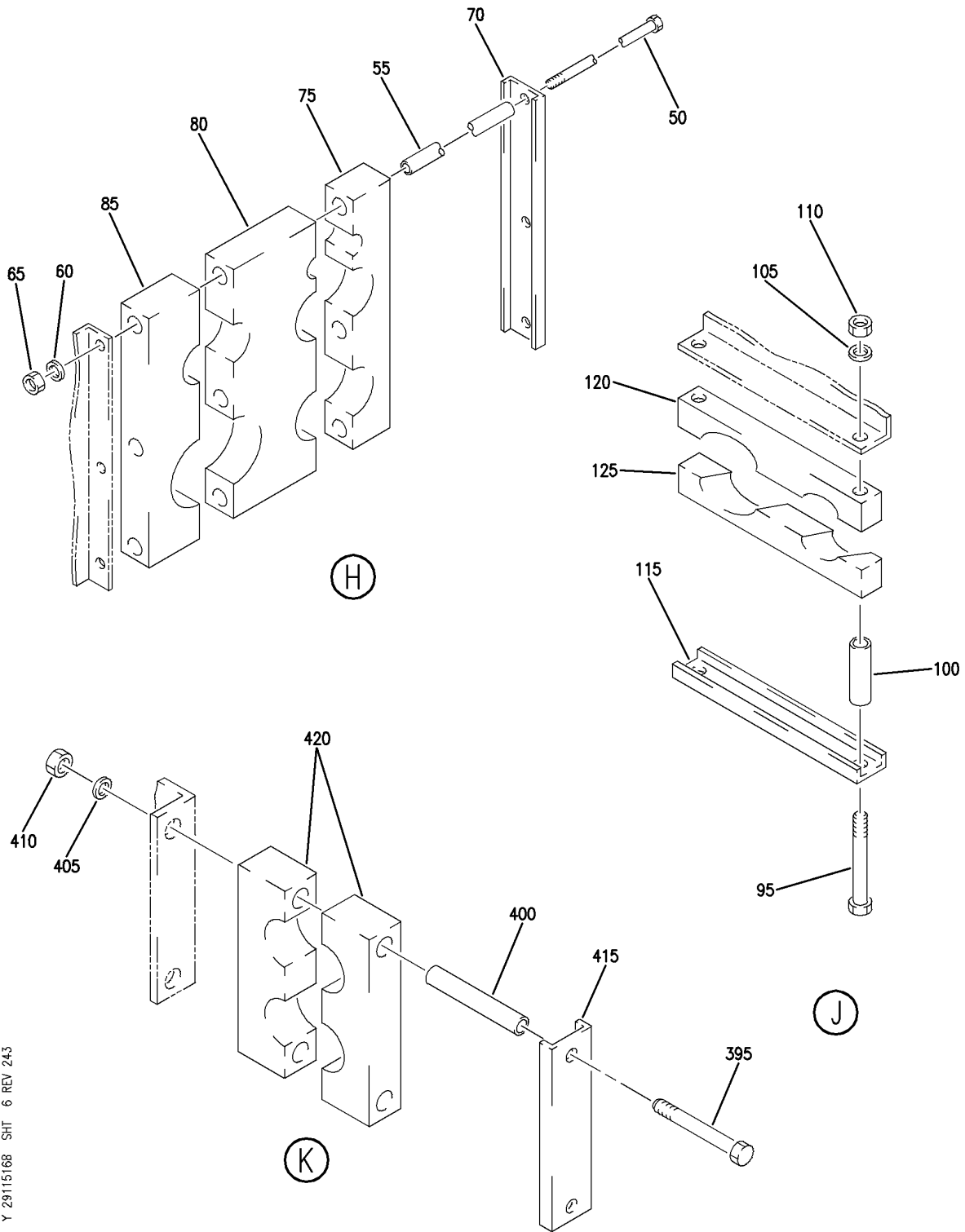
PLUMBING INSTL-FILLET AND TE ROLLS ROYCE RETURN LINES
FIGURE 68 (SHEET 5)

29-11-51-68

BRI
MAY 28/07

29-11-51-68
PAGE 0D

BOEING
757
PARTS CATALOG (MAINTENANCE)



Y 29115168 SH1 6 REV 243

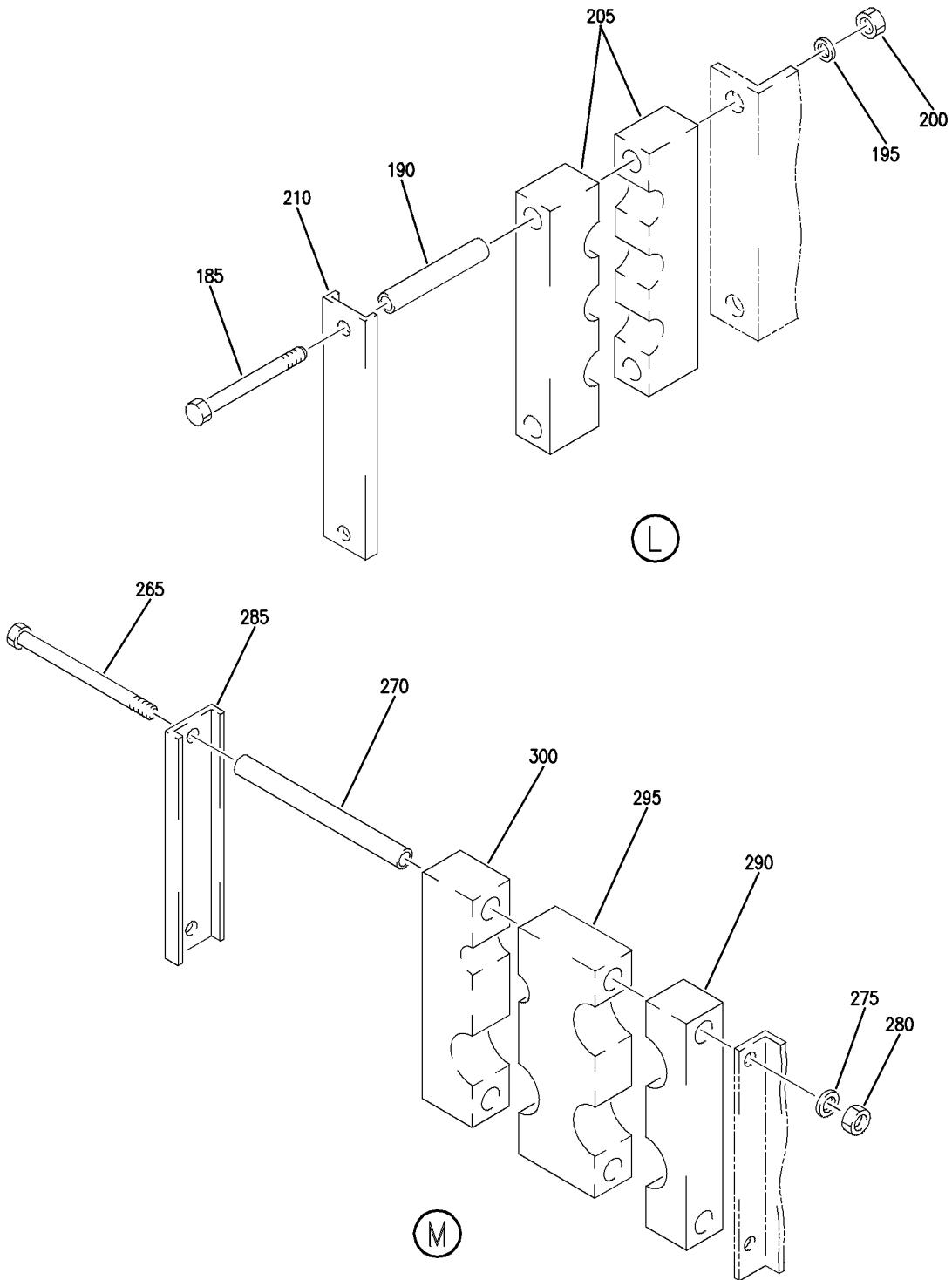
PLUMBING INSTL-FILLET AND TE ROLLS ROYCE RETURN LINES
FIGURE 68 (SHEET 6)

29-11-51-68

BRI
MAY 28/07

29-11-51-68
PAGE 0E

BOEING
757
PARTS CATALOG (MAINTENANCE)



Y 29115168 SHT 7 REV 243

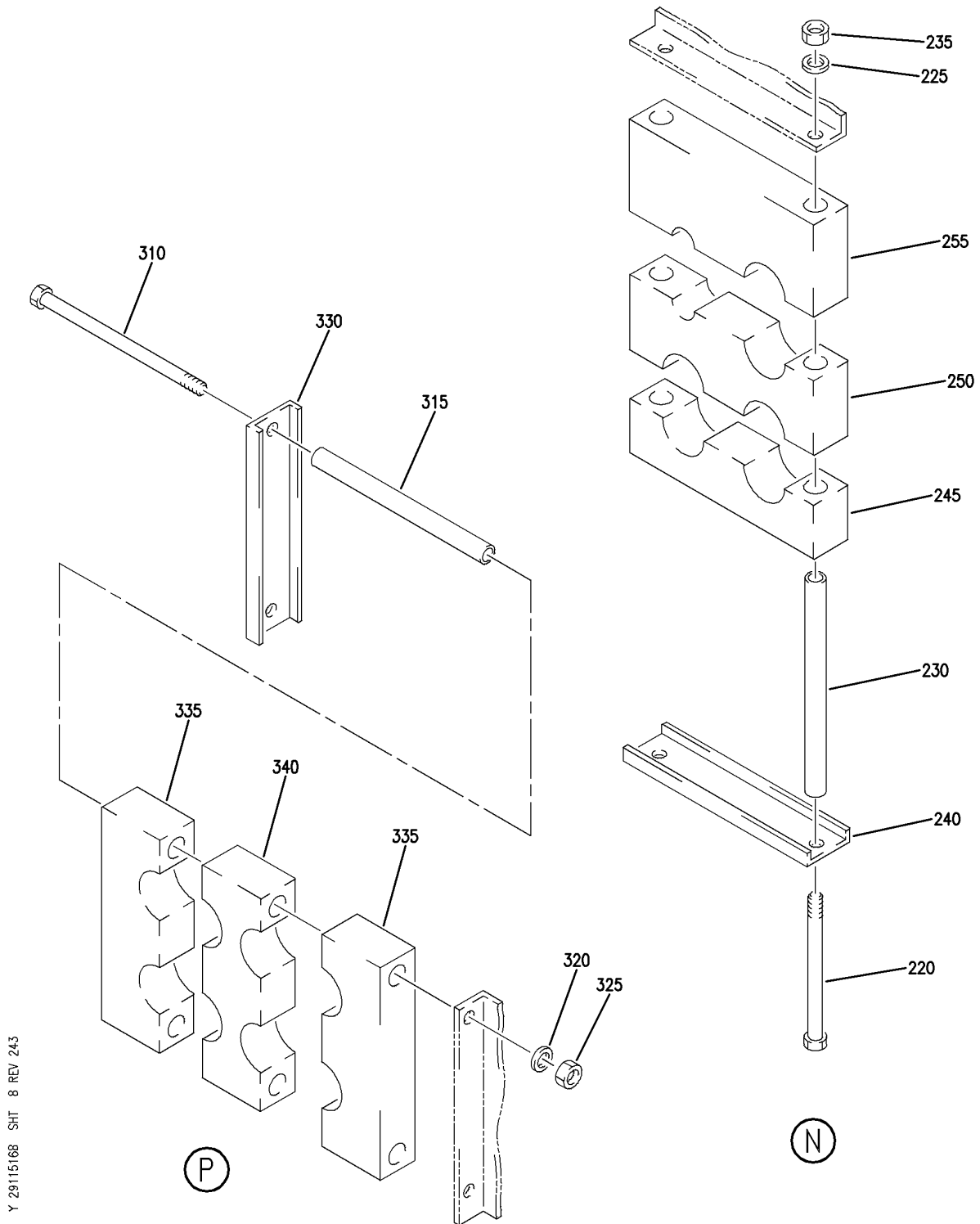
PLUMBING INSTL-FILLET AND TE ROLLS ROYCE RETURN LINES
FIGURE 68 (SHEET 7)

29-11-51-68

BRI
MAY 28/07

29-11-51-68
PAGE OF

BOEING
757
PARTS CATALOG (MAINTENANCE)



Y 29115168 SHT 8 REV 243

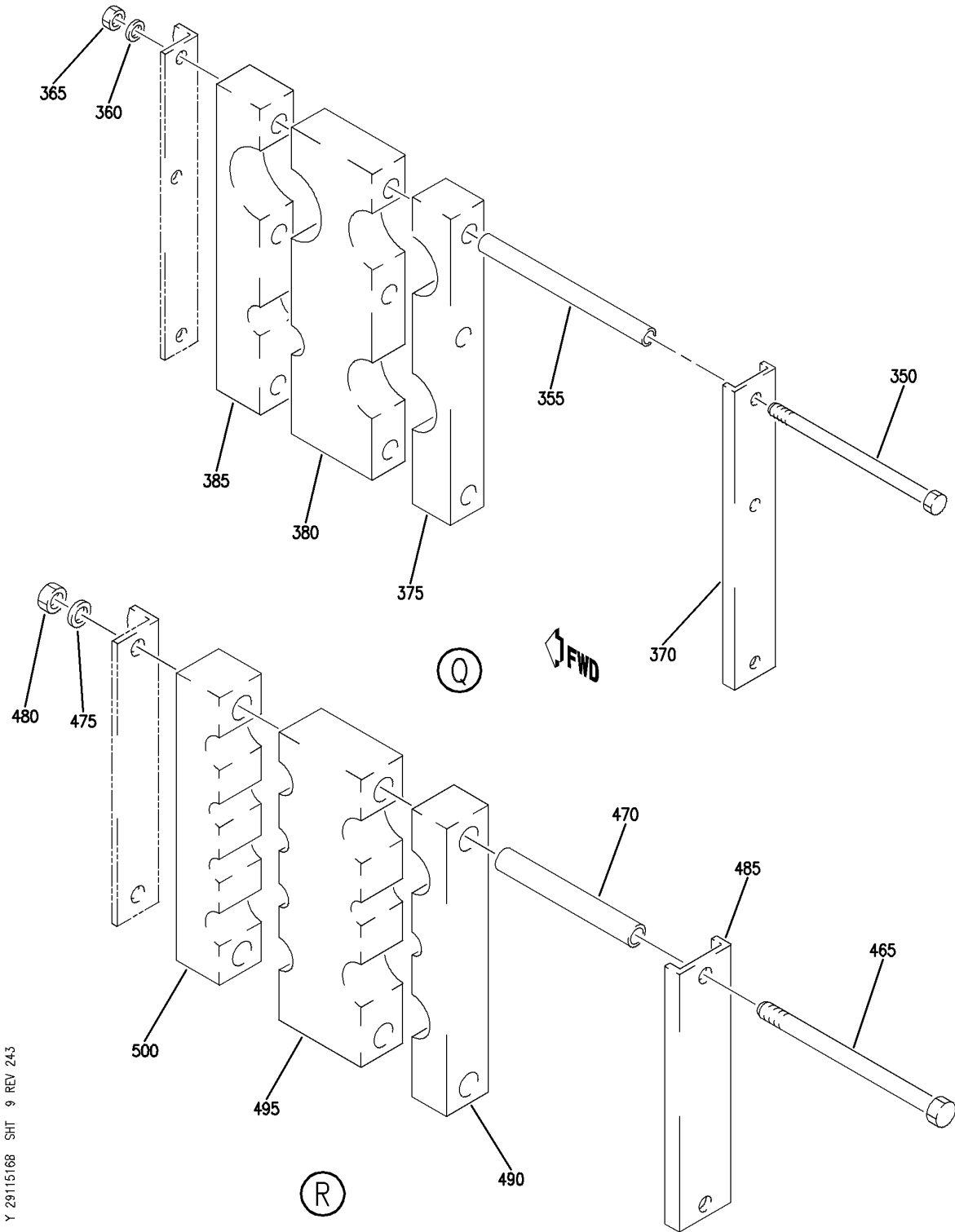
PLUMBING INSTL-FILLET AND TE ROLLS ROYCE RETURN LINES
FIGURE 68 (SHEET 8)

29-11-51-68

BRI
MAY 28/07

29-11-51-68
PAGE 08

BOEING
757
PARTS CATALOG (MAINTENANCE)



Y 29115168 SH1 9 REV 243

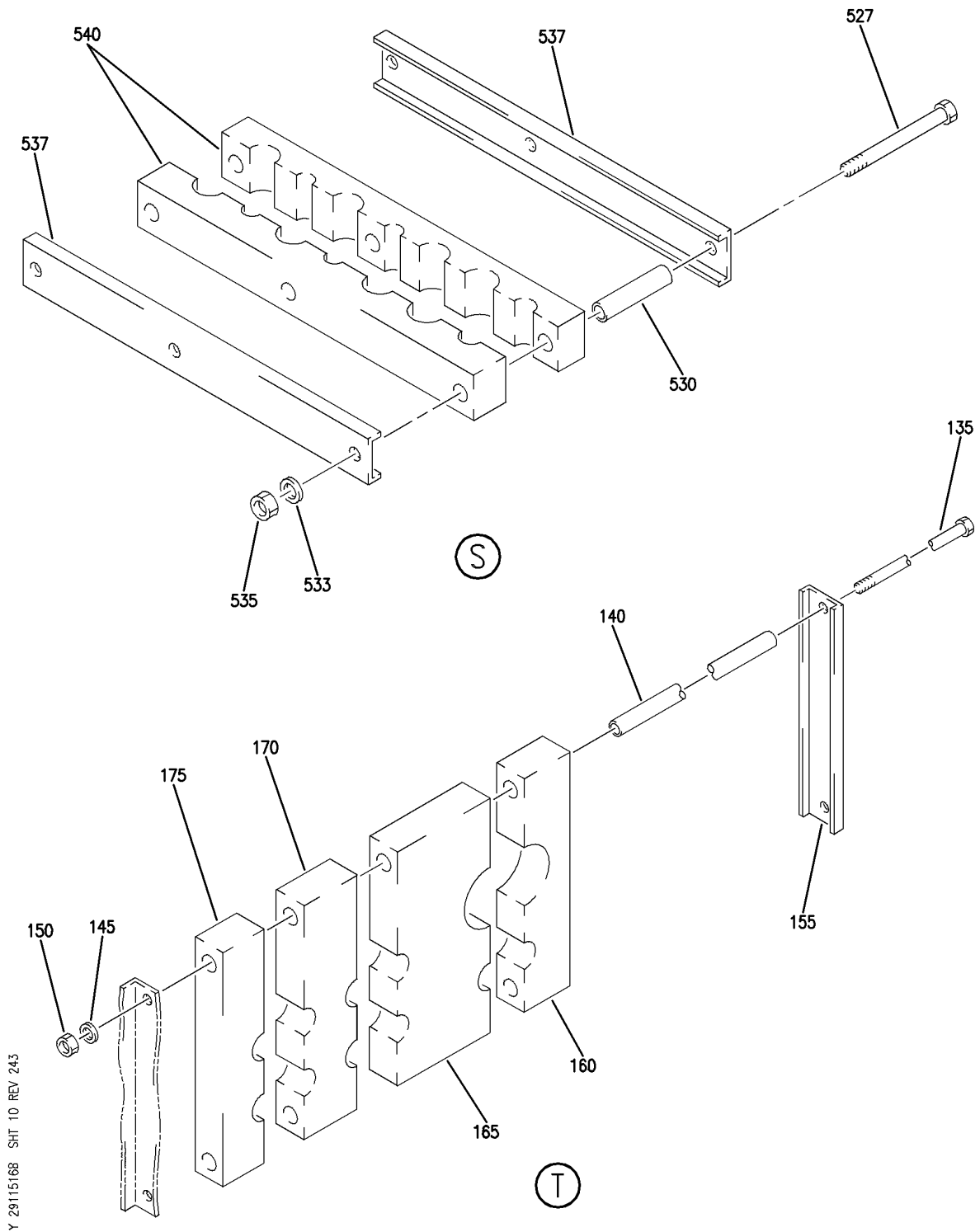
PLUMBING INSTL-FILLET AND TE ROLLS ROYCE RETURN LINES
FIGURE 68 (SHEET 9)

29-11-51-68

BRI
MAY 28/07

29-11-51-68
PAGE 0H

BOEING
757
PARTS CATALOG (MAINTENANCE)



Y 29115168 SHT 10 REV 243

PLUMBING INSTL-FILLET AND TE ROLLS ROYCE RETURN LINES
FIGURE 68 (SHEET 10)

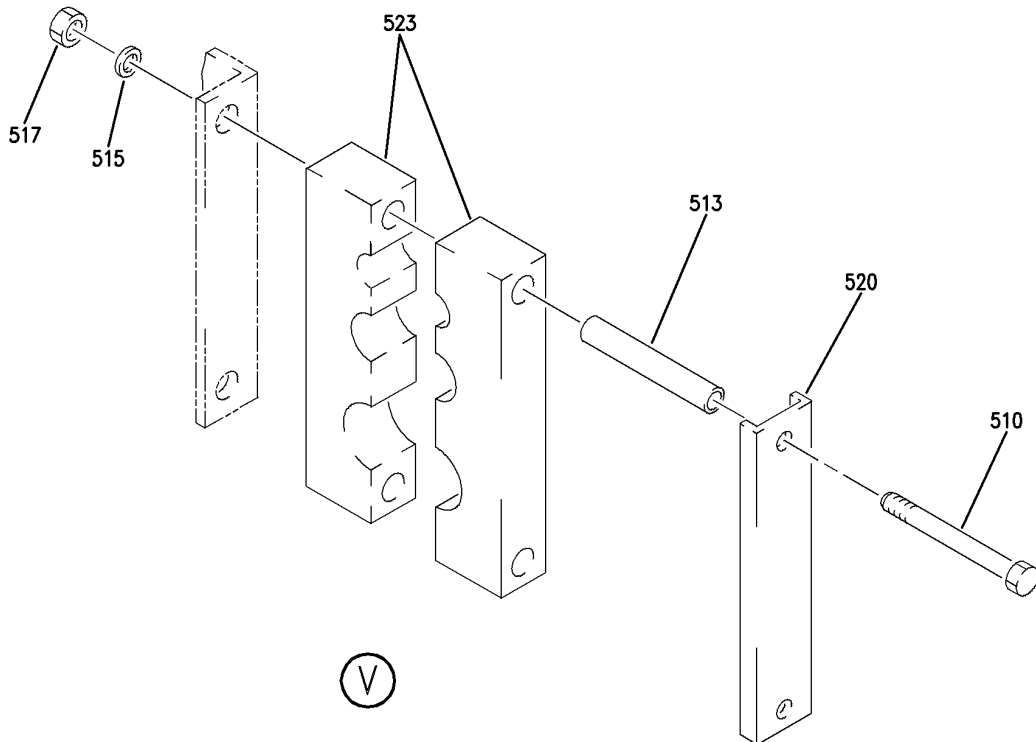
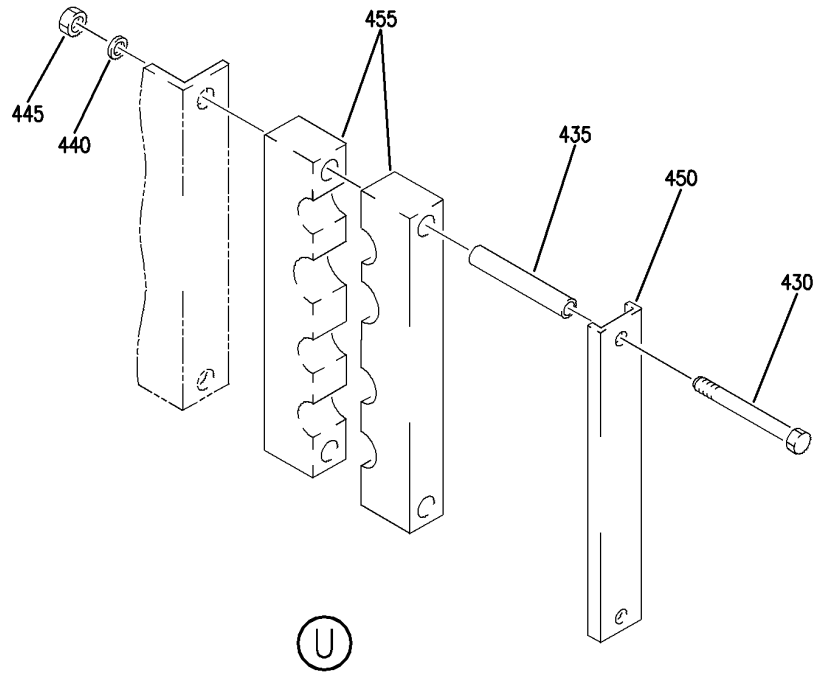
29-11-51-68

BRI
MAY 28/07

29-11-51-68
PAGE 01

BOEING PROPRIETARY - Copyright © - Unpublished Work - See title page for details.

BOEING
757
PARTS CATALOG (MAINTENANCE)



Y 29115168 SHT 11 REV 243

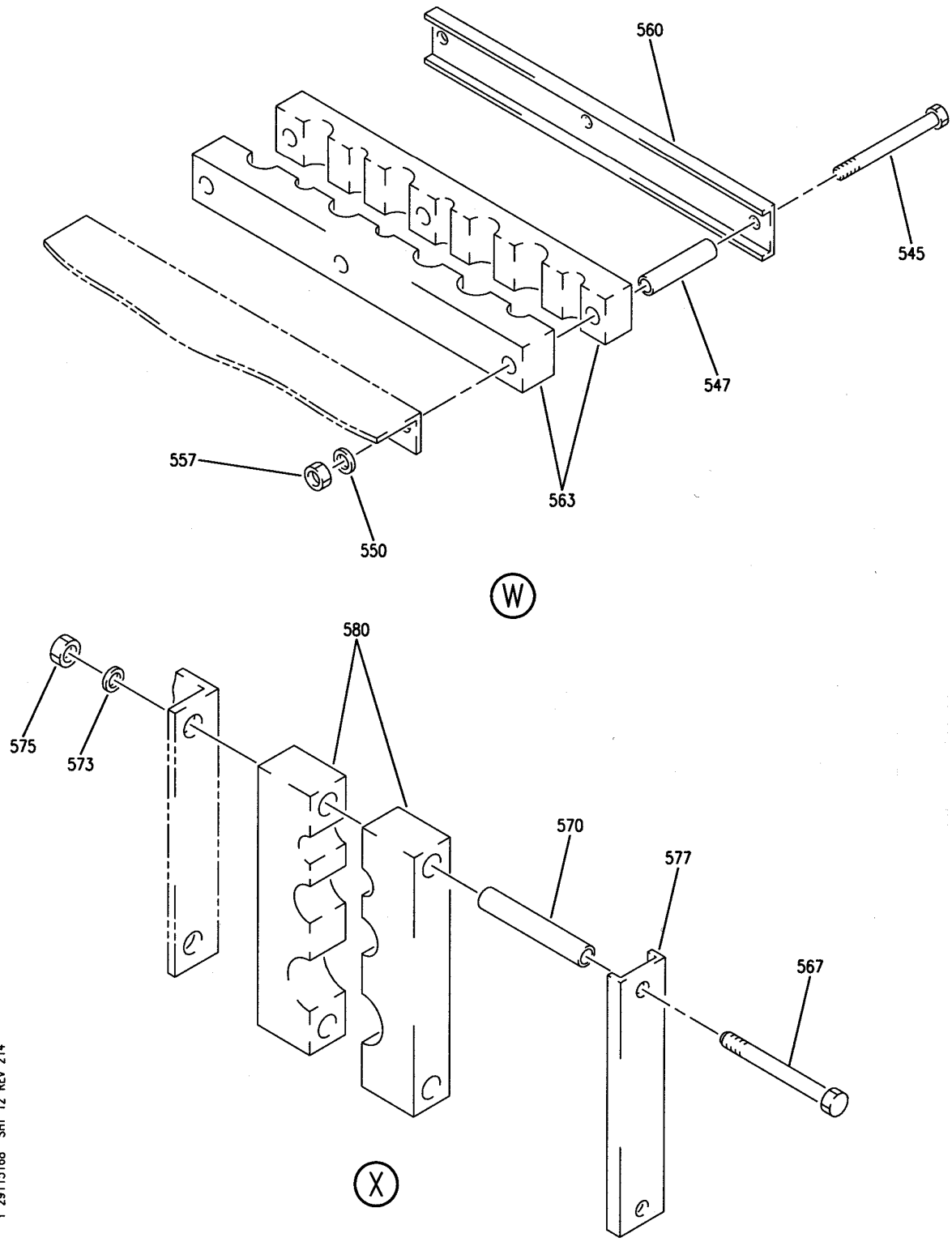
PLUMBING INSTL-FILLET AND TE ROLLS ROYCE RETURN LINES
FIGURE 68 (SHEET 11)

29-11-51-68

BRI
MAY 28/07

29-11-51-68
PAGE 0J

BOEING
757
PARTS CATALOG (MAINTENANCE)



Y 29115168 SH1 12 REV 214

PLUMBING INSTL-FILLET AND TE ROLLS ROYCE RETURN LINES
FIGURE 68 (SHEET 12)

29-11-51-68

BRI
MAY 28/07

29-11-51-68
PAGE OK



757

PARTS CATALOG (MAINTENANCE)

FIG ITEM	PART NUMBER	1 2 3 4 5 6 7	NOMENCLATURE	EFFECT FROM TO	UNITS PER ASSY
68			PLUMBING INSTL-FILLET AND TE ROLLS ROYCE RETURN LINES	101102 108120 504903	
- 1	271N6123-15		PLUMBING INSTL-FILLET AND TE ROLLS ROYCE RETURN LINES	101102 108120 504903	RF
	5 270N2000-1306		.CLAMP ASSY-BLK	101102 108120 504903	1
	10 NAS1801-3-31		..SCREW	101102 108120 504903	2
	15 NAS43DD3-88		..SPACER	101102 108120 504903	2
	20 AN960KD10L		..WASHER	101102 108120 504903	2
	25 BRH10A3		..NUT	101102 108120 504903	2
			SUPPLIER CODE: V52828		
			SPECIFICATION NUMBER: BACN10JC3		
			OPTIONAL PART: H10-3BAC		
			V15653		
			NS202101-02		
			V80539		
			RMLH9075-3W		
			V72962		
			VN303A02		
			V92215		
			96-02		
			V80539		
			T6S1032J		
			V11815		
	30 270N2000-805		..CHANNEL	101102 108120 504903	1
	35 270N2000-1215		..BLOCK	101102 108120 504903	1
	40 270N2000-1248		..BLOCK	101102 108120 504903	1

MISSING ITEM NUMBERS NOT APPLICABLE

- ITEM NOT ILLUSTRATED

29-11-51-68

29-11-51
FIG. 68
PAGE 1
JAN 20/09

BRI



757

PARTS CATALOG (MAINTENANCE)

FIG ITEM	PART NUMBER	1 2 3 4 5 6 7	NOMENCLATURE	EFFECT FROM TO	UNITS PER ASSY
68					
45	270N2000-1307	.	CLAMP ASSY-BLK	101102 108120 504903	8
50	NAS1801-3-67	..	SCREW	101102 108120 504903	3
55	NAS43DD3-234	..	SPACER	101102 108120 504903	3
60	AN960KD10L	..	WASHER	101102 108120 504903	3
65	BRH10A3	..	NUT SUPPLIER CODE: V52828 SPECIFICATION NUMBER: BACN10JC3 OPTIONAL PART: H10-3BAC V15653 NS202101-02 V80539 RMLH9075-3W V72962 VN303A02 V92215 96-02 V80539 T6S1032J V11815	101102 108120 504903	3
70	270N2000-811	..	CHANNEL	101102 108120 504903	1
75	270N2000-1252	..	BLOCK	101102 108120 504903	1
80	270N2000-1219	..	BLOCK	101102 108120 504903	1
85	270N2000-1220	..	BLOCK	101102 108120 504903	1
90	270N2000-1309	.	CLAMP ASSY-BLK	101102 108120 504903	1
95	NAS1801-3-34	..	SCREW	101102 108120 504903	2

MISSING ITEM NUMBERS NOT APPLICABLE

- ITEM NOT ILLUSTRATED

BRI

29-11-51-68

29-11-51
FIG. 68
PAGE 2
JAN 20/09



757

PARTS CATALOG (MAINTENANCE)

FIG ITEM	PART NUMBER	1 2 3 4 5 6 7	NOMENCLATURE	EFFECT FROM TO	UNITS PER ASSY
68					
100	NAS43DD3-101	..	SPACER	101102 108120 504903	2
105	AN960KD10L	..	WASHER	101102 108120 504903	2
110	BRH10A3	..	NUT SUPPLIER CODE: V52828 SPECIFICATION NUMBER: BACN10JC3 OPTIONAL PART: H10-3BAC V15653 NS202101-02 V80539 RMLH9075-3W V72962 VN303A02 V92215 96-02 V80539 T6S1032J V11815	101102 108120 504903	2
115	270N2000-808	..	CHANNEL	101102 108120 504903	1
120	270N2000-1209	..	BLOCK	101102 108120 504903	1
125	270N2000-1210	..	BLOCK	101102 108120 504903	1
130	270N2000-1308	.	CLAMP ASSY-BLK	101102 108120 504903	1
135	NAS1801-3-51	..	SCREW	101102 108120 504903	2
140	NAS43DD3-169	..	SPACER	101102 108120 504903	2
145	AN960KD10L	..	WASHER	101102 108120 504903	2

MISSING ITEM NUMBERS NOT APPLICABLE

- ITEM NOT ILLUSTRATED

29-11-51-68

29-11-51
FIG. 68
PAGE 3
JAN 20/09

BRI

BOEING PROPRIETARY - Copyright © - Unpublished Work - See title page for details.



757

PARTS CATALOG (MAINTENANCE)

FIG ITEM	PART NUMBER	1 2 3 4 5 6 7	NOMENCLATURE	EFFECT FROM TO	UNITS PER ASSY
68 150	BRH10A3	..	NUT SUPPLIER CODE: V52828 SPECIFICATION NUMBER: BACN10JC3 OPTIONAL PART: H10-3BAC V15653 NS202101-02 V80539 RMLH9075-3W V72962 VN303A02 V92215 96-02 V80539 T6S1032J V11815	101102 108120 504903	2
155	270N2000-805	..	CHANNEL	101102 108120 504903	1
160	270N2000-1215	..	BLOCK	101102 108120 504903	1
165	270N2000-1216	..	BLOCK	101102 108120 504903	1
170	270N2000-1213	..	BLOCK	101102 108120 504903	1
175	270N2000-1214	..	BLOCK	101102 108120 504903	1
180	270N2000-25	.	CLAMP ASSY-BLK	101102 108120 504903	4
185	NAS1801-3-25	..	SCREW	101102 108120 504903	2
190	NAS43DD3-59	..	SPACER	101102 108120 504903	2
195	AN960PD10L	..	WASHER	101102 108120 504903	2

MISSING ITEM NUMBERS NOT APPLICABLE

- ITEM NOT ILLUSTRATED

29-11-51-68

29-11-51
FIG. 68
PAGE 4
JAN 20/09

BRI

BOEING PROPRIETARY - Copyright © - Unpublished Work - See title page for details.



757

PARTS CATALOG (MAINTENANCE)

FIG ITEM	PART NUMBER	1 2 3 4 5 6 7	NOMENCLATURE	EFFECT FROM TO	UNITS PER ASSY
68 200	BRH10A3	..	NUT SUPPLIER CODE: V52828 SPECIFICATION NUMBER: BACN10JC3 OPTIONAL PART: H10-3BAC V15653 NS202101-02 V80539 RMLH9075-3W V72962 VN303A02 V92215 96-02 V80539 T6S1032J V11815	101102 108120 504903	2
205	270N2000-440	..	BLOCK- OPTIONAL PART: 270N2000-461	101102 108120 504903	2
205	270N2000-461	..	BLOCK- OPTIONAL PART: 270N2000-440	101102 108120 504903	2
210	270N2000-815	..	CHANNEL	101102 108120 504903	1
215	270N2000-177	.	CLAMP ASSY-BLK	101102 108120 504903	1
220	NAS1801-3-37	..	SCREW	101102 108120 504903	2
225	AN960PD10L	..	WASHER	101102 108120 504903	2
230	NAS43DD3-113	..	SPACER	101102 108120 504903	2

MISSING ITEM NUMBERS NOT APPLICABLE

- ITEM NOT ILLUSTRATED

BRI

29-11-51-68

BOEING PROPRIETARY - Copyright © - Unpublished Work - See title page for details.

29-11-51
FIG. 68
PAGE 5
JAN 20/09



757

PARTS CATALOG (MAINTENANCE)

FIG ITEM	PART NUMBER	1 2 3 4 5 6 7	NOMENCLATURE	EFFECT FROM TO	UNITS PER ASSY
68 235	BRH10A3	..	NUT SUPPLIER CODE: V52828 SPECIFICATION NUMBER: BACN10JC3 OPTIONAL PART: H10-3BAC V15653 NS202101-02 V80539 RMLH9075-3W V72962 VN303A02 V92215 96-02 V80539 T6S1032J V11815	101102 108120 504903	2
240	270N2000-801	..	CHANNEL	101102 108120 504903	1
245	270N2000-401	..	BLOCK	101102 108120 504903	1
250	270N2000-648	..	BLOCK	101102 108120 504903	1
255	270N2000-649	..	BLOCK	101102 108120 504903	1
260	270N2000-179	.	CLAMP ASSY-BLK	101102 108120 504903	1
265	NAS1801-3-34	..	SCREW	101102 108120 504903	2
270	NAS43DD3-100	..	SPACER	101102 108120 504903	2
275	AN960PD10L	..	WASHER	101102 108120 504903	2

MISSING ITEM NUMBERS NOT APPLICABLE

- ITEM NOT ILLUSTRATED

29-11-51-68

29-11-51
FIG. 68
PAGE 6
JAN 20/09

BRI

BOEING PROPRIETARY - Copyright © - Unpublished Work - See title page for details.



757

PARTS CATALOG (MAINTENANCE)

FIG ITEM	PART NUMBER	1 2 3 4 5 6 7	NOMENCLATURE	EFFECT FROM TO	UNITS PER ASSY
68 280	BRH10A3	..	NUT SUPPLIER CODE: V52828 SPECIFICATION NUMBER: BACN10JC3 OPTIONAL PART: H10-3BAC V15653 NS202101-02 V80539 RMLH9075-3W V72962 VN303A02 V92215 96-02 V80539 T6S1032J V11815	101102 108120 504903	2
285	270N2000-801	..	CHANNEL	101102 108120 504903	1
290	270N2000-401	..	BLOCK	101102 108120 504903	1
295	270N2000-648	..	BLOCK	101102 108120 504903	1
300	270N2000-650	..	BLOCK	101102 108120 504903	1
305	270N2000-2	.	CLAMP ASSY-BLK	101102 108120 504903	2
310	NAS1801-3-34	..	SCREW	101102 108120 504903	2
315	NAS43DD3-100	..	SPACER	101102 108120 504903	2
320	AN960PD10L	..	WASHER	101102 108120 504903	2

MISSING ITEM NUMBERS NOT APPLICABLE

- ITEM NOT ILLUSTRATED

29-11-51-68

29-11-51
FIG. 68
PAGE 7
JAN 20/09

BRI



757

PARTS CATALOG (MAINTENANCE)

FIG ITEM	PART NUMBER	1 2 3 4 5 6 7	NOMENCLATURE	EFFECT FROM TO	UNITS PER ASSY
68 325	BRH10A3	..	NUT SUPPLIER CODE: V52828 SPECIFICATION NUMBER: BACN10JC3 OPTIONAL PART: H10-3BAC V15653 NS202101-02 V80539 RMLH9075-3W V72962 VN303A02 V92215 96-02 V80539 T6S1032J V11815	101102 108120 504903	2
330	270N2000-801	..	CHANNEL	101102 108120 504903	1
335	270N2000-401	..	BLOCK	101102 108120 504903	2
340	270N2000-402	..	BLOCK	101102 108120 504903	1
345	270N2000-6	.	CLAMP ASSY-BLK	101102 108120 504903	1
350	NAS1801-3-66	..	SCREW	101102 108120 504903	3
355	NAS43DD3-227	..	SPACER	101102 108120 504903	3
360	AN960PD10L	..	WASHER	101102 108120 504903	3

MISSING ITEM NUMBERS NOT APPLICABLE

- ITEM NOT ILLUSTRATED

BRI

29-11-51-68

BOEING PROPRIETARY - Copyright © - Unpublished Work - See title page for details.

29-11-51
FIG. 68
PAGE 8
JAN 20/09



757

PARTS CATALOG (MAINTENANCE)

FIG ITEM	PART NUMBER	1 2 3 4 5 6 7	NOMENCLATURE	EFFECT FROM TO	UNITS PER ASSY
68 365	BRH10A3	..	NUT SUPPLIER CODE: V52828 SPECIFICATION NUMBER: BACN10JC3 OPTIONAL PART: H10-3BAC V15653 NS202101-02 V80539 RMLH9075-3W V72962 VN303A02 V92215 96-02 V80539 T6S1032J V11815	101102 108120 504903	3
370	270N2000-804	..	CHANNEL	101102 108120 504903	1
375	270N2000-405	..	BLOCK	101102 108120 504903	1
380	270N2000-406	..	BLOCK	101102 108120 504903	1
385	270N2000-407	..	BLOCK	101102 108120 504903	1
390	270N2000-3	.	CLAMP ASSY-BLK	101102 108120 504903	6
395	NAS1801-3-24	..	SCREW	101102 108120 504903	2
400	NAS43DD3-59	..	SPACER	101102 108120 504903	2
405	AN960PD10L	..	WASHER	101102 108120 504903	2

MISSING ITEM NUMBERS NOT APPLICABLE

- ITEM NOT ILLUSTRATED

29-11-51-68

29-11-51
FIG. 68
PAGE 9
JAN 20/09

BRI

BOEING PROPRIETARY - Copyright © - Unpublished Work - See title page for details.



757

PARTS CATALOG (MAINTENANCE)

FIG ITEM	PART NUMBER	1 2 3 4 5 6 7	NOMENCLATURE	EFFECT FROM TO	UNITS PER ASSY
68 410	BRH10A3	..	NUT SUPPLIER CODE: V52828 SPECIFICATION NUMBER: BACN10JC3 OPTIONAL PART: H10-3BAC V15653 NS202101-02 V80539 RMLH9075-3W V72962 VN303A02 V92215 96-02 V80539 T6S1032J V11815	101102 108120 504903	2
415	270N2000-801	..	CHANNEL	101102 108120 504903	1
420	270N2000-401	..	BLOCK	101102 108120 504903	2
425	270N2000-4	.	CLAMP ASSY-BLK	101102 108120 504903	1
430	NAS1801-3-26	..	SCREW	101102 108120 504903	2
435	NAS43DD3-67	..	SPACER	101102 108120 504903	2
440	AN960PD10L	..	WASHER	101102 108120 504903	2

MISSING ITEM NUMBERS NOT APPLICABLE

- ITEM NOT ILLUSTRATED

29-11-51-68

29-11-51
FIG. 68
PAGE 10
JAN 20/09

BRI



757

PARTS CATALOG (MAINTENANCE)

FIG ITEM	PART NUMBER	1 2 3 4 5 6 7	NOMENCLATURE	EFFECT FROM TO	UNITS PER ASSY
68 445	BRH10A3	..	NUT SUPPLIER CODE: V52828 SPECIFICATION NUMBER: BACN10JC3 OPTIONAL PART: H10-3BAC V15653 NS202101-02 V80539 RMLH9075-3W V72962 VN303A02 V92215 96-02 V80539 T6S1032J V11815	101102 108120 504903	2
450	270N2000-802	..	CHANNEL	101102 108120 504903	1
455	270N2000-403	..	BLOCK	101102 108120 504903	2
460	270N2000-136	.	CLAMP ASSY-BLK	101102 108120 504903	5
465	NAS1801-3-45	..	SCREW	101102 108120 504903	2
470	NAS43DD3-144	..	SPACER	101102 108120 504903	2
475	AN960PD10L	..	WASHER	101102 108120 504903	2

MISSING ITEM NUMBERS NOT APPLICABLE

- ITEM NOT ILLUSTRATED

29-11-51-68

29-11-51
FIG. 68
PAGE 11
JAN 20/09

BRI

BOEING PROPRIETARY - Copyright © - Unpublished Work - See title page for details.



757

PARTS CATALOG (MAINTENANCE)

FIG ITEM	PART NUMBER	1 2 3 4 5 6 7	NOMENCLATURE	EFFECT FROM TO	UNITS PER ASSY
68 480	BRH10A3	..	NUT SUPPLIER CODE: V52828 SPECIFICATION NUMBER: BACN10JC3 OPTIONAL PART: H10-3BAC V15653 NS202101-02 V80539 RMLH9075-3W V72962 VN303A02 V92215 96-02 V80539 T6S1032J V11815	101102 108120 504903	2
485	270N2000-807	..	CHANNEL	101102 108120 504903	1
490	270N2000-412	..	BLOCK-CLAMP	101102 108120 504903	1
495	270N2000-589	..	BLOCK-CLAMP	101102 108120 504903	1
500	270N2000-414	..	BLOCK-CLAMP	101102 108120 504903	1
505	270N2000-56	.	CLAMP ASSY-BLK	101102 108120 504903	1
510	NAS1801-3-28	..	SCREW	101102 108120 504903	2
513	NAS43DD3-75	..	SPACER	101102 108120 504903	2
515	AN960PD10L	..	WASHER	101102 108120 504903	2

MISSING ITEM NUMBERS NOT APPLICABLE

- ITEM NOT ILLUSTRATED

29-11-51-68

29-11-51
FIG. 68
PAGE 12
JAN 20/09

BRI



757

PARTS CATALOG (MAINTENANCE)

FIG ITEM	PART NUMBER	1 2 3 4 5 6 7	NOMENCLATURE	EFFECT FROM TO	UNITS PER ASSY
68 517	BRH10A3	..	NUT SUPPLIER CODE: V52828 SPECIFICATION NUMBER: BACN10JC3 OPTIONAL PART: H10-3BAC V15653 NS202101-02 V80539 RMLH9075-3W V72962 VN303A02 V92215 96-02 V80539 T6S1032J V11815	101102 108120 504903	2
520	270N2000-865	..	CHANNEL	101102 108120 504903	1
523	270N2000-533	..	BLOCK	101102 108120 504903	2
525	270N2000-203	.	CLAMP ASSY-BLK	101102 108120 504903	1
527	NAS1801-3-30	..	SCREW	101102 108120 504903	3
530	NAS43DD3-75	..	SPACER	101102 108120 504903	3
533	AN960KD10L	..	WASHER	101102 108120 504903	3

MISSING ITEM NUMBERS NOT APPLICABLE

- ITEM NOT ILLUSTRATED

29-11-51-68

29-11-51
FIG. 68
PAGE 13
JAN 20/09

BRI



757

PARTS CATALOG (MAINTENANCE)

FIG ITEM	PART NUMBER	1 2 3 4 5 6 7	NOMENCLATURE	EFFECT FROM TO	UNITS PER ASSY
68 535	BRH10A3	..	NUT SUPPLIER CODE: V52828 SPECIFICATION NUMBER: BACN10JC3 OPTIONAL PART: H10-3BAC V15653 NS202101-02 V80539 RMLH9075-3W V72962 VN303A02 V92215 96-02 V80539 T6S1032J V11815	101102 108120 504903	3
537	270N2000-889	..	CHANNEL	101102 108120 504903	2
540	270N2000-568	..	BLOCK	101102 108120 504903	2
543	270N2000-133	.	CLAMP ASSY-BLK	101102 108120 504903	1
545	NAS1801-3-28	..	SCREW	101102 108120 504903	3
547	NAS43DD3-75	..	SPACER	101102 108120 504903	3
550	AN960PD10L	..	WASHER	101102 108120 504903	3

MISSING ITEM NUMBERS NOT APPLICABLE

- ITEM NOT ILLUSTRATED

BRI

29-11-51-68

29-11-51
FIG. 68
PAGE 14
JAN 20/09



757

PARTS CATALOG (MAINTENANCE)

FIG ITEM	PART NUMBER	1 2 3 4 5 6 7	NOMENCLATURE	EFFECT FROM TO	UNITS PER ASSY
68 557	BRH10A3	..	NUT SUPPLIER CODE: V52828 SPECIFICATION NUMBER: BACN10JC3 OPTIONAL PART: H10-3BAC V15653 NS202101-02 V80539 RMLH9075-3W V72962 VN303A02 V92215 96-02 V80539 T6S1032J V11815	101102 108120 504903	3
560	270N2000-889	..	CHANNEL	101102 108120 504903	1
563	270N2000-568	..	BLOCK	101102 108120 504903	2
565	270N2000-13	.	CLAMP ASSY-BLK	101102 108120 504903	3
567	NAS1801-3-28	..	SCREW	101102 108120 504903	2
570	NAS43DD3-75	..	SPACER	101102 108120 504903	2
573	AN960PD10L	..	WASHER	101102 108120 504903	2

MISSING ITEM NUMBERS NOT APPLICABLE

- ITEM NOT ILLUSTRATED

BRI

29-11-51-68

29-11-51
FIG. 68
PAGE 15
JAN 20/09



757

PARTS CATALOG (MAINTENANCE)

FIG ITEM	PART NUMBER	1 2 3 4 5 6 7	NOMENCLATURE	EFFECT FROM TO	UNITS PER ASSY
68 575	BRH10A3	. .	NUT SUPPLIER CODE: V52828 SPECIFICATION NUMBER: BACN10JC3 OPTIONAL PART: H10-3BAC V15653 NS202101-02 V80539 RMLH9075-3W V72962 VN303A02 V92215 96-02 V80539 T6S1032J V11815	101102 108120 504903	2
577	270N2000-806	. .	CHANNEL	101102 108120 504903	1
580	270N2000-420	. .	BLOCK	101102 108120 504903	2
590	TA0910004H106	. .	CLAMP SUPPLIER CODE: V84971 SPECIFICATION NUMBER: BACC10HB06C	101102 108120 504903	1
593	TA0910004H120	. .	CLAMP SUPPLIER CODE: V84971 SPECIFICATION NUMBER: BACC10HB20C	101102 108120 504903	1
595	TA0910004H110	. .	CLAMP SUPPLIER CODE: V84971 SPECIFICATION NUMBER: BACC10HB10C	101102 108120 504903	10
597	M85052-2-16	. .	CLAMP- USED WITH: M85052-2-6	101102 108120 504903	1
600	M85052-2-6	. .	CLAMP- USED WITH: M85052-2-16	101102 108120 504903	1
- 603	NAS1801-3	. .	ATTACHING PARTS SCREW	101102 108120 504903	28

MISSING ITEM NUMBERS NOT APPLICABLE

- ITEM NOT ILLUSTRATED

29-11-51-68

29-11-51
FIG. 68
PAGE 16
JAN 20/09

BRI



757

PARTS CATALOG (MAINTENANCE)

FIG ITEM	PART NUMBER	1 2 3 4 5 6 7	NOMENCLATURE	EFFECT FROM TO	UNITS PER ASSY
68					
- 605	AN960KD10L	.	WASHER	101102 108120 504903	AR
- 607	MS21042L3	.	NUT	101102 108120 504903	28
			-----*-----		
625	271N6123-1015	.	TUBE ASSY-L SYS RETURN TUBING MATERIAL: .375 IN. OD X .035 IN. WALL X 55.2 IN. LG AL AMS 4083 6061 T6 TUBING	101102 108120 504903	1
627	271N6123-1048	.	TUBE ASSY-R SYS RETURN TUBING MATERIAL: .375 IN. OD X .035 IN. WALL X 34.70 IN. LG AL AMS 4083 6061 T6 TUBING	101102 108120 504903	1
630	271N6123-1112	.	TUBE ASSY-CASE DRAIN TUBING MATERIAL: .375 IN. OD X .035 IN. WALL X 76.4 IN. LG AL AMS 4083 6061 T6 TUBING	101102 108120 504903	1
633	271N6123-1256	.	TUBE ASSY-L SYS RETURN TUBING MATERIAL: .375 IN. OD X .035 IN. WALL X 84.0 IN. LG 6061-T6 ALUMINUM SEAMLESS TUBING PER MIL-T-7081.	101102 108120 504903	1
- 635	AP2097HP06	..	SLEEVE SUPPLIER CODE: V01673 SPECIFICATION NUMBER: BACS13BX06HP OPTIONAL PART: 2-02903-06HP V11328 35235VN06 V08199 AFP175V06P V30974 DB0S13BX06HP V14798	101102 108120 504903	2

MISSING ITEM NUMBERS NOT APPLICABLE

- ITEM NOT ILLUSTRATED

29-11-51-68

29-11-51
FIG. 68
PAGE 17
JAN 20/09

BRI



757

PARTS CATALOG (MAINTENANCE)

FIG ITEM	PART NUMBER	1 2 3 4 5 6 7	NOMENCLATURE	EFFECT FROM TO	UNITS PER ASSY
68					
- 637	MS21921-6D	..	NUT- OPTIONAL PART: BACN10YL06 USED ON: 271N6123-1256	101102 108120 504903	2
- 637	BACN10YL06	..	NUT- OPTIONAL PART: MS21921-6D USED ON: 271N6123-1256	101102 108120 504903	2
- 637	BACN10YL06	..	NUT- USED ON: 271N6123-1015 271N6123-1048 271N6123-1112	101102 108120 504903	2
640	271N6123-1034	.TUBE	ASSY-R SYS SUPPLY TUBING MATERIAL: 1.25 IN. OD X .035 IN. WALL X 74.6 IN. LG AL AMS 4083 6061 T6 TUBING	101102 108120 504903	1
643	271N6123-1044	.TUBE	ASSY-R SYS RETURN TUBING MATERIAL: 1.25 IN. OD X .035 IN. WALL X 36.0 IN. LG AL AMS 4083 6061 T6 TUBING	101102 108120 504903	1
- 645	AFP175V20P	..	SLEEVE- SUPPLIER CODE: V30974 SPECIFICATION NUMBER: BACS13BX20HP OPTIONAL PART: 2-02901-20HP V11328 35025VN20 V08199	101102 108120 504903	1
- 647	BACN10YL20L	..	NUT-	101102 108120 504903	1

MISSING ITEM NUMBERS NOT APPLICABLE

- ITEM NOT ILLUSTRATED

29-11-51-68

29-11-51
FIG. 68
PAGE 18
JAN 20/09

BRI



757

PARTS CATALOG (MAINTENANCE)

FIG ITEM	PART NUMBER	1 2 3 4 5 6 7	NOMENCLATURE	EFFECT FROM TO	UNITS PER ASSY
68 - 650	35056GV20		..UNION SUPPLIER CODE: V08199 SPECIFICATION NUMBER: BACU24AB20W OPTIONAL PART: 4671097W20 V50948 2-01027-20W V11328 31875-20W V14397 AP1004W20 V01673 AFP941W20 V30974 DBOU24AB20W V14798	101102 108120 504903	1
653	271N6123-1050		.TUBE ASSY-L SYS RETURN TUBING MATERIAL: .375 IN. OD X .035 IN. WALL X 43.0 IN. LG AL AMS 4083 6061 T6 TUBING	101102 108120 504903	1
655	271N6123-1071		.TUBE ASSY-L SYS RETURN TUBING MATERIAL: .375 IN. OD X .035 IN. WALL X 25.9 IN. LG AL AMS 4083 6061 T6 TUBING	101102 108120 504903	1
657	271N6123-1072		.TUBE ASSY-L SYS RETURN TUBING MATERIAL: .375 IN. OD X .035 IN. WALL X 45.8 IN. LG AL AMS 4083 6061 T6 TUBING	101102 108120 504903	1
660	271N6123-1142		.TUBE ASSY-R SYS RETURN TUBING MATERIAL: .375 IN. OD X .035 IN. WALL X 31.5 IN. LG AL AMS 4083 6061 T6 TUBING	101102 108120 504903	1
663	271N6123-1168		.TUBE ASSY-R SYS RETURN TUBING MATERIAL: .375 IN. OD X .035 IN. WALL X 58.4 IN. LG AL AMS 4083 6061 T6 TUBING	101102 108120 504903	1

MISSING ITEM NUMBERS NOT APPLICABLE

- ITEM NOT ILLUSTRATED

29-11-51-68

29-11-51
FIG. 68
PAGE 19
JAN 20/09

BRI



757

PARTS CATALOG (MAINTENANCE)

FIG ITEM	PART NUMBER	1 2 3 4 5 6 7	NOMENCLATURE	EFFECT FROM TO	UNITS PER ASSY
68 - 667	AP2097HP06	..	SLEEVE SUPPLIER CODE: V01673 SPECIFICATION NUMBER: BACS13BX06HP OPTIONAL PART: 2-02903-06HP V11328 35235VN06 V08199 AFP175V06P V30974 DBOS13BX06HP V14798	101102 108120 504903	1
- 670	BACN10YLO6	..	NUT	101102 108120 504903	1
- 673	35056GV06	..	UNION SUPPLIER CODE: V08199 SPECIFICATION NUMBER: BACU24AB6W OPTIONAL PART: 2-01027-6W V11328 31875-6W V14397 4671097W6 V50948 AP1004W06 V01673 AFP941W6 V30974 DBOU24AB6W V14798	101102 108120 504903	1
675	271N6123-1070	.	TUBE ASSY-R SYS SUPPLY TUBING MATERIAL: 1.25 IN. OD X .035 IN. WALL X 63.6 IN. LG AL AMS 4083 6061 T6 TUBING	101102 108120 504903	1

MISSING ITEM NUMBERS NOT APPLICABLE

- ITEM NOT ILLUSTRATED

BRI

29-11-51-68

29-11-51
FIG. 68
PAGE 20
JAN 20/09



757

PARTS CATALOG (MAINTENANCE)

FIG ITEM	PART NUMBER	1 2 3 4 5 6 7	NOMENCLATURE	EFFECT FROM TO	UNITS PER ASSY
68 - 677	AFP175V20P	..	SLEEVE- SUPPLIER CODE: V30974 SPECIFICATION NUMBER: BACS13BX20HP OPTIONAL PART: 2-02901-20HP V11328 35025VN20 V08199	101102 108120 504903	1
- 680	BACN10YL20L	..	NUT-	101102 108120 504903	1
683	271N6123-1152	.TUBE ASSY-R SYS RETURN TUBING MATERIAL: .625 IN. OD X .035 IN. WALL X 28.7 IN. LG AL AMS 4083 6061 T6 TUBING		101102 108120 504903	1
685	271N6123-1159	.TUBE ASSY-R SYS RETURN TUBING MATERIAL: .625 IN. OD X .035 IN. WALL X 56.3 IN. LG AL AMS 4083 6061 T6 TUBING		101102 108120 504903	1
687	271N6123-1180	.TUBE ASSY-L SYS RETURN TUBING MATERIAL: .625 IN. OD X .035 IN. WALL X 88.3 IN. LG AL AMS 4083 6061 T6 TUBING		101102 108120 504903	1
690	271N6123-1189	.TUBE ASSY-LG RETURN TUBING MATERIAL: .625 IN. OD X .035 IN. WALL X 18.3 IN. LG AL AMS 4083 6061 T6 TUBING		101102 108120 504903	1
693	271N6123-1201	.TUBE ASSY-L SYS RETURN TUBING MATERIAL: .625 IN. OD X .035 IN. WALL X 40.70 IN. LG AL AMS 4083 6061 T6 TUBING		101102 108120 504903	1

MISSING ITEM NUMBERS NOT APPLICABLE

- ITEM NOT ILLUSTRATED

BRI

29-11-51-68

29-11-51
FIG. 68
PAGE 21
JAN 20/09



757

PARTS CATALOG (MAINTENANCE)

FIG ITEM	PART NUMBER	1 2 3 4 5 6 7	NOMENCLATURE	EFFECT FROM TO	UNITS PER ASSY
68					
- 695	AP2097HP10	..	SLEEVE SUPPLIER CODE: V01673 SPECIFICATION NUMBER: BACS13BX10HP OPTIONAL PART: 2-02903-10HP V11328 35235VN10 V08199 AFP175V10P V30974 DBOS13BX10HP V14798	101102 108120 504903	2
- 697	BACN10YL10	..	NUT	101102 108120 504903	2
700	271N6123-1155	.TUBE ASSY-R SYS RETURN TUBING MATERIAL: .625 IN. OD X .035 IN. WALL X 69.7 IN. LG AL AMS 4083 6061 T6 TUBING		101102 108120 504903	1
703	271N6123-1161	.TUBE ASSY-R SYS RETURN TUBING MATERIAL: .625 IN. OD X .035 IN. WALL X 29.3 IN. LG AL AMS 4083 6061 T6 TUBING		101102 108120 504903	1
705	271N6123-1174	.TUBE ASSY-R SYS CASE DRAIN TUBING MATERIAL: .625 IN. OD X .035 IN. WALL X 67.9 IN. LG AL AMS 4083 6061 T6 TUBING		101102 108120 504903	1
707	271N6123-1285	.TUBE ASSY-R SYS RETURN TUBING MATERIAL: .625 IN. OD X .035 IN. WALL X 58.6 IN. LG AL AMS 4083 6061 T6 TUBING		101102 108120 504903	1
709	271N6123-1271	.TUBE ASSY-L SYS RETURN TUBING MATERIAL: .625 IN. OD X .035 IN. WALL X 13.2 IN. LG AL AMS 4083 6061 T6 TUBING		101102 108120 504903	1

MISSING ITEM NUMBERS NOT APPLICABLE

- ITEM NOT ILLUSTRATED

BRI

29-11-51-68

29-11-51
FIG. 68
PAGE 22
JAN 20/09



757

PARTS CATALOG (MAINTENANCE)

FIG ITEM	PART NUMBER	1 2 3 4 5 6 7	NOMENCLATURE	EFFECT FROM TO	UNITS PER ASSY
68 - 710	AP2097HP10	..	SLEEVE SUPPLIER CODE: V01673 SPECIFICATION NUMBER: BACS13BX10HP OPTIONAL PART: 2-02903-10HP V11328 35235VN10 V08199 AFP175V10P V30974 DBOS13BX10HP V14798	101102 108120 504903	1
- 713	BACN10YL10	..	NUT	101102 108120 504903	1
- 715	35056GV10	..	UNION SUPPLIER CODE: V08199 SPECIFICATION NUMBER: BACU24AB10W OPTIONAL PART: 4671097W10 V50948 2-01027-10W V11328 31875-10W V14397 AP1004W10 V01673 AFP941W10 V30974 DBOU24AB10W V14798	101102 108120 504903	1
717	271N6123-1157	.	TUBE ASSY-R SYS RETURN TUBING MATERIAL: .625 IN. OD X .035 IN. WALL X 37.1 IN. LG AL AMS 4083 6061 T6 TUBING	101102 108120 504903	1

MISSING ITEM NUMBERS NOT APPLICABLE

- ITEM NOT ILLUSTRATED

BRI

29-11-51-68

29-11-51
FIG. 68
PAGE 23
JAN 20/09



757

PARTS CATALOG (MAINTENANCE)

FIG ITEM	PART NUMBER	1 2 3 4 5 6 7	NOMENCLATURE	EFFECT FROM TO	UNITS PER ASSY
68 - 720	35056GV10		.. UNION SUPPLIER CODE: V08199 SPECIFICATION NUMBER: BACU24AB10W OPTIONAL PART: 4671097W10 V50948 2-01027-10W V11328 31875-10W V14397 AP1004W10 V01673 AFP941W10 V30974 DBOU24AB10W V14798	101102 108120 504903	2
723	271N6123-1292		. TUBE ASSY-R SYSCASE DRAIN TUBING MATERIAL: .375 IN. OD X .035 IN. WALL X 39.1 IN. LG AL AMS 4083 6061 T6 TUBING	101102 108120 504903	1
- 725	AP2097HP06		.. SLEEVE SUPPLIER CODE: V01673 SPECIFICATION NUMBER: BACS13BX06HP OPTIONAL PART: 2-02903-06HP V11328 35235VN06 V08199 AFP175V06P V30974 DBOS13BX06HP V14798	101102 108120 504903	1
- 727	BACN10YL06		.. NUT	101102 108120 504903	1

MISSING ITEM NUMBERS NOT APPLICABLE

- ITEM NOT ILLUSTRATED

BRI

29-11-51-68

29-11-51
FIG. 68
PAGE 24
JAN 20/09



757

PARTS CATALOG (MAINTENANCE)

FIG ITEM	PART NUMBER	1 2 3 4 5 6 7	NOMENCLATURE	EFFECT FROM TO	UNITS PER ASSY
68 - 730	35056GV06		.. UNION SUPPLIER CODE: V08199 SPECIFICATION NUMBER: BACU24AB6W OPTIONAL PART: 2-01027-6W V11328 31875-6W V14397 4671097W6 V50948 AP1004W06 V01673 AFP941W6 V30974 DBOU24AB6W V14798	101102 108120 504903	1
733	271N6123-1293		. TUBE ASSY-R SYS SUPPLY TUBING MATERIAL: 1.25 IN. OD X .035 IN. WALL X 39.1 IN. LG AL AMS 4083 6061 T6 TUBING	101102 108120 504903	1
- 735	AFP175V20P		.. SLEEVE- SUPPLIER CODE: V30974 SPECIFICATION NUMBER: BACS13BX20HP OPTIONAL PART: 2-02901-20HP V11328 35025VN20 V08199	101102 108120 504903	1
- 737	BACN10YL20L		.. NUT-	101102 108120 504903	1

MISSING ITEM NUMBERS NOT APPLICABLE

- ITEM NOT ILLUSTRATED

BRI

29-11-51-68

29-11-51
FIG. 68
PAGE 25
JAN 20/09



757

PARTS CATALOG (MAINTENANCE)

FIG ITEM	PART NUMBER	1 2 3 4 5 6 7	NOMENCLATURE	EFFECT FROM TO	UNITS PER ASSY
68 - 740	35056GV20		.. UNION SUPPLIER CODE: V08199 SPECIFICATION NUMBER: BACU24AB20W OPTIONAL PART: 4671097W20 V50948 2-01027-20W V11328 31875-20W V14397 AP1004W20 V01673 AFP941W20 V30974 DBOU24AB20W V14798	101102 108120 504903	1
743	271N6123-1303		. TUBE ASSY-R SYS RETURN TUBING MATERIAL: .625 IN. OD ALUMINUM	101102 108120 504903	1
- 745	AP2097HP10		.. SLEEVE SUPPLIER CODE: V01673 SPECIFICATION NUMBER: BACS13BX10HP OPTIONAL PART: 2-02903-10HP V11328 35235VN10 V08199 AFP175V10P V30974 DBOS13BX10HP V14798	101102 108120 504903	1
- 747	BACN10YL10		.. NUT	101102 108120 504903	1

MISSING ITEM NUMBERS NOT APPLICABLE

- ITEM NOT ILLUSTRATED

29-11-51-68

29-11-51
FIG. 68
PAGE 26
JAN 20/09

BRI



757

PARTS CATALOG (MAINTENANCE)

FIG ITEM	PART NUMBER	1 2 3 4 5 6 7	NOMENCLATURE	EFFECT FROM TO	UNITS PER ASSY
68 - 750	35056GV10	. .	UNION SUPPLIER CODE: V08199 SPECIFICATION NUMBER: BACU24AB10W OPTIONAL PART: 4671097W10 V50948 2-01027-10W V11328 31875-10W V14397 AP1004W10 V01673 AFP941W10 V30974 DBOU24AB10W V14798	101102 108120 504903	1
- 800	MS21916D8-6	. REDUCER		101102 108120 504903	1
815	MS21924D10	. UNION		101102 108120 504903	1
817	MS21924D6	. UNION		101102 108120 504903	1
830	1C3596	. VALVE- SUPPLIER CODE: V99240 SPECIFICATION NUMBER: BACV10CD14 OPTIONAL PART: 0121520900-14 V83533		101102 108120 504903	1
845	MS21908W10	. ELBOW		101102 108120 504903	1

MISSING ITEM NUMBERS NOT APPLICABLE

- ITEM NOT ILLUSTRATED

BRI

29-11-51-68

BOEING PROPRIETARY - Copyright © - Unpublished Work - See title page for details.

29-11-51
FIG. 68
PAGE 27
JAN 20/09



757

PARTS CATALOG (MAINTENANCE)

FIG ITEM	PART NUMBER	1 2 3 4 5 6 7	NOMENCLATURE	EFFECT FROM TO	UNITS PER ASSY
68 850	APX824F060610W	. TEE-REDUCER S U P P L I E R C O D E : V 0 1 6 7 3 S P E C I F I C A T I O N N U M B E R : B A C T 1 6 A S 0 6 0 6 1 0 W O P T I O N A L P A R T : A P X 8 2 4 - 0 6 0 6 1 0 W V 0 1 6 7 3 D B O T 1 6 A S 0 6 0 6 1 0 W V 1 4 7 9 8 E R 8 2 4 - 0 6 0 6 1 0 W V 5 0 9 4 8 F E R 1 5 7 1 - 0 6 0 6 1 0 W V 1 4 3 9 7 L E R 8 2 4 - 0 6 0 6 1 0 W V 1 1 3 2 8 N A F 1 8 2 4 - 0 6 0 6 1 0 W V 5 2 9 3 0 U S 1 9 2 5 - 0 6 0 6 1 0 W V 5 0 8 0 8 A F P 3 2 5 - 0 6 0 6 1 0 W V 3 0 9 7 4	101102 108120 504903	1	
853	BACT16BL100610W	. TEE-REDUCER		101102 108120 504903	1
855	APX824F101008W	. TEE-REDUCER S U P P L I E R C O D E : V 0 1 6 7 3 S P E C I F I C A T I O N N U M B E R : B A C T 1 6 A S 1 0 1 0 0 8 W O P T I O N A L P A R T : A P X 8 2 4 - 1 0 1 0 0 8 W V 0 1 6 7 3 D B O T 1 6 A S 1 0 1 0 0 8 W V 1 4 7 9 8 E R 8 2 4 - 1 0 1 0 0 8 W V 5 0 9 4 8 F E R 1 5 7 1 - 1 0 1 0 0 8 W V 1 4 3 9 7 L E R 8 2 4 - 1 0 1 0 0 8 W V 1 1 3 2 8 N A F 1 8 2 4 - 1 0 1 0 0 8 W V 5 2 9 3 0 U S 1 9 2 5 - 1 0 1 0 0 8 W V 5 0 8 0 8 A F P 3 2 5 - 1 0 1 0 0 8 W V 3 0 9 7 4	101102 108120 504903	1	

MISSING ITEM NUMBERS NOT APPLICABLE

- ITEM NOT ILLUSTRATED

29-11-51-68

29-11-51
FIG. 68
PAGE 28
JAN 20/09

BRI



757

PARTS CATALOG (MAINTENANCE)

FIG ITEM	PART NUMBER	1 2 3 4 5 6 7	NOMENCLATURE	EFFECT FROM TO	UNITS PER ASSY
68					
865	NAS1764W101010	.	TEE-SWIVEL	101102 108120 504903	1
867	NAS1764W080608	.	TEE-REDUCER	101102 108120 504903	1
870	APX824F161608W	.	TEE SUPPLIER CODE: V01673 SPECIFICATION NUMBER: BACT16AS161608W OPTIONAL PART: APX824-161608W V01673 DBOT16AS161608W V14798 ER824-161608W V50948 FER1571-161608W V14397 LER824-161608W V11328 NAF1824-161608W V52930 US1925-161608W V50808 AFP325-161608W V30974	101102 108120 504903	1
875	AN924-10D	.	NUT- USED WITH: MS21908W10 MS21924D10	101102 108120 504903	1
877	AN924-6D	.	NUT- USED WITH: MS21924D6	101102 108120 504903	1
885	NAS1149D1490J	.	WASHER- USED WITH: MS21908W10	101102 108120 504903	1
900			ILLUSTRATION REFERENCE: VALVE INSTL-MLG DOWNLOCK OPERATED DOOR SEQUENCE 32-32-07-01	101102 108120 504903	RF
905			ILLUSTRATION REFERENCE: PLUMBING INSTL-SECT. 12 R WING INBD HYDR (HYDRAULIC POWER ONLY) (R SYS) 29-11-51-17A	101102 108120 504903	RF

MISSING ITEM NUMBERS NOT APPLICABLE

- ITEM NOT ILLUSTRATED

29-11-51-68

29-11-51
FIG. 68
PAGE 29
JAN 20/09

BRI



757

PARTS CATALOG (MAINTENANCE)

FIG ITEM	PART NUMBER	1 2 3 4 5 6 7	NOMENCLATURE	EFFECT FROM TO	UNITS PER ASSY
68 910			ILLUSTRATION REFERENCE: ACTUATOR INSTL-SPOILER NO. 6 AND 7 (FLIGHT CONTROLS ONLY) 27-61-02-02	101102 108120 504903	RF
915			ILLUSTRATION REFERENCE: PLUMBING INSTL-HYDR WING SECT. 12 R OUTBD 27-61-51-28A	101102 108120 504903	RF
920			ILLUSTRATION REFERENCE: MODULE INSTL-ELEC MOTOR PUMP PRESSURE/CASE DRAIN L AND R SYS FILTER 29-11-18-01	101102 108120 504903	RF
925			ILLUSTRATION REFERENCE: PLUMBING INSTL-MAIN WHL WELL FWD BHD HYDR (HYDRAULIC POWER ONLY) 29-11-51-39A	101102 108120 504903	RF
930			ILLUSTRATION REFERENCE: PLUMBING INSTL BASIC AND STABLE 29-11-51-48	101102 108120 504903	RF
935			ILLUSTRATION REFERENCE: PLUMBING INSTL-SECT.44 HYD, RIGHT PRESSURE DECK	101102 108120 504903	RF
940			ILLUSTRATION REFERENCE: PLUMBING INSTL-SECT. 12 HYDR R WING INBD (MAIN GEAR EXTENSION AND RETRACTION ONLY) 32-32-51-16A	101102 108120 504903	RF
945			ILLUSTRATION REFERENCE: PLUMBING INSTL-SECT. 31.1 HYDR (RH) (HYDRAULIC POWER ONLY) 29-11-52-06	101102 108120 504903	RF
950			ILLUSTRATION REFERENCE: PLUMBING INSTL- SECT. 12 INBD WING HYDR R (HYDRAULIC POWER ONLY) 29-11-51-18B	101102 108120 504903	RF

MISSING ITEM NUMBERS NOT APPLICABLE

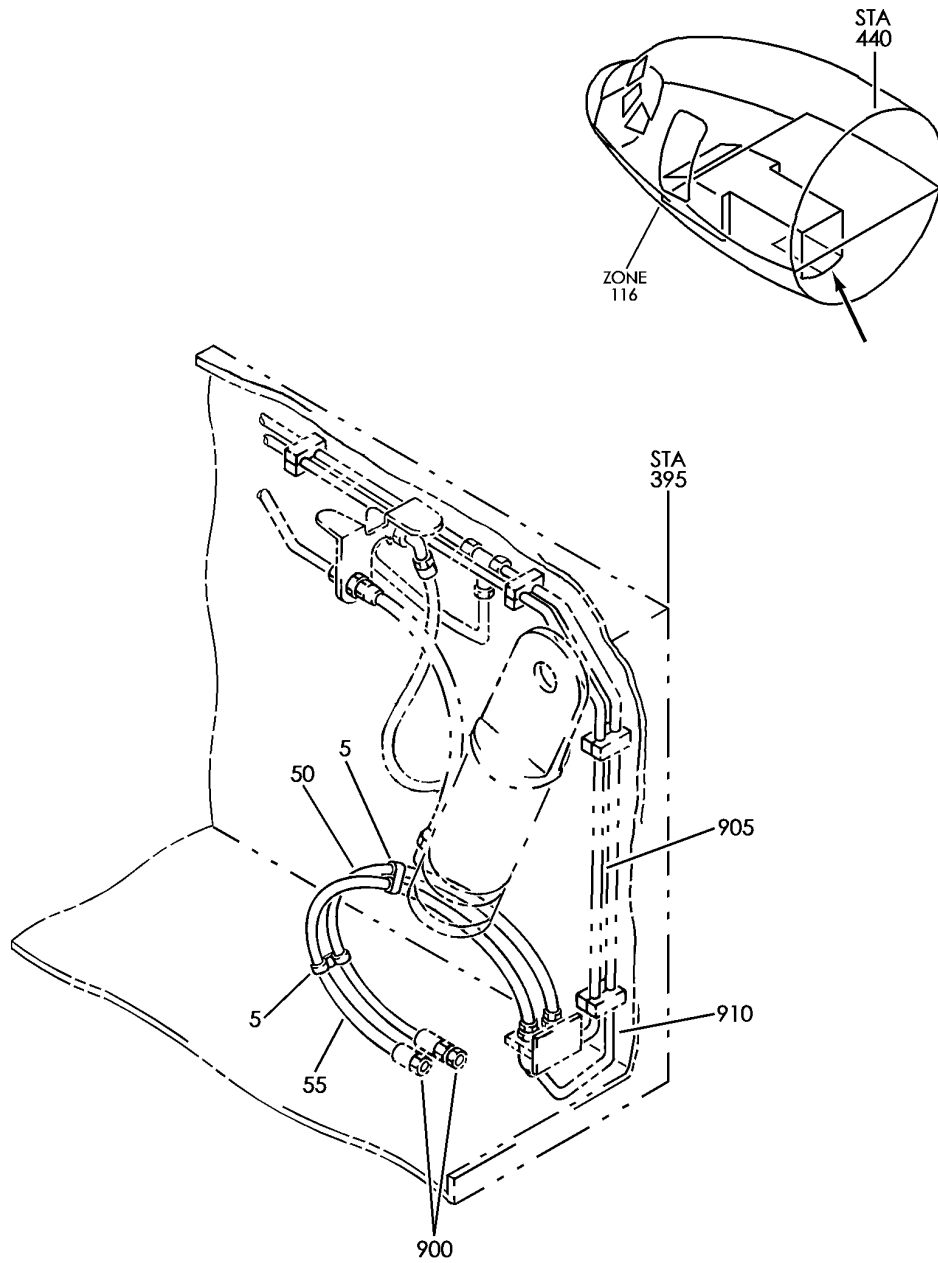
- ITEM NOT ILLUSTRATED

BRI

29-11-51-68

29-11-51
FIG. 68
PAGE 30
JAN 20/09

BOEING
757
PARTS CATALOG (MAINTENANCE)



Y 29115169 REV 219

PLUMBING INSTL-HYDR NOSE WHEEL WELL SECT. 41
FIGURE 69

29-11-51-69

BRI
MAY 28/07

29-11-51-69
PAGE 0



757

PARTS CATALOG (MAINTENANCE)

FIG ITEM	PART NUMBER	1 2 3 4 5 6 7	NOMENCLATURE	EFFECT FROM TO	UNITS PER ASSY
69			PLUMBING INSTL-HYDR NOSE WHEEL WELL SECT. 41	101106 108120	
- 1	271N6411-16		PLUMBING INSTL-HYDR NOSE WHEEL WELL POSITION DATA: SECT. 41	101102 108120	RF
- 1	MODREF30200		FOR NHA SEE: 29-00-51-05B PLUMBING INSTL-HYDR NOSE WHEEL WELL MODULE NUMBER: 271N6411-16 REV B POSITION DATA: SECT. 41	103106	1
5	M85052-2-11		.CLAMP	101102 108120	2
50	AS115-08K0322		.HOSE ASSY	101102 108120	1
55	AS154A08EE0322B		.HOSE ASSY SUPPLIER CODE: V00624 SPECIFICATION NUMBER: BACH8A08EE0322B OPTIONAL PART: B472-8EE0322B V98441 97934A08EE0322B V78570 R2912A8EE0322B V50599	101102 108120	1
900			ILLUSTRATION REFERENCE: PLUMBING INSTL-SECT. 62 NOSE GR 32-51-51-15	101102 108120	RF
905			ILLUSTRATION REFERENCE: PLUMBING INSTL-HYDR BAY AND NOSE WHLWELL (NOSE GEAR EXTENSION AND RETRACTION ONLY) SECT. 41 32-34-51-15A	101102 108120	RF
910			ILLUSTRATION REFERENCE: PLUMBING INSTL-HYD SECT. 41 NOSE WHEELWELL (NOSE GEAR EXTENSION AND RETRACTION ONLY) 32-34-51-17	101102 108120	RF

MISSING ITEM NUMBERS NOT APPLICABLE

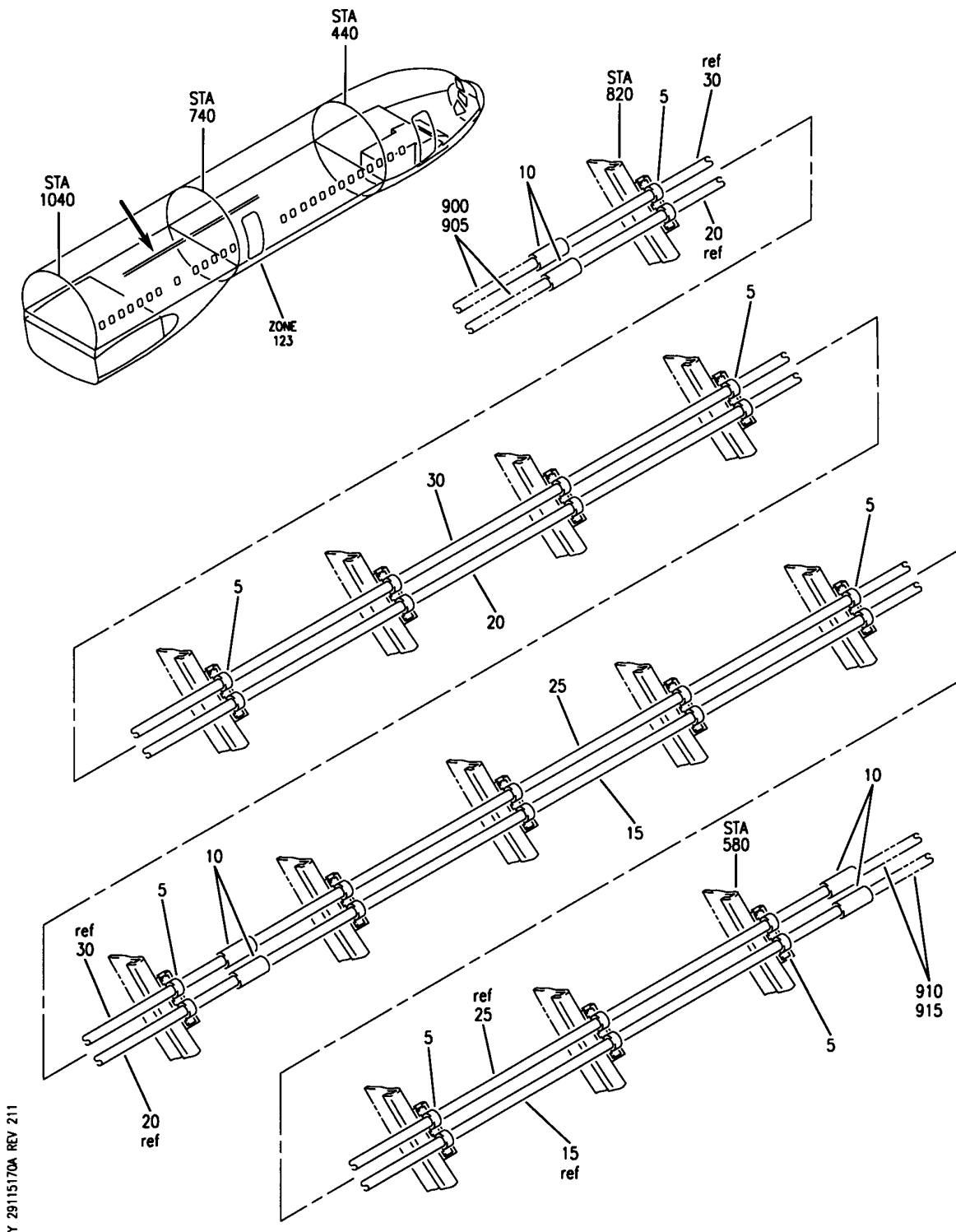
- ITEM NOT ILLUSTRATED

BRI

29-11-51-69

29-11-51
FIG. 69
PAGE 1
JAN 20/09

BOEING
757
PARTS CATALOG (MAINTENANCE)



PLUMBING INSTL-HYDR SECT. 43
FIGURE 70A

29-11-51-70A

BRI
MAY 28/07

29-11-51-70A
PAGE 0



757

PARTS CATALOG (MAINTENANCE)

FIG ITEM	PART NUMBER	1 2 3 4 5 6 7	NOMENCLATURE	EFFECT FROM TO	UNITS PER ASSY
70A			PLUMBING INSTL-HYDR SECT. 43	101106 504903	
- 1	271N6431-13		PLUMBING INSTL-HYDR POSITION DATA: SECT. 43	101102 504903	RF
- 1	MODREF31418		FOR NHA SEE: 29-00-51-05B PLUMBING INSTL-HYDR MODULE NUMBER: 271N6431-13 REV B POSITION DATA: SECT. 43	103106	1
5	TA0630003-8		.CLAMP ASSY- SUPPLIER CODE: V84971	101106 504903	13
10	D10282-08		.UNION- SUPPLIER CODE: V14798	101106 504903	6
15	271N6431-1014		.TUBE ASSY-NLG DOWN TUBING MATERIAL: .500 IN. OD .026 IN. WALL 144.7 IN. LG TITANIUM BMS 7-234 TI-3AL-2.5V COLD WORKED, STRESS RELIEVED TUBING	101106 504903	1
20	271N6431-1034		.TUBE ASSY-NLG DOWN TUBING MATERIAL: .500 IN. OD .026 IN. WALL 123.9 IN. LG TITANIUM BMS 7-234 TI-3AL-2.5V COLD WORKED, STRESS RELIEVED TUBING	101106 504903	1
25	271N6431-1015		.TUBE ASSY-NLG UP TUBING MATERIAL: .500 IN. OD .026 IN. WALL 139.9 IN. LG TITANIUM BMS 7-234 TI-3AL-2.5V COLD WORKED, STRESS RELIEVED TUBING	101106 504903	1
30	271N6431-1035		.TUBE ASSY-NLG UP TUBING MATERIAL: .500 IN. OD .026 IN. WALL 125.9 IN. LG TITANIUM BMS 7-234 TI-3AL-2.5V COLD WORKED, STRESS RELIEVED TUBING	101106 504903	1

MISSING ITEM NUMBERS NOT APPLICABLE

- ITEM NOT ILLUSTRATED

29-11-51-70A

29-11-51
FIG. 70A
PAGE 1
JAN 20/09

BRI

BOEING PROPRIETARY - Copyright © - Unpublished Work - See title page for details.



757

PARTS CATALOG (MAINTENANCE)

FIG ITEM	PART NUMBER	1 2 3 4 5 6 7	NOMENCLATURE	EFFECT FROM TO	UNITS PER ASSY
70A 900			ILLUSTRATION REFERENCE: PLUMBING INSTL-SECT. 43 HYDR (NOSE GEAR ALTERNATE EXTEND SYSTEM ONLY) 32-34-51-20A	101106 504903	RF
905			ILLUSTRATION REFERENCE: PLUMBING INSTL-SECT. 43 HYDR (NOSE GEAR ALTERNATE EXTEND SYSTEM ONLY) 32-34-51-20A	101106 504903	RF
910			ILLUSTRATION REFERENCE: PLUMBING INSTL-SECT. 43 HYDR (NOSE GEAR ALTERNATE EXTEND SYSTEM ONLY) 32-34-51-20A	101106 504903	RF
915			ILLUSTRATION REFERENCE: PLUMBING INSTL-SECT. 43 HYDR (NOSE GEAR ALTERNATE EXTEND SYSTEM ONLY) 32-34-51-20A	101106 504903	RF

MISSING ITEM NUMBERS NOT APPLICABLE

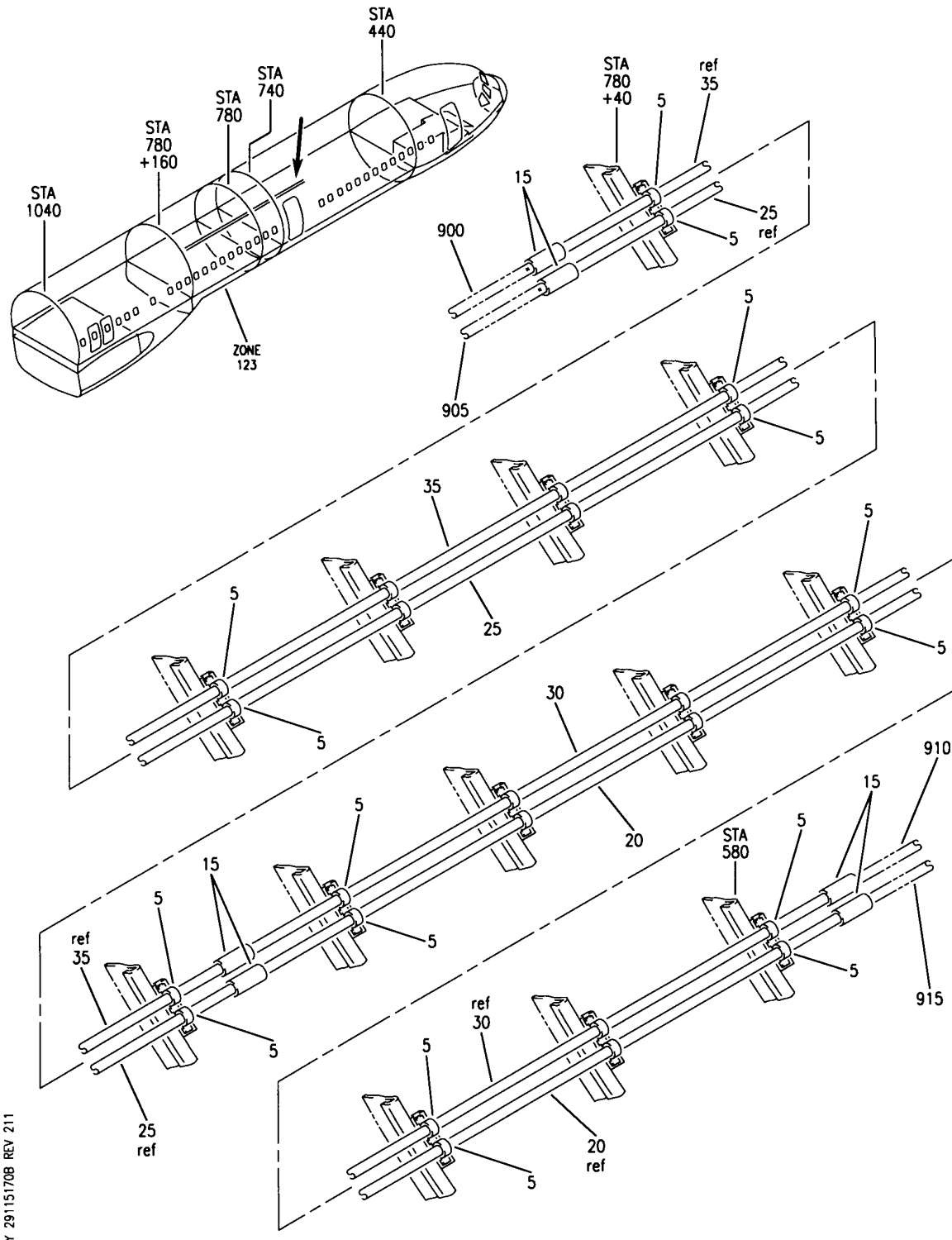
- ITEM NOT ILLUSTRATED

29-11-51-70A

29-11-51
FIG. 70A
PAGE 2
JAN 20/09

BRI


BOEING
 757
PARTS CATALOG (MAINTENANCE)



Y 29115170B REV 211

PLUMBING INSTL-HYDR SECT. 43
 FIGURE 70B

29-11-51-70B

BRI
JAN 20/09

29-11-51-70B
 PAGE 0



757

PARTS CATALOG (MAINTENANCE)

FIG ITEM	PART NUMBER	1 2 3 4 5 6 7	NOMENCLATURE	EFFECT FROM TO	UNITS PER ASSY
70B			PLUMBING INSTL-HYDR SECT. 43	103106	
- 1	MODREF31418		PLUMBING INSTL-HYDR MODULE NUMBER: 271N6431-13 REV B POSITION DATA: SECT. 43	103106	1
5	TA0630003-8		.CLAMP ASSY- SUPPLIER CODE: V84971	103106	26
15	D10282-0808J		.UNION SUPPLIER CODE: V14798 SPECIFICATION NUMBER: BACU24BS0808J	103106	6
20	271N6431-1014		.TUBE ASSY-NLG DOWN TUBING MATERIAL: .500 IN. OD .026 IN. WALL 123.9 IN. LG TITANIUM BMS 7-234 TI-3AL-2.5V COLD WORKED, STRESS RELIEVED TUBING	103106	1
25	271N6431-1034		.TUBE ASSY-NLG DOWN TUBING MATERIAL: .500 IN. OD .026 IN. WALL 123.9 IN. LG TITANIUM BMS 7-234 TI-3AL-2.5V COLD WORKED, STRESS RELIEVED TUBING	103106	1
30	271N6431-1015		.TUBE ASSY-NLG UP TUBING MATERIAL: .500 IN. OD .026 IN. WALL 139.9 IN. LG TITANIUM BMS 7-234 TI-3AL-2.5V COLD WORKED, STRESS RELIEVED TUBING	103106	1
35	271N6431-1035		.TUBE ASSY-NLG UP TUBING MATERIAL: .500 IN. OD .026 IN. WALL 125.9 IN. LG TITANIUM BMS 7-234 TI-3AL-2.5C COLD WORKED, STRESS RELIEVED TUBING	103106	1
900			ILLUSTRATION REFERENCE: PLUMBING INSTL-SECT. 43 HYDR (NOSE GEAR ALTERNATE EXTEND SYSTEM ONLY) 32-34-51-20A	103106	RF

MISSING ITEM NUMBERS NOT APPLICABLE

- ITEM NOT ILLUSTRATED

29-11-51-70B

29-11-51
FIG. 70B
PAGE 1
JAN 20/09

BRI

BOEING PROPRIETARY - Copyright © - Unpublished Work - See title page for details.



757

PARTS CATALOG (MAINTENANCE)

FIG ITEM	PART NUMBER	1 2 3 4 5 6 7	NOMENCLATURE	EFFECT FROM TO	UNITS PER ASSY
70B 910			ILLUSTRATION REFERENCE: PLUMBING INSTL-SECT. 43 HYDR (NOSE GEAR ALTERNATE EXTEND SYSTEM ONLY) 32-34-51-20A	103106	RF
915			ILLUSTRATION REFERENCE: PLUMBING INSTL-SECT. 43 HYDR (NOSE GEAR ALTERNATE EXTEND SYSTEM ONLY) 32-34-51-20A	103106	RF

MISSING ITEM NUMBERS NOT APPLICABLE

- ITEM NOT ILLUSTRATED

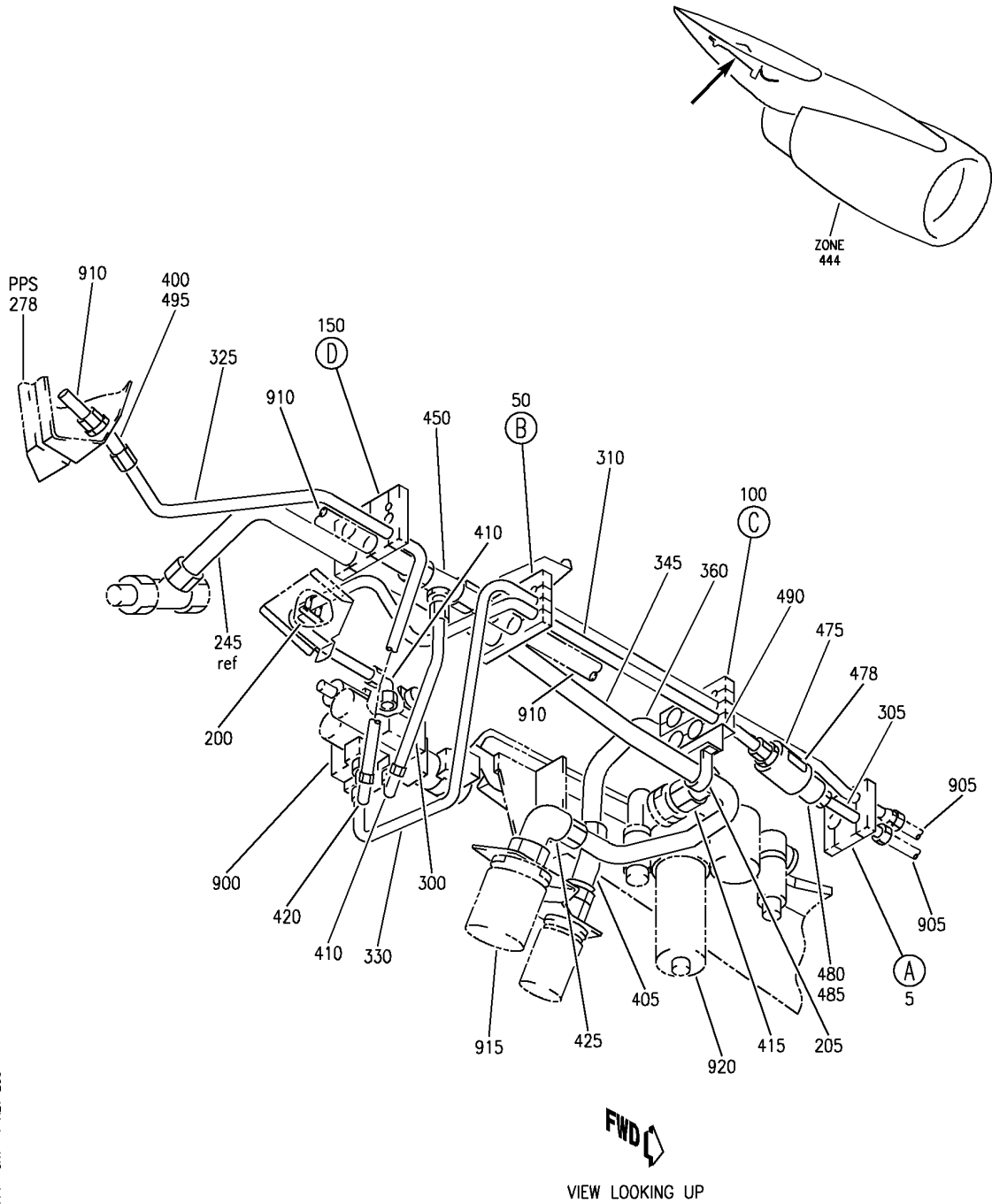
BRI

29-11-51-70B

BOEING PROPRIETARY - Copyright © - Unpublished Work - See title page for details.

29-11-51
FIG. 70B
PAGE 2
JAN 20/09

BOEING
757
PARTS CATALOG (MAINTENANCE)



Y 29115171 SHT 1 REV 299

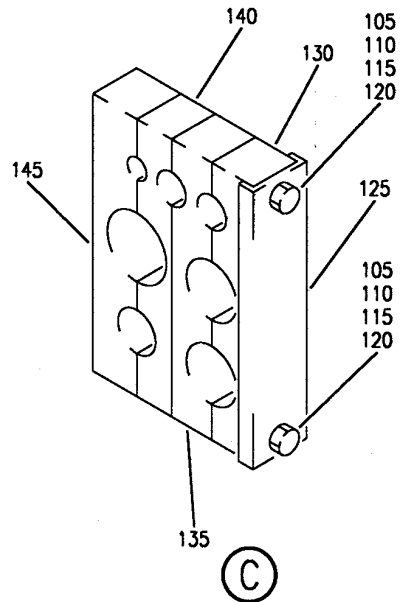
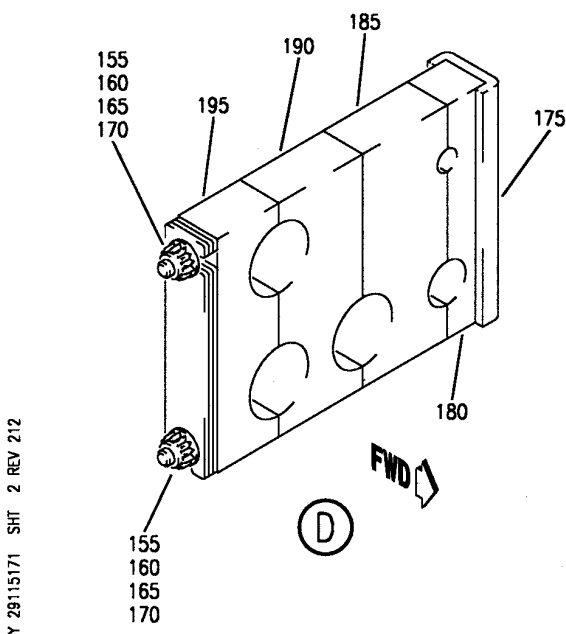
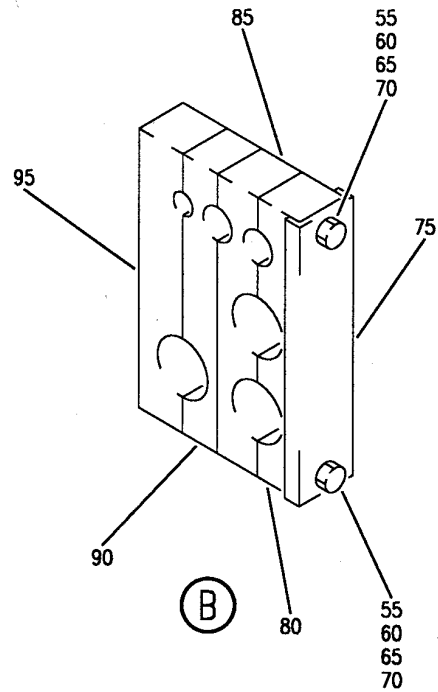
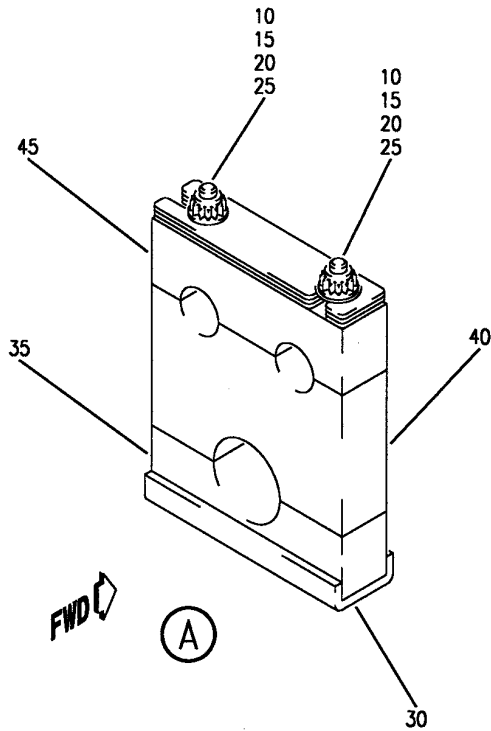
PLUMBING INSTL-HYD SECT. 31.1 RIGHT AFT STRUT FAIRING
FIGURE 71 (SHEET 1)

29-11-51-71

BRI
MAY 28/07

29-11-51-71
PAGE 0

BOEING
757
PARTS CATALOG (MAINTENANCE)



Y 29115171 SH2 2 REV 212

PLUMBING INSTL-HYD SECT. 31.1 RIGHT AFT STRUT FAIRING
FIGURE 71 (SHEET 2)

29-11-51-71

BRI
MAY 28/07

29-11-51-71
PAGE 0A



757

PARTS CATALOG (MAINTENANCE)

FIG ITEM	PART NUMBER	1 2 3 4 5 6 7	NOMENCLATURE	EFFECT FROM TO	UNITS PER ASSY
71			PLUMBING INSTL-HYD	101102	RF
			SECT. 31.1 RIGHT AFT	108120	
			STRUT FAIRING	504903	
- 1	271N6311-16		PLUMBING INSTL-RT ENGINE	101102	RF
			STRUT ROLLS ROYCE	108120	
			POSITION DATA:	504903	
			SECT. 31.1 RH		
			FOR NHA/OTHER SYS DET SEE:		
			29-00-51-05B		
5	270N2000-1302		.CLAMP ASSY	101102	1
				108120	
				504903	
10	NAS1801-3-58		..SCREW	101102	2
				108120	
				504903	
15	NAS43DD3-198		..SPACER	101102	2
				108120	
				504903	
20	AN960KD10L		..WASHER	101102	2
				108120	
				504903	
25	BRH10A3		..NUT	101102	2
			SUPPLIER CODE:	108120	
			V52828	504903	
			SPECIFICATION NUMBER:		
			BACN10JC3		
			OPTIONAL PART:		
			H10-3BAC		
			V15653		
			NS202101-02		
			V80539		
			RMLH9075-3W		
			V72962		
			VN303A02		
			V92215		
			96-02		
			V80539		
			T6S1032J		
			V11815		
30	270N2000-1006		..CHANNEL	101102	1
				108120	
				504903	
35	270N2000-1228		..BLOCK	101102	1
				108120	
				504903	
40	270N2000-1229		..BLOCK	101102	1
				108120	
				504903	

MISSING ITEM NUMBERS NOT APPLICABLE

- ITEM NOT ILLUSTRATED

29-11-51-71

29-11-51
FIG. 71
PAGE 1
JAN 20/09

BRI

 **BOEING**
757
PARTS CATALOG (MAINTENANCE)

FIG ITEM	PART NUMBER	1 2 3 4 5 6 7	NOMENCLATURE	EFFECT FROM TO	UNITS PER ASSY
71					
45	270N2000-1230	..	BLOCK	101102 108120 504903	1
50	270N2000-1303	..	CLAMP ASSY	101102 108120 504903	1
55	NAS1801-3-59	..	SCREW	101102 108120 504903	2
60	NAS43DD3-203	..	SPACER	101102 108120 504903	2
65	AN960KD10L	..	WASHER	101102 108120 504903	2
70	BRH10A3	..	NUT SUPPLIER CODE: V52828 SPECIFICATION NUMBER: BACN10JC3 OPTIONAL PART: H10-3BAC V15653 NS202101-02 V80539 RMLH9075-3W V72962 VN303A02 V92215 96-02 V80539 T6S1032J V11815	101102 108120 504903	2
75	270N2000-1018	..	CHANNEL	101102 108120 504903	1
80	270N2000-1240	..	BLOCK	101102 108120 504903	1
85	270N2000-1241	..	BLOCK	101102 108120 504903	1
90	270N2000-1242	..	BLOCK	101102 108120 504903	1
95	270N2000-1243	..	BLOCK	101102 108120 504903	1

MISSING ITEM NUMBERS NOT APPLICABLE

— ITEM NOT ILLUSTRATED

BRI

29-11-51-71

29-11-51
FIG. 71
PAGE 2
JAN 20/09



757

PARTS CATALOG (MAINTENANCE)

FIG ITEM	PART NUMBER	1 2 3 4 5 6 7	NOMENCLATURE	EFFECT FROM TO	UNITS PER ASSY
71					
100	270N2000-1320	.	CLAMP ASSY	101102 108120 504903	1
105	NAS1801-3-61	..	SCREW	101102 108120 504903	2
110	NAS43DD3-211	..	SPACER	101102 108120 504903	2
115	AN960KD10L	..	WASHER	101102 108120 504903	2
120	BRH10A3	..	NUT SUPPLIER CODE: V52828 SPECIFICATION NUMBER: BACN10JC3 OPTIONAL PART: H10-3BAC V15653 NS202101-02 V80539 RMLH9075-3W V72962 VN303A02 V92215 96-02 V80539 T6S1032J V11815	101102 108120 504903	2
125	270N2000-1017	..	CHANNEL	101102 108120 504903	1
130	270N2000-1233	..	BLOCK	101102 108120 504903	1
135	270N2000-1234	..	BLOCK	101102 108120 504903	1
140	270N2000-1289	..	BLOCK	101102 108120 504903	1
145	270N2000-1288	..	BLOCK	101102 108120 504903	1
150	270N2000-1322	.	CLAMP ASSY	101102 108120 504903	1

MISSING ITEM NUMBERS NOT APPLICABLE

- ITEM NOT ILLUSTRATED

29-11-51-71

29-11-51
FIG. 71
PAGE 3
JAN 20/09

BRI

BOEING PROPRIETARY - Copyright © - Unpublished Work - See title page for details.



757

PARTS CATALOG (MAINTENANCE)

FIG ITEM	PART NUMBER	1 2 3 4 5 6 7	NOMENCLATURE	EFFECT FROM TO	UNITS PER ASSY
71					
155	NAS1801-3-84	..	SCREW	101102 108120 504903	2
160	NAS43DD3-302	..	SPACER	101102 108120 504903	2
165	AN960KD10L	..	WASHER	101102 108120 504903	2
170	BRH10A3	..	NUT SUPPLIER CODE: V52828 SPECIFICATION NUMBER: BACN10JC3 OPTIONAL PART: H10-3BAC V15653 NS202101-02 V80539 RMLH9075-3W V72962 VN303A02 V92215 96-02 V80539 T6S1032J V11815	101102 108120 504903	2
175	270N2000-823	..	CHANNEL	101102 108120 504903	1
180	270N2000-1223	..	BLOCK	101102 108120 504903	1
185	270N2000-1224	..	BLOCK	101102 108120 504903	1
190	270N2000-1225	..	BLOCK	101102 108120 504903	1
195	270N2000-1226	..	BLOCK	101102 108120 504903	1
200	TA0910004H110	.C	CLAMP SUPPLIER CODE: V84971 SPECIFICATION NUMBER: BACC10HB10C	101102 108120 504903	1

MISSING ITEM NUMBERS NOT APPLICABLE

- ITEM NOT ILLUSTRATED

29-11-51-71

29-11-51
FIG. 71
PAGE 4
JAN 20/09

BRI



**757
PARTS CATALOG (MAINTENANCE)**

FIG ITEM	PART NUMBER	1 2 3 4 5 6 7	NOMENCLATURE	EFFECT FROM TO	UNITS PER ASSY
71 205	TA0910004H116	.	CLAMP SUPPLIER CODE: V84971 SPECIFICATION NUMBER: BACC10HB16C ATTACHING PARTS	101102 108120 504903	1
- 210	NAS1801-3	.	SCREW	101102 108120 504903	4
- 215	AN960JD10J	.	WASHER	101102 108120 504903	4
- 220	BRH10A3	.	NUT SUPPLIER CODE: V52828 SPECIFICATION NUMBER: BACN10JC3 OPTIONAL PART: H10-3BAC V15653 NS202101-02 V80539 RMLH9075-3W V72962 VN303A02 V92215 96-02 V80539 T6S1032J V11815 -----*-----	101102 108120 504903	4
300	271N6311-1058	.	TUBE ASSY-R SYS PRESSURE TUBING MATERIAL: .625 IN. OD .032 IN. WALL 10.70 IN. LG TI BMS 7-234 TI-3AL-2.5V COLD WORKED, STRESS RELIEVED TUBING	101102 108120 504903	1
305	271N6311-1078	.	TUBE ASSY-R SYS PRESSURE TUBING MATERIAL: .625 IN. OD .032 IN. WALL 3.50 IN. LG TI BMS 7-234 TI-3AL-2.5V COLD WORKED, STRESS RELIEVED TUBING	101102 108120 504903	1

MISSING ITEM NUMBERS NOT APPLICABLE

- ITEM NOT ILLUSTRATED

BRI

29-11-51-71

BOEING PROPRIETARY - Copyright © - Unpublished Work - See title page for details.

29-11-51
FIG. 71
PAGE 5
JAN 20/09



757

PARTS CATALOG (MAINTENANCE)

FIG ITEM	PART NUMBER	1 2 3 4 5 6 7	NOMENCLATURE	EFFECT FROM TO	UNITS PER ASSY
71 310	271N6311-1134		.TUBE ASSY-R SYS PRESSURE TUBING MATERIAL: .625 IN. OD .032 IN. WALL 46.30 IN. LG TI BMS 7-234 TI-3AL-2.5V COLD WORKED, STRESS RELIEVED TUBING	101102 108120 504903	1
- 315	AS1581T10		..SLEEVE	101102 108120 504903	2
- 320	BACN10YA10		..NUT	101102 108120 504903	2
325	271N6311-1062		.TUBE ASSY-R SYS RETURN TUBING MATERIAL: .625 IN. OD .035 IN. WALL 37.50 IN. LG AL AMS 4083 6061 T6 TUBING	101102 108120 504903	1
330	271N6311-1152		.TUBE ASSY-R SYS RETURN TUBING MATERIAL: .625 IN. OD .035 IN. WALL 53.10 IN. LG AL AMS 4083 6061 T6 TUBING	101102 108120 504903	1
- 335	AP2097HP10		..SLEEVE SUPPLIER CODE: V01673 SPECIFICATION NUMBER: BACS13BX10HP OPTIONAL PART: 2-02903-10HP V11328 35235VN10 V08199 AFP175V10P V30974 DBOS13BX10HP V14798	101102 108120 504903	2
- 340	BACN10YL10		..NUT	101102 108120 504903	2
345	271N6311-1160		.TUBE ASSY-R SYS SUPPLY TUBING MATERIAL: 1.00 IN. OD X .035 IN. WALL X 51.80 IN LG AL AMS 4083 6061 T6 TUBING	101102 108120 504903	1

MISSING ITEM NUMBERS NOT APPLICABLE

- ITEM NOT ILLUSTRATED

29-11-51-71

29-11-51
FIG. 71
PAGE 6
JAN 20/09

BRI



757

PARTS CATALOG (MAINTENANCE)

FIG ITEM	PART NUMBER	1 2 3 4 5 6 7	NOMENCLATURE	EFFECT FROM TO	UNITS PER ASSY
71					
- 350	AP2097HP16	..	SLEEVE-SWAGED SUPPLIER CODE: V01673 SPECIFICATION NUMBER: BACS13BX16HP OPTIONAL PART: 2-02903-16HP V11328 35235VN16 V08199 AFP175V16P V30974 DBOS13BX16HP V14798	101102 108120 504903	2
- 355	BACN10YL16L	..	NUT-	101102 108120 504903	2
360	271N6311-1172	.TUBE ASSY-R SYS PRESSURE TUBING MATERIAL: .750 IN. OD X .039 IN. WALL X 24.00 IN LG TI BMS 7-234 TI-3AL-2.5V COLD WORKED, STRESS RELIEVED TUBING	101102 108120 504903	1	
- 365	AS1581T12	..	SLEEVE-WELDED	101102 108120 504903	1
- 370	32282T16-12	..	SLEEVE- SUPPLIER CODE: V14397	101102 108120 504903	1
- 375	BACN10YA12	..	NUT-	101102 108120 504903	1
- 380	BACN10YA16L	..	NUT-	101102 108120 504903	1
400	MS21907W10	.ELBOW		101102 108120 504903	1
405	NAS1761J1616	.ELBOW		101102 108120 504903	1
410	NAS1762J1010	.ELBOW		101102 108120 504903	2
415	NAS1762J1212	.ELBOW		101102 108120 504903	1

MISSING ITEM NUMBERS NOT APPLICABLE

- ITEM NOT ILLUSTRATED

29-11-51-71

29-11-51
FIG. 71
PAGE 7
JAN 20/09

BRI

BOEING PROPRIETARY - Copyright © - Unpublished Work - See title page for details.



757

PARTS CATALOG (MAINTENANCE)

FIG ITEM	PART NUMBER	1 2 3 4 5 6 7	NOMENCLATURE	EFFECT FROM TO	UNITS PER ASSY
71					
420	NAS1762W1010	.	ELBOW	101102 108120 504903	1
425	NAS1762W2016	.	ELBOW	101102 108120 504903	1
450	BACT16BL161610J	.	TEE	101102 108120 504903	1
475	P31-595	.	VALVE ASSY- SUPPLIER CODE: V91816 SPECIFICATION NUMBER: S273T458-8 COMPONENT MAINT MANUAL REF: 29-10-08	101102 108120 504903	1
478	2612	..	NAMEPLATE- SUPPLIER CODE: V06177	101102 108120 504903	1
480	MS21915J12-10	.	BUSHING	101102 108120 504903	1
485	NAS1612-12	.	PACKING	101102 108120 504903	1
490	271N6274-1	.	BRACKET	101102 108120 504903	1
495	AN924-10D	.	NUT	101102 108120 504903	1
- 500	270N2006-37	.	SHIM	101102 108120 504903	1
- 505	270N2006-38	.	SHIM	101102 108120 504903	1
- 510	270N2006-39	.	SHIM	101102 108120 504903	1
- 515	270N2006-61	.	SHIM	101102 108120 504903	1
- 520	270N2006-62	.	SHIM	101102 108120 504903	1
- 525	270N2006-63	.	SHIM	101102 108120 504903	1

MISSING ITEM NUMBERS NOT APPLICABLE

- ITEM NOT ILLUSTRATED

29-11-51-71

29-11-51
FIG. 71
PAGE 8
JAN 20/09

BRI



757

PARTS CATALOG (MAINTENANCE)

FIG ITEM	PART NUMBER	1 2 3 4 5 6 7	NOMENCLATURE	EFFECT FROM TO	UNITS PER ASSY
71					
- 530	270N2006-7	.	SHIM	101102 108120 504903	1
- 535	270N2006-8	.	SHIM	101102 108120 504903	1
- 540	270N2006-9	.	SHIM	101102 108120 504903	1
905			ILLUSTRATION REFERENCE: PLUMBING INSTL THRUST REVERSER HYD STRUT SYS RB211 78-34-01-05	101102 108120 504903	RF
910			ILLUSTRATION REFERENCE: PLUMBING INSTL-SECT. 31.1 HYDR (RH) (HYDRAULIC POWER ONLY) 29-11-52-06	101102 108120 504903	RF
915			ILLUSTRATION REFERENCE: DISCONNECT INSTL-L AND R SYS GND SVCE 29-18-51-05	101102 108120 504903	RF
920			ILLUSTRATION REFERENCE: MODULE INSTL-ENG DRIVEN PUMP CASE DRAIN PRESSURE FILTER 29-11-17-02	101102 108120 504903	RF

MISSING ITEM NUMBERS NOT APPLICABLE

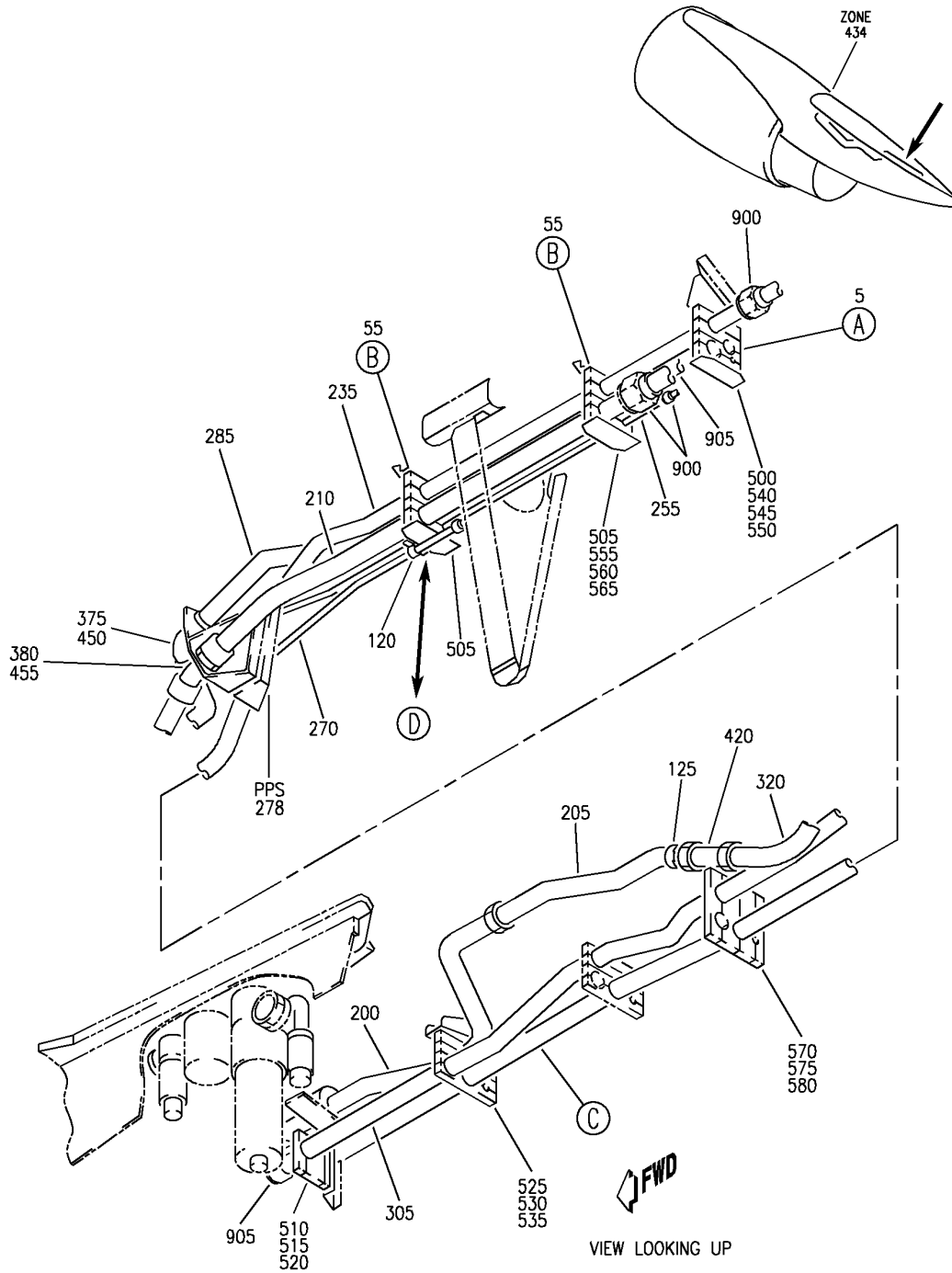
- ITEM NOT ILLUSTRATED

BRI

29-11-51-71

29-11-51
FIG. 71
PAGE 9
JAN 20/09

BOEING
757
PARTS CATALOG (MAINTENANCE)



Y 29115173 SHT 1 REV 287

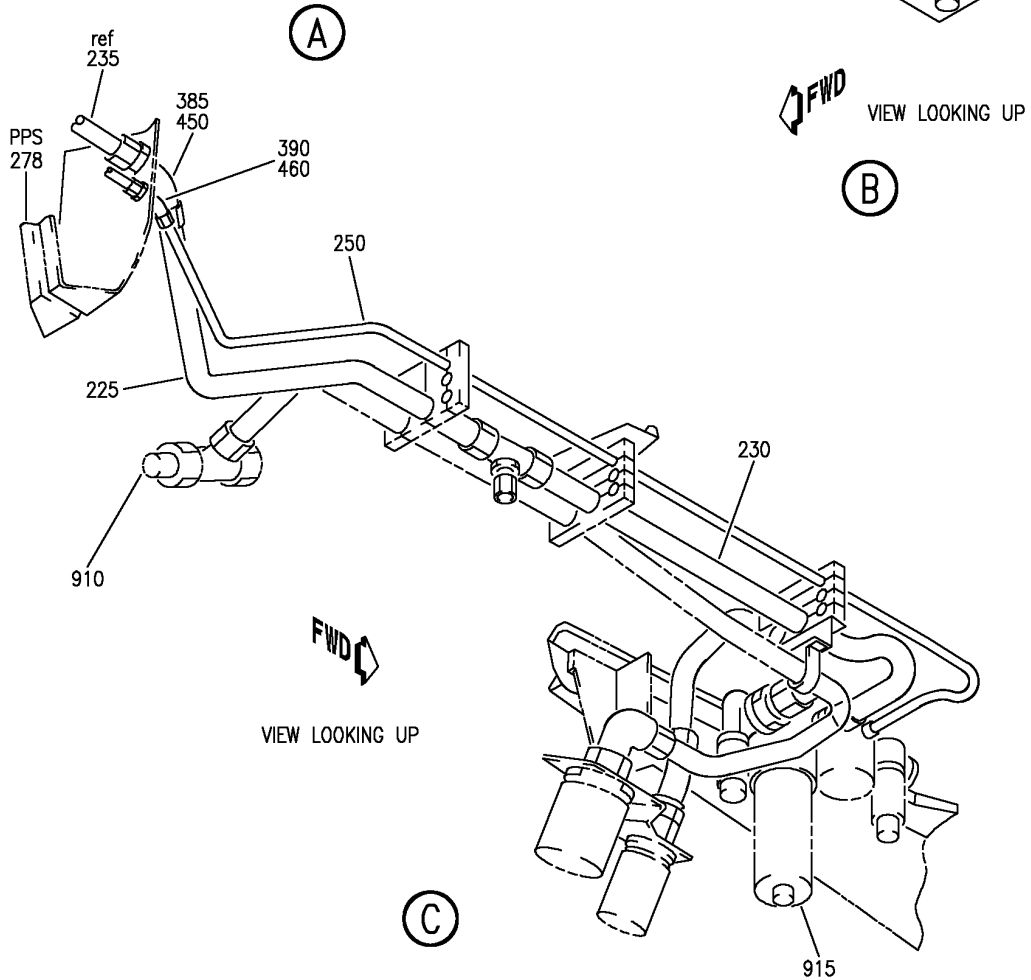
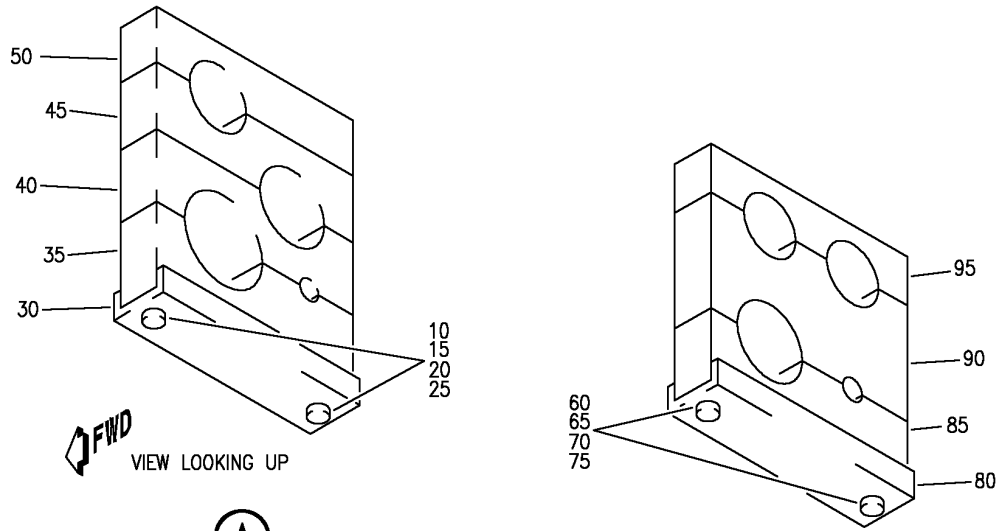
PLUMBING INSTL-SECT. 31.1 HYDR (LH) (HYDRAULIC POWER ONLY)
FIGURE 73 (SHEET 1)

29-11-51-73

BRI
MAY 28/07

29-11-51-73
PAGE 0

BOEING
757
PARTS CATALOG (MAINTENANCE)



Y 29115173 SH1 2 REV 266

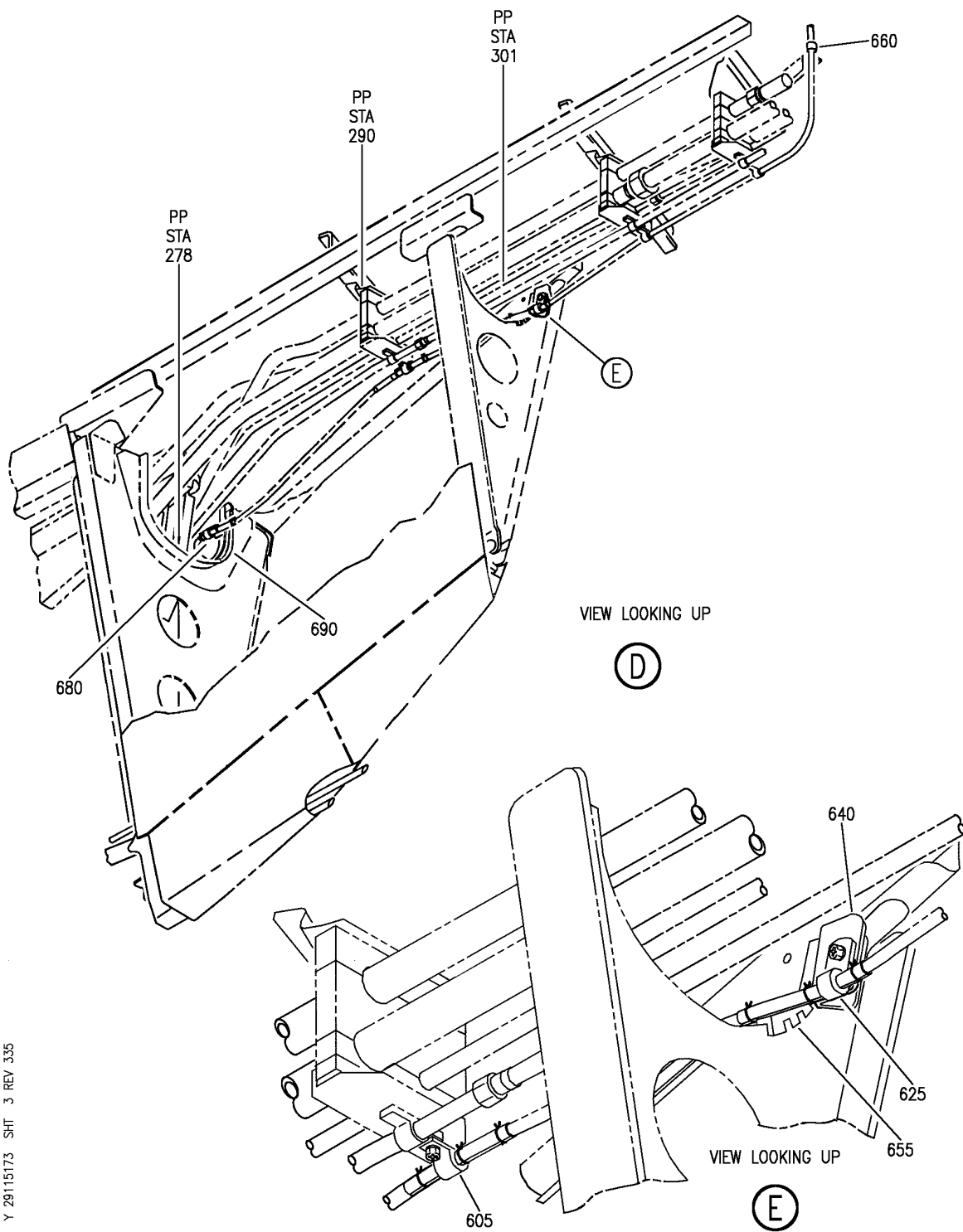
PLUMBING INSTL-SECT. 31.1 HYDR (LH) (HYDRAULIC POWER ONLY)
FIGURE 73 (SHEET 2)

29-11-51-73

BRI
MAY 28/07

29-11-51-73
PAGE 0A

BOEING
757
PARTS CATALOG (MAINTENANCE)



Y 29115173 SHT 3 REV 335

PLUMBING INSTL-SECT. 31.1 HYDR (LH) (HYDRAULIC POWER ONLY)
FIGURE 73 (SHEET 3)

29-11-51-73

BRI
MAY 20/09

29-11-51-73
PAGE 0B



757

PARTS CATALOG (MAINTENANCE)

FIG ITEM	PART NUMBER	1 2 3 4 5 6 7	NOMENCLATURE	EFFECT FROM TO	UNITS PER ASSY
73			PLUMBING INSTL-SECT. 31.1 HYDR (LH) (HYDRAULIC POWER ONLY)	101102 108120 504903	RF
- 1	271N6311-11		PLUMBING INSTL-L ENG STRUT (HYDRAULIC POWER ONLY) POSITION DATA: SECT. 31.1 LH FOR NHA SEE: 29-00-51-01A	101102 108120 504903	RF
5	270N2000-239		.CLAMP ASSY	101102 108120 504903	1
10	NAS1801-3-70		..SCREW	101102 108120 504903	2
15	NAS43DD3-241		..SPACER	101102 108120 504903	2
20	AN960KD10L		..WASHER	101102 108120 504903	2
25	BRH10A3		..NUT SUPPLIER CODE: V52828 SPECIFICATION NUMBER: BACN10JC3 OPTIONAL PART: H10-3BAC V15653 NS202101-02 V80539 RMLH9075-3W V72962 VN303A02 V92215 96-02 V80539 T6S1032J V11815	101102 108120 504903	2
30	270N2000-800		..CHANNEL	101102 108120 504903	1
35	270N2000-577		..BLOCK	101102 108120 504903	1
40	270N2000-578		..BLOCK	101102 108120 504903	1

MISSING ITEM NUMBERS NOT APPLICABLE

- ITEM NOT ILLUSTRATED

29-11-51-73

29-11-51
FIG. 73
PAGE 1
JAN 20/09

BRI



757

PARTS CATALOG (MAINTENANCE)

FIG ITEM	PART NUMBER	1 2 3 4 5 6 7	NOMENCLATURE	EFFECT FROM TO	UNITS PER ASSY
73					
45	270N2000-579	..	BLOCK	101102 108120 504903	1
50	270N2000-580	..	BLOCK	101102 108120 504903	1
55	270N2000-240	.CLAMP	ASSY	101102 108120 504903	2
60	NAS1801-3-67	..	SCREW	101102 108120 504903	2
65	NAS43DD3-232	..	SPACER	101102 108120 504903	2
70	AN960KD10L	..	WASHER	101102 108120 504903	2
75	BRH10A3	..	NUT SUPPLIER CODE: V52828 SPECIFICATION NUMBER: BACN10JC3 OPTIONAL PART: H10-3BAC V15653 NS202101-02 V80539 RMLH9075-3W V72962 VN303A02 V92215 96-02 V80539 T6S1032J V11815	101102 108120 504903	2
80	270N2000-824	..	CHANNEL	101102 108120 504903	1
85	270N2000-454	..	BLOCK	101102 108120 504903	1
90	270N2000-455	..	BLOCK	101102 108120 504903	1
95	270N2000-456	..	BLOCK	101102 108120 504903	1

MISSING ITEM NUMBERS NOT APPLICABLE

- ITEM NOT ILLUSTRATED

29-11-51-73

29-11-51
FIG. 73
PAGE 2
JAN 20/09

BRI

BOEING PROPRIETARY - Copyright © - Unpublished Work - See title page for details.

BOEING
757
PARTS CATALOG (MAINTENANCE)

FIG ITEM	PART NUMBER	1 2 3 4 5 6 7	NOMENCLATURE	EFFECT FROM TO	UNITS PER ASSY
73 120	TA0910004H110	.CLAMP	SUPPLIER CODE: V84971 SPECIFICATION NUMBER: BACC10HB10C	101102 108120 504903	1
125	TA0910004H120	.CLAMP	SUPPLIER CODE: V84971 SPECIFICATION NUMBER: BACC10HB20C	101102 108120 504903	2
- 130	NAS1801-3	.SCREW-	ATTACHING PARTS SIZE DETERMINED ON INSTL.	101102 108120 504903	6
- 135	AN960KD10L	.WASHER		101102 108120 504903	AR
- 140	MS21042L3	.NUT		101102 108120 504903	6
200	271N6311-1045	-----*----- .TUBE ASSY-L SYS SUPPLY	TUBING MATERIAL: 1.25 IN. OD .035 IN. WALL 31.80 IN. LG AL AMS 4083 6061 T6 TUBING	101102 108120 504903	1
205	271N6311-1047	.TUBE ASSY-L SYS SUPPLY	TUBING MATERIAL: 1.25 IN. OD .035 IN. WALL 17.00 IN. LG AL AMS 4083 6061 T6 TUBING	101102 108120 504903	1
210	271N6311-1071	.TUBE ASSY-L SYS SUPPLY	TUBING MATERIAL: 1.25 IN. OD .035 IN. WALL 38.90 IN. LG AL AMS 4083 6061 T6 TUBING	101102 108120 504903	1
- 215	AFP175V20P	..SLEEVE-	SUPPLIER CODE: V30974 SPECIFICATION NUMBER: BACS13BX20HP OPTIONAL PART: 2-02901-20HP V11328 35025VN20 V08199	101102 108120 504903	2

MISSING ITEM NUMBERS NOT APPLICABLE

- ITEM NOT ILLUSTRATED

BRI

29-11-51-73

BOEING PROPRIETARY - Copyright © - Unpublished Work - See title page for details.

29-11-51
FIG. 73
PAGE 3
JAN 20/09



757

PARTS CATALOG (MAINTENANCE)

FIG ITEM	PART NUMBER	1 2 3 4 5 6 7	NOMENCLATURE	EFFECT FROM TO	UNITS PER ASSY
73					
- 220	BACN10YL20L	..	NUT-	101102 108120 504903	2
225	271N6311-1053	.	TUBE ASSY-L SYS PRESSURE TUBING MATERIAL: 1.00 IN. OD .051 IN. WALL 29.50 IN. LG TI BMS 7-234 TI-3AL-2.5V COLD WORKED, STRESS RELIEVED TUBING	101102 108120 504903	1
230	271N6311-1055	.	TUBE ASSY-L SYS PRESSURE TUBING MATERIAL: 1.00 IN. OD .051 IN. WALL 19.70 IN. LG TI BMS 7-234 TI-3AL-2.5V COLD WORKED, STRESS RELIEVED TUBING	101102 108120 504903	1
235	271N6311-1075	.	TUBE ASSY-L SYS PRESSURE TUBING MATERIAL: 1.00 IN. OD .051 IN. WALL 47.90 IN. LG TI BMS 7-234 TI-3AL-2.5V COLD WORKED, STRESS RELIEVED TUBING	101102 108120 504903	1
- 240	AS1581T16	..	SLEEVE	101102 108120 504903	2
- 245	BACN10YA16L	..	NUT-	101102 108120 504903	2
250	271N6311-1059	.	TUBE ASSY-L SYS CASE DRAIN TUBING MATERIAL: .375 IN. OD .035 IN. WALL 59.80 IN. LG AL AMS 4083 6061 T6 TUBING	101102 108120 504903	1
255	271N6311-1073	.	TUBE ASSY-L SYS CASE DRAIN TUBING MATERIAL: .375 IN. OD .035 IN. WALL 37.80 IN. LG AL AMS 4083 6061 T6 TUBING	101102 108120 504903	1

MISSING ITEM NUMBERS NOT APPLICABLE

- ITEM NOT ILLUSTRATED

29-11-51-73

29-11-51
FIG. 73
PAGE 4
JAN 20/09

BRI



757

PARTS CATALOG (MAINTENANCE)

FIG ITEM	PART NUMBER	1 2 3 4 5 6 7	NOMENCLATURE	EFFECT FROM TO	UNITS PER ASSY
73 - 260	AP2097HP06	..	SLEEVE SUPPLIER CODE: V01673 SPECIFICATION NUMBER: BACS13BX06HP OPTIONAL PART: 2-02903-06HP V11328 35235VN06 V08199 AFP175V06P V30974 DBOS13BX06HP V14798	101102 108120 504903	2
- 265	BACN10YL06	..	NUT	101102 108120 504903	2
270	271N6311-1069	.TUBE ASSY-L SYS RETURN TUBING MATERIAL: .625 IN. OD .035 IN. WALL 20.80 IN. LG AL AMS 4083 6061 T6 TUBING		101102 108120 504903	1
- 275	AP2097HP10	..	SLEEVE SUPPLIER CODE: V01673 SPECIFICATION NUMBER: BACS13BX10HP OPTIONAL PART: 2-02903-10HP V11328 35235VN10 V08199 AFP175V10P V30974 DBOS13BX10HP V14798	101102 108120 504903	2
- 280	BACN10YL10	..	NUT	101102 108120 504903	2
285	271N6311-1107	.TUBE ASSY-FIRE PRESSURE TUBING MATERIAL: 1.00 IN. OD .035 IN. WALL 38.90 IN. LG AL AMS 4083 6061 T6 TUBING		101102 108120 504903	1

MISSING ITEM NUMBERS NOT APPLICABLE

- ITEM NOT ILLUSTRATED

29-11-51-73

29-11-51
FIG. 73
PAGE 5
JAN 20/09

BRI

BOEING PROPRIETARY - Copyright © - Unpublished Work - See title page for details.



757

PARTS CATALOG (MAINTENANCE)

FIG ITEM	PART NUMBER	1 2 3 4 5 6 7	NOMENCLATURE	EFFECT FROM TO	UNITS PER ASSY
73 - 290	AP2097HP16	..	SLEEVE SUPPLIER CODE: V01673 SPECIFICATION NUMBER: BACS13BX16HP OPTIONAL PART: 2-02903-16HP V11328 35235VN16 V08199 AFP175V16P V30974 DBOS13BX16HP V14798	101102 108120 504903	1
- 295	BACN10YL16L	..	NUT-	101102 108120 504903	1
- 300	BACU24AB16W	..	UNION	101102 108120 504903	1
305	271N6311-1129	.TUBE	ASSY-FIRE PRESSURE TUBING MATERIAL: 1.00 IN. OD .035 IN. WALL 58.7 IN. LG AL AMS 4083 6061 T6 TUBING	101102 108120 504903	1
- 310	AP2097HP16	..	SLEEVE SUPPLIER CODE: V01673 SPECIFICATION NUMBER: BACS13BX16HP OPTIONAL PART: 2-02903-16HP V11328 35235VN16 V08199 AFP175V16P V30974 DBOS13BX16HP V14798	101102 108120 504903	2
- 315	BACN10YL16L	..	NUT-	101102 108120 504903	2
320	271N6311-1175	.TUBE	ASSY-L SYS SUPPLY TUBING MATERIAL: 1.25 IN. OD .035 IN. WALL 10.3 IN. LG AL AMS 4083 6061 T6 TUBING	101102 108120 504903	1

MISSING ITEM NUMBERS NOT APPLICABLE

- ITEM NOT ILLUSTRATED

29-11-51-73

29-11-51
FIG. 73
PAGE 6
JAN 20/09

BRI



757

PARTS CATALOG (MAINTENANCE)

FIG ITEM	PART NUMBER	1 2 3 4 5 6 7	NOMENCLATURE	EFFECT FROM TO	UNITS PER ASSY
73					
- 325	AFP175V20P	..	SLEEVE- SUPPLIER CODE: V30974 SPECIFICATION NUMBER: BACS13BX20HP OPTIONAL PART: 2-02901-20HP V11328 35025VN20 V08199	101102 108120 504903	2
- 330	BACN10YL20L	..	NUT-	101102 108120 504903	2
- 345	BACN10YA16L	..	NUT-	101102 108120 504903	2
375	MS21907W16	.	ELBOW	101102 108120 504903	1
380	MS21907W20	.	ELBOW	101102 108120 504903	1
385	BACE21BM1616J	.	ELBOW	101102 108120 504903	1
390	MS21907W6	.	ELBOW	101102 108120 504903	1

MISSING ITEM NUMBERS NOT APPLICABLE

- ITEM NOT ILLUSTRATED

29-11-51-73

29-11-51
FIG. 73
PAGE 7
JAN 20/09

BRI



757

PARTS CATALOG (MAINTENANCE)

FIG ITEM	PART NUMBER	1 2 3 4 5 6 7	NOMENCLATURE	EFFECT FROM TO	UNITS PER ASSY
73 420	APX824F202016W	. TEE	SUPPLIER CODE: V01673 SPECIFICATION NUMBER: BACT16AS202016W OPTIONAL PART: APX824-202016W V01673 DB0T16AS202016W V14798 ER824-202016W V50948 FER1571-202016W V14397 LER824-202016W V11328 NAF1824-202016W V52930 US1925-202016W V50808 AFP325-202016W V30974	101102 108120 504903	1
450	AN924-16D	. NUT		101102 108120 504903	2
455	AN924-20D	. NUT		101102 108120 504903	1
460	AN924-6D	. NUT		101102 108120 504903	1
500	271N6317-3	. BRACKET		101102 108120 504903	1
505	271N6317-6	. BRACKET		101102 108120 504903	2
510	270N2006-37	. SHIM		101102 108120 504903	AR
515	270N2006-38	. SHIM		101102 108120 504903	AR
520	270N2006-39	. SHIM		101102 108120 504903	AR
525	270N2006-61	. SHIM		101102 108120 504903	AR

MISSING ITEM NUMBERS NOT APPLICABLE

- ITEM NOT ILLUSTRATED

29-11-51-73

29-11-51
FIG. 73
PAGE 8
JAN 20/09

BRI

 **BOEING**
757
PARTS CATALOG (MAINTENANCE)

FIG ITEM	PART NUMBER	1 2 3 4 5 6 7	NOMENCLATURE	EFFECT FROM TO	UNITS PER ASSY
73					
530	270N2006-62	. SHIM		101102 108120 504903	AR
535	270N2006-63	. SHIM		101102 108120 504903	AR
540	270N2006-64	. SHIM		101102 108120 504903	AR
545	270N2006-65	. SHIM		101102 108120 504903	AR
550	270N2006-66	. SHIM		101102 108120 504903	AR
555	270N2006-67	. SHIM		101102 108120 504903	AR
560	270N2006-68	. SHIM		101102 108120 504903	AR
565	270N2006-69	. SHIM		101102 108120 504903	AR
570	270N2006-7	. SHIM		101102 108120 504903	AR
575	270N2006-8	. SHIM		101102 108120 504903	AR
580	270N2006-9	. SHIM		101102 108120 504903	AR
- 600	012N1023-2		STRUT KIT-WIRE BUNDLE ROUTING POST ALERT SB: 28A0073	101102 108120 504903	1
605	TA025041-02	. CLAMP-	SUPPLIER CODE: V84971	101102 108120 504903	1
- 610	NAS1801-3	. SCREW-	ATTACHING PARTS SIZE DETERMINED ON INSTL.	101102 108120 504903	RF
- 615	AN960KD10L	. WASHER		101102 108120 504903	RF

MISSING ITEM NUMBERS NOT APPLICABLE

- ITEM NOT ILLUSTRATED

BRI

29-11-51-73

BOEING PROPRIETARY - Copyright © - Unpublished Work - See title page for details.

29-11-51
FIG. 73
PAGE 9
JAN 20/09



757

PARTS CATALOG (MAINTENANCE)

FIG ITEM	PART NUMBER	1 2 3 4 5 6 7	NOMENCLATURE	EFFECT FROM TO	UNITS PER ASSY
73					
- 620	MS21042L3	.	NUT	101102 108120 504903	R F
			-----*-----		
625	TA025041-02	.	CLAMP-	101102 108120 504903	1
			SUPPLIER CODE: V84971		
			ATTACHING PARTS		
- 630	NAS1801-3-8	.	SCREW	101102 108120 504903	1
- 635	NAS1149D0332J	.	WASHER	101102 108120 504903	1
			-----*-----		
640	313N5033-134	.	BRACKET ASSY	101102 108120 504903	1
			ATTACHING PARTS		
- 645	HL1022AZ6-3	.	BOLT	101102 108120 504903	2
			SUPPLIER CODE: V97928		
			SPECIFICATION NUMBER: BACB30NX6K3X		
			OPTIONAL PART: HL1022AZ6-3 V06725 HL1022AZ6-3 V56878 HL1022AZ6-3 V73197 HL112VAZ6-3 V06725 HL112VAZ6-3 V56878 HL112VAZ6-3 V73197 HL112VAZ6-3 V92215 HL112VAZ6-3 V97928 HL1022AZ6-3 V06950 HL1022AZ6-3 V17446 HL1022AZ6-3 V56878 HL1022AZ6-3 V73197		

MISSING ITEM NUMBERS NOT APPLICABLE

- ITEM NOT ILLUSTRATED

29-11-51-73

29-11-51
FIG. 73
PAGE 10
JAN 20/09

BRI



757

PARTS CATALOG (MAINTENANCE)

FIG ITEM	PART NUMBER	1 2 3 4 5 6 7	NOMENCLATURE	EFFECT FROM TO	UNITS PER ASSY
73 - 650	HL79-6		.COLLAR SUPPLIER CODE: V5M902 SPECIFICATION NUMBER: BACC30M6 OPTIONAL PART: HL79-6 V73197 HL79-6 V92215 66014-6 V56878 HL79-6 V56878 -----*-----	101102 108120 504903	2
655	BACG20ZE001275		.GROMMET	101102 108120 504903	1
660	S717-101		.CLAMP SUPPLIER CODE: V18076 SPECIFICATION NUMBER: BACC10GU101 OPTIONAL PART: 534CS101 V83930 JM44LC39S101RG V22175	101102 108120 504903	1
- 665	NAS1801-3		ATTACHING PARTS .SCREW- SIZE DETERMINED ON INSTL.	101102 108120 504903	1
- 670	AN960PD10L		.WASHER	101102 108120 504903	1

MISSING ITEM NUMBERS NOT APPLICABLE

- ITEM NOT ILLUSTRATED

29-11-51-73

29-11-51
FIG. 73
PAGE 11
JAN 20/09

BRI



757

PARTS CATALOG (MAINTENANCE)

FIG ITEM	PART NUMBER	1 2 3 4 5 6 7	NOMENCLATURE	EFFECT FROM TO	UNITS PER ASSY
73 - 675	BRH10A3		.NUT SUPPLIER CODE: V52828 SPECIFICATION NUMBER: BACN10JC3 OPTIONAL PART: H10-3BAC V15653 NS202101-02 V80539 RMLH9075-3W V72962 VN303A02 V92215 96-02 V80539 T6S1032J V11815	101102 108120 504903	1
900			-----*----- ILLUSTRATION REFERENCE: PLUMBING INSTL-SECT. 12 L WING INBD HYDR (HYDRAULIC POWER ONLY) (L SYS) 29-11-51-12	101102 108120 504903	RF
905			ILLUSTRATION REFERENCE: PLUMBING INSTL-CARGO BAY TO STRUT ENG FIRE EXT AFT 26-21-55-01	101102 108120 504903	RF
910			ILLUSTRATION REFERENCE: PLUMBING INSTL-ENG STRUT ROLLS ROYCE 29-11-51-63	101102 108120 504903	RF
915			ILLUSTRATION REFERENCE: MODULE INSTL-ENG DRIVEN PUMP CASE DRAIN PRESSURE FILTER 29-11-17-02	101102 108120 504903	RF

MISSING ITEM NUMBERS NOT APPLICABLE

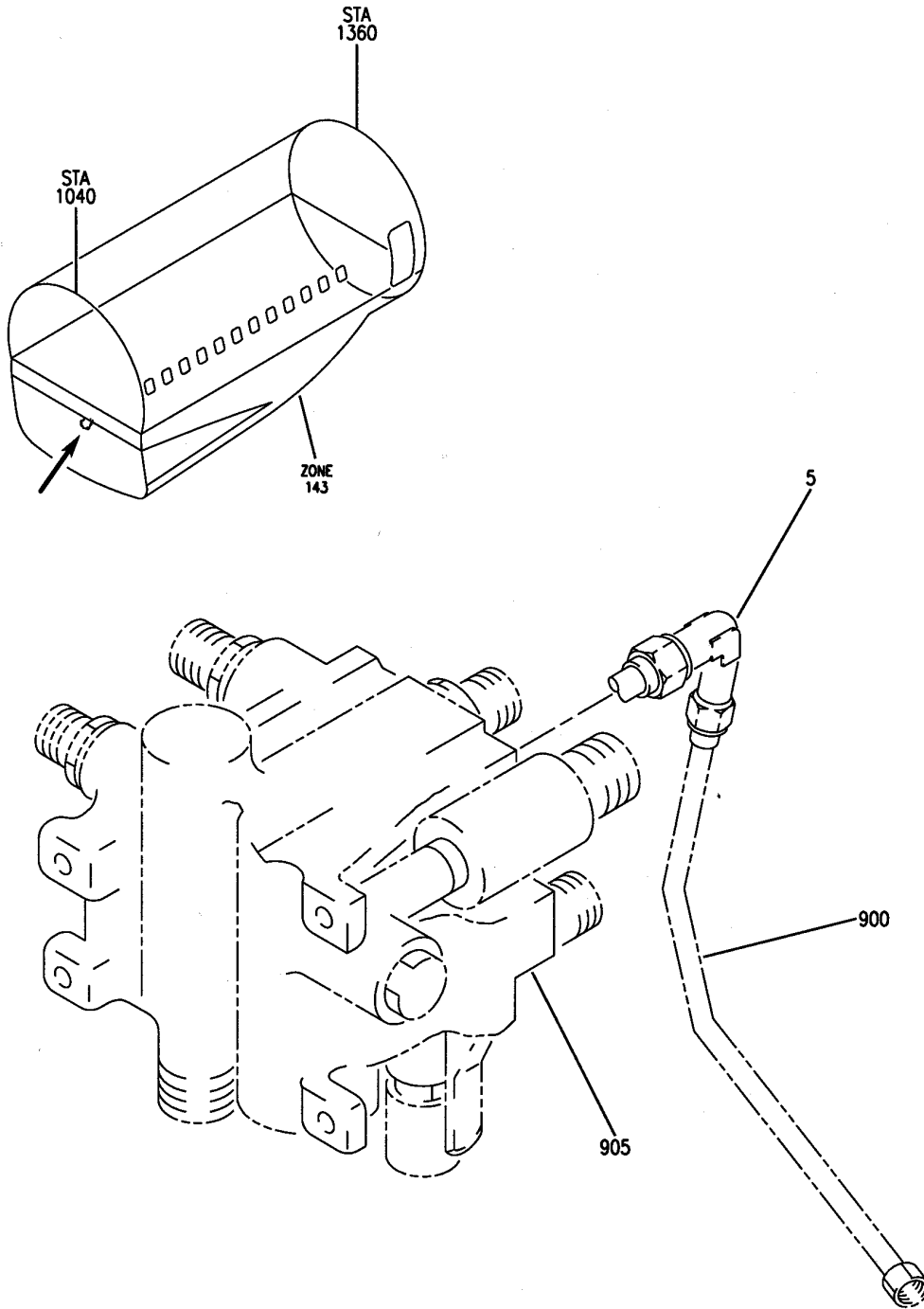
- ITEM NOT ILLUSTRATED

BRI

29-11-51-73

29-11-51
FIG. 73
PAGE 12
JAN 20/09

BOEING
757
PARTS CATALOG (MAINTENANCE)



Y 29115175 REV 213

PLUMBING INSTL-MAIN WHL WELL FWD BHD HYDR (HYDRAULIC POWER ONLY)
FIGURE 75

BRI
MAY 28/07

29-11-51-75

29-11-51-75
PAGE 0



757

PARTS CATALOG (MAINTENANCE)

FIG ITEM	PART NUMBER	1 2 3 4 5 6 7	NOMENCLATURE	EFFECT FROM TO	UNITS PER ASSY
75			PLUMBING INSTL-MAIN WHL WELL FWD BHD HYDR (HYDRAULIC POWER ONLY)	101106 108120	
- 1	271N6441-24		PLUMBING INSTL-MAIN WHL WELL BHD HYDR (HYDRAULIC POWER ONLY) POSITION DATA: FWD FOR NHA SEE: 29-00-51-05B	101102 108120	RF
- 1	MODREF31484		PLUMBING INSTL-MAIN WHL WELL BHD HYDR (HYDRAULIC POWER ONLY) MODULE NUMBER: 271N6441-24 REV B POSITION DATA: FWD	103106	1
5	NAS1762W0606		.ELBOW	101106 108120	1
900			ILLUSTRATION REFERENCE: PLUMBING INSTL-MAIN WHL WELL FWD BHD HYDR 29-11-51-78	101106 108120	RF
905			ILLUSTRATION REFERENCE: MODULE INSTL-FLAP AND SLAT DEPRESSURIZATION 27-51-29-01	101106 108120	RF

MISSING ITEM NUMBERS NOT APPLICABLE

- ITEM NOT ILLUSTRATED

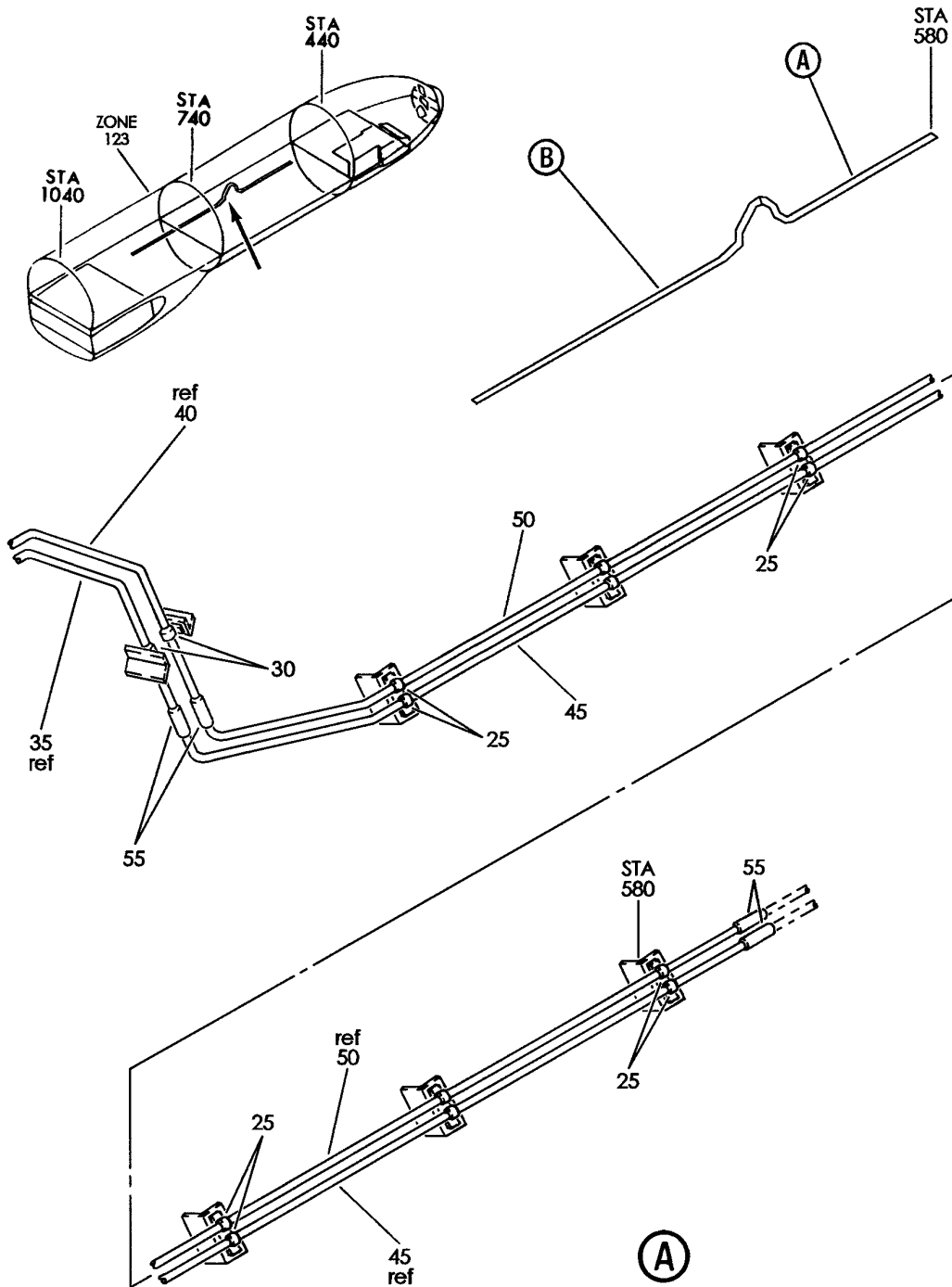
BRI

29-11-51-75

BOEING PROPRIETARY - Copyright © - Unpublished Work - See title page for details.

29-11-51
FIG. 75
PAGE 1
JAN 20/09

BOEING
757
PARTS CATALOG (MAINTENANCE)



Y 29115177 SH1 1 REV 329

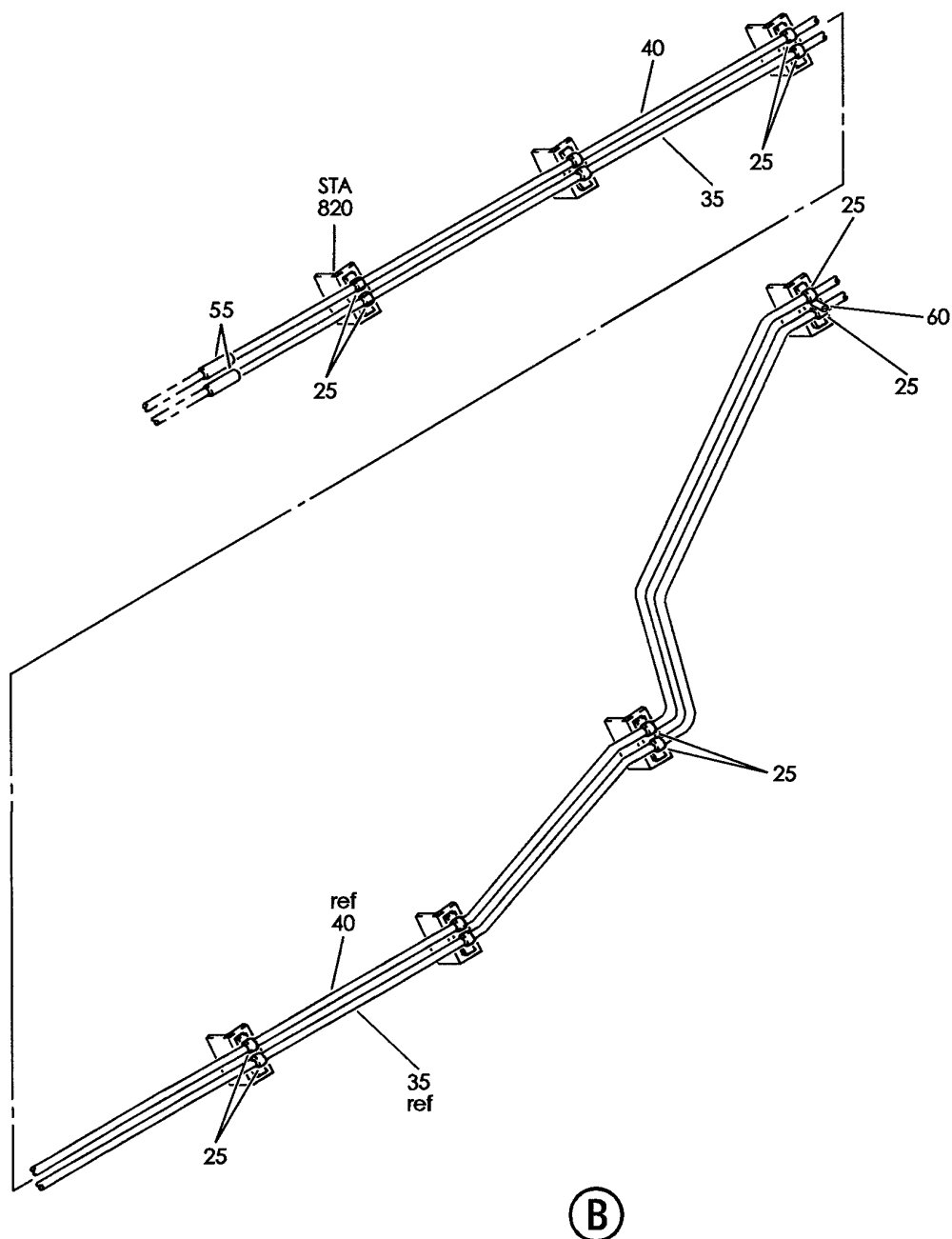
PLUMBING INSTL-SECT. 43 HYDR (LOWER LEFT FORWARD CARGO AREA STA 560-845)
FIGURE 77 (SHEET 1)

29-11-51-77

BRI
JAN 20/09

29-11-51-77
PAGE 0

BOEING
757
PARTS CATALOG (MAINTENANCE)



Y 29115177 SHT 2 REV 329

PLUMBING INSTL-SECT. 43 HYDR (LOWER LEFT FORWARD CARGO AREA STA 560-845)
FIGURE 77 (SHEET 2)

BRI
JAN 20/09

29-11-51-77

29-11-51-77
PAGE 0A



757

PARTS CATALOG (MAINTENANCE)

FIG ITEM	PART NUMBER	1 2 3 4 5 6 7	NOMENCLATURE	EFFECT FROM TO	UNITS PER ASSY
77			PLUMBING INSTL-SECT. 43 HYDR (LOWER LEFT FORWARD CARGO AREA STA 560-845)	108120	
- 1	271N6431-12		PLUMBING INSTL-HYDR LAVATORY S POSITION DATA: SECT. 43 FOR NHA SEE: 29-00-51-05B	108120	RF
25	TA0630003-8		.CLAMP ASSY- SUPPLIER CODE: V84971	108120	26
30	TA0910004H18		.CLAMP SUPPLIER CODE: V84971 SPECIFICATION NUMBER: BACC10HB8C	108120	2
35	271N6431-1040		.TUBE ASSY-NLG DOWN TUBING MATERIAL: .500 IN. OD X .026 IN. WALL X 165.0 IN. LG TITANIUM BMS 7-234 TI-3AL-2.5V COLD WORKED, STRESS RELIEVED TUBING	108120	1
40	271N6431-1041		.TUBE ASSY-NLG UP TUBING MATERIAL: .500 IN OD X .026 IN WALL X 168.4 IN. LG TITANIUM BMS 7-234 TI-3AL-2.5V COLD WORKED, STRESS RELIEVED TUBING	108120	1
45	271N6431-1045		.TUBE ASSY-NLG DOWN TUBING MATERIAL: .500 IN. OD X .026 IN. WALL X 129.7 IN. LG TITANIUM BMS 7-234 TI-3AL-2.5V COLD WORKED STRESS RELIEVED TUBING	108120	1
50	271N6431-1046		.TUBE ASSY-NLG UP TUBING MATERIAL: .500 IN OD X .026 IN WALL X 122.8 IN. LG TITANIUM BMS 7-234 TI-3AL-2.5C COLD WORKED, STRESS RELIEVED TUBING	108120	1
55	D10282-08		.UNION- SUPPLIER CODE: V14798	108120	6
60	NAS43DD3-64		.SPACER	108120	1

MISSING ITEM NUMBERS NOT APPLICABLE

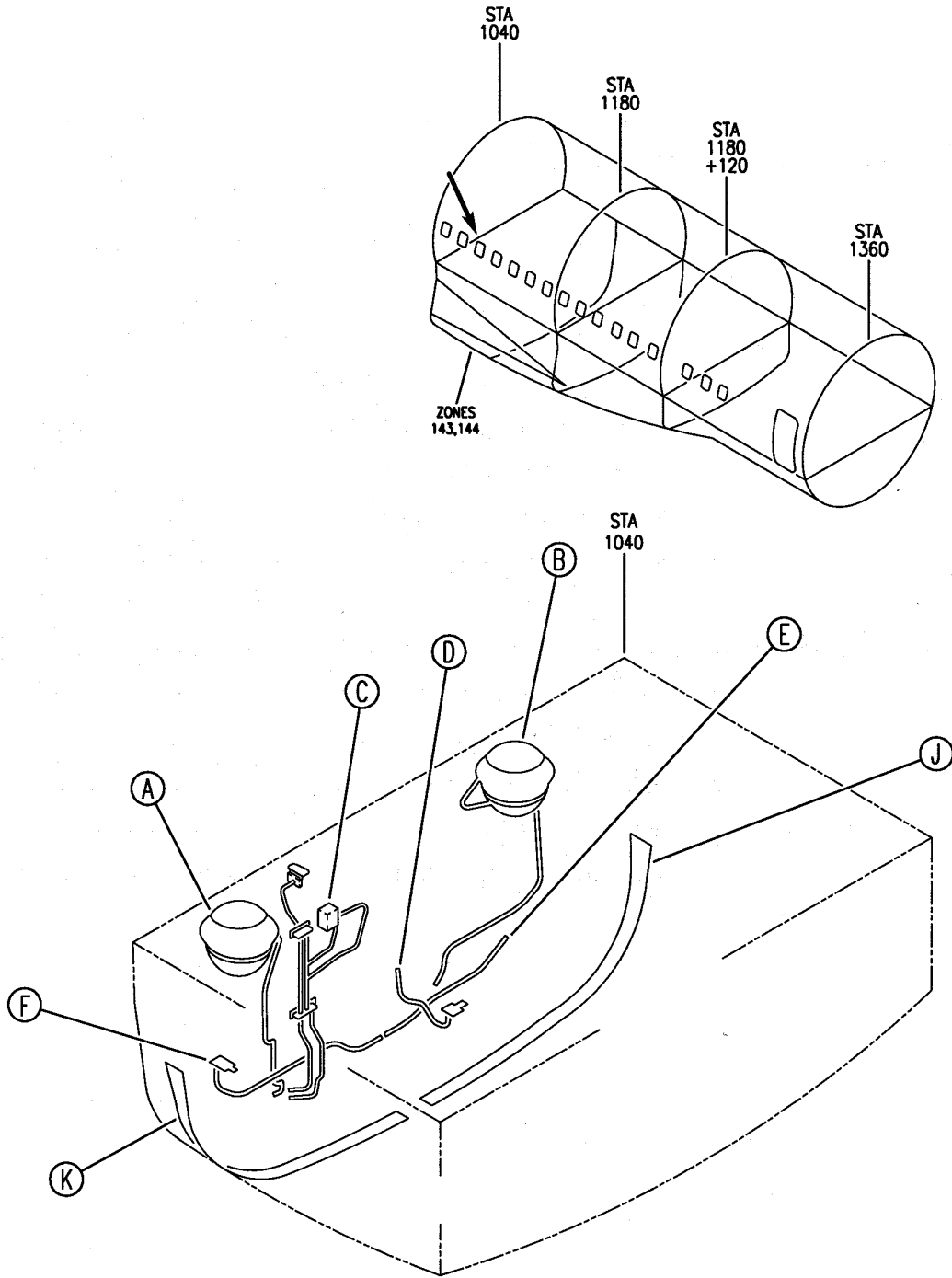
- ITEM NOT ILLUSTRATED

29-11-51-77

29-11-51
FIG. 77
PAGE 1
JAN 20/09

BRI

BOEING
757
PARTS CATALOG (MAINTENANCE)



Y 29115178 SHT 1 REV 213

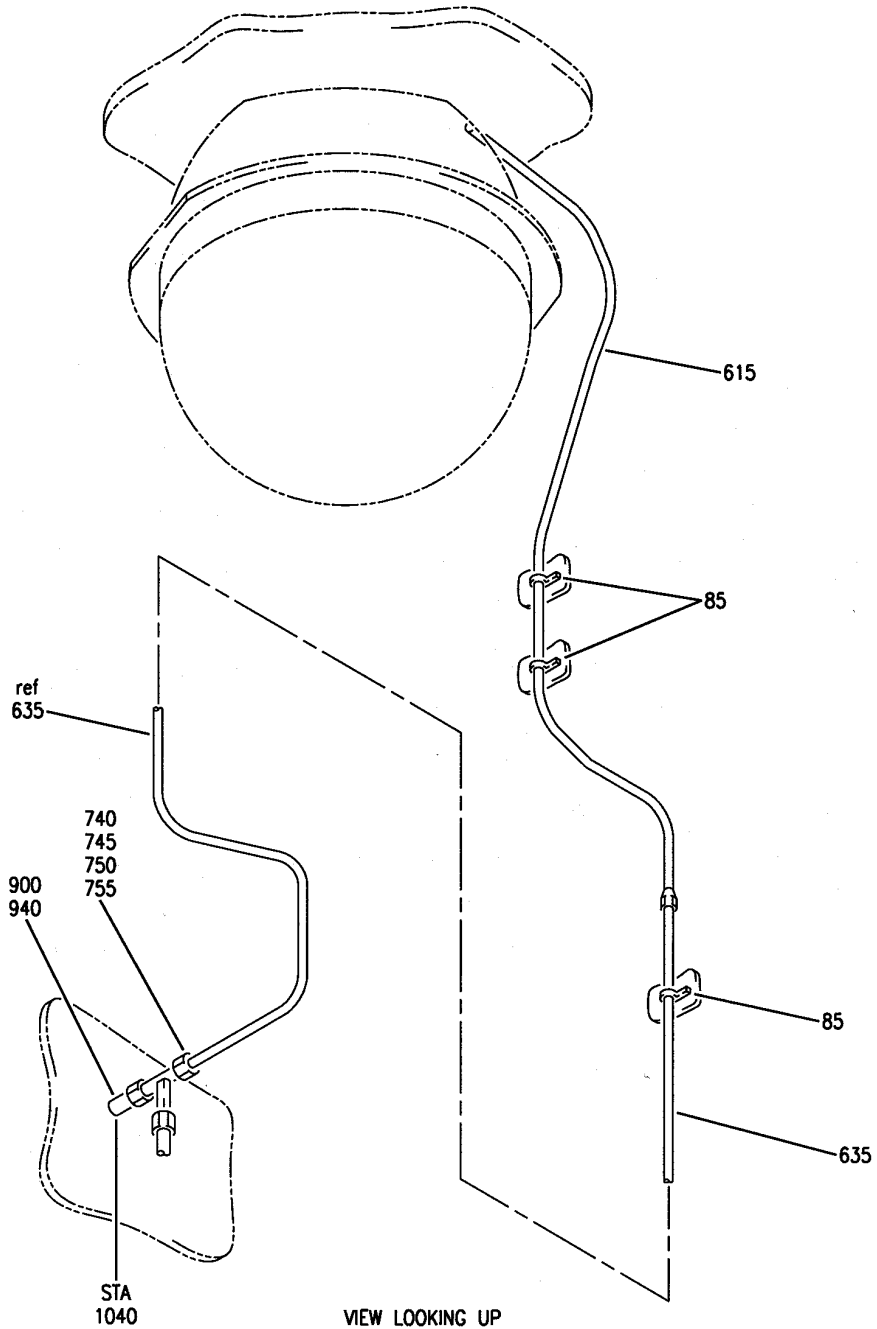
PLUMBING INSTL-MAIN WHL WELL FWD BHD HYDR
FIGURE 78 (SHEET 1)

29-11-51-78

BRI
MAY 28/07

29-11-51-78
PAGE 0

BOEING
757
PARTS CATALOG (MAINTENANCE)



(A)

PLUMBING INSTL-MAIN WHL WELL FWD BHD HYDR
FIGURE 78 (SHEET 2)

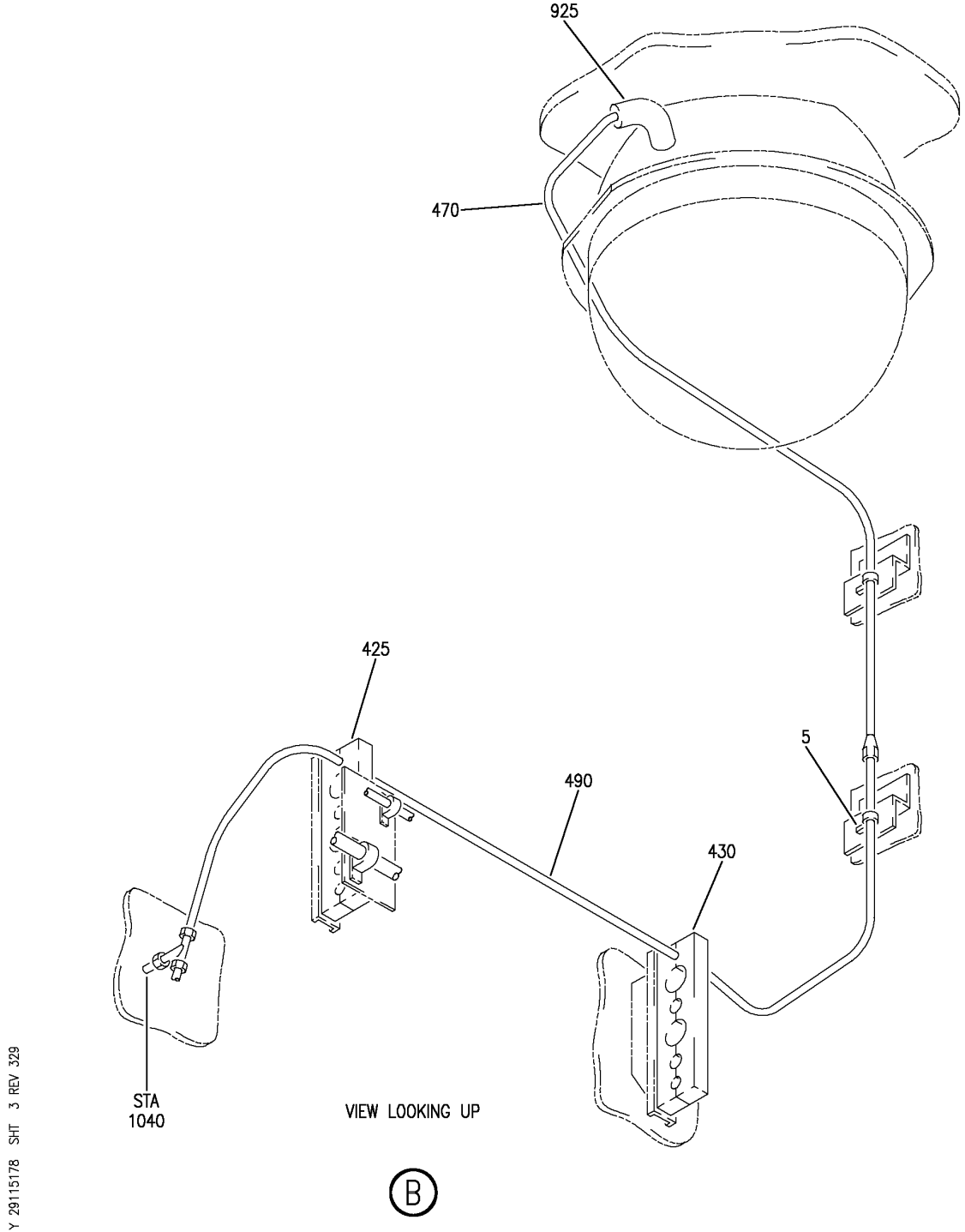
29-11-51-78

BRI
MAY 28/07

29-11-51-78
PAGE 0A

Y 29115178 SHT 2 REV 213

BOEING
757
PARTS CATALOG (MAINTENANCE)



Y 29115178 SH1 3 REV 329

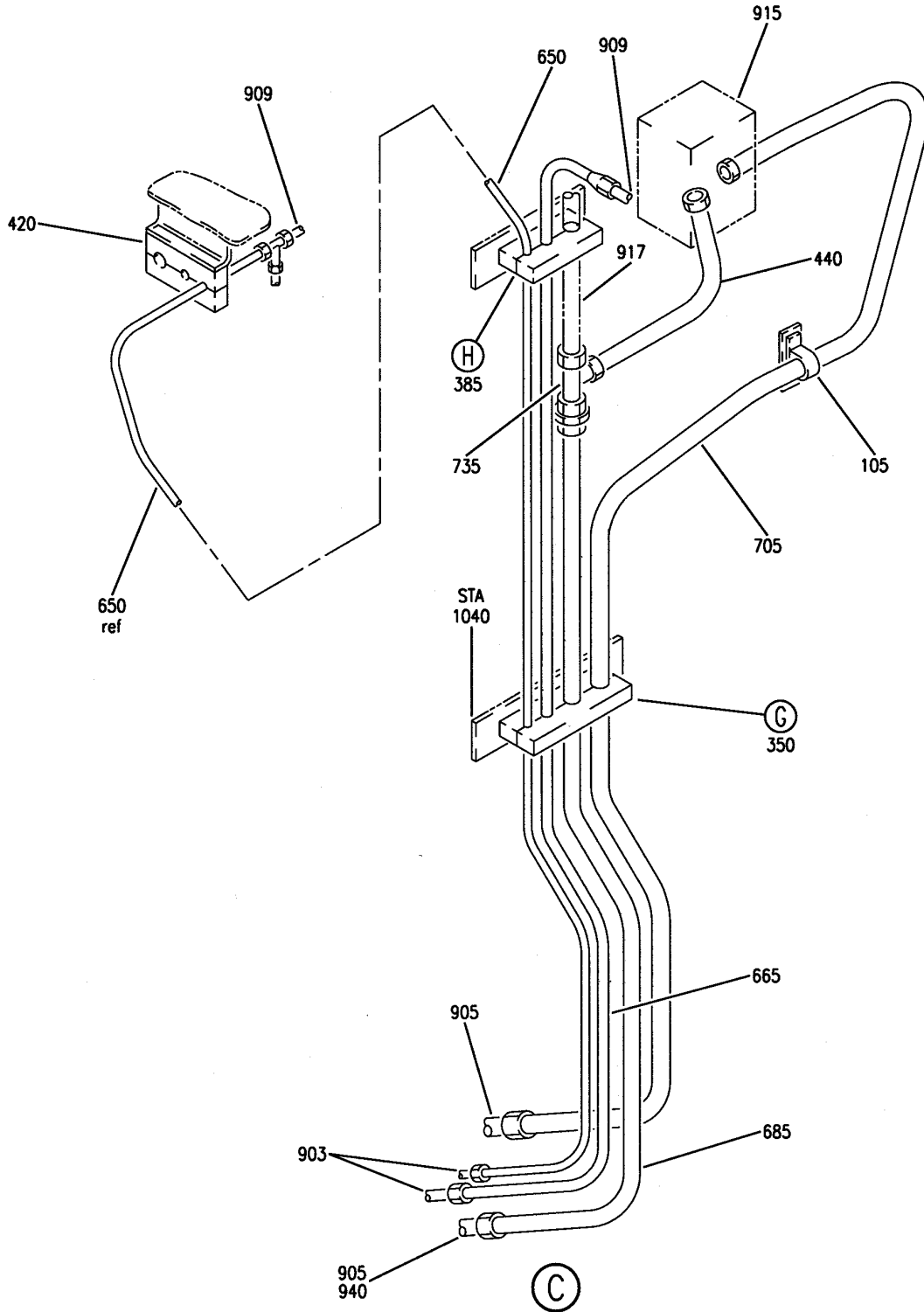
PLUMBING INSTL-MAIN WHL WELL FWD BHD HYDR
FIGURE 78 (SHEET 3)

29-11-51-78

BRI
JAN 20/09

29-11-51-78
PAGE 0B

BOEING
757
PARTS CATALOG (MAINTENANCE)



Y 29115178 SHT 4 REV 213

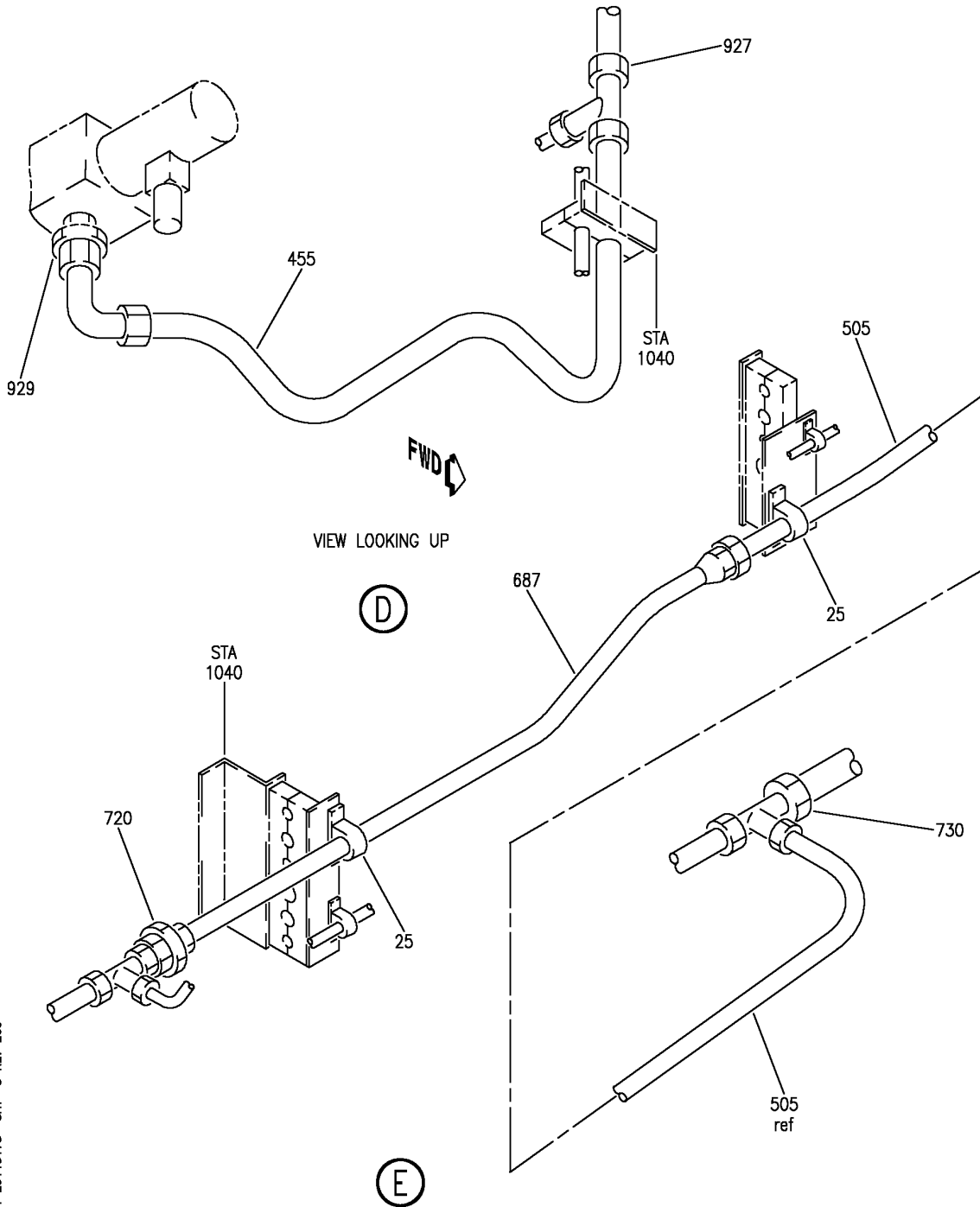
PLUMBING INSTL-MAIN WHL WELL FWD BHD HYDR
FIGURE 78 (SHEET 4)

29-11-51-78

BRI
MAY 28/07

29-11-51-78
PAGE 0C

BOEING
757
PARTS CATALOG (MAINTENANCE)



Y 29115178 SH1 5 REV 266

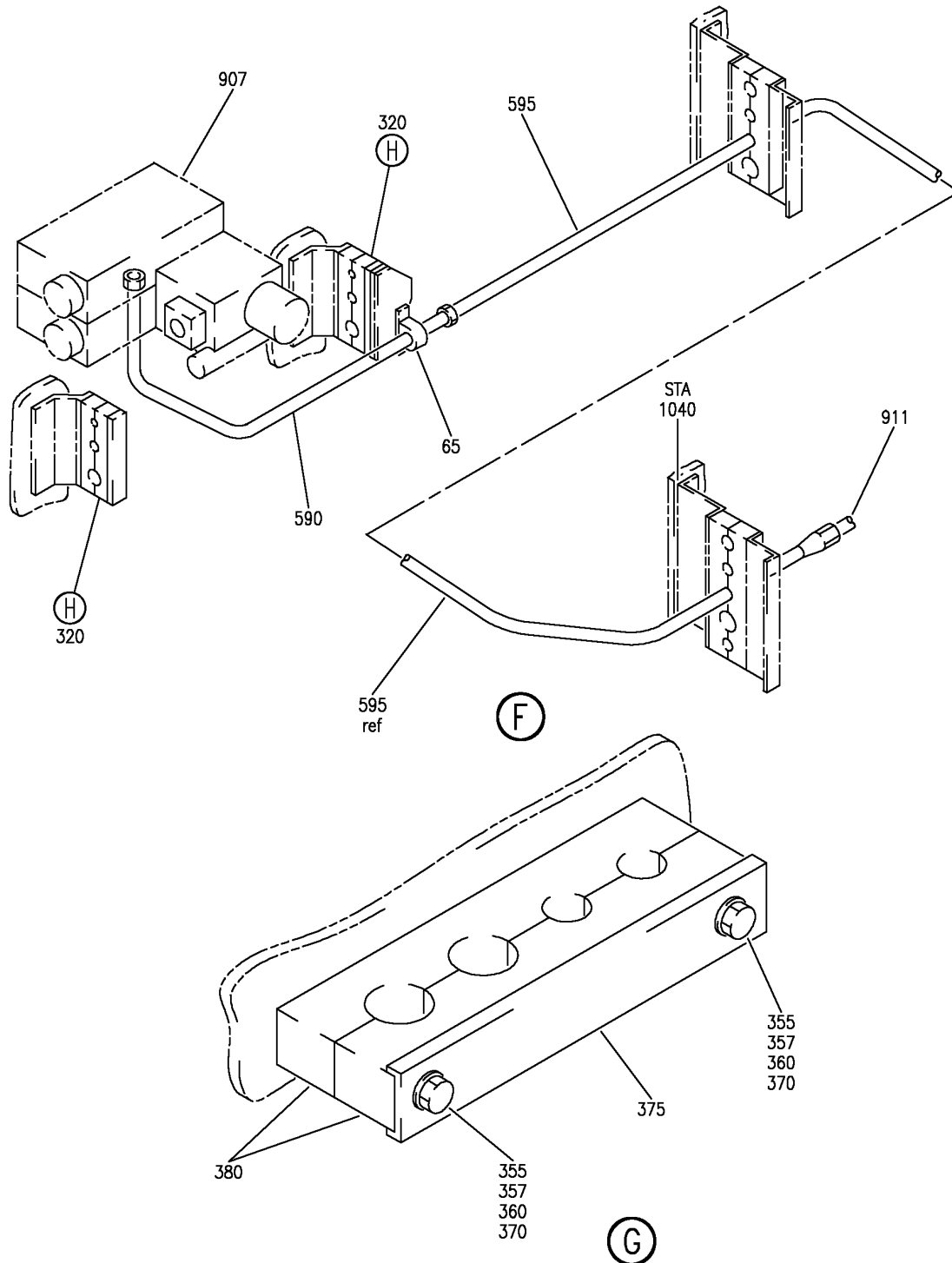
PLUMBING INSTL-MAIN WHL WELL FWD BHD HYDR
FIGURE 78 (SHEET 5)

29-11-51-78

BRI
MAY 28/07

29-11-51-78
PAGE 0D

BOEING
757
PARTS CATALOG (MAINTENANCE)



Y 29115178 SH1 6 REV 266

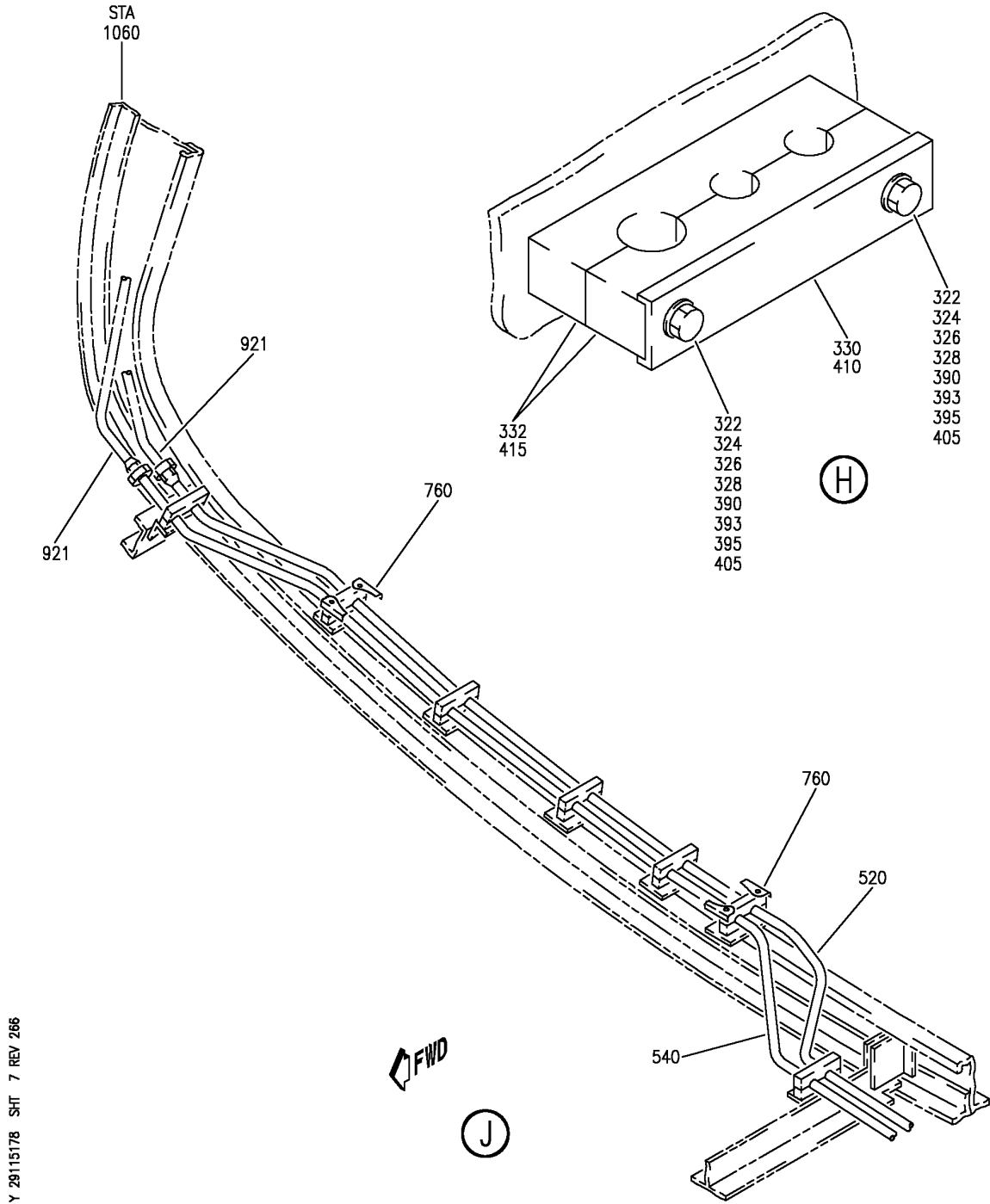
PLUMBING INSTL-MAIN WHL WELL FWD BHD HYDR
FIGURE 78 (SHEET 6)

29-11-51-78

BRI
MAY 28/07

29-11-51-78
PAGE 0E

BOEING
757
PARTS CATALOG (MAINTENANCE)



Y 29115178 SH 7 REV 266

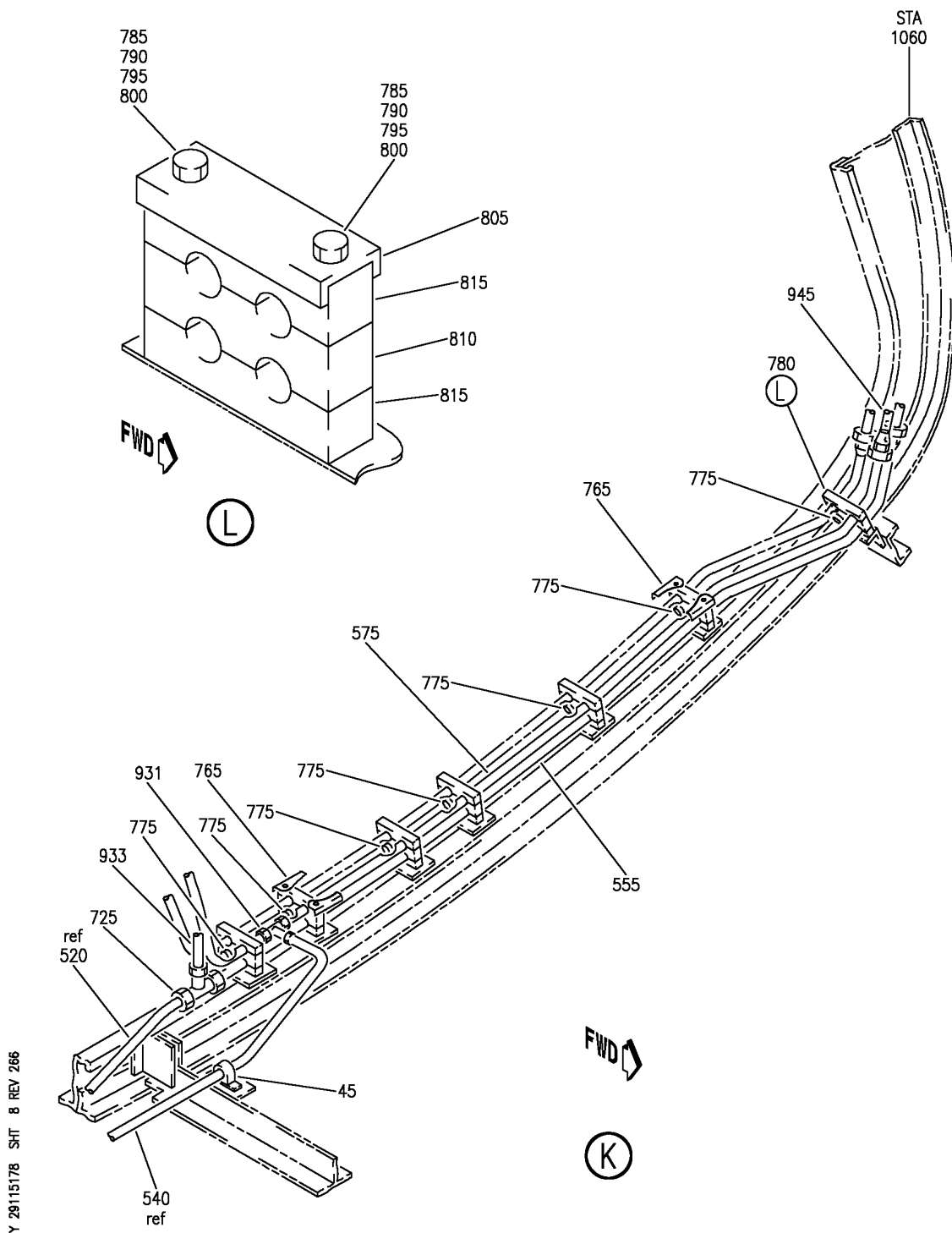
PLUMBING INSTL-MAIN WHL WELL FWD BHD HYDR
FIGURE 78 (SHEET 7)

29-11-51-78

BRI
MAY 28/07

29-11-51-78
PAGE OF


BOEING
 757
PARTS CATALOG (MAINTENANCE)



Y 29115178 SHT 8 REV 266

PLUMBING INSTL-MAIN WHL WELL FWD BHD HYDR
 FIGURE 78 (SHEET 8)

29-11-51-78

BRI
 MAY 28/07

29-11-51-78
 PAGE 08



757

PARTS CATALOG (MAINTENANCE)

FIG ITEM	PART NUMBER	1 2 3 4 5 6 7	NOMENCLATURE	EFFECT FROM TO	UNITS PER ASSY
78			PLUMBING INSTL-MAIN WHL WELL FWD BHD HYDR	101106 108120 504903	
- 1	271N6441-21		PLUMBING INSTL-PASS. NON-DELTA PROVISIONS FOR NHA SEE: 29-00-51-02B	101102 108120 504903	RF
- 1	MODREF31405		PLUMBING INSTL-PASS. NON-DELTA PROVISIONS MODULE NUMBER: 271N6441-21 REV B	103106	1
5	M85052-2-4		.CLAMP	101106 108120 504903	1
- 10	NAS1801-3		ATTACHING PARTS .SCREW- SIZE DETERMINED ON INSTL.	101106 108120 504903	1
- 15	AN960PD10		.WASHER	101106 108120 504903	1
- 20	BRH10A3		.NUT SUPPLIER CODE: V52828 SPECIFICATION NUMBER: BACN10JC3 OPTIONAL PART: H10-3BAC V15653 NS202101-02 V80539 RMLH9075-3W V72962 VN303A02 V92215 96-02 V80539 T6S1032J V11815	101106 108120 504903	1
25	TA0910004H112		-----*----- .CLAMP SUPPLIER CODE: V84971 SPECIFICATION NUMBER: BACC10HB12C	101106 108120 504903	2
- 30	NAS1801-3		ATTACHING PARTS .SCREW- SIZE DETERMINED ON INSTL.	101106 108120 504903	4

MISSING ITEM NUMBERS NOT APPLICABLE

- ITEM NOT ILLUSTRATED

BRI

29-11-51-78

29-11-51
FIG. 78
PAGE 1
JAN 20/09



757

PARTS CATALOG (MAINTENANCE)

FIG ITEM	PART NUMBER	1 2 3 4 5 6 7	NOMENCLATURE	EFFECT FROM TO	UNITS PER ASSY
78					
- 35	AN960KD10L	.	WASHER	101106 108120 504903	4
- 40	MS21042L3	.	NUT	101106 108120 504903	4
			-----*-----		
45	TA0910004DC08	.	CLAMP- SUPPLIER CODE: V84971 SPECIFICATION NUMBER: BACC10HB08 ATTACHING PARTS	101106 108120 504903	1
- 50	NAS1801-3	.	SCREW- SIZE DETERMINED ON INSTL.	101106 108120 504903	2
- 55	AN960PD10	.	WASHER	101106 108120 504903	2
- 60	BRH10A3	.	NUT SUPPLIER CODE: V52828 SPECIFICATION NUMBER: BACN10JC3 OPTIONAL PART: H10-3BAC V15653 NS202101-02 V80539 RMLH9075-3W V72962 VN303A02 V92215 96-02 V80539 T6S1032J V11815	101106 108120 504903	2
			-----*-----		
65	TA0910004H108	.	CLAMP SUPPLIER CODE: V84971 SPECIFICATION NUMBER: BACC10HB08 ATTACHING PARTS	101106 108120 504903	1
- 70	NAS1801-3	.	SCREW- SIZE DETERMINED ON INSTL.	101106 108120 504903	2

MISSING ITEM NUMBERS NOT APPLICABLE

- ITEM NOT ILLUSTRATED

29-11-51-78

29-11-51
FIG. 78
PAGE 2
JAN 20/09

BRI

BOEING
757
PARTS CATALOG (MAINTENANCE)

FIG ITEM	PART NUMBER	1 2 3 4 5 6 7	NOMENCLATURE	EFFECT FROM TO	UNITS PER ASSY
78					
- 75	AN960PD10L	.	WASHER	101106 108120 504903	2
- 80	MS21042L3	.	NUT	101106 108120 504903	2
			-----*-----		
85	M85052-2-4	.	CLAMP	101106 108120 504903	3
			ATTACHING PARTS		
- 90	NAS1801-3	.	SCREW- SIZE DETERMINED ON INSTL.	101106 108120 504903	3
- 95	AN960PD10	.	WASHER	101106 108120 504903	3
- 100	BRH10A3	.	NUT SUPPLIER CODE: V52828 SPECIFICATION NUMBER: BACN10JC3 OPTIONAL PART: H10-3BAC V15653 NS202101-02 V80539 RMLH9075-3W V72962 VN303A02 V92215 96-02 V80539 T6S1032J V11815	101106 108120 504903	3
			-----*-----		
105	TA0910004H108	.	CLAMP SUPPLIER CODE: V84971 SPECIFICATION NUMBER: BACC10HB08C	101106 108120 504903	1
			ATTACHING PARTS		
- 110	NAS1801-3	.	SCREW	101106 108120 504903	2
- 115	AN960PD10L	.	WASHER	101106 108120 504903	2

MISSING ITEM NUMBERS NOT APPLICABLE

- ITEM NOT ILLUSTRATED

BRI

29-11-51-78

29-11-51
FIG. 78
PAGE 3
JAN 20/09

BOEING
757
PARTS CATALOG (MAINTENANCE)

FIG ITEM	PART NUMBER	1 2 3 4 5 6 7	NOMENCLATURE	EFFECT FROM TO	UNITS PER ASSY
78 - 120	MS21042L3	.	NUT	101106 108120 504903	2
320	270N2000-92	-----*	. CLAMP ASSY	101106 108120 504903	2
322	NAS1801-3-28	..	SCREW	101106 108120 504903	2
324	NAS43DD3-75	..	SPACER	101106 108120 504903	2
326	AN960PD10L	..	WASHER	101106 108120 504903	2
328	BRH10A3	..	NUT SUPPLIER CODE: V52828 SPECIFICATION NUMBER: BACN10JC3 OPTIONAL PART: H10-3BAC V15653 NS202101-02 V80539 RMLH9075-3W V72962 VN303A02 V92215 96-02 V80539 T6S1032J V11815	101106 108120 504903	2
330	270N2000-883	..	CHANNEL	101106 108120 504903	1
332	270N2000-562	..	BLOCK	101106 108120 504903	2
350	270N2000-235	.	CLAMP ASSY-BLK	101106 108120 504903	1
355	NAS1801-3-28	..	SCREW	101106 108120 504903	2
357	NAS43DD3-84	..	SPACER	101106 108120 504903	2

MISSING ITEM NUMBERS NOT APPLICABLE

- ITEM NOT ILLUSTRATED

BRI

29-11-51-78

29-11-51
FIG. 78
PAGE 4
JAN 20/09

 **BOEING**
757
PARTS CATALOG (MAINTENANCE)

FIG ITEM	PART NUMBER	1 2 3 4 5 6 7	NOMENCLATURE	EFFECT FROM TO	UNITS PER ASSY
78					
360	AN960KD10L	..	WASHER	101106 108120 504903	2
370	BRH10A3	..	NUT SUPPLIER CODE: V52828 SPECIFICATION NUMBER: BACN10JC3 OPTIONAL PART: H10-3BAC V15653 NS202101-02 V80539 RMLH9075-3W V72962 VN303A02 V92215 96-02 V80539 T6S1032J V11815	101106 108120 504903	2
375	270N2000-1019	..	CHANNEL	101106 108120 504903	1
380	270N2000-1255	..	BLOCK	101106 108120 504903	2
385	270N2000-234	.	CLAMP ASSY-BLK	101106 108120 504903	1
390	NAS1801-3-28	..	SCREW	101106 108120 504903	2
393	NAS43DD3-84	..	SPACER	101106 108120 504903	2
395	AN960KD10L	..	WASHER	101106 108120 504903	2

MISSING ITEM NUMBERS NOT APPLICABLE

— ITEM NOT ILLUSTRATED

BRI

29-11-51-78

BOEING PROPRIETARY - Copyright © - Unpublished Work - See title page for details.

29-11-51
FIG. 78
PAGE 5
JAN 20/09



757

PARTS CATALOG (MAINTENANCE)

FIG ITEM	PART NUMBER	1 2 3 4 5 6 7	NOMENCLATURE	EFFECT FROM TO	UNITS PER ASSY
78 405	BRH10A3	..	NUT SUPPLIER CODE: V52828 SPECIFICATION NUMBER: BACN10JC3 OPTIONAL PART: H10-3BAC V15653 NS202101-02 V80539 RMLH9075-3W V72962 VN303A02 V92215 96-02 V80539 T6S1032J V11815	101106 108120 504903	2
410	270N2000-705	..	CHANNEL	101106 108120 504903	1
415	270N2000-1254	..	BLOCK	101106 108120 504903	2
420	270N2000-248	.	CLAMP ASSY- POSITION DATA: STA 1050 LBL 23 FOR BREAKDOWN SEE: 29-11-84-06A	101106 108120 504903	RF
425	270N2000-194	.	CLAMP ASSY- FOR BREAKDOWN SEE: 29-11-51-39A	101106 108120 504903	RF
430	270N2000-97	.	CLAMP ASSY- FOR BREAKDOWN SEE: 29-11-51-39A	101106 108120 504903	RF
440	271N6441-1391	.	TUBE ASSY-L SYS RETURN TUBING MATERIAL: .375 IN. OD .035 IN. WALL 13.70 IN. LG AL AMS 4083 6061 T6 TUBING	101106 108120 504903	1

MISSING ITEM NUMBERS NOT APPLICABLE

- ITEM NOT ILLUSTRATED

29-11-51-78

29-11-51
FIG. 78
PAGE 6
JAN 20/09

BRI



757

PARTS CATALOG (MAINTENANCE)

FIG ITEM	PART NUMBER	1 2 3 4 5 6 7	NOMENCLATURE	EFFECT FROM TO	UNITS PER ASSY
78					
- 445	AP2097HP06	..	SLEEVE SUPPLIER CODE: V01673 SPECIFICATION NUMBER: BACS13BX06HP OPTIONAL PART: 2-02903-06HP V11328 35235VN06 V08199 AFP175V06P V30974 DBOS13BX06HP V14798	101106 108120 504903	2
- 450	BACN10YLO6	..	NUT	101106 108120 504903	2
455	271N6441-1423	.TUBE ASSY-PRESSURE SYS TUBING MATERIAL: .750 IN. OD .039 IN. WALL 29.50 IN. LG BMS 7-234 TI-3AL-2.5V COLD WORKED, STRESS RELIEVED TUBING		101106 108120 504903	1
- 460	AS1581T12	..	SLEEVE	101106 108120 504903	2
- 465	BACN10YA12	..	NUT	101106 108120 504903	2
470	271N6441-1410	.TUBE ASSY-HYDR RSVR PRESSURE POSITION DATA: R TUBING MATERIAL: .250 IN. OD .016 IN. WALL 30.40 IN. LG TI BMS 7-234 TI-3AL-2.5V COLD WORKED, STRESS RELIEVED TUBING		101106 108120 504903	1
- 475	AS1581T04	..	SLEEVE	101106 108120 504903	1
- 480	BACN10YA4	..	NUT-	101106 108120 504903	1
- 485	AS1582T04	..	UNION	101106 108120 504903	1

MISSING ITEM NUMBERS NOT APPLICABLE

- ITEM NOT ILLUSTRATED

29-11-51-78

29-11-51
FIG. 78
PAGE 7
JAN 20/09

BRI

BOEING PROPRIETARY - Copyright © - Unpublished Work - See title page for details.



757

PARTS CATALOG (MAINTENANCE)

FIG ITEM	PART NUMBER	1 2 3 4 5 6 7	NOMENCLATURE	EFFECT FROM TO	UNITS PER ASSY
78 490	271N6441-1099		.TUBE ASSY-HYDR RSVR PRESSURE TUBING MATERIAL: .250 IN. OD .016 IN. WALL 51.30 IN. LG TI BMS 7-234 TI-3AL-2.5V COLD WORKED, STRESS RELIEVED TUBING	101106 108120 504903	1
- 495	AS1581T04		..SLEEVE	101106 108120 504903	2
- 500	BACN10YA4		..NUT	101106 108120 504903	2
505	271N6441-1083		.TUBE ASSY-RETURN SYS TUBING MATERIAL: .750 IN. OD .035 IN. WALL 19.00 IN. LG AMS 4083 6061 T6 TUBING	101106 108120 504903	1
- 510	AP2097HP12		..SLEEVE SUPPLIER CODE: V01673 SPECIFICATION NUMBER: BACS13BX12HP OPTIONAL PART: 2-02903-12HP V11328 35235VN12 V08199 AFP175V12P V30974 DBOS13BX12HP V14798	101106 108120 504903	2
- 515	BACN10YL12		..NUT- OPTIONAL PART: MS21921-12D	101106 108120 504903	2
- 515	MS21921-12D		..NUT- OPTIONAL PART: BACN10YL12	101106 108120 504903	2
520	271N6441-1047		.TUBE ASSY-RETURN SYS TUBING MATERIAL: .500 IN. OD .035 IN. WALL 77.30 IN. LG AL AMS 4083 6061 T6 TUBING	101106 108120 504903	1

MISSING ITEM NUMBERS NOT APPLICABLE

- ITEM NOT ILLUSTRATED

29-11-51-78

29-11-51
FIG. 78
PAGE 8
JAN 20/09

BRI



757

PARTS CATALOG (MAINTENANCE)

FIG ITEM	PART NUMBER	1 2 3 4 5 6 7	NOMENCLATURE	EFFECT FROM TO	UNITS PER ASSY
78 - 525	AP2097HP08	..	SLEEVE SUPPLIER CODE: V01673 SPECIFICATION NUMBER: BACS13BX08HP OPTIONAL PART: 2-02903-08HP V11328 35235VN08 V08199 AFP175V08P V30974 DBOS13BX08HP V14798	101106 108120 504903	1
- 530	BACN10YLO8	..	NUT	101106 108120 504903	1
- 535	35056GV08	..	UNION SUPPLIER CODE: V08199 SPECIFICATION NUMBER: BACU24AB8W OPTIONAL PART: 2-01027-8W V11328 31875-8W V14397 4671097W8 V50948 AP1004W08 V01673 AFP941W8 V30974 DBOU24AB8W V14798	101106 108120 504903	1
540	271N6441-1048	.	TUBE ASSY-PRESSURE SYS TUBING MATERIAL: .500 IN. OD .026 IN. WALL 87-20 IN. LG BMS 7-234 TI-3AL-2.5V COLD WORKED, STRESS RELIEVED TUBING	101106 108120 504903	1
- 545	AS1581T08	..	SLEEVE	101106 108120 504903	2
- 550	BACN10YA8	..	NUT	101106 108120 504903	2

MISSING ITEM NUMBERS NOT APPLICABLE

- ITEM NOT ILLUSTRATED

29-11-51-78

29-11-51
FIG. 78
PAGE 9
JAN 20/09

BRI



757

PARTS CATALOG (MAINTENANCE)

FIG ITEM	PART NUMBER	1 2 3 4 5 6 7	NOMENCLATURE	EFFECT FROM TO	UNITS PER ASSY
78 555	271N6441-1365		.TUBE ASSY-RETURN SYS TUBING MATERIAL: .500 IN. OD .035 IN. WALL 58.50 IN. LG AL AMS 4083 6061 T6 TUBING	101106 108120 504903	1
- 560	AP2097HP08		..SLEEVE SUPPLIER CODE: V01673 SPECIFICATION NUMBER: BACS13BX08HP OPTIONAL PART: 2-02903-08HP V11328 35235VN08 V08199 AFP175V08P V30974 DBOS13BX08HP V14798	101106 108120 504903	1
- 565	BACN10YL08		..NUT	101106 108120 504903	1
- 570	35056GV08		..UNION SUPPLIER CODE: V08199 SPECIFICATION NUMBER: BACU24AB8W OPTIONAL PART: 2-01027-8W V11328 31875-8W V14397 4671097W8 V50948 AP1004W08 V01673 AFP941W8 V30974 DBOU24AB8W V14798	101106 108120 504903	1
575	271N6441-1044		.TUBE ASSY-PRESSURE SYS TUBING MATERIAL: .500 IN. OD .026 IN. WALL 52.50 IN. LG TITANIUM	101106 108120 504903	1
- 580	AS1581T08		..SLEEVE	101106 108120 504903	2

MISSING ITEM NUMBERS NOT APPLICABLE

- ITEM NOT ILLUSTRATED

29-11-51-78

29-11-51
FIG. 78
PAGE 10
JAN 20/09

BRI



757

PARTS CATALOG (MAINTENANCE)

FIG ITEM	PART NUMBER	1 2 3 4 5 6 7	NOMENCLATURE	EFFECT FROM TO	UNITS PER ASSY
78					
- 585	BACN10YA8	..	NUT	101106 108120 504903	2
590	271N6441-1314	.TUBE ASSY-PRESSURE SYS TUBING MATERIAL: .500 IN. OD .026 IN. WALL 15.50 IN. LG TI BMS 7-234 TI-3AL-2.5V COLD WORKED, STRESS RELIEVED TUBING		101106 108120 504903	1
595	271N6441-1315	.TUBE ASSY-PRESSURE SYS TUBING MATERIAL: .500 IN. OD .026 IN. WALL 37.70 IN. LG TI BMS 7-234 TI-3AL-2.5V COLD WORKED, STRESS RELIEVED TUBING		101106 108120 504903	1
- 600	AS1581T08	..	SLEEVE	101106 108120 504903	1
- 605	BACN10YA8	..	NUT-	101106 108120 504903	1
- 610	AS1582T08	..	UNION	101106 108120 504903	1
615	271N6441-1371	.TUBE ASSY-RSVR PRESSURE SYS TUBING MATERIAL: .250 IN. OD .016 IN. WALL 30.00 IN. LG TI BMS 7-234 TI-3AL-2.5V COLD WORKED, STRESS RELIEVED TUBING		101106 108120 504903	1
- 620	AS1581T04	..	SLEEVE	101106 108120 504903	1
- 625	BACN10YA4	..	NUT-	101106 108120 504903	1
- 630	AS1582T04	..	UNION	101106 108120 504903	1

MISSING ITEM NUMBERS NOT APPLICABLE

- ITEM NOT ILLUSTRATED

29-11-51-78

29-11-51
FIG. 78
PAGE 11
JAN 20/09

BRI



757

PARTS CATALOG (MAINTENANCE)

FIG ITEM	PART NUMBER	1 2 3 4 5 6 7	NOMENCLATURE	EFFECT FROM TO	UNITS PER ASSY
78 635	271N6441-1317		.TUBE ASSY-RSVR PRESSURE SYS TUBING MATERIAL: .250 IN. OD .016 IN. WALL 25.70 IN. LG TI BMS 7-234 TI-3AL-2.5V COLD WORKED, STRESS RELIEVED TUBING	101106 108120 504903	1
- 640	AS1581T04		..SLEEVE	101106 108120 504903	2
- 645	BACN10YA4		..NUT-	101106 108120 504903	2
650	271N6441-1098		.TUBE ASSY-LG UP TUBING MATERIAL: .500 IN. OD X .026 IN. WALL X 64.20 IN. LG BMS 7-234 TI-3AL-2.5V COLD WORKED, STRESS RELIEVED TUBING	101106 108120 504903	1
- 655	AS1581T08		..SLEEVE	101106 108120 504903	2
- 660	BACN10YA8		..NUT	101106 108120 504903	2
665	271N6441-1100		.TUBE ASSY-LG DOWN TUBING MATERIAL: .500 IN. OD X .026 IN. WALL X 45.90 IN. LG BMS 7-234 TI-3AL-2.5V COLD WORKED, STRESS RELIEVED TUBING	101106 108120 504903	1
- 670	AS1581T08		..SLEEVE	101106 108120 504903	1
- 675	BACN10YA8		..NUT	101106 108120 504903	1
- 680	AS1582T08		..UNION	101106 108120 504903	1
685	271N6441-1063		.TUBE ASSY-RETURN SYS TUBING MATERIAL: .750 IN. OD .035 IN. WALL 35.10 IN. LG AL AMS 4083 6061 T6 TUBING	101106 108120 504903	1

MISSING ITEM NUMBERS NOT APPLICABLE

- ITEM NOT ILLUSTRATED

29-11-51-78

29-11-51
FIG. 78
PAGE 12
JAN 20/09

BRI



757

PARTS CATALOG (MAINTENANCE)

FIG ITEM	PART NUMBER	1 2 3 4 5 6 7	NOMENCLATURE	EFFECT FROM TO	UNITS PER ASSY
78 687	271N6441-1093		.TUBE ASSY-R SYS RETURN TUBING MATERIAL: .750 IN. OD .035 IN. WALL 17.20 IN. LG AMS 4083 6061 T6 TUBING	101106 108120 504903	1
- 690	AP2097HP12		..SLEEVE SUPPLIER CODE: V01673 SPECIFICATION NUMBER: BACS13BX12HP OPTIONAL PART: 2-02903-12HP V11328 35235VN12 V08199 AFP175V12P V30974 DBOS13BX12HP V14798	101106 108120 504903	1
- 695	BACN10YL12		..NUT- OPTIONAL PART: MS21921-12D	101106 108120 504903	1
- 695	MS21921-12D		..NUT- OPTIONAL PART: BACN10YL12	101106 108120 504903	1
- 700	35056GV12		..UNION SUPPLIER CODE: V08199 SPECIFICATION NUMBER: BACU24AB12W OPTIONAL PART: 4671097W12 V50948 2-01027-12W V11328 31875-12W V14397 AP1004W12 V01673 AFP941W12 V30974 DBOU24AB12W V14798	101106 108120 504903	1

MISSING ITEM NUMBERS NOT APPLICABLE

- ITEM NOT ILLUSTRATED

BRI

29-11-51-78

29-11-51
FIG. 78
PAGE 13
JAN 20/09



757

PARTS CATALOG (MAINTENANCE)

FIG ITEM	PART NUMBER	1 2 3 4 5 6 7	NOMENCLATURE	EFFECT FROM TO	UNITS PER ASSY
78 705	271N6441-1062		.TUBE ASSY-PRESSURE SYS TUBING MATERIAL: .750 IN. OD .039 IN. WALL 53.60 IN. LG TI BMS 7-234 TI-3AL2.5V COLD WORKED, STRESS RELIEVED TUBING	101106 108120 504903	1
- 710	AS1581T12		..SLEEVE	101106 108120 504903	2
- 715	BACN10YA12		..NUT	101106 108120 504903	2
720	1C3598		.VALVE SUPPLIER CODE: V99240 SPECIFICATION NUMBER: BACV10CD15 OPTIONAL PART: 0121520900-15 V83533	101106 108120 504903	1
725	BACTAS080810W		.TEE	101106 108120 504903	1
730	BACT16AS160812W		.TEE-REDUCER	101106 108120 504903	1
735	NAS1763W121206		.TEE	101106 108120 504903	1
740	BACT16BN040406J		.TEE	101106 108120 504903	1
745	NAS1149D0763J		.WASHER	101106 108120 504903	1
750	AN924-4D		.NUT	101106 108120 504903	1
755	69B83900-2		.CAP ASSY- MISCELLANEOUS DATA: NOT AN INITIAL PROVISIONING SPARE ALTERED FROM PART NUMBER: BACC14AD06JL	101106 108120 504903	1
760	271N6203-8		.GUARD-PLUMBING	101106 108120 504903	2

MISSING ITEM NUMBERS NOT APPLICABLE

- ITEM NOT ILLUSTRATED

29-11-51-78

29-11-51
FIG. 78
PAGE 14
JAN 20/09

BRI

BOEING PROPRIETARY - Copyright © - Unpublished Work - See title page for details.



757

PARTS CATALOG (MAINTENANCE)

FIG ITEM	PART NUMBER	1 2 3 4 5 6 7	NOMENCLATURE	EFFECT FROM TO	UNITS PER ASSY
78					
765	271N6203-5	.	GUARD-PLUMBING	101106 108120 504903	2
- 770	271N6441-29		PLUMBING INSTL-NON-DELTA PROVISIONS FOR NHA SEE: 29-00-51-02B	101102 108120 504903	RF
- 770	MODREF31422		PLUMBING INSTL-NON-DELTA PROVISIONS MODULE NUMBER: 271N6441-38 REV B	103106	1
775	270N0005-3	.	FILLER-BLK CLAMP	101106 108120 504903	7
780	270N2000-207	.	CLAMP ASSY-BLK	103106	1
785	NAS1801-3-41	..	SCREW	103106	2
790	NAS43DD3-132	..	SPACER	103106	2
795	AN960PD10L	..	WASHER	103106	2
800	BRH10A3	..	NUT	103106	2
			SUPPLIER CODE: V52828		
			SPECIFICATION NUMBER: BACN10JC3		
			OPTIONAL PART: H10-3BAC		
			V15653		
			NS202101-02		
			V80539		
			RMLH9075-3W		
			V72962		
			VN303A02		
			V92215		
			96-02		
			V80539		
			T6S1032J		
			V11815		
805	270N2000-861	..	CHANNEL	103106	1
810	270N2000-697	..	BLOCK	103106	2
815	270N2000-698	..	BLOCK	103106	1
900			ILLUSTRATION REFERENCE: PLUMBING INSTL-SECT. 44 AND SECT. 49 AC BAY 29-11-51-89	101106 108120 504903	RF
903			ILLUSTRATION REFERENCE: PLUMBING INSTL-SECT. 49 AC BAY HYDR 32-34-51-40A	101106 108120 504903	RF

MISSING ITEM NUMBERS NOT APPLICABLE

- ITEM NOT ILLUSTRATED

29-11-51-78

29-11-51
FIG. 78
PAGE 15
JAN 20/09

BRI



757

PARTS CATALOG (MAINTENANCE)

FIG ITEM	PART NUMBER	1 2 3 4 5 6 7	NOMENCLATURE	EFFECT FROM TO	UNITS PER ASSY
78					
905			ILLUSTRATION REFERENCE: PLUMBING INSTL-SECT. 49 AND SECT. 44 AC BAY HYDR 27-81-51-40A	101106 108120 504903	RF
907			ILLUSTRATION REFERENCE: VALVE INSTL-AUTO BRAKE MODULE 32-42-09-01	101106 108120 504903	RF
909			ILLUSTRATION REFERENCE: PLUMBING INSTL-PRESSURE DECK SECT. 44 L (MAIN HYDR SYS ONLY) 29-11-84-06A	101102 108120 504903	RF
911			ILLUSTRATION REFERENCE: PLUMBING INSTL-MAIN WHL WELL FWD BHD HYDR (HYDRAULIC POWER ONLY) 29-11-51-39A	101102 108120 504903	RF
915			ILLUSTRATION REFERENCE: MODULE INSTL-FLAP AND SLAT DEPRESSURIZATION 27-51-29-01	101106 108120 504903	RF
917			ILLUSTRATION REFERENCE: PLUMBING INSTL-4-DOOR/ PKG FREIGHTER MINOR MODEL 29-11-84-01	101102 108120 504903	RF
921			ILLUSTRATION REFERENCE: PLUMBING INSTL- SECT. 12 INBD WING HYDR R (HYDRAULIC POWER ONLY) 29-11-51-18A	101102 108120 504903	RF
925			ILLUSTRATION REFERENCE: RESERVOIR INSTL-R SYS HYDR 29-11-20-01	101106 108120 504903	RF
927			ILLUSTRATION REFERENCE: PLUMBING INSTL BASIC AND STABLE 29-11-51-48	101102 108120 504903	RF
929			ILLUSTRATION REFERENCE: VALVE INSTL-PTU CONT 29-22-03-05	101106 108120 504903	RF
931			ILLUSTRATION REFERENCE: PLUMBING INSTL-NON-DELTA PROVISIONS 29-11-51-84	101106 108120 504903	RF

MISSING ITEM NUMBERS NOT APPLICABLE

- ITEM NOT ILLUSTRATED

29-11-51-78

29-11-51
FIG. 78
PAGE 16
JAN 20/09

BRI



757

PARTS CATALOG (MAINTENANCE)

FIG ITEM	PART NUMBER	1 2 3 4 5 6 7	NOMENCLATURE	EFFECT FROM TO	UNITS PER ASSY
78 933			ILLUSTRATION REFERENCE: PLUMBING INSTL-NON-DELTA PROVISIONS 29-11-51-84	101106 108120 504903	RF
940			ILLUSTRATION REFERENCE: PLUMBING INSTL-SECT. 44 AND SECT. 49 AC BAY 29-11-51-89	101102 108120 504903	RF
945			ILLUSTRATION REFERENCE: PLUMBING INSTL-SECT. 12 L WING INBD HYDR (HYDRAULIC POWER ONLY) 29-11-51-67	101102 108120 504903	RF

MISSING ITEM NUMBERS NOT APPLICABLE

- ITEM NOT ILLUSTRATED

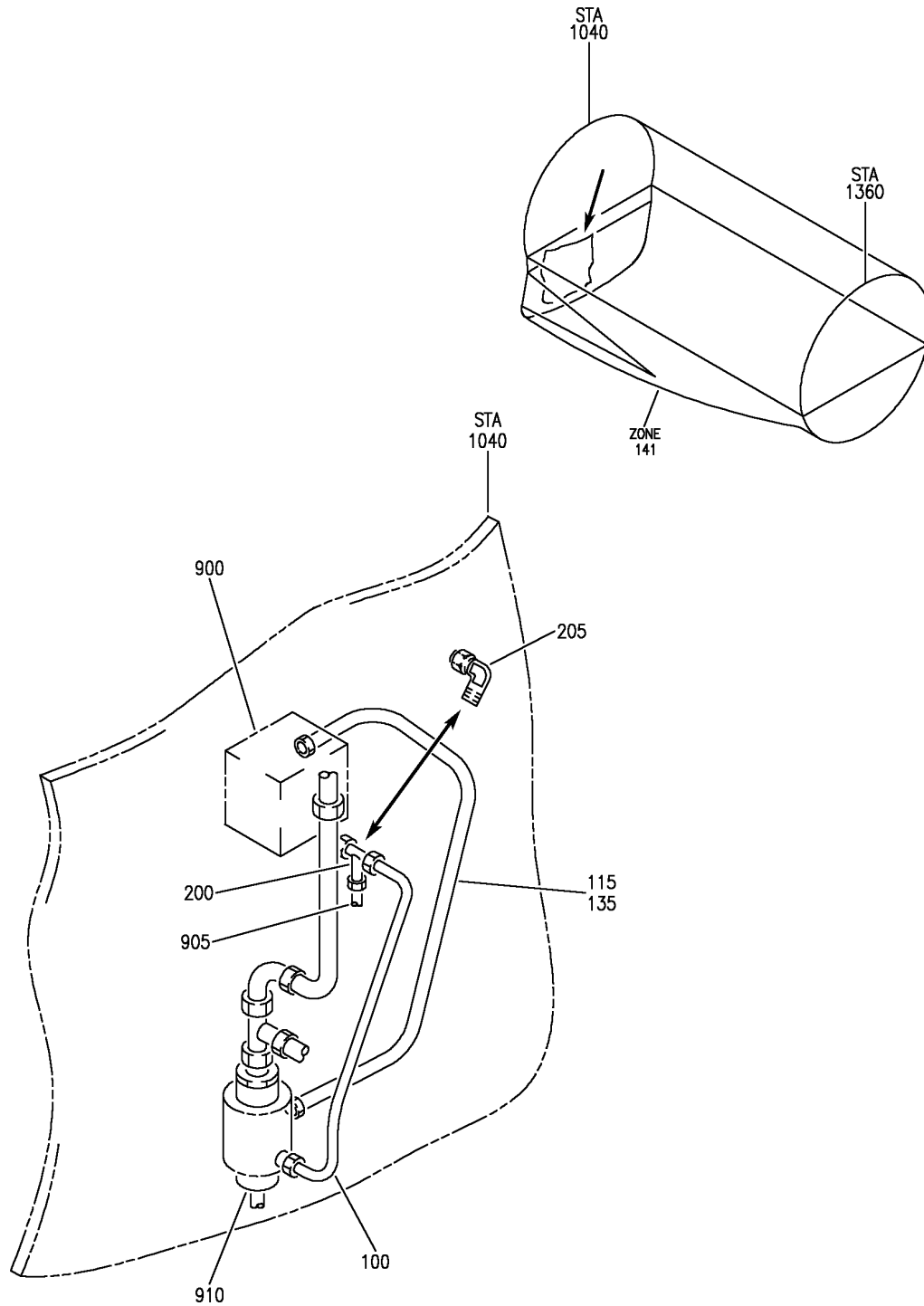
BRI

29-11-51-78

BOEING PROPRIETARY - Copyright © - Unpublished Work - See title page for details.

29-11-51
FIG. 78
PAGE 17
JAN 20/09

BOEING
757
PARTS CATALOG (MAINTENANCE)



Y 29115179 REV 280

PLUMBING INSTL-MAIN WHL WELL FWD BHD HYDR
FIGURE 79

29-11-51-79

BRI
JAN 20/09

29-11-51-79
PAGE 0



757

PARTS CATALOG (MAINTENANCE)

FIG ITEM	PART NUMBER	1 2 3 4 5 6 7	NOMENCLATURE	EFFECT FROM TO	UNITS PER ASSY
79			PLUMBING INSTL-MAIN WHL WELL FWD BHD HYDR	504903	
- 1	271N6441-33		PLUMBING INSTL-MAIN WHL WELL BHD HYDR POSITION DATA: FWD FOR NHA SEE: 29-00-51-05B	504903	RF
100	271N6441-1141		.TUBE ASSY-L SYS RETURN TUBING MATERIAL: .375 IN. OD .035 IN. WALL 21.30 IN. LG AL AMS 4083 6061 T6 TUBING	504903	1
- 105	AP2097HP06		..SLEEVE SUPPLIER CODE: V01673 SPECIFICATION NUMBER: BACS13BX06HP OPTIONAL PART: 2-02903-06HP V11328 35235VN06 V08199 AFP175V06P V30974 DBOS13BX06HP V14798	504903	2
- 110	BACN10YL06		..NUT	504903	2
135	271N6441-1436		.TUBE ASSY-L SYS PRESSURE TUBING MATERIAL: .750 IN. OD .039 IN. WALL 25.20 IN. LG TI BMS 7-234 TI-3AL-2.5V COLD WORKED, STRESS RELIEVED TUBING	504903	1
- 140	AS1581T12		..SLEEVE	504903	1
- 145	BACN10YA12		..NUT	504903	1
- 150	AS1582T12		..UNION	504903	1
200	NAS1763W060606		.TEE-	504903	1
900			ILLUSTRATION REFERENCE: MODULE INSTL-FLAP AND SLAT DEPRESSURIZATION 27-51-29-01	504903	RF
905			ILLUSTRATION REFERENCE: PLUMBING INSTL-MAIN WHL WELL FWD BHD HYDR 29-11-51-78	504903	RF

MISSING ITEM NUMBERS NOT APPLICABLE

- ITEM NOT ILLUSTRATED

29-11-51-79

29-11-51
FIG. 79
PAGE 1
JAN 20/09

BRI



757

PARTS CATALOG (MAINTENANCE)

FIG ITEM	PART NUMBER	1 2 3 4 5 6 7	NOMENCLATURE	EFFECT FROM TO	UNITS PER ASSY
79 910			ILLUSTRATION REFERENCE: VALVE INSTL -L HYDR SYSTEM PRESSURE SENSITIVE FLOW LIMITER 29-11-59-01	504903	RF

MISSING ITEM NUMBERS NOT APPLICABLE

- ITEM NOT ILLUSTRATED

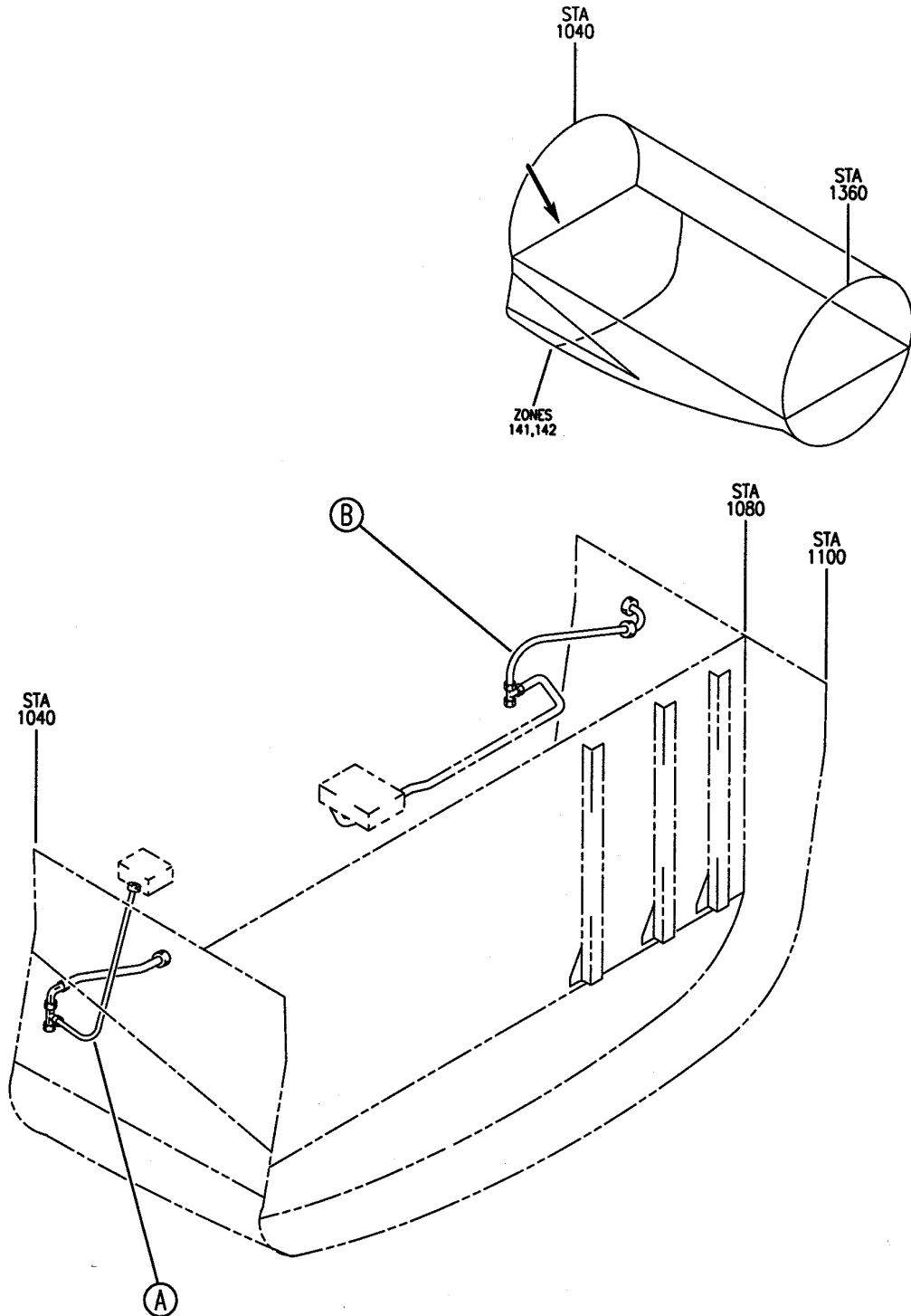
BRI

29-11-51-79

BOEING PROPRIETARY - Copyright © - Unpublished Work - See title page for details.

29-11-51
FIG. 79
PAGE 2
JAN 20/09

BOEING
757
PARTS CATALOG (MAINTENANCE)



Y 29115181 SHT 1 REV 219

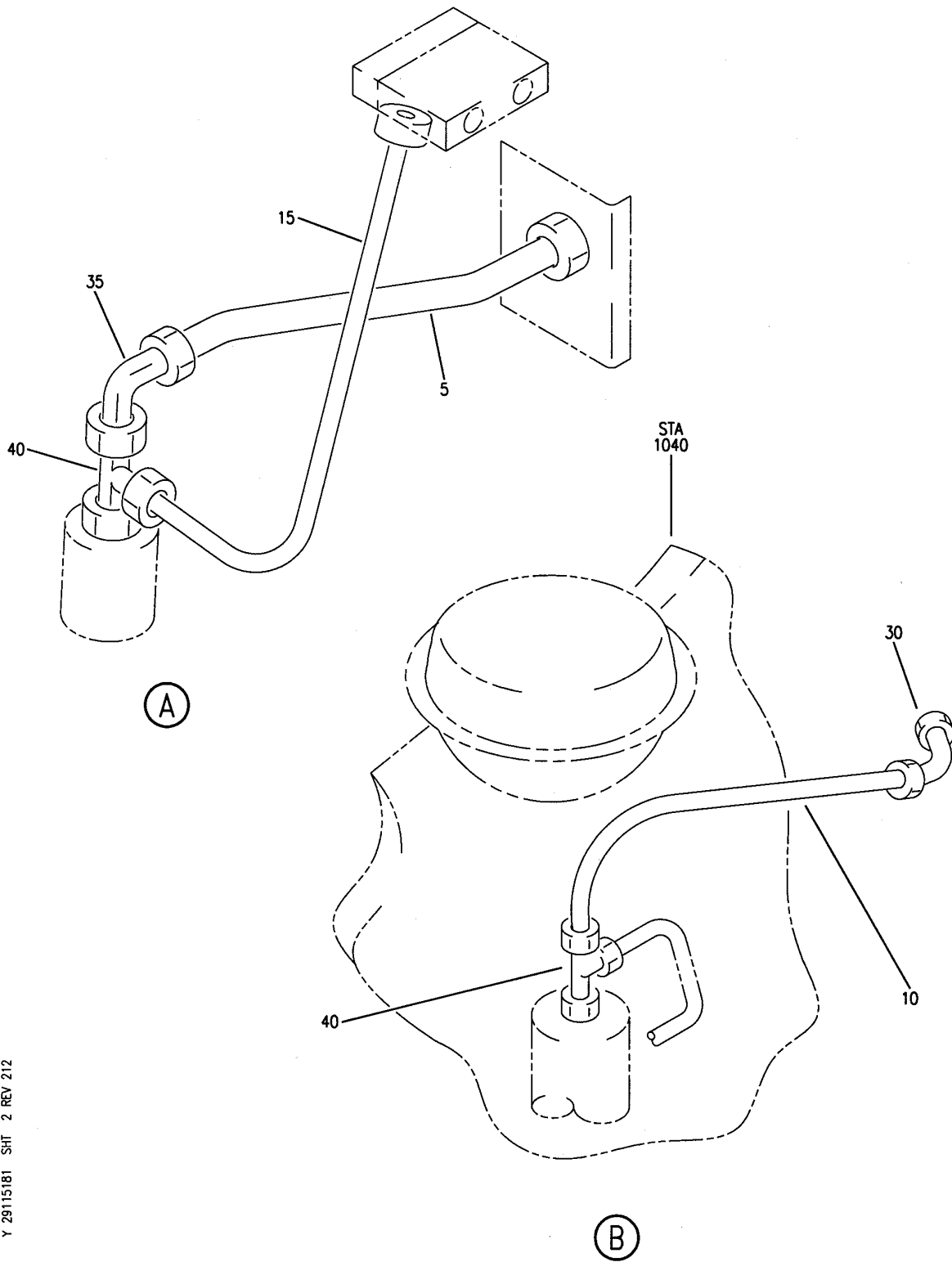
PLUMBING INSTL-DFDAU BRAKE PRESSURE XMTR, NON-DELTA PROVISIONS
FIGURE 81 (SHEET 1)

BRI
MAY 28/07

29-11-51-81

29-11-51-81
PAGE 0

BOEING
757
PARTS CATALOG (MAINTENANCE)



Y 29115181 SH1 2 REV 212

PLUMBING INSTL-DFDAU BRAKE PRESSURE XMTR, NON-DELTA PROVISIONS
FIGURE 81 (SHEET 2)

29-11-51-81

BRI
MAY 28/07

29-11-51-81
PAGE 0A



757

PARTS CATALOG (MAINTENANCE)

FIG ITEM	PART NUMBER	1 2 3 4 5 6 7	NOMENCLATURE	EFFECT FROM TO	UNITS PER ASSY
81			PLUMBING INSTL-DFDAU BRAKE PRESSURE XMTR, NON-DELTA PROVISIONS	101102 108120 504903	
- 1	271N6441-27		PLUMBING INSTL-DFDAU BRAKE PRESSURE XMTR, NON-DELTA PROVISIONS FOR NHA SEE: 29-00-51-02B	101102 504903	RF
5	271N6441-1407		.TUBE ASSY- POSITION DATA: LH TUBING MATERIAL: .375 IN. OD .019 IN. WALL 3.80 IN. LG TI BMS 7-234 TI-3AL-2.5V COLD WORKED, STRESS RELIEVED TUBING	101102 504903	1
10	271N6441-1411		.TUBE ASSY- POSITION DATA: RH TUBING MATERIAL: .375 IN. OD .019 IN. WALL 5.80 IN. LG TI BMS 7-234 TI-3AL-2.5V COLD WORKED, STRESS RELIEVED TUBING	101102 504903	1
15	271N6441-1412		.TUBE ASSY- POSITION DATA: LH TUBING MATERIAL: .375 IN. OD .019 IN. WALL 7.00 IN. LG TI BMS 7-234 TI-3AL-2.5V COLD WORKED, STRESS RELIEVED TUBING	101102 504903	1
- 20	AS1581T06		..SLEEVE	101102 504903	2
- 25	BACN10YA6L		..NUT- USED ON: 271N6441-1412	101102 504903	2
- 25	BACN10YA6		..NUT- USED ON: 271N6441-1407 271N6441-1411	101102 504903	2
30	BACE21BR0606JN		.ELBOW-REDUCER POSITION DATA: RH	101102 504903	1

MISSING ITEM NUMBERS NOT APPLICABLE

- ITEM NOT ILLUSTRATED

29-11-51-81

29-11-51
FIG. 81
PAGE 1
JAN 20/09

BRI



757

PARTS CATALOG (MAINTENANCE)

FIG ITEM	PART NUMBER	1 2 3 4 5 6 7	NOMENCLATURE	EFFECT FROM TO	UNITS PER ASSY
81					
35	AP1042JN0606	.	ELBOW-REDUCER SUPPLIER CODE: V01673 SPECIFICATION NUMBER: BACE21BT0606JN POSITION DATA: LH USED WITH: BCREF116854	101102 504903	1
40	BCREF116854	.	TEE-REDUCER POSITION DATA: LH AND RH OVERLENGTH PART NUMBER: BACT16BR060606JN USED WITH: BACE21BT0606JN	101102 504903	2
900			ILLUSTRATION REFERENCE: VALVE INSTL-AUTOBRAKE SHUTTLE 32-42-10-01	101102 504903	RF
905			ILLUSTRATION REFERENCE: PLUMBING INSTL-SECT. 44 MLG WHL WELL HYDR (HYDRAULIC BRAKE SYSTEM ONLY) 32-41-51-22	101102 108120 504903	RF
910			ILLUSTRATION REFERENCE: TRANSMITTER INSTL-NORMAL BRAKE PRESSURE 31-31-13-02	101102 504903	RF
915			ILLUSTRATION REFERENCE: MODULE AND SUPPORT INSTL-LG BRAKE METERING VALVE 32-41-02-05	101102 504903	RF

MISSING ITEM NUMBERS NOT APPLICABLE

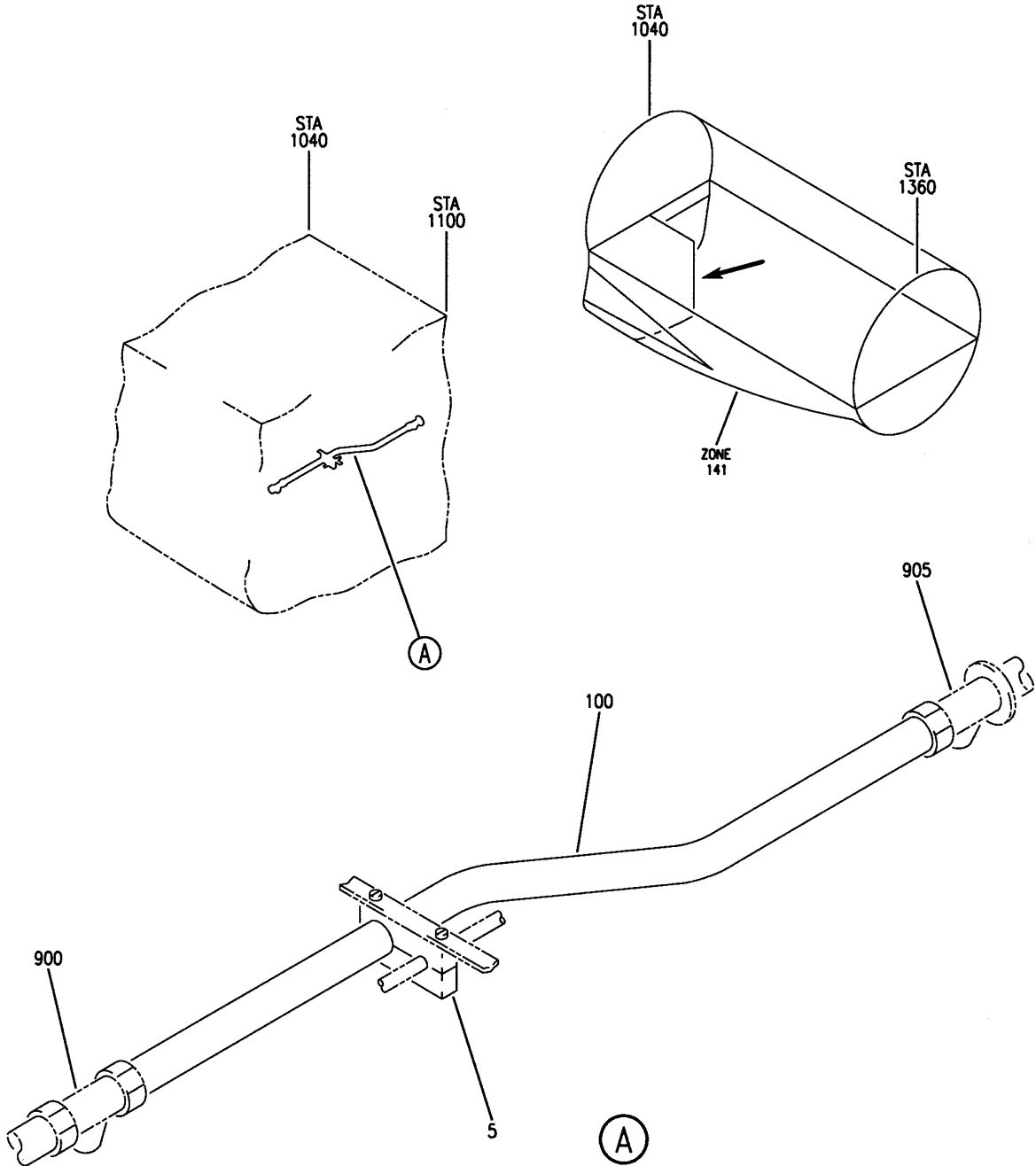
- ITEM NOT ILLUSTRATED

29-11-51-81

29-11-51
FIG. 81
PAGE 2
JAN 20/09

BRI

BOEING
757
PARTS CATALOG (MAINTENANCE)



Y 29115183 REV 212

PLUMBING INSTL-CUSTOM/ DELTA NO ETOPS PROVISIONS
FIGURE 83

29-11-51-83

BRI
JAN 20/09

29-11-51-83
PAGE 0



757

PARTS CATALOG (MAINTENANCE)

FIG ITEM	PART NUMBER	1 2 3 4 5 6 7	NOMENCLATURE	EFFECT FROM TO	UNITS PER ASSY
83			PLUMBING INSTL-CUSTOM/ DELTA NO ETOPS PROVISIONS	504903	RF
- 1	271N6443-37		PLUMBING INSTL-CUSTOM NO ETOPS PROVISION FOR NHA SEE: 29-00-51-05B	504903	RF
5	270N2000-72		.CLAMP ASSY	504903	RF
100	271N6443-1228		.TUBE ASSY-L SYS RETURN TUBING MATERIAL: 1.00 IN. OD .035 IN. WALL 25.10 IN. LG AL AMS 4083 6061 T6 TUBING	504903	1
- 105	AP2097HP16		..SLEEVE SUPPLIER CODE: V01673 SPECIFICATION NUMBER: BACS13BX16HP OPTIONAL PART: 2-02903-16HP V11328 35235VN16 V08199 AFP175V16P V30974 DBOS13BX16HP V14798	504903	2
- 110	BACN10YL16L		..NUT-	504903	2
900			ILLUSTRATION REFERENCE: PLUMBING INSTL-4-DOOR/ PKG FREIGHTER MINOR MODEL 29-11-84-01	504903	RF
905			ILLUSTRATION REFERENCE: PLUMBING INSTL LH MAIN MLG WHL WELL HYDR KEEL BEAM SECT. 44 29-11-51-93	504903	RF

MISSING ITEM NUMBERS NOT APPLICABLE

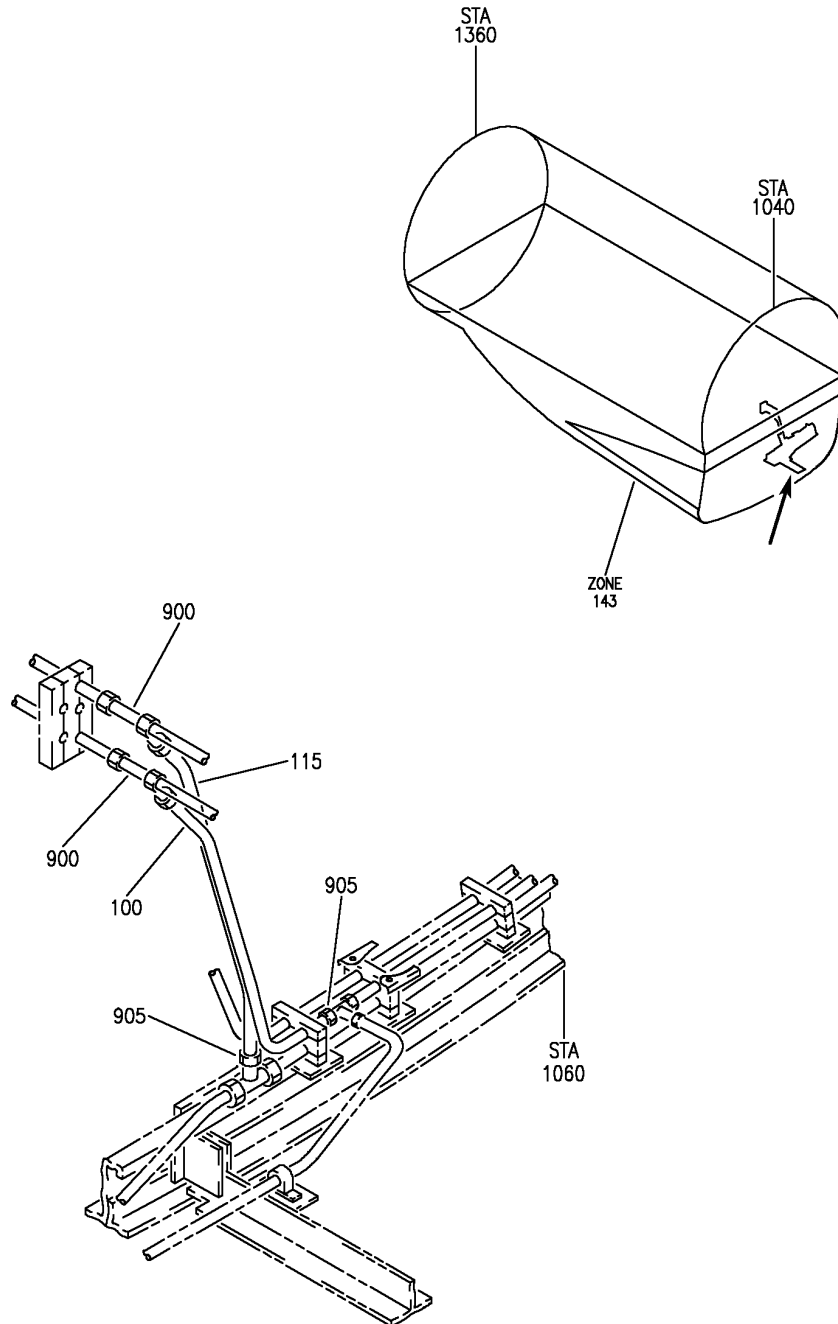
- ITEM NOT ILLUSTRATED

29-11-51-83

29-11-51
FIG. 83
PAGE 1
JAN 20/09

BRI

BOEING
757
PARTS CATALOG (MAINTENANCE)



Y 29115184 REV 266

PLUMBING INSTL-NON-DELTA PROVISIONS
FIGURE 84

29-11-51-84

BRI
MAY 28/07

29-11-51-84
PAGE 0



**757
PARTS CATALOG (MAINTENANCE)**

FIG ITEM	PART NUMBER	1 2 3 4 5 6 7	NOMENCLATURE	EFFECT FROM TO	UNITS PER ASSY
84			PLUMBING INSTL-NON-DELTA PROVISIONS	101106 108120 504903	
- 1	271N6445-9		PLUMBING INSTL-NON-DELTA PROVISIONS FOR NHA SEE: 29-00-51-02B	101102 108120 504903	RF
- 1	MODREF31670		PLUMBING INSTL-NON-DELTA PROVISIONS MODULE NUMBER: 271N6445-9 REV B	103106	1
100	271N6445-1023		.TUBE ASSY-CTR SYS PRESSURE TUBING MATERIAL: .500 IN. OD .026 IN. WALL 19.25 IN. LG TITANIUM	101106 108120 504903	1
- 105	AS1581T08		..SLEEVE	101106 108120 504903	2
- 110	BACN10YA8		..NUT	101106 108120 504903	2
115	271N6445-1091		.TUBE ASSY-CTR SYS RETURN TUBING MATERIAL: .625 IN. OD .035 IN. WALL 19.0 IN. LG AL	101106 108120 504903	1
- 120	AP2097HP10		..SLEEVE SUPPLIER CODE: V01673 SPECIFICATION NUMBER: BACS13BX10HP OPTIONAL PART: 2-02903-10HP V11328 35235VN10 V08199 AFP175V10P V30974 DBOS13BX10HP V14798	101106 108120 504903	2
- 125	MS21921-10D		..NUT- OPTIONAL PART: BACN10YL10	101106 108120 504903	2
- 125	BACN10YL10		..NUT- OPTIONAL PART: MS21921-10D	101106 108120 504903	2

MISSING ITEM NUMBERS NOT APPLICABLE

- ITEM NOT ILLUSTRATED

BRI

29-11-51-84

29-11-51
FIG. 84
PAGE 1
JAN 20/09



757

PARTS CATALOG (MAINTENANCE)

FIG ITEM	PART NUMBER	1 2 3 4 5 6 7	NOMENCLATURE	EFFECT FROM TO	UNITS PER ASSY
84 900			ILLUSTRATION REFERENCE: PLUMBING INSTL-HYDR, MLG WHL WELL, KEEL BEAM 29-11-51-94	101106 108120 504903	RF
905			ILLUSTRATION REFERENCE: PLUMBING INSTL-MAIN WHL WELL FWD BHD HYDR 29-11-51-78	101106 108120 504903	RF

MISSING ITEM NUMBERS NOT APPLICABLE

- ITEM NOT ILLUSTRATED

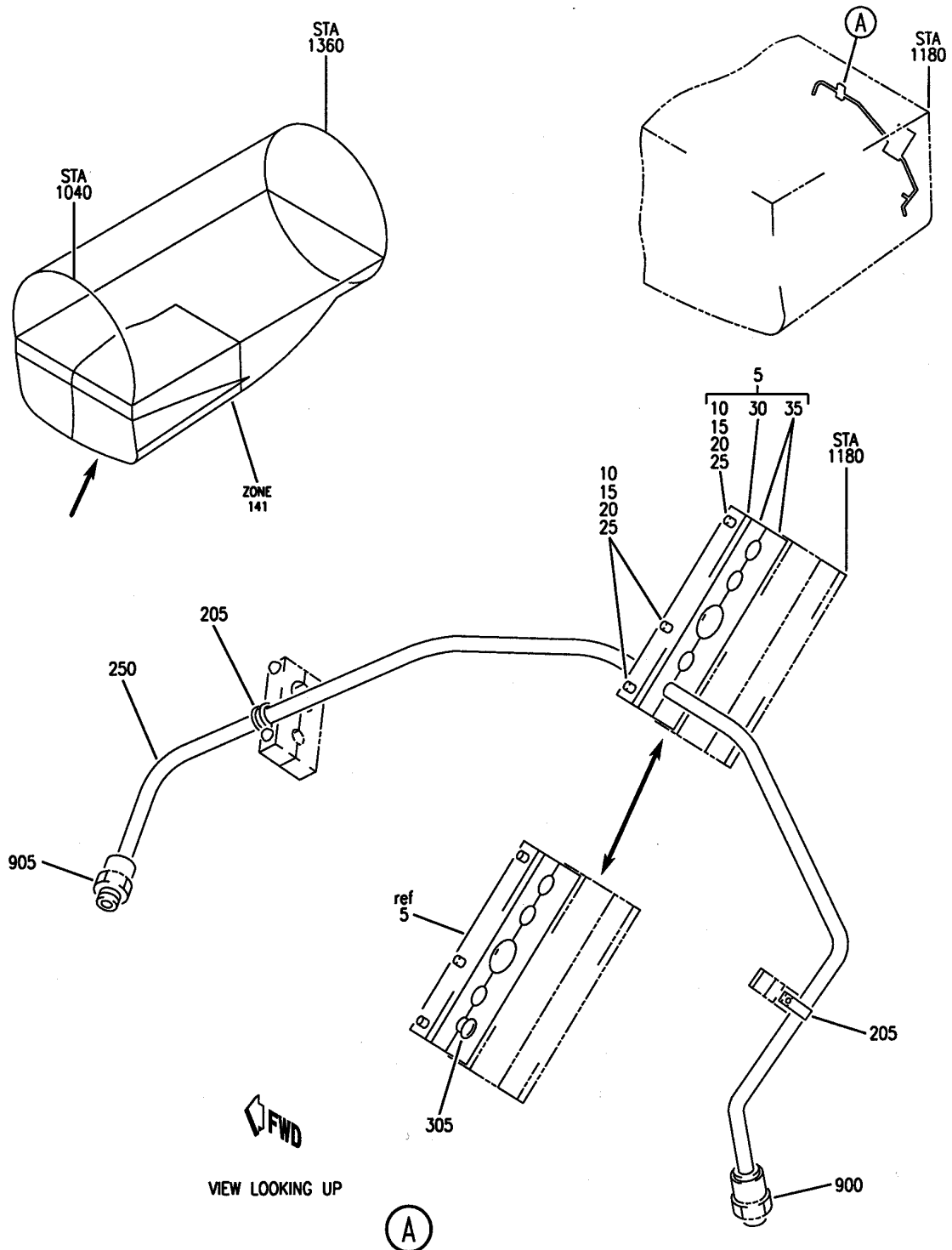
BRI

29-11-51-84

BOEING PROPRIETARY - Copyright © - Unpublished Work - See title page for details.

29-11-51
FIG. 84
PAGE 2
JAN 20/09

BOEING
757
PARTS CATALOG (MAINTENANCE)



Y 29115185 REV 219

PLUMBING INSTL-SECT. 44 HYDR MLG WHL WELL AFT BLKHD
FIGURE 85

BRI
MAY 28/07

29-11-51-85

29-11-51-85
PAGE 0



757

PARTS CATALOG (MAINTENANCE)

FIG ITEM	PART NUMBER	1 2 3 4 5 6 7	NOMENCLATURE	EFFECT FROM TO	UNITS PER ASSY
85			PLUMBING INSTL-SECT. 44 HYDR MLG WHL WELL AFT BLKHD	101106 108120 504903	
- 1	271N6446-13		PLUMBING INSTL-NON DELTA PROVISIONS FOR NHA SEE: 29-00-51-02B	101102 108120 504903	RF
- 3	271N6446-13		PLUMBING INSTL-NON DELTA PROVISIONS	103105	1
- 3	MODREF31672		PLUMBING INSTL-NON DELTA PROVISIONS MODULE NUMBER: 271N6446-13 REV B	103106	1
5	270N2000-284		.CLAMP ASSY-BLK	101106 108120 504903	1
10	NAS1801-3-34		..SCREW	101106 108120 504903	3
15	NAS43DD3-102		..SPACER	101106 108120 504903	3
20	AN960PD10L		..WASHER	101106 108120 504903	3
25	BRH10A3		..NUT SUPPLIER CODE: V52828 SPECIFICATION NUMBER: BACN10JC3 OPTIONAL PART: H10-3BAC V15653 NS202101-02 V80539 RMLH9075-3W V72962 VN303A02 V92215 96-02 V80539 T6S1032J V11815	101106 108120 504903	3
30	270N2000-1301		..CHANNEL- OPTIONAL PART: 270N2000-1014	101106 108120 504903	1
30	270N2000-1014		..CHANNEL- OPTIONAL PART: 270N2000-1301	101106 108120 504903	1

MISSING ITEM NUMBERS NOT APPLICABLE

- ITEM NOT ILLUSTRATED

29-11-51-85

29-11-51
FIG. 85
PAGE 1
JAN 20/09

BRI

 **BOEING**
757
PARTS CATALOG (MAINTENANCE)

FIG ITEM	PART NUMBER	1 2 3 4 5 6 7	NOMENCLATURE	EFFECT FROM TO	UNITS PER ASSY
85					
35	270N2000-1296	. .	BLOCK	101106 108120 504903	2
- 200	271N6446-14		PLUMBING INSTL-PROVISIONS FOR 10KVA HMG AND ACCUMULATOR INSTALLATION (ETOPS) POSITION DATA: AFT BHD FOR NHA SEE: 29-00-51-05B	101102 108120	RF
- 200	MODREF30202		PLUMBING INSTL-PROVISIONS FOR 10KVA HMG AND ACCUMULATOR INSTALLATION (ETOPS) MODULE NUMBER: 271N6446-14 REV B POSITION DATA: AFT BHD	103106	1
205	M85052-2-4	. CLAMP		101106 108120	2
- 210	NAS1801-3	. SCREW-	ATTACHING PARTS	101106 108120	2
- 215	AN960JD10L	. WASHER	SIZE DETERMINED ON INSTL.	101106 108120	2
- 220	BRH10A3	. NUT		101106 108120	2
			SUPPLIER CODE: V52828 SPECIFICATION NUMBER: BACN10JC3 OPTIONAL PART: H10-3BAC V15653 NS202101-02 V80539 RMLH9075-3W V72962 VN303A02 V92215 96-02 V80539 T6S1032J V11815 -----*-----		

MISSING ITEM NUMBERS NOT APPLICABLE

- ITEM NOT ILLUSTRATED

BRI

29-11-51-85

BOEING PROPRIETARY - Copyright © - Unpublished Work - See title page for details.

29-11-51
FIG. 85
PAGE 2
JAN 20/09



757

PARTS CATALOG (MAINTENANCE)

FIG ITEM	PART NUMBER	1 2 3 4 5 6 7	NOMENCLATURE	EFFECT FROM TO	UNITS PER ASSY
85 250	271N6446-1097	.	TUBE ASSY-3000 PSI AIR TUBING MATERIAL: .250 IN. OD .016 IN. WALL 45.30 IN. LG TI BMS 7-234 TI-3AL-2.5V COLD WORKED, STRESS RELIEVED TUBING	101106 108120	1
- 255	AS1581T04	..	SLEEVE	101106 108120	1
- 260	AS1582T04	..	UNION	101106 108120	1
- 265	BACN10YA4	..	NUT-	101106 108120	1
- 300	271N6446-15		PLUMBING INSTL-NON ETOPS FOR NHA SEE: 29-00-51-05B	504903	RF
305 900	270N0005-1	.	FILLER-CLAMP BLOCK ILLUSTRATION REFERENCE: PLUMBING INSTL-SECT. 49 L HYDR BAY 29-11-51-90	504903 101106 108120	1 RF
905			ILLUSTRATION REFERENCE: PLUMBING INSTL-PROVISIONS FOR 10KVA HMG INSTL (ETOPS) (HYD SYSTEMS ONLY) 29-11-51-92	101102 108120	RF

MISSING ITEM NUMBERS NOT APPLICABLE

- ITEM NOT ILLUSTRATED

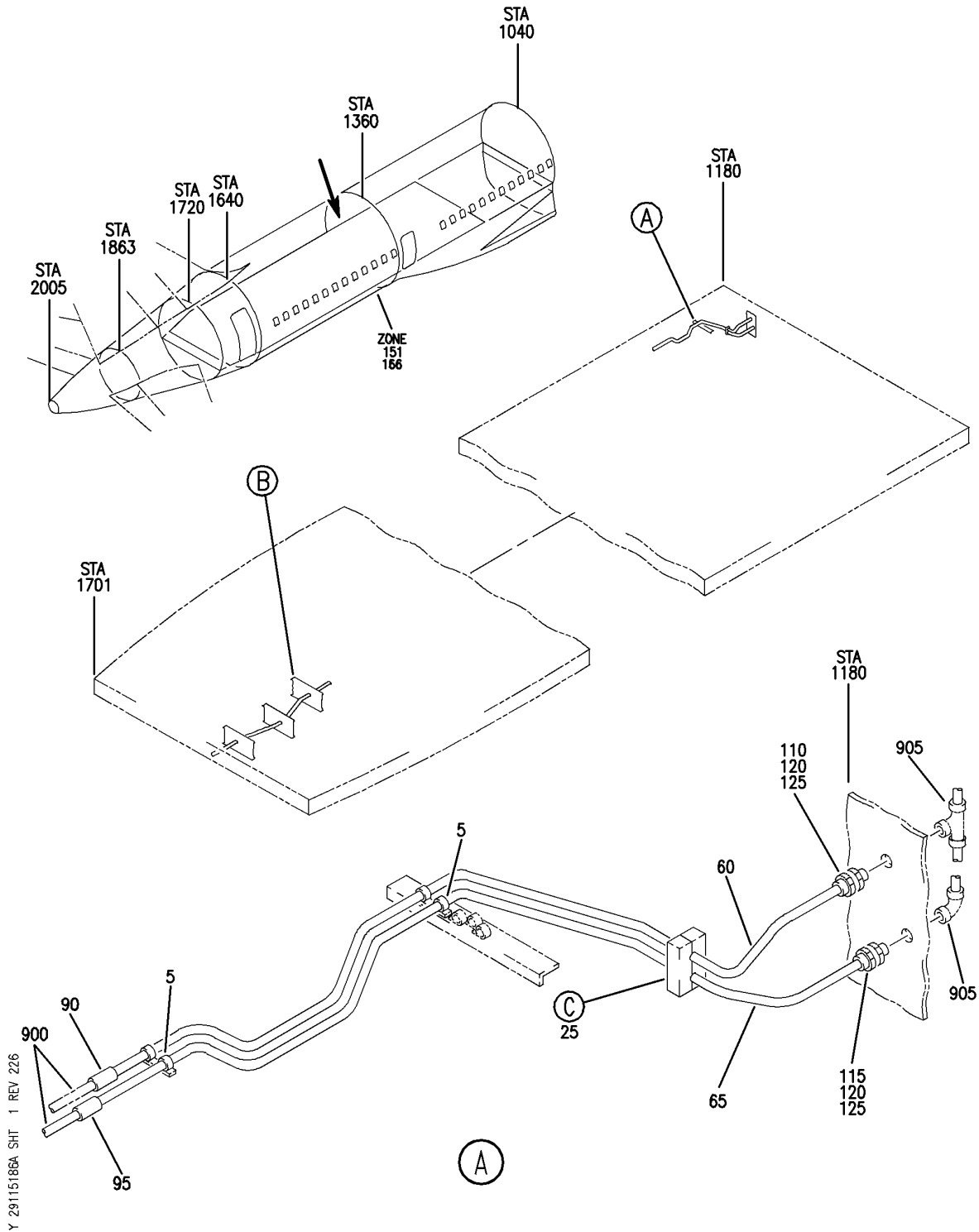
BRI

29-11-51-85

BOEING PROPRIETARY - Copyright © - Unpublished Work - See title page for details.

29-11-51
FIG. 85
PAGE 3
JAN 20/09

BOEING
757
PARTS CATALOG (MAINTENANCE)



Y 29115186A SHT 1 REV 226

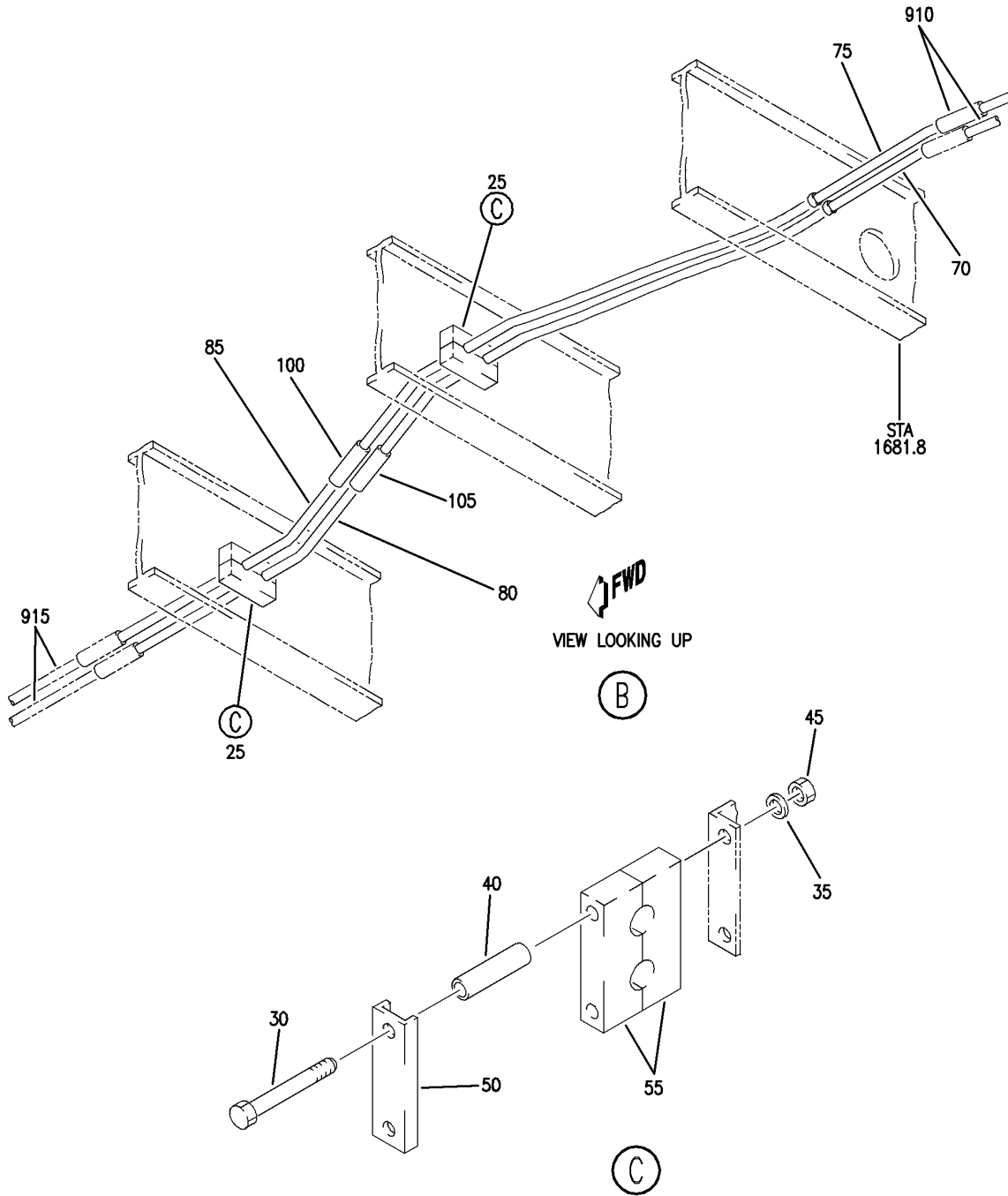
PLUMBING INSTL-4-DOOR EXIT PROVISIONS
FIGURE 86A (SHEET 1)

29-11-51-86A

BRI
JAN 20/09

29-11-51-86A
PAGE 0

BOEING
757
PARTS CATALOG (MAINTENANCE)



Y 29115186A SH1 2 REV 226

PLUMBING INSTL-4-DOOR EXIT PROVISIONS
FIGURE 86A (SHEET 2)

29-11-51-86A

BRI
JAN 20/09

29-11-51-86A
PAGE 0A



757

PARTS CATALOG (MAINTENANCE)

FIG ITEM	PART NUMBER	1 2 3 4 5 6 7	NOMENCLATURE	EFFECT FROM TO	UNITS PER ASSY
86A			PLUMBING INSTL-4-DOOR EXIT PROVISIONS	103106 108120	
- 1	271N6461-33		PLUMBING INSTL-4-DOOR EXIT PROVISIONS FOR NHA SEE: 27-00-00-05	108120	RF
	5 TA0630003-10		.CLAMP- SUPPLIER CODE: V84971 ATTACHING PARTS	103106 108120	2
- 10	NAS1801-3		.SCREW-	103106	4
			SIZE DETERMINED ON INSTL.	108120	
- 15	AN960PD10		.WASHER	103106	4
				108120	
- 20	BRH10A3		.NUT SUPPLIER CODE: V52828 SPECIFICATION NUMBER: BACN10JC3 OPTIONAL PART: H10-3BAC V15653 NS202101-02 V80539 RMLH9075-3W V72962 VN303A02 V92215 96-02 V80539 T6S1032J V11815	103106 108120	4
			-----*-----		
	25 270N2000-15		.CLAMP ASSY-BLK	103106 108120	3
	30 NAS1801-3-28		..SCREW	103106 108120	6
	35 AN960PD10L		..WASHER	103106 108120	6
	40 NAS43DD3-75		..SPACER	103106 108120	6

MISSING ITEM NUMBERS NOT APPLICABLE

- ITEM NOT ILLUSTRATED

29-11-51-86A

29-11-51
FIG. 86A
PAGE 1
JAN 20/09

BRI

BOEING PROPRIETARY - Copyright © - Unpublished Work - See title page for details.

BOEING
757
PARTS CATALOG (MAINTENANCE)

FIG ITEM	PART NUMBER	1 2 3 4 5 6 7	NOMENCLATURE	EFFECT FROM TO	UNITS PER ASSY
86A 45	BRH10A3	..	NUT SUPPLIER CODE: V52828 SPECIFICATION NUMBER: BACN10JC3 OPTIONAL PART: H10-3BAC V15653 NS202101-02 V80539 RMLH9075-3W V72962 VN303A02 V92215 96-02 V80539 T6S1032J V11815	103106 108120	6
50	270N2000-810	..	CHANNEL	103106 108120	3
55	270N2000-422	..	BLOCK	103106 108120	6
60	271N6461-1207	.TUBE ASSY-RETURN SYS POSITION DATA: L	TUBING MATERIAL: .625 IN. OD .035 IN. WALL 58.3 IN. LG ALUMINUM AMS 4083 6061 T6 TUBING	103106 108120	1
65	271N6461-1155	.TUBE ASSY-PRESSURE SYS POSITION DATA: L	TUBING MATERIAL: .625 IN. OD .032 IN. WALL 60.3 IN. LG TITANIUM BMS 7-234 TI-3AL-2.5V COLD WORKED, STRESS RELIEVED TUBING	103106 108120	1
70	271N6461-1066	.TUBE ASSY-PRESSURE SYS POSITION DATA: R	TUBING MATERIAL: .625 IN. OD .032 IN. WALL 36.1 IN. LG TITANIUM BMS 7-234 TI-3AL-2.5V COLD WORKED, STRESS RELIEVED TUBING	103106 108120	1

MISSING ITEM NUMBERS NOT APPLICABLE

— ITEM NOT ILLUSTRATED

BRI

29-11-51-86A

BOEING PROPRIETARY - Copyright © - Unpublished Work - See title page for details.

29-11-51
FIG. 86A
PAGE 2
JAN 20/09



757

PARTS CATALOG (MAINTENANCE)

FIG ITEM	PART NUMBER	1 2 3 4 5 6 7	NOMENCLATURE	EFFECT FROM TO	UNITS PER ASSY
86A 75	271N6461-1067		.TUBE ASSY-RETURN SYS POSITION DATA: R TUBING MATERIAL: .625 IN. OD .035 IN. WALL 40.4 IN. LG ALUMINUM AMS 4083 6061 T6 TUBING	103106 108120	1
80	271N6461-1086		.TUBE ASSY-PRESSURE SYS POSITION DATA: R TUBING MATERIAL: .625 IN. OD .032 IN. WALL 23.3 IN. LG TITANIUM BMS 7-234 TI-3AL-2.5V COLD WORKED, STRESS RELIEVED TUBING	103106 108120	1
85	271N6461-1087		.TUBE ASSY-RETURN SYS POSITION DATA: R TUBING MATERIAL: .625 IN. OD .035 IN. WALL 24.8 IN. LG ALUMINUM AMS 4083 6061 T6 TUBING	103106 108120	1
90	D10282J10		.UNION SUPPLIER CODE: V14798 SPECIFICATION NUMBER: BACU24BS1010D	103106 108120	1
95	D10282J10		.UNION SUPPLIER CODE: V14798 SPECIFICATION NUMBER: BACU24BS1010J	103106 108120	1
100	D10282D10		.UNION- SUPPLIER CODE: V14798	103106 108120	1
105	D10282-10		.UNION- SUPPLIER CODE: V14798	103106 108120	1
110	D10203J10		.ADAPTER SUPPLIER CODE: V14798 SPECIFICATION NUMBER: BACA14BP1010J	103106 108120	1

MISSING ITEM NUMBERS NOT APPLICABLE

- ITEM NOT ILLUSTRATED

29-11-51-86A

29-11-51
FIG. 86A
PAGE 3
JAN 20/09

BRI

BOEING PROPRIETARY - Copyright © - Unpublished Work - See title page for details.



757

PARTS CATALOG (MAINTENANCE)

FIG ITEM	PART NUMBER	1 2 3 4 5 6 7	NOMENCLATURE	EFFECT FROM TO	UNITS PER ASSY
86A 115	D10203D10	.	ADAPTER SUPPLIER CODE: V14798 SPECIFICATION NUMBER: BACA14BP1010D	103106 108120	1
120	NAS1149D1416J	.	WASHER	103106 108120	2
125	AN924-10D	.	NUT	103106 108120	2
900			ILLUSTRATION REFERENCE: PLUMBING INSTL-SECT. 46 HYDR (RUDDER AND ELEVATOR HYDRAULIC SYSTEMS ONLY) 27-23-51-31A	103106 108120	RF
905			ILLUSTRATION REFERENCE: PLUMBING INSTL-4-DOOR/ PKG FREIGHTER MINOR MODEL 29-11-84-01	108120	RF
910			ILLUSTRATION REFERENCE: PLUMBING INSTL-4-DOOR, NO GALLEY CHILLERS 29-11-51-88	108120	RF
915			ILLUSTRATION REFERENCE: PLUMBING INSTL-SECT. 46 HYDR (ELEVATOR CONTROL SYSTEM ONLY) 27-31-51-30A	108120	RF

MISSING ITEM NUMBERS NOT APPLICABLE

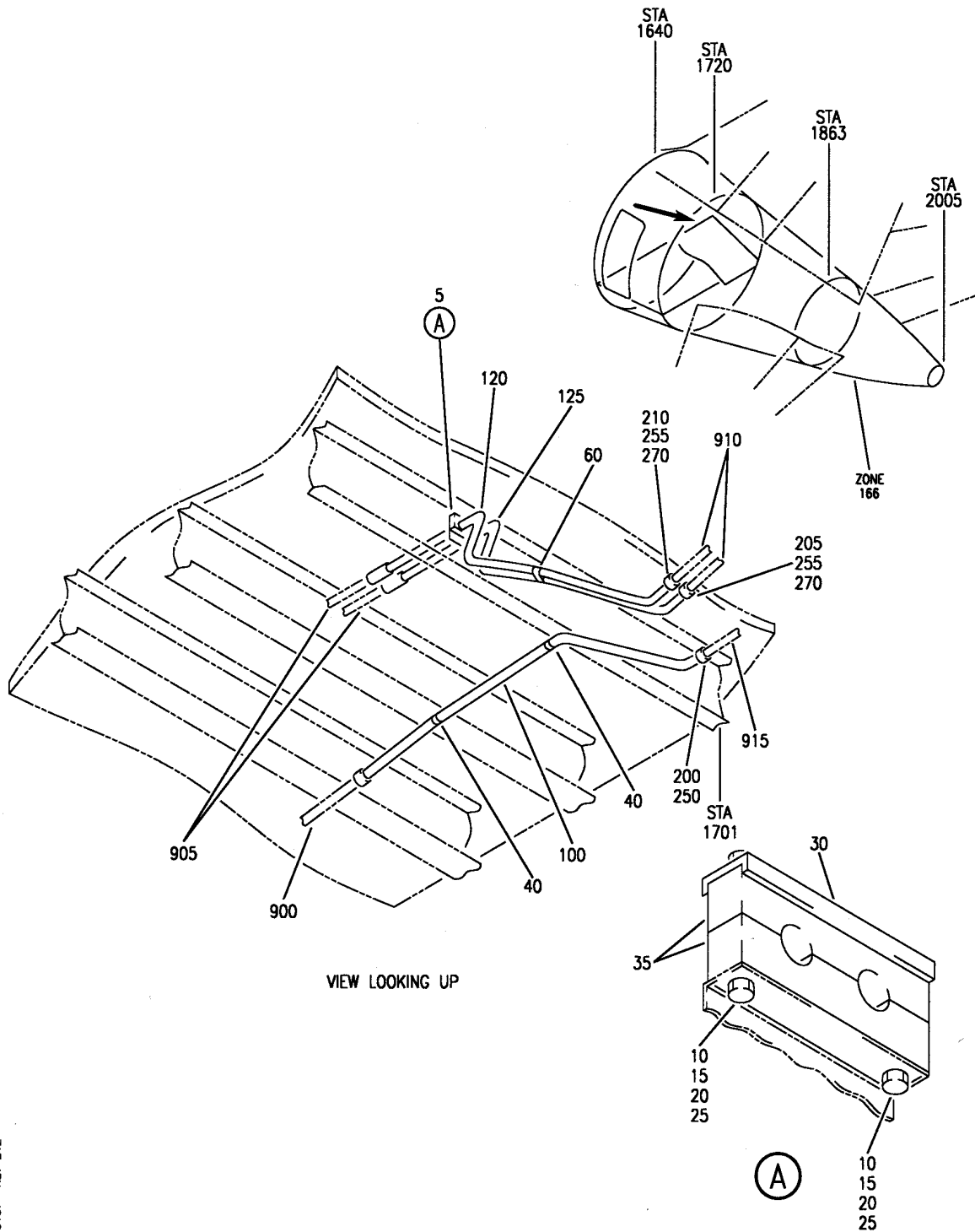
- ITEM NOT ILLUSTRATED

29-11-51-86A

29-11-51
FIG. 86A
PAGE 4
JAN 20/09

BRI

BOEING
757
PARTS CATALOG (MAINTENANCE)



Y 29115187 REV 212

PLUMBING INSTL-HYDR SECT. 46
FIGURE 87

29-11-51-87

BRI
MAY 28/07

29-11-51-87
PAGE 0



757

PARTS CATALOG (MAINTENANCE)

FIG ITEM	PART NUMBER	1 2 3 4 5 6 7	NOMENCLATURE	EFFECT FROM TO	UNITS PER ASSY
87			PLUMBING INSTL-HYDR	101102	
- 1	271N6461-19		SECT. 46 PLUMBING INSTL-HYDR	101102	RF
			POSITION DATA:		
			SECT. 46		
			FOR NHA SEE:		
			29-00-51-05B		
5	270N2000-15		.CLAMP ASSY-	101102	1
			POSITION DATA:		
			STA 1701 RBL 30		
10	NAS1801-3-28		..SCREW	101102	2
15	NAS43DD3-75		..SPACER	101102	2
20	AN960PD10L		..WASHER	101102	2
25	BRH10A3		..NUT	101102	2
			SUPPLIER CODE:		
			V52828		
			SPECIFICATION NUMBER:		
			BACN10JC3		
			OPTIONAL PART:		
			H10-3BAC		
			V15653		
			NS202101-02		
			V80539		
			RMLH9075-3W		
			V72962		
			VN303A02		
			V92215		
			96-02		
			V80539		
			T6S1032J		
			V11815		
30	270N2000-810		..CHANNEL	101102	1
35	270N2000-422		..BLOCK	101102	2
40	M85052-2-6		.CLAMP-	101102	2
			POSITION DATA:		
			STA 1701 RBL 45		
			STA 1681.8 RBL 45		
			ATTACHING PARTS		
- 45	NAS1801-3		.SCREW-	101102	4
			SIZE DETERMINED ON INSTL.		
- 50	AN960JD10J		.WASHER	101102	4

MISSING ITEM NUMBERS NOT APPLICABLE

- ITEM NOT ILLUSTRATED

29-11-51-87

29-11-51
FIG. 87
PAGE 1
JAN 20/09

BRI



**757
PARTS CATALOG (MAINTENANCE)**

FIG ITEM	PART NUMBER	1 2 3 4 5 6 7	NOMENCLATURE	EFFECT FROM TO	UNITS PER ASSY
87					
- 55	BRH10A3	.NUT	SUPPLIER CODE: V52828 SPECIFICATION NUMBER: BACN10JC3 OPTIONAL PART: H10-3BAC V15653 NS202101-02 V80539 RMLH9075-3W V72962 VN303A02 V92215 96-02 V80539 T6S1032J V11815	101102	4
		-----*			
60	M85052-2-10	.CLAMP-FLOATING	ATTACHING PARTS	101102	2
- 65	NAS1801-3	.SCREW-	SIZE DETERMINED ON INSTL.	101102	1
- 70	AN960JD10J	.WASHER		101102	1
- 75	BRH10A3	.NUT	SUPPLIER CODE: V52828 SPECIFICATION NUMBER: BACN10JC3 OPTIONAL PART: H10-3BAC V15653 NS202101-02 V80539 RMLH9075-3W V72962 VN303A02 V92215 96-02 V80539 T6S1032J V11815	101102	1
		-----*			

MISSING ITEM NUMBERS NOT APPLICABLE

- ITEM NOT ILLUSTRATED

BRI

29-11-51-87

BOEING PROPRIETARY - Copyright © - Unpublished Work - See title page for details.

29-11-51
FIG. 87
PAGE 2
JAN 20/09

 **BOEING**
757
PARTS CATALOG (MAINTENANCE)

FIG ITEM	PART NUMBER	1 2 3 4 5 6 7	NOMENCLATURE	EFFECT FROM TO	UNITS PER ASSY
87 100	271N6461-1163	.	TUBE ASSY-SUPPLY SYS PRESSURE TUBING MATERIAL: 0.375 IN. OD 0.035 IN. WALL 56.7 IN. LG ALUMINUM AMS 4083 6061 T6 TUBING	101102	1
- 105	AP2097HP06	..	SLEEVE SUPPLIER CODE: V01673 SPECIFICATION NUMBER: BACS13BX06HP OPTIONAL PART: 2-02903-06HP V11328 35235VN06 V08199 AFP175V06P V30974 DBOS13BX06HP V14798	101102	1
- 110	BACN10YL06	..	NUT	101102	1
- 115	BACU24AB06W	..	UNION	101102	1
120	271N6461-1234	.	TUBE ASSY-R SYS PRESSURE TUBING MATERIAL: 0.625 IN. OD 0.035 IN. WALL 43.7 IN. LG TITANIUM BMS 7-234 TI-3AL-2.5V COLD WORKED, STRESS RELIEVED TUBING	101102	1
125	271N6461-1235	.	TUBE ASSY-R SYS RETURN TUBING MATERIAL: 0.625 IN, OD 0.032 IN. WALL 40.5 IN. LG TITANIUM BMS 7-234 TI-3AL-2.5V COLD WORKED, STRESS RELIEVED TUBING	101102	1

MISSING ITEM NUMBERS NOT APPLICABLE

- ITEM NOT ILLUSTRATED

BRI

29-11-51-87

BOEING PROPRIETARY - Copyright © - Unpublished Work - See title page for details.

29-11-51
FIG. 87
PAGE 3
JAN 20/09



757

PARTS CATALOG (MAINTENANCE)

FIG ITEM	PART NUMBER	1 2 3 4 5 6 7	NOMENCLATURE	EFFECT FROM TO	UNITS PER ASSY
87 200	AFP821D6	.	UNION SUPPLIER CODE: V30974 SPECIFICATION NUMBER: BACU24E6D OPTIONAL PART: AP1003-06 V01673 DBOU24E6D V14798 ER01725 V88334 GR224E6D V84368 2-01001D6 V11328 31739-6D V14397	101102	1
205	D10203D10	.	UNION- SUPPLIER CODE: V14798	101102	1
210	D10203-10	.	UNION- SUPPLIER CODE: V14798	101102	1
250	AN924-6D	.	NUT	101102	1
255	AN924-10D	.	NUT	101102	2
270	AN960JD1416	.	WASHER	101102	2
900			ILLUSTRATION REFERENCE: PLUMBING INSTL-SECT. 46 HYDR (ELEVATOR CONTROL SYSTEM ONLY) 27-31-51-30A	101102	RF
905			ILLUSTRATION REFERENCE: PLUMBING INSTL-SECT. 46 HYDR (RUDDER AND ELEVATOR HYDRAULIC SYSTEMS ONLY) 27-23-51-31A	101102	RF
910			ILLUSTRATION REFERENCE: PLUMBING INSTL-SECT. 48 R HYDR (HORIZONTAL STABILIZER TRIM CONTROL ONLY) 27-41-51-24	101102	RF
915			ILLUSTRATION REFERENCE: PLUMBING INSTL-SECT. 48 (RUDDER AND ELEVATOR HYDRAULIC SYSTEMS ONLY) 27-23-00-02	101102	RF

MISSING ITEM NUMBERS NOT APPLICABLE

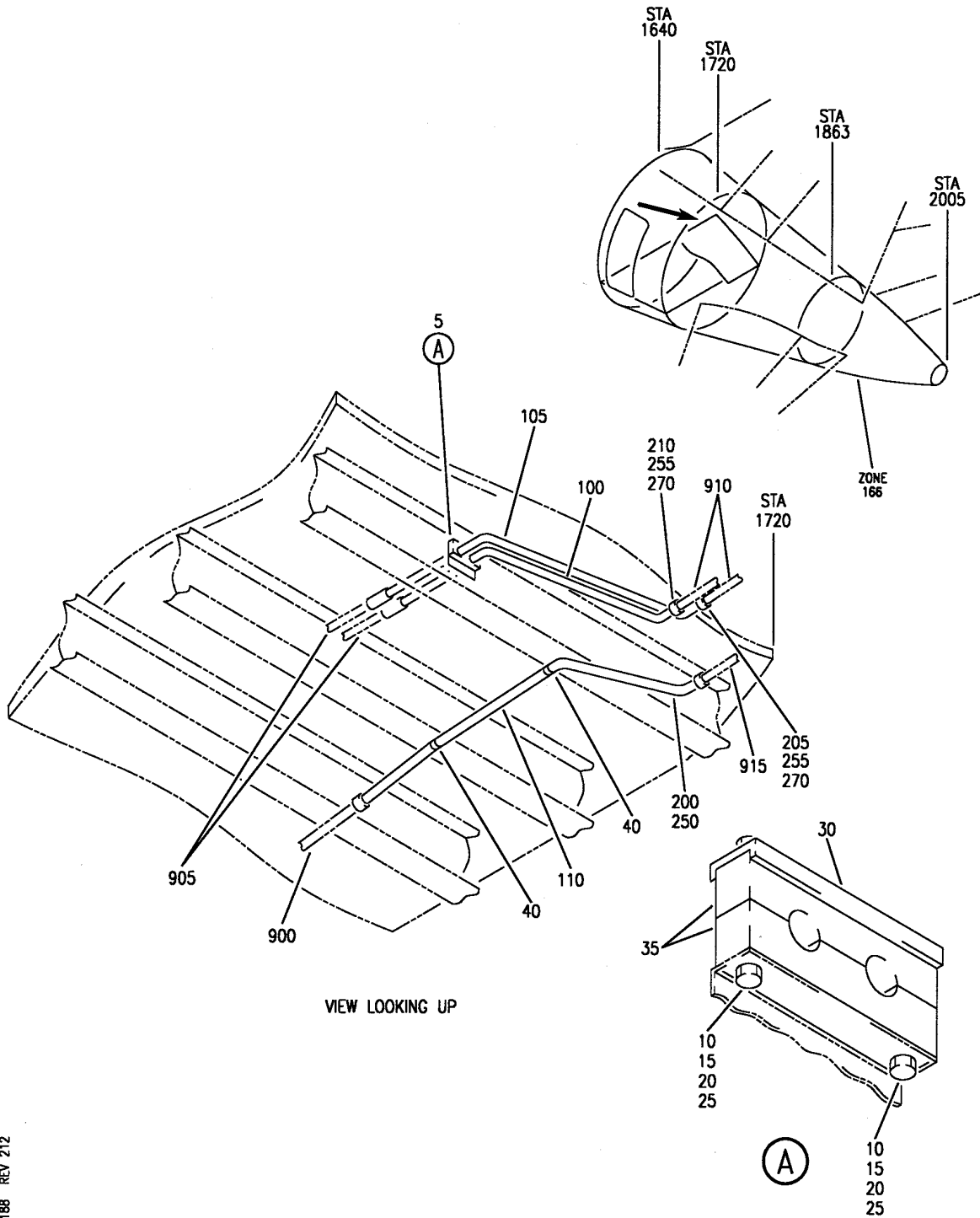
- ITEM NOT ILLUSTRATED

29-11-51-87

29-11-51
FIG. 87
PAGE 4
JAN 20/09

BRI

BOEING
757
PARTS CATALOG (MAINTENANCE)



Y 29115188 REV 212

PLUMBING INSTL-4-DOOR, NO GALLEY CHILLERS
FIGURE 88

29-11-51-88

BRI
JAN 20/09

29-11-51-88
PAGE 0



757

PARTS CATALOG (MAINTENANCE)

FIG ITEM	PART NUMBER	1 2 3 4 5 6 7	NOMENCLATURE	EFFECT FROM TO	UNITS PER ASSY
88			PLUMBING INSTL-4-DOOR, NO GALLEY CHILLERS	108120 504903	
- 1	271N6461-20		PLUMBING INSTL-4-DOOR, NO GALLEY CHILLERS FOR NHA SEE: 29-00-51-05B	108120 504903	RF
5	270N2000-15		.CLAMP ASSY- POSITION DATA: STA 1701 RBL 30	108120 504903	1
10	NAS1801-3-28		..SCREW	108120 504903	2
15	NAS43DD3-75		..SPACER	108120 504903	2
20	AN960PD10L		..WASHER	108120 504903	2
25	BRH10A3		..NUT SUPPLIER CODE: V52828 SPECIFICATION NUMBER: BACN10JC3 OPTIONAL PART: H10-3BAC V15653 NS202101-02 V80539 RMLH9075-3W V72962 VN303A02 V92215 96-02 V80539 T6S1032J V11815	108120 504903	2
30	270N2000-810		..CHANNEL	108120 504903	1
35	270N2000-422		..BLOCK	108120 504903	2
40	M85052-2-6		.CLAMP- POSITION DATA: STA 1701 RBL 45 STA 1681.8 RBL 45	108120 504903	2
- 45	NAS1801-3		ATTACHING PARTS .SCREW- SIZE DETERMINED ON INSTL.	108120 504903	4
- 50	AN960JD10J		.WASHER	108120 504903	4

MISSING ITEM NUMBERS NOT APPLICABLE

- ITEM NOT ILLUSTRATED

29-11-51-88

29-11-51
FIG. 88
PAGE 1
JAN 20/09

BRI



757

PARTS CATALOG (MAINTENANCE)

FIG ITEM	PART NUMBER	1 2 3 4 5 6 7	NOMENCLATURE	EFFECT FROM TO	UNITS PER ASSY
88 - 55	BRH10A3	.	NUT SUPPLIER CODE: V52828 SPECIFICATION NUMBER: BACN10JC3 OPTIONAL PART: H10-3BAC V15653 NS202101-02 V80539 RMLH9075-3W V72962 VN303A02 V92215 96-02 V80539 T6S1032J V11815 -----*-----	108120 504903	4
100	271N6461-1068	.	TUBE ASSY-R SYS PRESSURE TUBING MATERIAL: .625 IN. OD .032 IN. WALL 36.3 IN. LG TITANIUM BMS 7-234 TI-3AL-2.5V COLD WORKED, STRESS RELIEVED TUBING	108120 504903	1
105	271N6461-1069	.	TUBE ASSY-R SYS RETURN TUBING MATERIAL: .625 IN. OD .035 IN. WALL 35.1 IN. LG ALUMINUM AMS 4083 STRESS RELIEVED TUBING	108120 504903	1
110	271N6461-1125	.	TUBE ASSY-SUPPLY SYS PRESSURE TUBING MATERIAL: 0.375 IN. OD 0.035 IN. WALL 56.40 IN. WALL ALUMINUM AMS 4083 6061 T6 TUBING	108120 504903	1

MISSING ITEM NUMBERS NOT APPLICABLE

- ITEM NOT ILLUSTRATED

BRI

29-11-51-88

29-11-51
FIG. 88
PAGE 2
JAN 20/09



757

PARTS CATALOG (MAINTENANCE)

FIG ITEM	PART NUMBER	1 2 3 4 5 6 7	NOMENCLATURE	EFFECT FROM TO	UNITS PER ASSY
88					
- 115	AP2097HP06	..	SLEEVE SUPPLIER CODE: V01673 SPECIFICATION NUMBER: BACS13BX06HP OPTIONAL PART: 2-02903-06HP V11328 35235VN06 V08199 AFP175V06P V30974 DBOS13BX06HP V14798	108120 504903	1
- 120	BACN10YLO6	..	NUT	108120 504903	1
- 125	BACU24AB06W	..	UNION	108120 504903	1
200	AFP821D6	.UNION	UNION SUPPLIER CODE: V30974 SPECIFICATION NUMBER: BACU24E6D OPTIONAL PART: AP1003-06 V01673 DBOU24E6D V14798 ER01725 V88334 GR224E6D V84368 2-01001D6 V11328 31739-6D V14397	108120 504903	1
205	D10203D10	.UNION-	UNION- SUPPLIER CODE: V14798	108120 504903	1
210	D10203-10	.UNION-	UNION- SUPPLIER CODE: V14798	108120 504903	1
250	AN924-6D	.NUT	NUT	108120 504903	1
255	AN924-10D	.NUT	NUT	108120 504903	2
270	AN960JD1416	.WASHER	WASHER	108120 504903	2

MISSING ITEM NUMBERS NOT APPLICABLE

- ITEM NOT ILLUSTRATED

29-11-51-88

29-11-51
FIG. 88
PAGE 3
JAN 20/09

BRI

BOEING PROPRIETARY - Copyright © - Unpublished Work - See title page for details.



757

PARTS CATALOG (MAINTENANCE)

FIG ITEM	PART NUMBER	1 2 3 4 5 6 7	NOMENCLATURE	EFFECT FROM TO	UNITS PER ASSY
88 900			ILLUSTRATION REFERENCE: PLUMBING INSTL-SECT. 46 HYDR (ELEVATOR CONTROL SYSTEM ONLY) 27-31-51-30A	108120 504903	RF
905			ILLUSTRATION REFERENCE: PLUMBING INSTL-SECT. 46 HYDR (RUDDER AND ELEVATOR HYDRAULIC SYSTEMS ONLY) 27-23-51-31A	108120 504903	RF
910			ILLUSTRATION REFERENCE: PLUMBING INSTL-SECT. 48 R HYDR (HORIZONTAL STABILIZER TRIM CONTROL ONLY) 27-41-51-24	108120 504903	RF
915			ILLUSTRATION REFERENCE: PLUMBING INSTL-SECT. 48 R HYDR (HORIZONTAL STABILIZER TRIM CONTROL ONLY) 27-41-51-24	108120 504903	RF

MISSING ITEM NUMBERS NOT APPLICABLE

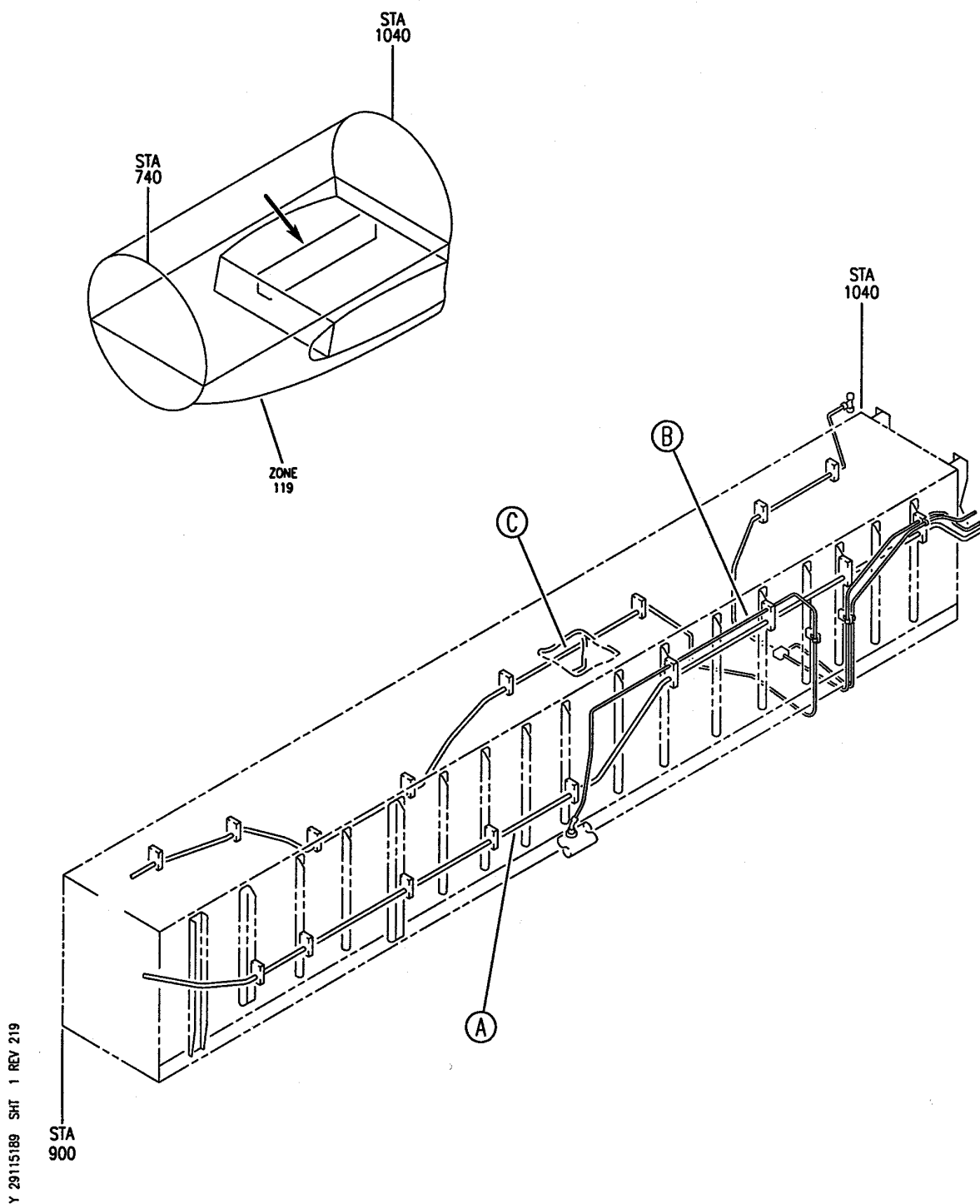
- ITEM NOT ILLUSTRATED

BRI

29-11-51-88

29-11-51
FIG. 88
PAGE 4
JAN 20/09

BOEING
757
PARTS CATALOG (MAINTENANCE)



Y 29115189 SH1 1 REV 219

STA
900

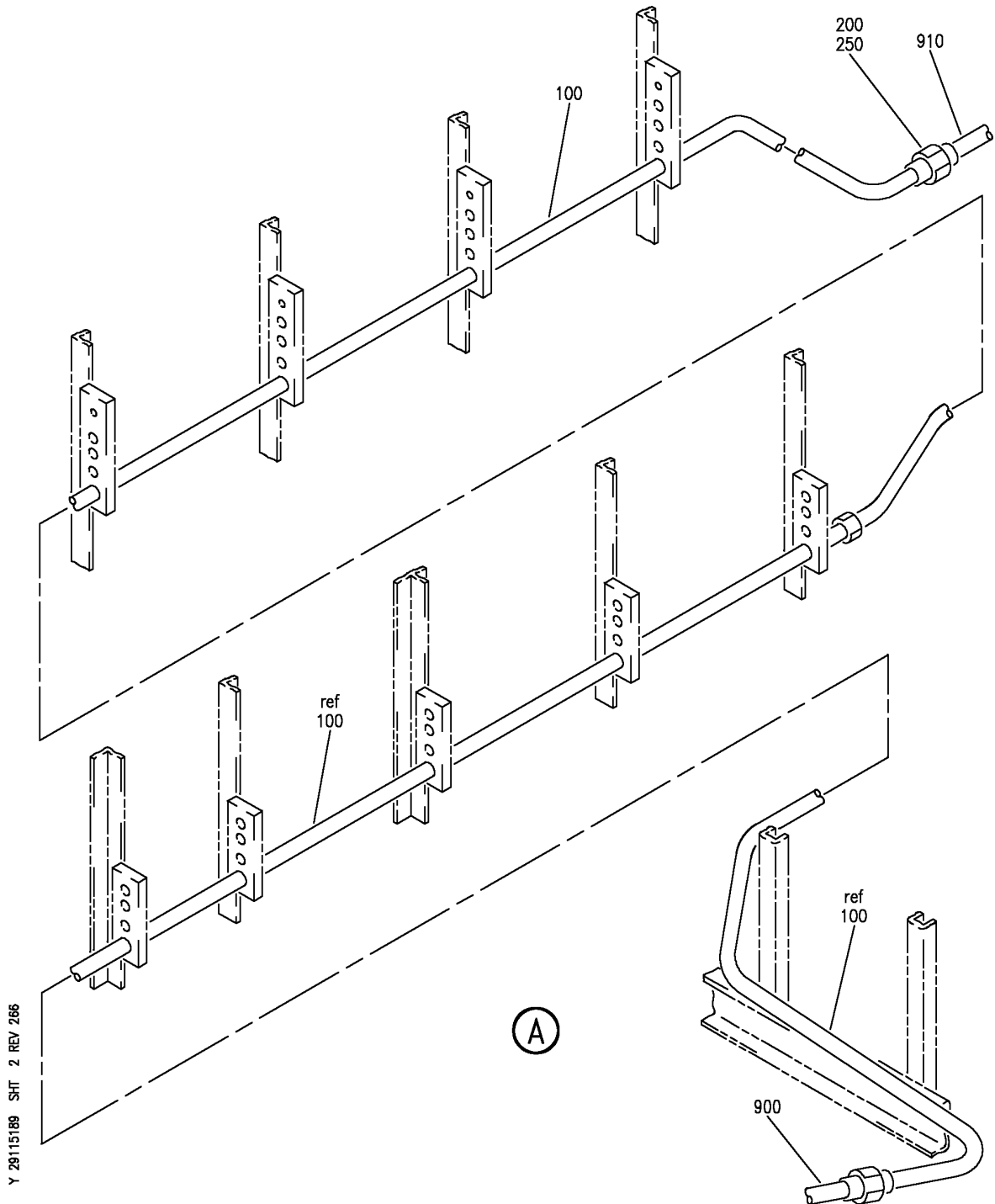
PLUMBING INSTL-SECT. 44 AND SECT. 49 AC BAY
FIGURE 89 (SHEET 1)

29-11-51-89

BRI
MAY 28/07

29-11-51-89
PAGE 0

BOEING
757
PARTS CATALOG (MAINTENANCE)



Y 29115189 SH1 2 REV 266

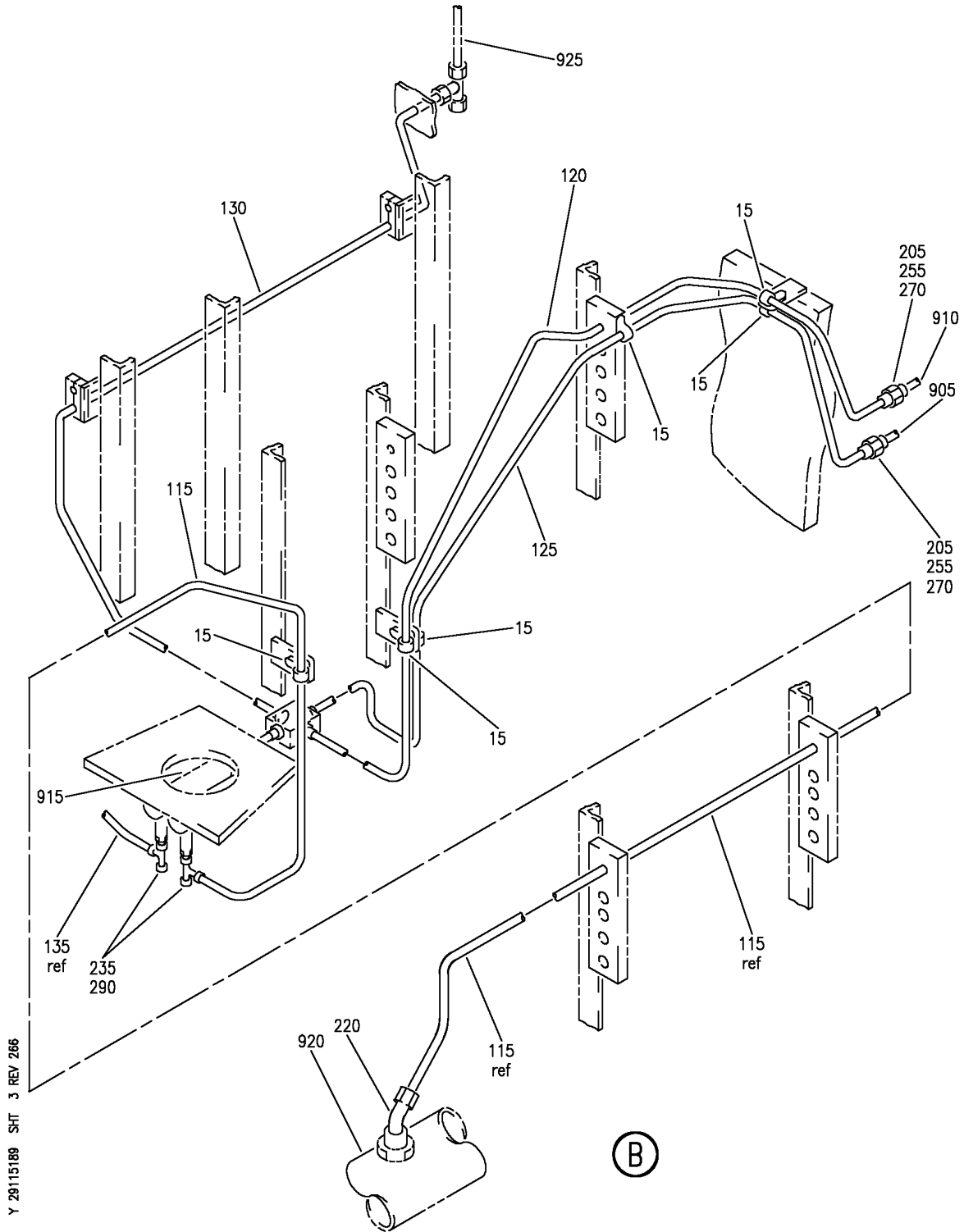
PLUMBING INSTL-SECT. 44 AND SECT. 49 AC BAY
FIGURE 89 (SHEET 2)

29-11-51-89

BRI
MAY 28/07

29-11-51-89
PAGE 0A

BOEING
757
PARTS CATALOG (MAINTENANCE)



Y 29115188 SHT 3 REV 266

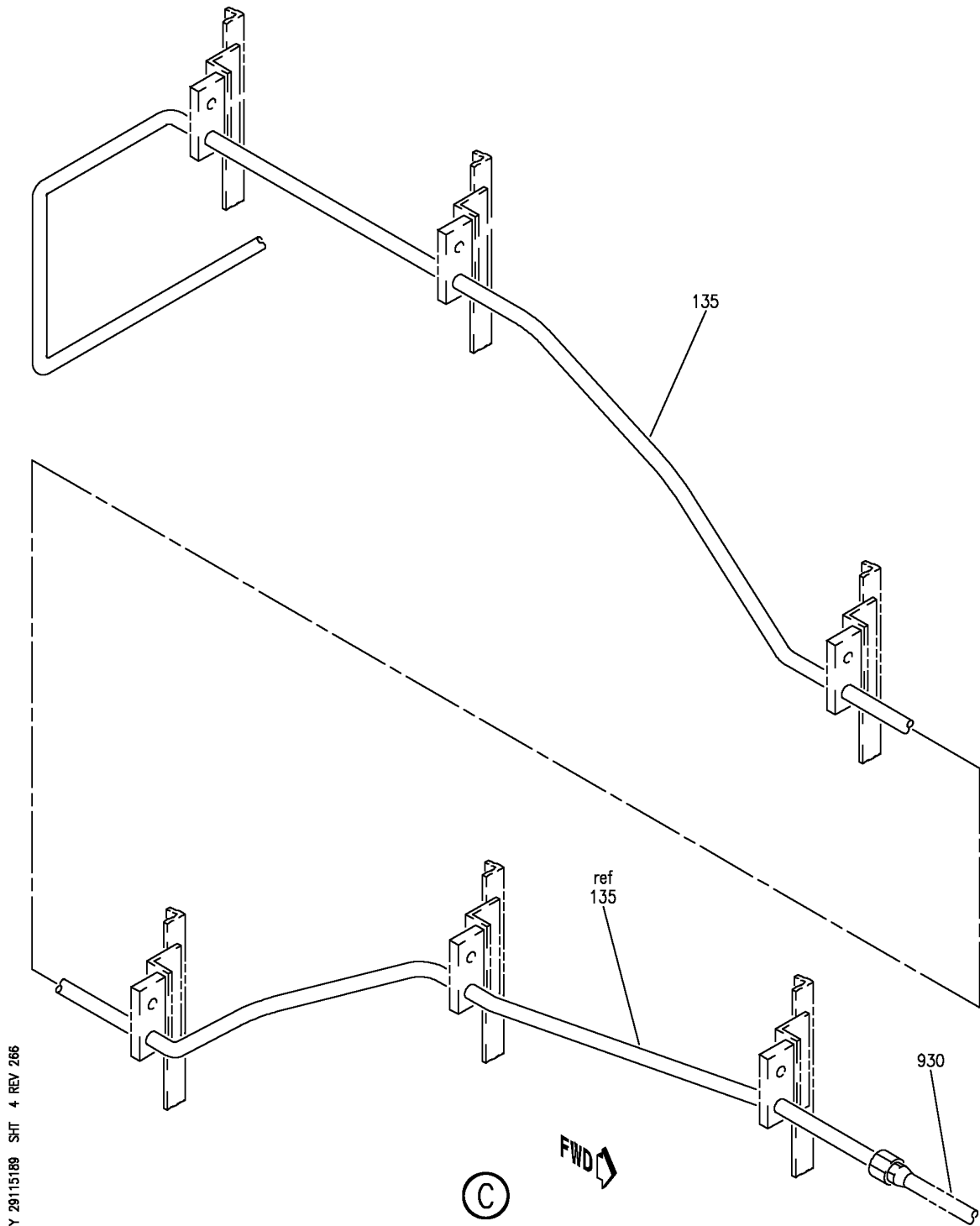
PLUMBING INSTL-SECT. 44 AND SECT. 49 AC BAY
FIGURE 89 (SHEET 3)

29-11-51-89

BRI
MAY 28/07

29-11-51-89
PAGE 0B

BOEING
757
PARTS CATALOG (MAINTENANCE)



Y 29115189 SH1 4 REV 266

PLUMBING INSTL-SECT. 44 AND SECT. 49 AC BAY
FIGURE 89 (SHEET 4)

29-11-51-89

BRI
MAY 28/07

29-11-51-89
PAGE 0C



757

PARTS CATALOG (MAINTENANCE)

FIG ITEM	PART NUMBER	1 2 3 4 5 6 7	NOMENCLATURE	EFFECT FROM TO	UNITS PER ASSY
89			PLUMBING INSTL-SECT. 44 AND SECT. 49 AC BAY	101106 108120 504903	
- 1	271N6491-6		PLUMBING INSTL-AC BAY HYDR POSITION DATA: SECT. 44 AND SECT. 49 FOR NHA SEE: 29-00-51-02B	101102 108120 504903	RF
- 1	MODREF31268		PLUMBING INSTL-AC BAY HYDR MODULE NUMBER: 271N6491-6 REV B POSITION DATA: SECT. 44 AND SECT. 49	103106	1
15	M85052-2-4		.CLAMP	101106 108120 504903	6
- 20	NAS1801-3		ATTACHING PARTS .SCREW- SIZE DETERMINED ON INSTL.	101106 108120 504903	6
- 25	AN960PD10L		.WASHER	101106 108120 504903	6
- 30	BRH10A3		.NUT SUPPLIER CODE: V52828 SPECIFICATION NUMBER: BACN10JC3 OPTIONAL PART: H10-3BAC V15653 NS202101-02 V80539 RMLH9075-3W V72962 VN303A02 V92215 96-02 V80539 T6S1032J V11815	101106 108120 504903	6
100	271N6491-1036		-----*----- .TUBE ASSY-L SYS RETURN TUBING MATERIAL: .750 IN. OD .035 IN. WALL 173.60 IN. LG AL AMS 4083 6061 T6 TUBING	101106 108120 504903	1

MISSING ITEM NUMBERS NOT APPLICABLE

- ITEM NOT ILLUSTRATED

BRI

29-11-51-89

29-11-51
FIG. 89
PAGE 1
JAN 20/09



757

PARTS CATALOG (MAINTENANCE)

FIG ITEM	PART NUMBER	1 2 3 4 5 6 7	NOMENCLATURE	EFFECT FROM TO	UNITS PER ASSY
89					
- 105	AP2097HP12	..	SLEEVE SUPPLIER CODE: V01673 SPECIFICATION NUMBER: BACS13BX12HP OPTIONAL PART: 2-02903-12HP V11328 35235VN12 V08199 AFP175V12P V30974 DBOS13BX12HP V14798	101106 108120 504903	2
- 110	BACN10YL12	..	NUT	101106 108120 504903	2
115	271N6491-1075	.TUBE	ASSY-C HYDR REVR PRESSURE TUBING MATERIAL: 1/4 TI	101106 108120 504903	1
120	271N6491-1076	.TUBE	ASSY-L HYDR REVR PRESSURE TUBING MATERIAL: 1/4 TI	101106 108120 504903	1
125	271N6491-1077	.TUBE	ASSY-C HYDR REVR PRESSURE TUBING MATERIAL: 1/4 TI	101106 108120 504903	1
130	271N6491-1078	.TUBE	ASSY-R HYDR REVR PRESSURE TUBING MATERIAL: 1/4 TI	101106 108120 504903	1
135	271N6491-1079	.TUBE	ASSY-C HYDR REVR PRESSURE TUBING MATERIAL: 1/4 TI	101106 108120 504903	1
- 140	AS1581T04	..	SLEEVE	101106 108120 504903	2
- 145	BACN10YA4L	..	NUT	101106 108120 504903	2
200	MS21924D12	.UNION		101106 108120 504903	1

MISSING ITEM NUMBERS NOT APPLICABLE

- ITEM NOT ILLUSTRATED

29-11-51-89

29-11-51
FIG. 89
PAGE 2
JAN 20/09

BRI

BOEING PROPRIETARY - Copyright © - Unpublished Work - See title page for details.



757

PARTS CATALOG (MAINTENANCE)

FIG ITEM	PART NUMBER	1 2 3 4 5 6 7	NOMENCLATURE	EFFECT FROM TO	UNITS PER ASSY
89 205	APX832T0604	.	UNION SUPPLIER CODE: V01673 SPECIFICATION NUMBER: BACU24AA0604T OPTIONAL PART: ER832-0604T V50948 2-010890604T V11328 AFP238-0604T V30974 APX832-0604T V01673 DBOU24AA0604T V61498 FER1579-0604T V14397 US2113-0604T V50808 2-01089T0604 V11328	101106 108120 504903	RF
220	NAS1761J0604	.	ELBOW	101106 108120 504903	RF
235	NAS1763J040604	.	TEE	101106 108120 504903	RF
250	AN924-12D	.	NUT	101106 108120 504903	1
255	AN924-6D	.	NUT	101106 108120 504903	RF
270	AN960JD916	.	WASHER	101106 108120 504903	RF
290	69B83900-2	.	CAP ASSY- MISCELLANEOUS DATA: NOT AN INITIAL PROVISIONING SPARE ALTERED FROM PART NUMBER: BACC14AD06JL	101106 108120 504903	RF
900			ILLUSTRATION REFERENCE: PLUMBING INSTL-SECT. 49 AND SECT. 44 AC BAY HYDR 27-81-51-40A	101106 108120 504903	RF

MISSING ITEM NUMBERS NOT APPLICABLE

- ITEM NOT ILLUSTRATED

29-11-51-89

29-11-51
FIG. 89
PAGE 3
JAN 20/09

BRI



757

PARTS CATALOG (MAINTENANCE)

FIG ITEM	PART NUMBER	1 2 3 4 5 6 7	NOMENCLATURE	EFFECT FROM TO	UNITS PER ASSY
89					
905			ILLUSTRATION REFERENCE: PLUMBING INSTL-HYDR, MLG WHL WELL, KEEL BEAM 29-11-51-94	101106 108120 504903	RF
910			ILLUSTRATION REFERENCE: PLUMBING INSTL-MAIN WHL WELL FWD BHD HYDR 29-11-51-78	101106 108120 504903	RF
915			ILLUSTRATION REFERENCE: MODULE INSTL-RSVR PRESSURIZATION (HYDRAULIC POWER ONLY) 29-11-16-05	101106 108120 504903	RF
925			ILLUSTRATION REFERENCE: PLUMBING INSTL-MAIN WHL WELL FWD BHD HYDR 29-11-51-78	101106 108120 504903	RF
930			ILLUSTRATION REFERENCE: PLUMBING INSTL-SECT. 44 AC BAY HYDR 29-11-51-23A	101106 108120 504903	RF

MISSING ITEM NUMBERS NOT APPLICABLE

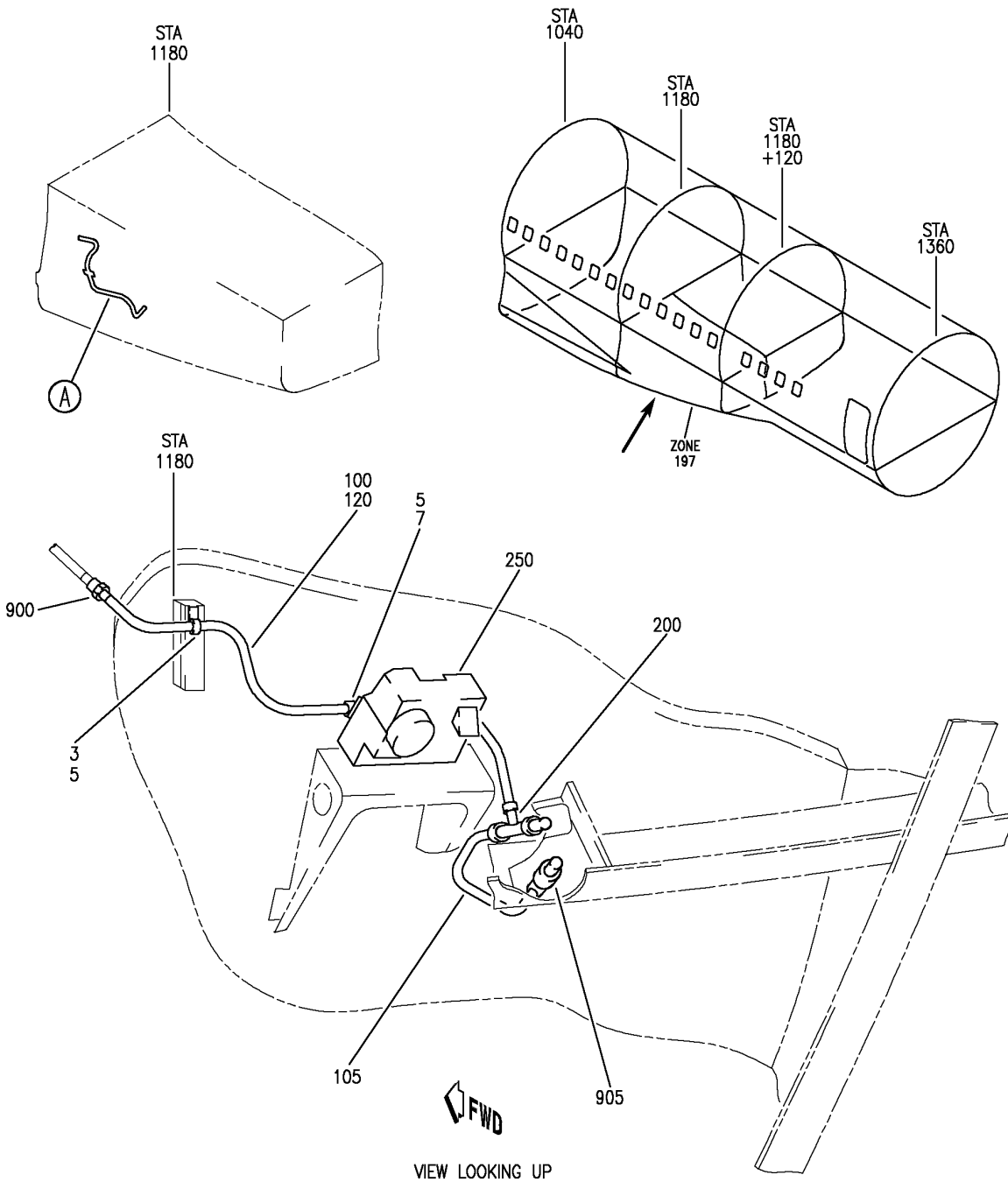
- ITEM NOT ILLUSTRATED

29-11-51-89

29-11-51
FIG. 89
PAGE 4
JAN 20/09

BRI

BOEING
757
PARTS CATALOG (MAINTENANCE)



Y 29115190 REV 334

PLUMBING INSTL-SECT. 49 L HYDR BAY
FIGURE 90

29-11-51-90

BRI
MAY 20/09

29-11-51-90
PAGE 0



757

PARTS CATALOG (MAINTENANCE)

FIG ITEM	PART NUMBER	1 2 3 4 5 6 7	NOMENCLATURE	EFFECT FROM TO	UNITS PER ASSY
90			PLUMBING INSTL-SECT. 49 L HYDR BAY	101106 108120	RF
- 1	271N6492-13		PLUMBING INSTL-SECT. 49 L HYDR BAY	101102 108120	RF
- 1	MODREF30203		FOR NHA SEE: 29-00-51-05B PLUMBING INSTL-SECT. 49 L HYDR BAY	103106	1
	5 M85052-2-4		MODULE NUMBER: 271N6492-13 REV B .CLAMP	101102 108120	2
- 10	NAS1801-3		ATTACHING PARTS .SCREW-	101102 108120	2
- 15	AN960KD10L		SIZE DETERMINED ON INSTL. .WASHER	101102 108120	2
- 20	MS21042L3		.NUT	101102 108120	2
			-----*-----		
100	271N6492-1096		.TUBE ASSY-3000 PSI AIR TUBING MATERIAL: .250 IN. OD .016 IN. WALL 34.7 IN. LG BMS 7-234 TI-3AL-2.5V COLD WORKED, STRESS RELIEVED TUBING	101102 108120	1
105	271N6492-1098		.TUBE ASSY-3000 PSI AIR TUBING MATERIAL: .250 IN. OD .016 IN. WALL 10.2 IN. LG BMS 7-234 TI-3AL-2.5V COLD WORKED, STRESS RELIEVED TUBING	101102 108120	1
- 110	AS1581T04		..SLEEVE	101102 108120	2
- 115	BACN10YA4		..NUT-	101102 108120	2
200	BACT16BR040404P		.TEE	101102 108120	1
250	MS9593-040		.BRACKET	101102 108120	1
900			ILLUSTRATION REFERENCE: PLUMBING INSTL-SECT. 44 HYDR MLG WHL WELL AFT BLKHD 29-11-51-85	101106 108120	RF

MISSING ITEM NUMBERS NOT APPLICABLE

- ITEM NOT ILLUSTRATED

BRI

29-11-51-90

29-11-51
FIG. 90
PAGE 1
JAN 20/09



757

PARTS CATALOG (MAINTENANCE)

FIG ITEM	PART NUMBER	1 2 3 4 5 6 7	NOMENCLATURE	EFFECT FROM TO	UNITS PER ASSY
90 905			ILLUSTRATION REFERENCE: GAGE AND BRACKET INSTL HYDR MOTOR/GEN 24-25-04-01	101106 108120	RF

MISSING ITEM NUMBERS NOT APPLICABLE

- ITEM NOT ILLUSTRATED

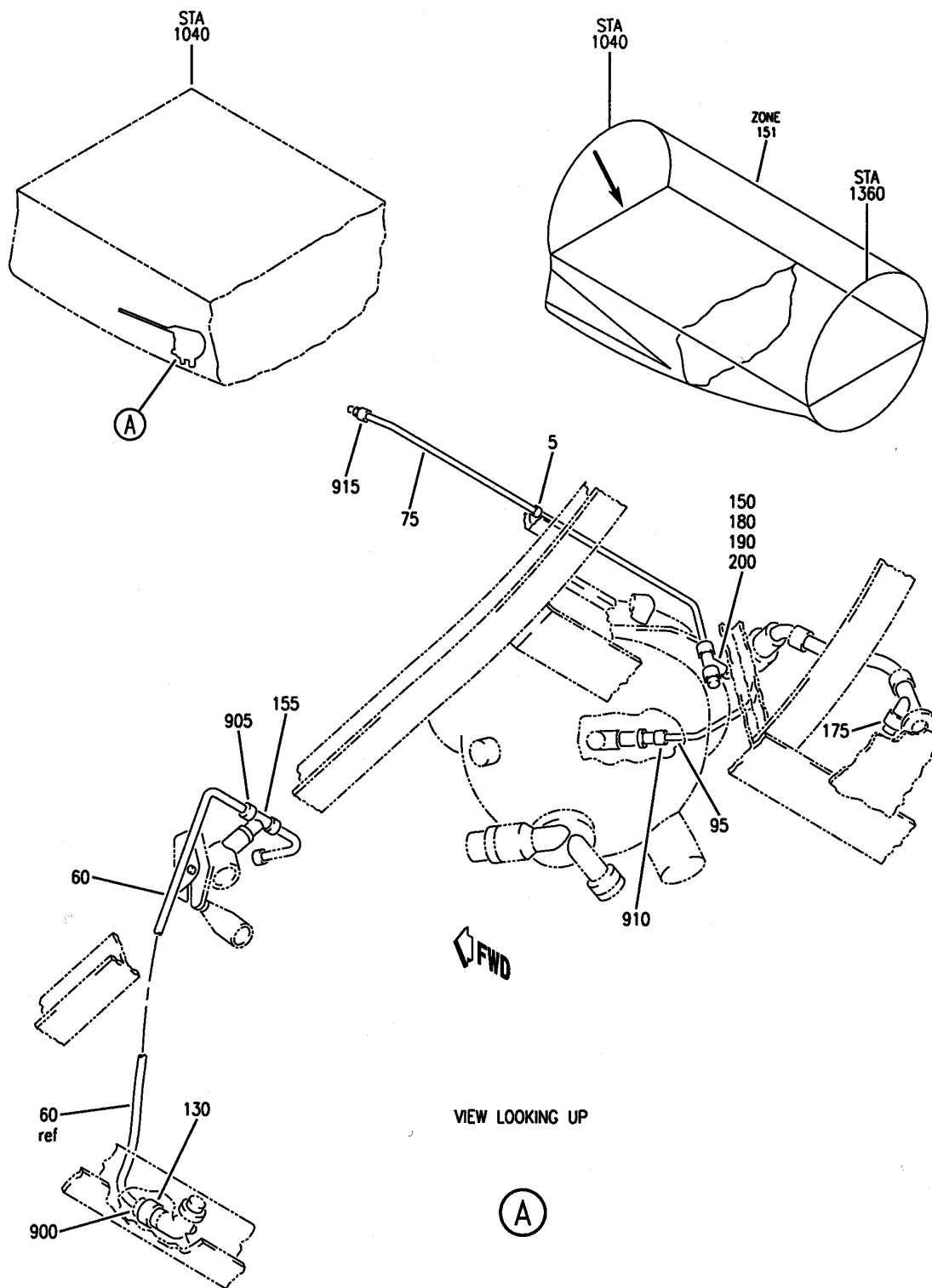
BRI

29-11-51-90

BOEING PROPRIETARY - Copyright © - Unpublished Work - See title page for details.

29-11-51
FIG. 90
PAGE 2
JAN 20/09

BOEING
757
PARTS CATALOG (MAINTENANCE)



Y 29115191 REV 219

PLUMBING INSTL-SECT. 49 L HYDR BAY
FIGURE 91

29-11-51-91

BRI
MAY 28/07

29-11-51-91
PAGE 0



757

PARTS CATALOG (MAINTENANCE)

FIG ITEM	PART NUMBER	1 2 3 4 5 6 7	NOMENCLATURE	EFFECT FROM TO	UNITS PER ASSY
91			PLUMBING INSTL-SECT. 49 L HYDR BAY	101106 108120 504903	
- 1	271N6492-14		PLUMBING INSTL-SECT. 49 L HYDR BAY (HYDRAULIC POWER ONLY) FOR NHA SEE: 29-00-51-02B	101102 504903	RF
- 1	271N6492-10		PLUMBING INSTL-SECT. 49 L HYDR BAY (HYDRAULIC POWER ONLY) FOR NHA SEE: 29-00-51-02B	108120	RF
- 1	MODREF31926		PLUMBING INSTL-SECT. 49 L HYDR BAY (HYDRAULIC POWER ONLY) MODULE NUMBER: 271N6492-10 REV B	103106	1
	5 M85052-2-6		.CLAMP	101106 108120 504903	1
- 10	NAS1801-3		ATTACHING PARTS .SCREW- SIZE DETERMINED ON INSTL.	101106 108120 504903	1
- 15	AN960KD10L		.WASHER	101106 108120 504903	1
- 20	MS21042L3		.NUT	101106 108120 504903	1
			-----*-----		
60	271N6492-1057		.TUBE ASSY-CTR SYS RETURN MANUFACTURED FROM: TUBING AL TUBING MATERIAL: .375 IN. OD .035 IN. WALL 18.6 IN. LG AMS 4083 6061 T6 TUBING	101106 108120 504903	1

MISSING ITEM NUMBERS NOT APPLICABLE

- ITEM NOT ILLUSTRATED

BRI

29-11-51-91

29-11-51
FIG. 91
PAGE 1
JAN 20/09



757

PARTS CATALOG (MAINTENANCE)

FIG ITEM	PART NUMBER	1 2 3 4 5 6 7	NOMENCLATURE	EFFECT FROM TO	UNITS PER ASSY
91					
- 65	AP2097HP06	..	SLEEVE SUPPLIER CODE: V01673 SPECIFICATION NUMBER: BACS13BX06HP OPTIONAL PART: 2-02903-06HP V11328 35235VN06 V08199 AFP175V06P V30974 DBOS13BX06HP V14798	101106 108120 504903	2
- 70	BACN10YL06	..	NUT	101106 108120 504903	2
75	271N6492-1077	.TUBE ASSY-RSVR PRESSURE TUBING MATERIAL: TUBING AL .375 IN. OD .035 IN. WALL 33.3 IN. LG AMS 4083 6061 T6 TUBING		101106 108120 504903	1
- 80	AP2097HP06	..	SLEEVE SUPPLIER CODE: V01673 SPECIFICATION NUMBER: BACS13BX06HP OPTIONAL PART: 2-02903-06HP V11328 35235VN06 V08199 AFP175V06P V30974 DBOS13BX06HP V14798	101106 108120 504903	1
- 85	BACN10YL06	..	NUT	101106 108120 504903	1

MISSING ITEM NUMBERS NOT APPLICABLE

- ITEM NOT ILLUSTRATED

BRI

29-11-51-91

29-11-51
FIG. 91
PAGE 2
JAN 20/09

 **BOEING**
757
PARTS CATALOG (MAINTENANCE)

FIG ITEM	PART NUMBER	1 2 3 4 5 6 7	NOMENCLATURE	EFFECT FROM TO	UNITS PER ASSY
91 - 90	35056GV06	..	UNION SUPPLIER CODE: V08199 SPECIFICATION NUMBER: BACU24AB6W OPTIONAL PART: 2-01027-6W V11328 31875-6W V14397 4671097W6 V50948 AP1004W06 V01673 AFP941W6 V30974 DBOU24AB6W V14798	101106 108120 504903	1
95	271N6492-1099	.TUBE ASSY-RSVR PRESSURE TUBING MATERIAL: TUBING TI .250 IN. OD .016 IN. WALL 20.00 IN. LG		101102 504903	1
95	271N6492-1093	.TUBE ASSY-HYDR RSVR PRESSURE TUBING MATERIAL: .250 IN. OD .016 IN. WALL 16.1 IN. LG BMS 7-234 TI-3AL-2.5V COLD WORKED, STRESS RELIEVED TUBING		103106 108120	1
- 100	AS1581T04	..	SLEEVE	101106 108120 504903	2
- 105	BACN10YA4N	..	NUT	101106 108120 504903	2
130	1C3594	.VALVE SUPPLIER CODE: V99240 SPECIFICATION NUMBER: BACV10CD12 OPTIONAL PART: 0121520900-12 V83533		101106 108120 504903	RF
150	BACT16BM060604J	.TEE		101106 108120 504903	1

MISSING ITEM NUMBERS NOT APPLICABLE

- ITEM NOT ILLUSTRATED

BRI

29-11-51-91

BOEING PROPRIETARY - Copyright © - Unpublished Work - See title page for details.

29-11-51
FIG. 91
PAGE 3
JAN 20/09



757

PARTS CATALOG (MAINTENANCE)

FIG ITEM	PART NUMBER	1 2 3 4 5 6 7	NOMENCLATURE	EFFECT FROM TO	UNITS PER ASSY
91 155	NAS1764W060606	.	TEE	101106 108120 504903	RF
175	AP1008-06D	.	CAP ASSY SUPPLIER CODE: V01673 SPECIFICATION NUMBER: BACC14AD06D OPTIONAL PART: DBOC14AD06D V14798 FER22661-06D V14397 2-02813-06D V11328 4690009-06D V50948 AFP241-06D V30974 US2103-06D V50808	101106 108120 504903	1
180	69B83900-2	.	CAP ASSY-VENT MISCELLANEOUS DATA: NOT AN INITIAL PROVISIONING SPARE ALTERED FROM PART NUMBER: BACC14AD06JL	101106 108120 504903	1
190	AN924-4D	.	NUT	101106 108120 504903	1
200	NAS1149D0716J	.	WASHER	101106 108120 504903	1
900			ILLUSTRATION REFERENCE: SYSTEM INSTL-RESERVOIR CENTRAL FILL (HYDRAULIC POWER ONLY) 29-18-01-02A	101106 108120 504903	RF
905			ILLUSTRATION REFERENCE: PUMP INSTL-RSVR CENTRAL FILL SYS HAND 29-18-01-01	101106 108120 504903	RF
910			ILLUSTRATION REFERENCE: RESERVOIR ASSY-CTR SYS HYDR(RESERVOIR DRAIN VALVE ONLY) 29-11-22-05B	101106 108120 504903	RF

MISSING ITEM NUMBERS NOT APPLICABLE

- ITEM NOT ILLUSTRATED

29-11-51-91

29-11-51
FIG. 91
PAGE 4
JAN 20/09

BRI



757

PARTS CATALOG (MAINTENANCE)

FIG ITEM	PART NUMBER	1 2 3 4 5 6 7	NOMENCLATURE	EFFECT FROM TO	UNITS PER ASSY
91 915			ILLUSTRATION REFERENCE: PLUMBING INSTL-HYDR, MLG WHL WELL, KEEL BEAM 29-11-51-94	101106 108120 504903	RF

MISSING ITEM NUMBERS NOT APPLICABLE

- ITEM NOT ILLUSTRATED

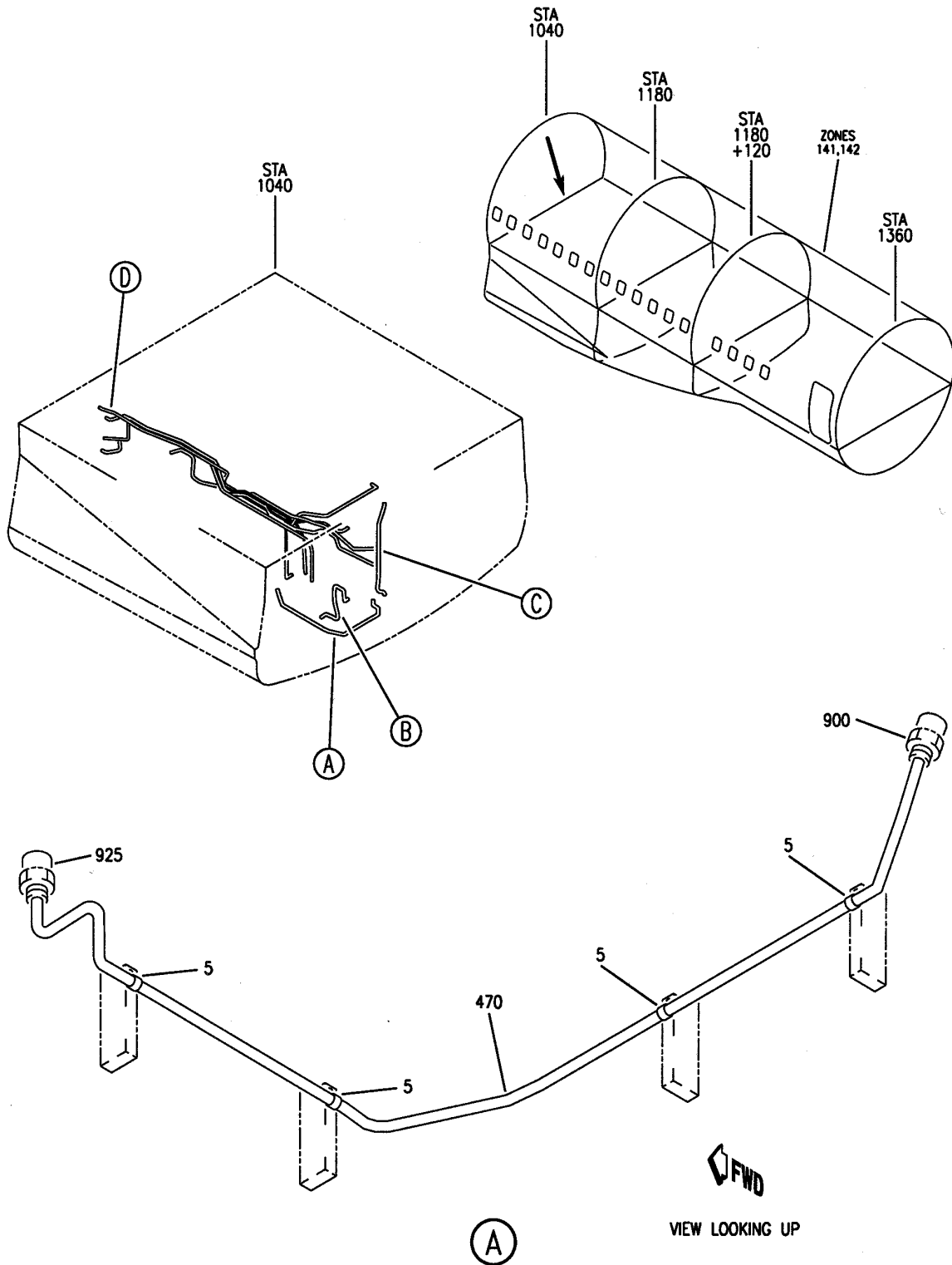
BRI

29-11-51-91

BOEING PROPRIETARY - Copyright © - Unpublished Work - See title page for details.

29-11-51
FIG. 91
PAGE 5
JAN 20/09

BOEING
757
PARTS CATALOG (MAINTENANCE)



Y 29115192 SHT 1 REV 212

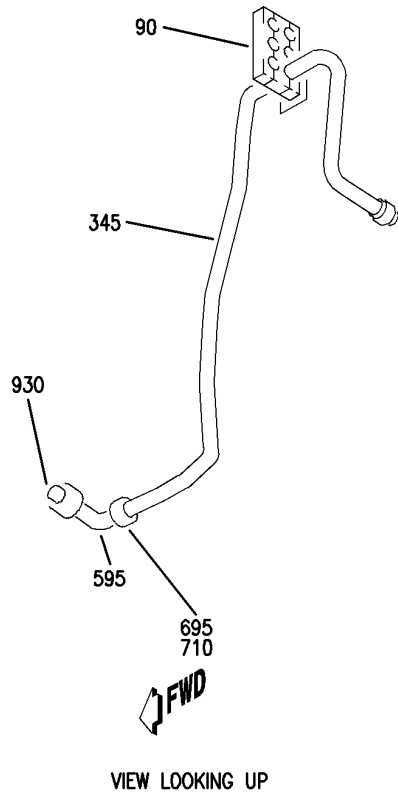
PLUMBING INSTL-PROVISIONS FOR 10KVA HMG INSTL (ETOPS) (HYD SYSTEMS ONLY)
FIGURE 92 (SHEET 1)

29-11-51-92

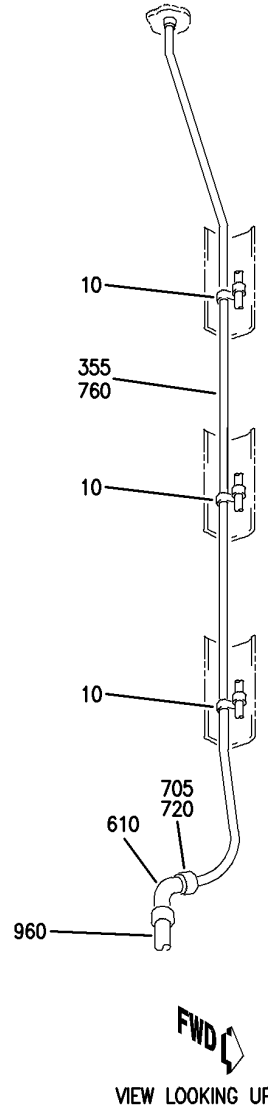
BRI
MAY 28/07

29-11-51-92
PAGE 0

BOEING
757
PARTS CATALOG (MAINTENANCE)



(B)



(C)

Y 29115192 SH1 2 REV 229

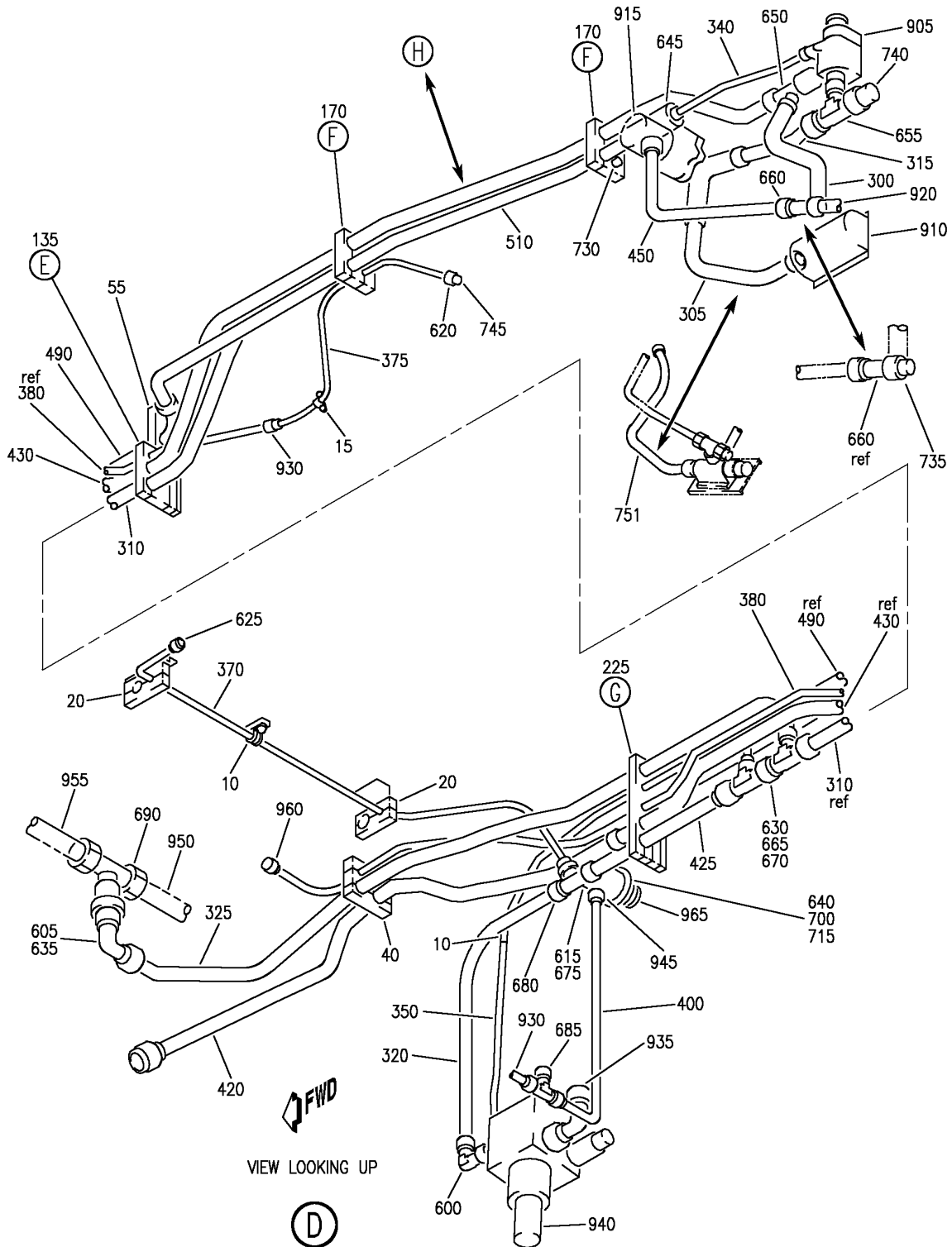
PLUMBING INSTL-PROVISIONS FOR 10KVA HMG INSTL (ETOPS) (HYD SYSTEMS ONLY)
FIGURE 92 (SHEET 2)

29-11-51-92

BRI
MAY 28/07

29-11-51-92
PAGE 0A


BOEING
 757
PARTS CATALOG (MAINTENANCE)



Y 29115192 SH1 3 REV 279

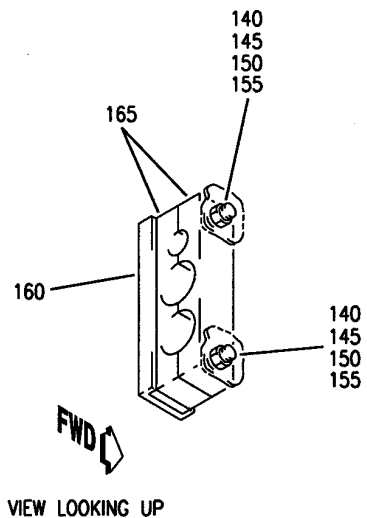
PLUMBING INSTL-PROVISIONS FOR 10KVA HMG INSTL (ETOPS) (HYD SYSTEMS ONLY)
 FIGURE 92 (SHEET 3)

29-11-51-92

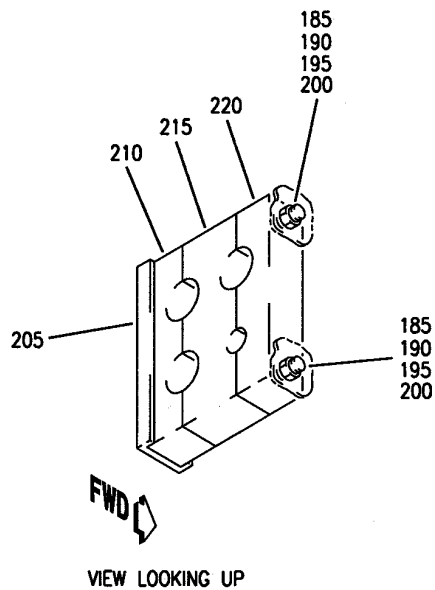
BRI
MAY 28/07

29-11-51-92
 PAGE 0B

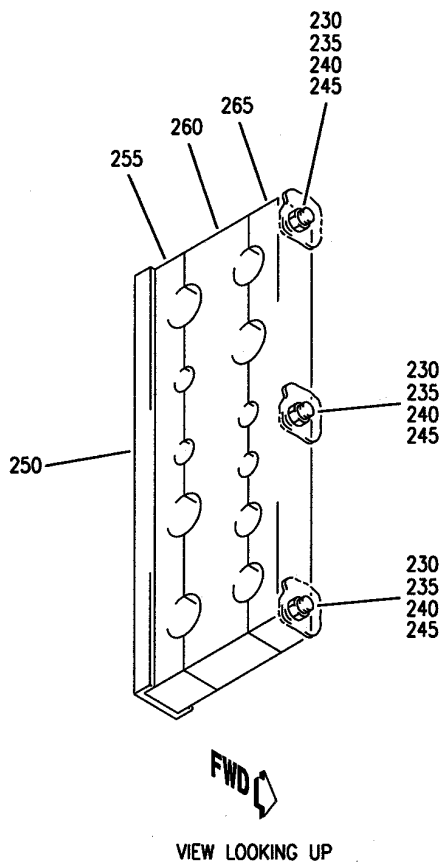
BOEING
757
PARTS CATALOG (MAINTENANCE)



(E)



(F)



(G)

Y 29115192 SH1 4 REV 212

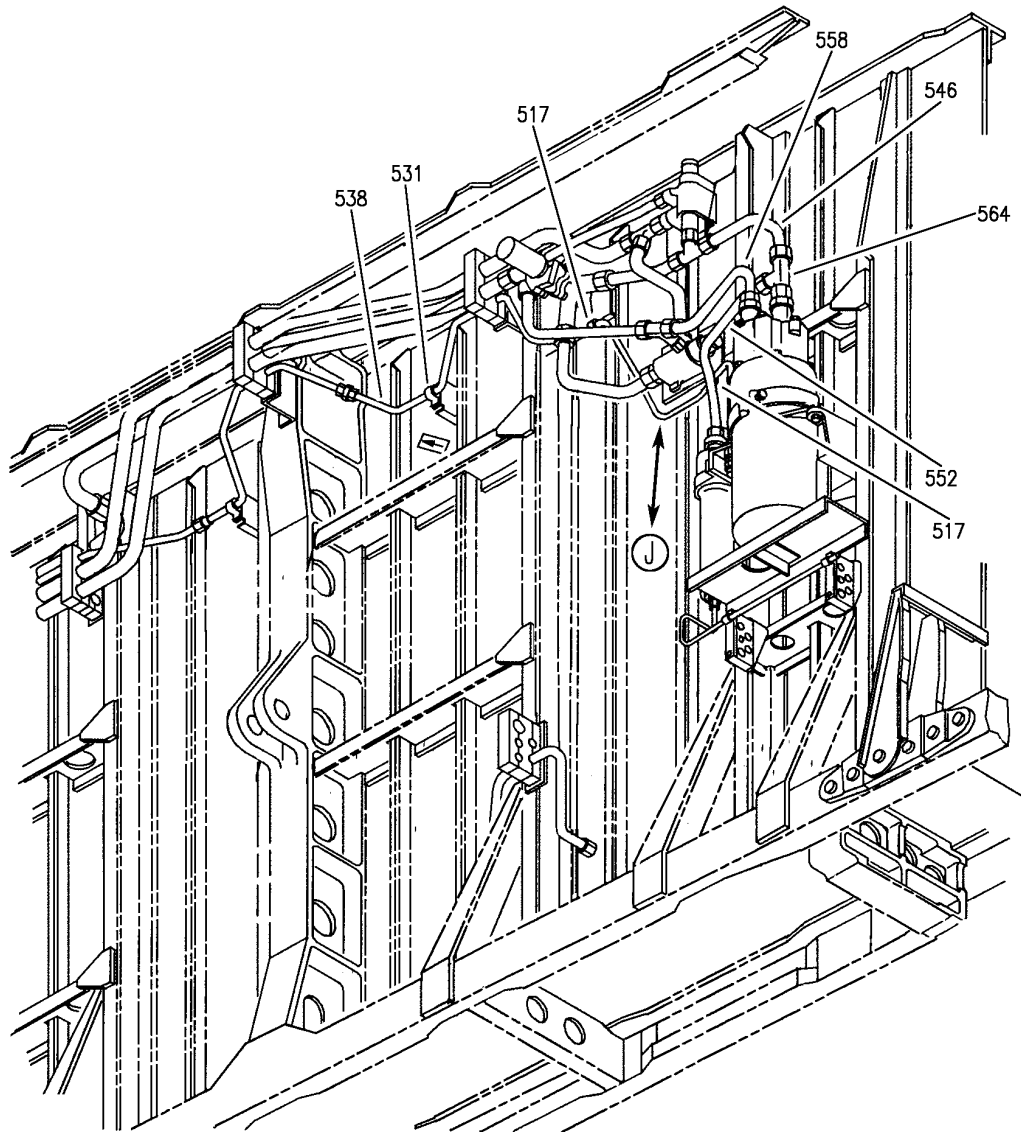
PLUMBING INSTL-PROVISIONS FOR 10KVA HMG INSTL (ETOPS) (HYD SYSTEMS ONLY)
FIGURE 92 (SHEET 4)

29-11-51-92

BRI
MAY 28/07

29-11-51-92
PAGE 0C

BOEING
757
PARTS CATALOG (MAINTENANCE)



(H)

Y 29115192 SH1 5 REV 335

PLUMBING INSTL-PROVISIONS FOR 10KVA HMG INSTL (ETOPS) (HYD SYSTEMS ONLY)
FIGURE 92 (SHEET 5)

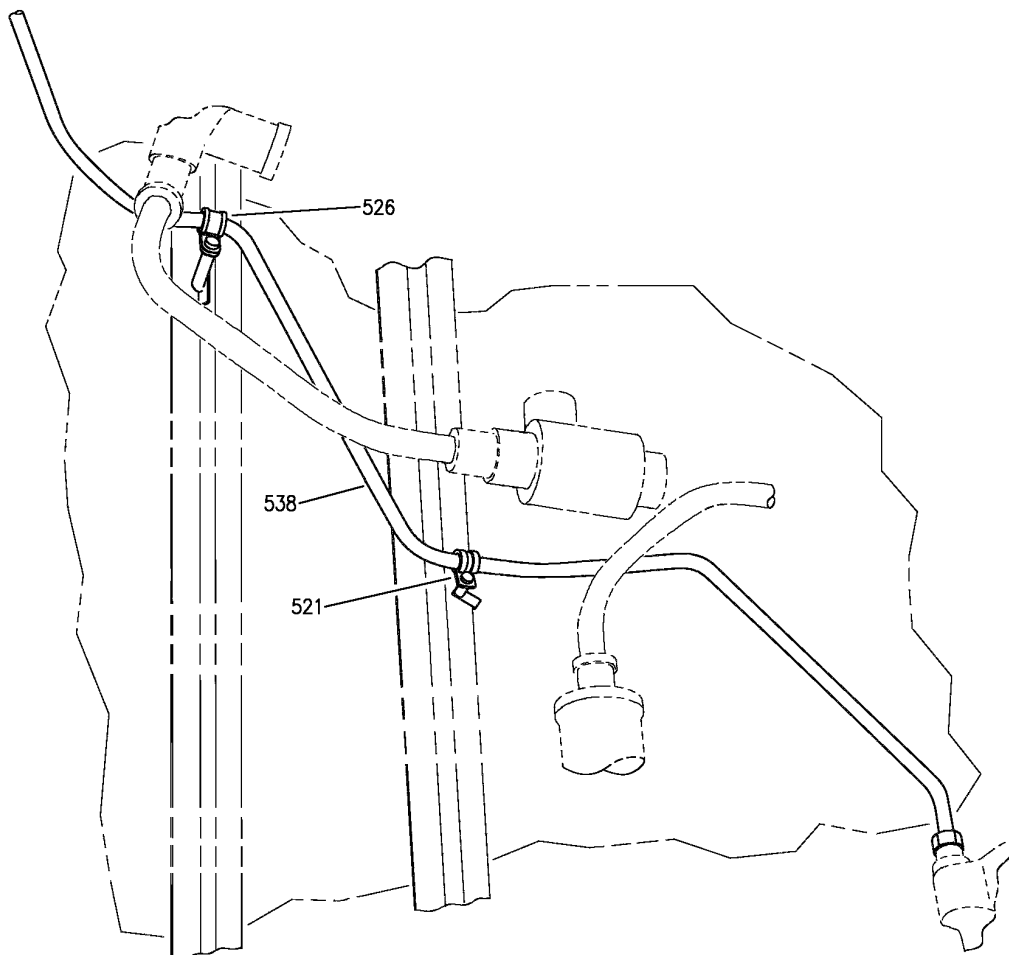
BRI
MAY 20/09

29-11-51-92

29-11-51-92
PAGE 0D

BOEING PROPRIETARY - Copyright © - Unpublished Work - See title page for details.

BOEING
757
PARTS CATALOG (MAINTENANCE)



J

Y 29115192 SH1 6 REV 335

PLUMBING INSTL-PROVISIONS FOR 10KVA HMG INSTL (ETOPS) (HYD SYSTEMS ONLY)
FIGURE 92 (SHEET 6)

BRI
MAY 20/09

29-11-51-92

29-11-51-92
PAGE 0E

BOEING PROPRIETARY - Copyright © - Unpublished Work - See title page for details.



757

PARTS CATALOG (MAINTENANCE)

FIG ITEM	PART NUMBER	1 2 3 4 5 6 7	NOMENCLATURE	EFFECT FROM TO	UNITS PER ASSY
92			PLUMBING INSTL-PROVISIONS FOR 10KVA HMG INSTL (ETOPS) (HYD SYSTEMS ONLY)	101106 108120	
- 1	271N6445-10		PLUMBING INSTL-PROVISIONS FOR 10KVA HMG INSTL (ETOPS) (HYD SYSTEMS ONLY)	101102	RF
- 1	271N6445-19		FOR NHA/OTHER SYS DET SEE: 29-00-51-05B PLUMBING INSTL-PROVISIONS FOR 10KVA HMG INSTL (ETOPS) (HYD SYSTEMS ONLY)	108120	RF
- 3	MODREF31667		FOR NHA/OTHER SYS DET SEE: 29-00-51-05B PLUMBING INSTL-MLG WHL WELL KEEL BEAM HYDR PROVISIONS FOR 10KVA HMG INSTL (ETOPS) (HYD SYSTEMS ONLY)	103106	1
	5 M85052-2-4		MODULE NUMBER: 271N6445-27 REV B FOR OTHER SYS DETAILS SEE: 11-22-06-03 .CLAMP-	101102 108120	4
	10 M85052-2-6		.CLAMP	101106 108120	5
	15 TA0910004H106		.CLAMP SUPPLIER CODE: V84971 SPECIFICATION NUMBER: BACC10HB06C ATTACHING PARTS	101106 108120	1
- 16	NAS1801-3		.SCREW-	101106 108120	2
- 17	AN960KD10L		SIZE DETERMINED ON INSTL. .WASHER	101106 108120	2

MISSING ITEM NUMBERS NOT APPLICABLE

- ITEM NOT ILLUSTRATED

29-11-51-92

29-11-51
FIG. 92
PAGE 1
JAN 20/09

BRI



757

PARTS CATALOG (MAINTENANCE)

FIG ITEM	PART NUMBER	1 2 3 4 5 6 7	NOMENCLATURE	EFFECT FROM TO	UNITS PER ASSY
92 - 18	BRH10A3	.NUT	SUPPLIER CODE: V52828 SPECIFICATION NUMBER: BACN10JC3 OPTIONAL PART: H10-3BAC V15653 NS202101-02 V80539 RMLH9075-3W V72962 VN303A02 V92215 96-02 V80539 T6S1032J V11815	101106 108120	2
20	270N2000-72	.CLAMP ASSY-CLAMP	FOR BREAKDOWN SEE: 29-11-84-06A	101106 108120	RF
40	270N2000-1315	.CLAMP ASSY-BLOCK	FOR BREAKDOWN SEE: 29-11-84-03	101106 108120	RF
55	270N2000-118	.CLAMP ASSY-BLOCK	FOR BREAKDOWN SEE: 29-11-51-94	101106 108120	RF
90	270N2000-137	.CLAMP ASSY-BLOCK	FOR BREAKDOWN SEE: 29-11-51-94	101106 108120	RF
135	270N2000-263	.CLAMP ASSY-BLOCK		101106 108120	1
140	NAS1801-3-32	..SCREW		101106 108120	2
145	NAS43DD3-85	..SPACER		101106 108120	2
150	AN960KD10L	..WASHER		101106 108120	2

MISSING ITEM NUMBERS NOT APPLICABLE

- ITEM NOT ILLUSTRATED

29-11-51-92

29-11-51
FIG. 92
PAGE 2
JAN 20/09

BRI



757

PARTS CATALOG (MAINTENANCE)

FIG ITEM	PART NUMBER	1 2 3 4 5 6 7	NOMENCLATURE	EFFECT FROM TO	UNITS PER ASSY
92 155	BRH10A3	..	NUT SUPPLIER CODE: V52828 SPECIFICATION NUMBER: BACN10JC3 OPTIONAL PART: H10-3BAC V15653 NS202101-02 V80539 RMLH9075-3W V72962 VN303A02 V92215 96-02 V80539 T6S1032J V11815	101106 108120	2
160	270N2000-1027	..	CHANNEL	101106 108120	1
165	270N2000-1280	..	BLOCK-CLAMP	101106 108120	2
170	270N2000-265	.	CLAMP ASSY-BLOCK	101106 108120	2
185	NAS1801-3-48	..	SCREW	101106 108120	2
190	NAS43DD3-157	..	SPACER	101106 108120	2
195	AN960PD10L	..	WASHER	101106 108120	2
200	BRH10A3	..	NUT SUPPLIER CODE: V52828 SPECIFICATION NUMBER: BACN10JC3 OPTIONAL PART: H10-3BAC V15653 NS202101-02 V80539 RMLH9075-3W V72962 VN303A02 V92215 96-02 V80539 T6S1032J V11815	101106 108120	2

MISSING ITEM NUMBERS NOT APPLICABLE

- ITEM NOT ILLUSTRATED

29-11-51-92

29-11-51
FIG. 92
PAGE 3
JAN 20/09

BRI



757

PARTS CATALOG (MAINTENANCE)

FIG ITEM	PART NUMBER	1 2 3 4 5 6 7	NOMENCLATURE	EFFECT FROM TO	UNITS PER ASSY
92					
205	270N2000-841	..	CHANNEL	101106 108120	1
210	270N2000-468	..	BLOCK-CLAMP	101106 108120	1
215	270N2000-1278	..	BLOCK-CLAMP	101106 108120	1
220	270N2000-1279	..	BLOCK-CLAMP	101106 108120	1
225	270N2000-1316	.	CLAMP ASSY-BLOCK	101106 108120	1
230	NAS1801-3-49	..	SCREW	101106 108120	3
235	NAS43DD3-165	..	SPACER	101106 108120	3
240	AN960PD10L	..	WASHER	101106 108120	3
245	BRH10A3	..	NUT	101106 108120	3
			SUPPLIER CODE: V52828		
			SPECIFICATION NUMBER: BACN10JC3		
			OPTIONAL PART: H10-3BAC		
			V15653		
			NS202101-02		
			V80539		
			RMLH9075-3W		
			V72962		
			VN303A02		
			V92215		
			96-02		
			V80539		
			T6S1032J		
			V11815		
250	270N2000-874	..	CHANNEL	101106 108120	1
255	270N2000-1277	..	BLOCK-CLAMP	101106 108120	1
260	270N2000-1276	..	BLOCK-CLAMP	101106 108120	1
265	270N2000-552	..	BLOCK-CLAMP	101106 108120	1

MISSING ITEM NUMBERS NOT APPLICABLE

- ITEM NOT ILLUSTRATED

BRI

29-11-51-92

29-11-51
FIG. 92
PAGE 4
JAN 20/09



757

PARTS CATALOG (MAINTENANCE)

FIG ITEM	PART NUMBER	1 2 3 4 5 6 7	NOMENCLATURE	EFFECT FROM TO	UNITS PER ASSY
92 300	271N6445-1172		.TUBE ASSY-PRESSURE SYS POSITION DATA: LH TUBING MATERIAL: STOCK .750 OD X .039 IN. WALL X 8.8 IN LG 3AL-2.5V TITANIUM SEAMLESS TUBING PER BMS7-234.	101106 108120	1
305	271N6445-1174		.TUBE ASSY-PRESSURE SYS POSITION DATA: LH TUBING MATERIAL: STOCK .750 OD X .039 IN. WALL X 12.3 IN. LG 3AL-2.5V TITANIUM SEAMLESS TUBING PER BMS7-234.	101102 108120	1
310	271N6445-1191		.TUBE ASSY-PRESSURE SYS POSITION DATA: LH TUBING MATERIAL: .75 IN. OD X .039 IN. WALL X 53.8 IN. LG BMS 7-234 TI-3AL-2.5V COLD WORKED, STRESS RELIEVED TUBING	101102	1
310	271N6445-1287		.TUBE ASSY-PRESSURE SYS POSITION DATA: LH TUBING MATERIAL: .75 IN. OD X .039 IN. WALL X 53.18 IN. LG BMS 7-234 TI-3AL-2.5V COLD WORKED, STRESS RELIEVED TUBING	108120	1
315	271N6445-1192		.TUBE ASSY-PRESSURE SYS POSITION DATA: LH TUBING MATERIAL: STOCK .750 OD X .039 IN. WALL X 6.0 IN. LG 3AL-2.5V TITANIUM SEAMLESS TUBING PER BMS7-234.	101102 108120	1

MISSING ITEM NUMBERS NOT APPLICABLE

- ITEM NOT ILLUSTRATED

BRI

29-11-51-92

29-11-51
FIG. 92
PAGE 5
JAN 20/09



757

PARTS CATALOG (MAINTENANCE)

FIG ITEM	PART NUMBER	1 2 3 4 5 6 7	NOMENCLATURE	EFFECT FROM TO	UNITS PER ASSY
92 320	271N6445-1194	.	TUBE ASSY-PRESSURE SYS POSITION DATA: LH TUBING MATERIAL: STOCK .750 OD X .039 IN. WALL X 21.3 IN. LG 3AL-2.5V TITANIUM SEAMLESS TUBING PER BMS7-234.	101106 108120	1
325	271N6445-1199	.	TUBE ASSY-PRESSURE SYS POSITION DATA: LH TUBING MATERIAL: STOCK .750 OD X .039 IN. WALL X 51.7 IN. LG 3AL-2.5V TITANIUM SEAMLESS TUBING PER BMS7-234.	101106 108120	1
- 330	AS1581T12	..	SLEEVE- USED ON: 271N6445-1172 271N6445-1174 271N6445-1194 271N6445-1199	108120	2
- 330	AS1581T12	..	SLEEVE- USED ON: 271N6445-1172 271N6445-1174 271N6445-1191 271N6445-1194 271N6445-1199	101102	2
- 335	BACN10YA12N	..	NUT- USED ON: 271N6445-1172 271N6445-1174 271N6445-1194 271N6445-1199	108120	2
- 335	BACN10YA12N	..	NUT- USED ON: 271N6445-1172 271N6445-1174 271N6445-1191 271N6445-1194 271N6445-1199	101102	2

MISSING ITEM NUMBERS NOT APPLICABLE

- ITEM NOT ILLUSTRATED

BRI

29-11-51-92

29-11-51
FIG. 92
PAGE 6
JAN 20/09



757

PARTS CATALOG (MAINTENANCE)

FIG ITEM	PART NUMBER	1 2 3 4 5 6 7	NOMENCLATURE	EFFECT FROM TO	UNITS PER ASSY
92 340	271N6445-1182		.TUBE ASSY-PRESSURE SYS POSITION DATA: LH TUBING MATERIAL: STOCK .375 OD X .019 IN. WALL X 10.2 IN. LG 3AL-2.5V TITANIUM SEAMLESS TUBING PER BMS7-234.	101102	1
340	271N6445-1297		.TUBE ASSY-PRESSURE SYS POSITION DATA: LH TUBING MATERIAL: STOCK .375 OD X .019 IN. WALL X 10.2 IN. LG 3AL-2.5V TITANIUM SEAMLESS TUBING PER BMS7-234.	108120	1
345	271N6445-1196		.TUBE ASSY-PRESSURE SYS POSITION DATA: LH TUBING MATERIAL: STOCK .375 OD X .019 IN. WALL X 29.8 IN. LG 3AL-2.5V TITANIUM SEAMLESS TUBING PER BMS7-234.	101106 108120	1
350	271N6445-1201		.TUBE ASSY-PRESSURE SYS POSITION DATA: LH TUBING MATERIAL: STOCK .375 OD X .019 IN. WALL X 54.0 IN. LG 3AL-2.5V TITANIUM SEAMLESS TUBING PER BMS7-234.	101106 108120	1
355	271N6445-1209		.TUBE ASSY-PRESSURE SYS POSITION DATA: RH TUBING MATERIAL: STOCK .375 OD X .019 IN. WALL X 52.4 IN. LG 3AL-2.5V TITANIUM SEAMLESS TUBING PER BMS7-234.	101102 108120	1

MISSING ITEM NUMBERS NOT APPLICABLE

- ITEM NOT ILLUSTRATED

BRI

29-11-51-92

29-11-51
FIG. 92
PAGE 7
JAN 20/09



757

PARTS CATALOG (MAINTENANCE)

FIG ITEM	PART NUMBER	1 2 3 4 5 6 7	NOMENCLATURE	EFFECT FROM TO	UNITS PER ASSY
92					
- 360	AS1581T06	..	SLEEVE- USED ON: 271N6445-1297 271N6445-1196 271N6445-1201	101102	2
- 360	AS1581T06	..	SLEEVE- USED ON: 271N6445-1182 271N6445-1196 271N6445-1201 271N6445-1209 271N6445-1297	101102 108120	2
- 365	BACN10YA6N	..	NUT- USED ON: 271N6445-1297 271N6445-1196 271N6445-1201	101102	2
- 365	BACN10YA6N	..	NUT- USED ON: 271N6445-1182 271N6445-1196 271N6445-1201 271N6445-1209 271N6445-1297	101102 108120	2
370	271N6445-1184	.TUBE ASSY-PRESSURE SYS POSITION DATA: LH TUBING MATERIAL: STOCK .375 OD X .019 IN. WALL X 36.0 IN. LG 3AL-2.5V TITANIUM SEAMLESS TUBING PER BMS7-234.		101106 108120	1
375	271N6445-1205	.TUBE ASSY-PRESSURE SYS POSITION DATA: LH TUBING MATERIAL: STOCK .375 OD X .019 IN. WALL X 19.0 IN. LG 3AL-2.5V TITANIUM SEAMLESS TUBING PER BMS7-234.		101102	1

MISSING ITEM NUMBERS NOT APPLICABLE

- ITEM NOT ILLUSTRATED

BRI

29-11-51-92

29-11-51
FIG. 92
PAGE 8
JAN 20/09



757

PARTS CATALOG (MAINTENANCE)

FIG ITEM	PART NUMBER	1 2 3 4 5 6 7	NOMENCLATURE	EFFECT FROM TO	UNITS PER ASSY
92 375	271N6445-1288		.TUBE ASSY-PRESSURE SYS POSITION DATA: LH TUBING MATERIAL: .375 IN. OD X .019 IN. WALL X 18.6 IN. LG BMS 7-234 TI-3AL-2.5V COLD WORKED, STRESS RELIEVED TUBING	108120	1
380	271N6445-1206		.TUBE ASSY-PRESSURE SYS POSITION DATA: LH TUBING MATERIAL: STOCK .375 OD X .019 IN. WALL X 57.1 IN. LG 3AL-2.5V TITANIUM SEAMLESS TUBING PER BMS7-234.	101106 108120	1
- 385	AS1581T06		..SLEEVE- USED ON: 271N6445-1184 271N6445-1206	108120	1
- 385	AS1581T06		..SLEEVE- USED ON: 271N6445-1184 271N6445-1205 271N6445-1206	101102	1
- 390	AS1582T06		..UNION- USED ON: 271N6445-1184 271N6445-1206	108120	1
- 390	AS1582T06		..UNION- USED ON: 271N6445-1184 271N6445-1205 271N6445-1206	101102	1
- 395	BACN10YA6N		..NUT- USED ON: 271N6445-1184 271N6445-1206	108120	1
- 395	BACN10YA6N		..NUT- USED ON: 271N6445-1184 271N6445-1205 271N6445-1206	101102	1

MISSING ITEM NUMBERS NOT APPLICABLE

- ITEM NOT ILLUSTRATED

BRI

29-11-51-92

29-11-51
FIG. 92
PAGE 9
JAN 20/09



757

PARTS CATALOG (MAINTENANCE)

FIG ITEM	PART NUMBER	1 2 3 4 5 6 7	NOMENCLATURE	EFFECT FROM TO	UNITS PER ASSY
92 400	271N6445-1207		.TUBE ASSY-PRESSURE SYS POSITION DATA: LH TUBING MATERIAL: STOCK .500 OD X .035 IN. WALL X 17.0 IN. LG 6061-T6 ALUMINUM SEAMLESS TUBING PER MIL-T-7081.	101106 108120	1
- 405	AP2097HP08		..SLEEVE SUPPLIER CODE: V01673 SPECIFICATION NUMBER: BACS13BX08HP OPTIONAL PART: 2-02903-08HP V11328 35235VN08 V08199 AFP175V08P V30974 DBOS13BX08HP V14798	101106 108120	2
- 410	BACN10YL08		..NUT	101106 108120	2
- 415	MS21921-8D		..NUT	101106 108120	2
420	271N6445-1228		.TUBE ASSY-PRESSURE SYS POSITION DATA: LH TUBING MATERIAL: STOCK .750 OD X .039 IN. WALL X 42.1 IN. LG 3AL-2.5V TITANIUM SEAMLESS TUBING PER BMS7-234.	101106 108120	1
425	271N6445-1235		.TUBE ASSY-PRESSURE SYS POSITION DATA: LH TUBING MATERIAL: STOCK .750 OD X .039 IN. WALL X 6.7 IN. LG 3AL-2.5V TITANIUM SEAMLESS TUBING PER BMS7-234.	101106 108120	1

MISSING ITEM NUMBERS NOT APPLICABLE

- ITEM NOT ILLUSTRATED

BRI

29-11-51-92

29-11-51
FIG. 92
PAGE 10
JAN 20/09



757

PARTS CATALOG (MAINTENANCE)

FIG ITEM	PART NUMBER	1 2 3 4 5 6 7	NOMENCLATURE	EFFECT FROM TO	UNITS PER ASSY
92 430	271N6445-1239		.TUBE ASSY-PRESSURE SYS POSITION DATA: LH TUBING MATERIAL: .75 IN. OD X .039 IN. WALL X 71.3 IN. LG BMS 7-234 TI-3AL-2.5V COLD WORKED, STRESS RELIEVED TUBING	101102	1
430	271N6445-1289		.TUBE ASSY-PRESSURE SYS POSITION DATA: LH TUBING MATERIAL: .75 IN. OD X .039 IN. WALL X 70.3 IN. LG BMS 7-234 TI-3AL-2.5V COLD WORKED, STRESS RELIEVED TUBING	108120	1
- 435	AS1581T12		..SLEEVE- USED ON: 271N6445-1228 271N6445-1235	108120	1
- 435	AS1581T12		..SLEEVE- USED ON: 271N6445-1228 271N6445-1235 271N6445-1239	101102	1
- 440	AS1582T12		..UNION- USED ON: 271N6445-1228 271N6445-1235	108120	1
- 440	AS1582T12		..UNION- USED ON: 271N6445-1228 271N6445-1235 271N6445-1239	101102	1
- 445	BACN10YA12N		..NUT- USED ON: 271N6445-1228 271N6445-1235	108120	1
- 445	BACN10YA12N		..NUT- USED ON: 271N6445-1228 271N6445-1235 271N6445-1239	101102	1

MISSING ITEM NUMBERS NOT APPLICABLE

- ITEM NOT ILLUSTRATED

BRI

29-11-51-92

29-11-51
FIG. 92
PAGE 11
JAN 20/09



757

PARTS CATALOG (MAINTENANCE)

FIG ITEM	PART NUMBER	1 2 3 4 5 6 7	NOMENCLATURE	EFFECT FROM TO	UNITS PER ASSY
92 450	271N6445-1255		.TUBE ASSY-PRESSURE SYS POSITION DATA: LH TUBING MATERIAL: STOCK .625 OD X .035 IN. WALL X 20.7 IN. LG 6061-T6 ALUMINUM SEAMLESS TUBING PER MIL-T-7081.	101102	1
450	271N6445-1298		.TUBE ASSY-PRESSURE SYS POSITION DATA: LH TUBING MATERIAL: STOCK .625 OD X .035 IN. WALL X 21.05 IN. LG 6061-T6 ALUMINUM SEAMLESS TUBING PER MIL-T-7081.	108120	1
- 455	AP2097HP10		..SLEEVE SUPPLIER CODE: V01673 SPECIFICATION NUMBER: BACS13BX10HP OPTIONAL PART: 2-02903-10HP V11328 35235VN10 V08199 AFP175V10P V30974 DBOS13BX10HP V14798	101106 108120	2
- 460	BACN10YL10		..NUT	101106 108120	2
- 465	MS21921-10D		..NUT	101102	2
470	271N6445-1262		.TUBE ASSY-PRESSURE SYS POSITION DATA: LH TUBING MATERIAL: STOCK .250 OD X .016 IN. WALL X 48.6 IN. LG 3AL-2.5V TITANIUM SEAMLESS TUBING PER BMS7-234.	101102 108120	1
- 475	AS1581T04		..SLEEVE	101102 108120	1
- 480	AS1582T04		..UNION	101102 108120	1

MISSING ITEM NUMBERS NOT APPLICABLE

- ITEM NOT ILLUSTRATED

29-11-51-92

29-11-51
FIG. 92
PAGE 12
JAN 20/09

BRI



757

PARTS CATALOG (MAINTENANCE)

FIG ITEM	PART NUMBER	1 2 3 4 5 6 7	NOMENCLATURE	EFFECT FROM TO	UNITS PER ASSY
92					
- 485	BACN10YA4N	..	NUT	101102 108120	1
490	271N6445-1270	.TUBE ASSY-PRESSURE SYS POSITION DATA: LH TUBING MATERIAL: STOCK .750 OD X .035 IN. WALL X 33.2 IN. LG 6061-T6 ALUMINUM SEAMLESS TUBING PER MIL-T-7081.		101106 108120	1
- 495	AP2097HP12	..SLEEVE SUPPLIER CODE: V01673 SPECIFICATION NUMBER: BACS13BX12HP OPTIONAL PART: 2-02903-12HP V11328 35235VN12 V08199 AFP175V12P V30974 DBOS13BX12HP V14798		101106 108120	1
- 500	35056GV12	..UNION SUPPLIER CODE: V08199 SPECIFICATION NUMBER: BACU24AB12W OPTIONAL PART: 4671097W12 V50948 2-01027-12W V11328 31875-12W V14397 AP1004W12 V01673 AFP941W12 V30974 DBOU24AB12W V14798		101106 108120	1
- 505	BACN10YL12	..	NUT	101106 108120	1

MISSING ITEM NUMBERS NOT APPLICABLE

- ITEM NOT ILLUSTRATED

29-11-51-92

29-11-51
FIG. 92
PAGE 13
JAN 20/09

BRI



757

PARTS CATALOG (MAINTENANCE)

FIG ITEM	PART NUMBER	1 2 3 4 5 6 7	NOMENCLATURE	EFFECT FROM TO	UNITS PER ASSY
92 510	271N6445-1279		.TUBE ASSY-PRESSURE SYS POSITION DATA: LH TUBING MATERIAL: STOCK .750 OD X .035 IN. WALL X 40.8 IN. LG 6061-T6 ALUMINUM SEAMLESS TUBING PER MIL-T-7081.	101102	1
510	271N6445-1296		.TUBE ASSY-PRESSURE SYS POSITION DATA: LH TUBING MATERIAL: STOCK .750 OD X .035 IN. WALL X 40.0 IN. LG 6061-T6 ALUMINUM SEAMLESS TUBING PER MIL-T-7081.	108120	1
- 515	AP2097HP12		..SLEEVE SUPPLIER CODE: V01673 SPECIFICATION NUMBER: BACS13BX12HP OPTIONAL PART: 2-02903-12HP V11328 35235VN12 V08199 AFP175V12P V30974 DBOS13BX12HP V14798	101102 108120	2
R - 516	BACN10YL12		..NUT-	101102 108120	2
R 595	BACE21BN0406J		.ELBOW- USED WITH: NAS1149D0763J AN924-4D	101106 108120	RF
600	AP1042JN1212		.ELBOW SUPPLIER CODE: V01673 SPECIFICATION NUMBER: BACE21BT1212JN	101106 108120	RF

MISSING ITEM NUMBERS NOT APPLICABLE

- ITEM NOT ILLUSTRATED

29-11-51-92

29-11-51
FIG. 92
PAGE 14
MAY 20/09

BRI



757

PARTS CATALOG (MAINTENANCE)

FIG ITEM	PART NUMBER	1 2 3 4 5 6 7	NOMENCLATURE	EFFECT FROM TO	UNITS PER ASSY
92 605	AP1042P1212	.ELBOW-	SUPPLIER CODE: V01673 SPECIFICATION NUMBER: BACE21BT1212P USED WITH: BACM10V21-2JG BACV10CD15	101106 108120	1
610	BACE21BM0606J	.ELBOW-	USED WITH: AN924-6D NAS1149D0963J	101106 108120	1
615	JETX0507050AB	.RESTRICTOR-	SUPPLIER CODE: V92555 USED WITH: BCREF120347 BAC27NEC0078	101106 108120	RF
620	1C3594	.VALVE-	SUPPLIER CODE: V99240 SPECIFICATION NUMBER: BACV10CD12 OPTIONAL PART: 0121520900-12 V83533 USED WITH: BACM10V21-2JH	101106 108120	RF
625	1C3594	.VALVE-	SUPPLIER CODE: V99240 SPECIFICATION NUMBER: BACV10CD12 OPTIONAL PART: 0121520900-12 V83533 USED WITH: BACM10V21-2JG	101106 108120	RF

MISSING ITEM NUMBERS NOT APPLICABLE

- ITEM NOT ILLUSTRATED

BRI

29-11-51-92

BOEING PROPRIETARY - Copyright © - Unpublished Work - See title page for details.

29-11-51
FIG. 92
PAGE 15
JAN 20/09



757

PARTS CATALOG (MAINTENANCE)

FIG ITEM	PART NUMBER	1 2 3 4 5 6 7	NOMENCLATURE	EFFECT FROM TO	UNITS PER ASSY
92 630	1C3598		. VALVE- SUPPLIER CODE: V99240 SPECIFICATION NUMBER: BACV10CD15 OPTIONAL PART: 0121520900-15 V83533 USED WITH: BACT16BR121212P BACT16BR121206P BACM10V21-2JG	101106 108120	1
635	1C3598		. VALVE- SUPPLIER CODE: V99240 SPECIFICATION NUMBER: BACV10CD15 OPTIONAL PART: 0121520900-15 V83533 USED WITH: BACM10V21-2JG BACE21BT1212P	101106 108120	RF
640	AFP329-121208W		. TEE- SUPPLIER CODE: V30974 SPECIFICATION NUMBER: BACT16AX121208W OPTIONAL PART: APX804-121208W V01673 DBOT16AX121208W V14798 ER804-121208W V50948 ER804-121208W V88334 FER1551-121208W V14397 LER804A121208W V11328 NAF1844-121208W V52930 US1929-121208W V50808 USED WITH: NAS1149D1716J AN924-12D	101106 108120	1

MISSING ITEM NUMBERS NOT APPLICABLE

- ITEM NOT ILLUSTRATED

BRI

29-11-51-92

29-11-51
FIG. 92
PAGE 16
JAN 20/09



757

PARTS CATALOG (MAINTENANCE)

FIG ITEM	PART NUMBER	1 2 3 4 5 6 7	NOMENCLATURE	EFFECT FROM TO	UNITS PER ASSY
92					
645	BACT16AS120610W	.TEE-		101106 108120	1
650	BACT16BR121212P	.TEE-		101106 108120	1
655	BCREF116880	.TEE-	OVERLENGTH PART NUMBER: BACT16BT121212JN	101106 108120	1
660	NAS1764W101006	.TEE		101106 108120	1
665	BACT16BR121212P	.TEE-	USED WITH: BACT16BR121206P BACV10CD15 BACM10V21-2JG	101106 108120	1
670	BACT16BR121206P	.TEE-	USED WITH: BACT16BR121212P BACV10CD15 BACM10V21-2JG	101106 108120	RF
675	BCREF120347	.TEE-	OVERLENGTH PART NUMBER: BACT16BR121206JN USED WITH: JETX0507050AB BAC27NEC0078	101106 108120	1
680	NAS1763W121612	.TEE		101106 108120	1
685	NAS1764W080610	.TEE		101106 108120	RF
690	BACT16BL160812J	.TEE		101106 108120	RF
695	AN924-4D	.NUT-	USED WITH: BACE21BN0406J NAS1149D0763J	101106 108120	RF
700	AN924-12D	.NUT-	USED WITH: BACT16AX121208W NAS1149D1716J	101106 108120	1
705	AN924-6D	.NUT-	USED WITH: BACE21BM0606J NAS1149D0963J	101106 108120	1
710	NAS1149D0763J	.WASHER-	USED WITH: BACE21BN0406J AN924-4D	101106 108120	RF

MISSING ITEM NUMBERS NOT APPLICABLE

- ITEM NOT ILLUSTRATED

BRI

29-11-51-92

29-11-51
FIG. 92
PAGE 17
JAN 20/09



757

PARTS CATALOG (MAINTENANCE)

FIG ITEM	PART NUMBER	1 2 3 4 5 6 7	NOMENCLATURE	EFFECT FROM TO	UNITS PER ASSY
92 715	NAS1149D1716J		.WASHER- USED WITH: BACT16AX121208W AN924-12D	101106 108120	1
720	NAS1149D0963J		.WASHER- USED WITH: BACE21BM0606J AN924-6D	101106 108120	1
- 725	MODREF31668		PLUMBING INSTL-PARTIAL PROVISIONS FOR ETOPS MODULE NUMBER: 271N6445-28 REV B	103105	1
730	270N0005-2		.FILLER-CLAMP BLOCK	103105	1
735	AP1008-10D		.CAP- SUPPLIER CODE: V01673 SPECIFICATION NUMBER: BACC14AD10D OPTIONAL PART: US2103-10D V50808	103105	1
745	MS21913D6		.PLUG	103105	1
751	271N6445-1300		.TUBE ASSY- TUBING MATERIAL: STOCK .750 OD X .039 IN. WALL X 16.143 IN. LG 3AL-2.5V TITANIUM SEAMLESS TUBING PER BMS7-234.	103105	1
- 752	AS1581T12		..SLEEVE	103105	1
- 753	AS1582T12		..UNION	103105	1
- 754	BACN10YA12		..NUT	103105	1
- 755	MODREF30201		PLUMBING INSTL-PROVISIONS FOR 10KVA HMG INSTL (ETOPS) (HYD SYSTEMS ONLY) MODULE NUMBER: 271N6445-26 REV B	103106	1
- 758	271N6445-25		PLUMBING INSTL-PROVISIONS FOR 10KVA HMG INSTL (ETOPS) (HYD SYSTEMS ONLY)	103105	1

R
R
R
R
R
R
R

MISSING ITEM NUMBERS NOT APPLICABLE

- ITEM NOT ILLUSTRATED

29-11-51-92

29-11-51
FIG. 92
PAGE 18
MAY 20/09

BRI



757

PARTS CATALOG (MAINTENANCE)

FIG ITEM	PART NUMBER	1 2 3 4 5 6 7	NOMENCLATURE	EFFECT FROM TO	UNITS PER ASSY
92 760	271N6445-1209		.TUBE ASSY-PRESSURE SYS POSITION DATA: RH TUBING MATERIAL: .375 OD X .019 IN. WALL X 52.4 IN. LG 3AL-2.5V TITANIUM SEAMLESS TUBING PER BMS7-234.	103106	1
- 765	AS1581T06		..SLEEVE	103106	2
- 770	BACN10YA6		..NUT	103106	2
900			ILLUSTRATION REFERENCE: PLUMBING INSTL-SECT. 44 HYDR MLG WHL WELL AFT BLKHD 29-11-51-85	101106 108120	RF
905			ILLUSTRATION REFERENCE: FLOW LIMITER INSTL (HYDRAULIC FLOW LIMITER ONLY) 24-25-06-02	103106	RF
915			ILLUSTRATION REFERENCE: VALVE INSTL AND ASSY CONT AND FLOW LIMITER HYDR MOTOR/GEN (GEN SHUTOFF VALVE ONLY) 24-25-03-01	101102 108120	RF
920			ILLUSTRATION REFERENCE: PLUMBING INSTL-SECT. 44 KEEL BEAM MLG WHL WELL HYDR (ELECTRICAL POWER ONLY) 24-25-51-01	101106 108120	RF
925			ILLUSTRATION REFERENCE: ACCUMULATOR AND SERVICING INSTL. HYDR MOTOR GEN 24-25-04-02	101102 108120	RF
930			ILLUSTRATION REFERENCE: PLUMBING INSTL-HYDR, MLG WHL WELL, KEEL BEAM 29-11-51-94	101106 108120	RF
935			ILLUSTRATION REFERENCE: VALVE INSTL-ALTERNATE ANTISKID (LANDING GEAR ONLY) 32-42-02-02	101106 108120	RF

MISSING ITEM NUMBERS NOT APPLICABLE

- ITEM NOT ILLUSTRATED

BRI

29-11-51-92

29-11-51
FIG. 92
PAGE 19
JAN 20/09



757

PARTS CATALOG (MAINTENANCE)

FIG ITEM	PART NUMBER	1 2 3 4 5 6 7	NOMENCLATURE	EFFECT FROM TO	UNITS PER ASSY
92 940			ILLUSTRATION REFERENCE: MODULE INSTL-PWR TRANSFER UNIT PRESSURE FILTER (HYDRAULIC POWER ONLY) 29-22-02-01	101106 108120	RF
945			ILLUSTRATION REFERENCE: PLUMBING AND FITTING INSTL ETOPS ALL 29-11-84-03	101106 108120	RF
950			ILLUSTRATION REFERENCE: PLUMBING INSTL-PRESSURE DECK SECT. 44 L (MAIN HYDR SYS ONLY) 29-11-84-06A	101102 108120	RF
955			ILLUSTRATION REFERENCE: PLUMBING INSTL-4-DOOR/ PKG FREIGHTER MINOR MODEL 29-11-84-01	101102 108120	RF
960			ILLUSTRATION REFERENCE: PLUMBING AND FITTING INSTL ETOPS ALL 29-11-84-03	101106 108120	RF
965			ILLUSTRATION REFERENCE: PLUMBING INSTL BASIC AND STABLE 29-11-51-48	101102 108120	RF

MISSING ITEM NUMBERS NOT APPLICABLE

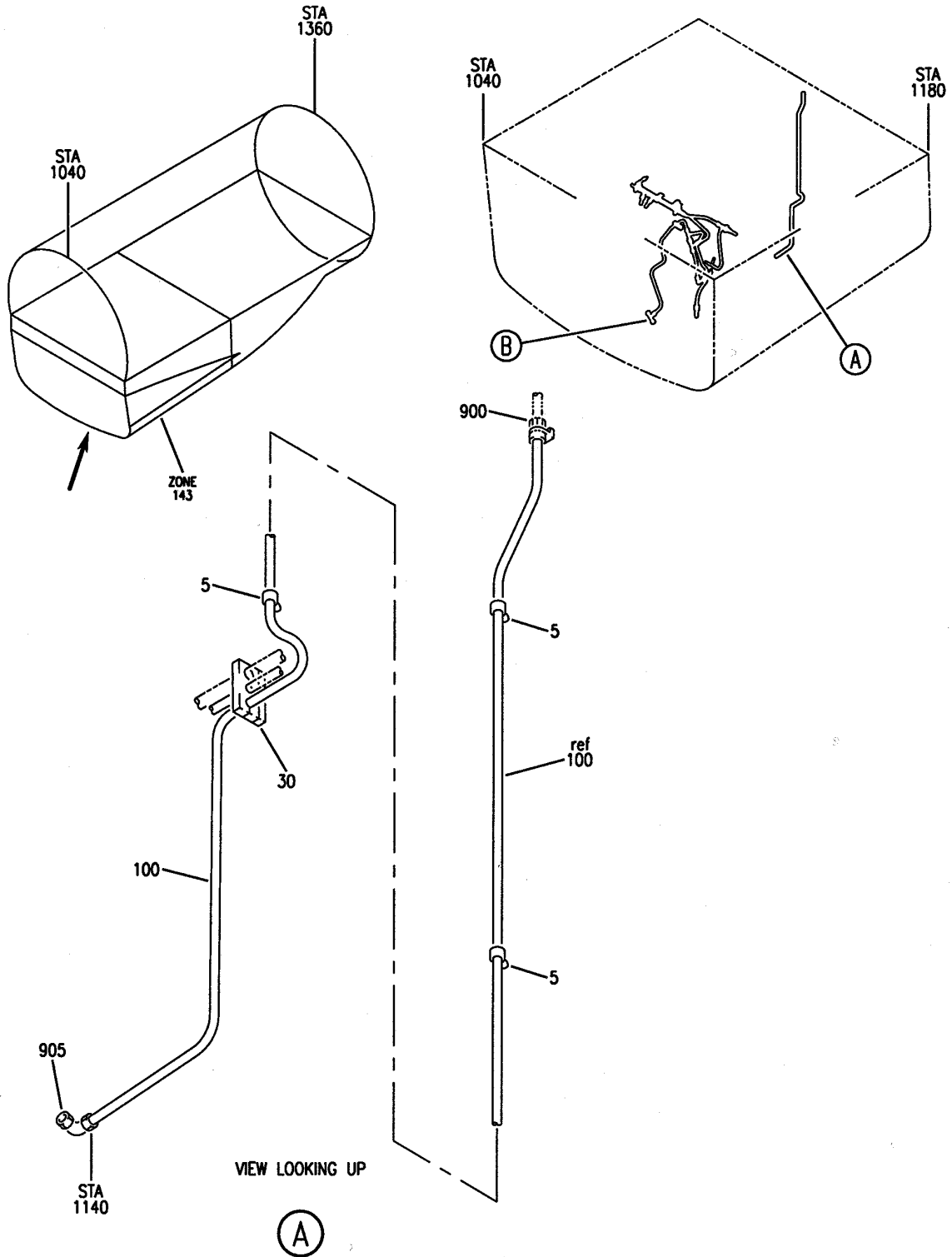
- ITEM NOT ILLUSTRATED

29-11-51-92

29-11-51
FIG. 92
PAGE 20
JAN 20/09

BRI


BOEING
 757
PARTS CATALOG (MAINTENANCE)



Y 29115193 SHT 1 REV 219

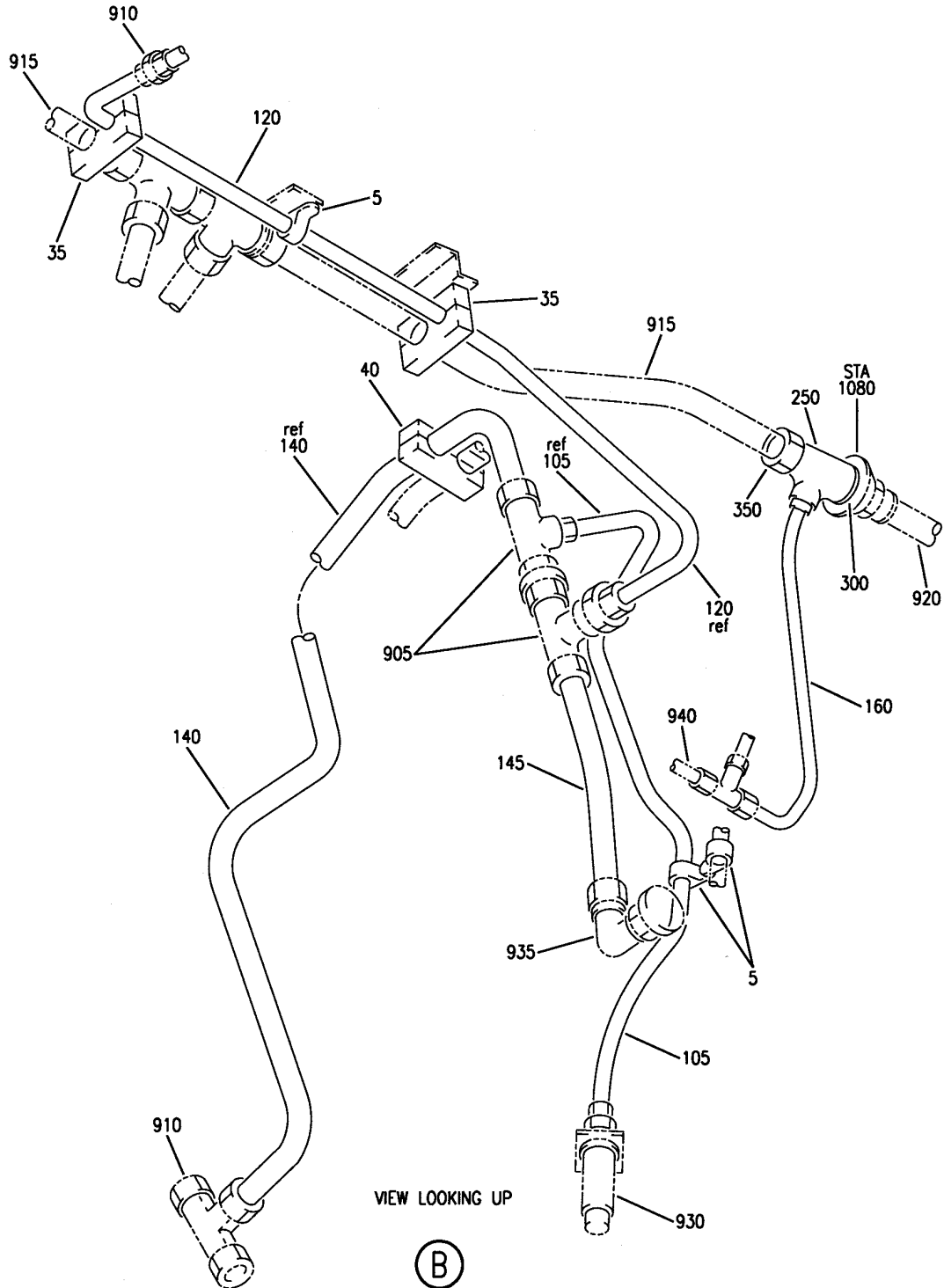
PLUMBING INSTL LH MAIN MLG WHL WELL HYDR KEEL BEAM SECT. 44
 FIGURE 93 (SHEET 1)

29-11-51-93

BRI
JAN 20/09

29-11-51-93
 PAGE 0

BOEING
757
PARTS CATALOG (MAINTENANCE)



Y 29115193 SH1 2 REV 212

PLUMBING INSTL LH MAIN MLG WHL WELL HYDR KEEL BEAM SECT. 44
FIGURE 93 (SHEET 2)

29-11-51-93

BRI
JAN 20/09

29-11-51-93
PAGE 0A



**757
PARTS CATALOG (MAINTENANCE)**

FIG ITEM	PART NUMBER	1 2 3 4 5 6 7	NOMENCLATURE	EFFECT FROM TO	UNITS PER ASSY
93			PLUMBING INSTL LH MAIN MLG WHL WELL HYDR KEEL BEAM SECT. 44	504903	
- 1	271N6445-11		PLUMBING INSTL-LH MAIN WHEEL WELL SEC 44 NON ETOPS FOR NHA SEE: 29-00-51-05B	504903	RF
5	M85052-2-6		.CLAMP ATTACHING PARTS	504903	6
- 10	NAS1801-3		.SCREW- SIZE DETERMINED ON INSTL.	504903	6
- 15	BACS18AF3		.SPACER	504903	6
- 20	AN960PD10		.WASHER	504903	6
- 25	BRH10A3		.NUT	504903	6
			SUPPLIER CODE: V52828 SPECIFICATION NUMBER: BACN10JC3 OPTIONAL PART: H10-3BAC V15653 NS202101-02 V80539 RMLH9075-3W V72962 VN303A02 V92215 96-02 V80539 T6S1032J V11815 -----*-----		
30	270N2000-137		.CLAMP ASSY- POSITION DATA: STA 1140 LBL 60	504903	RF
35	270N2000-72		.CLAMP ASSY- POSITION DATA: STA 1070 LBL 30 STA 1070 LBL 10	504903	RF
40	270N2000-67		.CLAMP ASSY- POSITION DATA: STA 1060 LBL 10	504903	RF
100	271N6445-1109		.TUBE ASSY-ALT EXTEND PRESSURE TUBING MATERIAL: .375 IN. OD .019 IN. WALL 72.90 IN. LG TI	504903	1

MISSING ITEM NUMBERS NOT APPLICABLE

- ITEM NOT ILLUSTRATED

29-11-51-93

29-11-51
FIG. 93
PAGE 1
JAN 20/09

BRI



757

PARTS CATALOG (MAINTENANCE)

FIG ITEM	PART NUMBER	1 2 3 4 5 6 7	NOMENCLATURE	EFFECT FROM TO	UNITS PER ASSY
93 105	271N6445-1149		.TUBE ASSY-L SYS PRESSURE TUBING MATERIAL: .375 IN. OD .019 IN. WALL 34.00 IN. LG TI	504903	1
- 110	AS1581T06		..SLEEVE	504903	2
- 115	BACN10YA6		..NUT	504903	2
120	271N6445-1150		.TUBE ASSY-L SYS RETURN TUBING MATERIAL: .375 IN. OD .035 IN. WALL 39.00 IN. LG 6061-T6 MIL-T-7081 F-18.14 F-20.02 AL	504903	1
- 125	AP2097HP06		..SLEEVE SUPPLIER CODE: V01673 SPECIFICATION NUMBER: BACS13BX06HP OPTIONAL PART: 2-02903-06HP V11328 35235VN06 V08199 AFP175V06P V30974 DBOS13BX06HP V14798	504903	1
- 130	BACN10YL06		..NUT- OPTIONAL PART: MS21921-6D	504903	1
- 130	MS21921-6D		..NUT- OPTIONAL PART: BACN10YL06	504903	1

MISSING ITEM NUMBERS NOT APPLICABLE

- ITEM NOT ILLUSTRATED

29-11-51-93

29-11-51
FIG. 93
PAGE 2
JAN 20/09

BRI



757

PARTS CATALOG (MAINTENANCE)

FIG ITEM	PART NUMBER	1 2 3 4 5 6 7	NOMENCLATURE	EFFECT FROM TO	UNITS PER ASSY
93 - 135	35056GV06	..	UNION SUPPLIER CODE: V08199 SPECIFICATION NUMBER: BACU24AB6W OPTIONAL PART: 2-01027-6W V11328 31875-6W V14397 4671097W6 V50948 AP1004W06 V01673 AFP941W6 V30974 DBOU24AB6W V14798	504903	1
140	271N6445-1197	.TUBE ASSY-L SYS PRESSURE	TUBING MATERIAL: .750 IN. OD .039 IN. WALL 41.00 IN. LG TI	504903	1
145	271N6445-1218	.TUBE ASSY-L SYS PRESSURE	TUBING MATERIAL: .750 IN. OD .039 IN. WALL 17.00 IN. LG TI	504903	1
- 150	AS1581T12	..	SLEEVE	504903	2
- 155	BACN10YA12N	..	NUT	504903	2
160	271N6445-1268	.TUBE ASSY-L SYS RETURN	TUBING MATERIAL: .500 IN. OD .035 IN. WALL 24.00 IN. LG AL	504903	1
- 165	AP2097HP08	..	SLEEVE SUPPLIER CODE: V01673 SPECIFICATION NUMBER: BACS13BX08HP OPTIONAL PART: 2-02903-08HP V11328 35235VN08 V08199 AFP175V08P V30974 DBOS13BX08HP V14798	504903	2
- 170	BACN10YL08	..	NUT	504903	2

MISSING ITEM NUMBERS NOT APPLICABLE

- ITEM NOT ILLUSTRATED

29-11-51-93

29-11-51
FIG. 93
PAGE 3
JAN 20/09

BRI

 **BOEING**
757
PARTS CATALOG (MAINTENANCE)

FIG ITEM	PART NUMBER	1 2 3 4 5 6 7	NOMENCLATURE	EFFECT FROM TO	UNITS PER ASSY
93 250	AFP329-121608W	. TEE	SUPPLIER CODE: V30974 SPECIFICATION NUMBER: BACT16AX121608W OPTIONAL PART: APX804-121608W V01673 DBOT16AX121608W V14798 ER804-121608W V50948 ER804-121608W V88334 FER1551-121608W V14397 LER804A121608W V11328 NAF1844-121608W V52930 US1929-121608W V50808	504903	1
300	AN960JD1716	. WASHER-	MISCELLANEOUS DATA: INSTALL WASHER AGAINST SHOULDER OF TEE	504903	1
350 900	AN924-12D	. NUT	ILLUSTRATION REFERENCE: PLUMBING INSTL-NO ETOPS PROVISIONS 29-11-51-57	504903	1
905			ILLUSTRATION REFERENCE: PLUMBING INSTL-HYDR, MLG WHL WELL, KEEL BEAM 29-11-51-94	504903	RF
910			ILLUSTRATION REFERENCE: PLUMBING INSTL-PRESSURE DECK SECT. 44 L (MAIN HYDR SYS ONLY) 29-11-84-06A	504903	RF
915			ILLUSTRATION REFERENCE: PLUMBING INSTL-CUSTOM/ DELTA NO ETOPS PROVISIONS 29-11-51-83	504903	RF
920			ILLUSTRATION REFERENCE: PLUMBING INSTL BASIC AND STABLE 29-11-51-48	504903	RF

MISSING ITEM NUMBERS NOT APPLICABLE

— ITEM NOT ILLUSTRATED

BRI

29-11-51-93

29-11-51
FIG. 93
PAGE 4
JAN 20/09



757

PARTS CATALOG (MAINTENANCE)

FIG ITEM	PART NUMBER	1 2 3 4 5 6 7	NOMENCLATURE	EFFECT FROM TO	UNITS PER ASSY
93 930			ILLUSTRATION REFERENCE: TRANSMITTER INSTL- L SYS PRESSURE 29-31-01-05	504903	RF
935			ILLUSTRATION REFERENCE: PLUMBING INSTL-HYDR, MLG WHL WELL, KEEL BEAM 29-11-51-94	504903	RF
940			ILLUSTRATION REFERENCE: PLUMBING INSTL-HYDR, MLG WHL WELL, KEEL BEAM 29-11-51-94	504903	RF

MISSING ITEM NUMBERS NOT APPLICABLE

- ITEM NOT ILLUSTRATED

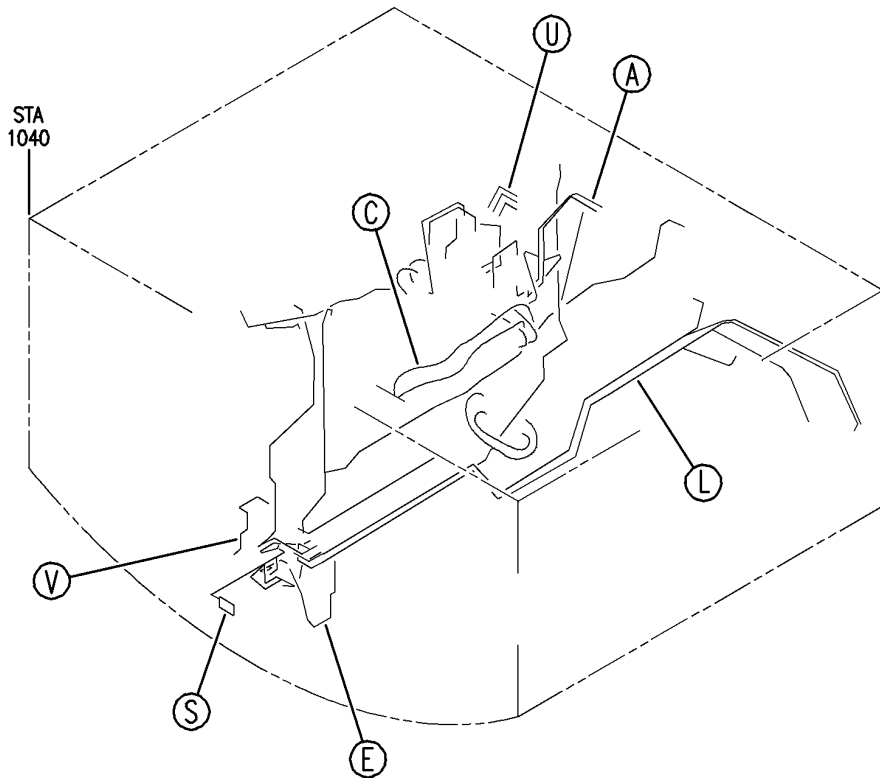
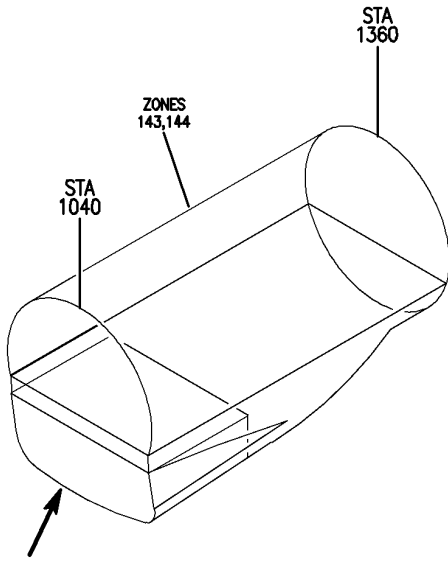
BRI

29-11-51-93

BOEING PROPRIETARY - Copyright © - Unpublished Work - See title page for details.

29-11-51
FIG. 93
PAGE 5
JAN 20/09

BOEING
757
PARTS CATALOG (MAINTENANCE)



Y 29115194 SHT 1 REV 228

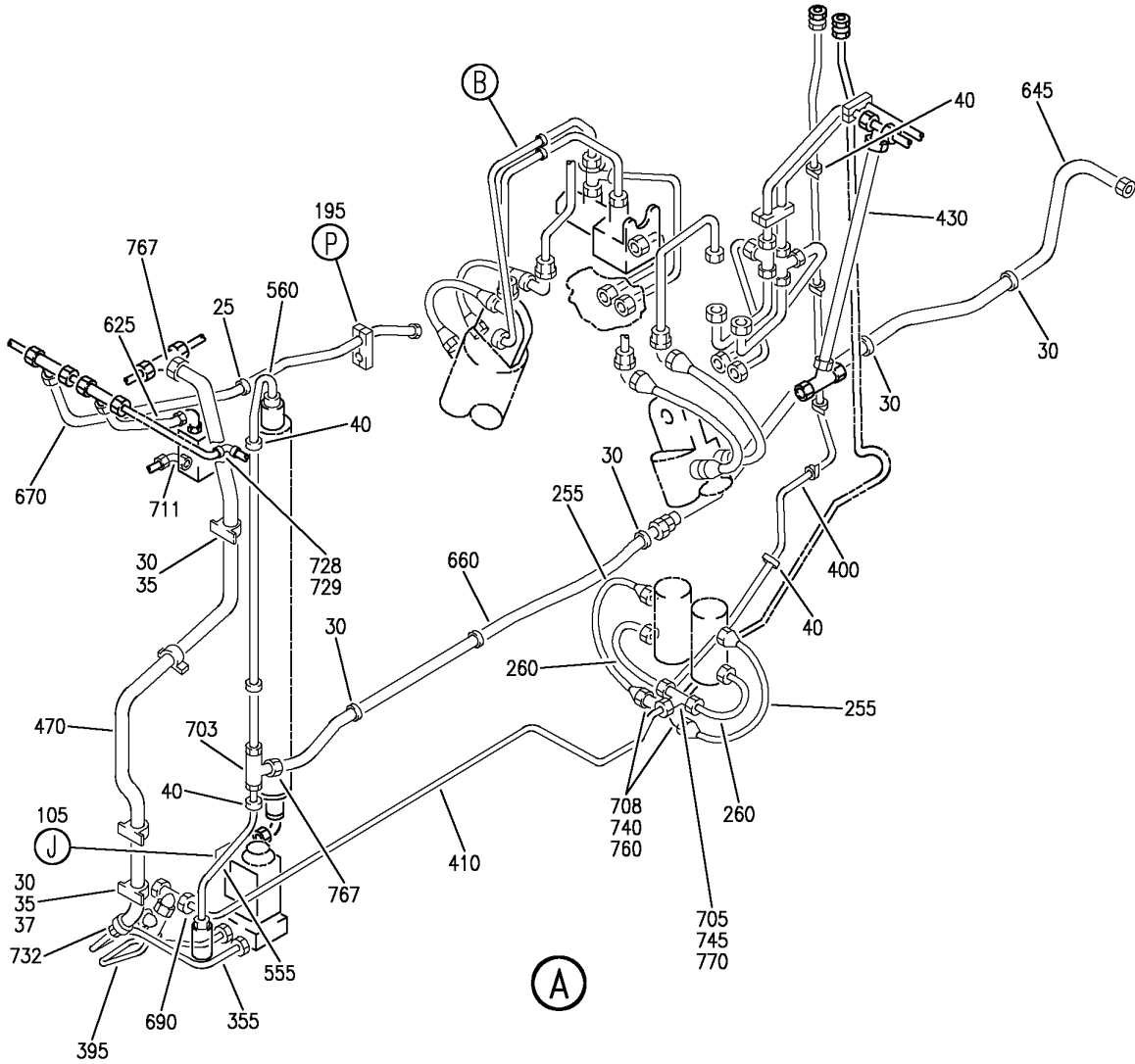
PLUMBING INSTL-HYDR, MLG WHL WELL, KEEL BEAM
FIGURE 94 (SHEET 1)

29-11-51-94

BRI
MAY 28/07

29-11-51-94
PAGE 0

BOEING
757
PARTS CATALOG (MAINTENANCE)



Y 29115194 SHT 2 REV 256

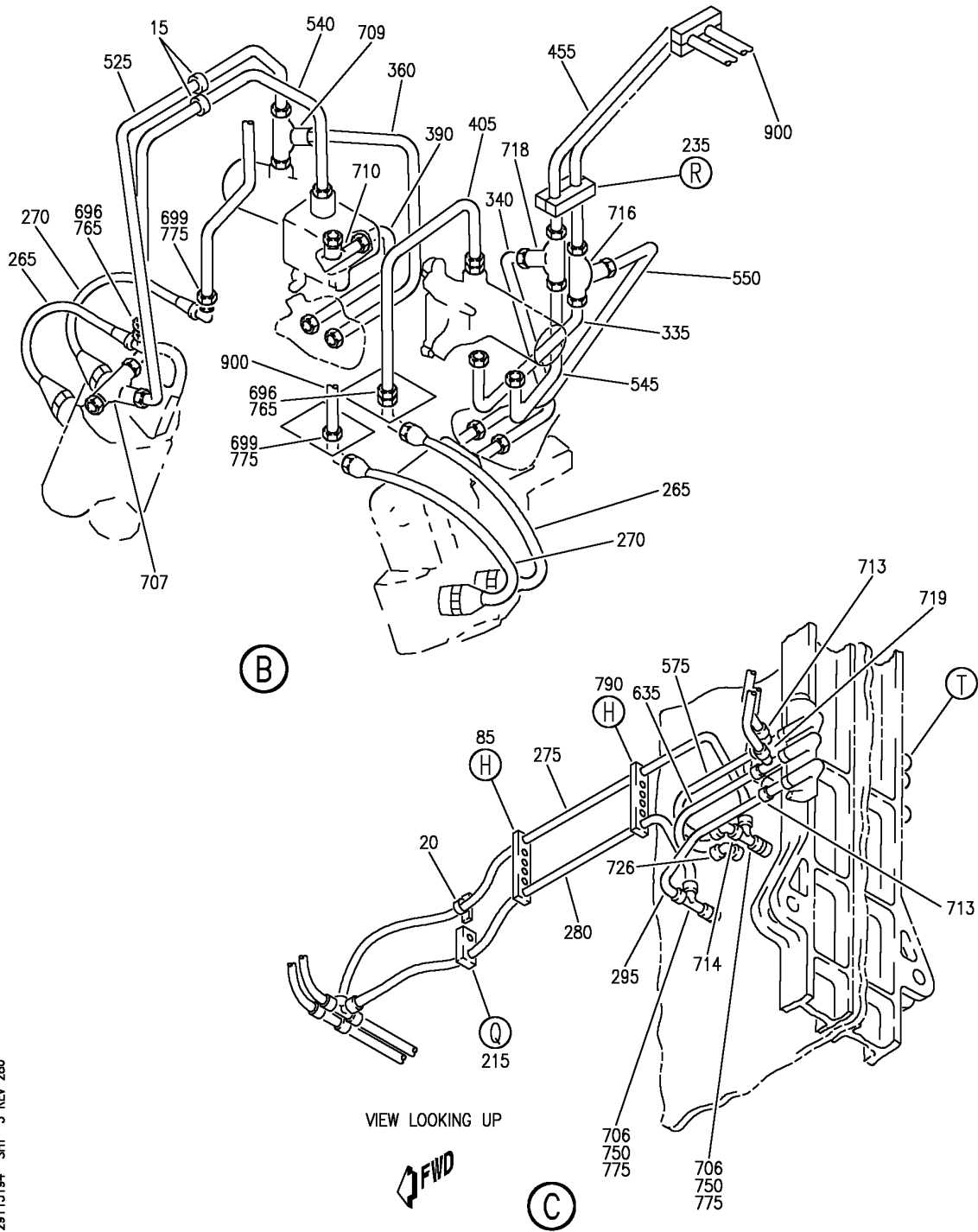
PLUMBING INSTL-HYDR, MLG WHL WELL, KEEL BEAM
FIGURE 94 (SHEET 2)

29-11-51-94

BRI
MAY 28/07

29-11-51-94
PAGE 0A

BOEING
757
PARTS CATALOG (MAINTENANCE)



Y 29115194 SHT 3 REV 280

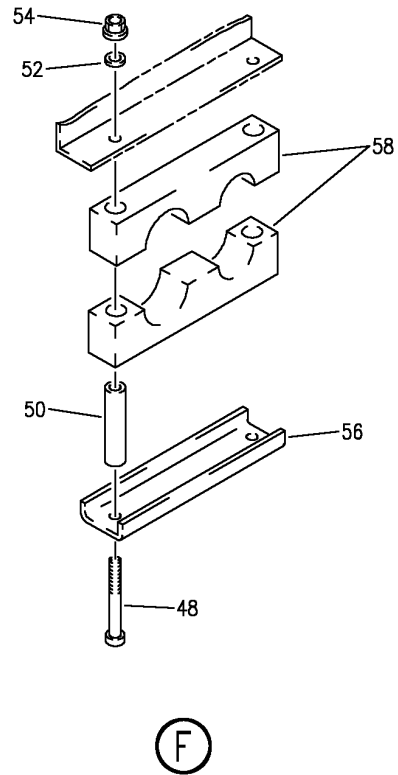
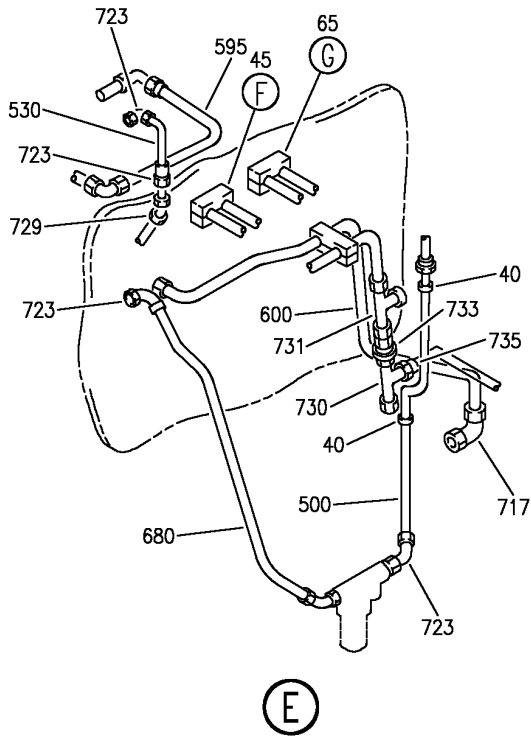
PLUMBING INSTL-HYDR, MLG WHL WELL, KEEL BEAM
FIGURE 94 (SHEET 3)

29-11-51-94

BRI
MAY 28/07

29-11-51-94
PAGE 0B

BOEING
757
PARTS CATALOG (MAINTENANCE)



Y 29115194 SH1 4 REV 280

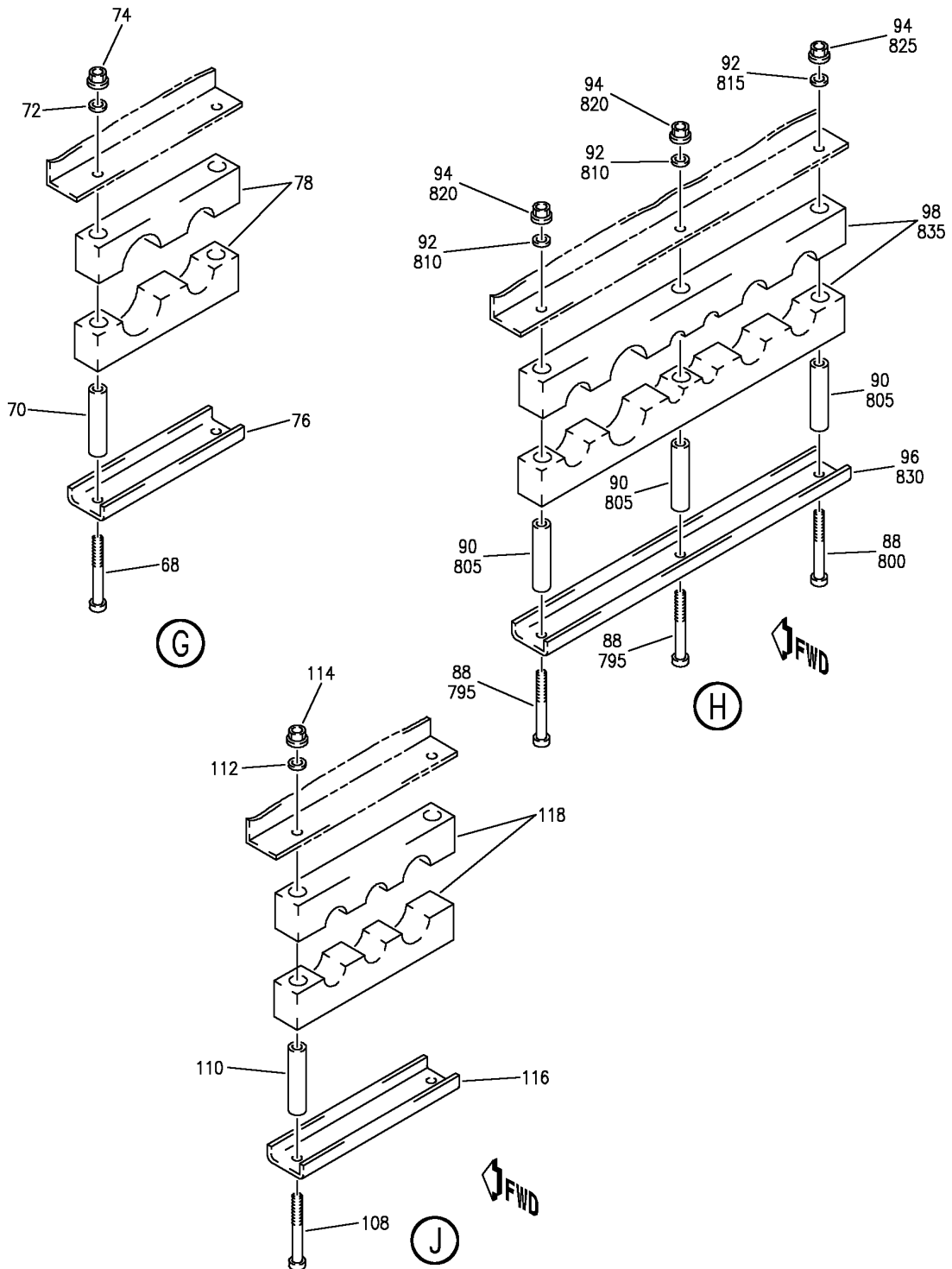
PLUMBING INSTL-HYDR, MLG WHL WELL, KEEL BEAM
FIGURE 94 (SHEET 4)

29-11-51-94

BRI
MAY 28/07

29-11-51-94
PAGE 0C

BOEING
757
PARTS CATALOG (MAINTENANCE)



Y 29115194 SH1 5 REV 280

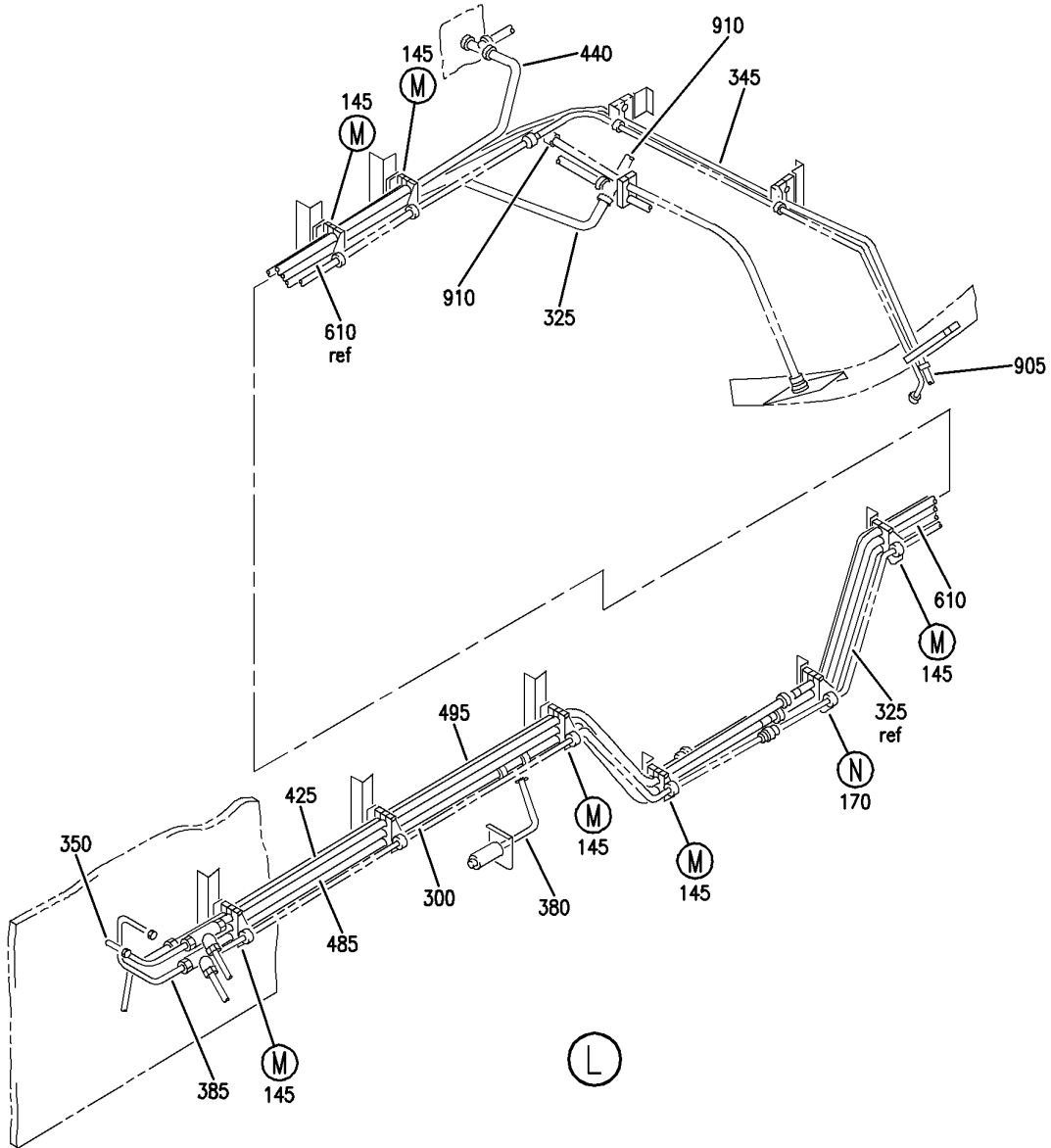
PLUMBING INSTL-HYDR, MLG WHL WELL, KEEL BEAM
FIGURE 94 (SHEET 5)

29-11-51-94

BRI
MAY 28/07

29-11-51-94
PAGE 0D

BOEING
757
PARTS CATALOG (MAINTENANCE)



Y 29115194 SH1 6 REV 228

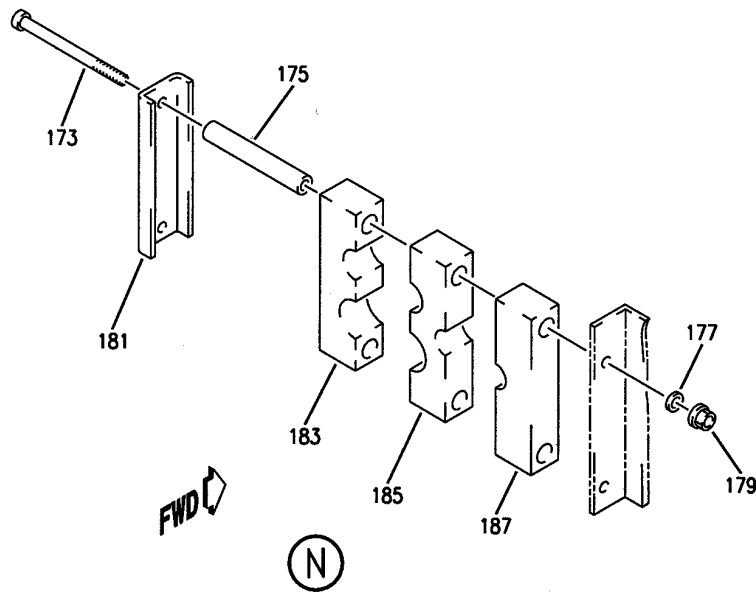
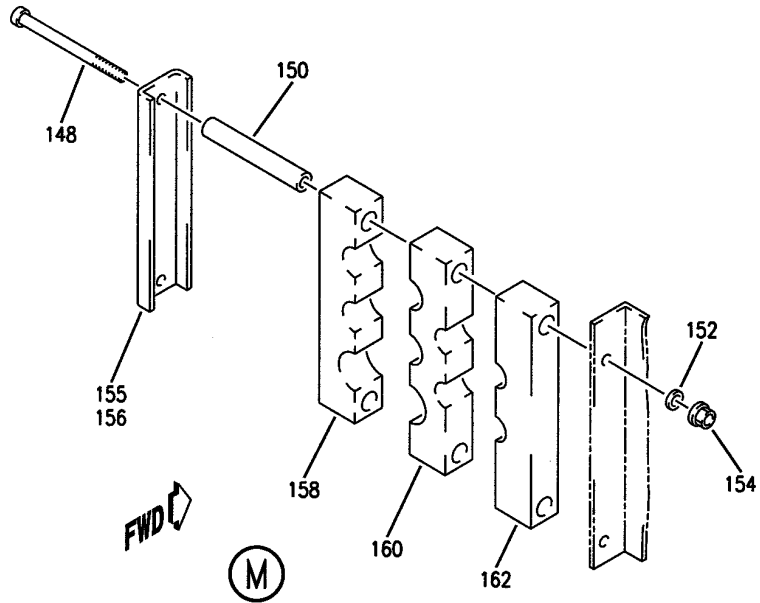
PLUMBING INSTL-HYDR, MLG WHL WELL, KEEL BEAM
FIGURE 94 (SHEET 6)

29-11-51-94

BRI
MAY 28/07

29-11-51-94
PAGE 0E

BOEING
757
PARTS CATALOG (MAINTENANCE)



Y 29115194 SH7 7 REV 215

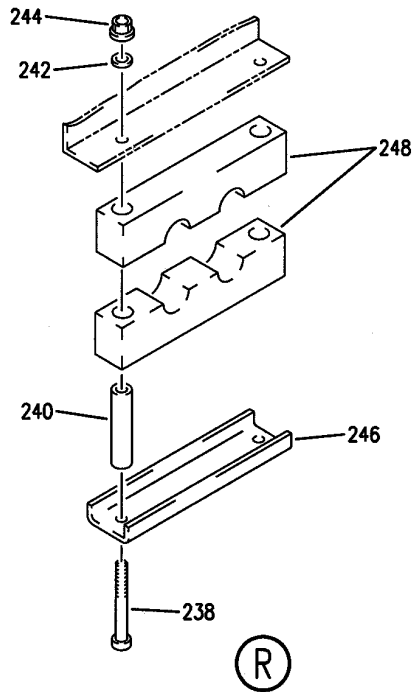
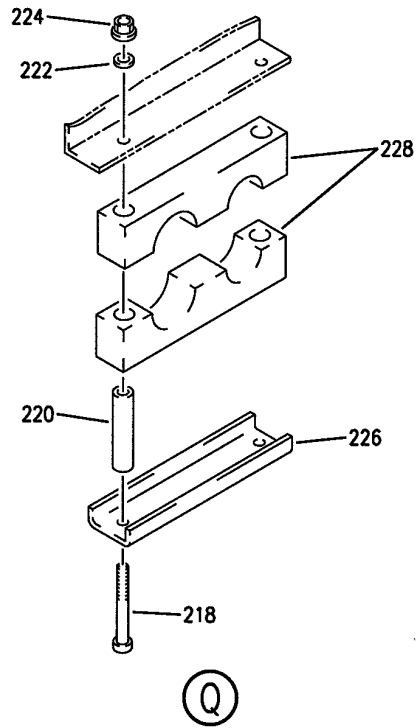
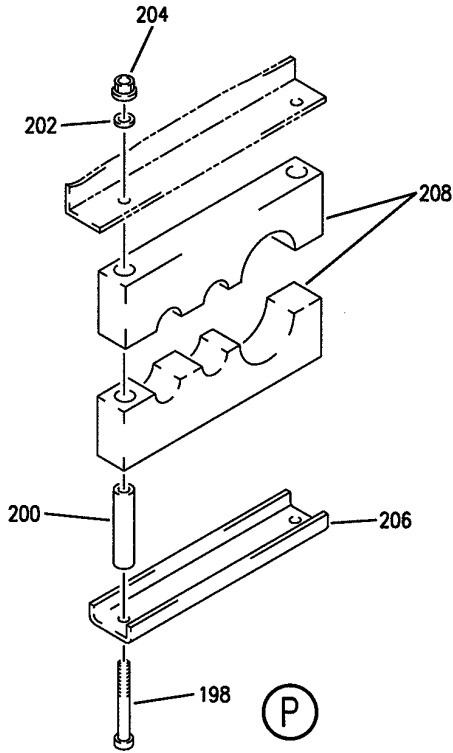
PLUMBING INSTL-HYDR, MLG WHL WELL, KEEL BEAM
FIGURE 94 (SHEET 7)

29-11-51-94

BRI
MAY 28/07

29-11-51-94
PAGE OF

BOEING
757
PARTS CATALOG (MAINTENANCE)



Y 29115194 SH1 8 REV 215

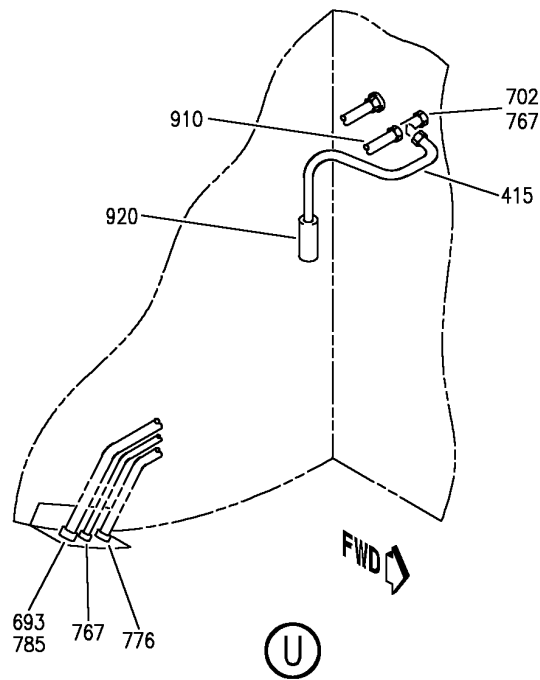
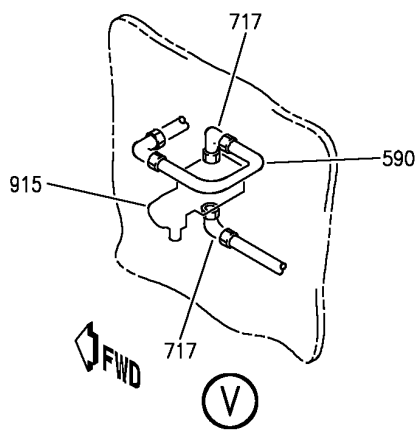
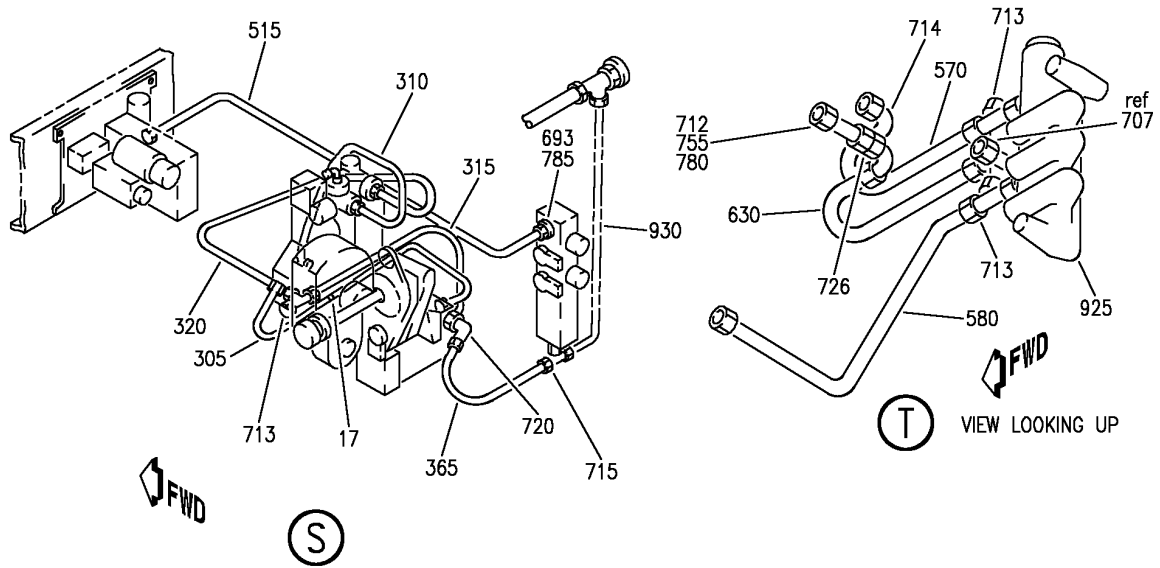
PLUMBING INSTL-HYDR, MLG WHL WELL, KEEL BEAM
FIGURE 94 (SHEET 8)

29-11-51-94

BRI
MAY 28/07

29-11-51-94
PAGE 0G

BOEING
757
PARTS CATALOG (MAINTENANCE)



Y 29115194 SHT 9 REV 280

PLUMBING INSTL-HYDR, MLG WHL WELL, KEEL BEAM
FIGURE 94 (SHEET 9)

29-11-51-94

BRI
MAY 28/07

29-11-51-94
PAGE 0H



757

PARTS CATALOG (MAINTENANCE)

FIG ITEM	PART NUMBER	1 2 3 4 5 6 7	NOMENCLATURE	EFFECT FROM TO	UNITS PER ASSY
94			PLUMBING INSTL-HYDR, MLG WHL WELL, KEEL BEAM	101106 108120 504903	
- 1	271N6445-15		PLUMBING INSTL-MLG WHL WELL KEEL BEAM HYDR (MAIN GEAR UP LOCK ACTUATOR) FOR NHA/OTHER SYS DET SEE: 29-00-51-02C	101102 108120 504903	RF
- 1	MODREF31627		PLUMBING INSTL-MLG WHL WELL KEEL BEAM HYDR (MAIN GEAR UP LOCK ACTUATOR) MODULE NUMBER: 271N6445-21 REV B FOR OTHER SYS DETAILS SEE: 32-32-04-02	103106	1
- 5	BACM10V21-2JG		.MARKER-ALUMINUM FOIL	101106 108120 504903	2
- 7	BACM10V21-2JG		.MARKER-ALUMINUM FOIL	103106	1
- 10	BAC27NEC0078		.MARKER-ALUMINUM FOIL	101106 108120 504903	1
15	TA0910004H106		.CLAMP- SUPPLIER CODE: V84971 SPECIFICATION NUMBER: BACC10HB06C POSITION DATA: STA 1120 WL 188 RBL 10 STA 1120 WL 190 RBL 10 USED WITH: 271N6445-1158 271N6445-1159	101106 108120 504903	2
17	TA0910004H108		.CLAMP SUPPLIER CODE: V84971 SPECIFICATION NUMBER: BACC10HB08C	101106 108120 504903	1
20	TA0910004H110		.CLAMP- SUPPLIER CODE: V84971 SPECIFICATION NUMBER: BACC10HB10C POSITION DATA: STA 1700 WL 190 LBL 10 USED WITH: 271N6445-1001	101106 108120 504903	1

MISSING ITEM NUMBERS NOT APPLICABLE

- ITEM NOT ILLUSTRATED

BRI

29-11-51-94

29-11-51
FIG. 94
PAGE 1
JAN 20/09



757

PARTS CATALOG (MAINTENANCE)

FIG ITEM	PART NUMBER	1 2 3 4 5 6 7	NOMENCLATURE	EFFECT FROM TO	UNITS PER ASSY
94 25	TA0910004H112	.CLAMP-	SUPPLIER CODE: V84971 SPECIFICATION NUMBER: BACC10HB12C POSITION DATA: STA 1080 WL 190 RBL 10 USED WITH: 271N6445-1278	101106 108120 504903	1
35	TA0910004H116	.CLAMP-	SUPPLIER CODE: V84971 SPECIFICATION NUMBER: BACC10HB16C POSITION DATA: STA 1060 WL 185 RBL 10 STA 1060 WL 170 RBL 10 STA 1060 WL 160 RBL 10 STA 1060 WL 150 RBL 10 USED WITH: 271N6445-1097	101106 108120 504903	4
37	TA0910004H116	.CLAMP	SUPPLIER CODE: V84971 SPECIFICATION NUMBER: BACC10HB16C	103106	1
40	M85052-2-6	.CLAMP		101106 108120 504903	10
45	270N2000-115	.CLAMP ASSY-BLOCK	POSITION DATA: STA 1060 WL 185 LBL 10	101106 108120 504903	1
48	NAS1801-3-26	..SCREW		101106 108120 504903	2
50	NAS43DD3-67	..SPACER		101106 108120 504903	2
52	AN960PD10L	..WASHER		101106 108120 504903	2

MISSING ITEM NUMBERS NOT APPLICABLE

- ITEM NOT ILLUSTRATED

29-11-51-94

29-11-51
FIG. 94
PAGE 2
JAN 20/09

BRI



757

PARTS CATALOG (MAINTENANCE)

FIG ITEM	PART NUMBER	1 2 3 4 5 6 7	NOMENCLATURE	EFFECT FROM TO	UNITS PER ASSY
94					
54	BRH10A3	..	NUT SUPPLIER CODE: V52828 SPECIFICATION NUMBER: BACN10JC3 OPTIONAL PART: H10-3BAC V15653 NS202101-02 V80539 RMLH9075-3W V72962 VN303A02 V92215 96-02 V80539 T6S1032J V11815	101106 108120 504903	2
56	270N2000-871	..	CHANNEL	101106 108120 504903	1
58	270N2000-549	..	BLOCK-CLAMP	101106 108120 504903	2
65	270N2000-116	.	CLAMP ASSY-BLOCK POSITION DATA: STA 1062 WL 185 LBL 10	101106 108120 504903	1
68	NAS1801-3-30	..	SCREW	101106 108120 504903	2
70	NAS43DD3-83	..	SPACER	101106 108120 504903	2
72	AN960PD10L	..	WASHER	101106 108120 504903	2

MISSING ITEM NUMBERS NOT APPLICABLE

- ITEM NOT ILLUSTRATED

BRI

29-11-51-94

29-11-51
FIG. 94
PAGE 3
JAN 20/09



757

PARTS CATALOG (MAINTENANCE)

FIG ITEM	PART NUMBER	1 2 3 4 5 6 7	NOMENCLATURE	EFFECT FROM TO	UNITS PER ASSY
94					
74	BRH10A3		.. NUT SUPPLIER CODE: V52828 SPECIFICATION NUMBER: BACN10JC3 OPTIONAL PART: H10-3BAC V15653 NS202101-02 V80539 RMLH9075-3W V72962 VN303A02 V92215 96-02 V80539 T6S1032J V11815	101106 108120 504903	2
76	270N2000-872		.. CHANNEL	101106 108120 504903	1
78	270N2000-550		.. BLOCK-CLAMP	101106 108120 504903	2
85	270N2000-118		.CLAMP ASSY-BLOCK POSITION DATA: STA 1080 WL 195 LBL 10 USED WITH: 271N6445-1001 271N6445-1002 270N0005-3	101106 108120 504903	1
88	NAS1801-3-28		.. SCREW	101106 108120 504903	3
90	NAS43DD3-75		.. SPACER	101106 108120 504903	3
92	AN960PD10L		.. WASHER	101106 108120 504903	3

MISSING ITEM NUMBERS NOT APPLICABLE

- ITEM NOT ILLUSTRATED

29-11-51-94

29-11-51
FIG. 94
PAGE 4
JAN 20/09

BRI



757

PARTS CATALOG (MAINTENANCE)

FIG ITEM	PART NUMBER	1 2 3 4 5 6 7	NOMENCLATURE	EFFECT FROM TO	UNITS PER ASSY
94	BRH10A3	..	NUT	101106	3
94			SUPPLIER CODE:	108120	
			V52828	504903	
			SPECIFICATION NUMBER:		
			BACN10JC3		
			OPTIONAL PART:		
			H10-3BAC		
			V15653		
			NS202101-02		
			V80539		
		RMLH9075-3W			
		V72962			
		VN303A02			
		V92215			
		96-02			
		V80539			
		T6S1032J			
		V11815			
96	270N2000-874	..	CHANNEL	101106	1
				108120	
				504903	
98	270N2000-552	..	BLOCK-CLAMP	101106	2
				108120	
				504903	
105	270N2000-122	.	CLAMP ASSY-BLOCK	101106	1
			POSITION DATA:	108120	
			STA 1060 WL 155 RBL 10	504903	
108	NAS1801-3-26	..	SCREW	101106	2
				108120	
				504903	
110	NAS43DD3-67	..	SPACER	101106	2
				108120	
				504903	
112	AN960PD10L	..	WASHER	101106	2
				108120	
				504903	

MISSING ITEM NUMBERS NOT APPLICABLE

- ITEM NOT ILLUSTRATED

29-11-51-94

29-11-51
FIG. 94
PAGE 5
JAN 20/09

BRI

BOEING PROPRIETARY - Copyright © - Unpublished Work - See title page for details.



757

PARTS CATALOG (MAINTENANCE)

FIG ITEM	PART NUMBER	1 2 3 4 5 6 7	NOMENCLATURE	EFFECT FROM TO	UNITS PER ASSY
94 114	BRH10A3	..	NUT SUPPLIER CODE: V52828 SPECIFICATION NUMBER: BACN10JC3 OPTIONAL PART: H10-3BAC V15653 NS202101-02 V80539 RMLH9075-3W V72962 VN303A02 V92215 96-02 V80539 T6S1032J V11815	101106 108120 504903	2
116	270N2000-878	..	CHANNEL	101106 108120 504903	1
118	270N2000-557	..	BLOCK-CLAMP	101106 108120 504903	2
145	270N2000-137	.CLAMP ASSY-BLOCK POSITION DATA: STA 1180 WL 150 LBL 10 STA 1170 WL 150 LBL 10 STA 1150 WL 150 LBL 10 STA 1130 WL 140 LBL 10 STA 1110 WL 150 LBL 10 STA 1090 WL 150 LBL 10 STA 1070 WL 150 LBL 10 USED WITH: 271N6445-1024 271N6445-1028 271N6445-1030 271N6445-1031 271N6445-1104 271N6445-1113 271N6445-1141 271N6445-1143 271N6445-1236 270N0005-2	101106 108120 504903	7	
148	NAS1801-3-36	..	SCREW	101106 108120 504903	2

MISSING ITEM NUMBERS NOT APPLICABLE

- ITEM NOT ILLUSTRATED

29-11-51-94

29-11-51
FIG. 94
PAGE 6
JAN 20/09

BRI



757

PARTS CATALOG (MAINTENANCE)

FIG ITEM	PART NUMBER	1 2 3 4 5 6 7	NOMENCLATURE	EFFECT FROM TO	UNITS PER ASSY
94					
150	NAS43DD3-107	..	SPACER	101106 108120 504903	2
152	AN960PD10L	..	WASHER	101106 108120 504903	2
154	BRH10A3	..	NUT SUPPLIER CODE: V52828 SPECIFICATION NUMBER: BACN10JC3 OPTIONAL PART: H10-3BAC V15653 NS202101-02 V80539 RMLH9075-3W V72962 VN303A02 V92215 96-02 V80539 T6S1032J V11815	101106 108120 504903	2
155	270N2000-703	..	CHANNEL	101106 108120 504903	1
156	270N2000-828	..	CHANNEL	101106 108120 504903	1
158	270N2000-591	..	BLOCK-CLAMP	101106 108120 504903	1
160	270N2000-592	..	BLOCK-CLAMP	101106 108120 504903	1
162	270N2000-593	..	BLOCK-CLAMP	101106 108120 504903	1
170	270N2000-205	.	CLAMP ASSY-BLOCK POSITION DATA: STA 1150 WL 140 LBL 10 USED WITH: 271N6445-1030 271N6445-1031 271N6445-1236	101106 108120 504903	1
173	NAS1801-3-36	..	SCREW	101106 108120 504903	2

MISSING ITEM NUMBERS NOT APPLICABLE

- ITEM NOT ILLUSTRATED

29-11-51-94

29-11-51
FIG. 94
PAGE 7
JAN 20/09

BRI

BOEING PROPRIETARY - Copyright © - Unpublished Work - See title page for details.



757

PARTS CATALOG (MAINTENANCE)

FIG ITEM	PART NUMBER	1 2 3 4 5 6 7	NOMENCLATURE	EFFECT FROM TO	UNITS PER ASSY
94					
175	NAS43DD3-109	..	SPACER	101106 108120 504903	2
177	AN960KD10L	..	WASHER	101106 108120 504903	2
179	BRH10A3	..	NUT SUPPLIER CODE: V52828 SPECIFICATION NUMBER: BACN10JC3 OPTIONAL PART: H10-3BAC V15653 NS202101-02 V80539 RMLH9075-3W V72962 VN303A02 V92215 96-02 V80539 T6S1032J V11815	101106 108120 504903	2
181	270N2000-893	..	CHANNEL	101106 108120 504903	1
183	270N2000-574	..	BLOCK-CLAMP	101106 108120 504903	1
185	270N2000-694	..	BLOCK-CLAMP	101106 108120 504903	1
187	270N2000-695	..	BLOCK-CLAMP	101106 108120 504903	1
195	270N2000-287	.CLAMP ASSY-BLOCK POSITION DATA: STA 1100 WL 185 RBL 10 USED WITH: 271N6445-1278		101106 108120 504903	1
198	NAS1801-3-31	..	SCREW	101106 108120 504903	2
200	NAS43DD3-94FC	..	SPACER	101106 108120 504903	2

MISSING ITEM NUMBERS NOT APPLICABLE

- ITEM NOT ILLUSTRATED

BRI

29-11-51-94

29-11-51
FIG. 94
PAGE 8
JAN 20/09



757

PARTS CATALOG (MAINTENANCE)

FIG ITEM	PART NUMBER	1 2 3 4 5 6 7	NOMENCLATURE	EFFECT FROM TO	UNITS PER ASSY
94					
202	AN960JD10L	..	WASHER	101106 108120 504903	2
204	BRH10C3D	..	NUT SUPPLIER CODE: V52828 SPECIFICATION NUMBER: BACN10JC3CD OPTIONAL PART: T6C1032JCD V11815 NS202486-02 V80539 102LH9075-3W V72962 H51650-3BAC V15653	101106 108120 504903	2
206	270N2000-800	..	CHANNEL	101106 108120 504903	1
208	270N2000-1300	..	BLOCK-CLAMP	101106 108120 504903	2
215	270N2000-73	.CLAMP ASSY-BLOCK POSITION DATA: STA 1080 WL 185 LBL 10 USED WITH: 271N6445-1002		101106 108120 504903	1
218	NAS1801-3-28	..	SCREW	101106 108120 504903	2
220	NAS43DD3-75	..	SPACER	101106 108120 504903	2
222	AN960PD10L	..	WASHER	101106 108120 504903	2

MISSING ITEM NUMBERS NOT APPLICABLE

- ITEM NOT ILLUSTRATED

29-11-51-94

29-11-51
FIG. 94
PAGE 9
JAN 20/09

BRI



757

PARTS CATALOG (MAINTENANCE)

FIG ITEM	PART NUMBER	1 2 3 4 5 6 7	NOMENCLATURE	EFFECT FROM TO	UNITS PER ASSY
94 224	BRH10A3	..	NUT SUPPLIER CODE: V52828 SPECIFICATION NUMBER: BACN10JC3 OPTIONAL PART: H10-3BAC V15653 NS202101-02 V80539 RMLH9075-3W V72962 VN303A02 V92215 96-02 V80539 T6S1032J V11815	101106 108120 504903	2
226	270N2000-893	..	CHANNEL	101106 108120 504903	1
228	270N2000-574	..	BLOCK-CLAMP	101106 108120 504903	2
235	270N2000-78	.CLAMP ASSY-BLOCK POSITION DATA: STA 1140 WL 180 LBL 10 USED WITH: 271N6445-1084		101106 108120 504903	1
238	NAS1801-3-24	..	SCREW	101106 108120 504903	2
240	NAS43DD3-59	..	SPACER	101106 108120 504903	2
242	AN960PD10L	..	WASHER	101106 108120 504903	2

MISSING ITEM NUMBERS NOT APPLICABLE

- ITEM NOT ILLUSTRATED

29-11-51-94

29-11-51
FIG. 94
PAGE 10
JAN 20/09

BRI

BOEING PROPRIETARY - Copyright © - Unpublished Work - See title page for details.



757

PARTS CATALOG (MAINTENANCE)

FIG ITEM	PART NUMBER	1 2 3 4 5 6 7	NOMENCLATURE	EFFECT FROM TO	UNITS PER ASSY
94 244	BRH10A3	. .	NUT SUPPLIER CODE: V52828 SPECIFICATION NUMBER: BACN10JC3 OPTIONAL PART: H10-3BAC V15653 NS202101-02 V80539 RMLH9075-3W V72962 VN303A02 V92215 96-02 V80539 T6S1032J V11815	101106 108120 504903	2
246	270N2000-844	. .	CHANNEL	101106 108120 504903	1
248	270N2000-502	. .	BLOCK-CLAMP	101106 108120 504903	2
255	AS115-04K0162	. HOSE	ASSY	101106 108120 504903	RF
255	AS115-04D0162	. HOSE	ASSY	101106 108120 504903	RF
260	AS116-06K0114	. HOSE	ASSY	101106 108120 504903	2
265	AS117-06-0180	. HOSE	ASSY	101106 108120 504903	2
270	AS117-08-0180	. HOSE	ASSY	101106 108120 504903	2
275	271N6445-1001	. TUBE	ASSY-LDG GR POSITION DATA: UP TUBING MATERIAL: .625 IN. OD .032 IN. WALL TI	101106 108120 504903	1

MISSING ITEM NUMBERS NOT APPLICABLE

- ITEM NOT ILLUSTRATED

29-11-51-94

29-11-51
FIG. 94
PAGE 11
JAN 20/09

BRI



757

PARTS CATALOG (MAINTENANCE)

FIG ITEM	PART NUMBER	1 2 3 4 5 6 7	NOMENCLATURE	EFFECT FROM TO	UNITS PER ASSY
94 280	271N6445-1002		.TUBE ASSY-LDG GR POSITION DATA: DOWN TUBING MATERIAL: .625 IN. OD .032 IN. WALL TI	101106 108120 504903	1
- 288	AS1581T10		..SLEEVE	101106 108120 504903	2
- 290	BACN10YA10		..NUT	101106 108120 504903	2
295	271N6445-1006		.TUBE ASSY-LDG GR POSITION DATA: DOWN TUBING MATERIAL: .500 IN. OD .026 IN. WALL TI	101106 108120 504903	1
300	271N6445-1028		.TUBE ASSY-PRESSURE SYS POSITION DATA: CTR TUBING MATERIAL: .500 IN. OD .026 IN. WALL TI	101106 108120 504903	1
305	271N6445-1059		.TUBE ASSY-FLAP POSITION DATA: DOWN TUBING MATERIAL: .500 IN. OD .026 IN. WALL TI	101106 108120 504903	1
310	271N6445-1060		.TUBE ASSY-FLAP POSITION DATA: DOWN TUBING MATERIAL: .500 IN. OD .026 IN. WALL TI	101106 108120 504903	1
315	271N6445-1081		.TUBE ASSY-FLAP POSITION DATA: UP TUBING MATERIAL: .500 IN. OD .026 IN. WALL TI	101106 108120 504903	1
320	271N6445-1082		.TUBE ASSY-FLAP POSITION DATA: UP TUBING MATERIAL: .500 IN. OD .026 IN. WALL TI	101106 108120 504903	1

MISSING ITEM NUMBERS NOT APPLICABLE

- ITEM NOT ILLUSTRATED

BRI

29-11-51-94

29-11-51
FIG. 94
PAGE 12
JAN 20/09



757

PARTS CATALOG (MAINTENANCE)

FIG ITEM	PART NUMBER	1 2 3 4 5 6 7	NOMENCLATURE	EFFECT FROM TO	UNITS PER ASSY
94 325	271N6445-1113		.TUBE ASSY-PRESSURE SYS POSITION DATA: CTR TUBING MATERIAL: .500 IN. OD .026 IN. WALL 97.4 IN. LG TI	101106 108120 504903	1
- 328	AS1581T08		..SLEEVE	101106 108120 504903	2
- 330	BACN10YA8		..NUT	101106 108120 504903	2
335	271N6445-1009		.TUBE ASSY-RETURN SYS POSITION DATA: L TUBING MATERIAL: .375 IN. OD .035 IN. WALL AL	101106 108120 504903	1
340	271N6445-1010		.TUBE ASSY-RETURN SYS POSITION DATA: L TUBING MATERIAL: .375 IN. OD .035 IN. WALL AL	101106 108120 504903	1
345	271N6445-1031		.TUBE ASSY-HYDR RSVR PRESSURE POSITION DATA: CTR TUBING MATERIAL: .375 IN. OD .035 IN. WALL AL	101106 108120 504903	1
350	271N6445-1090		.TUBE ASSY-SYS RETURN POSITION DATA: CTR TUBING MATERIAL: .375 IN. OD .035 IN. WALL AL	101106 108120 504903	1
355	271N6445-1096		.TUBE ASSY-SYS RETURN POSITION DATA: L TUBING MATERIAL: .375 IN. OD .035 IN. WALL AL	101106 108120 504903	1
360	271N6445-1125		.TUBE ASSY-SYS RETURN POSITION DATA: L TUBING MATERIAL: .375 IN. OD .035 IN. WALL AL ALLOY	101106 108120 504903	1

MISSING ITEM NUMBERS NOT APPLICABLE

- ITEM NOT ILLUSTRATED

29-11-51-94

29-11-51
FIG. 94
PAGE 13
JAN 20/09

BRI



757

PARTS CATALOG (MAINTENANCE)

FIG ITEM	PART NUMBER	1 2 3 4 5 6 7	NOMENCLATURE	EFFECT FROM TO	UNITS PER ASSY
94 365	271N6445-1154		.TUBE ASSY-SYS RETURN POSITION DATA: L TUBING MATERIAL: .375 IN. OD .035 IN. WALL 9.8 IN. LG AL	101106 108120 504903	1
- 368	AP2097HP06		..SLEEVE SUPPLIER CODE: V01673 SPECIFICATION NUMBER: BACS13BX06HP OPTIONAL PART: 2-02903-06HP V11328 35235VN06 V08199 AFP175V06P V30974 DBOS13BX06HP V14798	101106 108120 504903	2
- 370	BACN10YLO6		..NUT	101106 108120 504903	2
- 375	MS21921-6D		..NUT	101106 108120 504903	2
380	271N6445-1017		.TUBE ASSY-SYS PRESSURE POSITION DATA: CTR TUBING MATERIAL: .375 IN. OD .019 IN. WALL TI	101106 108120 504903	1
385	271N6445-1021		.TUBE ASSY-SYS PRESSURE POSITION DATA: CTR TUBING MATERIAL: .375 IN. OD .019 IN. WALL TI	101106 108120 504903	1
390	271N6445-1047		.TUBE ASSY-DOOR CLOSE TUBING MATERIAL: .375 IN. OD .019 IN. WALL TI	101106 108120 504903	1
395	271N6445-1071		.TUBE ASSY-ALTERNATE EXTENDED PRESSURE TUBING MATERIAL: .375 IN. OD .019 IN. WALL TI	101106 108120 504903	1

MISSING ITEM NUMBERS NOT APPLICABLE

- ITEM NOT ILLUSTRATED

29-11-51-94

29-11-51
FIG. 94
PAGE 14
JAN 20/09

BRI

 **BOEING**
757
PARTS CATALOG (MAINTENANCE)

FIG ITEM	PART NUMBER	1 2 3 4 5 6 7	NOMENCLATURE	EFFECT FROM TO	UNITS PER ASSY
94 400	271N6445-1110		.TUBE ASSY-ALTERNATE EXTENDED PRESSURE TUBING MATERIAL: .375 IN. OD .019 IN. WALL 66.2 IN. LG TI	101102 108120 504903	1
405	271N6445-1119		.TUBE ASSY-DOOR CLOSE TUBING MATERIAL: .375 IN. OD .019 IN. WALL TI	101106 108120 504903	1
410	271N6445-1141		.TUBE ASSY-ALTERNATE EXTEND PRESSURE TUBING MATERIAL: .375 IN. OD .019 IN. WALL TI	101106 108120 504903	1
415	271N6445-1142		.TUBE ASSY-PRESSURE SYS POSITION DATA: R TUBING MATERIAL: .375 IN. OD .019 IN. WALL TI	101106 108120 504903	1
- 418	AS1581T06		..SLEEVE	101102 108120 504903	2
- 418	AS1581T06		..SLEEVE	103106	2
- 420	BACN10YA6N		..NUT	101106 108120 504903	2
425	271N6445-1024		.TUBE ASSY-SYS RETURN POSITION DATA: CTR TUBING MATERIAL: .625 IN. OD .035 IN. WALL AL	101106 108120 504903	1
430	271N6445-1168		.TUBE ASSY-SYS RETURN POSITION DATA: L TUBING MATERIAL: .625 IN. OD .035 IN. WALL 14.7 IN. LG AL	101106 108120 504903	1

MISSING ITEM NUMBERS NOT APPLICABLE

- ITEM NOT ILLUSTRATED

BRI

29-11-51-94

BOEING PROPRIETARY - Copyright © - Unpublished Work - See title page for details.

29-11-51
FIG. 94
PAGE 15
MAY 20/09



757

PARTS CATALOG (MAINTENANCE)

FIG ITEM	PART NUMBER	1 2 3 4 5 6 7	NOMENCLATURE	EFFECT FROM TO	UNITS PER ASSY
94 - 433	AP2097HP10	..	SLEEVE SUPPLIER CODE: V01673 SPECIFICATION NUMBER: BACS13BX10HP OPTIONAL PART: 2-02903-10HP V11328 35235VN10 V08199 AFP175V10P V30974 DBOS13BX10HP V14798	101106 108120 504903	2
- 435	BACN10YL10	..	NUT	101106 108120 504903	2
- 437	MS21921-10D	..	NUT	101106 108120 504903	2
440	271N6445-1030	.	TUBE ASSY-SYS RETURN POSITION DATA: CTR TUBING MATERIAL: .625 IN. OD .035 IN. WALL AL	101106 108120 504903	1
- 443	AP2097HP10	..	SLEEVE SUPPLIER CODE: V01673 SPECIFICATION NUMBER: BACS13BX10HP OPTIONAL PART: 2-02903-10HP V11328 35235VN10 V08199 AFP175V10P V30974 DBOS13BX10HP V14798	101106 108120 504903	1

MISSING ITEM NUMBERS NOT APPLICABLE

- ITEM NOT ILLUSTRATED

29-11-51-94

29-11-51
FIG. 94
PAGE 16
JAN 20/09

BRI



757

PARTS CATALOG (MAINTENANCE)

FIG ITEM	PART NUMBER	1 2 3 4 5 6 7	NOMENCLATURE	EFFECT FROM TO	UNITS PER ASSY
94 - 445	35056GV10	..	UNION SUPPLIER CODE: V08199 SPECIFICATION NUMBER: BACU24AB10W OPTIONAL PART: 4671097W10 V50948 2-01027-10W V11328 31875-10W V14397 AP1004W10 V01673 AFP941W10 V30974 DBOU24AB10W V14798	101106 108120 504903	1
- 447	BACN10YL10	..	NUT	101106 108120 504903	1
- 449	MS21921-10D	..	NUT	101106 108120 504903	1
455	271N6445-1084	.TUBE ASSY-SYS RETURN POSITION DATA: L TUBING MATERIAL: .375 IN. OD .035 IN. WALL AL		101106 108120 504903	1
- 458	AP2097HP06	..	SLEEVE SUPPLIER CODE: V01673 SPECIFICATION NUMBER: BACS13BX06HP OPTIONAL PART: 2-02903-06HP V11328 35235VN06 V08199 AFP175V06P V30974 DBOS13BX06HP V14798	101106 108120 504903	2
- 460	BACN10YL06	..	NUT	101106 108120 504903	2

MISSING ITEM NUMBERS NOT APPLICABLE

- ITEM NOT ILLUSTRATED

29-11-51-94

29-11-51
FIG. 94
PAGE 17
JAN 20/09

BRI



757

PARTS CATALOG (MAINTENANCE)

FIG ITEM	PART NUMBER	1 2 3 4 5 6 7	NOMENCLATURE	EFFECT FROM TO	UNITS PER ASSY
94					
- 462	MS21921-6D	..	NUT	101106 108120 504903	2
- 473	AP2097HP16	..	SLEEVE SUPPLIER CODE: V01673 SPECIFICATION NUMBER: BACS13BX16HP OPTIONAL PART: 2-02903-16HP V11328 35235VN16 V08199 AFP175V16P V30974 DBOS13BX16HP V14798	101106 108120 504903	2
- 475	BACN10YL16	..	NUT	101106 108120 504903	2
- 477	MS21921-16D	..	NUT	101106 108120 504903	2
485	271N6445-1104	.	TUBE ASSY-CASE DRAIN SYS POSITION DATA: CTR TUBING MATERIAL: .500 IN. OD .035 IN. WALL AL	101106 108120 504903	1
- 488	35056GV08	..	UNION SUPPLIER CODE: V08199 SPECIFICATION NUMBER: BACU24AB8W OPTIONAL PART: 2-01027-8W V11328 31875-8W V14397 4671097W8 V50948 AP1004W08 V01673 AFP941W8 V30974 DBOU24AB8W V14798	101106 108120 504903	2

MISSING ITEM NUMBERS NOT APPLICABLE

- ITEM NOT ILLUSTRATED

29-11-51-94

29-11-51
FIG. 94
PAGE 18
JAN 20/09

BRI



757

PARTS CATALOG (MAINTENANCE)

FIG ITEM	PART NUMBER	1 2 3 4 5 6 7	NOMENCLATURE	EFFECT FROM TO	UNITS PER ASSY
94 495	271N6445-1143		.TUBE ASSY-SYS HYDR RSVR POSITION DATA: CTR TUBING MATERIAL: .375 IN. OD .035 IN. WALL 103.1 IN. LG AL	101106 108120 504903	1
500	271N6445-1232		.TUBE ASSY-SYS CASE DRAIN POSITION DATA: L TUBING MATERIAL: .375 IN. OD .035 IN. WALL 27.9 IN. LG AL	101106 108120 504903	1
- 503	AP2097HP06		..SLEEVE SUPPLIER CODE: V01673 SPECIFICATION NUMBER: BACS13BX06HP OPTIONAL PART: 2-02903-06HP V11328 35235VN06 V08199 AFP175V06P V30974 DBOS13BX06HP V14798	101106 108120 504903	1
- 505	35056GV06		..UNION SUPPLIER CODE: V08199 SPECIFICATION NUMBER: BACU24AB6W OPTIONAL PART: 2-01027-6W V11328 31875-6W V14397 4671097W6 V50948 AP1004W06 V01673 AFP941W6 V30974 DBOU24AB6W V14798	101106 108120 504903	1
- 507	BACN10YLO6		..NUT	101106 108120 504903	1

MISSING ITEM NUMBERS NOT APPLICABLE

- ITEM NOT ILLUSTRATED

BRI

29-11-51-94

29-11-51
FIG. 94
PAGE 19
JAN 20/09



757

PARTS CATALOG (MAINTENANCE)

FIG ITEM	PART NUMBER	1 2 3 4 5 6 7	NOMENCLATURE	EFFECT FROM TO	UNITS PER ASSY
94					
- 509	MS21921-6D	..	NUT	101106 108120 504903	1
515	271N6445-1147	.	TUBE ASSY-SYS PRESSURE POSITION DATA: L TUBING MATERIAL: .750 IN. OD .039 IN. WALL TI	101106 108120 504903	1
- 518	AS1581T12	..	SLEEVE	101106 108120 504903	2
- 520	BACN10YA12	..	NUT	101106 108120 504903	2
525	271N6445-1158	.	TUBE ASSY-SYS RETURN POSITION DATA: L TUBING MATERIAL: .375 IN. OD .035 IN. WALL 22.3 IN. LG AL	101106 108120 504903	1
530	271N6445-1272	.	TUBE ASSY-SYS RETURN POSITION DATA: R TUBING MATERIAL: .375 IN. OD .035 IN. WALL 8.3 IN. LG AL	101106 108120 504903	1
- 533	AP2097HP06	..	SLEEVE SUPPLIER CODE: V01673 SPECIFICATION NUMBER: BACS13BX06HP OPTIONAL PART: 2-02903-06HP V11328 35235VN06 V08199 AFP175V06P V30974 DBOS13BX06HP V14798	101106 108120 504903	2
- 535	BACN10YL06	..	NUT	101106 108120 504903	2
540	271N6445-1159	.	TUBE ASSY-DOOR CLOSE TUBING MATERIAL: .375 IN. OD .019 IN. WALL 22.9 IN. LG TI	101106 108120 504903	1

MISSING ITEM NUMBERS NOT APPLICABLE

- ITEM NOT ILLUSTRATED

BRI

29-11-51-94

29-11-51
FIG. 94
PAGE 20
JAN 20/09



757

PARTS CATALOG (MAINTENANCE)

FIG ITEM	PART NUMBER	1 2 3 4 5 6 7	NOMENCLATURE	EFFECT FROM TO	UNITS PER ASSY
94					
545	271N6445-1166		.TUBE ASSY-DOOR CLOSE TUBING MATERIAL: .375 IN. OD .019 IN. WALL 9.45 IN. LG TI	101106 108120 504903	1
550	271N6445-1217		.TUBE ASSY-DOOR CLOSE TUBING MATERIAL: .375 IN. OD .019 IN. WALL 14.2 IN. LG TI	101106 108120 504903	1
555	271N6445-1227		.TUBE ASSY-RETURN AIR TUBING MATERIAL: .375 IN. OD .019 IN. WALL 11.5 IN. LG TI	101106 108120 504903	1
560	271N6445-1238		.TUBE ASSY-RETURN AIR TUBING MATERIAL: .375 IN. OD .019 IN. WALL 34.3 IN. LG TI	101106 108120 504903	1
- 563	AS1581T06		..SLEEVE	101106 108120 504903	2
- 565	BACN10YA6N		..NUT	101106 108120 504903	2
570	271N6445-1220		.TUBE ASSY-LDG GR POSITION DATA: UP TUBING MATERIAL: .500 IN. OD .026 IN. WALL 14.3 IN. LG TI	101106 108120 504903	1
575	271N6445-1221		.TUBE ASSY-LDG GR POSITION DATA: UP TUBING MATERIAL: .500 IN. OD .026 IN. WALL 16.1 IN. LG TI	101106 108120 504903	1
580	271N6445-1225		.TUBE ASSY-LGD GR POSITION DATA: DOWN TUBING MATERIAL: .500 IN. OD .026 IN. WALL 14.9 IN. LG TI	101106 108120 504903	1
- 583	AS1581T08		..SLEEVE	101106 108120 504903	2
- 585	BACN10YA8N		..NUT	101106 108120 504903	2

MISSING ITEM NUMBERS NOT APPLICABLE

- ITEM NOT ILLUSTRATED

29-11-51-94

29-11-51
FIG. 94
PAGE 21
JAN 20/09

BRI



757

PARTS CATALOG (MAINTENANCE)

FIG ITEM	PART NUMBER	1 2 3 4 5 6 7	NOMENCLATURE	EFFECT FROM TO	UNITS PER ASSY
94 590	271N6445-1224		.TUBE ASSY-SYS PRESSURE POSITION DATA: R TUBING MATERIAL: .750 IN. OD .039 IN. WALL 11.7 IN. LG TI	101106 108120 504903	1
595	271N6445-1280		.TUBE ASSY-SYS PRESSURE POSITION DATA: R TUBING MATERIAL: .750 IN. OD .039 IN. WALL 27.3 LG TI	101106 108120 504903	1
600	271N6445-1282		.TUBE ASSY-SYS PRESSURE POSITION DATA: L TUBING MATERIAL: .750 IN. OD .039 IN. WALL 61.0 IN. LG TI	101106 108120 504903	1
- 603	AS1581T12		..SLEEVE	101106 108120 504903	2
- 605	BACN10YA12N		..NUT	101106 108120 504903	2
610	271N6445-1236		.TUBE ASSY-SYS CASE DRAIN POSITION DATA: CTR TUBING MATERIAL: .500 IN. OD .035 IN. WALL 55.9 IN. LG AL	101106 108120 504903	1
- 613	AP2097HP08		..SLEEVE SUPPLIER CODE: V01673 SPECIFICATION NUMBER: BACS13BX08HP OPTIONAL PART: 2-02903-08HP V11328 35235VN08 V08199 AFP175V08P V30974 DBOS13BX08HP V14798	101106 108120 504903	2
- 615	BACN10YL08		..NUT	101106 108120 504903	2

MISSING ITEM NUMBERS NOT APPLICABLE

- ITEM NOT ILLUSTRATED

BRI

29-11-51-94

29-11-51
FIG. 94
PAGE 22
JAN 20/09



757

PARTS CATALOG (MAINTENANCE)

FIG ITEM	PART NUMBER	1 2 3 4 5 6 7	NOMENCLATURE	EFFECT FROM TO	UNITS PER ASSY
94					
- 618	MS21921-8D	..	NUT	101106 108120 504903	2
625	271N6445-1264	.TUBE ASSY-SYS RETURN POSITION DATA: L TUBING MATERIAL: .625 IN. OD .035 IN. WALL 13.6 IN LG AL		101106 108120 504903	1
630	271N6445-1266	.TUBE ASSY-SYS RETURN POSITION DATA: L TUBING MATERIAL: .625 IN. OD .035 IN. WALL 17.2 IN. LG AL		101106 108120 504903	1
635	271N6445-1267	.TUBE ASSY-SYS RETURN POSITION DATA: L TUBING MATERIAL: .625 IN. OD .035 IN. WALL 18.4 IN. LG AL		101106 108120 504903	1
- 638	AP2097HP10	..SLEEVE SUPPLIER CODE: V01673 SPECIFICATION NUMBER: BACS13BX10HP OPTIONAL PART: 2-02903-10HP V11328 35235VN10 V08199 AFP175V10P V30974 DBOS13BX10HP V14798		101106 108120 504903	2
- 640	BACN10YL10	..	NUT	101106 108120 504903	2
645	271N6445-1276	.TUBE ASSY-RETURN AIR TUBING MATERIAL: 1.000 IN. OD .051 IN. WALL 48.0 IN. LG TI		101106 108120 504903	1
- 648	AS1581T16	..	SLEEVE	101106 108120 504903	1
- 650	AS1582T16	..	UNION	101106 108120 504903	1

MISSING ITEM NUMBERS NOT APPLICABLE

- ITEM NOT ILLUSTRATED

29-11-51-94

29-11-51
FIG. 94
PAGE 23
JAN 20/09

BRI



757

PARTS CATALOG (MAINTENANCE)

FIG ITEM	PART NUMBER	1 2 3 4 5 6 7	NOMENCLATURE	EFFECT FROM TO	UNITS PER ASSY
94					
- 652	BACN10YA16N	..	NUT	101106 108120 504903	1
660	271N6445-1277	.TUBE ASSY-RETURN AIR TUBING MATERIAL: 1.000 IN. OD .051 IN. WALL 68.9 IN. LG TI		101106 108120 504903	1
- 663	AS1581T16	..	SLEEVE-	101106 108120 504903	2
- 665	BACN10YA16N	..	NUT-	101106 108120 504903	2
670	271N6445-1278	.TUBE ASSY-SYS RETURN POSITION DATA: L TUBING MATERIAL: .750 IN. OD .035 IN. WALL 59.3 IN. LG AL		101106 108120 504903	1
- 673	AP2097HP12	..	SLEEVE SUPPLIER CODE: V01673 SPECIFICATION NUMBER: BACS13BX12HP OPTIONAL PART: 2-02903-12HP V11328 35235VN12 V08199 AFP175V12P V30974 DBOS13BX12HP V14798	101106 108120 504903	2
- 675	BACN10YL12N	..	NUT	101106 108120 504903	2
680	271N6445-1281	.TUBE ASSY-SYS CASE DRAIN POSITION DATA: L TUBING MATERIAL: .375 IN. OD .035 IN. WALL 18.7 IN. LG AL		101106 108120 504903	1

MISSING ITEM NUMBERS NOT APPLICABLE

- ITEM NOT ILLUSTRATED

29-11-51-94

29-11-51
FIG. 94
PAGE 24
JAN 20/09

BRI

BOEING PROPRIETARY - Copyright © - Unpublished Work - See title page for details.



757

PARTS CATALOG (MAINTENANCE)

FIG ITEM	PART NUMBER	1 2 3 4 5 6 7	NOMENCLATURE	EFFECT FROM TO	UNITS PER ASSY
94 - 683	AP2097HP06	..	SLEEVE SUPPLIER CODE: V01673 SPECIFICATION NUMBER: BACS13BX06HP OPTIONAL PART: 2-02903-06HP V11328 35235VN06 V08199 AFP175V06P V30974 DBOS13BX06HP V14798	101106 108120 504903	2
- 685	BACN10YLO6N	..	NUT	101106 108120 504903	2
690	BACU24K6	.UNION-PREFERED	POSITION DATA: STA 1070 WL 150 RBL 10 OPTIONAL PART: MS21902-6T	101106 108120 504903	1
690	MS21902-6T	.UNION-	POSITION DATA: STA 1070 WL 150 RBL 10 OPTIONAL PART: BACU24K6	101106 108120 504903	1
693	BACU24L12	.UNION-PREFERED	POSITION DATA: STA 1080 WL 185 RBL 10 STA 1180 WL 155 RBL 30 MISCELLANEOUS DATA: INSTALL BULKHEAD UNION FROM LEFT WHEEL WELL SIDE OPTIONAL PART: MS21924-12T USED WITH: AN924-12D	101106 108120 504903	2

MISSING ITEM NUMBERS NOT APPLICABLE

- ITEM NOT ILLUSTRATED

29-11-51-94

29-11-51
FIG. 94
PAGE 25
JAN 20/09

BRI



757

PARTS CATALOG (MAINTENANCE)

FIG ITEM	PART NUMBER	1 2 3 4 5 6 7	NOMENCLATURE	EFFECT FROM TO	UNITS PER ASSY
94 693	MS21924-12T	.UNION-	POSITION DATA: STA 1080 WL 185 RBL 10 STA 1180 WL 155 RBL 30 MISCELLANEOUS DATA: INSTALL BULKHEAD UNION FROM LEFT WHEEL WELL SIDE OPTIONAL PART: BACU24L12 USED WITH: AN924-12D	101106 108120 504903	2
696	BACU24L6	.UNION-PREFERED	POSITION DATA: STA 1120 WL 170 LBL 10 STA 1120 WL 170 RBL 10 OPTIONAL PART: MS21924-6T USED WITH: AN924-6D	101106 108120 504903	2
696	MS21924-6T	.UNION-	POSITION DATA: STA 1120 WL 170 LBL 10 STA 1120 WL 170 RBL 10 OPTIONAL PART: BACU24L6 USED WITH: AN924-6D	101106 108120 504903	2
699	BACU24L8	.UNION-PREFERED	POSITION DATA: STA 1120 WL 170 LBL 10 STA 1120 WL 170 RBL 10 OPTIONAL PART: MS21924-8T USED WITH: AN924-8D	101106 108120 504903	2
699	MS21924-8T	.UNION-	POSITION DATA: STA 1120 WL 170 LBL 10 STA 1120 WL 170 RBL 10 OPTIONAL PART: BACU24L8 USED WITH: AN924-8D	101106 108120 504903	2
702	BACT16BN060606J	.TEE		101106 108120 504903	1
703	BACT16BL060616J	.TEE		103106	1

MISSING ITEM NUMBERS NOT APPLICABLE

- ITEM NOT ILLUSTRATED

29-11-51-94

29-11-51
FIG. 94
PAGE 26
JAN 20/09

BRI

BOEING PROPRIETARY - Copyright © - Unpublished Work - See title page for details.

 **BOEING**
757
PARTS CATALOG (MAINTENANCE)

FIG ITEM	PART NUMBER	1 2 3 4 5 6 7	NOMENCLATURE	EFFECT FROM TO	UNITS PER ASSY
94 705	BACT16BN060606J	. TEE		101106 108120 504903	RF
706	BACT16BN080810J	. TEE-	USED WITH: NAS1149D1290J AN924-8D	101106 108120 504903	2
707	BCREF110286	. TEE-	OVERLENGTH PART NUMBER: BACC27AD10061006W	101106 108120 504903	1
708	BACE21BN0406J	. ELBOW-	POSITION DATA: STA 1140 WL 140 LBL 10 STA 1140 WL 140 RBL 10 USED WITH: AN924-4D AN960JD716	101106 108120 504903	RF
709	NAS1763W060606	. TEE		101106 108120 504903	1
710	BCREF116871	. TEE-	OVERLENGTH PART NUMBER: BACT16BT060606JN	101106 108120 504903	1
710	NAS1764J060606	. TEE		101106 108120 504903	1
712	AFP329-101012W	. TEE	SUPPLIER CODE: V30974 SPECIFICATION NUMBER: BACT16AX101012W OPTIONAL PART: APX804-101012W V01673 DBOT16AX101012W V14798 ER804-101012W V50948 ER804-101012W V88334 FER1551-101012W V14397 LER804A101012W V11328 NAF1844-101012W V52930 US1929-101012W V50808	101106 108120 504903	1

MISSING ITEM NUMBERS NOT APPLICABLE

— ITEM NOT ILLUSTRATED

BRI

29-11-51-94

29-11-51
FIG. 94
PAGE 27
JAN 20/09



757

PARTS CATALOG (MAINTENANCE)

FIG ITEM	PART NUMBER	1 2 3 4 5 6 7	NOMENCLATURE	EFFECT FROM TO	UNITS PER ASSY
94 713	BCREF116858	. TEE-	OVERLENGTH PART NUMBER: BACT16BR080808JN	101106 108120 504903	5
713	NAS1763J080808	. TEE		101106 108120 504903	5
714	AP1042JN0808	. ELBOW-PREFERED	SUPPLIER CODE: V01673 SPECIFICATION NUMBER: BACE21BT0808JN POSITION DATA: STA 1120 WL 185 LBL 10 STA 1120 WL 185 RBL 10 OPTIONAL PART: NAS1762J0808	101106 108120 504903	2
714	NAS1762J0808	. ELBOW-	POSITION DATA: STA 1120 WL 185 LBL 10 STA 1120 WL 185 RBL 10 OPTIONAL PART: BACE21BT0808JN	101106 108120 504903	2
715	NAS1764W080610	. TEE		101106 108120 504903	1
716	MS21905W6	. TEE		101106 108120 504903	1
717	AP1042JN1212	. ELBOW-PREFERED	SUPPLIER CODE: V01673 SPECIFICATION NUMBER: BACE21BT1212JN POSITION DATA: STA 1080 WL 170 LBL 10 STA 1080 WL 160 RBL 10 STA 1080 WL 150 RBL 10 OPTIONAL PART: NAS1762J1212	101106 108120 504903	3
717	NAS1762J1212	. ELBOW-	POSITION DATA: STA 1080 WL 170 LBL 10 STA 1080 WL 160 RBL 10 STA 1080 WL 150 RBL 10 OPTIONAL PART: BACE21BT1212JN	101106 108120 504903	3
718	BACT16BL060606J	. TEE		101106 108120 504903	1

MISSING ITEM NUMBERS NOT APPLICABLE

- ITEM NOT ILLUSTRATED

29-11-51-94

29-11-51
FIG. 94
PAGE 28
JAN 20/09

BRI

BOEING PROPRIETARY - Copyright © - Unpublished Work - See title page for details.



757

PARTS CATALOG (MAINTENANCE)

FIG ITEM	PART NUMBER	1 2 3 4 5 6 7	NOMENCLATURE	EFFECT FROM TO	UNITS PER ASSY
94 719	NAS1763W061010	. TEE		101106 108120 504903	1
720	NAS1762W0406	. ELBOW-SWIVEL	POSITION DATA: STA 1060 WL 200 LBL 20	101106 108120 504903	1
723	NAS1762W0606	. ELBOW-SWIVEL	POSITION DATA: STA 1070 WL 160 LBL 10 STA 1050 WL 170 LBL 10 STA 1050 WL 175 LBL 10 STA 1050 WL 190 LBL 10	101106 108120 504903	4
726	NAS1762W1010	. ELBOW-SWIVEL	POSITION DATA: STA 1080 WL 185 RBL 10 STA 1120 WL 185 RBL 10	101106 108120 504903	2
728	NAS1762W1212	. ELBOW-SWIVEL	POSITION DATA: STA 1050 WL 185 LBL 10	101106 108120 504903	1
730	BCREF120347	. TEE-	OVERLENGTH PART NUMBER: BACT16BR121206JN USED WITH: JETX0507050AB BAC27NEC0078	101106 108120 504903	1
732	AP1026D1606	. REDUCER-	SUPPLIER CODE: V01673 SPECIFICATION NUMBER: BACR17H16-6 OPTIONAL PART: DBOR17H16-6 V14798 ER10466-16-6 V88334 2-01022D16-6 V11328 31777-16-6 V14397 463-8162-16-6 V50948 DBOR17H16-6D V14798 AFP846-16-6 V30974 POSITION DATA: STA 1060 WL 150 RBL 10	101106 108120 504903	1

MISSING ITEM NUMBERS NOT APPLICABLE

- ITEM NOT ILLUSTRATED

29-11-51-94

29-11-51
FIG. 94
PAGE 29
JAN 20/09

BRI



757

PARTS CATALOG (MAINTENANCE)

FIG ITEM	PART NUMBER	1 2 3 4 5 6 7	NOMENCLATURE	EFFECT FROM TO	UNITS PER ASSY
94 735	JETX0507050AB	.RESTRICTOR-	SUPPLIER CODE: V92555 OPTIONAL PART: 6F4018 V99240 USED WITH: BCREF120347 BAC27NEC0078	101106 108120 504903	1
735	6F4018	.RESTRICTOR-	SUPPLIER CODE: V99240 OPTIONAL PART: JETX0507050AB V92555 USED WITH: BCREF120347 BAC27NEC0078	101106 108120 504903	1
740	AN960JD716	.WASHER-	OPTIONAL PART: NAS1149D0763J	101106 108120 504903	RF
740	NAS1149D0763J	.WASHER-	OPTIONAL PART: AN960JD716	101106 108120 504903	RF
745	NAS1149D0963J	.WASHER		101106 108120 504903	RF
750	NAS1149D1290J	.WASHER		101106 108120 504903	2
755	NAS1149D1490J	.WASHER		101106 108120 504903	1
760	AN924-4D	.NUT		101106 108120 504903	RF
765	AN924-6D	.NUT		101106 108120 504903	2
767	AN924-6D	.NUT		103106	4
770	AN924-6D	.NUT		101106 108120 504903	RF
775	AN924-8D	.NUT		101106 108120 504903	4
776	AN924-8D	.NUT		103106	1

MISSING ITEM NUMBERS NOT APPLICABLE

- ITEM NOT ILLUSTRATED

29-11-51-94

29-11-51
FIG. 94
PAGE 30
JAN 20/09

BRI



757

PARTS CATALOG (MAINTENANCE)

FIG ITEM	PART NUMBER	1 2 3 4 5 6 7	NOMENCLATURE	EFFECT FROM TO	UNITS PER ASSY
94					
780	AN924-10D	.	NUT	101106 108120 504903	1
785	AN924-12D	.	NUT	101106 108120 504903	2
790	270N2000-118	.	CLAMP ASSY-BLOCK POSITION DATA: STA 1100 WL 195 LBL 10 USED WITH: 271N6445-1001 271N6445-1002 270N0005-3	101106 108120 504903	1
795	NAS1801-3-28	..	SCREW-	101106 108120 504903	2
800	NAS1801-3-28	..	SCREW	101106 108120 504903	1
805	NAS43DD3-75	..	SPACER	101106 108120 504903	3
810	AN960PD10L	..	WASHER-	101106 108120 504903	2
815	AN960PD10L	..	WASHER	101106 108120 504903	1
820	BRH10A3	..	NUT- SUPPLIER CODE: V52828 SPECIFICATION NUMBER: BACN10JC3 OPTIONAL PART: H10-3BAC V15653 NS202101-02 V80539 RMLH9075-3W V72962 VN303A02 V92215 96-02 V80539 T6S1032J V11815	101106 108120 504903	2

MISSING ITEM NUMBERS NOT APPLICABLE

- ITEM NOT ILLUSTRATED

BRI

29-11-51-94

29-11-51
FIG. 94
PAGE 31
JAN 20/09



757

PARTS CATALOG (MAINTENANCE)

FIG ITEM	PART NUMBER	1 2 3 4 5 6 7	NOMENCLATURE	EFFECT FROM TO	UNITS PER ASSY
94 825	BRH10A3	..	NUT SUPPLIER CODE: V52828 SPECIFICATION NUMBER: BACN10JC3 OPTIONAL PART: H10-3BAC V15653 NS202101-02 V80539 RMLH9075-3W V72962 VN303A02 V92215 96-02 V80539 T6S1032J V11815	101106 108120 504903	1
830	270N2000-874	..	CHANNEL	101106 108120 504903	1
835	270N2000-552	..	BLOCK-CLAMP	101106 108120 504903	2
900			ILLUSTRATION REFERENCE: PLUMBING INSTL-BASIC AND STABLE 29-11-84-06	101102 108120 504903	RF
905			ILLUSTRATION REFERENCE: PLUMBING INSTL-SECT. 49 L HYDR BAY 29-11-51-91	101102 504903	RF
910			ILLUSTRATION REFERENCE: PLUMBING INSTL-SECT. 44 AFT BHD MLG WHL WELL HYDR 29-11-52-22	101106 108120 504903	RF
915			ILLUSTRATION REFERENCE: VALVE INSTL-PTU CONT 29-22-03-05	101106 108120 504903	RF
920			ILLUSTRATION REFERENCE: TRANSMITTER INSTL-R SYS PRESSURE 29-31-02-05	101106 108120 504903	RF
925			ILLUSTRATION REFERENCE: VALVE INSTL-MLG DOOR OPERATED SEQ 32-32-05-01	101106 108120 504903	RF

MISSING ITEM NUMBERS NOT APPLICABLE

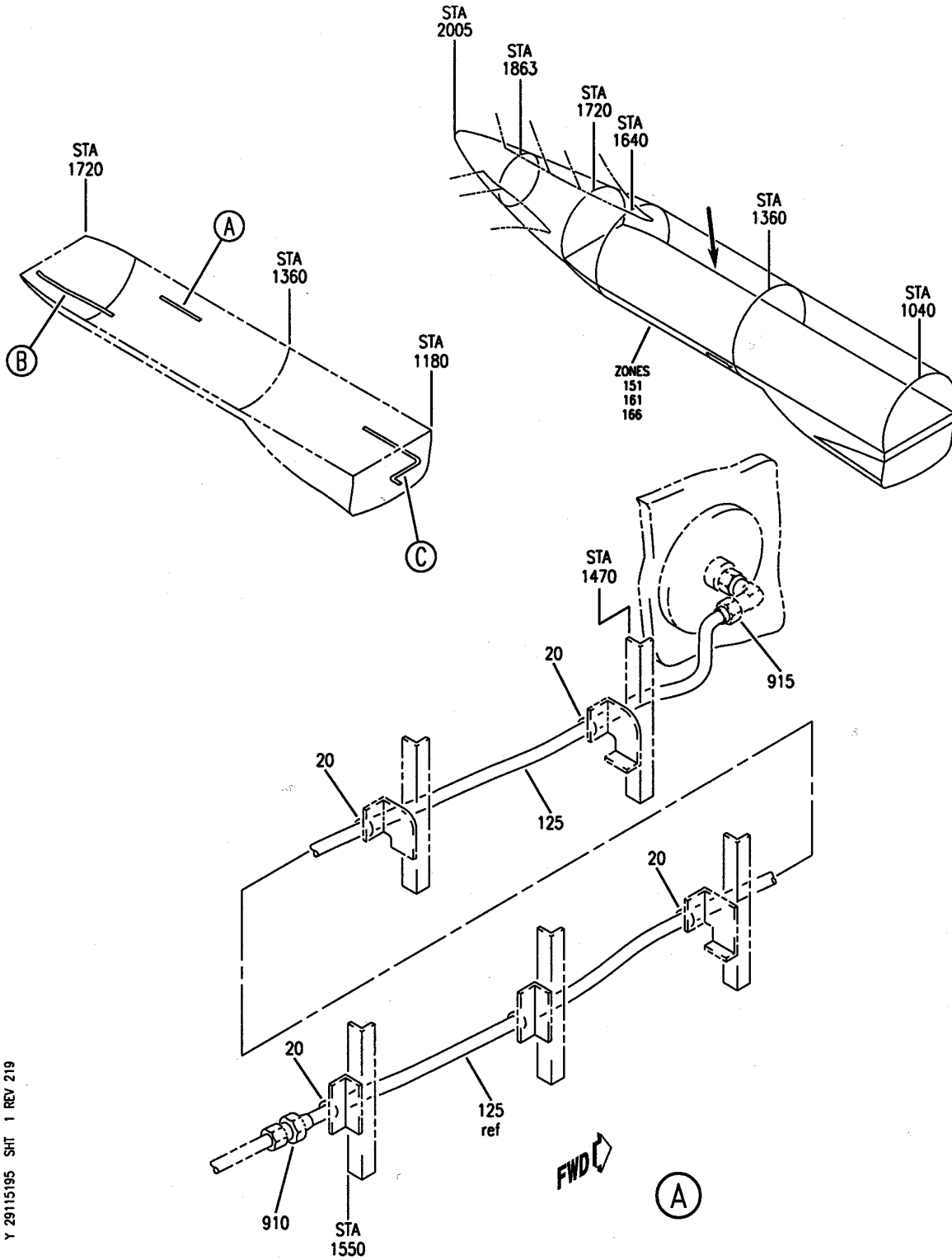
- ITEM NOT ILLUSTRATED

29-11-51-94

29-11-51
FIG. 94
PAGE 32
JAN 20/09

BRI

BOEING
757
PARTS CATALOG (MAINTENANCE)



Y 29115195 SHT 1 REV 219

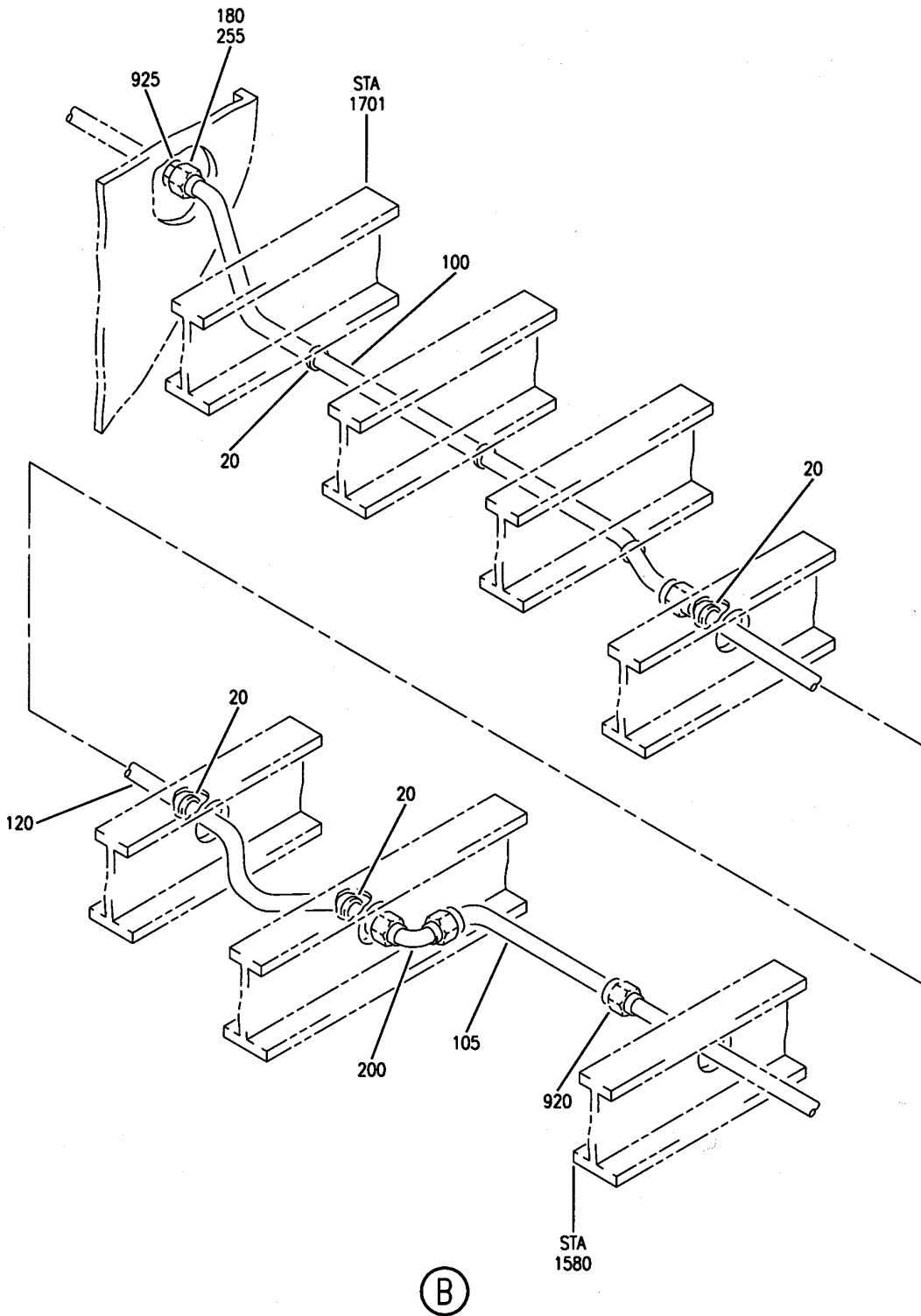
PLUMBING INSTL-SECT. 46
FIGURE 95 (SHEET 1)

29-11-51-95

BRI
MAY 28/07

29-11-51-95
PAGE 0

BOEING
757
PARTS CATALOG (MAINTENANCE)



Y 29115195 SHT 2 REV 212

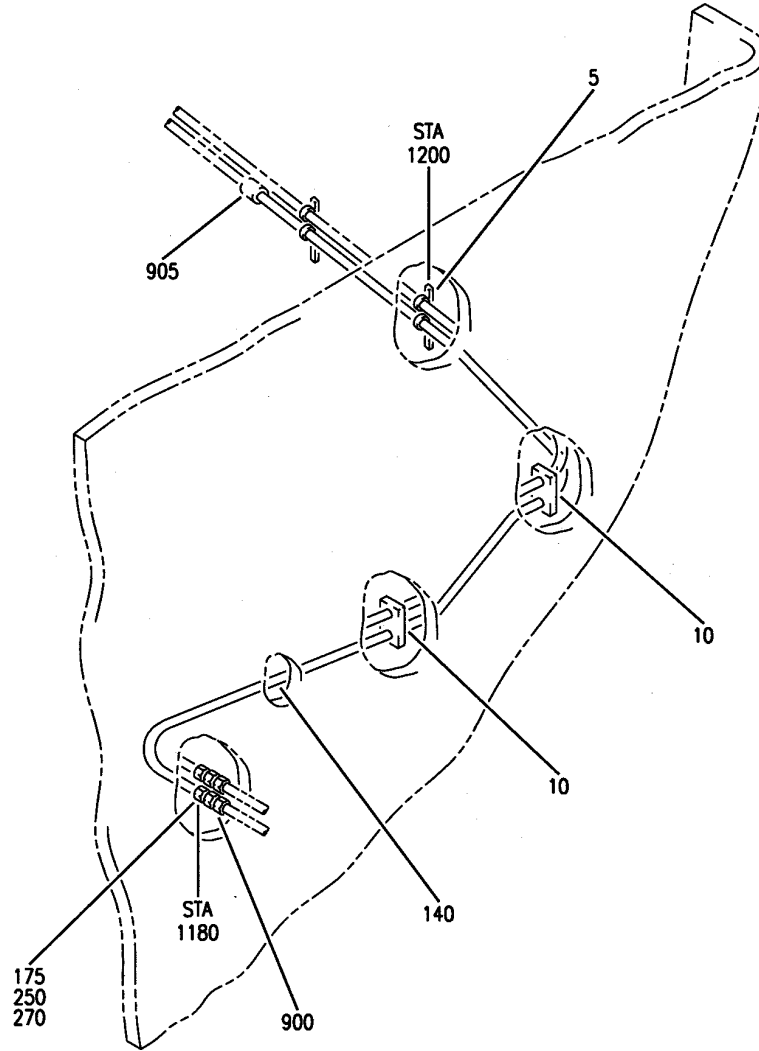
PLUMBING INSTL-SECT. 46
FIGURE 95 (SHEET 2)

29-11-51-95

BRI
MAY 28/07

29-11-51-95
PAGE 0A

BOEING
757
PARTS CATALOG (MAINTENANCE)



(C)

Y 29115195 SHT 3 REV 212

PLUMBING INSTL-SECT. 46
FIGURE 95 (SHEET 3)

29-11-51-95

BRI
MAY 28/07

29-11-51-95
PAGE 0B



757

PARTS CATALOG (MAINTENANCE)

FIG ITEM	PART NUMBER	1 2 3 4 5 6 7	NOMENCLATURE	EFFECT FROM TO	UNITS PER ASSY
95			PLUMBING INSTL-SECT. 46	101102 108120 504903	
- 1	271N6461-23		PLUMBING INSTL-200 PASSENGER AND PACKAGE MINOR MODEL FOR NHA SEE: 29-00-51-01A	101102 108120 504903	RF
5	TA0630003-10		.CLAMP- SUPPLIER CODE: V84971	101102 108120 504903	RF
10	270N2000-15		.CLAMP ASSY	101102 108120 504903	RF
20	M85052-2-6		.CLAMP	101102 108120 504903	11
- 25	NAS1801-3		ATTACHING PARTS .SCREW- SIZE DETERMINED ON INSTL.	101102 108120 504903	11
- 30	AN960KD10L		.WASHER	101102 108120 504903	11
- 35	MS21042L3		.NUT	101102 108120 504903	11
100	271N6461-1128		-----*----- .TUBE ASSY-STATIC PRESSURE TUBING MATERIAL: .375 IN. OD .035 IN. WALL 89.9 IN. LG ALUMINUM AMS 4083 6061 T6 TUBING	101102 108120 504903	1
105	271N6461-1132		.TUBE ASSY-STATIC PRESSURE TUBING MATERIAL: .375 IN. OD .035 IN. WALL 18.1 IN. LG ALUMINUM AMS 4083 6061 T6 TUBING	101102 108120 504903	1

MISSING ITEM NUMBERS NOT APPLICABLE

- ITEM NOT ILLUSTRATED

BRI

29-11-51-95

29-11-51
FIG. 95
PAGE 1
JAN 20/09



**757
PARTS CATALOG (MAINTENANCE)**

FIG ITEM	PART NUMBER	1 2 3 4 5 6 7	NOMENCLATURE	EFFECT FROM TO	UNITS PER ASSY
95 - 110	AP2097HP06	..	SLEEVE SUPPLIER CODE: V01673 SPECIFICATION NUMBER: BACS13BX06HP OPTIONAL PART: 2-02903-06HP V11328 35235VN06 V08199 AFP175V06P V30974 DBOS13BX06HP V14798	101102 108120 504903	1
- 115	MS21921-6D	..	NUT	101102 108120 504903	1
- 115	BACN10YL06	..	NUT	101102 108120 504903	1
- 119	35056GV06	..	UNION SUPPLIER CODE: V08199 SPECIFICATION NUMBER: BACU24AB6W OPTIONAL PART: 2-01027-6W V11328 31875-6W V14397 4671097W6 V50948 AP1004W06 V01673 AFP941W6 V30974 DBOU24AB6W V14798	101102 108120 504903	1
120	271N6461-1133	.TUBE ASSY-STATIC PRESSURE TUBING MATERIAL: .375 IN. OD .035 IN. WALL 47.8 IN. LG ALUMINUM AMS 4083 6061 T6 TUBING	101102 108120 504903	1	

MISSING ITEM NUMBERS NOT APPLICABLE

- ITEM NOT ILLUSTRATED

BRI

29-11-51-95

29-11-51
FIG. 95
PAGE 2
JAN 20/09



757

PARTS CATALOG (MAINTENANCE)

FIG ITEM	PART NUMBER	1 2 3 4 5 6 7	NOMENCLATURE	EFFECT FROM TO	UNITS PER ASSY
95					
125	271N6461-1152		.TUBE ASSY-STATIC PRESSURE TUBING MATERIAL: .375 IN. OD .035 IN. WALL 101.4 IN. LG ALUMINUM AMS 4083 6061 T6 TUBING	101102 108120 504903	1
- 130	AP2097HP06		..SLEEVE SUPPLIER CODE: V01673 SPECIFICATION NUMBER: BACS13BX06HP OPTIONAL PART: 2-02903-06HP V11328 35235VN06 V08199 AFP175V06P V30974 DBOS13BX06HP V14798	101102 108120 504903	2
- 135	BACN10YL06		..NUT	101102 108120 504903	2
140	271N6461-1189		.TUBE ASSY-C SYS PRESSURE TUBING MATERIAL: .625 IN. OD .032 IN. WALL 84.9 IN. LG TITANIUM BMS 7-234 TI-3AL-2.5V COLD WORKED, STRESS RELIEVED TUBING	101102 108120 504903	1
175	D10203-10		.UNION- SUPPLIER CODE: V14798	101102 108120 504903	RF

MISSING ITEM NUMBERS NOT APPLICABLE

- ITEM NOT ILLUSTRATED

BRI

29-11-51-95

BOEING PROPRIETARY - Copyright © - Unpublished Work - See title page for details.

29-11-51
FIG. 95
PAGE 3
JAN 20/09



757

PARTS CATALOG (MAINTENANCE)

FIG ITEM	PART NUMBER	1 2 3 4 5 6 7	NOMENCLATURE	EFFECT FROM TO	UNITS PER ASSY
95 180	AFP821D6	.	UNION SUPPLIER CODE: V30974 SPECIFICATION NUMBER: BACU24E6D OPTIONAL PART: AP1003-06 V01673 DBOU24E6D V14798 ER01725 V88334 GR224E6D V84368 2-01001D6 V11328 31739-6D V14397	101102 108120 504903	RF
200	MS21904W6	.	ELBOW	101102 108120 504903	RF
250	AN924-10D	.	NUT	101102 108120 504903	RF
255	AN924-6D	.	NUT	101102 108120 504903	RF
270	AN960JD1416	.	WASHER	101102 108120 504903	RF
900			ILLUSTRATION REFERENCE: PLUMBING INSTL-SECT. 44 AFT BHD MLG WHL WELL HYDR 29-11-52-22	101102 108120 504903	RF
905			ILLUSTRATION REFERENCE: PLUMBING INSTL-SECT. 46 HYDR (RUDDER AND ELEVATOR HYDRAULIC SYSTEMS ONLY) 27-23-51-31A	101102 108120 504903	RF
915			ILLUSTRATION REFERENCE: PORT INSTL-ELEV FEEL COMPUTER STATIC PRESSURE (FLIGHT CONTROLS ONLY) 27-31-60-01	101102 108120 504903	RF
920			ILLUSTRATION REFERENCE: PLUMBING INSTL-SECT. 46 HYDR (ELEVATOR CONTROL SYSTEM ONLY) 27-31-51-30A	101102 108120 504903	RF

MISSING ITEM NUMBERS NOT APPLICABLE

- ITEM NOT ILLUSTRATED

29-11-51-95

29-11-51
FIG. 95
PAGE 4
JAN 20/09

BRI



757

PARTS CATALOG (MAINTENANCE)

FIG ITEM	PART NUMBER	1 2 3 4 5 6 7	NOMENCLATURE	EFFECT FROM TO	UNITS PER ASSY
95 925			ILLUSTRATION REFERENCE: PLUMBING INSTL-SECT. 48 (RUDDER AND ELEVATOR HYDRAULIC SYSTEMS ONLY) 27-23-00-02	101102 108120 504903	RF

MISSING ITEM NUMBERS NOT APPLICABLE

- ITEM NOT ILLUSTRATED

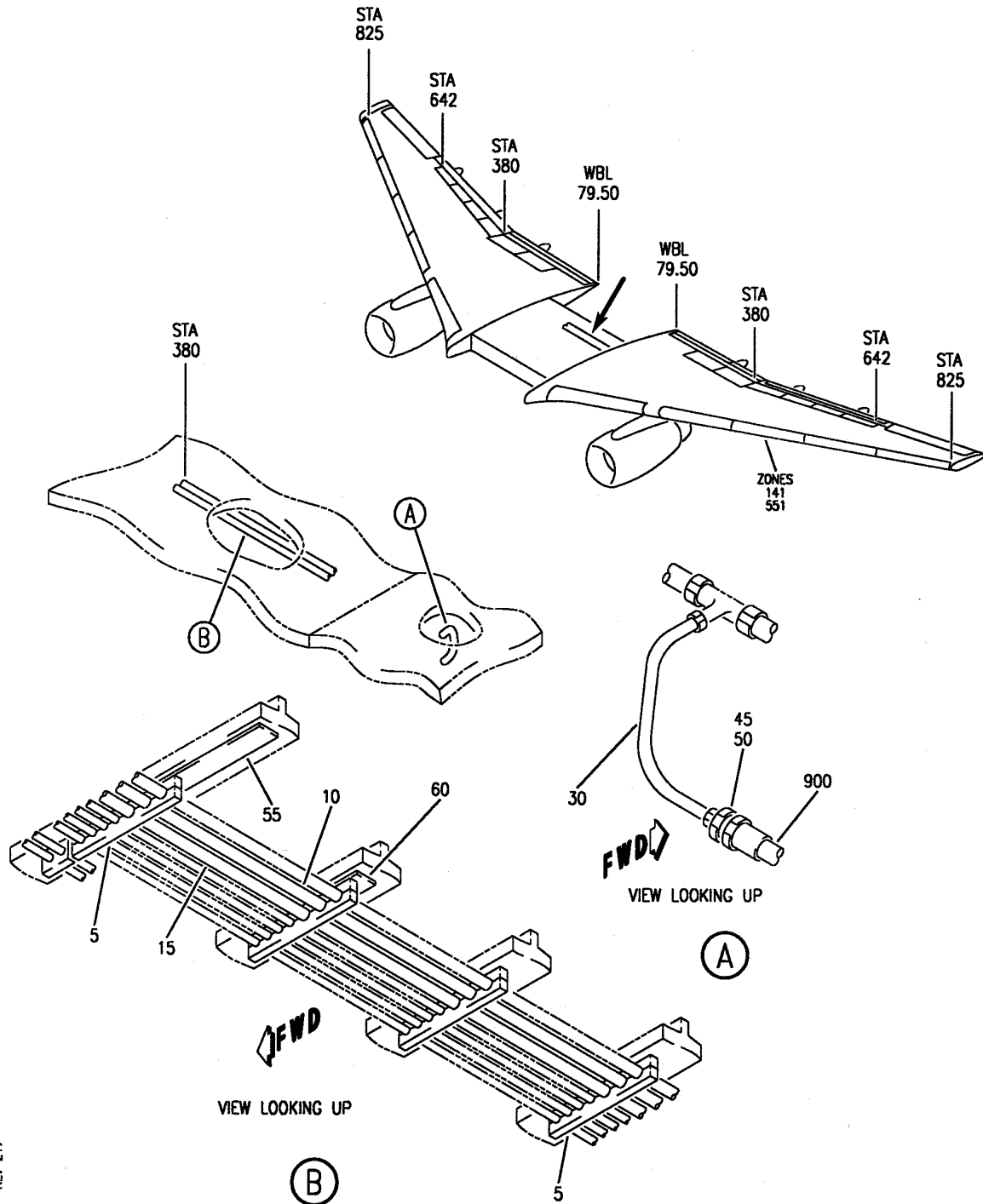
BRI

29-11-51-95

BOEING PROPRIETARY - Copyright © - Unpublished Work - See title page for details.

29-11-51
FIG. 95
PAGE 5
JAN 20/09

BOEING
757
PARTS CATALOG (MAINTENANCE)



Y 29115196 REV 217

PLUMBING INSTL-200 PASS. AND PF MODEL SECT. 44
FIGURE 96

29-11-51-96

BRI
MAY 28/07

29-11-51-96
PAGE 0

BOEING
757
PARTS CATALOG (MAINTENANCE)

FIG ITEM	PART NUMBER	1 2 3 4 5 6 7	NOMENCLATURE	EFFECT FROM TO	UNITS PER ASSY
96			PLUMBING INSTL-200 PASS. AND PF MODEL SECT. 44	101106 108120 504903	
- 1	271N6443-42		PLUMBING INSTL-200 PASSENGER AND PF MODEL FOR NHA SEE: 29-00-51-01A	101102 108120 504903	RF
- 1	MODREF31806		PLUMBING INSTL-200 PASSENGER AND PF MODEL MODULE NUMBER: 271N6443-42 REV B	103106	1
5	270N2000-105		.CLAMP ASSY- FOR BREAKDOWN SEE: 29-11-84-06	101106 108120 504903	RF
10	271N6443-1147		.TUBE ASSY-LG DOWN TUBING MATERIAL: .500 IN. OD .026 IN. WALL 84.6 LG TI BMS 7-234 TI-3AL-2.5V COLD WORKED, STRESS RELIEVED TUBING	101106 108120 504903	1
15	271N6443-1206		.TUBE ASSY-LG UP TUBING MATERIAL: .500 IN. OD .026 IN. WALL 82.90 IN. LG TI BMS 7-234 TI-3AL-2.5V COLD WORKED, STRESS RELIEVED TUBING	101106 108120 504903	1
- 20	AS1581T08		..SLEEVE	101106 108120 504903	2
- 25	BACN10YA8		..NUT-	101106 108120 504903	2
30	271N6443-1176		.TUBE ASSY-SUPPLY SYS POSITION DATA: L TUBING MATERIAL: .750 IN. OD .035 IN. WALL 13.9 IN. LG AL AMS 4083 6061 T6 TUBING	101106 108120 504903	1

MISSING ITEM NUMBERS NOT APPLICABLE

- ITEM NOT ILLUSTRATED

BRI

29-11-51-96

BOEING PROPRIETARY - Copyright © - Unpublished Work - See title page for details.

29-11-51
FIG. 96
PAGE 1
JAN 20/09



757

PARTS CATALOG (MAINTENANCE)

FIG ITEM	PART NUMBER	1 2 3 4 5 6 7	NOMENCLATURE	EFFECT FROM TO	UNITS PER ASSY
96					
- 35	AP2097HP12	..	SLEEVE SUPPLIER CODE: V01673 SPECIFICATION NUMBER: BACS13BX12HP OPTIONAL PART: 2-02903-12HP V11328 35235VN12 V08199 AFP175V12P V30974 DBOS13BX12HP V14798	101106 108120 504903	2
- 40	BACN10YL12	..	NUT	101106 108120 504903	2
45	MS21924D12	.	UNION	101106 108120 504903	1
50	AN924-12D	.	NUT	101106 108120 504903	1
55	271N6214-1	.	SHIM	101106 108120 504903	AR
60	271N6214-3	.	SHIM	101106 108120 504903	AR
900			ILLUSTRATION REFERENCE: PLUMBING INSTL-SECT. 12 L WING INBD HYDR (HYDRAULIC POWER ONLY) 29-11-51-67	101102 108120 504903	RF

MISSING ITEM NUMBERS NOT APPLICABLE

- ITEM NOT ILLUSTRATED

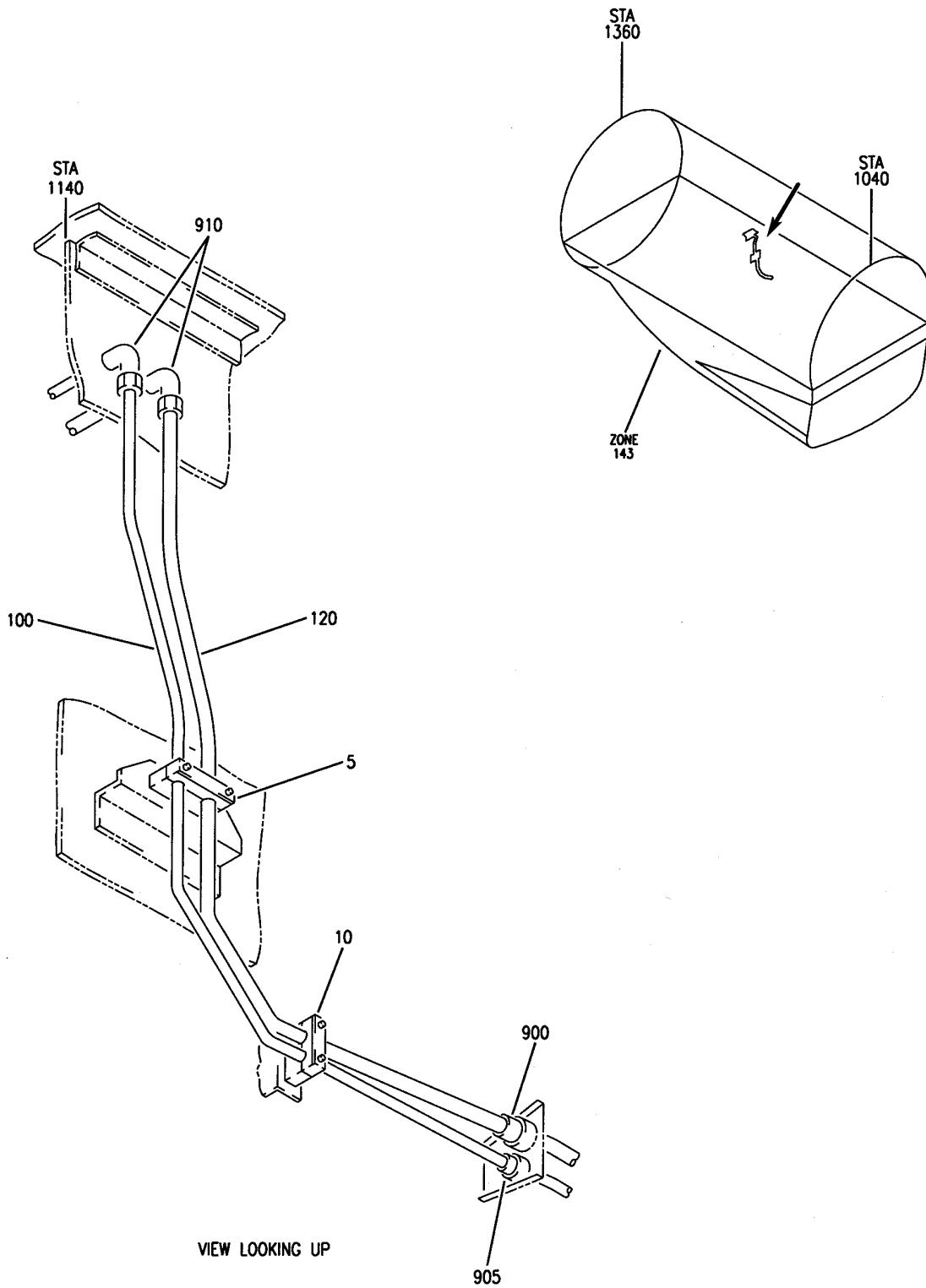
BRI

29-11-51-96

BOEING PROPRIETARY - Copyright © - Unpublished Work - See title page for details.

29-11-51
FIG. 96
PAGE 2
JAN 20/09

BOEING
757
PARTS CATALOG (MAINTENANCE)



Y 29115198 REV 213

PLUMBING INSTL-SECT. 12 L WING INBD HYDR (HYDRAULIC POWER ONLY)
FIGURE 98

BRI
MAY 28/07

29-11-51-98

29-11-51-98
PAGE 0



757

PARTS CATALOG (MAINTENANCE)

FIG ITEM	PART NUMBER	1 2 3 4 5 6 7	NOMENCLATURE	EFFECT FROM TO	UNITS PER ASSY
98			PLUMBING INSTL-SECT. 12 L WING INBD HYDR (HYDRAULIC POWER ONLY)	101102 108120 504903	
- 1	271N6122-19		PLUMBING INSTL-WING HYDR (HYDRAULIC POWER ONLY) POSITION DATA: SECT. 12 L INBD FOR NHA SEE: 29-00-51-02B	101102 108120 504903	RF
5	270N2000-123		.CLAMP ASSY- POSITION DATA: STA 1140 LBL 70 WL 185 FOR BREAKDOWN SEE: 29-11-84-06	101102 108120 504903	RF
10	270N2000-5		.CLAMP ASSY- POSITION DATA: STA 1130 LBL 70 WL 175 FOR BREAKDOWN SEE: 29-11-51-13	101102 108120 504903	RF
100	271N6122-1261		.TUBE ASSY-PRESSURE SYS POSITION DATA: R TUBING MATERIAL: .375 IN. OD X .019 IN. WALL X 48.8 IN. LG 3AL-2.5V TITANIUM SEAMLESS TUBING PER BMS7-234.	101102 108120 504903	1
- 105	AS1581T06		..SLEEVE	101102 108120 504903	2
- 110	BACN10YA6N		..NUT	101102 108120 504903	2
120	271N6122-1262		.TUBE ASSY-RETURN SYS POSITION DATA: R TUBING MATERIAL: .500 IN. OD X .035 IN. WALL X 47.9 IN. LG 6061-T6 ALUMINUM SEAMLESS TUBING PER MIL-T-7081.	101102 108120 504903	1

MISSING ITEM NUMBERS NOT APPLICABLE

- ITEM NOT ILLUSTRATED

29-11-51-98

29-11-51
FIG. 98
PAGE 1
JAN 20/09

BRI



757

PARTS CATALOG (MAINTENANCE)

FIG ITEM	PART NUMBER	1 2 3 4 5 6 7	NOMENCLATURE	EFFECT FROM TO	UNITS PER ASSY
98 - 125	AP2097HP08	..	SLEEVE SUPPLIER CODE: V01673 SPECIFICATION NUMBER: BACS13BX08HP OPTIONAL PART: 2-02903-08HP V11328 35235VN08 V08199 AFP175V08P V30974 DBOS13BX08HP V14798	101102 108120 504903	2
- 130	BACN10YL08	..	NUT- OPTIONAL PART: MS21921-8D	101102 108120 504903	2
- 130	MS21921-8D	..	NUT- OPTIONAL PART: BACN10YL08	101102 108120 504903	2
900			ILLUSTRATION REFERENCE: PLUMBING INSTL-SECT.12 HYD, INBOARD WING, LH 29-11-51-61	101102 108120 504903	RF
905			ILLUSTRATION REFERENCE: PLUMBING INSTL-SECT. 12 L WING INBD HYDR (HYDRAULIC POWER ONLY) 29-11-51-13	101102 108120 504903	RF
910			ILLUSTRATION REFERENCE: PLUMBING INSTL-4-DOOR/ PKG FREIGHTER MINOR MODEL 29-11-84-01	101102 108120 504903	RF

MISSING ITEM NUMBERS NOT APPLICABLE

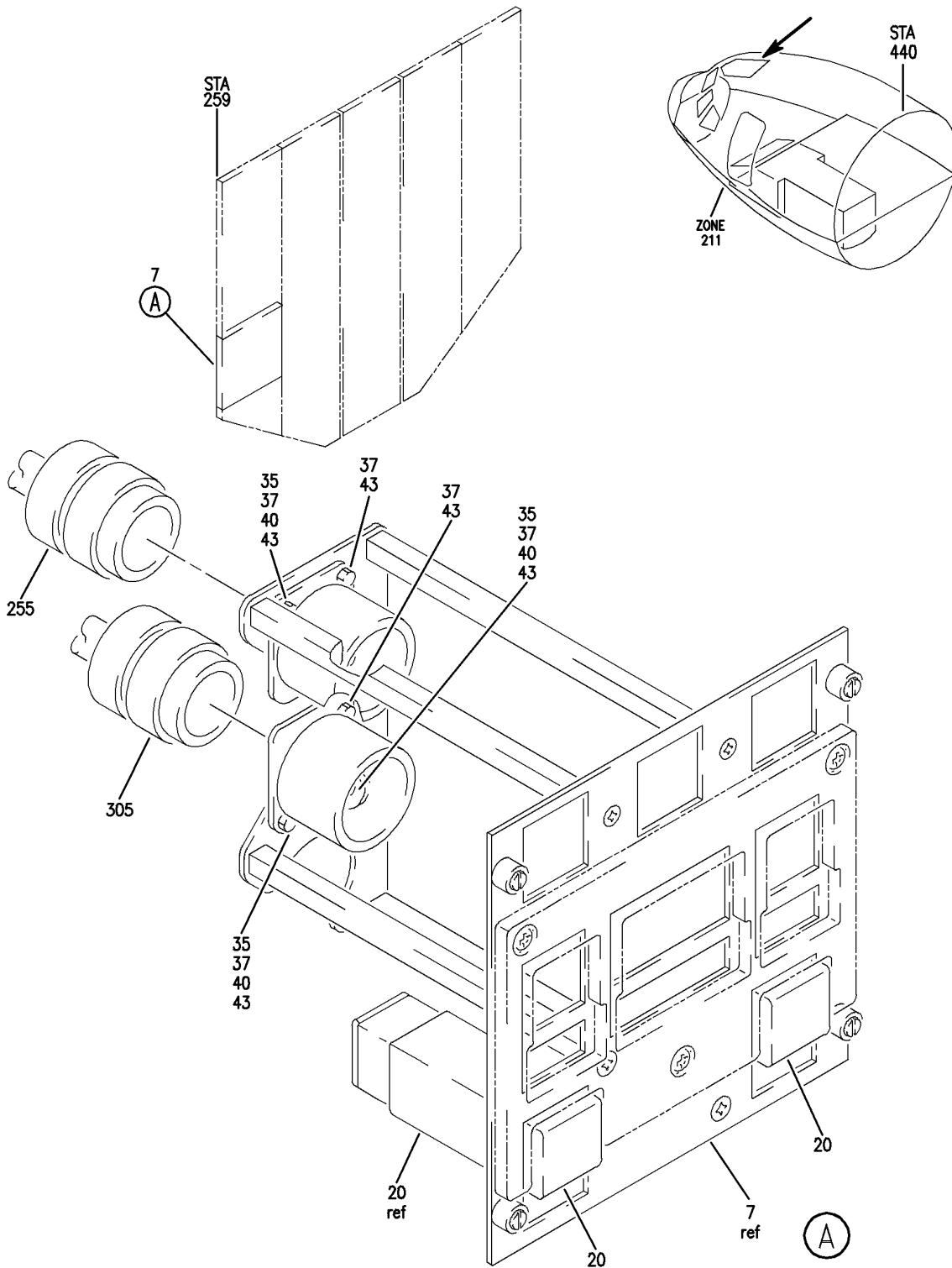
- ITEM NOT ILLUSTRATED

BRI

29-11-51-98

29-11-51
FIG. 98
PAGE 2
JAN 20/09

BOEING
757
PARTS CATALOG (MAINTENANCE)



Y 29115201 REV 241

PANEL INSTL-OVHD (MAIN HYDRAULIC SYSTEMS ONLY)
FIGURE 1

29-11-52-01

BRI
MAY 28/07

29-11-52-01
PAGE 0



757

PARTS CATALOG (MAINTENANCE)

FIG ITEM	PART NUMBER	1 2 3 4 5 6 7	NOMENCLATURE	EFFECT FROM TO	UNITS PER ASSY
1			PANEL INSTL-OVHD (MAIN HYDRAULIC SYSTEMS ONLY)	002004 006010 107107 121503 904999	
- 1	233N3101-1		PANEL INSTL-OVHD (MAIN HYDRAULIC SYSTEMS ONLY) VARIABLE DRAWING REF: 233N3101-5005 233N3101-5025 233N3101-5041 233N3101-5042 233N3101-5045 FOR NHA/OTHER SYS DET SEE: 25-10-00-05A	002004 006010 107107 121503 904999	RF
7	233N3205-21		.PANEL ASSY-HYDR SUPPLIER CODE: V89954 ELECTRICAL EQUIP NUMBER: M10050 COMPONENT MAINT MANUAL REF: 29-00-71	002004 006010 107107 121503 904999	RF
7	233N3205-19		.PANEL ASSY-HYDR SUPPLIER CODE: V89954 ELECTRICAL EQUIP NUMBER: M10050 COMPONENT MAINT MANUAL REF: 29-00-71	002004 006010 107107 121503 904999	RF
7	233N3205-24		.PANEL ASSY-HYDR SUPPLIER CODE: V89954 ELECTRICAL EQUIP NUMBER: M10050 COMPONENT MAINT MANUAL REF: 29-00-71 QUALIFIED I/W DATA: 233N3205-300 PANEL ASSY IS I/W 233N3205-24 PANEL ASSY T/W S233T100-6044 LIGHTPLATE	002004 006010 107107 121503 904999	RF

MISSING ITEM NUMBERS NOT APPLICABLE

- ITEM NOT ILLUSTRATED

BRI

29-11-52-01

29-11-52
FIG. 01
PAGE 1
JAN 20/09



757

PARTS CATALOG (MAINTENANCE)

FIG ITEM	PART NUMBER	1 2 3 4 5 6 7	NOMENCLATURE	EFFECT FROM TO	UNITS PER ASSY
1	7 233N3205-25		.PANEL ASSY-HYDR SUPPLIER CODE: V89954 ELECTRICAL EQUIP NUMBER: M10050 COMPONENT MAINT MANUAL REF: 29-00-71 QUALIFIED I/W DATA: 233N3205-301 PANEL ASSY IS I/W 233N3205-25 PANEL ASSY T/W S233T100-6044 LIGHTPLATE	002004 006010 107107 121503 904999	RF
	7 233N3205-26		.PANEL ASSY-HYDR SUPPLIER CODE: V89954 ELECTRICAL EQUIP NUMBER: M10050 COMPONENT MAINT MANUAL REF: 29-00-71	002004 006010 107107 121503 904999	RF
	7 233N3205-27		.PANEL ASSY-HYDR SUPPLIER CODE: V89954 ELECTRICAL EQUIP NUMBER: M10050 COMPONENT MAINT MANUAL REF: 29-00-71 QUALIFIED I/W DATA: 233N3205-302 PANEL ASSY IS I/W 233N3205-27 PANEL ASSY T/W S233T100-6060 LIGHTPLATE	002004 006010 107107 121503 904999	RF
	20 BCRE7608		..SWITCH ASSY-LIGHTED PUSH BUTTON IND ON/PRESS SUPPLIER CODE: V81590 OVERLENGTH PART NUMBER: 433-673-1001-1020 SPECIFICATION NUMBER: S231T290-1020 USED ON: 233N3205-11 233N3205-21 233N3205-25 FOR DETAILS SEE: 33-13-00-19	002004 006010 107107 121503 904999	2

MISSING ITEM NUMBERS NOT APPLICABLE

- ITEM NOT ILLUSTRATED

BRI

29-11-52-01

29-11-52
FIG. 01
PAGE 2
JAN 20/09



757

PARTS CATALOG (MAINTENANCE)

FIG ITEM	PART NUMBER	1 2 3 4 5 6 7	NOMENCLATURE	EFFECT FROM TO	UNITS PER ASSY
1	20 851-35100-5020		..SWITCH ASSY-LIGHTED PUSH SUPPLIER CODE: V96182 SPECIFICATION NUMBER: S231T290-5020 OPTIONAL PART: 851-30768-3020 V96182 4336731004-4220 V81590 USED ON: 233N3205-24 233N3205-26 233N3205-27	002004 006010 107107 121503 904999	2
	20 BCREFA0507		..SWITCH ASSY-LIGHTED PUSH BUTTON IND SUPPLIER CODE: V81590 OVERLENGTH PART NUMBER: 433-673-1004-4020 SPECIFICATION NUMBER: S231T290-4020 USED ON: 233N3205-24 233N3205-25 233N3205-27 PRE SERVICE LETTER: 33-027 FOR DETAILS SEE: 33-13-00-49	002004 006010 107107 121503 904999	2
	20 4336731004-4220		..SWITCH ASSY-LIGHTED PUSH BUTTON IND SUPPLIER CODE: V81590 SPECIFICATION NUMBER: S231T290-4220 OPTIONAL PART: 851-35100-5020 V96182 USED ON: 233N3205-27 233N3205-24 233N3205-25 POST SERVICE LETTER: 33-027	002004 006010 107107 121503 904999	2

MISSING ITEM NUMBERS NOT APPLICABLE

- ITEM NOT ILLUSTRATED

29-11-52-01

29-11-52
FIG. 01
PAGE 3
JAN 20/09

BRI



757

PARTS CATALOG (MAINTENANCE)

FIG ITEM	PART NUMBER	1 2 3 4 5 6 7	NOMENCLATURE	EFFECT FROM TO	UNITS PER ASSY
1	20 851-30768-2020		.. SWITCH ASSY-LIGHTED PUSH BUTTON IND ON/PRESS SUPPLIER CODE: V96182 SPECIFICATION NUMBER: S231T290-2020 USED ON: 233N3205-11 233N3205-19 FOR DETAILS SEE: 33-13-00-29	002004 006010 107107 121503 904999	2
	20 851-30768-3020		.. SWITCH ASSY-LIGHTED PUSH BUTTON IND ON/PRESS SUPPLIER CODE: V96182 SPECIFICATION NUMBER: S231T290-3020 OPTIONAL PART: 851-35100-5020 V96182 USED ON: 233N3205-19 233N3205-21 233N3205-26 FOR DETAILS SEE: 33-13-00-39	002004 006010 107107 121503 904999	2
	35 NAS1801-04-5		.. SCREW- OPTIONAL PART: BACS12HN04-5 USED ON: 233N3205-24 233N3205-25 233N3205-27	002004 006010 107107 121503 904999	4
	35 BACS12HN04-5		.. SCREW- OPTIONAL PART: NAS1801-04-5 USED ON: 233N3205-27 233N3205-24 233N3205-25 233N3205-26	002004 006010 107107 121503 904999	4
	37 BACS12CB04-5		.. SCREW- USED ON: 233N3205-11 233N3205-19 233N3205-21	002004 006010 107107 121503 904999	6

MISSING ITEM NUMBERS NOT APPLICABLE

- ITEM NOT ILLUSTRATED

29-11-52-01

29-11-52
FIG. 01
PAGE 4
JAN 20/09

BRI



757

PARTS CATALOG (MAINTENANCE)

FIG ITEM	PART NUMBER	1 2 3 4 5 6 7	NOMENCLATURE	EFFECT FROM TO	UNITS PER ASSY
1					
40	K19798-04		..NUT- SUPPLIER CODE: V15653 SPECIFICATION NUMBER: BACN10NW1 OPTIONAL PART: RMA4812-160-40 V72962 293162 V60119 USED ON: 233N3205-24 233N3205-25 233N3205-26 233N3205-27	002004 006010 107107 121503 904999	4
43	K19798-04		..NUT- SUPPLIER CODE: V15653 SPECIFICATION NUMBER: BACN10NW1 OPTIONAL PART: RMA4812-160-40 V72962 293162 V60119 USED ON: 233N3205-11 233N3205-19 233N3205-21	002004 006010 107107 121503 904999	6
45	BACC45FN20-41P6		..CONNECTOR	002004 006010 107107 121503 904999	1
50	BACC45FN20-39P7		..CONNECTOR	002004 006010 107107 121503 904999	1
- 250	286N2066-006		WIRE BUNDLE ASSY-	121503 904949	RF
- 250	286N2066-007		WIRE BUNDLE ASSY	107107	RF
- 250	286N2066-008		WIRE BUNDLE ASSY-	002004 006010 950999	RF

MISSING ITEM NUMBERS NOT APPLICABLE

- ITEM NOT ILLUSTRATED

29-11-52-01

29-11-52
FIG. 01
PAGE 5
JAN 20/09

BRI

BOEING PROPRIETARY - Copyright © - Unpublished Work - See title page for details.



**757
PARTS CATALOG (MAINTENANCE)**

FIG ITEM	PART NUMBER	1 2 3 4 5 6 7	NOMENCLATURE	EFFECT FROM TO	UNITS PER ASSY
1 255	BACC45FT20D41S6		.CONNECTOR- ELECTRICAL EQUIP NUMBER: D03544 WIRING DIAGRAM REF: 291122	002004 006010 107107 121503 904999	1
- 300	286N2070-003		WIRE BUNDLE ASSY-	121503 904949	RF
- 300	286N2070-004		WIRE BUNDLE ASSY	107107	RF
- 300	286N2070-005		WIRE BUNDLE ASSY-	002004 006010 950999	RF
305	BACC45FT20D39S7		.CONNECTOR- ELECTRICAL EQUIP NUMBER: D03546 WIRING DIAGRAM REF: 291131	002004 006010 107107 121503 904999	1

MISSING ITEM NUMBERS NOT APPLICABLE

- ITEM NOT ILLUSTRATED

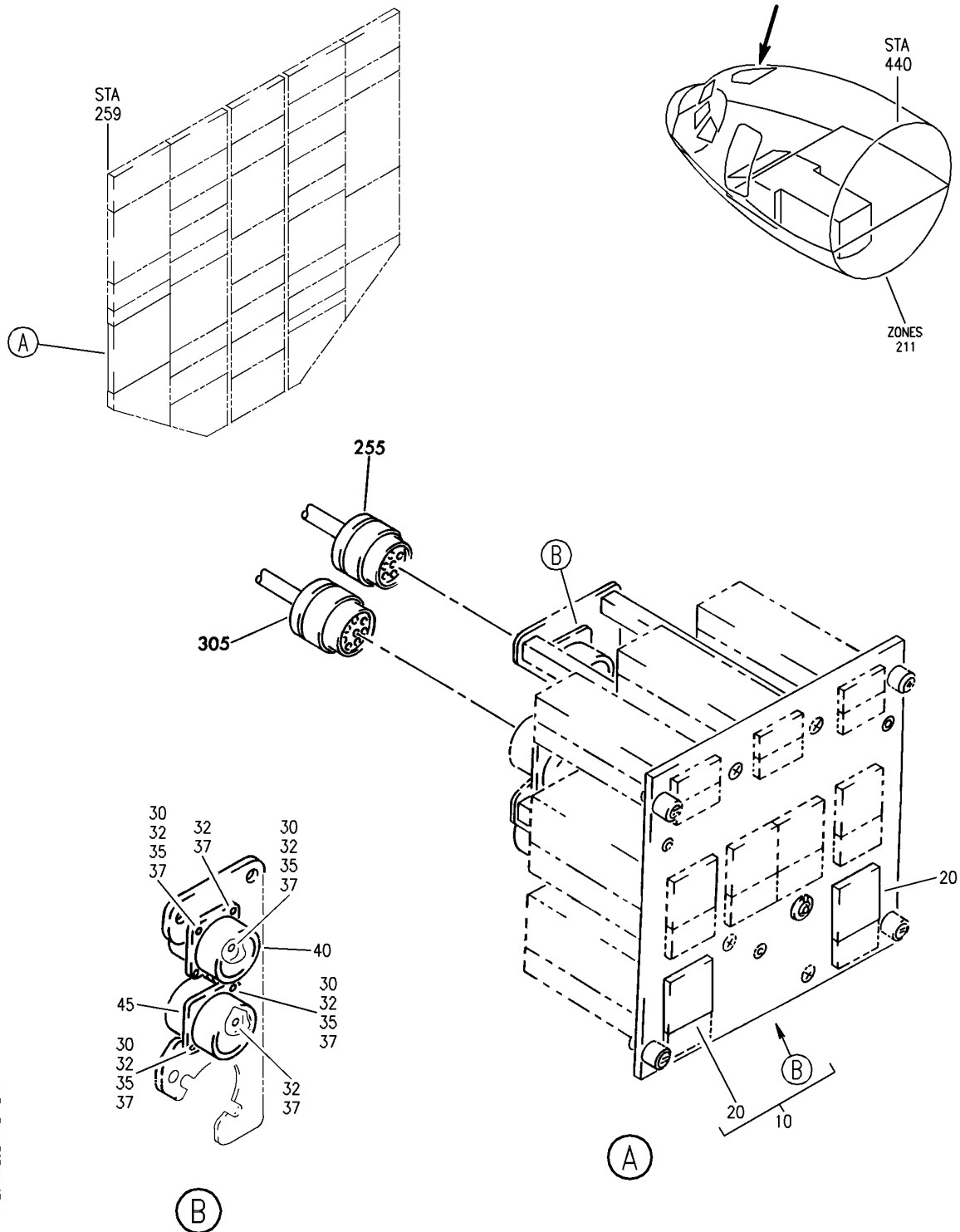
BRI

29-11-52-01

BOEING PROPRIETARY - Copyright © - Unpublished Work - See title page for details.

29-11-52
FIG. 01
PAGE 6
JAN 20/09

BOEING
757
PARTS CATALOG (MAINTENANCE)



Y 29115202 REV 241

PANEL INSTL-P5 OVHD (MAIN HYDRAULIC SYSTEMS ONLY)
FIGURE 2

29-11-52-02

BRI
MAY 28/07

29-11-52-02
PAGE 0



757

PARTS CATALOG (MAINTENANCE)

FIG ITEM	PART NUMBER	1 2 3 4 5 6 7	NOMENCLATURE	EFFECT FROM TO	UNITS PER ASSY
2			PANEL INSTL-P5 OVHD (MAIN HYDRAULIC SYSTEMS ONLY)	011100	
- 1	233N3101-1		PANEL INSTL-P5 OVHD (MAIN HYDRAULIC SYSTEMS ONLY) VARIABLE DRAWING REF: 233N3101-5142 FOR NHA/OTHER SYS DET SEE: 25-10-00-05A	011100	RF
- 5	233N3205-302		.PANEL ASSY-HYDR SUPPLIER CODE: V89954 COMPONENT MAINT MANUAL REF: 29-00-71 QUALIFIED I/W DATA: 233N3205-302 PANEL ASSY IS I/W 233N3205-27 PANEL ASSY T/W S233T100-6060 LIGHTPLATE	011100	RF
10	233N3205-27		..PANEL ASSY-HYDR SUPPLIER CODE: V89954 MISCELLANEOUS DATA: (233N3205-302 PANEL ASSY IS I/W 233N3205-27 PANEL ASSY T/W S233T100-6060 LIGHTPLATE) ELECTRICAL EQUIP NUMBER: M10050 COMPONENT MAINT MANUAL REF: 29-00-71 QUALIFIED I/W DATA: 233N3205-302 PANEL ASSY IS I/W 233N3205-27 PANEL ASSY T/W S233T100-6060 LIGHTPLATE	011100	1
20	BCREFA0507		...SWITCH ASSY-LIGHTED PUSH BUTTON IND SUPPLIER CODE: V81590 OVERLENGTH PART NUMBER: 433-673-1004-4020 SPECIFICATION NUMBER: S231T290-4020 FOR DETAILS SEE: 33-13-00-49	011100	2

MISSING ITEM NUMBERS NOT APPLICABLE

- ITEM NOT ILLUSTRATED

BRI

29-11-52-02

29-11-52
FIG. 02
PAGE 1
JAN 20/09



757

PARTS CATALOG (MAINTENANCE)

FIG ITEM	PART NUMBER	1 2 3 4 5 6 7	NOMENCLATURE	EFFECT FROM TO	UNITS PER ASSY
2					
20	851-30768-2020	...	SWITCH ASSY-LIGHTED PUSH BUTTON IND ON/PRESS SUPPLIER CODE: V96182 SPECIFICATION NUMBER: S231T290-2020 FOR DETAILS SEE: 33-13-00-29	011100	2
20	851-30768-3020	...	SWITCH ASSY-LIGHTED PUSH BUTTON IND ON/PRESS SUPPLIER CODE: V96182 SPECIFICATION NUMBER: S231T290-3020 FOR DETAILS SEE: 33-13-00-29	011100	2
20	4336731004-4220	...	SWITCH ASSY-LIGHTED PUSH BUTTON IND SUPPLIER CODE: V81590 SPECIFICATION NUMBER: S231T290-4220 OPTIONAL PART: 851-35100-5020 V96182	011100	2
20	851-35100-5020	...	SWITCH ASSY-LIGHTED PUSH SUPPLIER CODE: V96182 SPECIFICATION NUMBER: S231T290-5020 OPTIONAL PART: 4336731004-4220 V81590	011100	2
30	NAS1801-04-5	...	SCREW- OPTIONAL PART: BACS12HN04-5 USED ON: 233N3205-24 233N3205-25 233N3205-27	011100	4
30	BACS12HN04-5	...	SCREW- OPTIONAL PART: NAS1801-04-5 USED ON: 233N3205-27 233N3205-24 233N3205-25	011100	4

MISSING ITEM NUMBERS NOT APPLICABLE

- ITEM NOT ILLUSTRATED

29-11-52-02

29-11-52
FIG. 02
PAGE 2
JAN 20/09

BRI



757

PARTS CATALOG (MAINTENANCE)

FIG ITEM	PART NUMBER	1 2 3 4 5 6 7	NOMENCLATURE	EFFECT FROM TO	UNITS PER ASSY
2					
35	K19798-04	...	NUT- SUPPLIER CODE: V15653 SPECIFICATION NUMBER: BACN10NW1 OPTIONAL PART: RMA4812-160-40 V72962 293162 V60119 USED ON: 233N3205-24 233N3205-25 233N3205-27	011100	4
40	BACC45FN20-41P6	...	CONNECTOR	011100	1
45	BACC45FN20-39P7	...	CONNECTOR	011100	1
- 250	286N2066-008		WIRE BUNDLE ASSY	011100	RF
255	BACC45FT20D41S6	.	CONNECTOR- ELECTRICAL EQUIP NUMBER: D03544 WIRING DIAGRAM REF: 291122	011100	1
- 300	286N2070-005		WIRE BUNDLE ASSY-	011100	RF
305	BACC45FT20D39S7	.	CONNECTOR- ELECTRICAL EQUIP NUMBER: D03546 WIRING DIAGRAM REF: 291131	011100	1

MISSING ITEM NUMBERS NOT APPLICABLE

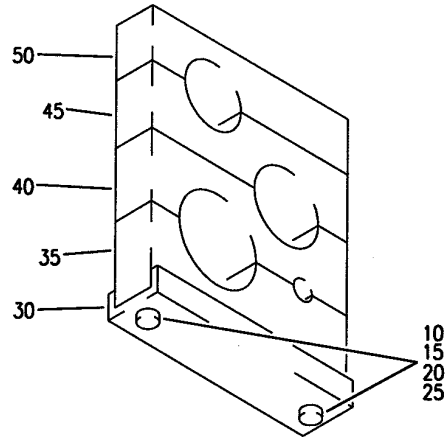
- ITEM NOT ILLUSTRATED

29-11-52-02

29-11-52
FIG. 02
PAGE 3
JAN 20/09

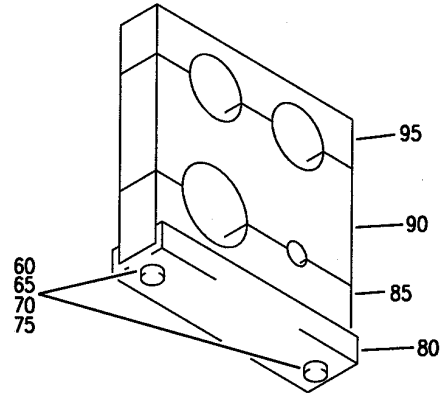
BRI

BOEING
757
PARTS CATALOG (MAINTENANCE)



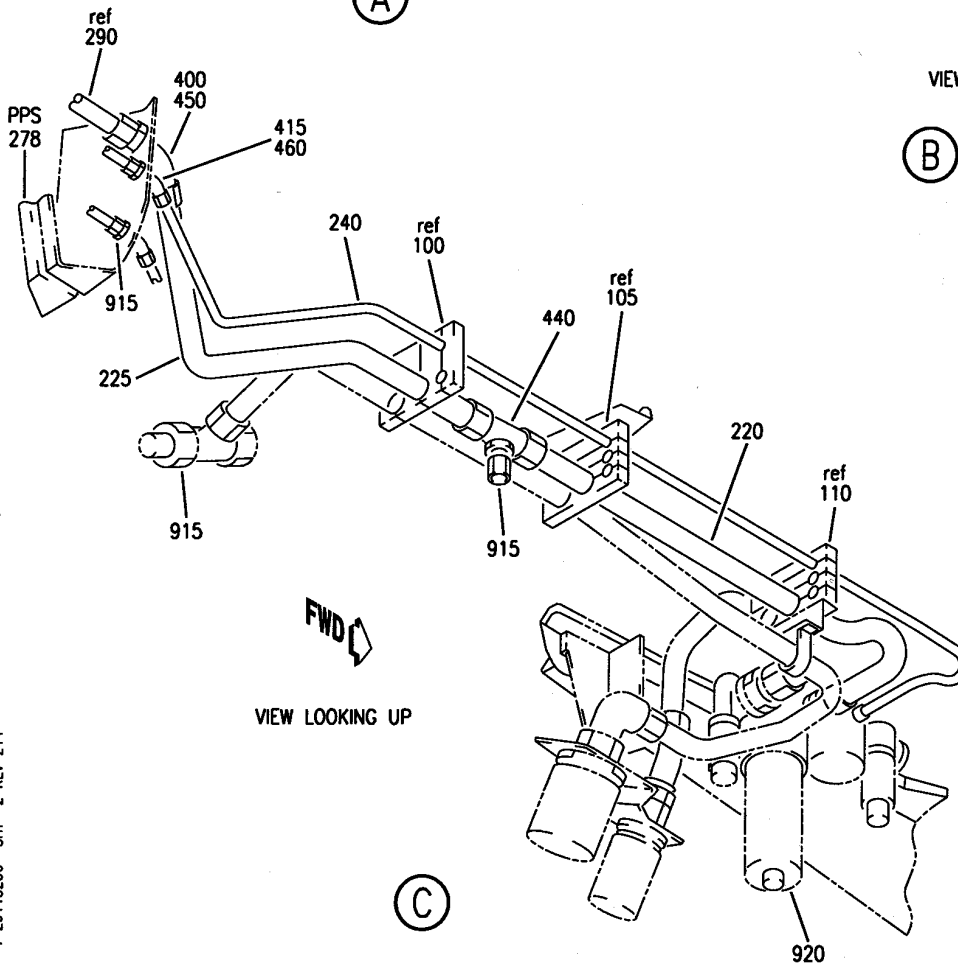
VIEW LOOKING UP

(A)



VIEW LOOKING UP

(B)



VIEW LOOKING UP

(C)

Y 29115206 SH1 2 REV 214

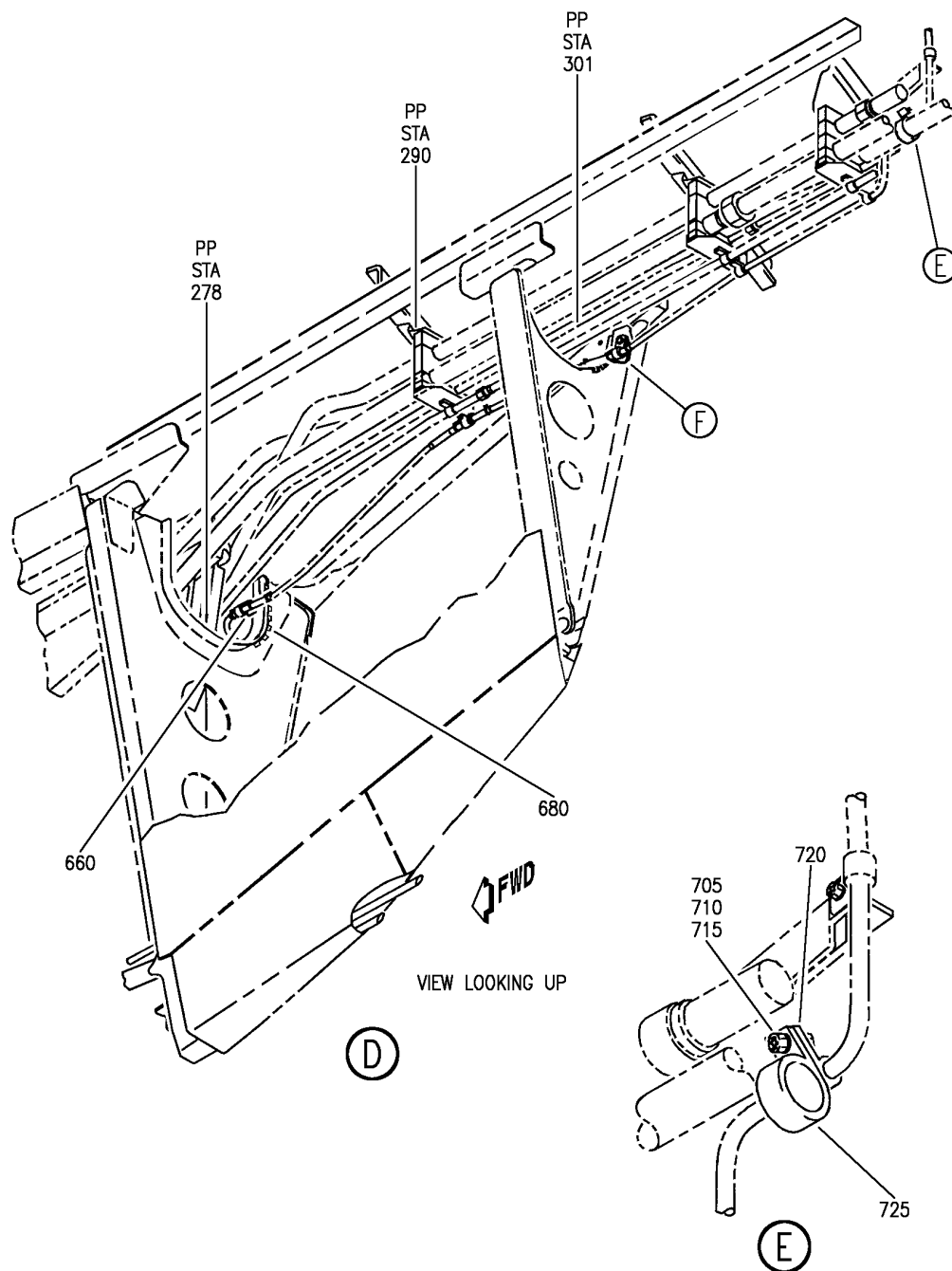
PLUMBING INSTL-SECT. 31.1 HYDR (RH) (HYDRAULIC POWER ONLY)
FIGURE 6 (SHEET 2)

29-11-52-06

BRI
MAY 28/07

29-11-52-06
PAGE 0A

BOEING
757
PARTS CATALOG (MAINTENANCE)



Y 29115206 SH1 3 REV 335

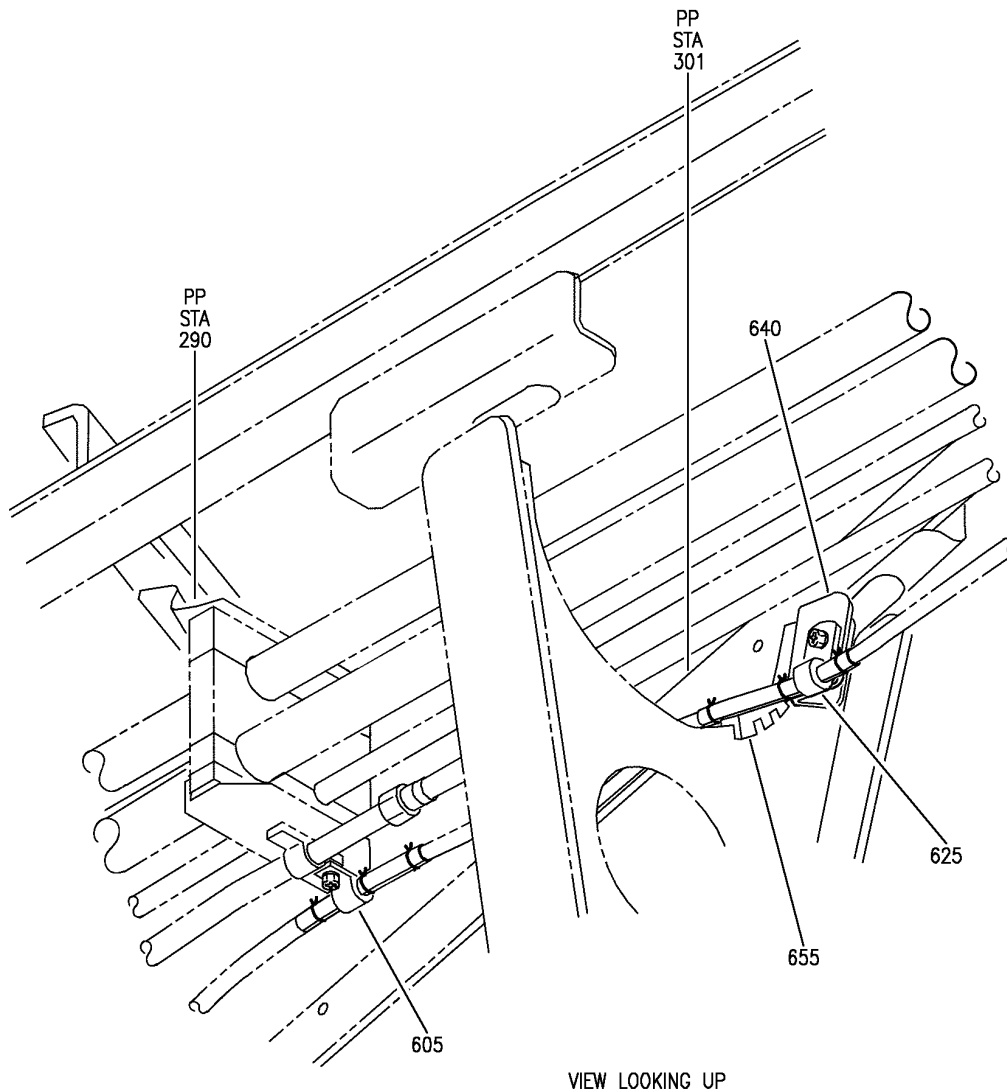
PLUMBING INSTL-SECT. 31.1 HYDR (RH) (HYDRAULIC POWER ONLY)
FIGURE 6 (SHEET 3)

29-11-52-06

BRI
MAY 20/09

29-11-52-06
PAGE 0B

BOEING
757
PARTS CATALOG (MAINTENANCE)



VIEW LOOKING UP

(F)

Y 29115206 SH1 4 REV 287

PLUMBING INSTL-SECT. 31.1 HYDR (RH) (HYDRAULIC POWER ONLY)
FIGURE 6 (SHEET 4)

29-11-52-06

BRI
MAY 28/07

29-11-52-06
PAGE 0C



757

PARTS CATALOG (MAINTENANCE)

FIG ITEM	PART NUMBER	1 2 3 4 5 6 7	NOMENCLATURE	EFFECT FROM TO	UNITS PER ASSY
6			PLUMBING INSTL-SECT. 31.1 HYDR (RH) (HYDRAULIC POWER ONLY)	101102 108120 504903	RF
- 1	271N6311-12		PLUMBING INSTL-HYDR RIGHT ENGINE STRUT POSITION DATA: SECT. 31.1 RH FOR NHA SEE: 29-00-51-01A	101102 108120 504903	RF
5	270N2000-239		.CLAMP ASSY	101102 108120 504903	1
10	NAS1801-3-70		..SCREW	101102 108120 504903	2
15	NAS43DD3-241		..SPACER	101102 108120 504903	2
20	AN960KD10L		..WASHER	101102 108120 504903	2
25	BRH10A3		..NUT SUPPLIER CODE: V52828 SPECIFICATION NUMBER: BACN10JC3 OPTIONAL PART: H10-3BAC V15653 NS202101-02 V80539 RMLH9075-3W V72962 VN303A02 V92215 96-02 V80539 T6S1032J V11815	101102 108120 504903	2
30	270N2000-800		..CHANNEL	101102 108120 504903	1
35	270N2000-577		..BLOCK	101102 108120 504903	1
40	270N2000-578		..BLOCK	101102 108120 504903	1

MISSING ITEM NUMBERS NOT APPLICABLE

- ITEM NOT ILLUSTRATED

29-11-52-06

29-11-52
FIG. 06
PAGE 1
JAN 20/09

BRI



757

PARTS CATALOG (MAINTENANCE)

FIG ITEM	PART NUMBER	1 2 3 4 5 6 7	NOMENCLATURE	EFFECT FROM TO	UNITS PER ASSY
6	45	270N2000-579	.. BLOCK	101102 108120 504903	1
	50	270N2000-580	.. BLOCK	101102 108120 504903	1
	55	270N2000-240	. CLAMP ASSY	101102 108120 504903	2
	60	NAS1801-3-67	.. SCREW	101102 108120 504903	2
	65	NAS43DD3-232	.. SPACER	101102 108120 504903	2
	70	AN960KD10L	.. WASHER	101102 108120 504903	2
	75	BRH10A3	.. NUT SUPPLIER CODE: V52828 SPECIFICATION NUMBER: BACN10JC3 OPTIONAL PART: H10-3BAC V15653 NS202101-02 V80539 RMLH9075-3W V72962 VN303A02 V92215 96-02 V80539 T6S1032J V11815	101102 108120 504903	2
	80	270N2000-824	.. CHANNEL	101102 108120 504903	1
	85	270N2000-454	.. BLOCK	101102 108120 504903	1
	90	270N2000-455	.. BLOCK	101102 108120 504903	1
	95	270N2000-456	.. BLOCK	101102 108120 504903	1

MISSING ITEM NUMBERS NOT APPLICABLE

- ITEM NOT ILLUSTRATED

BRI

29-11-52-06

29-11-52
FIG. 06
PAGE 2
JAN 20/09



757

PARTS CATALOG (MAINTENANCE)

FIG ITEM	PART NUMBER	1 2 3 4 5 6 7	NOMENCLATURE	EFFECT FROM TO	UNITS PER ASSY
6					
100	270N2000-1322		.CLAMP ASSY- FOR BREAKDOWN SEE: 29-11-51-71	101102 108120 504903	RF
105	270N2000-1303		.CLAMP ASSY- FOR BREAKDOWN SEE: 29-11-51-71	101102 108120 504903	RF
110	270N2000-1320		.CLAMP ASSY- FOR BREAKDOWN SEE: 29-11-51-71	101102 108120 504903	RF
115	270N2000-1302		.CLAMP ASSY- FOR BREAKDOWN SEE: 29-11-51-71	101102 108120 504903	RF
120	TA0910004H110		.CLAMP SUPPLIER CODE: V84971 SPECIFICATION NUMBER: BACC10HB10C	101102 108120 504903	1
125	TA0910004H120		.CLAMP SUPPLIER CODE: V84971 SPECIFICATION NUMBER: BACC10HB20C	101102 108120 504903	2
- 130	NAS1801-3		.SCREW- SIZE DETERMINED ON INSTL.	101102 108120 504903	6
- 135	AN960KD10L		.WASHER	101102 108120 504903	AR
- 140	MS21042L3		.NUT	101102 108120 504903	6
			-----*-----		
200	271N6311-1046		.TUBE ASSY-R SYS SUPPLY TUBING MATERIAL: 1.25 IN. OD .035 IN. WALL 31.80 IN. LG AL AMS 4083 6061 T6 TUBING	101102 108120 504903	1
205	271N6311-1048		.TUBE ASSY-R SYS SUPPLY TUBING MATERIAL: 1.25 IN. OD .035 IN. WALL 17.70 IN. LG AL AMS 4083 6061 T6 TUBING	101102 108120 504903	1

MISSING ITEM NUMBERS NOT APPLICABLE

- ITEM NOT ILLUSTRATED

BRI

29-11-52-06

29-11-52
FIG. 06
PAGE 3
JAN 20/09



757

PARTS CATALOG (MAINTENANCE)

FIG ITEM	PART NUMBER	1 2 3 4 5 6 7	NOMENCLATURE	EFFECT FROM TO	UNITS PER ASSY
6					
- 210	AFP175V20P	..	SLEEVE- SUPPLIER CODE: V30974 SPECIFICATION NUMBER: BACS13BX20HP OPTIONAL PART: 2-02901-20HP V11328 35025VN20 V08199	101102 108120 504903	2
- 215	BACN10YL20L	..	NUT-	101102 108120 504903	2
220	271N6311-1054	.TUBE ASSY-R SYS PRESSURE TUBING MATERIAL: 1.00 IN. OD .051 IN. WALL 29.50 IN. LG TI BMS 7-234 TI-3AL-2.5V COLD WORKED, STRESS RELIEVED TUBING	101102 108120 504903	1	
225	271N6311-1056	.TUBE ASSY-R SYS PRESSURE TUBING MATERIAL: 1.00 IN. OD .051 IN. WALL 19.70 IN. LG TI BMS 7-234 TI-3AL-2.5V COLD WORKED, STRESS RELIEVED TUBING	101102 108120 504903	1	
- 230	AS1581T16	..	SLEEVE	101102 108120 504903	2
- 235	BACN10YA16L	..	NUT-	101102 108120 504903	2
240	271N6311-1060	.TUBE ASSY-R SYS CASE DRAIN TUBING MATERIAL: .375 IN. OD .035 IN. WALL 59.80 IN. LG AL AMS 4083 6061 T6 TUBING	101102 108120 504903	1	

MISSING ITEM NUMBERS NOT APPLICABLE

- ITEM NOT ILLUSTRATED

29-11-52-06

29-11-52
FIG. 06
PAGE 4
JAN 20/09

BRI



757

PARTS CATALOG (MAINTENANCE)

FIG ITEM	PART NUMBER	1 2 3 4 5 6 7	NOMENCLATURE	EFFECT FROM TO	UNITS PER ASSY
6 - 245	AP2097HP06	..	SLEEVE SUPPLIER CODE: V01673 SPECIFICATION NUMBER: BACS13BX06HP OPTIONAL PART: 2-02903-06HP V11328 35235VN06 V08199 AFP175V06P V30974 DBOS13BX06HP V14798	101102 108120 504903	2
- 250	BACN10YL06	..	NUT	101102 108120 504903	2
255	271N6311-1070	.TUBE ASSY-R SYS RETURN TUBING MATERIAL: .625 IN. OD .035 IN. WALL 20.70 IN. LG AL AMS 4083 6061 T6 TUBING		101102 108120 504903	1
- 260	AP2097HP10	..	SLEEVE SUPPLIER CODE: V01673 SPECIFICATION NUMBER: BACS13BX10HP OPTIONAL PART: 2-02903-10HP V11328 35235VN10 V08199 AFP175V10P V30974 DBOS13BX10HP V14798	101102 108120 504903	2
- 265	BACN10YL10	..	NUT	101102 108120 504903	2
270	271N6311-1074	.TUBE ASSY-R SYS CASE DRAIN TUBING MATERIAL: .375 IN. OD .035 IN. WALL 438.5 IN. LG AL AMS 4083 6061 T6 TUBING		101102 108120 504903	1

MISSING ITEM NUMBERS NOT APPLICABLE

- ITEM NOT ILLUSTRATED

29-11-52-06

29-11-52
FIG. 06
PAGE 5
JAN 20/09

BRI



757

PARTS CATALOG (MAINTENANCE)

FIG ITEM	PART NUMBER	1 2 3 4 5 6 7	NOMENCLATURE	EFFECT FROM TO	UNITS PER ASSY
6 - 275	AP2097HP06	..	SLEEVE SUPPLIER CODE: V01673 SPECIFICATION NUMBER: BACS13BX06HP OPTIONAL PART: 2-02903-06HP V11328 35235VN06 V08199 AFP175V06P V30974 DBOS13BX06HP V14798	101102 108120 504903	1
- 280	BACN10YLO6	..	NUT	101102 108120 504903	1
- 285	35056GV06	..	UNION SUPPLIER CODE: V08199 SPECIFICATION NUMBER: BACU24AB6W OPTIONAL PART: 2-01027-6W V11328 31875-6W V14397 4671097W6 V50948 AP1004W06 V01673 AFP941W6 V30974 DBOU24AB6W V14798	101102 108120 504903	1
290	271N6311-1076	.TUBE	ASSY-R SYS PRESSURE TUBING MATERIAL: 1.00 IN. OD .051 IN. WALL 47.20 IN. LG TI BMS 7-234 TI-3AL-2.5V COLD WORKED, STRESS RELIEVED TUBING	101102 108120 504903	1
- 295	AS1581T16	..	SLEEVE	101102 108120 504903	1
- 300	BACN10YA16L	..	NUT-	101102 108120 504903	1

MISSING ITEM NUMBERS NOT APPLICABLE

- ITEM NOT ILLUSTRATED

BRI

29-11-52-06

29-11-52
FIG. 06
PAGE 6
JAN 20/09



757

PARTS CATALOG (MAINTENANCE)

FIG ITEM	PART NUMBER	1 2 3 4 5 6 7	NOMENCLATURE	EFFECT FROM TO	UNITS PER ASSY
6					
- 305	AS1582T16	..	UNION	101102 108120 504903	1
310	271N6311-1108	.TUBE ASSY-FIRE PRESSURE TUBING MATERIAL: 1.00 IN. OD .035 IN. WALL 38.20 IN. LG AL AMS 4083 6061 T6 TUBING		101102 108120 504903	1
- 315	AP2097HP16	..SLEEVE SUPPLIER CODE: V01673 SPECIFICATION NUMBER: BACS13BX16HP OPTIONAL PART: 2-02903-16HP V11328 35235VN16 V08199 AFP175V16P V30974 DBOS13BX16HP V14798		101102 108120 504903	1
- 320	BACN10YL16L	..NUT-		101102 108120 504903	1
- 325	BACU24AB16W	..UNION		101102 108120 504903	1
330	271N6311-1128	.TUBE ASSY-R SYS SUPPLY TUBING MATERIAL: 1.25 IN. OD .035 IN. WALL 39.30 IN. LG AL AMS 4083 6061 T6 TUBING		101102 108120 504903	1
- 335	AFP175V20P	..SLEEVE- SUPPLIER CODE: V30974 SPECIFICATION NUMBER: BACS13BX20HP OPTIONAL PART: 2-02901-20HP V11328 35025VN20 V08199		101102 108120 504903	1
- 340	BACN10YL20L	..NUT-		101102 108120 504903	1

MISSING ITEM NUMBERS NOT APPLICABLE

- ITEM NOT ILLUSTRATED

29-11-52-06

29-11-52
FIG. 06
PAGE 7
JAN 20/09

BRI



757

PARTS CATALOG (MAINTENANCE)

FIG ITEM	PART NUMBER	1 2 3 4 5 6 7	NOMENCLATURE	EFFECT FROM TO	UNITS PER ASSY
6 - 345	35056GV20		..UNION SUPPLIER CODE: V08199 SPECIFICATION NUMBER: BACU24AB20W OPTIONAL PART: 4671097W20 V50948 2-01027-20W V11328 31875-20W V14397 AP1004W20 V01673 AFP941W20 V30974 DBOU24AB20W V14798	101102 108120 504903	1
350	271N6311-1130		.TUBE ASSY-FIRE PRESSURE POSITION DATA: RH SIDE TUBING MATERIAL: 1.00 IN. OD .035 IN. WALL 58.7 IN. LG AL AMS 4083 6061 T6 TUBING	101102 108120 504903	1
- 355	AP2097HP16		..SLEEVE SUPPLIER CODE: V01673 SPECIFICATION NUMBER: BACS13BX16HP OPTIONAL PART: 2-02903-16HP V11328 35235VN16 V08199 AFP175V16P V30974 DBOS13BX16HP V14798	101102 108120 504903	2
- 360	BACN10YL16L		..NUT-	101102 108120 504903	2
365	271N6311-1176		.TUBE ASSY-R SYS SUPPLY TUBING MATERIAL: 1.25 IN. OD .035 IN. WALL 10.3 IN. LG AL AMS 4083 6061 T6 TUBING	101102 108120 504903	1

MISSING ITEM NUMBERS NOT APPLICABLE

- ITEM NOT ILLUSTRATED

29-11-52-06

29-11-52
FIG. 06
PAGE 8
JAN 20/09

BRI



757

PARTS CATALOG (MAINTENANCE)

FIG ITEM	PART NUMBER	1 2 3 4 5 6 7	NOMENCLATURE	EFFECT FROM TO	UNITS PER ASSY
6					
- 370	AFP175V20P	..	SLEEVE- SUPPLIER CODE: V30974 SPECIFICATION NUMBER: BACS13BX20HP OPTIONAL PART: 2-02901-20HP V11328 35025VN20 V08199	101102 108120 504903	2
- 375	BACN10YL20L	..	NUT-	101102 108120 504903	2
400	BACE21BM1616J	.	ELBOW	101102 108120 504903	1
405	MS21907W16	.	ELBOW	101102 108120 504903	1
410	MS21907W20	.	ELBOW	101102 108120 504903	1
415	MS21907W6	.	ELBOW	101102 108120 504903	1
435	APX824F202016W	.	TEE SUPPLIER CODE: V01673 SPECIFICATION NUMBER: BACT16AS202016W OPTIONAL PART: APX824-202016W V01673 DBOT16AS202016W V14798 ER824-202016W V50948 FER1571-202016W V14397 LER824-202016W V11328 NAF1824-202016W V52930 US1925-202016W V50808 AFP325-202016W V30974	101102 108120 504903	1

MISSING ITEM NUMBERS NOT APPLICABLE

- ITEM NOT ILLUSTRATED

29-11-52-06

29-11-52
FIG. 06
PAGE 9
JAN 20/09

BRI



757

PARTS CATALOG (MAINTENANCE)

FIG ITEM	PART NUMBER	1 2 3 4 5 6 7	NOMENCLATURE	EFFECT FROM TO	UNITS PER ASSY
6					
440	BACT16BL161610J	.	TEE	101102 108120 504903	RF
450	AN924-16D	.	NUT	101102 108120 504903	2
455	AN924-20D	.	NUT	101102 108120 504903	1
460	AN924-6D	.	NUT	101102 108120 504903	1
490	271N6317-3	.	BRACKET	101102 108120 504903	1
495	271N6317-6	.	BRACKET	101102 108120 504903	2
500	270N2006-37	.	SHIM	101102 108120 504903	AR
505	270N2006-38	.	SHIM	101102 108120 504903	AR
510	270N2006-39	.	SHIM	101102 108120 504903	AR
515	270N2006-61	.	SHIM	101102 108120 504903	AR
520	270N2006-62	.	SHIM	101102 108120 504903	AR
525	270N2006-63	.	SHIM	101102 108120 504903	AR
530	270N2006-64	.	SHIM	101102 108120 504903	AR
535	270N2006-65	.	SHIM	101102 108120 504903	AR
540	270N2006-66	.	SHIM	101102 108120 504903	AR
545	270N2006-67	.	SHIM	101102 108120 504903	AR

MISSING ITEM NUMBERS NOT APPLICABLE

- ITEM NOT ILLUSTRATED

BRI

29-11-52-06

29-11-52
FIG. 06
PAGE 10
JAN 20/09

 **BOEING**
757
PARTS CATALOG (MAINTENANCE)

FIG ITEM	PART NUMBER	1 2 3 4 5 6 7	NOMENCLATURE	EFFECT FROM TO	UNITS PER ASSY
6					
550	270N2006-68	. SHIM		101102 108120 504903	AR
555	270N2006-69	. SHIM		101102 108120 504903	AR
560	270N2006-7	. SHIM		101102 108120 504903	AR
565	270N2006-8	. SHIM		101102 108120 504903	AR
570	270N2006-9	. SHIM		101102 108120 504903	AR
- 600	012N1023-2		STRUT KIT-WIRE BUNDLE ROUTING POST ALERT SB: 28A0073	101102 108120 504903	1
605	TA025041-02	. CLAMP-	SUPPLIER CODE: V84971	101102 108120 504903	1
- 610	NAS1801-3	. SCREW-	ATTACHING PARTS SIZE DETERMINED ON INSTL.	101102 108120 504903	RF
- 615	AN960KD10L	. WASHER		101102 108120 504903	RF
- 620	MS21042L3	. NUT		101102 108120 504903	RF
625	TA025041-02	. CLAMP-	-----*----- SUPPLIER CODE: V84971	101102 108120 504903	1
- 630	NAS1801-3-8	. SCREW	ATTACHING PARTS	101102 108120 504903	1
- 635	NAS1149D0332J	. WASHER		101102 108120 504903	1
640	313N5033-134	. BRACKET ASSY	-----*-----	101102 108120 504903	1

MISSING ITEM NUMBERS NOT APPLICABLE

- ITEM NOT ILLUSTRATED

BRI

29-11-52-06

BOEING PROPRIETARY - Copyright © - Unpublished Work - See title page for details.

29-11-52
FIG. 06
PAGE 11
JAN 20/09



**757
PARTS CATALOG (MAINTENANCE)**

FIG ITEM	PART NUMBER	1 2 3 4 5 6 7	NOMENCLATURE	EFFECT FROM TO	UNITS PER ASSY
6			ATTACHING PARTS		
- 645	HL1022AZ6-3		.BOLT SUPPLIER CODE: V97928 SPECIFICATION NUMBER: BACB30NX6K3X OPTIONAL PART: HL1022AZ6-3 V06725 HL1022AZ6-3 V56878 HL1022AZ6-3 V73197 HL112VAZ6-3 V06725 HL112VAZ6-3 V56878 HL112VAZ6-3 V73197 HL112VAZ6-3 V92215 HL112VAZ6-3 V97928 HL1022AZ6-3 V06950 HL1022AZ6-3 V17446 HL1022AZ6-3 V56878 HL1022AZ6-3 V73197	101102 108120 504903	2
- 650	HL79-6		.COLLAR SUPPLIER CODE: V5M902 SPECIFICATION NUMBER: BACC30M6 OPTIONAL PART: HL79-6 V73197 HL79-6 V92215 66014-6 V56878 HL79-6 V56878	101102 108120 504903	2
655	BACG20ZE001275		-----*----- .GROMMET	101102 108120 504903	1

MISSING ITEM NUMBERS NOT APPLICABLE

- ITEM NOT ILLUSTRATED

BRI

29-11-52-06

BOEING PROPRIETARY - Copyright © - Unpublished Work - See title page for details.

29-11-52
FIG. 06
PAGE 12
JAN 20/09



757

PARTS CATALOG (MAINTENANCE)

FIG ITEM	PART NUMBER	1 2 3 4 5 6 7	NOMENCLATURE	EFFECT FROM TO	UNITS PER ASSY
6 660	S717-101		.CLAMP SUPPLIER CODE: V18076 SPECIFICATION NUMBER: BACC10GU101 OPTIONAL PART: 534CS101 V83930 JM44LC39S101RG V22175	101102 108120 504903	2
- 665	NAS1801-3		.SCREW- SIZE DETERMINED ON INSTL.	101102 108120 504903	2
- 670	AN960PD10L		.WASHER	101102 108120 504903	2
- 675	BRH10A3		.NUT SUPPLIER CODE: V52828 SPECIFICATION NUMBER: BACN10JC3 OPTIONAL PART: H10-3BAC V15653 NS202101-02 V80539 RMLH9075-3W V72962 VN303A02 V92215 96-02 V80539 T6S1032J V11815	101102 108120 504903	2
- 700	012N1023-6		-----*----- STRUT KIT-WIRE BUNDLE ROUTING POST ALERT SB: 28A0073R1	101102 108120 504903	1
705	BACS12HN3-10		.SCREW	101102 108120 504903	1
710	NAS1149D0332J		.WASHER	101102 108120 504903	1

MISSING ITEM NUMBERS NOT APPLICABLE

- ITEM NOT ILLUSTRATED

29-11-52-06

29-11-52
FIG. 06
PAGE 13
JAN 20/09

BRI

BOEING PROPRIETARY - Copyright © - Unpublished Work - See title page for details.



757

PARTS CATALOG (MAINTENANCE)

FIG ITEM	PART NUMBER	1 2 3 4 5 6 7	NOMENCLATURE	EFFECT FROM TO	UNITS PER ASSY
6 715	PLH53CD	.NUT	SUPPLIER CODE: VF0224 SPECIFICATION NUMBER: BACN10YR3CD OPTIONAL PART: H52732-3CD V15653	101102 108120 504903	1
720	BACC10DK20	.CLAMP		101102 108120 504903	1
725	S717-101	.CLAMP	SUPPLIER CODE: V18076 SPECIFICATION NUMBER: BACC10GU101 OPTIONAL PART: 534CS101 V83930 JM44LC39S101RG V22175	101102 108120 504903	1
900			ILLUSTRATION REFERENCE: PLUMBING INSTL-CARGO BAY TO STRUT ENG FIRE EXT AFT 26-21-55-01	101102 108120 504903	RF
905			ILLUSTRATION REFERENCE: PLUMBING INSTL-SECT. 12 R WING INBD HYDR (HYDRAULIC POWER ONLY) (R SYS) 29-11-51-17A	101102 108120 504903	RF
910			ILLUSTRATION REFERENCE: PLUMBING INSTL-FILLET AND TE ROLLS ROYCE RETURN LINES 29-11-51-68	101102 108120 504903	RF
915			ILLUSTRATION REFERENCE: PLUMBING INSTL-HYD SECT. 31.1 RIGHT AFT STRUT FAIRING 29-11-51-71	101102 108120 504903	RF
920			ILLUSTRATION REFERENCE: MODULE INSTL-ENG DRIVEN PUMP CASE DRAIN PRESSURE FILTER 29-11-17-02	101102 108120 504903	RF

MISSING ITEM NUMBERS NOT APPLICABLE

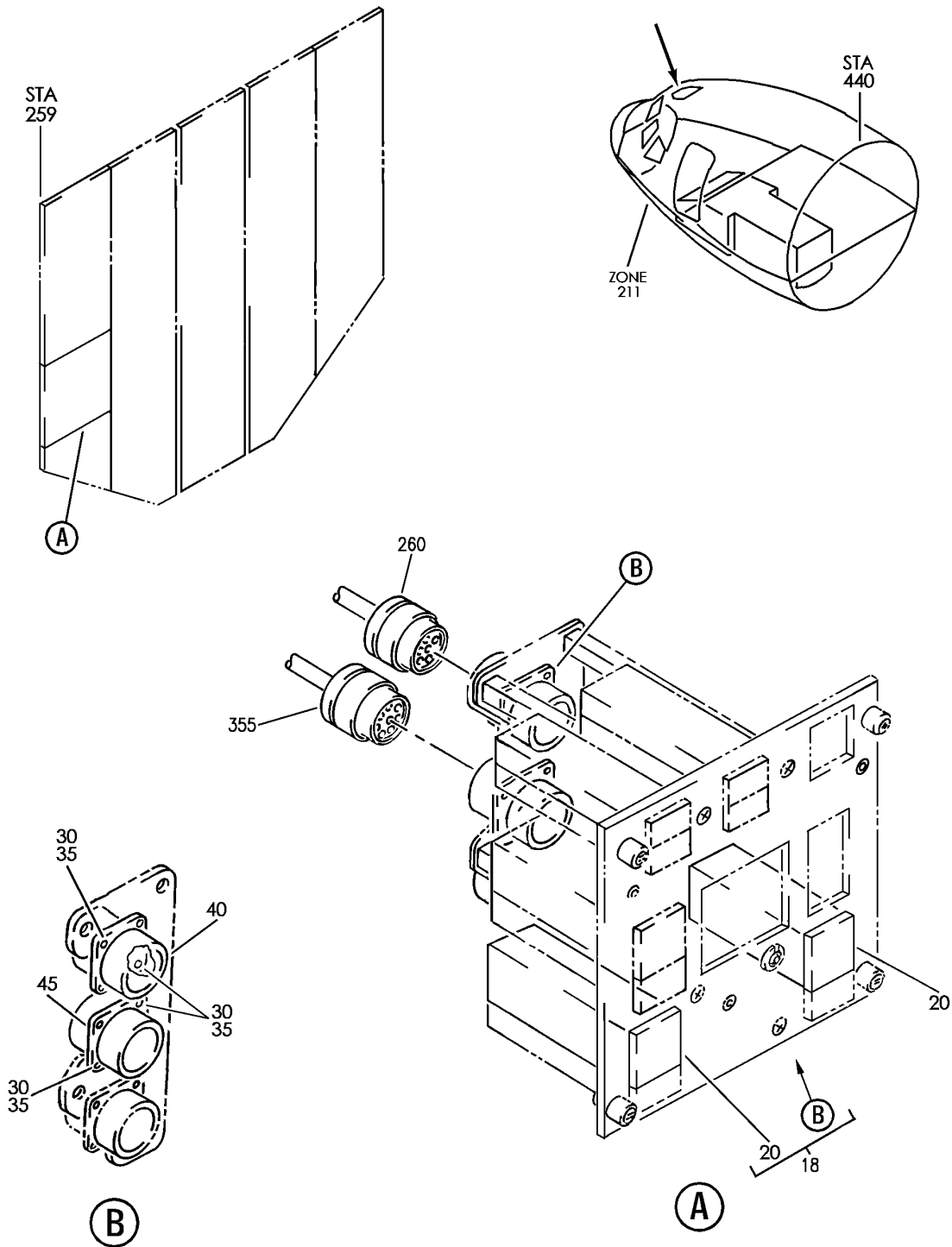
- ITEM NOT ILLUSTRATED

29-11-52-06

29-11-52
FIG. 06
PAGE 14
JAN 20/09

BRI

BOEING
757
PARTS CATALOG (MAINTENANCE)



Y 29115207 REV 275

PANEL INSTL-P5 OVHD (MAIN (LEFT, RIGHT, AND CENTER) HYDRAULIC SYSTEMS ONLY)
FIGURE 7

BRI
MAY 28/07

29-11-52-07

29-11-52-07
PAGE 0



757

PARTS CATALOG (MAINTENANCE)

FIG ITEM	PART NUMBER	1 2 3 4 5 6 7	NOMENCLATURE	EFFECT FROM TO	UNITS PER ASSY
7			PANEL INSTL-P5 OVHD (MAIN (LEFT, RIGHT, AND CENTER) HYDRAULIC SYSTEMS ONLY)	101106 108120 504903	
- 2	233N3103-136		PANEL INSTL-P5 OVHD (MAIN (LEFT, RIGHT, AND CENTER) HYDRAULIC SYSTEMS ONLY)	504903	RF
- 3	233N3103-132		FOR NHA/OTHER SYS DET SEE: 25-10-00-15E PANEL INSTL-P5 OVHD (MAIN (LEFT, RIGHT, AND CENTER) HYDRAULIC SYSTEMS ONLY)	101102	RF
- 6	233N3103-59		FOR NHA/OTHER SYS DET SEE: 25-10-00-15E PANEL INSTL-P5 OVHD (MAIN (LEFT, RIGHT, AND CENTER) HYDRAULIC SYSTEMS ONLY)	108120	RF
- 7	MODREF170180		FOR NHA/OTHER SYS DET SEE: 25-10-00-15E PANEL INSTL-P5 OVHD (MAIN (LEFT, RIGHT, AND CENTER) HYDRAULIC SYSTEMS ONLY)	106106	1
			MODULE NUMBER: 233N3103-353 REV B FOR OTHER SYS DETAILS SEE: 11-31-10-12 21-25-55-03 21-31-01-02 21-33-51-03 21-51-54-03 21-58-19-10 21-58-51-03 21-61-04-03 21-65-51-01 22-21-01-04 22-24-51-02 23-24-01-01 23-32-00-11 23-42-02-02 23-71-05-02 24-11-52-05 24-22-01-03 24-31-01-10 24-31-03-09 24-33-04-01		

MISSING ITEM NUMBERS NOT APPLICABLE

- ITEM NOT ILLUSTRATED

29-11-52-07

29-11-52
FIG. 07
PAGE 1
JAN 20/09

BRI



757

PARTS CATALOG (MAINTENANCE)

FIG ITEM	PART NUMBER	1 2 3 4 5 6 7	NOMENCLATURE	EFFECT FROM TO	UNITS PER ASSY
7			24-41-51-04 24-51-62-01 26-18-51-04 27-21-53-02 27-41-55-01 27-61-51-03 27-62-52-02 28-22-51-02 28-41-04-01 28-41-51-03 29-21-54-03 29-31-00-01 29-32-51-03 29-33-52-03 30-11-51-03 30-21-51-03 30-31-51-02 30-32-51-01 30-33-51-02 30-41-51-03 30-42-51-03 31-12-11-84 31-12-11-84 A 32-42-52-03 33-11-03-03 33-11-51-17 33-13-01-65 33-13-02-03 33-16-51-03 33-24-51-02 33-41-52-04 33-42-01-04 33-42-02-04 33-42-52-04 33-43-51-04 33-44-51-05 33-45-53-03 33-51-08-05 34-21-02-01 35-21-51-04 36-11-04-01 36-21-00-01 36-21-02-05 36-22-51-03 49-41-00-02 49-52-00-01 49-70-00-01 52-51-51-03 52-71-51-02		

MISSING ITEM NUMBERS NOT APPLICABLE

- ITEM NOT ILLUSTRATED

BRI

29-11-52-07

BOEING PROPRIETARY - Copyright © - Unpublished Work - See title page for details.

29-11-52
FIG. 07
PAGE 2
JAN 20/09



**757
PARTS CATALOG (MAINTENANCE)**

FIG ITEM	PART NUMBER	1 2 3 4 5 6 7	NOMENCLATURE	EFFECT FROM TO	UNITS PER ASSY
7			73-21-52-02 74-31-51-05 75-32-00-01 80-11-09-02 FOR ADDITIONAL DETAILS SEE: 29-11-02-03 29-11-05-04		
- 10	MODREF33760		PANEL INSTL-P5 OVHD (MAIN (LEFT, RIGHT, AND CENTER) HYDRAULIC SYSTEMS ONLY) MODULE NUMBER: 233N3103-351 REV C FOR OTHER SYS DETAILS SEE: 11-31-10-12 21-25-55-03 21-31-01-02 21-33-51-03 21-51-54-03 21-58-19-10 21-58-51-03 21-61-04-03 21-65-51-01 22-21-01-04 23-24-01-01 23-32-00-11 22-24-51-02 23-42-02-02 23-71-05-02 24-11-52-05 24-22-01-03 24-31-01-10 24-31-03-09 24-33-04-01 24-41-51-04 24-51-62-01 26-18-51-04 27-21-53-02 27-41-55-01 27-61-51-03 27-62-52-02 28-22-51-02 28-41-04-01 28-41-51-03 29-21-54-03 29-31-00-01 29-32-51-03 29-33-52-03 30-11-51-03	103103	1
MISSING ITEM NUMBERS NOT APPLICABLE					

- ITEM NOT ILLUSTRATED

29-11-52-07

29-11-52
FIG. 07
PAGE 3
JAN 20/09

BRI



757

PARTS CATALOG (MAINTENANCE)

FIG ITEM	PART NUMBER	1 2 3 4 5 6 7	NOMENCLATURE	EFFECT FROM TO	UNITS PER ASSY
7			30-21-51-03 30-31-51-02 30-32-51-01 30-33-51-02 30-41-51-03 30-42-51-03 31-12-11-91 31-12-11-91 A 32-42-52-03 33-11-03-03 33-11-51-17 33-13-01-65 33-13-02-03 33-16-51-03 33-24-51-02 33-41-52-04 33-42-01-04 33-42-02-04 33-42-52-04 33-43-51-04 33-44-51-05 33-45-53-03 33-51-08-05 34-21-02-01 35-21-51-04 36-11-04-01 36-21-00-01 36-21-02-05 36-22-51-03 49-41-00-02 49-52-00-01 49-70-00-01 52-51-51-03 52-71-51-02 73-21-52-02 74-31-51-05 75-32-00-01 80-11-09-02 FOR ADDITIONAL DETAILS SEE: 29-11-02-03 29-11-05-04 PANEL INSTL-P5 OVHD (MAIN (LEFT, RIGHT, AND CENTER) HYDRAULIC SYSTEMS ONLY) MODULE NUMBER: 233N3103-351 REV D FOR OTHER SYS DETAILS SEE: 11-31-10-12		
- 10	MODREF34038		MISSING ITEM NUMBERS NOT APPLICABLE	104105	1

- ITEM NOT ILLUSTRATED

29-11-52-07

29-11-52
 FIG. 07
 PAGE 4
 JAN 20/09

BRI



757

PARTS CATALOG (MAINTENANCE)

FIG ITEM	PART NUMBER	1 2 3 4 5 6 7	NOMENCLATURE	EFFECT FROM TO	UNITS PER ASSY
7			21-25-55-03 21-31-01-02 21-33-51-03 21-51-54-03 21-58-19-10 21-58-51-03 21-61-04-03 21-65-51-01 22-21-01-04 22-24-51-02 23-24-01-01 23-32-00-11 23-42-02-02 23-71-05-02 24-11-52-05 24-22-01-03 24-31-01-10 24-31-03-09 24-33-04-01 24-41-51-04 24-51-62-01 26-18-51-04 27-21-53-02 27-41-55-01 27-61-51-03 27-62-52-02 28-22-51-02 28-41-04-01 28-41-51-03 29-21-54-03 29-31-00-01 29-32-51-03 29-33-52-03 30-11-51-03 30-21-51-03 30-31-51-02 30-32-51-01 30-33-51-02 30-41-51-03 30-42-51-03 31-12-11-91 31-12-11-91 A 32-42-52-03 33-11-03-03 33-11-51-17 33-13-01-65 33-13-02-03 33-16-51-03 33-24-51-02		

MISSING ITEM NUMBERS NOT APPLICABLE

- ITEM NOT ILLUSTRATED

BR I

29-11-52-07

BOEING PROPRIETARY - Copyright © - Unpublished Work - See title page for details.

29-11-52
FIG. 07
PAGE 5
JAN 20/09



757

PARTS CATALOG (MAINTENANCE)

FIG ITEM	PART NUMBER	1 2 3 4 5 6 7 NOMENCLATURE	EFFECT FROM TO	UNITS PER ASSY
7		33-41-52-04 33-42-01-04 33-42-02-04 33-42-52-04 33-43-51-04 33-44-51-05 33-45-53-03 33-51-08-05 34-21-02-01 35-21-51-04 36-11-04-01 36-21-00-01 36-21-02-05 36-22-51-03 49-41-00-02 49-52-00-01 49-70-00-01 52-51-51-03 52-71-51-02 73-21-52-02 74-31-51-05 75-32-00-01 80-11-09-02 FOR ADDITIONAL DETAILS SEE: 29-11-02-03 29-11-05-04		
- 16	233N3205-300	.PANEL ASSY-HYDR SUPPLIER CODE: V89954 ELECTRICAL EQUIP NUMBER: M10050 COMPONENT MAINT MANUAL REF: 29-00-71 QUALIFIED I/W DATA: 233N3205-300 PANEL ASSY IS I/W 233N3205-24 PANEL ASSY T/W S233T100-6044 LIGHTPLATE	108120	RF

MISSING ITEM NUMBERS NOT APPLICABLE

- ITEM NOT ILLUSTRATED

BRI

29-11-52-07

29-11-52
 FIG. 07
 PAGE 6
 JAN 20/09



757

PARTS CATALOG (MAINTENANCE)

FIG ITEM	PART NUMBER	1 2 3 4 5 6 7	NOMENCLATURE	EFFECT FROM TO	UNITS PER ASSY
7 - 16	233N3205-302		.PANEL ASSY-HYDR SUPPLIER CODE: V89954 ELECTRICAL EQUIP NUMBER: M10050 COMPONENT MAINT MANUAL REF: 29-00-71 QUALIFIED I/W DATA: 233N3205-302 PANEL ASSY IS I/W 233N3205-27 PANEL ASSY T/W S233T100-6060 LIGHTPLATE	101106 504903	RF
18	233N3205-24		..PANEL ASSY- SUPPLIER CODE: V89954 COMPONENT MAINT MANUAL REF: 29-00-71 QUALIFIED I/W DATA: 233N3205-300 PANEL ASSY IS I/W 233N3205-24 PANEL ASSY T/W S233T100-6044 LIGHTPLATE	108120	RF
18	233N3205-27		...PANEL ASSY- SUPPLIER CODE: V89954 COMPONENT MAINT MANUAL REF: 29-00-71 QUALIFIED I/W DATA: 233N3205-302 PANEL ASSY IS I/W 233N3205-27 PANEL ASSY T/W S233T100-6060 LIGHTPLATE	101106 504903	RF
20	BCREFA0507		...SWITCH ASSY-LIGHTED PUSH BUTTON IND SUPPLIER CODE: V81590 OVERLENGTH PART NUMBER: 433-673-1004-4020 SPECIFICATION NUMBER: S231T290-4020 FOR DETAILS SEE: 33-13-00-49	101106 108120 504903	2

MISSING ITEM NUMBERS NOT APPLICABLE

- ITEM NOT ILLUSTRATED

BRI

29-11-52-07

29-11-52
FIG. 07
PAGE 7
JAN 20/09



757

PARTS CATALOG (MAINTENANCE)

FIG ITEM	PART NUMBER	1 2 3 4 5 6 7	NOMENCLATURE	EFFECT FROM TO	UNITS PER ASSY
7					
20	851-30768-2020	...	SWITCH ASSY-LIGHTED PUSH BUTTON IND ON/PRESS SUPPLIER CODE: V96182 SPECIFICATION NUMBER: S231T290-2020 FOR DETAILS SEE: 33-13-00-29	101106 108120 504903	2
20	851-30768-3020	...	SWITCH ASSY-LIGHTED PUSH BUTTON IND ON/PRESS SUPPLIER CODE: V96182 SPECIFICATION NUMBER: S231T290-3020 FOR DETAILS SEE: 33-13-00-29	101106 108120 504903	2
20	851-35100-5020	...	SWITCH ASSY-LIGHTED PUSH BUTTON IND SUPPLIER CODE: V96182 SPECIFICATION NUMBER: S231T290-5020 OPTIONAL PART: 4336731004-4220 V81590	101106 108120 504903	2
20	4336731004-4220	...	SWITCH ASSY-LIGHTED PUSH BUTTON IND SUPPLIER CODE: V81590 SPECIFICATION NUMBER: S231T290-4220 OPTIONAL PART: 851-35100-5020 V96182	101106 108120 504903	2
30	NAS1801-04-5	...	SCREW- OPTIONAL PART: BACS12HN04-5	101106 108120 504903	4
30	BACS12HN04-5	...	SCREW- OPTIONAL PART: NAS1801-04-5	101106 108120 504903	4

MISSING ITEM NUMBERS NOT APPLICABLE

- ITEM NOT ILLUSTRATED

29-11-52-07

29-11-52
FIG. 07
PAGE 8
JAN 20/09

BRI



757

PARTS CATALOG (MAINTENANCE)

FIG ITEM	PART NUMBER	1 2 3 4 5 6 7	NOMENCLATURE	EFFECT FROM TO	UNITS PER ASSY
7					
35	K19798-04	. . .	NUT SUPPLIER CODE: V15653 SPECIFICATION NUMBER: BACN10NW1 OPTIONAL PART: RMA4812-160-40 V72962 293162 V60119	101106 108120 504903	4
40	BACC45FN20-41P6	. . .	CONNECTOR	101106 108120 504903	1
45	BACC45FN20-39P7	. . .	CONNECTOR	101106 108120 504903	1
- 250	286N2066-010		WIRE BUNDLE ASSY	504903	RF
- 251	286N2066-334		WIRE BUNDLE ASSY	101102	RF
- 252	286N2066-346		WIRE BUNDLE ASSY-	108120	RF
- 254	286N2066-602		WIRE BUNDLE ASSY	103106	RF
260	BACC45FT20D41S6	. . .	CONNECTOR- ELECTRICAL EQUIP NUMBER: D03544 WIRING DIAGRAM REF: 291122 245171	101106 108120 504903	1
- 301	286N2070-335		WIRE BUNDLE ASSY	101102	RF
- 302	286N2070-337		WIRE BUNDLE ASSY	108120	RF
- 302	286N2070-340		WIRE BUNDLE ASSY	504903	RF
- 305	286N2070-601		WIRE BUNDLE ASSY-	103106	RF
355	BACC45FT20D39S7	. . .	CONNECTOR- ELECTRICAL EQUIP NUMBER: D03546 WIRING DIAGRAM REF: 291131	101106 108120 504903	1

MISSING ITEM NUMBERS NOT APPLICABLE

- ITEM NOT ILLUSTRATED

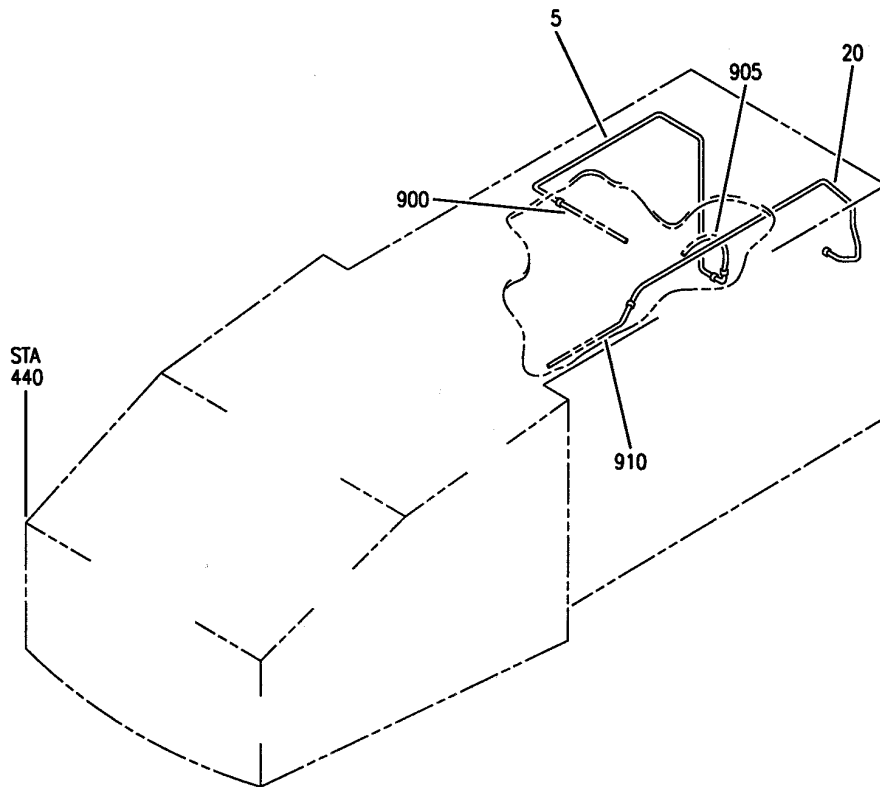
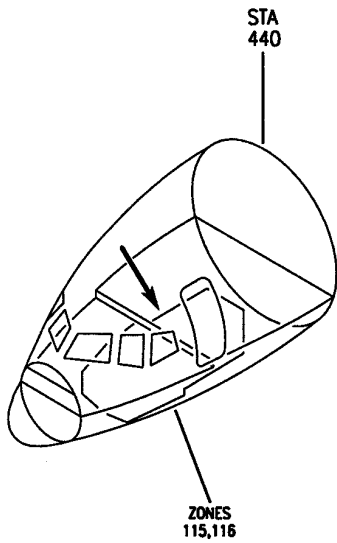
29-11-52-07

29-11-52
FIG. 07
PAGE 9
JAN 20/09

BRI

BOEING PROPRIETARY - Copyright © - Unpublished Work - See title page for details.

BOEING
757
PARTS CATALOG (MAINTENANCE)



Y 29115214 REV 216

PLUMBING INSTL-HYDR NOSE WHEEL WELL SECT. 41
FIGURE 14

29-11-52-14

BRI
MAY 28/07

29-11-52-14
PAGE 0



757

PARTS CATALOG (MAINTENANCE)

FIG ITEM	PART NUMBER	1 2 3 4 5 6 7	NOMENCLATURE	EFFECT FROM TO	UNITS PER ASSY
14			PLUMBING INSTL-HYDR NOSE WHEEL WELL SECT. 41	101106 108120 504903	
- 1	271N6411-21		PLUMBING INSTL-HYDR NOSE WHEEL WELL POSITION DATA: SECT. 41	101102 108120 504903	RF
- 1	MODREF31402		FOR NHA SEE: 29-00-51-01A PLUMBING INSTL-HYDR NOSE WHEEL WELL MODULE NUMBER: 271N6411-22 REV B POSITION DATA: SECT. 41	103106	1
5	271N6411-1007		.TUBE ASSY-LDG DOWN TUBING MATERIAL: .500 IN. OD X .026 IN. WALL X 67.90 IN. LG TITANIUM, BMS7-234	101102 108120 504903	1
5	271N6411-1114		.TUBE ASSY-LDG DOWN TUBING MATERIAL: .5 IN. OD X .026 IN. WALL X 67.386 IN. LG BMS 7-234 TI-3AL-2.5V COLD WORKED STRESS RELIEVED TUBING	103106	1
- 10	AS1581T08		..SLEEVE-WELDED	101106 108120 504903	2
- 15	BACN10YA8		..NUT	101106 108120 504903	2
20	271N6411-1053		.TUBE ASSY-DOOR OPEN TUBING MATERIAL: .375 IN. OD X .019 IN. WALL 71.30 IN. LG TITANIUM BMS7-234	101106 108120 504903	1
- 25	AS1581T06		..SLEEVE-WELDED	101106 108120 504903	1
- 30	BACN10YA6		..NUT	101106 108120 504903	1
- 35	AS1582T06		..UNION-WELDED	101106 108120 504903	1

MISSING ITEM NUMBERS NOT APPLICABLE

- ITEM NOT ILLUSTRATED

29-11-52-14

29-11-52
FIG. 14
PAGE 1
JAN 20/09

BRI



757

PARTS CATALOG (MAINTENANCE)

FIG ITEM	PART NUMBER	1 2 3 4 5 6 7	NOMENCLATURE	EFFECT FROM TO	UNITS PER ASSY
14 900			ILLUSTRATION REFERENCE: PLUMBING INSTL-HYDR BAY AND NOSE WHLWELL (NOSE GEAR EXTENSION AND RETRACTION ONLY) SECT. 41 32-34-51-15A	101106 108120 504903	RF
905			ILLUSTRATION REFERENCE: PLUMBING INSTL-HYDR NOSE WHEEL WELL SECT. 41 29-11-51-69	101102 108120	RF
910			ILLUSTRATION REFERENCE: PLUMBING INSTL-HYDR BAY AND NOSE WHLWELL (NOSE GEAR EXTENSION AND RETRACTION ONLY) SECT. 41 32-34-51-15A	101106 108120 504903	RF

MISSING ITEM NUMBERS NOT APPLICABLE

- ITEM NOT ILLUSTRATED

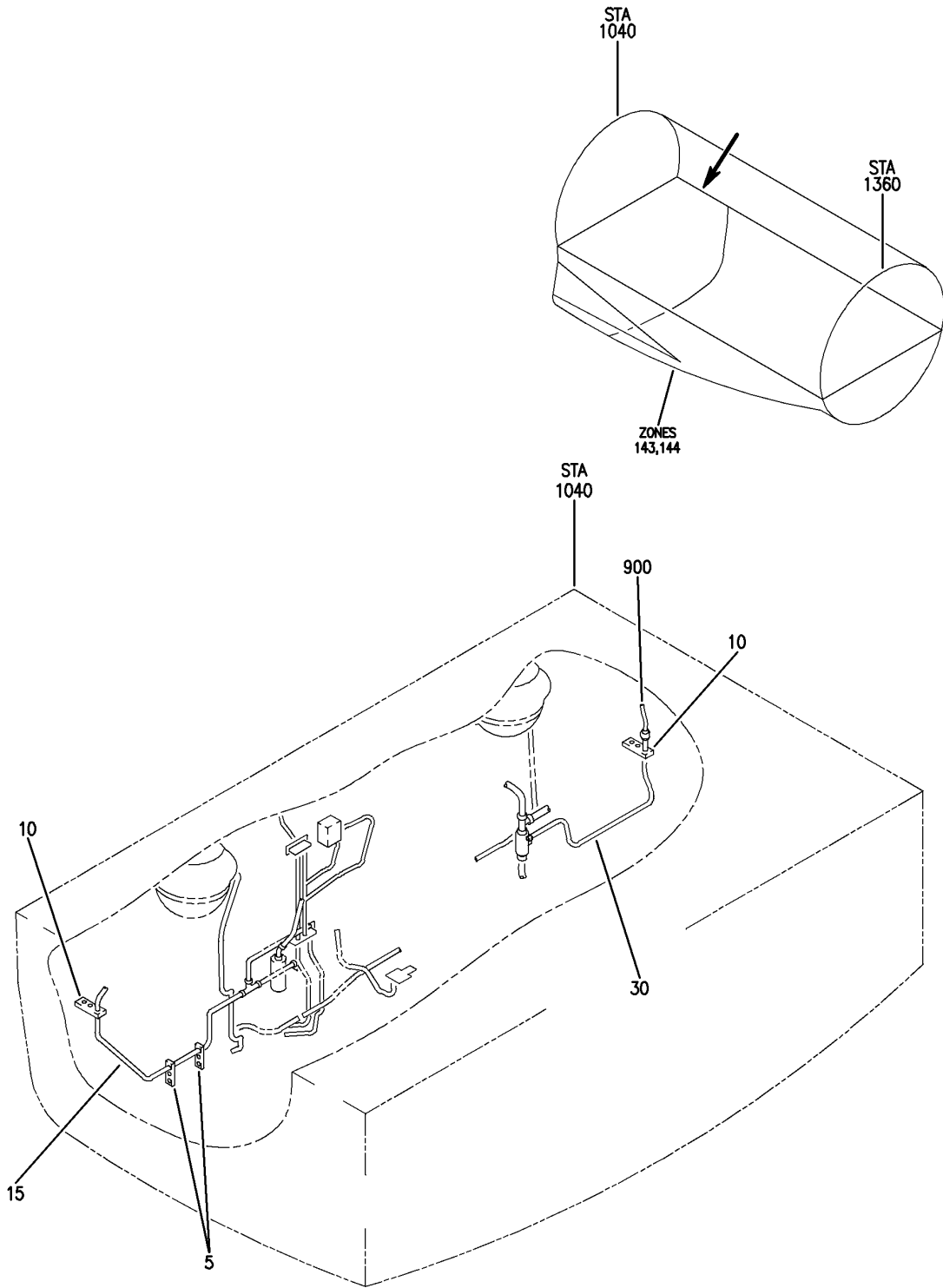
BRI

29-11-52-14

BOEING PROPRIETARY - Copyright © - Unpublished Work - See title page for details.

29-11-52
FIG. 14
PAGE 2
JAN 20/09

BOEING
757
PARTS CATALOG (MAINTENANCE)



Y 29115218 REV 229

PLUMBING INSTL-SECT 44 MLG WHL WELL HYDR
FIGURE 18

29-11-52-18

BRI
MAY 28/07

29-11-52-18
PAGE 0



757

PARTS CATALOG (MAINTENANCE)

FIG ITEM	PART NUMBER	1 2 3 4 5 6 7	NOMENCLATURE	EFFECT FROM TO	UNITS PER ASSY
18			PLUMBING INSTL-SECT 44 MLG WHL WELL HYDR	101102 504903	
- 1	271N6441-31		PLUMBING INSTL-MAIN WHL WELL FWD BHD, HYDR 757-200 PASSENGER AND PF MODEL POSITION DATA: SECT.44 FOR NHA SEE: 29-00-51-01A	101102 504903	RF
5	270N2000-92		.CLAMP ASSY- FOR BREAKDOWN SEE: 29-11-51-78	101102 504903	RF
10	270N2000-95		.CLAMP ASSY- FOR BREAKDOWN SEE: 29-11-51-39A	101102 504903	RF
15	271N6441-1420		.TUBE ASSY-BRAKE PRESSURE SYS POSITION DATA: R TUBING MATERIAL: .375 IN. OD .019 IN. WALL 53.3 IN. LG TI BMS 7-234 TI-3AL-2.5V COLD WORKED, STRESS RELIEVED TUBING	101102 504903	1
- 20	AS1581T06		..SLEEVE	101102 504903	2
- 25	BACN10YA6		..NUT-	101102 504903	2
30	271N6441-1428		.TUBE ASSY-BRAKE PRESSURE SYS POSITION DATA: R TUBING MATERIAL: .375 IN. OD .019 IN. WALL 21.7 IN. LG TI BMS 7-234 TI-3AL-2.5V COLD WORKED, STRESS RELIEVED TUBING	101102 504903	1
- 35	AS1581T06		..SLEEVE	101102 504903	1
- 40	AS1582T06		..UNION	101102 504903	1
- 45	BACN10YA6		..NUT-	101102 504903	1

MISSING ITEM NUMBERS NOT APPLICABLE

- ITEM NOT ILLUSTRATED

29-11-52-18

29-11-52
FIG. 18
PAGE 1
JAN 20/09

BRI



757

PARTS CATALOG (MAINTENANCE)

FIG ITEM	PART NUMBER	1 2 3 4 5 6 7	NOMENCLATURE	EFFECT FROM TO	UNITS PER ASSY
18 900			ILLUSTRATION REFERENCE: PLUMBING INSTL BASIC AND STABLE 29-11-51-48	101102 504903	RF

MISSING ITEM NUMBERS NOT APPLICABLE

- ITEM NOT ILLUSTRATED

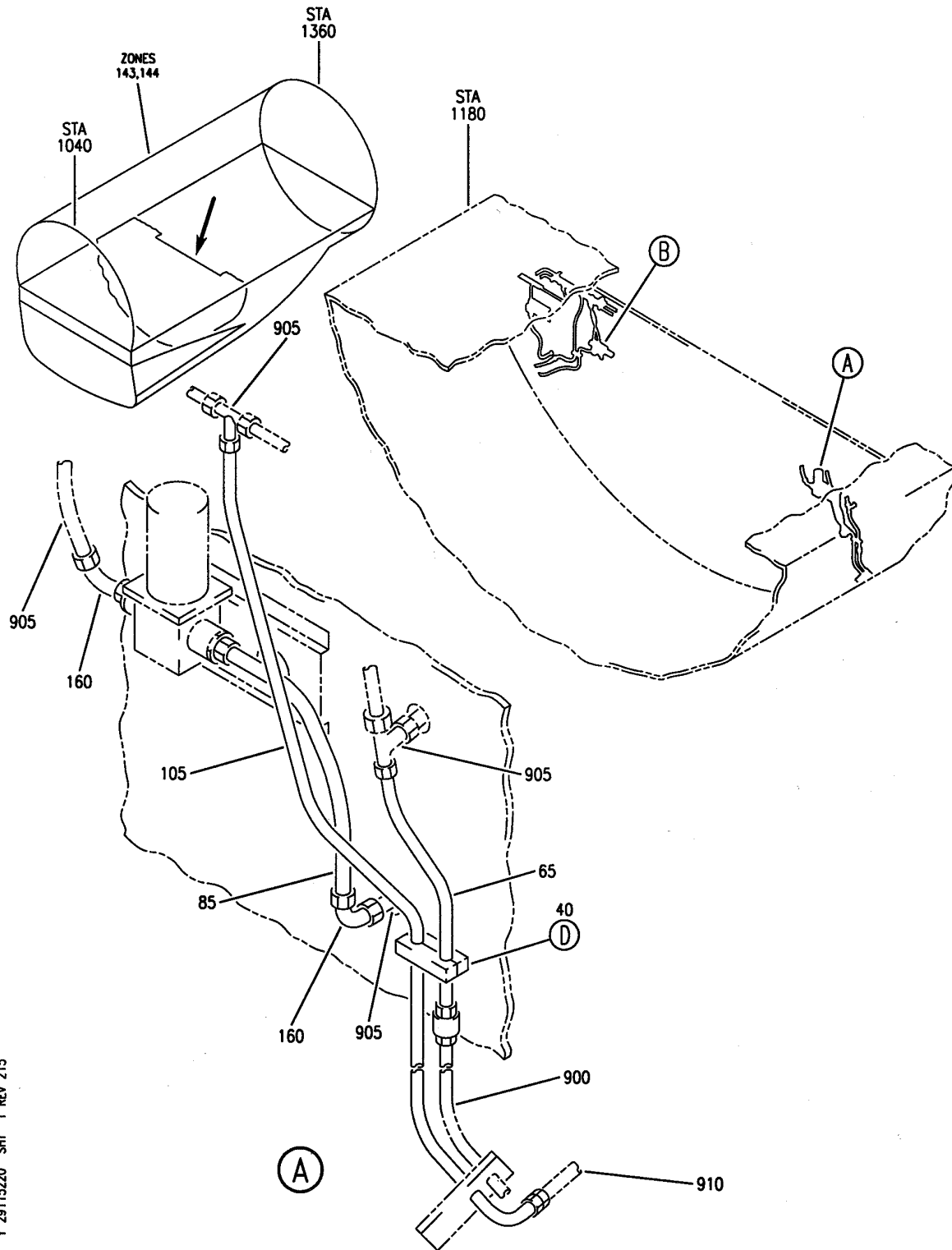
BRI

29-11-52-18

BOEING PROPRIETARY - Copyright © - Unpublished Work - See title page for details.

29-11-52
FIG. 18
PAGE 2
JAN 20/09


BOEING
 757
PARTS CATALOG (MAINTENANCE)



Y 29115220 SHT 1 REV 215

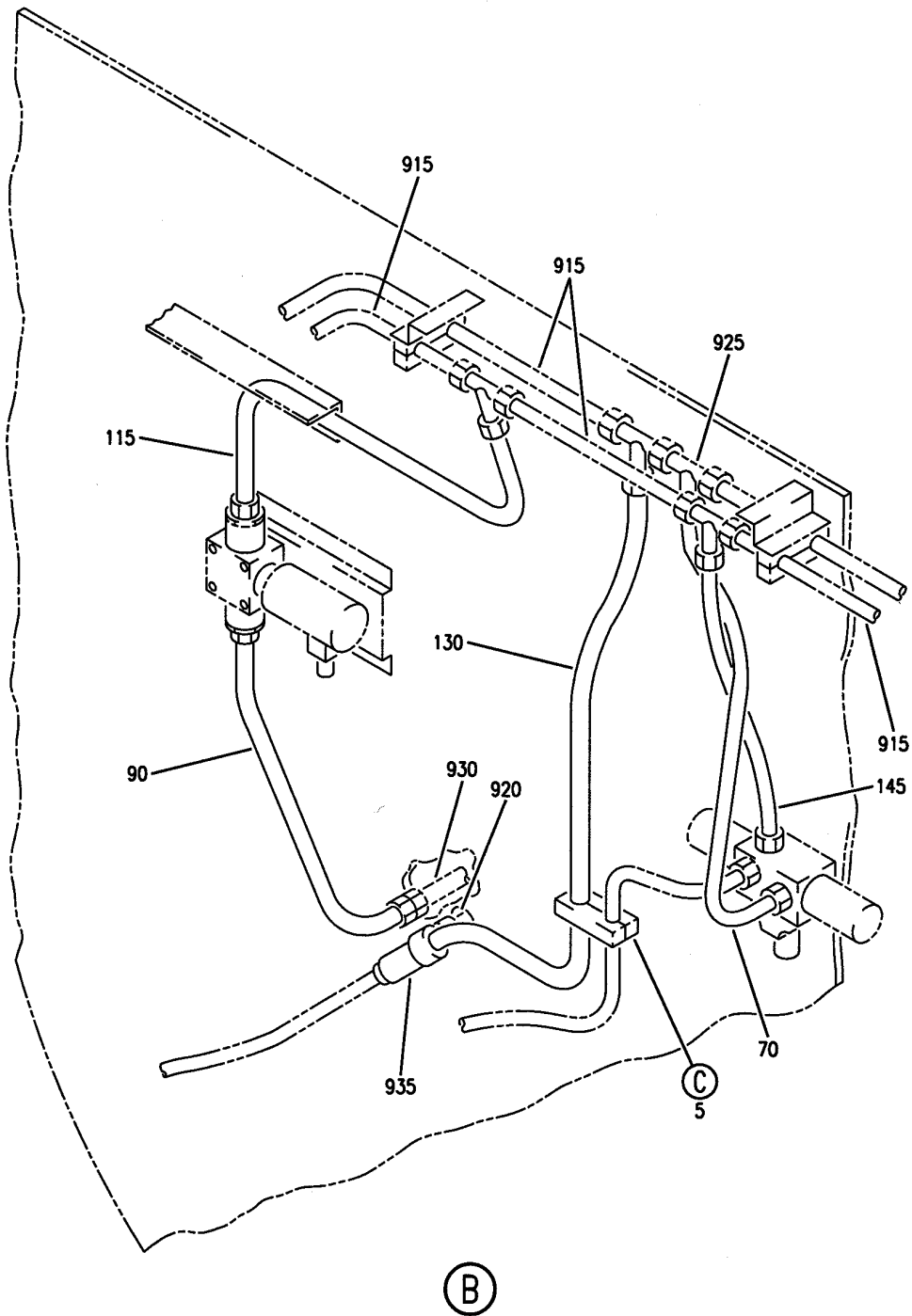
PLUMBING INSTL-SECT. 44 AFT BHD MLG WHL WELL HYDR
 FIGURE 20 (SHEET 1)

29-11-52-20

BRI
 MAY 28/07

29-11-52-20
 PAGE 0

BOEING
757
PARTS CATALOG (MAINTENANCE)



Y 29115220 SH1 2 REV 216

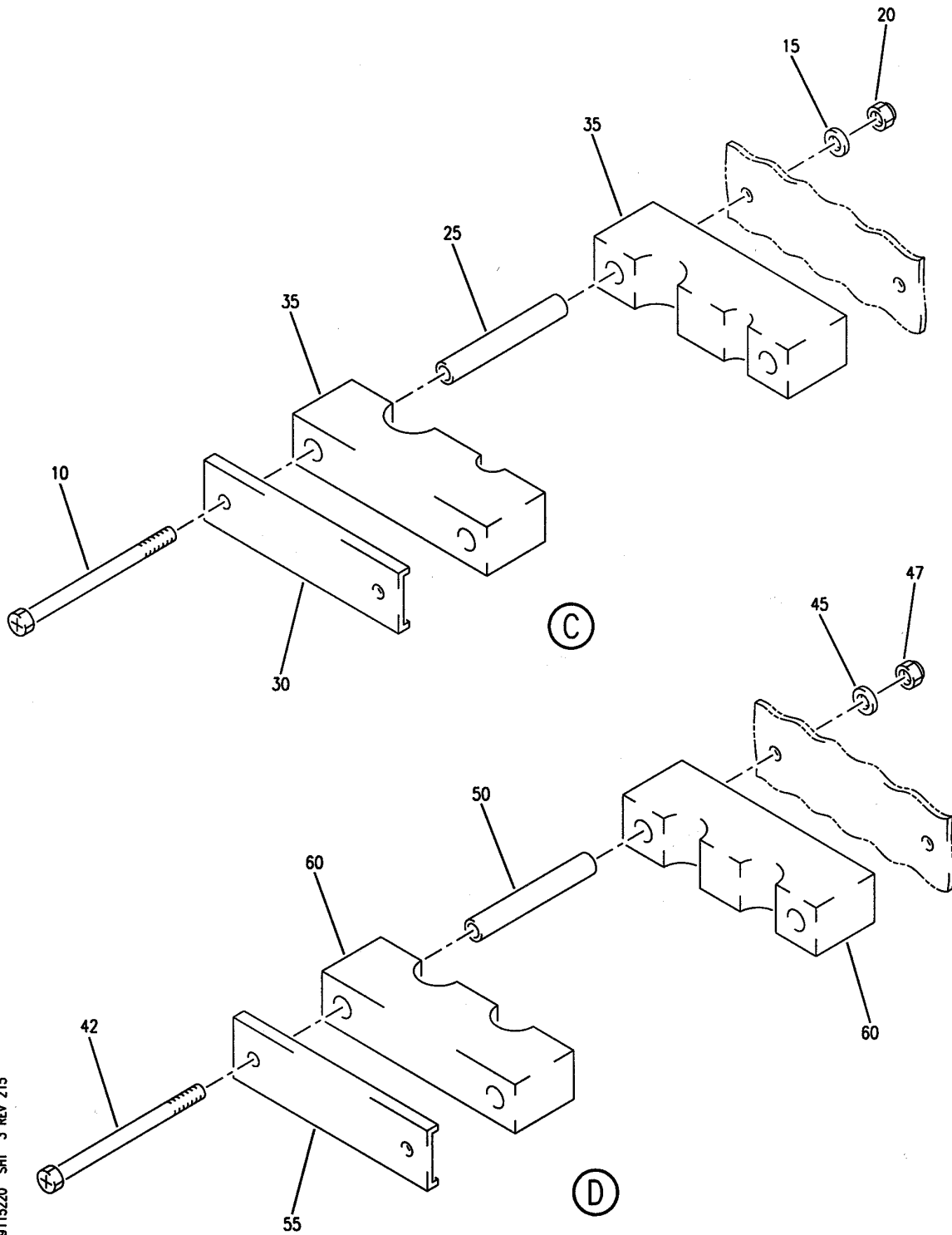
PLUMBING INSTL-SECT. 44 AFT BHD MLG WHL WELL HYDR
FIGURE 20 (SHEET 2)

29-11-52-20

BRI
MAY 28/07

29-11-52-20
PAGE 0A

BOEING
757
PARTS CATALOG (MAINTENANCE)



Y 29115220 SHT 3 REV 215

PLUMBING INSTL-SECT. 44 AFT BHD MLG WHL WELL HYDR
FIGURE 20 (SHEET 3)

29-11-52-20

BRI
MAY 28/07

29-11-52-20
PAGE 0B



757

PARTS CATALOG (MAINTENANCE)

FIG ITEM	PART NUMBER	1 2 3 4 5 6 7	NOMENCLATURE	EFFECT FROM TO	UNITS PER ASSY
20			PLUMBING INSTL-SECT. 44 AFT BHD MLG WHL WELL HYDR	101106 108120 504903	
- 1	271N6446-10		PLUMBING INSTL-4-DOOR AND PACKAGE FREIGHTER POSITION DATA: AFT BHD FOR NHA SEE: 29-00-51-02B	101102 108120 504903	RF
- 1	MODREF31673		PLUMBING INSTL-4-DOOR AND PACKAGE FREIGHTER MODULE NUMBER: 271N6446-17 REV B POSITION DATA: AFT BHD	103106	1
5	270N2000-74		.CLAMP ASSY-BLK	101106 108120 504903	1
10	NAS1801-3-28		..SCREW	101106 108120 504903	2
15	AN960PD10L		..WASHER	101106 108120 504903	2
20	BRH10A3		..NUT SUPPLIER CODE: V52828 SPECIFICATION NUMBER: BACN10JC3 OPTIONAL PART: H10-3BAC V15653 NS202101-02 V80539 RMLH9075-3W V72962 VN303A02 V92215 96-02 V80539 T6S1032J V11815	101106 108120 504903	2
25	NAS43DD3-75		..SPACER	101106 108120 504903	2
30	270N2000-861		..CHANNEL	101106 108120 504903	1

MISSING ITEM NUMBERS NOT APPLICABLE

- ITEM NOT ILLUSTRATED

BRI

29-11-52-20

29-11-52
FIG. 20
PAGE 1
JAN 20/09



757

PARTS CATALOG (MAINTENANCE)

FIG ITEM	PART NUMBER	1 2 3 4 5 6 7	NOMENCLATURE	EFFECT FROM TO	UNITS PER ASSY
20					
35	270N2000-575	..	BLOCK	101106 108120 504903	1
40	270N2000-78	.CLAMP	ASSY-BLK	101106 108120 504903	1
42	NAS1801-3-24	..	SCREW	101106 108120 504903	2
45	AN960PD10L	..	WASHER	101106 108120 504903	2
47	BRH10A3	..	NUT SUPPLIER CODE: V52828 SPECIFICATION NUMBER: BACN10JC3 OPTIONAL PART: H10-3BAC V15653 NS202101-02 V80539 RMLH9075-3W V72962 VN303A02 V92215 96-02 V80539 T6S1032J V11815	101106 108120 504903	2
50	NAS43DD3-59	..	SPACER	101106 108120 504903	2
55	270N2000-844	..	CHANNEL	101106 108120 504903	1
60	270N2000-502	..	BLOCK	101106 108120 504903	2
65	271N6446-1019	.TUBE	ASSY-RETURN SYS POSITION DATA: L TUBING MATERIAL: .375 IN. OD .035 IN. WALL 13.60 IN. LG AL AMS 4083 6061 T6 TUBING	101106 108120 504903	1

MISSING ITEM NUMBERS NOT APPLICABLE

- ITEM NOT ILLUSTRATED

BRI

29-11-52-20

29-11-52
FIG. 20
PAGE 2
JAN 20/09



757

PARTS CATALOG (MAINTENANCE)

FIG ITEM	PART NUMBER	1 2 3 4 5 6 7	NOMENCLATURE	EFFECT FROM TO	UNITS PER ASSY
20					
70	271N6446-1084		.TUBE ASSY-RETURN SYS POSITION DATA: R TUBING MATERIAL: .375 IN. OD .035 IN. WALL 15.60 IN. LG AL AMS 4083 6061 T6 TUBING	101106 108120 504903	1
- 75	AP2097HP06		..SLEEVE SUPPLIER CODE: V01673 SPECIFICATION NUMBER: BACS13BX06HP OPTIONAL PART: 2-02903-06HP V11328 35235VN06 V08199 AFP175V06P V30974 DBOS13BX06HP V14798	101106 108120 504903	2
- 80	BACN10YLO6		..NUT	101106 108120 504903	2
85	271N6446-1085		.TUBE ASSY-PRESSURE SYS POSITION DATA: L TUBING MATERIAL: .625 IN. OD .032 IN. WALL 10.00 IN. LG TI BMS 7-234 TI-3AL-2.5V COLD WORKED, STRESS RELIEVED TUBING	101106 108120 504903	1
90	271N6446-1086		.TUBE ASSY-PRESSURE SYS POSITION DATA: R TUBING MATERIAL: .625 IN. OD .032 IN. WALL 13.00 IN. LG TI BMS 7-234 TI-3AL-2.5V COLD WORKED, STRESS RELIEVED TUBING	101106 108120 504903	1
- 95	AS1581T10		..SLEEVE	101106 108120 504903	2
- 100	BACN10YA10		..NUT-	101106 108120 504903	2

MISSING ITEM NUMBERS NOT APPLICABLE

- ITEM NOT ILLUSTRATED

29-11-52-20

29-11-52
FIG. 20
PAGE 3
JAN 20/09

BRI

BOEING PROPRIETARY - Copyright © - Unpublished Work - See title page for details.



757

PARTS CATALOG (MAINTENANCE)

FIG ITEM	PART NUMBER	1 2 3 4 5 6 7	NOMENCLATURE	EFFECT FROM TO	UNITS PER ASSY
20 105	271N6446-1052		.TUBE ASSY-RETURN SYS POSITION DATA: L TUBING MATERIAL: .375 IN. OD .035 IN WALL 40.50 IN. LG AL AMS 4083 6061 T6 TUBING	101106 108120 504903	1
- 110	35056GV06		..UNION SUPPLIER CODE: V08199 SPECIFICATION NUMBER: BACU24AB6W OPTIONAL PART: 2-01027-6W V11328 31875-6W V14397 4671097W6 V50948 AP1004W06 V01673 AFP941W6 V30974 DBOU24AB6W V14798	101106 108120 504903	2
115	271N6446-1055		.TUBE ASSY-PRESSURE SYS POSITION DATA: R TUBING MATERIAL: .0625 IN. OD .032 IN WALL 16.70 IN. LG BMS 7-234 TI-3AL-2.5V COLD WORKED, STRESS RELIEVED TUBING	101106 108120 504903	1
- 120	AS1581T10		..SLEEVE	101106 108120 504903	2
- 125	BACN10YA10		..NUT	101106 108120 504903	2
130	271N6446-1068		.TUBE ASSY-RETURN SYS POSITION DATA: R TUBING MATERIAL: .0625 IN. OD .035 IN. WALL 30.5 IN. LG AL AMS 4083 6061 T6 TUBING	101106 108120 504903	1

MISSING ITEM NUMBERS NOT APPLICABLE

- ITEM NOT ILLUSTRATED

29-11-52-20

29-11-52
FIG. 20
PAGE 4
JAN 20/09

BRI



757

PARTS CATALOG (MAINTENANCE)

FIG ITEM	PART NUMBER	1 2 3 4 5 6 7	NOMENCLATURE	EFFECT FROM TO	UNITS PER ASSY
20					
- 135	AP2097HP10	..	SLEEVE SUPPLIER CODE: V01673 SPECIFICATION NUMBER: BACS13BX10HP OPTIONAL PART: 2-02903-10HP V11328 35235VN10 V08199 AFP175V10P V30974 DBOS13BX10HP V14798	101106 108120 504903	2
- 140	BACN10YL10	..	NUT	101106 108120 504903	2
145	271N6446-1082	.TUBE ASSY-PRESSURE SYS POSITION DATA: L TUBING MATERIAL: .0375 IN. OD .019 IN. WALL 10.00 IN. LG TI BMS 7-234 TI-3AL-2.5V COLD WORKED, STRESS RELIEVED TUBING	101106 108120 504903	1	
- 150	AS1581T06	..	SLEEVE	101106 108120 504903	2
- 155	BACN10YA6	..	NUT-	101106 108120 504903	2
160	AP1042JN1010	.ELBOW SUPPLIER CODE: V01673 SPECIFICATION NUMBER: BACE21BT1010JN	101106 108120 504903	2	
900		ILLUSTRATION REFERENCE: PLUMBING INSTL-HYDR BAY L SECT. 49 (MAIN HYDR SYS ONLY) 29-11-90-01	101106 108120 504903	RF	
905		ILLUSTRATION REFERENCE: PLUMBING INSTL-4-DOOR/ PKG FREIGHTER MINOR MODEL 29-11-84-01	101102 108120 504903	RF	

MISSING ITEM NUMBERS NOT APPLICABLE

- ITEM NOT ILLUSTRATED

BRI

29-11-52-20

29-11-52
FIG. 20
PAGE 5
JAN 20/09



757

PARTS CATALOG (MAINTENANCE)

FIG ITEM	PART NUMBER	1 2 3 4 5 6 7	NOMENCLATURE	EFFECT FROM TO	UNITS PER ASSY
20					
915			ILLUSTRATION REFERENCE: PLUMBING INSTL-SECT.44 HYD, RIGHT PRESSURE DECK 29-11-51-52	101106 108120 504903	RF
920			ILLUSTRATION REFERENCE: PLUMBING INSTL-4-DOOR/ PKG FREIGHTER MINOR MODEL 29-11-84-01	101102 108120 504903	RF
925			ILLUSTRATION REFERENCE: PLUMBING INSTL-SECT. 44 HYDR MLG WHL WELL AFT BLKHD 29-11-51-85	101102 108120	RF
935			ILLUSTRATION REFERENCE: PLUMBING INSTL-SECT. 44 AFT BHD MLG WHL WELL HYDR 29-11-52-22	101106 108120 504903	RF

MISSING ITEM NUMBERS NOT APPLICABLE

- ITEM NOT ILLUSTRATED

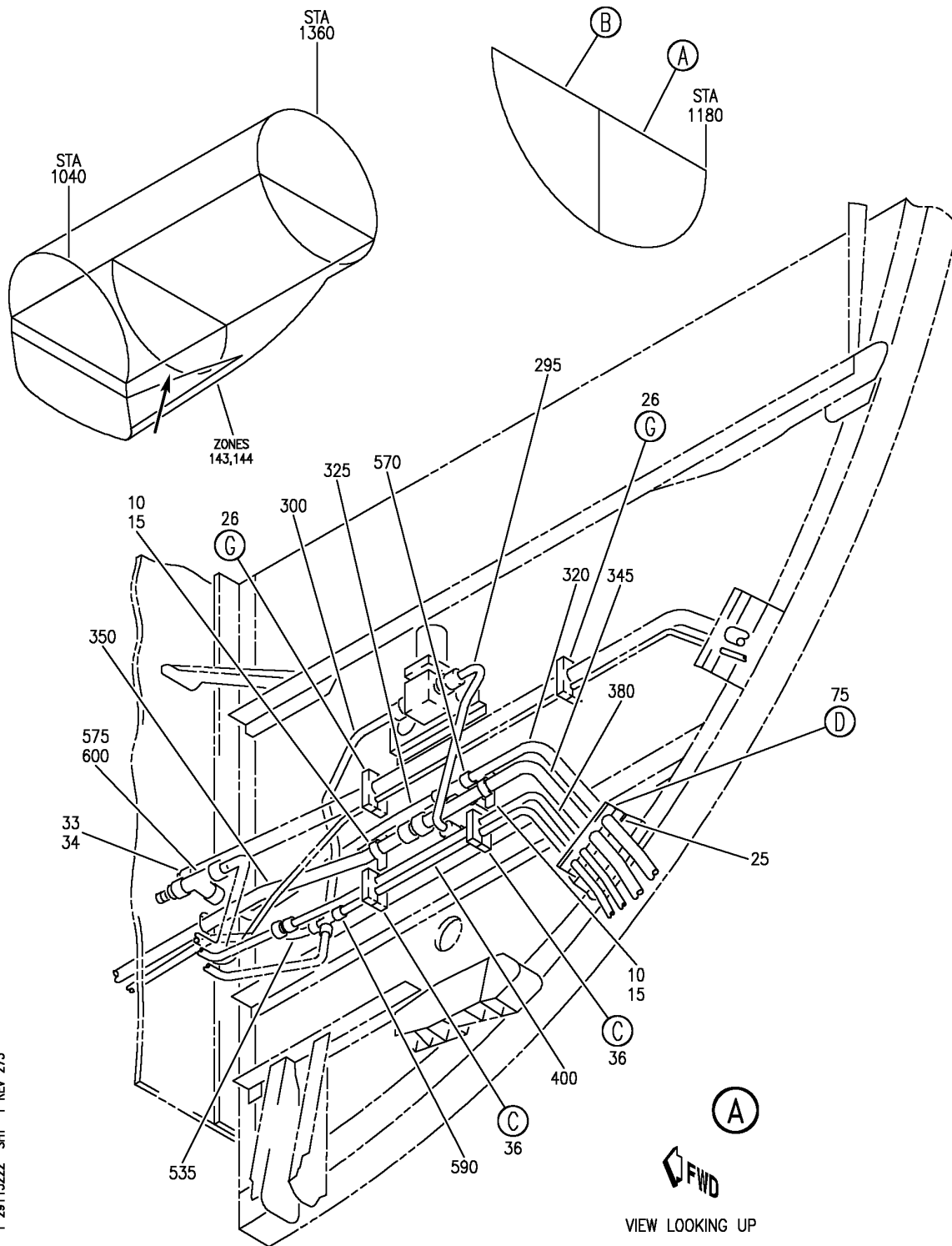
BRI

29-11-52-20

BOEING PROPRIETARY - Copyright © - Unpublished Work - See title page for details.

29-11-52
FIG. 20
PAGE 6
JAN 20/09

BOEING
757
PARTS CATALOG (MAINTENANCE)



Y 29115222 SHT 1 REV 273

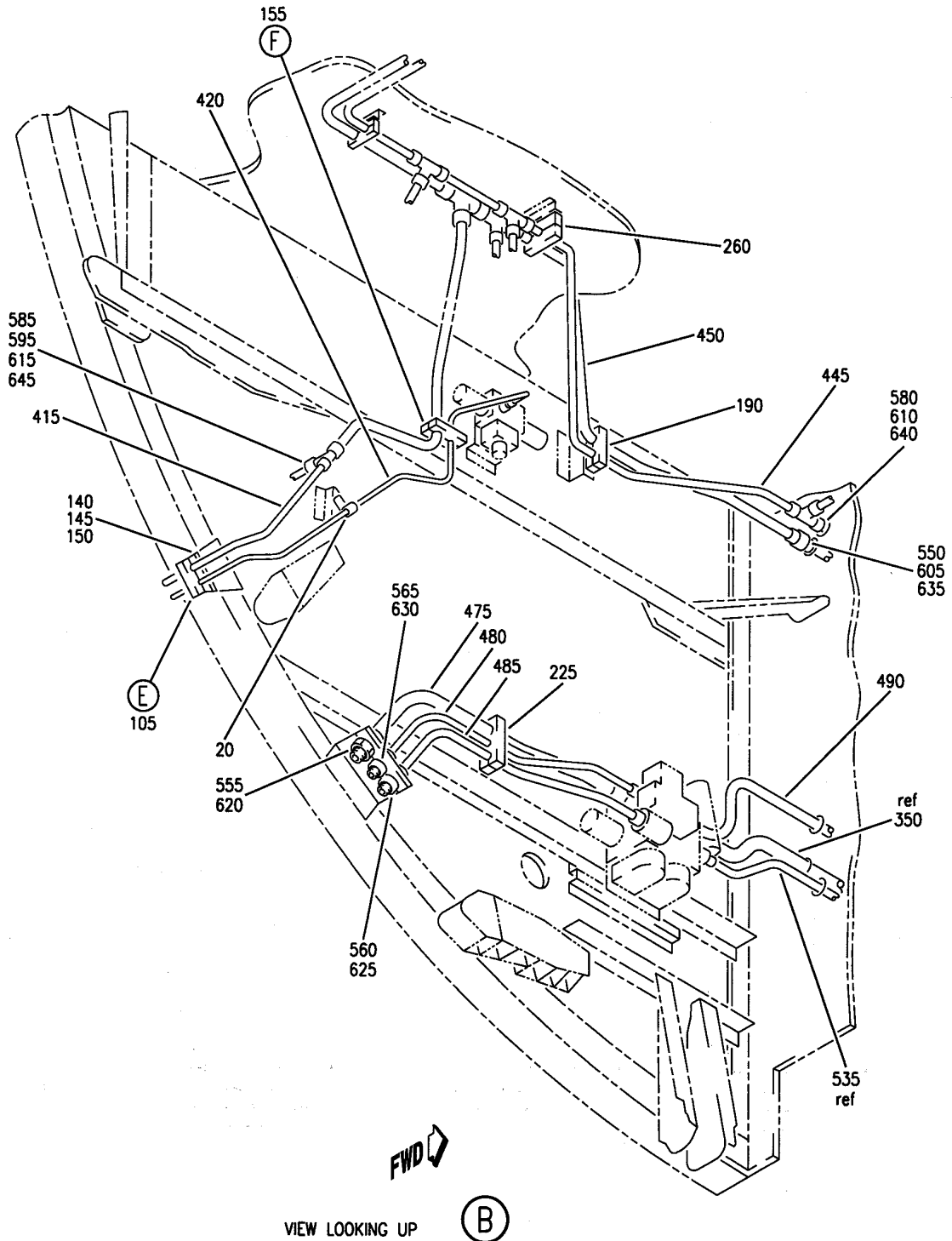
PLUMBING INSTL-SECT. 44 AFT BHD MLG WHL WELL HYDR
FIGURE 22 (SHEET 1)

29-11-52-22

BRI
MAY 28/07

29-11-52-22
PAGE 0

BOEING
757
PARTS CATALOG (MAINTENANCE)



Y 29115222 SHT 2 REV 216

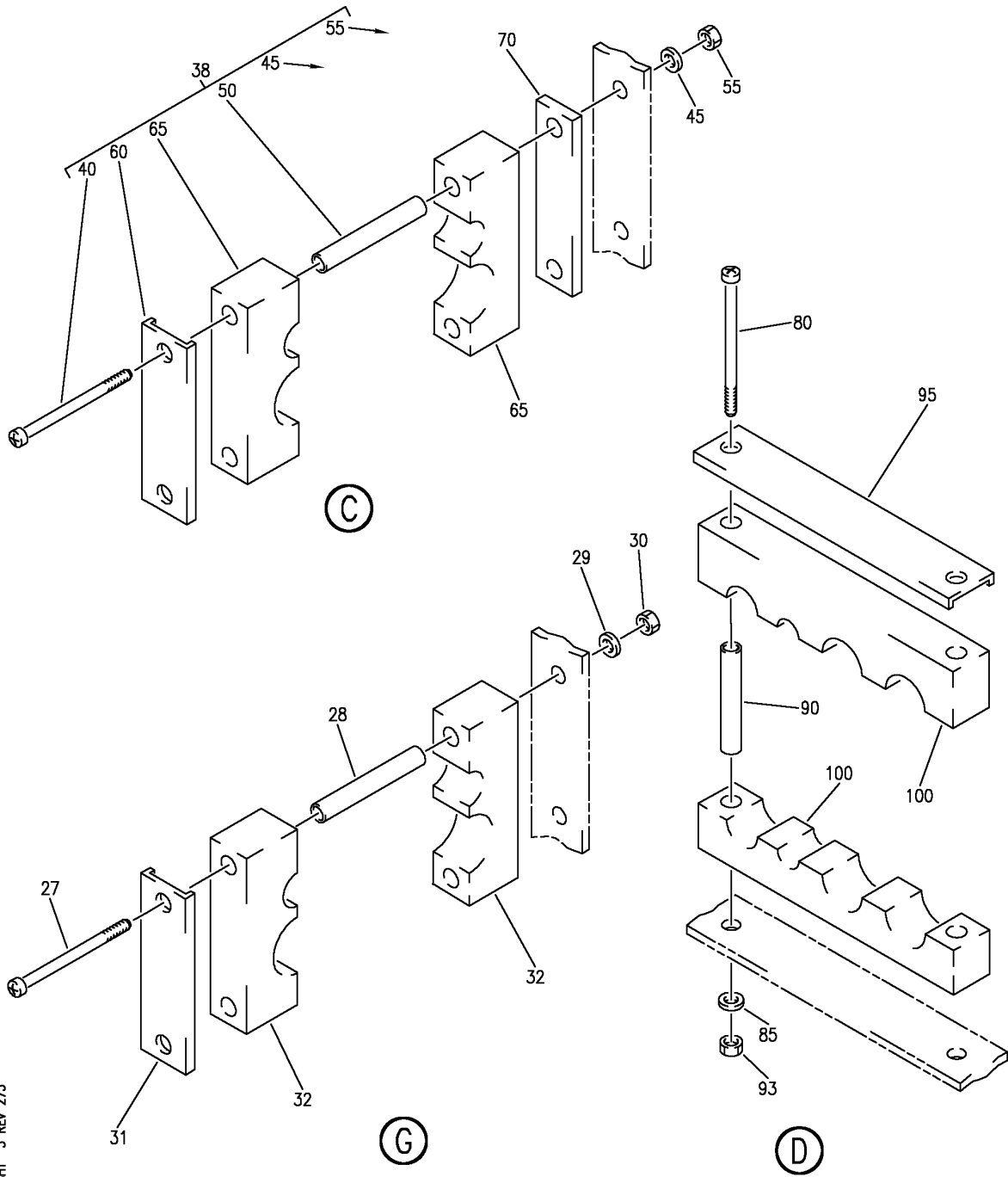
PLUMBING INSTL-SECT. 44 AFT BHD MLG WHL WELL HYDR
FIGURE 22 (SHEET 2)

29-11-52-22

BRI
MAY 28/07

29-11-52-22
PAGE 0A


BOEING
 757
PARTS CATALOG (MAINTENANCE)



Y 29115222 SHT 3 REV 273

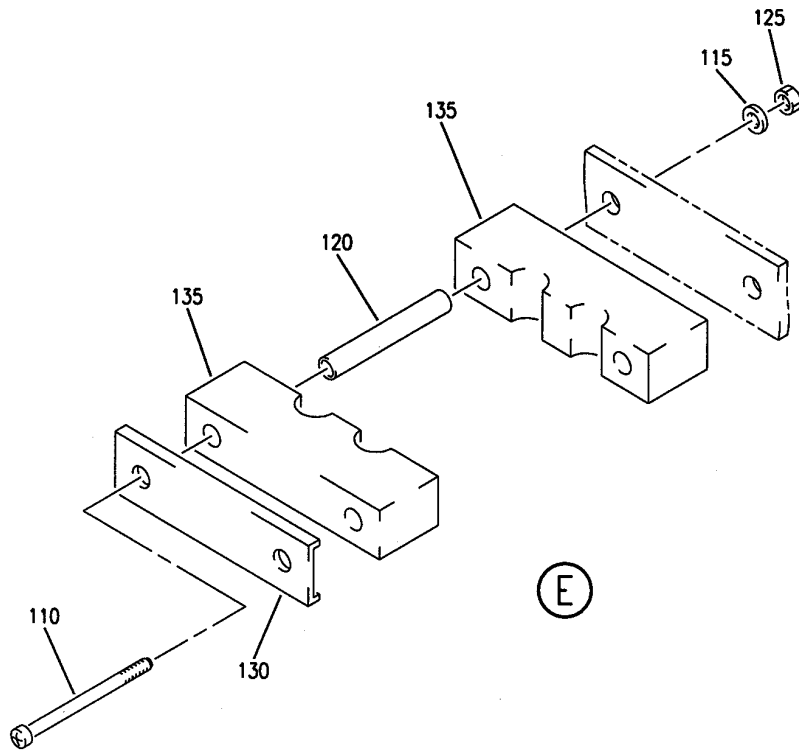
PLUMBING INSTL-SECT. 44 AFT BHD MLG WHL WELL HYDR
 FIGURE 22 (SHEET 3)

29-11-52-22

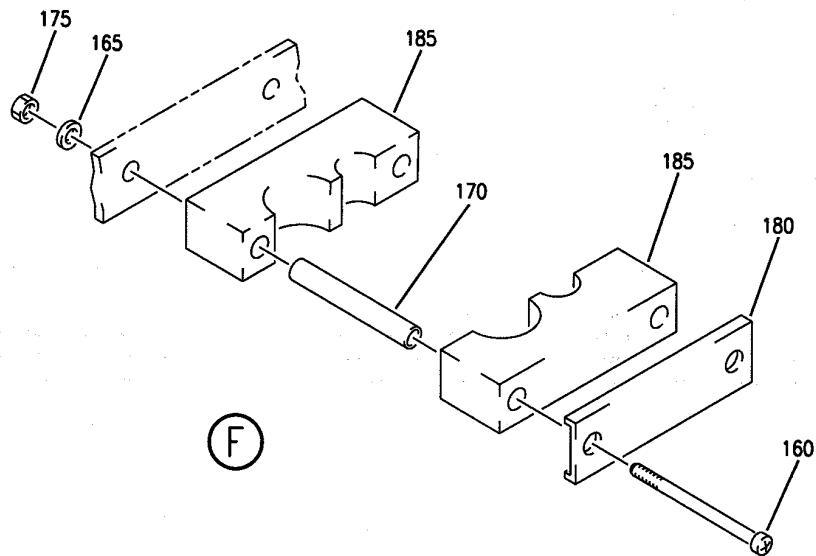
BRI
 MAY 28/07

29-11-52-22
 PAGE 0B

BOEING
757
PARTS CATALOG (MAINTENANCE)



(E)



(F)

Y 29115222 SHT 4 REV 216

PLUMBING INSTL-SECT. 44 AFT BHD MLG WHL WELL HYDR
FIGURE 22 (SHEET 4)

29-11-52-22

BRI
MAY 28/07

29-11-52-22
PAGE 0C



757

PARTS CATALOG (MAINTENANCE)

FIG ITEM	PART NUMBER	1 2 3 4 5 6 7	NOMENCLATURE	EFFECT FROM TO	UNITS PER ASSY
22			PLUMBING INSTL-SECT. 44 AFT BHD MLG WHL WELL HYDR	101106 108120 504903	RF
- 1	271N6446-9		PLUMBING INSTL-BASIC AND STABLE POSITION DATA: AFT BHD FOR NHA SEE: 29-00-51-02C	101102 108120 504903	RF
- 2	MODREF31904		PLUMBING INSTL-MLG WHL WELL HYDR BHD MODULE NUMBER: 271N6446-19 REV B POSITION DATA: L	103106	1
- 4	MODREF31905		PLUMBING INSTL-MLG WHL WELL HYDR BHD MODULE NUMBER: 271N6446-20 REV B POSITION DATA: R	103106	1
- 5	BACM10V21-2JH		.MARKER-ALUMINUM FOIL	101106 108120 504903	1
10	TA0910004H112		.CLAMP-SADDLE SUPPLIER CODE: V84971 SPECIFICATION NUMBER: BACC10HB12C OPTIONAL PART: BACC10HC12C	101106 108120 504903	2
15	TA0910005H112		.CLAMP-SADDLE SUPPLIER CODE: V84971 SPECIFICATION NUMBER: BACC10HC12C OPTIONAL PART: BACC10HB12C	101102 108120 504903	2
20	M85052-2-6		.CLAMP-LOOP	101106 108120 504903	1
25	271N6378-4		.SHIM	101106 108120 504903	1
36	270N2000-253		.CLAMP ASSY-BLK	101106 108120 504903	2

MISSING ITEM NUMBERS NOT APPLICABLE

- ITEM NOT ILLUSTRATED

BRI

29-11-52-22

29-11-52
FIG. 22
PAGE 1
JAN 20/09



757

PARTS CATALOG (MAINTENANCE)

FIG ITEM	PART NUMBER	1 2 3 4 5 6 7	NOMENCLATURE	EFFECT FROM TO	UNITS PER ASSY
22					
38	270N2000-73	..	CLAMP ASSY-BLK	101106 108120 504903	1
40	NAS1801-3-28	...	SCREW	101106 108120 504903	2
45	AN960PD10L	...	WASHER	101106 108120 504903	2
50	NAS43DD3-75	...	SPACER	101106 108120 504903	2
55	BRH10A3	...	NUT SUPPLIER CODE: V52828 SPECIFICATION NUMBER: BACN10JC3 OPTIONAL PART: H10-3BAC V15653 NS202101-02 V80539 RMLH9075-3W V72962 VN303A02 V92215 96-02 V80539 T6S1032J V11815	101106 108120 504903	2
60	270N2000-893	...	CHANNEL	101106 108120 504903	1
65	270N2000-574	...	BLOCK	101106 108120 504903	2
70	270N2000-1023	..	SPACER	101106 108120 504903	1
75	270N2000-131	.	CLAMP ASSY-BLK	101106 108120 504903	1
80	NAS1801-3-30	..	SCREW	101106 108120 504903	2
85	AN960PD10L	..	WASHER	101106 108120 504903	2

MISSING ITEM NUMBERS NOT APPLICABLE

- ITEM NOT ILLUSTRATED

BRI

29-11-52-22

29-11-52
FIG. 22
PAGE 2
JAN 20/09



757

PARTS CATALOG (MAINTENANCE)

FIG ITEM	PART NUMBER	1 2 3 4 5 6 7	NOMENCLATURE	EFFECT FROM TO	UNITS PER ASSY
22					
90	NAS43DD3-83	..	SPACER	101106 108120 504903	2
93	BRH10A3	...	NUT SUPPLIER CODE: V52828 SPECIFICATION NUMBER: BACN10JC3 OPTIONAL PART: H10-3BAC V15653 NS202101-02 V80539 RMLH9075-3W V72962 VN303A02 V92215 96-02 V80539 T6S1032J V11815	101106 108120 504903	2
95	270N2000-895	..	CHANNEL	101106 108120 504903	1
100	270N2000-581	..	BLOCK	101106 108120 504903	2
105	270N2000-78	.	CLAMP ASSY-BLK	101106 504903	1
110	NAS1801-3-24	..	SCREW	101106 504903	2
115	AN960PD10L	..	WASHER	101106 504903	2
120	NAS43DD3-59	..	SPACER	101106 504903	2

MISSING ITEM NUMBERS NOT APPLICABLE

- ITEM NOT ILLUSTRATED

BRI

29-11-52-22

BOEING PROPRIETARY - Copyright © - Unpublished Work - See title page for details.

29-11-52
FIG. 22
PAGE 3
JAN 20/09



757

PARTS CATALOG (MAINTENANCE)

FIG ITEM	PART NUMBER	1 2 3 4 5 6 7	NOMENCLATURE	EFFECT FROM TO	UNITS PER ASSY
22 125	BRH10A3	..	NUT SUPPLIER CODE: V52828 SPECIFICATION NUMBER: BACN10JC3 OPTIONAL PART: H10-3BAC V15653 NS202101-02 V80539 RMLH9075-3W V72962 VN303A02 V92215 96-02 V80539 T6S1032J V11815	101106 504903	2
130	270N2000-844	..	CHANNEL	101106 504903	1
135	270N2000-502	..	BLOCK	101106 504903	2
140	270N2006-25	.	SHIM	101106 108120 504903	AR
145	270N2006-26	.	SHIM	101106 108120 504903	AR
150	270N2006-27	.	SHIM	101106 108120 504903	AR
155	270N2000-74	.	CLAMP ASSY	101106 108120 504903	1
160	NAS1801-3-28	..	SCREW	101106 108120 504903	2
165	AN960PD10L	..	WASHER	101106 108120 504903	2
170	NAS43DD3-75	..	SPACER	101106 108120 504903	2

MISSING ITEM NUMBERS NOT APPLICABLE

- ITEM NOT ILLUSTRATED

BRI

29-11-52-22

29-11-52
FIG. 22
PAGE 4
JAN 20/09



757

PARTS CATALOG (MAINTENANCE)

FIG ITEM	PART NUMBER	1 2 3 4 5 6 7	NOMENCLATURE	EFFECT FROM TO	UNITS PER ASSY
22 175	BRH10A3	..	NUT SUPPLIER CODE: V52828 SPECIFICATION NUMBER: BACN10JC3 OPTIONAL PART: H10-3BAC V15653 NS202101-02 V80539 RMLH9075-3W V72962 VN303A02 V92215 96-02 V80539 T6S1032J V11815	101106 108120 504903	2
180	270N2000-861	..	CHANNEL	101106 108120 504903	1
185	270N2000-575	..	BLOCK	101106 108120 504903	2
190	270N2000-123	.	CLAMP ASSY-BLK	101106 108120 504903	1
- 195	NAS1801-3-26	..	SCREW	101106 108120 504903	2
- 200	AN960PD10L	..	WASHER	101106 108120 504903	2
- 205	NAS43DD3-67	..	SPACER	101106 108120 504903	2

MISSING ITEM NUMBERS NOT APPLICABLE

- ITEM NOT ILLUSTRATED

29-11-52-22

29-11-52
FIG. 22
PAGE 5
JAN 20/09

BRI



757

PARTS CATALOG (MAINTENANCE)

FIG ITEM	PART NUMBER	1 2 3 4 5 6 7	NOMENCLATURE	EFFECT FROM TO	UNITS PER ASSY
22					
- 210	BRH10A3	..	NUT SUPPLIER CODE: V52828 SPECIFICATION NUMBER: BACN10JC3 OPTIONAL PART: H10-3BAC V15653 NS202101-02 V80539 RMLH9075-3W V72962 VN303A02 V92215 96-02 V80539 T6S1032J V11815	101106 108120 504903	2
- 215	270N2000-868	..	CHANNEL	101106 108120 504903	1
- 220	270N2000-556	..	BLOCK	101106 108120 504903	2
225	270N2000-75	.	CLAMP ASSY-BLK	101106 108120 504903	1
- 230	NAS1801-3-30	..	SCREW	101106 108120 504903	2
- 235	AN960PD10L	..	WASHER	101106 108120 504903	2
- 240	NAS43DD3-83	..	SPACER	101106 108120 504903	2

MISSING ITEM NUMBERS NOT APPLICABLE

- ITEM NOT ILLUSTRATED

29-11-52-22

29-11-52
FIG. 22
PAGE 6
JAN 20/09

BRI



757

PARTS CATALOG (MAINTENANCE)

FIG ITEM	PART NUMBER	1 2 3 4 5 6 7	NOMENCLATURE	EFFECT FROM TO	UNITS PER ASSY
22					
- 245	BRH10A3	..	NUT SUPPLIER CODE: V52828 SPECIFICATION NUMBER: BACN10JC3 OPTIONAL PART: H10-3BAC V15653 NS202101-02 V80539 RMLH9075-3W V72962 VN303A02 V92215 96-02 V80539 T6S1032J V11815	101106 108120 504903	2
- 250	270N2000-701	..	CHANNEL	101106 108120 504903	1
- 255	270N2000-576	..	BLOCK	101106 108120 504903	2
260	270N2000-84	.	CLAMP ASSY-BLK	101106 108120 504903	1
- 265	NAS1801-3-27	..	SCREW	101106 108120 504903	2
- 270	AN960PD10L	..	WASHER	101106 108120 504903	2
- 275	NAS43DD3-75	..	SPACER	101106 108120 504903	2

MISSING ITEM NUMBERS NOT APPLICABLE

- ITEM NOT ILLUSTRATED

29-11-52-22

29-11-52
FIG. 22
PAGE 7
JAN 20/09

BRI



757

PARTS CATALOG (MAINTENANCE)

FIG ITEM	PART NUMBER	1 2 3 4 5 6 7	NOMENCLATURE	EFFECT FROM TO	UNITS PER ASSY
22 - 280	BRH10A3	..	NUT SUPPLIER CODE: V52828 SPECIFICATION NUMBER: BACN10JC3 OPTIONAL PART: H10-3BAC V15653 NS202101-02 V80539 RMLH9075-3W V72962 VN303A02 V92215 96-02 V80539 T6S1032J V11815	101106 108120 504903	2
- 285	270N2000-849	..	CHANNEL	101106 108120 504903	1
- 290	270N2000-507	..	BLOCK	101106 108120 504903	2
295	271N6446-1078	.TUBE ASSY-	TUBING MATERIAL: .625 IN. OD .032 IN. WALL 18.50 IN. LG TI BMS 7-234 TI-3AL-2.5V COLD WORKED, STRESS RELIEVED TUBING	101106 108120 504903	1
300	271N6446-1066	.TUBE ASSY-	TUBING MATERIAL: .625 IN. OD .032 IN. WALL 17.90 IN. LG TI BMS 7-234 TI-3AL-2.5V COLD WORKED, STRESS RELIEVED TUBING	101106 108120 504903	1
- 305	AS1581T10	..	SLEEVE-WELDED	101106 108120 504903	2
- 310	BACN10YA10	..	NUT-	101106 108120 504903	2
- 315	BACN10YA10	..	NUT	101106 108120 504903	2

MISSING ITEM NUMBERS NOT APPLICABLE

- ITEM NOT ILLUSTRATED

29-11-52-22

29-11-52
FIG. 22
PAGE 8
JAN 20/09

BRI



757

PARTS CATALOG (MAINTENANCE)

FIG ITEM	PART NUMBER	1 2 3 4 5 6 7	NOMENCLATURE	EFFECT FROM TO	UNITS PER ASSY
22 320	271N6446-1094	.TUBE ASSY-	TUBING MATERIAL: .750 IN .0D .035 IN. WALL 38.8 IN. LG AL AMS 4083 6061 T6 TUBING	101106 108120 504903	1
325	271N6446-1065	.TUBE ASSY-	TUBING MATERIAL: .625 IN. 0D .035 IN. WALL 22.60 IN LG AL AMS 4083 6061 T6 TUBING	101106 108120 504903	1
- 330	AP2097HP12	..SLEEVE-SWAGED	SUPPLIER CODE: V01673 SPECIFICATION NUMBER: BACS13BX12HP OPTIONAL PART: 2-02903-12HP V11328 35235VN12 V08199 AFP175V12P V30974 DBOS13BX12HP V14798	101106 108120 504903	2
- 335	BACN10YL12	..NUT-	USED ON: 271N6446-1094	101106 108120 504903	2
- 340	BACN10YL10	..NUT-	OPTIONAL PART: MS21921-10D USED ON: 271N6446-1065	101106 108120 504903	2
- 340	MS21921-10D	..NUT-	OPTIONAL PART: BACN10YL10	101106 108120 504903	2
345	271N6446-1093	.TUBE ASSY-	TUBING MATERIAL: .750 IN. 0D .035 IN. WALL 39.6 IN. LG AL AMS 4083 6061 T6 TUBING	101106 108120 504903	1
350	271N6446-1088	.TUBE ASSY-	TUBING MATERIAL: .750 IN. 0D .035 IN. WALL 28.7 IN. LG AL AMS 4083 6061 T6 TUBING	101106 108120 504903	1

MISSING ITEM NUMBERS NOT APPLICABLE

- ITEM NOT ILLUSTRATED

BRI

29-11-52-22

29-11-52
FIG. 22
PAGE 9
JAN 20/09



757

PARTS CATALOG (MAINTENANCE)

FIG ITEM	PART NUMBER	1 2 3 4 5 6 7	NOMENCLATURE	EFFECT FROM TO	UNITS PER ASSY
22 - 355	AP2097HP12		.. SLEEVE-SWAGED SUPPLIER CODE: V01673 SPECIFICATION NUMBER: BACS13BX12HP OPTIONAL PART: 2-02903-12HP V11328 35235VN12 V08199 AFP175V12P V30974 DBOS13BX12HP V14798 USED ON: 271N6446-1093	101106 108120 504903	2
- 360	AP2097HP12		.. SLEEVE-SWAGED SUPPLIER CODE: V01673 SPECIFICATION NUMBER: BACS13BX12HP OPTIONAL PART: 2-02903-12HP V11328 35235VN12 V08199 AFP175V12P V30974 DBOS13BX12HP V14798 USED ON: 271N6446-1088	101106 108120 504903	1
- 365	BACN10YL12		.. NUT- USED ON: 271N6446-1093	101106 108120 504903	2
- 370	BACN10YL12		.. NUT- USED ON: 271N6446-1088	101106 108120 504903	1
- 375	BACU24B12W		.. UNION-SWAGED USED ON: 271N6446-1088	101106 108120 504903	1
380	271N6446-1096		. TUBE ASSY- TUBING MATERIAL: .500 IN. OD .035 IN. WALL 50.20 IN. LG AL AMS 4083 6061 T6 TUBING	101106 108120 504903	1

MISSING ITEM NUMBERS NOT APPLICABLE

- ITEM NOT ILLUSTRATED

29-11-52-22

29-11-52
FIG. 22
PAGE 10
JAN 20/09

BRI



757

PARTS CATALOG (MAINTENANCE)

FIG ITEM	PART NUMBER	1 2 3 4 5 6 7	NOMENCLATURE	EFFECT FROM TO	UNITS PER ASSY
22 - 385	AP2097HP08	..	SLEEVE-SWAGED SUPPLIER CODE: V01673 SPECIFICATION NUMBER: BACS13BX08HP OPTIONAL PART: 2-02903-08HP V11328 35235VN08 V08199 AFP175V08P V30974 DBOS13BX08HP V14798	101106 108120 504903	1
- 390	BACN10YLO8	..	NUT	101106 108120 504903	1
- 395	35056GV08	..	UNION-SWAGED SUPPLIER CODE: V08199 SPECIFICATION NUMBER: BACU24AB8W OPTIONAL PART: 2-01027-8W V11328 31875-8W V14397 4671097W8 V50948 AP1004W08 V01673 AFP941W8 V30974 DBOU24AB8W V14798	101106 108120 504903	1
400	271N6446-1095	.	TUBE ASSY- TUBING MATERIAL: .625 IN. OD .032 IN. WALL 42.10 IN. LG TI BMS 7-234 TI-3AL-2.5V COLD WORKED, STRESS RELIEVED TUBING	101106 108120 504903	1
- 405	AS1581T10	..	SLEEVE-WELDED	101106 108120 504903	2
- 410	BACN10YA10	..	NUT-	101106 108120 504903	2

MISSING ITEM NUMBERS NOT APPLICABLE

- ITEM NOT ILLUSTRATED

BRI

29-11-52-22

29-11-52
FIG. 22
PAGE 11
JAN 20/09



757

PARTS CATALOG (MAINTENANCE)

FIG ITEM	PART NUMBER	1 2 3 4 5 6 7	NOMENCLATURE	EFFECT FROM TO	UNITS PER ASSY
22 415	271N6446-1070	.	TUBE ASSY- TUBING MATERIAL: .375 IN. OD .035 IN. WALL 26.0 IN. LG AL AMS 4083 6061 T6 TUBING	101106 108120 504903	1
420	271N6446-1071	.	TUBE ASSY- TUBING MATERIAL: .375 IN. OD .019 IN. WALL 52.6 IN. LG TI BMS 7-234 TI-3AL-2.5V COLD WORKED, STRESS RELIEVED TUBING	101106 108120 504903	1
- 425	AP2097HP06	..	SLEEVE-SWAGED SUPPLIER CODE: V01673 SPECIFICATION NUMBER: BACS13BX06HP OPTIONAL PART: 2-02903-06HP V11328 35235VN06 V08199 AFP175V06P V30974 DBOS13BX06HP V14798 USED ON: 271N6446-1070	101106 108120 504903	2
- 430	AS1581T06	..	SLEEVE-WELDED USED ON: 271N6446-1071	101106 108120 504903	2
- 435	BACN10YLO6	..	NUT- USED ON: 271N6446-1070	101106 108120 504903	2
- 440	BACN10YA6	..	NUT- USED ON: 271N6446-1071	101106 108120 504903	2
445	271N6446-1008	.	TUBE ASSY- TUBING MATERIAL: .375 IN. OD .019 IN. WALL 32.70 IN. LG TI BMS 7-234 TI-3AL-2.5V COLD WORKED, STRESS RELIEVED TUBING	101106 108120 504903	1
450	271N6446-1009	.	TUBE ASSY- TUBING MATERIAL: .500 IN. OD .035 IN. WALL 34.00 IN. LG AL AMS 4083 6061 T6 TUBING	101106 108120 504903	1

MISSING ITEM NUMBERS NOT APPLICABLE

- ITEM NOT ILLUSTRATED

29-11-52-22

29-11-52
FIG. 22
PAGE 12
JAN 20/09

BRI



757

PARTS CATALOG (MAINTENANCE)

FIG ITEM	PART NUMBER	1 2 3 4 5 6 7	NOMENCLATURE	EFFECT FROM TO	UNITS PER ASSY
22					
- 455	AS1581T06	..	SLEEVE-WELDED USED ON: 271N6446-1008	101106 108120 504903	2
- 460	AP2097HP08	..	SLEEVE-SWAGED SUPPLIER CODE: V01673 SPECIFICATION NUMBER: BACS13BX08HP OPTIONAL PART: 2-02903-08HP V11328 35235VN08 V08199 AFP175V08P V30974 DBOS13BX08HP V14798 USED ON: 271N6446-1009	101106 108120 504903	2
- 465	BACN10YA6	..	NUT- USED ON: 271N6446-1008	101106 108120 504903	2
- 470	BACN10YL08	..	NUT- USED ON: 271N6446-1009	101106 108120 504903	2
475	271N6446-1035	.TUBE ASSY-	TUBING MATERIAL: .750 IN. OD .039 IN. WALL 23.30 IN. LG TI BMS 7-234 TI-3AL-2.5V COLD WORKED, STRESS RELIEVED TUBING	101106 108120 504903	1
480	271N6446-1036	.TUBE ASSY-	TUBING MATERIAL: .375 IN. OD .035 IN. WALL 24.70 IN. LG AL AMS 4083 6061 T6 TUBING	101106 108120 504903	1
485	271N6446-1037	.TUBE ASSY-	TUBING MATERIAL: .500 IN. OD .026 IN. WALL 21.70 IN LG TI BMS 7-234 TI-3AL-2.5V COLD WORKED, STRESS RELIEVED TUBING	101106 108120 504903	1
490	271N6446-1038	.TUBE ASSY-	TUBING MATERIAL: .625 IN. OD .035 IN. WALL 9.90 IN. LG AL AMS 4083 6061 T6 TUBING	101106 108120 504903	1

MISSING ITEM NUMBERS NOT APPLICABLE

- ITEM NOT ILLUSTRATED

29-11-52-22

29-11-52
FIG. 22
PAGE 13
JAN 20/09

BRI



757

PARTS CATALOG (MAINTENANCE)

FIG ITEM	PART NUMBER	1 2 3 4 5 6 7	NOMENCLATURE	EFFECT FROM TO	UNITS PER ASSY
22					
- 495	AS1581T12	..	SLEEVE-WELDED USED ON: 271N6446-1035	101106 108120 504903	2
- 500	AP2097HP06	..	SLEEVE-SWAGED SUPPLIER CODE: V01673 SPECIFICATION NUMBER: BACS13BX06HP OPTIONAL PART: 2-02903-06HP V11328 35235VN06 V08199 AFP175V06P V30974 DBOS13BX06HP V14798 USED ON: 271N6446-1036	101106 108120 504903	2
- 505	AS1581T08	..	SLEEVE-WELDED USED ON: 271N6446-1037	101106 108120 504903	2
- 510	AP2097HP10	..	SLEEVE-SWAGED SUPPLIER CODE: V01673 SPECIFICATION NUMBER: BACS13BX10HP OPTIONAL PART: 2-02903-10HP V11328 35235VN10 V08199 AFP175V10P V30974 DBOS13BX10HP V14798 USED ON: 271N6446-1038	101106 108120 504903	2
- 515	BACN10YA12	..	NUT- USED ON: 271N6446-1035	101106 108120 504903	2
- 520	BACN10YLO6	..	NUT- USED ON: 271N6446-1036	101106 108120 504903	2
- 525	BACN10YA8	..	NUT- USED ON: 271N6446-1037	101106 108120 504903	2

MISSING ITEM NUMBERS NOT APPLICABLE

- ITEM NOT ILLUSTRATED

29-11-52-22

29-11-52
FIG. 22
PAGE 14
JAN 20/09

BRI



757

PARTS CATALOG (MAINTENANCE)

FIG ITEM	PART NUMBER	1 2 3 4 5 6 7	NOMENCLATURE	EFFECT FROM TO	UNITS PER ASSY
22					
- 530	BACN10YL10		..NUT- USED ON: 271N6446-1038	101106 108120 504903	2
535	271N6446-1098		.TUBE ASSY- TUBING MATERIAL: .625 IN. OD .032 IN. WALL 18.80 IN. LG TI BMS 7-234 TI-3AL-2.5V COLD WORKED, STRESS RELIEVED TUBING	101106 108120 504903	1
- 540	AS1581T10		..SLEEVE-WELDED	101106 108120 504903	2
- 545	BACN10YA10		..NUT-	101106 108120 504903	2
550	MS21924DB		.UNION	101106 108120 504903	1
555	BACU24L12		.UNION	101106 108120 504903	1
560	BACU24L10		.UNION	101106 108120 504903	1
565	MS21924D6		.UNION	101106 108120 504903	1
570	NAS1764W121010		.TEE	101106 108120 504903	1
575	MS21912W10		.TEE	101106 108120 504903	1
580	BACT16BN060606J		.TEE	101106 108120 504903	1
585	NAS1764W100610		.TEE	101106 108120 504903	1
590	BACC27H10101008		.CROSS	101106 108120 504903	1
595	NAS1611-22		.PACKING-	101106 108120 504903	1
600	AN924-10D		.NUT	101106 108120 504903	1

MISSING ITEM NUMBERS NOT APPLICABLE

- ITEM NOT ILLUSTRATED

29-11-52-22

29-11-52
FIG. 22
PAGE 15
JAN 20/09

BRI

BOEING PROPRIETARY - Copyright © - Unpublished Work - See title page for details.



757

PARTS CATALOG (MAINTENANCE)

FIG ITEM	PART NUMBER	1 2 3 4 5 6 7	NOMENCLATURE	EFFECT FROM TO	UNITS PER ASSY
22					
605	AN924-8D	.	NUT	101106 108120 504903	1
610	AN924-6D	.	NUT	101106 108120 504903	1
615	AN924-10D	.	NUT	101106 108120 504903	1
620	AN924-12D	.	NUT	101106 108120 504903	1
625	AN924-10D	.	NUT	101106 108120 504903	1
630	AN924-6D	.	NUT	101106 108120 504903	1
635	AN960JD1216	.	WASHER	101106 108120 504903	1
640	AN960JD916	.	WASHER	101106 108120 504903	1
645	AN960JD1416	.	WASHER	101106 108120 504903	1
900			ILLUSTRATION REFERENCE: PLUMBING INSTL-SECT. 49 L HYDR BAY (MAIN HYDR SYSTEM ONLY) 29-11-51-20A	101102 108120 504903	RF
905			ILLUSTRATION REFERENCE: PLUMBING INSTL-SECT. 49 29-21-51-15	101106 108120 504903	RF
910			ILLUSTRATION REFERENCE: PLUMBING INSTL-4-DOOR/ PKG FREIGHTER MINOR MODEL 29-11-84-01	101102 108120 504903	RF
915			ILLUSTRATION REFERENCE: PLUMBING INSTL-SECT.44 HYD, RIGHT PRESSURE DECK 29-11-51-52	101106 108120 504903	RF
920			ILLUSTRATION REFERENCE: PLUMBING INSTL-SECT. 44 AFT BHD MLG WHL WELL HYDR 29-11-52-20	101106 108120 504903	RF

MISSING ITEM NUMBERS NOT APPLICABLE

- ITEM NOT ILLUSTRATED

BRI

29-11-52-22

29-11-52
FIG. 22
PAGE 16
JAN 20/09



757

PARTS CATALOG (MAINTENANCE)

FIG ITEM	PART NUMBER	1 2 3 4 5 6 7	NOMENCLATURE	EFFECT FROM TO	UNITS PER ASSY
22 925			ILLUSTRATION REFERENCE: PLUMBING INSTL-HYDR, MLG WHL WELL, KEEL BEAM 29-11-51-94	101106 108120 504903	RF

MISSING ITEM NUMBERS NOT APPLICABLE

- ITEM NOT ILLUSTRATED

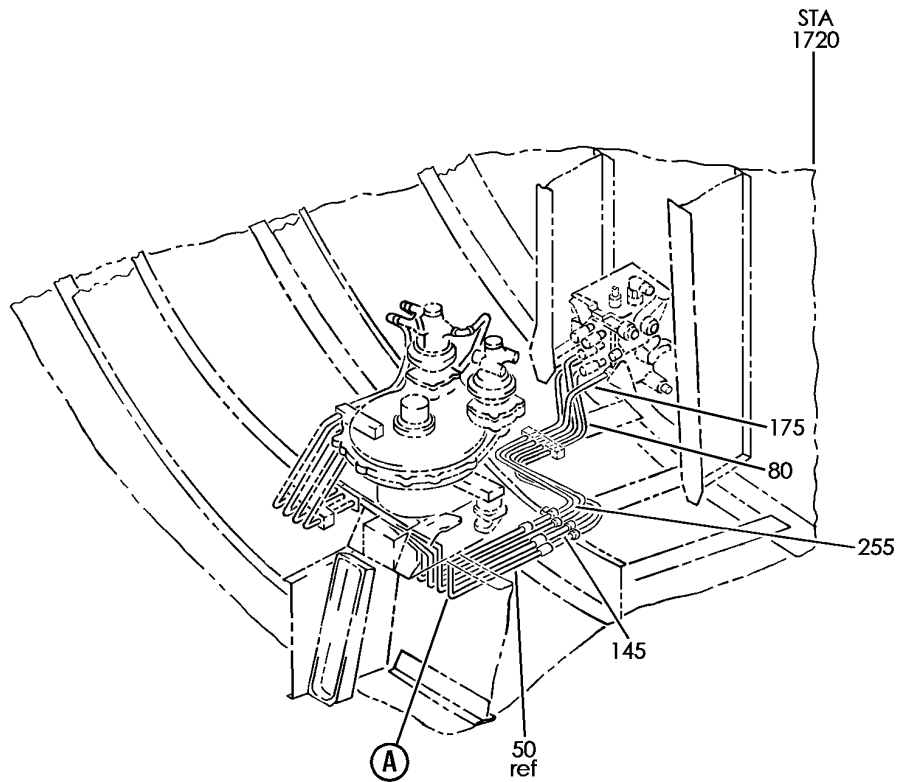
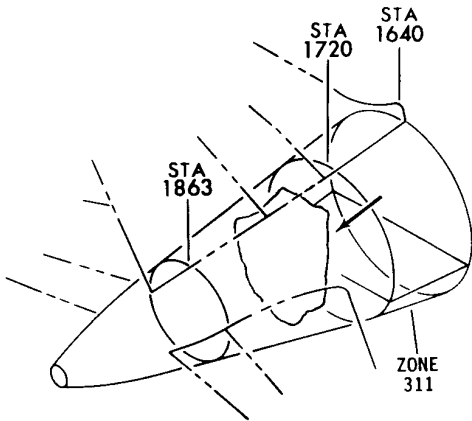
BRI

29-11-52-22

BOEING PROPRIETARY - Copyright © - Unpublished Work - See title page for details.

29-11-52
FIG. 22
PAGE 17
JAN 20/09

BOEING
757
PARTS CATALOG (MAINTENANCE)



Y 29115227 SHT 1 REV 216

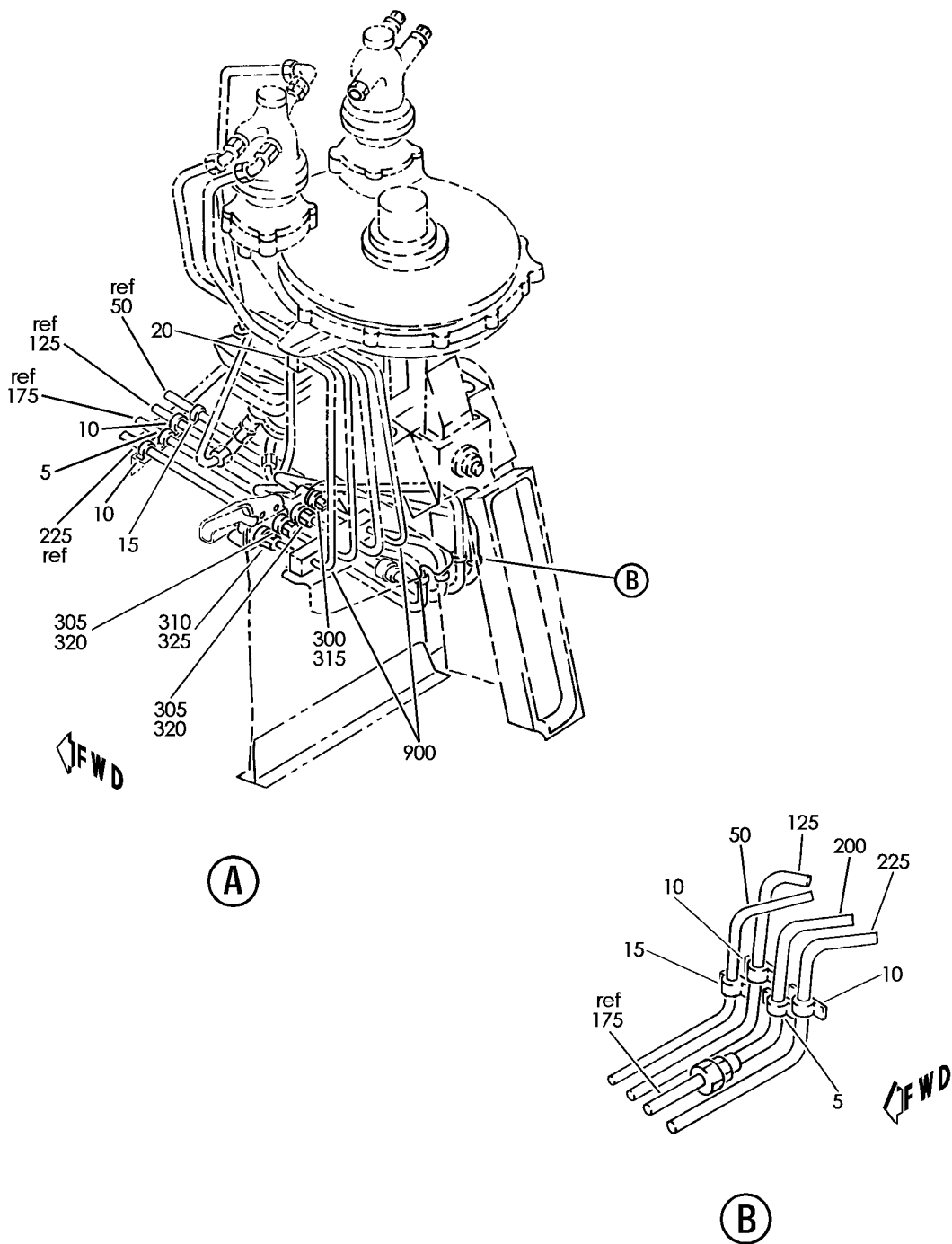
PLUMBING INSTL-SECT. 48 L HYDR
FIGURE 27 (SHEET 1)

BRI
MAY 28/07

29-11-52-27

29-11-52-27
PAGE 0

BOEING
757
PARTS CATALOG (MAINTENANCE)



Y 29115227 SHT 2 REV 216

PLUMBING INSTL-SECT. 48 L HYDR
FIGURE 27 (SHEET 2)

29-11-52-27

BRI
MAY 28/07

29-11-52-27
PAGE 0A



757

PARTS CATALOG (MAINTENANCE)

FIG ITEM	PART NUMBER	1 2 3 4 5 6 7	NOMENCLATURE	EFFECT FROM TO	UNITS PER ASSY
27			PLUMBING INSTL-SECT. 48 L HYDR	101106 108120 504903	
- 1	271N6481-8		PLUMBING INSTL-HYDR 200 PASSENGER AND PACKAGE FREIGHTER MINOR MODEL POSITION DATA: SECT. 48 L FOR NHA SEE: 29-00-51-01A	101101	RF
- 1	271N6481-10		PLUMBING INSTL-HYDR 200 PASSENGER AND PACKAGE FREIGHTER MINOR MODEL POSITION DATA: SECT. 48 L FOR NHA SEE: 29-00-51-01A	102102 108120 504903	RF
- 1	MODREF31918		PLUMBING INSTL-HYDR 200 PASSENGER AND PACKAGE FREIGHTER MINOR MODEL MODULE NUMBER: 271N6481-10 REV B POSITION DATA: SECT. 48 L	103106	1
5	M85052-2-6		.CLAMP	101106 108120 504903	2
10	TA0910004H106		.CLAMP SUPPLIER CODE: V84971 SPECIFICATION NUMBER: BACC10HB06C	101106 108120 504903	4
15	M85052-2-4		.CLAMP	101106 108120 504903	2
20	270N2000-252		.CLAMP ASSY-BLK FOR BREAKDOWN SEE: 27-41-51-20A	101106 108120 504903	1
50	271N6481-1099		.TUBE ASSY-STAB. DOWN SYS POSITION DATA: L TUBING MATERIAL: .250 IN. OD .016 IN. WALL 34.9 IN. LG ST BMS 7-185 21-6-9 COLD REDUCED TUBING	101106 108120 504903	1

MISSING ITEM NUMBERS NOT APPLICABLE

- ITEM NOT ILLUSTRATED

BRI

29-11-52-27

29-11-52
FIG. 27
PAGE 1
JAN 20/09



757

PARTS CATALOG (MAINTENANCE)

FIG ITEM	PART NUMBER	1 2 3 4 5 6 7	NOMENCLATURE	EFFECT FROM TO	UNITS PER ASSY
27					
- 55	AP2097HP04	..	SLEEVE SUPPLIER CODE: V01673 SPECIFICATION NUMBER: BACS13BX04HP OPTIONAL PART: 2-02903-04HP V11328 35235VN04 V08199 AFP175V04P V30974 DBOS13BX04HP V14798	101106 108120 504903	2
- 60	BACN10YE4	..	NUT	101106 108120 504903	2
80	271N6481-1096	.TUBE ASSY-STAB. DOWN SYS POSITION DATA: L TUBING MATERIAL: .250 IN. OD .016 IN. WALL 38.3 IN. LG ST BMS 7-185 21-6-9 COLD REDUCED TUBING		101106 108120 504903	1
- 83	AP2097HP04	..	SLEEVE SUPPLIER CODE: V01673 SPECIFICATION NUMBER: BACS13BX04HP OPTIONAL PART: 2-02903-04HP V11328 35235VN04 V08199 AFP175V04P V30974 DBOS13BX04HP V14798	101106 108120 504903	1
- 85	BACN10YE4	..	NUT	101106 108120 504903	1

MISSING ITEM NUMBERS NOT APPLICABLE

- ITEM NOT ILLUSTRATED

29-11-52-27

29-11-52
FIG. 27
PAGE 2
JAN 20/09

BRI



757

PARTS CATALOG (MAINTENANCE)

FIG ITEM	PART NUMBER	1 2 3 4 5 6 7	NOMENCLATURE	EFFECT FROM TO	UNITS PER ASSY
27 - 90	35056V04		.. UNION SUPPLIER CODE: V08199 SPECIFICATION NUMBER: BACU24AB4H OPTIONAL PART: 4671097H4 V50948 31875-4H V14397 AP1004H04 V01673 AFP941H4 V30974 DBOU24AB4H V14798 2-01027-4H V11328	101106 108120 504903	1
125	271N6481-1100		. TUBE ASSY-STAB. UP SYS POSITION DATA: L TUBING MATERIAL: .375 IN. OD .02 IN. WALL 35.5 IN. LG ST BMS 7-185 21-6-9 COLD REDUCED TUBING	101106 108120 504903	1
- 130	AP2097HP06		.. SLEEVE SUPPLIER CODE: V01673 SPECIFICATION NUMBER: BACS13BX06HP OPTIONAL PART: 2-02903-06HP V11328 35235VN06 V08199 AFP175V06P V30974 DBOS13BX06HP V14798	101106 108120 504903	1
- 135	BACN10YE6		.. NUT	101106 108120 504903	1

MISSING ITEM NUMBERS NOT APPLICABLE

- ITEM NOT ILLUSTRATED

BRI

29-11-52-27

29-11-52
FIG. 27
PAGE 3
JAN 20/09



757

PARTS CATALOG (MAINTENANCE)

FIG ITEM	PART NUMBER	1 2 3 4 5 6 7	NOMENCLATURE	EFFECT FROM TO	UNITS PER ASSY
27 - 140	35056V06		.. UNION SUPPLIER CODE: V08199 SPECIFICATION NUMBER: BACU24AB6H OPTIONAL PART: 2-01027-6H V11328 31875-6H V14397 4671097H6 V50948 AP1004H06 V01673 AFP941H6 V30974 DBOU24AB6H V14798	101106 108120 504903	1
145	271N6481-1097		. TUBE ASSY-STAB. UP SYS POSITION DATA: L TUBING MATERIAL: .375 IN. OD .02 IN. WALL 38.1 IN. LG ST BMS 7-185 21-6-9 COLD REDUCED TUBING	101106 108120 504903	1
- 150	AP2097HP06		.. SLEEVE SUPPLIER CODE: V01673 SPECIFICATION NUMBER: BACS13BX06HP OPTIONAL PART: 2-02903-06HP V11328 35235VN06 V08199 AFP175V06P V30974 DBOS13BX06HP V14798	101106 108120 504903	2
- 155	BACN10YE6		.. NUT	101106 108120 504903	2

MISSING ITEM NUMBERS NOT APPLICABLE

- ITEM NOT ILLUSTRATED

BRI

29-11-52-27

29-11-52
FIG. 27
PAGE 4
JAN 20/09



757

PARTS CATALOG (MAINTENANCE)

FIG ITEM	PART NUMBER	1 2 3 4 5 6 7	NOMENCLATURE	EFFECT FROM TO	UNITS PER ASSY
27 175	271N6481-1119	.	TUBE ASSY-BRAKE RELEASE SYS POSITION DATA: L MISCELLANEOUS DATA: REPLACEMENT TUBE REQUIRES AUTOFRETTAGE PROCESS; ETOPS SENSITIVE -AMM CHAPTER 20-10-09/801 TUBING MATERIAL: .375 IN. OD .020 IN. WALL 52.10 IN. LG ST BMS 7-185 21-6-9 COLD REDUCED TUBING	101106 108120 504903	1
- 180	AP2097HP06	..	SLEEVE SUPPLIER CODE: V01673 SPECIFICATION NUMBER: BACS13BX06HP OPTIONAL PART: 2-02903-06HP V11328 35235VN06 V08199 AFP175V06P V30974 DBOS13BX06HP V14798	101106 108120 504903	2
- 185	BACN10YE6	..	NUT	101106 108120 504903	2
200	271N6481-1120	.	TUBE ASSY-BRAKE RELEASE SYS POSITION DATA: L MISCELLANEOUS DATA: REPLACEMENT TUBE REQUIRES AUTOFRETTAGE PROCESS; ETOPS SENSITIVE -AMM CHAPTER 20-10-09/801 TUBING MATERIAL: .375 IN. OD .020 IN. WALL 19.30 IN. LG ST BMS 7-185 21-6-9 COLD REDUCED TUBING	101106 108120 504903	1

MISSING ITEM NUMBERS NOT APPLICABLE

- ITEM NOT ILLUSTRATED

BRI

29-11-52-27

29-11-52
FIG. 27
PAGE 5
JAN 20/09



757

PARTS CATALOG (MAINTENANCE)

FIG ITEM	PART NUMBER	1 2 3 4 5 6 7	NOMENCLATURE	EFFECT FROM TO	UNITS PER ASSY
27 - 205	AP2097HP06	..	SLEEVE SUPPLIER CODE: V01673 SPECIFICATION NUMBER: BACS13BX06HP OPTIONAL PART: 2-02903-06HP V11328 35235VN06 V08199 AFP175V06P V30974 DBOS13BX06HP V14798	101106 108120 504903	1
- 210	BACN10YE6	..	NUT	101106 108120 504903	1
- 215	35056V06	..	UNION SUPPLIER CODE: V08199 SPECIFICATION NUMBER: BACU24AB6H OPTIONAL PART: 2-01027-6H V11328 31875-6H V14397 4671097H6 V50948 AP1004H06 V01673 AFP941H6 V30974 DBOU24AB6H V14798	101106 108120 504903	1
225	271N6481-1106	.TUBE ASSY-RETURN SYS POSITION DATA: CTR TUBING MATERIAL: .375 IN. OD .035 IN. WALL 35.4 IN. LG AL AMS 4083 6061 T6 TUBING	101106 108120 504903	1	

MISSING ITEM NUMBERS NOT APPLICABLE

- ITEM NOT ILLUSTRATED

BRI

29-11-52-27

29-11-52
FIG. 27
PAGE 6
JAN 20/09



757

PARTS CATALOG (MAINTENANCE)

FIG ITEM	PART NUMBER	1 2 3 4 5 6 7	NOMENCLATURE	EFFECT FROM TO	UNITS PER ASSY
27 - 230	AP2097HP06	..	SLEEVE SUPPLIER CODE: V01673 SPECIFICATION NUMBER: BACS13BX06HP OPTIONAL PART: 2-02903-06HP V11328 35235VN06 V08199 AFP175V06P V30974 DBOS13BX06HP V14798	101106 108120 504903	2
- 235	BACN10YLO6	..	NUT	101106 108120 504903	2
255	271N6481-1105	.TUBE ASSY-RETURN SYS POSITION DATA: CTR TUBING MATERIAL: .375 IN. OD .035 IN WALL 38.3 IN. LG AL AMS 4083 6061 T6 TUBING		101106 108120 504903	1
- 260	AP2097HP06	..	SLEEVE SUPPLIER CODE: V01673 SPECIFICATION NUMBER: BACS13BX06HP OPTIONAL PART: 2-02903-06HP V11328 35235VN06 V08199 AFP175V06P V30974 DBOS13BX06HP V14798	101106 108120 504903	1
- 265	BACN10YLO6	..	NUT	101106 108120 504903	1

MISSING ITEM NUMBERS NOT APPLICABLE

- ITEM NOT ILLUSTRATED

BRI

29-11-52-27

29-11-52
FIG. 27
PAGE 7
JAN 20/09



757

PARTS CATALOG (MAINTENANCE)

FIG ITEM	PART NUMBER	1 2 3 4 5 6 7	NOMENCLATURE	EFFECT FROM TO	UNITS PER ASSY
27 - 270	35056GV06	. .	UNION SUPPLIER CODE: V08199 SPECIFICATION NUMBER: BACU24AB6W OPTIONAL PART: 2-01027-6W V11328 31875-6W V14397 4671097W6 V50948 AP1004W06 V01673 AFP941W6 V30974 DBOU24AB6W V14798	101106 108120 504903	1
300	MS21924-4	. UNION		101106 108120 504903	1
305	MS21924-6	. UNION		101106 108120 504903	2
310	MS21924D6	. UNION		101106 108120 504903	1
315	AN924-4	. NUT		101106 108120 504903	1
320	AN924-6	. NUT		101106 108120 504903	2
325	AN924-6D	. NUT		101106 108120 504903	1
900			ILLUSTRATION REFERENCE: PLUMBING INSTL-SECT. 48 L HYDR (HORIZONTAL STABILIZER TRIM CONTROL ONLY) 27-41-51-20A	101106 108120 504903	RF

MISSING ITEM NUMBERS NOT APPLICABLE

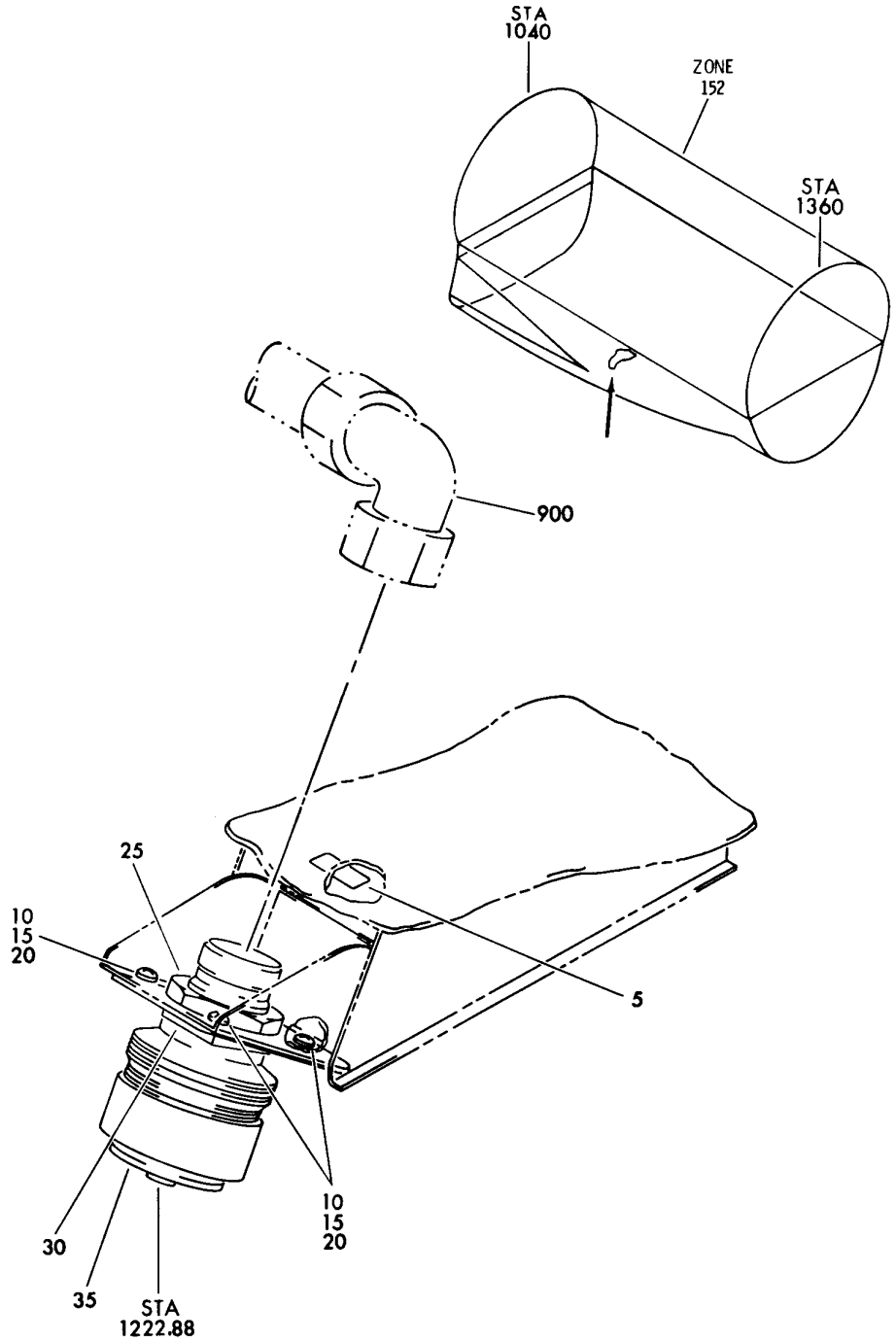
- ITEM NOT ILLUSTRATED

BRI

29-11-52-27

29-11-52
FIG. 27
PAGE 8
JAN 20/09

BOEING
757
PARTS CATALOG (MAINTENANCE)



Y 29115301 REV 184

DISCONNECT INSTL-CTR SYS PRESSURE GND SVCE QUICK
FIGURE 1

29-11-53-01

BRI
MAY 28/07

29-11-53-01
PAGE 0



757

PARTS CATALOG (MAINTENANCE)

FIG ITEM	PART NUMBER	1 2 3 4 5 6 7	NOMENCLATURE	EFFECT FROM TO	UNITS PER ASSY
1			DISCONNECT INSTL-CTR SYS PRESSURE GND SVCE QUICK	002004 006999	
- 1	271N5004-1		DISCONNECT INSTL-CTR SYS PRESSURE GND SVCE QUICK POSITION DATA: STA. 1222.88 FOR NHA SEE: 29-00-51-07 29-00-51-01A	002004 006102 107999	RF
- 1	MODREF7213		DISCONNECT INSTL-CTR SYS PRESSURE GND SVCE QUICK MODULE NUMBER: 271N5004-1 REV A POSITION DATA: STA. 1222.88	103106	1
5	BAC27NHY0094		.MARKER-ALUMINUM FOIL PLACARD CONTENT: GRD SERVICE C SYS PRESS	002004 006999	1
10	BACB30NT3K4		.BOLT-	002004 006999	4
15	BACW10BN3AC		.WASHER	002004 006999	4
20	BRH10C3D		.NUT SUPPLIER CODE: V52828 SPECIFICATION NUMBER: BACN10JC3CD OPTIONAL PART: T6C1032JCD V11815 NS202486-02 V80539 102LH9075-3W V72962 H51650-3BAC V15653	002004 006999	4
25	AN924-16D		.NUT	002004 006999	1
30	MS24335-16		.FLANGE ASSY	002004 006999	1
35	AE81383M		.DISCONNECT- SUPPLIER CODE: V00624 COMPONENT MAINT MANUAL REF: 29-19-01	002004 006999	1

MISSING ITEM NUMBERS NOT APPLICABLE

- ITEM NOT ILLUSTRATED

BRI

29-11-53-01

29-11-53
FIG. 01
PAGE 1
JAN 20/09



757

PARTS CATALOG (MAINTENANCE)

FIG ITEM	PART NUMBER	1 2 3 4 5 6 7	NOMENCLATURE	EFFECT FROM TO	UNITS PER ASSY
1 900			ILLUSTRATION REFERENCE: PLUMBING INSTL-SECT. 49 L HYDR BAY (MAIN HYDR SYSTEM ONLY) 29-11-51-20	002004 006100 107107 121503 904999	RF
900			ILLUSTRATION REFERENCE: PLUMBING INSTL-SECT. 49 L HYDR BAY (MAIN HYDR SYSTEM ONLY) 29-11-51-20A	101102 108120 504903	RF

MISSING ITEM NUMBERS NOT APPLICABLE

- ITEM NOT ILLUSTRATED

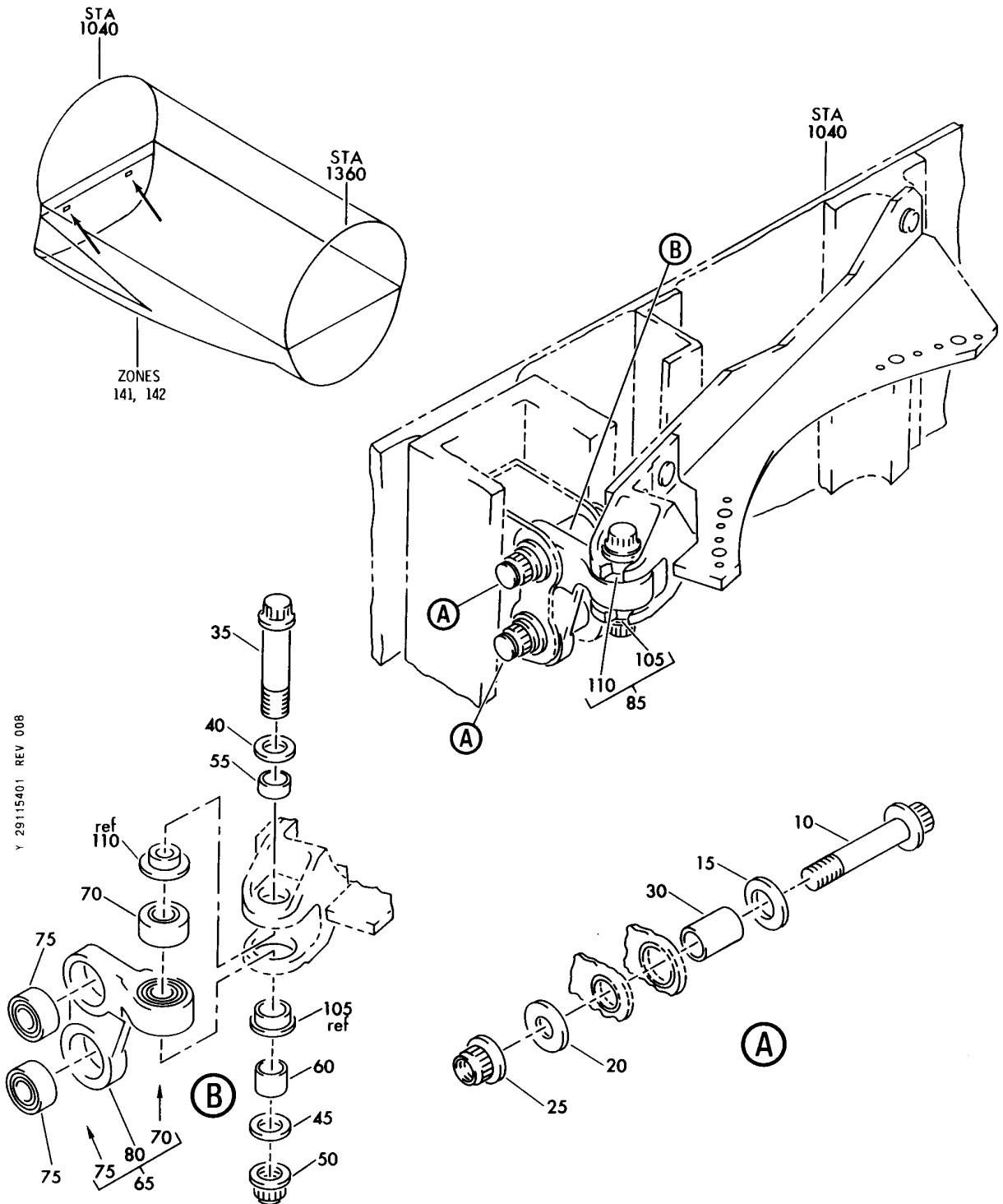
BRI

29-11-53-01

BOEING PROPRIETARY - Copyright © - Unpublished Work - See title page for details.

29-11-53
FIG. 01
PAGE 2
JAN 20/09

BOEING
757
PARTS CATALOG (MAINTENANCE)



SUPPORT INSTL-L AND R SYS HYDR RSVR
FIGURE 1

29-11-54-01

BRI
MAY 28/07

29-11-54-01
PAGE 0



757

PARTS CATALOG (MAINTENANCE)

FIG ITEM	PART NUMBER	1 2 3 4 5 6 7	NOMENCLATURE	EFFECT FROM TO	UNITS PER ASSY
1			SUPPORT INSTL-L AND R SYS HYDR RSVR	002004 006999	
- 1	271N3028-3		SUPPORT INSTL-SYS HYDR RSVR POSITION DATA: LH FOR NHA SEE: 29-00-51-05	002004 006100 107107 121503 904999	RF
- 1	271N3028-5		SUPPORT INSTL-SYS HYDR RSVR POSITION DATA: LH FOR NHA SEE: 29-00-51-01A	101102 108120 504903	RF
- 1	MODREF7107		SUPPORT INSTL-SYS HYDR RSVR MODULE NUMBER: 271N3028-5 REV A POSITION DATA: LH	103103	1
- 1	MODREF27612		SUPPORT INSTL-SYS HYDR RSVR MODULE NUMBER: 271N3028-5 REV B POSITION DATA: LH	104106	1
- 5	271N3028-4		SUPPORT INSTL-SYS HYDR RSVR POSITION DATA: RH FOR NHA SEE: 29-00-51-05	002004 006100 107107 121503 904999	RF
- 5	271N3028-6		SUPPORT INSTL-SYS HYDR RSVR POSITION DATA: RH FOR NHA SEE: 29-00-51-01A	101102 108120 504903	RF
- 5	MODREF7108		SUPPORT INSTL-SYS HYDR RSVR MODULE NUMBER: 271N3028-6 REV A POSITION DATA: RH	103103	1
- 5	MODREF27613		SUPPORT INSTL-SYS HYDR RSVR MODULE NUMBER: 271N3028-6 REV B POSITION DATA: RH	104106	1
10	BACB30MR9K30		.BOLT	002004 006999	2
15	BACW10BP9CD		.WASHER	002004 006999	2

MISSING ITEM NUMBERS NOT APPLICABLE

- ITEM NOT ILLUSTRATED

29-11-54-01

29-11-54
FIG. 01
PAGE 1
JAN 20/09

BRI

BOEING PROPRIETARY - Copyright © - Unpublished Work - See title page for details.



757

PARTS CATALOG (MAINTENANCE)

FIG ITEM	PART NUMBER	1 2 3 4 5 6 7	NOMENCLATURE	EFFECT FROM TO	UNITS PER ASSY
1					
20	BACW10BP9DP	.	WASHER	002004 006999	2
25	NAS1805-9N	.	NUT	002004 006100 107107 121503 904999	2
25	NAS1805-9L	.	NUT	101102 108120 504903	2
30	BACB28AK09-110	.	BUSHING	002004 006999	2
35	BACB30MR8K27	.	BOLT	002004 006999	1
40	BACW10BP8CD	.	WASHER	002004 006999	1
45	BACW10BP8DP	.	WASHER	002004 006999	1
50	NAS1805-8N	.	NUT	002004 006100 107107 121503 904999	1
50	NAS1805-8L	.	NUT	101102 108120 504903	1
55	BACB28AK08-027	.	BUSHING	002004 006999	1
60	BACB28AK08-053	.	BUSHING	002004 006999	1
65	271N3030-1	.	SUPPORT ASSY	002004 006100 103107 121503 904999	1
65	271N3030-6	.	SUPPORT ASSY	101102 108120 504903	1

MISSING ITEM NUMBERS NOT APPLICABLE

- ITEM NOT ILLUSTRATED

29-11-54-01

29-11-54
FIG. 01
PAGE 2
JAN 20/09

BRI

BOEING PROPRIETARY - Copyright © - Unpublished Work - See title page for details.



757

PARTS CATALOG (MAINTENANCE)

FIG ITEM	PART NUMBER	1 2 3 4 5 6 7	NOMENCLATURE	EFFECT FROM TO	UNITS PER ASSY
1 70	BNP7E114T		.. BEARING SUPPLIER CODE: V16746 SPECIFICATION NUMBER: BACB10W7TM OPTIONAL PART: AG8CR12 V15860 BSSN8278M2 V81376 HSBG8-115M V02758 KSBG8CRD5 V97613 NS8E2 V73134 03-503-08DD V09455 NC8-2DM V56644 03-503-08E001TM V09455 03-503-08E014 V09455 ABG8-5-12 VS0352	002004 006999	1
R R	75 ABG9V5-12		.. BEARING SUPPLIER CODE: VS0352 SPECIFICATION NUMBER: BACB10AG9M OPTIONAL PART: KSBG9-25CRD5 V97613 NC9G2DM V56644 AG9VCR12 V15860 BSSN9296SM2 V81376 HSBG9-117M V02758 NG9FM V73134 03-505-09E035 V09455 BNG9ME111 V16746	002004 006999	2

MISSING ITEM NUMBERS NOT APPLICABLE

- ITEM NOT ILLUSTRATED

29-11-54-01

29-11-54
FIG. 01
PAGE 3
MAY 20/09

BRI



757

PARTS CATALOG (MAINTENANCE)

FIG ITEM	PART NUMBER	1 2 3 4 5 6 7	NOMENCLATURE	EFFECT FROM TO	UNITS PER ASSY
1					
80	271N3030-2	..	SUPPORT- OPTIONAL PART: 271N3030-5	002004 006999	1
80	271N3030-5	..	SUPPORT- OPTIONAL PART: 271N3030-2 USED ON: 271N3030-6	002004 006999	1
85	271N3031-11	.	SUPPORT ASSY-TEE POSITION DATA: LH SIDE	002004 006100 107107 121503 904999	1
85	271N3031-15	.	SUPPORT ASSY-TEE POSITION DATA: LH SIDE	101106 108120 504903	1
- 90	271N3031-10	.	SUPPORT ASSY-TEE POSITION DATA: RH SIDE	002004 006100 107107 121503 904999	1
- 90	271N3031-14	.	SUPPORT ASSY-TEE POSITION DATA: RH SIDE ATTACHING PARTS	101106 108120 504903	1
- 95	BACB30MR6K3	.	BOLT	002004 006999	2
- 100	BACW10BN6AC	.	WASHER	002004 006999	2
			-----*-----		
105	BACB28AM11B028A	..	BUSHING	002004 006100 103107 121503 904999	1
105	BACB28AT11B028C	..	BUSHING	101106 108120 504903	1
110	BACB28AP08P027	..	BUSHING	002004 006999	1

MISSING ITEM NUMBERS NOT APPLICABLE

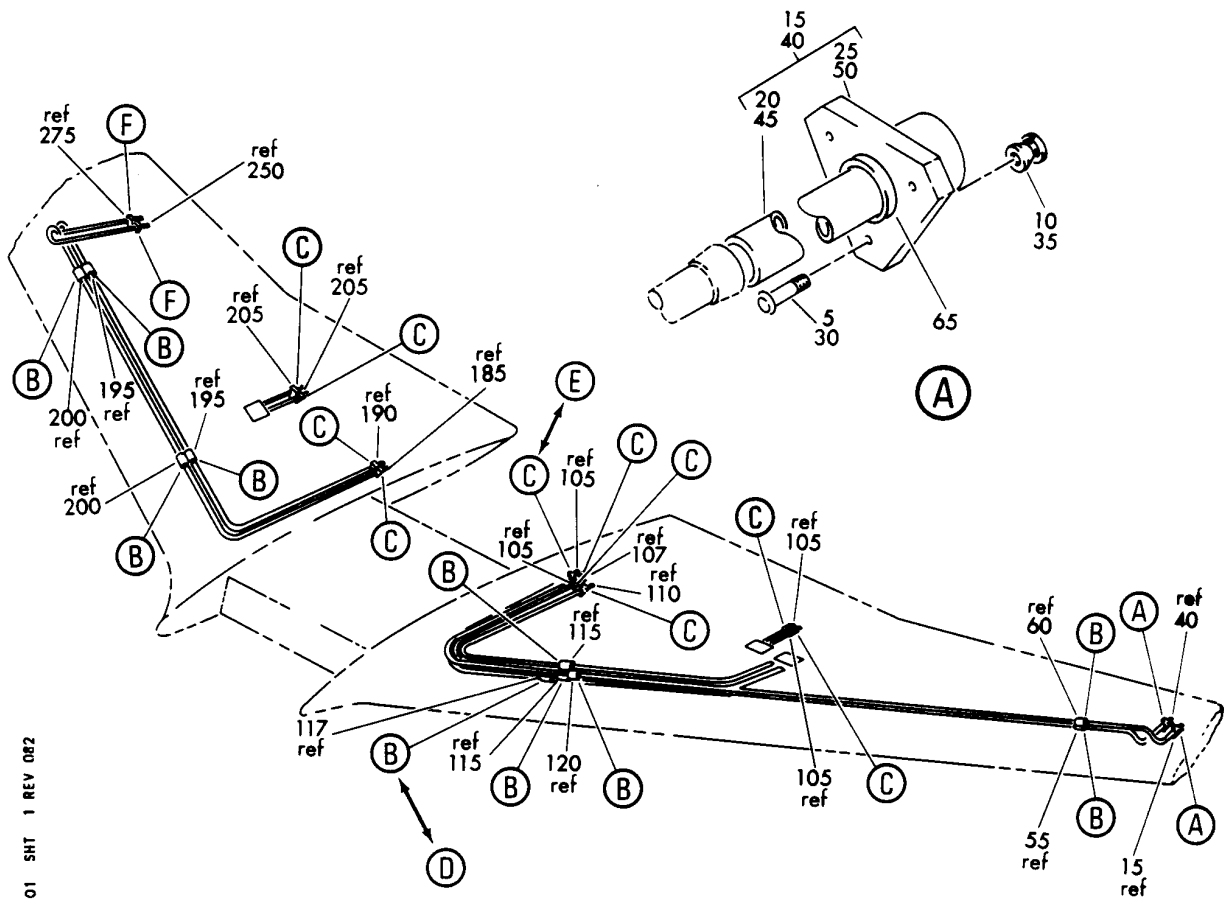
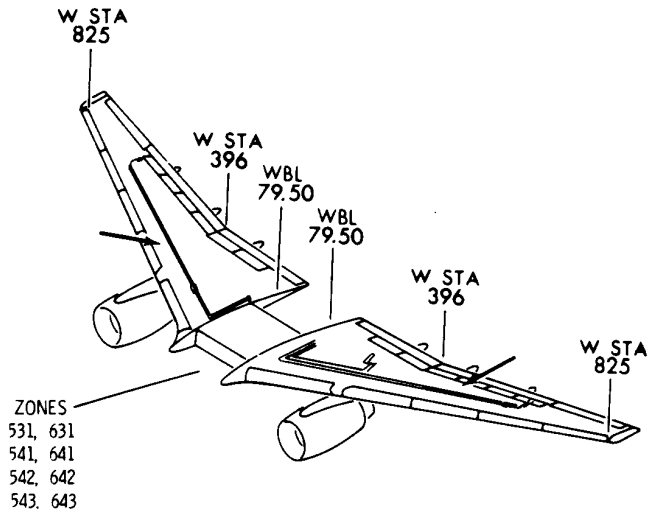
- ITEM NOT ILLUSTRATED

29-11-54-01

29-11-54
FIG. 01
PAGE 4
MAY 20/09

BRI

BOEING
757
PARTS CATALOG (MAINTENANCE)



Y 29115501 SHT 1 REV 082

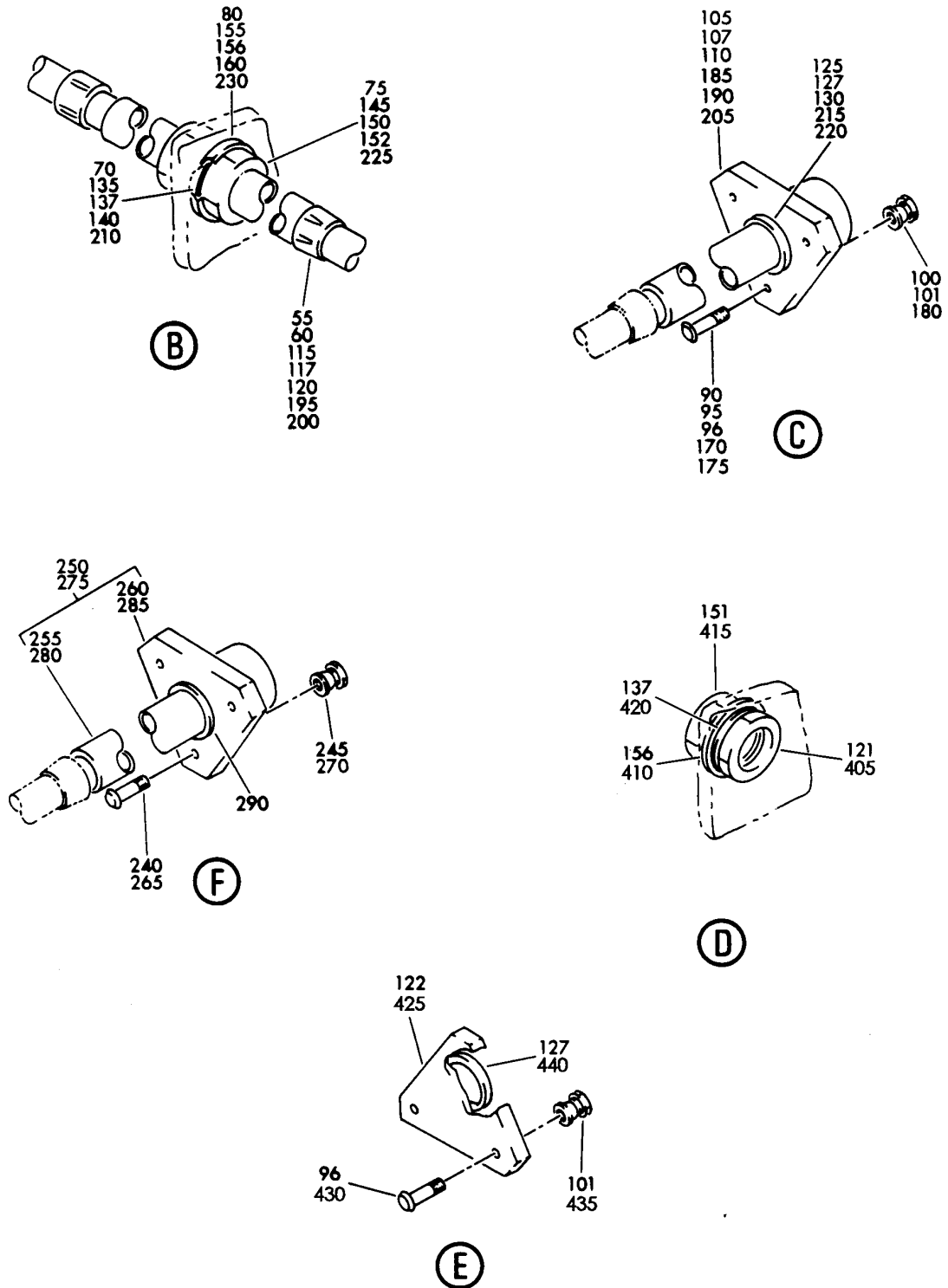
FITTING INSTL-SECT. 12 HYDR
FIGURE 1 (SHEET 1)

29-11-55-01

BRI
MAY 28/07

29-11-55-01
PAGE 0

BOEING
757
PARTS CATALOG (MAINTENANCE)



Y 29115501 SHT 2 REV 205

FITTING INSTL-SECT. 12 HYDR
FIGURE 1 (SHEET 2)

29-11-55-01

BRI
MAY 28/07

29-11-55-01
PAGE 0A



757

PARTS CATALOG (MAINTENANCE)

FIG ITEM	PART NUMBER	1 2 3 4 5 6 7	NOMENCLATURE	EFFECT FROM TO	UNITS PER ASSY
1			FITTING INSTL-SECT. 12 HYDR	002004 006100 107107 121503 904999	
- 1	271N6194-1		FITTING INSTL-HYDR POSITION DATA: SECT. 12 FOR NHA SEE: 29-11-51-26	002004 006100 107107 121503 904999	RF
5	L8006K8		.BOLT- SUPPLIER CODE: V06725 SPECIFICATION NUMBER: BACB30MY6K8	002004 006100 107107 121503 904999	3
10	HL79-6		.COLLAR SUPPLIER CODE: V5M902 SPECIFICATION NUMBER: BACC30M6 OPTIONAL PART: HL79-6 V73197 HL79-6 V92215 66014-6 V56878 HL79-6 V56878	002004 006100 107107 121503 904999	3
15	271N6194-21		.FITTING ASSY-	002004 006100 107107 121503 904999	1
25	271N6207-1		..FITTING-HYDR OPTIONAL PART: D10201-06 V14798	002004 006100 107107 121503 904999	1
25	D10201-06		..FITTING-HYDR SUPPLIER CODE: V14798 OPTIONAL PART: 271N6207-1	002004 006100 107107 121503 904999	1
30	L8006K8		.BOLT- SUPPLIER CODE: V06725 SPECIFICATION NUMBER: BACB30MY6K8	002004 006100 107107 121503 904999	3

MISSING ITEM NUMBERS NOT APPLICABLE

- ITEM NOT ILLUSTRATED

29-11-55-01

29-11-55
FIG. 01
PAGE 1
JAN 20/09

BRI



757

PARTS CATALOG (MAINTENANCE)

FIG ITEM	PART NUMBER	1 2 3 4 5 6 7	NOMENCLATURE	EFFECT FROM TO	UNITS PER ASSY
1					
35	HL79-6	.	COLLAR SUPPLIER CODE: V5M902 SPECIFICATION NUMBER: BACC30M6 OPTIONAL PART: HL79-6 V73197 HL79-6 V92215 66014-6 V56878 HL79-6 V56878	002004 006100 107107 121503 904999	3
40	271N6194-20	.	FITTING ASSY-	002004 006100 107107 121503 904999	1
50	271N6208-1	..	FITTING-HYDR OPTIONAL PART: D10201D06 V14798	002004 006100 107107 121503 904999	1
50	D10201D06	..	FITTING-HYDR SUPPLIER CODE: V14798 OPTIONAL PART: 271N6208-1	002004 006100 107107 121503 904999	1
65	MS29513-212	.	PACKING	002004 006100 107107 121503 904999	2
- 85	271N6194-18		FITTING INSTL-HYDR POSITION DATA: SECT. 12 FOR NHA SEE: 29-11-51-14	002004 006100 107107 121503 904999	RF
90	L8006K17	.	BOLT- SUPPLIER CODE: V06725 SPECIFICATION NUMBER: BACB30MY6K17	002004 006100 107107 121503 904999	6
96	L8006K12	.	BOLT SUPPLIER CODE: V06725 SPECIFICATION NUMBER: BACB30MY6K12	002004 006100 107107 121503 904999	12

MISSING ITEM NUMBERS NOT APPLICABLE

- ITEM NOT ILLUSTRATED

29-11-55-01

29-11-55
FIG. 01
PAGE 2
JAN 20/09

BRI



757

PARTS CATALOG (MAINTENANCE)

FIG ITEM	PART NUMBER	1 2 3 4 5 6 7	NOMENCLATURE	EFFECT FROM TO	UNITS PER ASSY
1 101	HL79-6		.COLLAR SUPPLIER CODE: V5M902 SPECIFICATION NUMBER: BACC30M6 OPTIONAL PART: HL79-6 V73197 HL79-6 V92215 66014-6 V56878 HL79-6 V56878	002004 006100 107107 121503 904999	18
105	271N6208-2		.FITTING- OPTIONAL PART: D10201D10 V14798	002004 006100 107107 121503 904999	4
105	D10201D10		.FITTING- SUPPLIER CODE: V14798 OPTIONAL PART: 271N6208-2	002004 006100 107107 121503 904999	4
110	271N6207-1		.FITTING- OPTIONAL PART: D10201-06 V14798	002004 006100 107107 121503 904999	1
110	D10201-06		.FITTING-HYDR SUPPLIER CODE: V14798 OPTIONAL PART: 271N6207-1	002004 006100 107107 121503 904999	1
115	271N6206-2		.FITTING- OPTIONAL PART: D10204D10 V14798	002004 006100 107107 121503 904999	2
115	D10204D10		.FITTING- SUPPLIER CODE: V14798 OPTIONAL PART: 271N6206-2	002004 006100 107107 121503 904999	2
120	271N6205-1		.FITTING- OPTIONAL PART: D10201-06 V14798	002004 006100 107107 121503 904999	1

MISSING ITEM NUMBERS NOT APPLICABLE

- ITEM NOT ILLUSTRATED

29-11-55-01

29-11-55
FIG. 01
PAGE 3
JAN 20/09

BRI

BOEING PROPRIETARY - Copyright © - Unpublished Work - See title page for details.



757

PARTS CATALOG (MAINTENANCE)

FIG ITEM	PART NUMBER	1 2 3 4 5 6 7	NOMENCLATURE	EFFECT FROM TO	UNITS PER ASSY
1					
120	D10204-06		. FITTING- SUPPLIER CODE: V14798 OPTIONAL PART: 271N6205-1	002004 006100 107107 121503 904999	1
121	271N6265-1		. PLUG	002004 006100 107107 121503 904999	1
122	271N6266-1		. PLUG-	002004 006100 107107 121503 904999	1
125	MS29513-218		. PACKING	002004 006100 107107 121503 904999	4
127	MS29513-215		. PACKING	002004 006100 107107 121503 904999	1
130	MS29513-212		. PACKING	002004 006100 107107 121503 904999	1
135	MS29513-017		. PACKING	002004 006100 107107 121503 904999	1
137	MS29513-020		. PACKING	002004 006100 107107 121503 904999	1
140	MS29513-022		. PACKING	002004 006100 107107 121503 904999	2

MISSING ITEM NUMBERS NOT APPLICABLE

- ITEM NOT ILLUSTRATED

BRI

29-11-55-01

BOEING PROPRIETARY - Copyright © - Unpublished Work - See title page for details.

29-11-55
FIG. 01
PAGE 4
JAN 20/09

 **BOEING**
757
PARTS CATALOG (MAINTENANCE)

FIG ITEM	PART NUMBER	1 2 3 4 5 6 7	NOMENCLATURE	EFFECT FROM TO	UNITS PER ASSY
1					
145	271N6209-1	.NUT		002004 006100 107107 121503 904999	1
150	271N6209-2	.NUT		002004 006100 107107 121503 904999	2
151	BMN4122AD3-12	.NUT	SUPPLIER CODE: V97928 SPECIFICATION NUMBER: BACN10JC12 OPTIONAL PART: H10-12BAC V15653 RMLH9074-12 V72962 48FT1216 V56878	002004 006100 107107 121503 904999	1
155	AN960JD916	.WASHER-		002004 006100 107107 121503 904999	1
156	AN960JD1216	.WASHER-		002004 006100 107107 121503 904999	1
160	AN960JD1416	.WASHER-		002004 006100 107107 121503 904999	2
- 165	271N6194-3	FITTING INSTL-HYDR	POSITION DATA: SECT. 12 FOR NHA SEE: 29-11-51-18	002004 006100 107107 121503 904999	RF
170	L8006K17	.BOLT-	SUPPLIER CODE: V06725 SPECIFICATION NUMBER: BACB30MY6K17	002004 006100 107107 121503 904999	6

MISSING ITEM NUMBERS NOT APPLICABLE

- ITEM NOT ILLUSTRATED

BRI

29-11-55-01

29-11-55
FIG. 01
PAGE 5
JAN 20/09



757

PARTS CATALOG (MAINTENANCE)

FIG ITEM	PART NUMBER	1 2 3 4 5 6 7	NOMENCLATURE	EFFECT FROM TO	UNITS PER ASSY
1					
175	L8006K12	.	BOLT SUPPLIER CODE: V06725 SPECIFICATION NUMBER: BACB30MY6K12	002004 006100 107107 121503 904999	6
180	HL79-6	.	COLLAR SUPPLIER CODE: V5M902 SPECIFICATION NUMBER: BACC30M6 OPTIONAL PART: HL79-6 V73197 HL79-6 V92215 66014-6 V56878 HL79-6 V56878	002004 006100 107107 121503 904999	12
185	271N6207-1	.	FITTING-HYDR OPTIONAL PART: D10201-06 V14798	002004 006100 107107 121503 904999	1
185	D10201-06	.	FITTING-HYDR SUPPLIER CODE: V14798 OPTIONAL PART: 271N6207-1	002004 006100 107107 121503 904999	1
190	271N6208-1	.	FITTING-HYDR OPTIONAL PART: D10201D06 V14798	002004 006100 107107 121503 904999	1
190	D10201D06	.	FITTING-HYDR SUPPLIER CODE: V14798 OPTIONAL PART: 271N6208-1	002004 006100 107107 121503 904999	1
195	271N6205-1	.	FITTING-HYDR OPTIONAL PART: D10204-06 V14798	002004 006100 107107 121503 904999	1
195	D10204-06	.	FITTING-HYDR SUPPLIER CODE: V14798 OPTIONAL PART: 271N6205-1	002004 006100 107107 121503 904999	1

MISSING ITEM NUMBERS NOT APPLICABLE

- ITEM NOT ILLUSTRATED

29-11-55-01

29-11-55
FIG. 01
PAGE 6
JAN 20/09

BRI



757

PARTS CATALOG (MAINTENANCE)

FIG ITEM	PART NUMBER	1 2 3 4 5 6 7	NOMENCLATURE	EFFECT FROM TO	UNITS PER ASSY
1					
200	271N6206-1	.	FITTING-HYDR OPTIONAL PART: D10204D06 V14798	002004 006100 107107 121503 904999	1
200	D10204D06	.	FITTING-HYDR SUPPLIER CODE: V14798 OPTIONAL PART: 271N6206-1	002004 006100 107107 121503 904999	1
205	271N6208-2	.	FITTING-HYDR OPTIONAL PART: D10201D10 V14798	002004 006100 107107 121503 904999	2
205	D10201D10	.	FITTING-HYDR SUPPLIER CODE: V14798 OPTIONAL PART: 271N6208-2	002004 006100 107107 121503 904999	2
210	MS29513-017	.	PACKING	002004 006100 107107 121503 904999	2
215	MS29513-212	.	PACKING	002004 006100 107107 121503 904999	2
220	MS29513-218	.	PACKING	002004 006100 107107 121503 904999	2
225	271N6209-1	.	NUT	002004 006100 107107 121503 904999	2
230	AN960JD916	.	WASHER-	002004 006100 107107 121503 904999	2

MISSING ITEM NUMBERS NOT APPLICABLE

- ITEM NOT ILLUSTRATED

29-11-55-01

29-11-55
FIG. 01
PAGE 7
JAN 20/09

BRI

BOEING PROPRIETARY - Copyright © - Unpublished Work - See title page for details.



757

PARTS CATALOG (MAINTENANCE)

FIG ITEM	PART NUMBER	1 2 3 4 5 6 7	NOMENCLATURE	EFFECT FROM TO	UNITS PER ASSY
1					
- 235	271N6194-12		FITTING INSTL-HYDR POSITION DATA: SECT. 12 FOR NHA SEE: 29-11-51-28	002004 006100 107107 121503 904999	RF
240	L8006K7		.BOLT- SUPPLIER CODE: V06725 SPECIFICATION NUMBER: BACB30MY6K7	002004 006100 107107 121503 904999	3
245	HL79-6		.COLLAR SUPPLIER CODE: V5M902 SPECIFICATION NUMBER: BACC30M6 OPTIONAL PART: HL79-6 V73197 HL79-6 V92215 66014-6 V56878 HL79-6 V56878	002004 006100 107107 121503 904999	3
250	271N6194-13		.FITTING ASSY-	002004 006100 107107 121503 904999	1
255	271N6124-1084		..TUBE ASSY- TUBING MATERIAL: .375 IN. OD .035 IN. WALL 33.0 IN. LG AMS 4083 6061 T6 TUBING	002004 006100 107107 121503 904999	1
260	271N6208-1		..FITTING-HYDR OPTIONAL PART: D10201D06 V14798	002004 006100 107107 121503 904999	1
260	D10201D06		..FITTING-HYDR SUPPLIER CODE: V14798 OPTIONAL PART: 271N6208-1	002004 006100 107107 121503 904999	1

MISSING ITEM NUMBERS NOT APPLICABLE

- ITEM NOT ILLUSTRATED

BRI

29-11-55-01

29-11-55
FIG. 01
PAGE 8
JAN 20/09



757

PARTS CATALOG (MAINTENANCE)

FIG ITEM	PART NUMBER	1 2 3 4 5 6 7	NOMENCLATURE	EFFECT FROM TO	UNITS PER ASSY
1					
265	L8006K7	.	BOLT- SUPPLIER CODE: V06725 SPECIFICATION NUMBER: BACB30MY6K7	002004 006100 107107 121503 904999	3
270	HL79-6	.	COLLAR SUPPLIER CODE: V5M902 SPECIFICATION NUMBER: BACC30M6 OPTIONAL PART: HL79-6 V73197 HL79-6 V92215 66014-6 V56878 HL79-6 V56878	002004 006100 107107 121503 904999	3
275	271N6194-14	.	FITTING ASSY-	002004 006100 107107 121503 904999	1
280	271N6124-1083	..	TUBE ASSY- TUBING MATERIAL: .375 IN. OD .019 IN. WALL 34.50 IN. LG TI 3AL-2.5V TITANIUM SEAMLESS TUBING PER BMS7-234	002004 006100 107107 121503 904999	1
285	271N6207-1	..	FITTING- OPTIONAL PART: D10201-06 V14798	002004 006100 107107 121503 904999	1
285	D10201-06	..	FITTING-HYDR SUPPLIER CODE: V14798 OPTIONAL PART: 271N6207-1	002004 006100 107107 121503 904999	1
290	MS29513-212	.	PACKING	002004 006100 107107 121503 904999	2

MISSING ITEM NUMBERS NOT APPLICABLE

- ITEM NOT ILLUSTRATED

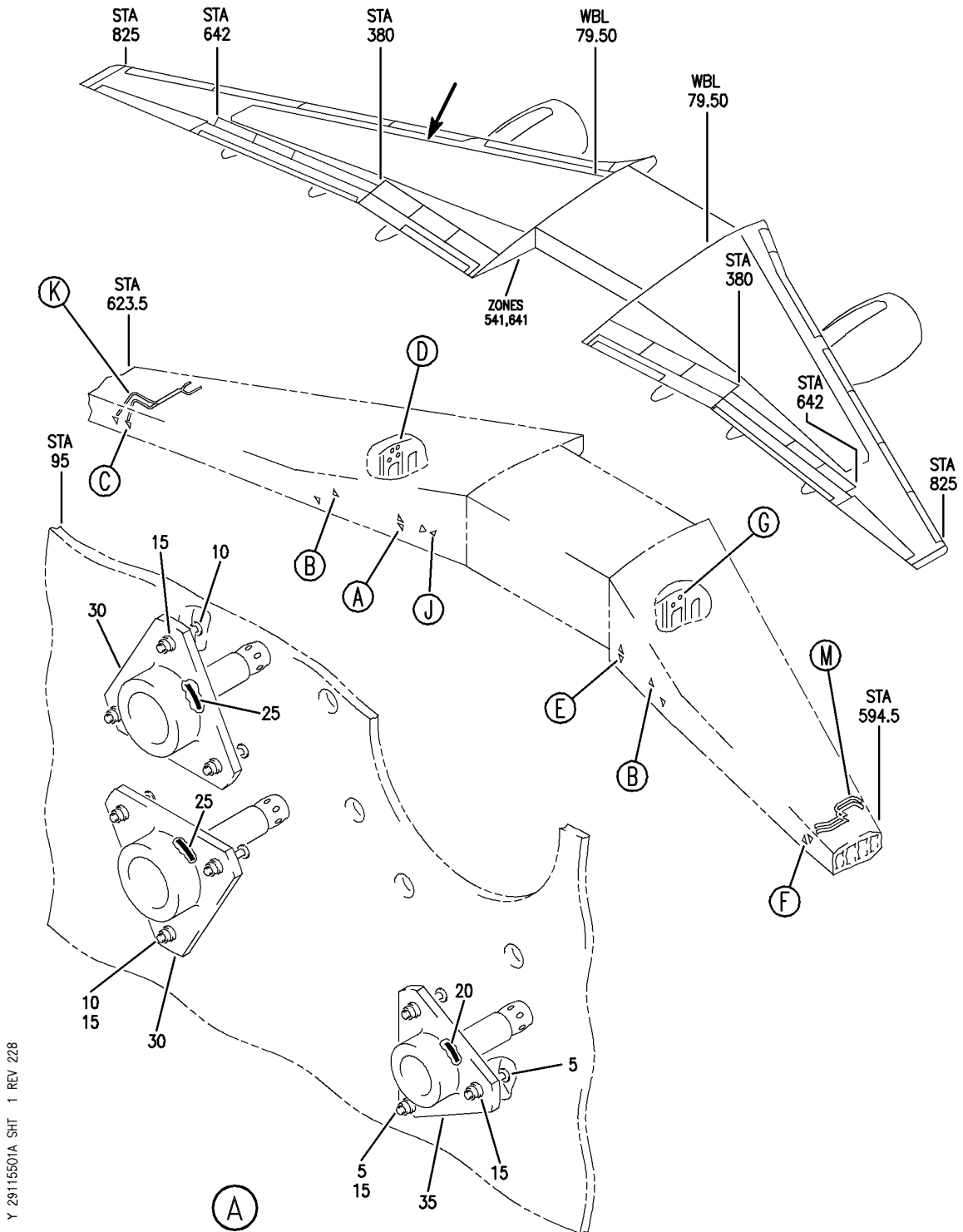
29-11-55-01

29-11-55
FIG. 01
PAGE 9
JAN 20/09

BRI

BOEING PROPRIETARY - Copyright © - Unpublished Work - See title page for details.

BOEING
757
PARTS CATALOG (MAINTENANCE)



Y 29115501A SHT 1 REV 228

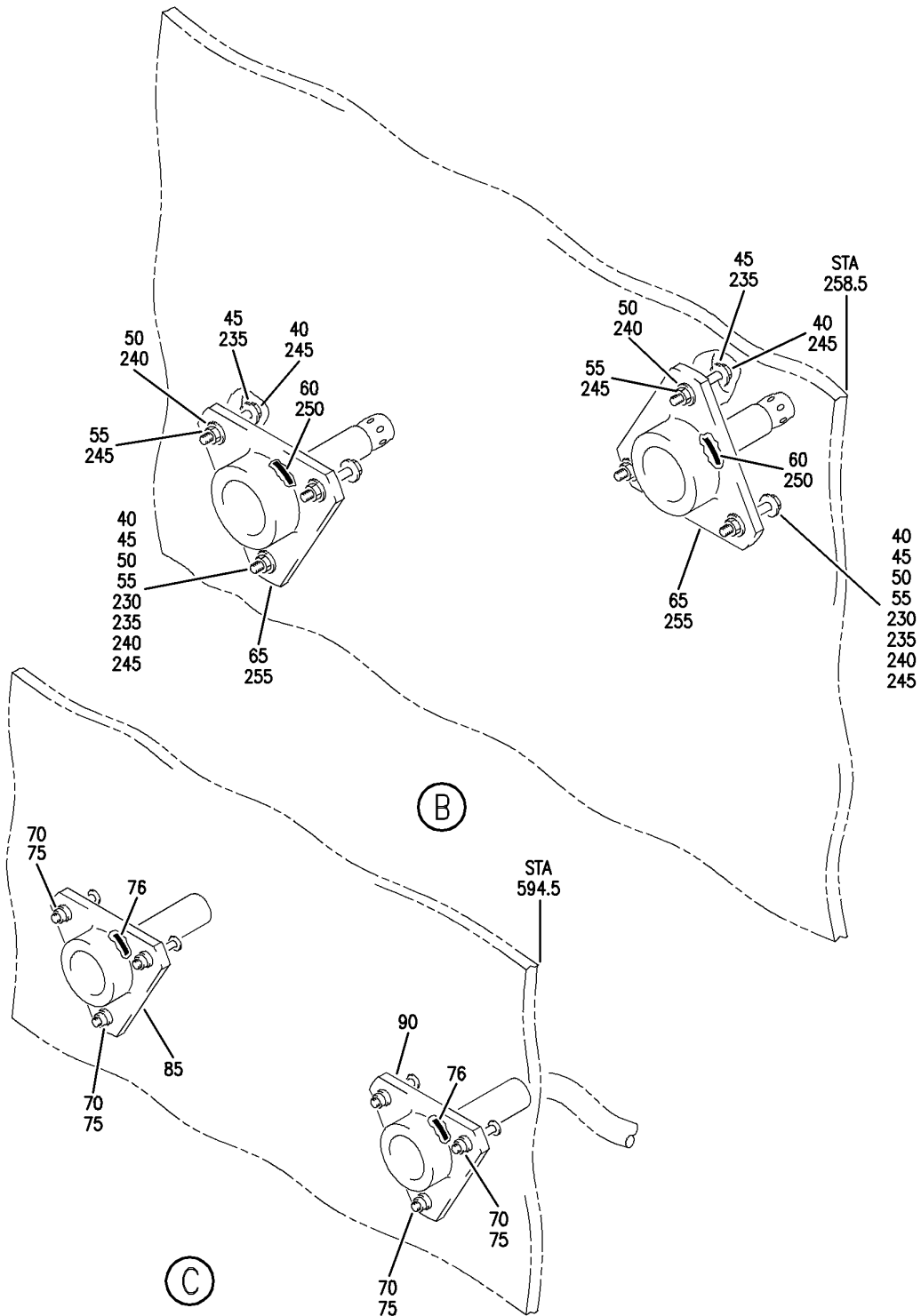
FITTING INSTL-HYDR SECT. 12
FIGURE 1A (SHEET 1)

29-11-55-01A

BRI
MAY 28/07

29-11-55-01A
PAGE 0

BOEING
757
PARTS CATALOG (MAINTENANCE)



Y 29115501A SH1 2 REV 228

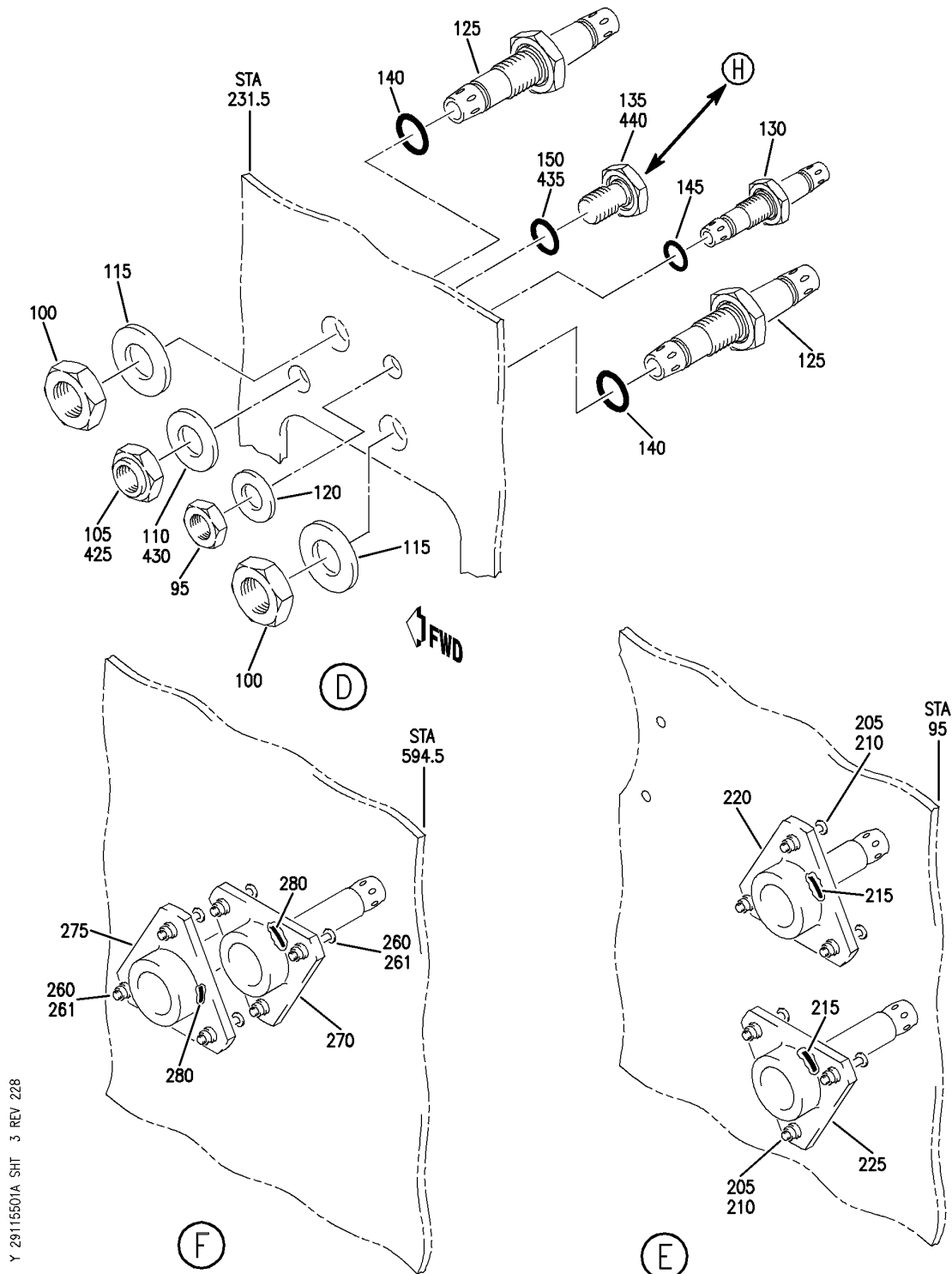
FITTING INSTL-HYDR SECT. 12
FIGURE 1A (SHEET 2)

29-11-55-01A

BRI
MAY 28/07

29-11-55-01A
PAGE 0A

BOEING
757
PARTS CATALOG (MAINTENANCE)



Y 29115501A SHT 3 REV 228

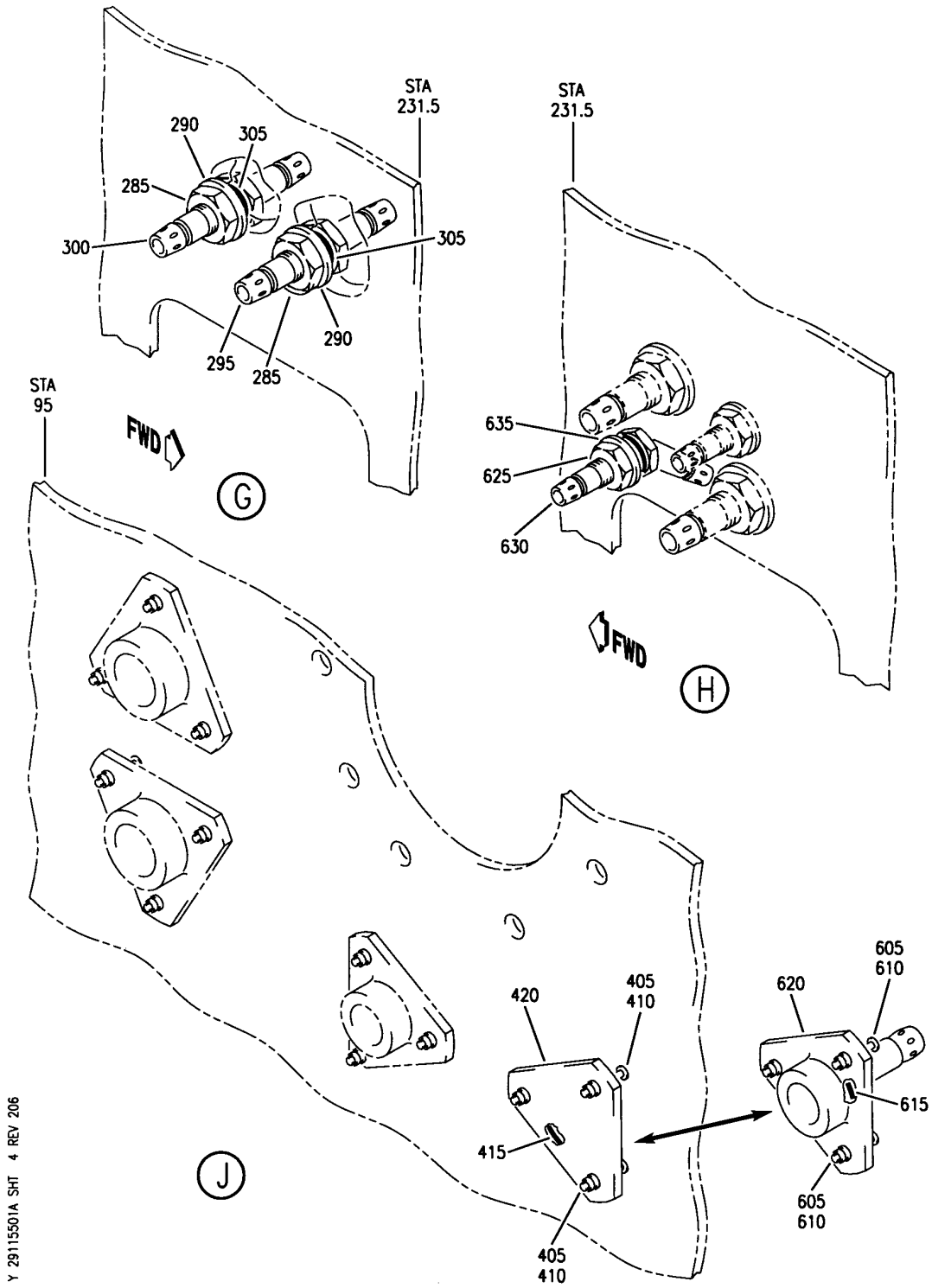
FITTING INSTL-HYDR SECT. 12
FIGURE 1A (SHEET 3)

29-11-55-01A

BRI
MAY 28/07

29-11-55-01A
PAGE 0B

BOEING
757
PARTS CATALOG (MAINTENANCE)



Y 29115501A SHT 4 REV 206

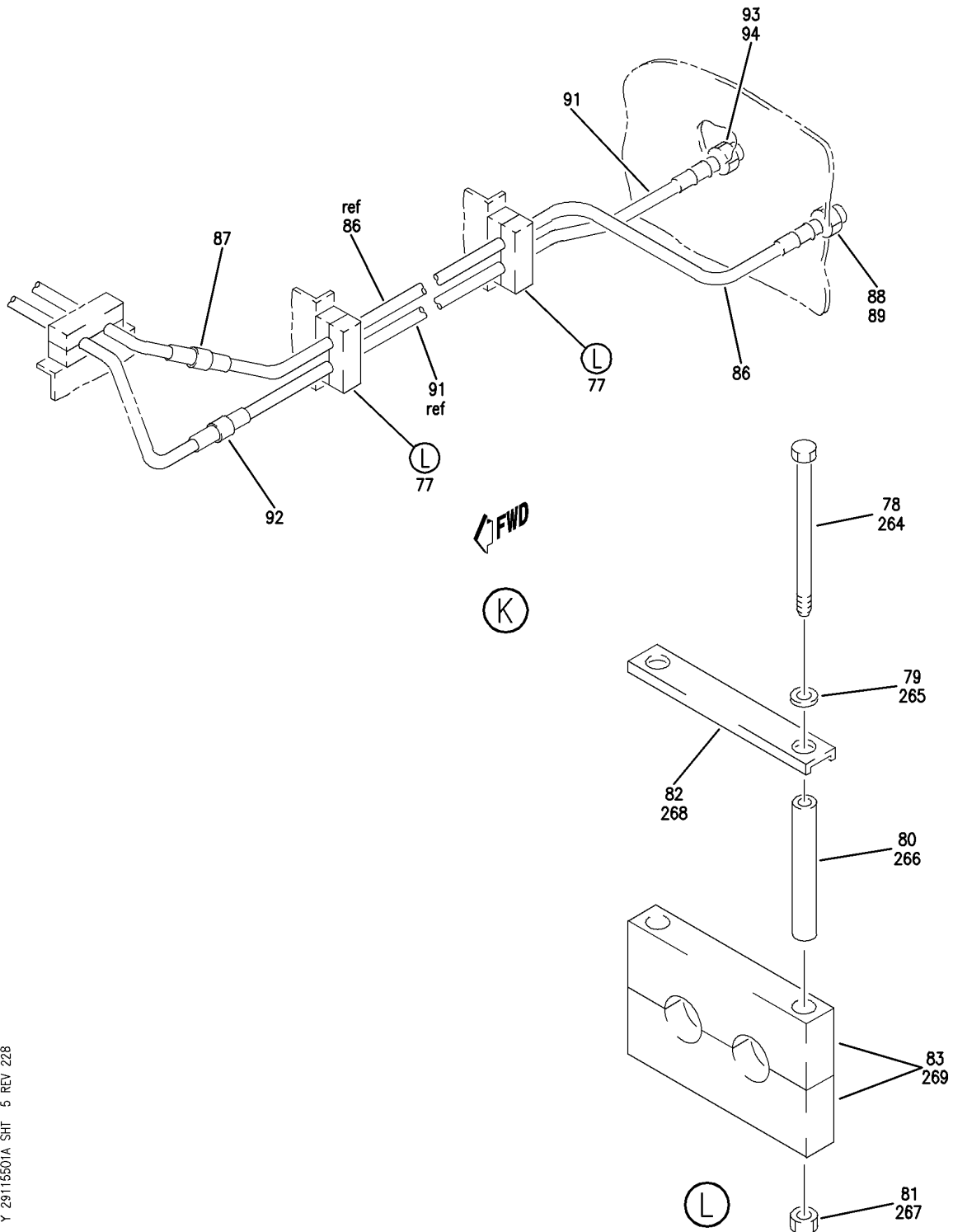
FITTING INSTL-HYDR SECT. 12
FIGURE 1A (SHEET 4)

29-11-55-01A

BRI
MAY 28/07

29-11-55-01A
PAGE 0C

BOEING
757
PARTS CATALOG (MAINTENANCE)



Y 29115501A SHT 5 REV 228

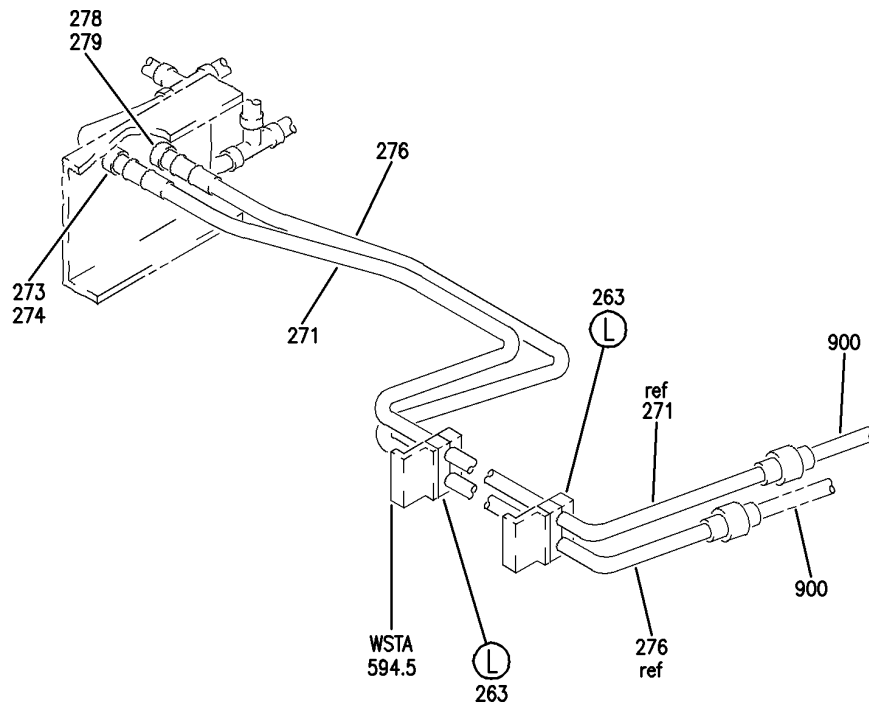
FITTING INSTL-HYDR SECT. 12
FIGURE 1A (SHEET 5)

29-11-55-01A

BRI
MAY 28/07

29-11-55-01A
PAGE 0D

BOEING
757
PARTS CATALOG (MAINTENANCE)



FWD ↘

(M)

Y 29115501A SHT 6 REV 228

FITTING INSTL-HYDR SECT. 12
FIGURE 1A (SHEET 6)

29-11-55-01A

BRI
MAY 28/07

29-11-55-01A
PAGE 0E



757

PARTS CATALOG (MAINTENANCE)

FIG ITEM	PART NUMBER	1 2 3 4 5 6 7	NOMENCLATURE	EFFECT FROM TO	UNITS PER ASSY
1 A			FITTING INSTL-HYDR SECT. 12	101106 108120 504903	
- 1	271N6194-29		FITTING INSTL-HYDR POSITION DATA: SECT. 12 FOR NHA SEE: 29-00-51-01A	101102 108120 504903	RF
- 1	MODREF7627		FITTING INSTL-HYDR MODULE NUMBER: 271N6194-29 REV A POSITION DATA: SECT. 12	103105	1
- 1	MODREF34172		FITTING INSTL-HYDR MODULE NUMBER: 271N6194-29 REV B POSITION DATA: SECT. 12	106106	1
5	HST10AG6-18		.BOLT SUPPLIER CODE: VOPTK6 SPECIFICATION NUMBER: BACB30VT6K18 OPTIONAL PART: HST10AG6-18 V06725 HST10AG6-18 V56878 HST10AG6-18 V73197 WC10K6-18 V60516	101106 108120 504903	3
10	HST10AG6-16		.BOLT SUPPLIER CODE: VOPTK6 SPECIFICATION NUMBER: BACB30VT6K16 OPTIONAL PART: HST10AG6-16 V06725 HST10AG6-16 V56878 HST10AG6-16 V73197 WC10K6-16 V60516	101106 108120 504903	6

MISSING ITEM NUMBERS NOT APPLICABLE

- ITEM NOT ILLUSTRATED

29-11-55-01A

29-11-55
FIG. 01A
PAGE 1
JAN 20/09

BRI



757

PARTS CATALOG (MAINTENANCE)

FIG ITEM	PART NUMBER	1 2 3 4 5 6 7	NOMENCLATURE	EFFECT FROM TO	UNITS PER ASSY
1A					
15	BACC30BL6	.	COLLAR SUPPLIER CODE: V73197 SPECIFICATION NUMBER: BACC30BL6 OPTIONAL PART: HST79-6 V92215 HST79CY6 V56878 HST79CY6 V5M902	101106 108120 504903	9
20	MS29513-212	.	PACKING	101106 108120 504903	1
25	MS29513-218	.	PACKING	101106 108120 504903	2
30	BACA14BM1010D	.	ADAPTOR-	101106 108120 504903	2
35	BACA14BM0606J	.	ADAPTER-	101106 108120 504903	1
40	BACB30LE4K20	.	BOLT	101106 108120 504903	6
45	BACW10BP4CD	.	WASHER	101106 108120 504903	6
50	BACW10BP4APU	.	WASHER	101106 108120 504903	6

MISSING ITEM NUMBERS NOT APPLICABLE

- ITEM NOT ILLUSTRATED

29-11-55-01A

29-11-55
FIG. 01A
PAGE 2
JAN 20/09

BRI

BOEING PROPRIETARY - Copyright © - Unpublished Work - See title page for details.



757

PARTS CATALOG (MAINTENANCE)

FIG ITEM	PART NUMBER	1 2 3 4 5 6 7	NOMENCLATURE	EFFECT FROM TO	UNITS PER ASSY
1 A 55	BMM10HRCPD3-4	.NUT	SUPPLIER CODE: V97928 SPECIFICATION NUMBER: BACN10HR4CS OPTIONAL PART: H39953-4 V15653 109LH9031-4 V72962 67832AS428 V56878 BH00303-4 V27238 SL7059C428 V11815 BH003034 V27238 BMN5024CPD34 V97928 CR59084 V62554 109LH90314 V72962 67832AS4 V56878 BMM10HRCPD3-4 V97928 SL705094 V11815	101106 108120 504903	6
60	MS29513-218	.PACKING		101106 108120 504903	2
65	D10364D10	.FITTING ASSY-	SUPPLIER CODE: V14798	101106 108120 504903	2

MISSING ITEM NUMBERS NOT APPLICABLE

- ITEM NOT ILLUSTRATED

29-11-55-01A

29-11-55
FIG. 01A
PAGE 3
JAN 20/09

BRI

BOEING PROPRIETARY - Copyright © - Unpublished Work - See title page for details.



757

PARTS CATALOG (MAINTENANCE)

FIG ITEM	PART NUMBER	1 2 3 4 5 6 7	NOMENCLATURE	EFFECT FROM TO	UNITS PER ASSY
1A 70	HST10AG6-8	.BOLT	SUPPLIER CODE: VOPTK6 SPECIFICATION NUMBER: BACB30VT6K8 OPTIONAL PART: HST10AG6-8 V06725 HST10AG6-8 V56878 HST10AG6-8 V73197 WC10K6-6 V60516	101106 108120 504903	6
75	BACC30BL6	.COLLAR	SUPPLIER CODE: V73197 SPECIFICATION NUMBER: BACC30BL6 OPTIONAL PART: HST79-6 V92215 HST79CY6 V56878 HST79CY6 V5M902	101106 108120 504903	6
76	MS29513-212	.PACKING		101106 108120 504903	2
77	270N2001-10	.CLAMP ASSY-BLK		101106 108120 504903	2
78	NAS1801-3-24	..SCREW		101106 108120 504903	2
79	AN960PD10L	..WASHER		101106 108120 504903	2
80	NAS43DD3-59	..SPACER		101106 108120 504903	2

MISSING ITEM NUMBERS NOT APPLICABLE

- ITEM NOT ILLUSTRATED

29-11-55-01A

29-11-55
FIG. 01A
PAGE 4
JAN 20/09

BRI

BOEING PROPRIETARY - Copyright © - Unpublished Work - See title page for details.



757

PARTS CATALOG (MAINTENANCE)

FIG ITEM	PART NUMBER	1 2 3 4 5 6 7	NOMENCLATURE	EFFECT FROM TO	UNITS PER ASSY
1 A					
81	BRH10A3	..	NUT SUPPLIER CODE: V52828 SPECIFICATION NUMBER: BACN10JC3 OPTIONAL PART: H10-3BAC V15653 NS202101-02 V80539 RMLH9075-3W V72962 VN303A02 V92215 96-02 V80539 T6S1032J V11815	101106 108120 504903	2
82	270N2001-805	..	CHANNEL	101106 108120 504903	1
83	270N2001-405	..	BLOCK	101106 108120 504903	2
85	271N6194-21	.	FITTING ASSY-	101106 108120 504903	1
86	271N6121-1127	..	TUBE ASSY-PRESSURE SYS POSITION DATA: CTR TUBING MATERIAL: .375 IN. OD X .019 IN. WALL X 29.4 IN. LG 3AL-2.5V TITANIUM SEAMLESS TUBING PER BMS7-234.	101106 108120 504903	1
87	D10201-06	..	FITTING- SUPPLIER CODE: V14798 OPTIONAL PART: 271N6207-1	101106 108120 504903	1
87	271N6207-1	..	FITTING- OPTIONAL PART: D10201-06 V14798	101106 108120 504903	1
88	BACU24K6	..	UNION	101106 108120 504903	1

MISSING ITEM NUMBERS NOT APPLICABLE

- ITEM NOT ILLUSTRATED

29-11-55-01A

29-11-55
FIG. 01A
PAGE 5
JAN 20/09

BRI

BOEING PROPRIETARY - Copyright © - Unpublished Work - See title page for details.



757

PARTS CATALOG (MAINTENANCE)

FIG ITEM	PART NUMBER	1 2 3 4 5 6 7	NOMENCLATURE	EFFECT FROM TO	UNITS PER ASSY
1A					
89	NAS1612-6	..	PACKING-	101106 108120 504903	1
90	271N6194-20	.	FITTING ASSY	101106 108120 504903	1
91	271N6121-1122	..	TUBE ASSY-RETURN SYS POSITION DATA: CTR TUBING MATERIAL: .375 IN. OD X .035 IN. WALL X 24.1 IN. LG 6061-T6 ALUMINUM SEAMLESS TUBING PER MIL-T-7081.	101106 108120 504903	1
92	D10201D06	..	FITTING- SUPPLIER CODE: V14798 OPTIONAL PART: 271N6208-1	101106 108120 504903	1
92	271N6208-1	..	FITTING- OPTIONAL PART: D10201D06 V14798	101106 108120 504903	1
93	MS21902D6	..	UNION	101106 108120 504903	1
94	NAS1612-6	..	PACKING-	101106 108120 504903	1
95	271N6209-1	.	NUT	101106 108120 504903	1
100	271N6209-2	.	NUT	101106 108120 504903	2
115	NAS1149D1416J	.	WASHER	101106 108120 504903	2
120	NAS1149D0916J	.	WASHER	101106 108120 504903	1
125	BACU24BR1010D	.	UNION	101106 108120 504903	2
130	BACU24BR0606J	.	UNION	101106 108120 504903	1

MISSING ITEM NUMBERS NOT APPLICABLE

- ITEM NOT ILLUSTRATED

29-11-55-01A

29-11-55
FIG. 01A
PAGE 6
JAN 20/09

BRI

BOEING PROPRIETARY - Copyright © - Unpublished Work - See title page for details.



757

PARTS CATALOG (MAINTENANCE)

FIG ITEM	PART NUMBER	1 2 3 4 5 6 7	NOMENCLATURE	EFFECT FROM TO	UNITS PER ASSY
1A					
140	MS29513-022	.	PACKING	101106 108120 504903	2
145	MS29513-017	.	PACKING	101106 108120 504903	1
- 200	271N6194-30		FITTING INSTL-HYDR POSITION DATA: SECT. 12 FOR NHA SEE: 29-00-51-01A	101102 108120 504903	RF
- 200	MODREF7628		FITTING INSTL-HYDR MODULE NUMBER: 271N6194-30 REV A POSITION DATA: SECT. 12	103106	1
205	HST10AG6-16	.	BOLT SUPPLIER CODE: VOPTK6 SPECIFICATION NUMBER: BACB30VT6K16 OPTIONAL PART: HST10AG6-16 V06725 HST10AG6-16 V56878 HST10AG6-16 V73197 WC10K6-16 V60516	101106 108120 504903	6
210	BACC3OBL6	.	COLLAR SUPPLIER CODE: V73197 SPECIFICATION NUMBER: BACC3OBL6 OPTIONAL PART: HST79-6 V92215 HST79CY6 V56878 HST79CY6 V5M902	101106 108120 504903	6
215	MS29513-212	.	PACKING	101106 108120 504903	2
220	BACA14BM0606J	.	ADAPTER	101106 108120 504903	1

MISSING ITEM NUMBERS NOT APPLICABLE

- ITEM NOT ILLUSTRATED

29-11-55-01A

29-11-55
FIG. 01A
PAGE 7
JAN 20/09

BRI

BOEING PROPRIETARY - Copyright © - Unpublished Work - See title page for details.



757

PARTS CATALOG (MAINTENANCE)

FIG ITEM	PART NUMBER	1 2 3 4 5 6 7	NOMENCLATURE	EFFECT FROM TO	UNITS PER ASSY
1A					
225	BACA14BM0606D	.	ADAPTER	101106 108120 504903	1
230	BACB30LE4K20	.	BOLT	101106 108120 504903	6
235	BACW10BP4CD	.	WASHER	101106 108120 504903	6
240	BACW10BP4APU	.	WASHER	101106 108120 504903	6
245	BMM10HRCPD3-4	.	NUT SUPPLIER CODE: V97928 SPECIFICATION NUMBER: BACN10HR4CS OPTIONAL PART: H39953-4 V15653 109LH9031-4 V72962 67832AS428 V56878 BH00303-4 V27238 SL7059C428 V11815 BH003034 V27238 BMN5024CPD34 V97928 CR59084 V62554 109LH90314 V72962 67832AS4 V56878 BMN10HRCPD3-4 V97928 SL705094 V11815	101106 108120 504903	6
250	MS29513-218	.	PACKING	101106 108120 504903	2
255	D10364D10	.	FITTING ASSY- SUPPLIER CODE: V14798	101106 108120 504903	2

MISSING ITEM NUMBERS NOT APPLICABLE

- ITEM NOT ILLUSTRATED

29-11-55-01A

29-11-55
FIG. 01A
PAGE 8
JAN 20/09

BRI

BOEING PROPRIETARY - Copyright © - Unpublished Work - See title page for details.



757

PARTS CATALOG (MAINTENANCE)

FIG ITEM	PART NUMBER	1 2 3 4 5 6 7	NOMENCLATURE	EFFECT FROM TO	UNITS PER ASSY
1 A 260	HST10AG6-7	.BOLT	SUPPLIER CODE: VOPTK6 SPECIFICATION NUMBER: BACB30VT6K7 OPTIONAL PART: HST10AG6-7 V06725 HST10AG6-7 V56878 HST10AG6-7 V73197 WC10K6-7 V60516	101106 108120 504903	6
261	BACC30BL6	.COLLAR	SUPPLIER CODE: V73197 SPECIFICATION NUMBER: BACC30BL6 OPTIONAL PART: HST79-6 V92215 HST79CY6 V56878 HST79CY6 V5M902	101106 108120 504903	6
263	270N2001-10	.CLAMP ASSY-BLK		101106 108120 504903	2
264	NAS1801-3-24	..SCREW		101106 108120 504903	2
265	AN960PD10L	..WASHER		101106 108120 504903	2
266	NAS43DD3-59	..SPACER		101106 108120 504903	2

MISSING ITEM NUMBERS NOT APPLICABLE

- ITEM NOT ILLUSTRATED

29-11-55-01A

29-11-55
FIG. 01A
PAGE 9
JAN 20/09

BRI

BOEING PROPRIETARY - Copyright © - Unpublished Work - See title page for details.



757

PARTS CATALOG (MAINTENANCE)

FIG ITEM	PART NUMBER	1 2 3 4 5 6 7	NOMENCLATURE	EFFECT FROM TO	UNITS PER ASSY
1 A 267	BRH10A3	..	NUT SUPPLIER CODE: V52828 SPECIFICATION NUMBER: BACN10JC3 OPTIONAL PART: H10-3BAC V15653 NS202101-02 V80539 RMLH9075-3W V72962 VN303A02 V92215 96-02 V80539 T6S1032J V11815	101106 108120 504903	2
268	270N2001-805	..	CHANNEL	101106 108120 504903	1
269	270N2001-405	..	BLOCK	101106 108120 504903	2
270	271N6194-14	.	FITTING ASSY	101106 108120 504903	1
271	271N6121-1083	..	TUBE ASSY-PRESSURE SYS POSITION DATA: CTR TUBING MATERIAL: .375 IN. OD X .019 IN. 3AL-2.5V TITANIUM SEAMLESS TUBING PER BMS7-234.	101106 108120 504903	1
273	BACU24K6	..	UNION	101106 108120 504903	1
274	NAS1612-6	..	PACKING-	101106 108120 504903	1
275	271N6194-13	.	FITTING ASSY	101106 108120 504903	1

MISSING ITEM NUMBERS NOT APPLICABLE

- ITEM NOT ILLUSTRATED

29-11-55-01A

29-11-55
FIG. 01A
PAGE 10
JAN 20/09

BRI

BOEING PROPRIETARY - Copyright © - Unpublished Work - See title page for details.



757

PARTS CATALOG (MAINTENANCE)

FIG ITEM	PART NUMBER	1 2 3 4 5 6 7	NOMENCLATURE	EFFECT FROM TO	UNITS PER ASSY
1A 276	271N6121-1084	..	TUBE ASSY-RETURN SYS POSITION DATA: CTR TUBING MATERIAL: .375 IN. OD X .035 IN. 6061-T6 ALUMINUM SEAMLESS TUBING PER MIL-T-7081.	101106 108120 504903	1
278	MS21902D6	..	UNION	101106 108120 504903	1
279	NAS1612-6	..	PACKING-	101106 108120 504903	1
280	MS29513-212	.	PACKING	101106 108120 504903	2
285	271N6209-1	.	NUT	101106 108120 504903	2
290	NAS1149D0916J	.	WASHER	101106 108120 504903	2
295	BACU24BR0606D	.	UNION	101106 108120 504903	1
300	BACU24BR0606J	.	UNION	101106 108120 504903	1
305	MS29513-017	.	PACKING	101106 108120 504903	2
- 400	271N6194-31		FITTING INSTL-HYDR POSITION DATA: SECT. 12 FOR NHA SEE: 29-00-51-02B	101102 108120 504903	RF
- 400	MODREF7629		FITTING INSTL-HYDR MODULE NUMBER: 271N6194-31 REV A POSITION DATA: SECT. 12	103106	1

MISSING ITEM NUMBERS NOT APPLICABLE

- ITEM NOT ILLUSTRATED

29-11-55-01A

29-11-55
FIG. 01A
PAGE 11
JAN 20/09

BRI

BOEING PROPRIETARY - Copyright © - Unpublished Work - See title page for details.



757

PARTS CATALOG (MAINTENANCE)

FIG ITEM	PART NUMBER	1 2 3 4 5 6 7	NOMENCLATURE	EFFECT FROM TO	UNITS PER ASSY
1 A 405	HST10AG6-18	.BOLT	SUPPLIER CODE: VOPTK6 SPECIFICATION NUMBER: BACB30VT6K18 OPTIONAL PART: HST10AG6-18 V06725 HST10AG6-18 V56878 HST10AG6-18 V73197 WC10K6-18 V60516	101106 108120 504903	3
410	BACC30BL6	.COLLAR	SUPPLIER CODE: V73197 SPECIFICATION NUMBER: BACC30BL6 OPTIONAL PART: HST79-6 V92215 HST79CY6 V56878 HST79CY6 V5M902	101106 108120 504903	3
415	MS29513-215	.PACKING		101106 108120 504903	1
420	271N6266-1	.PLUG		101106 108120 504903	1
425	69235-1216CD	.NUT	SUPPLIER CODE: V92215 SPECIFICATION NUMBER: BACN10JC12CD OPTIONAL PART: 102LH9074-12 V72962 BMN4122CPD8-12 V97928 H51650-12BAC V15653	101106 108120 504903	1
430	NAS1149D1290J	.WASHER		101106 108120 504903	1

MISSING ITEM NUMBERS NOT APPLICABLE

- ITEM NOT ILLUSTRATED

29-11-55-01A

29-11-55
FIG. 01A
PAGE 12
JAN 20/09

BRI

BOEING PROPRIETARY - Copyright © - Unpublished Work - See title page for details.



757

PARTS CATALOG (MAINTENANCE)

FIG ITEM	PART NUMBER	1 2 3 4 5 6 7	NOMENCLATURE	EFFECT FROM TO	UNITS PER ASSY
1 A					
435	MS29513-020	.	PACKING	101106 108120 504903	1
440	271N6265-1	.	PLUG	101106 108120 504903	1
900			ILLUSTRATION REFERENCE: PLUMBING INSTL-HYDR WING SECT. 12 R OUTBD 29-11-51-28A	101106 108120 504903	RF
905			ILLUSTRATION REFERENCE: PLUMBING INSTL-INSPAR SYS CTR CASE DRAIN 29-11-51-59	101102 108120 504903	RF

MISSING ITEM NUMBERS NOT APPLICABLE

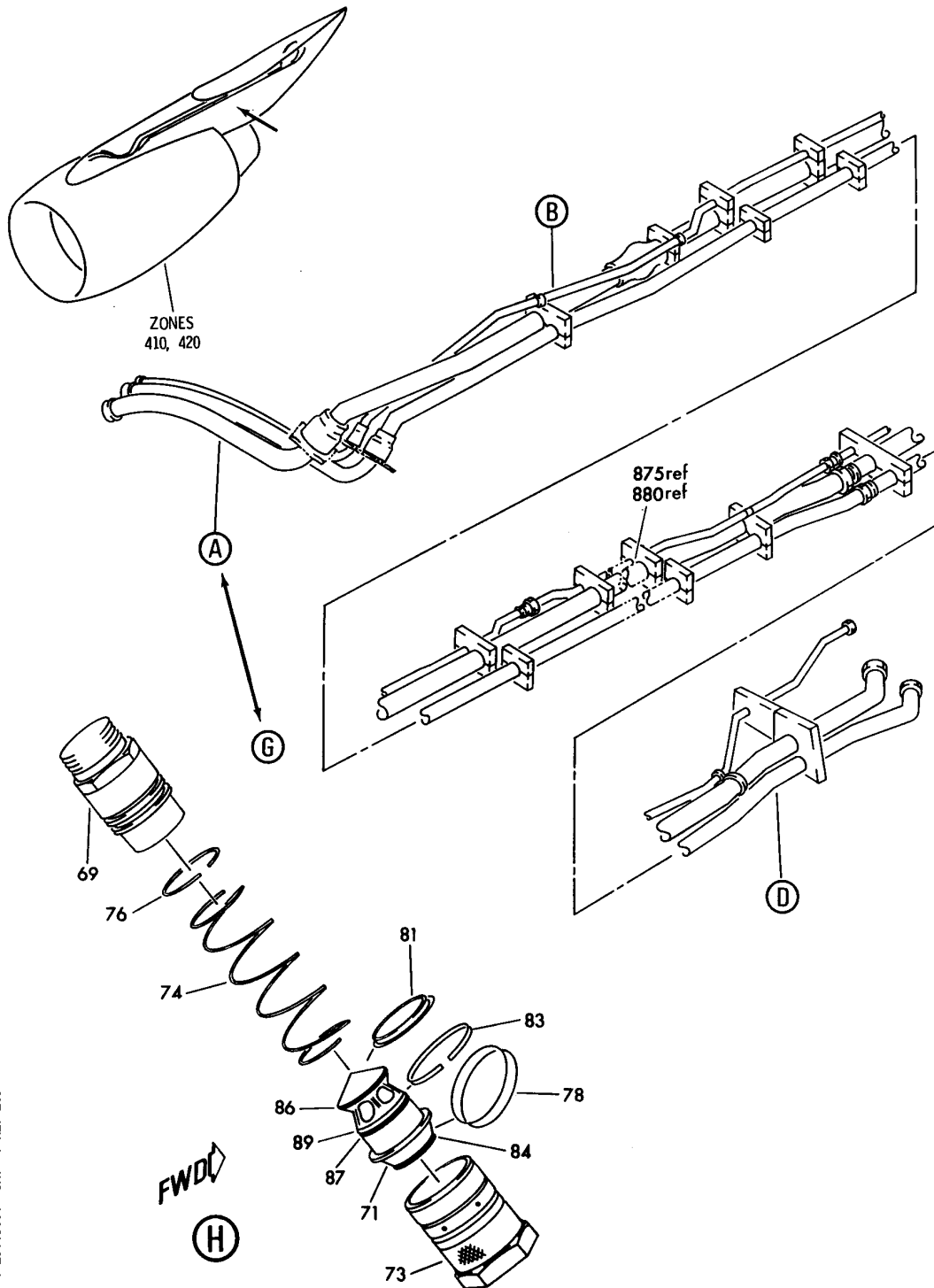
- ITEM NOT ILLUSTRATED

29-11-55-01A

29-11-55
FIG. 01A
PAGE 13
JAN 20/09

BRI

BOEING
757
PARTS CATALOG (MAINTENANCE)



Y 29115601 SHT 1 REV 269

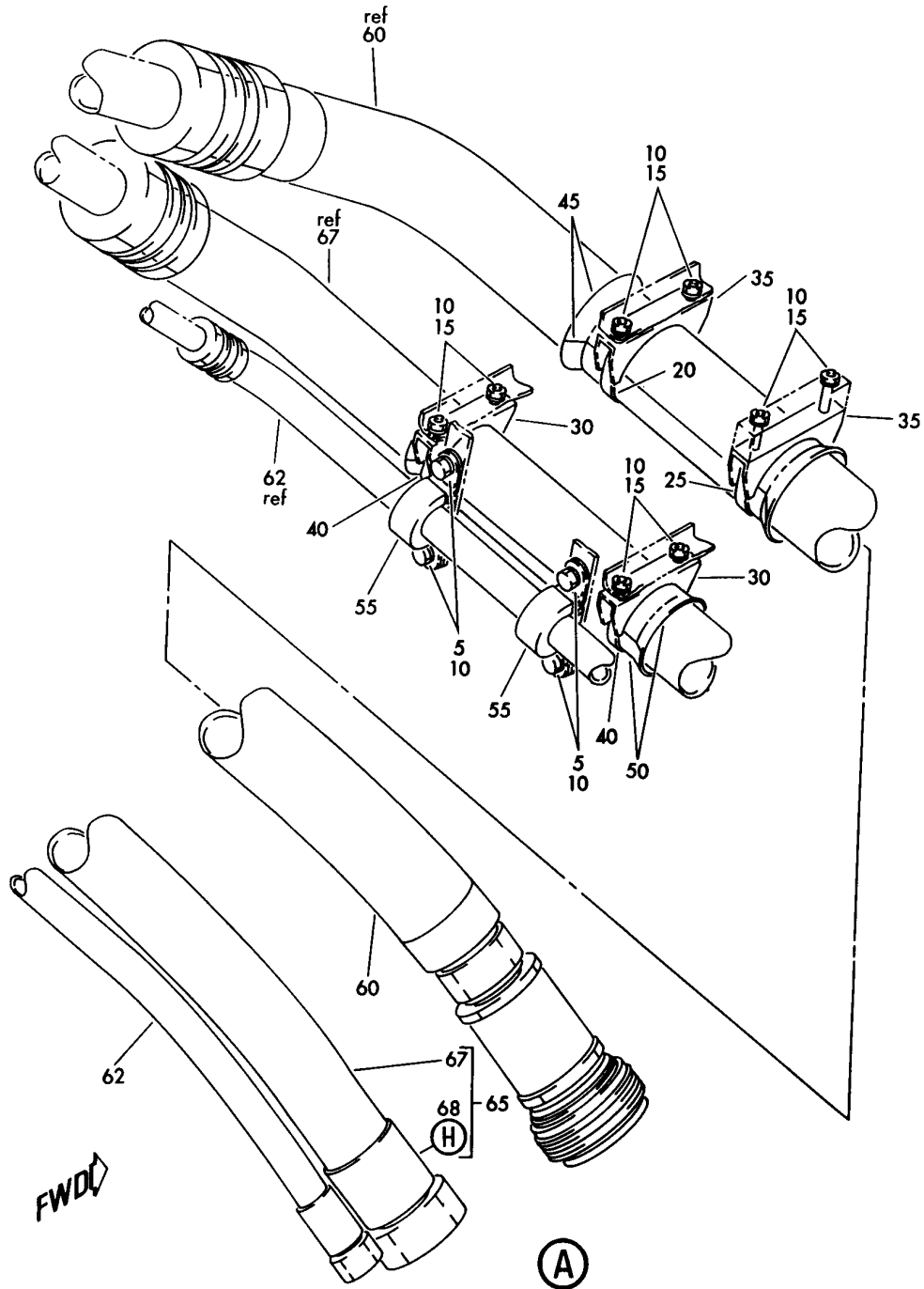
SYSTEM INSTL-STRUT FUEL AND HYDR (HYDRAULIC POWER ONLY) (RB211-535)
FIGURE 1 (SHEET 1)

BRI
MAY 28/07

29-11-56-01

29-11-56-01
PAGE 0

BOEING
757
PARTS CATALOG (MAINTENANCE)



Y 29115601 SHT 2 REV 177

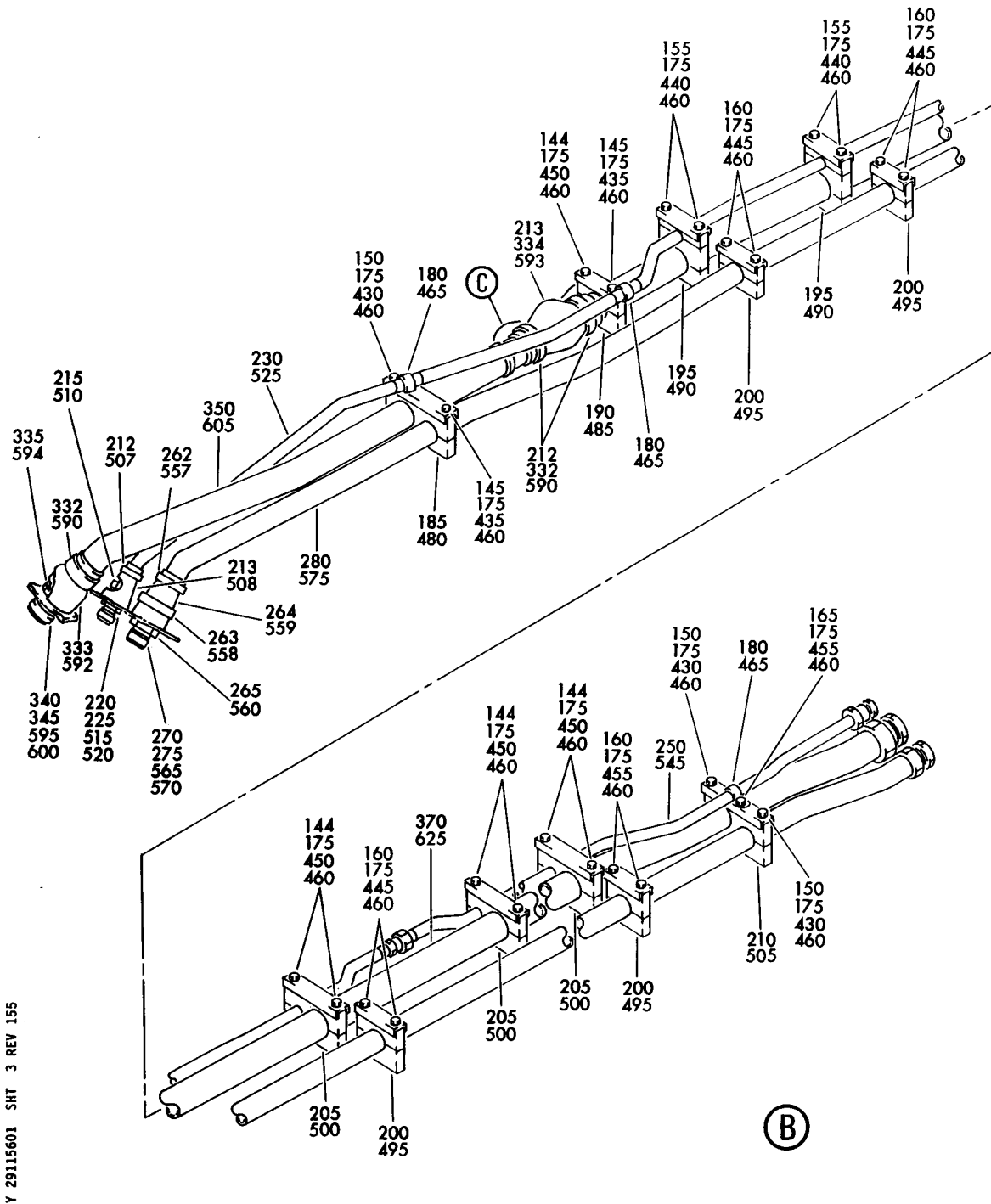
SYSTEM INSTL-STRUT FUEL AND HYDR (HYDRAULIC POWER ONLY) (RB211-535)
FIGURE 1 (SHEET 2)

29-11-56-01

BRI
MAY 28/07

29-11-56-01
PAGE 0A

BOEING
757
PARTS CATALOG (MAINTENANCE)



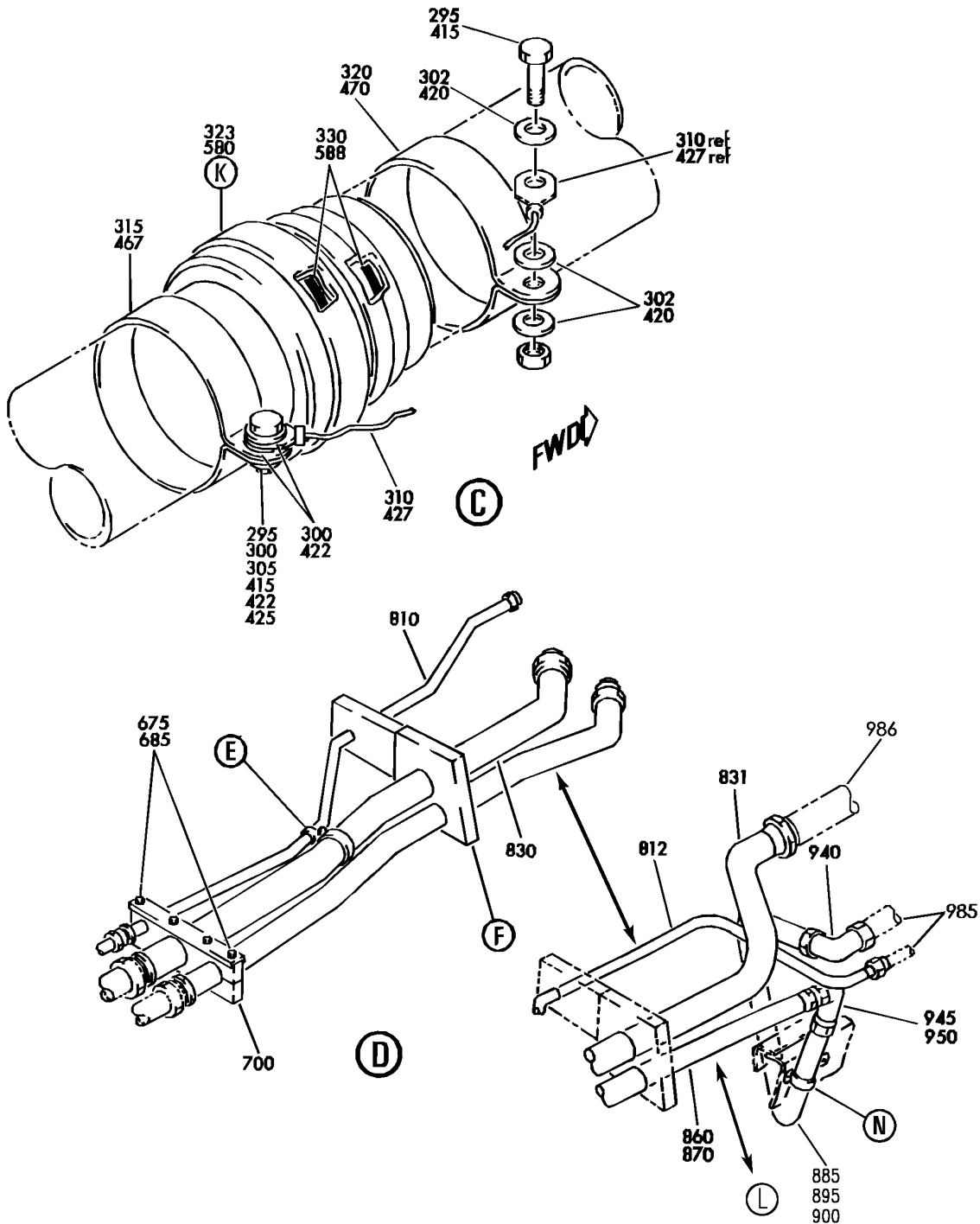
SYSTEM INSTL-STRUT FUEL AND HYDR (HYDRAULIC POWER ONLY) (RB211-535)
FIGURE 1 (SHEET 3)

29-11-56-01

BRI
MAY 28/07

29-11-56-01
PAGE 0B

BOEING
757
PARTS CATALOG (MAINTENANCE)



Y 29115601 SH1 4 REV 275

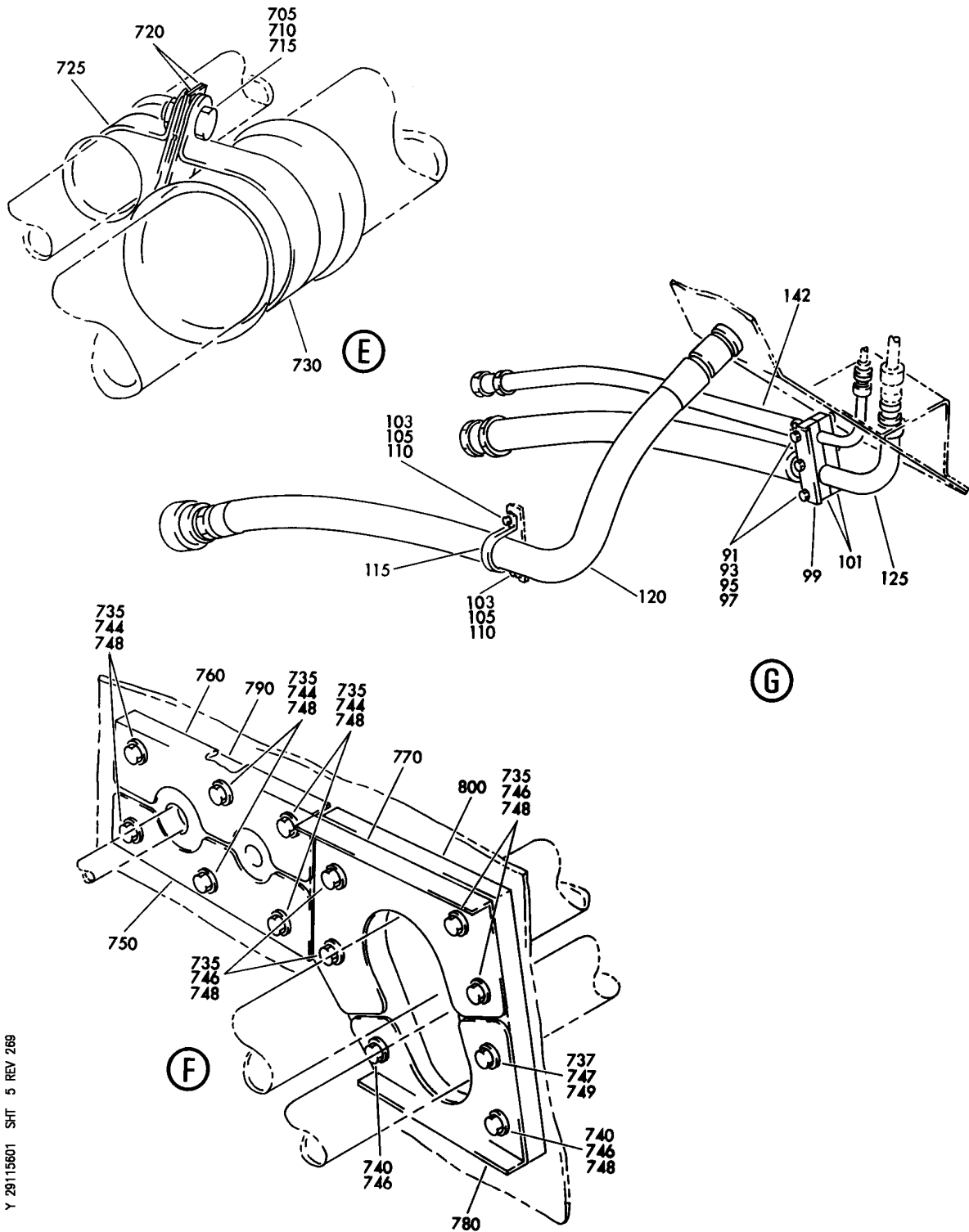
SYSTEM INSTL-STRUT FUEL AND HYDR (HYDRAULIC POWER ONLY) (RB211-535)
FIGURE 1 (SHEET 4)

29-11-56-01

BRI
MAY 28/07

29-11-56-01
PAGE 0C

BOEING
757
PARTS CATALOG (MAINTENANCE)



Y 29115601 SH1 5 REV 269

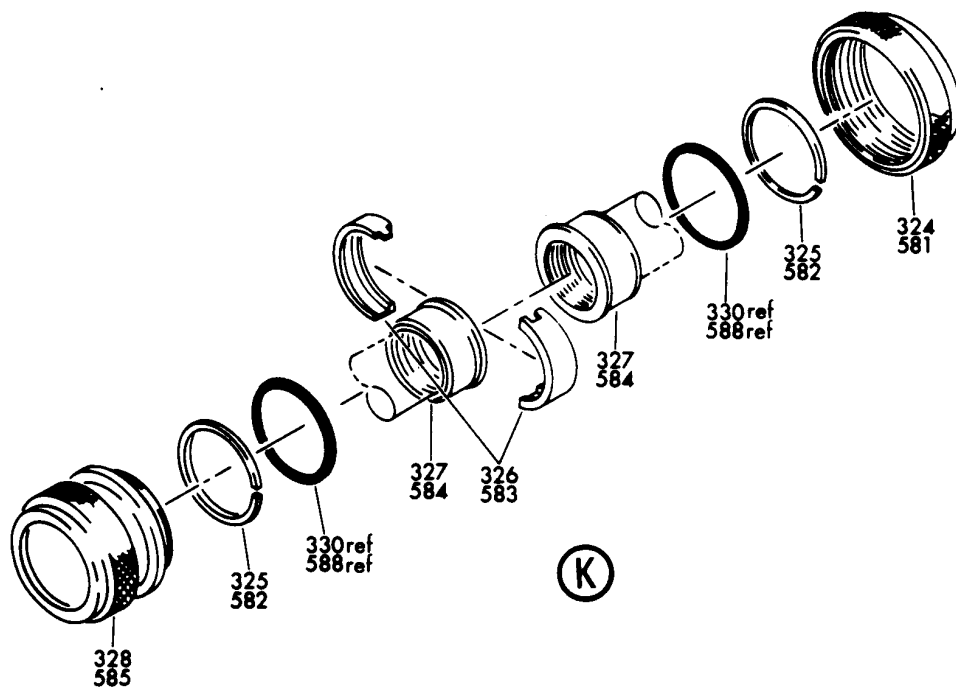
SYSTEM INSTL-STRUT FUEL AND HYDR (HYDRAULIC POWER ONLY) (RB211-535)
FIGURE 1 (SHEET 5)

29-11-56-01

BRI
MAY 28/07

29-11-56-01
PAGE 0D

BOEING
757
PARTS CATALOG (MAINTENANCE)



Y 29115601 SHT 6 REV 094

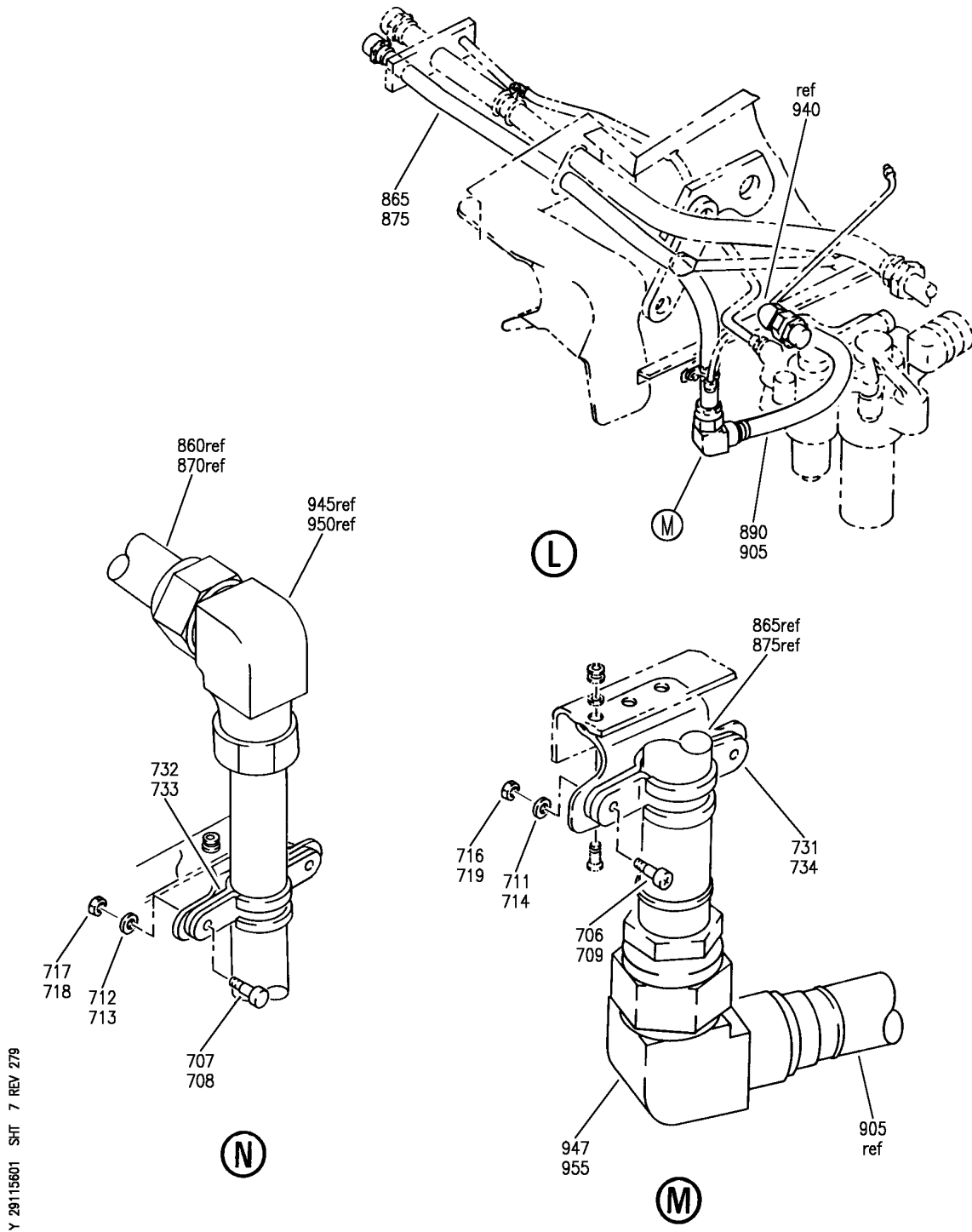
SYSTEM INSTL-STRUT FUEL AND HYDR (HYDRAULIC POWER ONLY) (RB211-535)
FIGURE 1 (SHEET 6)

29-11-56-01

BRI
MAY 28/07

29-11-56-01
PAGE 0E

BOEING
757
PARTS CATALOG (MAINTENANCE)



Y 29115601 SHT 7 REV 279

SYSTEM INSTL-STRUT FUEL AND HYDR (HYDRAULIC POWER ONLY) (RB211-535)
FIGURE 1 (SHEET 7)

29-11-56-01

BRI
MAY 28/07

29-11-56-01
PAGE OF



757

PARTS CATALOG (MAINTENANCE)

FIG ITEM	PART NUMBER	1 2 3 4 5 6 7	NOMENCLATURE	EFFECT FROM TO	UNITS PER ASSY
1			SYSTEM INSTL-STRUT FUEL AND HYDR (HYDRAULIC POWER ONLY) (RB211-535)	002004 006102 107999	
- 1	312N5101-35		SYSTEM INSTL-STRUT FUEL AND HYDR FOR NHA SEE: 71-00-02-02	002004 006100 107107 121503 904999	RF
91	NAS1801-3-35		.SCREW-	002004 006100 107107 121503 904999	3
93	AN960PD10		.WASHER-	002004 006100 107107 121503 904999	3
95	MS21042L3		.NUT-	002004 006100 107107 121503 904999	3
97	NAS43DD3-106		.SPACER-	002004 006100 107107 121503 904999	3
99	312N5117-1		.CHANNEL-	002004 006100 107107 121503 904999	1
101	312N5116-1		.BLOCK-SPRT	002004 006100 107107 121503 904999	2
103	NAS1802-3-7		.SCREW-	002004 006100 107107 121503 904999	2
105	AN960C10L		.WASHER-	002004 006100 107107 121503 904999	2

MISSING ITEM NUMBERS NOT APPLICABLE

- ITEM NOT ILLUSTRATED

29-11-56-01

29-11-56
FIG. 01
PAGE 1
JAN 20/09

BRI

BOEING PROPRIETARY - Copyright © - Unpublished Work - See title page for details.



757

PARTS CATALOG (MAINTENANCE)

FIG ITEM	PART NUMBER	1 2 3 4 5 6 7	NOMENCLATURE	EFFECT FROM TO	UNITS PER ASSY
1 110	BRH10C3M	.NUT-	SUPPLIER CODE: V52828 SPECIFICATION NUMBER: BACN10JC3M OPTIONAL PART: T6C1032JM V11815 97E02 V80539 109LH9075-3W V72962 VN303D02 V92215 NS202101SE02 V80539 H01-3BAC V15653	002004 006100 107107 121503 904999	2
115	TA0910004H128	.CLAMP-	SUPPLIER CODE: V84971 SPECIFICATION NUMBER: BACC10HB28C	002004 006100 107107 121503 904999	1
120	AE706128-69	.HOSE ASSY-	SUPPLIER CODE: V00624 SPECIFICATION NUMBER: S270T230-69 COMPONENT MAINT MANUAL REF: 29-11-58 FOR DETAILS SEE: 29-11-56-51A	002004 006100 107107 121503 904999	1
125	108062-68	.HOSE ASSY-	SUPPLIER CODE: V78570 SPECIFICATION NUMBER: S270T230-68 COMPONENT MAINT MANUAL REF: 29-11-04 FOR DETAILS SEE: 29-11-56-51	002004 006100 107107 121503 904999	1

MISSING ITEM NUMBERS NOT APPLICABLE

- ITEM NOT ILLUSTRATED

29-11-56-01

29-11-56
FIG. 01
PAGE 2
JAN 20/09

BRI



757

PARTS CATALOG (MAINTENANCE)

FIG ITEM	PART NUMBER	1 2 3 4 5 6 7	NOMENCLATURE	EFFECT FROM TO	UNITS PER ASSY
1 142	AE706127-67		.TUBE ASSY- SUPPLIER CODE: V00624 SPECIFICATION NUMBER: S270T230-67 COMPONENT MAINT MANUAL REF: 29-11-58 FOR DETAILS SEE: 29-11-56-51	002004 006100 107107 121503 904999	1
- 143	312N5101-36		SYSTEM INSTL-STRUT FUEL AND HYDR (HYDRAULIC POWER ONLY) FOR NHA/OTHER SYS DET SEE: 54-00-51-01	002004 006100 107107 121503 904999	RF
144	NAS1801-3-38		.SCREW	002004 006100 121503 950951 953999	7
144	NAS1801-3-39		.SCREW	107107 904949 952952	7
145	NAS1801-3-40		.SCREW	002004 006100 107107 121503 904999	2
150	NAS1801-3-41		.SCREW	002004 006100 107107 121503 904999	3
155	NAS1801-3-52		.SCREW	002004 006100 107107 121503 904999	4
160	NAS1801-3-35		.SCREW-	002004 006100 107107 121503 904999	8
165	NAS1801-3-42		.SCREW	002004 006100 107107 121503 904999	1

MISSING ITEM NUMBERS NOT APPLICABLE

- ITEM NOT ILLUSTRATED

29-11-56-01

29-11-56
FIG. 01
PAGE 3
JAN 20/09

BRI

 **BOEING**
757
PARTS CATALOG (MAINTENANCE)

FIG ITEM	PART NUMBER	1 2 3 4 5 6 7	NOMENCLATURE	EFFECT FROM TO	UNITS PER ASSY
1					
175	AN960KD10	.	WASHER	002004 006100 107107 121503 904999	25
180	BACC10GT3-08	.	CLAMP ASSY SUPPLIER CODE: V83930 SPECIFICATION NUMBER: BACC10GT3-08	002004 006100 107107 121503 904999	3
185	312N5112-62	.	BLOCK ASSY	002004 006100 107107 121503 904999	1
190	312N5112-59	.	BLOCK ASSY	002004 006100 107107 121503 904999	1
195	312N5112-58	.	BLOCK ASSY	002004 006100 107107 121503 904999	2
200	312N5112-60	.	BLOCK ASSY	002004 006100 107107 121503 904999	4
205	312N5112-63	.	BLOCK ASSY	002004 006100 107107 121503 904999	3
210	312N5112-65	.	BLOCK ASSY	002004 006100 107107 121503 904999	1

MISSING ITEM NUMBERS NOT APPLICABLE

— ITEM NOT ILLUSTRATED

BRI

29-11-56-01

BOEING PROPRIETARY - Copyright © - Unpublished Work - See title page for details.

29-11-56
FIG. 01
PAGE 4
JAN 20/09



757

PARTS CATALOG (MAINTENANCE)

FIG ITEM	PART NUMBER	1 2 3 4 5 6 7	NOMENCLATURE	EFFECT FROM TO	UNITS PER ASSY
1 212	06		.CLAMP- SUPPLIER CODE: V7Z588 SPECIFICATION NUMBER: STBC10GG22-26 OPTIONAL PART: WWD22-26H V66295 STBC10GG26-34 NAS1922-0050-1	002004 006100 107107 121503 904999	3
212	10		.CLAMP- SUPPLIER CODE: V7Z588 SPECIFICATION NUMBER: STBC10GG26-34 OPTIONAL PART: WWD26-34H V66295 STBC10GG22-26	002004 006100 107107 121503 904999	3
212	NAS1922-0050-1		.CLAMP- OPTIONAL PART: STBC10GG22-26	002004 006100 107107 121503 904999	3
213	312N5115-7		.SHROUD	002004 006100 107107 121503 904999	2
215	MS21924J8		.UNION	002004 006100 107107 121503 904999	1
220	BACN10DR8J		.NUT	002004 006100 107107 121503 904999	1
225	AN960C1216L		.WASHER	002004 006100 107107 121503 904999	1

MISSING ITEM NUMBERS NOT APPLICABLE

- ITEM NOT ILLUSTRATED

BRI

29-11-56-01

29-11-56
FIG. 01
PAGE 5
JAN 20/09



757

PARTS CATALOG (MAINTENANCE)

FIG ITEM	PART NUMBER	1 2 3 4 5 6 7	NOMENCLATURE	EFFECT FROM TO	UNITS PER ASSY
1 230	312N5101-37		.TUBE ASSY-CASE DRAIN TUBING MATERIAL: TUBING SEAMLESS TITANIUM 3AL-2.5V BMS7-234 F-25.01 0.50IN OD 0.026IN WALL 68.0 IN LG	107107 904949	1
230	312N5101-42		.TUBE ASSY-CASE DRAIN TUBING MATERIAL: .5 IN. OD .026 IN. WALL 65.5 IN. LG TI BMS 7-234 TI-3AL-2.5V COLD WORKED, STRESS RELIEVED TUBING	002004 006100 107107 121503 904999	1
- 235	AS1582T08		..UNION	002004 006100 107107 121503 904999	1
- 240	AS1581T08		..SLEEVE	002004 006100 107107 121503 904999	1
- 245	BACN10YA8		..NUT	002004 006100 107107 121503 904999	1
250	312N5101-5		.TUBE ASSY-CASE DRAIN TUBING MATERIAL: .5 IN. OD .026 IN. WALL 34.7 IN. LG TI BMS 7-234 TI-3AL-2.5V COLD WORKED, STRESS RELIEVED TUBING	002004 006100 107107 121503 904999	1
- 255	AS1581T08		..SLEEVE	002004 006100 107107 121503 904999	2
- 260	BACN10YA8		..NUT	002004 006100 107107 121503 904999	2

MISSING ITEM NUMBERS NOT APPLICABLE

- ITEM NOT ILLUSTRATED

29-11-56-01

29-11-56
FIG. 01
PAGE 6
JAN 20/09

BRI

BOEING PROPRIETARY - Copyright © - Unpublished Work - See title page for details.



757

PARTS CATALOG (MAINTENANCE)

FIG ITEM	PART NUMBER	1 2 3 4 5 6 7	NOMENCLATURE	EFFECT FROM TO	UNITS PER ASSY
1 262	12		.CLAMP SUPPLIER CODE: V7Z588 SPECIFICATION NUMBER: STBC10GG34-38 OPTIONAL PART: WWD34-38H V66295	002004 006100 107107 121503 904999	1
263	28		.CLAMP SUPPLIER CODE: V7Z588 SPECIFICATION NUMBER: STBC10GG58-66 OPTIONAL PART: WWD58-66H V66295	002004 006100 107107 121503 904999	1
264	312N5115-6		.SHROUD	002004 006100 107107 121503 904999	1
265	MS21924J16		.UNION	002004 006100 107107 121503 904999	1
270	BACN10DR16J		.NUT	002004 006100 107107 121503 904999	1
275	AN960KD2116L		.WASHER	002004 006100 107107 121503 904999	1
280	312N5101-38		.TUBE ASSY-PRESSURE TUBING MATERIAL: 1.0 IN. OD .051 IN. WALL 96.0 IN. LG TI BMS 7-234 TI-3AL-2.5V COLD WORKED, STRESS RELIEVED TUBING	002004 006100 107107 121503 904999	1
- 285	AS1581T16		..SLEEVE	002004 006100 107107 121503 904999	2

MISSING ITEM NUMBERS NOT APPLICABLE

- ITEM NOT ILLUSTRATED

BRI

29-11-56-01

29-11-56
FIG. 01
PAGE 7
JAN 20/09



757

PARTS CATALOG (MAINTENANCE)

FIG ITEM	PART NUMBER	1 2 3 4 5 6 7	NOMENCLATURE	EFFECT FROM TO	UNITS PER ASSY
1					
- 290	BACN10YA16	. .	NUT	002004 006100 107107 121503 904999	2
295	NAS1801-3-9	. S	SCREW	002004 006100 107107 121503 904999	2
300	AN960C10L	. W	WASHER	002004 006100 107107 121503 904999	3
302	AN960D10L	. W	WASHER	002004 006100 107107 121503 904999	3
305	BRH10A3	. N	NUT SUPPLIER CODE: V52828 SPECIFICATION NUMBER: BACN10JC3 OPTIONAL PART: H10-3BAC V15653 NS202101-02 V80539 RMLH9075-3W V72962 VN303A02 V92215 96-02 V80539 T6S1032J V11815	002004 006100 107107 121503 904999	1
310	BACJ40A20-7	. J	JUMPER ASSY	002004 006100 107107 121503 904999	1
315	AN735-20	. C	CLAMP	002004 006100 107107 121503 904999	1

MISSING ITEM NUMBERS NOT APPLICABLE

- ITEM NOT ILLUSTRATED

BRI

29-11-56-01

29-11-56
FIG. 01
PAGE 8
JAN 20/09



757

PARTS CATALOG (MAINTENANCE)

FIG ITEM	PART NUMBER	1 2 3 4 5 6 7	NOMENCLATURE	EFFECT FROM TO	UNITS PER ASSY
1					
320	AN735D20	.	CLAMP	002004 006100 107107 121503 904999	1
323	BACC42R20	.	COUPLING ASSY SUPPLIER CODE: V79326 SPECIFICATION NUMBER: BACC42R20	002004 006100 107107 121503 904999	1
324	BACN10KL20	..	NUT ASSY	002004 006100 107107 121503 904999	1
325	BACR12BN20	..	RING	002004 006100 107107 121503 904999	2
326	BACR10AD20	..	RETAINER	002004 006100 107107 121503 904999	2
327	S3052-20	..	FERRULE SUPPLIER CODE: V79326 SPECIFICATION NUMBER: BACF32E20 OPTIONAL PART: 63052-20 V79326	002004 006100 107107 121503 904999	2
328	BACC42P20	..	BODY SUPPLIER CODE: V79326 SPECIFICATION NUMBER: BACC42P20	002004 006100 107107 121503 904999	1
330	NAS1611-220	.	PACKING	002004 006100 107107 121503 904999	2

MISSING ITEM NUMBERS NOT APPLICABLE

- ITEM NOT ILLUSTRATED

BRI

29-11-56-01

29-11-56
FIG. 01
PAGE 9
JAN 20/09



757

PARTS CATALOG (MAINTENANCE)

FIG ITEM	PART NUMBER	1 2 3 4 5 6 7	NOMENCLATURE	EFFECT FROM TO	UNITS PER ASSY
1 332	16		.CLAMP SUPPLIER CODE: V7Z588 SPECIFICATION NUMBER: STBC10GG38-48 OPTIONAL PART: WWD38-48H V66295	002004 006100 107107 121503 904999	3
333	312N5115-6		.SHROUD	002004 006100 107107 121503 904999	1
334	312N5115-2		.SHROUD	002004 006100 107107 121503 904999	1
335	MS21924J20		.UNION	002004 006100 107107 121503 904999	1
340	BACN10DR20J		.NUT	002004 006100 107107 121503 904999	1
345	AN960KD2616L		.WASHER	002004 006100 107107 121503 904999	1
350	312N5101-24		.TUBE ASSY-SUPPLY TUBING MATERIAL: 1.25 IN. OD 0.028 IN. WALL 30.0 IN. LG AISI 304 MIL-T-6845 F-25.01 CRES	002004 006100 107107 121503 904999	1

MISSING ITEM NUMBERS NOT APPLICABLE

- ITEM NOT ILLUSTRATED

BRI

29-11-56-01

29-11-56
FIG. 01
PAGE 10
JAN 20/09



757

PARTS CATALOG (MAINTENANCE)

FIG ITEM	PART NUMBER	1 2 3 4 5 6 7	NOMENCLATURE	EFFECT FROM TO	UNITS PER ASSY
1					
- 355	DB0S13BD20HP	..	SLEEVE SUPPLIER CODE: V14798 SPECIFICATION NUMBER: BACS13BD20HP OPTIONAL PART: 118-10722-20-00 V88334 2-02901-20HP V11328 2-02901-20HP V70195 35044VN20 V08199 4690008-20-2 V45681 4690008-20-2 V92003 AFP176V20HP V30974 35044V20HP V08199	002004 006100 107107 121503 904999	1
- 360	MS21921-20J	..	NUT	002004 006100 107107 121503 904999	1
- 365	63152-20	..	FERRULE- SUPPLIER CODE: V79326	002004 006100 107107 121503 904999	1
370	312N5101-25	.	TUBE ASSY-SUPPLY TUBING MATERIAL: STOCK 1.25 DIA X .035 WALL 6061-T6 ALUMINUM TUBE PER MIL-T-7081	002004 006100 107107 121503 904999	1
- 375	AFP175V20P	..	SLEEVE- SUPPLIER CODE: V30974 SPECIFICATION NUMBER: BACS13BX20HP OPTIONAL PART: 2-02901-20HP V11328 35025VN20 V08199	002004 006100 107107 121503 904999	1

MISSING ITEM NUMBERS NOT APPLICABLE

- ITEM NOT ILLUSTRATED

29-11-56-01

29-11-56
FIG. 01
PAGE 11
JAN 20/09

BRI

BOEING PROPRIETARY - Copyright © - Unpublished Work - See title page for details.



757

PARTS CATALOG (MAINTENANCE)

FIG ITEM	PART NUMBER	1 2 3 4 5 6 7	NOMENCLATURE	EFFECT FROM TO	UNITS PER ASSY
1					
- 380	BACN10YL20L	..	NUT-	002004 006100 107107 121503 904999	1
- 385	AS1716D20	..	FERRULE-	002004 006100 107107 121503 904999	1
- 660	312N5101-29		TUBE INSTL-STRUT FUEL AND HYDR SYS (HYDRAULIC POWER ONLY) POSITION DATA: LH FOR NHA/OTHER SYS DET SEE: 54-51-01-01A	002004 006100 107107 121503 904999	RF
- 665	312N5101-30		TUBE INSTL-STRUT FUEL AND HYDR SYS (HYDRAULIC POWER ONLY) POSITION DATA: RH FOR NHA/OTHER SYS DET SEE: 54-51-01-01A	002004 006100 107107 121503 904999	RF
675	NAS1801-3-39	.	SCREW	002004 006100 107107 121503 904999	4
685	AN960PD10	.	WASHER	002004 006100 107107 121503 904999	4
700	312N5112-66	.	BLOCK ASSY-	002004 006100 107107 121503 904999	1
705	NAS1801-3-9	.	SCREW-	002004 006017 107107 121503 904999	1
706	NAS1801-3-8	.	SCREW- POSITION DATA: RH SIDE POST SERVICE BULLETIN: 29-0047	107107 953999	2

MISSING ITEM NUMBERS NOT APPLICABLE

- ITEM NOT ILLUSTRATED

29-11-56-01

29-11-56
FIG. 01
PAGE 12
JAN 20/09

BRI



757

PARTS CATALOG (MAINTENANCE)

FIG ITEM	PART NUMBER	1 2 3 4 5 6 7	NOMENCLATURE	EFFECT FROM TO	UNITS PER ASSY
1 707	NAS1801-3-8	.	SCREW- POSITION DATA: LH SIDE	002004 006100 121503 904952	2
708	NAS1801-3-8	.	SCREW- POSITION DATA: RH SIDE	002004 006100 121503 904952	2
709	NAS1801-3-8	.	SCREW- POSITION DATA: LH SIDE POST SERVICE BULLETIN: 29-0047R1	107107 953999	2
710	AN960C10L	.	WASHER- MISCELLANEOUS DATA: SUPERSEDED BY NAS1149C0332R	002004 006017 107107 121503 904999	1
711	NAS1149C0332R	.	WASHER- POSITION DATA: RH SIDE POST SERVICE BULLETIN: 29-0047	107107 953999	2
712	AN960C10L	.	WASHER- POSITION DATA: LH SIDE	002004 006100 121503 904952	2
713	AN960C10L	.	WASHER- POSITION DATA: RH SIDE	002004 006100 121503 904952	2
714	NAS1149C0332R	.	WASHER- POSITION DATA: LH SIDE POST SERVICE BULLETIN: 29-0047R1	107107 953999	2

MISSING ITEM NUMBERS NOT APPLICABLE

- ITEM NOT ILLUSTRATED

29-11-56-01

29-11-56
FIG. 01
PAGE 13
JAN 20/09

BRI



757

PARTS CATALOG (MAINTENANCE)

FIG ITEM	PART NUMBER	1 2 3 4 5 6 7	NOMENCLATURE	EFFECT FROM TO	UNITS PER ASSY
1 715	BRH10A3	.NUT-	SUPPLIER CODE: V52828 SPECIFICATION NUMBER: BACN10JC3 OPTIONAL PART: H10-3BAC V15653 NS202101-02 V80539 RMLH9075-3W V72962 VN303A02 V92215 96-02 V80539 T6S1032J V11815 MISCELLANEOUS DATA: SUPERSEDED BY BACN10JC3CD	002004 006017 107107 121503 904999	1
716	BRH10A3	.NUT-	SUPPLIER CODE: V52828 SPECIFICATION NUMBER: BACN10JC3 OPTIONAL PART: H10-3BAC V15653 NS202101-02 V80539 RMLH9075-3W V72962 VN303A02 V92215 96-02 V80539 T6S1032J V11815 POSITION DATA: RH SIDE POST SERVICE BULLETIN: 29-0047	107107 953999	2

MISSING ITEM NUMBERS NOT APPLICABLE

- ITEM NOT ILLUSTRATED

BRI

29-11-56-01

BOEING PROPRIETARY - Copyright © - Unpublished Work - See title page for details.

29-11-56
FIG. 01
PAGE 14
JAN 20/09



757

PARTS CATALOG (MAINTENANCE)

FIG ITEM	PART NUMBER	1 2 3 4 5 6 7	NOMENCLATURE	EFFECT FROM TO	UNITS PER ASSY
1 717	BRH10A3		.NUT- SUPPLIER CODE: V52828 SPECIFICATION NUMBER: BACN10JC3 OPTIONAL PART: H10-3BAC V15653 NS202101-02 V80539 RMLH9075-3W V72962 VN303A02 V92215 96-02 V80539 T6S1032J V11815 POSITION DATA: LH SIDE	002004 006100 121503 904952	2
718	BRH10A3		.NUT- SUPPLIER CODE: V52828 SPECIFICATION NUMBER: BACN10JC3 OPTIONAL PART: H10-3BAC V15653 NS202101-02 V80539 RMLH9075-3W V72962 VN303A02 V92215 96-02 V80539 T6S1032J V11815 POSITION DATA: RH SIDE	002004 006100 121503 904952	2

MISSING ITEM NUMBERS NOT APPLICABLE

- ITEM NOT ILLUSTRATED

BRI

29-11-56-01

BOEING PROPRIETARY - Copyright © - Unpublished Work - See title page for details.

29-11-56
FIG. 01
PAGE 15
JAN 20/09



757

PARTS CATALOG (MAINTENANCE)

FIG ITEM	PART NUMBER	1 2 3 4 5 6 7	NOMENCLATURE	EFFECT FROM TO	UNITS PER ASSY
1 719	BRH10A3	.	NUT- SUPPLIER CODE: V52828 SPECIFICATION NUMBER: BACN10JC3 OPTIONAL PART: H10-3BAC V15653 NS202101-02 V80539 RMLH9075-3W V72962 VN303A02 V92215 96-02 V80539 T6S1032J V11815 POSITION DATA: LH SIDE POST SERVICE BULLETIN: 29-0047R1	107107 953999	2
720	BACS18AF3	.	SPACER	002004 006017 107107 121503 904999	2
725	BACC10GT3-08	.	CLAMP ASSY SUPPLIER CODE: V83930 SPECIFICATION NUMBER: BACC10GT3-08	002004 006017 107107 121503 904999	1
730	BACC10GT3-20P	.	CLAMP	002004 006017 107107 121503 904999	1
731	TA0910004H116	.	CLAMP- SUPPLIER CODE: V84971 SPECIFICATION NUMBER: BACC10HB16C POSITION DATA: RH SIDE POST SERVICE BULLETIN: 29-0047	107107 953999	1

MISSING ITEM NUMBERS NOT APPLICABLE

- ITEM NOT ILLUSTRATED

29-11-56-01

29-11-56
FIG. 01
PAGE 16
JAN 20/09

BRI



757

PARTS CATALOG (MAINTENANCE)

FIG ITEM	PART NUMBER	1 2 3 4 5 6 7	NOMENCLATURE	EFFECT FROM TO	UNITS PER ASSY
1					
732	TA0910004H116	.CLAMP-	SUPPLIER CODE: V84971 SPECIFICATION NUMBER: BACC10HB16C POSITION DATA: LH SIDE	002004 006100 121503 904952	1
733	TA0910004H116	.CLAMP-	SUPPLIER CODE: V84971 SPECIFICATION NUMBER: BACC10HB16C POSITION DATA: RH SIDE	002004 006100 121503 904952	1
734	TA0910004H116	.CLAMP-	SUPPLIER CODE: V84971 SPECIFICATION NUMBER: BACC10HB16C POSITION DATA: LH SIDE	107107 953999	1
735	NAS1801-3-16	.SCREW		002004 006100 107107 121503 904999	10
737	NAS1801-3-16	.SCREW-	POSITION DATA: LH SIDE	002004 006100 107107 121503 904999	1
740	NAS1801-3-17	.SCREW		002004 006100 107107 121503 904999	2
744	AN960PD10L	.WASHER-	MISCELLANEOUS DATA: SUPERSEDED BY NAS1149D0332J	002004 006100 107107 121503 904999	6
746	AN960C10L	.WASHER-	MISCELLANEOUS DATA: SUPERSEDED BY NAS1149C0332R	002004 006100 107107 121503 904999	6

MISSING ITEM NUMBERS NOT APPLICABLE

- ITEM NOT ILLUSTRATED

29-11-56-01

29-11-56
FIG. 01
PAGE 17
JAN 20/09

BRI



757

PARTS CATALOG (MAINTENANCE)

FIG ITEM	PART NUMBER	1 2 3 4 5 6 7	NOMENCLATURE	EFFECT FROM TO	UNITS PER ASSY
1 747	AN960C10L		.WASHER- POSITION DATA: LH SIDE MISCELLANEOUS DATA: SUPERSEDED BY NAS1149C0332R	002004 006100 107107 121503 904999	1
748	NAS43DD3-37		.SPACER- MISCELLANEOUS DATA: SUPERSEDED BY NAS43DD3-37FC	002004 006100 107107 121503 904999	12
749	NAS43DD3-37		.SPACER- POSITION DATA: LH SIDE MISCELLANEOUS DATA: SUPERSEDED BY NAS43DD3-37FC	002004 006100 107107 121503 904999	1
750	312N5111-7		.ANGLE-BLOCK SPRT POSITION DATA: LH SIDE	002004 006100 107107 121503 904999	1
- 755	312N5111-8		.ANGLE-BLOCK SPRT POSITION DATA: RH SIDE	002004 006100 107107 121503 904999	1
760	312N5111-9		.ANGLE-BLOCK SPRT POSITION DATA: LH SIDE	002004 006100 107107 121503 904999	1
- 765	312N5111-10		.ANGLE-BLOCK SPRT POSITION DATA: RH SIDE	002004 006100 107107 121503 904999	1
770	312N5111-3		.ANGLE-BLOCK SPRT POSITION DATA: LH SIDE	002004 006100 107107 121503 904999	1
- 775	312N5111-12		.ANGLE-BLOCK SPRT POSITION DATA: RH SIDE	002004 006100 107107 121503 904999	1

MISSING ITEM NUMBERS NOT APPLICABLE

- ITEM NOT ILLUSTRATED

29-11-56-01

29-11-56
FIG. 01
PAGE 18
JAN 20/09

BRI



757

PARTS CATALOG (MAINTENANCE)

FIG ITEM	PART NUMBER	1 2 3 4 5 6 7	NOMENCLATURE	EFFECT FROM TO	UNITS PER ASSY
1 780	312N5111-2		.ANGLE-BLOCK SPRT POSITION DATA: LH SIDE	002004 006100 107107 121503 904999	1
- 785	312N5111-11		.ANGLE-BLOCK SPRT POSITION DATA: RH SIDE	002004 006100 107107 121503 904999	1
790	312N5110-7		.BLOCK- POSITION DATA: LH SIDE	002004 006100 107107 121503 904999	1
- 795	312N5110-6		.BLOCK- POSITION DATA: RH SIDE	002004 006100 107107 121503 904999	1
800	312N5110-5		.BLOCK- POSITION DATA: LH SIDE	002004 006100 107107 121503 904999	1
- 805	312N5110-8		.BLOCK- POSITION DATA: RH SIDE	002004 006100 107107 121503 904999	1
812	312N5101-34		.TUBE ASSY-CASE DRAIN TUBING MATERIAL: .50 O.D.X.026 WALL 3AL-2.5V TITANIUM SEAMLESS TUBE PER BMS7-234 F-25.01	002004 006100 107107 121503 904999	1
812	312N5101-57		.TUBE ASSY-CASE DRAIN TUBING MATERIAL: .5 IN. OD .026 IN. WALL 37.1 IN. LG TITANIUM ALLOY TUBING	002004 006100 107107 121503 904999	1
812	312N5101-60		.TUBE ASSY-CASE DRAIN	002004 006100 107107 121503 904999	1

MISSING ITEM NUMBERS NOT APPLICABLE

- ITEM NOT ILLUSTRATED

29-11-56-01

29-11-56
FIG. 01
PAGE 19
JAN 20/09

BRI



757

PARTS CATALOG (MAINTENANCE)

FIG ITEM	PART NUMBER	1 2 3 4 5 6 7	NOMENCLATURE	EFFECT FROM TO	UNITS PER ASSY
1					
- 815	AS1582T08	..	UNION	002004 006100 107107 121503 904999	1
- 820	AS1581T08	..	SLEEVE	002004 006100 107107 121503 904999	1
- 825	BACN10YA8	..	NUT	002004 006100 107107 121503 904999	1
831	312N5101-33	.	TUBE ASSY-SUPPLY POSITION DATA: LH SIDE TUBING MATERIAL: 1.25 IN. OD 0.035 IN. WALL 40.20 IN. LG 6061-T6 ALUMINUM TUBE PER MIL-T-7081 QUALIFIED I/W DATA: FOR LH: 312N5101-49 TUBE TOGETHER WITH -44 TUBE, -46 TUBE AND 312N5863-4 BRACKET CAN REPLACE BUT NOT BE REPLACED BY 312N5101-33 TOGETHER WITH -31 OR -43 TUBE, -40 OR -41 TUBE AND 312N5863-2 OR -3 BRACKET	002004 006017 121503 904952	1

MISSING ITEM NUMBERS NOT APPLICABLE

- ITEM NOT ILLUSTRATED

BRI

29-11-56-01

BOEING PROPRIETARY - Copyright © - Unpublished Work - See title page for details.

29-11-56
FIG. 01
PAGE 20
JAN 20/09



757

PARTS CATALOG (MAINTENANCE)

FIG ITEM	PART NUMBER	1 2 3 4 5 6 7	NOMENCLATURE	EFFECT FROM TO	UNITS PER ASSY
1 831	312N5101-49		.TUBE ASSY-SUPPLY POSITION DATA: LH SIDE TUBING MATERIAL: 1.25 O D X .035 WALL 6061-T4 ALUMINUM TUBE PER MIL-T-7081 QUALIFIED I/W DATA: FOR LH: 312N5101-49 TUBE TOGETHER WITH -44 TUBE, -46 TUBE AND 312N5863-4 BRACKET CAN REPLACE BUT NOT BE REPLACED BY 312N5101-33 TOGETHER WITH -31 OR -43 TUBE, -40 OR -41 TUBE AND 312N5863-2 OR -3 BRACKET	018100	1
831	312N5101-50		.TUBE ASSY-SUPPLY POSITION DATA: LH SIDE TUBING MATERIAL: 1.25 O D X .035 WALL 6061-T4 ALUMINUM TUBE PER MIL-T-7081 POST SERVICE BULLETIN: 29-0047R1	018100 107107 953999	1
831	312N5101-59		.TUBE ASSY-SUPPLY POSITION DATA: LH SIDE TUBING MATERIAL: 1.25 IN. OD 0.035 IN WALL 43.30 IN. LG 6061-T6 MIL-T-7081	018100	1

MISSING ITEM NUMBERS NOT APPLICABLE

- ITEM NOT ILLUSTRATED

BRI

29-11-56-01

BOEING PROPRIETARY - Copyright © - Unpublished Work - See title page for details.

29-11-56
FIG. 01
PAGE 21
JAN 20/09



757

PARTS CATALOG (MAINTENANCE)

FIG ITEM	PART NUMBER	1 2 3 4 5 6 7	NOMENCLATURE	EFFECT FROM TO	UNITS PER ASSY
1					
- 832	312N5101-33		.TUBE ASSY-SUPPLY POSITION DATA: RH SIDE TUBING MATERIAL: 1.25 IN. OD 0.035 IN. WALL 40.20 IN. LG 6061-T6 ALUMINUM TUBE PER MIL-T-7081 QUALIFIED I/W DATA: FOR RH: 312N5101-47 TUBE TOGETHER WITH -44 TUBE, -46 TUBE AND 312N5863-4 BRACKET CAN REPLACE BUT NOT BE REPLACED BY 312N5101-33 TOGETHER WITH -31 OR -43 TUBE, -40 OR -41 TUBE AND 312N5863-2 OR -3 BRACKET	002004 006017 121503 904952	1
- 832	312N5101-47		.TUBE ASSY-SUPPLY POSITION DATA: RH SIDE TUBING MATERIAL: 1.25 O D .035 IN. WALL 40.5 IN LG 6061-T4 ALUMINUM TUBE PER MIL-T-7081 QUALIFIED I/W DATA: FOR RH: 312N5101-47 TUBE TOGETHER WITH -44 TUBE, -46 TUBE AND 312N5863-4 BRACKET CAN REPLACE BUT NOT BE REPLACED BY 312N5101-33 TOGETHER WITH -31 OR -43 TUBE, -40 OR -41 TUBE AND 312N5863-2 OR -3 BRACKET POST SERVICE BULLETIN: 29-0047	018100 107107 953999	1
- 832	312N5101-58		.TUBE ASSY-SUPPLY POSITION DATA: RH SIDE TUBING MATERIAL: 1.25 O.D. X .035 WALL 6061-T4 ALUMINUM TUBE PER MIL-T-7081	018100 107107 953999	1
- 832	312N5101-72		.TUBE ASSY-SUPPLY POSITION DATA: RH SIDE	018100 107107 953999	1

MISSING ITEM NUMBERS NOT APPLICABLE

- ITEM NOT ILLUSTRATED

29-11-56-01

29-11-56
FIG. 01
PAGE 22
JAN 20/09

BRI



757

PARTS CATALOG (MAINTENANCE)

FIG ITEM	PART NUMBER	1 2 3 4 5 6 7	NOMENCLATURE	EFFECT FROM TO	UNITS PER ASSY
1 - 835	35056GV20		..UNION SUPPLIER CODE: V08199 SPECIFICATION NUMBER: BACU24AB20W OPTIONAL PART: 4671097W20 V50948 2-01027-20W V11328 31875-20W V14397 AP1004W20 V01673 AFP941W20 V30974 DBOU24AB20W V14798	002004 006100 107107 121503 904999	2
860	312N5101-31		.TUBE ASSY-PRESSURE POSITION DATA: LH SIDE TUBING MATERIAL: 1.00 O.D. X .051 WALL 3AL-2.5V TITANIUM SEAMLESS TUBE PER BMS7-234 F-25.01 QUALIFIED I/W DATA: 312N5101-71 TOGETHER WITH BRACKET 312N5863-4 REPLACES 312N5101-31 ON LH STRUT INSTL 312N5101- 29 ONLY.	002004 904949 952952	1
860	312N5101-43		.TUBE ASSY-PRESSURE POSITION DATA: LH SIDE TUBING MATERIAL: 1.00 O.D. X .051 WALL 27.1 IN LG TITANIUM ALLOY TUBING QUALIFIED I/W DATA: 312N5101-71 TOGETHER WITH BRACKET 312N5863-4 REPLACES 312N5101-43 ON LH STRUT INSTL 312N5101- 29 ONLY.	006017 121503 950951	1

MISSING ITEM NUMBERS NOT APPLICABLE

- ITEM NOT ILLUSTRATED

29-11-56-01

29-11-56
FIG. 01
PAGE 23
JAN 20/09

BRI



757

PARTS CATALOG (MAINTENANCE)

FIG ITEM	PART NUMBER	1 2 3 4 5 6 7	NOMENCLATURE	EFFECT FROM TO	UNITS PER ASSY
1 865	312N5101-48		.TUBE ASSY-PRESSURE POSITION DATA: LH SIDE TUBING MATERIAL: 1.00 O D X .051 WALL 3AL-2.5V TITANIUM SEAMLESS TUBE PER BMS7-234 F-25.01 POST SERVICE BULLETIN: 29-0047R1	018100 107107 953999	1
870	312N5101-43		.TUBE ASSY-PRESSURE POSITION DATA: RH SIDE TUBING MATERIAL: 1.00 O.D. X .051 WALL 27.1 IN LG TITANIUM ALLOY TUBING QUALIFIED I/W DATA: 312N5101-44 TOGETHER WITH BRACKET 312N5863-4 REPLACES 312N5101-43 ON RH STRUT INSTL 312N5101-30 ONLY.	006017 121503 950951	1
870	312N5101-31		.TUBE ASSY-PRESSURE POSITION DATA: RH SIDE TUBING MATERIAL: 1.00 O.D.X.051 WALL 3AL-2.5V TITANIUM SEAMLESS TUBE PER BMS7-234 F-25.01 QUALIFIED I/W DATA: 312N5101-44 TOGETHER WITH BRACKET 312N5863-4 REPLACES 312N5101-31 ON RH STRUT INSTL 312N5101-30 ONLY.	002004 006017 121503 904952	1

MISSING ITEM NUMBERS NOT APPLICABLE

- ITEM NOT ILLUSTRATED

29-11-56-01

29-11-56
FIG. 01
PAGE 24
JAN 20/09

BRI



757

PARTS CATALOG (MAINTENANCE)

FIG ITEM	PART NUMBER	1 2 3 4 5 6 7	NOMENCLATURE	EFFECT FROM TO	UNITS PER ASSY
1 875	312N5101-44		.TUBE ASSY-PRESSURE POSITION DATA: RH SIDE TUBING MATERIAL: 1.00 O.D. X .051 WALL 3AL-2.5V TITANIUM SEAMLESS TUBE PER BMS7-234 F-25.01 QUALIFIED I/W DATA: 312N5101-44 TOGETHER WITH BRACKET 312N5863-4 REPLACES 312N5101-31 ON RH STRUT INSTL 312N5101- 30 ONLY. 312N5101-44 TOGETHER WITH BRACKET 312N5863-4 REPLACES 312N5101-43 ON RH STRUT INSTL 312N5101- 30 ONLY. POST SERVICE BULLETIN: 29-0047	018100 107107 953999	1
- 880	AS1582T16		..UNION-	002004 006017 107107 121503 904999	2
885	312N5101-41		.TUBE ASSY-PRESSURE POSITION DATA: LH SIDE TUBING MATERIAL: 1.0 IN. OD .051 IN. WALL 21.6 IN. LG TI BMS 7-234 TI-3AL-2.5V COLD WORKED, STRESS RELIEVED TUBING QUALIFIED I/W DATA: FOR LH: 312N5101-46 TUBE TOGETHER WITH -44 TUBE, -49 TUBE AND 312N5863-4 BRACKET CAN REPLACE BUT NOT BE REPLACED BY 312N5101-40 OR -41 TOGETHER WITH -31 OR -43 TUEB, -33 TUBE AND 312N5863-2 OR -3 BRACKET	002004 006017 121503 904952	1

MISSING ITEM NUMBERS NOT APPLICABLE

- ITEM NOT ILLUSTRATED

BRI

29-11-56-01

29-11-56
FIG. 01
PAGE 25
JAN 20/09



757

PARTS CATALOG (MAINTENANCE)

FIG ITEM	PART NUMBER	1 2 3 4 5 6 7	NOMENCLATURE	EFFECT FROM TO	UNITS PER ASSY
1 890	312N5101-46		.TUBE ASSY-PRESSURE POSITION DATA: LH SIDE TUBING MATERIAL: 1.00 O.D. X .051 WALL 3AL-2.5V TITANIUM SEAMLESS TUBE PER BMS7-234 F-25.01 QUALIFIED I/W DATA: FOR LH: 312N5101-46 TUBE TOGETHER WITH -44 TUBE, -49 TUBE AND 312N5863-4 BRACKET AND REPLACE BUT NOT BE REPLACED BY 312N5101-40 OR -41 TOGETHER WITH -31 OR -43 TUBE, -33 TUBE AND 312N5863-2 OR -3 BRACKET POST SERVICE BULLETIN: 29-0047R1 REFERENCE SERVICE BULLETIN: 29-0047	018100 107107 953999	1
895	312N5101-41		.TUBE ASSY-PRESSURE POSITION DATA: RH SIDE TUBING MATERIAL: 1.0 IN. OD .051 IN. WALL 21.6 IN. LG TI BMS 7-234 TI-3AL-2.5V COLD WORKED, STRESS RELIEVED TUBING QUALIFIED I/W DATA: FOR RH: 312N5101-46 TUBE TOGETHER WITH -44 TUBE, -47 TUBE AND 312N5863-4 BRACKET CAN REPLACE BUT NOT BE REPLACED BY 312N5101-40 OR -41 TOGETHER WITH -31 OR -43 TUBE, -33 TUBE AND 312N5863-2 OR -3 BRACKET	002004 006017 121503 904952	1

MISSING ITEM NUMBERS NOT APPLICABLE

- ITEM NOT ILLUSTRATED

29-11-56-01

29-11-56
FIG. 01
PAGE 26
JAN 20/09

BRI



757

PARTS CATALOG (MAINTENANCE)

FIG ITEM	PART NUMBER	1 2 3 4 5 6 7	NOMENCLATURE	EFFECT FROM TO	UNITS PER ASSY
1 905	312N5101-46		.TUBE ASSY-PRESSURE POSITION DATA: RH SIDE TUBING MATERIAL: 1.00 O.D. X .051 WALL 3AL-2.5V TITANIUM SEAMLESS TUBE PER BMS7-234 F-25.01 QUALIFIED I/W DATA: FOR RH: 312N5101-46 TUBE TOGETHER WITH -44 TUBE, -47 TUBE AND 312N5863-4 BRACKET CAN REPLACE BUT NOT BE REPLACED BY 312N5101-40 OR -41 TOGETHER WITH -31 OR -43 TUBE, -33 TUBE AND 312N5863-2 OR -3 BRACKET POST SERVICE BULLETIN: 29-0047	018100 107107 953999	1
- 910	AS1581T16		..SLEEVE- POSITION DATA: LH SIDE	002004 006100 107107 121503 904999	2
- 915	AS1581T16		..SLEEVE- POSITION DATA: RH SIDE	002004 006100 107107 121503 904999	2
- 925	BACN10YA16N		..NUT- POSITION DATA: LH SIDE	002004 006017 121503 904952	2
- 930	BACN10YA16		..NUT- POSITION DATA: RH SIDE	002004 006017 121503 904952	2
- 930	BACN10YA16N		..NUT- POSITION DATA: RH SIDE	018100	2
- 935	BACN10YA16N		..NUT- POSITION DATA: RH SIDE POST SERVICE BULLETIN: 29-0047	107107 953999	2

MISSING ITEM NUMBERS NOT APPLICABLE

- ITEM NOT ILLUSTRATED

29-11-56-01

29-11-56
FIG. 01
PAGE 27
JAN 20/09

BRI

BOEING
757
PARTS CATALOG (MAINTENANCE)

FIG ITEM	PART NUMBER	1 2 3 4 5 6 7	NOMENCLATURE	EFFECT FROM TO	UNITS PER ASSY
1					
940	NAS1762T1616	.	ELBOW	002004 006100 107107 121503 904999	1
945	NAS1762T1616	.	ELBOW- POSITION DATA: LH SIDE	002004 006100 121503 904999	1
947	NAS1762T1616	.	ELBOW- POSITION DATA: LH SIDE MISCELLANEOUS DATA: SUPERSEDED BY BACE21BT1616T POST SERVICE BULLETIN: 29-0047R1	107107 953999	1
950	NAS1762T1616	.	ELBOW- POSITION DATA: RH SIDE	002004 006100 121503 904999	1
955	NAS1762T1616	.	ELBOW- POSITION DATA: RH SIDE MISCELLANEOUS DATA: SUPERSEDED BY BACE21BT1616T POST SERVICE BULLETIN: 29-0047	107107 953999	1
985			ILLUSTRATION REFERENCE: MODULE INSTL-ENG DRIVEN PUMP CASE DRAIN PRESSURE FILTER 29-11-17-02	002004 006100 107107 121503 904999	RF
986			ILLUSTRATION REFERENCE: PLUMBING INSTL-SECT. 31.1 HYDR (LH) (HYDRAULIC POWER ONLY) 29-11-51-73	101102 108120 504903	RF
986			ILLUSTRATION REFERENCE: PLUMBING INSTL-SECT. 31.1 HYDR (RH) (HYDRAULIC POWER ONLY) 29-11-52-06	101102 108120 504903	RF

MISSING ITEM NUMBERS NOT APPLICABLE

— ITEM NOT ILLUSTRATED

BRI

29-11-56-01

BOEING PROPRIETARY - Copyright © - Unpublished Work - See title page for details.

29-11-56
FIG. 01
PAGE 28
JAN 20/09



757

PARTS CATALOG (MAINTENANCE)

FIG ITEM	PART NUMBER	1 2 3 4 5 6 7	NOMENCLATURE	EFFECT FROM TO	UNITS PER ASSY
1 990			ILLUSTRATION REFERENCE: PLUMBING INSTL-SECT. 31.1 HYDR (LH) (HYDRAULIC POWER ONLY) 29-11-51-45	002004 006100 107107 121503 904999	RF
995			ILLUSTRATION REFERENCE: PLUMBING INSTL-SECT. 31.1 HYDR (RH) (HYDRAULIC POWER ONLY) 29-11-51-46	002004 006100 107107 121503 904999	RF

MISSING ITEM NUMBERS NOT APPLICABLE

- ITEM NOT ILLUSTRATED

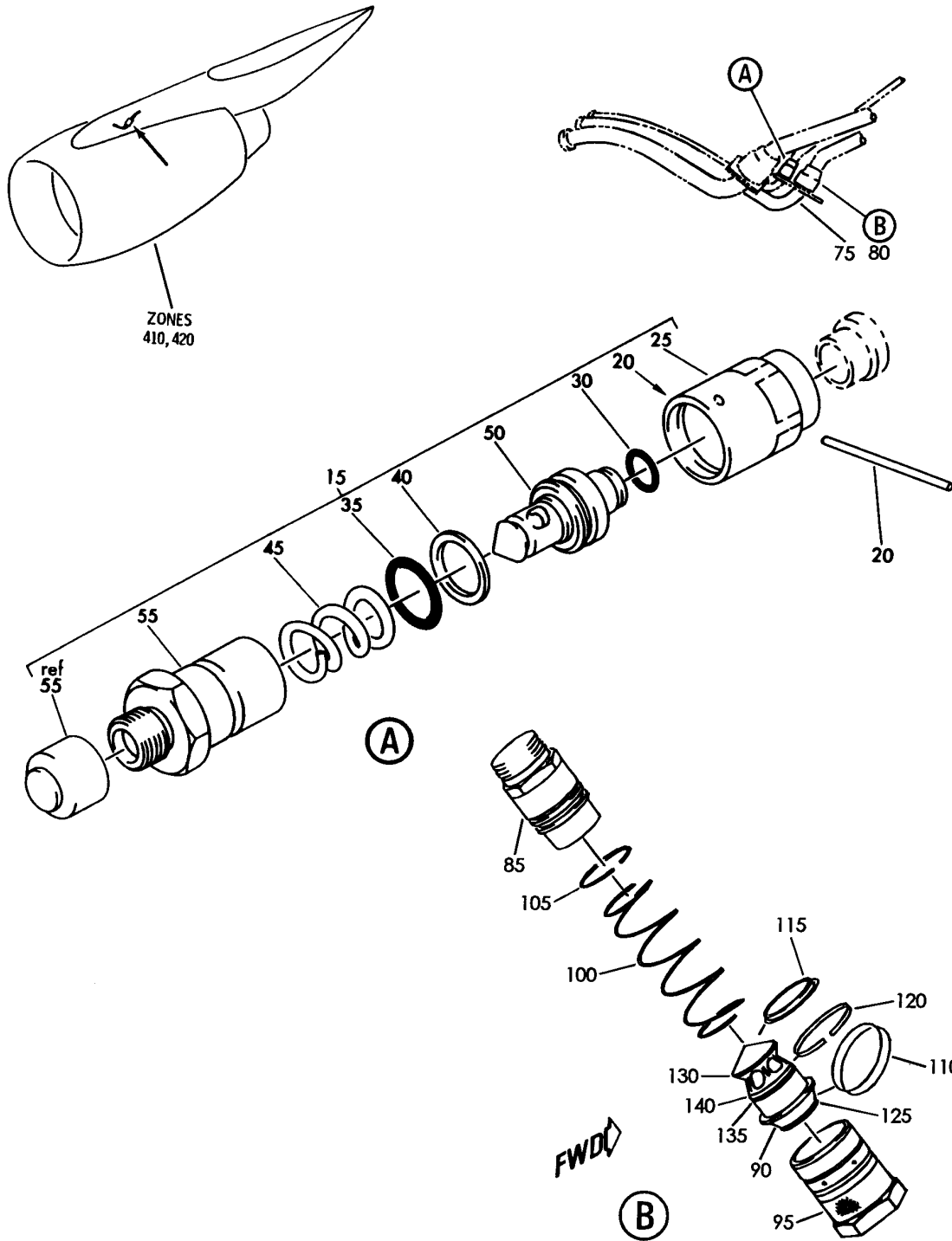
BRI

29-11-56-01

BOEING PROPRIETARY - Copyright © - Unpublished Work - See title page for details.

29-11-56
FIG. 01
PAGE 29
JAN 20/09

BOEING
757
PARTS CATALOG (MAINTENANCE)



Y 29115651 REV 207

HOSE AND TUBE ASSY-HYDR (RB211-535)
FIGURE 51

29-11-56-51

BRI
MAY 28/07

29-11-56-51
PAGE 0



757

PARTS CATALOG (MAINTENANCE)

FIG ITEM	PART NUMBER	1 2 3 4 5 6 7	NOMENCLATURE	EFFECT FROM TO	UNITS PER ASSY
51			HOSE AND TUBE ASSY-HYDR (RB211-535)	002004 006999	
- 10	AE706127-67		TUBE ASSY-HYDR SUPPLIER CODE: V00624 SPECIFICATION NUMBER: S270T230-67 COMPONENT MAINT MANUAL REF: 29-11-58 FOR NHA SEE: 29-11-56-01 29-11-17-03	002004 006999	RF
15	AE81816H		.ADAPTER ASSY- SUPPLIER CODE: V00624	002004 006999	1
20	900803-6-1C		..WIRE-RETAINER SUPPLIER CODE: V00624	002004 006999	1
25	AE81659J		..NUT- SUPPLIER CODE: V00624	002004 006999	1
30	22610-015		..PACKING-PREFORMED SUPPLIER CODE: V00624	002004 006999	1
35	22610-116		..PACKING-PREFORMED SUPPLIER CODE: V00624	002004 006999	1
40	22572-116		..RETAINER-PACKING SUPPLIER CODE: V00624	002004 006999	1
45	AE10488-141		..SPRING-CPRSN SUPPLIER CODE: V00624	002004 006999	1
50	AE81658J		..VALVE- SUPPLIER CODE: V00624	002004 006999	1
55	AE81825H		..ADAPTER- SUPPLIER CODE: V00624	002004 006999	1
- 60	AE706127-70		.HOSE SUBASSEMBLY- SUPPLIER CODE: V00624 USED ON: AE706127-67	002004 006999	1

MISSING ITEM NUMBERS NOT APPLICABLE

- ITEM NOT ILLUSTRATED

BRI

29-11-56-51

29-11-56
FIG. 51
PAGE 1
SEP 20/08



757

PARTS CATALOG (MAINTENANCE)

FIG ITEM	PART NUMBER	1 2 3 4 5 6 7	NOMENCLATURE	EFFECT FROM TO	UNITS PER ASSY
51					
70	108062-68		HOSE ASSY- SUPPLIER CODE: V78570 SPECIFICATION NUMBER: S270T230-68 COMPONENT MAINT MANUAL REF: 29-11-04 FOR NHA SEE: 29-11-17-03 29-11-56-01	002004 006999	RF
75	108062-71		.HOSE ASSY- SUPPLIER CODE: V78570	002004 006999	1
80	108062-23		.COUPLING ASSY-SELF SEALING SUPPLIER CODE: V78570	002004 006999	1
85	154076-16E		..HOUSING- SUPPLIER CODE: V11362	002004 006999	1
90	154072-16		..POPPET- SUPPLIER CODE: V11362	002004 006999	1
95	154053-16		..SLEEVE- SUPPLIER CODE: V11362	002004 006999	1
100	154054-16		..SPRING- SUPPLIER CODE: V78570	002004 006999	1
105	154055-16		..RETAINER- SUPPLIER CODE: V78570	002004 006999	1
110	154057-16		..RING-SPLIT SUPPLIER CODE: V78570	002004 006999	1
115	154058-16		..GUIDE-SPRING SUPPLIER CODE: V78570	002004 006999	1
120	154051-16		..RING-SPACER SUPPLIER CODE: V78570	002004 006999	1
125	NAS1611-020		..PACKING	002004 006999	1
130	NAS1611-118		..PACKING	002004 006999	1
135	NAS1611-119		..PACKING	002004 006999	1
140	MS28774-119		..PACKING	002004 006999	1

MISSING ITEM NUMBERS NOT APPLICABLE

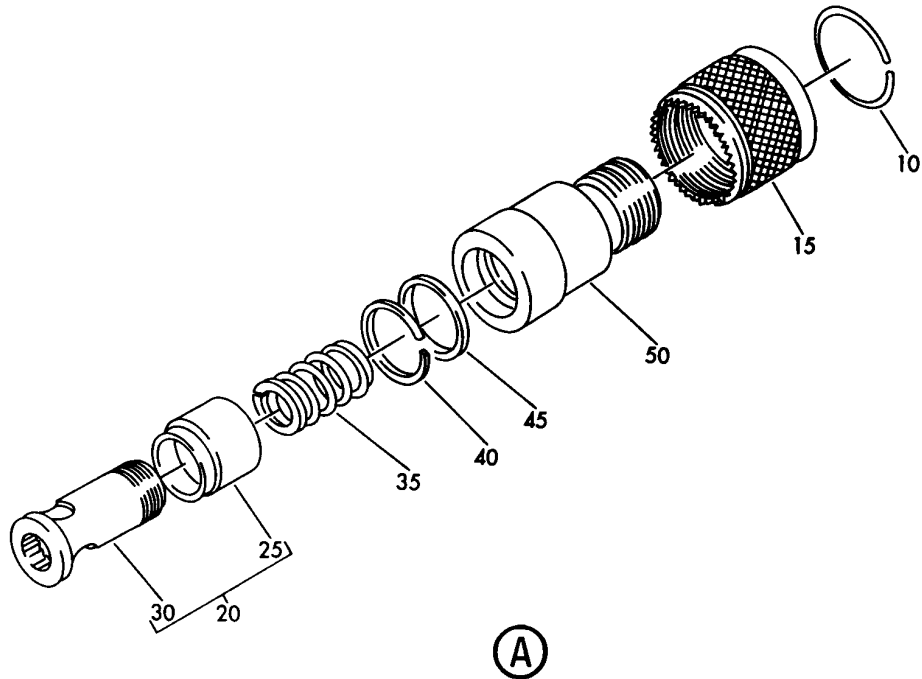
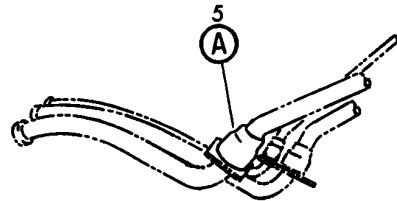
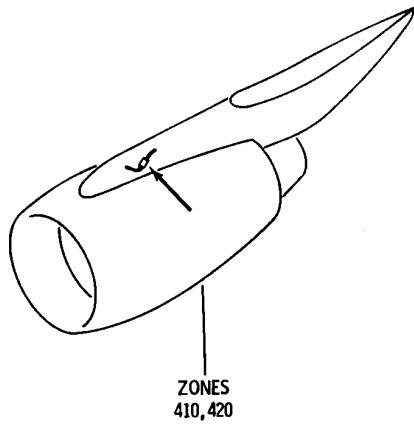
- ITEM NOT ILLUSTRATED

29-11-56-51

29-11-56
FIG. 51
PAGE 2
SEP 20/08

BRI

BOEING
757
PARTS CATALOG (MAINTENANCE)



Y 29115651A REV 177

HOSE ASSY-HYDR
FIGURE 51A

29-11-56-51A

BRI
MAY 28/07

29-11-56-51A
PAGE 0



757

PARTS CATALOG (MAINTENANCE)

FIG ITEM	PART NUMBER	1 2 3 4 5 6 7	NOMENCLATURE	EFFECT FROM TO	UNITS PER ASSY
51A			HOSE ASSY-HYDR	002004 006999	
- 1	AE706128-69		HOSE ASSY-HYDR SUPPLIER CODE: V00624 SPECIFICATION NUMBER: S270T230-69 COMPONENT MAINT MANUAL REF: 29-11-58 FOR NHA SEE: 29-11-56-01 29-11-17-03	002004 006999	RF
5	AE81385N		. COUPLING ASSY-HALF SUPPLIER CODE: V00624	002004 006999	1
10	AE13717-001		.. RING-SNAP SUPPLIER CODE: V00624	002004 006999	1
15	AE97517N		.. NUT- SUPPLIER CODE: V00624	002004 006999	1
20	AE97518N		.. VALVE ASSY- SUPPLIER CODE: V00624	002004 006999	1
25	AE94151N		... SLEEVE- SUPPLIER CODE: V00624	002004 006999	1
30	AE97519N		... VALVE- SUPPLIER CODE: V00624	002004 006999	1
35	AE10488-120		.. SPRING-CPRSN SUPPLIER CODE: V00624	002004 006999	1
40	22572-130		.. PACKING-RTNR SUPPLIER CODE: V00624	002004 006999	1
45	22610-130		.. PACKING-PREFORMED SUPPLIER CODE: V00624	002004 006999	1
50	AE81988N		.. ADAPTER- SUPPLIER CODE: V00624	002004 006999	1
- 55	AE706128-72		. SUBASSEMBLY- SUPPLIER CODE: V00624	002004 006999	1

MISSING ITEM NUMBERS NOT APPLICABLE

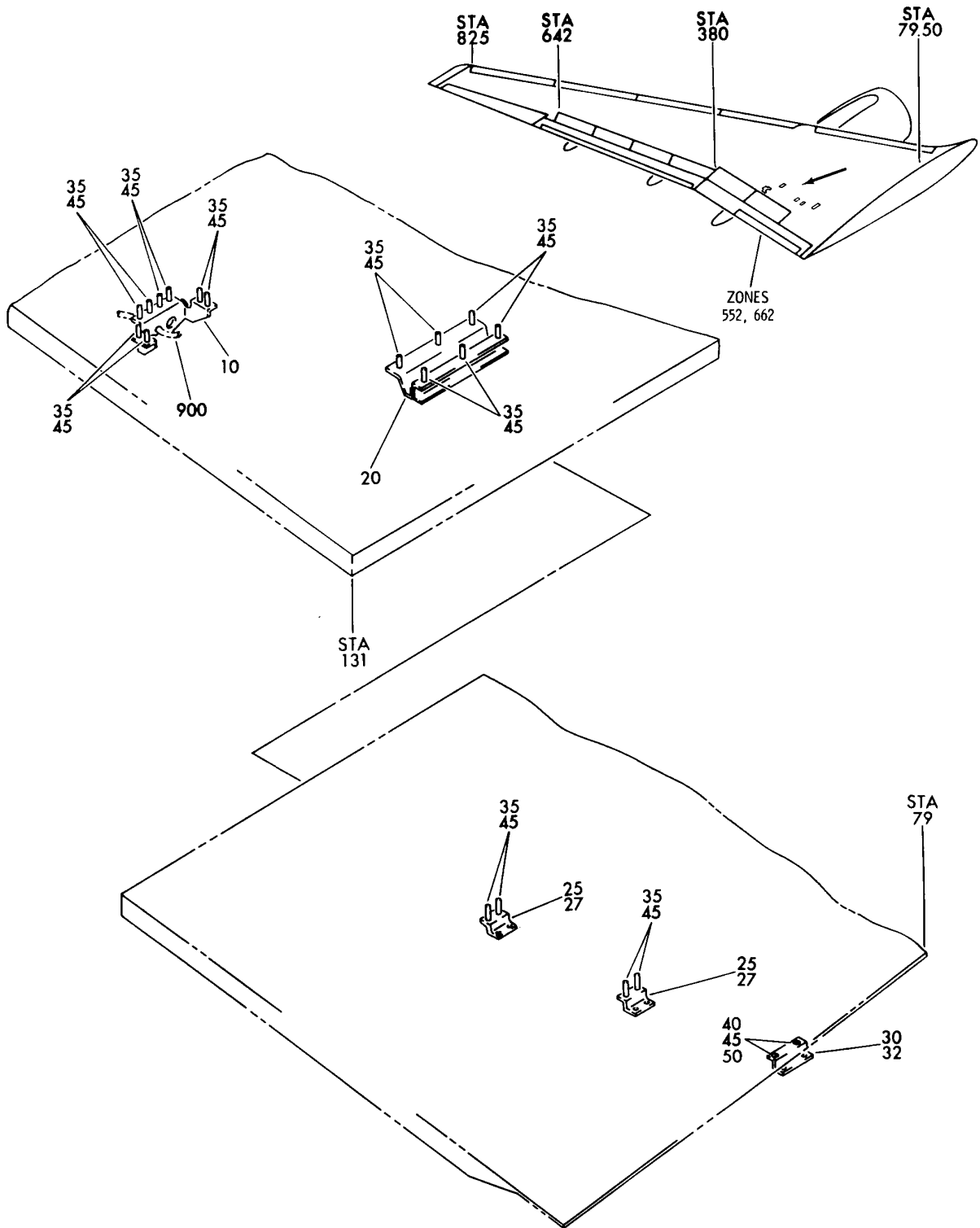
- ITEM NOT ILLUSTRATED

29-11-56-51A

29-11-56
FIG. 51A
PAGE 1
SEP 20/08

BRI

BOEING
757
PARTS CATALOG (MAINTENANCE)



Y 29115801 REV 185

BRACKET INSTL-UPR TE PNL HYDR TUBE SPRT
FIGURE 1

29-11-58-01

BRI
MAY 28/07

29-11-58-01
PAGE 0



757

PARTS CATALOG (MAINTENANCE)

FIG ITEM	PART NUMBER	1 2 3 4 5 6 7	NOMENCLATURE	EFFECT FROM TO	UNITS PER ASSY
1			BRACKET INSTL-UPR TE PNL HYDR TUBE SPRT	002004 006999	
- 1	271N6157-1		BRACKET INSTL-TE PNL HYDR TUBE SPRT POSITION DATA: UPR LH FOR NHA SEE: 32-41-51-15	002004 006100 107107 121503 904999	RF
- 1	271N6157-3		BRACKET INSTL-TE PNL HYDR TUBE SPRT POSITION DATA: UPR LH FOR NHA SEE: 29-00-51-02C	101102 108120 504903	RF
- 1	MODREF7535		BRACKET INSTL-TE PNL HYDR TUBE SPRT MODULE NUMBER: 271N6157-3 REV A POSITION DATA: UPR LH	103106	1
- 5	271N6157-2		BRACKET INSTL-TE PNL HYDR TUBE SPRT POSITION DATA: UPR RH FOR NHA SEE: 29-11-51-18	002004 006100 107107 121503 904999	RF
- 5	271N6157-4		BRACKET INSTL-TE PNL HYDR TUBE SPRT POSITION DATA: UPR RH FOR NHA SEE: 29-00-51-02C	101102 108120 504903	RF
- 5	MODREF7536		BRACKET INSTL-TE PNL HYDR TUBE SPRT MODULE NUMBER: 271N6157-4 REV A POSITION DATA: UPR RH	103106	1
10	271N6166-1		.BRACKET- POSITION DATA: LH SIDE	002004 006999	1
- 15	271N6166-2		.BRACKET- POSITION DATA: RH SIDE	002004 006999	1
20	271N6064-8		.BRACKET ASSY-	002004 006999	1

MISSING ITEM NUMBERS NOT APPLICABLE

- ITEM NOT ILLUSTRATED

29-11-58-01

29-11-58
FIG. 01
PAGE 1
JAN 20/09

BRI

 **BOEING**
757
PARTS CATALOG (MAINTENANCE)

FIG ITEM	PART NUMBER	1 2 3 4 5 6 7	NOMENCLATURE	EFFECT FROM TO	UNITS PER ASSY
1	25	271N6281-2	.BRACKET-	002004 006120 504903 950999	2
	27	271N6281-2	.BRACKET- POSITION DATA: LH SIDE	121503 904949	2
-	28	271N6281-2	.BRACKET- POSITION DATA: RH SIDE	121503 904949	2
	30	271N6281-1	.BRACKET-	002004 006120 504903 950999	1
	32	271N6281-1	.BRACKET- POSITION DATA: LH SIDE	121503 904949	1
-	33	271N6281-1	.BRACKET- POSITION DATA: RH SIDE	121503 904949	1
	35	BACB30NR4K1	.BOLT	002004 006999	18
	40	BACS12ER4K7	.SCREW	002004 006999	2
	45	AN960KD416	.WASHER	002004 006100 107107 121503 904999	20
	45	NAS1149D0463J	.WASHER	101106 108120 504903	20
	50	BRH10C4D	.NUT SUPPLIER CODE: V52828 SPECIFICATION NUMBER: BACN10JC4CD OPTIONAL PART: T6C428JCD V11815 NS202486-048 V80539 102LH9075-4W V72962 H51650-4BAC V15653	002004 006100 107107 121503 904999	2

MISSING ITEM NUMBERS NOT APPLICABLE

- ITEM NOT ILLUSTRATED

BRI

29-11-58-01

BOEING PROPRIETARY - Copyright © - Unpublished Work - See title page for details.

29-11-58
FIG. 01
PAGE 2
JAN 20/09



757

PARTS CATALOG (MAINTENANCE)

FIG ITEM	PART NUMBER	1 2 3 4 5 6 7	NOMENCLATURE	EFFECT FROM TO	UNITS PER ASSY
1 50	PLH54CD		.NUT SUPPLIER CODE: VF0224 SPECIFICATION NUMBER: BACN10YR4CD OPTIONAL PART: H52732-4CD V15653 -----*-----	101106 108120 504903	2
900			ILLUSTRATION REFERENCE: PLUMBING INSTL-INBD WING SECT. 12 HYDR LH (MAIN GEAR EXTENSION AND RETRACTION ONLY) 32-32-51-15	002004 006100 107107 121503 904999	RF

MISSING ITEM NUMBERS NOT APPLICABLE

- ITEM NOT ILLUSTRATED

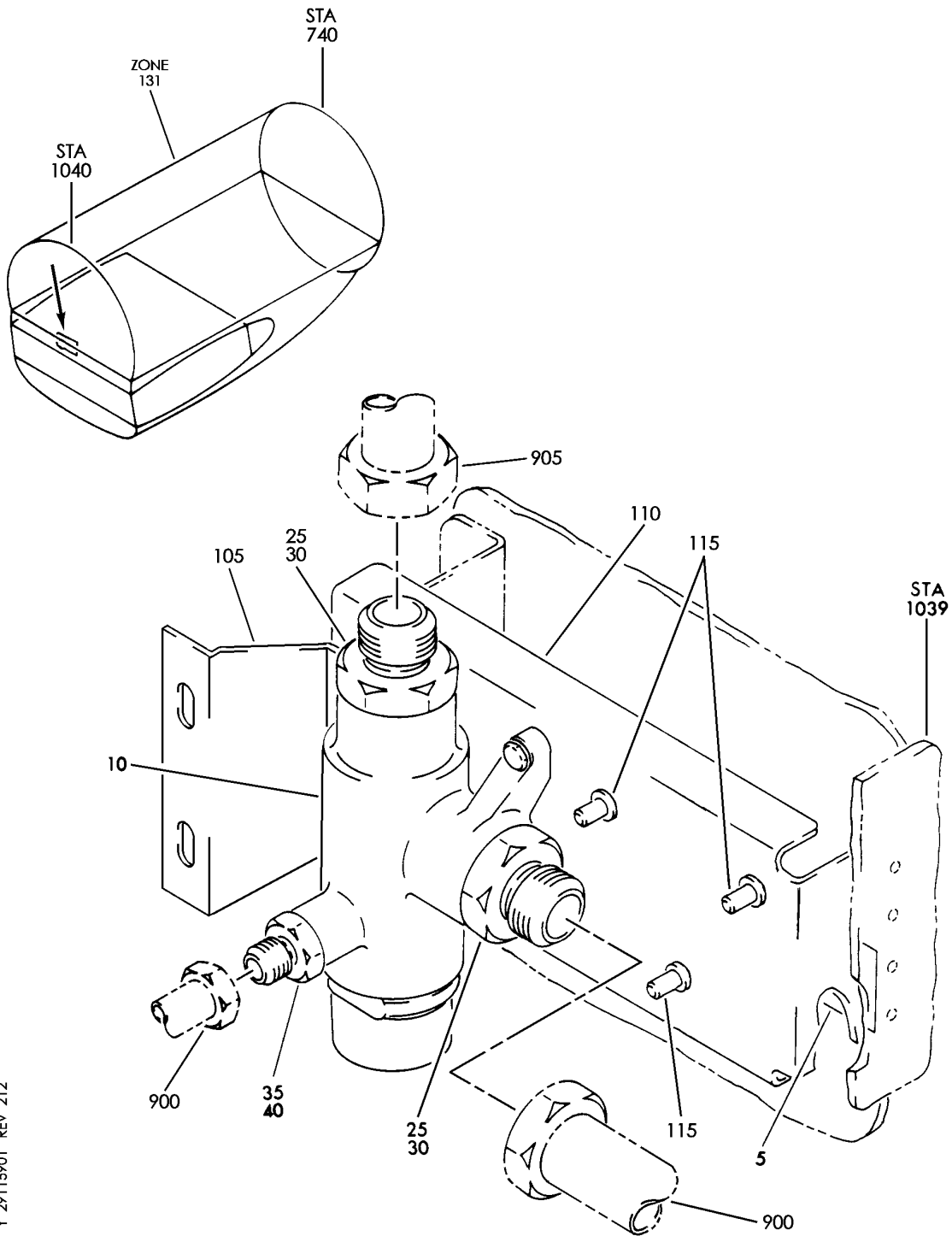
BRI

29-11-58-01

BOEING PROPRIETARY - Copyright © - Unpublished Work - See title page for details.

29-11-58
FIG. 01
PAGE 3
JAN 20/09

BOEING
757
PARTS CATALOG (MAINTENANCE)



Y 29115901 REV 212

VALVE INSTL -L HYDR SYSTEM PRESSURE SENSITIVE FLOW LIMITER
FIGURE 1

29-11-59-01

BRI
MAY 28/07

29-11-59-01
PAGE 0



757

PARTS CATALOG (MAINTENANCE)

FIG ITEM	PART NUMBER	1 2 3 4 5 6 7	NOMENCLATURE	EFFECT FROM TO	UNITS PER ASSY
1			VALVE INSTL -L HYDR SYSTEM PRESSURE SENSITIVE FLOW LIMITER	101106 108120 504903 950951	
- 1	271N5045-1		VALVE INSTL-HYDR SYSTEM PRESSURE SENSITIVE FLOW LIMITER POSITION DATA: L FOR NHA SEE: 29-00-51-05 29-00-51-05B	504903 950951	RF
5	BAC27NHY0129		.MARKER-ALUMINUM FOIL- PLACARD CONTENT: PRESSURE SENSITIVE FLOW LIMITER LEFT HYD SYS	504903 950951	1
10	67940		.LIMITER ASSY-PRESSURE SENSITIVE, FLOW SUPPLIER CODE: V99643 SPECIFICATION NUMBER: S271N502-1 COMPONENT MAINT MANUAL REF: 29-11-02	504903 950951	1
- 15	BACB30NM4K6		ATTACHING PARTS .BOLT	504903 950951	3
- 20	BACW10BP4CD		.WASHER	504903 950951	3
25	BACU24K12		-----*----- ..UNION	504903 950951	2
30	NAS1612-12		..PACKING-	504903 950951	2
35	BACV10CE2		..VALVE-CHECK OPTIONAL PART: 1C1358 PRE SERVICE LETTER: 29-032	504903 950951	1
35	1C1358		..VALVE-CHECK SUPPLIER CODE: V99240 OPTIONAL PART: BACV10CE2	504903 950951	1
40	NAS1612-6		..PACKING-	504903 950951	1

MISSING ITEM NUMBERS NOT APPLICABLE

- ITEM NOT ILLUSTRATED

29-11-59-01

29-11-59
FIG. 01
PAGE 1
JAN 20/09

BRI



757

PARTS CATALOG (MAINTENANCE)

FIG ITEM	PART NUMBER	1 2 3 4 5 6 7	NOMENCLATURE	EFFECT FROM TO	UNITS PER ASSY
1					
- 100	271N5052-3		BRACKET INSTL-PRESSURE SENSITIVE FLOW LIMITER LEFT HYDR SYS POSITION DATA: SECT 44 FOR NHA SEE: 57-00-00-20	101102 108120 504903	RF
- 100	MODREF7233		BRACKET INSTL-PRESSURE SENSITIVE FLOW LIMITER LEFT HYDR SYS MODULE NUMBER: 271N5052-3 REV A POSITION DATA: SECT 44	103106	1
105	271N6435-2		.BRACKET-HYDR	101106 108120 504903	1
110	271N5054-5		.BRACKET ASSY	101106 108120 504903	1
115	VNS1924CA1-8		..STUD-GROUNDING SUPPLIER CODE: V5M902 SPECIFICATION NUMBER: BACS53B1EA1 OPTIONAL PART: VNS1924CA3-1-8 V92215	101106 108120 504903	3
900			ILLUSTRATION REFERENCE: PLUMBING INSTL-MAIN WHL WELL FWD BHD HYDR 29-11-51-79	504903	RF
905			ILLUSTRATION REFERENCE: PLUMBING INSTL-SECT. 44 MAIN WHL WELL HYDR (HYDRAULIC POWER ONLY) 29-11-51-36	950951	RF

MISSING ITEM NUMBERS NOT APPLICABLE

- ITEM NOT ILLUSTRATED

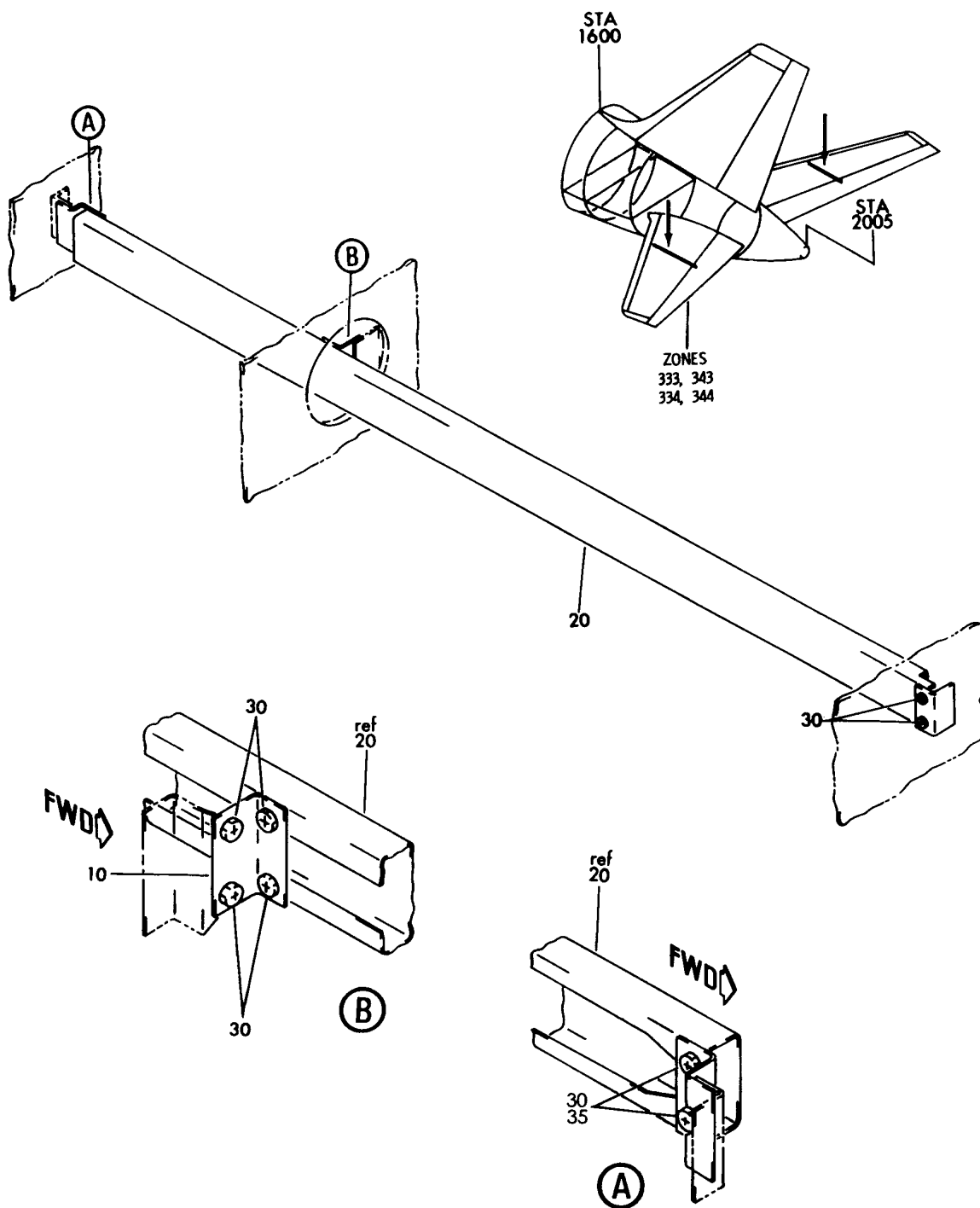
BRI

29-11-59-01

BOEING PROPRIETARY - Copyright © - Unpublished Work - See title page for details.

29-11-59
FIG. 01
PAGE 2
JAN 20/09

BOEING
757
PARTS CATALOG (MAINTENANCE)



Y 29116001 REV 199

BRACKET INSTL-HYDR SECT. 82
FIGURE 1

29-11-60-01

BRI
MAY 28/07

29-11-60-01
PAGE 0



757

PARTS CATALOG (MAINTENANCE)

FIG ITEM	PART NUMBER	1 2 3 4 5 6 7	NOMENCLATURE	EFFECT FROM TO	UNITS PER ASSY
1			BRACKET INSTL-HYDR SECT. 82	002004 006999	
- 1	271N6174-1		BRACKET INSTL-HYDR POSITION DATA: SECT. 82 LH FOR NHA SEE: 27-31-51-15	002004 006100 107107 121503 904999	RF
- 1	271N6174-3		BRACKET INSTL-HYDR POSITION DATA: SECT. 82 LH FOR NHA SEE: 29-00-51-02C	101102 108120 504903	RF
- 1	MODREF7540		BRACKET INSTL-HYDR MODULE NUMBER: 271N6174-3 REV A POSITION DATA: SECT. 82 LH	103106	1
- 5	271N6174-2		BRACKET INSTL-HYDR POSITION DATA: SECT. 82 RH FOR NHA SEE: 27-31-51-16 29-00-51-02C	101102 108120 504903	RF
- 5	MODREF7539		BRACKET INSTL-HYDR MODULE NUMBER: 271N6174-2 REV A POSITION DATA: SECT. 82 RH	103106	1
10	271N6132-8		.BRACKET- POSITION DATA: LH SIDE	002004 006999	1
- 15	271N6040-13		.BRACKET- POSITION DATA: RH SIDE	002004 006999	1
20	271N6039-5		.BRACKET- POSITION DATA: LH SIDE OPTIONAL PART: 271N6039-9	002004 006999	1
20	271N6039-9		.BRACKET- POSITION DATA: LH SIDE OPTIONAL PART: 271N6039-5	002004 006999	1
- 25	271N6039-2		.BRACKET- POSITION DATA: RH SIDE OPTIONAL PART: 271N6039-7	002004 006999	1

MISSING ITEM NUMBERS NOT APPLICABLE

- ITEM NOT ILLUSTRATED

29-11-60-01

29-11-60
FIG. 01
PAGE 1
JAN 20/09

BRI



757

PARTS CATALOG (MAINTENANCE)

FIG ITEM	PART NUMBER	1 2 3 4 5 6 7	NOMENCLATURE	EFFECT FROM TO	UNITS PER ASSY
1 - 25	271N6039-7		.BRACKET- POSITION DATA: RH SIDE OPTIONAL PART: 271N6039-2 ATTACHING PARTS	002004 006999	1
30	NAS1801-3-7		.SCREW	002004 006999	8
35	NAS1149D0332H		.WASHER- POSITION DATA: LH SIDE -----*	002004 006999	2

MISSING ITEM NUMBERS NOT APPLICABLE

- ITEM NOT ILLUSTRATED

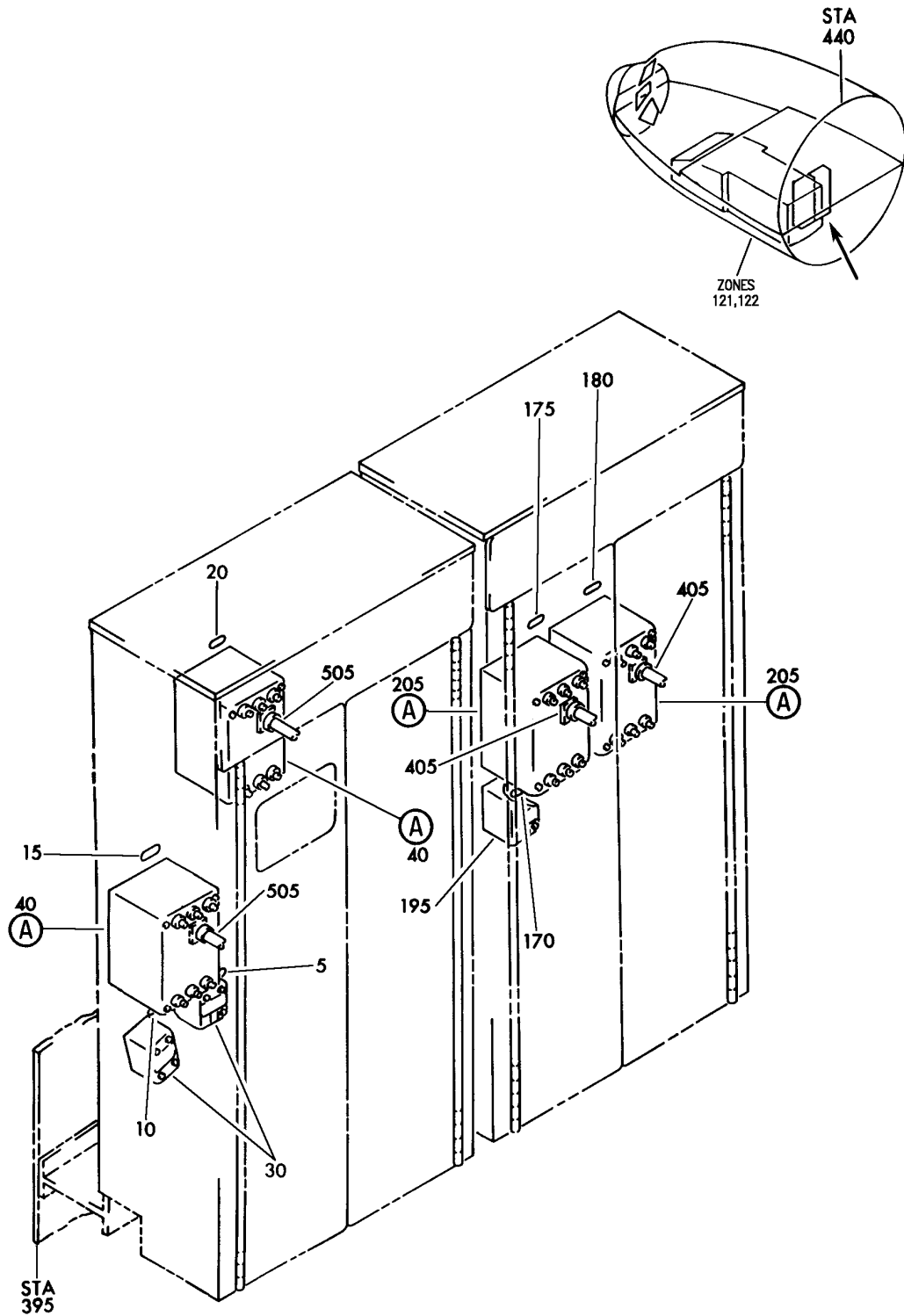
BRI

29-11-60-01

BOEING PROPRIETARY - Copyright © - Unpublished Work - See title page for details.

29-11-60
FIG. 01
PAGE 2
JAN 20/09

BOEING
757
PARTS CATALOG (MAINTENANCE)



Y 29116701 SHT 1 REV 289

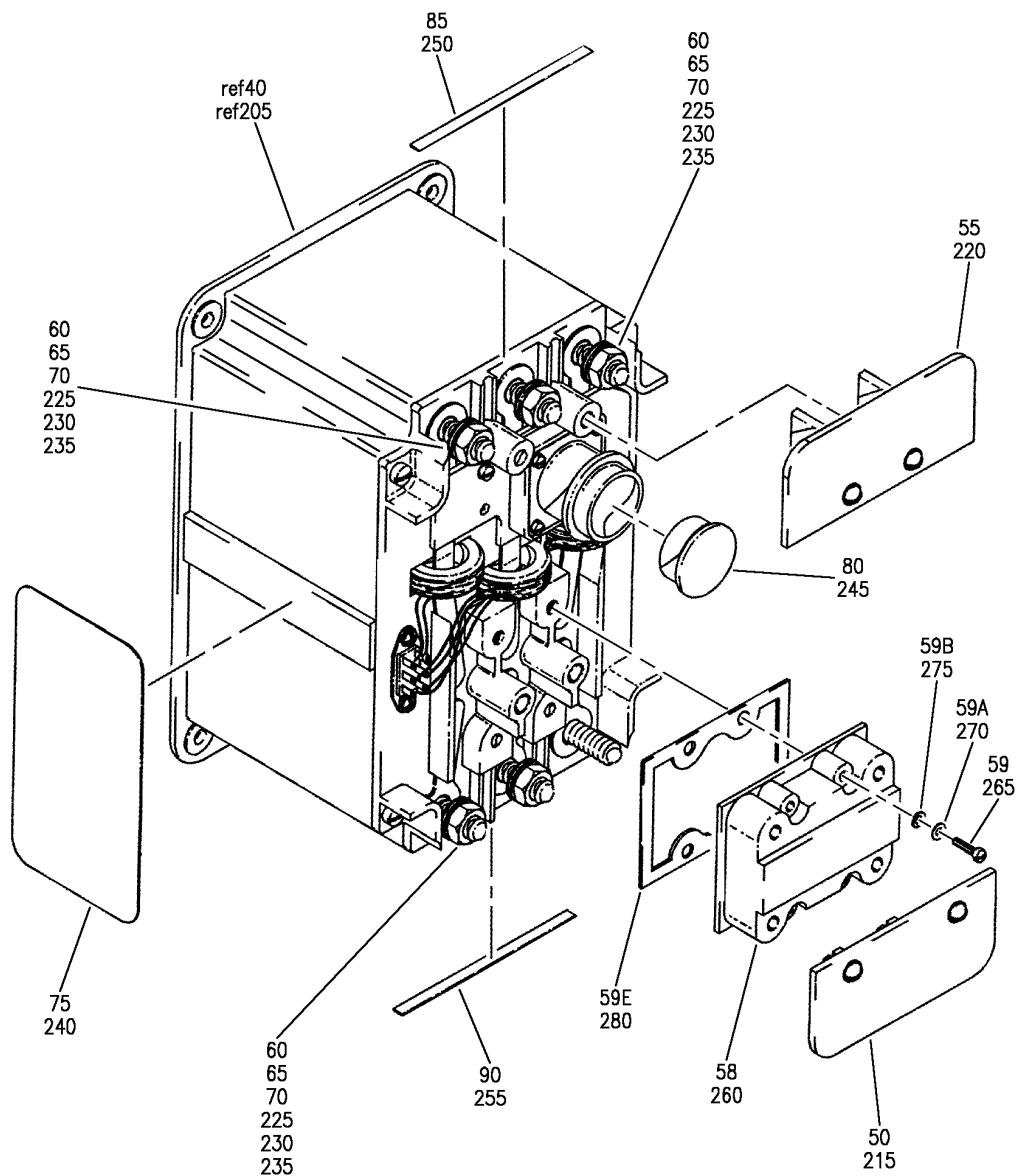
EQUIPMENT, PANEL ASSY-P31 AND P32 GEN PWR PNL (HYDRAULIC POWER ONLY)
FIGURE 1 (SHEET 1)

29-11-67-01

BRI
MAY 28/07

29-11-67-01
PAGE 0

BOEING
757
PARTS CATALOG (MAINTENANCE)



(A)

Y 29116701 SHT 2 REV 289

EQUIPMENT, PANEL ASSY-P31 AND P32 GEN PWR PNL (HYDRAULIC POWER ONLY)
FIGURE 1 (SHEET 2)

29-11-67-01

BRI
MAY 28/07

29-11-67-01
PAGE 0A



757

PARTS CATALOG (MAINTENANCE)

FIG ITEM	PART NUMBER	1 2 3 4 5 6 7	NOMENCLATURE	EFFECT FROM TO	UNITS PER ASSY
1			EQUIPMENT, PANEL ASSY-P31 AND P32 GEN PWR PNL (HYDRAULIC POWER ONLY)	002004 006100 103107 121503 904999	
- 1	284N1314-1		EQUIPMENT ASSY-P31 GEN PWR PNL (HYDRAULIC POWER ONLY) POSITION DATA: L VARIABLE DRAWING REF: 284N1314-5010 284N1314-5011 284N1314-5022 FOR NHA/OTHER SYS DET SEE: 31-01-31-02	002004 006100 107107 121503 904999	RF
5	BAC27NEX0648		.DECAL- PLACARD CONTENT: T155	011100 107107 121503 904949	1
10	BAC27NEX0649		.DECAL- PLACARD CONTENT: T157	011100 107107 121503 904949	1
15	BAC27NEX0016		.DECAL- PLACARD CONTENT: M10006	002004 006100 107107 121503 904999	1
20	BAC27NEX0014		.DECAL- PLACARD CONTENT: M10005	002004 006100 107107 121503 904999	1
30	314-14544-01		.TRANSFORMER- SUPPLIER CODE: V95266 ELECTRICAL EQUIP NUMBER: T00155 T00157	011100 107107 121503 904949	2
- 35	NAS1801-3-8		ATTACHING PARTS .SCREW -----*-----	011100 107107 121503 904949	8

MISSING ITEM NUMBERS NOT APPLICABLE

- ITEM NOT ILLUSTRATED

BRI

29-11-67-01

29-11-67
FIG. 01
PAGE 1
JAN 20/09



757

PARTS CATALOG (MAINTENANCE)

FIG ITEM	PART NUMBER	1 2 3 4 5 6 7	NOMENCLATURE	EFFECT FROM TO	UNITS PER ASSY
1					
40	3B41-1A		.CONTROL UNIT ASSY- ELECTRICAL LOAD SUPPLIER CODE: V83298 SPECIFICATION NUMBER: S281T003-2 ELECTRICAL EQUIP NUMBER: M10005 M10006 COMPONENT MAINT MANUAL REF: 24-21-18	002004 006100 107107 121503 904999	2
40	3B41-3A		.CONTROL UNIT ASSY- ELECTRICAL LOAD SUPPLIER CODE: V83298 SPECIFICATION NUMBER: S281T003-3 ELECTRICAL EQUIP NUMBER: M10005 M10006 COMPONENT MAINT MANUAL REF: 24-21-18 OPTIONAL PART: 3B41-3B V83298	002004 006100 107107 121503 904999	2
40	3B41-3B		.CONTROL UNIT ASSY- ELECTRICAL LOAD SUPPLIER CODE: V83298 SPECIFICATION NUMBER: S281T003-3 ELECTRICAL EQUIP NUMBER: M10005 M10006 COMPONENT MAINT MANUAL REF: 24-21-18 OPTIONAL PART: 3B41-3A V83298	002004 006100 107107 121503 904999	2
- 45	NAS1801-3-8		ATTACHING PARTS .SCREW -----*-----	002004 006100 107107 121503 904999	8

MISSING ITEM NUMBERS NOT APPLICABLE

- ITEM NOT ILLUSTRATED

BRI

29-11-67-01

29-11-67
FIG. 01
PAGE 2
JAN 20/09

BOEING
757
PARTS CATALOG (MAINTENANCE)

FIG ITEM	PART NUMBER	1 2 3 4 5 6 7	NOMENCLATURE	EFFECT FROM TO	UNITS PER ASSY
1					
50	1593874-1		.. COVER ASSY-TERM. SUPPLIER CODE: V83298	002004 006100 107107 121503 904999	1
55	1593875-1		.. COVER ASSY-TERM. SUPPLIER CODE: V83298	002004 006100 107107 121503 904999	1
58	1593873-1		.. CHAMBER-BASE SUPPLIER CODE: V83298	002004 006100 107107 121503 904999	1
59	51204-831		ATTACHING PARTS .. SCREW-MACHINE SUPPLIER CODE: V74063	002004 006100 107107 121503 904999	4
59A	51806-031		.. WASHER-LOCK SUPPLIER CODE: V74063	002004 006100 107107 121503 904999	4
59B	51702-121		.. WASHER-FLAT SUPPLIER CODE: VK5294	002004 006100 107107 121503 904999	4
59E	1593903-1		-----*----- .. SEAL- SUPPLIER CODE: V83298	002004 006100 107107 121503 904999	1
60	MS51972-3		.. NUT	002004 006100 107107 121503 904999	6
65	MS35338-135		.. WASHER	002004 006100 107107 121503 904999	6

MISSING ITEM NUMBERS NOT APPLICABLE

— ITEM NOT ILLUSTRATED

BRI

29-11-67-01

BOEING PROPRIETARY - Copyright © - Unpublished Work - See title page for details.

29-11-67
FIG. 01
PAGE 3
JAN 20/09



757

PARTS CATALOG (MAINTENANCE)

FIG ITEM	PART NUMBER	1 2 3 4 5 6 7	NOMENCLATURE	EFFECT FROM TO	UNITS PER ASSY
1	70 NAS620C4L		.. WASHER	002004 006100 107107 121503 904999	6
	75 1593095		.. DECAL- SUPPLIER CODE: V83298	002004 006100 107107 121503 904999	1
	80 MS90376-18Y		.. COVER- CONFIG CHG DATA FROM A CMM: SUPSD BY 6425811-7	002004 006100 107107 121503 904999	1
	80 6425811-7		.. COVER- SUPPLIER CODE: V83298 CONFIG CHG DATA FROM A CMM: SUPSDS MS90376-18Y	002004 006100 107107 121503 904999	1
	85 1593351		.. PLATE-IDENT SUPPLIER CODE: V83298	002004 006100 107107 121503 904999	1
	90 1593352		.. PLATE-IDENT SUPPLIER CODE: V83298	002004 006100 107107 121503 904999	1
- 160	284N1315-1		EQUIPMENT ASSY-P32 GEN PWR PNL (HYDRAULIC POWER ONLY) VARIABLE DRAWING REF: 284N1315-5015 284N1315-5023 284N1315-5049 284N1315-5050 284N1315-5052	002004 006100 107107 121503 904999	RF

MISSING ITEM NUMBERS NOT APPLICABLE

- ITEM NOT ILLUSTRATED

BRI

29-11-67-01

BOEING PROPRIETARY - Copyright © - Unpublished Work - See title page for details.

29-11-67
FIG. 01
PAGE 4
JAN 20/09



757

PARTS CATALOG (MAINTENANCE)

FIG ITEM	PART NUMBER	1 2 3 4 5 6 7	NOMENCLATURE	EFFECT FROM TO	UNITS PER ASSY
1 - 161	MODREF31489		PANEL ASSY-P32 GEN PWR PNL (HYDRAULIC POWER ONLY) MODULE NUMBER: 284N1315-206 REV A FOR OTHER SYS DETAILS SEE: 11-36-07-02 24-21-51-04 24-22-03-06A 24-22-51-07 24-23-01-02A 24-32-51-05 24-51-55-03 24-53-51-22 25-31-03-04 25-72-51-01	103106	1
170	BAC27NEX0654		.DECAL- PLACARD CONTENT: T156	011100 107107 121503 904949	1
175	BAC27NEX0008		.DECAL- PLACARD CONTENT: M10001	002004 006100 107107 121503 904999	1
180	BAC27NEX0009		.DECAL- PLACARD CONTENT: M10022	002004 006100 107107 121503 904999	1
195	314-14544-01		.TRANSFORMER- SUPPLIER CODE: V95266 ELECTRICAL EQUIP NUMBER: T00156	011100 107107 121503 904949	1
- 200	NAS1801-3-8		ATTACHING PARTS .SCREW -----*-----	011100 107107 121503 904949	4

MISSING ITEM NUMBERS NOT APPLICABLE

- ITEM NOT ILLUSTRATED

BRI

29-11-67-01

BOEING PROPRIETARY - Copyright © - Unpublished Work - See title page for details.

29-11-67
FIG. 01
PAGE 5
JAN 20/09



757

PARTS CATALOG (MAINTENANCE)

FIG ITEM	PART NUMBER	1 2 3 4 5 6 7	NOMENCLATURE	EFFECT FROM TO	UNITS PER ASSY
1 205	3B41-1A		.CONTROL UNIT ASSY- ELECTRICAL LOAD SUPPLIER CODE: V83298 SPECIFICATION NUMBER: S281T003-2 ELECTRICAL EQUIP NUMBER: M10001 M10022 COMPONENT MAINT MANUAL REF: 24-21-18 PRE SERVICE BULLETIN: 3B41-29-01 V77068 REWORKED BY SB: 3B41-29-02 V77068	002004 006100 103107 121503 904999	2
205	3B41-3A		.CONTROL UNIT ASSY- ELECTRICAL LOAD SUPPLIER CODE: V83298 SPECIFICATION NUMBER: S281T003-3 ELECTRICAL EQUIP NUMBER: M10001 M10022 COMPONENT MAINT MANUAL REF: 24-21-18 OPTIONAL PART: 3B41-3B V83298	002004 006100 103107 121503 904999	2
205	3B41-3B		.CONTROL UNIT ASSY- ELECTRICAL LOAD SUPPLIER CODE: V83298 SPECIFICATION NUMBER: S281T003-3 ELECTRICAL EQUIP NUMBER: M10001 M10022 COMPONENT MAINT MANUAL REF: 24-21-18 OPTIONAL PART: 3B41-3A V83298	002004 006100 103107 121503 904999	2

MISSING ITEM NUMBERS NOT APPLICABLE

- ITEM NOT ILLUSTRATED

29-11-67-01

29-11-67
FIG. 01
PAGE 6
JAN 20/09

BRI



757

PARTS CATALOG (MAINTENANCE)

FIG ITEM	PART NUMBER	1 2 3 4 5 6 7	NOMENCLATURE	EFFECT FROM TO	UNITS PER ASSY
1			ATTACHING PARTS		
- 210	NAS1801-3-8		.SCREW	002004 006100 103107 121503 904999	8
215	1593874-1		-----*----- ..COVER ASSY-TERM. SUPPLIER CODE: V83298	002004 006100 103107 121503 904999	1
220	1593875-1		..COVER ASSY-TERM. SUPPLIER CODE: V83298	002004 006100 103107 121503 904999	1
225	MS51972-3		..NUT	002004 006100 103107 121503 904999	6
230	MS35338-135		..WASHER	002004 006100 103107 121503 904999	6
235	NAS620C4L		..WASHER	002004 006100 103107 121503 904999	6
240	1593095		..DECAL-WIRING DIAGRAM SUPPLIER CODE: V83298	002004 006100 103107 121503 904999	1
245	MS90376-18Y		..COVER- CONFIG CHG DATA FROM A CMM: SUPSD BY 6425811-7	002004 006100 103107 121503 904999	1
245	6425811-7		..COVER- SUPPLIER CODE: V83298 CONFIG CHG DATA FROM A CMM: SUPSDS MS90376-18Y	002004 006100 103107 121503 904999	1

MISSING ITEM NUMBERS NOT APPLICABLE

- ITEM NOT ILLUSTRATED

BRI

29-11-67-01

29-11-67
FIG. 01
PAGE 7
JAN 20/09



757

PARTS CATALOG (MAINTENANCE)

FIG ITEM	PART NUMBER	1 2 3 4 5 6 7	NOMENCLATURE	EFFECT FROM TO	UNITS PER ASSY
1					
250	1593351	..	PLATE-IDENT SUPPLIER CODE: V83298	002004 006100 103107 121503 904999	1
255	1593352	..	PLATE-IDENT SUPPLIER CODE: V83298	002004 006100 103107 121503 904999	1
260	1593873-1	..	CHAMBER-BASE SUPPLIER CODE: V83298	002004 006100 103107 121503 904999	1
265	51204-831	..	ATTACHING PARTS SCREW-MACHINE SUPPLIER CODE: V74063	002004 006100 103107 121503 904999	4
270	51806-031	..	WASHER-LOCK SUPPLIER CODE: V74063	002004 006100 103107 121503 904999	4
275	51702-121	..	WASHER-FLAT SUPPLIER CODE: VK5294	002004 006100 103107 121503 904999	4
280	1593903-1	..	-----*----- SEAL- SUPPLIER CODE: V83298	002004 006100 103107 121503 904999	1
- 400	286N1138-001		WIRE BUNDLE ASSY-(HYDRAULIC POWER ONLY)	107107 121503 904949	RF
- 400	286N1138-004		WIRE BUNDLE ASSY-(HYDRAULIC POWER ONLY)	002004 006100 950999	RF
- 401	286N1138-751		WIRE BUNDLE ASSY-(HYDRAULIC POWER ONLY)	103106	RF

MISSING ITEM NUMBERS NOT APPLICABLE

- ITEM NOT ILLUSTRATED

29-11-67-01

29-11-67
FIG. 01
PAGE 8
JAN 20/09

BRI

BOEING PROPRIETARY - Copyright © - Unpublished Work - See title page for details.



757

PARTS CATALOG (MAINTENANCE)

FIG ITEM	PART NUMBER	1 2 3 4 5 6 7	NOMENCLATURE	EFFECT FROM TO	UNITS PER ASSY
1 405	BACC45FT16-24S6		.CONNECTOR- ELECTRICAL EQUIP NUMBER: D02930 D03106 WIRING DIAGRAM REF: 291112 291131	002004 006100 103107 121503 904999	1
- 500	286N1136-001		WIRE BUNDLE ASSY-(HYDRAULIC POWER ONLY)	107107 121503 904949	RF
- 500	286N1136-003		WIRE BUNDLE ASSY-(HYDRAULIC POWER ONLY)	002004 006100 950999	RF
- 501	286N1136-704		WIRE BUNDLE ASSY-(HYDRAULIC POWER ONLY)	103106	RF
505	BACC45FT16A24S6		.CONNECTOR- ELECTRICAL EQUIP NUMBER: D02934 D03062 WIRING DIAGRAM REF: 291122 291131	002004 006100 103107 121503 904999	2

MISSING ITEM NUMBERS NOT APPLICABLE

- ITEM NOT ILLUSTRATED

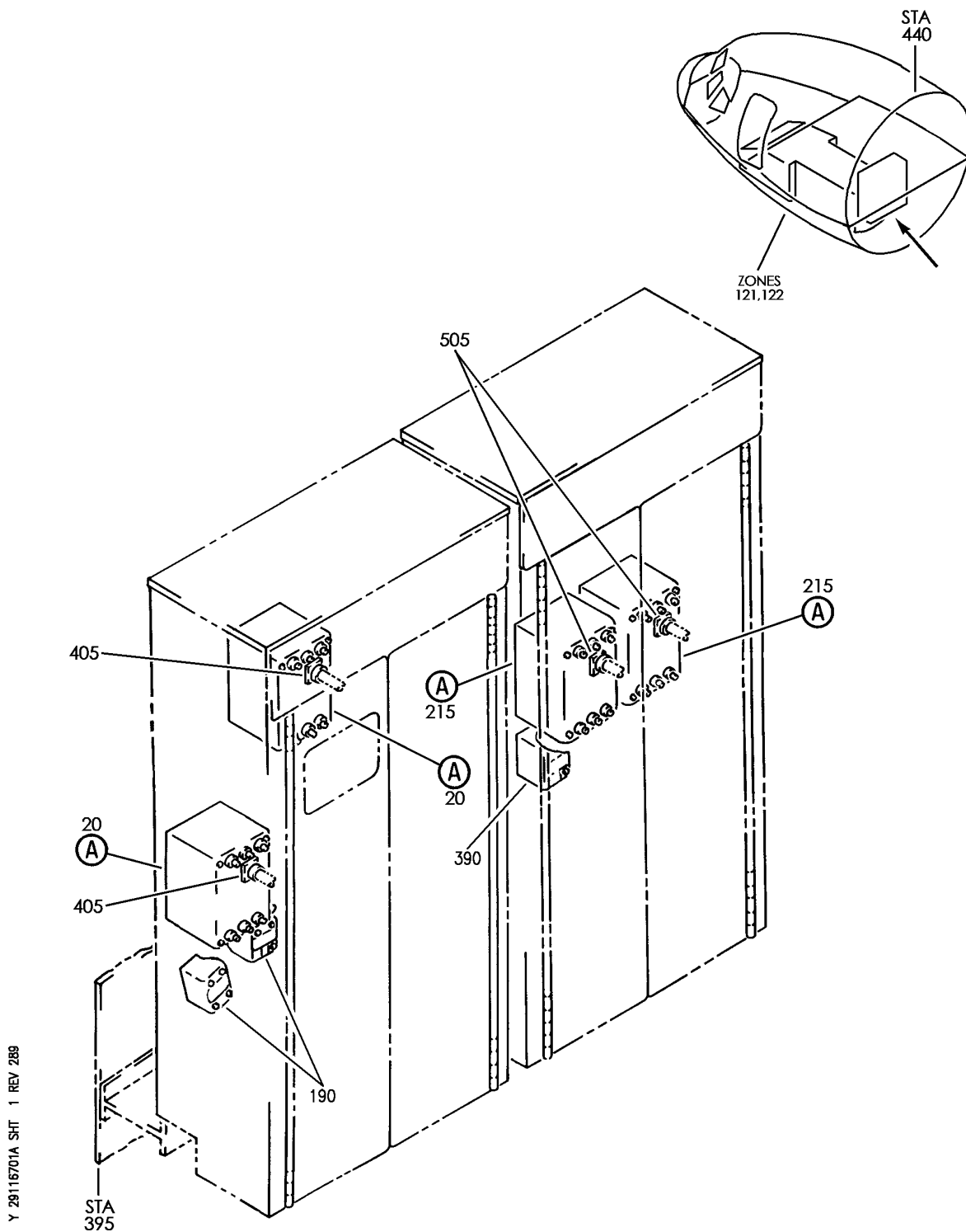
BRI

29-11-67-01

BOEING PROPRIETARY - Copyright © - Unpublished Work - See title page for details.

29-11-67
FIG. 01
PAGE 9
JAN 20/09

BOEING
757
PARTS CATALOG (MAINTENANCE)



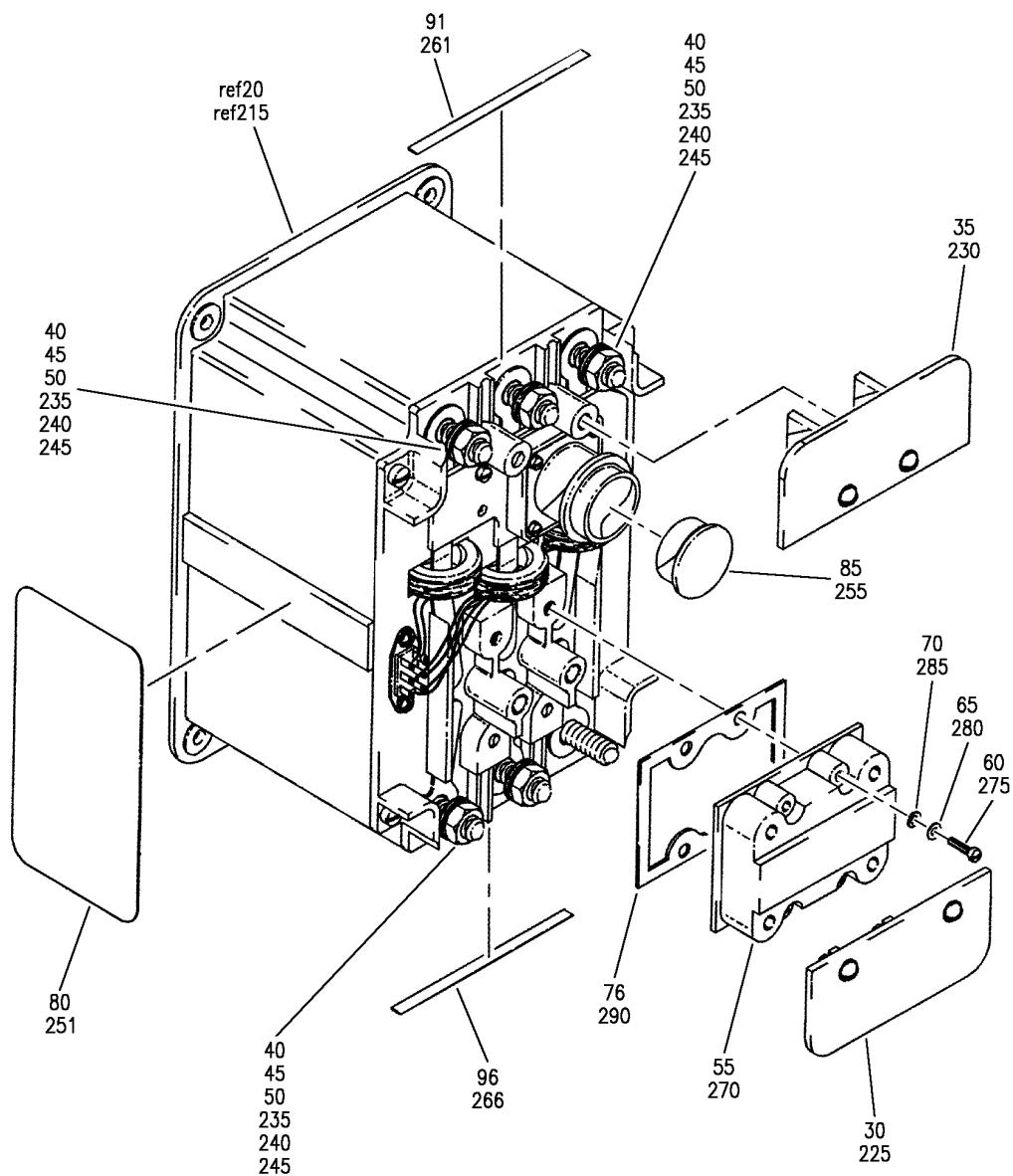
PACKAGE ASSY-OPTION P31 AND P32 GEN PWR PNL (HYDRAULIC POWER ONLY)
FIGURE 1A (SHEET 1)

BRI
MAY 28/07

29-11-67-01A

29-11-67-01A
PAGE 0

BOEING
757
PARTS CATALOG (MAINTENANCE)



(A)

Y 29116701A SHT 2 REV 289

PACKAGE ASSY-OPTION P31 AND P32 GEN PWR PNL (HYDRAULIC POWER ONLY)
FIGURE 1A (SHEET 2)

29-11-67-01A

BRI
MAY 28/07

29-11-67-01A
PAGE 0A



757

PARTS CATALOG (MAINTENANCE)

FIG ITEM	PART NUMBER	1 2 3 4 5 6 7	NOMENCLATURE	EFFECT FROM TO	UNITS PER ASSY
1 A			PACKAGE ASSY-OPTION P31 AND P32 GEN PWR PNL (HYDRAULIC POWER ONLY)	101102 108120 504903	
- 1	284N1314-1000		PACKAGE ASSY-OPTION P31 GEN POWER (HYDRAULIC POWER ONLY)	101102 108120 504903	RF
			POSITION DATA: LH		
			MISCELLANEOUS DATA: MINOR MODEL 757-200 PASS FOR NHA/OTHER SYS DET SEE: 24-22-01-01B		
20	3B41-3A		.CONTROL UNIT ASSY- ELECTRICAL LOAD SUPPLIER CODE: V83298 SPECIFICATION NUMBER: S281T003-3 ELECTRICAL EQUIP NUMBER: M10005 M10006 COMPONENT MAINT MANUAL REF: 29-11-01	101102 108120 504903	2
			OPTIONAL PART: 3B41-3B V83298		
20	3B41-3B		.CONTROL UNIT ASSY- ELECTRICAL LOAD SUPPLIER CODE: V83298 SPECIFICATION NUMBER: S281T003-3 ELECTRICAL EQUIP NUMBER: M10005 M10006 COMPONENT MAINT MANUAL REF: 29-11-01	101102 108120 504903	2
			OPTIONAL PART: 3B41-3A V83298		

MISSING ITEM NUMBERS NOT APPLICABLE

- ITEM NOT ILLUSTRATED

29-11-67-01A

29-11-67
FIG. 01A
PAGE 1
JAN 20/09

BRI

BOEING
757
PARTS CATALOG (MAINTENANCE)

FIG ITEM	PART NUMBER	1 2 3 4 5 6 7	NOMENCLATURE	EFFECT FROM TO	UNITS PER ASSY
1 A					
20	3B41-1A		.CONTROL UNIT ASSY- ELECTRICAL LOAD SUPPLIER CODE: V83298 SPECIFICATION NUMBER: S281T003-2 ELECTRICAL EQUIP NUMBER: M10005 M10006 COMPONENT MAINT MANUAL REF: 24-21-18 ATTACHING PARTS	101102 108120 504903	2
- 25	NAS1801-3-8		.SCREW	101102 108120 504903	8
			-----*-----		
30	1593874-1		..COVER ASSY-TERM. SUPPLIER CODE: V83298	101102 108120 504903	1
35	1593875-1		..COVER ASSY-TERM. SUPPLIER CODE: V83298	101102 108120 504903	1
40	MS51972-3		..NUT	101102 108120 504903	6
45	MS35338-135		..WASHER	101102 108120 504903	6
50	NAS620C4L		..WASHER	101102 108120 504903	6
55	1593873-1		..CHAMBER-BASE SUPPLIER CODE: V83298 ATTACHING PARTS	101102 108120 504903	1
60	51204-831		..SCREW-MACHINE SUPPLIER CODE: V74063	101102 108120 504903	4
65	51806-031		..WASHER-LOCK SUPPLIER CODE: V74063	101102 108120 504903	4
70	51702-121		..WASHER-FLAT SUPPLIER CODE: VK5294	101102 108120 504903	4
			-----*-----		
76	1593903-1		..SEAL- SUPPLIER CODE: V83298	101102 108120 504903	1

MISSING ITEM NUMBERS NOT APPLICABLE

- ITEM NOT ILLUSTRATED

BRI

29-11-67-01A

BOEING PROPRIETARY - Copyright © - Unpublished Work - See title page for details.

29-11-67
FIG. 01A
PAGE 2
JAN 20/09



757

PARTS CATALOG (MAINTENANCE)

FIG ITEM	PART NUMBER	1 2 3 4 5 6 7	NOMENCLATURE	EFFECT FROM TO	UNITS PER ASSY
1 A					
80	1593095	..	DECAL- SUPPLIER CODE: V83298	101102 108120 504903	1
85	MS90376-18Y	..	COVER- CONFIG CHG DATA FROM A CMM: SUPSD BY 6425811-7	101102 108120 504903	1
85	6425811-7	..	COVER- SUPPLIER CODE: V83298 CONFIG CHG DATA FROM A CMM: SUPSDS MS90376-18Y	101102 108120 504903	1
91	1593351	..	PLATE-IDENT SUPPLIER CODE: V83298	101102 108120 504903	1
96	1593352	..	PLATE-IDENT SUPPLIER CODE: V83298	101102 108120 504903	1
- 185	284N1314-1004		PACKAGE ASSY-OPTION P31 GEN POWER (HYDRAULIC POWER ONLY) POSITION DATA: LH FOR NHA/OTHER SYS DET SEE: 24-22-01-01B	101102 108120	RF
190	314-14544-01	.	TRANSFORMER- SUPPLIER CODE: V95266 ELECTRICAL EQUIP NUMBER: T00155 T00157 ATTACHING PARTS	101102 108120	2
- 195	NAS1801-3-8	.	SCREW	101102 108120	8
- 200	284N1315-1000		-----*----- PACKAGE ASSY-OPTION P32 GEN POWER (HYDRAULIC POWER ONLY) POSITION DATA: RH FOR NHA/OTHER SYS DET SEE: 24-22-01-01C	101102 504903	RF

MISSING ITEM NUMBERS NOT APPLICABLE

- ITEM NOT ILLUSTRATED

BRI

29-11-67-01A

BOEING PROPRIETARY - Copyright © - Unpublished Work - See title page for details.

29-11-67
FIG. 01A
PAGE 3
JAN 20/09



757

PARTS CATALOG (MAINTENANCE)

FIG ITEM	PART NUMBER	1 2 3 4 5 6 7	NOMENCLATURE	EFFECT FROM TO	UNITS PER ASSY
1A 215	3B41-3A	.	CONTROL UNIT ASSY- ELECTRICAL LOAD SUPPLIER CODE: V83298 SPECIFICATION NUMBER: S281T003-3 ELECTRICAL EQUIP NUMBER: M10001 M10022 COMPONENT MAINT MANUAL REF: 29-11-01 OPTIONAL PART: 3B41-3B V83298	101102 504903	2
215	3B41-3B	.	CONTROL UNIT ASSY- ELECTRICAL LOAD SUPPLIER CODE: V83298 SPECIFICATION NUMBER: S281T003-3 ELECTRICAL EQUIP NUMBER: M10001 M10022 COMPONENT MAINT MANUAL REF: 29-11-01 OPTIONAL PART: 3B41-3A V83298	101102 504903	2
215	3B41-1A	.	CONTROL UNIT ASSY- ELECTRICAL LOAD SUPPLIER CODE: V83298 SPECIFICATION NUMBER: S281T003-2 ELECTRICAL EQUIP NUMBER: M10001 M10022 COMPONENT MAINT MANUAL REF: 24-21-18	101102 504903	2
- 220	NAS1801-3-8	.	ATTACHING PARTS SCREW	101102 504903	8
225	1593874-1	..	COVER ASSY-TERM. SUPPLIER CODE: V83298	101102 504903	1
230	1593875-1	..	COVER ASSY-TERM. SUPPLIER CODE: V83298	101102 504903	1

MISSING ITEM NUMBERS NOT APPLICABLE

- ITEM NOT ILLUSTRATED

29-11-67-01A

29-11-67
FIG. 01A
PAGE 4
JAN 20/09

BRI



757

PARTS CATALOG (MAINTENANCE)

FIG ITEM	PART NUMBER	1 2 3 4 5 6 7	NOMENCLATURE	EFFECT FROM TO	UNITS PER ASSY
1A					
235	MS51972-3	..	NUT	101102 504903	6
240	MS35338-135	..	WASHER	101102 504903	6
245	NAS620C4L	..	WASHER	101102 504903	6
251	1593095	..	DECAL-WIRING DIAGRAM SUPPLIER CODE: V83298	101102 504903	1
255	MS90376-18Y	..	COVER- CONFIG CHG DATA FROM A CMM: SUPSD BY 6425811-7	101102 504903	1
255	6425811-7	..	COVER- SUPPLIER CODE: V83298 CONFIG CHG DATA FROM A CMM: SUPSDS MS90376-18Y	101102 504903	1
261	1593351	..	PLATE-IDENT SUPPLIER CODE: V83298	101102 504903	1
266	1593352	..	PLATE-IDENT SUPPLIER CODE: V83298	101102 504903	1
270	1593873-1	..	CHAMBER-BASE SUPPLIER CODE: V83298	101102 504903	1
275	51204-831	..	SCREW-MACHINE SUPPLIER CODE: V74063	101102 504903	4
280	51806-031	..	WASHER-LOCK SUPPLIER CODE: V74063	101102 504903	4
285	51702-121	..	WASHER-FLAT SUPPLIER CODE: VK5294	101102 504903	4
290	1593903-1	..	SEAL- SUPPLIER CODE: V83298	101102 504903	1
- 380	284N1315-1008		PACKAGE ASSY-OPTION P32 GEN POWER (HYDRAULIC POWER ONLY) POSITION DATA: RH FOR NHA SEE: 24-22-01-01C	101102	RF

MISSING ITEM NUMBERS NOT APPLICABLE

- ITEM NOT ILLUSTRATED

29-11-67-01A

29-11-67
FIG. 01A
PAGE 5
JAN 20/09

BRI

BOEING PROPRIETARY - Copyright © - Unpublished Work - See title page for details.



757

PARTS CATALOG (MAINTENANCE)

FIG ITEM	PART NUMBER	1 2 3 4 5 6 7	NOMENCLATURE	EFFECT FROM TO	UNITS PER ASSY
1 A 390	314-14544-01		.TRANSFORMER- SUPPLIER CODE: V95266 ELECTRICAL EQUIP NUMBER: T00156 ATTACHING PARTS	101102	1
- 395	NAS1801-3-8		.SCREW -----*-----	101102	4
- 401	286N1136-323		WIRE BUNDLE ASSY	504903	RF
- 401	286N1136-324		WIRE BUNDLE ASSY	101102	RF
- 401	286N1136-325		WIRE BUNDLE ASSY	108120	RF
405	BACC45FT16A24S6		.CONNECTOR- ELECTRICAL EQUIP NUMBER: D02934 D03062 WIRING DIAGRAM REF: 291131 291122	101102 108120 504903	2
- 501	286N1138-319		WIRE BUNDLE ASSY	504903	RF
- 501	286N1138-321		WIRE BUNDLE ASSY	101102	RF
- 501	286N1138-322		WIRE BUNDLE ASSY	108120	RF
505	BACC45FT16-24S6		.CONNECTOR- ELECTRICAL EQUIP NUMBER: D02930 D03106 WIRING DIAGRAM REF: 291131 291112	101102 108120 504903	2

MISSING ITEM NUMBERS NOT APPLICABLE

- ITEM NOT ILLUSTRATED

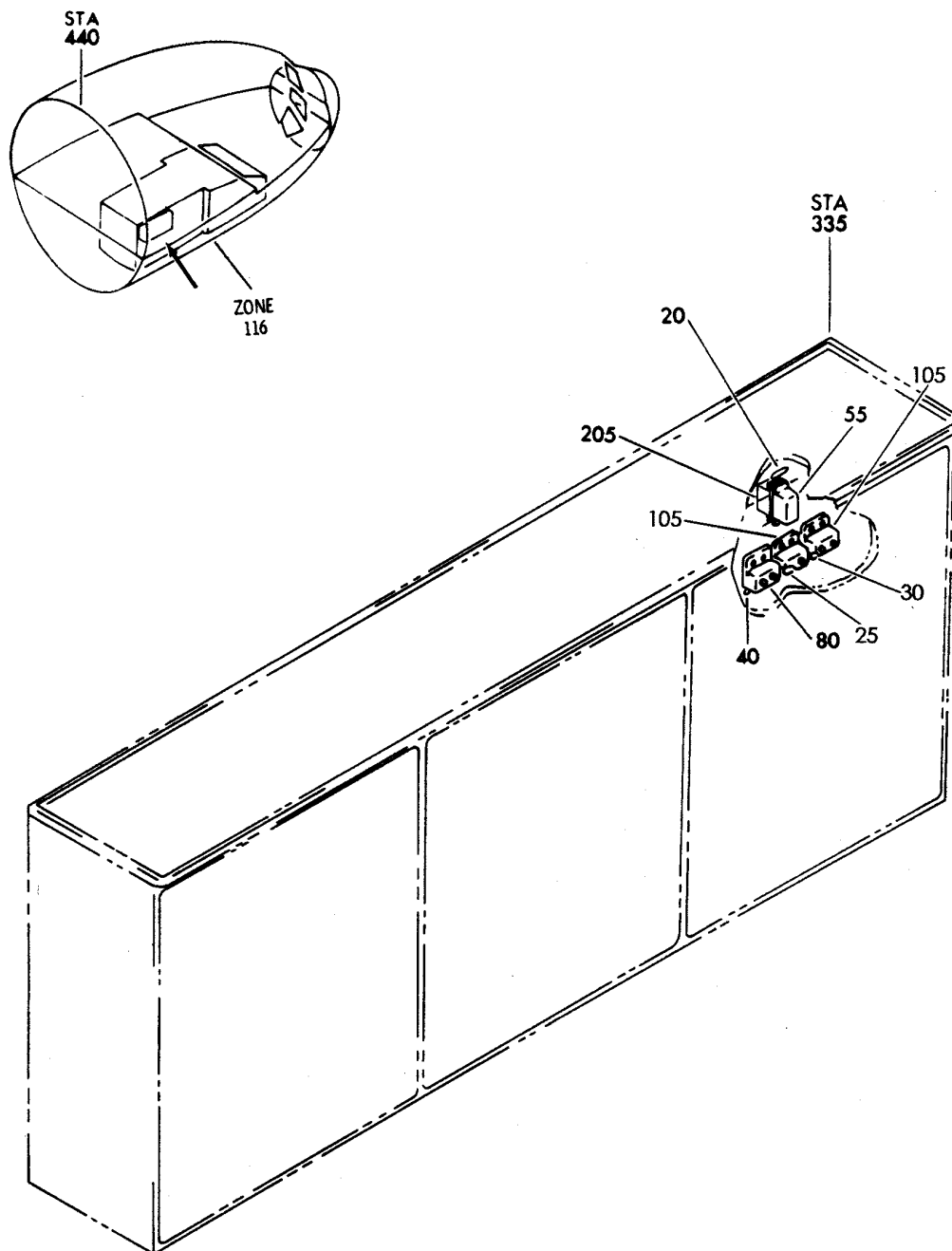
BRI

29-11-67-01A

BOEING PROPRIETARY - Copyright © - Unpublished Work - See title page for details.

29-11-67
FIG. 01A
PAGE 6
JAN 20/09

BOEING
757
PARTS CATALOG (MAINTENANCE)



Y 29117101 REV 210

SHIELD ASSY-P33 MISC ELEC EQPT (MAIN HYDRAULIC SYSTEMS ONLY)

FIGURE 1

29-11-71-01

BRI
MAY 28/07

29-11-71-01
PAGE 0



757

PARTS CATALOG (MAINTENANCE)

FIG ITEM	PART NUMBER	1 2 3 4 5 6 7	NOMENCLATURE	EFFECT FROM TO	UNITS PER ASSY
1			SHIELD ASSY-P33 MISC ELEC EQPT (MAIN HYDRAULIC SYSTEMS ONLY)	002004 006100 107107 121503 904999	
- 1	284N1318-1		SHIELD ASSY-P33 MISC ELEC EQPT (MAIN HYDRAULIC SYSTEMS ONLY) VARIABLE DRAWING REF: 284N1318-5016 284N1318-5019 284N1318-5021 284N1318-5023 FOR NHA/OTHER SYS DET SEE: 31-01-33-03	002004 006100 107107 121503 904999	RF
20	BAC27NEX0168		.DECAL- PLACARD CONTENT: K10253	002004 006100 107107 121503 904999	1
25	BAC27NEX1727		.DECAL- PLACARD CONTENT: M10557	002004 006100 107107 121503 904999	1
30	BAC27NEX1728		.DECAL- PLACARD CONTENT: M10558	002004 006100 107107 121503 904999	1
40	BAC27TEX0376		.DECAL- PLACARD CONTENT: M499	002004 006100 107107 121503 904999	1

MISSING ITEM NUMBERS NOT APPLICABLE

- ITEM NOT ILLUSTRATED

BRI

29-11-71-01

BOEING PROPRIETARY - Copyright © - Unpublished Work - See title page for details.

29-11-71
FIG. 01
PAGE 1
JAN 20/09



757

PARTS CATALOG (MAINTENANCE)

FIG ITEM	PART NUMBER	1 2 3 4 5 6 7	NOMENCLATURE	EFFECT FROM TO	UNITS PER ASSY
1 55	E210-1631		.RELAY- SUPPLIER CODE: V99699 SPECIFICATION NUMBER: BACR13CF2A OPTIONAL PART: BR246S0112 V56623 FCA210-70 V78290 E215-1050 V99699 JD4A017 V35344 BR64S104 V56623 61GB19-1A320 V98927 ELECTRICAL EQUIP NUMBER: K10253	002004 006100 107107 121503 904999	1
80	530750-4001		.RELAY- SUPPLIER CODE: V08719 ELECTRICAL EQUIP NUMBER: M00499 OPTIONAL PART: 10167-4001BT V08719 TD1982-4001 V58657	002004 006100 107107 121503 904999	1
80	TD1982-4001		.RELAY- SUPPLIER CODE: V58657 ELECTRICAL EQUIP NUMBER: M00499 OPTIONAL PART: 10167-4001BT V08719 530750-4001 V08719	002004 006100 107107 121503 904999	1

MISSING ITEM NUMBERS NOT APPLICABLE

- ITEM NOT ILLUSTRATED

BRI

29-11-71-01

BOEING PROPRIETARY - Copyright © - Unpublished Work - See title page for details.

29-11-71
FIG. 01
PAGE 2
JAN 20/09



757

PARTS CATALOG (MAINTENANCE)

FIG ITEM	PART NUMBER	1 2 3 4 5 6 7	NOMENCLATURE	EFFECT FROM TO	UNITS PER ASSY
1 80	10167-4001BT		.RELAY- SUPPLIER CODE: V08719 ELECTRICAL EQUIP NUMBER: M00499 OPTIONAL PART: 530750-4001 V08719 TD1982-4001 V58657	002004 006100 107107 121503 904999	1
- 85	NAS1801-06-13		.ATTACHING PARTS .SCREW	002004 006100 107107 121503 904999	2
- 90	AN960JD6L		.WASHER-	002004 006100 107107 121503 904999	2
105	10167-2001BT		-----*----- .RELAY-TIME DELAY SUPPLIER CODE: V08719 ELECTRICAL EQUIP NUMBER: M10557 M10558 OPTIONAL PART: 530750-2001 V08719 TD1982-2001 V58657	002004 006100 107107 121503 904999	2
105	530750-2001		.RELAY-TIME DELAY SUPPLIER CODE: V08719 ELECTRICAL EQUIP NUMBER: M10557 M10558 OPTIONAL PART: 10167-2001BT V08719 TD1982-2001 V58657	002004 006100 107107 121503 904999	2

MISSING ITEM NUMBERS NOT APPLICABLE

- ITEM NOT ILLUSTRATED

BRI

29-11-71-01

29-11-71
FIG. 01
PAGE 3
JAN 20/09



757

PARTS CATALOG (MAINTENANCE)

FIG ITEM	PART NUMBER	1 2 3 4 5 6 7	NOMENCLATURE	EFFECT FROM TO	UNITS PER ASSY
1 105	TD1982-2001		.RELAY-TIME DELAY SUPPLIER CODE: V58657 ELECTRICAL EQUIP NUMBER: M10557 M10558 OPTIONAL PART: 10167-2001BT V08719 530750-2001 V08719 ATTACHING PARTS	002004 006100 107107 121503 904999	2
- 110	NAS1801-06-13		.SCREW-	002004 006100 107107 121503 904999	4
- 115	AN960JD6L		.WASHER-	002004 006100 107107 121503 904999	4
- 200	286N1230-002		-----*----- WIRE BUNDLE ASSY-(MAIN HYDRAULIC SYSTEMS ONLY)	121503 904949	RF
- 200	286N1230-003		WIRE BUNDLE ASSY-(MAIN HYDRAULIC SYSTEMS ONLY)	107107	RF
- 200	286N1230-004		WIRE BUNDLE ASSY-(MAIN HYDRAULIC SYSTEMS ONLY)	002004 006100 950999	RF
205	BACS16X1		.SOCKET- ELECTRICAL EQUIP NUMBER: D03114 WIRING DIAGRAM REF: 291112	002004 006100 107107 121503 904999	1

MISSING ITEM NUMBERS NOT APPLICABLE

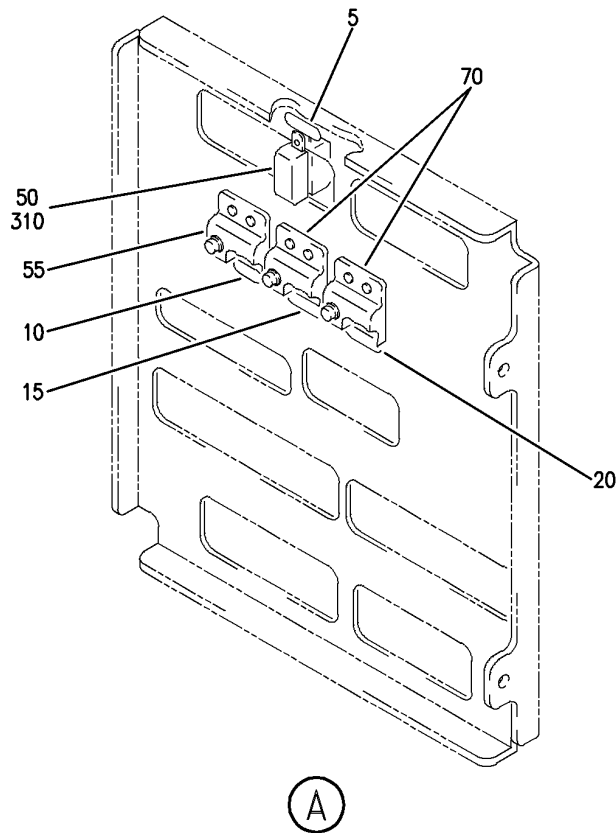
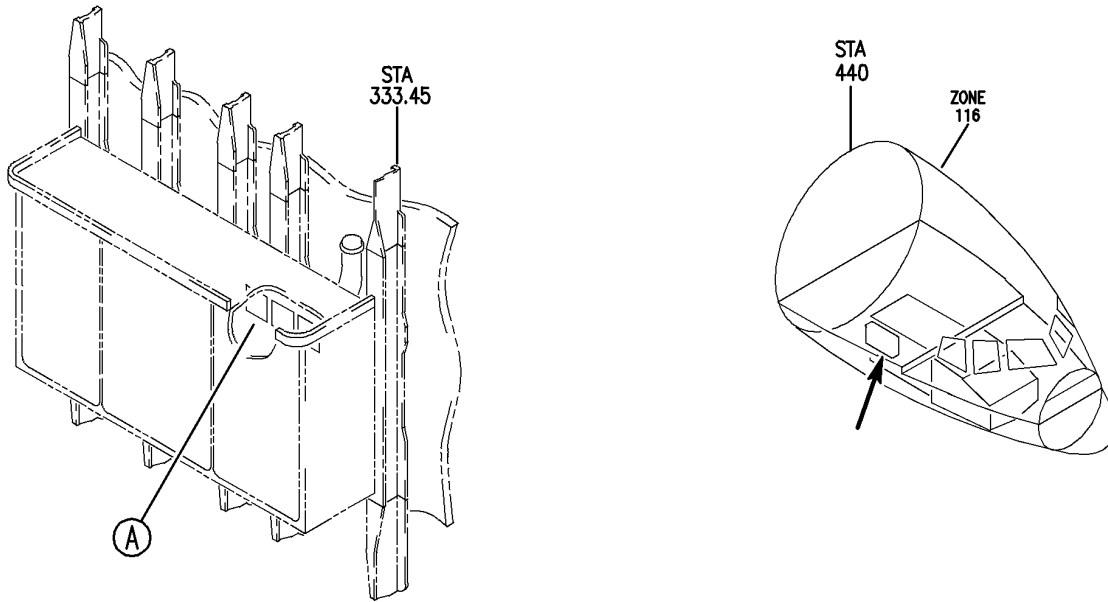
- ITEM NOT ILLUSTRATED

BRI

29-11-71-01

29-11-71
FIG. 01
PAGE 4
JAN 20/09

BOEING
757
PARTS CATALOG (MAINTENANCE)



Y 29117101A REV 234

PACKAGE ASSY-OPTION P33 MISC ELECT EQPT (MAIN HYDRAULIC SYSTEMS ONLY)
FIGURE 1A

BRI
MAY 28/07

29-11-71-01A

29-11-71-01A
PAGE 0

BOEING PROPRIETARY - Copyright © - Unpublished Work - See title page for details.



757

PARTS CATALOG (MAINTENANCE)

FIG ITEM	PART NUMBER	1 2 3 4 5 6 7	NOMENCLATURE	EFFECT FROM TO	UNITS PER ASSY
1 A			PACKAGE ASSY-OPTION P33 MISC ELECT EQPT (MAIN HYDRAULIC SYSTEMS ONLY)	101102 108120 504903	
- 1	284N1318-1000		PACKAGE ASSY-OPTION P33 MISC ELECT EQPT (MAIN HYDRAULIC SYSTEMS ONLY)	101102 108120 504903	RF
50	E210-1631		.RELAY- SUPPLIER CODE: V99699 SPECIFICATION NUMBER: BACR13CF2A OPTIONAL PART: BR246S0112 V56623 FCA210-70 V78290 E215-1050 V99699 JD4A017 V35344 BR64S104 V56623 61GB19-1A320 V98927 ELECTRICAL EQUIP NUMBER: K10253 WIRING DIAGRAM REF: 291112	101102 108120 504903	1
55	10167-4001BT		.RELAY- SUPPLIER CODE: V08719 ELECTRICAL EQUIP NUMBER: M00499 WIRING DIAGRAM REF: 291112 OPTIONAL PART: 530750-4001 V08719 TD1767-4001 V58657 TD1982-4001 V58657	101102 108120 504903	1

MISSING ITEM NUMBERS NOT APPLICABLE

- ITEM NOT ILLUSTRATED

29-11-71-01A

29-11-71
FIG. 01A
PAGE 1
JAN 20/09

BRI



757

PARTS CATALOG (MAINTENANCE)

FIG ITEM	PART NUMBER	1 2 3 4 5 6 7	NOMENCLATURE	EFFECT FROM TO	UNITS PER ASSY
1 A 55	530750-4001		.RELAY- SUPPLIER CODE: V08719 ELECTRICAL EQUIP NUMBER: M00499 WIRING DIAGRAM REF: 291112 OPTIONAL PART: 10167-4001BT V08719 TD1767-4001 V58657 TD1982-4001 V58657	101102 108120 504903	1
55	TD1982-4		.RELAY- SUPPLIER CODE: V58657 ELECTRICAL EQUIP NUMBER: M00499 WIRING DIAGRAM REF: 291112 OPTIONAL PART: 10167-4001BT V08719 530750-4001 V08719 TD1767-4001 V58657	101102 108120 504903	1
55	TD1767-4001		.RELAY- SUPPLIER CODE: V08719 ELECTRICAL EQUIP NUMBER: M00499 WIRING DIAGRAM REF: 291112 OPTIONAL PART: 10167-4001BT V08719 530750-4001 V08719 TD1982-4001 V58657	101102 108120 504903	1
- 60	NAS1801-06-13		ATTACHING PARTS .SCREW	101102 108120 504903	2

MISSING ITEM NUMBERS NOT APPLICABLE

- ITEM NOT ILLUSTRATED

29-11-71-01A

29-11-71
FIG. 01A
PAGE 2
JAN 20/09

BRI

BOEING PROPRIETARY - Copyright © - Unpublished Work - See title page for details.



757

PARTS CATALOG (MAINTENANCE)

FIG ITEM	PART NUMBER	1 2 3 4 5 6 7	NOMENCLATURE	EFFECT FROM TO	UNITS PER ASSY
1 A - 65	NAS1149DN616J	.	WASHER	101102 108120 504903	2
70	10167-2001BT	-----*-----	.RELAY-TIME DELAY SUPPLIER CODE: V08719 ELECTRICAL EQUIP NUMBER: M10557 M10558 WIRING DIAGRAM REF: 291112 OPTIONAL PART: 530750-2001 V08719 TD1982-2001 V58657 TD1767-2001 V58657	101102 108120 504903	2
70	530750-2001	.	RELAY-TIME DELAY SUPPLIER CODE: V08719 ELECTRICAL EQUIP NUMBER: M10557 M10558 WIRING DIAGRAM REF: 291112 OPTIONAL PART: 10167-2001BT V08719 TD1982-2001 V58657 TD1767-2001 V58657	101102 108120 504903	2
70	TD1982-2001	.	RELAY-TIME DELAY SUPPLIER CODE: V58657 ELECTRICAL EQUIP NUMBER: M10557 M10558 WIRING DIAGRAM REF: 291112 OPTIONAL PART: 10167-2001BT V08719 530750-2001 V08719 TD1767-2001 V58657	101102 108120 504903	2

MISSING ITEM NUMBERS NOT APPLICABLE

- ITEM NOT ILLUSTRATED

29-11-71-01A

29-11-71
FIG. 01A
PAGE 3
JAN 20/09

BRI

BOEING PROPRIETARY - Copyright © - Unpublished Work - See title page for details.



757

PARTS CATALOG (MAINTENANCE)

FIG ITEM	PART NUMBER	1 2 3 4 5 6 7	NOMENCLATURE	EFFECT FROM TO	UNITS PER ASSY
1A 70	TD1767-2001		.RELAY-TIME DELAY SUPPLIER CODE: V58657 ELECTRICAL EQUIP NUMBER: M10557 M10558 WIRING DIAGRAM REF: 291112 OPTIONAL PART: 10167-2001BT V08719 530750-2001 V08719 TD1982-2001 V58657 ATTACHING PARTS	101102 108120 504903	2
- 75	NAS1801-06-13		.SCREW	101102 108120 504903	2
- 80	NAS1149DN616J		.WASHER	101102 108120 504903	2
- 300	286N1230-303		-----*----- WIRE BUNDLE ASSY	101102	RF
- 305	286N1230-322		WIRE BUNDLE ASSY	504903	RF
- 305	286N1230-323		WIRE BUNDLE ASSY	108120	RF
310	RSF116200		.SOCKET-RELAY SUPPLIER CODE: V58982 SPECIFICATION NUMBER: BACS16X1A OPTIONAL PART: 102-006-1 V09922 000300-1538 V05574 ELECTRICAL EQUIP NUMBER: D03114 WIRING DIAGRAM REF: 291112	101102 108120 504903	1

MISSING ITEM NUMBERS NOT APPLICABLE

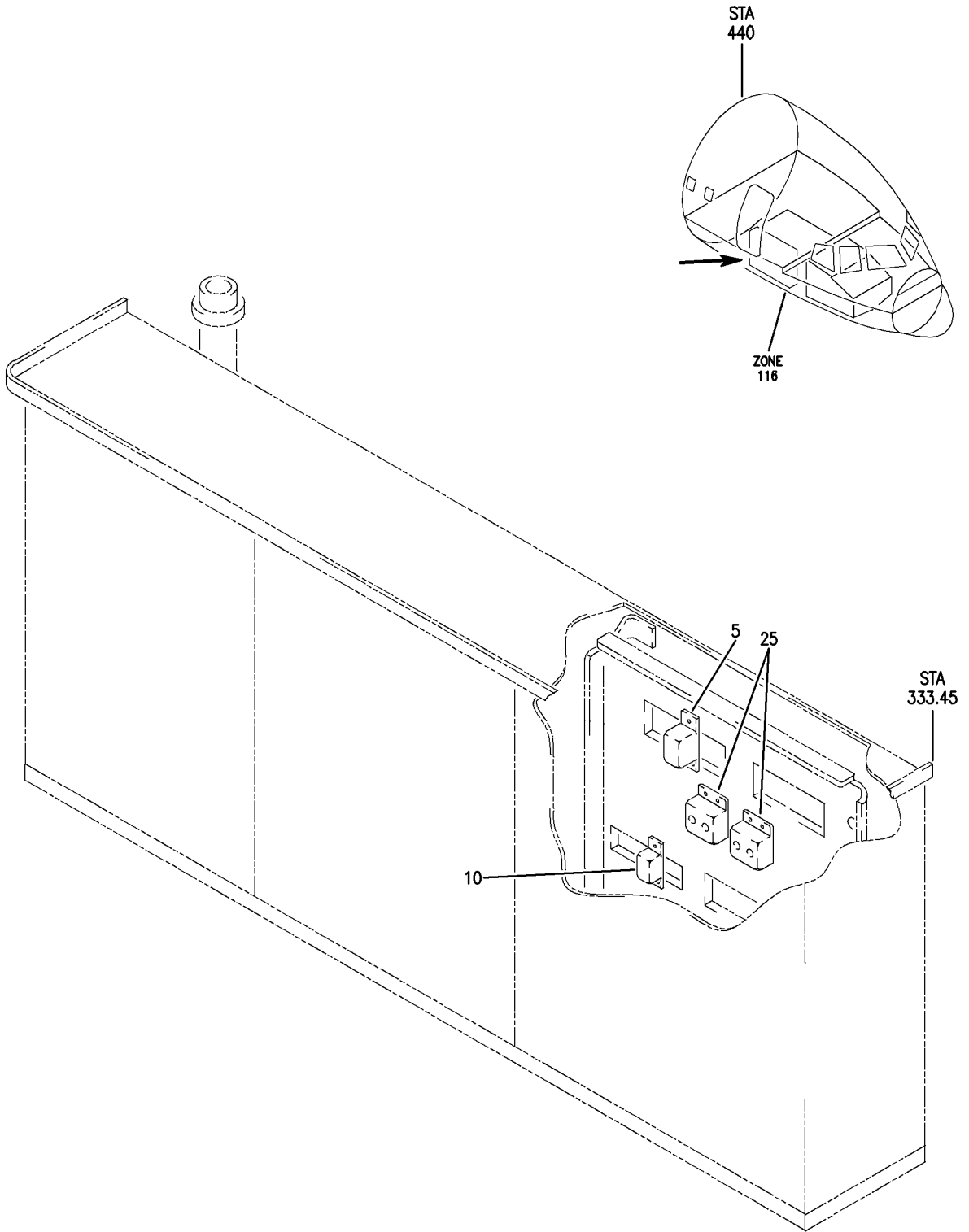
- ITEM NOT ILLUSTRATED

29-11-71-01A

29-11-71
FIG. 01A
PAGE 4
JAN 20/09

BRI

BOEING
757
PARTS CATALOG (MAINTENANCE)



Y 29117101B REV 223

SHIELD INSTL-P33 MISC ELEC EQPT (MAIN (LEFT, RIGHT, AND CENTER) HYDRAULIC SYSTEM ONLY)
FIGURE 1B

BRI
JAN 20/09

29-11-71-01B

29-11-71-01B
PAGE 0



757

PARTS CATALOG (MAINTENANCE)

FIG ITEM	PART NUMBER	1 2 3 4 5 6 7	NOMENCLATURE	EFFECT FROM TO	UNITS PER ASSY
1B			SHIELD INSTL-P33 MISC ELEC EQPT (MAIN (LEFT, RIGHT, AND CENTER) HYDRAULIC SYSTEM ONLY)	103106	
- 1	MODREF33173		SHIELD INSTL-P33 MISC ELEC EQPT (MAIN (LEFT, RIGHT, AND CENTER) HYDRAULIC SYSTEM ONLY) MODULE NUMBER: 284N1318-107 REV B FOR OTHER SYS DETAILS SEE: 11-36-06-01B 24-53-71-03B 26-15-71-01B 27-51-71-01B 27-81-71-01B 28-21-71-01B 28-22-71-01B 28-26-71-01B 29-21-71-03B 29-22-71-01B 30-31-71-03B 30-32-71-03B 31-01-33-10 33-42-71-02B	103105	1
- 1	MODREF34797		SHIELD INSTL-P33 MISC ELEC EQPT (MAIN (LEFT, RIGHT, AND CENTER) HYDRAULIC SYSTEM ONLY) MODULE NUMBER: 284N1318-107 REV C FOR OTHER SYS DETAILS SEE: 11-36-06-01B 24-53-71-03B 26-15-71-01B 27-51-71-01B 27-81-71-01B 28-21-71-01B 28-22-71-01B 28-26-71-01B 29-21-71-03B 29-22-71-01B 30-31-71-03B 30-32-71-03B 31-01-33-10 33-42-71-02B	106106	1

MISSING ITEM NUMBERS NOT APPLICABLE

- ITEM NOT ILLUSTRATED

BRI

29-11-71-01B

BOEING PROPRIETARY - Copyright © - Unpublished Work - See title page for details.

29-11-71
FIG. 01B
PAGE 1
JAN 20/09



757

PARTS CATALOG (MAINTENANCE)

FIG ITEM	PART NUMBER	1 2 3 4 5 6 7	NOMENCLATURE	EFFECT FROM TO	UNITS PER ASSY
1B 5	E210-1631		.RELAY- SUPPLIER CODE: V99699 SPECIFICATION NUMBER: BACR13CF2A OPTIONAL PART: BR246S0112 V56623 FCA210-70 V78290 E215-1050 V99699 JD4A017 V35344 BR64S104 V56623 61GB19-1A320 V98927 ELECTRICAL EQUIP NUMBER: K10253	103106	1
10	10167-4001BT		.RELAY- SUPPLIER CODE: V08719 ELECTRICAL EQUIP NUMBER: M00499 OPTIONAL PART: 530740-4001 V08719	103105	1
10	530740-4001		.RELAY- SUPPLIER CODE: V08719 ELECTRICAL EQUIP NUMBER: M00499 OPTIONAL PART: 10167-4001BT V08719 ATTACHING PARTS	103106	1
- 15	NAS1801-06-13		.SCREW-	103105	2
- 15	BACS12HN06-13		.SCREW-	106106	2
- 20	NAS1149DN616J		.WASHER -----*-----	103106	2

MISSING ITEM NUMBERS NOT APPLICABLE

- ITEM NOT ILLUSTRATED

29-11-71-01B

29-11-71
FIG. 01B
PAGE 2
JAN 20/09

BRI



757

PARTS CATALOG (MAINTENANCE)

FIG ITEM	PART NUMBER	1 2 3 4 5 6 7	NOMENCLATURE	EFFECT FROM TO	UNITS PER ASSY
1B 25	10167-2001BT		.RELAY-TIME DELAY SUPPLIER CODE: V08719 ELECTRICAL EQUIP NUMBER: M10557 M10558 OPTIONAL PART: 530740-2001 V08719	103105	2
25	530740-2001		.RELAY-TIME DELAY SUPPLIER CODE: V08719 ELECTRICAL EQUIP NUMBER: M10557 M10558 OPTIONAL PART: 10167-2001BT V08719 ATTACHING PARTS	103106	2
- 30	NAS1801-06-13		.SCREW-	103105	4
- 30	BACS12HN06-13		.SCREW-	106106	4
- 35	NAS1149DN616J		.WASHER	103106	4
			-----*-----		
- 300 305	286N1230-701 RSF116200		WIRE BUNDLE ASSY .SOCKET- SUPPLIER CODE: V58982 SPECIFICATION NUMBER: BACS16X1A OPTIONAL PART: 102-006-1 V09922 000300-1538 V05574 ELECTRICAL EQUIP NUMBER: D03114 WIRING DIAGRAM REF: 291112	103106 103106	RF 1
310	MS25171-1S		.NIPPLE- ELECTRICAL EQUIP NUMBER: M00499T M10557T M10558T WIRING DIAGRAM REF: 291112	103106	6

MISSING ITEM NUMBERS NOT APPLICABLE

- ITEM NOT ILLUSTRATED

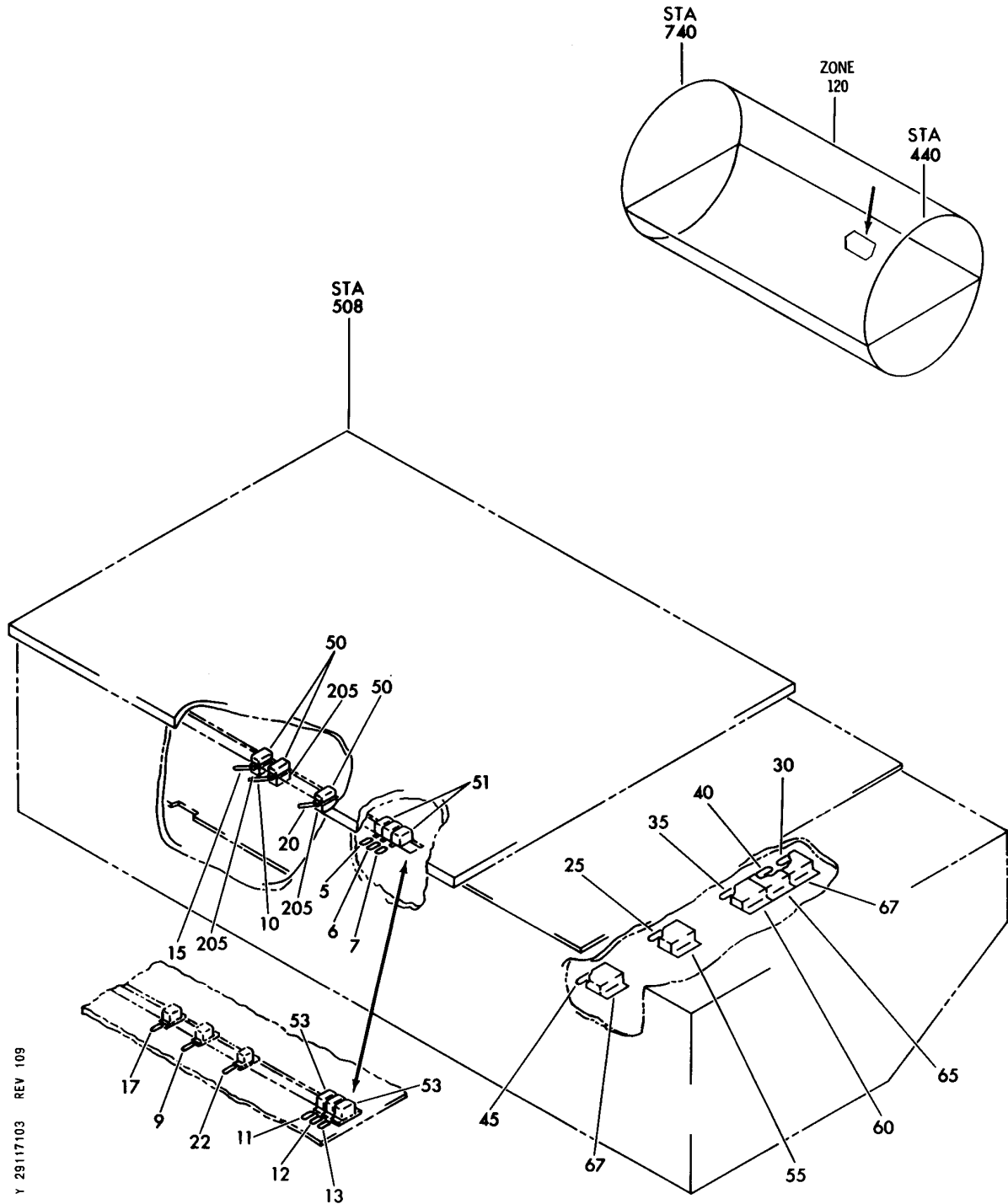
29-11-71-01B

29-11-71
FIG. 01B
PAGE 3
JAN 20/09

BRI

BOEING PROPRIETARY - Copyright © - Unpublished Work - See title page for details.

BOEING
757
PARTS CATALOG (MAINTENANCE)



Y 29117103 REV 109

PANEL ASSY-P36 MISC RELAY (MAIN HYDRAULIC SYSTEMS ONLY) L
FIGURE 3

29-11-71-03

BRI
MAY 28/07

29-11-71-03
PAGE 0



757

PARTS CATALOG (MAINTENANCE)

FIG ITEM	PART NUMBER	1 2 3 4 5 6 7	NOMENCLATURE	EFFECT FROM TO	UNITS PER ASSY
3			PANEL ASSY-P36 MISC RELAY (MAIN HYDRAULIC SYSTEMS ONLY) L	002004 006100 107107 121503 904999	
- 1	284N1125-1		PANEL ASSY-P36 MISC RELAY (MAIN HYDRAULIC SYSTEMS ONLY) POSITION DATA: L VARIABLE DRAWING REF: 284N1125-5023 284N1125-5030 284N1125-5049 284N1125-5050 284N1125-5054 REWORKED BY SB: 34-0200 REWORKED BY ALERT SB: 27A0130 FOR NHA/OTHER SYS DET SEE: 31-01-36-01B	002004 006100 107107 121503 904999	RF
5	BAC27NEX1897		.DECAL- PLACARD CONTENT: K10525	107107 121503 904949	1
6	BAC27NEX1898		.DECAL- PLACARD CONTENT: K10526	107107 121503 904949	1
7	BAC27NEX1899		.DECAL- PLACARD CONTENT: K10527	107107 121503 904949	1
9	BAC27NEX1547		.DECAL- PLACARD CONTENT: K10404	002004 006100 107107 121503 904999	1
11	BAC27NEX1897		.DECAL- PLACARD CONTENT: K10525	002004 006100 950999	1
12	BAC27NEX1898		.DECAL- PLACARD CONTENT: K10526	002004 006100 950999	1
13	BAC27NEX1899		.DECAL- PLACARD CONTENT: K10527	002004 006100 950999	1

MISSING ITEM NUMBERS NOT APPLICABLE

- ITEM NOT ILLUSTRATED

29-11-71-03

29-11-71
FIG. 03
PAGE 1
JAN 20/09

BRI



757

PARTS CATALOG (MAINTENANCE)

FIG ITEM	PART NUMBER	1 2 3 4 5 6 7	NOMENCLATURE	EFFECT FROM TO	UNITS PER ASSY
3					
17	BAC27TEX0269	.DECAL-	PLACARD CONTENT: K128	002004 006100 107107 121503 904999	1
22	BAC27NEX0239	.DECAL-	PLACARD CONTENT: K10255	107107 121503 904949	1
22	BAC27NEX2503	.DECAL-	PLACARD CONTENT: K10255	002004 006100 950999	1
25	BAC27NEX0527	.DECAL-	PLACARD CONTENT: M10020	002004 006100 107107 121503 904999	1
30	BAC27NEX1729	.DECAL-	PLACARD CONTENT: M10559	002004 006100 107107 121503 904999	1
35	BAC27TEX0192	.DECAL-	PLACARD CONTENT: M500	002004 006100 107107 121503 904999	1
40	BAC27NEX1544	.DECAL-	PLACARD CONTENT: M10482	002004 006100 107107 121503 904999	1
45	BAC27NEX1730	.DECAL-	PLACARD CONTENT: M10560	002004 006100 107107 121503 904999	1

MISSING ITEM NUMBERS NOT APPLICABLE

- ITEM NOT ILLUSTRATED

29-11-71-03

29-11-71
FIG. 03
PAGE 2
JAN 20/09

BRI

BOEING PROPRIETARY - Copyright © - Unpublished Work - See title page for details.



757

PARTS CATALOG (MAINTENANCE)

FIG ITEM	PART NUMBER	1 2 3 4 5 6 7	NOMENCLATURE	EFFECT FROM TO	UNITS PER ASSY
3 50	E210-1631		.RELAY- SUPPLIER CODE: V99699 SPECIFICATION NUMBER: BACR13CF2A OPTIONAL PART: BR246S0112 V56623 FCA210-70 V78290 E215-1050 V99699 JD4A017 V35344 BR64S104 V56623 61GB19-1A320 V98927 ELECTRICAL EQUIP NUMBER: K00128 K10255 K10404	002004 006100 107107 121503 904999	3
51	JAD9F007		.RELAY- SUPPLIER CODE: V58657 SPECIFICATION NUMBER: BACR13CJ2 ELECTRICAL EQUIP NUMBER: K10525 K10526 K10527	107107 121503 904949	3
53	JAD9F007		.RELAY- SUPPLIER CODE: V58657 SPECIFICATION NUMBER: BACR13CJ2 ELECTRICAL EQUIP NUMBER: K10525 K10526 K10527	002004 006100 950999	3

MISSING ITEM NUMBERS NOT APPLICABLE

- ITEM NOT ILLUSTRATED

BRI

29-11-71-03

BOEING PROPRIETARY - Copyright © - Unpublished Work - See title page for details.

29-11-71
FIG. 03
PAGE 3
JAN 20/09



757

PARTS CATALOG (MAINTENANCE)

FIG ITEM	PART NUMBER	1 2 3 4 5 6 7	NOMENCLATURE	EFFECT FROM TO	UNITS PER ASSY
3					
55	10167-3001BT		.RELAY-TIME DELAY SUPPLIER CODE: V08719 ELECTRICAL EQUIP NUMBER: M10020 OPTIONAL PART: 530750-3001 V08719 TD1982-3001 V58657	002004 006100 107107 121503 904999	1
55	10167-3BT		.RELAY-TIME DELAY SUPPLIER CODE: V08719 ELECTRICAL EQUIP NUMBER: M10020 OPTIONAL PART: 530750-3 V08719 TD1982-3 V58657 TD1767-3001 V58657 530750-3001 V08719	002004 006100 107107 121503 904999	1
55	530750-3001		.RELAY-TIME DELAY SUPPLIER CODE: V08719 ELECTRICAL EQUIP NUMBER: M10020 OPTIONAL PART: 10167-3001BT V08719 TD1982-3001 V58657	002004 006100 107107 121503 904999	1
55	TD1982-3001		.RELAY-TIME DELAY SUPPLIER CODE: V58657 ELECTRICAL EQUIP NUMBER: M10020 OPTIONAL PART: 10167-3001BT V08719 530750-3001 V08719	002004 006100 107107 121503 904999	1

MISSING ITEM NUMBERS NOT APPLICABLE

- ITEM NOT ILLUSTRATED

BRI

29-11-71-03

29-11-71
FIG. 03
PAGE 4
JAN 20/09



757

PARTS CATALOG (MAINTENANCE)

FIG ITEM	PART NUMBER	1 2 3 4 5 6 7	NOMENCLATURE	EFFECT FROM TO	UNITS PER ASSY
3	60 10167-5001BT		.RELAY-TIME DELAY SUPPLIER CODE: V08719 ELECTRICAL EQUIP NUMBER: M00500 OPTIONAL PART: TD1767-5001 V58657 530750-5001 V08719 TD1982-5001 V58657	002004 006100 107107 121503 904999	1
	60 530750-5001		.RELAY-TIME DELAY SUPPLIER CODE: V08719 ELECTRICAL EQUIP NUMBER: M00500 OPTIONAL PART: 10167-5001BT V08719 TD1982-5001 V58657 TD1767-5001 V58657	002004 006100 107107 121503 904999	1
	60 TD1982-5001		.RELAY-TIME DELAY SUPPLIER CODE: V58657 ELECTRICAL EQUIP NUMBER: M00500 OPTIONAL PART: 10167-5001BT V08719 530750-5001 V08719 TD1767-5001 V58657	002004 006100 107107 121503 904999	1
	60 TD1767-5001		.RELAY-TIME DELAY SUPPLIER CODE: V58657 ELECTRICAL EQUIP NUMBER: M00500 OPTIONAL PART: 10167-5001BT V08719 530750-5001 V08719 TD1982-5001 V58657	002004 006100 107107 121503 904999	1

MISSING ITEM NUMBERS NOT APPLICABLE

- ITEM NOT ILLUSTRATED

29-11-71-03

29-11-71
FIG. 03
PAGE 5
JAN 20/09

BRI



757

PARTS CATALOG (MAINTENANCE)

FIG ITEM	PART NUMBER	1 2 3 4 5 6 7	NOMENCLATURE	EFFECT FROM TO	UNITS PER ASSY
3 65	10167-2001BT		.RELAY-TIME DELAY SUPPLIER CODE: V08719 ELECTRICAL EQUIP NUMBER: M10482 OPTIONAL PART: TD1767-2001 V58657 530750-2001 V08719 TD1982-2001 V58657	002004 006100 107107 121503 904999	1
	65 10167-2BT		.RELAY-TIME DELAY SUPPLIER CODE: V08719 ELECTRICAL EQUIP NUMBER: M10482 OPTIONAL PART: 530750-2 V08719 TD1982-2 V58657 TD1767-2001 V58657 530750-2001 V08719 TD1982-2001 V58657	002004 006100 107107 121503 904999	1
	65 530750-2001		.RELAY-TIME DELAY SUPPLIER CODE: V08719 ELECTRICAL EQUIP NUMBER: M10482 OPTIONAL PART: 10167-2001BT V08719 TD1982-2001 V58657 TD1767-2001 V58657	002004 006100 107107 121503 904999	1

MISSING ITEM NUMBERS NOT APPLICABLE

- ITEM NOT ILLUSTRATED

BRI

29-11-71-03

BOEING PROPRIETARY - Copyright © - Unpublished Work - See title page for details.

29-11-71
FIG. 03
PAGE 6
JAN 20/09



757

PARTS CATALOG (MAINTENANCE)

FIG ITEM	PART NUMBER	1 2 3 4 5 6 7	NOMENCLATURE	EFFECT FROM TO	UNITS PER ASSY
3	65 TD1982-2001		.RELAY-TIME DELAY SUPPLIER CODE: V58657 ELECTRICAL EQUIP NUMBER: M10482 OPTIONAL PART: 10167-2001BT V08719 530750-2001 V08719 TD1767-2001 V58657	002004 006100 107107 121503 904999	1
	65 TD1767-2001		.RELAY-TIME DELAY SUPPLIER CODE: V58657 ELECTRICAL EQUIP NUMBER: M10482 OPTIONAL PART: 10167-2001BT V08719 530750-2001 V08719 TD1982-2001 V58657	002004 006100 107107 121503 904999	1
	67 10167-2001BT		.RELAY-TIME DELAY SUPPLIER CODE: V08719 ELECTRICAL EQUIP NUMBER: M10559 M10560 OPTIONAL PART: TD1767-2001 V58657 530750-2001 V08719 TD1982-2001 V58657	002004 006100 107107 121503 904999	2

MISSING ITEM NUMBERS NOT APPLICABLE

- ITEM NOT ILLUSTRATED

BRI

29-11-71-03

29-11-71
FIG. 03
PAGE 7
JAN 20/09



757

PARTS CATALOG (MAINTENANCE)

FIG ITEM	PART NUMBER	1 2 3 4 5 6 7	NOMENCLATURE	EFFECT FROM TO	UNITS PER ASSY
3					
67	10167-2BT		.RELAY-TIME DELAY SUPPLIER CODE: V08719 ELECTRICAL EQUIP NUMBER: M10559 M10560 OPTIONAL PART: TD1767-2001 V58657 530750-2 V08719 TD1982-2 V58657 TD1982-2001 V58657	002004 006100 107107 121503 904999	2
67	530750-2001		.RELAY-TIME DELAY SUPPLIER CODE: V08719 ELECTRICAL EQUIP NUMBER: M10559 M10560 OPTIONAL PART: 10167-2001BT V08719 TD1982-2001 V58657 TD1767-2001 V58657	002004 006100 107107 121503 904999	2
67	TD1982-2001		.RELAY-TIME DELAY SUPPLIER CODE: V58657 ELECTRICAL EQUIP NUMBER: M10559 M10560 OPTIONAL PART: 10167-2001BT V08719 530750-2001 V08719 TD1767-2001 V58657	002004 006100 107107 121503 904999	2

MISSING ITEM NUMBERS NOT APPLICABLE

- ITEM NOT ILLUSTRATED

BRI

29-11-71-03

BOEING PROPRIETARY - Copyright © - Unpublished Work - See title page for details.

29-11-71
FIG. 03
PAGE 8
JAN 20/09



757

PARTS CATALOG (MAINTENANCE)

FIG ITEM	PART NUMBER	1 2 3 4 5 6 7	NOMENCLATURE	EFFECT FROM TO	UNITS PER ASSY
3 67	TD1767-2001		.RELAY-TIME DELAY SUPPLIER CODE: V58657 ELECTRICAL EQUIP NUMBER: M10559 M10560 OPTIONAL PART: 10167-2001BT V08719 530750-2001 V08719 TD1982-2001 V58657 ATTACHING PARTS	002004 006100 107107 121503 904999	2
- 70	NAS601-13P		.SCREW-	002004 006100 107107 121503 904999	10
- 75	AN960PD6L		.WASHER	002004 006100 107107 121503 904999	10
- 200	286N1260-002		-----*----- WIRE BUNDLE ASSY-(MAIN HYDRAULIC SYSTEMS ONLY) REWORKED BY ALERT SB: 27A0130	121503 904949	RF
- 200	286N1260-003		WIRE BUNDLE ASSY-(MAIN HYDRAULIC SYSTEMS ONLY) REWORKED BY ALERT SB: 27A0130	107107	RF
- 200	286N1260-005		WIRE BUNDLE ASSY-(MAIN HYDRAULIC SYSTEMS ONLY) REWORKED BY SB: 34-0200 REWORKED BY ALERT SB: 27A0130	002004 006100 950999	RF

MISSING ITEM NUMBERS NOT APPLICABLE

- ITEM NOT ILLUSTRATED

BRI

29-11-71-03

29-11-71
FIG. 03
PAGE 9
JAN 20/09



757

PARTS CATALOG (MAINTENANCE)

FIG ITEM	PART NUMBER	1 2 3 4 5 6 7	NOMENCLATURE	EFFECT FROM TO	UNITS PER ASSY
3 205	RSF116200		. SOCKET- SUPPLIER CODE: V58982 SPECIFICATION NUMBER: BACS16X1A OPTIONAL PART: 102-006-1 V09922 000300-1538 V05574 ELECTRICAL EQUIP NUMBER: D03072 D03076 D04726 WIRING DIAGRAM REF: 291122	002004 006100 107107 121503 904999	3

MISSING ITEM NUMBERS NOT APPLICABLE

- ITEM NOT ILLUSTRATED

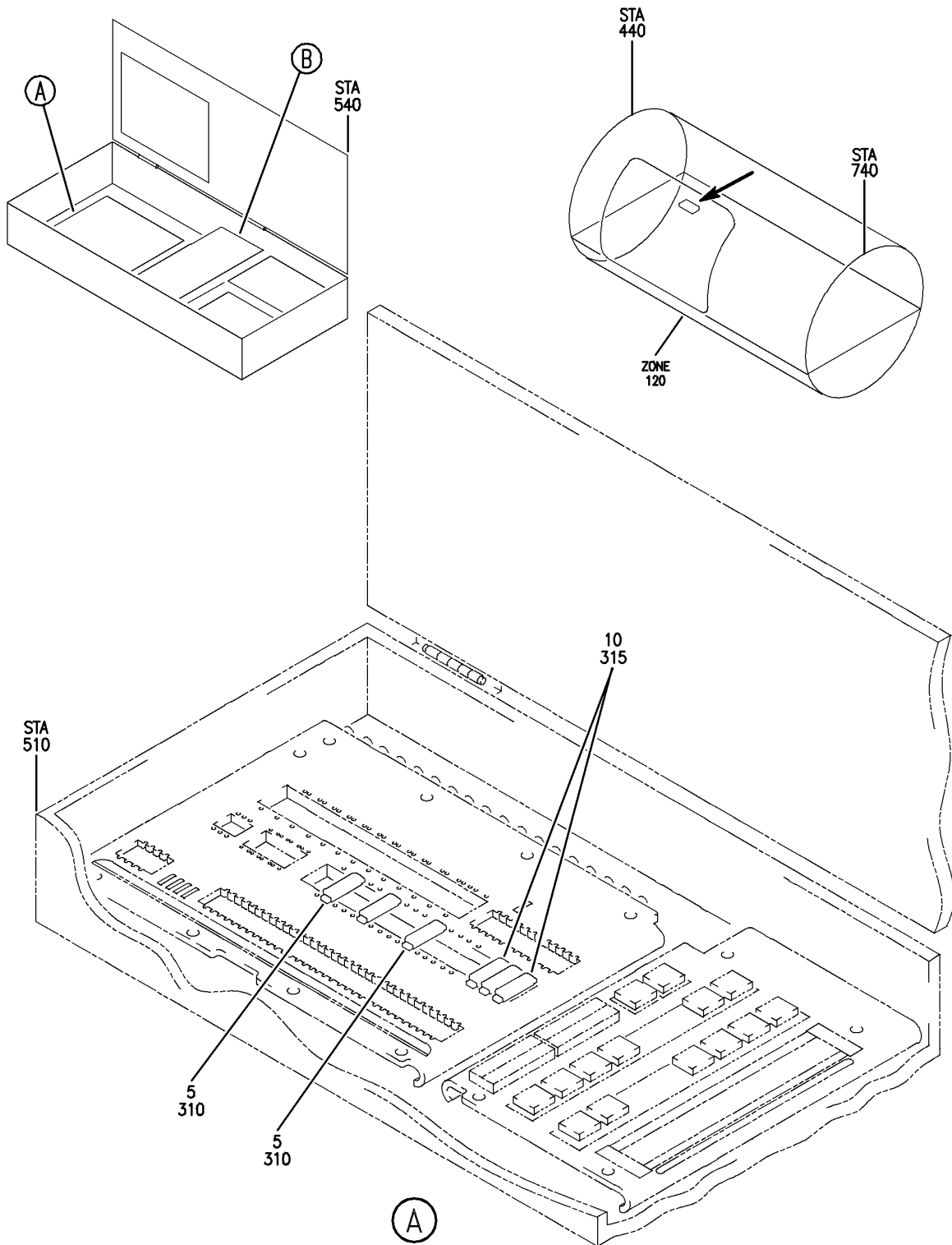
BRI

29-11-71-03

BOEING PROPRIETARY - Copyright © - Unpublished Work - See title page for details.

29-11-71
FIG. 03
PAGE 10
JAN 20/09

BOEING
757
PARTS CATALOG (MAINTENANCE)



Y 29117103A SH1 1 REV 225

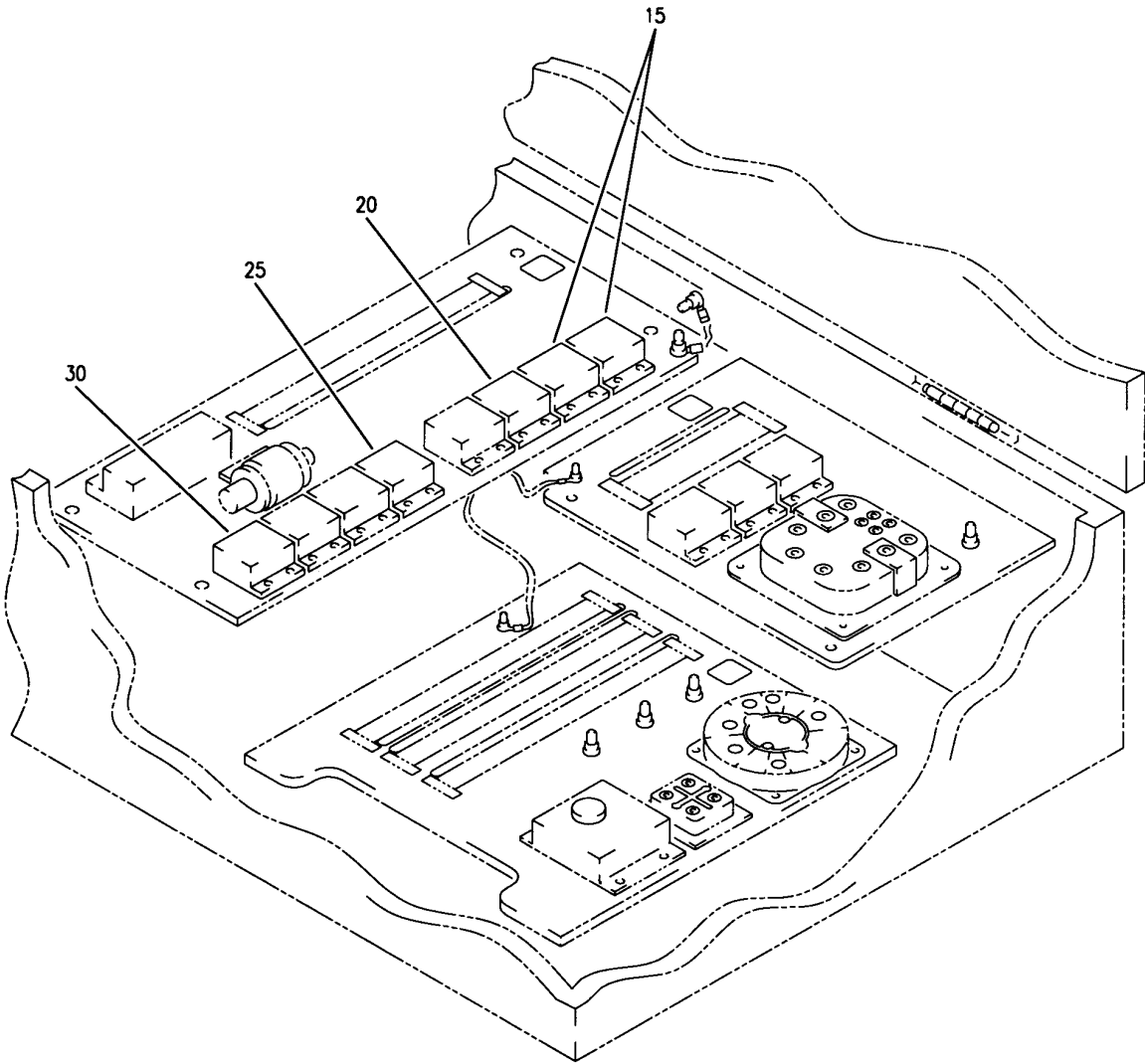
OPTION PACKAGE ASSY-P36 MISC RELAY LH (MAIN HYDRAULIC SYSTEMS ONLY)
FIGURE 3A (SHEET 1)

BRI
MAY 28/07

29-11-71-03A

29-11-71-03A
PAGE 0

BOEING
757
PARTS CATALOG (MAINTENANCE)



(B)

Y 29117103A SHT 2 REV 201

OPTION PACKAGE ASSY-P36 MISC RELAY LH (MAIN HYDRAULIC SYSTEMS ONLY)
FIGURE 3A (SHEET 2)

29-11-71-03A

BRI
MAY 28/07

29-11-71-03A
PAGE 0A



757

PARTS CATALOG (MAINTENANCE)

FIG ITEM	PART NUMBER	1 2 3 4 5 6 7	NOMENCLATURE	EFFECT FROM TO	UNITS PER ASSY
3A			OPTION PACKAGE ASSY-P36 MISC RELAY LH (MAIN HYDRAULIC SYSTEMS ONLY)	101102 504903	
- 1	284N1125-1018		OPTION PACKAGE ASSY-P36 MISC RELAY (MAIN HYDRAULIC SYSTEMS ONLY)	101102 504903	RF
5	E210-1631		POSITION DATA: LH REWORKED BY ALERT SB: 27A0130 FOR NHA/OTHER SYS DET SEE: 31-01-36-05 .RELAY- SUPPLIER CODE: V99699 SPECIFICATION NUMBER: BACR13CF2A OPTIONAL PART: BR246S0112 V56623 FCA210-70 V78290 E215-1050 V99699 JD4A017 V35344 BR64S104 V56623 61GB19-1A320 V98927 ELECTRICAL EQUIP NUMBER: K00128 K10255 K10404	101102 504903	3
10	JAD9F007		.RELAY- SUPPLIER CODE: V58657 SPECIFICATION NUMBER: BACR13CJ2 ELECTRICAL EQUIP NUMBER: K10525 K10526 K10527	101102 504903	3

MISSING ITEM NUMBERS NOT APPLICABLE

- ITEM NOT ILLUSTRATED

BRI

29-11-71-03A

BOEING PROPRIETARY - Copyright © - Unpublished Work - See title page for details.

29-11-71
FIG. 03A
PAGE 1
JAN 20/09



757

PARTS CATALOG (MAINTENANCE)

FIG ITEM	PART NUMBER	1 2 3 4 5 6 7	NOMENCLATURE	EFFECT FROM TO	UNITS PER ASSY
3A 15	10167-2001BT		.RELAY-TIME DELAY SUPPLIER CODE: V08719 ELECTRICAL EQUIP NUMBER: M10482 M10559 OPTIONAL PART: TD1767-2001 V58657 530750-2001 V08719 TD1982-2001 V58657	101102 504903	2
15	530750-2001		.RELAY-TIME DELAY SUPPLIER CODE: V08719 ELECTRICAL EQUIP NUMBER: M10482 M10559 OPTIONAL PART: TD1767-2001 V58657 10167-2001BT V08719 TD1982-2001 V58657	101102 504903	2
15	TD1767-2001		.RELAY-TIME DELAY SUPPLIER CODE: V58657 ELECTRICAL EQUIP NUMBER: M10482 M10559 OPTIONAL PART: 10167-2001BT V08719 530750-2001 V08719 TD1982-2001 V58657	101102 504903	2

MISSING ITEM NUMBERS NOT APPLICABLE

- ITEM NOT ILLUSTRATED

29-11-71-03A

29-11-71
FIG. 03A
PAGE 2
JAN 20/09

BRI



757

PARTS CATALOG (MAINTENANCE)

FIG ITEM	PART NUMBER	1 2 3 4 5 6 7	NOMENCLATURE	EFFECT FROM TO	UNITS PER ASSY
3A 15	TD1982-2001		.RELAY-TIME DELAY SUPPLIER CODE: V58657 ELECTRICAL EQUIP NUMBER: M10482 M10559 OPTIONAL PART: TD1767-2001 V58657 530750-2001 V08719 10167-2001BT V08719	101102 504903	2
15	10167-2BT		.RELAY-TIME DELAY SUPPLIER CODE: V08719 ELECTRICAL EQUIP NUMBER: M10482 M10559 ATTACHING PARTS	101102 504903	2
- 17	NAS601-13P		.SCREW	101102 504903	4
- 18	NAS1149DN616H		.WASHER	101102 504903	4
20	10167-5001BT		-----*----- .RELAY-TIME DELAY SUPPLIER CODE: V08719 ELECTRICAL EQUIP NUMBER: M00500 OPTIONAL PART: TD1767-5001 V58657 530750-5001 V08719 TD1982-5001 V58657	101102 504903	1
20	530750-5001		.RELAY-TIME DELAY SUPPLIER CODE: V08719 ELECTRICAL EQUIP NUMBER: M00500 OPTIONAL PART: TD1767-5001 V58657 10167-5001BT V08719 TD1982-5001 V58657	101102 504903	1

MISSING ITEM NUMBERS NOT APPLICABLE

- ITEM NOT ILLUSTRATED

29-11-71-03A

29-11-71
FIG. 03A
PAGE 3
JAN 20/09

BRI

BOEING PROPRIETARY - Copyright © - Unpublished Work - See title page for details.



757

PARTS CATALOG (MAINTENANCE)

FIG ITEM	PART NUMBER	1 2 3 4 5 6 7	NOMENCLATURE	EFFECT FROM TO	UNITS PER ASSY
3A 20	TD1767-5001		.RELAY-TIME DELAY SUPPLIER CODE: V58657 ELECTRICAL EQUIP NUMBER: M00500 OPTIONAL PART: 10167-5001BT V08719 530750-5001 V08719 TD1982-5001 V58657	101102 504903	1
20	TD1982-5001		.RELAY-TIME DELAY SUPPLIER CODE: V58657 ELECTRICAL EQUIP NUMBER: M00500 OPTIONAL PART: TD1767-5001 V58657 530750-5001 V08719 10167-5001BT V08719 ATTACHING PARTS	101102 504903	1
- 22	NAS601-13P		.SCREW	101102 504903	2
- 23	NAS1149DN616H		.WASHER	101102 504903	2
25	10167-3001BT		-----*----- .RELAY-TIME DELAY SUPPLIER CODE: V08719 ELECTRICAL EQUIP NUMBER: M10020 OPTIONAL PART: TD1767-3001 V58657 530750-3001 V08719 TD1982-3001 V58657	101102 504903	1

MISSING ITEM NUMBERS NOT APPLICABLE

- ITEM NOT ILLUSTRATED

29-11-71-03A

29-11-71
FIG. 03A
PAGE 4
JAN 20/09

BRI



757

PARTS CATALOG (MAINTENANCE)

FIG ITEM	PART NUMBER	1 2 3 4 5 6 7	NOMENCLATURE	EFFECT FROM TO	UNITS PER ASSY
3A 25	TD1767-3001	.	RELAY-TIME DELAY SUPPLIER CODE: V08719 ELECTRICAL EQUIP NUMBER: M10020 OPTIONAL PART: 10167-3001BT V08719 530750-3001 V08719 TD1982-3001 V58657	101102 504903	1
25	530750-3001	.	RELAY-TIME DELAY SUPPLIER CODE: V08719 ELECTRICAL EQUIP NUMBER: M10020 OPTIONAL PART: TD1767-3001 V58657 10167-3001BT V08719 TD1982-3001 V58657	101102 504903	1
25	TD1982-3001	.	RELAY-TIME DELAY SUPPLIER CODE: V58657 ELECTRICAL EQUIP NUMBER: M10020 OPTIONAL PART: TD1767-3001 V58657 530750-3001 V08719 10167-3001BT V08719	101102 504903	1
25	10167-3BT	.	RELAY-TIME DELAY SUPPLIER CODE: V08719 ELECTRICAL EQUIP NUMBER: M10020	101102 504903	1
- 27	NAS601-13P	.	ATTACHING PARTS SCREW	101102 504903	2
- 28	NAS1149DN616H	.	WASHER -----*-----	101102 504903	2

MISSING ITEM NUMBERS NOT APPLICABLE

- ITEM NOT ILLUSTRATED

29-11-71-03A

29-11-71
FIG. 03A
PAGE 5
JAN 20/09

BRI

BOEING PROPRIETARY - Copyright © - Unpublished Work - See title page for details.



757

PARTS CATALOG (MAINTENANCE)

FIG ITEM	PART NUMBER	1 2 3 4 5 6 7	NOMENCLATURE	EFFECT FROM TO	UNITS PER ASSY
3A 30	10167-2001BT	.	RELAY-TIME DELAY SUPPLIER CODE: V08719 ELECTRICAL EQUIP NUMBER: M10560 OPTIONAL PART: TD1767-2001 V58657 530750-2001 V08719 TD1982-2001 V58657	101102 504903	1
30	530750-2001	.	RELAY-TIME DELAY SUPPLIER CODE: V08719 ELECTRICAL EQUIP NUMBER: M10560 OPTIONAL PART: TD1767-2001 V58657 10167-2001BT V08719 TD1982-2001 V58657	101102 504903	1
30	TD1767-2001	.	RELAY-TIME DELAY SUPPLIER CODE: V58657 ELECTRICAL EQUIP NUMBER: M10560 OPTIONAL PART: 10167-2001BT V08719 530750-2001 V08719 TD1982-2001 V58657	101102 504903	1
30	TD1982-2001	.	RELAY-TIME DELAY SUPPLIER CODE: V58657 ELECTRICAL EQUIP NUMBER: M10560 OPTIONAL PART: TD1767-2001 V58657 530750-2001 V08719 10167-2001BT V08719	101102 504903	1

MISSING ITEM NUMBERS NOT APPLICABLE

- ITEM NOT ILLUSTRATED

29-11-71-03A

29-11-71
FIG. 03A
PAGE 6
JAN 20/09

BRI



757

PARTS CATALOG (MAINTENANCE)

FIG ITEM	PART NUMBER	1 2 3 4 5 6 7	NOMENCLATURE	EFFECT FROM TO	UNITS PER ASSY
3A					
30	10167-2BT		.RELAY-TIME DELAY SUPPLIER CODE: V08719 ELECTRICAL EQUIP NUMBER: M10560 ATTACHING PARTS	101102 504903	1
- 32	NAS601-13P		.SCREW	101102 504903	2
- 33	NAS1149DN616H		.WASHER	101102 504903	2
			-----*-----		
- 301	286N1260-358		WIRE BUNDLE ASSY- REWORKED BY ALERT SB: 27A0130	101102	RF
- 301	286N1260-364		WIRE BUNDLE ASSY- REWORKED BY ALERT SB: 27A0130	504903	RF
310	RSF116200		.SOCKET- SUPPLIER CODE: V58982 SPECIFICATION NUMBER: BACS16X1A OPTIONAL PART: 102-006-1 V09922 000300-1538 V05574 ELECTRICAL EQUIP NUMBER: D03072 D03076 D04726 WIRING DIAGRAM REF: 291131 291122	101102 504903	3

MISSING ITEM NUMBERS NOT APPLICABLE

- ITEM NOT ILLUSTRATED

29-11-71-03A

29-11-71
FIG. 03A
PAGE 7
JAN 20/09

BRI

BOEING PROPRIETARY - Copyright © - Unpublished Work - See title page for details.



757

PARTS CATALOG (MAINTENANCE)

FIG ITEM	PART NUMBER	1 2 3 4 5 6 7	NOMENCLATURE	EFFECT FROM TO	UNITS PER ASSY
3A 315	RSF116208		. SOCKET- SUPPLIER CODE: V58982 SPECIFICATION NUMBER: BACS16X3A OPTIONAL PART: 102-005-1 V09922 000300-1541 V05574 ELECTRICAL EQUIP NUMBER: D05662 D05664 D05654 WIRING DIAGRAM REF: 291122 291131	101102 504903	3

MISSING ITEM NUMBERS NOT APPLICABLE

- ITEM NOT ILLUSTRATED

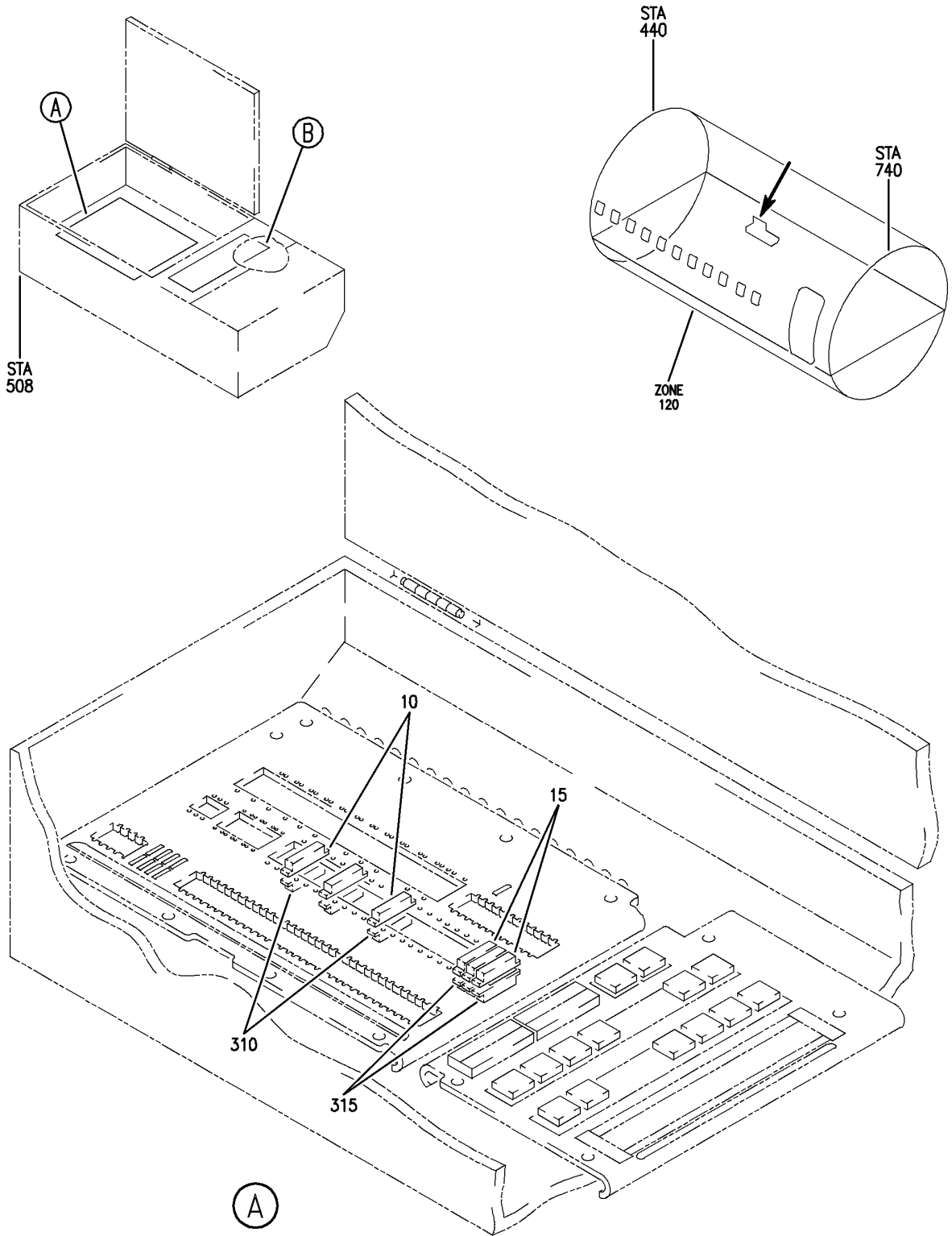
BRI

29-11-71-03A

BOEING PROPRIETARY - Copyright © - Unpublished Work - See title page for details.

29-11-71
FIG. 03A
PAGE 8
JAN 20/09

BOEING
757
PARTS CATALOG (MAINTENANCE)



Y 29117103C SHT 1 REV 224

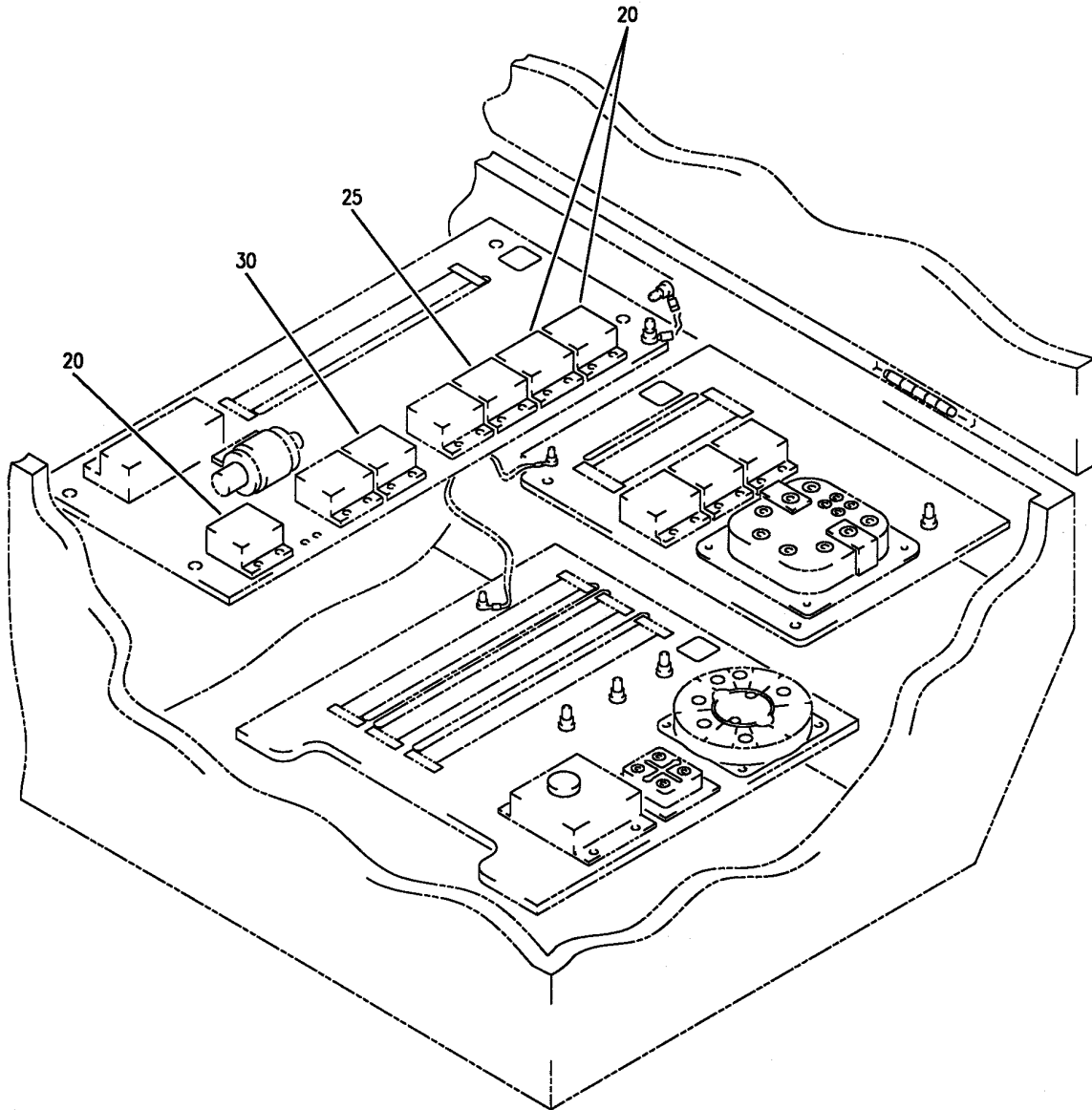
PANEL INSTL-P36 L MISC RELAY (MAIN HYDRAULIC SYSTEM ONLY)
FIGURE 3C (SHEET 1)

29-11-71-03C

BRI
JAN 20/09

29-11-71-03C
PAGE 0

BOEING
757
PARTS CATALOG (MAINTENANCE)



(B)

Y 29117103C SHT 2 REV 221

PANEL INSTL-P36 L MISC RELAY (MAIN HYDRAULIC SYSTEM ONLY)
FIGURE 3C (SHEET 2)

29-11-71-03C

BRI
JAN 20/09

29-11-71-03C
PAGE 0A

BOEING PROPRIETARY - Copyright © - Unpublished Work - See title page for details.



757

PARTS CATALOG (MAINTENANCE)

FIG ITEM	PART NUMBER	1 2 3 4 5 6 7	NOMENCLATURE	EFFECT FROM TO	UNITS PER ASSY
3C			PANEL INSTL-P36 L MISC RELAY (MAIN HYDRAULIC SYSTEM ONLY)	103106 108120	
- 3	284N1125-94		PANEL INSTL-P36 L MISC RELAY (MAIN HYDRAULIC SYSTEM ONLY) FOR NHA/OTHER SYS DET SEE: 24-00-58-05C	108120	RF

MISSING ITEM NUMBERS NOT APPLICABLE

- ITEM NOT ILLUSTRATED

BRI

29-11-71-03C

BOEING PROPRIETARY - Copyright © - Unpublished Work - See title page for details.

29-11-71
FIG. 03C
PAGE 1
JAN 20/09



757

PARTS CATALOG (MAINTENANCE)

FIG ITEM	PART NUMBER	1 2 3 4 5 6 7	NOMENCLATURE	EFFECT FROM TO	UNITS PER ASSY
3C - 7	MODREF31944		PANEL INSTL-P36 L MISC RELAY (MAIN HYDRAULIC SYSTEM ONLY) MODULE NUMBER: 284N1125-123 REV A FOR OTHER SYS DETAILS SEE: 11-36-08-03C 21-25-71-02C 21-33-71-02C 21-51-56-01C 21-58-71-02C 23-12-00-05 23-31-54-01C 23-34-52-01C 24-21-51-01A 26-15-71-02C 26-16-71-01C 26-22-71-01C 27-48-52-03C 27-51-71-03C 27-58-71-02C 27-62-71-03C 29-21-71-01C 30-21-71-03C 30-34-51-01C 31-01-36-01 32-09-02-03C 32-35-71-01C 32-42-71-02C 32-44-71-02C 32-61-71-02C 34-12-71-02C 34-21-71-02C 34-22-52-01C 34-61-52-01C 36-11-71-02C 73-21-55-01C 74-31-71-02C 76-11-71-02C 77-12-71-01C 78-34-71-02C 78-36-71-02C 80-11-71-02C	103106	1

MISSING ITEM NUMBERS NOT APPLICABLE

- ITEM NOT ILLUSTRATED

BRI

29-11-71-03C

BOEING PROPRIETARY - Copyright © - Unpublished Work - See title page for details.

29-11-71
FIG. 03C
PAGE 2
JAN 20/09



757

PARTS CATALOG (MAINTENANCE)

FIG ITEM	PART NUMBER	1 2 3 4 5 6 7	NOMENCLATURE	EFFECT FROM TO	UNITS PER ASSY
3C 10	E210-1631		.RELAY- SUPPLIER CODE: V99699 SPECIFICATION NUMBER: BACR13CF2A OPTIONAL PART: BR246S0112 V56623 FCA210-70 V78290 E215-1050 V99699 JD4A017 V35344 BR64S104 V56623 61GB19-1A320 V98927 ELECTRICAL EQUIP NUMBER: K00128 K10255 K10404	103106 108120	3
15	JAD9F007		.RELAY- SUPPLIER CODE: V58657 SPECIFICATION NUMBER: BACR13CJ2 ELECTRICAL EQUIP NUMBER: K10525 K10526 K10527	103106 108120	3
20	10167-2001BT		.RELAY-TIME DELAY SUPPLIER CODE: V08719 ELECTRICAL EQUIP NUMBER: M10482 M10559 M10560 OPTIONAL PART: 530750-2001 V08719 TD1982-2001 V58657 TD1767-2001 V58657	108120	3

MISSING ITEM NUMBERS NOT APPLICABLE

- ITEM NOT ILLUSTRATED

29-11-71-03C

29-11-71
FIG. 03C
PAGE 3
JAN 20/09

BRI

BOEING PROPRIETARY - Copyright © - Unpublished Work - See title page for details.



757

PARTS CATALOG (MAINTENANCE)

FIG ITEM	PART NUMBER	1 2 3 4 5 6 7	NOMENCLATURE	EFFECT FROM TO	UNITS PER ASSY
3C 20	530750-2001		.RELAY-TIME DELAY SUPPLIER CODE: V08719 ELECTRICAL EQUIP NUMBER: M10482 M10559 M10560 OPTIONAL PART: 10167-2001BT V08719 TD1982-2001 V58657 TD1767-2001 V58657	108120	3
20	TD1982-2001		.RELAY-TIME DELAY SUPPLIER CODE: V58657 ELECTRICAL EQUIP NUMBER: M10482 M10559 M10560 OPTIONAL PART: 10167-2001BT V08719 530750-2001 V08719 TD1767-2001 V58657	108120	3
20	TD1767-2001		.RELAY-TIME DELAY SUPPLIER CODE: V58657 ELECTRICAL EQUIP NUMBER: M10482 M10559 M10560 OPTIONAL PART: 10167-2001BT V08719 530750-2001 V08719 TD1982-2001 V58657	108120	3
20	530740-2001		.RELAY-TIME DELAY SUPPLIER CODE: V08719 ELECTRICAL EQUIP NUMBER: M10482 M10559 M10560	103106	3

MISSING ITEM NUMBERS NOT APPLICABLE

- ITEM NOT ILLUSTRATED

29-11-71-03C

29-11-71
FIG. 03C
PAGE 4
JAN 20/09

BRI

BOEING PROPRIETARY - Copyright © - Unpublished Work - See title page for details.



757

PARTS CATALOG (MAINTENANCE)

FIG ITEM	PART NUMBER	1 2 3 4 5 6 7	NOMENCLATURE	EFFECT FROM TO	UNITS PER ASSY
3C					
20	10167-2BT	.	RELAY-TIME DELAY SUPPLIER CODE: V08719 ELECTRICAL EQUIP NUMBER: M10482 M10559 M10560	108120	3
25	10167-5001BT	.	RELAY-TIME DELAY SUPPLIER CODE: V08719 ELECTRICAL EQUIP NUMBER: M00500 OPTIONAL PART: 530750-5001 V08719 TD1982-5001 V58657 TD1767-5001 V58657	108120	1
25	530750-5001	.	RELAY-TIME DELAY SUPPLIER CODE: V08719 ELECTRICAL EQUIP NUMBER: M00500 OPTIONAL PART: 10167-5001BT V08719 TD1982-5001 V58657 TD1767-5001 V58657	108120	1
25	TD1982-5001	.	RELAY-TIME DELAY SUPPLIER CODE: V58657 ELECTRICAL EQUIP NUMBER: M00500 OPTIONAL PART: 530750-5001 V08719 10167-5001BT V08719 TD1767-5001 V58657	108120	1

MISSING ITEM NUMBERS NOT APPLICABLE

- ITEM NOT ILLUSTRATED

BRI

29-11-71-03C

BOEING PROPRIETARY - Copyright © - Unpublished Work - See title page for details.

29-11-71
FIG. 03C
PAGE 5
JAN 20/09



757

PARTS CATALOG (MAINTENANCE)

FIG ITEM	PART NUMBER	1 2 3 4 5 6 7	NOMENCLATURE	EFFECT FROM TO	UNITS PER ASSY
3C 25	TD1767-5001		.RELAY-TIME DELAY SUPPLIER CODE: V58657 ELECTRICAL EQUIP NUMBER: M00500 OPTIONAL PART: 530750-5001 V08719 10167-5001BT V08719 TD1982-5001 V58657	108120	1
25	530740-5001		.RELAY-TIME DELAY SUPPLIER CODE: V08719 ELECTRICAL EQUIP NUMBER: M00500	103106	1
30	10167-3001BT		.RELAY-TIME DELAY SUPPLIER CODE: V08719 ELECTRICAL EQUIP NUMBER: M10020 OPTIONAL PART: 530750-3001 V08719 TD1982-3001 V58657 TD1767-3001 V58657	108120	1
30	530750-3001		.RELAY-TIME DELAY SUPPLIER CODE: V08719 ELECTRICAL EQUIP NUMBER: M10020 OPTIONAL PART: 10167-3001BT V08719 TD1982-3001 V58657 TD1767-3001 V58657	103106 108120	1

MISSING ITEM NUMBERS NOT APPLICABLE

- ITEM NOT ILLUSTRATED

29-11-71-03C

29-11-71
FIG. 03C
PAGE 6
JAN 20/09

BRI

BOEING PROPRIETARY - Copyright © - Unpublished Work - See title page for details.



757

PARTS CATALOG (MAINTENANCE)

FIG ITEM	PART NUMBER	1 2 3 4 5 6 7	NOMENCLATURE	EFFECT FROM TO	UNITS PER ASSY
3C					
30	TD1982-3001	.	RELAY-TIME DELAY SUPPLIER CODE: V58657 ELECTRICAL EQUIP NUMBER: M10020 OPTIONAL PART: 10167-3001BT V08719 530750-3001 V08719 TD1767-3001 V58657	108120	1
30	TD1767-3001	.	RELAY-TIME DELAY SUPPLIER CODE: V08719 ELECTRICAL EQUIP NUMBER: M10020 OPTIONAL PART: 10167-3001BT V08719 530750-3001 V08719 TD1982-3001 V58657	108120	1
30	530740-3001	.	RELAY-TIME DELAY SUPPLIER CODE: V08719 ELECTRICAL EQUIP NUMBER: M10020	103106 108120	1
30	10167-3BT	.	RELAY-TIME DELAY SUPPLIER CODE: V08719 ELECTRICAL EQUIP NUMBER: M10020	108120	1
- 35	NAS601-13P	.	SCREW-	108120	10
- 35	BACS12CK06-13	.	SCREW-	103106	10
- 40	NAS1149DN616H	.	WASHER	103106 108120	10
			-----*-----		
- 300	286N1260-357		WIRE BUNDLE ASSY	108120	RF
- 302	286N1260-601		WIRE BUNDLE ASSY	103106	RF

MISSING ITEM NUMBERS NOT APPLICABLE

- ITEM NOT ILLUSTRATED

29-11-71-03C

29-11-71
FIG. 03C
PAGE 7
JAN 20/09

BRI

BOEING PROPRIETARY - Copyright © - Unpublished Work - See title page for details.



757

PARTS CATALOG (MAINTENANCE)

FIG ITEM	PART NUMBER	1 2 3 4 5 6 7	NOMENCLATURE	EFFECT FROM TO	UNITS PER ASSY
3C 310	RSF116200		.SOCKET- SUPPLIER CODE: V58982 SPECIFICATION NUMBER: BACS16X1A OPTIONAL PART: 102-006-1 V09922 000300-1538 V05574 ELECTRICAL EQUIP NUMBER: D03072 D03076 D04726 WIRING DIAGRAM REF: 291131 291122	103106 108120	3
315	RSF116208		.SOCKET- SUPPLIER CODE: V58982 SPECIFICATION NUMBER: BACS16X3A OPTIONAL PART: 102-005-1 V09922 000300-1541 V05574 ELECTRICAL EQUIP NUMBER: D05662 D05664 D05654 WIRING DIAGRAM REF: 291122 291131	103106 108120	3

MISSING ITEM NUMBERS NOT APPLICABLE

- ITEM NOT ILLUSTRATED

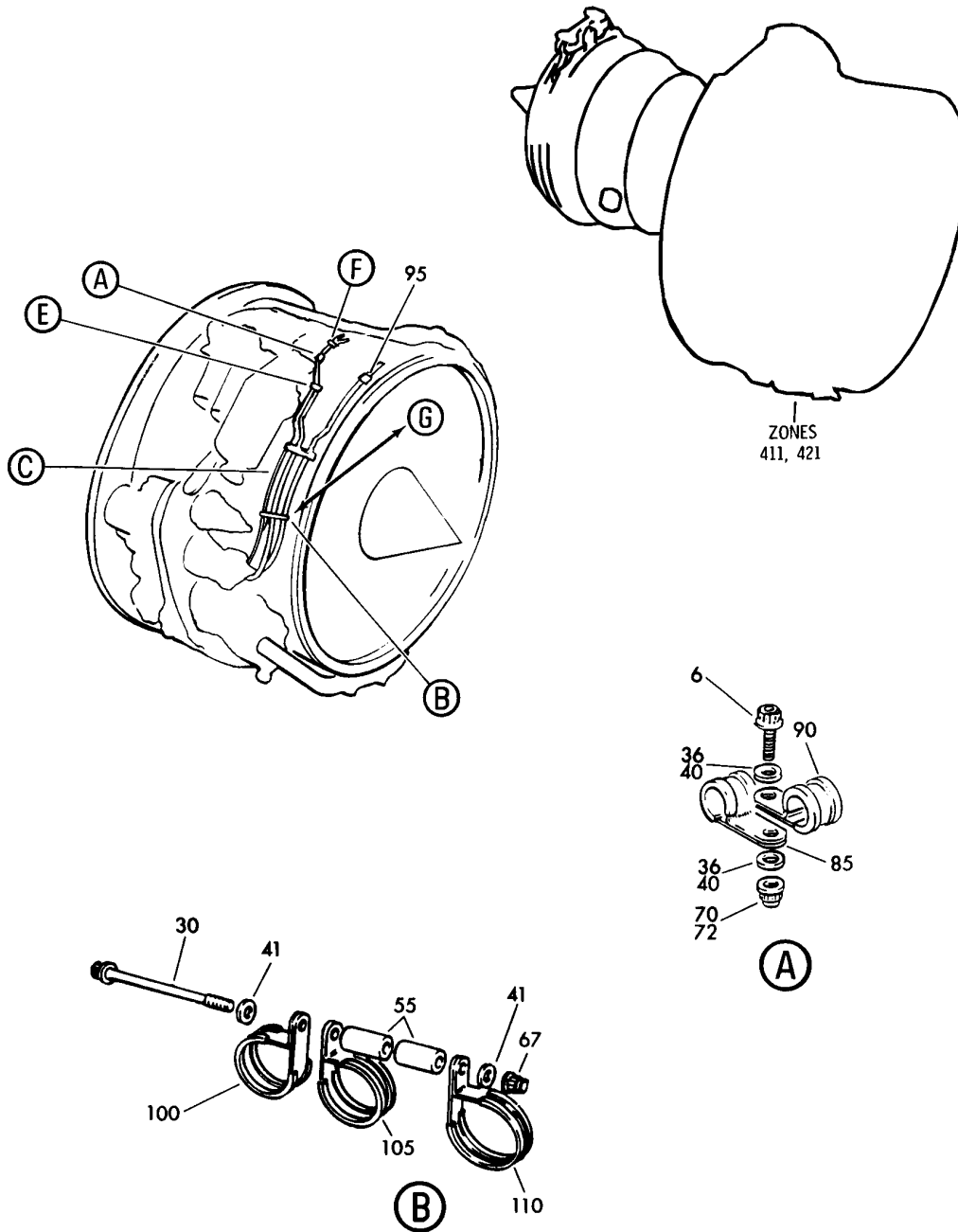
29-11-71-03C

29-11-71
FIG. 03C
PAGE 8
JAN 20/09

BRI

BOEING PROPRIETARY - Copyright © - Unpublished Work - See title page for details.

BOEING
757
PARTS CATALOG (MAINTENANCE)



Y 29117502 SHT 1 REV 240

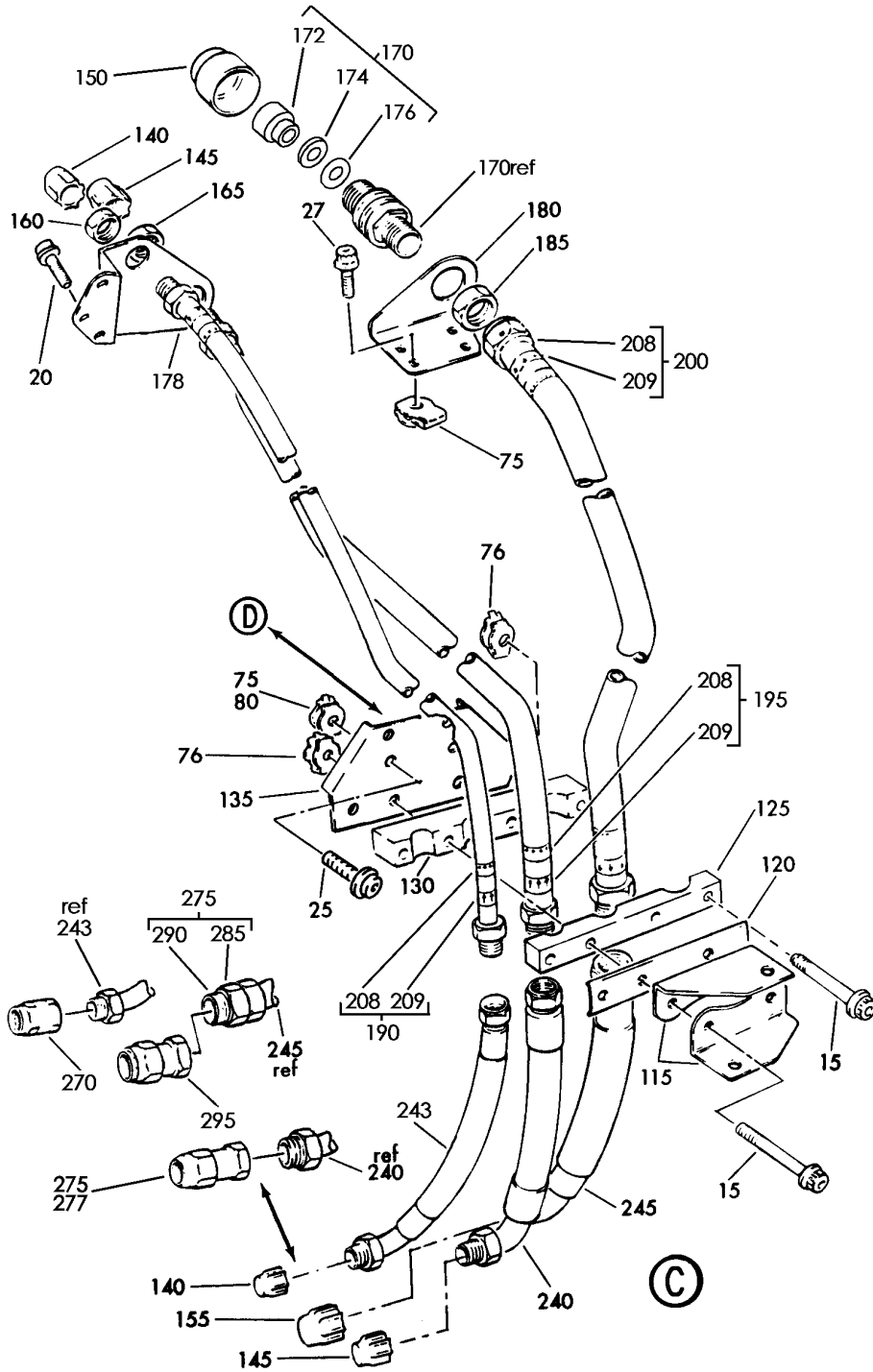
TUBES-ENGINE MOUNTED HYDRAULIC (RB211-535)
FIGURE 2 (SHEET 1)

29-11-75-02

BRI
MAY 28/07

29-11-75-02
PAGE 0

BOEING
757
PARTS CATALOG (MAINTENANCE)



Y 29117502 SHT 2 REV 240

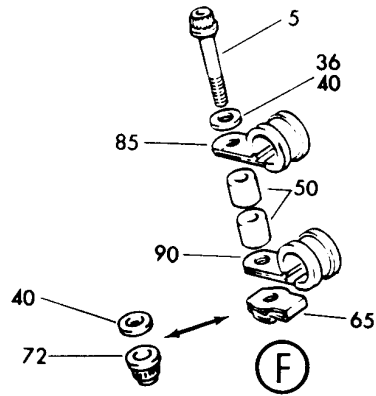
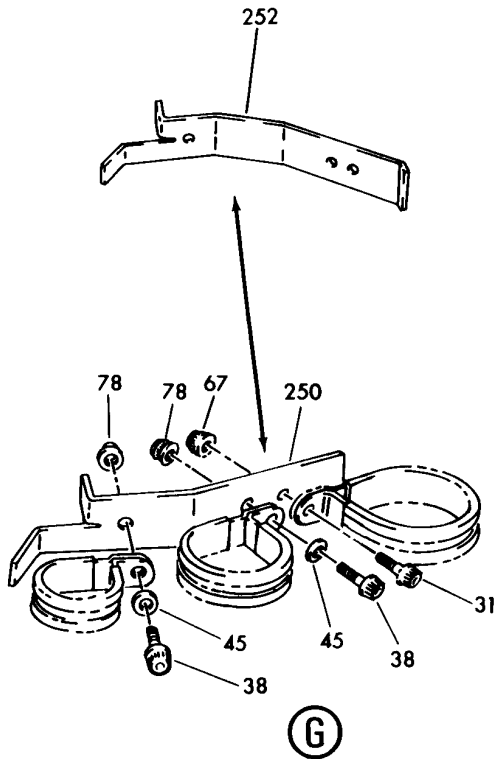
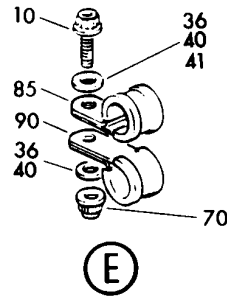
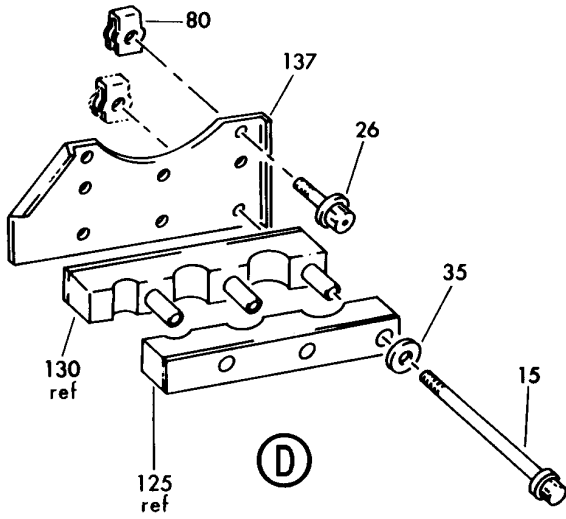
TUBES-ENGINE MOUNTED HYDRAULIC (RB211-535)
FIGURE 2 (SHEET 2)

29-11-75-02

BRI
MAY 28/07

29-11-75-02
PAGE 0A

BOEING
757
PARTS CATALOG (MAINTENANCE)



Y 29117502 SHT 3 REV 240

TUBES-ENGINE MOUNTED HYDRAULIC (RB211-535)
FIGURE 2 (SHEET 3)

29-11-75-02

BRI
MAY 28/07

29-11-75-02
PAGE 0B



757

PARTS CATALOG (MAINTENANCE)

FIG ITEM	PART NUMBER	1 2 3 4 5 6 7	NOMENCLATURE	EFFECT FROM TO	UNITS PER ASSY
2			TUBES-ENGINE MOUNTED	002004	
- 1	UL19722		HYDRAULIC (RB211-535)	006999	RF
			ENGINE ASSY-Q.E.C.U.	107107	
			RB211-535E43711		
			MAXIMUM NEUT		
			SUPPLIER CODE:		
			VK0680		
			FOR NHA/OTHER SYS DET SEE:		
			71-00-02-04		
- 1	UL20697		ENGINE ASSY-Q.E.C.U.	121503	RF
			RB211-535E43711	904949	
			MAXIMUM NEUT	952999	
			WITH GRAVINER FIRE		
			DETECTORS, BAYONET		
			MCD, NON-MODULATED		
			IDG COOLING 40,000 LB		
			THRUST		
			SUPPLIER CODE:		
			VK0680		
			REFERENCE SERVICE BULLETIN:		
			71-0058R4		
			QUALIFIED SB I/W DATA:		
			INTERMIX OF ONE OR		
			SUBSTITUTION OF TWO		
			DIFFERENT CONFIGURATION		
			RB211-535E4-37/()		
			ENGINES FOR RB211-535		
			E4 BASE ENGINES		
			REFERENCE SERVICE BULLETIN:		
			RB211-72-C547		
			VK0680		
			FOR NHA/OTHER SYS DET SEE:		
			71-00-02-04		

MISSING ITEM NUMBERS NOT APPLICABLE

- ITEM NOT ILLUSTRATED

BRI

29-11-75-02

BOEING PROPRIETARY - Copyright © - Unpublished Work - See title page for details.

29-11-75
FIG. 02
PAGE 1
JAN 20/09



757

PARTS CATALOG (MAINTENANCE)

FIG ITEM	PART NUMBER	1 2 3 4 5 6 7	NOMENCLATURE	EFFECT FROM TO	UNITS PER ASSY
2 - 1	UL20698		ENGINE ASSY-Q.E.C.U. RB211-535E43712 MAXIMUM NEUT SUPPLIER CODE: VK0680 REFERENCE SERVICE BULLETIN: 71-0058R7 QUALIFIED SB I/W DATA: INTERMIX OF ONE OR SUBSTITUTION OF TWO DIFFERENT CONFIGURATION RB211-535E4-37/() ENGINES FOR RB211-535E4 BASE ENGINES OR DIFFERENT CONFIGURATION RB211-535E4-B-37/() ENGINES FOR RB211-535E4-B BASE ENGINES REFERENCE SERVICE BULLETIN: RB211-72C547 VK0680 RB211-72-8910 VK0680 POST RAPID REVISION: RR92014-183A-RC-E FOR NHA/OTHER SYS DET SEE: 71-00-02-04	002004 006100 102102	RF
- 1	UL36209		ENGINE ASSY-Q.E.C.U. RB211-535E43719 MAXIMUM NEUT SUPPLIER CODE: VK0680 FOR NHA/OTHER SYS DET SEE: 71-00-02-04	950951	RF
- 1	UL20702		ENGINE ASSY-Q.E.C.U. RB211-535E43711 BASIC ENG CONFIGURATION WITH GRAVINER FIRE DETECTORS,BAYONET MCD, NON-MODULATED IDG COOLING 40,100 LB THRUST SUPPLIER CODE: VK0680 FOR NHA/OTHER SYS DET SEE: 71-00-02-10	504903	RF

MISSING ITEM NUMBERS NOT APPLICABLE

- ITEM NOT ILLUSTRATED

29-11-75-02

29-11-75
FIG. 02
PAGE 2
JAN 20/09

BRI



757

PARTS CATALOG (MAINTENANCE)

FIG ITEM	PART NUMBER	1 2 3 4 5 6 7	NOMENCLATURE	EFFECT FROM TO	UNITS PER ASSY
2	UL38163		ENGINE ASSY-Q.E.C.U. RB211-535E43724 BASIC ENG CONFIGURATION, BAYONET MCD, 40,100 LB THRUST SUPPLIER CODE: VK0680 FOR NHA/OTHER SYS DET SEE: 71-00-02-10	101101	RF
- 3	BCREF17395		ENGINE ASSY-Q.E.C.U. RB211-535E43739 BASIC ENG CONFIGURATION AND PHASE 5 COMBUSTOR 40,100 LB THRUST SUPPLIER CODE: VK0680 OVERLENGTH PART NUMBER: RB211-535E4-37-39E REFERENCE SERVICE BULLETIN: 71-0058R6 FOR NHA/OTHER SYS DET SEE: 71-00-02-10	108120	RF
- 3	BCREF17101		ENGINE ASSY-Q.E.C.U. RB211-535E43744 BASIC ENG CONFIGURATION, BAYONET MCD AND PHASE 5 COMBUSTOR 40,100 LB THRUST SUPPLIER CODE: VK0680 OVERLENGTH PART NUMBER: RB211-535E4-3744E FOR NHA/OTHER SYS DET SEE: 71-00-02-10	103106	RF
- 4	UL16413		.TUBES AND FITTINGS-HYDR SYSTEM SUPPLIER CODE: VK0680	002004 006999	RF
- 4	UL26719		.TUBES AND FITTINGS-HYDR SYSTEM SUPPLIER CODE: VK0680	108120	RF
5	AS21430		..BOLT- NOT APPROVED FOR ETOPS. POST SERVICE BULLETIN: 71-B611PT01 VK0680	002004 006999	1

MISSING ITEM NUMBERS NOT APPLICABLE

- ITEM NOT ILLUSTRATED

29-11-75-02

29-11-75
FIG. 02
PAGE 3
JAN 20/09

BRI



757

PARTS CATALOG (MAINTENANCE)

FIG ITEM	PART NUMBER	1 2 3 4 5 6 7	NOMENCLATURE	EFFECT FROM TO	UNITS PER ASSY
2					
5	AS21431	..	BOLT- POST SERVICE BULLETIN: 73-7885PT01 VK0680 PRE SERVICE BULLETIN: 29-8194 VK0680	002004 006100 102102 107107 121949 952999	1
5	AS21430	..	BOLT- PRE SERVICE BULLETIN: 73-7885 VK0680	002004 006100 102102	1
5	AS21432	..	BOLT- POST SERVICE BULLETIN: 29-8194PT01 VK0680 PRE SERVICE BULLETIN: 71-B611 VK0680	002004 006102 107999	1
6	AS21411	..	BOLT	002004 006999	1
10	AS21409	..	BOLT- PRE SERVICE BULLETIN: 29-8194 VK0680	002004 006100 102949 952999	1
10	AS21410	..	BOLT- POST SERVICE BULLETIN: 29-8194PT01 VK0680	002004 006102 107107 121999	1
15	AS21044	..	BOLT- PRE SERVICE BULLETIN: 29-8157 VK0680	002004 006100 102102 107107 121949 952999	3
15	AS21048	..	BOLT- POST SERVICE BULLETIN: 29-8157PT01 VK0680	002004 006999	3
20	AS21408	..	BOLT	002004 006999	3
25	AS21508	..	BOLT- PRE SERVICE BULLETIN: 29-8157 VK0680	002004 006100 102102 107107 121949 952999	4

MISSING ITEM NUMBERS NOT APPLICABLE

- ITEM NOT ILLUSTRATED

BRI

29-11-75-02

29-11-75
FIG. 02
PAGE 4
JAN 20/09



757

PARTS CATALOG (MAINTENANCE)

FIG ITEM	PART NUMBER	1 2 3 4 5 6 7	NOMENCLATURE	EFFECT FROM TO	UNITS PER ASSY
2					
26	AS21508	..	BOLT- POST SERVICE BULLETIN: 29-8157PT01 VK0680	002004 006999	5
27	AS21508	..	BOLT	002004 006999	4
30	AS21442	..	BOLT- PRE SERVICE BULLETIN: 29-8401 VK0680	107107 121949 952999	RF
31	AS21409	..	BOLT- POST SERVICE BULLETIN: 29-8401PT01 VK0680	002004 006999	RF
35	AS12944	..	WASHER- POST SERVICE BULLETIN: 29-8157PT01 VK0680	002004 006999	3
36	K8831	..	WASHER- SUPPLIER CODE: VK0680 NOT APPROVED FOR ETOPS. POST SERVICE BULLETIN: 77-8941PT01 VK0680 PRE SERVICE BULLETIN: 71-B611 VK0680	002004 006102 107999	5
36	K8831	..	WASHER- SUPPLIER CODE: VK0680 PRE SERVICE BULLETIN: 73-7885 VK0680	107107 121949 952999	5
37	K8831	..	WASHER- SUPPLIER CODE: VK0680 POST SERVICE BULLETIN: 71-B611PT01 VK0680	002004 006999	4
38	AS21409	..	BOLT- POST SERVICE BULLETIN: 29-8401PT01 VK0680	002004 006999	RF

MISSING ITEM NUMBERS NOT APPLICABLE

- ITEM NOT ILLUSTRATED

BRI

29-11-75-02

29-11-75
FIG. 02
PAGE 5
JAN 20/09



757

PARTS CATALOG (MAINTENANCE)

FIG ITEM	PART NUMBER	1 2 3 4 5 6 7	NOMENCLATURE	EFFECT FROM TO	UNITS PER ASSY
2					
40	K8831		.. WASHER- SUPPLIER CODE: VK0680 POST SERVICE BULLETIN: 73-7885PT01 VK0680 PRE SERVICE BULLETIN: 77-8941 VK0680	002004 006100 102102 107107 121949 952999	6
41	K8831		.. WASHER- SUPPLIER CODE: VK0680 PRE SERVICE BULLETIN: 29-8401 VK0680	107107 121949 952999	RF
45	K8831		.. WASHER- SUPPLIER CODE: VK0680 POST SERVICE BULLETIN: 29-8401PT01 VK0680	002004 006999	RF
50	UP10480		.. SPACER- SUPPLIER CODE: VK0680	002004 006999	2
55	UP10482		.. SPACER- SUPPLIER CODE: VK0680 PRE SERVICE BULLETIN: 29-8401 VK0680	107107 121949 952999	RF
65	AS41104		.. NUT- PRE SERVICE BULLETIN: 73-7885 VK0680	107107 121949 952999	1
67	AS20624		.. NUT	002004 006999	RF
70	AS20624		.. NUT- PRE SERVICE BULLETIN: 73-7885 VK0680	107107 121949 952999	2
70	AS20624		.. NUT- CONFIG CHG DATA FROM A CMM: FOR INTRCHNG SEE RR IPC	108120	2
72	AS20624		.. NUT- POST SERVICE BULLETIN: 73-7885PT01 VK0680	002004 006102 107999	3

MISSING ITEM NUMBERS NOT APPLICABLE

- ITEM NOT ILLUSTRATED

29-11-75-02

29-11-75
FIG. 02
PAGE 6
JAN 20/09

BRI

BOEING PROPRIETARY - Copyright © - Unpublished Work - See title page for details.



757

PARTS CATALOG (MAINTENANCE)

FIG ITEM	PART NUMBER	1 2 3 4 5 6 7	NOMENCLATURE	EFFECT FROM TO	UNITS PER ASSY
2					
72	AS20624	..NUT-	CONFIG CHG DATA FROM A CMM: FOR INTRCHNG SEE RR IPC	108120	3
75	AS41105	..NUT-	PRE SERVICE BULLETIN: 29-8157 VK0680	002004 006100 102102 107107 121949 952999	4
76	AS41105	..NUT		002004 006999	7
78	AS20624	..NUT-	POST SERVICE BULLETIN: 29-8401PT01 VK0680	002004 006999	RF
80	AS41105	..NUT-	POST SERVICE BULLETIN: 29-8157PT01 VK0680	002004 006999	5
85	400WSS10	..CLIP-	SUPPLIER CODE: V83930 PRE SERVICE BULLETIN: 29-8194 VK0680	002004 006100 102102 107107 121949 952999	3
85	TA025028-10	..CLIP-	SUPPLIER CODE: V84971 POST SERVICE BULLETIN: 29-8194PT01 VK0680	002004 006999	3
90	400WSS16	..CLIP-	SUPPLIER CODE: V83930 PRE SERVICE BULLETIN: 29-8194 VK0680 PRE AIRLINE MOD: EOS71QM-E315-1 VEAA	002004 006100 102102 107107 121949 952999	3
90	TA025028-16	..CLIP-	SUPPLIER CODE: V84971 POST SERVICE BULLETIN: 29-8194PT01 VK0680	002004 006999	3

MISSING ITEM NUMBERS NOT APPLICABLE

- ITEM NOT ILLUSTRATED

BRI

29-11-75-02

29-11-75
FIG. 02
PAGE 7
JAN 20/09



757

PARTS CATALOG (MAINTENANCE)

FIG ITEM	PART NUMBER	1 2 3 4 5 6 7	NOMENCLATURE	EFFECT FROM TO	UNITS PER ASSY
2					
95	400WSS20	..	CLIP- SUPPLIER CODE: V83930 PRE SERVICE BULLETIN: 29-8194 VK0680	002004 006100 102102 107107 121949 952999	1
95	TA025028-20	..	CLIP- SUPPLIER CODE: V84971 POST SERVICE BULLETIN: 29-8194PT01 VK0680	002004 006999	1
100	400WSS15	..	CLIP- SUPPLIER CODE: V83930 PRE SERVICE BULLETIN: 29-8401 VK0680	107107 121949 952999	RF
100	TA025028-15	..	CLIP- SUPPLIER CODE: V84971 POST SERVICE BULLETIN: 29-8401PT01 VK0680	002004 006999	RF
105	400WSS23	..	CLIP- SUPPLIER CODE: V83930 PRE SERVICE BULLETIN: 29-8401 VK0680	107107 121949 952999	RF
105	TA025028-23	..	CLIP- SUPPLIER CODE: V84971 POST SERVICE BULLETIN: 29-8401PT01 VK0680	002004 006999	RF
110	400WSS27	..	CLIP- SUPPLIER CODE: V83930 PRE SERVICE BULLETIN: 29-8401 VK0680	107107 121949 952999	RF
110	TA025028-27	..	CLIP- SUPPLIER CODE: V84971 POST SERVICE BULLETIN: 29-8401PT01 VK0680	002004 006999	RF

MISSING ITEM NUMBERS NOT APPLICABLE

- ITEM NOT ILLUSTRATED

29-11-75-02

29-11-75
FIG. 02
PAGE 8
JAN 20/09

BRI

BOEING PROPRIETARY - Copyright © - Unpublished Work - See title page for details.



757

PARTS CATALOG (MAINTENANCE)

FIG ITEM	PART NUMBER	1 2 3 4 5 6 7	NOMENCLATURE	EFFECT FROM TO	UNITS PER ASSY
2					
115	LK43056	..	BRACKET-ANGLE SUPPLIER CODE: VK0680	107107 121949 952999	2
120	LJ26170	..	PLATE-CAPPING SUPPLIER CODE: VK0680 PRE SERVICE BULLETIN: 29-8157 VK0680	002004 006100 102102 107107 121949 952999	1
125	LJ26169	..	CLAMP-HALF SUPPLIER CODE: VK0680 PRE SERVICE BULLETIN: 29-8157 VK0680	002004 006100 102102 107107 121949 952999	1
125	TA30100011	..	CLAMP-HALF SUPPLIER CODE: V84971 POST SERVICE BULLETIN: 29-8157PT01 VK0680	002004 006999	1
130	LJ26168	..	CLAMP-HALF SUPPLIER CODE: VK0680 PRE SERVICE BULLETIN: 29-8157 VK0680	002004 006100 102102 107107 121949 952999	1
135	UL12332	..	PLATE- SUPPLIER CODE: VK0680 PRE SERVICE BULLETIN: 29-8157 VK0680	002004 006100 102102 107107 121949 952999	1
137	UL18991	..	PLATE- SUPPLIER CODE: VK0680 POST SERVICE BULLETIN: 29-8157PT01 VK0680	002004 006999	1
140	AQ270-10	..	CAP-PROTECTIVE HYDR DRAIN COLOR RED TRANSPORTATION ONLY SUPPLIER CODE: VK6658	002004 006999	2
145	AQ270-15	..	CAP-PROTECTIVE HYDR PRESSURE TRANSPORTATION ONLY SUPPLIER CODE: VK6658	002004 006999	2

MISSING ITEM NUMBERS NOT APPLICABLE

- ITEM NOT ILLUSTRATED

29-11-75-02

29-11-75
FIG. 02
PAGE 9
JAN 20/09

BRI



757

PARTS CATALOG (MAINTENANCE)

FIG ITEM	PART NUMBER	1 2 3 4 5 6 7	NOMENCLATURE	EFFECT FROM TO	UNITS PER ASSY
2					
150	LJ28217	..	CAP-PROTECTIVE HYDR SUPPLY TRANSPORTATION ONLY SUPPLIER CODE: VK0680	002004 006999	1
155	AQ270-17	..	CAP-PROTECTIVE HYDR SUPPLY TRANSPORTATION ONLY SUPPLIER CODE: VK6658	002004 006999	1
160	AN924-10J	..	NUT- PRE SERVICE BULLETIN: 29-8341 VK0680	002004 006100 102102 107107 121949 952999	1
160	MS9201-10	..	NUT- POST SERVICE BULLETIN: 29-8341PT01 VK0680	002004 006999	1
165	AN924-16J	..	NUT- PRE SERVICE BULLETIN: 29-8341 VK0680	002004 006100 102102 107107 121949 952999	1
165	MS9201-16	..	NUT- POST SERVICE BULLETIN: 29-8341PT01 VK0680	002004 006999	1
170	AE97458N	..	COUPLING-HYDR SUPPLY TUBE SUPPLIER CODE: VU2569	002004 006999	1
172	AE94629N	...	RETAINER- SUPPLIER CODE: VU2569 MISCELLANEOUS DATA: MATES WITH COUPLING HALF AE97489N	002004 006102 107107 121999	1
174	22572-221	...	RETAINER- SUPPLIER CODE: VU2569 MISCELLANEOUS DATA: EQUIVALENT TO MS28774	002004 006102 107107 121999	1

MISSING ITEM NUMBERS NOT APPLICABLE

- ITEM NOT ILLUSTRATED

BRI

29-11-75-02

29-11-75
FIG. 02
PAGE 10
JAN 20/09



757

PARTS CATALOG (MAINTENANCE)

FIG ITEM	PART NUMBER	1 2 3 4 5 6 7	NOMENCLATURE	EFFECT FROM TO	UNITS PER ASSY
2					
176	22610-221	...	PACKING- SUPPLIER CODE: VU2569 MISCELLANEOUS DATA: EQUIVALENT TO NAS1611	002004 006102 107107 121999	1
178	UL15595	..	BRACKET-SUPPORT HYDR PRESS AND CASE DRAIN SUPPLIER CODE: VK0680 PRE SERVICE BULLETIN: 29-8341 VK0680	002004 006100 102102 107107 121949 952999	1
178	UL21140	..	BRACKET-SUPPORT HYDR PRESS AND CASE DRAIN SUPPLIER CODE: VK0680 POST SERVICE BULLETIN: 29-8341PT01 VK0680	002004 006999	1
180	UL18837	..	BRACKET-SUPPORT HYD SUPPLY SUPPLIER CODE: VK0680 PRE SERVICE BULLETIN: 29-8341 VK0680	002004 006100 102102 107107 121949 952999	1
180	UL21139	..	BRACKET-SUPPORT HYD SUPPLY SUPPLIER CODE: VK0680 POST SERVICE BULLETIN: 29-8341PT01 VK0680	002004 006999	1
185	AN924-20J	..	NUT- PRE SERVICE BULLETIN: 29-8341 VK0680	002004 006100 102102 107107 121949 952999	1
185	MS9201-20	..	NUT- POST SERVICE BULLETIN: 29-8341PT01 VK0680	002004 006999	1

MISSING ITEM NUMBERS NOT APPLICABLE

- ITEM NOT ILLUSTRATED

29-11-75-02

29-11-75
FIG. 02
PAGE 11
JAN 20/09

BRI

BOEING PROPRIETARY - Copyright © - Unpublished Work - See title page for details.



757

PARTS CATALOG (MAINTENANCE)

FIG ITEM	PART NUMBER	1 2 3 4 5 6 7	NOMENCLATURE	EFFECT FROM TO	UNITS PER ASSY
2 190	UL16538		..TUBE ASSY-HYDR DRAIN SUPPLIER CODE: VK0680 POSITION DATA: LOWER TO UPPER CONFIG CHG DATA FROM A CMM: FOR INTRCHG SEE RR IPC PRE SERVICE BULLETIN: 29-7969 VK0680	002004 006100 102102 107107 121949 952999	1
190	UL18997		..TUBE ASSY-HYDR DRAIN SUPPLIER CODE: VK0680 POSITION DATA: LOWER TO UPPER POST SERVICE BULLETIN: 29-7969PT01 VK0680 PRE SERVICE BULLETIN: 29-9736 VK0680	101101 108120 950951	1
190	UL18997		..TUBE ASSY-HYDR DRAIN SUPPLIER CODE: VK0680 POSITION DATA: LOWER TO UPPER CONFIG CHG DATA FROM A CMM: FOR INTRCHG SEE RR IPC POST SERVICE BULLETIN: 29-7969PT01 VK0680 PRE SERVICE BULLETIN: 29-9736 VK0680	002004 006100 102102 107107 121949 952999	1
190	LJ38085		..TUBE ASSY-HYDR DRAIN SUPPLIER CODE: VK0680 POSITION DATA: LOWER TO UPPER POST SERVICE BULLETIN: 29-9736 VK0680	101101 103106 108120 950951	1

MISSING ITEM NUMBERS NOT APPLICABLE

- ITEM NOT ILLUSTRATED

BRI

29-11-75-02

29-11-75
FIG. 02
PAGE 12
JAN 20/09



757

PARTS CATALOG (MAINTENANCE)

FIG ITEM	PART NUMBER	1 2 3 4 5 6 7	NOMENCLATURE	EFFECT FROM TO	UNITS PER ASSY
2 190	LJ38085		..TUBE ASSY-HYDR DRAIN SUPPLIER CODE: VK0680 POSITION DATA: LOWER TO UPPER CONFIG CHG DATA FROM A CMM: FOR INTRCHG SEE RR IPC POST SERVICE BULLETIN: 29-9736 VK0680	002004 006100 102102 107107 121949 952999	1
195	UL16539		..TUBE ASSY-HYDR PRESSURE SUPPLIER CODE: VK0680 POSITION DATA: LOWER TO UPPER CONFIG CHG DATA FROM A CMM: FOR INTRCHG SEE RR IPC PRE SERVICE BULLETIN: 29-7969 VK0680	002004 006100 102102 107107 121949 952999	1
195	UL18996		..TUBE ASSY-HYDR PRESSURE SUPPLIER CODE: VK0680 POSITION DATA: LOWER TO UPPER POST SERVICE BULLETIN: 29-9736PTA VK0680 PRE SERVICE BULLETIN: 29-9736 VK0680	101101 108120 950951	1
195	LJ38084		..TUBE ASSY-HYDR PRESSURE SUPPLIER CODE: VK0680 POSITION DATA: LOWER TO UPPER POST SERVICE BULLETIN: 29-9736PTA VK0680	101101 103106 108120 950951	1

MISSING ITEM NUMBERS NOT APPLICABLE

- ITEM NOT ILLUSTRATED

BRI

29-11-75-02

29-11-75
FIG. 02
PAGE 13
JAN 20/09



757

PARTS CATALOG (MAINTENANCE)

FIG ITEM	PART NUMBER	1 2 3 4 5 6 7	NOMENCLATURE	EFFECT FROM TO	UNITS PER ASSY
2 195	UL18996		..TUBE ASSY-HYDR PRESSURE SUPPLIER CODE: VK0680 POSITION DATA: LOWER TO UPPER CONFIG CHG DATA FROM A CMM: FOR INTRCHG SEE RR IPC POST SERVICE BULLETIN: 29-7969PT01 VK0680 PRE SERVICE BULLETIN: 29-9736 VK0680	002004 006100 102102 107107 121949 952999	1
195	LJ38084		..TUBE ASSY-HYDR PRESSURE SUPPLIER CODE: VK0680 POSITION DATA: LOWER TO UPPER CONFIG CHG DATA FROM A CMM: FOR INTRCHG SEE RR IPC POST SERVICE BULLETIN: 29-9736PTA VK0680	002004 006100 102102 107107 121949 952999	1
200	UL16611		..TUBE ASSY-HYDR SUPPLY SUPPLIER CODE: VK0680 POSITION DATA: LOWER TO UPPER CONFIG CHG DATA FROM A CMM: FOR INTRCHG SEE RR IPC PRE SERVICE BULLETIN: 29-7969 VK0680	002004 006100 102102 107107 121949 952999	1
200	UL18995		..TUBE ASSY-HYDR SUPPLY SUPPLIER CODE: VK0680 POSITION DATA: LOWER TO UPPER POST SERVICE BULLETIN: 29-7969PT01 VK0680 PRE SERVICE BULLETIN: 29-9736 VK0680	101101 103106 108120 950951	1

MISSING ITEM NUMBERS NOT APPLICABLE

- ITEM NOT ILLUSTRATED

BRI

29-11-75-02

BOEING PROPRIETARY - Copyright © - Unpublished Work - See title page for details.

29-11-75
FIG. 02
PAGE 14
JAN 20/09



757

PARTS CATALOG (MAINTENANCE)

FIG ITEM	PART NUMBER	1 2 3 4 5 6 7	NOMENCLATURE	EFFECT FROM TO	UNITS PER ASSY
2					
200	LJ38083		..TUBE ASSY-HYDR SUPPLY SUPPLIER CODE: VK0680 POSITION DATA: LOWER TO UPPER POST SERVICE BULLETIN: 29-9736PTA VK0680	101101 103106 108120 950951	1
200	UL18995		..TUBE ASSY-HYDR SUPPLY SUPPLIER CODE: VK0680 POSITION DATA: LOWER TO UPPER CONFIG CHG DATA FROM A CMM: FOR INTRCHG SEE RR IPC POST SERVICE BULLETIN: 29-7969PT01 VK0680 PRE SERVICE BULLETIN: 29-9736 VK0680	002004 006100 102102 107107 121949 952999	1
200	LJ38083		..TUBE ASSY-HYDR SUPPLY SUPPLIER CODE: VK0680 POSITION DATA: LOWER TO UPPER CONFIG CHG DATA FROM A CMM: FOR INTRCHG SEE RR IPC POST SERVICE BULLETIN: 29-9736PTA VK0680	002004 006100 102102 107107 121949 952999	1
208	AGS2115		...CLIP-TAPE IDENT	002004 006999	2
209	AGS2117		...CLIP-FLOW INDICATOR	002004 006999	2
- 210	AGS2094-21		...TAPE-FLOW INDICATOR POST SERVICE BULLETIN: 29-9736PTA VK0680	002004 006999	RF
- 210	AGS2094-007		...TAPE-FLOW INDICATOR MISCELLANEOUS DATA: SPARE IS U440034 PRE SERVICE BULLETIN: 29-9736 VK0680	002004 006999	RF
- 210	AGS2094-17		...TAPE-FLOW INDICATOR POST SERVICE BULLETIN: 29-9736PTA VK0680	002004 006999	RF

MISSING ITEM NUMBERS NOT APPLICABLE

- ITEM NOT ILLUSTRATED

29-11-75-02

29-11-75
FIG. 02
PAGE 15
JAN 20/09

BRI



757

PARTS CATALOG (MAINTENANCE)

FIG ITEM	PART NUMBER	1 2 3 4 5 6 7	NOMENCLATURE	EFFECT FROM TO	UNITS PER ASSY
2					
- 210	AGS2094-13		...TAPE-FLOW INDICATOR POST SERVICE BULLETIN: 29-9736PTA VK0680	002004 006999	RF
- 211	3105746		...TAPE-IDENT SUPPLIER CODE: VK0680 MISCELLANEOUS DATA: SPARE IS , VU1653, AGS2090BSM23-6-007 PRE SERVICE BULLETIN: 29-9736 VK0680	002004 006102 107999	RF
- 212	AGS2090-21-6		...SLEEVE-IDENT POST SERVICE BULLETIN: 29-9736PTA VK0680	002004 006999	RF
- 214	AGS2090-17-6		...SLEEVE-IDENT POST SERVICE BULLETIN: 29-9736PTA VK0680	002004 006999	RF
- 215	AGS2090-13-6		...SLEEVE-IDENT POST SERVICE BULLETIN: 29-9736PTA VK0680	002004 006999	RF
240	108198		..HOSE ASSY-HYDR PUMP PRESSURE SUPPLIER CODE: V78570 PRE SERVICE BULLETIN: 29-7682 VK0680	107107 121949 952999	RF
240	107314		..HOSE ASSY-HYDR PUMP PRESSURE SUPPLIER CODE: VK0685 OPTIONAL PART: AE707854-1 VU2569 POST SERVICE BULLETIN: 29-7682PTA VK0680 PRE SERVICE BULLETIN: 29-9873 VK0680	002004 006102 107107 121949 952999	RF

MISSING ITEM NUMBERS NOT APPLICABLE

- ITEM NOT ILLUSTRATED

BRI

29-11-75-02

BOEING PROPRIETARY - Copyright © - Unpublished Work - See title page for details.

29-11-75
FIG. 02
PAGE 16
JAN 20/09



757

PARTS CATALOG (MAINTENANCE)

FIG ITEM	PART NUMBER	1 2 3 4 5 6 7	NOMENCLATURE	EFFECT FROM TO	UNITS PER ASSY
2 240	AE707854-1		..HOSE ASSY-HYDR PUMP PRESSURE SUPPLIER CODE: VU2569 OPTIONAL PART: 107314 VK0685 POST SERVICE BULLETIN: 29-7682PTA VK0680 PRE SERVICE BULLETIN: 29-9873 VK0680	002004 006102 107107 121999	RF
240	AE709566-1		..HOSE ASSY-HYDR PUMP PRESSURE SUPPLIER CODE: VU2569 CONFIG CHG DATA FROM A CMM: FOR INTRCHG SEE RR IPC OPTIONAL PART: 163624455 VU1603 POST SERVICE BULLETIN: 29-9873PT01 VK0680	002004 006102 107107 121999	RF
240	163624455		..HOSE ASSY-HYDR PUMP PRESSURE SUPPLIER CODE: VU1603 CONFIG CHG DATA FROM A CMM: FOR INTRCHG SEE RR IPC OPTIONAL PART: AE709566-1 VU2569 POST SERVICE BULLETIN: 29-9873PT01 VK0680	002004 006102 107107 121999	RF
240	AE709566-1		..HOSE ASSY-HYDR PUMP PRESSURE SUPPLIER CODE: VU2569 OPTIONAL PART: 163624455 VU1603 POST SERVICE BULLETIN: 29-9873PT01 VK0680	103106 108120	RF

MISSING ITEM NUMBERS NOT APPLICABLE

- ITEM NOT ILLUSTRATED

BRI

29-11-75-02

29-11-75
FIG. 02
PAGE 17
JAN 20/09



757

PARTS CATALOG (MAINTENANCE)

FIG ITEM	PART NUMBER	1 2 3 4 5 6 7	NOMENCLATURE	EFFECT FROM TO	UNITS PER ASSY
2 240	163624455		..HOSE ASSY-HYDR PUMP PRESSURE SUPPLIER CODE: VU1603 OPTIONAL PART: AE709566-1 VU2569 POST SERVICE BULLETIN: 29-9873PT01 VK0680	103106 108120	RF
243	AE705958-1		..HOSE ASSY-HYDR PUMP DRAIN SUPPLIER CODE: V98625 OPTIONAL PART: 108199 V78570 PRE SERVICE BULLETIN: 29-7682 VK0680	107107 121949 952999	RF
243	AE705958-2		..HOSE ASSY-HYDR PUMP DRAIN SUPPLIER CODE: VU2569 OPTIONAL PART: 107315 VK0685 POST SERVICE BULLETIN: 29-7682PTA VK0680 PRE SERVICE BULLETIN: 29-9873 VK0680	002004 006102 107107 121999	RF
243	107315		..HOSE ASSY-HYDR PUMP DRAIN SUPPLIER CODE: VK0685 OPTIONAL PART: AE705958-2 VU2569 POST SERVICE BULLETIN: 29-7682PTA VK0680 PRE SERVICE BULLETIN: 29-9873 VK0680	002004 006102 107107 121999	RF

MISSING ITEM NUMBERS NOT APPLICABLE

- ITEM NOT ILLUSTRATED

BRI

29-11-75-02

29-11-75
FIG. 02
PAGE 18
JAN 20/09



757

PARTS CATALOG (MAINTENANCE)

FIG ITEM	PART NUMBER	1 2 3 4 5 6 7	NOMENCLATURE	EFFECT FROM TO	UNITS PER ASSY
2 243	108199		..HOSE ASSY-HYDR PUMP DRAIN SUPPLIER CODE: V78570 OPTIONAL PART: AE705958-1 V98625 PRE SERVICE BULLETIN: 29-7682 VK0680	107107 121949 952999	RF
243	AE709565-1		..HOSE ASSY-HYDR PUMP DRAIN SUPPLIER CODE: VU2569 CONFIG CHG DATA FROM A CMM: FOR INTRCHG SEE RR IPC OPTIONAL PART: 103524456 VU1603 POST SERVICE BULLETIN: 29-9873PT01 VK0680	002004 006102 107107 121999	RF
243	103524456		..HOSE ASSY-HYDR PUMP DRAIN SUPPLIER CODE: VU1603 CONFIG CHG DATA FROM A CMM: FOR INTRCHG SEE RR IPC OPTIONAL PART: AE709565-1 VU2569 POST SERVICE BULLETIN: 29-9873PT01 VK0680	002004 006102 107107 121999	RF
243	AE709565-1		..HOSE ASSY-HYDR PUMP DRAIN SUPPLIER CODE: VU2569 OPTIONAL PART: 103524456 VU1603 POST SERVICE BULLETIN: 29-9873PT01 VK0680	103106 108120	RF

MISSING ITEM NUMBERS NOT APPLICABLE

- ITEM NOT ILLUSTRATED

BRI

29-11-75-02

BOEING PROPRIETARY - Copyright © - Unpublished Work - See title page for details.

29-11-75
FIG. 02
PAGE 19
JAN 20/09



757

PARTS CATALOG (MAINTENANCE)

FIG ITEM	PART NUMBER	1 2 3 4 5 6 7	NOMENCLATURE	EFFECT FROM TO	UNITS PER ASSY
2 243	103524456		..HOSE ASSY-HYDR PUMP DRAIN SUPPLIER CODE: VU1603 OPTIONAL PART: AE709565-1 VU2569 POST SERVICE BULLETIN: 29-9873PT01 VK0680	103106 108120	RF
245	108197		..HOSE ASSY-HYDR PUMP SUPPLY SUPPLIER CODE: V78570 OPTIONAL PART: AE706332-1 V98625 PRE SERVICE BULLETIN: 29-7682 VK0680	107107 121949 952999	RF
245	AE706332-1		..HOSE ASSY-HYDR PUMP SUPPLY SUPPLIER CODE: V98625 OPTIONAL PART: 108197 V78570 PRE SERVICE BULLETIN: 29-7682 VK0680	002004 006100 102102 107107 121949 952999	RF
245	107316		..HOSE ASSY-HYDR PUMP SUPPLY SUPPLIER CODE: VK0685 OPTIONAL PART: AE706332-2 VU2569 POST SERVICE BULLETIN: 29-7682PTA VK0680	002004 006999	RF

MISSING ITEM NUMBERS NOT APPLICABLE

- ITEM NOT ILLUSTRATED

BRI

29-11-75-02

BOEING PROPRIETARY - Copyright © - Unpublished Work - See title page for details.

29-11-75
FIG. 02
PAGE 20
JAN 20/09



757

PARTS CATALOG (MAINTENANCE)

FIG ITEM	PART NUMBER	1 2 3 4 5 6 7	NOMENCLATURE	EFFECT FROM TO	UNITS PER ASSY
2 245	AE706332-2		..HOSE ASSY-HYDR PUMP SUPPLY SUPPLIER CODE: VU2569 OPTIONAL PART: 107316 VK0685 POST SERVICE BULLETIN: 29-7682PTA VK0680	002004 006999	RF
250	UL20628		..BRACKET-SUPPORT SUPPLIER CODE: VK0680 CONFIG CHG DATA FROM A CMM: FOR INTRCHG SEE RR IPC POST SERVICE BULLETIN: 29-8401PT01 VK0680 PRE SERVICE BULLETIN: 29-8863 VK0680	002004 006100 102102 107107 121949 952999	RF
250	UL23137		..BRACKET-SUPPORT SUPPLIER CODE: VK0680 CONFIG CHG DATA FROM A CMM: FOR INTRCHG SEE RR IPC POST SERVICE BULLETIN: 29-8863PT01 VK0680	002004 006100 102102 107107 121949 952999	RF
250	UL23137		..BRACKET-SUPPORT SUPPLIER CODE: VK0680 POST SERVICE BULLETIN: 29-8863PT01 VK0680	101101 103106 108120 950951	RF
- 255	UL17697		..PATCH-FIRESLEEVE SUPPLIER CODE: VK0680	101101	RF
270	AE81480J		..CONNECTOR ASSY-HYDR PUMP DRAIN SUPPLIER CODE: VU2569 OPTIONAL PART: 108157-10 V78570 152510-1-10E VK0685	002004 006999	RF

MISSING ITEM NUMBERS NOT APPLICABLE

- ITEM NOT ILLUSTRATED

BRI

29-11-75-02

29-11-75
FIG. 02
PAGE 21
JAN 20/09



757

PARTS CATALOG (MAINTENANCE)

FIG ITEM	PART NUMBER	1 2 3 4 5 6 7	NOMENCLATURE	EFFECT FROM TO	UNITS PER ASSY
2 270	152510-1-10E		.. CONNECTOR ASSY-HYDR PUMP DRAIN SUPPLIER CODE: VK0685 OPTIONAL PART: 108157-10 V78570 AE81480J VU2569 POST SERVICE BULLETIN: 29-7682PTB VK0680	002004 006999	RF
270	108157-10		.. CONNECTOR ASSY-HYDR PUMP DRAIN SUPPLIER CODE: V78570 OPTIONAL PART: 152510-1-10E VK0685 AE81480J VU2569	002004 006999	RF
275	AE81854M		.. CONNECTOR ASSY-HYDR PUMP PRESSURE SUPPLIER CODE: VU2569 OPTIONAL PART: 152516-1-16E VK0685 108157-16 V78570 POST SERVICE BULLETIN: 29-9820PT01 VK0680 PRE SERVICE BULLETIN: 29-8447 VK0680 29-C054 VK0680	002004 006999	RF

MISSING ITEM NUMBERS NOT APPLICABLE

- ITEM NOT ILLUSTRATED

BRI

29-11-75-02

BOEING PROPRIETARY - Copyright © - Unpublished Work - See title page for details.

29-11-75
FIG. 02
PAGE 22
JAN 20/09



**757
PARTS CATALOG (MAINTENANCE)**

FIG ITEM	PART NUMBER	1 2 3 4 5 6 7	NOMENCLATURE	EFFECT FROM TO	UNITS PER ASSY
2 275	152516-1-16E		..CONNECTOR ASSY-HYDR PUMP PRESSURE SUPPLIER CODE: VK0685 OPTIONAL PART: 108157-16 V78570 AE85697M VU2569 AE81854M VU2569 POST SERVICE BULLETIN: 29-9820PT01 VK0680 29-C054PTA VK0680 29-7682PTB VK0680 PRE SERVICE BULLETIN: 29-8447 VK0680 29-C054 VK0680	002004 006999	RF
275	108157-16		..CONNECTOR ASSY-HYDR PUMP PRESSURE SUPPLIER CODE: V78570 OPTIONAL PART: 152516-1-16E VK0685 AE81854M VU2569 AE85697M VU2569 POST SERVICE BULLETIN: 29-C054PTA VK0680 29-9820PT01 VK0680 PRE SERVICE BULLETIN: 29-C054 VK0680 29-8447 VK0680	002004 006999	RF

MISSING ITEM NUMBERS NOT APPLICABLE

— ITEM NOT ILLUSTRATED

BRI

29-11-75-02

BOEING PROPRIETARY - Copyright © - Unpublished Work - See title page for details.

29-11-75
FIG. 02
PAGE 23
JAN 20/09

 **BOEING**
757
PARTS CATALOG (MAINTENANCE)

FIG ITEM	PART NUMBER	1 2 3 4 5 6 7	NOMENCLATURE	EFFECT FROM TO	UNITS PER ASSY
2 275	AE85697M		..CONNECTOR ASSY-HYDR PUMP PRESSURE SUPPLIER CODE: VU2569 OPTIONAL PART: 108157-16 V78570 152516-1-16E VK0685 POST SERVICE BULLETIN: 29-C054PTA VK0680	002004 006999	RF
R R	275	108157-16	..CONNECTOR ASSY-HYDR PUMP PRESSURE SUPPLIER CODE: V78570 OPTIONAL PART: 152516-1-16E VK0685 AE81854M VU2569 AE85697M VU2569 POST SERVICE BULLETIN: 29-C054PTA VK0680 29-9820PT01 VK0680 PRE SERVICE BULLETIN: 29-C054 VK0680 29-84447 VK0680	002004 006999	RF
	277	UL22319	..ADAPTOR ASSY-PRESSURE HYD PUMP SUPPLIER CODE: VK0680 POST SERVICE BULLETIN: 29-8447PT01 VK0680 PRE SERVICE BULLETIN: 29-9820 VK0680	002004 006102 107107 121999	RF

MISSING ITEM NUMBERS NOT APPLICABLE

— ITEM NOT ILLUSTRATED

BRI

29-11-75-02

BOEING PROPRIETARY - Copyright © - Unpublished Work - See title page for details.

29-11-75
FIG. 02
PAGE 24
MAY 20/09



757

PARTS CATALOG (MAINTENANCE)

FIG ITEM	PART NUMBER	1 2 3 4 5 6 7	NOMENCLATURE	EFFECT FROM TO	UNITS PER ASSY
2 295	AE81520N		..CONNECTOR ASSY-HYDR PUMP SUPPLY SUPPLIER CODE: VU2569 OPTIONAL PART: 108157-20 V78570 152520-1-20EW VK0685 POST SERVICE BULLETIN: 29-9820PT01 VK0680 PRE SERVICE BULLETIN: 29-8447 VK0680	002004 006999	RF
295	152520-1-20EW		..CONNECTOR ASSY-HYDR PUMP SUPPLY SUPPLIER CODE: VK0685 OPTIONAL PART: 108157-20 V78570 AE81520N VU2569 POST SERVICE BULLETIN: 29-9820PT01 VK0680 29-7682PTB VK0680 PRE SERVICE BULLETIN: 29-9820 VK0680	002004 006999	RF
295	108157-20		..CONNECTOR ASSY-HYDR PUMP SUPPLY SUPPLIER CODE: V78570 OPTIONAL PART: 152520-1-20EW VK0685 AE81520N VU2569 POST SERVICE BULLETIN: 29-9820PT01 VK0680 PRE SERVICE BULLETIN: 29-9820 VK0680	002004 006999	RF

MISSING ITEM NUMBERS NOT APPLICABLE

- ITEM NOT ILLUSTRATED

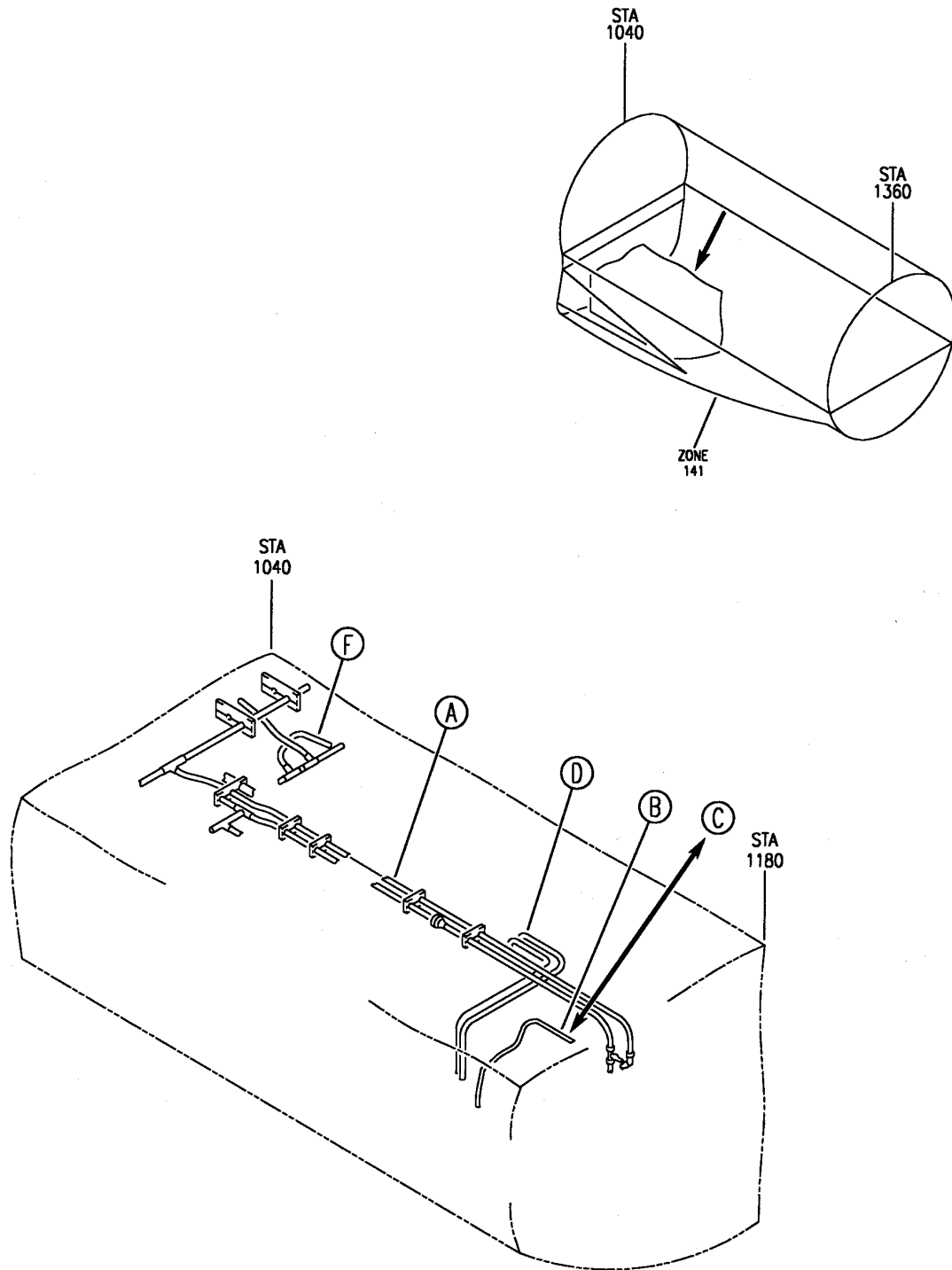
BRI

29-11-75-02

BOEING PROPRIETARY - Copyright © - Unpublished Work - See title page for details.

29-11-75
FIG. 02
PAGE 25
MAY 20/09

BOEING
757
PARTS CATALOG (MAINTENANCE)



Y 29118401 SH1 1 REV 213

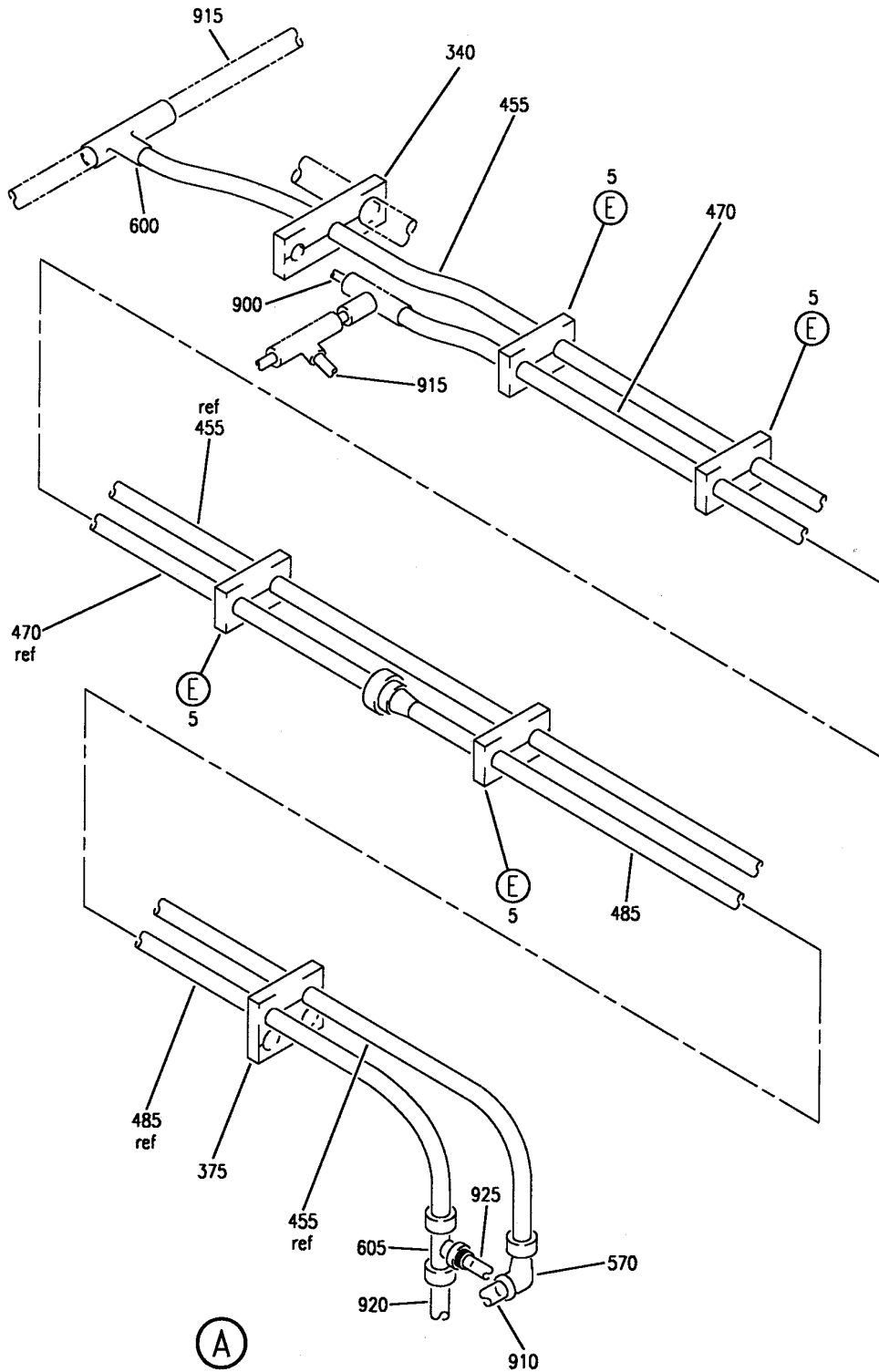
PLUMBING INSTL-4-DOOR/ PKG FREIGHTER MINOR MODEL
FIGURE 1 (SHEET 1)

29-11-84-01

BRI
MAY 28/07

29-11-84-01
PAGE 0


BOEING
 757
PARTS CATALOG (MAINTENANCE)



Y 29118401 SH1 2 REV 213

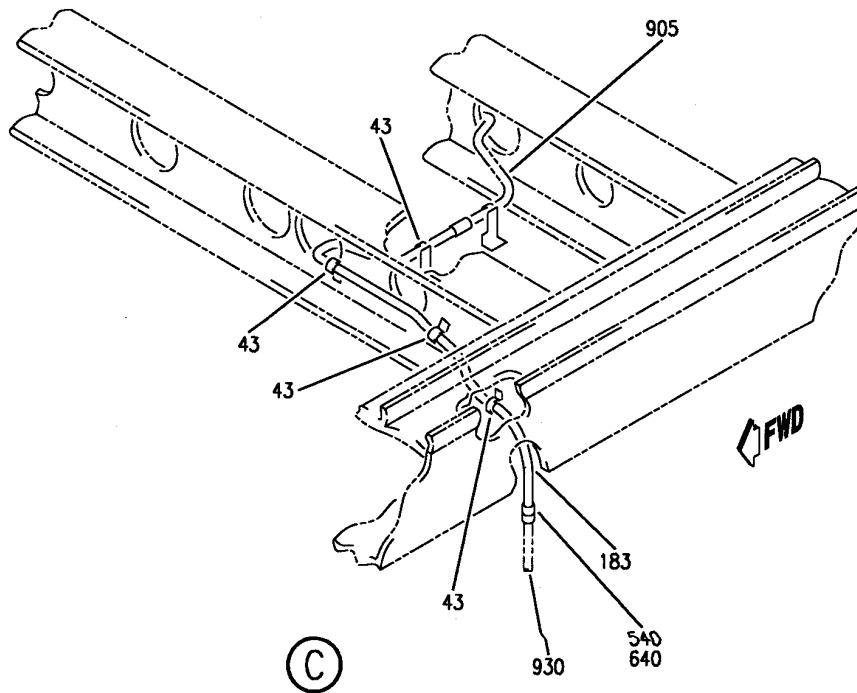
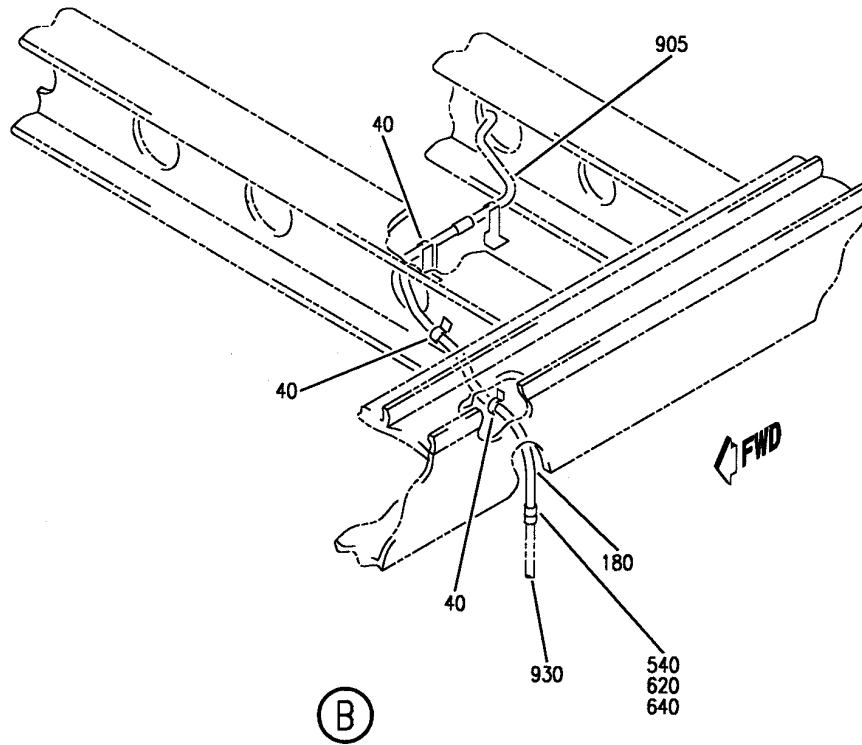
PLUMBING INSTL-4-DOOR/ PKG FREIGHTER MINOR MODEL
 FIGURE 1 (SHEET 2)

29-11-84-01

BRI
MAY 28/07

29-11-84-01
 PAGE 0A

BOEING
757
PARTS CATALOG (MAINTENANCE)



Y 291184-01 SH1 3 REV 213

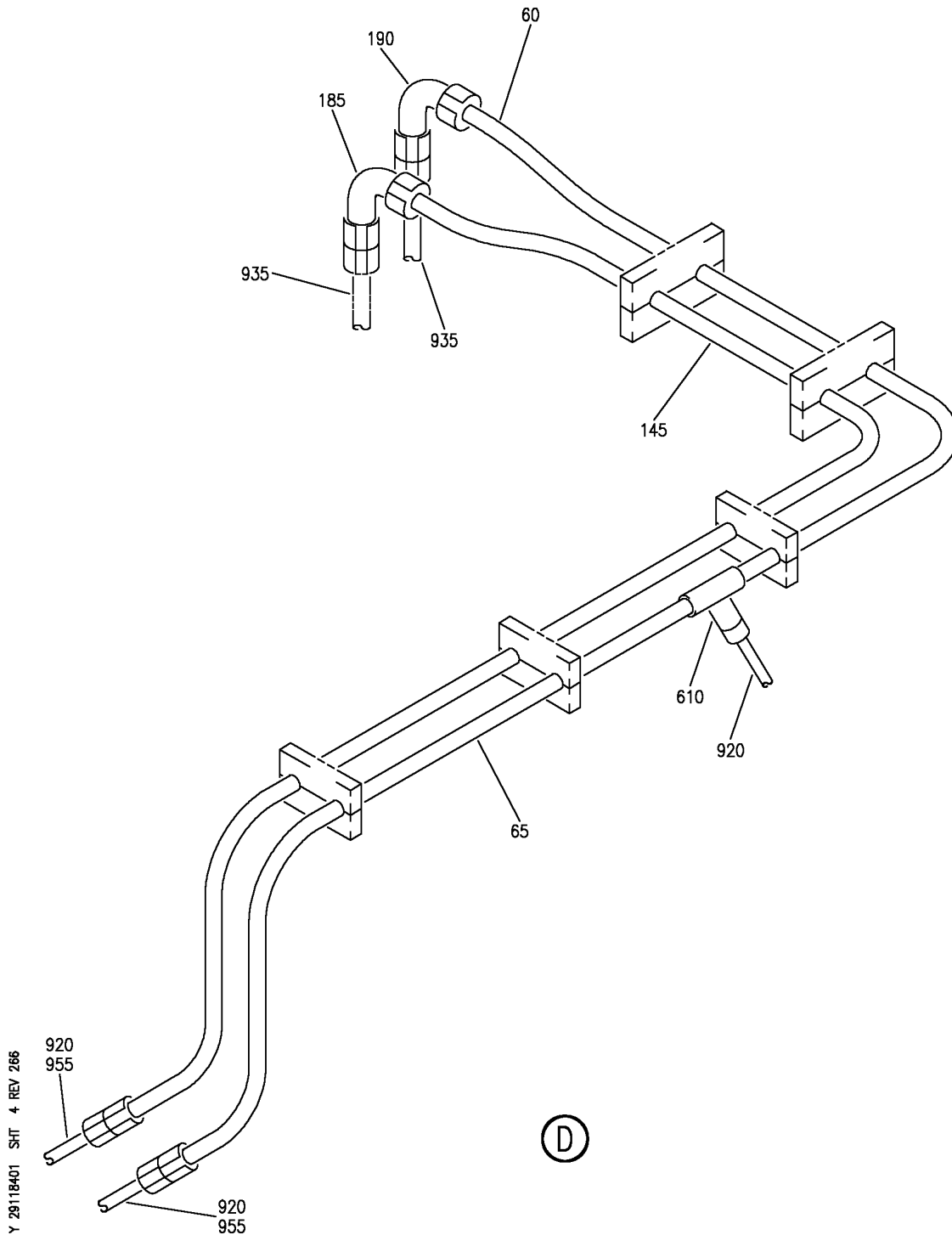
PLUMBING INSTL-4-DOOR/ PKG FREIGHTER MINOR MODEL
FIGURE 1 (SHEET 3)

29-11-84-01

BRI
MAY 28/07

29-11-84-01
PAGE 08

BOEING
757
PARTS CATALOG (MAINTENANCE)



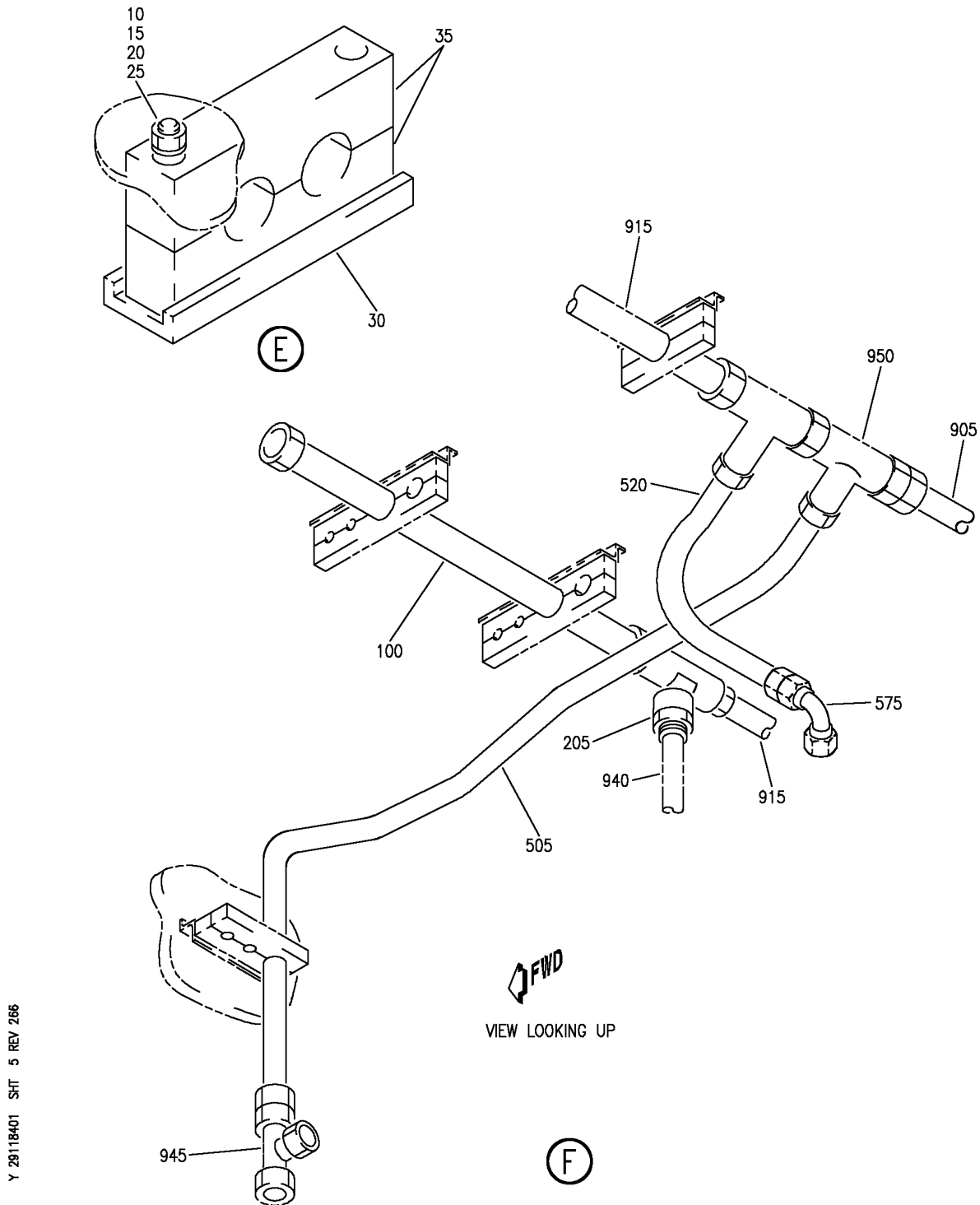
PLUMBING INSTL-4-DOOR/ PKG FREIGHTER MINOR MODEL
FIGURE 1 (SHEET 4)

29-11-84-01

BRI
MAY 28/07

29-11-84-01
PAGE 0C

BOEING
757
PARTS CATALOG (MAINTENANCE)



Y 29118401 SH1 5 REV 266

PLUMBING INSTL-4-DOOR/ PKG FREIGHTER MINOR MODEL
FIGURE 1 (SHEET 5)

29-11-84-01

BRI
MAY 28/07

29-11-84-01
PAGE 0D



757

PARTS CATALOG (MAINTENANCE)

FIG ITEM	PART NUMBER	1 2 3 4 5 6 7	NOMENCLATURE	EFFECT FROM TO	UNITS PER ASSY
1			PLUMBING INSTL-4-DOOR/ PKG FREIGHTER MINOR MODEL	101102 108120 504903	
- 1	271N6443-20		PLUMBING INSTL-4-DOOR MINOR MODEL FOR NHA SEE: 29-00-51-02B	101102 108120 504903	RF
5	270N2000-101		.CLAMP ASSY	101102 108120 504903	4
10	NAS1801-3-28		..SCREW	101102 108120 504903	2
15	AN960PD10L		..WASHER	101102 108120 504903	2
20	NAS43DD3-75		..SPACER	101102 108120 504903	2
25	BRH10A3		..NUT SUPPLIER CODE: V52828 SPECIFICATION NUMBER: BACN10JC3 OPTIONAL PART: H10-3BAC V15653 NS202101-02 V80539 RMLH9075-3W V72962 VN303A02 V92215 96-02 V80539 T6S1032J V11815	101102 108120 504903	2
30	270N2000-833		..CHANNEL	101102 108120 504903	1
35	270N2000-520		..BLOCK- OPTIONAL PART: 270N2000-479	101102 108120 504903	2
35	270N2000-479		..BLOCK- OPTIONAL PART: 270N2000-520	101102 108120 504903	2
40	M85052-2-4		.CLAMP	101102 108120 504903	3

MISSING ITEM NUMBERS NOT APPLICABLE

- ITEM NOT ILLUSTRATED

29-11-84-01

29-11-84
FIG. 01
PAGE 1
JAN 20/09

BRI



757

PARTS CATALOG (MAINTENANCE)

FIG ITEM	PART NUMBER	1 2 3 4 5 6 7	NOMENCLATURE	EFFECT FROM TO	UNITS PER ASSY
1					
43	M85052-2-4	.	CLAMP	101102 108120 504903	4
- 45	NAS1801-3	.	ATTACHING PARTS SCREW	101102 108120 504903	2
- 50	AN960JD10J	.	WASHER	101102 108120 504903	2
- 55	BACN10J3	.	NUT	101102 108120 504903	2
			-----*-----		
60	271N6443-1038	.	TUBE ASSY-RETURN R SYS TUBING MATERIAL: 0.500 IN. OD 0.035 IN. WALL 48.10 IN. LG AL AMS 4083 6061 T6 TUBING	101102 108120 504903	1
65	271N6443-1039	.	TUBE ASSY-RETURN R SYS TUBING MATERIAL: 0.500 IN. OD 0.035 IN. WALL 46.20 IN. LG AL AMS 4083 6061 T6 TUBING	101102 108120 504903	1
- 70	AP2097HP08	..	SLEEVE SUPPLIER CODE: V01673 SPECIFICATION NUMBER: BACS13BX08HP OPTIONAL PART: 2-02903-08HP V11328 35235VN08 V08199 AFP175V08P V30974 DBOS13BX08HP V14798	101102 108120 504903	2
- 75	BACN10YL08	..	NUT	101102 108120 504903	2

MISSING ITEM NUMBERS NOT APPLICABLE

- ITEM NOT ILLUSTRATED

BRI

29-11-84-01

29-11-84
FIG. 01
PAGE 2
JAN 20/09



757

PARTS CATALOG (MAINTENANCE)

FIG ITEM	PART NUMBER	1 2 3 4 5 6 7	NOMENCLATURE	EFFECT FROM TO	UNITS PER ASSY
1 100	271N6443-1002		.TUBE ASSY-PRESSURE L SYS TUBING MATERIAL: 1.00 IN. OD .051 IN. WALL 14.70 IN. LG TI BMS 7-234 TI-3AL-2.5V COLD WORKED, STRESS RELIEVED TUBING	101102 108120 504903	1
- 105	AS1581T16		..SLEEVE	101102 108120 504903	2
- 110	BACN10YA16L		..NUT-	101102 108120 504903	2
145	271N6443-1210		.TUBE ASSY-PRESSURE R SYS TUBING MATERIAL: 0.375 IN. OD .019 IN. WALL 93.10 IN. LG TI BMS 7-234 TI-3AL-2.5V COLD WORKED, STRESS RELIEVED TUBING	101102 108120 504903	1
- 150	AS1581T06		..SLEEVE	101102 108120 504903	2
- 155	BACN10YA6		..NUT-	101102 108120 504903	2
180	271N6443-1036		.TUBE ASSY-ALTERNATE EXTEND PRESSURE TUBING MATERIAL: 0.250 IN. OD 0.016 IN. WALL 39.40 IN. LG TI BMS 7-234 TI-3AL-2.5V COLD WORKED, STRESS RELIEVED TUBING	101102 108120 504903	1
185	BACE21BN0606J		.ELBOW	101102 108120 504903	1
190	MS21908W8		.ELBOW	101102 108120 504903	1
- 200	NAS1762W1616		.ELBOW	101102 108120 504903	2
205	BACT16BL160812J		.TEE	101102 108120 504903	1
- 230	NAS1763W061010		.TEE	101102 108120 504903	1

MISSING ITEM NUMBERS NOT APPLICABLE

- ITEM NOT ILLUSTRATED

BRI

29-11-84-01

29-11-84
FIG. 01
PAGE 3
JAN 20/09



757

PARTS CATALOG (MAINTENANCE)

FIG ITEM	PART NUMBER	1 2 3 4 5 6 7	NOMENCLATURE	EFFECT FROM TO	UNITS PER ASSY
1 455	271N6443-1004	.	TUBE ASSY-PRESSURE SYS POSITION DATA: L STA1160 WL 170 TUBING MATERIAL: .625 IN. OD .032 IN. WALL 131.2 IN. LG TI BMS 7-234 TI-3AL-2.5V COLD WORKED, STRESS RELIEVED TUBING	101102 108120 504903	1
- 460	AS1581T10	..	SLEEVE	101102 108120 504903	2
- 465	BACN10YA10	..	NUT	101102 108120 504903	2
470	271N6443-1062	.	TUBE ASSY-RETURN SYS POSITION DATA: L STA 1135 WL 170 TUBING MATERIAL: .625 IN. OD .035 IN. WALL 63.2 IN. AL AMS 4083 6061 T6 TUBING	101102 108120 504903	1
- 475	AP2097HP10	..	SLEEVE SUPPLIER CODE: V01673 SPECIFICATION NUMBER: BACS13BX10HP OPTIONAL PART: 2-02903-10HP V11328 35235VN10 V08199 AFP175V10P V30974 DBOS13BX10HP V14798	101102 108120 504903	2
- 480	BACN10YL10	..	NUT	101102 108120 504903	2

MISSING ITEM NUMBERS NOT APPLICABLE

- ITEM NOT ILLUSTRATED

29-11-84-01

29-11-84
FIG. 01
PAGE 4
JAN 20/09

BRI



757

PARTS CATALOG (MAINTENANCE)

FIG ITEM	PART NUMBER	1 2 3 4 5 6 7	NOMENCLATURE	EFFECT FROM TO	UNITS PER ASSY
1 485	271N6443-1072		.TUBE ASSY-RETURN SYS POSITION DATA: L STA 1160 WL 170 TUBING MATERIAL: .625 IN. OD .035 IN. WALL 43.8 IN. LG AL AMS 4083 6061 T6 TUBING	101102 108120 504903	1
- 490	AP2097HP10		..SLEEVE SUPPLIER CODE: V01673 SPECIFICATION NUMBER: BACS13BX10HP OPTIONAL PART: 2-02903-10HP V11328 35235VN10 V08199 AFP175V10P V30974 DBOS13BX10HP V14798	101102 108120 504903	1
- 495	BACN10YL10		..NUT	101102 108120 504903	1
- 500	35056GV10		..UNION SUPPLIER CODE: V08199 SPECIFICATION NUMBER: BACU24AB10W OPTIONAL PART: 4671097W10 V50948 2-01027-10W V11328 31875-10W V14397 AP1004W10 V01673 AFP941W10 V30974 DBOU24AB10W V14798	101102 108120 504903	1

MISSING ITEM NUMBERS NOT APPLICABLE

- ITEM NOT ILLUSTRATED

BRI

29-11-84-01

29-11-84
FIG. 01
PAGE 5
JAN 20/09



757

PARTS CATALOG (MAINTENANCE)

FIG ITEM	PART NUMBER	1 2 3 4 5 6 7	NOMENCLATURE	EFFECT FROM TO	UNITS PER ASSY
1 505	271N6443-1139		.TUBE ASSY-RETURN SYS POSITION DATA: L STA 1180 LBL 40 TUBING MATERIAL: .750 IN. OD .035 IN. WALL 31.6 IN. LG AL AMS 4083 6061 T6 TUBING	101102 108120 504903	1
- 510	AP2097HP12		..SLEEVE SUPPLIER CODE: V01673 SPECIFICATION NUMBER: BACS13BX12HP OPTIONAL PART: 2-02903-12HP V11328 35235VN12 V08199 AFP175V12P V30974 DBOS13BX12HP V14798	101102 108120 504903	2
- 515	BACN10YL12		..NUT	101102 108120 504903	2
520	271N6443-1216		.TUBE ASSY-RETURN SYS POSITION DATA: L STA 1060 WL 155 TUBING MATERIAL: .625 IN. OD .035 IN. WALL 16.2 IN. LG AL AMS 4083 6061 T6 TUBING	101102 108120 504903	1
- 525	AP2097HP10		..SLEEVE SUPPLIER CODE: V01673 SPECIFICATION NUMBER: BACS13BX10HP OPTIONAL PART: 2-02903-10HP V11328 35235VN10 V08199 AFP175V10P V30974 DBOS13BX10HP V14798	101102 108120 504903	2

MISSING ITEM NUMBERS NOT APPLICABLE

- ITEM NOT ILLUSTRATED

BRI

29-11-84-01

29-11-84
FIG. 01
PAGE 6
JAN 20/09



757

PARTS CATALOG (MAINTENANCE)

FIG ITEM	PART NUMBER	1 2 3 4 5 6 7	NOMENCLATURE	EFFECT FROM TO	UNITS PER ASSY
1					
- 530	BACN10YL10	. .	NUT	101102 108120 504903	2
540	D10199-0604	. UNION-	SUPPLIER CODE: V14798	101102 108120 504903	1
570	AP1042JN1010	. ELBOW	SUPPLIER CODE: V01673 SPECIFICATION NUMBER: BACE21BT1010JN	101102 108120 504903	1
575	NAS1762W1010	. ELBOW		101102 108120 504903	RF
600	BACT16BL161610J	. TEE		101102 108120 504903	RF
605	NAS1764W100610	. TEE		101102 108120 504903	1
610	NAS1764W080806	. TEE		101102 108120 504903	RF
620	AS568-017	. PACKING-	SUPPLIER CODE: VU1653	101102 108120 504903	1
640	AN924-6D	. NUT		101102 108120 504903	1
900			ILLUSTRATION REFERENCE: PLUMBING INSTL-ROLLS ROYCE ENG 29-11-51-55	101102 108120 504903	RF
905			ILLUSTRATION REFERENCE: PLUMBING AND FITTING INSTL ETOPS ALL 29-11-84-03	101102 108120	RF
910			ILLUSTRATION REFERENCE: VALVE INSTL-L SYS EMPENNAGE ISOLATION 27-23-01-03	101102 108120 504903	RF
915			ILLUSTRATION REFERENCE: PLUMBING INSTL-PRESSURE DECK SECT. 44 L (MAIN HYDR SYS ONLY) 29-11-84-06A	101102 108120 504903	RF

MISSING ITEM NUMBERS NOT APPLICABLE

- ITEM NOT ILLUSTRATED

BRI

29-11-84-01

29-11-84
FIG. 01
PAGE 7
JAN 20/09



757

PARTS CATALOG (MAINTENANCE)

FIG ITEM	PART NUMBER	1 2 3 4 5 6 7	NOMENCLATURE	EFFECT FROM TO	UNITS PER ASSY
1					
925			ILLUSTRATION REFERENCE: PLUMBING INSTL-SECT. 46 HYDR (RUDDER AND ELEVATOR HYDRAULIC SYSTEMS ONLY) 27-23-51-30A	101102 108120 504903	RF
930			ILLUSTRATION REFERENCE: PLUMBING INSTL-BASIC AND STABLE 29-11-84-06	101102 108120 504903	RF
935			ILLUSTRATION REFERENCE: PLUMBING INSTL-SECT. 12 L WING INBD HYDR (HYDRAULIC POWER ONLY) 29-11-51-98	101102 108120 504903	RF
940			ILLUSTRATION REFERENCE: PLUMBING INSTL-PROVISIONS FOR 10KVA HMG INSTL (ETOPS) (HYD SYSTEMS ONLY) 29-11-51-92	101102 108120	RF
945			ILLUSTRATION REFERENCE: PLUMBING INSTL-MAIN WHL WELL FWD BHD HYDR 29-11-51-78	101102 108120 504903	RF
950			ILLUSTRATION REFERENCE: PLUMBING INSTL-CUSTOM/ DELTA NO ETOPS PROVISIONS 29-11-51-83	504903	RF
955			ILLUSTRATION REFERENCE: PLUMBING INSTL-SECT. 44 AFT BHD MLG WHL WELL HYDR 29-11-52-22	101102 108120 504903	RF

MISSING ITEM NUMBERS NOT APPLICABLE

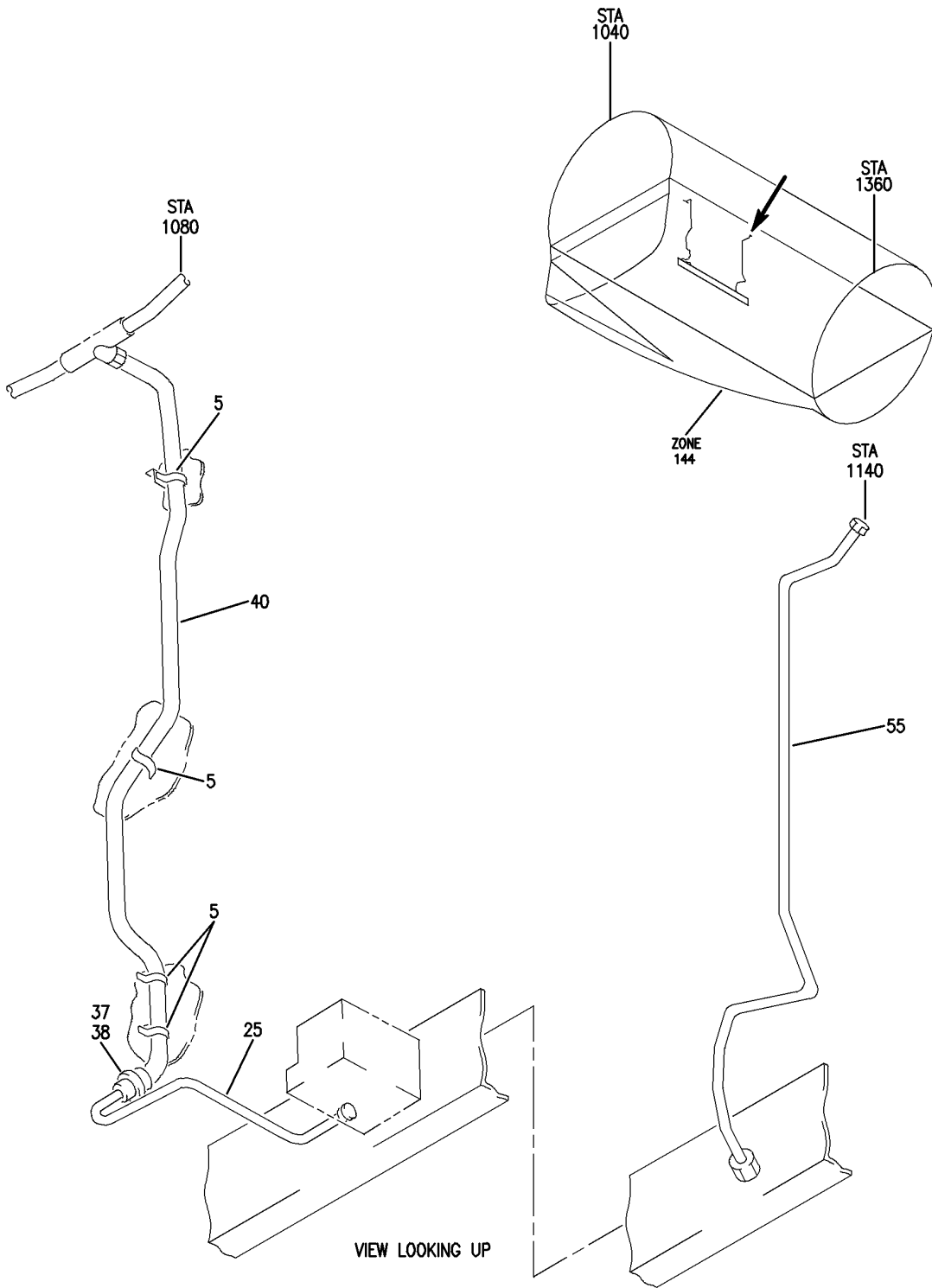
- ITEM NOT ILLUSTRATED

29-11-84-01

29-11-84
FIG. 01
PAGE 8
JAN 20/09

BRI

BOEING
757
PARTS CATALOG (MAINTENANCE)



Y 29118402 REV 229

PLUMBING INSTL-MLG WHL WELL KEEL BEAM HYDR
FIGURE 2

29-11-84-02

BRI
MAY 28/07

29-11-84-02
PAGE 0



757

PARTS CATALOG (MAINTENANCE)

FIG ITEM	PART NUMBER	1 2 3 4 5 6 7	NOMENCLATURE	EFFECT FROM TO	UNITS PER ASSY
2			PLUMBING INSTL-MLG WHL WELL KEEL BEAM HYDR	101106 108120 504903	
- 1	271N6445-16		PLUMBING INSTL-200 PASS. AND PKG FREIGHTER MINOR MODEL FOR NHA SEE: 29-00-51-01A	101102 108120 504903	RF
- 1	MODREF31628		PLUMBING INSTL-200 PASS. AND PKG FREIGHTER MINOR MODEL MODULE NUMBER: 271N6445-22 REV B	103106	1
5	TA0910004H116		.CLAMP-SADDLE SUPPLIER CODE: V84971 SPECIFICATION NUMBER: BACC10HB16C ATTACHING PARTS	101106 108120 504903	4
- 10	NAS1801-3		.SCREW- SIZE DETERMINED ON INSTL.	101106 108120 504903	16
- 15	NAS1149D0332J		.WASHER	101106 108120 504903	16
- 20	BRH10A3		.NUT SUPPLIER CODE: V52828 SPECIFICATION NUMBER: BACN10JC3 OPTIONAL PART: H10-3BAC V15653 NS202101-02 V80539 RMLH9075-3W V72962 VN303A02 V92215 96-02 V80539 T6S1032J V11815 -----*-----	101106 108120 504903	16

MISSING ITEM NUMBERS NOT APPLICABLE

- ITEM NOT ILLUSTRATED

BRI

29-11-84-02

29-11-84
FIG. 02
PAGE 1
JAN 20/09



757

PARTS CATALOG (MAINTENANCE)

FIG ITEM	PART NUMBER	1 2 3 4 5 6 7	NOMENCLATURE	EFFECT FROM TO	UNITS PER ASSY
2	271N6445-1096		.TUBE ASSY-SUPPLY SYS POSITION DATA: L TUBING MATERIAL: .375 IN. OD X .035 IN. WALL X 18.00 IN. LG 6061-T6 ALUMINUM TUBING PER MIL-T-7081	101106 108120 504903	1
- 30	AP2097HP06		..SLEEVE-SWAGED SUPPLIER CODE: V01673 SPECIFICATION NUMBER: BACS13BX06HP OPTIONAL PART: 2-02903-06HP V11328 35235VN06 V08199 AFP175V06P V30974 DBOS13BX06HP V14798	101106 108120 504903	2
- 35	BACN10YL06		..NUT- OPTIONAL PART: MS21921-6D	101106 108120 504903	2
- 35	MS21921-6D		..NUT- OPTIONAL PART: BACN10YL06	101106 108120 504903	2

MISSING ITEM NUMBERS NOT APPLICABLE

- ITEM NOT ILLUSTRATED

29-11-84-02

29-11-84
FIG. 02
PAGE 2
JAN 20/09

BRI



757

PARTS CATALOG (MAINTENANCE)

FIG ITEM	PART NUMBER	1 2 3 4 5 6 7	NOMENCLATURE	EFFECT FROM TO	UNITS PER ASSY
2 38	AP1026D1606		.REDUCER- SUPPLIER CODE: V01673 SPECIFICATION NUMBER: BACR17H16-6 OPTIONAL PART: DBOR17H16-6 V14798 ER10466-16-6 V88334 2-01022D16-6 V11328 31777-16-6 V14397 463-8162-16-6 V50948 DBOR17H16-6D V14798 AFP846-16-6 V30974 USED ON: 271N6445-14	101106 108120 504903	1
40	271N6445-1097		.TUBE ASSY-SUPPLY SYS POSITION DATA: L TUBING MATERIAL: 1.00 IN. OD X .035 IN. WALL X 70.00 IN. LG 6061-T6 ALUMINUM TUBING PER MIL-T-7081	101106 108120 504903	1
- 45	AP2097HP16		..SLEEVE SUPPLIER CODE: V01673 SPECIFICATION NUMBER: BACS13BX16HP OPTIONAL PART: 2-02903-16HP V11328 35235VN16 V08199 AFP175V16P V30974 DBOS13BX16HP V14798	101106 108120 504903	2
- 50	BACN10YL16		..NUT- OPTIONAL PART: MS21921-16D	101106 108120 504903	2

MISSING ITEM NUMBERS NOT APPLICABLE

- ITEM NOT ILLUSTRATED

29-11-84-02

29-11-84
FIG. 02
PAGE 3
JAN 20/09

BRI



757

PARTS CATALOG (MAINTENANCE)

FIG ITEM	PART NUMBER	1 2 3 4 5 6 7	NOMENCLATURE	EFFECT FROM TO	UNITS PER ASSY
2					
- 50	MS21921-16D		..NUT- OPTIONAL PART: BACN10YL16	101106 108120 504903	2
55	271N6445-1110		.TUBE ASSY- POSITION DATA: L TUBING MATERIAL: .375 OD. X .019 WALL X 66.2 3AL-2.5V TITANIUM SEAMLESS TUBING PER BMS7-234 HT-TR	103106	1
- 60	AS1581T06		..SLEEVE	103106	2
- 65	BACN10YA6		..NUT	103106	2

MISSING ITEM NUMBERS NOT APPLICABLE

- ITEM NOT ILLUSTRATED

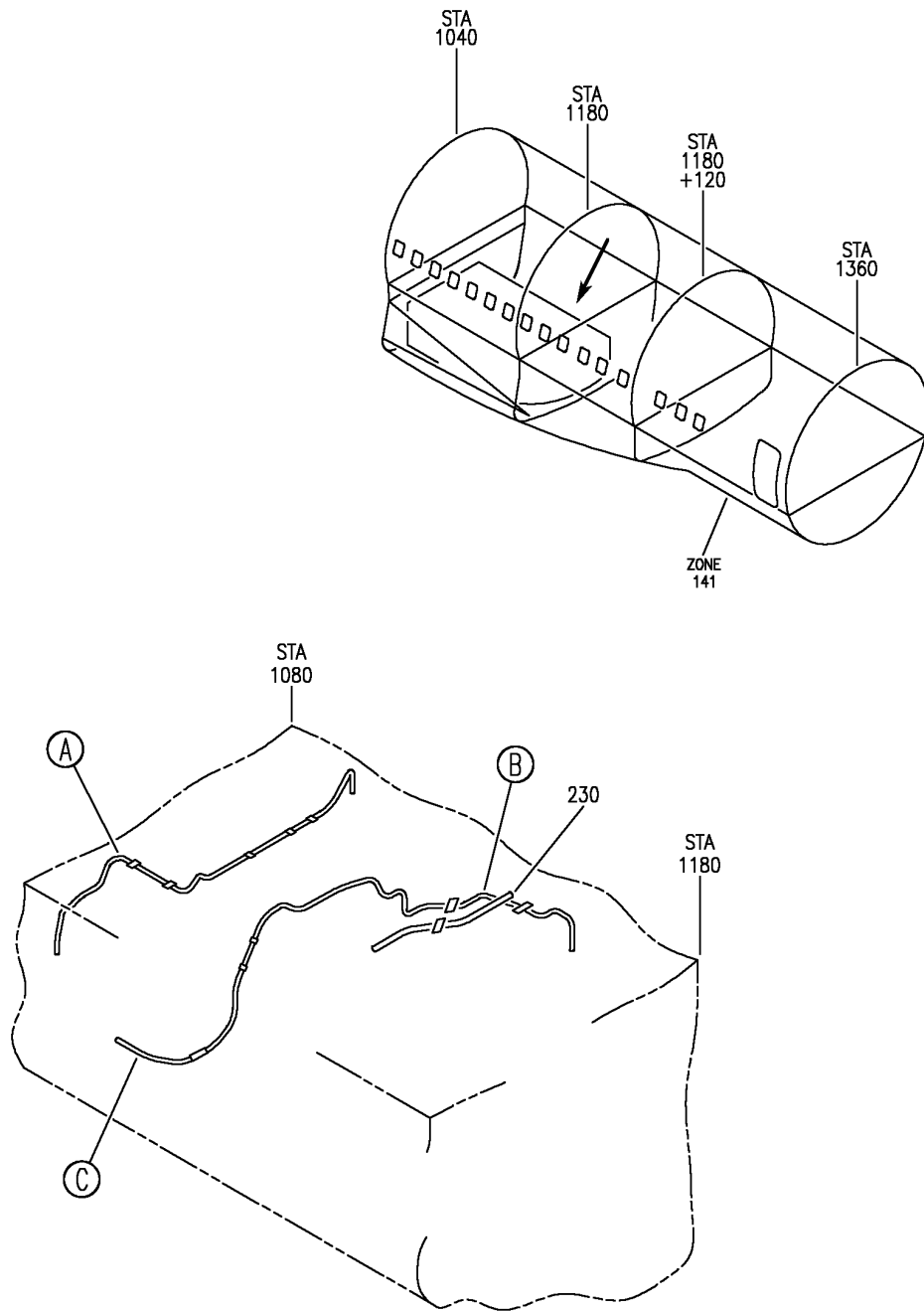
BRI

29-11-84-02

BOEING PROPRIETARY - Copyright © - Unpublished Work - See title page for details.

29-11-84
FIG. 02
PAGE 4
JAN 20/09

BOEING
757
PARTS CATALOG (MAINTENANCE)



Y 29118403 SH1 1 REV 280

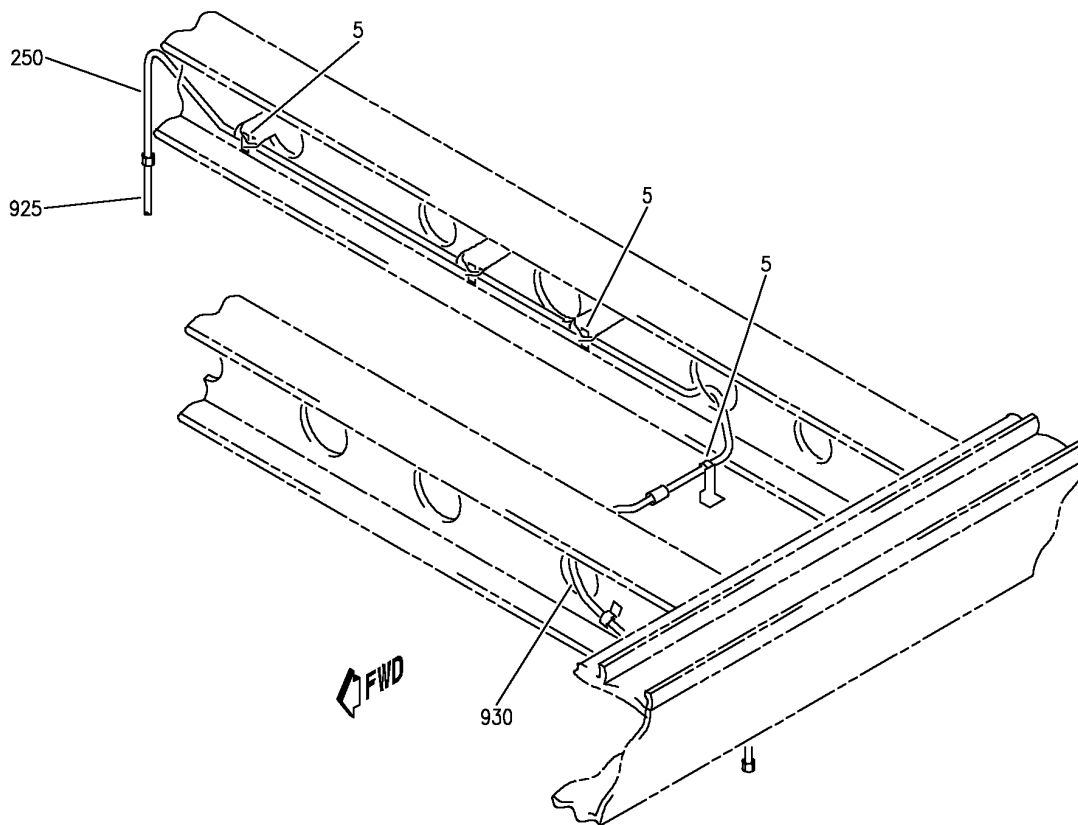
PLUMBING AND FITTING INSTL ETOPS ALL
FIGURE 3 (SHEET 1)

29-11-84-03

BRI
MAY 28/07

29-11-84-03
PAGE 0

BOEING
757
PARTS CATALOG (MAINTENANCE)



(A)

Y 29118403 SH1 2 REV 280

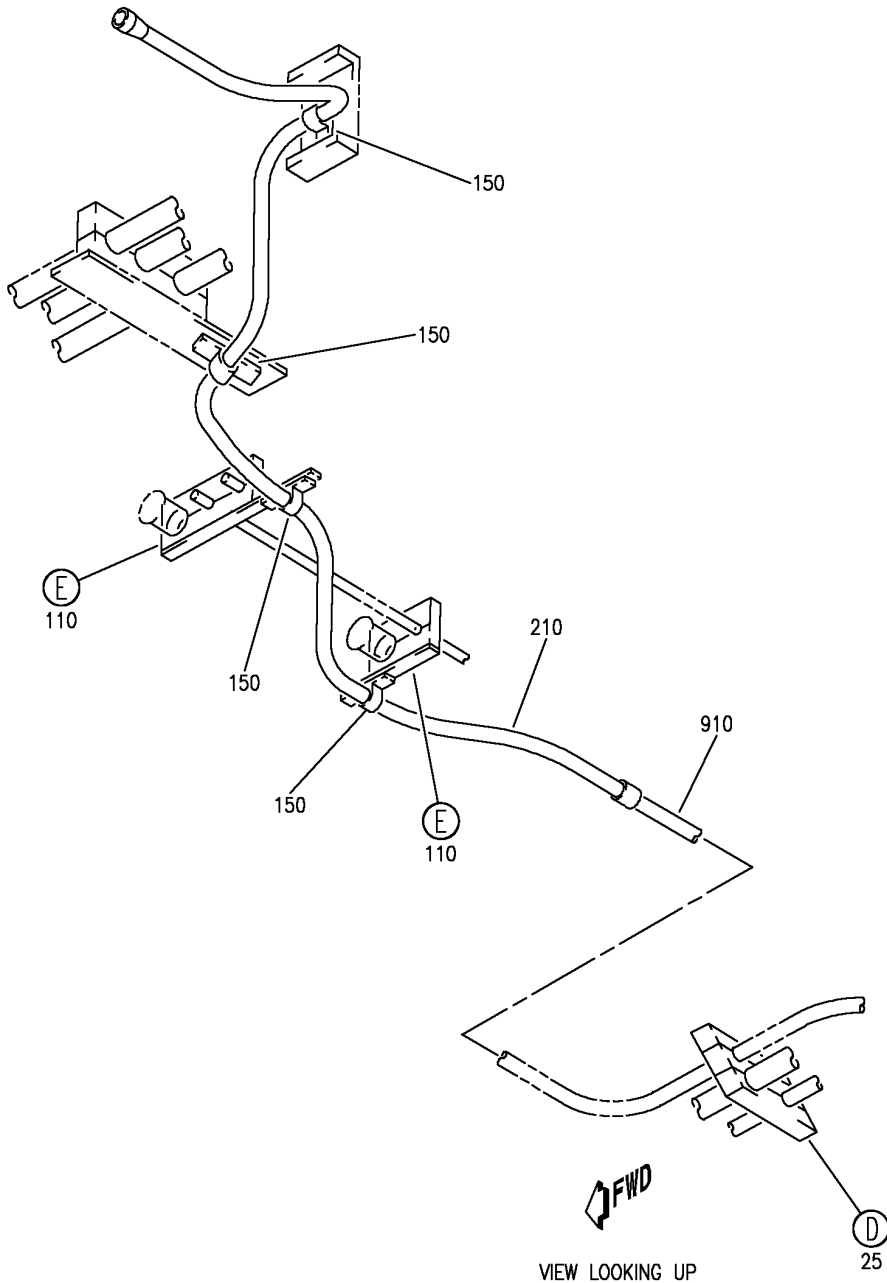
PLUMBING AND FITTING INSTL ETOPS ALL
FIGURE 3 (SHEET 2)

29-11-84-03

BRI
MAY 28/07

29-11-84-03
PAGE 0A

BOEING
757
PARTS CATALOG (MAINTENANCE)



Y 29118403 SHT 3 REV 280

(B)

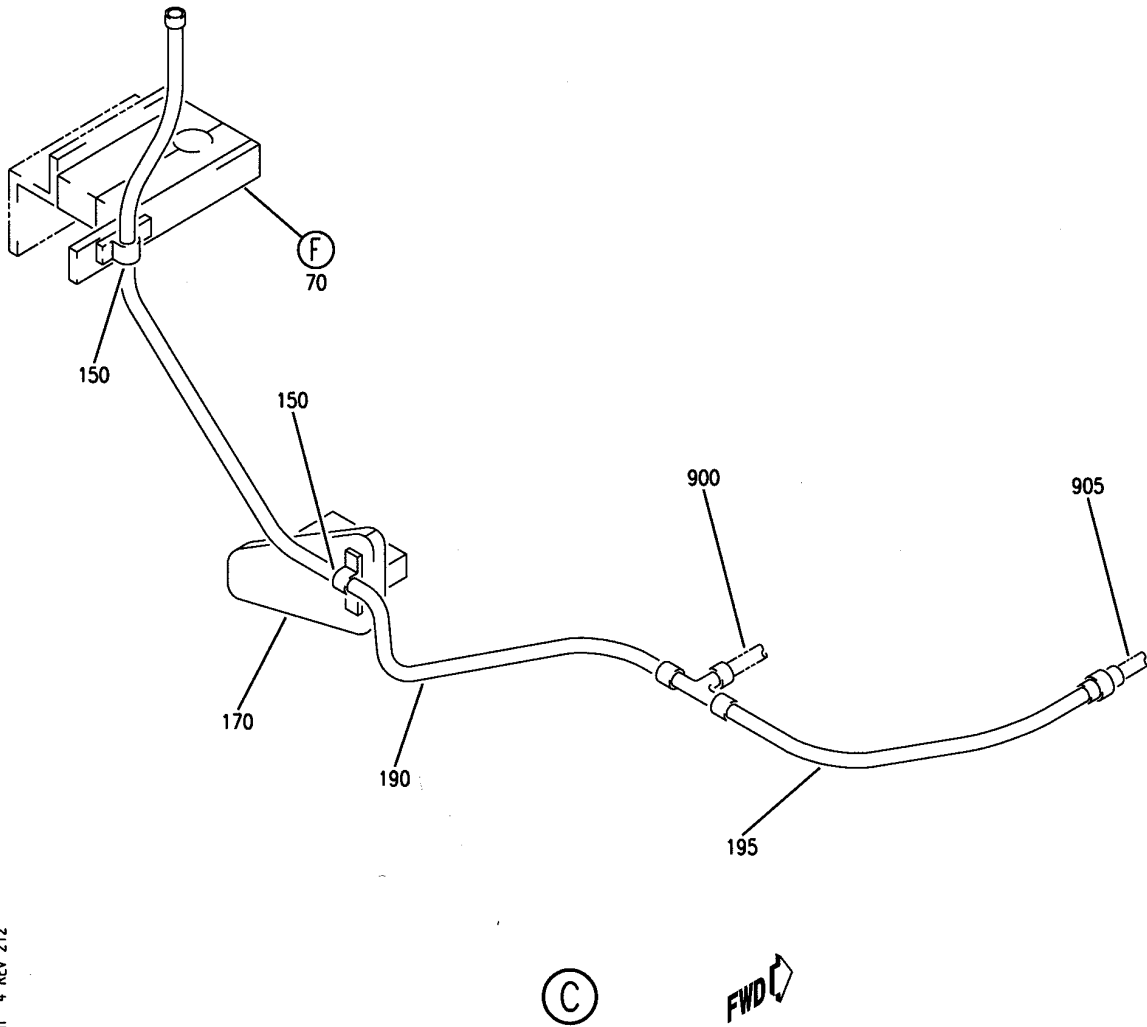
PLUMBING AND FITTING INSTL ETOPS ALL
FIGURE 3 (SHEET 3)

29-11-84-03

BRI
MAY 28/07

29-11-84-03
PAGE 0B

BOEING
757
PARTS CATALOG (MAINTENANCE)



Y 29118403 SH 4 REV 212

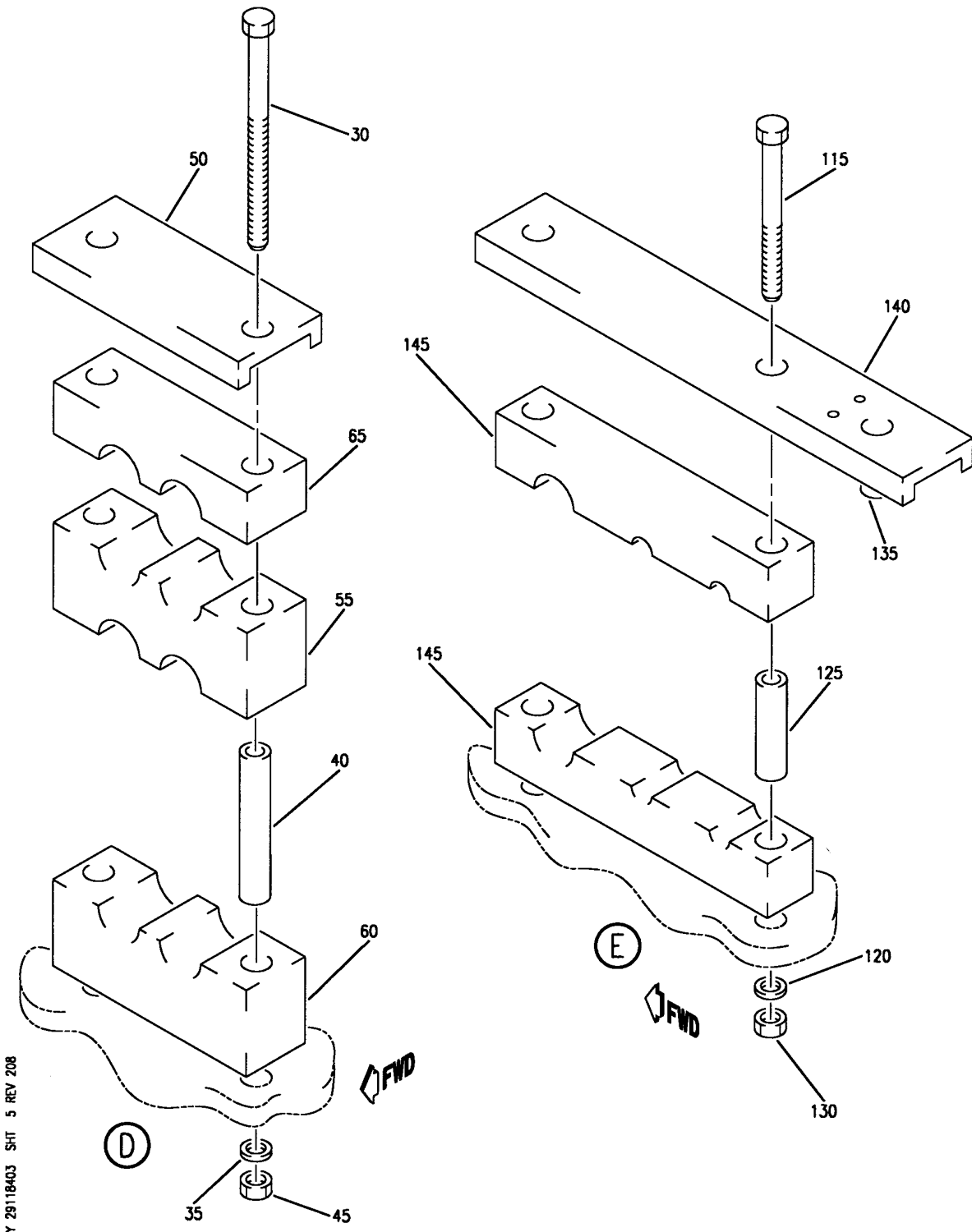
PLUMBING AND FITTING INSTL ETOPS ALL
FIGURE 3 (SHEET 4)

29-11-84-03

BRI
MAY 28/07

29-11-84-03
PAGE 0C

BOEING
757
PARTS CATALOG (MAINTENANCE)



Y 29118403 SHIT 5 REV 208

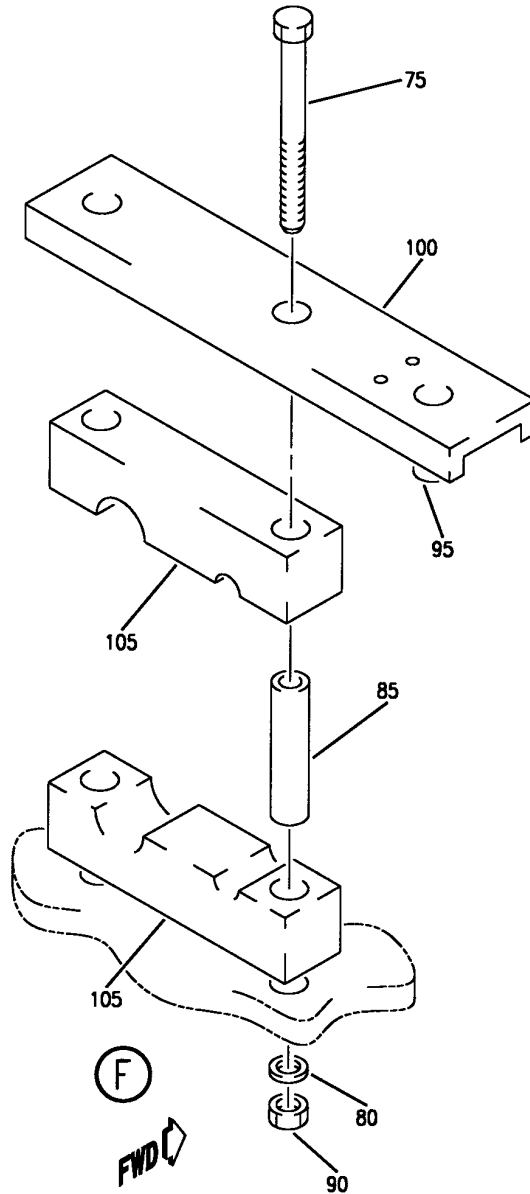
PLUMBING AND FITTING INSTL ETOPS ALL
FIGURE 3 (SHEET 5)

29-11-84-03

BRI
MAY 28/07

29-11-84-03
PAGE 0D

BOEING
757
PARTS CATALOG (MAINTENANCE)



Y 29118403 SH1 6 REV 208

PLUMBING AND FITTING INSTL ETOPS ALL
FIGURE 3 (SHEET 6)

29-11-84-03

BRI
MAY 28/07

29-11-84-03
PAGE 0E



757

PARTS CATALOG (MAINTENANCE)

FIG ITEM	PART NUMBER	1 2 3 4 5 6 7	NOMENCLATURE	EFFECT FROM TO	UNITS PER ASSY
3			PLUMBING AND FITTING INSTL ETOPS ALL	101106 108120	
- 1	271N6443-23		PLUMBING INSTL-ETOPS ALL FOR NHA/OTHER SYS DET SEE: 29-00-51-05B	101102 108120	RF
- 1	MODREF31487		PLUMBING INSTL-ETOPS ALL MODULE NUMBER: 271N6443-23 REV B FOR OTHER SYS DETAILS SEE: 11-22-06-02	103106	1
5	M85052-2-4		.CLAMP	101106 108120	4
- 10	NAS1801-3		ATTACHING PARTS .SCREW	101106 108120	4
- 15	AN960JD10L		.WASHER	101106 108120	4
- 20	BRH10A3		.NUT SUPPLIER CODE: V52828 SPECIFICATION NUMBER: BACN10JC3 OPTIONAL PART: H10-3BAC V15653 NS202101-02 V80539 RMLH9075-3W V72962 VN303A02 V92215 96-02 V80539 T6S1032J V11815 -----*-----	101106 108120	4
25	270N2000-1315		.CLAMP ASSY-BLK SPRT	101106 108120	1
30	NAS1801-3-50		..SCREW	101106 108120	2
35	AN960PD10L		..WASHER	101106 108120	2
40	NAS43DD3-157		..SPACER	101106 108120	2

MISSING ITEM NUMBERS NOT APPLICABLE

- ITEM NOT ILLUSTRATED

29-11-84-03

29-11-84
FIG. 03
PAGE 1
JAN 20/09

BRI



757

PARTS CATALOG (MAINTENANCE)

FIG ITEM	PART NUMBER	1 2 3 4 5 6 7	NOMENCLATURE	EFFECT FROM TO	UNITS PER ASSY
3					
45	BRH10A3	..	NUT SUPPLIER CODE: V52828 SPECIFICATION NUMBER: BACN10JC3 OPTIONAL PART: H10-3BAC V15653 NS202101-02 V80539 RMLH9075-3W V72962 VN303A02 V92215 96-02 V80539 T6S1032J V11815	101106 108120	2
50	270N2000-841	..	CHANNEL	101106 108120	1
55	270N2000-1278	..	BLOCK	101106 108120	1
60	270N2000-1279	..	BLOCK	101106 108120	1
65	270N2000-468	..	BLOCK	101106 108120	1
70	270N2000-1318	.	CLAMP ASSY-BLK SPRT	101106 108120	1
75	NAS1801-3-32	..	SCREW	101106 108120	2
80	AN960PD10L	..	WASHER	101106 108120	2
85	NAS43DD3-99	..	SPACER	101106 108120	2

MISSING ITEM NUMBERS NOT APPLICABLE

- ITEM NOT ILLUSTRATED

29-11-84-03

29-11-84
FIG. 03
PAGE 2
JAN 20/09

BRI

BOEING PROPRIETARY - Copyright © - Unpublished Work - See title page for details.



757

PARTS CATALOG (MAINTENANCE)

FIG ITEM	PART NUMBER	1 2 3 4 5 6 7	NOMENCLATURE	EFFECT FROM TO	UNITS PER ASSY
3	90 BRH10A3		..NUT SUPPLIER CODE: V52828 SPECIFICATION NUMBER: BACN10JC3 OPTIONAL PART: H10-3BAC V15653 NS202101-02 V80539 RMLH9075-3W V72962 VN303A02 V92215 96-02 V80539 T6S1032J V11815	101106 108120	2
	95 FS1651-3		..NUTPLATE SUPPLIER CODE: V15653 SPECIFICATION NUMBER: BACN10KH3CD OPTIONAL PART: 102F9209M3 V72962 NS202496-02 V80539	101106 108120	1
	100 270N2000-1028		..CHANNEL	101106 108120	1
	105 270N2000-573		..BLOCK	101106 108120	2
	110 270N2000-1317		.CLAMP ASSY-BLK SPRT	101106 108120	2
	115 NAS1801-3-32		..SCREW	101106 108120	2
	120 AN960PD10L		..WASHER	101106 108120	2
	125 NAS43DD3-99		..SPACER	101106 108120	2

MISSING ITEM NUMBERS NOT APPLICABLE

- ITEM NOT ILLUSTRATED

29-11-84-03

29-11-84
FIG. 03
PAGE 3
JAN 20/09

BRI



757

PARTS CATALOG (MAINTENANCE)

FIG ITEM	PART NUMBER	1 2 3 4 5 6 7	NOMENCLATURE	EFFECT FROM TO	UNITS PER ASSY
3					
130	BRH10A3	..	NUT SUPPLIER CODE: V52828 SPECIFICATION NUMBER: BACN10JC3 OPTIONAL PART: H10-3BAC V15653 NS202101-02 V80539 RMLH9075-3W V72962 VN303A02 V92215 96-02 V80539 T6S1032J V11815	101106 108120	2
135	FS1651-3	..	NUTPLATE SUPPLIER CODE: V15653 SPECIFICATION NUMBER: BACN10KH3CD OPTIONAL PART: 102F9209M3 V72962 NS202496-02 V80539	101106 108120	1
140	270N2000-1030	..	CHANNEL	101106 108120	1
145	270N2000-537	..	BLOCK	101106 108120	2
150	TA0910004H106	.CLAMP-SADDLE	SUPPLIER CODE: V84971 SPECIFICATION NUMBER: BACC10HB06C ATTACHING PARTS	101106 108120	6
- 155	NAS1801-3	.SCREW		101106 108120	12
- 160	AN960PD10	.WASHER		101106 108120	12

MISSING ITEM NUMBERS NOT APPLICABLE

- ITEM NOT ILLUSTRATED

29-11-84-03

29-11-84
FIG. 03
PAGE 4
JAN 20/09

BRI

BOEING PROPRIETARY - Copyright © - Unpublished Work - See title page for details.

BOEING
757
PARTS CATALOG (MAINTENANCE)

FIG ITEM	PART NUMBER	1 2 3 4 5 6 7	NOMENCLATURE	EFFECT FROM TO	UNITS PER ASSY
3 - 165	BRH10A3		.NUT SUPPLIER CODE: V52828 SPECIFICATION NUMBER: BACN10JC3 OPTIONAL PART: H10-3BAC V15653 NS202101-02 V80539 RMLH9075-3W V72962 VN303A02 V92215 96-02 V80539 T6S1032J V11815 -----*-----	101106 108120	12
170	271N6449-3		.BRACKET-HYD SUPPORT	101106 108120	1
190	271N6443-1166		.TUBE ASSY-RETURN L SYS TUBING MATERIAL: .375 IN. OD .019 IN. WALL 40.90 IN. LG BMS 7-234 TI-3AL-2.5V COLD WORKED, STRESS RELIEVED TUBING	101106 108120	1
195	271N6443-1167		.TUBE ASSY-CASE DRAIN L SYS TUBING MATERIAL: .375 IN. OD .019 IN. WALL 12.30 IN. LG BMS 7-234 TI-3AL-2.5V COLD WORKED, STRESS RELIEVED TUBING	101106 108120	1
- 200	AS1581T06		..SLEEVE	101106 108120	2
- 205	BACN10YA6		..NUT-	101106 108120	2
210	271N6443-1178		.TUBE ASSY-RETURN L SYS TUBING MATERIAL: .375 IN. OD .019 IN. WALL 44.90 IN. LG BMS 7-234 TI-3AL-2.5V COLD WORKED, STRESS RELIEVED TUBING	101106 108120	1
- 215	AS1581T06		..SLEEVE	101106 108120	1

MISSING ITEM NUMBERS NOT APPLICABLE

- ITEM NOT ILLUSTRATED

29-11-84-03

29-11-84
FIG. 03
PAGE 5
JAN 20/09

BRI

BOEING PROPRIETARY - Copyright © - Unpublished Work - See title page for details.



757

PARTS CATALOG (MAINTENANCE)

FIG ITEM	PART NUMBER	1 2 3 4 5 6 7	NOMENCLATURE	EFFECT FROM TO	UNITS PER ASSY
3					
- 220	BACN10YA6	..	NUT-	101106 108120	1
- 225	AS1582T06	..	UNION	101106 108120	1
230	271N6443-1063	.TUBE ASSY-RETURN SYS POSITION DATA: LH TUBING MATERIAL: 1.00 IN. OD .035 IN. WALL 22.20 IN. LG AMS 4083 6061 T6 TUBING		101106 108120	1
- 235	AP2097HP16	..SLEEVE SUPPLIER CODE: V01673 SPECIFICATION NUMBER: BACS13BX16HP OPTIONAL PART: 2-02903-16HP V11328 35235VN16 V08199 AFP175V16P V30974 DBOS13BX16HP V14798		101106 108120	2
- 240	BACN10YL16L	..	NUT-	101106 108120	2
250	271N6443-1169	.TUBE ASSY-ALTERNATE EXTEND PRESSURE TUBING MATERIAL: .250 IN. OD .016 IN. WALL 62.00 IN. LG BMS 7-234 TI-3AL-2.5V COLD WORKED, STRESS RELIEVED TUBING		101106 108120	1
255	BACT16BT060606P	.TEE-SWIVEL ON SIDE		101106 108120	1
260	1C3594	.VALVE-CHECK SWIVEL SUPPLIER CODE: V99240 SPECIFICATION NUMBER: BACV10CD12 OPTIONAL PART: 0121520900-12 V83533		101106 108120	1

MISSING ITEM NUMBERS NOT APPLICABLE

- ITEM NOT ILLUSTRATED

29-11-84-03

29-11-84
FIG. 03
PAGE 6
JAN 20/09

BRI



757

PARTS CATALOG (MAINTENANCE)

FIG ITEM	PART NUMBER	1 2 3 4 5 6 7	NOMENCLATURE	EFFECT FROM TO	UNITS PER ASSY
3 900			ILLUSTRATION REFERENCE: MODULE INSTL-ELEC MOTOR PUMP PRESSURE/CASE DRAIN L AND R SYS FILTER 29-11-18-01	101102 108120	RF
905			ILLUSTRATION REFERENCE: PLUMBING INSTL-PRESSURE DECK SECT. 44 L (MAIN HYDR SYS ONLY) 29-11-84-06A	101102 108120	RF
910			ILLUSTRATION REFERENCE: PLUMBING INSTL-PROVISIONS FOR 10KVA HMG INSTL (ETOPS) (HYD SYSTEMS ONLY) 29-11-51-92	101102 108120	RF
920			ILLUSTRATION REFERENCE: PLUMBING INSTL-PROVISIONS FOR 10KVA HMG INSTL (ETOPS) (HYD SYSTEMS ONLY) 29-11-51-92	101106 108120	RF
930			ILLUSTRATION REFERENCE: PLUMBING INSTL-4-DOOR/ PKG FREIGHTER MINOR MODEL 29-11-84-01	101102 108120	RF

MISSING ITEM NUMBERS NOT APPLICABLE

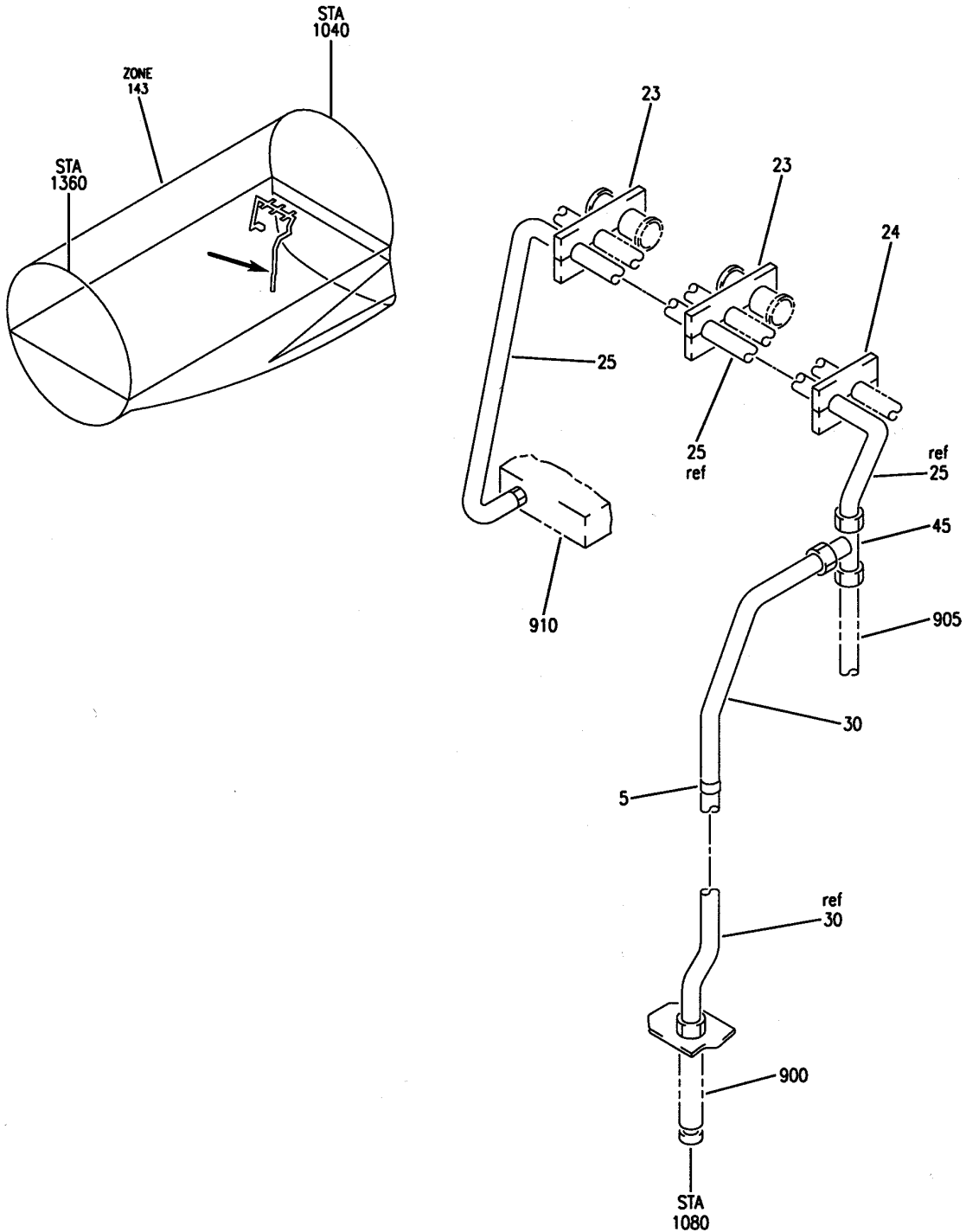
- ITEM NOT ILLUSTRATED

29-11-84-03

29-11-84
FIG. 03
PAGE 7
JAN 20/09

BRI


BOEING
 757
PARTS CATALOG (MAINTENANCE)



Y 29118405 REV 218

PLUMBING INSTL-PRESSURE DECK SECT. 44 L (MAIN HYDR SYS)
 FIGURE 5

29-11-84-05

BRI
MAY 28/07

29-11-84-05
 PAGE 0



757

PARTS CATALOG (MAINTENANCE)

FIG ITEM	PART NUMBER	1 2 3 4 5 6 7	NOMENCLATURE	EFFECT FROM TO	UNITS PER ASSY
5			PLUMBING INSTL-PRESSURE DECK SECT. 44 L (MAIN HYDR SYS)	101102 504903	
- 1	271N6443-27		PLUMBING INSTL-PRESSURE DECK HYDR (MAIN HYDR SYS) POSITION DATA: SECT. 44 L FOR NHA SEE: 29-00-51-02B	101102 504903	RF
5	M85052-2-6		.CLAMP	101102 504903	1
- 10	NAS1801-3		ATTACHING PARTS .SCREW	101102 504903	2
23	270N2000-103		-----*----- .CLAMP ASSY-BLK FOR BREAKDOWN SEE: 29-11-51-57	504903	RF
23	270N2000-1317		.CLAMP ASSY-BLK FOR BREAKDOWN SEE: 29-11-84-03	101102	RF
24	270N2000-104		.CLAMP ASSY-BLK FOR BREAKDOWN SEE: 29-11-84-06A	101102 504903	RF
25	271N6443-1220		.TUBE ASSY-BRAKE PRESSURE L SYS TUBING MATERIAL: 0.375 IN. OD 0.019 IN. WALL 60.70 IN. LG TI BMS 7-234 TI-3AL-2.5V COLD WORKED, STRESS RELIEVED TUBING	101102 504903	1
30	271N6443-1221		.TUBE ASSY-RETURN L SYS TUBING MATERIAL: 0.375 IN. OD 0.019 IN. WALL 24.50 IN. LG TI BMS 7-234 TI-3AL-2.5V COLD WORKED, STRESS RELIEVED TUBING	101102 504903	1
- 35	AS1581T06		..SLEEVE	101102 504903	2
- 40	BACN10YA6		..NUT-	101102 504903	2
45	BCREF116854		.TEE- OVERLENGTH PART NUMBER: BACT16BR060606JN	101102 504903	1

MISSING ITEM NUMBERS NOT APPLICABLE

- ITEM NOT ILLUSTRATED

29-11-84-05

29-11-84
FIG. 05
PAGE 1
JAN 20/09

BRI



757

PARTS CATALOG (MAINTENANCE)

FIG ITEM	PART NUMBER	1 2 3 4 5 6 7	NOMENCLATURE	EFFECT FROM TO	UNITS PER ASSY
5 900			ILLUSTRATION REFERENCE: TRANSMITTER INSTL-ALTERNATE BRAKE PRESSURE (LH) 31-31-13-01	101102 504903	RF
905			ILLUSTRATION REFERENCE: VALVE INSTL-ALTERNATE ANTISKID (LANDING GEAR ONLY) 32-42-02-02	101102 504903	RF
910			ILLUSTRATION REFERENCE: MODULE AND SUPPORT INSTL-LG BRAKE METERING VALVE 32-41-02-05	101102 504903	RF

MISSING ITEM NUMBERS NOT APPLICABLE

- ITEM NOT ILLUSTRATED

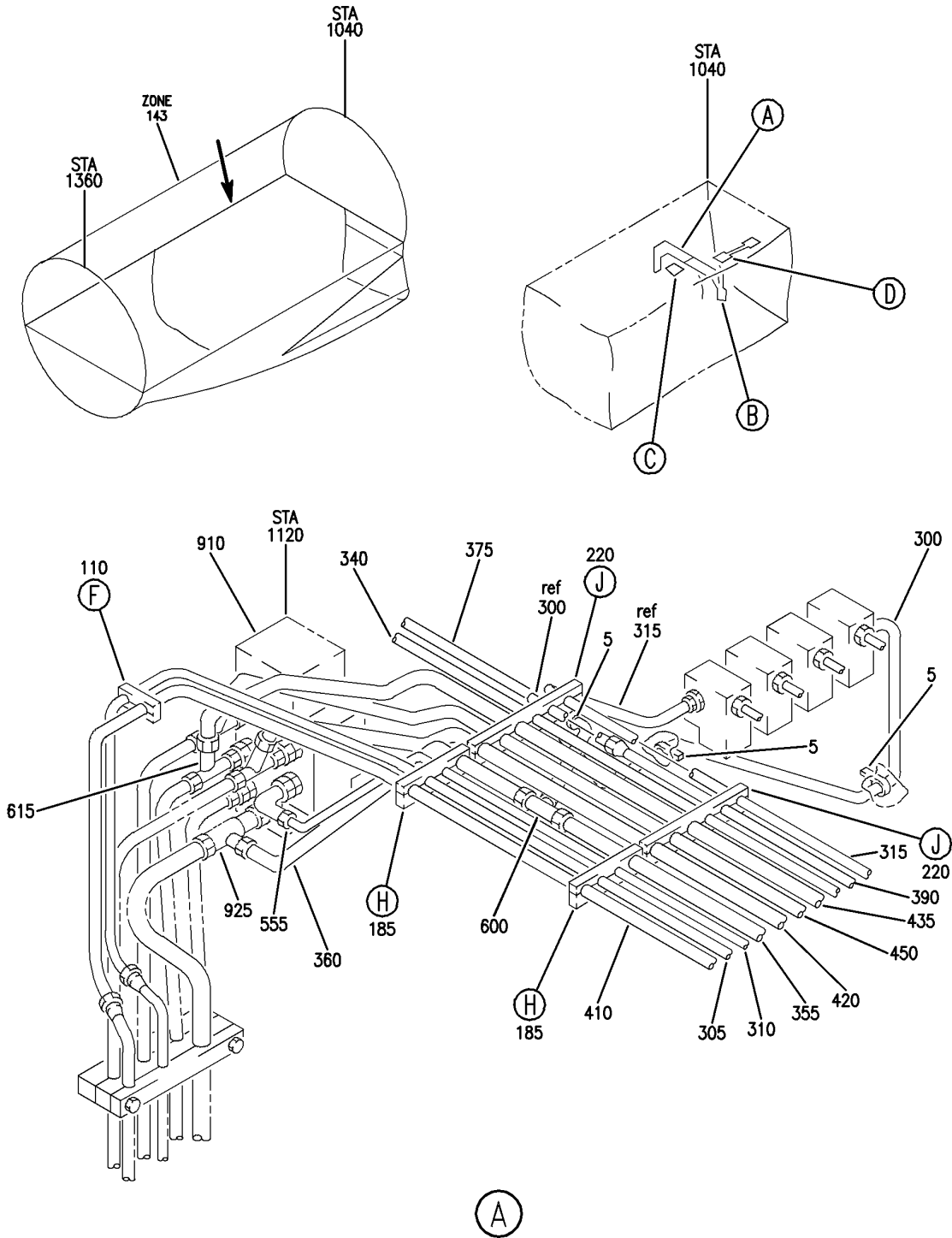
BRI

29-11-84-05

BOEING PROPRIETARY - Copyright © - Unpublished Work - See title page for details.

29-11-84
FIG. 05
PAGE 2
JAN 20/09


BOEING
 757
PARTS CATALOG (MAINTENANCE)



Y 29118406 SHT 1 REV 229

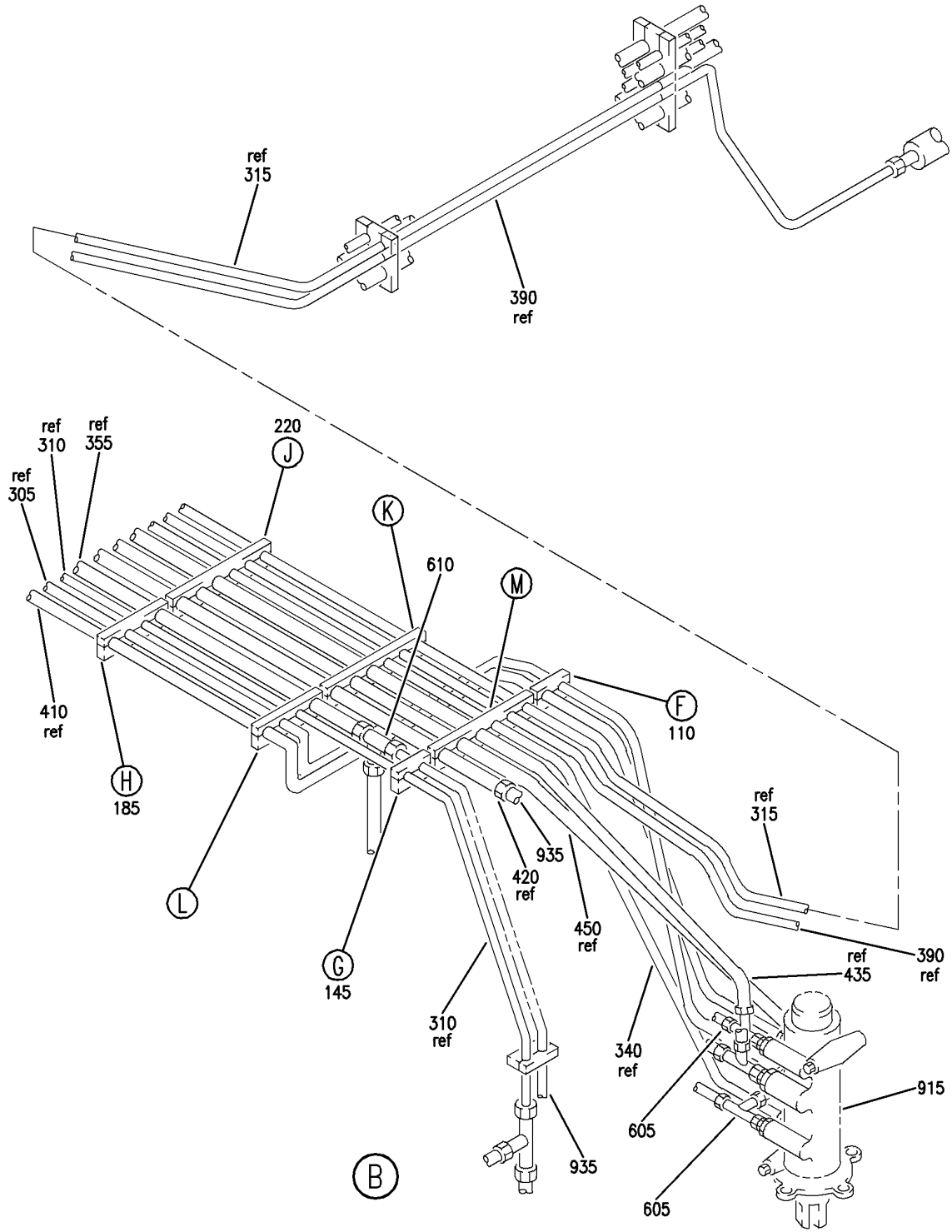
PLUMBING INSTL-BASIC AND STABLE
 FIGURE 6 (SHEET 1)

29-11-84-06

BRI
 MAY 28/07

29-11-84-06
 PAGE 0

BOEING
757
PARTS CATALOG (MAINTENANCE)



Y 29118406 SHT 2 REV 229

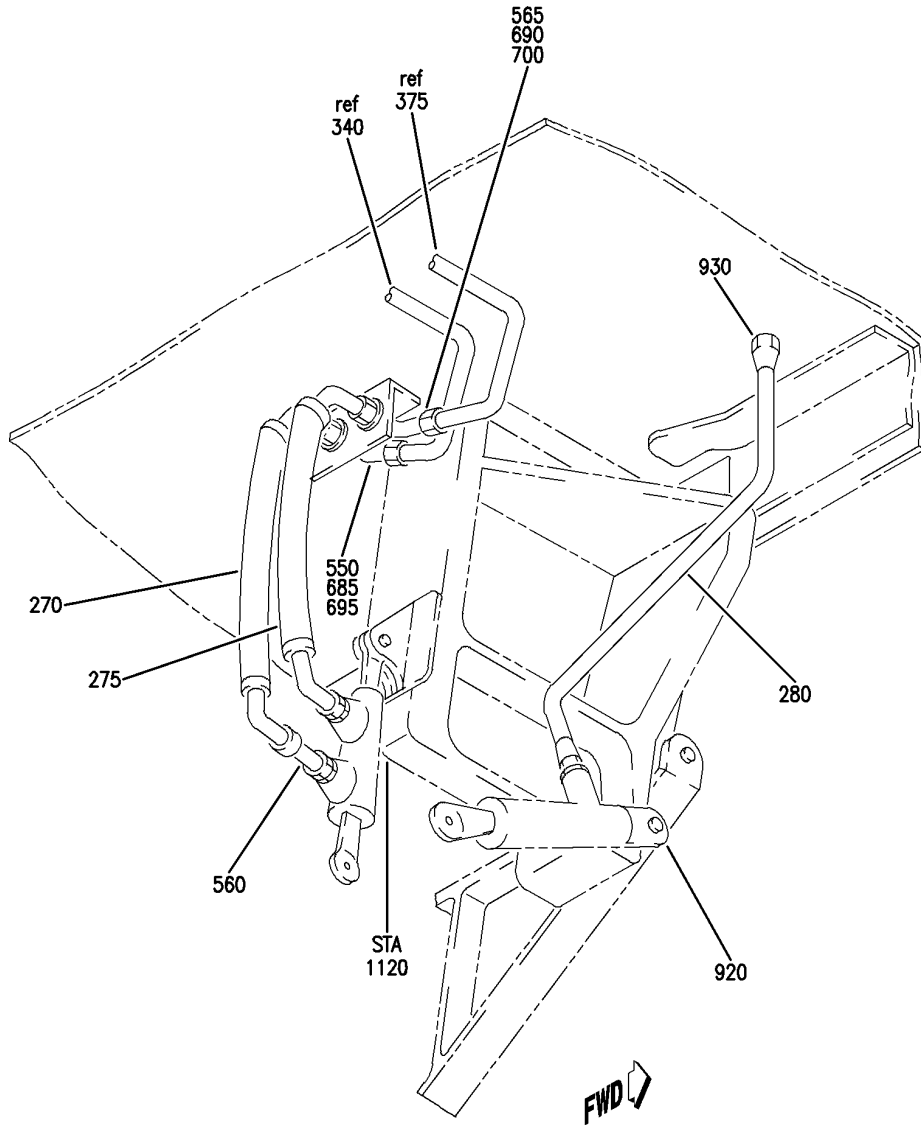
PLUMBING INSTL-BASIC AND STABLE
FIGURE 6 (SHEET 2)

29-11-84-06

BRI
MAY 28/07

29-11-84-06
PAGE 0A

BOEING
757
PARTS CATALOG (MAINTENANCE)



VIEW LOOKING UP

(C)

Y 29118406 SHT 3 REV 229

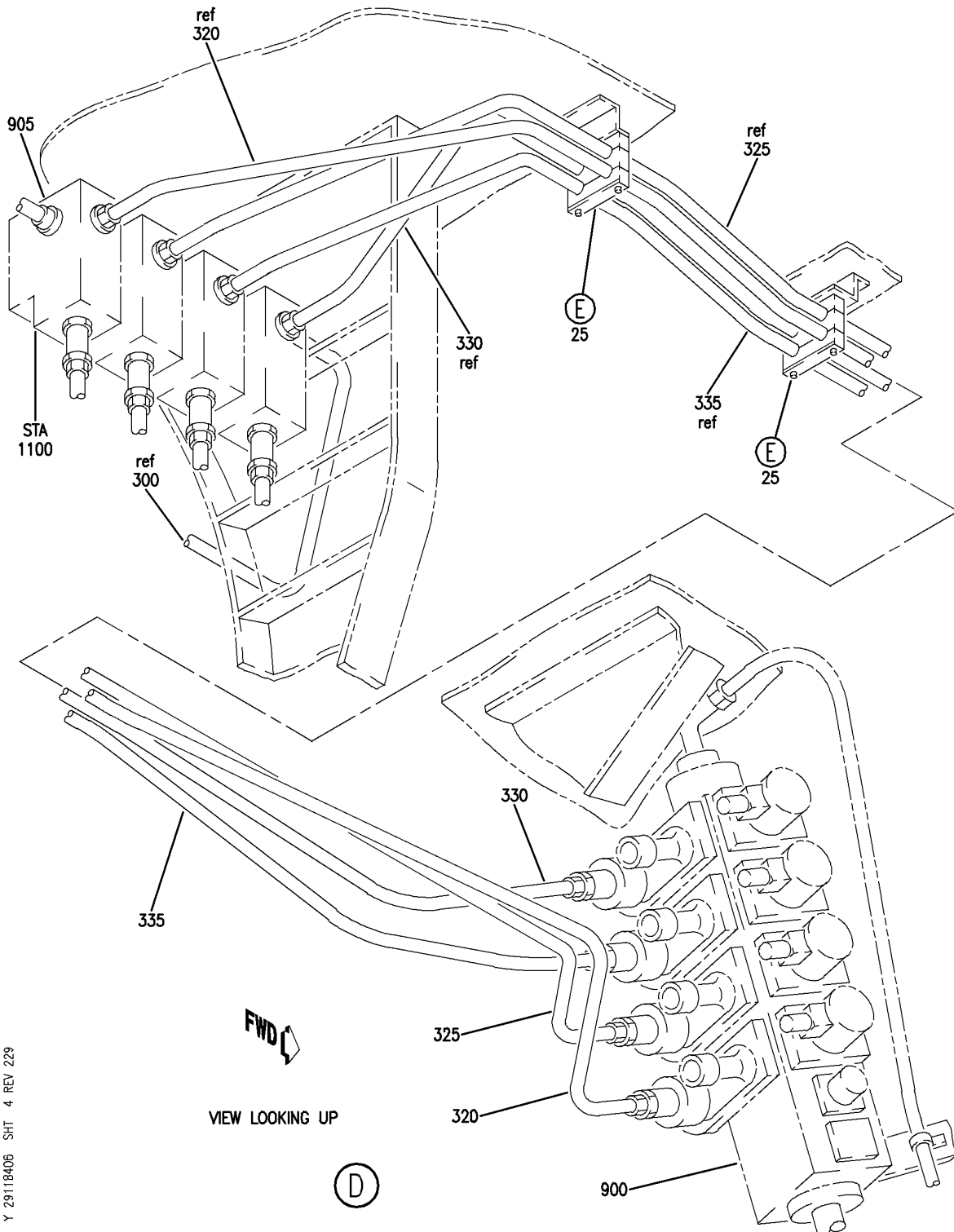
PLUMBING INSTL-BASIC AND STABLE
FIGURE 6 (SHEET 3)

29-11-84-06

BRI
MAY 28/07

29-11-84-06
PAGE 0B

BOEING
757
PARTS CATALOG (MAINTENANCE)



Y 29118406 SHT 4 REV 229

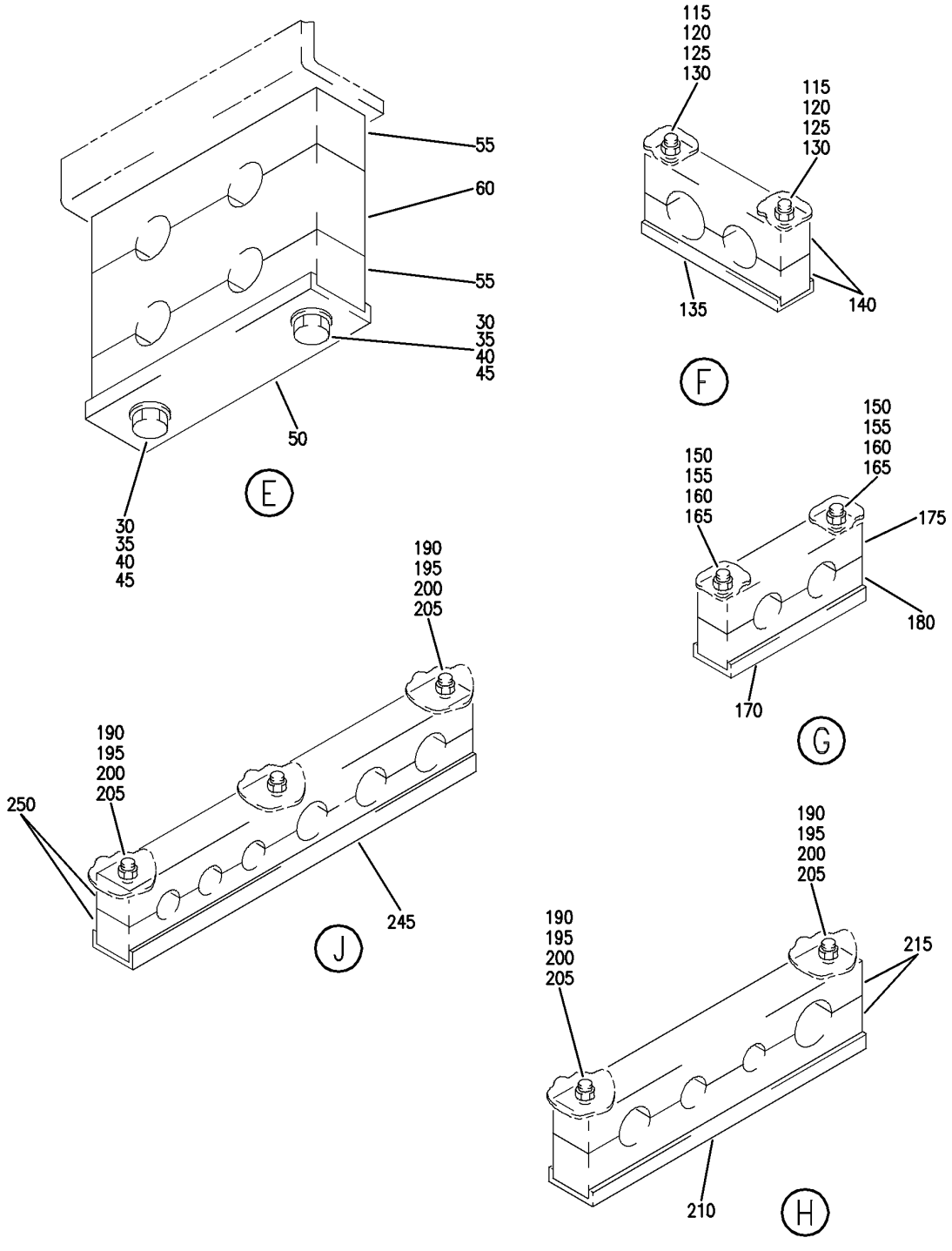
PLUMBING INSTL-BASIC AND STABLE
FIGURE 6 (SHEET 4)

29-11-84-06

BRI
MAY 28/07

29-11-84-06
PAGE 0C

BOEING
757
PARTS CATALOG (MAINTENANCE)



Y 29118406 SH1 5 REV 229

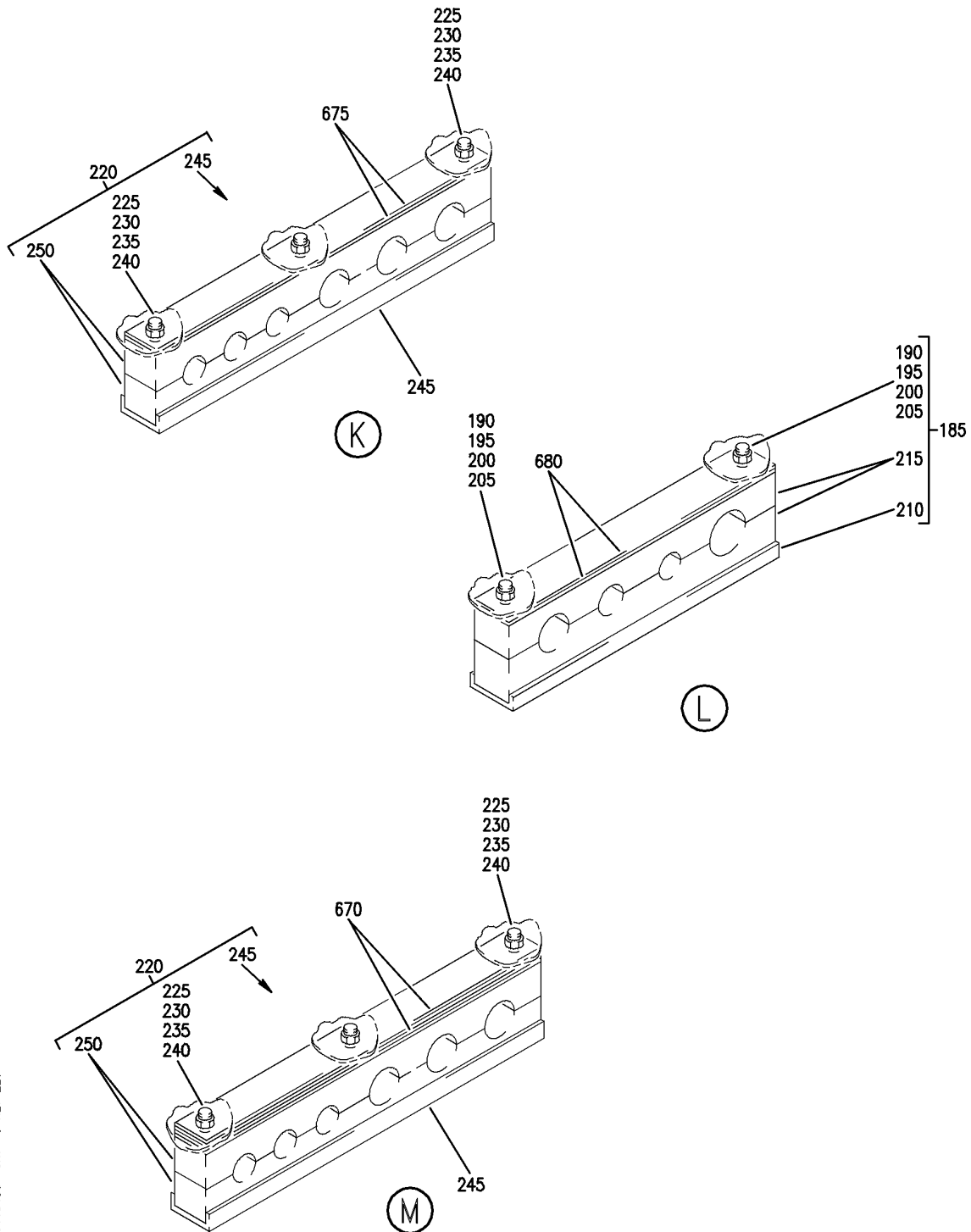
PLUMBING INSTL-BASIC AND STABLE
FIGURE 6 (SHEET 5)

29-11-84-06

BRI
MAY 28/07

29-11-84-06
PAGE 0D

BOEING
757
PARTS CATALOG (MAINTENANCE)



Y 29118406 SH1 6 REV 229

PLUMBING INSTL-BASIC AND STABLE
FIGURE 6 (SHEET 6)

BRI
MAY 28/07

29-11-84-06

29-11-84-06
PAGE 0E



757

PARTS CATALOG (MAINTENANCE)

FIG ITEM	PART NUMBER	1 2 3 4 5 6 7	NOMENCLATURE	EFFECT FROM TO	UNITS PER ASSY
6			PLUMBING INSTL-BASIC AND STABLE	101102 108120 504903	
- 1	271N6443-40		PLUMBING INSTL-BASIC AND STABLE FOR NHA/OTHER SYS DET SEE: 29-00-51-02C	101101	RF
- 1	271N6443-43		PLUMBING INSTL-BASIC AND STABLE FOR NHA/OTHER SYS DET SEE: 29-00-51-02C	102102 504903	RF
- 1	271N6443-45		PLUMBING INSTL-BASIC AND STABLE FOR NHA/OTHER SYS DET SEE: 29-00-51-02C	108120	RF
5	M85052-2-6		.CLAMP	101102 108120 504903	3
- 10	NAS1801-3		ATTACHING PARTS .SCREW- SIZE DETERMINED ON INSTL.	101102 108120 504903	3
- 15	AN960KD10L		.WASHER	101102 108120 504903	3
- 20	BRH10A3		.NUT SUPPLIER CODE: V52828 SPECIFICATION NUMBER: BACN10JC3 OPTIONAL PART: H10-3BAC V15653 NS202101-02 V80539 RMLH9075-3W V72962 VN303A02 V92215 96-02 V80539 T6S1032J V11815	101102 108120 504903	3
25	270N2000-2		-----*----- .CLAMP ASSY-BLK	101102 108120 504903	2

MISSING ITEM NUMBERS NOT APPLICABLE

- ITEM NOT ILLUSTRATED

BRI

29-11-84-06

29-11-84
FIG. 06
PAGE 1
JAN 20/09



757

PARTS CATALOG (MAINTENANCE)

FIG ITEM	PART NUMBER	1 2 3 4 5 6 7	NOMENCLATURE	EFFECT FROM TO	UNITS PER ASSY
6					
30	NAS1801-3-34	..	SCREW	101102 108120 504903	2
35	NAS43DD3-100	..	SPACER	101102 108120 504903	2
40	AN960PD10L	..	WASHER	101102 108120 504903	2
45	BRH10A3	..	NUT	101102 108120 504903	2
			SUPPLIER CODE: V52828		
			SPECIFICATION NUMBER: BACN10JC3		
			OPTIONAL PART: H10-3BAC		
			V15653		
			NS202101-02		
			V80539		
			RMLH9075-3W		
			V72962		
			VN303A02		
			V92215		
			96-02		
			V80539		
			T6S1032J		
			V11815		
50	270N2000-801	..	CHANNEL	101102 108120 504903	1
55	270N2000-401	..	BLOCK	101102 108120 504903	2
60	270N2000-402	..	BLOCK	101102 108120 504903	1
110	270N2000-123	.CLAMP ASSY-		101102 108120 504903	2
		POSITION DATA:			
		STA 1120 LBL 10			
		STA 1140 LBL 70 WL 185			
115	NAS1801-3-24	..	SCREW	101102 108120 504903	2
120	NAS43DD3-67	..	SPACER	101102 108120 504903	2
125	AN960PD10L	..	WASHER	101102 108120 504903	2

MISSING ITEM NUMBERS NOT APPLICABLE

- ITEM NOT ILLUSTRATED

29-11-84-06

29-11-84
FIG. 06
PAGE 2
JAN 20/09

BRI

BOEING PROPRIETARY - Copyright © - Unpublished Work - See title page for details.



757

PARTS CATALOG (MAINTENANCE)

FIG ITEM	PART NUMBER	1 2 3 4 5 6 7	NOMENCLATURE	EFFECT FROM TO	UNITS PER ASSY
6 130	BRH10A3	..	NUT SUPPLIER CODE: V52828 SPECIFICATION NUMBER: BACN10JC3 OPTIONAL PART: H10-3BAC V15653 NS202101-02 V80539 RMLH9075-3W V72962 VN303A02 V92215 96-02 V80539 T6S1032J V11815	101102 108120 504903	2
135	270N2000-868	..	CHANNEL	101102 108120 504903	1
140	270N2000-556	..	BLOCK	101102 108120 504903	2
145	270N2000-108	.CLAMP ASSY-	POSITION DATA: STA 1120 LBL 05	101102 108120 504903	1
150	NAS1801-3-26	..	SCREW	101102 108120 504903	2
155	NAS43DD3-68	..	SPACER	101102 108120 504903	2
160	AN960PD10L	..	WASHER	101102 108120 504903	2

MISSING ITEM NUMBERS NOT APPLICABLE

- ITEM NOT ILLUSTRATED

29-11-84-06

29-11-84
FIG. 06
PAGE 3
JAN 20/09

BRI

BOEING PROPRIETARY - Copyright © - Unpublished Work - See title page for details.



757

PARTS CATALOG (MAINTENANCE)

FIG ITEM	PART NUMBER	1 2 3 4 5 6 7	NOMENCLATURE	EFFECT FROM TO	UNITS PER ASSY
6 165	BRH10A3	..	NUT SUPPLIER CODE: V52828 SPECIFICATION NUMBER: BACN10JC3 OPTIONAL PART: H10-3BAC V15653 NS202101-02 V80539 RMLH9075-3W V72962 VN303A02 V92215 96-02 V80539 T6S1032J V11815	101102 108120 504903	2
170	270N2000-861	..	CHANNEL	101102 108120 504903	1
175	270N2000-541	..	BLOCK	101102 108120 504903	1
180	270N2000-542	..	BLOCK	101102 108120 504903	1
185	270N2000-107	.CLAMP ASSY- POSITION DATA: STA 1120 LBL 15 STA 1120 LBL 25 STA 1120 LBL 35 STA 1120 LBL 55		101102 108120 504903	4
190	NAS1801-3-28	..	SCREW	101102 108120 504903	2
195	NAS43DD3-75	..	SPACER	101102 108120 504903	2
200	AN960PD10L	..	WASHER	101102 108120 504903	2

MISSING ITEM NUMBERS NOT APPLICABLE

- ITEM NOT ILLUSTRATED

29-11-84-06

29-11-84
FIG. 06
PAGE 4
JAN 20/09

BRI

BOEING PROPRIETARY - Copyright © - Unpublished Work - See title page for details.



757

PARTS CATALOG (MAINTENANCE)

FIG ITEM	PART NUMBER	1 2 3 4 5 6 7	NOMENCLATURE	EFFECT FROM TO	UNITS PER ASSY
6 205	BRH10A3	. .	NUT SUPPLIER CODE: V52828 SPECIFICATION NUMBER: BACN10JC3 OPTIONAL PART: H10-3BAC V15653 NS202101-02 V80539 RMLH9075-3W V72962 VN303A02 V92215 96-02 V80539 T6S1032J V11815	101102 108120 504903	2
210	270N2000-855	. .	CHANNEL	101102 108120 504903	1
215	270N2000-540	. .	BLOCK	101102 108120 504903	2
220	270N2000-105	. .	CLAMP ASSY- POSITION DATA: STA 1120 LBL 5 STA 1120 LBL 15 STA 1120 LBL 25 STA 1120 LBL 35 STA 1120 LBL 55	101102 108120 504903	5
225	NAS1801-3-26	. .	SCREW	101102 108120 504903	3
230	NAS43DD3-67	. .	SPACER	101102 108120 504903	3
235	AN960PD10L	. .	WASHER	101102 108120 504903	3

MISSING ITEM NUMBERS NOT APPLICABLE

- ITEM NOT ILLUSTRATED

29-11-84-06

29-11-84
FIG. 06
PAGE 5
JAN 20/09

BRI

BOEING PROPRIETARY - Copyright © - Unpublished Work - See title page for details.



757

PARTS CATALOG (MAINTENANCE)

FIG ITEM	PART NUMBER	1 2 3 4 5 6 7	NOMENCLATURE	EFFECT FROM TO	UNITS PER ASSY
6 240	BRH10A3	..	NUT SUPPLIER CODE: V52828 SPECIFICATION NUMBER: BACN10JC3 OPTIONAL PART: H10-3BAC V15653 NS202101-02 V80539 RMLH9075-3W V72962 VN303A02 V92215 96-02 V80539 T6S1032J V11815	101102 108120 504903	3
245	270N2000-852	..	CHANNEL	101102 108120 504903	1
250	270N2000-539	..	BLOCK	101102 108120 504903	2
270	AS118E120K000	.	HOSE ASSY	101102 108120 504903	1
275	AS118G107K000	.	HOSE ASSY-MLG UPLK	101102 108120 504903	1
280	AS115-06K0140	.	HOSE ASSY-UPLK RELEASE POSITION DATA: STA 1100 LBL 70 WL 200	101102 108120 504903	1
300	271N6443-1024	.	TUBE ASSY-BRAKE PRESSURE SYS POSITION DATA: L TUBING MATERIAL: .375 IN. OD X .019 IN. WALL X 51.6 IN. LG TI BMS 7-234 TI-3AL-2.5V COLD WORKED, STRESS RELIEVED TUBING	101102 108120 504903	1

MISSING ITEM NUMBERS NOT APPLICABLE

- ITEM NOT ILLUSTRATED

BRI

29-11-84-06

BOEING PROPRIETARY - Copyright © - Unpublished Work - See title page for details.

29-11-84
FIG. 06
PAGE 6
JAN 20/09



757

PARTS CATALOG (MAINTENANCE)

FIG ITEM	PART NUMBER	1 2 3 4 5 6 7	NOMENCLATURE	EFFECT FROM TO	UNITS PER ASSY
6 305	271N6443-1070		.TUBE ASSY-LG DOWN TUBING MATERIAL: .375 IN. OD X .019 IN. WALL X 106.26 IN. LG TI BMS 7-234 TI-3AL-2.5V COLD WORKED, STRESS RELIEVED TUBING	101102 108120 504903	1
310	271N6443-1089		.TUBE ASSY-DOOR CLOSED TUBING MATERIAL: .375 IN. OD X .019 IN. WALL X 78.0 IN LG TI BMS 7-234 TI03AL-2.5V COLD WORKED, STRESS RELIEVED TUBING	101102 108120 504903	1
315	271N6443-1126		.TUBE ASSY-BRAKE PRESSURE SYS POSITION DATA: L TUBING MATERIAL: .375 IN. OD X .019 IN. WALL X 110.70 IN. LG TI BMS 7-234 TI-3AL-2.5V COLD WORKED, STRESS RELIEVED TUBING	101102 108120 504903	1
320	271N6443-1150		.TUBE ASSY-BRAKE PRESSURE SYS POSITION DATA: R TUBING MATERIAL: .375 IN. OD X .019 IN. WALL X 45.6 IN. LG TI BMS 7-234 TI-3AL-2.5V COLD WORKED, STRESS RELIEVED TUBING	101102 108120 504903	1
325	271N6443-1151		.TUBE ASSY-BRAKE PRESSURE SYS POSITION DATA: R TUBING MATERIAL: .375 IN. OD X .019 IN. WALL X 42.4 IN. LG TI BMS 7-234 TI-3AL-2.5V COLD WORKED, STRESS RELIEVED TUBING	101102 108120 504903	1

MISSING ITEM NUMBERS NOT APPLICABLE

- ITEM NOT ILLUSTRATED

29-11-84-06

29-11-84
FIG. 06
PAGE 7
JAN 20/09

BRI

BOEING PROPRIETARY - Copyright © - Unpublished Work - See title page for details.



757

PARTS CATALOG (MAINTENANCE)

FIG ITEM	PART NUMBER	1 2 3 4 5 6 7	NOMENCLATURE	EFFECT FROM TO	UNITS PER ASSY
6 330	271N6443-1152		.TUBE ASSY-BRAKE PRESSURE SYS POSITION DATA: R TUBING MATERIAL: .375 IN. OD X .019 IN. WALL X 36.6 IN. LG TI BMS 7-234 TI-3AL-2.5V COLD WORKED, STRESS RELIEVED TUBING	101102 108120 504903	1
335	271N6443-1153		.TUBE ASSY-BRAKE PRESSURE SYS POSITION DATA: R TUBING MATERIAL: .375 IN. OD X .019 IN. WALL X 37.9 IN. LG TI BMS 7-234 TI-3AL-2.5V COLD WORKED, STRESS RELIEVED TUBING	101102 108120 504903	1
340	271N6443-1202		.TUBE ASSY-UNLOCK TUBING MATERIAL: .375 IN. OD X .019 IN. WALL X 77.6 IN. LG TI BMS 7-234 TI03AL-2.5V COLD WORKED, STRESS RELIEVED TUBING	101102 108120 504903	1
- 345	AS1581T06		..SLEEVE	101102 108120 504903	2
- 350	BACN10YA6		..NUT-	101102 108120 504903	2
355	271N6443-1029		.TUBE ASSY-RETURN SYS POSITION DATA: LS TUBING MATERIAL: .625 IN. OD X .035 IN. WALL X 34.5 IN. LG AL AMS 4083 6061 T6 TUBING	101102 108120 504903	1
360	271N6443-1088		.TUBE ASSY-RETURN SYS POSITION DATA: LS TUBING MATERIAL: .625 IN. OD X .035 IN. WALL 18.4 IN. LG AL AMS 4083 6061 T6 TUBING	101102 108120 504903	1

MISSING ITEM NUMBERS NOT APPLICABLE

- ITEM NOT ILLUSTRATED

29-11-84-06

29-11-84
FIG. 06
PAGE 8
JAN 20/09

BRI

BOEING PROPRIETARY - Copyright © - Unpublished Work - See title page for details.



757

PARTS CATALOG (MAINTENANCE)

FIG ITEM	PART NUMBER	1 2 3 4 5 6 7	NOMENCLATURE	EFFECT FROM TO	UNITS PER ASSY
6 - 365	AP2097HP10	..	SLEEVE SUPPLIER CODE: V01673 SPECIFICATION NUMBER: BACS13BX10HP OPTIONAL PART: 2-02903-10HP V11328 35235VN10 V08199 AFP175V10P V30974 DBOS13BX10HP V14798	101102 108120 504903	2
- 370	BACN10YL10	..	NUT	101102 108120 504903	2
375	271N6443-1031	.TUBE ASSY-RETURN SYS POSITION DATA: LS TUBING MATERIAL: .375 IN. OD X .035 IN. WALL X 19.0 IN. LG AL AMS 4083 6061 T6 TUBING		101101	1
375	271N6443-1247	.TUBE ASSY-RETURN SYS POSITION DATA: LS TUBING MATERIAL: .375 IN. OD X .035 IN. WALL X 22.0 IN. LG 6061-T6 ALUMINUM SEAMLESS TUBING PER MIL-T-7081.		102102 108120 504903	1
- 380	AP2097HP06	..	SLEEVE SUPPLIER CODE: V01673 SPECIFICATION NUMBER: BACS13BX06HP OPTIONAL PART: 2-02903-06HP V11328 35235VN06 V08199 AFP175V06P V30974 DBOS13BX06HP V14798	101102 108120 504903	2

MISSING ITEM NUMBERS NOT APPLICABLE

- ITEM NOT ILLUSTRATED

29-11-84-06

29-11-84
FIG. 06
PAGE 9
JAN 20/09

BRI



757

PARTS CATALOG (MAINTENANCE)

FIG ITEM	PART NUMBER	1 2 3 4 5 6 7	NOMENCLATURE	EFFECT FROM TO	UNITS PER ASSY
6					
- 385	BACN10YLO6	..	NUT	101102 108120 504903	2
390	271N6443-1052	.TUBE ASSY-BRAKE PRESSURE SYS POSITION DATA: L TUBING MATERIAL: .375 IN. OD X .019 IN. WALL X 92.40 IN. LG TI BMS 7-234 TI-3AL-2.5V COLD WORKED, STRESS RELIEVED TUBING		101102 108120 504903	1
- 395	AS1581T06	..	SLEEVE	101102 108120 504903	1
- 400	BACN10YA6	..	NUT	101102 108120 504903	1
- 405	AS1582T06	..	UNION	101102 108120 504903	1
410	271N6443-1071	.TUBE ASSY-LG UP TUBING MATERIAL: .500 IN. OD X .026 IN. WALL X 103.0 IN. LG TI BMS 7-234 TI03AL-2.5V COLD WORKED, STRESS RELIEVED TUBING		101102 108120 504903	1
420	271N6443-1203	.TUBE ASSY-DOOR OPEN TUBING MATERIAL: .500 IN. OD X .026 IN. WALL X 82.5 IN. LG TI BMS 7-234 TI03AL-2.5V COLD WORKED, STRESS RELIEVED TUBING		101102 108120 504903	1
- 425	AS1581T08	..	SLEEVE	101102 108120 504903	2
- 430	BACN10YA8	..	NUT-	101102 108120 504903	2
550	BACE21BN0406J	.ELBOW		101102 108120 504903	1

MISSING ITEM NUMBERS NOT APPLICABLE

- ITEM NOT ILLUSTRATED

29-11-84-06

29-11-84
FIG. 06
PAGE 10
JAN 20/09

BRI

BOEING PROPRIETARY - Copyright © - Unpublished Work - See title page for details.



757

PARTS CATALOG (MAINTENANCE)

FIG ITEM	PART NUMBER	1 2 3 4 5 6 7	NOMENCLATURE	EFFECT FROM TO	UNITS PER ASSY
6 555	AP1042JN0606		.ELBOW- SUPPLIER CODE: V01673 SPECIFICATION NUMBER: BACE21BT0606JN	101102 108120 504903	1
560	BACE21BR0404JN		.ELBOW-	101102 108120 504903	1
565	MS21908W6		.ELBOW	101102 108120 504903	1
600	APX824F101006W		.TEE SUPPLIER CODE: V01673 SPECIFICATION NUMBER: BACT16AS101006W OPTIONAL PART: APX824-101006W V01673 DBOT16AS101006W V14798 ER824-101006W V50948 FER1571-101006W V14397 LER824-101006W V11328 NAF1824-101006W V52930 US1925-101006W V50808 AFP325-101006W V30974	101102 108120 504903	1
605	BCREF116858		.TEE- OVERLENGTH PART NUMBER: BACT16BR080808JN	101102 108120 504903	4

MISSING ITEM NUMBERS NOT APPLICABLE

- ITEM NOT ILLUSTRATED

BRI

29-11-84-06

BOEING PROPRIETARY - Copyright © - Unpublished Work - See title page for details.

29-11-84
FIG. 06
PAGE 11
JAN 20/09



757

PARTS CATALOG (MAINTENANCE)

FIG ITEM	PART NUMBER	1 2 3 4 5 6 7	NOMENCLATURE	EFFECT FROM TO	UNITS PER ASSY
6 610	APX824F100610W	. TEE	SUPPLIER CODE: V01673 SPECIFICATION NUMBER: BACT16AS100610W OPTIONAL PART: APX824-100610W V01673 DBOT16AS100610W V14798 ER824-100610W V50948 FER1571-100610W V14397 LER824-100610W V11328 NAF1824-100610W V52930 US1925-100610W V50808 AFP325-100610W V30974	101102 108120 504903	1
615	BCREF116856	. TEE-	OVERLENGTH PART NUMBER: BACT16BR080608JN	101102 108120 504903	1
670	271N6214-1	. SHIM-BLK		101102 108120 504903	4
675	271N6214-3	. SHIM-BLK		101102 108120 504903	2
680	271N6214-5	. SHIM-BLK		101102 108120 504903	2
685	NAS1149D0763J	. WASHER		101102 108120 504903	1
690	NAS1149D0963J	. WASHER		101102 108120 504903	1
695	AN924-4D	. NUT		101102 108120 504903	1
700	AN924-6D	. NUT		101102 108120 504903	1

MISSING ITEM NUMBERS NOT APPLICABLE

- ITEM NOT ILLUSTRATED

29-11-84-06

29-11-84
FIG. 06
PAGE 12
JAN 20/09

BRI

BOEING PROPRIETARY - Copyright © - Unpublished Work - See title page for details.



757

PARTS CATALOG (MAINTENANCE)

FIG ITEM	PART NUMBER	1 2 3 4 5 6 7	NOMENCLATURE	EFFECT FROM TO	UNITS PER ASSY
6					
900			ILLUSTRATION REFERENCE: VALVE INSTL-NORMAL BRAKES ANTISKID 32-42-02-01	101102 108120 504903	RF
905			ILLUSTRATION REFERENCE: VALVE INSTL-ANTISKID SHUTTLE 32-42-07-01A	101102 108120 504903	RF
910			ILLUSTRATION REFERENCE: VALVE AND BRACKET INSTL-STA 1116 AND 1123 UPLOCK OPERATED SEQUENCE 32-32-09-01	101102 108120 504903	RF
915			ILLUSTRATION REFERENCE: VALVE INSTL-MLG DOOR OPERATED SEQ 32-32-05-01	101102 108120 504903	RF
920			ILLUSTRATION REFERENCE: UPLOCK INSTL-MLG 32-32-16-01	101102 108120 504903	RF
925			ILLUSTRATION REFERENCE: PLUMBING INSTL-SECT.12 HYD, INBOARD WING, LH 29-11-51-61	101102 108120 504903	RF
930			ILLUSTRATION REFERENCE: PLUMBING INSTL-4-DOOR/ PKG FREIGHTER MINOR MODEL 29-11-84-01	101102 108120 504903	RF
935			ILLUSTRATION REFERENCE: PLUMBING INSTL-HYDR, MLG WHL WELL, KEEL BEAM 29-11-51-94	101102 108120 504903	RF

MISSING ITEM NUMBERS NOT APPLICABLE

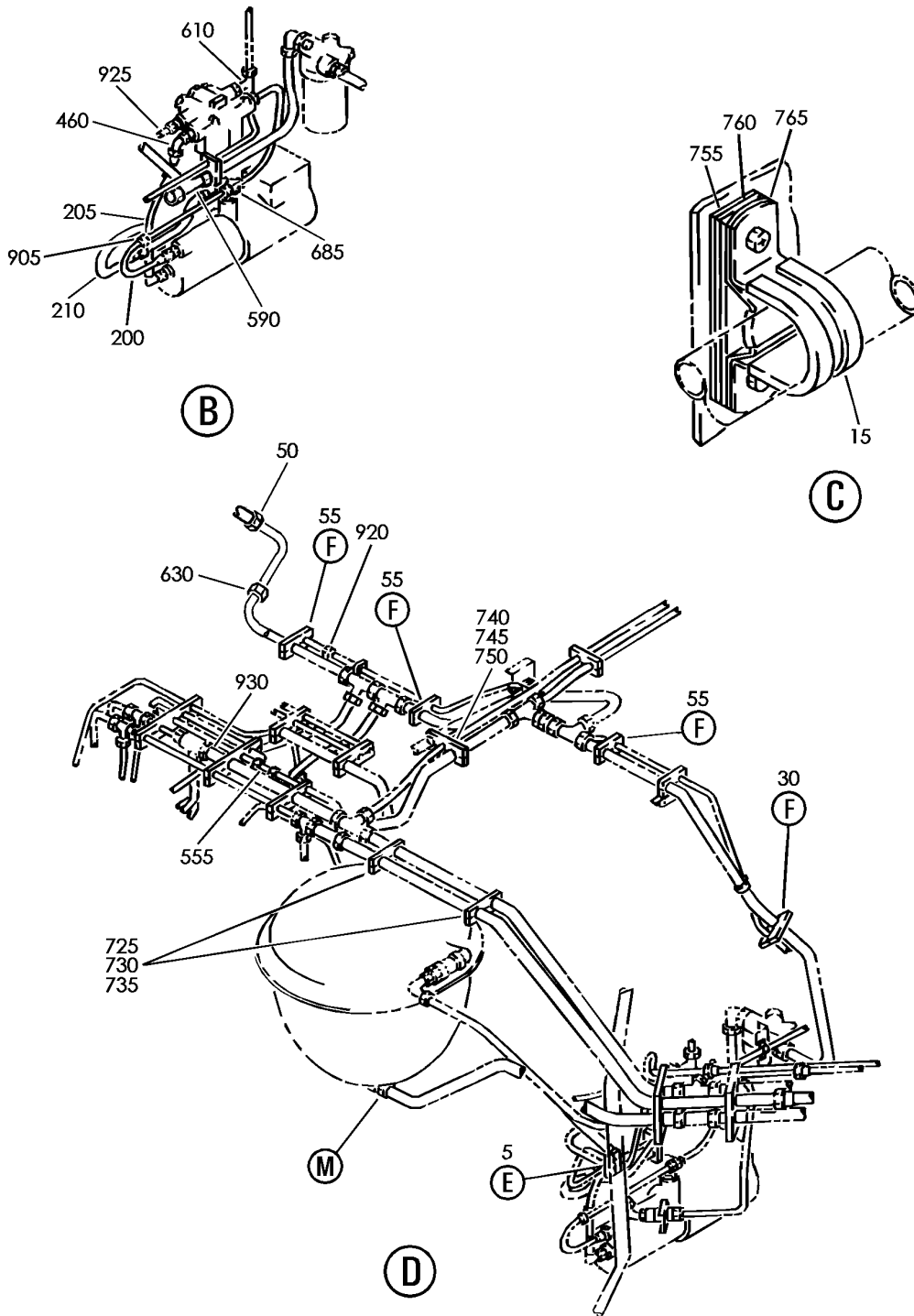
- ITEM NOT ILLUSTRATED

BRI

29-11-84-06

29-11-84
FIG. 06
PAGE 13
JAN 20/09

BOEING
757
PARTS CATALOG (MAINTENANCE)



Y 29118406A SHT. 2 REV 216

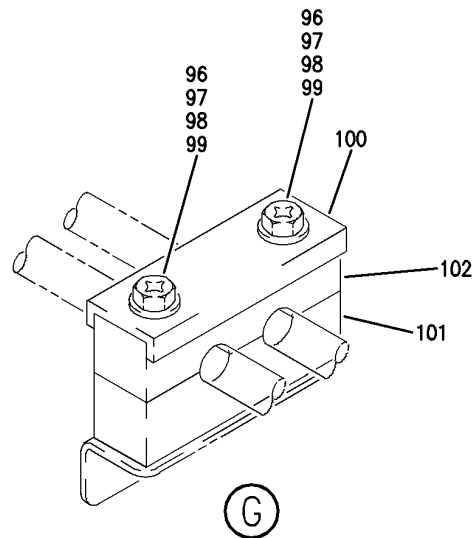
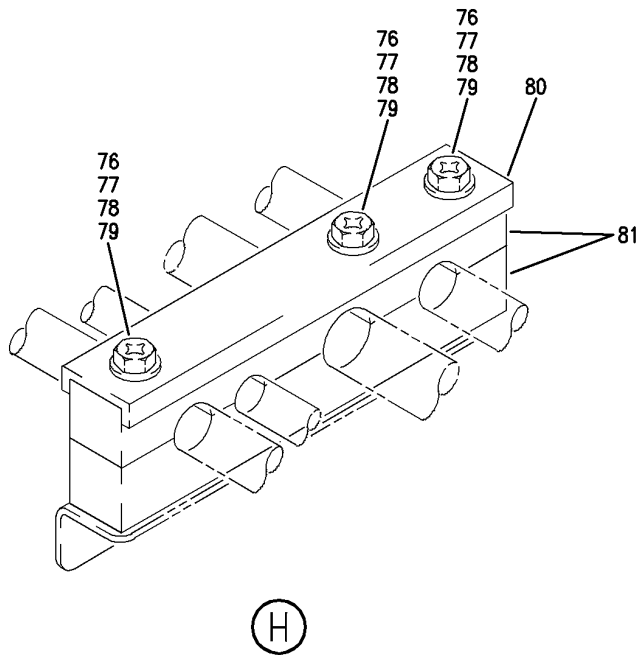
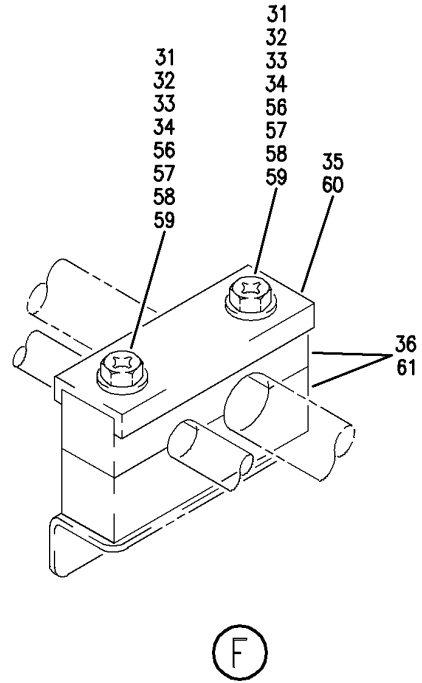
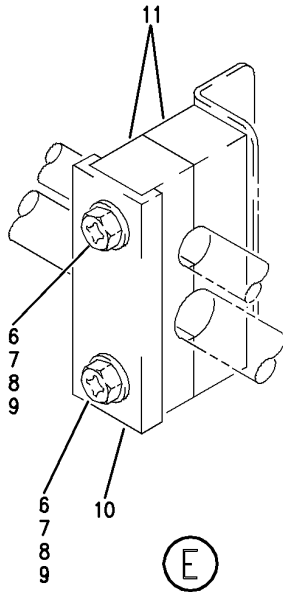
PLUMBING INSTL-PRESSURE DECK SECT. 44 L (MAIN HYDR SYS ONLY)
FIGURE 6A (SHEET 2)

29-11-84-06A

BRI
MAY 28/07

29-11-84-06A
PAGE 0A

BOEING
757
PARTS CATALOG (MAINTENANCE)



Y 29118406A SH1 3 REV 229

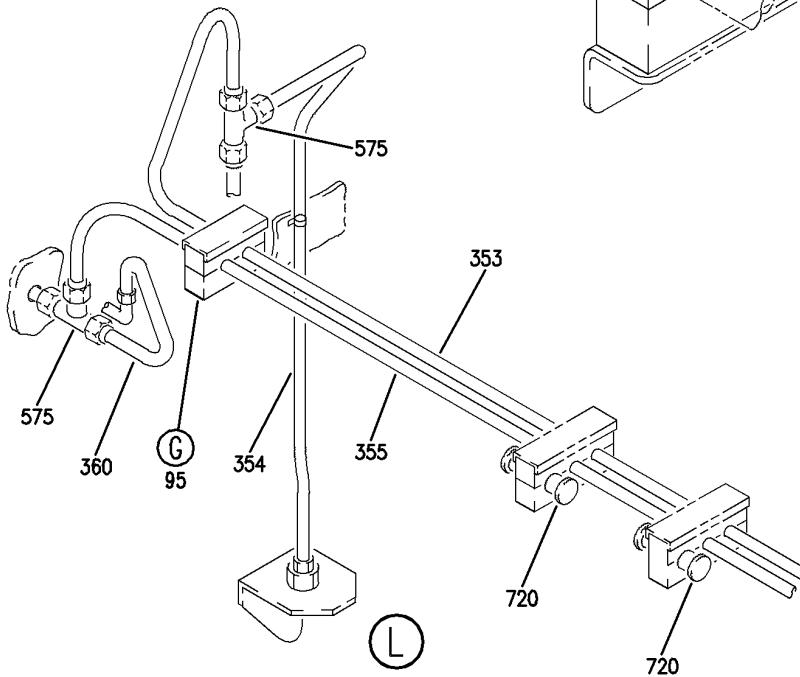
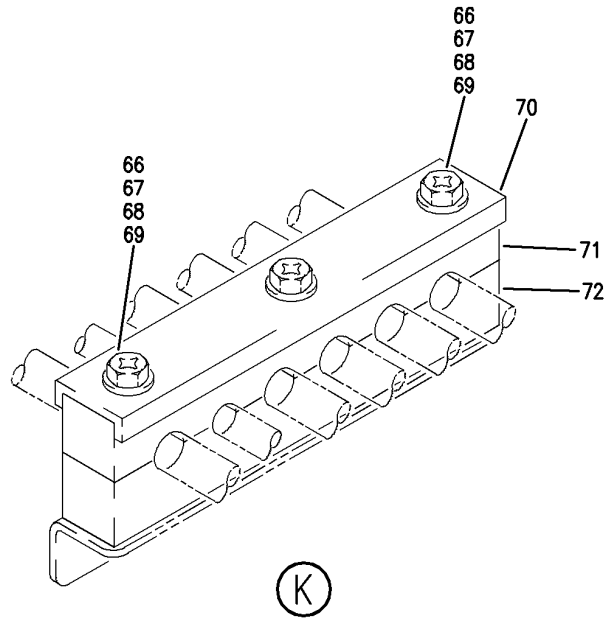
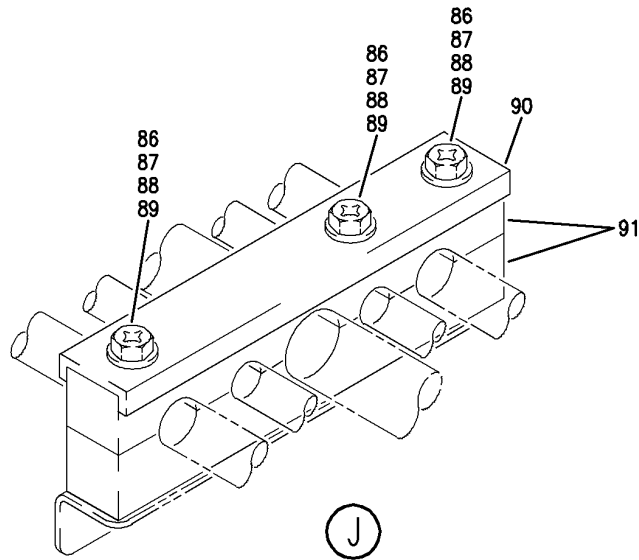
PLUMBING INSTL-PRESSURE DECK SECT. 44 L (MAIN HYDR SYS ONLY)
FIGURE 6A (SHEET 3)

BRI
MAY 28/07

29-11-84-06A

29-11-84-06A
PAGE 0B

BOEING
757
PARTS CATALOG (MAINTENANCE)



Y 29118406A SH1 4 REV 229

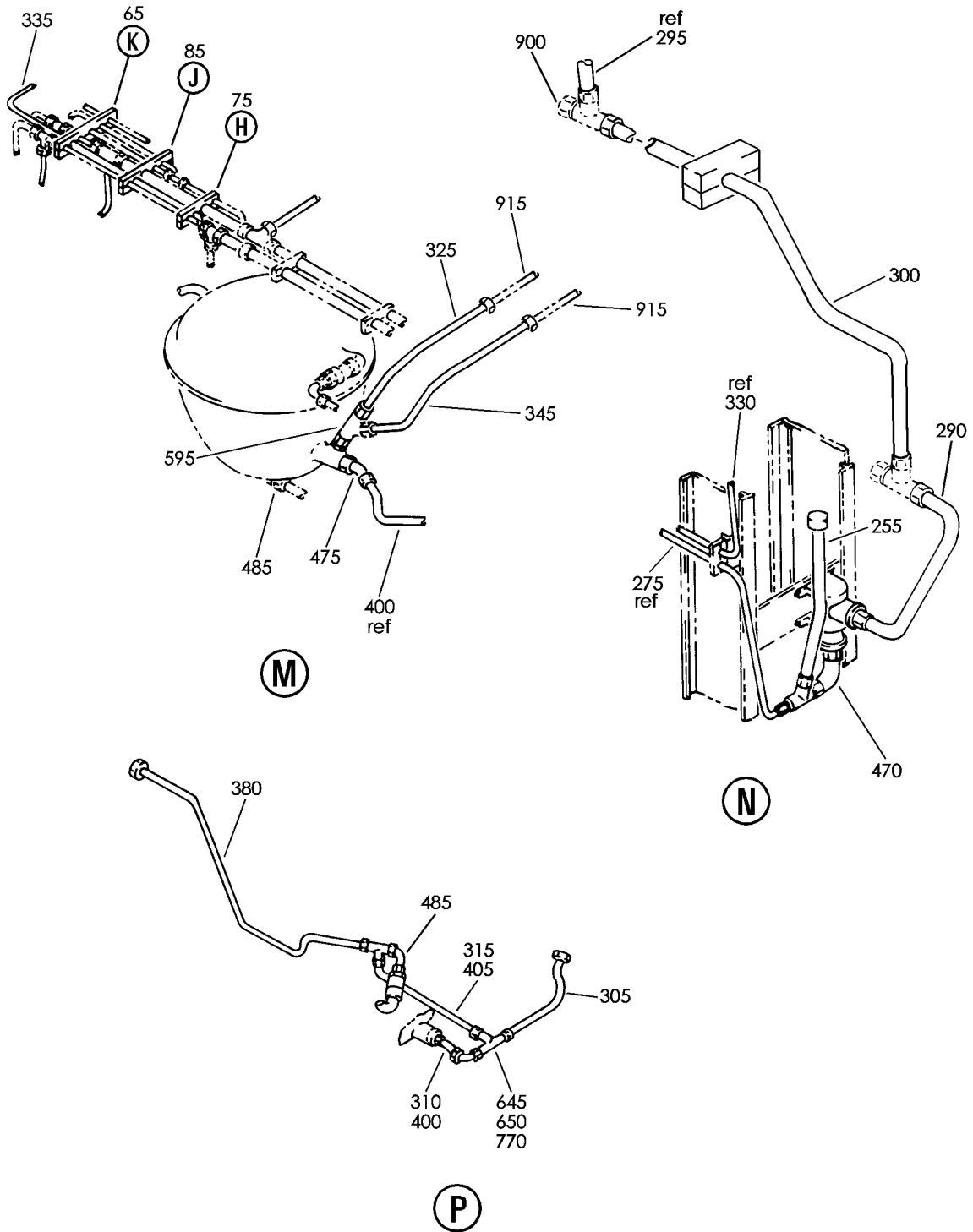
PLUMBING INSTL-PRESSURE DECK SECT. 44 L (MAIN HYDR SYS ONLY)
FIGURE 6A (SHEET 4)

BRI
MAY 28/07

29-11-84-06A

29-11-84-06A
PAGE 0C

BOEING
757
PARTS CATALOG (MAINTENANCE)



Y 29118406A SHT. 5 REV 229

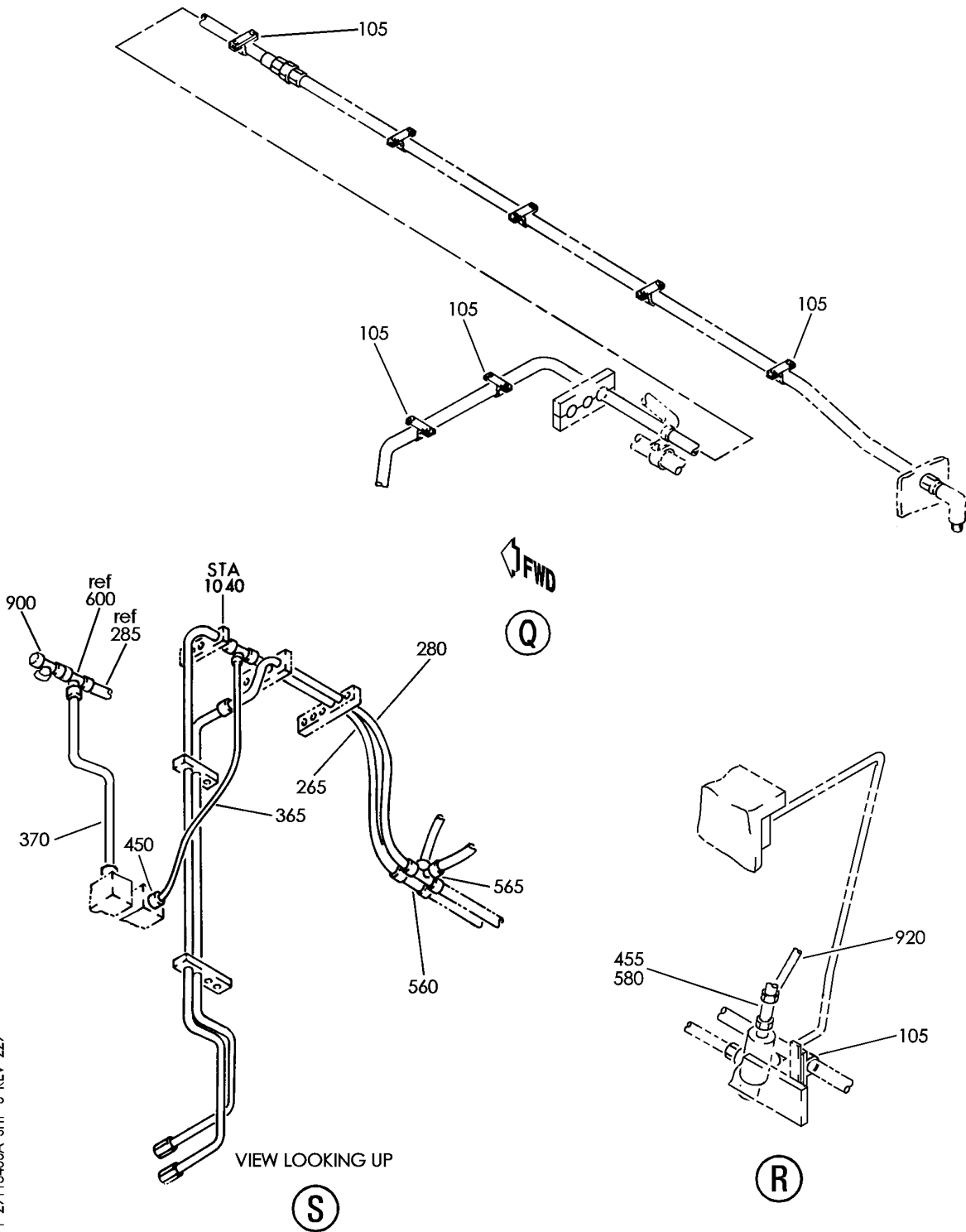
PLUMBING INSTL-PRESSURE DECK SECT. 44 L (MAIN HYDR SYS ONLY)
FIGURE 6A (SHEET 5)

29-11-84-06A

BRI
MAY 28/07

29-11-84-06A
PAGE 0D

BOEING
757
PARTS CATALOG (MAINTENANCE)



Y 29118406A SHT 6 REV 229

PLUMBING INSTL-PRESSURE DECK SECT. 44 L (MAIN HYDR SYS ONLY)
FIGURE 6A (SHEET 6)

29-11-84-06A

BRI
MAY 28/07

29-11-84-06A
PAGE 0E



757

PARTS CATALOG (MAINTENANCE)

FIG ITEM	PART NUMBER	1 2 3 4 5 6 7	NOMENCLATURE	EFFECT FROM TO	UNITS PER ASSY
6A			PLUMBING INSTL-PRESSURE DECK SECT. 44 L (MAIN HYDR SYS ONLY)	101102 108120 504903	
- 1	271N6443-40		PLUMBING INSTL-BASIC AND STABLE FOR NHA/OTHER SYS DET SEE: 29-00-51-02C	101101	RF
- 1	271N6443-43		PLUMBING INSTL-BASIC AND STABLE FOR NHA/OTHER SYS DET SEE: 29-00-51-02C	102102 504903	RF
- 1	271N6443-45		PLUMBING INSTL-BASIC AND STABLE FOR NHA/OTHER SYS DET SEE: 29-00-51-02C	108120	RF
5	270N2000-123		.CLAMP ASSY- POSITION DATA: STA 1080 LBL 60 WL 190	101102 108120 504903	1
6	NAS1801-3-24		..SCREW	101102 108120 504903	2
7	NAS43DD3-67		..SPACER	101102 108120 504903	2
8	AN960PD10L		..WASHER	101102 108120 504903	2
9	BRH10A3		..NUT SUPPLIER CODE: V52828 SPECIFICATION NUMBER: BACN10JC3 OPTIONAL PART: H10-3BAC V15653 NS202101-02 V80539 RMLH9075-3W V72962 VN303A02 V92215 96-02 V80539 T6S1032J V11815	101102 108120 504903	2
10	270N2000-868		..CHANNEL	101102 108120 504903	1

MISSING ITEM NUMBERS NOT APPLICABLE

- ITEM NOT ILLUSTRATED

29-11-84-06A

29-11-84
FIG. 06A
PAGE 1
JAN 20/09

BRI

BOEING PROPRIETARY - Copyright © - Unpublished Work - See title page for details.



757

PARTS CATALOG (MAINTENANCE)

FIG ITEM	PART NUMBER	1 2 3 4 5 6 7	NOMENCLATURE	EFFECT FROM TO	UNITS PER ASSY
6A					
11	270N2000-556	. .	BLOCK	101102 108120 504903	2
15	TA0910004DC12	. CLAMP-	SUPPLIER CODE: V84971 SPECIFICATION NUMBER: BACC10HB12A	101102 504903	3
15	TA0910004H112	. CLAMP-	SUPPLIER CODE: V84971 SPECIFICATION NUMBER: BACC10HB12C	108120	3
- 16	NAS1801-3	. SCREW-	ATTACHING PARTS SIZE DETERMINED ON INSTL.	101102 108120 504903	2
- 17	AN960PD10L	. WASHER		101102 108120 504903	2
- 18	BRH10A3	. NUT	SUPPLIER CODE: V52828 SPECIFICATION NUMBER: BACN10JC3 OPTIONAL PART: H10-3BAC V15653 NS202101-02 V80539 RMLH9075-3W V72962 VN303A02 V92215 96-02 V80539 T6S1032J V11815	101102 108120 504903	2
		-----*			
20	M85052-2-11	. CLAMP		101102 108120 504903	1
25	M85052-2-19	. CLAMP		101102 108120 504903	1
30	270N2000-16	. CLAMP ASSY-BLK	POSITION DATA: STA 1080 WL 190	101102 108120 504903	1

MISSING ITEM NUMBERS NOT APPLICABLE

- ITEM NOT ILLUSTRATED

29-11-84-06A

29-11-84
FIG. 06A
PAGE 2
JAN 20/09

BRI

BOEING PROPRIETARY - Copyright © - Unpublished Work - See title page for details.



757

PARTS CATALOG (MAINTENANCE)

FIG ITEM	PART NUMBER	1 2 3 4 5 6 7	NOMENCLATURE	EFFECT FROM TO	UNITS PER ASSY
6A					
31	NAS1801-3-34	..	SCREW	101102 108120 504903	2
32	NAS43DD3-99	..	SPACER	101102 108120 504903	2
33	AN960PD10L	..	WASHER	101102 108120 504903	2
34	BRH10A3	..	NUT SUPPLIER CODE: V52828 SPECIFICATION NUMBER: BACN10JC3 OPTIONAL PART: H10-3BAC V15653 NS202101-02 V80539 RMLH9075-3W V72962 VN303A02 V92215 96-02 V80539 T6S1032J V11815	101102 108120 504903	2
35	270N2000-805	..	CHANNEL	101102 108120 504903	1
36	270N2000-425	..	BLOCK	101102 108120 504903	2
40	M85052-2-6	.	CLAMP	101102 108120 504903	2
45	M85052-2-16	.	CLAMP	101102 108120 504903	1
- 46	NAS1801-3	.	ATTACHING PARTS SCREW- SIZE DETERMINED ON INSTL.	101102 108120 504903	2
- 47	AN960PD10L	.	WASHER	101102 108120 504903	2

MISSING ITEM NUMBERS NOT APPLICABLE

- ITEM NOT ILLUSTRATED

29-11-84-06A

29-11-84
FIG. 06A
PAGE 3
JAN 20/09

BRI

BOEING PROPRIETARY - Copyright © - Unpublished Work - See title page for details.



757

PARTS CATALOG (MAINTENANCE)

FIG ITEM	PART NUMBER	1 2 3 4 5 6 7	NOMENCLATURE	EFFECT FROM TO	UNITS PER ASSY
6A - 48	BRH10A3		.NUT SUPPLIER CODE: V52828 SPECIFICATION NUMBER: BACN10JC3 OPTIONAL PART: H10-3BAC V15653 NS202101-02 V80539 RMLH9075-3W V72962 VN303A02 V92215 96-02 V80539 T6S1032J V11815 -----*-----	101102 108120 504903	2
50	TA0910004H106		.CLAMP-SADDLE SUPPLIER CODE: V84971 SPECIFICATION NUMBER: BACC10HB06C ATTACHING PARTS	101102 108120 504903	1
- 51	NAS1801-3		.SCREW	101102 108120 504903	2
- 52	AN960PD10		.WASHER	101102 108120 504903	2

MISSING ITEM NUMBERS NOT APPLICABLE

- ITEM NOT ILLUSTRATED

29-11-84-06A

29-11-84
FIG. 06A
PAGE 4
JAN 20/09

BRI

BOEING PROPRIETARY - Copyright © - Unpublished Work - See title page for details.



757

PARTS CATALOG (MAINTENANCE)

FIG ITEM	PART NUMBER	1 2 3 4 5 6 7	NOMENCLATURE	EFFECT FROM TO	UNITS PER ASSY
6A - 53	BRH10A3	.NUT	SUPPLIER CODE: V52828 SPECIFICATION NUMBER: BACN10JC3 OPTIONAL PART: H10-3BAC V15653 NS202101-02 V80539 RMLH9075-3W V72962 VN303A02 V92215 96-02 V80539 T6S1032J V11815	101102 108120 504903	2
55	270N2000-72	-----*----- .CLAMP ASSY-	POSITION DATA: STA 1070 LBL 55 STA 1070 LBL 30 STA 1070 LBL 10	101102 108120 504903	3
56	NAS1801-3-32	..SCREW		101102 108120 504903	2
57	NAS43DD3-99	..SPACER		101102 108120 504903	2
58	AN960PD10L	..WASHER		101102 108120 504903	2

MISSING ITEM NUMBERS NOT APPLICABLE

- ITEM NOT ILLUSTRATED

29-11-84-06A

29-11-84
FIG. 06A
PAGE 5
JAN 20/09

BRI

BOEING PROPRIETARY - Copyright © - Unpublished Work - See title page for details.



757

PARTS CATALOG (MAINTENANCE)

FIG ITEM	PART NUMBER	1 2 3 4 5 6 7	NOMENCLATURE	EFFECT FROM TO	UNITS PER ASSY
6A 59	BRH10A3	..	NUT SUPPLIER CODE: V52828 SPECIFICATION NUMBER: BACN10JC3 OPTIONAL PART: H10-3BAC V15653 NS202101-02 V80539 RMLH9075-3W V72962 VN303A02 V92215 96-02 V80539 T6S1032J V11815	101102 108120 504903	2
60	270N2000-892	..	CHANNEL	101102 108120 504903	1
61	270N2000-573	..	BLOCK	101102 108120 504903	2
65	270N2000-247	.CLAMP ASSY-	POSITION DATA: STA 1050 LBL 15	101102 108120 504903	1
66	NAS1801-3-30	..	SCREW	101102 108120 504903	3
67	NAS43DD3-89	..	SPACER	101102 108120 504903	3
68	AN960PD10L	..	WASHER	101102 108120 504903	3

MISSING ITEM NUMBERS NOT APPLICABLE

- ITEM NOT ILLUSTRATED

29-11-84-06A

29-11-84
FIG. 06A
PAGE 6
JAN 20/09

BRI

BOEING PROPRIETARY - Copyright © - Unpublished Work - See title page for details.



757

PARTS CATALOG (MAINTENANCE)

FIG ITEM	PART NUMBER	1 2 3 4 5 6 7	NOMENCLATURE	EFFECT FROM TO	UNITS PER ASSY
6A 69	BRH10A3	..	NUT SUPPLIER CODE: V52828 SPECIFICATION NUMBER: BACN10JC3 OPTIONAL PART: H10-3BAC V15653 NS202101-02 V80539 RMLH9075-3W V72962 VN303A02 V92215 96-02 V80539 T6S1032J V11815	101102 108120 504903	3
70	270N2000-842	..	CHANNEL	101102 108120 504903	1
71	270N2000-1269	..	BLOCK	101102 108120 504903	1
72	270N2000-1270	..	BLOCK	101102 108120 504903	1
75	270N2000-248	.CLAMP ASSY-	POSITION DATA: STA 1050 LBL 23	101102 108120 504903	1
76	NAS1801-3-35	..	SCREW	101102 108120 504903	3
77	NAS43DD3-108	..	SPACER	101102 108120 504903	3
78	AN960PD10L	..	WASHER	101102 108120 504903	3

MISSING ITEM NUMBERS NOT APPLICABLE

- ITEM NOT ILLUSTRATED

29-11-84-06A

29-11-84
FIG. 06A
PAGE 7
JAN 20/09

BRI

BOEING PROPRIETARY - Copyright © - Unpublished Work - See title page for details.



757

PARTS CATALOG (MAINTENANCE)

FIG ITEM	PART NUMBER	1 2 3 4 5 6 7	NOMENCLATURE	EFFECT FROM TO	UNITS PER ASSY
6A 79	BRH10A3	..	NUT SUPPLIER CODE: V52828 SPECIFICATION NUMBER: BACN10JC3 OPTIONAL PART: H10-3BAC V15653 NS202101-02 V80539 RMLH9075-3W V72962 VN303A02 V92215 96-02 V80539 T6S1032J V11815	101102 108120 504903	3
80	270N2000-843	..	CHANNEL	101102 108120 504903	1
81	270N2000-1271	..	BLOCK	101102 108120 504903	2
85	270N2000-249	.CLAMP ASSY-	POSITION DATA: STA 1050 LBL 30	101102 108120 504903	1
86	NAS1801-3-35	..	SCREW	101102 108120 504903	3
87	NAS43DD3-108	..	SPACER	101102 108120 504903	3
88	AN960KD10L	..	WASHER	101102 108120 504903	3

MISSING ITEM NUMBERS NOT APPLICABLE

- ITEM NOT ILLUSTRATED

29-11-84-06A

29-11-84
FIG. 06A
PAGE 8
JAN 20/09

BRI



757

PARTS CATALOG (MAINTENANCE)

FIG ITEM	PART NUMBER	1 2 3 4 5 6 7	NOMENCLATURE	EFFECT FROM TO	UNITS PER ASSY
6A 89	BRH10A3	..	NUT SUPPLIER CODE: V52828 SPECIFICATION NUMBER: BACN10JC3 OPTIONAL PART: H10-3BAC V15653 NS202101-02 V80539 RMLH9075-3W V72962 VN303A02 V92215 96-02 V80539 T6S1032J V11815	101102 108120 504903	3
90	270N2000-850	..	CHANNEL	101102 108120 504903	1
91	270N2000-1272	..	BLOCK	101102 108120 504903	2
95	270N2000-104	.	CLAMP ASSY	101102 108120 504903	1
96	NAS1801-3-29	..	SCREW	101102 108120 504903	2
97	NAS43DD3-79	..	SPACER	101102 108120 504903	2
98	AN960PD10L	..	WASHER	101102 108120 504903	2

MISSING ITEM NUMBERS NOT APPLICABLE

- ITEM NOT ILLUSTRATED

29-11-84-06A

29-11-84
FIG. 06A
PAGE 9
JAN 20/09

BRI

BOEING PROPRIETARY - Copyright © - Unpublished Work - See title page for details.



757

PARTS CATALOG (MAINTENANCE)

FIG ITEM	PART NUMBER	1 2 3 4 5 6 7	NOMENCLATURE	EFFECT FROM TO	UNITS PER ASSY
6A 99	BRH10A3	. .	NUT SUPPLIER CODE: V52828 SPECIFICATION NUMBER: BACN10JC3 OPTIONAL PART: H10-3BAC V15653 NS202101-02 V80539 RMLH9075-3W V72962 VN303A02 V92215 96-02 V80539 T6S1032J V11815	101102 108120 504903	2
100	270N2000-844	. .	CHANNEL	101102 108120 504903	1
101	270N2000-502	. .	BLOCK	101102 108120 504903	1
102	270N2000-538	. .	BLOCK	101102 108120 504903	1
105	TA0910004H116	. .	CLAMP- SUPPLIER CODE: V84971 SPECIFICATION NUMBER: BACC10HB16C POSITION DATA: STA 1160 LBL 35 STA 1140 LBL 35 STA 1120 LBL 35 STA 1100 LBL 35 STA 1080 LBL 35 STA 1050 LBL 45 STA 1050 LBL 55 STA 1040 LBL 25 WL 170	101102 108120 504903	8
- 106	NAS1801-3	. .	ATTACHING PARTS SCREW	101102 108120 504903	2
- 107	AN960PD10	. .	WASHER	101102 108120 504903	2

MISSING ITEM NUMBERS NOT APPLICABLE

- ITEM NOT ILLUSTRATED

29-11-84-06A

29-11-84
FIG. 06A
PAGE 10
JAN 20/09

BRI

BOEING PROPRIETARY - Copyright © - Unpublished Work - See title page for details.



757

PARTS CATALOG (MAINTENANCE)

FIG ITEM	PART NUMBER	1 2 3 4 5 6 7	NOMENCLATURE	EFFECT FROM TO	UNITS PER ASSY
6A - 108	BRH10A3	.NUT	SUPPLIER CODE: V52828 SPECIFICATION NUMBER: BACN10JC3 OPTIONAL PART: H10-3BAC V15653 NS202101-02 V80539 RMLH9075-3W V72962 VN303A02 V92215 96-02 V80539 T6S1032J V11815	101102 108120 504903	2
- 111	NAS1801-3	.SCREW		101102 108120 504903	2
- 112	AN960PD10	.WASHER		101102 108120 504903	2
- 113	BRH10A3	.NUT	SUPPLIER CODE: V52828 SPECIFICATION NUMBER: BACN10JC3 OPTIONAL PART: H10-3BAC V15653 NS202101-02 V80539 RMLH9075-3W V72962 VN303A02 V92215 96-02 V80539 T6S1032J V11815	101102 108120 504903	2
200	AS115-06K0140	-----*----- .HOSE ASSY-	POSITION DATA: STA 1060 WL 170	101102 108120 504903	1
205	AS117-08K0170	.HOSE ASSY-	POSITION DATA: STA 1060 WL 170	101102 108120 504903	1

MISSING ITEM NUMBERS NOT APPLICABLE

- ITEM NOT ILLUSTRATED

29-11-84-06A

29-11-84
FIG. 06A
PAGE 11
JAN 20/09

BRI

BOEING PROPRIETARY - Copyright © - Unpublished Work - See title page for details.



757

PARTS CATALOG (MAINTENANCE)

FIG ITEM	PART NUMBER	1 2 3 4 5 6 7	NOMENCLATURE	EFFECT FROM TO	UNITS PER ASSY
6A 210	AS1634A12K0330		.HOSE ASSY- POSITION DATA: STA 1060 WL 170	101102 108120 504903	1
250	271N6443-1001		.TUBE ASSY- TUBING MATERIAL: 1.00 IN. OD .051 IN. WALL 37.50 IN. LG TI BMS 7-234 TI-3AL-2.5V COLD WORKED, STRESS RELIEVED TUBING	101102 108120 504903	1
255	271N6443-1232		.TUBE ASSY- TUBING MATERIAL: 1.0 IN. OD .051 IN. WALL 20.20 IN. LG TI 3AL-2.5V TITANIUM SEAMLESS TUBING PER BMS7-234	101102 108120 504903	1
- 256	AS1581T16		..SLEEVE	101102 108120 504903	2
- 257	BACN10YA16N		..NUT- USED ON: 271N6443-1232	101102 108120 504903	2
- 257	BACN10YA16L		..NUT- USED ON: 271N6443-1001	101102 108120 504903	2
260	271N6443-1003		.TUBE ASSY- TUBING MATERIAL: .500 IN. OD .026 IN. WALL 3.60 IN. LG TI BMS 7-234 TI-3AL-2.5V COLD WORKED, STRESS RELIEVED TUBING	101102 108120 504903	1
265	271N6443-1015		.TUBE ASSY-LG UP TUBING MATERIAL: .500 IN. OD .026 IN. WALL 24.10 IN. LG TI BMS 7-234 TI03AL-2.5V COLD WORKED, STRESS RELIEVED TUBING	101102 108120 504903	1
270	271N6443-1042		.TUBE ASSY-PRESSURE SYS POSITION DATA: L TUBING MATERIAL: .500 IN. OD .026 IN. WALL 37.10 IN. LG TI BMS 7-234 TI-3AL-2.5V COLD WORKED, STRESS RELIEVED TUBING	101102 108120 504903	1

MISSING ITEM NUMBERS NOT APPLICABLE

- ITEM NOT ILLUSTRATED

29-11-84-06A

29-11-84
FIG. 06A
PAGE 12
JAN 20/09

BRI

BOEING PROPRIETARY - Copyright © - Unpublished Work - See title page for details.



757

PARTS CATALOG (MAINTENANCE)

FIG ITEM	PART NUMBER	1 2 3 4 5 6 7	NOMENCLATURE	EFFECT FROM TO	UNITS PER ASSY
6A 275	271N6443-1114	.	TUBE ASSY-PRESSURE SYS POSITION DATA: L TUBING MATERIAL: .500 IN. OD .026 IN. WALL 32.50 IN. LG TI BMS 7-234 TI-3AL-2.5V COLD WORKED, STRESS RELIEVED TUBING	101102 108120 504903	1
280	271N6443-1198	.	TUBE ASSY-LG DOWN TUBING MATERIAL: .500 IN. OD .026 IN. WALL 35.70 IN. LG TI BMS 7-234 TI-3AL-2.5V COLD WORKED, STRESS RELIEVED TUBING	101102 108120 504903	1
- 281	AS1581T08	..	SLEEVE	101102 108120 504903	2
- 282	BACN10YA8	..	NUT-	101102 108120 504903	2
285	271N6443-1082	.	TUBE ASSY-RETURN SYS POSITION DATA: LH TUBING MATERIAL: .500 IN. OD .035 IN. WALL 19.50 IN. LG AL AMS 4083 6061 T6 TUBING	101102 108120 504903	1
- 286	AP2097HP08	..	SLEEVE SUPPLIER CODE: V01673 SPECIFICATION NUMBER: BACS13BX08HP OPTIONAL PART: 2-02903-08HP V11328 35235VN08 V08199 AFP175V08P V30974 DBOS13BX08HP V14798	101102 108120 504903	2
- 287	BACN10YL08	..	NUT	101102 108120 504903	2

MISSING ITEM NUMBERS NOT APPLICABLE

- ITEM NOT ILLUSTRATED

29-11-84-06A

29-11-84
FIG. 06A
PAGE 13
JAN 20/09

BRI



757

PARTS CATALOG (MAINTENANCE)

FIG ITEM	PART NUMBER	1 2 3 4 5 6 7	NOMENCLATURE	EFFECT FROM TO	UNITS PER ASSY
6A 290	271N6443-1116		.TUBE ASSY-RETURN SYS POSITION DATA: LH TUBING MATERIAL: 1.00 IN. OD .035 IN. WALL 15.80 IN. LG AL AMS 4083 6061 T6 TUBING	101102 108120 504903	1
295	271N6443-1134		.TUBE ASSY-RETURN SYS POSITION DATA: LH TUBING MATERIAL: 1.00 IN. OD .035 IN. WALL 33.00 IN. LG AL AMS 4083 6061 T6 TUBING	101102 108120 504903	1
300	271N6443-1199		.TUBE ASSY-RETURN SYS POSITION DATA: LH TUBING MATERIAL: 1.00 IN. OD .035 IN. WALL 35.60 IN. LG AL AMS 4083 6061 T6 TUBING	101102 108120 504903	1
305	271N6443-1200		.TUBE ASSY-RETURN SYS POSITION DATA: L TUBING MATERIAL: 1.00 IN. OD .035 IN. WALL 25.50 IN. LG AL AMS 4083 6061 T6 TUBING	101102 108120 504903	1
310	271N6443-1222		.TUBE ASSY-RETURN L SYS TUBING MATERIAL: 1.00 IN. OD .035 IN. WALL 13.60 IN. LG AL AMS 4083 6061 T6 TUBING	101101	1
315	271N6443-1224		.TUBE ASSY-SUPPLY SYS POSITION DATA: L TUBING MATERIAL: 1.00 IN. OD .035 IN. WALL 28.10 IN. LG AL AMS 4083 6061 T6 TUBING	101101	1

MISSING ITEM NUMBERS NOT APPLICABLE

- ITEM NOT ILLUSTRATED

29-11-84-06A

29-11-84
FIG. 06A
PAGE 14
JAN 20/09

BRI



757

PARTS CATALOG (MAINTENANCE)

FIG ITEM	PART NUMBER	1 2 3 4 5 6 7	NOMENCLATURE	EFFECT FROM TO	UNITS PER ASSY
6A - 316	AP2097HP16	..	SLEEVE SUPPLIER CODE: V01673 SPECIFICATION NUMBER: BACS13BX16HP OPTIONAL PART: 2-02903-16HP V11328 35235VN16 V08199 AFP175V16P V30974 DBOS13BX16HP V14798	101102 108120 504903	2
- 316	AP2097HP16	..	SLEEVE SUPPLIER CODE: V01673 SPECIFICATION NUMBER: BACS13BX16HP OPTIONAL PART: 2-02903-16HP V11328 35235VN16 V08199 AFP175V16P V30974 DBOS13BX16HP V14798	101101	2
- 317	BACN10YL16L	..	NUT-	101102 108120 504903	2
- 317	BACN10YL16L	..	NUT-	101101	2
320	271N6443-1119	.	TUBE ASSY-CASE DRAIN SYS POSITION DATA: L TUBING MATERIAL: .375 IN. OD .035 IN. WALL 62.10 IN. LG AL AMS 4083 6061 T6 TUBING	101102 108120 504903	1
325	271N6443-1121	.	TUBE ASSY-CASE DRAIN SYS POSITION DATA: L TUBING MATERIAL: .375 IN. OD .035 IN. WALL 61.10 IN. LG AL AMS 4083 6061 T6 TUBING	101102 108120 504903	1

MISSING ITEM NUMBERS NOT APPLICABLE

- ITEM NOT ILLUSTRATED

29-11-84-06A

29-11-84
FIG. 06A
PAGE 15
JAN 20/09

BRI

BOEING PROPRIETARY - Copyright © - Unpublished Work - See title page for details.



757

PARTS CATALOG (MAINTENANCE)

FIG ITEM	PART NUMBER	1 2 3 4 5 6 7	NOMENCLATURE	EFFECT FROM TO	UNITS PER ASSY
6A 330	271N6443-1138	.	TUBE ASSY-CASE DRAIN SYS POSITION DATA: L TUBING MATERIAL: .375 IN. OD .035 IN. WALL 56.30 IN. LG AL AMS 4083 6061 T6 TUBING	101102 108120 504903	1
- 331	AP2097HP06	..	SLEEVE SUPPLIER CODE: V01673 SPECIFICATION NUMBER: BACS13BX06HP OPTIONAL PART: 2-02903-06HP V11328 35235VN06 V08199 AFP175V06P V30974 DBOS13BX06HP V14798	101102 108120 504903	2
- 332	BACN10YL06	..	NUT	101102 108120 504903	2
335	271N6443-1120	.	TUBE ASSY-CASE DRAIN SYS POSITION DATA: L TUBING MATERIAL: .375 IN. OD .035 IN. WALL 28.00 IN. LG AL AMS 4083 6061 T6 TUBING	101102 108120 504903	1
- 336	AP2097HP06	..	SLEEVE SUPPLIER CODE: V01673 SPECIFICATION NUMBER: BACS13BX06HP OPTIONAL PART: 2-02903-06HP V11328 35235VN06 V08199 AFP175V06P V30974 DBOS13BX06HP V14798	101102 108120 504903	1

MISSING ITEM NUMBERS NOT APPLICABLE

- ITEM NOT ILLUSTRATED

29-11-84-06A

29-11-84
FIG. 06A
PAGE 16
JAN 20/09

BRI



757

PARTS CATALOG (MAINTENANCE)

FIG ITEM	PART NUMBER	1 2 3 4 5 6 7	NOMENCLATURE	EFFECT FROM TO	UNITS PER ASSY
6A					
- 337	BACN10YL06	..	NUT	101102 108120 504903	1
- 338	35056GV06	..	UNION SUPPLIER CODE: V08199 SPECIFICATION NUMBER: BACU24AB6W OPTIONAL PART: 2-01027-6W V11328 31875-6W V14397 4671097W6 V50948 AP1004W06 V01673 AFP941W6 V30974 DBOU24AB6W V14798	101102 108120 504903	1
340	271N6443-1130	.TUBE	ASSY-HYDR RSVR VENT TUBING MATERIAL: .750 IN. OD .035 IN. WALL 62.90 IN. LG AL AMS 4083 6061 T6 TUBING	101102 108120 504903	1
- 341	AP2097HP12	..	SLEEVE SUPPLIER CODE: V01673 SPECIFICATION NUMBER: BACS13BX12HP OPTIONAL PART: 2-02903-12HP V11328 35235VN12 V08199 AFP175V12P V30974 DBOS13BX12HP V14798	101102 108120 504903	2
- 342	BACN10YL12	..	NUT	101102 108120 504903	2

MISSING ITEM NUMBERS NOT APPLICABLE

- ITEM NOT ILLUSTRATED

29-11-84-06A

29-11-84
FIG. 06A
PAGE 17
JAN 20/09

BRI



757

PARTS CATALOG (MAINTENANCE)

FIG ITEM	PART NUMBER	1 2 3 4 5 6 7	NOMENCLATURE	EFFECT FROM TO	UNITS PER ASSY
6A 345	271N6443-1141	.	TUBE ASSY-RETURN SYS POSITION DATA: L TUBING MATERIAL: .500 IN. OD .035 IN. WALL 25.10 IN. LG AL AMS 4083 6061 T6 TUBING	101102 108120 504903	1
- 346	AP2097HP08	..	SLEEVE SUPPLIER CODE: V01673 SPECIFICATION NUMBER: BACS13BX08HP OPTIONAL PART: 2-02903-08HP V11328 35235VN08 V08199 AFP175V08P V30974 DBOS13BX08HP V14798	101102 108120 504903	2
- 347	BACN10YL08	..	NUT	101102 108120 504903	2
353	271N6443-1220	.	TUBE ASSY-PRESSURE SYS TUBING MATERIAL: .375 IN. OD .019 IN. WALL 60.70 IN. LG TI BMS 7-234 TI-3AL-2.5V COLD WORKED, STRESS RELIEVED TUBING	108120	1
354	271N6443-1221	.	TUBE ASSY-PRESSURE SYS TUBING MATERIAL: .375 IN. OD .019 IN. WALL 24.50 IN. LG TI BMS 7-234 TI-3AL-2.5V COLD WORKED, STRESS RELIEVED TUBING	108120	1
355	271N6443-1184	.	TUBE ASSY-PRESSURE SYS POSITION DATA: LS TUBING MATERIAL: .375 IN. OD .019 IN. WALL 51.50 IN. LG TI BMS 7-234 TI03AL-2.5V COLD WORKED, STRESS RELIEVED TUBING	101102 108120 504903	1

MISSING ITEM NUMBERS NOT APPLICABLE

- ITEM NOT ILLUSTRATED

29-11-84-06A

29-11-84
FIG. 06A
PAGE 18
JAN 20/09

BRI

BOEING PROPRIETARY - Copyright © - Unpublished Work - See title page for details.



757

PARTS CATALOG (MAINTENANCE)

FIG ITEM	PART NUMBER	1 2 3 4 5 6 7	NOMENCLATURE	EFFECT FROM TO	UNITS PER ASSY
6A 360	271N6443-1185		.TUBE ASSY-PRESSURE SYS POSITION DATA: LS TUBING MATERIAL: .375 IN. OD .019 IN. WALL 17.8 IN. LG TI BMS 7-234 TI-3AL-2.5V COLD WORKED, STRESS RELIEVED TUBING	101102 108120 504903	1
365	271N6443-1217		.TUBE ASSY-LG UP TUBING MATERIAL: .375 IN. OD .019 IN. WALL 11.40 IN. LG TI BMS 7-234 TI03AL-2.5V COLD WORKED, STRESS RELIEVED TUBING	101102 108120 504903	1
370	271N6443-1218		.TUBE ASSY-RETURN SYS POSITION DATA: LH TUBING MATERIAL: .375 IN. OD .019 IN. WALL 10.70 IN. LG TI BMS 7-234 TI-3AL-2.5V COLD WORKED, STRESS RELIEVED TUBING	101102 108120 504903	1
- 371	AS1581T06		..SLEEVE	101102 504903	2
- 371	AS1581T06		..SLEEVE	108120	2
- 372	BACN10YA6		..NUT-	101102 504903	2
- 372	BACN10YA6		..NUT-	108120	2
375	271N6443-1227		.TUBE ASSY-SUPPLY SYS POSITION DATA: L TUBING MATERIAL: .250 IN. OD .350 IN. WALL 32.90 IN. LG AL AMS 4083 6061 T6 TUBING	101102 108120 504903	1
- 376	AFP175V20P		..SLEEVE SUPPLIER CODE: V30974 SPECIFICATION NUMBER: BACS13BX20HP OPTIONAL PART: 2-02901-20HP V11328 35025VN20 V08199	101102 108120 504903	2

MISSING ITEM NUMBERS NOT APPLICABLE

- ITEM NOT ILLUSTRATED

29-11-84-06A

29-11-84
FIG. 06A
PAGE 19
JAN 20/09

BRI



757

PARTS CATALOG (MAINTENANCE)

FIG ITEM	PART NUMBER	1 2 3 4 5 6 7	NOMENCLATURE	EFFECT FROM TO	UNITS PER ASSY
6A - 377	BACN10YL20L	..	NUT-	101102 108120 504903	2
380	271N6443-1231	.	TUBE ASSY-SUPPLY SYS POSITION DATA: L TUBING MATERIAL: 1.00 IN. OD .035 IN. WALL 41.40 IN. LG AL AMS 4083 6061 T6 TUBING	101102 108120 504903	1
- 381	AP2097HP16	..	SLEEVE SUPPLIER CODE: V01673 SPECIFICATION NUMBER: BACS13BX16HP OPTIONAL PART: 2-02903-16HP V11328 35235VN16 V08199 AFP175V16P V30974 DBOS13BX16HP V14798	101102 108120 504903	2
- 382	BACN10YL16L	..	NUT-	101102 108120 504903	2
400	271N6443-1248	.	TUBE ASSY- TUBING MATERIAL: 1.00 IN. OD .350 IN. WALL 13.46 IN. LG AL AMS 4083 6061 T6 TUBING	102102 108120 504903	1
405	271N6443-1249	.	TUBE ASSY	102102 108120 504903	1
- 410	BACN10YL16L	..	NUT	102102 108120 504903	2

MISSING ITEM NUMBERS NOT APPLICABLE

- ITEM NOT ILLUSTRATED

29-11-84-06A

29-11-84
FIG. 06A
PAGE 20
JAN 20/09

BRI

BOEING PROPRIETARY - Copyright © - Unpublished Work - See title page for details.



757

PARTS CATALOG (MAINTENANCE)

FIG ITEM	PART NUMBER	1 2 3 4 5 6 7	NOMENCLATURE	EFFECT FROM TO	UNITS PER ASSY
6A - 415	AP2097HP16	. .	SLEEVE-SWAGED SUPPLIER CODE: V01673 SPECIFICATION NUMBER: BACS13BX16HP OPTIONAL PART: 2-02903-16HP V11328 35235VN16 V08199 AFP175V16P V30974 DBOS13BX16HP V14798	102102 108120 504903	2
450	AP1042JN0406	. ELBOW-SWIVEL-90	SUPPLIER CODE: V01673 SPECIFICATION NUMBER: BACE21BT0406JN	101102 108120 504903	1
455	AP1042JN0606	. ELBOW-SWIVEL	SUPPLIER CODE: V01673 SPECIFICATION NUMBER: BACE21BT0606JN	101102 108120 504903	2
460	AP1042JN0808	. ELBOW-SWIVEL-90	SUPPLIER CODE: V01673 SPECIFICATION NUMBER: BACE21BT0808JN	101102 108120 504903	1
465	AP1042JN1212	. ELBOW-SWIVEL-90	SUPPLIER CODE: V01673 SPECIFICATION NUMBER: BACE21BT1212JN	101102 108120 504903	1
470	AP1042JN1616	. ELBOW	SUPPLIER CODE: V01673 SPECIFICATION NUMBER: BACE21BT1616JN	101102 108120 504903	1
475	NAS1761W1616	. ELBOW		101102 108120 504903	2
480	NAS1762W1212	. ELBOW		101102 108120 504903	2
485	NAS1762W1010	. ELBOW		101102 108120 504903	2

MISSING ITEM NUMBERS NOT APPLICABLE

- ITEM NOT ILLUSTRATED

29-11-84-06A

29-11-84
FIG. 06A
PAGE 21
JAN 20/09

BRI

BOEING PROPRIETARY - Copyright © - Unpublished Work - See title page for details.



757

PARTS CATALOG (MAINTENANCE)

FIG ITEM	PART NUMBER	1 2 3 4 5 6 7	NOMENCLATURE	EFFECT FROM TO	UNITS PER ASSY
6A					
550	BACT16AS080806W	. TEE		101102 108120 504903	1
555	BACT16BL080806J	. TEE-	POSITION DATA: STA 1050 LBL 15 STA 1050 LBL 30	101102 108120 504903	2
560	BACT16BL100810J	. TEE-REDUCER		101102 108120 504903	1
565	BACT16BL120810J	. TEE		101102 108120 504903	1
570	BACT16BL161610J	. TEE		101102 108120 504903	1
575	BACT16BR060606J	. TEE-	POSITION DATA: STA 1060 WL 190 STA 1060 LBL 10 STA 1040 LBL 40 WL 180	101102 108120 504903	3
580	BACT16BR121212J	. TEE		101102 108120 504903	1
585	BACT16BR160816J	. TEE		101102 108120 504903	1
590	MS21910W16	. TEE		101102 108120 504903	1
595	NAS1763W080608	. TEE		101102 108120 504903	1
600	NAS1763W080806	. TEE		101102 108120 504903	1
605	NAS1763W161610	. TEE		101102 108120 504903	1
610	NAS1764W060606	. TEE		101102 108120 504903	1
615	NAS1764W080806	. TEE		101102 108120 504903	1

MISSING ITEM NUMBERS NOT APPLICABLE

- ITEM NOT ILLUSTRATED

29-11-84-06A

29-11-84
FIG. 06A
PAGE 22
JAN 20/09

BRI

BOEING PROPRIETARY - Copyright © - Unpublished Work - See title page for details.



757

PARTS CATALOG (MAINTENANCE)

FIG ITEM	PART NUMBER	1 2 3 4 5 6 7	NOMENCLATURE	EFFECT FROM TO	UNITS PER ASSY
6A 630	1C3594	.	VALVE- SUPPLIER CODE: V99240 SPECIFICATION NUMBER: BACV10CD12 OPTIONAL PART: 0121520900-12 V83533	101102 108120 504903	1
635	1C3598	.	VALVE SUPPLIER CODE: V99240 SPECIFICATION NUMBER: BACV10CD15 OPTIONAL PART: 0121520900-15 V83533	101102 108120 504903	1
640	1C3600	.	VALVE SUPPLIER CODE: V99240 SPECIFICATION NUMBER: BACV10CD16 OPTIONAL PART: 0121520900-16 V83533	101102 108120 504903	1
645	1C3614	.	VALVE-FLRLS SUPPLIER CODE: V99240 SPECIFICATION NUMBER: BACV10CE16 OPTIONAL PART: 0121520600-16 V83533	101102 108120 504903	1
650	9R3396	.	VALVE- SUPPLIER CODE: V99240	101102 108120 504903	1
685	MS21924D6	.	UNION	101102 108120 504903	1
690	AE81565K	.	COUPLER- SUPPLIER CODE: V00624 SPECIFICATION NUMBER: S270T202-5	101102 108120 504903	1
695	AE81566K	.	NIPPLE ASSY- SUPPLIER CODE: V00624 SPECIFICATION NUMBER: S270T202-6	101102 108120 504903	1

MISSING ITEM NUMBERS NOT APPLICABLE

- ITEM NOT ILLUSTRATED

29-11-84-06A

29-11-84
FIG. 06A
PAGE 23
JAN 20/09

BRI

 **BOEING**
757
PARTS CATALOG (MAINTENANCE)

FIG ITEM	PART NUMBER	1 2 3 4 5 6 7	NOMENCLATURE	EFFECT FROM TO	UNITS PER ASSY
6A					
700	22610-117		. . PACKING- SUPPLIER CODE: V00624	101102 108120 504903	1
720	270N0005-6		. FILLER	101102 108120 504903	2
725	270N2006-58		. SHIM	101102 108120 504903	AR
730	270N2006-59		. SHIM	101102 108120 504903	AR
735	270N2006-60		. SHIM	101102 108120 504903	AR
740	270N2007-10		. SHIM	101102 108120 504903	AR
745	270N2007-11		. SHIM	101102 108120 504903	AR
750	270N2007-12		. SHIM	101102 108120 504903	AR
755	270N2008-120		. SHIM	101102 108120 504903	AR
760	270N2008-121		. SHIM	101102 108120 504903	AR
765	270N2008-122		. SHIM	101102 108120 504903	AR
770	NAS1612-16		. PACKING-	101102 108120 504903	1
- 775	NAS1149D1290J		. WASHER	101102 108120 504903	1
- 780	AN924-12D		. NUT	101102 108120 504903	1
- 785	AN924-8D		. NUT	101102 108120 504903	1
900			ILLUSTRATION REFERENCE: PLUMBING INSTL-ROLLS ROYCE ENG 29-11-51-55	101102 108120 504903	RF

MISSING ITEM NUMBERS NOT APPLICABLE

- ITEM NOT ILLUSTRATED

BRI

29-11-84-06A

BOEING PROPRIETARY - Copyright © - Unpublished Work - See title page for details.

29-11-84
FIG. 06A
PAGE 24
JAN 20/09



757

PARTS CATALOG (MAINTENANCE)

FIG ITEM	PART NUMBER	1 2 3 4 5 6 7	NOMENCLATURE	EFFECT FROM TO	UNITS PER ASSY
6A 905			ILLUSTRATION REFERENCE: PLUMBING AND FITTING INSTL ETOPS ALL 29-11-84-03	101102 108120	RF
920			ILLUSTRATION REFERENCE: PLUMBING INSTL LH MAIN MLG WHL WELL HYDR KEEL BEAM SECT. 44 29-11-51-93	504903	RF
925			ILLUSTRATION REFERENCE: MODULE INSTL-ELEC MOTOR PUMP PRESSURE/CASE DRAIN L AND R SYS FILTER 29-11-18-01	101102 108120 504903	RF
940			ILLUSTRATION REFERENCE: PLUMBING INSTL-4-DOOR/ PKG FREIGHTER MINOR MODEL 29-11-84-01	101102 108120 504903	RF
945			ILLUSTRATION REFERENCE: PLUMBING INSTL-MAIN WHL WELL FWD BHD HYDR 29-11-51-78	101102 108120 504903	RF

MISSING ITEM NUMBERS NOT APPLICABLE

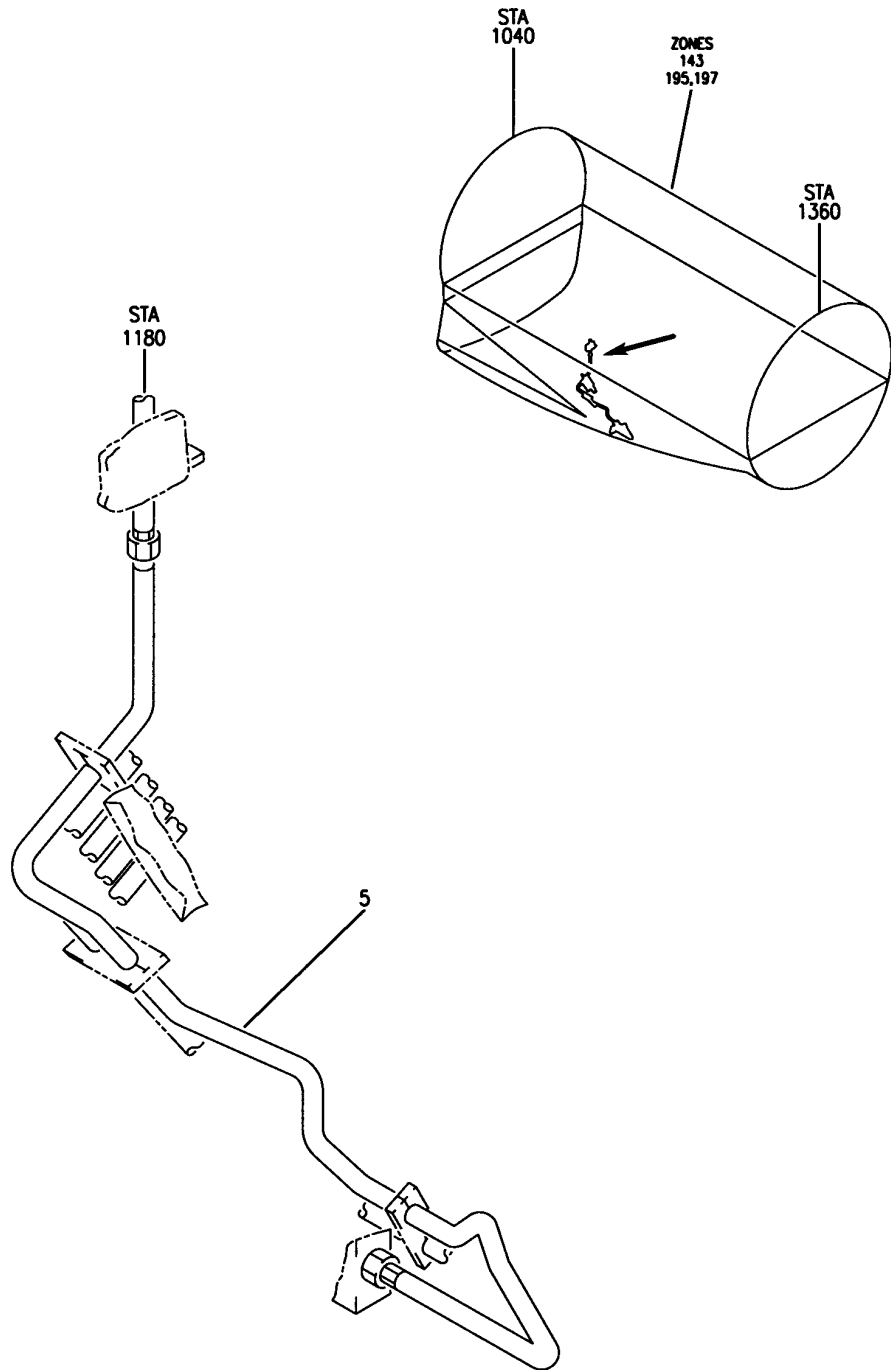
- ITEM NOT ILLUSTRATED

29-11-84-06A

29-11-84
FIG. 06A
PAGE 25
JAN 20/09

BRI

BOEING
757
PARTS CATALOG (MAINTENANCE)



Y 29119001 REV 208

PLUMBING INSTL-HYDR BAY L SECT. 49 (MAIN HYDR SYS ONLY)
FIGURE 1

BRI
MAY 28/07

29-11-90-01

29-11-90-01
PAGE 0



757

PARTS CATALOG (MAINTENANCE)

FIG ITEM	PART NUMBER	1 2 3 4 5 6 7	NOMENCLATURE	EFFECT FROM TO	UNITS PER ASSY
1			PLUMBING INSTL-HYDR BAY L SECT. 49 (MAIN HYDR SYS ONLY)	101106 108120 504903	
- 1	271N6492-12		PLUMBING INSTL-HYDR BAY (MAIN HYDR SYS ONLY) POSITION DATA: SECT. 49 L FOR NHA SEE: 29-00-51-02B	101102 108120 504903	RF
- 1	MODREF31930		PLUMBING INSTL-HYDR BAY (MAIN HYDR SYS ONLY) MODULE NUMBER: 271N6492-21 REV B POSITION DATA: SECT. 49 L	103106	1
5	271N6492-1088		.TUBE ASSY-RETURN SYS POSITION DATA: LH TUBING MATERIAL: .375 IN. OD .035 IN. WALL 62.9 IN. LG AMS 4083 6061 T6 TUBING	101102 108120 504903	1
5	271N6492-1101		.TUBE ASSY-RETURN SYS POSITION DATA: LH TUBING MATERIAL: .375 IN. OD .035 IN. WALL 63.00 IN. LG AMS 4083 6061 T6 TUBING	103106	1
- 10	AP2097HP06		..SLEEVE SUPPLIER CODE: V01673 SPECIFICATION NUMBER: BACS13BX06HP OPTIONAL PART: 2-02903-06HP V11328 35235VN06 V08199 AFP175V06P V30974 DBOS13BX06HP V14798	101106 108120 504903	1
- 15	MS21921-6D		..NUT- OPTIONAL PART: BACN10YL06	101102 108120 504903	1

MISSING ITEM NUMBERS NOT APPLICABLE

- ITEM NOT ILLUSTRATED

BRI

29-11-90-01

29-11-90
FIG. 01
PAGE 1
JAN 20/09



757

PARTS CATALOG (MAINTENANCE)

FIG ITEM	PART NUMBER	1 2 3 4 5 6 7	NOMENCLATURE	EFFECT FROM TO	UNITS PER ASSY
1					
- 15	BACN10YLO6		..NUT- OPTIONAL PART: MS21921-6D	101106 108120 504903	1
- 20	35056GV06		..UNION SUPPLIER CODE: V08199 SPECIFICATION NUMBER: BACU24AB6W OPTIONAL PART: 2-01027-6W V11328 31875-6W V14397 4671097W6 V50948 AP1004W06 V01673 AFP941W6 V30974 DBOU24AB6W V14798	101106 108120 504903	1

MISSING ITEM NUMBERS NOT APPLICABLE

- ITEM NOT ILLUSTRATED

BRI

29-11-90-01

BOEING PROPRIETARY - Copyright © - Unpublished Work - See title page for details.

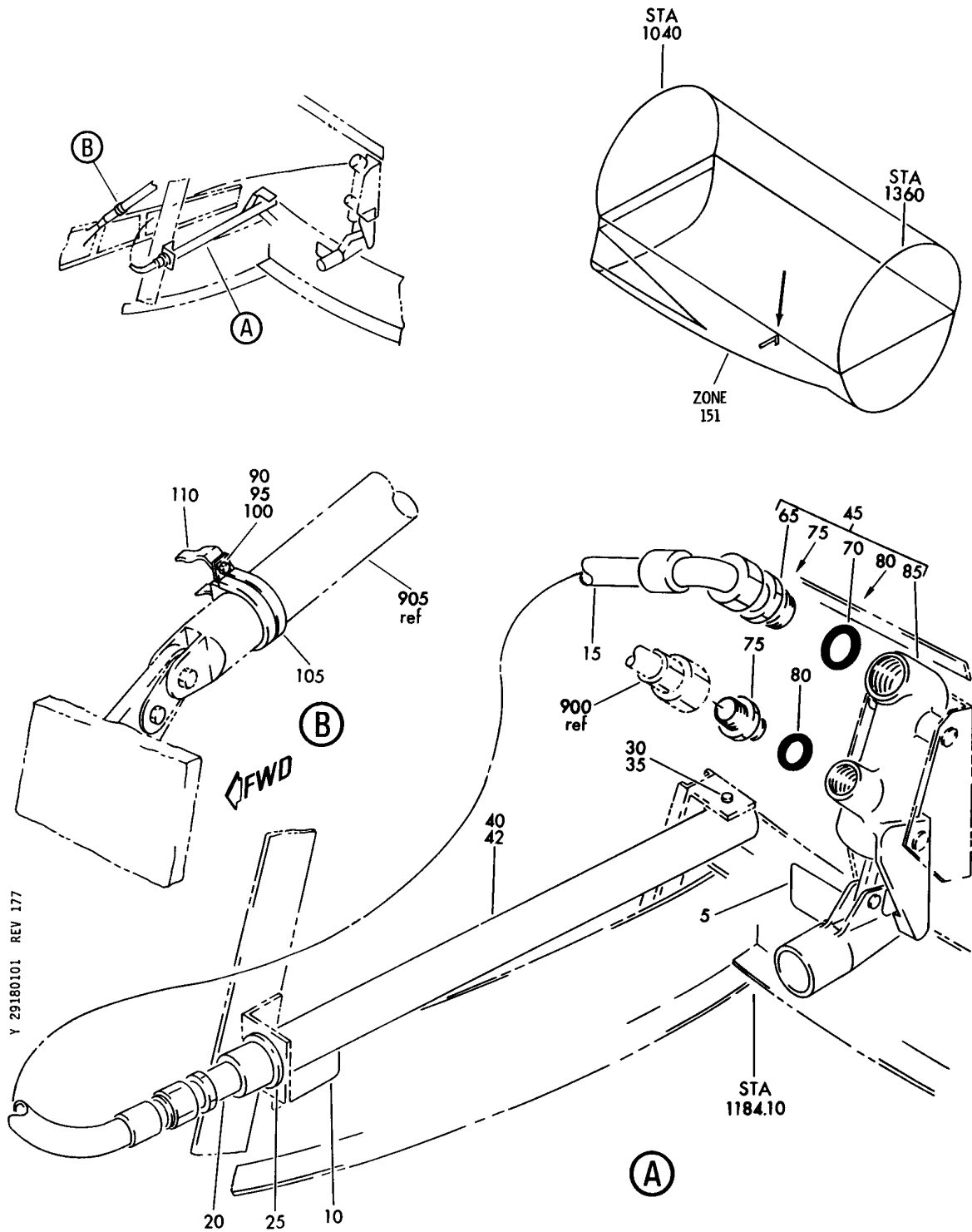
29-11-90
FIG. 01
PAGE 2
JAN 20/09

GROUND SERVICING SYSTEM

BRI
MAY 28/07

29-18-00
SECTION TITLE
PAGE 1

BOEING
757
PARTS CATALOG (MAINTENANCE)



PUMP INSTL-RSVR CENTRAL FILL SYS HAND
FIGURE 1

29-18-01-01

BRI
MAY 28/07

29-18-01-01
PAGE 0



757

PARTS CATALOG (MAINTENANCE)

FIG ITEM	PART NUMBER	1 2 3 4 5 6 7	NOMENCLATURE	EFFECT FROM TO	UNITS PER ASSY
1			PUMP INSTL-RSVR CENTRAL FILL SYS HAND	002004 006999	
- 1	271N5009-1		PUMP INSTL-RSVR CENTRAL FILL SYS HAND FOR NHA SEE: 29-00-51-07	002004 006100 107107 121503 904999	RF
- 1	271N5009-5		PUMP INSTL-RSVR CENTRAL FILL SYS HAND FOR NHA SEE: 29-00-51-01A	101102 108120 504903	RF
- 1	MODREF7217		PUMP INSTL-RSVR CENTRAL FILL SYS HAND MODULE NUMBER: 271N5009-5 REV A	103106	1
5	BAC27NHY0070		.MARKER-ALUMINUM FOIL PLACARD CONTENT: HAND PUMP CENTRAL FILL SYSTEM	002004 006999	1
10	BAC27NHY0071		.MARKER-ALUMINUM FOIL PLACARD CONTENT: PUMP HANDLE CENTRAL FILL SYSTEM	002004 006999	1
15	AS1634A08-0360		.HOSE ASSY	002004 006999	1
20	271N6492-1021		.TUBE ASSY- TUBING MATERIAL: .500 IN. OD .035 IN. WALL 8.75 IN. LG ALUMINUM	002004 006999	1
- 22	35056GV08		..UNION SUPPLIER CODE: V08199 SPECIFICATION NUMBER: BACU24AB8W OPTIONAL PART: 2-01027-8W V11328 31875-8W V14397 4671097W8 V50948 AP1004W08 V01673 AFP941W8 V30974 DBOU24AB8W V14798	002004 006999	1

MISSING ITEM NUMBERS NOT APPLICABLE

- ITEM NOT ILLUSTRATED

29-18-01-01

29-18-01
FIG. 01
PAGE 1
JAN 20/09

BRI

BOEING
757
PARTS CATALOG (MAINTENANCE)

FIG ITEM	PART NUMBER	1 2 3 4 5 6 7	NOMENCLATURE	EFFECT FROM TO	UNITS PER ASSY
1					
25	NAS557-18A	.	GROMMET	002004 006999	1
30	NAS623-3-26	.	SCREW	002004 006999	1
35	AN960D10	.	WASHER	002004 006999	1
40	69-30515-4	.	HANDLE ASSY	002004 006999	1
42	69-30515-5	..	HANDLE	002004 006999	1
45	271N5009-2	.	PUMP ASSY	002004 006999	1
			ATTACHING PARTS		
- 50	BACB30NM4K34	.	BOLT	002004 006999	2
- 55	AN960PD416	.	WASHER	002004 006999	2
- 60	BRH10A4	.	NUT	002004 006999	2
			SUPPLIER CODE: V52828		
			SPECIFICATION NUMBER: BACN10JC4		
			OPTIONAL PART: T6S428J		
			V11815		
			96-048		
			V80539		
			VN303A048		
			V92215		
			RMLH9075-4W		
			V72962		
			NS202101-048		
			V80539		
			H10-4BAC		
			V15653		
			-----*-----		
65	MS21902D8	..	UNION	002004 006999	1
70	NAS1612-8	..	PACKING-	002004 006999	1
75	MS21902D6	..	UNION	002004 006999	1
80	NAS1612-6	..	PACKING-	002004 006999	1

MISSING ITEM NUMBERS NOT APPLICABLE

- ITEM NOT ILLUSTRATED

BRI

29-18-01-01

29-18-01
FIG. 01
PAGE 2
JAN 20/09



757

PARTS CATALOG (MAINTENANCE)

FIG ITEM	PART NUMBER	1 2 3 4 5 6 7	NOMENCLATURE	EFFECT FROM TO	UNITS PER ASSY
1	85 71234		.. PUMP- SUPPLIER CODE: V81982 FUNCTIONAL DESCRIPTION: TRANSFERS FLUID FROM A HYDRAULIC FLUID CONTAINER TO THE SELECTED RESERVOIR. COMPONENT MAINT MANUAL REF: 29-20-65	002004 006999	1
	90 NAS1801-3-6		. SCREW	002004 006999	1
	95 AN960PD10L		. WASHER	002004 006999	1
	100 BRH10A3		. NUT SUPPLIER CODE: V52828 SPECIFICATION NUMBER: BACN10JC3 OPTIONAL PART: H10-3BAC V15653 NS202101-02 V80539 RMLH9075-3W V72962 VN303A02 V92215 96-02 V80539 T6S1032J V11815	002004 006999	1
	105 JM44LC13WS20R		. CLAMP SUPPLIER CODE: V22175 SPECIFICATION NUMBER: BACC10GE20 OPTIONAL PART: TA12C32WS20 V84971 509S20 V83930 S714WH20 V18076	002004 006999	1

MISSING ITEM NUMBERS NOT APPLICABLE

- ITEM NOT ILLUSTRATED

BRI

29-18-01-01

BOEING PROPRIETARY - Copyright © - Unpublished Work - See title page for details.

29-18-01
FIG. 01
PAGE 3
JAN 20/09



757

PARTS CATALOG (MAINTENANCE)

FIG ITEM	PART NUMBER	1 2 3 4 5 6 7	NOMENCLATURE	EFFECT FROM TO	UNITS PER ASSY
1 110	RCS0014-14A		.CLIP SUPPLIER CODE: V08205 SPECIFICATION NUMBER: BACC15AF14A OPTIONAL PART: S189-14A V18076 4028-14A V72285	002004 006999	1
900			ILLUSTRATION REFERENCE: PLUMBING INSTL-SECT. 49 L HYDR BAY (GROUND SERVICING SYSTEM ONLY) 29-18-51-15	002004 006100 107107 121503 904999	RF
900			ILLUSTRATION REFERENCE: PLUMBING INSTL-SECT. 49 L HYDR BAY (GROUND SERVICING SYSTEM ONLY) 29-18-51-15A	101102 108120 504903	RF
900			ILLUSTRATION REFERENCE: PLUMBING INSTL-SECT. 49 L HYDR BAY 29-11-51-91	101102 504903	RF
905			ILLUSTRATION REFERENCE: SUPPORT INSTL-INBD MAIN FLAP TRACK 27-51-03-01	002004 006999	RF

MISSING ITEM NUMBERS NOT APPLICABLE

- ITEM NOT ILLUSTRATED

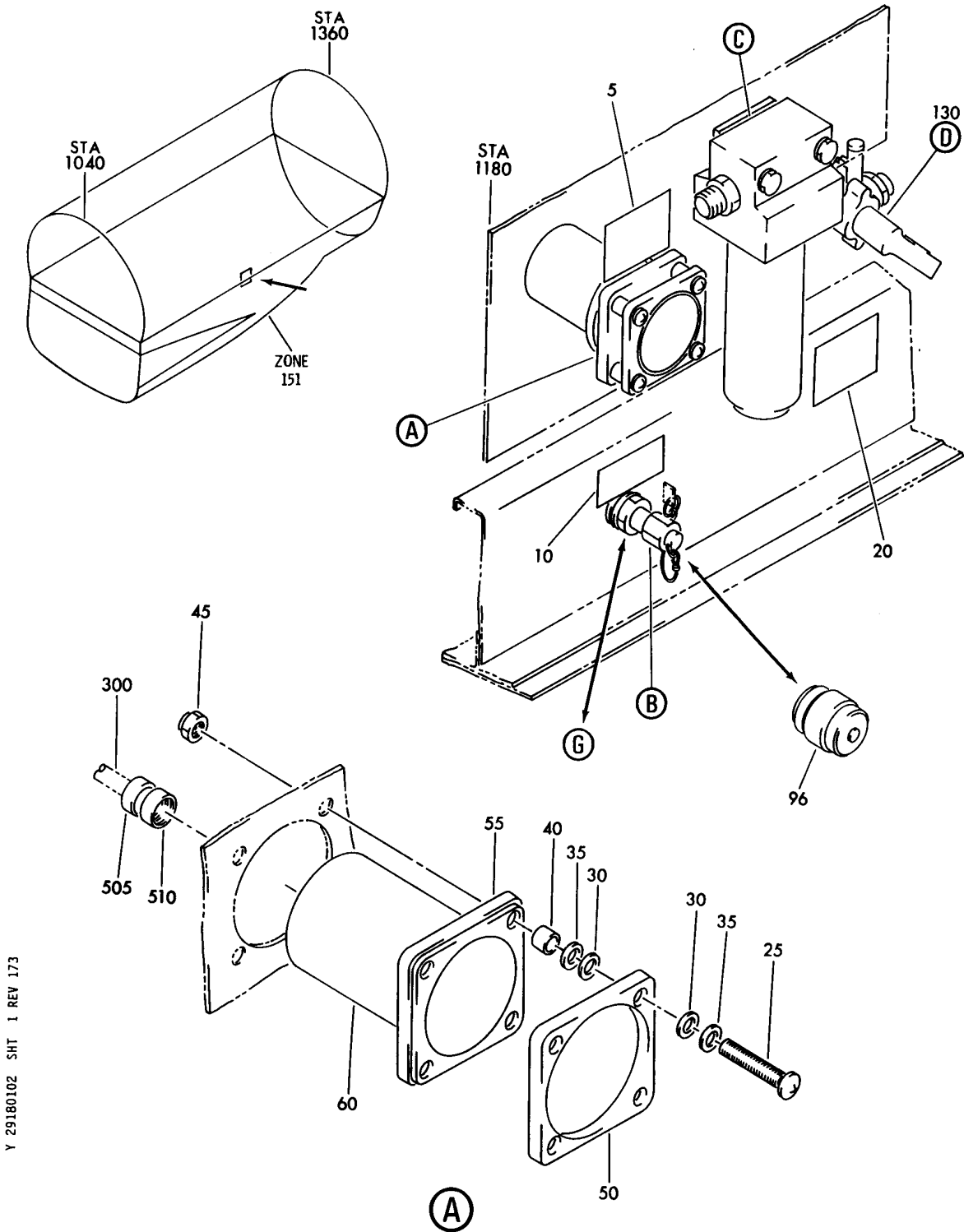
BRI

29-18-01-01

BOEING PROPRIETARY - Copyright © - Unpublished Work - See title page for details.

29-18-01
FIG. 01
PAGE 4
JAN 20/09

BOEING
757
PARTS CATALOG (MAINTENANCE)



Y 29180102 SHT 1 REV 173

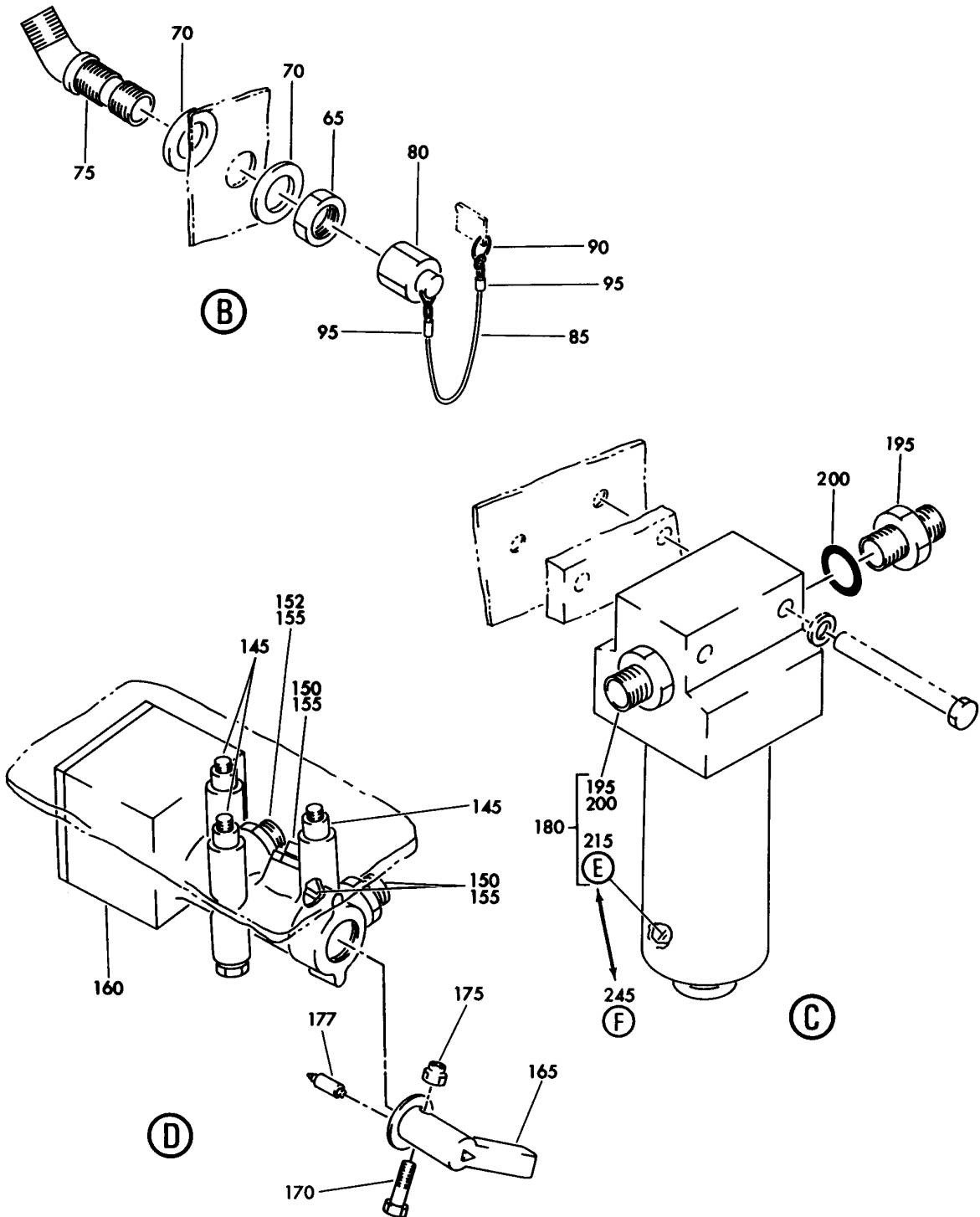
SYSTEM INSTL-RESERVOIR CENTRAL FILL (HYDRAULIC POWER ONLY)
FIGURE 2 (SHEET 1)

29-18-01-02

BRI
MAY 28/07

29-18-01-02
PAGE 0

BOEING
757
PARTS CATALOG (MAINTENANCE)



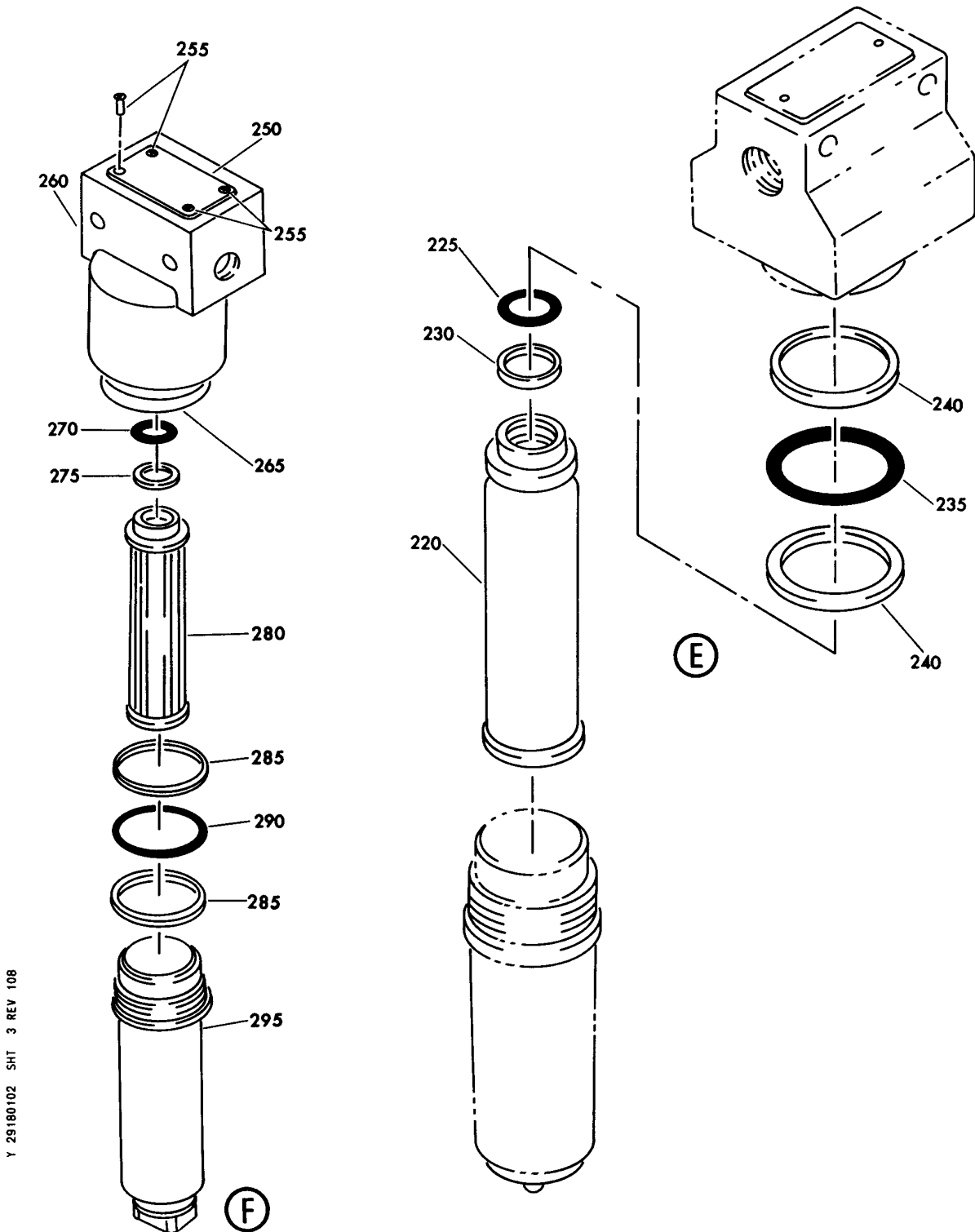
Y 29180102 SH1 2 REV 108

SYSTEM INSTL-RESERVOIR CENTRAL FILL (HYDRAULIC POWER ONLY)
FIGURE 2 (SHEET 2)

29-18-01-02

BRI
MAY 28/07

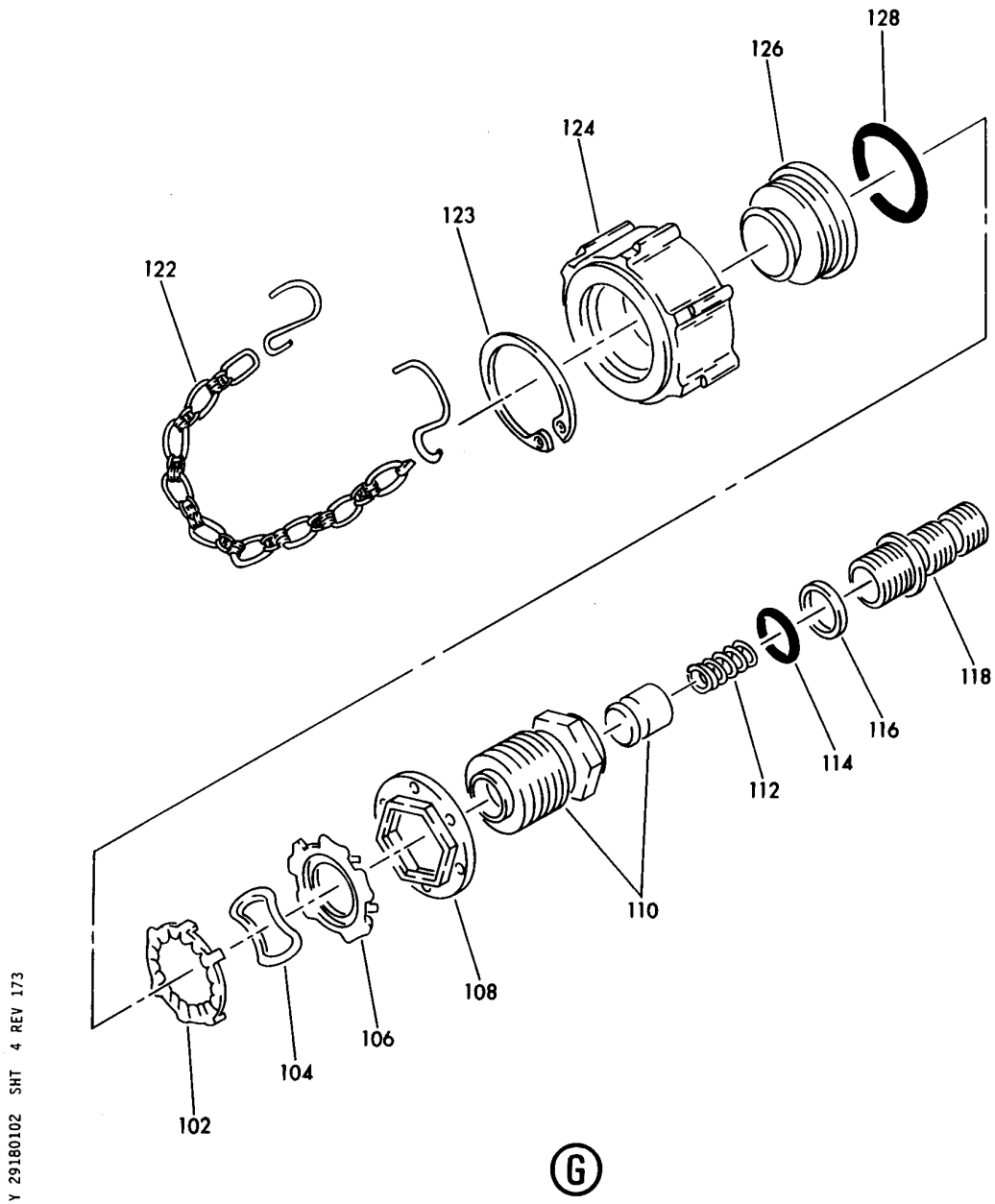
29-18-01-02
PAGE 0A



SYSTEM INSTL-RESERVOIR CENTRAL FILL (HYDRAULIC POWER ONLY)
FIGURE 2 (SHEET 3)

29-18-01-02

BOEING
757
PARTS CATALOG (MAINTENANCE)



SYSTEM INSTL-RESERVOIR CENTRAL FILL (HYDRAULIC POWER ONLY)
FIGURE 2 (SHEET 4)

29-18-01-02

BRI
MAY 28/07

29-18-01-02
PAGE 0C



757

PARTS CATALOG (MAINTENANCE)

FIG ITEM	PART NUMBER	1 2 3 4 5 6 7	NOMENCLATURE	EFFECT FROM TO	UNITS PER ASSY
2			SYSTEM INSTL-RESERVOIR CENTRAL FILL (HYDRAULIC POWER ONLY)	002004 006100 107107 121503 904999	
- 1	271N5024-1		SYSTEM INSTL-RESERVOIR CENTRAL FILL (HYDRAULIC POWER ONLY) FOR NHA/OTHER SYS DET SEE: 29-00-51-07	002004 006100 107107 121503 904999	RF
5	BAC27NHY0069		.MARKER-ALUMINUM FOIL- PLACARD CONTENT: D2492 QTY INDICATOR CENTRAL FILL SYSTEM N29	002004 006100 107107 121503 904999	1
10	BAC27NHY0103		.MARKER-ALUMINUM FOIL- PLACARD CONTENT: PRESSURE PORT CENTRAL FILL SYSTEM	002004 006100 107107 121503 904999	1
20	BAC27NHY0067		.MARKER-ALUMINUM FOIL- PLACARD CONTENT: D2494 SELECTOR VALVE CENTRAL FILL SYSTEM S341	002004 006100 107107 121503 904999	1
25	NAS602-22P		.SCREW-	107107 904949	4
25	NAS601-24P		.SCREW-	002004 006100 121503 950999	4
30	NAS1515K08L		.WASHER-	107107 904949	8
30	NAS1515K06L		.WASHER-	002004 006100 121503 950999	8
35	AN960PD8		.WASHER-	002004 006100 107107 121503 904999	8
35	AN960JD6		.WASHER	002004 006100 107107 121503 904999	8

MISSING ITEM NUMBERS NOT APPLICABLE

- ITEM NOT ILLUSTRATED

29-18-01-02

29-18-01
FIG. 02
PAGE 1
JAN 20/09

BRI



757

PARTS CATALOG (MAINTENANCE)

FIG ITEM	PART NUMBER	1 2 3 4 5 6 7	NOMENCLATURE	EFFECT FROM TO	UNITS PER ASSY
2					
40	NAS43DD3-16	.	SPACER	002004 006100 107107 121503 904999	4
45	BRH10C08D	.	NUT- SUPPLIER CODE: V52828 SPECIFICATION NUMBER: BACN10JC08CD OPTIONAL PART: H51650-08BAC V15653 102LH9075-82W V72962 NS202486-82 V80539 T6C832JCD V11815	107107 904949	4
45	MS33737-9	.	NUT- OPTIONAL PART: MS33737-9C	002004 006100 121503 950999	4
45	MS33737-9C	.	NUT- OPTIONAL PART: MS33737-9	002004 006100 121503 950999	4
50	63-2007-3	.	SHIELD- MISCELLANEOUS DATA: NOT AN INITIAL PROVISIONING SPARE	002004 006100 107107 121503 904999	1
55	MS28055-11	.	FLANGE	002004 006100 107107 121503 904999	1
60	218-013-001	.	INDICATOR- SUPPLIER CODE: V26055 SPECIFICATION NUMBER: S271T455-10 ELECTRICAL EQUIP NUMBER: N00029 COMPONENT MAINT MANUAL REF: 29-33-26 OPTIONAL PART: S271T455-13	002004 006100 107107 121503 904999	1

MISSING ITEM NUMBERS NOT APPLICABLE

- ITEM NOT ILLUSTRATED

BRI

29-18-01-02

29-18-01
FIG. 02
PAGE 2
JAN 20/09



757

PARTS CATALOG (MAINTENANCE)

FIG ITEM	PART NUMBER	1 2 3 4 5 6 7	NOMENCLATURE	EFFECT FROM TO	UNITS PER ASSY
2	60 218-013-003		.INDICATOR- SUPPLIER CODE: V26055 SPECIFICATION NUMBER: S271T455-13 ELECTRICAL EQUIP NUMBER: N00029 COMPONENT MAINT MANUAL REF: 29-33-26	002004 006100 107107 121503 904999	1
	65 AN924-6D		.NUT-	002004 006100 107107 121503 904999	1
	70 AN960PD916		.WASHER	002004 006100 107107 121503 904999	2
	75 MS21907J6		.ELBOW-	002004 006100 107107 121503 904949 952999	1
	75 NAS1761J0606		.ELBOW-45 DEGREE FLARELESS TUBE MISCELLANEOUS DATA: REPLACED BY BACE21BR0606JN POST AIRLINE MOD: TP93-6-3 VALP	950951	1
-	77 300503S2-6D		.DISCONNECT-QUICK SUPPLIER CODE: V00624 POST AIRLINE MOD: TP93-6-3 VALP	950951	1

MISSING ITEM NUMBERS NOT APPLICABLE

- ITEM NOT ILLUSTRATED

BRI

29-18-01-02

29-18-01
FIG. 02
PAGE 3
JAN 20/09



757

PARTS CATALOG (MAINTENANCE)

FIG ITEM	PART NUMBER	1 2 3 4 5 6 7	NOMENCLATURE	EFFECT FROM TO	UNITS PER ASSY
2					
80	AFP241-06		.CAP ASSY- SUPPLIER CODE: V30974 SPECIFICATION NUMBER: BACC14AD06 OPTIONAL PART: DBOC14AD6 V14798 FER22661-06 V14397 2-02813-6 V11328 4690009-06 V50948 US2103-06 V50808 AP1008-06 V01673	002004 006100 107107 121503 904949 952999	1
80	015503S7-8D		.CAP- SUPPLIER CODE: V00624 POST AIRLINE MOD: TP93-6-3 VALP	950951	1
85	CL100-3B40		.CABLE ASSY SUPPLIER CODE: V99862 SPECIFICATION NUMBER: BACC13Y3B40	002004 006100 107107 121503 904999	1
90	NAS1090-2		.HOOK	002004 006100 107107 121503 904999	1
95	CL4F		.FERRULE SUPPLIER CODE: V99862 SPECIFICATION NUMBER: BACF22U2 OPTIONAL PART: 325167 V00779	002004 006100 107107 121503 904999	2
130	271N5024-5		.VALVE ASSY-	002004 006100 107107 121503 904999	1

MISSING ITEM NUMBERS NOT APPLICABLE

- ITEM NOT ILLUSTRATED

29-18-01-02

29-18-01
FIG. 02
PAGE 4
JAN 20/09

BRI

 **BOEING**
757
PARTS CATALOG (MAINTENANCE)

FIG ITEM	PART NUMBER	1 2 3 4 5 6 7	NOMENCLATURE	EFFECT FROM TO	UNITS PER ASSY
2			ATTACHING PARTS		
- 135	BACB30NM4K38		.BOLT	002004 006100 107107 121503 904999	3
- 140	BACW10BN4AC		.WASHER	002004 006100 107107 121503 904999	3
145	NAS43DD4-16		-----*----- .SPACER	002004 006100 121503 950999	3
150	MS21902D6		..UNION	002004 006100 107107 121503 904999	3
152	BACV10CE2		..VALVE- OPTIONAL PART: 1C1358 V99240	002004 006100 107107 121503 904999	1
152	1C1358		..VALVE-CHK SUPPLIER CODE: V99240 OPTIONAL PART: BACB10CE2	002004 006100 107107 121503 904999	1
155	NAS1612-6		..PACKING-	002004 006100 107107 121503 904999	4
160	HP1373100-3		..VALVE ASSY-RSVE FILL SELECTOR SUPPLIER CODE: V70236 SPECIFICATION NUMBER: S271T462-3 COMPONENT MAINT MANUAL REF: 29-18-01	002004 006100 107107 121503 904999	1

MISSING ITEM NUMBERS NOT APPLICABLE

- ITEM NOT ILLUSTRATED

BRI

29-18-01-02

BOEING PROPRIETARY - Copyright © - Unpublished Work - See title page for details.

29-18-01
FIG. 02
PAGE 5
JAN 20/09



757

PARTS CATALOG (MAINTENANCE)

FIG ITEM	PART NUMBER	1 2 3 4 5 6 7	NOMENCLATURE	EFFECT FROM TO	UNITS PER ASSY
2					
160	1320600-1		.. VALVE ASSY-RSVE FILL SELECTOR SUPPLIER CODE: VS4980 SPECIFICATION NUMBER: S271T463-1 COMPONENT MAINT MANUAL REF: 29-18-01	002004 006100 107107 121503 904999	1
165	HP1373105-1		... HANDLE- SUPPLIER CODE: V70236 CONFIG CHG DATA FROM A CMM: MAKE FROM HP1373106-1 ATTACHING PARTS	002004 006100 107107 121503 904999	1
170	NAS563C31		... BOLT	002004 006100 107107 121503 904999	1
175	NAS679C3		... NUT	002004 006100 107107 121503 904999	1
177	SSS52N		-----*----- ... SPRING-PLUNGER SUPPLIER CODE: V01226	002004 006100 107107 121503 904999	1
180	271N5024-2		. FILTER ASSY	002004 006100 107107 121503 904999	1
- 185	BACB30NM4K34		ATTACHING PARTS . BOLT	002004 006100 107107 121503 904999	2
- 190	BACW10BN4AC		. WASHER -----*-----	002004 006100 107107 121503 904999	2

MISSING ITEM NUMBERS NOT APPLICABLE

- ITEM NOT ILLUSTRATED

BRI

29-18-01-02

29-18-01
FIG. 02
PAGE 6
JAN 20/09



757

PARTS CATALOG (MAINTENANCE)

FIG ITEM	PART NUMBER	1 2 3 4 5 6 7	NOMENCLATURE	EFFECT FROM TO	UNITS PER ASSY
2					
195	MS21902D6	..	UNION	002004 006100 107107 121503 904999	2
200	NAS1612-6	..	PACKING-	002004 006100 107107 121503 904999	2
215	AC7680-6	..	FILTER ASSY-HYDR SYS FILLING SUPPLIER CODE: V18350 SPECIFICATION NUMBER: 10-60595-1 OPTIONAL PART: 7551901 V05228	002004 006100 107107 121503 904999	1
220	AC7680E6	...	ELEMENT- SUPPLIER CODE: V18350	002004 006100 107107 121503 904999	1
225	NAS1611-114	...	PACKING-	002004 006100 107107 121503 904999	1
230	MS28782-12	...	RING	002004 006100 107107 121503 904999	1
235	NAS1611-128	...	PACKING-	002004 006100 107107 121503 904999	1
240	MS28774-128	...	RETAINER	002004 006100 107107 121503 904999	2

MISSING ITEM NUMBERS NOT APPLICABLE

- ITEM NOT ILLUSTRATED

BRI

29-18-01-02

BOEING PROPRIETARY - Copyright © - Unpublished Work - See title page for details.

29-18-01
FIG. 02
PAGE 7
JAN 20/09



**757
PARTS CATALOG (MAINTENANCE)**

FIG ITEM	PART NUMBER	1 2 3 4 5 6 7	NOMENCLATURE	EFFECT FROM TO	UNITS PER ASSY
2 245	7551901		.. FILTER ASSY-HYDR SYS FILLING SUPPLIER CODE: V05228 SPECIFICATION NUMBER: 10-60595-1 COMPONENT MAINT MANUAL REF: 29-18-06 OPTIONAL PART: AC7680-6 V18350	002004 006100 107107 121503 904999	1
250	7552764		...NAMEPLATE- SUPPLIER CODE: V05228 ATTACHING PARTS ...SCREW-DRIVE SUPPLIER CODE: V05228	002004 006100 107107 121503 904999	1
255	30743		...SCREW-DRIVE SUPPLIER CODE: V05228	002004 006100 107107 121503 904999	4
260	M7208		-----*----- ...LOCKWIRE- SUPPLIER CODE: V05228	002004 006100 107107 121503 904999	AR
265	7552763		...HEAD-FILTER SUPPLIER CODE: V05228	002004 006100 107107 121503 904999	1
270	MS28774-114		...RETAINER	002004 006100 107107 121503 904999	1
275	NAS1611-114		...PACKING-	002004 006100 107107 121503 904999	1

MISSING ITEM NUMBERS NOT APPLICABLE

— ITEM NOT ILLUSTRATED

29-18-01-02

29-18-01
FIG. 02
PAGE 8
JAN 20/09

BRI

BOEING PROPRIETARY - Copyright © - Unpublished Work - See title page for details.



757

PARTS CATALOG (MAINTENANCE)

FIG ITEM	PART NUMBER	1 2 3 4 5 6 7	NOMENCLATURE	EFFECT FROM TO	UNITS PER ASSY
2 280	7552134		... FILTER-ELEM SUPPLIER CODE: V05228 SPECIFICATION NUMBER: 10-60595-2 FOR ELEMENT MAINTENANCE USE FILTER MAINT KIT DEFINED IN FILTER MAINT KIT LIST. FILTER MAINTENANCE KIT REF: 65-90305-33	002004 006100 107107 121503 904999	1
285	MS28774-223		...RETAINER	002004 006100 107107 121503 904999	2
290	NAS1611-223		...PACKING-	002004 006100 107107 121503 904999	1
295	7505938		...CASE- SUPPLIER CODE: V05228	002004 006100 107107 121503 904999	1
- 500	286N2516-004		WIRE BUNDLE ASSY-(HYDRAULIC POWER ONLY)	002004 006100 950999	RF
- 500	286N2516-005		WIRE BUNDLE ASSY-(HYDRAULIC POWER ONLY)	107107 121503 904949	RF
505	GS3418-12CD		.CLAMP- SUPPLIER CODE: V06324 SPECIFICATION NUMBER: BACC10HG12 OPTIONAL PART: S2126-12-8 V07418 ELECTRICAL EQUIP NUMBER: D02492T WIRING DIAGRAM REF: 293311	011100	1

MISSING ITEM NUMBERS NOT APPLICABLE

- ITEM NOT ILLUSTRATED

BRI

29-18-01-02

29-18-01
FIG. 02
PAGE 9
JAN 20/09



757

PARTS CATALOG (MAINTENANCE)

FIG ITEM	PART NUMBER	1 2 3 4 5 6 7	NOMENCLATURE	EFFECT FROM TO	UNITS PER ASSY
2 505	GS3417-12C		.CLAMP- SUPPLIER CODE: V06324 SPECIFICATION NUMBER: BACC10HF12 OPTIONAL PART: S2125-12-8 V07418 ELECTRICAL EQUIP NUMBER: D02492T WIRING DIAGRAM REF: 293311	002004 006010 107107 121503 904999	1
510	R071012A3SNL		.CONNECTOR- SUPPLIER CODE: V41118 SPECIFICATION NUMBER: BACC63BP12A3SNL ELECTRICAL EQUIP NUMBER: D02492 WIRING DIAGRAM REF: 293311	002004 006100 107107 121503 904999	1
900			ILLUSTRATION REFERENCE: PLUMBING INSTL-SECT. 49 L HYDR BAY (GROUND SERVICING SYSTEM ONLY) 29-18-51-15	002004 006100 107107 121503 904999	RF

MISSING ITEM NUMBERS NOT APPLICABLE

- ITEM NOT ILLUSTRATED

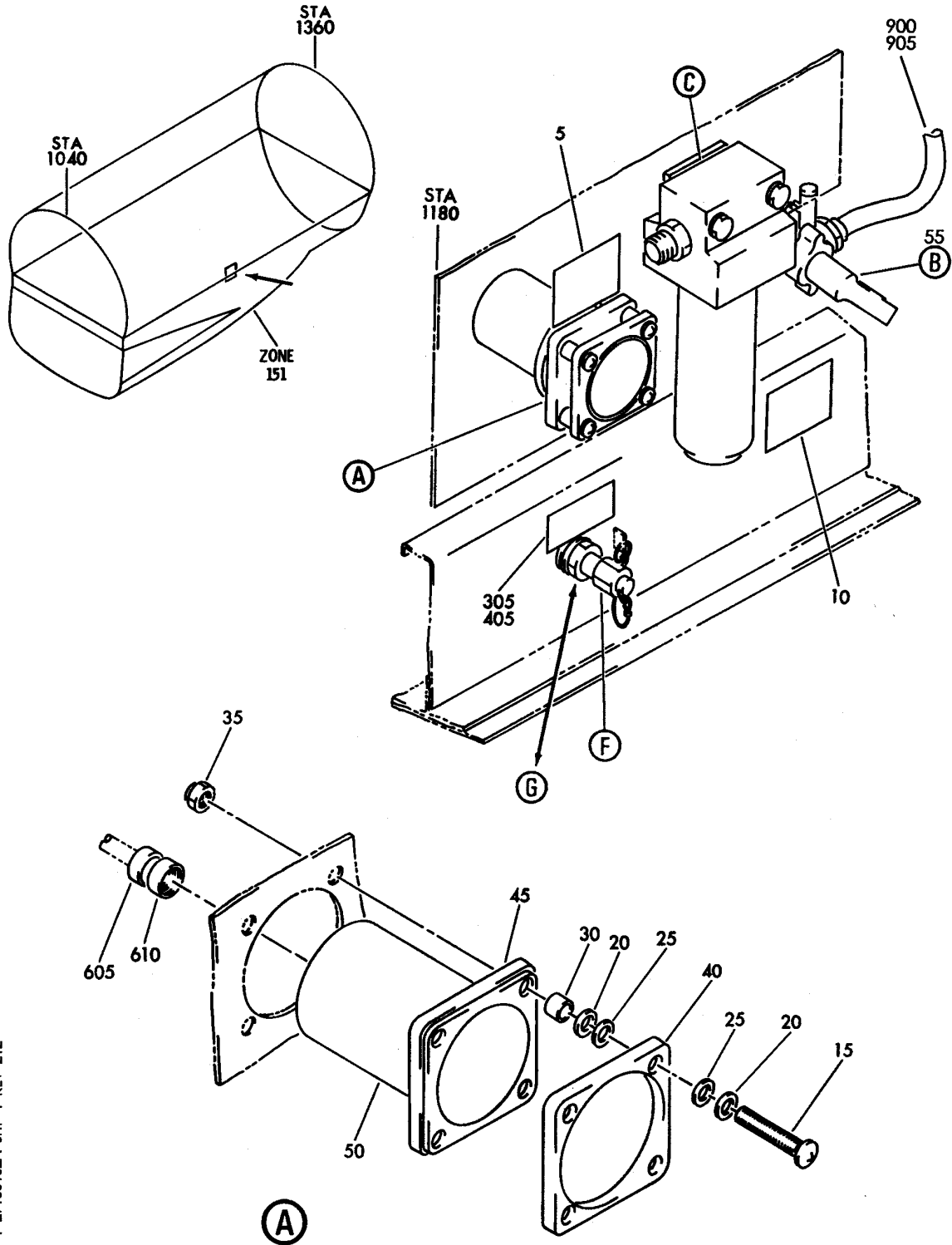
BRI

29-18-01-02

BOEING PROPRIETARY - Copyright © - Unpublished Work - See title page for details.

29-18-01
FIG. 02
PAGE 10
JAN 20/09

BOEING
757
PARTS CATALOG (MAINTENANCE)



Y 29180102A SHT 1 REV 212

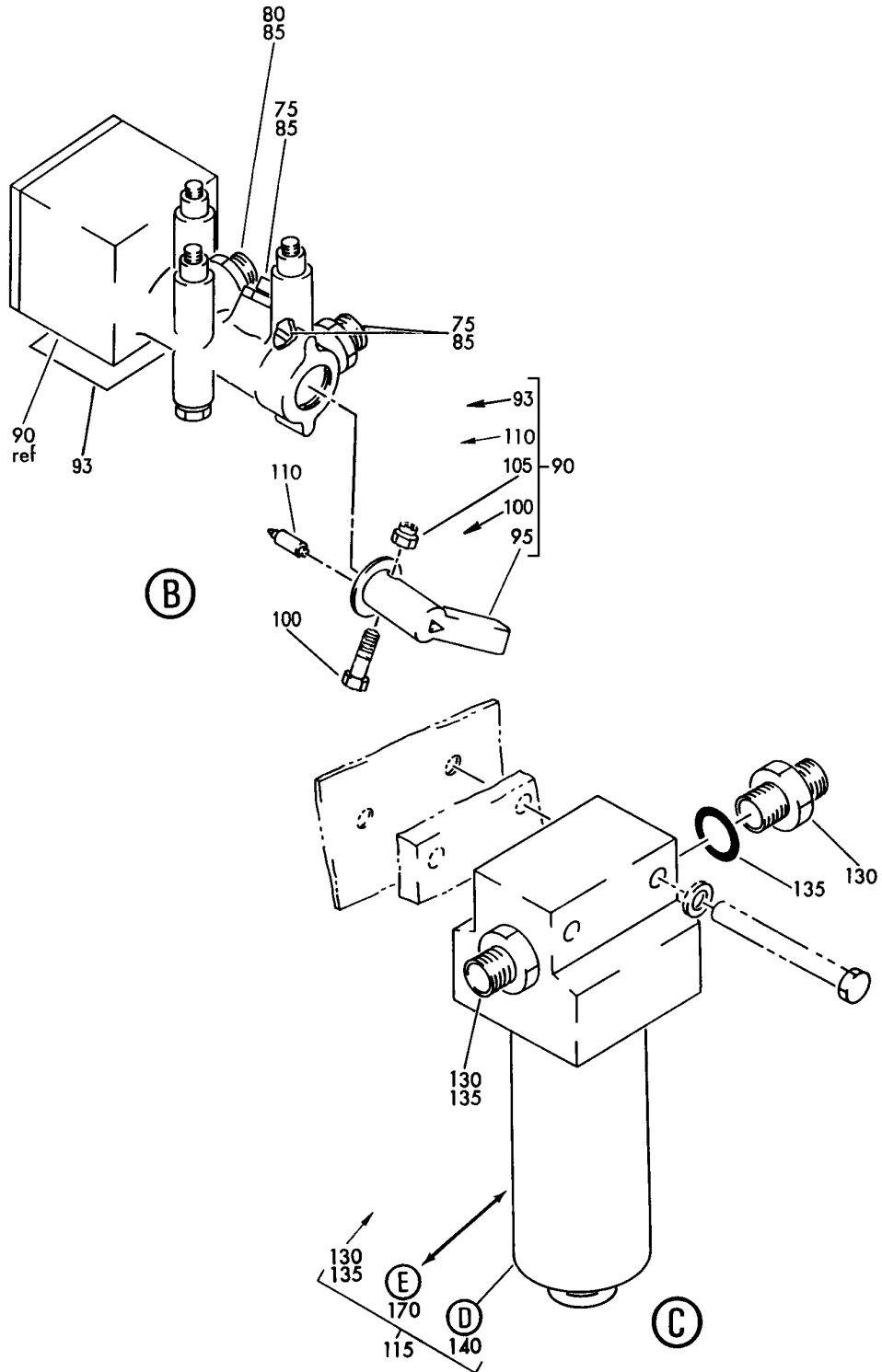
SYSTEM INSTL-RESERVOIR CENTRAL FILL (HYDRAULIC POWER ONLY)
FIGURE 2A (SHEET 1)

29-18-01-02A

BRI
MAY 28/07

29-18-01-02A
PAGE 0

BOEING
757
PARTS CATALOG (MAINTENANCE)



Y 29180102A SHT 2 REV 243

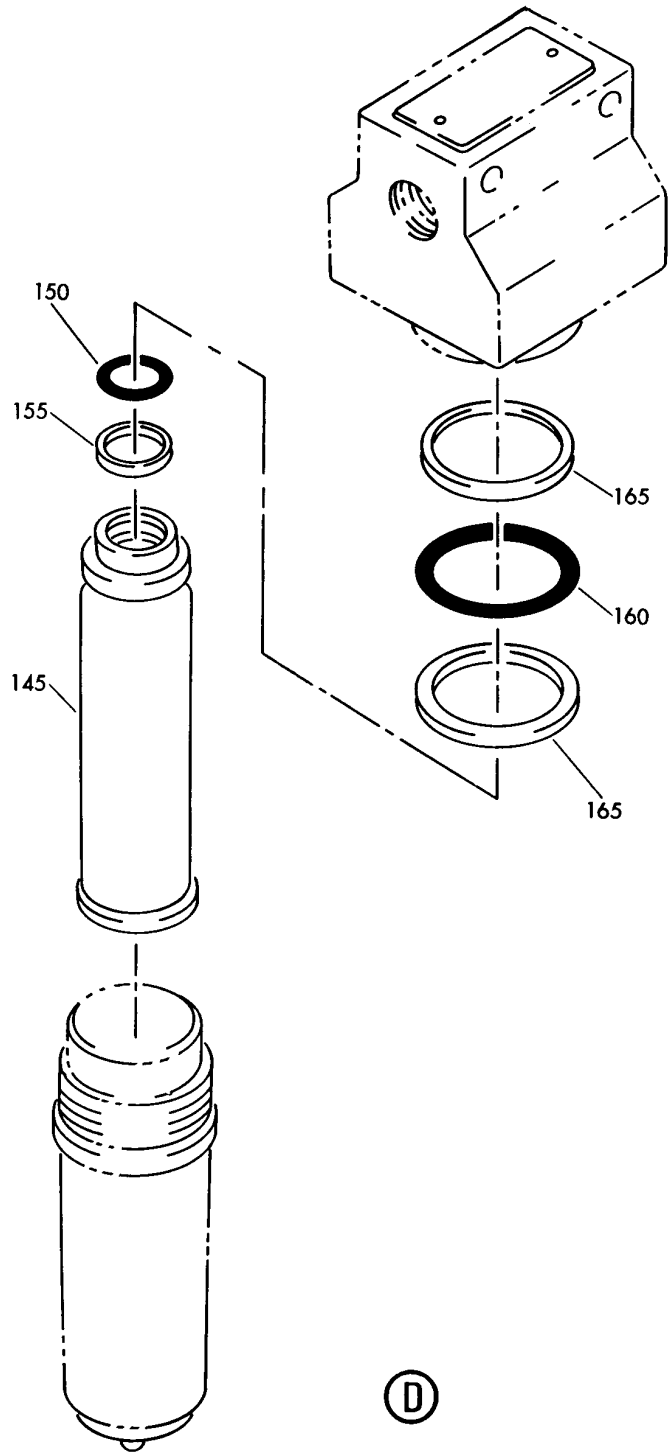
SYSTEM INSTL-RESERVOIR CENTRAL FILL (HYDRAULIC POWER ONLY)
FIGURE 2A (SHEET 2)

29-18-01-02A

BRI
MAY 28/07

29-18-01-02A
PAGE 0A

BOEING
757
PARTS CATALOG (MAINTENANCE)



Y 29180102A SHT 3 REV 190

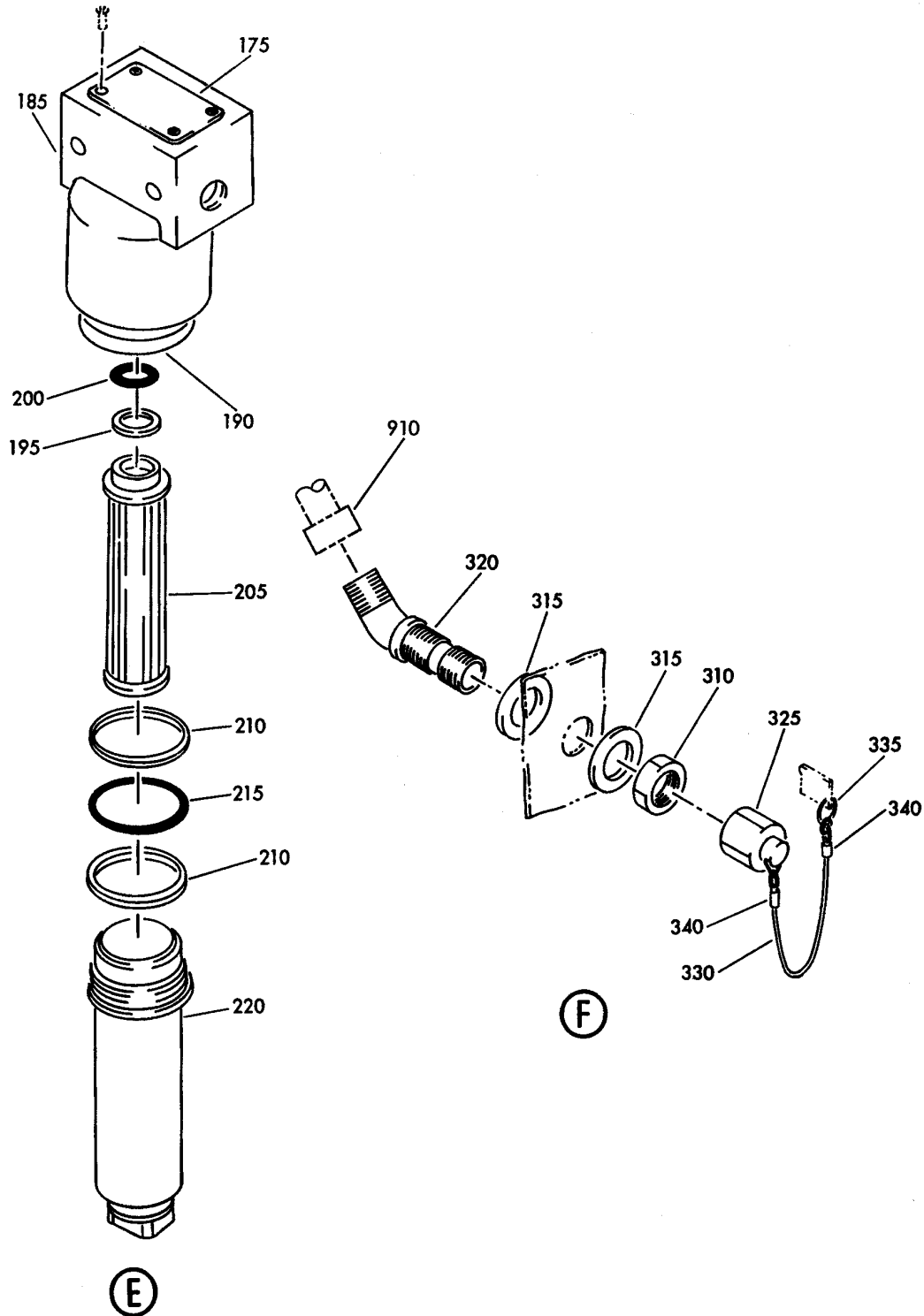
SYSTEM INSTL-RESERVOIR CENTRAL FILL (HYDRAULIC POWER ONLY)
FIGURE 2A (SHEET 3)

29-18-01-02A

BRI
MAY 28/07

29-18-01-02A
PAGE 0B

BOEING
757
PARTS CATALOG (MAINTENANCE)



Y 29180102A SHT 4 REV 212

SYSTEM INSTL-RESERVOIR CENTRAL FILL (HYDRAULIC POWER ONLY)
FIGURE 2A (SHEET 4)

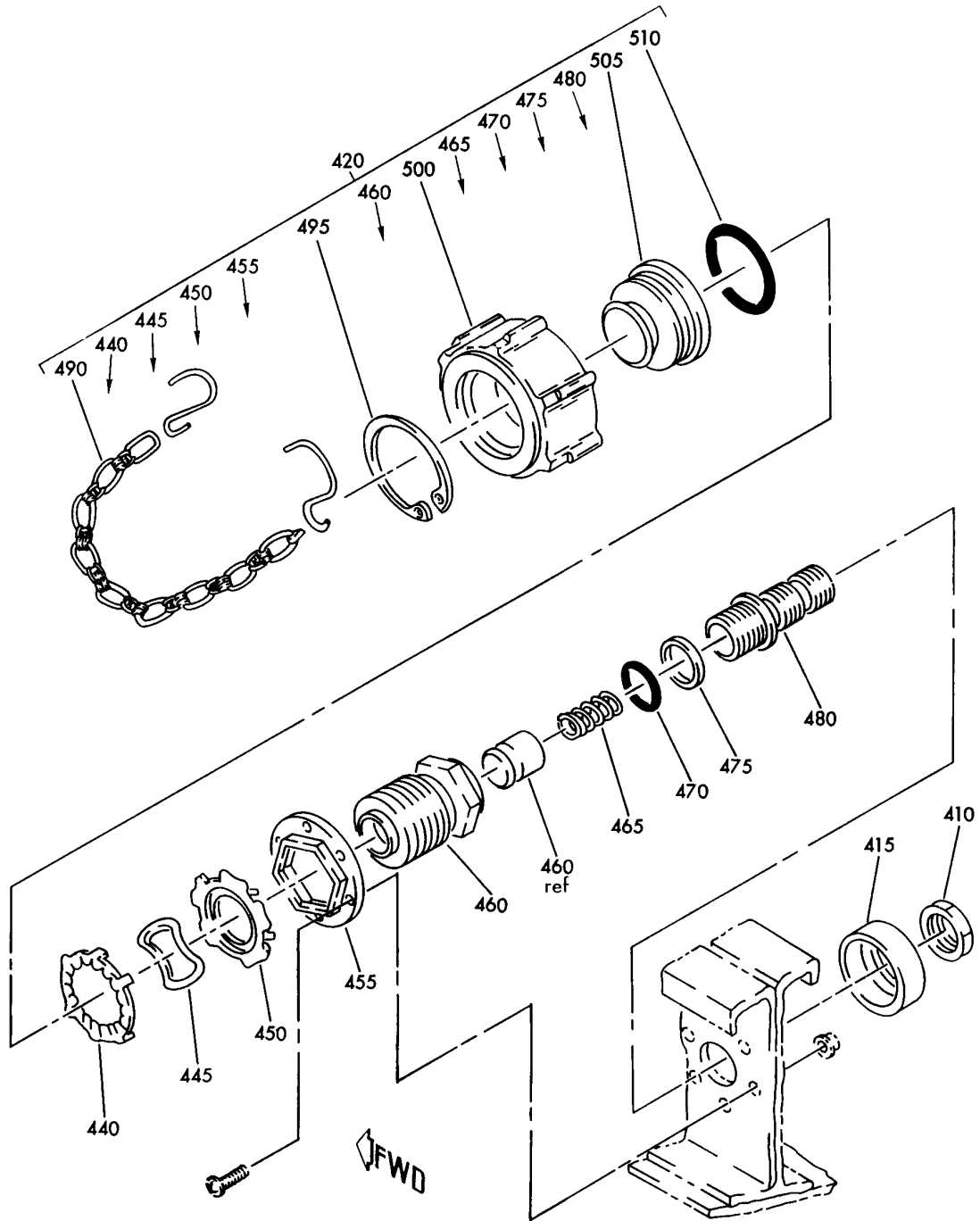
29-18-01-02A

BRI
MAY 28/07

29-18-01-02A
PAGE 0C

BOEING
757
PARTS CATALOG (MAINTENANCE)

Y 29180102A SHT 5 REV 190



(G)

SYSTEM INSTL-RESERVOIR CENTRAL FILL (HYDRAULIC POWER ONLY)
FIGURE 2A (SHEET 5)

29-18-01-02A

BRI
MAY 28/07

29-18-01-02A
PAGE 0D



757

PARTS CATALOG (MAINTENANCE)

FIG ITEM	PART NUMBER	1 2 3 4 5 6 7	NOMENCLATURE	EFFECT FROM TO	UNITS PER ASSY
2A			SYSTEM INSTL-RESERVOIR CENTRAL FILL (HYDRAULIC POWER ONLY)	101106 108120 504903	
- 1	271N5024-9		SYSTEM INSTL-RESERVOIR CENTRAL FILL (HYDRAULIC POWER ONLY)	101102 108120 504903	RF
- 1	MODREF19388		FOR NHA/OTHER SYS DET SEE: 29-00-51-02C SYSTEM INSTL-RESERVOIR CENTRAL FILL (HYDRAULIC POWER ONLY)	103106	1
5	BAC27NHY0069		MODULE NUMBER: 271N5024-12 REV A FOR OTHER SYS DETAILS SEE: 11-22-59-03 .MARKER-ALUMINUM FOIL- PLACARD CONTENT: D2492 QTY INDICATOR CENTRAL FILL SYSTEM N29	101106 108120 504903	1
10	BAC27NHY0067		.MARKER-ALUMINUM FOIL- PLACARD CONTENT: D2494 SELECTOR VALVE CENTRAL FILL SYSTEM S341	101106 108120 504903	1
15	NAS601-24P		.SCREW	101106 108120 504903	4
20	NAS1149DN632J		.WASHER	101106 108120 504903	8
25	NAS1515K06L		.WASHER	101106 108120 504903	8
30	NAS43DD3-16FC		.SPACER	101106 108120 504903	4
35	MS33737-9		.NUT- OPTIONAL PART: MS33737-9C	101106 108120 504903	4
35	MS33737-9C		.NUT- OPTIONAL PART: MS33737-9	101106 108120 504903	4
40	63-2007-3		.SHIELD- MISCELLANEOUS DATA: NOT AN INITIAL PROVISIONING SPARE	101106 108120 504903	1
45	MS28055-11		.FLANGE	101106 108120 504903	1

MISSING ITEM NUMBERS NOT APPLICABLE

- ITEM NOT ILLUSTRATED

29-18-01-02A

29-18-01
FIG. 02A
PAGE 1
JAN 20/09

BRI



757

PARTS CATALOG (MAINTENANCE)

FIG ITEM	PART NUMBER	1 2 3 4 5 6 7	NOMENCLATURE	EFFECT FROM TO	UNITS PER ASSY
2A					
50	218-013-003	.	INDICATOR- SUPPLIER CODE: V26055 SPECIFICATION NUMBER: S271T455-13 ELECTRICAL EQUIP NUMBER: N00029 COMPONENT MAINT MANUAL REF: 29-33-26	101106 108120 504903	1
55	271N5024-5	.	VALVE ASSY-	101102 108120 504903	1
55	271N5024-13	.	VALVE ASSY- ATTACHING PARTS	103106	1
- 60	BACB30NM4K38	.	BOLT	101106 108120 504903	3
- 65	BACW10BN4AC	.	WASHER	101106 108120 504903	3
- 70	NAS43DD4-16FC	.	SPACER	101106 108120 504903	3
			-----*-----		
75	MS21902D6	..	UNION	101106 108120 504903	3
80	1C1358	..	VALVE-CHK SUPPLIER CODE: V99240 OPTIONAL PART: BACB10CE2	101102 108120 504903	1
80	BACV10CE2	..	VALVE- OPTIONAL PART: 1C1358 V99240	101102 108120 504903	1
80	1C3608	..	VALVE- SUPPLIER CODE: V99240 SPECIFICATION NUMBER: BACV10CE12 OPTIONAL PART: 0121520600-12 V83533	103106	1
85	NAS1612-6	..	PACKING-	101106 108120 504903	4

MISSING ITEM NUMBERS NOT APPLICABLE

- ITEM NOT ILLUSTRATED

29-18-01-02A

29-18-01
FIG. 02A
PAGE 2
JAN 20/09

BRI

BOEING PROPRIETARY - Copyright © - Unpublished Work - See title page for details.



757

PARTS CATALOG (MAINTENANCE)

FIG ITEM	PART NUMBER	1 2 3 4 5 6 7	NOMENCLATURE	EFFECT FROM TO	UNITS PER ASSY
2A					
90	HP1373100-3	..	VALVE ASSY-RSVE FILL SELECTOR SUPPLIER CODE: V70236 SPECIFICATION NUMBER: S271T462-3 COMPONENT MAINT MANUAL REF: 29-18-01	101106 108120 504903	1
90	1320600-1	..	VALVE ASSY-RSVE FILL SELECTOR SUPPLIER CODE: VS4980 SPECIFICATION NUMBER: S271T463-1 COMPONENT MAINT MANUAL REF: 29-18-01	101106 108120 504903	1
93	HP1373109-1	...	PLATE-ID SUPPLIER CODE: V70236	101102 108120 504903	1
95	HP1373105-1	...	HANDLE- SUPPLIER CODE: V70236 ATTACHING PARTS	101102 108120 504903	1
- 100	NAS563C31	...	BOLT	101102 108120 504903	1
- 105	NAS679C3	...	NUT	101102 108120 504903	1
110	SSS52N	...	-----*----- SPRING-PLUNGER SUPPLIER CODE: V01226	101102 108120 504903	1
115	271N5024-2	.	FILTER ASSY	101106 108120 504903	1
- 120	BACB30NM4K34	.	ATTACHING PARTS BOLT	101106 108120 504903	2
- 125	BACW10BN4AC	.	WASHER	101106 108120 504903	2
130	MS21902D6	..	-----*----- UNION	101106 108120 504903	2

MISSING ITEM NUMBERS NOT APPLICABLE

- ITEM NOT ILLUSTRATED

29-18-01-02A

29-18-01
FIG. 02A
PAGE 3
JAN 20/09

BRI

BOEING PROPRIETARY - Copyright © - Unpublished Work - See title page for details.



757

PARTS CATALOG (MAINTENANCE)

FIG ITEM	PART NUMBER	1 2 3 4 5 6 7	NOMENCLATURE	EFFECT FROM TO	UNITS PER ASSY
2A 135	NAS1612-6	..	PACKING-	101106 108120 504903	2
140	AC7680-6	..	FILTER ASSY-HYDR SYS FILLING SUPPLIER CODE: V18350 SPECIFICATION NUMBER: 10-60595-1 OPTIONAL PART: 7551901 V05228	101106 108120 504903	1
145	AC7680E6	...	ELEMENT- SUPPLIER CODE: V18350	101106 108120 504903	1
150	NAS1611-114	...	PACKING-	101106 108120 504903	1
155	MS28782-12	...	RING	101106 108120 504903	1
160	NAS1611-128	...	PACKING-	101106 108120 504903	1
165	MS28774-128	...	RETAINER	101106 108120 504903	2
170	7551901	..	FILTER ASSY-HYDR SYS FILLING SUPPLIER CODE: V05228 SPECIFICATION NUMBER: 10-60595-1 COMPONENT MAINT MANUAL REF: 29-18-06 OPTIONAL PART: AC7680-6 V18350	101106 108120 504903	1
175	7552764	...	NAMEPLATE- SUPPLIER CODE: V05228 ATTACHING PARTS	101106 108120 504903	1
- 180	30743	...	SCREW-DRIVE SUPPLIER CODE: V05228 -----*-----	101106 108120 504903	4
185	M7208	...	LOCKWIRE- SUPPLIER CODE: V05228	101106 108120 504903	AR

MISSING ITEM NUMBERS NOT APPLICABLE

- ITEM NOT ILLUSTRATED

29-18-01-02A

29-18-01
FIG. 02A
PAGE 4
JAN 20/09

BRI

BOEING PROPRIETARY - Copyright © - Unpublished Work - See title page for details.



757

PARTS CATALOG (MAINTENANCE)

FIG ITEM	PART NUMBER	1 2 3 4 5 6 7	NOMENCLATURE	EFFECT FROM TO	UNITS PER ASSY
2A					
190	7552763	...	HEAD-FILTER SUPPLIER CODE: V05228	101106 108120 504903	1
195	MS28774-114	...	RETAINER	101106 108120 504903	1
200	NAS1611-114	...	PACKING-	101106 108120 504903	1
205	7552134	...	FILTER-ELEM SUPPLIER CODE: V05228 SPECIFICATION NUMBER: 10-60595-2 FOR ELEMENT MAINTENANCE USE FILTER MAINT KIT DEFINED IN FILTER MAINT KIT LIST. FILTER MAINTENANCE KIT REF: 65-90305-33	101106 108120 504903	1
210	MS28774-223	...	RETAINER	101106 108120 504903	2
215	NAS1611-223	...	PACKING-	101106 108120 504903	1
220	7505938	...	CASE- SUPPLIER CODE: V05228	101106 108120 504903	1
- 300	271N5024-10		SYSTEM INSTL-RESERVOIR CENTRAL FILL (HYDRAULIC POWER ONLY) FOR NHA SEE: 29-00-51-02B	101102 108120 504903	RF
- 300	MODREF7229		SYSTEM INSTL-RESERVOIR CENTRAL FILL (HYDRAULIC POWER ONLY) MODULE NUMBER: 271N5024-10 REV A	103106	1
305	BAC27NHY0103	.MARKER-	ALUMINUM FOIL- PLACARD CONTENT: PRESSURE PORT CENTRAL FILL SYSTEM	101106 108120 504903	1
310	AN924-6D	.NUT		101106 108120 504903	1
315	NAS1149D0963J	.WASHER		101106 108120 504903	2

MISSING ITEM NUMBERS NOT APPLICABLE

- ITEM NOT ILLUSTRATED

29-18-01-02A

29-18-01
FIG. 02A
PAGE 5
JAN 20/09

BRI

BOEING PROPRIETARY - Copyright © - Unpublished Work - See title page for details.



757

PARTS CATALOG (MAINTENANCE)

FIG ITEM	PART NUMBER	1 2 3 4 5 6 7	NOMENCLATURE	EFFECT FROM TO	UNITS PER ASSY
2A 320	BACE21BM0606J	.	ELBOW	101106 108120 504903	1
325	AFP241-06	.	CAP ASSY SUPPLIER CODE: V30974 SPECIFICATION NUMBER: BACC14AD06 OPTIONAL PART: DBOC14AD6 V14798 FER22661-06 V14397 2-02813-6 V11328 4690009-06 V50948 US2103-06 V50808 AP1008-06 V01673	101106 108120 504903	1
330	CL100-3B40	.	CABLE ASSY SUPPLIER CODE: V99862 SPECIFICATION NUMBER: BACC13Y3B40	101106 108120 504903	1
335	NAS1090-2	.	HOOK	101106 108120 504903	1
340	CL4F	.	FERRULE SUPPLIER CODE: V99862 SPECIFICATION NUMBER: BACF22U2 OPTIONAL PART: 325167 V00779	101106 108120 504903	1
- 600	286N2516-312		WIRE BUNDLE ASSY-(HYDRAULIC POWER ONLY)	101102 108120	RF
- 601	286N2516-320		WIRE BUNDLE ASSY-(HYDRAULIC POWER ONLY)	504903	RF

MISSING ITEM NUMBERS NOT APPLICABLE

- ITEM NOT ILLUSTRATED

29-18-01-02A

29-18-01
FIG. 02A
PAGE 6
JAN 20/09

BRI



757

PARTS CATALOG (MAINTENANCE)

FIG ITEM	PART NUMBER	1 2 3 4 5 6 7	NOMENCLATURE	EFFECT FROM TO	UNITS PER ASSY
2A 605	GS3418-12CD	.	CLAMP- SUPPLIER CODE: V06324 SPECIFICATION NUMBER: BACC10HG12 OPTIONAL PART: S2126-12-8 V07418 ELECTRICAL EQUIP NUMBER: D02492T WIRING DIAGRAM REF: 293311	101102 108120 504903	1
610	R071012A3SNL	.	CONNECTOR- SUPPLIER CODE: V41118 SPECIFICATION NUMBER: BACC63BP12A3SNL ELECTRICAL EQUIP NUMBER: D02492 WIRING DIAGRAM REF: 293311	101102 108120 504903	1
900			ILLUSTRATION REFERENCE: PLUMBING INSTL-HYDR BAY L SECT. 49 (MAIN HYDR SYS ONLY) 29-11-90-01	101102 108120 504903	RF
905			ILLUSTRATION REFERENCE: PLUMBING INSTL-SECT. 49 L HYDR BAY (GROUND SERVICING SYSTEM ONLY) 29-18-51-15A	101106 108120 504903	RF
910			ILLUSTRATION REFERENCE: PLUMBING INSTL-SECT. 49 L HYDR BAY 29-11-51-91	101102 504903	RF

MISSING ITEM NUMBERS NOT APPLICABLE

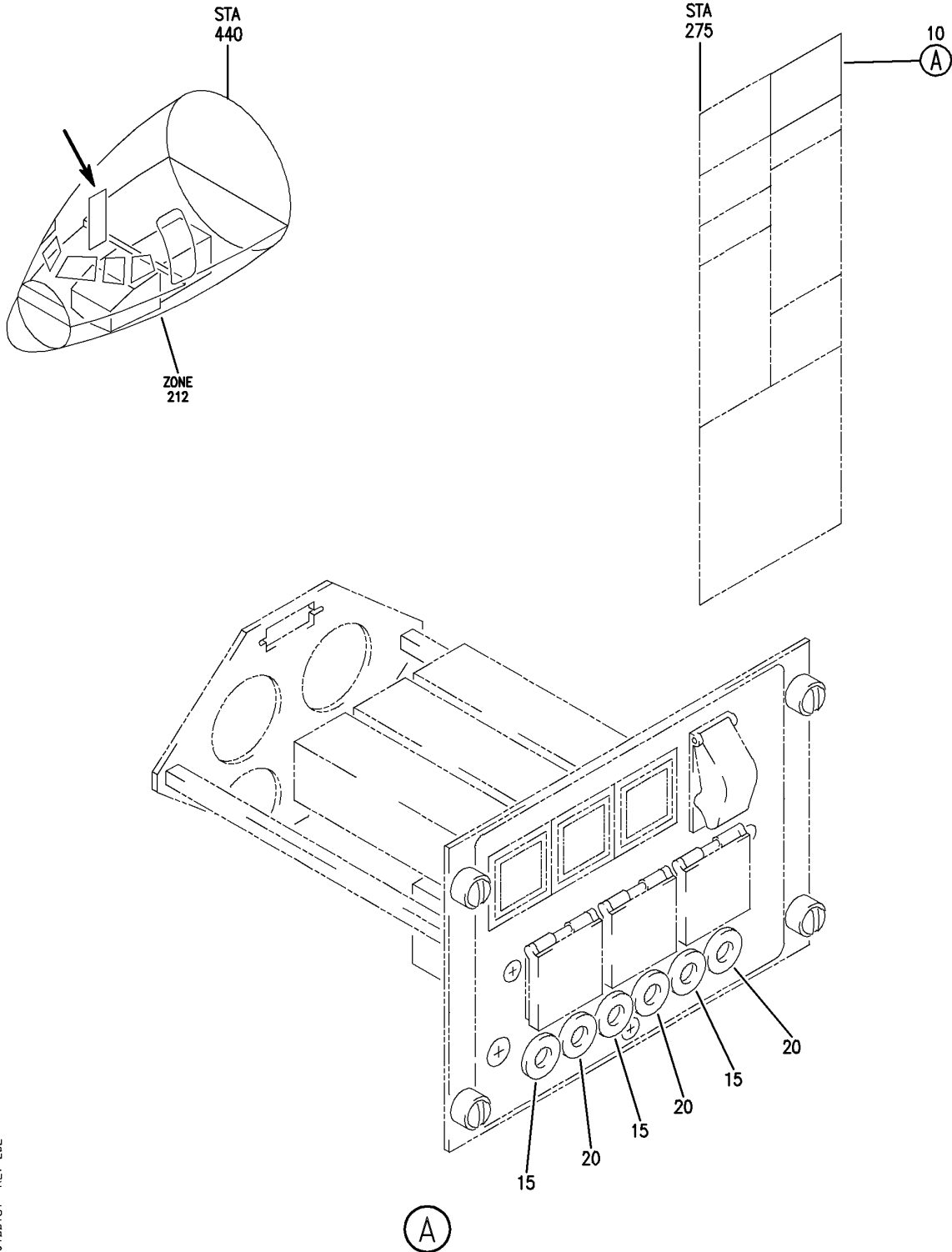
- ITEM NOT ILLUSTRATED

29-18-01-02A

29-18-01
FIG. 02A
PAGE 7
JAN 20/09

BRI

BOEING
757
PARTS CATALOG (MAINTENANCE)



Y 29185101 REV 232

PANEL INSTL-P61 R SIDEWALL (GROUND SERVICING SYSTEM ONLY)
FIGURE 1

29-18-51-01

BRI
MAY 28/07

29-18-51-01
PAGE 0



757

PARTS CATALOG (MAINTENANCE)

FIG ITEM	PART NUMBER	1 2 3 4 5 6 7	NOMENCLATURE	EFFECT FROM TO	UNITS PER ASSY
1			PANEL INSTL-P61 R SIDEWALL (GROUND SERVICING SYSTEM ONLY)	011100 107503 904949	
- 1	233N7401-1		PANEL INSTL-P61 SIDEWALL (GROUND SERVICING SYSTEM ONLY) POSITION DATA: R VARIABLE DRAWING REF: 233N7401-5004 233N7401-5005 233N7401-5038 FOR NHA/OTHER SYS DET SEE: 25-10-00-05A	011100 107107 121503 904949	RF
- 1	233N7403-158		PANEL INSTL-P61 SIDEWALL (GROUND SERVICING SYSTEM ONLY) POSITION DATA: R FOR NHA/OTHER SYS DET SEE: 25-10-00-15B	108120	RF
10	233N7503-32		.PANEL ASSY-GEN FIELD AND HYDR SUPPLIER CODE: V89954 ELECTRICAL EQUIP NUMBER: M10191 COMPONENT MAINT MANUAL REF: 24-22-73 QUALIFIED I/W DATA: 233N7503--29 -31 -32 -44 -45 -46 ALL INTERCHANGEABLE EXCEPT SUBJECT TO CUSTOMER PREFERENCE -32 I/W -51 EXCEPT WHEN INSTALLING A -32 IN PLACE OF -51 FIELD GENERATOR SWITCHES S1, S2, S3 MUST BE MARKED INOPERABLE.	107107	RF

MISSING ITEM NUMBERS NOT APPLICABLE

- ITEM NOT ILLUSTRATED

BRI

29-18-51-01

BOEING PROPRIETARY - Copyright © - Unpublished Work - See title page for details.

29-18-51
FIG. 01
PAGE 1
JAN 20/09



757

PARTS CATALOG (MAINTENANCE)

FIG ITEM	PART NUMBER	1 2 3 4 5 6 7	NOMENCLATURE	EFFECT FROM TO	UNITS PER ASSY
1					
10	233N7503-46		.PANEL ASSY-GEN FIELD AND HYDR SUPPLIER CODE: V89954 ELECTRICAL EQUIP NUMBER: M10191 COMPONENT MAINT MANUAL REF: 24-22-73 QUALIFIED I/W DATA: 233N7503--29 -31 -32 -44 -45 -46 ALL INTERCHANGEABLE EXCEPT SUBJECT TO CUSTOMER PREFERENCE	121503 904949	RF
10	233N7503-51		.PANEL ASSY-GEN FIELD AND HYDR SUPPLIER CODE: V89954 ELECTRICAL EQUIP NUMBER: M10191 COMPONENT MAINT MANUAL REF: 24-22-73 QUALIFIED I/W DATA: -32 I/W -51 EXCEPT WHEN INSTALLING A -32 IN PLACE OF -51 FIELD GENERATOR SWITCHES S1, S2, S3 MUST BE MARKED INOPERABLE.	108120	RF
10	233N7503-53		.PANEL ASSY-GEN FIELD AND HYDR SUPPLIER CODE: V89954 ELECTRICAL EQUIP NUMBER: M10191 COMPONENT MAINT MANUAL REF: 24-22-73	011100 121503 904949	RF
15	2854-0		..JACK-BANANA SUPPLIER CODE: V05276	011100 107503 904949	3
20	2854-2		..JACK-BANANA SUPPLIER CODE: V05276	011100 107503 904949	3

MISSING ITEM NUMBERS NOT APPLICABLE

- ITEM NOT ILLUSTRATED

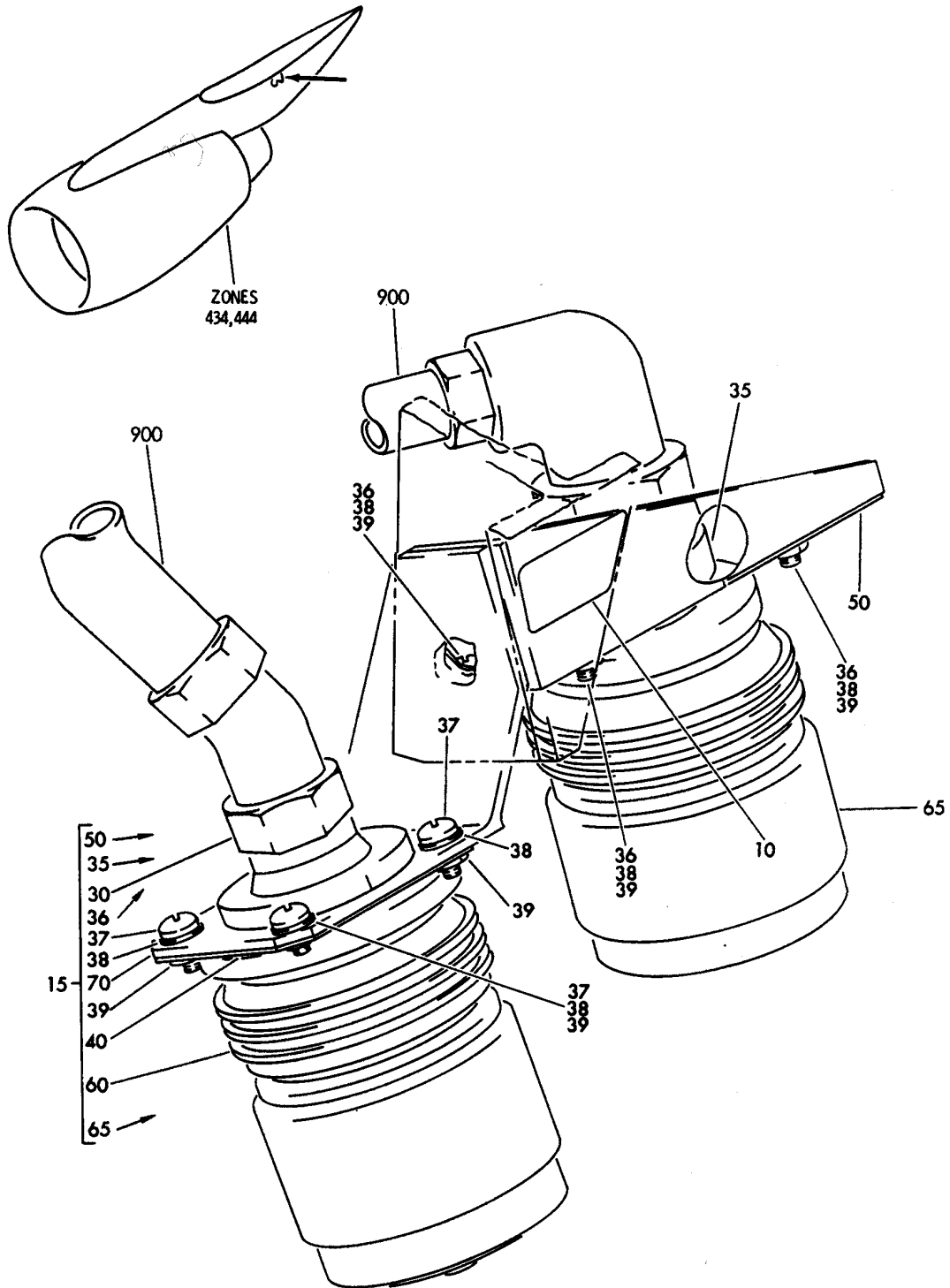
BRI

29-18-51-01

BOEING PROPRIETARY - Copyright © - Unpublished Work - See title page for details.

29-18-51
FIG. 01
PAGE 2
JAN 20/09

BOEING
757
PARTS CATALOG (MAINTENANCE)



Y 29185105 REV 212

DISCONNECT INSTL-L AND R SYS GND SVCE
FIGURE 5

29-18-51-05

BRI
MAY 28/07

29-18-51-05
PAGE 0



757

PARTS CATALOG (MAINTENANCE)

FIG ITEM	PART NUMBER	1 2 3 4 5 6 7	NOMENCLATURE	EFFECT FROM TO	UNITS PER ASSY
5			DISCONNECT INSTL-L AND R SYS GND SVCE	002004 006999	
- 1	271N5003-1		DISCONNECT INSTL-SYS GND SVCE POSITION DATA: L	002004 006100 107107 121503	RF
- 1	271N5003-3		FOR NHA SEE: 29-00-51-02 DISCONNECT INSTL-SYS GND SVCE POSITION DATA: L	904999 101102 108120 504903	RF
- 1	MODREF7211		FOR NHA SEE: 29-00-51-02B DISCONNECT INSTL-SYS GND SVCE MODULE NUMBER: 271N5003-3 REV A POSITION DATA: L	103106	1
- 5	271N5003-2		DISCONNECT INSTL-SYS GND SVCE POSITION DATA: R	002004 006100 107107 121503	RF
- 5	271N5003-4		FOR NHA SEE: 29-00-51-02 DISCONNECT INSTL-SYS GND SRVE POSITION DATA: R	904999 101102 108120 504903	RF
- 5	MODREF7212		FOR NHA SEE: 29-00-51-02B DISCONNECT INSTL-SYS GND SRVE MODULE NUMBER: 271N5003-4 REV A POSITION DATA: R	103106	1
10	BAC27NHY0044		.MARKER- PLACARD CONTENT: GROUND SERVICE DISCONNECT PRESSURE RETURN	002004 006999	1
15	271N5020-3		.DISCONNECT ASSY- POSITION DATA: LH SIDE	002004 006100 107107 121503 904999	1

MISSING ITEM NUMBERS NOT APPLICABLE

- ITEM NOT ILLUSTRATED

29-18-51-05

29-18-51
FIG. 05
PAGE 1
JAN 20/09

BRI



757

PARTS CATALOG (MAINTENANCE)

FIG ITEM	PART NUMBER	1 2 3 4 5 6 7	NOMENCLATURE	EFFECT FROM TO	UNITS PER ASSY
5	15 271N5020-5		.DISCONNECT ASSY- POSITION DATA: LH SIDE	101106 108120 504903	1
-	17 271N5020-4		.DISCONNECT ASSY- POSITION DATA: RH SIDE	002004 006100 107107 121503 904999	1
-	17 271N5020-6		.DISCONNECT ASSY- POSITION DATA: RH SIDE ATTACHING PARTS	101106 108120 504903	1
-	20 BACB30NM4K12		.BOLT-	002004 006999	3
-	25 BACW10BN4AC		.WASHER	002004 006999	3
			-----*-----		
	30 AN924-16D		..NUT	002004 006999	1
	35 AN924-20D		..NUT	002004 006999	1
	36 BACB30NT3K4		..BOLT	002004 006999	4
	37 BACB30NT3K5		..BOLT	002004 006999	4
	38 BACW10BN3AC		..WASHER	002004 006999	8
	39 BRH10C3D		..NUT SUPPLIER CODE: V52828 SPECIFICATION NUMBER: BACN10JC3CD OPTIONAL PART: T6C1032JCD V11815 NS202486-02 V80539 102LH9075-3W V72962 H51650-3BAC V15653	002004 006999	8
	40 MS24335-16		..FLANGE ASSY ATTACHING PARTS	002004 006999	1
-	45 BACR15FT6AD		..RIVET- SIZE DETERMINED ON INSTL. -----*-----	002004 006999	4
	50 MS24335-20		..FLANGE ASSY	002004 006999	1

MISSING ITEM NUMBERS NOT APPLICABLE

- ITEM NOT ILLUSTRATED

29-18-51-05

29-18-51
FIG. 05
PAGE 2
JAN 20/09

BRI

BOEING PROPRIETARY - Copyright © - Unpublished Work - See title page for details.

 **BOEING**
757
PARTS CATALOG (MAINTENANCE)

FIG ITEM	PART NUMBER	1 2 3 4 5 6 7	NOMENCLATURE	EFFECT FROM TO	UNITS PER ASSY
5			ATTACHING PARTS		
- 55	BACR15FT6AD		..RIVET- SIZE DETERMINED ON INSTL. -----*-----	002004 006999	4
60	AE81383M		..DISCONNECT- SUPPLIER CODE: V00624 COMPONENT MAINT MANUAL REF: 29-19-01	002004 006999	1
65	AE81383N		..DISCONNECT- SUPPLIER CODE: V00624 COMPONENT MAINT MANUAL REF: 29-19-01	002004 006999	1
70	271N5051-11		..BRACKET ASSY- POSITION DATA: LH SIDE	002004 006100 107107 121503 904999	1
70	271N5051-13		..BRACKET ASSY- POSITION DATA: LH SIDE	101106 108120 504903	1
- 75	271N5051-12		..BRACKET ASSY- POSITION DATA: RH SIDE	002004 006100 107107 121503 904999	1
- 75	271N5051-14		..BRACKET ASSY- POSITION DATA: RH SIDE	101106 108120 504903	1
900			ILLUSTRATION REFERENCE: PLUMBING INSTL-SECT. 31.1 HYDR (LH) (GROUND SERVICING SYSTEM ONLY) 29-18-51-24	002004 006100 121503 950999	RF
900			ILLUSTRATION REFERENCE: PLUMBING INSTL-ENG STRUT ROLLS ROYCE 29-11-51-63	101102 108120 504903	RF
905			ILLUSTRATION REFERENCE: PLUMBING INSTL-SECT. 31.1 HYDR (RH) (GROUND SERVICING SYSTEM ONLY) 29-18-51-25	002004 006100 121503 950999	RF
905			ILLUSTRATION REFERENCE: PLUMBING INSTL-HYD SECT. 31.1 RIGHT AFT STRUT FAIRING 29-11-51-71	101102 108120 504903	RF

MISSING ITEM NUMBERS NOT APPLICABLE

- ITEM NOT ILLUSTRATED

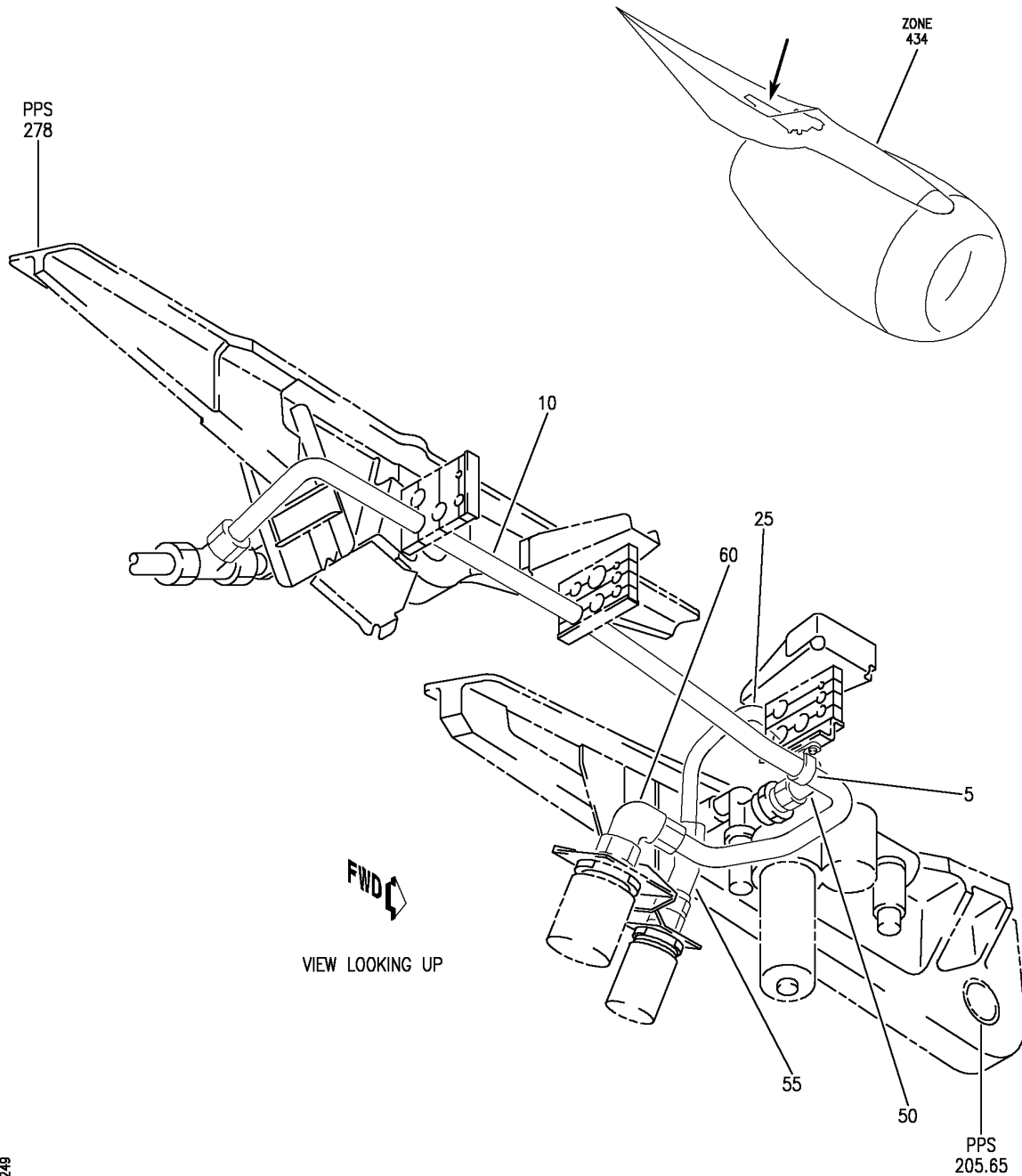
BRI

29-18-51-05

BOEING PROPRIETARY - Copyright © - Unpublished Work - See title page for details.

29-18-51
FIG. 05
PAGE 3
JAN 20/09

BOEING
757
PARTS CATALOG (MAINTENANCE)



Y 29185106 REV 249

PLUMBING INSTL-SECT. 31 LEFT ENGINE STRUT 757-200 ROLLS ROYCE (GROUND SERVICING SYSTEM ONLY)

FIGURE 6

29-18-51-06

BRI
JAN 20/09

29-18-51-06
PAGE 0



757

PARTS CATALOG (MAINTENANCE)

FIG ITEM	PART NUMBER	1 2 3 4 5 6 7	NOMENCLATURE	EFFECT FROM TO	UNITS PER ASSY
6			PLUMBING INSTL-SECT. 31 LEFT ENGINE STRUT 757-200 ROLLS ROYCE (GROUND SERVICING SYSTEM ONLY)	103106	
- 1	MODREF27629		PLUMBING INSTL-HYDR ENGINE STRUT 757-200 ROLLS ROYCE (GROUND SERVICING SYSTEM ONLY) MODULE NUMBER: 271N6311-25 REV B POSITION DATA: SECT. 31 L FOR OTHER SYS DETAILS SEE: 78-34-05-04 FOR ADDITIONAL DETAILS SEE: 29-11-17-08	103106	1
5	TA0910004H116		.CLAMP SUPPLIER CODE: V84971 SPECIFICATION NUMBER: BACC10HB16C	103106	1
10	271N6311-1159		.TUBE ASSY-GROUND SERVICE SYS RETURN TUBING MATERIAL: 1.00 IN. OD .035 IN. WALL 51.80 IN. LG AL AMS 4083 6061 T6 TUBING	103106	1
- 15	AP2097HP16		..SLEEVE SUPPLIER CODE: V01673 SPECIFICATION NUMBER: BACS13BX16HP OPTIONAL PART: 2-02903-16HP V11328 35235VN16 V08199 AFP175V16P V30974 DBOS13BX16HP V14798	103106	2
- 20	BACN10YL16L		..NUT	103106	2

MISSING ITEM NUMBERS NOT APPLICABLE

- ITEM NOT ILLUSTRATED

BRI

29-18-51-06

29-18-51
FIG. 06
PAGE 1
JAN 20/09



757

PARTS CATALOG (MAINTENANCE)

FIG ITEM	PART NUMBER	1 2 3 4 5 6 7	NOMENCLATURE	EFFECT FROM TO	UNITS PER ASSY
6					
25	271N6311-1171		.TUBE ASSY-GROUND SERVICE SYS PRESSURE TUBING MATERIAL: .750 IN. OD .039 IN. WALL 14.00 IN. LG TI BMS 7-234 TI-3AL-2.5V COLD WORKED, STRESS RELIEVED TUBING	103106	1
- 30	AS1581T12		..SLEEVE	103106	1
- 35	32282T16-12		..SLEEVE- SUPPLIER CODE: V14397	103106	1
- 40	BACN10YA12		..NUT	103106	1
- 45	BACN10YA16L		..NUT	103106	1
50	AP1042JN1212		.ELBOW-SWIVEL-90 SUPPLIER CODE: V01673 SPECIFICATION NUMBER: BACE21BT1212JN	103106	1
55	BACE21BR1616JN		.ELBOW-SWIVEL-45	103106	1
60	NAS1762W2016		.ELBOW-SWIVEL-90	103106	1

MISSING ITEM NUMBERS NOT APPLICABLE

- ITEM NOT ILLUSTRATED

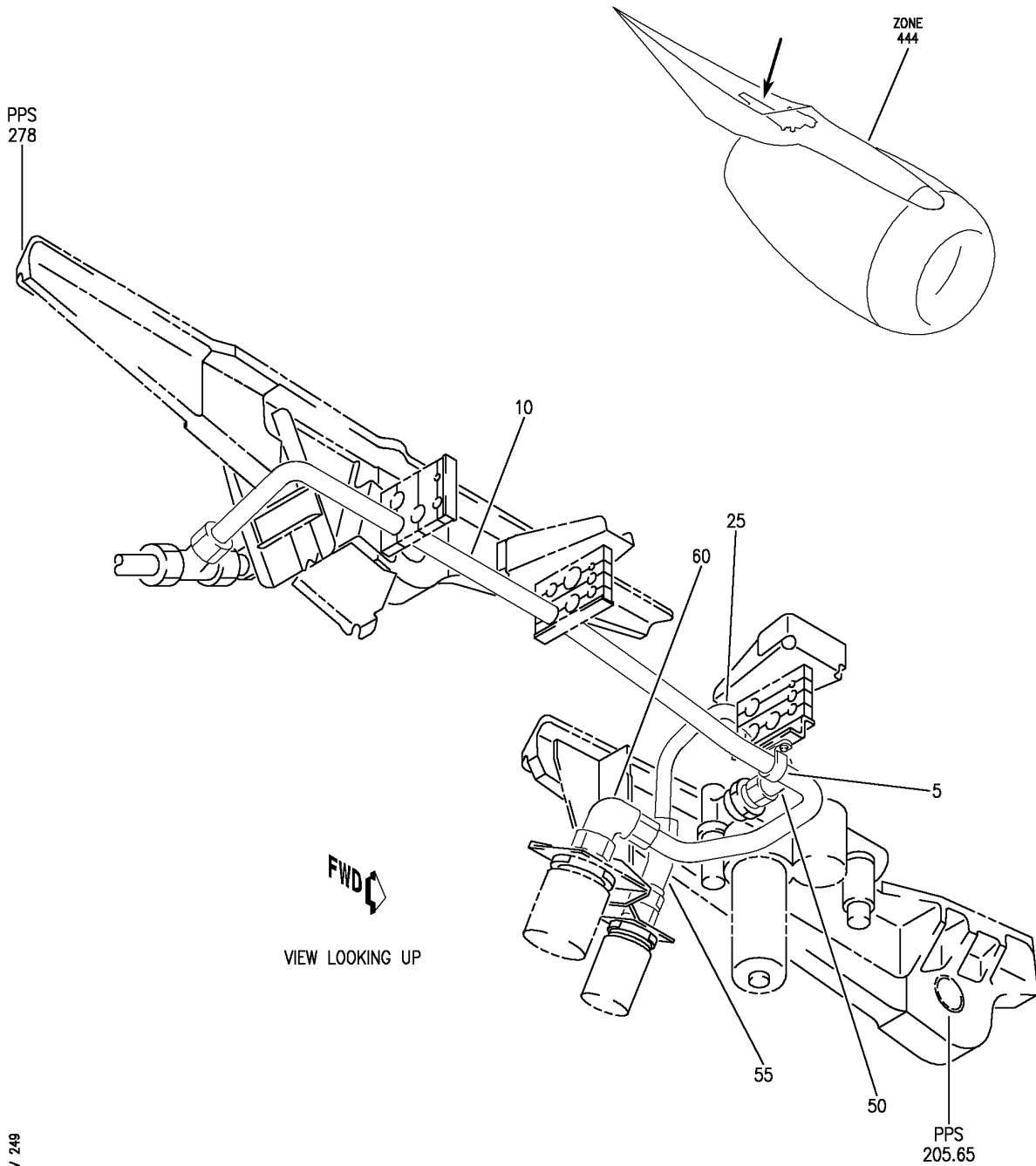
BRI

29-18-51-06

BOEING PROPRIETARY - Copyright © - Unpublished Work - See title page for details.

29-18-51
FIG. 06
PAGE 2
JAN 20/09

BOEING
757
PARTS CATALOG (MAINTENANCE)



Y 29185108 REV 249

PLUMBING INSTL-SECT. 31 RIGHT ENGINE STRUT 757-200 ROLLS ROYCE (GROUND SERVICING SYSTEM ONLY)
FIGURE 8

BRI
JAN 20/09

29-18-51-08

29-18-51-08
PAGE 0



757

PARTS CATALOG (MAINTENANCE)

FIG ITEM	PART NUMBER	1 2 3 4 5 6 7	NOMENCLATURE	EFFECT FROM TO	UNITS PER ASSY
8			PLUMBING INSTL-SECT. 31 RIGHT ENGINE STRUT 757-200 ROLLS ROYCE (GROUND SERVICING SYSTEM ONLY)	103106	
- 1	MODREF27630		PLUMBING INSTL-HYDR ENGINE STRUT 757-200 ROLLS ROYCE (GROUND SERVICING SYSTEM ONLY) MODULE NUMBER: 271N6311-26 REV B POSITION DATA: SECT. 31 L FOR OTHER SYS DETAILS SEE: 78-34-05-05 FOR ADDITIONAL DETAILS SEE: 29-11-17-09	103106	1
5	TA0910004H116		.CLAMP SUPPLIER CODE: V84971 SPECIFICATION NUMBER: BACC10HB16C	103106	1
10	271N6311-1160		.TUBE ASSY-RETURN SYS GND SVCE DISCONNECT POSITION DATA: R TUBING MATERIAL: 1.00 IN. OD X .035 IN. WALL X 51.80 IN. LG AL AMS 4083 6061 T6 TUBING	103106	1
- 15	AP2097HP16		..SLEEVE SUPPLIER CODE: V01673 SPECIFICATION NUMBER: BACS13BX16HP OPTIONAL PART: 2-02903-16HP V11328 35235VN16 V08199 AFP175V16P V30974 DBOS13BX16HP V14798	103106	2
- 20	BACN10YL16L		..NUT	103106	2

MISSING ITEM NUMBERS NOT APPLICABLE

- ITEM NOT ILLUSTRATED

29-18-51-08

29-18-51
FIG. 08
PAGE 1
JAN 20/09

BRI



757

PARTS CATALOG (MAINTENANCE)

FIG ITEM	PART NUMBER	1 2 3 4 5 6 7	NOMENCLATURE	EFFECT FROM TO	UNITS PER ASSY
8					
25	271N6311-1172		.TUBE ASSY-PRESSURE SYS GND SVCE DISCONNECT POSITION DATA: R TUBING MATERIAL: .750 IN. OD X .039 IN. WALL X 14.0 IN. LG TI BMS 7-234 TI-3AL-2.5V COLD WORKED, STRESS RELIEVED TUBING	103106	1
- 30	AS1581T12		..SLEEVE	103106	1
- 35	32282T16-12		..SLEEVE- SUPPLIER CODE: V14397	103106	1
- 40	BACN10YA12		..NUT	103106	1
- 45	BACN10YA16L		..NUT	103106	1
50	AP1042JN1212		.ELBOW-SWIVEL-90 SUPPLIER CODE: V01673 SPECIFICATION NUMBER: BACE21BT1212JN	103106	1
55	BACE21BR1616JN		.ELBOW-SWIVEL-45	103106	1
60	NAS1762W2016		.ELBOW-SWIVEL-90	103106	1

MISSING ITEM NUMBERS NOT APPLICABLE

- ITEM NOT ILLUSTRATED

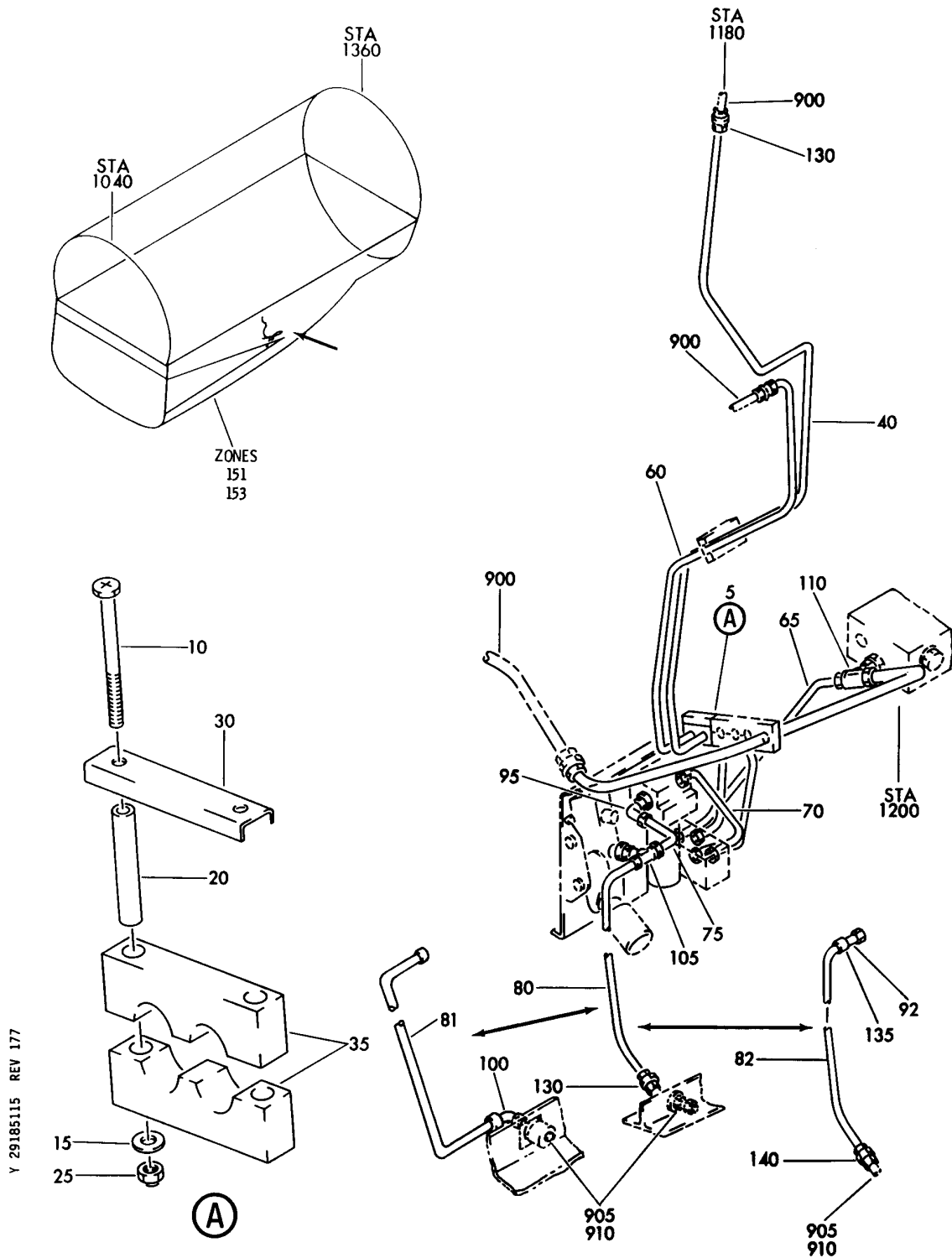
BRI

29-18-51-08

BOEING PROPRIETARY - Copyright © - Unpublished Work - See title page for details.

29-18-51
FIG. 08
PAGE 2
JAN 20/09

BOEING
757
PARTS CATALOG (MAINTENANCE)



Y 29185115 REV 177

PLUMBING INSTL-SECT. 49 L HYDR BAY (GROUND SERVICING SYSTEM ONLY)
FIGURE 15

29-18-51-15

BRI
MAY 28/07

29-18-51-15
PAGE 0



757

PARTS CATALOG (MAINTENANCE)

FIG ITEM	PART NUMBER	1 2 3 4 5 6 7	NOMENCLATURE	EFFECT FROM TO	UNITS PER ASSY
15			PLUMBING INSTL-SECT. 49 L HYDR BAY (GROUND SERVICING SYSTEM ONLY)	002004 006100 107107 121503 904999	RF
- 1	271N6492-1		PLUMBING INSTL-HYDR BAY (GROUND SERVICING SYSTEM ONLY) POSITION DATA: SECT. 49 L FOR NHA/OTHER SYS DET SEE: 29-00-51-07	107107 904949	RF
- 1	271N6492-5		PLUMBING INSTL-HYDR BAY (GROUND SERVICING SYSTEM ONLY) POSITION DATA: SECT. 49 L VARIABLE DRAWING REF: 271N6492-7 FOR NHA/OTHER SYS DET SEE: 29-00-51-07	002004 006100 121503 950999	RF
5	270N2000-3		.CLAMP ASSY-BLOCK	002004 006100 107107 121503 904999	1
10	NAS1801-3-24		.. SCREW-	002004 006100 107107 121503 904999	2
15	AN960PD10L		.. WASHER	002004 006100 107107 121503 904999	2
20	NAS43DD3-59		.. SPACER	002004 006100 107107 121503 904999	2

MISSING ITEM NUMBERS NOT APPLICABLE

- ITEM NOT ILLUSTRATED

29-18-51-15

29-18-51
FIG. 15
PAGE 1
JAN 20/09

BRI



757

PARTS CATALOG (MAINTENANCE)

FIG ITEM	PART NUMBER	1 2 3 4 5 6 7	NOMENCLATURE	EFFECT FROM TO	UNITS PER ASSY
15 25	BRH10A3	..	NUT SUPPLIER CODE: V52828 SPECIFICATION NUMBER: BACN10JC3 OPTIONAL PART: H10-3BAC V15653 NS202101-02 V80539 RMLH9075-3W V72962 VN303A02 V92215 96-02 V80539 T6S1032J V11815	002004 006100 107107 121503 904999	2
30	270N2000-801	..	CHANNEL	002004 006100 107107 121503 904999	1
35	270N2000-401	..	BLOCK	002004 006100 107107 121503 904999	2
40	271N6492-1050	.TUBE ASSY-RETURN SYS POSITION DATA: L TUBING MATERIAL: .350 IN. OD .024 IN. WALL 65.5 IN. LG AMS 4083 6061 T6 TUBING		107107 904949	1
40	271N6492-1088	.TUBE ASSY-RETURN SYS POSITION DATA: L TUBING MATERIAL: .375 IN. OD .035 IN. WALL 62.9 IN. LG AMS 4083 6061 T6 TUBING		002004 006100 121503 950999	1

MISSING ITEM NUMBERS NOT APPLICABLE

- ITEM NOT ILLUSTRATED

BRI

29-18-51-15

BOEING PROPRIETARY - Copyright © - Unpublished Work - See title page for details.

29-18-51
FIG. 15
PAGE 2
JAN 20/09



757

PARTS CATALOG (MAINTENANCE)

FIG ITEM	PART NUMBER	1 2 3 4 5 6 7	NOMENCLATURE	EFFECT FROM TO	UNITS PER ASSY
15 - 45	AP2097HP06	..	SLEEVE SUPPLIER CODE: V01673 SPECIFICATION NUMBER: BACS13BX06HP OPTIONAL PART: 2-02903-06HP V11328 35235VN06 V08199 AFP175V06P V30974 DBOS13BX06HP V14798	002004 006100 107107 121503 904999	1
- 50	BACN10YLO6	..	NUT	002004 006100 107107 121503 904999	1
- 55	35056GV06	..	UNION SUPPLIER CODE: V08199 SPECIFICATION NUMBER: BACU24AB6W OPTIONAL PART: 2-01027-6W V11328 31875-6W V14397 4671097W6 V50948 AP1004W06 V01673 AFP941W6 V30974 DBOU24AB6W V14798	002004 006100 107107 121503 904999	1
60	271N6492-1039	.TUBE ASSY-RETURN SYS POSITION DATA: R TUBING MATERIAL: .375 IN. OD .035 IN. WALL 43.7 IN. LG AMS 4083 6061 T6 TUBING	107107 904949	1	

MISSING ITEM NUMBERS NOT APPLICABLE

- ITEM NOT ILLUSTRATED

29-18-51-15

29-18-51
FIG. 15
PAGE 3
JAN 20/09

BRI



757

PARTS CATALOG (MAINTENANCE)

FIG ITEM	PART NUMBER	1 2 3 4 5 6 7	NOMENCLATURE	EFFECT FROM TO	UNITS PER ASSY
15					
60	271N6492-1080		.TUBE ASSY-RETURN SYS POSITION DATA: R TUBING MATERIAL: .375 IN. OD .035 IN. WALL 44.0 IN. LG AMS 4083 6061 T6 TUBING	002004 006100 121503 950999	1
- 62	AP2097HP06		..SLEEVE SUPPLIER CODE: V01673 SPECIFICATION NUMBER: BACS13BX06HP OPTIONAL PART: 2-02903-06HP V11328 35235VN06 V08199 AFP175V06P V30974 DBOS13BX06HP V14798	002004 006100 107107 121503 904999	2
- 63	BACN10YL06		..NUT	002004 006100 107107 121503 904999	2
65	271N6492-1076		.TUBE ASSY-RETURN SYS POSITION DATA: CTR TUBING MATERIAL: .375 IN. OD .035 IN. WALL 11.0 IN. LG AMS 4083 6061 T6 TUBING	107107 904949	1
65	271N6492-1090		.TUBE ASSY-RETURN SYS POSITION DATA: CTR TUBING MATERIAL: .375 IN. OD .035 IN. WALL 11.8 IN. LG AMS 4083 6061 T6 TUBING	002004 006100 121503 950999	1

MISSING ITEM NUMBERS NOT APPLICABLE

- ITEM NOT ILLUSTRATED

BRI

29-18-51-15

BOEING PROPRIETARY - Copyright © - Unpublished Work - See title page for details.

29-18-51
FIG. 15
PAGE 4
JAN 20/09



757

PARTS CATALOG (MAINTENANCE)

FIG ITEM	PART NUMBER	1 2 3 4 5 6 7	NOMENCLATURE	EFFECT FROM TO	UNITS PER ASSY
15 - 67	AP2097HP06	..	SLEEVE SUPPLIER CODE: V01673 SPECIFICATION NUMBER: BACS13BX06HP OPTIONAL PART: 2-02903-06HP V11328 35235VN06 V08199 AFP175V06P V30974 DBOS13BX06HP V14798	002004 006100 107107 121503 904999	2
- 69	BACN10YLO6	..	NUT	002004 006100 107107 121503 904999	2
70	271N6492-1016	.TUBE ASSY-RETURN SYS POSITION DATA: CTR TUBING MATERIAL: .375 IN. OD .035 IN. WALL 9.8 IN. LG AMS 4083 6061 T6 TUBING		107107	1
70	271N6492-1054	.TUBE ASSY-RETURN SYS POSITION DATA: CTR TUBING MATERIAL: .375 IN. OD .035 IN. WALL 9.9 IN. LG AMS 4083 6061 T6 TUBING		904949	1
70	271N6492-1085	.TUBE ASSY-RETURN SYS POSITION DATA: CTR TUBING MATERIAL: .375 IN. OD .035 IN. WALL 12.8 IN. LG AMS 4083 6061 T6 TUBING		002004 006100 121503 950999	1
75	271N6492-1044	.TUBE ASSY-RETURN SYS POSITION DATA: CTR TUBING MATERIAL: .375 IN. OD .035 IN. WALL 5.9 IN. LG AMS 4083 6061 T6 TUBING		107107 904949	1

MISSING ITEM NUMBERS NOT APPLICABLE

- ITEM NOT ILLUSTRATED

BRI

29-18-51-15

29-18-51
FIG. 15
PAGE 5
JAN 20/09



757

PARTS CATALOG (MAINTENANCE)

FIG ITEM	PART NUMBER	1 2 3 4 5 6 7	NOMENCLATURE	EFFECT FROM TO	UNITS PER ASSY
15					
75	271N6492-1082		.TUBE ASSY-RETURN SYS POSITION DATA: CTR TUBING MATERIAL: .375 IN. OD .035 IN. WALL 5.8 IN. LG AMS 4083 6061 T6 TUBING	002004 006100 121503 950999	1
80	271N6492-1018		.TUBE ASSY-RETURN SYS POSITION DATA: CTR TUBING MATERIAL: .375 IN. OD .035 IN. WALL 16.5 IN. LG AMS 4083 6061 T6 TUBING	107107 904949	1
80	271N6492-1057		.TUBE ASSY-RETURN SYS POSITION DATA: CTR MANUFACTURED FROM: TUBING AL TUBING MATERIAL: .375 IN. OD .035 IN. WALL 18.6 IN. LG AMS 4083 6061 T6 TUBING	002004 006100 121503 950999	1
- 85	AP2097HP06		..SLEEVE SUPPLIER CODE: V01673 SPECIFICATION NUMBER: BACS13BX06HP OPTIONAL PART: 2-02903-06HP V11328 35235VN06 V08199 AFP175V06P V30974 DBOS13BX06HP V14798	002004 006100 107107 121503 904999	2
- 90	BACN10YLO6		..NUT	002004 006100 107107 121503 904999	2
95	NAS1762D0606		.ELBOW- MISCELLANEOUS DATA: MAY USE NAS1762W0606	107107	1
95	NAS1762W0606		.ELBOW-	002004 006100 121503 904999	1

MISSING ITEM NUMBERS NOT APPLICABLE

- ITEM NOT ILLUSTRATED

29-18-51-15

29-18-51
FIG. 15
PAGE 6
JAN 20/09

BRI

BOEING PROPRIETARY - Copyright © - Unpublished Work - See title page for details.



757

PARTS CATALOG (MAINTENANCE)

FIG ITEM	PART NUMBER	1 2 3 4 5 6 7	NOMENCLATURE	EFFECT FROM TO	UNITS PER ASSY
15					
105	NAS1764D060606	.TEE-		107107	1
105	NAS1764W060606	.TEE-		002004	1
				006100	
				121503	
				904999	
110	NAS1764D120612	.TEE-		107107	1
110	NAS1764W120612	.TEE-		002004	1
				006100	
				121503	
				904999	
130	0121520900-2	.VALVE-CHECK		002004	2
		SUPPLIER CODE:		006100	
		V83533		107107	
		SPECIFICATION NUMBER:		121503	
		BACV10CD2		904999	
		OPTIONAL PART:			
		1C1346			
		V99240			
900		ILLUSTRATION REFERENCE:			
		PLUMBING INSTL-SECT. 44		002004	RF
		AFT BHD MLG WHL WELL HYDR		006100	
		(HYDRAULIC POWER ONLY)		107107	
		29-11-51-30		121503	
				904999	
905		ILLUSTRATION REFERENCE:			
		PUMP INSTL-RSVR CENTRAL		002004	RF
		FILL SYS HAND		006100	
		29-18-01-01		107107	
				121503	
				904999	
910		ILLUSTRATION REFERENCE:			
		SYSTEM INSTL-RESERVOIR		002004	RF
		CENTRAL FILL (HYDRAULIC		006100	
		POWER ONLY)		107107	
		29-18-01-02		121503	
				904999	

MISSING ITEM NUMBERS NOT APPLICABLE

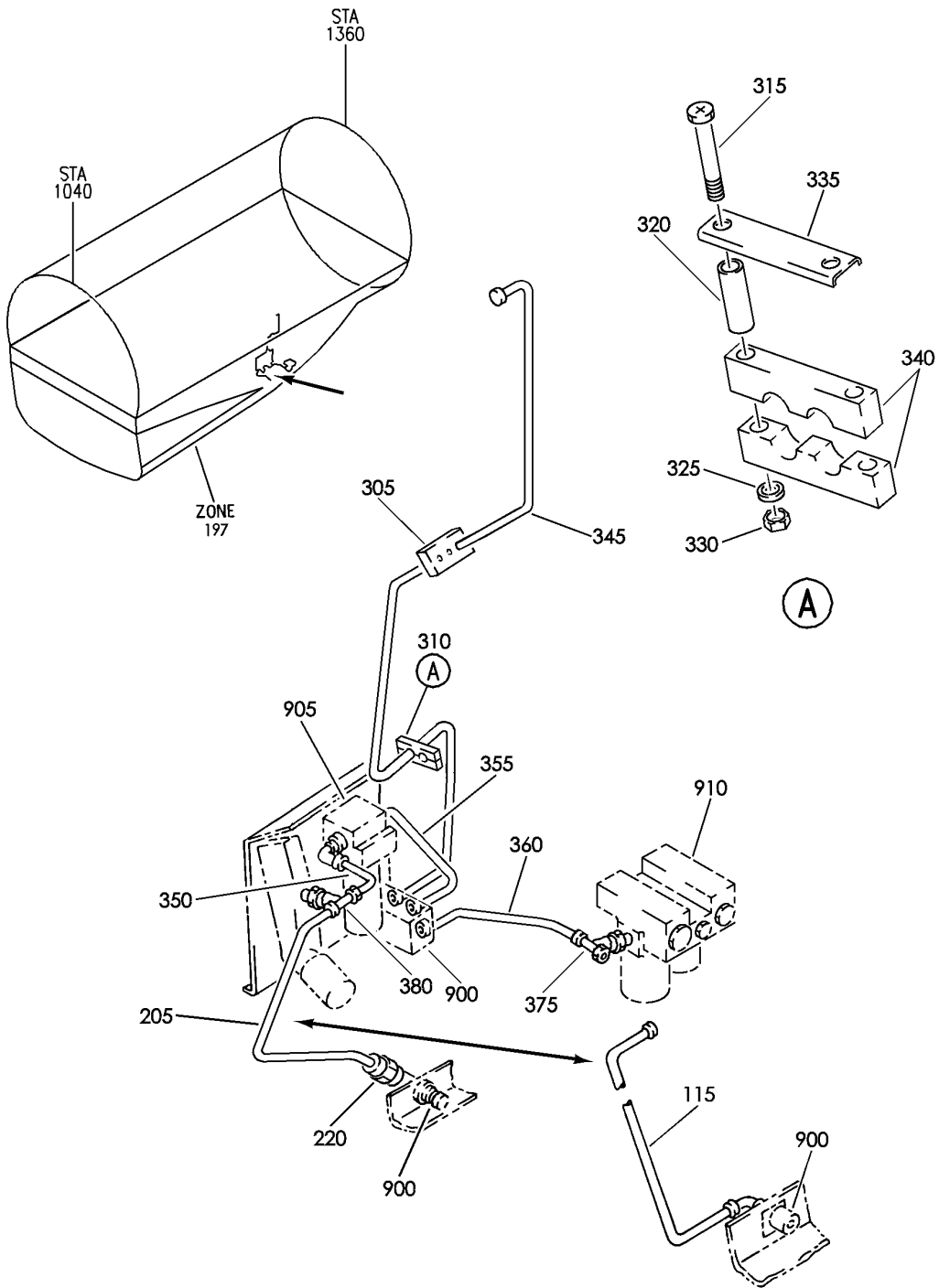
- ITEM NOT ILLUSTRATED

29-18-51-15

29-18-51
FIG. 15
PAGE 7
JAN 20/09

BRI

BOEING
757
PARTS CATALOG (MAINTENANCE)



Y 29185115A REV 230

PLUMBING INSTL-SECT. 49 L HYDR BAY (GROUND SERVICING SYSTEM ONLY)
FIGURE 15A

BRI
MAY 28/07

29-18-51-15A

29-18-51-15A
PAGE 0



757

PARTS CATALOG (MAINTENANCE)

FIG ITEM	PART NUMBER	1 2 3 4 5 6 7	NOMENCLATURE	EFFECT FROM TO	UNITS PER ASSY
15A			PLUMBING INSTL-SECT. 49 L HYDR BAY (GROUND SERVICING SYSTEM ONLY)	101106 108120 504903	RF
- 300	271N6492-15		PLUMBING INSTL-HYDR BAY (GROUND SERVICING SYSTEM ONLY)	101102 504903	RF
- 300	271N6492-19		POSITION DATA: SECT. 49 L FOR NHA/OTHER SYS DET SEE: 29-00-51-02C PLUMBING INSTL-HYDR BAY (GROUND SERVICING SYSTEM ONLY)	108120	RF
- 300	MODREF32347		POSITION DATA: SECT. 49 L FOR NHA/OTHER SYS DET SEE: 29-00-51-02C PLUMBING INSTL-HYDR BAY (GROUND SERVICING SYSTEM ONLY)	103106	1
			MODULE NUMBER: 271N6492-23 REV B POSITION DATA: SECT. 49 L FOR OTHER SYS DETAILS SEE: 11-22-56-01 29-11-51-20A 32-44-51-15A		
305	270N2000-103		.CLAMP ASSY-BLOCK FOR BREAKDOWN SEE: 29-11-51-20A	101106 108120 504903	RF
310	270N2000-3		.CLAMP ASSY-BLOCK	101106 108120 504903	1
315	NAS1801-3-24		.. SCREW	101106 108120 504903	2
320	NAS43DD3-59		.. SPACER	101106 108120 504903	2
325	AN960PD10L		.. WASHER	101106 108120 504903	2

MISSING ITEM NUMBERS NOT APPLICABLE

- ITEM NOT ILLUSTRATED

29-18-51-15A

29-18-51
FIG. 15A
PAGE 1
JAN 20/09

BRI

BOEING PROPRIETARY - Copyright © - Unpublished Work - See title page for details.



757

PARTS CATALOG (MAINTENANCE)

FIG ITEM	PART NUMBER	1 2 3 4 5 6 7	NOMENCLATURE	EFFECT FROM TO	UNITS PER ASSY
15A 330	BRH10A3	..	NUT SUPPLIER CODE: V52828 SPECIFICATION NUMBER: BACN10JC3 OPTIONAL PART: H10-3BAC V15653 NS202101-02 V80539 RMLH9075-3W V72962 VN303A02 V92215 96-02 V80539 T6S1032J V11815	101106 108120 504903	2
335	270N2000-801	..	CHANNEL	101106 108120 504903	1
340	270N2000-401	..	BLOCK	101106 108120 504903	2
345	271N6492-1080	.	TUBE ASSY-R RETURN SYS TUBING MATERIAL: .375 IN. OD X .035 IN. WALL X 44.0 IN. LG AMS 4083 6061 T6 TUBING	101102 108120 504903	1
345	271N6492-1102	.	TUBE ASSY-R RETURN SYS TUBING MATERIAL: .375 IN. OD X .035 IN. WALL X 44.0 IN. LG AMS 4083 6061 T6 TUBING	103106	1
350	271N6492-1082	.	TUBE ASSY-R RETURN SYS TUBING MATERIAL: .375 IN. OD X .035 IN. WALL 5.8 IN. LG AMS 4083 6061 T6 TUBING	101106 108120 504903	1
355	271N6492-1085	.	TUBE ASSY-R RETURN SYS TUBING MATERIAL: .375 IN. OD X .035 IN. WALL 12.8 IN. LG AMS 4083 6061 T6 TUBING	101106 108120 504903	1

MISSING ITEM NUMBERS NOT APPLICABLE

- ITEM NOT ILLUSTRATED

29-18-51-15A

29-18-51
FIG. 15A
PAGE 2
JAN 20/09

BRI

BOEING PROPRIETARY - Copyright © - Unpublished Work - See title page for details.



757

PARTS CATALOG (MAINTENANCE)

FIG ITEM	PART NUMBER	1 2 3 4 5 6 7	NOMENCLATURE	EFFECT FROM TO	UNITS PER ASSY
15A 360	271N6492-1090	.	TUBE ASSY-CTR RETURN SYS TUBING MATERIAL: .375 IN. OD X .035 IN. WALL X 11.8 IN. LG AMS 4083 6061 T6 TUBING	101106 108120 504903	1
- 365	AP2097HP06	..	SLEEVE SUPPLIER CODE: V01673 SPECIFICATION NUMBER: BACS13BX06HP OPTIONAL PART: 2-02903-06HP V11328 35235VN06 V08199 AFP175V06P V30974 DBOS13BX06HP V14798	101106 108120 504903	2
- 370	BACN10YL06	..	NUT	101106 108120 504903	2
375	NAS1764W120612	.	TEE	101106 108120 504903	1
380	NAS1764W060606	.	TEE	101106 108120 504903	1
- 385	NAS1762W0606	.	ELBOW	101106 108120 504903	1
900			ILLUSTRATION REFERENCE: SYSTEM INSTL-RESERVOIR CENTRAL FILL (HYDRAULIC POWER ONLY) 29-18-01-02A	101106 108120 504903	RF
905			ILLUSTRATION REFERENCE: PUMP INSTL-RSVR CENTRAL FILL SYS HAND 29-18-01-01	101106 108120 504903	RF
910			ILLUSTRATION REFERENCE: MODULE INSTL-CTR SYS RETURN FILTER 29-11-13-01	101106 108120 504903	RF

MISSING ITEM NUMBERS NOT APPLICABLE

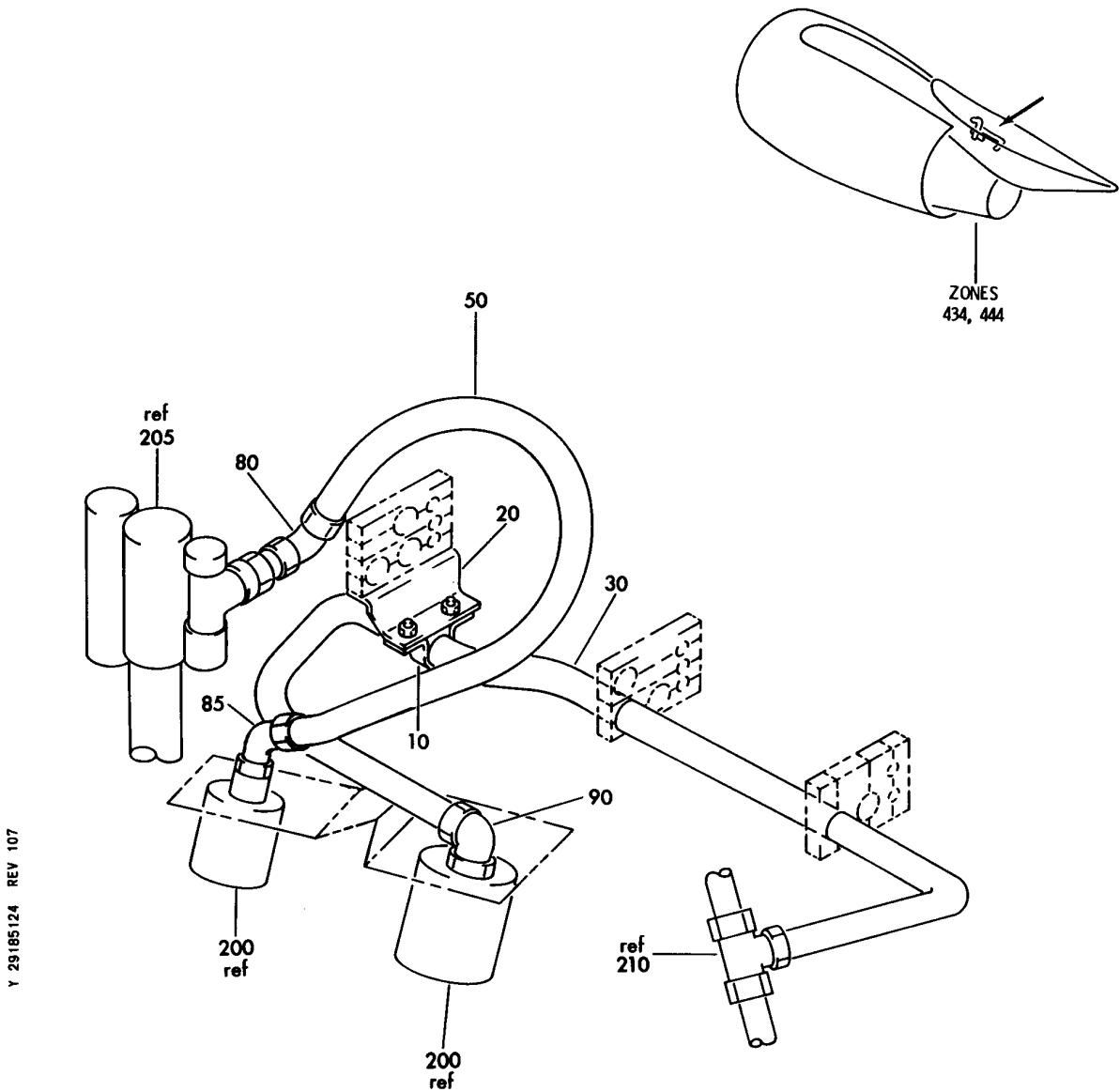
- ITEM NOT ILLUSTRATED

29-18-51-15A

29-18-51
FIG. 15A
PAGE 3
JAN 20/09

BRI

BOEING
757
PARTS CATALOG (MAINTENANCE)



PLUMBING INSTL-SECT. 31.1 HYDR (LH) (GROUND SERVICING SYSTEM ONLY)
FIGURE 24

29-18-51-24

BRI
MAY 28/07

29-18-51-24
PAGE 0

BOEING
757
PARTS CATALOG (MAINTENANCE)

FIG ITEM	PART NUMBER	1 2 3 4 5 6 7	NOMENCLATURE	EFFECT FROM TO	UNITS PER ASSY
24			PLUMBING INSTL-SECT. 31.1 HYDR (LH) (GROUND SERVICING SYSTEM ONLY)	002004 006100 107107 121503 904999	
- 1	271N6311-3		PLUMBING INSTL-HYDR (GROUND SERVICING SYSTEM ONLY) POSITION DATA: SECT. 31.1 LH VARIABLE DRAWING REF: 271N6311-5 FOR NHA/OTHER SYS DET SEE: 29-00-51-02	002004 006100 107107 121503 904999	RF
10	TA0910004H116		.CLAMP SUPPLIER CODE: V84971 SPECIFICATION NUMBER: BACC10HB16C ATTACHING PARTS	002004 006100 107107 121503 904999	1
- 12	NAS1801-3		.SCREW- SIZE DETERMINED ON INSTL.	002004 006100 107107 121503 904999	2
- 14	AN960PD10L		.WASHER	002004 006100 107107 121503 904999	2
- 16	BRH10A3		.NUT SUPPLIER CODE: V52828 SPECIFICATION NUMBER: BACN10JC3 OPTIONAL PART: H10-3BAC V15653 NS202101-02 V80539 RMLH9075-3W V72962 VN303A02 V92215 96-02 V80539 T6S1032J V11815 -----*-----	002004 006100 107107 121503 904999	2

MISSING ITEM NUMBERS NOT APPLICABLE

- ITEM NOT ILLUSTRATED

BRI

29-18-51-24

BOEING PROPRIETARY - Copyright © - Unpublished Work - See title page for details.

29-18-51
FIG. 24
PAGE 1
JAN 20/09



757

PARTS CATALOG (MAINTENANCE)

FIG ITEM	PART NUMBER	1 2 3 4 5 6 7	NOMENCLATURE	EFFECT FROM TO	UNITS PER ASSY
24					
20	271N6274-1	.BRACKET-		002004 006100 107107 121503 904999	1
30	271N6311-1159	.TUBE ASSY-SUPPLY SYS POSITION DATA: L TUBING MATERIAL: 1.00 IN. OD .035 IN. WALL 51.80 IN. LG AL AMS 4083 6061 T6 TUBING		002004 006100 121503 950999	1
30	271N6311-1135	.TUBE ASSY-SUPPLY SYS POSITION DATA: L TUBING MATERIAL: 1.00 IN. OD .035 IN. WALL 51.50 IN. LG AL AMS 4083 6061 T6 TUBING		107107 904949	1
- 35	AP2097HP16	..SLEEVE SUPPLIER CODE: V01673 SPECIFICATION NUMBER: BACS13BX16HP OPTIONAL PART: 2-02903-16HP V11328 35235VN16 V08199 AFP175V16P V30974 DBOS13BX16HP V14798		002004 006100 107107 121503 904999	2
- 45	BACN10YL16L	..NUT-		002004 006100 107107 121503 904999	2
50	271N6311-1157	.TUBE ASSY-PRESSURE SYS POSITION DATA: L TUBING MATERIAL: 1.00 IN. OD .052 IN. WALL 21.20 IN. LG TI BMS 7-234 TI-3AL-2.5V COLD WORKED, STRESS RELIEVED TUBING		107107 904949	1

MISSING ITEM NUMBERS NOT APPLICABLE

- ITEM NOT ILLUSTRATED

29-18-51-24

29-18-51
FIG. 24
PAGE 2
JAN 20/09

BRI



757

PARTS CATALOG (MAINTENANCE)

FIG ITEM	PART NUMBER	1 2 3 4 5 6 7	NOMENCLATURE	EFFECT FROM TO	UNITS PER ASSY
24					
50	271N6311-1161		.TUBE ASSY-PRESSURE SYS POSITION DATA: L TUBING MATERIAL: .750 IN. OD .039 IN. WALL 20.50 IN. LG TI BMS 7-234 TI-3AL-2.5V COLD WORKED, STRESS RELIEVED TUBING	002004 121503 952952	1
50	271N6311-1171		.TUBE ASSY-PRESSURE SYS POSITION DATA: L TUBING MATERIAL: .750 IN. OD .039 IN. WALL 14.00 IN. LG TI BMS 7-234 TI-3AL-2.5V COLD WORKED, STRESS RELIEVED TUBING	006100 950951 953999	1
- 55	AS1581T12		..SLEEVE	002004 006100 107107 121503 904999	1
- 60	32282T16-12		..SLEEVE- SUPPLIER CODE: V14397	002004 006100 107107 121503 904999	1
- 65	BACN10YA12		..NUT-	002004 006100 107107 121503 904999	1
- 70	BACN10YA16L		..NUT-	002004 006100 107107 121503 904999	1
80	MS21904J16		.ELBOW-	002004 006100 107107 121503 904999	1
85	NAS1761J1616		.ELBOW	002004 006100 107107 121503 904999	1

MISSING ITEM NUMBERS NOT APPLICABLE

- ITEM NOT ILLUSTRATED

29-18-51-24

29-18-51
FIG. 24
PAGE 3
JAN 20/09

BRI



757

PARTS CATALOG (MAINTENANCE)

FIG ITEM	PART NUMBER	1 2 3 4 5 6 7	NOMENCLATURE	EFFECT FROM TO	UNITS PER ASSY
24 90	NAS1762D2016	.	ELBOW-	002004 006100 107107 121503 904999	1
900			ILLUSTRATION REFERENCE: DISCONNECT INSTL-L AND R SYS GND SVCE 29-18-51-05	002004 006100 107107 121503 904999	RF
905			ILLUSTRATION REFERENCE: MODULE INSTL-ENG DRIVEN PUMP CASE DRAIN PRESSURE FILTER 29-11-17-02	002004 006100 107107 121503 904999	RF
910			ILLUSTRATION REFERENCE: PLUMBING INSTL-SECT. 31.1 HYDR (LH) (HYDRAULIC POWER ONLY) 29-11-51-45	002004 006100 107107 121503 904999	RF
915			ILLUSTRATION REFERENCE: PLUMBING INSTL-SECT. 31.1 HYDR (RH) (HYDRAULIC POWER ONLY) 29-11-51-46	002004 006100 107107 121503 904999	RF

MISSING ITEM NUMBERS NOT APPLICABLE

- ITEM NOT ILLUSTRATED

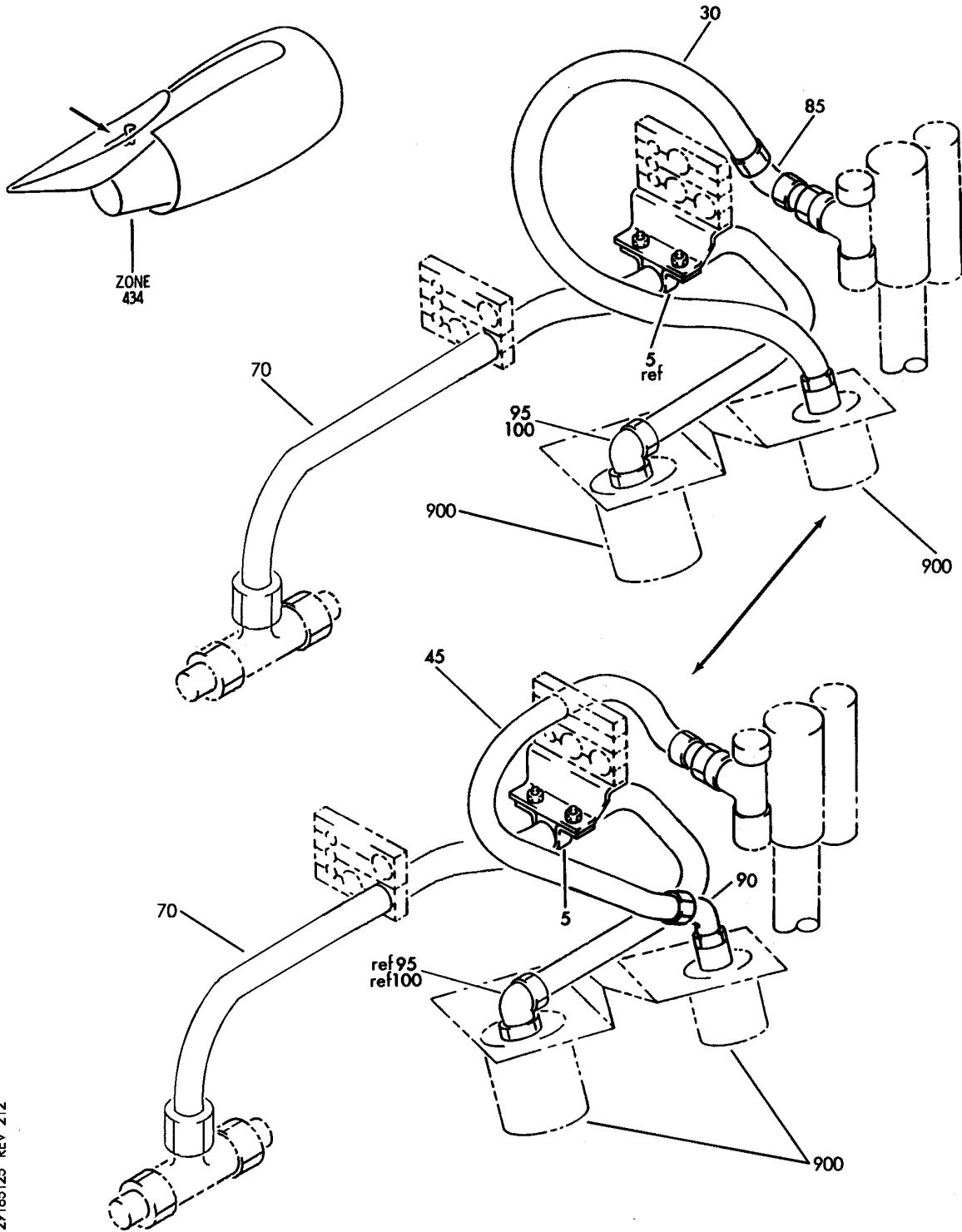
BRI

29-18-51-24

BOEING PROPRIETARY - Copyright © - Unpublished Work - See title page for details.

29-18-51
FIG. 24
PAGE 4
JAN 20/09

BOEING
757
PARTS CATALOG (MAINTENANCE)



Y 29185125 REV 212

PLUMBING INSTL-SECT. 31.1 HYDR (RH) (GROUND SERVICING SYSTEM ONLY)
FIGURE 25

BRI
MAY 28/07

29-18-51-25

29-18-51-25
PAGE 0



757

PARTS CATALOG (MAINTENANCE)

FIG ITEM	PART NUMBER	1 2 3 4 5 6 7	NOMENCLATURE	EFFECT FROM TO	UNITS PER ASSY
25			PLUMBING INSTL-SECT. 31.1 HYDR (RH) (GROUND SERVICING SYSTEM ONLY)	002004 006100 107107 121503 904999	
- 1	271N6311-4		PLUMBING INSTL-HYDR (GROUND SERVICING SYSTEM ONLY) POSITION DATA: SECT. 31.1 RH VARIABLE DRAWING REF: 271N6311-6 FOR NHA/OTHER SYS DET SEE: 29-00-51-02	002004 006100 107107 121503 904999	RF
5	TA0910004H116		.CLAMP SUPPLIER CODE: V84971 SPECIFICATION NUMBER: BACC10HB16C ATTACHING PARTS	002004 006100 107107 121503 904999	1
- 10	NAS1801-3		.SCREW- SIZE DETERMINED ON INSTL.	002004 006100 107107 121503 904999	2
- 15	AN960JD10L		.WASHER	002004 006100 107107 121503 904999	2
- 20	MS21042LS		.NUT	002004 006100 107107 121503 904999	2
- 25	271N6274-1		-----*----- .BRACKET-	002004 006100 107107 121503 904999	1

MISSING ITEM NUMBERS NOT APPLICABLE

- ITEM NOT ILLUSTRATED

BRI

29-18-51-25

29-18-51
FIG. 25
PAGE 1
JAN 20/09



757

PARTS CATALOG (MAINTENANCE)

FIG ITEM	PART NUMBER	1 2 3 4 5 6 7	NOMENCLATURE	EFFECT FROM TO	UNITS PER ASSY
25					
45	271N6311-1158		.TUBE ASSY-PRESSURE SYS POSITION DATA: R TUBING MATERIAL: 1.00 IN. OD .052 IN. WALL 21.20 IN. LG TI BMS 7-234 TI-3AL-2.5V COLD WORKED, STRESS RELIEVED TUBING USED ON: 271N6311-4	107107 904949	1
45	271N6311-1162		.TUBE ASSY-PRESSURE SYS POSITION DATA: R TUBING MATERIAL: .750 IN. OD .039 IN. WALL 20.50 IN. LG TI BMS 7-234 TI-3AL-2.5V COLD WORKED, STRESS RELIEVED TUBING USED ON: 271N6311-4	952952	1
45	271N6311-1172		.TUBE ASSY-PRESSURE SYS POSITION DATA: R TUBING MATERIAL: .750 IN. OD .039 IN. WALL 14.00 IN. LG TI BMS 7-234 TI-3AL-2.5V COLD WORKED, STRESS RELIEVED TUBING USED ON: 271N6311-4	006100 950951 953999	1
45	271N6311-1174		.TUBE ASSY-PRESSURE SYS POSITION DATA: R TUBING MATERIAL: .750 IN. OD .039 IN. WALL 20.90 IN. LG TI BMS 7-234 TI-3AL-2.5V COLD WORKED, STRESS RELIEVED TUBING USED ON: 271N6311-4	002004 121503	1
- 50	AS1581T12		..SLEEVE	002004 006100 107107 121503 904999	1

MISSING ITEM NUMBERS NOT APPLICABLE

- ITEM NOT ILLUSTRATED

29-18-51-25

29-18-51
FIG. 25
PAGE 2
JAN 20/09

BRI

BOEING PROPRIETARY - Copyright © - Unpublished Work - See title page for details.



757

PARTS CATALOG (MAINTENANCE)

FIG ITEM	PART NUMBER	1 2 3 4 5 6 7	NOMENCLATURE	EFFECT FROM TO	UNITS PER ASSY
25					
- 55	32282T16-12	..	SLEEVE- SUPPLIER CODE: V14397	002004 006100 107107 121503 904999	1
- 60	BACN10YA12	..	NUT-	002004 006100 107107 121503 904999	1
- 65	BACN10YA16L	..	NUT-	002004 006100 107107 121503 904999	1
70	271N6311-1136	.	TUBE ASSY-SUPPLY SYS POSITION DATA: R TUBING MATERIAL: 1.00 IN. OD .035 IN. WALL 51.50 IN. LG AL AMS 4083 6061 T6 TUBING USED ON: 271N6311-4	107107 904949	1
- 75	AP2097HP16	..	SLEEVE SUPPLIER CODE: V01673 SPECIFICATION NUMBER: BACS13BX16HP OPTIONAL PART: 2-02903-16HP V11328 35235VN16 V08199 AFP175V16P V30974 DBOS13BX16HP V14798	002004 006100 107107 121503 904999	2
- 80	BACN10YL16L	..	NUT-	002004 006100 107107 121503 904999	2
85	MS21904J16	.	ELBOW-	002004 006100 107107 121503 904999	1

MISSING ITEM NUMBERS NOT APPLICABLE

- ITEM NOT ILLUSTRATED

29-18-51-25

29-18-51
FIG. 25
PAGE 3
JAN 20/09

BRI



757

PARTS CATALOG (MAINTENANCE)

FIG ITEM	PART NUMBER	1 2 3 4 5 6 7	NOMENCLATURE	EFFECT FROM TO	UNITS PER ASSY
25					
90	NAS1761J1616	.	ELBOW-	002004 006100 107107 121503 904999	1
95	NAS1762D2016	.	ELBOW-	107107	1
100	NAS1762W2016	.	ELBOW	002004 006100 121503 904999	1
900			ILLUSTRATION REFERENCE: DISCONNECT INSTL-L AND R SYS GND SVCE 29-18-51-05	002004 006100 107107 121503 904999	RF

MISSING ITEM NUMBERS NOT APPLICABLE

- ITEM NOT ILLUSTRATED

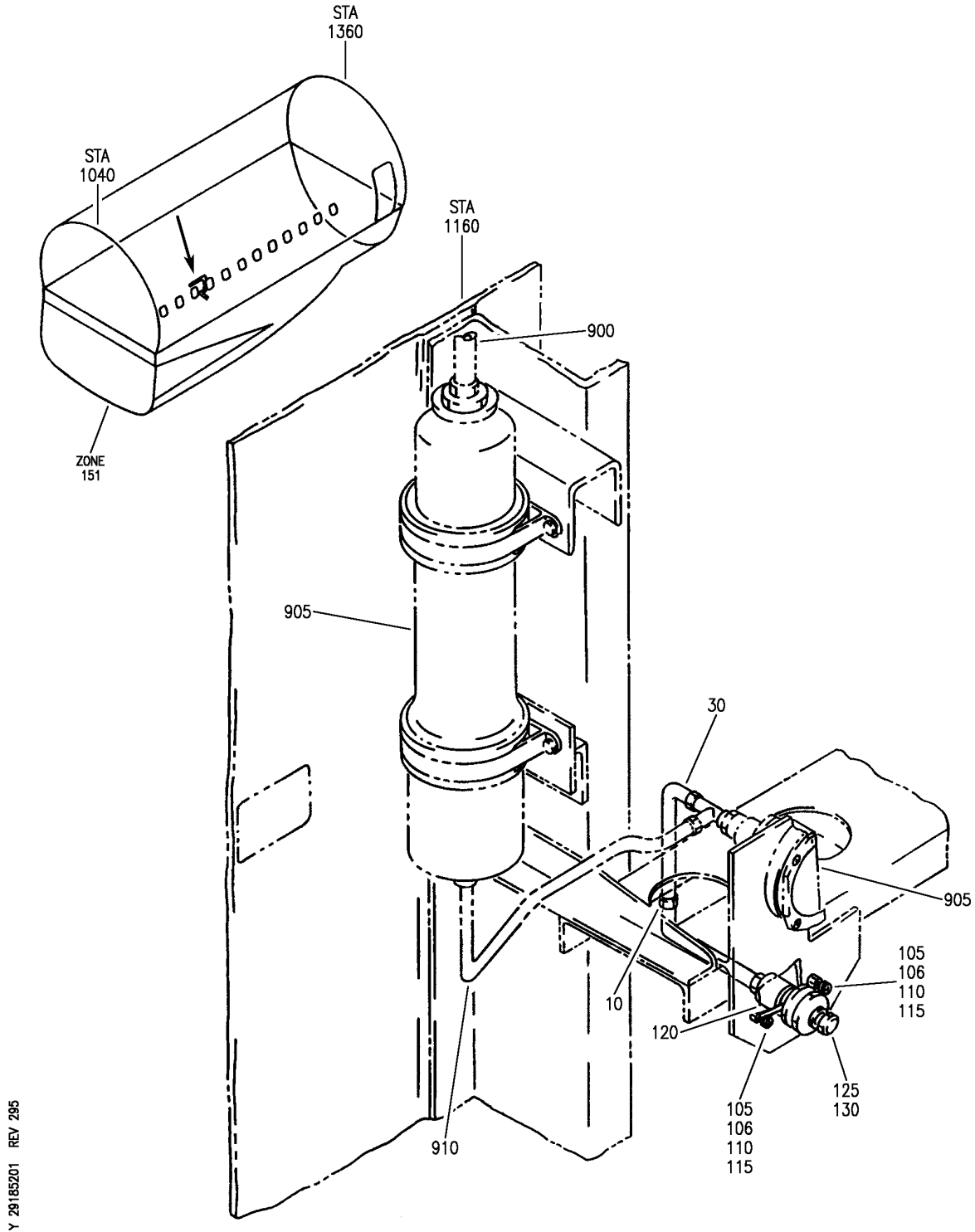
BRI

29-18-51-25

BOEING PROPRIETARY - Copyright © - Unpublished Work - See title page for details.

29-18-51
FIG. 25
PAGE 4
JAN 20/09

BOEING
757
PARTS CATALOG (MAINTENANCE)



Y 29185201 REV 295

PLUMBING INSTL-SECT.44 KEEL BEAM MLG WHL WELL HYDR (GROUND SERVICING SYSTEM ONLY)
FIGURE 1

BRI
MAY 28/07

29-18-52-01

29-18-52-01
PAGE 0



757

PARTS CATALOG (MAINTENANCE)

FIG ITEM	PART NUMBER	1 2 3 4 5 6 7	NOMENCLATURE	EFFECT FROM TO	UNITS PER ASSY
1			PLUMBING INSTL-SECT.44 KEEL BEAM MLG WHL WELL HYDR (GROUND SERVICING SYSTEM ONLY)	002004 006007 107107 121503 904949 952952	
- 1	271N6445-1		PLUMBING INSTL-KEEL BEAM MLG WHL WELL HYDR (GROUND SERVICING SYSTEM ONLY) POSITION DATA: SECT. 44 VARIABLE DRAWING REF: 271N6445-3 POST SERVICE BULLETIN: 24-0048 FOR NHA/OTHER SYS DET SEE: 29-00-51-05	107107 904949 952952	RF
10	M85052-2-4		.CLAMP	107107 904949 952952	1
- 15	NAS1801-3		ATTACHING PARTS .SCREW- SIZE DETERMINED ON INSTL.	107107 904949 952952	1
- 20	AN960KD10L		.WASHER	107107 904949 952952	1
30	271N6445-1213		-----*----- .TUBE ASSY-AIR TUBING MATERIAL: .250 IN. OD .016 IN. WALL 15.00 IN. LG TI POST SERVICE BULLETIN: 24-0048	107107	1
30	271N6445-1226		.TUBE ASSY-AIR TUBING MATERIAL: .250 IN. OD .016 IN. WALL 12.25 IN. LG TI	904949 952952	1
- 35	AS1581T04		..SLEEVE	107107 904949 952952	2
- 40	BACN10YA4N		..NUT	107107 904949 952952	2

MISSING ITEM NUMBERS NOT APPLICABLE

- ITEM NOT ILLUSTRATED

BRI

29-18-52-01

29-18-52
FIG. 01
PAGE 1
JAN 20/09



757

PARTS CATALOG (MAINTENANCE)

FIG ITEM	PART NUMBER	1 2 3 4 5 6 7	NOMENCLATURE	EFFECT FROM TO	UNITS PER ASSY
1					
- 100	271N1082-1		ACCUMULATOR AND SERVICING- INSTL-HYDR MOTOR/GEN (GROUND SERVICING SYSTEM ONLY) POST SERVICE BULLETIN: 24-0048 FOR NHA/OTHER SYS DET SEE: 29-00-51-05	107107 904949	RF
- 100	271N1082-3		ACCUMULATOR AND SERVICING- INSTL-HYDR MOTOR/GEN (GROUND SERVICING SYSTEM ONLY) FOR NHA/OTHER SYS DET SEE: 29-00-51-05	952952	RF
- 103	271N1082-8		GAGE INSTL-PRESSURE (GROUND SERVICING SYSTEM ONLY) FOR NHA/OTHER SYS DET SEE: 29-00-51-05	002004 006007 121503	RF
105	NAS623-3-3		.SCREW-	107107 904949 952952	2
105	NAS623-3-4		.SCREW	002004 006007 121503	2
110	AN960C10		.WASHER-	002004 006007 107107 121503 904949 952952	2
115	BRH10C3M		.NUT- SUPPLIER CODE: V52828 SPECIFICATION NUMBER: BACN10JC3M OPTIONAL PART: T6C1032JM V11815 97E02 V80539 109LH9075-3W V72962 VN303D02 V92215 NS202101SE02 V80539 H01-3BAC V15653	002004 006007 107107 121503 904949 952952	2

MISSING ITEM NUMBERS NOT APPLICABLE

- ITEM NOT ILLUSTRATED

BRI

29-18-52-01

29-18-52
FIG. 01
PAGE 2
JAN 20/09



757

PARTS CATALOG (MAINTENANCE)

FIG ITEM	PART NUMBER	1 2 3 4 5 6 7	NOMENCLATURE	EFFECT FROM TO	UNITS PER ASSY
1 120	274N1032-1	.	ADAPTER-	002004 006007 107107 121503 904949 952952	1
125	14199-1	.	VALVE-GROUND SERVICING SUPPLIER CODE: V03990 SPECIFICATION NUMBER: BACV10T1 OPTIONAL PART: 798A196 V27783 EQUIPMENT	002004 006007 107107 121503 904949 952952	1
130	MS20813-1	.	CAP-GROUND SERVICING EQUIPMENT	002004 006007 107107 121503 904949 952952	1
900			ILLUSTRATION REFERENCE: PLUMBING INSTL-SECT. 44 MLG WHL WELL HYDR (HYDRAULIC POWER TRANSFER UNIT SYSTEM ONLY) 29-22-51-20	904949 952952	

MISSING ITEM NUMBERS NOT APPLICABLE

- ITEM NOT ILLUSTRATED

BRI

29-18-52-01

BOEING PROPRIETARY - Copyright © - Unpublished Work - See title page for details.

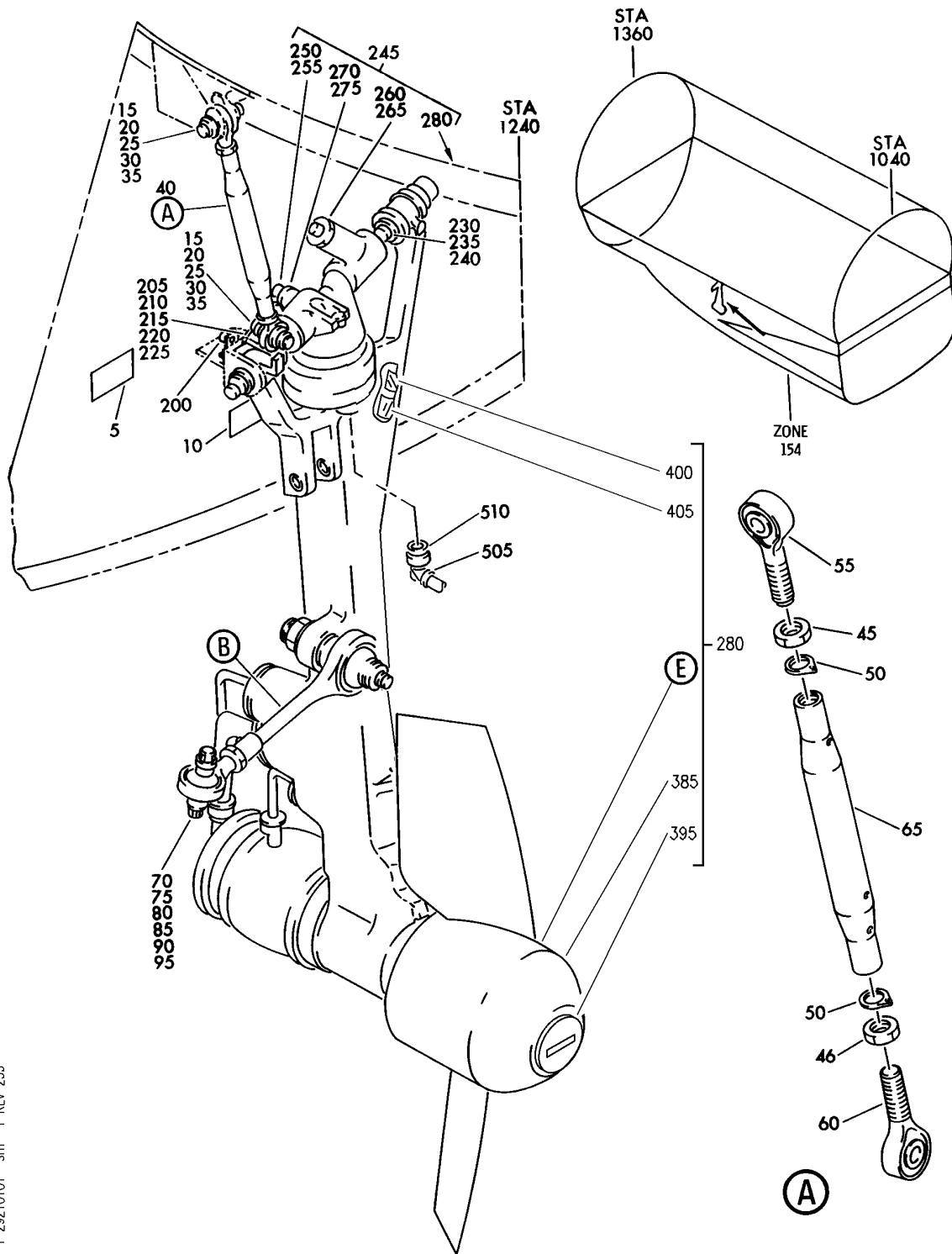
29-18-52
FIG. 01
PAGE 3
JAN 20/09

RAM AIR TURBINE (RAT) SYSTEM

BRI
MAY 28/07

29-21-00
SECTION TITLE
PAGE 1


BOEING
 757
PARTS CATALOG (MAINTENANCE)



Y 29210101 SHT 1 REV 235

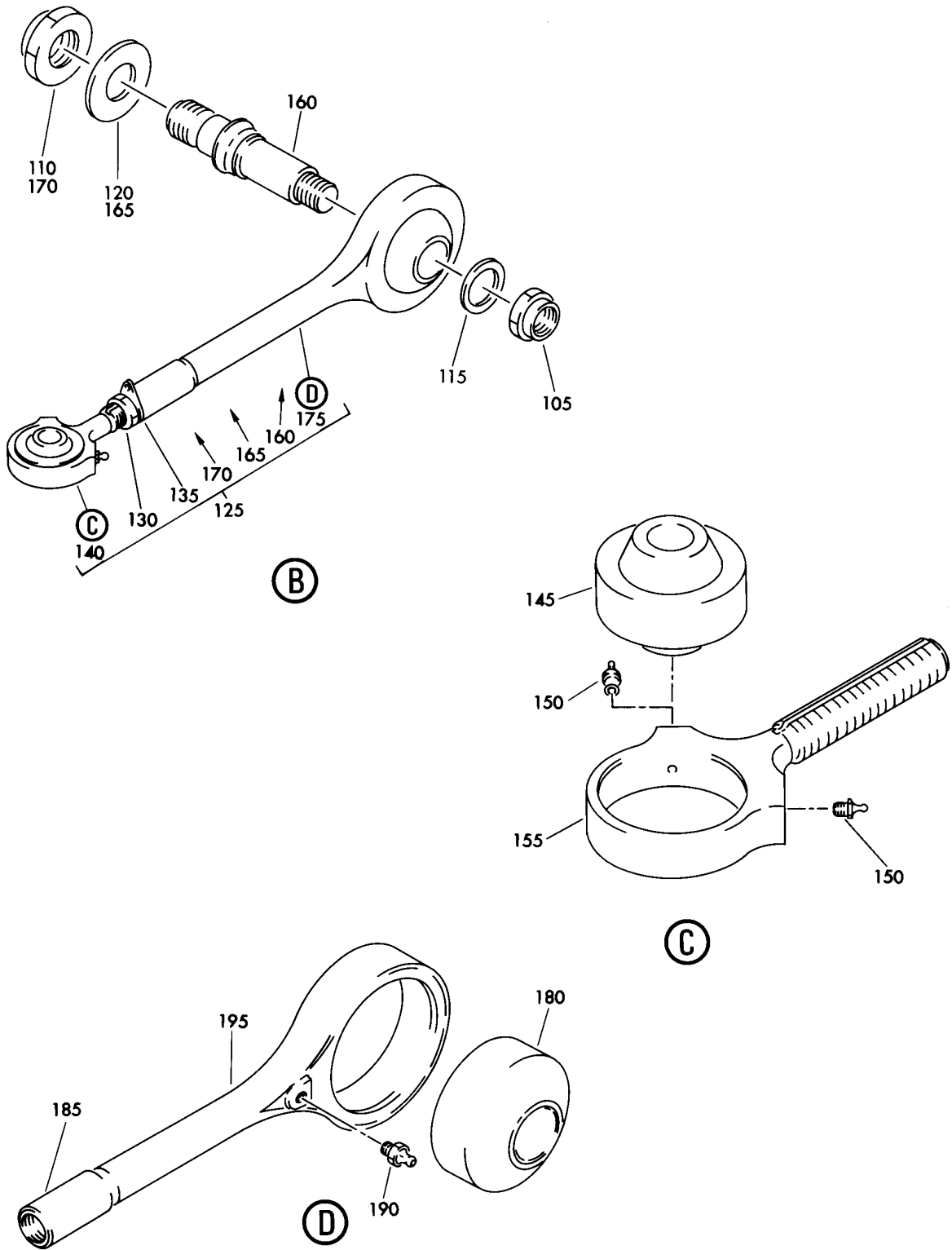
PUMP INSTL-RAM AIR TURB HYDR
 FIGURE 1 (SHEET 1)

29-21-01-01

BRI
 MAY 28/07

29-21-01-01
 PAGE 0

BOEING
757
PARTS CATALOG (MAINTENANCE)



Y 29210101 SHT 2 REV 095

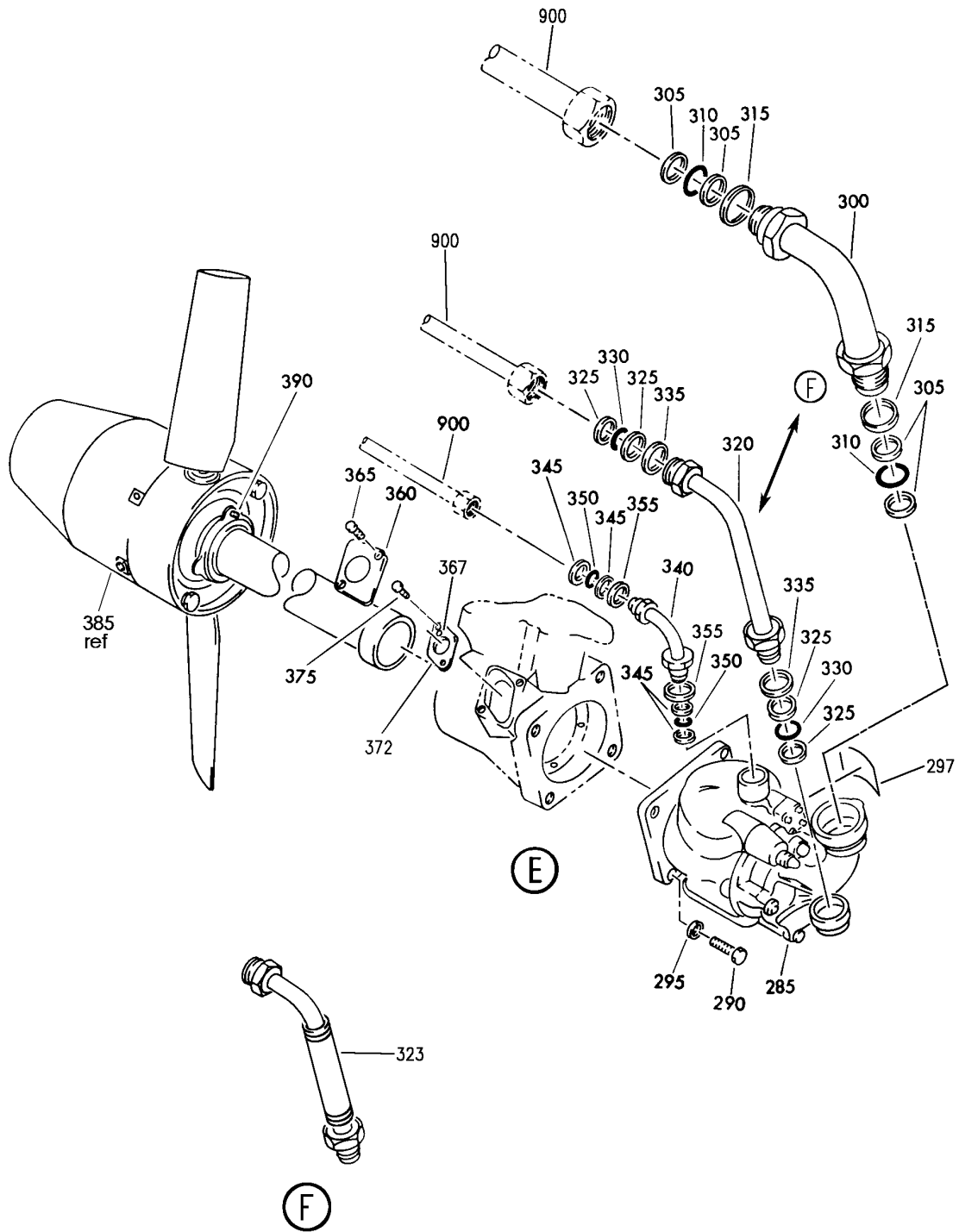
PUMP INSTL-RAM AIR TURB HYDR
FIGURE 1 (SHEET 2)

29-21-01-01

BRI
MAY 28/07

29-21-01-01
PAGE 0A

BOEING
757
PARTS CATALOG (MAINTENANCE)



Y 29210101 SHT 3 REV 293

PUMP INSTL-RAM AIR TURB HYDR
FIGURE 1 (SHEET 3)

29-21-01-01

BRI
MAY 28/07

29-21-01-01
PAGE 0B



757

PARTS CATALOG (MAINTENANCE)

FIG ITEM	PART NUMBER	1 2 3 4 5 6 7	NOMENCLATURE	EFFECT FROM TO	UNITS PER ASSY
1			PUMP INSTL-RAM AIR TURB HYDR	002004 006999	
- 1	271N1005-1		PUMP INSTL-RAM AIR TURB HYDR FOR NHA SEE: 29-00-51-07	002004 006100 107107 121503 904999	RF
- 1	271N1005-9		PUMP INSTL-RAM AIR TURB HYDR FOR NHA SEE: 29-00-51-01A	101102 108120 504903	RF
- 1	MODREF8897		PUMP INSTL-RAM AIR TURB HYDR MODULE NUMBER: 271N1005-9 REV A	103106	1
5	BAC27NHY0123		.MARKER-ALUMINUM FOIL PLACARD CONTENT: RAT STOWED SWITCH S10258	002004 006999	1
10	BAC27NHY0124		.MARKER-ALUMINUM FOIL PLACARD CONTENT: D3254 RAT STRUT TACHOMETER	002004 006999	1
15	BACB30LE8-21		.BOLT	002004 006100 107107 121503 904999	2
15	BACB30LE8K21		.BOLT	101106 108120 504903	2
20	BACW10BP8CD		.WASHER	002004 006999	2
25	BACW10BP8DP		.WASHER-	002004 006999	2

MISSING ITEM NUMBERS NOT APPLICABLE

- ITEM NOT ILLUSTRATED

BRI

29-21-01-01

29-21-01
FIG. 01
PAGE 1
JAN 20/09



757

PARTS CATALOG (MAINTENANCE)

FIG ITEM	PART NUMBER	1 2 3 4 5 6 7	NOMENCLATURE	EFFECT FROM TO	UNITS PER ASSY
1	30	BMN10HRCWD3-8	.NUT SUPPLIER CODE: V97928 SPECIFICATION NUMBER: BACN10HR8CD OPTIONAL PART: H51560-8 V15653 67832CD820 V56878 102LH9031-8 V72962 BH00303CM8 V27238 BMN5024CWD38 V97928 SL7108C8 V11815 VCU0005D8 V06710 102LH90318 V72962 67832CD8 V56878 CR6030-8 VF0224	002004 006999	2
	35	BACB28AK08-037	.BUSHING	002004 006999	2
	40	271N1027-2	.STRUT ASSY-	002004 006999	1
	40	271N1027-3	.STRUT ASSY-	002004 006999	1
	45	NAS509-8	..NUT	002004 006999	1
	46	NAS509L8	..NUT	002004 006999	1
	50	NAS513-8	..WASHER	002004 006999	2

MISSING ITEM NUMBERS NOT APPLICABLE

- ITEM NOT ILLUSTRATED

BRI

29-21-01-01

29-21-01
FIG. 01
PAGE 2
JAN 20/09



757

PARTS CATALOG (MAINTENANCE)

FIG ITEM	PART NUMBER	1 2 3 4 5 6 7	NOMENCLATURE	EFFECT FROM TO	UNITS PER ASSY
1 55	10E8-116M		.. BEARING SUPPLIER CODE: V16746 SPECIFICATION NUMBER: BACB10Y8M OPTIONAL PART: BRES8-2001M1 V81376 HB8E212KM V02758 KBE8-150WD5 V97613 MSSK8AS1 V73134 51588-081DD V09455 AR8E7W13 VS0352 ASMK8-1DM V56644 ARB8E60MW V15860	002004 006999	1
60	11E8-116M		.. BEARING SUPPLIER CODE: V16746 SPECIFICATION NUMBER: BACB10Y8LM OPTIONAL PART: BRELHS8-2001M1 V81376 HB8E212KLM V02758 KBEL8-150WD5 V97613 MSSKL8AS1 V73134 51588L081DD V09455 ASBK8-1DM V56644 ARL8E7W13 VS0352 ARBL8E60MW V15860	002004 006999	1
65	271N1026-2		.. STRUT- OPTIONAL PART: 271N1026-3 USED ON: 271N1027-2	002004 006999	1

MISSING ITEM NUMBERS NOT APPLICABLE

- ITEM NOT ILLUSTRATED

BRI

29-21-01-01

29-21-01
FIG. 01
PAGE 3
SEP 20/08



757

PARTS CATALOG (MAINTENANCE)

FIG ITEM	PART NUMBER	1 2 3 4 5 6 7	NOMENCLATURE	EFFECT FROM TO	UNITS PER ASSY
1					
65	271N1026-3	..	STRUT- OPTIONAL PART: 271N1026-2 USED ON: 271N1027-2	002004 006999	1
65	271N1026-4	..	STRUT-	002004 006999	1
70	BACB30LE8-31	.	BOLT	002004 006100 107107 121503 904999	1
70	BACB30LE8K31	.	BOLT	101106 108120 504903	1
75	BACW10BP8CD	.	WASHER	002004 006999	1
80	BACW10BP8DP	.	WASHER	002004 006999	1
85	BMN10HRCWD3-8	.	NUT SUPPLIER CODE: V97928 SPECIFICATION NUMBER: BACN10HR8CD OPTIONAL PART: H51560-8 V15653 67832CD820 V56878 102LH9031-8 V72962 BH00303CM8 V27238 BMN5024CWD38 V97928 SL7108C8 V11815 VCU0005D8 V06710 102LH90318 V72962 67832CD8 V56878 CR6030-8 VF0224	002004 006999	1
90	BACB28AK08-058	.	BUSHING	002004 006999	1
95	BACB28AK08-010	.	BUSHING	002004 006999	1

MISSING ITEM NUMBERS NOT APPLICABLE

- ITEM NOT ILLUSTRATED

29-21-01-01

29-21-01
FIG. 01
PAGE 4
JAN 20/09

BRI

BOEING PROPRIETARY - Copyright © - Unpublished Work - See title page for details.



757

PARTS CATALOG (MAINTENANCE)

FIG ITEM	PART NUMBER	1 2 3 4 5 6 7	NOMENCLATURE	EFFECT FROM TO	UNITS PER ASSY
1 105	69235-1216CD	.NUT	SUPPLIER CODE: V92215 SPECIFICATION NUMBER: BACN10JC12CD OPTIONAL PART: 102LH9074-12 V72962 BMN4122CPD8-12 V97928 H51650-12BAC V15653	101106 108120 504903	1
105	BMN4122AD3-12	.NUT-	SUPPLIER CODE: V97928 SPECIFICATION NUMBER: BACN10JC12 OPTIONAL PART: H10-12BAC V15653 RMLH9074-12 V72962 48FT1216 V56878	002004 006100 107107 121503 904999	1
110	H51650-1612BAC	.NUT	SUPPLIER CODE: V15653 SPECIFICATION NUMBER: BACN10JC16CD OPTIONAL PART: 102LH9074-16 V72962 69235-1612CD V92215 BMN4122CPD8-16 V97928	101106 108120 504903	1

MISSING ITEM NUMBERS NOT APPLICABLE

- ITEM NOT ILLUSTRATED

29-21-01-01

29-21-01
FIG. 01
PAGE 5
JAN 20/09

BRI



757

PARTS CATALOG (MAINTENANCE)

FIG ITEM	PART NUMBER	1 2 3 4 5 6 7	NOMENCLATURE	EFFECT FROM TO	UNITS PER ASSY
1					
110	BMN4122AD3-16	.	NUT SUPPLIER CODE: V97928 SPECIFICATION NUMBER: BACN10JC16 OPTIONAL PART: H10-1612BAC V15653 BMN4122A16 V85495 RMLH9074-16 V72962 48FT1612 V56878	002004 006100 107107 121503 904999	1
115	NAS1149C1290R	.	WASHER	101106 108120 504903	1
115	AN960C1216	.	WASHER-	002004 006100 107107 121503 904999	1
120	NAS1149C1690R	.	WASHER	101106 108120 504903	1
120	AN960C1616	.	WASHER	002004 006100 107107 121503 904999	1
125	271N1030-4	.	LINK ASSY-DOOR	101106 108120 504903	1
125	271N1030-3	.	LINK ASSY-DOOR	002004 006999	1
130	NAS509-8	..	NUT	002004 006999	1
135	NAS513-8	..	WASHER	002004 006999	1
140	271N1031-1	..	END ASSY-ROD	002004 006999	1

MISSING ITEM NUMBERS NOT APPLICABLE

- ITEM NOT ILLUSTRATED

29-21-01-01

29-21-01
FIG. 01
PAGE 6
JAN 20/09

BRI

BOEING PROPRIETARY - Copyright © - Unpublished Work - See title page for details.



757

PARTS CATALOG (MAINTENANCE)

FIG ITEM	PART NUMBER	1 2 3 4 5 6 7	NOMENCLATURE	EFFECT FROM TO	UNITS PER ASSY
1 145	NC8G4		... BEARING- SUPPLIER CODE: V56644 SPECIFICATION NUMBER: 60B00180-41 OPTIONAL PART: B8-880-1 V73134 ABG8V108 V99643 KWB8-35 V97613 BNG08F041 V16746 ASSB8V30 V15860	002004 006999	1
150	1728B		... FITTING-LUBE SUPPLIER CODE: VOFKM1	002004 006999	2
155	271N1031-2		... END	002004 006999	1
160	271N1033-1		.. PIN	002004 006999	1
165	AN960C1216L		.. WASHER	002004 006100 107107 121503 904999	1
165	NAS1149C1232R		.. WASHER	101106 108120 504903 002004 006999	1
170	BMN4122AD3-12		.. NUT SUPPLIER CODE: V97928 SPECIFICATION NUMBER: BACN10JC12 OPTIONAL PART: H10-12BAC V15653 RMLH9074-12 V72962 48FT1216 V56878	002004 006999	1
175	271N1032-8		.. LINK ASSY-DOOR ACTUATION	002004 006100 107107 121503 904999	1

MISSING ITEM NUMBERS NOT APPLICABLE

- ITEM NOT ILLUSTRATED

BRI

29-21-01-01

29-21-01
FIG. 01
PAGE 7
JAN 20/09



757

PARTS CATALOG (MAINTENANCE)

FIG ITEM	PART NUMBER	1 2 3 4 5 6 7	NOMENCLATURE	EFFECT FROM TO	UNITS PER ASSY
1					
175	271N1032-11		..LINK ASSY-DOOR ACTUATION	101106 108120 504903	1
180	LHB16-51BAC		...BEARING- SUPPLIER CODE: V73134 SPECIFICATION NUMBER: 60B00180-244 OPTIONAL PART: ABG16V105 VS0352 B12-1479-2 V73134 BNG16F244 V16746 NC16G5 V56644	002004 006999	1
180	ABG16V105		...BEARING- SUPPLIER CODE: VS0352 SPECIFICATION NUMBER: 60B00180-244 OPTIONAL PART: B12-1479-2 V73134 BNG16F244 V16746 LHB16051BAC V73134 NC16G5 V56644	002004 006999	1
180	B12-1479-2		...BEARING- SUPPLIER CODE: V73134 SPECIFICATION NUMBER: 60B00180-244 OPTIONAL PART: BNG16F244 V16746 LHB16051BAC V73134 NC16G5 V56644 ABG16V105 VS0352	002004 006999	1

MISSING ITEM NUMBERS NOT APPLICABLE

- ITEM NOT ILLUSTRATED

BRI

29-21-01-01

BOEING PROPRIETARY - Copyright © - Unpublished Work - See title page for details.

29-21-01
FIG. 01
PAGE 8
JAN 20/09



757

PARTS CATALOG (MAINTENANCE)

FIG ITEM	PART NUMBER	1 2 3 4 5 6 7	NOMENCLATURE	EFFECT FROM TO	UNITS PER ASSY
1 180	BNG16F244	...	BEARING- SUPPLIER CODE: V16746 SPECIFICATION NUMBER: 60B00180-244 OPTIONAL PART: LHB16051BAC V73134 ABG16V105 VS0352 B12-1479-2 V73134 NC16G5 V56644	002004 006999	1
180	NC16G5	...	BEARING- SUPPLIER CODE: V56644 SPECIFICATION NUMBER: 60B00180-244 OPTIONAL PART: ABG16V105 VS0352 B12-1479-2 V73134 BNG16F244 V16746 LHB16051BAC V73134	002004 006999	1
185	MS21209F8-15P	...	INSERT-	002004 006999	1
190	1728B	...	FITTING-LUBE SUPPLIER CODE: VOFKM1	002004 006999	1
195	271N1032-9	...	LINK-	002004 006999	1
200	MS21321-2	.	SWITCH- ELECTRICAL EQUIP NUMBER: S10258	002004 006999	1
205	BACB30LE10-34	.	BOLT-	002004 006100 107107 121503 904999	1
205	BACB30LE10K34	.	BOLT	101106 108120 504903	1
210	BACW10BP10CD	.	WASHER-	002004 006999	1

MISSING ITEM NUMBERS NOT APPLICABLE

- ITEM NOT ILLUSTRATED

29-21-01-01

29-21-01
FIG. 01
PAGE 9
JAN 20/09

BRI

BOEING PROPRIETARY - Copyright © - Unpublished Work - See title page for details.



757

PARTS CATALOG (MAINTENANCE)

FIG ITEM	PART NUMBER	1 2 3 4 5 6 7	NOMENCLATURE	EFFECT FROM TO	UNITS PER ASSY
1					
215	BACW10BP10DP	.	WASHER-	002004 006999	1
220	BMN5024CWD310	.	NUT-	002004 006999	1
			SUPPLIER CODE: V97928		
			SPECIFICATION NUMBER: BACN10HR10CD		
			OPTIONAL PART: H51560-10		
			V15653		
			102LH9031-10		
			V72962		
			67832CD1018		
			V56878		
			BH00303CM10		
			V27238		
			SL7108C10		
			V11815		
			VCU0005D10		
			V06710		
			BMN10HRCWD3-10		
			V97928		
			102LH903110		
			V72962		
			102LH903110		
			V72962		
225	BACB28AK10-063	.	BUSHING-	002004 006999	1
230	271N1022-1	.	BOLT-PIVOT	002004 006999	1
235	AN960C816	.	WASHER-	002004 006999	1
240	BMN4122AD3-8	.	NUT-	002004 006100	1
			SUPPLIER CODE: V97928	107107	
			SPECIFICATION NUMBER: BACN10JCS	121503	
			OPTIONAL PART: BMN4122A8	904999	
			V85495		
			H10-8BAC		
			V15653		
			RMLH9074-8		
			V72962		
			48FT820		
			V56878		

MISSING ITEM NUMBERS NOT APPLICABLE

- ITEM NOT ILLUSTRATED

BRI

29-21-01-01

29-21-01
FIG. 01
PAGE 10
JAN 20/09



757

PARTS CATALOG (MAINTENANCE)

FIG ITEM	PART NUMBER	1 2 3 4 5 6 7	NOMENCLATURE	EFFECT FROM TO	UNITS PER ASSY
1 240	69235-820CD	.	NUT SUPPLIER CODE: V92215 SPECIFICATION NUMBER: BACN10JC8CD OPTIONAL PART: 102LH9074-8 V72962 BMN4122CPD8-8 V97928 H51650-8BAC V15653	101106 108120 504903	1
245	271N1005-4	.	PUMP ASSY-	002004 006999	1
245	271N1005-5	.	PUMP ASSY-	002004 006999	1
245	271N1005-6	.	PUMP ASSY-	002004 006999	1
245	271N1005-8	.	PUMP ASSY-	002004 006999	1
245	271N1005-10	.	PUMP ASSY-	002004 006999	1

MISSING ITEM NUMBERS NOT APPLICABLE

- ITEM NOT ILLUSTRATED

BRI

29-21-01-01

BOEING PROPRIETARY - Copyright © - Unpublished Work - See title page for details.

29-21-01
FIG. 01
PAGE 11
JAN 20/09



757

PARTS CATALOG (MAINTENANCE)

FIG ITEM	PART NUMBER	1 2 3 4 5 6 7	NOMENCLATURE	EFFECT FROM TO	UNITS PER ASSY
1 250	AFP2326-4		.. REDUCER SUPPLIER CODE: V30974 SPECIFICATION NUMBER: BACR17E6-4 OPTIONAL PART: AP10276-4 V01673 BC916T6-4 V50948 DBOR17E6-4 V14798 ER21916T6-4 V88334 ER31916-6-4 V88334 F23-6-4 V73197 2-01075T6-4 V11328 31778-6-4 V14397 US2114-6-4 V50808 AP1027T6-4 V01673 US21146-4 V50808 317786-4 V14397	002004 006999	1
255	NAS1612-4		.. PACKING-	002004 006999	1

MISSING ITEM NUMBERS NOT APPLICABLE

- ITEM NOT ILLUSTRATED

BRI

29-21-01-01

BOEING PROPRIETARY - Copyright © - Unpublished Work - See title page for details.

29-21-01
FIG. 01
PAGE 12
JAN 20/09



757

PARTS CATALOG (MAINTENANCE)

FIG ITEM	PART NUMBER	1 2 3 4 5 6 7	NOMENCLATURE	EFFECT FROM TO	UNITS PER ASSY
1 260	AFP23216-12		..REDUCER SUPPLIER CODE: V30974 SPECIFICATION NUMBER: BACR17E16-12 OPTIONAL PART: AP102716-12 V01673 BC916T16-12 V50948 DBOR17E16-12 V14798 ER21916T16-12 V88334 ER31916-16-12 V88334 F23-16-12 V73197 2-01075T16-12 V11328 31778-16-12 V14397 US2114-16-12 V50808	002004 006999	1
265	NAS1612-16		..PACKING-	002004 006999	1
270	BACU24K8		..UNION	002004 006100 107107 121503 904999	1
270	MS21902-8T		..UNION	101106 108120 504903	1
275	NAS1612-8		..PACKING-	002004 006999	1

MISSING ITEM NUMBERS NOT APPLICABLE

- ITEM NOT ILLUSTRATED

BRI

29-21-01-01

BOEING PROPRIETARY - Copyright © - Unpublished Work - See title page for details.

29-21-01
FIG. 01
PAGE 13
JAN 20/09



757

PARTS CATALOG (MAINTENANCE)

FIG ITEM	PART NUMBER	1 2 3 4 5 6 7 NOMENCLATURE	EFFECT FROM TO	UNITS PER ASSY
1 280	730814B	..PUMP ASSY- SUPPLIER CODE: V99167 SPECIFICATION NUMBER: S258T710-9 NOT APPROVED FOR ETOPS. ELECTRICAL EQUIP NUMBER: M10148 COMPONENT MAINT MANUAL REF: 29-21-11 REFERENCE SERVICE BULLETIN: 29A0046 REWORKED BY SB: 730814-29-11 V55820 FUNCTIONAL REFERENCE: PLACARDS AND MARKINGS FOR DETAILS SEE 11-21-18-02 HYDRAULIC POWER FOR DETAILS SEE 29-21-18-01	002004 006999	1

MISSING ITEM NUMBERS NOT APPLICABLE

- ITEM NOT ILLUSTRATED

BRI

29-21-01-01

BOEING PROPRIETARY - Copyright © - Unpublished Work - See title page for details.

29-21-01
FIG. 01
PAGE 14
JAN 20/09



757

PARTS CATALOG (MAINTENANCE)

FIG ITEM	PART NUMBER	1 2 3 4 5 6 7	NOMENCLATURE	EFFECT FROM TO	UNITS PER ASSY
1 280	730814C		<p>..PUMP ASSY- SUPPLIER CODE: V99167 SPECIFICATION NUMBER: S258T710-11 SB DATA FROM A CMM: 730814-29-4 ELECTRICAL EQUIP NUMBER: M10148 COMPONENT MAINT MANUAL REF: 29-21-11 OPTIONAL PART: 730814D V99167 730814E V99167 REFERENCE SERVICE BULLETIN: 29A0046 REWORKED BY SB: 730814-29-11 V55820 FUNCTIONAL REFERENCE: PLACARDS AND MARKINGS FOR DETAILS SEE 11-21-18-02 HYDRAULIC POWER FOR DETAILS SEE 29-21-18-01</p>	002004 006999	1

MISSING ITEM NUMBERS NOT APPLICABLE

- ITEM NOT ILLUSTRATED

BRI

29-21-01-01

BOEING PROPRIETARY - Copyright © - Unpublished Work - See title page for details.

29-21-01
FIG. 01
PAGE 15
JAN 20/09



757

PARTS CATALOG (MAINTENANCE)

FIG ITEM	PART NUMBER	1 2 3 4 5 6 7	NOMENCLATURE	EFFECT FROM TO	UNITS PER ASSY
1 280	730814D		<p>..PUMP ASSY- SUPPLIER CODE: V99167 SPECIFICATION NUMBER: S258T710-11 ELECTRICAL EQUIP NUMBER: M10148 COMPONENT MAINT MANUAL REF: 29-21-11 OPTIONAL PART: 730814C V99167 730814E V99167 REFERENCE SERVICE BULLETIN: 29A0046 REWORKED BY SB: 730814-29-11 V55820 FUNCTIONAL REFERENCE: PLACARDS AND MARKINGS FOR DETAILS SEE 11-21-18-02 HYDRAULIC POWER FOR DETAILS SEE 29-21-18-01</p>	002004 006999	1

MISSING ITEM NUMBERS NOT APPLICABLE

- ITEM NOT ILLUSTRATED

BRI

29-21-01-01

BOEING PROPRIETARY - Copyright © - Unpublished Work - See title page for details.

29-21-01
FIG. 01
PAGE 16
JAN 20/09



757

PARTS CATALOG (MAINTENANCE)

FIG ITEM	PART NUMBER	1 2 3 4 5 6 7	NOMENCLATURE	EFFECT FROM TO	UNITS PER ASSY
1 280	730814E		..PUMP ASSY- SUPPLIER CODE: V99167 SPECIFICATION NUMBER: S258T710-11 SB DATA FROM A CMM: 730814-29-7 ELECTRICAL EQUIP NUMBER: M10148 COMPONENT MAINT MANUAL REF: 29-21-11 OPTIONAL PART: 730814C V99167 730814D V99167 REFERENCE SERVICE BULLETIN: 29A0046 REWORKED BY SB: 730814-29-11 V55820 FUNCTIONAL REFERENCE: PLACARDS AND MARKINGS FOR DETAILS SEE 11-21-18-02 HYDRAULIC POWER FOR DETAILS SEE 29-21-18-01	002004 006999	1
280	730814F		..PUMP ASSY- SUPPLIER CODE: V99167 SPECIFICATION NUMBER: S258T710-21 COMPONENT MAINT MANUAL REF: 29-21-11 REFERENCE SERVICE BULLETIN: 29A0046 PRE SERVICE BULLETIN: 730814-29-11 V55820 FUNCTIONAL REFERENCE: PLACARDS AND MARKINGS FOR DETAILS SEE 11-21-18-02 HYDRAULIC POWER FOR DETAILS SEE 29-21-18-01	002004 006106 108120 504949	1

MISSING ITEM NUMBERS NOT APPLICABLE

- ITEM NOT ILLUSTRATED

BRI

29-21-01-01

29-21-01
FIG. 01
PAGE 17
JAN 20/09



757

PARTS CATALOG (MAINTENANCE)

FIG ITEM	PART NUMBER	1 2 3 4 5 6 7	NOMENCLATURE	EFFECT FROM TO	UNITS PER ASSY
1 280	730814G		..PUMP ASSY- SUPPLIER CODE: V99167 SPECIFICATION NUMBER: S258T710-23 ELECTRICAL EQUIP NUMBER: M10148 COMPONENT MAINT MANUAL REF: 29-21-11 REFERENCE SERVICE BULLETIN: 29A0046 POST SERVICE BULLETIN: 730814-29-11 V55820 FUNCTIONAL REFERENCE: PLACARDS AND MARKINGS FOR DETAILS SEE 11-21-18-02 HYDRAULIC POWER FOR DETAILS SEE 29-21-18-01	002004 006999	1
285	65139-02		...PUMP- SUPPLIER CODE: V93835 COMPONENT MAINT MANUAL REF: 29-21-04 REWORKED BY SB: 29-0060 REWORKED BY SB: 6513902-29-305 V93835 ATTACHING PARTS	002004 006999	1
290	MS9520-12		...SCREW- CONFIG CHG DATA FROM A CMM: REPLACED BY MS9148-12	002004 006999	4
290	MS9148-12		...BOLT- CONFIG CHG DATA FROM A CMM: REPLS MS8520-12	002004 006999	4
295	AN960C516L		...WASHER-	002004 006999	4
297	20188		-----*-----PLATE-IDENT SUPPLIER CODE: V75250	002004 006999	1
300	730135		...TUBE- SUPPLIER CODE: V99167	002004 006949 952999	1

MISSING ITEM NUMBERS NOT APPLICABLE

- ITEM NOT ILLUSTRATED

BRI

29-21-01-01

29-21-01
FIG. 01
PAGE 18
JAN 20/09



757

PARTS CATALOG (MAINTENANCE)

FIG ITEM	PART NUMBER	1 2 3 4 5 6 7	NOMENCLATURE	EFFECT FROM TO	UNITS PER ASSY
1					
300	757718	...	TUBE- SUPPLIER CODE: V99167	002004 006949 952999	1
300	757718	...	TUBE- SUPPLIER CODE: V99167 SB DATA FROM A CMM: 730814-29-9 POST AIRLINE MOD: PCR14-96 VALP	950951	1
305	MS28774-120	...	RETAINER-	002004 006999	4
310	NAS1611-120	...	PACKING-	002004 006999	2
315	730140-1	...	SHIM-(0.003 INCH (0.08 MM) THICK) SUPPLIER CODE: V99167 SELECT FROM ITEM.	002004 006999	AR
315	730140-2	...	SHIM-(0.007 INCH (0.18 MM) THICK) SUPPLIER CODE: V99167 SELECT FROM ITEM.	002004 006999	AR
315	730140-3	...	SHIM-(0.010 INCH 0.25 MM) THICK) SUPPLIER CODE: V99167 SELECT FROM ITEM.	002004 006999	AR
315	730140-4	...	SHIM-(0.025 INCH (0.64 MM) THICK) SUPPLIER CODE: V99167 SELECT FROM ITEM.	002004 006999	AR
315	730140-5	...	SHIM-(0.050 INCH (1.27 MM) THICK) SUPPLIER CODE: V99167 SELECT FROM ITEM.	002004 006999	AR
320	730131	...	TUBE- SUPPLIER CODE: V99167 REFERENCE SERVICE BULLETIN: 29A0046 PRE SERVICE BULLETIN: 730814-29-11 V99167	002004 006106 108120 504949	1

MISSING ITEM NUMBERS NOT APPLICABLE

- ITEM NOT ILLUSTRATED

BRI

29-21-01-01

29-21-01
FIG. 01
PAGE 19
JAN 20/09



757

PARTS CATALOG (MAINTENANCE)

FIG ITEM	PART NUMBER	1 2 3 4 5 6 7	NOMENCLATURE	EFFECT FROM TO	UNITS PER ASSY
1 320	757716		...TUBE- SUPPLIER CODE: V99167 REFERENCE SERVICE BULLETIN: 29A0046 PRE SERVICE BULLETIN: 730814-29-11 V99167	002004 006106 108120 504949	1
323	5909505		...TUBE-FLEXHOSE SUPPLIER CODE: V99167 SB DATA FROM A CMM: 730814-29-9 SERVICE BULLETIN OPT DATA: 666 V99167 REFERENCE SERVICE BULLETIN: 29A0046 POST SERVICE BULLETIN: 730814-29-11 V99167 POST AIRLINE MOD: PCR12-97 VALP	002004 006017 107107 121503 904999	1
325	MS28774-113		...RETAINER-	002004 006999	4
330	NAS1611-113		...PACKING-	002004 006999	2
335	730138-1		...SHIM-(0.003 INCH (0.08 MM) THICK) SUPPLIER CODE: V99167 SELECT FROM ITEM. REFERENCE SERVICE BULLETIN: 29A0046 PRE SERVICE BULLETIN: 730814-29-11 V99167	002004 006106 108120 504949	AR
335	730138-2		...SHIM-(0.007 INCH (0.18 MM) THICK) SUPPLIER CODE: V99167 SELECT FROM ITEM. REFERENCE SERVICE BULLETIN: 29A0046 PRE SERVICE BULLETIN: 730814-29-11 V99167	002004 006106 108120 504949	AR

MISSING ITEM NUMBERS NOT APPLICABLE

- ITEM NOT ILLUSTRATED

29-21-01-01

29-21-01
FIG. 01
PAGE 20
JAN 20/09

BRI



757

PARTS CATALOG (MAINTENANCE)

FIG ITEM	PART NUMBER	1 2 3 4 5 6 7	NOMENCLATURE	EFFECT FROM TO	UNITS PER ASSY
1 335	730138-3		...SHIM-(0.010 INCH (0.25 MM) THICK) SUPPLIER CODE: V99167 SELECT FROM ITEM. REFERENCE SERVICE BULLETIN: 29A0046 PRE SERVICE BULLETIN: 730814-29-11 V99167	002004 006106 108120 504949	AR
335	730138-4		...SHIM-(0.025 INCH (0.64 MM) THICK) SUPPLIER CODE: V99167 SELECT FROM ITEM. REFERENCE SERVICE BULLETIN: 29A0046 PRE SERVICE BULLETIN: 730814-29-11 V99167	002004 006106 108120 504949	AR
335	730138-5		...SHIM-(0.050 INCH (1.27 MM) THICK) SUPPLIER CODE: V99167 SELECT FROM ITEM. REFERENCE SERVICE BULLETIN: 29A0046 PRE SERVICE BULLETIN: 730814-29-11 V99167	002004 006106 108120 504949	AR
340	730134		...TUBE- SUPPLIER CODE: V99167	002004 006949 952999	1
340	757717		...TUBE- SUPPLIER CODE: V99167 POST AIRLINE MOD: PCR12-97 VALP	002004 006999	1
345	MS27595-012		...RETAINER-	002004 006999	4
350	NAS1611-012		...PACKING-	002004 006999	2
355	730808-1		...SHIM-(0.003 INCH (0.08 MM) THICK) SUPPLIER CODE: V99167 SELECT FROM ITEM.	002004 006999	AR

MISSING ITEM NUMBERS NOT APPLICABLE

- ITEM NOT ILLUSTRATED

BRI

29-21-01-01

29-21-01
FIG. 01
PAGE 21
JAN 20/09

BOEING
757
PARTS CATALOG (MAINTENANCE)

FIG ITEM	PART NUMBER	1 2 3 4 5 6 7	NOMENCLATURE	EFFECT FROM TO	UNITS PER ASSY
1 355	730808-2		...SHIM-(0.007 INCH (0.18 MM) THICK) SUPPLIER CODE: V99167 SELECT FROM ITEM.	002004 006999	AR
355	730808-3		...SHIM-(0.010 INCH (0.25 MM) THICK) SUPPLIER CODE: V99167 SELECT FROM ITEM.	002004 006999	AR
355	730808-4		...SHIM-(0.025 INCH (0.64 MM) THICK) SUPPLIER CODE: V99167 SELECT FROM ITEM.	002004 006999	AR
355	730808-5		...SHIM-(0.050 INCH (1.27 MM) THICK) SUPPLIER CODE: V99167 SELECT FROM ITEM.	002004 006999	AR
360	730142		...COVER- SUPPLIER CODE: V99167 ATTACHING PARTS	002004 006999	1
365	MS9517-05		...SCREW- -----*-----	002004 006999	2
367	730139		...INSERT- SUPPLIER CODE: V99167	002004 006999	1
372	737565-1		...SHIM-(0.002 INCH (0.05 MM) THICK) SUPPLIER CODE: V99167 SELECT FROM ITEM. USED WITH: 26416129-01 736804 736804A	002004 006999	AR
372	737565-2		...SHIM-(0.005 INCH (0.13 MM) THICK) SUPPLIER CODE: V99167 SELECT FROM ITEM. USED WITH: 26416129-01 736804 736804A	002004 006999	AR

MISSING ITEM NUMBERS NOT APPLICABLE

— ITEM NOT ILLUSTRATED

BRI

29-21-01-01

BOEING PROPRIETARY - Copyright © - Unpublished Work - See title page for details.

29-21-01
FIG. 01
PAGE 22
JAN 20/09



757

PARTS CATALOG (MAINTENANCE)

FIG ITEM	PART NUMBER	1 2 3 4 5 6 7	NOMENCLATURE	EFFECT FROM TO	UNITS PER ASSY
1 372	737565-3		...SHIM-(0.007 INCH (0.18 MM) THICK) SUPPLIER CODE: V99167 SELECT FROM ITEM. USED WITH: 26416129-01 736804 736804A	002004 006999	AR
372	737565-4		...SHIM-(0.010 INCH (0.25 MM) THICK) SUPPLIER CODE: V99167 SELECT FROM ITEM. USED WITH: 26416129-01 736804 736804A	002004 006999	AR
372	737565-5		...SHIM-(0.025 INCH (0.64 MM) THICK) SUPPLIER CODE: V99167 SELECT FROM ITEM. USED WITH: 26416129-01 736804 736804A	002004 006999	AR
375	MS9516-04		ATTACHING PARTS ...SCREW-	002004 006999	2
375	NAS1351-06-6P		...SCREW- OPTIONAL PART: MS9516-04 -----*-----	002004 006999	2
385	733785		...HUB ASSY- SUPPLIER CODE: V99167 NOT APPROVED FOR ETOPS. USED ON: 730814B 730814G	002004 006999	1
385	733785A		...HUB ASSY- SUPPLIER CODE: V99167 USED ON: 730814C PRE SERVICE BULLETIN: 730814-29-4 V55802	002004 006999	1

MISSING ITEM NUMBERS NOT APPLICABLE

- ITEM NOT ILLUSTRATED

29-21-01-01

29-21-01
FIG. 01
PAGE 23
JAN 20/09

BRI



757

PARTS CATALOG (MAINTENANCE)

FIG ITEM	PART NUMBER	1 2 3 4 5 6 7	NOMENCLATURE	EFFECT FROM TO	UNITS PER ASSY
1 385	733785B		...HUB ASSY- SUPPLIER CODE: V99167 USED ON: 730814F PRE SERVICE BULLETIN: 730814-29-8 V55802	002004 006999	1
385	733785C		...HUB ASSY- SUPPLIER CODE: V99167 ATTACHING PARTS	002004 006999	1
390	MS9518-04		...SCREW-COMPONENT OF 733785 -----*-----	002004 006999	1
395	734516	PLATE-IDENT SUPPLIER CODE: V99167 CONFIG CHG DATA FROM A CMM: REPLD BY 753432	002004 006999	1
395	753432	PLATE-IDENT SUPPLIER CODE: V99167 CONFIG CHG DATA FROM A CMM: REPLS 734516	002004 006999	1
400	730837		...PLATE-IDENT SUPPLIER CODE: V99167	002004 006999	1
405	742686		...PLATE-MOD SUPPLIER CODE: V99167 PRE SERVICE BULLETIN: 730814-29-9 V55802	002004 006999	1
- 500	286N2516-004		WIRE BUNDLE ASSY-	002004 006100 950999	RF
- 500	286N2516-005		WIRE BUNDLE ASSY	107107 121503 904949	RF
- 501	286N2516-312		WIRE BUNDLE ASSY	101102 108120	RF
- 501	286N2516-320		WIRE BUNDLE ASSY	504903	RF

MISSING ITEM NUMBERS NOT APPLICABLE

- ITEM NOT ILLUSTRATED

BRI

29-21-01-01

29-21-01
FIG. 01
PAGE 24
JAN 20/09



757

PARTS CATALOG (MAINTENANCE)

FIG ITEM	PART NUMBER	1 2 3 4 5 6 7	NOMENCLATURE	EFFECT FROM TO	UNITS PER ASSY
1 505	GS3418-14CD		.CLAMP- SUPPLIER CODE: V06324 SPECIFICATION NUMBER: BACC10HG14 OPTIONAL PART: S2126-14-8 V07418 ELECTRICAL EQUIP NUMBER: D03254T WIRING DIAGRAM REF: 292131	002004 006102 107999	1
510	R071014A7SNL		.CONNECTOR- SUPPLIER CODE: V41118 SPECIFICATION NUMBER: BACC63BP14A7SNL MISCELLANEOUS DATA: OPTIONAL PART NUMBERS: BACC63BP14A7SN (81205) BACC63BP14R7SN (81205) BACC63BP14R7SNL (81205) ELECTRICAL EQUIP NUMBER: D03254 WIRING DIAGRAM REF: 292131	002004 006102 107999	1
900			ILLUSTRATION REFERENCE: PLUMBING INSTL-SECT. 49 29-21-51-15	002004 006999	RF

MISSING ITEM NUMBERS NOT APPLICABLE

- ITEM NOT ILLUSTRATED

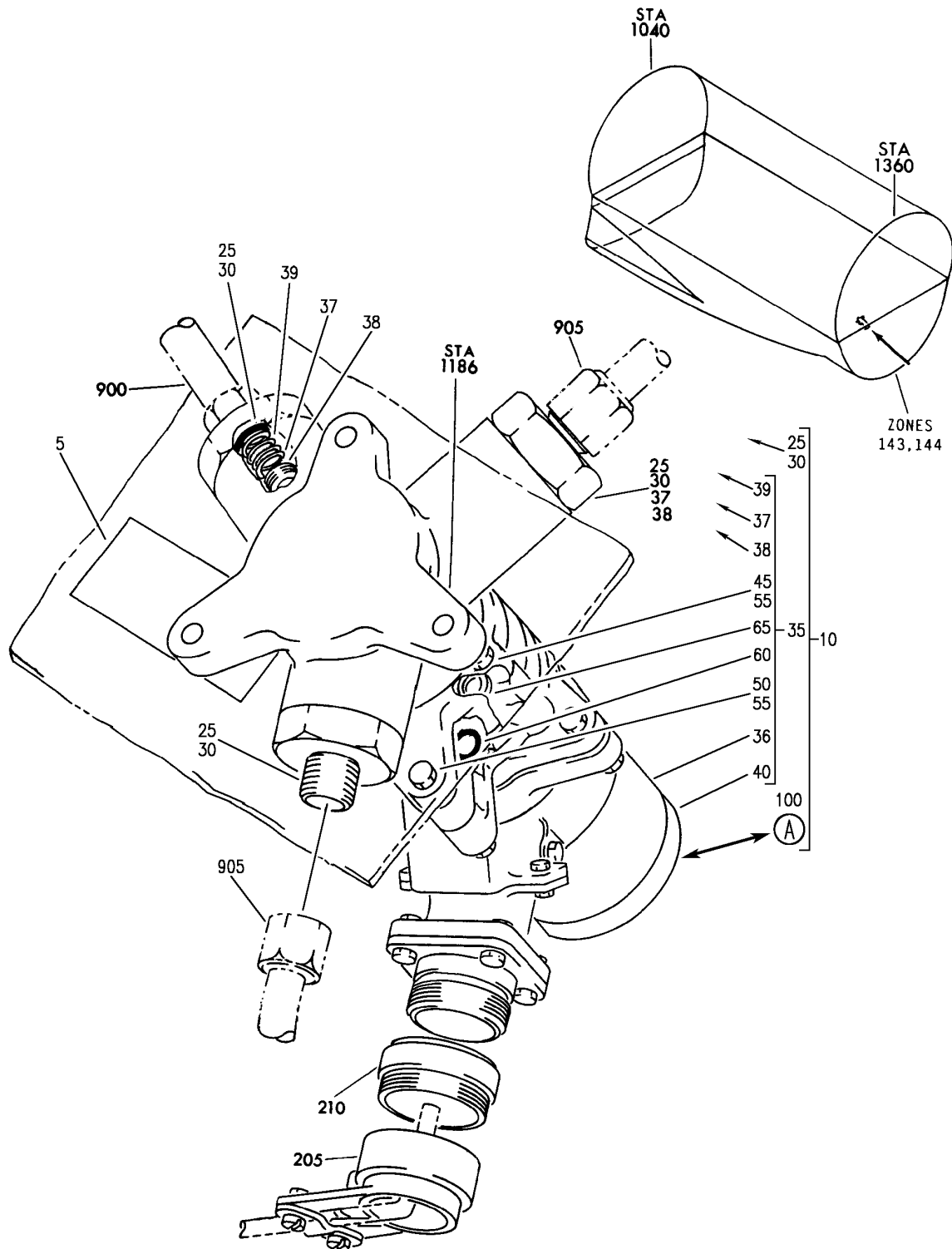
BRI

29-21-01-01

BOEING PROPRIETARY - Copyright © - Unpublished Work - See title page for details.

29-21-01
FIG. 01
PAGE 25
JAN 20/09

BOEING
757
PARTS CATALOG (MAINTENANCE)



Y 29210405 SH1 1 REV 267

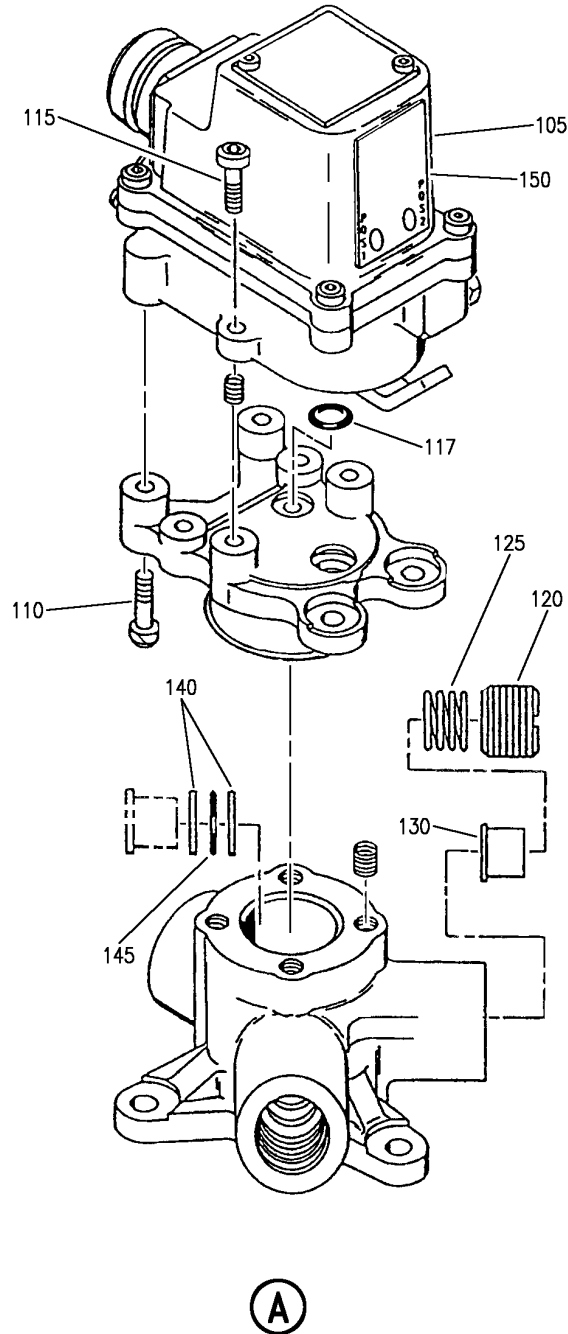
VALVE INSTL-RAM AIR TURB ACTR CONT
FIGURE 5 (SHEET 1)

29-21-04-05

BRI
MAY 28/07

29-21-04-05
PAGE 0

BOEING
757
PARTS CATALOG (MAINTENANCE)



Y 29210405 SH1 2 REV 259

VALVE INSTL-RAM AIR TURB ACTR CONT
FIGURE 5 (SHEET 2)

29-21-04-05

BRI
MAY 28/07

29-21-04-05
PAGE 0A



757

PARTS CATALOG (MAINTENANCE)

FIG ITEM	PART NUMBER	1 2 3 4 5 6 7	NOMENCLATURE	EFFECT FROM TO	UNITS PER ASSY
5			VALVE INSTL-RAM AIR TURB ACTR CONT	002004 006999	
- 1	271N1011-12		VALVE INSTL-RAM AIR TURB ACTR CONT	101102 504903	RF
- 1	271N1011-6		FOR NHA SEE: 29-00-51-01A VALVE INSTL-RAM AIR TURB ACTR CONT	002004 006100	RF
- 1	271N1011-19		FOR NHA SEE: 29-00-51-07 VALVE INSTL-RAM AIR TURB ACTR CONT	107107 121503 904999 108120	RF
- 1	MODREF8904		VALVE INSTL-RAM AIR TURB ACTR CONT	103106	1
5	BAC27NHY0063		MODULE NUMBER: 271N1011-19 REV A .MARKER-	002004 006999	1
10	271N1011-7		PLACARD CONTENT: D3252 RAT CONTROL VALVE V10070 .VALVE ASSY-	002004 006100	1
10	271N1011-8		QUALIFIED I/W DATA: 271N1011-7 CAN REPLACE BUT NOT BE REPLACED BY 271N1011-8 .VALVE ASSY-	107107 121503 904999 018100	1
10	271N1011-10		QUALIFIED I/W DATA: 271N1001-7 CAN REPLACE BUT NOT BE REPLACED BY 271N1011-8 .VALVE ASSY-	002004 006100 107107 121503 904999	1
10	271N1011-13		.VALVE ASSY-	101102 504903	1
10	271N1011-18		.VALVE ASSY-	103106 108120	1
- 15	BACB30NM4K4		ATTACHING PARTS .BOLT	002004 006999	3
- 20	BACW10BN4AC		.WASHER	002004 006999	3
			-----*-----		

MISSING ITEM NUMBERS NOT APPLICABLE

- ITEM NOT ILLUSTRATED

29-21-04-05

29-21-04
FIG. 05
PAGE 1
JAN 20/09

BRI

BOEING PROPRIETARY - Copyright © - Unpublished Work - See title page for details.



757

PARTS CATALOG (MAINTENANCE)

FIG ITEM	PART NUMBER	1 2 3 4 5 6 7	NOMENCLATURE	EFFECT FROM TO	UNITS PER ASSY
5					
25	NAS1612-10	..	PACKING-	002004 006102 107107 121999	3
25	NAS1612-10A	..	PACKING-	103106 108120	3
30	AFP23210-6	..	REDUCER SUPPLIER CODE: V30974 SPECIFICATION NUMBER: BACR17E10-6 OPTIONAL PART: AP102710-6 V01673 BC916T10-6 V50948 DBOR17E10-6 V14798 ER21916T10-6 V88334 ER31916-10-6 V88334 F23-10-6 V73197 2-01075T10-6 V11328 31778-10-6 V14397 US2114-10-6 V50808	002004 006999	3

MISSING ITEM NUMBERS NOT APPLICABLE

- ITEM NOT ILLUSTRATED

29-21-04-05

29-21-04
FIG. 05
PAGE 2
JAN 20/09

BRI



757

PARTS CATALOG (MAINTENANCE)

FIG ITEM	PART NUMBER	1 2 3 4 5 6 7 NOMENCLATURE	EFFECT FROM TO	UNITS PER ASSY
5 35	340545	.. VALVE ASSY- SUPPLIER CODE: V79318 FUNCTIONAL DESCRIPTION: PROVIDES ON-OFF CONTROL OF HYDRAULIC FLUID FLOW TO AC MOTOR DRIVEN PUMP SPECIFICATION NUMBER: S270T002-3 MISCELLANEOUS DATA: FOR COMPLETE INTERCHANGEABILITY REGARDING SPECIFIC USAGE, PLEASE REFER TO DRAWING 270T2001 SHEET 1 ELECTRICAL EQUIP NUMBER: V10070 COMPONENT MAINT MANUAL REF: 27-13-03 SERVICE BULLETIN OPT DATA: 340015-1 V79318 EM91-80-5 V91816 USED ON: 271N1011-7 271N1011-22 POST SERVICE BULLETIN: 29-0050 POST SERVICE BULLETIN: EM91-80-29-02 V91816 EM91-80-3 V91816	002004 006999	1

MISSING ITEM NUMBERS NOT APPLICABLE

- ITEM NOT ILLUSTRATED

BRI

29-21-04-05

BOEING PROPRIETARY - Copyright © - Unpublished Work - See title page for details.

29-21-04
 FIG. 05
 PAGE 3
 SEP 20/08



757

PARTS CATALOG (MAINTENANCE)

FIG ITEM	PART NUMBER	1 2 3 4 5 6 7	NOMENCLATURE	EFFECT FROM TO	UNITS PER ASSY
5 35	340015-1		.. VALVE ASSY- SUPPLIER CODE: V79318 SPECIFICATION NUMBER: S270T002-2 MISCELLANEOUS DATA: FOR COMPLETE INTERCHANGEABILITY REGARDING SPECIFIC USAGE, PLEASE REFER TO DRAWING 270T2001 SHEET 1 COMPONENT MAINT MANUAL REF: 27-13-01 SERVICE BULLETIN OPT DATA: 340545 V79318 EM91-80-5 V91816 POST SERVICE BULLETIN: 29-0050 POST SERVICE BULLETIN: EM91-80-29-02 V91816	002004 006999	1
36	201066		... PLATE-IDENT SUPPLIER CODE: V79318 USED ON: 340015-1	002004 006999	1
36	201073		... PLATE-IDENT SUPPLIER CODE: V79318 USED ON: 340545	002004 006999	1
37	145549		... SPRING-CPRSN SUPPLIER CODE: V79318	002004 006999	2
38	145561		... RETAINER-SPR SUPPLIER CODE: V79318	002004 006999	2
39	145562		... RETAINER- SUPPLIER CODE: V79318	002004 006999	2
40	157720-2		... ACTUATOR ASSY- SUPPLIER CODE: V79318 COMPONENT MAINT MANUAL REF: 27-13-02	002004 006999	1

MISSING ITEM NUMBERS NOT APPLICABLE

- ITEM NOT ILLUSTRATED

29-21-04-05

29-21-04
FIG. 05
PAGE 4
SEP 20/08

BRI



757

PARTS CATALOG (MAINTENANCE)

FIG ITEM	PART NUMBER	1 2 3 4 5 6 7	NOMENCLATURE	EFFECT FROM TO	UNITS PER ASSY
5			ATTACHING PARTS		
45	NAS1351-3-20P	...	SCREW	002004 006999	2
50	NAS1351-3-28P	...	SCREW	002004 006999	2
55	100168-168	...	WASHER-FLAT SUPPLIER CODE: V79318 -----*-----	002004 006999	4
60	NAS1611-009	...	PACKING-	002004 006999	1
65	145572	...	RING-RETAINING SUPPLIER CODE: V79318	002004 006999	1
100	EM91-80-1	..	VALVE ASSY-MOTOR ACTUATED SUPPLIER CODE: V91816 FUNCTIONAL DESCRIPTION: PROVIDES ON-OFF CONTROL OF HYDRAULIC FLUID FLOW TO AC MOTOR DRIVEN PUMP SPECIFICATION NUMBER: S270T010-4 CONFIG CHG DATA FROM A CMM: SUPSDS EM91-80 SUPSD BY EM91-80-3 MISCELLANEOUS DATA: FOR COMPLETE INTERCHANGEABILITY REGARDING SPECIFIC USAGE, PLEASE REFER TO DRAWING 270T2001 SHEET 1 ELECTRICAL EQUIP NUMBER: V10070 COMPONENT MAINT MANUAL REF: 27-13-01 USED ON: 271N1011-10 PRE SERVICE BULLETIN: 29-0050 PRE SERVICE BULLETIN: EM91-80-29-02 V91816	002004 006100 107107 121503 904999	1

MISSING ITEM NUMBERS NOT APPLICABLE

- ITEM NOT ILLUSTRATED

29-21-04-05

29-21-04
FIG. 05
PAGE 5
JAN 20/09

BRI



757

PARTS CATALOG (MAINTENANCE)

FIG ITEM	PART NUMBER	1 2 3 4 5 6 7 NOMENCLATURE	EFFECT FROM TO	UNITS PER ASSY
5 100	EM91-80	.. VALVE ASSY-MOTOR ACTUATED SUPPLIER CODE: V91816 FUNCTIONAL DESCRIPTION: PROVIDES ON-OFF CONTROL OF HYDRAULIC FLUID FLOW TO AC MOTOR DRIVEN PUMP SPECIFICATION NUMBER: S270T010-1 CONFIG CHG DATA FROM A CMM: SUPSD BY EM91-80-1 MISCELLANEOUS DATA: FOR COMPLETE INTERCHANGEABILITY REGARDING SPECIFIC USAGE, PLEASE REFER TO DRAWING 270T2001 SHEET 1 ELECTRICAL EQUIP NUMBER: V10070 COMPONENT MAINT MANUAL REF: 27-13-01 USED ON: 271N1011-8 PRE SERVICE BULLETIN: 29-0050 PRE SERVICE BULLETIN: EM91-80-29-02 V91816	018100	1

MISSING ITEM NUMBERS NOT APPLICABLE

- ITEM NOT ILLUSTRATED

BRI

29-21-04-05

BOEING PROPRIETARY - Copyright © - Unpublished Work - See title page for details.

29-21-04
 FIG. 05
 PAGE 6
 JAN 20/09



757

PARTS CATALOG (MAINTENANCE)

FIG ITEM	PART NUMBER	1 2 3 4 5 6 7 NOMENCLATURE	EFFECT FROM TO	UNITS PER ASSY
5 100	EM91-80-3	.. VALVE ASSY-MOTOR ACTUATED SUPPLIER CODE: V91816 FUNCTIONAL DESCRIPTION: PROVIDES ON-OFF CONTROL OF HYDRAULIC FLUID FLOW TO AC MOTOR DRIVEN PUMP SPECIFICATION NUMBER: S270T010-7 CONFIG CHG DATA FROM A CMM: SUPSDS EM91-80-1 SUPSD BY EM91-80-4 MISCELLANEOUS DATA: FOR COMPLETE INTERCHANGEABILITY REGARDING SPECIFIC USAGE, PLEASE REFER TO DRAWING 270T2001 SHEET 1 ELECTRICAL EQUIP NUMBER: V10070 COMPONENT MAINT MANUAL REF: 27-13-01 USED ON: 271N1011-13 PRE SERVICE BULLETIN: 29-0050 POST SERVICE BULLETIN: EM91-80-3 V81816 PRE SERVICE BULLETIN: EM91-80-29-02 V91816	002004 006102 107107 121999	1

MISSING ITEM NUMBERS NOT APPLICABLE

- ITEM NOT ILLUSTRATED

BRI

29-21-04-05

BOEING PROPRIETARY - Copyright © - Unpublished Work - See title page for details.

29-21-04
FIG. 05
PAGE 7
JAN 20/09



757

PARTS CATALOG (MAINTENANCE)

FIG ITEM	PART NUMBER	1 2 3 4 5 6 7	NOMENCLATURE	EFFECT FROM TO	UNITS PER ASSY
5 100	EM91-80-4		.. VALVE ASSY-MOTOR ACTUATED SUPPLIER CODE: V91816 FUNCTIONAL DESCRIPTION: PROVIDES ON-OFF CONTROL OF HYDRAULIC FLUID FLOW TO AC MOTOR DRIVEN PUMP SPECIFICATION NUMBER: S270T010-10 CONFIG CHG DATA FROM A CMM: SUPSDS EM91-80-3 SUPSD BY EM91-80-5 MISCELLANEOUS DATA: FOR COMPLETE INTERCHANGEABILITY REGARDING SPECIFIC USAGE, PLEASE REFER TO DRAWING 270T2001 SHEET 1 ELECTRICAL EQUIP NUMBER: V10070 COMPONENT MAINT MANUAL REF: 27-13-01	002004 006102 107107 121999	1

MISSING ITEM NUMBERS NOT APPLICABLE

- ITEM NOT ILLUSTRATED

BRI

29-21-04-05

BOEING PROPRIETARY - Copyright © - Unpublished Work - See title page for details.

29-21-04
FIG. 05
PAGE 8
JAN 20/09



757

PARTS CATALOG (MAINTENANCE)

FIG ITEM	PART NUMBER	1 2 3 4 5 6 7	NOMENCLATURE	EFFECT FROM TO	UNITS PER ASSY
5 100	EM91-80-5		.. VALVE ASSY-MOTOR ACTUATED SUPPLIER CODE: V91816 FUNCTIONAL DESCRIPTION: PROVIDES ON-OFF CONTROL OF HYDRAULIC FLUID FLOW TO AC MOTOR DRIVEN PUMP SPECIFICATION NUMBER: S270T010-13 CONFIG CHG DATA FROM A CMM: SUPSDS EM91-80-4 MISCELLANEOUS DATA: FOR COMPLETE INTERCHANGEABILITY REGARDING SPECIFIC USAGE, PLEASE REFER TO DRAWING 270T2001 SHEET 1 COMPONENT MAINT MANUAL REF: 27-13-01 SERVICE BULLETIN OPT DATA: 340015-1 V79318 340545 V79318 USED ON: 271N1011-22 POST SERVICE BULLETIN: 29-0050 POST SERVICE BULLETIN: EM91-80-29-02 V91816	002004 006999	1
105	P2350-0075		...ACTUATOR- SUPPLIER CODE: V91816 COMPONENT MAINT MANUAL REF: 27-13-12 USED ON: EM91-80	018100	1
105	V2350-0075		...ACTUATOR- SUPPLIER CODE: V91816 COMPONENT MAINT MANUAL REF: 27-13-12 USED ON: EM91-80-1	002004 006100 107107 121503 904999	1

MISSING ITEM NUMBERS NOT APPLICABLE

- ITEM NOT ILLUSTRATED

29-21-04-05

29-21-04
FIG. 05
PAGE 9
JAN 20/09

BRI



757

PARTS CATALOG (MAINTENANCE)

FIG ITEM	PART NUMBER	1 2 3 4 5 6 7	NOMENCLATURE	EFFECT FROM TO	UNITS PER ASSY
5					
105	W2350-0075	...	ACTUATOR- SUPPLIER CODE: V91816 COMPONENT MAINT MANUAL REF: 27-13-12 USED ON: EM91-80-3	002004 006102 107107 121999	1
105	X2350-0075	...	ACTUATOR- SUPPLIER CODE: V91816 COMPONENT MAINT MANUAL REF: 27-13-12 USED ON: EM91-80-4	002004 006102 107107 121999	1
105	Y2350-0075	...	ACTUATOR- SUPPLIER CODE: V91816 COMPONENT MAINT MANUAL REF: 27-13-12 USED ON: EM91-80-5	002004 006999	1
110	NAS1352N08-16P	...	SCREW- MISCELLANEOUS DATA: (V91816 SCD 2301-0362)	002004 006999	2
115	NAS1352N08-8P	...	SCREW- MISCELLANEOUS DATA: (V91816 SCD 2301-0360)	002004 006999	2
			-----*-----		
117	NAS1601-009	...	PACKING- CONFIG CHG DATA FROM A CMM: SUPSD BY NAS1611-009A	002004 006999	1
117	NAS1611-009A	...	PACKING- CONFIG CHG DATA FROM A CMM: SUPERSEDES NAS1601-009 MISCELLANEOUS DATA: (V91816 SCD 4798)	002004 006999	1
120	G37434	...	RETAINER-SPR SUPPLIER CODE: V91816	002004 006999	2
125	A37446	...	SPRING- SUPPLIER CODE: V91816	002004 006999	2
130	D37433	...	RETAINER- SUPPLIER CODE: V91816	002004 006999	2
- 135	B18998	...	STEM ASSY- SUPPLIER CODE: V91816	002004 006999	1

MISSING ITEM NUMBERS NOT APPLICABLE

- ITEM NOT ILLUSTRATED

29-21-04-05

29-21-04
FIG. 05
PAGE 10
JAN 20/09

BRI



757

PARTS CATALOG (MAINTENANCE)

FIG ITEM	PART NUMBER	1 2 3 4 5 6 7	NOMENCLATURE	EFFECT FROM TO	UNITS PER ASSY
5					
140	MS28774-114	...	RETAINER- MISCELLANEOUS DATA: (V91816 SCD 8114)	002004 006999	4
145	NAS1601-114	...	PACKING- CONFIG CHG DATA FROM A CMM: SUPSD BY NAS1611-114A	002004 006999	2
145	NAS1611-114A	...	PACKING- CONFIG CHG DATA FROM A CMM: SUPERSEDES NAS1601-114A MISCELLANEOUS DATA: (V91816 SCD 4814)	002004 006999	2
150	B2687	...	NAMEPLATE- SUPPLIER CODE: V91816 USED ON: EM91-80	018100	1
150	D2687	...	NAMEPLATE- SUPPLIER CODE: V91816 USED ON: EM91-80-1	002004 006100 107107 121503 904999	1
150	E2687	...	NAMEPLATE- SUPPLIER CODE: V91816 USED ON: EM91-80-3	002004 006102 107107 121999	1
150	F2687	...	NAMEPLATE- SUPPLIER CODE: V91816 USED ON: EM91-80-4	002004 006102 107107 121999	1
150	G2687	...	NAMEPLATE- SUPPLIER CODE: V91816 USED ON: EM91-80-5	002004 006999	1
- 200	286N2516-004		WIRE BUNDLE ASSY	002004 006100 504903 950999	RF
- 200	286N2516-005		WIRE BUNDLE ASSY	107107 121503 904949	RF
- 201	286N2516-312		WIRE BUNDLE ASSY-	101102 108120	RF
- 201	286N2516-320		WIRE BUNDLE ASSY	504903	RF

MISSING ITEM NUMBERS NOT APPLICABLE

- ITEM NOT ILLUSTRATED

29-21-04-05

29-21-04
FIG. 05
PAGE 11
JAN 20/09

BRI

 **BOEING**
757
PARTS CATALOG (MAINTENANCE)

FIG ITEM	PART NUMBER	1 2 3 4 5 6 7	NOMENCLATURE	EFFECT FROM TO	UNITS PER ASSY
5 205	GS3418-16CD	.	CLAMP- SUPPLIER CODE: V06324 SPECIFICATION NUMBER: BACC10HG16 OPTIONAL PART: S2126-16-8 V07418 ELECTRICAL EQUIP NUMBER: D03252T WIRING DIAGRAM REF: 292131	002004 006102 107999	1
210	R071016A10SNL	.	CONNECTOR- SUPPLIER CODE: V41118 SPECIFICATION NUMBER: BCREF10545 OVERLENGTH PART NUMBER: BACC63BP16A10SNL ELECTRICAL EQUIP NUMBER: D03252 WIRING DIAGRAM REF: 292131	002004 006102 107999	1
900			ILLUSTRATION REFERENCE: PLUMBING INSTL-SECT. 49 29-21-51-15	002004 006100 107107 121503 904999	RF
905			ILLUSTRATION REFERENCE: PLUMBING INSTL-MAIN WHL WELL AFT BHD HYDR (RAM AIR TURBINE SYSTEM ONLY) 29-21-51-20	002004 006100 107107 121503 904999	RF
910			ILLUSTRATION REFERENCE: PLUMBING INSTL-SECT. 49 29-21-51-15	101102 108120 504903	RF

MISSING ITEM NUMBERS NOT APPLICABLE

— ITEM NOT ILLUSTRATED

BRI

29-21-04-05

BOEING PROPRIETARY - Copyright © - Unpublished Work - See title page for details.

29-21-04
FIG. 05
PAGE 12
JAN 20/09



757

PARTS CATALOG (MAINTENANCE)

FIG ITEM	PART NUMBER	1 2 3 4 5 6 7	NOMENCLATURE	EFFECT FROM TO	UNITS PER ASSY
1			ACTUATOR INSTL-RAM AIR TURB	002004 006999	
- 1	271N1007-1		ACTUATOR INSTL-RAM AIR TURB FOR NHA SEE: 29-00-51-07	002004 006100 107107 121503 904999	RF
- 1	271N1007-7		ACTUATOR INSTL-RAM AIR TURB POSITION DATA: STA 1231.48 REF STA 1212.10 FOR NHA SEE: 29-00-51-01A	101102 108120 504903	RF
- 1	MODREF8899		ACTUATOR INSTL-RAM AIR TURB MODULE NUMBER: 271N1007-7 REV A POSITION DATA: STA 1231.48 REF STA 1212.10	103106	1
5	BAC27NHY0095		.MARKER-ALUMINUM FOIL	002004 006999	1
10	BACB30LE7-25		.BOLT-	002004 006999	1
15	BACW10BP7CD		.WASHER-	002004 006999	1
20	NAS577-7A		.NUT	002004 006999	1
23	271N1067-1		.WASHER	002004 006999	1
25	NAS578-7A		.RETAINER	002004 006999	1
30	BACB28AK07-054		.BUSHING	002004 006999	1
35	BACB28AK07-008		.BUSHING	002004 006999	1
40	BACB30LE8-38		.BOLT-	002004 006999	1
45	BACW10BP8CD		.WASHER-	002004 006999	1
50	AN960C816		.WASHER- OPTIONAL PART: BACW10BP8DP	002004 006999	1
50	BACW10BP8DP		.WASHER- OPTIONAL PART: AN960C816	002004 006999	1

MISSING ITEM NUMBERS NOT APPLICABLE

- ITEM NOT ILLUSTRATED

29-21-05-01

29-21-05
FIG. 01
PAGE 1
JAN 20/09

BRI



757

PARTS CATALOG (MAINTENANCE)

FIG ITEM	PART NUMBER	1 2 3 4 5 6 7	NOMENCLATURE	EFFECT FROM TO	UNITS PER ASSY
1 55	BMN10HRCWD3-8	.NUT-	SUPPLIER CODE: V97928 SPECIFICATION NUMBER: BACN10HR8CD OPTIONAL PART: H51560-8 V15653 67832CD820 V56878 102LH9031-8 V72962 BH00303CM8 V27238 BMN5024CWD38 V97928 SL7108C8 V11815 VCU0005D8 V06710 102LH90318 V72962 67832CD8 V56878 CR6030-8 VF0224	002004 006999	1
60	BACB28AK08-079	.BUSHING-		002004 006999	1
65	BACB28AK08-011	.BUSHING-		002004 006999	1
70	271N1007-8	.ACTUATOR ASSY-	MISCELLANEOUS DATA: FOR SPARES PROCURE LOWER COMPONENTS	002004 006999	1
70	271N1007-4	.ACTUATOR ASSY-	MISCELLANEOUS DATA: FOR SPARES PROCURE LOWER COMPONENTS	002004 006999	1
70	271N1007-5	.ACTUATOR ASSY-	MISCELLANEOUS DATA: FOR SPARES PROCURE LOWER COMPONENTS	002004 006999	1
75	271N1066-1	..UNION-		002004 006999	1
80	NAS1612-4	..PACKING-		002004 006999	1
85	MS21902D6	..UNION		002004 006999	1

MISSING ITEM NUMBERS NOT APPLICABLE

- ITEM NOT ILLUSTRATED

29-21-05-01

29-21-05
FIG. 01
PAGE 2
JAN 20/09

BRI



757

PARTS CATALOG (MAINTENANCE)

FIG ITEM	PART NUMBER	1 2 3 4 5 6 7	NOMENCLATURE	EFFECT FROM TO	UNITS PER ASSY
1					
90	NAS1612-6		.. PACKING-	002004 006999	1
95	1211233-005		.. ACTUATOR ASSY- SUPPLIER CODE: V98391 SPECIFICATION NUMBER: S271N102-5 ELECTRICAL EQUIP NUMBER: M10406 M10407 COMPONENT MAINT MANUAL REF: 29-21-01 QUALIFIED I/W DATA: 1211233-004 I/W 1211233-005 EXCEPT FOR ETOPS WHERE 1211233-005 MUST BE INSTALLED USED ON: 271N1007-5	002004 006999	1
- 195	286N2514-004		WIRE BUNDLE ASSY	002004 006100 103106 504903 950999	RF
- 195	286N2514-005		WIRE BUNDLE ASSY	107107 121503 904949	RF
- 195	286N2514-308		WIRE BUNDLE ASSY	108120	RF
- 200	286N4236-009		WIRE BUNDLE ASSY-	103106	RF
- 200	286N4236-010		WIRE BUNDLE ASSY-	107107 121503 904949	RF
- 200	286N4236-015		WIRE BUNDLE ASSY-	002004 006100 950999	RF
- 201	286N4236-304		WIRE BUNDLE ASSY-	108120	RF
- 202	286N2516-004		WIRE BUNDLE ASSY-	002004 006100 103106 504903 950999	RF
- 202	286N2516-005		WIRE BUNDLE ASSY-	107107 121503 904949	RF
- 203	286N2516-308		WIRE BUNDLE ASSY-	108120	RF

MISSING ITEM NUMBERS NOT APPLICABLE

- ITEM NOT ILLUSTRATED

29-21-05-01

29-21-05
FIG. 01
PAGE 3
JAN 20/09

BRI



757

PARTS CATALOG (MAINTENANCE)

FIG ITEM	PART NUMBER	1 2 3 4 5 6 7	NOMENCLATURE	EFFECT FROM TO	UNITS PER ASSY
1 205	GS3418-12CD	.CLAMP-	SUPPLIER CODE: V06324 SPECIFICATION NUMBER: BACC10HG12 OPTIONAL PART: S2126-12-8 V07418 ELECTRICAL EQUIP NUMBER: D04086T D04088T WIRING DIAGRAM REF: 292131	002004 006100 107503 904999	1
205	GS3418-12CD	.CLAMP-	SUPPLIER CODE: V06324 SPECIFICATION NUMBER: BACC10HG12 OPTIONAL PART: S2126-12-8 V07418 ELECTRICAL EQUIP NUMBER: D04088T WIRING DIAGRAM REF: 292131	504903	1
210	BCREFA1486	.PLUG-	SUPPLIER CODE: V13556 OVERLENGTH PART NUMBER: CN0966A12A03SN00 ELECTRICAL EQUIP NUMBER: D04086 D04088 WIRING DIAGRAM REF: 292131	002004 006100 107503 904999	1
210	BCREFA1486	.PLUG-	SUPPLIER CODE: V13556 OVERLENGTH PART NUMBER: CN0966A12A03SN00 ELECTRICAL EQUIP NUMBER: D04088 WIRING DIAGRAM REF: 292131	504903	1

MISSING ITEM NUMBERS NOT APPLICABLE

- ITEM NOT ILLUSTRATED

BRI

29-21-05-01

29-21-05
FIG. 01
PAGE 4
JAN 20/09



757

PARTS CATALOG (MAINTENANCE)

FIG ITEM	PART NUMBER	1 2 3 4 5 6 7	NOMENCLATURE	EFFECT FROM TO	UNITS PER ASSY
1 900			ILLUSTRATION REFERENCE: PLUMBING INSTL-SECT. 49 29-21-51-15	002004 006100 107107 121503 904999	RF
905			ILLUSTRATION REFERENCE: PLUMBING INSTL-SECT. 49 29-21-51-15	101106 108120 504903	RF

MISSING ITEM NUMBERS NOT APPLICABLE

- ITEM NOT ILLUSTRATED

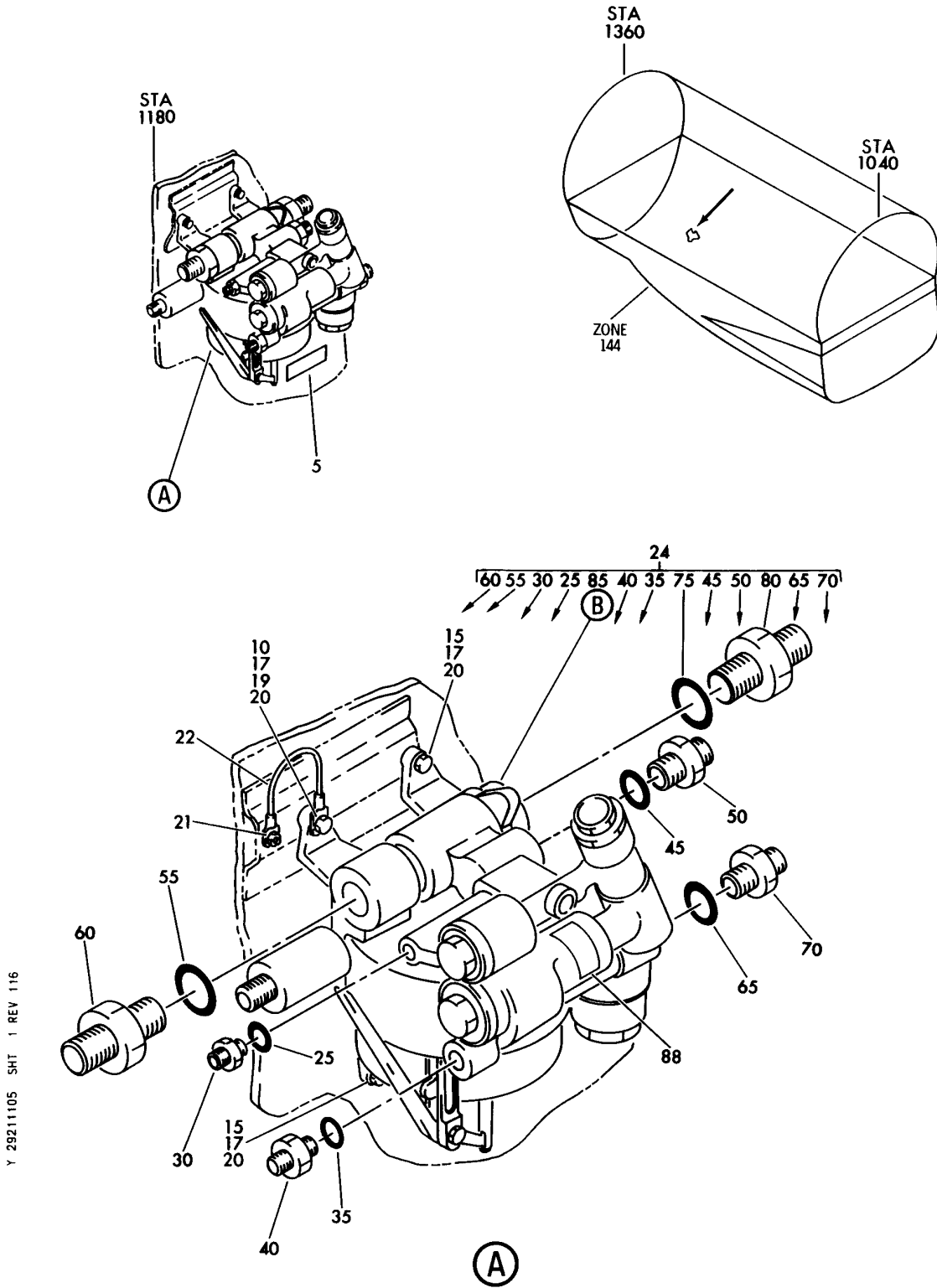
BRI

29-21-05-01

BOEING PROPRIETARY - Copyright © - Unpublished Work - See title page for details.

29-21-05
FIG. 01
PAGE 5
JAN 20/09

BOEING
757
PARTS CATALOG (MAINTENANCE)



Y 29211105 SHT 1 REV 116

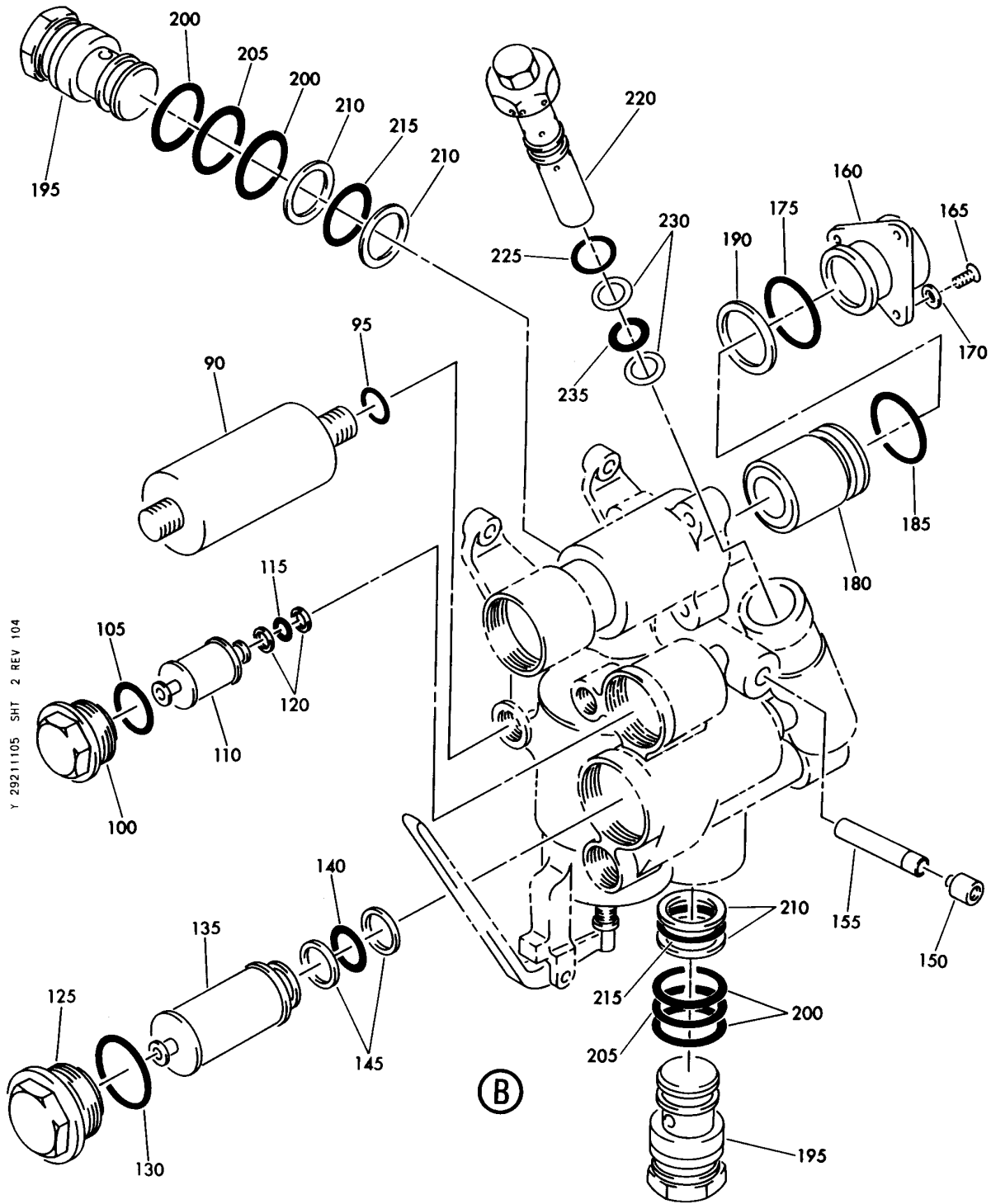
MODULE INSTL RAM AIR TURB GND CHECKOUT
FIGURE 5 (SHEET 1)

29-21-11-05

BRI
MAY 28/07

29-21-11-05
PAGE 0

BOEING
757
PARTS CATALOG (MAINTENANCE)



Y 29211105 SHT 2 REV 104

(B)

MODULE INSTL RAM AIR TURB GND CHECKOUT
FIGURE 5 (SHEET 2)

29-21-11-05

BRI
MAY 28/07

29-21-11-05
PAGE 0A



757

PARTS CATALOG (MAINTENANCE)

FIG ITEM	PART NUMBER	1 2 3 4 5 6 7	NOMENCLATURE	EFFECT FROM TO	UNITS PER ASSY
5			MODULE INSTL RAM AIR TURB GND CHECKOUT	002004 006999	
- 1	271N1006-1		MODULE INSTL-RAM AIR TURB GND CHECKOUT FOR NHA SEE: 29-00-51-05	002004 006100 107107 121503 904999	RF
- 1	271N1006-6		MODULE INSTL-RAM AIR TURB GND CHECKOUT FOR NHA SEE: 29-00-51-02C	101102 108120 504903	RF
- 1	MODREF8898		MODULE INSTL-RAM AIR TURB GND CHECKOUT MODULE NUMBER: 271N1006-6 REV A	103106	1
5	BAC27NHY0061		.MARKER- PLACARD CONTENT: D4082 RAM AIR TURBINE CHECKOUT MODULE S10323	002004 006999	1
10	BACB30NM4K8		.BOLT	002004 006999	1
15	BACB30NM4K6		.BOLT	002004 006999	2
17	BACW10BN4AC		.WASHER	002004 006999	3
19	AN960-416		.WASHER	002004 006999	1
21	MS21042L3		.NUT	002004 006999	1
22	BACJ40A21-3		.JUMPER ASSY	002004 006999	1
24	271N1006-3		.MODULE ASSY- NOT APPROVED FOR ETOPS. MISCELLANEOUS DATA: USE OF THIS PART NEGATES THE INTENT OF SB 29A0037 AND SUNDSTRAND SB 734933-29-2	002004 006100 103107 121503 904999	1
24	271N1006-4		.MODULE ASSY- POST ALERT SB: 29A0037	002004 006999	1
24	271N1006-5		.MODULE ASSY-	002004 006999	1
25	NAS1612-6		..PACKING-	002004 006999	1
30	BACU24K6		..UNION	002004 006999	1
35	NAS1612-8		..PACKING-	002004 006999	1

MISSING ITEM NUMBERS NOT APPLICABLE

- ITEM NOT ILLUSTRATED

29-21-11-05

29-21-11
FIG. 05
PAGE 1
JAN 20/09

BRI



757

PARTS CATALOG (MAINTENANCE)

FIG ITEM	PART NUMBER	1 2 3 4 5 6 7	NOMENCLATURE	EFFECT FROM TO	UNITS PER ASSY
5	40	BACU24K8	.. UNION	002004 006999	1
	45	NAS1612-8	.. PACKING-	002004 006999	1
	50	MS21916D10-8	.. UNION	002004 006999	1
	55	NAS1612-16	.. PACKING-	002004 006999	1
	60	AFP23216-12	.. REDUCER SUPPLIER CODE: V30974 SPECIFICATION NUMBER: BACR17E16-12 OPTIONAL PART: AP102716-12 V01673 BC916T16-12 V50948 DBOR17E16-12 V14798 ER21916T16-12 V88334 ER31916-16-12 V88334 F23-16-12 V73197 2-01075T16-12 V11328 31778-16-12 V14397 US2114-16-12 V50808	002004 006999	1
	65	NAS1612-10	.. PACKING-	002004 006999	1
	70	BACU24K10	.. UNION	002004 006999	1
	75	NAS1612-16	.. PACKING-	002004 006999	1
	80	MS21916D16-12	.. UNION	002004 006999	1
	MISSING ITEM NUMBERS NOT APPLICABLE				

- ITEM NOT ILLUSTRATED

29-21-11-05

29-21-11
FIG. 05
PAGE 2
JAN 20/09

BRI



757

PARTS CATALOG (MAINTENANCE)

FIG ITEM	PART NUMBER	1 2 3 4 5 6 7	NOMENCLATURE	EFFECT FROM TO	UNITS PER ASSY
5 85	734933B		..MODULE ASSY- SUPPLIER CODE: V99167 SPECIFICATION NUMBER: S258T710-15 COMPONENT MAINT MANUAL REF: 29-21-12 USED ON: 271N1006-4 POST ALERT SB: 29A0037 POST SERVICE BULLETIN: 734933-29-2 V99167	002004 006999	1
85	734933A		..MODULE ASSY- SUPPLIER CODE: V99167 SPECIFICATION NUMBER: S258T710-13 NOT APPROVED FOR ETOPS. MISCELLANEOUS DATA: USE OF THIS PART NEGATES THE INTENT OF SB 29A0037 AND SUNDSTRAND SB 734933-29-2 COMPONENT MAINT MANUAL REF: 29-21-12 USED ON: 271N1006-3	002004 006100 103107 121503 904999	1
85	734933		..MODULE ASSY- SUPPLIER CODE: V99167 SPECIFICATION NUMBER: S258T710-5 NOT APPROVED FOR ETOPS. MISCELLANEOUS DATA: USE OF THIS PART NEGATES THE INTENT OF SB 29A0037 AND SUNDSTRAND SB 734933-29-2 COMPONENT MAINT MANUAL REF: 29-21-12 USED ON: 271N1006-2	002004 006100 103107 121503 904999	1

MISSING ITEM NUMBERS NOT APPLICABLE

- ITEM NOT ILLUSTRATED

29-21-11-05

29-21-11
FIG. 05
PAGE 3
JAN 20/09

BRI



757

PARTS CATALOG (MAINTENANCE)

FIG ITEM	PART NUMBER	1 2 3 4 5 6 7	NOMENCLATURE	EFFECT FROM TO	UNITS PER ASSY
5 85	734933C		..MODULE ASSY- SUPPLIER CODE: V99167 SPECIFICATION NUMBER: S258T710-17 COMPONENT MAINT MANUAL REF: 29-21-12 USED ON: 271N1006-5	002004 006999	1
88	729818		...PLATE-IDENT SUPPLIER CODE: V99167	002004 006999	1
90	211C223-209		...SWITCH-PRESSURE HYDR SUPPLIER CODE: V02750 SPECIFICATION NUMBER: S271T452-8 COMPONENT MAINT MANUAL REF: 29-09-02 OPTIONAL PART: 211C223-296 V02750 211C223-519 V02750	002004 006999	1
90	211C223-296		...SWITCH-PRESSURE HYDR SUPPLIER CODE: V02750 SPECIFICATION NUMBER: S271T452-8 COMPONENT MAINT MANUAL REF: 29-09-02 OPTIONAL PART: 211C223-209 V02750 211C223-519 V02750	002004 006999	1
90	211C223-519		...SWITCH-PRESSURE SUPPLIER CODE: V02750 SPECIFICATION NUMBER: S271T452-8 COMPONENT MAINT MANUAL REF: 29-09-02 OPTIONAL PART: 211C223-209 V02750 211C223-296 V02750	002004 006999	1

MISSING ITEM NUMBERS NOT APPLICABLE

- ITEM NOT ILLUSTRATED

29-21-11-05

29-21-11
FIG. 05
PAGE 4
JAN 20/09

BRI



757

PARTS CATALOG (MAINTENANCE)

FIG ITEM	PART NUMBER	1 2 3 4 5 6 7	NOMENCLATURE	EFFECT FROM TO	UNITS PER ASSY
5					
95	NAS1612-6	...	PACKING-	002004 006999	1
100	729813	...	CAP-THREADED SUPPLIER CODE: V99167	002004 006999	1
105	NAS1612-16	...	PACKING-	002004 006999	1
110	11-10106	...	FILTER-FOR ELEMENT MAINTENANCE PROCURE KIT NO. 654T0035-6 SEE FILTER MAINTENANCE KIT LISTING IN THE INTRODUCTION SUPPLIER CODE: V14818 SPECIFICATION NUMBER: 60B80034-1 OPTIONAL PART: 4228-634 V21550 AC8818E1 V18350 7553574 V05228	002004 006999	1
110	AC8818E1	...	FILTER-FOR ELEMENT MAINTENANCE PROCURE KIT NO. 654T0035-6 SEE FILTER MAINTENANCE KIT LISTING IN THE INTRODUCTION SUPPLIER CODE: V18350 SPECIFICATION NUMBER: 60B80034-1 OPTIONAL PART: 7553574 V05228	002004 006999	1

MISSING ITEM NUMBERS NOT APPLICABLE

- ITEM NOT ILLUSTRATED

BRI

29-21-11-05

29-21-11
FIG. 05
PAGE 5
JAN 20/09



757

PARTS CATALOG (MAINTENANCE)

FIG ITEM	PART NUMBER	1 2 3 4 5 6 7	NOMENCLATURE	EFFECT FROM TO	UNITS PER ASSY
5 110	7553574		... FILTER-FOR ELEMENT MAINTENANCE PROCURE KIT NO. 654T0035-6 SEE FILTER MAINTENANCE KIT LISTING IN THE INTRODUCTION SUPPLIER CODE: V05228 SPECIFICATION NUMBER: 60B80034-1 OPTIONAL PART: 11-10106 V14818 4228-634 V05CK7 OPTIONAL PART: AC8818E1 V18350	002004 006999	1
115	NAS1611-012		... PACKING-	002004 006999	1
120	MS27595-012		... RETAINER	002004 006999	2
125	734076		... CAP-THREADED SUPPLIER CODE: V99167	002004 006999	1
130	NAS1612-20		... PACKING-	002004 006999	1
135	11-10107		... FILTER-ELEM SUPPLIER CODE: V14818 SPECIFICATION NUMBER: 60B80034-2 OPTIONAL PART: 4228-633 V21550 AC8818E2 V18350 7553575 V05228	002004 006999	1

MISSING ITEM NUMBERS NOT APPLICABLE

- ITEM NOT ILLUSTRATED

BRI

29-21-11-05

29-21-11
FIG. 05
PAGE 6
JAN 20/09



757

PARTS CATALOG (MAINTENANCE)

FIG ITEM	PART NUMBER	1 2 3 4 5 6 7	NOMENCLATURE	EFFECT FROM TO	UNITS PER ASSY
5 135	AC8818E2		...ELEMENT-FOR ELEMENT MAINTENANCE PROCURE KIT NO. 654T0035-6 SEE FILTER MAINTENANCE KIT LISTING IN THE INTRODUCTION SUPPLIER CODE: V18350 SPECIFICATION NUMBER: 60B80034-2 OPTIONAL PART: 7553575 V05228	002004 006999	1
135	7553575		...ELEMENT-FOR ELEMENT MAINTENANCE PROCURE KIT NO. 654T0035-6 SEE FILTER MAINTENANCE KIT LISTING IN THE INTRODUCTION SUPPLIER CODE: V05228 SPECIFICATION NUMBER: 60B80034-2 OPTIONAL PART: 4228-633 V05CK7 OPTIONAL PART: AC8818E2 V18350	002004 006999	1
140	NAS1611-116		...PACKING-	002004 006999	1
145	MS27595-116		...RETAINER	002004 006999	2
150	PLGA4061010		...PLUG- SUPPLIER CODE: V92555 OPTIONAL PART: 2407LA09 V92555	002004 006999	1
150	2407LA09		...PLUG- SUPPLIER CODE: V92555 OPTIONAL PART: PLGA4061010 V92555	002004 006999	1
155	CKFA3756005A		...VALVE-CHK SUPPLIER CODE: V92555	002004 006999	1

MISSING ITEM NUMBERS NOT APPLICABLE

- ITEM NOT ILLUSTRATED

29-21-11-05

29-21-11
FIG. 05
PAGE 7
JAN 20/09

BRI



757

PARTS CATALOG (MAINTENANCE)

FIG ITEM	PART NUMBER	1 2 3 4 5 6 7	NOMENCLATURE	EFFECT FROM TO	UNITS PER ASSY
5					
160	729816	...	ADAPTER- SUPPLIER CODE: V99167 ATTACHING PARTS	002004 006999	1
165	MS9519-14	...	SCREW	002004 006999	3
170	AN960XC416	...	WASHER	002004 006999	3
			-----*-----		
175	NAS1611-220	...	PACKING-	002004 006999	1
180	59762	...	VALVE ASSY-CHK SUPPLIER CODE: V99167	002004 006999	1
185	NAS1611-220	PACKING-	002004 006999	1
190	MS27595-220	RETAINER	002004 006999	1
195	59855	...	VALVE-CHK SUPPLIER CODE: V99167	002004 006999	2
200	MS28782-24	...	RETAINER	002004 006999	4
205	NAS1611-219	...	PACKING-	002004 006999	2
210	MS28782-21	...	RING	002004 006999	4
215	NAS1611-216	...	PACKING-	002004 006999	2
			ATTACHING PARTS		
220	6240-1	...	VALVE-VOLUMETRIC FUSE CARTRIDGE SUPPLIER CODE: V06177 OPTIONAL PART: 95366-2 V26044	002004 006999	1
220	95366-2	...	VALVE-VOLUMETRIC FUSE CARTRIDGE SUPPLIER CODE: V26044 OPTIONAL PART: 6240-1 V06177	002004 006999	1
			-----*-----		
225	NAS1612-12	...	PACKING-	002004 006999	1
230	MS28774-115	...	RETAINER	002004 006999	2

MISSING ITEM NUMBERS NOT APPLICABLE

- ITEM NOT ILLUSTRATED

BRI

29-21-11-05

29-21-11
FIG. 05
PAGE 8
JAN 20/09



757

PARTS CATALOG (MAINTENANCE)

FIG ITEM	PART NUMBER	1 2 3 4 5 6 7	NOMENCLATURE	EFFECT FROM TO	UNITS PER ASSY
5 235	NAS1611-115		. . . PACKING-	002004 006999	1

MISSING ITEM NUMBERS NOT APPLICABLE

- ITEM NOT ILLUSTRATED

BRI

29-21-11-05

BOEING PROPRIETARY - Copyright © - Unpublished Work - See title page for details.

29-21-11
FIG. 05
PAGE 9
JAN 20/09



757

PARTS CATALOG (MAINTENANCE)

FIG ITEM	PART NUMBER	1 2 3 4 5 6 7	NOMENCLATURE	EFFECT FROM TO	UNITS PER ASSY
5			VALVE INSTL-RAM AIR TURB SAFETY	002004 006999	
- 1	271N1012-1		VALVE INSTL-RAM AIR TURB SAFETY FOR NHA SEE: 29-00-51-05 29-00-51-02C	002004 006102 107999	RF
- 1	MODREF8907		VALVE INSTL-RAM AIR TURB SAFETY MODULE NUMBER: 271N1012-1 REV A	103106	1
5	BAC27NHY0064		.MARKER- PLACARD CONTENT: D3248 RAT SAFETY VALVE V10069	002004 006999	1
10	271N1012-2		.MODULE ASSY- COMPONENT MAINT MANUAL REF: 29-21-21	002004 006999	1
- 15	BACS12CK4-12		ATTACHING PARTS .SCREW-	002004 006999	3
- 20	BACW10BN4AC		.WASHER -----*-----	002004 006999	3

MISSING ITEM NUMBERS NOT APPLICABLE

- ITEM NOT ILLUSTRATED

BRI

29-21-14-05

29-21-14
FIG. 05
PAGE 1
JAN 20/09



757

PARTS CATALOG (MAINTENANCE)

FIG ITEM	PART NUMBER	1 2 3 4 5 6 7	NOMENCLATURE	EFFECT FROM TO	UNITS PER ASSY
5 25	AFP2326-4		..REDUCER SUPPLIER CODE: V30974 SPECIFICATION NUMBER: BACR17E6-4 OPTIONAL PART: AP10276-4 V01673 BC916T6-4 V50948 DBOR17E6-4 V14798 ER21916T6-4 V88334 ER31916-6-4 V88334 F23-6-4 V73197 2-01075T6-4 V11328 31778-6-4 V14397 US2114-6-4 V50808 AP1027T6-4 V01673 US21146-4 V50808 317786-4 V14397	002004 006999	2
30	BACU24K6		..UNION	002004 006999	1
35	NAS1612-4		..PACKING-	002004 006999	2
40	NAS1612-6		..PACKING-	002004 006999	1
50	271N1013-1		..VALVE ASSY- ELECTRICAL EQUIP NUMBER: V10069 COMPONENT MAINT MANUAL REF: 29-21-21	002004 006999	1

MISSING ITEM NUMBERS NOT APPLICABLE

- ITEM NOT ILLUSTRATED

29-21-14-05

29-21-14
FIG. 05
PAGE 2
JAN 20/09

BRI



757

PARTS CATALOG (MAINTENANCE)

FIG ITEM	PART NUMBER	1 2 3 4 5 6 7	NOMENCLATURE	EFFECT FROM TO	UNITS PER ASSY
5	55 45080		...VALVE ASSY-SOL. SUPPLIER CODE: V99643 SPECIFICATION NUMBER: 10-60811-3 COMPONENT MAINT MANUAL REF: 29-09-05 OPTIONAL PART: 59600-5007 V92003 OPTIONAL PART: 45080-1 V99643 59600-5011 V92003 881600-1001 V92003	002004 006999	2
	55 45080-1		...VALVE ASSY-SOL. SUPPLIER CODE: V99643 FUNCTIONAL DESCRIPTION: ELECTRICALLY OPERATED VALVE PROVIDES HYDRAULIC PRESSURE SPECIFICATION NUMBER: 10-60811-8 COMPONENT MAINT MANUAL REF: 29-09-05 OPTIONAL PART: 59600-5007 V92003 59600-5011 V92003 45080 V99643 881600-1001 V92003	002004 006999	2

MISSING ITEM NUMBERS NOT APPLICABLE

- ITEM NOT ILLUSTRATED

29-21-14-05

29-21-14
FIG. 05
PAGE 3
JAN 20/09

BRI



757

PARTS CATALOG (MAINTENANCE)

FIG ITEM	PART NUMBER	1 2 3 4 5 6 7	NOMENCLATURE	EFFECT FROM TO	UNITS PER ASSY
5 55	59600-5011		...VALVE ASSY-SOL. SUPPLIER CODE: V92003 SPECIFICATION NUMBER: 10-60811-9 COMPONENT MAINT MANUAL REF: 29-10-02 OPTIONAL PART: 59600-5007 V92003 45080-1 V99643 45080 V99643 881600-1001 V92003	002004 006999	2
55	59600-5007		...VALVE ASSY-SOL. SUPPLIER CODE: V92003 SPECIFICATION NUMBER: 10-60811-3 COMPONENT MAINT MANUAL REF: 29-10-02 OPTIONAL PART: 45080 V99643 OPTIONAL PART: 45080-1 V99643 59600-5011 V92003 881600-1001 V92003	002004 006999	2
55	881600-1001		...VALVE ASSY-SOL. SUPPLIER CODE: V92003 SPECIFICATION NUMBER: 10-60811-13 COMPONENT MAINT MANUAL REF: 27-09-03 OPTIONAL PART: 45080 V99643 59600-5007 V92003	002004 006999	2

MISSING ITEM NUMBERS NOT APPLICABLE

- ITEM NOT ILLUSTRATED

29-21-14-05

29-21-14
FIG. 05
PAGE 4
JAN 20/09

BRI

BOEING
757
PARTS CATALOG (MAINTENANCE)

FIG ITEM	PART NUMBER	1 2 3 4 5 6 7	NOMENCLATURE	EFFECT FROM TO	UNITS PER ASSY
5					
56	881601-1	NAMEPLATE- SUPPLIER CODE: V92003 USED ON: 881600-1001 ATTACHING PARTS	002004 006999	1
57	047-90NSX062	SCREW- SUPPLIER CODE: V92003 -----*-----	002004 006999	2
58	25027	NAMEPLATE- SUPPLIER CODE: V99643 USED ON: 45080	002004 006999	1
58	25027-3	NAMEPLATE- SUPPLIER CODE: V99643 USED ON: 45080-1	002004 006999	1
58	59610-3	NAMEPLATE- SUPPLIER CODE: V99643 USED ON: 59600-5007	002004 006999	1
58	59610-9	NAMEPLATE- SUPPLIER CODE: V99643 USED ON: 59600-5011	002004 006999	1
60	NAS1351C4H12P	...	SCREW	002004 006999	8
65	NAS1611-112	...	PACKING-	002004 006999	2

MISSING ITEM NUMBERS NOT APPLICABLE

— ITEM NOT ILLUSTRATED

BRI

29-21-14-05

BOEING PROPRIETARY - Copyright © - Unpublished Work - See title page for details.

29-21-14
FIG. 05
PAGE 5
JAN 20/09



757

PARTS CATALOG (MAINTENANCE)

FIG ITEM	PART NUMBER	1 2 3 4 5 6 7	NOMENCLATURE	EFFECT FROM TO	UNITS PER ASSY
5	70 069000197-1		...PLATE-GSKT SUPPLIER CODE: V05939 SPECIFICATION NUMBER: 69-20184-1 OPTIONAL PART: 071261 V83259 071261-1 V83259 828108-1 V83259 BA1837 V95272 SERVICE BULLETIN OPT DATA: 071261 V83259 07261-1 V83259 828108-1 V83259 POST AIRLINE MOD: TPCR 5-22-IPC-95-0197 VUPS	002004 006999	2
	75 271N1014-1		...MANIFOLD ASSY	002004 006999	1
	80 NAS1352-04H4P		..SCREW	002004 006999	4
	85 R071914-7P		..CONNECTOR SUPPLIER CODE: V41118 SPECIFICATION NUMBER: BACC45FM14-7P OPTIONAL PART: C48-00R14-7P102 V13556 ZZYAC1714-7P V49367 48-00R14-7P300 V02660	002004 006999	1
- 350	286N2516-004		WIRE BUNDLE ASSY-	002004 006100 103106 504903 950999	RF
- 350	286N2516-005		WIRE BUNDLE ASSY-	107107 121503 904949	RF
- 351	286N2516-308		WIRE BUNDLE ASSY-	108120	RF

MISSING ITEM NUMBERS NOT APPLICABLE

- ITEM NOT ILLUSTRATED

29-21-14-05

29-21-14
FIG. 05
PAGE 6
JAN 20/09

BRI



757

PARTS CATALOG (MAINTENANCE)

FIG ITEM	PART NUMBER	1 2 3 4 5 6 7	NOMENCLATURE	EFFECT FROM TO	UNITS PER ASSY
5 355	GS3418-14CD	.CLAMP-	SUPPLIER CODE: V06324 SPECIFICATION NUMBER: BACC10HG14 OPTIONAL PART: S2126-14-8 V07418 ELECTRICAL EQUIP NUMBER: D03248T WIRING DIAGRAM REF: 292131	002004 006100 103106 504903 950999	1
355	G899414	.CLAMP-	SUPPLIER CODE: V06324 SPECIFICATION NUMBER: BACC10HG14A OPTIONAL PART: G8994M14 V06324 S2252-14-8 V07418 6000-124-1014 V14283 900-555L14-34 V31461 ELECTRICAL EQUIP NUMBER: D03248T WIRING DIAGRAM REF: 292131	107503 904949	1
360	R071014A7SNL	.CONNECTOR-	SUPPLIER CODE: V41118 SPECIFICATION NUMBER: BACC63BP14A7SNL MISCELLANEOUS DATA: OPTIONAL PART NUMBERS: BACC63BP14A7SN (81205) BACC63BP14R7SN (81205) BACC63BP14R7SNL (81205) ELECTRICAL EQUIP NUMBER: D03248 WIRING DIAGRAM REF: 292131	002004 006100 103999	1

MISSING ITEM NUMBERS NOT APPLICABLE

- ITEM NOT ILLUSTRATED

29-21-14-05

29-21-14
FIG. 05
PAGE 7
JAN 20/09

BRI



757

PARTS CATALOG (MAINTENANCE)

FIG ITEM	PART NUMBER	1 2 3 4 5 6 7	NOMENCLATURE	EFFECT FROM TO	UNITS PER ASSY
5 900			ILLUSTRATION REFERENCE: PLUMBING INSTL-MAIN WHL WELL AFT BHD HYDR (RAM AIR TURBINE SYSTEM ONLY) 29-21-51-20	002004 006100 107107 121503 904999	RF

MISSING ITEM NUMBERS NOT APPLICABLE

- ITEM NOT ILLUSTRATED

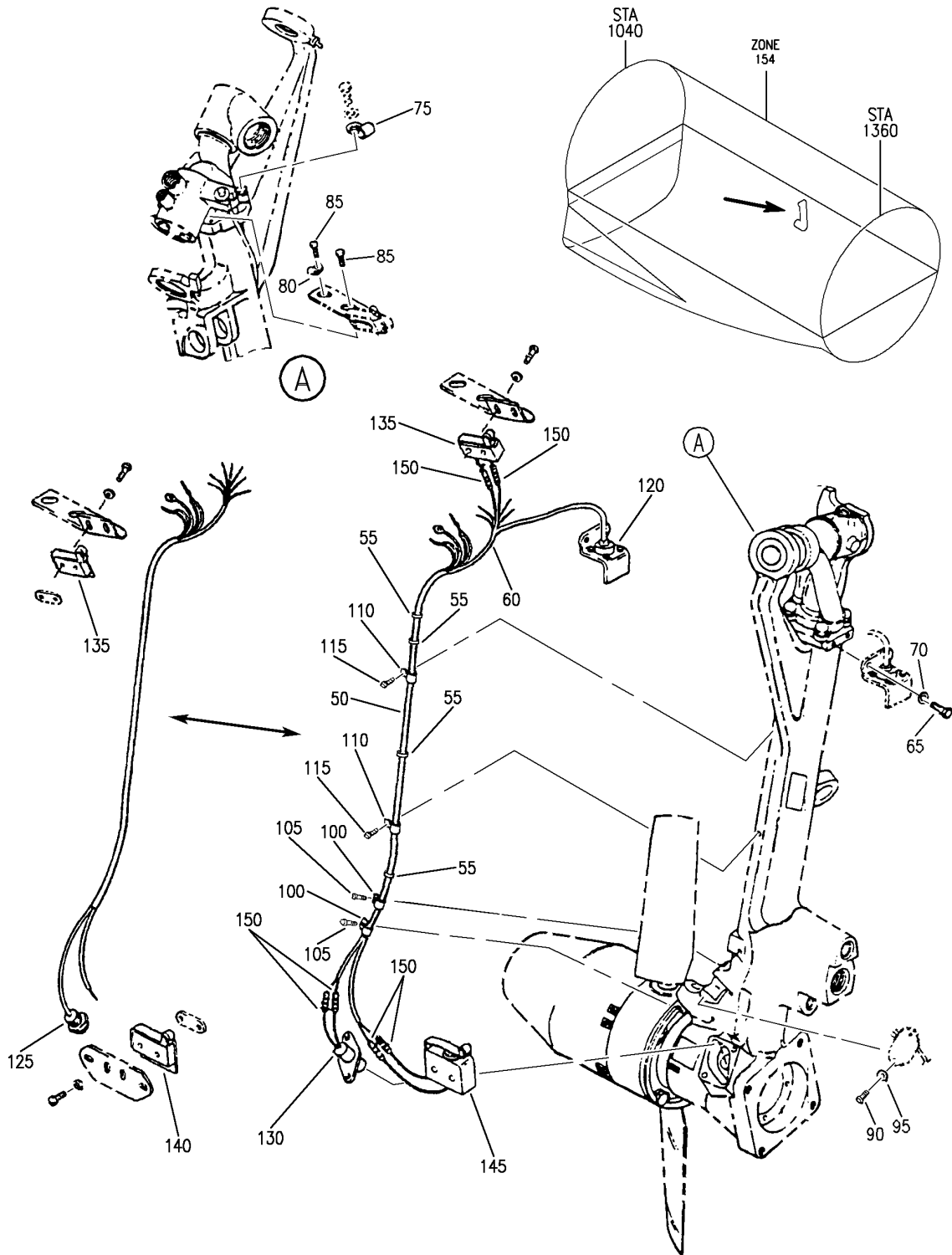
BRI

29-21-14-05

BOEING PROPRIETARY - Copyright © - Unpublished Work - See title page for details.

29-21-14
FIG. 05
PAGE 8
JAN 20/09

BOEING
757
PARTS CATALOG (MAINTENANCE)



Y 29211801 REV 254

PUMP ASSY-RAM AIR TURB HYDR (RAT WIRING HARNESS ONLY)
FIGURE 1

29-21-18-01

BRI
MAY 28/07

29-21-18-01
PAGE 0



757

PARTS CATALOG (MAINTENANCE)

FIG ITEM	PART NUMBER	1 2 3 4 5 6 7	NOMENCLATURE	EFFECT FROM TO	UNITS PER ASSY
1			PUMP ASSY-RAM AIR TURB HYDR (RAT WIRING HARNESS ONLY)	002004 006999	
1	730814B		PUMP ASSY-RAM AIR TURB HYDR (RAT WIRING HARNESS ONLY) SUPPLIER CODE: V99167 SPECIFICATION NUMBER: S258T710-9 NOT APPROVED FOR ETOPS. ELECTRICAL EQUIP NUMBER: M10148 COMPONENT MAINT MANUAL REF: 29-21-11 REFERENCE SERVICE BULLETIN: 29A0046 REWORKED BY SB: 730814-29-11 V55820 FOR NHA/OTHER SYS DET SEE: 29-21-01-01	002004 006999	RF
1	730814C		PUMP ASSY-RAM AIR TURB HYDR (RAT WIRING HARNESS ONLY) SUPPLIER CODE: V99167 SPECIFICATION NUMBER: S258T710-11 ELECTRICAL EQUIP NUMBER: M10148 COMPONENT MAINT MANUAL REF: 29-21-11 OPTIONAL PART: 730814D V99167 730814E V99167 REFERENCE SERVICE BULLETIN: 29A0046 REWORKED BY SB: 730814-29-11 V55820 FOR NHA/OTHER SYS DET SEE: 29-21-01-01	002004 006999	RF

MISSING ITEM NUMBERS NOT APPLICABLE

- ITEM NOT ILLUSTRATED

BRI

29-21-18-01

BOEING PROPRIETARY - Copyright © - Unpublished Work - See title page for details.

29-21-18
FIG. 01
PAGE 1
SEP 20/08



757

PARTS CATALOG (MAINTENANCE)

FIG ITEM	PART NUMBER	1 2 3 4 5 6 7	NOMENCLATURE	EFFECT FROM TO	UNITS PER ASSY
1	1 730814D		PUMP ASSY-RAM AIR TURB HYDR (RAT WIRING HARNESS ONLY) SUPPLIER CODE: V99167 SPECIFICATION NUMBER: S258T710-11 ELECTRICAL EQUIP NUMBER: M10148 COMPONENT MAINT MANUAL REF: 29-21-11 OPTIONAL PART: 730814C V99167 730814E V99167 REFERENCE SERVICE BULLETIN: 29A0046 REWORKED BY SB: 730814-29-11 V55820 FOR NHA/OTHER SYS DET SEE: 29-21-01-01	002004 006999	RF
	1 730814E		PUMP ASSY-RAM AIR TURB HYDR (RAT WIRING HARNESS ONLY) SUPPLIER CODE: V99167 SPECIFICATION NUMBER: S258T710-11 ELECTRICAL EQUIP NUMBER: M10148 COMPONENT MAINT MANUAL REF: 29-21-11 OPTIONAL PART: 730814C V99167 730814D V99167 REFERENCE SERVICE BULLETIN: 29A0046 REWORKED BY SB: 730814-29-11 V55820 FOR NHA/OTHER SYS DET SEE: 29-21-01-01	002004 006999	RF

MISSING ITEM NUMBERS NOT APPLICABLE

- ITEM NOT ILLUSTRATED

BRI

29-21-18-01

29-21-18
FIG. 01
PAGE 2
SEP 20/08



757

PARTS CATALOG (MAINTENANCE)

FIG ITEM	PART NUMBER	1 2 3 4 5 6 7	NOMENCLATURE	EFFECT FROM TO	UNITS PER ASSY
1	1 730814F		PUMP ASSY-RAM AIR TURB HYDR (RAT WIRING HARNESS ONLY) SUPPLIER CODE: V99167 SPECIFICATION NUMBER: S258T710-21 ELECTRICAL EQUIP NUMBER: M10148 COMPONENT MAINT MANUAL REF: 29-21-11 REFERENCE SERVICE BULLETIN: 29A0046 PRE SERVICE BULLETIN: 730814-29-11 V55820 FOR NHA/OTHER SYS DET SEE: 29-21-01-01	002004 006106 108120 504949	RF
	1 730814G		PUMP ASSY-RAM AIR TURB HYDR (RAT WIRING HARNESS ONLY) SUPPLIER CODE: V99167 SPECIFICATION NUMBER: S258T710-23 ELECTRICAL EQUIP NUMBER: M10148 COMPONENT MAINT MANUAL REF: 29-21-11 REFERENCE SERVICE BULLETIN: 29A0046 POST SERVICE BULLETIN: 730814-29-11 V55820 FOR NHA/OTHER SYS DET SEE: 29-21-01-01	002004 006999	RF
	50 731570		.HARNESS ASSY-WIRE SUPPLIER CODE: V99167	107107 904949 952952	1

MISSING ITEM NUMBERS NOT APPLICABLE

- ITEM NOT ILLUSTRATED

BRI

29-21-18-01

BOEING PROPRIETARY - Copyright © - Unpublished Work - See title page for details.

29-21-18
FIG. 01
PAGE 3
JAN 20/09



757

PARTS CATALOG (MAINTENANCE)

FIG ITEM	PART NUMBER	1 2 3 4 5 6 7	NOMENCLATURE	EFFECT FROM TO	UNITS PER ASSY
1					
55	26416129-01		.STRAP-TIE WRAP SUPPLIER CODE: V99167 USED WITH: 737565-1 737565-2 737565-3 737565-4 737565-5 736804 736804A	002004 006999	5
60	736804		.HARNESS-WIRE SUPPLIER CODE: V99167 USED WITH: 737565-1 737565-2 737565-3 737565-4 737565-5 26416129-01	002004 006999	1
60	736804A		.HARNESS-WIRE SUPPLIER CODE: V99167 USED WITH: 737565-1 737565-2 737565-3 737565-4 737565-5 26416129-01	002004 006999	1
65	MS9518-06		ATTACHING PARTS .SCREW	002004 006999	2
70	AN960C10L		.WASHER	002004 006999	2
75	JM44LC39S102		-----*----- .CLAMP- SUPPLIER CODE: V22175 MISCELLANEOUS DATA: SUND STRAND SPEC, NO. 5902741-2 OPTIONAL PART: TA1720SS5T V84971 MS21122CW5 MS21122CW7	107107 904949 952952	1

MISSING ITEM NUMBERS NOT APPLICABLE

- ITEM NOT ILLUSTRATED

BRI

29-21-18-01

29-21-18
FIG. 01
PAGE 4
JAN 20/09



757

PARTS CATALOG (MAINTENANCE)

FIG ITEM	PART NUMBER	1 2 3 4 5 6 7	NOMENCLATURE	EFFECT FROM TO	UNITS PER ASSY
1	75 TA1720SS5T		.CLAMP- SUPPLIER CODE: V84971 MISCELLANEOUS DATA: SUND STRAND SPEC, NO. 27114-5 OPTIONAL PART: MS21122CW5 MS21122CW7 JM44LC39S102 V22175	002004 006999	1
	75 MS21122CW5		.CLAMP- OPTIONAL PART: MS21122CW7 JM44LC39S102 V22175 TA1720SS5T V84971	002004 006999	1
	75 MS21122CW7		.CLAMP- OPTIONAL PART: MS21122CW5 JM44LC39S102 V22175 TA1720SS5T V84971	002004 006999	1
	80 JM44LC39S102		.CLAMP- SUPPLIER CODE: V22175 MISCELLANEOUS DATA: SUND STRAND SPEC, NO. 5902741-2 OPTIONAL PART: TA1720SS5T V84971	107107 904949 952952	1
	80 TA1720SS5T		.CLAMP- SUPPLIER CODE: V84971 MISCELLANEOUS DATA: SUND STRAND SPEC, NO. 27114-5 OPTIONAL PART: MS21122CW3 JM44LC39S102 V22175	002004 006999	1
	80 MS21122CW3		.CLAMP- OPTIONAL PART: TA1720SS5T V84971	002004 006999	1

MISSING ITEM NUMBERS NOT APPLICABLE

- ITEM NOT ILLUSTRATED

29-21-18-01

29-21-18
FIG. 01
PAGE 5
JAN 20/09

BRI

BOEING PROPRIETARY - Copyright © - Unpublished Work - See title page for details.



757

PARTS CATALOG (MAINTENANCE)

FIG ITEM	PART NUMBER	1 2 3 4 5 6 7	NOMENCLATURE	EFFECT FROM TO	UNITS PER ASSY
1					
85	MS9518-06	.	SCREW	002004 006999	2
90	NAS1351-08H6P	.	SCREW- OPTIONAL PART: MS9517-05 NAS1351C08H6 NAS1351-08-6P	002004 006999	2
90	MS9517-05	.	SCREW- OPTIONAL PART: NAS1351-08H6P NAS1351C08H6 NAS1351-08-6P	002004 006999	2
90	NAS1351C08H6	.	SCREW- OPTIONAL PART: NAS1351-08H6P MS9517-05 NAS1351-08-6P	002004 006999	2
90	NAS1351-08-6P	.	SCREW- OPTIONAL PART: NAS1351-08H6P MS9517-05 NAS1351C08H6	002004 006999	2
95	AN960-8	.	WASHER	002004 006999	2
100	JM44LC39S102	.	CLAMP- SUPPLIER CODE: V22175 MISCELLANEOUS DATA: SUND STRAND SPEC, NO. 5902741-2 OPTIONAL PART: TA1720SS5T V84971 MS21122CW7	107107 904949 952952	2
100	TA1720SS5T	.	CLAMP- SUPPLIER CODE: V84971 MISCELLANEOUS DATA: SUND STRAND SPEC, NO. 27114-5 OPTIONAL PART: MS21122CW7 JM44LC39S102 V22175	002004 006999	2

MISSING ITEM NUMBERS NOT APPLICABLE

- ITEM NOT ILLUSTRATED

BRI

29-21-18-01

BOEING PROPRIETARY - Copyright © - Unpublished Work - See title page for details.

29-21-18
FIG. 01
PAGE 6
JAN 20/09



757

PARTS CATALOG (MAINTENANCE)

FIG ITEM	PART NUMBER	1 2 3 4 5 6 7	NOMENCLATURE	EFFECT FROM TO	UNITS PER ASSY
1 100	MS21122CW7	.CLAMP-	OPTIONAL PART: JM44LC39S102 V22175 TA1720SS5T V84971	002004 006999	2
105	MS9517-04	.SCREW-	OPTIONAL PART: NAS1351-08-6P	002004 006999	2
105	NAS1351-08-6P	.SCREW-	OPTIONAL PART: MS9517-04	002004 006999	2
110	JM44LC39S102	.CLAMP-	SUPPLIER CODE: V22175 MISCELLANEOUS DATA: SUND STRAND SPEC, NO. 5902741-2 OPTIONAL PART: TA1720SS5T V84971 MS21122CW8	107107 904949 952952	2
110	TA1720SS5T	.CLAMP-	SUPPLIER CODE: V84971 MISCELLANEOUS DATA: SUND STRAND SPEC, NO. 27114-5 OPTIONAL PART: MS21122CW8 JM44LC39S102 V22175	002004 006999	2
110	MS21122CW8	.CLAMP-	OPTIONAL PART: JM44LC39S102 V22175 TA1720SS5T V84971	002004 006999	2
115	MS9517-04	.SCREW-	OPTIONAL PART: NAS1351-08-6P	002004 006999	2
115	NAS1351-08-6P	.SCREW-	OPTIONAL PART: MS9517-04	002004 006999	2
120	59846	.CONNECTOR-	SUPPLIER CODE: V99167	002004 006999	1

MISSING ITEM NUMBERS NOT APPLICABLE

- ITEM NOT ILLUSTRATED

29-21-18-01

29-21-18
FIG. 01
PAGE 7
JAN 20/09

BRI



757

PARTS CATALOG (MAINTENANCE)

FIG ITEM	PART NUMBER	1 2 3 4 5 6 7	NOMENCLATURE	EFFECT FROM TO	UNITS PER ASSY
1					
125	59848	.	SENSOR-SPEED SUPPLIER CODE: V99167	107107 904949 952952	1
130	5904289	.	SENSOR-SPEED SUPPLIER CODE: V99167	002004 006999	1
135	59842	.	SWITCH- SUPPLIER CODE: V99167	107107 904949 952952	1
135	5904049-2	.	SWITCH- SUPPLIER CODE: V99167 SB DATA FROM A CMM: 730814-29-5	002004 006999	1
135	5904049-3	.	SWITCH- SUPPLIER CODE: V99167	002004 006999	1
140	59842	.	SWITCH- SUPPLIER CODE: V99167	107107 904949 952952	1
145	5904049-2	.	SWITCH- SUPPLIER CODE: V99167 SB DATA FROM A CMM: 730814-29-5	002004 006999	1
150	5903728-3	.	CONNECTOR- SUPPLIER CODE: V99167 SB DATA FROM A CMM: 730814-29-5	002004 006999	6

MISSING ITEM NUMBERS NOT APPLICABLE

- ITEM NOT ILLUSTRATED

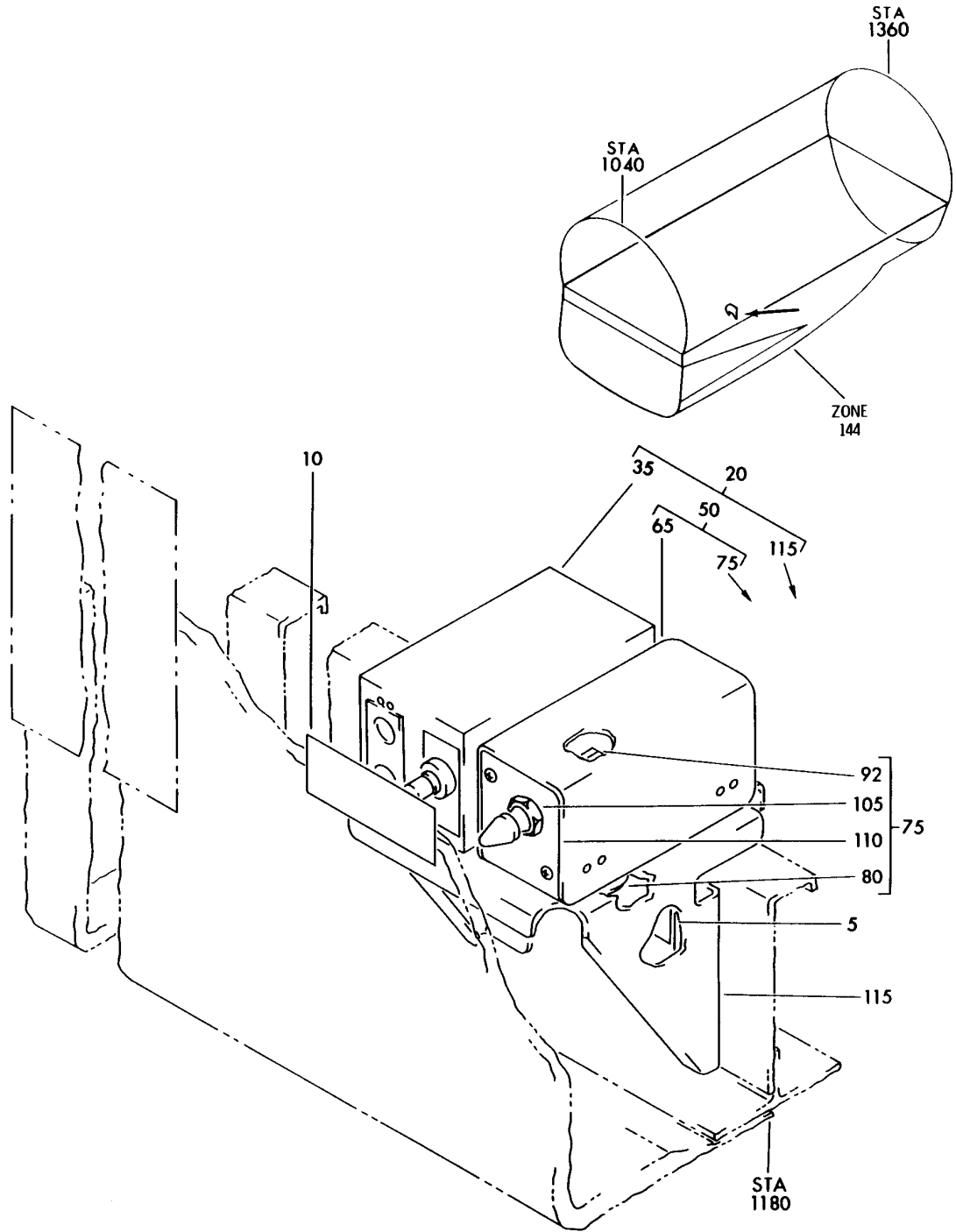
BRI

29-21-18-01

BOEING PROPRIETARY - Copyright © - Unpublished Work - See title page for details.

29-21-18
FIG. 01
PAGE 8
JAN 20/09

BOEING
757
PARTS CATALOG (MAINTENANCE)



Y 29215101 REV 083

SWITCH INSTL-RAM AIR TURB TACH IND AND CONT
FIGURE 1

29-21-51-01

BRI
MAY 28/07

29-21-51-01
PAGE 0



757

PARTS CATALOG (MAINTENANCE)

FIG ITEM	PART NUMBER	1 2 3 4 5 6 7	NOMENCLATURE	EFFECT FROM TO	UNITS PER ASSY
1			SWITCH INSTL-RAM AIR TURB TACH IND AND CONT	002004 006999	
- 1	271N1051-10		SWITCH INSTL-RAM AIR TURB TACH AND CONT HYDRAULICS POWER ONLY FOR NHA SEE: 29-00-51-02C	101102 108120 504903	RF
- 1	271N1051-1		SWITCH INSTL-RAM AIR TURB TACH IND AND CONT (HYDRAULICS POWER ONLY) FOR NHA/OTHER SYS DET SEE: 29-00-51-07	002004 006100 107107 121503 904999	RF
- 1	MODREF6803		SWITCH INSTL-RAM AIR TURB TACH AND CONT HYDRAULICS POWER ONLY MODULE NUMBER: 271N1051-10 REV A	103106	1
10	BAC27NHY0065		.MARKER	002004 006999	1
20	271N1051-4		.SWITCH ASSY-	107107 904949	1
20	271N1051-3		.SWITCH ASSY-	107107 904949	1
20	271N1051-6		.SWITCH ASSY-	002004 006106 108903 950999	1
			ATTACHING PARTS		
- 25	NAS1801-3D8		.SCREW-	107107	4
- 25	NAS1801-3-9		.SCREW-	002004 006106 108903 950999	4
- 30	BACW10BN3AC		.WASHER-	107107	4
- 30	AN960JD10L		.WASHER-	002004 006106 108903 950999	4
			-----*-----		
35	729552		.TACHOMETER- SUPPLIER CODE: V99167 SPECIFICATION NUMBER: S258T710-4 ELECTRICAL EQUIP NUMBER: N10028 OPTIONAL PART: 729552A V99167	002004 006999	1

MISSING ITEM NUMBERS NOT APPLICABLE

- ITEM NOT ILLUSTRATED

29-21-51-01

29-21-51
FIG. 01
PAGE 1
JAN 20/09

BRI



757

PARTS CATALOG (MAINTENANCE)

FIG ITEM	PART NUMBER	1 2 3 4 5 6 7	NOMENCLATURE	EFFECT FROM TO	UNITS PER ASSY
1					
35	729552A		.. TACHOMETER- SUPPLIER CODE: V99167 FUNCTIONAL DESCRIPTION: PROVIDES A VISUAL (LIGHT) INDICATION OF THE OPERATING STATUS OF THE RAT DURING GROUND CHECKOUT SPECIFICATION NUMBER: S258T710-4 ELECTRICAL EQUIP NUMBER: N10028 OPTIONAL PART: 729552 V99167 ATTACHING PARTS	002004 006999	1
- 40	NAS1801-3D8		.. SCREW-	107107	4
- 40	NAS1801-3-9		.. SCREW-	002004 006106 108903 950999	4
- 45	BACW10BN3AC		.. WASHER-	002004 006106 108903 950999	4
- 45	AN960JD10L		.. WASHER-	002004 006100 121503 904999	4
			-----*-----		
50	271N1049-5		.. SWITCH ASSY-GND CONT	002004 006999	1
			ATTACHING PARTS		
- 55	NAS1801-3D8		.. SCREW-	107107	4
- 55	NAS1801-3-9		.. SCREW-	002004 006106 108903 950999	4
- 60	BACW10BN3AC		.. WASHER-	002004 006106 108903 950999	4
- 60	AN960JD10L		.. WASHER-	002004 006100 121503 904999	4
			-----*-----		

MISSING ITEM NUMBERS NOT APPLICABLE

- ITEM NOT ILLUSTRATED

29-21-51-01

29-21-51
FIG. 01
PAGE 2
JAN 20/09

BRI

BOEING PROPRIETARY - Copyright © - Unpublished Work - See title page for details.

 **BOEING**
757
PARTS CATALOG (MAINTENANCE)

FIG ITEM	PART NUMBER	1 2 3 4 5 6 7	NOMENCLATURE	EFFECT FROM TO	UNITS PER ASSY
1	65 271N1049-6		...COVER ASSY-	002004 006999	1
-	70 NAS1802-06-6		ATTACHING PARTS ...BOLT-	002004 006999	3
			OPTIONAL PART: BACB30LK06-1 BACS12CK06-6		
-	70 BACB30LK06-1		...BOLT-	002004 006999	3
			OPTIONAL PART: NAS1802-06-6 BACS12CK06-6		
-	70 BACS12CK06-6		...SCREW-	002004 006999	3
			OPTIONAL PART: NAS1802-06-6 BACB30LK06-1		
			-----*-----		
	75 271N1049-7		...BASE ASSY-	002004 006999	1
	80 R071914-7P	CONNECTOR	002004 006999	1
			SUPPLIER CODE: V41118		
			SPECIFICATION NUMBER: BACC45FM14-7P		
			OPTIONAL PART: C48-00R14-7P102 V13556 ZZYAC1714-7P V49367 48-00R14-7P300 V02660		
-	85 NAS600-4P		ATTACHING PARTSSCREW	002004 006999	4

MISSING ITEM NUMBERS NOT APPLICABLE

- ITEM NOT ILLUSTRATED

BRI

29-21-51-01

BOEING PROPRIETARY - Copyright © - Unpublished Work - See title page for details.

29-21-51
FIG. 01
PAGE 3
JAN 20/09



757

PARTS CATALOG (MAINTENANCE)

FIG ITEM	PART NUMBER	1 2 3 4 5 6 7	NOMENCLATURE	EFFECT FROM TO	UNITS PER ASSY
1 - 90	BRH10A04	NUT SUPPLIER CODE: V52828 SPECIFICATION NUMBER: BACN10JC04 OPTIONAL PART: NS202101-40 V80539 RMLH9075-40W V72962 VN303A40 V92215 96-40 V80539 T6S440J V11815 H10-04BAC V15653	002004 006999	4
92	AMP329324	JUNCTION- SUPPLIER CODE: V18342 OPTIONAL PART: D436-37 V06090 AMP329432 V18342	002004 006999	2
92	AMP329432	JUNCTION- SUPPLIER CODE: V18342 OPTIONAL PART: D436-37 V06090 AMP329324 V18342	002004 006999	2
92	D436-37	JUNCTION- SUPPLIER CODE: VU3384 OPTIONAL PART: AMP329324 V18342 AMP329432 V18342	002004 006999	2

MISSING ITEM NUMBERS NOT APPLICABLE

- ITEM NOT ILLUSTRATED

BRI

29-21-51-01

BOEING PROPRIETARY - Copyright © - Unpublished Work - See title page for details.

29-21-51
FIG. 01
PAGE 4
JAN 20/09



757

PARTS CATALOG (MAINTENANCE)

FIG ITEM	PART NUMBER	1 2 3 4 5 6 7	NOMENCLATURE	EFFECT FROM TO	UNITS PER ASSY
1					
- 100	AA832-06	TERMINAL- SUPPLIER CODE: V98410 SPECIFICATION NUMBER: BACT12AC2 OPTIONAL PART: R1885SN V14726 36151 V00779 51863 V00779 BACT12M130	002004 006999	12
- 100	323199	TERMINAL- SUPPLIER CODE: V00779 SPECIFICATION NUMBER: BACT12M130 OPTIONAL PART: BACT12AC2	002004 006999	12
105	MS27406-3	SWITCH- ELECTRICAL EQUIP NUMBER: M10405	002004 006999	1
110	271N1050-4	HOUSING-	002004 006999	1
115	271N1053-1	..	BRACKET-	107107	1
115	271N1053-2	..	BRACKET-	002004 006106 108903 950999	1

MISSING ITEM NUMBERS NOT APPLICABLE

- ITEM NOT ILLUSTRATED

29-21-51-01

29-21-51
FIG. 01
PAGE 5
JAN 20/09

BRI



757

PARTS CATALOG (MAINTENANCE)

FIG ITEM	PART NUMBER	1 2 3 4 5 6 7	NOMENCLATURE	EFFECT FROM TO	UNITS PER ASSY
15			PLUMBING INSTL-SECT. 49	002004 006999	
- 1	271N6493-1		PLUMBING INSTL-HYDR BAY POSITION DATA: SECT. 49 R FOR NHA SEE: 29-00-51-07	002004 006100 107107 121503 904999	RF
- 1	271N6493-2		PLUMBING INSTL-HYDR BAY POSITION DATA: SECT. 49 R FOR NHA SEE: 29-00-51-02C	101102 108120 504903	RF
- 1	MODREF31931		PLUMBING INSTL-HYDR BAY MODULE NUMBER: 271N6493-2 REV B POSITION DATA: SECT. 49 R	103106	1
5	NAS1801-3		.SCREW-	002004 006999	3
10	AN960KD10L		.WASHER-	002004 006999	AR
15	MS21042L3		.NUT-	002004 006999	3
25	TA0910004H106		.CLAMP SUPPLIER CODE: V84971 SPECIFICATION NUMBER: BACC10HB06C	002004 006999	1
30	M85052-2-6		.CLAMP	002004 006999	1
50	270N2000-75		.CLAMP ASSY-BLK	002004 006999	3
55	NAS1801-3-30		..SCREW-	002004 006999	2
60	AN960PD10L		..WASHER	002004 006999	2
65	NAS43DD3-83		..SPACER	002004 006999	2

MISSING ITEM NUMBERS NOT APPLICABLE

- ITEM NOT ILLUSTRATED

BRI

29-21-51-15

29-21-51
FIG. 15
PAGE 1
JAN 20/09



757

PARTS CATALOG (MAINTENANCE)

FIG ITEM	PART NUMBER	1 2 3 4 5 6 7	NOMENCLATURE	EFFECT FROM TO	UNITS PER ASSY
15					
70	BRH10A3	..	NUT SUPPLIER CODE: V52828 SPECIFICATION NUMBER: BACN10JC3 OPTIONAL PART: H10-3BAC V15653 NS202101-02 V80539 RMLH9075-3W V72962 VN303A02 V92215 96-02 V80539 T6S1032J V11815	002004 006999	2
75	270N2000-701	..	CHANNEL	002004 006999	1
80	270N2000-576	..	BLOCK	002004 006999	2
85	AS117-04K0107	.	HOSE ASSY-	002004 006999	1
90	AS117-06K0110	.	HOSE ASSY-	002004 006999	1
100	271N6493-1014	.	TUBE ASSY-SUPPLY SYS POSITION DATA: CTR TUBING MATERIAL: .750 IN. OD .039 IN. WALL 71 IN.LG TI	002004 006999	1
- 105	AS1581T12	..	SLEEVE	002004 006999	2
- 110	BACN10YA12	..	NUT	002004 006999	2
115	271N6493-1013	.	TUBE ASSY-PRESSURE SYS POSITION DATA: CTR TUBING MATERIAL: .500 IN. OD .026 IN. WALL 76.7 IN. LG TI	002004 006999	1
- 120	AS1581T08	..	SLEEVE	002004 006999	2
- 125	BACN10YA8	..	NUT	002004 006999	2

MISSING ITEM NUMBERS NOT APPLICABLE

- ITEM NOT ILLUSTRATED

29-21-51-15

29-21-51
FIG. 15
PAGE 2
SEP 20/08

BRI



757

PARTS CATALOG (MAINTENANCE)

FIG ITEM	PART NUMBER	1 2 3 4 5 6 7	NOMENCLATURE	EFFECT FROM TO	UNITS PER ASSY
15 130	271N6493-1012		.TUBE ASSY-CASE DRAIN SYS POSITION DATA: CTR TUBING MATERIAL: .375 IN. OD .035 IN. WALL 72.3 IN. LG AL	002004 006999	1
- 135	AP2097HP06		..SLEEVE SUPPLIER CODE: V01673 SPECIFICATION NUMBER: BACS13BX06HP OPTIONAL PART: 2-02903-06HP V11328 35235VN06 V08199 AFP175V06P V30974 DBOS13BX06HP V14798	002004 006999	2
- 140	MS21921-6D		..NUT- OPTIONAL PART: BACN10YL06	002004 006999	2
- 140	BACN10YL06		..NUT- OPTIONAL PART: MS21921-6D	002004 006999	2
145	271N6493-1007		.TUBE ASSY-PRESSURE SYS POSITION DATA: R TUBING MATERIAL: .375 IN. OD .019 IN. WALL 38.2 IN. LG TI	002004 006999	1
- 150	AS1581T06		..SLEEVE	002004 006999	2
- 155	BACN10YA6		..NUT	002004 006999	2
160	271N6493-1015		.TUBE ASSY-RETURN SYS POSITION DATA: R TUBING MATERIAL: .375 IN. OD .035 IN. WALL 10.1 IN. LG AL	002004 006999	1

MISSING ITEM NUMBERS NOT APPLICABLE

- ITEM NOT ILLUSTRATED

29-21-51-15

29-21-51
FIG. 15
PAGE 3
SEP 20/08

BRI



757

PARTS CATALOG (MAINTENANCE)

FIG ITEM	PART NUMBER	1 2 3 4 5 6 7	NOMENCLATURE	EFFECT FROM TO	UNITS PER ASSY
15					
165	271N6493-1016		.TUBE ASSY-RETURN SYS POSITION DATA: R TUBING MATERIAL: .375 IN. OD .035 IN. WALL 17.00 IN. LG AL	002004 006999	1
- 170	AP2097HP06		..SLEEVE SUPPLIER CODE: V01673 SPECIFICATION NUMBER: BACS13BX06HP OPTIONAL PART: 2-02903-06HP V11328 35235VN06 V08199 AFP175V06P V30974 DBOS13BX06HP V14798	002004 006999	2
- 175	MS21921-6D		..NUT-	002004 006999	2
- 175	BACN10YL06		..NUT-	002004 006999	2
200	MS21924D6		.UNION	002004 006999	1
205	APX832T0406		.UNION SUPPLIER CODE: V01673 SPECIFICATION NUMBER: BACU24AA0406T OPTIONAL PART: ER832-0406T V50948 2-010890406T V11328 AFP238-0406T V30974 APX832-0406T V01673 DBOU24AA0406T V61498 FER1579-0406T V14397 US2113-0406T V50808 2-01089T0406 V11328	002004 006999	1

MISSING ITEM NUMBERS NOT APPLICABLE

- ITEM NOT ILLUSTRATED

29-21-51-15

29-21-51
FIG. 15
PAGE 4
SEP 20/08

BRI



757

PARTS CATALOG (MAINTENANCE)

FIG ITEM	PART NUMBER	1 2 3 4 5 6 7	NOMENCLATURE	EFFECT FROM TO	UNITS PER ASSY
15					
210	MS21905D6	.TEE-		107107	1
210	MS21905W6	.TEE-		002004	1
				006106	
				108999	
215	AN924-4D	.NUT		002004	1
				006999	
220	AN924-6D	.NUT		002004	1
				006999	
900			ILLUSTRATION REFERENCE: PUMP INSTL-RAM AIR TURB HYDR 29-21-01-01	002004 006999	RF
905			ILLUSTRATION REFERENCE: ACTUATOR INSTL-RAM AIR TURB 29-21-05-01	002004 006999	RF
910			ILLUSTRATION REFERENCE: VALVE INSTL-RAM AIR TURB ACTR CONT 29-21-04-05	002004 006999	RF
915			ILLUSTRATION REFERENCE: PLUMBING INSTL-MAIN WHL WELL AFT BHD HYDR (RAM AIR TURBINE SYSTEM ONLY) 29-21-51-20	002004 006100 107107 121503 904999	RF
920			ILLUSTRATION REFERENCE: PLUMBING INSTL-SECT. 44 AFT BHD MLG WHL WELL HYDR 29-11-52-22	101106 108120 504903	RF

MISSING ITEM NUMBERS NOT APPLICABLE

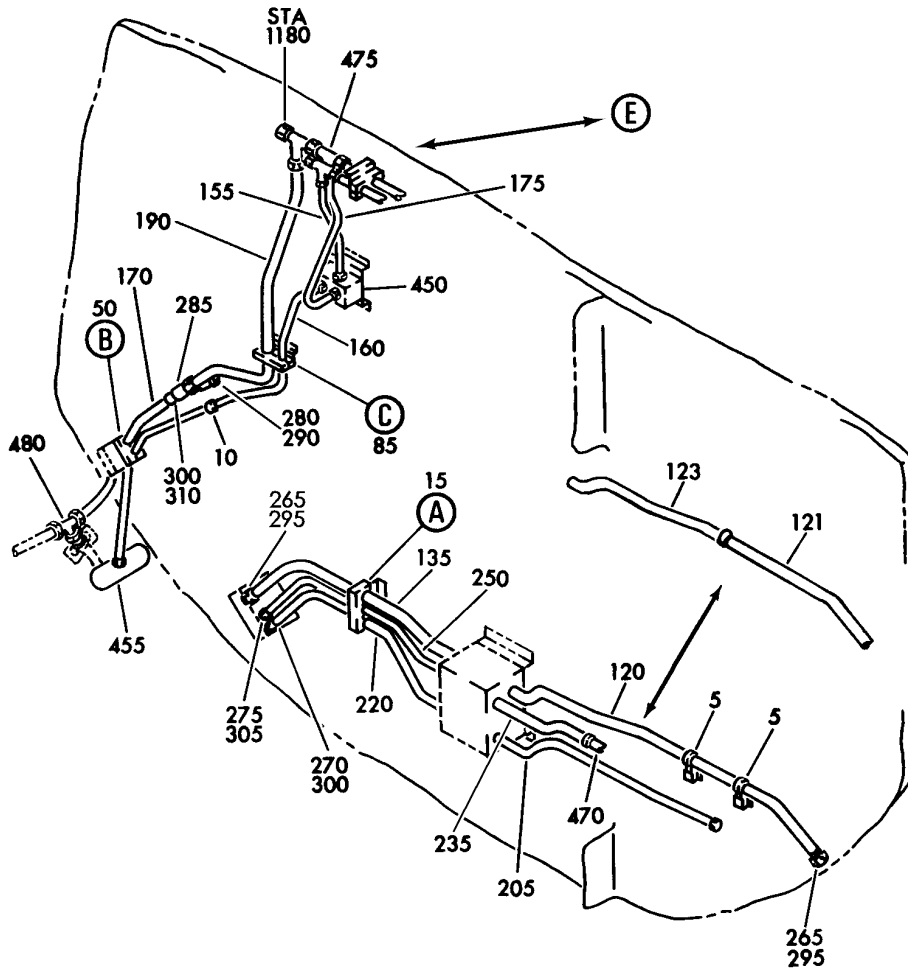
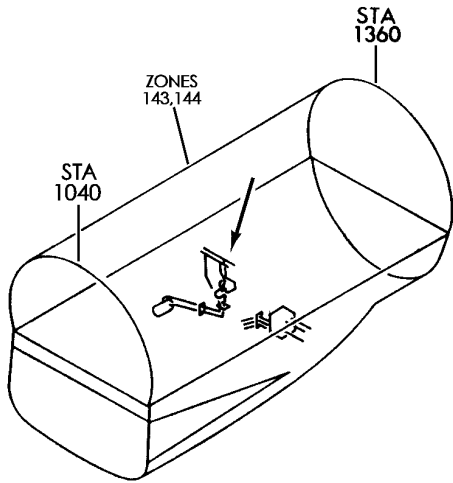
- ITEM NOT ILLUSTRATED

BRI

29-21-51-15

29-21-51
FIG. 15
PAGE 5
JAN 20/09


BOEING
 757
PARTS CATALOG (MAINTENANCE)



Y 29215120 SHT 1 REV 216

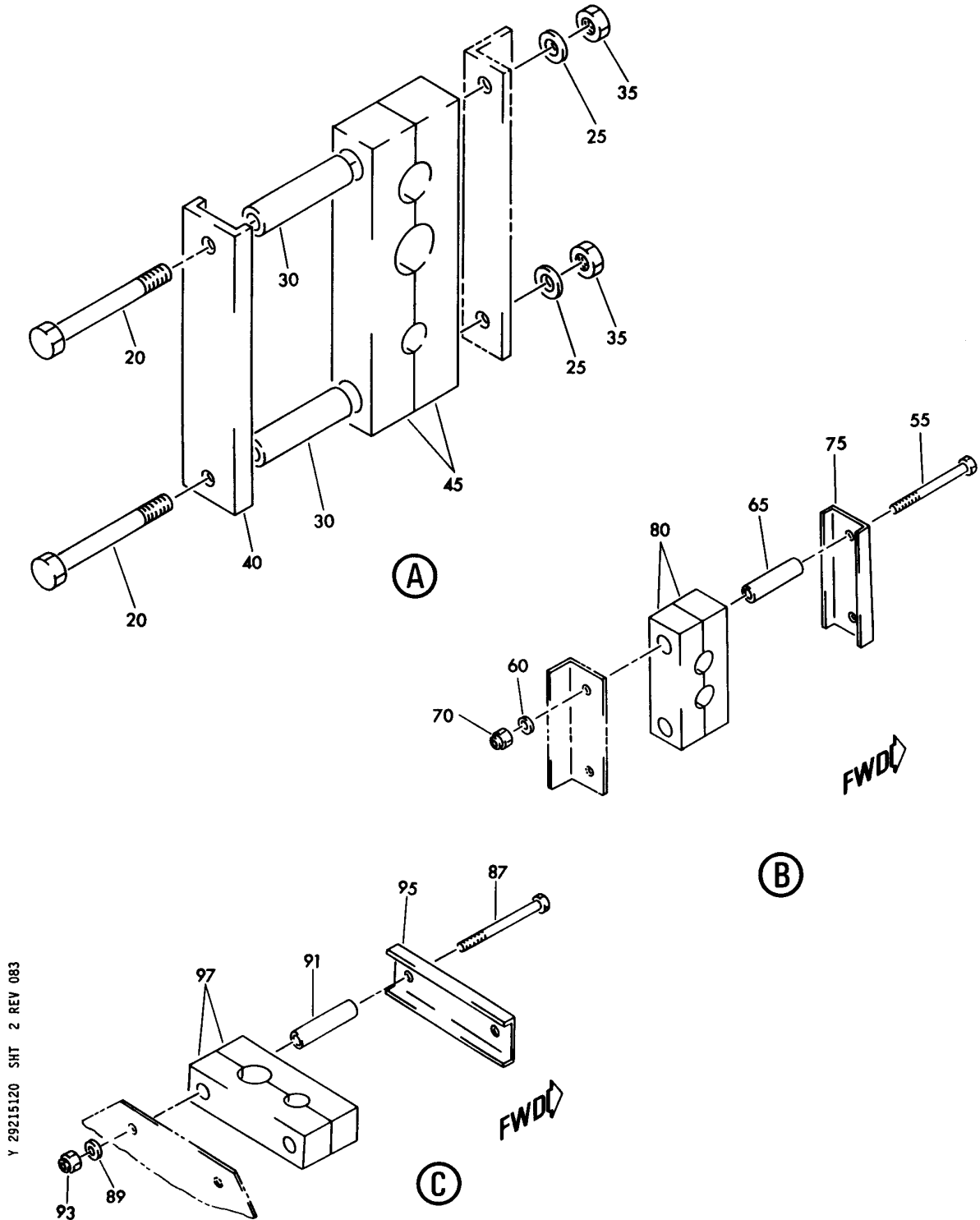
PLUMBING INSTL-MAIN WHL WELL AFT BHD HYDR (RAM AIR TURBINE SYSTEM ONLY)
 FIGURE 20 (SHEET 1)

BRI
MAY 28/07

29-21-51-20

29-21-51-20
 PAGE 0

BOEING
757
PARTS CATALOG (MAINTENANCE)



Y 29215120 SHT 2 REV 083

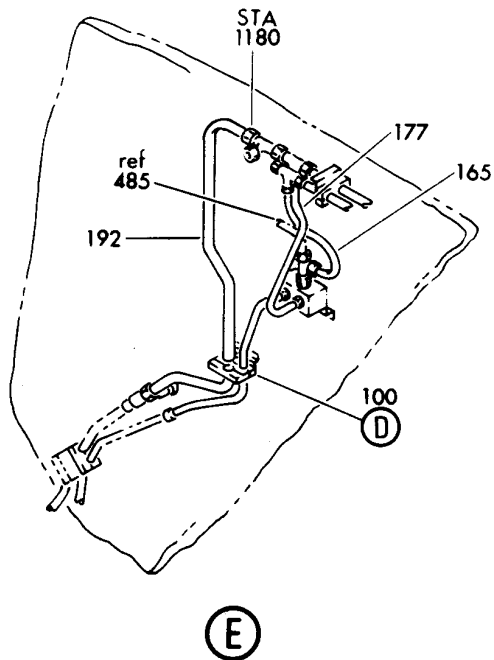
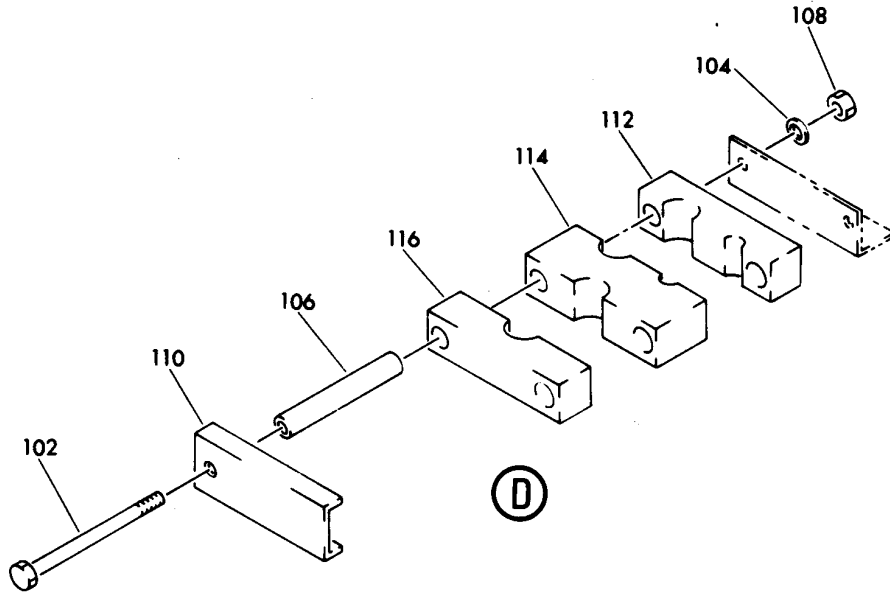
PLUMBING INSTL-MAIN WHL WELL AFT BHD HYDR (RAM AIR TURBINE SYSTEM ONLY)
FIGURE 20 (SHEET 2)

29-21-51-20

BRI
MAY 28/07

29-21-51-20
PAGE 0A

BOEING
757
PARTS CATALOG (MAINTENANCE)



Y 29215120 SHT 3 REV 038

PLUMBING INSTL-MAIN WHL WELL AFT BHD HYDR (RAM AIR TURBINE SYSTEM ONLY)
FIGURE 20 (SHEET 3)

29-21-51-20

BRI
MAY 28/07

29-21-51-20
PAGE 0B



757

PARTS CATALOG (MAINTENANCE)

FIG ITEM	PART NUMBER	1 2 3 4 5 6 7	NOMENCLATURE	EFFECT FROM TO	UNITS PER ASSY
20			PLUMBING INSTL-MAIN WHL WELL AFT BHD HYDR (RAM AIR TURBINE SYSTEM ONLY)	002004 006100 107107 121503 904999	
- 1	271N6446-1		PLUMBING INSTL-MAIN WHL WELL BHD HYDR (RAM AIR TURBINE SYSTEM ONLY) POSITION DATA: AFT VARIABLE DRAWING REF: 271N6446-8 FOR NHA/OTHER SYS DET SEE: 29-00-51-05	002004 006100 107107 121503 904999	RF
5	TA0910004H112		.CLAMP- SUPPLIER CODE: V84971 SPECIFICATION NUMBER: BACC10HB12C OPTIONAL PART: BACC10HC12C	002004 006100 107107 121503 904999	2
5	TA0910005H112		.CLAMP- SUPPLIER CODE: V84971 SPECIFICATION NUMBER: BACC10HC12C OPTIONAL PART: BACC10HB12C	002004 006100 107107 121503 904999	2
- 7	NAS1801-3		ATTACHING PARTS .SCREW- SIZE DETERMINED ON INSTL.	002004 006100 107107 121503 904999	4
- 8	AN960KD10L		.WASHER	002004 006100 107107 121503 904999	AR
- 9	MS21042L3		.NUT	002004 006100 107107 121503 904999	4
			-----*-----		

MISSING ITEM NUMBERS NOT APPLICABLE

- ITEM NOT ILLUSTRATED

BRI

29-21-51-20

29-21-51
FIG. 20
PAGE 1
JAN 20/09



757

PARTS CATALOG (MAINTENANCE)

FIG ITEM	PART NUMBER	1 2 3 4 5 6 7	NOMENCLATURE	EFFECT FROM TO	UNITS PER ASSY
20					
10	M85052-2-6	.	CLAMP	002004 006100 107107 121503 904999	1
- 12	NAS1801-3	.	ATTACHING PARTS SCREW- SIZE DETERMINED ON INSTL.	002004 006100 107107 121503 904999	1
- 13	AN960KD10L	.	WASHER	002004 006100 107107 121503 904999	AR
- 14	MS21042L3	.	NUT	002004 006100 107107 121503 904999	1
15	270N2000-75	-----*	CLAMP ASSY-BLK	002004 006100 107107 121503 904999	1
20	NAS1801-3-30	..	SCREW-	002004 006100 107107 121503 904999	2
25	AN960PD10L	..	WASHER	002004 006100 107107 121503 904999	2
30	NAS43DD3-83	..	SPACER	002004 006100 107107 121503 904999	2

MISSING ITEM NUMBERS NOT APPLICABLE

- ITEM NOT ILLUSTRATED

BRI

29-21-51-20

BOEING PROPRIETARY - Copyright © - Unpublished Work - See title page for details.

29-21-51
FIG. 20
PAGE 2
JAN 20/09



757

PARTS CATALOG (MAINTENANCE)

FIG ITEM	PART NUMBER	1 2 3 4 5 6 7	NOMENCLATURE	EFFECT FROM TO	UNITS PER ASSY
20					
35	BRH10A3		..NUT SUPPLIER CODE: V52828 SPECIFICATION NUMBER: BACN10JC3 OPTIONAL PART: H10-3BAC V15653 NS202101-02 V80539 RMLH9075-3W V72962 VN303A02 V92215 96-02 V80539 T6S1032J V11815	002004 006100 107107 121503 904999	2
40	270N2000-701		..CHANNEL	002004 006100 107107 121503 904999	1
45	270N2000-576		..BLOCK	002004 006100 107107 121503 904999	2
50	270N2000-78		.CLAMP ASSY-BLK	002004 006100 107107 121503 904999	1
55	NAS1801-3-24		..SCREW-	002004 006100 107107 121503 904999	2
60	AN960PD10L		..WASHER	002004 006100 107107 121503 904999	2
65	NAS43DD3-59		..SPACER	002004 006100 107107 121503 904999	2

MISSING ITEM NUMBERS NOT APPLICABLE

- ITEM NOT ILLUSTRATED

29-21-51-20

29-21-51
FIG. 20
PAGE 3
JAN 20/09

BRI

BOEING PROPRIETARY - Copyright © - Unpublished Work - See title page for details.



757

PARTS CATALOG (MAINTENANCE)

FIG ITEM	PART NUMBER	1 2 3 4 5 6 7	NOMENCLATURE	EFFECT FROM TO	UNITS PER ASSY
20					
70	BRH10A3	..	NUT SUPPLIER CODE: V52828 SPECIFICATION NUMBER: BACN10JC3 OPTIONAL PART: H10-3BAC V15653 NS202101-02 V80539 RMLH9075-3W V72962 VN303A02 V92215 96-02 V80539 T6S1032J V11815	002004 006100 107107 121503 904999	2
75	270N2000-844	..	CHANNEL	002004 006100 107107 121503 904999	1
80	270N2000-502	..	BLOCK	002004 006100 107107 121503 904999	2
85	270N2000-74	.	CLAMP ASSY-BLK	002004 006100 107107 121503 904999	1
87	NAS1801-3-28	..	SCREW-	002004 006100 107107 121503 904999	2
89	AN960PD10L	..	WASHER	002004 006100 107107 121503 904999	2
91	NAS43DD3-75	..	SPACER	002004 006100 107107 121503 904999	2

MISSING ITEM NUMBERS NOT APPLICABLE

- ITEM NOT ILLUSTRATED

29-21-51-20

29-21-51
FIG. 20
PAGE 4
JAN 20/09

BRI

BOEING PROPRIETARY - Copyright © - Unpublished Work - See title page for details.



757

PARTS CATALOG (MAINTENANCE)

FIG ITEM	PART NUMBER	1 2 3 4 5 6 7	NOMENCLATURE	EFFECT FROM TO	UNITS PER ASSY
20 93	BRH10A3	..	NUT SUPPLIER CODE: V52828 SPECIFICATION NUMBER: BACN10JC3 OPTIONAL PART: H10-3BAC V15653 NS202101-02 V80539 RMLH9075-3W V72962 VN303A02 V92215 96-02 V80539 T6S1032J V11815	002004 006100 107107 121503 904999	2
95	270N2000-861	..	CHANNEL	002004 006100 107107 121503 904999	1
97	270N2000-575	..	BLOCK	002004 006100 107107 121503 904999	2
120	271N6446-1039	.TUBE ASSY-SUPPLY SYS POSITION DATA: CTR TUBING MATERIAL: .750 IN. OD .035 IN. WALL 49.00 IN. LG AL AMS 4083 6061 T6 TUBING		107107 904949	1
121	271N6446-1093	.TUBE ASSY-SUPPLY SYS POSITION DATA: CTR TUBING MATERIAL: .750 IN. OD .035 IN. WALL 39.60 IN. LG AL AMS 4083 6061 T6 TUBING		002004 006100 121503 950999	1
123	271N6446-1088	.TUBE ASSY-SUPPLY SYS POSITION DATA: CTR TUBING MATERIAL: .750 IN. OD .035 IN. WALL 28.70 IN. LG AL AMS 4083 6061 T6 TUBING		002004 006100 121503 950999	1

MISSING ITEM NUMBERS NOT APPLICABLE

- ITEM NOT ILLUSTRATED

29-21-51-20

29-21-51
FIG. 20
PAGE 5
JAN 20/09

BRI



757

PARTS CATALOG (MAINTENANCE)

FIG ITEM	PART NUMBER	1 2 3 4 5 6 7	NOMENCLATURE	EFFECT FROM TO	UNITS PER ASSY
20					
- 125	AP2097HP12	..	SLEEVE SUPPLIER CODE: V01673 SPECIFICATION NUMBER: BACS13BX12HP OPTIONAL PART: 2-02903-12HP V11328 35235VN12 V08199 AFP175V12P V30974 DBOS13BX12HP V14798	002004 006100 107107 121503 904999	2
- 128	AP2097HP12	..	SLEEVE SUPPLIER CODE: V01673 SPECIFICATION NUMBER: BACS13BX12HP OPTIONAL PART: 2-02903-12HP V11328 35235VN12 V08199 AFP175V12P V30974 DBOS13BX12HP V14798	002004 006100 121503 950999	1
- 130	MS21921-12D	..	NUT- OPTIONAL PART: BACN10YL12	002004 006100 107107 121503 904999	2
- 130	BACN10YL12	..	NUT- OPTIONAL PART: MS21921-12D	002004 006100 107107 121503 904999	2
- 132	BACN10YL12	..	NUT	002004 006100 121503 950999	1

MISSING ITEM NUMBERS NOT APPLICABLE

- ITEM NOT ILLUSTRATED

29-21-51-20

29-21-51
FIG. 20
PAGE 6
JAN 20/09

BRI



757

PARTS CATALOG (MAINTENANCE)

FIG ITEM	PART NUMBER	1 2 3 4 5 6 7	NOMENCLATURE	EFFECT FROM TO	UNITS PER ASSY
20 - 133	35056GV12		..UNION SUPPLIER CODE: V08199 SPECIFICATION NUMBER: BACU24AB12W OPTIONAL PART: 4671097W12 V50948 2-01027-12W V11328 31875-12W V14397 AP1004W12 V01673 AFP941W12 V30974 DBOU24AB12W V14798	002004 006100 121503 950999	1
135	271N6446-1035		.TUBE ASSY-SUPPLY SYS POSITION DATA: CTR TUBING MATERIAL: .750 IN. OD .039 IN. WALL 23.30 IN. LG TI BMS 7-234 TI-3AL-2.5V COLD WORKED, STRESS RELIEVED TUBING	002004 006100 107107 121503 904999	1
- 140	AS1581T12		..SLEEVE	002004 006100 107107 121503 904999	2
- 145	BACN10YA12		..NUT	002004 006100 107107 121503 904999	2
155	271N6446-1082		.TUBE ASSY-PRESSURE SYS POSITION DATA: CTR TUBING MATERIAL: .375 IN. OD .019 IN. WALL 10.00 IN. LG TI BMS 7-234 TI-3AL-2.5V COLD WORKED, STRESS RELIEVED TUBING	002004 006100 107107 121503 904999	1

MISSING ITEM NUMBERS NOT APPLICABLE

- ITEM NOT ILLUSTRATED

BRI

29-21-51-20

29-21-51
FIG. 20
PAGE 7
JAN 20/09



757

PARTS CATALOG (MAINTENANCE)

FIG ITEM	PART NUMBER	1 2 3 4 5 6 7	NOMENCLATURE	EFFECT FROM TO	UNITS PER ASSY
20					
- 159	BACN10YA6	..	NUT-	002004 006100 107107 121503 904999	2
- 159	BACN10YA6N	..	NUT-	002004 006100 107107 121503 904999	2
160	271N6446-1071	.	TUBE ASSY-PRESSURE SYS POSITION DATA: R TUBING MATERIAL: .375 IN. OD .019 IN. WALL 52.60 IN. LG TI BMS 7-234 TI-3AL-2.5V COLD WORKED, STRESS RELIEVED TUBING	002004 006100 107107 121503 904999	1
- 162	AS1581T06	..	SLEEVE	002004 006100 107107 121503 904999	2
- 164	BACN10YA6	..	NUT-	002004 006100 107107 121503 904999	2
- 164	BACN10YA6N	..	NUT-	002004 006100 107107 121503 904999	2
170	271N6446-1070	.	TUBE ASSY-RETURN SYS POSITION DATA: R TUBING MATERIAL: .375 IN. OD .035 IN. WALL 26.00 IN. LG AL AMS 4083 6061 T6 TUBING	002004 006100 107107 121503 904999	1

MISSING ITEM NUMBERS NOT APPLICABLE

- ITEM NOT ILLUSTRATED

BRI

29-21-51-20

29-21-51
FIG. 20
PAGE 8
JAN 20/09



757

PARTS CATALOG (MAINTENANCE)

FIG ITEM	PART NUMBER	1 2 3 4 5 6 7	NOMENCLATURE	EFFECT FROM TO	UNITS PER ASSY
20 - 172	AP2097HP06	..	SLEEVE SUPPLIER CODE: V01673 SPECIFICATION NUMBER: BACS13BX06HP OPTIONAL PART: 2-02903-06HP V11328 35235VN06 V08199 AFP175V06P V30974 DBOS13BX06HP V14798	002004 006100 107107 121503 904999	2
- 173	BACN10YLO6	..	NUT	002004 006100 107107 121503 904999	2
175	271N6446-1060	.TUBE ASSY-RETURN SYS POSITION DATA: R TUBING MATERIAL: .375 IN. OD .035 IN. WALL 15.60 IN. LG AL AMS 4083 6061 T6 TUBING		107107	1
175	271N6446-1084	.TUBE ASSY-RETURN SYS POSITION DATA: R TUBING MATERIAL: .375 IN. OD .035 IN. WALL 15.60 IN. LG AL AMS 4083 6061 T6 TUBING		002004 006100 121503 904999	1
190	271N6446-1068	.TUBE ASSY-RETURN SYS POSITION DATA: R TUBING MATERIAL: .625 IN. OD .035 IN. WALL 30.50 IN. LG AL AMS 4083 6061 T6 TUBING		002004 006100 107107 121503 904999	1
205	271N6446-1072	.TUBE ASSY-PRESSURE SYS POSITION DATA: CTR TUBING MATERIAL: .625 IN. OD .032 IN. WALL 18.60 IN. LG TI BMS 7-234 TI-3AL-2.5V COLD WORKED, STRESS RELIEVED TUBING		002004 006100 107107 121503 904999	1

MISSING ITEM NUMBERS NOT APPLICABLE

- ITEM NOT ILLUSTRATED

29-21-51-20

29-21-51
FIG. 20
PAGE 9
JAN 20/09

BRI



757

PARTS CATALOG (MAINTENANCE)

FIG ITEM	PART NUMBER	1 2 3 4 5 6 7	NOMENCLATURE	EFFECT FROM TO	UNITS PER ASSY
20					
- 210	AS1581T10	..	SLEEVE	002004 006100 107107 121503 904999	2
- 215	BACN10YA10	..	NUT-	002004 006100 107107 121503 904999	2
- 215	BACN10YA10N	..	NUT-	002004 006100 107107 121503 904999	2
220	271N6446-1037	.	TUBE ASSY-PRESSURE SYS POSITION DATA: CTR TUBING MATERIAL: .500 IN. OD .026 IN. WALL 21.70 IN. LG AL AMS 4083 6061 T6 TUBING	002004 006100 107107 121503 904999	1
- 225	AS1581T08	..	SLEEVE	002004 006100 107107 121503 904999	2
- 230	BACN10YA8	..	NUT	002004 006100 107107 121503 904999	2
235	271N6446-1038	.	TUBE ASSY-RETURN SYS POSITION DATA: CTR TUBING MATERIAL: .625 IN. OD .035 IN. WALL 9.90 IN. LG AL AMS 4083 6061 T6 TUBING	002004 006100 107107 121503 904999	1

MISSING ITEM NUMBERS NOT APPLICABLE

- ITEM NOT ILLUSTRATED

BRI

29-21-51-20

29-21-51
FIG. 20
PAGE 10
JAN 20/09



757

PARTS CATALOG (MAINTENANCE)

FIG ITEM	PART NUMBER	1 2 3 4 5 6 7	NOMENCLATURE	EFFECT FROM TO	UNITS PER ASSY
20					
- 240	AP2097HP10	..	SLEEVE SUPPLIER CODE: V01673 SPECIFICATION NUMBER: BACS13BX10HP OPTIONAL PART: 2-02903-10HP V11328 35235VN10 V08199 AFP175V10P V30974 DBOS13BX10HP V14798	002004 006100 107107 121503 904999	2
- 245	BACN10YL10	..	NUT	002004 006100 107107 121503 904999	2
250	271N6446-1036	.	TUBE ASSY-RETURN SYS POSITION DATA: CTR TUBING MATERIAL: .375 IN. OD .035 IN. WALL 24.70 IN. LG AL AMS 4083 6061 T6 TUBING	002004 006100 107107 121503 904999	1
- 255	AP2097HP06	..	SLEEVE SUPPLIER CODE: V01673 SPECIFICATION NUMBER: BACS13BX06HP OPTIONAL PART: 2-02903-06HP V11328 35235VN06 V08199 AFP175V06P V30974 DBOS13BX06HP V14798	002004 006100 107107 121503 904999	2
- 260	BACN10YL06	..	NUT	002004 006100 107107 121503 904999	2

MISSING ITEM NUMBERS NOT APPLICABLE

- ITEM NOT ILLUSTRATED

BRI

29-21-51-20

29-21-51
FIG. 20
PAGE 11
JAN 20/09

 **BOEING**
757
PARTS CATALOG (MAINTENANCE)

FIG ITEM	PART NUMBER	1 2 3 4 5 6 7	NOMENCLATURE	EFFECT FROM TO	UNITS PER ASSY
20 265	MS21924D12	.	UNION	002004 006100 107107 121503 904999	2
270	BACU24L10	.	UNION	002004 006100 107107 121503 904999	1
275	MS21924D6	.	UNION	002004 006100 107107 121503 904999	1
285	NAS1764D100610	.	TEE-	002004 006100 107107 121503 904999	1
290	NAS1611-22	.	PACKING-	002004 006100 107107 121503 904999	1
295	AN924-12D	.	NUT	002004 006100 107107 121503 904999	2
300	AN924-10D	.	NUT	002004 006100 107107 121503 904999	2
305	AN924-6D	.	NUT	002004 006100 107107 121503 904999	1
310	AN960KD1416	.	WASHER-	002004 006100 107107 121503 904999	1

MISSING ITEM NUMBERS NOT APPLICABLE

— ITEM NOT ILLUSTRATED

BRI

29-21-51-20

BOEING PROPRIETARY - Copyright © - Unpublished Work - See title page for details.

29-21-51
FIG. 20
PAGE 12
JAN 20/09



757

PARTS CATALOG (MAINTENANCE)

FIG ITEM	PART NUMBER	1 2 3 4 5 6 7	NOMENCLATURE	EFFECT FROM TO	UNITS PER ASSY
20					
450			ILLUSTRATION REFERENCE: VALVE INSTL-RAM AIR TURB SAFETY 29-21-14-05	002004 006100 107107 121503 904999	RF
455			ILLUSTRATION REFERENCE: VALVE INSTL-RAM AIR TURB ACTR CONT 29-21-04-05	002004 006100 107107 121503 904999	RF
470			ILLUSTRATION REFERENCE: PLUMBING INSTL-SECT. 44 AFT BHD MLG WHL WELL HYDR (HYDRAULIC POWER ONLY) 29-11-51-30	002004 006100 107107 121503 904999	RF
475			ILLUSTRATION REFERENCE: PLUMBING INSTL-SECT. 44 R PRESSURE DECK HYDR (HYDRAULIC POWER ONLY) 29-11-51-34	002004 006100 107107 121503 904999	RF
480			ILLUSTRATION REFERENCE: PLUMBING INSTL-SECT. 49 29-21-51-15	002004 006100 107107 121503 904999	RF

MISSING ITEM NUMBERS NOT APPLICABLE

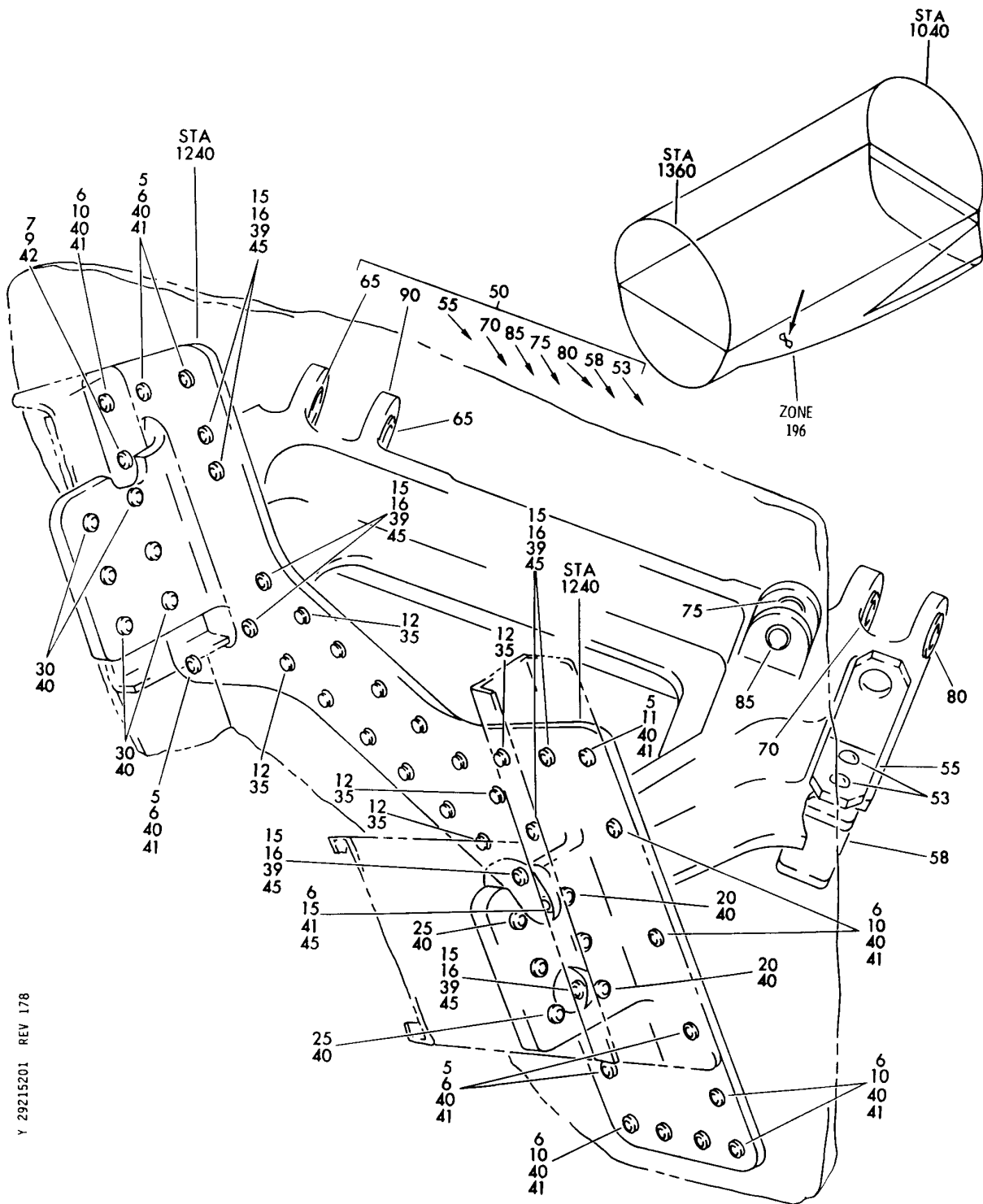
- ITEM NOT ILLUSTRATED

BRI

29-21-51-20

29-21-51
FIG. 20
PAGE 13
JAN 20/09

BOEING
757
PARTS CATALOG (MAINTENANCE)



Y 29215201 REV 178

STRUCTURE INSTL-RAM AIR TURB SPRT
FIGURE 1

29-21-52-01

BRI
MAY 28/07

29-21-52-01
PAGE 0



757

PARTS CATALOG (MAINTENANCE)

FIG ITEM	PART NUMBER	1 2 3 4 5 6 7	NOMENCLATURE	EFFECT FROM TO	UNITS PER ASSY
1			STRUCTURE INSTL-RAM AIR TURB SPRT	002004 006999	
- 1	149N7740-22		STRUCTURE INSTL-RAM AIR TURB SPRT FOR NHA SEE: 53-66-01-01	002004 006100 107107 121503 904999	RF
- 1	149N7740-401		STRUCTURE INSTL-RAM AIR TURB SPRT FOR NHA SEE: 53-63-00-01	101102 108120 504903	RF
- 1	MODREF4502		STRUCTURE INSTL-RAM AIR TURB SPRT MODULE NUMBER: 149N7740-402 REV A	103103	1
- 1	MODREF27258		STRUCTURE INSTL-RAM AIR TURB SPRT MODULE NUMBER: 149N7740-402 REV B	104106	1
5	L8006K5		.BOLT- SUPPLIER CODE: V06725 SPECIFICATION NUMBER: BACB30MY6K5	002004 006100 107107 121503 904999	6
6	L8006K5		.BOLT SUPPLIER CODE: V06725 SPECIFICATION NUMBER: BACB30MY6K5	101106 108120 504903	8
7	HST10AG6-7		.BOLT- SUPPLIER CODE: VOPTK6 SPECIFICATION NUMBER: BACB30VT6K7 OPTIONAL PART: HST10AG6-7 V06725 HST10AG6-7 V56878 HST10AG6-7 V73197 WC10K6-7 V60516	002004 006100 107107 121503 904999	1
10	L8006K6		.BOLT SUPPLIER CODE: V06725 SPECIFICATION NUMBER: BACB30MY6K6	002004 006100 107107 121503 904999	8

MISSING ITEM NUMBERS NOT APPLICABLE

- ITEM NOT ILLUSTRATED

29-21-52-01

29-21-52
FIG. 01
PAGE 1
JAN 20/09

BRI



757

PARTS CATALOG (MAINTENANCE)

FIG ITEM	PART NUMBER	1 2 3 4 5 6 7	NOMENCLATURE	EFFECT FROM TO	UNITS PER ASSY
1					
12	L8006K6	.BOLT	SUPPLIER CODE: V06725 SPECIFICATION NUMBER: BACB30MY6K6	101106 108120 504903	11
15	L8005K4	.BOLT	SUPPLIER CODE: V06725 SPECIFICATION NUMBER: BACB30MY5K4	002004 006999	9
20	L8006K9	.BOLT	SUPPLIER CODE: V06725 SPECIFICATION NUMBER: BACB30MY6K9	002004 006999	3
25	L8006K8	.BOLT	SUPPLIER CODE: V06725 SPECIFICATION NUMBER: BACB30MY6K8	002004 006999	3
30	L8006K7	.BOLT	SUPPLIER CODE: V06725 SPECIFICATION NUMBER: BACB30MY6K7	002004 006100 107107 121503 904999	6
32	L8006K7	.BOLT	SUPPLIER CODE: V06725 SPECIFICATION NUMBER: BACB30MY6K7	101106 108120 504903	7
35	BACR15FT5D	.RIVET-	SIZE DETERMINED ON INSTL.	002004 006999	13
40	HL79-6	.COLLAR-	SUPPLIER CODE: V5M902 SPECIFICATION NUMBER: BACC30M6 OPTIONAL PART: HL79-6 V73197 HL79-6 V92215 66014-6 V56878 HL79-6 V56878	002004 006100 107107 121503 904999	26

MISSING ITEM NUMBERS NOT APPLICABLE

- ITEM NOT ILLUSTRATED

BRI

29-21-52-01

BOEING PROPRIETARY - Copyright © - Unpublished Work - See title page for details.

29-21-52
FIG. 01
PAGE 2
JAN 20/09



757

PARTS CATALOG (MAINTENANCE)

FIG ITEM	PART NUMBER	1 2 3 4 5 6 7	NOMENCLATURE	EFFECT FROM TO	UNITS PER ASSY
1	41 HL79-6		.COLLAR SUPPLIER CODE: V5M902 SPECIFICATION NUMBER: BACC30M6 OPTIONAL PART: HL79-6 V73197 HL79-6 V92215 66014-6 V56878 HL79-6 V56878	101106 108120 504903	93
	42 HST826AW		.COLLAR- SUPPLIER CODE: V5M902 SPECIFICATION NUMBER: BACC30BQ6 OPTIONAL PART: HST826AW V56878 HST826AW V73197 HST82CY6APBW V73197 HST82CY6APBW V56878	002004 006100 107107 121503 904999	1
	45 HL70-5		.COLLAR SUPPLIER CODE: V5M902 SPECIFICATION NUMBER: BACC30M5 OPTIONAL PART: HL70-5 V73197 HL70-5 V92215 66014-5 V56878 HL70-5 V56878	002004 006999	9
	50 271N1021-7		.BRACKET ASSY-SPRT	002004 006999	1
	53 BACR15FT5D		..RIVET- SIZE DETERMINED ON INSTL.	002004 006999	2
	55 271N1029-2		..SUPPORT	002004 006999	1

MISSING ITEM NUMBERS NOT APPLICABLE

- ITEM NOT ILLUSTRATED

29-21-52-01

29-21-52
FIG. 01
PAGE 3
JAN 20/09

BRI



757

PARTS CATALOG (MAINTENANCE)

FIG ITEM	PART NUMBER	1 2 3 4 5 6 7	NOMENCLATURE	EFFECT FROM TO	UNITS PER ASSY
1					
58	271N1021-8	..	BRACKET- OPTIONAL PART: 271N1021-9	002004 006999	1
58	271N1021-9	..	BRACKET- OPTIONAL PART: 271N1021-8	002004 006999	1
65	BACB28W10B030	..	BUSHING	002004 006999	2
70	BACB28W10C058	..	BUSHING	002004 006999	1
75	BACB28W11B019	..	BUSHING	002004 006999	1
80	BACB28W14B030	..	BUSHING	002004 006999	1
85	BACB28W8C019	..	BUSHING	002004 006999	1
90	287N4900-3	..	BRACKET-GND	002004 006999	1

MISSING ITEM NUMBERS NOT APPLICABLE

- ITEM NOT ILLUSTRATED

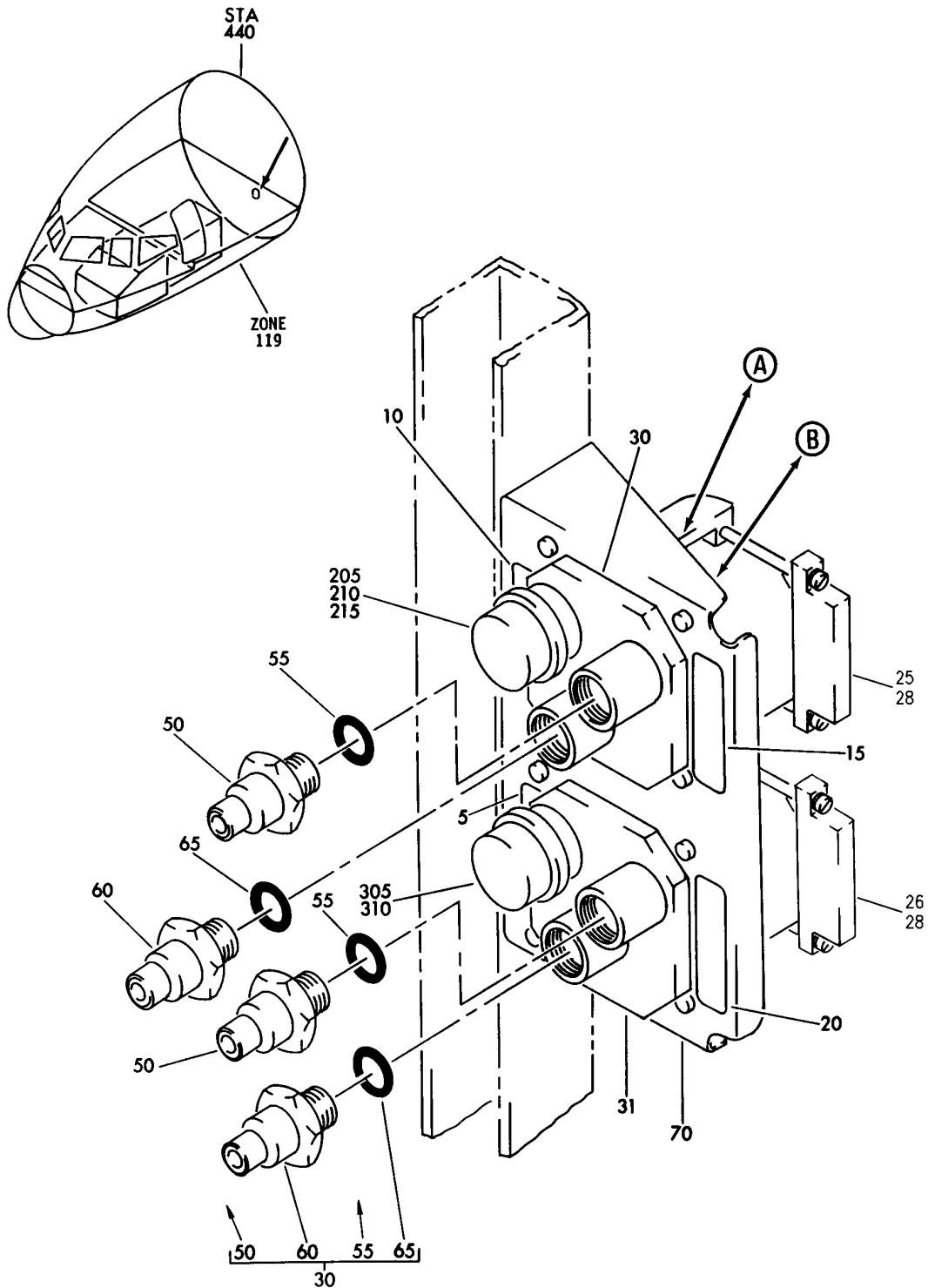
BRI

29-21-52-01

BOEING PROPRIETARY - Copyright © - Unpublished Work - See title page for details.

29-21-52
FIG. 01
PAGE 4
SEP 20/08

BOEING
757
PARTS CATALOG (MAINTENANCE)



Y 29215301 SHT 1 REV 238

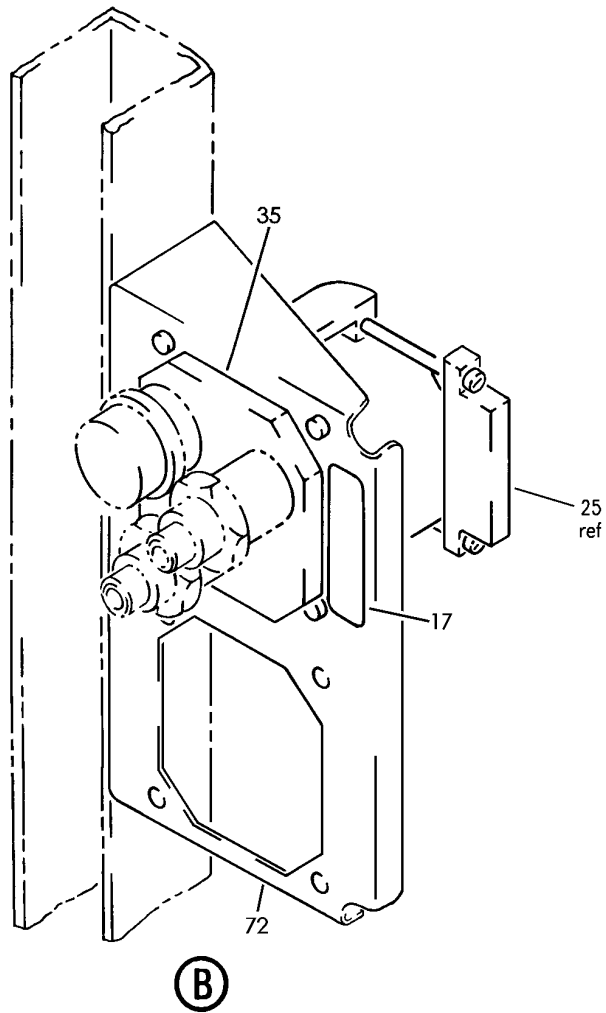
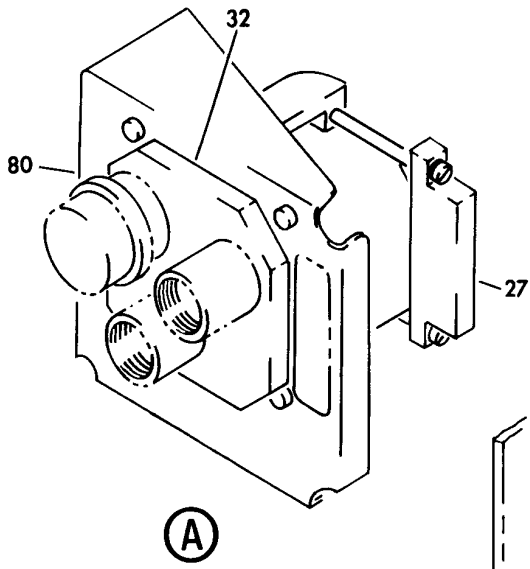
SWITCH INSTL-ELECTRONICS EQPT CTR RAM AIR TURB LOGIC AIRSPEED (HYDRAULIC POWER ONLY)
FIGURE 1 (SHEET 1)

BRI
MAY 28/07

29-21-53-01

29-21-53-01
PAGE 0

BOEING
757
PARTS CATALOG (MAINTENANCE)



Y 29215301 SHT 2 REV 238

SWITCH INSTL-ELECTRONICS EQPT CTR RAM AIR TURB LOGIC AIRSPEED (HYDRAULIC POWER ONLY)
FIGURE 1 (SHEET 2)

BRI
MAY 28/07

29-21-53-01

29-21-53-01
PAGE 0A

 **BOEING**
757
PARTS CATALOG (MAINTENANCE)

FIG ITEM	PART NUMBER	1 2 3 4 5 6 7	NOMENCLATURE	EFFECT FROM TO	UNITS PER ASSY
1			SWITCH INSTL-ELECTRONICS EQPT CTR RAM AIR TURB LOGIC AIRSPEED (HYDRAULIC POWER ONLY)	002004 006999	
- 1	284N1050-2		SWITCH INSTL-ELECTRONICS EQPT CTR RAM AIR TURB LOGIC AIRSPEED (HYDRAULIC POWER ONLY) FOR NHA SEE: 24-00-58-01A 24-00-58-05C	002004 006101 107107 121503 904999	RF
- 1	284N1050-5		SWITCH INSTL-ELECTRONICS EQPT CTR RAM AIR TURB LOGIC AIRSPEED (HYDRAULIC POWER ONLY) FOR NHA SEE: 24-00-58-05C	102102	RF
- 1	284N1050-6		SWITCH INSTL-ELECTRONICS EQPT CTR RAM AIR TURB LOGIC AIRSPEED (HYDRAULIC POWER ONLY) FOR NHA/OTHER SYS DET SEE: 24-00-58-05C	108120 504903	RF
- 1	MODREF33298		SWITCH INSTL-ELECTRONICS EQPT CTR RAM AIR TURB LOGIC AIRSPEED (HYDRAULIC POWER ONLY) MODULE NUMBER: 284N1050-6 REV B FOR OTHER SYS DETAILS SEE: 31-41-51-01	103106	1
5	BAC27NEX1134		.DECAL- PLACARD CONTENT: D4516	002004 006100 107107 121503 904999	1
10	BAC27NEX1667		.DECAL- PLACARD CONTENT: D4514	002004 006101 107107 121503 904999	1
15	BAC27NEX1136		.DECAL- PLACARD CONTENT: S10334 RAT ARM Q SW	002004 006101 107107 121503 904999	1
17	BAC27NEX1136		.DECAL- PLACARD CONTENT: S10334 RAT ARM Q SW	102106 108120 504903	1

MISSING ITEM NUMBERS NOT APPLICABLE

- ITEM NOT ILLUSTRATED

BRI

29-21-53-01

BOEING PROPRIETARY - Copyright © - Unpublished Work - See title page for details.

29-21-53
FIG. 01
PAGE 1
JAN 20/09



757

PARTS CATALOG (MAINTENANCE)

FIG ITEM	PART NUMBER	1 2 3 4 5 6 7	NOMENCLATURE	EFFECT FROM TO	UNITS PER ASSY
1	20 BAC27NEX1137		.DECAL- PLACARD CONTENT: S10335 RAT MNL Q SW	002004 006100 107107 121503 904999	1
	25 123-2		.CLAMP-INSTR SUPPLIER CODE: V33463 OPTIONAL PART: 123-2222F V28277	102106 108120 504903	1
	25 123-2222F		.CLAMP-INSTR SUPPLIER CODE: V33463 OPTIONAL PART: 123-2 V28277	102106 108120 504903	1
	26 123-2		.CLAMP-INSTR SUPPLIER CODE: V33463 OPTIONAL PART: 123-2222F V28277	002004 006100 107107 121503 904999	1
	26 123-2222F		.CLAMP-INSTR SUPPLIER CODE: V33463 OPTIONAL PART: 123-2 V28277	002004 006100 107107 121503 904999	1
	27 123-2		.CLAMP-INSTR SUPPLIER CODE: V33463 OPTIONAL PART: 123-2222F V28277	002004 006101 107107 121503 904999	1
	27 123-2222F		.CLAMP-INSTR SUPPLIER CODE: V33463 OPTIONAL PART: 123-2 V28277	002004 006101 107107 121503 904999	1

MISSING ITEM NUMBERS NOT APPLICABLE

- ITEM NOT ILLUSTRATED

29-21-53-01

29-21-53
FIG. 01
PAGE 2
JAN 20/09

BRI



757

PARTS CATALOG (MAINTENANCE)

FIG ITEM	PART NUMBER	1 2 3 4 5 6 7	NOMENCLATURE	EFFECT FROM TO	UNITS PER ASSY
1					
32	6510	.	SWITCH ASSY- SUPPLIER CODE: V07147 FUNCTIONAL DESCRIPTION: SENSES PRESSURE DIFFERENTIALS BETWEEN PITOT & STATIC & PROVIDES ELECTRICAL SIGNAL RELATED TO PRESET AIRSPEED ELECTRICAL EQUIP NUMBER: S10334 COMPONENT MAINT MANUAL REF: 34-11-18	002004 006101 107107 121503 904999	1
35	6510	.	SWITCH ASSY- SUPPLIER CODE: V07147 FUNCTIONAL DESCRIPTION: SENSES PRESSURE DIFFERENTIALS BETWEEN PITOT & STATIC & PROVIDES ELECTRICAL SIGNAL RELATED TO PRESET AIRSPEED ELECTRICAL EQUIP NUMBER: S10334 COMPONENT MAINT MANUAL REF: 34-11-18	102106 108120 504903	1
50	40006-1B45	..	QUICK DISCONNECT- SUPPLIER CODE: V5V428	002004 006101 103999	1
55	MS28778-5	..	PACKING	002004 006101 103999	1
60	40006-1A44	..	DISCONNECT-QUICK SUPPLIER CODE: V31441	002004 006101 103999	1
65	MS28778-4	..	PACKING	002004 006101 103999	1
70	284N1051-1	.	BRACKET-SPRT OPTIONAL PART: 284N1051-2	002004 006101 107107 121503 904999	1
72	284N1051-1	.	BRACKET-SPRT	102106 108120 504903	1

MISSING ITEM NUMBERS NOT APPLICABLE

- ITEM NOT ILLUSTRATED

29-21-53-01

29-21-53
FIG. 01
PAGE 3
JAN 20/09

BRI

BOEING PROPRIETARY - Copyright © - Unpublished Work - See title page for details.



757

PARTS CATALOG (MAINTENANCE)

FIG ITEM	PART NUMBER	1 2 3 4 5 6 7	NOMENCLATURE	EFFECT FROM TO	UNITS PER ASSY
1			ATTACHING PARTS		
- 75	BACR15FT5D		.RIVET- SIZE DETERMINED ON INSTL.	002004 006101 107107 121503 904999	5
80	284N1051-2		-----*----- .BRACKET-SPRT OPTIONAL PART: 284N1051-1	002004 006101 107107 121503 904999	1
- 85	BACR15FT5D		ATTACHING PARTS .RIVET- SIZE DETERMINED ON INSTL.	002004 006101 107107 121503 904999	4
- 200	286N4220-320		-----*----- WIRE BUNDLE ASSY-	108120	RF
- 200	286N4220-005		WIRE BUNDLE ASSY-	107107	RF
- 200	286N4220-006		WIRE BUNDLE ASSY	121503	RF
- 200	286N4220-007		WIRE BUNDLE ASSY-	904949 002004 006100 950999	RF
- 200	286N4220-305		WIRE BUNDLE ASSY-	101102	RF
- 201	286N4220-312		WIRE BUNDLE ASSY	504903	RF
205	BACC45FT10-5S6		.CONNECTOR- ELECTRICAL EQUIP NUMBER: D04514 WIRING DIAGRAM REF: 292131	002004 006102 107999	1
215	BACC10GH10		.CLAMP- ELECTRICAL EQUIP NUMBER: D04514T WIRING DIAGRAM REF: 292131	002004 006102 107999	1

MISSING ITEM NUMBERS NOT APPLICABLE

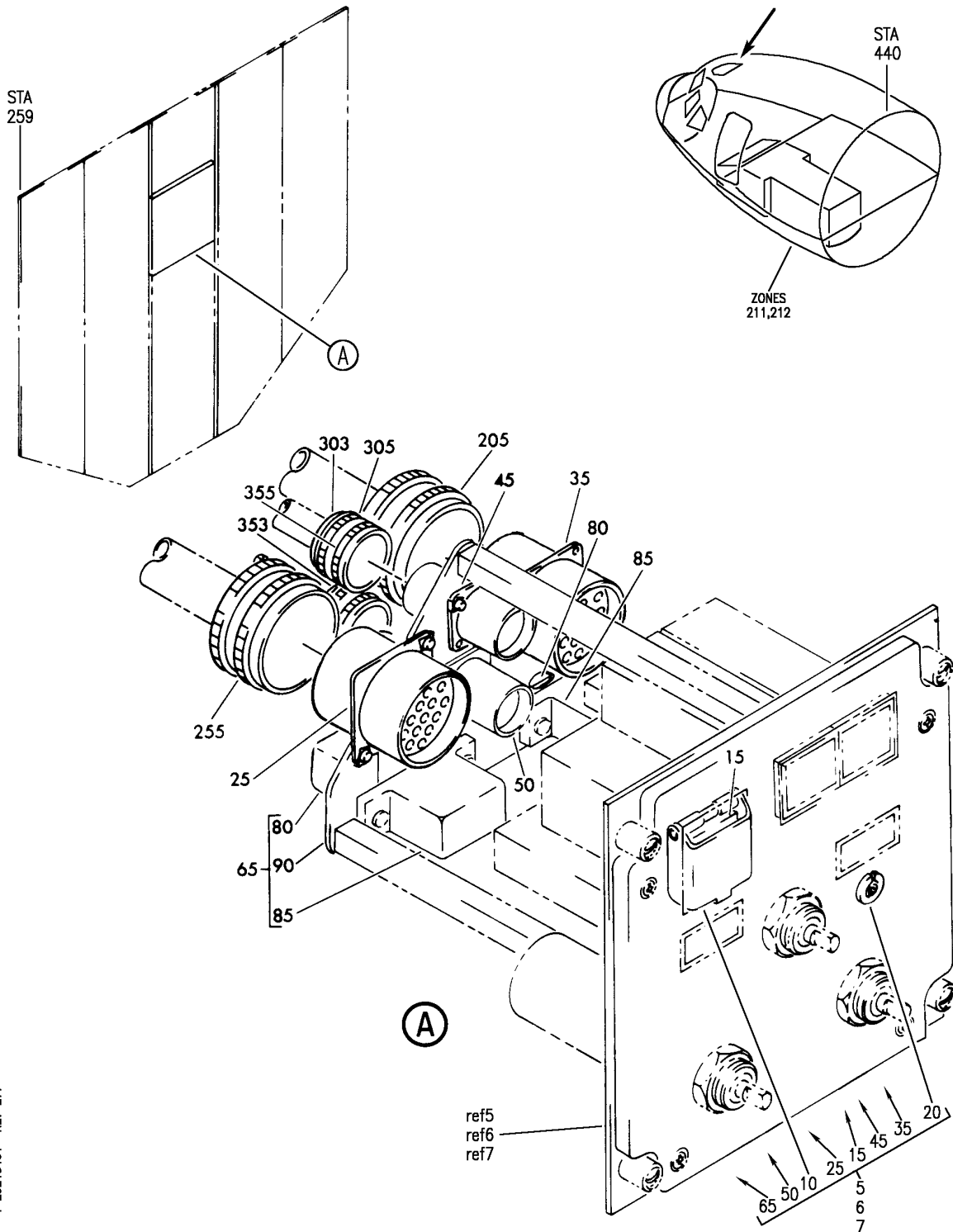
- ITEM NOT ILLUSTRATED

29-21-53-01

29-21-53
FIG. 01
PAGE 4
JAN 20/09

BRI

BOEING
757
PARTS CATALOG (MAINTENANCE)



Y 29215401 REV 277

PANEL INSTL-P5 OVHD (RAM AIR TURBINE SYSTEM ONLY)
FIGURE 1

29-21-54-01

BRI
MAY 28/07

29-21-54-01
PAGE 0



757

PARTS CATALOG (MAINTENANCE)

FIG ITEM	PART NUMBER	1 2 3 4 5 6 7	NOMENCLATURE	EFFECT FROM TO	UNITS PER ASSY
1			PANEL INSTL-P5 OVHD (RAM AIR TURBINE SYSTEM ONLY)	002004 006010 107107 121503 904999	
- 1	233N3101-1		PANEL INSTL-P5 OVHD (RAM AIR TURBINE SYSTEM ONLY) VARIABLE DRAWING REF: 233N3101-5005 233N3101-5025 233N3101-5041 233N3101-5042 233N3101-5045 FOR NHA/OTHER SYS DET SEE: 25-10-00-05A	002004 006010 107107 121503 904999	RF
5	233N3223-52		.PANEL ASSY-ENG START/RAM AIR TURB SUPPLIER CODE: V89954 ELECTRICAL EQUIP NUMBER: M10468 COMPONENT MAINT MANUAL REF: 31-12-01 PRE ALERT SB: 33A0044R1	121503 904949	RF
5	233N3223-37		.PANEL ASSY-ENG START/RAM AIR TURB SUPPLIER CODE: V89954 ELECTRICAL EQUIP NUMBER: M10468 COMPONENT MAINT MANUAL REF: 31-12-01 PRE ALERT SB: 33A0044	002004 006010 107107 950999	RF
5	233N3223-32		.PANEL ASSY-ENG START/RAM AIR TURB SUPPLIER CODE: V89954 ELECTRICAL EQUIP NUMBER: M10468 COMPONENT MAINT MANUAL REF: 31-12-01 PRE ALERT SB: 33A0044R1	002004 006010 107107 950999	RF

MISSING ITEM NUMBERS NOT APPLICABLE

- ITEM NOT ILLUSTRATED

29-21-54-01

29-21-54
FIG. 01
PAGE 1
JAN 20/09

BRI



757

PARTS CATALOG (MAINTENANCE)

FIG ITEM	PART NUMBER	1 2 3 4 5 6 7	NOMENCLATURE	EFFECT FROM TO	UNITS PER ASSY
1					
6	233N3223-39		.PANEL ASSY-ENG START/RAM AIR TURB SUPPLIER CODE: V89954 MISCELLANEOUS DATA: FOR SPARES PROCURE NEXT HIGHER ASSY ELECTRICAL EQUIP NUMBER: M10468 COMPONENT MAINT MANUAL REF: 31-12-01 QUALIFIED I/W DATA: THE 233N3223-300 PANEL ASSY IS I/W THE 233N3223-39 PANEL ASSY T/W THE S233T100-6046 LIGHTPLATE AND (3) BP248-127 KNOBS. PRE ALERT SB: 33A0044	002004 006010 107107 950999	RF
6	233N3223-51		.PANEL ASSY-ENG START/RAM AIR TURB SUPPLIER CODE: V89954 ELECTRICAL EQUIP NUMBER: M10468 COMPONENT MAINT MANUAL REF: 31-12-01 PRE ALERT SB: 33A0044R1	121503 904949	RF
6	233N3223-1039		.PANEL ASSY-ENG START/RAM AIR TURB SUPPLIER CODE: V89954 ELECTRICAL EQUIP NUMBER: M10468 COMPONENT MAINT MANUAL REF: 31-12-01 POST ALERT SB: 33A0044	002004 006010 107107 950999	1
6	233N3223-1032		.PANEL ASSY-ENG START/RAM AIR TURB SUPPLIER CODE: V89954 ELECTRICAL EQUIP NUMBER: M10468 COMPONENT MAINT MANUAL REF: 31-12-01	002004 006010 107107 950999	1

MISSING ITEM NUMBERS NOT APPLICABLE

- ITEM NOT ILLUSTRATED

29-21-54-01

29-21-54
FIG. 01
PAGE 2
JAN 20/09

BRI



757

PARTS CATALOG (MAINTENANCE)

FIG ITEM	PART NUMBER	1 2 3 4 5 6 7	NOMENCLATURE	EFFECT FROM TO	UNITS PER ASSY
1	6 233N3223-1037		.PANEL ASSY-ENG START/RAM AIR TURB SUPPLIER CODE: V89954 ELECTRICAL EQUIP NUMBER: M10468 COMPONENT MAINT MANUAL REF: 31-12-01 POST ALERT SB: 33A0044	002004 006010 107107 950999	1
	7 233N3223-1051		.PANEL ASSY-ENG START/RAM AIR TURB SUPPLIER CODE: V89954 ELECTRICAL EQUIP NUMBER: M10468 COMPONENT MAINT MANUAL REF: 31-12-01 POST ALERT SB: 33A0044R1	121503 904949	1
	7 233N3223-1052		.PANEL ASSY-ENG START/RAM AIR TURB SUPPLIER CODE: V89954 ELECTRICAL EQUIP NUMBER: M10468 COMPONENT MAINT MANUAL REF: 31-12-01 POST ALERT SB: 33A0044R1	121503 904949	1

MISSING ITEM NUMBERS NOT APPLICABLE

- ITEM NOT ILLUSTRATED

BRI

29-21-54-01

BOEING PROPRIETARY - Copyright © - Unpublished Work - See title page for details.

29-21-54
FIG. 01
PAGE 3
JAN 20/09



757

PARTS CATALOG (MAINTENANCE)

FIG ITEM	PART NUMBER	1 2 3 4 5 6 7 NOMENCLATURE	EFFECT FROM TO	UNITS PER ASSY
1 10	851-30768-801	.. GUARD-SWITCH SUPPLIER CODE: V96182 SPECIFICATION NUMBER: S231T290-801 QUALIFIED OPTIONAL DATA: (S231T290-801 OR S231T290-811 IS OPTIONAL TO S231T290-821 FOR USE WITH S231T290-2000 SERIES SWITCHES) OPTIONAL PART: 851-30768-811 V96182 USED ON: 233N3223-15 233N3223-16 233N3223-17 233N3223-23 233N3223-27 233N3223-29 233N3223-32 233N3223-1016 233N3223-1017 233N3223-1023 233N3223-1029 233N3223-1032	002004 006010 107107 950999	1

MISSING ITEM NUMBERS NOT APPLICABLE

- ITEM NOT ILLUSTRATED

BRI

29-21-54-01

BOEING PROPRIETARY - Copyright © - Unpublished Work - See title page for details.

29-21-54
FIG. 01
PAGE 4
JAN 20/09



757

PARTS CATALOG (MAINTENANCE)

FIG ITEM	PART NUMBER	1 2 3 4 5 6 7 NOMENCLATURE	EFFECT FROM TO	UNITS PER ASSY
1 10	851-30768-811	.. GUARD-SWITCH SUPPLIER CODE: V96182 SPECIFICATION NUMBER: S231T290-811 QUALIFIED OPTIONAL DATA: (S231T290-801 OR S231T290-811 IS OPTIONAL TO S231T290-821 FOR USE WITH S231T290-2000 SERIES SWITCHES ONLY) OPTIONAL PART: 851-30768-801 V96182 USED ON: 233N3223-15 233N3223-16 233N3223-17 233N3223-23 233N3223-27 233N3223-29 233N3223-32 233N3223-1016 233N3223-1017 233N3223-1023 233N3223-1029 233N3223-1032	002004 006010 107107 950999	1

MISSING ITEM NUMBERS NOT APPLICABLE

- ITEM NOT ILLUSTRATED

BRI

29-21-54-01

BOEING PROPRIETARY - Copyright © - Unpublished Work - See title page for details.

29-21-54
FIG. 01
PAGE 5
JAN 20/09



757

PARTS CATALOG (MAINTENANCE)

FIG ITEM	PART NUMBER	1 2 3 4 5 6 7	NOMENCLATURE	EFFECT FROM TO	UNITS PER ASSY
1 10	433-100-002		. . GUARD-SWITCH SUPPLIER CODE: V81590 SPECIFICATION NUMBER: S231T290-821 QUALIFIED OPTIONAL DATA: (S231T290-801 OR S231T290-811 IS OPTIONAL TO S231T290-821 FOR USE WITH S231T290-2000 SERIES SWITCHES ONLY) USED ON: 233N3223-16 233N3223-29 233N3223-36 233N3223-37 233N3223-38 233N3223-39 233N3223-40 233N3223-42 233N3223-47 233N3223-48 233N3223-50 233N3223-51	002004 006010 107107 121503 904999	1

MISSING ITEM NUMBERS NOT APPLICABLE

- ITEM NOT ILLUSTRATED

BRI

29-21-54-01

BOEING PROPRIETARY - Copyright © - Unpublished Work - See title page for details.

29-21-54
FIG. 01
PAGE 6
JAN 20/09



757

PARTS CATALOG (MAINTENANCE)

FIG ITEM	PART NUMBER	1 2 3 4 5 6 7 NOMENCLATURE	EFFECT FROM TO	UNITS PER ASSY
1 15	BCREF7616	<p>.. SWITCH ASSY-LIGHTED PUSH BUTTON IND PRESS/UNLKD SUPPLIER CODE: V81590 OVERLENGTH PART NUMBER: 433-673-1001-1036 SPECIFICATION NUMBER: S231T290-1036 MISCELLANEOUS DATA: WHEN REPLACING THE PUSHBUTTON SWITCH ASSY OR THE MASTER MODULE WITHIN, VERIFY THAT A CONFIG D MASTER MODULE P/N 13203-001 IS INSTALLED IN LIEU OF ANY EARLIER CONFIGURATION MASTER MODULES. USED ON: 233N3223-27 233N3223-36 233N3223-37 233N3223-38 233N3223-40 233N3223-48 233N3223-1036 233N3223-1037 233N3223-1038 233N3223-1040 233N3223-1048 REFERENCE SERVICE BULLETIN: 33A0044 REWORKED BY SB: 433-33-05 V81590 FOR DETAILS SEE: 33-13-00-17</p>	002004 006010 107107 950999	1

MISSING ITEM NUMBERS NOT APPLICABLE

- ITEM NOT ILLUSTRATED

BRI

29-21-54-01

BOEING PROPRIETARY - Copyright © - Unpublished Work - See title page for details.

29-21-54
 FIG. 01
 PAGE 7
 JAN 20/09



757

PARTS CATALOG (MAINTENANCE)

FIG ITEM	PART NUMBER	1 2 3 4 5 6 7	NOMENCLATURE	EFFECT FROM TO	UNITS PER ASSY
1 15	BCREFA0516		<p>.. SWITCH ASSY-LIGHTED PUSH BUTTON IND PRESS/UNLKD SUPPLIER CODE: V81590 OVERLENGTH PART NUMBER: 433-673-1004-4036 SPECIFICATION NUMBER: S231T290-4036 MISCELLANEOUS DATA: WHEN REPLACING THE PUSHBUTTON SWITCH ASSY OR THE MASTER MODULE WITHIN, VERIFY THAT A CONFIG D MASTER MODULE P/N 13203-001 IS INSTALLED IN LIEU OF ANY EARLIER CONFIGURATION MASTER MODULES. OPTIONAL PART: 851-35100-5036 V96182 S231T290-5036 USED ON: 233N3223-39 233N3223-40 233N3223-42 233N3223-47 233N3223-50 233N3223-1039 233N3223-1040 233N3223-1042 233N3223-1047 233N3223-1050 REFERENCE SERVICE BULLETIN: 33A0044 REWORKED BY SB: 433-33-05 V81590 FOR DETAILS SEE: 33-13-00-47</p>	002004 006010 107107 121503 904999	1

MISSING ITEM NUMBERS NOT APPLICABLE

- ITEM NOT ILLUSTRATED

BRI

29-21-54-01

BOEING PROPRIETARY - Copyright © - Unpublished Work - See title page for details.

29-21-54
FIG. 01
PAGE 8
JAN 20/09



757

PARTS CATALOG (MAINTENANCE)

FIG ITEM	PART NUMBER	1 2 3 4 5 6 7	NOMENCLATURE	EFFECT FROM TO	UNITS PER ASSY
1 15	851-35100-5036		.. SWITCH ASSY-LIGHTED PUSHBUTTON IND SUPPLIER CODE: V96182 OPTIONAL PART: BCREFA0516 V81590 S231T290-5036 USED ON: 233N3223-39 233N3223-42 233N3223-50 233N3223-1039 233N3223-1042 233N3223-1050	002004 006010 107107 950999	1
15	851-30768-2036		.. SWITCH ASSY-LIGHTED PUSH BUTTON IND PRESS/UNLKD SUPPLIER CODE: V96182 SPECIFICATION NUMBER: S231T290-2036 QUALIFIED I/W DATA: 851-30768-2036 TOGETHER WITH 851-30768-801 OR -811 OR 433-100-002 SWITCHGUARD I/W BCREF7616 851-30768-3036 BCREFA0516 OR S231T290-5036 TOGETHER WITH 433-100-002 SWITCHGUARD USED ON: 233N3223-15 233N3223-16 233N3223-17 233N3223-23 233N3223-29 233N3223-32 233N3223-1016 233N3223-1017 233N3223-1023 233N3223-1029 233N3223-1032 FOR DETAILS SEE: 33-13-00-27	002004 006010 107107 950999	1

MISSING ITEM NUMBERS NOT APPLICABLE

- ITEM NOT ILLUSTRATED

BRI

29-21-54-01

BOEING PROPRIETARY - Copyright © - Unpublished Work - See title page for details.

29-21-54
FIG. 01
PAGE 9
JAN 20/09



757

PARTS CATALOG (MAINTENANCE)

FIG ITEM	PART NUMBER	1 2 3 4 5 6 7	NOMENCLATURE	EFFECT FROM TO	UNITS PER ASSY
1 15	851-30768-3036		.. SWITCH ASSY-LIGHTED PUSH BUTTON IND PRESS/UNLKD SUPPLIER CODE: V96182 SPECIFICATION NUMBER: S231T290-3036 QUALIFIED I/W DATA: 851-30768-2036 TOGETHER WITH 851-30768-801 OR -811 OR 433-100-002 SWITCHGUARD I/W BCRE7616 OR 851-30768-3036 TOGETHER WITH 433-100-002 SWITCHGUARD OPTIONAL PART: S231T290-5036 USED ON: 233N3223-16 233N3223-27 233N3223-29 233N3223-36 233N3223-37 233N3223-38 233N3223-51 233N3223-1016 233N3223-1029 233N3223-1036 233N3223-1037 233N3223-1038 233N3223-1051 FOR DETAILS SEE: 33-13-00-37	002004 006010 107107 121503 904999	1

MISSING ITEM NUMBERS NOT APPLICABLE

- ITEM NOT ILLUSTRATED

BRI

29-21-54-01

BOEING PROPRIETARY - Copyright © - Unpublished Work - See title page for details.

29-21-54
FIG. 01
PAGE 10
JAN 20/09



757

PARTS CATALOG (MAINTENANCE)

FIG ITEM	PART NUMBER	1 2 3 4 5 6 7	NOMENCLATURE	EFFECT FROM TO	UNITS PER ASSY
1	15 S231T290-5036		.. SWITCH ASSY-LIGHTED PUSH BUTTON IND PRESS/UNLKD QUALIFIED I/W DATA: 851-30768-2036 TOGETHER WITH 851-30768-801 OR -811 OR 433-100-002 SWITCHGUARD I/W 851-30768-1036 -3026 BCREFA0516 OR S231T290-5036 TOGETHER WITH 433-100-002 OPTIONAL PART: 851-30768-3036 V96182 851-35100-5036 V96182 BCREFA0516 V96182 USED ON: 233N3223-39 233N3223-42 233N3223-47 233N3223-50 233N3223-51 233N3223-1039 233N3223-1042 233N3223-1047 233N3223-1050 233N3223-1051	002004 006010 107107 121503 904999	1
	15 4336731004-4236		.. SWITCH ASSY-LIGHTED PUSHBUTTON IND SUPPLIER CODE: V81590 SPECIFICATION NUMBER: S231T290-4236 USED ON: 233N3223-53 233N3223-54	002004 006010 107107 121503 904999	1
	20 800000121-1		.. CONNECTOR- SUPPLIER CODE: V05617	002004 006010 107107 121503 904999	1

MISSING ITEM NUMBERS NOT APPLICABLE

- ITEM NOT ILLUSTRATED

29-21-54-01

29-21-54
 FIG. 01
 PAGE 11
 JAN 20/09

BRI

BOEING PROPRIETARY - Copyright © - Unpublished Work - See title page for details.



757

PARTS CATALOG (MAINTENANCE)

FIG ITEM	PART NUMBER	1 2 3 4 5 6 7	NOMENCLATURE	EFFECT FROM TO	UNITS PER ASSY
1					
25	R071720-39P10	..	CONNECTOR- SUPPLIER CODE: V41118 SPECIFICATION NUMBER: BCREF5794 OVERLENGTH PART NUMBER: BACC45FN20-39P10	121503 904949	1
25	BACC45FN20-39P6	..	CONNECTOR-	002004 006010 107107 950999	1
35	R071720-41P10	..	CONNECTOR- SUPPLIER CODE: V41118 SPECIFICATION NUMBER: BCREF5795 OVERLENGTH PART NUMBER: BACC45FN20-41P10	002004 006010 107107 121503 904999	1
45	BACC45FN10-5P8	..	CONNECTOR-	121503 904949	1
45	BACC45FN12-12P	..	CONNECTOR-	002004 006010 107107 950999	1
50	BACC45FN10-5P9	..	CONNECTOR-	121503 904949	1
50	BACC45FN12-12P9	..	CONNECTOR-	002004 006010 107107 950999	1
-	55	NAS1801-04-5	ATTACHING PARTS .. SCREW	002004 006010 107107 121503 904999	10
-	60	K19798-04	.. NUT SUPPLIER CODE: V15653 SPECIFICATION NUMBER: BACN10NW1 OPTIONAL PART: RMA4812-160-40 V72962 293162 V60119 -----*-----	002004 006010 107107 121503 904999	10

MISSING ITEM NUMBERS NOT APPLICABLE

- ITEM NOT ILLUSTRATED

BRI

29-21-54-01

29-21-54
FIG. 01
PAGE 12
JAN 20/09



757

PARTS CATALOG (MAINTENANCE)

FIG ITEM	PART NUMBER	1 2 3 4 5 6 7	NOMENCLATURE	EFFECT FROM TO	UNITS PER ASSY
1	65 233N3223-4		.. BRACKET ASSY-SPRT SUPPLIER CODE: V89954	121503 904949	1
	65 233N3223-35		.. BRACKET ASSY-SPRT SUPPLIER CODE: V89954	002004 006010 107107 950999	1
-	70 NAS1801-06-5		ATTACHING PARTS .. SCREW	002004 006010 107107 121503 904999	3
-	75 MS35338-41		.. WASHER	002004 006010 107107 121503 904999	3
	80 ES210-1632		-----*----- ... RELAY SUPPLIER CODE: V99699 SPECIFICATION NUMBER: BACR13CF2AB OPTIONAL PART: JD4L018 V35344 JD4L031 V35344 BR246S0111 V56623 BR64S105 V56623 FCA210-71 V78290 61GB2319-1A320 V98927	002004 006010 107107 121503 904999	2
	85 RSF116200		... SOCKET- SUPPLIER CODE: V58982 SPECIFICATION NUMBER: BACS16X1A OPTIONAL PART: 102-006-1 V09922 000300-1538 V05574	002004 006010 107107 121503 904999	2
	90 233N3250-29		... BRACKET-	121503 904949	1

MISSING ITEM NUMBERS NOT APPLICABLE

- ITEM NOT ILLUSTRATED

29-21-54-01

29-21-54
FIG. 01
PAGE 13
JAN 20/09

BRI



757

PARTS CATALOG (MAINTENANCE)

FIG ITEM	PART NUMBER	1 2 3 4 5 6 7	NOMENCLATURE	EFFECT FROM TO	UNITS PER ASSY
1					
90	233N3250-49		...BRACKET-	002004 006010 107107 950999	1
- 200	286N4220-005		WIRE BUNDLE ASSY-	107107	RF
- 200	286N4220-006		WIRE BUNDLE ASSY	121503 904949	RF
- 200	286N4220-007		WIRE BUNDLE ASSY-	002004 006010 950999	RF
205	BCREF6357		.CONNECTOR- OVERLENGTH PART NUMBER: BACC45FT20A39S10 ELECTRICAL EQUIP NUMBER: D03574 WIRING DIAGRAM REF: 801121	121503 904949	1
205	BACC45FT20A39S6		.CONNECTOR- ELECTRICAL EQUIP NUMBER: D03574 WIRING DIAGRAM REF: 801121	002004 006010 107107 950999	1
- 250	286N4210-005		WIRE BUNDLE ASSY-	107107	RF
- 250	286N4210-006		WIRE BUNDLE ASSY	121503 904949	RF
- 250	286N4210-007		WIRE BUNDLE ASSY-	002004 006010 950999	RF
255	BCREF6358		.CONNECTOR- OVERLENGTH PART NUMBER: BACC45FT20A41S10 ELECTRICAL EQUIP NUMBER: D03572 WIRING DIAGRAM REF: 801111	002004 006010 107107 121503 904999	1
- 300	286N4230-001		WIRE BUNDLE ASSY-	107107 121503 904949	RF
- 300	286N4230-002		WIRE BUNDLE ASSY-	002004 006010 950999	RF
305	BACC45FT10A5S8		.CONNECTOR- ELECTRICAL EQUIP NUMBER: D03580 WIRING DIAGRAM REF: 743111	121503 904949	1

MISSING ITEM NUMBERS NOT APPLICABLE

- ITEM NOT ILLUSTRATED

29-21-54-01

29-21-54
FIG. 01
PAGE 14
JAN 20/09

BRI



757

PARTS CATALOG (MAINTENANCE)

FIG ITEM	PART NUMBER	1 2 3 4 5 6 7	NOMENCLATURE	EFFECT FROM TO	UNITS PER ASSY
1 305	BACC45FT12A12S	.	CONNECTOR- ELECTRICAL EQUIP NUMBER: D03580 WIRING DIAGRAM REF: 743111	002004 006010 107107 950999	1
- 350	286N4234-004		WIRE BUNDLE ASSY-	107107 121503 904949	RF
- 350	286N4234-005		WIRE BUNDLE ASSY-	002004 006010 950999	RF
355	BACC45FT10A5S9	.	CONNECTOR- ELECTRICAL EQUIP NUMBER: D03582 WIRING DIAGRAM REF: 743121	121503 904949	1
355	BACC45FT12A12S9	.	CONNECTOR- ELECTRICAL EQUIP NUMBER: D03582 WIRING DIAGRAM REF: 743121	002004 006010 107107 950999	1

MISSING ITEM NUMBERS NOT APPLICABLE

- ITEM NOT ILLUSTRATED

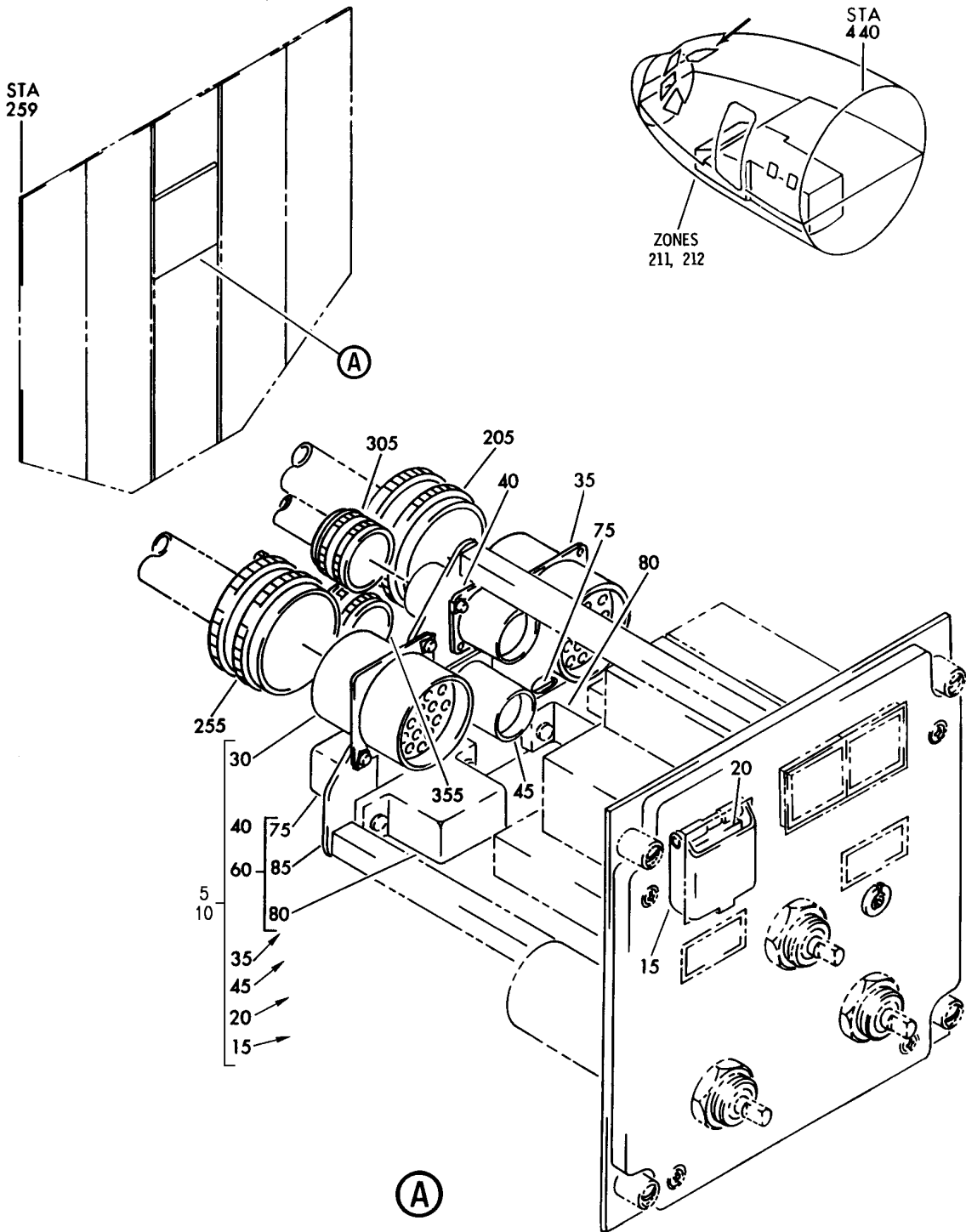
BRI

29-21-54-01

BOEING PROPRIETARY - Copyright © - Unpublished Work - See title page for details.

29-21-54
FIG. 01
PAGE 15
JAN 20/09

BOEING
757
PARTS CATALOG (MAINTENANCE)



Y 29215402 REV 273

PANEL INSTL-P5 OVHD (RAM AIR TURBINE SYSTEM ONLY)
FIGURE 2

29-21-54-02

BRI
MAY 28/07

29-21-54-02
PAGE 0



757

PARTS CATALOG (MAINTENANCE)

FIG ITEM	PART NUMBER	1 2 3 4 5 6 7	NOMENCLATURE	EFFECT FROM TO	UNITS PER ASSY
2			PANEL INSTL-P5 OVHD (RAM AIR TURBINE SYSTEM ONLY)	011100	
- 1	233N3101-1		PANEL INSTL-P5 OVHD (RAM AIR TURBINE SYSTEM ONLY)	011100	RF
			VARIABLE DRAWING REF: 233N3101-5142 FOR NHA/OTHER SYS DET SEE: 25-10-00-05A		
5	233N3223-300		.PANEL ASSY-ENG START/ RAM AIR TURB SUPPLIER CODE: V89954 ELECTRICAL EQUIP NUMBER: M10468 COMPONENT MAINT MANUAL REF: 31-12-01 QUALIFIED I/W DATA: THE 233N3223-300 PANEL ASSY IS I/W THE 233N3223-39 PANEL ASSY T/W THE S233T100-6046 LIGHTPLATE AND (3) BP248-127 KNOBS. PRE ALERT SB: 33A0044	011100	RF
5	233N3223-1300		.PANEL ASSY-ENG START/ RAM AIR TURB SUPPLIER CODE: V89954 ELECTRICAL EQUIP NUMBER: M10468 COMPONENT MAINT MANUAL REF: 31-12-01 OPTIONAL PART: 233N3223-1301 V89954 POST ALERT SB: 33A0044	011100	RF
5	233N3223-343		.PANEL ASSY-ENG START/RAT SUPPLIER CODE: V89954 ELECTRICAL EQUIP NUMBER: M10468	011100	1

MISSING ITEM NUMBERS NOT APPLICABLE

- ITEM NOT ILLUSTRATED

BRI

29-21-54-02

BOEING PROPRIETARY - Copyright © - Unpublished Work - See title page for details.

29-21-54
FIG. 02
PAGE 1
JAN 20/09



757

PARTS CATALOG (MAINTENANCE)

FIG ITEM	PART NUMBER	1 2 3 4 5 6 7	NOMENCLATURE	EFFECT FROM TO	UNITS PER ASSY
2					
10	233N3223-39		..PANEL ASSY-ENG START/RAM AIR TURB SUPPLIER CODE: V89954 MISCELLANEOUS DATA: FOR SPARES PROCURE NEXT HIGHER ASSY ELECTRICAL EQUIP NUMBER: M10468 COMPONENT MAINT MANUAL REF: 31-12-01 QUALIFIED I/W DATA: THE 233N3223-300 PANEL ASSY IS I/W THE 233N3223-39 PANEL ASSY T/W THE S233T100-6046 LIGHTPLATE AND (3) BP248-127 KNOBS. USED ON: 233N3223-300 PRE ALERT SB: 33A0044	011100	1
10	233N3223-1039		..PANEL ASSY-ENG START/RAM AIR TURB SUPPLIER CODE: V89954 ELECTRICAL EQUIP NUMBER: M10468 COMPONENT MAINT MANUAL REF: 31-12-01 POST ALERT SB: 33A0044	011100	1
10	233N3223-53		..PANEL ASSY- SUPPLIER CODE: V89954 MISCELLANEOUS DATA: FOR SPARES PROCURE NEXT HIGHER ASSY COMPONENT MAINT MANUAL REF: 31-12-01 USED ON: 233N3223-343	011100	1

MISSING ITEM NUMBERS NOT APPLICABLE

- ITEM NOT ILLUSTRATED

29-21-54-02

29-21-54
 FIG. 02
 PAGE 2
 JAN 20/09

BRI



757

PARTS CATALOG (MAINTENANCE)

FIG ITEM	PART NUMBER	1 2 3 4 5 6 7	NOMENCLATURE	EFFECT FROM TO	UNITS PER ASSY
2 15	433-100-002		... GUARD-SWITCH SUPPLIER CODE: V81590 SPECIFICATION NUMBER: S231T290-821 QUALIFIED OPTIONAL DATA: (S231T290-801 OR S231T290-811 IS OPTIONAL TO S231T290-821 FOR USE WITH S231T290-2000 SERIES SWITCHES ONLY)	011100	1

MISSING ITEM NUMBERS NOT APPLICABLE

- ITEM NOT ILLUSTRATED

BRI

29-21-54-02

BOEING PROPRIETARY - Copyright © - Unpublished Work - See title page for details.

29-21-54
FIG. 02
PAGE 3
JAN 20/09



757

PARTS CATALOG (MAINTENANCE)

FIG ITEM	PART NUMBER	1 2 3 4 5 6 7 NOMENCLATURE	EFFECT FROM TO	UNITS PER ASSY
2 20	BCREFA0516	<p>...SWITCH ASSY-LIGHTED PUSH BUTTON IND (PRESS/ UNLKD) SUPPLIER CODE: V81590 OVERLENGTH PART NUMBER: 433-673-1004-4036 SPECIFICATION NUMBER: S231T290-4036 MISCELLANEOUS DATA: WHEN REPLACING THE PUSHBUTTON SWITCH ASSY OR THE MASTER MODULE WITHIN, VERIFY THAT A CONFIG D MASTER MODULE P/N 13203-001 IS INSTALLED IN LIEU OF ANY EARLIER CONFIGURATION MASTER MODULES. OPTIONAL PART: 851-35100-5036 V96182 S231T290-5036 USED ON: 233N3223-39 233N3223-40 233N3223-42 233N3223-43 233N3223-50 233N3223-1039 233N3223-1040 233N3223-1042 233N3223-1050 REFERENCE SERVICE BULLETIN: 33A0044 REWORKED BY SB: 433-33-05 V81590 FOR DETAILS SEE: 33-13-00-47</p>	011100	1

MISSING ITEM NUMBERS NOT APPLICABLE

- ITEM NOT ILLUSTRATED

BRI

29-21-54-02

BOEING PROPRIETARY - Copyright © - Unpublished Work - See title page for details.

29-21-54
FIG. 02
PAGE 4
JAN 20/09



757

PARTS CATALOG (MAINTENANCE)

FIG ITEM	PART NUMBER	1 2 3 4 5 6 7	NOMENCLATURE	EFFECT FROM TO	UNITS PER ASSY
2 20	851-35100-5036		...SWITCH ASSY-LIGHTED PUSHBUTTON IND SUPPLIER CODE: V96182 OPTIONAL PART: BCREFA0516 V81590 S231T290-5036 USED ON: 233N3223-39 233N3223-42 233N3223-50 233N3223-1039 233N3223-1042 233N3223-1050	011100	1
20	851-30768-3036		...SWITCH ASSY-LIGHTED PUSH BUTTON IND (PRESS/ UNLKD) SUPPLIER CODE: V96182 SPECIFICATION NUMBER: S231T290-3036 USED ON: 233N3223-48 FOR DETAILS SEE: 33-13-00-37	011100	1

MISSING ITEM NUMBERS NOT APPLICABLE

- ITEM NOT ILLUSTRATED

BRI

29-21-54-02

BOEING PROPRIETARY - Copyright © - Unpublished Work - See title page for details.

29-21-54
FIG. 02
PAGE 5
JAN 20/09



757

PARTS CATALOG (MAINTENANCE)

FIG ITEM	PART NUMBER	1 2 3 4 5 6 7	NOMENCLATURE	EFFECT FROM TO	UNITS PER ASSY
2 20	S231T290-5036		...SWITCH ASSY-LIGHTED PUSH BUTTON IND (PRESS/ UNLKD) QUALIFIED I/W DATA: 851-30768-2036 TOGETHER WITH 851-30768-801 -811 OR 433-100-002 SWITCHGUARD I/W 851-30768-1036 -3026 BCREFA0516 OR S231T290-5036 TOGETHER WITH 433-100-002 SWITCHGUARD OPTIONAL PART: BCREFA0516 V81590 851-35100-5036 V96182 USED ON: 233N3223-39 233N3223-42 233N3223-50 233N3223-1039 233N3223-1042 233N3223-1050	011100	1
20	4336731004-4236		...SWITCH ASSY-LIGHTED PUSHBUTTON IND SUPPLIER CODE: V81590 SPECIFICATION NUMBER: S231T290-4236 USED ON: 233N3223-53 233N3223-54	011100	1
30	BACC45FN20-39P6		...CONNECTOR	011100	1
35	R071720-41P10		...CONNECTOR- SUPPLIER CODE: V41118 SPECIFICATION NUMBER: BCREF5795 OVERLENGTH PART NUMBER: BACC45FN20-41P10	011100	1
40	BACC45FN12-12P		...CONNECTOR	011100	1
45	BACC45FN12-12P9		...CONNECTOR	011100	1

MISSING ITEM NUMBERS NOT APPLICABLE

- ITEM NOT ILLUSTRATED

29-21-54-02

29-21-54
FIG. 02
PAGE 6
JAN 20/09

BRI



757

PARTS CATALOG (MAINTENANCE)

FIG ITEM	PART NUMBER	1 2 3 4 5 6 7	NOMENCLATURE	EFFECT FROM TO	UNITS PER ASSY
2			ATTACHING PARTS		
- 50	NAS1801-04-5		...SCREW- USED ON: 233N3223-39 233N3223-40 233N3223-42 233N3223-43 233N3223-50 233N3223-1039 233N3223-1040 233N3223-1042 233N3223-1050	011100	8
- 52	NAS1801-04-5		...SCREW- OPTIONAL PART: BACS12HN04-5 USED ON: 233N3223-53	011100	10
- 52	BACS12HN04-5		...SCREW- OPTIONAL PART: NAS1801-04-5 USED ON: 233N3223-53 233N3223-54	011100	10
- 55	K19798-04		...NUT- SUPPLIER CODE: V15653 SPECIFICATION NUMBER: BACN10NW1 OPTIONAL PART: RMA4812-160-40 V72962 293162 V60119 USED ON: 233N3223-39 233N3223-40 233N3223-42 233N3223-43 233N3223-50 233N3223-1039 233N3223-1040 233N3223-1042 233N3223-1050	011100	8

MISSING ITEM NUMBERS NOT APPLICABLE

- ITEM NOT ILLUSTRATED

29-21-54-02

29-21-54
FIG. 02
PAGE 7
JAN 20/09

BRI



757

PARTS CATALOG (MAINTENANCE)

FIG ITEM	PART NUMBER	1 2 3 4 5 6 7	NOMENCLATURE	EFFECT FROM TO	UNITS PER ASSY
2 - 57	K19798-04		...NUT- SUPPLIER CODE: V15653 SPECIFICATION NUMBER: BACN10NW1 OPTIONAL PART: RMA4812-160-40 V72962 293162 V60119 USED ON: 233N3223-48 233N3223-53 233N3223-54	011100	10
60	233N3223-35		-----*----- ...BRACKET ASSY-SPRT SUPPLIER CODE: V89954 ATTACHING PARTS	011100	1
- 65	NAS1801-06-5		...SCREW- USED ON: 233N3223-39 233N3223-40 233N3223-42 233N3223-43 233N3223-48 233N3223-50 233N3223-1039 233N3223-1040 233N3223-1042 233N3223-1050	011100	3
- 65	NAS1801-06-5		...SCREW- OPTIONAL PART: BACS12HNO6-5 USED ON: 233N3223-53	011100	3
- 65	BACS12HNO6-5		...SCREW- OPTIONAL PART: NAS1801-06-5 USED ON: 233N3223-53 233N3223-54	011100	3

MISSING ITEM NUMBERS NOT APPLICABLE

- ITEM NOT ILLUSTRATED

29-21-54-02

29-21-54
FIG. 02
PAGE 8
JAN 20/09

BRI



757

PARTS CATALOG (MAINTENANCE)

FIG ITEM	PART NUMBER	1 2 3 4 5 6 7	NOMENCLATURE	EFFECT FROM TO	UNITS PER ASSY
2 - 70	MS35338-41		...WASHER- USED ON: 233N3223-39 233N3223-40 233N3223-42 233N3223-43 233N3223-48 233N3223-50 233N3223-1039 233N3223-1040 233N3223-1042 233N3223-1050	011100	3
- 70	BACW10EC06CD		...WASHER- USED ON: 233N3223-53 233N3223-54 -----*-----	011100	3
75	ES210-1632	RELAY SUPPLIER CODE: V99699 SPECIFICATION NUMBER: BACR13CF2AB OPTIONAL PART: JD4L018 V35344 JD4L031 V35344 BR246S0111 V56623 BR64S105 V56623 FCA210-71 V78290 61GB2319-1A320 V98927	011100	2
80	RSF116200	SOCKET- SUPPLIER CODE: V58982 SPECIFICATION NUMBER: BACS16X1A OPTIONAL PART: 102-006-1 V09922 000300-1538 V05574	011100	2
85 - 200	233N3250-49 286N4220-007	BRACKET WIRE BUNDLE ASSY	011100 011100	1 RF

MISSING ITEM NUMBERS NOT APPLICABLE

- ITEM NOT ILLUSTRATED

29-21-54-02

29-21-54
FIG. 02
PAGE 9
JAN 20/09

BRI



757

PARTS CATALOG (MAINTENANCE)

FIG ITEM	PART NUMBER	1 2 3 4 5 6 7	NOMENCLATURE	EFFECT FROM TO	UNITS PER ASSY
2 205	BACC45FT20A39S6		.CONNECTOR- ELECTRICAL EQUIP NUMBER: D03574 WIRING DIAGRAM REF: 801121	011100	1
- 250 255	286N4210-007 BCREF6358		WIRE BUNDLE ASSY .CONNECTOR- OVERLENGTH PART NUMBER: BACC45FT20A41S10 ELECTRICAL EQUIP NUMBER: D03572 WIRING DIAGRAM REF: 801111	011100 011100	RF 1
- 300	286N4230-002		WIRE BUNDLE ASSY	011100	RF
- 301	286N4228-15		WIRE BUNDLE ASSY	011100	RF
305	BACC45FT12A12S		.CONNECTOR- ELECTRICAL EQUIP NUMBER: D03580 WIRING DIAGRAM REF: 743111	011100	1
- 350 355	286N4234-005 BACC45FT12A12S9		WIRE BUNDLE ASSY .CONNECTOR- ELECTRICAL EQUIP NUMBER: D03582 WIRING DIAGRAM REF: 743121	011100 011100	RF 1

MISSING ITEM NUMBERS NOT APPLICABLE

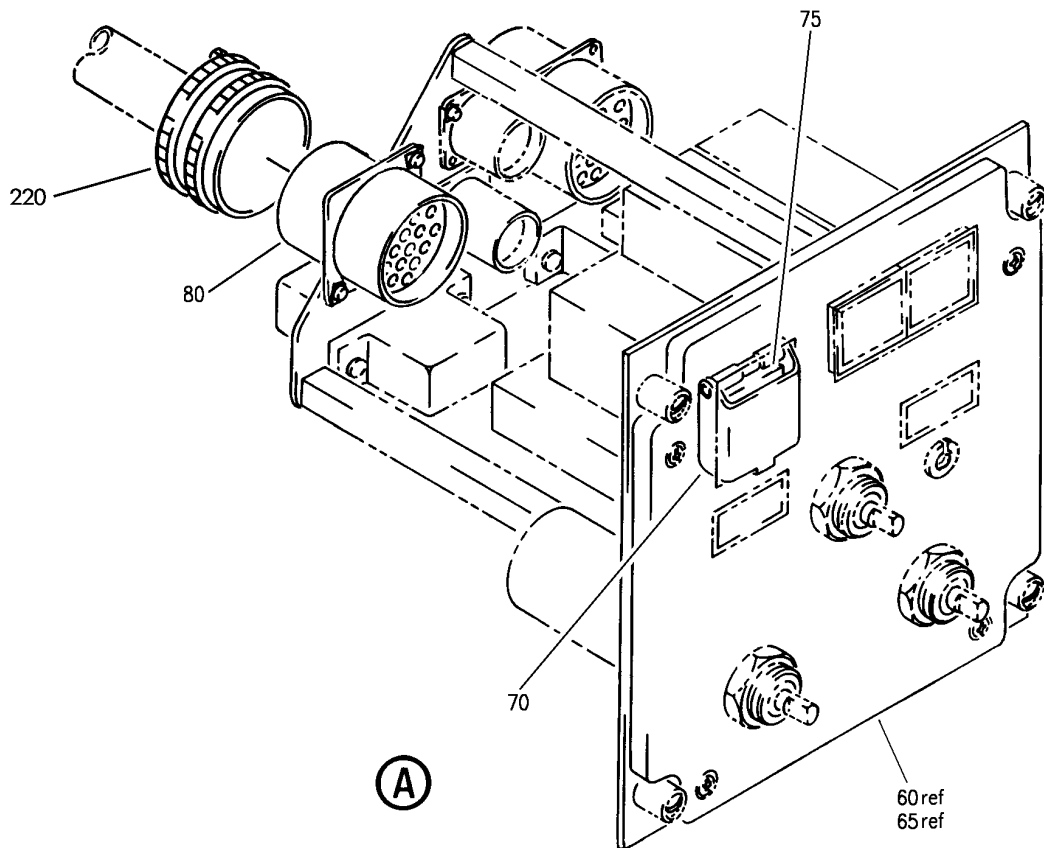
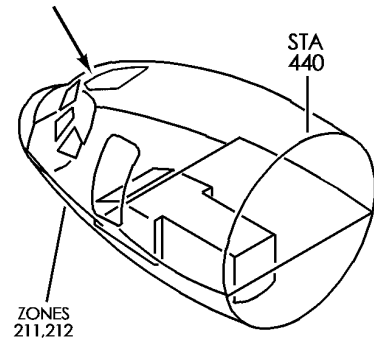
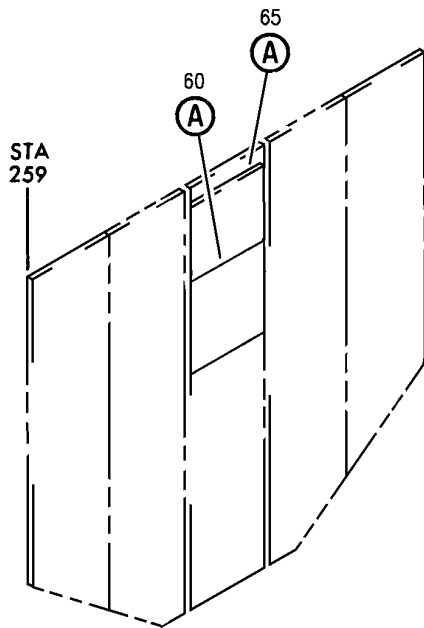
- ITEM NOT ILLUSTRATED

29-21-54-02

29-21-54
FIG. 02
PAGE 10
JAN 20/09

BRI

BOEING
757
PARTS CATALOG (MAINTENANCE)



Y 29215403 REV 251

PANEL INSTL-P5 OVHD (RAM AIR TURBINE (RAT) SYSTEM ONLY)
FIGURE 3

29-21-54-03

BRI
MAY 28/07

29-21-54-03
PAGE 0



757

PARTS CATALOG (MAINTENANCE)

FIG ITEM	PART NUMBER	1 2 3 4 5 6 7	NOMENCLATURE	EFFECT FROM TO	UNITS PER ASSY
3			PANEL INSTL-P5 OVHD (RAM AIR TURBINE (RAT) SYSTEM ONLY)	101106 108120 504903	
- 2	233N3103-132		PANEL INSTL-P5 OVHD (RAM AIR TURBINE (RAT) SYSTEM ONLY) FOR NHA/OTHER SYS DET SEE: 25-10-00-15E	101102	RF
- 2	233N3103-136		PANEL INSTL-P5 OVHD (RAM AIR TURBINE (RAT) SYSTEM ONLY) FOR NHA/OTHER SYS DET SEE: 25-10-00-15E	504903	RF
- 6	233N3103-59		PANEL INSTL-P5 OVHD (RAM AIR TURBINE (RAT) SYSTEM ONLY) FOR NHA/OTHER SYS DET SEE: 25-10-00-15E	108120	RF
- 8	MODREF170180		PANEL INSTL-P5 OVHD (RAM AIR TURBINE (RAT) SYSTEM ONLY) MODULE NUMBER: 233N3103-353 REV B FOR OTHER SYS DETAILS SEE: 11-31-10-12 21-25-55-03 21-31-01-02 21-33-51-03 21-51-54-03 21-58-19-10 21-58-51-03 21-61-04-03 21-65-51-01 22-21-01-04 22-24-51-02 23-24-01-01 23-32-00-11 23-42-02-02 23-71-05-02 24-11-52-05 24-22-01-03 24-31-01-10 24-31-03-09 24-33-04-01 24-41-51-04 24-51-62-01 26-18-51-04 27-21-53-02 27-41-55-01	106106	1

MISSING ITEM NUMBERS NOT APPLICABLE

- ITEM NOT ILLUSTRATED

29-21-54-03

29-21-54
FIG. 03
PAGE 1
JAN 20/09

BRI



757

PARTS CATALOG (MAINTENANCE)

FIG ITEM	PART NUMBER	1 2 3 4 5 6 7	NOMENCLATURE	EFFECT FROM TO	UNITS PER ASSY
3			27-61-51-03 27-62-52-02 28-22-51-02 28-41-04-01 28-41-51-03 29-11-02-03 29-11-05-04 29-11-52-07 29-31-00-01 29-32-51-03 29-33-52-03 30-11-51-03 30-21-51-03 30-31-51-02 30-32-51-01 30-33-51-02 30-41-51-03 30-42-51-03 31-12-11-84 31-12-11-84 A 32-42-52-03 33-11-03-03 33-11-51-17 33-13-01-65 33-13-02-03 33-16-51-03 33-24-51-02 33-41-52-04 33-42-01-04 33-42-02-04 33-42-52-04 33-43-51-04 33-44-51-05 33-45-53-03 33-51-08-05 34-21-02-01 35-21-51-04 36-11-04-01 36-21-00-01 36-21-02-05 36-22-51-03 49-41-00-02 49-52-00-01 49-70-00-01 52-51-51-03 52-71-51-02 73-21-52-02 74-31-51-05 75-32-00-01		

MISSING ITEM NUMBERS NOT APPLICABLE

- ITEM NOT ILLUSTRATED

29-21-54-03

29-21-54
FIG. 03
PAGE 2
JAN 20/09

BR I



757

PARTS CATALOG (MAINTENANCE)

FIG ITEM	PART NUMBER	1 2 3 4 5 6 7	NOMENCLATURE	EFFECT FROM TO	UNITS PER ASSY
3					
- 10	MODREF33760		80-11-09-02 PANEL INSTL-P5 OVHD (RAM AIR TURBINE (RAT) SYSTEM ONLY) MODULE NUMBER: 233N3103-351 REV C FOR OTHER SYS DETAILS SEE: 11-31-10-12 21-25-55-03 21-31-01-02 21-33-51-03 21-51-54-03 21-58-19-10 21-58-51-03 21-61-04-03 21-65-51-01 22-21-01-04 22-24-51-02 23-24-01-01 23-32-00-11 23-42-02-02 23-71-05-02 24-11-52-05 24-22-01-03 24-31-01-10 24-31-03-09 24-33-04-01 24-41-51-04 24-51-62-01 26-18-51-04 27-21-53-02 27-41-55-01 27-61-51-03 27-62-52-02 28-22-51-02 28-41-04-01 28-41-51-03 29-11-02-03 29-11-05-04 29-11-52-07 29-31-00-01 29-32-51-03 29-33-52-03 30-11-51-03 30-21-51-03 30-31-51-02 30-32-51-01 30-33-51-02 30-41-51-03	103103	1
MISSING ITEM NUMBERS NOT APPLICABLE					

- ITEM NOT ILLUSTRATED

29-21-54-03

29-21-54
FIG. 03
PAGE 3
JAN 20/09

BRI



757

PARTS CATALOG (MAINTENANCE)

FIG ITEM	PART NUMBER	1 2 3 4 5 6 7 NOMENCLATURE	EFFECT FROM TO	UNITS PER ASSY
3		30-42-51-03 31-12-11-91 31-12-11-91A 32-42-52-03 33-11-03-03 33-11-51-17 33-13-01-65 33-13-02-03 33-16-51-03 33-24-51-02 33-41-52-04 33-42-01-04 33-42-02-04 33-42-52-04 33-43-51-04 33-44-51-05 33-45-53-03 33-51-08-05 34-21-02-01 35-21-51-04 36-11-04-01 36-21-00-01 36-21-02-05 36-22-51-03 49-41-00-02 49-52-00-01 49-70-00-01 52-51-51-03 52-71-51-02 73-21-52-02 74-31-51-05 75-32-00-01 80-11-09-02		
- 10	MODREF34038	PANEL INSTL-P5 OVHD (RAM AIR TURBINE (RAT) SYSTEM ONLY) MODULE NUMBER: 233N3103-351 REV D FOR OTHER SYS DETAILS SEE: 11-31-10-12 21-25-55-03 21-31-01-02 21-33-51-03 21-51-54-03 21-58-19-10 21-58-51-03 21-61-04-03 21-65-51-01 22-21-01-04	104105	1

MISSING ITEM NUMBERS NOT APPLICABLE

- ITEM NOT ILLUSTRATED

29-21-54-03

29-21-54
 FIG. 03
 PAGE 4
 JAN 20/09

BRI



757

PARTS CATALOG (MAINTENANCE)

FIG ITEM	PART NUMBER	1 2 3 4 5 6 7	NOMENCLATURE	EFFECT FROM TO	UNITS PER ASSY
3			22-24-51-02 23-42-02-02 23-71-05-02 23-24-01-01 23-32-00-11 24-11-52-05 24-22-01-03 24-31-01-10 24-31-03-09 24-33-04-01 24-41-51-04 24-51-62-01 26-18-51-04 27-21-53-02 27-41-55-01 27-61-51-03 27-62-52-02 28-22-51-02 28-41-04-01 28-41-51-03 29-11-02-03 29-11-05-04 29-11-52-07 29-31-00-01 29-32-51-03 29-33-52-03 30-11-51-03 30-21-51-03 30-31-51-02 30-32-51-01 30-33-51-02 30-41-51-03 30-42-51-03 31-12-11-91 31-12-11-91 A 32-42-52-03 33-11-03-03 33-11-51-17 33-13-01-65 33-13-02-03 33-16-51-03 33-24-51-02 33-41-52-04 33-42-01-04 33-42-02-04 33-42-52-04 33-43-51-04 33-44-51-05 33-45-53-03		

MISSING ITEM NUMBERS NOT APPLICABLE

- ITEM NOT ILLUSTRATED

BRI

29-21-54-03

BOEING PROPRIETARY - Copyright © - Unpublished Work - See title page for details.

29-21-54
FIG. 03
PAGE 5
JAN 20/09



757

PARTS CATALOG (MAINTENANCE)

FIG ITEM	PART NUMBER	1 2 3 4 5 6 7 NOMENCLATURE	EFFECT FROM TO	UNITS PER ASSY
3		33-51-08-05 34-21-02-01 35-21-51-04 36-11-04-01 36-21-00-01 36-21-02-05 36-22-51-03 49-41-00-02 49-52-00-01 49-70-00-01 52-51-51-03 52-71-51-02 73-21-52-02 74-31-51-05 75-32-00-01 80-11-09-02 .PANEL ASSY-ENG START/ RAM AIR TURB SUPPLIER CODE: V89954 ELECTRICAL EQUIP NUMBER: M10468 COMPONENT MAINT MANUAL REF: 31-12-01 QUALIFIED I/W DATA: THE 233N3223-300 PANEL ASSY IS I/W THE 233N3223-39 PANEL ASSY T/W THE S233T100-6046 LIGHTPLATE AND (3) BP248-127 KNOBS. OPTIONAL PART: 233N3223-301 V89954 PRE ALERT SB: 33A0044	101102 108120	RF
-	50 233N3223-300			

MISSING ITEM NUMBERS NOT APPLICABLE

- ITEM NOT ILLUSTRATED

29-21-54-03

29-21-54
FIG. 03
PAGE 6
JAN 20/09

BRI



757

PARTS CATALOG (MAINTENANCE)

FIG ITEM	PART NUMBER	1 2 3 4 5 6 7	NOMENCLATURE	EFFECT FROM TO	UNITS PER ASSY
3 - 50	233N3223-301		.PANEL ASSY-ENG START/ RAM AIR TURB SUPPLIER CODE: V89954 ELECTRICAL EQUIP NUMBER: M10468 COMPONENT MAINT MANUAL REF: 31-12-01 QUALIFIED I/W DATA: THE 233N3223-301 PANEL ASSY IS I/W THE 233N3223-40 PANEL ASSY T/W THE S233T100-6046 LIGHTPLATE AND (3) BP248-127 KNOBS. OPTIONAL PART: 233N3223-300 V89954 PRE ALERT SB: 33A0044	101102 108120	RF
- 50	233N3223-1301		.PANEL ASSY-ENG START/ RAM AIR TURB SUPPLIER CODE: V89954 ELECTRICAL EQUIP NUMBER: M10468 COMPONENT MAINT MANUAL REF: 31-12-01 OPTIONAL PART: 233N3223-1300 V89954 POST ALERT SB: 33A0044	101102 108120	RF
- 50	233N3223-302		.PANEL ASSY-ENG START/ RAM AIR TURB SUPPLIER CODE: V89954 ELECTRICAL EQUIP NUMBER: M10468 QUALIFIED I/W DATA: THE 233N3223-302 PANEL ASSY IS I/W THE 233N3223-50 PANEL ASSY T/W THE S233T100-6046 LIGHTPLATE AND (3) BP248-127 KNOBS. PRE ALERT SB: 33A0044	504903	RF

MISSING ITEM NUMBERS NOT APPLICABLE

- ITEM NOT ILLUSTRATED

29-21-54-03

29-21-54
FIG. 03
PAGE 7
JAN 20/09

BRI



757

PARTS CATALOG (MAINTENANCE)

FIG ITEM	PART NUMBER	1 2 3 4 5 6 7	NOMENCLATURE	EFFECT FROM TO	UNITS PER ASSY
3					
- 50	233N3223-343		.PANEL ASSY-ENG START/ RAM AIR TURB SUPPLIER CODE: V89954 ELECTRICAL EQUIP NUMBER: M10468	101106 108120	RF
- 50	233N3223-1300		.PANEL ASSY-ENG START/ RAM AIR TURB SUPPLIER CODE: V89954 ELECTRICAL EQUIP NUMBER: M10468 COMPONENT MAINT MANUAL REF: 31-12-01 OPTIONAL PART: 233N3223-1301 V89954 POST ALERT SB: 33A0044	101102 108120	RF
- 50	233N3223-1302		.PANEL ASSY-ENG START/ RAM AIR TURB SUPPLIER CODE: V89954 ELECTRICAL EQUIP NUMBER: M10468 POST ALERT SB: 33A0044	504903	RF
60	233N3223-39		..PANEL ASSY- SUPPLIER CODE: V89954 MISCELLANEOUS DATA: FOR SPARES PROCURE NEXT HIGHER ASSY COMPONENT MAINT MANUAL REF: 31-12-01 QUALIFIED I/W DATA: THE 233N3223-300 PANEL ASSY IS I/W THE 233N3223-39 PANEL ASSY T/W THE S233T100-6046 LIGHTPLATE AND (3) BP248-127 KNOBS. USED ON: 233N3223-300 PRE ALERT SB: 33A0044	101102 108120	1

MISSING ITEM NUMBERS NOT APPLICABLE

- ITEM NOT ILLUSTRATED

29-21-54-03

29-21-54
FIG. 03
PAGE 8
JAN 20/09

BRI



757

PARTS CATALOG (MAINTENANCE)

FIG ITEM	PART NUMBER	1 2 3 4 5 6 7	NOMENCLATURE	EFFECT FROM TO	UNITS PER ASSY
3 60	233N3223-40		..PANEL ASSY- SUPPLIER CODE: V89954 MISCELLANEOUS DATA: FOR SPARES PROCURE NEXT HIGHER ASSY COMPONENT MAINT MANUAL REF: 31-12-01 QUALIFIED I/W DATA: THE 233N3223-301 PANEL ASSY IS I/W THE 233N3223-40 PANEL ASSY T/W THE S233T100-6046 LIGHTPLATE AND (3) BP248-127 KNOBS. USED ON: 233N3223-301 PRE ALERT SB: 33A0044	101102 108120	1
60	233N3223-50		..PANEL ASSY- SUPPLIER CODE: V89954 COMPONENT MAINT MANUAL REF: 31-12-01 QUALIFIED I/W DATA: THE 233N3223-302 PANEL ASSY IS I/W THE 233N3223-50 PANEL ASSY T/W THE S233T100-6046 LIGHTPLATE AND (3) BP248-127 KNOBS. PRE ALERT SB: 33A0044	504903	1
60	233N3223-53		..PANEL ASSY- SUPPLIER CODE: V89954 MISCELLANEOUS DATA: FOR SPARES PROCURE NEXT HIGHER ASSY COMPONENT MAINT MANUAL REF: 31-12-01 USED ON: 233N3223-343	101106 108120	1

MISSING ITEM NUMBERS NOT APPLICABLE

- ITEM NOT ILLUSTRATED

29-21-54-03

29-21-54
FIG. 03
PAGE 9
JAN 20/09

BRI



757

PARTS CATALOG (MAINTENANCE)

FIG ITEM	PART NUMBER	1 2 3 4 5 6 7	NOMENCLATURE	EFFECT FROM TO	UNITS PER ASSY
3 60	233N3223-1039	..	PANEL ASSY- SUPPLIER CODE: V89954 COMPONENT MAINT MANUAL REF: 31-12-01 USED ON: 233N3223-1300 POST ALERT SB: 33A0044	101102 108120	1
60	233N3223-1040	..	PANEL ASSY- SUPPLIER CODE: V89954 COMPONENT MAINT MANUAL REF: 31-12-01 USED ON: 233N3223-1301 POST ALERT SB: 33A0044	101102 108120	1
60	233N3223-1050	..	PANEL ASSY- SUPPLIER CODE: V89954 COMPONENT MAINT MANUAL REF: 31-12-01 POST ALERT SB: 33A0044	504903	1
70	433-100-002	...	GUARD-SWITCH SUPPLIER CODE: V81590 SPECIFICATION NUMBER: S231T290-821	101106 108120 504903	1

MISSING ITEM NUMBERS NOT APPLICABLE

- ITEM NOT ILLUSTRATED

BRI

29-21-54-03

BOEING PROPRIETARY - Copyright © - Unpublished Work - See title page for details.

29-21-54
FIG. 03
PAGE 10
JAN 20/09



757

PARTS CATALOG (MAINTENANCE)

FIG ITEM	PART NUMBER	1 2 3 4 5 6 7 NOMENCLATURE	EFFECT FROM TO	UNITS PER ASSY
3 75	BCREF7616	... SWITCH ASSY-LIGHTED PUSHBUTTON IND SUPPLIER CODE: V81590 OVERLENGTH PART NUMBER: 433-673-1001-1036 SPECIFICATION NUMBER: S231T290-1036 MISCELLANEOUS DATA: WHEN REPLACING THE PUSHBUTTON SWITCH ASSY OR THE MASTER MODULE WITHIN, VERIFY THAT A CONFIG D MASTER MODULE P/N 13203-001 IS INSTALLED IN LIEU OF ANY EARLIER CONFIGURATION MASTER MODULES. USED ON: 233N3223-40 233N3223-1040 REFERENCE SERVICE BULLETIN: 33A0044 REWORKED BY SB: 433-33-05 V81590 FOR DETAILS SEE: 33-13-00-17	101102 108120	1

MISSING ITEM NUMBERS NOT APPLICABLE

- ITEM NOT ILLUSTRATED

BRI

29-21-54-03

BOEING PROPRIETARY - Copyright © - Unpublished Work - See title page for details.

29-21-54
FIG. 03
PAGE 11
JAN 20/09



757

PARTS CATALOG (MAINTENANCE)

FIG ITEM	PART NUMBER	1 2 3 4 5 6 7	NOMENCLATURE	EFFECT FROM TO	UNITS PER ASSY
3 75	BCREFA0516		...SWITCH ASSY-LIGHTED PUSHBUTTON IND SUPPLIER CODE: V81590 OVERLENGTH PART NUMBER: 433-673-1004-4036 SPECIFICATION NUMBER: S231T290-4036 MISCELLANEOUS DATA: WHEN REPLACING THE PUSHBUTTON SWITCH ASSY OR THE MASTER MODULE WITHIN, VERIFY THAT A CONFIG D MASTER MODULE P/N 13203-001 IS INSTALLED IN LIEU OF ANY EARLIER CONFIGURATION MASTER MODULES. OPTIONAL PART: 851-35100-5036 V96182 S231T290-5036 USED ON: 233N3223-39 233N3223-1039 233N3223-40 233N3223-1040 233N3223-42 233N3223-1042 233N3223-50 REFERENCE SERVICE BULLETIN: 33A0044 FOR DETAILS SEE: 33-13-00-47	101102 108120 504903	1
75	851-30768-3036		...SWITCH ASSY-LIGHTED PUSHBUTTON IND (PRESS/ UNLKD) SUPPLIER CODE: V96182 SPECIFICATION NUMBER: S231T290-3036 FOR DETAILS SEE: 33-13-00-37	101102 108120 504903	1

MISSING ITEM NUMBERS NOT APPLICABLE

- ITEM NOT ILLUSTRATED

BRI

29-21-54-03

BOEING PROPRIETARY - Copyright © - Unpublished Work - See title page for details.

29-21-54
FIG. 03
PAGE 12
JAN 20/09



757

PARTS CATALOG (MAINTENANCE)

FIG ITEM	PART NUMBER	1 2 3 4 5 6 7	NOMENCLATURE	EFFECT FROM TO	UNITS PER ASSY
3					
75	S231T290-5036		...SWITCH ASSY-LIGHTED PUSHBUTTON IND QUALIFIED I/W DATA: 851-30768-2036 TOGETHER WITH 851-30768-801 -811 OR 433-100-002 SWITCHGUARD I/W 851-30768-1036 -3026 BCREFA0516 OR S231T290-5036 TOGETHER WITH 433-100-002 OPTIONAL PART: BCREFA0516 V81590 851-35100-5036 V96182 USED ON: 233N3223-39 233N3223-1039 233N3223-42 233N3223-50 233N3223-1042 233N3223-1050	101102 108120 504903	1
75	851-35100-5036		...SWITCH ASSY-LIGHTED PUSHBUTTON IND SUPPLIER CODE: V96182 OPTIONAL PART: BCREFA0516 V81590 S231T290-5036 USED ON: 233N3223-39 233N3223-1039 233N3223-42 233N3223-50 233N3223-1042 233N3223-1050	101102 108120 504903	1
75	4336731004-4236		...SWITCH ASSY-LIGHTED PUSHBUTTON IND SUPPLIER CODE: V81590 SPECIFICATION NUMBER: S231T290-4236 USED ON: 233N3223-53 233N3223-54	101106 108120 504903	1

MISSING ITEM NUMBERS NOT APPLICABLE

- ITEM NOT ILLUSTRATED

29-21-54-03

29-21-54
FIG. 03
PAGE 13
JAN 20/09

BRI



757

PARTS CATALOG (MAINTENANCE)

FIG ITEM	PART NUMBER	1 2 3 4 5 6 7	NOMENCLATURE	EFFECT FROM TO	UNITS PER ASSY
3 75	851-30768-2036		...SWITCH ASSY-LIGHTED PUSH BUTTON IND PRESS/UNLKD SUPPLIER CODE: V96182 SPECIFICATION NUMBER: S231T290-2036 QUALIFIED I/W DATA: 851-30768-2036 TOGETHER WITH 851-30768-801 OR -811 OR 433-100-002 SWITCHGUARD I/W BCREF7616 851-30768-3036 BCREFA0516 OR S231T290-5036 TOGETHER WITH 433-100-002 SWITCHGUARD FOR DETAILS SEE: 33-13-00-27	101102 108120	1
80	R071720-41P10		...CONNECTOR- SUPPLIER CODE: V41118 SPECIFICATION NUMBER: BCREF5795 OVERLENGTH PART NUMBER: BACC45FN20-41P10 ATTACHING PARTS	101106 108120 504903	1
- 85	NAS1801-04-5		...SCREW- OPTIONAL PART: BACS12HN04-5 USED ON: 233N3223-53	101106 108120	3
- 85	BACS12HN04-5		...SCREW- OPTIONAL PART: NAS1801-04-5 USED ON: 233N3223-53 233N3223-54	101106 108120	3
- 87	NAS1801-04-5		...SCREW- USED ON: 233N3223-39 233N3223-40 233N3223-42 233N3223-50 233N3223-1039 233N3223-1040 233N3223-1042 233N3223-1050	101102 108120 504903	2

MISSING ITEM NUMBERS NOT APPLICABLE

- ITEM NOT ILLUSTRATED

29-21-54-03

29-21-54
FIG. 03
PAGE 14
JAN 20/09

BRI



757

PARTS CATALOG (MAINTENANCE)

FIG ITEM	PART NUMBER	1 2 3 4 5 6 7	NOMENCLATURE	EFFECT FROM TO	UNITS PER ASSY
3					
- 90	K19798-04		...NUT- SUPPLIER CODE: V15653 SPECIFICATION NUMBER: BACN10NW1 OPTIONAL PART: RMA4812-160-40 V72962 293162 V60119 USED ON: 233N3223-39 233N3223-40 233N3223-42 233N3223-50 233N3223-1039 233N3223-1040 233N3223-1042 233N3223-1050	101102 108120 504903	2
- 92	K19798-04		...NUT- SUPPLIER CODE: V15653 SPECIFICATION NUMBER: BACN10NW1 OPTIONAL PART: RMA4812-160-40 V72962 293162 V60119 USED ON: 233N3223-53 233N3223-54	101106 108120	3
- 215	286N4210-306		WIRE BUNDLE ASSY-	101102	RF
- 216	286N4210-321		WIRE BUNDLE ASSY	504903	RF
- 217	286N4210-335		WIRE BUNDLE ASSY-	108120	RF
- 219	286N6650-601		WIRE BUNDLE ASSY	103106	RF
220	BCREF6358		.CONNECTOR- OVERLENGTH PART NUMBER: BACC45FT20A41S10 ELECTRICAL EQUIP NUMBER: D03572 WIRING DIAGRAM REF: 801111	101106 108120 504903	1

MISSING ITEM NUMBERS NOT APPLICABLE

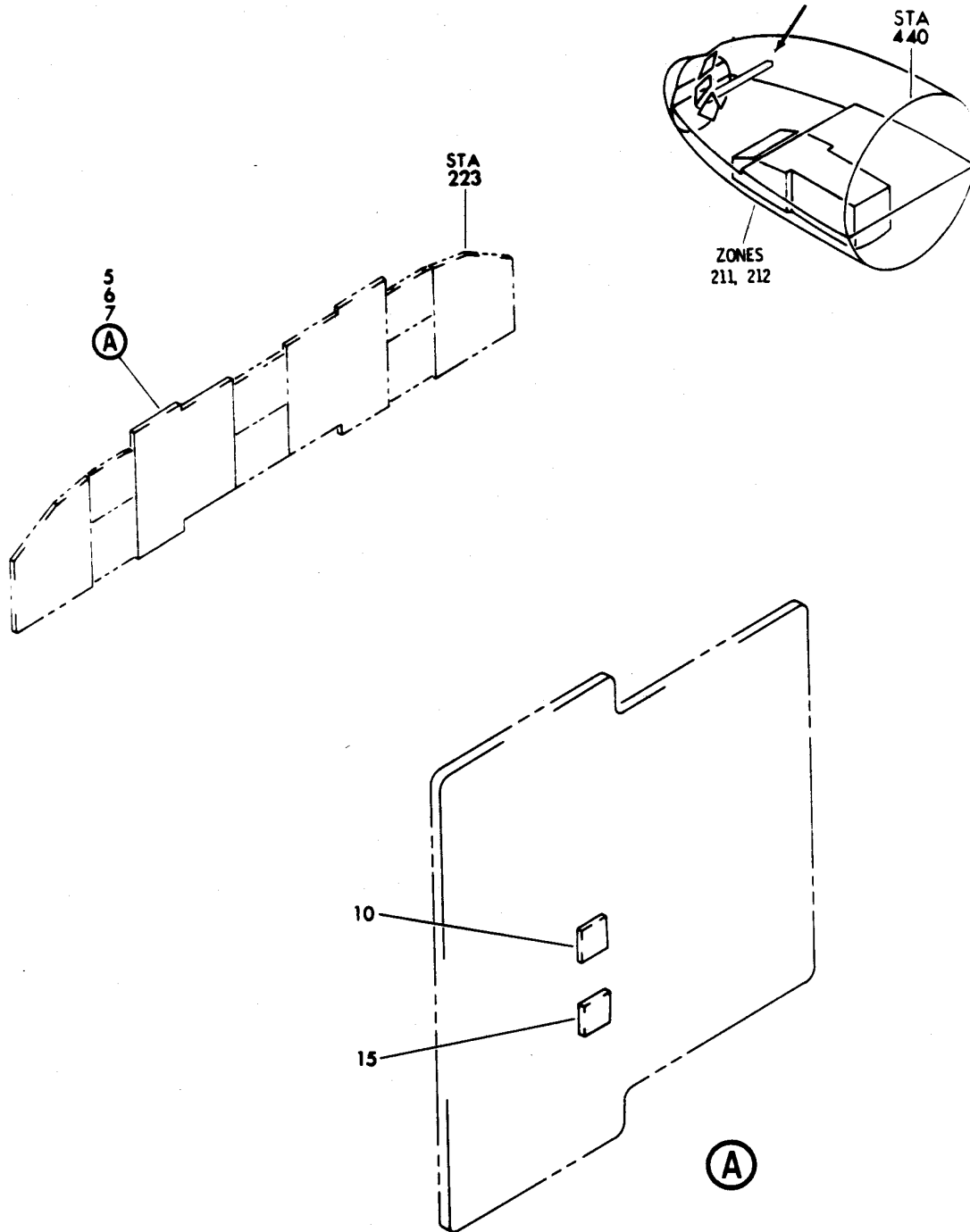
- ITEM NOT ILLUSTRATED

29-21-54-03

29-21-54
FIG. 03
PAGE 15
JAN 20/09

BRI

BOEING
757
PARTS CATALOG (MAINTENANCE)



Y 29215501 SHY 1 REV 076

PANEL INSTL-CAPT AND FIRST OFFICER FWD (HYDRAULIC POWER ONLY)
FIGURE 1

29-21-55-01

BRI
MAY 28/07

29-21-55-01
PAGE 0



757

PARTS CATALOG (MAINTENANCE)

FIG ITEM	PART NUMBER	1 2 3 4 5 6 7	NOMENCLATURE	EFFECT FROM TO	UNITS PER ASSY
1			PANEL INSTL-CAPT AND FIRST OFFICER FWD (HYDRAULIC POWER ONLY)	002004 006010 107107 121503 904999	
- 1	233N2101-1		PANEL INSTL-CAPT AND FIRST OFFICER (HYDRAULIC POWER ONLY) POSITION DATA: FWD VARIABLE DRAWING REF: 233N2101-5003 233N2101-5004 233N2101-5037 233N2101-5039 233N2101-5041 FOR NHA/OTHER SYS DET SEE: 25-10-00-05A	002004 006010 107107 121503 904999	RF
6	233N2221-62		.MODULE ASSY-P1-3	121503 904949	RF
7	233N2221-59		.MODULE ASSY-P1-3	107107	RF
7	233N2221-51		.MODULE ASSY-P1-3	002004 006010 950999	RF
10	BCREFA0537		..SWITCH ASSY-LIGHTED PUSH BUTTON IND ON SUPPLIER CODE: V81590 OVERLENGTH PART NUMBER: 433-673-1004-4081 SPECIFICATION NUMBER: S231T290-4081 ELECTRICAL EQUIP NUMBER: S10390 OPTIONAL PART: S231T290-5081 FOR DETAILS SEE: 33-13-00-44	121503 904949	1
10	851-30768-2081		..SWITCH ASSY-LIGHTED PUSH BUTTON IND ON SUPPLIER CODE: V96182 SPECIFICATION NUMBER: S231T290-2081 ELECTRICAL EQUIP NUMBER: S10390 FOR DETAILS SEE: 33-13-00-24	121503 904949	1

MISSING ITEM NUMBERS NOT APPLICABLE

- ITEM NOT ILLUSTRATED

29-21-55-01

29-21-55
FIG. 01
PAGE 1
JAN 20/09

BRI



757

PARTS CATALOG (MAINTENANCE)

FIG ITEM	PART NUMBER	1 2 3 4 5 6 7	NOMENCLATURE	EFFECT FROM TO	UNITS PER ASSY
1					
10	851-30768-3081	..	SWITCH ASSY-LIGHTED PUSH BUTTON IND ON SUPPLIER CODE: V96182 SPECIFICATION NUMBER: S231T290-3081 ELECTRICAL EQUIP NUMBER: S10390 OPTIONAL PART: S231T290-5031 FOR DETAILS SEE: 33-13-00-34	121503 904949	1
10	S231T290-5081	..	SWITCH ASSY-LIGHTED PUSH BUTTON IND ON ELECTRICAL EQUIP NUMBER: S10390 OPTIONAL PART: 851-30768-3081 V96182	121503 904949	1
10	4336731004-4281	..	SWITCH ASSY-LIGHTED PUSHBUTTON IND ON SUPPLIER CODE: V81590 SPECIFICATION NUMBER: S231T290-4281 ELECTRICAL EQUIP NUMBER: S10390	121503 904949	1
15	BCREFA0537	..	SWITCH ASSY-LIGHTED PUSH BUTTON IND ON SUPPLIER CODE: V81590 OVERLENGTH PART NUMBER: 433-673-1004-4081 SPECIFICATION NUMBER: S231T290-4081 ELECTRICAL EQUIP NUMBER: S10390 OPTIONAL PART: S231T290-5081 FOR DETAILS SEE: 33-13-00-44	002004 006010 107107 950999	1

MISSING ITEM NUMBERS NOT APPLICABLE

- ITEM NOT ILLUSTRATED

BRI

29-21-55-01

BOEING PROPRIETARY - Copyright © - Unpublished Work - See title page for details.

29-21-55
FIG. 01
PAGE 2
JAN 20/09



757

PARTS CATALOG (MAINTENANCE)

FIG ITEM	PART NUMBER	1 2 3 4 5 6 7	NOMENCLATURE	EFFECT FROM TO	UNITS PER ASSY
1					
15	851-30768-2081	..	SWITCH ASSY-LIGHTED PUSH BUTTON IND ON SUPPLIER CODE: V96182 SPECIFICATION NUMBER: S231T290-2081 ELECTRICAL EQUIP NUMBER: S10390 FOR DETAILS SEE: 33-13-00-24	002004 006010 107107 950999	1
15	851-30768-3081	..	SWITCH ASSY-LIGHTED PUSH BUTTON IND ON SUPPLIER CODE: V96182 SPECIFICATION NUMBER: S231T290-3081 ELECTRICAL EQUIP NUMBER: S10390 FOR DETAILS SEE: 33-13-00-24	002004 006010 107107 950999	1
15	S231T290-5081	..	SWITCH ASSY-LIGHTED PUSH BUTTON IND ON ELECTRICAL EQUIP NUMBER: S10390 OPTIONAL PART: BCREFA0537 V81590 4336731004-4281 V81590	002004 006010 107107 950999	1
15	4336731004-4281	..	SWITCH ASSY-LIGHTED PUSHBUTTON IND ON SUPPLIER CODE: V81590 SPECIFICATION NUMBER: S231T290-4281 ELECTRICAL EQUIP NUMBER: S10390 OPTIONAL PART: 851-35100-5081 V96182 S231T290-5081	002004 006010 107107 950999	1

MISSING ITEM NUMBERS NOT APPLICABLE

- ITEM NOT ILLUSTRATED

BRI

29-21-55-01

BOEING PROPRIETARY - Copyright © - Unpublished Work - See title page for details.

29-21-55
FIG. 01
PAGE 3
JAN 20/09



757

PARTS CATALOG (MAINTENANCE)

FIG ITEM	PART NUMBER	1 2 3 4 5 6 7	NOMENCLATURE	EFFECT FROM TO	UNITS PER ASSY
1 15	851-35100-5081		.. SWITCH ASSY-LIGHTED PUSHBUTTON IND ON SUPPLIER CODE: V96182 ELECTRICAL EQUIP NUMBER: S10390 OPTIONAL PART: 4336731004-4281 V81590	002004 006010 950999	1

MISSING ITEM NUMBERS NOT APPLICABLE

- ITEM NOT ILLUSTRATED

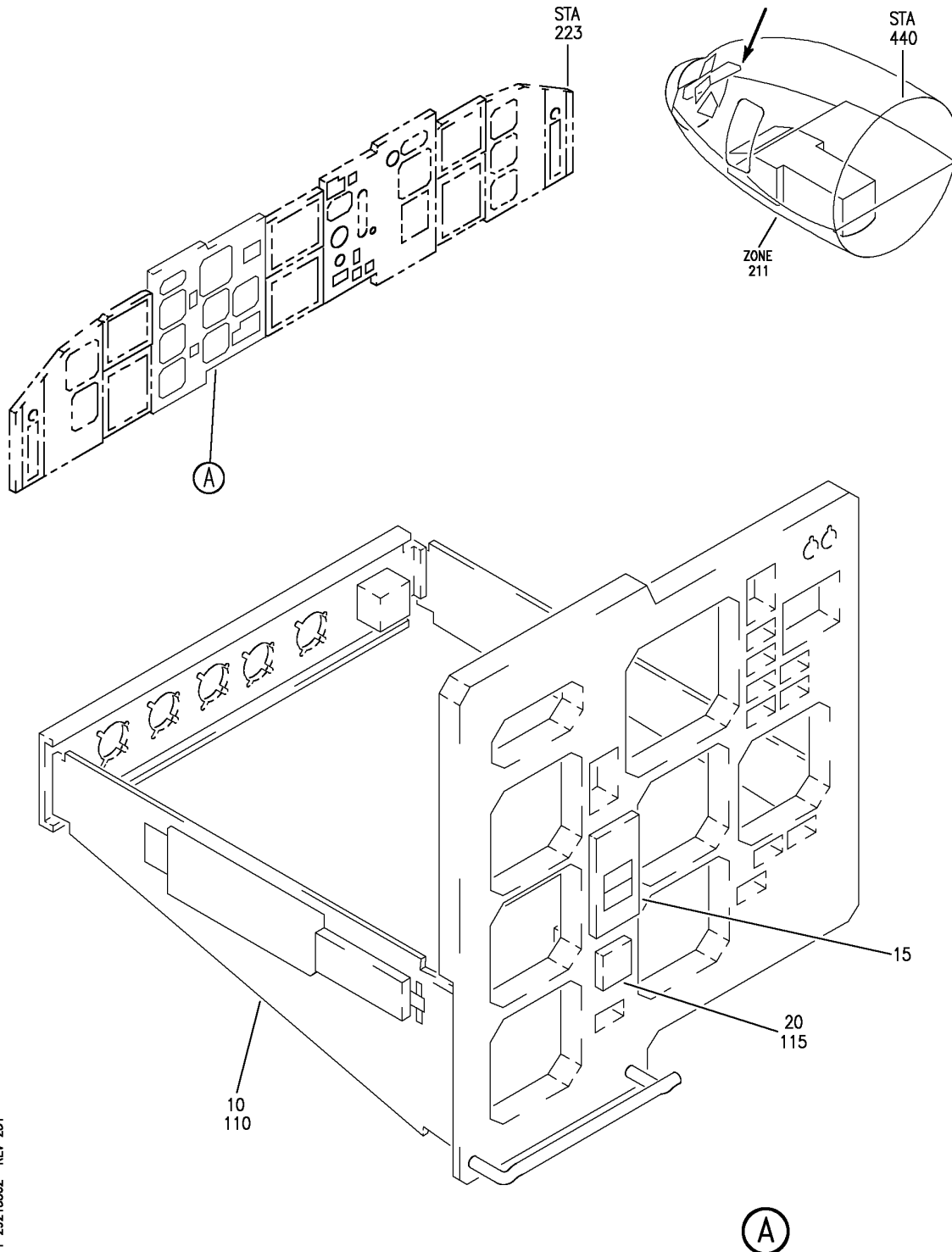
BRI

29-21-55-01

BOEING PROPRIETARY - Copyright © - Unpublished Work - See title page for details.

29-21-55
FIG. 01
PAGE 4
JAN 20/09

BOEING
757
PARTS CATALOG (MAINTENANCE)



Y 29215502 REV 251

PANEL INSTL-CAPT AND FIRST OFFICER FWD AND P1-3 (HYDRAULIC POWER ONLY)
FIGURE 2

29-21-55-02

BRI
MAY 28/07

29-21-55-02
PAGE 0



757

PARTS CATALOG (MAINTENANCE)

FIG ITEM	PART NUMBER	1 2 3 4 5 6 7	NOMENCLATURE	EFFECT FROM TO	UNITS PER ASSY
2			PANEL INSTL-CAPT AND FIRST OFFICER FWD AND P1-3 (HYDRAULIC POWER ONLY)	011106 108120 504903	
- 1	233N2101-1		PANEL INSTL-CAPT AND FIRST OFFICER (HYDRAULIC POWER ONLY) POSITION DATA: FWD VARIABLE DRAWING REF: 233N2101-5039 FOR NHA/OTHER SYS DET SEE: 25-10-00-05A	011100	RF
- 5	233N2221-301		.MODULE ASSY-P1-3 COMPONENT MAINT MANUAL REF: 31-11-48	011100	RF
10	233N2221-51		..MODULE ASSY-	011100	RF
20	BCREFA0537		...SWITCH ASSY-LIGHTED PUSH BUTTON IND ON SUPPLIER CODE: V81590 OVERLENGTH PART NUMBER: 433-673-1004-4081 SPECIFICATION NUMBER: S231T290-4081 ELECTRICAL EQUIP NUMBER: S10390 FOR DETAILS SEE: 33-13-00-44	011100	1
20	851-30768-2081		...SWITCH ASSY-LIGHTED PUSH BUTTON IND ON SUPPLIER CODE: V96182 SPECIFICATION NUMBER: S231T290-2081 ELECTRICAL EQUIP NUMBER: S10390 FOR DETAILS SEE: 33-13-00-44	011100	1
20	851-30768-3081		...SWITCH ASSY-LIGHTED PUSH BUTTON IND ON SUPPLIER CODE: V96182 SPECIFICATION NUMBER: S231T290-3081 ELECTRICAL EQUIP NUMBER: S10390 FOR DETAILS SEE: 33-13-00-34	011100	1

MISSING ITEM NUMBERS NOT APPLICABLE

- ITEM NOT ILLUSTRATED

29-21-55-02

29-21-55
FIG. 02
PAGE 1
JAN 20/09

BRI

BOEING PROPRIETARY - Copyright © - Unpublished Work - See title page for details.



757

PARTS CATALOG (MAINTENANCE)

FIG ITEM	PART NUMBER	1 2 3 4 5 6 7	NOMENCLATURE	EFFECT FROM TO	UNITS PER ASSY
2					
20	S231T290-5081	...	SWITCH ASSY-LIGHTED PUSH BUTTON IND ON ELECTRICAL EQUIP NUMBER: S10390 OPTIONAL PART: 4336731004-4281 V81590	011100	1
20	4336731004-4281	...	SWITCH ASSY-LIGHTED PUSHBUTTON IND ON SUPPLIER CODE: V81590 SPECIFICATION NUMBER: S231T290-4281 ELECTRICAL EQUIP NUMBER: S10390 OPTIONAL PART: 851-35100-5081 V96182 S231T290-5081	011100	1
20	851-35100-5081	...	SWITCH ASSY-LIGHTED PUSHBUTTON IND ON SUPPLIER CODE: V96182 ELECTRICAL EQUIP NUMBER: S10390 OPTIONAL PART: 4336731004-4281 V81590	011100	1
- 100	233N2103-10		PANEL INSTL-P1-3 (HYDRAULIC POWER ONLY) FOR NHA/OTHER SYS DET SEE: 25-10-00-15B	108120	RF
- 100	233N2103-72		PANEL INSTL-P1-3 (HYDRAULIC POWER ONLY) FOR NHA/OTHER SYS DET SEE: 25-10-00-15B	101102	RF
- 100	233N2103-280		PANEL INSTL-P1-3 (HYDRAULIC POWER ONLY) FOR NHA/OTHER SYS DET SEE: 25-10-00-15B	504903	RF

MISSING ITEM NUMBERS NOT APPLICABLE

- ITEM NOT ILLUSTRATED

BRI

29-21-55-02

29-21-55
FIG. 02
PAGE 2
JAN 20/09



757

PARTS CATALOG (MAINTENANCE)

FIG ITEM	PART NUMBER	1 2 3 4 5 6 7	NOMENCLATURE	EFFECT FROM TO	UNITS PER ASSY
2 - 104	MODREF31741		PANEL INSTL-P1-3 (HYDRAULIC POWER ONLY) MODULE NUMBER: 233N2103-425 REV A FOR OTHER SYS DETAILS SEE: 11-31-01-38 22-11-02-03 22-14-01-03 22-31-02-01 22-34-51-02 26-17-51-05 27-51-57-03 27-58-00-02 27-81-00-01 31-11-11-19 31-11-16-01 31-11-26-38 31-25-01-03 31-41-52-02 31-51-52-02 32-35-52-03 32-41-52-02 32-42-55-03 32-46-00-01 32-61-51-03 33-13-57-01 A 33-16-52-03 34-12-01-03 34-13-01-03 34-13-02-01 34-13-05-01 34-13-06-01 34-16-51-03 34-21-02-02 34-22-02-02 34-22-05-01 A 34-22-06-01 34-24-01-03 34-32-00-02 34-46-51-02 34-51-02-02 34-57-00-01 34-61-01-07 34-61-02-02 77-41-01-01 79-33-51-05	103105	1

MISSING ITEM NUMBERS NOT APPLICABLE

- ITEM NOT ILLUSTRATED

BRI

29-21-55-02

BOEING PROPRIETARY - Copyright © - Unpublished Work - See title page for details.

29-21-55
FIG. 02
PAGE 3
JAN 20/09



757

PARTS CATALOG (MAINTENANCE)

FIG ITEM	PART NUMBER	1 2 3 4 5 6 7	NOMENCLATURE	EFFECT FROM TO	UNITS PER ASSY
2 - 104	MODREF104335		PANEL INSTL-P1-3 (HYDRAULIC POWER ONLY) MODULE NUMBER: 233N2103-425 REV B FOR OTHER SYS DETAILS SEE: 11-31-01-38 22-11-02-03 22-14-01-03 22-31-02-01 22-34-51-02 26-17-51-05 27-51-57-03 27-58-00-02 27-81-00-01 31-11-11-19 31-11-16-01 31-11-26-38 31-25-01-03 31-41-52-02 31-51-52-02 32-35-52-03 32-41-52-02 32-42-55-03 32-46-00-01 32-61-51-03 33-13-57-01A 33-16-52-03 34-12-01-03 34-13-01-03 34-13-02-01 34-13-05-01 34-13-06-01 34-16-51-03 34-21-02-02 34-22-02-02 34-22-05-01A 34-22-06-01 34-24-01-03 34-32-00-02 34-46-51-02 34-51-02-02 34-57-00-01 34-61-01-07 34-61-02-02 77-41-01-01 79-33-51-05	106106	1
- 105	233N2221-301		.MODULE ASSY- COMPONENT MAINT MANUAL REF: 31-11-48	101102 108120	RF

MISSING ITEM NUMBERS NOT APPLICABLE

- ITEM NOT ILLUSTRATED

BRI

29-21-55-02

BOEING PROPRIETARY - Copyright © - Unpublished Work - See title page for details.

29-21-55
FIG. 02
PAGE 4
JAN 20/09



757

PARTS CATALOG (MAINTENANCE)

FIG ITEM	PART NUMBER	1 2 3 4 5 6 7	NOMENCLATURE	EFFECT FROM TO	UNITS PER ASSY
2					
- 105	233N2221-317		.MODULE ASSY- COMPONENT MAINT MANUAL REF: 31-11-48	505505 507903	RF
- 105	RR92002-134A101		.MODULE ASSY- POST RAPID REVISION: RR92002-134A	504504 506506	RF
- 105	233N2221-320		.MODULE ASSY- COMPONENT MAINT MANUAL REF: 31-11-48	101102 108120	RF
- 105	233N2221-325		.MODULE ASSY- COMPONENT MAINT MANUAL REF: 31-11-48	103106	RF
- 105	233N2221-326		.MODULE ASSY- COMPONENT MAINT MANUAL REF: 31-11-48	101102 108120	RF
- 106	233N2221-328		.MODULE ASSY- COMPONENT MAINT MANUAL REF: 31-11-48	101102 108120	RF
110	233N2221-51		..MODULE ASSY- USED ON: 233N2221-301	101102 108120	RF
110	233N2221-74		..MODULE ASSY-	504903	RF
110	233N2221-81		..MODULE ASSY- USED ON: 233N2221-320 233N2221-326 233N2221-328	101106 108120	RF

MISSING ITEM NUMBERS NOT APPLICABLE

- ITEM NOT ILLUSTRATED

BRI

29-21-55-02

BOEING PROPRIETARY - Copyright © - Unpublished Work - See title page for details.

29-21-55
FIG. 02
PAGE 5
JAN 20/09



757

PARTS CATALOG (MAINTENANCE)

FIG ITEM	PART NUMBER	1 2 3 4 5 6 7	NOMENCLATURE	EFFECT FROM TO	UNITS PER ASSY
2 115	BCREFA0537		...SWITCH ASSY-LIGHTED PUSHBUTTON IND ON SUPPLIER CODE: V81590 OVERLENGTH PART NUMBER: 433-673-1004-4081 SPECIFICATION NUMBER: S231T290-4081 ELECTRICAL EQUIP NUMBER: S10390 OPTIONAL PART: 851-35100-5081 V96182 S231T290-5081 USED ON: 233N2221-49 233N2221-51 233N2221-54 233N2221-70 233N2221-71 233N2221-72 233N2221-73 233N2221-74 233N2221-75 233N2221-80 233N2221-81 FOR DETAILS SEE: 33-13-00-44	101106 108120 504903	1
115	S231T290-5081		...SWITCH ASSY-LIGHTED PUSHBUTTON IND ON ELECTRICAL EQUIP NUMBER: S10390 OPTIONAL PART: 4336731004-4281 V81590 USED ON: 233N2221-51 233N2221-54 233N2221-70 233N2221-72	101102 108120 504903	1

MISSING ITEM NUMBERS NOT APPLICABLE

- ITEM NOT ILLUSTRATED

BRI

29-21-55-02

BOEING PROPRIETARY - Copyright © - Unpublished Work - See title page for details.

29-21-55
FIG. 02
PAGE 6
JAN 20/09



757

PARTS CATALOG (MAINTENANCE)

FIG ITEM	PART NUMBER	1 2 3 4 5 6 7	NOMENCLATURE	EFFECT FROM TO	UNITS PER ASSY
2 115	851-30768-3081		...SWITCH ASSY-LIGHTED PUSH BUTTON IND ON SUPPLIER CODE: V96182 SPECIFICATION NUMBER: S231T290-3081 ELECTRICAL EQUIP NUMBER: S10390 FOR DETAILS SEE: 33-13-00-34	101102 108120 504903	1
115	851-30768-2081		...SWITCH ASSY-LIGHTED PUSH BUTTON IND ON SUPPLIER CODE: V96182 SPECIFICATION NUMBER: S231T290-2081 ELECTRICAL EQUIP NUMBER: S10390 FOR DETAILS SEE: 33-13-00-24	101102 108120 504903	1
115	4336731004-4281		...SWITCH ASSY-LIGHTED PUSHBUTTON IND ON SUPPLIER CODE: V81590 SPECIFICATION NUMBER: S231T290-4281 ELECTRICAL EQUIP NUMBER: S10390 OPTIONAL PART: 851-35100-5081 V96182 S231T290-5081 USED ON: 233N2221-49 233N2221-51 233N2221-54 233N2221-70 233N2221-72 233N2221-75 233N2221-80 233N2221-81 233N2221-83	101106 108120 504903	1

MISSING ITEM NUMBERS NOT APPLICABLE

- ITEM NOT ILLUSTRATED

29-21-55-02

29-21-55
FIG. 02
PAGE 7
JAN 20/09

BRI



757

PARTS CATALOG (MAINTENANCE)

FIG ITEM	PART NUMBER	1 2 3 4 5 6 7	NOMENCLATURE	EFFECT FROM TO	UNITS PER ASSY
2 115	851-35100-5081		...SWITCH ASSY-LIGHTED PUSHBUTTON IND ON SUPPLIER CODE: V96182 ELECTRICAL EQUIP NUMBER: S10390 OPTIONAL PART: 4336731004-4281 V81590 BCREFA0537 V81590 USED ON: 233N2221-51 233N2221-54 233N2221-71 233N2221-72 233N2221-74 233N2221-81	101106 108120 504903	1

MISSING ITEM NUMBERS NOT APPLICABLE

- ITEM NOT ILLUSTRATED

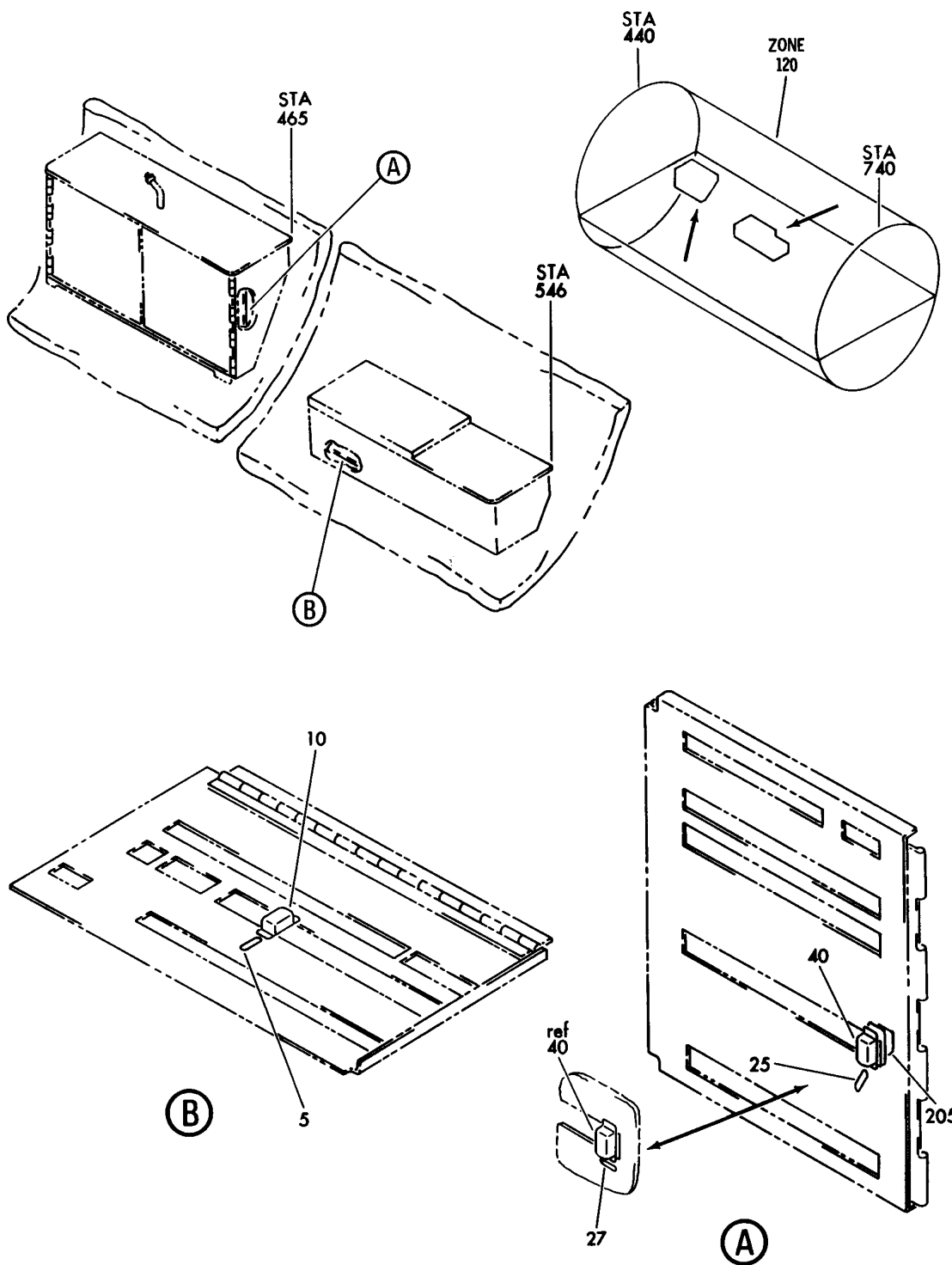
BRI

29-21-55-02

BOEING PROPRIETARY - Copyright © - Unpublished Work - See title page for details.

29-21-55
FIG. 02
PAGE 8
JAN 20/09

BOEING
757
PARTS CATALOG (MAINTENANCE)



Y 29217101 REV 034

PANEL ASSY-P36 AND P37 MISC RELAY (HYDRAULIC POWER TRANSFER UNIT ONLY)

FIGURE 1

29-21-71-01

BRI
MAY 28/07

29-21-71-01
PAGE 0



757

PARTS CATALOG (MAINTENANCE)

FIG ITEM	PART NUMBER	1 2 3 4 5 6 7	NOMENCLATURE	EFFECT FROM TO	UNITS PER ASSY
1			PANEL ASSY-P36 AND P37 MISC RELAY (HYDRAULIC POWER TRANSFER UNIT ONLY)	002004 006100 107107 121503 904999	
- 1	284N1125-1		PANEL ASSY-P36 MISC RELAY (HYDRAULIC POWER TRANSFER UNIT ONLY) POSITION DATA: LH VARIABLE DRAWING REF: 284N1125-5023 284N1125-5030 284N1125-5049 284N1125-5050 284N1125-5054 REWORKED BY SB: 34-0200 REWORKED BY ALERT SB: 27A0130 FOR NHA/OTHER SYS DET SEE: 31-01-36-01B	002004 006100 107107 121503 904999	RF
5	BAC27NEX0195		.DECAL- PLACARD CONTENT: K10058	107107 121503 904949	1
5	BAC27NEX0831		.DECAL- PLACARD CONTENT: K10058	002004 006100 950999	1
10	E210-1631		.RELAY- SUPPLIER CODE: V99699 SPECIFICATION NUMBER: BACR13CF2A OPTIONAL PART: BR246S0112 V56623 FCA210-70 V78290 E215-1050 V99699 JD4A017 V35344 BR64S104 V56623 61GB19-1A320 V98927 ELECTRICAL EQUIP NUMBER: K10058	002004 006100 107107 121503 904999	1

MISSING ITEM NUMBERS NOT APPLICABLE

- ITEM NOT ILLUSTRATED

BRI

29-21-71-01

29-21-71
FIG. 01
PAGE 1
JAN 20/09



757

PARTS CATALOG (MAINTENANCE)

FIG ITEM	PART NUMBER	1 2 3 4 5 6 7	NOMENCLATURE	EFFECT FROM TO	UNITS PER ASSY
1					
- 20	284N1127-1		PANEL ASSY-P37 MISC RELAY (HYDRAULIC POWER TRANSFER UNIT ONLY) VARIABLE DRAWING REF: 284N1127-5028 284N1127-5039 284N1127-5063 284N1127-5064 284N1127-5068 REWORKED BY SB: 33-0039 34-0200 REWORKED BY ALERT SB: 27A0130	002004 006100 107107 121503 904999	RF
25	BAC27NEX1654		.DECAL- PLACARD CONTENT: K10426	002004 006100 121503 904999	1
27	BAC27NEX1654		.DECAL- PLACARD CONTENT: K10426	107107	1
40	E410-1537		.RELAY- SUPPLIER CODE: V99699 SPECIFICATION NUMBER: BACR13CG2A OPTIONAL PART: E415-1078 V99699 BR230S0116 V56623 KD4A017 V58687 FCA410-62 V78290 ELECTRICAL EQUIP NUMBER: K10426	002004 006100 107107 121503 904999	1
- 200	286N1270-002		WIRE BUNDLE ASSY- REWORKED BY ALERT SB: 27A0130 34A0222	121503 904949	RF
- 200	286N1270-003		WIRE BUNDLE ASSY- REWORKED BY ALERT SB: 27A0130 34A0222	107107	RF

MISSING ITEM NUMBERS NOT APPLICABLE

- ITEM NOT ILLUSTRATED

BRI

29-21-71-01

29-21-71
FIG. 01
PAGE 2
JAN 20/09



757

PARTS CATALOG (MAINTENANCE)

FIG ITEM	PART NUMBER	1 2 3 4 5 6 7	NOMENCLATURE	EFFECT FROM TO	UNITS PER ASSY
1 - 200	286N1270-005		WIRE BUNDLE ASSY- REWORKED BY SB: 33-0039 34-0200 REWORKED BY ALERT SB: 27A0130 34A0222	002004 006100 950999	RF
205	BACS16W1		. SOCKET- ELECTRICAL EQUIP NUMBER: D05122 WIRING DIAGRAM REF: 291122	002004 006100 107107 121503 904999	1

MISSING ITEM NUMBERS NOT APPLICABLE

- ITEM NOT ILLUSTRATED

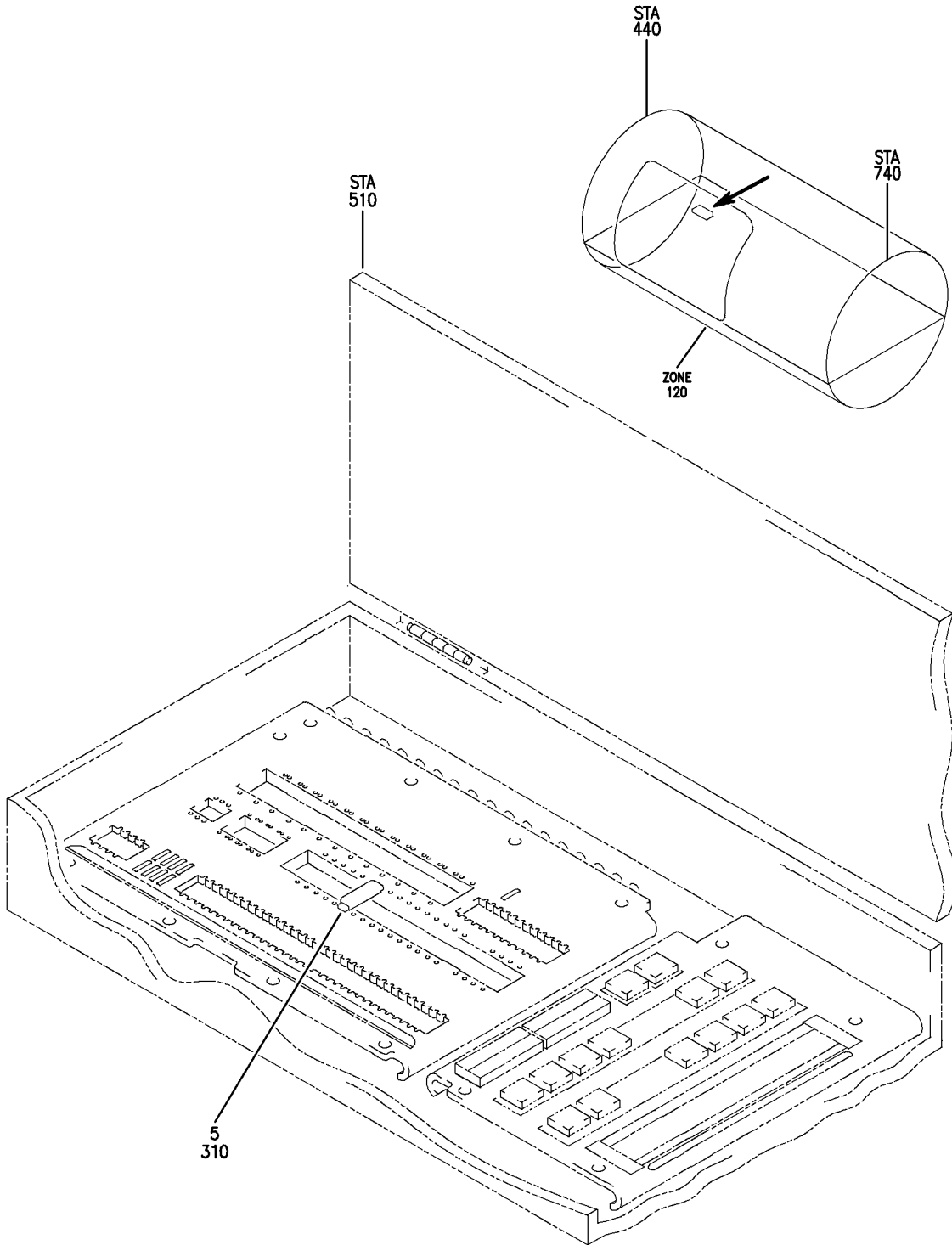
BRI

29-21-71-01

BOEING PROPRIETARY - Copyright © - Unpublished Work - See title page for details.

29-21-71
FIG. 01
PAGE 3
JAN 20/09

BOEING
757
PARTS CATALOG (MAINTENANCE)



Y 29217101A REV 225

OPTION PACKAGE ASSY-P36 MISC RELAY L (RAM AIR TURBINE SYSTEM ONLY)
FIGURE 1A

29-21-71-01A

BRI
MAY 28/07

29-21-71-01A
PAGE 0



757

PARTS CATALOG (MAINTENANCE)

FIG ITEM	PART NUMBER	1 2 3 4 5 6 7	NOMENCLATURE	EFFECT FROM TO	UNITS PER ASSY
1 A			OPTION PACKAGE ASSY-P36 MISC RELAY L (RAM AIR TURBINE SYSTEM ONLY)	101102 504903	
- 1	284N1125-1018		OPTION PACKAGE ASSY-P36 MISC RELAY L (RAM AIR TURBINE SYSTEM ONLY) REWORKED BY ALERT SB: 27A0130 FOR NHA/OTHER SYS DET SEE: 31-01-36-05	101102 504903	RF
5	E210-1631		.RELAY- SUPPLIER CODE: V99699 SPECIFICATION NUMBER: BACR13CF2A OPTIONAL PART: BR246S0112 V56623 FCA210-70 V78290 E215-1050 V99699 JD4A017 V35344 BR64S104 V56623 61GB19-1A320 V98927 ELECTRICAL EQUIP NUMBER: K10058	101102 504903	1
- 301	286N1260-358		WIRE BUNDLE ASSY- REWORKED BY ALERT SB: 27A0130	101102	RF
- 301	286N1260-364		WIRE BUNDLE ASSY- REWORKED BY ALERT SB: 27A0130	504903	RF

MISSING ITEM NUMBERS NOT APPLICABLE

- ITEM NOT ILLUSTRATED

29-21-71-01A

29-21-71
FIG. 01A
PAGE 1
JAN 20/09

BRI



757
PARTS CATALOG (MAINTENANCE)

FIG ITEM	PART NUMBER	1 2 3 4 5 6 7	NOMENCLATURE	EFFECT FROM TO	UNITS PER ASSY
1 A 310	RSF116200		. SOCKET- SUPPLIER CODE: V58982 SPECIFICATION NUMBER: BACS16X1A OPTIONAL PART: 102-006-1 V09922 000300-1538 V05574 ELECTRICAL EQUIP NUMBER: D03242 WIRING DIAGRAM REF: 292131	101102 504903	1

MISSING ITEM NUMBERS NOT APPLICABLE

- ITEM NOT ILLUSTRATED

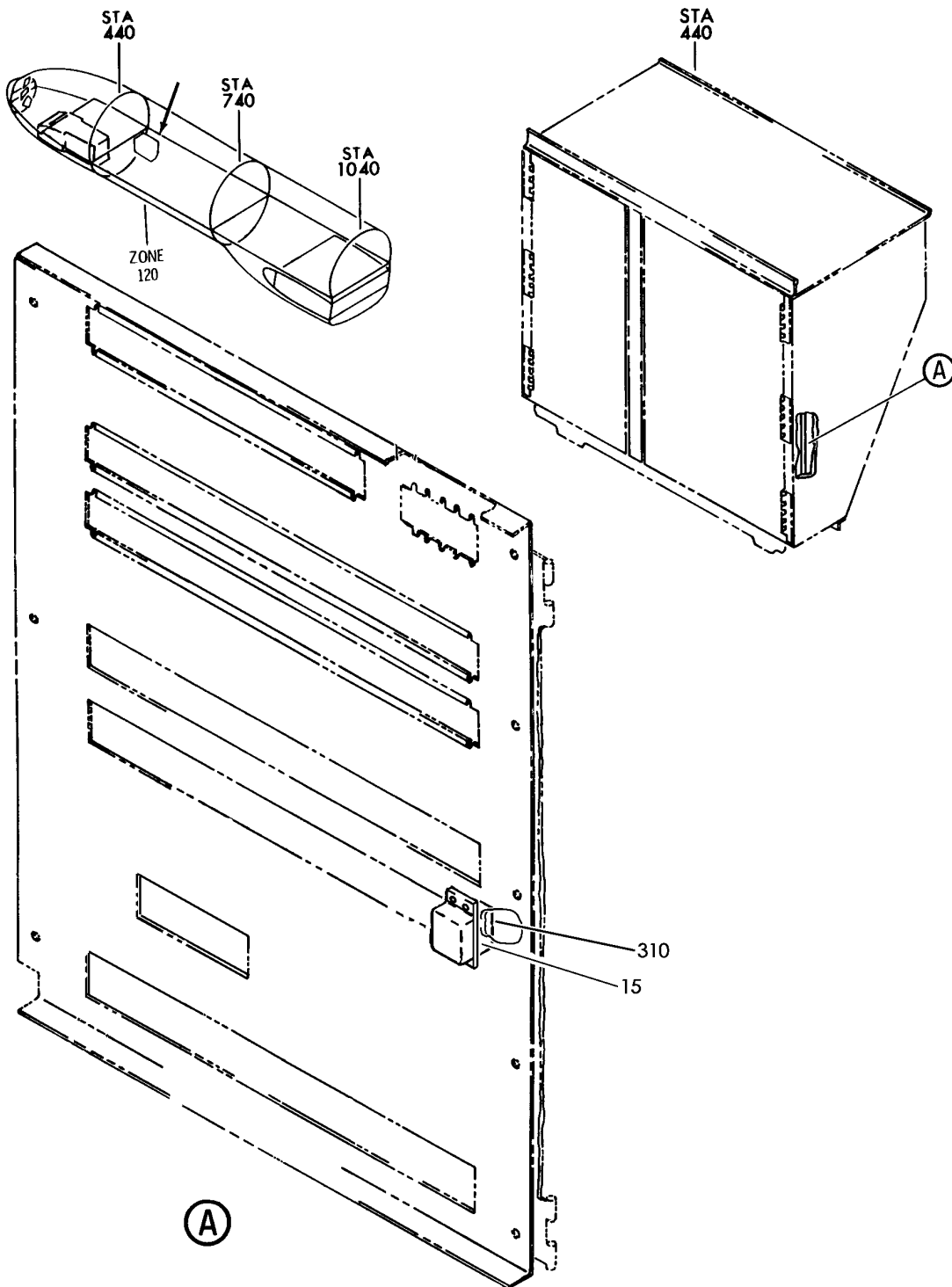
BRI

29-21-71-01A

BOEING PROPRIETARY - Copyright © - Unpublished Work - See title page for details.

29-21-71
FIG. 01A
PAGE 2
JAN 20/09

BOEING
757
PARTS CATALOG (MAINTENANCE)



Y 29217101B REV 226

PACKAGE ASSY-OPTION P37 MISC RELAY (HYDRAULIC POWER TRANSFER UNIT ONLY)
FIGURE 1B

BRI
MAY 28/07

29-21-71-01B

29-21-71-01B
PAGE 0



757

PARTS CATALOG (MAINTENANCE)

FIG ITEM	PART NUMBER	1 2 3 4 5 6 7	NOMENCLATURE	EFFECT FROM TO	UNITS PER ASSY
1B			PACKAGE ASSY-OPTION P37 MISC RELAY (HYDRAULIC POWER TRANSFER UNIT ONLY)	101102 504903	
- 1	284N1127-1041		PACKAGE ASSY-OPTION P 37 MISC RELAY (HYDRAULIC POWER TRANSFER UNIT ONLY)	101102 504903	RF
15	E410-1537		MISCELLANEOUS DATA: 757 MAJOR MODEL REWORKED BY ALERT SB: 27A0130 FOR NHA/OTHER SYS DET SEE: 31-01-37-02 .RELAY-	101102 504903	1
			SUPPLIER CODE: V99699 SPECIFICATION NUMBER: BACR13CG2A OPTIONAL PART: E415-1078 V99699 BR230S0116 V56623 KD4A017 V58687 FCA410-62 V78290 ELECTRICAL EQUIP NUMBER: K10426		
- 300	286N1270-336		WIRE BUNDLE ASSY- REWORKED BY ALERT SB: 34A0222 27A0130	504903	RF
- 301	286N1270-361		WIRE BUNDLE ASSY- REWORKED BY ALERT SB: 34A0222 27A0130	101101	RF
- 302	286N1270-399		WIRE BUNDLE ASSY- REWORKED BY ALERT SB: 34A0222 27A0130	102102	RF
310	BACS16W1		.SOCKET- ELECTRICAL EQUIP NUMBER: D05122 WIRING DIAGRAM REF: 292122	101102 504903	1

MISSING ITEM NUMBERS NOT APPLICABLE

- ITEM NOT ILLUSTRATED

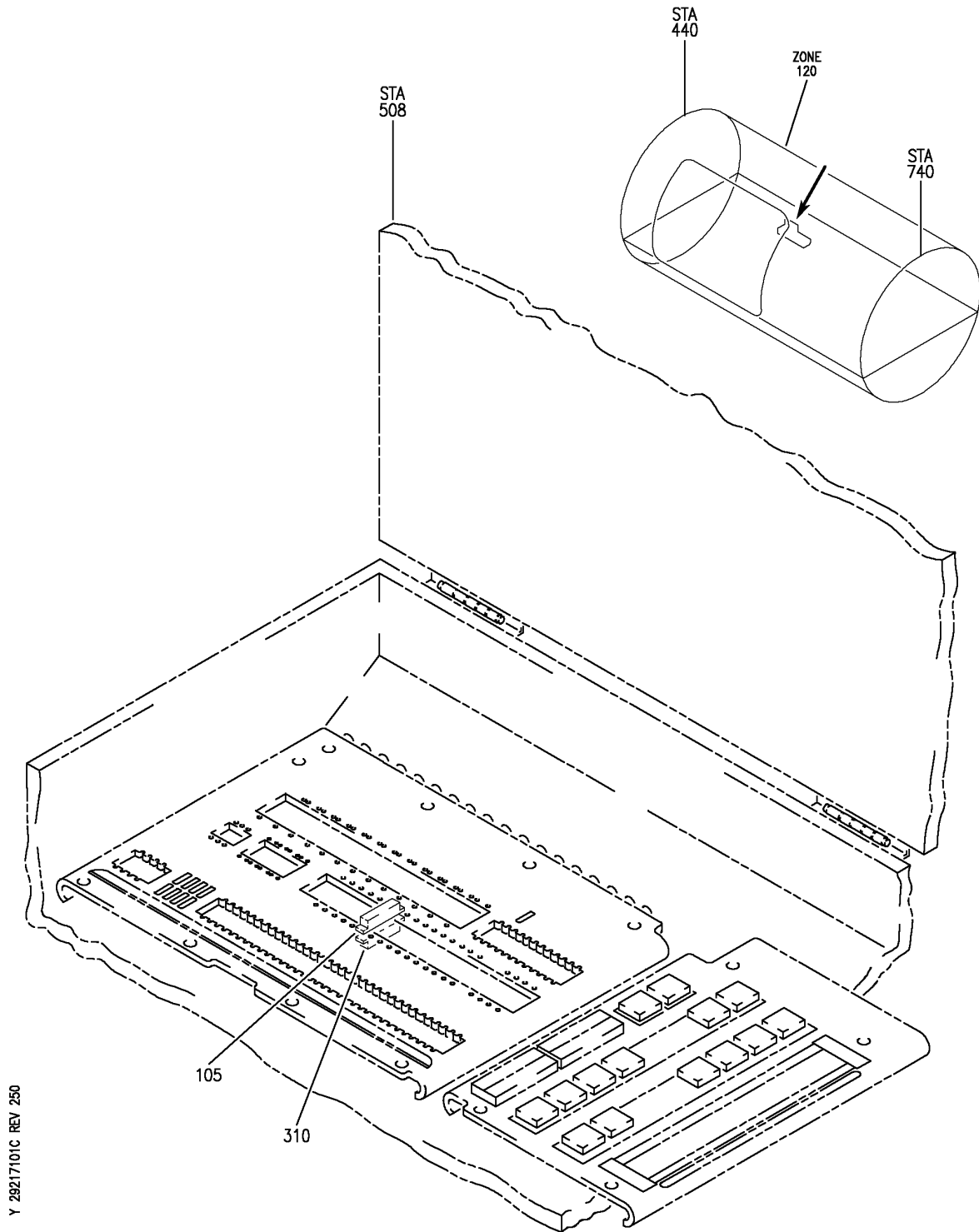
29-21-71-01B

29-21-71
FIG. 01B
PAGE 1
JAN 20/09

BRI

BOEING PROPRIETARY - Copyright © - Unpublished Work - See title page for details.

BOEING
757
PARTS CATALOG (MAINTENANCE)



Y 29217101C REV 250

PANEL INSTL-P36 L MISC RELAY (RAM AIR TURBINE SYSTEM ONLY)
FIGURE 1C

29-21-71-01C

BRI
JAN 20/09

29-21-71-01C
PAGE 0



757

PARTS CATALOG (MAINTENANCE)

FIG ITEM	PART NUMBER	1 2 3 4 5 6 7 NOMENCLATURE	EFFECT FROM TO	UNITS PER ASSY
1 C		PANEL INSTL-P36 L MISC RELAY (RAM AIR TURBINE SYSTEM ONLY)	103106 108120	
- 3	284N1125-94	PANEL INSTL-P36 L MISC RELAY (RAM AIR TURBINE SYSTEM ONLY) FOR NHA/OTHER SYS DET SEE: 24-00-58-05C	108120	RF

MISSING ITEM NUMBERS NOT APPLICABLE

- ITEM NOT ILLUSTRATED

BRI

29-21-71-01C

BOEING PROPRIETARY - Copyright © - Unpublished Work - See title page for details.

29-21-71
 FIG. 01C
 PAGE 1
 JAN 20/09



757

PARTS CATALOG (MAINTENANCE)

FIG ITEM	PART NUMBER	1 2 3 4 5 6 7	NOMENCLATURE	EFFECT FROM TO	UNITS PER ASSY
1C - 7	MODREF31944		PANEL INSTL-P36 L MISC RELAY (RAM AIR TURBINE SYSTEM ONLY) MODULE NUMBER: 284N1125-123 REV A FOR OTHER SYS DETAILS SEE: 11-36-08-03C 21-25-71-02C 21-33-71-02C 21-51-56-01C 21-58-71-02C 23-12-00-05 23-31-54-01C 23-34-52-01C 24-21-51-01A 26-15-71-02C 26-16-71-01C 26-22-71-01C 27-48-52-03C 27-51-71-03C 27-58-71-02C 27-62-71-03C 29-11-71-03C 30-21-71-03C 30-34-51-01C 31-01-36-01 32-09-02-03C 32-35-71-01C 32-42-71-02C 32-44-71-02C 32-61-71-02C 34-12-71-02C 34-21-71-02C 34-22-52-01C 34-61-52-01C 36-11-71-02C 73-21-55-01C 74-31-71-02C 76-11-71-02C 77-12-71-01C 78-34-71-02C 78-36-71-02C 80-11-71-02C	103106	1

MISSING ITEM NUMBERS NOT APPLICABLE

- ITEM NOT ILLUSTRATED

BRI

29-21-71-01C

BOEING PROPRIETARY - Copyright © - Unpublished Work - See title page for details.

29-21-71
 FIG. 01C
 PAGE 2
 JAN 20/09



757

PARTS CATALOG (MAINTENANCE)

FIG ITEM	PART NUMBER	1 2 3 4 5 6 7	NOMENCLATURE	EFFECT FROM TO	UNITS PER ASSY
1C 105	E210-1631		.RELAY- SUPPLIER CODE: V99699 SPECIFICATION NUMBER: BACR13CF2A OPTIONAL PART: BR246S0112 V56623 FCA210-70 V78290 E215-1050 V99699 JD4A017 V35344 BR64S104 V56623 61GB19-1A320 V98927 ELECTRICAL EQUIP NUMBER: K10058	103106 108120	1
- 300	286N1260-357		WIRE BUNDLE ASSY	108120	RF
- 302	286N1260-601		WIRE BUNDLE ASSY	103106	RF
310	RSF116200		.SOCKET- SUPPLIER CODE: V58982 SPECIFICATION NUMBER: BACS16X1A OPTIONAL PART: 102-006-1 V09922 000300-1538 V05574 ELECTRICAL EQUIP NUMBER: D03242 WIRING DIAGRAM REF: 292131	103106 108120	1

MISSING ITEM NUMBERS NOT APPLICABLE

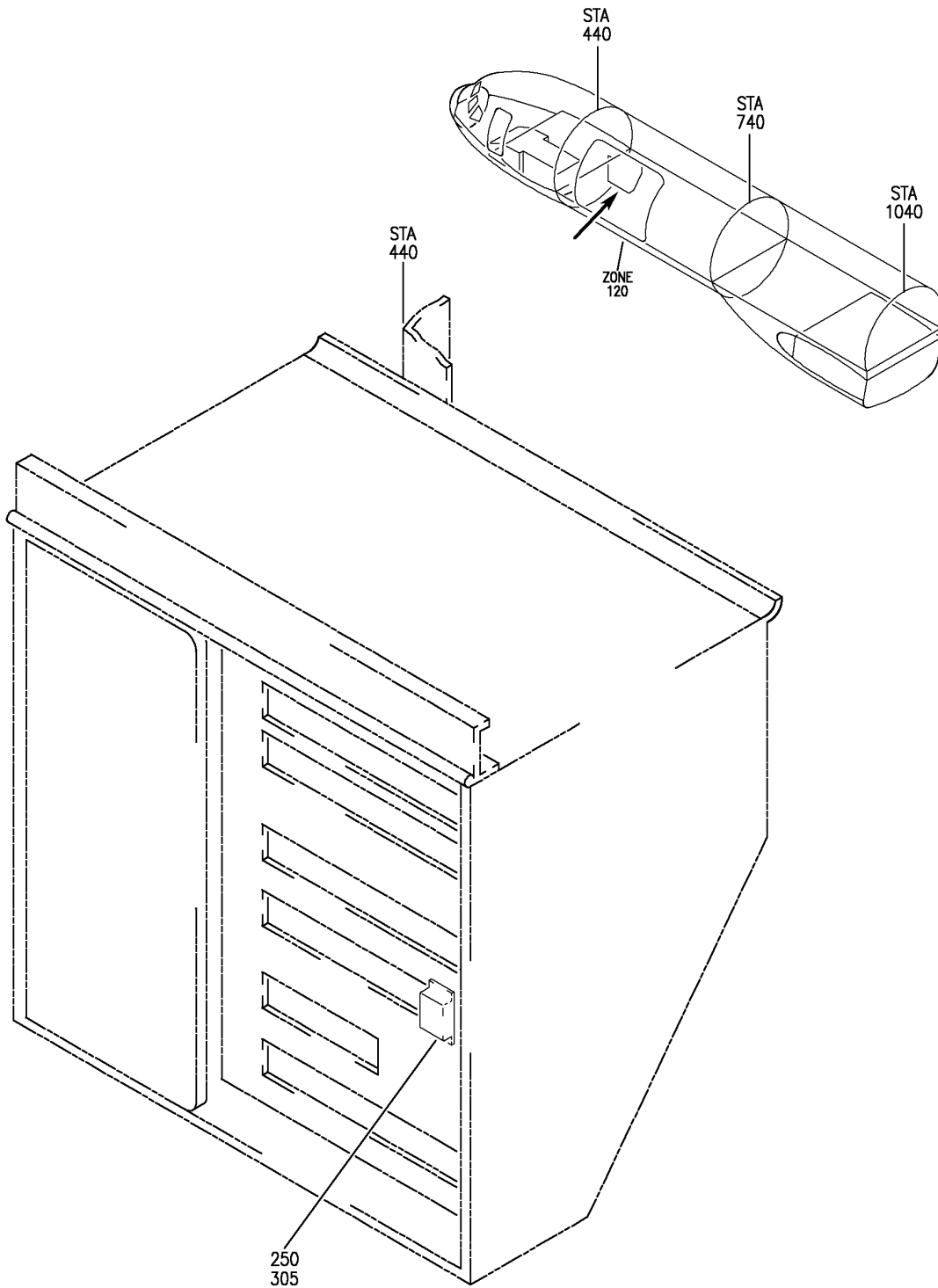
- ITEM NOT ILLUSTRATED

29-21-71-01C

29-21-71
FIG. 01C
PAGE 3
JAN 20/09

BRI

BOEING
757
PARTS CATALOG (MAINTENANCE)



Y 29217101D REV 250

PANEL INSTL-P37 R MISC RELAY (HYDRAULIC POWER ONLY)
FIGURE 1D

29-21-71-01D

BRI
JAN 20/09

29-21-71-01D
PAGE 0

BOEING PROPRIETARY - Copyright © - Unpublished Work - See title page for details.



757

PARTS CATALOG (MAINTENANCE)

FIG ITEM	PART NUMBER	1 2 3 4 5 6 7	NOMENCLATURE	EFFECT FROM TO	UNITS PER ASSY
1 D			PANEL INSTL-P37 R MISC RELAY (HYDRAULIC POWER ONLY)	103106 108120	
- 1	MODREF185037		PANEL INSTL-P37 R MISC RELAY (HYDRAULIC POWER ONLY) MODULE NUMBER: 284N1127-169 REV D FOR OTHER SYS DETAILS SEE: 11-36-12-02A 21-25-71-02D 21-44-71-02D 21-45-31-01D 21-51-55-01D 21-58-71-02D 21-61-71-02D 23-31-51-05 24-21-51-05 24-51-01-02 24-51-02-03 24-51-58-02D 27-62-71-03D 28-22-71-03D 30-11-71-02D 30-21-71-03D 30-31-71-02D 30-32-71-02D 30-33-71-02D 30-34-51-01D 31-01-37-10 31-31-71-02D 32-09-02-04D 32-42-71-02D 32-61-71-02D 33-43-55-01D 33-51-71-01D 34-12-71-02D 34-25-50-01D 34-61-52-01D 35-21-71-02D 36-11-71-02D 38-15-71-02D 73-21-55-01D 74-31-71-02D 76-11-71-02D 77-12-71-01D 78-34-71-02D 78-36-71-02D 80-11-71-02D	106106	1
MISSING ITEM NUMBERS NOT APPLICABLE					

- ITEM NOT ILLUSTRATED

29-21-71-01D

29-21-71
FIG. 01D
PAGE 1
JAN 20/09

BRI



757

PARTS CATALOG (MAINTENANCE)

FIG ITEM	PART NUMBER	1 2 3 4 5 6 7	NOMENCLATURE	EFFECT FROM TO	UNITS PER ASSY
1D -	3 284N1127-118		PANEL INSTL-P37 R MISC RELAY (HYDRAULIC POWER ONLY) FOR NHA/OTHER SYS DET SEE: 24-00-58-05C	108108	RF
-	4 284N1127-139		PANEL INSTL-P37 R MISC RELAY (HYDRAULIC POWER ONLY) FOR NHA/OTHER SYS DET SEE: 24-00-58-05C	109120	RF

MISSING ITEM NUMBERS NOT APPLICABLE

- ITEM NOT ILLUSTRATED

BRI

29-21-71-01D

BOEING PROPRIETARY - Copyright © - Unpublished Work - See title page for details.

29-21-71
FIG. 01D
PAGE 2
JAN 20/09



757

PARTS CATALOG (MAINTENANCE)

FIG ITEM	PART NUMBER	1 2 3 4 5 6 7	NOMENCLATURE	EFFECT FROM TO	UNITS PER ASSY
1 D - 8	MODREF31945		PANEL INSTL-P37 R MISC RELAY (HYDRAULIC POWER ONLY) MODULE NUMBER: 284N1127-169 REV B FOR OTHER SYS DETAILS SEE: 11-36-12-02A 21-25-71-02D 21-44-71-02D 21-45-31-01D 21-51-55-01D 21-58-71-02D 21-61-71-02D 23-31-51-05 24-21-51-05 24-51-01-02 24-51-02-03 24-51-58-02D 27-62-71-03D 28-22-71-03D 30-11-71-02D 30-21-71-03D 30-31-71-02D 30-32-71-02D 30-33-71-02D 30-34-51-01D 31-01-37-10 31-31-71-02D 32-09-02-04D 32-42-71-02D 32-61-71-02D 33-43-55-01D 33-51-71-01D 34-12-71-02D 34-25-50-01D 34-61-52-01D 35-21-71-02D 36-11-71-02D 38-15-71-02D 73-21-55-01D 74-31-71-02D 76-11-71-02D 77-12-71-01D 78-34-71-02D 78-36-71-02D 80-11-71-02D	103103	1

MISSING ITEM NUMBERS NOT APPLICABLE

- ITEM NOT ILLUSTRATED

BRI

29-21-71-01D

BOEING PROPRIETARY - Copyright © - Unpublished Work - See title page for details.

29-21-71
FIG. 01D
PAGE 3
JAN 20/09



757

PARTS CATALOG (MAINTENANCE)

FIG ITEM	PART NUMBER	1 2 3 4 5 6 7	NOMENCLATURE	EFFECT FROM TO	UNITS PER ASSY
1 D - 9	MODREF34305		PANEL INSTL-P37 R MISC RELAY (HYDRAULIC POWER ONLY) MODULE NUMBER: 284N1127-169 REV C FOR OTHER SYS DETAILS SEE: 11-36-12-02A 21-25-71-02D 21-44-71-02D 21-45-31-01D 21-51-55-01D 21-58-71-02D 21-61-71-02D 23-31-51-05 24-21-51-05 24-51-01-02 24-51-02-03 24-51-58-02D 27-62-71-03D 28-22-71-03D 30-11-71-02D 30-21-71-03D 30-31-71-02D 30-32-71-02D 30-33-71-02D 30-34-51-01D 31-01-37-10 31-31-71-02D 32-09-02-04D 32-42-71-02D 32-61-71-02D 33-43-55-01D 33-51-71-01D 34-12-71-02D 34-25-50-01D 34-61-52-01D 35-21-71-02D 36-11-71-02D 38-15-71-02D 73-21-55-01D 74-31-71-02D 76-11-71-02D 77-12-71-01D 78-34-71-02D 78-36-71-02D 80-11-71-02D	104105	1

MISSING ITEM NUMBERS NOT APPLICABLE

- ITEM NOT ILLUSTRATED

BRI

29-21-71-01D

BOEING PROPRIETARY - Copyright © - Unpublished Work - See title page for details.

29-21-71
 FIG. 01D
 PAGE 4
 JAN 20/09



757

PARTS CATALOG (MAINTENANCE)

FIG ITEM	PART NUMBER	1 2 3 4 5 6 7	NOMENCLATURE	EFFECT FROM TO	UNITS PER ASSY
1D 250	E410-1537		.RELAY- SUPPLIER CODE: V99699 SPECIFICATION NUMBER: BACR13CG2A OPTIONAL PART: E415-1078 V99699 BR230S0116 V56623 KD4A017 V58687 FCA410-62 V78290 ELECTRICAL EQUIP NUMBER: K10426	103106 108120	1
- 300	286N1270-360		WIRE BUNDLE ASSY- REWORKED BY ALERT SB: 34A0222	108120	RF
- 302 305	286N1270-602 BACS16W1		WIRE BUNDLE ASSY .SOCKET- ELECTRICAL EQUIP NUMBER: D05122 WIRING DIAGRAM REF: 291122	103106 103106 108120	RF 1

MISSING ITEM NUMBERS NOT APPLICABLE

- ITEM NOT ILLUSTRATED

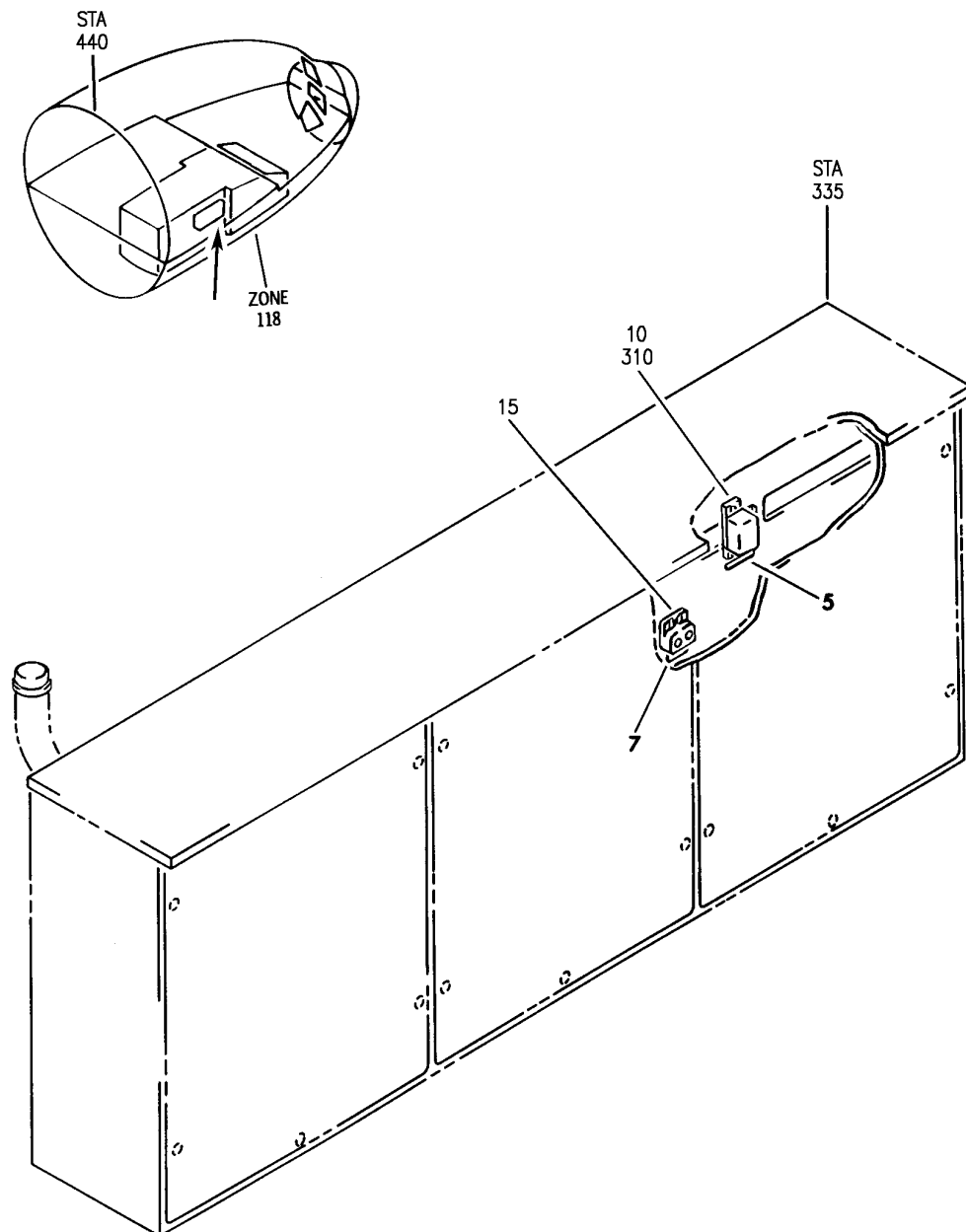
BRI

29-21-71-01D

BOEING PROPRIETARY - Copyright © - Unpublished Work - See title page for details.

29-21-71
FIG. 01D
PAGE 5
JAN 20/09

BOEING
757
PARTS CATALOG (MAINTENANCE)



Y 29217103 REV 266

SHIELD ASSY-P33 MISC ELEC EQPT (RAM AIR TURBINE SYSTEM ONLY)
FIGURE 3

29-21-71-03

BRI
MAY 28/07

29-21-71-03
PAGE 0



757

PARTS CATALOG (MAINTENANCE)

FIG ITEM	PART NUMBER	1 2 3 4 5 6 7	NOMENCLATURE	EFFECT FROM TO	UNITS PER ASSY
3			SHIELD ASSY-P33 MISC ELEC EQPT (RAM AIR TURBINE SYSTEM ONLY)	002004 006100 107107 121503 904999	
- 1	284N1318-1		SHIELD ASSY-P33 MISC ELEC EQPT (RAM AIR TURBINE SYSTEM ONLY) VARIABLE DRAWING REF: 284N1318-5010 284N1318-5016 284N1318-5019 284N1318-5021 284N1318-5023 FOR NHA/OTHER SYS DET SEE: 31-01-33-03	002004 006100 107107 121503 904999	RF
5	BAC27NEX0156		.DECAL- PLACARD CONTENT: K10059	002004 006100 107107 121503 904999	1
7	BAC27NEX0172		.DECAL- PLACARD CONTENT: M10323	002004 006100 107107 121503 904999	1
10	E210-1631		.RELAY- SUPPLIER CODE: V99699 SPECIFICATION NUMBER: BACR13CF2A OPTIONAL PART: BR246S0112 V56623 FCA210-70 V78290 E215-1050 V99699 JD4A017 V35344 BR64S104 V56623 61GB19-1A320 V98927 ELECTRICAL EQUIP NUMBER: K10059	002004 006100 107107 121503 904999	1

MISSING ITEM NUMBERS NOT APPLICABLE

- ITEM NOT ILLUSTRATED

BRI

29-21-71-03

29-21-71
FIG. 03
PAGE 1
JAN 20/09



757

PARTS CATALOG (MAINTENANCE)

FIG ITEM	PART NUMBER	1 2 3 4 5 6 7	NOMENCLATURE	EFFECT FROM TO	UNITS PER ASSY
3	15 10167-025BT		.TIME DELAY- SUPPLIER CODE: V08719 ELECTRICAL EQUIP NUMBER: M10323 OPTIONAL PART: 10167-2500BT V08719 530750-025 V08719 TD1982-025 V58657	002004 006100 121503 904949	1
	15 10167-2500BT		.TIME DELAY- SUPPLIER CODE: V08719 ELECTRICAL EQUIP NUMBER: M10323 OPTIONAL PART: 10167-025BT V08719 530750-2500 V08719 TD1982-2500 V58657 TD1767-2500 V58657	002004 006100 107107 121503 904999	1
	15 530750-2500		.TIME DELAY- SUPPLIER CODE: V08719 ELECTRICAL EQUIP NUMBER: M10323 OPTIONAL PART: 10167-2500BT V08719 TD1982-2500 V58657 TD1767-2500 V58657	002004 006100 107107 121503 904999	1

MISSING ITEM NUMBERS NOT APPLICABLE

- ITEM NOT ILLUSTRATED

BRI

29-21-71-03

BOEING PROPRIETARY - Copyright © - Unpublished Work - See title page for details.

29-21-71
FIG. 03
PAGE 2
JAN 20/09



757

PARTS CATALOG (MAINTENANCE)

FIG ITEM	PART NUMBER	1 2 3 4 5 6 7	NOMENCLATURE	EFFECT FROM TO	UNITS PER ASSY
3	15 TD1982-2500		.TIME DELAY- SUPPLIER CODE: V58657 ELECTRICAL EQUIP NUMBER: M10323 OPTIONAL PART: 10167-2500BT V08719 530750-2500 V08719 TD1767-2500 V58657	002004 006100 107107 121503 904999	1
	15 TD1767-2500		.TIME DELAY- SUPPLIER CODE: V58657 ELECTRICAL EQUIP NUMBER: M10323 OPTIONAL PART: 10167-2500BT V08719 530750-2500 V08719 TD1982-2500 V58657	002004 006100 107107 121503 904999	1
	15 530750-025		.TIME DELAY- SUPPLIER CODE: V08719 ELECTRICAL EQUIP NUMBER: M10323 OPTIONAL PART: 10167-025BT V08719 TD1982-025 V58657	002004 006100 121503 904949	1
	15 TD1982-025		.TIME DELAY- SUPPLIER CODE: V58657 ELECTRICAL EQUIP NUMBER: M10323 OPTIONAL PART: 10167-025BT V08719 530750-025 V08719	002004 006100 121503 904949	1

MISSING ITEM NUMBERS NOT APPLICABLE

- ITEM NOT ILLUSTRATED

BRI

29-21-71-03

29-21-71
FIG. 03
PAGE 3
JAN 20/09



757

PARTS CATALOG (MAINTENANCE)

FIG ITEM	PART NUMBER	1 2 3 4 5 6 7	NOMENCLATURE	EFFECT FROM TO	UNITS PER ASSY
3			ATTACHING PARTS		
- 20	NAS1801-06-13		.SCREW	002004 006100 107107 121503 904999	2
- 25	AN960JD6L		.WASHER-	002004 006100 107107 121503 904999	2
			-----*-----		
- 300	286N1230-002		WIRE BUNDLE ASSY	121503 904949	RF
- 300	286N1230-003		WIRE BUNDLE ASSY	107107	RF
- 300	286N1230-004		WIRE BUNDLE ASSY	002004 006100 950999	RF
310	RSF116200		.SOCKET- SUPPLIER CODE: V58982 SPECIFICATION NUMBER: BACS16X1A OPTIONAL PART: 102-006-1 V09922 000300-1538 V05574 ELECTRICAL EQUIP NUMBER: D03244 WIRING DIAGRAM REF: 292131	002004 006100 107107 121503 904999	1

MISSING ITEM NUMBERS NOT APPLICABLE

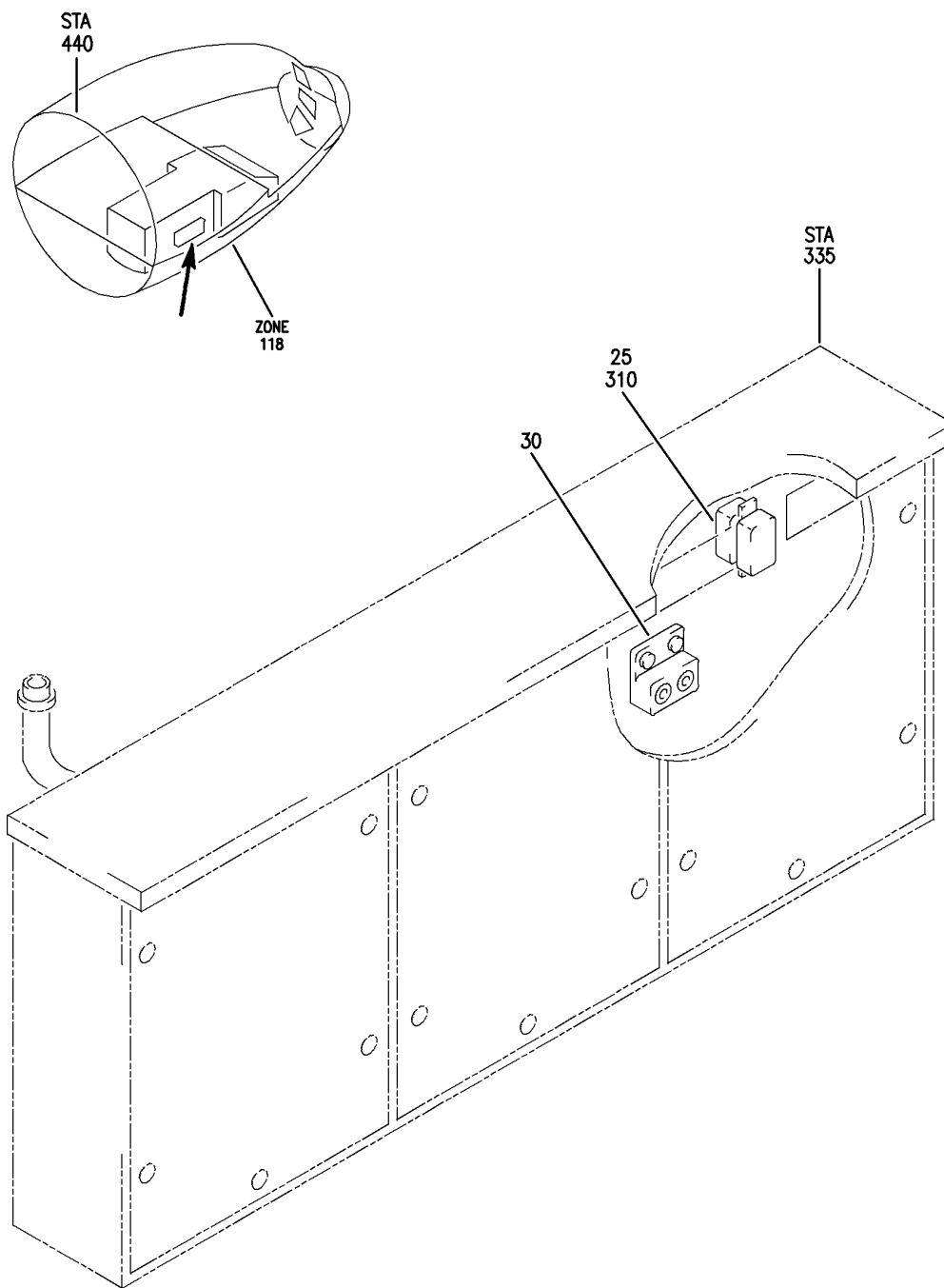
- ITEM NOT ILLUSTRATED

BRI

29-21-71-03

29-21-71
FIG. 03
PAGE 4
JAN 20/09

BOEING
757
PARTS CATALOG (MAINTENANCE)



Y 29217103A REV 234

PACKAGE ASSY-OPTION P33 MISC ELECT EQPT (RAM AIR TURBINE SYSTEM ONLY)
FIGURE 3A

BRI
MAY 28/07

29-21-71-03A

29-21-71-03A
PAGE 0



757

PARTS CATALOG (MAINTENANCE)

FIG ITEM	PART NUMBER	1 2 3 4 5 6 7	NOMENCLATURE	EFFECT FROM TO	UNITS PER ASSY
3A			PACKAGE ASSY-OPTION P33	101102	
			MISC ELECT EQPT (RAM	108120	
			AIR TURBINE SYSTEM ONLY)	504903	
- 1	284N1318-1000		PACKAGE ASSY-OPTION P33	101102	RF
			MISC ELECT EQPT (RAM	108120	
			AIR TURBINE SYSTEM ONLY)	504903	
			FOR NHA/OTHER SYS DET SEE:		
			31-01-33-01		
25	E210-1631		.RELAY-	101102	1
			SUPPLIER CODE:	108120	
			V99699	504903	
			SPECIFICATION NUMBER:		
			BACR13CF2A		
			OPTIONAL PART:		
			BR246S0112		
			V56623		
			FCA210-70		
			V78290		
			E215-1050		
			V99699		
			JD4A017		
			V35344		
			BR64S104		
			V56623		
			61GB19-1A320		
			V98927		
			ELECTRICAL EQUIP NUMBER:		
			K10059		
			WIRING DIAGRAM REF:		
			292131		
30	10167-2500BT		.TIME DELAY-	101102	1
			SUPPLIER CODE:	108120	
			V08719	504903	
			ELECTRICAL EQUIP NUMBER:		
			M10323		
			WIRING DIAGRAM REF:		
			292131		
			OPTIONAL PART:		
			530750-2500		
			V08719		
			TD1982-2500		
			V58657		
			TD1767-2500		
			V58657		

MISSING ITEM NUMBERS NOT APPLICABLE

- ITEM NOT ILLUSTRATED

29-21-71-03A

29-21-71
FIG. 03A
PAGE 1
JAN 20/09

BRI



757

PARTS CATALOG (MAINTENANCE)

FIG ITEM	PART NUMBER	1 2 3 4 5 6 7	NOMENCLATURE	EFFECT FROM TO	UNITS PER ASSY
3A 30	530750-2500	.	TIME DELAY- SUPPLIER CODE: V08719 ELECTRICAL EQUIP NUMBER: M10323 WIRING DIAGRAM REF: 292131 OPTIONAL PART: 10167-2500BT V08719 TD1982-2500 V58657 TD1767-2500 V58657	101102 108120 504903	1
30	TD1982-2500	.	TIME DELAY- SUPPLIER CODE: V58657 ELECTRICAL EQUIP NUMBER: M10323 WIRING DIAGRAM REF: 292131 OPTIONAL PART: 10167-2500BT V08719 530750-2500 V08719 TD1767-2500 V58657	101102 108120 504903	1
30	TD1767-2500	.	TIME DELAY- SUPPLIER CODE: V58657 ELECTRICAL EQUIP NUMBER: M10323 WIRING DIAGRAM REF: 292131 OPTIONAL PART: 10167-2500BT V08719 530750-2500 V08719 TD1982-2500 V58657	101102 108120 504903	1
- 35	NAS1801-06-13	.	ATTACHING PARTS SCREW	101102 108120 504903	2

MISSING ITEM NUMBERS NOT APPLICABLE

- ITEM NOT ILLUSTRATED

29-21-71-03A

29-21-71
FIG. 03A
PAGE 2
JAN 20/09

BRI



757

PARTS CATALOG (MAINTENANCE)

FIG ITEM	PART NUMBER	1 2 3 4 5 6 7	NOMENCLATURE	EFFECT FROM TO	UNITS PER ASSY
3A					
- 40	NAS1149DN616J		.WASHER	101102 108120 504903	2
			-----*-----		
- 300	286N1230-303		WIRE BUNDLE ASSY	101102	RF
- 305	286N1230-322		WIRE BUNDLE ASSY	504903	RF
- 305	286N1230-323		WIRE BUNDLE ASSY	108120	RF
310	RSF116200		.SOCKET-RELAY	101102	1
			SUPPLIER CODE:	108120	
			V58982	504903	
			SPECIFICATION NUMBER:		
			BACS16X1A		
			OPTIONAL PART:		
			102-006-1		
			V09922		
			000300-1538		
			V05574		
			ELECTRICAL EQUIP NUMBER:		
			D03244		
			WIRING DIAGRAM REF:		
			292131		

MISSING ITEM NUMBERS NOT APPLICABLE

- ITEM NOT ILLUSTRATED

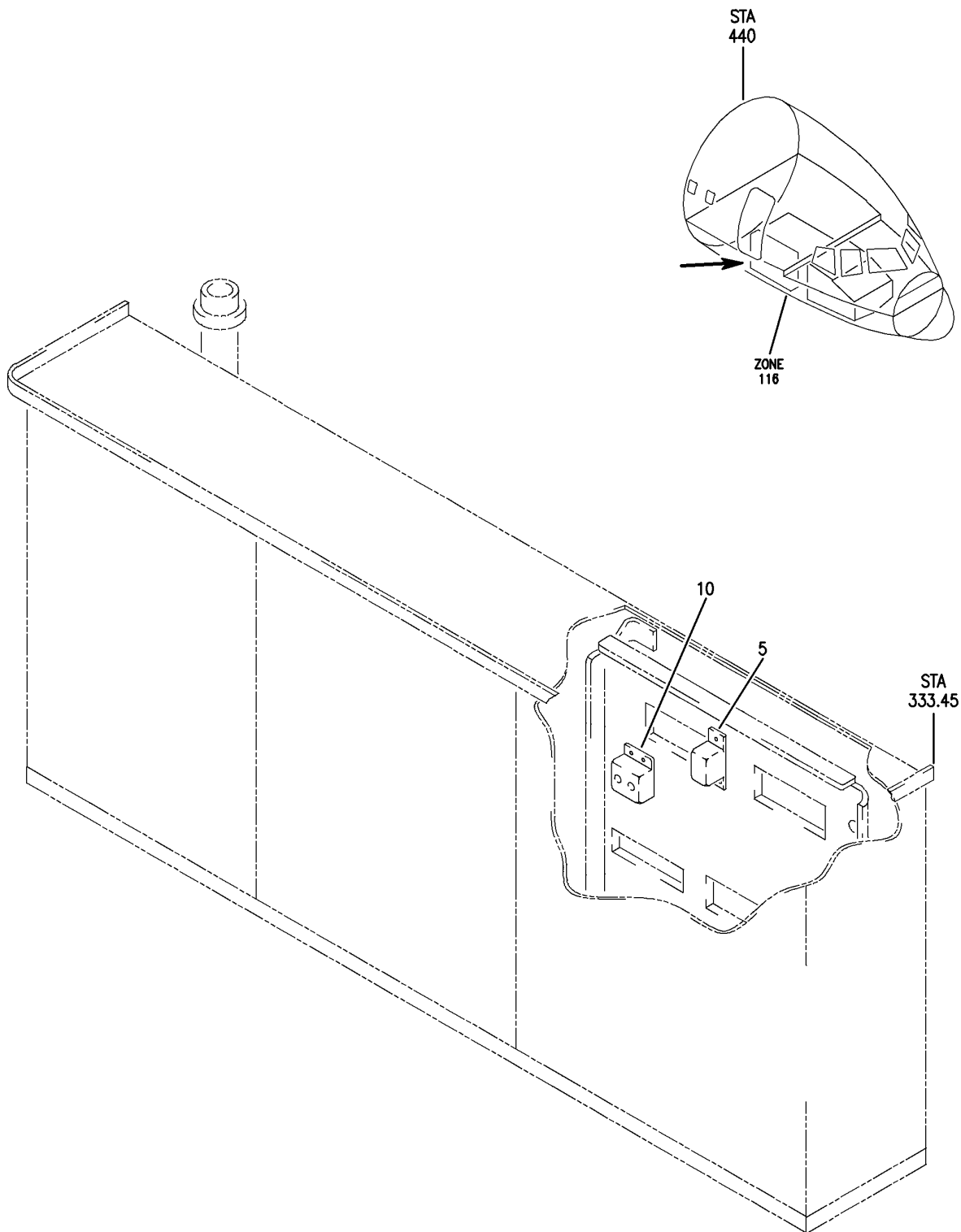
BRI

29-21-71-03A

BOEING PROPRIETARY - Copyright © - Unpublished Work - See title page for details.

29-21-71
FIG. 03A
PAGE 3
JAN 20/09

BOEING
757
PARTS CATALOG (MAINTENANCE)



Y 29217103B REV 223

SHIELD INSTL-P33 MISC ELEC EQPT (RAM AIR TURBINE (RAT) SYSTEM ONLY)
FIGURE 3B

BRI
JAN 20/09

29-21-71-03B

29-21-71-03B
PAGE 0



757

PARTS CATALOG (MAINTENANCE)

FIG ITEM	PART NUMBER	1 2 3 4 5 6 7	NOMENCLATURE	EFFECT FROM TO	UNITS PER ASSY
3B			SHIELD INSTL-P33 MISC ELEC EQPT (RAM AIR TURBINE (RAT) SYSTEM ONLY)	103106	
- 1	MODREF33173		SHIELD INSTL-P33 MISC ELEC EQPT (RAM AIR TURBINE (RAT) SYSTEM ONLY) MODULE NUMBER: 284N1318-107 REV B FOR OTHER SYS DETAILS SEE: 11-36-06-01B 24-53-71-03B 26-15-71-01B 27-51-71-01B 27-81-71-01B 28-21-71-01B 28-22-71-01B 28-26-71-01B 29-11-71-01B 29-22-71-01B 30-31-71-03B 30-32-71-03B 31-01-33-10 33-42-71-02B	103105	1
- 1	MODREF34797		SHIELD INSTL-P33 MISC ELEC EQPT (RAM AIR TURBINE (RAT) SYSTEM ONLY) MODULE NUMBER: 284N1318-107 REV C FOR OTHER SYS DETAILS SEE: 11-36-06-01B 24-53-71-03B 26-15-71-01B 27-51-71-01B 27-81-71-01B 28-21-71-01B 28-22-71-01B 28-26-71-01B 29-11-71-01B 29-22-71-01B 30-31-71-03B 30-32-71-03B 31-01-33-10 33-42-71-02B	106106	1

MISSING ITEM NUMBERS NOT APPLICABLE

- ITEM NOT ILLUSTRATED

BRI

29-21-71-03B

BOEING PROPRIETARY - Copyright © - Unpublished Work - See title page for details.

29-21-71
FIG. 03B
PAGE 1
JAN 20/09



757

PARTS CATALOG (MAINTENANCE)

FIG ITEM	PART NUMBER	1 2 3 4 5 6 7	NOMENCLATURE	EFFECT FROM TO	UNITS PER ASSY
3B 5	E210-1631		.RELAY- SUPPLIER CODE: V99699 SPECIFICATION NUMBER: BACR13CF2A OPTIONAL PART: BR246S0112 V56623 FCA210-70 V78290 E215-1050 V99699 JD4A017 V35344 BR64S104 V56623 61GB19-1A320 V98927 ELECTRICAL EQUIP NUMBER: K10059	103106	1
10	10167-2500BT		.TIME DELAY- SUPPLIER CODE: V08719 ELECTRICAL EQUIP NUMBER: M10323 OPTIONAL PART: 530740-2500 V08719	103105	1
10	530740-2500		.TIME DELAY- SUPPLIER CODE: V08719 ELECTRICAL EQUIP NUMBER: M10323 ATTACHING PARTS	103106	1
- 15	NAS1801-06-13		.SCREW-	103105	2
- 15	BACS12HN06-13		.SCREW-	106106	2
- 20	NAS1149DN616J		.WASHER -----*-----	103106	2
- 300	286N1230-701		WIRE BUNDLE ASSY	103106	RF

MISSING ITEM NUMBERS NOT APPLICABLE

- ITEM NOT ILLUSTRATED

29-21-71-03B

29-21-71
FIG. 03B
PAGE 2
JAN 20/09

BRI



757

PARTS CATALOG (MAINTENANCE)

FIG ITEM	PART NUMBER	1 2 3 4 5 6 7	NOMENCLATURE	EFFECT FROM TO	UNITS PER ASSY
3B 305	RSF116200		.SOCKET- SUPPLIER CODE: V58982 SPECIFICATION NUMBER: BACS16X1A OPTIONAL PART: 102-006-1 V09922 000300-1538 V05574 ELECTRICAL EQUIP NUMBER: D03244 WIRING DIAGRAM REF: 292131	103106	1
310	MS25171-1S		.NIPPLE- ELECTRICAL EQUIP NUMBER: M10323T WIRING DIAGRAM REF: 292131	103106	2

MISSING ITEM NUMBERS NOT APPLICABLE

- ITEM NOT ILLUSTRATED

BRI

29-21-71-03B

BOEING PROPRIETARY - Copyright © - Unpublished Work - See title page for details.

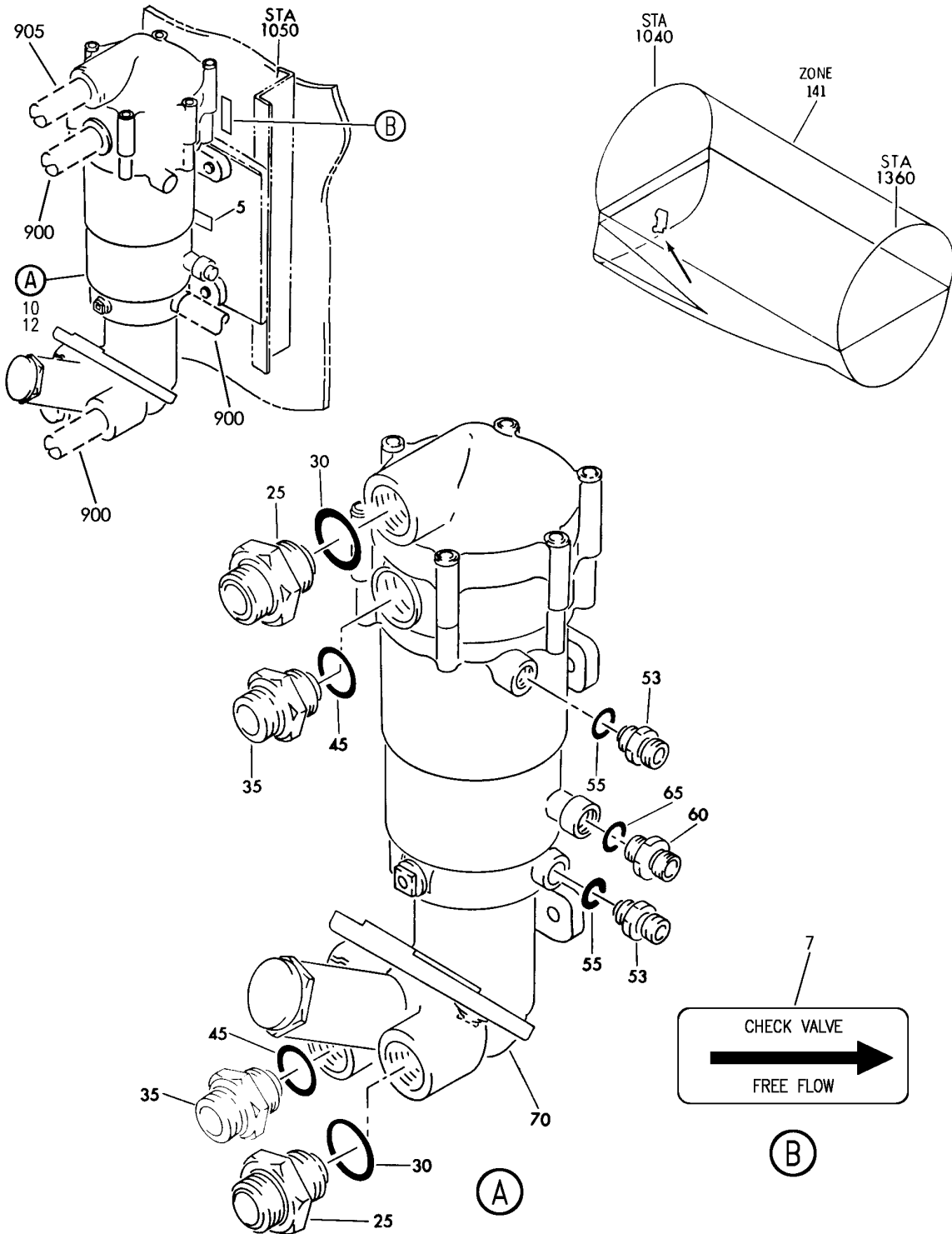
29-21-71
FIG. 03B
PAGE 3
JAN 20/09

HYDRAULIC POWER TRANSFER UNIT SYSTEM (PTU)

BRI
MAY 28/07

29-22-00
SECTION TITLE
PAGE 1

BOEING
757
PARTS CATALOG (MAINTENANCE)



Y 29220101 REV 274

UNIT INSTL-PWR TRANSFER
FIGURE 1

29-22-01-01

BRI
MAY 28/07

29-22-01-01
PAGE 0



757

PARTS CATALOG (MAINTENANCE)

FIG ITEM	PART NUMBER	1 2 3 4 5 6 7	NOMENCLATURE	EFFECT FROM TO	UNITS PER ASSY
1			UNIT INSTL-PWR TRANSFER	002004 006999	
- 1	271N1008-1		UNIT INSTL-PWR TRANSFER FOR NHA SEE: 29-00-51-05	002004 006010 107107 121503 904999	RF
- 1	271N1008-9		UNIT INSTL-PWR TRANSFER FOR NHA SEE: 29-00-51-05 29-00-51-02C	011102 108120 504903	RF
- 1	MODREF8901		UNIT INSTL-PWR TRANSFER MODULE NUMBER: 271N1008-9 REV A	103106	1
5	BAC27NHY0030		.MARKER-ALUMINUM FOIL PLACARD CONTENT: PTU MOTOR/PUMP	002004 006999	1
10	271N1008-8		.UNIT ASSY-	002004 006999	1
- 15	BACB30NM4K7		ATTACHING PARTS .BOLT-	002004 006999	4
- 20	BACW10BN4AC		.WASHER-	002004 006999	4
25	MS21902D16		-----*----- ..UNION-	002004 006999	2
30	NAS1612-16		..PACKING-	002004 006999	2
35	BACU24K12		..UNION-	002004 006999	2
45	NAS1612-12A		..PACKING- POST SERVICE LETTER: 20-031	002004 006999	2
53	BACU24K6		..UNION-	002004 006999	2
55	NAS1612-6A		..PACKING- POST SERVICE LETTER: 20-031	002004 006999	2
60	BACU24K4		..UNION-	002004 006999	1
65	NAS1612-4A		..PACKING- POST SERVICE LETTER: 20-031	002004 006999	1

MISSING ITEM NUMBERS NOT APPLICABLE

- ITEM NOT ILLUSTRATED

29-22-01-01

29-22-01
FIG. 01
PAGE 1
JAN 20/09

BRI



757

PARTS CATALOG (MAINTENANCE)

FIG ITEM	PART NUMBER	1 2 3 4 5 6 7	NOMENCLATURE	EFFECT FROM TO	UNITS PER ASSY
1 70	622532		..UNIT-HYDR MOTOR PUMP SUPPLIER CODE: V62983 SPECIFICATION NUMBER: S271N101-6 COMPONENT MAINT MANUAL REF: 29-20-16	002004 006999	1
900			ILLUSTRATION REFERENCE: PLUMBING INSTL-SECT. 44 MLG WHL WELL HYDR (HYDRAULIC POWER TRANSFER UNIT SYSTEM ONLY) 29-22-51-20	002004 006100 107107 121503 904999	RF
905			ILLUSTRATION REFERENCE: PLUMBING INSTL-SECT. 44 MAIN WHL WELL HYDR (HYDRAULIC POWER ONLY) 29-11-51-36	002004 006100 107107 121503 904999	RF

MISSING ITEM NUMBERS NOT APPLICABLE

- ITEM NOT ILLUSTRATED

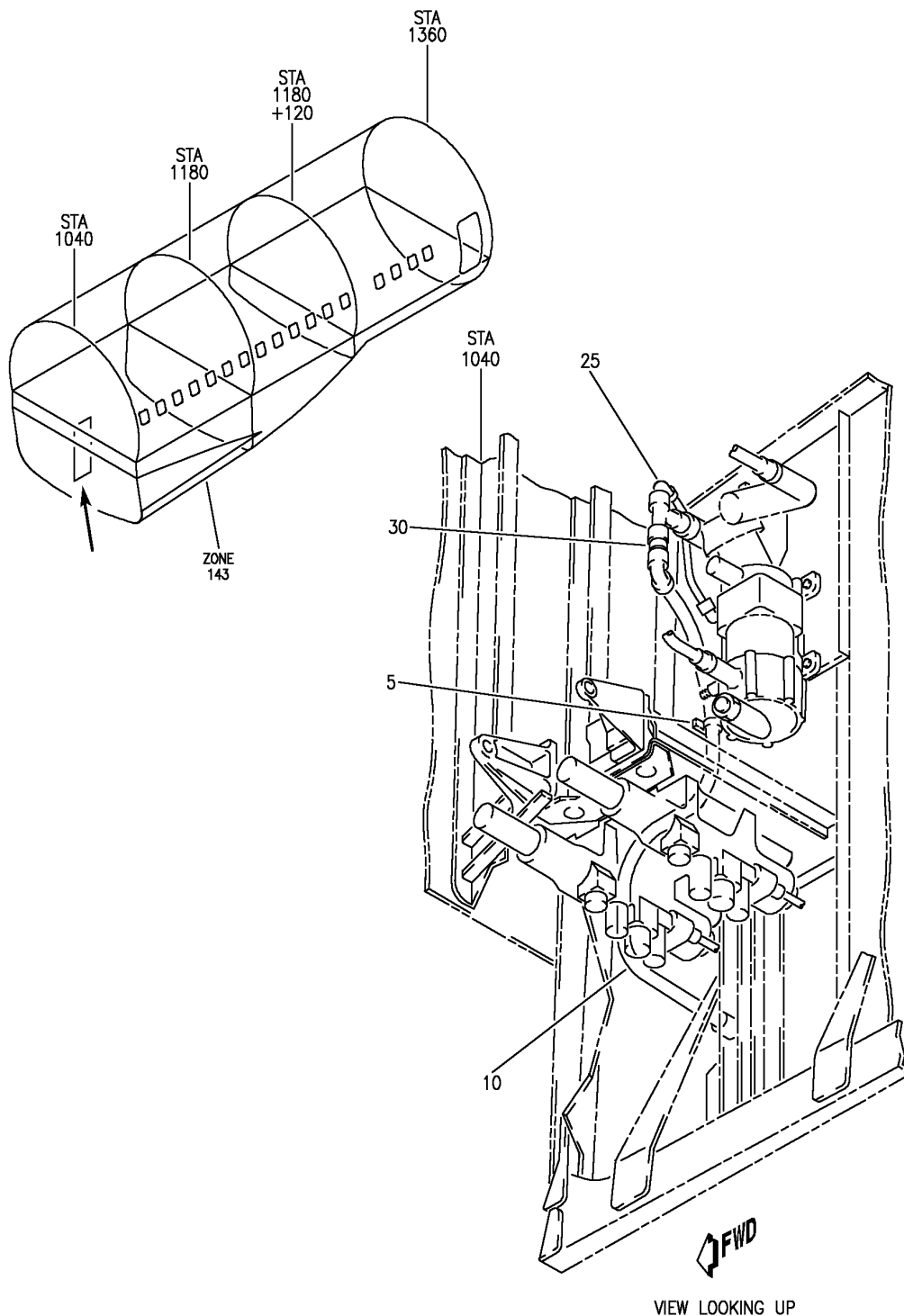
BRI

29-22-01-01

BOEING PROPRIETARY - Copyright © - Unpublished Work - See title page for details.

29-22-01
FIG. 01
PAGE 2
JAN 20/09

BOEING
757
PARTS CATALOG (MAINTENANCE)



Y 29220102 REV 249

PLUMBING INSTL-MAIN WHL WELL BHD HYDR (HYDRAULIC POWER TRANSFER UNIT (PTU) SYSTEM ONLY)
FIGURE 2

BRI
JAN 20/09

29-22-01-02

29-22-01-02
PAGE 0



757

PARTS CATALOG (MAINTENANCE)

FIG ITEM	PART NUMBER	1 2 3 4 5 6 7	NOMENCLATURE	EFFECT FROM TO	UNITS PER ASSY
2			PLUMBING INSTL-MAIN WHL WELL BHD HYDR (HYDRAULIC POWER TRANSFER UNIT (PTU) SYSTEM ONLY)	103106	
- 1	MODREF31486		PLUMBING INSTL-MAIN WHL WELL BHD HYDR (HYDRAULIC POWER TRANSFER UNIT (PTU) SYSTEM ONLY)TEM ONLY) MODULE NUMBER: 271N6441-41 REV B POSITION DATA: FWD FOR OTHER SYS DETAILS SEE: 11-22-06-05 27-11-14-12 29-11-27-02 29-11-51-39D 29-11-51-39E 32-35-10-02 32-41-02-11 32-41-02-12 32-41-04-02 32-42-02-03 32-42-02-04 32-42-09-02 32-42-10-02 32-44-03-03 32-44-06-02	103106	1
5	TA0910004H112		.CLAMP SUPPLIER CODE: V84971 SPECIFICATION NUMBER: BACC10HB12C	103106	1
10	271N6441-1429		.TUBE ASSY-RETURN SYS TUBING MATERIAL: .750 IN. OD .035 IN. WALL 38.6 IN. LG AL AMS 4081 6061 T6 COLD WORKED, STRESS RELIEVED TUBING	103106	1

MISSING ITEM NUMBERS NOT APPLICABLE

- ITEM NOT ILLUSTRATED

BRI

29-22-01-02

29-22-01
FIG. 02
PAGE 1
JAN 20/09



757

PARTS CATALOG (MAINTENANCE)

FIG ITEM	PART NUMBER	1 2 3 4 5 6 7	NOMENCLATURE	EFFECT FROM TO	UNITS PER ASSY
2					
- 15	AP2097HP12		.. SLEEVE SUPPLIER CODE: V01673 SPECIFICATION NUMBER: BACS13BX12HP OPTIONAL PART: 2-02903-12HP V11328 35235VN12 V08199 AFP175V12P V30974 DBOS13BX12HP V14798	103106	2
- 20	BACN10YL12		.. NUT	103106	2
25	NAS1762W0606		. ELBOW	103106	1
30	1C3598		. VALVE SUPPLIER CODE: V99240 SPECIFICATION NUMBER: BACV10CD15 OPTIONAL PART: 0121520900-15 V83533	103106	1

MISSING ITEM NUMBERS NOT APPLICABLE

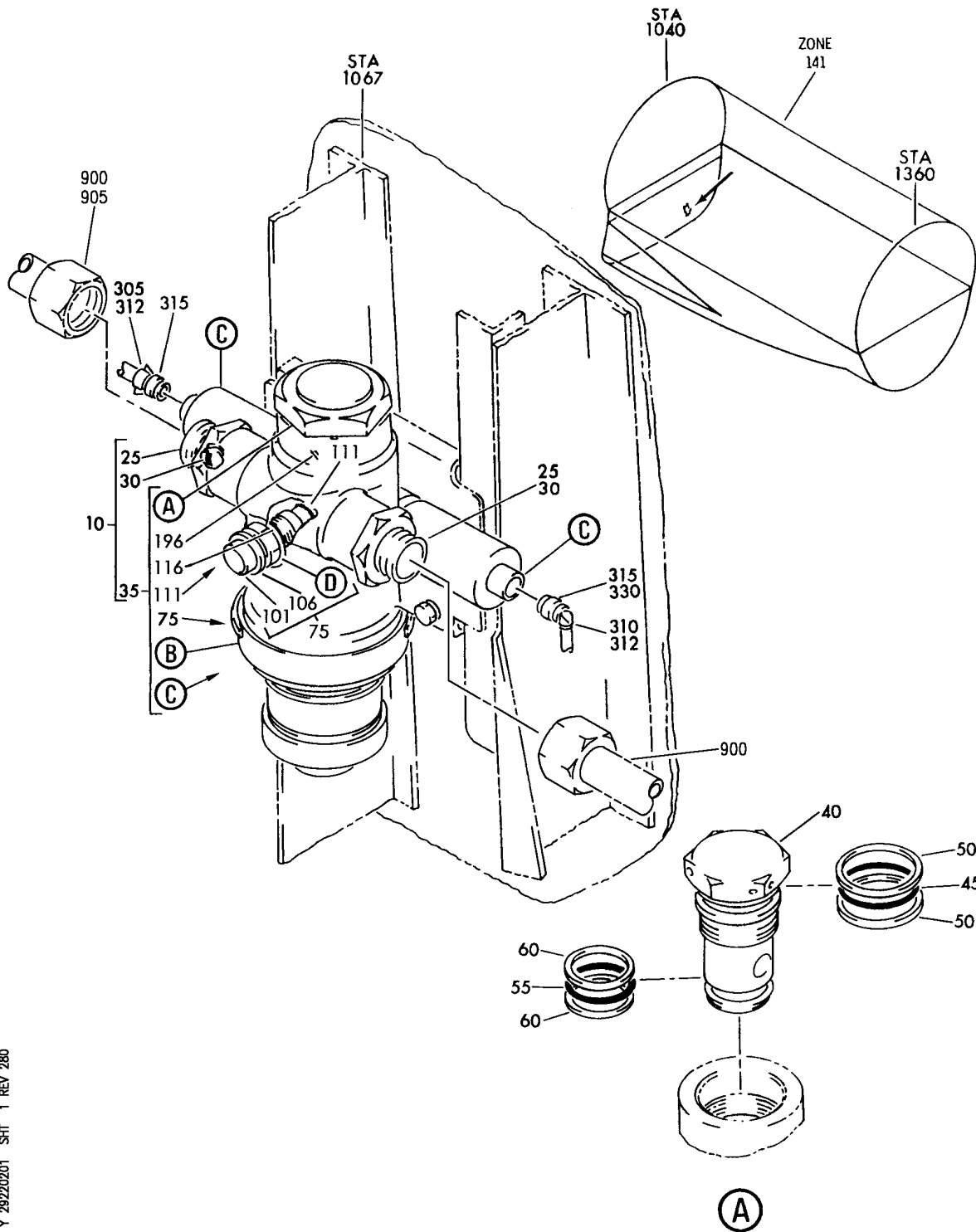
- ITEM NOT ILLUSTRATED

29-22-01-02

29-22-01
FIG. 02
PAGE 2
JAN 20/09

BRI

BOEING
757
PARTS CATALOG (MAINTENANCE)



Y 29220201 SHT 1 REV 280

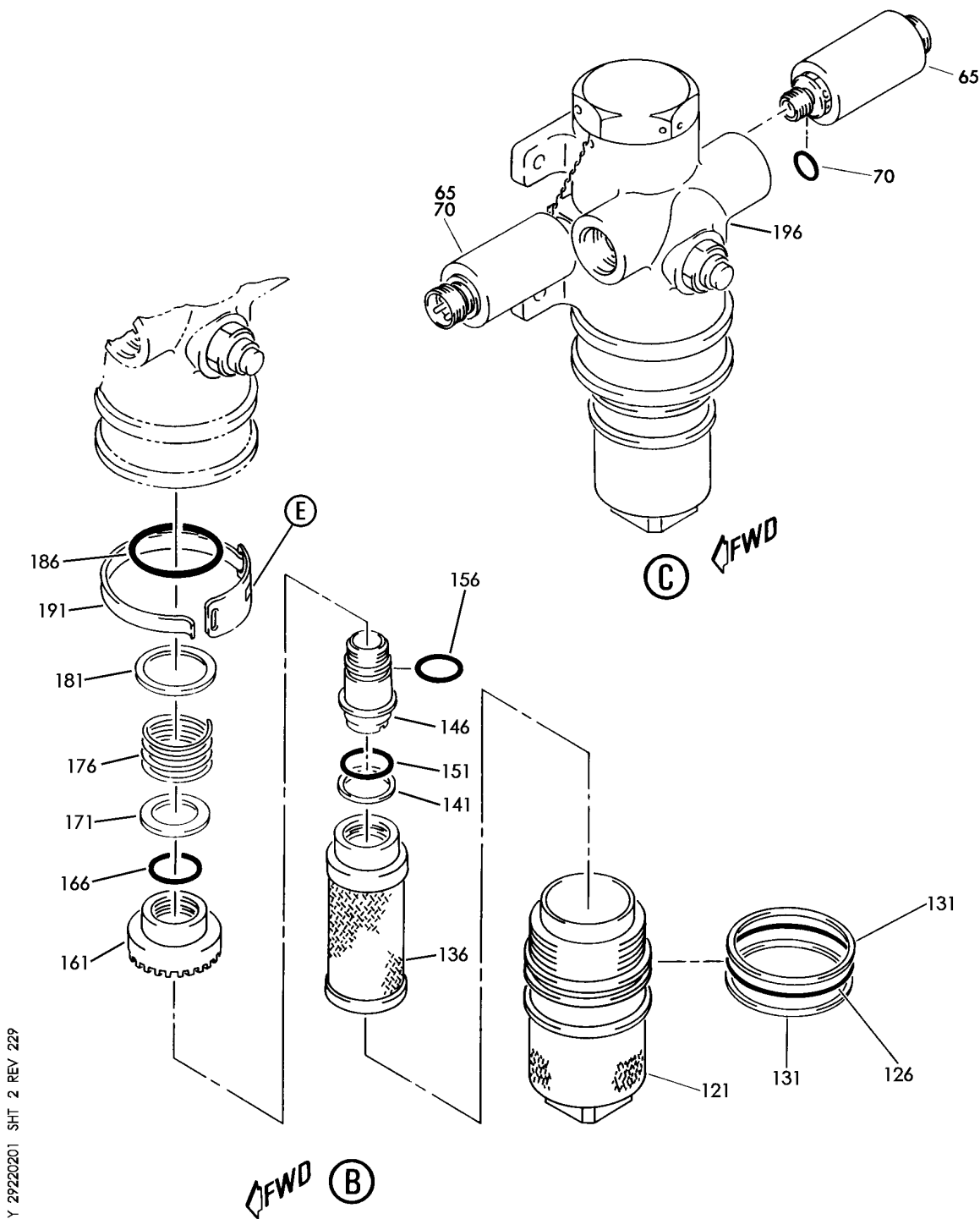
MODULE INSTL-PWR TRANSFER UNIT PRESSURE FILTER (HYDRAULIC POWER ONLY)
FIGURE 1 (SHEET 1)

29-22-02-01

BRI
MAY 28/07

29-22-02-01
PAGE 0

BOEING
757
PARTS CATALOG (MAINTENANCE)



Y 29220201 SHT 2 REV 229

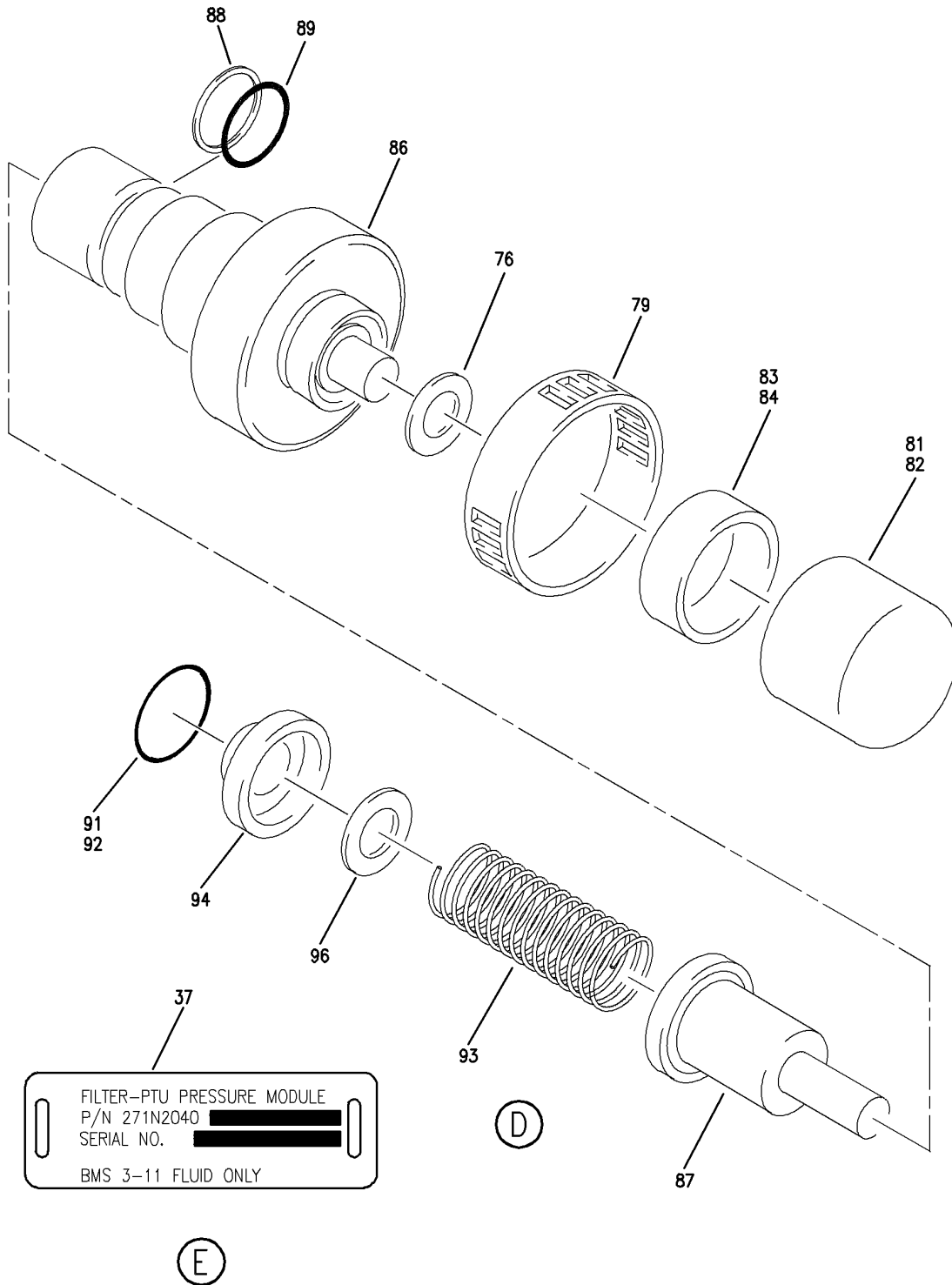
MODULE INSTL-PWR TRANSFER UNIT PRESSURE FILTER (HYDRAULIC POWER ONLY)
FIGURE 1 (SHEET 2)

29-22-02-01

BRI
MAY 28/07

29-22-02-01
PAGE 0A

BOEING
757
PARTS CATALOG (MAINTENANCE)



Y 29220201 SHT 3 REV 229

MODULE INSTL-PWR TRANSFER UNIT PRESSURE FILTER (HYDRAULIC POWER ONLY)
FIGURE 1 (SHEET 3)

29-22-02-01

BRI
MAY 28/07

29-22-02-01
PAGE 08



757

PARTS CATALOG (MAINTENANCE)

FIG ITEM	PART NUMBER	1 2 3 4 5 6 7	NOMENCLATURE	EFFECT FROM TO	UNITS PER ASSY
1			MODULE INSTL-PWR TRANSFER UNIT PRESSURE FILTER (HYDRAULIC POWER ONLY)	002004 006999	
- 1	271N2009-1		MODULE INSTL-PWR TRANSFER UNIT PRESSURE FILTER (HYDRAULIC POWER ONLY) FOR NHA/OTHER SYS DET SEE: 29-00-51-05 29-00-51-02C	002004 006102 107107 121999	RF
- 1	271N2009-4		MODULE INSTL-PWR TRANSFER UNIT PRESSURE FILTER (HYDRAULIC POWER ONLY) FOR NHA/OTHER SYS DET SEE: 29-00-51-02C	108120	RF
- 1	MODREF6915		MODULE INSTL-PWR TRANSFER UNIT PRESSURE FILTER (HYDRAULIC POWER ONLY) MODULE NUMBER: 271N2009-4 REV A FOR OTHER SYS DETAILS SEE: 11-38-40-01	103106	1
10	271N2009-3		.MODULE ASSY-PRESSURE	002004 006102 107107 121999	1
10	271N2009-5		.MODULE ASSY-PRESSURE	103106 108120	1
- 15	BACB30NM4K7		ATTACHING PARTS .BOLT	002004 006999	3
- 20	BACW10BN4AC		.WASHER	002004 006999	3
25	BACU24K12		-----*----- ..UNION-	002004 006102 107107 121999	2
25	MS21902-12T		..UNION-	103106 108120	2
30	NAS1612-12		..PACKING-	002004 006102 107107 121999	2
30	NAS1612-12A		..PACKING-	103106 108120	2

MISSING ITEM NUMBERS NOT APPLICABLE

- ITEM NOT ILLUSTRATED

BRI

29-22-02-01

29-22-02
FIG. 01
PAGE 1
JAN 20/09



757

PARTS CATALOG (MAINTENANCE)

FIG ITEM	PART NUMBER	1 2 3 4 5 6 7	NOMENCLATURE	EFFECT FROM TO	UNITS PER ASSY
1					
35	271N2040-2		..FILTER ASSY- COMPONENT MAINT MANUAL REF: 29-11-37 USED ON: 271N2009-3 PRE SERVICE BULLETIN: 29-0056	002004 006102 504952	1
35	271N2040-3		..FILTER ASSY- POST SERVICE BULLETIN: 29-0056	002004 006999	1
37	BAC27NHY0098		...NAMEPLATE- REWORKED BY SB: 29-0056	002004 006999	1
40	2790523-101		...VALVE-CHK SUPPLIER CODE: V92003 SPECIFICATION NUMBER: S270T242-5 COMPONENT MAINT MANUAL REF: 29-09-15	002004 006999	1
45	NAS1611-223A		...PACKING- USED ON: 271N2040-3	002004 006999	1
45	NAS1611-223		...PACKING- USED ON: 271N2040-2	002004 006102 504952	1
50	MS27595-223		...RETAINER	002004 006999	2
55	NAS1611-125A		...PACKING- USED ON: 271N2040-3	002004 006999	1
55	NAS1611-125		...PACKING- USED ON: 271N2040-2	002004 006102 504952	1
60	MS27595-125		...RETAINER	002004 006999	2

MISSING ITEM NUMBERS NOT APPLICABLE

- ITEM NOT ILLUSTRATED

29-22-02-01

29-22-02
FIG. 01
PAGE 2
JAN 20/09

BRI



757

PARTS CATALOG (MAINTENANCE)

FIG ITEM	PART NUMBER	1 2 3 4 5 6 7	NOMENCLATURE	EFFECT FROM TO	UNITS PER ASSY
1 65	211C223-322		... SWITCH-PRESSURE SUPPLIER CODE: V02750 SPECIFICATION NUMBER: S271T452-10 COMPONENT MAINT MANUAL REF: 29-09-02 OPTIONAL PART: 211C223-212 V02750 211C223-521 V02750 OPTIONAL PART: 211C223-212 V02750 211C223-521 V02750 PRE SERVICE BULLETIN: 29-0056 PRE AIRLINE MOD: EO 2999R150 VALP	002004 006999	2
65	211C223-212		... SWITCH-PRESSURE SUPPLIER CODE: V02750 SPECIFICATION NUMBER: S271T452-10 ELECTRICAL EQUIP NUMBER: S10129 S10246 COMPONENT MAINT MANUAL REF: 29-09-02 OPTIONAL PART: 211C223-322 V02750 211C223-521 V02750 OPTIONAL PART: 211C223-322 V02750 211C223-521 V02750 PRE SERVICE BULLETIN: 29-0056 PRE AIRLINE MOD: EO 2999R150 VALP	002004 006999	2

MISSING ITEM NUMBERS NOT APPLICABLE

- ITEM NOT ILLUSTRATED

29-22-02-01

29-22-02
FIG. 01
PAGE 3
JAN 20/09

BRI



757

PARTS CATALOG (MAINTENANCE)

FIG ITEM	PART NUMBER	1 2 3 4 5 6 7	NOMENCLATURE	EFFECT FROM TO	UNITS PER ASSY
1 65	211C223-521		...SWITCH-PRESSURE SUPPLIER CODE: V02750 SPECIFICATION NUMBER: S271T452-10 ELECTRICAL EQUIP NUMBER: S10129 S10246 COMPONENT MAINT MANUAL REF: 29-09-02 OPTIONAL PART: 211C223-322 V02750 211C223-212 V02750 OPTIONAL PART: 211C223-322 V02750 211C223-212 V02750 POST SERVICE BULLETIN: 29-0056	002004 006999	2
70	NAS1612-6A		...PACKING- USED ON: 271N2040-3	002004 006999	2
70	NAS1612-6		...PACKING- USED ON: 271N2040-2	002004 006102 504952	2
75	TC125UK00ZY1		...INDICATOR ASSY-DIFF PRESSURE SUPPLIER CODE: V18350 SPECIFICATION NUMBER: S271T005-3 OPTIONAL PART: 7586631 V05228	002004 006999	1
75	7586631		...INDICATOR ASSY-DIFF PRESSURE HYDR SUPPLIER CODE: V05228 SPECIFICATION NUMBER: S271T005-4 OPTIONAL PART: TC125UK00ZY1 V18350	002004 006999	1

MISSING ITEM NUMBERS NOT APPLICABLE

- ITEM NOT ILLUSTRATED

29-22-02-01

29-22-02
FIG. 01
PAGE 4
JAN 20/09

BRI



757

PARTS CATALOG (MAINTENANCE)

FIG ITEM	PART NUMBER	1 2 3 4 5 6 7	NOMENCLATURE	EFFECT FROM TO	UNITS PER ASSY
1					
76	7586652	NAMEPLATE- SUPPLIER CODE: V05228 USED ON: 7586631	002004 006999	1
79	MS3367-5-9	STRAP- CONFIG CHG DATA FROM A CMM: REPLACES 7590761-001 REPLACES 7586779 REPLACES 7586778 MISCELLANEOUS DATA: USED PRIOR TO S/N 6409 FOR 7586630 ASSY AND S/N 3888 FOR 7586631 ASSY USED ON: 7586631 USED WITH: 7586649	002004 006999	1
81	7586649	CAP-PROTECTIVE SUPPLIER CODE: V05228 CONFIG CHG DATA FROM A CMM: REPLACES 7590761-001 REPLACES 7586779 REPLACES 7586778 MISCELLANEOUS DATA: USED PRIOR TO S/N 6409 FOR 7586630 ASSY AND S/N 3888 FOR 7586631 ASSY USED ON: 7586631 USED WITH: MS3367-5-9	002004 006999	1
82	7590761-001	CAP-PROTECTIVE SUPPLIER CODE: V05228 CONFIG CHG DATA FROM A CMM: REPLD BY MS3367-5-9 REPLD BY 7586649 MISCELLANEOUS DATA: USED PRIOR TO S/N 6409 FOR 7586630 ASSY AND S/N 3888 FOR 7586631 ASSY OPTIONAL PART: 7586779 V05228 USED ON: 7586631	002004 006999	1

MISSING ITEM NUMBERS NOT APPLICABLE

- ITEM NOT ILLUSTRATED

29-22-02-01

29-22-02
FIG. 01
PAGE 5
JAN 20/09

BRI



757

PARTS CATALOG (MAINTENANCE)

FIG ITEM	PART NUMBER	1 2 3 4 5 6 7	NOMENCLATURE	EFFECT FROM TO	UNITS PER ASSY
1 83	7586779	CAP-PROTECTIVE SUPPLIER CODE: V05228 CONFIG CHG DATA FROM A CMM: REPLD BY 7586649 MISCELLANEOUS DATA: USED PRIOR TO S/N 6409 FOR 7586630 ASSY AND S/N 3888 FOR 7586631 ASSY OPTIONAL PART: 7590761-001 V05228 USED ON: 7586631 USED WITH: 7586778	002004 006999	1
84	7586778	RETAINER-CAP SUPPLIER CODE: V05228 CONFIG CHG DATA FROM A CMM: REPLD BY MS3367-5-9 REPLD BY 7586649 MISCELLANEOUS DATA: USED PRIOR TO S/N 6409 FOR 7586630 ASSY AND S/N 3888 FOR 7586631 ASSY USED ON: 7586631 USED WITH: 7586779	002004 006999	1
86	7586641	HOUSING- SUPPLIER CODE: V05228 USED ON: 7586631	002004 006999	1
87	7586642	PISTON- SUPPLIER CODE: V05228 USED ON: 7586631	002004 006999	1
88	7586811	SEAL-RING SUPPLIER CODE: V05228 USED ON: 7586631	002004 006999	1

MISSING ITEM NUMBERS NOT APPLICABLE

- ITEM NOT ILLUSTRATED

BRI

29-22-02-01

BOEING PROPRIETARY - Copyright © - Unpublished Work - See title page for details.

29-22-02
FIG. 01
PAGE 6
JAN 20/09



757

PARTS CATALOG (MAINTENANCE)

FIG ITEM	PART NUMBER	1 2 3 4 5 6 7	NOMENCLATURE	EFFECT FROM TO	UNITS PER ASSY
1					
89	7586810	PACKING-0-RING SUPPLIER CODE: V05228 USED ON: 7586631	002004 006999	1
91	7582499-001	RING-RTNR SUPPLIER CODE: V05228 CONFIG CHG DATA FROM A CMM: REPLACES 7582499 USED ON: 7586631	002004 006999	1
92	7582499	RING-RTNR SUPPLIER CODE: V05228 CONFIG CHG DATA FROM A CMM: REPLD BY 7582499-001 USED ON: 7586631	002004 006999	1
93	7586644	SPRING-PISTON SUPPLIER CODE: V05228 USED ON: 7586631	002004 006999	1
94	7586646	RETAINER-SPR SUPPLIER CODE: V05228 USED ON: 7586631	002004 006999	1
96	7586777	SHIM- SUPPLIER CODE: V05228 SELECT FROM ITEM. USED ON: 7586631	002004 006999	AR
101	AA9500D822	BAND-BOOT SHRINK SUPPLIER CODE: V18350 USED ON: TC125UK00ZY1	002004 006999	1
101	MS3367-5-9	STRAP- USED ON: 7586631	002004 006999	1
106	62RB114S0000	BOOT CAP- SUPPLIER CODE: V18350 USED ON: TC125UK00ZY1	002004 006999	1

MISSING ITEM NUMBERS NOT APPLICABLE

- ITEM NOT ILLUSTRATED

29-22-02-01

29-22-02
FIG. 01
PAGE 7
JAN 20/09

BRI



757

PARTS CATALOG (MAINTENANCE)

FIG ITEM	PART NUMBER	1 2 3 4 5 6 7	NOMENCLATURE	EFFECT FROM TO	UNITS PER ASSY
1					
106	7586649	CAP-PROTECTIVE SUPPLIER CODE: V05228 USED ON: 7586631	002004 006999	1
111	NAS1611-014	...	PACKING- USED ON: 271N2040-2	002004 006102 504952	1
111	NAS1611-014A	...	PACKING- USED ON: 271N2040-3	002004 006999	1
116	NAS1612-8	...	PACKING- USED ON: 271N2040-2	002004 006102 504952	1
116	NAS1612-8A	...	PACKING- USED ON: 271N2040-3	002004 006999	1
121	271N2042-1	...	FILTER-HEAD	002004 006999	1
126	NAS1611-145	...	PACKING- USED ON: 271N2040-2	002004 006102 504952	1
126	NAS1611-145A	...	PACKING- USED ON: 271N2040-3	002004 006999	1
131	MS27595-145	...	RETAINER	002004 006999	2
136	7513128	...	FILTER- SUPPLIER CODE: V05228 SPECIFICATION NUMBER: 10-60592-5 FOR ELEMENT MAINTENANCE USE FILTER MAINT KIT DEFINED IN FILTER MAINT KIT LIST. FILTER MAINTENANCE KIT REF: 654N0035-2	002004 006999	1
136	AC7681E1Y2	...	FILTER- SUPPLIER CODE: V18350 SPECIFICATION NUMBER: 10-60592-6 FOR ELEMENT MAINTENANCE USE FILTER MAINT KIT DEFINED IN FILTER MAINT KIT LIST. FILTER MAINTENANCE KIT REF: 654N0035-2	002004 006999	1
141	MS28782-19	...	RING	002004 006999	1

MISSING ITEM NUMBERS NOT APPLICABLE

- ITEM NOT ILLUSTRATED

BRI

29-22-02-01

29-22-02
FIG. 01
PAGE 8
JAN 20/09



757

PARTS CATALOG (MAINTENANCE)

FIG ITEM	PART NUMBER	1 2 3 4 5 6 7	NOMENCLATURE	EFFECT FROM TO	UNITS PER ASSY
1					
146	271N2024-1	...	NIPPLE-SHUTOFF	002004 006999	1
151	NAS1611-214	...	PACKING- USED ON: 271N2040-2	002004 006102 504952	1
151	NAS1611-214A	...	PACKING- USED ON: 271N2040-3	002004 006999	1
156	NAS1611-021	...	PACKING- USED ON: 271N2040-2	002004 006102 504952	1
156	NAS1611-021A	...	PACKING- USED ON: 271N2040-3	002004 006999	1
161	271N2031-1	...	DIAPHRAGM-SHUTOFF OPTIONAL PART: 271N2050-1	002004 006999	1
161	271N2050-1	...	DIAPHRAGM-SHUTOFF OPTIONAL PART: 271N2031-1	002004 006999	1
166	NAS1611-023	...	PACKING- USED ON: 271N2040-2	002004 006102 504952	1
166	NAS1611-023A	...	PACKING- USED ON: 271N2040-3	002004 006999	1
171	271N2028-1	...	WASHER	002004 006999	1
176	271N2025-1	...	SPRING-SHUTOFF	002004 006999	1
181	271N2028-2	...	WASHER	002004 006999	1
186	NAS1611-138	...	PACKING- USED ON: 271N2040-2	002004 006102 504952	1
186	NAS1611-138A	...	PACKING- USED ON: 271N2040-3	002004 006999	1
191	69-35587-7	...	STRAP	002004 006999	1
196	271N2041-1	...	FILTER-HEAD	002004 006999	1
- 300	286N2416-003		WIRE BUNDLE ASSY-	002004 006100 103106 504903 950999	RF

MISSING ITEM NUMBERS NOT APPLICABLE

- ITEM NOT ILLUSTRATED

BRI

29-22-02-01

BOEING PROPRIETARY - Copyright © - Unpublished Work - See title page for details.

29-22-02
FIG. 01
PAGE 9
JAN 20/09



757

PARTS CATALOG (MAINTENANCE)

FIG ITEM	PART NUMBER	1 2 3 4 5 6 7	NOMENCLATURE	EFFECT FROM TO	UNITS PER ASSY
1					
- 300	286N2416-004		WIRE BUNDLE ASSY-	107107 121503 904949	RF
- 300	286N2416-306		WIRE BUNDLE ASSY-	108120	RF
312	GS3418-12CD		.CLAMP-	002004	2
			SUPPLIER CODE: V06324	006100	
			SPECIFICATION NUMBER: BACC10HG12	103999	
			OPTIONAL PART: S2126-12-8 V07418		
			ELECTRICAL EQUIP NUMBER: D03136T D03140T		
			WIRING DIAGRAM REF: 292211		
315	R071012A3S9L		.CONNECTOR-	002004	2
			SUPPLIER CODE: V41118	006100	
			SPECIFICATION NUMBER: BACC63BP12A3S9L	103999	
			ELECTRICAL EQUIP NUMBER: D03136 D03140		
			WIRING DIAGRAM REF: 292211		
- 320	286N2406-007		WIRE BUNDLE ASSY	103106	RF
- 320	286N2406-012		WIRE BUNDLE ASSY	107107 121503 904949	RF
- 320	286N2406-014		WIRE BUNDLE ASSY-	002004 006100 504903 950999	RF
- 321	286N2406-304		WIRE BUNDLE ASSY	108120	RF
900			ILLUSTRATION REFERENCE: PLUMBING INSTL-SECT. 44	002004	RF
			MLG WHL WELL HYDR (HYDRAULIC POWER TRANSFER UNIT SYSTEM ONLY)	006100 107107 121503 904999	
			29-22-51-20		

MISSING ITEM NUMBERS NOT APPLICABLE

- ITEM NOT ILLUSTRATED

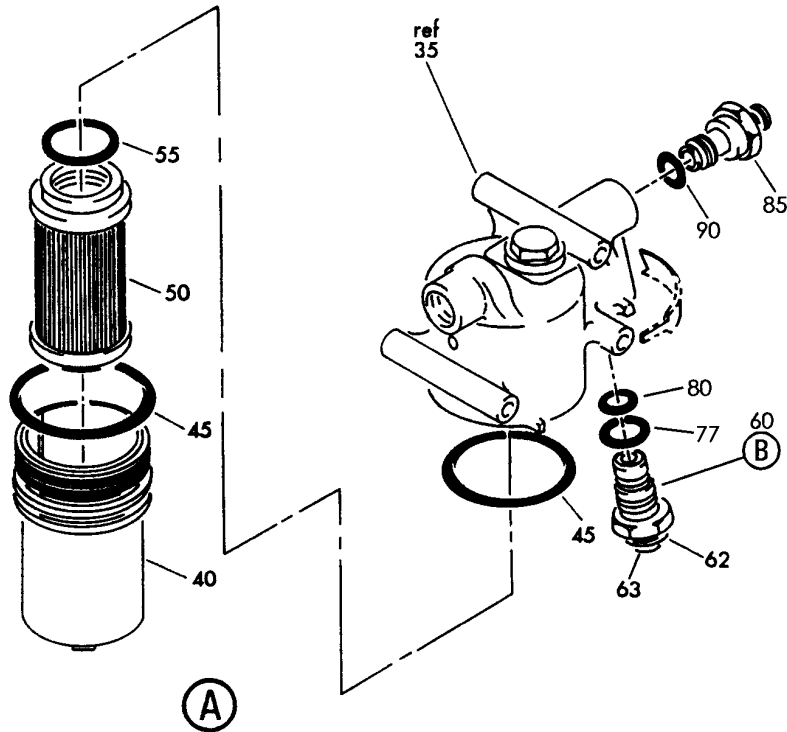
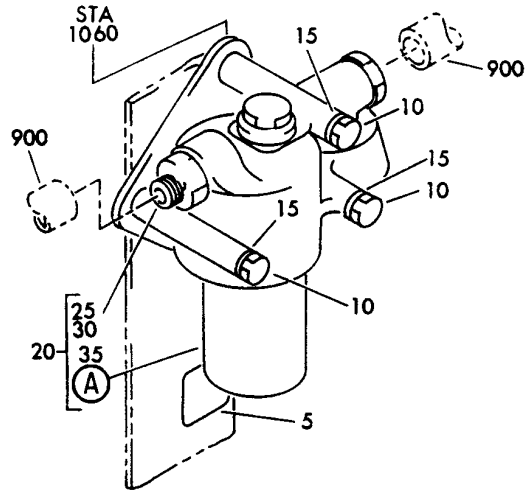
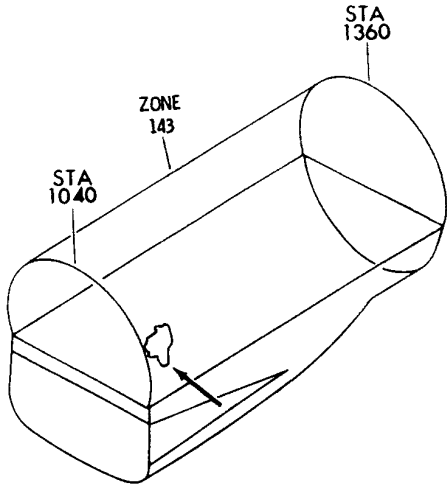
BRI

29-22-02-01

BOEING PROPRIETARY - Copyright © - Unpublished Work - See title page for details.

29-22-02
FIG. 01
PAGE 10
JAN 20/09

BOEING
757
PARTS CATALOG (MAINTENANCE)



Y 29220205 SHT 1 REV 197

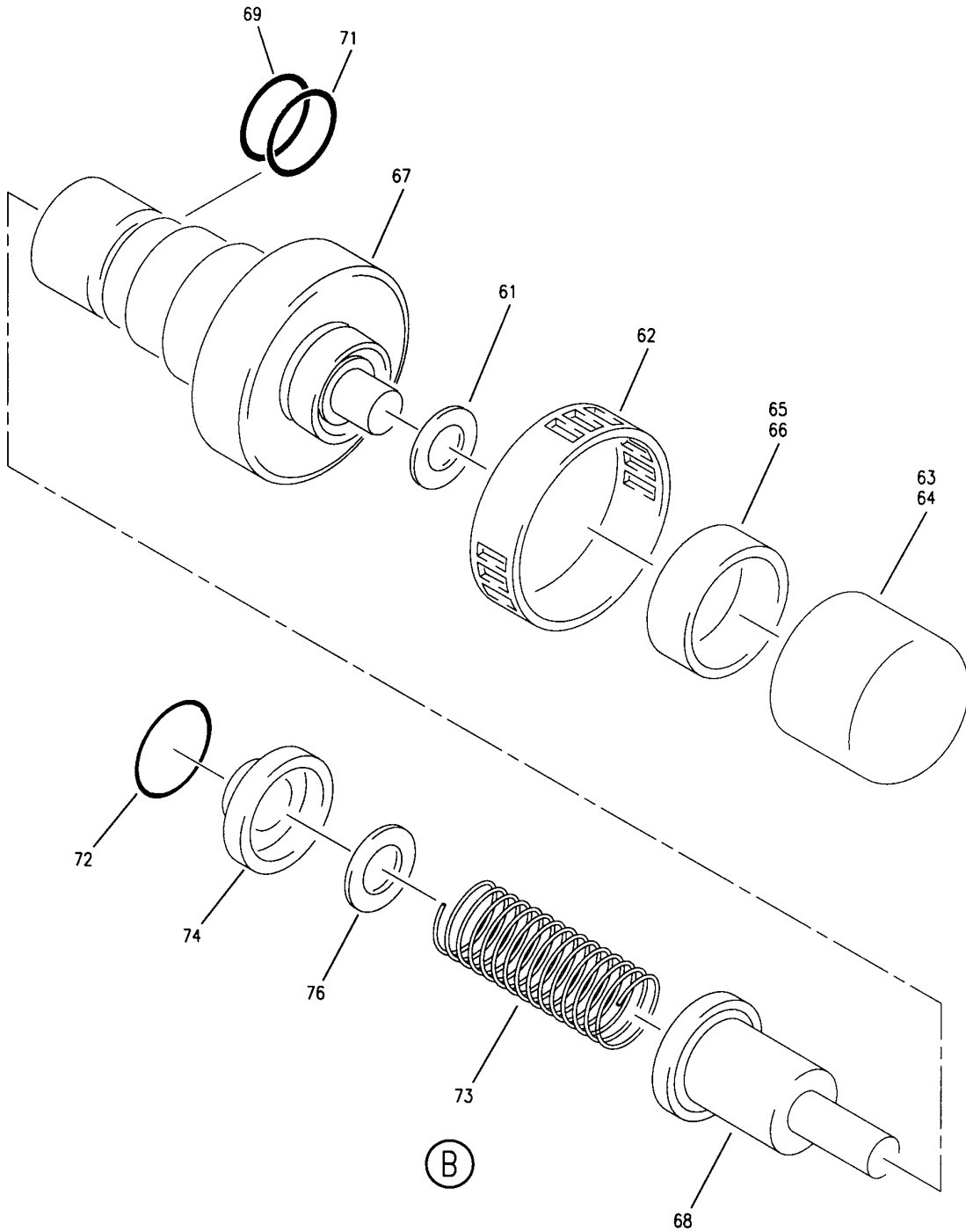
MODULE INSTL-PWR TRANSFER UNIT CASE DRAIN FILL
FIGURE 5 (SHEET 1)

29-22-02-05

BRI
MAY 28/07

29-22-02-05
PAGE 0

BOEING
757
PARTS CATALOG (MAINTENANCE)



Y 29220205 SHT 2 REV 197

MODULE INSTL-PWR TRANSFER UNIT CASE DRAIN FILL
FIGURE 5 (SHEET 2)

29-22-02-05

BRI
MAY 28/07

29-22-02-05
PAGE 0A



757

PARTS CATALOG (MAINTENANCE)

FIG ITEM	PART NUMBER	1 2 3 4 5 6 7	NOMENCLATURE	EFFECT FROM TO	UNITS PER ASSY
5			MODULE INSTL-PWR TRANSFER UNIT CASE DRAIN FILL	002004 006999	
- 1	271N2063-1		MODULE INSTL-PWR TRANSFER UNIT CASE DRAIN FILL FOR NHA SEE: 29-00-51-05 29-00-51-02C	002004 006102 107999	RF
- 1	MODREF7006		MODULE INSTL-PWR TRANSFER UNIT CASE DRAIN FILL MODULE NUMBER: 271N2063-1 REV A	103106	1
5	BAC27NHY0150		.MARKER-ALUMINUM FOIL-PTU CASE DRAIN FILTER MODULE	002004 006999	1
10	BACB30NM4K44		.BOLT- OPTIONAL PART: BACB30NR4K44	002004 006999	3
10	BACB30NR4K44		.BOLT- OPTIONAL PART: BACB30NM4K44	002004 006999	3
15	BACW10BN4AC		.WASHER	002004 006999	3
20	271N2063-2		.FILTER ASSY	002004 006999	1
25	BACU24K6		..UNION	002004 006999	1
30	NAS1612-6		..PACKING-	002004 006999	1
35	7586553		..FILTER- SUPPLIER CODE: V05228 SPECIFICATION NUMBER: S271N204-1 COMPONENT MAINT MANUAL REF: 29-22-01	002004 006999	1
40	7585470		...CASE- SUPPLIER CODE: V05228 OPTIONAL PART: 7585960K1-2J8J8 V05228 OPTIONAL PART: 7585960 V05228	002004 006999	1
40	7585960		...CASE- SUPPLIER CODE: V05228 OPTIONAL PART: 7585470 V05228	002004 006999	1

MISSING ITEM NUMBERS NOT APPLICABLE

- ITEM NOT ILLUSTRATED

29-22-02-05

29-22-02
FIG. 05
PAGE 1
JAN 20/09

BRI



757

PARTS CATALOG (MAINTENANCE)

FIG ITEM	PART NUMBER	1 2 3 4 5 6 7	NOMENCLATURE	EFFECT FROM TO	UNITS PER ASSY
5					
45	NAS1611-226	...	PACKING-	002004 006999	2
50	7553276	...	ELEMENT-ILTER FURNISHED WITH NAS1611-214 SUPPLIER CODE: V05228 SPECIFICATION NUMBER: 60B00211-3 FOR ELEMENT MAINTENANCE USE FILTER MAINT KIT DEFINED IN FILTER MAINT KIT LIST. FILTER MAINTENANCE KIT REF: 654N0035-3 OPTIONAL PART: AC9008E1 V18350 AC9008E11 V18350	002004 006999	1
55	NAS1611-214	...	PACKING- FURNISHED WITH 7553276	002004 006999	1
60	7586630	...	INDICATOR ASSY-DIFF PRESSURE HYDR SUPPLIER CODE: V05228 SPECIFICATION NUMBER: S271T005-5	002004 006999	1
61	7586651	NAMEPLATE- SUPPLIER CODE: V05228	002004 006999	1
62	MS3367-5-9	STRAP- CONFIG CHG DATA FROM A CMM: REPLACES 7590761-001 REPLACES 7586779 REPLACES 7586778 MISCELLANEOUS DATA: USED PRIOR TO S/N 6409 FOR 7586630 ASSY AND S/N 3888 FOR 7586631 ASSY USED WITH: 7586649	002004 006999	1

MISSING ITEM NUMBERS NOT APPLICABLE

- ITEM NOT ILLUSTRATED

29-22-02-05

29-22-02
FIG. 05
PAGE 2
JAN 20/09

BRI

BOEING PROPRIETARY - Copyright © - Unpublished Work - See title page for details.



757

PARTS CATALOG (MAINTENANCE)

FIG ITEM	PART NUMBER	1 2 3 4 5 6 7	NOMENCLATURE	EFFECT FROM TO	UNITS PER ASSY
5 63	7586649	CAP-PROTECTIVE SUPPLIER CODE: V05228 CONFIG CHG DATA FROM A CMM: REPLACES 7590761-001 REPLACES 7586779 REPLACES 7586778 MISCELLANEOUS DATA: USED PRIOR TO S/N 6409 FOR 7586630 ASSY AND S/N 3888 FOR 7586631 ASSY USED WITH: MS3367-5-9	002004 006999	1
64	7590761-001	CAP-PROTECTIVE SUPPLIER CODE: V05228 CONFIG CHG DATA FROM A CMM: REPLD BY MS3367-5-9 REPLD BY 7586649 MISCELLANEOUS DATA: USED PRIOR TO S/N 6409 FOR 7586630 ASSY AND S/N 3888 FOR 7586631 ASSY OPTIONAL PART: 7586779 V05228	002004 006999	1
65	7586779	CAP-PROTECTIVE SUPPLIER CODE: V05228 CONFIG CHG DATA FROM A CMM: REPLD BY MS3367-5-9 REPLD BY 7586649 MISCELLANEOUS DATA: USED PRIOR TO S/N 6409 FOR 7586630 ASSY AND S/N 3888 FOR 7586631 ASSY OPTIONAL PART: 7590761-001 V05228 USED WITH: 7586778	002004 006999	1

MISSING ITEM NUMBERS NOT APPLICABLE

- ITEM NOT ILLUSTRATED

29-22-02-05

29-22-02
FIG. 05
PAGE 3
SEP 20/08

BRI



757

PARTS CATALOG (MAINTENANCE)

FIG ITEM	PART NUMBER	1 2 3 4 5 6 7	NOMENCLATURE	EFFECT FROM TO	UNITS PER ASSY
5					
66	7586778	RETAINER-CAP SUPPLIER CODE: V05228 CONFIG CHG DATA FROM A CMM: REPLD BY MS3367-5-9 REPLD BY 7586649 MISCELLANEOUS DATA: USED PRIOR TO S/N 6409 FOR 7586630 ASSY AND S/N 3888 FOR 7586631 ASSY USED WITH: 7586779	002004 006999	1
67	7586641	HOUSING- SUPPLIER CODE: V05228	002004 006999	1
68	7586642	PISTON- SUPPLIER CODE: V05228	002004 006999	1
69	7586811	SEAL-RING SUPPLIER CODE: V05228	002004 006999	1
71	7586810	PACKING-O-RING SUPPLIER CODE: V05228	002004 006999	1
72	7582499	RING-RTNR SUPPLIER CODE: V05228 CONFIG CHG DATA FROM A CMM: REPLD BY 7582499-001	002004 006999	1
72	7582499-001	RING-RTNR SUPPLIER CODE: V05228 CONFIG CHG DATA FROM A CMM: REPLACES 7582499	002004 006999	1
73	7586645	SPRING-PISTON SUPPLIER CODE: V05228	002004 006999	1
74	7586646	RETAINER-SPR SUPPLIER CODE: V05228	002004 006999	1
76	7586777	SHIM- SUPPLIER CODE: V05228 SELECT FROM ITEM.	002004 006999	AR
77	NAS1612-8	...	PACKING-	002004 006999	1
80	NAS1611-014	...	PACKING-	002004 006999	1

MISSING ITEM NUMBERS NOT APPLICABLE

- ITEM NOT ILLUSTRATED

29-22-02-05

29-22-02
FIG. 05
PAGE 4
SEP 20/08

BRI

BOEING PROPRIETARY - Copyright © - Unpublished Work - See title page for details.



**757
PARTS CATALOG (MAINTENANCE)**

FIG ITEM	PART NUMBER	1 2 3 4 5 6 7	NOMENCLATURE	EFFECT FROM TO	UNITS PER ASSY
5					
85	7586662		... VALVE-CHECK SUPPLIER CODE: V05228	002004 006999	1
90	NAS1612-6		... PACKING-	002004 006999	1
900			ILLUSTRATION REFERENCE: PLUMBING INSTL-SECT. 44 MLG WHL WELL HYDR (HYDRAULIC POWER TRANSFER UNIT SYSTEM ONLY) 29-22-51-20	002004 006100 107107 121503 904999	RF

MISSING ITEM NUMBERS NOT APPLICABLE

— ITEM NOT ILLUSTRATED

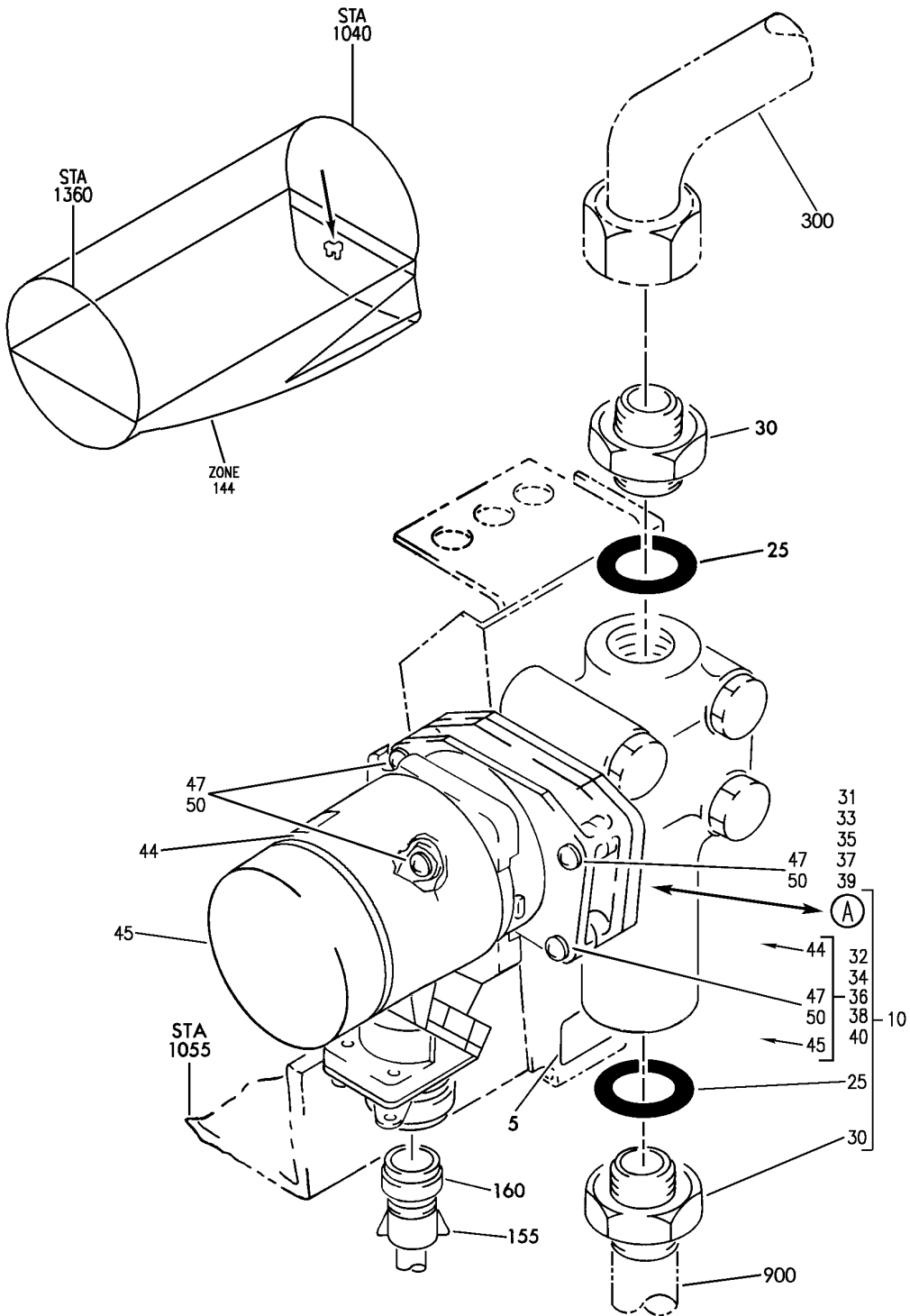
BRI

29-22-02-05

BOEING PROPRIETARY - Copyright © - Unpublished Work - See title page for details.

29-22-02
FIG. 05
PAGE 5
JAN 20/09

BOEING
757
PARTS CATALOG (MAINTENANCE)



Y 29220305 SHT 1 REV 263

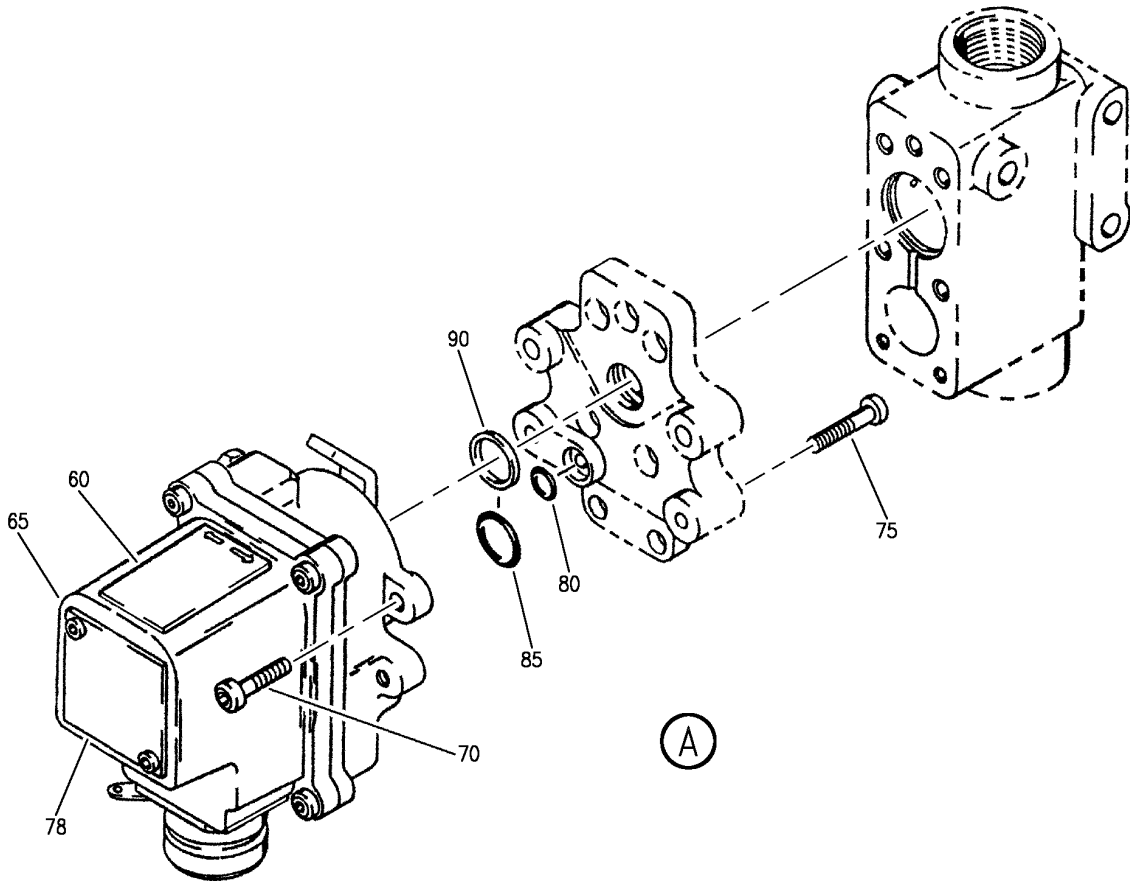
VALVE INSTL-PTU CONT
FIGURE 5 (SHEET 1)

29-22-03-05

BRI
MAY 28/07

29-22-03-05
PAGE 0

BOEING
757
PARTS CATALOG (MAINTENANCE)



Y 29220305 SH1 2 REV 275

VALVE INSTL-PTU CONT
FIGURE 5 (SHEET 2)

29-22-03-05

BRI
MAY 28/07

29-22-03-05
PAGE 0A



757

PARTS CATALOG (MAINTENANCE)

FIG ITEM	PART NUMBER	1 2 3 4 5 6 7	NOMENCLATURE	EFFECT FROM TO	UNITS PER ASSY
5			VALVE INSTL-PTU CONT	002004 006999	
- 1	271N1010-3		VALVE INSTL-PWR TRANSFER UNIT CONT FOR NHA SEE: 29-00-51-05	002004 006100 107107 121503 904999	RF
- 1	271N1010-10		VALVE INSTL-PWR TRANSFER UNIT CONT FOR NHA SEE: 29-00-51-02C	101102 504903	RF
- 1	271N1010-13		VALVE INSTL-PWR TRANSFER UNIT CONT FOR NHA SEE: 29-00-51-02C	108120	RF
- 1	MODREF8902		VALVE INSTL-PWR TRANSFER UNIT CONT MODULE NUMBER: 271N1010-13 REV A	103106	1
5	BAC27NHY0034		.MARKER- PLACARD CONTENT: D3142 PTU CONTROL VALVE V10007	002004 006999	1
10	271N1010-4		.VALVE ASSY- MISCELLANEOUS DATA: USE OF THIS PART NEGATES THE INTENT OF SB 29A0048	107107	1
10	271N1010-5		.VALVE ASSY- QUALIFIED SB I/W DATA: CIRCLE SEALS CONTROLS VALVE S270T010-8 OR S270T010-5 (WITH SERIAL NUMBER SUFFIX "R") OR WHITTAKER CONTROLS VALVE S271N501-3 REPLACES EXISTING VALVE S270T010-2 OR -5 PER REVISION 1 OF 29A0048 WHITTAKER CONTROLS VALVE S271N501-3 CAN BE USED TO REPLACE EXISTING CIRCLE SEAL CONTROLS VALVE S270T010-2 OR -5 OR -8. PER REVISION 2 AND 3 OF 29A0048	002004 006100 121503 904999	1

MISSING ITEM NUMBERS NOT APPLICABLE

- ITEM NOT ILLUSTRATED

29-22-03-05

29-22-03
FIG. 05
PAGE 1
JAN 20/09

BRI



757

PARTS CATALOG (MAINTENANCE)

FIG ITEM	PART NUMBER	1 2 3 4 5 6 7	NOMENCLATURE	EFFECT FROM TO	UNITS PER ASSY
5					
10	271N1010-9		.VALVE ASSY- QUALIFIED SB I/W DATA: CIRCLE SEALS CONTROLS VALVE S270T010-8 OR S270T010-5 (WITH SERIAL NUMBER SUFFIX "R") OR WHITTAKER CONTROLS VALVE S271N501-3 REPLACES EXISTING VALVE S270T010-2 OR -5 PER REVISION 1 OF 29A0048 WHITTAKER CONTROLS VALVE S271N501-3 CAN BE USED TO REPLACE EXISTING CIRCLE SEAL CONTROLS VALVE S270T010-2 OR -5 OR -8. PER REVISION 2 AND 3 OF 29A0048	101102 504903	1
10	271N1010-14		.VALVE ASSY- ATTACHING PARTS	103106 108120	1
- 15	BACB30NM4K32		.BOLT-	002004 006999	3
- 20	BACW10BN4AC		.WASHER	002004 006999	3
25	NAS1612-10		-----*----- ..PACKING-	002004 006102 107107 121999	2
25	NAS1612-10A		..PACKING-	103106 108120	2

MISSING ITEM NUMBERS NOT APPLICABLE

- ITEM NOT ILLUSTRATED

BRI

29-22-03-05

BOEING PROPRIETARY - Copyright © - Unpublished Work - See title page for details.

29-22-03
FIG. 05
PAGE 2
JAN 20/09



757

PARTS CATALOG (MAINTENANCE)

FIG ITEM	PART NUMBER	1 2 3 4 5 6 7	NOMENCLATURE	EFFECT FROM TO	UNITS PER ASSY
5 30	AFP23212-10		. . REDUCER SUPPLIER CODE: V30974 SPECIFICATION NUMBER: BACR17E12-10 OPTIONAL PART: AP102712-10 V01673 BC916T12-10 V50948 DBOR17E12-10 V14798 ER21916T12-10 V88334 ER31916-12-10 V88334 F23-12-10 V73197 2-01075T12-10 V11328 31778-12-10 V14397 US2114-12-10 V50808	002004 006999	2

MISSING ITEM NUMBERS NOT APPLICABLE

- ITEM NOT ILLUSTRATED

BRI

29-22-03-05

BOEING PROPRIETARY - Copyright © - Unpublished Work - See title page for details.

29-22-03
FIG. 05
PAGE 3
SEP 20/08



757

PARTS CATALOG (MAINTENANCE)

FIG ITEM	PART NUMBER	1 2 3 4 5 6 7	NOMENCLATURE	EFFECT FROM TO	UNITS PER ASSY
5 35	EM91-79-3		<p>.. VALVE-BALL SHUTOFF, 2 WAY 2 POSITION SUPPLIER CODE: V91816 SPECIFICATION NUMBER: S270T010-8 CONFIG CHG DATA FROM A CMM: SUPERSEDES EM91-79-1 SUPSD BY EM91-79-4 MISCELLANEOUS DATA: FOR COMPLETE INTERCHANGEABILITY REGARDING SPECIFIC USAGE, PLEASE REFER TO DRAWING 270T2001 SHEET 1 ELECTRICAL EQUIP NUMBER: V10007 COMPONENT MAINT MANUAL REF: 29-22-01 PRE ALERT SB: 29A0049 QUALIFIED SB I/W DATA: CIRCLE SEALS CONTROLS VALVE S270T010-8 OR S270T010-5 (WITH SERIAL NUMBER SUFFIX "R") OR WHITTAKER CONTROLS VALVE S271N501-3 REPLACES EXISTING VALVE S270T010-2 OR -5 PER REVISION 1 OF 29A0048 WHITTAKER CONTROLS VALVE S271N501-3 CAN BE USED TO REPLACE EXISTING CIRCLE SEAL CONTROLS VALVE S270T010-2 OR -5 OR -8. PER REVISION 2 AND 3 OF 29A0048 PRE SERVICE BULLETIN: EM91-79-29-02 V91816</p>	101102 505505	1

MISSING ITEM NUMBERS NOT APPLICABLE

- ITEM NOT ILLUSTRATED

BRI

29-22-03-05

BOEING PROPRIETARY - Copyright © - Unpublished Work - See title page for details.

29-22-03
FIG. 05
PAGE 4
JAN 20/09



757

PARTS CATALOG (MAINTENANCE)

FIG ITEM	PART NUMBER	1 2 3 4 5 6 7 NOMENCLATURE	EFFECT FROM TO	UNITS PER ASSY
5 35	EM91-79-5	.. VALVE-BALL SHUTOFF, 2 WAY 2 POSITION SUPPLIER CODE: V91816 SPECIFICATION NUMBER: S270T010-14 CONFIG CHG DATA FROM A CMM: SUPERSEDES EM91-79-4 MISCELLANEOUS DATA: FOR COMPLETE INTERCHANGEABILITY REGARDING SPECIFIC USAGE, PLEASE REFER TO DRAWING 270T2001 SHEET 1 ELECTRICAL EQUIP NUMBER: V10007 COMPONENT MAINT MANUAL REF: 29-22-01 SERVICE BULLETIN OPT DATA: 341525 V79318 340565 V79318 341525-1 V79318 POST ALERT SB: 29A0049 QUALIFIED SB I/W DATA: WHITTAKER CONTROLS VALVES S271N501-2 OR -3 CAN BE USED TO REPLACE CIRCLE SEAL CONTROLS VALVE S270T010-14. PER. 29A0049 POST SERVICE BULLETIN: EM91-79-29-02 V91816	002004 006999	1

MISSING ITEM NUMBERS NOT APPLICABLE

- ITEM NOT ILLUSTRATED

BRI

29-22-03-05

BOEING PROPRIETARY - Copyright © - Unpublished Work - See title page for details.

29-22-03
 FIG. 05
 PAGE 6
 SEP 20/08



757

PARTS CATALOG (MAINTENANCE)

FIG ITEM	PART NUMBER	1 2 3 4 5 6 7 NOMENCLATURE	EFFECT FROM TO	UNITS PER ASSY
5 36	340565	.. VALVE- MODULE ASSY SUPPLIER CODE: V79318 SPECIFICATION NUMBER: S271N501-2 MISCELLANEOUS DATA: FOR COMPLETE INTERCHANGEABILITY REGARDING SPECIFIC USAGE, PLEASE REFER TO DRAWING 270T2001 SHEET 1 ELECTRICAL EQUIP NUMBER: V10007 COMPONENT MAINT MANUAL REF: 29-22-02 SERVICE BULLETIN OPT DATA: 341525 V79318 EM91-79-5 V91816 341525-1 V79318 REFERENCE SERVICE BULLETIN: 29A0049 POST ALERT SB: 29A0049 QUALIFIED SB I/W DATA: WHITTAKER CONTROLS VALVES S271N501-2 OR -3 CAN BE USED TO REPLACE CIRCLE SEAL CONTROLS VALVE S270T010-14. PER. 29A0049 POST SERVICE BULLETIN: EM91-79-29-02 V91816	002004 006999	1

MISSING ITEM NUMBERS NOT APPLICABLE

- ITEM NOT ILLUSTRATED

BRI

29-22-03-05

BOEING PROPRIETARY - Copyright © - Unpublished Work - See title page for details.

29-22-03
FIG. 05
PAGE 7
JAN 20/09



757

PARTS CATALOG (MAINTENANCE)

FIG ITEM	PART NUMBER	1 2 3 4 5 6 7	NOMENCLATURE	EFFECT FROM TO	UNITS PER ASSY
5 36	341525		<p>.. VALVE- MODULE ASSY SUPPLIER CODE: V79318 SPECIFICATION NUMBER: S271N501-3 MISCELLANEOUS DATA: FOR COMPLETE INTERCHANGEABILITY REGARDING SPECIFIC USAGE, PLEASE REFER TO DRAWING 270T2001 SHEET 1 ELECTRICAL EQUIP NUMBER: V10007 COMPONENT MAINT MANUAL REF: 29-22-03 OPTIONAL PART: 341525-1 V79318 SERVICE BULLETIN OPT DATA: 340565 V79318 EM91-79-5 V91816 REFERENCE SERVICE BULLETIN: 29A0049 POST ALERT SB: 29A0049 QUALIFIED SB I/W DATA: WHITTAKER CONTROLS VALVES S271N501-2 OR -3 CAN BE USED TO REPLACE CIRCLE SEAL CONTROLS VALVE S270T010-14. PER. 29A0049 POST SERVICE BULLETIN: EM91-79-29-02 V91816</p>	002004 006999	1

MISSING ITEM NUMBERS NOT APPLICABLE

- ITEM NOT ILLUSTRATED

BRI

29-22-03-05

BOEING PROPRIETARY - Copyright © - Unpublished Work - See title page for details.

29-22-03
FIG. 05
PAGE 8
SEP 20/08



757

PARTS CATALOG (MAINTENANCE)

FIG ITEM	PART NUMBER	1 2 3 4 5 6 7	NOMENCLATURE	EFFECT FROM TO	UNITS PER ASSY
5 36	341525-1		.. VALVE- SUPPLIER CODE: V79318 SPECIFICATION NUMBER: S271N501-3 MISCELLANEOUS DATA: FOR COMPLETE INTERCHANGEABILITY REGARDING SPECIFIC USAGE, PLEASE REFER TO DRAWING 270T2001 SHEET 1 ELECTRICAL EQUIP NUMBER: V10007 COMPONENT MAINT MANUAL REF: 29-22-03 OPTIONAL PART: 341525 V79318 SERVICE BULLETIN OPT DATA: 340565 V79318 EM91-79-5 V91816 REFERENCE SERVICE BULLETIN: 29A0049 POST ALERT SB: 29A0049 QUALIFIED SB I/W DATA: WHITTAKER CONTROLS VALVES S271N501-2 OR -3 CAN BE USED TO REPLACE CIRCLE SEAL CONTROLS VALVE S270T010-14. PER 29A0049 POST SERVICE BULLETIN: EM91-79-29-02 V91816	002004 006999	1
44	201074-1		... PLATE-IDENT SUPPLIER CODE: V79318 USED ON: 341525	002004 006999	1
45	157720-1		... ACTUATOR ASSY- SUPPLIER CODE: V79318 COMPONENT MAINT MANUAL REF: 27-13-02 USED ON: 340565	002004 006999	1

MISSING ITEM NUMBERS NOT APPLICABLE

- ITEM NOT ILLUSTRATED

29-22-03-05

29-22-03
FIG. 05
PAGE 9
SEP 20/08

BRI

 **BOEING**
757
PARTS CATALOG (MAINTENANCE)

FIG ITEM	PART NUMBER	1 2 3 4 5 6 7	NOMENCLATURE	EFFECT FROM TO	UNITS PER ASSY
5			ATTACHING PARTS		
47	NAS1101E3-12	...	SCREW- USED ON: 340565	002004 006999	4
50	AN960C10L	...	WASHER- USED ON: 340565	002004 006999	4
			-----*-----		
60	E2686	...	NAMEPLATE- USED ON: EM91-79-3	101102 505505	1
60	F2686	...	NAMEPLATE- USED ON: EM91-79-4	002004 006102	1
60	G2686	...	NAMEPLATE- USED ON: EM91-79-5	002004 006999	1
65	V2350-0074	...	ACTUATOR-MOTOR SUPPLIER CODE: V91816 COMPONENT MAINT MANUAL REF: 29-22-02 USED ON: EM91-79-3	101102 505505	1
65	W2350-0074	...	ACTUATOR-MOTOR SUPPLIER CODE: V91816 COMPONENT MAINT MANUAL REF: 29-22-02 USED ON: EM91-79-4	002004 006102	1
65	X2350-0074	...	ACTUATOR-MOTOR SUPPLIER CODE: V91816 COMPONENT MAINT MANUAL REF: 29-22-02 USED ON: EM91-79-5	002004 006999	1
70	NAS1352N08-8P	...	ATTACHING PARTS SCREW- USED ON: EM91-79 EM91-79-1 EM91-79-3 EM91-79-4 EM91-79-5	002004 006999	2

MISSING ITEM NUMBERS NOT APPLICABLE

— ITEM NOT ILLUSTRATED

BRI

29-22-03-05

BOEING PROPRIETARY - Copyright © - Unpublished Work - See title page for details.

29-22-03
FIG. 05
PAGE 10
JAN 20/09



757

PARTS CATALOG (MAINTENANCE)

FIG ITEM	PART NUMBER	1 2 3 4 5 6 7	NOMENCLATURE	EFFECT FROM TO	UNITS PER ASSY
5	75 NAS1352N08-10P		...SCREW- USED ON: EM91-79 EM91-79-1 EM91-79-3 EM91-79-4 EM91-79-5	002004 006999	2
	78 C37112		-----*-----PLATE-MOD SUPPLIER CODE: V91816 USED ON: V2350-0074 W2350-0074 X2350-0074	101106 108120 504903	1
	80 NAS1601-009		...PACKING- CONFIG CHG DATA FROM A CMM: SUPSD BY NAS1611-009A USED ON: EM91-79 EM91-79-1 EM91-79-3 EM91-79-4 EM91-79-5	002004 006999	1
	80 NAS1611-009A		...PACKING- CONFIG CHG DATA FROM A CMM: SUPERSEDES NAS1601-009 USED ON: EM91-79 EM91-79-1 EM91-79-3 EM91-79-4 EM91-79-5	002004 006999	1
	85 NAS1601-112		...PACKING- CONFIG CHG DATA FROM A CMM: SUPSD BY NAS1611-112A USED ON: EM91-79 EM91-79-1 EM91-79-3 EM91-79-4 EM91-79-5	002004 006999	1

MISSING ITEM NUMBERS NOT APPLICABLE

- ITEM NOT ILLUSTRATED

BRI

29-22-03-05

BOEING PROPRIETARY - Copyright © - Unpublished Work - See title page for details.

29-22-03
FIG. 05
PAGE 11
JAN 20/09



757

PARTS CATALOG (MAINTENANCE)

FIG ITEM	PART NUMBER	1 2 3 4 5 6 7	NOMENCLATURE	EFFECT FROM TO	UNITS PER ASSY
5					
85	NAS1611-112A		...PACKING- CONFIG CHG DATA FROM A CMM: SUPERSEDES NAS1601-112 USED ON: EM91-79 EM91-79-1 EM91-79-3 EM91-79-4 EM91-79-5	002004 006999	1
90	S30650-112-5		...SEAL-SLIPPER SUPPLIER CODE: V09257 USED ON: EM91-79 EM91-79-1 EM91-79-3 EM91-79-4 EM91-79-5	002004 006999	1
- 150	286N2514-004		WIRE BUNDLE ASSY	002004 006100 103106 950999	RF
- 150	286N2514-005		WIRE BUNDLE ASSY-	107107 121503 904949	RF
155	GS3417-16C		.CLAMP- SUPPLIER CODE: V06324 SPECIFICATION NUMBER: BACC10HF16 OPTIONAL PART: S2125-16-8 V07418 ELECTRICAL EQUIP NUMBER: D03142T WIRING DIAGRAM REF: 292211	002004 006100 107107 121503 904999	1

MISSING ITEM NUMBERS NOT APPLICABLE

- ITEM NOT ILLUSTRATED

BRI

29-22-03-05

BOEING PROPRIETARY - Copyright © - Unpublished Work - See title page for details.

29-22-03
FIG. 05
PAGE 12
JAN 20/09



757

PARTS CATALOG (MAINTENANCE)

FIG ITEM	PART NUMBER	1 2 3 4 5 6 7	NOMENCLATURE	EFFECT FROM TO	UNITS PER ASSY
5 160	CN096616R10SNL		.CONNECTOR- SUPPLIER CODE: V13556 SPECIFICATION NUMBER: BCREF5954 OPTIONAL PART: ZZY16R10SNL V49367 48-06R16R10SNL V02660 OVERLENGTH PART NUMBER: BACC63BP16R10SNL ELECTRICAL EQUIP NUMBER: D03142 WIRING DIAGRAM REF: 292211	002004 006100 107107 121503 904999	1
300			ILLUSTRATION REFERENCE: PLUMBING INSTL-SECT. 44 MLG WHL WELL HYDR (HYDRAULIC POWER TRANSFER UNIT SYSTEM ONLY) 29-22-51-20	002004 006100 107107 121503 904999	RF
900			ILLUSTRATION REFERENCE: PLUMBING INSTL-MAIN WHL WELL FWD BHD HYDR 29-11-51-78	101102 108120 504903	RF

MISSING ITEM NUMBERS NOT APPLICABLE

- ITEM NOT ILLUSTRATED

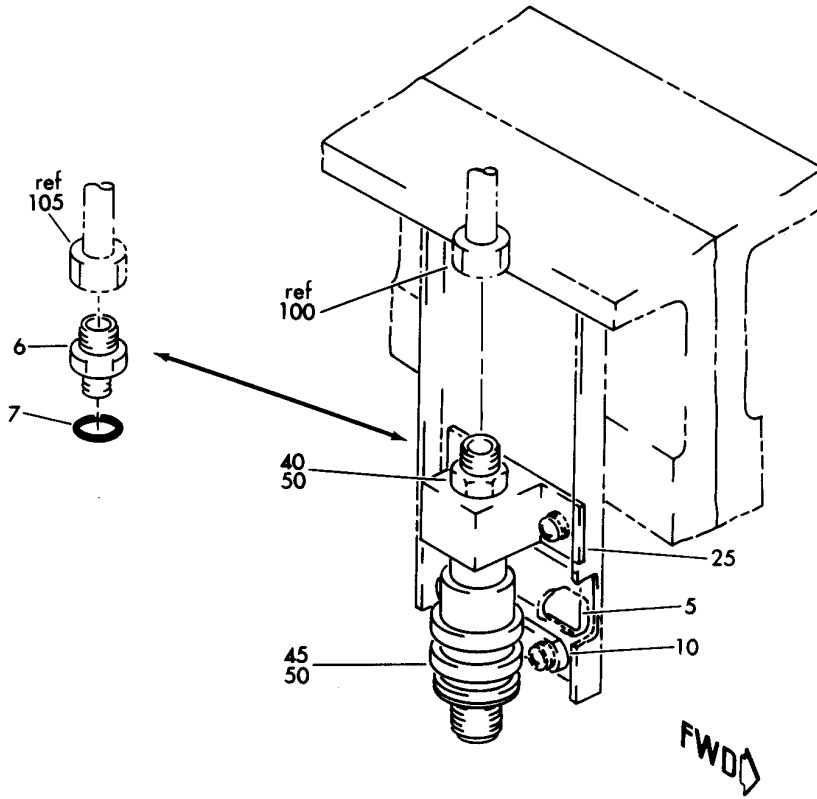
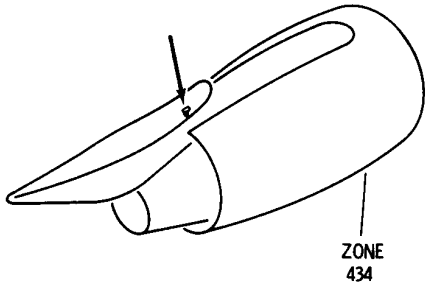
BRI

29-22-03-05

BOEING PROPRIETARY - Copyright © - Unpublished Work - See title page for details.

29-22-03
FIG. 05
PAGE 13
JAN 20/09

BOEING
757
PARTS CATALOG (MAINTENANCE)



Y 29220601 SHT 1 REV 059

SWITCH INSTL-L NACELLE PTU CONTROL PRESSURE
FIGURE 1

29-22-06-01

BRI
MAY 28/07

29-22-06-01
PAGE 0



757

PARTS CATALOG (MAINTENANCE)

FIG ITEM	PART NUMBER	1 2 3 4 5 6 7	NOMENCLATURE	EFFECT FROM TO	UNITS PER ASSY
1			SWITCH INSTL-L NACELLE PTU CONTROL PRESSURE	002004 006999	
- 1	271N6326-1		SWITCH INSTL-L NACELLE PTU CONTROL PRESSURE	002004 006999	RF
5	BAC27NHY0198		.MARKER-ALUMINUM FOIL PLACARD CONTENT: ELEV FEEL COMPUTER STATIC PRESSURE	002004 006999	1
10	TA0910004H116		.CLAMP SUPPLIER CODE: V84971 SPECIFICATION NUMBER: BACC10HB16C ATTACHING PARTS	002004 006999	1
- 15	NAS623-3-6		.SCREW-	002004 006999	2
- 20	BACW10BN3AC		.WASHER	002004 006999	2
25	271N6327-1		-----*----- .FITTING-	002004 006999	1
- 35	BACW10BN3AC		ATTACHING PARTS .WASHER	002004 006999	2
40	BACU24K6		-----*----- .UNION	002004 006999	1
45	211C223-209		.SWITCH-PRESSURE HYDR SUPPLIER CODE: V02750 SPECIFICATION NUMBER: S271T452-8 COMPONENT MAINT MANUAL REF: 29-09-02 OPTIONAL PART: 211C223-296 V02750 211C223-519 V02750	002004 006999	1

MISSING ITEM NUMBERS NOT APPLICABLE

- ITEM NOT ILLUSTRATED

BRI

29-22-06-01

29-22-06
FIG. 01
PAGE 1
SEP 20/08



757

PARTS CATALOG (MAINTENANCE)

FIG ITEM	PART NUMBER	1 2 3 4 5 6 7	NOMENCLATURE	EFFECT FROM TO	UNITS PER ASSY
1					
45	211C223-296		.SWITCH-PRESSURE HYDR SUPPLIER CODE: V02750 SPECIFICATION NUMBER: S271T452-8 COMPONENT MAINT MANUAL REF: 29-09-02 OPTIONAL PART: 211C223-209 V02750 211C223-519 V02750	002004 006999	1
45	211C223-519		.SWITCH-PRESSURE SUPPLIER CODE: V02750 SPECIFICATION NUMBER: S271T452-8 COMPONENT MAINT MANUAL REF: 29-09-02 OPTIONAL PART: 211C223-209 V02750 211C223-296 V02750	002004 006999	1
50	NAS1612-6		.PACKING-	002004 006999	2
100			ILLUSTRATION REFERENCE: PLUMBING INSTL-SECT. 31.1 HYDR (LH) (HYDRAULIC POWER ONLY) 29-11-51-45	002004 006100 107107 121503 904999	RF

MISSING ITEM NUMBERS NOT APPLICABLE

- ITEM NOT ILLUSTRATED

BRI

29-22-06-01

BOEING PROPRIETARY - Copyright © - Unpublished Work - See title page for details.

29-22-06
FIG. 01
PAGE 2
JAN 20/09



757

PARTS CATALOG (MAINTENANCE)

FIG ITEM	PART NUMBER	1 2 3 4 5 6 7	NOMENCLATURE	EFFECT FROM TO	UNITS PER ASSY
1			BRACKET INSTL-PWR TRANSFER UNIT	002004 006999	
- 1	271N1041-1		BRACKET INSTL-PWR TRANSFER UNIT FOR NHA SEE: 29-00-51-05 29-00-51-02C	002004 006102 107999	RF
- 1	MODREF8908		BRACKET INSTL-PWR TRANSFER UNIT MODULE NUMBER: 271N1041-1 REV A	103106	1
5	BACR15FT5AD		.RIVET- SIZE DETERMINED ON INSTL.	002004 006999	5
10	NAS1738E5		.RIVET- SIZE DETERMINED ON INSTL.	002004 006999	5
15	BACB30NM3K1		.BOLT	002004 006999	4
20	BACW10BN3SP		.WASHER	002004 006999	4
25	BRH10C3D		.NUT SUPPLIER CODE: V52828 SPECIFICATION NUMBER: BACN10JC3CD OPTIONAL PART: T6C1032JCD V11815 NS202486-02 V80539 102LH9075-3W V72962 H51650-3BAC V15653	002004 006999	4
30	271N1040-1		.BRACKET ASSY	002004 006999	1
- 35	271N2060-1		BRACKET INSTL-PWR TRANSFER UNIT FILTER MODULE MTG FOR NHA SEE: 29-00-51-05 29-00-51-02C	002004 006102 106999	RF
- 35	MODREF7005		BRACKET INSTL-LWR TRANSFER UNIT FILTER MODULE MTG MODULE NUMBER: 271N2060-1 REV A	103106	1
40	271N2061-1		.BRACKET ASSY	002004 006999	1
45	BACR15FT5AD		ATTACHING PARTS .RIVET- SIZE DETERMINED ON INSTL.	002004 006999	6

MISSING ITEM NUMBERS NOT APPLICABLE

- ITEM NOT ILLUSTRATED

BRI

29-22-51-01

29-22-51
FIG. 01
PAGE 1
JAN 20/09



757

PARTS CATALOG (MAINTENANCE)

FIG ITEM	PART NUMBER	1 2 3 4 5 6 7	NOMENCLATURE	EFFECT FROM TO	UNITS PER ASSY
1					
50	BACB30NM3K3	.	BOLT	002004 006999	4
55	BACW10BN3SP	.	WASHER	002004 006999	4
60	BRH10C3D	.	NUT	002004 006999	4
			SUPPLIER CODE: V52828		
			SPECIFICATION NUMBER: BACN10JC3CD		
			OPTIONAL PART: T6C1032JCD		
			V11815		
			NS202486-02		
			V80539		
			102LH9075-3W		
			V72962		
			H51650-3BAC		
			V15653		
			-----*		

MISSING ITEM NUMBERS NOT APPLICABLE

- ITEM NOT ILLUSTRATED

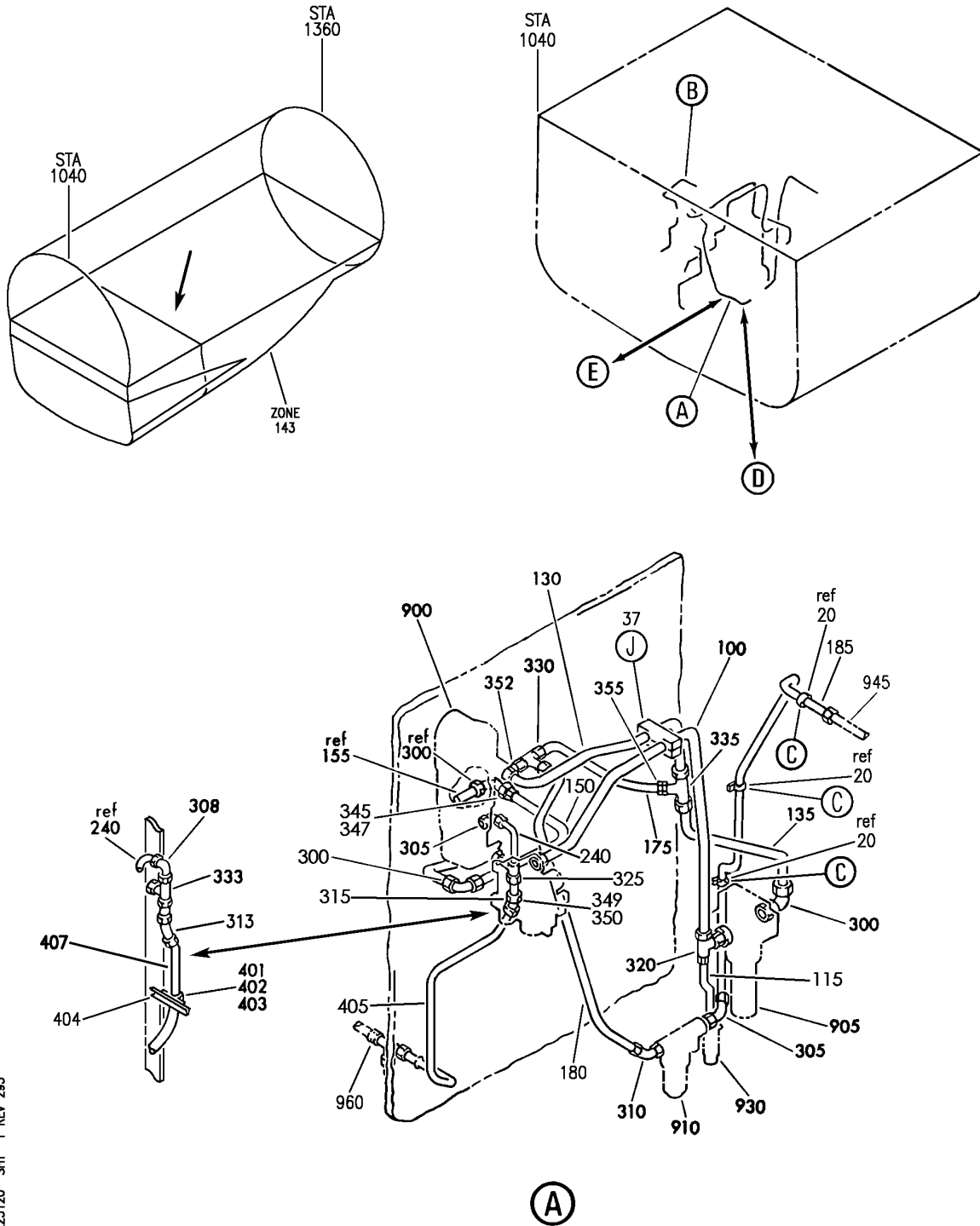
BRI

29-22-51-01

BOEING PROPRIETARY - Copyright © - Unpublished Work - See title page for details.

29-22-51
FIG. 01
PAGE 2
JAN 20/09

BOEING
757
PARTS CATALOG (MAINTENANCE)



Y 29225120 SHT 1 REV 295

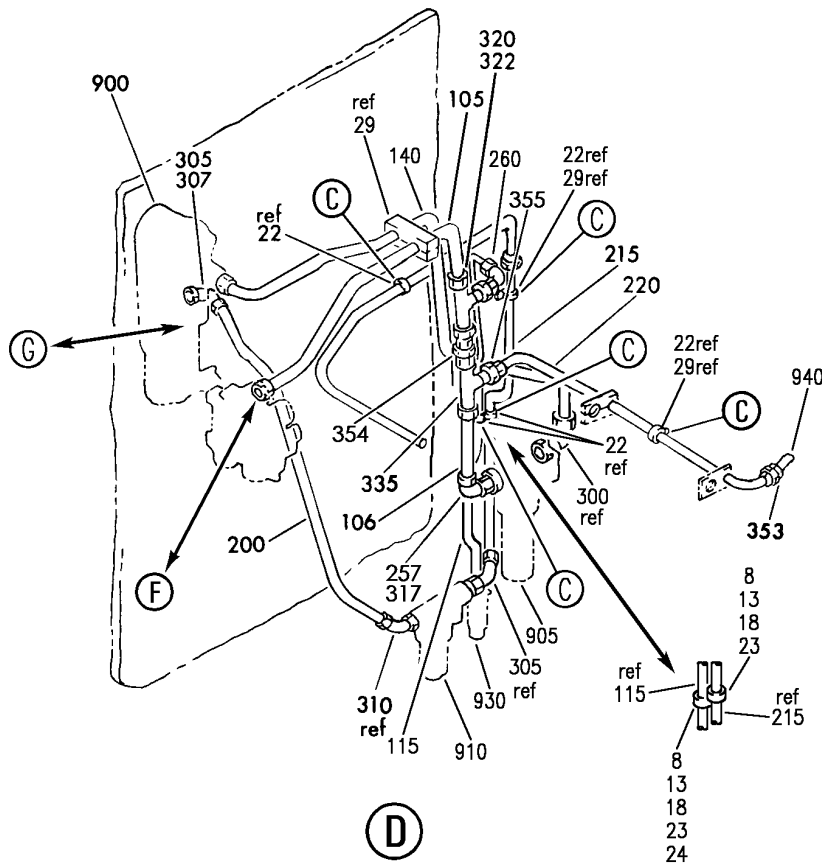
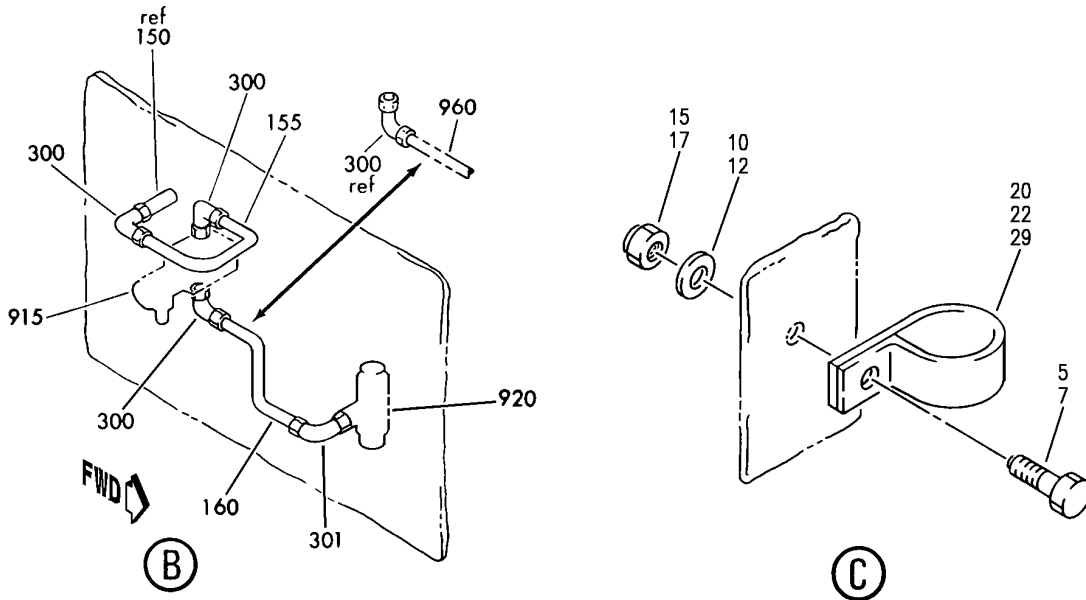
PLUMBING INSTL-SECT. 44 MLG WHL WELL HYDR (HYDRAULIC POWER TRANSFER UNIT SYSTEM ONLY)
FIGURE 20 (SHEET 1)

BRI
MAY 28/07

29-22-51-20

29-22-51-20
PAGE 0


BOEING
 757
PARTS CATALOG (MAINTENANCE)



Y 29225120 SH1 2 REV 329

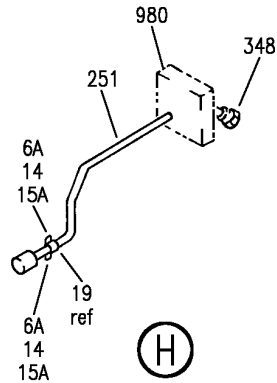
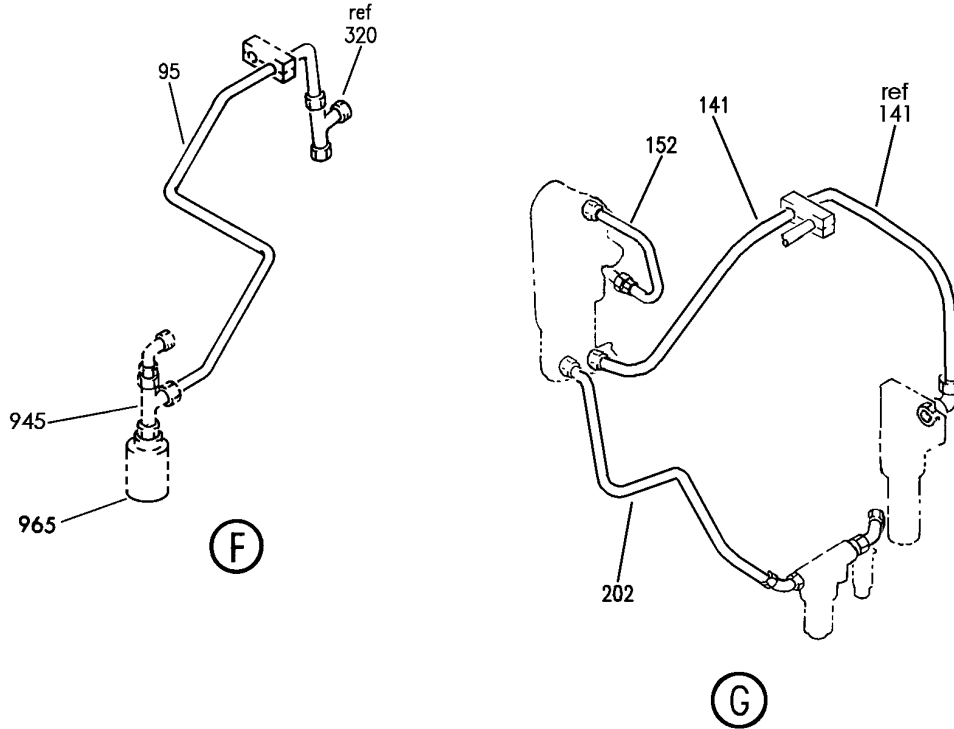
PLUMBING INSTL-SECT. 44 MLG WHL WELL HYDR (HYDRAULIC POWER TRANSFER UNIT SYSTEM ONLY)
 FIGURE 20 (SHEET 2)

BRI
JAN 20/09

29-22-51-20

29-22-51-20
 PAGE 0A

BOEING
757
PARTS CATALOG (MAINTENANCE)



Y 29225120 SH1 4 REV 265

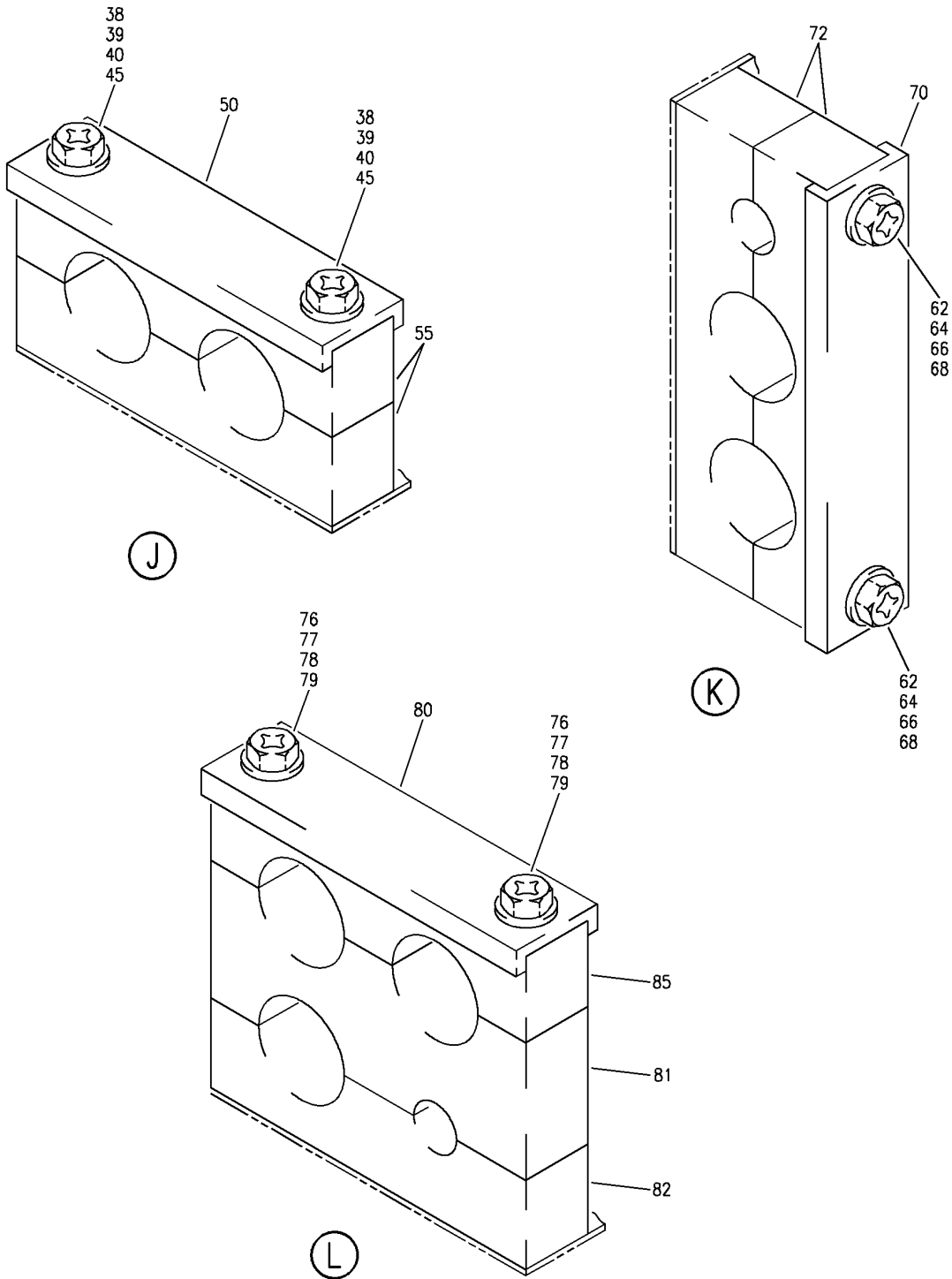
PLUMBING INSTL-SECT. 44 MLG WHL WELL HYDR (HYDRAULIC POWER TRANSFER UNIT SYSTEM ONLY)
FIGURE 20 (SHEET 4)

BRI
MAY 28/07

29-22-51-20

29-22-51-20
PAGE 0C

BOEING
757
PARTS CATALOG (MAINTENANCE)



Y 29225120 SHT 5 REV 295

PLUMBING INSTL-SECT. 44 MLG WHL WELL HYDR (HYDRAULIC POWER TRANSFER UNIT SYSTEM ONLY)
FIGURE 20 (SHEET 5)

BRI
MAY 28/07

29-22-51-20

29-22-51-20
PAGE 0D



757

PARTS CATALOG (MAINTENANCE)

FIG ITEM	PART NUMBER	1 2 3 4 5 6 7	NOMENCLATURE	EFFECT FROM TO	UNITS PER ASSY
20			PLUMBING INSTL-SECT. 44 MLG WHL WELL HYDR (HYDRAULIC POWER TRANSFER UNIT SYSTEM ONLY)	002004 006102 107503 904999	RF
- 1	271N6445-1		PLUMBING INSTL-KEEL BEAM MLG WHL WELL HYDR (HYDRAULIC POWER TRANSFER UNIT SYSTEM ONLY) POSITION DATA: SECT. 44 VARIABLE DRAWING REF: 271N6445-3 271N6445-6 FOR NHA/OTHER SYS DET SEE: 29-00-51-05	002004 006100 107107 121503 904999	RF
3	NAS1801-3		.SCREW- SIZE DETERMINED ON INSTL.	009009	3
4	NAS1801-3		.SCREW- SIZE DETERMINED ON INSTL. PRE SERVICE BULLETIN: 24-0126	009009	4
7	NAS1801-3		.SCREW- SIZE DETERMINED ON INSTL.	002004 006100 107107 121503 904999	5
9	NAS1801-3		.SCREW- SIZE DETERMINED ON INSTL.	002004 006008 010100 121503 904949 952999	7
12	AN960PD10		.WASHER	002004 006100 107107 121503 904999	AR

MISSING ITEM NUMBERS NOT APPLICABLE

- ITEM NOT ILLUSTRATED

BRI

29-22-51-20

29-22-51
FIG. 20
PAGE 1
JAN 20/09



757

PARTS CATALOG (MAINTENANCE)

FIG ITEM	PART NUMBER	1 2 3 4 5 6 7	NOMENCLATURE	EFFECT FROM TO	UNITS PER ASSY
20 17	BRH10A3	.NUT	SUPPLIER CODE: V52828 SPECIFICATION NUMBER: BACN10JC3 OPTIONAL PART: H10-3BAC V15653 NS202101-02 V80539 RMLH9075-3W V72962 VN303A02 V92215 96-02 V80539 T6S1032J V11815	002004 006100 107107 121503 904999	5
19	TA0910004H16	.CLAMP-	SUPPLIER CODE: V84971 SPECIFICATION NUMBER: BACC10HB6C	002004 006008 010100 121503 904949 952999	2
21	M85052-2-6	.CLAMP-		002004 006008 010100 121503 904949 952999	3
21A	M85052-2-6	.CLAMP		009009	1
21B	M85052-2-6	.CLAMP-	PRE SERVICE BULLETIN: 24-0126	009009	2
22	M85052-2-6	.CLAMP		002004 006100 107107 121503 904999	5
37	270N2000-67	.CLAMP ASSY-	POSITION DATA: STA 1060 LBL 15	002004 006100 121503 904999	1
38	NAS1801-3-30	..SCREW-		002004 006100 107107 121503 904999	2

MISSING ITEM NUMBERS NOT APPLICABLE

- ITEM NOT ILLUSTRATED

29-22-51-20

29-22-51
FIG. 20
PAGE 2
JAN 20/09

BRI



757

PARTS CATALOG (MAINTENANCE)

FIG ITEM	PART NUMBER	1 2 3 4 5 6 7	NOMENCLATURE	EFFECT FROM TO	UNITS PER ASSY
20					
39	AN960PD10L	..	WASHER	002004 006100 107107 121503 904999	2
40	NAS43DD3-83	..	SPACER	002004 006100 107107 121503 904999	2
45	BRH10A3	..	NUT SUPPLIER CODE: V52828 SPECIFICATION NUMBER: BACN10JC3 OPTIONAL PART: H10-3BAC V15653 NS202101-02 V80539 RMLH9075-3W V72962 VN303A02 V92215 96-02 V80539 T6S1032J V11815	002004 006100 107107 121503 904999	2
50	270N2000-841	..	CHANNEL	002004 006100 107107 121503 904999	1
55	270N2000-468	..	BLOCK-	002004 006100 107107 121503 904999	2
60	270N2000-263	.	CLAMP ASSY-	002004 006100 121503 904949 952999	1
62	NAS1801-3-34	..	SCREW-	002004 006100 121503 904949 952999	2

MISSING ITEM NUMBERS NOT APPLICABLE

- ITEM NOT ILLUSTRATED

BRI

29-22-51-20

29-22-51
FIG. 20
PAGE 3
JAN 20/09



757

PARTS CATALOG (MAINTENANCE)

FIG ITEM	PART NUMBER	1 2 3 4 5 6 7	NOMENCLATURE	EFFECT FROM TO	UNITS PER ASSY
20					
64	AN960KD10L	..	WASHER	002004 006100 121503 904949 952999	2
66	BRH10A3	..	NUT SUPPLIER CODE: V52828 SPECIFICATION NUMBER: BACN10JC3 OPTIONAL PART: H10-3BAC V15653 NS202101-02 V80539 RMLH9075-3W V72962 VN303A02 V92215 96-02 V80539 T6S1032J V11815	002004 006100 121503 904949 952999	2
68	NAS43DD3-85	..	SPACER	002004 006100 121503 904949 952999	2
70	270N2000-1027	..	CHANNEL	002004 006100 121503 904949 952999	1
72	270N2000-1280	..	BLOCK	002004 006100 121503 904949 952999	2
75	270N2000-258	.	CLAMP ASSY- ALTERED FROM PART NUMBER: 270N2000-67 POST SERVICE BULLETIN: 24-0048	002004 006100 107107 121503 904949 952999	1

MISSING ITEM NUMBERS NOT APPLICABLE

- ITEM NOT ILLUSTRATED

BRI

29-22-51-20

29-22-51
FIG. 20
PAGE 4
JAN 20/09



757

PARTS CATALOG (MAINTENANCE)

FIG ITEM	PART NUMBER	1 2 3 4 5 6 7	NOMENCLATURE	EFFECT FROM TO	UNITS PER ASSY
20					
76	NAS1801-3-50	..	SCREW	002004 006100 107107 121503 904949 952999	2
77	AN960PD10L	..	WASHER	002004 006100 107107 121503 904949 952999	2
78	NAS43DD3-157	..	SPACER-	002004 006100 107107 121503 904949 952999	2
79	BRH10A3	..	NUT SUPPLIER CODE: V52828 SPECIFICATION NUMBER: BACN10JC3 OPTIONAL PART: H10-3BAC V15653 NS202101-02 V80539 RMLH9075-3W V72962 VN303A02 V92215 96-02 V80539 T6S1032J V11815	002004 006100 107107 121503 904949 952999	2
80	270N2000-841	..	CHANNEL	002004 006100 107107 121503 904949 952999	1
81	270N2000-1278	..	BLOCK	002004 006100 107107 121503 904949 952999	1

MISSING ITEM NUMBERS NOT APPLICABLE

- ITEM NOT ILLUSTRATED

BRI

29-22-51-20

29-22-51
FIG. 20
PAGE 5
JAN 20/09



757

PARTS CATALOG (MAINTENANCE)

FIG ITEM	PART NUMBER	1 2 3 4 5 6 7	NOMENCLATURE	EFFECT FROM TO	UNITS PER ASSY
20					
82	270N2000-1279	..	BLOCK	002004 006100 107107 121503 904949 952999	1
85	270N2000-468	..	BLOCK	002004 006100 107107 121503 904949 952999	1
95	271N6445-1197	.TUBE ASSY-PRESSURE SYS POSITION DATA: L TUBING MATERIAL: .750 IN. OD .039 IN. WALL 41.00 IN. LG TI		950951	1
- 97	AS1581T12	..	SLEEVE	950951	2
- 98	BACN10YA12N	..	NUT	950951	2
106	271N6445-1218	.TUBE ASSY-PRESSURE SYS POSITION DATA: L TUBING MATERIAL: .750 IN. OD .039 IN. WALL 17.00 IN. LG TI		107107 121503 904951	1
- 107	AS1581T12	..	SLEEVE	107107 950951	2
- 108	BACN10YA12	..	NUT-	107107 950951	2
- 108	BACN10YA12N	..	NUT-	107107 950951	2
109	271N6445-1194	.TUBE ASSY-PRESSURE SYS POSITION DATA: L TUBING MATERIAL: .750 IN. OD .039 IN. WALL 24.00 IN. LG TI POST SERVICE BULLETIN: 24-0048		002004 006100 107107 121503 904949 952999	1
110	271N6445-1191	.TUBE ASSY-PRESSURE SYS POSITION DATA: L TUBING MATERIAL: .750 IN. OD .039 IN. WALL 55.00 IN. LG TI POST SERVICE BULLETIN: 24-0048		002004 006100 107107 121503 904949 952999	1

MISSING ITEM NUMBERS NOT APPLICABLE

- ITEM NOT ILLUSTRATED

29-22-51-20

29-22-51
FIG. 20
PAGE 6
JAN 20/09

BRI



757

PARTS CATALOG (MAINTENANCE)

FIG ITEM	PART NUMBER	1 2 3 4 5 6 7	NOMENCLATURE	EFFECT FROM TO	UNITS PER ASSY
20					
- 111	AS1581T06	..	SLEEVE	002004 006100 121503 904949 952999	2
- 112	AS1581T12	..	SLEEVE	002004 006100 107107 121503 904949 952999	2
- 113	BACN10YA6N	..	NUT	002004 006100 121503 904949 952999	2
- 114	BACN10YA12N	..	NUT	002004 006100 107107 121503 904949 952999	2
115	271N6445-1149	.	TUBE ASSY-PRESSURE SYS POSITION DATA: L TUBING MATERIAL: .375 IN. OD .019 IN. WALL 34.00 IN. LG TI	950951	1
116	271N6445-1201	.	TUBE ASSY-PRESSURE SYS POSITION DATA: L TUBING MATERIAL: .375 IN. OD .019 IN. WALL 57.50 IN. LG TI POST SERVICE BULLETIN: 24-0048	002004 006100 107107 121503 904949 952999	1
- 117	AS1581T06	..	SLEEVE	002004 006100 107107 121503 904999	2
- 118	BACN10YA6	..	NUT	002004 006100 107107 121503 904999	2

MISSING ITEM NUMBERS NOT APPLICABLE

- ITEM NOT ILLUSTRATED

BRI

29-22-51-20

29-22-51
FIG. 20
PAGE 7
JAN 20/09



757

PARTS CATALOG (MAINTENANCE)

FIG ITEM	PART NUMBER	1 2 3 4 5 6 7	NOMENCLATURE	EFFECT FROM TO	UNITS PER ASSY
20					
120	271N6445-1235		.TUBE ASSY-PRESSURE SYS POSITION DATA: L TUBING MATERIAL: .750 IN. OD .039 IN. WALL 6.35 IN. LG TI	002004 006100 121503 904949 952999	1
120	271N6445-1193		.TUBE ASSY-PRESSURE SYS POSITION DATA: L TUBING MATERIAL: .750 IN. OD .039 IN. WALL 7.00 IN. LG TI POST SERVICE BULLETIN: 24-0048	107107	1
- 121	AS1581T12		..SLEEVE	002004 006100 121503 904949 952999	1
- 122	BACN10YA12N		..NUT	002004 006100 121503 904949 952999	1
- 123	AS1582T12		..UNION	002004 006100 121503 904949 952999	1
140	271N6445-1169		.TUBE ASSY-PRESSURE SYS POSITION DATA: L TUBING MATERIAL: .750 IN. OD .039 IN. WALL 51.0 IN. LG TI	006010 107107 121503 904999	1
140	271N6445-1263		.TUBE ASSY-PRESSURE SYS POSITION DATA: L TUBING MATERIAL: .750 IN. OD .039 IN. WALL 55.00 IN. LG TI	002004	1
141	271N6445-1282		.TUBE ASSY-PRESSURE SYS POSITION DATA: L	011100	1
- 142	AS1581T12		..SLEEVE	002004 006100 107107 121503 904999	2

MISSING ITEM NUMBERS NOT APPLICABLE

- ITEM NOT ILLUSTRATED

29-22-51-20

29-22-51
FIG. 20
PAGE 8
JAN 20/09

BRI



757

PARTS CATALOG (MAINTENANCE)

FIG ITEM	PART NUMBER	1 2 3 4 5 6 7	NOMENCLATURE	EFFECT FROM TO	UNITS PER ASSY
20					
- 143	BACN10YA12	..	NUT-	002004 006100 107107 121503 904999	2
- 143	BACN10YA12N	..	NUT-	002004 006100 107107 121503 904999	2
150	271N6445-1018	.	TUBE ASSY-PRESSURE SYS POSITION DATA: R TUBING MATERIAL: .750 IN. OD .039 IN. WALL 13.20 IN. LG TI	002004 006010 107107 121503 904999	1
152	271N6445-1280	.	TUBE ASSY-PRESSURE SYS POSITION DATA: R	011100	1
155	271N6445-1224	.	TUBE ASSY-PRESSURE SYS POSITION DATA: R TUBING MATERIAL: .750 IN. OD .039 IN. WALL 19.00 IN. LG TI	002004 006100 107107 121503 904999	1
- 165	AS1581T12	..	SLEEVE	002004 006100 107107 121503 904999	2
- 170	BACN10YA12	..	NUT	002004 006100 107107 121503 904999	2
200	271N6445-1133	.	TUBE ASSY-CASE DRAIN L SYS MANUFACTURED FROM: TUBING AL F-18.14 F-20.02 .375 IN. OD .035 IN. WALL 19.00 IN. LG 6061-T6 MIL-T-7081	002004 006010 107107 121503 904999	1
202	271N6445-1281	.	TUBE ASSY-CASE DRAIN SYS POSITION DATA: L	011100	1

MISSING ITEM NUMBERS NOT APPLICABLE

- ITEM NOT ILLUSTRATED

BRI

29-22-51-20

29-22-51
FIG. 20
PAGE 9
JAN 20/09



757

PARTS CATALOG (MAINTENANCE)

FIG ITEM	PART NUMBER	1 2 3 4 5 6 7	NOMENCLATURE	EFFECT FROM TO	UNITS PER ASSY
20 - 205	AP2097HP06	..	SLEEVE SUPPLIER CODE: V01673 SPECIFICATION NUMBER: BACS13BX06HP OPTIONAL PART: 2-02903-06HP V11328 35235VN06 V08199 AFP175V06P V30974 DBOS13BX06HP V14798	002004 006100 107107 121503 904999	2
- 210	BACN10YL06	..	NUT	002004 006100 107107 121503 904999	2
215	271N6445-1132	.TUBE ASSY-CASE DRAIN SYS POSITION DATA: L TUBING MATERIAL: .375 IN. OD .035 IN. WALL 31.0 IN. LG 6061-T6 MIL-T-7081 F18.14 F20.02 AL		002004 006100 107107 121503 904999	1
- 216	AP2097HP06	..	SLEEVE SUPPLIER CODE: V01673 SPECIFICATION NUMBER: BACS13BX06HP OPTIONAL PART: 2-02903-06HP V11328 35235VN06 V08199 AFP175V06P V30974 DBOS13BX06HP V14798	002004 006100 107107 121503 904999	1
- 217	MS21921-6D	..	NUT- OPTIONAL PART: BACN10YL06	002004 006100 107107 121503 904999	1

MISSING ITEM NUMBERS NOT APPLICABLE

- ITEM NOT ILLUSTRATED

BRI

29-22-51-20

29-22-51
FIG. 20
PAGE 10
JAN 20/09



757

PARTS CATALOG (MAINTENANCE)

FIG ITEM	PART NUMBER	1 2 3 4 5 6 7	NOMENCLATURE	EFFECT FROM TO	UNITS PER ASSY
20					
- 217	BACN10YLO6		..NUT- OPTIONAL PART: MS21921-6D	002004 006100 107107 121503 904999	1
- 218	35056GV06		..UNION SUPPLIER CODE: V08199 SPECIFICATION NUMBER: BACU24AB6W OPTIONAL PART: 2-01027-6W V11328 31875-6W V14397 4671097W6 V50948 AP1004W06 V01673 AFP941W6 V30974 DBOU24AB6W V14798	002004 006100 107107 121503 904999	1
220	271N6445-1150		.TUBE ASSY-RETURN SYS POSITION DATA: L TUBING MATERIAL: .375 IN. OD .035 IN. WALL 39.00 IN.LG 6061-T6 MIL-T-7081 F-18.14 F-20.02 AL	107107 950951	1
- 222	AP2097HP06		..SLEEVE SUPPLIER CODE: V01673 SPECIFICATION NUMBER: BACS13BX06HP OPTIONAL PART: 2-02903-06HP V11328 35235VN06 V08199 AFP175V06P V30974 DBOS13BX06HP V14798	107107 950951	1
- 223	MS21921-6D		..NUT- OPTIONAL PART: BACN10YLO6	107107 950951	1

MISSING ITEM NUMBERS NOT APPLICABLE

- ITEM NOT ILLUSTRATED

29-22-51-20

29-22-51
FIG. 20
PAGE 11
JAN 20/09

BRI



757

PARTS CATALOG (MAINTENANCE)

FIG ITEM	PART NUMBER	1 2 3 4 5 6 7	NOMENCLATURE	EFFECT FROM TO	UNITS PER ASSY
20					
- 223	BACN10YL06	..	NUT- OPTIONAL PART: MS21921-6D	107107 950951	1
- 224	35056GV06	..	UNION SUPPLIER CODE: V08199 SPECIFICATION NUMBER: BACU24AB6W OPTIONAL PART: 2-01027-6W V11328 31875-6W V14397 4671097W6 V50948 AP1004W06 V01673 AFP941W6 V30974 DBOU24AB6W V14798	107107 950951	1
225	271N6445-1184	.TUBE ASSY-RETURN SYS POSITION DATA: L TUBING MATERIAL: .375 IN. OD .019 IN. WALL 36.00 IN. LG TI POST SERVICE BULLETIN: 24-0048		002004 006100 107107 121503 904949 952999	1
230	271N6445-1200	.TUBE ASSY-CASE DRAIN SYS POSITION DATA: L TUBING MATERIAL: .375 IN. OD .019 IN. WALL 64.00 IN. LG TI POST SERVICE BULLETIN: 24-0048 PRE SERVICE BULLETIN: 24-0126		107107 904949 952952	1
230	271N6445-1252	.TUBE ASSY-CASE DRAIN SYS POSITION DATA: L TUBING MATERIAL: .375 IN. OD .019 IN. WALL 59.50 IN. LG TI PRE SERVICE BULLETIN: 24-0126		002004 006100 121503 953999	1

MISSING ITEM NUMBERS NOT APPLICABLE

- ITEM NOT ILLUSTRATED

BRI

29-22-51-20

29-22-51
FIG. 20
PAGE 12
JAN 20/09



757

PARTS CATALOG (MAINTENANCE)

FIG ITEM	PART NUMBER	1 2 3 4 5 6 7	NOMENCLATURE	EFFECT FROM TO	UNITS PER ASSY
20					
- 232	AS1581T06	..	SLEEVE	002004 006100 121503 904949 952999	1
- 232	AS1581T06	..	SLEEVE	002004 006100 121503 904949 952999	1
- 233	BACN10YA6N	..	NUT	002004 006100 121503 904949 952999	1
- 233	BACN10YA6N	..	NUT	002004 006100 121503 904949 952999	1
- 234	AS1582T06	..	UNION	002004 006100 121503 904949 952999	1
- 234	AS1582T06	..	UNION	002004 006100 121503 904949 952999	1
240	271N6445-1107	.TUBE ASSY-RETURN SYS POSITION DATA: L TUBING MATERIAL: .375 IN. OD .035 IN. WALL 10.0 IN. LG AL		002004 006010 107107 121503 904999	1
240	271N6445-1272	.TUBE ASSY-RETURN SYS POSITION DATA: L TUBING MATERIAL: .375 IN. OD .035 IN. WALL 15.00 IN. LG AL		011100	1

MISSING ITEM NUMBERS NOT APPLICABLE

- ITEM NOT ILLUSTRATED

BRI

29-22-51-20

BOEING PROPRIETARY - Copyright © - Unpublished Work - See title page for details.

29-22-51
FIG. 20
PAGE 13
JAN 20/09



757

PARTS CATALOG (MAINTENANCE)

FIG ITEM	PART NUMBER	1 2 3 4 5 6 7	NOMENCLATURE	EFFECT FROM TO	UNITS PER ASSY
20					
- 242	AP2097HP06	..	SLEEVE SUPPLIER CODE: V01673 SPECIFICATION NUMBER: BACS13BX06HP OPTIONAL PART: 2-02903-06HP V11328 35235VN06 V08199 AFP175V06P V30974 DBOS13BX06HP V14798	002004 006100 107107 121503 904999	2
- 243	BACN10YLO6	..	NUT	002004 006100 107107 121503 904999	2
245	271N6445-1199	.TUBE ASSY-PRESSURE SYS POSITION DATA: L TUBING MATERIAL: .750 IN. OD .039 IN. WALL 60.00 IN. LG TI POST SERVICE BULLETIN: 24-0048		002004 006100 107107 121503 904949 952999	1
- 248	AS1581T12	..	SLEEVE	002004 006102 108503 904949 952999	2
- 250	BACN10YA12N	..	NUT	002004 006102 108503 904949 952999	2
251	271N6445-1205	.TUBE ASSY-CASE DRAIN SYS POSITION DATA: L TUBING MATERIAL: .375 IN. OD .019 IN. WALL 20.00 IN. LG TI POST SERVICE BULLETIN: 24-0048		002004 006100 107107 121503 904949 952999	1

MISSING ITEM NUMBERS NOT APPLICABLE

- ITEM NOT ILLUSTRATED

BRI

29-22-51-20

29-22-51
FIG. 20
PAGE 14
JAN 20/09



757

PARTS CATALOG (MAINTENANCE)

FIG ITEM	PART NUMBER	1 2 3 4 5 6 7	NOMENCLATURE	EFFECT FROM TO	UNITS PER ASSY
20					
252	271N6445-1206		.TUBE ASSY-CASE DRAIN SYS POSITION DATA: L TUBING MATERIAL: .375 IN. OD .019 IN. WALL 60.50 IN. LG TI POST SERVICE BULLETIN: 24-0048	002004 006100 107107 121503 904949 952999	1
- 253	AS1581T06		..SLEEVE	002004 006100 107107 121503 904949 952999	1
- 254	BACN10YA6N		..NUT	002004 006100 107107 121503 904949 952999	1
- 255	AS1582T06		..UNION	002004 006100 107107 121503 904949 952999	1
300	NAS1762T1212		.ELBOW-	002004 006100 107107 121503 904999	5
300	NAS1762J1212		.ELBOW-	002004 006100 107107 121503 904999	5
305	NAS1762D0606		.ELBOW- MISCELLANEOUS DATA: MAY USE NAS1762W0606	002004 006100 107107 121503 904999	2
310	NAS1761D0606		.ELBOW-	002004 006100 107107 121503 904999	1

MISSING ITEM NUMBERS NOT APPLICABLE

- ITEM NOT ILLUSTRATED

BRI

29-22-51-20

29-22-51
FIG. 20
PAGE 15
JAN 20/09



757

PARTS CATALOG (MAINTENANCE)

FIG ITEM	PART NUMBER	1 2 3 4 5 6 7	NOMENCLATURE	EFFECT FROM TO	UNITS PER ASSY
20					
315	NAS1762D1212	.	ELBOW-	002004 006100 107107 121503 904999	1
317	AP1042T1212	.	ELBOW- SUPPLIER CODE: V01673 SPECIFICATION NUMBER: BACE21BT1212T	107107 950951	1
317	AP1042J1212	.	ELBOW- SUPPLIER CODE: V01673 SPECIFICATION NUMBER: BACE21BT1212J	107107 950951	1
318	AP1042T1212	.	ELBOW- SUPPLIER CODE: V01673 SPECIFICATION NUMBER: BACE21BT1212T	002004 006100 121503 904949 952999	2
318	AP1042J1212	.	ELBOW- SUPPLIER CODE: V01673 SPECIFICATION NUMBER: BACE21BT1212J	002004 006100 121503 904949 952999	2
320	NAS1764J121206	.	TEE-	002004 006100 107107 121503 904999	1
320	NAS1764T121206	.	TEE-	002004 006100 107107 121503 904999	1
325	NAS1764D120616	.	TEE-	002004 006100 107107 121503 904999	1
335	NAS1764T121206	.	TEE- OPTIONAL PART: BACT16BT121206T	002004 006100 950951	1
335	NAS1764J121206	.	TEE-	002004 006100 950951	1

MISSING ITEM NUMBERS NOT APPLICABLE

- ITEM NOT ILLUSTRATED

BRI

29-22-51-20

BOEING PROPRIETARY - Copyright © - Unpublished Work - See title page for details.

29-22-51
FIG. 20
PAGE 16
JAN 20/09



757

PARTS CATALOG (MAINTENANCE)

FIG ITEM	PART NUMBER	1 2 3 4 5 6 7	NOMENCLATURE	EFFECT FROM TO	UNITS PER ASSY
20					
336	BACT16BT121206T	. TEE-	OPTIONAL PART: NAS1764T121206 POST SERVICE BULLETIN: 24-0048	107107	1
336	NAS1764T121206	. TEE-	OPTIONAL PART: BACT16BT121206T POST SERVICE BULLETIN: 24-0048	107107	1
336	NAS1764J121206	. TEE-		002004 006100 121503 904949 952999	1
338	BACT16BR121206T	. TEE-	POST SERVICE BULLETIN: 24-0048	002004 006100 107107 121503 904949 952999	1
340	BACT16BR121212T	. TEE-	OPTIONAL PART: BACT16AY121212M POST SERVICE BULLETIN: 24-0048	002004 006100 107107 121503 904949 952999	1

MISSING ITEM NUMBERS NOT APPLICABLE

- ITEM NOT ILLUSTRATED

BRI

29-22-51-20

29-22-51
FIG. 20
PAGE 17
JAN 20/09



757

PARTS CATALOG (MAINTENANCE)

FIG ITEM	PART NUMBER	1 2 3 4 5 6 7	NOMENCLATURE	EFFECT FROM TO	UNITS PER ASSY
20 340	AP1013M121212	. TEE-	SUPPLIER CODE: V01673 SPECIFICATION NUMBER: BACT16AY121212M OPTIONAL PART: AP1013-121212M V01673 ER10604M121212M V88334 FER1573-121212M V14397 W30804M121212 V11328 4671113-121212M V50948 US1930-121212M V50808 DBOT16AY121212M V14798 AFP310-121212M V30974 BACT16BR121212T	002004 006100 121503 904949 952999	1
345	BACU24L12	. UNION		002004 006100 107107 121503 904999	1
347	AN924-12D	. NUT		002004 006100 107107 121503 904999	1
348	0121520900-5	. VALVE-CHECK	SUPPLIER CODE: V83533 SPECIFICATION NUMBER: BACV10CD5 OPTIONAL PART: 1C1352 V99240 POST SERVICE BULLETIN: 24-0048	107107	1

MISSING ITEM NUMBERS NOT APPLICABLE

- ITEM NOT ILLUSTRATED

BRI

29-22-51-20

29-22-51
FIG. 20
PAGE 18
JAN 20/09



757

PARTS CATALOG (MAINTENANCE)

FIG ITEM	PART NUMBER	1 2 3 4 5 6 7	NOMENCLATURE	EFFECT FROM TO	UNITS PER ASSY
20 349	0121520900-5		.VALVE-CHECK SUPPLIER CODE: V83533 SPECIFICATION NUMBER: BACV10CD5 OPTIONAL PART: 1C1352 V99240	002004 006100 121503 904949 952999	3
350	0121520900-5		.VALVE-CHECK SUPPLIER CODE: V83533 SPECIFICATION NUMBER: BACV10CD5 OPTIONAL PART: 1C1352 V99240	002004 006100 107107 121503 904999	1
351	0121520900-2		.VALVE-CHECK SUPPLIER CODE: V83533 SPECIFICATION NUMBER: BACV10CD2 OPTIONAL PART: 1C1346 V99240	002004 006100 121503 904949 952999	2
353	0121520900-2		.VALVE-CHECK SUPPLIER CODE: V83533 SPECIFICATION NUMBER: BACV10CD2 OPTIONAL PART: 1C1346 V99240	107107 950951	1
354	0121520900-5		.VALVE-CHECK SUPPLIER CODE: V83533 SPECIFICATION NUMBER: BACV10CD5 OPTIONAL PART: 1C1352 V99240	107107 950951	1
355	JETX0507050AB		.RESTRICTOR-FLOW SUPPLIER CODE: V92555	002004 006100 107107 121503 904999	1
360	MS21913W6		.PLUG-FLARELESS POST SERVICE BULLETIN: 24-0126	009009 107107	1

MISSING ITEM NUMBERS NOT APPLICABLE

- ITEM NOT ILLUSTRATED

BRI

29-22-51-20

29-22-51
FIG. 20
PAGE 19
JAN 20/09



757

PARTS CATALOG (MAINTENANCE)

FIG ITEM	PART NUMBER	1 2 3 4 5 6 7	NOMENCLATURE	EFFECT FROM TO	UNITS PER ASSY
20 - 400	271N6441-9		PLUMBING INSTL-BHD MLG WHL WELL HYDR (HYDRAULIC POWER TRANSFER UNIT SYSTEM ONLY) POSITION DATA: SECT. 44 FWD VARIABLE DRAWING REF: 271N6441-11 271N6441-12 271N6441-14 FOR NHA/OTHER SYS DET SEE: 29-00-51-05	002004 006100 107107 121503 904999	RF
405	271N6441-1102		.TUBE ASSY-RETURN SYS POSITION DATA: R TUBING MATERIAL: .750 IN. OD .035 IN. WALL 31.10 IN. LG AL AMS 4083 6061 T6 TUBING	002004 006010 107107 121503 904999	1
407	271N6441-1429		.TUBE ASSY-RETURN SYS POSITION DATA: R TUBING MATERIAL: .750 IN. OD .035 IN. WALL 38.60 IN. LG AL AMS 4083 6061 T6 TUBING	011100	1
- 410	AP2097HP12		..SLEEVE SUPPLIER CODE: V01673 SPECIFICATION NUMBER: BACS13BX12HP OPTIONAL PART: 2-02903-12HP V11328 35235VN12 V08199 AFP175V12P V30974 DBOS13BX12HP V14798	002004 006100 107107 121503 904999	2
- 415	BACN10YL12		..NUT	002004 006100 107107 121503 904999	2

MISSING ITEM NUMBERS NOT APPLICABLE

- ITEM NOT ILLUSTRATED

BRI

29-22-51-20

29-22-51
FIG. 20
PAGE 20
JAN 20/09



757

PARTS CATALOG (MAINTENANCE)

FIG ITEM	PART NUMBER	1 2 3 4 5 6 7	NOMENCLATURE	EFFECT FROM TO	UNITS PER ASSY
20 420	AP1008-12JL	.CAP	SUPPLIER CODE: V01673 SPECIFICATION NUMBER: BACC14AD12JL OPTIONAL PART: US2103-12JL V50808	107107	1
900			ILLUSTRATION REFERENCE: UNIT INSTL-PWR TRANSFER 29-22-01-01	002004 006100 107107 121503 904999	RF
905			ILLUSTRATION REFERENCE: MODULE INSTL-PWR TRANSFER UNIT PRESSURE FILTER (HYDRAULIC POWER ONLY) 29-22-02-01	002004 006100 107107 121503 904999	RF
910			ILLUSTRATION REFERENCE: MODULE INSTL-PWR TRANSFER UNIT CASE DRAIN FILL 29-22-02-05	002004 006100 107107 121503 904999	RF
915			ILLUSTRATION REFERENCE: VALVE INSTL-PTU CONT 29-22-03-05	002004 006100 107107 121503 904999	RF
930			ILLUSTRATION REFERENCE: TRANSMITTER INSTL- L SYS PRESSURE 29-31-01-05	002004 006100 107107 121503 904999	RF
935			ILLUSTRATION REFERENCE: PLUMBING INSTL-MAIN WHL WELL FWD BHD HYDR (HYDRAULIC POWER ONLY) 29-11-51-39	002004 006100 107107 121503 904999	RF

MISSING ITEM NUMBERS NOT APPLICABLE

- ITEM NOT ILLUSTRATED

29-22-51-20

29-22-51
FIG. 20
PAGE 21
JAN 20/09

BRI



757

PARTS CATALOG (MAINTENANCE)

FIG ITEM	PART NUMBER	1 2 3 4 5 6 7	NOMENCLATURE	EFFECT FROM TO	UNITS PER ASSY
20					
940			ILLUSTRATION REFERENCE: PLUMBING INSTL-SECT. 44 KEEL BEAM MLG WHL WELL HYDR 32-35-51-30	002004 006100 107107 121503 904999	RF
945			ILLUSTRATION REFERENCE: PLUMBING INSTL-SECT. 44 MAIN WHL WELL HYDR (HYDRAULIC POWER ONLY) 29-11-51-36	002004 006100 107107 121503 904999	RF
950			ILLUSTRATION REFERENCE: VALVE INSTL AND ASSY CONT AND FLOW LIMITER HYDR MOTOR/GEN (GEN SHUTOFF VALVE ONLY) 24-25-03-01	011100	RF
955			ILLUSTRATION REFERENCE: GAGE AND BRACKET INSTL HYDR MOTOR/GEN 24-25-04-01	008100 953999	RF
965			ILLUSTRATION REFERENCE: VALVE INSTL -L HYDR SYSTEM PRESSURE SENSITIVE FLOW LIMITER 29-11-59-01	950951	RF
980			ILLUSTRATION REFERENCE: PLUMBING INSTL-SECT 44 MLG WHL WELL HYDR (ANTISKID/AUTOBRAKE SYSTEM ONLY) 32-42-51-22	011100	RF
985			ILLUSTRATION REFERENCE: PLUMBING INSTL-SECT. 44 KEEL BEAM MLG WHL WELL HYDR (LANDING GEAR CONTROL ONLY) 32-31-51-20	002004 006100 107107 121503 904999	RF

MISSING ITEM NUMBERS NOT APPLICABLE

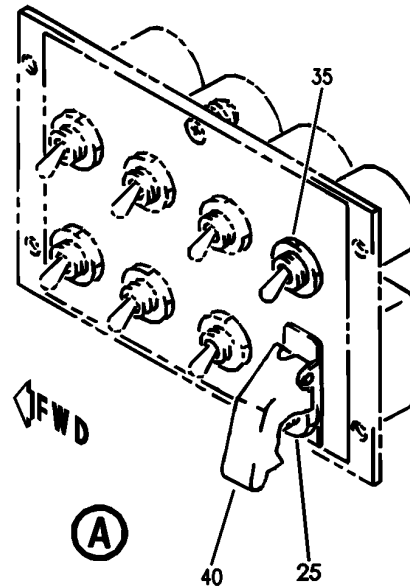
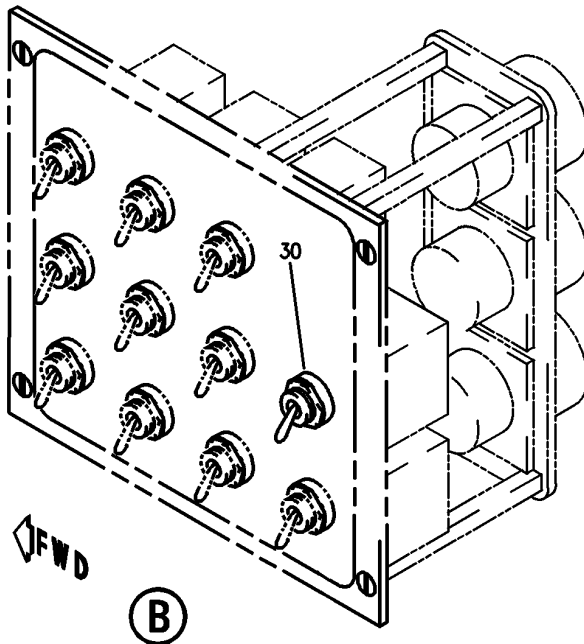
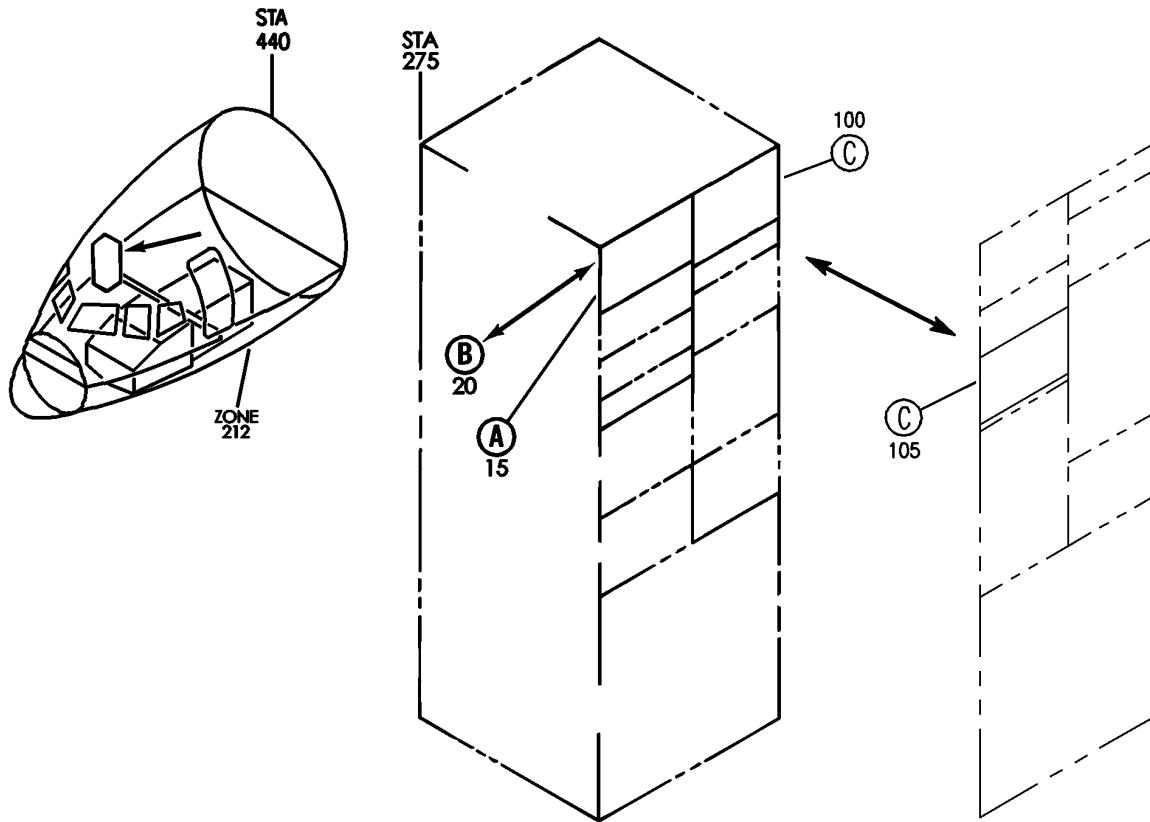
- ITEM NOT ILLUSTRATED

BRI

29-22-51-20

29-22-51
FIG. 20
PAGE 22
JAN 20/09

BOEING
757
PARTS CATALOG (MAINTENANCE)



Y 2925201 SHT 1 REV 232

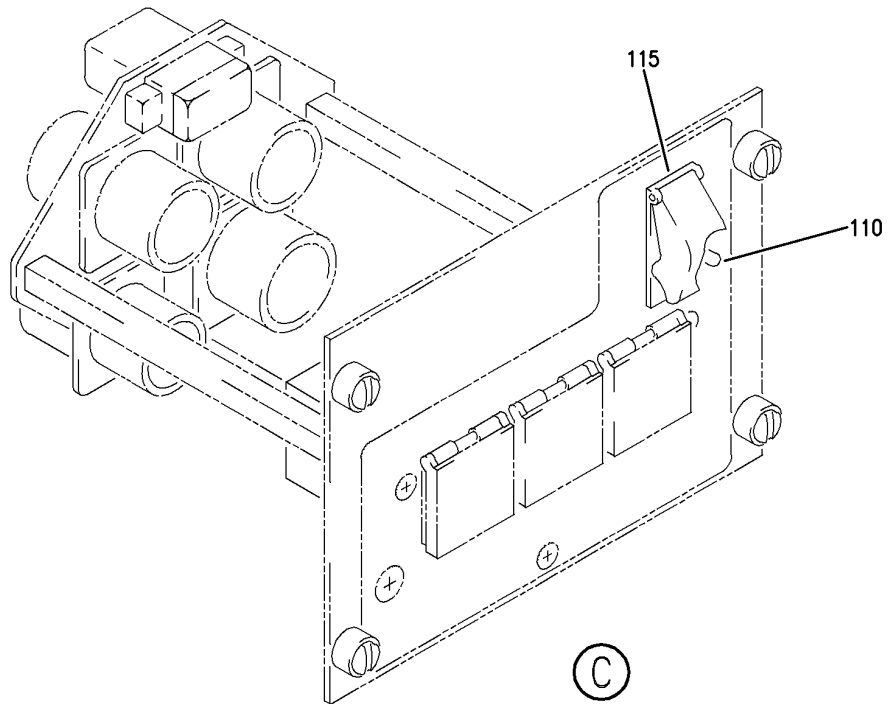
PANEL INSTL-P61 R SIDEWALL (HYDRAULIC POWER TRANSFER UNIT SYSTEM ONLY)
FIGURE 1 (SHEET 1)

BRI
MAY 28/07

29-22-52-01

29-22-52-01
PAGE 0

BOEING
757
PARTS CATALOG (MAINTENANCE)



Y 29225201 SHT 2 REV 232

PANEL INSTL-P61 R SIDEWALL (HYDRAULIC POWER TRANSFER UNIT SYSTEM ONLY)
FIGURE 1 (SHEET 2)

BRI
MAY 28/07

29-22-52-01

29-22-52-01
PAGE 0A



757

PARTS CATALOG (MAINTENANCE)

FIG ITEM	PART NUMBER	1 2 3 4 5 6 7	NOMENCLATURE	EFFECT FROM TO	UNITS PER ASSY
1			PANEL INSTL-P61 R SIDEWALL (HYDRAULIC POWER TRANSFER UNIT SYSTEM ONLY)	002004 006999	
- 1	233N7401-1		PANEL INSTL-P61 SIDEWALL (HYDRAULIC POWER TRANSFER UNIT SYSTEM ONLY) POSITION DATA: R VARIABLE DRAWING REF: 233N7401-5004 233N7401-5005 233N7401-5036 233N7401-5038 233N7401-5042 FOR NHA/OTHER SYS DET SEE: 25-10-00-05A	002004 006100 107107 121503 904999	RF
- 1	233N7403-158		PANEL INSTL-P61 SIDEWALL (HYDRAULIC POWER TRANSFER UNIT SYSTEM ONLY) POSITION DATA: R FOR NHA/OTHER SYS DET SEE: 25-10-00-15B	108120	RF
- 2	233N7403-28		PANEL INSTL-P61 SIDEWALL (HYDRAULIC POWER TRANSFER UNIT SYSTEM ONLY) POSITION DATA: R FOR NHA/OTHER SYS DET SEE: 25-10-00-15B	101101	RF
- 3	233N7403-117		PANEL INSTL-P61 SIDEWALL (HYDRAULIC POWER TRANSFER UNIT SYSTEM ONLY) POSITION DATA: R FOR NHA/OTHER SYS DET SEE: 25-10-00-15B	504903	RF
- 3	233N7403-128		PANEL INSTL-P61 SIDEWALL (HYDRAULIC POWER TRANSFER UNIT SYSTEM ONLY) POSITION DATA: R FOR NHA/OTHER SYS DET SEE: 25-10-00-15B	102102	RF

MISSING ITEM NUMBERS NOT APPLICABLE

- ITEM NOT ILLUSTRATED

29-22-52-01

29-22-52
FIG. 01
PAGE 1
JAN 20/09

BRI



757

PARTS CATALOG (MAINTENANCE)

FIG ITEM	PART NUMBER	1 2 3 4 5 6 7	NOMENCLATURE	EFFECT FROM TO	UNITS PER ASSY
1 - 8	MODREF33342		PANEL INSTL- (HYDRAULIC POWER TRANSFER UNIT SYSTEM ONLY) MODULE NUMBER: 233N7403-171 REV A FOR OTHER SYS DETAILS SEE: 11-32-01-98 21-58-51-04 22-21-51-01 23-41-52-01 24-22-73-02 26-18-53-02 26-21-52-01 26-22-52-01 26-23-52-03 27-23-51-02 28-41-51-04 30-11-52-01 30-41-51-04 31-14-16-87 31-31-04-01 31-41-53-01 31-51-51-01 34-12-54-01 34-21-51-02 34-46-51-05 34-61-53-03	103106	1
15	233N7501-35		.PANEL ASSY-TEST SUPPLIER CODE: V89954 ELECTRICAL EQUIP NUMBER: M10398 COMPONENT MAINT MANUAL REF: 31-51-61 POST SERVICE BULLETIN: 24-0048	107107 904949 952952	RF

MISSING ITEM NUMBERS NOT APPLICABLE

- ITEM NOT ILLUSTRATED

BRI

29-22-52-01

BOEING PROPRIETARY - Copyright © - Unpublished Work - See title page for details.

29-22-52
FIG. 01
PAGE 2
JAN 20/09



757

PARTS CATALOG (MAINTENANCE)

FIG ITEM	PART NUMBER	1 2 3 4 5 6 7	NOMENCLATURE	EFFECT FROM TO	UNITS PER ASSY
1 15	233N7501-36		.PANEL ASSY-TEST SUPPLIER CODE: V89954 SB DATA FROM A CMM: POST 233N7501-31-03 ELECTRICAL EQUIP NUMBER: M10398 COMPONENT MAINT MANUAL REF: 31-51-61 QUALIFIED I/W DATA: 233N7501-36 CAN REPLACE 233N7501-35,BUT 233N7501-35 CANNOT REPLACE 233N7501-36 IF VICKER HMG, 520850 OR 3022008-000 IS INSTALLED.	002004 006102 108503 953999	RF
20	233N7501-41		.PANEL ASSY-TEST SUPPLIER CODE: V89954 ELECTRICAL EQUIP NUMBER: M10398 COMPONENT MAINT MANUAL REF: 31-51-61	103106	RF
30	68AT22-7		..SWITCH-TG SUPPLIER CODE: V91929 ELECTRICAL EQUIP NUMBER: S00004	103106	RF
35	68AT22-7		..SWITCH- SUPPLIER CODE: V91929 SPECIFICATION NUMBER: BACS30ES44 OPTIONAL PART: 68AT11-7 V91929 A3-1114-04-1 V81640 A3-1114-04 V81640 ELECTRICAL EQUIP NUMBER: S00004	002004 006102 107503 904949 952999	RF

MISSING ITEM NUMBERS NOT APPLICABLE

- ITEM NOT ILLUSTRATED

BRI

29-22-52-01

29-22-52
FIG. 01
PAGE 3
JAN 20/09



757

PARTS CATALOG (MAINTENANCE)

FIG ITEM	PART NUMBER	1 2 3 4 5 6 7	NOMENCLATURE	EFFECT FROM TO	UNITS PER ASSY
1 100	233N7503-32		.PANEL ASSY-GEN FIELD AND HYDR SUPPLIER CODE: V89954 ELECTRICAL EQUIP NUMBER: M10191 COMPONENT MAINT MANUAL REF: 24-22-73 QUALIFIED I/W DATA: 233N7503-29 -31 -32 -44 -45 -46 ALL INTERCHANGEABLE EXCEPT SUBJECT TO CUSTOMER PREFERENCE -32 I/W -51 EXCEPT WHEN INSTALLING A -32 IN PLACE OF -51 FIELD GENERATOR SWITCHES S1, S2, S3 MUST BE MARKED INOPERABLE.	002004 107107 952952	RF
100	233N7503-34		.PANEL ASSY-GEN FIELD AND HYDR SUPPLIER CODE: V89954 ELECTRICAL EQUIP NUMBER: M10191 COMPONENT MAINT MANUAL REF: 24-22-73	002004 107107 952952	RF
100	233N7503-47		.PANEL ASSY-GEN FIELD AND HYDR SUPPLIER CODE: V89954 ELECTRICAL EQUIP NUMBER: M10191 COMPONENT MAINT MANUAL REF: 24-22-73	002004 107107 952952	RF
100	233N7503-56		.PANEL ASSY-GEN FIELD AND HYDR SUPPLIER CODE: V89954 ELECTRICAL EQUIP NUMBER: M10191 COMPONENT MAINT MANUAL REF: 24-22-73	002004 006010 101107 504903 950999	RF

MISSING ITEM NUMBERS NOT APPLICABLE

- ITEM NOT ILLUSTRATED

29-22-52-01

29-22-52
FIG. 01
PAGE 4
JAN 20/09

BRI



757

PARTS CATALOG (MAINTENANCE)

FIG ITEM	PART NUMBER	1 2 3 4 5 6 7	NOMENCLATURE	EFFECT FROM TO	UNITS PER ASSY
1 100	233N7503-46		.PANEL ASSY-GEN FIELD AND HYDR SUPPLIER CODE: V89954 ELECTRICAL EQUIP NUMBER: M10191 COMPONENT MAINT MANUAL REF: 24-22-73 QUALIFIED I/W DATA: 233N7503-29 -31 -32 -44 -45 -46 ALL INTERCHANGEABLE EXCEPT SUBJECT TO CUSTOMER PREFERENCE	121503 904949	RF
100	233N7503-53		.PANEL ASSY-GEN FIELD AND HYDR SUPPLIER CODE: V89954 ELECTRICAL EQUIP NUMBER: M10191 COMPONENT MAINT MANUAL REF: 24-22-73	011100 121503 904949	RF
100	233N7503-51		.PANEL ASSY-GEN FIELD AND HYDR SUPPLIER CODE: V89954 ELECTRICAL EQUIP NUMBER: M10191 COMPONENT MAINT MANUAL REF: 24-22-73 QUALIFIED I/W DATA: -32 I/W -51 EXCEPT WHEN INSTALLING A -32 IN PLACE OF -51 FIELD GENERATOR SWITCHES S1, S2, S3 MUST BE MARKED INOPERABLE.	108120	RF
110	64AT22-3		..SWITCH SUPPLIER CODE: V91929 SPECIFICATION NUMBER: BACS30EM5 OPTIONAL PART: 64AT11-3 V91929 A3-1110-05-1 V81640 A3-1110-05 V81640	002004 006999	1

MISSING ITEM NUMBERS NOT APPLICABLE

- ITEM NOT ILLUSTRATED

29-22-52-01

29-22-52
FIG. 01
PAGE 5
JAN 20/09

BRI



757

PARTS CATALOG (MAINTENANCE)

FIG ITEM	PART NUMBER	1 2 3 4 5 6 7	NOMENCLATURE	EFFECT FROM TO	UNITS PER ASSY
1 115	400-122		. . GUARD-SWITCH SUPPLIER CODE: V33463	002004 006999	1

MISSING ITEM NUMBERS NOT APPLICABLE

- ITEM NOT ILLUSTRATED

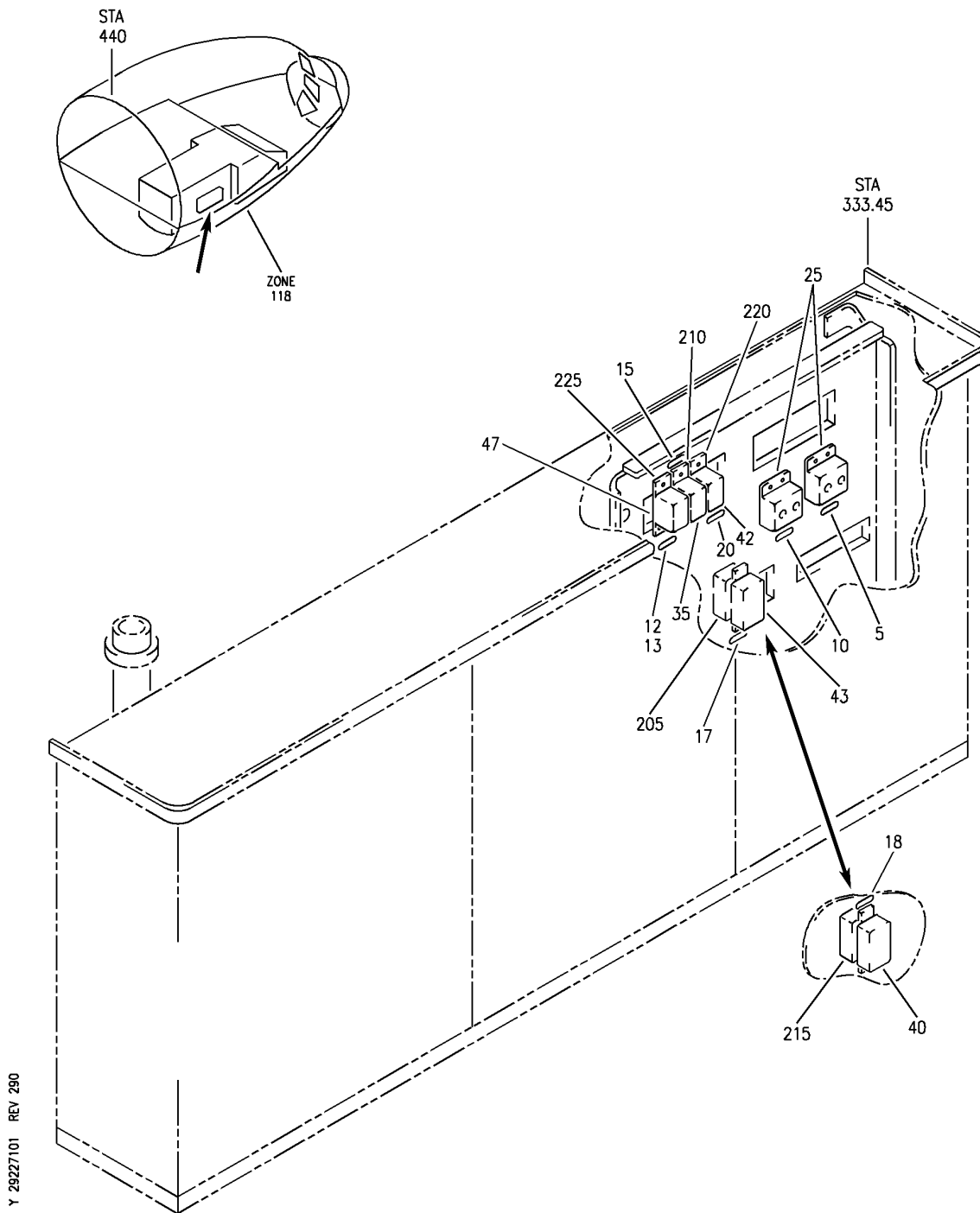
BRI

29-22-52-01

BOEING PROPRIETARY - Copyright © - Unpublished Work - See title page for details.

29-22-52
FIG. 01
PAGE 6
JAN 20/09

BOEING
757
PARTS CATALOG (MAINTENANCE)



Y 29227101 REV 290

SHIELD ASSY-P33 MISC ELEC EQPT (HYDRAULIC POWER TRANSFER UNIT ONLY)
FIGURE 1

29-22-71-01

BRI
MAY 28/07

29-22-71-01
PAGE 0



757

PARTS CATALOG (MAINTENANCE)

FIG ITEM	PART NUMBER	1 2 3 4 5 6 7	NOMENCLATURE	EFFECT FROM TO	UNITS PER ASSY
1			SHIELD ASSY-P33 MISC ELEC EQPT (HYDRAULIC POWER TRANSFER UNIT ONLY)	002004 006100 107107 121503 904999	
- 1	284N1318-1		SHIELD ASSY-P33 MISC ELEC EQPT (HYDRAULIC POWER TRANSFER UNIT ONLY) VARIABLE DRAWING REF: 284N1318-5010 284N1318-5016 284N1318-5019 284N1318-5021 284N1318-5023 FOR NHA/OTHER SYS DET SEE: 31-01-33-03	002004 006100 107107 121503 904999	RF
5	BAC27NEX0170		.DECAL- PLACARD CONTENT: M10145	002004 006100 107107 121503 904999	1
10	BAC27NEX0171		.DECAL- PLACARD CONTENT: M10146	002004 006100 107107 121503 904999	1
15	BAC27NEX0812		.DECAL- PLACARD CONTENT: K10051	002004 006100 121503 904999	1
18	BAC27NEX0812		.DECAL- PLACARD CONTENT: K10051	107107	1
25	10167-3BT		.RELAY-TIME DELAY SUPPLIER CODE: V08719 ELECTRICAL EQUIP NUMBER: M10145 M10146 OPTIONAL PART: 10167-3001BT V08719 530750-3 V08719 TD1982-3 V58657	002004 006100 107107 121503 904999	2

MISSING ITEM NUMBERS NOT APPLICABLE

- ITEM NOT ILLUSTRATED

BRI

29-22-71-01

BOEING PROPRIETARY - Copyright © - Unpublished Work - See title page for details.

29-22-71
FIG. 01
PAGE 1
JAN 20/09



757

PARTS CATALOG (MAINTENANCE)

FIG ITEM	PART NUMBER	1 2 3 4 5 6 7	NOMENCLATURE	EFFECT FROM TO	UNITS PER ASSY
1 25	10167-3001BT		.RELAY-TIME DELAY SUPPLIER CODE: V08719 ELECTRICAL EQUIP NUMBER: M10145 M10146 OPTIONAL PART: TD1982-3001 V08719 10167-3BT V08719 530750-3001 V08719	002004 006100 107107 121503 904999	2
25	TD1982-3001		.RELAY-TIME DELAY SUPPLIER CODE: V58657 ELECTRICAL EQUIP NUMBER: M10145 M10146 OPTIONAL PART: 10167-3001BT V08719 530750-3001 V08719	002004 006100 107107 121503 904999	2
25	530750-3		.RELAY-TIME DELAY SUPPLIER CODE: V08719 ELECTRICAL EQUIP NUMBER: M10145 M10146 OPTIONAL PART: 10167-3BT V08719 TD1982-3 V58657	002004 006100 121503 904949	2
25	TD1982-3		.RELAY-TIME DELAY SUPPLIER CODE: V58657 ELECTRICAL EQUIP NUMBER: M10145 M10146 OPTIONAL PART: 10167-3BT V08719 530750-3 V08719	002004 006100 121503 904949	2

MISSING ITEM NUMBERS NOT APPLICABLE

- ITEM NOT ILLUSTRATED

BRI

29-22-71-01

29-22-71
FIG. 01
PAGE 2
JAN 20/09



757

PARTS CATALOG (MAINTENANCE)

FIG ITEM	PART NUMBER	1 2 3 4 5 6 7	NOMENCLATURE	EFFECT FROM TO	UNITS PER ASSY
1 25	530750-3001		.RELAY-TIME DELAY SUPPLIER CODE: V08719 ELECTRICAL EQUIP NUMBER: M10145 M10146 OPTIONAL PART: TD1982-3001 V08719 10167-3001BT V08719 ATTACHING PARTS	002004 006100 107107 121503 904999	2
- 30	NAS1801-06-13		.SCREW	002004 006100 107107 121503 904999	4
- 32	AN960JD6L		.WASHER	002004 006100 107107 121503 904999	4
35	E210-1631		-----*----- .RELAY- SUPPLIER CODE: V99699 SPECIFICATION NUMBER: BACR13CF2A OPTIONAL PART: BR246S0112 V56623 FCA210-70 V78290 E215-1050 V99699 JD4A017 V35344 BR64S104 V56623 61GB19-1A320 V98927 ELECTRICAL EQUIP NUMBER: K10051	002004 006100 121503 904999	1

MISSING ITEM NUMBERS NOT APPLICABLE

- ITEM NOT ILLUSTRATED

BRI

29-22-71-01

29-22-71
FIG. 01
PAGE 3
JAN 20/09



757

PARTS CATALOG (MAINTENANCE)

FIG ITEM	PART NUMBER	1 2 3 4 5 6 7	NOMENCLATURE	EFFECT FROM TO	UNITS PER ASSY
1 40	E210-1631		.RELAY- SUPPLIER CODE: V99699 SPECIFICATION NUMBER: BACR13CF2A OPTIONAL PART: BR246S0112 V56623 FCA210-70 V78290 E215-1050 V99699 JD4A017 V35344 BR64S104 V56623 61GB19-1A320 V98927 ELECTRICAL EQUIP NUMBER: K10051	107107	1
- 200	286N1230-002		WIRE BUNDLE ASSY-(HYDRAULIC POWER TRANSFER UNIT ONLY)	121503 904949	RF
- 200	286N1230-003		WIRE BUNDLE ASSY-(HYDRAULIC POWER TRANSFER UNIT ONLY)	107107	RF
- 200	286N1230-004		WIRE BUNDLE ASSY-(HYDRAULIC POWER TRANSFER UNIT ONLY)	002004 006100 950999	RF
210	RSF116200		.SOCKET- SUPPLIER CODE: V58982 SPECIFICATION NUMBER: BACS16X1A OPTIONAL PART: 102-006-1 V09922 000300-1538 V05574 ELECTRICAL EQUIP NUMBER: D03130 WIRING DIAGRAM REF: 292211	002004 006100 121503 904999	1

MISSING ITEM NUMBERS NOT APPLICABLE

- ITEM NOT ILLUSTRATED

BRI

29-22-71-01

BOEING PROPRIETARY - Copyright © - Unpublished Work - See title page for details.

29-22-71
FIG. 01
PAGE 4
JAN 20/09



757

PARTS CATALOG (MAINTENANCE)

FIG ITEM	PART NUMBER	1 2 3 4 5 6 7	NOMENCLATURE	EFFECT FROM TO	UNITS PER ASSY
1 215	RSF116200		. SOCKET- SUPPLIER CODE: V58982 SPECIFICATION NUMBER: BACS16X1A OPTIONAL PART: 102-006-1 V09922 000300-1538 V05574 ELECTRICAL EQUIP NUMBER: D03130 WIRING DIAGRAM REF: 292211	107107	1

MISSING ITEM NUMBERS NOT APPLICABLE

- ITEM NOT ILLUSTRATED

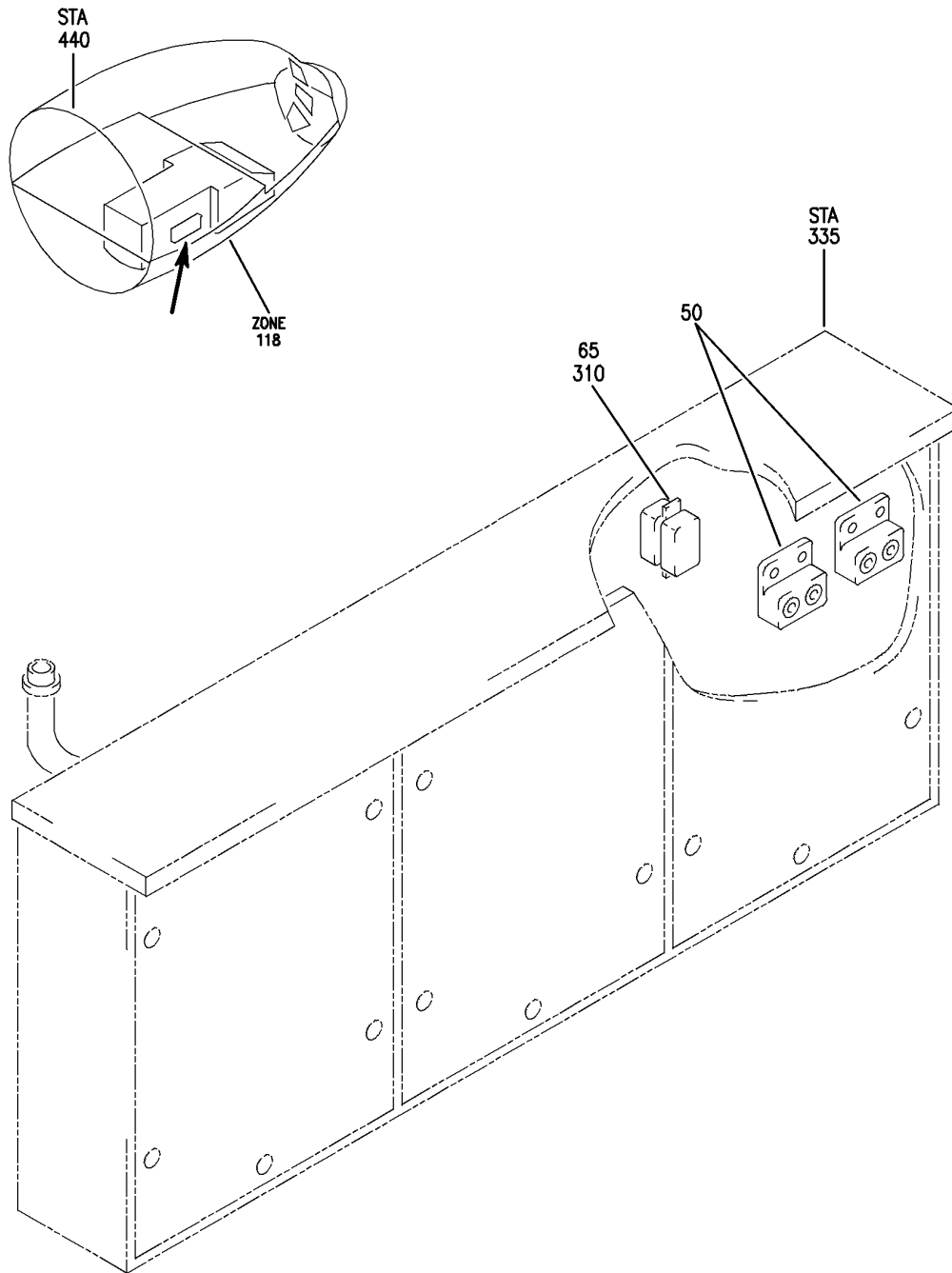
BRI

29-22-71-01

BOEING PROPRIETARY - Copyright © - Unpublished Work - See title page for details.

29-22-71
FIG. 01
PAGE 5
JAN 20/09

BOEING
757
PARTS CATALOG (MAINTENANCE)



Y 29227101A REV 234

PACKAGE ASSY-OPTION P33 MISC ELECT EQPT (HYDRAULIC POWER TRANSFER UNIT (PTU) SYSTEM ONLY)
FIGURE 1A

BRI
MAY 28/07

29-22-71-01A

29-22-71-01A
PAGE 0

BOEING PROPRIETARY - Copyright © - Unpublished Work - See title page for details.



757

PARTS CATALOG (MAINTENANCE)

FIG ITEM	PART NUMBER	1 2 3 4 5 6 7	NOMENCLATURE	EFFECT FROM TO	UNITS PER ASSY
1 A			PACKAGE ASSY-OPTION P33 MISC ELECT EQPT (HYDRAULIC POWER TRANSFER UNIT (PTU) SYSTEM ONLY)	101102 108120 504903	
- 1	284N1318-1000		PACKAGE ASSY-OPTION P33 MISC ELECT EQPT (HYDRAULIC POWER TRANSFER UNIT (PTU) SYSTEM ONLY)	101102 108120 504903	RF
50	10167-3001BT		.RELAY-TIME DELAY SUPPLIER CODE: V08719 ELECTRICAL EQUIP NUMBER: M10145 M10146 WIRING DIAGRAM REF: 292211 OPTIONAL PART: TD1982-3001 V08719	101102 108120 504903	2
50	TD1982-3001		.RELAY-TIME DELAY SUPPLIER CODE: V58657 ELECTRICAL EQUIP NUMBER: M10145 M10146 WIRING DIAGRAM REF: 292211 OPTIONAL PART: 10167-3001BT V08719	101102 108120 504903	2
50	10167-3BT		.RELAY-TIME DELAY SUPPLIER CODE: V08719 ELECTRICAL EQUIP NUMBER: M10145 M10146	101102 108120 504903	2
- 55	NAS1801-06-13		ATTACHING PARTS .SCREW	101102 108120 504903	4
- 60	NAS1149DN616J		.WASHER	101102 108120 504903	4
-----*-----					
MISSING ITEM NUMBERS NOT APPLICABLE					

- ITEM NOT ILLUSTRATED

29-22-71-01A

29-22-71
FIG. 01A
PAGE 1
JAN 20/09

BRI



757

PARTS CATALOG (MAINTENANCE)

FIG ITEM	PART NUMBER	1 2 3 4 5 6 7	NOMENCLATURE	EFFECT FROM TO	UNITS PER ASSY
1 A 65	E210-1631		.RELAY- SUPPLIER CODE: V99699 SPECIFICATION NUMBER: BACR13CF2A OPTIONAL PART: BR246S0112 V56623 FCA210-70 V78290 E215-1050 V99699 JD4A017 V35344 BR64S104 V56623 61GB19-1A320 V98927 ELECTRICAL EQUIP NUMBER: K10051 WIRING DIAGRAM REF: 292211	101102 108120 504903	1
- 300	286N1230-303		WIRE BUNDLE ASSY	101102	RF
- 305	286N1230-322		WIRE BUNDLE ASSY	504903	RF
- 305	286N1230-323		WIRE BUNDLE ASSY	108120	RF
310	RSF116200		.SOCKET-RELAY SUPPLIER CODE: V58982 SPECIFICATION NUMBER: BACS16X1A OPTIONAL PART: 102-006-1 V09922 000300-1538 V05574 ELECTRICAL EQUIP NUMBER: D03130 WIRING DIAGRAM REF: 292211	101102 108120 504903	1

MISSING ITEM NUMBERS NOT APPLICABLE

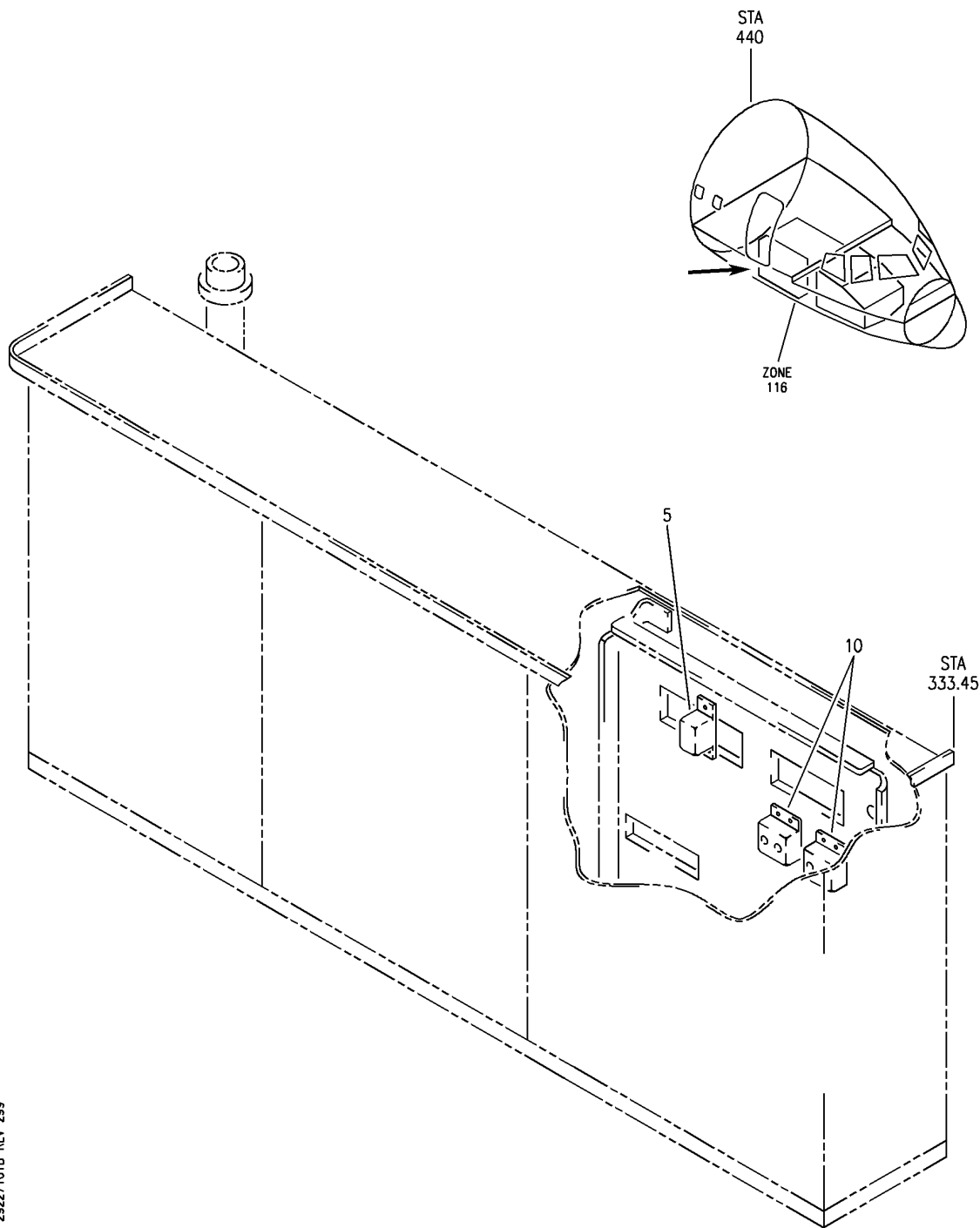
- ITEM NOT ILLUSTRATED

29-22-71-01A

29-22-71
FIG. 01A
PAGE 2
JAN 20/09

BRI

BOEING
757
PARTS CATALOG (MAINTENANCE)



Y 29227101B REV 299

SHIELD INSTL-P33 MISC ELEC EQPT (HYDRAULIC POWER TRANSFER UNIT (PTU) SYSTEM ONLY)
FIGURE 1B

BRI
JAN 20/09

29-22-71-01B

29-22-71-01B
PAGE 0



757

PARTS CATALOG (MAINTENANCE)

FIG ITEM	PART NUMBER	1 2 3 4 5 6 7	NOMENCLATURE	EFFECT FROM TO	UNITS PER ASSY
1B			SHIELD INSTL-P33 MISC ELEC EQPT (HYDRAULIC POWER TRANSFER UNIT (PTU) SYSTEM ONLY)	103106	
- 1	MODREF33173		SHIELD INSTL-P33 MISC ELEC EQPT (HYDRAULIC POWER TRANSFER UNIT (PTU) SYSTEM ONLY) MODULE NUMBER: 284N1318-107 REV B FOR OTHER SYS DETAILS SEE: 11-36-06-01B 24-53-71-03B 26-15-71-01B 27-51-71-01B 27-81-71-01B 28-21-71-01B 28-22-71-01B 28-26-71-01B 29-11-71-01B 29-21-71-03B 30-31-71-03B 30-32-71-03B 31-01-33-10 33-42-71-02B	103105	1
- 1	MODREF34797		SHIELD INSTL-P33 MISC ELEC EQPT (HYDRAULIC POWER TRANSFER UNIT (PTU) SYSTEM ONLY) MODULE NUMBER: 284N1318-107 REV C FOR OTHER SYS DETAILS SEE: 11-36-06-01B 24-53-71-03B 26-15-71-01B 27-51-71-01B 27-81-71-01B 28-21-71-01B 28-22-71-01B 28-26-71-01B 29-11-71-01B 29-21-71-03B 30-31-71-03B 30-32-71-03B 31-01-33-10 33-42-71-02B	106106	1

MISSING ITEM NUMBERS NOT APPLICABLE

- ITEM NOT ILLUSTRATED

BRI

29-22-71-01B

BOEING PROPRIETARY - Copyright © - Unpublished Work - See title page for details.

29-22-71
FIG. 01B
PAGE 1
JAN 20/09



757

PARTS CATALOG (MAINTENANCE)

FIG ITEM	PART NUMBER	1 2 3 4 5 6 7	NOMENCLATURE	EFFECT FROM TO	UNITS PER ASSY
1B 5	E210-1631		.RELAY- SUPPLIER CODE: V99699 SPECIFICATION NUMBER: BACR13CF2A OPTIONAL PART: BR246S0112 V56623 FCA210-70 V78290 E215-1050 V99699 JD4A017 V35344 BR64S104 V56623 61GB19-1A320 V98927 ELECTRICAL EQUIP NUMBER: K10051	103106	1
10	10167-3001BT		.RELAY-TIME DELAY SUPPLIER CODE: V08719 ELECTRICAL EQUIP NUMBER: M10145 M10146 OPTIONAL PART: TD1982-3001 V58657	103105	2
10	TD1982-3001		.RELAY-TIME DELAY SUPPLIER CODE: V58657 ELECTRICAL EQUIP NUMBER: M10145 M10146 OPTIONAL PART: 10167-3001BT V08719 530740-3001 V08719	103106	2
10	530740-3001		.RELAY-TIME DELAY SUPPLIER CODE: V08719 ELECTRICAL EQUIP NUMBER: M10145 M10146 OPTIONAL PART: TD1982-3001 V58657	103106	2

MISSING ITEM NUMBERS NOT APPLICABLE

- ITEM NOT ILLUSTRATED

BRI

29-22-71-01B

BOEING PROPRIETARY - Copyright © - Unpublished Work - See title page for details.

29-22-71
FIG. 01B
PAGE 2
JAN 20/09



757

PARTS CATALOG (MAINTENANCE)

FIG ITEM	PART NUMBER	1 2 3 4 5 6 7	NOMENCLATURE	EFFECT FROM TO	UNITS PER ASSY
1B 10	10167-3BT		.RELAY-TIME DELAY SUPPLIER CODE: V08719 ELECTRICAL EQUIP NUMBER: M10145 M10146 ATTACHING PARTS	103105	2
- 15	NAS1801-06-13		.SCREW-	103105	4
- 15	BACS12HN06-13		.SCREW-	106106	4
- 20	NAS1149DN616J		.WASHER	103106	4
			-----*-----		
- 300	286N1230-701		WIRE BUNDLE ASSY	103106	RF
305	RSF116200		.SOCKET- SUPPLIER CODE: V58982 SPECIFICATION NUMBER: BACS16X1A OPTIONAL PART: 102-006-1 V09922 000300-1538 V05574 ELECTRICAL EQUIP NUMBER: D03130 WIRING DIAGRAM REF: 292211	103106	1
310	MS25171-1S		.NIPPLE- ELECTRICAL EQUIP NUMBER: M10145T M10146T WIRING DIAGRAM REF: 292211	103106	4

MISSING ITEM NUMBERS NOT APPLICABLE

- ITEM NOT ILLUSTRATED

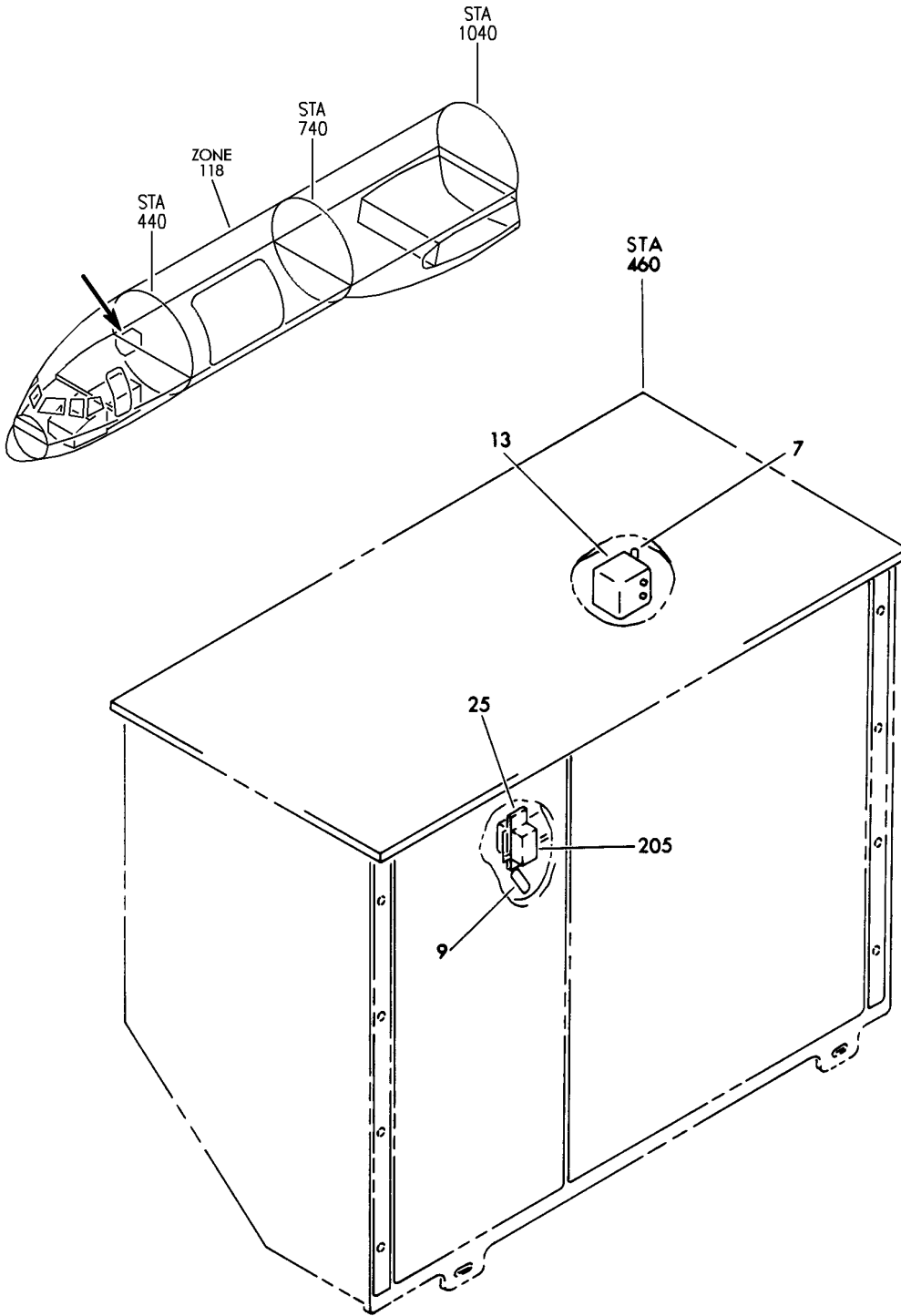
BRI

29-22-71-01B

BOEING PROPRIETARY - Copyright © - Unpublished Work - See title page for details.

29-22-71
FIG. 01B
PAGE 3
JAN 20/09

BOEING
757
PARTS CATALOG (MAINTENANCE)



Y 29227102 REV 229

PANEL ASSY-P37 MISC RELAY R (HYDRAULIC POWER ONLY)
FIGURE 2

29-22-71-02

BRI
MAY 28/07

29-22-71-02
PAGE 0



**757
PARTS CATALOG (MAINTENANCE)**

FIG ITEM	PART NUMBER	1 2 3 4 5 6 7	NOMENCLATURE	EFFECT FROM TO	UNITS PER ASSY
2			PANEL ASSY-P37 MISC RELAY R (HYDRAULIC POWER ONLY)	002004 107107 121503 904949 952952	
- 1	284N1127-1		PANEL ASSY-P37 MISC RELAY R (HYDRAULIC POWER ONLY) VARIABLE DRAWING REF: 284N1127-5028 284N1127-5039 284N1127-5063 284N1127-5064 REWORKED BY SB: 33-0039 34-0200 REWORKED BY ALERT SB: 27A0130 FOR NHA/OTHER SYS DET SEE: 31-01-37-01B	002004 107107 121503 904949 952952	RF
7	BAC27NEX1381		.DECAL- PLACARD CONTENT: M10439 PRE SERVICE BULLETIN: 78-0032	002004 121503 904949 952952	1
7	BAC27NEX2790		.DECAL- PLACARD CONTENT: M10010 POST SERVICE BULLETIN: 78-0032	107107 121503	1
13	10167-2BT		.RELAY-TIME DELAY SUPPLIER CODE: V08719 ELECTRICAL EQUIP NUMBER: M10439 OPTIONAL PART: 530750-2 V08719 TD1982-2 V58657 TD1767-2001 V58657 10167-2001BT V08719	002004 121503 904949 952952	1

MISSING ITEM NUMBERS NOT APPLICABLE

- ITEM NOT ILLUSTRATED

BRI

29-22-71-02

BOEING PROPRIETARY - Copyright © - Unpublished Work - See title page for details.

29-22-71
FIG. 02
PAGE 1
JAN 20/09



757

PARTS CATALOG (MAINTENANCE)

FIG ITEM	PART NUMBER	1 2 3 4 5 6 7	NOMENCLATURE	EFFECT FROM TO	UNITS PER ASSY
2 13	10167-2001BT		.RELAY-TIME DELAY SUPPLIER CODE: V08719 ELECTRICAL EQUIP NUMBER: M10439 OPTIONAL PART: 530750-2001 V08719 TD1767-2001 V58657 TD1982-2001 V58657 10167-2BT V08719 PRE SERVICE BULLETIN: 78-0032	002004 121503 904949 952952	1
13	10167-1000BT		.RELAY-TIME DELAY SUPPLIER CODE: V08719 ELECTRICAL EQUIP NUMBER: M10010 SERVICE BULLETIN OPT DATA: TD1982-1000 V58657 POST SERVICE BULLETIN: 78-0032	107107 121503	1
13	TD1982-1000		.RELAY-TIME DELAY SUPPLIER CODE: V58657 ELECTRICAL EQUIP NUMBER: M10010 POST SERVICE BULLETIN: 78-0032	107107	1
13	530750-2001		.RELAY-TIME DELAY SUPPLIER CODE: V08719 ELECTRICAL EQUIP NUMBER: M10439 OPTIONAL PART: 10167-2001BT V08719 TD1767-2001 V58657 TD1982-2001 V58657	002004 121503 904949 952952	1

MISSING ITEM NUMBERS NOT APPLICABLE

- ITEM NOT ILLUSTRATED

BRI

29-22-71-02

BOEING PROPRIETARY - Copyright © - Unpublished Work - See title page for details.

29-22-71
FIG. 02
PAGE 2
JAN 20/09



757

PARTS CATALOG (MAINTENANCE)

FIG ITEM	PART NUMBER	1 2 3 4 5 6 7	NOMENCLATURE	EFFECT FROM TO	UNITS PER ASSY
2					
13	TD1982-2001		.RELAY-TIME DELAY SUPPLIER CODE: V58657 ELECTRICAL EQUIP NUMBER: M10439 OPTIONAL PART: 10167-2001BT V08719 530750-2001 V58657 TD1767-2001 V58657	002004 121503 904949 952952	1
13	TD1767-2001		.RELAY-TIME DELAY SUPPLIER CODE: V58657 ELECTRICAL EQUIP NUMBER: M10439 OPTIONAL PART: 10167-2001BT V08719 530750-2001 V58657 TD1982-2001 V58657	002004 121503 904949 952952	1
- 17	NAS601-13P		ATTACHING PARTS .SCREW-	002004 107107 121503 904949 952952	2
- 20	AN960D6L		.WASHER-	002004 107107 121503 904949 952952	2
			-----*		

MISSING ITEM NUMBERS NOT APPLICABLE

- ITEM NOT ILLUSTRATED

BRI

29-22-71-02

BOEING PROPRIETARY - Copyright © - Unpublished Work - See title page for details.

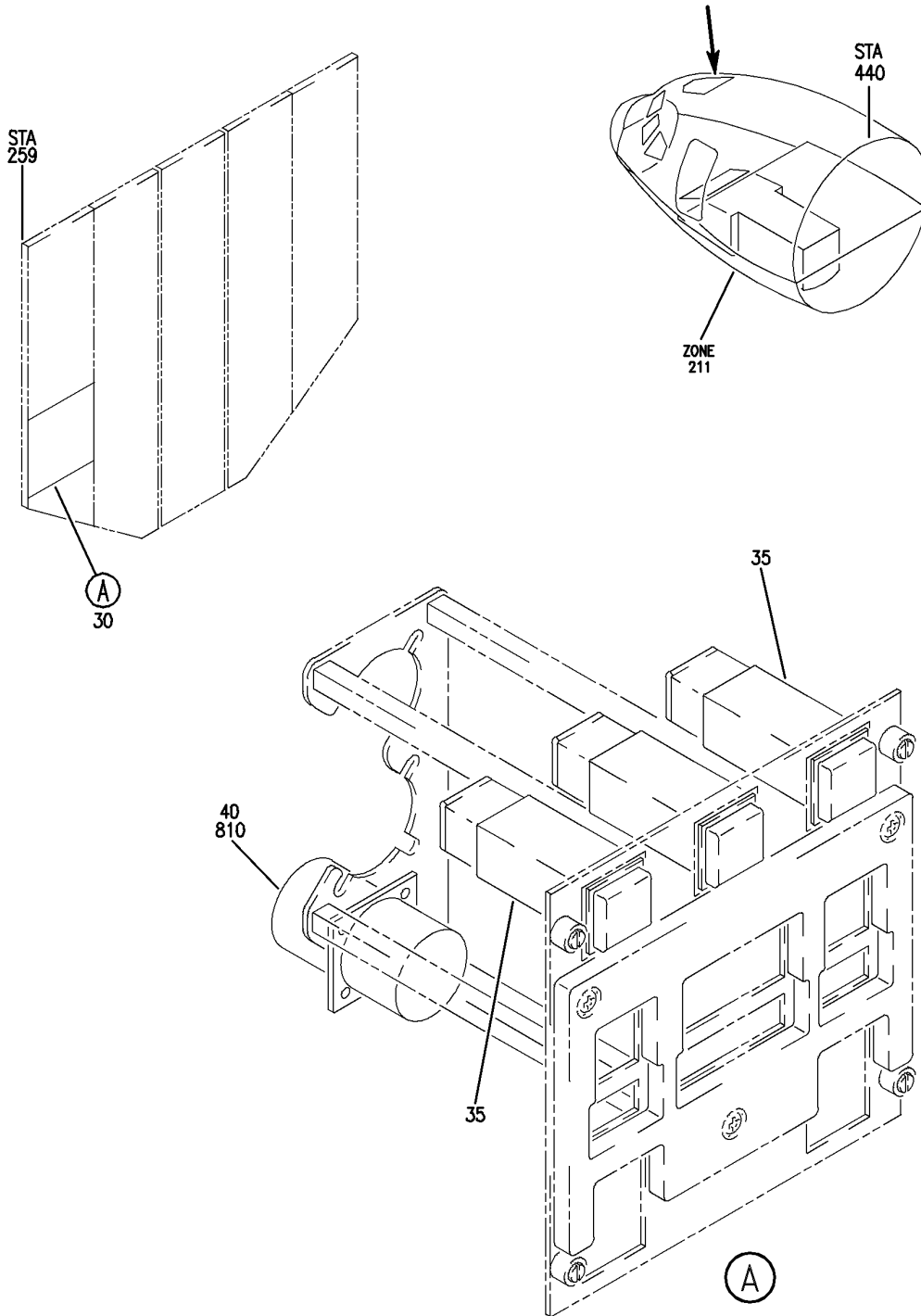
29-22-71
FIG. 02
PAGE 3
JAN 20/09

HYDRAULIC PRESSURE INDICATING SYSTEM

BRI
MAY 28/07

29-31-00
SECTION TITLE
PAGE 1

BOEING
757
PARTS CATALOG (MAINTENANCE)



Y 29310001 REV 259

PANEL INSTL-P5 OVHD (HYDRAULIC PRESSURE INDICATING SYSTEM ONLY)
FIGURE 1

29-31-00-01

BRI
MAY 28/07

29-31-00-01
PAGE 0



757

PARTS CATALOG (MAINTENANCE)

FIG ITEM	PART NUMBER	1 2 3 4 5 6 7	NOMENCLATURE	EFFECT FROM TO	UNITS PER ASSY
1			PANEL INSTL-P5 OVHD (HYDRAULIC PRESSURE INDICATING SYSTEM ONLY)	101106 108120	
- 3	233N3103-59		PANEL INSTL-P5 OVHD (HYDRAULIC PRESSURE INDICATING SYSTEM ONLY) FOR NHA/OTHER SYS DET SEE: 25-10-00-15E	504903 108120	RF
- 5	233N3103-132		PANEL INSTL-P5 OVHD (HYDRAULIC PRESSURE INDICATING SYSTEM ONLY) FOR NHA/OTHER SYS DET SEE: 25-10-00-15E	101102	RF
- 5	233N3103-136		PANEL INSTL-P5 OVHD (HYDRAULIC PRESSURE INDICATING SYSTEM ONLY) FOR NHA/OTHER SYS DET SEE: 25-10-00-15E	504903	RF
- 7	MODREF33760		PANEL INSTL-P5 OVHD (HYDRAULIC PRESSURE INDICATING SYSTEM ONLY) MODULE NUMBER: 233N3103-351 REV C FOR OTHER SYS DETAILS SEE: 11-31-10-12 21-25-55-03 21-31-01-02 21-33-51-03 21-51-54-03 21-58-19-10 21-58-51-03 21-61-04-03 21-65-51-01 22-21-01-04 22-24-51-02 23-24-01-01 23-32-00-11 23-42-02-02 23-71-05-02 24-11-52-05 24-22-01-03 24-31-01-10 24-31-03-09 24-33-04-01 24-41-51-04 24-51-62-01 26-18-51-04 27-21-53-02 27-41-55-01	103103	1

MISSING ITEM NUMBERS NOT APPLICABLE

- ITEM NOT ILLUSTRATED

29-31-00-01

29-31-00
FIG. 01
PAGE 1
JAN 20/09

BRI



757

PARTS CATALOG (MAINTENANCE)

FIG ITEM	PART NUMBER	1 2 3 4 5 6 7 NOMENCLATURE	EFFECT FROM TO	UNITS PER ASSY
1		27-61-51-03 27-62-52-02 28-22-51-02 28-41-04-01 28-41-51-03 29-11-02-03 29-11-05-04 29-11-52-07 29-21-54-03 29-32-51-03 29-33-52-03 30-11-51-03 30-21-51-03 30-31-51-02 30-32-51-01 30-33-51-02 30-41-51-03 30-42-51-03 31-12-11-91 31-12-11-91 A 32-42-52-03 33-11-03-03 33-11-51-17 33-13-01-65 33-13-02-03 33-16-51-03 33-24-51-02 33-41-52-04 33-42-01-04 33-42-02-04 33-42-52-04 33-43-51-04 33-44-51-05 33-45-53-03 33-51-08-05 34-21-02-01 35-21-51-04 36-11-04-01 36-21-00-01 36-21-02-05 36-22-51-03 49-41-00-02 49-52-00-01 49-70-00-01 52-51-51-03 52-71-51-02 73-21-52-02 74-31-51-05 75-32-00-01		

MISSING ITEM NUMBERS NOT APPLICABLE

- ITEM NOT ILLUSTRATED

29-31-00-01

29-31-00
FIG. 01
PAGE 2
JAN 20/09

BR I



757

PARTS CATALOG (MAINTENANCE)

FIG ITEM	PART NUMBER	1 2 3 4 5 6 7	NOMENCLATURE	EFFECT FROM TO	UNITS PER ASSY
1					
- 7	MODREF34038		80-11-09-02 PANEL INSTL-P5 OVHD (HYDRAULIC PRESSURE INDICATING SYSTEM ONLY) MODULE NUMBER: 233N3103-351 REV D FOR OTHER SYS DETAILS SEE: 11-31-10-12 21-25-55-03 21-31-01-02 21-33-51-03 21-51-54-03 21-58-19-10 21-58-51-03 21-61-04-03 21-65-51-01 22-21-01-04 22-24-51-02 23-24-01-01 23-32-00-11 23-42-02-02 23-71-05-02 24-11-52-05 24-22-01-03 24-31-01-10 24-31-03-09 24-33-04-01 24-41-51-04 24-51-62-01 26-18-51-04 27-21-53-02 27-41-55-01 27-61-51-03 27-62-52-02 28-22-51-02 28-41-04-01 28-41-51-03 29-11-02-03 29-11-05-04 29-11-52-07 29-21-54-03 29-32-51-03 29-33-52-03 30-11-51-03 30-21-51-03 30-31-51-02 30-32-51-01 30-33-51-02 30-41-51-03	104105	1
MISSING ITEM NUMBERS NOT APPLICABLE					

- ITEM NOT ILLUSTRATED

29-31-00-01

29-31-00
FIG. 01
PAGE 3
JAN 20/09

BRI



757

PARTS CATALOG (MAINTENANCE)

FIG ITEM	PART NUMBER	1 2 3 4 5 6 7	NOMENCLATURE	EFFECT FROM TO	UNITS PER ASSY
1			30-42-51-03 31-12-11-91 31-12-11-91A 32-42-52-03 33-11-03-03 33-11-51-17 33-13-01-65 33-13-02-03 33-16-51-03 33-24-51-02 33-41-52-04 33-42-01-04 33-42-02-04 33-42-52-04 33-43-51-04 33-44-51-05 33-45-53-03 33-51-08-05 34-21-02-01 35-21-51-04 36-11-04-01 36-21-00-01 36-21-02-05 36-22-51-03 49-41-00-02 49-52-00-01 49-70-00-01 52-51-51-03 52-71-51-02 73-21-52-02 74-31-51-05 75-32-00-01 80-11-09-02		
- 8	MODREF170180		PANEL INSTL-P5 OVHD (HYDRAULIC PRESSURE INDICATING SYSTEM ONLY) MODULE NUMBER: 233N3103-353 REV B FOR OTHER SYS DETAILS SEE: 11-31-10-12 21-25-55-03 21-31-01-02 21-33-51-03 21-51-54-03 21-58-19-10 21-58-51-03 21-61-04-03 21-65-51-01 22-21-01-04	106106	1

MISSING ITEM NUMBERS NOT APPLICABLE

- ITEM NOT ILLUSTRATED

BRI

29-31-00-01

BOEING PROPRIETARY - Copyright © - Unpublished Work - See title page for details.

29-31-00
FIG. 01
PAGE 4
JAN 20/09



757

PARTS CATALOG (MAINTENANCE)

FIG ITEM	PART NUMBER	1 2 3 4 5 6 7 NOMENCLATURE	EFFECT FROM TO	UNITS PER ASSY
1		22-24-51-02 23-24-01-01 23-32-00-11 23-42-02-02 23-71-05-02 24-11-52-05 24-22-01-03 24-31-01-10 24-31-03-09 24-33-04-01 24-41-51-04 24-51-62-01 26-18-51-04 27-21-53-02 27-41-55-01 27-61-51-03 27-62-52-02 28-22-51-02 28-41-04-01 28-41-51-03 29-11-02-03 29-11-05-04 29-11-52-07 29-21-54-03 29-32-51-03 29-33-52-03 30-11-51-03 30-21-51-03 30-31-51-02 30-32-51-01 30-33-51-02 30-41-51-03 30-42-51-03 31-12-11-84 31-12-11-84 A 32-42-52-03 33-11-03-03 33-11-51-17 33-13-01-65 33-13-02-03 33-16-51-03 33-24-51-02 33-41-52-04 33-42-01-04 33-42-02-04 33-42-52-04 33-43-51-04 33-44-51-05 33-45-53-03		

MISSING ITEM NUMBERS NOT APPLICABLE

- ITEM NOT ILLUSTRATED

BRI

29-31-00-01

BOEING PROPRIETARY - Copyright © - Unpublished Work - See title page for details.

29-31-00
FIG. 01
PAGE 5
JAN 20/09



757

PARTS CATALOG (MAINTENANCE)

FIG ITEM	PART NUMBER	1 2 3 4 5 6 7	NOMENCLATURE	EFFECT FROM TO	UNITS PER ASSY
1			33-51-08-05 34-21-02-01 35-21-51-04 36-11-04-01 36-21-00-01 36-21-02-05 36-22-51-03 49-41-00-02 49-52-00-01 49-70-00-01 52-51-51-03 52-71-51-02 73-21-52-02 74-31-51-05 75-32-00-01 80-11-09-02		
- 25	233N3205-300		.PANEL ASSY-HYDR SUPPLIER CODE: V89954 ELECTRICAL EQUIP NUMBER: M10050 COMPONENT MAINT MANUAL REF: 29-00-71 QUALIFIED I/W DATA: 233N3205-300 PANEL ASSY IS I/W 233N3205-24 PANEL ASSY T/W S233T100-6044 LIGHTPLATE	108120	RF
- 25	233N3205-302		.PANEL ASSY-HYDR SUPPLIER CODE: V89954 ELECTRICAL EQUIP NUMBER: M10050 COMPONENT MAINT MANUAL REF: 29-00-71 QUALIFIED I/W DATA: 233N3205-302 PANEL ASSY IS I/W 233N3205-27 PANEL ASSY T/W S233T100-6060 LIGHTPLATE	101106 504903	RF

MISSING ITEM NUMBERS NOT APPLICABLE

- ITEM NOT ILLUSTRATED

BRI

29-31-00-01

BOEING PROPRIETARY - Copyright © - Unpublished Work - See title page for details.

29-31-00
FIG. 01
PAGE 6
JAN 20/09



757

PARTS CATALOG (MAINTENANCE)

FIG ITEM	PART NUMBER	1 2 3 4 5 6 7	NOMENCLATURE	EFFECT FROM TO	UNITS PER ASSY
1	30 233N3205-24		..PANEL ASSY- SUPPLIER CODE: V89954 COMPONENT MAINT MANUAL REF: 29-00-71 QUALIFIED I/W DATA: 233N3205-300 PANEL ASSY IS I/W 233N3205-24 PANEL ASSY T/W S233T100-6044 LIGHTPLATE	108120	1
	30 233N3205-27		..PANEL ASSY- SUPPLIER CODE: V89954 COMPONENT MAINT MANUAL REF: 29-00-71 QUALIFIED I/W DATA: 233N3205-302 PANEL ASSY IS I/W 233N3205-27 PANEL ASSY T/W S233T100-6060 LIGHTPLATE	101106 504903	1
	35 BCREf8556		...LIGHT ASSY-SYS PRESS IND SUPPLIER CODE: V81590 OVERLENGTH PART NUMBER: 434-674-1031-2188 SPECIFICATION NUMBER: S231T300-2188 OPTIONAL PART: BCREf6116 V81590 FOR DETAILS SEE: 33-14-70-02	101106 108120 504903	3
	35 BCREf6116		...LIGHT ASSY-SYS PRESS IND SUPPLIER CODE: V81590 OVERLENGTH PART NUMBER: 434-674-1005-1188 SPECIFICATION NUMBER: S231T300-1188 OPTIONAL PART: BCREf8556 V81590 FOR DETAILS SEE: 33-14-70-02	101106 108120 504903	3
	40 BACC45FN20-28P		...CONNECTOR	101106 108120 504903	1

MISSING ITEM NUMBERS NOT APPLICABLE

- ITEM NOT ILLUSTRATED

29-31-00-01

29-31-00
FIG. 01
PAGE 7
JAN 20/09

BRI



757

PARTS CATALOG (MAINTENANCE)

FIG ITEM	PART NUMBER	1 2 3 4 5 6 7	NOMENCLATURE	EFFECT FROM TO	UNITS PER ASSY
1			ATTACHING PARTS		
- 45	NAS1801-04-5	...	SCREW- OPTIONAL PART: BACS12HN04-5	101106 108120 504903	2
- 45	BACS12HN04-5	...	SCREW- OPTIONAL PART: NAS1801-04-5	101106 108120 504903	2
- 50	K19798-04	...	NUT SUPPLIER CODE: V15653 SPECIFICATION NUMBER: BACN10NW1 OPTIONAL PART: RMA4812-160-40 V72962 293162 V60119	101106 108120 504903	2
- 801	286N2078-328		-----*----- WIRE BUNDLE ASSY	504903	RF
- 801	286N2078-330		WIRE BUNDLE ASSY	101102	RF
- 801	286N2078-331		WIRE BUNDLE ASSY	108120	RF
- 803	286N2078-601		WIRE BUNDLE ASSY	103106	RF
810	BACC45FT20D28S	.CONNECTOR-	ELECTRICAL EQUIP NUMBER: D03548 WIRING DIAGRAM REF: 293231	101106 108120 504903	1

MISSING ITEM NUMBERS NOT APPLICABLE

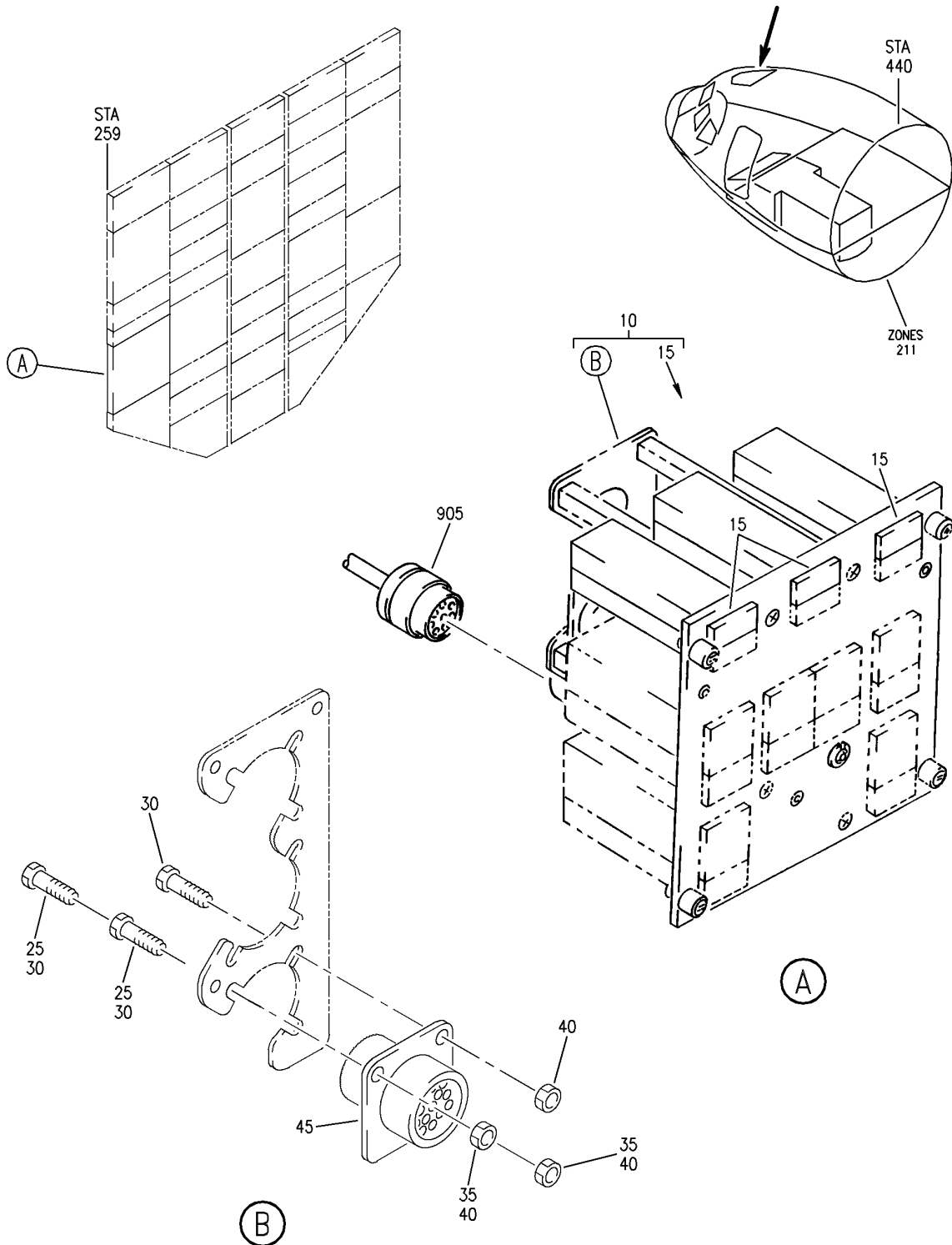
- ITEM NOT ILLUSTRATED

BRI

29-31-00-01

29-31-00
FIG. 01
PAGE 8
JAN 20/09

BOEING
757
PARTS CATALOG (MAINTENANCE)



Y 29310002 REV 241

PANEL INSTL-P5 OVHD (HYDRAULIC PRESSURE INDICATING SYSTEM ONLY)
FIGURE 2

29-31-00-02

BRI
MAY 28/07

29-31-00-02
PAGE 0



757

PARTS CATALOG (MAINTENANCE)

FIG ITEM	PART NUMBER	1 2 3 4 5 6 7	NOMENCLATURE	EFFECT FROM TO	UNITS PER ASSY
2			PANEL INSTL-P5 OVHD (HYDRAULIC PRESSURE INDICATING SYSTEM ONLY)	011100	
- 1	233N3101-1		PANEL INSTL-P5 OVHD (HYDRAULIC PRESSURE INDICATING SYSTEM ONLY) VARIABLE DRAWING REF: 233N3101-5142 FOR NHA/OTHER SYS DET SEE: 25-10-00-05A	011100	RF
- 5	233N3205-302		.PANEL ASSY-HYDR SUPPLIER CODE: V89954 COMPONENT MAINT MANUAL REF: 29-00-71 QUALIFIED I/W DATA: 233N3205-302 PANEL ASSY IS I/W 233N3205-27 PANEL ASSY T/W S233T100-6060 LIGHTPLATE	011100	RF
10	233N3205-27		..PANEL ASSY-HYDR SUPPLIER CODE: V89954 ELECTRICAL EQUIP NUMBER: M10050 COMPONENT MAINT MANUAL REF: 29-00-71 QUALIFIED I/W DATA: 233N3205-302 PANEL ASSY IS I/W 233N3205-27 PANEL ASSY T/W S233T100-6060 LIGHTPLATE	011100	1
15	BCREF8556		...LIGHT ASSY-SYS PRESS IND SUPPLIER CODE: V81590 OVERLENGTH PART NUMBER: 434-674-1031-2188 SPECIFICATION NUMBER: S231T300-2188 OPTIONAL PART: BCREF6116 V81590 FOR DETAILS SEE: 33-14-70-02	011100	3

MISSING ITEM NUMBERS NOT APPLICABLE

- ITEM NOT ILLUSTRATED

BRI

29-31-00-02

29-31-00
FIG. 02
PAGE 1
JAN 20/09



757

PARTS CATALOG (MAINTENANCE)

FIG ITEM	PART NUMBER	1 2 3 4 5 6 7	NOMENCLATURE	EFFECT FROM TO	UNITS PER ASSY
2					
15	BCREF6116		...LIGHT ASSY-SYS PRESS IND SUPPLIER CODE: V81590 OVERLENGTH PART NUMBER: 434-674-1005-1188 SPECIFICATION NUMBER: S231T300-1188 OPTIONAL PART: BCREF8556 V81590 FOR DETAILS SEE: 33-14-70-02	011100	3
25	NAS1801-04-5		...SCREW- OPTIONAL PART: BACS12HN04-5 USED ON: 233N3205-24 233N3205-25 233N3205-27	011100	2
25	BACS12HN04-5		...SCREW- OPTIONAL PART: NAS1801-04-5 USED ON: 233N3205-27 233N3205-25 233N3205-24	011100	2
30	BACS12CB04-5		...SCREW- USED ON: 233N3205-19	011100	3
35	K19798-04		...NUT- SUPPLIER CODE: V15653 SPECIFICATION NUMBER: BACN10NW1 OPTIONAL PART: RMA4812-160-40 V72962 293162 V60119 USED ON: 233N3205-24 233N3205-25 233N3205-27	011100	2

MISSING ITEM NUMBERS NOT APPLICABLE

- ITEM NOT ILLUSTRATED

BRI

29-31-00-02

29-31-00
FIG. 02
PAGE 2
JAN 20/09



757

PARTS CATALOG (MAINTENANCE)

FIG ITEM	PART NUMBER	1 2 3 4 5 6 7	NOMENCLATURE	EFFECT FROM TO	UNITS PER ASSY
2					
40	K19798-04		...NUT- SUPPLIER CODE: V15653 SPECIFICATION NUMBER: BACN10NW1 OPTIONAL PART: RMA4812-160-40 V72962 293162 V60119 USED ON: 233N3205-19	011100	3
45	BACC45FN20-28P		...CONNECTOR	011100	1
- 900	286N2078-005		WIRE BUNDLE ASSY	011100	RF
905	BACC45FT20D28S		.CONNECTOR- ELECTRICAL EQUIP NUMBER: D03548 WIRING DIAGRAM REF: 293231	011100	1

MISSING ITEM NUMBERS NOT APPLICABLE

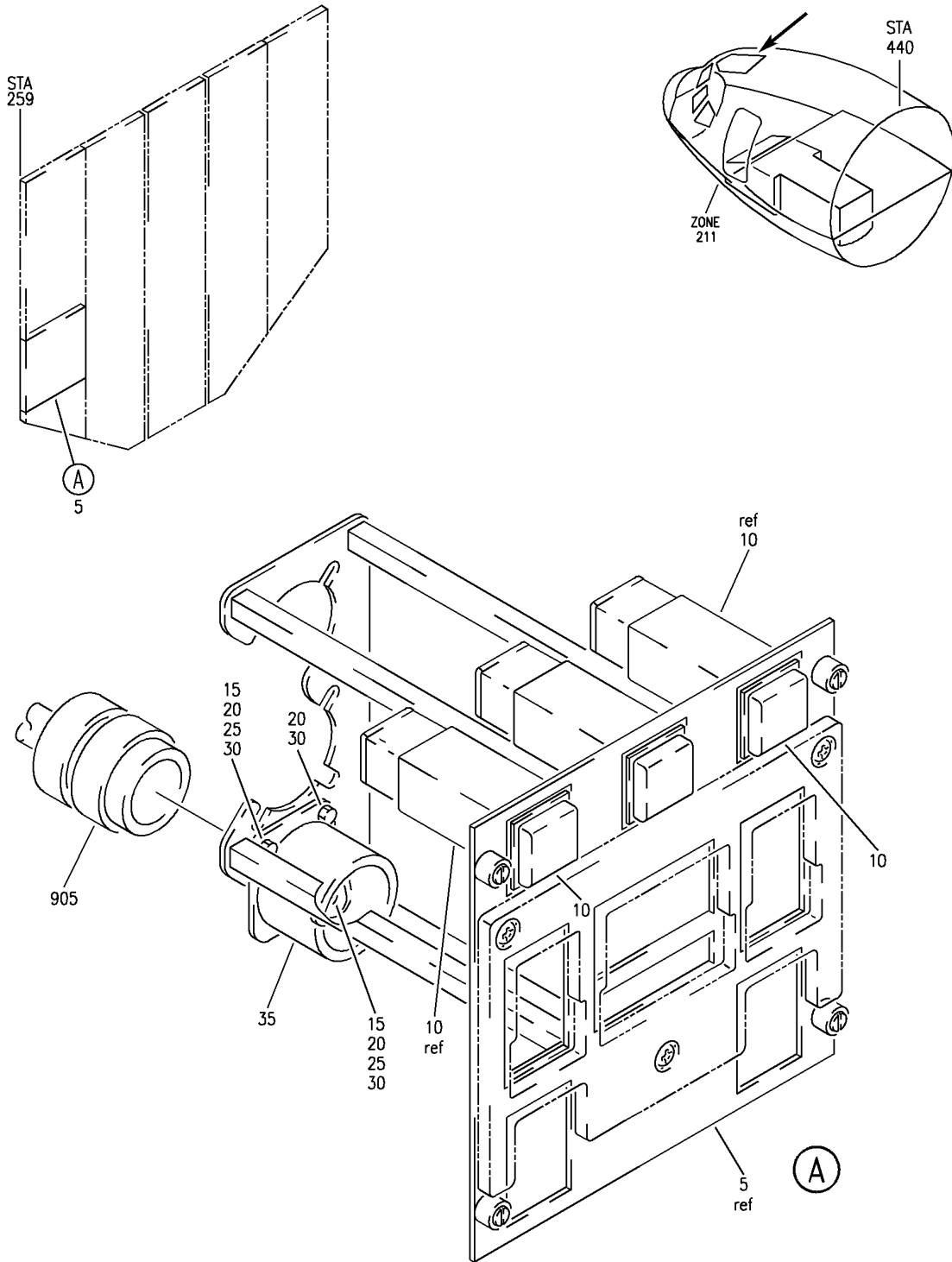
- ITEM NOT ILLUSTRATED

29-31-00-02

29-31-00
FIG. 02
PAGE 3
JAN 20/09

BRI

BOEING
757
PARTS CATALOG (MAINTENANCE)



Y 29310003 REV 297

PANEL INSTL-P5 OVHD (HYDRAULIC PRESSURE INDICATING SYSTEM ONLY)
FIGURE 3

29-31-00-03

BRI
MAY 28/07

29-31-00-03
PAGE 0



757

PARTS CATALOG (MAINTENANCE)

FIG ITEM	PART NUMBER	1 2 3 4 5 6 7	NOMENCLATURE	EFFECT FROM TO	UNITS PER ASSY
3			PANEL INSTL-P5 OVHD (HYDRAULIC PRESSURE INDICATING SYSTEM ONLY)	002004 006010 107107 121503 904999	
- 1	233N3101-1		PANEL INSTL-P5 OVHD (HYDRAULIC PRESSURE INDICATING SYSTEM ONLY) VARIABLE DRAWING REF: 233N3101-5005 233N3101-5025 233N3101-5041 233N3101-5042 233N3101-5045 FOR NHA/OTHER SYS DET SEE: 25-10-00-05A	002004 006010 107107 121503 904999	RF
5	233N3205-21		.PANEL ASSY-HYDR SUPPLIER CODE: V89954 ELECTRICAL EQUIP NUMBER: M10050 COMPONENT MAINT MANUAL REF: 29-00-71	002004 006010 107107 121503 904999	RF
5	233N3205-19		.PANEL ASSY-HYDR SUPPLIER CODE: V89954 ELECTRICAL EQUIP NUMBER: M10050 COMPONENT MAINT MANUAL REF: 29-00-71	002004 006010 107107 121503 904999	RF
5	233N3205-24		.PANEL ASSY-HYDR SUPPLIER CODE: V89954 ELECTRICAL EQUIP NUMBER: M10050 COMPONENT MAINT MANUAL REF: 29-00-71 QUALIFIED I/W DATA: 233N3205-300 PANEL ASSY IS I/W 233N3205-24 PANEL ASSY T/W S233T100-6044 LIGHTPLATE	002004 006010 107107 121503 904999	RF

MISSING ITEM NUMBERS NOT APPLICABLE

- ITEM NOT ILLUSTRATED

29-31-00-03

29-31-00
FIG. 03
PAGE 1
JAN 20/09

BRI



757

PARTS CATALOG (MAINTENANCE)

FIG ITEM	PART NUMBER	1 2 3 4 5 6 7	NOMENCLATURE	EFFECT FROM TO	UNITS PER ASSY
3					
5	233N3205-25	.	PANEL ASSY-HYDR SUPPLIER CODE: V89954 ELECTRICAL EQUIP NUMBER: M10050 COMPONENT MAINT MANUAL REF: 29-00-71 QUALIFIED I/W DATA: 233N3205-301 PANEL ASSY IS I/W 233N3205-25 PANEL ASSY T/W S233T100-6044 LIGHTPLATE	002004 006010 107107 121503 904999	RF
5	233N3205-26	.	PANEL ASSY-HYDR SUPPLIER CODE: V89954 ELECTRICAL EQUIP NUMBER: M10050 COMPONENT MAINT MANUAL REF: 29-00-71	002004 006010 107107 121503 904999	RF
5	233N3205-27	.	PANEL ASSY-HYDR SUPPLIER CODE: V89954 ELECTRICAL EQUIP NUMBER: M10050 COMPONENT MAINT MANUAL REF: 29-00-71 QUALIFIED I/W DATA: 233N3205-302 PANEL ASSY IS I/W 233N3205-27 PANEL ASSY T/W S233T100-6060 LIGHTPLATE	002004 006010 107107 121503 904999	RF
10	BCREF8556	..	LIGHT ASSY-SYS PRESS IND SUPPLIER CODE: V81590 OVERLENGTH PART NUMBER: 434-674-1031-2188 SPECIFICATION NUMBER: S231T300-2188 OPTIONAL PART: BCREF6116 V81590 FOR DETAILS SEE: 33-14-70-02	002004 006010 107107 121503 904999	3

MISSING ITEM NUMBERS NOT APPLICABLE

- ITEM NOT ILLUSTRATED

BRI

29-31-00-03

29-31-00
FIG. 03
PAGE 2
JAN 20/09



757

PARTS CATALOG (MAINTENANCE)

FIG ITEM	PART NUMBER	1 2 3 4 5 6 7	NOMENCLATURE	EFFECT FROM TO	UNITS PER ASSY
3	10 BCRE6116		..LIGHT ASSY-SYS PRESS IND SUPPLIER CODE: V81590 OVERLENGTH PART NUMBER: 434-674-1005-1188 SPECIFICATION NUMBER: S231T300-1188 OPTIONAL PART: BCREF8556 V81590 FOR DETAILS SEE: 33-14-70-02	002004 006010 107107 121503 904999	3
	15 NAS1801-04-5		..SCREW- OPTIONAL PART: BACS12HN04-5 USED ON: 233N3205-24 233N3205-25 233N3205-27	002004 006010 107107 121503 904999	2
	15 BACS12HN04-5		..SCREW- OPTIONAL PART: NAS1801-04-5 USED ON: 233N3205-27 233N3205-26 233N3205-25 233N3205-24	002004 006010 107107 121503 904999	2
	20 BACS12CB04-5		..SCREW- USED ON: 233N3205-11 233N3205-19 233N3205-21	002004 006010 107107 121503 904999	3
	25 K19798-04		..NUT- SUPPLIER CODE: V15653 SPECIFICATION NUMBER: BACN10NW1 OPTIONAL PART: RMA4812-160-40 V72962 293162 V60119 USED ON: 233N3205-24 233N3205-25 233N3205-26 233N3205-27	002004 006010 107107 121503 904999	2

MISSING ITEM NUMBERS NOT APPLICABLE

- ITEM NOT ILLUSTRATED

29-31-00-03

29-31-00
FIG. 03
PAGE 3
JAN 20/09

BRI



757

PARTS CATALOG (MAINTENANCE)

FIG ITEM	PART NUMBER	1 2 3 4 5 6 7	NOMENCLATURE	EFFECT FROM TO	UNITS PER ASSY
3					
30	K19798-04	..	NUT- SUPPLIER CODE: V15653 SPECIFICATION NUMBER: BACN10NW1 OPTIONAL PART: RMA4812-160-40 V72962 293162 V60119 USED ON: 233N3205-11 233N3205-19 233N3205-21	002004 006010 107107 121503 904999	3
35	BACC45FN20-28P	..	CONNECTOR	002004 006010 107107 121503 904999	1
- 900	286N2078-003		WIRE BUNDLE ASSY-	121503 904949	RF
- 900	286N2078-004		WIRE BUNDLE ASSY	107107	RF
- 900	286N2078-005		WIRE BUNDLE ASSY-	002004 006010 950999	RF
905	BACC45FT20D28S	.CON	NECTOR- ELECTRICAL EQUIP NUMBER: D03548 WIRING DIAGRAM REF: 293231	002004 006010 107107 121503 904999	1

MISSING ITEM NUMBERS NOT APPLICABLE

- ITEM NOT ILLUSTRATED

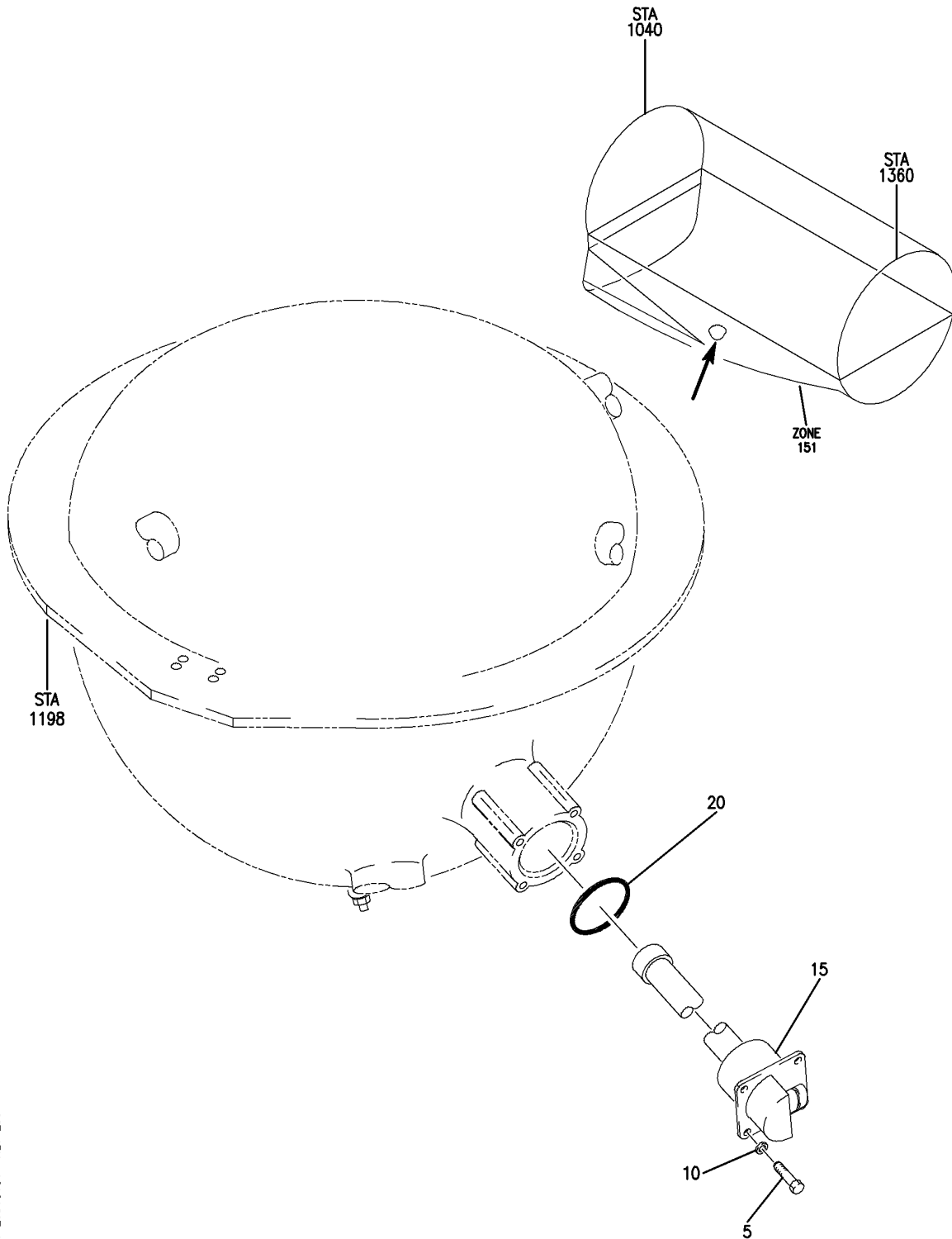
BRI

29-31-00-03

BOEING PROPRIETARY - Copyright © - Unpublished Work - See title page for details.

29-31-00
FIG. 03
PAGE 4
JAN 20/09

BOEING
757
PARTS CATALOG (MAINTENANCE)



Y 29310101 REV 259

RESERVOIR INSTL-CTR SYS HYDR(HYDRAULIC PRESSURE TRANSMITTER ONLY)
FIGURE 1

29-31-01-01

BRI
MAY 28/07

29-31-01-01
PAGE 0



757

PARTS CATALOG (MAINTENANCE)

FIG ITEM	PART NUMBER	1 2 3 4 5 6 7	NOMENCLATURE	EFFECT FROM TO	UNITS PER ASSY
1			RESERVOIR INSTL-CTR SYS HYDR(HYDRAULIC PRESSURE TRANSMITTER ONLY)	101106 108120 504903	
1	271N3006-14		RESERVOIR ASSY-HYDR (HYDRAULIC PRESSURE TRANSMITTER ONLY) FOR NHA/OTHER SYS DET SEE: 29-11-21-01	101106 108120 504903	RF
5	NAS6604H2		.BOLT	101106 108120 504903	4
10	NAS1149D0463J		.WASHER	101106 108120 504903	4
15	019-012-003		.TRANSMITTER- SUPPLIER CODE: V26055 SPECIFICATION NUMBER: S271T455-8 ELECTRICAL EQUIP NUMBER: M00339 COMPONENT MAINT MANUAL REF: 29-33-25	101106 108120 504903	1
20	NAS1611-224		.PACKING-	101106 108120 504903	1

MISSING ITEM NUMBERS NOT APPLICABLE

- ITEM NOT ILLUSTRATED

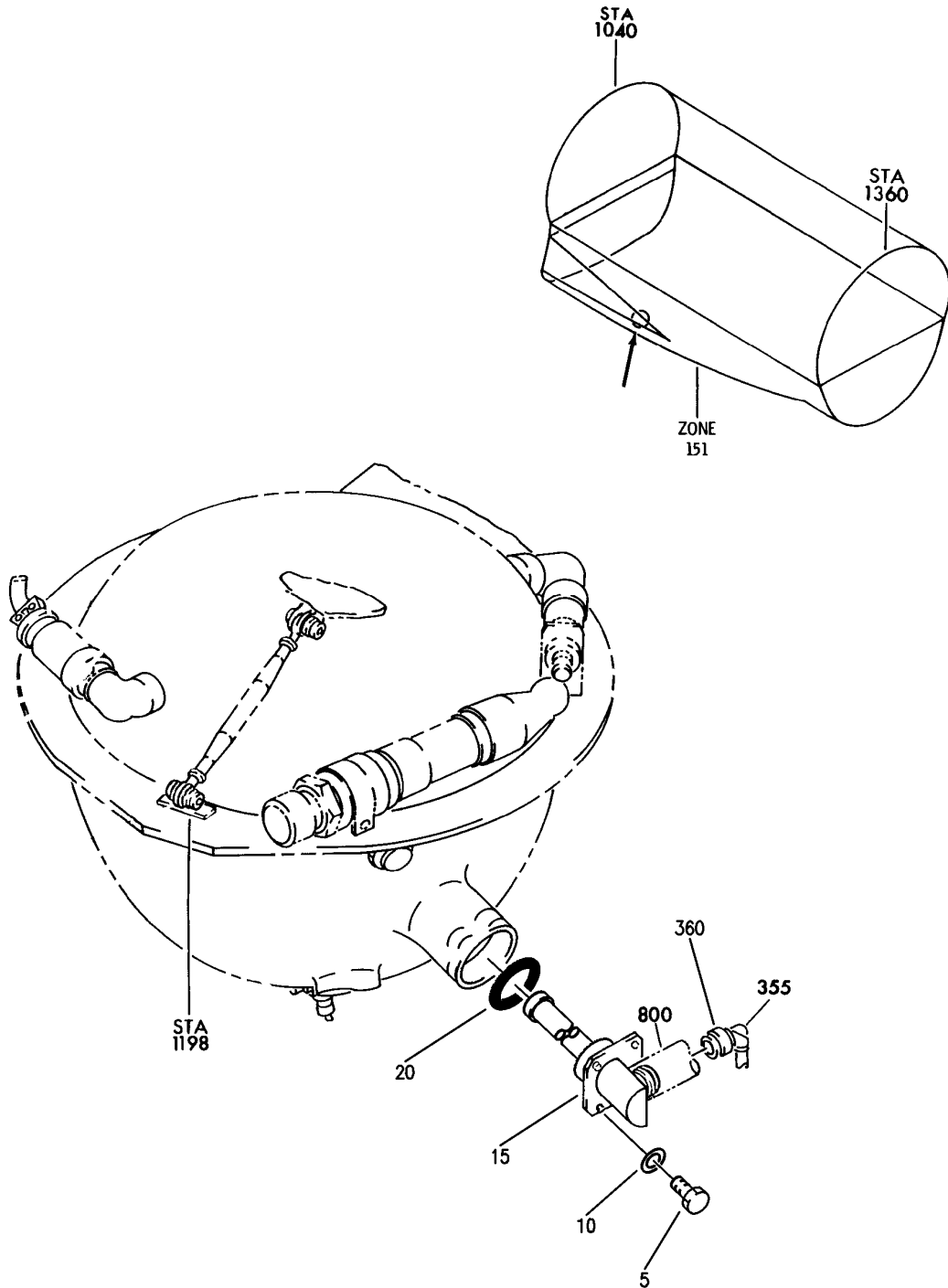
BRI

29-31-01-01

BOEING PROPRIETARY - Copyright © - Unpublished Work - See title page for details.

29-31-01
FIG. 01
PAGE 1
JAN 20/09

BOEING
757
PARTS CATALOG (MAINTENANCE)



Y 29310102 REV 239

RESERVOIR ASSY-CTR SYS HYDR (PRESSURE TRANSMITTER ONLY)
FIGURE 2

29-31-01-02

BRI
MAY 28/07

29-31-01-02
PAGE 0



757

PARTS CATALOG (MAINTENANCE)

FIG ITEM	PART NUMBER	1 2 3 4 5 6 7	NOMENCLATURE	EFFECT FROM TO	UNITS PER ASSY
2			RESERVOIR ASSY-CTR SYS HYDR (PRESSURE TRANSMITTER ONLY)	002004 006100 107107 121503 904999	
- 1	271N3006-7		RESERVOIR ASSY-HYDR (PRESSURE TRANSMITTER ONLY) COMPONENT MAINT MANUAL REF: 29-11-22 FOR NHA/ADDITIONAL DET SEE: 29-11-21-02	107107 904949	RF
- 1	271N3006-12		RESERVOIR ASSY-HYDR (PRESSURE TRANSMITTER ONLY) COMPONENT MAINT MANUAL REF: 29-11-22 FOR NHA/ADDITIONAL DET SEE: 29-11-21-02	002004 006100 121503 950999	RF
5	BACB30NE4H2		.BOLT-	002004 006100 107107 121503 904999	4
10	AN960JD416		.WASHER-	002004 006100 107107 121503 904999	4
15	019-012-003		.TRANSMITTER- SUPPLIER CODE: V26055 SPECIFICATION NUMBER: S271T455-8 ELECTRICAL EQUIP NUMBER: M00339 COMPONENT MAINT MANUAL REF: 29-33-25	002004 006100 107107 121503 904999	1
20	NAS1611-224		.PACKING-	002004 006100 107107 121503 904999	1
- 350	286N2416-004		WIRE BUNDLE ASSY	107107 121503 904949	RF

MISSING ITEM NUMBERS NOT APPLICABLE

- ITEM NOT ILLUSTRATED

BRI

29-31-01-02

29-31-01
FIG. 02
PAGE 1
JAN 20/09



757

PARTS CATALOG (MAINTENANCE)

FIG ITEM	PART NUMBER	1 2 3 4 5 6 7	NOMENCLATURE	EFFECT FROM TO	UNITS PER ASSY
2 355	GS3417-14C		.CLAMP- SUPPLIER CODE: V06324 SPECIFICATION NUMBER: BACC10HF14 OPTIONAL PART: S2125-14-8 V07418 ELECTRICAL EQUIP NUMBER: D02540T WIRING DIAGRAM REF: 293311	107107 121503 904949	1
360	R071014R7SNL		.CONNECTOR- SUPPLIER CODE: V41118 SPECIFICATION NUMBER: BACC63BP14R7SNL MISCELLANEOUS DATA: OPTIONAL PART NUMBERS: BACC63BP14R7SN (81205) BACC63BP14A7SN (81205) BACC63BP14A7SNL (81205) ELECTRICAL EQUIP NUMBER: D02540 WIRING DIAGRAM REF: 293311	107107 121503 904949	1
800			ILLUSTRATION REFERENCE: PLUMBING INSTL-SECT. 49 L HYDR BAY (MAIN HYDR SYSTEM ONLY) 29-11-51-20	002004 006100 107107 121503 904999	RF

MISSING ITEM NUMBERS NOT APPLICABLE

- ITEM NOT ILLUSTRATED

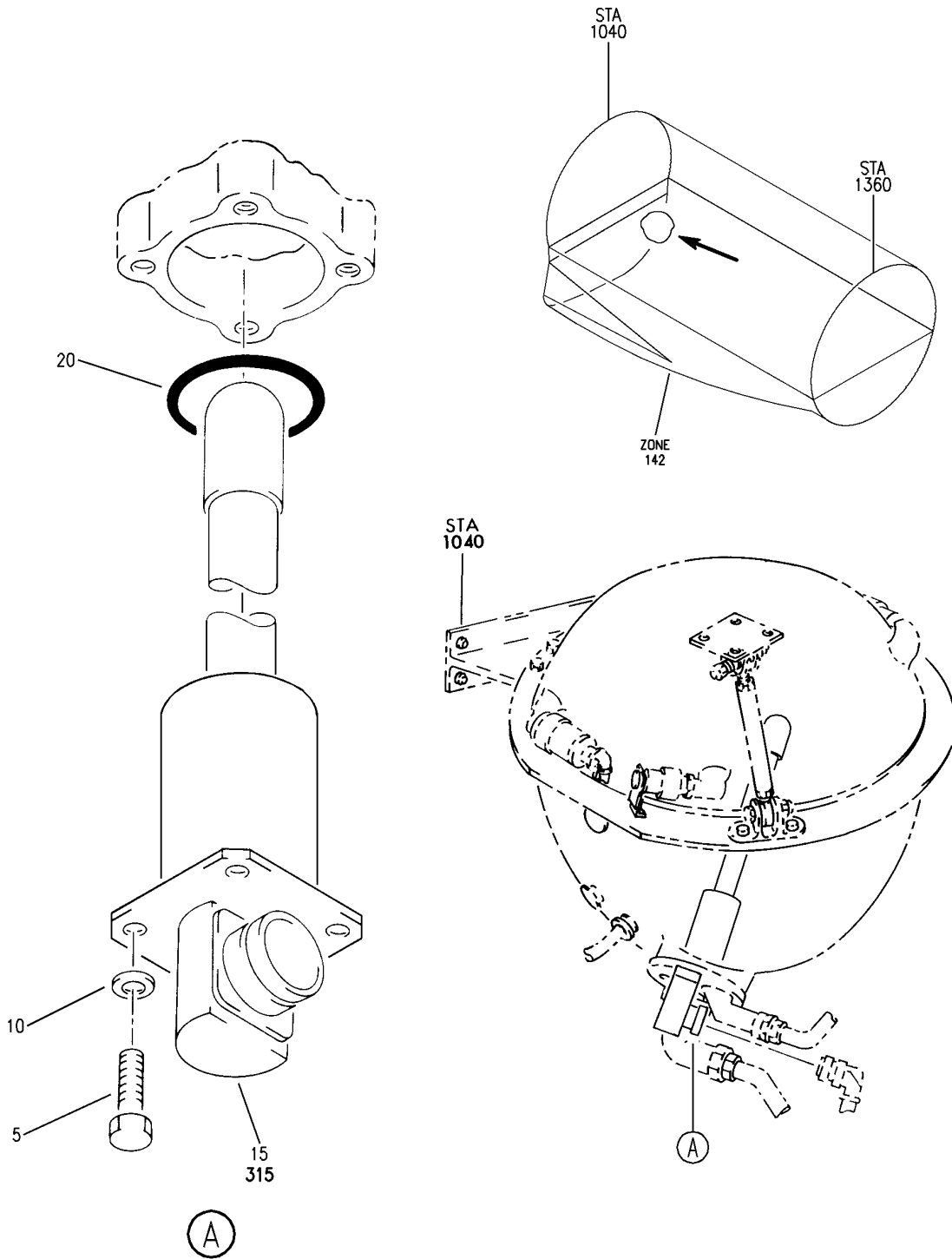
BRI

29-31-01-02

BOEING PROPRIETARY - Copyright © - Unpublished Work - See title page for details.

29-31-01
FIG. 02
PAGE 2
JAN 20/09

BOEING
757
PARTS CATALOG (MAINTENANCE)



Y 29310103 REV 265

RESERVOIR ASSY-R SYS HYDR (HYDRAULIC PRESSURE TRANSMITTER ONLY)
FIGURE 3

29-31-01-03

BRI
MAY 28/07

29-31-01-03
PAGE 0



757

PARTS CATALOG (MAINTENANCE)

FIG ITEM	PART NUMBER	1 2 3 4 5 6 7	NOMENCLATURE	EFFECT FROM TO	UNITS PER ASSY
3			RESERVOIR ASSY-R SYS HYDR (HYDRAULIC PRESSURE TRANSMITTER ONLY)	002004 006999	
- 1	271N3007-6		RESERVOIR ASSY-HYDR (HYDRAULIC PRESSURE TRANSMITTER ONLY) COMPONENT MAINT MANUAL REF: 29-11-24 FOR NHA/OTHER SYS DET SEE: 29-11-20-05	107107 904949	RF
- 1	271N3007-11		RESERVOIR ASSY-HYDR (HYDRAULIC PRESSURE TRANSMITTER ONLY) COMPONENT MAINT MANUAL REF: 29-11-24 FOR NHA/OTHER SYS DET SEE: 29-11-20-05 29-11-20-01	002004 006106 108903 950999	RF
5	BACB30NE4H2		.BOLT-	002004 006102 107999	4
10	NAS1149D0463J		.WASHER	002004 006102 107999	4
15	019-012-001		.TRANSMITTER- SUPPLIER CODE: V26055 FUNCTIONAL DESCRIPTION: TRANSMITS HYDRAULIC FLUID QUANTITY IN THE LEFT AND RIGHT RESERVOIR TO THE EICAS COMPUTER SPECIFICATION NUMBER: S271T455-3 ELECTRICAL EQUIP NUMBER: M00340 COMPONENT MAINT MANUAL REF: 29-33-25	002004 006102 107999	1
20	NAS1611-224A		.PACKING-	002004 006102 107999	1
- 300	286N2516-004		WIRE BUNDLE ASSY	002004 006100 950999	RF
- 300	286N2516-005		WIRE BUNDLE ASSY	107107 121503 904949	RF
- 300	286N2516-312		WIRE BUNDLE ASSY	101102 108120	RF

MISSING ITEM NUMBERS NOT APPLICABLE

- ITEM NOT ILLUSTRATED

29-31-01-03

29-31-01
FIG. 03
PAGE 1
JAN 20/09

BRI



757

PARTS CATALOG (MAINTENANCE)

FIG ITEM	PART NUMBER	1 2 3 4 5 6 7	NOMENCLATURE	EFFECT FROM TO	UNITS PER ASSY
3					
- 301	286N2516-320		WIRE BUNDLE ASSY	504903	RF
- 310	GS3418-14CD		.CLAMP-	002004	1
			SUPPLIER CODE: V06324	006102	
			SPECIFICATION NUMBER: BACC10HG14	107999	
			OPTIONAL PART: S2126-14-8		
			V07418		
			ELECTRICAL EQUIP NUMBER: D02490T		
			WIRING DIAGRAM REF: 293311		
315	R071014A7SNL		.CONNECTOR-	002004	1
			SUPPLIER CODE: V41118	006102	
			SPECIFICATION NUMBER: BACC63BP14A7SNL	107999	
			MISCELLANEOUS DATA: OPTIONAL PART NUMBERS: BACC63BP14A7SN (81205)		
			BACC63BP14R7SN (81205)		
			BACC63BP14R7SNL (81205)		
			ELECTRICAL EQUIP NUMBER: D02490		
			WIRING DIAGRAM REF: 293311		

MISSING ITEM NUMBERS NOT APPLICABLE

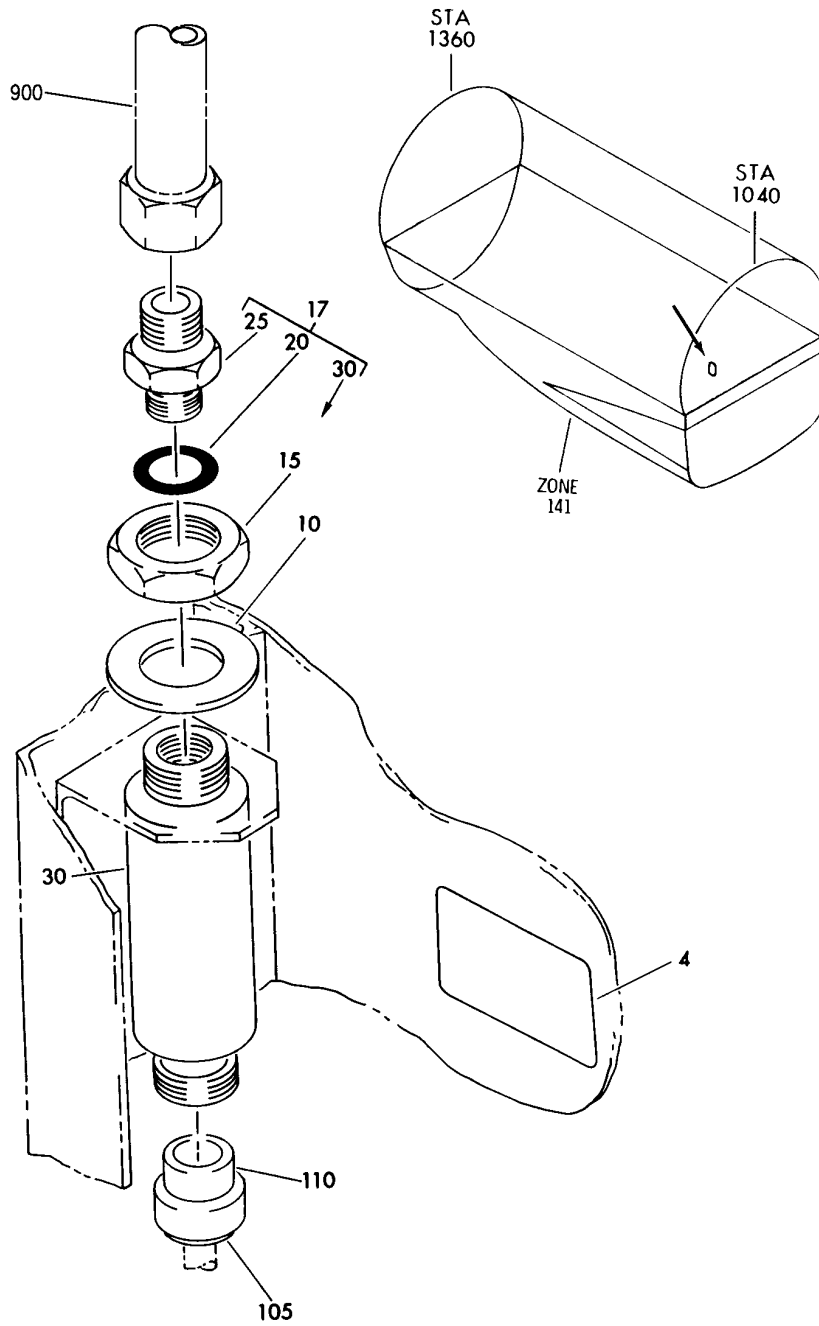
- ITEM NOT ILLUSTRATED

29-31-01-03

29-31-01
FIG. 03
PAGE 2
JAN 20/09

BRI

BOEING
757
PARTS CATALOG (MAINTENANCE)



Y 29310105 REV 280

TRANSMITTER INSTL- L SYS PRESSURE
FIGURE 5

29-31-01-05

BRI
MAY 28/07

29-31-01-05
PAGE 0



757

PARTS CATALOG (MAINTENANCE)

FIG ITEM	PART NUMBER	1 2 3 4 5 6 7	NOMENCLATURE	EFFECT FROM TO	UNITS PER ASSY
5			TRANSMITTER INSTL- L SYS PRESSURE	002004 006999	
- 1	MODREF7234		TRANSMITTER INSTL-PRESSURE MODULE NUMBER: 271N5059-3 REV A POSITION DATA: L SYS	103106	1
- 1	271N5059-1		TRANSMITTER INSTL-PRESSURE POSITION DATA: L SYS FOR NHA SEE: 29-00-51-05 29-00-51-02C	002004 006102 107999	RF
4	BAC27NHY0035		.MARKER-ALUMINUM FOIL PLACARD CONTENT: D2534 PRESSURE XMTR L SYS M341	002004 006999	1
10	NAS1149D1432H		.WASHER	002004 006102 107999	1
10	AN960D1416		.WASHER	002004 006102 107999	1
15	AN924-10D		.NUT	002004 006102 107999	1
15	BACN10DR10D		.NUT	103106	1
17	271N5059-2		.TRANSMITTER ASSY	002004 006999	1
20	NAS1612-4		..PACKING-	002004 006999	1

R
R
R
R
R
R
R
R
R
R

MISSING ITEM NUMBERS NOT APPLICABLE

- ITEM NOT ILLUSTRATED

29-31-01-05

29-31-01
FIG. 05
PAGE 1
MAY 20/09

BRI



757

PARTS CATALOG (MAINTENANCE)

FIG ITEM	PART NUMBER	1 2 3 4 5 6 7	NOMENCLATURE	EFFECT FROM TO	UNITS PER ASSY
5 25	AFP2326-4		.. REDUCER	002004 006999	1
			SUPPLIER CODE: V30974		
			SPECIFICATION NUMBER: BACR17E6-4		
			OPTIONAL PART: AP10276-4		
			V01673		
			BC916T6-4		
			V50948		
			DBOR17E6-4		
			V14798		
			ER21916T6-4		
			V88334		
			ER31916-6-4		
			V88334		
			F23-6-4		
			V73197		
			2-01075T6-4		
			V11328		
			31778-6-4		
			V14397		
			US2114-6-4		
			V50808		
			AP1027T6-4		
			V01673		
			US21146-4		
			V50808		
			317786-4		
			V14397		
30	18-2141-2		.. TRANSMITTER-	002004 006999	1
			SUPPLIER CODE: V96774		
			SPECIFICATION NUMBER: S271T451-1		
			ELECTRICAL EQUIP NUMBER: M00341		
			COMPONENT MAINT MANUAL REF: 29-30-03		
			OPTIONAL PART: 18-2141		
			V96774		
			OPTIONAL PART: 18-2141-3		
			V96774		

MISSING ITEM NUMBERS NOT APPLICABLE

- ITEM NOT ILLUSTRATED

29-31-01-05

29-31-01
FIG. 05
PAGE 2
MAY 20/09

BRI



757

PARTS CATALOG (MAINTENANCE)

FIG ITEM	PART NUMBER	1 2 3 4 5 6 7	NOMENCLATURE	EFFECT FROM TO	UNITS PER ASSY
5 105	GS3417-12C	.	CLAMP- SUPPLIER CODE: V06324 SPECIFICATION NUMBER: BACC10HF12 OPTIONAL PART: S2125-12-8 V07418 ELECTRICAL EQUIP NUMBER: D02534 WIRING DIAGRAM REF: 293111	002004 006102 107999	1
110	R071012R3SNL	.	CONNECTOR- SUPPLIER CODE: V41118 SPECIFICATION NUMBER: BACC63BP12R3SNL OPTIONAL PART: CN0966-12A03S V13556 ZZYA0-12D12-03S V49367 48-06R12-3SN266 V02660 ELECTRICAL EQUIP NUMBER: D02534 WIRING DIAGRAM REF: 293111	002004 006102 107999	1
900			ILLUSTRATION REFERENCE: PLUMBING INSTL-SECT. 44 MLG WHL WELL HYDR (HYDRAULIC POWER TRANSFER UNIT SYSTEM ONLY) 29-22-51-20	002004 006100 107107 121503 904999	RF
900			ILLUSTRATION REFERENCE: PLUMBING INSTL LH MAIN MLG WHL WELL HYDR KEEL BEAM SECT. 44 29-11-51-93	504903	RF

MISSING ITEM NUMBERS NOT APPLICABLE

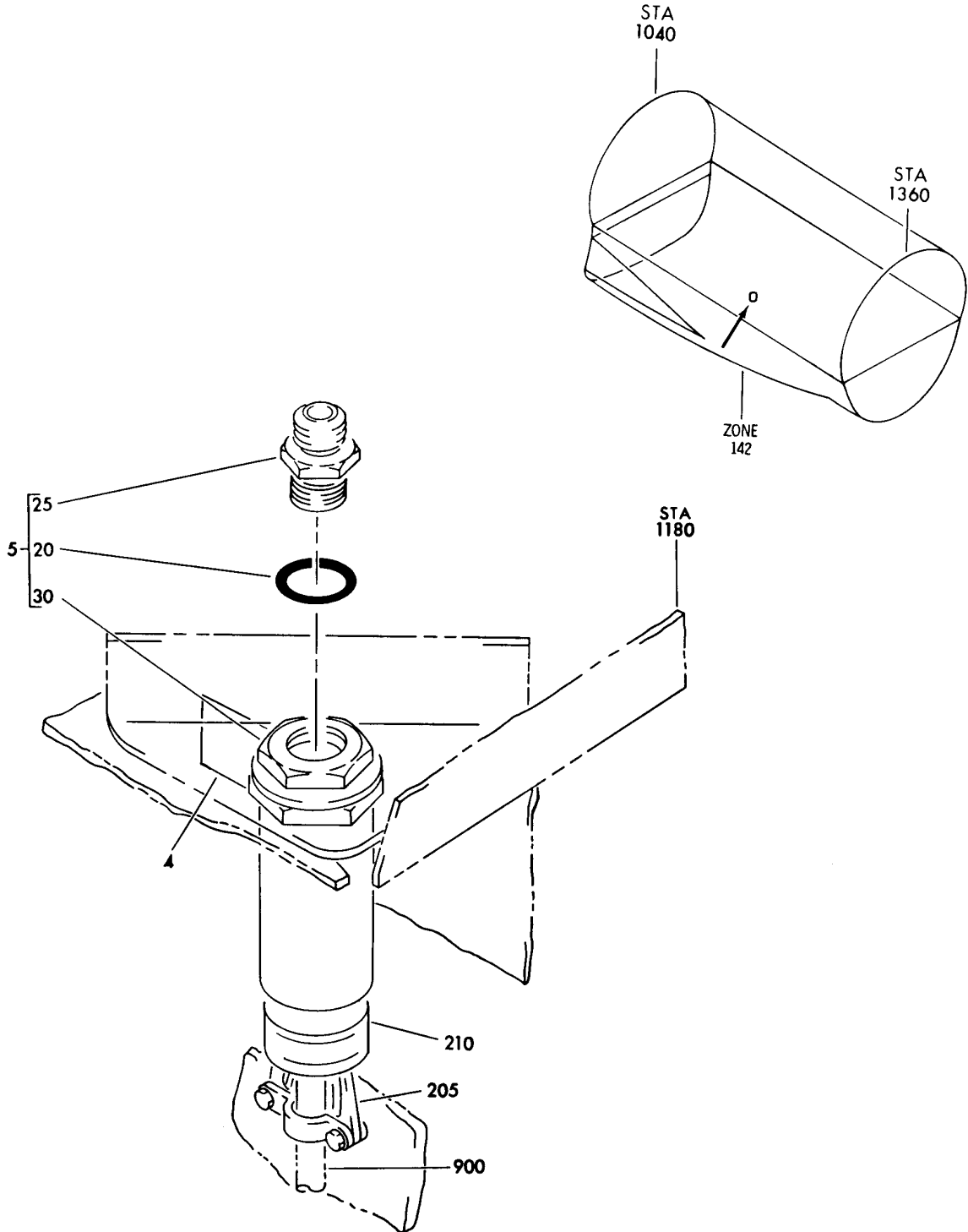
- ITEM NOT ILLUSTRATED

29-31-01-05

29-31-01
FIG. 05
PAGE 4
JAN 20/09

BRI

BOEING
757
PARTS CATALOG (MAINTENANCE)



Y 29310205 REV 184

TRANSMITTER INSTL-R SYS PRESSURE
FIGURE 5

29-31-02-05

BRI
MAY 28/07

29-31-02-05
PAGE 0



757

PARTS CATALOG (MAINTENANCE)

FIG ITEM	PART NUMBER	1 2 3 4 5 6 7	NOMENCLATURE	EFFECT FROM TO	UNITS PER ASSY
5			TRANSMITTER INSTL-R SYS PRESSURE	002004 006999	
- 1	271N5008-1		TRANSMITTER INSTL-PRESSURE POSITION DATA: R SYS FOR NHA SEE: 29-00-51-05 29-00-51-02C	002004 006102 107999	RF
- 1	MODREF7216		TRANSMITTER INSTL-PRESSURE MODULE NUMBER: 271N5008-1 REV A POSITION DATA: R SYS	103106	1
4	BAC27NHY0037		.MARKER-ALUMINUM FOIL PLACARD CONTENT: D2488 PRESSURE XMTR R SYS M343	002004 006999	1
5	271N5008-2		.TRANSMITTER ASSY- POSITION DATA: R	002004 006999	1
- 10	AN960D1416		ATTACHING PARTS .WASHER	002004 006999	1
- 15	AN924-10D		.NUT	002004 006999	1
20	NAS1612-4		-----*----- . . PACKING-	002004 006999	1

MISSING ITEM NUMBERS NOT APPLICABLE

- ITEM NOT ILLUSTRATED

BRI

29-31-02-05

29-31-02
FIG. 05
PAGE 1
JAN 20/09



757

PARTS CATALOG (MAINTENANCE)

FIG ITEM	PART NUMBER	1 2 3 4 5 6 7	NOMENCLATURE	EFFECT FROM TO	UNITS PER ASSY
5 25	AFP2326-4		.. REDUCER SUPPLIER CODE: V30974 SPECIFICATION NUMBER: BACR17E6-4 OPTIONAL PART: AP10276-4 V01673 BC916T6-4 V50948 DBOR17E6-4 V14798 ER21916T6-4 V88334 ER31916-6-4 V88334 F23-6-4 V73197 2-01075T6-4 V11328 31778-6-4 V14397 US2114-6-4 V50808 AP1027T6-4 V01673 US21146-4 V50808 317786-4 V14397	002004 006999	1
30	18-2141-2		.. TRANSMITTER- SUPPLIER CODE: V96774 SPECIFICATION NUMBER: S271T451-1 ELECTRICAL EQUIP NUMBER: M00343 COMPONENT MAINT MANUAL REF: 29-30-03 OPTIONAL PART: 18-2141 V96774 OPTIONAL PART: 18-2141-3 V96774	002004 006999	1

MISSING ITEM NUMBERS NOT APPLICABLE

- ITEM NOT ILLUSTRATED

BRI

29-31-02-05

BOEING PROPRIETARY - Copyright © - Unpublished Work - See title page for details.

29-31-02
FIG. 05
PAGE 2
JAN 20/09



757

PARTS CATALOG (MAINTENANCE)

FIG ITEM	PART NUMBER	1 2 3 4 5 6 7	NOMENCLATURE	EFFECT FROM TO	UNITS PER ASSY
5 205	GS3417-12C	.	CLAMP- SUPPLIER CODE: V06324 SPECIFICATION NUMBER: BACC10HF12 OPTIONAL PART: S2125-12-8 V07418 ELECTRICAL EQUIP NUMBER: D02488T WIRING DIAGRAM REF: 293111	002004 006503 904999	1
210	R071012A3SNL	.	CONNECTOR- SUPPLIER CODE: V41118 SPECIFICATION NUMBER: BACC63BP12A3SNL ELECTRICAL EQUIP NUMBER: D02488 WIRING DIAGRAM REF: 293111	002004 006999	1
900			ILLUSTRATION REFERENCE: PLUMBING INSTL-SECT. 44 AFT BHD MLG WHL WELL HYDR (HYDRAULIC POWER ONLY) 29-11-51-30	002004 006100 107107 121503 904999	RF

MISSING ITEM NUMBERS NOT APPLICABLE

- ITEM NOT ILLUSTRATED

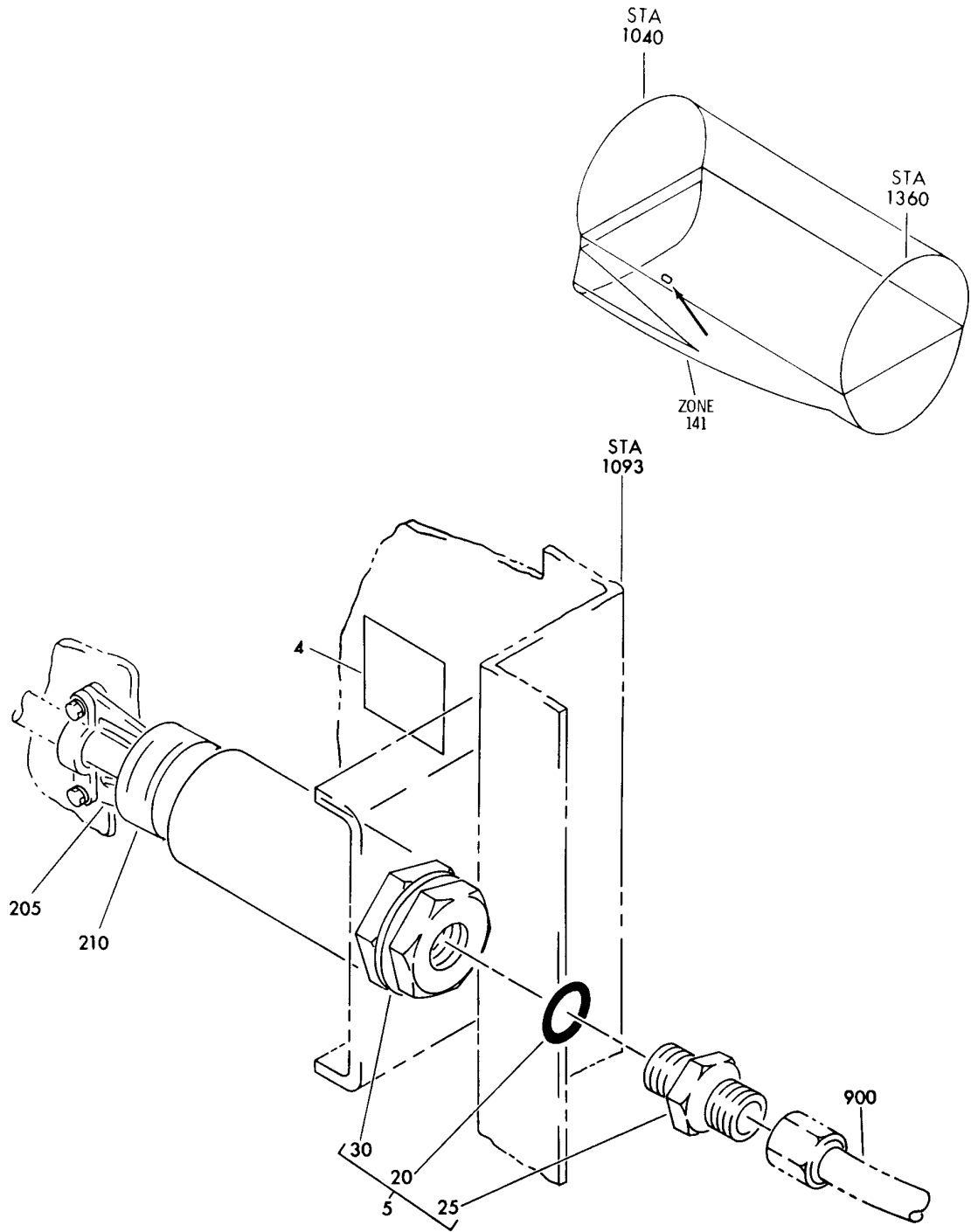
BRI

29-31-02-05

BOEING PROPRIETARY - Copyright © - Unpublished Work - See title page for details.

29-31-02
FIG. 05
PAGE 4
MAY 20/09

BOEING
757
PARTS CATALOG (MAINTENANCE)



Y 29310305 REV 184

TRANSMITTER INSTL-CTR SYS PRESSURE
FIGURE 5

29-31-03-05

BRI
MAY 28/07

29-31-03-05
PAGE 0



757

PARTS CATALOG (MAINTENANCE)

FIG ITEM	PART NUMBER	1 2 3 4 5 6 7	NOMENCLATURE	EFFECT FROM TO	UNITS PER ASSY
5			TRANSMITTER INSTL-CTR SYS PRESSURE	002004 006999	
- 1	271N5007-1		TRANSMITTER INSTL-PRESSURE POSITION DATA: CTR SYS FOR NHA SEE: 29-00-51-05 29-00-51-02C	002004 006102 107999	RF
- 1	MODREF7215		TRANSMITTER INSTL-PRESSURE MODULE NUMBER: 271N5007-3 REV A POSITION DATA: CTR SYS	103106	1
4	BAC27NHY0036		.MARKER-ALUMINUM FOIL PLACARD CONTENT: D2536 PRESSURE XMTR C SYS M3248	002004 006999	1
5	271N5007-2		.TRANSMITTER ASSY- POSITION DATA: CTR ATTACHING PARTS	002004 006999	1
R - 10	NAS1149D1432H		.WASHER	103106	1
R - 10	AN960D1416		.WASHER	002004 006102 107999	1
R - 15	AN924-10D		.NUT	002004 006102 107999	1
R - 15	BACN10DR10D		.NUT	103106	1
20	NAS1612-4		-----*----- . . PACKING-	002004 006999	1

MISSING ITEM NUMBERS NOT APPLICABLE

- ITEM NOT ILLUSTRATED

29-31-03-05

29-31-03
FIG. 05
PAGE 1
MAY 20/09

BRI



757

PARTS CATALOG (MAINTENANCE)

FIG ITEM	PART NUMBER	1 2 3 4 5 6 7	NOMENCLATURE	EFFECT FROM TO	UNITS PER ASSY
5 25	AFP2326-4	.	REDUCER SUPPLIER CODE: V30974 SPECIFICATION NUMBER: BACR17E6-4 OPTIONAL PART: AP10276-4 V01673 BC916T6-4 V50948 DBOR17E6-4 V14798 ER21916T6-4 V88334 ER31916-6-4 V88334 F23-6-4 V73197 2-01075T6-4 V11328 31778-6-4 V14397 US2114-6-4 V50808 AP1027T6-4 V01673 US21146-4 V50808 317786-4 V14397	002004 006999	1
30	18-2141-2	.	TRANSMITTER- SUPPLIER CODE: V96774 SPECIFICATION NUMBER: S271T451-1 ELECTRICAL EQUIP NUMBER: M00342 COMPONENT MAINT MANUAL REF: 29-30-03 OPTIONAL PART: 18-2141 V96774 OPTIONAL PART: 18-2141-3 V96774	002004 006999	1

MISSING ITEM NUMBERS NOT APPLICABLE

- ITEM NOT ILLUSTRATED

29-31-03-05

29-31-03
FIG. 05
PAGE 2
JAN 20/09

BRI



757

PARTS CATALOG (MAINTENANCE)

FIG ITEM	PART NUMBER	1 2 3 4 5 6 7 NOMENCLATURE	EFFECT FROM TO	UNITS PER ASSY
5 30	18-2141	.TRANSMITTER- SUPPLIER CODE: V96774 SPECIFICATION NUMBER: S271T451-1 ELECTRICAL EQUIP NUMBER: M00342 COMPONENT MAINT MANUAL REF: 29-30-03 OPTIONAL PART: 18-2141-2 V96774 OPTIONAL PART: 18-2141-3 V96774	002004 006999	1
R R	30 18-2141-3	.TRANSMITTER- SUPPLIER CODE: V96774 FUNCTIONAL DESCRIPTION: TRANSMITS HYDRAULIC FLUID QUANTITY TO THE EICAS COMPUTER SPECIFICATION NUMBER: S271T451-3 ELECTRICAL EQUIP NUMBER: M00342 COMPONENT MAINT MANUAL REF: 29-30-03 OPTIONAL PART: 18-2141 V96774 18-2141-2 V96774	002004 006999	1
-	200 286N2414-005	WIRE BUNDLE ASSY	002004 006100 950999	RF
-	200 286N2414-006	WIRE BUNDLE ASSY	107107 121503 904949	RF
-	200 286N2414-303	WIRE BUNDLE ASSY	101102 108120	RF
-	200 286N2414-310	WIRE BUNDLE ASSY	504903	RF

MISSING ITEM NUMBERS NOT APPLICABLE

- ITEM NOT ILLUSTRATED

29-31-03-05

BRI

BOEING PROPRIETARY - Copyright © - Unpublished Work - See title page for details.

29-31-03
FIG. 05
PAGE 3
MAY 20/09



757

PARTS CATALOG (MAINTENANCE)

FIG ITEM	PART NUMBER	1 2 3 4 5 6 7	NOMENCLATURE	EFFECT FROM TO	UNITS PER ASSY
5 205	GS3417-12C	.	CLAMP- SUPPLIER CODE: V06324 SPECIFICATION NUMBER: BACC10HF12 OPTIONAL PART: S2125-12-8 V07418 ELECTRICAL EQUIP NUMBER: D02536T WIRING DIAGRAM REF: 293111	002004 006102 107999	1
210	R071012A3SNL	.	CONNECTOR- SUPPLIER CODE: V41118 SPECIFICATION NUMBER: BACC63BP12A3SNL ELECTRICAL EQUIP NUMBER: D02536 WIRING DIAGRAM REF: 293111	002004 006102 107999	1
900			ILLUSTRATION REFERENCE: PLUMBING INSTL-MLG WHL WELL HYDR (HYDRAULIC POWER ONLY) 29-11-51-32	002004 006100 107107 121503 904999	RF
900			ILLUSTRATION REFERENCE: PLUMBING INSTL-HYDR, MLG WHL WELL, KEEL BEAM 29-11-51-94	101102 108120 504903	RF

MISSING ITEM NUMBERS NOT APPLICABLE

- ITEM NOT ILLUSTRATED

BRI

29-31-03-05

BOEING PROPRIETARY - Copyright © - Unpublished Work - See title page for details.

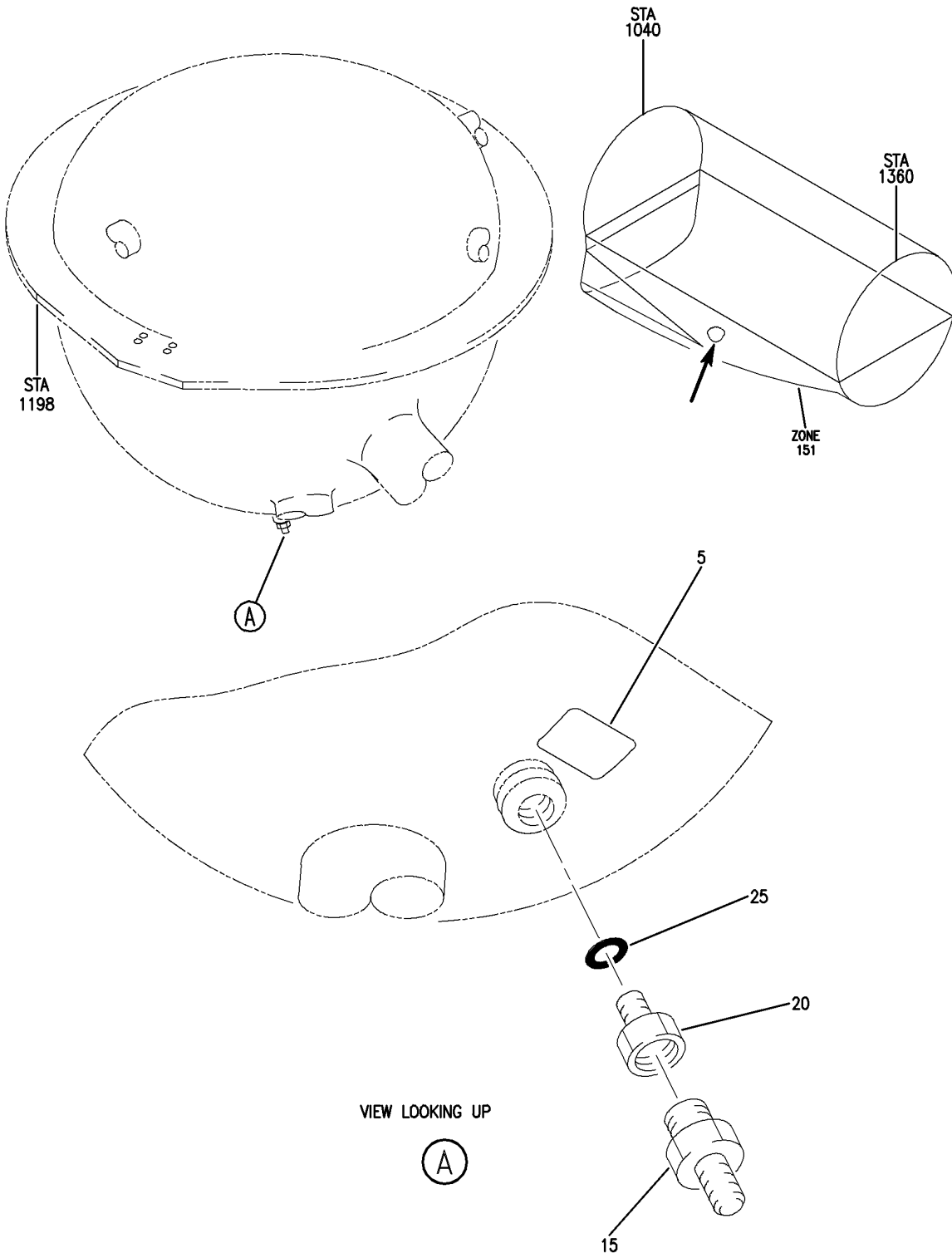
29-31-03
FIG. 05
PAGE 4
JAN 20/09

HYDRAULIC FLUID TEMPERATURE INDICATING SYSTEM

BRI
MAY 28/07

29-32-00
SECTION TITLE
PAGE 1

BOEING
757
PARTS CATALOG (MAINTENANCE)



Y 29320301 REV 259

RESERVOIR ASSY-CTR SYS HYDR (RESERVOIR TEMPERATURE TRANSMITTER ONLY)
FIGURE 1

29-32-03-01

BRI
MAY 28/07

29-32-03-01
PAGE 0



757

PARTS CATALOG (MAINTENANCE)

FIG ITEM	PART NUMBER	1 2 3 4 5 6 7	NOMENCLATURE	EFFECT FROM TO	UNITS PER ASSY
1			RESERVOIR ASSY-CTR SYS HYDR (RESERVOIR TEMPERATURE TRANSMITTER ONLY)	101106 108120 504903	
- 1	271N3006-14		RESERVOIR ASSY-HYDR (RESERVOIR TEMPERATURE TRANSMITTER ONLY) FOR NHA/ADDITIONAL DET SEE: 29-11-21-01	101106 108120 504903	RF
5	BAC27NHY0134		.MARKER- PLACARD CONTENT: D4724 TEMP XMTR C SYS TS5194	101106 108120 504903	1
15	AN814-6DL		.PLUG	101106 108120 504903	1
20	1122410		.TRANSMITTER-TEMP SUPPLIER CODE: V60678 SPECIFICATION NUMBER: S270T245-1 ELECTRICAL EQUIP NUMBER: TS5194	101106 108120 504903	1
25	NAS1612-6		.PACKING-	101106 108120 504903	1

MISSING ITEM NUMBERS NOT APPLICABLE

- ITEM NOT ILLUSTRATED

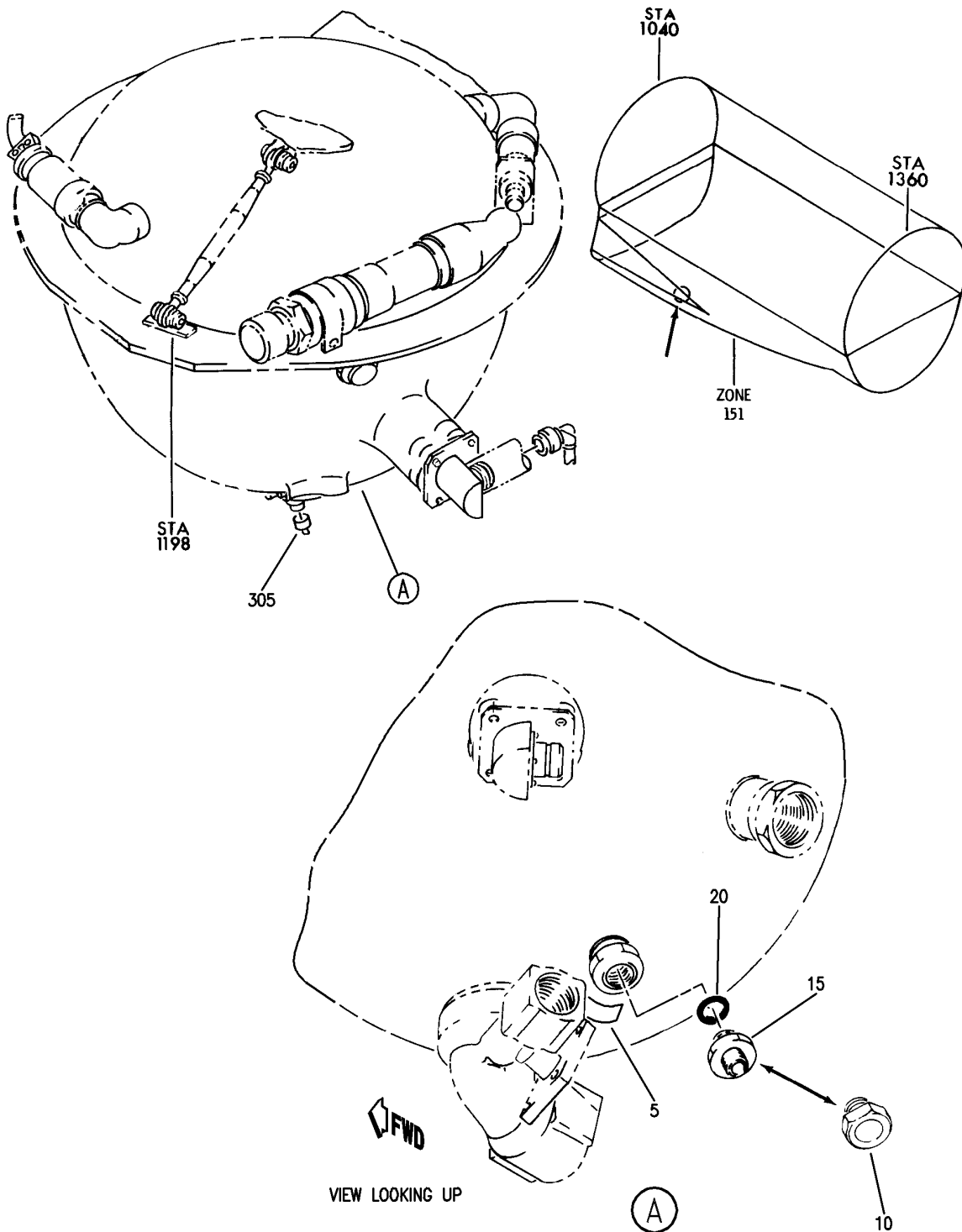
BRI

29-32-03-01

BOEING PROPRIETARY - Copyright © - Unpublished Work - See title page for details.

29-32-03
FIG. 01
PAGE 1
JAN 20/09

BOEING
757
PARTS CATALOG (MAINTENANCE)



Y 29320302 REV 259

RESERVOIR ASSY-CTR SYS HYDR (TEMPERATURE TRANSMITTER ONLY)
FIGURE 2

29-32-03-02

BRI
MAY 28/07

29-32-03-02
PAGE 0



757

PARTS CATALOG (MAINTENANCE)

FIG ITEM	PART NUMBER	1 2 3 4 5 6 7	NOMENCLATURE	EFFECT FROM TO	UNITS PER ASSY
2			RESERVOIR ASSY-CTR SYS HYDR (TEMPERATUER TRANSMITTER ONLY)	002004 006100 107107 121503 904999	
- 1	271N3006-7		RESERVOIR ASSY-HYDR (TEMPERATURE TRANSMITTER ONLY) COMPONENT MAINT MANUAL REF: 29-11-22 FOR NHA/ADDITIONAL DET SEE: 29-11-21-02	107107 904949	RF
- 1	271N3006-12		RESERVOIR ASSY-HYDR (TEMPERATURE TRANSMITTER ONLY) COMPONENT MAINT MANUAL REF: 29-11-22 FOR NHA/ADDITIONAL DET SEE: 29-11-21-02	002004 006100 121503 950999	RF
5	BAC27NHY0134		.MARKER- PLACARD CONTENT: D4724 TEMP XMTR C SYS TS5194	002004 006100 107107 121503 904999	1
15	1122410		.TRANSMITTER-TEMP SUPPLIER CODE: V60678 SPECIFICATION NUMBER: S270T245-1 ELECTRICAL EQUIP NUMBER: TS5194	002004 006100 107107 121503 904999	1
20	NAS1612-6		.PACKING-	002004 006100 107107 121503 904999	1
- 300	286N2412-004		WIRE BUNDLE ASSY	002004 006100 950999	RF
- 300	286N2412-005		WIRE BUNDLE ASSY	107107 121503 904949	RF
305	BACC63CE12SB3S		.CONNECTOR- ELECTRICAL EQUIP NUMBER: D04724 WIRING DIAGRAM REF: 293241	002004 006100 107107 121503 904999	1

MISSING ITEM NUMBERS NOT APPLICABLE

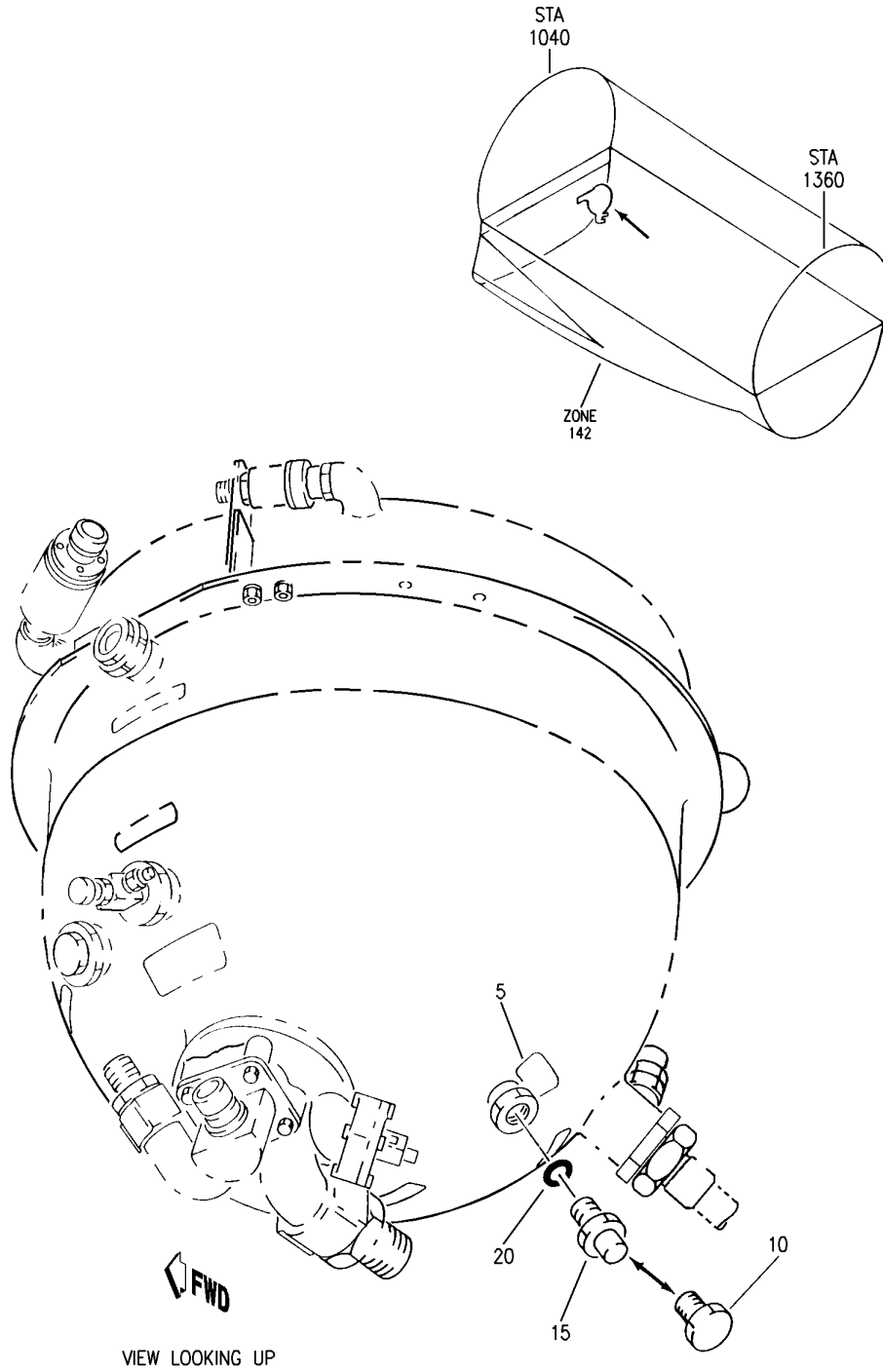
- ITEM NOT ILLUSTRATED

29-32-03-02

29-32-03
FIG. 02
PAGE 1
JAN 20/09

BRI

BOEING
757
PARTS CATALOG (MAINTENANCE)



Y 29320303 REV 239

RESERVOIR ASSY-R SYS HYDR (RESERVOIR TEMPERATURE TRANSMITTER ONLY)
FIGURE 3

29-32-03-03

BRI
MAY 28/07

29-32-03-03
PAGE 0



757

PARTS CATALOG (MAINTENANCE)

FIG ITEM	PART NUMBER	1 2 3 4 5 6 7	NOMENCLATURE	EFFECT FROM TO	UNITS PER ASSY
3			RESERVOIR ASSY-R SYS HYDR (RESERVOIR TEMPERATURE TRANSMITTER ONLY)	002004 006999	
- 1	271N3007-6		RESERVOIR ASSY-HYDR (RESERVOIR TEMPERATURE TRANSMITTER ONLY) COMPONENT MAINT MANUAL REF: 29-11-24 FOR NHA/OTHER SYS DET SEE: 29-11-20-05	107107 904949	RF
- 1	271N3007-11		RESERVOIR ASSY-HYDR (RESERVOIR TEMPERATURE TRANSMITTER ONLY) COMPONENT MAINT MANUAL REF: 29-11-24 FOR NHA/OTHER SYS DET SEE: 29-11-20-05 29-11-20-01	002004 006106 108903 950999	RF
5	BAC27NHY0133		.MARKER- PLACARD CONTENT: D4696 TEMP XMTR R SYS TS5195	002004 006999	1
15	1122410		.TRANSMITTER-TEMP SUPPLIER CODE: V60678 SPECIFICATION NUMBER: S270T245-1	002004 006999	1
20	NAS1612-6A		.PACKING-	002004 006999	1

MISSING ITEM NUMBERS NOT APPLICABLE

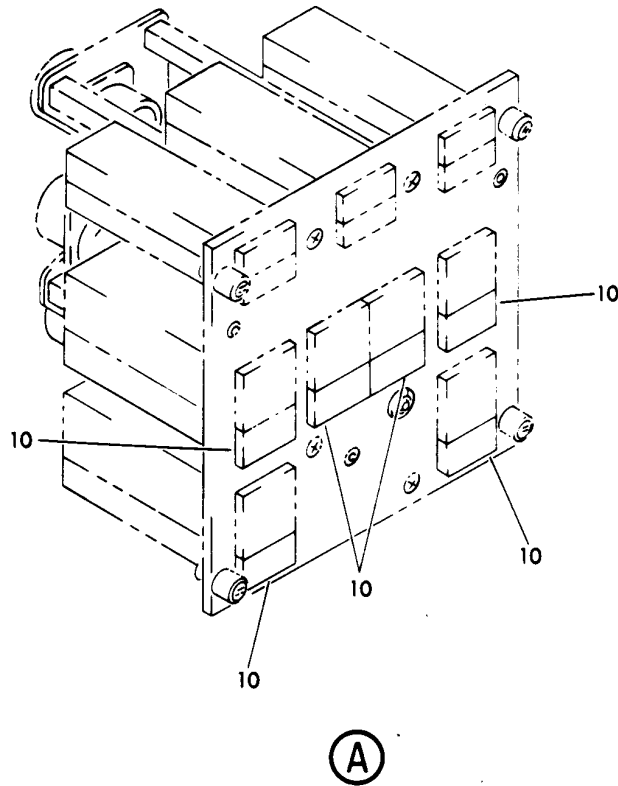
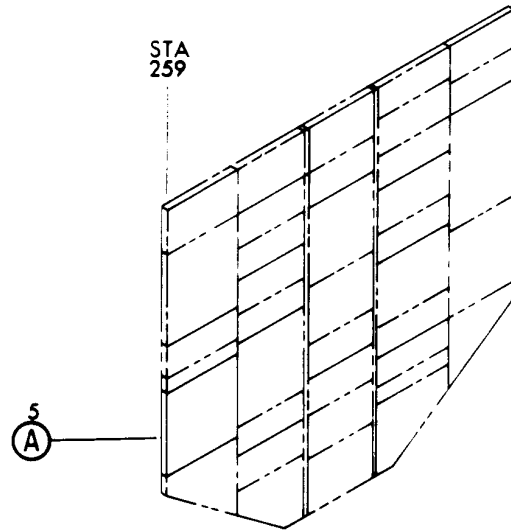
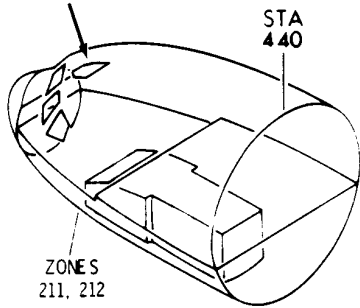
- ITEM NOT ILLUSTRATED

29-32-03-03

29-32-03
FIG. 03
PAGE 1
JAN 20/09

BRI

BOEING
757
PARTS CATALOG (MAINTENANCE)



Y 29325101 SHT 1 REV 034

PANEL INSTL-P5 OVHD (HYDRAULIC FLUID TEMPERATURE INDICATING SYSTEM ONLY)
FIGURE 1

29-32-51-01

BRI
MAY 28/07

29-32-51-01
PAGE 0



757

PARTS CATALOG (MAINTENANCE)

FIG ITEM	PART NUMBER	1 2 3 4 5 6 7	NOMENCLATURE	EFFECT FROM TO	UNITS PER ASSY
1			PANEL INSTL-P5 OVHD (HYDRAULIC FLUID TEMPERATURE INDICATING SYSTEM ONLY)	002004 006010 107107 121503 904999	
- 1	233N3101-1		PANEL INSTL-P5 OVERHEAD (HYDRAULIC FLUID TEMPERATURE INDICATING SYSTEM ONLY) VARIABLE DRAWING REF: 233N3101-5005 233N3101-5025 233N3101-5041 233N3101-5042 233N3101-5045 FOR NHA/OTHER SYS DET SEE: 25-10-00-05A	002004 006010 107107 121503 904999	RF
5	233N3205-19		.PANEL ASSY-HYDR SUPPLIER CODE: V89954 ELECTRICAL EQUIP NUMBER: M10050 COMPONENT MAINT MANUAL REF: 29-00-71	002004 006010 107107 121503 904999	RF
5	233N3205-21		.PANEL ASSY-HYDR SUPPLIER CODE: V89954 ELECTRICAL EQUIP NUMBER: M10050 COMPONENT MAINT MANUAL REF: 29-00-71	002004 006010 107107 121503 904999	RF
5	233N3205-24		.PANEL ASSY-HYDR SUPPLIER CODE: V89954 ELECTRICAL EQUIP NUMBER: M10050 COMPONENT MAINT MANUAL REF: 29-00-71 QUALIFIED I/W DATA: 233N3205-300 PANEL ASSY IS I/W 233N3205-24 PANEL ASSY T/W S233T100-6044 LIGHTPLATE	002004 006010 107107 121503 904999	RF

MISSING ITEM NUMBERS NOT APPLICABLE

- ITEM NOT ILLUSTRATED

BRI

29-32-51-01

BOEING PROPRIETARY - Copyright © - Unpublished Work - See title page for details.

29-32-51
FIG. 01
PAGE 1
JAN 20/09



757

PARTS CATALOG (MAINTENANCE)

FIG ITEM	PART NUMBER	1 2 3 4 5 6 7	NOMENCLATURE	EFFECT FROM TO	UNITS PER ASSY
1					
5	233N3205-25		.PANEL ASSY-HYDR SUPPLIER CODE: V89954 ELECTRICAL EQUIP NUMBER: M10050 COMPONENT MAINT MANUAL REF: 29-00-71 QUALIFIED I/W DATA: 233N3205-301 PANEL ASSY IS I/W 233N3205-25 PANEL ASSY T/W S233T100-6044 LIGHTPLATE	002004 006010 107107 121503 904999	RF
5	233N3205-26		.PANEL ASSY-HYDR SUPPLIER CODE: V89954 ELECTRICAL EQUIP NUMBER: M10050 COMPONENT MAINT MANUAL REF: 29-00-71	002004 006010 107107 121503 904999	RF
5	233N3205-27		.PANEL ASSY-HYDR SUPPLIER CODE: V89954 ELECTRICAL EQUIP NUMBER: M10050 COMPONENT MAINT MANUAL REF: 29-00-71 QUALIFIED I/W DATA: 233N3205-302 PANEL ASSY IS I/W 233N3205-27 PANEL ASSY T/W S233T100-6060 LIGHTPLATE	002004 006010 107107 121503 904999	RF
10	BCREF6113		..LIGHT ASSY-OVERHEAT IND SUPPLIER CODE: V81590 OVERLENGTH PART NUMBER: 434-674-1005-1086 SPECIFICATION NUMBER: S231T300-1086 OPTIONAL PART: BCREF8540 V81590 FOR DETAILS SEE: 33-14-70-02	002004 006010 107107 121503 904999	6

MISSING ITEM NUMBERS NOT APPLICABLE

- ITEM NOT ILLUSTRATED

BRI

29-32-51-01

BOEING PROPRIETARY - Copyright © - Unpublished Work - See title page for details.

29-32-51
FIG. 01
PAGE 2
JAN 20/09



757

PARTS CATALOG (MAINTENANCE)

FIG ITEM	PART NUMBER	1 2 3 4 5 6 7	NOMENCLATURE	EFFECT FROM TO	UNITS PER ASSY
1 10	BCREF8540		..LIGHT ASSY-OVERHEAT IND SUPPLIER CODE: V81590 OVERLENGTH PART NUMBER: 434-674-1031-2086 SPECIFICATION NUMBER: S231T300-2086 OPTIONAL PART: BCREF6113 V81590 FOR DETAILS SEE: 33-14-70-02	002004 006010 107107 121503 904999	6

MISSING ITEM NUMBERS NOT APPLICABLE

- ITEM NOT ILLUSTRATED

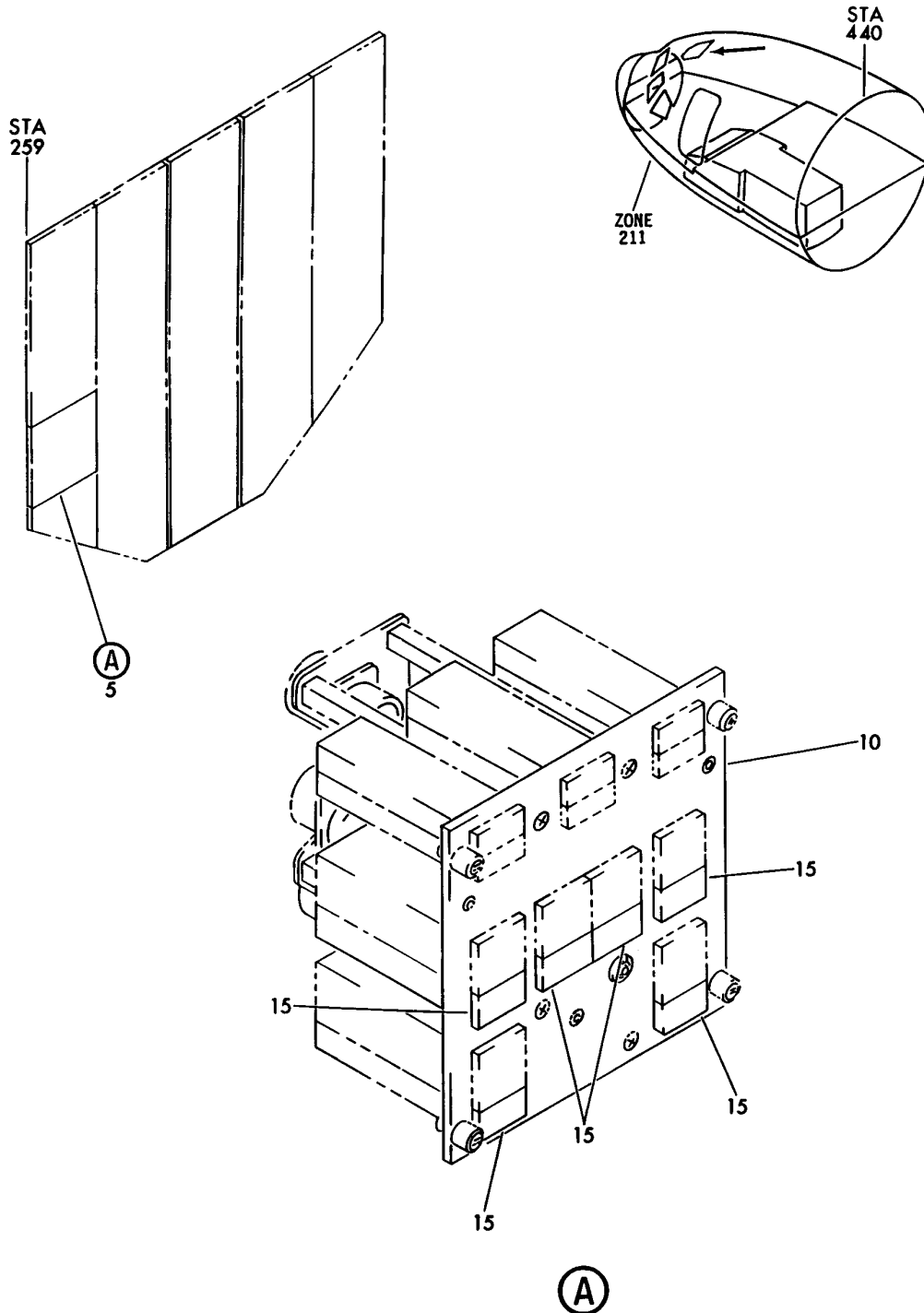
BRI

29-32-51-01

BOEING PROPRIETARY - Copyright © - Unpublished Work - See title page for details.

29-32-51
FIG. 01
PAGE 3
JAN 20/09

BOEING
757
PARTS CATALOG (MAINTENANCE)



Y 29325102 REV 155

PANEL INSTL-P5 OVHD (HYDRAULIC FLUID TEMPERATURE INDICATING SYSTEM ONLY)
FIGURE 2

29-32-51-02

BRI
MAY 28/07

29-32-51-02
PAGE 0



757

PARTS CATALOG (MAINTENANCE)

FIG ITEM	PART NUMBER	1 2 3 4 5 6 7	NOMENCLATURE	EFFECT FROM TO	UNITS PER ASSY
2			PANEL INSTL-P5 OVHD (HYDRAULIC FLUID TEMPERATURE INDICATING SYSTEM ONLY)	011100	
- 1	233N3101-1		PANEL INSTL-P5 OVERHEAD (HYDRAULIC FLUID TEMPERATURE INDICATING SYSTEM ONLY) VARIABLE DRAWING REF: 233N3101-5142 FOR NHA/OTHER SYS DET SEE: 25-10-00-05A	011100	RF
5	233N3205-302		.PANEL ASSY-HYDR SUPPLIER CODE: V89954 COMPONENT MAINT MANUAL REF: 29-00-71 QUALIFIED I/W DATA: 233N3205-302 PANEL ASSY IS I/W 233N3205-27 PANEL ASSY T/W S233T100-6060 LIGHTPLATE	011100	RF
10	233N3205-27		..PANEL ASSY-M10050 HYDR SUPPLIER CODE: V89954 COMPONENT MAINT MANUAL REF: 29-00-71	011100	RF
15	BCREF6113		...LIGHT ASSY-OVERHEAT IND SUPPLIER CODE: V81590 OVERLENGTH PART NUMBER: 434-674-1005-1086 SPECIFICATION NUMBER: S231T300-1086 OPTIONAL PART: BCREF8540 V81590 FOR DETAILS SEE: 33-14-70-02	011100	6

MISSING ITEM NUMBERS NOT APPLICABLE

- ITEM NOT ILLUSTRATED

BRI

29-32-51-02

29-32-51
FIG. 02
PAGE 1
JAN 20/09



757

PARTS CATALOG (MAINTENANCE)

FIG ITEM	PART NUMBER	1 2 3 4 5 6 7	NOMENCLATURE	EFFECT FROM TO	UNITS PER ASSY
2 15	BCREF8540		...LIGHT ASSY-OVERHEAT IND SUPPLIER CODE: V81590 OVERLENGTH PART NUMBER: 434-674-1031-2086 SPECIFICATION NUMBER: S231T300-2086 OPTIONAL PART: BCREF6113 V81590 FOR DETAILS SEE: 33-14-70-02	011100	6

MISSING ITEM NUMBERS NOT APPLICABLE

- ITEM NOT ILLUSTRATED

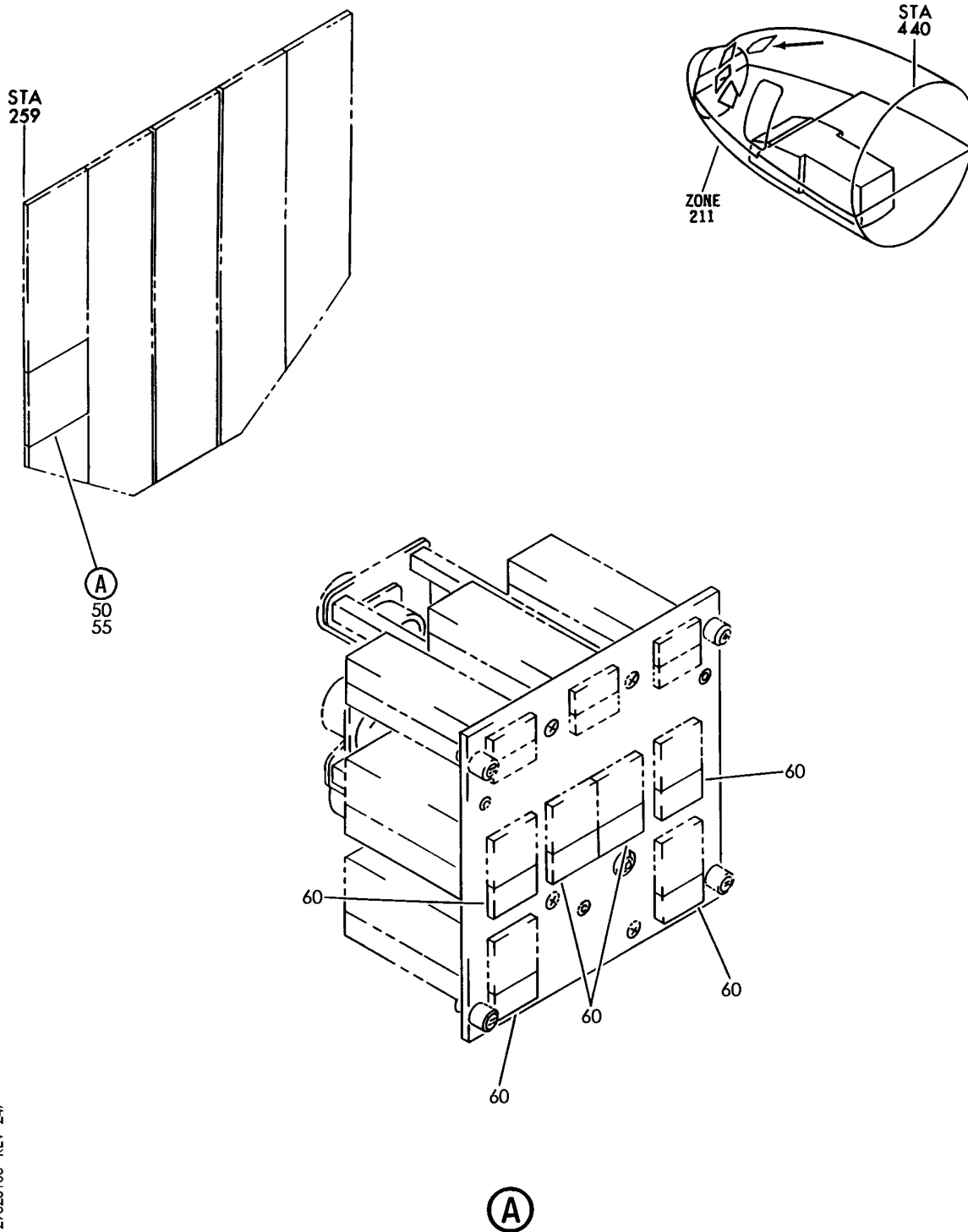
BRI

29-32-51-02

BOEING PROPRIETARY - Copyright © - Unpublished Work - See title page for details.

29-32-51
FIG. 02
PAGE 2
JAN 20/09

BOEING
757
PARTS CATALOG (MAINTENANCE)



Y 29325103 REV 247

PANEL INSTL-P5 OVHD (HYDRAULIC FLUID TEMPERATURE INDICATING SYSTEM ONLY)
FIGURE 3

29-32-51-03

BRI
MAY 28/07

29-32-51-03
PAGE 0



757

PARTS CATALOG (MAINTENANCE)

FIG ITEM	PART NUMBER	1 2 3 4 5 6 7	NOMENCLATURE	EFFECT FROM TO	UNITS PER ASSY
3			PANEL INSTL-P5 OVHD (HYDRAULIC FLUID TEMPERATURE INDICATING SYSTEM ONLY)	101106 108120 504903	
- 2	233N3103-132		PANEL INSTL-P5 OVHD (HYDRAULIC FLUID TEMPERATURE INDICATING SYSTEM ONLY)	101102	RF
- 2	233N3103-136		FOR NHA/OTHER SYS DET SEE: 25-10-00-15E PANEL INSTL-P5 OVHD (HYDRAULIC FLUID TEMPERATURE INDICATING SYSTEM ONLY)	504903	RF
- 6	233N3103-59		FOR NHA/OTHER SYS DET SEE: 25-10-00-15E PANEL INSTL-P5 OVHD (HYDRAULIC FLUID TEMPERATURE INDICATING SYSTEM ONLY)	108120	RF
- 7	MODREF33760		FOR NHA/OTHER SYS DET SEE: 25-10-00-15E PANEL INSTL-P5 OVHD (HYDRAULIC FLUID TEMPERATURE INDICATING SYSTEM ONLY)	103103	1
			MODULE NUMBER: 233N3103-351 REV C FOR OTHER SYS DETAILS SEE: 11-31-10-12 21-25-55-03 21-31-01-02 21-33-51-03 21-51-54-03 21-58-19-10 21-58-51-03 21-61-04-03 21-65-51-01 22-21-01-04 22-24-51-02 23-24-01-01 23-32-00-11 23-42-02-02 23-71-05-02 24-11-52-05 24-22-01-03 24-31-01-10 24-31-03-09 24-33-04-01		

MISSING ITEM NUMBERS NOT APPLICABLE

- ITEM NOT ILLUSTRATED

29-32-51-03

29-32-51
FIG. 03
PAGE 1
JAN 20/09

BRI



757

PARTS CATALOG (MAINTENANCE)

FIG ITEM	PART NUMBER	1 2 3 4 5 6 7	NOMENCLATURE	EFFECT FROM TO	UNITS PER ASSY
3			24-41-51-04 24-51-62-01 26-18-51-04 27-21-53-02 27-41-55-01 27-61-51-03 27-62-52-02 28-22-51-02 28-41-04-01 28-41-51-03 29-11-02-03 29-11-05-04 29-11-52-07 29-21-54-03 29-31-00-01 29-33-52-03 30-11-51-03 30-21-51-03 30-31-51-02 30-32-51-01 30-33-51-02 30-41-51-03 30-42-51-03 31-12-11-91 31-12-11-91 A 32-42-52-03 33-11-03-03 33-11-51-17 33-13-01-65 33-13-02-03 33-16-51-03 33-24-51-02 33-41-52-04 33-42-01-04 33-42-02-04 33-42-52-04 33-43-51-04 33-44-51-05 33-45-53-03 33-51-08-05 34-21-02-01 35-21-51-04 36-11-04-01 36-21-00-01 36-21-02-05 36-22-51-03 49-41-00-02 49-52-00-01 49-70-00-01		

MISSING ITEM NUMBERS NOT APPLICABLE

- ITEM NOT ILLUSTRATED

BRI

29-32-51-03

29-32-51
FIG. 03
PAGE 2
JAN 20/09



757

PARTS CATALOG (MAINTENANCE)

FIG ITEM	PART NUMBER	1 2 3 4 5 6 7	NOMENCLATURE	EFFECT FROM TO	UNITS PER ASSY
3			52-51-51-03 52-71-51-02 73-21-52-02 74-31-51-05 75-32-00-01 80-11-09-02		
- 7	MODREF34038		PANEL INSTL-P5 OVHD (HYDRAULIC FLUID TEMPERATURE INDICATING SYSTEM ONLY) MODULE NUMBER: 233N3103-351 REV D FOR OTHER SYS DETAILS SEE: 11-31-10-12 21-25-55-03 21-31-01-02 21-33-51-03 21-51-54-03 21-58-19-10 21-58-51-03 21-61-04-03 21-65-51-01 22-21-01-04 22-24-51-02 23-24-01-01 23-32-00-11 23-42-02-02 23-71-05-02 24-11-52-05 24-22-01-03 24-31-01-10 24-31-03-09 24-33-04-01 24-41-51-04 24-51-62-01 26-18-51-04 27-21-53-02 27-41-55-01 27-61-51-03 27-62-52-02 28-22-51-02 28-41-04-01 28-41-51-03 29-11-02-03 29-11-05-04 29-11-52-07 29-21-54-03 29-31-00-01 29-33-52-03	104105	1
MISSING ITEM NUMBERS NOT APPLICABLE					

- ITEM NOT ILLUSTRATED

29-32-51-03

29-32-51
FIG. 03
PAGE 3
JAN 20/09

BRI



757

PARTS CATALOG (MAINTENANCE)

FIG ITEM	PART NUMBER	1 2 3 4 5 6 7	NOMENCLATURE	EFFECT FROM TO	UNITS PER ASSY
3			30-11-51-03 30-21-51-03 30-31-51-02 30-32-51-01 30-33-51-02 30-41-51-03 30-42-51-03 31-12-11-91 31-12-11-91A 32-42-52-03 33-11-03-03 33-11-51-17 33-13-01-65 33-13-02-03 33-16-51-03 33-24-51-02 33-41-52-04 33-42-01-04 33-42-02-04 33-42-52-04 33-43-51-04 33-44-51-05 33-45-53-03 33-51-08-05 34-21-02-01 35-21-51-04 36-11-04-01 36-21-00-01 36-21-02-05 36-22-51-03 49-41-00-02 49-52-00-01 49-70-00-01 52-51-51-03 52-71-51-02 73-21-52-02 74-31-51-05 75-32-00-01 80-11-09-02		
- 8	MODREF170180		PANEL INSTL-P5 OVHD (HYDRAULIC FLUID TEMPERATURE INDICATING SYSTEM ONLY) MODULE NUMBER: 233N3103-353 REV B FOR OTHER SYS DETAILS SEE: 11-31-10-12 21-25-55-03 21-31-01-02	106106	1

MISSING ITEM NUMBERS NOT APPLICABLE

- ITEM NOT ILLUSTRATED

BRI

29-32-51-03

BOEING PROPRIETARY - Copyright © - Unpublished Work - See title page for details.

29-32-51
 FIG. 03
 PAGE 4
 JAN 20/09



757

PARTS CATALOG (MAINTENANCE)

FIG ITEM	PART NUMBER	1 2 3 4 5 6 7	NOMENCLATURE	EFFECT FROM TO	UNITS PER ASSY
3			21-33-51-03 21-51-54-03 21-58-19-10 21-58-51-03 21-61-04-03 21-65-51-01 22-21-01-04 22-24-51-02 23-24-01-01 23-32-00-11 23-42-02-02 23-71-05-02 24-11-52-05 24-22-01-03 24-31-01-10 24-31-03-09 24-33-04-01 24-41-51-04 24-51-62-01 26-18-51-04 27-21-53-02 27-41-55-01 27-61-51-03 27-62-52-02 28-22-51-02 28-41-04-01 28-41-51-03 29-11-02-03 29-11-05-04 29-11-52-07 29-21-54-03 29-31-00-01 29-33-52-03 30-11-51-03 30-21-51-03 30-31-51-02 30-32-51-01 30-33-51-02 30-41-51-03 30-42-51-03 31-12-11-84 31-12-11-84 A 32-42-52-03 33-11-03-03 33-11-51-17 33-13-01-65 33-13-02-03 33-16-51-03 33-24-51-02		

MISSING ITEM NUMBERS NOT APPLICABLE

- ITEM NOT ILLUSTRATED

BRI

29-32-51-03

BOEING PROPRIETARY - Copyright © - Unpublished Work - See title page for details.

29-32-51
FIG. 03
PAGE 5
JAN 20/09

 **BOEING**
757
PARTS CATALOG (MAINTENANCE)

FIG ITEM	PART NUMBER	1 2 3 4 5 6 7	NOMENCLATURE	EFFECT FROM TO	UNITS PER ASSY
3			33-41-52-04 33-42-01-04 33-42-02-04 33-42-52-04 33-43-51-04 33-44-51-05 33-45-53-03 33-51-08-05 34-21-02-01 35-21-51-04 36-11-04-01 36-21-00-01 36-21-02-05 36-22-51-03 49-41-00-02 49-52-00-01 49-70-00-01 52-51-51-03 52-71-51-02 73-21-52-02 74-31-51-05 75-32-00-01 80-11-09-02		
50	233N3205-300		.PANEL ASSY-HYDR SUPPLIER CODE: V89954 ELECTRICAL EQUIP NUMBER: M10050 COMPONENT MAINT MANUAL REF: 29-00-71 QUALIFIED I/W DATA: 233N3205-300 PANEL ASSY IS I/W 233N3205-24 PANEL ASSY T/W S233T100-6044 LIGHTPLATE	108120	RF
50	233N3205-302		.PANEL ASSY-HYDR SUPPLIER CODE: V89954 ELECTRICAL EQUIP NUMBER: M10050 COMPONENT MAINT MANUAL REF: 29-00-71 QUALIFIED I/W DATA: 233N3205-302 PANEL ASSY IS I/W 233N3205-27 PANEL ASSY T/W S233T100-6060 LIGHTPLATE	101106 504903	RF

MISSING ITEM NUMBERS NOT APPLICABLE

— ITEM NOT ILLUSTRATED

BRI

29-32-51-03

BOEING PROPRIETARY - Copyright © - Unpublished Work - See title page for details.

29-32-51
FIG. 03
PAGE 6
JAN 20/09



757

PARTS CATALOG (MAINTENANCE)

FIG ITEM	PART NUMBER	1 2 3 4 5 6 7	NOMENCLATURE	EFFECT FROM TO	UNITS PER ASSY
3					
55	233N3205-24	..	PANEL ASSY- SUPPLIER CODE: V89954 COMPONENT MAINT MANUAL REF: 29-00-71 QUALIFIED I/W DATA: 233N3205-300 PANEL ASSY IS I/W 233N3205-24 PANEL ASSY T/W S233T100-6044 LIGHTPLATE	108120	RF
55	233N3205-27	..	PANEL ASSY- SUPPLIER CODE: V89954 COMPONENT MAINT MANUAL REF: 29-00-71 QUALIFIED I/W DATA: 233N3205-302 PANEL ASSY IS I/W 233N3205-27 PANEL ASSY T/W S233T100-6060 LIGHTPLATE	101106 504903	RF
60	BCREF6113	...	LIGHT ASSY-OVERHEAT IND SUPPLIER CODE: V81590 OVERLENGTH PART NUMBER: 434-674-1005-1086 SPECIFICATION NUMBER: S231T300-1086 OPTIONAL PART: BCREF8540 V81590 FOR DETAILS SEE: 33-14-70-02	101106 108120 504903	6
60	BCREF8540	...	LIGHT ASSY-OVERHEAT IND SUPPLIER CODE: V81590 OVERLENGTH PART NUMBER: 434-674-1031-2086 SPECIFICATION NUMBER: S231T300-2086 OPTIONAL PART: BCREF6113 V81590 FOR DETAILS SEE: 33-14-70-02	101106 108120 504903	6

MISSING ITEM NUMBERS NOT APPLICABLE

- ITEM NOT ILLUSTRATED

29-32-51-03

29-32-51
FIG. 03
PAGE 7
JAN 20/09

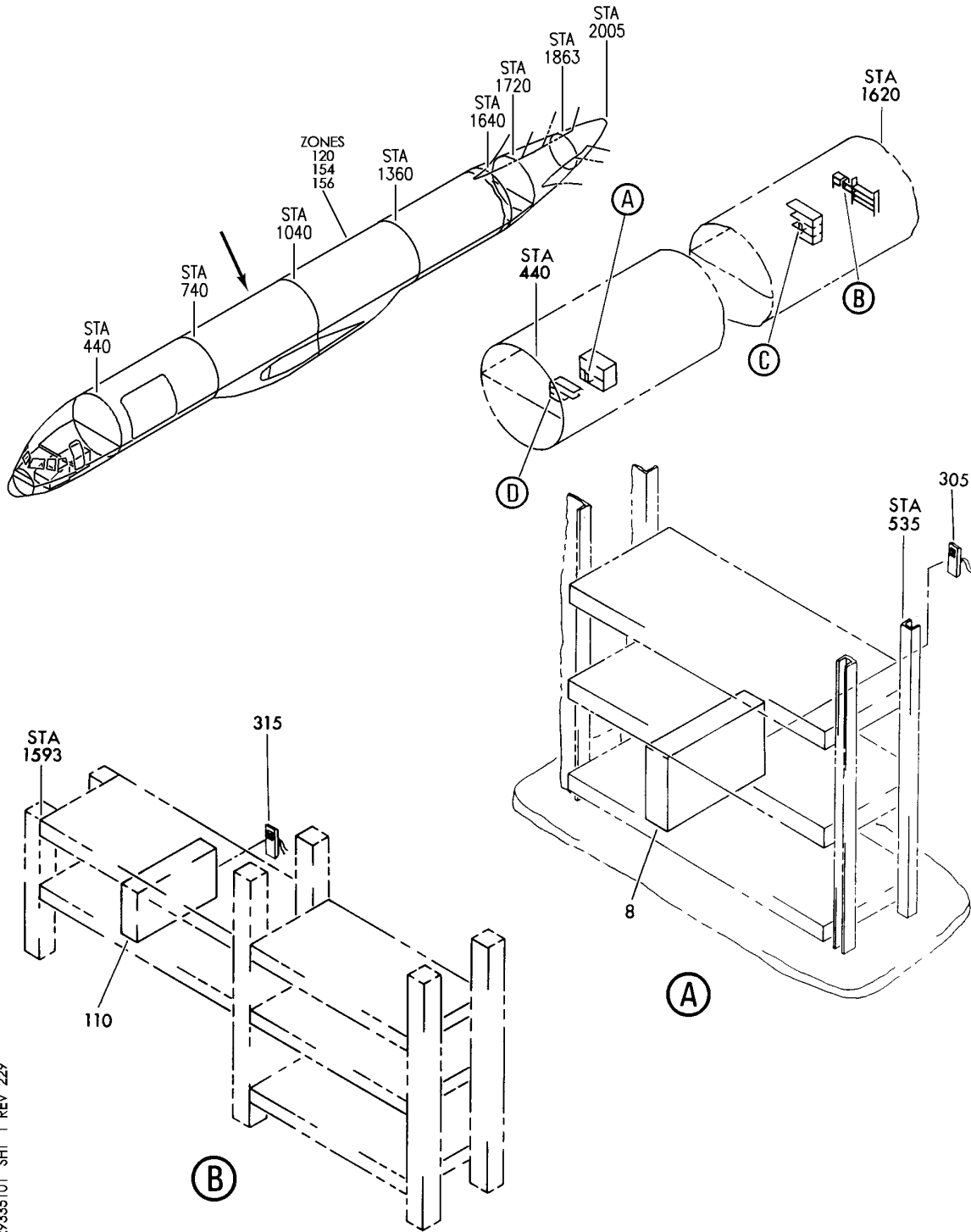
BRI

HYDRAULIC FLUID QUANTITY INDICATING SYSTEM

BRI
MAY 28/07

29-33-00
SECTION TITLE
PAGE 1

BOEING
757
PARTS CATALOG (MAINTENANCE)



Y 29335101 SHT 1 REV 229

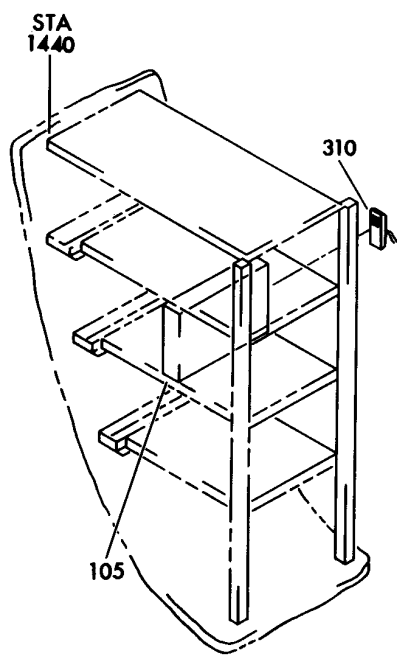
EQUIPMENT INSTL-MAIN ELECTRONICS AND E6 AFT EQPT CTR (HYDRAULIC POWER ONLY)
FIGURE 1 (SHEET 1)

29-33-51-01

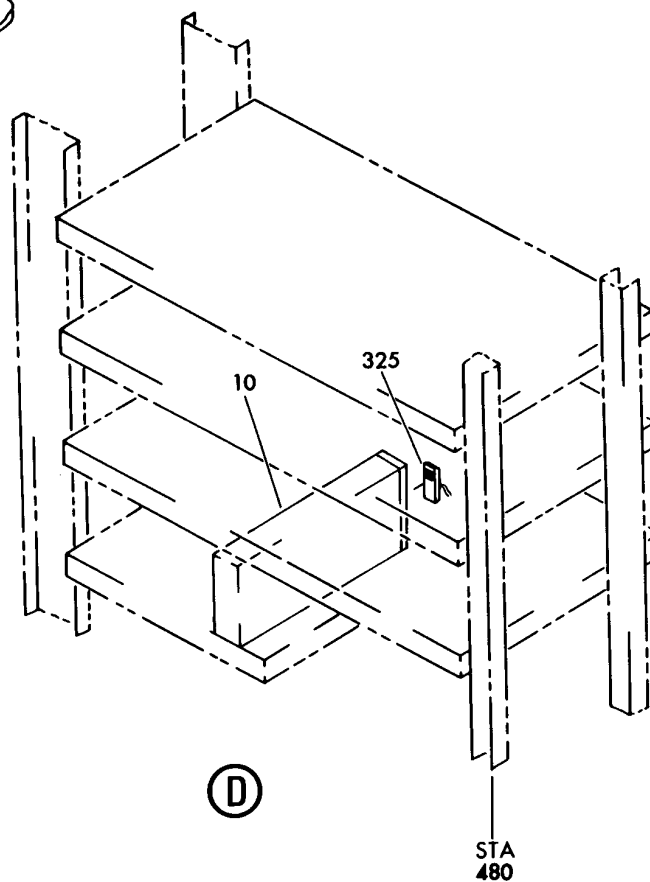
BRI
MAY 28/07

29-33-51-01
PAGE 0

BOEING
757
PARTS CATALOG (MAINTENANCE)



(C)



(D)

Y 29335101 SHT 2 REV 107

EQUIPMENT INSTL-MAIN ELECTRONICS AND E6 AFT EQPT CTR (HYDRAULIC POWER ONLY)
FIGURE 1 (SHEET 2)

29-33-51-01

BRI
MAY 28/07

29-33-51-01
PAGE 0A



757

PARTS CATALOG (MAINTENANCE)

FIG ITEM	PART NUMBER	1 2 3 4 5 6 7	NOMENCLATURE	EFFECT FROM TO	UNITS PER ASSY
1			EQUIPMENT INSTL-MAIN ELECTRONICS AND E6 AFT EQPT CTR (HYDRAULIC POWER ONLY)	002004 006100 107107 121999	
- 1	284N1307-33		EQUIPMENT INSTL-MAIN ELECTRONICS EQPT CTR (HYDRAULIC POWER ONLY) FOR NHA/OTHER SYS DET SEE: 24-00-58-01	107107	RF
- 3	284N1800-32		EQUIPMENT INSTL-MAIN ELECTRONICS EQPT CTR (HYDRAULIC POWER ONLY) FOR NHA/OTHER SYS DET SEE: 24-00-58-01	952999	RF
- 4	284N1800-34		EQUIPMENT INSTL-MAIN ELECTRONICS EQPT CTR (HYDRAULIC POWER ONLY) FOR NHA/OTHER SYS DET SEE: 24-00-58-01	002004 006100	RF
- 4	284N1800-38		EQUIPMENT INSTL-MAIN ELECTRONICS EQPT CTR (HYDRAULIC POWER ONLY) FOR NHA/OTHER SYS DET SEE: 24-00-58-01	950951	RF
- 6	284N1800-88		EQUIPMENT INSTL-MAIN ELECTRONICS EQPT CTR (HYDRAULIC POWER ONLY) FOR NHA/OTHER SYS DET SEE: 24-00-58-05E	505505	RF
- 6	284N1800-190		EQUIPMENT INSTL-MAIN ELECTRONICS EQPT CTR (HYDRAULIC POWER ONLY) FOR NHA/OTHER SYS DET SEE: 24-00-58-05E	504504 506903	RF
10	367-027-005		.MONITOR UNIT-HYDR QTY SUPPLIER CODE: V26055 SPECIFICATION NUMBER: S271T455-15 ELECTRICAL EQUIP NUMBER: M00122 COMPONENT MAINT MANUAL REF: 29-33-27	002004 006100 107107 121999	1

MISSING ITEM NUMBERS NOT APPLICABLE

- ITEM NOT ILLUSTRATED

BRI

29-33-51-01

29-33-51
FIG. 01
PAGE 1
JAN 20/09



757

PARTS CATALOG (MAINTENANCE)

FIG ITEM	PART NUMBER	1 2 3 4 5 6 7	NOMENCLATURE	EFFECT FROM TO	UNITS PER ASSY
1 10	367-027-019		.MONITOR UNIT-HYDR QTY SUPPLIER CODE: V26055 SPECIFICATION NUMBER: S271T455-19 ELECTRICAL EQUIP NUMBER: M00122 WIRING DIAGRAM REF: 293311 COMPONENT MAINT MANUAL REF: 29-33-29	002004 006100 107107 121999	1
- 100	284N1686-3		EQUIPMENT INSTL-E6 (HYDRAULIC POWER ONLY) POSITION DATA: AFT EQPT CTR FOR NHA/OTHER SYS DET SEE: 24-00-58-01	121503 904949	RF
110	367-027-005		.MONITOR UNIT-HYDR QTY SUPPLIER CODE: V26055 SPECIFICATION NUMBER: S271T455-15 ELECTRICAL EQUIP NUMBER: M00122 COMPONENT MAINT MANUAL REF: 29-33-27	121503 904949	1
110	367-027-019		.MONITOR UNIT-HYDR QTY SUPPLIER CODE: V26055 SPECIFICATION NUMBER: S271T455-19 ELECTRICAL EQUIP NUMBER: M00122 COMPONENT MAINT MANUAL REF: 29-33-29	121503 904949	1
- 300	286N1032-001		WIRE BUNDLE ASSY-(HYDRAULIC POWER ONLY)	121503 904949	RF

MISSING ITEM NUMBERS NOT APPLICABLE

- ITEM NOT ILLUSTRATED

29-33-51-01

29-33-51
FIG. 01
PAGE 2
JAN 20/09

BRI



757

PARTS CATALOG (MAINTENANCE)

FIG ITEM	PART NUMBER	1 2 3 4 5 6 7	NOMENCLATURE	EFFECT FROM TO	UNITS PER ASSY
1 315	BKA11C52		.CONNECTOR- SUPPLIER CODE: V71468 SPECIFICATION NUMBER: BACC66F11C52 OPTIONAL PART: S611C52 V59610 NIC66F11C52 V00779 ELECTRICAL EQUIP NUMBER: D02598 WIRING DIAGRAM REF: 293311	121503 904949	1
- 322	286N1280-354		WIRE BUNDLE ASSY- REWORKED BY SB: 31-0093 31-0124	504903	RF
325	BKA11C52		.CONNECTOR- SUPPLIER CODE: V71468 SPECIFICATION NUMBER: BACC66F11C52 OPTIONAL PART: S611C52 V59610 NIC66F11C52 V00779 ELECTRICAL EQUIP NUMBER: D02598 WIRING DIAGRAM REF: 293311	504903	1

MISSING ITEM NUMBERS NOT APPLICABLE

- ITEM NOT ILLUSTRATED

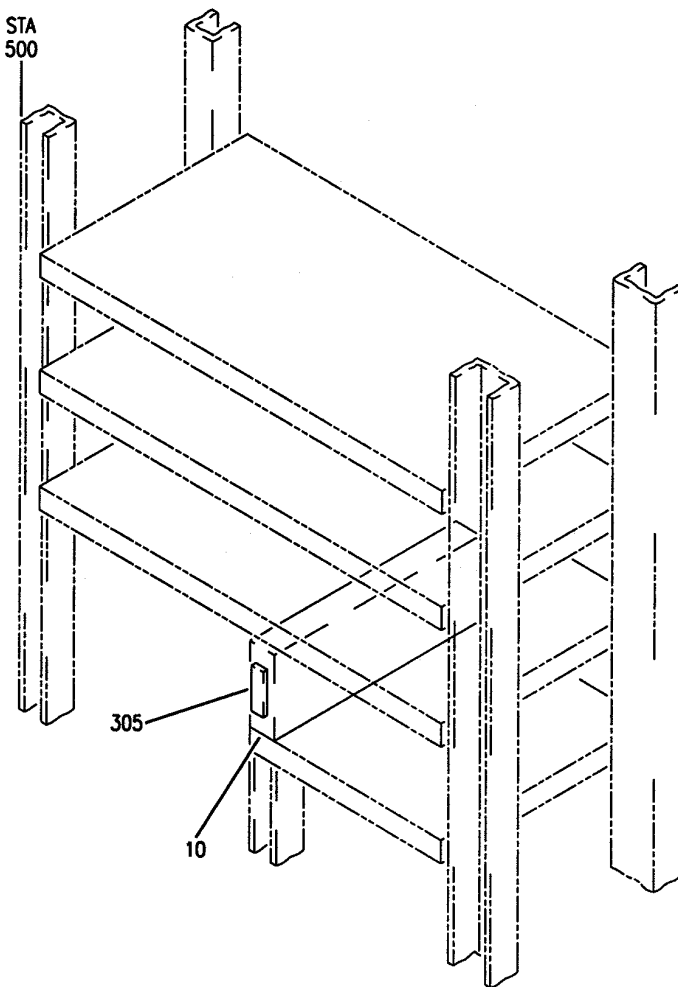
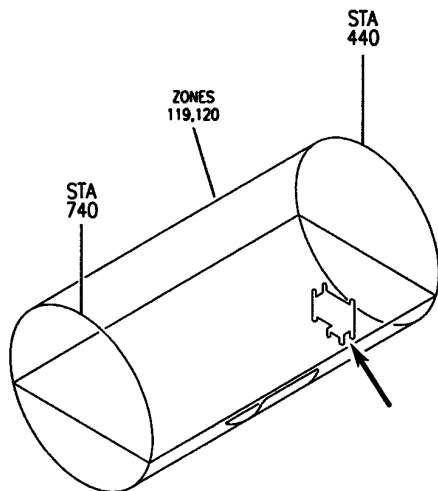
BRI

29-33-51-01

BOEING PROPRIETARY - Copyright © - Unpublished Work - See title page for details.

29-33-51
FIG. 01
PAGE 3
JAN 20/09

BOEING
757
PARTS CATALOG (MAINTENANCE)



Y 29335101B REV 219

EQUIPMENT INSTL-MAIN ELECTRONICS EQPT CTR (HYDRAULIC POWER ONLY)
FIGURE 1B

BRI
MAY 28/07

29-33-51-01B

29-33-51-01B
PAGE 0



757

PARTS CATALOG (MAINTENANCE)

FIG ITEM	PART NUMBER	1 2 3 4 5 6 7	NOMENCLATURE	EFFECT FROM TO	UNITS PER ASSY
1B			EQUIPMENT INSTL-MAIN ELECTRONICS EQPT CTR (HYDRAULIC POWER ONLY)	101102	
- 2	284N1800-140		EQUIPMENT INSTL-MAIN ELECTRONICS EQPT CTR (HYDRAULIC POWER ONLY)	101101	RF
- 2	284N1800-141		FOR NHA/OTHER SYS DET SEE: 24-00-58-05E EQUIPMENT INSTL-MAIN ELECTRONICS EQPT CTR (HYDRAULIC POWER ONLY)	102102	RF
10	367-027-019		.MONITOR UNIT-HYDR QTY SUPPLIER CODE: V26055 SPECIFICATION NUMBER: S271T455-19 ELECTRICAL EQUIP NUMBER: M00122 COMPONENT MAINT MANUAL REF: 29-33-29	101102	1
10	367-027-005		.MONITOR UNIT-HYDR QTY SUPPLIER CODE: V26055 SPECIFICATION NUMBER: S271T455-15 ELECTRICAL EQUIP NUMBER: M00122 COMPONENT MAINT MANUAL REF: 29-33-27	101102	1
- 301 305	286N1280-351 BKA11C52		WIRE BUNDLE ASSY .CONNECTOR- SUPPLIER CODE: V71468 SPECIFICATION NUMBER: BACC66F11C52 OPTIONAL PART: S611C52 V59610 NIC66F11C52 V00779 ELECTRICAL EQUIP NUMBER: D02598 WIRING DIAGRAM REF: 293311	101102 101102	RF 1

MISSING ITEM NUMBERS NOT APPLICABLE

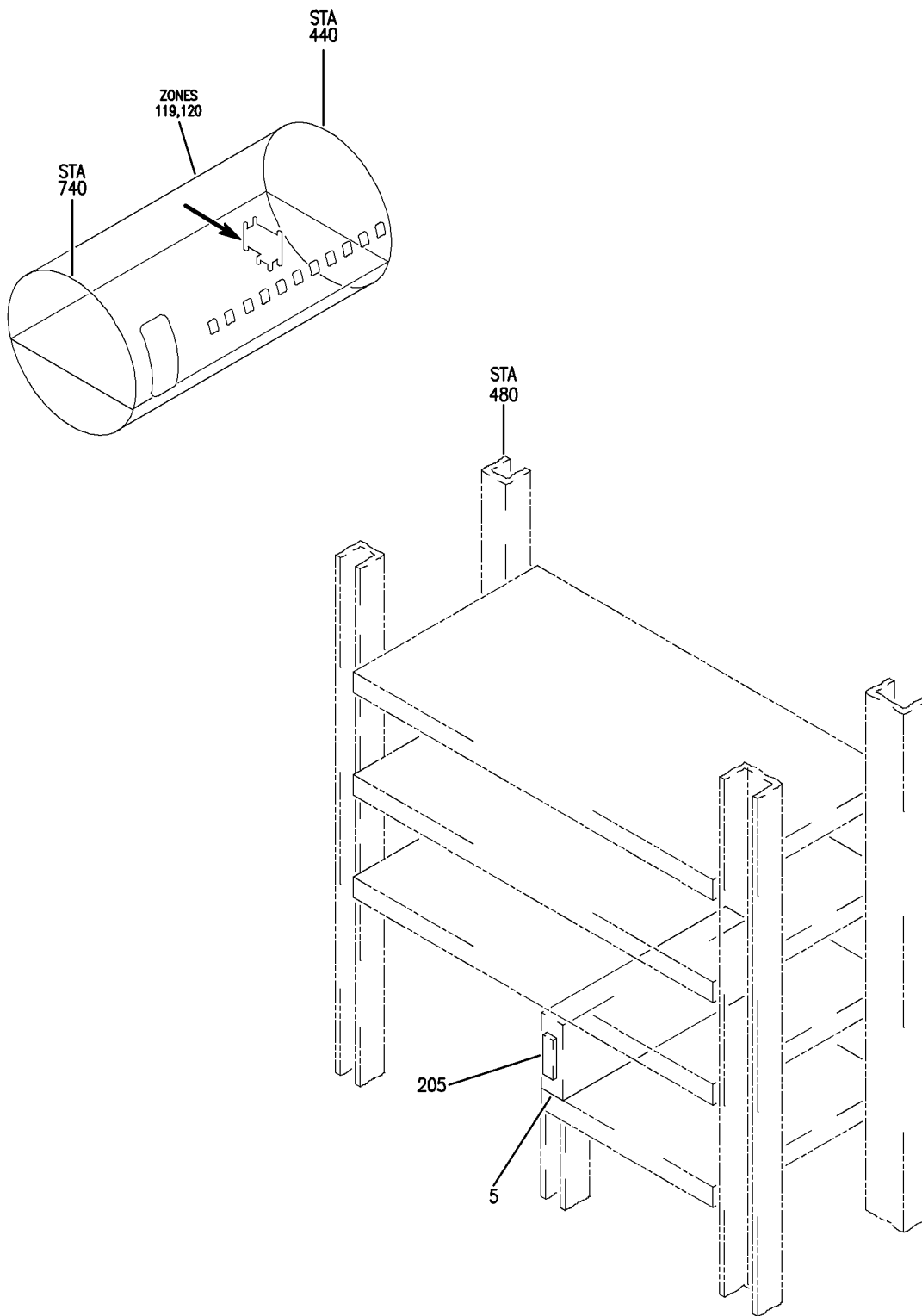
- ITEM NOT ILLUSTRATED

29-33-51-01B

29-33-51
FIG. 01B
PAGE 1
JAN 20/09

BRI

BOEING
757
PARTS CATALOG (MAINTENANCE)



Y 29-33-51-08 REV 222

EQUIPMENT INSTL-MAIN ELECTRONICS EQPT CTR HYDR QTY MON
FIGURE 8

29-33-51-08

BRI
JAN 20/09

29-33-51-08
PAGE 0



757

PARTS CATALOG (MAINTENANCE)

FIG ITEM	PART NUMBER	1 2 3 4 5 6 7	NOMENCLATURE	EFFECT FROM TO	UNITS PER ASSY
8			EQUIPMENT INSTL-MAIN ELECTRONICS EQPT CTR HYDR QTY MON	103106 108120	
- 1	284N4000-290000		EQUIPMENT INSTL-MAIN ELECTRONICS EQPT CTR HYDR QTY MON FOR NHA SEE: 24-00-58-05	108120	RF
- 1	MODREF10046		EQUIPMENT INSTL-MAIN ELECTRONICS EQPT CTR HYDR QTY MON MODULE NUMBER: 284N4000-290000 REV A	103106	1
5	367-027-019		.MONITOR UNIT- SUPPLIER CODE: V26055 SPECIFICATION NUMBER: S271T455-19 ELECTRICAL EQUIP NUMBER: M00122 COMPONENT MAINT MANUAL REF: 29-33-29	103106 108120	1
- 202	286N1280-393		WIRE BUNDLE ASSY-	108120	RF
- 202	286N1280-602		WIRE BUNDLE ASSY	103106	RF
205	BKA11C52		.CONNECTOR- SUPPLIER CODE: V71468 SPECIFICATION NUMBER: BACC66F11C52 OPTIONAL PART: S611C52 V59610 NIC66F11C52 V00779 ELECTRICAL EQUIP NUMBER: D02598 WIRING DIAGRAM REF: 293311	103106 108120	1

MISSING ITEM NUMBERS NOT APPLICABLE

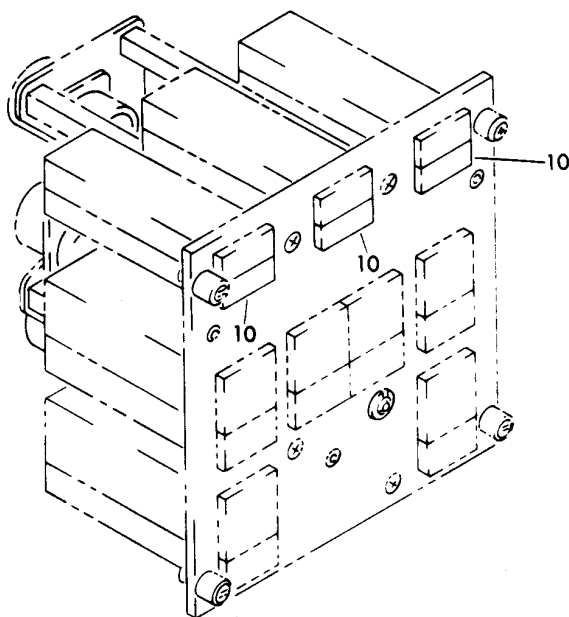
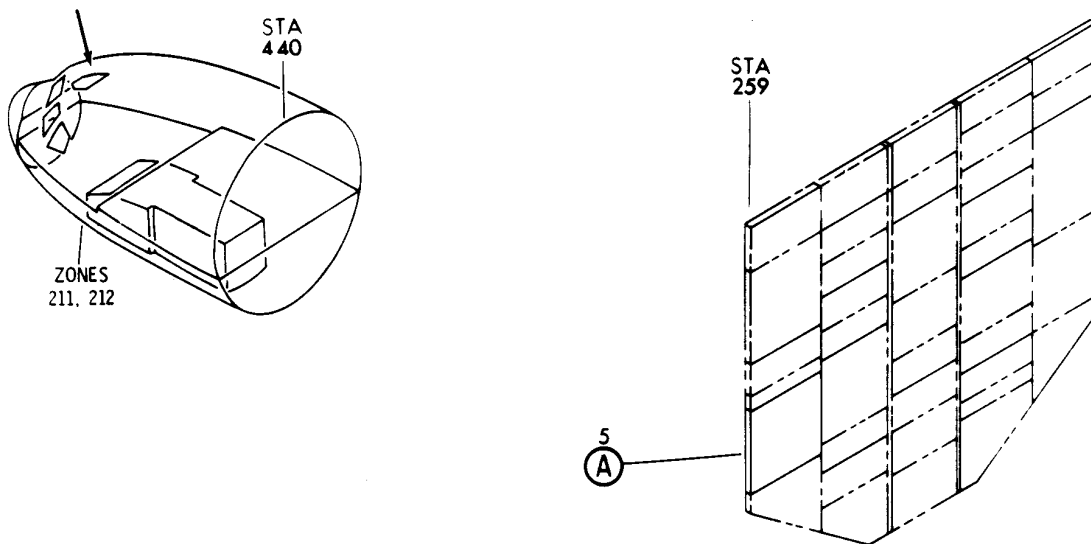
- ITEM NOT ILLUSTRATED

29-33-51-08

29-33-51
FIG. 08
PAGE 1
JAN 20/09

BRI

BOEING
757
PARTS CATALOG (MAINTENANCE)



(A)

Y 29335201 SHT 1 REV 034

PANEL INSTL-OVHD (HYDRAULIC FLUID QUANTITY INDICATING SYSTEM ONLY)

FIGURE 1

29-33-52-01

BRI
MAY 28/07

29-33-52-01
PAGE 0



757

PARTS CATALOG (MAINTENANCE)

FIG ITEM	PART NUMBER	1 2 3 4 5 6 7	NOMENCLATURE	EFFECT FROM TO	UNITS PER ASSY
1			PANEL INSTL-OVHD (HYDRAULIC FLUID QUANTITY INDICATING SYSTEM ONLY)	002004 006010 107107 121503 904999	
- 1	233N3101-1		PANEL INSTL-P5 OVERHEAD (HYDRAULIC FLUID QUANTITY INDICATING SYSTEM ONLY) VARIABLE DRAWING REF: 233N3101-5005 233N3101-5025 233N3101-5041 233N3101-5042 233N3101-5045 FOR NHA/OTHER SYS DET SEE: 25-10-00-05A	002004 006010 107107 121503 904999	RF
5	233N3205-19		.PANEL ASSY-HYDR SUPPLIER CODE: V89954 ELECTRICAL EQUIP NUMBER: M10050 COMPONENT MAINT MANUAL REF: 29-00-71	002004 006010 107107 121503 904999	RF
5	233N3205-21		.PANEL ASSY-HYDR SUPPLIER CODE: V89954 ELECTRICAL EQUIP NUMBER: M10050 COMPONENT MAINT MANUAL REF: 29-00-71	002004 006010 107107 121503 904999	RF
5	233N3205-24		.PANEL ASSY-HYDR SUPPLIER CODE: V89954 ELECTRICAL EQUIP NUMBER: M10050 COMPONENT MAINT MANUAL REF: 29-00-71 QUALIFIED I/W DATA: 233N3205-300 PANEL ASSY IS I/W 233N3205-24 PANEL ASSY T/W S233T100-6044 LIGHTPLATE	002004 006010 107107 121503 904999	RF

MISSING ITEM NUMBERS NOT APPLICABLE

- ITEM NOT ILLUSTRATED

BRI

29-33-52-01

BOEING PROPRIETARY - Copyright © - Unpublished Work - See title page for details.

29-33-52
FIG. 01
PAGE 1
JAN 20/09



757

PARTS CATALOG (MAINTENANCE)

FIG ITEM	PART NUMBER	1 2 3 4 5 6 7	NOMENCLATURE	EFFECT FROM TO	UNITS PER ASSY
1	5 233N3205-25		.PANEL ASSY-HYDR SUPPLIER CODE: V89954 ELECTRICAL EQUIP NUMBER: M10050 COMPONENT MAINT MANUAL REF: 29-00-71 QUALIFIED I/W DATA: 233N3205-301 PANEL ASSY IS I/W 233N3205-25 PANEL ASSY T/W S233T100-6044 LIGHTPLATE	002004 006010 107107 121503 904999	RF
	5 233N3205-26		.PANEL ASSY-HYDR SUPPLIER CODE: V89954 ELECTRICAL EQUIP NUMBER: M10050 COMPONENT MAINT MANUAL REF: 29-00-71	002004 006010 107107 121503 904999	RF
	5 233N3205-27		.PANEL ASSY-HYDR SUPPLIER CODE: V89954 ELECTRICAL EQUIP NUMBER: M10050 COMPONENT MAINT MANUAL REF: 29-00-71 QUALIFIED I/W DATA: 233N3205-302 PANEL ASSY IS I/W 233N3205-27 PANEL ASSY T/W S233T100-6060 LIGHTPLATE	002004 006010 107107 121503 904999	RF
	10 BCREf6875		..LIGHT ASSY-RSVR IND SUPPLIER CODE: V81590 OVERLENGTH PART NUMBER: 434-674-1005-1298 SPECIFICATION NUMBER: S231T300-1298 OPTIONAL PART: BCREf8996 V81590 USED ON: 233N3205-19 233N3205-21 FOR DETAILS SEE: 33-14-70-02	002004 006010 107107 121503 904999	3

MISSING ITEM NUMBERS NOT APPLICABLE

- ITEM NOT ILLUSTRATED

BRI

29-33-52-01

29-33-52
FIG. 01
PAGE 2
JAN 20/09



757

PARTS CATALOG (MAINTENANCE)

FIG ITEM	PART NUMBER	1 2 3 4 5 6 7	NOMENCLATURE	EFFECT FROM TO	UNITS PER ASSY
1 10	BCREF8996		..LIGHT ASSY-RSVR IND SUPPLIER CODE: V81590 OVERLENGTH PART NUMBER: 434-674-1031-2298 SPECIFICATION NUMBER: S231T300-2298 OPTIONAL PART: BCREf6875 V81590 USED ON: 233N3205-19 233N3205-21 FOR DETAILS SEE: 33-14-70-02	002004 006010 107107 121503 904999	3
10	BCREF6875		..LIGHT ASSY-RSVR IND SUPPLIER CODE: V81590 OVERLENGTH PART NUMBER: 434-674-1005-1298 SPECIFICATION NUMBER: S231T300-1298 OPTIONAL PART: BCREf8996 V81590 USED ON: 233N3205-24 233N3205-25 233N3205-26 233N3205-27 FOR DETAILS SEE: 33-14-70-02	002004 006010 107107 121503 904999	3
10	BCREF8996		..LIGHT ASSY-RSVR IND SUPPLIER CODE: V81590 OVERLENGTH PART NUMBER: 434-674-1031-2298 SPECIFICATION NUMBER: S231T300-2298 OPTIONAL PART: BCREf6875 V81590 USED ON: 233N3205-24 233N3205-25 233N3205-26 233N3205-27 FOR DETAILS SEE: 33-14-70-02	002004 006010 107107 121503 904999	3

MISSING ITEM NUMBERS NOT APPLICABLE

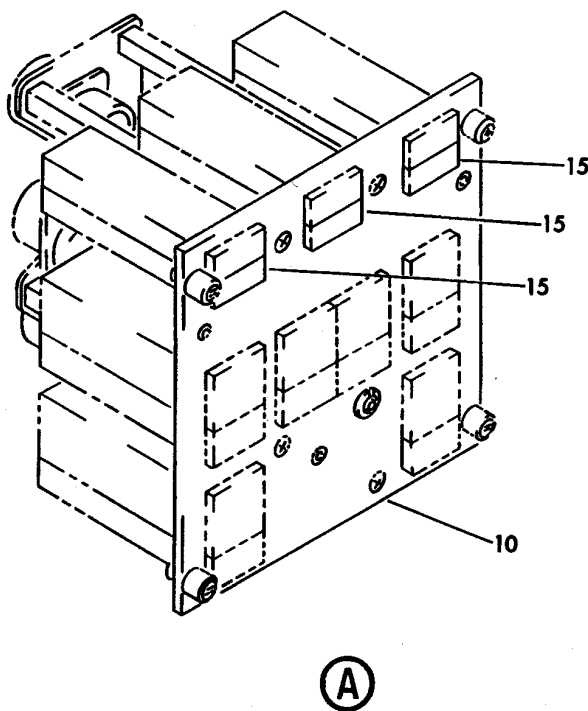
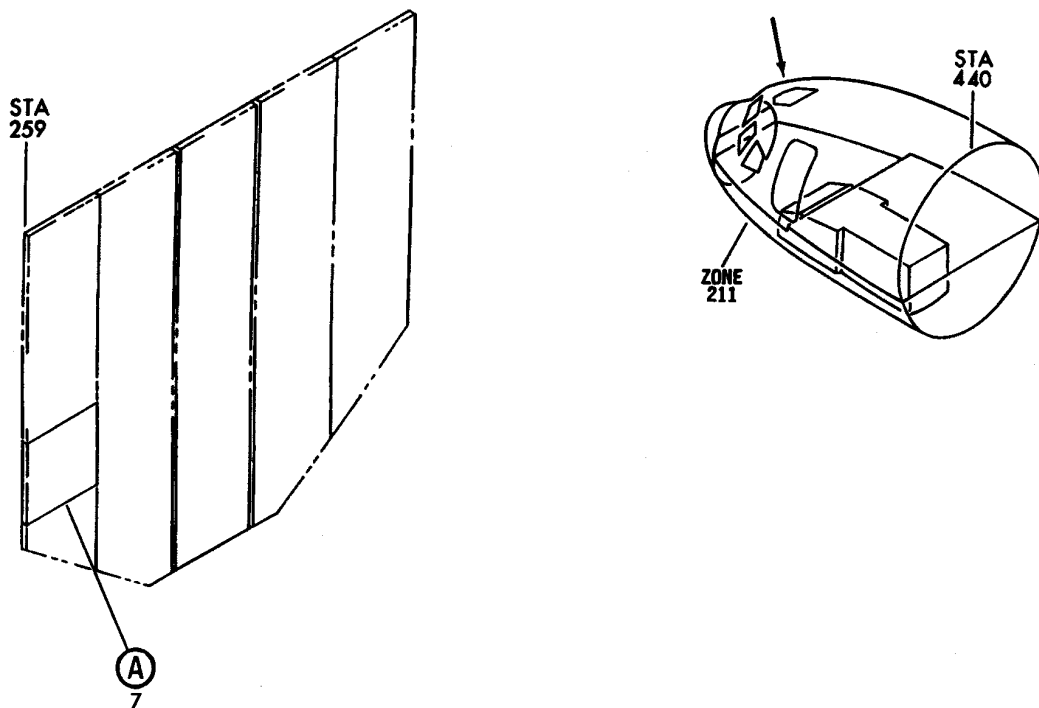
- ITEM NOT ILLUSTRATED

29-33-52-01

29-33-52
FIG. 01
PAGE 3
JAN 20/09

BRI

BOEING
757
PARTS CATALOG (MAINTENANCE)



Y 29335202 REV 212

PANEL INSTL-P5 OVHD (HYDRAULIC FLUID QUANTITY INDICATING SYSTEM ONLY)
FIGURE 2

29-33-52-02

BRI
MAY 28/07

29-33-52-02
PAGE 0



757

PARTS CATALOG (MAINTENANCE)

FIG ITEM	PART NUMBER	1 2 3 4 5 6 7	NOMENCLATURE	EFFECT FROM TO	UNITS PER ASSY
2			PANEL INSTL-P5 OVHD (HYDRAULIC FLUID QUANTITY INDICATING SYSTEM ONLY)	011100	
- 1	233N3101-1		PANEL INSTL-P5 OVERHEAD (HYDRAULIC FLUID QUANTITY INDICATING SYSTEM ONLY) VARIABLE DRAWING REF: 233N3101-5142 FOR NHA/OTHER SYS DET SEE: 25-10-00-05A	011100	RF
7	233N3205-302		.PANEL ASSY-HYDR SUPPLIER CODE: V89954 COMPONENT MAINT MANUAL REF: 29-00-71 QUALIFIED I/W DATA: 233N3205-302 PANEL ASSY IS I/W 233N3205-27 PANEL ASSY T/W S233T100-6060 LIGHTPLATE	011100	RF
10	233N3205-27		..PANEL ASSY- SUPPLIER CODE: V89954 ELECTRICAL EQUIP NUMBER: M10050 COMPONENT MAINT MANUAL REF: 29-00-71	011100	RF
15	BCREF6875		...LIGHT ASSY-RSVR IND SUPPLIER CODE: V81590 OVERLENGTH PART NUMBER: 434-674-1005-1298 SPECIFICATION NUMBER: S231T300-1298 OPTIONAL PART: BCREF8996 V81590 FOR DETAILS SEE: 33-14-70-02	011100	3

MISSING ITEM NUMBERS NOT APPLICABLE

- ITEM NOT ILLUSTRATED

BRI

29-33-52-02

BOEING PROPRIETARY - Copyright © - Unpublished Work - See title page for details.

29-33-52
FIG. 02
PAGE 1
JAN 20/09



757

PARTS CATALOG (MAINTENANCE)

FIG ITEM	PART NUMBER	1 2 3 4 5 6 7	NOMENCLATURE	EFFECT FROM TO	UNITS PER ASSY
2 15	BCREF8996		...LIGHT ASSY-RSVR IND SUPPLIER CODE: V81590 OVERLENGTH PART NUMBER: 434-674-1031-2298 SPECIFICATION NUMBER: S231T300-2298 OPTIONAL PART: BCREF6875 V81590 FOR DETAILS SEE: 33-14-70-02	011100	3

MISSING ITEM NUMBERS NOT APPLICABLE

- ITEM NOT ILLUSTRATED

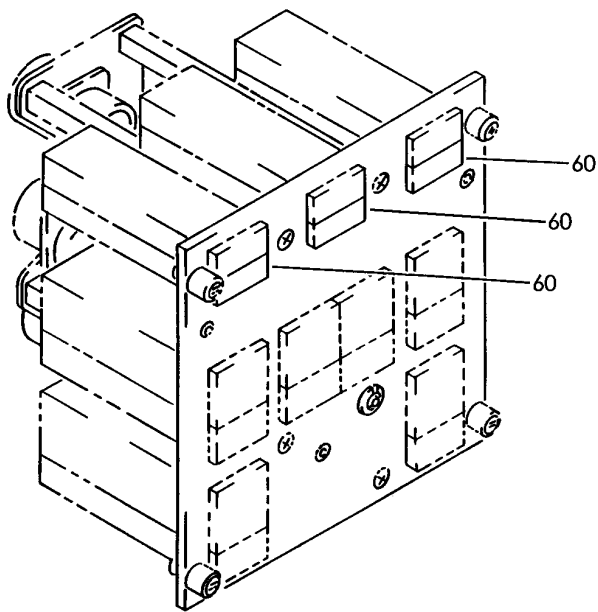
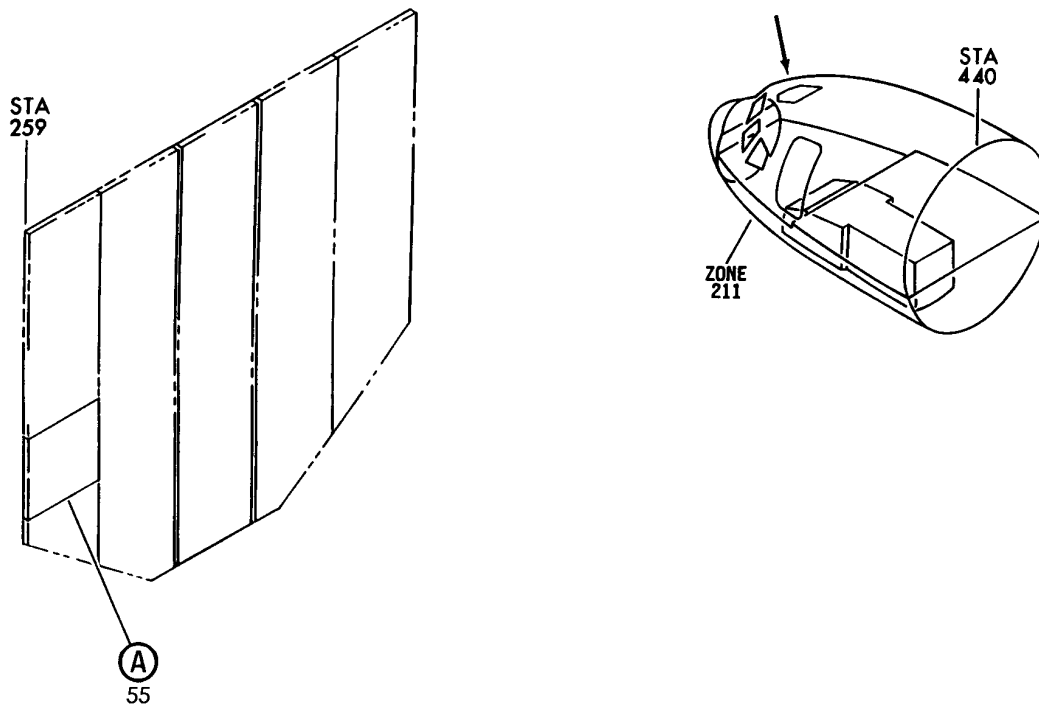
BRI

29-33-52-02

BOEING PROPRIETARY - Copyright © - Unpublished Work - See title page for details.

29-33-52
FIG. 02
PAGE 2
JAN 20/09

BOEING
757
PARTS CATALOG (MAINTENANCE)



(A)

Y 29335203 REV 247

PANEL INSTL-P5 OVHD (HYDRAULIC FLUID QUANTITY INDICATING SYSTEM ONLY)
FIGURE 3

29-33-52-03

BRI
MAY 28/07

29-33-52-03
PAGE 0



757

PARTS CATALOG (MAINTENANCE)

FIG ITEM	PART NUMBER	1 2 3 4 5 6 7	NOMENCLATURE	EFFECT FROM TO	UNITS PER ASSY
3			PANEL INSTL-P5 OVHD (HYDRAULIC FLUID QUANTITY INDICATING SYSTEM ONLY)	101106 108120 504903	
- 3	233N3103-136		PANEL INSTL-P5 OVHD (HYDRAULIC FLUID QUANTITY INDICATING SYSTEM ONLY)	504903	RF
- 3	233N3103-132		FOR NHA/OTHER SYS DET SEE: 25-10-00-15E PANEL INSTL-P5 OVHD (HYDRAULIC FLUID QUANTITY INDICATING SYSTEM ONLY)	101102	RF
- 6	233N3103-59		FOR NHA/OTHER SYS DET SEE: 25-10-00-15E PANEL INSTL-P5 OVHD (HYDRAULIC FLUID QUANTITY INDICATING SYSTEM ONLY)	108120	RF
- 8	MODREF170180		FOR NHA/OTHER SYS DET SEE: 25-10-00-15E PANEL INSTL-P5 OVHD (HYDRAULIC FLUID QUANTITY INDICATING SYSTEM ONLY)	106106	1
			MODULE NUMBER: 233N3103-353 REV B FOR OTHER SYS DETAILS SEE: 11-31-10-12 21-25-55-03 21-31-01-02 21-33-51-03 21-51-54-03 21-58-19-10 21-58-51-03 21-61-04-03 21-65-51-01 22-21-01-04 22-24-51-02 23-24-01-01 23-32-00-11 23-42-02-02 23-71-05-02 24-11-52-05 24-22-01-03 24-31-01-10 24-31-03-09 24-33-04-01		

MISSING ITEM NUMBERS NOT APPLICABLE

- ITEM NOT ILLUSTRATED

29-33-52-03

29-33-52
FIG. 03
PAGE 1
JAN 20/09

BRI



757

PARTS CATALOG (MAINTENANCE)

FIG ITEM	PART NUMBER	1 2 3 4 5 6 7	NOMENCLATURE	EFFECT FROM TO	UNITS PER ASSY
3			24-41-51-04 24-51-62-01 26-18-51-04 27-21-53-02 27-41-55-01 27-61-51-03 27-62-52-02 28-22-51-02 28-41-04-01 28-41-51-03 29-11-02-03 29-11-05-04 29-11-52-07 29-21-54-03 29-31-00-01 29-32-51-03 30-11-51-03 30-21-51-03 30-31-51-02 30-32-51-01 30-33-51-02 30-41-51-03 30-42-51-03 31-12-11-84 31-12-11-84 A 32-42-52-03 33-11-03-03 33-11-51-17 33-13-01-65 33-13-02-03 33-16-51-03 33-24-51-02 33-41-52-04 33-42-01-04 33-42-02-04 33-42-52-04 33-43-51-04 33-44-51-05 33-45-53-03 33-51-08-05 34-21-02-01 35-21-51-04 36-11-04-01 36-21-00-01 36-21-02-05 36-22-51-03 49-41-00-02 49-52-00-01 49-70-00-01		

MISSING ITEM NUMBERS NOT APPLICABLE

- ITEM NOT ILLUSTRATED

29-33-52-03

29-33-52
FIG. 03
PAGE 2
JAN 20/09

BRI



757

PARTS CATALOG (MAINTENANCE)

FIG ITEM	PART NUMBER	1 2 3 4 5 6 7	NOMENCLATURE	EFFECT FROM TO	UNITS PER ASSY
3			52-51-51-03 52-71-51-02 73-21-52-02 74-31-51-05 75-32-00-01 80-11-09-02		
- 10	MODREF33760		PANEL INSTL-P5 OVHD (HYDRAULIC FLUID QUANTITY INDICATING SYSTEM ONLY) MODULE NUMBER: 233N3103-351 REV C FOR OTHER SYS DETAILS SEE: 11-31-10-12 21-25-55-03 21-31-01-02 21-33-51-03 21-51-54-03 21-58-19-10 21-58-51-03 21-61-04-03 21-65-51-01 22-21-01-04 22-24-51-02 23-24-01-01 23-32-00-11 23-42-02-02 23-71-05-02 24-11-52-05 24-22-01-03 24-31-01-10 24-31-03-09 24-33-04-01 24-41-51-04 24-51-62-01 26-18-51-04 27-21-53-02 27-41-55-01 27-61-51-03 27-62-52-02 28-22-51-02 28-41-04-01 28-41-51-03 29-11-02-03 29-11-05-04 29-11-52-07 29-21-54-03 29-31-00-01 29-32-51-03	103103	1
MISSING ITEM NUMBERS NOT APPLICABLE					

- ITEM NOT ILLUSTRATED

29-33-52-03

29-33-52
FIG. 03
PAGE 3
JAN 20/09

BRI



757

PARTS CATALOG (MAINTENANCE)

FIG ITEM	PART NUMBER	1 2 3 4 5 6 7	NOMENCLATURE	EFFECT FROM TO	UNITS PER ASSY
3			30-11-51-03 30-21-51-03 30-31-51-02 30-32-51-01 30-33-51-02 30-41-51-03 30-42-51-03 31-12-11-91 31-12-11-91A 32-42-52-03 33-11-03-03 33-11-51-17 33-13-01-65 33-13-02-03 33-16-51-03 33-24-51-02 33-41-52-04 33-42-01-04 33-42-02-04 33-42-52-04 33-43-51-04 33-44-51-05 33-45-53-03 33-51-08-05 34-21-02-01 35-21-51-04 36-11-04-01 36-21-00-01 36-21-02-05 36-22-51-03 49-41-00-02 49-52-00-01 49-70-00-01 52-51-51-03 52-71-51-02 73-21-52-02 74-31-51-05 75-32-00-01 80-11-09-02		
- 10	MODREF34038		PANEL INSTL-P5 OVHD (HYDRAULIC FLUID QUANTITY INDICATING SYSTEM ONLY) MODULE NUMBER: 233N3103-351 REV D FOR OTHER SYS DETAILS SEE: 11-31-10-12 21-25-55-03 21-31-01-02	104105	1
MISSING ITEM NUMBERS NOT APPLICABLE					

- ITEM NOT ILLUSTRATED

29-33-52-03

29-33-52
 FIG. 03
 PAGE 4
 JAN 20/09

BRI



757

PARTS CATALOG (MAINTENANCE)

FIG ITEM	PART NUMBER	1 2 3 4 5 6 7	NOMENCLATURE	EFFECT FROM TO	UNITS PER ASSY
3			21-33-51-03 21-51-54-03 21-58-19-10 21-58-51-03 21-61-04-03 21-65-51-01 22-21-01-04 22-24-51-02 23-24-01-01 23-32-00-11 23-42-02-02 23-71-05-02 24-11-52-05 24-22-01-03 24-31-01-10 24-31-03-09 24-33-04-01 24-41-51-04 24-51-62-01 26-18-51-04 27-21-53-02 27-41-55-01 27-61-51-03 27-62-52-02 28-22-51-02 28-41-04-01 28-41-51-03 29-11-02-03 29-11-05-04 29-11-52-07 29-21-54-03 29-31-00-01 29-32-51-03 30-11-51-03 30-21-51-03 30-31-51-02 30-32-51-01 30-33-51-02 30-41-51-03 30-42-51-03 31-12-11-91 31-12-11-91 A 32-42-52-03 33-11-03-03 33-11-51-17 33-13-01-65 33-13-02-03 33-16-51-03 33-24-51-02		

MISSING ITEM NUMBERS NOT APPLICABLE

- ITEM NOT ILLUSTRATED

29-33-52-03

29-33-52
FIG. 03
PAGE 5
JAN 20/09

BRI



757

PARTS CATALOG (MAINTENANCE)

FIG ITEM	PART NUMBER	1 2 3 4 5 6 7	NOMENCLATURE	EFFECT FROM TO	UNITS PER ASSY
3			33-41-52-04 33-42-01-04 33-42-02-04 33-42-52-04 33-43-51-04 33-44-51-05 33-45-53-03 33-51-08-05 34-21-02-01 35-21-51-04 36-11-04-01 36-21-00-01 36-21-02-05 36-22-51-03 49-41-00-02 49-52-00-01 49-70-00-01 52-51-51-03 52-71-51-02 73-21-52-02 74-31-51-05 75-32-00-01 80-11-09-02		
- 50	233N3205-300	.	PANEL ASSY-HYDR SUPPLIER CODE: V89954 ELECTRICAL EQUIP NUMBER: M10050 COMPONENT MAINT MANUAL REF: 29-00-71 QUALIFIED I/W DATA: 233N3205-300 PANEL ASSY IS I/W 233N3205-24 PANEL ASSY T/W S233T100-6044 LIGHTPLATE	108120	RF
- 50	233N3205-302	.	PANEL ASSY-HYDR SUPPLIER CODE: V89954 ELECTRICAL EQUIP NUMBER: M10050 COMPONENT MAINT MANUAL REF: 29-00-71 QUALIFIED I/W DATA: 233N3205-302 PANEL ASSY IS I/W 233N3205-27 PANEL ASSY T/W S233T100-6060 LIGHTPLATE	101106 504903	RF

MISSING ITEM NUMBERS NOT APPLICABLE

- ITEM NOT ILLUSTRATED

BRI

29-33-52-03

29-33-52
FIG. 03
PAGE 6
JAN 20/09



757

PARTS CATALOG (MAINTENANCE)

FIG ITEM	PART NUMBER	1 2 3 4 5 6 7	NOMENCLATURE	EFFECT FROM TO	UNITS PER ASSY
3					
55	233N3205-24	..	PANEL ASSY- SUPPLIER CODE: V89954 COMPONENT MAINT MANUAL REF: 29-00-71 QUALIFIED I/W DATA: 233N3205-300 PANEL ASSY IS I/W 233N3205-24 PANEL ASSY T/W S233T100-6044 LIGHTPLATE	108120	RF
55	233N3205-27	..	PANEL ASSY- SUPPLIER CODE: V89954 COMPONENT MAINT MANUAL REF: 29-00-71 QUALIFIED I/W DATA: 233N3205-302 PANEL ASSY IS I/W 233N3205-27 PANEL ASSY T/W S233T100-6060 LIGHTPLATE	101106 504903	RF
60	BCREF6875	...	LIGHT ASSY-RSVR IND SUPPLIER CODE: V81590 OVERLENGTH PART NUMBER: 434-674-1005-1298 SPECIFICATION NUMBER: S231T300-1298 OPTIONAL PART: BCREF8996 V81590 FOR DETAILS SEE: 33-14-70-02	101106 108120 504903	3
60	BCREF8996	...	LIGHT ASSY-RSVR IND SUPPLIER CODE: V81590 OVERLENGTH PART NUMBER: 434-674-1031-2298 SPECIFICATION NUMBER: S231T300-2298 OPTIONAL PART: BCREF6875 V81590 FOR DETAILS SEE: 33-14-70-02	101106 108120 504903	3

MISSING ITEM NUMBERS NOT APPLICABLE

- ITEM NOT ILLUSTRATED

29-33-52-03

29-33-52
FIG. 03
PAGE 7
JAN 20/09

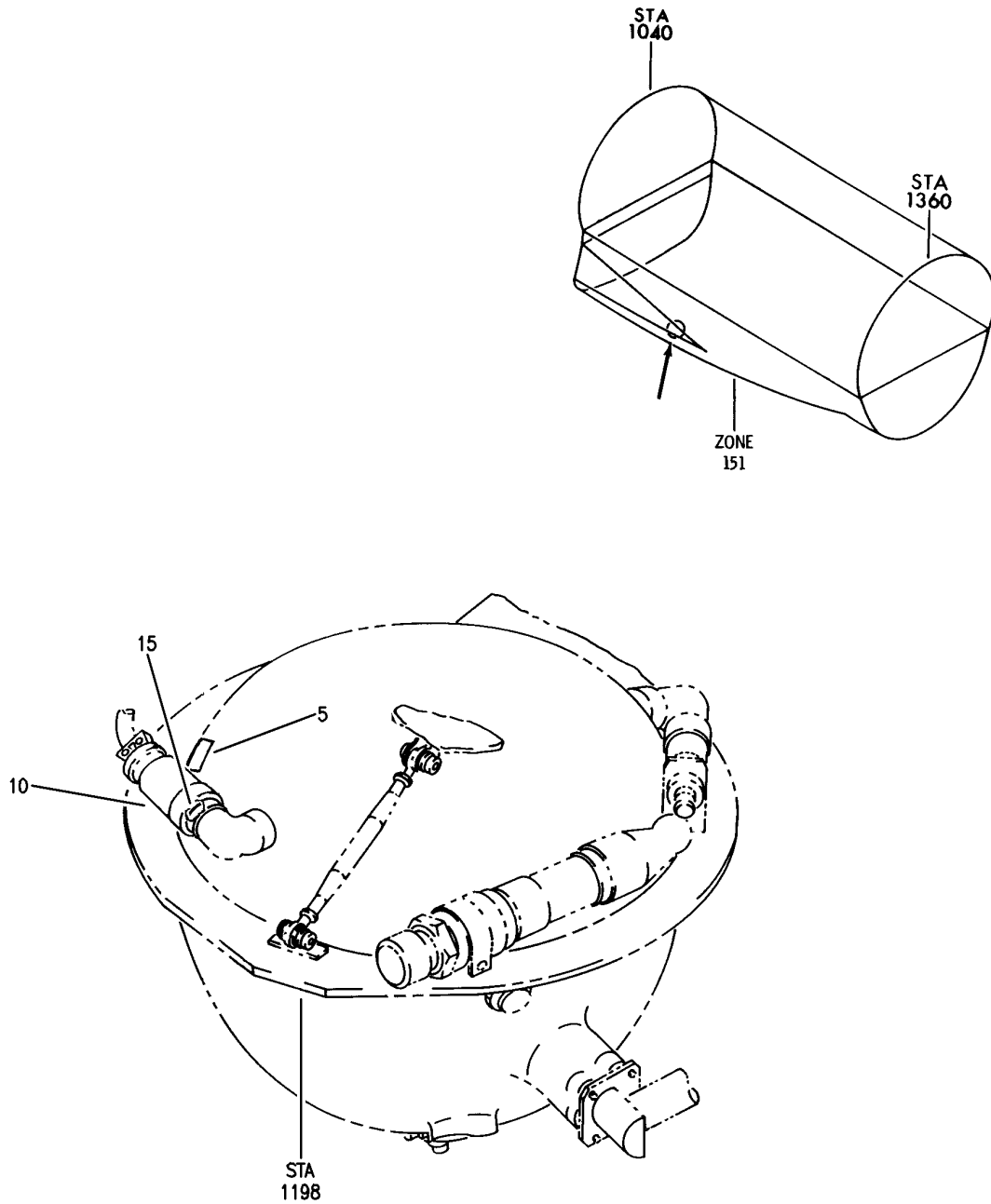
BRI

HYDRAULIC RESERVOIR PRESSURE INDICATION SYSTEM

BRI
MAY 28/07

29-35-00
SECTION TITLE
PAGE 1

BOEING
757
PARTS CATALOG (MAINTENANCE)



Y 29350101 REV 239

RESERVOIR ASSY-CTR SYS HYDR (HYDRAULIC RESERVOIR PRESSURE SWITCH ONLY)

FIGURE 1

29-35-01-01

BRI
MAY 28/07

29-35-01-01
PAGE 0



757

PARTS CATALOG (MAINTENANCE)

FIG ITEM	PART NUMBER	1 2 3 4 5 6 7	NOMENCLATURE	EFFECT FROM TO	UNITS PER ASSY
1			RESERVOIR ASSY-CTR SYS HYDR (HYDRAULIC RESERVOIR PRESSURE SWITCH ONLY)	101106 108120 504903	
- 1	271N3006-14		RESERVOIR ASSY-HYDR (HYDRAULIC RESERVOIR PRESSURE SWITCH ONLY) FOR NHA/ADDITIONAL DET SEE: 29-11-21-01	101106 108120 504903	RF
5	BAC27NHY0042		.MARKER- PLACARD CONTENT: D530 RESV PRESS SW C SYS S10033	101106 108120 504903	1
10	7G754-2		.SWITCH-PRESSURE SUPPLIER CODE: V09049 SPECIFICATION NUMBER: S271N302-2 ELECTRICAL EQUIP NUMBER: S10033 COMPONENT MAINT MANUAL REF: 29-35-01 QUALIFIED I/W DATA: 7G754 R/B 7G754-2 ONE-WAY FORWARD AFTER INCORPORATED S/B 757-29-0018.	101106 108120 504903	1
15	NAS1612-6		.PACKING-	101106 108120 504903	1

MISSING ITEM NUMBERS NOT APPLICABLE

- ITEM NOT ILLUSTRATED

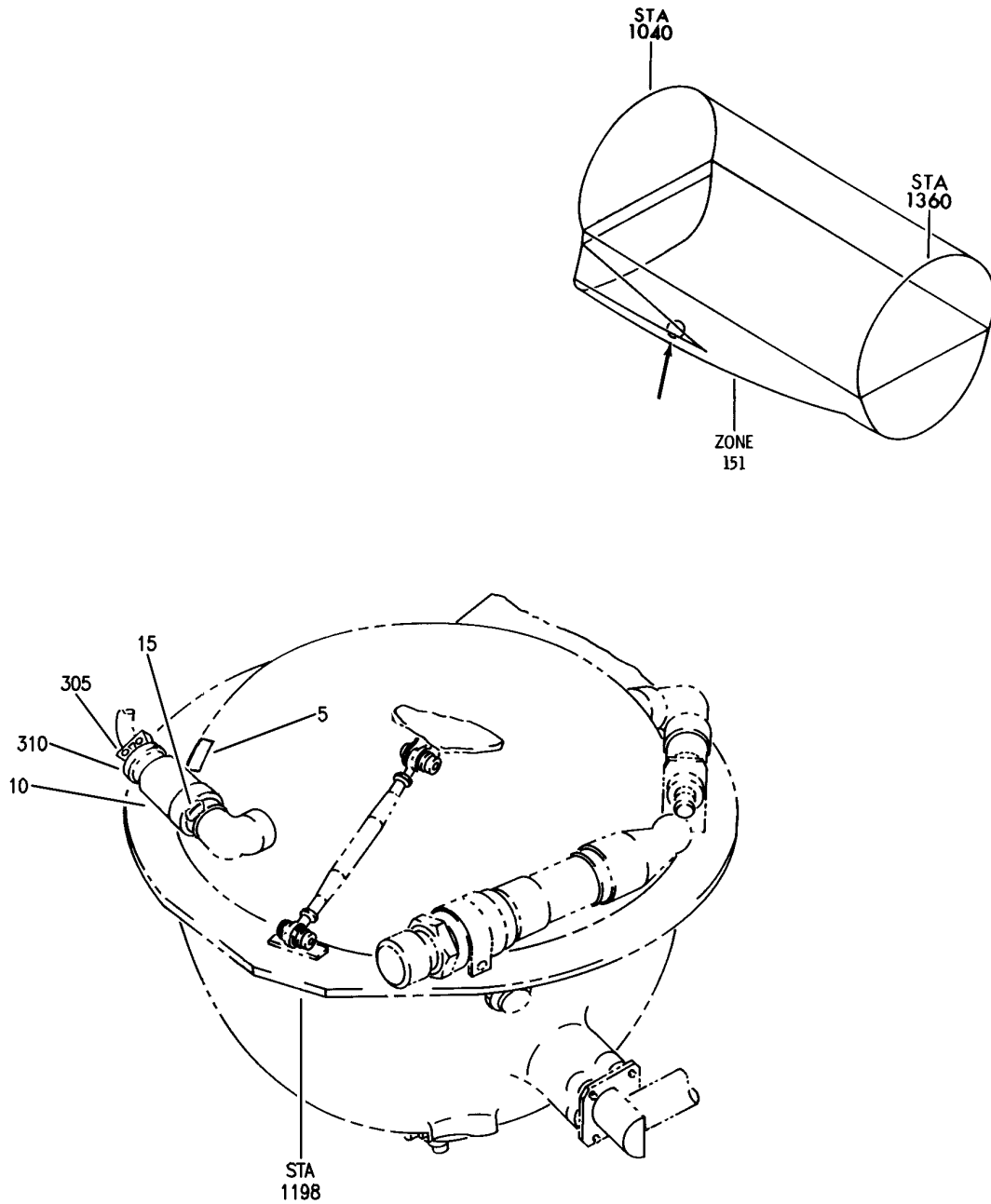
BRI

29-35-01-01

BOEING PROPRIETARY - Copyright © - Unpublished Work - See title page for details.

29-35-01
FIG. 01
PAGE 1
JAN 20/09

BOEING
757
PARTS CATALOG (MAINTENANCE)



Y 29350102 REV 239

RESERVOIR ASSY-CTR SYS HYDR (PRESSURE SWITCH ONLY)
FIGURE 2

29-35-01-02

BRI
MAY 28/07

29-35-01-02
PAGE 0



757

PARTS CATALOG (MAINTENANCE)

FIG ITEM	PART NUMBER	1 2 3 4 5 6 7	NOMENCLATURE	EFFECT FROM TO	UNITS PER ASSY
2			RESERVOIR ASSY-CTR SYS HYDR (PRESSURE SWITCH ONLY)	002004 006100 107107 121503 904999	
- 1	271N3006-7		RESERVOIR ASSY-HYDR (PRESSURE SWITCH ONLY) COMPONENT MAINT MANUAL REF: 29-11-22 FOR NHA/ADDITIONAL DET SEE: 29-11-21-02	107107 904949	RF
- 1	271N3006-12		RESERVOIR ASSY-HYDR (PRESSURE SWITCH ONLY) COMPONENT MAINT MANUAL REF: 29-11-22 FOR NHA/ADDITIONAL DET SEE: 29-11-21-02	002004 006100 121503 950999	RF
5	BAC27NHY0043		.MARKER- PLACARD CONTENT: D530 RESV PRESS SW C SYS S10033	002004 006100 107107 121503 904999	1
10	7G754-2		.SWITCH-PRESSURE SUPPLIER CODE: V09049 SPECIFICATION NUMBER: S271N302-2 ELECTRICAL EQUIP NUMBER: S10033 COMPONENT MAINT MANUAL REF: 29-35-01 QUALIFIED I/W DATA: 7G754 R/B 7G754-2 ONE-WAY FORWARD AFTER INCORPORATED S/B 757-29-0018. USED ON: 271N3006-7 271N3006-8 271N3006-9	002004 006100 107107 121503 904999	1
15	NAS1612-6		.PACKING-	002004 006100 107107 121503 904999	1

MISSING ITEM NUMBERS NOT APPLICABLE

- ITEM NOT ILLUSTRATED

29-35-01-02

29-35-01
FIG. 02
PAGE 1
JAN 20/09

BRI



757

PARTS CATALOG (MAINTENANCE)

FIG ITEM	PART NUMBER	1 2 3 4 5 6 7	NOMENCLATURE	EFFECT FROM TO	UNITS PER ASSY
2					
- 300	286N2412-004		WIRE BUNDLE ASSY	002004 006100 950999	RF
- 300	286N2412-005		WIRE BUNDLE ASSY	107107 121503 904949	RF
305	GS3418-10CD		.CLAMP- SUPPLIER CODE: V06324 SPECIFICATION NUMBER: BACC10HG10 OPTIONAL PART: S2126-10-8 V07418 ELECTRICAL EQUIP NUMBER: D00530T WIRING DIAGRAM REF: 293511	002004 006100 107107 121503 904999	1
305	620AA028NF10L		.CLAMP- SUPPLIER CODE: V06324 SPECIFICATION NUMBER: BACC10KE10 OPTIONAL PART: S3820-10-65 V07418 ELECTRICAL EQUIP NUMBER: D00530T WIRING DIAGRAM REF: 293511	002004 006100 107107 121503 904999	1
310	R071010R5SNL		.CONNECTOR- SUPPLIER CODE: V41118 SPECIFICATION NUMBER: BACC63BP10R5SNL ELECTRICAL EQUIP NUMBER: D00530 WIRING DIAGRAM REF: 293511	002004 006100 107107 121503 904999	1

MISSING ITEM NUMBERS NOT APPLICABLE

- ITEM NOT ILLUSTRATED

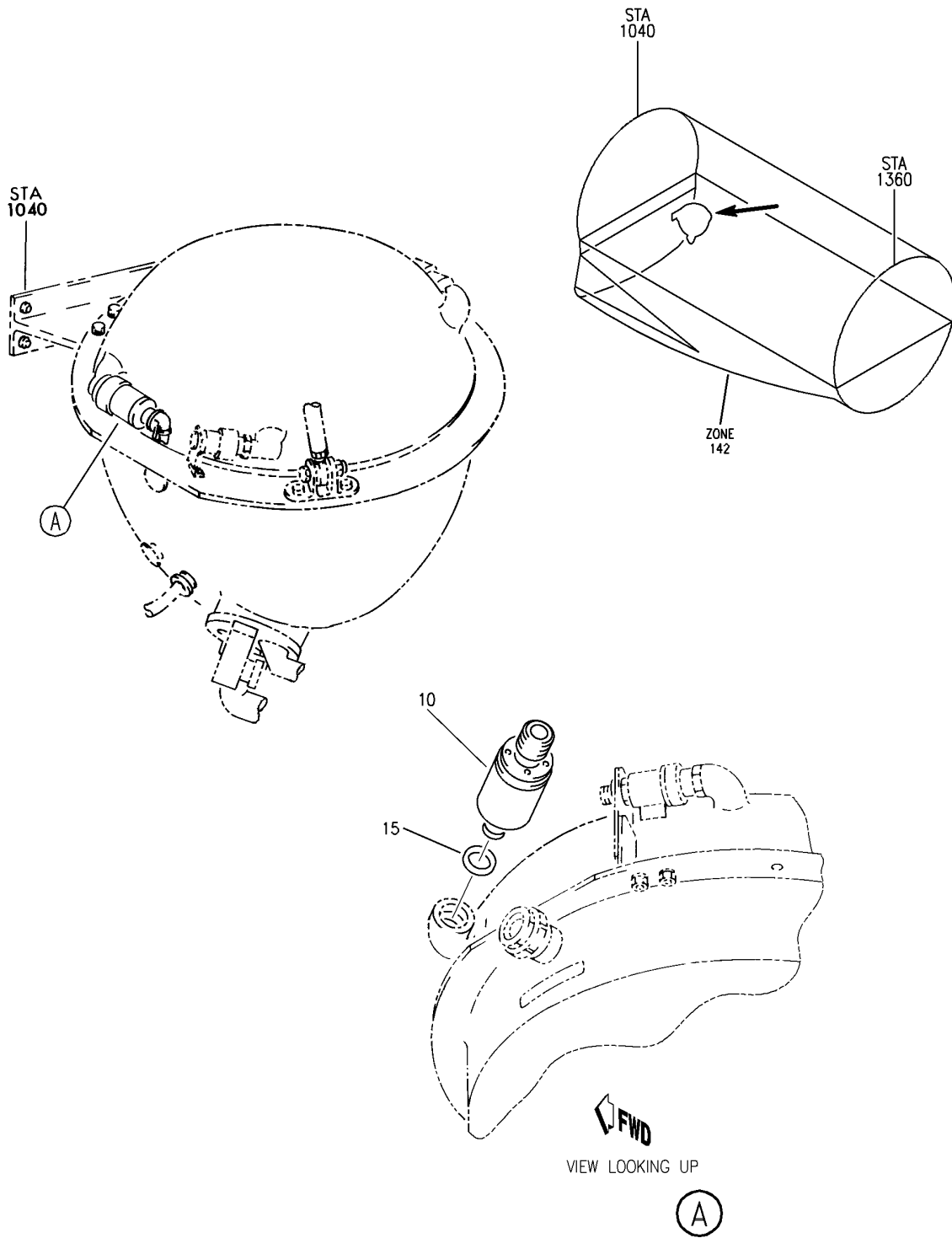
BRI

29-35-01-02

BOEING PROPRIETARY - Copyright © - Unpublished Work - See title page for details.

29-35-01
FIG. 02
PAGE 2
JAN 20/09

BOEING
757
PARTS CATALOG (MAINTENANCE)



Y 29350103 REV 239

RESERVOIR ASSY-R SYS HYDR (HYDRAULIC RESERVOIR PRESSURE SWITCH ONLY)
FIGURE 3

29-35-01-03

BRI
MAY 28/07

29-35-01-03
PAGE 0



757

PARTS CATALOG (MAINTENANCE)

FIG ITEM	PART NUMBER	1 2 3 4 5 6 7	NOMENCLATURE	EFFECT FROM TO	UNITS PER ASSY
3			RESERVOIR ASSY-R SYS HYDR (HYDRAULIC RESERVOIR PRESSURE SWITCH ONLY)	002004 006999	
- 1	271N3007-6		RESERVOIR ASSY-HYDR (HYDRAULIC RESERVOIR PRESSURE SWITCH ONLY) COMPONENT MAINT MANUAL REF: 29-11-24 FOR NHA/OTHER SYS DET SEE: 29-11-20-05	107107 904949	RF
- 1	271N3007-11		RESERVOIR ASSY-HYDR (HYDRAULIC RESERVOIR PRESSURE SWITCH ONLY) COMPONENT MAINT MANUAL REF: 29-11-24 FOR NHA/OTHER SYS DET SEE: 29-11-20-05 29-11-20-01	002004 006106 108903 950999	RF
10	7G754-2		.SWITCH-PRESSURE SUPPLIER CODE: V09049 SPECIFICATION NUMBER: S271N302-2 COMPONENT MAINT MANUAL REF: 29-35-01 QUALIFIED I/W DATA: 7G754 R/B 7G754-2 ONE-WAY FORWARD AFTER INCORPORATED S/B 757-29-0018. USED ON: 271N3007-6 271N3007-7 271N3007-8	002004 006999	1
15	NAS1612-6A		.PACKING-	002004 006999	1

MISSING ITEM NUMBERS NOT APPLICABLE

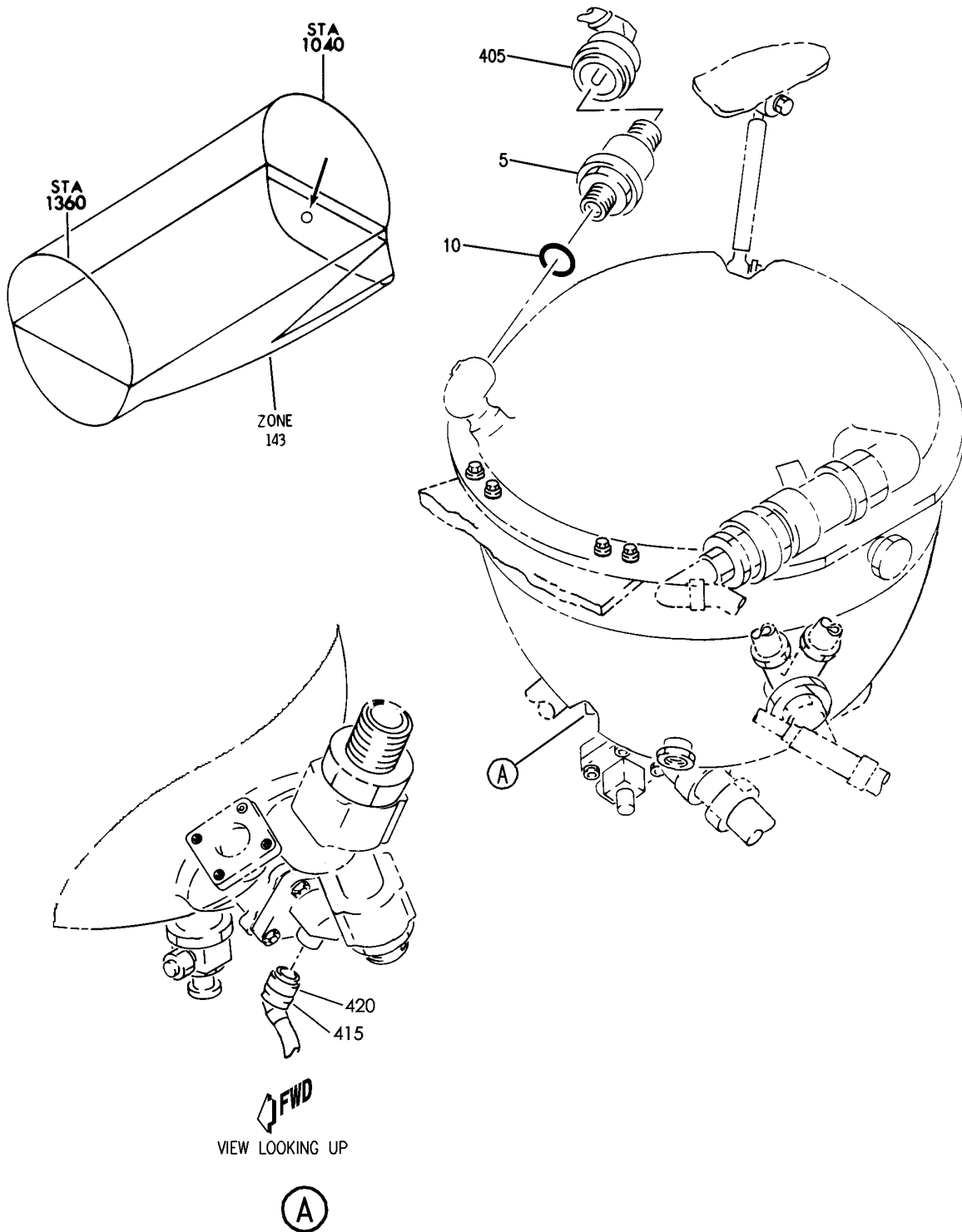
- ITEM NOT ILLUSTRATED

BRI

29-35-01-03

29-35-01
FIG. 03
PAGE 1
JAN 20/09

BOEING
757
PARTS CATALOG (MAINTENANCE)



Y 29350104 REV 242

RESERVOIR ASSY-SECT 44 L SYS HYDR (PRESSURE SWITCH ONLY)
FIGURE 4

29-35-01-04

BRI
MAY 28/07

29-35-01-04
PAGE 0



757

PARTS CATALOG (MAINTENANCE)

FIG ITEM	PART NUMBER	1 2 3 4 5 6 7	NOMENCLATURE	EFFECT FROM TO	UNITS PER ASSY
4			RESERVOIR ASSY-SECT 44 L SYS HYDR (PRESSURE SWITCH ONLY)	002004 006999	
- 1	271N3005-13		RESERVOIR ASSY-HYDR SYS (PRESSURE SWITCH ONLY) COMPONENT MAINT MANUAL REF: 29-11-15 FOR NHA/OTHER SYS DET SEE: 29-11-20-04	002004 006100 103106 121503 950999	RF
- 1	271N3005-14		RESERVOIR ASSY-HYDR SYS (PRESSURE SWITCH ONLY) COMPONENT MAINT MANUAL REF: 29-11-15 FOR NHA/OTHER SYS DET SEE: 29-11-20-04	002004 006100 121503 950999	RF
- 1	271N3005-16		RESERVOIR ASSY-HYDR SYS (PRESSURE SWITCH ONLY) COMPONENT MAINT MANUAL REF: 29-11-15 FOR NHA/OTHER SYS DET SEE: 29-11-20-04	002004 006100 121503 950999	RF
- 1	271N3005-16		RESERVOIR ASSY-HYDR SYS (PRESSURE SWITCH ONLY) COMPONENT MAINT MANUAL REF: 29-11-15 FOR NHA/OTHER SYS DET SEE: 29-11-20-04	101106 108120 504903	RF
5	7G754		.SWITCH-PRESS SUPPLIER CODE: V09049 SPECIFICATION NUMBER: S271N302-1 ELECTRICAL EQUIP NUMBER: S10032 COMPONENT MAINT MANUAL REF: 29-35-01 QUALIFIED I/W DATA: 7G754 R/B 7G754-2 ONE-WAY FORWARD AFTER INCORPORATED S/B 757-29-0018. USED ON: 271N3005-2 271N3005-7	002004 006100 103107 121503 904999	1

MISSING ITEM NUMBERS NOT APPLICABLE

- ITEM NOT ILLUSTRATED

BRI

29-35-01-04

29-35-01
FIG. 04
PAGE 1
JAN 20/09



757

PARTS CATALOG (MAINTENANCE)

FIG ITEM	PART NUMBER	1 2 3 4 5 6 7	NOMENCLATURE	EFFECT FROM TO	UNITS PER ASSY
4	5 7G754-2		.SWITCH-PRESS SUPPLIER CODE: V09049 SPECIFICATION NUMBER: S271N302-2 ELECTRICAL EQUIP NUMBER: S10032 COMPONENT MAINT MANUAL REF: 29-35-01 QUALIFIED I/W DATA: 7G754 R/B 7G754-2 ONE-WAY FORWARD AFTER INCORPORATED S/B 757-29-0018. USED ON: 271N3005-12 271N3005-13 271N3005-14 271N3005-16 271N3005-18	002004 006999	1
	10 NAS1612-6A		.PACKING-	002004 006999	1
- 400	286N2418-005		WIRE BUNDLE ASSY	002004 006100 950999	RF
- 400	286N2418-006		WIRE BUNDLE ASSY	107107 121503 904949	RF
- 400	286N2418-309		WIRE BUNDLE ASSY	101102	RF
- 401	286N2418-314		WIRE BUNDLE ASSY	504903	RF
405	GS3418-10CD		.CLAMP- SUPPLIER CODE: V06324 SPECIFICATION NUMBER: BACC10HG10 OPTIONAL PART: S2126-10-8 V07418 ELECTRICAL EQUIP NUMBER: D00528T WIRING DIAGRAM REF: 293511	002004 006102 107999	1

MISSING ITEM NUMBERS NOT APPLICABLE

- ITEM NOT ILLUSTRATED

29-35-01-04

29-35-01
FIG. 04
PAGE 2
JAN 20/09

BRI



757

PARTS CATALOG (MAINTENANCE)

FIG ITEM	PART NUMBER	1 2 3 4 5 6 7	NOMENCLATURE	EFFECT FROM TO	UNITS PER ASSY
4 405	620AA028NF10L		.CLAMP- SUPPLIER CODE: V06324 SPECIFICATION NUMBER: BACC10KE10 OPTIONAL PART: S3820-10-65 V07418 ELECTRICAL EQUIP NUMBER: D00528T WIRING DIAGRAM REF: 293511	002004 006102 107999	1
410	R071010A5SNL		.CONNECTOR- SUPPLIER CODE: V41118 SPECIFICATION NUMBER: BACC63BP10A5SNL ELECTRICAL EQUIP NUMBER: D00528 WIRING DIAGRAM REF: 293511	002004 006102 107999	1
415	GS3417-14C		.CLAMP- SUPPLIER CODE: V06324 SPECIFICATION NUMBER: BACC10HF14 OPTIONAL PART: S2125-14-8 V07418 ELECTRICAL EQUIP NUMBER: D02538T WIRING DIAGRAM REF: 293311	002004 006102 107999	1
420	R071014A7SNL		.CONNECTOR- SUPPLIER CODE: V41118 SPECIFICATION NUMBER: BACC63BP14A7SNL MISCELLANEOUS DATA: OPTIONAL PART NUMBERS: BACC63BP14A7SN (81205) BACC63BP14R7SN (81205) BACC63BP14R7SNL (81205) ELECTRICAL EQUIP NUMBER: D02538 WIRING DIAGRAM REF: 293311	002004 006102 107999	1

MISSING ITEM NUMBERS NOT APPLICABLE

- ITEM NOT ILLUSTRATED

BRI

29-35-01-04

29-35-01
FIG. 04
PAGE 3
JAN 20/09