



757 MANUAL SUPPLEMENT - ATP.2860

SECTION 2 CHAPTER 30

CONTROL PAGE INITIAL ISSUE

- A. File the attached Temporary Revisions/Alerts in the Manual supplement in ATA Chapter/Section/Subject/Page sequence.
- B. File this control page in front of the chapter TRs/Alerts.
- C. The following list shows active TRs/Alerts together with TRs/Alerts added by this control page.

Chapter Section Subject	Page	TR/Alert No.
30-21-01-01	2	* BA.30-501

- D Remove and Destroy the following TR's/Alerts:

\* - TR's/Alerts issued with this control page

**ATP  
TEMPORARY  
REVISION**

NA351, NA352

TR Page 1 of 1  
July 1994

757 ILLUSTRATED PARTS CATALOGUE

THIS TEMPORARY REVISION IS ISSUED BY BRITISH AIRWAYS TECHNICAL SERVICES AND COMPLIES WITH BCAR'S CHAPTER A5-3, B5-3 AND/OR TSS No. 0-2 AS REQUIRED. CAA DESIGN APPROVAL No. DAI/8566/78.



FOR CHIEF ENGINEER TECHNICAL SERVICES

TEMPORARY REVISION NO. 30-501

Manual Reference 30-21-01-01 Page 2

REASON FOR REVISION

To include additional information on Pre and Post SB30-9533 TAI valves.

ACTION

Figure 01

Add the following to the nomenclature of item 50 P/N 7646B000:

FIT ONLY TO ENGINES MODIFIED TO ACCEPT VALVES TO SB30-9533, REFER TO MM30-21-03.

Add the following to the nomenclature of items 50 P/N 7612B000:

CAN BE FITTED TO ENGINES MODIFIED TO ACCEPT VALVES TO SB30-9533 ON LIMITED PERIOD, REFER TO MM30-21-03.

Originator: R VIDLER  
Ref: EPA/934/RV  
Work Record: 30-121

30-21-01-01  
Page 2



757

PARTS CATALOG (MAINTENANCE)

CH-SECT-UNIT-FIG	PAGE NO.	DATE	CH-SECT-UNIT-FIG	PAGE NO.	DATE
*30	1	MAY 20/09	30-11-51- 1	2	JAN 20/09
*30	2	MAY 20/09	30-11-51- 1	3	JAN 20/09
*30	3	MAY 20/09	30-11-51- 1	4	JAN 20/09
*30	4	MAY 20/09	30-11-51- 1	5	JAN 20/09
*30	5	MAY 20/09	30-11-51- 1	6	JAN 20/09
*30	6	MAY 20/09	30-11-51- 1	7	JAN 20/09
*30	7	MAY 20/09	30-11-51- 2	0	MAY 28/07
*30	8	MAY 20/09	30-11-51- 2	0A	MAY 28/07
*30	9	MAY 20/09	30-11-51- 2	1	JAN 20/09
*30	10	MAY 20/09	30-11-51- 2	2	JAN 20/09
30-00-00	1	MAY 28/07	30-11-51- 2	3	JAN 20/09
30-00-00- 1	0	MAY 28/07	30-11-51- 2	4	JAN 20/09
30-00-00- 1	1	JAN 20/09	30-11-51- 2	5	JAN 20/09
30-00-00- 1	2	JAN 20/09	30-11-51- 2	6	JAN 20/09
30-00-00- 1A	0	JAN 20/09	30-11-51- 2	7	JAN 20/09
30-00-00- 1A	1	JAN 20/09	30-11-51- 2	8	JAN 20/09
30-11-00	1	MAY 28/07	30-11-51- 2	9	JAN 20/09
30-11-01- 1	0	MAY 28/07	30-11-51- 3	0	MAY 28/07
30-11-01- 1	0A	MAY 28/07	30-11-51- 3	0A	MAY 28/07
30-11-01- 1	0B	MAY 28/07	30-11-51- 3	1	JAN 20/09
30-11-01- 1	0C	MAY 28/07	30-11-51- 3	2	JAN 20/09
30-11-01- 1	0D	SEP 28/07	30-11-51- 3	3	JAN 20/09
30-11-01- 1	1	JAN 20/09	30-11-51- 3	4	JAN 20/09
30-11-01- 1	2	JAN 20/09	30-11-51- 3	5	JAN 20/09
30-11-01- 1	3	JAN 20/09	30-11-51- 3	6	JAN 20/09
30-11-01- 1	4	JAN 20/09	30-11-51- 3	7	JAN 20/09
30-11-01- 1	5	JAN 20/09	30-11-51- 3	8	JAN 20/09
30-11-01- 1	6	JAN 20/09	30-11-51- 3	9	JAN 20/09
30-11-01- 1	7	JAN 20/09	30-11-51- 3	10	JAN 20/09
30-11-01- 1	8	JAN 20/09	30-11-51- 3	11	JAN 20/09
30-11-01- 1	9	JAN 20/09	30-11-51- 3	12	JAN 20/09
30-11-01- 1	10	JAN 20/09	30-11-51- 3	13	JAN 20/09
30-11-01- 1	11	JAN 20/09	30-11-51- 3	14	JAN 20/09
30-11-01- 1	12	JAN 20/09	30-11-52- 1	0	MAY 28/07
30-11-01- 1	13	JAN 20/09	30-11-52- 1	1	JAN 20/09
30-11-01- 1	14	JAN 20/09	30-11-52- 1	2	JAN 20/09
30-11-01- 1	15	JAN 20/09	30-11-52- 1	3	JAN 20/09
30-11-01- 1	16	JAN 20/09	30-11-52- 1	4	JAN 20/09
30-11-01- 1	17	JAN 20/09	30-11-52- 1	5	JAN 20/09
30-11-01- 1	18	JAN 20/09	30-11-71- 2	0	MAY 28/07
30-11-01- 1	19	JAN 20/09	30-11-71- 2	1	JAN 20/09
30-11-01- 1	20	JAN 20/09	30-11-71- 2	2	JAN 20/09
30-11-01- 1	21	JAN 20/09	30-11-71- 2	3	JAN 20/09
30-11-01- 1	22	JAN 20/09	30-11-71- 2	4	JAN 20/09
30-11-01- 1	23	JAN 20/09	30-11-71- 2B	0	MAY 28/07
30-11-01- 1	24	JAN 20/09	30-11-71- 2B	1	JAN 20/09
30-11-01- 1	25	JAN 20/09	30-11-71- 2B	2	JAN 20/09
30-11-51- 1	0	MAY 28/07	30-11-71- 2D	0	JAN 20/09
30-11-51- 1	0A	MAY 28/07	30-11-71- 2D	1	JAN 20/09
30-11-51- 1	0B	MAY 28/07	30-11-71- 2D	2	JAN 20/09
30-11-51- 1	1	JAN 20/09	30-11-71- 2D	3	JAN 20/09

\* THE ASTERISK INDICATES PAGES CHANGED OR ADDED BY THE CURRENT REVISION



757

PARTS CATALOG (MAINTENANCE)

CH-SECT-UNIT-FIG	PAGE NO.	DATE	CH-SECT-UNIT-FIG	PAGE NO.	DATE
30-11-71- 2D	4	JAN 20/09	30-21-51- 1	0	MAY 28/07
30-11-71- 2D	5	JAN 20/09	30-21-51- 1	1	JAN 20/09
30-11-71- 2D	6	JAN 20/09	30-21-51- 1	2	JAN 20/09
30-21-00	1	MAY 28/07	30-21-51- 1	3	JAN 20/09
30-21-01- 1	0	MAY 28/07	30-21-51- 1	4	JAN 20/09
30-21-01- 1	1	JAN 20/09	30-21-51- 1	5	JAN 20/09
30-21-01- 1	2	JAN 20/09	30-21-51- 2	0	MAY 28/07
30-21-01- 1	3	JAN 20/09	30-21-51- 2	1	JAN 20/09
30-21-01- 1	4	JAN 20/09	30-21-51- 2	2	JAN 20/09
30-21-01- 1	5	JAN 20/09	30-21-51- 2	3	JAN 20/09
30-21-01- 1	6	JAN 20/09	30-21-51- 2	4	JAN 20/09
30-21-01- 1	7	JAN 20/09	30-21-51- 2	5	JAN 20/09
30-21-01- 1	8	JAN 20/09	30-21-51- 2	6	JAN 20/09
30-21-02- 1	0	MAY 28/07	30-21-51- 2	7	JAN 20/09
30-21-02- 1	0A	MAY 28/07	30-21-51- 2	8	JAN 20/09
30-21-02- 1	1	JAN 20/09	30-21-51- 3	0	MAY 28/07
30-21-02- 1	2	JAN 20/09	30-21-51- 3	1	JAN 20/09
30-21-02- 1	3	JAN 20/09	30-21-51- 3	2	JAN 20/09
30-21-02- 1A	0	MAY 28/07	30-21-51- 3	3	JAN 20/09
30-21-02- 1A	1	JAN 20/09	30-21-51- 3	4	JAN 20/09
30-21-02- 6	0	MAY 28/07	30-21-51- 3	5	JAN 20/09
30-21-02- 6	1	JAN 20/09	30-21-51- 3	6	JAN 20/09
30-21-02- 6	2	JAN 20/09	30-21-51- 3	7	JAN 20/09
30-21-02- 6	3	JAN 20/09	30-21-51- 3	8	JAN 20/09
30-21-02- 6	4	JAN 20/09	30-21-51- 3	9	JAN 20/09
30-21-02- 6	5	JAN 20/09	30-21-51- 3	10	JAN 20/09
30-21-02- 6	6	JAN 20/09	30-21-51- 3	11	JAN 20/09
30-21-03- 1	0	MAY 28/07	30-21-51- 3	12	JAN 20/09
30-21-03- 1	1	JAN 20/09	30-21-51- 3	13	JAN 20/09
30-21-03- 1	2	JAN 20/09	30-21-51- 3	14	JAN 20/09
30-21-03- 1	3	JAN 20/09	30-21-51- 3	15	JAN 20/09
30-21-03- 1	4	JAN 20/09	30-21-52- 1	0	MAY 28/07
30-21-03- 1	5	JAN 20/09	30-21-52- 1	1	JAN 20/09
30-21-03- 1	6	JAN 20/09	30-21-71- 3	0	MAY 28/07
30-21-03- 1	7	JAN 20/09	30-21-71- 3	1	JAN 20/09
30-21-04- 1	0	MAY 28/07	30-21-71- 3	2	JAN 20/09
30-21-04- 1	0A	MAY 28/07	30-21-71- 3	3	JAN 20/09
30-21-04- 1	1	JAN 20/09	30-21-71- 3	4	JAN 20/09
30-21-04- 1	2	JAN 20/09	30-21-71- 3	5	JAN 20/09
30-21-04- 1	3	JAN 20/09	30-21-71- 3	6	JAN 20/09
30-21-04- 1	4	JAN 20/09	30-21-71- 3	7	JAN 20/09
30-21-04- 1	5	JAN 20/09	30-21-71- 3	8	JAN 20/09
30-21-04- 1	6	JAN 20/09	30-21-71- 3A	0	MAY 28/07
30-21-50- 1	0	MAY 28/07	30-21-71- 3A	1	JAN 20/09
30-21-50- 1	1	JAN 20/09	30-21-71- 3A	2	JAN 20/09
30-21-50- 1	2	JAN 20/09	30-21-71- 3A	3	JAN 20/09
30-21-50- 1	3	JAN 20/09	30-21-71- 3B	0	MAY 28/07
30-21-50- 1	4	JAN 20/09	30-21-71- 3B	0A	MAY 28/07
30-21-50- 1	5	JAN 20/09	30-21-71- 3B	1	JAN 20/09
30-21-50- 1	6	JAN 20/09	30-21-71- 3B	2	JAN 20/09
30-21-50- 1	7	JAN 20/09	30-21-71- 3B	3	JAN 20/09

\* THE ASTERISK INDICATES PAGES CHANGED OR ADDED BY THE CURRENT REVISION


**BOEING**  
 757  
**PARTS CATALOG (MAINTENANCE)**

CH-SECT-UNIT-FIG	PAGE NO.	DATE	CH-SECT-UNIT-FIG	PAGE NO.	DATE
30-21-71- 3C	0	JAN 20/09	30-31-71- 3A	1	JAN 20/09
30-21-71- 3C	1	JAN 20/09	30-31-71- 3B	0	JAN 20/09
30-21-71- 3C	2	JAN 20/09	30-31-71- 3B	1	JAN 20/09
30-21-71- 3C	3	JAN 20/09	30-31-71- 3B	2	JAN 20/09
30-21-71- 3C	4	JAN 20/09	30-32-00	1	MAY 28/07
30-21-71- 3C	5	JAN 20/09	30-32-51- 1	0	MAY 28/07
30-21-71- 3D	0	JAN 20/09	30-32-51- 1	1	JAN 20/09
30-21-71- 3D	1	JAN 20/09	30-32-51- 1	2	JAN 20/09
30-21-71- 3D	2	JAN 20/09	30-32-51- 1	3	JAN 20/09
30-21-71- 3D	3	JAN 20/09	30-32-51- 1	4	JAN 20/09
30-21-71- 3D	4	JAN 20/09	30-32-51- 1	5	JAN 20/09
30-21-71- 3D	5	JAN 20/09	*30-32-51- 1	6	MAY 20/09
30-21-71- 3D	6	JAN 20/09	30-32-51- 1	7	JAN 20/09
30-31-00	1	MAY 28/07	30-32-51- 1	8	JAN 20/09
30-31-51- 1	0	MAY 28/07	30-32-51- 1	9	JAN 20/09
30-31-51- 1	1	JAN 20/09	30-32-71- 2	0	MAY 28/07
*30-31-51- 1	2	MAY 20/09	30-32-71- 2	1	JAN 20/09
30-31-51- 1	3	JAN 20/09	30-32-71- 2	2	JAN 20/09
30-31-51- 1	4	JAN 20/09	30-32-71- 2	3	JAN 20/09
30-31-51- 1	5	JAN 20/09	30-32-71- 2B	0	MAY 28/07
30-31-51- 1	6	JAN 20/09	30-32-71- 2B	1	JAN 20/09
30-31-51- 1	7	JAN 20/09	30-32-71- 2B	2	JAN 20/09
30-31-51- 1	8	JAN 20/09	30-32-71- 2D	0	JAN 20/09
30-31-51- 2	0	MAY 28/07	30-32-71- 2D	1	JAN 20/09
30-31-51- 2	1	JAN 20/09	30-32-71- 2D	2	JAN 20/09
30-31-51- 2	2	JAN 20/09	30-32-71- 2D	3	JAN 20/09
30-31-51- 2	3	JAN 20/09	30-32-71- 2D	4	JAN 20/09
30-31-51- 2	4	JAN 20/09	30-32-71- 2D	5	JAN 20/09
30-31-51- 2	5	JAN 20/09	30-32-71- 3	0	MAY 28/07
30-31-51- 2	6	JAN 20/09	30-32-71- 3	1	JAN 20/09
30-31-51- 2	7	JAN 20/09	30-32-71- 3	2	JAN 20/09
30-31-51- 2	8	JAN 20/09	30-32-71- 3A	0	MAY 28/07
30-31-51- 2	9	JAN 20/09	30-32-71- 3A	1	JAN 20/09
30-31-51- 2	10	JAN 20/09	30-32-71- 3A	2	JAN 20/09
30-31-51- 2	11	JAN 20/09	30-32-71- 3B	0	JAN 20/09
30-31-51- 2	12	JAN 20/09	30-32-71- 3B	1	JAN 20/09
30-31-71- 2	0	MAY 28/07	30-32-71- 3B	2	JAN 20/09
30-31-71- 2	1	JAN 20/09	30-32-71- 3B	3	JAN 20/09
30-31-71- 2	2	JAN 20/09	30-33-00	1	MAY 28/07
30-31-71- 2B	0	MAY 28/07	30-33-51- 1	0	MAY 28/07
30-31-71- 2B	1	JAN 20/09	30-33-51- 1	1	JAN 20/09
30-31-71- 2D	0	JAN 20/09	*30-33-51- 1	2	MAY 20/09
30-31-71- 2D	1	JAN 20/09	30-33-51- 2	0	MAY 28/07
30-31-71- 2D	2	JAN 20/09	30-33-51- 2	1	JAN 20/09
30-31-71- 2D	3	JAN 20/09	30-33-51- 2	2	JAN 20/09
30-31-71- 2D	4	JAN 20/09	30-33-51- 2	3	JAN 20/09
30-31-71- 2D	5	JAN 20/09	30-33-51- 2	4	JAN 20/09
30-31-71- 3	0	MAY 28/07	30-33-51- 2	5	JAN 20/09
30-31-71- 3	1	JAN 20/09	30-33-51- 2	6	JAN 20/09
30-31-71- 3	2	JAN 20/09	30-33-51- 2	7	JAN 20/09
30-31-71- 3A	0	MAY 28/07	30-33-71- 2	0	MAY 28/07

\* THE ASTERISK INDICATES PAGES CHANGED OR ADDED BY THE CURRENT REVISION

BRI  
MAY 20/09

30 - LIST OF EFFECTIVE PAGES  
PAGE 3



757

PARTS CATALOG (MAINTENANCE)

CH-SECT-UNIT-FIG	PAGE NO.	DATE
30-33-71- 2	1	JAN 20/09
30-33-71- 2	2	JAN 20/09
30-33-71- 2B	0	MAY 28/07
30-33-71- 2B	1	JAN 20/09
30-33-71- 2D	0	JAN 20/09
30-33-71- 2D	1	JAN 20/09
30-33-71- 2D	2	JAN 20/09
30-33-71- 2D	3	JAN 20/09
30-33-71- 2D	4	JAN 20/09
30-33-71- 2D	5	JAN 20/09
30-33-71- 2D	6	JAN 20/09
30-34-00	1	MAY 28/07
30-34-51- 1	0	MAY 28/07
30-34-51- 1	1	JAN 20/09
30-34-51- 1	2	JAN 20/09
30-34-51- 1	3	JAN 20/09
30-34-51- 1A	0	MAY 28/07
30-34-51- 1A	1	JAN 20/09
30-34-51- 1B	0	MAY 28/07
30-34-51- 1B	1	JAN 20/09
30-34-51- 1C	0	JAN 20/09
30-34-51- 1C	1	JAN 20/09
30-34-51- 1C	2	JAN 20/09
30-34-51- 1C	3	JAN 20/09
30-34-51- 1D	0	JAN 20/09
30-34-51- 1D	1	JAN 20/09
30-34-51- 1D	2	JAN 20/09
30-34-51- 1D	3	JAN 20/09
30-34-51- 1D	4	JAN 20/09
30-34-51- 1D	5	JAN 20/09
30-34-51- 2	0	JAN 20/09
30-34-51- 2	1	JAN 20/09
30-34-51- 2	2	JAN 20/09
30-34-51- 3	0	JAN 20/09
30-34-51- 3	0A	JAN 20/09
30-34-51- 3	1	JAN 20/09
30-41-00	1	MAY 28/07
30-41-01- 1	0	MAY 28/07
30-41-01- 1	0A	MAY 28/07
30-41-01- 1	1	JAN 20/09
30-41-01- 1	2	JAN 20/09
30-41-01- 1	3	JAN 20/09
30-41-01- 1	4	JAN 20/09
30-41-01- 1	5	JAN 20/09
30-41-01- 1	6	JAN 20/09
30-41-01- 1B	0	MAY 28/07
30-41-01- 1B	1	JAN 20/09
30-41-01- 1B	2	JAN 20/09
30-41-01- 1B	3	JAN 20/09
30-41-01- 1B	4	JAN 20/09
30-41-01- 8	0	JAN 20/09

CH-SECT-UNIT-FIG	PAGE NO.	DATE
30-41-01- 8	1	JAN 20/09
30-41-01- 8	2	JAN 20/09
30-41-01- 8	3	JAN 20/09
30-41-01- 8	4	JAN 20/09
30-41-51- 1	0	MAY 28/07
30-41-51- 1	1	JAN 20/09
30-41-51- 1	2	JAN 20/09
30-41-51- 1	3	JAN 20/09
30-41-51- 1	4	JAN 20/09
30-41-51- 1	5	JAN 20/09
30-41-51- 2	0	MAY 28/07
30-41-51- 2	1	JAN 20/09
30-41-51- 2	2	JAN 20/09
30-41-51- 3	0	MAY 28/07
30-41-51- 3	1	JAN 20/09
30-41-51- 3	2	JAN 20/09
30-41-51- 3	3	JAN 20/09
30-41-51- 3	4	JAN 20/09
30-41-51- 3	5	JAN 20/09
30-41-51- 3	6	JAN 20/09
30-41-51- 3	7	JAN 20/09
30-41-51- 3	8	JAN 20/09
30-41-51- 3	9	JAN 20/09
30-41-51- 3	10	JAN 20/09
30-41-51- 4	0	MAY 28/07
30-41-51- 4	1	JAN 20/09
30-41-51- 4	2	JAN 20/09
30-41-51- 4	3	JAN 20/09
30-41-51- 4	4	JAN 20/09
30-41-52- 3	0	MAY 28/07
*30-41-52- 3	0A	MAY 20/09
*30-41-52- 3	0B	MAY 20/09
30-41-52- 3	0C	MAY 28/07
*30-41-52- 3	0D	MAY 20/09
*30-41-52- 3	0E	MAY 20/09
30-41-52- 3	0F	SEP 20/08
30-41-52- 3	1	SEP 20/08
30-41-52- 3	2	SEP 20/08
30-41-52- 3	3	SEP 20/08
30-41-52- 3	4	JAN 20/09
30-41-52- 3	5	JAN 20/09
30-41-52- 3	6	JAN 20/09
30-41-52- 3	7	JAN 20/09
30-41-52- 3	8	JAN 20/09
30-41-52- 3	9	JAN 20/09
30-41-52- 3	10	JAN 20/09
30-41-52- 3	11	JAN 20/09
30-41-52- 3	12	JAN 20/09
30-41-52- 3	13	JAN 20/09
30-41-52- 3	14	JAN 20/09

\* THE ASTERISK INDICATES PAGES CHANGED OR ADDED BY THE CURRENT REVISION



757

PARTS CATALOG (MAINTENANCE)

CH-SECT-UNIT-FIG	PAGE NO.	DATE
30-41-52- 3	15	JAN 20/09
30-41-52- 3	16	JAN 20/09
30-41-52- 3	17	JAN 20/09
30-41-52- 3	18	JAN 20/09
30-41-52- 3	19	JAN 20/09
30-41-52- 3	20	JAN 20/09
30-41-52- 3	21	JAN 20/09
30-41-52- 3	22	JAN 20/09
30-42-00	1	MAY 28/07
30-42-01- 5	0	MAY 28/07
30-42-01- 5	0A	MAY 28/07
30-42-01- 5	1	JAN 20/09
30-42-01- 5	2	JAN 20/09
30-42-01- 5	3	JAN 20/09
30-42-01- 5	4	JAN 20/09
30-42-01- 5	5	JAN 20/09
30-42-01- 5	6	JAN 20/09
30-42-01- 5	7	JAN 20/09
30-42-01- 5	8	JAN 20/09
30-42-01- 5	9	JAN 20/09
30-42-01- 5	10	JAN 20/09
30-42-03- 1	0	MAY 28/07
30-42-03- 1	1	JAN 20/09
30-42-03- 5	0	MAY 28/07
30-42-03- 5	1	JAN 20/09
30-42-03- 5	2	JAN 20/09
30-42-03- 5	3	JAN 20/09
30-42-03- 5	4	JAN 20/09
30-42-03- 5	5	JAN 20/09
30-42-03- 5	6	JAN 20/09
30-42-03- 5	7	JAN 20/09
30-42-03- 5	8	JAN 20/09
30-42-51- 1	0	MAY 28/07
30-42-51- 1	1	JAN 20/09
30-42-51- 1	2	JAN 20/09
30-42-51- 2	0	MAY 28/07
30-42-51- 2	1	JAN 20/09
30-42-51- 3	0	MAY 28/07
30-42-51- 3	1	JAN 20/09
30-42-51- 3	2	JAN 20/09
30-42-51- 3	3	JAN 20/09
30-42-51- 3	4	JAN 20/09
30-42-51- 3	5	JAN 20/09
30-42-51- 3	6	JAN 20/09
30-42-51- 3	7	JAN 20/09
30-43-00	1	MAY 28/07
30-43-01- 5	0	MAY 28/07
30-43-01- 5	0A	MAY 28/07
30-43-01- 5	0B	MAY 28/07
30-43-01- 5	0C	MAY 28/07
30-43-01- 5	1	JAN 20/09

CH-SECT-UNIT-FIG	PAGE NO.	DATE
30-43-01- 5	2	JAN 20/09
30-43-01- 5	3	JAN 20/09
30-43-01- 5	4	JAN 20/09
30-43-01- 5	5	JAN 20/09
30-43-01- 5	6	JAN 20/09
30-43-01- 5	7	JAN 20/09
30-43-01- 5	8	JAN 20/09
30-43-01- 5	9	JAN 20/09
30-43-01- 5	10	JAN 20/09
30-43-51- 1	0	MAY 28/07
30-43-51- 1	1	JAN 20/09
30-43-51- 1	2	JAN 20/09
30-43-51- 1	3	JAN 20/09
30-43-51- 2	0	MAY 28/07
30-43-51- 2	1	JAN 20/09
30-43-51- 2	2	JAN 20/09
30-43-51- 5	0	MAY 28/07
30-43-51- 5	0A	MAY 28/07
30-43-51- 5	0B	MAY 28/07
30-43-51- 5	0C	MAY 28/07
30-43-51- 5	0D	MAY 28/07
30-43-51- 5	1	JAN 20/09
30-43-51- 5	2	JAN 20/09
30-43-51- 5	3	JAN 20/09
30-43-51- 5	4	JAN 20/09
30-43-51- 5	5	JAN 20/09
30-43-51- 5	6	JAN 20/09
30-43-51- 5	7	JAN 20/09
30-43-51- 5	8	JAN 20/09
30-43-51- 5	9	JAN 20/09
30-43-51- 5	10	JAN 20/09
30-43-51- 5	11	JAN 20/09
30-71-00	1	MAY 28/07
30-71-01- 1	0	MAY 28/07
30-71-01- 1	0A	MAY 28/07
30-71-01- 1	1	JAN 20/09
30-71-01- 1	2	JAN 20/09
30-71-01- 1	3	JAN 20/09
30-71-01- 1	4	JAN 20/09
30-71-01- 2	0	MAY 28/07
30-71-01- 2	1	JAN 20/09
30-71-01- 2	2	JAN 20/09
30-71-01- 2	3	JAN 20/09
30-71-01- 5	0	JAN 20/09
30-71-01- 5	1	JAN 20/09
30-71-01- 5	2	JAN 20/09
30-71-01- 9	0	JAN 20/09
30-71-01- 9	1	JAN 20/09
30-71-51- 1	0	JAN 20/09
30-71-51- 1	1	JAN 20/09
30-71-71- 2	0	JAN 20/09

\* THE ASTERISK INDICATES PAGES CHANGED OR ADDED BY THE CURRENT REVISION




**BOEING**  
 757  
**PARTS CATALOG (MAINTENANCE)**

CH-SECT-UNIT-FIG	PAGE NO.	DATE
30-71-71- 2	1	JAN 20/09

CH-SECT-UNIT-FIG	PAGE NO.	DATE

\* THE ASTERISK INDICATES PAGES CHANGED OR ADDED BY THE CURRENT REVISION

BRI  
MAY 20/09

30 - LIST OF EFFECTIVE PAGES  
PAGE 6

 **BOEING**  
757  
**PARTS CATALOG (MAINTENANCE)**

**CHAPTER 30 — ICE AND RAIN PROTECTION**

**TABLE OF CONTENTS**

<b>SUBJECT</b>	<b>CC-SS-UU</b>	<b>FIGURE</b>	<b>EFFECT</b>
ICE AND RAIN PROTECTION	30-00-00		
PREMODULE COLLECTOR-757 RB211 SYSTEMS (ICE AND RAIN PROTECTION ONLY)	30-00-00	01	101102 108120 504903
STRUT SYSTEM INSTL 757 RB211 (FIRE PROTECTION ONLY)	30-00-00	01A	103106


**BOEING**  
 757  
**PARTS CATALOG (MAINTENANCE)**

**CHAPTER 30 — ICE AND RAIN PROTECTION**

**TABLE OF CONTENTS**

SUBJECT	CC-SS-UU	FIGURE	EFFECT
WING THERMAL ANTI-ICE (WAI)	30-11-00		
DUCT INSTL-WING LE ANTI-ICING	30-11-01	01	002004 006999
PACKAGE ASSY-OPTION P37 MISC RELAY (WING THERMAL ANTI-ICING ONLY)	30-11-71	02B	101102 504903
PANEL ASSY-P37 MISC RELAY R (WING THERMAL ANTI-ICING ONLY)	30-11-71	02	002004 006100 107107 121503 904999
PANEL INSTL-P37 R MISC RELAY (WING TAI ONLY)	30-11-71	02D	103106 108120
PANEL INSTL-P5 OVHD (WING THERMAL ANTI-ICING ONLY)	30-11-51	01	002004 006010 107107 121503 904999
PANEL INSTL-P5 OVHD (WING THERMAL ANTI-ICING ONLY)	30-11-51	02	011100 107107
PANEL INSTL-P5 OVHD (WING THERMAL ANTI-ICING ONLY)	30-11-51	03	101106 108120 504903
PANEL INSTL-P61 R SIDEWALL (WING THERMAL ANTI-ICING ONLY)	30-11-52	01	002004 006999



**BOEING**  
757  
**PARTS CATALOG (MAINTENANCE)**

**CHAPTER 30 — ICE AND RAIN PROTECTION**

**TABLE OF CONTENTS**

<b>SUBJECT</b>	<b>CC-SS-UU</b>	<b>FIGURE</b>	<b>EFFECT</b>
ENGINE ANTI-ICE (EAI)	30-21-00		
DUCT INSTL-STARTER AND TAI (ICE AND RAIN PROTECTION ONLY) (RB211-535)	30-21-02	01A	101106 108120 504903
DUCTS-ANTI-ICING (RB211-535)	30-21-03	01	002004 006999
DUCTS-ANTI-ICING NOSE COWL (RB211-535)	30-21-04	01	002004 006999
EQUIPMENT INSTL-STRUT PNEU (ICE AND RAIN PROTECTION ONLY) (RB211-535)	30-21-02	01	002004 006999
OPTION PACKAGE ASSY-P36 MISC RELAY L (ENGINE NOSE COWL THERMAL ANTI-ICING ONLY)	30-21-71	03A	101102 504903
PACKAGE ASSY-OPTION P37 MISC RELAY (ENGINE NOSE COWL THERMAL ANTI-ICING ONLY)	30-21-71	03B	101102 504903
PANEL ASSY-P36 AND P37 MISC RELAY (ENGINE NOSE COWL THERMAL ANTI-ICING ONLY)	30-21-71	03	002004 006100 107107 121503 904999
PANEL INSTL-P36 L MISC RELAY (ENGINE INLET THERMAL ANTI-ICING ONLY)	30-21-71	03C	103106 108120
PANEL INSTL-P37 R MISC RELAY (ENGINE INLET TAI ONLY)	30-21-71	03D	103106 108120
PANEL INSTL-P5 OVERHEAD (ENGINE NOSE COWL THERMAL ANTI-ICING ONLY)	30-21-51	01	002004 006010 107107 121503 904999
PANEL INSTL-P5 OVERHEAD (WING THERMAL ANTI-ICING ONLY)	30-21-51	02	011100
PANEL INSTL-P5 OVHD (ENGINE INLET THERMAL ANTI-ICING ONLY)	30-21-51	03	101106 108120 504903
SWITCHES-HIGH/LOW PRESSURE AND ANTI-ICING (RB211-535)	30-21-02	06	002004 006999

 **BOEING**  
757  
**PARTS CATALOG (MAINTENANCE)**

**CHAPTER 30 — ICE AND RAIN PROTECTION**

**TABLE OF CONTENTS**

<b>SUBJECT</b>	<b>CC-SS-UU</b>	<b>FIGURE</b>	<b>EFFECT</b>
SYSTEM AND EQUIPMENT INSTL-(ICE AND RAIN PROTECTION ONLY) (RB211-535)	30-21-52	01	002004 006100 107107 121503 904999
TUBES-PRESSURE INDICATOR ANTI-ICING (RB211-535)	30-21-50	01	002004 006999
VALVE-ANTI-ICING PRSSURE REGULATION AND SHUTOFF (RB211-535)	30-21-01	01	002004 006999

 **BOEING**  
757  
**PARTS CATALOG (MAINTENANCE)**

**CHAPTER 30 — ICE AND RAIN PROTECTION**

**TABLE OF CONTENTS**

SUBJECT	CC-SS-UU	FIGURE	EFFECT
PITOT PROBE ANTI-ICING	30-31-00		
PACKAGE ASSY-OPTION P33 MISC ELEC EQPT (PITOT STATIC PROBE ANTI-ICING ONLY)	30-31-71	03A	101102 108120 504903
PACKAGE ASSY-OPTION P37 MISC RELAY (PITOT STATIC PROBE ANTI-ICING ONLY)	30-31-71	02B	101102 504903
PANEL ASSY-P37 MISC RELAY R (PITOT STATIC PROBE ANTI-ICING ONLY)	30-31-71	02	002004 006100 107107 121503 904999
PANEL INSTL-P37 R MISC RELAY (PITOT PROBE ANTI-ICING ONLY)	30-31-71	02D	103106 108120
PANEL INSTL-P5 OVHD (PITOT PROBE ANTI-ICING ONLY)	30-31-51	01	002004 006100 107107 121503 904999
PANEL INSTL-P5 OVHD (PITOT PROBE ANTI-ICING ONLY)	30-31-51	02	101106 108120 504903
SHIELD ASSY-P33 MISC ELEC EQPT (PITOT STATIC PROBE ANTI-ICING ONLY)	30-31-71	03	002004 006100 107107 121503 904999
SHIELD INSTL-P33 MISC ELEC EQPT (PITOT PROBE ANTI-ICING ONLY)	30-31-71	03B	103106
ANGLE OF ATTACK PROBE HEAT	30-32-00		
PACKAGE ASSY-OPTION P33 MISC ELEC EQPT (ANGLE-OF-ATTACK PROBE HEAT ONLY)	30-32-71	03A	101102 108120 504903
PACKAGE ASSY-OPTION P37 MISC RELAY (AOA PROBE HEAT ONLY)	30-32-71	02B	101102 504903
PANEL ASSY-P37 MISC RELAY R (AOA PROBE HEAT ONLY)	30-32-71	02	002004 006100 107107 121503 904999



**BOEING**  
757  
PARTS CATALOG (MAINTENANCE)

CHAPTER 30 — ICE AND RAIN PROTECTION

TABLE OF CONTENTS

SUBJECT	CC-SS-UU	FIGURE	EFFECT
PANEL INSTL-P37 R MISC RELAY (ANGLE OF ATTACK PROBE HEAT ONLY)	30-32-71	02D	103106 108120
PANEL INSTL-P5 OVHD (ANGLE-OF-ATTACK PROBE HEAT ONLY)	30-32-51	01	002004 006999
SHIELD ASSY-P33 MISC ELEC EQPT (AOA PROBE HEAT ONLY)	30-32-71	03	002004 006100 107107 121503 904999
SHIELD INSTL-P33 MISC ELEC EQPT (ANGLE-OF-ATTACK PROBE HEAT ONLY)	30-32-71	03B	103106
TOTAL AIR TEMPERTURE PROBE HEAT	30-33-00		
PACKAGE ASSY-OPTION P37 MISC RELAY (TAT PROBE HEAT ONLY)	30-33-71	02B	101102 504903
PANEL ASSY-P37 MISC RELAY R (TAT PROBE HEAT ONLY)	30-33-71	02	002004 006100 107107 121503 904999
PANEL INSTL-P37 R MISC RELAY (TOTAL AIR TEMPERATURE PROBE HEAT ONLY)	30-33-71	02D	103106 108120
PANEL INSTL-P5 OVHD (TOTAL AIR TEMPERATURE PROBE HEAT ONLY)	30-33-51	01	002004 006100 107107 121503 904999
PANEL INSTL-P5 OVHD (TOTAL AIR TEMPERATURE PROBE HEAT ONLY)	30-33-51	02	101106 108120 504903
ENGINE PROBE HEAT	30-34-00		
OPTION PACKAGE ASSY-P36 MISC RELAY L (ENGINE PROBE HEAT ONLY)	30-34-51	01A	101102 504903
PACKAGE ASSY-OPTION P37 MISC RELAY (ENGINE PROBE HEAT ONLY)	30-34-51	01B	101102 504903
PANEL ASSY-P36 AND P37 MISC RELAY (ENGINE PROBE HEAT ONLY)	30-34-51	01	002004 006100 107107 121503 904999

 **BOEING**  
757  
**PARTS CATALOG (MAINTENANCE)**

**CHAPTER 30 — ICE AND RAIN PROTECTION**

**TABLE OF CONTENTS**

<b>SUBJECT</b>	<b>CC-SS-UU</b>	<b>FIGURE</b>	<b>EFFECT</b>
PANEL INSTL-P36 L MISC RELAY (ENGINE PROBE HEAT ONLY)	30-34-51	01C	103106 108120
PANEL INSTL-P37 R MISC RELAY (ENGINE PROBE HEAT ONLY)	30-34-51	01D	103106 108120
WIRE INSTL-ELECTRICAL (ICE AND RAIN PROTECTION ONLY) (PW2000)	30-34-51	03	103106
WIRE INSTL-STRUT (ICE AND RAIN PROTECTION ONLY) (PW2000)	30-34-51	02	103106



 **BOEING**  
757  
**PARTS CATALOG (MAINTENANCE)**

**CHAPTER 30 — ICE AND RAIN PROTECTION**

**TABLE OF CONTENTS**

SUBJECT	CC-SS-UU	FIGURE	EFFECT
FLIGHT COMPARTMENT WINDOW ANTI-ICE	30-41-00		
EQUIPMENT INSTL-MAIN ELECTRONICS EQPT	30-41-01	01	002004
CTR (ICE AND RAIN PROTECTION ONLY)			006100
			107107
			121999
EQUIPMENT INSTL-MAIN ELECTRONICS EQPT	30-41-01	01B	101102
CTR (ICE AND RAIN PROTECTION ONLY)			
EQUIPMENT INSTL-MAIN ELECTRONICS EQPT	30-41-01	08	103106
CTR WINDOW HEAT CONT			108120
PANEL INSTL-P5 OVERHEAD (FLIGHT	30-41-51	02	011100
COMPARTMENT WINDOW ANTI-ICING ONLY)			
PANEL INSTL-P5 OVHD (FLIGHT	30-41-51	01	002004
COMPARTMENT WINDOW ANTI-ICING ONLY)			006010
			107107
			121503
			904999
PANEL INSTL-P5 OVHD (FLIGHT	30-41-51	03	101106
COMPARTMENT WINDOW ANTI-ICING ONLY)			108120
			504903
PANEL INSTL-P61 R SIDEWALL (WINDOWS,	30-41-51	04	002004
WINDSHIELDS, AND DOORS ONLY)			006999
WINDOW ASSY-NO. 1, 2, 3 (ICE AND RAIN	30-41-52	03	002004
PROTECTION ONLY)			006999
WINDSHIELD WIPER SYSTEM	30-42-00		
ARM ASSY-WIPER	30-42-03	05	002004
			006999
PANEL INSTL-P5 OVERHEAD (WINDSHIELD	30-42-51	01	002004
WIPER SYSTEM ONLY)			006010
			107107
			121503
			904999
PANEL INSTL-P5 OVERHEAD (WINDSHIELD	30-42-51	02	011100
WIPER SYSTEM ONLY)			
PANEL INSTL-P5 OVHD (WINDSHIELD WIPER	30-42-51	03	101106
SYSTEM ONLY)			108120
			504903
RIGGING INSTL-WINDSHIELD WIPERS	30-42-03	01	101106
			108120
			504903



**BOEING**  
757  
PARTS CATALOG (MAINTENANCE)

CHAPTER 30 — ICE AND RAIN PROTECTION

TABLE OF CONTENTS

SUBJECT	CC-SS-UU	FIGURE	EFFECT
SYSTEM INSTL-WSHLD WIPER	30-42-01	05	002004 006999
WINDSHIELD RAIN REPELLENT SYSTEM	30-43-00		
EQUIPMENT INSTL-RAIN REPELLENT (ICE AND RAIN PROTECTION ONLY) (DEACTIVATED FOR AAL)	30-43-01	05	002004 006100 107107 121503 904999
PANEL INSTL-P5 OVERHEAD (WINDSHIELD RAIN REPELLENT SYSTEM ONLY)	30-43-51	01	002004 006010 107107 121503 904999
PANEL INSTL-P5 OVERHEAD (WINDSHIELD RAIN REPELLENT SYSTEM ONLY)	30-43-51	02	011100
TUBING INSTL-RAIN REPELLENT	30-43-51	05	002004 006999


**BOEING**  
 757  
**PARTS CATALOG (MAINTENANCE)**

**CHAPTER 30 — ICE AND RAIN PROTECTION**

**TABLE OF CONTENTS**

SUBJECT	CC-SS-UU	FIGURE	EFFECT
DRAIN AND WATER SUPPLY LINE HEATING	30-71-00		
BLANKET AND MARKER INSTL HEATER BALL	30-71-01	09	103106
VALVE AND INPUT SWITCH VAC WASTE SYS			
BLANKET AND TAPE INSTL-LAV WASTE DUCT	30-71-01	02	002004
HEATER MID CAB.			006102
			107999
BLANKET INSTL-LAV WASTE DUCT HEATER FWD	30-71-01	01	002004
			006102
			107999
HEATER AND BLANKET INSTL FWD LAV WASTE	30-71-01	05	108120
DUCT (MODULE S)			950999
HOSE AND MARKER INSTL RINSE LINE	30-71-51	01	103106
HEATER VAC WASTE SYS			
PANEL ASSY-P37 MISC RELAY R (WATER AND	30-71-71	02	107107
DRAIN LINE HEATERS ONLY)			

## ICE AND RAIN PROTECTION

BRI  
MAY 28/07

30-00-00  
SECTION TITLE  
PAGE 1

 **BOEING**  
757  
PARTS CATALOG (MAINTENANCE)

NON-ILLUSTRATED FIGURE

THE ITEMS REFLECTED IN THIS FIGURE ARE INTENTIONALLY  
NON-ILLUSTRATED. THEY ARE REFERENCED TO EITHER A  
NEXT HIGHER OR NEXT LOWER ASSEMBLY/INSTALLATION FIGURE.

Y 30000001 REV 237

PREMODULE COLLECTOR-757 RB211 SYSTEMS (ICE AND RAIN PROTECTION ONLY)

FIGURE 1

**30-00-00-01**

BRI  
MAY 28/07

30-00-00-01  
PAGE 0



757

PARTS CATALOG (MAINTENANCE)

FIG ITEM	PART NUMBER	1 2 3 4 5 6 7	NOMENCLATURE	EFFECT FROM TO	UNITS PER ASSY
1			PREMODULE COLLECTOR- 757 RB211 SYSTEMS (ICE AND RAIN PROTECTION ONLY)	101102 108120 504903	
- 1	301N5090-300		PREMODULE COLLECTOR-RB211 757 RB211 SYSTEMS (ICE AND RAIN PROTECTION ONLY) POSITION DATA: ENG POS 1 AND 2 FOR OTHER SYS DETAILS SEE: 26-00-00-01 28-00-00-02 29-00-51-11 36-00-00-01 54-00-00-06 71-00-01-02A 78-00-00-05 80-00-00-01	101102 108120 504903	RF
- 35	312N5080-7		.PREMODULE COLLECTOR-RB211 STRUT SYSTEM (INSTALLED BY ROHR) POSITION DATA: ENG POS 1	101102 504505	RF
- 35	312N5080-9		.PREMODULE COLLECTOR-RB211 STRUT SYSTEM (INSTALLED BY ROHR) POSITION DATA: ENG POS 1	506903	RF
- 35	312N5080-11		.PREMODULE COLLECTOR-RB211 STRUT SYSTEM (INSTALLED BY ROHR) POSITION DATA: ENG POS 1	108120	RF
- 40	312N5080-8		.PREMODULE COLLECTOR-RB211 STRUT SYSTEM (INSTALLED BY ROHR) POSITION DATA: ENG POS 2	101102 504505	RF
- 40	312N5080-10		.PREMODULE COLLECTOR-RB211 STRUT SYSTEM (INSTALLED BY ROHR) POSITION DATA: ENG POS 2	506903	RF
- 40	312N5080-12		.PREMODULE COLLECTOR-RB211 STRUT SYSTEM (INSTALLED BY ROHR) POSITION DATA: ENG POS 2	108120	RF

MISSING ITEM NUMBERS NOT APPLICABLE

- ITEM NOT ILLUSTRATED

30-00-00-01

30-00-00  
FIG. 01  
PAGE 1  
JAN 20/09

BRI



757

PARTS CATALOG (MAINTENANCE)

FIG ITEM	PART NUMBER	1 2 3 4 5 6 7	NOMENCLATURE	EFFECT FROM TO	UNITS PER ASSY
1					
- 45	312N5301-12		..EQUIPMENT INSTL-STRUT PNEU FOR DETAILS SEE: 30-21-02-01	101102 108120 504903	1
- 50	312N5304-4		..DUCT INSTL-STARTER AND TAI FOR DETAILS SEE: 30-21-02-01A	101102 108120 504903	1

MISSING ITEM NUMBERS NOT APPLICABLE

- ITEM NOT ILLUSTRATED

BRI

30-00-00-01

BOEING PROPRIETARY - Copyright © - Unpublished Work - See title page for details.

30-00-00  
FIG. 01  
PAGE 2  
JAN 20/09

NON-ILLUSTRATED FIGURE

THE ITEMS REFLECTED IN THIS FIGURE ARE INTENTIONALLY  
NON-ILLUSTRATED. THEY ARE REFERENCED TO EITHER A  
NEXT HIGHER OR NEXT LOWER ASSEMBLY/INSTALLATION FIGURE.

Y 30000001A REV 251

STRUT SYSTEM INSTL 757 RB211 (FIRE PROTECTION ONLY)  
FIGURE 1A

**30-00-00-01A**

BRI  
JAN 20/09

30-00-00-01A  
PAGE 0





757

PARTS CATALOG (MAINTENANCE)

FIG ITEM	PART NUMBER	1 2 3 4 5 6 7	NOMENCLATURE	EFFECT FROM TO	UNITS PER ASSY
1 A			STRUT SYSTEM INSTL 757 RB211 (FIRE PROTECTION ONLY)	103106	
- 1	MODREF23488		STRUT SYSTEMS INSTL-RB211 (ICE AND RAIN PROTECTION ONLY) MODULE NUMBER: 312N5080-13 REV B POSITION DATA: ENG POSITION 1 FOR OTHER SYS DETAILS SEE: 26-00-00-01A 28-00-00-02A 29-00-51-11A 36-00-00-01A 54-00-00-06A 78-00-00-05A 80-00-00-01A	103106	1
- 5	MODREF23489		STRUT SYSTEMS INSTL-RB211 (ICE AND RAIN PROTECTION ONLY) MODULE NUMBER: 312N5080-14 REV B POSITION DATA: ENG POSITION 2 FOR OTHER SYS DETAILS SEE: 26-00-00-01A 28-00-00-02A 29-00-51-11A 36-00-00-01A 54-00-00-06A 78-00-00-05A 80-00-00-01A	103106	1
- 10	312N5301-12		.EQUIPMENT INSTL-STRUT PNEU FOR DETAILS SEE: 30-21-02-01	103106	1
- 15	312N5304-4		.DUCT INSTL-STARTER AND TAI FOR DETAILS SEE: 30-21-02-01A	103106	1

MISSING ITEM NUMBERS NOT APPLICABLE

- ITEM NOT ILLUSTRATED

**30-00-00-01A**

30-00-00  
FIG. 01A  
PAGE 1  
JAN 20/09

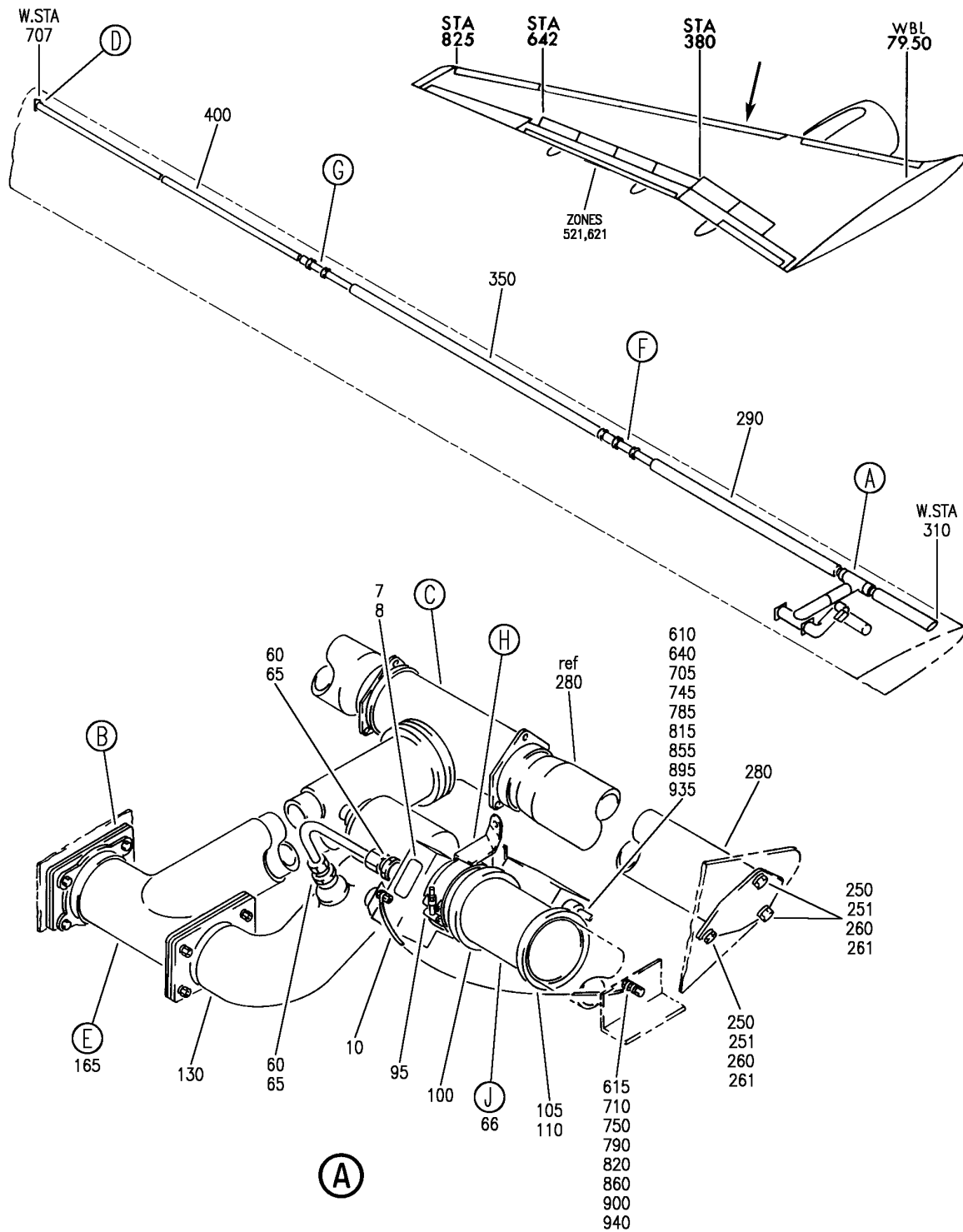
BRI

## WING THERMAL ANTI-ICE (WAI)

BRI  
MAY 28/07

30-11-00  
SECTION TITLE  
PAGE 1

**BOEING**  
757  
PARTS CATALOG (MAINTENANCE)



Y 30110101 SHT 1 REV 310

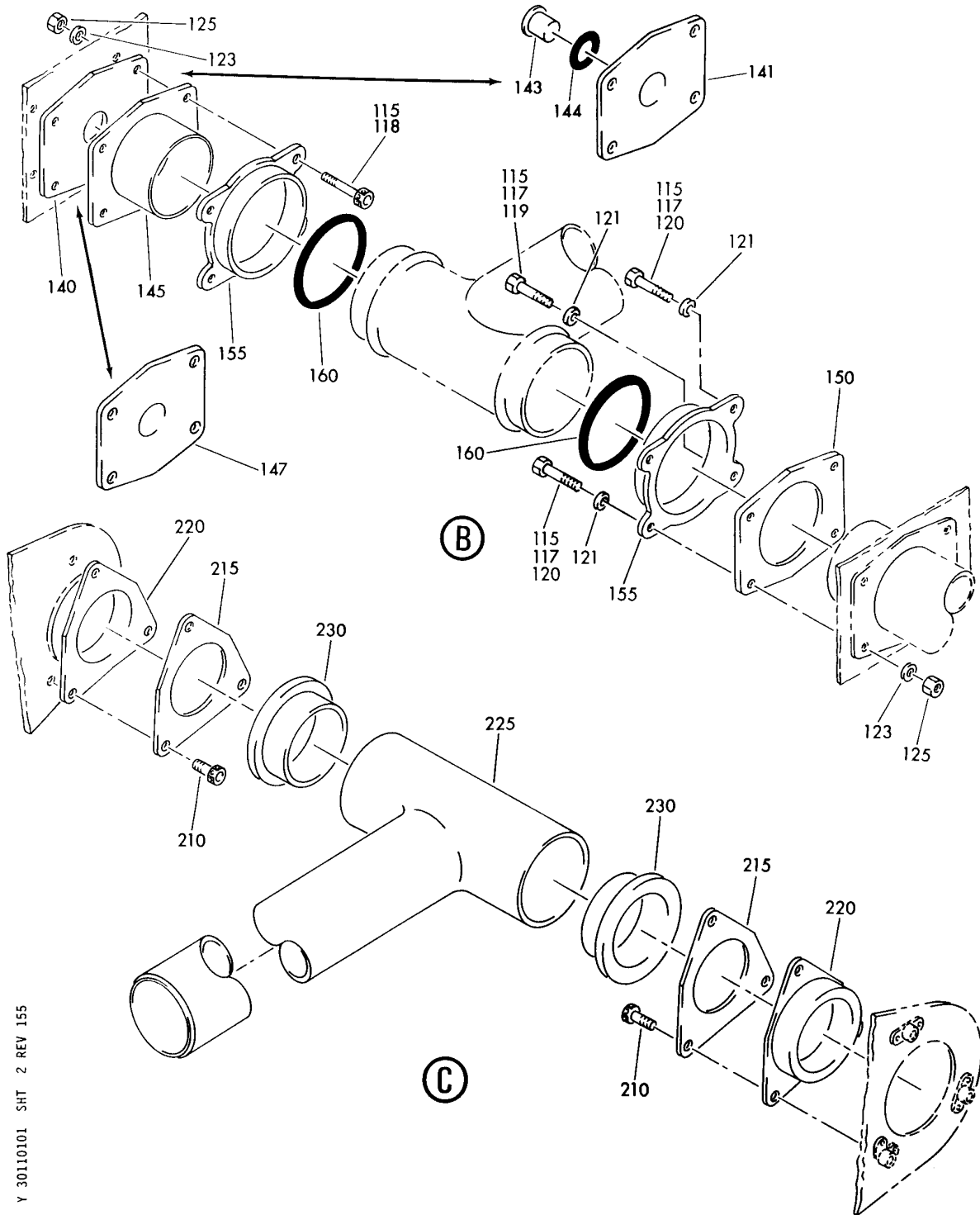
DUCT INSTL-WING LE ANTI-ICING  
FIGURE 1 (SHEET 1)

**30-11-01-01**

BRI  
MAY 28/07

30-11-01-01  
PAGE 0

**BOEING**  
757  
PARTS CATALOG (MAINTENANCE)



Y 30110101 SHT 2 REV 155

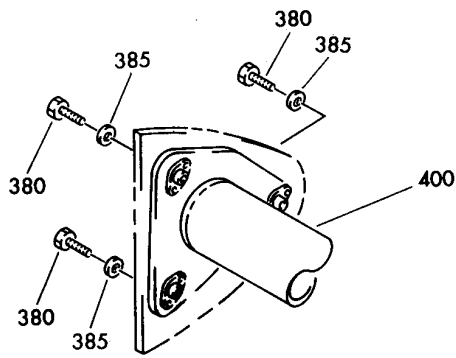
DUCT INSTL-WING LE ANTI-ICING  
FIGURE 1 (SHEET 2)

**30-11-01-01**

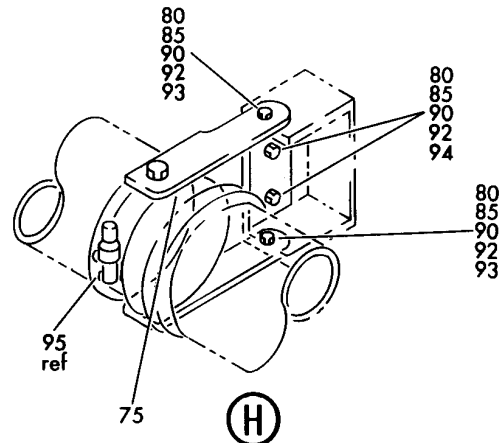
BRI  
MAY 28/07

30-11-01-01  
PAGE 0A

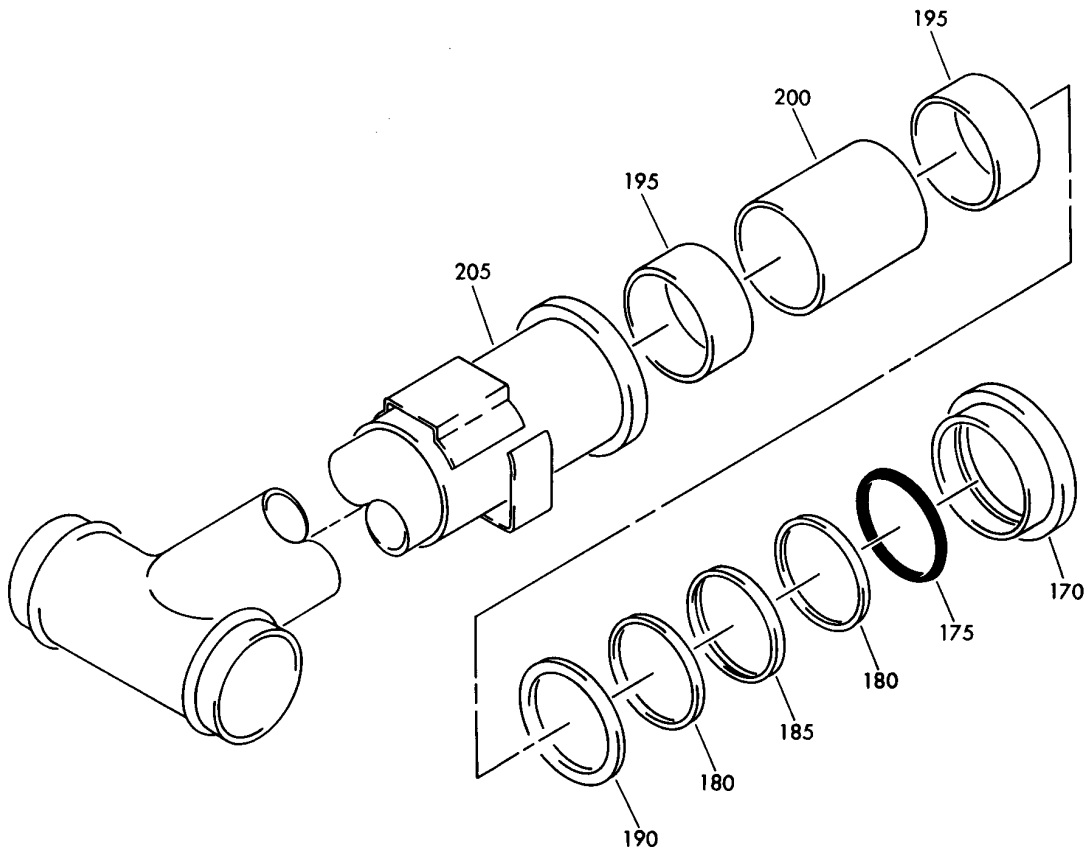
**BOEING**  
757  
PARTS CATALOG (MAINTENANCE)



(D)



(H)



(E)

Y 30110101 SHT 3 REV 187

DUCT INSTL-WING LE ANTI-ICING  
FIGURE 1 (SHEET 3)

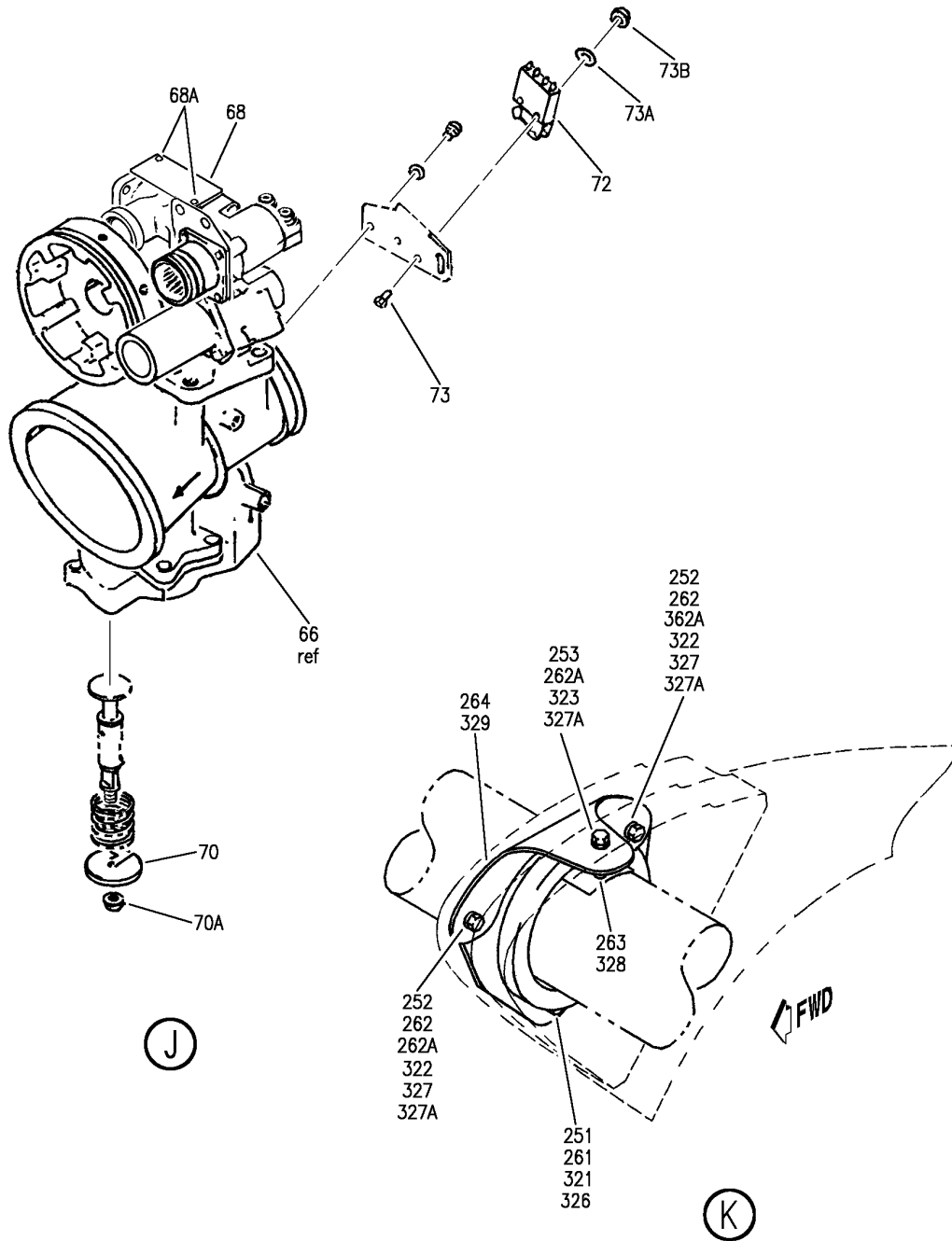
**30-11-01-01**

BRI  
MAY 28/07

30-11-01-01  
PAGE 0B



**BOEING**  
757  
PARTS CATALOG (MAINTENANCE)



Y 30110101 SHT 5 REV 312

DUCT INSTL-WING LE ANTI-ICING  
FIGURE 1 (SHEET 5)

**30-11-01-01**

BRI  
SEP 28/07

30-11-01-01  
PAGE 00



757

PARTS CATALOG (MAINTENANCE)

FIG ITEM	PART NUMBER	1 2 3 4 5 6 7	NOMENCLATURE	EFFECT FROM TO	UNITS PER ASSY
1			DUCT INSTL-WING LE ANTI-ICING	002004 006999	
- 1	218N1001-23		DUCT INSTL-WING LE ANTI-ICING POSITION DATA: LH FOR NHA SEE: 21-00-00-04	002004 006100 107107 121503 904999	RF
- 1	218N1001-37		DUCT INSTL-WING LE ANTI-ICING POSITION DATA: LH FOR NHA SEE: 21-00-00-14	101102 108120 504903	RF
- 1	MODREF5844		DUCT INSTL-WING LE ANTI-ICING MODULE NUMBER: 218N1001-37 REV A POSITION DATA: LH	103103	1
- 1	MODREF27309		DUCT INSTL-WING LE ANTI-ICING MODULE NUMBER: 218N1001-37 REV B POSITION DATA: LH	104106	1
- 5	218N1001-24		DUCT INSTL-WING LE ANTI-ICING POSITION DATA: RH FOR NHA SEE: 21-00-00-04	002004 006100 107107 121503 904999	RF
- 5	218N1001-38		DUCT INSTL-WING LE ANTI-ICING POSITION DATA: RH FOR NHA SEE: 21-00-00-14	101102 108120 504903	RF
- 5	MODREF5845		DUCT INSTL-WING LE ANTI-ICING MODULE NUMBER: 218N1001-38 REV A POSITION DATA: RH	103103	1

MISSING ITEM NUMBERS NOT APPLICABLE

- ITEM NOT ILLUSTRATED

30-11-01-01

30-11-01  
FIG. 01  
PAGE 1  
JAN 20/09

BRI





757

PARTS CATALOG (MAINTENANCE)

FIG ITEM	PART NUMBER	1 2 3 4 5 6 7	NOMENCLATURE	EFFECT FROM TO	UNITS PER ASSY
1					
- 5	MODREF27310		DUCT INSTL-WING LE ANTI ICING MODULE NUMBER: 218N1001-38 REV B POSITION DATA: RH	104106	1
7	BAC27NEC0011		.MARKER-ALUMINUM FOIL- POSITION DATA: LH SIDE PLACARD CONTENT: VALVE-WING TAI PR AND S/O (LEFT) V52	002004 006999	1
8	BAC27NEC0012		.MARKER-ALUMINUM FOIL- POSITION DATA: RH SIDE PLACARD CONTENT: VALVE-WING TAI PR AND S/O (RIGHT) V57	002004 006999	1
10	BACJ40A20-9		.JUMPER ASSY-  ATTACHING PARTS	002004 006999	1
- 15	NAS1801-3-9		.SCREW	002004 006999	2
- 20	MS35338-43		.WASHER	002004 006999	2
- 25	AN960PD10L		.WASHER	002004 006999	4
- 30	MS35650-302		.NUT	002004 006999	2
- 35	BRH10A3		.NUT SUPPLIER CODE: V52828 SPECIFICATION NUMBER: BACN10JC3 OPTIONAL PART: H10-3BAC V15653 NS202101-02 V80539 RMLH9075-3W V72962 VN303A02 V92215 96-02 V80539 T6S1032J V11815	002004 006100 107107 121503 904999	2

MISSING ITEM NUMBERS NOT APPLICABLE

- ITEM NOT ILLUSTRATED

30-11-01-01

30-11-01  
FIG. 01  
PAGE 2  
JAN 20/09

BRI



757

PARTS CATALOG (MAINTENANCE)

FIG ITEM	PART NUMBER	1 2 3 4 5 6 7	NOMENCLATURE	EFFECT FROM TO	UNITS PER ASSY
1					
- 35	BRH10C4D	.	NUT SUPPLIER CODE: V52828 SPECIFICATION NUMBER: BACN10JC4CD OPTIONAL PART: T6C428JCD V11815 NS202486-048 V80539 102LH9075-4W V72962 H51650-4BAC V15653 -----*-----	101106 108120 504903	2
40	218N1001-9	.	TUBE ASSY- POSITION DATA: LH SIDE	002004 006999	1
- 45	218N1001-10	.	TUBE ASSY- POSITION DATA: RH SIDE	002004 006999	1
- 50	AP2097HP06	..	SLEEVE SUPPLIER CODE: V01673 SPECIFICATION NUMBER: BACS13BX06HP OPTIONAL PART: 2-02903-06HP V11328 35235VN06 V08199 AFP175V06P V30974 DBOS13BX06HP V14798	002004 006999	2
- 55	MS21921-6S	..	NUT	002004 006999	2
60	MS21902-6S	.	UNION	002004 006999	2

MISSING ITEM NUMBERS NOT APPLICABLE

- ITEM NOT ILLUSTRATED

30-11-01-01

30-11-01  
FIG. 01  
PAGE 3  
JAN 20/09

BRI



757

PARTS CATALOG (MAINTENANCE)

FIG ITEM	PART NUMBER	1 2 3 4 5 6 7	NOMENCLATURE	EFFECT FROM TO	UNITS PER ASSY
1					
65	R1131-906		.PACKING SUPPLIER CODE: V57268 SPECIFICATION NUMBER: BACP11K6 OPTIONAL PART: 3-906S383-70 V02697 1090-06 V95272 150701-06 V95272 AS568-906S32 V11314	002004 006999	2
66	2780537-104		.VALVE- SUPPLIER CODE: V92003 ELECTRICAL EQUIP NUMBER: V00052 V00057 COMPONENT MAINT MANUAL REF: 30-10-01	002004 006999	1
68	2803644-101		..NAMEPLATE- SUPPLIER CODE: V92003 ATTACHING PARTS	002004 006999	1
68A	MS21318-7		..SCREW-	002004 006999	2
			-----*-----		
70	2793885-101		..KNOB- SUPPLIER CODE: V92003	002004 006999	1
70A	MS21043-3		..NUT	002004 006999	1
72	2793835-101		..SWITCH- SUPPLIER CODE: V92003 CONFIG CHG DATA FROM A CMM: SUPSD BY 5863103-101	002004 006999	1
72	5863103-101		..SWITCH- SUPPLIER CODE: V92003 CONFIG CHG DATA FROM A CMM: SUPSDS 2793835-101 ATTACHING PARTS	002004 006999	1
73	MS24693C7		..SCREW	002004 006999	2
73A	NAS620C4		..WASHER	002004 006999	2

MISSING ITEM NUMBERS NOT APPLICABLE

- ITEM NOT ILLUSTRATED

30-11-01-01

30-11-01  
FIG. 01  
PAGE 4  
JAN 20/09

BRI



757

PARTS CATALOG (MAINTENANCE)

FIG ITEM	PART NUMBER	1 2 3 4 5 6 7	NOMENCLATURE	EFFECT FROM TO	UNITS PER ASSY
1					
73B	MS21043-04	. .	NUT	002004 006999	2
			-----*-----		
75	218N1043-7	.BRACKET-	POSITION DATA: LH SIDE	107107	1
75	218N1043-9	.BRACKET-	POSITION DATA: LH SIDE	002004 006106 108999	1
- 78	218N1043-8	.BRACKET-	POSITION DATA: RH SIDE	107107	1
- 78	218N1043-10	.BRACKET-	POSITION DATA: RH SIDE ATTACHING PARTS	002004 006106 108999	1
80	BACB30NM3K2	.BOLT		002004 006999	4
85	AN960JD10L	.WASHER-		002004 006999	4
90	BRH10A3	.NUT-	SUPPLIER CODE: V52828 SPECIFICATION NUMBER: BACN10JC3 OPTIONAL PART: H10-3BAC V15653 NS202101-02 V80539 RMLH9075-3W V72962 VN303A02 V92215 96-02 V80539 T6S1032J V11815	002004 006100 107107 121503 904999	4

MISSING ITEM NUMBERS NOT APPLICABLE

- ITEM NOT ILLUSTRATED

30-11-01-01

30-11-01  
FIG. 01  
PAGE 5  
JAN 20/09

BRI



757

PARTS CATALOG (MAINTENANCE)

FIG ITEM	PART NUMBER	1 2 3 4 5 6 7	NOMENCLATURE	EFFECT FROM TO	UNITS PER ASSY
1	92 BRH10C4D		.NUT- SUPPLIER CODE: V52828 SPECIFICATION NUMBER: BACN10JC4CD OPTIONAL PART: T6C428JCD V11815 NS202486-048 V80539 102LH9075-4W V72962 H51650-4BAC V15653 POSITION DATA: LH SIDE	101106 108120 504903	4
	93 BRH10C4D		.NUT- SUPPLIER CODE: V52828 SPECIFICATION NUMBER: BACN10JC4CD OPTIONAL PART: T6C428JCD V11815 NS202486-048 V80539 102LH9075-4W V72962 H51650-4BAC V15653 POSITION DATA: RH SIDE	101106 108120 504903	2

MISSING ITEM NUMBERS NOT APPLICABLE

- ITEM NOT ILLUSTRATED

BRI

30-11-01-01

BOEING PROPRIETARY - Copyright © - Unpublished Work - See title page for details.

30-11-01  
FIG. 01  
PAGE 6  
JAN 20/09



757

PARTS CATALOG (MAINTENANCE)

FIG ITEM	PART NUMBER	1 2 3 4 5 6 7	NOMENCLATURE	EFFECT FROM TO	UNITS PER ASSY
1 94	BRH10A3		.NUT- SUPPLIER CODE: V52828 SPECIFICATION NUMBER: BACN10JC3 OPTIONAL PART: H10-3BAC V15653 NS202101-02 V80539 RMLH9075-3W V72962 VN303A02 V92215 96-02 V80539 T6S1032J V11815 POSITION DATA: RH SIDE -----*-----	101106 108120 504903	2
95	BACC10AD300WE		.CLAMP	101106 108120 504903	1
95	1143-300SS		.CLAMP- SUPPLIER CODE: V94581 SPECIFICATION NUMBER: BACC10AD300W OPTIONAL PART: 12603-300 V00671 16502-300 V00624 BC1085W300 V14242 BC1085W300 V14241	002004 006100 107107 121503 904999	1

MISSING ITEM NUMBERS NOT APPLICABLE

- ITEM NOT ILLUSTRATED

BRI

30-11-01-01

30-11-01  
FIG. 01  
PAGE 7  
JAN 20/09



757

PARTS CATALOG (MAINTENANCE)

FIG ITEM	PART NUMBER	1 2 3 4 5 6 7	NOMENCLATURE	EFFECT FROM TO	UNITS PER ASSY
1 100	14J29300		.CLAMP- SUPPLIER CODE: V5T400 SPECIFICATION NUMBER: BACC10GY300 OPTIONAL PART: 4385AF300 V94581 PDVC1137300 V14242 NM102701300 V8W928	002004 006100 107107 121503 904999	1
100	14J29300E		.CLAMP- SUPPLIER CODE: V5T400 SPECIFICATION NUMBER: BACC10GY300E OPTIONAL PART: 4385AF300E V94581 PDVC1137300E V14242 NM102701300E V8W928	101106 108120 504903	1
105	2703-300		.CLAMP- SUPPLIER CODE: V15284	002004 006999	1
110	A7387-300		.GASKET- SUPPLIER CODE: V15284	002004 006999	1
115	BACB30NR4K6		.BOLT-	107107	8
117	BACB30NR4K6		.BOLT	002004 006015 121503 904999	4
118	BACB30NR4K7		.BOLT-	003004 006010 121503 904999	4
118	BACB30NR4K8		.BOLT	101106 108120 504903	4
119	BACB30NR4HK8		.BOLT-	011106 108120 504903	1
120	BACB30NR4K8		.BOLT-	011106 108120 504903	3

MISSING ITEM NUMBERS NOT APPLICABLE

- ITEM NOT ILLUSTRATED

30-11-01-01

30-11-01  
FIG. 01  
PAGE 8  
JAN 20/09

BRI



757

PARTS CATALOG (MAINTENANCE)

FIG ITEM	PART NUMBER	1 2 3 4 5 6 7	NOMENCLATURE	EFFECT FROM TO	UNITS PER ASSY
1	121 BACW10BP4ACU	.	WASHER	011106 108120 504903	8
	123 AN960JD416	.	WASHER	002004 006100 107107 121503 904999	8
	123 NAS1149D0463J	.	WASHER	101106 108120 504903	8
	125 BRH10A4	.	NUT SUPPLIER CODE: V52828 SPECIFICATION NUMBER: BACN10JC4 OPTIONAL PART: T6S428J V11815 96-048 V80539 VN303A048 V92215 RMLH9075-4W V72962 NS202101-048 V80539 H10-4BAC V15653	002004 006100 107107 121503 904999	8
	125 BRH10C4D	.	NUT SUPPLIER CODE: V52828 SPECIFICATION NUMBER: BACN10JC4CD OPTIONAL PART: T6C428JCD V11815 NS202486-048 V80539 102LH9075-4W V72962 H51650-4BAC V15653	101106 108120 504903	8
	130 218N1037-1	.	DUCT ASSY- POSITION DATA: LH SIDE OPTIONAL PART: 218N1037-15	002004 006999	1

MISSING ITEM NUMBERS NOT APPLICABLE

- ITEM NOT ILLUSTRATED

30-11-01-01

30-11-01  
FIG. 01  
PAGE 9  
JAN 20/09

BRI





757

PARTS CATALOG (MAINTENANCE)

FIG ITEM	PART NUMBER	1 2 3 4 5 6 7	NOMENCLATURE	EFFECT FROM TO	UNITS PER ASSY
1					
130	218N1037-15		. DUCT ASSY- POSITION DATA: LH SIDE OPTIONAL PART: 218N1037-1	002004 006999	1
- 135	218N1037-2		. DUCT ASSY- POSITION DATA: RH SIDE OPTIONAL PART: 218N1037-16	002004 006999	1
- 135	218N1037-16		. DUCT ASSY- POSITION DATA: RH SIDE OPTIONAL PART: 218N1037-2	002004 006999	1
141	218N1035-2		. SUPPORT ASSY-SENSOR REWORK DRAWING REF: 218N1001-13 218N1001-14	002004 006010 107107 121503 904999	1
141	218N1035-4		. SUPPORT ASSY-SENSOR	011106 108120 504903	1
142	69-43887-2		.. BOSS-	002004 006010 107107 121503 904999	1
142	218N1045-1		.. BOSS-	011106 108120 504903	1

MISSING ITEM NUMBERS NOT APPLICABLE

- ITEM NOT ILLUSTRATED

BRI

30-11-01-01

BOEING PROPRIETARY - Copyright © - Unpublished Work - See title page for details.

30-11-01  
FIG. 01  
PAGE 10  
JAN 20/09



757

PARTS CATALOG (MAINTENANCE)

FIG ITEM	PART NUMBER	1 2 3 4 5 6 7	NOMENCLATURE	EFFECT FROM TO	UNITS PER ASSY
1 143	AP1016D8		.PLUG- SUPPLIER CODE: V01673 SPECIFICATION NUMBER: BACP20AU8D OPTIONAL PART: DB0P20AU8D V14798 ER0806-8D V88334 2-02700-8D V11328 AP10168D V01673 31794-8D V14397 AFP952-08D V30974 AP1016-08D V01673 4120-587208D V50948 AP1016D08 V01673 REWORK DRAWING REF: 218N1001-13 218N1001-14	002004 006999	1
144	R1131-908		.PACKING- SUPPLIER CODE: V57268 SPECIFICATION NUMBER: BACP11K8 OPTIONAL PART: 3-908S383-70 V02697 1090-08 V95272 150701-08 V95272 AS568-908S32 V11314 REWORK DRAWING REF: 218N1001-13 218N1001-14	002004 006999	1
145	218N1014-1		.DUCT ASSY-END	002004 006999	1

MISSING ITEM NUMBERS NOT APPLICABLE

- ITEM NOT ILLUSTRATED

30-11-01-01

30-11-01  
FIG. 01  
PAGE 11  
JAN 20/09

BRI



757

PARTS CATALOG (MAINTENANCE)

FIG ITEM	PART NUMBER	1 2 3 4 5 6 7	NOMENCLATURE	EFFECT FROM TO	UNITS PER ASSY
1					
147	218N1028-3	.	SEAL	002004 006100 103106 121503 904999	1
150	218N1028-2	.	SEAL-	107107	1
150	218N1028-4	.	SEAL-	002004 006100 103106 121503 904999	1
155	218N1013-1	.	BEARING	002004 006999	2
160	2-336S383-70	.	PACKING SUPPLIER CODE: V02697 SPECIFICATION NUMBER: BACP11J336 OPTIONAL PART: AS568-336S32 V11314 S7E183-336 V95272 13-06-336 V07096 S424-7-2-336 V02697 A330-336 V95272 R1131-336 V57268	002004 006999	2
165	218N1011-1	.	DUCT ASSY-TEE	002004 006999	1
165	218N1011-2	.	DUCT ASSY-TEE	002004 006999	1
165	218N1011-3	.	DUCT ASSY-TEE	002004 006999	1
165	218N1011-4	.	DUCT ASSY-TEE	002004 006999	1
170	218N1019-1	..	CAP-END	107107	1
170	218N1019-3	..	CAP-END	002004 006100 103107 121503 904999	1
175	M83248-1-232	..	PACKING- SUPPLIER CODE: V04319	002004 006999	1

MISSING ITEM NUMBERS NOT APPLICABLE

- ITEM NOT ILLUSTRATED

30-11-01-01

30-11-01  
FIG. 01  
PAGE 12  
JAN 20/09

BRI



757

PARTS CATALOG (MAINTENANCE)

FIG ITEM	PART NUMBER	1 2 3 4 5 6 7	NOMENCLATURE	EFFECT FROM TO	UNITS PER ASSY
1 180	S30310-232		..RING SUPPLIER CODE: V09257 SPECIFICATION NUMBER: BACR12BP232 OPTIONAL PART: DW969516-232 V02886 RM9157BU232 V94878 STS900-232 V02107 TF456-232 V07128 2150-232 V26303 C11237-232 V26879	002004 006999	2
185	A3010		..SEAL-VITON SUPPLIER CODE: V30781	002004 006999	1
190	218N1039-1		..RETAINER	002004 006999	1
195	SF6118-044		..BEARING- SUPPLIER CODE: V73680	002004 006999	2
200	218N1020-1		..SPACER	002004 006999	1
205	218N1018-1		..DUCT ASSY-TEE	107107	1
205	218N1018-5		..DUCT ASSY-TEE	904949	1
205	218N1018-7		..DUCT ASSY-TEE OPTIONAL PART: 218N1018-10	002004 006106 108903 950999	1
205	218N1018-10		..DUCT ASSY-TEE OPTIONAL PART: 218N1018-7	002004 006106 108903 950999	1
210	BACB30NR4K3		.BOLT	002004 006999	6
215	218N1027-1		.PLATE-THRUST	002004 006999	2
220	218N1012-1		.BEARING	002004 006999	2
225	218N1017-1		.DUCT ASSY-TELESCOPE TEE POSITION DATA: LWR	002004 006999	1

MISSING ITEM NUMBERS NOT APPLICABLE

- ITEM NOT ILLUSTRATED

30-11-01-01

30-11-01  
FIG. 01  
PAGE 13  
JAN 20/09

BRI



757

PARTS CATALOG (MAINTENANCE)

FIG ITEM	PART NUMBER	1 2 3 4 5 6 7	NOMENCLATURE	EFFECT FROM TO	UNITS PER ASSY
1					
225	218N1017-4		. DUCT ASSY-TELESCOPE TEE POSITION DATA: LWR	002004 006999	1
230	218N1016-1		.. BEARING	002004 006999	2
231	14A241-2		. VIBREAKER ASSY- SUPPLIER CODE: V14711 OPTIONAL PART: 10201-250 V06689	002004 006999	1
231	10201-250		. COUPLING ASSY- SUPPLIER CODE: V06689 OPTIONAL PART: 14A241-2 V14711	002004 006999	1
232	460-250		.. SEAL-PERI SUPPLIER CODE: V14711	002004 006999	2
233	10A219-250-50		. CLAMP ASSY- SUPPLIER CODE: V14711	002004 006999	1
235	14A241-1		. VIBREAKER ASSY- SUPPLIER CODE: V14711 OPTIONAL PART: 10201-200 V06689	002004 006999	1
235	10201-200		. COUPLING ASSY- SUPPLIER CODE: V06689 OPTIONAL PART: 14A241-1 V14711	002004 006999	1
236	460-200		.. SEAL-PERI SUPPLIER CODE: V14711	002004 006999	2
237	10A219-200-50		. CLAMP ASSY- SUPPLIER CODE: V14711	002004 006999	1
- 240	218N1001-25		DUCT INSTL-WING LE ANTI ICING POSITION DATA: LH FOR NHA SEE: 27-81-02-04 27-81-02-04D	002004 006999	RF

MISSING ITEM NUMBERS NOT APPLICABLE

- ITEM NOT ILLUSTRATED

30-11-01-01

30-11-01  
FIG. 01  
PAGE 14  
JAN 20/09

BRI

 **BOEING**  
757  
**PARTS CATALOG (MAINTENANCE)**

FIG ITEM	PART NUMBER	1 2 3 4 5 6 7	NOMENCLATURE	EFFECT FROM TO	UNITS PER ASSY
1					
- 245	218N1001-26		DUCT INSTL-WING LE ANTI ICING POSITION DATA: RH FOR NHA SEE: 27-81-02-04A 27-81-02-04E	002004 006999	RF
250	NAS1801-3-9		.SCREW	103903 950999	7
251	NAS1801-3-9		.SCREW	002004 006102 904949	4
252	NAS1801-3-9		.SCREW- PRE SERVICE BULLETIN: 30-0021	002004 006102 904949	2
252	BACS12HN3-9		.SCREW- POST SERVICE BULLETIN: 30-0021	002004 006102 904949	2
253	NAS1801-3-9		.SCREW- PRE SERVICE BULLETIN: 30-0021	002004 006102 904949	1
253	BACS12HN3-14		.SCREW- POST SERVICE BULLETIN: 30-0021	002004 006102 904949	1
260	AN960PD10L		.WASHER	103903 950999	6
261	AN960PD10L		.WASHER	002004 006102 904949	4
262	AN960PD10L		.WASHER- PRE SERVICE BULLETIN: 30-0021	002004 006102 904949	2
262A	NAS1149D0332J		.WASHER- POST SERVICE BULLETIN: 30-0021	002004 006102 904949	3
263	NAS43DD3-19FC		.SPACER- POST SERVICE BULLETIN: 30-0021	002004 006102 904949	1
264	218N1043-14		.BRACKET- POST SERVICE BULLETIN: 30-0021	002004 006102 904949	1
265	218N1015-1		.PLATE-SEAL	002004 006999	1
270	10203-250		.FLANGE- SUPPLIER CODE: V06689 OPTIONAL PART: 14A244-3 V14711	002004 006999	1

MISSING ITEM NUMBERS NOT APPLICABLE

- ITEM NOT ILLUSTRATED

BRI

# 30-11-01-01

30-11-01  
FIG. 01  
PAGE 15  
JAN 20/09

BOEING PROPRIETARY - Copyright © - Unpublished Work - See title page for details.



757

PARTS CATALOG (MAINTENANCE)

FIG ITEM	PART NUMBER	1 2 3 4 5 6 7	NOMENCLATURE	EFFECT FROM TO	UNITS PER ASSY
1 273	14A244-3		.SEAL ASSY-BHD SUPPLIER CODE: V14711 OPTIONAL PART: 10203-250 V06689	002004 006999	1
280	218N1029-23		.TUBE ASSY-SPRAY POSITION DATA: LH SIDE	002004 006999	1
- 285	218N1029-24		.TUBE ASSY-SPRAY POSITION DATA: RH SIDE	002004 006999	1
290	218N1029-25		.TUBE ASSY-SPRAY POSITION DATA: LH SIDE	002004 006100 103107 121503 904999	1
290	218N1029-31		.TUBE ASSY-SPRAY POSITION DATA: LH SIDE	002004 006100 103107 121503 904999	1
- 295	218N1029-26		.TUBE ASSY-SPRAY POSITION DATA: RH SIDE	002004 006100 103107 121503 904999	1
- 295	218N1029-32		.TUBE ASSY-SPRAY POSITION DATA: RH SIDE	002004 006100 103107 121503 904999	1
- 305	218N1001-27		DUCT INSTL-WING LE ANTI ICING POSITION DATA: LH FOR NHA SEE: 27-81-02-03 27-81-02-03D	002004 006999	RF
- 310	218N1001-28		DUCT INSTL-WING LE ANTI ICING POSITION DATA: RH FOR NHA SEE: 27-81-02-03A 27-81-02-03E	002004 006999	RF
320	NAS1801-3-7		.SCREW	103903 950999	7

MISSING ITEM NUMBERS NOT APPLICABLE

- ITEM NOT ILLUSTRATED

30-11-01-01

30-11-01  
FIG. 01  
PAGE 16  
JAN 20/09

BRI



757

PARTS CATALOG (MAINTENANCE)

FIG ITEM	PART NUMBER	1 2 3 4 5 6 7	NOMENCLATURE	EFFECT FROM TO	UNITS PER ASSY
1					
321	NAS1801-3-7	.	SCREW	002004 006102 904949	4
322	NAS1801-3-7	.	SCREW- PRE SERVICE BULLETIN: 30-0021	002004 006102 904949	2
322	BACS12HN3-9	.	SCREW- POST SERVICE BULLETIN: 30-0021	002004 006102 904949	2
323	NAS1801-3-7	.	SCREW- PRE SERVICE BULLETIN: 30-0021	002004 006102 904949	1
323	BACS12HN3-14	.	SCREW- POST SERVICE BULLETIN: 30-0021	002004 006102 904949	1
325	AN960PD10L	.	WASHER	103903 950999	6
326	AN960PD10L	.	WASHER	002004 006102 904949	4
327	AN960PD10L	.	WASHER- PRE SERVICE BULLETIN: 30-0021	002004 006102 904949	2
327A	NAS1149D0332J	.	WASHER- POST SERVICE BULLETIN: 30-0021	002004 006102 904949	3
328	NAS43DD3-19FC	.	SPACER- POST SERVICE BULLETIN: 30-0021	002004 006102 904949	1
329	218N1043-15	.	BRACKET- POST SERVICE BULLETIN: 30-0021	002004 006102 904949	1
330	14A242-3	.	RETAINER ASSY- SUPPLIER CODE: V14711 POSITION DATA: LH SIDE OPTIONAL PART: 10202-250-3 V06689	002004 006999	1
330	10202-250-3	.	COUPLING- SUPPLIER CODE: V06689 POSITION DATA: LH SIDE OPTIONAL PART: 14A242-3 V14711	002004 006999	1

MISSING ITEM NUMBERS NOT APPLICABLE

- ITEM NOT ILLUSTRATED

30-11-01-01

30-11-01  
FIG. 01  
PAGE 17  
JAN 20/09

BRI





757

PARTS CATALOG (MAINTENANCE)

FIG ITEM	PART NUMBER	1 2 3 4 5 6 7	NOMENCLATURE	EFFECT FROM TO	UNITS PER ASSY
1					
- 335	14A242-4		.RETAINER ASSY- SUPPLIER CODE: V14711 POSITION DATA: RH SIDE OPTIONAL PART: 10202-250-4 V06689	002004 006999	1
- 335	10202-250-4		.COUPLING- SUPPLIER CODE: V06689 POSITION DATA: RH SIDE OPTIONAL PART: 14A242-4 V14711	002004 006999	1
340	14A244-1		.SEAL ASSY-BHD SUPPLIER CODE: V14711 OPTIONAL PART: 10203-200 V06689	002004 006999	1
343	10203-200		.FLANGE- SUPPLIER CODE: V06689 OPTIONAL PART: 14A244-1 V14711	002004 006999	1
350	218N1029-27		.TUBE ASSY-SPRAY POSITION DATA: LH SIDE	002004 006100 103107 121503 904999	1
350	218N1029-33		.TUBE ASSY-SPRAY POSITION DATA: LH SIDE	002004 006100 103107 121503 904999	1
- 355	218N1029-28		.TUBE ASSY-SPRAY POSITION DATA: RH SIDE	002004 006100 103107 121503 904999	1
- 355	218N1029-34		.TUBE ASSY-SPRAY POSITION DATA: LH SIDE	002004 006100 103107 121503 904999	1

MISSING ITEM NUMBERS NOT APPLICABLE

- ITEM NOT ILLUSTRATED

30-11-01-01

30-11-01  
FIG. 01  
PAGE 18  
JAN 20/09

BRI



757

PARTS CATALOG (MAINTENANCE)

FIG ITEM	PART NUMBER	1 2 3 4 5 6 7	NOMENCLATURE	EFFECT FROM TO	UNITS PER ASSY
1					
- 365	218N1001-29		DUCT INSTL-WING LE ANTI-ICING POSITION DATA: LH FOR NHA SEE: 27-81-02-02 27-81-02-02D	002004 006999	RF
- 370	218N1001-30		DUCT INSTL-WING LE ANTI-ICING POSITION DATA: RH FOR NHA SEE: 27-81-02-02A 27-81-02-02E	002004 006999	RF
380	NAS1801-3-7		.SCREW	002004 006999	6
385	AN960PD10L		.WASHER	002004 006999	6
390	10202-200-1		.COUPLING- SUPPLIER CODE: V06689 POSITION DATA: LH SIDE OPTIONAL PART: 14A242-1 V14711	002004 006999	1
390	14A242-1		.RETAINER ASSY- SUPPLIER CODE: V14711 POSITION DATA: LH SIDE OPTIONAL PART: 10202-200-1 V06689	002004 006999	1
- 395	14A242-2		.RETAINER ASSY- SUPPLIER CODE: V14711 POSITION DATA: RH SIDE OPTIONAL PART: 10202-200-2 V06689	002004 006999	1

MISSING ITEM NUMBERS NOT APPLICABLE

- ITEM NOT ILLUSTRATED

30-11-01-01

30-11-01  
FIG. 01  
PAGE 19  
JAN 20/09

BRI



757

PARTS CATALOG (MAINTENANCE)

FIG ITEM	PART NUMBER	1 2 3 4 5 6 7	NOMENCLATURE	EFFECT FROM TO	UNITS PER ASSY
1					
- 395	10202-200-2		.COUPLING- SUPPLIER CODE: V06689 POSITION DATA: RH SIDE OPTIONAL PART: 14A242-2 V14711	002004 006999	1
400	218N1029-29		.TUBE ASSY-SPRAY POSITION DATA: LH SIDE	002004 006100 103107 121503 904999	1
400	218N1029-35		.TUBE ASSY-SPRAY POSITION DATA: LH SIDE	002004 006100 103107 121503 904999	1
- 405	218N1029-30		.TUBE ASSY-SPRAY POSITION DATA: RH SIDE	002004 006100 103107 121503 904999	1
- 405	218N1029-36		.TUBE ASSY-SPRAY POSITION DATA: RH SIDE	002004 006100 103107 121503 904999	1
- 700	286N3342-005		WIRE BUNDLE ASSY	107107 950951	RF
- 700	286N3342-317		WIRE BUNDLE ASSY	504903	RF
705	GS3417-14C		.CLAMP- SUPPLIER CODE: V06324 SPECIFICATION NUMBER: BACC10HF14 OPTIONAL PART: S2125-14-8 V07418 ELECTRICAL EQUIP NUMBER: D00568T WIRING DIAGRAM REF: 301111	107107 504903 950951	1

MISSING ITEM NUMBERS NOT APPLICABLE

- ITEM NOT ILLUSTRATED

30-11-01-01

30-11-01  
FIG. 01  
PAGE 20  
JAN 20/09

BRI



757

PARTS CATALOG (MAINTENANCE)

FIG ITEM	PART NUMBER	1 2 3 4 5 6 7	NOMENCLATURE	EFFECT FROM TO	UNITS PER ASSY
1 705	G899314		.CLAMP- SUPPLIER CODE: V06324 SPECIFICATION NUMBER: BACC10HF14A OPTIONAL PART: G8993M14 V06324 S2251-14-8 V07418 900-555F14-34 V31461 6000-123-0014 V14283 GS3417-14AC V06324 S2125-14A8 V07418 ELECTRICAL EQUIP NUMBER: D00568T WIRING DIAGRAM REF: 301111	107107 950951	1
710	R071014R7SNL		.CONNECTOR- SUPPLIER CODE: V41118 SPECIFICATION NUMBER: BACC63BP14R7SNL ELECTRICAL EQUIP NUMBER: D00568 WIRING DIAGRAM REF: 301111	107107 504903 950951	1
710	R071014A7SNL		.CONNECTOR- SUPPLIER CODE: V41118 SPECIFICATION NUMBER: BACC63BP14A7SNL ELECTRICAL EQUIP NUMBER: D00568 WIRING DIAGRAM REF: 301111	107107 504903 950951	1
710	BACC63BP14C7SN		.CONNECTOR- ELECTRICAL EQUIP NUMBER: D00568 WIRING DIAGRAM REF: 301111	107107 950951	1
- 780	286N3300-003		WIRE BUNDLE ASSY	002004 006100 952999	RF

MISSING ITEM NUMBERS NOT APPLICABLE

- ITEM NOT ILLUSTRATED

30-11-01-01

30-11-01  
FIG. 01  
PAGE 21  
JAN 20/09

BRI



757

PARTS CATALOG (MAINTENANCE)

FIG ITEM	PART NUMBER	1 2 3 4 5 6 7	NOMENCLATURE	EFFECT FROM TO	UNITS PER ASSY
1					
- 780	286N3300-005		WIRE BUNDLE ASSY	121503 904949	RF
- 780	286N3300-312		WIRE BUNDLE ASSY	101102 108120	RF
- 780	286N3300-601		WIRE BUNDLE ASSY	103106	RF
785	GS3417-14C		.CLAMP- SUPPLIER CODE: V06324 SPECIFICATION NUMBER: BACC10HF14 OPTIONAL PART: S2125-14-8 V07418 ELECTRICAL EQUIP NUMBER: D00568T WIRING DIAGRAM REF: 301111	002004 006106 108503 904949 952999	1
785	G899314		.CLAMP- SUPPLIER CODE: V06324 SPECIFICATION NUMBER: BACC10HF14A OPTIONAL PART: G8993M14 V06324 S2251-14-8 V07418 900-555F14-34 V31461 6000-123-0014 V14283 GS3417-14AC V06324 S2125-14A8 V07418 ELECTRICAL EQUIP NUMBER: D00568T WIRING DIAGRAM REF: 301111	002004 006100 952999	1
790	R071014A7SNL		.CONNECTOR- SUPPLIER CODE: V41118 SPECIFICATION NUMBER: BACC63BP14A7SNL ELECTRICAL EQUIP NUMBER: D00568 WIRING DIAGRAM REF: 301111	002004 006106 108503 904949 952999	1

MISSING ITEM NUMBERS NOT APPLICABLE

- ITEM NOT ILLUSTRATED

30-11-01-01

30-11-01  
FIG. 01  
PAGE 22  
JAN 20/09

BRI



757

PARTS CATALOG (MAINTENANCE)

FIG ITEM	PART NUMBER	1 2 3 4 5 6 7	NOMENCLATURE	EFFECT FROM TO	UNITS PER ASSY
1 820	R071014A7SNL		.CONNECTOR- SUPPLIER CODE: V41118 SPECIFICATION NUMBER: BACC63BP14A7SNL ELECTRICAL EQUIP NUMBER: D00568 WIRING DIAGRAM REF: 301111	002004 006100 107999	1
- 850	286N3424-005		WIRE BUNDLE ASSY	107107 950951	RF
- 850	286N3424-306		WIRE BUNDLE ASSY	002004 006100 107107 121503 904999	RF
- 850 855	286N3424-308 GS3417-14C		WIRE BUNDLE ASSY .CLAMP- SUPPLIER CODE: V06324 SPECIFICATION NUMBER: BACC10HF14 OPTIONAL PART: S2125-14-8 V07418 ELECTRICAL EQUIP NUMBER: D00570T WIRING DIAGRAM REF: 301111	504903 107107 950951	RF 1

MISSING ITEM NUMBERS NOT APPLICABLE

- ITEM NOT ILLUSTRATED

30-11-01-01

30-11-01  
FIG. 01  
PAGE 23  
JAN 20/09

BRI



757

PARTS CATALOG (MAINTENANCE)

FIG ITEM	PART NUMBER	1 2 3 4 5 6 7	NOMENCLATURE	EFFECT FROM TO	UNITS PER ASSY
1 855	G899314		.CLAMP- SUPPLIER CODE: V06324 SPECIFICATION NUMBER: BACC10HF14A OPTIONAL PART: G8993M14 V06324 S2251-14-8 V07418 900-555F14-34 V31461 6000-123-0014 V14283 GS3417-14AC V06324 S2125-14A8 V07418 ELECTRICAL EQUIP NUMBER: D00570T WIRING DIAGRAM REF: 301111	107107 950951	1
860	BACC63BP14C7SN		.CONNECTOR- ELECTRICAL EQUIP NUMBER: D00570 WIRING DIAGRAM REF: 301111	107107 950951	1
860	R071014A7SNL		.CONNECTOR- SUPPLIER CODE: V41118 SPECIFICATION NUMBER: BACC63BP14A7SNL ELECTRICAL EQUIP NUMBER: D00570 WIRING DIAGRAM REF: 301111	107107 504903 950951	1
- 930	286N3400-003		WIRE BUNDLE ASSY	002004 006100 952999	RF
- 930	286N3400-005		WIRE BUNDLE ASSY	121503 904949	RF
- 930	286N3400-312		WIRE BUNDLE ASSY	101102 108120	RF
- 930	286N3400-601		WIRE BUNDLE ASSY	103106	RF

MISSING ITEM NUMBERS NOT APPLICABLE

- ITEM NOT ILLUSTRATED

30-11-01-01

30-11-01  
FIG. 01  
PAGE 24  
JAN 20/09

BRI



757

PARTS CATALOG (MAINTENANCE)

FIG ITEM	PART NUMBER	1 2 3 4 5 6 7	NOMENCLATURE	EFFECT FROM TO	UNITS PER ASSY
1 935	GS3417-14C		.CLAMP- SUPPLIER CODE: V06324 SPECIFICATION NUMBER: BACC10HF14 OPTIONAL PART: S2125-14-8 V07418 ELECTRICAL EQUIP NUMBER: D00570T WIRING DIAGRAM REF: 301111	002004 006106 108503 904949 952999	1
935	G899314		.CLAMP- SUPPLIER CODE: V06324 SPECIFICATION NUMBER: BACC10HF14A OPTIONAL PART: G8993M14 V06324 S2251-14-8 V07418 900-555F14-34 V31461 6000-123-0014 V14283 GS3417-14AC V06324 S2125-14A8 V07418 ELECTRICAL EQUIP NUMBER: D00570T WIRING DIAGRAM REF: 301111	002004 006100 952999	1
940	R071014A7SNL		.CONNECTOR- SUPPLIER CODE: V41118 SPECIFICATION NUMBER: BACC63BP14A7SNL ELECTRICAL EQUIP NUMBER: D00570 WIRING DIAGRAM REF: 301111	002004 006100 952999	1

MISSING ITEM NUMBERS NOT APPLICABLE

- ITEM NOT ILLUSTRATED

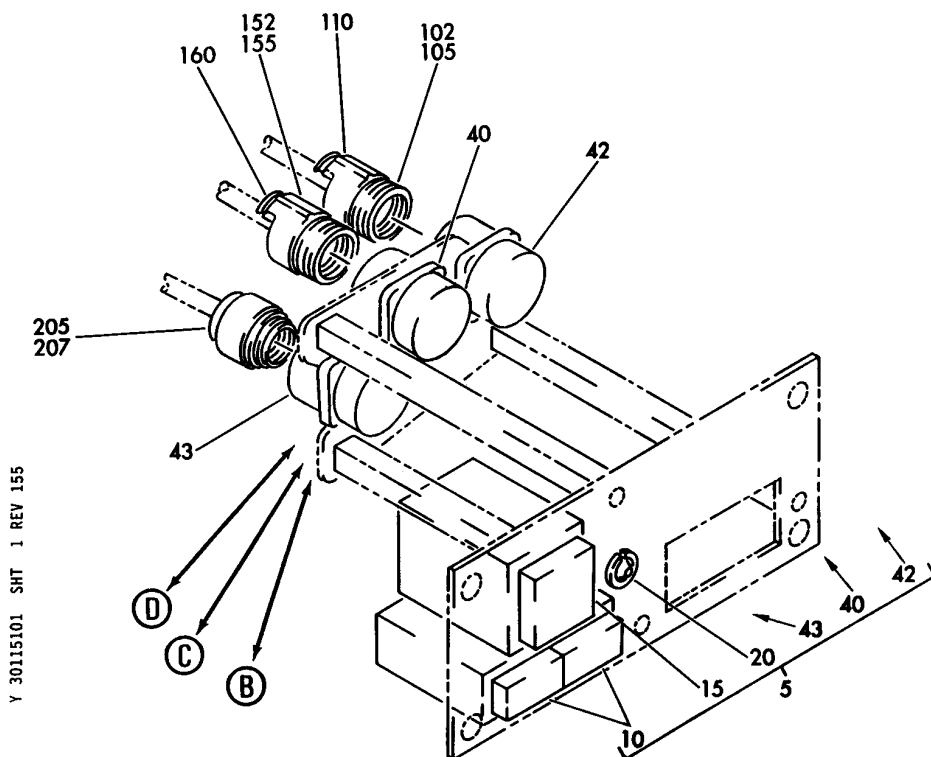
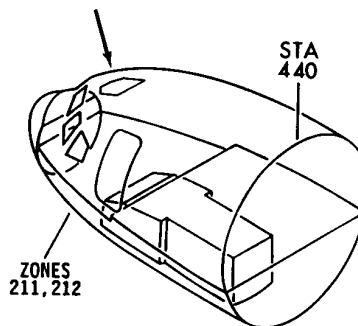
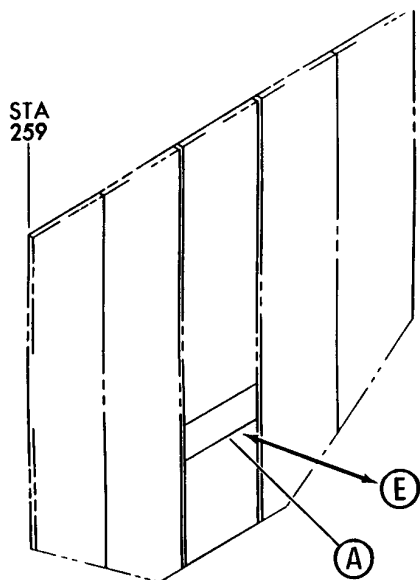
30-11-01-01

30-11-01  
FIG. 01  
PAGE 25  
JAN 20/09

BRI



**BOEING**  
757  
PARTS CATALOG (MAINTENANCE)



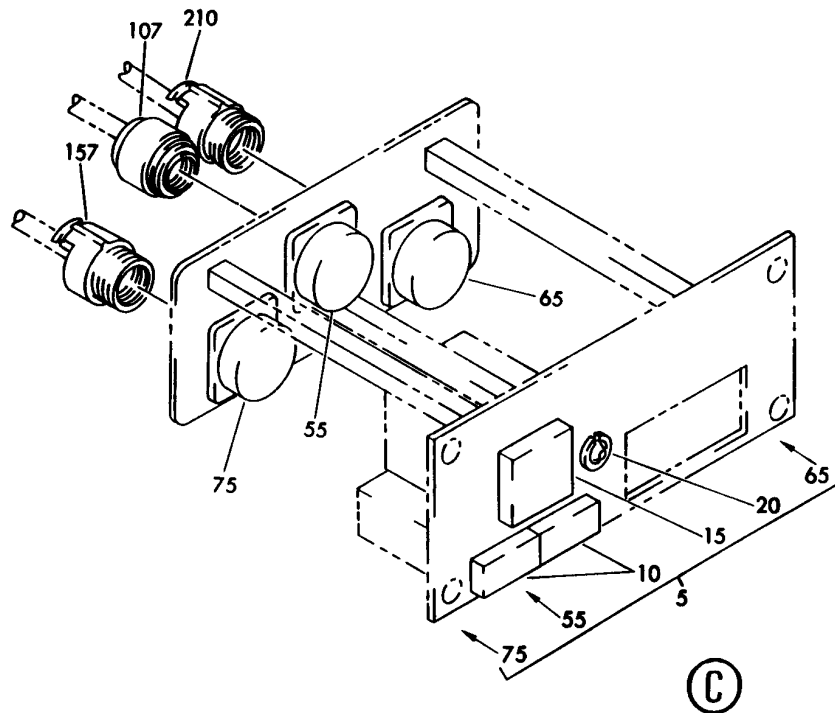
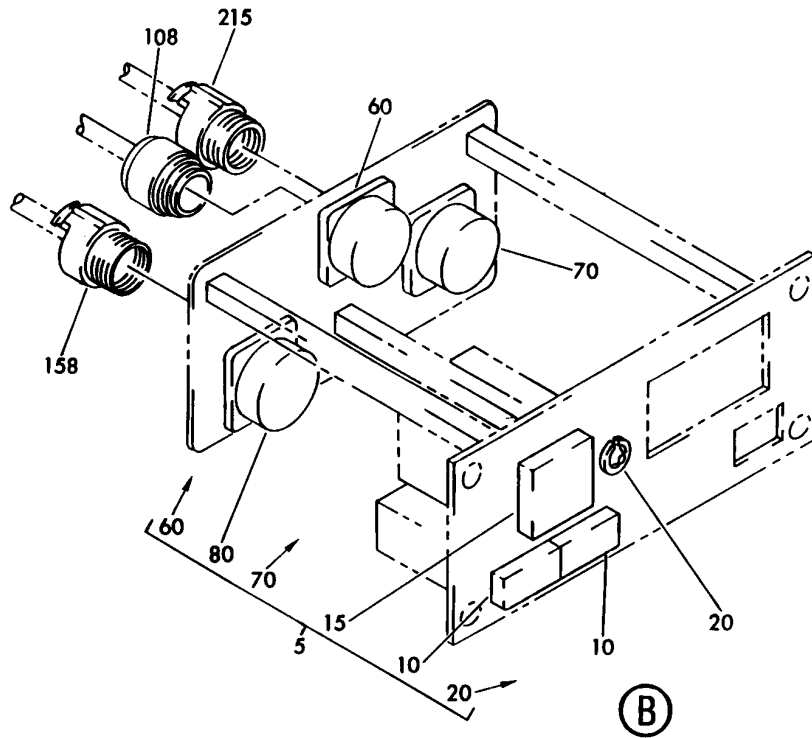
PANEL INSTL-P5 OVHD (WING THERMAL ANTI-ICING ONLY)  
FIGURE 1 (SHEET 1)

BRI  
MAY 28/07

**30-11-51-01**

30-11-51-01  
PAGE 0

**BOEING**  
757  
PARTS CATALOG (MAINTENANCE)



Y 30115101 SHT 2 REV 144

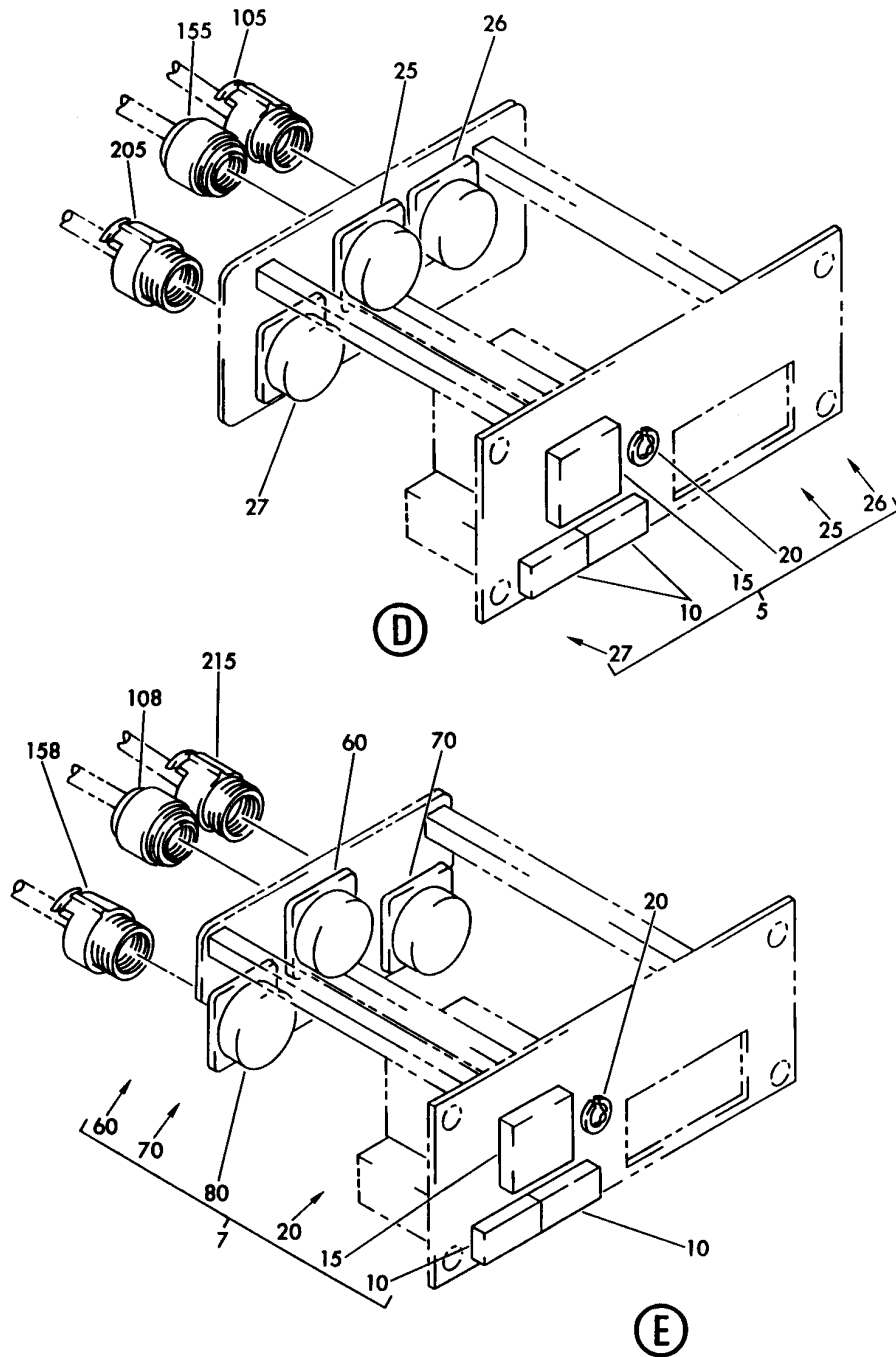
PANEL INSTL-P5 OVHD (WING THERMAL ANTI-ICING ONLY)  
FIGURE 1 (SHEET 2)

**30-11-51-01**

BRI  
MAY 28/07

30-11-51-01  
PAGE 0A

**BOEING**  
757  
PARTS CATALOG (MAINTENANCE)



Y 30115101 SHT 3 REV 144

PANEL INSTL-P5 OVHD (WING THERMAL ANTI-ICING ONLY)  
FIGURE 1 (SHEET 3)

**30-11-51-01**

BRI  
MAY 28/07

30-11-51-01  
PAGE 0B



757

PARTS CATALOG (MAINTENANCE)

FIG ITEM	PART NUMBER	1 2 3 4 5 6 7	NOMENCLATURE	EFFECT FROM TO	UNITS PER ASSY
1			PANEL INSTL-P5 OVHD (WING THERMAL ANTI-ICING ONLY)	002004 006010 107107 121503 904999	
- 1	233N3101-1		PANEL INSTL-P5 OVHD (WING THERMAL ANTI-ICING ONLY) VARIABLE DRAWING REF: 233N3101-5005 233N3101-5025 233N3101-5026 233N3101-5041 233N3101-5042 233N3101-5045 FOR NHA/OTHER SYS DET SEE: 25-10-00-05A	002004 006010 107107 121503 904999	RF
5	233N3204-1019		.PANEL ASSY-ANTI-ICE SUPPLIER CODE: V89954 ELECTRICAL EQUIP NUMBER: M10397 COMPONENT MAINT MANUAL REF: 30-11-72 POST ALERT SB: 33A0044	002004 006010 107107 950999	RF
5	233N3204-18		.PANEL ASSY-ANTI-ICE SUPPLIER CODE: V89954 MISCELLANEOUS DATA: (233N3204-17 -18 -19 -20 ARE ALL INTERCHANGEABLE EXCEPT SUBJECT TO CUSTOMER PREFERENCE) ELECTRICAL EQUIP NUMBER: M10397 COMPONENT MAINT MANUAL REF: 30-11-72 QUALIFIED I/W DATA: 233N3204-17 -18 -20 ARE ALL INTERCHANGEABLE EXCEPT SUBJECT TO CUSTOMER PREFERENCE PRE ALERT SB: 33A0044 30A0013R6	107107	RF

MISSING ITEM NUMBERS NOT APPLICABLE

- ITEM NOT ILLUSTRATED

BRI

30-11-51-01

30-11-51  
FIG. 01  
PAGE 1  
JAN 20/09



757

PARTS CATALOG (MAINTENANCE)

FIG ITEM	PART NUMBER	1 2 3 4 5 6 7	NOMENCLATURE	EFFECT FROM TO	UNITS PER ASSY
1	5 233N3204-19		.PANEL ASSY-ANTI-ICE SUPPLIER CODE: V89954 ELECTRICAL EQUIP NUMBER: M10397 COMPONENT MAINT MANUAL REF: 30-11-72 QUALIFIED I/W DATA: 233N3204-300 PANEL ASSY IS I/W 233N3204-19 PANEL ASSY T/W S233T100-1070 LIGHTPLATE POST ALERT SB: 30A0013R6 PRE ALERT SB: 33A0044	002004 006010 107107 950999	RF
	5 233N3204-20		.PANEL ASSY-ANTI-ICE SUPPLIER CODE: V89954 ELECTRICAL EQUIP NUMBER: M10397 COMPONENT MAINT MANUAL REF: 30-11-72 QUALIFIED I/W DATA: 233N3204-17 -18 -19 -20 ARE ALL INTERCHANGEABLE EXCEPT SUBJECT TO CUSTOMER PREFERENCE 233N3204-301 PANEL ASSY IS I/W 233N3204-20 PANEL ASSY T/W S233T100-1070 LIGHTPLATE PRE ALERT SB: 33A0044	121503 904949	RF
	5 233N3204-1018		.PANEL ASSY-ANTI-ICE SUPPLIER CODE: V89954 ELECTRICAL EQUIP NUMBER: M10397 COMPONENT MAINT MANUAL REF: 30-11-72 POST ALERT SB: 33A0044	107107	RF

MISSING ITEM NUMBERS NOT APPLICABLE

- ITEM NOT ILLUSTRATED

30-11-51-01

30-11-51  
FIG. 01  
PAGE 2  
JAN 20/09

BRI



757

PARTS CATALOG (MAINTENANCE)

FIG ITEM	PART NUMBER	1 2 3 4 5 6 7	NOMENCLATURE	EFFECT FROM TO	UNITS PER ASSY
1	6 233N3204-1020		.PANEL ASSY-ANTI-ICE SUPPLIER CODE: V89954 ELECTRICAL EQUIP NUMBER: M10397 COMPONENT MAINT MANUAL REF: 30-11-72 POST ALERT SB: 33A0044	121503 904949	RF
	10 BCREF8486		..LIGHT ASSY-VALVE IND SUPPLIER CODE: V81590 OVERLENGTH PART NUMBER: 434-674-1031-2115 SPECIFICATION NUMBER: S231T300-2115 USED ON: 233N3204-17 233N3204-18 233N3204-19 233N3204-20 233N3204-23 233N3204-24 233N3204-27 233N3204-28 233N3204-31 233N3204-1019 FOR DETAILS SEE: 33-14-70-02	002004 006010 107107 121503 904999	2
	15 BCREF7604		..SWITCH ASSY-LIGHTED PUSHBUTTON IND ON SUPPLIER CODE: V81590 OVERLENGTH PART NUMBER: 433-673-1001-1012 SPECIFICATION NUMBER: S231T290-1012 REFERENCE SERVICE BULLETIN: 33A0044 PRE ALERT SB: 30A0013R6 REWORKED BY SB: 433-33-05 V81590 FOR DETAILS SEE: 33-13-00-15A	107107 121503 904949	1

MISSING ITEM NUMBERS NOT APPLICABLE

- ITEM NOT ILLUSTRATED

30-11-51-01

30-11-51  
FIG. 01  
PAGE 3  
JAN 20/09

BRI



757

PARTS CATALOG (MAINTENANCE)

FIG ITEM	PART NUMBER	1 2 3 4 5 6 7	NOMENCLATURE	EFFECT FROM TO	UNITS PER ASSY
1	15 BCREFA0503		.. SWITCH ASSY-LIGHTED PUSHBUTTON IND SUPPLIER CODE: V81590 OVERLENGTH PART NUMBER: 433-673-1004-4012 SPECIFICATION NUMBER: S231T290-4012 MISCELLANEOUS DATA: WHEN REPLACING THE PUSHBUTTON SWITCH ASSY OR THE MASTER MODULE WITHIN, VERIFY THAT A CONFIG D MASTER MODULE P/N 13206-001 IS INSTALLED IN LIEU OF ANY EARLIER CONFIGURATION MASTER MODULES. OPTIONAL PART: 851-35100-5012 V96182 REFERENCE SERVICE BULLETIN: 33A0044 POST ALERT SB: 30A0013R6 REWORKED BY SB: 433-33-05 V81590 PRE SERVICE LETTER: 33-027 FOR DETAILS SEE: 33-13-00-45A	002004 006010 107107 121503 904999	1
	15 851-30768-2012		.. SWITCH ASSY-LIGHTED PUSHBUTTON IND ON SUPPLIER CODE: V96182 SPECIFICATION NUMBER: S231T290-2012 PRE ALERT SB: 30A0013R6 FOR DETAILS SEE: 33-13-00-25A	107107 121503 904949	1

MISSING ITEM NUMBERS NOT APPLICABLE

- ITEM NOT ILLUSTRATED

BRI

30-11-51-01

BOEING PROPRIETARY - Copyright © - Unpublished Work - See title page for details.

30-11-51  
 FIG. 01  
 PAGE 4  
 JAN 20/09

 **BOEING**  
757  
**PARTS CATALOG (MAINTENANCE)**

FIG ITEM	PART NUMBER	1 2 3 4 5 6 7	NOMENCLATURE	EFFECT FROM TO	UNITS PER ASSY
1					
15	851-30768-3012	..	SWITCH ASSY-LIGHTED PUSHBUTTON IND ON SUPPLIER CODE: V96182 SPECIFICATION NUMBER: S231T290-3012 PRE ALERT SB: 30A0013R6 FOR DETAILS SEE: 33-13-00-35A	107107 121503 904949	1
15	S231T290-5012	..	SWITCH ASSY-LIGHTED PUSHBUTTON IND	107107 121503 904949	1
15	851-35100-5012	..	SWITCH ASSY-LIGHTED PUSHBUTTON IND SUPPLIER CODE: V96182 SPECIFICATION NUMBER: S231T290-5012 OPTIONAL PART: BCREFA0503 V81590	002004 006010 107107 950999	1
15	4336731004-4212	..	SWITCH ASSY-LIGHTED PUSHBUTTON IND SUPPLIER CODE: V81590 SPECIFICATION NUMBER: S231T290-4212 POST SERVICE LETTER: 33-027	002004 006010 107107 121503 904999	1
20	800000121-1	..	CONNECTOR- SUPPLIER CODE: V05617	002004 006010 107107 121503 904999	1
25	BACC45FN14-15P	..	CONNECTOR- ELECTRICAL EQUIP NUMBER: J00002 USED ON: 233N3204-17 233N3204-18 233N3204-19 233N3204-20 233N3204-1019 POST ALERT SB: 30A0013R6	002004 006010 107107 121503 904999	1

MISSING ITEM NUMBERS NOT APPLICABLE

— ITEM NOT ILLUSTRATED

BRI

# 30-11-51-01

BOEING PROPRIETARY - Copyright © - Unpublished Work - See title page for details.

30-11-51  
FIG. 01  
PAGE 5  
JAN 20/09



**BOEING**  
757  
**PARTS CATALOG (MAINTENANCE)**

FIG ITEM	PART NUMBER	1 2 3 4 5 6 7	NOMENCLATURE	EFFECT FROM TO	UNITS PER ASSY
1 26	BACC45FN12-12P8	..	CONNECTOR- ELECTRICAL EQUIP NUMBER: J00004 USED ON: 233N3204-17 233N3204-18 233N3204-19 233N3204-20 233N3204-1019 POST ALERT SB: 30A0013R6	002004 006010 107107 121503 904999	1
27	BACC45FN14-15P7	..	CONNECTOR- ELECTRICAL EQUIP NUMBER: J00003 USED ON: 233N3204-17 233N3204-18 233N3204-19 233N3204-20 233N3204-1019 POST ALERT SB: 30A0013R6 ATTACHING PARTS	002004 006010 107107 121503 904999	1
- 30	NAS1801-04-5	..	SCREW	002004 006010 107107 121503 904999	6
- 35	K19798-04	..	NUT SUPPLIER CODE: V15653 SPECIFICATION NUMBER: BACN10NW1 OPTIONAL PART: RMA4812-160-40 V72962 293162 V60119	002004 006010 107107 121503 904999	6
- 100	286N2072-003	-----*	WIRE BUNDLE ASSY-(WING THERMAL ANTI-ICING ONLY)	121503 904949	RF
- 100	286N2072-004		WIRE BUNDLE ASSY-(WING THERMAL ANTI-ICING ONLY)	107107	RF
- 100	286N2072-005		WIRE BUNDLE ASSY-(WING THERMAL ANTI-ICING ONLY) REWORKED BY SB: 33-0039	002004 006010 950999	RF

MISSING ITEM NUMBERS NOT APPLICABLE

- ITEM NOT ILLUSTRATED

BRI

# 30-11-51-01

BOEING PROPRIETARY - Copyright © - Unpublished Work - See title page for details.

30-11-51  
FIG. 01  
PAGE 6  
JAN 20/09



757

PARTS CATALOG (MAINTENANCE)

FIG ITEM	PART NUMBER	1 2 3 4 5 6 7	NOMENCLATURE	EFFECT FROM TO	UNITS PER ASSY
1					
105	BACC45FT12A12S8	.	CONNECTOR- ELECTRICAL EQUIP NUMBER: D03550 WIRING DIAGRAM REF: 301111	002004 006010 107107 121503 904999	1
- 150	286N2078-003		WIRE BUNDLE ASSY-(WING THERMAL ANTI-ICING ONLY)	121503 904949	RF
- 150	286N2078-004		WIRE BUNDLE ASSY-(WING THERMAL ANTI-ICING ONLY)	107107	RF
- 150	286N2078-005		WIRE BUNDLE ASSY-(WING THERMAL ANTI-ICING ONLY)	002004 006010 950999	RF
155	BACC45FT12A12S9	.	CONNECTOR- ELECTRICAL EQUIP NUMBER: D03528 WIRING DIAGRAM REF: 302111 PRE ALERT SB: 30A0013R6	002004 006010 107107 121503 904999	1
- 200	286N2156-003		WIRE BUNDLE ASSY-(WING THERMAL ANTI-ICING ONLY)	121503 904949	RF
- 200	286N2156-004		WIRE BUNDLE ASSY-(WING THERMAL ANTI-ICING ONLY)	107107	RF
- 200	286N2156-005		WIRE BUNDLE ASSY-(WING THERMAL ANTI-ICING ONLY)	002004 006010 950999	RF
205	BACC45FT14A15S7	.	CONNECTOR- ELECTRICAL EQUIP NUMBER: D03530 WIRING DIAGRAM REF: 302111	002004 006010 107107 121503 904999	1

MISSING ITEM NUMBERS NOT APPLICABLE

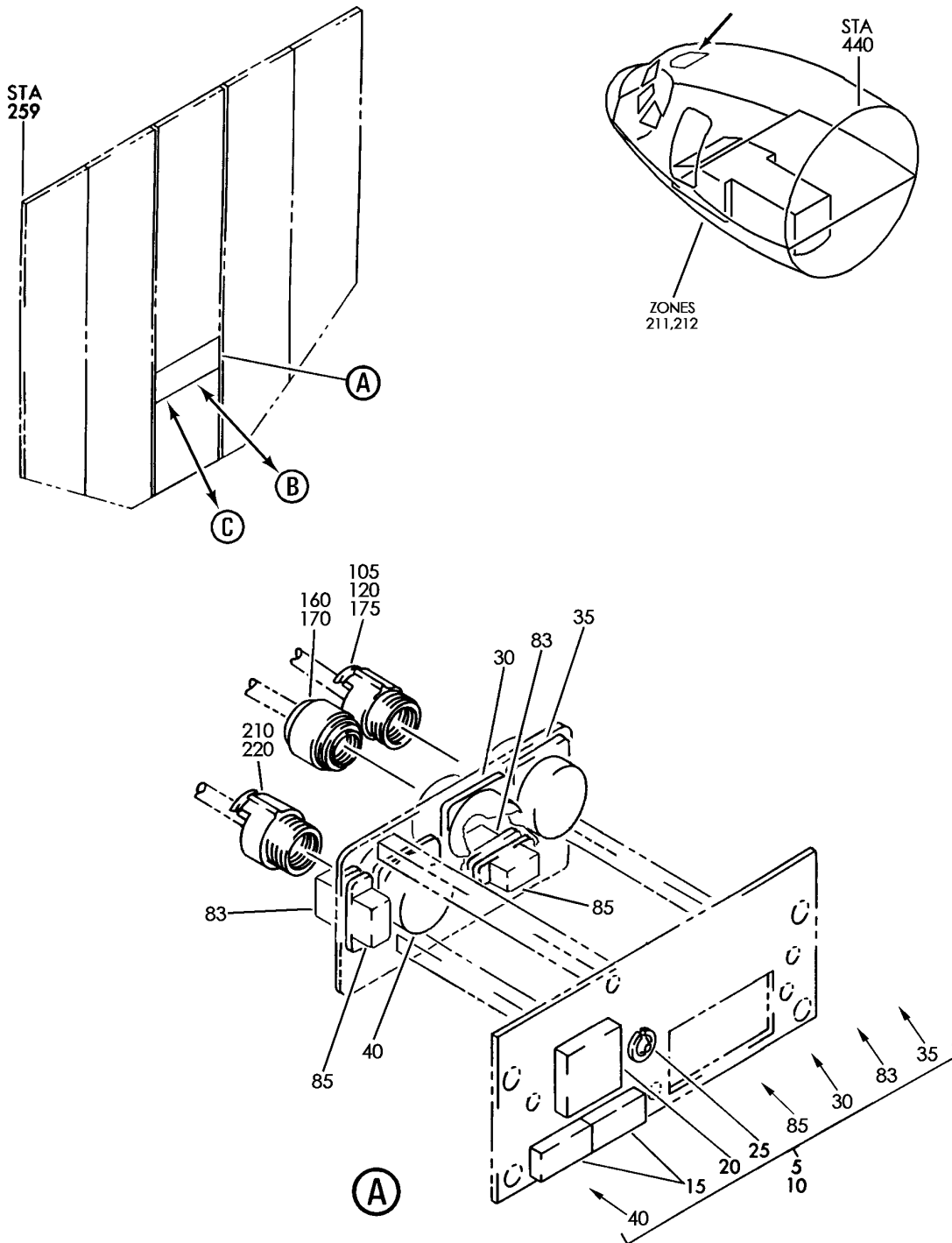
- ITEM NOT ILLUSTRATED

30-11-51-01

30-11-51  
FIG. 01  
PAGE 7  
JAN 20/09

BRI

**BOEING**  
757  
PARTS CATALOG (MAINTENANCE)



Y 30115102 SHT 1 REV 220

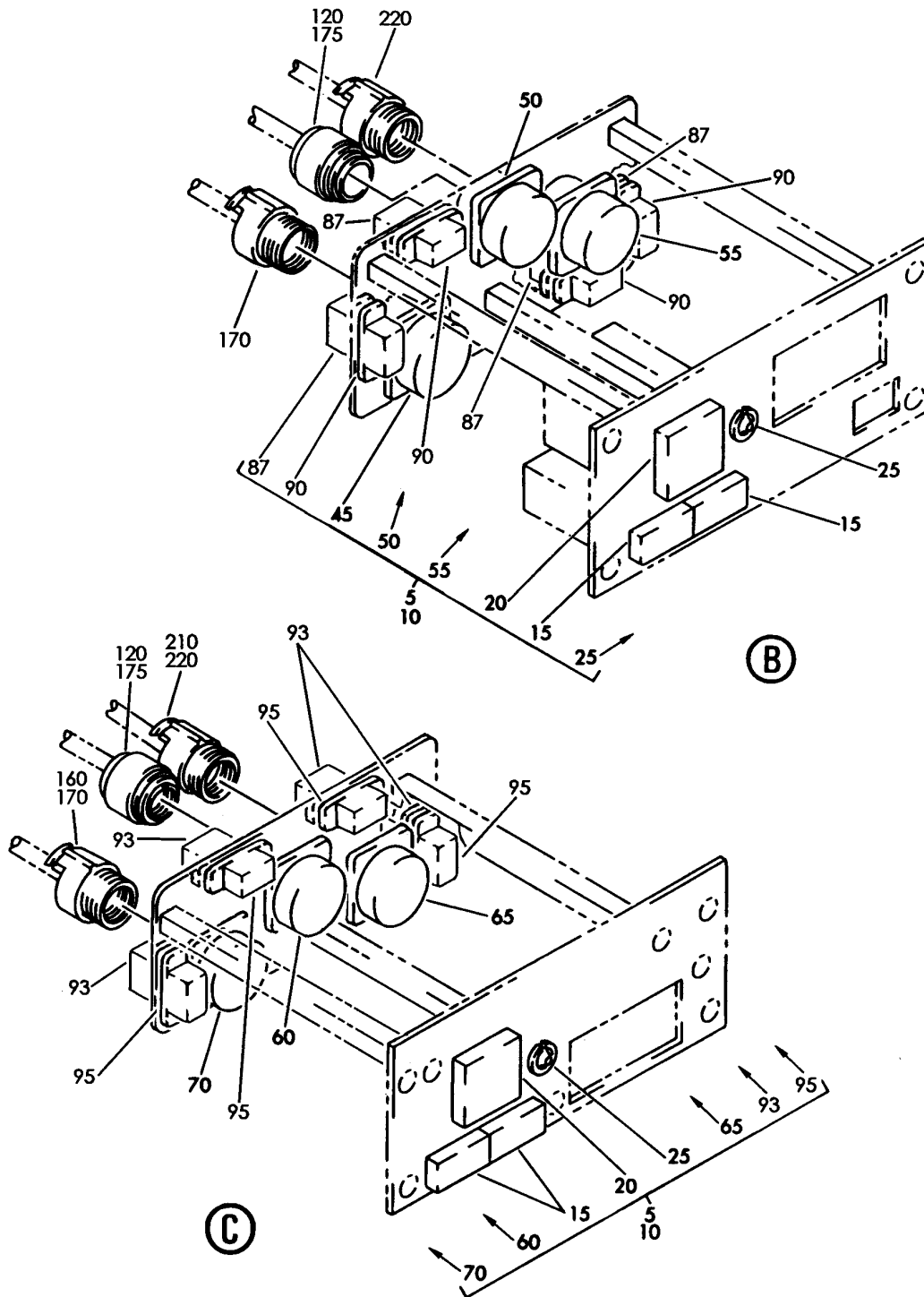
PANEL INSTL-P5 OVHD (WING THERMAL ANTI-ICING ONLY)  
FIGURE 2 (SHEET 1)

**30-11-51-02**

BRI  
MAY 28/07

30-11-51-02  
PAGE 0

**BOEING**  
757  
PARTS CATALOG (MAINTENANCE)



Y 30115102 SHT 2 REV 205

PANEL INSTL-P5 OVHD (WING THERMAL ANTI-ICING ONLY)  
FIGURE 2 (SHEET 2)

**30-11-51-02**

BRI  
MAY 28/07

30-11-51-02  
PAGE 0A



757

PARTS CATALOG (MAINTENANCE)

FIG ITEM	PART NUMBER	1 2 3 4 5 6 7	NOMENCLATURE	EFFECT FROM TO	UNITS PER ASSY
2			PANEL INSTL-P5 OVHD (WING THERMAL ANTI-ICING ONLY)	011100 107107	
- 1	233N3101-1		PANEL INSTL-P5 OVHD (WING THERMAL ANTI-ICING ONLY) VARIABLE DRAWING REF: 233N3101-5142 FOR NHA/OTHER SYS DET SEE: 25-10-00-05A	011100	RF
5	233N3204-300		.PANEL ASSY-ANTI-ICE SUPPLIER CODE: V89954 MISCELLANEOUS DATA: 233N3204-300 PANEL ASSY IS I/W 233N3204-19 PANEL ASSY T/W S233T100-1070 LIGHTPLATE ELECTRICAL EQUIP NUMBER: M10397 COMPONENT MAINT MANUAL REF: 30-11-72 PRE ALERT SB: 33A0044	011100	RF
5	233N3204-301		.PANEL ASSY-ANTI-ICE SUPPLIER CODE: V89954 MISCELLANEOUS DATA: 233N3204-301 PANEL ASSY IS I/W 233N3204-20 PANEL ASSY T/W S233T100-1070 LIGHTPLATE ELECTRICAL EQUIP NUMBER: M10397 COMPONENT MAINT MANUAL REF: 30-11-72 PRE ALERT SB: 33A0044	011100	RF

MISSING ITEM NUMBERS NOT APPLICABLE

- ITEM NOT ILLUSTRATED

BRI

30-11-51-02

BOEING PROPRIETARY - Copyright © - Unpublished Work - See title page for details.

30-11-51  
FIG. 02  
PAGE 1  
JAN 20/09



757

PARTS CATALOG (MAINTENANCE)

FIG ITEM	PART NUMBER	1 2 3 4 5 6 7	NOMENCLATURE	EFFECT FROM TO	UNITS PER ASSY
2					
5	233N3204-302		.PANEL ASSY-ANTI-ICE SUPPLIER CODE: V89954 MISCELLANEOUS DATA: 233N3204-302 PANEL ASSY IS I/W 233N3204-27 PANEL ASSY T/W S233T100-1070 LIGHTPLATE ELECTRICAL EQUIP NUMBER: M10397 COMPONENT MAINT MANUAL REF: 30-11-72 PRE ALERT SB: 33A0044	011100	RF
5	233N3204-303		.PANEL ASSY-ANTI-ICE SUPPLIER CODE: V89954 MISCELLANEOUS DATA: 233N3204-303 PANEL ASSY IS I/W 233N3204-28 PANEL ASSY T/W S233T100-1070 LIGHTPLATE ELECTRICAL EQUIP NUMBER: M10397 COMPONENT MAINT MANUAL REF: 30-11-72 PRE ALERT SB: 33A0044	011100	RF
5	233N3204-1300		.PANEL ASSY-ANTI-ICE SUPPLIER CODE: V89954 ELECTRICAL EQUIP NUMBER: M10397 COMPONENT MAINT MANUAL REF: 30-11-72 POST ALERT SB: 33A0044	011100	RF
5	233N3204-1302		.PANEL ASSY-ANTI-ICE SUPPLIER CODE: V89954 ELECTRICAL EQUIP NUMBER: M10397 COMPONENT MAINT MANUAL REF: 30-11-72 POST ALERT SB: 33A0044	011100	RF

MISSING ITEM NUMBERS NOT APPLICABLE

- ITEM NOT ILLUSTRATED

30-11-51-02

30-11-51  
FIG. 02  
PAGE 2  
JAN 20/09

BRI



757

PARTS CATALOG (MAINTENANCE)

FIG ITEM	PART NUMBER	1 2 3 4 5 6 7	NOMENCLATURE	EFFECT FROM TO	UNITS PER ASSY
2	5 233N3204-1303	.	PANEL ASSY-ANTI-ICE SUPPLIER CODE: V89954 ELECTRICAL EQUIP NUMBER: M10397 COMPONENT MAINT MANUAL REF: 30-11-72 POST ALERT SB: 33A0044	011100	RF
	5 233N3204-1301	.	PANEL ASSY-ANTI-ICE SUPPLIER CODE: V89954 ELECTRICAL EQUIP NUMBER: M10397 COMPONENT MAINT MANUAL REF: 30-11-72 POST ALERT SB: 33A0044	011100	RF
	10 233N3204-19	..	PANEL ASSY- SUPPLIER CODE: V89954 MISCELLANEOUS DATA: 233N3204-300 PANEL ASSY IS I/W 233N3204-19 PANEL ASSY T/W S233T100-1070 LIGHTPLATE COMPONENT MAINT MANUAL REF: 30-11-72 USED ON: 233N3204-300 PRE ALERT SB: 33A0044	011100	1

MISSING ITEM NUMBERS NOT APPLICABLE

- ITEM NOT ILLUSTRATED

30-11-51-02

30-11-51  
FIG. 02  
PAGE 3  
JAN 20/09

BRI



757

PARTS CATALOG (MAINTENANCE)

FIG ITEM	PART NUMBER	1 2 3 4 5 6 7	NOMENCLATURE	EFFECT FROM TO	UNITS PER ASSY
2 10	233N3204-20		..PANEL ASSY- SUPPLIER CODE: V89954 MISCELLANEOUS DATA: 233N3204-301 PANEL ASSY IS I/W 233N3204-20 PANEL ASSY T/W S233T100-1070 LIGHTPLATE COMPONENT MAINT MANUAL REF: 30-11-72 QUALIFIED I/W DATA: 233N3204-17 -18 -19 -20 ARE ALL INTERCHANGEABLE EXCEPT SUBJECT TO CUSTOMER PREFERENCE USED ON: 233N3204-301 PRE ALERT SB: 33A0044	011100	1
10	233N3204-27		..PANEL ASSY- SUPPLIER CODE: V89954 MISCELLANEOUS DATA: 233N3204-302 PANEL ASSY IS I/W 233N3204-27 PANEL ASSY T/W S233T100-1070 LIGHTPLATE COMPONENT MAINT MANUAL REF: 30-11-72 USED ON: 233N3204-302 PRE ALERT SB: 33A0044	011100	1
10	233N3204-28		..PANEL ASSY- SUPPLIER CODE: V89954 MISCELLANEOUS DATA: 233N3204-303 PANEL ASSY IS I/W 233N3204-28 PANEL ASSY T/W S233T100-1070 LIGHTPLATE COMPONENT MAINT MANUAL REF: 30-11-72 USED ON: 233N3204-303 PRE ALERT SB: 33A0044	011100	1

MISSING ITEM NUMBERS NOT APPLICABLE

- ITEM NOT ILLUSTRATED

30-11-51-02

30-11-51  
 FIG. 02  
 PAGE 4  
 JAN 20/09

BRI





757

PARTS CATALOG (MAINTENANCE)

FIG ITEM	PART NUMBER	1 2 3 4 5 6 7	NOMENCLATURE	EFFECT FROM TO	UNITS PER ASSY
2					
10	233N3204-1019	..	PANEL ASSY- SUPPLIER CODE: V89954 ELECTRICAL EQUIP NUMBER: M10397 COMPONENT MAINT MANUAL REF: 30-11-72 POST ALERT SB: 33A0044	011100	1
10	233N3204-1027	..	PANEL ASSY- SUPPLIER CODE: V89954 COMPONENT MAINT MANUAL REF: 30-11-72 USED ON: 233N3204-1302 POST ALERT SB: 33A0044	011100	1
10	233N3204-1028	..	PANEL ASSY- SUPPLIER CODE: V89954 COMPONENT MAINT MANUAL REF: 30-11-72 USED ON: 233N3204-1303 POST ALERT SB: 33A0044	011100	1
10	233N3204-1020	..	PANEL ASSY- SUPPLIER CODE: V89954 COMPONENT MAINT MANUAL REF: 30-11-72 USED ON: 233N3204-1301 POST ALERT SB: 33A0044	011100	1
15	BCREF8486	...	LIGHT ASSY-VALVE IND SUPPLIER CODE: V81590 OVERLENGTH PART NUMBER: 434-674-1031-2115 SPECIFICATION NUMBER: S231T300-2115 FOR DETAILS SEE: 33-14-70-02	011100	2

MISSING ITEM NUMBERS NOT APPLICABLE

- ITEM NOT ILLUSTRATED

BRI

30-11-51-02

30-11-51  
FIG. 02  
PAGE 5  
JAN 20/09



757

PARTS CATALOG (MAINTENANCE)

FIG ITEM	PART NUMBER	1 2 3 4 5 6 7	NOMENCLATURE	EFFECT FROM TO	UNITS PER ASSY
2	15 BCREFA0503		...LIGHT ASSY-VALVE IND SUPPLIER CODE: V81590 OVERLENGTH PART NUMBER: 434-674-1005-1115 SPECIFICATION NUMBER: S231T300-1115 FOR DETAILS SEE: 33-14-70-02	011100	2
	20 BCREFA0503		...SWITCH ASSY-LIGHTED PUSH BUTTON IND SUPPLIER CODE: V81590 OVERLENGTH PART NUMBER: 433-673-1004-4012 SPECIFICATION NUMBER: S231T290-4012 MISCELLANEOUS DATA: WHEN REPLACING THE PUSHBUTTON SWITCH ASSY OR THE MASTER MODULE WITHIN, VERIFY THAT A CONFIG D MASTER MODULE P/N 13206-001 IS INSTALLED IN LIEU OF ANY EARLIER CONFIGURATION MASTER MODULES. OPTIONAL PART: S231T290-5012 REFERENCE SERVICE BULLETIN: 33A0044 REWORKED BY SB: 433-33-05 V81590 FOR DETAILS SEE: 33-13-00-45A	011100	1
	20 851-30768-3012		...SWITCH ASSY-LIGHTED PUSH BUTTON IND ON SUPPLIER CODE: V96182 SPECIFICATION NUMBER: S231T290-3012 FOR DETAILS SEE: 33-13-00-35A	011100	1
	20 S231T290-5012		...SWITCH ASSY-LIGHTED PUSH BUTTON IND OPTIONAL PART: BCREFA0503 V81590	011100	1

MISSING ITEM NUMBERS NOT APPLICABLE

- ITEM NOT ILLUSTRATED

30-11-51-02

30-11-51  
FIG. 02  
PAGE 6  
JAN 20/09

BRI



757

PARTS CATALOG (MAINTENANCE)

FIG ITEM	PART NUMBER	1 2 3 4 5 6 7	NOMENCLATURE	EFFECT FROM TO	UNITS PER ASSY
2					
20	4336731004-4212	...	SWITCH ASSY-LIGHTED PUSHBUTTON IND SUPPLIER CODE: V81590 SPECIFICATION NUMBER: S231T290-4212	011100	1
25	800-000121-1	...	CONNECTOR- SUPPLIER CODE: V05617	011100	1
30	BACC45FN14-15P	...	CONNECTOR	011100	1
35	BACC45FN12-12P8	...	CONNECTOR	011100	1
40	BACC45FN14-15P7	...	CONNECTOR	011100	1
60	BACC45FN12-12P8	...	CONNECTOR	011100	1
65	BACC45FN14-15P7	...	CONNECTOR	011100	1
70	BACC45FN14-15P	...	CONNECTOR	011100	1
			ATTACHING PARTS		
- 75	NAS1801-04-5	...	SCREW	011100	6
- 80	K19798-04	...	NUT SUPPLIER CODE: V15653 SPECIFICATION NUMBER: BACN10NW1 OPTIONAL PART: RMA4812-160-40 V72962 293162 V60119	011100	6
			-----*-----		
83	W260F4AM11	...	RELAY SUPPLIER CODE: VF0219 SPECIFICATION NUMBER: BACR13CD2 OPTIONAL PART: BR16S233 V09026 EE4AA005 V35344 3SAV1338A2 V01526 HFW1206K03 V58614 HFW1204K01 V71482	011100	2

MISSING ITEM NUMBERS NOT APPLICABLE

- ITEM NOT ILLUSTRATED

30-11-51-02

30-11-51  
FIG. 02  
PAGE 7  
JAN 20/09

BRI



757

PARTS CATALOG (MAINTENANCE)

FIG ITEM	PART NUMBER	1 2 3 4 5 6 7	NOMENCLATURE	EFFECT FROM TO	UNITS PER ASSY
2					
85	RSE120026	...	SOCKET SUPPLIER CODE: V58982 SPECIFICATION NUMBER: BACS16AG1 OPTIONAL PART: 451120-026 V58982	011100	2
93	W260F4AM11	...	RELAY SUPPLIER CODE: VF0219 SPECIFICATION NUMBER: BACR13CD2 OPTIONAL PART: BR16S233 V09026 EE4AA005 V35344 3SAV1338A2 V01526 HFW1206K03 V58614 HFW1204K01 V71482	011100	4
95	RSE120026	...	SOCKET SUPPLIER CODE: V58982 SPECIFICATION NUMBER: BACS16AG1 OPTIONAL PART: 451120-026 V58982	011100	4
- 100	286N2072-004		WIRE BUNDLE ASSY-	107107	RF
- 150	286N2078-005		WIRE BUNDLE ASSY	011100	RF
170	BACC45FT14D15S	.	CONNECTOR- ELECTRICAL EQUIP NUMBER: D03528 WIRING DIAGRAM REF: 302111	011100	1
175	BACC45FT12D12S8	.	CONNECTOR- ELECTRICAL EQUIP NUMBER: D03550 WIRING DIAGRAM REF: 301111	011100	1
- 200	286N2156-005		WIRE BUNDLE ASSY	011100	RF

MISSING ITEM NUMBERS NOT APPLICABLE

- ITEM NOT ILLUSTRATED

30-11-51-02

30-11-51  
FIG. 02  
PAGE 8  
JAN 20/09

BRI



757

PARTS CATALOG (MAINTENANCE)

FIG ITEM	PART NUMBER	1 2 3 4 5 6 7	NOMENCLATURE	EFFECT FROM TO	UNITS PER ASSY
2 220	BACC45FT14D15S7	.	CONNECTOR- ELECTRICAL EQUIP NUMBER: D03530 WIRING DIAGRAM REF: 302111	011100	1

MISSING ITEM NUMBERS NOT APPLICABLE

- ITEM NOT ILLUSTRATED

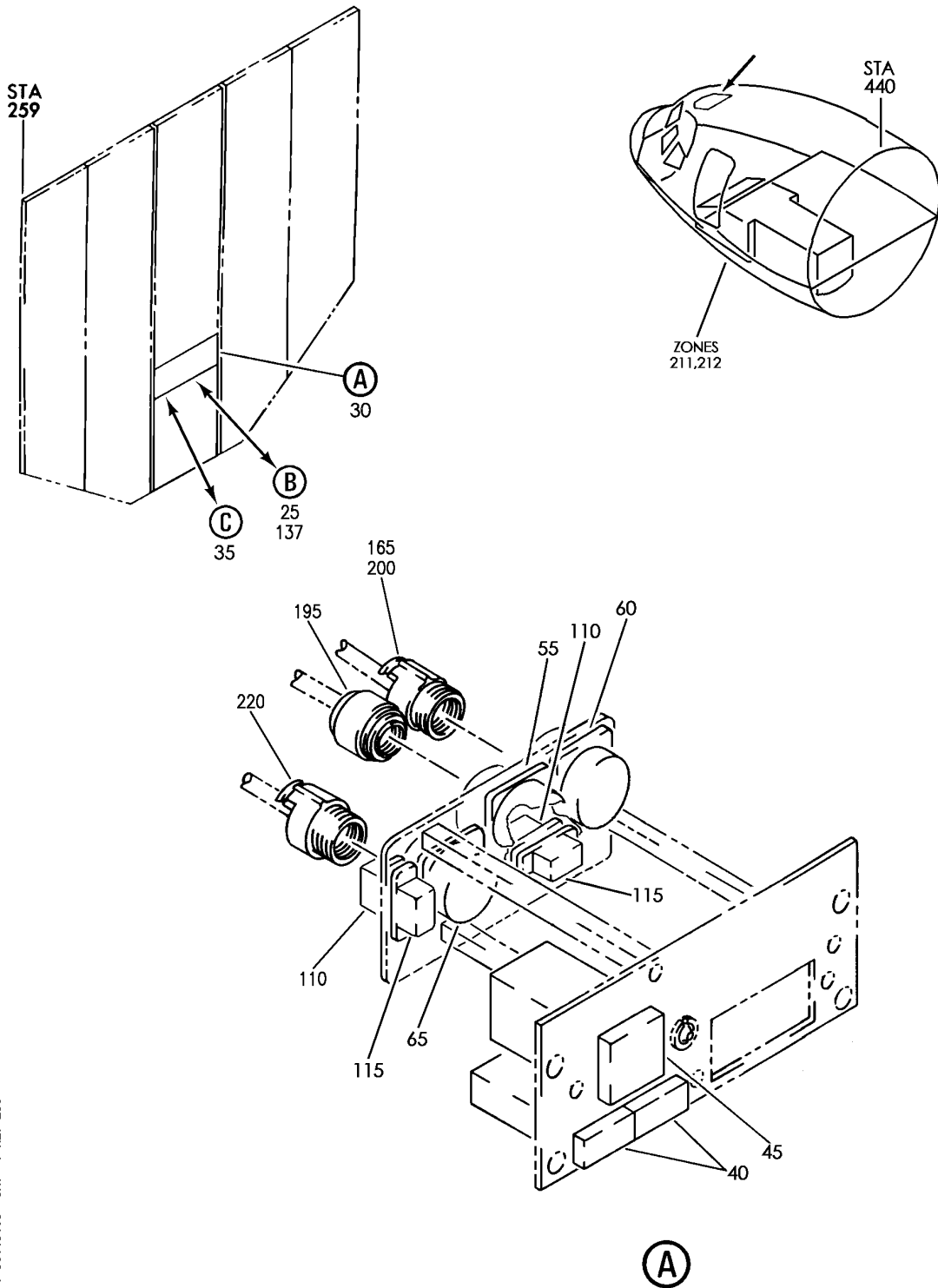
BRI

30-11-51-02

BOEING PROPRIETARY - Copyright © - Unpublished Work - See title page for details.

30-11-51  
FIG. 02  
PAGE 9  
JAN 20/09

**BOEING**  
757  
PARTS CATALOG (MAINTENANCE)



Y 30115103 SHT 1 REV 286

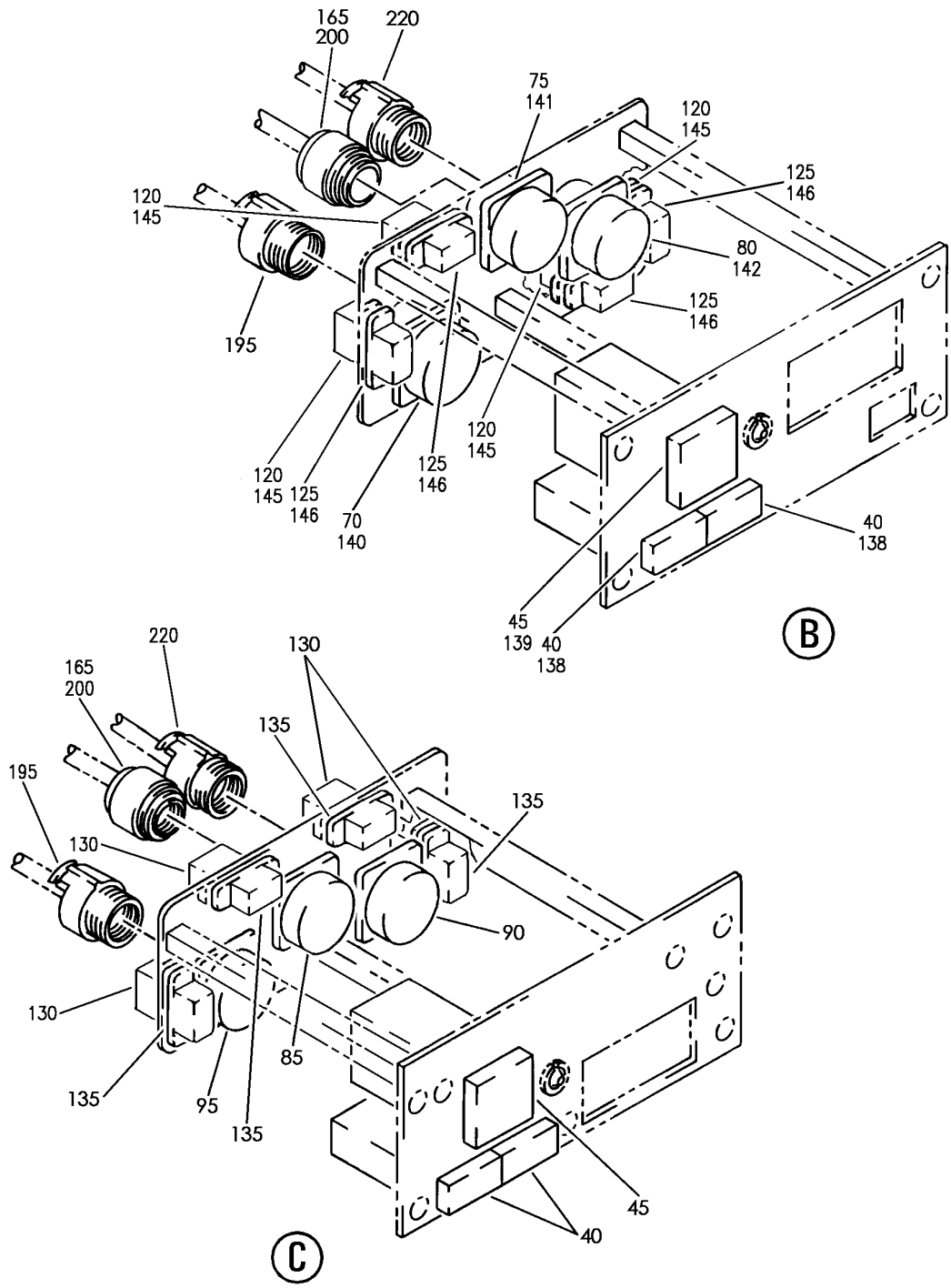
PANEL INSTL-P5 OVHD (WING THERMAL ANTI-ICING ONLY)  
FIGURE 3 (SHEET 1)

**30-11-51-03**

BRI  
MAY 28/07

30-11-51-03  
PAGE 0

**BOEING**  
757  
PARTS CATALOG (MAINTENANCE)



Y 30115103 SHT 2 REV 286

PANEL INSTL-P5 OVHD (WING THERMAL ANTI-ICING ONLY)  
FIGURE 3 (SHEET 2)

**30-11-51-03**

BRI  
MAY 28/07

30-11-51-03  
PAGE 0A



757

PARTS CATALOG (MAINTENANCE)

FIG ITEM	PART NUMBER	1 2 3 4 5 6 7	NOMENCLATURE	EFFECT FROM TO	UNITS PER ASSY
3			PANEL INSTL-P5 OVHD (WING THERMAL ANTI-ICING ONLY)	101106 108120 504903	
- 2	233N3103-132		PANEL INSTL-P5 OVHD (WING THERMAL ANTI-ICING ONLY) FOR NHA/OTHER SYS DET SEE: 25-10-00-15E	101102	RF
- 2	233N3103-136		PANEL INSTL-P5 OVHD (WING THERMAL ANTI-ICING ONLY) FOR NHA/OTHER SYS DET SEE: 25-10-00-15E	504903	RF
- 6	233N3103-59		PANEL INSTL-P5 OVHD (WING THERMAL ANTI-ICING ONLY) FOR NHA/OTHER SYS DET SEE: 25-10-00-15E	108120	RF
- 7	MODREF170180		PANEL INSTL-P5 OVHD (WING THERMAL ANTI-ICING ONLY) MODULE NUMBER: 233N3103-353 REV B FOR OTHER SYS DETAILS SEE: 11-31-10-12 21-25-55-03 21-31-01-02 21-33-51-03 21-51-54-03 21-58-19-10 21-58-51-03 21-61-04-03 21-65-51-01 22-21-01-04 22-24-51-02 23-24-01-01 23-32-00-11 23-42-02-02 23-71-05-02 24-11-52-05 24-22-01-03 24-31-01-10 24-31-03-09 24-33-04-01 24-41-51-04 24-51-62-01 26-18-51-04 27-21-53-02 27-41-55-01 27-61-51-03 27-62-52-02 28-22-51-02 28-41-04-01	106106	1

MISSING ITEM NUMBERS NOT APPLICABLE

- ITEM NOT ILLUSTRATED

30-11-51-03

30-11-51  
FIG. 03  
PAGE 1  
JAN 20/09

BRI





757

PARTS CATALOG (MAINTENANCE)

FIG ITEM	PART NUMBER	1 2 3 4 5 6 7	NOMENCLATURE	EFFECT FROM TO	UNITS PER ASSY
3			28-41-51-03 29-11-02-03 29-11-05-04 29-11-52-07 29-21-54-03 29-31-00-01 29-32-51-03 29-33-52-03 30-21-51-03 30-31-51-02 30-32-51-01 30-33-51-02 30-41-51-03 30-42-51-03 31-12-11-84 31-12-11-84 A 32-42-52-03 33-11-03-03 33-11-51-17 33-13-01-65 33-13-02-03 33-16-51-03 33-24-51-02 33-41-52-04 33-42-01-04 33-42-02-04 33-42-52-04 33-43-51-04 33-44-51-05 33-45-53-03 33-51-08-05 34-21-02-01 35-21-51-04 36-11-04-01 36-21-00-01 36-21-02-05 36-22-51-03 49-41-00-02 49-52-00-01 49-70-00-01 52-51-51-03 52-71-51-02 73-21-52-02 74-31-51-05 75-32-00-01 80-11-09-02		
- 10	MODREF33760		PANEL INSTL-P5 OVHD (WING THERMAL ANTI-ICING ONLY) MODULE NUMBER:  MISSING ITEM NUMBERS NOT APPLICABLE	103103	1

- ITEM NOT ILLUSTRATED

**30-11-51-03**

30-11-51  
 FIG. 03  
 PAGE 2  
 JAN 20/09

BRI



757

PARTS CATALOG (MAINTENANCE)

FIG ITEM	PART NUMBER	1 2 3 4 5 6 7	NOMENCLATURE	EFFECT FROM TO	UNITS PER ASSY
3			233N3103-351 REV C FOR OTHER SYS DETAILS SEE: 11-31-10-12 21-25-55-03 21-31-01-02 21-33-51-03 21-51-54-03 21-58-19-10 21-58-51-03 21-61-04-03 21-65-51-01 22-21-01-04 22-24-51-02 23-24-01-01 23-32-00-11 23-42-02-02 23-71-05-02 24-11-52-05 24-22-01-03 24-31-01-10 24-31-03-09 24-33-04-01 24-41-51-04 24-51-62-01 26-18-51-04 27-21-53-02 27-41-55-01 27-61-51-03 27-62-52-02 28-22-51-02 28-41-04-01 28-41-51-03 29-11-02-03 29-11-05-04 29-11-52-07 29-21-54-03 29-31-00-01 29-32-51-03 29-33-52-03 30-21-51-03 30-31-51-02 30-32-51-01 30-33-51-02 30-41-51-03 30-42-51-03 31-12-11-91 31-12-11-91A 32-42-52-03 33-11-03-03		

MISSING ITEM NUMBERS NOT APPLICABLE

- ITEM NOT ILLUSTRATED

# 30-11-51-03

30-11-51  
FIG. 03  
PAGE 3  
JAN 20/09

BRI



757

PARTS CATALOG (MAINTENANCE)

FIG ITEM	PART NUMBER	1 2 3 4 5 6 7	NOMENCLATURE	EFFECT FROM TO	UNITS PER ASSY
3			33-11-51-17 33-13-01-65 33-13-02-03 33-16-51-03 33-24-51-02 33-41-52-04 33-42-01-04 33-42-02-04 33-42-52-04 33-43-51-04 33-44-51-05 33-45-53-03 33-51-08-05 34-21-02-01 35-21-51-04 36-11-04-01 36-21-00-01 36-21-02-05 36-22-51-03 49-41-00-02 49-52-00-01 49-70-00-01 52-51-51-03 52-71-51-02 73-21-52-02 74-31-51-05 75-32-00-01 80-11-09-02		
- 11	MODREF34038		PANEL INSTL-P5 OVHD (WING THERMAL ANTI-ICING ONLY) MODULE NUMBER: 233N3103-351 REV D FOR OTHER SYS DETAILS SEE: 11-31-10-12 21-25-55-03 21-31-01-02 21-33-51-03 21-51-54-03 21-58-19-10 21-58-51-03 21-61-04-03 21-65-51-01 22-21-01-04 22-24-51-02 23-24-01-01 23-32-00-11 23-42-02-02 23-71-05-02 24-11-52-05	104105	1
MISSING ITEM NUMBERS NOT APPLICABLE					

- ITEM NOT ILLUSTRATED

**30-11-51-03**

30-11-51  
 FIG. 03  
 PAGE 4  
 JAN 20/09

BRI



757

PARTS CATALOG (MAINTENANCE)

FIG ITEM	PART NUMBER	1 2 3 4 5 6 7	NOMENCLATURE	EFFECT FROM TO	UNITS PER ASSY
3			24-22-01-03 24-31-01-10 24-31-03-09 24-33-04-01 24-41-51-04 24-51-62-01 26-18-51-04 27-21-53-02 27-41-55-01 27-61-51-03 27-62-52-02 28-22-51-02 28-41-04-01 28-41-51-03 29-11-02-03 29-11-05-04 29-11-52-07 29-21-54-03 29-31-00-01 29-32-51-03 29-33-52-03 30-21-51-03 30-31-51-02 30-32-51-01 30-33-51-02 30-41-51-03 30-42-51-03 31-12-11-91 31-12-11-91 A 32-42-52-03 33-11-03-03 33-11-51-17 33-13-01-65 33-13-02-03 33-16-51-03 33-24-51-02 33-41-52-04 33-42-01-04 33-42-02-04 33-42-52-04 33-43-51-04 33-44-51-05 33-45-53-03 33-51-08-05 34-21-02-01 35-21-51-04 36-11-04-01 36-21-00-01 36-21-02-05		

MISSING ITEM NUMBERS NOT APPLICABLE

- ITEM NOT ILLUSTRATED

BRI

**30-11-51-03**

BOEING PROPRIETARY - Copyright © - Unpublished Work - See title page for details.

30-11-51  
FIG. 03  
PAGE 5  
JAN 20/09



757

PARTS CATALOG (MAINTENANCE)

FIG ITEM	PART NUMBER	1 2 3 4 5 6 7	NOMENCLATURE	EFFECT FROM TO	UNITS PER ASSY
3			36-22-51-03 49-41-00-02 49-52-00-01 49-70-00-01 52-51-51-03 52-71-51-02 73-21-52-02 74-31-51-05 75-32-00-01 80-11-09-02		
- 20	233N3204-300	.	PANEL ASSY-ANTI-ICE SUPPLIER CODE: V89954 ELECTRICAL EQUIP NUMBER: M10397 COMPONENT MAINT MANUAL REF: 30-11-72 QUALIFIED I/W DATA: 233N3204-300 PANEL ASSY IS I/W 233N3204-19 PANEL ASSY T/W S233T100-1070 LIGHTPLATE OPTIONAL PART: 233N3204-301 V89954 PRE ALERT SB: 33A0044	101102 108120 504903	RF
- 20	233N3204-301	.	PANEL ASSY-ANTI-ICE SUPPLIER CODE: V89954 ELECTRICAL EQUIP NUMBER: M10397 COMPONENT MAINT MANUAL REF: 30-11-72 QUALIFIED I/W DATA: 233N3204-301 PANEL ASSY IS I/W 233N3204-20 PANEL ASSY T/W S233T100-1070 LIGHTPLATE OPTIONAL PART: 233N3204-300 V89954 PRE ALERT SB: 33A0044	101102 108120 504903	RF

MISSING ITEM NUMBERS NOT APPLICABLE

- ITEM NOT ILLUSTRATED

30-11-51-03

30-11-51  
FIG. 03  
PAGE 6  
JAN 20/09

BRI



757

PARTS CATALOG (MAINTENANCE)

FIG ITEM	PART NUMBER	1 2 3 4 5 6 7	NOMENCLATURE	EFFECT FROM TO	UNITS PER ASSY
3					
- 20	233N3204-1301		.PANEL ASSY-ANTI-ICE SUPPLIER CODE: V89954 ELECTRICAL EQUIP NUMBER: M10397 COMPONENT MAINT MANUAL REF: 30-11-72 POST ALERT SB: 33A0044	101102 108120 504903	RF
- 20	233N3204-1303		.PANEL ASSY-ANTI-ICE SUPPLIER CODE: V89954 ELECTRICAL EQUIP NUMBER: M10397 COMPONENT MAINT MANUAL REF: 30-11-72 POST ALERT SB: 33A0044	101102 108120 504903	RF
- 20	233N3204-332		.PANEL ASSY-ANTI-ICE SUPPLIER CODE: V89954 ELECTRICAL EQUIP NUMBER: M10397 COMPONENT MAINT MANUAL REF: 30-11-72 POST ALERT SB: 33A0044	101106 108120 504903	RF
- 20	233N3204-1300		.PANEL ASSY-ANTI-ICE SUPPLIER CODE: V89954 ELECTRICAL EQUIP NUMBER: M10397 COMPONENT MAINT MANUAL REF: 30-11-72 POST ALERT SB: 33A0044	101102 108120 504903	RF
- 20	233N3204-1302		.PANEL ASSY-ANTI-ICE SUPPLIER CODE: V89954 ELECTRICAL EQUIP NUMBER: M10397 COMPONENT MAINT MANUAL REF: 30-11-72 POST ALERT SB: 33A0044	101102 108120 504903	RF

MISSING ITEM NUMBERS NOT APPLICABLE

- ITEM NOT ILLUSTRATED

30-11-51-03

30-11-51  
FIG. 03  
PAGE 7  
JAN 20/09

BRI



757

PARTS CATALOG (MAINTENANCE)

FIG ITEM	PART NUMBER	1 2 3 4 5 6 7	NOMENCLATURE	EFFECT FROM TO	UNITS PER ASSY
3					
30	233N3204-19		..PANEL ASSY- SUPPLIER CODE: V89954 COMPONENT MAINT MANUAL REF: 30-11-72 QUALIFIED I/W DATA: 233N3204-300 PANEL ASSY IS I/W 233N3204-19 PANEL ASSY T/W S233T100-1070 LIGHTPLATE USED ON: 233N3204-300 PRE ALERT SB: 33A0044	101102 108120 504903	1
30	233N3204-20		..PANEL ASSY- SUPPLIER CODE: V89954 COMPONENT MAINT MANUAL REF: 30-11-72 QUALIFIED I/W DATA: 233N3204-301 PANEL ASSY IS I/W 233N3204-20 PANEL ASSY T/W S233T100-1070 LIGHTPLATE USED ON: 233N3204-301 PRE ALERT SB: 33A0044	101102 108120 504903	1
30	233N3204-36		..PANEL ASSY- SUPPLIER CODE: V89954 COMPONENT MAINT MANUAL REF: 30-11-72 USED ON: 233N3204-332	101106 108120 504903	1
30	233N3204-1020		..PANEL ASSY- SUPPLIER CODE: V89954 COMPONENT MAINT MANUAL REF: 30-11-72 USED ON: 233N3204-1301 POST ALERT SB: 33A0044	101102 108120 504903	1

MISSING ITEM NUMBERS NOT APPLICABLE

- ITEM NOT ILLUSTRATED

30-11-51-03

30-11-51  
FIG. 03  
PAGE 8  
JAN 20/09

BRI



757

PARTS CATALOG (MAINTENANCE)

FIG ITEM	PART NUMBER	1 2 3 4 5 6 7	NOMENCLATURE	EFFECT FROM TO	UNITS PER ASSY
3					
30	233N3204-1019	..	PANEL ASSY- SUPPLIER CODE: V89954 COMPONENT MAINT MANUAL REF: 30-11-72 USED ON: 233N3204-1300 POST ALERT SB: 33A0044	101102 108120 504903	1
35	233N3204-1027	..	PANEL ASSY- SUPPLIER CODE: V89954 COMPONENT MAINT MANUAL REF: 30-11-72 USED ON: 233N3204-1302 POST ALERT SB: 33A0044	101102 108120 504903	1
35	233N3204-1028	..	PANEL ASSY- SUPPLIER CODE: V89954 COMPONENT MAINT MANUAL REF: 30-11-72 USED ON: 233N3204-1303 POST ALERT SB: 33A0044	101102 108120 504903	1
40	BCREF8486	...	LIGHT ASSY-VALVE IND SUPPLIER CODE: V81590 OVERLENGTH PART NUMBER: 434-674-1031-2115 SPECIFICATION NUMBER: S231T300-2115 FOR DETAILS SEE: 33-14-70-02	101106 108120 504903	2
40	BCREF6200	...	LIGHT ASSY-VALVE IND SUPPLIER CODE: V81590 OVERLENGTH PART NUMBER: 434-674-1005-1115 SPECIFICATION NUMBER: S231T300-1115 FOR DETAILS SEE: 33-14-70-02	101106 108120 504903	2

MISSING ITEM NUMBERS NOT APPLICABLE

- ITEM NOT ILLUSTRATED

30-11-51-03

30-11-51  
FIG. 03  
PAGE 9  
JAN 20/09

BRI





757

PARTS CATALOG (MAINTENANCE)

FIG ITEM	PART NUMBER	1 2 3 4 5 6 7	NOMENCLATURE	EFFECT FROM TO	UNITS PER ASSY
3 45	BCREF7604		...SWITCH ASSY-LIGHTED PUSH BUTTON IND ON SUPPLIER CODE: V81590 OVERLENGTH PART NUMBER: 433-673-1001-1012 SPECIFICATION NUMBER: S231T290-1012 ELECTRICAL EQUIP NUMBER: S00003 USED ON: 233N3204-20 233N3204-28 233N3204-31 233N3204-32 233N3204-1020 233N3204-1028 233N3204-1031 233N3204-1032 REFERENCE SERVICE BULLETIN: 33A0044 REWORKED BY SB: 433-33-05 V81590 FOR DETAILS SEE: 33-13-00-15A	101102 108120 504903	1

MISSING ITEM NUMBERS NOT APPLICABLE

- ITEM NOT ILLUSTRATED

BRI

30-11-51-03

BOEING PROPRIETARY - Copyright © - Unpublished Work - See title page for details.

30-11-51  
FIG. 03  
PAGE 10  
JAN 20/09



757

PARTS CATALOG (MAINTENANCE)

FIG ITEM	PART NUMBER	1 2 3 4 5 6 7	NOMENCLATURE	EFFECT FROM TO	UNITS PER ASSY
3					
45	BCREFA0503		...SWITCH ASSY-LIGHTED PUSH BUTTON IND ON SUPPLIER CODE: V81590 OVERLENGTH PART NUMBER: 433-673-1004-4012 SPECIFICATION NUMBER: S231T290-4012 MISCELLANEOUS DATA: WHEN REPLACING THE PUSHBUTTON SWITCH ASSY OR THE MASTER MODULE WITHIN, VERIFY THAT A CONFIG D MASTER MODULE P/N 13206-001 IS INSTALLED IN LIEU OF ANY EARLIER CONFIGURATION MASTER MODULES. ELECTRICAL EQUIP NUMBER: S00003 OPTIONAL PART: S231T290-5012 USED ON: 233N3204-20 REFERENCE SERVICE BULLETIN: 33A0044 REWORKED BY SB: 433-33-05 V81590 FOR DETAILS SEE: 33-13-00-45A	101102 108120 504903	1
45	851-30768-2012		...SWITCH ASSY-LIGHTED PUSH BUTTON IND ON SUPPLIER CODE: V96182 SPECIFICATION NUMBER: S231T290-2012 FOR DETAILS SEE: 33-13-00-25A	101102 108120 504903	1
45	851-30768-3012		...SWITCH ASSY-LIGHTED PUSH BUTTON IND ON SUPPLIER CODE: V96182 SPECIFICATION NUMBER: S231T290-3012 FOR DETAILS SEE: 33-13-00-35A	101102 108120 504903	1

MISSING ITEM NUMBERS NOT APPLICABLE

- ITEM NOT ILLUSTRATED

30-11-51-03

30-11-51  
FIG. 03  
PAGE 11  
JAN 20/09

BRI



757

PARTS CATALOG (MAINTENANCE)

FIG ITEM	PART NUMBER	1 2 3 4 5 6 7	NOMENCLATURE	EFFECT FROM TO	UNITS PER ASSY
3					
45	S231T290-5012	...	SWITCH ASSY-LIGHTED PUSH BUTTON IND OPTIONAL PART: BCREFA0503 V81590	101102 108120 504903	1
45	4336731004-4212	...	SWITCH ASSY-LIGHTED PUSH BUTTON IND ON SUPPLIER CODE: V81590 SPECIFICATION NUMBER: S231T290-4212 USED ON: 233N3204-36	101106 108120 504903	1
55	BACC45FN14-15P	...	CONNECTOR	101106 108120 504903	1
60	BACC45FN12-12P8	...	CONNECTOR	101106 108120 504903	1
65	BACC45FN14-15P7	...	CONNECTOR	101106 108120 504903	1
85	BACC45FN12-12P8	...	CONNECTOR	103106	1
90	BACC45FN14-15P7	...	CONNECTOR	103106	1
95	BACC45FN14-15P	...	CONNECTOR	103106	1
			ATTACHING PARTS		
- 100	NAS1801-04-5	...	SCREW-	101106 108120 504903	6
- 100	BACS12HN04-5	...	SCREW-	103106	6
- 105	K19798-04	...	NUT SUPPLIER CODE: V15653 SPECIFICATION NUMBER: BACN10NW1 OPTIONAL PART: RMA4812-160-40 V72962 293162 V60119 -----*-----	101106 108120 504903	6

MISSING ITEM NUMBERS NOT APPLICABLE

- ITEM NOT ILLUSTRATED

30-11-51-03

30-11-51  
FIG. 03  
PAGE 12  
JAN 20/09

BRI



757

PARTS CATALOG (MAINTENANCE)

FIG ITEM	PART NUMBER	1 2 3 4 5 6 7	NOMENCLATURE	EFFECT FROM TO	UNITS PER ASSY
3 110	W260F4AM11		...RELAY SUPPLIER CODE: VF0219 SPECIFICATION NUMBER: BACR13CD2 OPTIONAL PART: BR16S233 V09026 EE4AA005 V35344 3SAV1338A2 V01526 HFW1206K03 V58614 HFW1204K01 V71482	101106 108120 504903	2
115	RSE120026		...SOCKET SUPPLIER CODE: V58982 SPECIFICATION NUMBER: BACS16AG1 OPTIONAL PART: 451120-026 V58982	101106 108120 504903	2
130	W260F4AM11		...RELAY SUPPLIER CODE: VF0219 SPECIFICATION NUMBER: BACR13CD2 OPTIONAL PART: BR16S233 V09026 EE4AA005 V35344 3SAV1338A2 V01526 HFW1206K03 V58614 HFW1204K01 V71482	103106	4
135	RSE120026		...SOCKET SUPPLIER CODE: V58982 SPECIFICATION NUMBER: BACS16AG1 OPTIONAL PART: 451120-026 V58982	103106	4
- 151	286N2072-343		WIRE BUNDLE ASSY	101102	RF

MISSING ITEM NUMBERS NOT APPLICABLE

- ITEM NOT ILLUSTRATED

30-11-51-03

30-11-51  
FIG. 03  
PAGE 13  
JAN 20/09

BRI



757

PARTS CATALOG (MAINTENANCE)

FIG ITEM	PART NUMBER	1 2 3 4 5 6 7	NOMENCLATURE	EFFECT FROM TO	UNITS PER ASSY
3					
- 151	286N2072-345		WIRE BUNDLE ASSY	504903	RF
- 152	286N2072-355		WIRE BUNDLE ASSY	108120	RF
- 153	286N2072-701		WIRE BUNDLE ASSY	103106	RF
165	BACC45FT12A12S8		.CONNECTOR- ELECTRICAL EQUIP NUMBER: D03550 WIRING DIAGRAM REF: 301111	103106	1
165	BACC45FT12D12S8		.CONNECTOR- ELECTRICAL EQUIP NUMBER: D03550 WIRING DIAGRAM REF: 301111	101102 108120 504903	1
- 181	286N2078-328		WIRE BUNDLE ASSY	504903	RF
- 181	286N2078-330		WIRE BUNDLE ASSY	101102	RF
- 181	286N2078-331		WIRE BUNDLE ASSY	108120	RF
- 182	286N2078-601		WIRE BUNDLE ASSY	103106	RF
195	BACC45FT14D15S		.CONNECTOR- ELECTRICAL EQUIP NUMBER: D03528 WIRING DIAGRAM REF: 302111	101106 108120 504903	1
200	BACC45FT12A12S8		.CONNECTOR- ELECTRICAL EQUIP NUMBER: D03550 WIRING DIAGRAM REF: 301111	103106	1
200	BACC45FT12D12S8		.CONNECTOR- ELECTRICAL EQUIP NUMBER: D03550 WIRING DIAGRAM REF: 301111	101102 108120	1
- 211	286N2156-326		WIRE BUNDLE ASSY	101102	RF
- 211	286N2156-331		WIRE BUNDLE ASSY	504903	RF
- 211	286N2156-335		WIRE BUNDLE ASSY	108120	RF
- 212	286N2156-601		WIRE BUNDLE ASSY	103106	RF
220	BACC45FT14D15S7		.CONNECTOR- ELECTRICAL EQUIP NUMBER: D03530 WIRING DIAGRAM REF: 302111	101106 108120 504903	1

MISSING ITEM NUMBERS NOT APPLICABLE

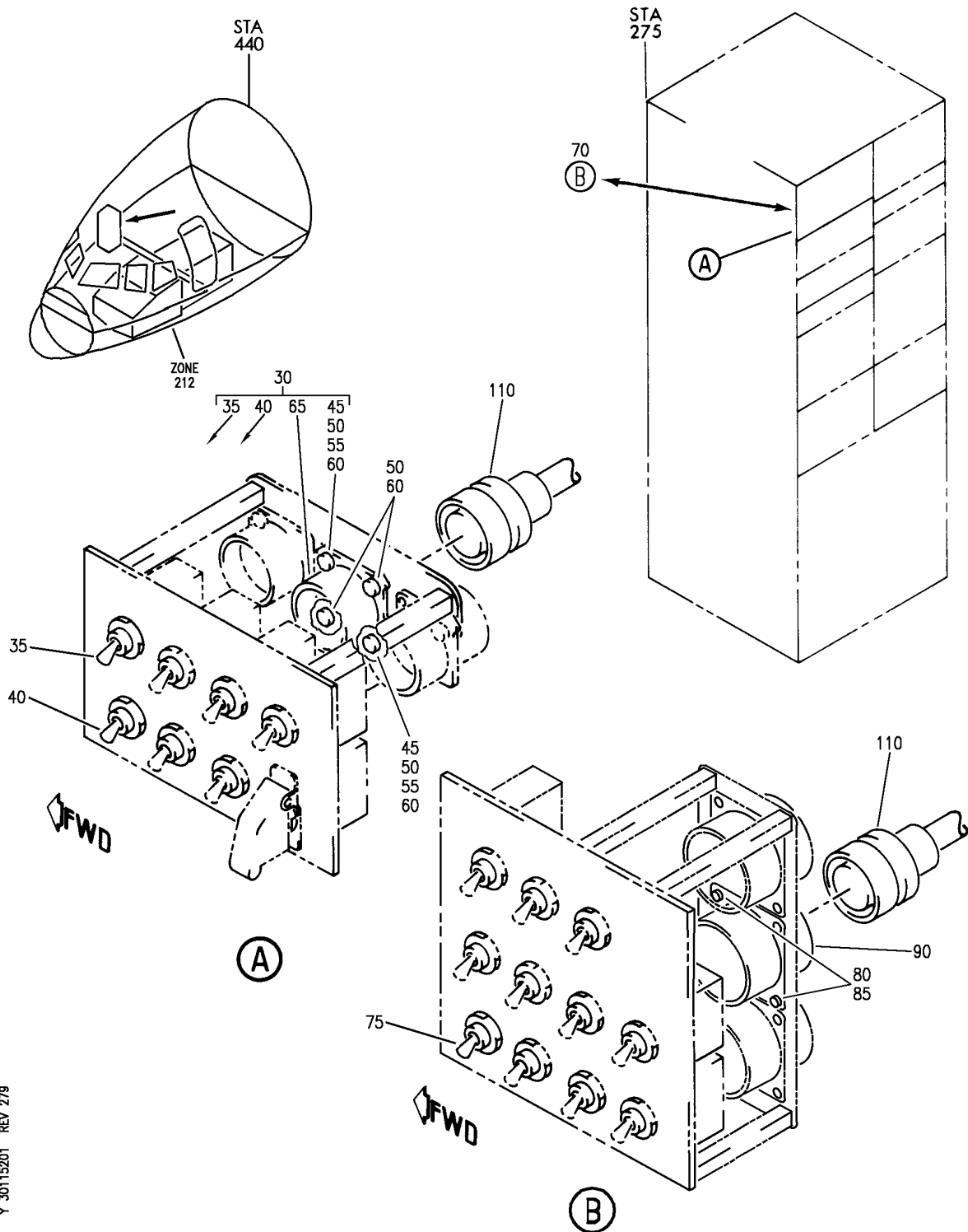
- ITEM NOT ILLUSTRATED

30-11-51-03

30-11-51  
FIG. 03  
PAGE 14  
JAN 20/09

BRI

**BOEING**  
757  
PARTS CATALOG (MAINTENANCE)



Y 30115201 REV 279

PANEL INSTL-P61 R SIDEWALL (WING THERMAL ANTI-ICING ONLY)  
FIGURE 1

**30-11-52-01**

BRI  
MAY 28/07

30-11-52-01  
PAGE 0



757

PARTS CATALOG (MAINTENANCE)

FIG ITEM	PART NUMBER	1 2 3 4 5 6 7	NOMENCLATURE	EFFECT FROM TO	UNITS PER ASSY
1			PANEL INSTL-P61 R SIDEWALL (WING THERMAL ANTI-ICING ONLY)	002004 006999	
- 1	233N7401-1		PANEL INSTL-P61 SIDEWALL (WING THERMAL ANTI-ICING ONLY) POSITION DATA: R VARIABLE DRAWING REF: 233N7401-5004 233N7401-5005 233N7401-5036 233N7401-5038 233N7401-5042 FOR NHA/OTHER SYS DET SEE: 25-10-00-05A	002004 006100 107107 121503 904999	RF
- 2	233N7403-117		PANEL INSTL-P61 SIDEWALL (WING THERMAL ANTI-ICING ONLY) POSITION DATA: R FOR NHA/OTHER SYS DET SEE: 25-10-00-15B	504903	RF
- 2	233N7403-128		PANEL INSTL-P61 SIDEWALL (WING THERMAL ANTI-ICING ONLY) POSITION DATA: R FOR NHA/OTHER SYS DET SEE: 25-10-00-15B	102102	RF
- 3	233N7403-158		PANEL INSTL-P61 SIDEWALL (WING THERMAL ANTI-ICING ONLY) POSITION DATA: R FOR NHA/OTHER SYS DET SEE: 25-10-00-15B	108120	RF
- 4	233N7403-28		PANEL INSTL-P61 SIDEWALL (WING THERMAL ANTI-ICING ONLY) POSITION DATA: R FOR NHA/OTHER SYS DET SEE: 25-10-00-15B	101101	RF

MISSING ITEM NUMBERS NOT APPLICABLE

- ITEM NOT ILLUSTRATED

30-11-52-01

30-11-52  
FIG. 01  
PAGE 1  
JAN 20/09

BRI



757

PARTS CATALOG (MAINTENANCE)

FIG ITEM	PART NUMBER	1 2 3 4 5 6 7	NOMENCLATURE	EFFECT FROM TO	UNITS PER ASSY
1 - 8	MODREF33342		PANEL INSTL- (WING THERMAL ANTI-ICING ONLY) MODULE NUMBER: 233N7403-171 REV A FOR OTHER SYS DETAILS SEE: 11-32-01-98 21-58-51-04 22-21-51-01 23-41-52-01 24-22-73-02 26-18-53-02 26-21-52-01 26-22-52-01 26-23-52-03 27-23-51-02 28-41-51-04 29-22-52-01 30-41-51-04 31-14-16-87 31-31-04-01 31-41-53-01 31-51-51-01 34-12-54-01 34-21-51-02 34-46-51-05 34-61-53-03	103106	1
30	233N7501-23		.PANEL ASSY-TEST SUPPLIER CODE: V89954 NOT APPROVED FOR ETOPS. SB DATA FROM A CMM: PRE 233N7501-31-01 PRE 233N7501-31-03 ELECTRICAL EQUIP NUMBER: M10398 COMPONENT MAINT MANUAL REF: 31-51-61	950951	RF
30	233N7501-23		.PANEL ASSY-TEST SUPPLIER CODE: V89954 NOT APPROVED FOR ETOPS. SB DATA FROM A CMM: PRE 233N7501-31-01 PRE 233N7501-31-03 ELECTRICAL EQUIP NUMBER: M10398 COMPONENT MAINT MANUAL REF: 31-51-61	504903	RF

MISSING ITEM NUMBERS NOT APPLICABLE

- ITEM NOT ILLUSTRATED

30-11-52-01

30-11-52  
FIG. 01  
PAGE 2  
JAN 20/09

BRI





757

PARTS CATALOG (MAINTENANCE)

FIG ITEM	PART NUMBER	1 2 3 4 5 6 7	NOMENCLATURE	EFFECT FROM TO	UNITS PER ASSY
1 30	233N7501-35		.PANEL ASSY-TEST SUPPLIER CODE: V89954 ELECTRICAL EQUIP NUMBER: M10398 COMPONENT MAINT MANUAL REF: 31-51-61 POST SERVICE BULLETIN: 24-0048	107107 904949 952952	RF
30	233N7501-36		.PANEL ASSY-TEST SUPPLIER CODE: V89954 SB DATA FROM A CMM: POST 233N7501-31-03 ELECTRICAL EQUIP NUMBER: M10398 COMPONENT MAINT MANUAL REF: 31-51-61 QUALIFIED I/W DATA: 233N7501-36 CAN REPLACE 233N7501-35,BUT 233N7501-35 CANNOT REPLACE 233N7501-36 IF VICKER HMG, 520850 OR 3022008-000 IS INSTALLED.	002004 006100 121503 953999	RF
30	233N7501-36		.PANEL ASSY-TEST SUPPLIER CODE: V89954 SB DATA FROM A CMM: POST 233N7501-31-03 ELECTRICAL EQUIP NUMBER: M10398 COMPONENT MAINT MANUAL REF: 31-51-61 QUALIFIED I/W DATA: 233N7501-36 CAN REPLACE 233N7501-35,BUT 233N7501-35 CANNOT REPLACE 233N7501-36 IF VICKER HMG, 520850 OR 3022008-000 IS INSTALLED.	101102 108120	RF

MISSING ITEM NUMBERS NOT APPLICABLE

- ITEM NOT ILLUSTRATED

BRI

30-11-52-01

30-11-52  
FIG. 01  
PAGE 3  
JAN 20/09



757

PARTS CATALOG (MAINTENANCE)

FIG ITEM	PART NUMBER	1 2 3 4 5 6 7	NOMENCLATURE	EFFECT FROM TO	UNITS PER ASSY
1					
40	68AT22-7	..	SWITCH SUPPLIER CODE: V91929 SPECIFICATION NUMBER: BACS30ES44 OPTIONAL PART: 68AT11-7 V91929 A3-1114-04-1 V81640 A3-1114-04 V81640	002004 006102 107999	1
45	BACS12CB04-5	..	SCREW	002004 006102 107999	2
55	K19798-04	..	NUT SUPPLIER CODE: V15653 SPECIFICATION NUMBER: BACN10NW1 OPTIONAL PART: RMA4812-160-40 V72962 293162 V60119	002004 006102 107999	2
65	BACC45FN20-41P7	..	CONNECTOR	002004 006102 107999	1
70	233N7501-41	.PANEL ASSY-TEST	SUPPLIER CODE: V89954 ELECTRICAL EQUIP NUMBER: M10398 COMPONENT MAINT MANUAL REF: 31-51-61	103106	RF
75	68AT22-7	..	SWITCH-TG SUPPLIER CODE: V91929 ELECTRICAL EQUIP NUMBER: S00005	103106	1
80	MS51957-14	..	SCREW	103106	2

MISSING ITEM NUMBERS NOT APPLICABLE

- ITEM NOT ILLUSTRATED

30-11-52-01

30-11-52  
FIG. 01  
PAGE 4  
JAN 20/09

BRI



757

PARTS CATALOG (MAINTENANCE)

FIG ITEM	PART NUMBER	1 2 3 4 5 6 7	NOMENCLATURE	EFFECT FROM TO	UNITS PER ASSY
1					
85	K19798-04	. .	NUT SUPPLIER CODE: V15653 SPECIFICATION NUMBER: BACN10NW1 OPTIONAL PART: RMA4812-160-40 V72962 293162 V60119	103106	2
90	BACC45FN20-41P7	. .	CONNECTOR- ELECTRICAL EQUIP NUMBER: J00002	103106	1
- 100	286N2070-003		WIRE BUNDLE ASSY-	121503 904949	RF
- 100	286N2070-004		WIRE BUNDLE ASSY	107107	RF
- 100	286N2070-005		WIRE BUNDLE ASSY-	002004 006100 950999	RF
- 102	286N2070-335		WIRE BUNDLE ASSY	101102	RF
- 102	286N2070-337		WIRE BUNDLE ASSY	108120	RF
- 102	286N2070-340		WIRE BUNDLE ASSY	504903	RF
- 104	286N2070-601		WIRE BUNDLE ASSY	103106	RF
110	BACC45FT20A41S7	. .	CONNECTOR- ELECTRICAL EQUIP NUMBER: D03704 WIRING DIAGRAM REF: 273221 301111 304112	002004 006999	1

MISSING ITEM NUMBERS NOT APPLICABLE

- ITEM NOT ILLUSTRATED

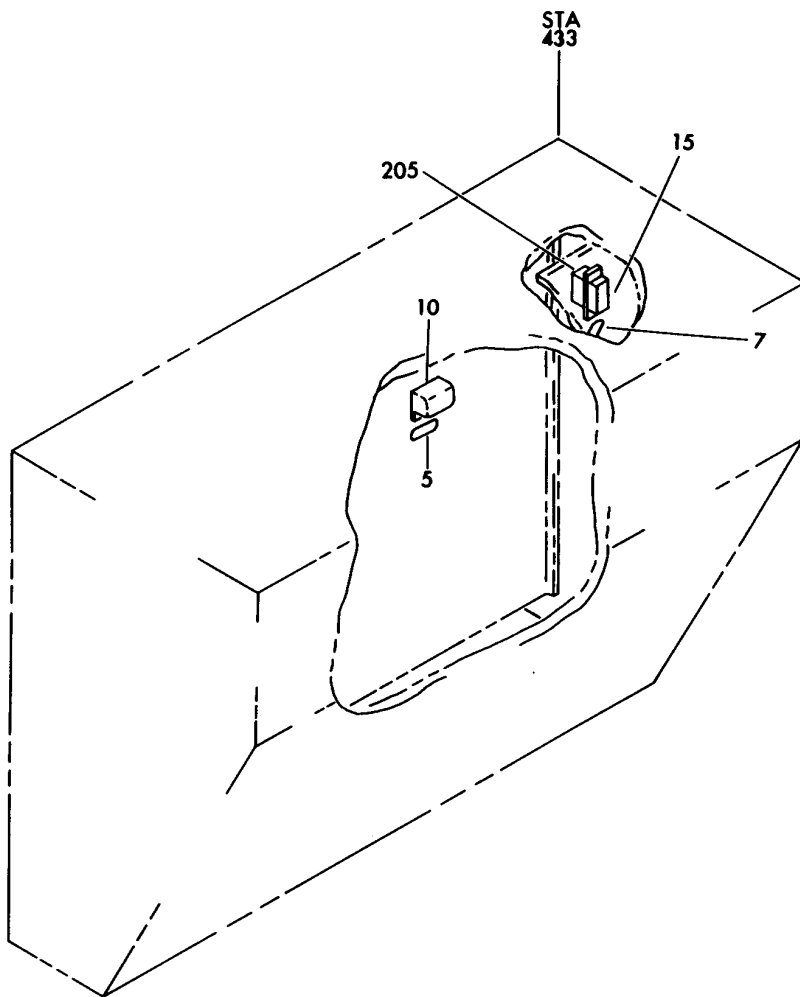
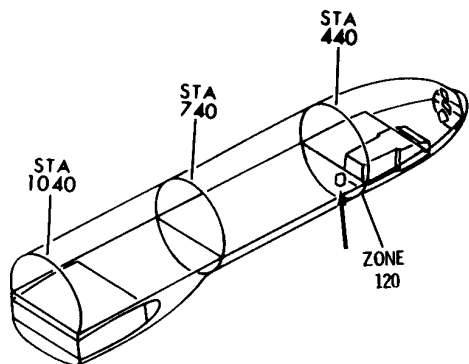
30-11-52-01

30-11-52  
FIG. 01  
PAGE 5  
JAN 20/09

BRI

BOEING PROPRIETARY - Copyright © - Unpublished Work - See title page for details.

**BOEING**  
757  
PARTS CATALOG (MAINTENANCE)



Y 30117102 REV 040

PANEL ASSY-P37 MISC RELAY R (WING THERMAL ANTI-ICING ONLY)  
FIGURE 2

**30-11-71-02**

BRI  
MAY 28/07

30-11-71-02  
PAGE 0



757

PARTS CATALOG (MAINTENANCE)

FIG ITEM	PART NUMBER	1 2 3 4 5 6 7	NOMENCLATURE	EFFECT FROM TO	UNITS PER ASSY
2			PANEL ASSY-P37 MISC RELAY R (WING THERMAL ANTI-ICING ONLY)	002004 006100 107107 121503 904999	
- 1	284N1127-1		PANEL ASSY-P37 MISC RELAY (WING THERMAL ANTI-ICING ONLY) POSITION DATA: R VARIABLE DRAWING REF: 284N1127-5028 284N1127-5039 284N1127-5063 284N1127-5064 284N1127-5068 REWORKED BY SB: 33-0039 34-0200 REWORKED BY ALERT SB: 27A0130 FOR NHA/OTHER SYS DET SEE: 31-01-37-01B	002004 006100 107107 121503 904999	RF
5	BAC27NEX1597		.DECAL- PLACARD CONTENT: M10479	002004 006100 107107 121503 904999	1
7	BAC27NEX1596		.DECAL- PLACARD CONTENT: K10403	002004 006100 107107 121503 904999	1
10	10167-1202BT		.TIME DELAY- SUPPLIER CODE: V08719 ELECTRICAL EQUIP NUMBER: M10479 OPTIONAL PART: 530750-1202 V08719 TD1982-1202 V58657	002004 006100 107107 121503 904999	1

MISSING ITEM NUMBERS NOT APPLICABLE

- ITEM NOT ILLUSTRATED

30-11-71-02

30-11-71  
FIG. 02  
PAGE 1  
JAN 20/09

BRI



757

PARTS CATALOG (MAINTENANCE)

FIG ITEM	PART NUMBER	1 2 3 4 5 6 7	NOMENCLATURE	EFFECT FROM TO	UNITS PER ASSY
2					
10	530750-1202		.TIME DELAY- SUPPLIER CODE: V08719 ELECTRICAL EQUIP NUMBER: M10479 OPTIONAL PART: 10167-1202BT V08719 TD1982-1202 V58657	002004 006100 107107 121503 904999	1
10	TD1982-1202		.TIME DELAY- SUPPLIER CODE: V58657 ELECTRICAL EQUIP NUMBER: M10479 OPTIONAL PART: 10167-1202BT V08719 TD1982-1202 V58657	002004 006100 107107 121503 904999	1
10	530750-12		.TIME DELAY- SUPPLIER CODE: V08719 ELECTRICAL EQUIP NUMBER: M10479 OPTIONAL PART: 10167-12BT V08719 TD1982-12 V58657 TD1767-1202 V58657	002004 006100 107107 121503 904999	1
10	TD1982-12		.TIME DELAY- SUPPLIER CODE: V58657 ELECTRICAL EQUIP NUMBER: M10479 OPTIONAL PART: 10167-12BT V08719 530750-12 V08719 TD1767-1202 V58657	002004 006100 107107 121503 904999	1

MISSING ITEM NUMBERS NOT APPLICABLE

- ITEM NOT ILLUSTRATED

BRI

30-11-71-02

30-11-71  
FIG. 02  
PAGE 2  
JAN 20/09



757

PARTS CATALOG (MAINTENANCE)

FIG ITEM	PART NUMBER	1 2 3 4 5 6 7	NOMENCLATURE	EFFECT FROM TO	UNITS PER ASSY
2 10	TD1767-1202		.TIME DELAY- SUPPLIER CODE: V58657 ELECTRICAL EQUIP NUMBER: M10479 OPTIONAL PART: 10167-12BT V08719 530750-12 V08719 TD1982-12 V58657 ATTACHING PARTS .SCREW	002004 006100 107107 121503 904999	1
- 12	NAS601-13P		.SCREW	002004 006100 107107 121503 904999	2
- 13	AN960D6L		.WASHER-	002004 006100 107107 121503 904999	2
15	E210-1631		-----*----- .RELAY- SUPPLIER CODE: V99699 SPECIFICATION NUMBER: BACR13CF2A OPTIONAL PART: BR246S0112 V56623 FCA210-70 V78290 E215-1050 V99699 JD4A017 V35344 BR64S104 V56623 61GB19-1A320 V98927 ELECTRICAL EQUIP NUMBER: K10403	002004 006100 107107 121503 904999	1
- 200	286N1270-002		WIRE BUNDLE ASSY- REWORKED BY ALERT SB: 27A0130 34A0222	121503 904949	RF

MISSING ITEM NUMBERS NOT APPLICABLE

- ITEM NOT ILLUSTRATED

30-11-71-02

30-11-71  
FIG. 02  
PAGE 3  
JAN 20/09

BRI



757

PARTS CATALOG (MAINTENANCE)

FIG ITEM	PART NUMBER	1 2 3 4 5 6 7	NOMENCLATURE	EFFECT FROM TO	UNITS PER ASSY
2					
- 200	286N1270-003		WIRE BUNDLE ASSY- REWORKED BY ALERT SB: 27A0130 34A0222	107107	RF
- 200	286N1270-005		WIRE BUNDLE ASSY- REWORKED BY SB: 33-0039 34-0200 REWORKED BY ALERT SB: 27A0130 34A0222	002004 006100 950999	RF
205	RSF116200		. SOCKET- SUPPLIER CODE: V58982 SPECIFICATION NUMBER: BACS16X1A OPTIONAL PART: 102-006-1 V09922 000300-1538 V05574 ELECTRICAL EQUIP NUMBER: D04610 WIRING DIAGRAM REF: 301111	002004 006100 107107 121503 904999	1

MISSING ITEM NUMBERS NOT APPLICABLE

- ITEM NOT ILLUSTRATED

BRI

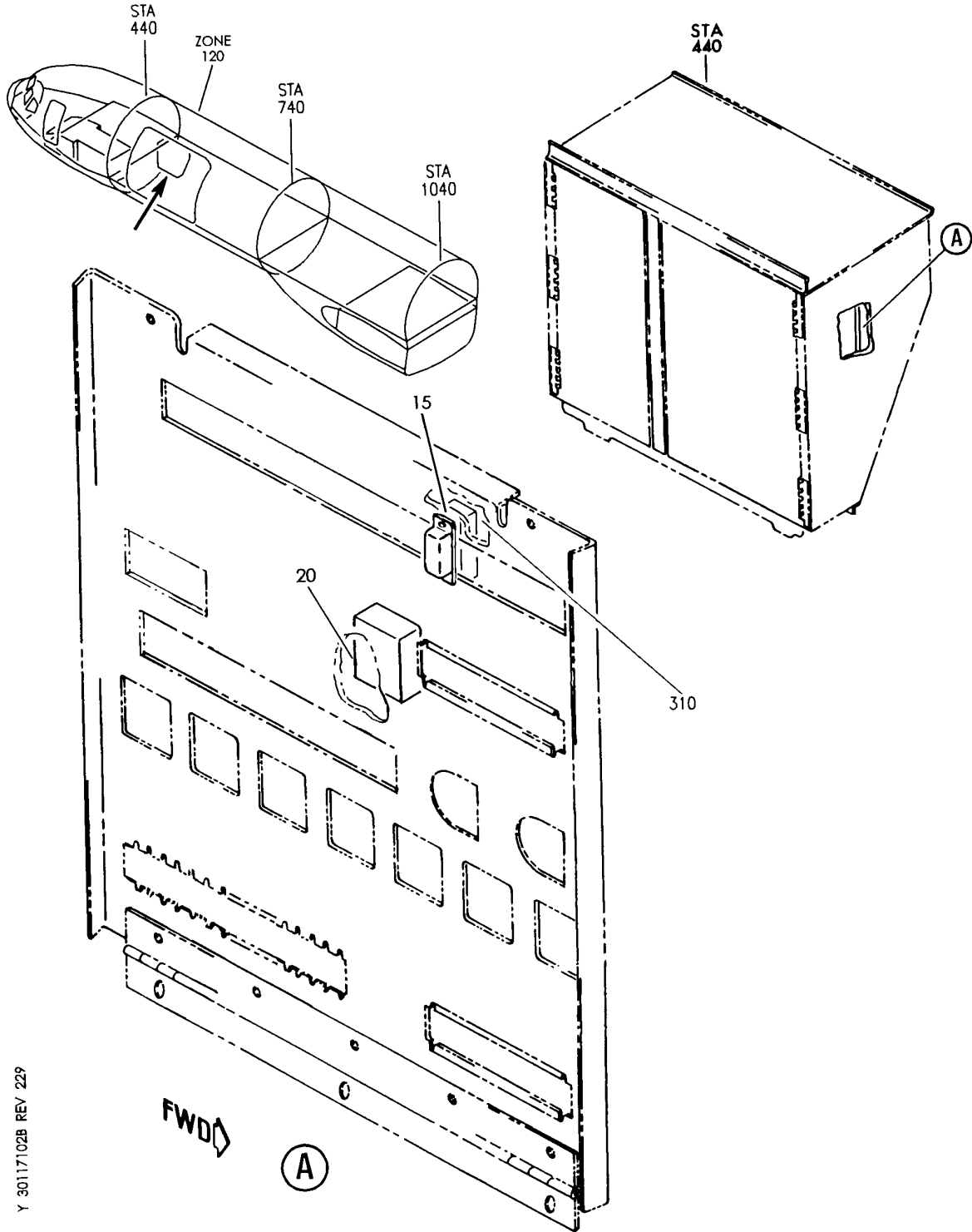
30-11-71-02

BOEING PROPRIETARY - Copyright © - Unpublished Work - See title page for details.

30-11-71  
FIG. 02  
PAGE 4  
JAN 20/09



**BOEING**  
757  
PARTS CATALOG (MAINTENANCE)



Y 30117102B REV 229

PACKAGE ASSY-OPTION P37 MISC RELAY (WING THERMAL ANTI-ICING ONLY)  
FIGURE 2B

**30-11-71-02B**

BRI  
MAY 28/07

30-11-71-02B  
PAGE 0



757

PARTS CATALOG (MAINTENANCE)

FIG ITEM	PART NUMBER	1 2 3 4 5 6 7	NOMENCLATURE	EFFECT FROM TO	UNITS PER ASSY
2B			PACKAGE ASSY-OPTION P37 MISC RELAY (WING THERMAL ANTI-ICING ONLY)	101102 504903	
- 1	284N1127-1041		PACKAGE ASSY-P37 MISC RELAY (WING THERMAL ANTI-ICING ONLY)	101102 504903	RF
15	E210-1631		MISCELLANEOUS DATA: 757 MAJOR MODEL REWORKED BY ALERT SB: 27A0130 FOR NHA/OTHER SYS DET SEE: 31-01-37-02 .RELAY-	101102 504903	1
20	10167-1202BT		SUPPLIER CODE: V99699 SPECIFICATION NUMBER: BACR13CF2A OPTIONAL PART: BR246S0112 V56623 FCA210-70 V78290 E215-1050 V99699 JD4A017 V35344 BR64S104 V56623 61GB19-1A320 V98927 ELECTRICAL EQUIP NUMBER: K10403 .TIME DELAY-	101102 504903	1
			SUPPLIER CODE: V08719 ELECTRICAL EQUIP NUMBER: M10479 OPTIONAL PART: 530750-1202 V08719 TD1982-1202 V58657		

MISSING ITEM NUMBERS NOT APPLICABLE

- ITEM NOT ILLUSTRATED

30-11-71-02B

30-11-71  
FIG. 02B  
PAGE 1  
JAN 20/09

BRI



757

PARTS CATALOG (MAINTENANCE)

FIG ITEM	PART NUMBER	1 2 3 4 5 6 7	NOMENCLATURE	EFFECT FROM TO	UNITS PER ASSY
2B 20	530750-1202		.TIME DELAY- SUPPLIER CODE: V08719 ELECTRICAL EQUIP NUMBER: M10479 OPTIONAL PART: 10167-1202BT V08719 TD1982-1202 V58657	101102 504903	1
20	TD1982-1202		.TIME DELAY- SUPPLIER CODE: V58657 ELECTRICAL EQUIP NUMBER: M10479 OPTIONAL PART: 10167-1202BT V08719 530750-1202 V08719	101102 504903	1
- 300	286N1270-336		WIRE BUNDLE ASSY- REWORKED BY ALERT SB: 34A0222 27A0130	504903	RF
- 301	286N1270-361		WIRE BUNDLE ASSY- REWORKED BY ALERT SB: 34A0222 27A0130	101101	RF
- 302	286N1270-399		WIRE BUNDLE ASSY- REWORKED BY ALERT SB: 34A0222 27A0130	102102	RF
310	RSF116200		.SOCKET- SUPPLIER CODE: V58982 SPECIFICATION NUMBER: BACS16X1A OPTIONAL PART: 102-006-1 V09922 000300-1538 V05574 ELECTRICAL EQUIP NUMBER: D04610 WIRING DIAGRAM REF: 301111	101102 504903	1

MISSING ITEM NUMBERS NOT APPLICABLE

- ITEM NOT ILLUSTRATED

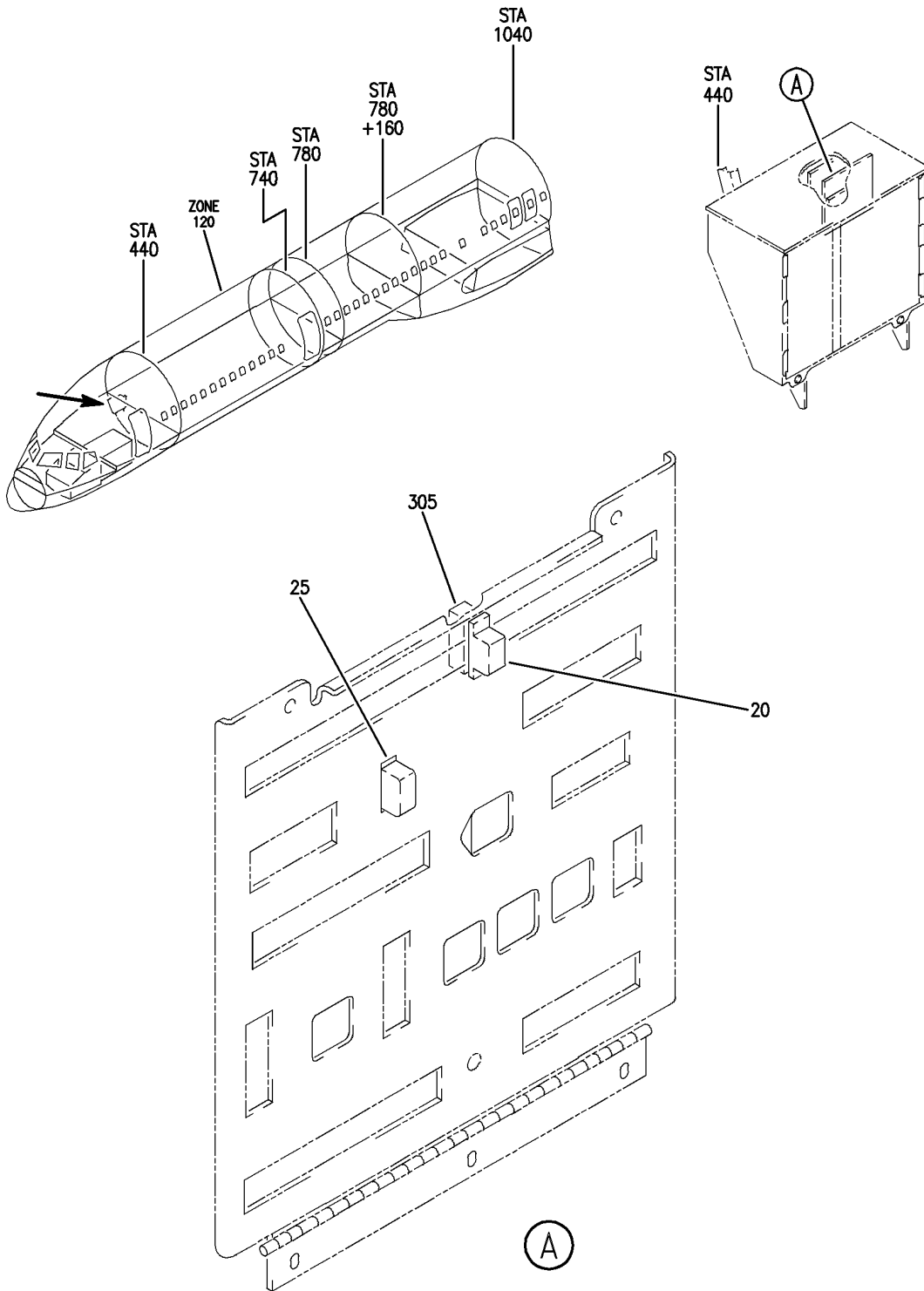
30-11-71-02B

30-11-71  
FIG. 02B  
PAGE 2  
JAN 20/09

BRI

BOEING PROPRIETARY - Copyright © - Unpublished Work - See title page for details.

**BOEING**  
757  
PARTS CATALOG (MAINTENANCE)



Y 30117102D REV 223

PANEL INSTL-P37 R MISC RELAY (WING TAI ONLY)  
FIGURE 2D

**30-11-71-02D**

BRI  
JAN 20/09

30-11-71-02D  
PAGE 0



757

PARTS CATALOG (MAINTENANCE)

FIG ITEM	PART NUMBER	1 2 3 4 5 6 7	NOMENCLATURE	EFFECT FROM TO	UNITS PER ASSY
2D					
- 1	MODREF185037		PANEL INSTL-P37 R MISC RELAY (WING TAI ONLY) PANEL INSTL-P37 R MISC RELAY (WING TAI ONLY) MODULE NUMBER: 284N1127-169 REV D FOR OTHER SYS DETAILS SEE: 11-36-12-02A 21-25-71-02D 21-44-71-02D 21-45-31-01D 21-51-55-01D 21-58-71-02D 21-61-71-02D 23-31-51-05 24-21-51-05 24-51-01-02 24-51-02-03 24-51-58-02D 27-62-71-03D 28-22-71-03D 29-21-71-01D 30-21-71-03D 30-31-71-02D 30-32-71-02D 30-33-71-02D 30-34-51-01D 31-01-37-10 31-31-71-02D 32-09-02-04D 32-42-71-02D 32-61-71-02D 33-43-55-01D 33-51-71-01D 34-12-71-02D 34-25-50-01D 34-61-52-01D 35-21-71-02D 36-11-71-02D 38-15-71-02D 73-21-55-01D 74-31-71-02D 76-11-71-02D 77-12-71-01D 78-34-71-02D 78-36-71-02D 80-11-71-02D	103106 108120 106106	1
MISSING ITEM NUMBERS NOT APPLICABLE					

- ITEM NOT ILLUSTRATED

**30-11-71-02D**

30-11-71  
 FIG. 02D  
 PAGE 1  
 JAN 20/09

BRI



757

PARTS CATALOG (MAINTENANCE)

FIG ITEM	PART NUMBER	1 2 3 4 5 6 7	NOMENCLATURE	EFFECT FROM TO	UNITS PER ASSY
2D - 3	284N1127-118		PANEL INSTL-P37 R MISC RELAY (WING TAI ONLY) FOR NHA/OTHER SYS DET SEE: 24-00-58-05C	108108	RF
- 4	284N1127-139		PANEL INSTL-P37 R MISC RELAY (WING TAI ONLY) FOR NHA/OTHER SYS DET SEE: 24-00-58-05C	109120	RF

MISSING ITEM NUMBERS NOT APPLICABLE

- ITEM NOT ILLUSTRATED

BRI

30-11-71-02D

BOEING PROPRIETARY - Copyright © - Unpublished Work - See title page for details.

30-11-71  
FIG. 02D  
PAGE 2  
JAN 20/09



757

PARTS CATALOG (MAINTENANCE)

FIG ITEM	PART NUMBER	1 2 3 4 5 6 7	NOMENCLATURE	EFFECT FROM TO	UNITS PER ASSY
2D - 8	MODREF31945		PANEL INSTL-P37 R MISC RELAY (WING TAI ONLY) MODULE NUMBER: 284N1127-169 REV B FOR OTHER SYS DETAILS SEE: 11-36-12-02A 21-25-71-02D 21-44-71-02D 21-45-31-01D 21-51-55-01D 21-58-71-02D 21-61-71-02D 23-31-51-05 24-21-51-05 24-51-01-02 24-51-02-03 24-51-58-02D 27-62-71-03D 28-22-71-03D 29-21-71-01D 30-21-71-03D 30-31-71-02D 30-32-71-02D 30-33-71-02D 30-34-51-01D 31-01-37-10 31-31-71-02D 32-09-02-04D 32-42-71-02D 32-61-71-02D 33-43-55-01D 33-51-71-01D 34-12-71-02D 34-25-50-01D 34-61-52-01D 35-21-71-02D 36-11-71-02D 38-15-71-02D 73-21-55-01D 74-31-71-02D 76-11-71-02D 77-12-71-01D 78-34-71-02D 78-36-71-02D 80-11-71-02D	103103	1

MISSING ITEM NUMBERS NOT APPLICABLE

- ITEM NOT ILLUSTRATED

**30-11-71-02D**

30-11-71  
FIG. 02D  
PAGE 3  
JAN 20/09

BRI



757

PARTS CATALOG (MAINTENANCE)

FIG ITEM	PART NUMBER	1 2 3 4 5 6 7	NOMENCLATURE	EFFECT FROM TO	UNITS PER ASSY
2D - 9	MODREF34305		PANEL INSTL-P37 R MISC RELAY (WING TAI ONLY) MODULE NUMBER: 284N1127-169 REV C FOR OTHER SYS DETAILS SEE: 11-36-12-02A 21-25-71-02D 21-44-71-02D 21-45-31-01D 21-51-55-01D 21-58-71-02D 21-61-71-02D 23-31-51-05 24-21-51-05 24-51-01-02 24-51-02-03 24-51-58-02D 27-62-71-03D 28-22-71-03D 29-21-71-01D 30-21-71-03D 30-31-71-02D 30-32-71-02D 30-33-71-02D 30-34-51-01D 31-01-37-10 31-31-71-02D 32-09-02-04D 32-42-71-02D 32-61-71-02D 33-43-55-01D 33-51-71-01D 34-12-71-02D 34-25-50-01D 34-61-52-01D 35-21-71-02D 36-11-71-02D 38-15-71-02D 73-21-55-01D 74-31-71-02D 76-11-71-02D 77-12-71-01D 78-34-71-02D 78-36-71-02D 80-11-71-02D	104105	1

MISSING ITEM NUMBERS NOT APPLICABLE

- ITEM NOT ILLUSTRATED

**30-11-71-02D**

30-11-71  
FIG. 02D  
PAGE 4  
JAN 20/09

BRI





757

PARTS CATALOG (MAINTENANCE)

FIG ITEM	PART NUMBER	1 2 3 4 5 6 7	NOMENCLATURE	EFFECT FROM TO	UNITS PER ASSY
2D 20	E210-1631		.RELAY- SUPPLIER CODE: V99699 SPECIFICATION NUMBER: BACR13CF2A OPTIONAL PART: BR246S0112 V56623 FCA210-70 V78290 E215-1050 V99699 JD4A017 V35344 BR64S104 V56623 61GB19-1A320 V98927 ELECTRICAL EQUIP NUMBER: K10403	103106 108120	1
25	10167-1202BT		.TIME DELAY- SUPPLIER CODE: V08719 ELECTRICAL EQUIP NUMBER: M10479 OPTIONAL PART: 530750-1202 V08719 TD1982-1202 V58657	108120	1
25	530750-1202		.TIME DELAY- SUPPLIER CODE: V08719 ELECTRICAL EQUIP NUMBER: M10479 OPTIONAL PART: 10167-1202BT V08719 TD1982-1202 V58657	108120	1

MISSING ITEM NUMBERS NOT APPLICABLE

- ITEM NOT ILLUSTRATED

BRI

30-11-71-02D

BOEING PROPRIETARY - Copyright © - Unpublished Work - See title page for details.

30-11-71  
FIG. 02D  
PAGE 5  
JAN 20/09



757

PARTS CATALOG (MAINTENANCE)

FIG ITEM	PART NUMBER	1 2 3 4 5 6 7	NOMENCLATURE	EFFECT FROM TO	UNITS PER ASSY
2D 25	TD1982-1202		.TIME DELAY- SUPPLIER CODE: V58657 ELECTRICAL EQUIP NUMBER: M10479 OPTIONAL PART: 10167-1202BT V08719 530750-1202 V08719	108120	1
25	530740-1202		.TIME DELAY- SUPPLIER CODE: V08719 ELECTRICAL EQUIP NUMBER: M10479 ATTACHING PARTS	103106	1
- 30	NAS601-13P		.SCREW-	108120	2
- 30	BACS12CK06-13		.SCREW-	103106	2
- 35	NAS1149DN616H		.WASHER	103106	2
			-----*-----	108120	
- 300	286N1270-360		WIRE BUNDLE ASSY- REWORKED BY ALERT SB: 34A022	108120	RF
- 302	286N1270-602		WIRE BUNDLE ASSY-	103106	RF
305	RSF116200		.SOCKET- SUPPLIER CODE: V58982 SPECIFICATION NUMBER: BACS16X1A OPTIONAL PART: 102-006-1 V09922 000300-1538 V05574 ELECTRICAL EQUIP NUMBER: D04610 WIRING DIAGRAM REF: 301111	103106 108120	1

MISSING ITEM NUMBERS NOT APPLICABLE

- ITEM NOT ILLUSTRATED

**30-11-71-02D**

30-11-71  
FIG. 02D  
PAGE 6  
JAN 20/09

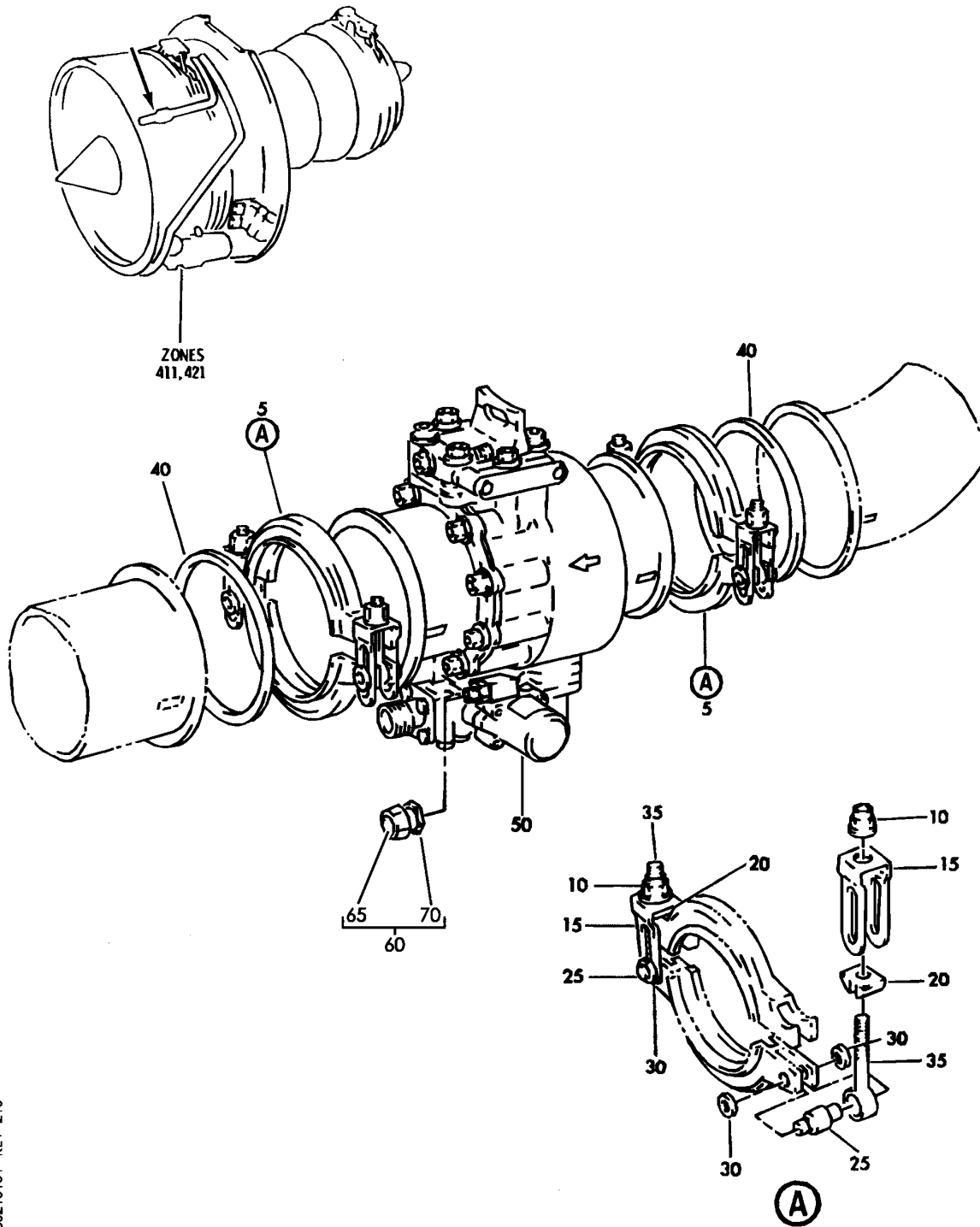
BRI

## **ENGINE ANTI-ICE (EAI)**

**BRI**  
**MAY 28/07**

**30-21-00**  
**SECTION TITLE**  
**PAGE 1**

**BOEING**  
757  
PARTS CATALOG (MAINTENANCE)



Y 30210101 REV 210

VALVE-ANTI-ICING PRESSURE REGULATION AND SHUTOFF (RB211-535)  
FIGURE 1

**30-21-01-01**

BRI  
MAY 28/07

30-21-01-01  
PAGE 0



757

PARTS CATALOG (MAINTENANCE)

FIG ITEM	PART NUMBER	1 2 3 4 5 6 7	NOMENCLATURE	EFFECT FROM TO	UNITS PER ASSY
1			VALVE-ANTI-ICING PRSSURE REGULATION AND SHUTOFF (RB211-535)	002004 006999	
- 1	UL20697		ENGINE ASSY-Q.E.C.U. RB211-535E43711 MAXIMUM NEUT WITH GRAVINER FIRE DETECTORS, BAYONET MCD, NON-MODULATED IDG COOLING 40,000 LB THRUST SUPPLIER CODE: VK0680 REFERENCE SERVICE BULLETIN: 71-0058R4 QUALIFIED SB I/W DATA: INTERMIX OF ONE OR SUBSTITUTION OF TWO DIFFERENT CONFIGURATION RB211-535E4-37/() ENGINES FOR RB211-535 E4 BASE ENGINES REFERENCE SERVICE BULLETIN: RB211-72-C547 VK0680 FOR NHA/OTHER SYS DET SEE: 71-00-02-04	121503 904949 952999	RF
- 1	UL20702		ENGINE ASSY-Q.E.C.U. RB211-535E43711 BASIC ENGINE CONFIGURATION WITH GRAVINER FIRE DETECTORS, BAYONET MCD, NON-MODUATED IDG COOLING 40,100 LB THRUST SUPPLIER CODE: VK0680 FOR NHA/OTHER SYS DET SEE: 71-00-02-10	504903	RF
- 1	UL19722		ENGINE ASSY-Q.E.C.U. RB211-535E43711 MAXIMUM NEUT SUPPLIER CODE: VK0680 FOR NHA/OTHER SYS DET SEE: 71-00-02-04	107107	RF

MISSING ITEM NUMBERS NOT APPLICABLE

- ITEM NOT ILLUSTRATED

30-21-01-01

30-21-01  
FIG. 01  
PAGE 1  
JAN 20/09

BRI



757

PARTS CATALOG (MAINTENANCE)

FIG ITEM	PART NUMBER	1 2 3 4 5 6 7	NOMENCLATURE	EFFECT FROM TO	UNITS PER ASSY
1	UL38163		ENGINE ASSY-Q.E.C.U. RB211-535E43724 BASIC ENGINE CONFIGURATION, BAYONET MCD, 40,100 LB THRUST SUPPLIER CODE: VK0680 FOR NHA/OTHER SYS DET SEE: 71-00-02-10	101101	RF
- 2	UL20698		ENGINE ASSY-Q.E.C.U. RB211-535E43712 MAXIMUM NEUT SUPPLIER CODE: VK0680 REFERENCE SERVICE BULLETIN: 71-0058R7 QUALIFIED SB I/W DATA: INTERMIX OF ONE OR SUBSTITUTION OF TWO DIFFERENT CONFIGURATION RB211-535E4-37/() ENGINES FOR RB211-535E4 BASE ENGINES OR DIFFERENT CONFIGURATION RB211-535E4-B-37/() ENGINES FOR RB211-535E4-B BASE ENGINES REFERENCE SERVICE BULLETIN: RB211-72C547 VK0680 RB211-72-8910 VK0680 POST RAPID REVISION: RR92014-183A-RC-E FOR NHA/OTHER SYS DET SEE: 71-00-02-04	002004 006100 102102	RF
- 2	UL36209		ENGINE ASSY-Q.E.C.U. RB211-535E43719 MAXIMUM NEUT SUPPLIER CODE: VK0680 FOR NHA/OTHER SYS DET SEE: 71-00-02-04	950951	RF

MISSING ITEM NUMBERS NOT APPLICABLE

- ITEM NOT ILLUSTRATED

BRI

30-21-01-01

BOEING PROPRIETARY - Copyright © - Unpublished Work - See title page for details.

30-21-01  
FIG. 01  
PAGE 2  
JAN 20/09



757

PARTS CATALOG (MAINTENANCE)

FIG ITEM	PART NUMBER	1 2 3 4 5 6 7	NOMENCLATURE	EFFECT FROM TO	UNITS PER ASSY
1					
- 3	BCREF17101		ENGINE ASSY-Q.E.C.U. RB211-535E43744 BASIC ENGINE CONFIGURATION, BAYONET MCD AND PHASE 5 COMBUSTOR 40,100 LB THRUST SUPPLIER CODE: VK0680 OVERLENGTH PART NUMBER: RB211-535E4-3744E FOR NHA/OTHER SYS DET SEE: 71-00-02-10	103106	RF
- 3	BCREF17395		ENGINE ASSY-Q.E.C.U. RB211-535E43739 BASIC ENGINE CONFIGURATION AND PHASE 5 COMBUSTOR 40,100 LB THRUST SUPPLIER CODE: VK0680 OVERLENGTH PART NUMBER: RB211-535E4-37-39E FOR NHA/OTHER SYS DET SEE: 71-00-02-10	108120	RF
5	DE26491		.CLAMP ASSY- SUPPLIER CODE: VU1596 CONFIG CHG DATA FROM A CMM: FOR INTRCHG SEE RR IPC OPTIONAL PART: C3228-300 V15284 PRE SERVICE BULLETIN: 30-9534 VK0680	002004 006999	2
5	C3228-300		.CLAMP ASSY- SUPPLIER CODE: V15284 CONFIG CHG DATA FROM A CMM: FOR INTRCHG SEE RR IPC OPTIONAL PART: DE26491 VU1596 PRE SERVICE BULLETIN: 30-9534 VK0680	002004 006999	2

MISSING ITEM NUMBERS NOT APPLICABLE

- ITEM NOT ILLUSTRATED

30-21-01-01

30-21-01  
FIG. 01  
PAGE 3  
JAN 20/09

BRI



757

PARTS CATALOG (MAINTENANCE)

FIG ITEM	PART NUMBER	1 2 3 4 5 6 7	NOMENCLATURE	EFFECT FROM TO	UNITS PER ASSY
1					
5	6299302-0300		.CLAMP ASSY- SUPPLIER CODE: VU2569 POST SERVICE BULLETIN: 30-9534PT01 VK0680	002004 006999	2
10	AS20626		..NUT- PRE SERVICE BULLETIN: 30-9534 VK0680	002004 006999	4
10	3806074		..NUT- SUPPLIER CODE: V15284 PRE SERVICE BULLETIN: 30-9534 VK0680	002004 006999	4
15	BE27520		..LINK-FAIL SAFE SUPPLIER CODE: VU1596 PRE SERVICE BULLETIN: 30-9534 VK0680	002004 006999	4
15	2353-300		..LINK-FAIL SAFE SUPPLIER CODE: V15284 PRE SERVICE BULLETIN: 30-9534 VK0680	002004 006999	4
20	BE27615		..WASHER-SADDLE SUPPLIER CODE: VU1596 PRE SERVICE BULLETIN: 30-9534 VK0680	002004 006999	4
20	3806073		..WASHER-SADDLE SUPPLIER CODE: V15284 PRE SERVICE BULLETIN: 30-9534 VK0680	002004 006999	4
25	BE26828		..RIVET- SUPPLIER CODE: VU1596 PRE SERVICE BULLETIN: 30-9534 VK0680	002004 006999	4

MISSING ITEM NUMBERS NOT APPLICABLE

- ITEM NOT ILLUSTRATED

30-21-01-01

30-21-01  
FIG. 01  
PAGE 4  
JAN 20/09

BRI



 **BOEING**  
757  
**PARTS CATALOG (MAINTENANCE)**

FIG ITEM	PART NUMBER	1 2 3 4 5 6 7	NOMENCLATURE	EFFECT FROM TO	UNITS PER ASSY
1					
25	3806072		..RIVET- SUPPLIER CODE: V15284 PRE SERVICE BULLETIN: 30-9534 VK0680	002004 006999	4
30	BE26827		..WASHER- SUPPLIER CODE: VU1596 PRE SERVICE BULLETIN: 30-9534 VK0680	002004 006999	8
30	3806071		..WASHER- SUPPLIER CODE: V15284 PRE SERVICE BULLETIN: 30-9534 VK0680	002004 006999	8
35	CE27388		..BOLT- SUPPLIER CODE: VU1596 PRE SERVICE BULLETIN: 30-9534 VK0680	002004 006999	4
35	3653-300		..BOLT- SUPPLIER CODE: V15284 PRE SERVICE BULLETIN: 30-9534 VK0680	002004 006999	4
40	BE28939		.SEAL- SUPPLIER CODE: VU1596 OPTIONAL PART: 3505875 V15284 S2314-300 VON220 POST SERVICE BULLETIN: 80-C153PTA VK0680 PRE SERVICE BULLETIN: 80-C153 VK0680	002004 006999	2

MISSING ITEM NUMBERS NOT APPLICABLE

— ITEM NOT ILLUSTRATED

BRI

# 30-21-01-01

BOEING PROPRIETARY - Copyright © - Unpublished Work - See title page for details.

30-21-01  
FIG. 01  
PAGE 5  
JAN 20/09



757

PARTS CATALOG (MAINTENANCE)

FIG ITEM	PART NUMBER	1 2 3 4 5 6 7	NOMENCLATURE	EFFECT FROM TO	UNITS PER ASSY
1 40	3505875		.SEAL- SUPPLIER CODE: V15284 OPTIONAL PART: BE28939 VU1596 S2314-300 VON220 POST SERVICE BULLETIN: 80-C153PTA VK0680 PRE SERVICE BULLETIN: 80-C153 VK0680	002004 006999	2
40	S2314-300		.SEAL- SUPPLIER CODE: VON220 OPTIONAL PART: BE28939 VU1596 3505875 V15284 POST SERVICE BULLETIN: 80-C153PTA VK0680	002004 006999	2

MISSING ITEM NUMBERS NOT APPLICABLE

- ITEM NOT ILLUSTRATED

BRI

30-21-01-01

BOEING PROPRIETARY - Copyright © - Unpublished Work - See title page for details.

30-21-01  
FIG. 01  
PAGE 6  
JAN 20/09



757

PARTS CATALOG (MAINTENANCE)

FIG ITEM	PART NUMBER	1 2 3 4 5 6 7	NOMENCLATURE	EFFECT FROM TO	UNITS PER ASSY
1 50	7646B000		. VALVE-PRESSURE REGULATING SUPPLIER CODE: VU1605 CONFIG CHG DATA FROM A CMM: FOR INTRCHG SEE RR IPC MISCELLANEOUS DATA: INTERCHANGEABLE WITH 7612B000. INSTALL DUST CAP ON MICROSWITCH IF INSTALLED ON PRE SB30-9533 ENGINE REFER TO MM30-21-03 POST SERVICE BULLETIN: 30-9533PT01 VK0680 30-B591PT01 VK0680 30-D621PT01 VK0680 30-D621PT02 VK0680 PRE SERVICE BULLETIN: 30-B591 VK0680 30-D621 VK0680	002004 006999	1

MISSING ITEM NUMBERS NOT APPLICABLE

- ITEM NOT ILLUSTRATED

BRI

30-21-01-01

BOEING PROPRIETARY - Copyright © - Unpublished Work - See title page for details.

30-21-01  
FIG. 01  
PAGE 7  
JAN 20/09



757

PARTS CATALOG (MAINTENANCE)

FIG ITEM	PART NUMBER	1 2 3 4 5 6 7	NOMENCLATURE	EFFECT FROM TO	UNITS PER ASSY
1 50	7612B000		.VALVE-PRESSURE REGULATING SUPPLIER CODE: VU1605 CONFIG CHG DATA FROM A CMM: FOR INTRCHG SEE RR IPC MISCELLANEOUS DATA: INTERCHANGEABLE WITH 7646B000. REFER TO MM30-21-03 POST SERVICE BULLETIN: 30-7441PT01 VK0680 30-B591PT01 VK0680 30-D621PT01 VK0680 30-D621PT02 VK0680 30-6605PT01 VK0680 30-7728PT01 VK0680 30-7728PT02 VK0680 PRE SERVICE BULLETIN: 30-7728 VK0680 30-7441 VK0680 30-9533 VK0680 30-D621 VK0680	002004 006999	1
60	UP10539		.NUT ASSY-VENT UNION PRESSURE REGULATING VALVE SUPPLIER CODE: VK0680	002004 006999	1

MISSING ITEM NUMBERS NOT APPLICABLE

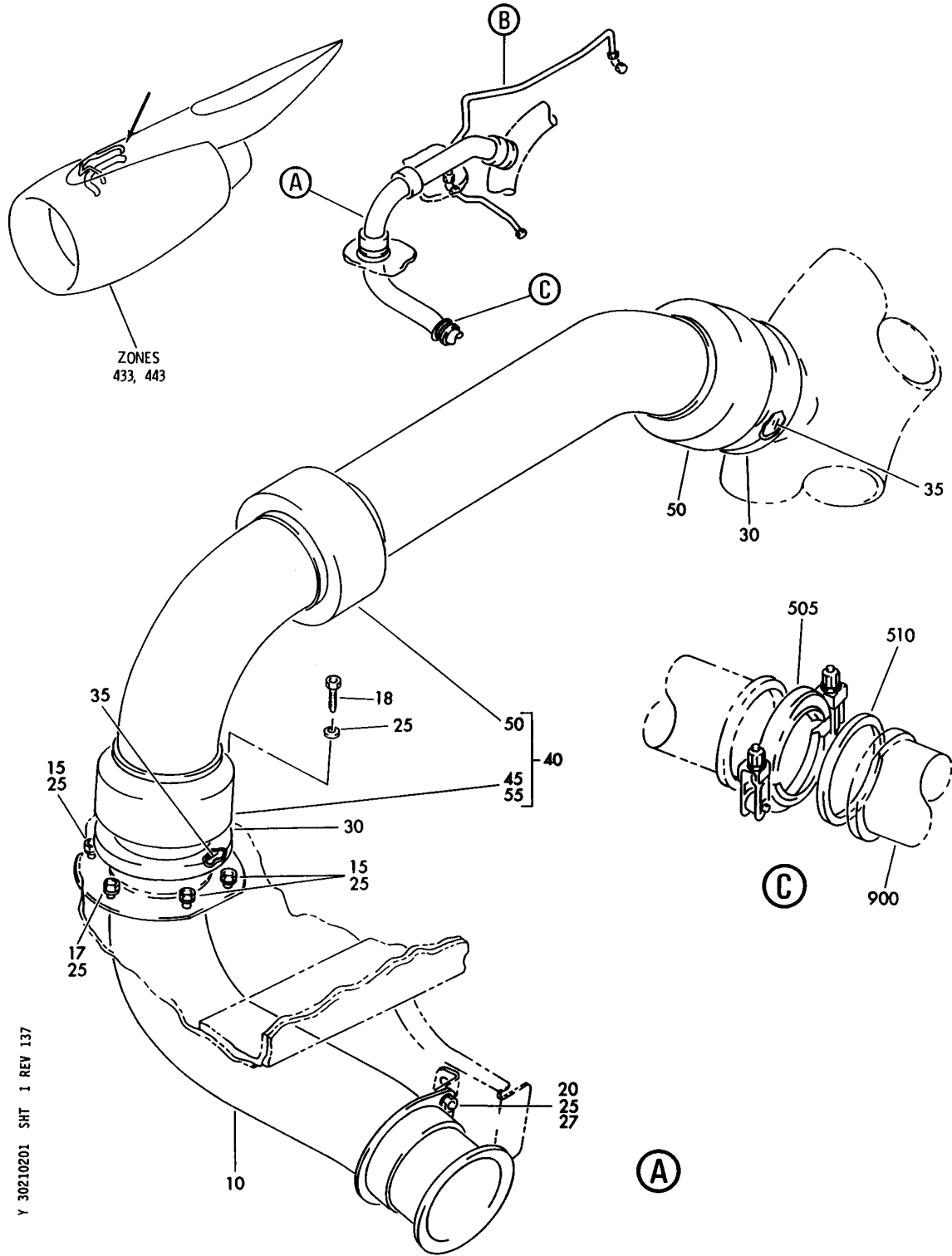
- ITEM NOT ILLUSTRATED

30-21-01-01

30-21-01  
FIG. 01  
PAGE 8  
JAN 20/09

BRI

**BOEING**  
757  
PARTS CATALOG (MAINTENANCE)



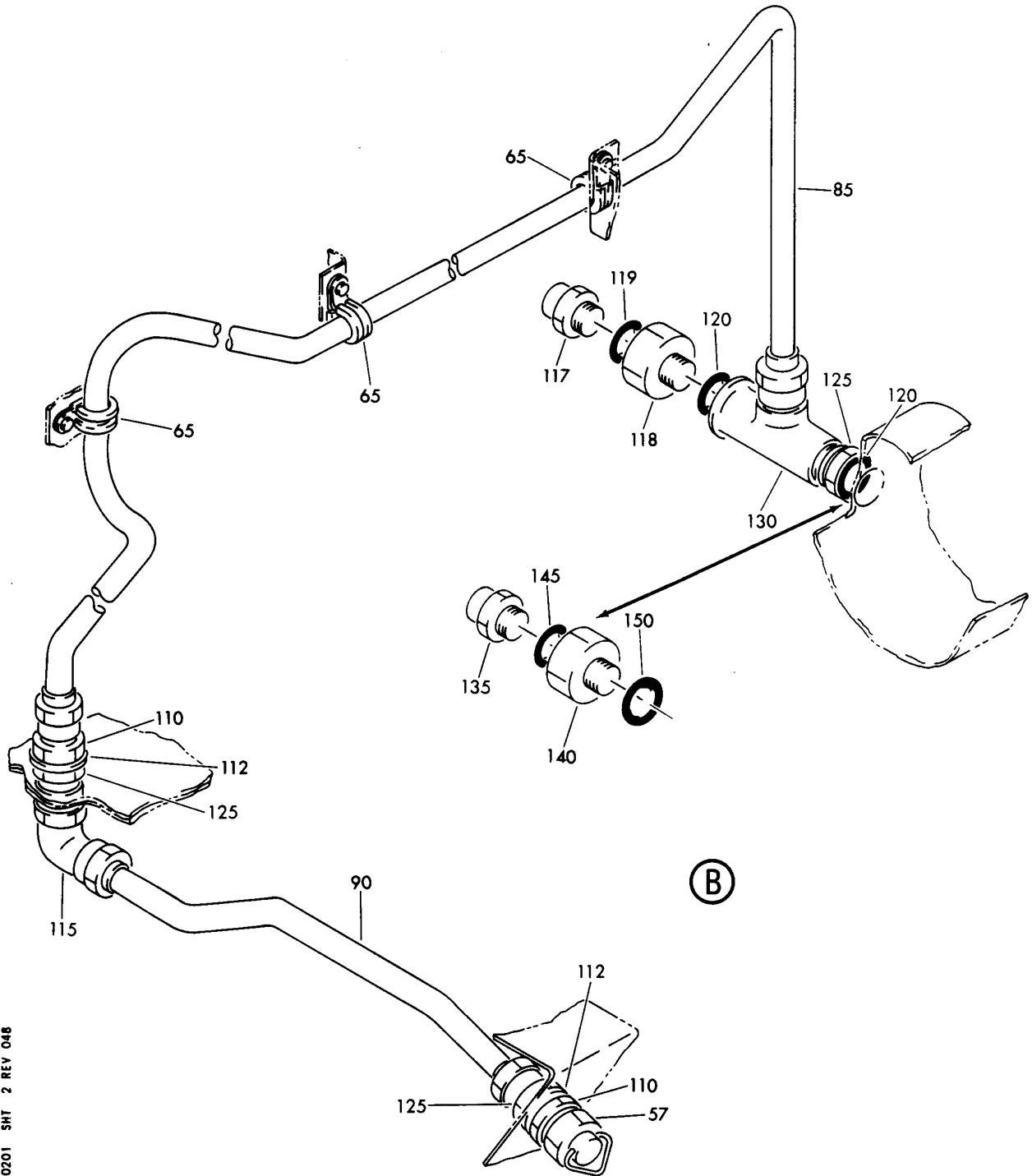
EQUIPMENT INSTL-STRUT PNEU (ICE AND RAIN PROTECTION ONLY) (RB211-535)  
FIGURE 1 (SHEET 1)

**30-21-02-01**

BRI  
MAY 28/07

30-21-02-01  
PAGE 0

**BOEING**  
757  
PARTS CATALOG (MAINTENANCE)



Y 30210201 SHT 2 REV 048

EQUIPMENT INSTL-STRUT PNEU (ICE AND RAIN PROTECTION ONLY) (RB211-535)  
FIGURE 1 (SHEET 2)

**30-21-02-01**

BRI  
MAY 28/07

30-21-02-01  
PAGE 0A



757

PARTS CATALOG (MAINTENANCE)

FIG ITEM	PART NUMBER	1 2 3 4 5 6 7	NOMENCLATURE	EFFECT FROM TO	UNITS PER ASSY
1			EQUIPMENT INSTL-STRUT PNEU (ICE AND RAIN PROTECTION ONLY) (RB211-535)	002004 006999	
- 1	312N5301-7		EQUIPMENT INSTL-STRUT PNEU (ICE AND RAIN PROTECTION ONLY) FOR NHA/OTHER SYS DET SEE: 54-00-51-01	002004 006100 107107 121503 904999	RF
- 1	312N5301-12		EQUIPMENT INSTL-STRUT PNEU FOR NHA SEE: 30-00-00-01 30-00-00-01A	101106 108120 504903	RF
10	312N5313-1		..DUCT ASSY	002004 006100 107107 121503 904999	1
15	NAS6703U5		ATTACHING PARTS ..BOLT-	002004 006100 107107 121503 904999	4
20	NAS6703U2		..BOLT	002004 006100 107107 121503 904999	2
30	2703-300		-----*----- .CLAMP-V FLANGE SUPPLIER CODE: V15284	002004 006100 107107 121503 904999	2
30	AS1895-4-300		.COUPLING	101106 108120 504903	2
35	A2873-300		.SEAL- SUPPLIER CODE: V15284	002004 006100 107107 121503 904999	2
35	AS1895-7-300		.SEAL	101106 108120 504903	2
40	312N5312-1		.DUCT ASSY- OPTIONAL PART: 312N5312-5	002004 006100 103503 904999	1

MISSING ITEM NUMBERS NOT APPLICABLE

- ITEM NOT ILLUSTRATED

BRI

30-21-02-01

30-21-02  
FIG. 01  
PAGE 1  
JAN 20/09



757

PARTS CATALOG (MAINTENANCE)

FIG ITEM	PART NUMBER	1 2 3 4 5 6 7	NOMENCLATURE	EFFECT FROM TO	UNITS PER ASSY
1					
40	312N5312-5	.	DUCT ASSY- OPTIONAL PART: 312N5312-1	002004 006100 103503 904999	1
45	12800-91	..	DUCT-FLEX SUPPLIER CODE: V70628 SPECIFICATION NUMBER: S312N301-1 USED ON: 312N5312-1	002004 006100 103503 904999	1
50	12800-92	..	DUCT-FLEX SUPPLIER CODE: V70628 SPECIFICATION NUMBER: S312N301-2	002004 006100 103503 904999	2
55	12800-119	..	DUCT-FLEX SUPPLIER CODE: V70628 SPECIFICATION NUMBER: S312N301-19 USED ON: 312N5312-5	002004 006100 103503 904999	1
135	3214464-1	.	VALVE ASSY-PRESSURE RELIEF SUPPLIER CODE: V59364 SPECIFICATION NUMBER: S212N101-25 COMPONENT MAINT MANUAL REF: 36-11-93	002004 006999	1
140	MS24397J151	.	REDUCER-	107107 904949	1
140	312N5367-1	.	REDUCER-	002004 006106 108903 950999	1

MISSING ITEM NUMBERS NOT APPLICABLE

- ITEM NOT ILLUSTRATED

30-21-02-01

30-21-02  
FIG. 01  
PAGE 2  
JAN 20/09

BRI

BOEING PROPRIETARY - Copyright © - Unpublished Work - See title page for details.





757

PARTS CATALOG (MAINTENANCE)

FIG ITEM	PART NUMBER	1 2 3 4 5 6 7	NOMENCLATURE	EFFECT FROM TO	UNITS PER ASSY
1 145	R1131-908		.PACKING- SUPPLIER CODE: V57268 SPECIFICATION NUMBER: BACP11K8 OPTIONAL PART: 3-908S383-70 V02697 1090-08 V95272 150701-08 V95272 AS568-908S32 V11314	002004 006999	1
150	R1131-910		.PACKING- SUPPLIER CODE: V57268 SPECIFICATION NUMBER: BACP11K10 OPTIONAL PART: 150701-10 V95272 3-910S383-70 V02697 1090-10 V95272 AS568-910S32 V11314	002004 006999	1
- 500	300N5002-1		SYSTEM AND EQUIPMENT ASSY	002004 006100 107107 121503 904999	RF
505	2703-300		.CLAMP-V SUPPLIER CODE: V15284	002004 006100 107107 121503 904999	1
510	A2873-300		.SEAL- SUPPLIER CODE: V15284	002004 006100 107107 121503 904999	1
900			ILLUSTRATION REFERENCE: DUCTS-ANTI-ICING (RB211-535) 30-21-03-01	002004 006100 107107 121503 904999	RF

MISSING ITEM NUMBERS NOT APPLICABLE

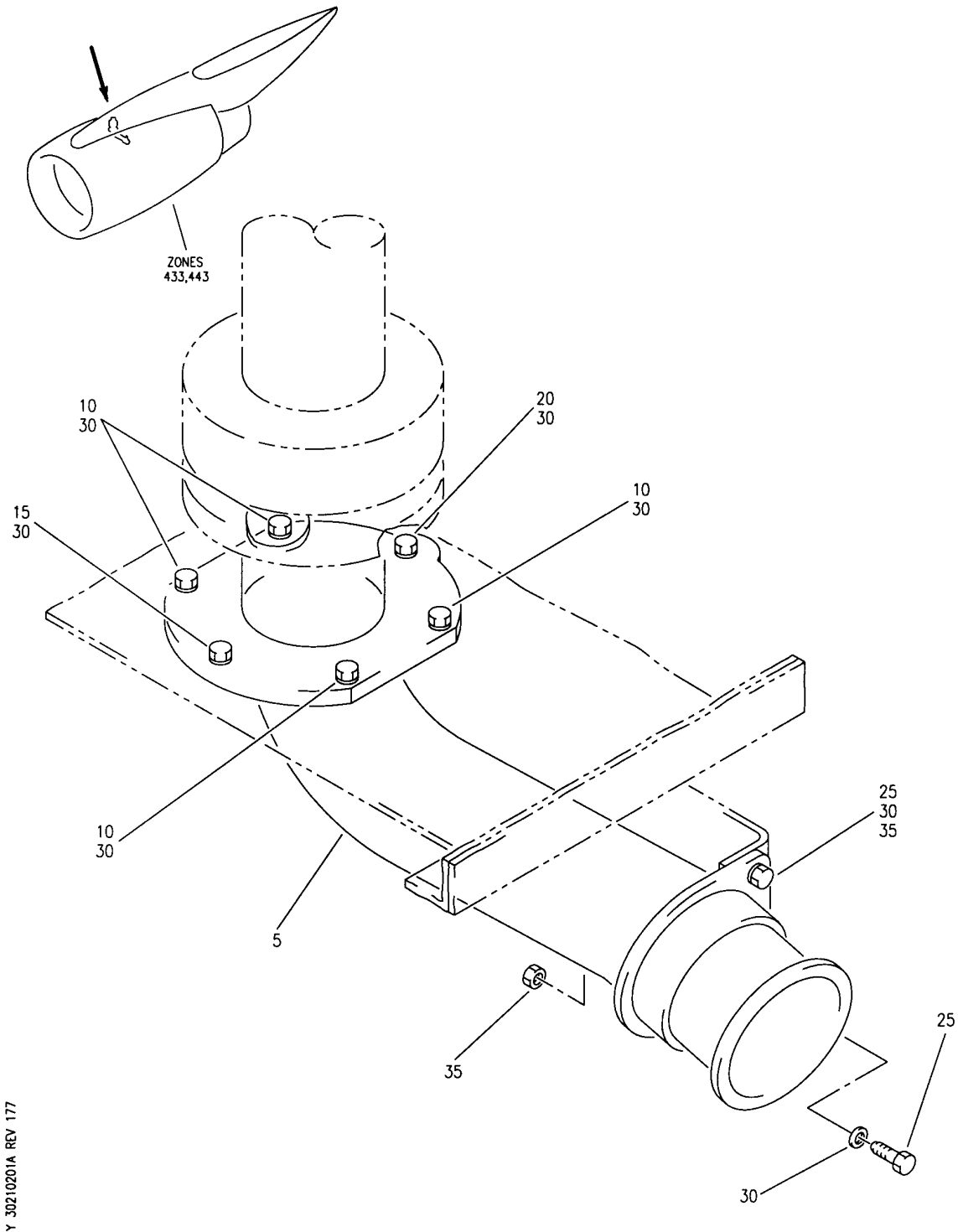
- ITEM NOT ILLUSTRATED

30-21-02-01

30-21-02  
FIG. 01  
PAGE 3  
JAN 20/09

BRI

**BOEING**  
757  
PARTS CATALOG (MAINTENANCE)



DUCT INSTL-STARTER AND TAI (ICE AND RAIN PROTECTION ONLY) (RB211-535)  
FIGURE 1A

BRI  
MAY 28/07

**30-21-02-01A**

30-21-02-01A  
PAGE 0



757

PARTS CATALOG (MAINTENANCE)

FIG ITEM	PART NUMBER	1 2 3 4 5 6 7	NOMENCLATURE	EFFECT FROM TO	UNITS PER ASSY
1 A			DUCT INSTL-STARTER AND TAI (ICE AND RAIN PROTECTION ONLY) (RB211-535)	101106 108120 504903	
- 1	312N5304-4		DUCT INSTL-STARTER AND TAI (ICE AND RAIN PROTECTION ONLY) FOR NHA SEE: 30-00-00-01 30-00-00-01A	101106 108120 504903	RF
	5 312N5313-1		.DUCT ASSY	101106 108120 504903	1
	10 NAS6703U5		ATTACHING PARTS .BOLT	101106 108120 504903	4
	15 NAS6703U6		.BOLT	101106 108120 504903	1
	20 NAS6703U8		.BOLT	101106 108120 504903	1
	25 NAS6703U2		.BOLT	101106 108120 504903	2
	30 NAS1149C0332R		.WASHER	101106 108120 504903	8
	35 PLH53CD		.NUT SUPPLIER CODE: VF0224 SPECIFICATION NUMBER: BACN10YR3CD OPTIONAL PART: H52732-3CD V15653 -----*-----	101106 108120 504903	2

MISSING ITEM NUMBERS NOT APPLICABLE

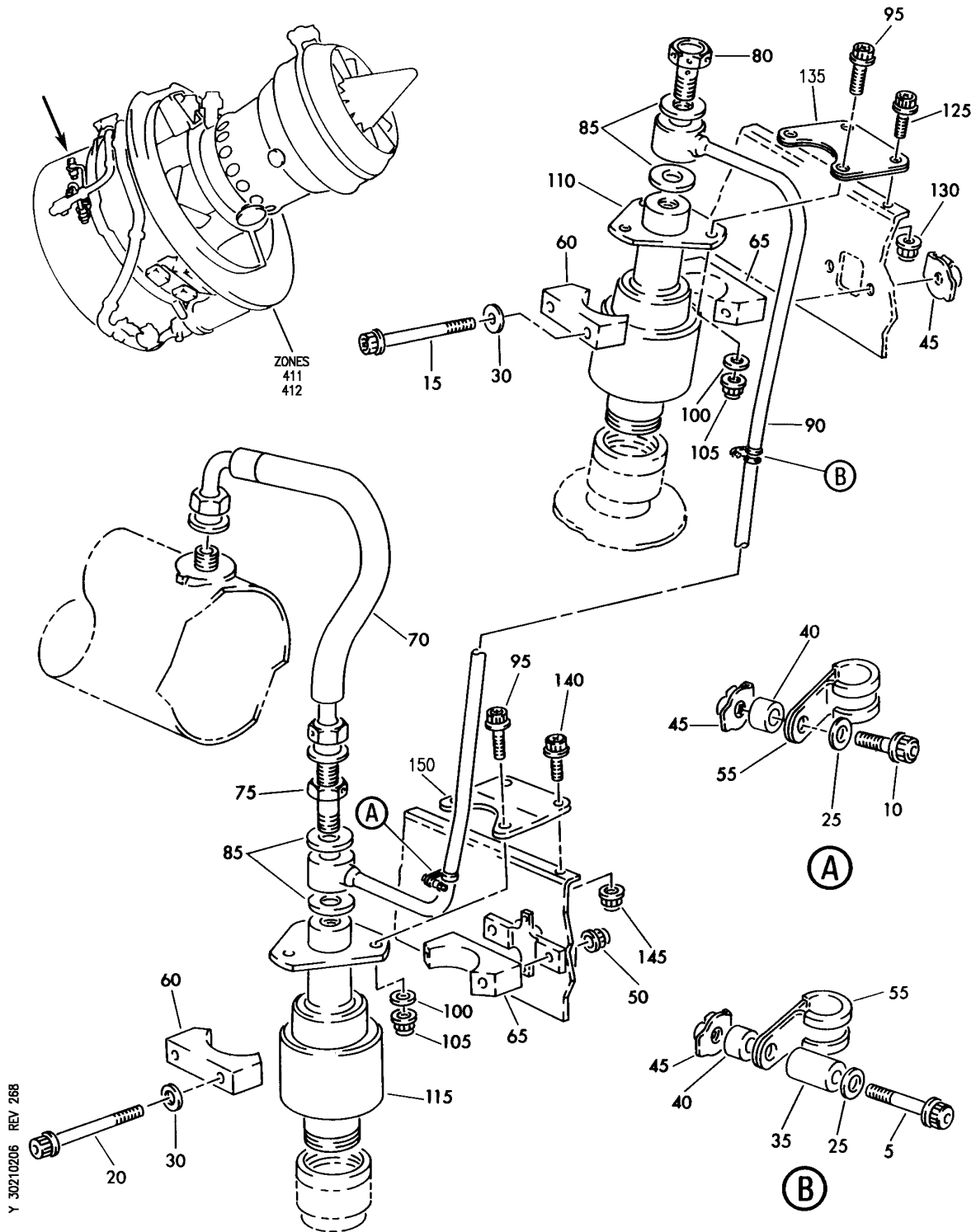
- ITEM NOT ILLUSTRATED

30-21-02-01A

30-21-02  
FIG. 01A  
PAGE 1  
JAN 20/09

BRI

**BOEING**  
757  
PARTS CATALOG (MAINTENANCE)



Y 30210206 REV 268

SWITCHES-HIGH/LOW PRESSURE AND ANTI-ICING (RB211-535)  
FIGURE 6

**30-21-02-06**

BRI  
MAY 28/07

30-21-02-06  
PAGE 0



757

PARTS CATALOG (MAINTENANCE)

FIG ITEM	PART NUMBER	1 2 3 4 5 6 7	NOMENCLATURE	EFFECT FROM TO	UNITS PER ASSY
6			SWITCHES-HIGH/LOW PRESSURE AND ANTI-ICING (RB211-535)	002004 006999	
- 1	UL19722		ENGINE ASSY-Q.E.C.U. RB211-535E43711 MAXIMUM NEUT SUPPLIER CODE: VK0680 FOR NHA/OTHER SYS DET SEE: 71-00-02-04	107107	RF
- 1	UL20697		ENGINE ASSY-Q.E.C.U. RB211-535E43711 MAXIMUM NEUT WITH GRAVINER FIRE DETECTORS, BAYONET MCD, NON-MODULATED IDG COOLING 40,000 LB THURST SUPPLIER CODE: VK0680 REFERENCE SERVICE BULLETIN: 71-0058R4 QUALIFIED SB I/W DATA: INTERMIX OF ONE OR SUBSTITUTION OF TWO DIFFERENT CONFIGURATION RB211-535E4-37/() ENGINES FOR RB211-535 E4 BASE ENGINES REFERENCE SERVICE BULLETIN: RB211-72-C547 VK0680 FOR NHA/OTHER SYS DET SEE: 71-00-02-04	121503 904949 952999	RF

MISSING ITEM NUMBERS NOT APPLICABLE

- ITEM NOT ILLUSTRATED

30-21-02-06

30-21-02  
FIG. 06  
PAGE 1  
JAN 20/09

BRI



757

PARTS CATALOG (MAINTENANCE)

FIG ITEM	PART NUMBER	1 2 3 4 5 6 7	NOMENCLATURE	EFFECT FROM TO	UNITS PER ASSY
6 - 1	UL20698		ENGINE ASSY-Q.E.C.U. RB211-535E43712 MAXIMUM NEUT SUPPLIER CODE: VK0680 REFERENCE SERVICE BULLETIN: 71-0058R7 QUALIFIED SB I/W DATA: INTERMIX OF ONE OR SUBSTITUTION OF TWO DIFFERENT CONFIGURATION RB211-535E4-37/() ENGINES FOR RB211-535E4 BASE ENGINES OR DIFFERENT CONFIGURATION RB211-535E4-B-37/() ENGINES FOR RB211-535E4-B BASE ENGINES REFERENCE SERVICE BULLETIN: RB211-72C547 VK0680 RB211-72-8910 VK0680 POST RAPID REVISION: RR92014-183A-RC-E FOR NHA/OTHER SYS DET SEE: 71-00-02-04	002004 006100 102102	RF
- 1	UL36209		ENGINE ASSY-Q.E.C.U. RB211-535E43719 MAXIMUM NEUT SUPPLIER CODE: VK0680 FOR NHA/OTHER SYS DET SEE: 71-00-02-04	950951	RF
- 1	UL20702		ENGINE ASSY-Q.E.C.U. RB211-535E43711 BASIC ENGINE CONFIGURATION WITH GRAVINER FIRE DETECTORS, BAYONET MCD, NON-MODUATED IDG COOLING 40,100 LB THURST SUPPLIER CODE: VK0680 FOR NHA/OTHER SYS DET SEE: 71-00-02-10	504903	RF

MISSING ITEM NUMBERS NOT APPLICABLE

- ITEM NOT ILLUSTRATED

30-21-02-06

30-21-02  
FIG. 06  
PAGE 2  
JAN 20/09

BRI



757

PARTS CATALOG (MAINTENANCE)

FIG ITEM	PART NUMBER	1 2 3 4 5 6 7	NOMENCLATURE	EFFECT FROM TO	UNITS PER ASSY
6					
- 2	UL38163		ENGINE ASSY-Q.E.C.U. RB211-535E43724 BASIC ENGINE CONFIGURATION, BAYONET MCD, 40,100 LB THRUST SUPPLIER CODE: VK0680 FOR NHA/OTHER SYS DET SEE: 71-00-02-10	101101	RF
- 3	BCREF17101		ENGINE ASSY-Q.E.C.U. RB211-535E43744 BASIC ENGINE CONFIGURATION, BAYONET MCD AND PHASE 5 COMBUSTOR 40,100 LB THRUST SUPPLIER CODE: VK0680 OVERLENGTH PART NUMBER: RB211-535E4-3744E FOR NHA/OTHER SYS DET SEE: 71-00-02-10	103106	RF
- 3	BCREF17395		ENGINE ASSY-Q.E.C.U. RB211-535E43739 BASIC ENGINE CONFIGURATION AND PHASE 5 COMBUSTOR 40,100 LB THRUST SUPPLIER CODE: VK0680 OVERLENGTH PART NUMBER: RB211-535E4-37-39E FOR NHA/OTHER SYS DET SEE: 71-00-02-10	108120	RF
- 4	LJ34981		.SWITCHES-TAI WARNING INSTALLATION SWITCHES SUPPLIER CODE: VK4585	002004 006999	RF
5	AS21428		..BOLT-.190 DIA X 1.750	002004 006999	1
10	AS21411		..BOLT-.190 DIA X .688	002004 006999	1
15	AS21438		..BOLT-.190 DIA X 2.375	002004 006999	2
20	AS21442		..BOLT-.190 DIA X 2.625	002004 006999	2
25	K8831		..WASHER- .190 DIA X 0,51 THK SUPPLIER CODE: VK0680	002004 006999	2

MISSING ITEM NUMBERS NOT APPLICABLE

- ITEM NOT ILLUSTRATED

30-21-02-06

30-21-02  
FIG. 06  
PAGE 3  
JAN 20/09

BRI



757

PARTS CATALOG (MAINTENANCE)

FIG ITEM	PART NUMBER	1 2 3 4 5 6 7	NOMENCLATURE	EFFECT FROM TO	UNITS PER ASSY
6					
30	AS12943	..	WASHER-.190 DIA	002004 006999	4
35	UP10482	..	SPACER-25MM SUPPLIER CODE: VK0680	002004 006999	1
40	UP10478	..	SPACER-5MM SUPPLIER CODE: VK0680	002004 006999	2
45	AS41104	..	NUT-.190 DIA	002004 006999	4
50	AS20624	..	NUT-.190 DIA	002004 006999	2
55	400WSS4	..	CLIP- SUPPLIER CODE: V83930	002004 006999	2
60	LJ27009	..	CLAMP- SUPPLIER CODE: VK4585	002004 006999	2
65	LJ27010	..	CLAMP- SUPPLIER CODE: VK4585	002004 006999	2
70	D34970	..	HOSE ASSY-FLEXIBLE SUPPLIER CODE: VU1596	002004 006999	1
75	LJ33076	..	ADAPTER- SUPPLIER CODE: VK4585	002004 006999	1
80	LJ33081	..	BOLT- SUPPLIER CODE: VK4585	002004 006999	1
85	KB29656	..	WASHER- SUPPLIER CODE: VK0680	002004 006999	4
90	UL16620	..	TUBE ASSY-LOW PRESSURE AND HIGH PRESSURE WARNING SWITCHES ANTI-ICING AIR SUPPLIER CODE: VK4585	002004 006999	1
95	AS21410	..	BOLT-.190 DIA X .625	002004 006999	4
100	AS12943	..	WASHER-.190 DIA	002004 006999	4
105	AS20624	..	NUT-.190 DIA	002004 006999	4

MISSING ITEM NUMBERS NOT APPLICABLE

- ITEM NOT ILLUSTRATED

30-21-02-06

30-21-02  
FIG. 06  
PAGE 4  
JAN 20/09

BRI

BOEING PROPRIETARY - Copyright © - Unpublished Work - See title page for details.





757

PARTS CATALOG (MAINTENANCE)

FIG ITEM	PART NUMBER	1 2 3 4 5 6 7	NOMENCLATURE	EFFECT FROM TO	UNITS PER ASSY
6					
110	4604KPS27-40	..	SWITCH-HIGH PRESSURE SUPPLIER CODE: VK1872 POST SERVICE BULLETIN: 30-6842PT02 VK0680	002004 006999	1
115	ZA27709	..	SWITCH-LOW PRESSURE SUPPLIER CODE: VK0023 CONFIG CHG DATA FROM A CMM: FOR INTRCHG SEE RR IPC POST SERVICE BULLETIN: 30-9534PT02 VK0680	002004 006999	1
115	4603KPS23-5	..	SWITCH-LOW PRESSURE SUPPLIER CODE: VK0802 CONFIG CHG DATA FROM A CMM: FOR INTRCHG SEE RR IPC POST SERVICE BULLETIN: 30-6842PT01 VK0680 30-9534PT01 VK0680 PRE SERVICE BULLETIN: 30-8504 VK0680	002004 006999	1
115	211C276-14	..	SWITCH-LOW PRESSURE SUPPLIER CODE: V02750 CONFIG CHG DATA FROM A CMM: FOR INTRCHG SEE RR IPC POST SERVICE BULLETIN: 30-8504PT01 VK0680 PRE SERVICE BULLETIN: 30-9534 VK0680	002004 006999	1
125	AS21408	..	BOLT-.190 DIA X .500	002004 006999	2
130	AS20624	..	NUT-.190 DIA	002004 006999	2
135	LJ33223	..	PLATE-SUPPORT HIGH PRESSURE SWITCH SUPPLIER CODE: VK4585	002004 006999	1
140	AS21408	..	BOLT-.190 DIA X .500	002004 006999	2

MISSING ITEM NUMBERS NOT APPLICABLE

- ITEM NOT ILLUSTRATED

30-21-02-06

30-21-02  
FIG. 06  
PAGE 5  
JAN 20/09

BRI

BOEING PROPRIETARY - Copyright © - Unpublished Work - See title page for details.



757

PARTS CATALOG (MAINTENANCE)

FIG ITEM	PART NUMBER	1 2 3 4 5 6 7	NOMENCLATURE	EFFECT FROM TO	UNITS PER ASSY
6					
145	AS20624		..NUT-.190 DIA	002004 006999	2
150	LJ34972		..PLATE-SUPPORT LOW PRESSURE SWITCH SUPPLIER CODE: VK4585	002004 006999	1

MISSING ITEM NUMBERS NOT APPLICABLE

- ITEM NOT ILLUSTRATED

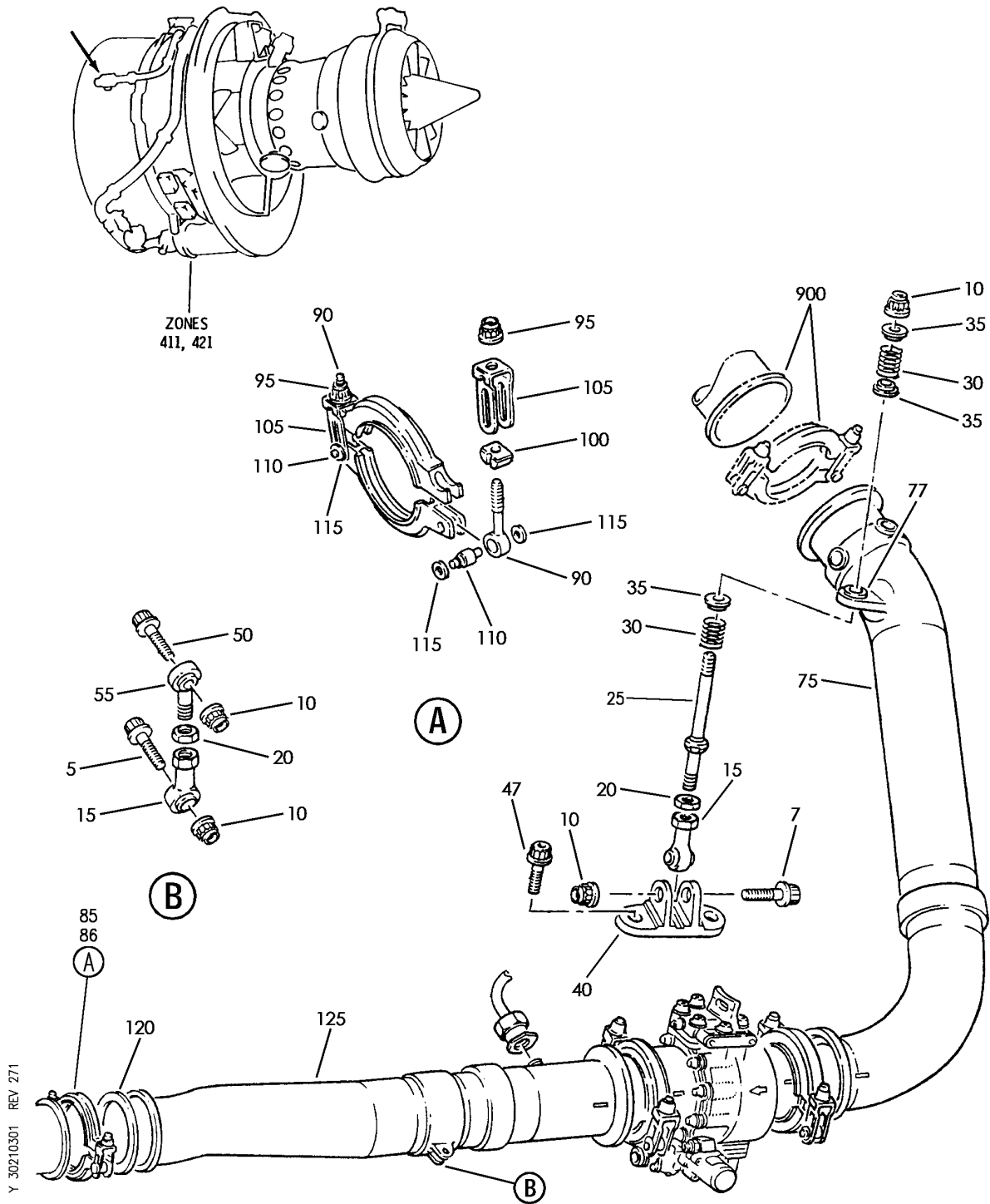
BRI

30-21-02-06

BOEING PROPRIETARY - Copyright © - Unpublished Work - See title page for details.

30-21-02  
FIG. 06  
PAGE 6  
JAN 20/09

**BOEING**  
757  
PARTS CATALOG (MAINTENANCE)



Y 30210301 REV 271

DUCTS-ANTI-ICING (RB211-535)  
FIGURE 1

**30-21-03-01**

BRI  
MAY 28/07

30-21-03-01  
PAGE 0



757

PARTS CATALOG (MAINTENANCE)

FIG ITEM	PART NUMBER	1 2 3 4 5 6 7	NOMENCLATURE	EFFECT FROM TO	UNITS PER ASSY
1			DUCTS-ANTI-ICING (RB211-535)	002004	
- 1	UL20697		ENGINE ASSY-Q.E.C.U. RB211-535E43711 MAXIMUM NEUT WITH GRAVINER FIRE DETECTORS, BAYONET MCD, NON-MODULATED IDG COOLING 40,000 LB THRUST SUPPLIER CODE: VK0680 REFERENCE SERVICE BULLETIN: 71-0058R4 QUALIFIED SB I/W DATA: INTERMIX OF ONE OR SUBSTITUTION OF TWO DIFFERENT CONFIGURATION RB211-535E4-37/() ENGINES FOR RB211-535 E4 BASE ENGINES REFERENCE SERVICE BULLETIN: RB211-72-C547 VK0680 FOR NHA/OTHER SYS DET SEE: 71-00-02-04	006999 121503 904949 952999	RF
- 1	UL20702		ENGINE ASSY-Q.E.C.U. RB211-535E43711 BASIC ENGINE CONFIGURATION WITH GRAVINER FIRE DETECTORS, BAYONET MCD, NON-MODULATED IDG COOLING 40,100 LB THRUST SUPPLIER CODE: VK0680 FOR NHA/OTHER SYS DET SEE: 71-00-02-10	504903	RF
- 1	UL19722		ENGINE ASSY-Q.E.C.U. RB211-535E43711 MAXIMUM NEUT SUPPLIER CODE: VK0680 FOR NHA/OTHER SYS DET SEE: 71-00-02-04	107107	RF

MISSING ITEM NUMBERS NOT APPLICABLE

- ITEM NOT ILLUSTRATED

30-21-03-01

30-21-03  
FIG. 01  
PAGE 1  
JAN 20/09

BRI



757

PARTS CATALOG (MAINTENANCE)

FIG ITEM	PART NUMBER	1 2 3 4 5 6 7	NOMENCLATURE	EFFECT FROM TO	UNITS PER ASSY
1	UL38163		ENGINE ASSY-Q.E.C.U. RB211-535E43724 BASIC ENGINE CONFIGURATION, BAYONET MCD, 40,100 LB THRUST SUPPLIER CODE: VK0680 FOR NHA/OTHER SYS DET SEE: 71-00-02-10	101101	RF
- 2	UL20698		ENGINE ASSY-Q.E.C.U. RB211-535E43712 MAXIMUM NEUT SUPPLIER CODE: VK0680 REFERENCE SERVICE BULLETIN: 71-0058R7 QUALIFIED SB I/W DATA: INTERMIX OF ONE OR SUBSTITUTION OF TWO DIFFERENT CONFIGURATION RB211-535E4-37/() ENGINES FOR RB211-535E4 BASE ENGINES OR DIFFERENT CONFIGURATION RB211-535E4-B-37/() ENGINES FOR RB211-535E4-B BASE ENGINES REFERENCE SERVICE BULLETIN: RB211-72C547 VK0680 RB211-72-8910 VK0680 POST RAPID REVISION: RR92014-183A-RC-E FOR NHA/OTHER SYS DET SEE: 71-00-02-04	002004 006100 102102	RF
- 2	UL36209		ENGINE ASSY-Q.E.C.U. RB211-535E43719 MAXIMUM NEUT SUPPLIER CODE: VK0680 FOR NHA/OTHER SYS DET SEE: 71-00-02-04	950951	RF

MISSING ITEM NUMBERS NOT APPLICABLE

- ITEM NOT ILLUSTRATED

30-21-03-01

30-21-03  
FIG. 01  
PAGE 2  
JAN 20/09

BRI

 **BOEING**  
757  
**PARTS CATALOG (MAINTENANCE)**

FIG ITEM	PART NUMBER	1 2 3 4 5 6 7	NOMENCLATURE	EFFECT FROM TO	UNITS PER ASSY
1					
- 3	BCREF17395		ENGINE ASSY-Q.E.C.U. RB211-535E43739 BASIC ENGINE CONFIGURATION AND PHASE 5 COMBUSTOR 40,100 LB THRUST SUPPLIER CODE: VK0680 OVERLENGTH PART NUMBER: RB211-535E4-37-39E FOR NHA/OTHER SYS DET SEE: 71-00-02-10	108120	RF
- 3	BCREF17101		ENGINE ASSY-Q.E.C.U. RB211-535E43744 BASIC ENGINE CONFIGURATION, BAYONET MCD AND PHASE 5 COMBUSTOR 40,100 LB THRUST SUPPLIER CODE: VK0680 OVERLENGTH PART NUMBER: RB211-535E4-3744E FOR NHA/OTHER SYS DET SEE: 71-00-02-10	103106	RF
- 4	LJ34943		.TAI DUCTS- SUPPLIER CODE: VK4585	002004 006999	RF
5	AS22517		..BOLT-.250 DIA X 1.062	002004 006999	1
7	AS22520		..BOLT-.250 DIA X 1.250	002004 006999	1
10	AS20625		..NUT-SELF LOCKING, BIHEX .250 DIA	002004 006999	4
15	RFQ04UR		..ROD-END SUPPLIER CODE: VK7067	002004 006999	2
20	A105ET		..NUT-HEXAGON LOCK	002004 006999	2
25	LJ33131		..ROD-THREADED DUCT SUPPORT SUPPLIER CODE: VK4585	002004 006999	1
30	AX55740		..SPRING-HELICAL SUPPLIER CODE: VK0680	002004 006999	2
35	EU35539		..WASHER-SPRING RETAINER SUPPLIER CODE: VK0680	002004 006999	3

MISSING ITEM NUMBERS NOT APPLICABLE

- ITEM NOT ILLUSTRATED

BRI

# 30-21-03-01

BOEING PROPRIETARY - Copyright © - Unpublished Work - See title page for details.

30-21-03  
FIG. 01  
PAGE 3  
JAN 20/09



757

PARTS CATALOG (MAINTENANCE)

FIG ITEM	PART NUMBER	1 2 3 4 5 6 7	NOMENCLATURE	EFFECT FROM TO	UNITS PER ASSY
1	40 LJ33132		..BRACKET-FORK SPRT TAI DUCT SUPPLIER CODE: VK4585 ATTACHING PARTS	002004 006999	1
	47 AS21011		..BOLT-.250 DIA X .6875	002004 006999	2
	50 AS22518		-----*----- ..BOLT-CLOSE TOL, BIHEX HD .250 DIA X 1.125	002004 006999	1
	55 RMY04UH		..ROD-MALE END SUPPLIER CODE: VK7067	002004 006999	1
	75 LJ33112		..DUCT ASSY-TAI, PYLON TO PR SOV SUPPLIER CODE: VK4585 POSITION DATA: REAR	002004 006999	1
	77 RST04		...BUSH-SPHERICAL SUPPLIER CODE: VK7067	002004 006999	1
-	78 LJ33113		...DUCT ASSY-TAI, PYLON TO PR SOV SUPPLIER CODE: VK4585 POSITION DATA: REAR POST SERVICE BULLETIN: 70-9638PTC VK0680 PRE SERVICE BULLETIN: 70-9638 VK0680	002004 006999	RF
	85 DE26489		..CLAMP ASSY- SUPPLIER CODE: VU1596 OPTIONAL PART: 3228-250 V15284 POST SERVICE BULLETIN: 30-B923PTA VK0680 PRE SERVICE BULLETIN: 30-B923 VK0680	002004 006999	RF

MISSING ITEM NUMBERS NOT APPLICABLE

- ITEM NOT ILLUSTRATED

30-21-03-01

30-21-03  
FIG. 01  
PAGE 4  
JAN 20/09

BRI



757

PARTS CATALOG (MAINTENANCE)

FIG ITEM	PART NUMBER	1 2 3 4 5 6 7	NOMENCLATURE	EFFECT FROM TO	UNITS PER ASSY
1					
85	3228-250		..CLAMP ASSY- SUPPLIER CODE: V15284 OPTIONAL PART: DE26489 VU1596 POST SERVICE BULLETIN: 30-B923PTA VK0680	002004 006102 107107 121999	RF
86	DE26489		..CLAMP ASSY- SUPPLIER CODE: VU1596 OPTIONAL PART: 3228-250 V15284 POST SERVICE BULLETIN: 30-B923PTA VK0680 PRE SERVICE BULLETIN: 30-B923 VK0680	002004 006999	1
86	3228-250		..CLAMP ASSY- SUPPLIER CODE: V15284 OPTIONAL PART: DE26489 VU1596 POST SERVICE BULLETIN: 30-B923PTA VK0680	002004 006999	1
90	CE27387		...BOLT- SUPPLIER CODE: VU1596	002004 006999	2
95	AS20627		...NUT-.375 DIA	002004 006999	2
100	BE27615		...WASHER- SUPPLIER CODE: VU1596	002004 006999	2
105	BE27519		...LINK- SUPPLIER CODE: VU1596	002004 006999	2
110	BE26828		...RIVET- SUPPLIER CODE: VU1596	002004 006999	2
115	BE26827		...WASHER- SUPPLIER CODE: VU1596	002004 006999	4

MISSING ITEM NUMBERS NOT APPLICABLE

- ITEM NOT ILLUSTRATED

30-21-03-01

30-21-03  
FIG. 01  
PAGE 5  
JAN 20/09

BRI





757

PARTS CATALOG (MAINTENANCE)

FIG ITEM	PART NUMBER	1 2 3 4 5 6 7	NOMENCLATURE	EFFECT FROM TO	UNITS PER ASSY
1 120	BE28937	..	SEAL- SUPPLIER CODE: VU1596 OPTIONAL PART: 3505873 V15284 S2314-250 VON220 POST SERVICE BULLETIN: 80-C153PTA VK0680 PRE SERVICE BULLETIN: 80-C153 VK0680	002004 006999	1
120	S2314-250	..	SEAL- SUPPLIER CODE: VON220 OPTIONAL PART: BE28937 VU1596 3505873 V15284 POST SERVICE BULLETIN: 80-C153PTA VK0680	002004 006999	1
120	3505873	..	SEAL- SUPPLIER CODE: V15284 OPTIONAL PART: BE28937 VU1596 S2314-250 VON220 POST SERVICE BULLETIN: 80-C153PTA VK0680 PRE SERVICE BULLETIN: 80-C153 VK0680	002004 006999	1
125	LJ34944	..	DUCT ASSY-SHUTOFF VALVE TO NOSE COWL THRM ANTI-ICING SUPPLIER CODE: VK4585 PRE SERVICE BULLETIN: 30-9889 VK0680	002004 006102 107999	1

MISSING ITEM NUMBERS NOT APPLICABLE

- ITEM NOT ILLUSTRATED

30-21-03-01

30-21-03  
FIG. 01  
PAGE 6  
JAN 20/09

BRI



757

PARTS CATALOG (MAINTENANCE)

FIG ITEM	PART NUMBER	1 2 3 4 5 6 7	NOMENCLATURE	EFFECT FROM TO	UNITS PER ASSY
1 125	LJ41824		.. DUCT ASSY-SHUTOFF VALVE TO NOSE COWL THRM ANTI-ICING SUPPLIER CODE: VK4585 POST SERVICE BULLETIN: 30-9889PTA VK0680	002004 006999	1
900			ILLUSTRATION REFERENCE: EQUIPMENT INSTL-STRUT PNEU (ICE AND RAIN PROTECTION ONLY) (RB211-535) 30-21-02-01	002004 006999	RF

MISSING ITEM NUMBERS NOT APPLICABLE

- ITEM NOT ILLUSTRATED

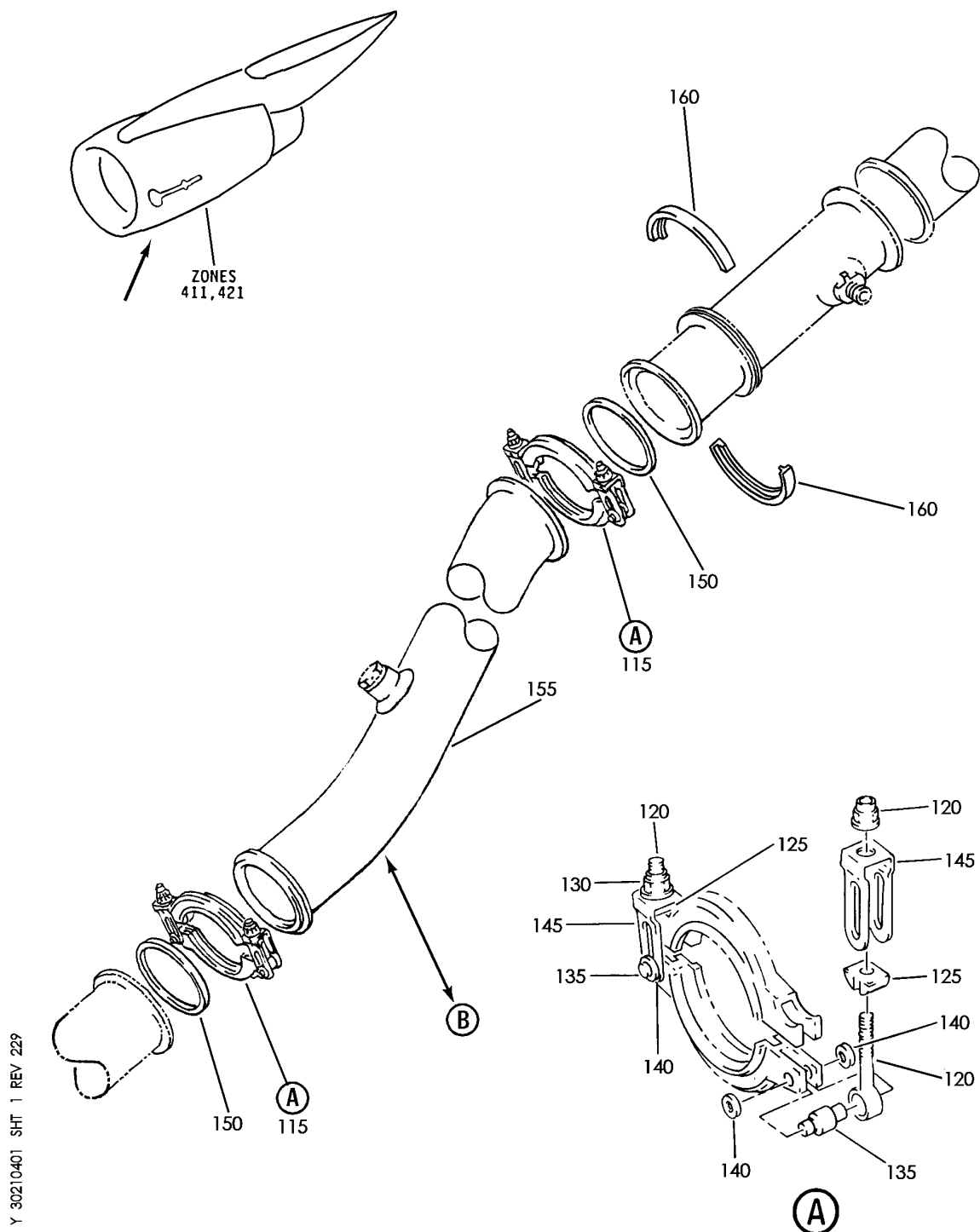
BRI

**30-21-03-01**

BOEING PROPRIETARY - Copyright © - Unpublished Work - See title page for details.

30-21-03  
FIG. 01  
PAGE 7  
JAN 20/09

**BOEING**  
757  
PARTS CATALOG (MAINTENANCE)



Y 30210401 SHT 1 REV 229

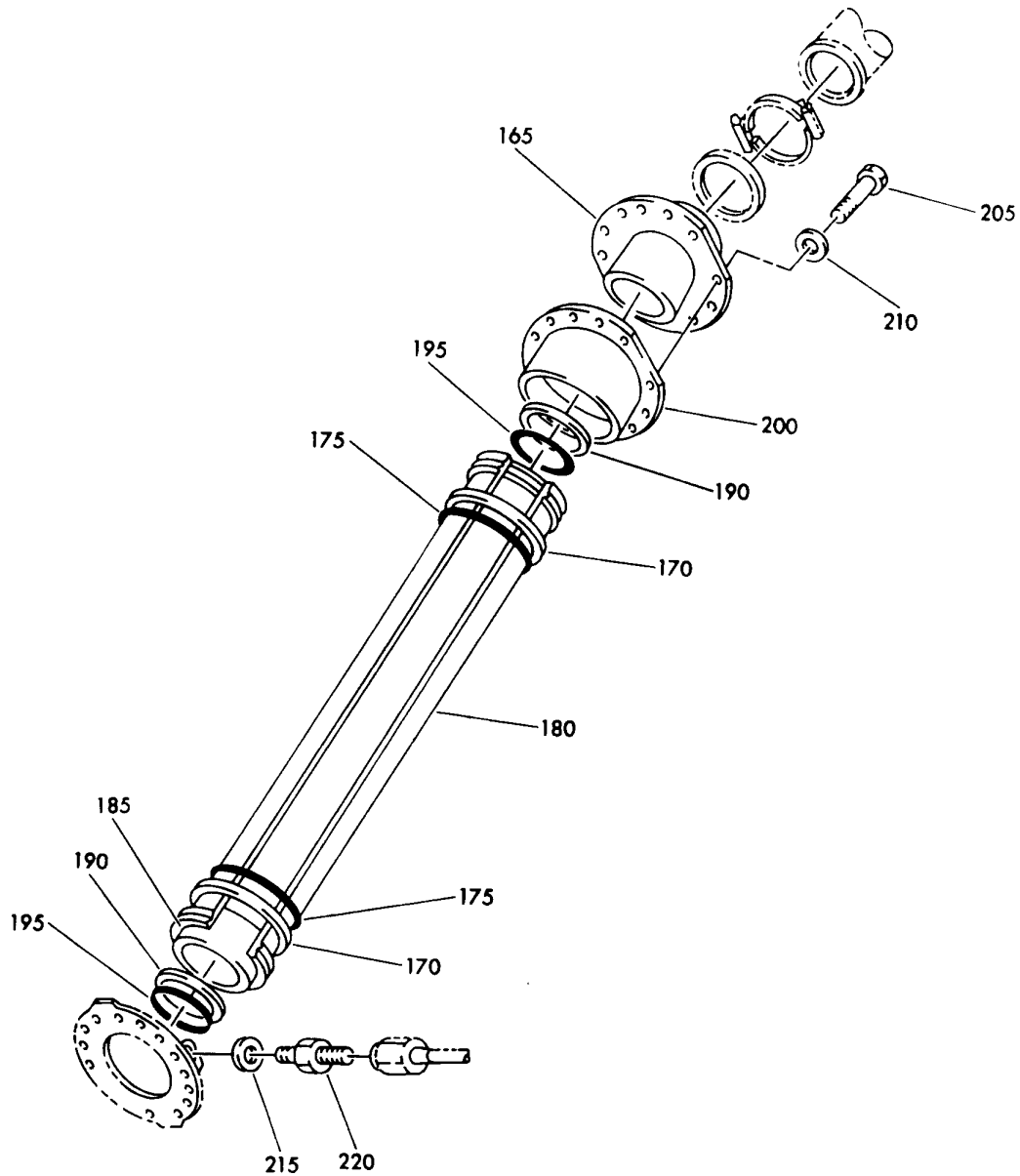
DUCTS-ANTI-ICING NOSE COWL (RB211-535)  
FIGURE 1 (SHEET 1)

**30-21-04-01**

BRI  
MAY 28/07

30-21-04-01  
PAGE 0

**BOEING**  
757  
PARTS CATALOG (MAINTENANCE)



Y 30210401 SH1 2 REV 203

(B)

DUCTS-ANTI-ICING NOSE COWL (RB211-535)  
FIGURE 1 (SHEET 2)

**30-21-04-01**

BRI  
MAY 28/07

30-21-04-01  
PAGE 0A



757

PARTS CATALOG (MAINTENANCE)

FIG ITEM	PART NUMBER	1 2 3 4 5 6 7	NOMENCLATURE	EFFECT FROM TO	UNITS PER ASSY
1			DUCTS-ANTI-ICING	002004	
- 1	UL20697		NOSE COWL (RB211-535)	006999	RF
			ENGINE ASSY-Q.E.C.U.	121503	
			RB211-535E43711	904949	
			MAXIMUM NEUT	952999	
			WITH GRAVINER FIRE		
			DETECTORS, BAYONET		
			MCD, NON-MODULATED		
			IDG COOLING 40,000 LB		
			THRUST		
			SUPPLIER CODE:		
			VK0680		
			REFERENCE SERVICE BULLETIN:		
			71-0058R4		
			QUALIFIED SB I/W DATA:		
			INTERMIX OF ONE OR		
			SUBSTITUTION OF TWO		
			DIFFERENT CONFIGURATION		
			RB211-535E4-37/()		
			ENGINES FOR RB211-535		
			E4 BASE ENGINES		
			REFERENCE SERVICE BULLETIN:		
			RB211-72-C547		
			VK0680		
			POST RAPID REVISION:		
			RR92014-70		
			FOR NHA/OTHER SYS DET SEE:		
			71-00-02-04		
- 1	UL20702		ENGINE ASSY-Q.E.C.U.	504903	RF
			RB211-535E43711		
			BASIC ENGINE		
			CONFIGURATION		
			WITH GRAVINER FIRE		
			DETECTORS, BAYONET MCD,		
			NON-MODUATED IDG COOLING		
			40,100 LB THRUST		
			SUPPLIER CODE:		
			VK0680		
			FOR NHA/OTHER SYS DET SEE:		
			71-00-02-10		
- 1	UL19722		ENGINE ASSY-Q.E.C.U.	107107	RF
			RB211-535E43711		
			MAXIMUM NEUT		
			SUPPLIER CODE:		
			VK0680		
			FOR NHA/OTHER SYS DET SEE:		
			71-00-02-04		

MISSING ITEM NUMBERS NOT APPLICABLE

- ITEM NOT ILLUSTRATED

30-21-04-01

30-21-04  
FIG. 01  
PAGE 1  
JAN 20/09

BRI



757

PARTS CATALOG (MAINTENANCE)

FIG ITEM	PART NUMBER	1 2 3 4 5 6 7	NOMENCLATURE	EFFECT FROM TO	UNITS PER ASSY
1	UL38163		ENGINE ASSY-Q.E.C.U. RB211-535E43724 BASIC ENGINE CONFIGURATION, BAYONET MCD, 40,100 LB THRUST SUPPLIER CODE: VK0680 FOR NHA/OTHER SYS DET SEE: 71-00-02-10	101101	RF
- 2	UL20698		ENGINE ASSY-Q.E.C.U. RB211-535E43712 MAXIMUM NEUT SUPPLIER CODE: VK0680 REFERENCE SERVICE BULLETIN: 71-0058R7 QUALIFIED SB I/W DATA: INTERMIX OF ONE OR SUBSTITUTION OF TWO DIFFERENT CONFIGURATION RB211-535E4-37/() ENGINES FOR RB211-535E4 BASE ENGINES OR DIFFERENT CONFIGURATION RB211-535E4-B-37/() ENGINES FOR RB211-535E4-B BASE ENGINES REFERENCE SERVICE BULLETIN: RB211-72C547 VK0680 RB211-72-8910 VK0680 POST RAPID REVISION: RR92014-183A-RC-E FOR NHA/OTHER SYS DET SEE: 71-00-02-04	002004 006100 102102	RF
- 2	UL36209		ENGINE ASSY-Q.E.C.U. RB211-535E43719 MAXIMUM NEUT SUPPLIER CODE: VK0680 FOR NHA/OTHER SYS DET SEE: 71-00-02-04	950951	RF

MISSING ITEM NUMBERS NOT APPLICABLE

- ITEM NOT ILLUSTRATED

30-21-04-01

30-21-04  
FIG. 01  
PAGE 2  
JAN 20/09

BRI



757

PARTS CATALOG (MAINTENANCE)

FIG ITEM	PART NUMBER	1 2 3 4 5 6 7	NOMENCLATURE	EFFECT FROM TO	UNITS PER ASSY
1					
- 3	BCREF17395		ENGINE ASSY-Q.E.C.U. RB211-535E43739 BASIC ENGINE CONFIGURATION AND PHASE 5 COMBUSTOR 40,100 LB THRUST SUPPLIER CODE: VK0680 OVERLENGTH PART NUMBER: RB211-535E4-37-39E FOR NHA/OTHER SYS DET SEE: 71-00-02-10	108120	RF
- 3	BCREF17101		ENGINE ASSY-Q.E.C.U. RB211-535E43744 BASIC ENGINE CONFIGURATION, BAYONET MCD AND PHASE 5 COMBUSTOR 40,100 LB THRUST SUPPLIER CODE: VK0680 OVERLENGTH PART NUMBER: RB211-535E4-3744E FOR NHA/OTHER SYS DET SEE: 71-00-02-10	103106	RF
- 4	LJ35628		.DUCTS-THERMAL ANTI-ICING NOSE COWL MOUNTED SUPPLIER CODE: VK4585 PRE SERVICE BULLETIN: 71-9634 VK0680	002004 006999	RF
- 4	LJ50575		.DUCTS-THERMAL ANTI-ICING NOSE COWL MOUNTED SUPPLIER CODE: VK4585 POST SERVICE BULLETIN: 71-9634PT01 VK0680	002004 006999	RF
115	DE26489		..CLAMP ASSY-VEE SUPPLIER CODE: VU1596 PRE SERVICE BULLETIN: 71-9634 VK0680	002004 006999	1

MISSING ITEM NUMBERS NOT APPLICABLE

- ITEM NOT ILLUSTRATED

30-21-04-01

30-21-04  
FIG. 01  
PAGE 3  
JAN 20/09

BRI



757

PARTS CATALOG (MAINTENANCE)

FIG ITEM	PART NUMBER	1 2 3 4 5 6 7	NOMENCLATURE	EFFECT FROM TO	UNITS PER ASSY
1 120	CE27387	...	BOLT- SUPPLIER CODE: VU1596 PRE SERVICE BULLETIN: 71-9634 VK0680	002004 006999	2
125	BE27615	...	WASHER- SUPPLIER CODE: VU1596 PRE SERVICE BULLETIN: 71-9634 VK0680	002004 006999	2
130	AS20627	...	NUT-SELF LOCKING PRE SERVICE BULLETIN: 71-9634 VK0680	002004 006999	2
135	BE26828	...	RIVET- SUPPLIER CODE: VU1596 PRE SERVICE BULLETIN: 71-9634 VK0680	002004 006999	2
140	BE26827	...	WASHER- SUPPLIER CODE: VU1596 PRE SERVICE BULLETIN: 71-9634 VK0680	002004 006999	4
145	BE27519	...	LINK-FAIL SAFE SUPPLIER CODE: VU1596 PRE SERVICE BULLETIN: 71-9634 VK0680	002004 006999	2
150	BE28937	..	SEAL- SUPPLIER CODE: VU1596 PRE SERVICE BULLETIN: 71-9634 VK0680	002004 006102 107999	1
155	LJ35629	..	DUCT ASSY-ENGINE TO THERMAL ANTI ICING RING SUPPLIER CODE: VK4585 PRE SERVICE BULLETIN: 71-9634 VK0680	002004 006999	1

MISSING ITEM NUMBERS NOT APPLICABLE

- ITEM NOT ILLUSTRATED

30-21-04-01

30-21-04  
FIG. 01  
PAGE 4  
JAN 20/09

BRI





757

PARTS CATALOG (MAINTENANCE)

FIG ITEM	PART NUMBER	1 2 3 4 5 6 7	NOMENCLATURE	EFFECT FROM TO	UNITS PER ASSY
1 160	LJ35310		...RING-HALF SUPPLIER CODE: VK4585 PRE SERVICE BULLETIN: 71-9634 VK0680	002004 006999	2
165	LJ50584		..HOUSING-SEAL TAI DUCT REAR BHD SUPPLIER CODE: VK4585 POST SERVICE BULLETIN: 71-9634PT01 VK0680	002004 006999	1
170	1016193		..SEAL-SHROUD SUPPLIER CODE: VK1209 POST SERVICE BULLETIN: 71-9634PT01 VK0680	002004 006999	2
175	1016194		..SEAL-SHROUD SUPPLIER CODE: VK1209 POST SERVICE BULLETIN: 71-9634PT01 VK0680	002004 006999	2
180	LJ50625		..SHROUD ASSY-TAI DUCT SUPPLIER CODE: VK4585 POST SERVICE BULLETIN: 71-9634PT01 VK0680	002004 006999	1
185	LJ50577		..DUCT ASSY-TAI SUPPLIER CODE: VK4585 POST SERVICE BULLETIN: 71-9634PT01 VK0680	002004 006999	1
190	1016782		..RING-SEAL SUPPLIER CODE: VK1209 POST SERVICE BULLETIN: 71-9634PT01 VK0680	002004 006999	2
195	1016783		..RING-SEAL SUPPLIER CODE: VK1209 POST SERVICE BULLETIN: 71-9634PT01 VK0680	002004 006999	2

MISSING ITEM NUMBERS NOT APPLICABLE

- ITEM NOT ILLUSTRATED

30-21-04-01

30-21-04  
FIG. 01  
PAGE 5  
JAN 20/09

BRI

 **BOEING**  
757  
**PARTS CATALOG (MAINTENANCE)**

FIG ITEM	PART NUMBER	1 2 3 4 5 6 7	NOMENCLATURE	EFFECT FROM TO	UNITS PER ASSY
1 200	LJ50585		.. HOUSING-SEAL TAI SHROUD REAR BULKHEAD SUPPLIER CODE: VK4585 POST SERVICE BULLETIN: 71-9634PT01 VK0680 ATTACHING PARTS	002004 006999	1
205	NAS6303U8		.. BOLT- POST SERVICE BULLETIN: 71-9634PT01 VK0680	002004 006999	12
210	AN960C10L		.. WASHER- POST SERVICE BULLETIN: 71-9634PT01 VK0680	002004 006999	12
215	12100AA4		-----*----- .. SEAL-'K' SUPPLIER CODE: V08199 POST SERVICE BULLETIN: 71-9634PT01 VK0680	002004 006999	1
220	MS21902J4		.. UNION-TUBE POST SERVICE BULLETIN: 71-9634PT01 VK0680	002004 006999	1

MISSING ITEM NUMBERS NOT APPLICABLE

— ITEM NOT ILLUSTRATED

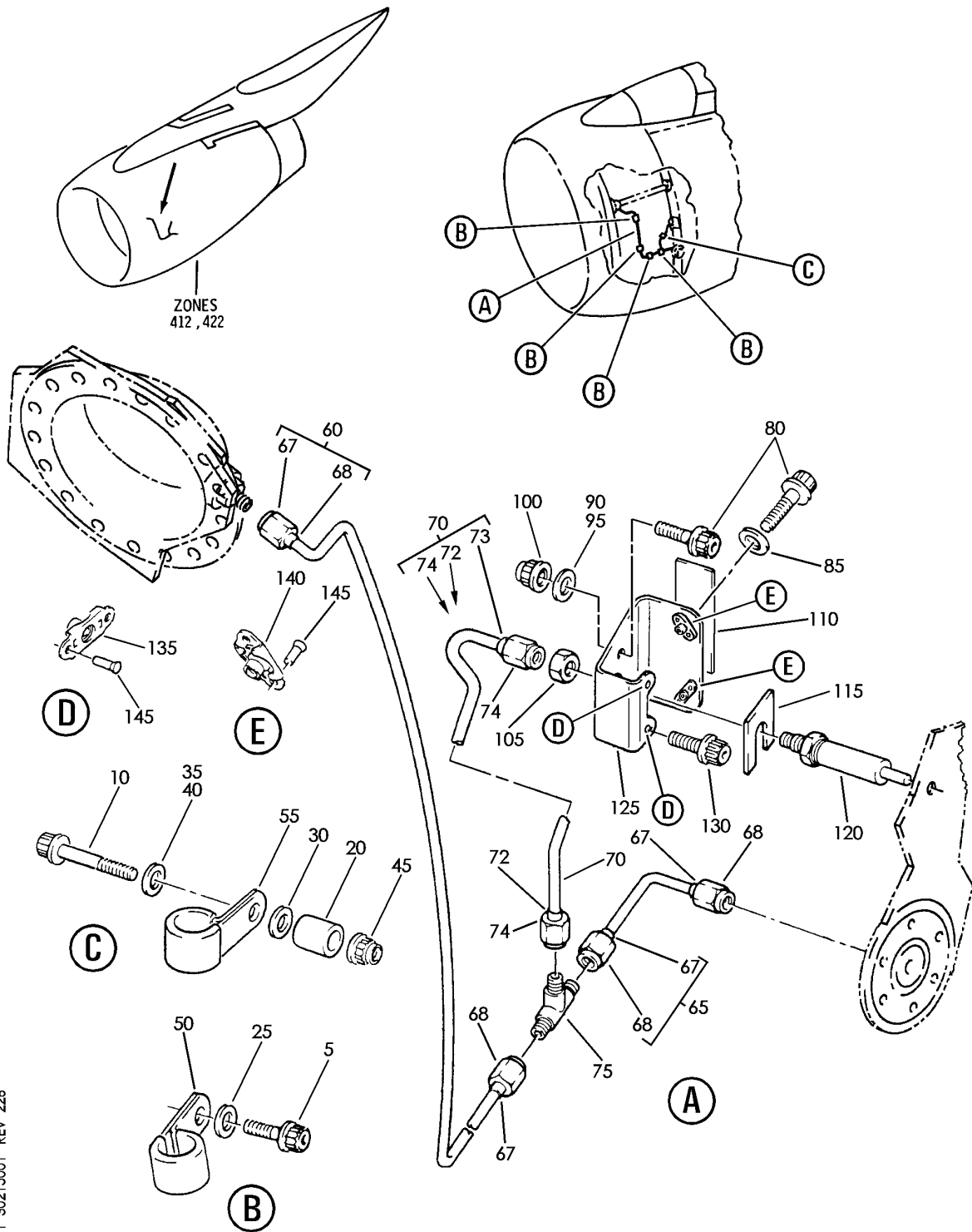
BRI

# 30-21-04-01

BOEING PROPRIETARY - Copyright © - Unpublished Work - See title page for details.

30-21-04  
FIG. 01  
PAGE 6  
JAN 20/09

**BOEING**  
757  
PARTS CATALOG (MAINTENANCE)



Y 30215001 REV 226

TUBES-PRESSURE INDICATOR ANTI-ICING (RB211-535)  
FIGURE 1

**30-21-50-01**

BRI  
MAY 28/07

30-21-50-01  
PAGE 0



757

PARTS CATALOG (MAINTENANCE)

FIG ITEM	PART NUMBER	1 2 3 4 5 6 7	NOMENCLATURE	EFFECT FROM TO	UNITS PER ASSY
1			TUBES-PRESSURE INDICATOR ANTI-ICING (RB211-535)	002004 006999	
- 1	UL38163		ENGINE ASSY-Q.E.C.U. RB211-535E43724 BASIC ENGINE CONFIGURATION, BAYONET MCD, 40,100 LB THRUST SUPPLIER CODE: VK0680 FOR NHA/OTHER SYS DET SEE: 71-00-02-10	101101	RF
- 1	UL19722		ENGINE ASSY-Q.E.C.U. RB211-535E43711 MAXIMUM NEUT SUPPLIER CODE: VK0680 FOR NHA/OTHER SYS DET SEE: 71-00-02-04	107107	RF
- 1	UL20697		ENGINE ASSY-Q.E.C.U. RB211-535E43711 MAXIMUM NEUT WITH GRAVINER FIRE DETECTORS, BAYONET MCD, NON-MODULATED IDG COOLING 40,000 LB THRUST SUPPLIER CODE: VK0680 REFERENCE SERVICE BULLETIN: 71-0058R4 QUALIFIED SB I/W DATA: INTERMIX OF ONE OR SUBSTITUTION OF TWO DIFFERENT CONFIGURATION RB211-535E4-37/() ENGINES FOR RB211-535 E4 BASE ENGINES REFERENCE SERVICE BULLETIN: RB211-72-C547 VK0680 FOR NHA/OTHER SYS DET SEE: 71-00-02-04	121503 904949 952999	RF

MISSING ITEM NUMBERS NOT APPLICABLE

- ITEM NOT ILLUSTRATED

30-21-50-01

30-21-50  
FIG. 01  
PAGE 1  
JAN 20/09

BRI



757

PARTS CATALOG (MAINTENANCE)

FIG ITEM	PART NUMBER	1 2 3 4 5 6 7	NOMENCLATURE	EFFECT FROM TO	UNITS PER ASSY
1					
- 1	UL20698		ENGINE ASSY-Q.E.C.U. RB211-535E43712 MAXIMUM NEUT SUPPLIER CODE: VK0680 REFERENCE SERVICE BULLETIN: 71-0058R7 QUALIFIED SB I/W DATA: INTERMIX OF ONE OR SUBSTITUTION OF TWO DIFFERENT CONFIGURATION RB211-535E4-37/() ENGINES FOR RB211-535E4 BASE ENGINES OR DIFFERENT CONFIGURATION RB211-535E4-B-37/() ENGINES FOR RB211-535E4-B BASE ENGINES REFERENCE SERVICE BULLETIN: RB211-72C547 VK0680 RB211-72-8910 VK0680 POST RAPID REVISION: RR92014-183A-RC-E FOR NHA/OTHER SYS DET SEE: 71-00-02-04	002004 006100 102102	RF
- 1	UL36209		ENGINE ASSY-Q.E.C.U. RB211-535E43719 MAXIMUM NEUT SUPPLIER CODE: VK0680 FOR NHA/OTHER SYS DET SEE: 71-00-02-04	950951	RF
- 2	UL20702		ENGINE ASSY-Q.E.C.U. RB211-535E43711 BASIC ENGINE CONFIGURATION WITH GRAVINER FIRE DETECTORS, BAYONET MCD, NON-MODUATED IDG COOLING 40,100 LB THRUST SUPPLIER CODE: VK0680 FOR NHA/OTHER SYS DET SEE: 71-00-02-10	504903	RF

MISSING ITEM NUMBERS NOT APPLICABLE

- ITEM NOT ILLUSTRATED

30-21-50-01

30-21-50  
FIG. 01  
PAGE 2  
JAN 20/09

BRI

 **BOEING**  
757  
**PARTS CATALOG (MAINTENANCE)**

FIG ITEM	PART NUMBER	1 2 3 4 5 6 7	NOMENCLATURE	EFFECT FROM TO	UNITS PER ASSY
1					
- 3	BCREF17101		ENGINE ASSY-Q.E.C.U. RB211-535E43744 BASIC ENGINE CONFIGURATION, BAYONET MCD AND PHASE 5 COMBUSTOR 40,100 LB THRUST SUPPLIER CODE: VK0680 OVERLENGTH PART NUMBER: RB211-535E4-3744E FOR NHA/OTHER SYS DET SEE: 71-00-02-10	103106	RF
- 3	BCREF17395		ENGINE ASSY-Q.E.C.U. RB211-535E43739 BASIC ENGINE CONFIGURATION AND PHASE 5 COMBUSTOR 40,100 LB THRUST SUPPLIER CODE: VK0680 OVERLENGTH PART NUMBER: RB211-535E4-37-39E FOR NHA/OTHER SYS DET SEE: 71-00-02-10	108120	RF
- 4	LJ50650		.PRESSURE INDICATOR-TAI SYS SUPPLIER CODE: VK4585 POST SERVICE BULLETIN: 71-9634PT01 VK0680	002004 006999	RF
5	AS21408		..BOLT-.190 DIA X .500 POST SERVICE BULLETIN: 71-9634PT01 VK0680	002004 006999	4
10	AS21422		..BOLT-.190 DIA X 1.375 POST SERVICE BULLETIN: 30-9850PT02 VK0680	002004 006999	1
10	AS21416		..BOLT-.190 DIA X 1.000 POST SERVICE BULLETIN: 30-9850PT01 VK0680	002004 006999	1
20	ST1698D49		..SPACER- SUPPLIER CODE: VK4585 POST SERVICE BULLETIN: 30-9850PT01 VK0680	002004 006999	1

MISSING ITEM NUMBERS NOT APPLICABLE

- ITEM NOT ILLUSTRATED

BRI

# 30-21-50-01

BOEING PROPRIETARY - Copyright © - Unpublished Work - See title page for details.

30-21-50  
FIG. 01  
PAGE 3  
JAN 20/09



757

PARTS CATALOG (MAINTENANCE)

FIG ITEM	PART NUMBER	1 2 3 4 5 6 7	NOMENCLATURE	EFFECT FROM TO	UNITS PER ASSY
1	20 ST1698D51		.. SPACER- SUPPLIER CODE: VK4585 POST SERVICE BULLETIN: 30-9850PT02 VK0680	002004 006999	1
-	22 HST97DU6		.. COLLAR- SUPPLIER CODE: V73197 POST SERVICE BULLETIN: 71-E737PTA VK0680	002004 006100 102999	1
	25 AN960C10L		.. WASHER- POST SERVICE BULLETIN: 71-9634PT01 VK0680	002004 006999	4
	30 AN960C10		.. WASHER- POST SERVICE BULLETIN: 30-9850PT02 VK0680	002004 006999	4
	35 AN960C10L		.. WASHER- POST SERVICE BULLETIN: 30-9850PT01 VK0680	002004 006999	2
	40 AN960C10L		.. WASHER- POST SERVICE BULLETIN: 30-9850PT02 VK0680	002004 006999	1
	45 MS21043-3		.. NUT- POST SERVICE BULLETIN: 30-9850PT01 VK0680	002004 006999	1
	50 TA027000PH04HA		.. CLIP- SUPPLIER CODE: V84971 POST SERVICE BULLETIN: 71-9634PT01 VK0680	002004 006999	4
	55 TA027000PH04HA		.. CLIP- SUPPLIER CODE: V84971 POST SERVICE BULLETIN: 30-9850PT01 VK0680	002004 006999	1

MISSING ITEM NUMBERS NOT APPLICABLE

- ITEM NOT ILLUSTRATED

30-21-50-01

30-21-50  
FIG. 01  
PAGE 4  
JAN 20/09

BRI

BOEING PROPRIETARY - Copyright © - Unpublished Work - See title page for details.



757

PARTS CATALOG (MAINTENANCE)

FIG ITEM	PART NUMBER	1 2 3 4 5 6 7	NOMENCLATURE	EFFECT FROM TO	UNITS PER ASSY
1 60	LJ50640		..TUBE ASSY-TAI DUCT TO TEE PRESSURE INDICATOR SUPPLIER CODE: VK4585 POST SERVICE BULLETIN: 71-9634PT01 VK0680	002004 006999	1
65	LJ50646		..TUBE ASSY-TEE CONN. TO VENT PRESSURE INDICATOR SUPPLIER CODE: VK4585 POST SERVICE BULLETIN: 71-9634PT01 VK0680	002004 006999	1
70	LJ50647		..TUBE ASSY-TEE CONN. TO TAI PRESSURE IND SUPPLIER CODE: VK4585 POST SERVICE BULLETIN: 71-9634PT01 VK0680	002004 006999	1
72	35235V04		...SLEEVE- SUPPLIER CODE: VK4585 POST SERVICE BULLETIN: 71-9634PT01 VK0680	002004 006999	1
75	MS21905J4		..CONNECTOR-TEE POST SERVICE BULLETIN: 71-9634PT01 VK0680	002004 006999	1
80	AS21408		..BOLT-.190 DIA X .500 POST SERVICE BULLETIN: 71-9634PT01 VK0680	002004 006999	3
- 82	AS21408		..BOLT-.190 DIA X .500 POST SERVICE BULLETIN: 71-E737PTA VK0680	002004 006100 102999	1
85	AN960C10L		..WASHER- POST SERVICE BULLETIN: 71-9634PT01 VK0680	002004 006999	2

MISSING ITEM NUMBERS NOT APPLICABLE

- ITEM NOT ILLUSTRATED

30-21-50-01

30-21-50  
FIG. 01  
PAGE 5  
JAN 20/09

BRI





757

PARTS CATALOG (MAINTENANCE)

FIG ITEM	PART NUMBER	1 2 3 4 5 6 7	NOMENCLATURE	EFFECT FROM TO	UNITS PER ASSY
1 90	LJ14378		.. WASHER- SUPPLIER CODE: VK4585 POST SERVICE BULLETIN: 71-9634PT01 VK0680 PRE SERVICE BULLETIN: 30-9850 VK0680	002004 006999	1
95	LJ14378		.. WASHER- SUPPLIER CODE: VK4585 POST SERVICE BULLETIN: 30-9850PT01 VK0680	002004 006999	2
100	AS20624		.. NUT- POST SERVICE BULLETIN: 71-9634PT01 VK0680 PRE SERVICE BULLETIN: 30-9850 VK0680	002004 006999	1
100	MS21043-3		.. NUT- POST SERVICE BULLETIN: 30-9850PT01 VK0680	002004 006999	1
105	MS9201-04		.. NUT-.437 DIA POST SERVICE BULLETIN: 71-9634PT01 VK0680	002004 006999	1
110	LJ50683		.. SHIM-LAMINATED SUPPLIER CODE: VK4585 POST SERVICE BULLETIN: 30-9850PT02 VK0680	002004 006999	1
115	LJ50651		.. SHIM-LAMINATED SUPPLIER CODE: VK4585 POST SERVICE BULLETIN: 30-9850PT01 VK0680	002004 006999	2
120	1500P0247		.. INDICATOR-PRESSURE NOSE COWL SUPPLIER CODE: VK4585 POST SERVICE BULLETIN: 71-9634PT01 VK0680	002004 006999	1

MISSING ITEM NUMBERS NOT APPLICABLE

- ITEM NOT ILLUSTRATED

30-21-50-01

30-21-50  
FIG. 01  
PAGE 6  
JAN 20/09

BRI

BOEING PROPRIETARY - Copyright © - Unpublished Work - See title page for details.



757

PARTS CATALOG (MAINTENANCE)

FIG ITEM	PART NUMBER	1 2 3 4 5 6 7	NOMENCLATURE	EFFECT FROM TO	UNITS PER ASSY
1 125	LJ50654		..BRACKET-MOUNTING PRESSURE INDICATOR SUPPLIER CODE: VK4585 POST SERVICE BULLETIN: 71-9634PT01 VK0680 PRE SERVICE BULLETIN: 30-9850 VK0680	002004 006102 107999	1
125	LJ50682		..BRACKET-MOUNTING PRESSURE INDICATOR SUPPLIER CODE: VK4585 POST SERVICE BULLETIN: 30-9850PT02 VK0680	002004 006999	1
125	LJ50656		..BRACKET-ASSY MOUNTING PRESSURE INDICATOR SUPPLIER CODE: VK4585 POST SERVICE BULLETIN: 30-9850PT01 VK0680	002004 006999	1
130	NAS7503U5		ATTACHING PARTS ..SCREW- POST SERVICE BULLETIN: 30-9850PT01 VK0680 -----*-----	002004 006999	2

MISSING ITEM NUMBERS NOT APPLICABLE

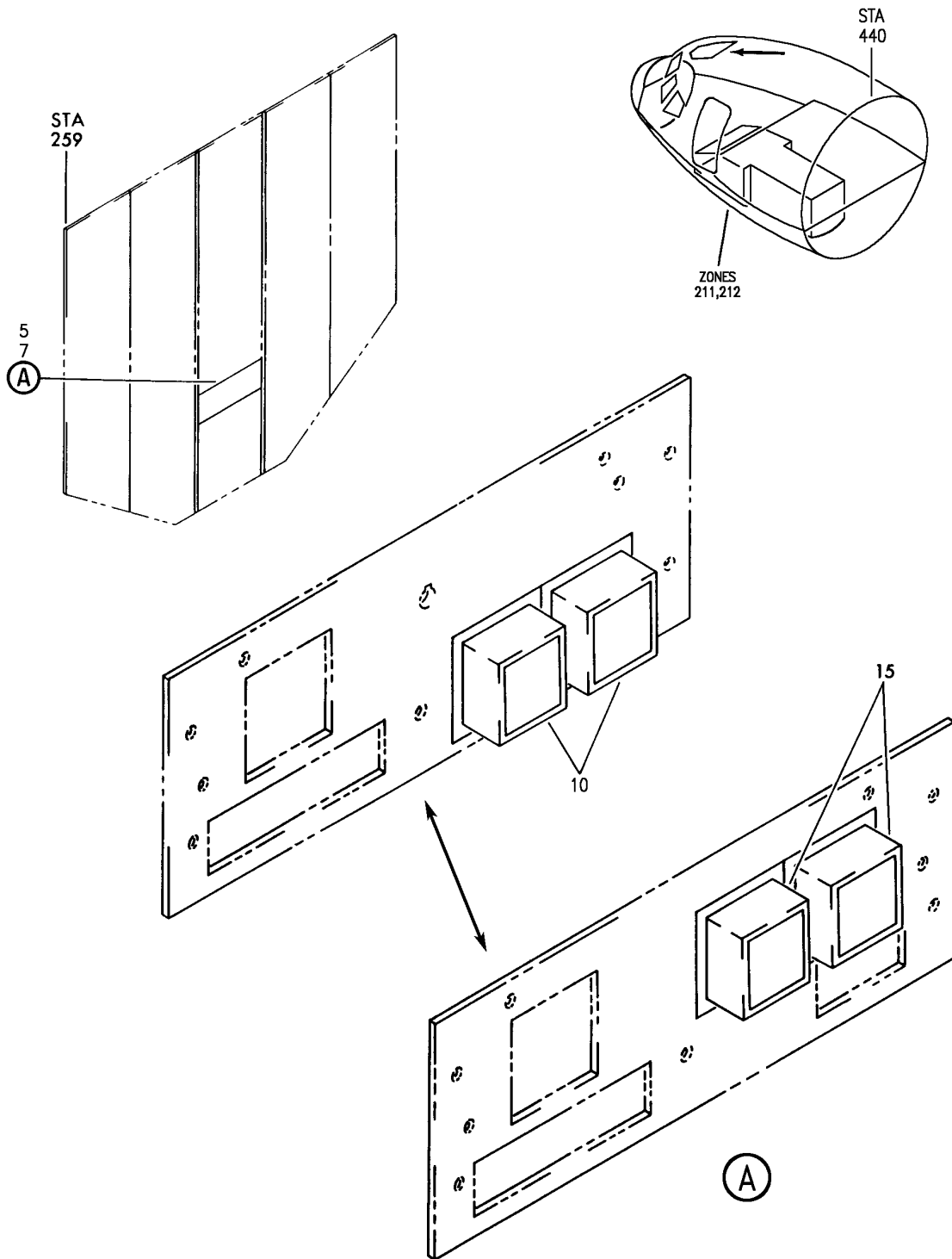
- ITEM NOT ILLUSTRATED

30-21-50-01

30-21-50  
FIG. 01  
PAGE 7  
JAN 20/09

BRI

**BOEING**  
757  
PARTS CATALOG (MAINTENANCE)



Y 30215101 REV 268

PANEL INSTL-P5 OVERHEAD (ENGINE NOSE COWL THERMAL ANTI-ICING ONLY)  
FIGURE 1

**30-21-51-01**

BRI  
MAY 28/07

30-21-51-01  
PAGE 0



757

PARTS CATALOG (MAINTENANCE)

FIG ITEM	PART NUMBER	1 2 3 4 5 6 7	NOMENCLATURE	EFFECT FROM TO	UNITS PER ASSY
1			PANEL INSTL-P5 OVERHEAD (ENGINE NOSE COWL THERMAL ANTI-ICING ONLY)	002004 006010 107107 121503 904999	
- 1	233N3101-1		PANEL INSTL-P5 OVERHEAD (ENGINE NOSE COWL THERMAL ANTI-ICING ONLY) VARIABLE DRAWING REF: 233N3101-5005 233N3101-5025 233N3101-5041 233N3101-5042 233N3101-5045 FOR NHA/OTHER SYS DET SEE: 25-10-00-05A	002004 006010 107107 121503 904999	RF
5	233N3204-18		.PANEL ASSY-ANTI-ICE SUPPLIER CODE: V89954 COMPONENT MAINT MANUAL REF: 30-11-72 QUALIFIED I/W DATA: 233N3204-12, -18, -20 ARE ALL INTERCHANGEABLE EXCEPT SUBJECT TO CUSTOMER PREFERENCE PRE ALERT SB: 30A0013R6 33A0044	107107	RF
5	233N3204-19		.PANEL ASSY-ANTI-ICE SUPPLIER CODE: V89954 ELECTRICAL EQUIP NUMBER: M10397 COMPONENT MAINT MANUAL REF: 30-11-72 QUALIFIED I/W DATA: 233N3204-300 PANEL ASSY IS I/W 233N3204-19 PANEL ASSY T/W S233T100-1070 LIGHTPLATE POST ALERT SB: 30A0013 30A0013R6 PRE ALERT SB: 33A0044	002004 006010 107107 950999	RF

MISSING ITEM NUMBERS NOT APPLICABLE

- ITEM NOT ILLUSTRATED

BRI

30-21-51-01

BOEING PROPRIETARY - Copyright © - Unpublished Work - See title page for details.

30-21-51  
FIG. 01  
PAGE 1  
JAN 20/09



757

PARTS CATALOG (MAINTENANCE)

FIG ITEM	PART NUMBER	1 2 3 4 5 6 7	NOMENCLATURE	EFFECT FROM TO	UNITS PER ASSY
1 5	233N3204-20		.PANEL ASSY-ANTI-ICE SUPPLIER CODE: V89954 ELECTRICAL EQUIP NUMBER: M10397 COMPONENT MAINT MANUAL REF: 30-11-72 QUALIFIED I/W DATA: 233N3204-17, -18, -19, -20 ARE ALL INTERCHANGEABLE EXCEPT SUBJECT TO CUSTOMER PREFERENCE 233N3204-301 PANEL ASSY IS I/W 233N3204-20 PANEL ASSY T/W S233T100-1070 LIGHTPLATE PRE ALERT SB: 33A0044	121503 904949	RF
5	233N3204-1019		.PANEL ASSY-ANTI-ICE SUPPLIER CODE: V89954 ELECTRICAL EQUIP NUMBER: M10397 COMPONENT MAINT MANUAL REF: 30-11-72 POST ALERT SB: 33A0044	002004 006010 107107 950999	RF
6	233N3204-1018		.PANEL ASSY-ANTI-ICE SUPPLIER CODE: V89954 ELECTRICAL EQUIP NUMBER: M10397 COMPONENT MAINT MANUAL REF: 30-11-72 POST ALERT SB: 33A0044	107107	RF
6	233N3204-1020		.PANEL ASSY-ANTI-ICE SUPPLIER CODE: V89954 ELECTRICAL EQUIP NUMBER: M10397 COMPONENT MAINT MANUAL REF: 30-11-72 POST ALERT SB: 33A0044	121503 904949	RF

MISSING ITEM NUMBERS NOT APPLICABLE

- ITEM NOT ILLUSTRATED

BRI

30-21-51-01

BOEING PROPRIETARY - Copyright © - Unpublished Work - See title page for details.

30-21-51  
FIG. 01  
PAGE 2  
JAN 20/09



757

PARTS CATALOG (MAINTENANCE)

FIG ITEM	PART NUMBER	1 2 3 4 5 6 7	NOMENCLATURE	EFFECT FROM TO	UNITS PER ASSY
1 10	BCREF7613		<p>..SWITCH ASSY-LIGHTED PUSH BUTTON IND ON/VALVE SUPPLIER CODE: V81590 OVERLENGTH PART NUMBER: 433-673-1001-1027 SPECIFICATION NUMBER: S231T290-1027 MISCELLANEOUS DATA: WHEN REPLACING THE PUSHBUTTON SWITCH ASSY OR THE MASTER MODULE WITHIN, VERIFY THAT A CONFIG D MASTER MODULE P/N 13206-001 IS INSTALLED IN LIEU OF ANY EARLIER CONFIGURATION MASTER MODULES. REFERENCE SERVICE BULLETIN: 33A0044 REWORKED BY SB: 433-33-05 V81590 FOR DETAILS SEE: 33-13-00-19A</p>	107107 121503 904949	2

MISSING ITEM NUMBERS NOT APPLICABLE

- ITEM NOT ILLUSTRATED

BRI

30-21-51-01

BOEING PROPRIETARY - Copyright © - Unpublished Work - See title page for details.

30-21-51  
FIG. 01  
PAGE 3  
JAN 20/09



757

PARTS CATALOG (MAINTENANCE)

FIG ITEM	PART NUMBER	1 2 3 4 5 6 7	NOMENCLATURE	EFFECT FROM TO	UNITS PER ASSY
1 10	BCREFA0512		.. SWITCH ASSY-LIGHTED PUSH BUTTON IND ON/VALVE SUPPLIER CODE: V81590 OVERLENGTH PART NUMBER: 433-673-1004-4027 SPECIFICATION NUMBER: S231T290-4027 MISCELLANEOUS DATA: WHEN REPLACING THE PUSHBUTTON SWITCH ASSY OR THE MASTER MODULE WITHIN, VERIFY THAT A CONFIG D MASTER MODULE P/N 13206-001 IS INSTALLED IN LIEU OF ANY EARLIER CONFIGURATION MASTER MODULES. OPTIONAL PART: S231T290-5027 REFERENCE SERVICE BULLETIN: 33A0044 REWORKED BY SB: 433-33-05 V81590 PRE SERVICE LETTER: 33-027 FOR DETAILS SEE: 33-13-00-49A	002004 006010 107107 121503 904999	2
10	4336731004-4227		.. SWITCH ASSY-LIGHTED PUSH BUTTON IND ON/VALVE SUPPLIER CODE: V81590 SPECIFICATION NUMBER: S231T290-4227 POST SERVICE LETTER: 33-027	002004 006010 107107 121503 904999	2
10	851-30768-2027		.. SWITCH ASSY-LIGHTED PUSH BUTTON IND ON/VALVE SUPPLIER CODE: V96182 SPECIFICATION NUMBER: S231T290-2027 FOR DETAILS SEE: 33-13-00-29A	002004 006010 107107 121503 904999	2

MISSING ITEM NUMBERS NOT APPLICABLE

- ITEM NOT ILLUSTRATED

30-21-51-01

30-21-51  
FIG. 01  
PAGE 4  
JAN 20/09

BRI



757

PARTS CATALOG (MAINTENANCE)

FIG ITEM	PART NUMBER	1 2 3 4 5 6 7	NOMENCLATURE	EFFECT FROM TO	UNITS PER ASSY
1 10	851-30768-3027		..SWITCH ASSY-LIGHTED PUSH BUTTON IND ON/VALVE SUPPLIER CODE: V96182 SPECIFICATION NUMBER: S231T290-3027 FOR DETAILS SEE: 33-13-00-39A	002004 006010 107107 121503 904999	2

MISSING ITEM NUMBERS NOT APPLICABLE

- ITEM NOT ILLUSTRATED

BRI

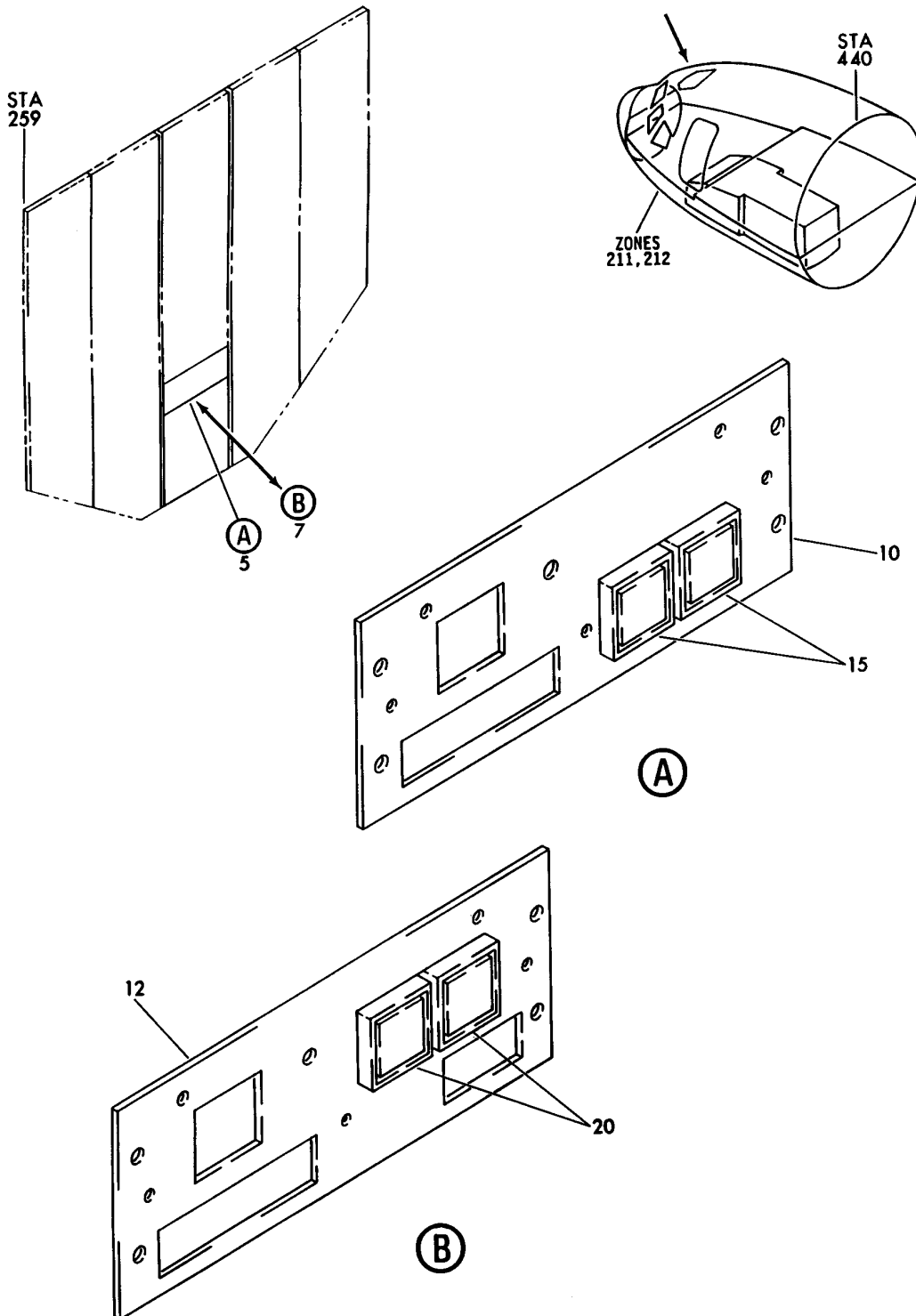
30-21-51-01

BOEING PROPRIETARY - Copyright © - Unpublished Work - See title page for details.

30-21-51  
FIG. 01  
PAGE 5  
JAN 20/09



**BOEING**  
757  
PARTS CATALOG (MAINTENANCE)



Y 30215102 REV 155

PANEL INSTL-P5 OVERHEAD (WING THERMAL ANTI-ICING ONLY)  
FIGURE 2

**30-21-51-02**

BRI  
MAY 28/07

30-21-51-02  
PAGE 0



757

PARTS CATALOG (MAINTENANCE)

FIG ITEM	PART NUMBER	1 2 3 4 5 6 7	NOMENCLATURE	EFFECT FROM TO	UNITS PER ASSY
2			PANEL INSTL-P5 OVERHEAD (WING THERMAL ANTI-ICING ONLY)	011100	
- 1	233N3101-1		PANEL INSTL-P5 OVERHEAD (WING THERMAL ANTI-ICING ONLY)	011100	RF
			VARIABLE DRAWING REF: 233N3101-5142 FOR NHA/OTHER SYS DET SEE: 25-10-00-05A		
5	233N3204-300		.PANEL ASSY-ANTI-ICE SUPPLIER CODE: V89954 MISCELLANEOUS DATA: 233N3204-300 PANEL ASSY IS I/W 233N3204-19 PANEL ASSY T/W S233T100-1070 LIGHTPLATE COMPONENT MAINT MANUAL REF: 30-11-72 PRE ALERT SB: 33A0044	011100	RF
5	233N3204-301		.PANEL ASSY-ANTI-ICE SUPPLIER CODE: V89954 MISCELLANEOUS DATA: 233N3204-301 PANEL ASSY IS I/W 233N3204-20 PANEL ASSY T/W S233T100-1070 LIGHTPLATE COMPONENT MAINT MANUAL REF: 30-11-72 PRE ALERT SB: 33A0044	011100	RF
5	233N3204-302		.PANEL ASSY-ANTI-ICE SUPPLIER CODE: V89954 MISCELLANEOUS DATA: 233N3204-302 PANEL ASSY IS I/W 233N3204-27 PANEL ASSY T/W S233T100-1070 LIGHTPLATE COMPONENT MAINT MANUAL REF: 30-11-72 PRE ALERT SB: 33A0044	011100	RF

MISSING ITEM NUMBERS NOT APPLICABLE

- ITEM NOT ILLUSTRATED

BRI

30-21-51-02

BOEING PROPRIETARY - Copyright © - Unpublished Work - See title page for details.

30-21-51  
FIG. 02  
PAGE 1  
JAN 20/09



757

PARTS CATALOG (MAINTENANCE)

FIG ITEM	PART NUMBER	1 2 3 4 5 6 7	NOMENCLATURE	EFFECT FROM TO	UNITS PER ASSY
2	5 233N3204-303		.PANEL ASSY-ANTI-ICE SUPPLIER CODE: V89954 MISCELLANEOUS DATA: 233N3204-303 PANEL ASSY IS I/W 233N3204-28 PANEL ASSY T/W S233T100-1070 LIGHTPLATE COMPONENT MAINT MANUAL REF: 30-11-72 PRE ALERT SB: 33A0044	011100	RF
	5 233N3204-1300		.PANEL ASSY-ANTI-ICE SUPPLIER CODE: V89954 COMPONENT MAINT MANUAL REF: 30-11-72 POST ALERT SB: 33A0044	011100	RF
	5 233N3204-1302		.PANEL ASSY-ANTI-ICE SUPPLIER CODE: V89954 COMPONENT MAINT MANUAL REF: 30-11-72 POST ALERT SB: 33A0044	011100	RF
	5 233N3204-1303		.PANEL ASSY-ANTI-ICE SUPPLIER CODE: V89954 COMPONENT MAINT MANUAL REF: 30-11-72 POST ALERT SB: 33A0044	011100	RF
	5 233N3204-1301		.PANEL ASSY-ANTI-ICE SUPPLIER CODE: V89954 COMPONENT MAINT MANUAL REF: 30-11-72 POST ALERT SB: 33A0044	011100	RF

MISSING ITEM NUMBERS NOT APPLICABLE

- ITEM NOT ILLUSTRATED

30-21-51-02

30-21-51  
FIG. 02  
PAGE 2  
JAN 20/09

BRI



757

PARTS CATALOG (MAINTENANCE)

FIG ITEM	PART NUMBER	1 2 3 4 5 6 7	NOMENCLATURE	EFFECT FROM TO	UNITS PER ASSY
2 10	233N3204-19		..PANEL ASSY- SUPPLIER CODE: V89954 MISCELLANEOUS DATA: 233N3204-300 PANEL ASSY IS I/W 233N3204-19 PANEL ASSY T/W S233T100-1070 LIGHTPLATE ELECTRICAL EQUIP NUMBER: M10397 COMPONENT MAINT MANUAL REF: 30-11-72 USED ON: 233N3204-300 PRE ALERT SB: 33A0044	011100	RF
10	233N3204-20		..PANEL ASSY- SUPPLIER CODE: V89954 MISCELLANEOUS DATA: 233N3204-301 PANEL ASSY IS I/W 233N3204-20 PANEL ASSY T/W S233T100-1070 LIGHTPLATE ELECTRICAL EQUIP NUMBER: M10397 COMPONENT MAINT MANUAL REF: 30-11-72 QUALIFIED I/W DATA: 233N3204-17 -18 -19 -20 ARE ALL INTERCHANGEABLE EXCEPT SUBJECT TO CUSTOMER PREFERENCE USED ON: 233N3204-301 PRE ALERT SB: 33A0044	011100	RF

MISSING ITEM NUMBERS NOT APPLICABLE

- ITEM NOT ILLUSTRATED

BRI

30-21-51-02

BOEING PROPRIETARY - Copyright © - Unpublished Work - See title page for details.

30-21-51  
FIG. 02  
PAGE 3  
JAN 20/09



757

PARTS CATALOG (MAINTENANCE)

FIG ITEM	PART NUMBER	1 2 3 4 5 6 7	NOMENCLATURE	EFFECT FROM TO	UNITS PER ASSY
2 10	233N3204-28		..PANEL ASSY- SUPPLIER CODE: V89954 MISCELLANEOUS DATA: 233N3204-303 PANEL ASSY IS I/W 233N3204-28 PANEL ASSY T/W S233T100-1070 LIGHTPLATE ELECTRICAL EQUIP NUMBER: M10397 COMPONENT MAINT MANUAL REF: 30-11-72 USED ON: 233N3204-303 PRE ALERT SB: 33A0044	011100	RF
10	233N3204-27		..PANEL ASSY- SUPPLIER CODE: V89954 MISCELLANEOUS DATA: 233N3204-302 PANEL ASSY IS I/W 233N3204-27 PANEL ASSY T/W S233T100-1070 LIGHTPLATE ELECTRICAL EQUIP NUMBER: M10397 COMPONENT MAINT MANUAL REF: 30-11-72 USED ON: 233N3204-302 PRE ALERT SB: 33A0044	011100	RF
10	233N3204-1019		..PANEL ASSY- SUPPLIER CODE: V89954 ELECTRICAL EQUIP NUMBER: M10397 COMPONENT MAINT MANUAL REF: 30-11-72 POST ALERT SB: 33A0044	011100	RF

MISSING ITEM NUMBERS NOT APPLICABLE

- ITEM NOT ILLUSTRATED

BRI

30-21-51-02

BOEING PROPRIETARY - Copyright © - Unpublished Work - See title page for details.

30-21-51  
 FIG. 02  
 PAGE 4  
 JAN 20/09



757

PARTS CATALOG (MAINTENANCE)

FIG ITEM	PART NUMBER	1 2 3 4 5 6 7	NOMENCLATURE	EFFECT FROM TO	UNITS PER ASSY
2					
10	233N3204-1027	..	PANEL ASSY- SUPPLIER CODE: V89954 ELECTRICAL EQUIP NUMBER: M10397 COMPONENT MAINT MANUAL REF: 30-11-72 USED ON: 233N3204-1302 POST ALERT SB: 33A0044	011100	RF
10	233N3204-1028	..	PANEL ASSY- SUPPLIER CODE: V89954 ELECTRICAL EQUIP NUMBER: M10397 COMPONENT MAINT MANUAL REF: 30-11-72 USED ON: 233N3204-1303 POST ALERT SB: 33A0044	011100	RF
10	233N3204-1020	..	PANEL ASSY- SUPPLIER CODE: V89954 ELECTRICAL EQUIP NUMBER: M10397 COMPONENT MAINT MANUAL REF: 30-11-72 USED ON: 233N3204-1301 POST ALERT SB: 33A0044	011100	RF

MISSING ITEM NUMBERS NOT APPLICABLE

- ITEM NOT ILLUSTRATED

30-21-51-02

30-21-51  
FIG. 02  
PAGE 5  
JAN 20/09

BRI



757

PARTS CATALOG (MAINTENANCE)

FIG ITEM	PART NUMBER	1 2 3 4 5 6 7	NOMENCLATURE	EFFECT FROM TO	UNITS PER ASSY
2 15	BCREF7613		...SWITCH ASSY-LIGHTED PUSH BUTTON IND ON/VALVE SUPPLIER CODE: V81590 OVERLENGTH PART NUMBER: 433-673-1001-1027 SPECIFICATION NUMBER: S231T290-1027 MISCELLANEOUS DATA: WHEN REPLACING THE PUSHBUTTON SWITCH ASSY OR THE MASTER MODULE WITHIN, VERIFY THAT A CONFIG D MASTER MODULE P/N 13206-001 IS INSTALLED IN LIEU OF ANY EARLIER CONFIGURATION MASTER MODULES. USED ON: 233N3204-20 233N3204-28 233N3204-31 233N3204-1020 233N3204-1028 233N3204-1031 REFERENCE SERVICE BULLETIN: 33A0044 REWORKED BY SB: 433-33-05 V81590 FOR DETAILS SEE: 33-13-00-19A	011100	2

MISSING ITEM NUMBERS NOT APPLICABLE

- ITEM NOT ILLUSTRATED

BRI

30-21-51-02

BOEING PROPRIETARY - Copyright © - Unpublished Work - See title page for details.

30-21-51  
FIG. 02  
PAGE 6  
JAN 20/09



757

PARTS CATALOG (MAINTENANCE)

FIG ITEM	PART NUMBER	1 2 3 4 5 6 7	NOMENCLATURE	EFFECT FROM TO	UNITS PER ASSY
2 15	BCREFA0512		...SWITCH ASSY-LIGHTED PUSH BUTTON IND ON/VALVE SUPPLIER CODE: V81590 OVERLENGTH PART NUMBER: 433-673-1004-4027 SPECIFICATION NUMBER: S231T290-4027 MISCELLANEOUS DATA: WHEN REPLACING THE PUSHBUTTON SWITCH ASSY OR THE MASTER MODULE WITHIN, VERIFY THAT A CONFIG D MASTER MODULE P/N 13206-001 IS INSTALLED IN LIEU OF ANY EARLIER CONFIGURATION MASTER MODULES. OPTIONAL PART: S231T290-5027 REFERENCE SERVICE BULLETIN: 33A0044 REWORKED BY SB: 433-33-05 V81590 FOR DETAILS SEE: 33-13-00-49A	011100	2
15	851-30768-2027		...SWITCH ASSY-LIGHTED PUSH BUTTON IND ON/VALVE SUPPLIER CODE: V96182 SPECIFICATION NUMBER: S231T290-2027 FOR DETAILS SEE: 33-13-00-29A	011100	2
15	851-30768-3027		...SWITCH ASSY-LIGHTED PUSH BUTTON IND ON/VALVE SUPPLIER CODE: V96182 SPECIFICATION NUMBER: S231T290-3027 FOR DETAILS SEE: 33-13-00-39A	011100	2

MISSING ITEM NUMBERS NOT APPLICABLE

- ITEM NOT ILLUSTRATED

30-21-51-02

30-21-51  
FIG. 02  
PAGE 7  
JAN 20/09

BRI





757

PARTS CATALOG (MAINTENANCE)

FIG ITEM	PART NUMBER	1 2 3 4 5 6 7	NOMENCLATURE	EFFECT FROM TO	UNITS PER ASSY
2					
15	S231T290-5027		...SWITCH ASSY-LIGHTED PUSH BUTTON IND ON/VALVE OPTIONAL PART: BCREFA0512 V81590 851-35100-5027 V96182 USED ON: 233N3204-19 233N3204-24 233N3204-27 233N3204-1019 233N3204-1024 233N3204-1027	011100	2
15	4336731004-4227		...SWITCH ASSY-LIGHTED PUSH BUTTON IND ON/VALVE SUPPLIER CODE: V81590 SPECIFICATION NUMBER: S231T290-4227	011100	2
15	851-35100-5027		...SWITCH ASSY-LIGHTED PUSHBUTTON IND ON/VALVE SUPPLIER CODE: V96182 OPTIONAL PART: S231T290-5027 BCREFA0512 V81590 USED ON: 233N3204-19 233N3204-24 233N3204-27 233N3204-1019 233N3204-1024 233N3204-1027	011100	2

MISSING ITEM NUMBERS NOT APPLICABLE

- ITEM NOT ILLUSTRATED

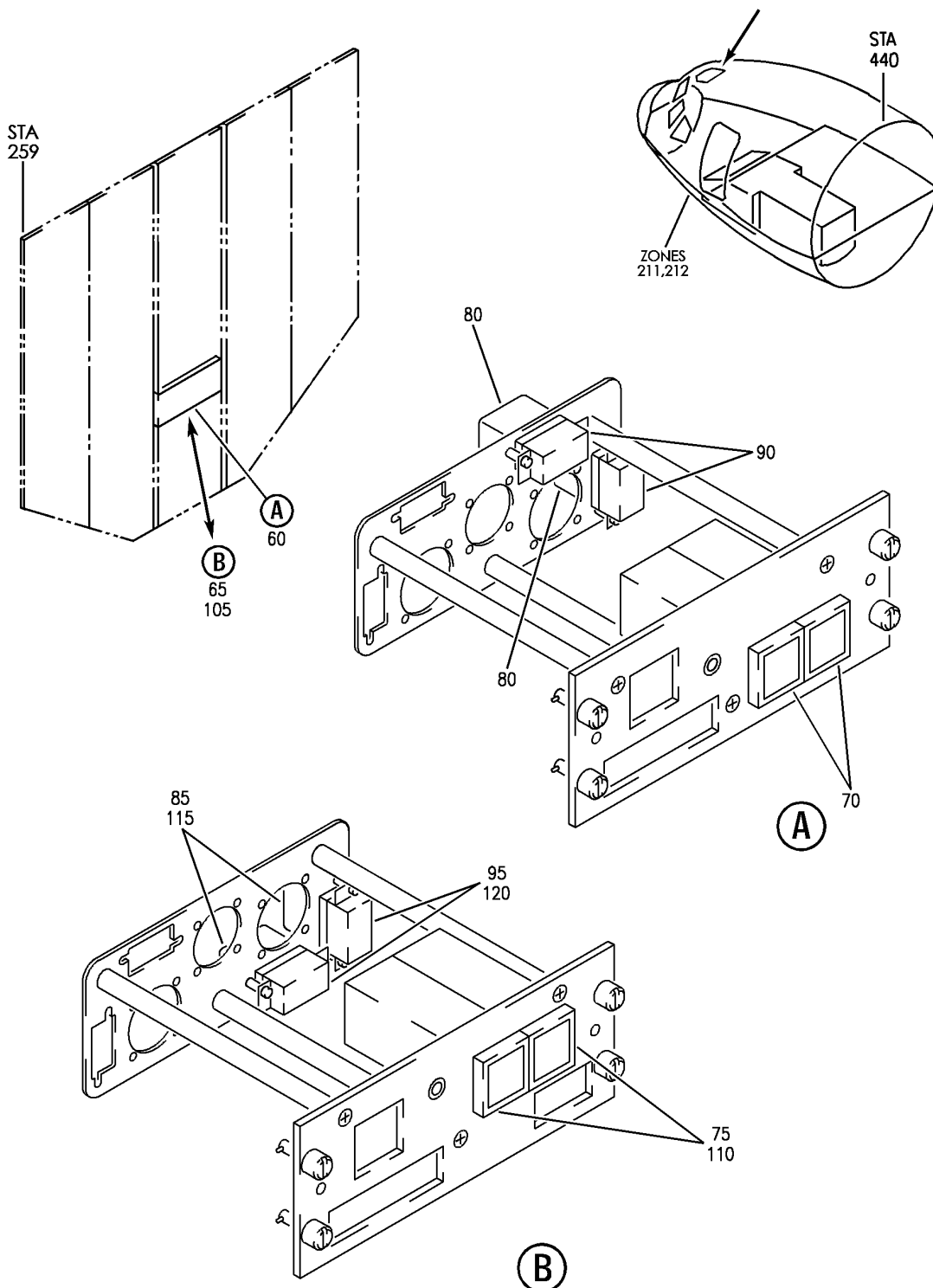
BRI

30-21-51-02

BOEING PROPRIETARY - Copyright © - Unpublished Work - See title page for details.

30-21-51  
FIG. 02  
PAGE 8  
JAN 20/09

**BOEING**  
757  
PARTS CATALOG (MAINTENANCE)



Y 30215103 REV 286

PANEL INSTL-P5 OVHD (ENGINE INLET THERMAL ANTI-ICING ONLY)  
FIGURE 3

**30-21-51-03**

BRI  
MAY 28/07

30-21-51-03  
PAGE 0



757

PARTS CATALOG (MAINTENANCE)

FIG ITEM	PART NUMBER	1 2 3 4 5 6 7	NOMENCLATURE	EFFECT FROM TO	UNITS PER ASSY
3			PANEL INSTL-P5 OVHD (ENGINE INLET THERMAL ANTI-ICING ONLY)	101106 108120	
- 4	233N3103-132		PANEL INSTL-P5 OVHD (ENGINE INLET THERMAL ANTI-ICING ONLY) FOR NHA/OTHER SYS DET SEE: 25-10-00-15E	504903 101102	RF
- 4	233N3103-136		PANEL INSTL-P5 OVHD (ENGINE INLET THERMAL ANTI-ICING ONLY) FOR NHA/OTHER SYS DET SEE: 25-10-00-15E	504903	RF
- 6	233N3103-59		PANEL INSTL-P5 OVHD (ENGINE INLET THERMAL ANTI-ICING ONLY) FOR NHA/OTHER SYS DET SEE: 25-10-00-15E	108120	RF
- 7	MODREF33760		PANEL INSTL-P5 OVHD (ENGINE INLET THERMAL ANTI-ICING ONLY) MODULE NUMBER: 233N3103-351 REV C FOR OTHER SYS DETAILS SEE: 11-31-10-12 21-25-55-03 21-31-01-02 21-33-51-03 21-51-54-03 21-58-19-10 21-58-51-03 21-61-04-03 21-65-51-01 22-21-01-04 22-24-51-02 23-24-01-01 23-32-00-11 23-42-02-02 23-71-05-02 24-11-52-05 24-22-01-03 24-31-01-10 24-31-03-09 24-33-04-01 24-41-51-04 24-51-62-01 26-18-51-04 27-21-53-02 27-41-55-01	103103	1

MISSING ITEM NUMBERS NOT APPLICABLE

- ITEM NOT ILLUSTRATED

30-21-51-03

30-21-51  
FIG. 03  
PAGE 1  
JAN 20/09

BRI



757

PARTS CATALOG (MAINTENANCE)

FIG ITEM	PART NUMBER	1 2 3 4 5 6 7	NOMENCLATURE	EFFECT FROM TO	UNITS PER ASSY
3			27-61-51-03 27-62-52-02 28-22-51-02 28-41-04-01 28-41-51-03 29-11-02-03 29-11-05-04 29-11-52-07 29-21-54-03 29-31-00-01 29-32-51-03 29-33-52-03 30-11-51-03 30-31-51-02 30-32-51-01 30-33-51-02 30-41-51-03 30-42-51-03 31-12-11-91 31-12-11-91 A 32-42-52-03 33-11-03-03 33-11-51-17 33-13-01-65 33-13-02-03 33-16-51-03 33-24-51-02 33-41-52-04 33-42-01-04 33-42-02-04 33-42-52-04 33-43-51-04 33-44-51-05 33-45-53-03 33-51-08-05 34-21-02-01 35-21-51-04 36-11-04-01 36-21-00-01 36-21-02-05 36-22-51-03 49-41-00-02 49-52-00-01 49-70-00-01 52-51-51-03 52-71-51-02 73-21-52-02 74-31-51-05 75-32-00-01		

MISSING ITEM NUMBERS NOT APPLICABLE

- ITEM NOT ILLUSTRATED

**30-21-51-03**

30-21-51  
FIG. 03  
PAGE 2  
JAN 20/09

BRI



757

PARTS CATALOG (MAINTENANCE)

FIG ITEM	PART NUMBER	1 2 3 4 5 6 7	NOMENCLATURE	EFFECT FROM TO	UNITS PER ASSY
3 - 7	MODREF34038		80-11-09-02 PANEL INSTL-P5 OVHD (ENGINE INLET THERMAL ANTI-ICING ONLY) MODULE NUMBER: 233N3103-351 REV D FOR OTHER SYS DETAILS SEE: 11-31-10-12 21-25-55-03 21-31-01-02 21-33-51-03 21-51-54-03 21-58-19-10 21-58-51-03 21-61-04-03 21-65-51-01 22-21-01-04 22-24-51-02 23-24-01-01 23-32-00-11 23-42-02-02 23-71-05-02 24-11-52-05 24-22-01-03 24-31-01-10 24-31-03-09 24-33-04-01 24-41-51-04 24-51-62-01 26-18-51-04 27-21-53-02 27-41-55-01 27-61-51-03 27-62-52-02 28-22-51-02 28-41-04-01 28-41-51-03 29-11-02-03 29-11-05-04 29-11-52-07 29-21-54-03 29-31-00-01 29-32-51-03 29-33-52-03 30-11-51-03 30-31-51-02 30-32-51-01 30-33-51-02 30-41-51-03	104105	1

MISSING ITEM NUMBERS NOT APPLICABLE

- ITEM NOT ILLUSTRATED

**30-21-51-03**

30-21-51  
FIG. 03  
PAGE 3  
JAN 20/09

BRI



757

PARTS CATALOG (MAINTENANCE)

FIG ITEM	PART NUMBER	1 2 3 4 5 6 7	NOMENCLATURE	EFFECT FROM TO	UNITS PER ASSY
3			30-42-51-03 31-12-11-91 31-12-11-91A 32-42-52-03 33-11-03-03 33-11-51-17 33-13-01-65 33-13-02-03 33-16-51-03 33-24-51-02 33-41-52-04 33-42-01-04 33-42-02-04 33-42-52-04 33-43-51-04 33-44-51-05 33-45-53-03 33-51-08-05 34-21-02-01 35-21-51-04 36-11-04-01 36-21-00-01 36-21-02-05 36-22-51-03 49-41-00-02 49-52-00-01 49-70-00-01 52-51-51-03 52-71-51-02 73-21-52-02 74-31-51-05 75-32-00-01 80-11-09-02		
-	8 MODREF170180		PANEL INSTL-P5 OVHD (ENGINE INLET THERMAL ANTI-ICING ONLY) MODULE NUMBER: 233N3103-353 REV B FOR OTHER SYS DETAILS SEE: 11-31-10-12 21-25-55-03 21-31-01-02 21-33-51-03 21-51-54-03 21-58-19-10 21-58-51-03 21-61-04-03 21-65-51-01 22-21-01-04	106106	1

MISSING ITEM NUMBERS NOT APPLICABLE

- ITEM NOT ILLUSTRATED

**30-21-51-03**

30-21-51  
 FIG. 03  
 PAGE 4  
 JAN 20/09

BRI



757

PARTS CATALOG (MAINTENANCE)

FIG ITEM	PART NUMBER	1 2 3 4 5 6 7	NOMENCLATURE	EFFECT FROM TO	UNITS PER ASSY
3			22-24-51-02 23-24-01-01 23-32-00-11 23-42-02-02 23-71-05-02 24-11-52-05 24-22-01-03 24-31-01-10 24-31-03-09 24-33-04-01 24-41-51-04 24-51-62-01 26-18-51-04 27-21-53-02 27-41-55-01 27-61-51-03 27-62-52-02 28-22-51-02 28-41-04-01 28-41-51-03 29-11-02-03 29-11-05-04 29-11-52-07 29-21-54-03 29-31-00-01 29-32-51-03 29-33-52-03 30-11-51-03 30-31-51-02 30-32-51-01 30-33-51-02 30-41-51-03 30-42-51-03 31-12-11-84 31-12-11-84 A 32-42-52-03 33-11-03-03 33-11-51-17 33-13-01-65 33-13-02-03 33-16-51-03 33-24-51-02 33-41-52-04 33-42-01-04 33-42-02-04 33-42-52-04 33-43-51-04 33-44-51-05 33-45-53-03		

MISSING ITEM NUMBERS NOT APPLICABLE

- ITEM NOT ILLUSTRATED

**30-21-51-03**

30-21-51  
FIG. 03  
PAGE 5  
JAN 20/09

BRI



757

PARTS CATALOG (MAINTENANCE)

FIG ITEM	PART NUMBER	1 2 3 4 5 6 7 NOMENCLATURE	EFFECT FROM TO	UNITS PER ASSY
3		33-51-08-05 34-21-02-01 35-21-51-04 36-11-04-01 36-21-00-01 36-21-02-05 36-22-51-03 49-41-00-02 49-52-00-01 49-70-00-01 52-51-51-03 52-71-51-02 73-21-52-02 74-31-51-05 75-32-00-01 80-11-09-02 .PANEL ASSY-ANTI-ICE SUPPLIER CODE: V89954 ELECTRICAL EQUIP NUMBER: M10397 COMPONENT MAINT MANUAL REF: 30-11-72 QUALIFIED I/W DATA: 233N3204-300 PANEL ASSY IS I/W 233N3204-19 PANEL ASSY T/W S233T100-1070 LIGHTPLATE OPTIONAL PART: 233N3204-301 V89954 PRE ALERT SB: 33A0044	101102 108120 504903	RF
- 50	233N3204-300			

MISSING ITEM NUMBERS NOT APPLICABLE

- ITEM NOT ILLUSTRATED

BRI

**30-21-51-03**

BOEING PROPRIETARY - Copyright © - Unpublished Work - See title page for details.

30-21-51  
FIG. 03  
PAGE 6  
JAN 20/09





757

PARTS CATALOG (MAINTENANCE)

FIG ITEM	PART NUMBER	1 2 3 4 5 6 7	NOMENCLATURE	EFFECT FROM TO	UNITS PER ASSY
3 - 50	233N3204-301		.PANEL ASSY-ANTI-ICE SUPPLIER CODE: V89954 ELECTRICAL EQUIP NUMBER: M10397 COMPONENT MAINT MANUAL REF: 30-11-72 QUALIFIED I/W DATA: 233N3204-301 PANEL ASSY IS I/W 233N3204-20 PANEL ASSY T/W S233T100-1070 LIGHTPLATE OPTIONAL PART: 233N3204-300 V89954 PRE ALERT SB: 33A0044	101102 108120 504903	RF
- 50	233N3204-1301		.PANEL ASSY-ANTI-ICE SUPPLIER CODE: V89954 ELECTRICAL EQUIP NUMBER: M10397 COMPONENT MAINT MANUAL REF: 30-11-72 POST ALERT SB: 33A0044	101102 108120 504903	RF
- 50	233N3204-302		.PANEL ASSY-ANTI-ICE SUPPLIER CODE: V89954 ELECTRICAL EQUIP NUMBER: M10397 COMPONENT MAINT MANUAL REF: 30-11-72 QUALIFIED I/W DATA: 233N3204-302 PANEL ASSY IS I/W 233N3204-27 PANEL ASSY T/W S233T100-1070 LIGHTPLATE PRE ALERT SB: 33A0044	101102 108120 504903	RF

MISSING ITEM NUMBERS NOT APPLICABLE

- ITEM NOT ILLUSTRATED

30-21-51-03

30-21-51  
FIG. 03  
PAGE 7  
JAN 20/09

BRI



757

PARTS CATALOG (MAINTENANCE)

FIG ITEM	PART NUMBER	1 2 3 4 5 6 7	NOMENCLATURE	EFFECT FROM TO	UNITS PER ASSY
3					
- 50	233N3204-303		.PANEL ASSY-ANTI-ICE SUPPLIER CODE: V89954 ELECTRICAL EQUIP NUMBER: M10397 COMPONENT MAINT MANUAL REF: 30-11-72 QUALIFIED I/W DATA: 233N3204-303 PANEL ASSY IS I/W 233N3204-28 PANEL ASSY T/W S233T100-1070 LIGHTPLATE PRE ALERT SB: 33A0044	101102 108120 504903	RF
- 50	233N3204-1303		.PANEL ASSY-ANTI-ICE SUPPLIER CODE: V89954 ELECTRICAL EQUIP NUMBER: M10397 COMPONENT MAINT MANUAL REF: 30-11-72 POST ALERT SB: 33A0044	101102 108120 504903	RF
- 50	233N3204-332		.PANEL ASSY-ANTI-ICE SUPPLIER CODE: V89954 ELECTRICAL EQUIP NUMBER: M10397 COMPONENT MAINT MANUAL REF: 30-11-72	101106 108120 504903	RF
- 50	233N3204-333		.PANEL ASSY-ANTI-ICE SUPPLIER CODE: V89954 ELECTRICAL EQUIP NUMBER: M10397 COMPONENT MAINT MANUAL REF: 30-11-72	101102 108120 504903	RF
- 50	233N3204-336		.PANEL ASSY-ANTI-ICE SUPPLIER CODE: V89954 ELECTRICAL EQUIP NUMBER: M10397 COMPONENT MAINT MANUAL REF: 30-11-72	101102 108120 504903	RF

MISSING ITEM NUMBERS NOT APPLICABLE

- ITEM NOT ILLUSTRATED

30-21-51-03

30-21-51  
FIG. 03  
PAGE 8  
JAN 20/09

BRI



757

PARTS CATALOG (MAINTENANCE)

FIG ITEM	PART NUMBER	1 2 3 4 5 6 7	NOMENCLATURE	EFFECT FROM TO	UNITS PER ASSY
3					
- 50	233N3204-1300		.PANEL ASSY-ANTI-ICE SUPPLIER CODE: V89954 ELECTRICAL EQUIP NUMBER: M10397 COMPONENT MAINT MANUAL REF: 30-11-72 POST ALERT SB: 33A0044	101102 108120 504903	RF
- 50	233N3204-1302		.PANEL ASSY-ANTI-ICE SUPPLIER CODE: V89954 ELECTRICAL EQUIP NUMBER: M10397 COMPONENT MAINT MANUAL REF: 30-11-72 POST ALERT SB: 33A0044	101102 108120 504903	RF
60	233N3204-19		..PANEL ASSY- SUPPLIER CODE: V89954 COMPONENT MAINT MANUAL REF: 30-11-72 QUALIFIED I/W DATA: 233N3204-300 PANEL ASSY IS I/W 233N3204-19 PANEL ASSY T/W S233T100-1070 LIGHTPLATE USED ON: 233N3204-300 PRE ALERT SB: 33A0044	101102 108120 504903	RF
60	233N3204-20		..PANEL ASSY- SUPPLIER CODE: V89954 COMPONENT MAINT MANUAL REF: 30-11-72 QUALIFIED I/W DATA: 233N3204-301 PANEL ASSY IS I/W 233N3204-20 PANEL ASSY T/W S233T100-1070 LIGHTPLATE USED ON: 233N3204-301 PRE ALERT SB: 33A0044	101102 108120 504903	RF

MISSING ITEM NUMBERS NOT APPLICABLE

- ITEM NOT ILLUSTRATED

30-21-51-03

30-21-51  
FIG. 03  
PAGE 9  
JAN 20/09

BRI



757

PARTS CATALOG (MAINTENANCE)

FIG ITEM	PART NUMBER	1 2 3 4 5 6 7	NOMENCLATURE	EFFECT FROM TO	UNITS PER ASSY
3					
60	233N3204-27		..PANEL ASSY- SUPPLIER CODE: V89954 COMPONENT MAINT MANUAL REF: 30-11-72 QUALIFIED I/W DATA: 233N3204-302 PANEL ASSY IS I/W 233N3204-27 PANEL ASSY T/W S233T100-1070 LIGHTPLATE USED ON: 233N3204-302 PRE ALERT SB: 33A0044	101102 108120 504903	RF
60	233N3204-28		..PANEL ASSY- SUPPLIER CODE: V89954 COMPONENT MAINT MANUAL REF: 30-11-72 QUALIFIED I/W DATA: 233N3204-303 PANEL ASSY IS I/W 233N3204-28 PANEL ASSY T/W S233T100-1070 LIGHTPLATE USED ON: 233N3204-303 PRE ALERT SB: 33A0044	101102 108120 504903	RF
60	233N3204-36		..PANEL ASSY- SUPPLIER CODE: V89954 COMPONENT MAINT MANUAL REF: 30-11-72 USED ON: 233N3204-332	101106 108120 504903	RF
60	233N3204-37		..PANEL ASSY- SUPPLIER CODE: V89954 COMPONENT MAINT MANUAL REF: 30-11-72	101102 108120 504903	RF
60	233N3204-41		..PANEL ASSY- SUPPLIER CODE: V89954 COMPONENT MAINT MANUAL REF: 30-11-72	101102 108120 504903	RF

MISSING ITEM NUMBERS NOT APPLICABLE

- ITEM NOT ILLUSTRATED

30-21-51-03

30-21-51  
FIG. 03  
PAGE 10  
JAN 20/09

BRI



757

PARTS CATALOG (MAINTENANCE)

FIG ITEM	PART NUMBER	1 2 3 4 5 6 7	NOMENCLATURE	EFFECT FROM TO	UNITS PER ASSY
3					
60	233N3204-1020	..	PANEL ASSY- SUPPLIER CODE: V89954 COMPONENT MAINT MANUAL REF: 30-11-72 USED ON: 233N3204-1301 POST ALERT SB: 33A0044	101102 108120 504903	RF
60	233N3204-1019	..	PANEL ASSY- SUPPLIER CODE: V89954 COMPONENT MAINT MANUAL REF: 30-11-72 USED ON: 233N3204-1300 POST ALERT SB: 33A0044	101102 108120 504903	RF
60	233N3204-1027	..	PANEL ASSY- SUPPLIER CODE: V89954 COMPONENT MAINT MANUAL REF: 30-11-72 USED ON: 233N3204-1302 POST ALERT SB: 33A0044	101102 108120 504903	RF
60	233N3204-1028	..	PANEL ASSY- SUPPLIER CODE: V89954 COMPONENT MAINT MANUAL REF: 30-11-72 USED ON: 233N3204-1303 POST ALERT SB: 33A0044	101102 108120 504903	RF

MISSING ITEM NUMBERS NOT APPLICABLE

- ITEM NOT ILLUSTRATED

30-21-51-03

30-21-51  
FIG. 03  
PAGE 11  
JAN 20/09

BRI



757

PARTS CATALOG (MAINTENANCE)

FIG ITEM	PART NUMBER	1 2 3 4 5 6 7 NOMENCLATURE	EFFECT FROM TO	UNITS PER ASSY
3 70	BCREF7613	<p>...SWITCH ASSY-LIGHTED            PUSHBUTTON IND            ON/VALVE            SUPPLIER CODE:            V81590            OVERLENGTH PART NUMBER:            433-673-1001-1027            SPECIFICATION NUMBER:            S231T290-1027            MISCELLANEOUS DATA:            WHEN REPLACING THE            PUSHBUTTON SWITCH ASSY            OR THE MASTER MODULE            WITHIN, VERIFY THAT A            CONFIG D MASTER MODULE            P/N 13206-001 IS            INSTALLED IN LIEU OF ANY            EARLIER CONFIGURATION            MASTER MODULES.            USED ON:            233N3204-20            233N3204-1020            233N3204-28            233N3204-1028            REFERENCE SERVICE BULLETIN:            33A0044            REWORKED BY SB:            433-33-05            V81590            FOR DETAILS SEE:            33-13-00-19A</p>	101102 108120 504903	2

MISSING ITEM NUMBERS NOT APPLICABLE

- ITEM NOT ILLUSTRATED

**30-21-51-03**

30-21-51  
FIG. 03  
PAGE 12  
JAN 20/09

BRI



757

PARTS CATALOG (MAINTENANCE)

FIG ITEM	PART NUMBER	1 2 3 4 5 6 7	NOMENCLATURE	EFFECT FROM TO	UNITS PER ASSY
3	70 BCREFA0512		...SWITCH ASSY-LIGHTED PUSHBUTTON IND ON/VALVE SUPPLIER CODE: V81590 OVERLENGTH PART NUMBER: 433-673-1004-4027 SPECIFICATION NUMBER: S231T290-4027 MISCELLANEOUS DATA: WHEN REPLACING THE PUSHBUTTON SWITCH ASSY OR THE MASTER MODULE WITHIN, VERIFY THAT A CONFIG D MASTER MODULE P/N 13206-001 IS INSTALLED IN LIEU OF ANY EARLIER CONFIGURATION MASTER MODULES. OPTIONAL PART: 851-35100-5027 V96182 S231T290-5027 USED ON: 233N3204-20 REFERENCE SERVICE BULLETIN: 33A0044 REWORKED BY SB: 433-33-05 V81590 FOR DETAILS SEE: 33-13-00-49A	101102 108120 504903	2
	70 851-30768-2027		...SWITCH ASSY-LIGHTED PUSHBUTTON IND ON/VALVE SUPPLIER CODE: V96182 SPECIFICATION NUMBER: S231T290-2027 FOR DETAILS SEE: 33-13-00-29A	101102 108120 504903	2

MISSING ITEM NUMBERS NOT APPLICABLE

- ITEM NOT ILLUSTRATED

30-21-51-03

30-21-51  
FIG. 03  
PAGE 13  
JAN 20/09

BRI



757

PARTS CATALOG (MAINTENANCE)

FIG ITEM	PART NUMBER	1 2 3 4 5 6 7	NOMENCLATURE	EFFECT FROM TO	UNITS PER ASSY
3					
70	851-30768-3027	...	SWITCH ASSY-LIGHTED PUSHBUTTON IND ON/VALVE SUPPLIER CODE: V96182 SPECIFICATION NUMBER: S231T290-3027 FOR DETAILS SEE: 33-13-00-39A	101102 108120 504903	2
70	S231T290-5027	...	SWITCH ASSY-LIGHTED PUSHBUTTON IND ON/VALVE OPTIONAL PART: 851-35100-5027 V96182 BCREFA0512 V81590 USED ON: 233N3204-19 233N3204-1019 233N3204-27 233N3204-1027	101102 108120 504903	2
70	851-35100-5027	...	SWITCH ASSY-LIGHTED PUSHBUTTON IND ON/VALVE SUPPLIER CODE: V96182 OPTIONAL PART: S231T290-5027 BCREFA0512 V81590 USED ON: 233N3204-19 233N3204-1019 233N3204-27 233N3204-1027	101102 108120 504903	2
70	4336731004-4227	...	SWITCH ASSY-LIGHTED PUSHBUTTON IND ON/VALVE SUPPLIER CODE: V81590 SPECIFICATION NUMBER: S231T290-4227 USED ON: 233N3204-36	101106 108120 504903	2

MISSING ITEM NUMBERS NOT APPLICABLE

- ITEM NOT ILLUSTRATED

30-21-51-03

30-21-51  
FIG. 03  
PAGE 14  
JAN 20/09

BRI





757

PARTS CATALOG (MAINTENANCE)

FIG ITEM	PART NUMBER	1 2 3 4 5 6 7	NOMENCLATURE	EFFECT FROM TO	UNITS PER ASSY
3	80 W260F4AM11		. . . RELAY- SUPPLIER CODE: VF0219 SPECIFICATION NUMBER: BACR13CD2 OPTIONAL PART: BR16S233 V09026 EE4AA005 V35344 3SAV1338A2 V01526 HFW1206K03 V58614 HFW1204K01 V71482 USED ON: 233N3204-27 233N3204-28 233N3204-37 233N3204-41 233N3204-1027 233N3204-1028	101102 108120 504903	2
	90 RSE120026		. . . SOCKET- SUPPLIER CODE: V58982 SPECIFICATION NUMBER: BACS16AG1 OPTIONAL PART: 451120-026 V58982 USED ON: 233N3204-27 233N3204-28 233N3204-37 233N3204-41 233N3204-1027 233N3204-1028	101102 108120 504903	2

MISSING ITEM NUMBERS NOT APPLICABLE

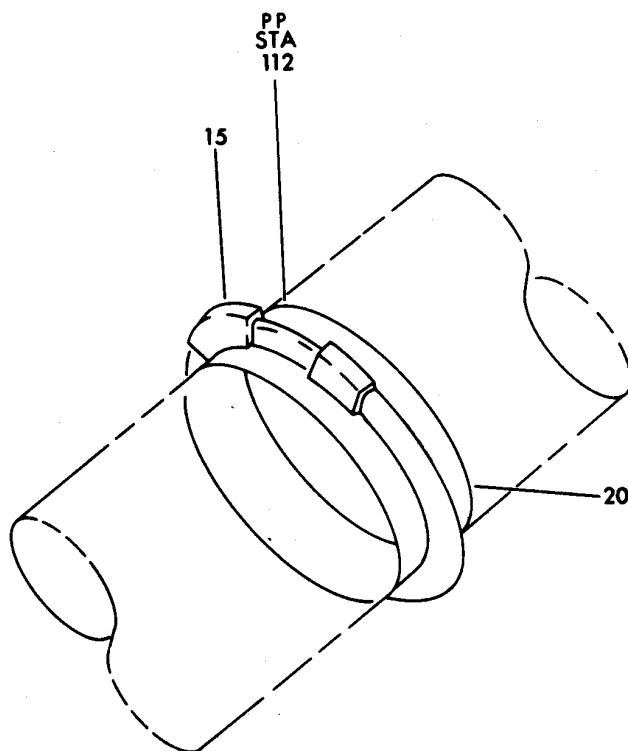
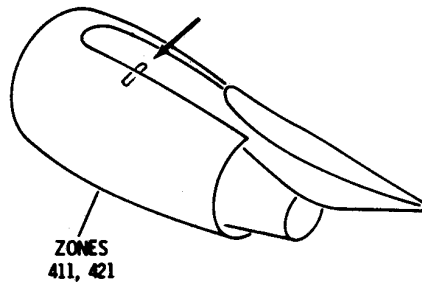
- ITEM NOT ILLUSTRATED

30-21-51-03

30-21-51  
FIG. 03  
PAGE 15  
JAN 20/09

BRI

**BOEING**  
757  
PARTS CATALOG (MAINTENANCE)



Y 30215201 SHT 1 REV 030

SYSTEM AND EQUIPMENT INSTL-(ICE AND RAIN PROTECTION ONLY) (RB211-535)

FIGURE 1

**30-21-52-01**

BRI  
MAY 28/07

30-21-52-01  
PAGE 0



757

PARTS CATALOG (MAINTENANCE)

FIG ITEM	PART NUMBER	1 2 3 4 5 6 7	NOMENCLATURE	EFFECT FROM TO	UNITS PER ASSY
1			SYSTEM AND EQUIPMENT INSTL- (ICE AND RAIN PROTECTION ONLY) (RB211-535)	002004 006100 107107 121503 904999	
- 10	300N5002-1		SYSTEM AND EQUIPMENT ASSY-S (ICE AND RAIN PROTECTION ONLY) FOR NHA/OTHER SYS DET SEE: 71-00-02-04	002004 006100 107107 121503 904999	RF
15	2703-300		.CLAMP-V SUPPLIER CODE: V15284	002004 006100 107107 121503 904999	1
20	A2873-300		.SEAL- SUPPLIER CODE: V15284	002004 006100 107107 121503 904999	1

MISSING ITEM NUMBERS NOT APPLICABLE

- ITEM NOT ILLUSTRATED

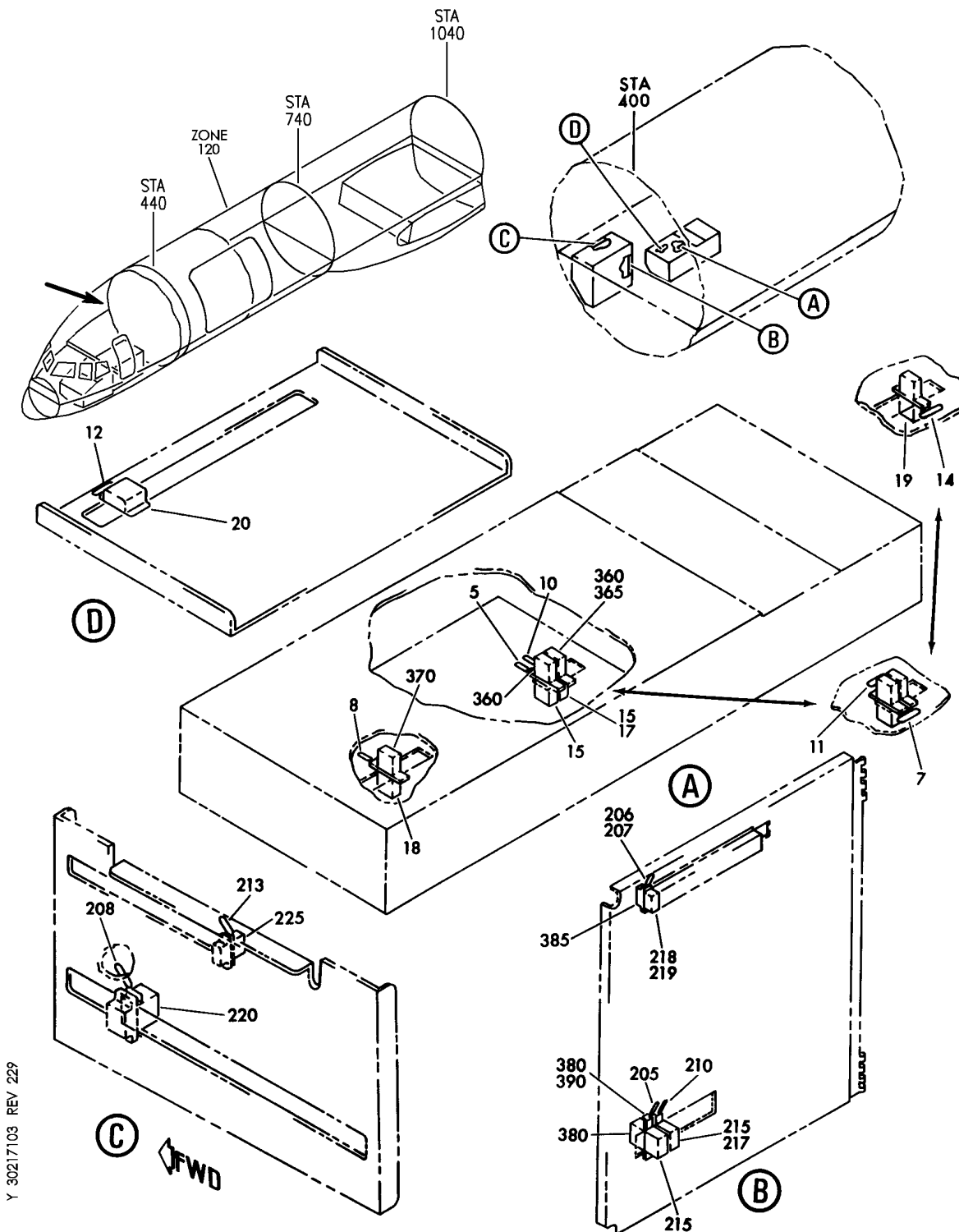
BRI

30-21-52-01

BOEING PROPRIETARY - Copyright © - Unpublished Work - See title page for details.

30-21-52  
FIG. 01  
PAGE 1  
JAN 20/09

**BOEING**  
757  
PARTS CATALOG (MAINTENANCE)



Y 30217103 REV 229

PANEL ASSY-P36 AND P37 MISC RELAY (ENGINE NOSE COWL THERMAL ANTI-ICING ONLY)  
FIGURE 3

**30-21-71-03**

BRI  
MAY 28/07

30-21-71-03  
PAGE 0



757

PARTS CATALOG (MAINTENANCE)

FIG ITEM	PART NUMBER	1 2 3 4 5 6 7	NOMENCLATURE	EFFECT FROM TO	UNITS PER ASSY
3			PANEL ASSY-P36 AND P37 MISC RELAY (ENGINE NOSE COWL THERMAL ANTI-ICING ONLY)	002004 006100 107107 121503 904999	
- 1	284N1125-1		PANEL ASSY-P36 MISC RELAY (ENGINE NOSE COWL THERMAL ANTI-ICING ONLY) POSITION DATA: L VARIABLE DRAWING REF: 284N1125-5008 284N1125-5023 284N1125-5030 284N1125-5049 284N1125-5050 284N1125-5054 REWORKED BY SB: 34-0200 REWORKED BY ALERT SB: 27A0130 FOR NHA/OTHER SYS DET SEE: 31-01-36-01B	002004 006100 107107 121503 904999	RF
5	BAC27NEX0196		.DECAL- PLACARD CONTENT: K10060	121503 904949	1
7	BAC27NEX2473		.DECAL- PLACARD CONTENT: K10060	002004 006100 950999	1
8	BAC27NEX0196		.DECAL- PLACARD CONTENT: K10060	107107	1
10	BAC27NEX0197		.DECAL- PLACARD CONTENT: K10061	107107 121503 904949	1
11	BAC27NEX2474		.DECAL- PLACARD CONTENT: K10061	002004 006100 950999	1
14	BAC27NEX2254		.DECAL- PLACARD CONTENT: K10601 POST ALERT SB: 30A0013 30A0013R6	002004 006100 107107 121503 904999	1

MISSING ITEM NUMBERS NOT APPLICABLE

- ITEM NOT ILLUSTRATED

30-21-71-03

30-21-71  
FIG. 03  
PAGE 1  
JAN 20/09

BRI



757

PARTS CATALOG (MAINTENANCE)

FIG ITEM	PART NUMBER	1 2 3 4 5 6 7	NOMENCLATURE	EFFECT FROM TO	UNITS PER ASSY
3 15	E210-1631		.RELAY- SUPPLIER CODE: V99699 SPECIFICATION NUMBER: BACR13CF2A OPTIONAL PART: BR246S0112 V56623 FCA210-70 V78290 E215-1050 V99699 JD4A017 V35344 BR64S104 V56623 61GB19-1A320 V98927 ELECTRICAL EQUIP NUMBER: K10060 K10061	002004 006100 121503 904999	2
17	E210-1631		.RELAY- SUPPLIER CODE: V99699 SPECIFICATION NUMBER: BACR13CF2A OPTIONAL PART: BR246S0112 V56623 FCA210-70 V78290 E215-1050 V99699 JD4A017 V35344 BR64S104 V56623 61GB19-1A320 V98927 ELECTRICAL EQUIP NUMBER: K10061	107107	1

MISSING ITEM NUMBERS NOT APPLICABLE

- ITEM NOT ILLUSTRATED

30-21-71-03

30-21-71  
FIG. 03  
PAGE 2  
JAN 20/09

BRI



757

PARTS CATALOG (MAINTENANCE)

FIG ITEM	PART NUMBER	1 2 3 4 5 6 7	NOMENCLATURE	EFFECT FROM TO	UNITS PER ASSY
3 18	W260F4AM11		.RELAY- SUPPLIER CODE: VF0219 SPECIFICATION NUMBER: BACR13CD2 OPTIONAL PART: BR16S233 V09026 EE4AA005 V35344 3SAV1338A2 V01526 HFW1206K03 V58614 HFW1204K01 V71482 ELECTRICAL EQUIP NUMBER: K10060	107107	1
19	W260F4AM11		.RELAY- SUPPLIER CODE: VF0219 SPECIFICATION NUMBER: BACR13CD2 OPTIONAL PART: BR16S233 V09026 EE4AA005 V35344 3SAV1338A2 V01526 HFW1206K03 V58614 HFW1204K01 V71482 ELECTRICAL EQUIP NUMBER: K10601 POST ALERT SB: 30A0013 30A0013R6	002004 006100 107107 121503 904999	1

MISSING ITEM NUMBERS NOT APPLICABLE

- ITEM NOT ILLUSTRATED

BRI

30-21-71-03

BOEING PROPRIETARY - Copyright © - Unpublished Work - See title page for details.

30-21-71  
FIG. 03  
PAGE 3  
JAN 20/09



757

PARTS CATALOG (MAINTENANCE)

FIG ITEM	PART NUMBER	1 2 3 4 5 6 7	NOMENCLATURE	EFFECT FROM TO	UNITS PER ASSY
3					
- 200	284N1127-1		PANEL ASSY-P37 MISC RELAY (ENGINE NOSE COWL THERMAL ANTI-ICING ONLY) POSITION DATA: R VARIABLE DRAWING REF: 284N1127-5028 284N1127-5039 REWORKED BY ALERT SB: 27A0130 FOR NHA/OTHER SYS DET SEE: 31-01-37-01B	107107 121503 904949	RF
- 200	284N1127-1		PANEL ASSY-P37 MISC RELAY (ENGINE NOSE COWL THERMAL ANTI-ICING ONLY) POSITION DATA: R VARIABLE DRAWING REF: 284N1127-5063 284N1127-5064 284N1127-5068 REWORKED BY SB: 33-0039 34-0200 REWORKED BY ALERT SB: 27A0130 FOR NHA/OTHER SYS DET SEE: 31-01-37-01B	002004 006100 950999	RF
205	BAC27NEX0984		.DECAL- PLACARD CONTENT: K10062	002004 006100 121503 904999	1
206	BAC27NEX0984		.DECAL- PLACARD CONTENT: K10062	107107	1
210	BAC27NEX0985		.DECAL- PLACARD CONTENT: K10063	002004 006100 107107 121503 904999	1
213	BAC27NEX2255		.DECAL- PLACARD CONTENT: K10602 POST ALERT SB: 30A0013 30A0013R6	002004 006100 107107 121503 904999	1

MISSING ITEM NUMBERS NOT APPLICABLE

- ITEM NOT ILLUSTRATED

30-21-71-03

30-21-71  
FIG. 03  
PAGE 4  
JAN 20/09

BRI





757

PARTS CATALOG (MAINTENANCE)

FIG ITEM	PART NUMBER	1 2 3 4 5 6 7	NOMENCLATURE	EFFECT FROM TO	UNITS PER ASSY
3 215	E210-1631		.RELAY- SUPPLIER CODE: V99699 SPECIFICATION NUMBER: BACR13CF2A OPTIONAL PART: BR246S0112 V56623 FCA210-70 V78290 E215-1050 V99699 JD4A017 V35344 BR64S104 V56623 61GB19-1A320 V98927 ELECTRICAL EQUIP NUMBER: K10062 K10063	002004 006100 121503 904999	2
217	E210-1631		.RELAY- SUPPLIER CODE: V99699 SPECIFICATION NUMBER: BACR13CF2A OPTIONAL PART: BR246S0112 V56623 FCA210-70 V78290 E215-1050 V99699 JD4A017 V35344 BR64S104 V56623 61GB19-1A320 V98927 ELECTRICAL EQUIP NUMBER: K10063	107107	1

MISSING ITEM NUMBERS NOT APPLICABLE

- ITEM NOT ILLUSTRATED

BRI

30-21-71-03

BOEING PROPRIETARY - Copyright © - Unpublished Work - See title page for details.

30-21-71  
FIG. 03  
PAGE 5  
JAN 20/09



757

PARTS CATALOG (MAINTENANCE)

FIG ITEM	PART NUMBER	1 2 3 4 5 6 7	NOMENCLATURE	EFFECT FROM TO	UNITS PER ASSY
3 218	W260F4AM11		.RELAY- SUPPLIER CODE: VF0219 SPECIFICATION NUMBER: BACR13CD2 OPTIONAL PART: BR16S233 V09026 EE4AA005 V35344 3SAV1338A2 V01526 HFW1206K03 V58614 HFW1204K01 V71482 ELECTRICAL EQUIP NUMBER: K10062	107107	1
225	W260F4AM11		.RELAY- SUPPLIER CODE: VF0219 SPECIFICATION NUMBER: BACR13CD2 OPTIONAL PART: BR16S233 V09026 EE4AA005 V35344 3SAV1338A2 V01526 HFW1206K03 V58614 HFW1204K01 V71482 ELECTRICAL EQUIP NUMBER: K10602 POST ALERT SB: 30A0013 30A0013R6	002004 006100 107107 121503 904999	1
- 350	286N1260-002		WIRE BUNDLE ASSY- REWORKED BY ALERT SB: 27A0130	121503 904949	RF
- 350	286N1260-003		WIRE BUNDLE ASSY- REWORKED BY ALERT SB: 27A0130	107107	RF

MISSING ITEM NUMBERS NOT APPLICABLE

- ITEM NOT ILLUSTRATED

30-21-71-03

30-21-71  
FIG. 03  
PAGE 6  
JAN 20/09

BRI



757

PARTS CATALOG (MAINTENANCE)

FIG ITEM	PART NUMBER	1 2 3 4 5 6 7	NOMENCLATURE	EFFECT FROM TO	UNITS PER ASSY
3					
- 350	286N1260-005		WIRE BUNDLE ASSY- REWORKED BY SB: 34-0200 REWORKED BY ALERT SB: 27A0130	002004 006100 950999	RF
- 355	286N1270		WIRE BUNDLE ASSY	107107 121503 904949	RF
360	RSF116200		.SOCKET- SUPPLIER CODE: V58982 SPECIFICATION NUMBER: BACS16X1A OPTIONAL PART: 102-006-1 V09922 000300-1538 V05574 ELECTRICAL EQUIP NUMBER: D01504 D01506 WIRING DIAGRAM REF: 302111	002004 006100 121503 904999	2
365	RSF116200		.SOCKET- SUPPLIER CODE: V58982 SPECIFICATION NUMBER: BACS16X1A OPTIONAL PART: 102-006-1 V09922 000300-1538 V05574 ELECTRICAL EQUIP NUMBER: D01506 WIRING DIAGRAM REF: 302111	107107	1
370	RSE120026		.SOCKET- SUPPLIER CODE: V58982 SPECIFICATION NUMBER: BACS16AG1 OPTIONAL PART: 451120-026 V58982 ELECTRICAL EQUIP NUMBER: D01504 WIRING DIAGRAM REF: 302111	107107	1

MISSING ITEM NUMBERS NOT APPLICABLE

- ITEM NOT ILLUSTRATED

30-21-71-03

30-21-71  
FIG. 03  
PAGE 7  
JAN 20/09

BRI



757

PARTS CATALOG (MAINTENANCE)

FIG ITEM	PART NUMBER	1 2 3 4 5 6 7	NOMENCLATURE	EFFECT FROM TO	UNITS PER ASSY
3					
- 375	286N1270-002		WIRE BUNDLE ASSY- REWORKED BY ALERT SB: 27A0130 34A0222	121503 904949	RF
- 375	286N1270-003		WIRE BUNDLE ASSY- REWORKED BY ALERT SB: 27A0130 34A0222	107107	RF
- 375	286N1270-005		WIRE BUNDLE ASSY- REWORKED BY SB: 33-0039 34-0200 REWORKED BY ALERT SB: 27A0130 34A0222	002004 006100 950999	RF
380	RSF116200		. SOCKET- SUPPLIER CODE: V58982 SPECIFICATION NUMBER: BACS16X1A OPTIONAL PART: 102-006-1 V09922 000300-1538 V05574 ELECTRICAL EQUIP NUMBER: D01508 D01510 WIRING DIAGRAM REF: 302111	002004 006100 121503 904999	2
385	RSE120026		. SOCKET- SUPPLIER CODE: V58982 SPECIFICATION NUMBER: BACS16AG1 OPTIONAL PART: 451120-026 V58982 ELECTRICAL EQUIP NUMBER: D01508 WIRING DIAGRAM REF: 302111	107107	1
390	BACS16XA1		. SOCKET- ELECTRICAL EQUIP NUMBER: D01510 WIRING DIAGRAM REF: 302111	107107	1

MISSING ITEM NUMBERS NOT APPLICABLE

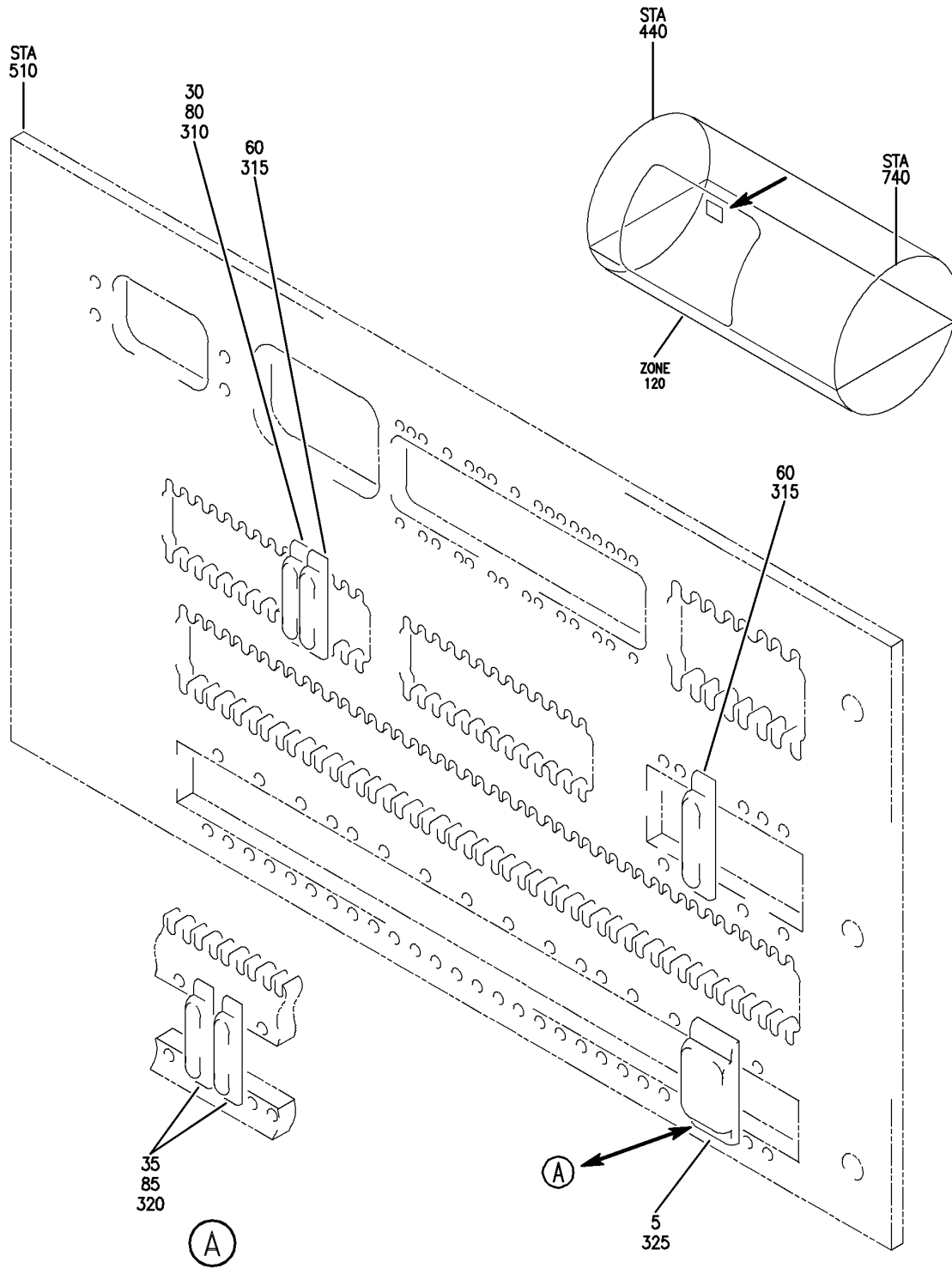
- ITEM NOT ILLUSTRATED

30-21-71-03

30-21-71  
FIG. 03  
PAGE 8  
JAN 20/09

BRI

**BOEING**  
757  
PARTS CATALOG (MAINTENANCE)



Y 30217103A REV 225

OPTION PACKAGE ASSY-P36 MISC RELAY L (ENGINE NOSE COWL THERMAL ANTI-ICING ONLY)  
FIGURE 3A

BRI  
MAY 28/07

**30-21-71-03A**

30-21-71-03A  
PAGE 0



757

PARTS CATALOG (MAINTENANCE)

FIG ITEM	PART NUMBER	1 2 3 4 5 6 7	NOMENCLATURE	EFFECT FROM TO	UNITS PER ASSY
3A			OPTION PACKAGE ASSY-P36 MISC RELAY L (ENGINE NOSE COWL THERMAL ANTI-ICING ONLY)	101102 504903	
- 25	284N1125-1010		OPTION PACKAGE ASSY-P36 MISC RELAY L (ENGINE NOSE COWL THERMAL ANTI-ICING ONLY) REWORKED BY ALERT SB: 27A0130 FOR NHA/OTHER SYS DET SEE: 31-01-36-05	101102 504903	RF
30	W260F4AM11		.RELAY- SUPPLIER CODE: VF0219 SPECIFICATION NUMBER: BACR13CD2 OPTIONAL PART: BR16S233 V09026 EE4AA005 V35344 3SAV1338A2 V01526 HFW1206K03 V58614 HFW1204K01 V71482 ELECTRICAL EQUIP NUMBER: K10601	101102 504903	1

MISSING ITEM NUMBERS NOT APPLICABLE

- ITEM NOT ILLUSTRATED

**30-21-71-03A**

30-21-71  
FIG. 03A  
PAGE 1  
JAN 20/09

BRI



757

PARTS CATALOG (MAINTENANCE)

FIG ITEM	PART NUMBER	1 2 3 4 5 6 7	NOMENCLATURE	EFFECT FROM TO	UNITS PER ASSY
3A 35	E210-1631		.RELAY- SUPPLIER CODE: V99699 SPECIFICATION NUMBER: BACR13CF2A OPTIONAL PART: BR246S0112 V56623 FCA210-70 V78290 E215-1050 V99699 JD4A017 V35344 BR64S104 V56623 61GB19-1A320 V98927 ELECTRICAL EQUIP NUMBER: K10060 K10061	101102 504903	2
- 301	286N1260-358		WIRE BUNDLE ASSY- REWORKED BY ALERT SB: 27A0130	101102	RF
- 301	286N1260-364		WIRE BUNDLE ASSY- REWORKED BY ALERT SB: 27A0130	504903	RF
310	RSE120026		.SOCKET- SUPPLIER CODE: V58982 SPECIFICATION NUMBER: BACS16AG1 OPTIONAL PART: 451120-026 V58982 ELECTRICAL EQUIP NUMBER: D06326 WIRING DIAGRAM REF: 302111	101102 504903	1

MISSING ITEM NUMBERS NOT APPLICABLE

- ITEM NOT ILLUSTRATED

**30-21-71-03A**

30-21-71  
FIG. 03A  
PAGE 2  
JAN 20/09

BRI



757

PARTS CATALOG (MAINTENANCE)

FIG ITEM	PART NUMBER	1 2 3 4 5 6 7	NOMENCLATURE	EFFECT FROM TO	UNITS PER ASSY
3A 320	RSF116200		. SOCKET- SUPPLIER CODE: V58982 SPECIFICATION NUMBER: BACS16X1A OPTIONAL PART: 102-006-1 V09922 000300-1538 V05574 ELECTRICAL EQUIP NUMBER: D01504 D01506 WIRING DIAGRAM REF: 302111	101102 504903	2

MISSING ITEM NUMBERS NOT APPLICABLE

- ITEM NOT ILLUSTRATED

BRI

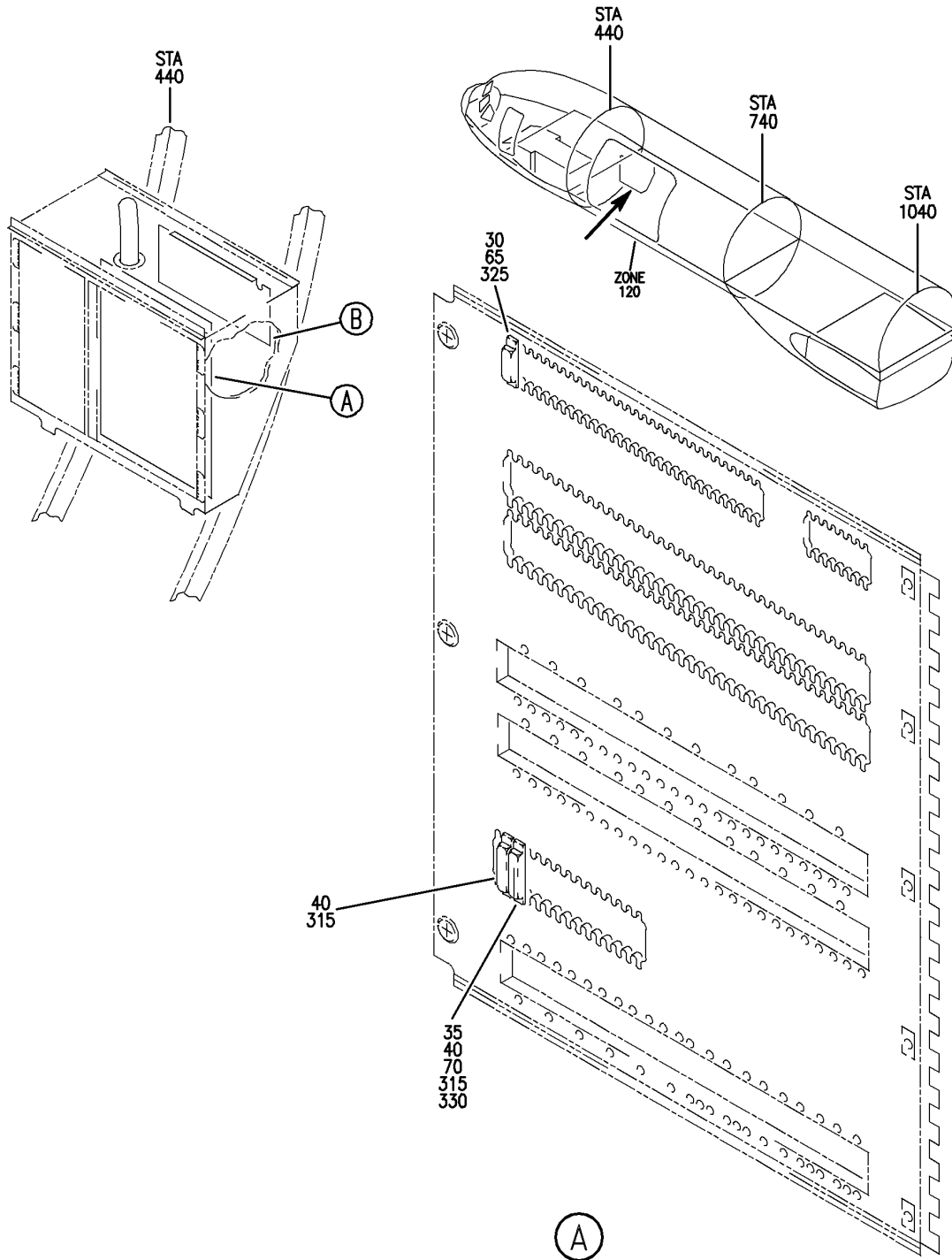
30-21-71-03A

BOEING PROPRIETARY - Copyright © - Unpublished Work - See title page for details.

30-21-71  
FIG. 03A  
PAGE 3  
JAN 20/09



**BOEING**  
757  
PARTS CATALOG (MAINTENANCE)



Y 30217103B SHT 1 REV 226

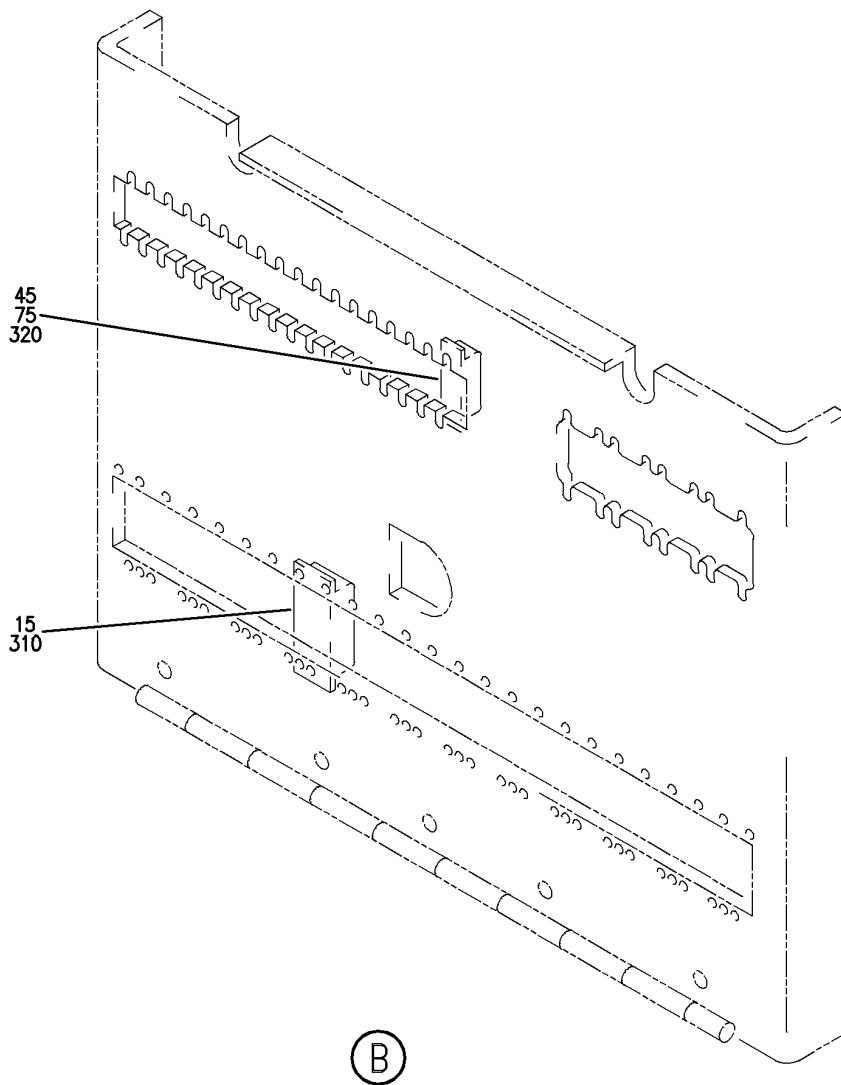
PACKAGE ASSY-OPTION P37 MISC RELAY (ENGINE NOSE COWL THERMAL ANTI-ICING ONLY)  
FIGURE 3B (SHEET 1)

BRI  
MAY 28/07

**30-21-71-03B**

30-21-71-03B  
PAGE 0

**BOEING**  
757  
PARTS CATALOG (MAINTENANCE)



Y 30217103B SHT 2 REV 226

PACKAGE ASSY-OPTION P37 MISC RELAY (ENGINE NOSE COWL THERMAL ANTI-ICING ONLY)  
FIGURE 3B (SHEET 2)

BRI  
MAY 28/07

**30-21-71-03B**

30-21-71-03B  
PAGE 0A



757

PARTS CATALOG (MAINTENANCE)

FIG ITEM	PART NUMBER	1 2 3 4 5 6 7	NOMENCLATURE	EFFECT FROM TO	UNITS PER ASSY
3B			PACKAGE ASSY-OPTION P37 MISC RELAY (ENGINE NOSE COWL THERMAL ANTI-ICING ONLY)	101102 504903	
- 25	284N1127-1033		PACKAGE ASSY-OPTION P37 MISC RELAY (ENGINE NOSE COWL THERMAL ANTI-ICING ONLY) MISCELLANEOUS DATA: ROLLS ROYCE ENGINES REWORKED BY ALERT SB: 27A0130 FOR NHA/OTHER SYS DET SEE: 31-01-37-02	101102 504903	RF
30	E210-1631		.RELAY- SUPPLIER CODE: V99699 SPECIFICATION NUMBER: BACR13CF2A OPTIONAL PART: BR246S0112 V56623 FCA210-70 V78290 E215-1050 V99699 JD4A017 V35344 BR64S104 V56623 61GB19-1A320 V98927 ELECTRICAL EQUIP NUMBER: K10062	101102 504903	1

MISSING ITEM NUMBERS NOT APPLICABLE

- ITEM NOT ILLUSTRATED

**30-21-71-03B**

30-21-71  
FIG. 03B  
PAGE 1  
JAN 20/09

BRI



757

PARTS CATALOG (MAINTENANCE)

FIG ITEM	PART NUMBER	1 2 3 4 5 6 7	NOMENCLATURE	EFFECT FROM TO	UNITS PER ASSY
3B 35	E210-1631		.RELAY- SUPPLIER CODE: V99699 SPECIFICATION NUMBER: BACR13CF2A OPTIONAL PART: BR246S0112 V56623 FCA210-70 V78290 E215-1050 V99699 JD4A017 V35344 BR64S104 V56623 61GB19-1A320 V98927 ELECTRICAL EQUIP NUMBER: K10063	101102 504903	1
45	W260F4AM11		.RELAY- SUPPLIER CODE: VF0219 SPECIFICATION NUMBER: BACR13CD2 OPTIONAL PART: BR16S233 V09026 EE4AA005 V35344 3SAV1338A2 V01526 HFW1206K03 V58614 HFW1204K01 V71482 ELECTRICAL EQUIP NUMBER: K10602	101102 504903	1
- 300	286N1270-336		WIRE BUNDLE ASSY- REWORKED BY ALERT SB: 34A0222 27A0130	504903	RF
- 301	286N1270-361		WIRE BUNDLE ASSY- REWORKED BY ALERT SB: 34A0222 27A0130	101101	RF

MISSING ITEM NUMBERS NOT APPLICABLE

- ITEM NOT ILLUSTRATED

30-21-71-03B

30-21-71  
FIG. 03B  
PAGE 2  
JAN 20/09

BRI



757

PARTS CATALOG (MAINTENANCE)

FIG ITEM	PART NUMBER	1 2 3 4 5 6 7	NOMENCLATURE	EFFECT FROM TO	UNITS PER ASSY
3B - 302	286N1270-399		WIRE BUNDLE ASSY- REWORKED BY ALERT SB: 34A0222 27A0130	102102	RF
320	RSE120026		.SOCKET- SUPPLIER CODE: V58982 SPECIFICATION NUMBER: BACS16AG1 OPTIONAL PART: 451120-026 V58982 ELECTRICAL EQUIP NUMBER: D06324 WIRING DIAGRAM REF: 302111	101102 504903	1
325	RSF116200		.SOCKET- SUPPLIER CODE: V58982 SPECIFICATION NUMBER: BACS16X1A OPTIONAL PART: 102-006-1 V09922 000300-1538 V05574 ELECTRICAL EQUIP NUMBER: D01508 WIRING DIAGRAM REF: 302111	101102 504903	1
330	RSF116200		.SOCKET- SUPPLIER CODE: V58982 SPECIFICATION NUMBER: BACS16X1A OPTIONAL PART: 102-006-1 V09922 000300-1538 V05574 ELECTRICAL EQUIP NUMBER: D01510 WIRING DIAGRAM REF: 302111	101102 504903	1

MISSING ITEM NUMBERS NOT APPLICABLE

- ITEM NOT ILLUSTRATED

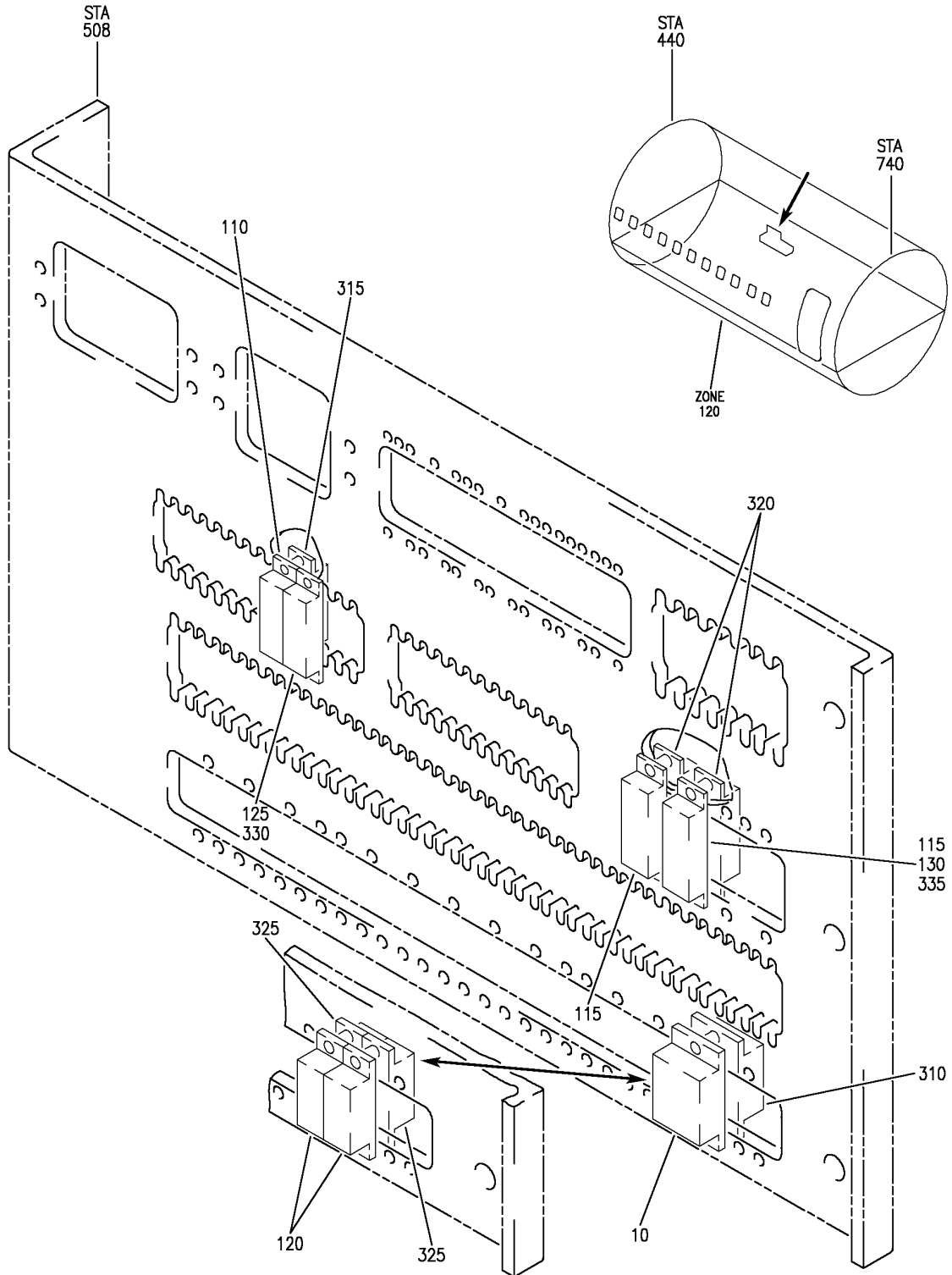
**30-21-71-03B**

30-21-71  
FIG. 03B  
PAGE 3  
JAN 20/09

BRI

BOEING PROPRIETARY - Copyright © - Unpublished Work - See title page for details.

**BOEING**  
757  
PARTS CATALOG (MAINTENANCE)



Y 3021703C REV 256

PANEL INSTL-P36 L MISC RELAY (ENGINE INLET THERMAL ANTI-ICING ONLY)  
FIGURE 3C

**30-21-71-03C**

BRI  
JAN 20/09

30-21-71-03C  
PAGE 0



757

PARTS CATALOG (MAINTENANCE)

FIG ITEM	PART NUMBER	1 2 3 4 5 6 7	NOMENCLATURE	EFFECT FROM TO	UNITS PER ASSY
3C			PANEL INSTL-P36 L MISC RELAY (ENGINE INLET THERMAL ANTI-ICING ONLY)	103106 108120	
- 101	284N1125-94		PANEL INSTL-P36 L MISC RELAY (ENGINE INLET THERMAL ANTI-ICING ONLY) FOR NHA/OTHER SYS DET SEE: 24-00-58-05C	108120	RF

MISSING ITEM NUMBERS NOT APPLICABLE

- ITEM NOT ILLUSTRATED

BRI

30-21-71-03C

BOEING PROPRIETARY - Copyright © - Unpublished Work - See title page for details.

30-21-71  
FIG. 03C  
PAGE 1  
JAN 20/09



757

PARTS CATALOG (MAINTENANCE)

FIG ITEM	PART NUMBER	1 2 3 4 5 6 7	NOMENCLATURE	EFFECT FROM TO	UNITS PER ASSY
3C - 103	MODREF31944		PANEL INSTL-P36 L MISC RELAY (ENGINE INLET THERMAL ANTI-ICING ONLY) MODULE NUMBER: 284N1125-123 REV A FOR OTHER SYS DETAILS SEE: 11-36-08-03C 21-25-71-02C 21-33-71-02C 21-51-56-01C 21-58-71-02C 23-12-00-05 23-31-54-01C 23-34-52-01C 24-21-51-01A 26-15-71-02C 26-16-71-01C 26-22-71-01C 27-48-52-03C 27-51-71-03C 27-58-71-02C 27-62-71-03C 29-11-71-03C 29-21-71-01C 30-34-51-01C 31-01-36-01 32-09-02-03C 32-35-71-01C 32-42-71-02C 32-44-71-02C 32-61-71-02C 34-12-71-02C 34-21-71-02C 34-22-52-01C 34-61-52-01C 36-11-71-02C 73-21-55-01C 74-31-71-02C 76-11-71-02C 77-12-71-01C 78-34-71-02C 78-36-71-02C 80-11-71-02C	103106	1

MISSING ITEM NUMBERS NOT APPLICABLE

- ITEM NOT ILLUSTRATED

**30-21-71-03C**

30-21-71  
FIG. 03C  
PAGE 2  
JAN 20/09

BRI





757

PARTS CATALOG (MAINTENANCE)

FIG ITEM	PART NUMBER	1 2 3 4 5 6 7	NOMENCLATURE	EFFECT FROM TO	UNITS PER ASSY
3C 110	W260F4AM11		.RELAY- SUPPLIER CODE: VF0219 SPECIFICATION NUMBER: BACR13CD2 OPTIONAL PART: BR16S233 V09026 EE4AA005 V35344 3SAV1338A2 V01526 HFW1206K03 V58614 HFW1204K01 V71482 ELECTRICAL EQUIP NUMBER: K10601	103106 108120	1
115	E210-1631		.RELAY- SUPPLIER CODE: V99699 SPECIFICATION NUMBER: BACR13CF2A OPTIONAL PART: BR246S0112 V56623 FCA210-70 V78290 E215-1050 V99699 JD4A017 V35344 BR64S104 V56623 61GB19-1A320 V98927 ELECTRICAL EQUIP NUMBER: K10060 K10061	108120	2

MISSING ITEM NUMBERS NOT APPLICABLE

- ITEM NOT ILLUSTRATED

30-21-71-03C

30-21-71  
FIG. 03C  
PAGE 3  
JAN 20/09

BRI

BOEING PROPRIETARY - Copyright © - Unpublished Work - See title page for details.



757

PARTS CATALOG (MAINTENANCE)

FIG ITEM	PART NUMBER	1 2 3 4 5 6 7	NOMENCLATURE	EFFECT FROM TO	UNITS PER ASSY
3C 120	E210-1631		.RELAY- SUPPLIER CODE: V99699 SPECIFICATION NUMBER: BACR13CF2A OPTIONAL PART: BR246S0112 V56623 FCA210-70 V78290 E215-1050 V99699 JD4A017 V35344 BR64S104 V56623 61GB19-1A320 V98927 ELECTRICAL EQUIP NUMBER: K10060 K10061	103106	2
- 300	286N1260-357		WIRE BUNDLE ASSY	108120	RF
- 302	286N1260-601		WIRE BUNDLE ASSY	103106	RF
315	RSE120026		.SOCKET- SUPPLIER CODE: V58982 SPECIFICATION NUMBER: BACS16AG1 OPTIONAL PART: 451120-026 V58982 ELECTRICAL EQUIP NUMBER: D06326 WIRING DIAGRAM REF: 302111	103106 108120	1

MISSING ITEM NUMBERS NOT APPLICABLE

- ITEM NOT ILLUSTRATED

30-21-71-03C

30-21-71  
FIG. 03C  
PAGE 4  
JAN 20/09

BRI



757

PARTS CATALOG (MAINTENANCE)

FIG ITEM	PART NUMBER	1 2 3 4 5 6 7	NOMENCLATURE	EFFECT FROM TO	UNITS PER ASSY
3C 320	RSF116200		.SOCKET- SUPPLIER CODE: V58982 SPECIFICATION NUMBER: BACS16X1A OPTIONAL PART: 102-006-1 V09922 000300-1538 V05574 ELECTRICAL EQUIP NUMBER: D01504 D01506 WIRING DIAGRAM REF: 302111	108120	2
325	RSF116200		.SOCKET- SUPPLIER CODE: V58982 SPECIFICATION NUMBER: BACS16X1A OPTIONAL PART: 102-006-1 V09922 000300-1538 V05574 ELECTRICAL EQUIP NUMBER: D01504 D01506 WIRING DIAGRAM REF: 302111	103106	2

MISSING ITEM NUMBERS NOT APPLICABLE

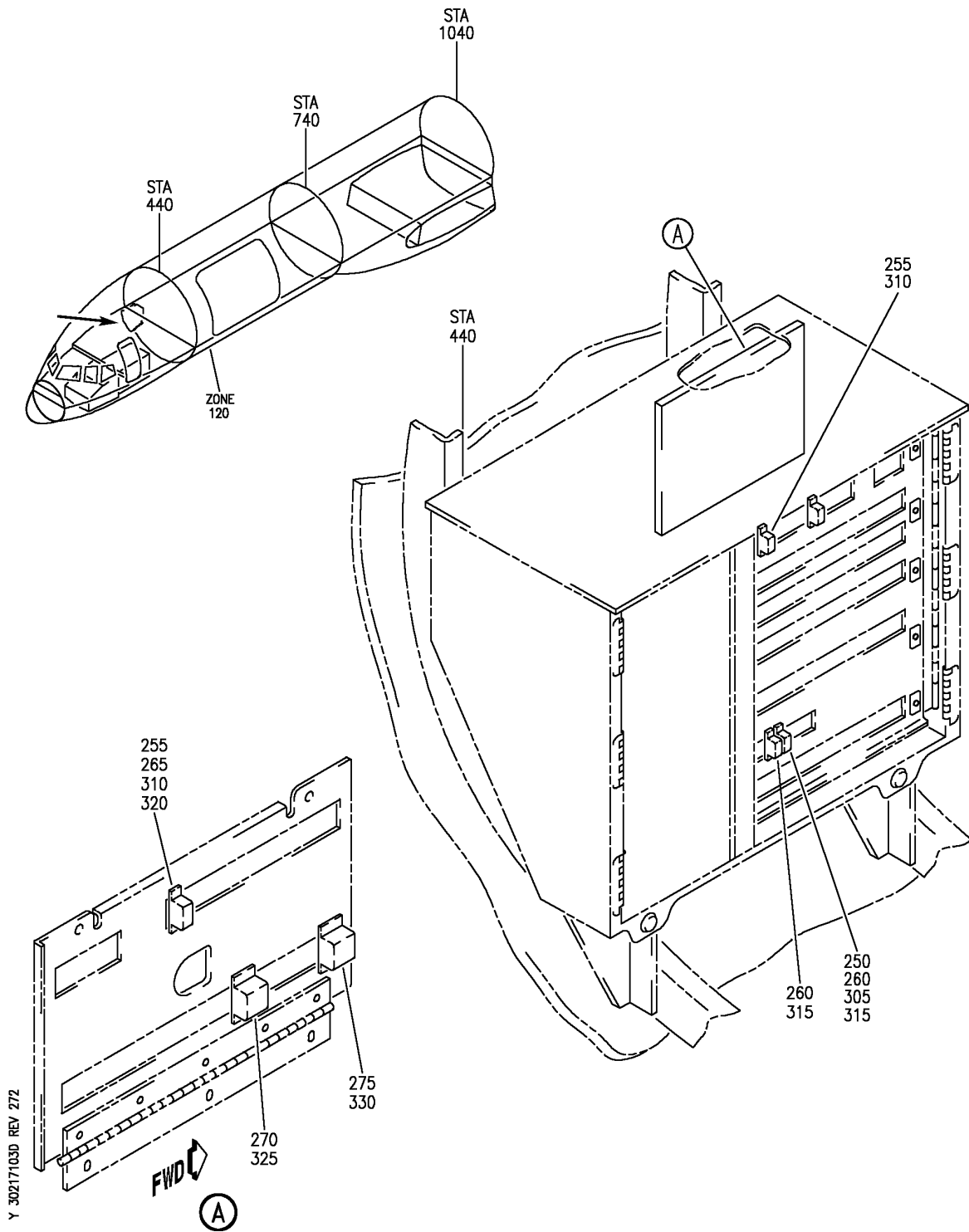
- ITEM NOT ILLUSTRATED

**30-21-71-03C**

30-21-71  
FIG. 03C  
PAGE 5  
JAN 20/09

BRI

**BOEING**  
757  
PARTS CATALOG (MAINTENANCE)



PANEL INSTL-P37 R MISC RELAY (ENGINE INLET TAI ONLY)  
FIGURE 3D

**30-21-71-03D**

BRI  
JAN 20/09

30-21-71-03D  
PAGE 0



757

PARTS CATALOG (MAINTENANCE)

FIG ITEM	PART NUMBER	1 2 3 4 5 6 7	NOMENCLATURE	EFFECT FROM TO	UNITS PER ASSY
3D			PANEL INSTL-P37 R MISC RELAY (ENGINE INLET TAI ONLY)	103106 108120	
- 1	MODREF185037		PANEL INSTL-P37 R MISC RELAY (ENGINE INLET TAI ONLY) MODULE NUMBER: 284N1127-169 REV D FOR OTHER SYS DETAILS SEE: 11-36-12-02A 21-25-71-02D 21-44-71-02D 21-45-31-01D 21-51-55-01D 21-58-71-02D 21-61-71-02D 23-31-51-05 24-21-51-05 24-51-01-02 24-51-02-03 24-51-58-02D 27-62-71-03D 28-22-71-03D 29-21-71-01D 30-11-71-02D 30-31-71-02D 30-32-71-02D 30-33-71-02D 30-34-51-01D 31-01-37-10 31-31-71-02D 32-09-02-04D 32-42-71-02D 32-61-71-02D 33-43-55-01D 33-51-71-01D 34-12-71-02D 34-25-50-01D 34-61-52-01D 35-21-71-02D 36-11-71-02D 38-15-71-02D 73-21-55-01D 74-31-71-02D 76-11-71-02D 77-12-71-01D 78-34-71-02D 78-36-71-02D 80-11-71-02D	106106	1
MISSING ITEM NUMBERS NOT APPLICABLE					

- ITEM NOT ILLUSTRATED

**30-21-71-03D**

30-21-71  
FIG. 03D  
PAGE 1  
JAN 20/09

BRI



757

PARTS CATALOG (MAINTENANCE)

FIG ITEM	PART NUMBER	1 2 3 4 5 6 7	NOMENCLATURE	EFFECT FROM TO	UNITS PER ASSY
3D - 3	284N1127-118		PANEL INSTL-P37 R MISC RELAY (ENGINE INLET TAI ONLY) FOR NHA/OTHER SYS DET SEE: 24-00-58-05C	108108	RF
- 4	284N1127-139		PANEL INSTL-P37 R MISC RELAY (ENGINE INLET TAI ONLY) FOR NHA/OTHER SYS DET SEE: 24-00-58-05C	109120	RF

MISSING ITEM NUMBERS NOT APPLICABLE

- ITEM NOT ILLUSTRATED

BRI

30-21-71-03D

BOEING PROPRIETARY - Copyright © - Unpublished Work - See title page for details.

30-21-71  
FIG. 03D  
PAGE 2  
JAN 20/09



757

PARTS CATALOG (MAINTENANCE)

FIG ITEM	PART NUMBER	1 2 3 4 5 6 7	NOMENCLATURE	EFFECT FROM TO	UNITS PER ASSY
3D - 8	MODREF31945		PANEL INSTL-P37 R MISC RELAY (ENGINE INLET TAI ONLY) MODULE NUMBER: 284N1127-169 REV B FOR OTHER SYS DETAILS SEE: 11-36-12-02A 21-25-71-02D 21-44-71-02D 21-45-31-01D 21-51-55-01D 21-58-71-02D 21-61-71-02D 23-31-51-05 24-21-51-05 24-51-01-02 24-51-02-03 24-51-58-02D 27-62-71-03D 28-22-71-03D 29-21-71-01D 30-11-71-02D 30-31-71-02D 30-32-71-02D 30-33-71-02D 30-34-51-01D 31-01-37-10 31-31-71-02D 32-09-02-04D 32-42-71-02D 32-61-71-02D 33-43-55-01D 33-51-71-01D 34-12-71-02D 34-25-50-01D 34-61-52-01D 35-21-71-02D 36-11-71-02D 38-15-71-02D 73-21-55-01D 74-31-71-02D 76-11-71-02D 77-12-71-01D 78-34-71-02D 78-36-71-02D 80-11-71-02D	103103	1

MISSING ITEM NUMBERS NOT APPLICABLE

- ITEM NOT ILLUSTRATED

**30-21-71-03D**

30-21-71  
 FIG. 03D  
 PAGE 3  
 JAN 20/09

BRI



757

PARTS CATALOG (MAINTENANCE)

FIG ITEM	PART NUMBER	1 2 3 4 5 6 7	NOMENCLATURE	EFFECT FROM TO	UNITS PER ASSY
3D - 9	MODREF34305		PANEL INSTL-P37 R MISC RELAY (ENGINE INLET TAI ONLY) MODULE NUMBER: 284N1127-169 REV C FOR OTHER SYS DETAILS SEE: 11-36-12-02A 21-25-71-02D 21-44-71-02D 21-45-31-01D 21-51-55-01D 21-58-71-02D 21-61-71-02D 23-31-51-05 24-21-51-05 24-51-01-02 24-51-02-03 24-51-58-02D 27-62-71-03D 28-22-71-03D 29-21-71-01D 30-11-71-02D 30-31-71-02D 30-32-71-02D 30-33-71-02D 30-34-51-01D 31-01-37-10 31-31-71-02D 32-09-02-04D 32-42-71-02D 32-61-71-02D 33-43-55-01D 33-51-71-01D 34-12-71-02D 34-25-50-01D 34-61-52-01D 35-21-71-02D 36-11-71-02D 38-15-71-02D 73-21-55-01D 74-31-71-02D 76-11-71-02D 77-12-71-01D 78-34-71-02D 78-36-71-02D 80-11-71-02D	104105	1

MISSING ITEM NUMBERS NOT APPLICABLE

- ITEM NOT ILLUSTRATED

30-21-71-03D

30-21-71  
FIG. 03D  
PAGE 4  
JAN 20/09

BRI





757

PARTS CATALOG (MAINTENANCE)

FIG ITEM	PART NUMBER	1 2 3 4 5 6 7	NOMENCLATURE	EFFECT FROM TO	UNITS PER ASSY
3D 260	E210-1631		.RELAY- SUPPLIER CODE: V99699 SPECIFICATION NUMBER: BACR13CF2A OPTIONAL PART: BR246S0112 V56623 FCA210-70 V78290 E215-1050 V99699 JD4A017 V35344 BR64S104 V56623 61GB19-1A320 V98927 ELECTRICAL EQUIP NUMBER: K10062 K10063	103106 108120	2
265	W260F4AM11		.RELAY- SUPPLIER CODE: VF0219 SPECIFICATION NUMBER: BACR13CD2 OPTIONAL PART: BR16S233 V09026 EE4AA005 V35344 3SAV1338A2 V01526 HFW1206K03 V58614 HFW1204K01 V71482 ELECTRICAL EQUIP NUMBER: K10602	103106 108120	1
- 300	286N1270-360		WIRE BUNDLE ASSY- REWORKED BY ALERT SB: 34A022	108120	RF
- 302	286N1270-602		WIRE BUNDLE ASSY	103106	RF

MISSING ITEM NUMBERS NOT APPLICABLE

- ITEM NOT ILLUSTRATED

30-21-71-03D

30-21-71  
FIG. 03D  
PAGE 5  
JAN 20/09

BRI



757

PARTS CATALOG (MAINTENANCE)

FIG ITEM	PART NUMBER	1 2 3 4 5 6 7	NOMENCLATURE	EFFECT FROM TO	UNITS PER ASSY
3D 315	RSF116200		.SOCKET- SUPPLIER CODE: V58982 SPECIFICATION NUMBER: BACS16X1A OPTIONAL PART: 102-006-1 V09922 000300-1538 V05574 ELECTRICAL EQUIP NUMBER: D01508 D01510 WIRING DIAGRAM REF: 302111	103106 108120	2
320	RSE120026		.SOCKET- SUPPLIER CODE: V58982 SPECIFICATION NUMBER: BACS16AG1 OPTIONAL PART: 451120-026 V58982 ELECTRICAL EQUIP NUMBER: D06324 WIRING DIAGRAM REF: 302111	103106 108120	1

MISSING ITEM NUMBERS NOT APPLICABLE

- ITEM NOT ILLUSTRATED

BRI

**30-21-71-03D**

BOEING PROPRIETARY - Copyright © - Unpublished Work - See title page for details.

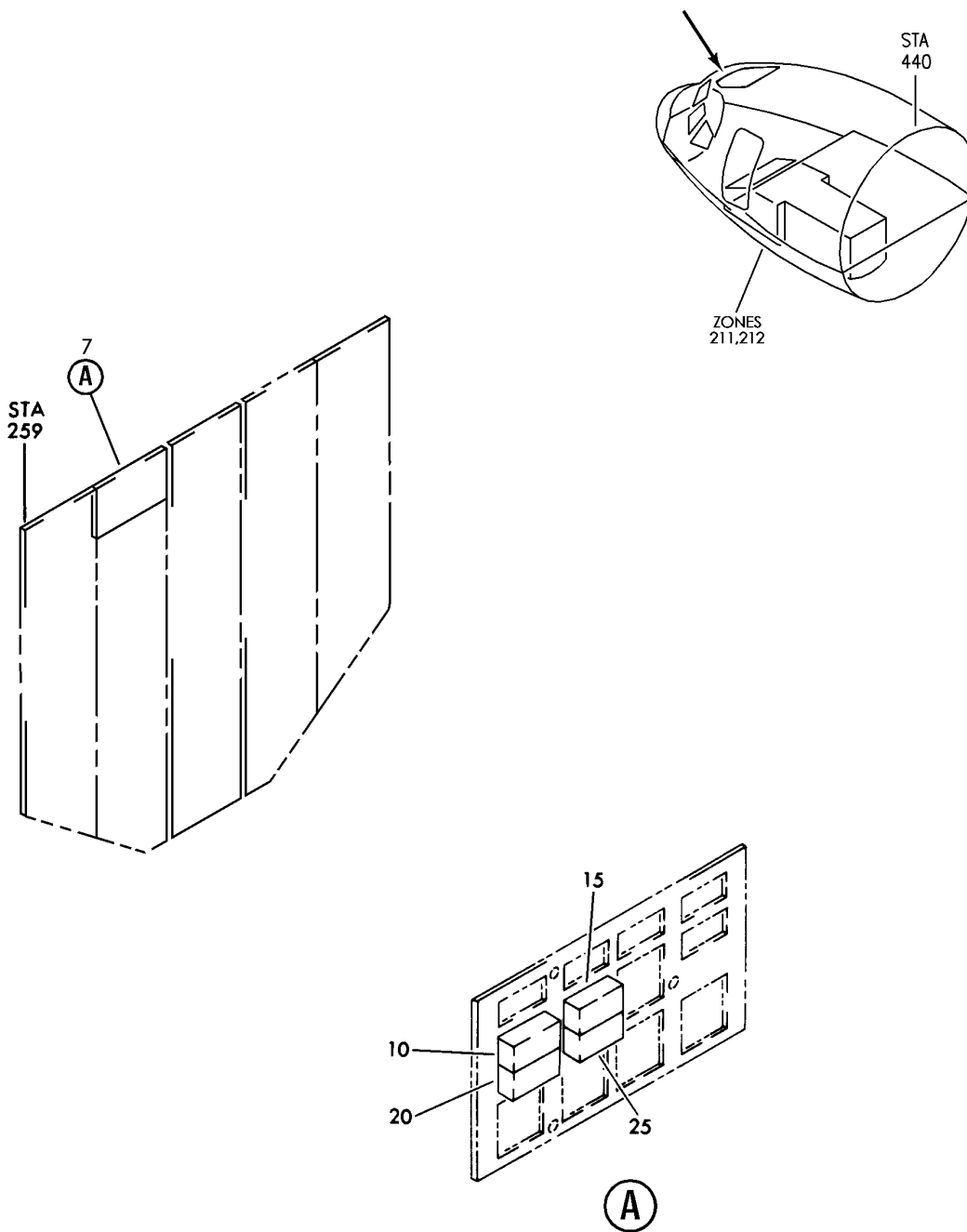
30-21-71  
FIG. 03D  
PAGE 6  
JAN 20/09

## PITOT PROBE ANTI-ICING

BRI  
MAY 28/07

30-31-00  
SECTION TITLE  
PAGE 1

**BOEING**  
757  
PARTS CATALOG (MAINTENANCE)



Y 30315101 REV 229

PANEL INSTL-P5 OVHD (PITOT PROBE ANTI-ICING ONLY)  
FIGURE 1

**30-31-51-01**

BRI  
MAY 28/07

30-31-51-01  
PAGE 0



757

PARTS CATALOG (MAINTENANCE)

FIG ITEM	PART NUMBER	1 2 3 4 5 6 7	NOMENCLATURE	EFFECT FROM TO	UNITS PER ASSY
1			PANEL INSTL-P5 OVHD (PITOT PROBE ANTI-ICING ONLY)	002004 006100 107107 121503 904999	
- 1	233N3101-1		PANEL INSTL-P5 OVHD (PITOT PROBE ANTI-ICING ONLY) VARIABLE DRAWING REF: 233N3101-5005 233N3101-5025 233N3101-5041 233N3101-5042 233N3101-5045 233N3101-5142 FOR NHA/OTHER SYS DET SEE: 25-10-00-05A	002004 006100 107107 121503 904949 952999	RF
- 1	233N3101-1		PANEL INSTL-P5 OVHD (PITOT PROBE ANTI-ICING ONLY) FOR NHA/OTHER SYS DET SEE: 25-10-00-05A	950951	RF
7	233N3202-17		.PANEL ASSY-ANN. SUPPLIER CODE: V89954 MISCELLANEOUS DATA: FOR SPARES PROCURE DETAIL PARTS ELECTRICAL EQUIP NUMBER: M10394 COMPONENT MAINT MANUAL REF: 33-16-71	002004 006100 121503 904949 952999	RF
7	233N3202-10		.PANEL ASSY-ANN. SUPPLIER CODE: V89954 ELECTRICAL EQUIP NUMBER: M10394 COMPONENT MAINT MANUAL REF: 33-16-71	950951	RF
7	233N3202-15		.PANEL ASSY-ANN. SUPPLIER CODE: V89954 NOT APPROVED FOR ETOPS. ELECTRICAL EQUIP NUMBER: M10394 COMPONENT MAINT MANUAL REF: 33-16-71	950951	RF

MISSING ITEM NUMBERS NOT APPLICABLE

- ITEM NOT ILLUSTRATED

30-31-51-01

30-31-51  
FIG. 01  
PAGE 1  
JAN 20/09

BRI



757

PARTS CATALOG (MAINTENANCE)

FIG ITEM	PART NUMBER	1 2 3 4 5 6 7	NOMENCLATURE	EFFECT FROM TO	UNITS PER ASSY
1					
7	233N3202-21		.PANEL ASSY-ANN. SUPPLIER CODE: V89954 MISCELLANEOUS DATA: FOR SPARES PROCURE DETAIL PARTS ELECTRICAL EQUIP NUMBER: M10394 COMPONENT MAINT MANUAL REF: 33-16-71	002004 006100	RF
7	233N3202-17		.PANEL ASSY-ANN. SUPPLIER CODE: V89954 MISCELLANEOUS DATA: FOR SPARES PROCURE DETAIL PARTS ELECTRICAL EQUIP NUMBER: M10394 COMPONENT MAINT MANUAL REF: 33-16-71 POST SERVICE BULLETIN: 24-0048	107107	RF
10	BCREF8579		..LIGHT ASSY-CAPT PITOT IND SUPPLIER CODE: V81590 OVERLENGTH PART NUMBER: 434-674-1031-2259 SPECIFICATION NUMBER: S231T300-2259 OPTIONAL PART: BCREF6125 V81590 FOR DETAILS SEE: 33-14-70-02	002004 006100 107107 121503 904999	1
10	BCREF6125		..LIGHT ASSY-CAPT PITOT IND SUPPLIER CODE: V81590 OVERLENGTH PART NUMBER: 434-674-1005-1259 SPECIFICATION NUMBER: S231T300-1259 OPTIONAL PART: BCREF8579 V81590 FOR DETAILS SEE: 33-14-70-02	002004 006100 107107 121503 904999	1

R  
R  
R  
R  
R  
R  
R  
R  
R  
R

MISSING ITEM NUMBERS NOT APPLICABLE

- ITEM NOT ILLUSTRATED

30-31-51-01

30-31-51  
FIG. 01  
PAGE 2  
MAY 20/09

BRI



757

PARTS CATALOG (MAINTENANCE)

FIG ITEM	PART NUMBER	1 2 3 4 5 6 7	NOMENCLATURE	EFFECT FROM TO	UNITS PER ASSY
1					
15	BCREF8580		..LIGHT ASSY-F/O PITOT IND SUPPLIER CODE: V81590 OVERLENGTH PART NUMBER: 434-674-1031-2260 SPECIFICATION NUMBER: S231T300-2260 OPTIONAL PART: BCREF6126 V81590 USED ON: 233N3202-15 FOR DETAILS SEE: 33-14-70-02	950951	1
15	BCREF6126		..LIGHT ASSY-F/O PITOT IND SUPPLIER CODE: V81590 OVERLENGTH PART NUMBER: 434-674-1005-1260 SPECIFICATION NUMBER: S231T300-1260 OPTIONAL PART: BCREF8580 V81590 USED ON: 233N3202-15 FOR DETAILS SEE: 33-14-70-02	950951	1
15	BCREF8580		..LIGHT ASSY-F/O PITOT IND SUPPLIER CODE: V81590 OVERLENGTH PART NUMBER: 434-674-1031-2260 SPECIFICATION NUMBER: S231T300-2260 USED ON: 233N3202-21 FOR DETAILS SEE: 33-14-70-02	002004 006100	1

MISSING ITEM NUMBERS NOT APPLICABLE

- ITEM NOT ILLUSTRATED

30-31-51-01

30-31-51  
FIG. 01  
PAGE 3  
JAN 20/09

BRI

 **BOEING**  
757  
**PARTS CATALOG (MAINTENANCE)**

FIG ITEM	PART NUMBER	1 2 3 4 5 6 7	NOMENCLATURE	EFFECT FROM TO	UNITS PER ASSY
1 15	BCREF8580		..LIGHT ASSY-F/O PITOT IND SUPPLIER CODE: V81590 OVERLENGTH PART NUMBER: 434-674-1031-2260 SPECIFICATION NUMBER: S231T300-2260 OPTIONAL PART: BCREf6126 V81590 USED ON: 233N3202-10 233N3202-17 233N3202-18 233N3202-25 233N3202-30 FOR DETAILS SEE: 33-14-70-02	002004 006100 107107 121503 904999	1
15	BCREF6126		..LIGHT ASSY-F/O PITOT IND SUPPLIER CODE: V81590 OVERLENGTH PART NUMBER: 434-674-1005-1260 SPECIFICATION NUMBER: S231T300-1260 OPTIONAL PART: BCREf8580 V81590 USED ON: 233N3202-10 233N3202-17 233N3202-18 233N3202-25 233N3202-30 FOR DETAILS SEE: 33-14-70-02	002004 006100 107107 121503 904999	1

MISSING ITEM NUMBERS NOT APPLICABLE

— ITEM NOT ILLUSTRATED

BRI

# 30-31-51-01

BOEING PROPRIETARY - Copyright © - Unpublished Work - See title page for details.

30-31-51  
FIG. 01  
PAGE 4  
JAN 20/09





757

PARTS CATALOG (MAINTENANCE)

FIG ITEM	PART NUMBER	1 2 3 4 5 6 7	NOMENCLATURE	EFFECT FROM TO	UNITS PER ASSY
1	20 BCRE8581		..LIGHT ASSY-AUX PITOT IND SUPPLIER CODE: V81590 POSITION DATA: L OVERLENGTH PART NUMBER: 434-674-1031-2261 SPECIFICATION NUMBER: S231T300-2261 OPTIONAL PART: BCREF6127 V81590 USED ON: 233N3202-15 FOR DETAILS SEE: 33-14-70-02	950951	1
	20 BCRE6127		..LIGHT ASSY-AUX PITOT IND SUPPLIER CODE: V81590 POSITION DATA: L OVERLENGTH PART NUMBER: 434-674-1005-1261 SPECIFICATION NUMBER: S231T300-1261 OPTIONAL PART: BCREF8581 V81590 USED ON: 233N3202-15 FOR DETAILS SEE: 33-14-70-02	950951	1
	20 BCRE8581		..LIGHT ASSY-AUX PITOT IND SUPPLIER CODE: V81590 POSITION DATA: L OVERLENGTH PART NUMBER: 434-674-1031-2261 SPECIFICATION NUMBER: S231T300-2261 USED ON: 233N3202-21 FOR DETAILS SEE: 33-14-70-02	002004 006100	1

MISSING ITEM NUMBERS NOT APPLICABLE

- ITEM NOT ILLUSTRATED

30-31-51-01

30-31-51  
FIG. 01  
PAGE 5  
JAN 20/09

BRI



757

PARTS CATALOG (MAINTENANCE)

FIG ITEM	PART NUMBER	1 2 3 4 5 6 7	NOMENCLATURE	EFFECT FROM TO	UNITS PER ASSY
1 20	BCREF8581		..LIGHT ASSY-AUX PITOT IND SUPPLIER CODE: V81590 POSITION DATA: L OVERLENGTH PART NUMBER: 434-674-1031-2261 SPECIFICATION NUMBER: S231T300-2261 OPTIONAL PART: BCREF6127 V81590 USED ON: 233N3202-10 233N3202-17 233N3202-18 233N3202-25 233N3202-30 FOR DETAILS SEE: 33-14-70-02	002004 006100 107107 121503 904999	1
20	BCREF6127		..LIGHT ASSY-AUX PITOT IND SUPPLIER CODE: V81590 POSITION DATA: L OVERLENGTH PART NUMBER: 434-674-1005-1261 SPECIFICATION NUMBER: S231T300-1261 OPTIONAL PART: BCREF8581 V81590 USED ON: 233N3202-10 233N3202-17 233N3202-18 233N3202-25 233N3202-30 FOR DETAILS SEE: 33-14-70-02	002004 006100 107107 121503 904999	1

MISSING ITEM NUMBERS NOT APPLICABLE

- ITEM NOT ILLUSTRATED

30-31-51-01

30-31-51  
FIG. 01  
PAGE 6  
JAN 20/09

BRI



757

PARTS CATALOG (MAINTENANCE)

FIG ITEM	PART NUMBER	1 2 3 4 5 6 7	NOMENCLATURE	EFFECT FROM TO	UNITS PER ASSY
1 25	BCREF8582		..LIGHT ASSY-AUX PITOT IND SUPPLIER CODE: V81590 POSITION DATA: R OVERLENGTH PART NUMBER: 434-674-1031-2262 SPECIFICATION NUMBER: S231T300-2262 OPTIONAL PART: BCREF6128 V81590 USED ON: 233N3202-15 FOR DETAILS SEE: 33-14-70-02	950951	1
25	BCREF6128		..LIGHT ASSY-AUX PITOT IND SUPPLIER CODE: V81590 POSITION DATA: R OVERLENGTH PART NUMBER: 434-674-1005-1262 SPECIFICATION NUMBER: S231T300-1262 OPTIONAL PART: BCREF8582 V81590 USED ON: 233N3202-15 FOR DETAILS SEE: 33-14-70-02	950951	1
25	BCREF8582		..LIGHT ASSY-AUX PITOT IND SUPPLIER CODE: V81590 POSITION DATA: R OVERLENGTH PART NUMBER: 434-674-1031-2262 SPECIFICATION NUMBER: S231T300-2262 USED ON: 233N3202-21 FOR DETAILS SEE: 33-14-70-02	002004 006100	1

MISSING ITEM NUMBERS NOT APPLICABLE

- ITEM NOT ILLUSTRATED

30-31-51-01

30-31-51  
FIG. 01  
PAGE 7  
JAN 20/09

BRI



**757  
PARTS CATALOG (MAINTENANCE)**

FIG ITEM	PART NUMBER	1 2 3 4 5 6 7	NOMENCLATURE	EFFECT FROM TO	UNITS PER ASSY
1 25	BCREF8582		..LIGHT ASSY-AUX PITOT IND SUPPLIER CODE: V81590 POSITION DATA: R OVERLENGTH PART NUMBER: 434-674-1031-2262 SPECIFICATION NUMBER: S231T300-2262 OPTIONAL PART: BCREf6128 V81590 USED ON: 233N3202-10 233N3202-17 233N3202-18 233N3202-25 233N3202-30 FOR DETAILS SEE: 33-14-70-02	002004 006100 107107 121503 904999	1
25	BCREF6128		..LIGHT ASSY-AUX PITOT IND SUPPLIER CODE: V81590 POSITION DATA: R OVERLENGTH PART NUMBER: 434-674-1005-1262 SPECIFICATION NUMBER: S231T300-1262 OPTIONAL PART: BCREf8582 V81590 USED ON: 233N3202-10 233N3202-17 233N3202-18 233N3202-25 233N3202-30 FOR DETAILS SEE: 33-14-70-02	002004 006100 107107 121503 904999	1

MISSING ITEM NUMBERS NOT APPLICABLE

— ITEM NOT ILLUSTRATED

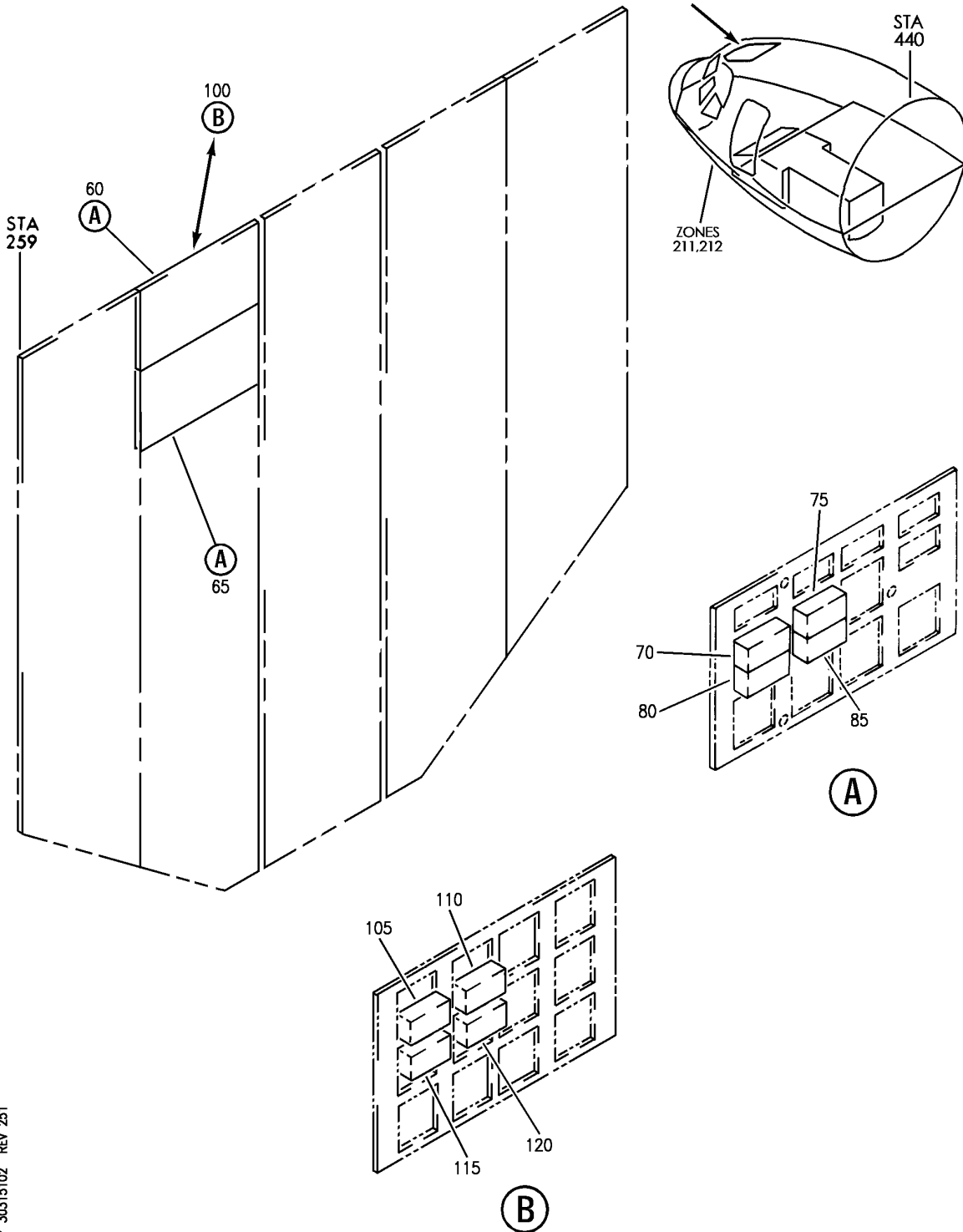
BRI

# 30-31-51-01

BOEING PROPRIETARY - Copyright © - Unpublished Work - See title page for details.

30-31-51  
FIG. 01  
PAGE 8  
JAN 20/09

**BOEING**  
757  
PARTS CATALOG (MAINTENANCE)



Y 30315102 REV 251

PANEL INSTL-P5 OVHD (PITOT PROBE ANTI-ICING ONLY)  
FIGURE 2

**30-31-51-02**

BRI  
MAY 28/07

30-31-51-02  
PAGE 0



757

PARTS CATALOG (MAINTENANCE)

FIG ITEM	PART NUMBER	1 2 3 4 5 6 7	NOMENCLATURE	EFFECT FROM TO	UNITS PER ASSY
2			PANEL INSTL-P5 OVHD (PITOT PROBE ANTI-ICING ONLY)	101106 108120 504903	
- 2	233N3103-132		PANEL INSTL-P5 OVHD (PITOT PROBE ANTI-ICING ONLY) FOR NHA/OTHER SYS DET SEE: 25-10-00-15E	101102	RF
- 2	233N3103-136		PANEL INSTL-P5 OVHD (PITOT PROBE ANTI-ICING ONLY) FOR NHA/OTHER SYS DET SEE: 25-10-00-15E	504903	RF
- 6	233N3103-59		PANEL INSTL-P5 OVHD (PITOT PROBE ANTI-ICING ONLY) FOR NHA/OTHER SYS DET SEE: 25-10-00-15E	108120	RF
- 8	MODREF33760		PANEL INSTL-P5 OVHD (PITOT PROBE ANTI-ICING ONLY) MODULE NUMBER: 233N3103-351 REV C FOR OTHER SYS DETAILS SEE: 11-31-10-12 21-25-55-03 21-31-01-02 21-33-51-03 21-51-54-03 21-58-19-10 21-58-51-03 21-61-04-03 21-65-51-01 22-21-01-04 22-24-51-02 23-24-01-01 23-32-00-11 23-42-02-02 23-71-05-02 24-11-52-05 24-22-01-03 24-31-01-10 24-31-03-09 24-33-04-01 24-41-51-04 24-51-62-01 26-18-51-04 27-21-53-02 27-41-55-01 27-61-51-03 27-62-52-02 28-22-51-02 28-41-04-01	103103	1

MISSING ITEM NUMBERS NOT APPLICABLE

- ITEM NOT ILLUSTRATED

**30-31-51-02**

30-31-51  
FIG. 02  
PAGE 1  
JAN 20/09

BRI



757

PARTS CATALOG (MAINTENANCE)

FIG ITEM	PART NUMBER	1 2 3 4 5 6 7	NOMENCLATURE	EFFECT FROM TO	UNITS PER ASSY
2			28-41-51-03 29-11-02-03 29-11-05-04 29-11-52-07 29-21-54-03 29-31-00-01 29-32-51-03 29-33-52-03 30-11-51-03 30-21-51-03 30-32-51-01 30-33-51-02 30-41-51-03 30-42-51-03 31-12-11-91 31-12-11-91 A 32-42-52-03 33-11-03-03 33-11-51-17 33-13-01-65 33-13-02-03 33-16-51-03 33-24-51-02 33-41-52-04 33-42-01-04 33-42-02-04 33-42-52-04 33-43-51-04 33-44-51-05 33-45-53-03 33-51-08-05 34-21-02-01 35-21-51-04 36-11-04-01 36-21-00-01 36-21-02-05 36-22-51-03 49-41-00-02 49-52-00-01 49-70-00-01 52-51-51-03 52-71-51-02 73-21-52-02 74-31-51-05 75-32-00-01 80-11-09-02		
- 8	MODREF34038		PANEL INSTL-P5 OVHD (PITOT PROBE ANTI-ICING ONLY) MODULE NUMBER:  MISSING ITEM NUMBERS NOT APPLICABLE	104105	1

- ITEM NOT ILLUSTRATED

**30-31-51-02**

30-31-51  
 FIG. 02  
 PAGE 2  
 JAN 20/09

BRI



757

PARTS CATALOG (MAINTENANCE)

FIG ITEM	PART NUMBER	1 2 3 4 5 6 7	NOMENCLATURE	EFFECT FROM TO	UNITS PER ASSY
2			233N3103-351 REV D FOR OTHER SYS DETAILS SEE: 11-31-10-12 21-25-55-03 21-31-01-02 21-33-51-03 21-51-54-03 21-58-19-10 21-58-51-03 21-61-04-03 21-65-51-01 22-21-01-04 22-24-51-02 23-24-01-01 23-32-00-11 23-42-02-02 23-71-05-02 24-11-52-05 24-22-01-03 24-31-01-10 24-31-03-09 24-33-04-01 24-41-51-04 24-51-62-01 26-18-51-04 27-21-53-02 27-41-55-01 27-61-51-03 27-62-52-02 28-22-51-02 28-41-04-01 28-41-51-03 29-11-02-03 29-11-05-04 29-11-52-07 29-21-54-03 29-31-00-01 29-32-51-03 29-33-52-03 30-11-51-03 30-21-51-03 30-32-51-01 30-33-51-02 30-41-51-03 30-42-51-03 31-12-11-91 31-12-11-91A 32-42-52-03 33-11-03-03		

MISSING ITEM NUMBERS NOT APPLICABLE

- ITEM NOT ILLUSTRATED

**30-31-51-02**

30-31-51  
FIG. 02  
PAGE 3  
JAN 20/09

BRI





757

PARTS CATALOG (MAINTENANCE)

FIG ITEM	PART NUMBER	1 2 3 4 5 6 7	NOMENCLATURE	EFFECT FROM TO	UNITS PER ASSY
2			33-11-51-17 33-13-01-65 33-13-02-03 33-16-51-03 33-24-51-02 33-41-52-04 33-42-01-04 33-42-02-04 33-42-52-04 33-43-51-04 33-44-51-05 33-45-53-03 33-51-08-05 34-21-02-01 35-21-51-04 36-11-04-01 36-21-00-01 36-21-02-05 36-22-51-03 49-41-00-02 49-52-00-01 49-70-00-01 52-51-51-03 52-71-51-02 73-21-52-02 74-31-51-05 75-32-00-01 80-11-09-02		
- 8	MODREF170180		PANEL INSTL-P5 OVHD (PITOT PROBE ANTI-ICING ONLY) MODULE NUMBER: 233N3103-353 REV B FOR OTHER SYS DETAILS SEE: 11-31-10-12 21-25-55-03 21-31-01-02 21-33-51-03 21-51-54-03 21-58-19-10 21-58-51-03 21-61-04-03 21-65-51-01 22-21-01-04 22-24-51-02 23-24-01-01 23-32-00-11 23-42-02-02 23-71-05-02 24-11-52-05	106106	1
MISSING ITEM NUMBERS NOT APPLICABLE					

- ITEM NOT ILLUSTRATED

**30-31-51-02**

30-31-51  
 FIG. 02  
 PAGE 4  
 JAN 20/09

BRI



757  
PARTS CATALOG (MAINTENANCE)

FIG ITEM	PART NUMBER	1 2 3 4 5 6 7	NOMENCLATURE	EFFECT FROM TO	UNITS PER ASSY
2			24-22-01-03 24-31-01-10 24-31-03-09 24-33-04-01 24-41-51-04 24-51-62-01 26-18-51-04 27-21-53-02 27-41-55-01 27-61-51-03 27-62-52-02 28-22-51-02 28-41-04-01 28-41-51-03 29-11-02-03 29-11-05-04 29-11-52-07 29-21-54-03 29-31-00-01 29-32-51-03 29-33-52-03 30-11-51-03 30-21-51-03 30-32-51-01 30-33-51-02 30-41-51-03 30-42-51-03 31-12-11-84 31-12-11-84 A 32-42-52-03 33-11-03-03 33-11-51-17 33-13-01-65 33-13-02-03 33-16-51-03 33-24-51-02 33-41-52-04 33-42-01-04 33-42-02-04 33-42-52-04 33-43-51-04 33-44-51-05 33-45-53-03 33-51-08-05 34-21-02-01 35-21-51-04 36-11-04-01 36-21-00-01 36-21-02-05		
MISSING ITEM NUMBERS NOT APPLICABLE					

- ITEM NOT ILLUSTRATED

BRI

**30-31-51-02**

BOEING PROPRIETARY - Copyright © - Unpublished Work - See title page for details.

30-31-51  
FIG. 02  
PAGE 5  
JAN 20/09



757

PARTS CATALOG (MAINTENANCE)

FIG ITEM	PART NUMBER	1 2 3 4 5 6 7	NOMENCLATURE	EFFECT FROM TO	UNITS PER ASSY
2			36-22-51-03 49-41-00-02 49-52-00-01 49-70-00-01 52-51-51-03 52-71-51-02 73-21-52-02 74-31-51-05 75-32-00-01 80-11-09-02		
60	233N3202-15		.PANEL ASSY-ANN. SUPPLIER CODE: V89954 NOT APPROVED FOR ETOPS. ELECTRICAL EQUIP NUMBER: M10394 COMPONENT MAINT MANUAL REF: 33-16-71	504903	RF
60	233N3202-17		.PANEL ASSY-ANN. SUPPLIER CODE: V89954 ELECTRICAL EQUIP NUMBER: M10394 COMPONENT MAINT MANUAL REF: 33-16-71	101105 108120	RF
70	BCREF8579		..LIGHT ASSY-CAPT PITOT IND SUPPLIER CODE: V81590 OVERLENGTH PART NUMBER: 434-674-1031-2259 SPECIFICATION NUMBER: S231T300-2259 OPTIONAL PART: BCREF6125 V81590 FOR DETAILS SEE: 33-14-70-02	101105 108120 504903	1
70	BCREF6125		..LIGHT ASSY-CAPT PITOT IND SUPPLIER CODE: V81590 OVERLENGTH PART NUMBER: 434-674-1005-1259 SPECIFICATION NUMBER: S231T300-1259 OPTIONAL PART: BCREF8579 V81590 FOR DETAILS SEE: 33-14-70-02	101105 108120 504903	1

MISSING ITEM NUMBERS NOT APPLICABLE

- ITEM NOT ILLUSTRATED

30-31-51-02

30-31-51  
FIG. 02  
PAGE 6  
JAN 20/09

BRI



**757  
PARTS CATALOG (MAINTENANCE)**

FIG ITEM	PART NUMBER	1 2 3 4 5 6 7	NOMENCLATURE	EFFECT FROM TO	UNITS PER ASSY
2 75	BCREF8580		..LIGHT ASSY-F/O PITOT IND SUPPLIER CODE: V81590 OVERLENGTH PART NUMBER: 434-674-1031-2260 SPECIFICATION NUMBER: S231T300-2260 OPTIONAL PART: BCREF6126 V81590 USED ON: 233N3202-15 FOR DETAILS SEE: 33-14-70-02	504903	1
75	BCREF6126		..LIGHT ASSY-F/O PITOT IND SUPPLIER CODE: V81590 OVERLENGTH PART NUMBER: 434-674-1005-1260 SPECIFICATION NUMBER: S231T300-1260 OPTIONAL PART: BCREF8580 V81590 USED ON: 233N3202-15 FOR DETAILS SEE: 33-14-70-02	504903	1
75	BCREF8580		..LIGHT ASSY-F/O PITOT IND SUPPLIER CODE: V81590 OVERLENGTH PART NUMBER: 434-674-1031-2260 SPECIFICATION NUMBER: S231T300-2260 OPTIONAL PART: BCREF6126 V81590 USED ON: 233N3202-17 233N3202-18 233N3202-21 233N3202-30 FOR DETAILS SEE: 33-14-70-02	101105 108120	1

MISSING ITEM NUMBERS NOT APPLICABLE

— ITEM NOT ILLUSTRATED

BRI

# 30-31-51-02

BOEING PROPRIETARY - Copyright © - Unpublished Work - See title page for details.

30-31-51  
FIG. 02  
PAGE 7  
JAN 20/09



757

PARTS CATALOG (MAINTENANCE)

FIG ITEM	PART NUMBER	1 2 3 4 5 6 7	NOMENCLATURE	EFFECT FROM TO	UNITS PER ASSY
2 75	BCREF6126		..LIGHT ASSY-F/O PITOT IND SUPPLIER CODE: V81590 OVERLENGTH PART NUMBER: 434-674-1005-1260 SPECIFICATION NUMBER: S231T300-1260 OPTIONAL PART: BCREF8580 V81590 USED ON: 233N3202-17 233N3202-18 233N3202-30 FOR DETAILS SEE: 33-14-70-02	101105 108120	1
80	BCREF8581		..LIGHT ASSY-AUX PITOT IND SUPPLIER CODE: V81590 POSITION DATA: L OVERLENGTH PART NUMBER: 434-674-1031-2261 SPECIFICATION NUMBER: S231T300-2261 OPTIONAL PART: BCREF6127 V81590 USED ON: 233N3202-15 FOR DETAILS SEE: 33-14-70-02	504903	1
80	BCREF6127		..LIGHT ASSY-AUX PITOT IND SUPPLIER CODE: V81590 POSITION DATA: L OVERLENGTH PART NUMBER: 434-674-1005-1261 SPECIFICATION NUMBER: S231T300-1261 OPTIONAL PART: BCREF8581 V81590 USED ON: 233N3202-15 FOR DETAILS SEE: 33-14-70-02	504903	1

MISSING ITEM NUMBERS NOT APPLICABLE

- ITEM NOT ILLUSTRATED

30-31-51-02

30-31-51  
FIG. 02  
PAGE 8  
JAN 20/09

BRI



757

PARTS CATALOG (MAINTENANCE)

FIG ITEM	PART NUMBER	1 2 3 4 5 6 7	NOMENCLATURE	EFFECT FROM TO	UNITS PER ASSY
2 80	BCREF8581		..LIGHT ASSY-AUX PITOT IND SUPPLIER CODE: V81590 POSITION DATA: L OVERLENGTH PART NUMBER: 434-674-1031-2261 SPECIFICATION NUMBER: S231T300-2261 OPTIONAL PART: BCREf6127 V81590 USED ON: 233N3202-17 233N3202-18 233N3202-21 233N3202-30 FOR DETAILS SEE: 33-14-70-02	101105 108120	1
80	BCREF6127		..LIGHT ASSY-AUX PITOT IND SUPPLIER CODE: V81590 POSITION DATA: L OVERLENGTH PART NUMBER: 434-674-1005-1261 SPECIFICATION NUMBER: S231T300-1261 OPTIONAL PART: BCREf8581 V81590 USED ON: 233N3202-17 233N3202-18 233N3202-30 FOR DETAILS SEE: 33-14-70-02	101105 108120	1

MISSING ITEM NUMBERS NOT APPLICABLE

- ITEM NOT ILLUSTRATED

BRI

30-31-51-02

BOEING PROPRIETARY - Copyright © - Unpublished Work - See title page for details.

30-31-51  
FIG. 02  
PAGE 9  
JAN 20/09



757

PARTS CATALOG (MAINTENANCE)

FIG ITEM	PART NUMBER	1 2 3 4 5 6 7	NOMENCLATURE	EFFECT FROM TO	UNITS PER ASSY
2 85	BCREF8582		..LIGHT ASSY-AUX PITOT IND SUPPLIER CODE: V81590 POSITION DATA: R OVERLENGTH PART NUMBER: 434-674-1031-2262 SPECIFICATION NUMBER: S231T300-2262 OPTIONAL PART: BCREF6128 V81590 USED ON: 233N3202-15 FOR DETAILS SEE: 33-14-70-02	504903	1
85	BCREF6128		..LIGHT ASSY-AUX PITOT IND SUPPLIER CODE: V81590 POSITION DATA: R OVERLENGTH PART NUMBER: 434-674-1005-1262 SPECIFICATION NUMBER: S231T300-1262 OPTIONAL PART: BCREF8582 V81590 USED ON: 233N3202-15 FOR DETAILS SEE: 33-14-70-02	504903	1

MISSING ITEM NUMBERS NOT APPLICABLE

- ITEM NOT ILLUSTRATED

BRI

30-31-51-02

BOEING PROPRIETARY - Copyright © - Unpublished Work - See title page for details.

30-31-51  
FIG. 02  
PAGE 10  
JAN 20/09



757

PARTS CATALOG (MAINTENANCE)

FIG ITEM	PART NUMBER	1 2 3 4 5 6 7	NOMENCLATURE	EFFECT FROM TO	UNITS PER ASSY
2 85	BCREF8582		..LIGHT ASSY-AUX PITOT IND SUPPLIER CODE: V81590 POSITION DATA: R OVERLENGTH PART NUMBER: 434-674-1031-2262 SPECIFICATION NUMBER: S231T300-2262 OPTIONAL PART: BCREF6128 V81590 USED ON: 233N3202-17 233N3202-18 233N3202-21 233N3202-30 FOR DETAILS SEE: 33-14-70-02	101105 108120	1
85	BCREF6128		..LIGHT ASSY-AUX PITOT IND SUPPLIER CODE: V81590 POSITION DATA: R OVERLENGTH PART NUMBER: 434-674-1005-1262 SPECIFICATION NUMBER: S231T300-1262 OPTIONAL PART: BCREF8582 V81590 USED ON: 233N3202-17 233N3202-18 233N3202-30 FOR DETAILS SEE: 33-14-70-02	101105 108120	1
100	233N3202-82		.PANEL ASSY-ANN. SUPPLIER CODE: V89954 ELECTRICAL EQUIP NUMBER: M10394 COMPONENT MAINT MANUAL REF: 33-16-71	106106	RF

MISSING ITEM NUMBERS NOT APPLICABLE

- ITEM NOT ILLUSTRATED

30-31-51-02

30-31-51  
FIG. 02  
PAGE 11  
JAN 20/09

BRI





757

PARTS CATALOG (MAINTENANCE)

FIG ITEM	PART NUMBER	1 2 3 4 5 6 7	NOMENCLATURE	EFFECT FROM TO	UNITS PER ASSY
2 105	BCREF8579		..LIGHT ASSY-CAPT PITOT IND SUPPLIER CODE: V81590 OVERLENGTH PART NUMBER: 434-674-1031-2259 SPECIFICATION NUMBER: S231T300-2259 FOR DETAILS SEE: 33-14-70-02	106106	1
105	BCREF6125		..LIGHT ASSY-CAPT PITOT IND SUPPLIER CODE: V81590 OVERLENGTH PART NUMBER: 434-674-1005-1259 SPECIFICATION NUMBER: S231T300-1259 FOR DETAILS SEE: 33-14-70-02	106106	1
110	BCREF8580		..LIGHT ASSY-F/O PITOT IND SUPPLIER CODE: V81590 OVERLENGTH PART NUMBER: 434-674-1031-2260 SPECIFICATION NUMBER: S231T300-2260 FOR DETAILS SEE: 33-14-70-02	106106	1
115	BCREF15660		..LIGHT ASSY-AUX PITOT IND SUPPLIER CODE: V81590 POSITION DATA: L OVERLENGTH PART NUMBER: 434-674-1031-2368 SPECIFICATION NUMBER: S231T300-2368 FOR DETAILS SEE: 33-14-70-02	106106	1
120	BCREF15661		..LIGHT ASSY-AUX PITOT IND SUPPLIER CODE: V81590 POSITION DATA: R OVERLENGTH PART NUMBER: 434-674-1031-2369 SPECIFICATION NUMBER: S231T300-2369 FOR DETAILS SEE: 33-14-70-02	106106	1

MISSING ITEM NUMBERS NOT APPLICABLE

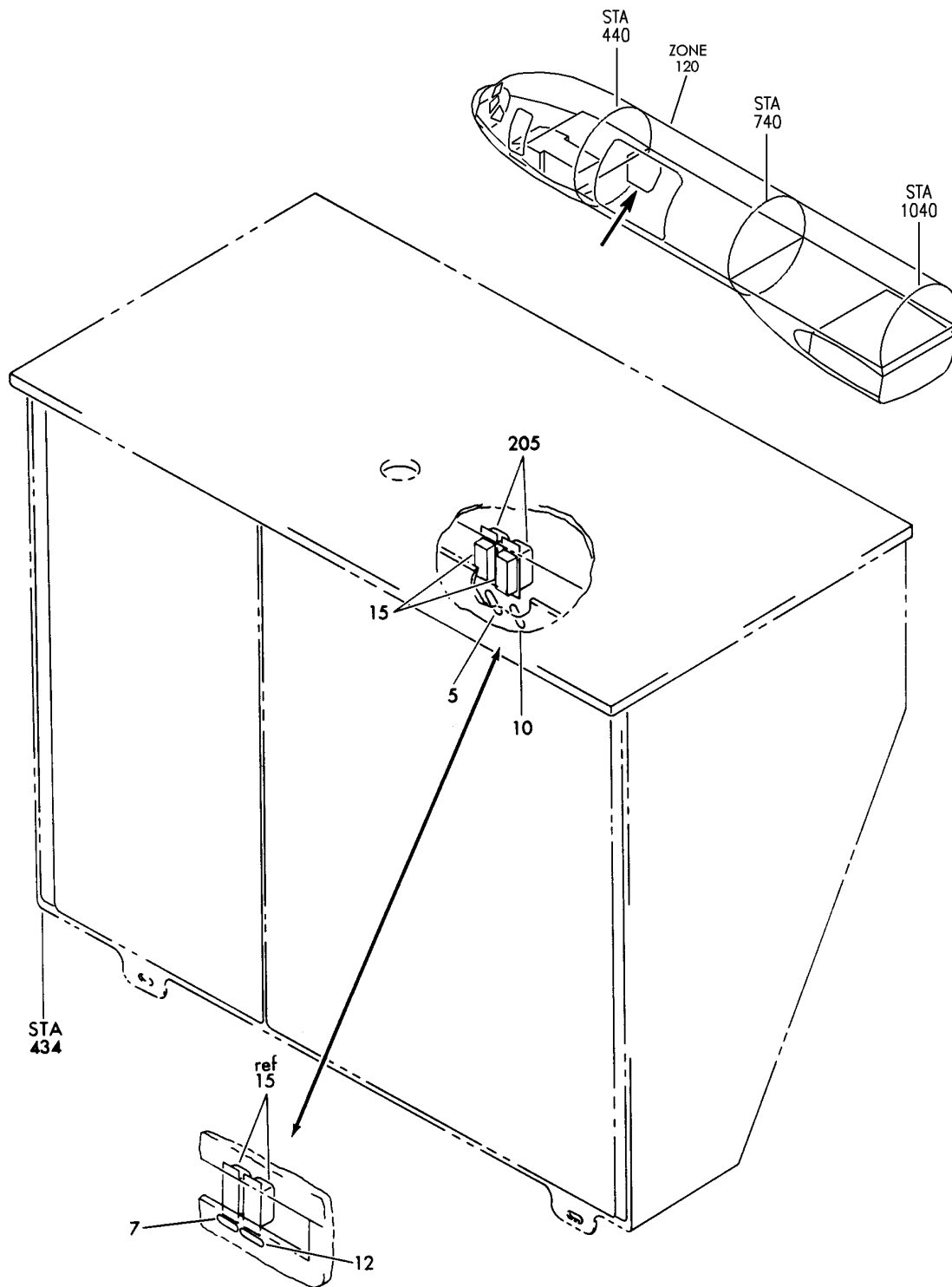
- ITEM NOT ILLUSTRATED

30-31-51-02

30-31-51  
FIG. 02  
PAGE 12  
JAN 20/09

BRI

**BOEING**  
757  
PARTS CATALOG (MAINTENANCE)



Y 30317102 REV 229

PANEL ASSY-P37 MISC RELAY R (PITOT STATIC PROBE ANTI-ICING ONLY)  
FIGURE 2

**30-31-71-02**

BRI  
MAY 28/07

30-31-71-02  
PAGE 0



757

PARTS CATALOG (MAINTENANCE)

FIG ITEM	PART NUMBER	1 2 3 4 5 6 7	NOMENCLATURE	EFFECT FROM TO	UNITS PER ASSY
2			PANEL ASSY-P37 MISC RELAY R (PITOT STATIC PROBE ANTI-ICING ONLY)	002004 006100 107107 121503 904999	
- 1	284N1127-1		PANEL ASSY-P37 MISC RELAY R (PILOT STATIC PROBE ANTI-ICING ONLY) VARIABLE DRAWING REF: 284N1127-5028 284N1127-5039 284N1127-5063 284N1127-5064 284N1127-5068 REWORKED BY SB: 33-0039 34-0200 REWORKED BY ALERT SB: 27A0130 FOR NHA/OTHER SYS DET SEE: 31-01-37-01B	002004 006100 107107 121503 904999	RF
5	BAC27TEX0754		.DECAL- PLACARD CONTENT: K310	002004 006100 121503 904999	1
7	BAC27TEX0754		.DECAL- PLACARD CONTENT: K310	107107	1
10	BAC27TEX0756		.DECAL- POSITION DATA: K312	002004 006100 121503 904999	1
12	BAC27TEX0756		.DECAL- PLACARD CONTENT: K312	107107	1
15	080-20465-01		.RELAY- SUPPLIER CODE: V95266 ELECTRICAL EQUIP NUMBER: K00310 K00312 OPTIONAL PART: 770-662-1 VF0553	002004 006100 107107 121503 904999	2

MISSING ITEM NUMBERS NOT APPLICABLE

- ITEM NOT ILLUSTRATED

30-31-71-02

30-31-71  
FIG. 02  
PAGE 1  
JAN 20/09

BRI



757

PARTS CATALOG (MAINTENANCE)

FIG ITEM	PART NUMBER	1 2 3 4 5 6 7	NOMENCLATURE	EFFECT FROM TO	UNITS PER ASSY
2 15	770-662-1		.RELAY- SUPPLIER CODE: VF0553 ELECTRICAL EQUIP NUMBER: K00310 K00312	002004 006100 107107 121503 904999	2
- 200	286N1270-002		WIRE BUNDLE ASSY- REWORKED BY ALERT SB: 27A0130 34A0222	121503 904949	RF
- 200	286N1270-003		WIRE BUNDLE ASSY- REWORKED BY ALERT SB: 34A0222	107107	RF
- 200	286N1270-005		WIRE BUNDLE ASSY- REWORKED BY SB: 33-0039 34-0200 REWORKED BY ALERT SB: 27A0130 34A0222	002004 006100 950999	RF
205	000300-1560		.SOCKET- SUPPLIER CODE: V05574 ELECTRICAL EQUIP NUMBER: D02086 D02090 WIRING DIAGRAM REF: 303112	002004 006100 107107 121503 904999	2

MISSING ITEM NUMBERS NOT APPLICABLE

- ITEM NOT ILLUSTRATED

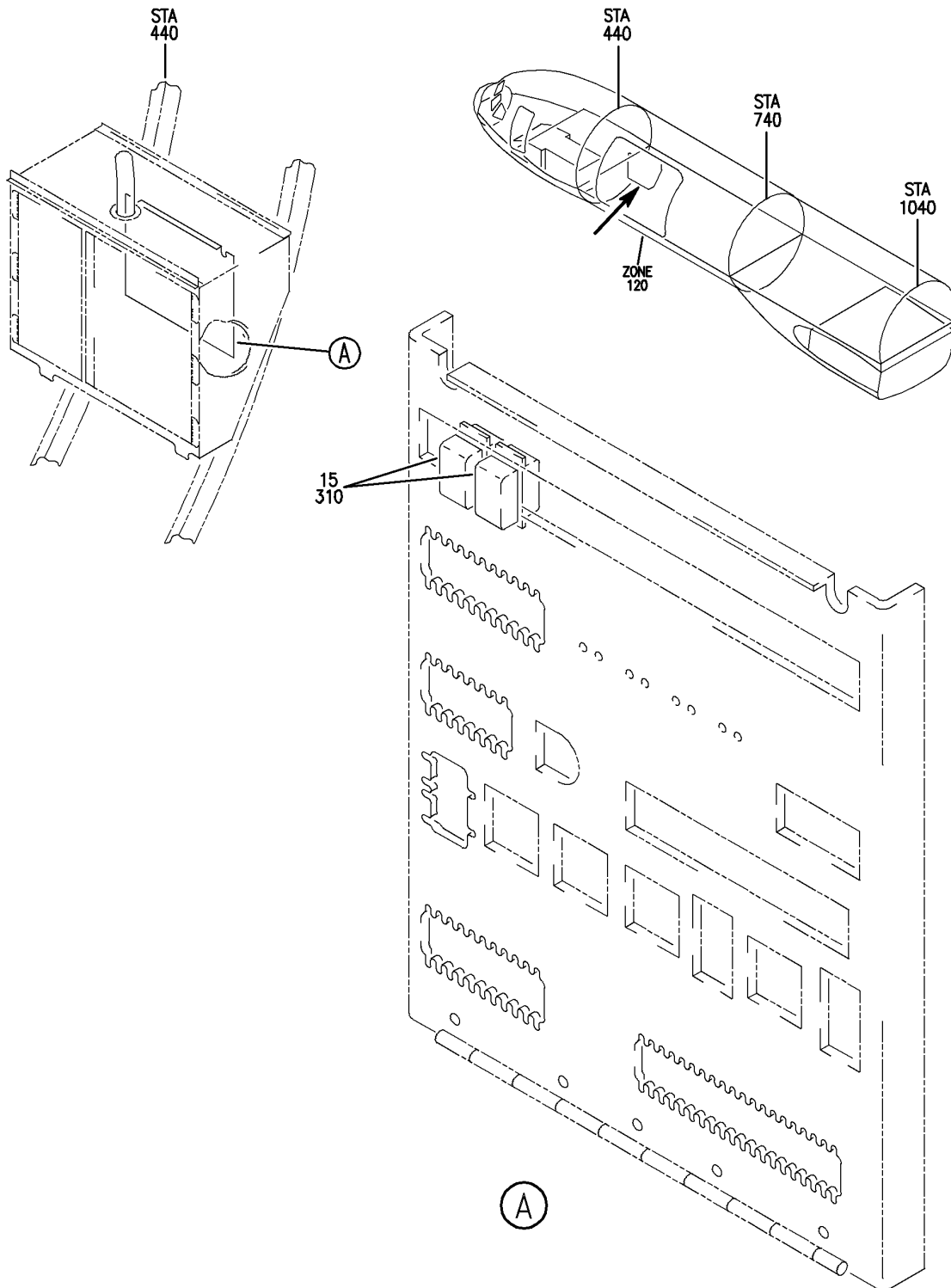
BRI

30-31-71-02

BOEING PROPRIETARY - Copyright © - Unpublished Work - See title page for details.

30-31-71  
FIG. 02  
PAGE 2  
JAN 20/09

**BOEING**  
 757  
 PARTS CATALOG (MAINTENANCE)



Y 30317102B REV 226

PACKAGE ASSY-OPTION P37 MISC RELAY (PITOT STATIC PROBE ANTI-ICING ONLY)  
 FIGURE 2B

**30-31-71-02B**

BRI  
 MAY 28/07

30-31-71-02B  
 PAGE 0



757

PARTS CATALOG (MAINTENANCE)

FIG ITEM	PART NUMBER	1 2 3 4 5 6 7	NOMENCLATURE	EFFECT FROM TO	UNITS PER ASSY
2B			PACKAGE ASSY-OPTION P37 MISC RELAY (PITOT STATIC PROBE ANTI-ICING ONLY)	101102 504903	
- 1	284N1127-1041		PACKAGE ASSY-OPTION P37 MISC RELAY (PILOT STATIC PROBE ANTI-ICING ONLY) MISCELLANEOUS DATA: 757 MAJOR MODEL REWORKED BY ALERT SB: 27A0130 FOR NHA/OTHER SYS DET SEE: 31-01-37-02	101102 504903	RF
15	080-20465-01		.RELAY- SUPPLIER CODE: V95266 ELECTRICAL EQUIP NUMBER: K00310 K00312	101102 504903	2
- 300	286N1270-336		WIRE BUNDLE ASSY- REWORKED BY ALERT SB: 34A0222 27A0130	504903	RF
- 301	286N1270-361		WIRE BUNDLE ASSY- REWORKED BY ALERT SB: 34A0222 27A0130	101101	RF
- 302	286N1270-399		WIRE BUNDLE ASSY- REWORKED BY ALERT SB: 34A0222 27A0130	102102	RF
310	000300-1560		.SOCKET- SUPPLIER CODE: V05574 ELECTRICAL EQUIP NUMBER: D02086 D02090 WIRING DIAGRAM REF: 303112	101102 504903	2

MISSING ITEM NUMBERS NOT APPLICABLE

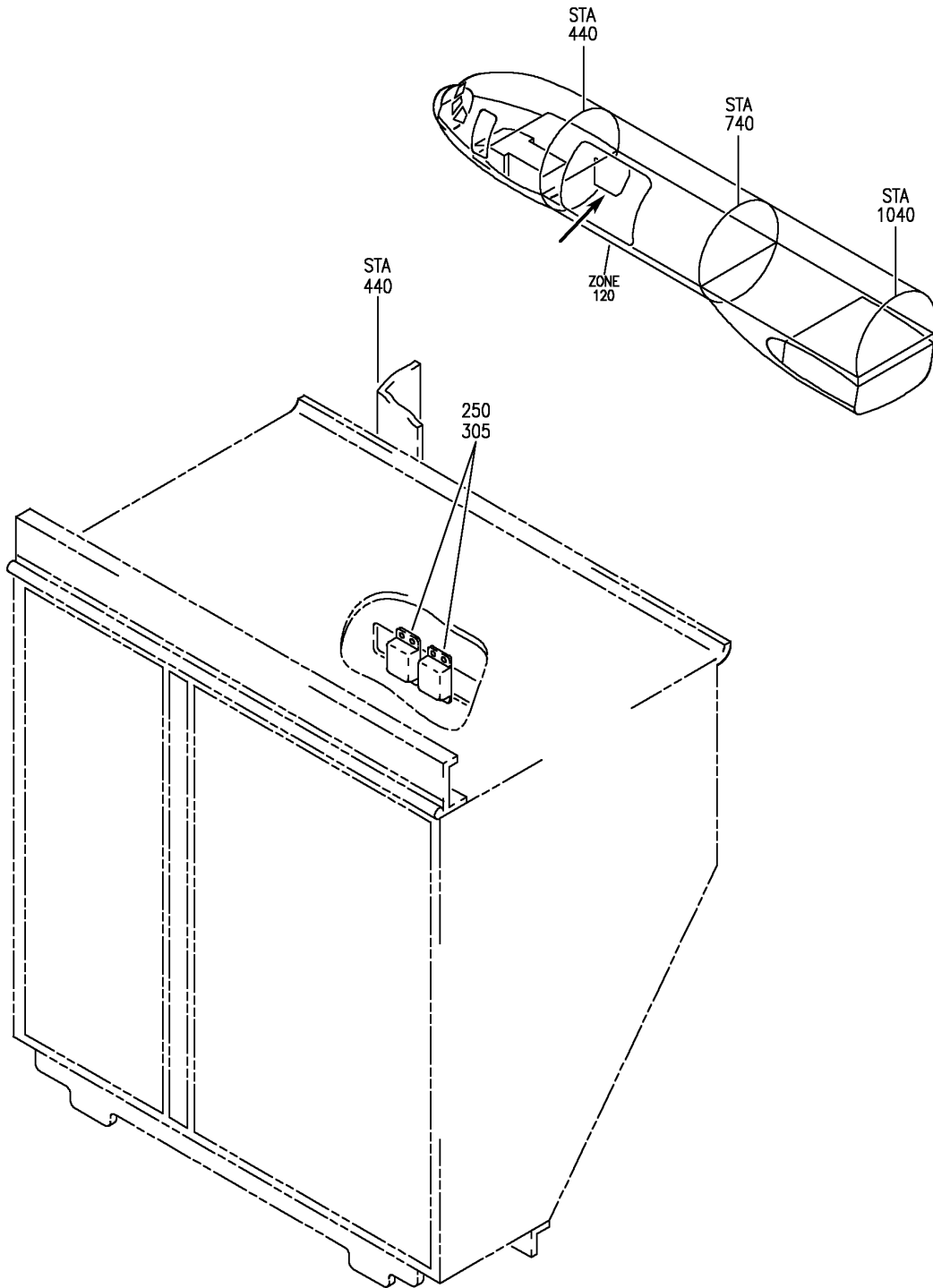
- ITEM NOT ILLUSTRATED

**30-31-71-02B**

30-31-71  
FIG. 02B  
PAGE 1  
JAN 20/09

BRI

**BOEING**  
757  
PARTS CATALOG (MAINTENANCE)



Y 30317102D REV 250

PANEL INSTL-P37 R MISC RELAY (PITOT PROBE ANTI-ICING ONLY)  
FIGURE 2D

**30-31-71-02D**

BRI  
JAN 20/09

30-31-71-02D  
PAGE 0



757

PARTS CATALOG (MAINTENANCE)

FIG ITEM	PART NUMBER	1 2 3 4 5 6 7	NOMENCLATURE	EFFECT FROM TO	UNITS PER ASSY
2D			PANEL INSTL-P37 R MISC RELAY (PITOT PROBE ANTI-ICING ONLY)	103106 108120	
- 1	MODREF185037		PANEL INSTL-P37 R MISC RELAY (PITOT PROBE ANTI-ICING ONLY) MODULE NUMBER: 284N1127-169 REV D FOR OTHER SYS DETAILS SEE: 11-36-12-02A 21-25-71-02D 21-44-71-02D 21-45-31-01D 21-51-55-01D 21-58-71-02D 21-61-71-02D 23-31-51-05 24-21-51-05 24-51-01-02 24-51-02-03 24-51-58-02D 27-62-71-03D 28-22-71-03D 29-21-71-01D 30-11-71-02D 30-21-71-03D 30-32-71-02D 30-33-71-02D 30-34-51-01D 31-01-37-10 31-31-71-02D 32-09-02-04D 32-42-71-02D 32-61-71-02D 33-43-55-01D 33-51-71-01D 34-12-71-02D 34-25-50-01D 34-61-52-01D 35-21-71-02D 36-11-71-02D 38-15-71-02D 73-21-55-01D 74-31-71-02D 76-11-71-02D 77-12-71-01D 78-34-71-02D 78-36-71-02D 80-11-71-02D	106106	1
MISSING ITEM NUMBERS NOT APPLICABLE					

- ITEM NOT ILLUSTRATED

30-31-71-02D

30-31-71  
FIG. 02D  
PAGE 1  
JAN 20/09

BRI





757

PARTS CATALOG (MAINTENANCE)

FIG ITEM	PART NUMBER	1 2 3 4 5 6 7	NOMENCLATURE	EFFECT FROM TO	UNITS PER ASSY
2D - 3	284N1127-118		PANEL INSTL-P37 R MISC RELAY (PITOT PROBE ANTI-ICING ONLY) FOR NHA/OTHER SYS DET SEE: 24-00-58-05C	108108	RF
- 4	284N1127-139		PANEL INSTL-P37 R MISC RELAY (PITOT PROBE ANTI-ICING ONLY) FOR NHA/OTHER SYS DET SEE: 24-00-58-05C	109120	RF

MISSING ITEM NUMBERS NOT APPLICABLE

- ITEM NOT ILLUSTRATED

BRI

30-31-71-02D

BOEING PROPRIETARY - Copyright © - Unpublished Work - See title page for details.

30-31-71  
FIG. 02D  
PAGE 2  
JAN 20/09



757

PARTS CATALOG (MAINTENANCE)

FIG ITEM	PART NUMBER	1 2 3 4 5 6 7	NOMENCLATURE	EFFECT FROM TO	UNITS PER ASSY
2D - 8	MODREF31945		PANEL INSTL-P37 R MISC RELAY (PITOT PROBE ANTI-ICING ONLY) MODULE NUMBER: 284N1127-169 REV B FOR OTHER SYS DETAILS SEE: 11-36-12-02A 21-25-71-02D 21-44-71-02D 21-45-31-01D 21-51-55-01D 21-58-71-02D 21-61-71-02D 23-31-51-05 24-21-51-05 24-51-01-02 24-51-02-03 24-51-58-02D 27-62-71-03D 28-22-71-03D 29-21-71-01D 30-11-71-02D 30-21-71-03D 30-32-71-02D 30-33-71-02D 30-34-51-01D 31-01-37-10 31-31-71-02D 32-09-02-04D 32-42-71-02D 32-61-71-02D 33-43-55-01D 33-51-71-01D 34-12-71-02D 34-25-50-01D 34-61-52-01D 35-21-71-02D 36-11-71-02D 38-15-71-02D 73-21-55-01D 74-31-71-02D 76-11-71-02D 77-12-71-01D 78-34-71-02D 78-36-71-02D 80-11-71-02D	103103	1

MISSING ITEM NUMBERS NOT APPLICABLE

- ITEM NOT ILLUSTRATED

# 30-31-71-02D

30-31-71  
 FIG. 02D  
 PAGE 3  
 JAN 20/09

BRI



757

PARTS CATALOG (MAINTENANCE)

FIG ITEM	PART NUMBER	1 2 3 4 5 6 7	NOMENCLATURE	EFFECT FROM TO	UNITS PER ASSY
2D - 9	MODREF34305		PANEL INSTL-P37 R MISC RELAY (PITOT PROBE ANTI-ICING ONLY) MODULE NUMBER: 284N1127-169 REV C FOR OTHER SYS DETAILS SEE: 11-36-12-02A 21-25-71-02D 21-44-71-02D 21-45-31-01D 21-51-55-01D 21-58-71-02D 21-61-71-02D 23-31-51-05 24-21-51-05 24-51-01-02 24-51-02-03 24-51-58-02D 27-62-71-03D 28-22-71-03D 29-21-71-01D 30-11-71-02D 30-21-71-03D 30-32-71-02D 30-33-71-02D 30-34-51-01D 31-01-37-10 31-31-71-02D 32-09-02-04D 32-42-71-02D 32-61-71-02D 33-43-55-01D 33-51-71-01D 34-12-71-02D 34-25-50-01D 34-61-52-01D 35-21-71-02D 36-11-71-02D 38-15-71-02D 73-21-55-01D 74-31-71-02D 76-11-71-02D 77-12-71-01D 78-34-71-02D 78-36-71-02D 80-11-71-02D	104105	1

MISSING ITEM NUMBERS NOT APPLICABLE

- ITEM NOT ILLUSTRATED

30-31-71-02D

30-31-71  
FIG. 02D  
PAGE 4  
JAN 20/09

BRI



757

PARTS CATALOG (MAINTENANCE)

FIG ITEM	PART NUMBER	1 2 3 4 5 6 7	NOMENCLATURE	EFFECT FROM TO	UNITS PER ASSY
2D 250	080-20465-01		.RELAY- SUPPLIER CODE: V95266 ELECTRICAL EQUIP NUMBER: K00310 K00312	108120	2
250	080-20465-01		.RELAY- SUPPLIER CODE: V95266 ELECTRICAL EQUIP NUMBER: K00310 K10829	103106	2
- 300	286N1270-360		WIRE BUNDLE ASSY- REWORKED BY ALERT SB: 34A0222	108120	RF
- 302 305	286N1270-602 000300-1560		WIRE BUNDLE ASSY .SOCKET- SUPPLIER CODE: V05574 ELECTRICAL EQUIP NUMBER: D02086 D02090 WIRING DIAGRAM REF: 303112	103106 108120	RF 2
305	000300-1560		.SOCKET- SUPPLIER CODE: V05574 ELECTRICAL EQUIP NUMBER: D02086 D11314 WIRING DIAGRAM REF: 303112	103106	2

MISSING ITEM NUMBERS NOT APPLICABLE

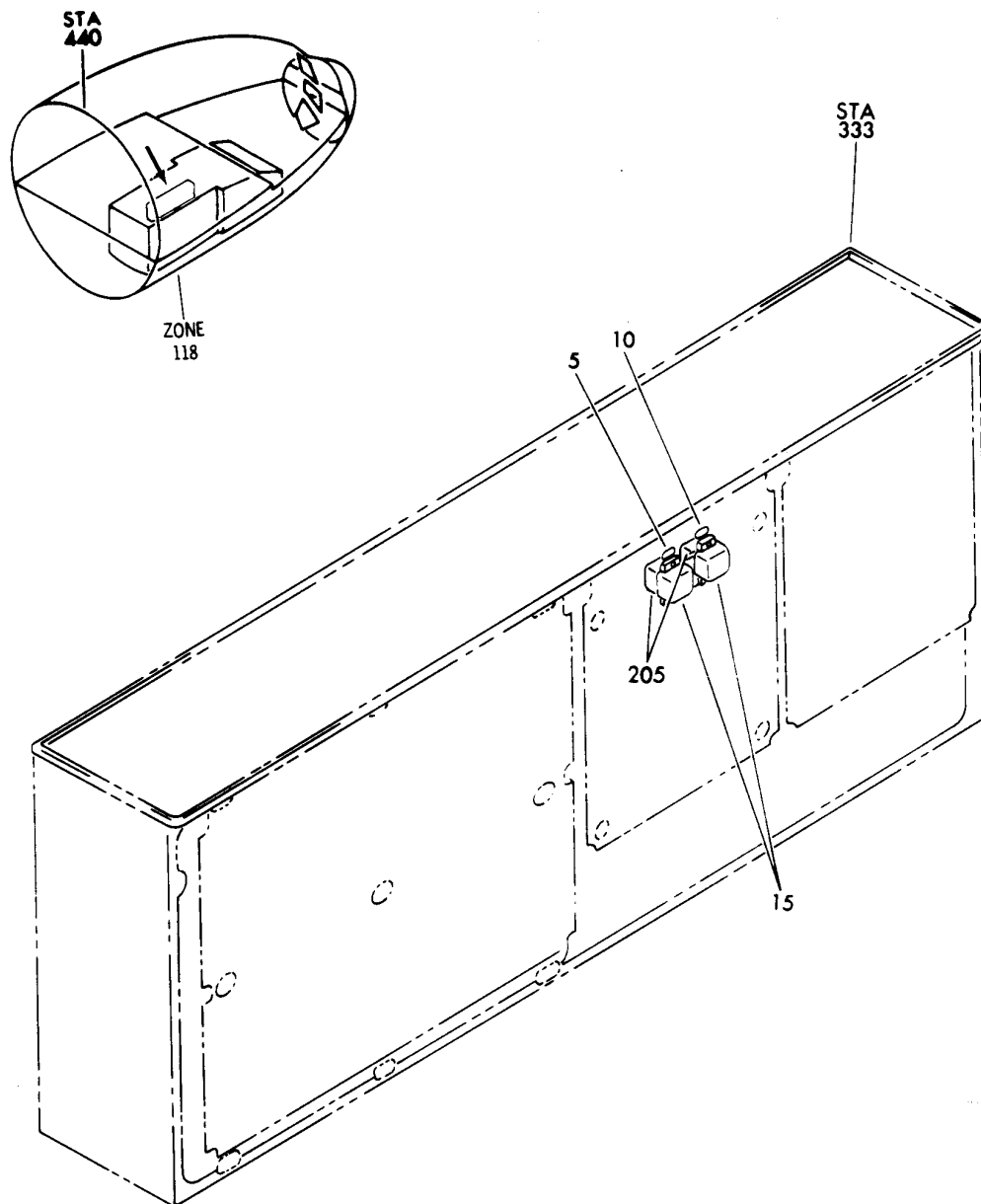
- ITEM NOT ILLUSTRATED

**30-31-71-02D**

30-31-71  
FIG. 02D  
PAGE 5  
JAN 20/09

BRI

**BOEING**  
757  
PARTS CATALOG (MAINTENANCE)



Y 30317103 SHT 1 REV 082

SHIELD ASSY-P33 MISC ELEC EQPT (PITOT STATIC PROBE ANTI-ICING ONLY)

FIGURE 3

**30-31-71-03**

BRI  
MAY 28/07

30-31-71-03  
PAGE 0



757

PARTS CATALOG (MAINTENANCE)

FIG ITEM	PART NUMBER	1 2 3 4 5 6 7	NOMENCLATURE	EFFECT FROM TO	UNITS PER ASSY
3			SHIELD ASSY-P33 MISC ELEC EQPT (PITOT STATIC PROBE ANTI-ICING ONLY)	002004 006100 107107 121503 904999	
- 1	284N1318-1		SHIELD ASSY-P33 MISC ELEC EQPT (PITOT STATIC PROBE ANTI-ICING ONLY) VARIABLE DRAWING REF: 284N1318-5016 284N1318-5019 284N1318-5021 284N1318-5023 FOR NHA/OTHER SYS DET SEE: 31-01-33-03	002004 006100 107107 121503 904999	RF
5	BAC27TEX0747		.DECAL- PLACARD CONTENT: K242	002004 006100 107107 121503 904999	1
10	BAC27TEX0748		.DECAL- PLACARD CONTENT: K243	002004 006100 107107 121503 904999	1
15	080-20465-01		.RELAY- SUPPLIER CODE: V95266 ELECTRICAL EQUIP NUMBER: K00242 K00243 OPTIONAL PART: 770-662-1 VF0553	002004 006100 107107 121503 904999	2
15	770-662-1		.RELAY- SUPPLIER CODE: VF0553 ELECTRICAL EQUIP NUMBER: K00242 K00243 OPTIONAL PART: 080-20465-01 V95266	002004 006100 107107 121503 904999	2
- 200	286N1232-002		WIRE BUNDLE ASSY-(PITOT STATIC PROBE ANTI-ICING ONLY)	121503 904949	RF
- 200	286N1232-003		WIRE BUNDLE ASSY-(PITOT STATIC PROBE ANTI-ICING ONLY)	107107	RF

MISSING ITEM NUMBERS NOT APPLICABLE

- ITEM NOT ILLUSTRATED

30-31-71-03

30-31-71  
FIG. 03  
PAGE 1  
JAN 20/09

BRI



757

PARTS CATALOG (MAINTENANCE)

FIG ITEM	PART NUMBER	1 2 3 4 5 6 7	NOMENCLATURE	EFFECT FROM TO	UNITS PER ASSY
3					
- 200	286N1230-004		WIRE BUNDLE ASSY-(PITOT STATIC PROBE ANTI-ICING ONLY)	002004 006100 950999	RF
205	000300-1560		.SOCKET- SUPPLIER CODE: V05574 ELECTRICAL EQUIP NUMBER: D02114 D02116 WIRING DIAGRAM REF: 303111	002004 006100 107107 121503 904999	2

MISSING ITEM NUMBERS NOT APPLICABLE

- ITEM NOT ILLUSTRATED

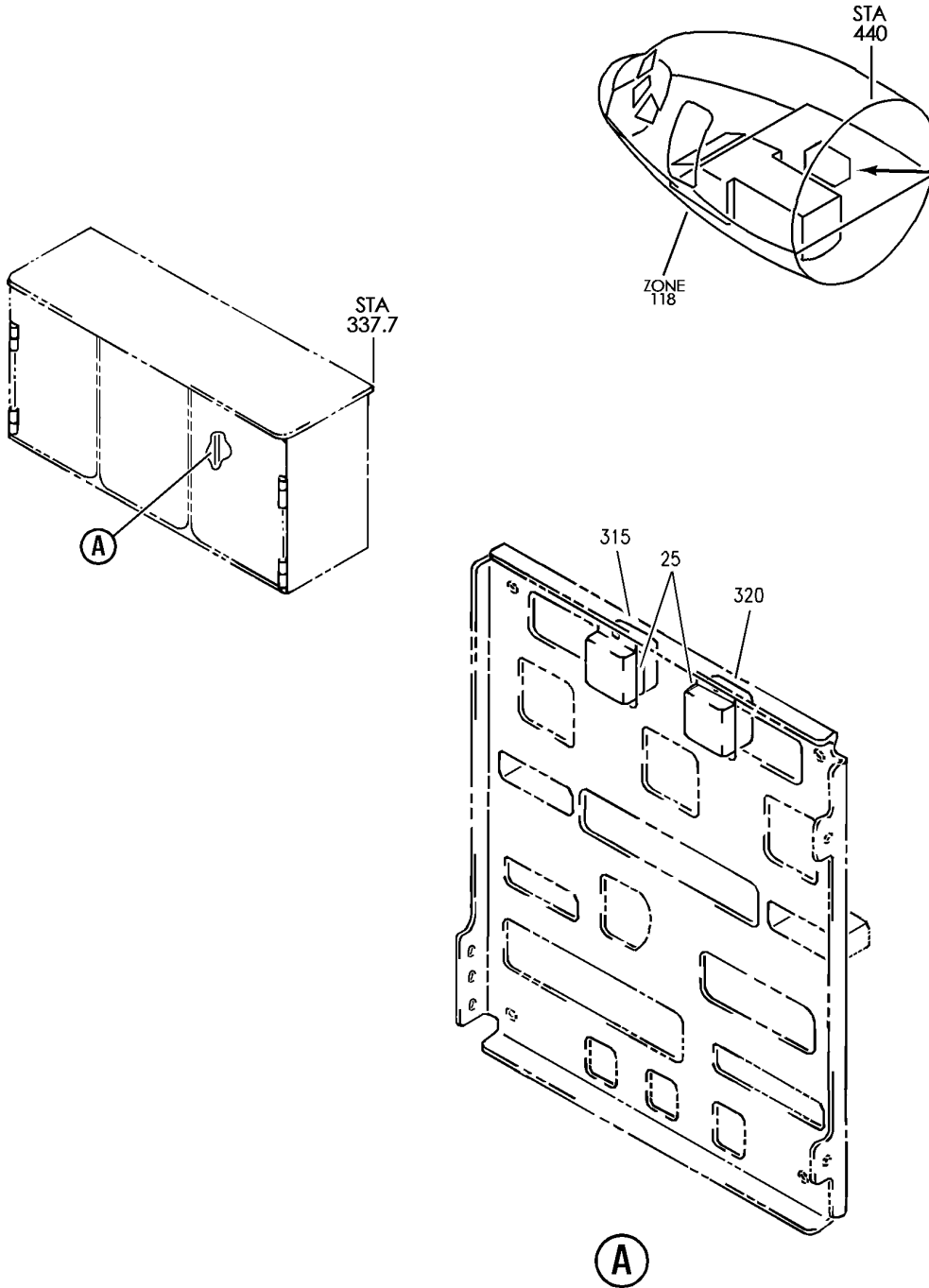
BRI

**30-31-71-03**

BOEING PROPRIETARY - Copyright © - Unpublished Work - See title page for details.

30-31-71  
FIG. 03  
PAGE 2  
JAN 20/09

**BOEING**  
757  
PARTS CATALOG (MAINTENANCE)



Y 30317103A REV 234

PACKAGE ASSY-OPTION P33 MISC ELEC EQPT (PITOT STATIC PROBE ANTI-ICING ONLY)  
FIGURE 3A

BRI  
MAY 28/07

**30-31-71-03A**

30-31-71-03A  
PAGE 0





757

PARTS CATALOG (MAINTENANCE)

FIG ITEM	PART NUMBER	1 2 3 4 5 6 7	NOMENCLATURE	EFFECT FROM TO	UNITS PER ASSY
3A			PACKAGE ASSY-OPTION P33 MISC ELEC EQPT (PITOT STATIC PROBE ANTI-ICING ONLY)	101102 108120 504903	
- 1	284N1318-1000		PACKAGE ASSY-OPTION P33 MISC ELEC EQPT (PITOT STATIC PROBE ANTI-ICING ONLY)	101102 108120 504903	RF
	25 080-20465-01		FOR NHA/OTHER SYS DET SEE: 31-01-33-01 .RELAY-	101102 108120 504903	2
			SUPPLIER CODE: V95266 ELECTRICAL EQUIP NUMBER: K00242 K00243 WIRING DIAGRAM REF: 303111		
- 300	286N1230-303		WIRE BUNDLE ASSY	101102	RF
- 305	286N1230-322		WIRE BUNDLE ASSY	504903	RF
- 305	286N1230-323		WIRE BUNDLE ASSY	108120	RF
	315 000300-1560		.SOCKET-RELAY	101102	1
			SUPPLIER CODE: V05574 ELECTRICAL EQUIP NUMBER: D02114 WIRING DIAGRAM REF: 303111	108120 504903	
	320 000300-1560		.SOCKET-RELAY	101102	1
			SUPPLIER CODE: V05574 ELECTRICAL EQUIP NUMBER: D02116 WIRING DIAGRAM REF: 303111	108120 504903	

MISSING ITEM NUMBERS NOT APPLICABLE

- ITEM NOT ILLUSTRATED

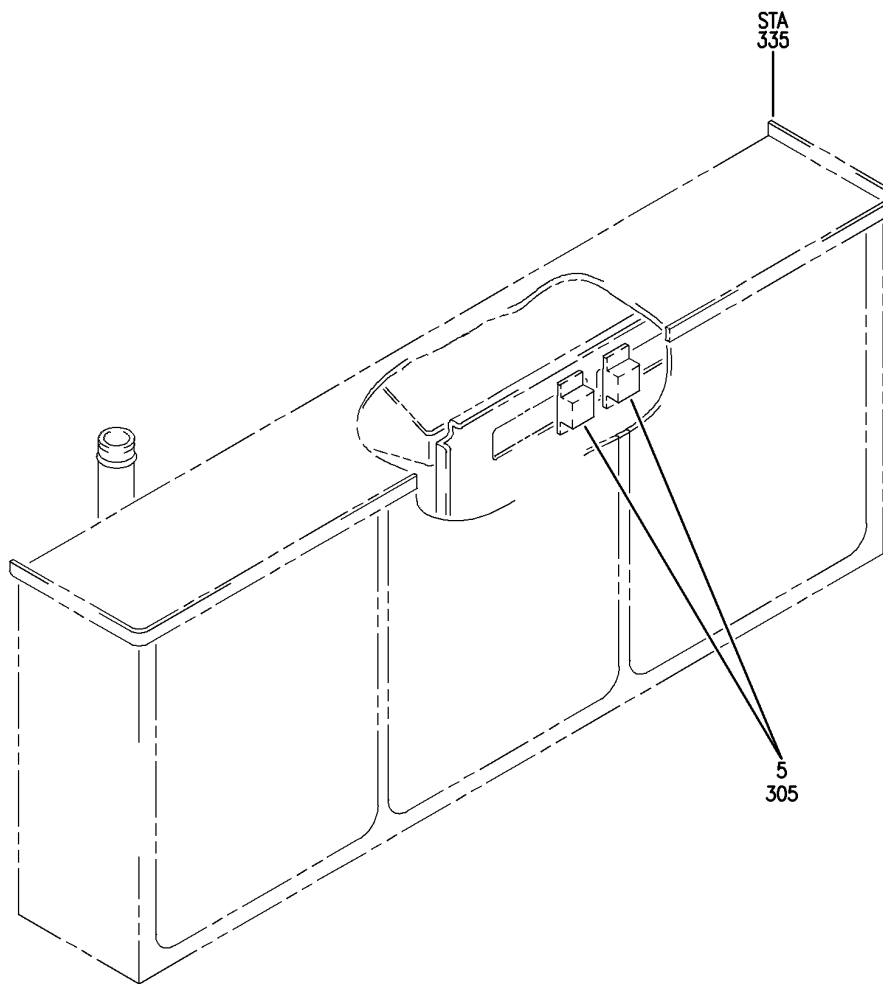
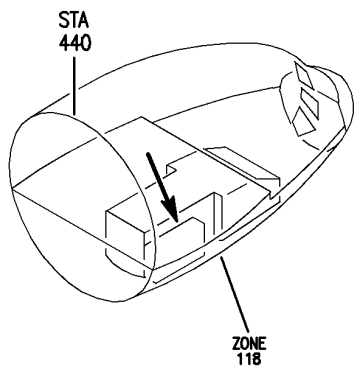
30-31-71-03A

30-31-71  
FIG. 03A  
PAGE 1  
JAN 20/09

BRI

BOEING PROPRIETARY - Copyright © - Unpublished Work - See title page for details.

**BOEING**  
757  
PARTS CATALOG (MAINTENANCE)



Y 30317103B REV 229

SHIELD INSTL-P33 MISC ELEC EQPT (PITOT PROBE ANTI-ICING ONLY)  
FIGURE 3B

**30-31-71-03B**

BRI  
JAN 20/09

30-31-71-03B  
PAGE 0



757

PARTS CATALOG (MAINTENANCE)

FIG ITEM	PART NUMBER	1 2 3 4 5 6 7	NOMENCLATURE	EFFECT FROM TO	UNITS PER ASSY
3B			SHIELD INSTL-P33 MISC ELEC EQPT (PITOT PROBE ANTI-ICING ONLY)	103106	
- 1	MODREF33173		SHIELD INSTL-P33 MISC ELEC EQPT (PITOT PROBE ANTI-ICING ONLY) MODULE NUMBER: 284N1318-107 REV B FOR OTHER SYS DETAILS SEE: 11-36-06-01B 24-53-71-03B 26-15-71-01B 27-51-71-01B 27-81-71-01B 28-21-71-01B 28-22-71-01B 28-26-71-01B 29-11-71-01B 29-21-71-03B 29-22-71-01B 30-32-71-03B 31-01-33-10 33-42-71-02B	103105	1
- 1	MODREF34797		SHIELD INSTL-P33 MISC ELEC EQPT (PITOT PROBE ANTI-ICING ONLY) MODULE NUMBER: 284N1318-107 REV C FOR OTHER SYS DETAILS SEE: 11-36-06-01B 24-53-71-03B 26-15-71-01B 27-51-71-01B 27-81-71-01B 28-21-71-01B 28-22-71-01B 28-26-71-01B 29-11-71-01B 29-21-71-03B 29-22-71-01B 30-32-71-03B 31-01-33-10 33-42-71-02B	106106	1
5	080-20465-01		.RELAY- SUPPLIER CODE: V95266 ELECTRICAL EQUIP NUMBER: K00243 K10828	103106	2

MISSING ITEM NUMBERS NOT APPLICABLE

- ITEM NOT ILLUSTRATED

**30-31-71-03B**

30-31-71  
FIG. 03B  
PAGE 1  
JAN 20/09

BRI



757

PARTS CATALOG (MAINTENANCE)

FIG ITEM	PART NUMBER	1 2 3 4 5 6 7	NOMENCLATURE	EFFECT FROM TO	UNITS PER ASSY
3B - 300 305	286N1230-701 000300-1560		WIRE BUNDLE ASSY .SOCKET- SUPPLIER CODE: V05574 ELECTRICAL EQUIP NUMBER: D02116 D11312 WIRING DIAGRAM REF: 303111	103106 103106	RF 2

MISSING ITEM NUMBERS NOT APPLICABLE

- ITEM NOT ILLUSTRATED

BRI

30-31-71-03B

BOEING PROPRIETARY - Copyright © - Unpublished Work - See title page for details.

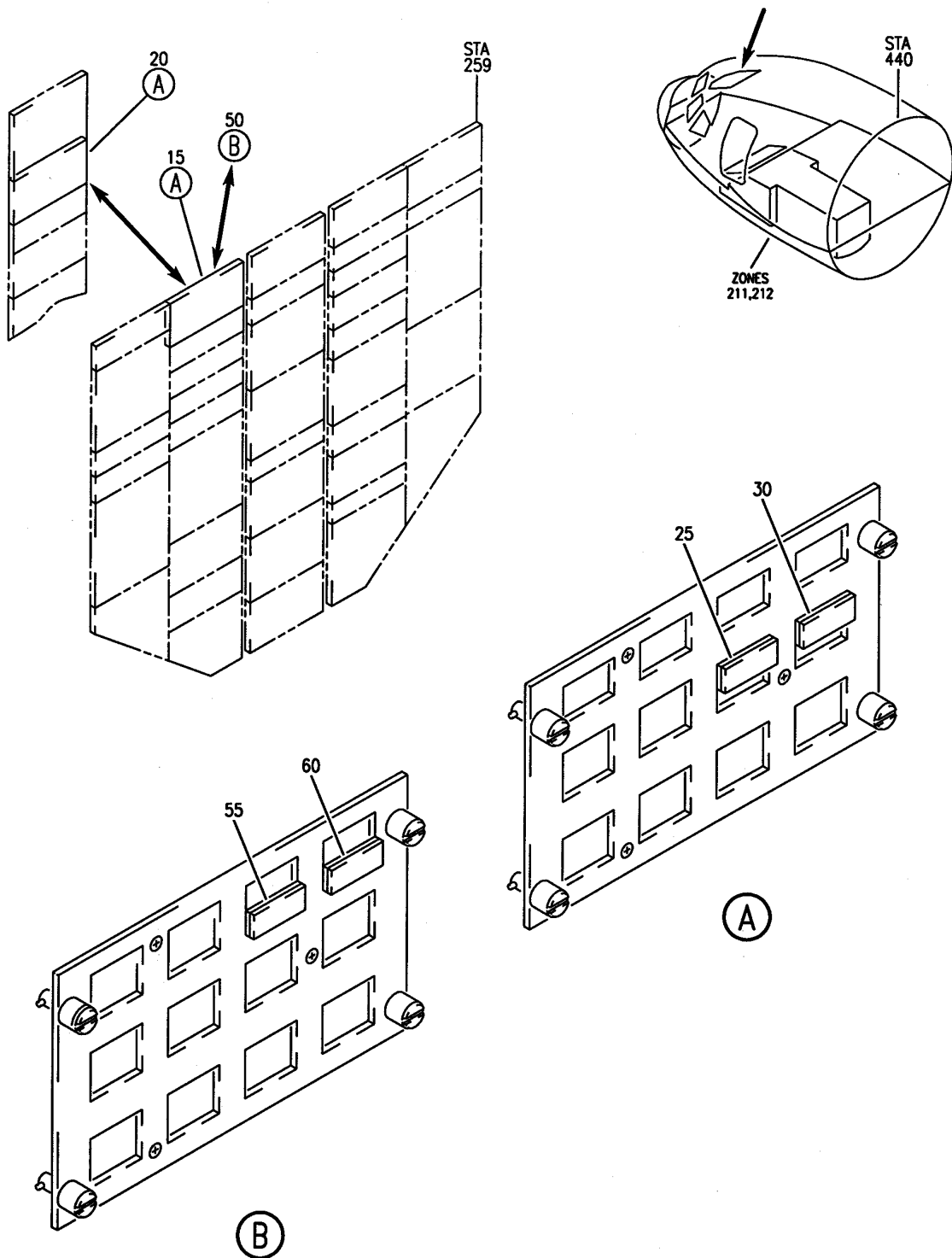
30-31-71  
FIG. 03B  
PAGE 2  
JAN 20/09

## ANGLE OF ATTACK PROBE HEAT

BRI  
MAY 28/07

30-32-00  
SECTION TITLE  
PAGE 1

**BOEING**  
757  
PARTS CATALOG (MAINTENANCE)



Y 30325101 REV 221

PANEL INSTL-P5 OVHD (ANGLE-OF-ATTACK PROBE HEAT ONLY)  
FIGURE 1

**30-32-51-01**

BRI  
MAY 28/07

30-32-51-01  
PAGE 0



757

PARTS CATALOG (MAINTENANCE)

FIG ITEM	PART NUMBER	1 2 3 4 5 6 7	NOMENCLATURE	EFFECT FROM TO	UNITS PER ASSY
1			PANEL INSTL-P5 OVHD (ANGLE-OF-ATTACK PROBE HEAT ONLY)	002004 006999	
- 1	233N3101-1		PANEL INSTL-P5 OVHD (ANGLE-OF-ATTACK PROBE HEAT ONLY) VARIABLE DRAWING REF: 233N3101-5005 233N3101-5025 233N3101-5041 233N3101-5042 233N3101-5045 233N3101-5142 FOR NHA/OTHER SYS DET SEE: 25-10-00-05A	002004 006100 107107 121503 904949 952999	RF
- 1	233N3101-1		PANEL INSTL-P5 OVHD (ANGLE-OF-ATTACK PROBE HEAT ONLY) FOR NHA/OTHER SYS DET SEE: 25-10-00-05A	950951	RF
- 3	233N3103-132		PANEL INSTL-P5 OVHD (ANGLE-OF-ATTACK PROBE HEAT ONLY) FOR NHA/OTHER SYS DET SEE: 25-10-00-15E	101102	RF
- 6	233N3103-136		PANEL INSTL-P5 OVHD (ANGLE-OF-ATTACK PROBE HEAT ONLY) FOR NHA/OTHER SYS DET SEE: 25-10-00-15E	504903	RF
- 8	233N3103-59		PANEL INSTL-P5 OVHD (ANGLE-OF-ATTACK PROBE HEAT ONLY) FOR NHA/OTHER SYS DET SEE: 25-10-00-15E	108120	RF
- 9	MODREF170180		PANEL INSTL-P5 OVHD (ANGLE-OF-ATTACK PROBE HEAT ONLY) MODULE NUMBER: 233N3103-353 REV B FOR OTHER SYS DETAILS SEE: 11-31-10-12 21-25-55-03 21-31-01-02 21-33-51-03 21-51-54-03 21-58-19-10 21-58-51-03 21-61-04-03	106106	1

MISSING ITEM NUMBERS NOT APPLICABLE

- ITEM NOT ILLUSTRATED

30-32-51-01

30-32-51  
FIG. 01  
PAGE 1  
JAN 20/09

BRI



757

PARTS CATALOG (MAINTENANCE)

FIG ITEM	PART NUMBER	1 2 3 4 5 6 7	NOMENCLATURE	EFFECT FROM TO	UNITS PER ASSY
1			21-65-51-01 22-21-01-04 22-24-51-02 23-24-01-01 23-32-00-11 23-42-02-02 23-71-05-02 24-11-52-05 24-22-01-03 24-31-01-10 24-31-03-09 24-33-04-01 24-41-51-04 24-51-62-01 26-18-51-04 27-21-53-02 27-41-55-01 27-61-51-03 27-62-52-02 28-22-51-02 28-41-04-01 28-41-51-03 29-11-02-03 29-11-05-04 29-11-52-07 29-21-54-03 29-31-00-01 29-32-51-03 29-33-52-03 30-11-51-03 30-21-51-03 30-31-51-02 30-33-51-02 30-41-51-03 30-42-51-03 31-12-11-84 31-12-11-84 A 32-42-52-03 33-11-03-03 33-11-51-17 33-13-01-65 33-13-02-03 33-16-51-03 33-24-51-02 33-41-52-04 33-42-01-04 33-42-02-04 33-42-52-04 33-43-51-04		

MISSING ITEM NUMBERS NOT APPLICABLE

- ITEM NOT ILLUSTRATED

BRI

# 30-32-51-01

BOEING PROPRIETARY - Copyright © - Unpublished Work - See title page for details.

30-32-51  
FIG. 01  
PAGE 2  
JAN 20/09





757

PARTS CATALOG (MAINTENANCE)

FIG ITEM	PART NUMBER	1 2 3 4 5 6 7	NOMENCLATURE	EFFECT FROM TO	UNITS PER ASSY
1			33-44-51-05 33-45-53-03 33-51-08-05 34-21-02-01 35-21-51-04 36-11-04-01 36-21-00-01 36-21-02-05 36-22-51-03 49-41-00-02 49-52-00-01 49-70-00-01 52-51-51-03 52-71-51-02 73-21-52-02 74-31-51-05 75-32-00-01 80-11-09-02		
- 11	MODREF33760		PANEL INSTL-P5 OVHD (ANGLE-OF-ATTACK PROBE HEAT ONLY) MODULE NUMBER: 233N3103-351 REV C FOR OTHER SYS DETAILS SEE: 11-31-10-12 21-25-55-03 21-31-01-02 21-33-51-03 21-51-54-03 21-58-19-10 21-58-51-03 21-61-04-03 21-65-51-01 22-21-01-04 23-24-01-01 23-32-00-11 22-24-51-02 23-42-02-02 23-71-05-02 24-11-52-05 24-22-01-03 24-31-01-10 24-31-03-09 24-33-04-01 24-41-51-04 24-51-62-01 26-18-51-04 27-21-53-02 27-41-55-01	103103	1

MISSING ITEM NUMBERS NOT APPLICABLE

- ITEM NOT ILLUSTRATED

# 30-32-51-01

30-32-51  
FIG. 01  
PAGE 3  
JAN 20/09

BRI



757

PARTS CATALOG (MAINTENANCE)

FIG ITEM	PART NUMBER	1 2 3 4 5 6 7 NOMENCLATURE	EFFECT FROM TO	UNITS PER ASSY
1		27-61-51-03 27-62-52-02 28-22-51-02 28-41-04-01 28-41-51-03 29-11-02-03 29-11-05-04 29-11-52-07 29-21-54-03 29-31-00-01 29-32-51-03 29-33-52-03 30-11-51-03 30-21-51-03 30-31-51-02 30-33-51-02 30-41-51-03 30-42-51-03 31-12-11-91 31-12-11-91 A 32-42-52-03 33-11-03-03 33-11-51-17 33-13-01-65 33-13-02-03 33-16-51-03 33-24-51-02 33-41-52-04 33-42-01-04 33-42-02-04 33-42-52-04 33-43-51-04 33-44-51-05 33-45-53-03 33-51-08-05 34-21-02-01 35-21-51-04 36-11-04-01 36-21-00-01 36-21-02-05 36-22-51-03 49-41-00-02 49-52-00-01 49-70-00-01 52-51-51-03 52-71-51-02 73-21-52-02 74-31-51-05 75-32-00-01		

MISSING ITEM NUMBERS NOT APPLICABLE

- ITEM NOT ILLUSTRATED

# 30-32-51-01

30-32-51  
FIG. 01  
PAGE 4  
JAN 20/09

BRI



757

PARTS CATALOG (MAINTENANCE)

FIG ITEM	PART NUMBER	1 2 3 4 5 6 7	NOMENCLATURE	EFFECT FROM TO	UNITS PER ASSY
1					
- 11	MODREF34038		80-11-09-02 PANEL INSTL-P5 OVHD (ANGLE-OF-ATTACK PROBE HEAT ONLY) MODULE NUMBER: 233N3103-351 REV D FOR OTHER SYS DETAILS SEE: 11-31-10-12 21-25-55-03 21-31-01-02 21-33-51-03 21-51-54-03 21-58-19-10 21-58-51-03 21-61-04-03 21-65-51-01 22-21-01-04 22-24-51-02 23-24-01-01 23-32-00-11 23-42-02-02 23-71-05-02 24-11-52-05 24-22-01-03 24-31-01-10 24-31-03-09 24-33-04-01 24-41-51-04 24-51-62-01 26-18-51-04 27-21-53-02 27-41-55-01 27-61-51-03 27-62-52-02 28-22-51-02 28-41-04-01 28-41-51-03 29-11-02-03 29-11-05-04 29-11-52-07 29-21-54-03 29-31-00-01 29-32-51-03 29-33-52-03 30-11-51-03 30-21-51-03 30-31-51-02 30-33-51-02 30-41-51-03	104105	1
MISSING ITEM NUMBERS NOT APPLICABLE					

- ITEM NOT ILLUSTRATED

# 30-32-51-01

30-32-51  
 FIG. 01  
 PAGE 5  
 JAN 20/09

BRI

**BOEING**  
757  
**PARTS CATALOG (MAINTENANCE)**

FIG ITEM	PART NUMBER	1 2 3 4 5 6 7	NOMENCLATURE	EFFECT FROM TO	UNITS PER ASSY
1			30-42-51-03 31-12-11-91 31-12-11-91A 32-42-52-03 33-11-03-03 33-11-51-17 33-13-01-65 33-13-02-03 33-16-51-03 33-24-51-02 33-41-52-04 33-42-01-04 33-42-02-04 33-42-52-04 33-43-51-04 33-44-51-05 33-45-53-03 33-51-08-05 34-21-02-01 35-21-51-04 36-11-04-01 36-21-00-01 36-21-02-05 36-22-51-03 49-41-00-02 49-52-00-01 49-70-00-01 52-51-51-03 52-71-51-02 73-21-52-02 74-31-51-05 75-32-00-01 80-11-09-02		
R R R R R R R R R R	15 233N3202-17		.PANEL ASSY-ANN. SUPPLIER CODE: V89954 MISCELLANEOUS DATA: FOR SPARES PROCURE DETAIL PARTS ELECTRICAL EQUIP NUMBER: M10394 COMPONENT MAINT MANUAL REF: 33-16-71 POST SERVICE BULLETIN: 24-0048	107107	RF
MISSING ITEM NUMBERS NOT APPLICABLE					

— ITEM NOT ILLUSTRATED

BRI

# 30-32-51-01

BOEING PROPRIETARY - Copyright © - Unpublished Work - See title page for details.

30-32-51  
FIG. 01  
PAGE 6  
MAY 20/09



757

PARTS CATALOG (MAINTENANCE)

FIG ITEM	PART NUMBER	1 2 3 4 5 6 7	NOMENCLATURE	EFFECT FROM TO	UNITS PER ASSY
1	15 233N3202-17		.PANEL ASSY-ANN. LIGHTS SUPPLIER CODE: V89954 ELECTRICAL EQUIP NUMBER: M10394 COMPONENT MAINT MANUAL REF: 33-16-71	101105 108503 904949 952999	RF
	15 233N3202-10		.PANEL ASSY-ANN. LIGHTS SUPPLIER CODE: V89954 ELECTRICAL EQUIP NUMBER: M10394 COMPONENT MAINT MANUAL REF: 33-16-71	504903 950951	RF
	15 233N3202-15		.PANEL ASSY-ANN. LIGHTS SUPPLIER CODE: V89954 NOT APPROVED FOR ETOPS. ELECTRICAL EQUIP NUMBER: M10394 COMPONENT MAINT MANUAL REF: 33-16-71	504903 950951	RF
	15 233N3202-21		.PANEL ASSY-ANN. LIGHTS SUPPLIER CODE: V89954 ELECTRICAL EQUIP NUMBER: M10394 COMPONENT MAINT MANUAL REF: 33-16-71	002004 006100	RF
	25 BCREf8560		..LIGHT ASSY-L AOA IND SUPPLIER CODE: V81590 OVERLENGTH PART NUMBER: 434-674-1031-2202 SPECIFICATION NUMBER: S231T300-2202 OPTIONAL PART: BCREF6119 V81590 FOR DETAILS SEE: 33-14-70-02	002004 006105 107999	1

MISSING ITEM NUMBERS NOT APPLICABLE

- ITEM NOT ILLUSTRATED

30-32-51-01

30-32-51  
FIG. 01  
PAGE 7  
JAN 20/09

BRI



757

PARTS CATALOG (MAINTENANCE)

FIG ITEM	PART NUMBER	1 2 3 4 5 6 7	NOMENCLATURE	EFFECT FROM TO	UNITS PER ASSY
1 25	BCREF6119		..LIGHT ASSY-L AOA IND SUPPLIER CODE: V81590 OVERLENGTH PART NUMBER: 434-674-1005-1202 SPECIFICATION NUMBER: S231T300-1202 OPTIONAL PART: BCREF8560 V81590 FOR DETAILS SEE: 33-14-70-02	002004 006105 107999	1
30	BCREF8561		..LIGHT ASSY-R AOA IND SUPPLIER CODE: V81590 OVERLENGTH PART NUMBER: 434-674-1031-2203 SPECIFICATION NUMBER: S231T300-2203 OPTIONAL PART: BCREF6120 V81590 FOR DETAILS SEE: 33-14-70-02	002004 006105 107999	1
30	BCREF6120		..LIGHT ASSY-R AOA IND SUPPLIER CODE: V81590 OVERLENGTH PART NUMBER: 434-674-1005-1203 SPECIFICATION NUMBER: S231T300-1203 OPTIONAL PART: BCREF8561 V81590 FOR DETAILS SEE: 33-14-70-02	002004 006105 107999	1
50	233N3202-82		.PANEL ASSY-ANN. LIGHTS SUPPLIER CODE: V89954 ELECTRICAL EQUIP NUMBER: M10394 COMPONENT MAINT MANUAL REF: 33-16-71	106106	RF

MISSING ITEM NUMBERS NOT APPLICABLE

- ITEM NOT ILLUSTRATED

**30-32-51-01**

30-32-51  
FIG. 01  
PAGE 8  
JAN 20/09

BRI



757

PARTS CATALOG (MAINTENANCE)

FIG ITEM	PART NUMBER	1 2 3 4 5 6 7	NOMENCLATURE	EFFECT FROM TO	UNITS PER ASSY
1					
55	BCREF8560		..LIGHT ASSY-L AOA IND SUPPLIER CODE: V81590 OVERLENGTH PART NUMBER: 434-674-1031-2202 SPECIFICATION NUMBER: S231T300-2202 FOR DETAILS SEE: 33-14-70-02	106106	1
55	BCREF6119		..LIGHT ASSY-L AOA IND SUPPLIER CODE: V81590 OVERLENGTH PART NUMBER: 434-674-1005-1202 SPECIFICATION NUMBER: S231T300-1202 FOR DETAILS SEE: 33-14-70-02	106106	1
60	BCREF8561		..LIGHT ASSY-R AOA IND SUPPLIER CODE: V81590 OVERLENGTH PART NUMBER: 434-674-1031-2203 SPECIFICATION NUMBER: S231T300-2203 FOR DETAILS SEE: 33-14-70-02	106106	1
60	BCREF6120		..LIGHT ASSY-R AOA IND SUPPLIER CODE: V81590 OVERLENGTH PART NUMBER: 434-674-1005-1203 SPECIFICATION NUMBER: S231T300-1203 FOR DETAILS SEE: 33-14-70-02	106106	1

MISSING ITEM NUMBERS NOT APPLICABLE

- ITEM NOT ILLUSTRATED

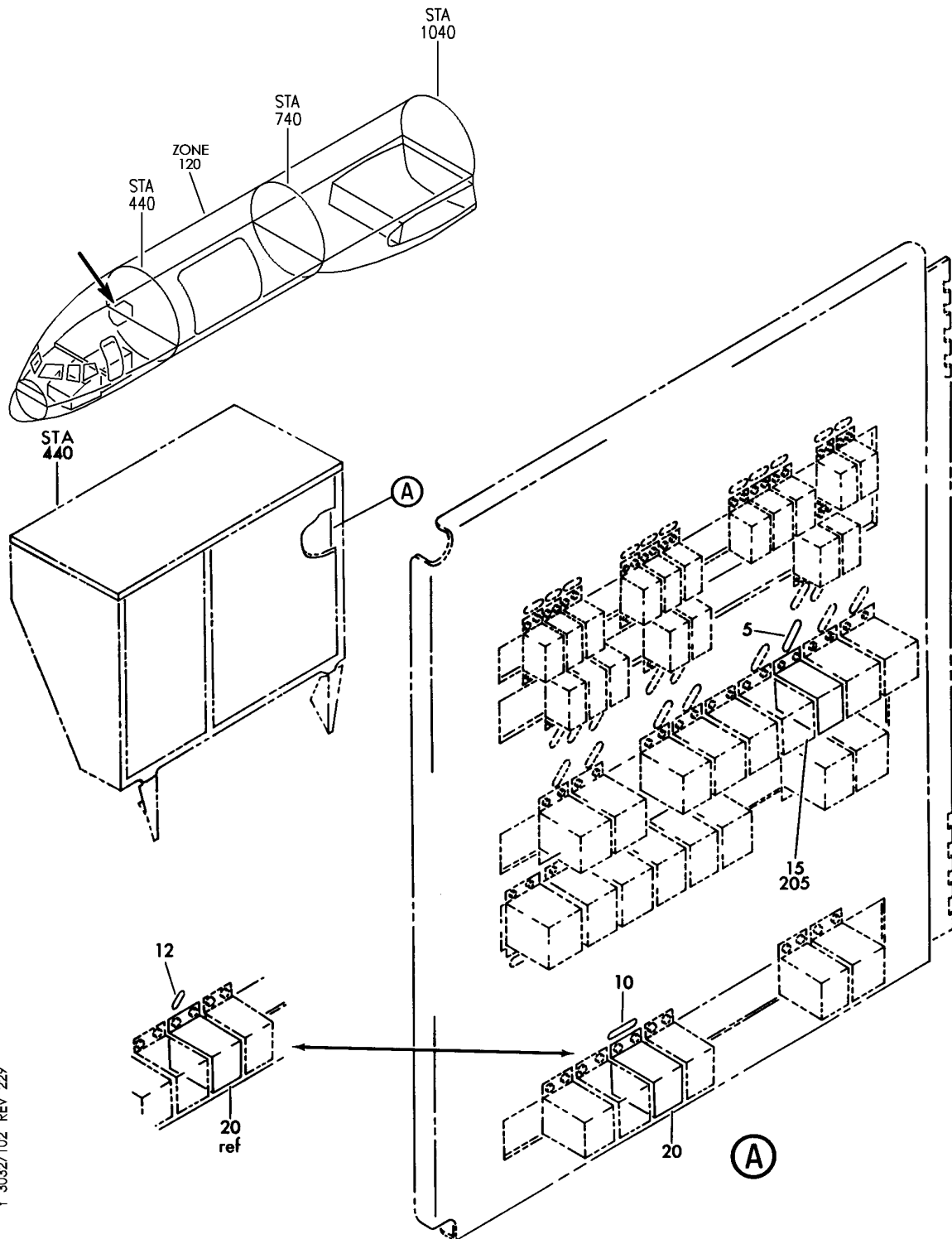
BRI

30-32-51-01

BOEING PROPRIETARY - Copyright © - Unpublished Work - See title page for details.

30-32-51  
FIG. 01  
PAGE 9  
JAN 20/09

**BOEING**  
757  
PARTS CATALOG (MAINTENANCE)



Y 30327102 REV 229

PANEL ASSY-P37 MISC RELAY R (AOA PROBE HEAT ONLY)  
FIGURE 2

**30-32-71-02**

BRI  
MAY 28/07

30-32-71-02  
PAGE 0





757

PARTS CATALOG (MAINTENANCE)

FIG ITEM	PART NUMBER	1 2 3 4 5 6 7	NOMENCLATURE	EFFECT FROM TO	UNITS PER ASSY
2			PANEL ASSY-P37 MISC RELAY R (AOA PROBE HEAT ONLY)	002004 006100 107107 121503 904999	
- 1	284N1127-1		PANEL ASSY-P37 MISC RELAY (AOA PROBE HEAT ONLY) POSITION DATA: R VARIABLE DRAWING REF: 284N1127-5028 284N1127-5039 284N1127-5063 284N1127-5064 284N1127-5068 REWORKED BY SB: 33-0039 34-0200 REWORKED BY ALERT SB: 27A0130 FOR NHA/OTHER SYS DET SEE: 31-01-37-01B	002004 006100 107107 121503 904999	RF
5	BAC27NEX1015		.DECAL- PLACARD CONTENT: K10264	002004 006100 107107 121503 904999	1
10	BAC27TEX0775		.DECAL- PLACARD CONTENT: K400	107107	1
12	BAC27TEX0775		.DECAL- PLACARD CONTENT: K400	002004 006100 121503 904999	1

MISSING ITEM NUMBERS NOT APPLICABLE

- ITEM NOT ILLUSTRATED

BRI

30-32-71-02

BOEING PROPRIETARY - Copyright © - Unpublished Work - See title page for details.

30-32-71  
FIG. 02  
PAGE 1  
JAN 20/09



757

PARTS CATALOG (MAINTENANCE)

FIG ITEM	PART NUMBER	1 2 3 4 5 6 7	NOMENCLATURE	EFFECT FROM TO	UNITS PER ASSY
2 15	E410-1537		.RELAY- SUPPLIER CODE: V99699 SPECIFICATION NUMBER: BACR13CG2A OPTIONAL PART: E415-1078 V99699 BR230S0116 V56623 KD4A017 V58687 FCA410-62 V78290 ELECTRICAL EQUIP NUMBER: K10264	002004 006100 107107 121503 904999	1
20	770-540-1		.RELAY- SUPPLIER CODE: VF0553 ELECTRICAL EQUIP NUMBER: K00400	002004 006100 107107 121503 904999	1
20	770-540-2		.RELAY- SUPPLIER CODE: VF0553 MISCELLANEOUS DATA: TRUE P/N IS 770540-2 ELECTRICAL EQUIP NUMBER: K00400	002004 006100 107107 121503 904999	1
20	770540-2		.RELAY- SUPPLIER CODE: VF5341 ELECTRICAL EQUIP NUMBER: K00400	002004 006100 107107 121503 904999	1
- 200	286N1270-002		WIRE BUNDLE ASSY- REWORKED BY SB: 34-0200 REWORKED BY ALERT SB: 34A0222	121503 904949	RF
- 200	286N1270-003		WIRE BUNDLE ASSY- REWORKED BY ALERT SB: 34A0222	107107	RF
- 200	286N1270-005		WIRE BUNDLE ASSY- REWORKED BY SB: 33-0039 34-0200 REWORKED BY ALERT SB: 34A0222	002004 006100 950999	RF

MISSING ITEM NUMBERS NOT APPLICABLE

- ITEM NOT ILLUSTRATED

30-32-71-02

30-32-71  
FIG. 02  
PAGE 2  
JAN 20/09

BRI



757

PARTS CATALOG (MAINTENANCE)

FIG ITEM	PART NUMBER	1 2 3 4 5 6 7	NOMENCLATURE	EFFECT FROM TO	UNITS PER ASSY
2 205	BACS16W1		.SOCKET- ELECTRICAL EQUIP NUMBER: D03212 WIRING DIAGRAM REF: 303211	002004 006100 107107 121503 904999	1
- 210	000300-1560		.SOCKET- SUPPLIER CODE: V05574 ELECTRICAL EQUIP NUMBER: D02094 WIRING DIAGRAM REF: 303111	002004 006100 107107 121503 904999	1

MISSING ITEM NUMBERS NOT APPLICABLE

- ITEM NOT ILLUSTRATED

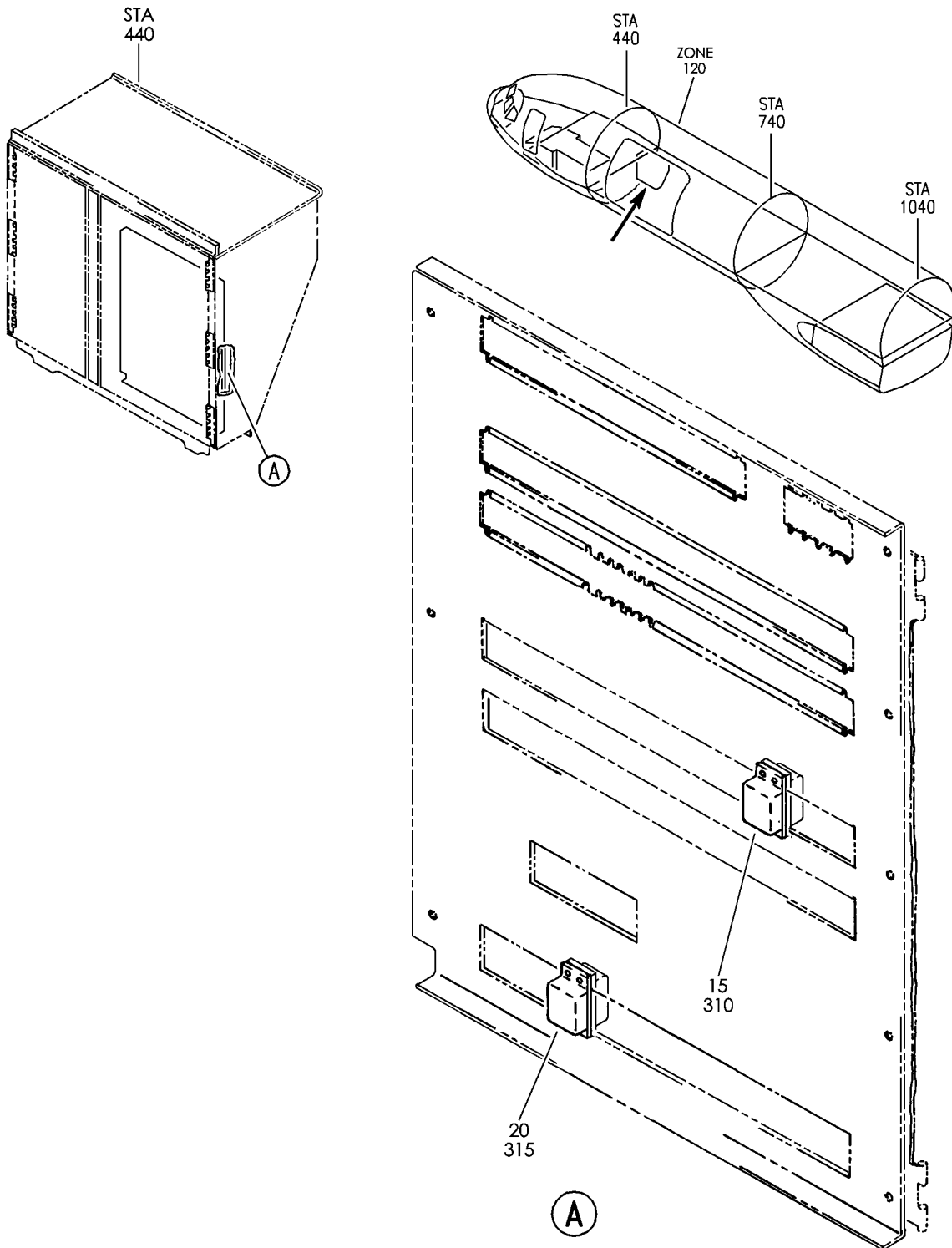
BRI

**30-32-71-02**

BOEING PROPRIETARY - Copyright © - Unpublished Work - See title page for details.

30-32-71  
FIG. 02  
PAGE 3  
JAN 20/09

**BOEING**  
 757  
 PARTS CATALOG (MAINTENANCE)



Y 30327102B REV 229

PACKAGE ASSY-OPTION P37 MISC RELAY (AOA PROBE HEAT ONLY)  
 FIGURE 2B

**30-32-71-02B**

BRI  
 MAY 28/07

30-32-71-02B  
 PAGE 0



757

PARTS CATALOG (MAINTENANCE)

FIG ITEM	PART NUMBER	1 2 3 4 5 6 7	NOMENCLATURE	EFFECT FROM TO	UNITS PER ASSY
2B			PACKAGE ASSY-OPTION P37 MISC RELAY (AOA PROBE HEAT ONLY)	101102 504903	
1	284N1127-1041		PACKAGE ASSY-OPTION P37 MISC RELAY (AOA PROBE HEAT ONLY)	101102 504903	RF
15	E410-1537		MISCELLANEOUS DATA: 757 MAJOR MODEL REWORKED BY ALERT SB: 27A0130 FOR NHA/OTHER SYS DET SEE: 31-01-37-02 .RELAY-	101102 504903	1
20	770-540-1		SUPPLIER CODE: V99699 SPECIFICATION NUMBER: BACR13CG2A OPTIONAL PART: E415-1078 V99699 BR230S0116 V56623 KD4A017 V58687 FCA410-62 V78290 ELECTRICAL EQUIP NUMBER: K10264 .RELAY-	101102 504903	1
20	770-540-2		SUPPLIER CODE: VF0553 ELECTRICAL EQUIP NUMBER: K00400 .RELAY-	101102 504903	1
20	770540-2		SUPPLIER CODE: VF0553 MISCELLANEOUS DATA: TRUE P/N IS 770540-2 ELECTRICAL EQUIP NUMBER: K00400 .RELAY-	101102 504903	1
- 300	286N1270-336		WIRE BUNDLE ASSY- REWORKED BY ALERT SB: 34A0222 27A0130	504903	RF

MISSING ITEM NUMBERS NOT APPLICABLE

- ITEM NOT ILLUSTRATED

30-32-71-02B

30-32-71  
FIG. 02B  
PAGE 1  
JAN 20/09

BRI

BOEING PROPRIETARY - Copyright © - Unpublished Work - See title page for details.



757

PARTS CATALOG (MAINTENANCE)

FIG ITEM	PART NUMBER	1 2 3 4 5 6 7	NOMENCLATURE	EFFECT FROM TO	UNITS PER ASSY
2B - 301	286N1270-361		WIRE BUNDLE ASSY- REWORKED BY ALERT SB: 34A0222 27A0130	101101	RF
- 302	286N1270-399		WIRE BUNDLE ASSY- REWORKED BY ALERT SB: 34A0222 27A0130	102102	RF
310	BACS16W1		.SOCKET- ELECTRICAL EQUIP NUMBER: D03212 WIRING DIAGRAM REF: 303211	101102 504903	1
315	000300-1560		.SOCKET- SUPPLIER CODE: V05574 ELECTRICAL EQUIP NUMBER: D02094 WIRING DIAGRAM REF: 303211	101102 504903	1

MISSING ITEM NUMBERS NOT APPLICABLE

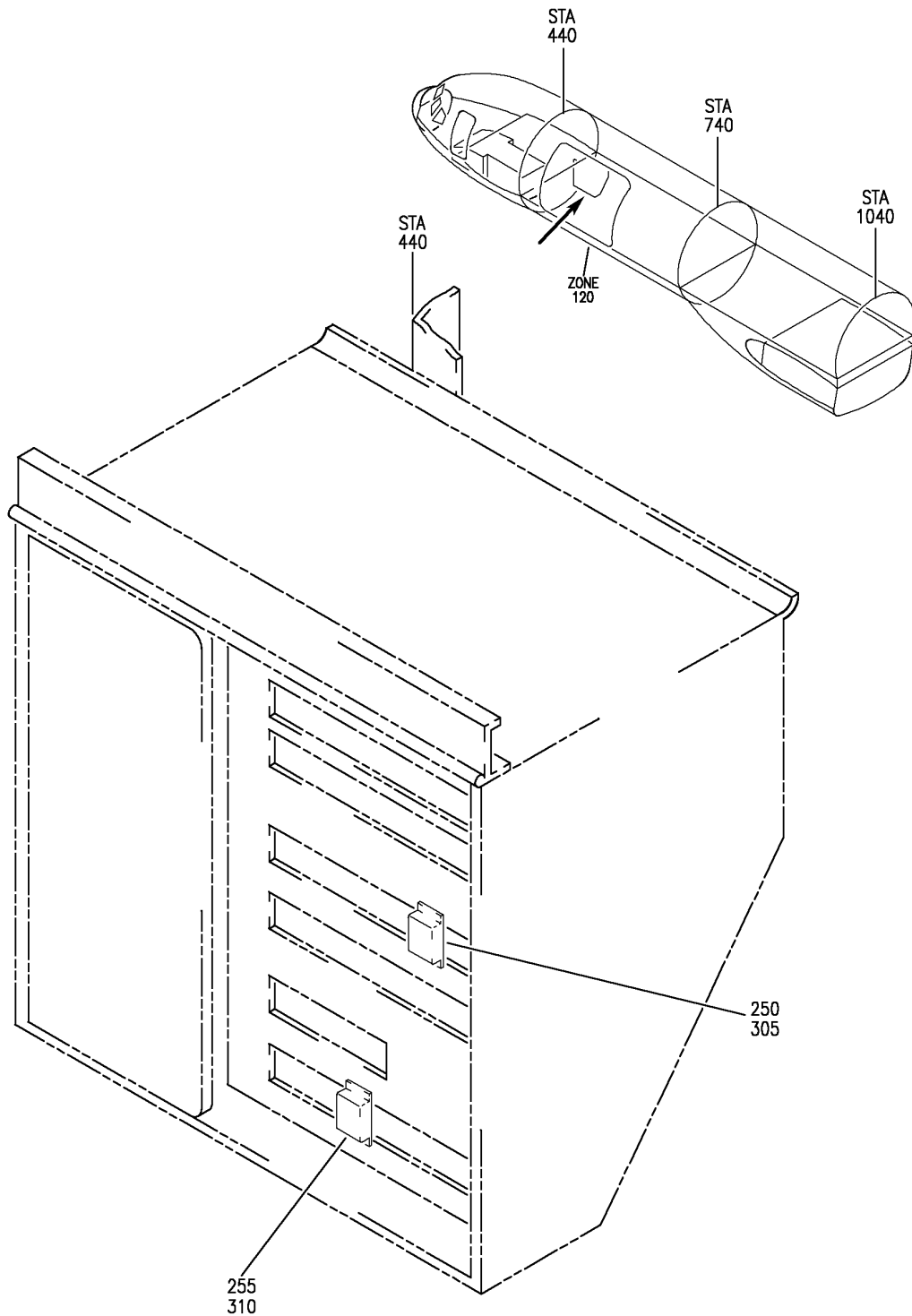
- ITEM NOT ILLUSTRATED

**30-32-71-02B**

30-32-71  
FIG. 02B  
PAGE 2  
JAN 20/09

BRI

**BOEING**  
757  
PARTS CATALOG (MAINTENANCE)



Y 30327102D REV 250

PANEL INSTL-P37 R MISC RELAY (ANGLE OF ATTACK PROBE HEAT ONLY)  
FIGURE 2D

**30-32-71-02D**

BRI  
JAN 20/09

30-32-71-02D  
PAGE 0



757

PARTS CATALOG (MAINTENANCE)

FIG ITEM	PART NUMBER	1 2 3 4 5 6 7	NOMENCLATURE	EFFECT FROM TO	UNITS PER ASSY
2D			PANEL INSTL-P37 R MISC RELAY (ANGLE OF ATTACK PROBE HEAT ONLY)	103106 108120	
- 1	MODREF185037		PANEL INSTL-P37 R MISC RELAY (ANGLE OF ATTACK PROBE HEAT ONLY) MODULE NUMBER: 284N1127-169 REV D FOR OTHER SYS DETAILS SEE: 11-36-12-02A 21-25-71-02D 21-44-71-02D 21-45-31-01D 21-51-55-01D 21-58-71-02D 21-61-71-02D 23-31-51-05 24-21-51-05 24-51-01-02 24-51-02-03 24-51-58-02D 27-62-71-03D 28-22-71-03D 29-21-71-01D 30-11-71-02D 30-21-71-03D 30-31-71-02D 30-33-71-02D 30-34-51-01D 31-01-37-10 31-31-71-02D 32-09-02-04D 32-42-71-02D 32-61-71-02D 33-43-55-01D 33-51-71-01D 34-12-71-02D 34-25-50-01D 34-61-52-01D 35-21-71-02D 36-11-71-02D 38-15-71-02D 73-21-55-01D 74-31-71-02D 76-11-71-02D 77-12-71-01D 78-34-71-02D 78-36-71-02D 80-11-71-02D	106106	1
MISSING ITEM NUMBERS NOT APPLICABLE					

- ITEM NOT ILLUSTRATED

30-32-71-02D

30-32-71  
FIG. 02D  
PAGE 1  
JAN 20/09

BRI





757

PARTS CATALOG (MAINTENANCE)

FIG ITEM	PART NUMBER	1 2 3 4 5 6 7	NOMENCLATURE	EFFECT FROM TO	UNITS PER ASSY
2D - 3	284N1127-118		PANEL INSTL-P37 R MISC RELAY (ANGLE OF ATTACK PROBE HEAT ONLY) FOR NHA/OTHER SYS DET SEE: 24-00-58-05C	108108	RF
- 4	284N1127-139		PANEL INSTL-P37 R MISC RELAY (ANGLE OF ATTACK PROBE HEAT ONLY) FOR NHA/OTHER SYS DET SEE: 24-00-58-05C	109120	RF

MISSING ITEM NUMBERS NOT APPLICABLE

- ITEM NOT ILLUSTRATED

BRI

30-32-71-02D

BOEING PROPRIETARY - Copyright © - Unpublished Work - See title page for details.

30-32-71  
FIG. 02D  
PAGE 2  
JAN 20/09



757

PARTS CATALOG (MAINTENANCE)

FIG ITEM	PART NUMBER	1 2 3 4 5 6 7	NOMENCLATURE	EFFECT FROM TO	UNITS PER ASSY
2D - 8	MODREF31945		PANEL INSTL-P37 R MISC RELAY (ANGLE OF ATTACK PROBE HEAT ONLY) MODULE NUMBER: 284N1127-169 REV B FOR OTHER SYS DETAILS SEE: 11-36-12-02A 21-25-71-02D 21-44-71-02D 21-45-31-01D 21-51-55-01D 21-58-71-02D 21-61-71-02D 23-31-51-05 24-21-51-05 24-51-01-02 24-51-02-03 24-51-58-02D 27-62-71-03D 28-22-71-03D 29-21-71-01D 30-11-71-02D 30-21-71-03D 30-31-71-02D 30-33-71-02D 30-34-51-01D 31-01-37-10 31-31-71-02D 32-09-02-04D 32-42-71-02D 32-61-71-02D 33-43-55-01D 33-51-71-01D 34-12-71-02D 34-25-50-01D 34-61-52-01D 35-21-71-02D 36-11-71-02D 38-15-71-02D 73-21-55-01D 74-31-71-02D 76-11-71-02D 77-12-71-01D 78-34-71-02D 78-36-71-02D 80-11-71-02D	103103	1

MISSING ITEM NUMBERS NOT APPLICABLE

- ITEM NOT ILLUSTRATED

# 30-32-71-02D

30-32-71  
FIG. 02D  
PAGE 3  
JAN 20/09

BRI



757

PARTS CATALOG (MAINTENANCE)

FIG ITEM	PART NUMBER	1 2 3 4 5 6 7	NOMENCLATURE	EFFECT FROM TO	UNITS PER ASSY
2D - 9	MODREF34305		PANEL INSTL-P37 R MISC RELAY (ANGLE OF ATTACK PROBE HEAT ONLY) MODULE NUMBER: 284N1127-169 REV C FOR OTHER SYS DETAILS SEE: 11-36-12-02A 21-25-71-02D 21-44-71-02D 21-45-31-01D 21-51-55-01D 21-58-71-02D 21-61-71-02D 23-31-51-05 24-21-51-05 24-51-01-02 24-51-02-03 24-51-58-02D 27-62-71-03D 28-22-71-03D 29-21-71-01D 30-11-71-02D 30-21-71-03D 30-31-71-02D 30-33-71-02D 30-34-51-01D 31-01-37-10 31-31-71-02D 32-09-02-04D 32-42-71-02D 32-61-71-02D 33-43-55-01D 33-51-71-01D 34-12-71-02D 34-25-50-01D 34-61-52-01D 35-21-71-02D 36-11-71-02D 38-15-71-02D 73-21-55-01D 74-31-71-02D 76-11-71-02D 77-12-71-01D 78-34-71-02D 78-36-71-02D 80-11-71-02D	104105	1

MISSING ITEM NUMBERS NOT APPLICABLE

- ITEM NOT ILLUSTRATED

**30-32-71-02D**

30-32-71  
FIG. 02D  
PAGE 4  
JAN 20/09

BRI



757

PARTS CATALOG (MAINTENANCE)

FIG ITEM	PART NUMBER	1 2 3 4 5 6 7	NOMENCLATURE	EFFECT FROM TO	UNITS PER ASSY
2D 250	E410-1537		.RELAY- SUPPLIER CODE: V99699 SPECIFICATION NUMBER: BACR13CG2A OPTIONAL PART: E415-1078 V99699 BR230S0116 V56623 KD4A017 V58687 FCA410-62 V78290 ELECTRICAL EQUIP NUMBER: K10264	103106 108120	1
255	770-540-1		.RELAY- SUPPLIER CODE: VF0553 ELECTRICAL EQUIP NUMBER: K00400	103106 108120	1
255	770-540-2		.RELAY- SUPPLIER CODE: VF0553 MISCELLANEOUS DATA: TRUE P/N IS 770540-2 ELECTRICAL EQUIP NUMBER: K00400	103106 108120	1
255	770540-2		.RELAY- SUPPLIER CODE: VF5341 ELECTRICAL EQUIP NUMBER: K00400	103106 108120	1
- 300	286N1270-360		WIRE BUNDLE ASSY- REWORKED BY ALERT SB: 34A022	108120	RF
- 302 305	286N1270-602 BACS16W1		WIRE BUNDLE ASSY .SOCKET- ELECTRICAL EQUIP NUMBER: D03212 WIRING DIAGRAM REF: 303211	103106 103106 108120	RF 1
310	000300-1560		.SOCKET- SUPPLIER CODE: V05574 ELECTRICAL EQUIP NUMBER: D02094 WIRING DIAGRAM REF: 303211	103106 108120	1

MISSING ITEM NUMBERS NOT APPLICABLE

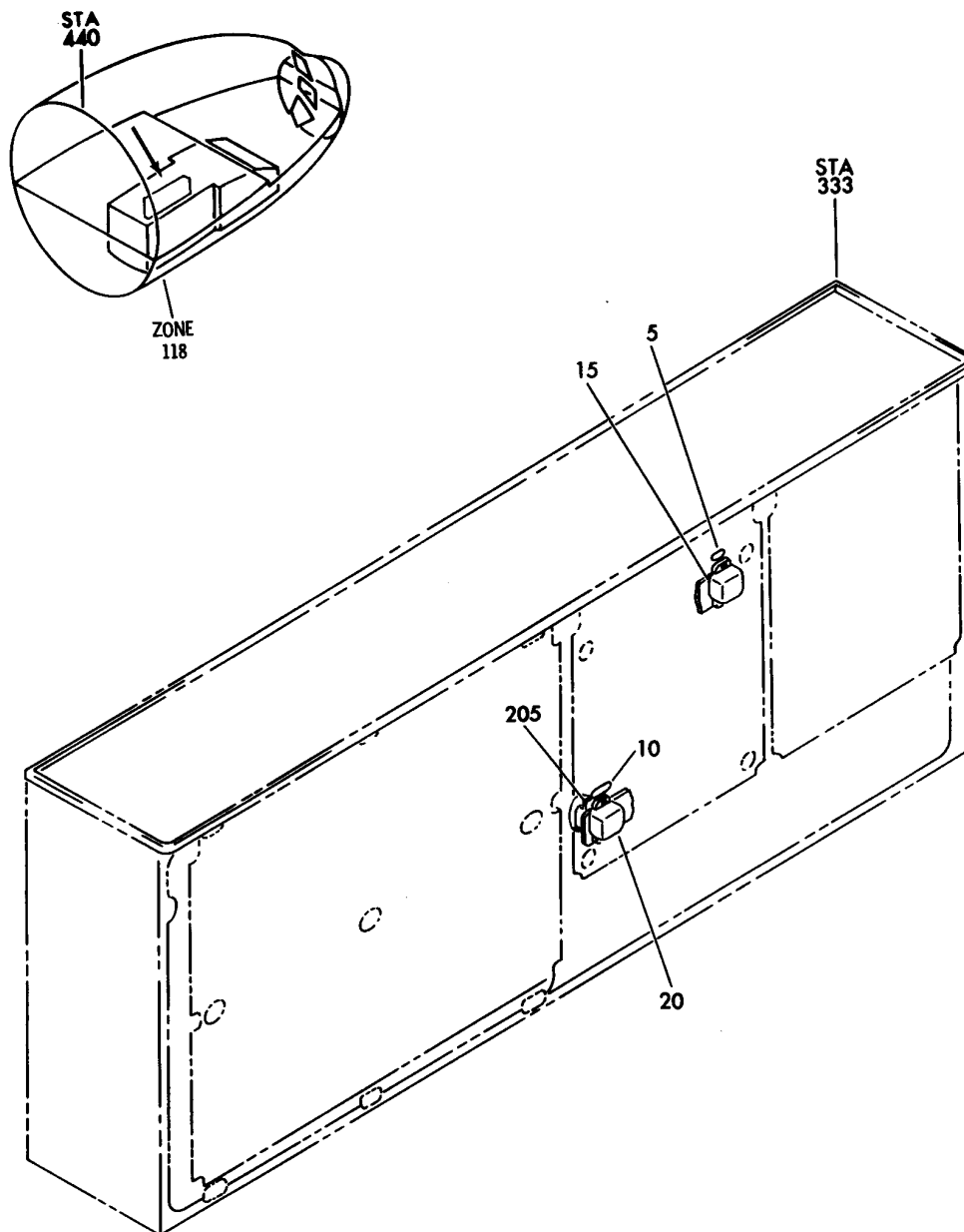
- ITEM NOT ILLUSTRATED

30-32-71-02D

30-32-71  
FIG. 02D  
PAGE 5  
JAN 20/09

BRI

**BOEING**  
757  
PARTS CATALOG (MAINTENANCE)



Y 30327103 REV 155

SHIELD ASSY-P33 MISC ELEC EQPT (AOA PROBE HEAT ONLY)  
FIGURE 3

**30-32-71-03**

BRI  
MAY 28/07

30-32-71-03  
PAGE 0



757

PARTS CATALOG (MAINTENANCE)

FIG ITEM	PART NUMBER	1 2 3 4 5 6 7	NOMENCLATURE	EFFECT FROM TO	UNITS PER ASSY
3			SHIELD ASSY-P33 MISC ELEC EQPT (AOA PROBE HEAT ONLY)	002004 006100 107107 121503 904999	
- 1	284N1318-1		SHIELD ASSY-P33 MISC ELEC EQPT (AOA PROBE HEAT ONLY) VARIABLE DRAWING REF: 284N1318-5010 284N1318-5016 284N1318-5019 284N1318-5021 284N1318-5023 FOR NHA/OTHER SYS DET SEE: 31-01-33-03	002004 006100 107107 121503 904999	RF
5	BAC27NEX0193		.DECAL- PLACARD CONTENT: K401	002004 006100 107107 121503 904999	1
10	BAC27NEX0240		.DECAL- PLACARD CONTENT: K10265	002004 006100 107107 121503 904999	1
15	770-540-1		.RELAY- SUPPLIER CODE: VF0553 MISCELLANEOUS DATA: TRUE P/N IS 770540-2 ELECTRICAL EQUIP NUMBER: K00401	002004 006100 107107 121503 904999	1
15	770-540-2		.RELAY- SUPPLIER CODE: VF0553 MISCELLANEOUS DATA: TRUE P/N IS 770540-2 ELECTRICAL EQUIP NUMBER: K00401	002004 006100 107107 121503 904999	1
15	770540-2		.RELAY- SUPPLIER CODE: VF5341 ELECTRICAL EQUIP NUMBER: K00401	002004 006100 107107 121503 904999	1

MISSING ITEM NUMBERS NOT APPLICABLE

- ITEM NOT ILLUSTRATED

30-32-71-03

30-32-71  
FIG. 03  
PAGE 1  
JAN 20/09

BRI



757

PARTS CATALOG (MAINTENANCE)

FIG ITEM	PART NUMBER	1 2 3 4 5 6 7	NOMENCLATURE	EFFECT FROM TO	UNITS PER ASSY
3 20	E410-1537		.RELAY- SUPPLIER CODE: V99699 SPECIFICATION NUMBER: BACR13CG2A OPTIONAL PART: E415-1078 V99699 BR230S0116 V56623 KD4A017 V58687 FCA410-62 V78290 ELECTRICAL EQUIP NUMBER: K10265	002004 006100 107107 121503 904999	1
- 200	286N1232-002		WIRE BUNDLE ASSY-(A0A PROBE HEAT ONLY)	121503 904949	RF
- 200	286N1232-003		WIRE BUNDLE ASSY-(A0A PROBE HEAT ONLY)	107107	RF
- 200	286N1230-004		WIRE BUNDLE ASSY-(A0A PROBE HEAT ONLY)	002004 006100 950999	RF
205	BACS16W1		.SOCKET- ELECTRICAL EQUIP NUMBER: D03300 WIRING DIAGRAM REF: 303211	002004 006100 107107 121503 904999	1

MISSING ITEM NUMBERS NOT APPLICABLE

- ITEM NOT ILLUSTRATED

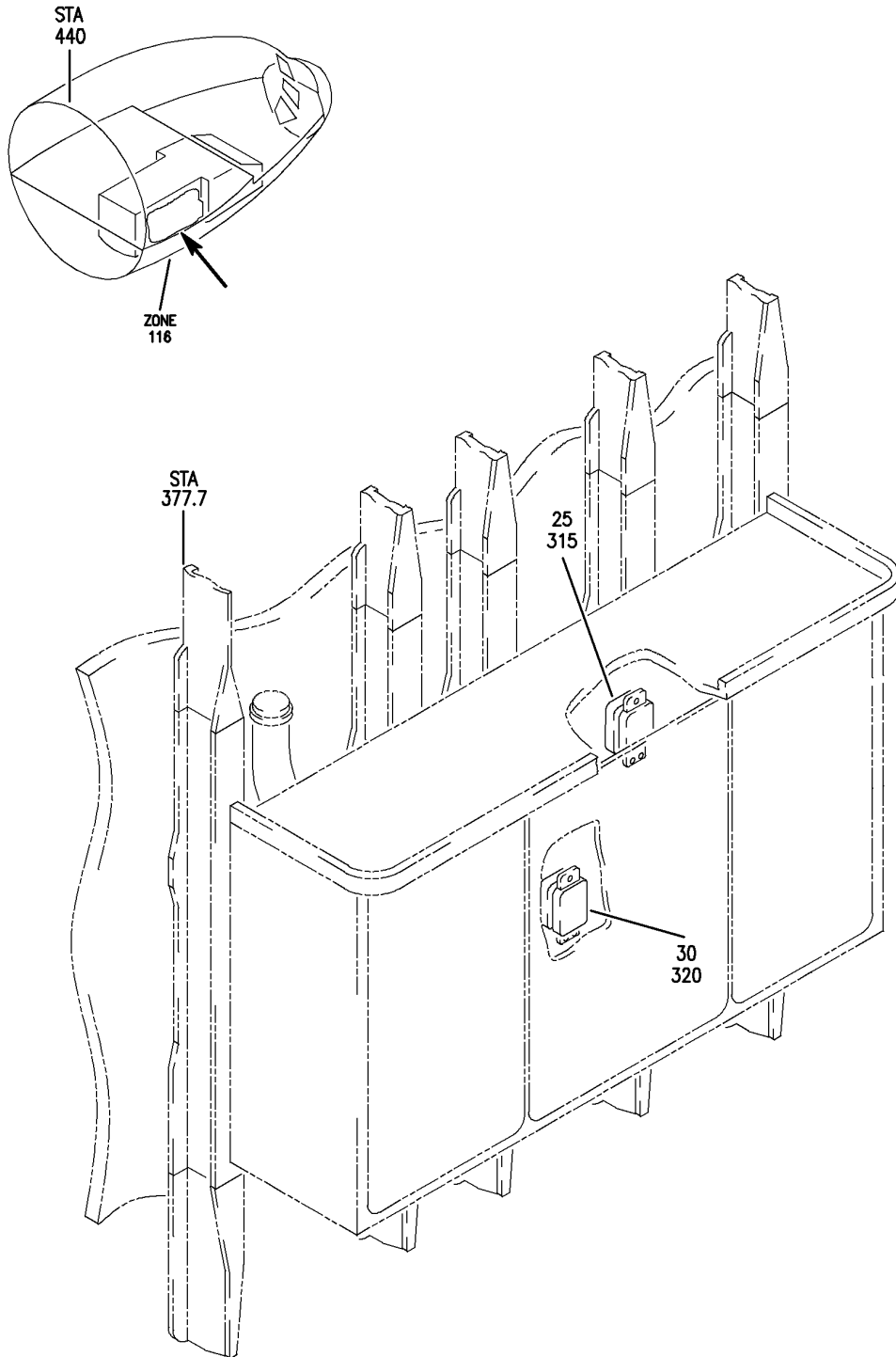
BRI

30-32-71-03

BOEING PROPRIETARY - Copyright © - Unpublished Work - See title page for details.

30-32-71  
FIG. 03  
PAGE 2  
JAN 20/09

**BOEING**  
757  
PARTS CATALOG (MAINTENANCE)



Y 30327103A REV 254

PACKAGE ASSY-OPTION P33 MISC ELEC EQPT (ANGLE-OF-ATTACK PROBE HEAT ONLY)  
FIGURE 3A

BRI  
MAY 28/07

**30-32-71-03A**

30-32-71-03A  
PAGE 0





757

PARTS CATALOG (MAINTENANCE)

FIG ITEM	PART NUMBER	1 2 3 4 5 6 7	NOMENCLATURE	EFFECT FROM TO	UNITS PER ASSY
3A			PACKAGE ASSY-OPTION P33	101102	
			MISC ELEC EQPT (ANGLE-OF-ATTACK PROBE HEAT ONLY)	108120	
- 1	284N1318-1000		PACKAGE ASSY-OPTION P33	504903	RF
			MISC ELEC EQPT (ANGLE-OF-ATTACK PROBE HEAT ONLY)	101102	
			FOR NHA/OTHER SYS DET SEE: 31-01-33-01	108120	
			504903		
25	770-540-1		.RELAY-	101102	1
			SUPPLIER CODE:	108120	
			VF0553	504903	
			ELECTRICAL EQUIP NUMBER:		
			K00401		
			WIRING DIAGRAM REF:		
			303211		
25	770-540-2		.RELAY-	101102	1
			SUPPLIER CODE:	108120	
			VF0553	504903	
			MISCELLANEOUS DATA:		
			TRUE P/N IS 770540-2		
			ELECTRICAL EQUIP NUMBER:		
			K00401		
			WIRING DIAGRAM REF:		
			303211		
25	770540-2		.RELAY-	101102	1
			SUPPLIER CODE:	108120	
			VF5341	504903	
			ELECTRICAL EQUIP NUMBER:		
			K00401		
30	E410-1537		.RELAY-	101102	1
			SUPPLIER CODE:	108120	
			V99699	504903	
			SPECIFICATION NUMBER:		
			BACR13CG2A		
			OPTIONAL PART:		
			E415-1078		
			V99699		
			BR230S0116		
			V56623		
			KD4A017		
			V58687		
			FCA410-62		
			V78290		
			ELECTRICAL EQUIP NUMBER:		
			K10265		
			WIRING DIAGRAM REF:		
			303211		
- 300	286N1230-303		WIRE BUNDLE ASSY	101102	RF
- 305	286N1230-322		WIRE BUNDLE ASSY	504903	RF

MISSING ITEM NUMBERS NOT APPLICABLE

- ITEM NOT ILLUSTRATED

30-32-71-03A

30-32-71  
FIG. 03A  
PAGE 1  
JAN 20/09

BRI



757

PARTS CATALOG (MAINTENANCE)

FIG ITEM	PART NUMBER	1 2 3 4 5 6 7	NOMENCLATURE	EFFECT FROM TO	UNITS PER ASSY
3A					
- 305	286N1230-323		WIRE BUNDLE ASSY	108120	RF
315	000300-1560		.SOCKET-RELAY	101102	1
			SUPPLIER CODE: V05574	108120	
			ELECTRICAL EQUIP NUMBER: D02120	504903	
			WIRING DIAGRAM REF: 303211		
320	BACS16W1		.SOCKET-RELAY	101102	1
			ELECTRICAL EQUIP NUMBER: D03300	108120	
			WIRING DIAGRAM REF: 303211	504903	

MISSING ITEM NUMBERS NOT APPLICABLE

- ITEM NOT ILLUSTRATED

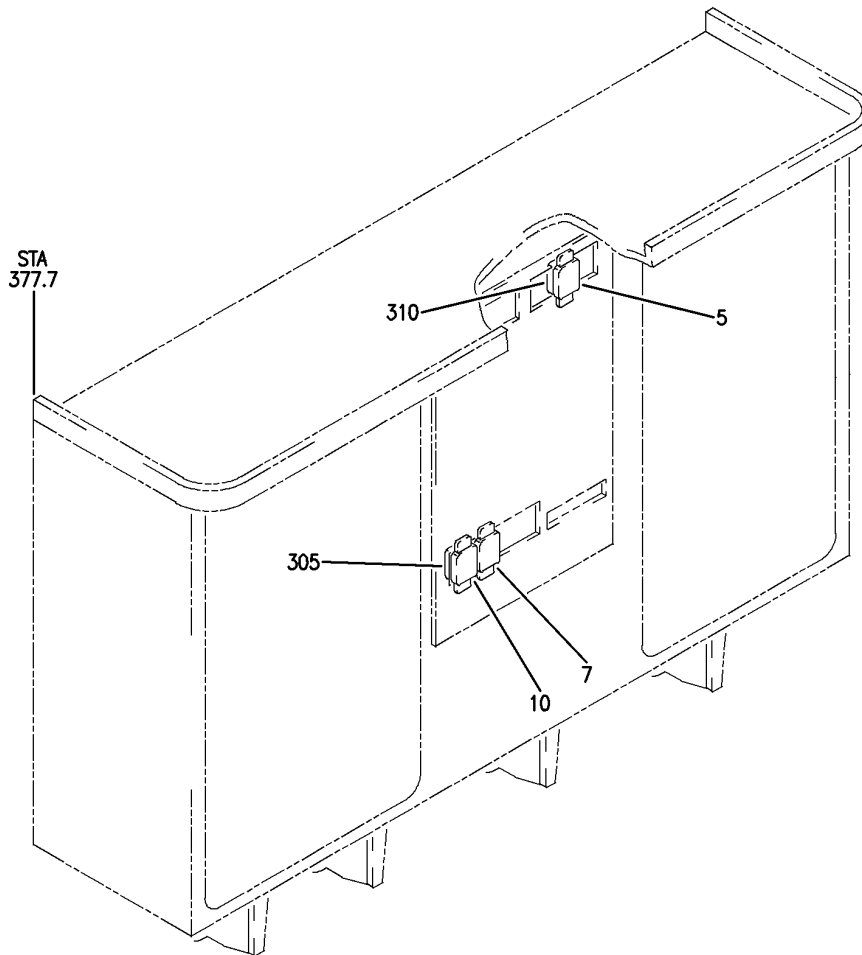
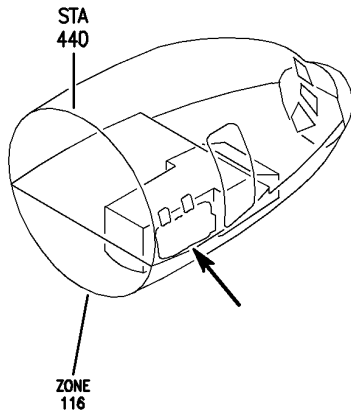
BRI

30-32-71-03A

BOEING PROPRIETARY - Copyright © - Unpublished Work - See title page for details.

30-32-71  
FIG. 03A  
PAGE 2  
JAN 20/09

**BOEING**  
757  
PARTS CATALOG (MAINTENANCE)



Y 30327103B REV 241

SHIELD INSTL-P33 MISC ELEC EQPT (ANGLE-OF-ATTACK PROBE HEAT ONLY)  
FIGURE 3B

BRI  
JAN 20/09

**30-32-71-03B**

30-32-71-03B  
PAGE 0



757

PARTS CATALOG (MAINTENANCE)

FIG ITEM	PART NUMBER	1 2 3 4 5 6 7	NOMENCLATURE	EFFECT FROM TO	UNITS PER ASSY
3B			SHIELD INSTL-P33 MISC ELEC EQPT (ANGLE-OF-ATTACK PROBE HEAT ONLY)	103106	
- 1	MODREF33173		SHIELD INSTL-P33 MISC ELEC EQPT (ANGLE-OF-ATTACK PROBE HEAT ONLY) MODULE NUMBER: 284N1318-107 REV B FOR OTHER SYS DETAILS SEE: 11-36-06-01B 24-53-71-03B 26-15-71-01B 27-51-71-01B 27-81-71-01B 28-21-71-01B 28-22-71-01B 28-26-71-01B 29-11-71-01B 29-21-71-03B 29-22-71-01B 30-31-71-03B 31-01-33-10 33-42-71-02B	103105	1
- 1	MODREF34797		SHIELD INSTL-P33 MISC ELEC EQPT (ANGLE-OF-ATTACK PROBE HEAT ONLY) MODULE NUMBER: 284N1318-107 REV C FOR OTHER SYS DETAILS SEE: 11-36-06-01B 24-53-71-03B 26-15-71-01B 27-51-71-01B 27-81-71-01B 28-21-71-01B 28-22-71-01B 28-26-71-01B 29-11-71-01B 29-21-71-03B 29-22-71-01B 30-31-71-03B 31-01-33-10 33-42-71-02B	106106	1
5	770-540-1		.RELAY- SUPPLIER CODE: VF0553 ELECTRICAL EQUIP NUMBER: K00401	103106	1

MISSING ITEM NUMBERS NOT APPLICABLE

- ITEM NOT ILLUSTRATED

**30-32-71-03B**

30-32-71  
FIG. 03B  
PAGE 1  
JAN 20/09

BRI



757

PARTS CATALOG (MAINTENANCE)

FIG ITEM	PART NUMBER	1 2 3 4 5 6 7	NOMENCLATURE	EFFECT FROM TO	UNITS PER ASSY
3B	5 770-540-2		.RELAY- SUPPLIER CODE: VF0553 MISCELLANEOUS DATA: TRUE P/N IS 770540-2 ELECTRICAL EQUIP NUMBER: K00401	103106	1
	5 770540-2		.RELAY- SUPPLIER CODE: VF5341 ELECTRICAL EQUIP NUMBER: K00401	103106	1
	7 770-540-1		.RELAY- SUPPLIER CODE: VF0553 ELECTRICAL EQUIP NUMBER: K10800	103106	1
	7 770-540-2		.RELAY- SUPPLIER CODE: VF0553 MISCELLANEOUS DATA: TRUE P/N IS 770540-2 ELECTRICAL EQUIP NUMBER: K10800	103106	1
	7 770540-2		.RELAY- SUPPLIER CODE: VF5341 ELECTRICAL EQUIP NUMBER: K10800	103106	1
	10 E410-1537		.RELAY- SUPPLIER CODE: V99699 SPECIFICATION NUMBER: BACR13CG2A OPTIONAL PART: E415-1078 V99699 BR230S0116 V56623 KD4A017 V58687 FCA410-62 V78290 ELECTRICAL EQUIP NUMBER: K10265	103106	1
- 300	286N1230-701		WIRE BUNDLE ASSY	103106	RF

MISSING ITEM NUMBERS NOT APPLICABLE

- ITEM NOT ILLUSTRATED

**30-32-71-03B**

30-32-71  
FIG. 03B  
PAGE 2  
JAN 20/09

BRI

BOEING PROPRIETARY - Copyright © - Unpublished Work - See title page for details.



757

PARTS CATALOG (MAINTENANCE)

FIG ITEM	PART NUMBER	1 2 3 4 5 6 7	NOMENCLATURE	EFFECT FROM TO	UNITS PER ASSY
3B 305	BACS16W1		. SOCKET- ELECTRICAL EQUIP NUMBER: D03300 WIRING DIAGRAM REF: 303211	103106	1
310	000300-1560		. SOCKET- SUPPLIER CODE: V05574 ELECTRICAL EQUIP NUMBER: D02120 WIRING DIAGRAM REF: 303111	103106	1

MISSING ITEM NUMBERS NOT APPLICABLE

- ITEM NOT ILLUSTRATED

BRI

30-32-71-03B

BOEING PROPRIETARY - Copyright © - Unpublished Work - See title page for details.

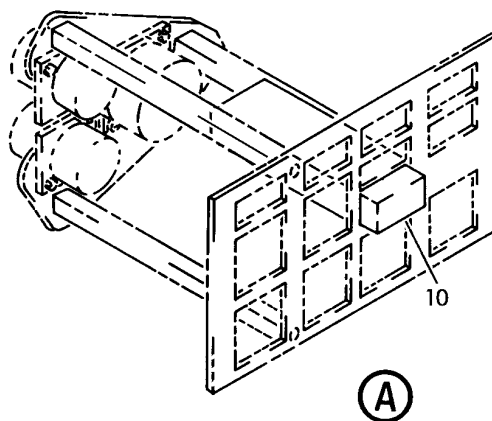
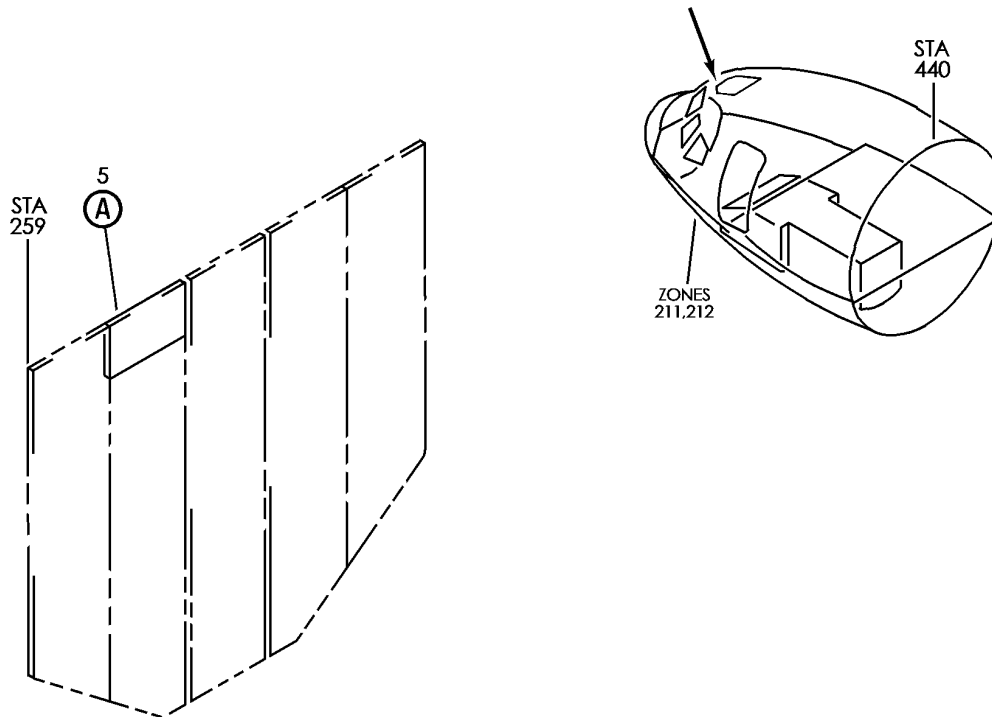
30-32-71  
FIG. 03B  
PAGE 3  
JAN 20/09

## TOTAL AIR TEMPERATURE PROBE HEAT

BRI  
MAY 28/07

30-33-00  
SECTION TITLE  
PAGE 1

**BOEING**  
757  
PARTS CATALOG (MAINTENANCE)



Y 30335101 REV 219

PANEL INSTL-P5 OVHD (TOTAL AIR TEMPERATURE PROBE HEAT ONLY)

FIGURE 1

**30-33-51-01**

BRI  
MAY 28/07

30-33-51-01  
PAGE 0





757

PARTS CATALOG (MAINTENANCE)

FIG ITEM	PART NUMBER	1 2 3 4 5 6 7	NOMENCLATURE	EFFECT FROM TO	UNITS PER ASSY
1			PANEL INSTL-P5 OVHD (TOTAL AIR TEMPERATURE PROBE HEAT ONLY)	002004 006100 107107 121503 904999	
- 1	233N3101-1		PANEL INSTL-P5 OVHD (TOTAL AIR TEMPERATURE PROBE HEAT ONLY) VARIABLE DRAWING REF: 233N3101-5005 233N3101-5025 233N3101-5041 233N3101-5042 233N3101-5045 233N3101-5142 FOR NHA/OTHER SYS DET SEE: 25-10-00-05A	002004 006100 107107 121503 904949 952999	RF
- 1	233N3101-1		PANEL INSTL-P5 OVHD (TOTAL AIR TEMPERATURE PROBE HEAT ONLY) FOR NHA/OTHER SYS DET SEE: 25-10-00-05A	950951	RF
5	233N3202-17		.PANEL ASSY-ANN. SUPPLIER CODE: V89954 MISCELLANEOUS DATA: FOR SPARES PROCURE DETAIL PARTS ELECTRICAL EQUIP NUMBER: M10394 COMPONENT MAINT MANUAL REF: 33-16-71	002004 006100 121503 904949 952999	RF
5	233N3202-10		.PANEL ASSY-ANN. SUPPLIER CODE: V89954 ELECTRICAL EQUIP NUMBER: M10394 COMPONENT MAINT MANUAL REF: 33-16-71	950951	RF
5	233N3202-15		.PANEL ASSY-ANN. SUPPLIER CODE: V89954 NOT APPROVED FOR ETOPS. ELECTRICAL EQUIP NUMBER: M10394 COMPONENT MAINT MANUAL REF: 33-16-71	950951	RF

MISSING ITEM NUMBERS NOT APPLICABLE

- ITEM NOT ILLUSTRATED

30-33-51-01

30-33-51  
FIG. 01  
PAGE 1  
JAN 20/09

BRI

**BOEING**  
757  
**PARTS CATALOG (MAINTENANCE)**

FIG ITEM	PART NUMBER	1 2 3 4 5 6 7	NOMENCLATURE	EFFECT FROM TO	UNITS PER ASSY
1 5 5 10 10	233N3202-21		.PANEL ASSY-ANN. SUPPLIER CODE: V89954 MISCELLANEOUS DATA: FOR SPARES PROCURE DETAIL PARTS ELECTRICAL EQUIP NUMBER: M10394 COMPONENT MAINT MANUAL REF: 33-16-71	002004 006100	RF
	233N3202-17		.PANEL ASSY-ANN. SUPPLIER CODE: V89954 MISCELLANEOUS DATA: FOR SPARES PROCURE DETAIL PARTS ELECTRICAL EQUIP NUMBER: M10394 COMPONENT MAINT MANUAL REF: 33-16-71 POST SERVICE BULLETIN: 24-0048	107107	RF
	BCREF8549		..LIGHT ASSY-TOTAL AIR TEMP IND SUPPLIER CODE: V81590 OVERLENGTH PART NUMBER: 434-674-1031-2112 SPECIFICATION NUMBER: S231T300-2112 OPTIONAL PART: BCREF6149 V81590 FOR DETAILS SEE: 33-14-70-02	002004 006100 107107 121503 904999	1
	BCREF6149		..LIGHT ASSY-TOTAL AIR TEMP IND SUPPLIER CODE: V81590 OVERLENGTH PART NUMBER: 434-674-1005-1112 SPECIFICATION NUMBER: S231T300-1112 OPTIONAL PART: BCREF8549 V81590 FOR DETAILS SEE: 33-14-70-02	002004 006100 107107 121503 904999	1

R  
R  
R  
R  
R  
R  
R  
R  
R  
R

MISSING ITEM NUMBERS NOT APPLICABLE

- ITEM NOT ILLUSTRATED

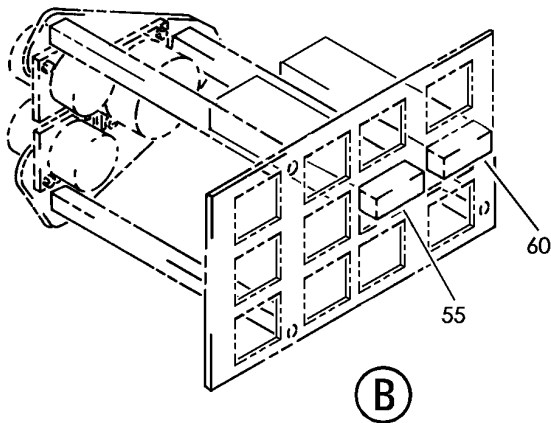
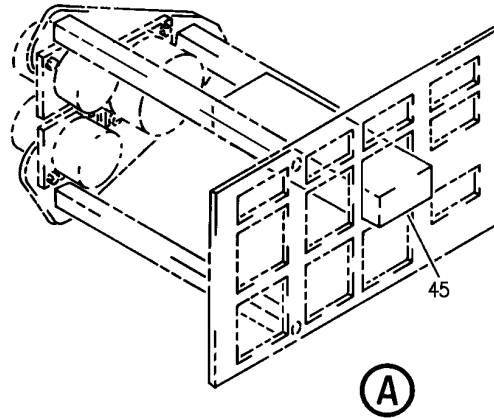
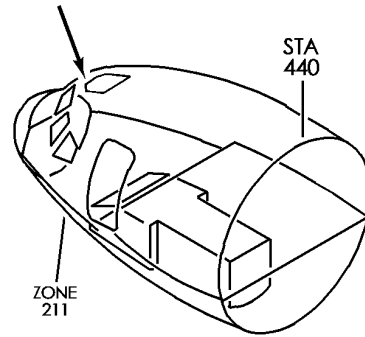
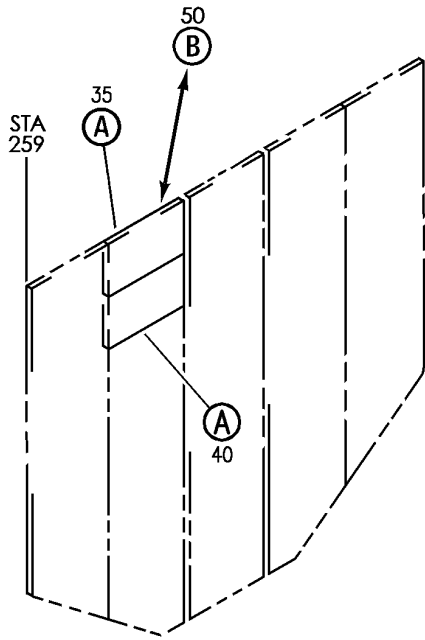
BRI

30-33-51-01

BOEING PROPRIETARY - Copyright © - Unpublished Work - See title page for details.

30-33-51  
FIG. 01  
PAGE 2  
MAY 20/09

**BOEING**  
757  
PARTS CATALOG (MAINTENANCE)



Y 30335102 REV 251

PANEL INSTL-P5 OVHD (TOTAL AIR TEMPERATURE PROBE HEAT ONLY)  
FIGURE 2

**30-33-51-02**

BRI  
MAY 28/07

30-33-51-02  
PAGE 0



757

PARTS CATALOG (MAINTENANCE)

FIG ITEM	PART NUMBER	1 2 3 4 5 6 7	NOMENCLATURE	EFFECT FROM TO	UNITS PER ASSY
2			PANEL INSTL-P5 OVHD (TOTAL AIR TEMPERATURE PROBE HEAT ONLY)	101106 108120 504903	
- 1	233N3103-132		PANEL INSTL-P5 OVHD (TOTAL AIR TEMPERATURE PROBE HEAT ONLY) FOR NHA/OTHER SYS DET SEE: 25-10-00-15E	101102	RF
- 3	233N3103-136		PANEL INSTL-P5 OVHD (TOTAL AIR TEMPERATURE PROBE HEAT ONLY) FOR NHA/OTHER SYS DET SEE: 25-10-00-15E	504903	RF
- 6	233N3103-59		PANEL INSTL-P5 OVHD (TOTAL AIR TEMPERATURE PROBE HEAT ONLY) FOR NHA/OTHER SYS DET SEE: 25-10-00-15E	108120	RF
- 7	MODREF33760		PANEL INSTL-P5 OVHD (TOTAL AIR TEMPERATURE PROBE HEAT ONLY) MODULE NUMBER: 233N3103-351 REV C FOR OTHER SYS DETAILS SEE: 11-31-10-12 21-25-55-03 21-33-51-03 21-51-54-03 21-58-19-10 21-58-51-03 21-61-04-03 21-65-51-01 22-21-01-04 22-24-51-02 23-24-01-01 23-32-00-11 23-42-02-02 23-71-05-02 24-11-52-05 24-22-01-03 24-31-01-10 24-31-03-09 24-33-04-01 24-41-51-04 24-51-62-01 26-18-51-04 27-21-53-02 27-41-55-01 27-61-51-03	103103	1

MISSING ITEM NUMBERS NOT APPLICABLE

- ITEM NOT ILLUSTRATED

30-33-51-02

30-33-51  
FIG. 02  
PAGE 1  
JAN 20/09

BRI



757

PARTS CATALOG (MAINTENANCE)

FIG ITEM	PART NUMBER	1 2 3 4 5 6 7	NOMENCLATURE	EFFECT FROM TO	UNITS PER ASSY
2			27-62-52-02 28-22-51-02 28-41-04-01 28-41-51-03 29-11-02-03 29-11-05-04 29-11-52-07 29-21-54-03 29-31-00-01 29-32-51-03 29-33-52-03 30-11-51-03 30-21-51-03 30-31-51-02 30-32-51-01 30-41-51-03 30-42-51-03 31-12-11-91 31-12-11-91 A 32-42-52-03 33-11-03-03 33-11-51-17 33-13-01-65 33-13-02-03 33-16-51-03 33-24-51-02 33-41-52-04 33-42-01-04 33-42-02-04 33-42-52-04 33-43-51-04 33-44-51-05 33-45-53-03 33-51-08-05 34-21-02-01 35-21-51-04 36-11-04-01 36-21-00-01 36-21-02-05 36-22-51-03 49-41-00-02 49-52-00-01 49-70-00-01 52-51-51-03 52-71-51-02 73-21-52-02 74-31-51-05 75-32-00-01 80-11-09-02		

MISSING ITEM NUMBERS NOT APPLICABLE

- ITEM NOT ILLUSTRATED

**30-33-51-02**

30-33-51  
FIG. 02  
PAGE 2  
JAN 20/09

BRI



757

PARTS CATALOG (MAINTENANCE)

FIG ITEM	PART NUMBER	1 2 3 4 5 6 7	NOMENCLATURE	EFFECT FROM TO	UNITS PER ASSY
2 - 7	MODREF34038		PANEL INSTL-P5 OVHD (TOTAL AIR TEMPERATURE PROBE HEAT ONLY) MODULE NUMBER: 233N3103-351 REV D FOR OTHER SYS DETAILS SEE: 11-31-10-12 21-25-55-03 21-31-01-02 21-33-51-03 21-51-54-03 21-58-19-10 21-58-51-03 21-61-04-03 21-65-51-01 22-21-01-04 22-24-51-02 23-24-01-01 23-32-00-11 23-42-02-02 23-71-05-02 24-11-52-05 24-22-01-03 24-31-01-10 24-31-03-09 24-33-04-01 24-41-51-04 24-51-62-01 26-18-51-04 27-21-53-02 27-41-55-01 27-61-51-03 27-62-52-02 28-22-51-02 28-41-04-01 28-41-51-03 29-11-02-03 29-11-05-04 29-11-52-07 29-21-54-03 29-31-00-01 29-32-51-03 29-33-52-03 30-11-51-03 30-21-51-03 30-31-51-02 30-32-51-01 30-41-51-03 30-42-51-03	104105	1

MISSING ITEM NUMBERS NOT APPLICABLE

- ITEM NOT ILLUSTRATED

30-33-51-02

30-33-51  
FIG. 02  
PAGE 3  
JAN 20/09

BRI



757

PARTS CATALOG (MAINTENANCE)

FIG ITEM	PART NUMBER	1 2 3 4 5 6 7	NOMENCLATURE	EFFECT FROM TO	UNITS PER ASSY
2			31-12-11-91 31-12-11-91A 32-42-52-03 33-11-03-03 33-11-51-17 33-13-01-65 33-13-02-03 33-16-51-03 33-24-51-02 33-41-52-04 33-42-01-04 33-42-02-04 33-42-52-04 33-43-51-04 33-44-51-05 33-45-53-03 33-51-08-05 34-21-02-01 35-21-51-04 36-11-04-01 36-21-00-01 36-21-02-05 36-22-51-03 49-41-00-02 49-52-00-01 49-70-00-01 52-51-51-03 52-71-51-02 73-21-52-02 74-31-51-05 75-32-00-01 80-11-09-02		
-	8 MODREF170180		PANEL INSTL-P5 OVHD (TOTAL AIR TEMPERATURE PROBE HEAT ONLY) MODULE NUMBER: 233N3103-353 REV B FOR OTHER SYS DETAILS SEE: 11-31-10-12 21-25-55-03 21-31-01-02 21-33-51-03 21-51-54-03 21-58-19-10 21-58-51-03 21-61-04-03 21-65-51-01 22-21-01-04 22-24-51-02	106106	1

MISSING ITEM NUMBERS NOT APPLICABLE

- ITEM NOT ILLUSTRATED

**30-33-51-02**

30-33-51  
 FIG. 02  
 PAGE 4  
 JAN 20/09

BRI



757

PARTS CATALOG (MAINTENANCE)

FIG ITEM	PART NUMBER	1 2 3 4 5 6 7	NOMENCLATURE	EFFECT FROM TO	UNITS PER ASSY
2			23-24-01-01 23-32-00-11 23-42-02-02 23-71-05-02 24-11-52-05 24-22-01-03 24-31-01-10 24-31-03-09 24-33-04-01 24-41-51-04 24-51-62-01 26-18-51-04 27-21-53-02 27-41-55-01 27-61-51-03 27-62-52-02 28-22-51-02 28-41-04-01 28-41-51-03 29-11-02-03 29-11-05-04 29-11-52-07 29-21-54-03 29-31-00-01 29-32-51-03 29-33-52-03 30-11-51-03 30-21-51-03 30-31-51-02 30-32-51-01 30-41-51-03 30-42-51-03 31-12-11-84 31-12-11-84 A 32-42-52-03 33-11-03-03 33-11-51-17 33-13-01-65 33-13-02-03 33-16-51-03 33-24-51-02 33-41-52-04 33-42-01-04 33-42-02-04 33-42-52-04 33-43-51-04 33-44-51-05 33-45-53-03 33-51-08-05		
MISSING ITEM NUMBERS NOT APPLICABLE					

- ITEM NOT ILLUSTRATED

**30-33-51-02**

30-33-51  
FIG. 02  
PAGE 5  
JAN 20/09

BRI





757

PARTS CATALOG (MAINTENANCE)

FIG ITEM	PART NUMBER	1 2 3 4 5 6 7	NOMENCLATURE	EFFECT FROM TO	UNITS PER ASSY
2			34-21-02-01 35-21-51-04 36-11-04-01 36-21-00-01 36-21-02-05 36-22-51-03 49-41-00-02 49-52-00-01 49-70-00-01 52-51-51-03 52-71-51-02 73-21-52-02 74-31-51-05 75-32-00-01 80-11-09-02		
35	233N3202-15		.PANEL ASSY-ANN. SUPPLIER CODE: V89954 NOT APPROVED FOR ETOPS. ELECTRICAL EQUIP NUMBER: M10394 COMPONENT MAINT MANUAL REF: 33-16-71	504903	RF
35	233N3202-17		.PANEL ASSY-ANN. SUPPLIER CODE: V89954 ELECTRICAL EQUIP NUMBER: M10394 COMPONENT MAINT MANUAL REF: 33-16-71	101105 108120	RF
45	BCREF8549		..LIGHT ASSY-TOTAL AIR TEMP IND SUPPLIER CODE: V81590 OVERLENGTH PART NUMBER: 434-674-1031-2112 SPECIFICATION NUMBER: S231T300-2112 OPTIONAL PART: BCREf6149 V81590 FOR DETAILS SEE: 33-14-70-02	101105 108120 504903	1

MISSING ITEM NUMBERS NOT APPLICABLE

- ITEM NOT ILLUSTRATED

30-33-51-02

30-33-51  
FIG. 02  
PAGE 6  
JAN 20/09

BRI



757

PARTS CATALOG (MAINTENANCE)

FIG ITEM	PART NUMBER	1 2 3 4 5 6 7	NOMENCLATURE	EFFECT FROM TO	UNITS PER ASSY
2					
45	BCREF6149		..LIGHT ASSY-TOTAL AIR TEMP IND SUPPLIER CODE: V81590 OVERLENGTH PART NUMBER: 434-674-1005-1112 SPECIFICATION NUMBER: S231T300-1112 OPTIONAL PART: BCREF8549 V81590 FOR DETAILS SEE: 33-14-70-02	101105 108120 504903	1
50	233N3202-82		.PANEL ASSY-ANN. SUPPLIER CODE: V89954 ELECTRICAL EQUIP NUMBER: M10394 COMPONENT MAINT MANUAL REF: 33-16-71	106106	RF
55	BCREF8539		..LIGHT ASSY-L TAT SUPPLIER CODE: V81590 OVERLENGTH PART NUMBER: 434-674-1031-2083 SPECIFICATION NUMBER: S231T300-2083 FOR DETAILS SEE: 33-14-70-02	106106	1
60	BCREF8542		..LIGHT ASSY-R TAT SUPPLIER CODE: V81590 OVERLENGTH PART NUMBER: 434-674-1031-2092 SPECIFICATION NUMBER: S231T300-2092 FOR DETAILS SEE: 33-14-70-02	106106	1

MISSING ITEM NUMBERS NOT APPLICABLE

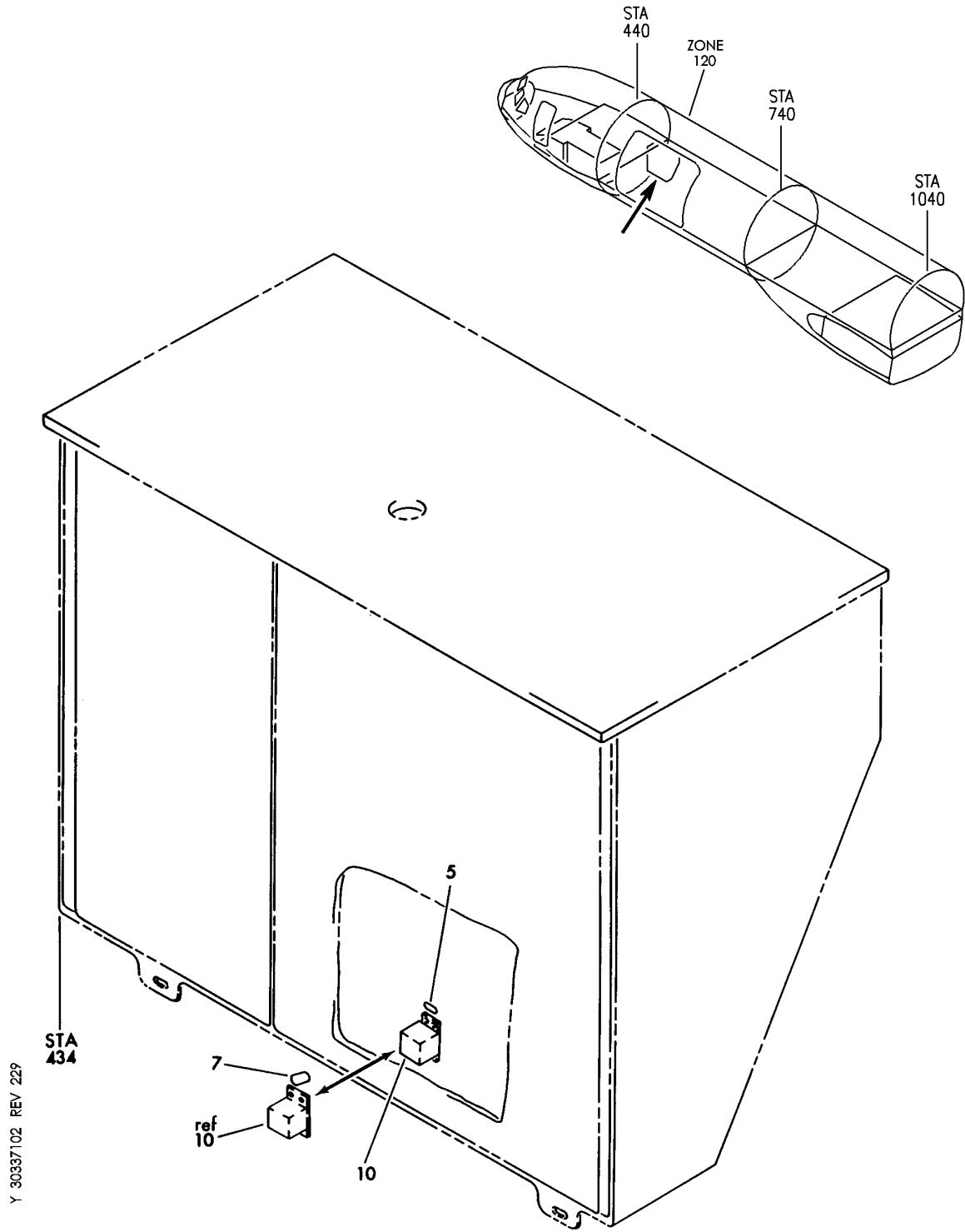
- ITEM NOT ILLUSTRATED

30-33-51-02

30-33-51  
FIG. 02  
PAGE 7  
JAN 20/09

BRI

**BOEING**  
757  
PARTS CATALOG (MAINTENANCE)



Y 30337102 REV 229

PANEL ASSY-P37 MISC RELAY R (TAT PROBE HEAT ONLY)  
FIGURE 2

**30-33-71-02**

BRI  
MAY 28/07

30-33-71-02  
PAGE 0



757

PARTS CATALOG (MAINTENANCE)

FIG ITEM	PART NUMBER	1 2 3 4 5 6 7	NOMENCLATURE	EFFECT FROM TO	UNITS PER ASSY
2			PANEL ASSY-P37 MISC RELAY R (TAT PROBE HEAT ONLY)	002004 006100 107107 121503 904999	
- 1	284N1127-1		PANEL ASSY-P37 MISC RELAY (TAT PROBE HEAT ONLY) POSITION DATA: R VARIABLE DRAWING REF: 284N1127-5028 284N1127-5039 284N1127-5063 284N1127-5064 284N1127-5068 REWORKED BY SB: 33-0039 34-0200 REWORKED BY ALERT SB: 27A0130 FOR NHA/OTHER SYS DET SEE: 31-01-37-01B	002004 006100 107107 121503 904999	RF
5	BAC27TEX0778		.DECAL- PLACARD CONTENT: K410	107107	1
7	BAC27TEX0778		.DECAL- PLACARD CONTENT: K410	002004 006100 121503 904999	1
10	770-540-1		.RELAY- SUPPLIER CODE: VF0553 ELECTRICAL EQUIP NUMBER: K00410	002004 006100 107107 121503 904999	1
10	770-540-2		.RELAY- SUPPLIER CODE: VF0553 MISCELLANEOUS DATA: TRUE P/N IS 770540-2 ELECTRICAL EQUIP NUMBER: K00410	002004 006100 107107 121503 904999	1
10	770540-2		.RELAY- SUPPLIER CODE: VF5341 ELECTRICAL EQUIP NUMBER: K00410	002004 006100 107107 121503 904999	1

MISSING ITEM NUMBERS NOT APPLICABLE

- ITEM NOT ILLUSTRATED

30-33-71-02

30-33-71  
FIG. 02  
PAGE 1  
JAN 20/09

BRI



757

PARTS CATALOG (MAINTENANCE)

FIG ITEM	PART NUMBER	1 2 3 4 5 6 7	NOMENCLATURE	EFFECT FROM TO	UNITS PER ASSY
2					
- 200	286N1270-002		WIRE BUNDLE ASSY- REWORKED BY ALERT SB: 27A0130 34A0222	121503 904949	RF
- 200	286N1270-003		WIRE BUNDLE ASSY- REWORKED BY ALERT SB: 34A0222	107107	RF
- 200	286N1270-005		WIRE BUNDLE ASSY- REWORKED BY SB: 33-0039 34-0200 REWORKED BY ALERT SB: 27A0130 34A0222	002004 006100 950999	RF
- 205	000300-1560		.SOCKET- SUPPLIER CODE: V05574 ELECTRICAL EQUIP NUMBER: D02776 WIRING DIAGRAM REF: 303311	002004 006100 107107 121503 904999	1

MISSING ITEM NUMBERS NOT APPLICABLE

- ITEM NOT ILLUSTRATED

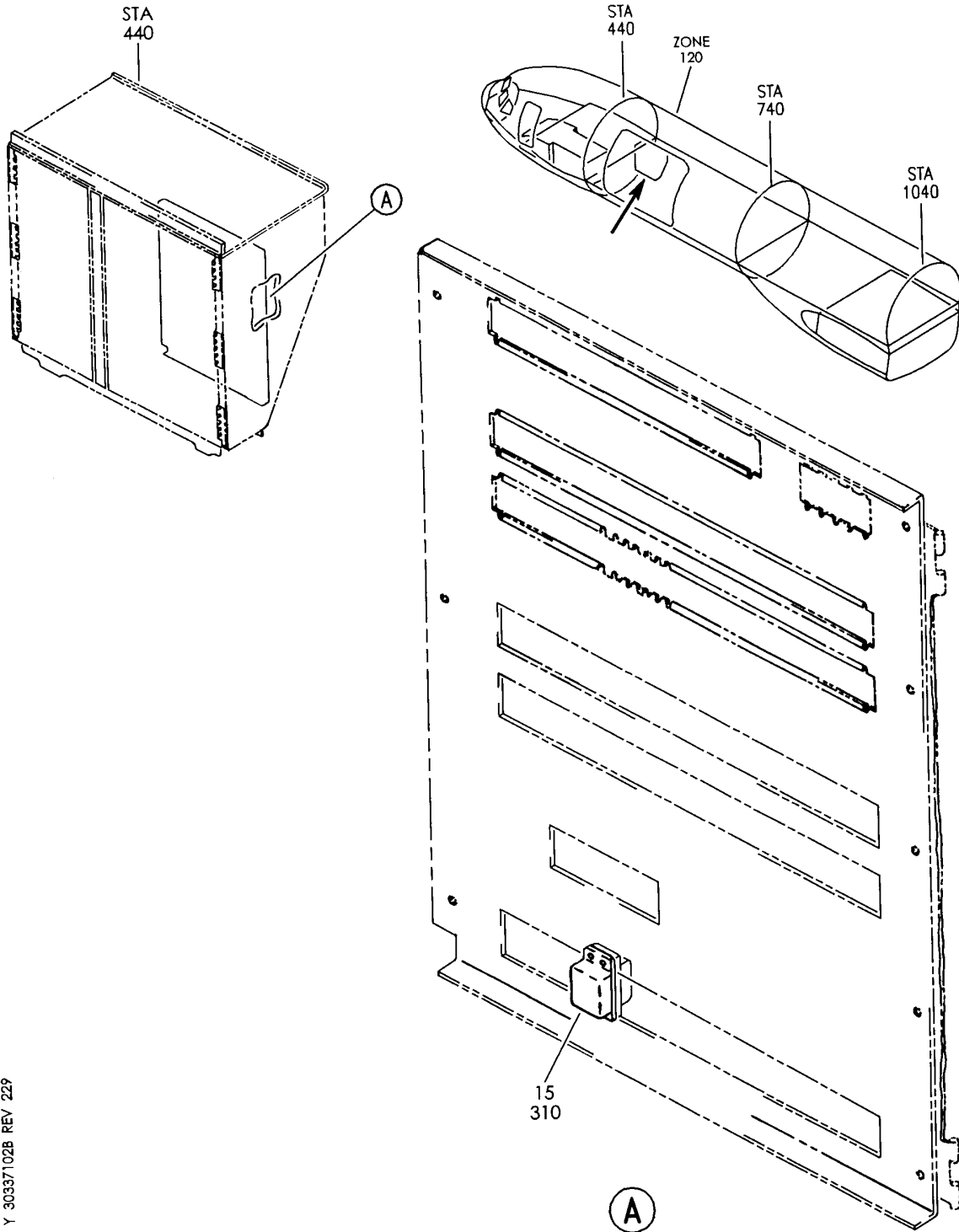
BRI

**30-33-71-02**

BOEING PROPRIETARY - Copyright © - Unpublished Work - See title page for details.

30-33-71  
FIG. 02  
PAGE 2  
JAN 20/09

**BOEING**  
757  
PARTS CATALOG (MAINTENANCE)



Y 30337102B REV 229

PACKAGE ASSY-OPTION P37 MISC RELAY (TAT PROBE HEAT ONLY)  
FIGURE 2B

**30-33-71-02B**

BRI  
MAY 28/07

30-33-71-02B  
PAGE 0



757

PARTS CATALOG (MAINTENANCE)

FIG ITEM	PART NUMBER	1 2 3 4 5 6 7	NOMENCLATURE	EFFECT FROM TO	UNITS PER ASSY
2B			PACKAGE ASSY-OPTION P37 MISC RELAY (TAT PROBE HEAT ONLY)	101102 504903	
- 1	284N1127-1041		PACKAGE ASSY-OPTION P37 MISC RELAY (TAT PROBE HEAT ONLY) MISCELLANEOUS DATA: 757 MAJOR MODEL REWORKED BY ALERT SB: 27A0130 FOR NHA/OTHER SYS DET SEE: 31-01-37-02	101102 504903	RF
15	770-540-1		.RELAY- SUPPLIER CODE: VF0553 ELECTRICAL EQUIP NUMBER: K00410	101102 504903	1
15	770-540-2		.RELAY- SUPPLIER CODE: VF0553 MISCELLANEOUS DATA: TRUE P/N IS 770540-2 ELECTRICAL EQUIP NUMBER: K00410	101102 504903	1
15	770540-2		.RELAY- SUPPLIER CODE: VF5341 ELECTRICAL EQUIP NUMBER: K00410	101102 504903	1
- 300	286N1270-336		WIRE BUNDLE ASSY- REWORKED BY ALERT SB: 34A0222 27A0130	504903	RF
- 301	286N1270-361		WIRE BUNDLE ASSY- REWORKED BY ALERT SB: 34A0222 27A0130	101101	RF
- 302	286N1270-399		WIRE BUNDLE ASSY- REWORKED BY ALERT SB: 34A0222 27A0130	102102	RF
310	000300-1560		.SOCKET- SUPPLIER CODE: V05574 ELECTRICAL EQUIP NUMBER: D02776 WIRING DIAGRAM REF: 303311	101102 504903	1

MISSING ITEM NUMBERS NOT APPLICABLE

- ITEM NOT ILLUSTRATED

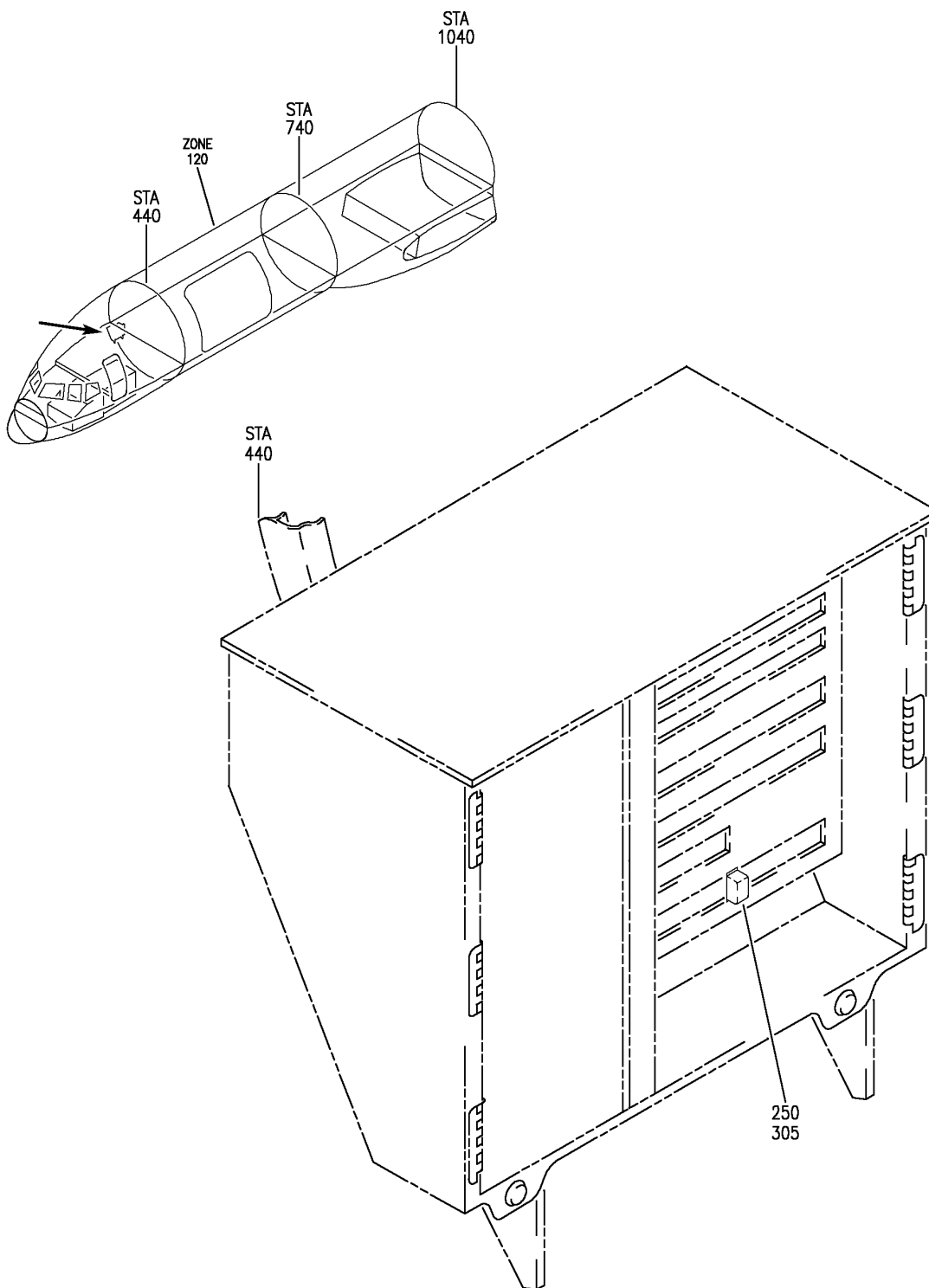
30-33-71-02B

30-33-71  
FIG. 02B  
PAGE 1  
JAN 20/09

BRI

BOEING PROPRIETARY - Copyright © - Unpublished Work - See title page for details.

**BOEING**  
757  
PARTS CATALOG (MAINTENANCE)



Y 30337102D REV 250

PANEL INSTL-P37 R MISC RELAY (TOTAL AIR TEMPERATURE PROBE HEAT ONLY)  
FIGURE 2D

BRI  
JAN 20/09

**30-33-71-02D**

30-33-71-02D  
PAGE 0





757

PARTS CATALOG (MAINTENANCE)

FIG ITEM	PART NUMBER	1 2 3 4 5 6 7 NOMENCLATURE	EFFECT FROM TO	UNITS PER ASSY
2D		PANEL INSTL-P37 R MISC RELAY (TOTAL AIR TEMPERATURE PROBE HEAT ONLY)	103106 108120	

MISSING ITEM NUMBERS NOT APPLICABLE

- ITEM NOT ILLUSTRATED

BRI

**30-33-71-02D**

BOEING PROPRIETARY - Copyright © - Unpublished Work - See title page for details.

30-33-71  
FIG. 02D  
PAGE 1  
JAN 20/09



757

PARTS CATALOG (MAINTENANCE)

FIG ITEM	PART NUMBER	1 2 3 4 5 6 7	NOMENCLATURE	EFFECT FROM TO	UNITS PER ASSY
2D - 1	MODREF185037		PANEL INSTL-P37 R MISC RELAY (TOTAL AIR TEMPERATURE PROBE HEAT ONLY) MODULE NUMBER: 284N1127-169 REV D FOR OTHER SYS DETAILS SEE: 11-36-12-02A 21-25-71-02D 21-44-71-02D 21-45-31-01D 21-51-55-01D 21-58-71-02D 21-61-71-02D 23-31-51-05 24-21-51-05 24-51-01-02 24-51-02-03 24-51-58-02D 27-62-71-03D 28-22-71-03D 29-21-71-01D 30-11-71-02D 30-21-71-03D 30-31-71-02D 30-32-71-02D 30-34-51-01D 31-01-37-10 31-31-71-02D 32-09-02-04D 32-42-71-02D 32-61-71-02D 33-43-55-01D 33-51-71-01D 34-12-71-02D 34-25-50-01D 34-61-52-01D 35-21-71-02D 36-11-71-02D 38-15-71-02D 73-21-55-01D 74-31-71-02D 76-11-71-02D 77-12-71-01D 78-34-71-02D 78-36-71-02D 80-11-71-02D	106106	1

MISSING ITEM NUMBERS NOT APPLICABLE

- ITEM NOT ILLUSTRATED

**30-33-71-02D**

30-33-71  
FIG. 02D  
PAGE 2  
JAN 20/09

BRI



757

PARTS CATALOG (MAINTENANCE)

FIG ITEM	PART NUMBER	1 2 3 4 5 6 7	NOMENCLATURE	EFFECT FROM TO	UNITS PER ASSY
2D -	3 284N1127-118		PANEL INSTL-P37 R MISC RELAY (TOTAL AIR TEMPERATURE PROBE HEAT ONLY) FOR NHA/OTHER SYS DET SEE: 24-00-58-05C	108108	RF
-	4 284N1127-139		PANEL INSTL-P37 R MISC RELAY (TOTAL AIR TEMPERATURE PROBE HEAT ONLY) FOR NHA/OTHER SYS DET SEE: 24-00-58-05C	109120	RF

MISSING ITEM NUMBERS NOT APPLICABLE

- ITEM NOT ILLUSTRATED

BRI

30-33-71-02D

BOEING PROPRIETARY - Copyright © - Unpublished Work - See title page for details.

30-33-71  
FIG. 02D  
PAGE 3  
JAN 20/09



757

PARTS CATALOG (MAINTENANCE)

FIG ITEM	PART NUMBER	1 2 3 4 5 6 7	NOMENCLATURE	EFFECT FROM TO	UNITS PER ASSY
2D - 8	MODREF31945		PANEL INSTL-P37 R MISC RELAY (TOTAL AIR TEMPERATURE PROBE HEAT ONLY) MODULE NUMBER: 284N1127-169 REV B FOR OTHER SYS DETAILS SEE: 11-36-12-02A 21-25-71-02D 21-44-71-02D 21-45-31-01D 21-51-55-01D 21-58-71-02D 21-61-71-02D 23-31-51-05 24-21-51-05 24-51-01-02 24-51-02-03 24-51-58-02D 27-62-71-03D 28-22-71-03D 29-21-71-01D 30-11-71-02D 30-21-71-03D 30-31-71-02D 30-32-71-02D 30-34-51-01D 31-01-37-10 31-31-71-02D 32-09-02-04D 32-42-71-02D 32-61-71-02D 33-43-55-01D 33-51-71-01D 34-12-71-02D 34-25-50-01D 34-61-52-01D 35-21-71-02D 36-11-71-02D 38-15-71-02D 73-21-55-01D 74-31-71-02D 76-11-71-02D 77-12-71-01D 78-34-71-02D 78-36-71-02D 80-11-71-02D	103103	1

MISSING ITEM NUMBERS NOT APPLICABLE

- ITEM NOT ILLUSTRATED

**30-33-71-02D**

30-33-71  
 FIG. 02D  
 PAGE 4  
 JAN 20/09

BRI



757

PARTS CATALOG (MAINTENANCE)

FIG ITEM	PART NUMBER	1 2 3 4 5 6 7	NOMENCLATURE	EFFECT FROM TO	UNITS PER ASSY
2D - 9	MODREF34305		PANEL INSTL-P37 R MISC RELAY (TOTAL AIR TEMPERATURE PROBE HEAT ONLY) MODULE NUMBER: 284N1127-169 REV C FOR OTHER SYS DETAILS SEE: 11-36-12-02A 21-25-71-02D 21-44-71-02D 21-45-31-01D 21-51-55-01D 21-58-71-02D 21-61-71-02D 23-31-51-05 24-21-51-05 24-51-01-02 24-51-02-03 24-51-58-02D 27-62-71-03D 28-22-71-03D 29-21-71-01D 30-11-71-02D 30-21-71-03D 30-31-71-02D 30-32-71-02D 30-34-51-01D 31-01-37-10 31-31-71-02D 32-09-02-04D 32-42-71-02D 32-61-71-02D 33-43-55-01D 33-51-71-01D 34-12-71-02D 34-25-50-01D 34-61-52-01D 35-21-71-02D 36-11-71-02D 38-15-71-02D 73-21-55-01D 74-31-71-02D 76-11-71-02D 77-12-71-01D 78-34-71-02D 78-36-71-02D 80-11-71-02D	104105	1

MISSING ITEM NUMBERS NOT APPLICABLE

- ITEM NOT ILLUSTRATED

**30-33-71-02D**

30-33-71  
 FIG. 02D  
 PAGE 5  
 JAN 20/09

BRI



757

PARTS CATALOG (MAINTENANCE)

FIG ITEM	PART NUMBER	1 2 3 4 5 6 7	NOMENCLATURE	EFFECT FROM TO	UNITS PER ASSY
2D 250	770-540-1		.RELAY- SUPPLIER CODE: VF0553 ELECTRICAL EQUIP NUMBER: K00410	103106 108120	1
250	770-540-2		.RELAY- SUPPLIER CODE: VF0553 MISCELLANEOUS DATA: TRUE P/N IS 770540-2 ELECTRICAL EQUIP NUMBER: K00410	103106 108120	1
250	770540-2		.RELAY- SUPPLIER CODE: VF5341 ELECTRICAL EQUIP NUMBER: K00410	103106 108120	1
- 300	286N1270-360		WIRE BUNDLE ASSY- REWORKED BY ALERT SB: 34A0222	108120	RF
- 302 305	286N1270-602 000300-1560		WIRE BUNDLE ASSY .SOCKET- SUPPLIER CODE: V05574 ELECTRICAL EQUIP NUMBER: D02776 WIRING DIAGRAM REF: 303311	103106 103106 108120	RF 1

MISSING ITEM NUMBERS NOT APPLICABLE

- ITEM NOT ILLUSTRATED

**30-33-71-02D**

30-33-71  
FIG. 02D  
PAGE 6  
JAN 20/09

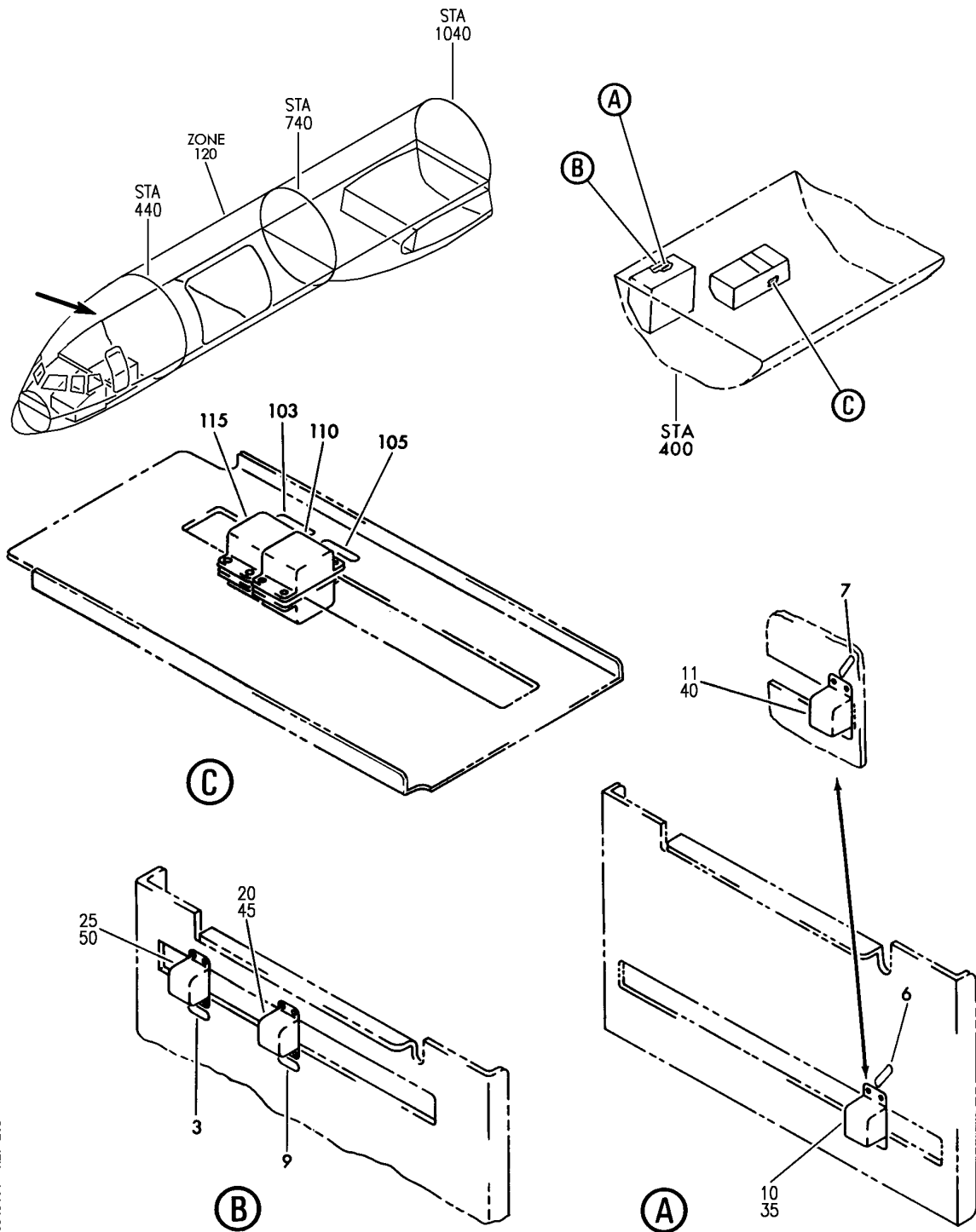
BRI

## ENGINE PROBE HEAT

BRI  
MAY 28/07

30-34-00  
SECTION TITLE  
PAGE 1

**BOEING**  
757  
PARTS CATALOG (MAINTENANCE)



Y 30345101 REV 268

PANEL ASSY-P36 AND P37 MISC RELAY (ENGINE PROBE HEAT ONLY)  
FIGURE 1

**30-34-51-01**

BRI  
MAY 28/07

30-34-51-01  
PAGE 0





757

PARTS CATALOG (MAINTENANCE)

FIG ITEM	PART NUMBER	1 2 3 4 5 6 7	NOMENCLATURE	EFFECT FROM TO	UNITS PER ASSY
1			PANEL ASSY-P36 AND P37 MISC RELAY (ENGINE PROBE HEAT ONLY)	002004 006100 107107 121503 904999	
- 1	284N1127-1		PANEL ASSY-P37 MISC RELAY (ENGINE PROBE HEAT ONLY) POSITION DATA: RH VARIABLE DRAWING REF: 284N1127-5028 284N1127-5039 284N1127-5063 284N1127-5064 284N1127-5068 REWORKED BY SB: 33-0039 34-0200 REWORKED BY ALERT SB: 27A0130 FOR NHA/OTHER SYS DET SEE: 31-01-37-01B	002004 006100 107107 121503 904999	RF
6	BAC27NEX1787		.DECAL- PLACARD CONTENT: K10479	121503 904949	1
6	BAC27NEX1852		.DECAL- PLACARD CONTENT: K10479	002004 006100 950999	1
9	BAC27NEX1852		.DECAL- PLACARD CONTENT: K10479	107107	1
10	770-540-1		.RELAY- SUPPLIER CODE: VF0553 ELECTRICAL EQUIP NUMBER: K10479	002004 006100 121503 904999	1
10	770-540-2		.RELAY- SUPPLIER CODE: VF0553 MISCELLANEOUS DATA: TRUE P/N IS 770540-2 ELECTRICAL EQUIP NUMBER: K10479	002004 006100 121503 904999	1
10	770540-2		.RELAY- SUPPLIER CODE: VF5341 ELECTRICAL EQUIP NUMBER: K10479	002004 006100 121503 904999	1

MISSING ITEM NUMBERS NOT APPLICABLE

- ITEM NOT ILLUSTRATED

30-34-51-01

30-34-51  
FIG. 01  
PAGE 1  
JAN 20/09

BRI



757

PARTS CATALOG (MAINTENANCE)

FIG ITEM	PART NUMBER	1 2 3 4 5 6 7	NOMENCLATURE	EFFECT FROM TO	UNITS PER ASSY
1					
20	770-540-1		.RELAY- SUPPLIER CODE: VF0553 ELECTRICAL EQUIP NUMBER: K10479	107107	1
20	770-540-2		.RELAY- SUPPLIER CODE: VF0553 MISCELLANEOUS DATA: TRUE P/N IS 770540-2 ELECTRICAL EQUIP NUMBER: K10479	107107	1
20	770540-2		.RELAY- SUPPLIER CODE: VF5341 ELECTRICAL EQUIP NUMBER: K10479	107107	1
- 30	286N1270-002		.WIRE BUNDLE ASSY- REWORKED BY ALERT SB: 27A0130 34A0222	121503 904949	1
- 30	286N1270-003		.WIRE BUNDLE ASSY- REWORKED BY ALERT SB: 27A0130 34A0222	107107	1
- 30	286N1270-005		.WIRE BUNDLE ASSY- REWORKED BY SB: 34-0200 33-0039 REWORKED BY ALERT SB: 27A0130 34A0222	002004 006100 950999	1
35	000300-1560		.. SOCKET-RELAY SUPPLIER CODE: V05574 ELECTRICAL EQUIP NUMBER: D05422 WIRING DIAGRAM REF: 303422	002004 006100 121503 904999	1
45	000300-1560		.. SOCKET-RELAY SUPPLIER CODE: V05574 ELECTRICAL EQUIP NUMBER: D05422 WIRING DIAGRAM REF: 303422	107107	1

MISSING ITEM NUMBERS NOT APPLICABLE

- ITEM NOT ILLUSTRATED

30-34-51-01

30-34-51  
FIG. 01  
PAGE 2  
JAN 20/09

BRI



757

PARTS CATALOG (MAINTENANCE)

FIG ITEM	PART NUMBER	1 2 3 4 5 6 7	NOMENCLATURE	EFFECT FROM TO	UNITS PER ASSY
1 - 100	284N1125-1		PANEL ASSY-P36 MISC RELAY (ENGINE PROBE HEAT ONLY) POSITION DATA: LH VARIABLE DRAWING REF: 284N1125-5023 284N1125-5030 284N1125-5049 284N1125-5050 284N1125-5054 REWORKED BY SB: 34-0200 REWORKED BY ALERT SB: 27A0130 FOR NHA/OTHER SYS DET SEE: 31-01-36-01B	002004 006100 107107 121503 904999	RF
105	BAC27NEX1777		.DECAL- PLACARD CONTENT: K10478	002004 006100 107107 121503 904999	1
110	770-540-1		.RELAY- SUPPLIER CODE: VF0553 ELECTRICAL EQUIP NUMBER: K10478	002004 006100 107107 121503 904999	1
110	770-540-2		.RELAY- SUPPLIER CODE: VF0553 MISCELLANEOUS DATA: TRUE P/N IS 770540-2 ELECTRICAL EQUIP NUMBER: K10478	002004 006100 107107 121503 904999	1
110	770540-2		.RELAY- SUPPLIER CODE: VF5341 ELECTRICAL EQUIP NUMBER: K10478	002004 006100 107107 121503 904999	1

MISSING ITEM NUMBERS NOT APPLICABLE

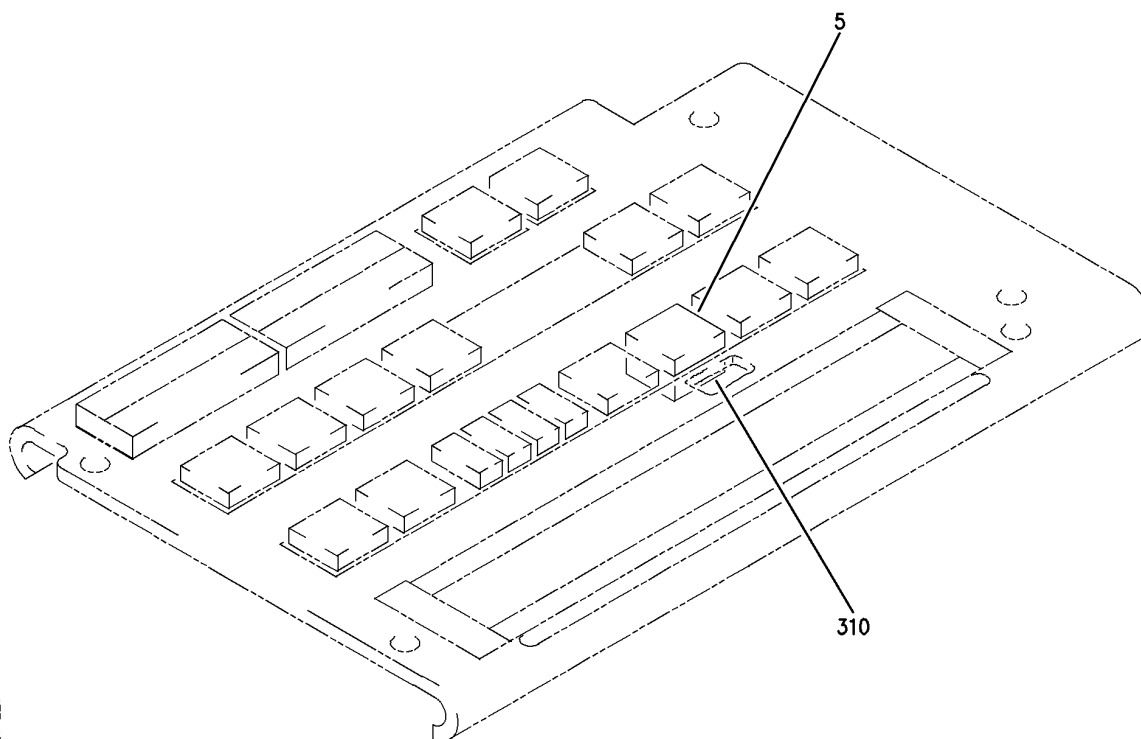
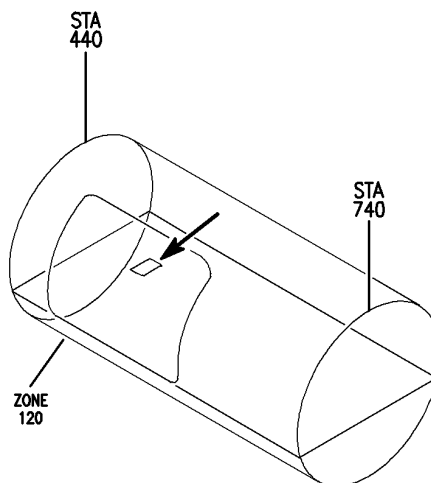
- ITEM NOT ILLUSTRATED

30-34-51-01

30-34-51  
FIG. 01  
PAGE 3  
JAN 20/09

BRI

**BOEING**  
757  
PARTS CATALOG (MAINTENANCE)



Y 30345101A REV 225

OPTION PACKAGE ASSY-P36 MISC RELAY L (ENGINE PROBE HEAT ONLY)  
FIGURE 1A

**30-34-51-01A**

BRI  
MAY 28/07

30-34-51-01A  
PAGE 0



757

PARTS CATALOG (MAINTENANCE)

FIG ITEM	PART NUMBER	1 2 3 4 5 6 7	NOMENCLATURE	EFFECT FROM TO	UNITS PER ASSY
1 A			OPTION PACKAGE ASSY-P36 MISC RELAY L (ENGINE PROBE HEAT ONLY)	101102 504903	
- 1	284N1125-1018		OPTION PACKAGE ASSY-P36 MISC RELAY L (ENGINE PROBE HEAT ONLY) REWORKED BY ALERT SB: 27A0130 FOR NHA/OTHER SYS DET SEE: 31-01-36-05	101102 504903	RF
5	770-540-1		.RELAY- SUPPLIER CODE: VF0553 ELECTRICAL EQUIP NUMBER: K10478	101102 504903	1
5	770-540-2		.RELAY- SUPPLIER CODE: VF0553 MISCELLANEOUS DATA: TRUE P/N IS 770540-2 ELECTRICAL EQUIP NUMBER: K10478	101102 504903	1
5	770540-2		.RELAY- SUPPLIER CODE: VF5341 ELECTRICAL EQUIP NUMBER: K10478	101102 504903	1
- 301	286N1260-358		WIRE BUNDLE ASSY- REWORKED BY ALERT SB: 27A0130	101102	RF
- 301	286N1260-364		WIRE BUNDLE ASSY- REWORKED BY ALERT SB: 27A0130	504903	RF
310	000300-1560		.SOCKET- SUPPLIER CODE: V05574 ELECTRICAL EQUIP NUMBER: D05522 WIRING DIAGRAM REF: 303411	101102 504903	1

MISSING ITEM NUMBERS NOT APPLICABLE

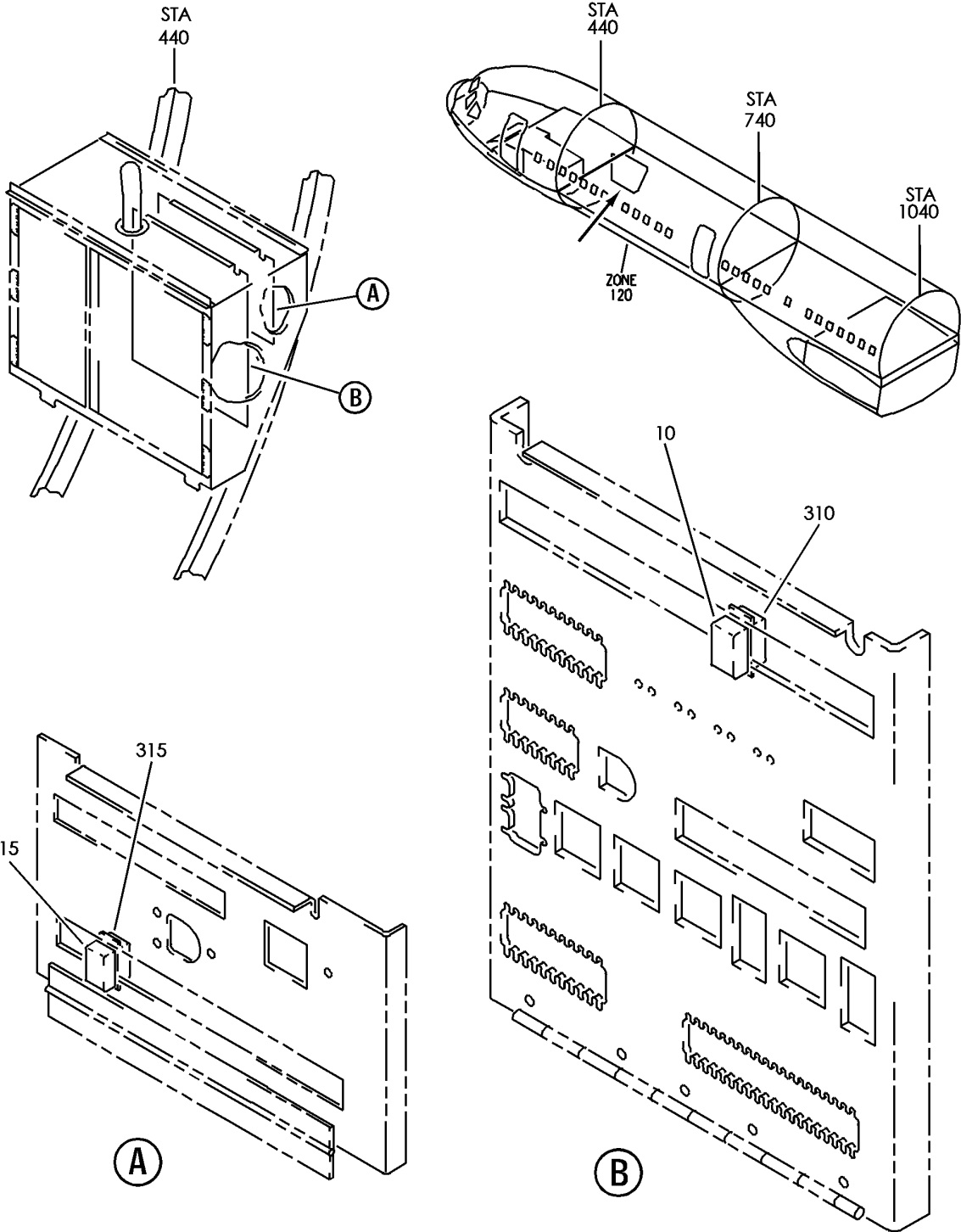
- ITEM NOT ILLUSTRATED

30-34-51-01A

30-34-51  
FIG. 01A  
PAGE 1  
JAN 20/09

BRI

**BOEING**  
757  
PARTS CATALOG (MAINTENANCE)



Y 30345101B REV 226

PACKAGE ASSY-OPTION P37 MISC RELAY (ENGINE PROBE HEAT ONLY)  
FIGURE 1B

BRI  
MAY 28/07

**30-34-51-01B**

30-34-51-01B  
PAGE 0



757

PARTS CATALOG (MAINTENANCE)

FIG ITEM	PART NUMBER	1 2 3 4 5 6 7	NOMENCLATURE	EFFECT FROM TO	UNITS PER ASSY
1B			PACKAGE ASSY-OPTION P37 MISC RELAY (ENGINE PROBE HEAT ONLY)	101102 504903	
- 1	284N1127-1041		PACKAGE ASSY-OPTION P37 MISC RELAY (ENGINE PROBE HEAT ONLY) MISCELLANEOUS DATA: 757 MAJOR MODEL REWORKED BY ALERT SB: 27A0130 FOR NHA/OTHER SYS DET SEE: 31-01-37-02	101102 504903	RF
15	770-540-1		.RELAY- SUPPLIER CODE: VF0553 ELECTRICAL EQUIP NUMBER: K10479	101102 504903	1
15	770-540-2		.RELAY- SUPPLIER CODE: VF0553 MISCELLANEOUS DATA: TRUE P/N IS 770540-2 ELECTRICAL EQUIP NUMBER: K10479	101102 504903	1
15	770540-2		.RELAY- SUPPLIER CODE: VF5341 ELECTRICAL EQUIP NUMBER: K10479	101102 504903	1
- 300	286N1270-336		WIRE BUNDLE ASSY- REWORKED BY ALERT SB: 34A0222 27A0130	504903	RF
- 301	286N1270-361		WIRE BUNDLE ASSY- REWORKED BY ALERT SB: 34A0222 27A0130	101101	RF
- 302	286N1270-399		WIRE BUNDLE ASSY- REWORKED BY ALERT SB: 34A0222 27A0130	102102	RF
315	000300-1560		.SOCKET- SUPPLIER CODE: V05574 ELECTRICAL EQUIP NUMBER: D05422 WIRING DIAGRAM REF: 303412	101102 504903	1

MISSING ITEM NUMBERS NOT APPLICABLE

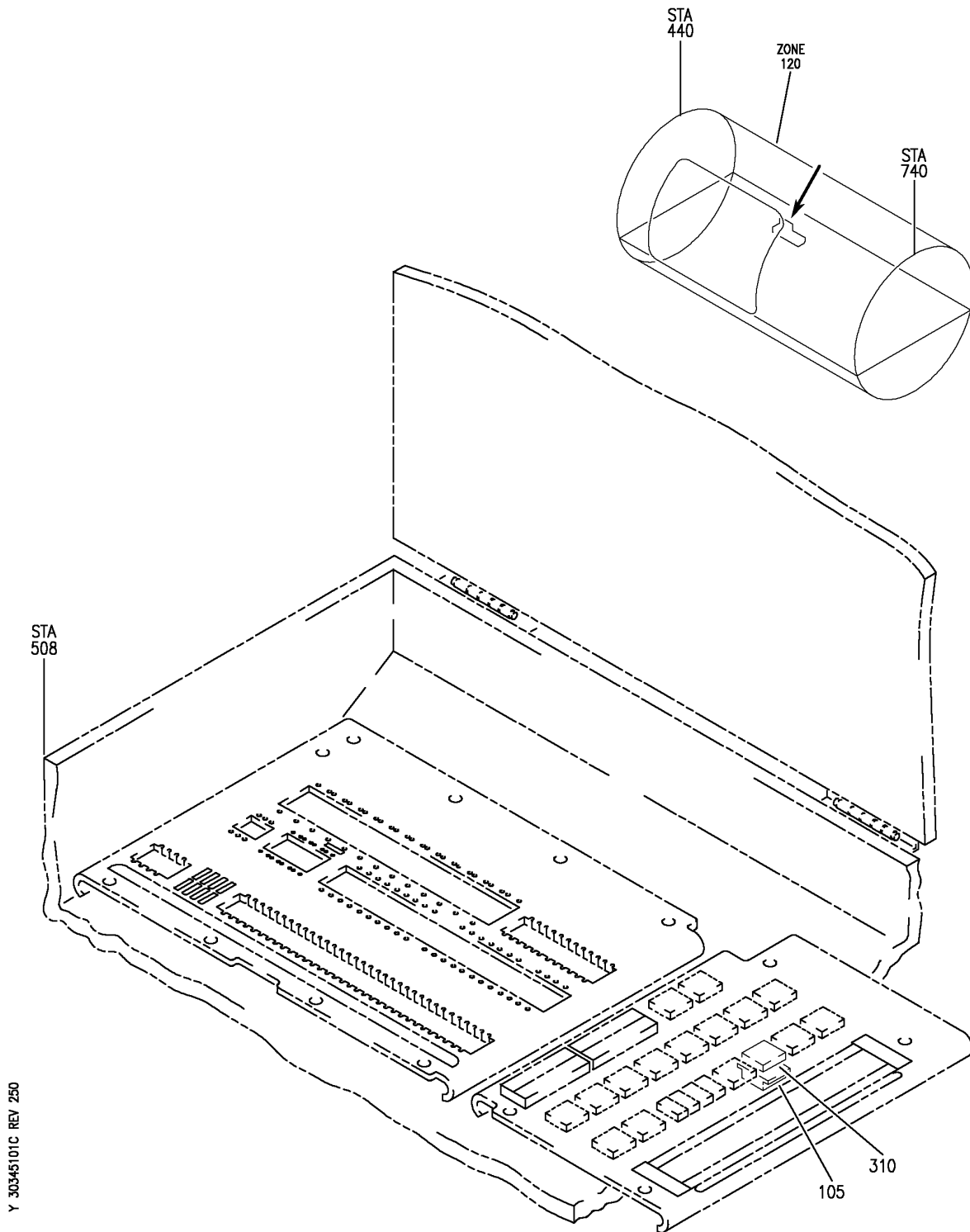
- ITEM NOT ILLUSTRATED

30-34-51-01B

30-34-51  
FIG. 01B  
PAGE 1  
JAN 20/09

BRI

**BOEING**  
757  
PARTS CATALOG (MAINTENANCE)



Y 30345101C REV 250

PANEL INSTL-P36 L MISC RELAY (ENGINE PROBE HEAT ONLY)  
FIGURE 1C

**30-34-51-01C**

BRI  
JAN 20/09

30-34-51-01C  
PAGE 0





757

PARTS CATALOG (MAINTENANCE)

FIG ITEM	PART NUMBER	1 2 3 4 5 6 7	NOMENCLATURE	EFFECT FROM TO	UNITS PER ASSY
1 C			PANEL INSTL-P36 L MISC RELAY (ENGINE PROBE HEAT ONLY)	103106 108120	
- 3	284N1125-94		PANEL INSTL-P36 L MISC RELAY (ENGINE PROBE HEAT ONLY) FOR NHA/OTHER SYS DET SEE: 24-00-58-05C	108120	RF

MISSING ITEM NUMBERS NOT APPLICABLE

- ITEM NOT ILLUSTRATED

BRI

30-34-51-01C

BOEING PROPRIETARY - Copyright © - Unpublished Work - See title page for details.

30-34-51  
FIG. 01C  
PAGE 1  
JAN 20/09



757

PARTS CATALOG (MAINTENANCE)

FIG ITEM	PART NUMBER	1 2 3 4 5 6 7	NOMENCLATURE	EFFECT FROM TO	UNITS PER ASSY
1C - 7	MODREF31944		PANEL INSTL-P36 L MISC RELAY (ENGINE PROBE HEAT ONLY) MODULE NUMBER: 284N1125-123 REV A FOR OTHER SYS DETAILS SEE: 11-36-08-03C 21-25-71-02C 21-33-71-02C 21-51-56-01C 21-58-71-02C 23-12-00-05 23-31-54-01C 23-34-52-01C 24-21-51-01A 26-15-71-02C 26-16-71-01C 26-22-71-01C 27-48-52-03C 27-51-71-03C 27-58-71-02C 27-62-71-03C 29-11-71-03C 29-21-71-01C 30-21-71-03C 31-01-36-01 32-09-02-03C 32-35-71-01C 32-42-71-02C 32-44-71-02C 32-61-71-02C 34-12-71-02C 34-21-71-02C 34-22-52-01C 34-61-52-01C 36-11-71-02C 73-21-55-01C 74-31-71-02C 76-11-71-02C 77-12-71-01C 78-34-71-02C 78-36-71-02C 80-11-71-02C	103106	1
105	770-540-1		.RELAY- SUPPLIER CODE: VF0553 ELECTRICAL EQUIP NUMBER: K10478	103106 108120	1

MISSING ITEM NUMBERS NOT APPLICABLE

- ITEM NOT ILLUSTRATED

**30-34-51-01C**

30-34-51  
FIG. 01C  
PAGE 2  
JAN 20/09

BRI



757

PARTS CATALOG (MAINTENANCE)

FIG ITEM	PART NUMBER	1 2 3 4 5 6 7	NOMENCLATURE	EFFECT FROM TO	UNITS PER ASSY
1C 105	770-540-2		.RELAY- SUPPLIER CODE: VF0553 MISCELLANEOUS DATA: TRUE P/N IS 770540-2 ELECTRICAL EQUIP NUMBER: K10478	103106 108120	1
105	770540-2		.RELAY- SUPPLIER CODE: VF5341 ELECTRICAL EQUIP NUMBER: K10478	103106 108120	1
- 300	286N1260-357		WIRE BUNDLE ASSY	108120	RF
- 302	286N1260-601		WIRE BUNDLE ASSY	103106	RF
310	000300-1560		.SOCKET- SUPPLIER CODE: V05574 ELECTRICAL EQUIP NUMBER: D05522 WIRING DIAGRAM REF: 303411 303421	103106 108120	1

MISSING ITEM NUMBERS NOT APPLICABLE

- ITEM NOT ILLUSTRATED

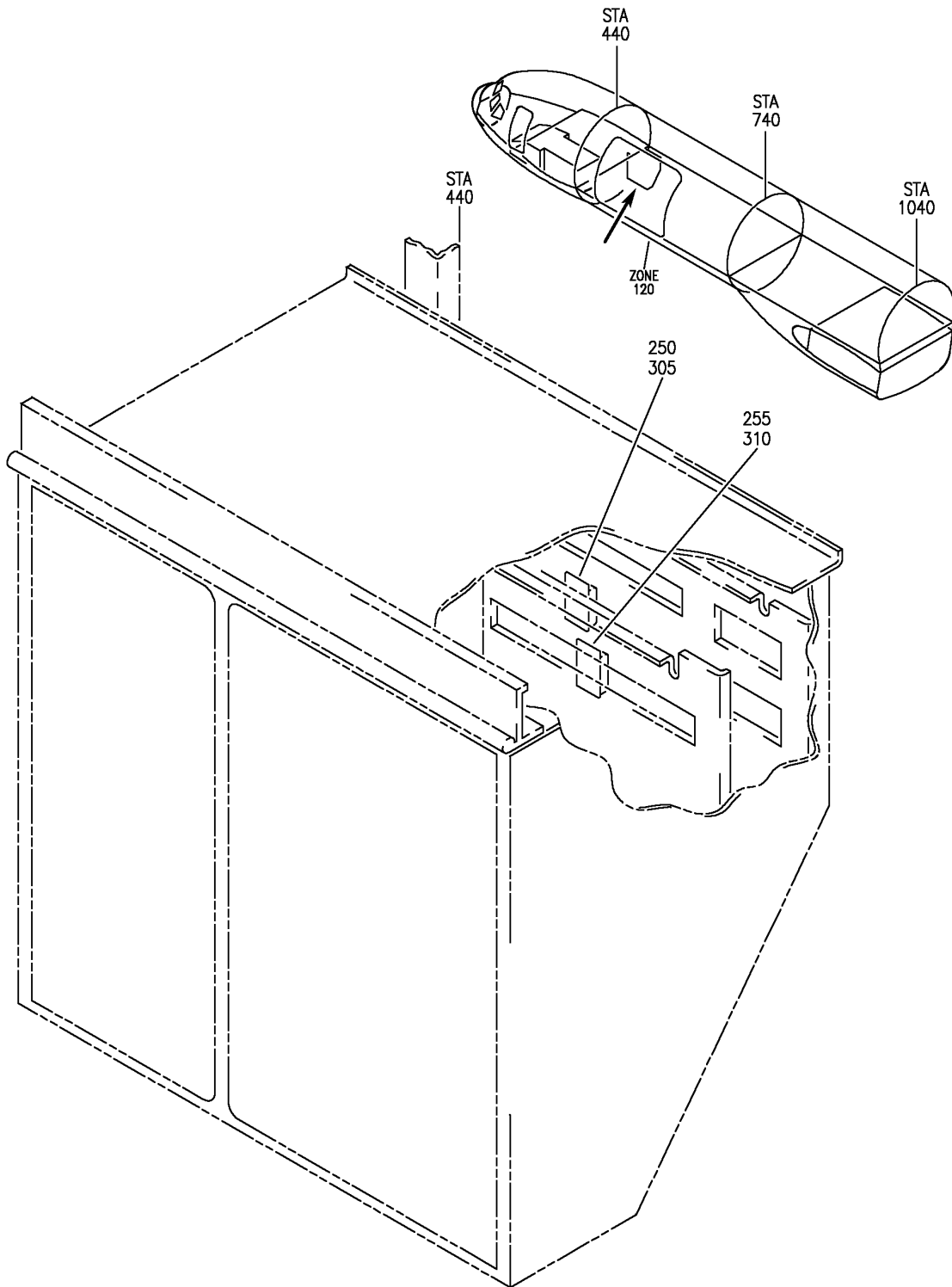
**30-34-51-01C**

30-34-51  
FIG. 01C  
PAGE 3  
JAN 20/09

BRI

BOEING PROPRIETARY - Copyright © - Unpublished Work - See title page for details.

**BOEING**  
757  
PARTS CATALOG (MAINTENANCE)



Y 30345101D REV 250

PANEL INSTL-P37 R MISC RELAY (ENGINE PROBE HEAT ONLY)  
FIGURE 1D

**30-34-51-01D**

BRI  
JAN 20/09

30-34-51-01D  
PAGE 0



757

PARTS CATALOG (MAINTENANCE)

FIG ITEM	PART NUMBER	1 2 3 4 5 6 7	NOMENCLATURE	EFFECT FROM TO	UNITS PER ASSY
1 D			PANEL INSTL-P37 R MISC RELAY (ENGINE PROBE HEAT ONLY)	103106 108120	
- 1	MODREF185037		PANEL INSTL-P37 R MISC RELAY (ENGINE PROBE HEAT ONLY) MODULE NUMBER: 284N1127-169 REV D FOR OTHER SYS DETAILS SEE: 11-36-12-02A 21-25-71-02D 21-44-71-02D 21-45-31-01D 21-51-55-01D 21-58-71-02D 21-61-71-02D 23-31-51-05 24-21-51-05 24-51-01-02 24-51-02-03 24-51-58-02D 27-62-71-03D 28-22-71-03D 29-21-71-01D 30-11-71-02D 30-21-71-03D 30-31-71-02D 30-32-71-02D 30-33-71-02D 31-01-37-10 31-31-71-02D 32-09-02-04D 32-42-71-02D 32-61-71-02D 33-43-55-01D 33-51-71-01D 34-12-71-02D 34-25-50-01D 34-61-52-01D 35-21-71-02D 36-11-71-02D 38-15-71-02D 73-21-55-01D 74-31-71-02D 76-11-71-02D 77-12-71-01D 78-34-71-02D 78-36-71-02D 80-11-71-02D	106106	1
MISSING ITEM NUMBERS NOT APPLICABLE					

- ITEM NOT ILLUSTRATED

**30-34-51-01D**

30-34-51  
FIG. 01D  
PAGE 1  
JAN 20/09

BRI



757  
PARTS CATALOG (MAINTENANCE)

FIG ITEM	PART NUMBER	1 2 3 4 5 6 7	NOMENCLATURE	EFFECT FROM TO	UNITS PER ASSY
1D - 3	284N1127-118		PANEL INSTL-P37 R MISC RELAY (ENGINE PROBE HEAT ONLY) FOR NHA/OTHER SYS DET SEE: 24-00-58-05C	108108	RF
- 4	284N1127-139		PANEL INSTL-P37 R MISC RELAY (ENGINE PROBE HEAT ONLY) FOR NHA/OTHER SYS DET SEE: 24-00-58-05C	109120	RF

MISSING ITEM NUMBERS NOT APPLICABLE

- ITEM NOT ILLUSTRATED

BRI

30-34-51-01D

BOEING PROPRIETARY - Copyright © - Unpublished Work - See title page for details.

30-34-51  
FIG. 01D  
PAGE 2  
JAN 20/09



757

PARTS CATALOG (MAINTENANCE)

FIG ITEM	PART NUMBER	1 2 3 4 5 6 7	NOMENCLATURE	EFFECT FROM TO	UNITS PER ASSY
1 D - 8	MODREF31945		PANEL INSTL-P37 R MISC RELAY (ENGINE PROBE HEAT ONLY) MODULE NUMBER: 284N1127-169 REV B FOR OTHER SYS DETAILS SEE: 11-36-12-02A 21-25-71-02D 21-44-71-02D 21-45-31-01D 21-51-55-01D 21-58-71-02D 21-61-71-02D 23-31-51-05 24-21-51-05 24-51-01-02 24-51-02-03 24-51-58-02D 27-62-71-03D 28-22-71-03D 29-21-71-01D 30-11-71-02D 30-21-71-03D 30-31-71-02D 30-32-71-02D 30-33-71-02D 31-01-37-10 31-31-71-02D 32-09-02-04D 32-42-71-02D 32-61-71-02D 33-43-55-01D 33-51-71-01D 34-12-71-02D 34-25-50-01D 34-61-52-01D 35-21-71-02D 36-11-71-02D 38-15-71-02D 73-21-55-01D 74-31-71-02D 76-11-71-02D 77-12-71-01D 78-34-71-02D 78-36-71-02D 80-11-71-02D	103103	1

MISSING ITEM NUMBERS NOT APPLICABLE

- ITEM NOT ILLUSTRATED

**30-34-51-01D**

BRI

BOEING PROPRIETARY - Copyright © - Unpublished Work - See title page for details.

30-34-51  
FIG. 01D  
PAGE 3  
JAN 20/09



757

PARTS CATALOG (MAINTENANCE)

FIG ITEM	PART NUMBER	1 2 3 4 5 6 7	NOMENCLATURE	EFFECT FROM TO	UNITS PER ASSY
1 D - 9	MODREF34305		PANEL INSTL-P37 R MISC RELAY (ENGINE PROBE HEAT ONLY) MODULE NUMBER: 284N1127-169 REV C FOR OTHER SYS DETAILS SEE: 11-36-12-02A 21-25-71-02D 21-44-71-02D 21-45-31-01D 21-51-55-01D 21-58-71-02D 21-61-71-02D 23-31-51-05 24-21-51-05 24-51-01-02 24-51-02-03 24-51-58-02D 27-62-71-03D 28-22-71-03D 29-21-71-01D 30-11-71-02D 30-21-71-03D 30-31-71-02D 30-32-71-02D 30-33-71-02D 31-01-37-10 31-31-71-02D 32-09-02-04D 32-42-71-02D 32-61-71-02D 33-43-55-01D 33-51-71-01D 34-12-71-02D 34-25-50-01D 34-61-52-01D 35-21-71-02D 36-11-71-02D 38-15-71-02D 73-21-55-01D 74-31-71-02D 76-11-71-02D 77-12-71-01D 78-34-71-02D 78-36-71-02D 80-11-71-02D	104105	1

MISSING ITEM NUMBERS NOT APPLICABLE

- ITEM NOT ILLUSTRATED

**30-34-51-01D**

BRI

BOEING PROPRIETARY - Copyright © - Unpublished Work - See title page for details.

30-34-51  
FIG. 01D  
PAGE 4  
JAN 20/09





757

PARTS CATALOG (MAINTENANCE)

FIG ITEM	PART NUMBER	1 2 3 4 5 6 7	NOMENCLATURE	EFFECT FROM TO	UNITS PER ASSY
1D 250	770-540-1		.RELAY- SUPPLIER CODE: VF0553 ELECTRICAL EQUIP NUMBER: K10479	103106 108120	1
250	770-540-2		.RELAY- SUPPLIER CODE: VF0553 MISCELLANEOUS DATA: TRUE P/N IS 770540-2 ELECTRICAL EQUIP NUMBER: K10479	103106 108120	1
250	770540-2		.RELAY- SUPPLIER CODE: VF5341 ELECTRICAL EQUIP NUMBER: K10479	103106 108120	1
- 300	286N1270-360		WIRE BUNDLE ASSY- REWORKED BY ALERT SB: 34A0222	108120	RF
- 302 305	286N1270-602 000300-1560		WIRE BUNDLE ASSY .SOCKET- SUPPLIER CODE: V05574 ELECTRICAL EQUIP NUMBER: D05422 WIRING DIAGRAM REF: 303412 303422	103106 103106 108120	RF 1

MISSING ITEM NUMBERS NOT APPLICABLE

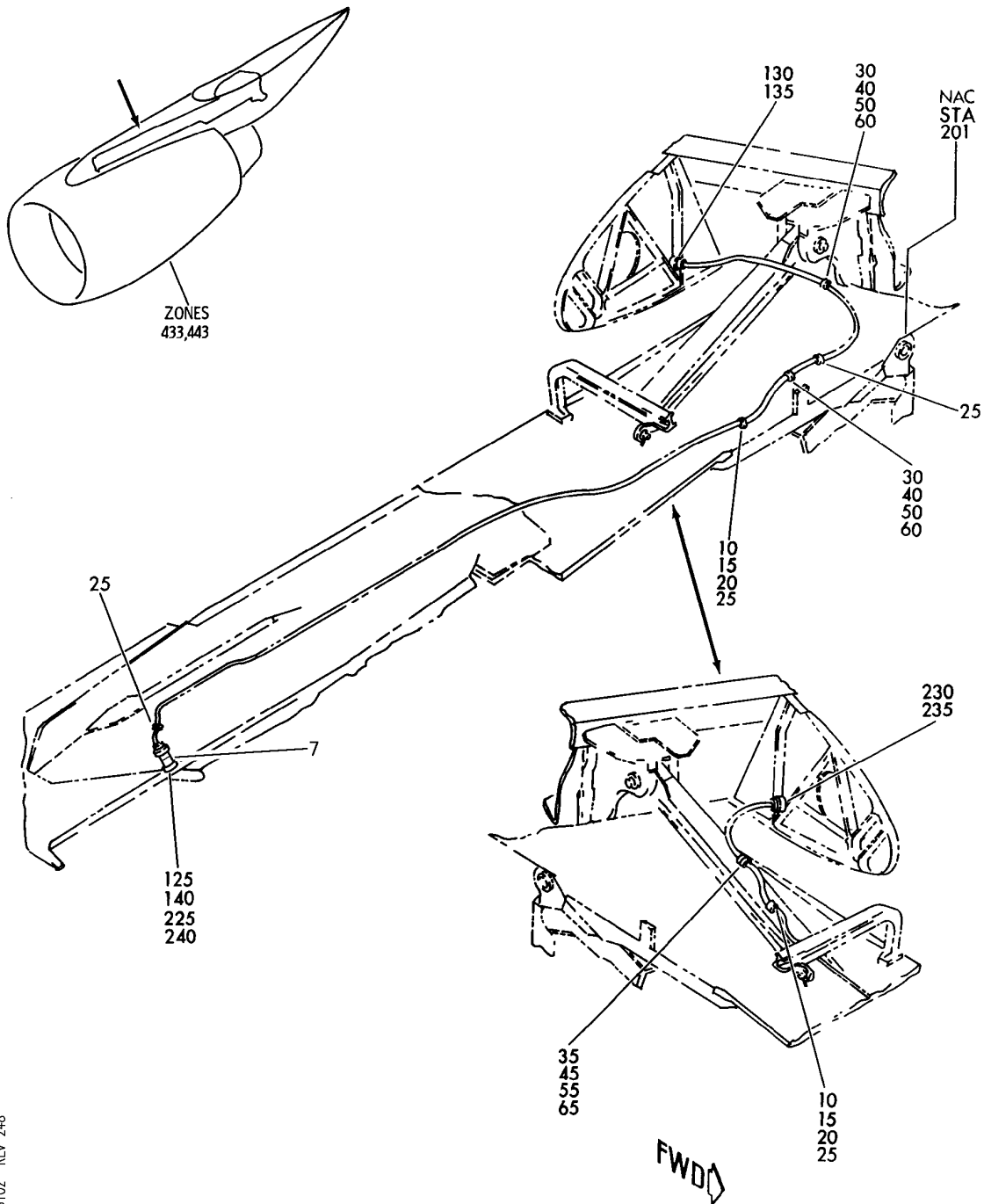
- ITEM NOT ILLUSTRATED

**30-34-51-01D**

30-34-51  
FIG. 01D  
PAGE 5  
JAN 20/09

BRI

**BOEING**  
757  
PARTS CATALOG (MAINTENANCE)



Y 30345102 REV 248

WIRE INSTL-STRUT (ICE AND RAIN PROTECTION ONLY) (PW2000)  
FIGURE 2

**30-34-51-02**

BRI  
JAN 20/09

30-34-51-02  
PAGE 0



757

PARTS CATALOG (MAINTENANCE)

FIG ITEM	PART NUMBER	1 2 3 4 5 6 7	NOMENCLATURE	EFFECT FROM TO	UNITS PER ASSY
2			WIRE INSTL-STRUT (ICE AND RAIN PROTECTION ONLY) (PW2000)	103106	
- 100	286N5406-018		.WIRE BUNDLE ASSY- POSITION DATA: LH SIDE	103106	1
125	G899312NF		..CLAMP- SUPPLIER CODE: V06324 SPECIFICATION NUMBER: BACC10HF12C OPTIONAL PART: S2251-12-65 V07418 900-555F12-55 V31461 ELECTRICAL EQUIP NUMBER: D01022JK	103106	1
130	S2277-24-34		..CLAMP- SUPPLIER CODE: V06324 ELECTRICAL EQUIP NUMBER: D42090PQ	103106	1
135	BACC63BT12B3SN		..RECEPTACLE- ELECTRICAL EQUIP NUMBER: D01022J WIRING DIAGRAM REF: 303411	103106	1
140	BACC63CB24-30PN		..PLUG- ELECTRICAL EQUIP NUMBER: D42090P	103106	1
- 200	286N5506-018		.WIRE BUNDLE ASSY- POSITION DATA: RH SIDE	103106	1
225	G899312NF		..CLAMP- SUPPLIER CODE: V06324 SPECIFICATION NUMBER: BACC10HF12C OPTIONAL PART: S2251-12-65 V07418 900-555F12-55 V31461 ELECTRICAL EQUIP NUMBER: D01222JK	103106	1

MISSING ITEM NUMBERS NOT APPLICABLE

- ITEM NOT ILLUSTRATED

30-34-51-02

30-34-51  
FIG. 02  
PAGE 1  
JAN 20/09

BRI



757

PARTS CATALOG (MAINTENANCE)

FIG ITEM	PART NUMBER	1 2 3 4 5 6 7	NOMENCLATURE	EFFECT FROM TO	UNITS PER ASSY
2 230	G899324NF		.. CLAMP- SUPPLIER CODE: V06324 SPECIFICATION NUMBER: BACC10HF24C OPTIONAL PART: S2251-24-65 V07418 900-555F24-55 V31461 GS3417-24C V06324 S2125-24C8 V07418 ELECTRICAL EQUIP NUMBER: D40148PQ	103106	1
235	BACC63BT12B3SN		.. RECEPTACLE- ELECTRICAL EQUIP NUMBER: D01222J WIRING DIAGRAM REF: 303412	103106	1
240	BACC63CB24-30PN		.. PLUG- ELECTRICAL EQUIP NUMBER: D40148P	103106	1

MISSING ITEM NUMBERS NOT APPLICABLE

- ITEM NOT ILLUSTRATED

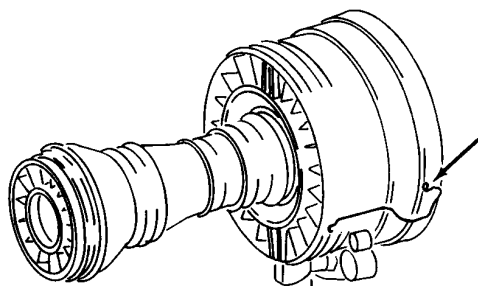
BRI

30-34-51-02

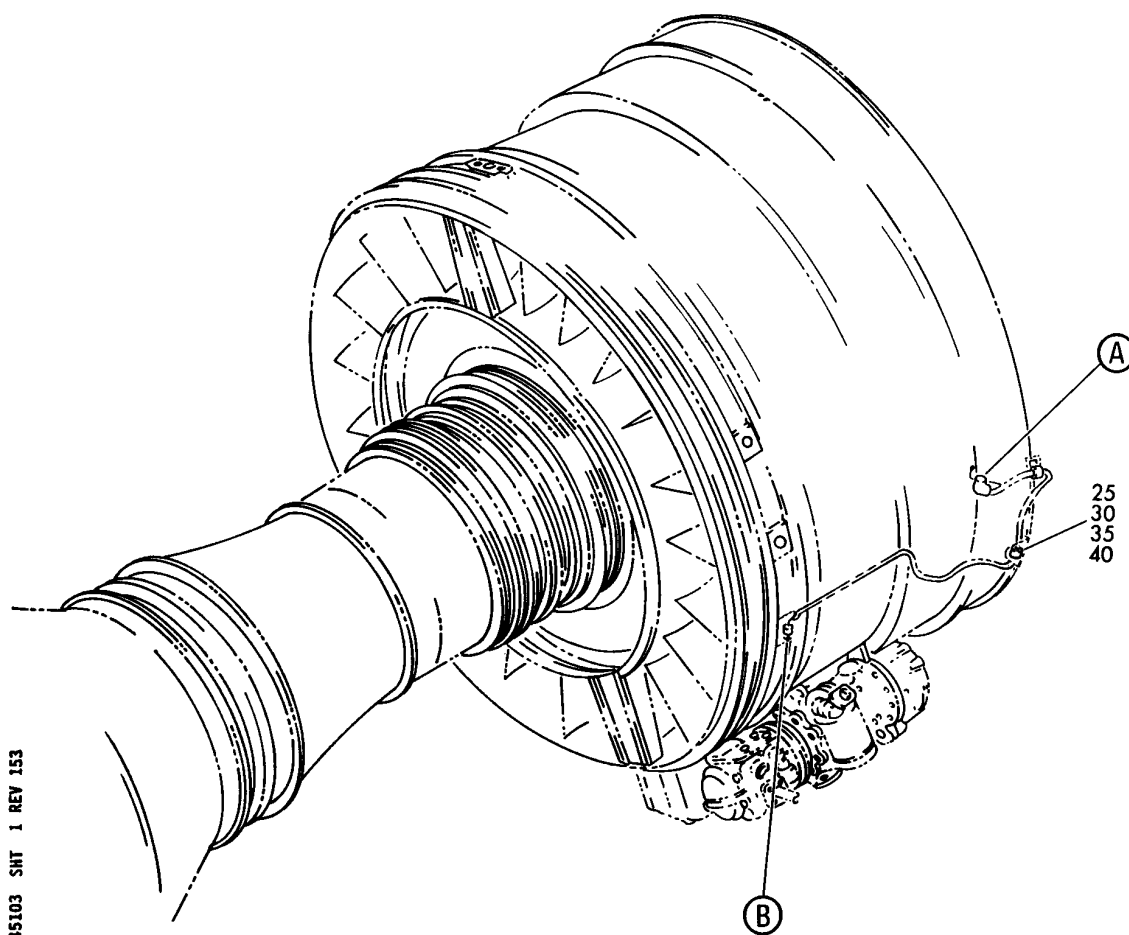
BOEING PROPRIETARY - Copyright © - Unpublished Work - See title page for details.

30-34-51  
 FIG. 02  
 PAGE 2  
 JAN 20/09

**BOEING**  
757  
PARTS CATALOG (MAINTENANCE)



ZONES  
411, 421



Y 30345103 SHT 1 REV 153

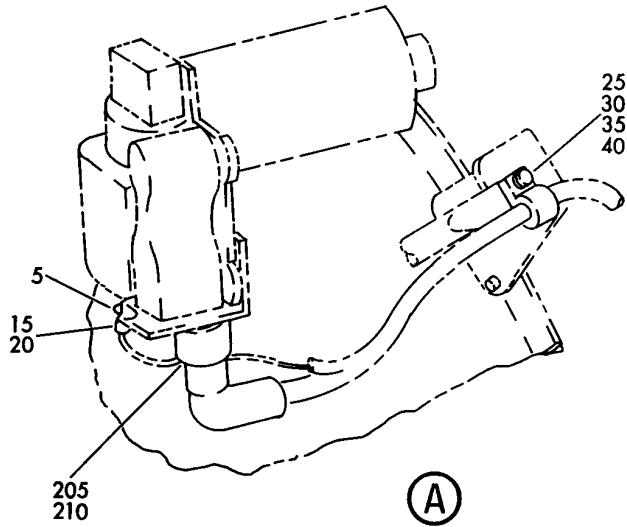
WIRE INSTL-ELECTRICAL (ICE AND RAIN PROTECTION ONLY) (PW2000)  
FIGURE 3 (SHEET 1)

**30-34-51-03**

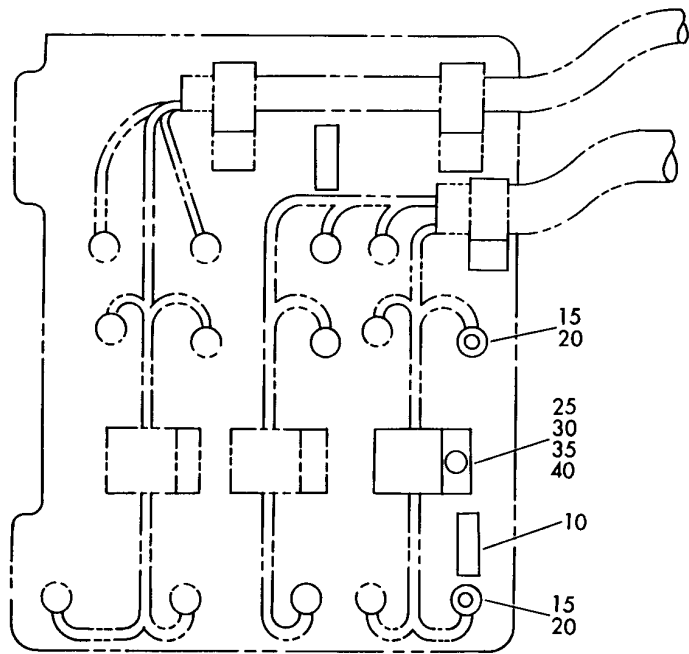
BRI  
JAN 20/09

30-34-51-03  
PAGE 0

**BOEING**  
757  
PARTS CATALOG (MAINTENANCE)



(A)



(B)

Y 30345103 SHT 2 REV 153

WIRE INSTL-ELECTRICAL (ICE AND RAIN PROTECTION ONLY) (PW2000)  
FIGURE 3 (SHEET 2)

**30-34-51-03**

BRI  
JAN 20/09

30-34-51-03  
PAGE 0A



757

PARTS CATALOG (MAINTENANCE)

FIG ITEM	PART NUMBER	1 2 3 4 5 6 7	NOMENCLATURE	EFFECT FROM TO	UNITS PER ASSY
3			WIRE INSTL-ELECTRICAL (ICE AND RAIN PROTECTION ONLY) (PW2000)	103106	
- 200	286N5600-012		.WIRE BUNDLE ASSY-	103106	RF
205	G899414		..CLAMP-	103106	1
			SUPPLIER CODE: V06324		
			SPECIFICATION NUMBER: BACC10HG14A		
			OPTIONAL PART: G8994M14		
			V06324		
			S2252-14-8		
			V07418		
			6000-124-1014		
			V14283		
			900-555L14-34		
			V31461		
			ELECTRICAL EQUIP NUMBER: D05050T		
210	R071014A7SNL		..CONNECTOR-	103106	1
			SUPPLIER CODE: V41118		
			SPECIFICATION NUMBER: BACC63BP14A7SNL		
			MISCELLANEOUS DATA: OPTIONAL PART NUMBERS: BACC63BP14A7SN (81205) BACC63BP14R7SN (81205) BACC63BP14R7SNL (81205)		
			ELECTRICAL EQUIP NUMBER: D05050		
			WIRING DIAGRAM REF: 302111		

MISSING ITEM NUMBERS NOT APPLICABLE

- ITEM NOT ILLUSTRATED

30-34-51-03

30-34-51  
FIG. 03  
PAGE 1  
JAN 20/09

BRI

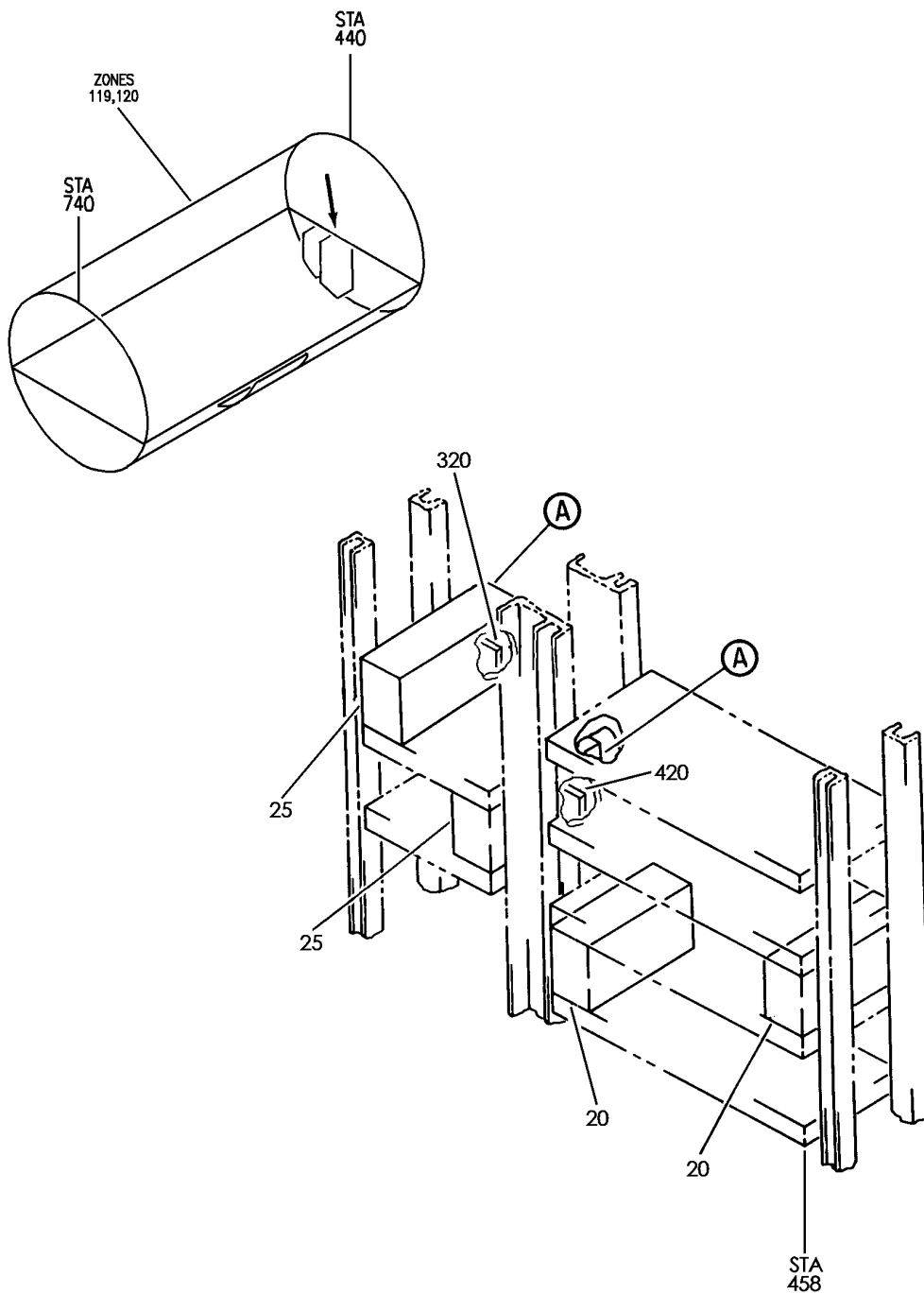
## FLIGHT COMPARTMENT WINDOW ANTI-ICE

BRI  
MAY 28/07

30-41-00  
SECTION TITLE  
PAGE 1



**BOEING**  
757  
PARTS CATALOG (MAINTENANCE)



Y 30410101 SH1 1 REV 256

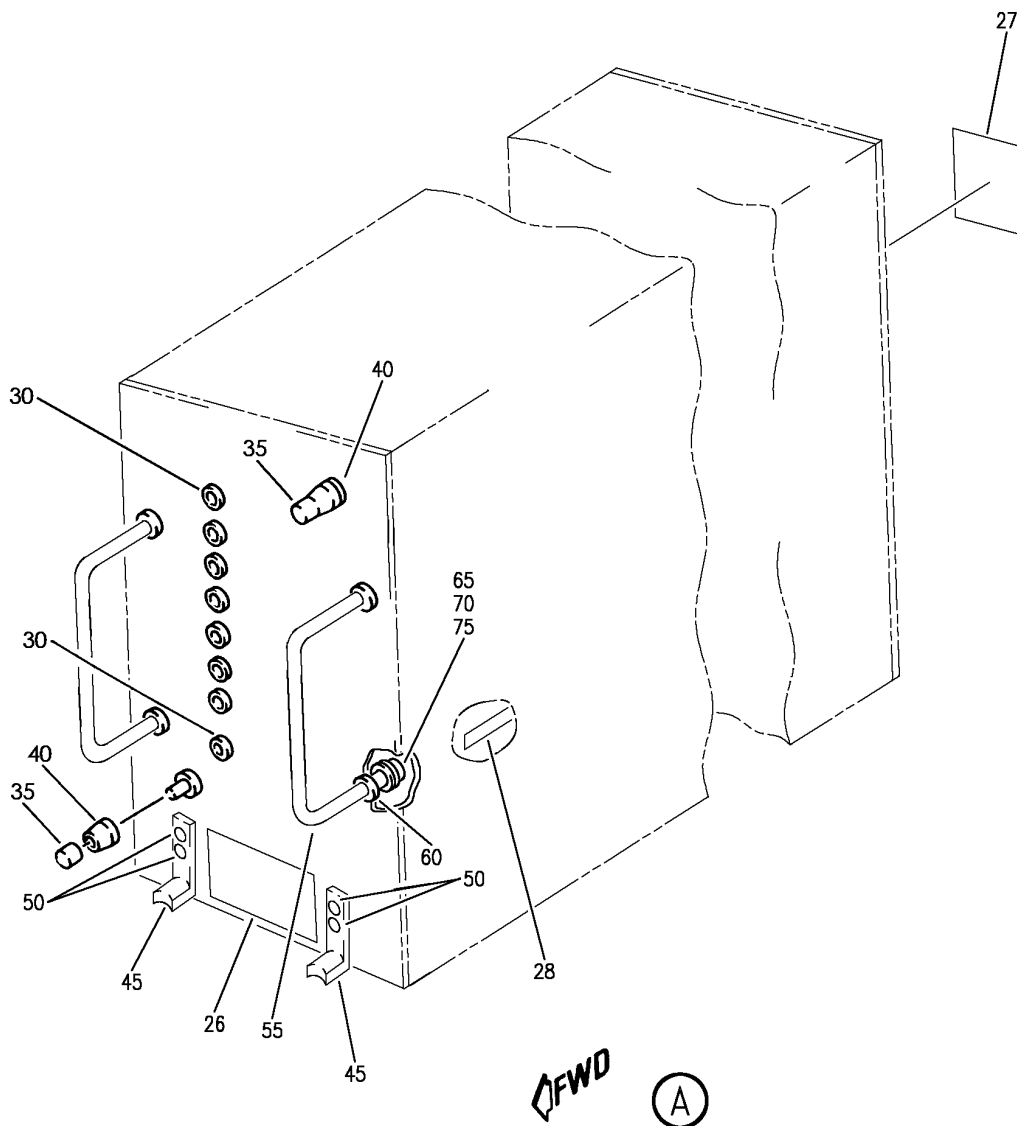
EQUIPMENT INSTL-MAIN ELECTRONICS EQPT CTR (ICE AND RAIN PROTECTION ONLY)  
FIGURE 1 (SHEET 1)

**30-41-01-01**

BRI  
MAY 28/07

30-41-01-01  
PAGE 0

**BOEING**  
757  
PARTS CATALOG (MAINTENANCE)



Y 30410101 SH1 2 REV 270

EQUIPMENT INSTL-MAIN ELECTRONICS EQPT CTR (ICE AND RAIN PROTECTION ONLY)  
FIGURE 1 (SHEET 2)

**30-41-01-01**

BRI  
MAY 28/07

30-41-01-01  
PAGE 0A



757

PARTS CATALOG (MAINTENANCE)

FIG ITEM	PART NUMBER	1 2 3 4 5 6 7	NOMENCLATURE	EFFECT FROM TO	UNITS PER ASSY
1			EQUIPMENT INSTL-MAIN ELECTRONICS EQPT CTR (ICE AND RAIN PROTECTION ONLY)	002004 006100 107107 121999	
- 2	284N1307-33		EQUIPMENT INSTL-MAIN ELECTRONICS EQPT CTR (ICE AND RAIN PROTECTION ONLY) FOR NHA/OTHER SYS DET SEE: 24-00-58-01	107107	RF
- 2	284N1800-32		EQUIPMENT INSTL-MAIN ELECTRONICS EQPT CTR (ICE AND RAIN PROTECTION ONLY) FOR NHA/OTHER SYS DET SEE: 24-00-58-01	952999	RF
- 4	284N1800-16		EQUIPMENT INSTL-MAIN ELECTRONICS EQPT CTR (ICE AND RAIN PROTECTION ONLY) FOR NHA/OTHER SYS DET SEE: 24-00-58-01	121503 904949	RF
- 5	284N1800-34		EQUIPMENT INSTL-MAIN ELECTRONICS EQPT CTR (ICE AND RAIN PROTECTION ONLY) FOR NHA/OTHER SYS DET SEE: 24-00-58-01	002004 006100	RF
- 5	284N1800-38		EQUIPMENT INSTL-MAIN ELECTRONICS EQPT CTR (ICE AND RAIN PROTECTION ONLY) FOR NHA/OTHER SYS DET SEE: 24-00-58-01	950951	RF
- 6	284N1800-190		EQUIPMENT INSTL-MAIN ELECTRONICS EQPT CTR (ICE AND RAIN PROTECTION ONLY) FOR NHA/OTHER SYS DET SEE: 24-00-58-05E	504504 506903	RF
- 7	284N1800-88		EQUIPMENT INSTL-MAIN ELECTRONICS EQPT CTR (ICE AND RAIN PROTECTION ONLY) FOR NHA/OTHER SYS DET SEE: 24-00-58-05E	505505	RF

MISSING ITEM NUMBERS NOT APPLICABLE

- ITEM NOT ILLUSTRATED

30-41-01-01

30-41-01  
FIG. 01  
PAGE 1  
JAN 20/09

BRI



757

PARTS CATALOG (MAINTENANCE)

FIG ITEM	PART NUMBER	1 2 3 4 5 6 7	NOMENCLATURE	EFFECT FROM TO	UNITS PER ASSY
1 25	624066-3		.UNIT ASSY-WINDOW HEAT SUPPLIER CODE: V07217 SPECIFICATION NUMBER: S283T007-3 SB DATA FROM A CMM: PRE SB 624066-30-13 CONFIG CHG DATA FROM A CMM: SUPSD BY 624066-3M2 ELECTRICAL EQUIP NUMBER: M00191 M00192 WIRING DIAGRAM REF: 304111 304112 COMPONENT MAINT MANUAL REF: 30-41-07	002004 006100 107107 121999	2
25	624066-5		.UNIT ASSY-WINDOW HEAT CONTROL SERIES #1, 2, 3, AND 4 SUPPLIER CODE: V07217 FUNCTIONAL DESCRIPTION: MONITORS THE STATUS OF THE CONTROL UNIT, WINDOW SENSORS & WINDOW HEATERS SPECIFICATION NUMBER: S283T007-5 SB DATA FROM A CMM: POST SB 624066-30-16 CONFIG CHG DATA FROM A CMM: SUPSDS 624066-3M2 ELECTRICAL EQUIP NUMBER: M00191 M00192 COMPONENT MAINT MANUAL REF: 30-41-07	002004 006100 107107 121999	2

MISSING ITEM NUMBERS NOT APPLICABLE

- ITEM NOT ILLUSTRATED

**30-41-01-01**

30-41-01  
FIG. 01  
PAGE 2  
JAN 20/09

BRI



757

PARTS CATALOG (MAINTENANCE)

FIG ITEM	PART NUMBER	1 2 3 4 5 6 7	NOMENCLATURE	EFFECT FROM TO	UNITS PER ASSY
1	25 624066-2		.UNIT ASSY-WINDOW HEAT CONTROL SUPPLIER CODE: V07217 SPECIFICATION NUMBER: S283T007-2 SB DATA FROM A CMM: PRE SB 624066-30-13 CONFIG CHG DATA FROM A CMM: SUPSD BY 624066-2M2 ELECTRICAL EQUIP NUMBER: M00191 M00192 COMPONENT MAINT MANUAL REF: 30-41-07	002004 006100 107107 121999	2
	25 624066-4		.UNIT ASSY-WINDOW HEAT SERIES #1 AND 2 SUPPLIER CODE: V07217 SPECIFICATION NUMBER: S283T007-4 SB DATA FROM A CMM: POST SB 624066-30-16 CONFIG CHG DATA FROM A CMM: SUPSDS 624066-2M2 ELECTRICAL EQUIP NUMBER: M00191 M00192 COMPONENT MAINT MANUAL REF: 30-41-07	002004 006100 107107 121999	2
	26 CS329		..PLATE-IDENT SUPPLIER CODE: V07217 CONFIG CHG DATA FROM A CMM: SUPSD BY CS556-1	002004 006100 107107 121999	1
	26 CS556-1		..PLATE-IDENT SUPPLIER CODE: V07217 CONFIG CHG DATA FROM A CMM: SUPERSEDES CS329	002004 006100 107107 121999	1
	27 1025439-1		..LABEL-ELECTROSTATIC SENSITIVE DEVICE SUPPLIER CODE: V07217	002004 006100 107107 121999	1
	28 1025208-1		..LABEL-WARNING SUPPLIER CODE: V07217	002004 006100 107107 121999	1

MISSING ITEM NUMBERS NOT APPLICABLE

- ITEM NOT ILLUSTRATED

30-41-01-01

30-41-01  
FIG. 01  
PAGE 3  
JAN 20/09

BRI



757

PARTS CATALOG (MAINTENANCE)

FIG ITEM	PART NUMBER	1 2 3 4 5 6 7	NOMENCLATURE	EFFECT FROM TO	UNITS PER ASSY
1					
- 28A	1025232-2		.. LABEL-FRONT PNL SUPPLIER CODE: V07217	002004 006100 107107 121999	1
- 29	1025232-1		.. LABEL-FRONT PNL SUPPLIER CODE: V07217	002004 006100 107107 121999	1
30	1411-45009		.. GROMMET- SUPPLIER CODE: V70485 MISCELLANEOUS DATA: ALLIED SIGNAL PART NO. 370-902-9001	002004 006100 107107 121999	8
35	7089-2		.. CAP- SUPPLIER CODE: V09353 MISCELLANEOUS DATA: ALLIED SIGNAL PART NO. 194-907-9002	002004 006100 107107 121999	2
40	7780		.. NUT-DRESS 525-910-9001 SUPPLIER CODE: V09353 MISCELLANEOUS DATA: ALLIED SIGNAL PART NO. 525-910-9001	002004 006100 107107 121999	2
45	NAS622CT3		.. HOOK- OPTIONAL PART: 1029422-2 V07217	002004 006100 107107 121999	2
45	1029422-2		.. HOOK- SUPPLIER CODE: V07217 OPTIONAL PART: NAS622CT3 ATTACHING PARTS	002004 006100 107107 121999	2
50	MS20426AD5-8		.. RIVET	002004 006100 107107 121999	4
			-----*-----		

MISSING ITEM NUMBERS NOT APPLICABLE

- ITEM NOT ILLUSTRATED

30-41-01-01

30-41-01  
FIG. 01  
PAGE 4  
JAN 20/09

BRI

BOEING PROPRIETARY - Copyright © - Unpublished Work - See title page for details.



757

PARTS CATALOG (MAINTENANCE)

FIG ITEM	PART NUMBER	1 2 3 4 5 6 7	NOMENCLATURE	EFFECT FROM TO	UNITS PER ASSY
1					
55	1057-30	..	HANDLE- SUPPLIER CODE: V88245 CONFIG CHG DATA FROM A CMM: SUPSD BY A1074-30 MISCELLANEOUS DATA: HONEYWELL SCD 391-903-9006	002004 006100 107107 121999	2
55	A1074-30	..	HANDLE- SUPPLIER CODE: V81312 CONFIG CHG DATA FROM A CMM: SUPERSEDES 1057-30 MISCELLANEOUS DATA: HONEYWELL PART NO. 391-903-9006	002004 006100 107107 121999	2
60	A903-30	..	FERRULE- SUPPLIER CODE: V88245 MISCELLANEOUS DATA: HONEYWELL SCD 391-903-9006 ATTACHING PARTS	002004 006100 107107 121999	4
65	MS35206-245	..	SCREW	002004 006100 107107 121999	4
70	MS35338-42	..	WASHER	002004 006100 107107 121999	4
75	NAS620-8	..	WASHER	002004 006100 107107 121999	4
- 300	286N1310-001	-----*	WIRE BUNDLE ASSY-	002004 006100 107107 121503 904999	RF
- 300	286N1310-310		WIRE BUNDLE ASSY	504903	RF

MISSING ITEM NUMBERS NOT APPLICABLE

- ITEM NOT ILLUSTRATED

BRI

30-41-01-01

BOEING PROPRIETARY - Copyright © - Unpublished Work - See title page for details.

30-41-01  
FIG. 01  
PAGE 5  
JAN 20/09



757

PARTS CATALOG (MAINTENANCE)

FIG ITEM	PART NUMBER	1 2 3 4 5 6 7	NOMENCLATURE	EFFECT FROM TO	UNITS PER ASSY
1 320	BCREF110594		.PLUG- SUPPLIER CODE: V71468 OVERLENGTH PART NUMBER: DPX2DA26S7S33B1401 ELECTRICAL EQUIP NUMBER: D02290 WIRING DIAGRAM REF: 304112	002004 006100 107107 121999	1
- 400	286N1320-001		WIRE BUNDLE ASSY	002004 006100 107107 121503 904999	RF
- 400	286N1320-305		WIRE BUNDLE ASSY	002004 006100 107107 121999	RF
420	BCREF110594		.PLUG- SUPPLIER CODE: V71468 OVERLENGTH PART NUMBER: DPX2DA26S7S33B1401 ELECTRICAL EQUIP NUMBER: D02304 WIRING DIAGRAM REF: 304111	002004 006100 107107 121999	1

MISSING ITEM NUMBERS NOT APPLICABLE

- ITEM NOT ILLUSTRATED

BRI

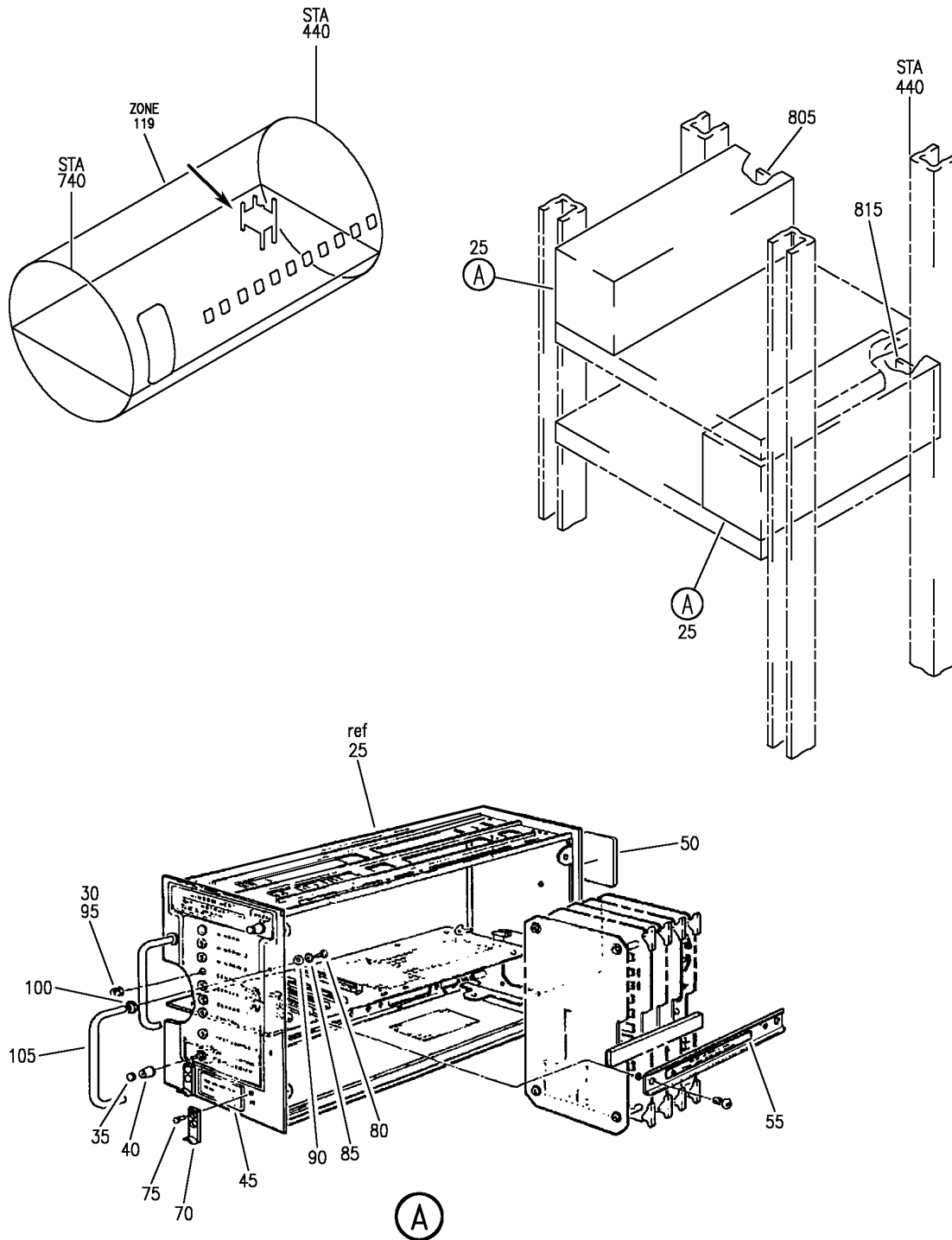
30-41-01-01

BOEING PROPRIETARY - Copyright © - Unpublished Work - See title page for details.

30-41-01  
FIG. 01  
PAGE 6  
JAN 20/09



**BOEING**  
757  
PARTS CATALOG (MAINTENANCE)



Y 30410101B REV 280

EQUIPMENT INSTL-MAIN ELECTRONICS EQPT CTR (ICE AND RAIN PROTECTION ONLY)  
FIGURE 1B

BRI  
MAY 28/07

**30-41-01-01B**

30-41-01-01B  
PAGE 0



757

PARTS CATALOG (MAINTENANCE)

FIG ITEM	PART NUMBER	1 2 3 4 5 6 7	NOMENCLATURE	EFFECT FROM TO	UNITS PER ASSY
1B			EQUIPMENT INSTL-MAIN ELECTRONICS EQPT CTR (ICE AND RAIN PROTECTION ONLY)	101102	
- 2	284N1800-140		EQUIPMENT INSTL-MAIN ELECTRONICS EQPT CTR (ICE AND RAIN PROTECTION ONLY) FOR NHA/OTHER SYS DET SEE: 24-00-58-05E	101101	RF
- 2	284N1800-141		EQUIPMENT INSTL-MAIN ELECTRONICS EQPT CTR (ICE AND RAIN PROTECTION ONLY) FOR NHA/OTHER SYS DET SEE: 24-00-58-05E	102102	RF
25	624066-5		.UNIT ASSY-CONTROL WINDOW HEAT SUPPLIER CODE: V07217 FUNCTIONAL DESCRIPTION: MONITORS THE STATUS OF THE CONTROL UNIT, WINDOW SENSORS & WINDOW HEATERS SPECIFICATION NUMBER: S283T007-5 ELECTRICAL EQUIP NUMBER: M00191 M00192 COMPONENT MAINT MANUAL REF: 30-41-07	101102	2
25	624066-3		.UNIT ASSY-CONTROL WINDOW HEAT SUPPLIER CODE: V07217 SPECIFICATION NUMBER: S283T007-3 ELECTRICAL EQUIP NUMBER: M00191 M00192 COMPONENT MAINT MANUAL REF: 30-41-07	101102	2

MISSING ITEM NUMBERS NOT APPLICABLE

- ITEM NOT ILLUSTRATED

**30-41-01-01B**

30-41-01  
FIG. 01B  
PAGE 1  
JAN 20/09

BRI



757

PARTS CATALOG (MAINTENANCE)

FIG ITEM	PART NUMBER	1 2 3 4 5 6 7	NOMENCLATURE	EFFECT FROM TO	UNITS PER ASSY
1B					
25	624066-4		.UNIT ASSY-CONT WINDOW HEAT SUPPLIER CODE: V07217 SPECIFICATION NUMBER: S283T007-4 ELECTRICAL EQUIP NUMBER: M00191 M00192 COMPONENT MAINT MANUAL REF: 30-41-07	101102	2
25	624066-2		.UNIT ASSY-CONTROL WINDOW HEAT SUPPLIER CODE: V07217 SPECIFICATION NUMBER: S283T007-2 ELECTRICAL EQUIP NUMBER: M00191 M00192 COMPONENT MAINT MANUAL REF: 30-41-07	101102	2
30	1411-45009		..GROMMET- SUPPLIER CODE: V70485	101102	8
35	7089-2		..CAP- SUPPLIER CODE: V09353	101102	2
40	7780		..NUT-DRESS 525-910-9001 SUPPLIER CODE: V09353	101102	2
45	CS329		..PLATE-IDENT SUPPLIER CODE: V07217 CONFIG CHG DATA FROM A CMM: SUPSD BY CS556-1	101102	1
45	CS556-1		..PLATE-IDENT SUPPLIER CODE: V07217 CONFIG CHG DATA FROM A CMM: SUPERSEDES CS329	101102	1
50	1025439-1		..LABEL-ELECTROSTATIC SUPPLIER CODE: V07217	101102	1
55	1025208-1		..LABEL-WARNING SUPPLIER CODE: V07217	101102	1

MISSING ITEM NUMBERS NOT APPLICABLE

- ITEM NOT ILLUSTRATED

**30-41-01-01B**

30-41-01  
FIG. 01B  
PAGE 2  
JAN 20/09

BRI

 **BOEING**  
757  
**PARTS CATALOG (MAINTENANCE)**

FIG ITEM	PART NUMBER	1 2 3 4 5 6 7	NOMENCLATURE	EFFECT FROM TO	UNITS PER ASSY
1B					
- 60	1025232-1	..	LABEL-FRONT PNL SUPPLIER CODE: V07217	101102	1
- 65	1025232-2	..	LABEL-FRONT PNL SUPPLIER CODE: V07217	101102	1
70	NAS622CT3	..	H00K-SPRT OPTIONAL PART: 1029422-2 V07217	101102	2
70	1029422-2	..	H00K-SPRT SUPPLIER CODE: V07217 OPTIONAL PART: NAS622CT3 ATTACHING PARTS	101102	1
75	MS20426AD5-8	..	RIVET -----*-----	101102	4
80	MS35206-245	..	SCREW	101102	4
85	MS35338-42	..	WASHER	101102	4
90	NAS620-8	..	WASHER	101102	4
95	1411-45009	..	GROMMET- SUPPLIER CODE: V70485 MISCELLANEOUS DATA: HONEYWELL PART NO. 370-902-9001	101102	8
100	A903-30	..	FERRULE- SUPPLIER CODE: V81312 MISCELLANEOUS DATA: HONEYWELL PART NO. 335-903-9001	101102	4
105	1057-30	..	HANDLE- SUPPLIER CODE: V81312 CONFIG CHG DATA FROM A CMM: SUPSD BY A1074-30 MISCELLANEOUS DATA: HONEYWELL PART NO. 391-903-9006	101102	2
105	A1074-30	..	HANDLE- SUPPLIER CODE: V81312 CONFIG CHG DATA FROM A CMM: SUPERSEDES 1057-30 MISCELLANEOUS DATA: HONEYWELL PART NO. 391-903-9006	101102	2

MISSING ITEM NUMBERS NOT APPLICABLE

- ITEM NOT ILLUSTRATED

# 30-41-01-01B

30-41-01  
FIG. 01B  
PAGE 3  
JAN 20/09

BRI

BOEING PROPRIETARY - Copyright © - Unpublished Work - See title page for details.



757

PARTS CATALOG (MAINTENANCE)

FIG ITEM	PART NUMBER	1 2 3 4 5 6 7	NOMENCLATURE	EFFECT FROM TO	UNITS PER ASSY
1B - 800 805	286N1320-303 BCREF110594		WIRE BUNDLE ASSY .PLUG- SUPPLIER CODE: V71468 OVERLENGTH PART NUMBER: DPX2DA26S7S33B1401 ELECTRICAL EQUIP NUMBER: D02290 WIRING DIAGRAM REF: 304111	101102 101102	RF 1
- 810 815	286N1310-302 BCREF110594		WIRE BUNDLE ASSY .PLUG- SUPPLIER CODE: V71468 OVERLENGTH PART NUMBER: DPX2DA26S7S33B1401 ELECTRICAL EQUIP NUMBER: D02304 WIRING DIAGRAM REF: 304112	101102 101102	RF 1

MISSING ITEM NUMBERS NOT APPLICABLE

- ITEM NOT ILLUSTRATED

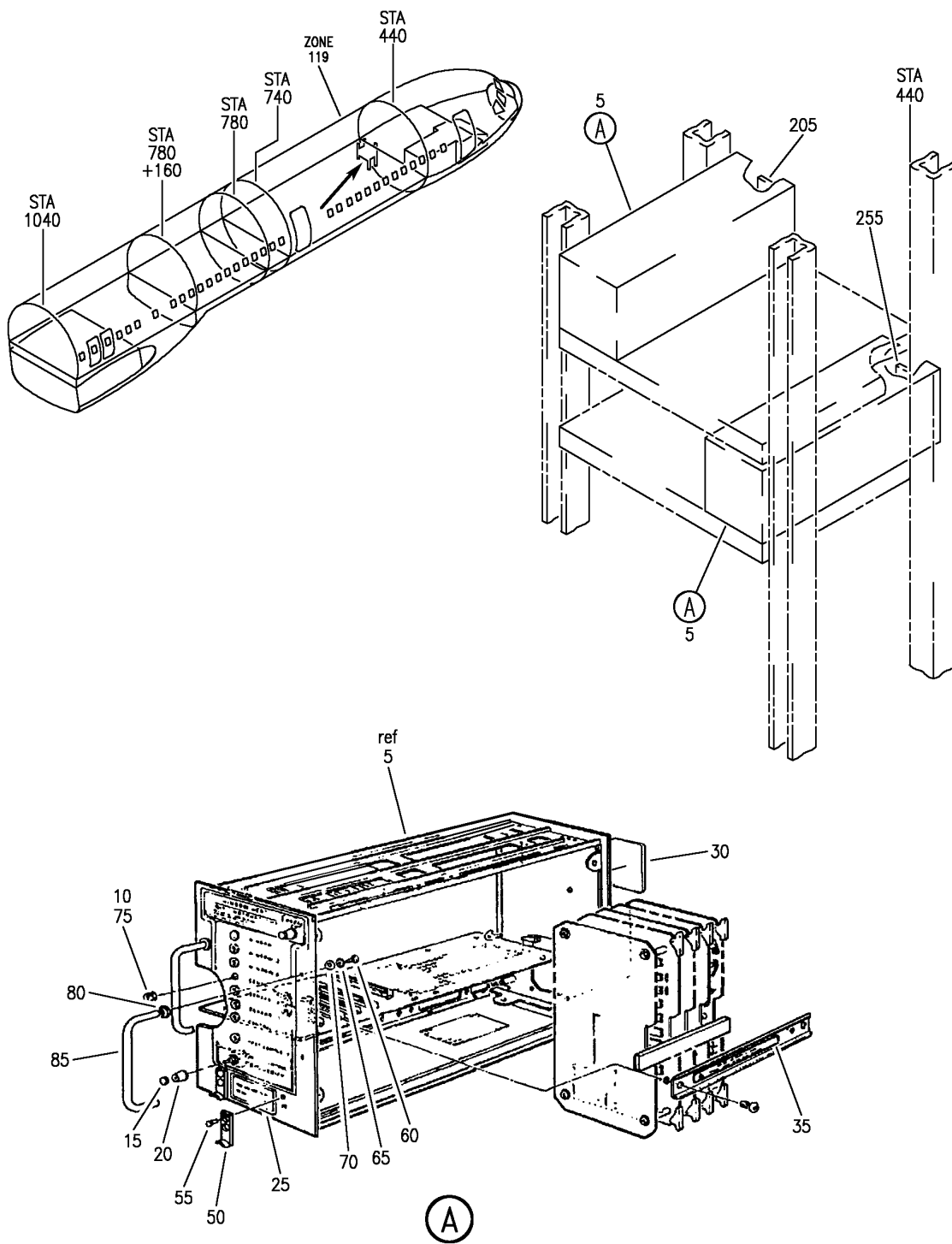
BRI

**30-41-01-01B**

BOEING PROPRIETARY - Copyright © - Unpublished Work - See title page for details.

30-41-01  
FIG. 01B  
PAGE 4  
JAN 20/09

**BOEING**  
757  
PARTS CATALOG (MAINTENANCE)



Y 30410108 REV 280

EQUIPMENT INSTL-MAIN ELECTRONICS EQPT CTR WINDOW HEAT CONT  
FIGURE 8

**30-41-01-08**

BRI  
JAN 20/09

30-41-01-08  
PAGE 0



757

PARTS CATALOG (MAINTENANCE)

FIG ITEM	PART NUMBER	1 2 3 4 5 6 7	NOMENCLATURE	EFFECT FROM TO	UNITS PER ASSY
8			EQUIPMENT INSTL-MAIN ELECTRONICS EQPT CTR WINDOW HEAT CONT	103106 108120	
- 1	284N4000-300000		EQUIPMENT INSTL-MAIN ELECTRONICS EQPT CTR WINDOW HEAT CONT	108120	RF
- 1	MODREF10047		FOR NHA SEE: 24-00-58-05 EQUIPMENT INSTL-MAIN ELECTRONICS EQPT CTR WINDOW HEAT CONT	103106	1
5	624066-5		MODULE NUMBER: 284N4000-300000 REV A .UNIT ASSY-WINDOW HEAT SUPPLIER CODE: V07217 FUNCTIONAL DESCRIPTION: MONITORS THE STATUS OF THE CONTROL UNIT, WINDOW SENSORS & WINDOW HEATERS SPECIFICATION NUMBER: S283T007-5 ELECTRICAL EQUIP NUMBER: M00191 M00192 COMPONENT MAINT MANUAL REF: 30-41-07	103106 108120	2
5	624066-3		.UNIT ASSY-WINDOW HEAT SUPPLIER CODE: V07217 SPECIFICATION NUMBER: S283T007-3 COMPONENT MAINT MANUAL REF: 30-41-07	103106 108120	2
5	624066-2		.UNIT ASSY-WINDOW HEAT SUPPLIER CODE: V07217 SPECIFICATION NUMBER: S283T007-2 COMPONENT MAINT MANUAL REF: 30-41-07	103106 108120	2
10	1411-45009		..GROMMET- SUPPLIER CODE: V70485	103106 108120	8

MISSING ITEM NUMBERS NOT APPLICABLE

- ITEM NOT ILLUSTRATED

30-41-01-08

30-41-01  
FIG. 08  
PAGE 1  
JAN 20/09

BRI



757

PARTS CATALOG (MAINTENANCE)

FIG ITEM	PART NUMBER	1 2 3 4 5 6 7	NOMENCLATURE	EFFECT FROM TO	UNITS PER ASSY
8					
15	7089-2	..	CAP- SUPPLIER CODE: V09353	103106 108120	2
20	7780	..	NUT-DRESS 525-910-9001 SUPPLIER CODE: V09353	103106 108120	2
25	CS329	..	PLATE-IDENT SUPPLIER CODE: V07217 CONFIG CHG DATA FROM A CMM: SUPSD BY CS556-1	103106 108120	1
25	CS556-1	..	PLATE-IDENT SUPPLIER CODE: V07217 CONFIG CHG DATA FROM A CMM: SUPERSEDES CS329	103106 108120	1
30	1025439-1	..	LABEL-ELECTROSTATIC SUPPLIER CODE: V07217	103106 108120	1
35	1025208-1	..	LABEL-WARNING SUPPLIER CODE: V07217	103106 108120	1
- 40	1025232-1	..	LABEL-FRONT PNL SUPPLIER CODE: V07217	103106 108120	1
- 45	1025232-2	..	LABEL-FRONT PNL SUPPLIER CODE: V07217	103106 108120	1
50	NAS622CT3	..	HOOK-SPRT OPTIONAL PART: 1029422-2 V07217	103106 108120	2
50	1029422-2	..	HOOK-SPRT SUPPLIER CODE: V07217 OPTIONAL PART: NAS622CT3 ATTACHING PARTS	103106 108120	1
55	MS20426AD5-8	..	RIVET	103106 108120	4
60	MS35206-245	..	-----*----- SCREW	103106 108120	4
65	MS35338-42	..	WASHER	103106 108120	4
70	NAS620-8	..	WASHER	103106 108120	4

MISSING ITEM NUMBERS NOT APPLICABLE

- ITEM NOT ILLUSTRATED

30-41-01-08

30-41-01  
FIG. 08  
PAGE 2  
JAN 20/09

BRI

BOEING PROPRIETARY - Copyright © - Unpublished Work - See title page for details.





757

PARTS CATALOG (MAINTENANCE)

FIG ITEM	PART NUMBER	1 2 3 4 5 6 7	NOMENCLATURE	EFFECT FROM TO	UNITS PER ASSY
8					
75	1411-45009	..	GROMMET- SUPPLIER CODE: V70485 MISCELLANEOUS DATA: HONEYWELL PART NO. 370-902-9001	103106 108120	8
80	A903-30	..	FERRULE- SUPPLIER CODE: V81312 MISCELLANEOUS DATA: HONEYWELL PART NO. 335-903-9001	103106 108120	4
85	1057-30	..	HANDLE- SUPPLIER CODE: V81312 CONFIG CHG DATA FROM A CMM: SUPSD BY A1074-30 MISCELLANEOUS DATA: HONEYWELL PART NO. 391-903-9006	103106 108120	2
85	A1074-30	..	HANDLE- SUPPLIER CODE: V81312 CONFIG CHG DATA FROM A CMM: SUPERSEDES 1057-30 MISCELLANEOUS DATA: HONEYWELL PART NO. 391-903-9006	103106 108120	2
- 200	286N1310-302		WIRE BUNDLE ASSY	108120	RF
- 200	286N1310-701		WIRE BUNDLE ASSY	103106	RF
205	BCREF110594	.	PLUG- SUPPLIER CODE: V71468 OVERLENGTH PART NUMBER: DPX2DA26S7S33B1401 ELECTRICAL EQUIP NUMBER: D02290 WIRING DIAGRAM REF: 304112	103106 108120	1
- 250	286N1320-302		WIRE BUNDLE ASSY	108120	RF
- 250	286N1320-701		WIRE BUNDLE ASSY	103106	RF

MISSING ITEM NUMBERS NOT APPLICABLE

- ITEM NOT ILLUSTRATED

30-41-01-08

30-41-01  
FIG. 08  
PAGE 3  
JAN 20/09

BRI

BOEING PROPRIETARY - Copyright © - Unpublished Work - See title page for details.



757

PARTS CATALOG (MAINTENANCE)

FIG ITEM	PART NUMBER	1 2 3 4 5 6 7	NOMENCLATURE	EFFECT FROM TO	UNITS PER ASSY
8 255	BCREF110594		.PLUG- SUPPLIER CODE: V71468 OVERLENGTH PART NUMBER: DPX2DA26S7S33B1401 ELECTRICAL EQUIP NUMBER: D02304 WIRING DIAGRAM REF: 304111	103106 108120	1

MISSING ITEM NUMBERS NOT APPLICABLE

- ITEM NOT ILLUSTRATED

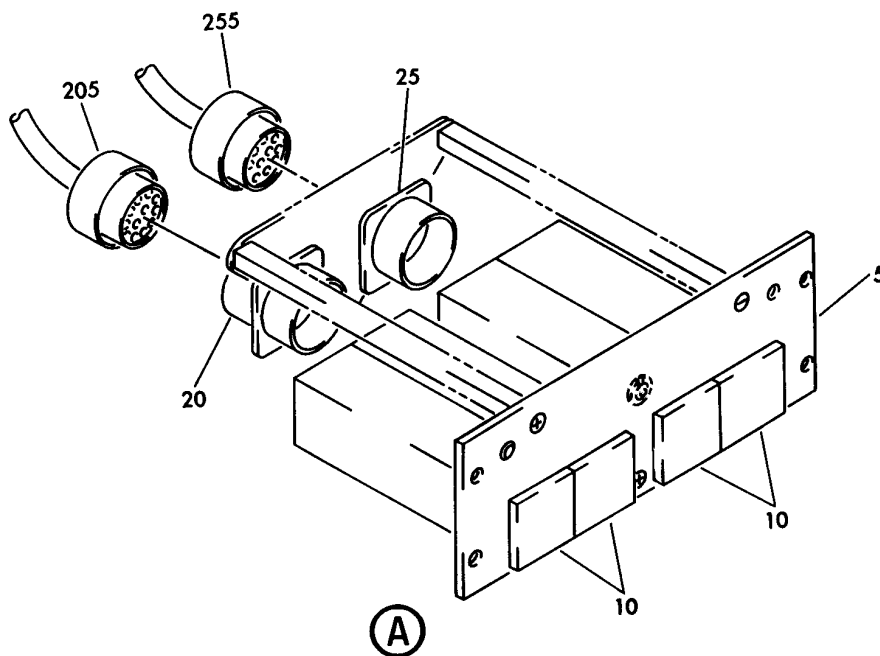
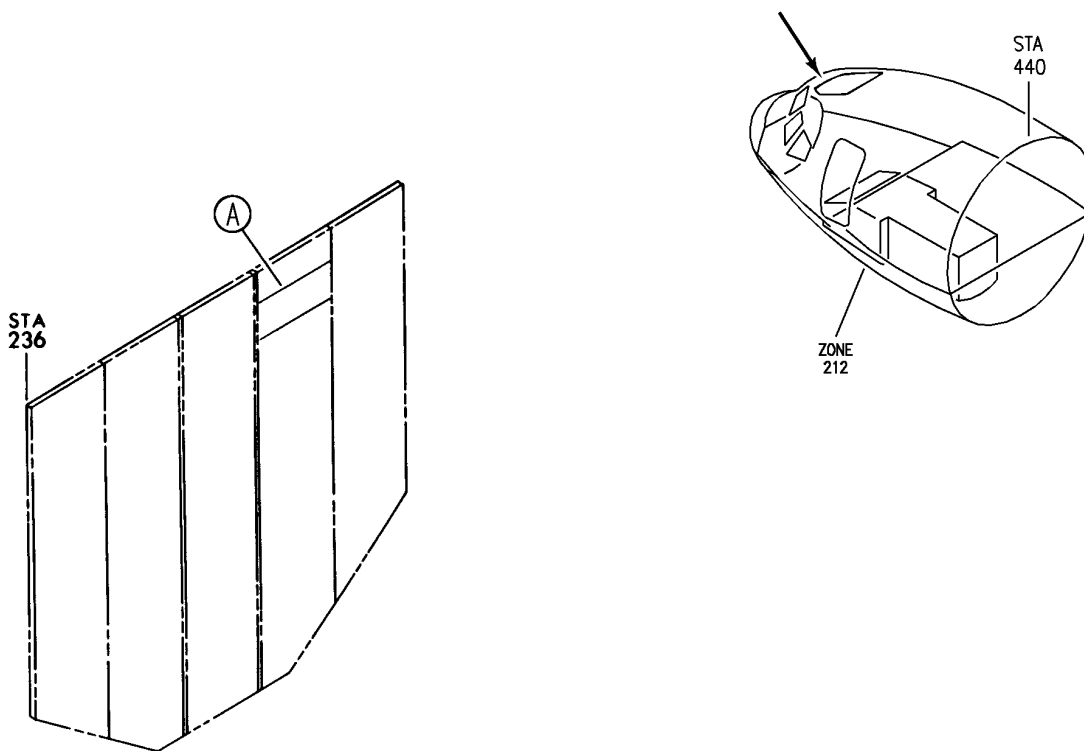
BRI

30-41-01-08

BOEING PROPRIETARY - Copyright © - Unpublished Work - See title page for details.

30-41-01  
FIG. 08  
PAGE 4  
JAN 20/09

**BOEING**  
757  
PARTS CATALOG (MAINTENANCE)



Y 30415101 REV 264

PANEL INSTL-P5 OVHD (FLIGHT COMPARTMENT WINDOW ANTI-ICING ONLY)

FIGURE 1

**30-41-51-01**

BRI  
MAY 28/07

30-41-51-01  
PAGE 0



757

PARTS CATALOG (MAINTENANCE)

FIG ITEM	PART NUMBER	1 2 3 4 5 6 7	NOMENCLATURE	EFFECT FROM TO	UNITS PER ASSY
1			PANEL INSTL-P5 OVHD (FLIGHT COMPARTMENT WINDOW ANTI-ICING ONLY)	002004 006010 107107 121503 904999	
- 1	233N3101-1		PANEL INSTL-P5 OVHD (FLIGHT COMPARTMENT WINDOW ANTI-ICING ONLY) VARIABLE DRAWING REF: 233N3101-5005 233N3101-5025 233N3101-5041 233N3101-5042 233N3101-5045 FOR NHA/OTHER SYS DET SEE: 25-10-00-05A	002004 006010 107107 121503 904999	RF
5	233N3212-10		.PANEL ASSY-WINDOW HEAT SUPPLIER CODE: V89954 ELECTRICAL EQUIP NUMBER: M10395 COMPONENT MAINT MANUAL REF: 30-41-71 QUALIFIED I/W DATA: 233N3212-8 -10 -11 -12 -13 ARE ALL INTERCHANGEABLE EXCEPT SUBJECT TO CUSTOMER PREFERENCE	107107	RF
5	233N3212-11		.PANEL ASSY-WINDOW HEAT SUPPLIER CODE: V89954 ELECTRICAL EQUIP NUMBER: M10395 COMPONENT MAINT MANUAL REF: 30-41-71 QUALIFIED I/W DATA: 233N3212-8 -10 -11 -12 -13 ARE ALL INTERCHANGEABLE EXCEPT SUBJECT TO CUSTOMER PREFERENCE THE 233N3212-300 PANEL ASSY IS I/W THE 233N3212-11 PANEL ASSY T/W THE S233T100-1073 LIGHTPLATE	002004 006010 950999	RF

MISSING ITEM NUMBERS NOT APPLICABLE

- ITEM NOT ILLUSTRATED

BRI

30-41-51-01

30-41-51  
FIG. 01  
PAGE 1  
JAN 20/09



757

PARTS CATALOG (MAINTENANCE)

FIG ITEM	PART NUMBER	1 2 3 4 5 6 7	NOMENCLATURE	EFFECT FROM TO	UNITS PER ASSY
1	5 233N3212-13		.PANEL ASSY-WINDOW HEAT SUPPLIER CODE: V89954 ELECTRICAL EQUIP NUMBER: M10395 COMPONENT MAINT MANUAL REF: 30-41-71 QUALIFIED I/W DATA: 233N3212-8 -10 -11 -12 -13 ARE ALL INTERCHANGE- ABLE EXCEPT SUBJECT TO CUSTOMER PREFERENCE	121503 904949	RF
	10 BCRE7606		..SWITCH ASSY-LIGHTED PUSH BUTTON IND ON/INOP SUPPLIER CODE: V81590 OVERLENGTH PART NUMBER: 433-673-1001-1016 SPECIFICATION NUMBER: S231T290-1016 MISCELLANEOUS DATA: WHEN REPLACING THE PUSHBUTTON SWITCH ASSY OR THE MASTER MODULE WITHIN, VERIFY THAT A CONFIG D MASTER MODULE P/N 13206-001 IS INSTALLED IN LIEU OF ANY EARLIER CONFIGURATION MASTER MODULES. FOR DETAILS SEE: 33-13-00-16	107107	4

MISSING ITEM NUMBERS NOT APPLICABLE

- ITEM NOT ILLUSTRATED

30-41-51-01

30-41-51  
FIG. 01  
PAGE 2  
JAN 20/09

BRI



757

PARTS CATALOG (MAINTENANCE)

FIG ITEM	PART NUMBER	1 2 3 4 5 6 7	NOMENCLATURE	EFFECT FROM TO	UNITS PER ASSY
1 10	BCREFA0505		..SWITCH ASSY-LIGHTED PUSH BUTTON IND SUPPLIER CODE: V81590 OVERLENGTH PART NUMBER: 433-673-1004-4016 SPECIFICATION NUMBER: S231T290-4016 MISCELLANEOUS DATA: WHEN REPLACING THE PUSHBUTTON SWITCH ASSY OR THE MASTER MODULE WITHIN, VERIFY THAT A CONFIG D MASTER MODULE P/N 13206-001 IS INSTALLED IN LIEU OF ANY EARLIER CONFIGURATION MASTER MODULES. OPTIONAL PART: 851-35100-5016 V96182 PRE SERVICE LETTER: 33-027 FOR DETAILS SEE: 33-13-00-46	002004 006010 107107 121503 904999	4
10	851-30768-3016		..SWITCH ASSY-LIGHTED PUSH BUTTON IND ON/INOP SUPPLIER CODE: V96182 SPECIFICATION NUMBER: S231T290-3016 OPTIONAL PART: 851-35100-5016 V96182 FOR DETAILS SEE: 33-13-00-36	002004 006010 107107 121503 904999	4
10	851-35100-5016		..SWITCH ASSY-LIGHTED PUSH BUTTON IND SUPPLIER CODE: V96182 SPECIFICATION NUMBER: S231T290-5016 OPTIONAL PART: BCREFA0505 V81590 851-30768-3016 V96182	002004 006010 107107 121503 904999	4

MISSING ITEM NUMBERS NOT APPLICABLE

- ITEM NOT ILLUSTRATED

30-41-51-01

30-41-51  
FIG. 01  
PAGE 3  
JAN 20/09

BRI



757

PARTS CATALOG (MAINTENANCE)

FIG ITEM	PART NUMBER	1 2 3 4 5 6 7	NOMENCLATURE	EFFECT FROM TO	UNITS PER ASSY
1					
10	851-30768-2016	..	SWITCH ASSY-LIGHTED PUSH BUTTON IND ON/INOP SUPPLIER CODE: V96182 SPECIFICATION NUMBER: S231T290-2016 FOR DETAILS SEE: 33-13-00-26	002004 006010 107107 121503 904999	4
10	4336731004-4216	...	SWITCH ASSY-LIGHTED PUSH BUTTON IND SUPPLIER CODE: V81590 SPECIFICATION NUMBER: S231T290-4216 POST SERVICE LETTER: 33-027	002004 006010 107107 121503 904999	2
20	BACC45FN18-31P9	..	CONNECTOR	002004 006010 107107 121503 904999	1
25	BACC45FN20-41P7	..	CONNECTOR	002004 006010 107107 121503 904999	1
			ATTACHING PARTS		
- 30	NAS1801-04-5	..	SCREW-	002004 006010 107107 121503 904999	6
- 35	K19798-04	..	NUT SUPPLIER CODE: V15653 SPECIFICATION NUMBER: BACN10NW1 OPTIONAL PART: RMA4812-160-40 V72962 293162 V60119	002004 006010 107107 121503 904999	6
- 200	286N2064-003		WIRE BUNDLE ASSY-(FLIGHT COMPARTMENT WINDOW ANTI-ICING ONLY)	121503 904949	RF
- 200	286N2064-004		WIRE BUNDLE ASSY-(FLIGHT COMPARTMENT WINDOW ANTI-ICING ONLY)	107107	RF

MISSING ITEM NUMBERS NOT APPLICABLE

- ITEM NOT ILLUSTRATED

30-41-51-01

30-41-51  
FIG. 01  
PAGE 4  
JAN 20/09

BRI



757

PARTS CATALOG (MAINTENANCE)

FIG ITEM	PART NUMBER	1 2 3 4 5 6 7	NOMENCLATURE	EFFECT FROM TO	UNITS PER ASSY
1					
- 200	286N2064-005		WIRE BUNDLE ASSY-(FLIGHT COMPARTMENT WINDOW ANTI-ICING ONLY) REWORKED BY SB: 33-0039	002004 006010 950999	RF
205	BACC45FT18A31S9		.CONNECTOR- ELECTRICAL EQUIP NUMBER: D03552 WIRING DIAGRAM REF: 304111	002004 006010 107107 121503 904999	1
- 250	286N2072-003		WIRE BUNDLE ASSY-(FLIGHT COMPARTMENT WINDOW ANTI-ICING ONLY)	121503 904949	RF
- 250	286N2072-004		WIRE BUNDLE ASSY-(FLIGHT COMPARTMENT WINDOW ANTI-ICING ONLY)	107107	RF
- 250	286N2072-005		WIRE BUNDLE ASSY-(FLIGHT COMPARTMENT WINDOW ANTI-ICING ONLY) REWORKED BY SB: 33-0039	002004 006010 950999	RF
255	BACC45FT20A41S7		.CONNECTOR- ELECTRICAL EQUIP NUMBER: D03554 WIRING DIAGRAM REF: 304112	002004 006010 107107 121503 904999	1

MISSING ITEM NUMBERS NOT APPLICABLE

- ITEM NOT ILLUSTRATED

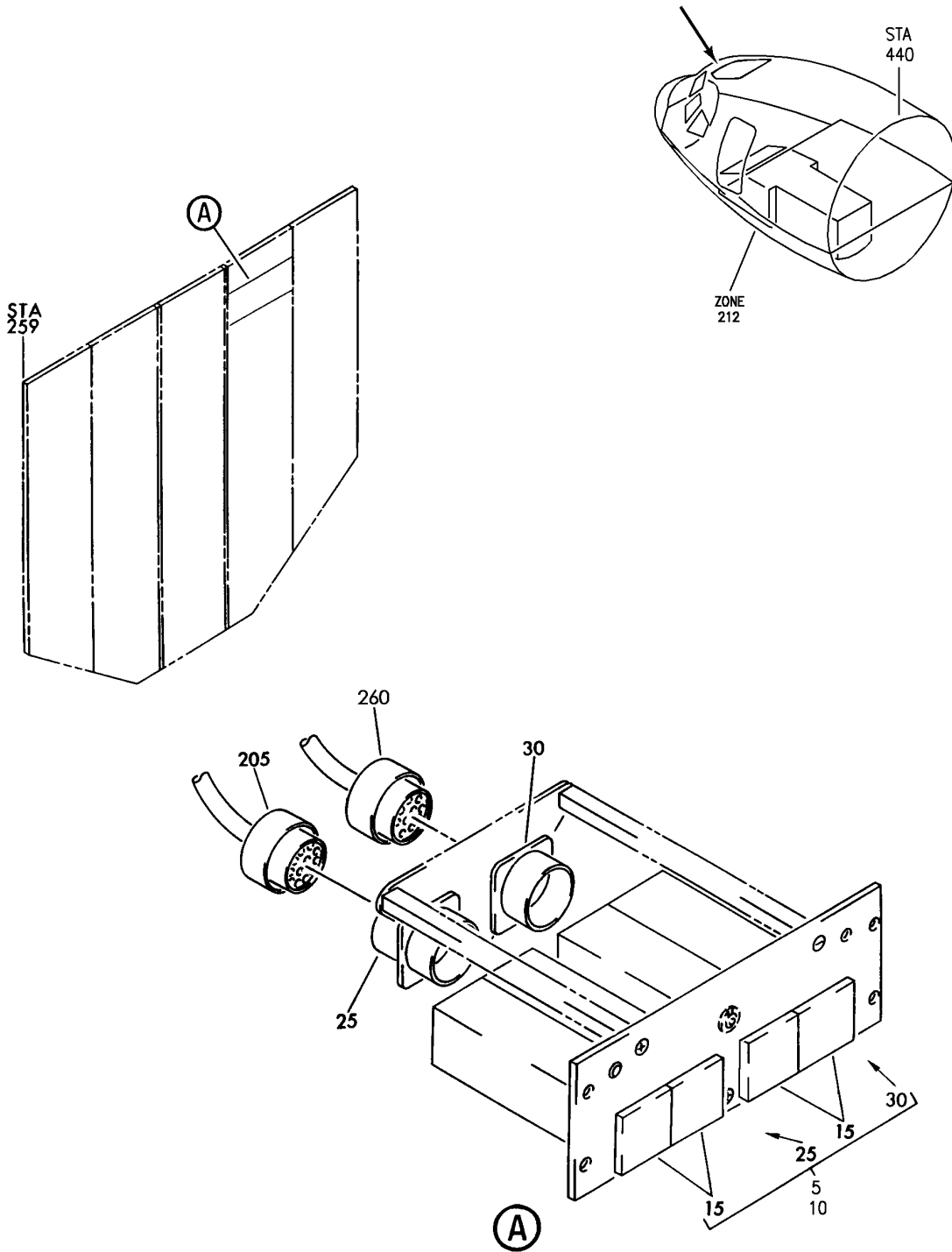
30-41-51-01

30-41-51  
FIG. 01  
PAGE 5  
JAN 20/09

BRI



**BOEING**  
757  
PARTS CATALOG (MAINTENANCE)



Y 30415102 REV 264

PANEL INSTL-P5 OVERHEAD (FLIGHT COMPARTMENT WINDOW ANTI-ICING ONLY)  
FIGURE 2

**30-41-51-02**

BRI  
MAY 28/07

30-41-51-02  
PAGE 0



757

PARTS CATALOG (MAINTENANCE)

FIG ITEM	PART NUMBER	1 2 3 4 5 6 7	NOMENCLATURE	EFFECT FROM TO	UNITS PER ASSY
2			PANEL INSTL-P5 OVERHEAD (FLIGHT COMPARTMENT WINDOW ANTI-ICING ONLY)	011100	
- 1	233N3101-1		PANEL INSTL-P5 OVERHEAD (FLIGHT COMPARTMENT WINDOW ANTI-ICING ONLY) VARIABLE DRAWING REF: 233N3101-5142 FOR NHA/OTHER SYS DET SEE: 25-10-00-05A	011100	RF
5	233N3212-300		.PANEL ASSY-WINDOW HEAT SUPPLIER CODE: V89954 COMPONENT MAINT MANUAL REF: 30-41-71 QUALIFIED I/W DATA: THE 233N3212-300 PANEL ASSY IS I/W THE 233N3212-11 PANEL ASSY T/W THE S233T100-1073 LIGHTPLATE	011100	RF
10	233N3212-11		..PANEL ASSY- SUPPLIER CODE: V89954 ELECTRICAL EQUIP NUMBER: M10395 COMPONENT MAINT MANUAL REF: 30-41-71 QUALIFIED I/W DATA: THE 233N3212-300 PANEL ASSY IS I/W THE 233N3212-11 PANEL ASSY T/W THE S233T100-1073 LIGHTPLATE	011100	1

MISSING ITEM NUMBERS NOT APPLICABLE

- ITEM NOT ILLUSTRATED

BRI

30-41-51-02

BOEING PROPRIETARY - Copyright © - Unpublished Work - See title page for details.

30-41-51  
FIG. 02  
PAGE 1  
JAN 20/09



757

PARTS CATALOG (MAINTENANCE)

FIG ITEM	PART NUMBER	1 2 3 4 5 6 7	NOMENCLATURE	EFFECT FROM TO	UNITS PER ASSY
2 15	BCREFA0505		...SWITCH ASSY-LIGHTED PUSH BUTTON IND SUPPLIER CODE: V81590 OVERLENGTH PART NUMBER: 433-673-1004-4016 SPECIFICATION NUMBER: S231T290-4016 MISCELLANEOUS DATA: WHEN REPLACING THE PUSHBUTTON SWITCH ASSY OR THE MASTER MODULE WITHIN, VERIFY THAT A CONFIG D MASTER MODULE P/N 13206-001 IS INSTALLED IN LIEU OF ANY EARLIER CONFIGURATION MASTER MODULES. OPTIONAL PART: 851-35100-5016 V96182 FOR DETAILS SEE: 33-13-00-46	011100	4
15	851-30768-2016		...SWITCH ASSY-LIGHTED PUSH BUTTON IND ON/INOP SUPPLIER CODE: V96182 SPECIFICATION NUMBER: S231T290-2016 FOR DETAILS SEE: 33-13-00-26	011100	4
15	851-30768-3016		...SWITCH ASSY-LIGHTED PUSH BUTTON IND ON/INOP SUPPLIER CODE: V96182 SPECIFICATION NUMBER: S231T290-3016 FOR DETAILS SEE: 33-13-00-36	011100	4
15	851-35100-5016		...SWITCH ASSY-LIGHTED PUSH BUTTON IND SUPPLIER CODE: V96182 SPECIFICATION NUMBER: S231T290-5016 OPTIONAL PART: BCREFA0505 V81590	011100	4

MISSING ITEM NUMBERS NOT APPLICABLE

- ITEM NOT ILLUSTRATED

30-41-51-02

30-41-51  
FIG. 02  
PAGE 2  
JAN 20/09

BRI



757

PARTS CATALOG (MAINTENANCE)

FIG ITEM	PART NUMBER	1 2 3 4 5 6 7	NOMENCLATURE	EFFECT FROM TO	UNITS PER ASSY
2					
15	4336731004-4216	...	SWITCH ASSY-LIGHTED PUSH BUTTON IND SUPPLIER CODE: V81590 SPECIFICATION NUMBER: S231T290-4216	011100	2
25	BACC45FN18-31P9	...	CONNECTOR	011100	1
30	BACC45FN20-41P7	...	CONNECTOR ATTACHING PARTS	011100	1
- 35	NAS1801-04-5	...	SCREW	011100	6
- 40	K19798-04	...	NUT SUPPLIER CODE: V15653 SPECIFICATION NUMBER: BACN10NW1 OPTIONAL PART: RMA4812-160-40 V72962 293162 V60119	011100	6
			-----*-----		
- 200	286N2064-005		WIRE BUNDLE ASSY- REWORKED BY SB: 33-0039	011100	RF
205	BACC45FT18A31S9	.	CONNECTOR- ELECTRICAL EQUIP NUMBER: D03552 WIRING DIAGRAM REF: 304111	011100	1
- 250	286N2072-005		WIRE BUNDLE ASSY- REWORKED BY SB: 33-0039	011100	RF
260	BACC45FT20D41S7	.	CONNECTOR- ELECTRICAL EQUIP NUMBER: D03554 WIRING DIAGRAM REF: 304112	011100	1

MISSING ITEM NUMBERS NOT APPLICABLE

- ITEM NOT ILLUSTRATED

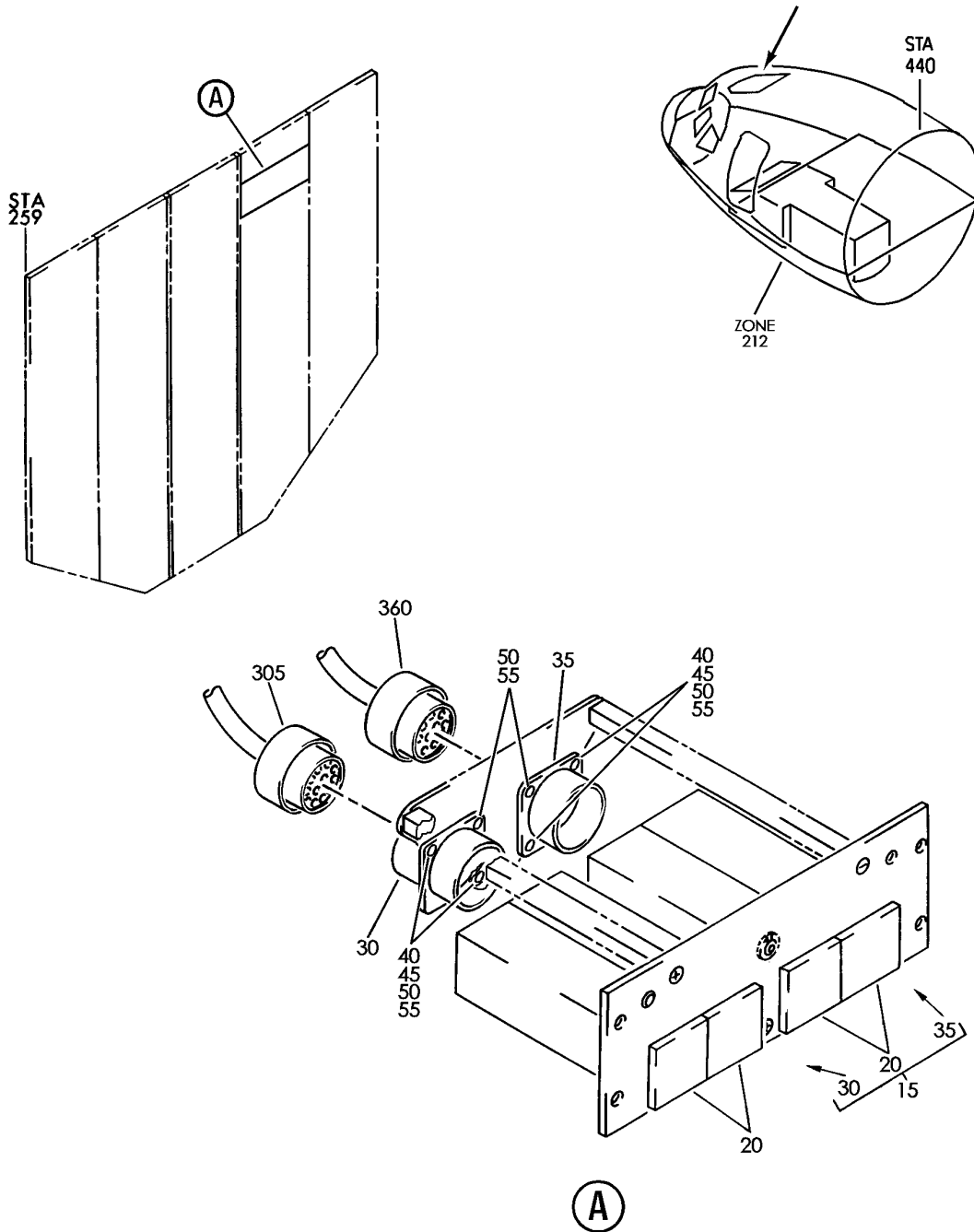
30-41-51-02

30-41-51  
FIG. 02  
PAGE 3  
JAN 20/09

BRI

BOEING PROPRIETARY - Copyright © - Unpublished Work - See title page for details.

**BOEING**  
757  
PARTS CATALOG (MAINTENANCE)



Y 30415103 REV 235

PANEL INSTL-P5 OVHD (FLIGHT COMPARTMENT WINDOW ANTI-ICING ONLY)  
FIGURE 3

**30-41-51-03**

BRI  
MAY 28/07

30-41-51-03  
PAGE 0



757

PARTS CATALOG (MAINTENANCE)

FIG ITEM	PART NUMBER	1 2 3 4 5 6 7	NOMENCLATURE	EFFECT FROM TO	UNITS PER ASSY
3			PANEL INSTL-P5 OVHD (FLIGHT COMPARTMENT WINDOW ANTI-ICING ONLY)	101106 108120 504903	
- 2	233N3103-132		PANEL INSTL-P5 OVHD (FLIGHT COMPARTMENT WINDOW ANTI-ICING ONLY) FOR NHA/OTHER SYS DET SEE: 25-10-00-15E	101102	RF
- 2	233N3103-136		PANEL INSTL-P5 OVHD (FLIGHT COMPARTMENT WINDOW ANTI-ICING ONLY) FOR NHA/OTHER SYS DET SEE: 25-10-00-15E	504903	RF
- 6	233N3103-59		PANEL INSTL-P5 OVHD (FLIGHT COMPARTMENT WINDOW ANTI-ICING ONLY) FOR NHA/OTHER SYS DET SEE: 25-10-00-15E	108120	RF
- 7	MODREF33760		PANEL INSTL-P5 OVHD (FLIGHT COMPARTMENT WINDOW ANTI-ICING ONLY) MODULE NUMBER: 233N3103-351 REV C FOR OTHER SYS DETAILS SEE: 11-31-10-12 21-25-55-03 21-31-01-02 21-33-51-03 21-51-54-03 21-58-19-10 21-58-51-03 21-61-04-03 21-65-51-01 22-21-01-04 22-24-51-02 23-24-01-01 23-32-00-11 23-42-02-02 23-71-05-02 24-11-52-05 24-22-01-03 24-31-01-10 24-31-03-09 24-33-04-01 24-41-51-04 24-51-62-01 26-18-51-04 27-21-53-02 27-41-55-01	103103	1

MISSING ITEM NUMBERS NOT APPLICABLE

- ITEM NOT ILLUSTRATED

30-41-51-03

30-41-51  
FIG. 03  
PAGE 1  
JAN 20/09

BRI



757

PARTS CATALOG (MAINTENANCE)

FIG ITEM	PART NUMBER	1 2 3 4 5 6 7 NOMENCLATURE	EFFECT FROM TO	UNITS PER ASSY
3		27-61-51-03 27-62-52-02 28-22-51-02 28-41-04-01 28-41-51-03 29-11-02-03 29-11-05-04 29-11-52-07 29-21-54-03 29-31-00-01 29-32-51-03 29-33-52-03 30-11-51-03 30-21-51-03 30-31-51-02 30-32-51-01 30-33-51-02 30-42-51-03 31-12-11-91 31-12-11-91 A 32-42-52-03 33-11-03-03 33-11-51-17 33-13-01-65 33-13-02-03 33-16-51-03 33-24-51-02 33-41-52-04 33-42-01-04 33-42-02-04 33-42-52-04 33-43-51-04 33-44-51-05 33-45-53-03 33-51-08-05 34-21-02-01 35-21-51-04 36-11-04-01 36-21-00-01 36-21-02-05 36-22-51-03 49-41-00-02 49-52-00-01 49-70-00-01 52-51-51-03 52-71-51-02 73-21-52-02 74-31-51-05 75-32-00-01		

MISSING ITEM NUMBERS NOT APPLICABLE

- ITEM NOT ILLUSTRATED

# 30-41-51-03

30-41-51  
FIG. 03  
PAGE 2  
JAN 20/09

BRI



757

PARTS CATALOG (MAINTENANCE)

FIG ITEM	PART NUMBER	1 2 3 4 5 6 7	NOMENCLATURE	EFFECT FROM TO	UNITS PER ASSY
3					
- 7	MODREF34038		80-11-09-02 PANEL INSTL-P5 OVHD (FLIGHT COMPARTMENT WINDOW AINT-ICING ONLY) MODULE NUMBER: 233N3103-351 REV D FOR OTHER SYS DETAILS SEE: 11-31-10-12 21-25-55-03 21-31-01-02 21-33-51-03 21-51-54-03 21-58-19-10 21-58-51-03 21-61-04-03 21-65-51-01 22-21-01-04 22-24-51-02 23-24-01-01 23-32-00-11 23-42-02-02 23-71-05-02 24-11-52-05 24-22-01-03 24-31-01-10 24-31-03-09 24-33-04-01 24-41-51-04 24-51-62-01 26-18-51-04 27-21-53-02 27-41-55-01 27-61-51-03 27-62-52-02 28-22-51-02 28-41-04-01 28-41-51-03 29-11-02-03 29-11-05-04 29-11-52-07 29-21-54-03 29-31-00-01 29-32-51-03 29-33-52-03 30-11-51-03 30-21-51-03 30-31-51-02 30-32-51-01 30-33-51-02	104105	1
MISSING ITEM NUMBERS NOT APPLICABLE					

- ITEM NOT ILLUSTRATED

# 30-41-51-03

30-41-51  
FIG. 03  
PAGE 3  
JAN 20/09

BRI





757

PARTS CATALOG (MAINTENANCE)

FIG ITEM	PART NUMBER	1 2 3 4 5 6 7	NOMENCLATURE	EFFECT FROM TO	UNITS PER ASSY
3			30-42-51-03 31-12-11-91 31-12-11-91A 32-42-52-03 33-11-03-03 33-11-51-17 33-13-01-65 33-13-02-03 33-16-51-03 33-24-51-02 33-41-52-04 33-42-01-04 33-42-02-04 33-42-52-04 33-43-51-04 33-44-51-05 33-45-53-03 33-51-08-05 34-21-02-01 35-21-51-04 36-11-04-01 36-21-00-01 36-21-02-05 36-22-51-03 49-41-00-02 49-52-00-01 49-70-00-01 52-51-51-03 52-71-51-02 73-21-52-02 74-31-51-05 75-32-00-01 80-11-09-02		
- 8	MODREF170180		PANEL INSTL-P5 OVHD (FLIGHT COMPARTMENT WINDOW ANTI-ICING ONLY) MODULE NUMBER: 233N3103-353 REV B FOR OTHER SYS DETAILS SEE: 11-31-10-12 21-25-55-03 21-31-01-02 21-33-51-03 21-51-54-03 21-58-19-10 21-58-51-03 21-61-04-03 21-65-51-01 22-21-01-04	106106	1
MISSING ITEM NUMBERS NOT APPLICABLE					

- ITEM NOT ILLUSTRATED

**30-41-51-03**

30-41-51  
 FIG. 03  
 PAGE 4  
 JAN 20/09

BRI



757

PARTS CATALOG (MAINTENANCE)

FIG ITEM	PART NUMBER	1 2 3 4 5 6 7	NOMENCLATURE	EFFECT FROM TO	UNITS PER ASSY
3			22-24-51-02 23-24-01-01 23-32-00-11 23-42-02-02 23-71-05-02 24-11-52-05 24-22-01-03 24-31-01-10 24-31-03-09 24-33-04-01 24-41-51-04 24-51-62-01 26-18-51-04 27-21-53-02 27-41-55-01 27-61-51-03 27-62-52-02 28-22-51-02 28-41-04-01 28-41-51-03 29-11-02-03 29-11-05-04 29-11-52-07 29-21-54-03 29-31-00-01 29-32-51-03 29-33-52-03 30-11-51-03 30-21-51-03 30-31-51-02 30-32-51-01 30-33-51-02 30-42-51-03 31-12-11-84 31-12-11-84 A 32-42-52-03 33-11-03-03 33-11-51-17 33-13-01-65 33-13-02-03 33-16-51-03 33-24-51-02 33-41-52-04 33-42-01-04 33-42-02-04 33-42-52-04 33-43-51-04 33-44-51-05 33-45-53-03		

MISSING ITEM NUMBERS NOT APPLICABLE

- ITEM NOT ILLUSTRATED

**30-41-51-03**

30-41-51  
FIG. 03  
PAGE 5  
JAN 20/09

BRI



757

PARTS CATALOG (MAINTENANCE)

FIG ITEM	PART NUMBER	1 2 3 4 5 6 7	NOMENCLATURE	EFFECT FROM TO	UNITS PER ASSY
3			33-51-08-05 34-21-02-01 35-21-51-04 36-11-04-01 36-21-00-01 36-21-02-05 36-22-51-03 49-41-00-02 49-52-00-01 49-70-00-01 52-51-51-03 52-71-51-02 73-21-52-02 74-31-51-05 75-32-00-01 80-11-09-02		
- 13	233N3212-300		.PANEL ASSY-WINDOW HEAT SUPPLIER CODE: V89954 ELECTRICAL EQUIP NUMBER: M10395 COMPONENT MAINT MANUAL REF: 30-41-71 QUALIFIED I/W DATA: THE 233N3212-300 PANEL ASSY IS I/W THE 233N3212-11 PANEL ASSY T/W THE S233T100-1073 LIGHTPLATE OPTIONAL PART: 233N3212-302 V89954	101106 108120 504903	RF
- 13	233N3212-302		.PANEL ASSY-WINDOW HEAT SUPPLIER CODE: V89954 ELECTRICAL EQUIP NUMBER: M10395 COMPONENT MAINT MANUAL REF: 30-41-71 OPTIONAL PART: 233N3212-300 V89954	101106 108120 504903	RF

MISSING ITEM NUMBERS NOT APPLICABLE

- ITEM NOT ILLUSTRATED

**30-41-51-03**

30-41-51  
 FIG. 03  
 PAGE 6  
 JAN 20/09

BRI



757

PARTS CATALOG (MAINTENANCE)

FIG ITEM	PART NUMBER	1 2 3 4 5 6 7	NOMENCLATURE	EFFECT FROM TO	UNITS PER ASSY
3					
15	233N3212-11		..PANEL ASSY- SUPPLIER CODE: V89954 COMPONENT MAINT MANUAL REF: 30-41-71 QUALIFIED I/W DATA: THE 233N3212-300 PANEL ASSY IS I/W THE 233N3212-11 PANEL ASSY T/W THE S233T100-1073 LIGHTPLATE USED ON: 233N3212-300	101106 108120 504903	1
15	233N3212-14		..PANEL ASSY- SUPPLIER CODE: V89954 COMPONENT MAINT MANUAL REF: 30-41-71 USED ON: 233N3212-302	101106 108120 504903	1
20	BCREFA0505		...SWITCH ASSY-LIGHTED PUSH BUTTON IND SUPPLIER CODE: V81590 OVERLENGTH PART NUMBER: 433-673-1004-4016 SPECIFICATION NUMBER: S231T290-4016 MISCELLANEOUS DATA: WHEN REPLACING THE PUSHBUTTON SWITCH ASSY OR THE MASTER MODULE WITHIN, VERIFY THAT A CONFIG D MASTER MODULE P/N 13206-001 IS INSTALLED IN LIEU OF ANY EARLIER CONFIGURATION MASTER MODULES. OPTIONAL PART: 851-35100-5016 V96182 FOR DETAILS SEE: 33-13-00-46	101106 108120 504903	4

MISSING ITEM NUMBERS NOT APPLICABLE

- ITEM NOT ILLUSTRATED

30-41-51-03

30-41-51  
FIG. 03  
PAGE 7  
JAN 20/09

BRI



757

PARTS CATALOG (MAINTENANCE)

FIG ITEM	PART NUMBER	1 2 3 4 5 6 7	NOMENCLATURE	EFFECT FROM TO	UNITS PER ASSY
3	20 851-30768-3016	...	SWITCH ASSY-LIGHTED PUSH BUTTON IND ON/INOP SUPPLIER CODE: V96182 SPECIFICATION NUMBER: S231T290-3016 FOR DETAILS SEE: 33-13-00-36	101106 108120 504903	4
	20 851-35100-5016	...	SWITCH ASSY-LIGHTED PUSH BUTTON IND SUPPLIER CODE: V96182 SPECIFICATION NUMBER: S231T290-5016 OPTIONAL PART: BCREFA0505 V81590 USED ON: 233N3212-11	101106 108120 504903	4
	20 851-30768-2016	...	SWITCH ASSY-LIGHTED PUSH BUTTON IND ON/INOP SUPPLIER CODE: V96182 SPECIFICATION NUMBER: S231T290-2016 FOR DETAILS SEE: 33-13-00-26	101106 108120 504903	4
	20 4336731004-4216	...	SWITCH ASSY-LIGHTED PUSH BUTTON IND SUPPLIER CODE: V81590 SPECIFICATION NUMBER: S231T290-4216 USED ON: 233N3212-14	101106 108120 504903	4
	30 BACC45FN18-31P9	...	CONNECTOR	101106 108120 504903	1
	35 BACC45FN20-41P7	...	CONNECTOR	101106 108120 504903	1
	40 NAS1801-04-5	...	ATTACHING PARTS SCREW- USED ON: 233N3212-11 233N3212-12	101106 108120 504903	4
	MISSING ITEM NUMBERS NOT APPLICABLE				

- ITEM NOT ILLUSTRATED

30-41-51-03

30-41-51  
FIG. 03  
PAGE 8  
JAN 20/09

BRI



757

PARTS CATALOG (MAINTENANCE)

FIG ITEM	PART NUMBER	1 2 3 4 5 6 7	NOMENCLATURE	EFFECT FROM TO	UNITS PER ASSY
3					
45	K19798-04		...NUT- SUPPLIER CODE: V15653 SPECIFICATION NUMBER: BACN10NW1 OPTIONAL PART: RMA4812-160-40 V72962 293162 V60119 USED ON: 233N3212-11 233N3212-12	101106 108120 504903	4
50	BACS12HN04-5		...SCREW- OPTIONAL PART: NAS1801-04-5 USED ON: 233N3212-14	101106 108120 504903	6
50	NAS1801-04-5		...SCREW- OPTIONAL PART: BACS12HN04-5 USED ON: 233N3212-14	101106 108120 504903	6
55	K19798-04		...NUT- SUPPLIER CODE: V15653 SPECIFICATION NUMBER: BACN10NW1 OPTIONAL PART: RMA4812-160-40 V72962 293162 V60119 USED ON: 233N3212-14	101106 108120 504903	6
			-----*-----		
- 301	286N2064-341		WIRE BUNDLE ASSY	504903	RF
- 301	286N2064-342		WIRE BUNDLE ASSY	101102	RF
- 301	286N2064-343		WIRE BUNDLE ASSY	108120	RF
- 302	286N2064-701		WIRE BUNDLE ASSY	103106	RF
305	BACC45FT18A31S9		.CONNECTOR- ELECTRICAL EQUIP NUMBER: D03552 WIRING DIAGRAM REF: 304111	101106 108120 504903	1
- 351	286N2072-343		WIRE BUNDLE ASSY	101102	RF
- 351	286N2072-345		WIRE BUNDLE ASSY	504903	RF
- 352	286N2072-355		WIRE BUNDLE ASSY-	108120	RF
- 353	286N2072-701		WIRE BUNDLE ASSY	103106	RF

MISSING ITEM NUMBERS NOT APPLICABLE

- ITEM NOT ILLUSTRATED

30-41-51-03

30-41-51  
FIG. 03  
PAGE 9  
JAN 20/09

BRI



757

PARTS CATALOG (MAINTENANCE)

FIG ITEM	PART NUMBER	1 2 3 4 5 6 7	NOMENCLATURE	EFFECT FROM TO	UNITS PER ASSY
3 360	BACC45FT20D41S7		.CONNECTOR- ELECTRICAL EQUIP NUMBER: D03554 WIRING DIAGRAM REF: 304112	101106 108120 504903	1

MISSING ITEM NUMBERS NOT APPLICABLE

- ITEM NOT ILLUSTRATED

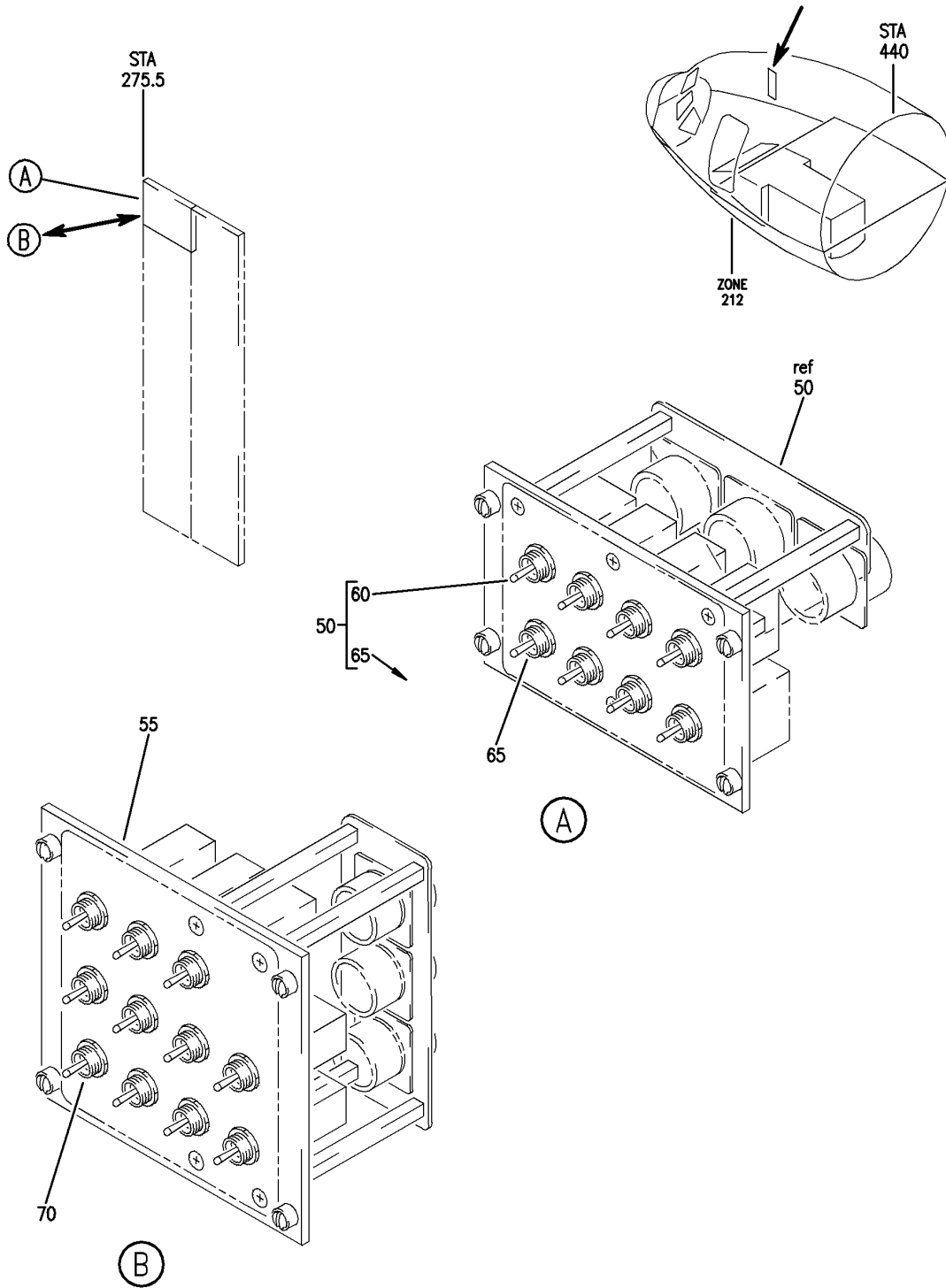
BRI

30-41-51-03

BOEING PROPRIETARY - Copyright © - Unpublished Work - See title page for details.

30-41-51  
FIG. 03  
PAGE 10  
JAN 20/09

**BOEING**  
757  
PARTS CATALOG (MAINTENANCE)



Y 30415104 REV 231

PANEL INSTL-P61 R SIDEWALL (WINDOWS, WINDSHIELDS, AND DOORS ONLY)  
FIGURE 4

**30-41-51-04**

BRI  
MAY 28/07

30-41-51-04  
PAGE 0





757

PARTS CATALOG (MAINTENANCE)

FIG ITEM	PART NUMBER	1 2 3 4 5 6 7	NOMENCLATURE	EFFECT FROM TO	UNITS PER ASSY
4			PANEL INSTL-P61 R SIDEWALL (WINDOWS, WINDSHIELDS, AND DOORS ONLY)	002004 006999	
- 1	233N7401-1		PANEL INSTL-P61 SIDEWALL (WINDOWS, WINDSHIELDS, AND DOORS ONLY) POSITION DATA: R VARIABLE DRAWING REF: 233N7401-5004 233N7401-5005 233N7401-5036 233N7401-5038 233N7401-5042 FOR NHA/OTHER SYS DET SEE: 25-10-00-05A	002004 006100 107107 121503 904999	RF
- 2	233N7403-28		PANEL INSTL-P61 SIDEWALL (WINDOWS, WINDSHIELDS, AND DOORS ONLY) POSITION DATA: R FOR NHA/OTHER SYS DET SEE: 25-10-00-15B	101101	RF
- 3	233N7403-117		PANEL INSTL-P61 SIDEWALL (WINDOWS, WINDSHIELDS, AND DOORS ONLY) POSITION DATA: R FOR NHA/OTHER SYS DET SEE: 25-10-00-15B	504903	RF
- 4	233N7403-128		PANEL INSTL-P61 SIDEWALL (WINDOWS, WINDSHIELDS, AND DOORS ONLY) POSITION DATA: R FOR NHA/OTHER SYS DET SEE: 25-10-00-15B	102102	RF
- 5	233N7403-158		PANEL INSTL-P61 SIDEWALL (WINDOWS, WINDSHIELDS, AND DOORS ONLY) POSITION DATA: R FOR NHA/OTHER SYS DET SEE: 25-10-00-15B	108120	RF

MISSING ITEM NUMBERS NOT APPLICABLE

- ITEM NOT ILLUSTRATED

30-41-51-04

30-41-51  
FIG. 04  
PAGE 1  
JAN 20/09

BRI



757

PARTS CATALOG (MAINTENANCE)

FIG ITEM	PART NUMBER	1 2 3 4 5 6 7	NOMENCLATURE	EFFECT FROM TO	UNITS PER ASSY
4 - 8	MODREF33342		PANEL INSTL- (WINDOWS, WINDSHIELDS, AND DOORS ONLY) MODULE NUMBER: 233N7403-171 REV A FOR OTHER SYS DETAILS SEE: 11-32-01-98 21-58-51-04 22-21-51-01 23-41-52-01 24-22-73-02 26-18-53-02 26-21-52-01 26-22-52-01 26-23-52-03 27-23-51-02 28-41-51-04 29-22-52-01 30-11-52-01 31-14-16-87 31-31-04-01 31-41-53-01 31-51-51-01 34-12-54-01 34-21-51-02 34-46-51-05 34-61-53-03	103106	1
50	233N7501-23		.PANEL ASSY-TEST SUPPLIER CODE: V89954 NOT APPROVED FOR ETOPS. SB DATA FROM A CMM: PRE 233N7501-31-01 PRE 233N7501-31-03 ELECTRICAL EQUIP NUMBER: M10398 COMPONENT MAINT MANUAL REF: 31-51-61	504903 950951	RF
50	233N7501-35		.PANEL ASSY-TEST SUPPLIER CODE: V89954 ELECTRICAL EQUIP NUMBER: M10398 COMPONENT MAINT MANUAL REF: 31-51-61 POST SERVICE BULLETIN: 24-0048	107107 904949 952952	RF

MISSING ITEM NUMBERS NOT APPLICABLE

- ITEM NOT ILLUSTRATED

30-41-51-04

30-41-51  
FIG. 04  
PAGE 2  
JAN 20/09

BRI



757

PARTS CATALOG (MAINTENANCE)

FIG ITEM	PART NUMBER	1 2 3 4 5 6 7	NOMENCLATURE	EFFECT FROM TO	UNITS PER ASSY
4 50	233N7501-36		.PANEL ASSY-TEST SUPPLIER CODE: V89954 SB DATA FROM A CMM: POST 233N7501-31-03 ELECTRICAL EQUIP NUMBER: M10398 COMPONENT MAINT MANUAL REF: 31-51-61 QUALIFIED I/W DATA: 233N7501-36 CAN REPLACE 233N7501-35,BUT 233N7501-35 CANNOT REPLACE 233N7501-36 IF VICKER HMG, 520850 OR 3022008-000 IS INSTALLED.	002004 006102 108503 953999	RF
55	233N7501-41		.PANEL ASSY-TEST SUPPLIER CODE: V89954 ELECTRICAL EQUIP NUMBER: M10398 COMPONENT MAINT MANUAL REF: 31-51-61	103106	RF
65	A3-1114-04		..SWITCH- SUPPLIER CODE: V81640 SPECIFICATION NUMBER: BACS30ES44 ELECTRICAL EQUIP NUMBER: S00005 OPTIONAL PART: 68AT11-7 V91929 A3-1114-04-1 V81640 68AT22-7 V91929	002004 006102 107999	RF

MISSING ITEM NUMBERS NOT APPLICABLE

- ITEM NOT ILLUSTRATED

**30-41-51-04**

30-41-51  
FIG. 04  
PAGE 3  
JAN 20/09

BRI



757

PARTS CATALOG (MAINTENANCE)

FIG ITEM	PART NUMBER	1 2 3 4 5 6 7	NOMENCLATURE	EFFECT FROM TO	UNITS PER ASSY
4 65	68AT11-7		.. SWITCH- SUPPLIER CODE: V91929 SPECIFICATION NUMBER: BACS30ES44 ELECTRICAL EQUIP NUMBER: S00005 OPTIONAL PART: A3-1114-04 V81640 A3-1114-04-1 V81640 68AT22-7 V91929	002004 006102 107999	RF
65	A3-1114-04-1		.. SWITCH- SUPPLIER CODE: V81640 SPECIFICATION NUMBER: BACS30ES44 ELECTRICAL EQUIP NUMBER: S00005 OPTIONAL PART: A3-1114-04 V81640 68AT11-7 V91929 68AT22-7 V91929	002004 006102 107999	RF
65	68AT22-7		.. SWITCH- SUPPLIER CODE: V91929 ELECTRICAL EQUIP NUMBER: S00005 OPTIONAL PART: A3-1114-04 V81640 A3-1114-04-1 V81640 68AT11-7 V91929	002004 006102 107999	RF
70	68AT22-7		.. SWITCH-TG SUPPLIER CODE: V91929 ELECTRICAL EQUIP NUMBER: S00005	103106	RF

MISSING ITEM NUMBERS NOT APPLICABLE

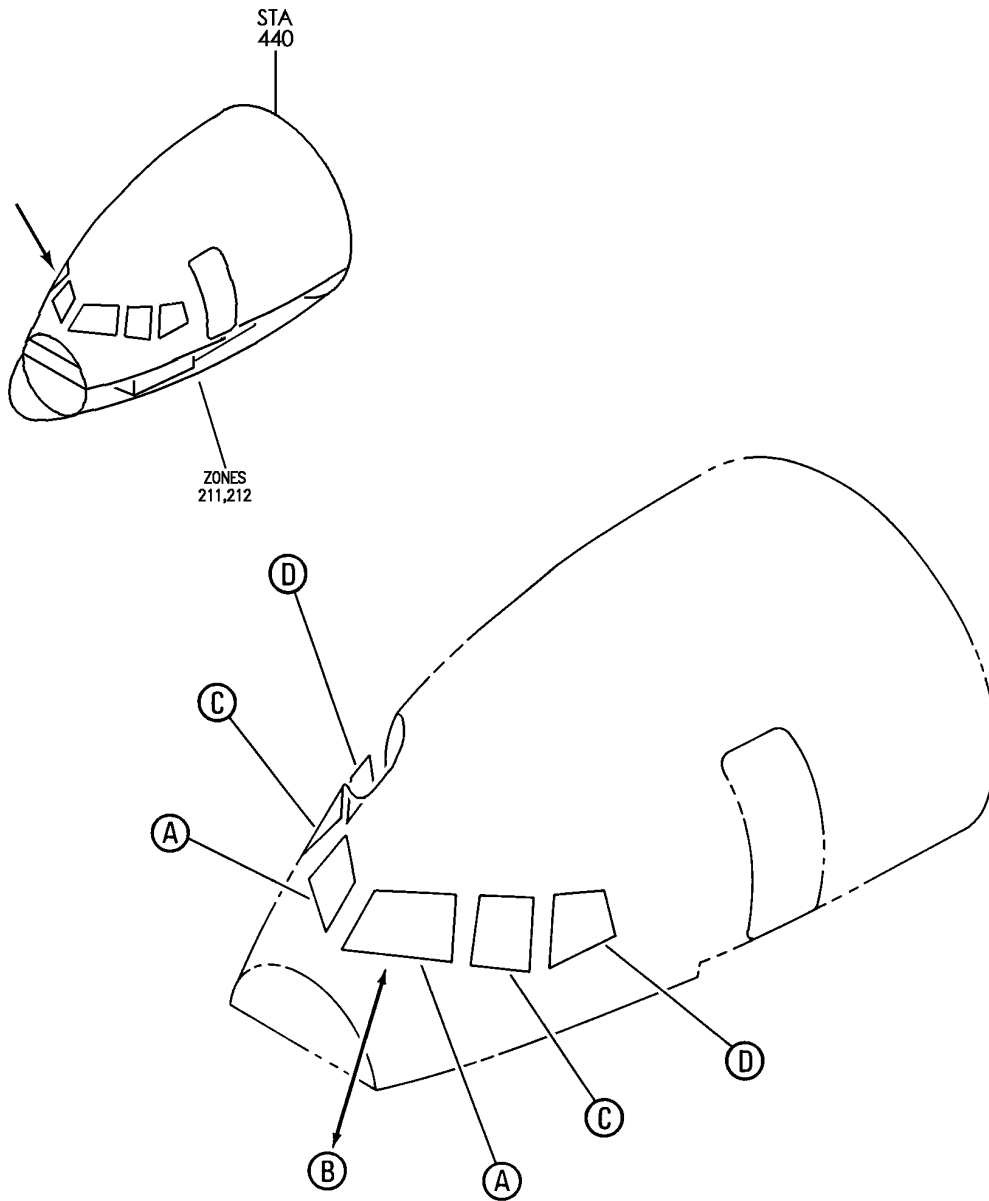
- ITEM NOT ILLUSTRATED

30-41-51-04

30-41-51  
FIG. 04  
PAGE 4  
JAN 20/09

BRI

**BOEING**  
757  
PARTS CATALOG (MAINTENANCE)



Y 30415203 SHT 1 REV 263

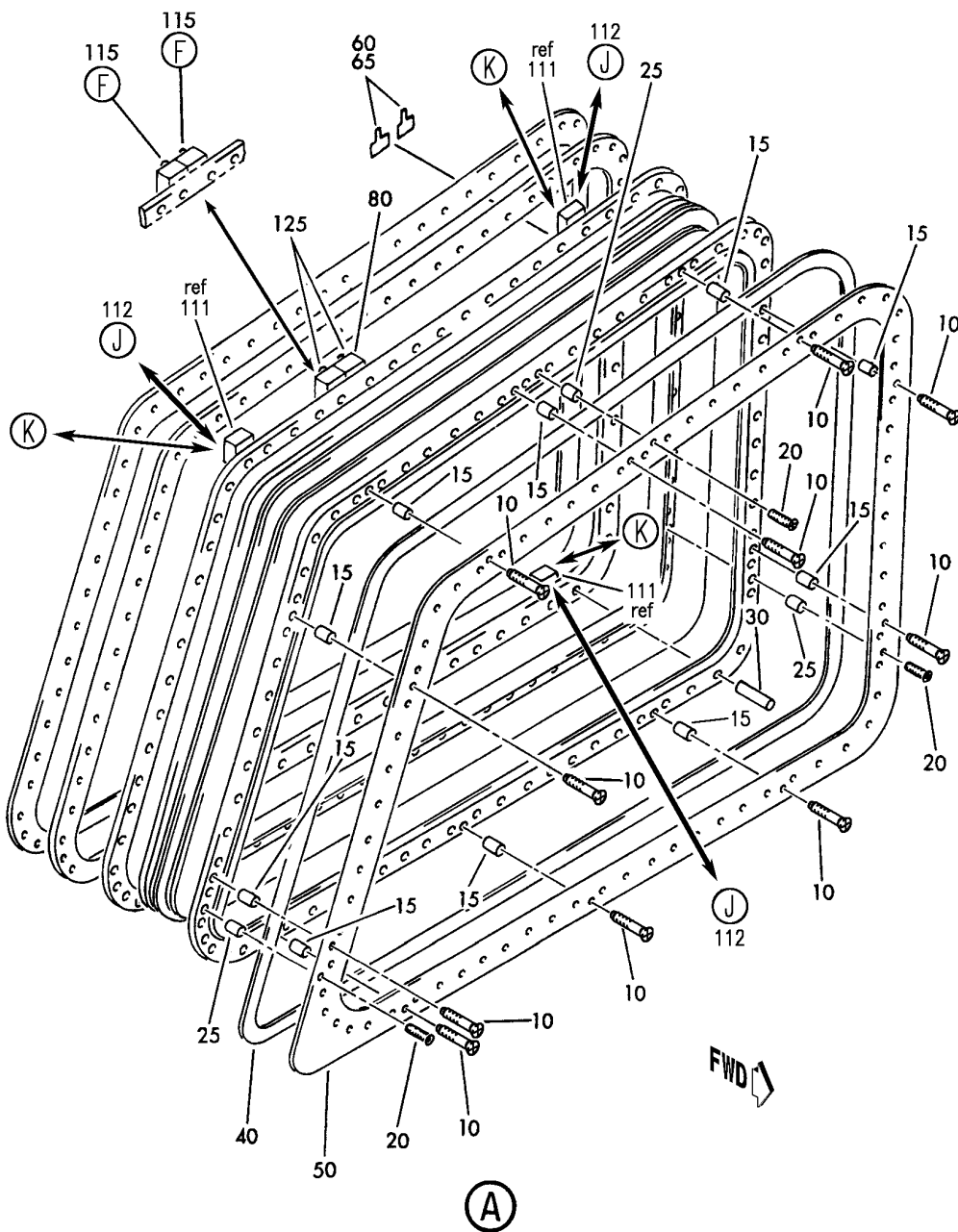
WINDOW ASSY-NO. 1, 2, 3 (ICE AND RAIN PROTECTION ONLY)  
FIGURE 3 (SHEET 1)

**30-41-52-03**

BRI  
MAY 28/07

30-41-52-03  
PAGE 0

**BOEING**  
757  
PARTS CATALOG (MAINTENANCE)



Y 30415203 SH1 2 REV 335

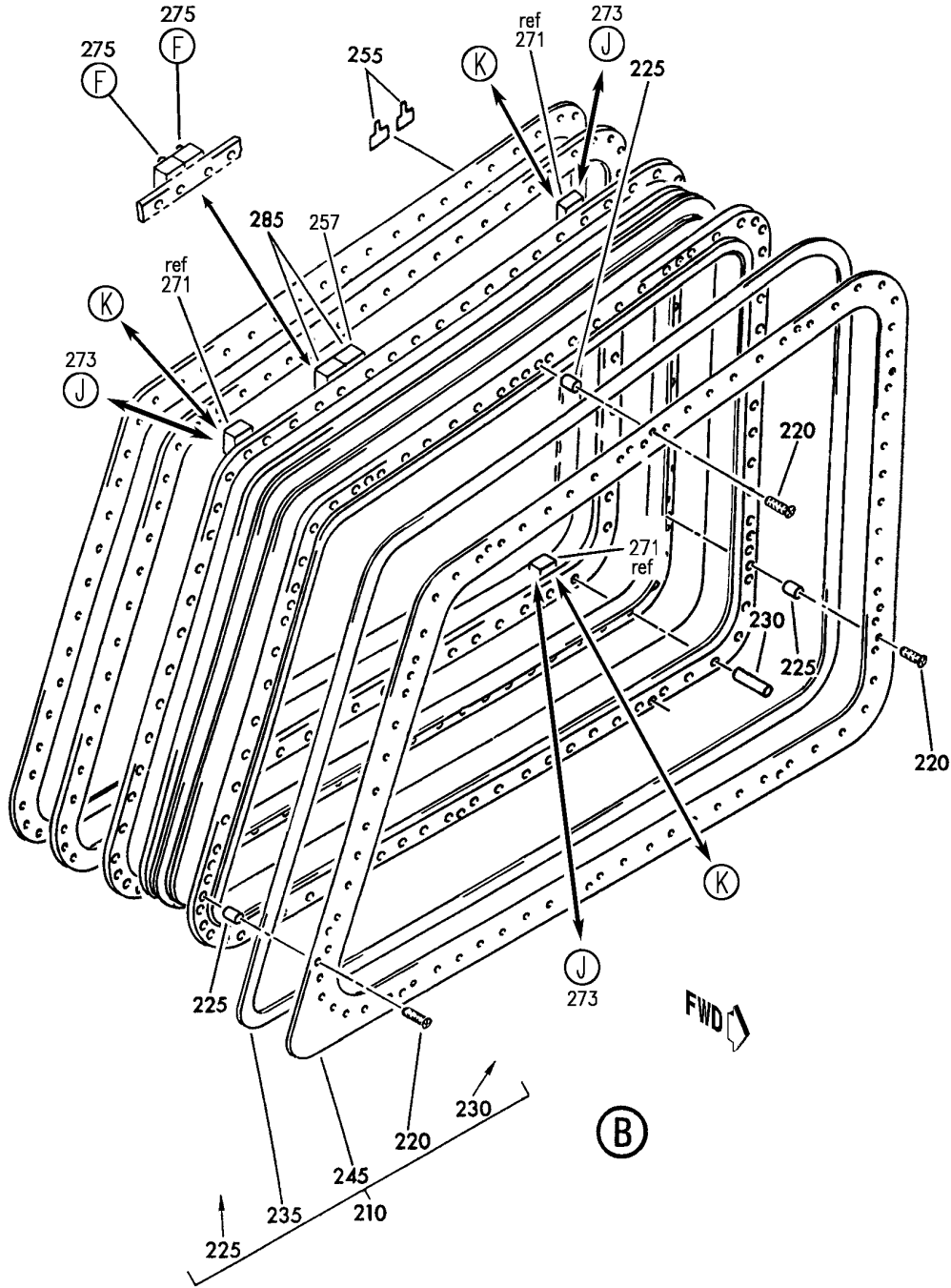
WINDOW ASSY-NO. 1, 2, 3 (ICE AND RAIN PROTECTION ONLY)  
FIGURE 3 (SHEET 2)

**30-41-52-03**

BRI  
MAY 20/09

30-41-52-03  
PAGE 0A

**BOEING**  
757  
PARTS CATALOG (MAINTENANCE)



Y 30415203 SH1 3 REV 335

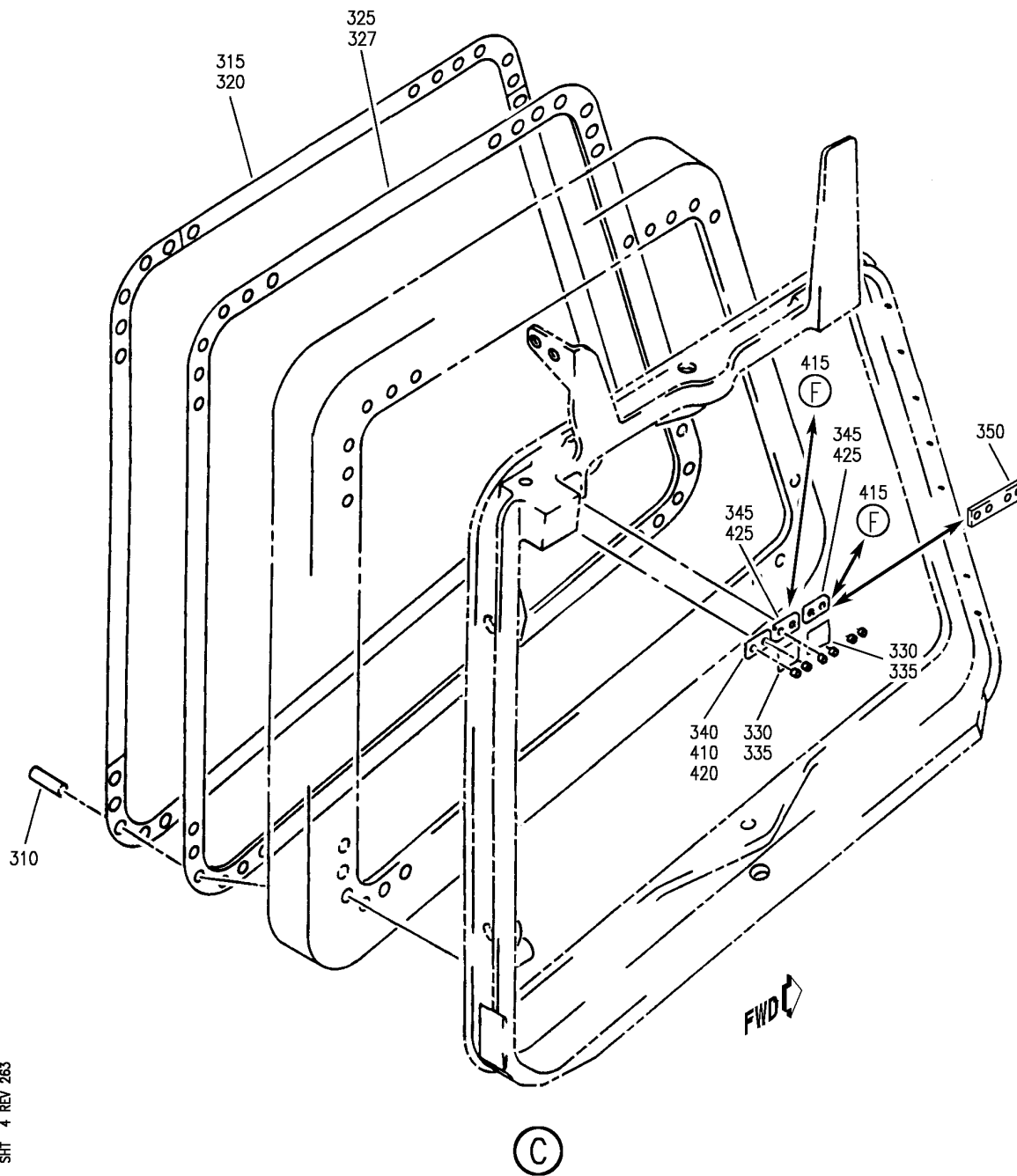
WINDOW ASSY-NO. 1, 2, 3 (ICE AND RAIN PROTECTION ONLY)  
FIGURE 3 (SHEET 3)

**30-41-52-03**

BRI  
MAY 20/09

30-41-52-03  
PAGE 0B

**BOEING**  
757  
PARTS CATALOG (MAINTENANCE)



Y 30415203 SH1 4 REV 263

WINDOW ASSY-NO. 1, 2, 3 (ICE AND RAIN PROTECTION ONLY)  
FIGURE 3 (SHEET 4)

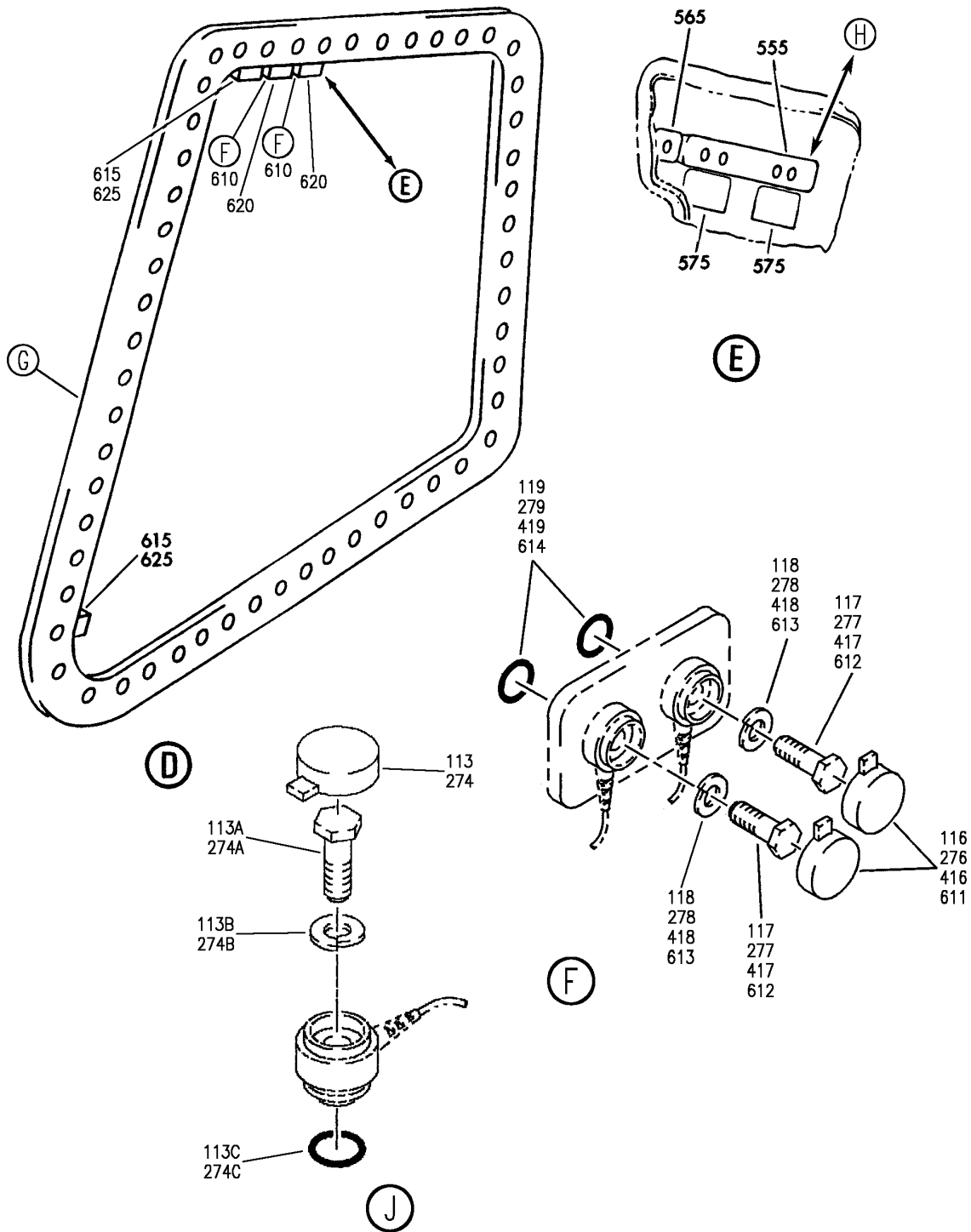
**30-41-52-03**

BRI  
MAY 28/07

30-41-52-03  
PAGE 0C



**BOEING**  
757  
PARTS CATALOG (MAINTENANCE)



Y 30415203 SH1 5 REV 335

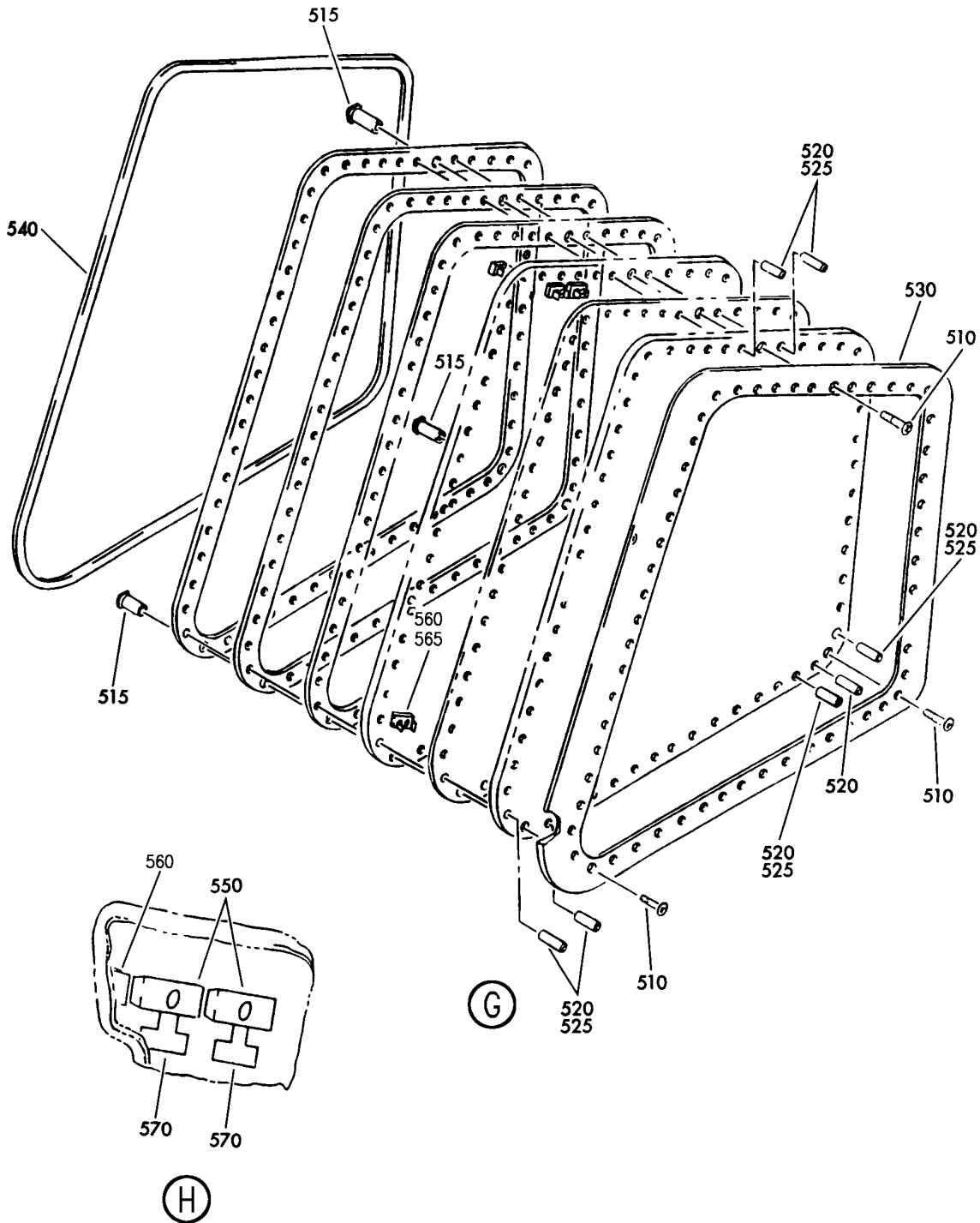
WINDOW ASSY-NO. 1, 2, 3 (ICE AND RAIN PROTECTION ONLY)  
FIGURE 3 (SHEET 5)

**30-41-52-03**

BRI  
MAY 20/09

30-41-52-03  
PAGE 0D

**BOEING**  
757  
PARTS CATALOG (MAINTENANCE)



Y 30415203 SH1 6 REV 335

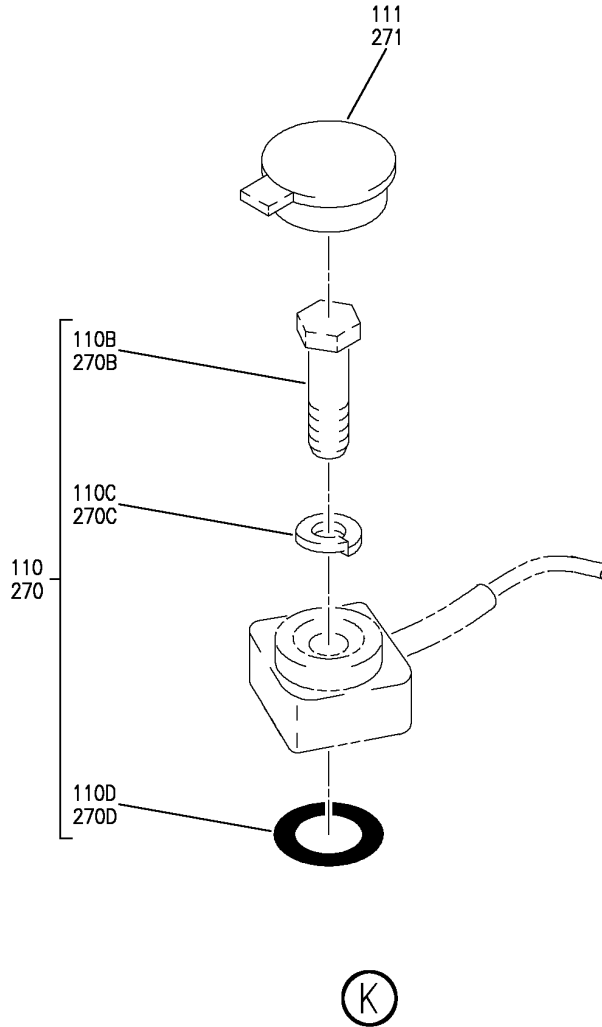
WINDOW ASSY-NO. 1, 2, 3 (ICE AND RAIN PROTECTION ONLY)  
FIGURE 3 (SHEET 6)

**30-41-52-03**

BRI  
MAY 20/09

30-41-52-03  
PAGE 0E

**BOEING**  
757  
PARTS CATALOG (MAINTENANCE)



Y 30415203 SH-T 7 REV 327

WINDOW ASSY-NO. 1, 2, 3 (ICE AND RAIN PROTECTION ONLY)  
FIGURE 3 (SHEET 7)

**30-41-52-03**

BRI  
SEP 20/08

30-41-52-03  
PAGE OF



757

PARTS CATALOG (MAINTENANCE)

FIG ITEM	PART NUMBER	1 2 3 4 5 6 7	NOMENCLATURE	EFFECT FROM TO	UNITS PER ASSY
3			WINDOW ASSY-NO. 1, 2, 3 (ICE AND RAIN PROTECTION ONLY)	002004 006999	
- 1	141T4800-13		WINDOW ASSY-#1 PILOT AND CO-PILOT (ICE AND RAIN PROTECTION ONLY) POSITION DATA: LH SIDE ELECTRICAL EQUIP NUMBER: B00035 COMPONENT MAINT MANUAL REF: 56-11-02 FOR SPARES PROCURE: 141T4801-19 QUALIFIED SB I/W DATA: (ORDER ITEM 26 KIT WHEN REPLACING WINDOW) FOR NHA/OTHER SYS DET SEE: 56-11-01-05	002004 006999	RF
- 1	141T4801-19		WINDOW ASSY-#1 PILOT AND CO-PILOT (ICE AND RAIN PROTECTION ONLY) POSITION DATA: LH SIDE COMPONENT MAINT MANUAL REF: 56-11-02 FOR NHA/OTHER SYS DET SEE: 56-11-01-05	002004 006999	RF
- 5	141T4800-14		WINDOW ASSY-#1 PILOT AND CO-PILOT (ICE AND RAIN PROTECTION ONLY) POSITION DATA: RH SIDE ELECTRICAL EQUIP NUMBER: B00038 COMPONENT MAINT MANUAL REF: 56-11-02 FOR SPARES PROCURE: 141T4801-20 QUALIFIED SB I/W DATA: (ORDER ITEM 27 KIT WHEN REPLACING WINDOW) FOR NHA/OTHER SYS DET SEE: 56-11-01-05	002004 006999	RF

MISSING ITEM NUMBERS NOT APPLICABLE

- ITEM NOT ILLUSTRATED

30-41-52-03

30-41-52  
FIG. 03  
PAGE 1  
SEP 20/08

BRI



757

PARTS CATALOG (MAINTENANCE)

FIG ITEM	PART NUMBER	1 2 3 4 5 6 7	NOMENCLATURE	EFFECT FROM TO	UNITS PER ASSY
3					
- 5	141T4801-20		WINDOW ASSY-#1 PILOT AND CO-PILOT (ICE AND RAIN PROTECTION ONLY) POSITION DATA: RH SIDE COMPONENT MAINT MANUAL REF: 56-11-02 FOR NHA/OTHER SYS DET SEE: 56-11-01-05	002004 006999	RF
10	BACB30LR3-3		.BOLT- USED ON: 141T4800-13 141T4800-14	002004 006999	10
15	MS21209F1-15P		.INSERT-THREADED USED ON: 141T4800-13 141T4800-14	002004 006999	10
20	MS24693CB117		.SCREW	002004 006999	3
25	141T4806-1		.INSERT-HOISTING	002004 006999	3
30	2909		.SPACER- SUPPLIER CODE: VU1610 POSITION DATA: LH SIDE USED ON: 141T4800-13	002004 006999	71
30	22-08-1605		.SPACER- SUPPLIER CODE: VU1610 POSITION DATA: LH SIDE USED ON: 141T4801-19 141T4801-57 141T4801-58	002004 006999	71
- 35	2909		.SPACER- SUPPLIER CODE: VU1610 POSITION DATA: RH SIDE USED ON: 141T4800-14	002004 006999	71

MISSING ITEM NUMBERS NOT APPLICABLE

- ITEM NOT ILLUSTRATED

30-41-52-03

30-41-52  
FIG. 03  
PAGE 2  
SEP 20/08

BRI

BOEING PROPRIETARY - Copyright © - Unpublished Work - See title page for details.



757

PARTS CATALOG (MAINTENANCE)

FIG ITEM	PART NUMBER	1 2 3 4 5 6 7	NOMENCLATURE	EFFECT FROM TO	UNITS PER ASSY
3					
- 35	22-08-1605		.SPACER- SUPPLIER CODE: VU1610 POSITION DATA: RH SIDE USED ON: 141T4801-20 141T4801-57 141T4801-58	002004 006999	71
40	141T4804-1		.SEAL-MOISTURE POSITION DATA: LH SIDE	002004 006999	1
- 45	141T4804-2		.SEAL-MOISTURE POSITION DATA: RH SIDE	002004 006999	1
50	141T4805-1		.RING-RETAINING POSITION DATA: LH SIDE	002004 006999	1
- 55	141T4805-2		.RING-RETAINING POSITION DATA: RH SIDE	002004 006999	1
60	2791		.SENSOR-TEMP. SUPPLIER CODE: VU1610 POSITION DATA: LH SIDE USED ON: 141T4800-13	002004 006999	2
65	PSE2-1		.SENSOR- SUPPLIER CODE: V53117 POSITION DATA: LH SIDE USED ON: 141T4801-19	002004 006999	2
- 70	2791		.SENSOR-TEMP. SUPPLIER CODE: VU1610 POSITION DATA: RH SIDE USED ON: 141T4800-14	002004 006999	2
- 75	PSE2-1		.SENSOR- SUPPLIER CODE: V53117 POSITION DATA: RH SIDE USED ON: 141T4801-20	002004 006999	2

MISSING ITEM NUMBERS NOT APPLICABLE

- ITEM NOT ILLUSTRATED

30-41-52-03

30-41-52  
FIG. 03  
PAGE 3  
SEP 20/08

BRI



757

PARTS CATALOG (MAINTENANCE)

FIG ITEM	PART NUMBER	1 2 3 4 5 6 7	NOMENCLATURE	EFFECT FROM TO	UNITS PER ASSY
3					
80	2916		.BLOCK-TERMINAL SUPPLIER CODE: VU1610 POSITION DATA: LH SIDE USED ON: 141T4800-13	002004 006999	1
80	22-17-1384		.BLOCK-TERMINAL SUPPLIER CODE: V53117 POSITION DATA: LH SIDE USED ON: 141T4801-19	002004 006999	1
- 85	2915		.BLOCK-TERMINAL SUPPLIER CODE: VU1610 POSITION DATA: RH SIDE USED ON: 141T4800-14	002004 006999	3
- 85	22-17-1385		.BLOCK-TERMINAL SUPPLIER CODE: V53117 POSITION DATA: RH SIDE USED ON: 141T4801-20	002004 006999	3
- 100	286N2304-001		WIRE BUNDLE ASSY- POSITION DATA: LH	002004 006016 107107 121503 904999	RF
- 100	286N2304-303		WIRE BUNDLE ASSY- POSITION DATA: LH	504903	RF
- 105	286N2314-001		WIRE BUNDLE ASSY- POSITION DATA: RH	002004 006016 107107 121503 904999	RF
- 105	286N2314-303		WIRE BUNDLE ASSY- POSITION DATA: RH	504903	RF

MISSING ITEM NUMBERS NOT APPLICABLE

- ITEM NOT ILLUSTRATED

30-41-52-03

30-41-52  
FIG. 03  
PAGE 4  
JAN 20/09

BRI



757

PARTS CATALOG (MAINTENANCE)

FIG ITEM	PART NUMBER	1 2 3 4 5 6 7	NOMENCLATURE	EFFECT FROM TO	UNITS PER ASSY
3 110	WB0710		.PLUG- SUPPLIER CODE: V81323 MISCELLANEOUS DATA: WB0710 TOGETHER WITH 0712 IS I/W CWC01-1210 ELECTRICAL EQUIP NUMBER: D03322 D03324 D03326 D03270 D03272 D03274 WIRING DIAGRAM REF: 304111 304112	002004 006016 107107 121999	3
111	0712		.CAP- SUPPLIER CODE: V81323 MISCELLANEOUS DATA: WB0710 TOGETHER WITH 0712 IS I/W CWC01-1210 ELECTRICAL EQUIP NUMBER: D03322T D03324T D03326T D03270T D03272T D03274T	002004 006016 107107 121999	3
112	CWC01-1210		.PLUG- SUPPLIER CODE: V71771 ELECTRICAL EQUIP NUMBER: D03322 D03324 D03326 D03270 D03272 D03274 WIRING DIAGRAM REF: 304111 304112	002004 006016 107107 121999	3

MISSING ITEM NUMBERS NOT APPLICABLE

- ITEM NOT ILLUSTRATED

30-41-52-03

30-41-52  
FIG. 03  
PAGE 5  
JAN 20/09

BRI





757

PARTS CATALOG (MAINTENANCE)

FIG ITEM	PART NUMBER	1 2 3 4 5 6 7	NOMENCLATURE	EFFECT FROM TO	UNITS PER ASSY
3					
115	CWC02-2006		.PLUG ASSY- SUPPLIER CODE: V71771 ELECTRICAL EQUIP NUMBER: D03328 D03330 D03276 D03278 WIRING DIAGRAM REF: 304111 304112	002004 006016 107107 121999	2
116	CWCC06		..COVER- SUPPLIER CODE: V71771	002004 006016 107107 121999	2
117	NAS1802-06-10		..SCREW	002004 006016 107107 121999	2
118	AN936A6C316		..WASHER	002004 006016 107107 121999	2
119	K1606-0001-0600		..PACKING- SUPPLIER CODE: V81590	002004 006016 107107 121999	2
125	1235		.INSULATOR- SUPPLIER CODE: V81323 MISCELLANEOUS DATA: OPTIONAL TO P/N CC1235 ELECTRICAL EQUIP NUMBER: D03328T D03330T D03276T D03278T	002004 006016 107107 121999	2

MISSING ITEM NUMBERS NOT APPLICABLE

- ITEM NOT ILLUSTRATED

30-41-52-03

30-41-52  
FIG. 03  
PAGE 6  
JAN 20/09

BRI



757

PARTS CATALOG (MAINTENANCE)

FIG ITEM	PART NUMBER	1 2 3 4 5 6 7	NOMENCLATURE	EFFECT FROM TO	UNITS PER ASSY
3 - 200	141T4801-49		WINDOW ASSY-#1 PILOT AND CO PILOT (ICE AND RAIN PROTECTION ONLY) POSITION DATA: LH SIDE COMPONENT MAINT MANUAL REF: 56-11-02 QUALIFIED I/W DATA: 141T4801-59 CAN REPLACE BUT NOT BE REPLACED BY 141T4801-49 AFTER INCORPORATION OF SERVICE BULLETIN 757-30-0019 FOR 757-200 AIRCRAFT OR 757-30-0020 FOR 757-300 AIRCRAFT. FOR NHA/OTHER SYS DET SEE: 56-11-01-05	002004 006999	RF
- 200	141T4801-59		WINDOW ASSY-#1 PILOT AND CO PILOT (ICE AND RAIN PROTECTION ONLY) POSITION DATA: LH SIDE COMPONENT MAINT MANUAL REF: 56-11-02 QUALIFIED I/W DATA: 141T4801-59 CAN REPLACE BUT NOT BE REPLACED BY 141T4801-49 AFTER INCORPORATION OF SERVICE BULLETIN 757-30-0019 FOR 757-200 AIRCRAFT OR 757-30-0020 FOR 757-300 AIRCRAFT. 141W7400-31 MAY REPLACE OR BE REPLACED BY 141T4801-59 BUT ONLY PER 141T0011-7#C INSTALLATION REQUIREMENTS; REPLACE ALL (71) BACB30NN4K38 INSTALLATION BOLTS WITH (71) 69B10006-36 BOLTS POST SERVICE BULLETIN: 30-0019 FOR NHA/OTHER SYS DET SEE: 56-11-01-05	002004 006008 101102	RF

MISSING ITEM NUMBERS NOT APPLICABLE

- ITEM NOT ILLUSTRATED

30-41-52-03

30-41-52  
FIG. 03  
PAGE 7  
JAN 20/09

BRI



757

PARTS CATALOG (MAINTENANCE)

FIG ITEM	PART NUMBER	1 2 3 4 5 6 7	NOMENCLATURE	EFFECT FROM TO	UNITS PER ASSY
3 - 205	141T4801-50		WINDOW ASSY-#1 PILOT AND CO PILOT (ICE AND RAIN PROTECTION ONLY) POSITION DATA: RH SIDE COMPONENT MAINT MANUAL REF: 56-11-02 QUALIFIED I/W DATA: 141T4801-60 CAN REPLACE BUT NOT BE REPLACED BY 141T4801-50 AFTER INCORPORATION OF SERVICE BULLETIN 757-30-0019 FOR 757-200 AIRCRAFT OR 757-30-0020 FOR 757-300 AIRCRAFT. FOR NHA/OTHER SYS DET SEE: 56-11-01-05	002004 006999	RF
- 205	141T4801-60		WINDOW ASSY-#1 PILOT AND CO PILOT (ICE AND RAIN PROTECTION ONLY) POSITION DATA: RH SIDE COMPONENT MAINT MANUAL REF: 56-11-02 QUALIFIED I/W DATA: 141T4801-60 CAN REPLACE BUT NOT BE REPLACED BY 141T4801-50 AFTER INCORPORATION OF SERVICE BULLETIN 757-30-0019 FOR 757-200 AIRCRAFT OR 757-30-0020 FOR 757-300 AIRCRAFT. 141W7400-32 MAY REPLACE OR BE REPLACED BY 141T4801-60 BUT ONLY PER 141T0011-8#C INSTALLATION REQUIREMENTS; REPLACE ALL (71) BACB30NN4K38 INSTALLATION BOLTS WITH (71) 69B10006-36 BOLTS POST SERVICE BULLETIN: 30-0019 FOR NHA/OTHER SYS DET SEE: 56-11-01-05	002004 006008 101102	RF

MISSING ITEM NUMBERS NOT APPLICABLE

- ITEM NOT ILLUSTRATED

30-41-52-03

30-41-52  
FIG. 03  
PAGE 8  
JAN 20/09

BRI



757

PARTS CATALOG (MAINTENANCE)

FIG ITEM	PART NUMBER	1 2 3 4 5 6 7	NOMENCLATURE	EFFECT FROM TO	UNITS PER ASSY
3					
210	141T4801-19		.WINDOW ASSY-PILOT AND CO-PILOT (ICE AND RAIN PROTECTION ONLY) POSITION DATA: LH SIDE COMPONENT MAINT MANUAL REF: 56-11-02	002004 006999	RF
210	141T4801-57		.WINDOW ASSY-PILOT AND CO-PILOT (ICE AND RAIN PROTECTION ONLY) POSITION DATA: LH SIDE MISCELLANEOUS DATA: MANUFACTURED BY SGS COMPONENT MAINT MANUAL REF: 56-11-02 QUALIFIED I/W DATA: 141T4811-1 MAY REPLACE OR BE REPLACED BY 141T4801-57 ACCORDING TO CUSTOMER PREFERENCE. 141T4811-1 IS: APPROVED FOR 757 AND 767 SPARES; WITHOUT HYDROPHOBIC COATING; MANUFACTURED BY SGS. 141T4801-57 IS: APPROVED FOR 757 AND 767 SPARES; WITHOUT HYDROPHOBIC COATING; MANUFACTURED BY PPG.	002004 006008 101102	RF
- 215	141T4801-20		.WINDOW ASSY-PILOT AND CO-PILOT (ICE AND RAIN PROTECTION ONLY) POSITION DATA: RH SIDE COMPONENT MAINT MANUAL REF: 56-11-02	002004 006999	RF
220	MS24693CB117		..SCREW- USED ON: 141T4801-59 141T4801-60	002004 006999	3
225	141T4806-1		..INSERT-HOISTING USED ON: 141T4801-59 141T4801-60	002004 006999	3

MISSING ITEM NUMBERS NOT APPLICABLE

- ITEM NOT ILLUSTRATED

30-41-52-03

30-41-52  
FIG. 03  
PAGE 9  
JAN 20/09

BRI



757

PARTS CATALOG (MAINTENANCE)

FIG ITEM	PART NUMBER	1 2 3 4 5 6 7	NOMENCLATURE	EFFECT FROM TO	UNITS PER ASSY
3					
230	22-08-1605		.. SPACER- SUPPLIER CODE: VU1610 USED ON: 141T4801-59 141T4801-60	002004 006999	71
235	141T4804-1		.. SEAL-MOISTURE POSITION DATA: LH SIDE USED ON: 141T4801-59	002004 006999	1
- 240	141T4804-2		.. SEAL-MOISTURE POSITION DATA: RH SIDE USED ON: 141T4801-60	002004 006999	1
245	141T4805-1		.. RING-RETAINING POSITION DATA: LH SIDE	002004 006999	1
- 250	141T4805-2		.. RING-RETAINING POSITION DATA: RH SIDE	002004 006999	1
255	PSE2-1		.. SENSOR- SUPPLIER CODE: V53117	002004 006999	2
257	22-17-1384		.BLOCK-TERMINAL SUPPLIER CODE: V53117 POSITION DATA: LH SIDE	002004 006999	1
- 259	22-17-1385		.BLOCK-TERMINAL SUPPLIER CODE: V53117 POSITION DATA: RH SIDE	002004 006999	3
- 260	286N2304-001		WIRE BUNDLE ASSY- POSITION DATA: LH	017100	RF
- 260	286N2304-302		WIRE BUNDLE ASSY- POSITION DATA: LH	101102 108120	RF
- 260	286N2304-701		WIRE BUNDLE ASSY- POSITION DATA: LH	103106	RF
- 265	286N2314-001		WIRE BUNDLE ASSY- POSITION DATA: RH	017100	RF

MISSING ITEM NUMBERS NOT APPLICABLE

- ITEM NOT ILLUSTRATED

30-41-52-03

30-41-52  
FIG. 03  
PAGE 10  
JAN 20/09

BRI



757

PARTS CATALOG (MAINTENANCE)

FIG ITEM	PART NUMBER	1 2 3 4 5 6 7	NOMENCLATURE	EFFECT FROM TO	UNITS PER ASSY
3					
- 265	286N2314-301		WIRE BUNDLE ASSY- POSITION DATA: RH	101102 108120	RF
- 265	286N2314-701		WIRE BUNDLE ASSY- POSITION DATA: RH	103106	RF
270	WB0710		.PLUG- SUPPLIER CODE: V81323 MISCELLANEOUS DATA: WB0710 TOGETHER WITH 0712 IS I/W CWC01-1210 ELECTRICAL EQUIP NUMBER: D03322 D03324 D03326 D03270 D03272 D03274 WIRING DIAGRAM REF: 304111 304112	017106 108120	3
271	0712		.CAP- SUPPLIER CODE: V81323 MISCELLANEOUS DATA: WB0710 TOGETHER WITH 0712 IS I/W CWC01-1210 ELECTRICAL EQUIP NUMBER: D03322T D03324T D03326T D03270T D03272T D03274T	017106 108120	3
273	CWC01-1210		.PLUG- SUPPLIER CODE: V71771 ELECTRICAL EQUIP NUMBER: D03322 D03324 D03326 D03270 D03272 D03274 WIRING DIAGRAM REF: 304111 304112	017106 108120	3

MISSING ITEM NUMBERS NOT APPLICABLE

- ITEM NOT ILLUSTRATED

30-41-52-03

30-41-52  
FIG. 03  
PAGE 11  
JAN 20/09

BRI



757

PARTS CATALOG (MAINTENANCE)

FIG ITEM	PART NUMBER	1 2 3 4 5 6 7	NOMENCLATURE	EFFECT FROM TO	UNITS PER ASSY
3					
275	CWC02-2006		.PLUG ASSY- SUPPLIER CODE: V71771 ELECTRICAL EQUIP NUMBER: D03328 D03330 D03276 D03278 WIRING DIAGRAM REF: 304111 304112	017106 108120	2
276	CWCC06		..COVER- SUPPLIER CODE: V71771	017106 108120	2
277	NAS1802-06-10		..SCREW	017106 108120	2
278	AN936A6C316		..WASHER	017106 108120	2
279	K1606-0001-0600		..PACKING- SUPPLIER CODE: V81590	017106 108120	2
285	1235		.INSULATOR- SUPPLIER CODE: V81323 MISCELLANEOUS DATA: OPTIONAL TO P/N CC1235 ELECTRICAL EQUIP NUMBER: D03328T D03330T D03276T D03278T	017106 108120	2
- 300	141N4810-13		WINDOW ASSY-NO. 2 GLAZING (ICE AND RAIN PROTECTION ONLY) POSITION DATA: LH SIDE FOR NHA/OTHER SYS DET SEE: 56-11-02-75 56-11-02-75A	002004 006102 107999	RF
- 301	141N4890-1		WINDSHIELD ASSY-#2 OPENABLE (ICE AND RAIN PROTECTION ONLY) POSITION DATA: LH SIDE FOR NHA/OTHER SYS DET SEE: 56-11-02-75 56-11-02-75A	002004 006102 107999	RF

MISSING ITEM NUMBERS NOT APPLICABLE

- ITEM NOT ILLUSTRATED

30-41-52-03

30-41-52  
FIG. 03  
PAGE 12  
JAN 20/09

BRI



757

PARTS CATALOG (MAINTENANCE)

FIG ITEM	PART NUMBER	1 2 3 4 5 6 7	NOMENCLATURE	EFFECT FROM TO	UNITS PER ASSY
3					
- 305	141N4810-14		WINDOW ASSY-NO. 2 GLAZING (ICE AND RAIN PROTECTION ONLY) POSITION DATA: RH SIDE FOR NHA/OTHER SYS DET SEE: 56-11-02-75 56-11-02-75A	002004 006102 107999	RF
- 306	141N4890-2		WINDSHIELD ASSY-#2 OPENABLE (ICE AND RAIN PROTECTION ONLY) POSITION DATA: RH SIDE FOR NHA/OTHER SYS DET SEE: 56-11-02-75 56-11-02-75A	002004 006102 107999	RF
310	NAS43DD5-116		.SPACER	002004 006102 107999	68
310	NAS43DD5-106FC		.SPACER- OPTIONAL PART: NAS43DD5-116FC	002004 006102 107999	68
310	NAS43DD5-116FC		.SPACER- OPTIONAL PART: NAS43DD5-106FC	002004 006102 107999	68
315	141N4813-5		.RETAINER-SEAL POSITION DATA: LH SIDE USED ON: 141N4810-11 141N4810-13	002004 006102 107999	1
- 317	141N4813-6		.RETAINER-SEAL POSITION DATA: RH SIDE USED ON: 141N4810-12 141N4810-14	002004 006102 107999	1
320	141N4813-11		.RING-RETAINER POSITION DATA: LH SIDE USED ON: 141N4890-1	002004 006102 107999	1
- 322	141N4813-10		.RING-RETAINER POSITION DATA: RH SIDE USED ON: 141N4890-2	002004 006102 107999	1

MISSING ITEM NUMBERS NOT APPLICABLE

- ITEM NOT ILLUSTRATED

30-41-52-03

30-41-52  
FIG. 03  
PAGE 13  
JAN 20/09

BRI





757

PARTS CATALOG (MAINTENANCE)

FIG ITEM	PART NUMBER	1 2 3 4 5 6 7	NOMENCLATURE	EFFECT FROM TO	UNITS PER ASSY
3					
325	141N4812-5	.	SEAL-MOISTURE POSITION DATA: LH SIDE USED ON: 141N4810-11 141N4810-13	002004 006102 107999	1
327	141N4812-6	.	SEAL-MOISTURE POSITION DATA: RH SIDE USED ON: 141N4810-12 141N4810-14	002004 006102 107999	1
330	RDF1A	.	SENSOR- SUPPLIER CODE: V53117 OPTIONAL PART: RDF20656-2 V53117 119000-23 V53117	002004 006102 107999	2
330	RDF20656-2	.	SENSOR- SUPPLIER CODE: V53117 OPTIONAL PART: RDF1A V53117 119000-23 V53117	002004 006102 107999	2
330	90145-2	.	SENSOR- SUPPLIER CODE: V53117 OPTIONAL PART: RDF1A V53117 RDF20656-2 V53117 119000-23 V53117	002004 006102 107999	2
330	119000-23	.	SENSOR- SUPPLIER CODE: V53117 OPTIONAL PART: RDF1A V53117 RDF20656-2 V53117 90145-2 V53117	002004 006102 107999	2

MISSING ITEM NUMBERS NOT APPLICABLE

- ITEM NOT ILLUSTRATED

30-41-52-03

30-41-52  
FIG. 03  
PAGE 14  
JAN 20/09

BRI

BOEING PROPRIETARY - Copyright © - Unpublished Work - See title page for details.



757

PARTS CATALOG (MAINTENANCE)

FIG ITEM	PART NUMBER	1 2 3 4 5 6 7	NOMENCLATURE	EFFECT FROM TO	UNITS PER ASSY
3					
335	PSE2-1	.	SENSOR- SUPPLIER CODE: V53117	002004 006102 107999	2
340	22-17-1367-1	.	BLOCK-TERMINAL SUPPLIER CODE: V53117 OPTIONAL PART: 87-3497-2 V0913B	002004 006102 107999	1
340	87-3497-2	.	BLOCK-TERMINAL SUPPLIER CODE: V0913B OPTIONAL PART: 22-17-1367-1 V53117	002004 006102 107999	1
340	22-17-4920	.	BLOCK-TERMINAL SUPPLIER CODE: V53117	002004 006102 107999	1
345	22-17-1367-3	.	BLOCK-TERMINAL SUPPLIER CODE: V53117 OPTIONAL PART: 87-3497-1 V0913B 500007-02 V12035	002004 006102 107999	2
345	87-3497-1	.	BLOCK-TERMINAL SUPPLIER CODE: V0913B OPTIONAL PART: 22-17-1367-3 V53117 500007-02 V12035	002004 006102 107999	2
345	500007-02	.	POST-TERMINAL SUPPLIER CODE: V0913B OPTIONAL PART: 22-17-1367-3 V53117 87-3497-1 V09138	002004 006102 107999	2
350	22-17-4922	.	BLOCK-TERMINAL SUPPLIER CODE: V53117	002004 006102 107999	1
- 400	286N2306-001		WIRE BUNDLE ASSY- POSITION DATA: LH	002004 006100 103107 121999	RF

MISSING ITEM NUMBERS NOT APPLICABLE

- ITEM NOT ILLUSTRATED

30-41-52-03

30-41-52  
FIG. 03  
PAGE 15  
JAN 20/09

BRI



757

PARTS CATALOG (MAINTENANCE)

FIG ITEM	PART NUMBER	1 2 3 4 5 6 7	NOMENCLATURE	EFFECT FROM TO	UNITS PER ASSY
3					
- 400	286N2306-302		WIRE BUNDLE ASSY- POSITION DATA: LH	108120	RF
- 405	286N2316-001		WIRE BUNDLE ASSY- POSITION DATA: RH	002004 006100 103107 121999 108120	RF
- 405	286N2316-302		WIRE BUNDLE ASSY- POSITION DATA: RH	108120	RF
410	WB1220		.PLUG- SUPPLIER CODE: V81323 ELECTRICAL EQUIP NUMBER: D03332 D03280 WIRING DIAGRAM REF: 304112 304111	002004 006100 103999	1
415	CWC02-2006		.PLUG ASSY- SUPPLIER CODE: V71771 ELECTRICAL EQUIP NUMBER: D03334 D03336 D03282 D03284 WIRING DIAGRAM REF: 304112 304111	002004 006100 103999	2
416	CWCC06		..COVER- SUPPLIER CODE: V71771	002004 006100 103999	2
417	NAS1802-06-10		..SCREW	002004 006100 103999	2
418	AN936A6C316		..WASHER	002004 006100 103999	2
419	K1606-0001-0600		..PACKING- SUPPLIER CODE: V81590	002004 006100 103999	2

MISSING ITEM NUMBERS NOT APPLICABLE

- ITEM NOT ILLUSTRATED

30-41-52-03

30-41-52  
FIG. 03  
PAGE 16  
JAN 20/09

BRI



757

PARTS CATALOG (MAINTENANCE)

FIG ITEM	PART NUMBER	1 2 3 4 5 6 7	NOMENCLATURE	EFFECT FROM TO	UNITS PER ASSY
3 420	1225		.INSULATOR- SUPPLIER CODE: V81323 MISCELLANEOUS DATA: OPTIONAL TO P/N CC1225 ELECTRICAL EQUIP NUMBER: D0332T D03282T	002004 006100 103999	1
425	1235		.INSULATOR- SUPPLIER CODE: V81323 MISCELLANEOUS DATA: OPTIONAL TO P/N CC1235 ELECTRICAL EQUIP NUMBER: D03334T D03336T D03282T D03284T	002004 006100 103999	2
- 500	141N4820-1		WINDOW ASSY-NO. 3 (ICE AND RAIN PROTECTION ONLY) POSITION DATA: LH SIDE ELECTRICAL EQUIP NUMBER: B00037 COMPONENT MAINT MANUAL REF: 56-11-05 QUALIFIED I/W DATA: 141N4004-1 CAN REPLACE OR BE REPLACED BY 141N4820-1 BASED UPON CUSTOMER PREFERENCE FOR MATERIAL FOR NHA/OTHER SYS DET SEE: 56-11-10-04	002004 006100 107107 121999	RF
- 500	141N4004-1		WINDOW ASSY-NO. 3 (ICE AND RAIN PROTECTION ONLY) POSITION DATA: LH SIDE QUALIFIED I/W DATA: 141N4004-1 CAN REPLACE OR BE REPLACED BY 141N4820-1 BASED UPON CUSTOMER PREFERENCE FOR MATERIAL FOR NHA/OTHER SYS DET SEE: 56-11-10-04	101106 108120	RF

MISSING ITEM NUMBERS NOT APPLICABLE

- ITEM NOT ILLUSTRATED

30-41-52-03

30-41-52  
FIG. 03  
PAGE 17  
JAN 20/09

BRI



757

PARTS CATALOG (MAINTENANCE)

FIG ITEM	PART NUMBER	1 2 3 4 5 6 7	NOMENCLATURE	EFFECT FROM TO	UNITS PER ASSY
3					
- 505	141N4820-2		WINDOW ASSY-NO. 3 (ICE AND RAIN PROTECTION ONLY) POSITION DATA: RH SIDE ELECTRICAL EQUIP NUMBER: B00040 COMPONENT MAINT MANUAL REF: 56-11-05 FOR NHA/OTHER SYS DET SEE: 56-11-10-04	002004 006999	RF
- 505	141N4004-2		WINDOW ASSY-NO. 3 (ICE AND RAIN PROTECTION ONLY) POSITION DATA: RH SIDE FOR NHA/OTHER SYS DET SEE: 56-11-10-04	002004 006999	RF
510	MS24693CB117		.SCREW	002004 006999	3
515	141T4827-1		.INSERT-HOISTING	002004 006100 107107 121999	3
515	22-08-1762		.INSERT-HOISTING SUPPLIER CODE: V53117	101106 108120	3
520	NAS43DD5-93		.SPACER-	002004 006100 107107 121999	53
525	22-08-1761		.TUBE-SPACER SUPPLIER CODE: V53117	101106 108120	52
530	141N4823-1		.RETAINER- POSITION DATA: LH SIDE	002004 006999	1
530	141N4823-3		.RETAINER- POSITION DATA: LH SIDE	002004 006999	1
- 535	141N4823-2		.RETAINER- POSITION DATA: RH SIDE	002004 006999	1
- 535	141N4823-4		.RETAINER- POSITION DATA: RH SIDE	002004 006999	1
540	141N4812-1		.SEAL- POSITION DATA: LH SIDE	002004 006999	1

MISSING ITEM NUMBERS NOT APPLICABLE

- ITEM NOT ILLUSTRATED

30-41-52-03

30-41-52  
FIG. 03  
PAGE 18  
JAN 20/09

BRI



757

PARTS CATALOG (MAINTENANCE)

FIG ITEM	PART NUMBER	1 2 3 4 5 6 7	NOMENCLATURE	EFFECT FROM TO	UNITS PER ASSY
3					
- 545	141N4812-2		.SEAL- POSITION DATA: RH SIDE	002004 006999	1
550	22-17-1367-3		.BLOCK-SENSOR TERM. SUPPLIER CODE: V53117 OPTIONAL PART: 500007-02 V12035 500205-1 V12035	002004 006100 107107 121999	2
550	500007-02		.POST-SENSOR TERM. SUPPLIER CODE: V12035 OPTIONAL PART: 22-17-1367-3 V53117 500205-1 V12035	002004 006100 107107 121999	2
550	500205-1		.POST-SENSOR TERM. SUPPLIER CODE: V12035 OPTIONAL PART: 22-17-1367-3 V53117 500007-02 V12035	002004 006100 107107 121999	2
555	22-17-4999		.BLOCK-SENSOR TERM. SUPPLIER CODE: V53117	101106 108120	1
560	22-17-1367-2		.POST-SENSOR TERM. SUPPLIER CODE: V53117 OPTIONAL PART: 500007-1 V12035 500202-2 V12035	002004 006100 107107 121999	2
560	500007-1		.POST-SENSOR TERM. SUPPLIER CODE: V12035 OPTIONAL PART: 22-17-1367-2 V53117 500202-2 V12035	002004 006100 107107 121999	2

MISSING ITEM NUMBERS NOT APPLICABLE

- ITEM NOT ILLUSTRATED

30-41-52-03

30-41-52  
FIG. 03  
PAGE 19  
JAN 20/09

BRI



757

PARTS CATALOG (MAINTENANCE)

FIG ITEM	PART NUMBER	1 2 3 4 5 6 7	NOMENCLATURE	EFFECT FROM TO	UNITS PER ASSY
3					
560	500202-2		.POST-SENSOR TERM. SUPPLIER CODE: V12035 OPTIONAL PART: 22-17-1367-2 V53117 500007-1 V12035	002004 006100 107107 121999	2
565	22-17-5000		.BLOCK-POWER TERM. SUPPLIER CODE: V53117	101106 108120	2
570	RDF1A		.SENSOR- SUPPLIER CODE: V53117 OPTIONAL PART: E1190-14 V12035	002004 006100 107107 121999	2
570	E1190-14		.SENSOR- SUPPLIER CODE: V12035 OPTIONAL PART: RDF1A V53117	002004 006100 107107 121999	2
575	PSE2-1		.SENSOR- SUPPLIER CODE: V53117	101106 108120	2
- 600	286N2308-001		WIRE BUNDLE ASSY- POSITION DATA: LH	002004 006100 103107 121999	RF
- 600	286N2308-301		WIRE BUNDLE ASSY- POSITION DATA: LH	108120	RF
- 605	286N2318-001		WIRE BUNDLE ASSY- POSITION DATA: RH	002004 006100 103107 121999	RF
- 605	286N2318-301		WIRE BUNDLE ASSY- POSITION DATA: RH	108120	RF

MISSING ITEM NUMBERS NOT APPLICABLE

- ITEM NOT ILLUSTRATED

30-41-52-03

30-41-52  
FIG. 03  
PAGE 20  
JAN 20/09

BRI

BOEING PROPRIETARY - Copyright © - Unpublished Work - See title page for details.



757

PARTS CATALOG (MAINTENANCE)

FIG ITEM	PART NUMBER	1 2 3 4 5 6 7	NOMENCLATURE	EFFECT FROM TO	UNITS PER ASSY
3					
610	CWC02-2006		.PLUG ASSY- SUPPLIER CODE: V71771 ELECTRICAL EQUIP NUMBER: D03288 D03290 D03340 D03342 WIRING DIAGRAM REF: 304111 304112	002004 006100 103999	2
611	CWCC06		..COVER- SUPPLIER CODE: V71771	002004 006100 103999	2
612	NAS1802-06-10		..SCREW	002004 006100 103999	2
613	AN936A6C316		..WASHER	002004 006100 103999	2
614	K1606-0001-0600		..PACKING- SUPPLIER CODE: V81590	002004 006100 103999	2
615	WB1240		.PLUG- SUPPLIER CODE: V81323 ELECTRICAL EQUIP NUMBER: D03286 D04680 D03338 D04682 WIRING DIAGRAM REF: 304111 304112 OPTIONAL PART: CWC01-2010	002004 006100 103999	2
615	CWC01-2010		.PLUG- SUPPLIER CODE: V81323 ELECTRICAL EQUIP NUMBER: D03286 D04680 D03338 D04682 WIRING DIAGRAM REF: 304111 304112 OPTIONAL PART: WB1240	002004 006100 103107 121999	2

MISSING ITEM NUMBERS NOT APPLICABLE

- ITEM NOT ILLUSTRATED

30-41-52-03

30-41-52  
FIG. 03  
PAGE 21  
JAN 20/09

BRI





757

PARTS CATALOG (MAINTENANCE)

FIG ITEM	PART NUMBER	1 2 3 4 5 6 7	NOMENCLATURE	EFFECT FROM TO	UNITS PER ASSY
3 620	1235		.INSULATOR- SUPPLIER CODE: V81323 MISCELLANEOUS DATA: OPTIONAL TO P/N CC1235 ELECTRICAL EQUIP NUMBER: D03288T D03290T D03340T D03342T	002004 006100 103999	2
625	0712		.INSULATOR- SUPPLIER CODE: V81323 MISCELLANEOUS DATA: WB0710 TOGETHER WITH 0712 IS I/W CWC01-1210 ELECTRICAL EQUIP NUMBER: D03286T D04680T D03338T D04682T	002004 006100 103999	2

MISSING ITEM NUMBERS NOT APPLICABLE

- ITEM NOT ILLUSTRATED

**30-41-52-03**

30-41-52  
FIG. 03  
PAGE 22  
JAN 20/09

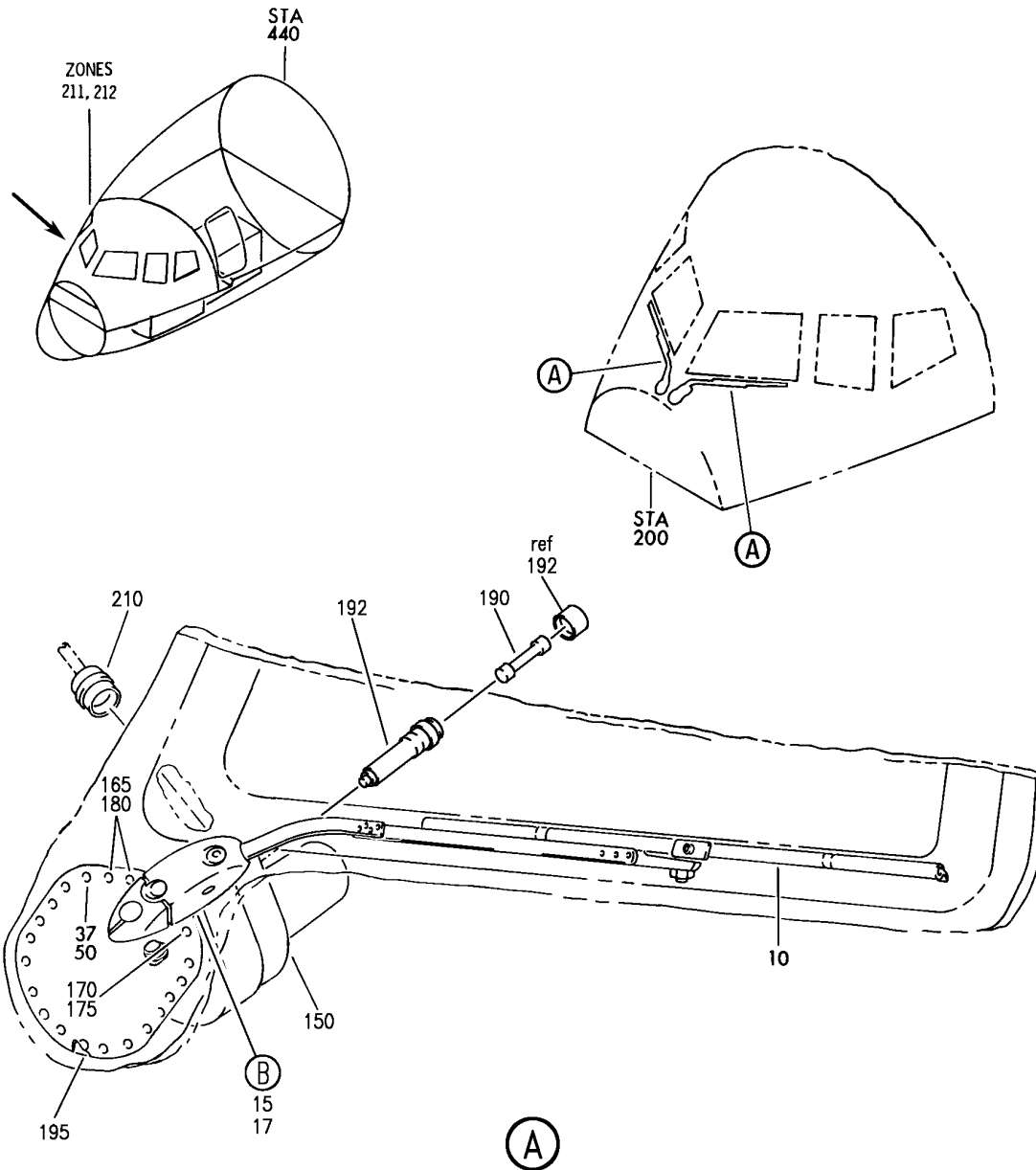
BRI

## WINDSHIELD WIPER SYSTEM

BRI  
MAY 28/07

30-42-00  
SECTION TITLE  
PAGE 1

**BOEING**  
757  
PARTS CATALOG (MAINTENANCE)



Y 30420105 SHT 1 REV 277

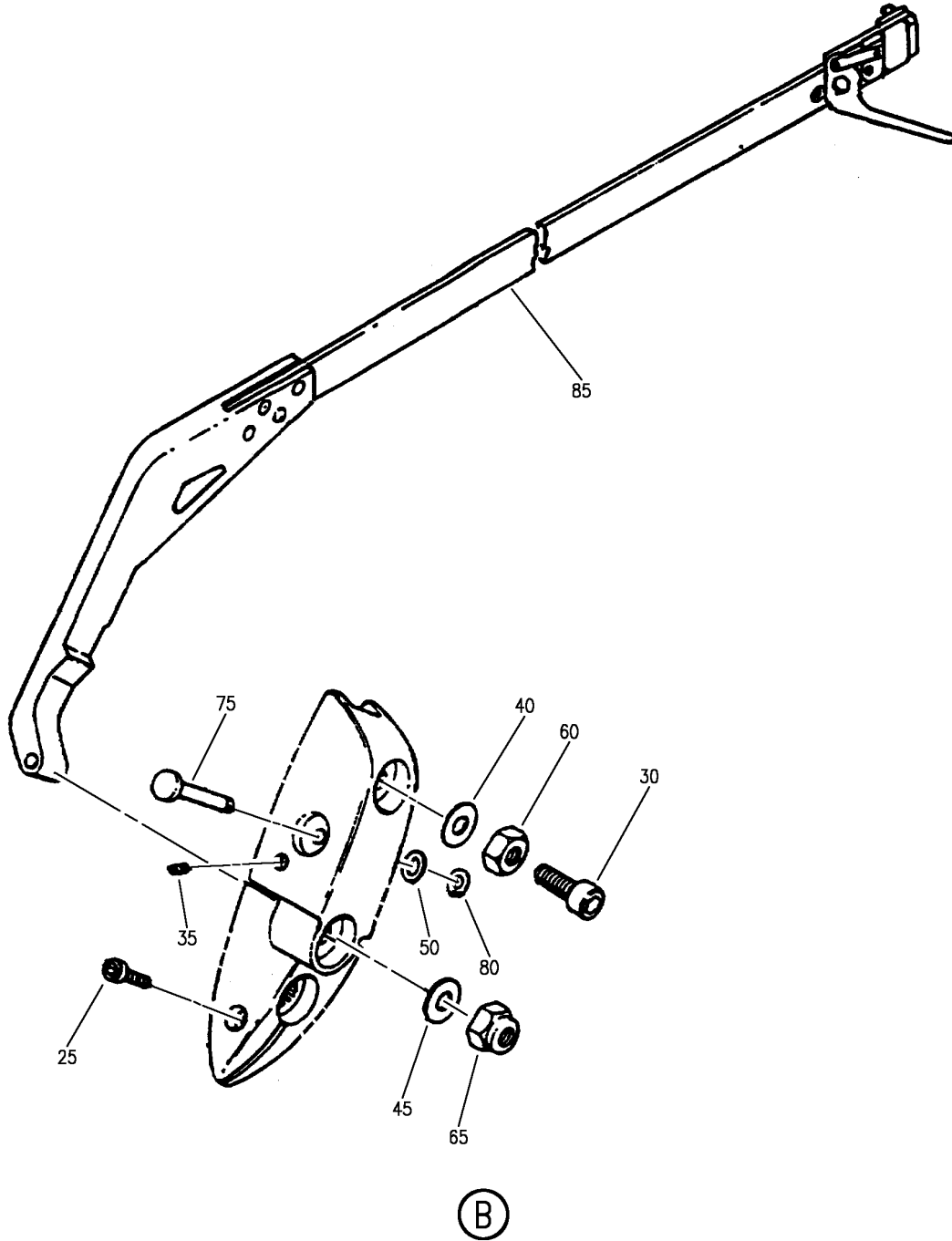
SYSTEM INSTL-WSHLD WIPER  
FIGURE 5 (SHEET 1)

**30-42-01-05**

BRI  
MAY 28/07

30-42-01-05  
PAGE 0

**BOEING**  
757  
PARTS CATALOG (MAINTENANCE)



Y 30420105 SH1 2 REV 264

SYSTEM INSTL-WSHLD WIPER  
FIGURE 5 (SHEET 2)

**30-42-01-05**

BRI  
MAY 28/07

30-42-01-05  
PAGE 0A



757

PARTS CATALOG (MAINTENANCE)

FIG ITEM	PART NUMBER	1 2 3 4 5 6 7	NOMENCLATURE	EFFECT FROM TO	UNITS PER ASSY
5			SYSTEM INSTL-WSHLD WIPER	002004 006999	
- 1	232N6001-11		SYSTEM INSTL-WSHLD WIPER POSITION DATA: LH ACCESS PANEL NUMBER: 211AL 212AR FOR NHA SEE: 21-00-00-04	002004 006100 107107 121503 904999	RF
- 1	232N6001-13		SYSTEM INSTL-WSHLD WIPER POSITION DATA: LH ACCESS PANEL NUMBER: 211AL 212AR FOR NHA SEE: 21-00-00-14	101102 108120 504903	RF
- 1	MODREF7161		SYSTEM INSTL-WSHLD WIPER MODULE NUMBER: 232N6001-13 REV A POSITION DATA: LH ACCESS PANEL NUMBER: 211AL 212AR	103103	1
- 1	MODREF27446		SYSTEM INSTL-WSHLD WIPER MODULE NUMBER: 232N6001-13 REV B POSITION DATA: LH ACCESS PANEL NUMBER: 211AL 212AR	104106	1
- 5	232N6001-12		SYSTEM INSTL-WSHLD WIPER POSITION DATA: RH ACCESS PANEL NUMBER: 211AL 212AR FOR NHA SEE: 21-00-00-04	002004 006100 107107 121503 904999	RF

MISSING ITEM NUMBERS NOT APPLICABLE

- ITEM NOT ILLUSTRATED

30-42-01-05

30-42-01  
FIG. 05  
PAGE 1  
JAN 20/09

BRI



757

PARTS CATALOG (MAINTENANCE)

FIG ITEM	PART NUMBER	1 2 3 4 5 6 7	NOMENCLATURE	EFFECT FROM TO	UNITS PER ASSY
5	232N6001-14		SYSTEM INSTL-WSHLD WIPER POSITION DATA: RH ACCESS PANEL NUMBER: 211AL 212AR FOR NHA SEE: 21-00-00-14	101102 108120 504903	RF
- 5	MODREF7162		SYSTEM INSTL-WSHLD WIPER MODULE NUMBER: 232N6001-14 REV A POSITION DATA: RH ACCESS PANEL NUMBER: 211AL 212AR	103103	1
- 5	MODREF27447		SYSTEM INSTL-WSHLD WIPER MODULE NUMBER: 232N6001-14 REV B POSITION DATA: RH ACCESS PANEL NUMBER: 211AL 212AR	104106	1
10	90-0208-1		.BLADE-WIPER SUPPLIER CODE: V72914 SPECIFICATION NUMBER: S232T601-37 OPTIONAL PART: 90-0327-1 V72914	002004 006999	1
10	90-0327-1		.BLADE-WIPER SUPPLIER CODE: V72914 SPECIFICATION NUMBER: S232T601-85 OPTIONAL PART: 90-0208-1 V72914	002004 006999	1

MISSING ITEM NUMBERS NOT APPLICABLE

- ITEM NOT ILLUSTRATED

30-42-01-05

30-42-01  
FIG. 05  
PAGE 2  
JAN 20/09

BRI



757

PARTS CATALOG (MAINTENANCE)

FIG ITEM	PART NUMBER	1 2 3 4 5 6 7	NOMENCLATURE	EFFECT FROM TO	UNITS PER ASSY
5 17	90-0216-3		.ARM ASSY-WIPER SUPPLIER CODE: V72914 POSITION DATA: LH SIDE SPECIFICATION NUMBER: S232T601-73 COMPONENT MAINT MANUAL REF: 30-42-12 USED WITH: 90-0205-7 90-0215-3 FOR DETAILS SEE: 30-42-03-05	121503 904949	1
17	90-0216-1		.ARM ASSY-WIPER SUPPLIER CODE: V72914 POSITION DATA: LH SIDE FUNCTIONAL DESCRIPTION: THIS ARM HOLDS THE WIPER BLADE. SPECIFICATION NUMBER: S232T601-63 COMPONENT MAINT MANUAL REF: 30-42-12 QUALIFIED I/W DATA: 90-0216-1 TOGETHER WITH 90-0215-3 IS I/W 90-0204-5 TOGETHER WITH 90-0205-7 FOR MODEL 757 ONLY USED WITH: 90-0215-3 90-0205-7 FOR DETAILS SEE: 30-42-03-05	002004 006999	1

MISSING ITEM NUMBERS NOT APPLICABLE

- ITEM NOT ILLUSTRATED

**30-42-01-05**

30-42-01  
FIG. 05  
PAGE 3  
JAN 20/09

BRI



757

PARTS CATALOG (MAINTENANCE)

FIG ITEM	PART NUMBER	1 2 3 4 5 6 7	NOMENCLATURE	EFFECT FROM TO	UNITS PER ASSY
5 17	90-0216-7		.ARM ASSY-WIPER SUPPLIER CODE: V72914 POSITION DATA: LH SIDE FUNCTIONAL DESCRIPTION: THIS ARM HOLDS THE WIPER BLADE. SPECIFICATION NUMBER: S232T601-63 COMPONENT MAINT MANUAL REF: 30-42-12 QUALIFIED I/W DATA: 90-0216-1 TOGETHER WITH 90-0215-3 IS I/W 90-0204-5 TOGETHER WITH 90-0205-7 FOR MODEL 757 ONLY USED WITH: 90-0215-3 FOR DETAILS SEE: 30-42-03-05	002004 006999	1
- 18	90-0216-4		.ARM ASSY-WIPER SUPPLIER CODE: V72914 POSITION DATA: RH SIDE SPECIFICATION NUMBER: S232T601-74 COMPONENT MAINT MANUAL REF: 30-42-12 OPTIONAL PART: V72914 USED WITH: 90-0205-8 90-0215-4 FOR DETAILS SEE: 30-42-03-05	121503 904949	1

MISSING ITEM NUMBERS NOT APPLICABLE

- ITEM NOT ILLUSTRATED

**30-42-01-05**

30-42-01  
FIG. 05  
PAGE 4  
JAN 20/09

BRI





757

PARTS CATALOG (MAINTENANCE)

FIG ITEM	PART NUMBER	1 2 3 4 5 6 7	NOMENCLATURE	EFFECT FROM TO	UNITS PER ASSY
5 - 18	90-0216-2		.ARM ASSY-WIPER SUPPLIER CODE: V72914 POSITION DATA: RH SIDE FUNCTIONAL DESCRIPTION: THIS ARM HOLDS THE WIPER BLADE. SPECIFICATION NUMBER: S232T601-64 COMPONENT MAINT MANUAL REF: 30-42-12 QUALIFIED I/W DATA: 90-0216-2 TOGETHER WITH 90-0215-4 IS I/W 90-0204-6 TOGETHER WITH 90-0205-8 FOR MODEL 757 ONLY USED WITH: 90-0215-4 90-0205-8 FOR DETAILS SEE: 30-42-03-05	002004 006999	1
- 18	90-0216-8		.ARM ASSY-WIPER SUPPLIER CODE: V72914 POSITION DATA: RH SIDE FUNCTIONAL DESCRIPTION: THIS ARM HOLDS THE WIPER BLADE. SPECIFICATION NUMBER: S232T601-64 COMPONENT MAINT MANUAL REF: 30-42-12 QUALIFIED I/W DATA: 90-0216-2 TOGETHER WITH 90-0215-4 IS I/W 90-0204-6 TOGETHER WITH 90-0205-8 FOR MODEL 757 ONLY USED WITH: 90-0215-4 FOR DETAILS SEE: 30-42-03-05	002004 006999	1

MISSING ITEM NUMBERS NOT APPLICABLE

- ITEM NOT ILLUSTRATED

**30-42-01-05**

30-42-01  
FIG. 05  
PAGE 5  
JAN 20/09

BRI



757

PARTS CATALOG (MAINTENANCE)

FIG ITEM	PART NUMBER	1 2 3 4 5 6 7	NOMENCLATURE	EFFECT FROM TO	UNITS PER ASSY
5 150	90-0215-3		. CONVERTER ASSY-MOTOR SUPPLIER CODE: V72914 POSITION DATA: LH SIDE SPECIFICATION NUMBER: S232T601-65 ELECTRICAL EQUIP NUMBER: M00238 QUALIFIED I/W DATA: 90-0215-3 TOGETHER WITH 90-0216-1 IS I/W 90-0205-7 TOGETHER WITH 90-0204-5 FOR MODEL 757 ONLY USED WITH: 90-0216-1 90-0216-3 90-2016-7	002004 006999	1
- 155	90-0215-4		. CONVERTER ASSY-MOTOR SUPPLIER CODE: V72914 POSITION DATA: RH SIDE SPECIFICATION NUMBER: S232T601-66 ELECTRICAL EQUIP NUMBER: M00237 QUALIFIED I/W DATA: 90-0215-4 TOGETHER WITH 90-0216-2 IS I/W 90-0205-8 TOGETHER WITH 90-0204-6 FOR MODEL 757 ONLY USED WITH: 90-0216-2 90-2016-4	002004 006999	1
165	BACB30LU3-4		ATTACHING PARTS . BOLT-	002004 107107 904949 952952	2
165	BACB30NN3K4		. BOLT-	006106 108903 950951 953999	2

MISSING ITEM NUMBERS NOT APPLICABLE

- ITEM NOT ILLUSTRATED

30-42-01-05

30-42-01  
FIG. 05  
PAGE 6  
JAN 20/09

BRI



757

PARTS CATALOG (MAINTENANCE)

FIG ITEM	PART NUMBER	1 2 3 4 5 6 7	NOMENCLATURE	EFFECT FROM TO	UNITS PER ASSY
5	170 BACB30LU3-5	.BOLT-		002004 107107 904949 952952	18
	170 BACB30NN3K5	.BOLT-		006106 108903 950951 953999	18
	175 F39041-3BAC	.NUTPLATE	SUPPLIER CODE: V15653 SPECIFICATION NUMBER: BACN10JZ3A2CM OPTIONAL PART: NS103224SE02 V80539 109F9219-3 V72962	002004 006999	18
	180 NS103227H02	.NUTPLATE	SUPPLIER CODE: V80539 SPECIFICATION NUMBER: BACN10KA3BS OPTIONAL PART: T8099S1032SK1 V11815	002004 006999	2
-	185 BACR15CE3M	.RIVET-	SIZE DETERMINED ON INSTL. -----*-----	002004 006999	20
	190 394012	.. FUSE-F1	SUPPLIER CODE: V75915 MISCELLANEOUS DATA: PRIMES PART NO. FU279 USED ON: 90-0215-3 90-0215-4	002004 006999	1
	192 FHN20G	.. FUSEHOLDER-	SUPPLIER CODE: V75915 MISCELLANEOUS DATA: PRIMES PART NO. FU495 USED ON: 90-0215-3 90-0215-4	002004 006999	1

MISSING ITEM NUMBERS NOT APPLICABLE

- ITEM NOT ILLUSTRATED

30-42-01-05

30-42-01  
FIG. 05  
PAGE 7  
JAN 20/09

BRI



757

PARTS CATALOG (MAINTENANCE)

FIG ITEM	PART NUMBER	1 2 3 4 5 6 7	NOMENCLATURE	EFFECT FROM TO	UNITS PER ASSY
5 195	91-0590-1		.GASKET- SUPPLIER CODE: V72914 POSITION DATA: LH SIDE SPECIFICATION NUMBER: S232T601-17 OPTIONAL PART: 91-0590-3 V72914 91-0590-4 V72914	002004 006100 103107 121503 904999	1
195	91-0590-3		.GASKET- SUPPLIER CODE: V72914 POSITION DATA: LH SIDE SPECIFICATION NUMBER: S232T601-43 OPTIONAL PART: 90-0590-1 V72914	002004 006999	1
- 197	91-0590-1		.GASKET- SUPPLIER CODE: V72914 POSITION DATA: RH SIDE SPECIFICATION NUMBER: S232T601-17 OPTIONAL PART: 91-0590-4 V72914	002004 006100 103107 121503 904999	1
- 197	91-0590-4		.GASKET- SUPPLIER CODE: V72914 POSITION DATA: RH SIDE SPECIFICATION NUMBER: S232T601-44 OPTIONAL PART: 90-0590-1 V72914	002004 006999	1
- 200	286N0001-002		WIRE BUNDLE ASSY- REWORKED BY ALERT SB: 34A0222	121503 904949	RF
- 200	286N0001-003		WIRE BUNDLE ASSY- REWORKED BY ALERT SB: 34A0222	107107	RF

MISSING ITEM NUMBERS NOT APPLICABLE

- ITEM NOT ILLUSTRATED

30-42-01-05

30-42-01  
FIG. 05  
PAGE 8  
JAN 20/09

BRI

 **BOEING**  
757  
**PARTS CATALOG (MAINTENANCE)**

FIG ITEM	PART NUMBER	1 2 3 4 5 6 7	NOMENCLATURE	EFFECT FROM TO	UNITS PER ASSY
5					
- 200	286N0001-005		WIRE BUNDLE ASSY- REWORKED BY ALERT SB: 34A0222	002004 006100 950999	RF
- 204	286N0001-357		WIRE BUNDLE ASSY- REWORKED BY ALERT SB: 34A0222	505505 507903	RF
- 204	286N0001-361		WIRE BUNDLE ASSY- REWORKED BY ALERT SB: 34A0222	101101	RF
- 204	286N0001-365		WIRE BUNDLE ASSY- REWORKED BY ALERT SB: 34A0222	102102	RF
- 205	286N0001-382		WIRE BUNDLE ASSY- REWORKED BY ALERT SB: 34A0222	504504 506506	RF
- 205	286N0001-392		WIRE BUNDLE ASSY- REWORKED BY ALERT SB: 34A0222	108120	RF
210	BACC45FT14D7S		.CONNECTOR- ELECTRICAL EQUIP NUMBER: D01750 WIRING DIAGRAM REF: 304211	002004 006999	1
- 250	286N0003-002		WIRE BUNDLE ASSY- REWORKED BY ALERT SB: 34A0222	121503 904949	RF
- 250	286N0003-003		WIRE BUNDLE ASSY- REWORKED BY ALERT SB: 34A0222	107107	RF
- 250	286N0003-005		WIRE BUNDLE ASSY- REWORKED BY SB: 34-0200 REWORKED BY ALERT SB: 34A0222	002004 006100 950999	RF
- 253	286N0003-323		WIRE BUNDLE ASSY- REWORKED BY ALERT SB: 34A0222	101101	RF
- 254	286N0003-355		WIRE BUNDLE ASSY- REWORKED BY ALERT SB: 34A0222	504903	RF
- 255	286N0003-359		WIRE BUNDLE ASSY- REWORKED BY ALERT SB: 34A0222	102102	RF
- 256	286N0003-384		WIRE BUNDLE ASSY- REWORKED BY ALERT SB: 34A0222	108120	RF
- 258	286N0003-601		WIRE BUNDLE ASSY	103106	RF

MISSING ITEM NUMBERS NOT APPLICABLE

- ITEM NOT ILLUSTRATED

BRI

**30-42-01-05**

30-42-01  
FIG. 05  
PAGE 9  
JAN 20/09



757

PARTS CATALOG (MAINTENANCE)

FIG ITEM	PART NUMBER	1 2 3 4 5 6 7	NOMENCLATURE	EFFECT FROM TO	UNITS PER ASSY
5 - 275	BACC45FT14D7S		.CONNECTOR- ELECTRICAL EQUIP NUMBER: D01826 WIRING DIAGRAM REF: 304211	002004 006999	1

MISSING ITEM NUMBERS NOT APPLICABLE

- ITEM NOT ILLUSTRATED

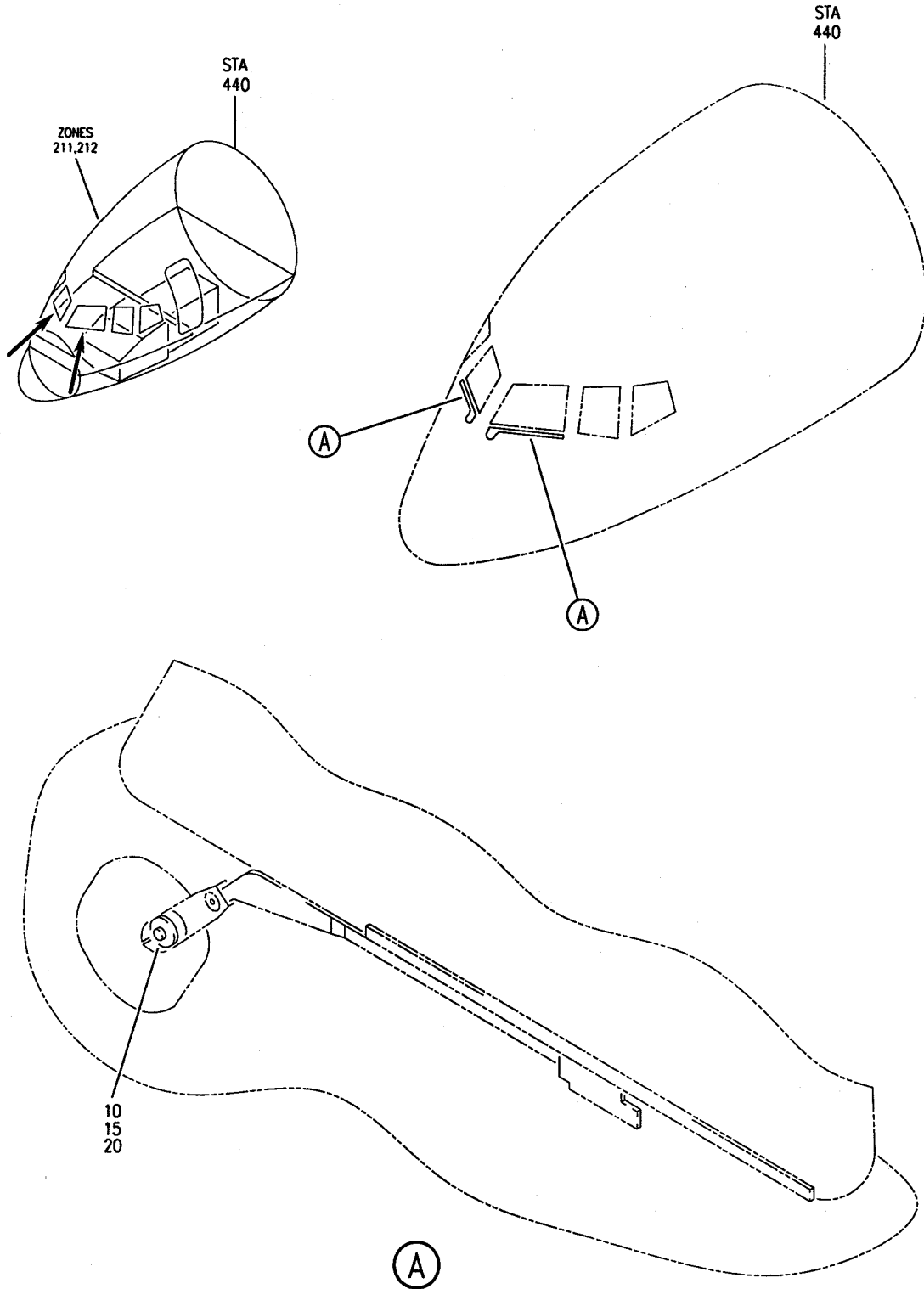
BRI

30-42-01-05

BOEING PROPRIETARY - Copyright © - Unpublished Work - See title page for details.

30-42-01  
FIG. 05  
PAGE 10  
JAN 20/09

**BOEING**  
757  
PARTS CATALOG (MAINTENANCE)



Y 30420301 REV 219

RIGGING INSTL-WINDSHIELD WIPERS  
FIGURE 1

**30-42-03-01**

BRI  
MAY 28/07

30-42-03-01  
PAGE 0



757

PARTS CATALOG (MAINTENANCE)

FIG ITEM	PART NUMBER	1 2 3 4 5 6 7	NOMENCLATURE	EFFECT FROM TO	UNITS PER ASSY
1			RIGGING INSTL-WINDSHIELD WIPERS	101106 108120 504903	
- 1	232N6001-15		RIGGING INSTL-WINDSHIELD WIPERS LEFT SIDE FOR NHA SEE: 21-00-00-14	101102 108120 504903	RF
- 1	MODREF7163		RIGGING INSTL-WINDSHIELD WIPERS LEFT SIDE MODULE NUMBER: 232N6001-15 REV A	103103	1
- 1	MODREF27448		RIGGING INSTL-WINDSHIELD WIPERS LEFT SIDE MODULE NUMBER: 232N6001-15 REV B	104106	1
- 5	232N6001-16		RIGGING INSTL-WINDSHIELD WIPERS RIGHT SIDE FOR NHA SEE: 21-00-00-14	101102 108120 504903	RF
- 5	MODREF7164		RIGGING INSTL-WINDSHIELD WIPERS RIGHT SIDE MODULE NUMBER: 232N6001-16 REV A	103103	1
- 5	MODREF27449		RIGGING INSTL-WINDSHIELD WIPERS RIGHT SIDE MODULE NUMBER: 232N6001-16 REV B	104106	1
10	SC4804		.BOLT- SUPPLIER CODE: V97012	101106 108120 504903	1
15	91-0756-1		.WASHER- SUPPLIER CODE: V72914	101106 108120 504903	1
20	91-0758-1		.BUSHING- SUPPLIER CODE: V72914	101106 108120 504903	1

MISSING ITEM NUMBERS NOT APPLICABLE

- ITEM NOT ILLUSTRATED

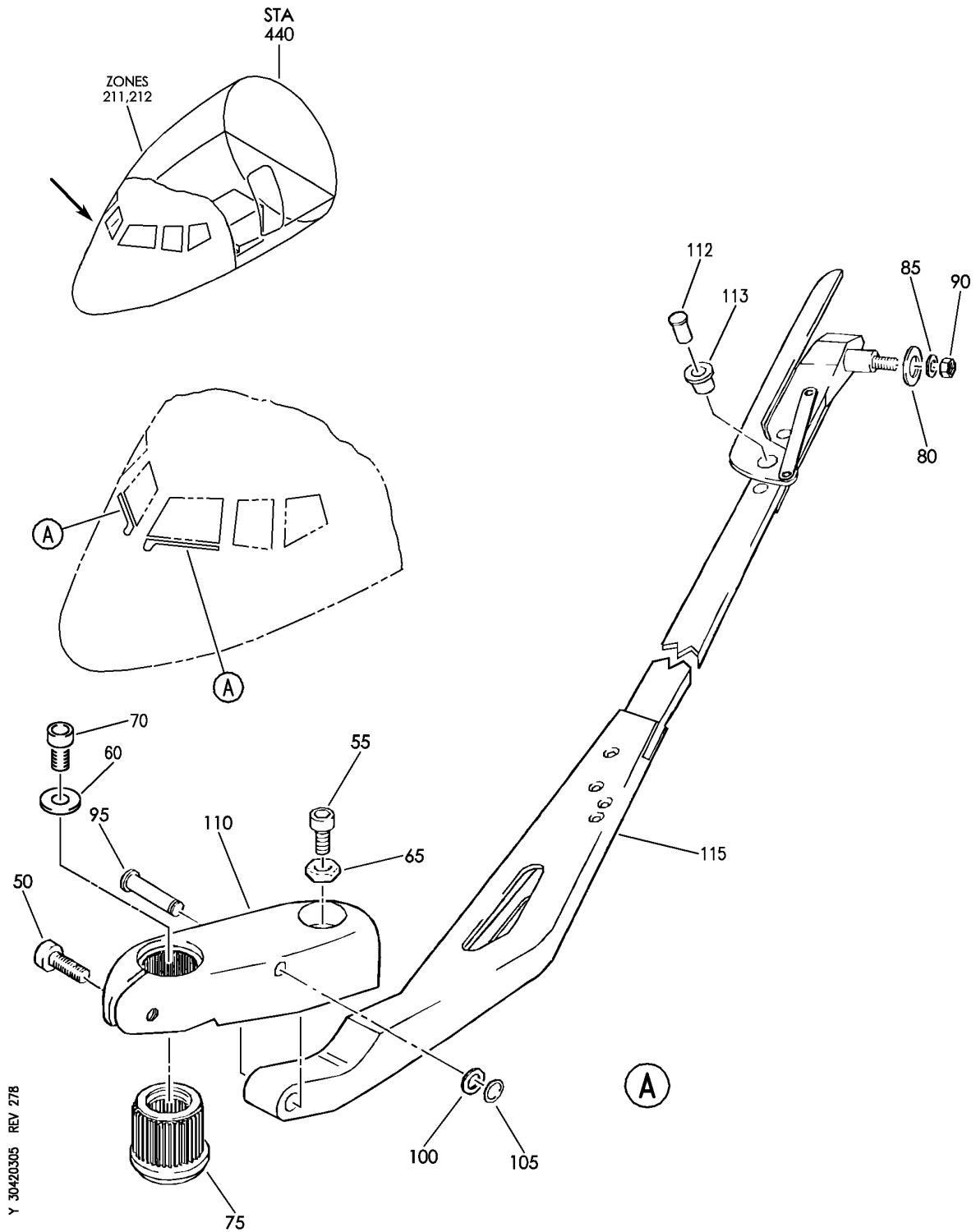
30-42-03-01

30-42-03  
FIG. 01  
PAGE 1  
JAN 20/09

BRI



**BOEING**  
757  
PARTS CATALOG (MAINTENANCE)



Y 30420305 REV 278

ARM ASSY-WIPER  
FIGURE 5

**30-42-03-05**

BRI  
MAY 28/07

30-42-03-05  
PAGE 0



757

PARTS CATALOG (MAINTENANCE)

FIG ITEM	PART NUMBER	1 2 3 4 5 6 7	NOMENCLATURE	EFFECT FROM TO	UNITS PER ASSY
5			ARM ASSY-WIPER	002004 006999	
- 1	90-0216-1		ARM ASSY-WIPER SUPPLIER CODE: V72914 POSITION DATA: LH SIDE FUNCTIONAL DESCRIPTION: THIS ARM HOLDS THE WIPER BLADE. SPECIFICATION NUMBER: S232T601-63 COMPONENT MAINT MANUAL REF: 30-42-12 QUALIFIED I/W DATA: 90-0216-1 TOGETHER WITH 90-0215-3 IS I/W 90-0204-5 TOGETHER WITH 90-0205-7 FOR MODEL 757 ONLY USED WITH: 90-0215-3 90-0205-7 FOR NHA SEE: 30-42-01-05	002004 006999	RF
- 1	90-0216-7		ARM ASSY-WIPER SUPPLIER CODE: V72914 POSITION DATA: LH SIDE FUNCTIONAL DESCRIPTION: THIS ARM HOLDS THE WIPER BLADE. SPECIFICATION NUMBER: S232T601-63 COMPONENT MAINT MANUAL REF: 30-42-12 QUALIFIED I/W DATA: 90-0216-1 TOGETHER WITH 90-0215-3 IS I/W 90-0204-5 TOGETHER WITH 90-0205-7 FOR MODEL 757 ONLY USED WITH: 90-0215-3 FOR NHA SEE: 30-42-01-05	002004 006999	RF

MISSING ITEM NUMBERS NOT APPLICABLE

- ITEM NOT ILLUSTRATED

30-42-03-05

30-42-03  
FIG. 05  
PAGE 1  
JAN 20/09

BRI



757

PARTS CATALOG (MAINTENANCE)

FIG ITEM	PART NUMBER	1 2 3 4 5 6 7	NOMENCLATURE	EFFECT FROM TO	UNITS PER ASSY
5 - 1	90-0216-3		ARM ASSY-WIPER SUPPLIER CODE: V72914 POSITION DATA: LH SIDE SPECIFICATION NUMBER: S232T601-73 COMPONENT MAINT MANUAL REF: 30-42-12 USED WITH: 90-0205-7 90-0215-3 FOR NHA SEE: 30-42-01-05	121503 904949	RF
- 5	90-0216-2		ARM ASSY-WIPER SUPPLIER CODE: V72914 POSITION DATA: RH SIDE FUNCTIONAL DESCRIPTION: THIS ARM HOLDS THE WIPER BLADE. SPECIFICATION NUMBER: S232T601-64 COMPONENT MAINT MANUAL REF: 30-42-12 QUALIFIED I/W DATA: 90-0216-2 TOGETHER WITH 90-0215-4 IS I/W 90-0204-6 TOGETHER WITH 90-0205-8 FOR MODEL 757 ONLY USED WITH: 90-0215-4 90-0205-8 FOR NHA SEE: 30-42-01-05	002004 006999	RF

MISSING ITEM NUMBERS NOT APPLICABLE

- ITEM NOT ILLUSTRATED

30-42-03-05

30-42-03  
FIG. 05  
PAGE 2  
JAN 20/09

BRI



757

PARTS CATALOG (MAINTENANCE)

FIG ITEM	PART NUMBER	1 2 3 4 5 6 7	NOMENCLATURE	EFFECT FROM TO	UNITS PER ASSY
5	90-0216-8		ARM ASSY-WIPER SUPPLIER CODE: V72914 POSITION DATA: RH SIDE FUNCTIONAL DESCRIPTION: THIS ARM HOLDS THE WIPER BLADE. SPECIFICATION NUMBER: S232T601-64 COMPONENT MAINT MANUAL REF: 30-42-12 QUALIFIED I/W DATA: 90-0216-2 TOGETHER WITH 90-0215-4 IS I/W 90-0204-6 TOGETHER WITH 90-0205-8 FOR MODEL 757 ONLY USED WITH: 90-0215-4 FOR NHA SEE: 30-42-01-05	002004 006999	RF
- 5	90-0216-4		ARM ASSY-WIPER SUPPLIER CODE: V72914 POSITION DATA: RH SIDE SPECIFICATION NUMBER: S232T601-74 COMPONENT MAINT MANUAL REF: 30-42-12 OPTIONAL PART: 90-0216-2 V72914 USED WITH: 90-0205-8 90-0215-4 FOR NHA SEE: 30-42-01-05	121503 904949	RF
50	MS16996-22		.SCREW-SOCKET HEAD	002004 006999	1
55	NAS1351CRLL16		.SCREW-SOCKET HEAD CONFIG CHG DATA FROM A CMM: REPLS NAS1351CRLL1630 USED ON: 90-0216-1 90-0216-2	002004 006999	1

MISSING ITEM NUMBERS NOT APPLICABLE

- ITEM NOT ILLUSTRATED

30-42-03-05

30-42-03  
FIG. 05  
PAGE 3  
JAN 20/09

BRI



757

PARTS CATALOG (MAINTENANCE)

FIG ITEM	PART NUMBER	1 2 3 4 5 6 7	NOMENCLATURE	EFFECT FROM TO	UNITS PER ASSY
5					
55	NAS1351CRLL1630	.	SCREW-SOCKET HEAD CONFIG CHG DATA FROM A CMM: REPLD BY NAS1351CRLL16 USED ON: 90-0216-1 90-0216-2	002004 006999	1
55	SC563	.	SCREW-SOCKET HEAD SUPPLIER CODE: V72914 CONFIG CHG DATA FROM A CMM: REPLD BY NAS1351CRLL16 USED ON: 90-0216-3 90-0216-4	121503 904949	1
55	SC5635	.	SCREW-SOCKET HEAD SUPPLIER CODE: V72914 CONFIG CHG DATA FROM A CMM: REPLD BY NAS1351CRLL16 USED ON: 90-0216-7 90-0216-8	002004 006999	1
55	NAS1351CRLL16	.	SCREW-SOCKET HEAD CONFIG CHG DATA FROM A CMM: REPLS SC563 USED ON: 90-0216-3 90-0216-4	121503 904949	1
55	NAS1351CRLL16	.	SCREW-SOCKET HEAD CONFIG CHG DATA FROM A CMM: REPLS SC5635 USED ON: 90-0216-7 90-0216-8	002004 006999	1
60	91-0756-1	.	WASHER- SUPPLIER CODE: V72914	002004 006999	1
65	MS35650-3254B	.	NUT	002004 006999	1

MISSING ITEM NUMBERS NOT APPLICABLE

- ITEM NOT ILLUSTRATED

30-42-03-05

30-42-03  
FIG. 05  
PAGE 4  
JAN 20/09

BRI

BOEING PROPRIETARY - Copyright © - Unpublished Work - See title page for details.



757

PARTS CATALOG (MAINTENANCE)

FIG ITEM	PART NUMBER	1 2 3 4 5 6 7	NOMENCLATURE	EFFECT FROM TO	UNITS PER ASSY
5	70 SC4804		.BOLT-MACHINE SUPPLIER CODE: V97012 CONFIG CHG DATA FROM A CMM: REPLS 38CRB1032-7B0 USED ON: 90-0216-1 90-0216-2 90-0216-3 90-0216-4 90-0216-7 90-0216-8	002004 006999	2
	70 38CRB1032-7B0		.SCREW-MACHINE SUPPLIER CODE: V26233 CONFIG CHG DATA FROM A CMM: REPLD BY SC4804 USED ON: 90-0216-1 90-0216-2	002004 006999	2
	75 91-0758-1		.BUSHING- SUPPLIER CODE: V72914 USED ON: 90-0216-1 90-0216-2 90-0216-7 90-0216-8	002004 006999	1
	75 91-1038-1		.BUSHING- SUPPLIER CODE: V72914 USED ON: 90-0216-3 90-0216-4	121503 904949	1
	80 60-3326-3		.WASHER- SUPPLIER CODE: V72914	002004 006999	1
	85 60-4457-1		.WASHER- SUPPLIER CODE: V72914 CONFIG CHG DATA FROM A CMM: REPLS AN960C10L	002004 006999	1

MISSING ITEM NUMBERS NOT APPLICABLE

- ITEM NOT ILLUSTRATED

30-42-03-05

30-42-03  
FIG. 05  
PAGE 5  
JAN 20/09

BRI

BOEING PROPRIETARY - Copyright © - Unpublished Work - See title page for details.



757

PARTS CATALOG (MAINTENANCE)

FIG ITEM	PART NUMBER	1 2 3 4 5 6 7	NOMENCLATURE	EFFECT FROM TO	UNITS PER ASSY
5					
85	AN960C10L		.WASHER- CONFIG CHG DATA FROM A CMM: REPLD BY 60-4457-1 USED ON: 90-0216-1 90-0216-2 90-0216-3 90-0216-4	002004 006999	1
90	79NM02		.NUT-LOCK SUPPLIER CODE: V72962 OPTIONAL PART: SN4441 V72914	002004 006999	1
90	SN4441		.NUT-LOCK SUPPLIER CODE: V72914 OPTIONAL PART: 79NM02 V72962	002004 006999	1
95	91-0687-1		.PIN- SUPPLIER CODE: V72914	002004 006999	1
100	60-3790-3		.WASHER- SUPPLIER CODE: V72914	002004 006999	1
105	RR123		.RING-RETAINING SUPPLIER CODE: V72914 OPTIONAL PART: 5560-25H V79136	002004 006999	1
105	5560-25H		.RING-RETAINING SUPPLIER CODE: V79136 OPTIONAL PART: RR123 V80756	002004 006999	1
110	91-0741-1		.ADAPTOR- SUPPLIER CODE: V72914	002004 006999	1
112	MS20427F4-10		.RIVET	002004 006999	1
113	91-1105-1		.BUSHING- SUPPLIER CODE: V72914	002004 006999	1

MISSING ITEM NUMBERS NOT APPLICABLE

- ITEM NOT ILLUSTRATED

30-42-03-05

30-42-03  
FIG. 05  
PAGE 6  
JAN 20/09

BRI

BOEING PROPRIETARY - Copyright © - Unpublished Work - See title page for details.



757

PARTS CATALOG (MAINTENANCE)

FIG ITEM	PART NUMBER	1 2 3 4 5 6 7	NOMENCLATURE	EFFECT FROM TO	UNITS PER ASSY
5 115	90-0627-3		.ARM SUBASSY- SUPPLIER CODE: V72914 POSITION DATA: LH SIDE CONFIG CHG DATA FROM A CMM: REPLS 91-0627-1 MISCELLANEOUS DATA: FOR REPLACEMENT PARTS ORDER PART NO. 90-0313-3 IPL LOC 30-42-12-02 USED ON: 90-0216-1 90-0216-7	002004 006999	1
115	90-0627-1		.ARM SUBASSY- SUPPLIER CODE: V72914 POSITION DATA: LH SIDE CONFIG CHG DATA FROM A CMM: REPLD BY 91-0627-3 USED ON: 90-0216-1	002004 006999	1
115	90-0313-1		.ARM SUBASSY- SUPPLIER CODE: V72914 POSITION DATA: LH SIDE CONFIG CHG DATA FROM A CMM: REPLD BY 91-0627-3 USED ON: 90-0216-1	121503 904949	1
115	90-0627-3		.ARM SUBASSY- SUPPLIER CODE: V72914 POSITION DATA: LH SIDE CONFIG CHG DATA FROM A CMM: REPLS 90-0313-1 MISCELLANEOUS DATA: FOR REPLACEMENT PARTS ORDER PART NO. 90-0313-3 IPL LOC 30-42-12-02 USED ON: 90-0216-3	121503 904949	1

MISSING ITEM NUMBERS NOT APPLICABLE

- ITEM NOT ILLUSTRATED

30-42-03-05

30-42-03  
FIG. 05  
PAGE 7  
JAN 20/09

BRI





757

PARTS CATALOG (MAINTENANCE)

FIG ITEM	PART NUMBER	1 2 3 4 5 6 7	NOMENCLATURE	EFFECT FROM TO	UNITS PER ASSY
5 - 120	90-0627-4		.ARM SUBASSY- SUPPLIER CODE: V72914 POSITION DATA: RH SIDE CONFIG CHG DATA FROM A CMM: REPLS 91-0627-2 MISCELLANEOUS DATA: FOR REPLACEMENT PARTS ORDER PART NO. 90-0313-4 IPL LOC 30-42-12-02 USED ON: 90-0216-2 90-0216-8	002004 006999	1
- 120	91-0627-2		.ARM SUBASSY- SUPPLIER CODE: V72914 POSITION DATA: RH SIDE CONFIG CHG DATA FROM A CMM: REPLD BY 91-0627-4 USED ON: 90-0216-2	002004 006999	1
- 120	90-0313-2		.ARM SUBASSY- SUPPLIER CODE: V72914 POSITION DATA: RH SIDE CONFIG CHG DATA FROM A CMM: REPLD BY 91-0627-4 USED ON: 90-0216-2	121503 904949	1
- 120	90-0627-4		.ARM SUBASSY- SUPPLIER CODE: V72914 POSITION DATA: RH SIDE CONFIG CHG DATA FROM A CMM: REPLS 90-0313-2 MISCELLANEOUS DATA: FOR REPLACEMENT PARTS ORDER PART NO. 90-0313-4 IPL LOC 30-42-12-02 USED ON: 90-0216-4	121503 904949	1

MISSING ITEM NUMBERS NOT APPLICABLE

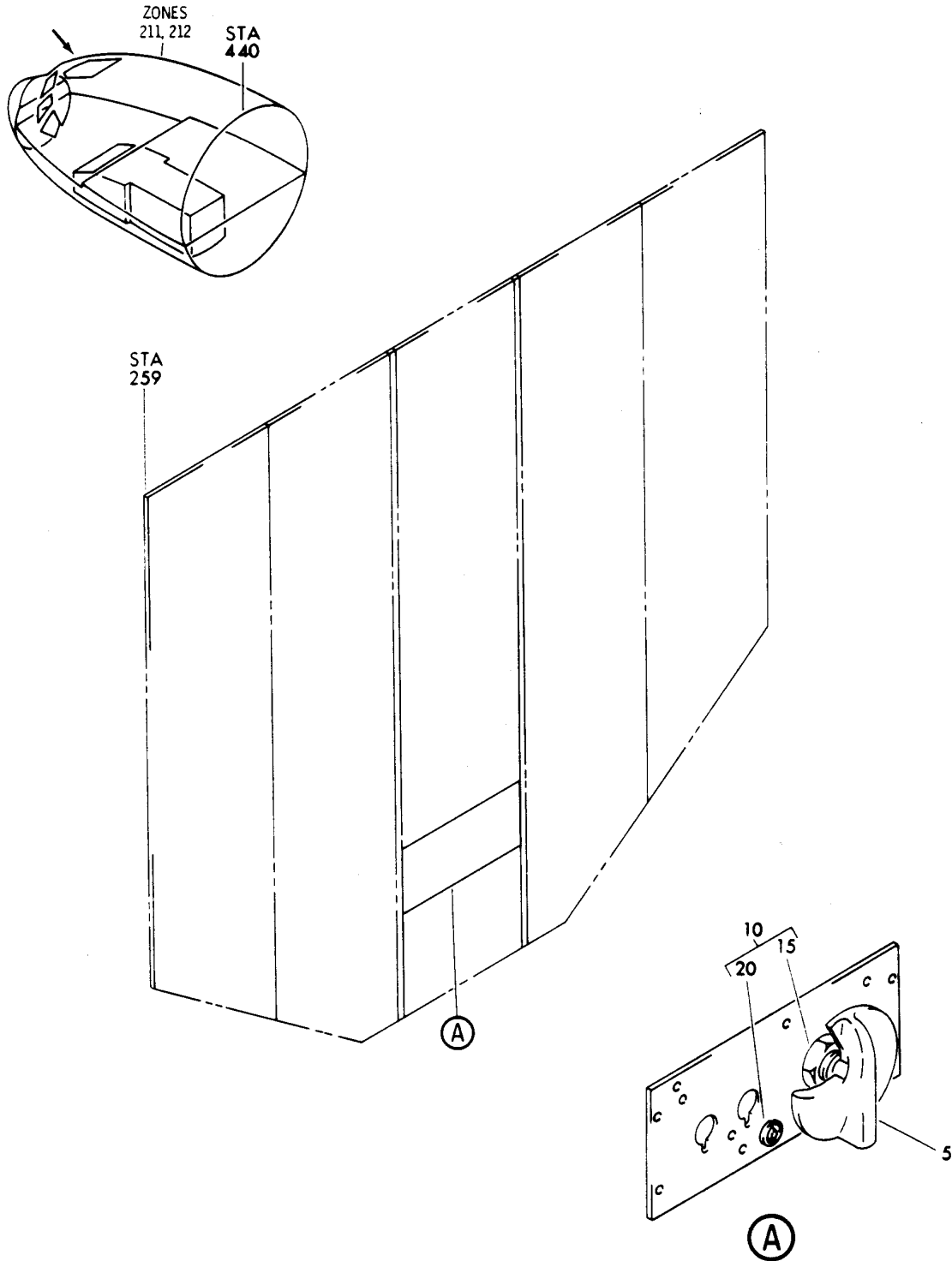
- ITEM NOT ILLUSTRATED

30-42-03-05

30-42-03  
FIG. 05  
PAGE 8  
JAN 20/09

BRI

**BOEING**  
757  
PARTS CATALOG (MAINTENANCE)



Y 30425101 SHT 1 REV 018

PANEL INSTL-P5 OVERHEAD (WINDSHIELD WIPER SYSTEM ONLY)  
FIGURE 1

**30-42-51-01**

BRI  
MAY 28/07

30-42-51-01  
PAGE 0



757

PARTS CATALOG (MAINTENANCE)

FIG ITEM	PART NUMBER	1 2 3 4 5 6 7	NOMENCLATURE	EFFECT FROM TO	UNITS PER ASSY
1			PANEL INSTL-P5 OVERHEAD (WINDSHIELD WIPER SYSTEM ONLY)	002004 006010 107107 121503 904999	RF
- 1	233N3101-1		PANEL INSTL-P5 OVERHEAD (WINDSHIELD WIPER SYSTEM ONLY) VARIABLE DRAWING REF: 233N3101-5005 233N3101-5025 233N3101-5041 233N3101-5042 233N3101-5045 FOR NHA/OTHER SYS DET SEE: 25-10-00-05A	002004 006010 121503 904952	RF
5	BP248-127		.KNOB- SUPPLIER CODE: V81590	002004 006010 121503 904952	1
5	BP248-110		.KNOB- SUPPLIER CODE: V81590 SPECIFICATION NUMBER: 452-016-9001	002004 006010 121503 904952	1
10	233N3201-11		.PANEL ASSY-WSHLD CLEARANCE SUPPLIER CODE: V89954 ELECTRICAL EQUIP NUMBER: M10023 COMPONENT MAINT MANUAL REF: 30-42-01 QUALIFIED I/W DATA: 233N3201-11 PANEL ASSY T/W S233T100-1074 LIGHTPLATE AND BP248-127 KNOB IS I/W 233N3201-300	002004 006010 904952	RF
10	233N3201-16		.PANEL ASSY-WSHD CLEARANCE SUPPLIER CODE: V89954 ELECTRICAL EQUIP NUMBER: M10023 COMPONENT MAINT MANUAL REF: 30-42-01 POST SERVICE BULLETIN: 30-0016 QUALIFIED SB I/W DATA: PERMANENT DEACTIVATION	107107 121503 953999	RF

MISSING ITEM NUMBERS NOT APPLICABLE

- ITEM NOT ILLUSTRATED

30-42-51-01

30-42-51  
FIG. 01  
PAGE 1  
JAN 20/09

BRI



757

PARTS CATALOG (MAINTENANCE)

FIG ITEM	PART NUMBER	1 2 3 4 5 6 7	NOMENCLATURE	EFFECT FROM TO	UNITS PER ASSY
1					
15	90-0214-1		.. SWITCH-ROTARY SUPPLIER CODE: V72914 SPECIFICATION NUMBER: S232T601-58	002004 006010 121503 904952	1
20	800000121-1		.. CONNECTOR- SUPPLIER CODE: V05617	002004 006010 121503 904952	1

MISSING ITEM NUMBERS NOT APPLICABLE

- ITEM NOT ILLUSTRATED

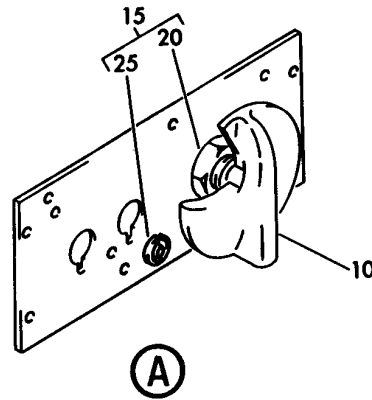
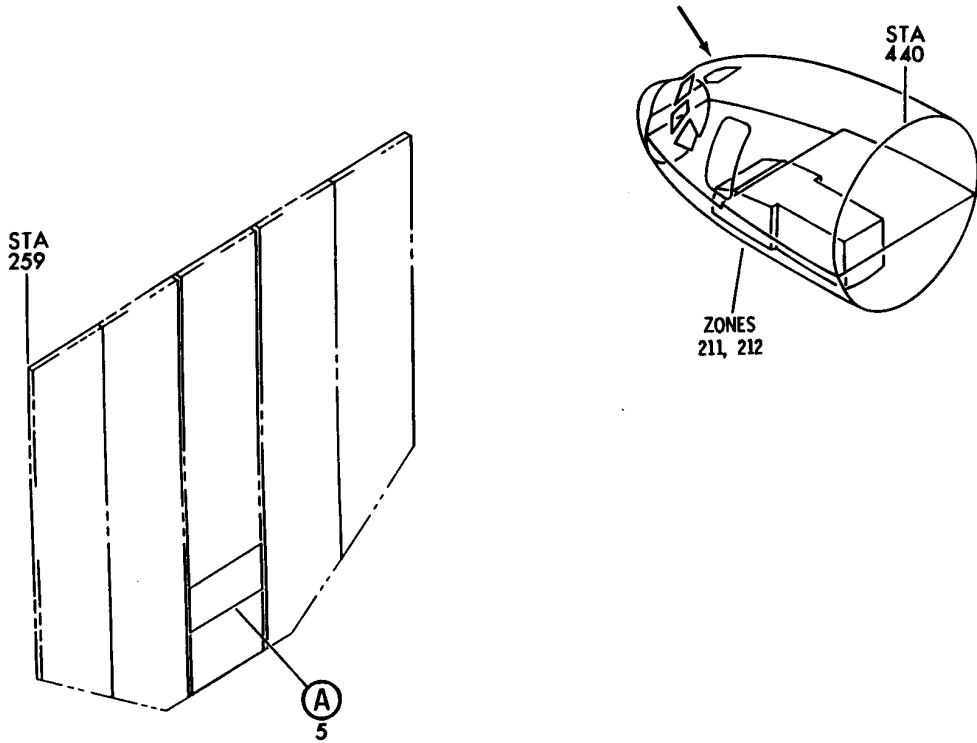
BRI

30-42-51-01

BOEING PROPRIETARY - Copyright © - Unpublished Work - See title page for details.

30-42-51  
FIG. 01  
PAGE 2  
JAN 20/09

**BOEING**  
757  
PARTS CATALOG (MAINTENANCE)



Y 30425102 REV 155

PANEL INSTL-P5 OVERHEAD (WINDSHIELD WIPER SYSTEM ONLY)  
FIGURE 2

**30-42-51-02**

BRI  
MAY 28/07

30-42-51-02  
PAGE 0



**757  
PARTS CATALOG (MAINTENANCE)**

FIG ITEM	PART NUMBER	1 2 3 4 5 6 7	NOMENCLATURE	EFFECT FROM TO	UNITS PER ASSY
2			PANEL INSTL-P5 OVERHEAD (WINDSHIELD WIPER SYSTEM ONLY)	011100	
- 1	233N3101-1		PANEL INSTL-P5 OVERHEAD (WINDSHIELD WIPER SYSTEM ONLY) VARIABLE DRAWING REF: 233N3101-5142 FOR NHA/OTHER SYS DET SEE: 25-10-00-05A	011100	RF
5	233N3201-300		.PANEL ASSY-WSHLD CLEARANCE SUPPLIER CODE: V89954 COMPONENT MAINT MANUAL REF: 30-42-01 QUALIFIED I/W DATA: 233N3201-11 PANEL ASSY T/W S233T100-1074 LIGHTPLATE AND BP248-127 KNOB IS I/W 233N3201-300	011100	RF
10	BP248-127		..KNOB- SUPPLIER CODE: V81590	011100	1
15	233N3201-11		..PANEL ASSY- SUPPLIER CODE: V89954 ELECTRICAL EQUIP NUMBER: M10023 COMPONENT MAINT MANUAL REF: 30-42-01 QUALIFIED I/W DATA: 233N3201-11 PANEL ASSY T/W S233T100-1074 LIGHTPLATE AND BP248-127 KNOB IS I/W 233N3201-300	011100	1
20	90-0214-1		...SWITCH-ROTARY SUPPLIER CODE: V72914 SPECIFICATION NUMBER: S232T601-58	011100	1
25	800000121-1		...CONNECTOR- SUPPLIER CODE: V05617	011100	1

MISSING ITEM NUMBERS NOT APPLICABLE

- ITEM NOT ILLUSTRATED

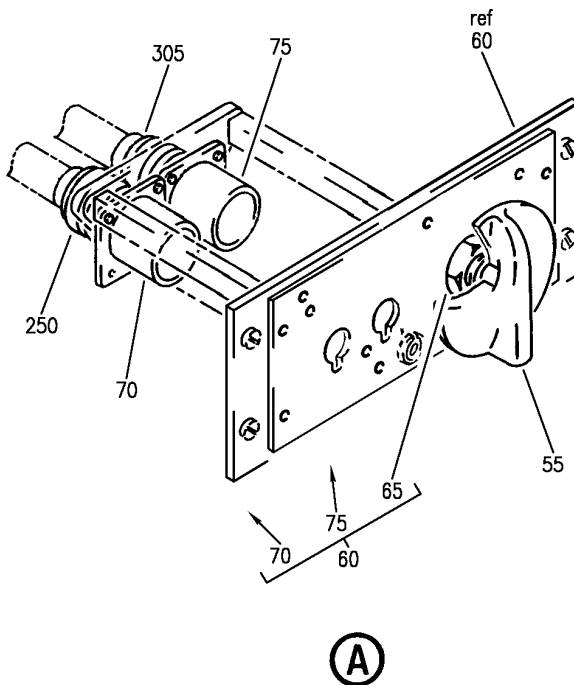
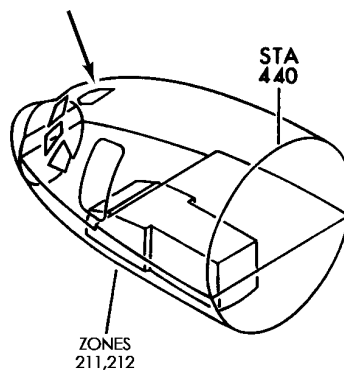
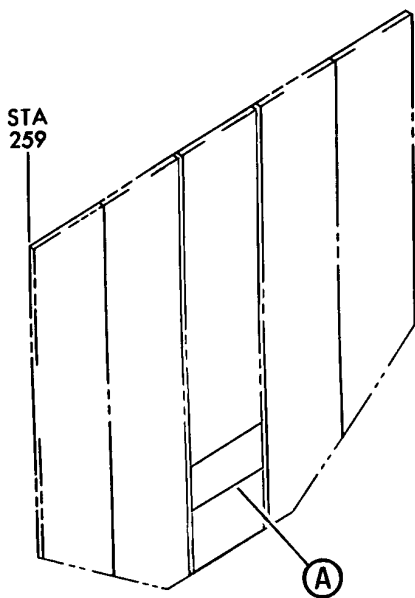
BRI

# 30-42-51-02

BOEING PROPRIETARY - Copyright © - Unpublished Work - See title page for details.

30-42-51  
FIG. 02  
PAGE 1  
JAN 20/09

**BOEING**  
757  
PARTS CATALOG (MAINTENANCE)



Y 30425103 REV 259

PANEL INSTL-P5 OVHD (WINDSHIELD WIPER SYSTEM ONLY)  
FIGURE 3

**30-42-51-03**

BRI  
MAY 28/07

30-42-51-03  
PAGE 0



757

PARTS CATALOG (MAINTENANCE)

FIG ITEM	PART NUMBER	1 2 3 4 5 6 7	NOMENCLATURE	EFFECT FROM TO	UNITS PER ASSY
3			PANEL INSTL-P5 OVHD (WINDSHIELD WIPER SYSTEM ONLY)	101106 108120 504903	
- 2	233N3103-136		PANEL INSTL-P5 OVHD (WINDSHIELD WIPER SYSTEM ONLY) FOR NHA/OTHER SYS DET SEE: 25-10-00-15E	504903	RF
- 3	233N3103-132		PANEL INSTL-P5 OVHD (WINDSHIELD WIPER SYSTEM ONLY) FOR NHA/OTHER SYS DET SEE: 25-10-00-15E	101102	RF
- 6	233N3103-59		PANEL INSTL-P5 OVHD (WINDSHIELD WIPER SYSTEM ONLY) FOR NHA/OTHER SYS DET SEE: 25-10-00-15E	108120	RF
- 8	MODREF170180		PANEL INSTL-P5 OVHD (WINDSHIELD WIPER SYSTEM ONLY) MODULE NUMBER: 233N3103-353 REV B FOR OTHER SYS DETAILS SEE: 11-31-10-12 21-25-55-03 21-31-01-02 21-33-51-03 21-51-54-03 21-58-19-10 21-58-51-03 21-61-04-03 21-65-51-01 22-21-01-04 22-24-51-02 23-24-01-01 23-32-00-11 23-42-02-02 23-71-05-02 24-11-52-05 24-22-01-03 24-31-01-10 24-31-03-09 24-33-04-01 24-41-51-04 24-51-62-01 26-18-51-04 27-21-53-02 27-41-55-01	106106	1

MISSING ITEM NUMBERS NOT APPLICABLE

- ITEM NOT ILLUSTRATED

30-42-51-03

30-42-51  
FIG. 03  
PAGE 1  
JAN 20/09

BRI





757

PARTS CATALOG (MAINTENANCE)

FIG ITEM	PART NUMBER	1 2 3 4 5 6 7 NOMENCLATURE	EFFECT FROM TO	UNITS PER ASSY
3		27-61-51-03 27-62-52-02 28-22-51-02 28-41-04-01 28-41-51-03 29-11-02-03 29-11-05-04 29-11-52-07 29-21-54-03 29-31-00-01 29-32-51-03 29-33-52-03 30-11-51-03 30-21-51-03 30-31-51-02 30-32-51-01 30-33-51-02 30-41-51-03 31-12-11-84 31-12-11-84 A 32-42-52-03 33-11-03-03 33-11-51-17 33-13-01-65 33-13-02-03 33-16-51-03 33-24-51-02 33-41-52-04 33-42-01-04 33-42-02-04 33-42-52-04 33-43-51-04 33-44-51-05 33-45-53-03 33-51-08-05 34-21-02-01 35-21-51-04 36-11-04-01 36-21-00-01 36-21-02-05 36-22-51-03 49-41-00-02 49-52-00-01 49-70-00-01 52-51-51-03 52-71-51-02 73-21-52-02 74-31-51-05 75-32-00-01		

MISSING ITEM NUMBERS NOT APPLICABLE

- ITEM NOT ILLUSTRATED

# 30-42-51-03

30-42-51  
FIG. 03  
PAGE 2  
JAN 20/09

BRI



757

PARTS CATALOG (MAINTENANCE)

FIG ITEM	PART NUMBER	1 2 3 4 5 6 7	NOMENCLATURE	EFFECT FROM TO	UNITS PER ASSY
3					
- 10	MODREF33760		80-11-09-02 PANEL INSTL-P5 OVHD (WINDSHIELD WIPER SYSTEM ONLY) MODULE NUMBER: 233N3103-351 REV C FOR OTHER SYS DETAILS SEE: 11-31-10-12 21-25-55-03 21-31-01-02 21-33-51-03 21-51-54-03 21-58-19-10 21-58-51-03 21-61-04-03 21-65-51-01 22-21-01-04 22-24-51-02 23-32-00-11 23-42-02-02 23-71-05-02 24-11-52-05 24-22-01-03 24-31-01-10 24-31-03-09 24-33-04-01 24-41-51-04 24-51-62-01 26-18-51-04 27-21-53-02 27-41-55-01 27-61-51-03 27-62-52-02 28-22-51-02 28-41-04-01 28-41-51-03 29-11-02-03 29-11-05-04 29-11-52-07 29-21-54-03 29-31-00-01 29-32-51-03 29-33-52-03 30-11-51-03 30-21-51-03 30-31-51-02 30-32-51-01 30-33-51-02 30-41-51-03	103103	1
MISSING ITEM NUMBERS NOT APPLICABLE					

- ITEM NOT ILLUSTRATED

**30-42-51-03**

30-42-51  
 FIG. 03  
 PAGE 3  
 JAN 20/09

BRI



757

PARTS CATALOG (MAINTENANCE)

FIG ITEM	PART NUMBER	1 2 3 4 5 6 7 NOMENCLATURE	EFFECT FROM TO	UNITS PER ASSY
3		31-12-11-91 31-12-11-91A 32-42-52-03 33-11-03-03 33-11-51-17 33-13-01-65 33-13-02-03 33-16-51-03 33-24-51-02 33-41-52-04 33-42-01-04 33-42-02-04 33-42-52-04 33-43-51-04 33-44-51-05 33-45-53-03 33-51-08-05 34-21-02-01 35-21-51-04 36-11-04-01 36-21-00-01 36-21-02-05 36-22-51-03 49-41-00-02 49-52-00-01 49-70-00-01 52-51-51-03 52-71-51-02 73-21-52-02 74-31-51-05 75-32-00-01 80-11-09-02		
- 10	MODREF34038	PANEL INSTL-P5 OVHD (WINDSHIELD WIPER SYSTEM ONLY) MODULE NUMBER: 233N3103-351 REV D FOR OTHER SYS DETAILS SEE: 11-31-10-12 21-25-55-03 21-31-01-02 21-33-51-03 21-51-54-03 21-58-19-10 21-58-51-03 21-61-04-03 21-65-51-01 22-21-01-04 22-24-51-02	104105	1

MISSING ITEM NUMBERS NOT APPLICABLE

- ITEM NOT ILLUSTRATED

**30-42-51-03**

30-42-51  
 FIG. 03  
 PAGE 4  
 JAN 20/09

BRI



757

PARTS CATALOG (MAINTENANCE)

FIG ITEM	PART NUMBER	1 2 3 4 5 6 7	NOMENCLATURE	EFFECT FROM TO	UNITS PER ASSY
3			23-32-00-11 23-42-02-02 23-71-05-02 24-11-52-05 24-22-01-03 24-31-01-10 24-31-03-09 24-33-04-01 24-41-51-04 24-51-62-01 26-18-51-04 27-21-53-02 27-41-55-01 27-61-51-03 27-62-52-02 28-22-51-02 28-41-04-01 28-41-51-03 29-11-02-03 29-11-05-04 29-11-52-07 29-21-54-03 29-31-00-01 29-32-51-03 29-33-52-03 30-11-51-03 30-21-51-03 30-31-51-02 30-32-51-01 30-33-51-02 30-41-51-03 31-12-11-91 31-12-11-91 A 32-42-52-03 33-11-03-03 33-11-51-17 33-13-01-65 33-13-02-03 33-16-51-03 33-24-51-02 33-41-52-04 33-42-01-04 33-42-02-04 33-42-52-04 33-43-51-04 33-44-51-05 33-45-53-03 33-51-08-05 34-21-02-01		

MISSING ITEM NUMBERS NOT APPLICABLE

- ITEM NOT ILLUSTRATED

BRI

**30-42-51-03**

BOEING PROPRIETARY - Copyright © - Unpublished Work - See title page for details.

30-42-51  
FIG. 03  
PAGE 5  
JAN 20/09



757

PARTS CATALOG (MAINTENANCE)

FIG ITEM	PART NUMBER	1 2 3 4 5 6 7	NOMENCLATURE	EFFECT FROM TO	UNITS PER ASSY
3			35-21-51-04 36-11-04-01 36-21-00-01 36-21-02-05 36-22-51-03 49-41-00-02 49-52-00-01 49-70-00-01 52-51-51-03 52-71-51-02 73-21-52-02 74-31-51-05 75-32-00-01 80-11-09-02		
- 50	233N3201-303	.	PANEL ASSY-WSHLD CLEARANCE SUPPLIER CODE: V89954 ELECTRICAL EQUIP NUMBER: M10023 COMPONENT MAINT MANUAL REF: 30-42-01	101106 108120 504903	RF
55	BP248-127	..	KNOB- SUPPLIER CODE: V81590	101106 108120 504903	1
60	233N3201-16	..	PANEL ASSY- SUPPLIER CODE: V89954 COMPONENT MAINT MANUAL REF: 30-42-01	101106 108120 504903	1
65	90-0214-1	...	SWITCH-ROTARY SUPPLIER CODE: V72914 SPECIFICATION NUMBER: S232T601-58	101106 108120 504903	1
70	BACC45FN14-12P6	...	CONNECTOR	101106 108120 504903	1
75	BACC45FN14-12P8	...	CONNECTOR	101106 108120 504903	1
- 80	BACS12CB04-5	...	ATTACHING PARTS SCREW	101106 108120 504903	4

MISSING ITEM NUMBERS NOT APPLICABLE

- ITEM NOT ILLUSTRATED

30-42-51-03

30-42-51  
FIG. 03  
PAGE 6  
JAN 20/09

BRI

 **BOEING**  
757  
**PARTS CATALOG (MAINTENANCE)**

FIG ITEM	PART NUMBER	1 2 3 4 5 6 7	NOMENCLATURE	EFFECT FROM TO	UNITS PER ASSY
3					
- 85	K19798-04		. . . NUT SUPPLIER CODE: V15653 SPECIFICATION NUMBER: BACN10NW1 OPTIONAL PART: RMA4812-160-40 V72962 293162 V60119 -----*-----	101106 108120 504903	4
- 201	286N2070-335		WIRE BUNDLE ASSY	101102	RF
- 202	286N2070-337		WIRE BUNDLE ASSY	108120	RF
- 202	286N2070-340		WIRE BUNDLE ASSY	504903	RF
- 205	286N2070-601		WIRE BUNDLE ASSY	103106	RF
250	BACC45FT14D12S6		.CONNECTOR- ELECTRICAL EQUIP NUMBER: D03520 WIRING DIAGRAM REF: 304211	101106 108120 504903	1
- 301	286N2064-341		WIRE BUNDLE ASSY	504903	RF
- 301	286N2064-342		WIRE BUNDLE ASSY	101102	RF
- 301	286N2064-343		WIRE BUNDLE ASSY	108120	RF
- 302	286N2064-701		WIRE BUNDLE ASSY	103106	RF
305	BACC45FT14D12S8		.CONNECTOR- ELECTRICAL EQUIP NUMBER: D03522 WIRING DIAGRAM REF: 304211	101106 108120 504903	1

MISSING ITEM NUMBERS NOT APPLICABLE

- ITEM NOT ILLUSTRATED

BRI

# 30-42-51-03

BOEING PROPRIETARY - Copyright © - Unpublished Work - See title page for details.

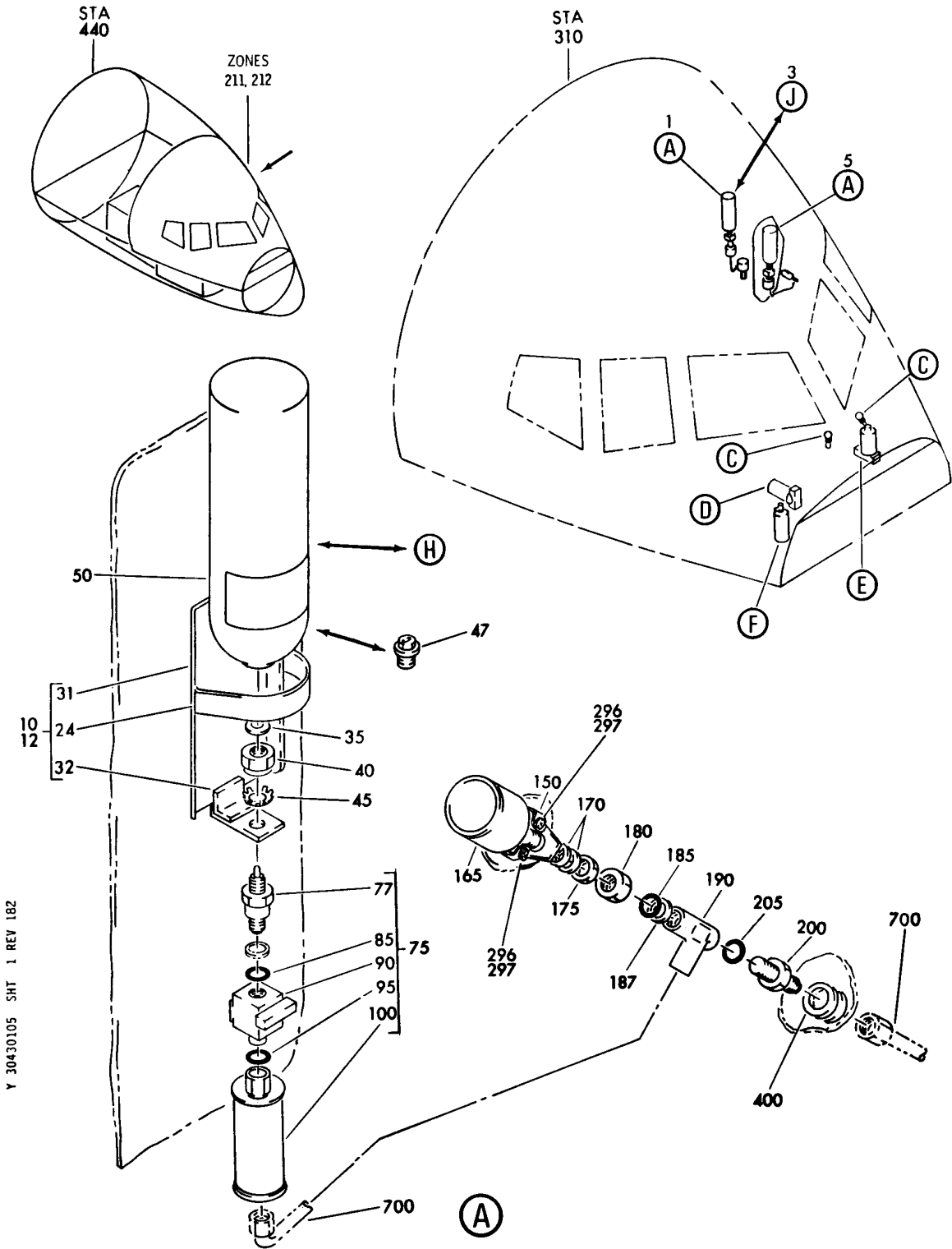
30-42-51  
FIG. 03  
PAGE 7  
JAN 20/09

## WINDSHIELD RAIN REPELLENT SYSTEM

BRI  
MAY 28/07

30-43-00  
SECTION TITLE  
PAGE 1

**BOEING**  
757  
PARTS CATALOG (MAINTENANCE)



Y 30430105 SHT 1 REV 1B2

EQUIPMENT INSTL-RAIN REPELLENT (ICE AND RAIN PROTECTION ONLY) (DEACTIVATED FOR AAL)  
FIGURE 5 (SHEET 1)

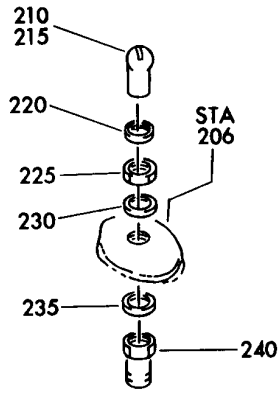
BRI  
MAY 28/07

**30-43-01-05**

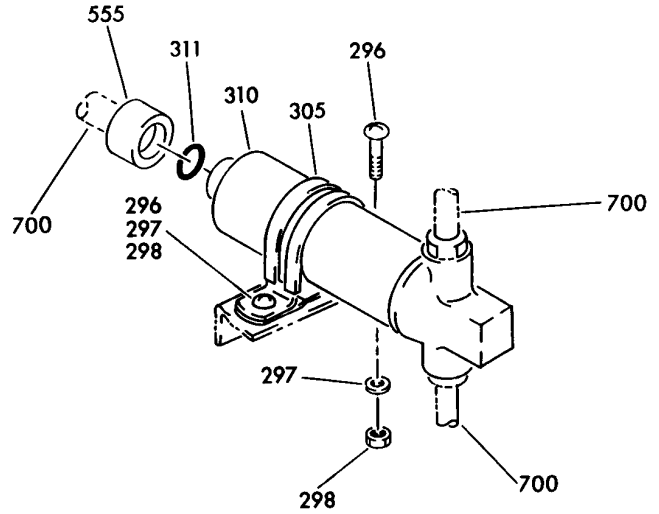
30-43-01-05  
PAGE 0



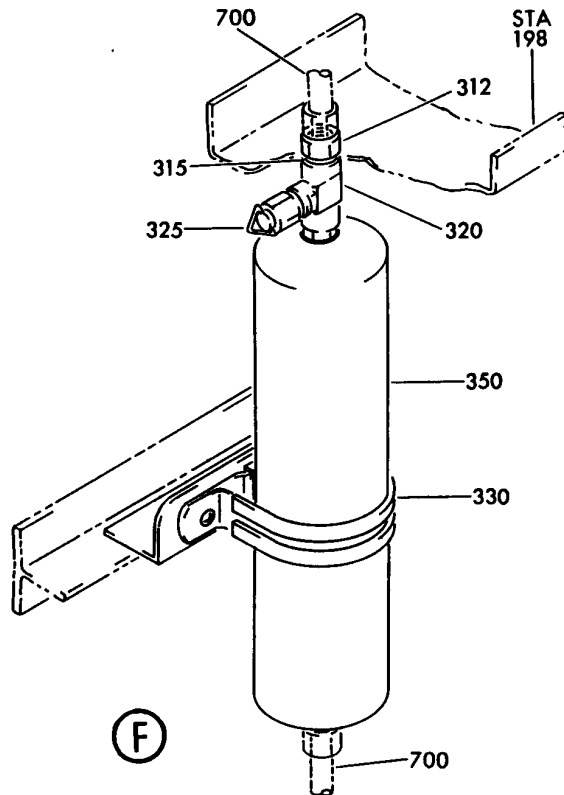
**BOEING**  
757  
PARTS CATALOG (MAINTENANCE)



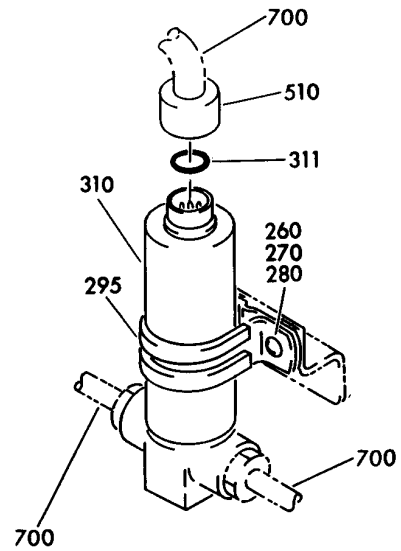
C



D



F



E

Y 30430105 SHT 2 REV 143

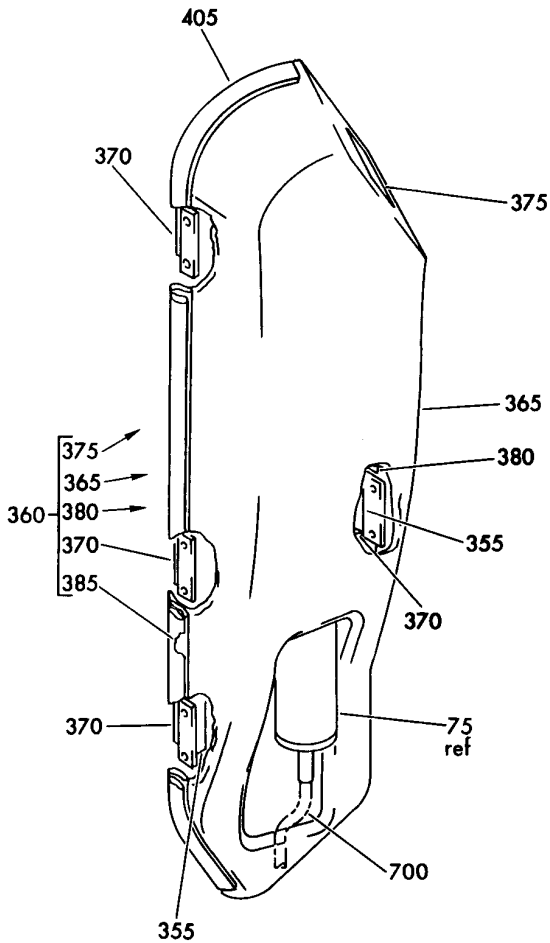
EQUIPMENT INSTL-RAIN REPELLENT (ICE AND RAIN PROTECTION ONLY) (DEACTIVATED FOR AAL)  
FIGURE 5 (SHEET 2)

**30-43-01-05**

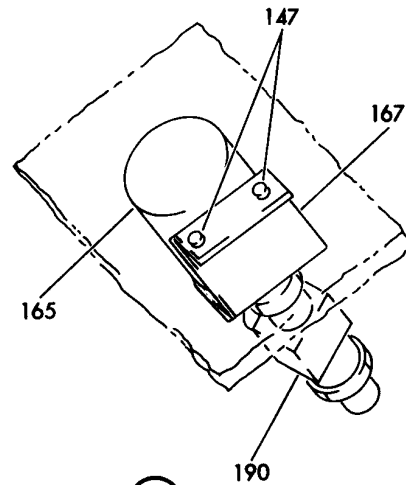
BRI  
MAY 28/07

30-43-01-05  
PAGE 0A

**BOEING**  
757  
PARTS CATALOG (MAINTENANCE)



(H)



(G)

Y 30430105 SHT 3 REV 160

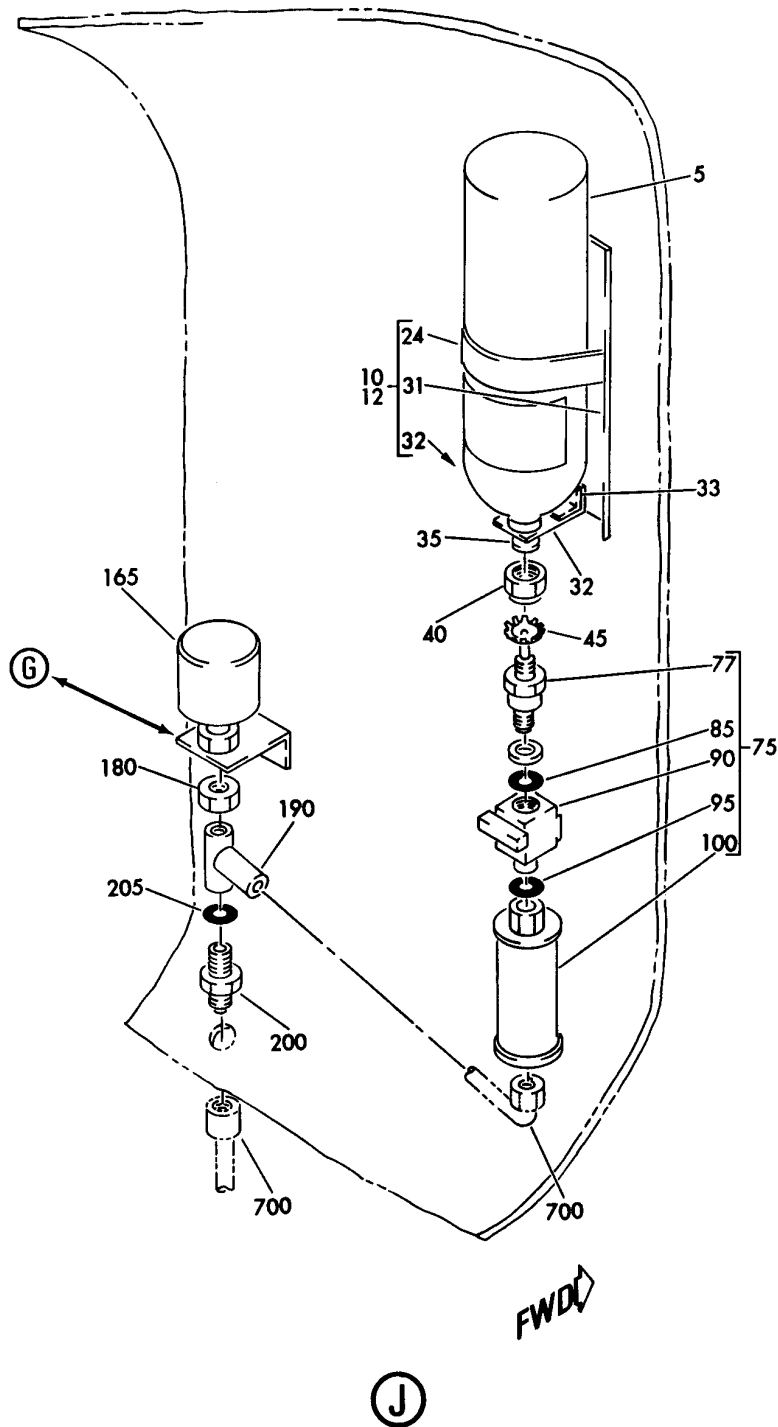
EQUIPMENT INSTL-RAIN REPELLENT (ICE AND RAIN PROTECTION ONLY) (DEACTIVATED FOR AAL)  
FIGURE 5 (SHEET 3)

**30-43-01-05**

BRI  
MAY 28/07

30-43-01-05  
PAGE 0B

**BOEING**  
757  
PARTS CATALOG (MAINTENANCE)



Y 30430105 .SHT 4 REV 160

EQUIPMENT INSTL-RAIN REPELLENT (ICE AND RAIN PROTECTION ONLY) (DEACTIVATED FOR AAL)  
FIGURE 5 (SHEET 4)

BRI  
MAY 28/07

**30-43-01-05**

30-43-01-05  
PAGE 0C



757

PARTS CATALOG (MAINTENANCE)

FIG ITEM	PART NUMBER	1 2 3 4 5 6 7	NOMENCLATURE	EFFECT FROM TO	UNITS PER ASSY
5			EQUIPMENT INSTL-RAIN REPELLENT (ICE AND RAIN PROTECTION ONLY) (DEACTIVATED FOR AAL)	002004 006100 107107 121503 904999	
1	232N6201-6		EQUIPMENT INSTL-RAIN REPELLENT (ICE AND RAIN PROTECTION ONLY) VARIABLE DRAWING REF: 232N6201-7 FOR NHA/OTHER SYS DET SEE: 21-00-00-04	002004 107107 121503 904949 952952	RF
1	232N6201-11		EQUIPMENT INSTL-RAIN REPELLENT (ICE AND RAIN PROTECTION ONLY) VARIABLE DRAWING REF: 232N6201-12 232N6201-14 232N6201-21 FOR NHA/OTHER SYS DET SEE: 21-00-00-04	006100 950951 953999	RF
12	232N6207-3		.BRACKET ASSY-	002004 006100 107107 121503 904999	1
-	15	NAS603-11P	ATTACHING PARTS .SCREW-	002004 006100 107107 121503 904999	4
-	20	AN960KD10L	.WASHER-	002004 006100 107107 121503 904999	4
-	21	NAS43DD3-20	.SPACER	002004 006100 107107 121503 904999	4
	24	232N6207-2	-----*----- . . CLAMP-	002004 006100 107107 121503 904999	1

MISSING ITEM NUMBERS NOT APPLICABLE

- ITEM NOT ILLUSTRATED

30-43-01-05

30-43-01  
FIG. 05  
PAGE 1  
JAN 20/09

BRI

BOEING PROPRIETARY - Copyright © - Unpublished Work - See title page for details.



757

PARTS CATALOG (MAINTENANCE)

FIG ITEM	PART NUMBER	1 2 3 4 5 6 7	NOMENCLATURE	EFFECT FROM TO	UNITS PER ASSY
5			ATTACHING PARTS		
- 25	BACR15BA4D		..RIVET- SIZE DETERMINED ON INSTL.	002004 006100 107107 121503 904999	2
30	232N6206-4		-----*----- ..BRACKET ASSY-	002004 006100 107107 121503 904999	1
35	66-20263-1		.GASKET-RCPT	002004 006100 107107 121503 904999	1
40	69-27996-2		.NUT-CAN VALVE ADPTR	002004 006100 107107 121503 904999	1
45	MS19070-022		.WASHER-	002004 006100 107107 121503 904999	1
47	TF8		.PLUG- SUPPLIER CODE: V23540 SPECIFICATION NUMBER: BACP20BH5 OPTIONAL PART: 808 V81904 POST SERVICE BULLETIN: 30-0016 QUALIFIED SB I/W DATA: USED FOR TEMPORARY AND PERMANENT DEACTIVATION	107107 121503 953999	1
50	65-38196-3		.CAN ASSY-PRESSURIZED OPTIONAL PART: 65-38196-4	002004 006100 904952	1
50	65-38196-4		.CAN ASSY-PRESSURIZED OPTIONAL PART: 65-38196-3	002004 006100 904952	1
50	65-38196-5		.CAN ASSY-PRESSURIZED	002004 006100 904952	1

MISSING ITEM NUMBERS NOT APPLICABLE

- ITEM NOT ILLUSTRATED

30-43-01-05

30-43-01  
FIG. 05  
PAGE 2  
JAN 20/09

BRI



757

PARTS CATALOG (MAINTENANCE)

FIG ITEM	PART NUMBER	1 2 3 4 5 6 7	NOMENCLATURE	EFFECT FROM TO	UNITS PER ASSY
5					
75	232N6201-2	.	GAUGE ASSY-VALVE	002004 006100 107107 121503 904999	1
77	69-48183-2	..	ADAPTER-CAN VALVE	002004 006100 107107 121503 904999	1
85	MS28778-4	..	PACKING	002004 006100 107107 121503 904999	1
90	4D132	..	VALVE-SHUTOFF SUPPLIER CODE: V82829	002004 006100 107107 121503 904999	1
95	MS28778-4	..	PACKING	002004 006100 107107 121503 904999	1
100	69-34511-2	..	RESERVOIR ASSY-VISUAL COMPONENT MAINT MANUAL REF: 30-43-01	002004 006100 107107 121503 904999	1
147	BACS12FA3K6	.	SCREW	011100	2
150	232N6204-1	.	BRACKET-	002004 006010 107107 121503 904999	1
- 155	NAS603-6P		ATTACHING PARTS SCREW-	002004 006010 107107 121503 904999	2
- 160	AN960KD10L	.	WASHER-	002004 006010 107107 121503 904999	2
			-----*		

MISSING ITEM NUMBERS NOT APPLICABLE

- ITEM NOT ILLUSTRATED

30-43-01-05

30-43-01  
FIG. 05  
PAGE 3  
JAN 20/09

BRI



757

PARTS CATALOG (MAINTENANCE)

FIG ITEM	PART NUMBER	1 2 3 4 5 6 7	NOMENCLATURE	EFFECT FROM TO	UNITS PER ASSY
5					
165	G3416		. GAUGE-PRESSURE SUPPLIER CODE: V34830	002004 006100 107107 121503 904999	1
167	232N6204-13		. BRACKET	011100	1
170	AN960KD716L		. WASHER-	002004 006010 107107 121503 904999	2
175	AN924-4D		. NUT	002004 006017 107107 121503 904999	1
180	NAS1423-7		. NUT-	002004 006100 107107 121503 904999	1
185	MS28778-4		. PACKING	002004 006017 107107 121503 904999	1
187	MS28777-4		. WASHER-	002004 006100 107107 121503 904999	1
190	AN938D4		. TEE-	002004 006017 107107 121503 904999	1
190	NAS1763W040404		. TEE-	018100	1
200	MS21902D4		. UNION	002004 006017 107107 121503 904999	1
205	MS28778-4		. PACKING	002004 006017 107107 121503 904999	1

MISSING ITEM NUMBERS NOT APPLICABLE

- ITEM NOT ILLUSTRATED

30-43-01-05

30-43-01  
FIG. 05  
PAGE 4  
JAN 20/09

BRI



757

PARTS CATALOG (MAINTENANCE)

FIG ITEM	PART NUMBER	1 2 3 4 5 6 7	NOMENCLATURE	EFFECT FROM TO	UNITS PER ASSY
5	210	232T6004-3	.NOZZLE-HEAD POSITION DATA: LH SIDE	002004 006100 107107 121503 904999	1
	215	232T6004-4	.NOZZLE-HEAD POSITION DATA: RH SIDE	002004 006100 107107 121503 904999	1
	220	69-33973-2	.NUT	002004 006100 107107 121503 904999	2
	225	69-33973-1	.NUT	002004 006100 107107 121503 904999	2
	230	AN960JD816L	.WASHER-	002004 006100 107107 121503 904999	2
	230	AN960KD816	.WASHER-	107107 904949	2
	235	NAS1523C8R	.WASHER	002004 006100 107107 121503 904999	2
	240	69-33972-1	.FITTING-BHD	002004 006100 107107 121503 904999	2
	260	NAS603-7P	.SCREW-	002004 006100 107107 121503 904999	2
	270	AN960KD10L	.WASHER-	002004 006100 107107 121503 904999	2

MISSING ITEM NUMBERS NOT APPLICABLE

- ITEM NOT ILLUSTRATED

30-43-01-05

30-43-01  
FIG. 05  
PAGE 5  
JAN 20/09

BRI

BOEING PROPRIETARY - Copyright © - Unpublished Work - See title page for details.





757

PARTS CATALOG (MAINTENANCE)

FIG ITEM	PART NUMBER	1 2 3 4 5 6 7	NOMENCLATURE	EFFECT FROM TO	UNITS PER ASSY
5 280	BRH10A3	.	NUT SUPPLIER CODE: V52828 SPECIFICATION NUMBER: BACN10JC3 OPTIONAL PART: H10-3BAC V15653 NS202101-02 V80539 RMLH9075-3W V72962 VN303A02 V92215 96-02 V80539 T6S1032J V11815	002004 006100 107107 121503 904999	2
295	751-22-8	.	CLAMP SUPPLIER CODE: V83930 SPECIFICATION NUMBER: BACC10BA22 OPTIONAL PART: TA04C34D22 V84971	002004 006100 107107 121503 904999	1
296	NAS603-6P	.	SCREW	002004 006100 107107 121503 904999	2
297	AN960KD10L	.	WASHER-	002004 006100 107107 121503 904999	2

MISSING ITEM NUMBERS NOT APPLICABLE

- ITEM NOT ILLUSTRATED

30-43-01-05

30-43-01  
FIG. 05  
PAGE 6  
JAN 20/09

BRI



757

PARTS CATALOG (MAINTENANCE)

FIG ITEM	PART NUMBER	1 2 3 4 5 6 7	NOMENCLATURE	EFFECT FROM TO	UNITS PER ASSY
5 298	BRH10A3	.	NUT SUPPLIER CODE: V52828 SPECIFICATION NUMBER: BACN10JC3 OPTIONAL PART: H10-3BAC V15653 NS202101-02 V80539 RMLH9075-3W V72962 VN303A02 V92215 96-02 V80539 T6S1032J V11815	002004 006100 107107 121503 904999	2
305	751-22-8	.	CLAMP SUPPLIER CODE: V83930 SPECIFICATION NUMBER: BACC10BA22 OPTIONAL PART: TA04C34D22 V84971	002004 006100 107107 121503 904999	1
310	66030-5	.	VALVE-TIME CONTROLLED SOL. SUPPLIER CODE: V83533 SPECIFICATION NUMBER: 60B40038-2 ELECTRICAL EQUIP NUMBER: V00118 V00119 COMPONENT MAINT MANUAL REF: 30-43-01 OPTIONAL PART: C201-2500-40 V83533	002004 006100 107107 121503 904999	2

MISSING ITEM NUMBERS NOT APPLICABLE

- ITEM NOT ILLUSTRATED

BRI

30-43-01-05

30-43-01  
FIG. 05  
PAGE 7  
JAN 20/09



757

PARTS CATALOG (MAINTENANCE)

FIG ITEM	PART NUMBER	1 2 3 4 5 6 7	NOMENCLATURE	EFFECT FROM TO	UNITS PER ASSY
5 310	C201-2500-40		. VALVE-TIME CONTROLLED SOL. SUPPLIER CODE: V97413 SPECIFICATION NUMBER: 60B40038-1 ELECTRICAL EQUIP NUMBER: V00118 V00119 COMPONENT MAINT MANUAL REF: 30-43-01 OPTIONAL PART: 66030-5 V83533 OPTIONAL SUPPLIER CODE: 04577	006100 950951 953999	2
311	NAS1593-014		.. PACKING	002004 006100 107107 121503 904999	1
312	AN924-4D		. NUT	107107 121503 904949	1
315	AN960KD716L		. WASHER-	107107 121503 904949	1
320	MS21911D4		. TEE	107107 121503 904949	1
325	AP1008-04DL		. CAP ASSY SUPPLIER CODE: V01673 SPECIFICATION NUMBER: BACC14AD04DL OPTIONAL PART: US2103-04DL V50808	107107 121503 904949	1
330	751-48-10		. CLAMP SUPPLIER CODE: V83930 SPECIFICATION NUMBER: BACC10BA48 OPTIONAL PART: TA04C34D48 V84971	107107 121503 904949	1
- 335	NAS603-8P		ATTACHING PARTS . SCREW	107107 121503 904949	2

MISSING ITEM NUMBERS NOT APPLICABLE

- ITEM NOT ILLUSTRATED

30-43-01-05

30-43-01  
FIG. 05  
PAGE 8  
JAN 20/09

BRI



757

PARTS CATALOG (MAINTENANCE)

FIG ITEM	PART NUMBER	1 2 3 4 5 6 7	NOMENCLATURE	EFFECT FROM TO	UNITS PER ASSY
5					
- 340	AN960KD10L		.WASHER-	107107 121503 904949	2
- 345	BRH10A3		.NUT SUPPLIER CODE: V52828 SPECIFICATION NUMBER: BACN10JC3 OPTIONAL PART: H10-3BAC V15653 NS202101-02 V80539 RMLH9075-3W V72962 VN303A02 V92215 96-02 V80539 T6S1032J V11815 -----*-----	107107 121503 904949	2
350	8111520100-1		.CANNISTER- SUPPLIER CODE: V83533	107107 121503 904949	1
355	232N6201-15		.VELCRO-LOOP	011100	2
357	232N6201-19		.VELCRO-LOOP	011100	1
360	232N6211-4		.COVER ASSY-	011017	1
360	232N6211-9		.COVER ASSY-	018100	1
365	232N6211-7		..COVER-	011100	1
370	232N6211-6		..VELCRO-	011100	4
375	232N6211-8		..VELCRO	011100	1
380	232N6211-5		..SEAL	011100	1
385	232N6211-10		..SEAL	018100	1
405	232N6201-18		.SEAL	011017	1
- 500	286N0001-002		WIRE BUNDLE ASSY- REWORKED BY ALERT SB: 34A022	121503 904949	RF
- 500	286N0001-003		WIRE BUNDLE ASSY- REWORKED BY ALERT SB: 34A022	107107	RF
- 500	286N0001-005		WIRE BUNDLE ASSY- REWORKED BY ALERT SB: 34A022	002004 006100 950999	RF
510	BACC45FT10A5S		.CONNECTOR- ELECTRICAL EQUIP NUMBER: D01748 WIRING DIAGRAM REF: 304311	002004 006100 107107 121503 904999	1

MISSING ITEM NUMBERS NOT APPLICABLE

- ITEM NOT ILLUSTRATED

30-43-01-05

30-43-01  
FIG. 05  
PAGE 9  
JAN 20/09

BRI



757

PARTS CATALOG (MAINTENANCE)

FIG ITEM	PART NUMBER	1 2 3 4 5 6 7	NOMENCLATURE	EFFECT FROM TO	UNITS PER ASSY
5					
- 550	286N0003-002		WIRE BUNDLE ASSY- REWORKED BY ALERT SB: 34A0222	121503 904949	RF
- 550	286N0003-003		WIRE BUNDLE ASSY- REWORKED BY ALERT SB: 34A0222	107107	RF
- 550	286N0003-005		WIRE BUNDLE ASSY- REWORKED BY SB: 34-0200 REWORKED BY ALERT SB: 34A0222	002004 006100 950999	RF
555	BACC45FT10A5S		.CONNECTOR- ELECTRICAL EQUIP NUMBER: D01824 WIRING DIAGRAM REF: 304311	002004 006100 107107 121503 904999	1
700			ILLUSTRATION REFERENCE: TUBING INSTL-RAIN REPELLENT 30-43-51-05	002004 006100 107107 121503 904999	RF

MISSING ITEM NUMBERS NOT APPLICABLE

- ITEM NOT ILLUSTRATED

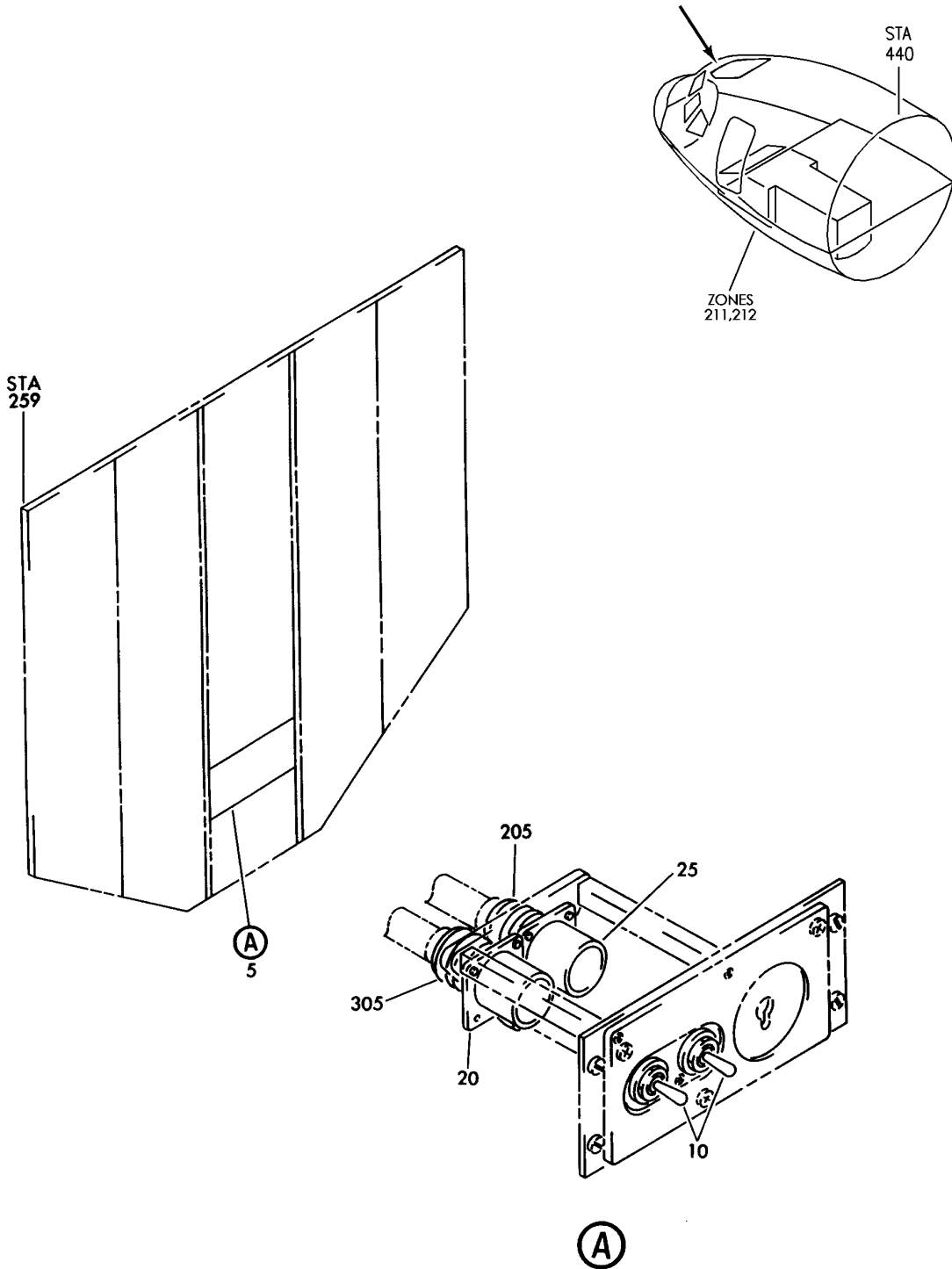
BRI

30-43-01-05

BOEING PROPRIETARY - Copyright © - Unpublished Work - See title page for details.

30-43-01  
FIG. 05  
PAGE 10  
JAN 20/09

**BOEING**  
757  
PARTS CATALOG (MAINTENANCE)



Y 30435101 REV 229

PANEL INSTL-P5 OVERHEAD (WINDSHIELD RAIN REPELLENT SYSTEM ONLY)  
FIGURE 1

**30-43-51-01**

BRI  
MAY 28/07

30-43-51-01  
PAGE 0



757

PARTS CATALOG (MAINTENANCE)

FIG ITEM	PART NUMBER	1 2 3 4 5 6 7	NOMENCLATURE	EFFECT FROM TO	UNITS PER ASSY
1			PANEL INSTL-P5 OVERHEAD (WINDSHIELD RAIN REPELLENT SYSTEM ONLY)	002004 006010 107107 121503 904999	
- 1	233N3101-1		PANEL INSTL-P5 OVERHEAD (WINDSHIELD RAIN REPELLENT SYSTEM ONLY) VARIABLE DRAWING REF: 233N3101-5005 233N3101-5025 233N3101-5041 233N3101-5042 233N3101-5045 FOR NHA/OTHER SYS DET SEE: 25-10-00-05A	002004 006010 107107 121503 904999	RF
5	233N3201-11		.PANEL ASSY-WSHLD CLEARANCE SUPPLIER CODE: V89954 MISCELLANEOUS DATA: (233N3201-11 PANEL ASSY T/W S233T100-1074 LIGHTPLATE AND BP248-127 KNOB IS I/W 233N3201-300) ELECTRICAL EQUIP NUMBER: M10023 COMPONENT MAINT MANUAL REF: 30-42-01	002004 006010 904952	RF
5	233N3201-16		.PANEL ASSY-WSHLD CLEARANCE SUPPLIER CODE: V89954 ELECTRICAL EQUIP NUMBER: M10023 COMPONENT MAINT MANUAL REF: 30-42-01 USED WITH: S233T100-1113 POST SERVICE BULLETIN: 30-0016 QUALIFIED SB I/W DATA: PERMANENT DEACTIVATION	107107 121503 953999	RF
10	D20011B01GUB		..SWITCH- SUPPLIER CODE: V81640	002004 006010 904952	2

MISSING ITEM NUMBERS NOT APPLICABLE

- ITEM NOT ILLUSTRATED

30-43-51-01

30-43-51  
FIG. 01  
PAGE 1  
JAN 20/09

BRI



757

PARTS CATALOG (MAINTENANCE)

FIG ITEM	PART NUMBER	1 2 3 4 5 6 7	NOMENCLATURE	EFFECT FROM TO	UNITS PER ASSY
1	20	BACC45FN14-12P6	.. CONNECTOR	002004 006010 107107 121503 904999	1
	25	BACC45FN14-12P8	.. CONNECTOR	002004 006010 107107 121503 904999	1
-	30	NAS1801-04-5	ATTACHING PARTS .. SCREW-	002004 006010 107107 121503 904999	6
-	35	K19798-04	.. NUT SUPPLIER CODE: V15653 SPECIFICATION NUMBER: BACN10NW1 OPTIONAL PART: RMA4812-160-40 V72962 293162 V60119	002004 006010 107107 121503 904999	6
-	200	286N2070-003	-----*----- WIRE BUNDLE ASSY- (WINDSHIELD RAIN REPELLENT SYSTEM ONLY)	121503 904949	RF
-	200	286N2070-004	WIRE BUNDLE ASSY- (WINDSHIELD RAIN REPELLENT SYSTEM ONLY)	107107	RF
-	200	286N2070-005	WIRE BUNDLE ASSY- (WINDSHIELD RAIN REPELLENT SYSTEM ONLY) REWORKED BY SB: 30-0016	002004 006010 950999	RF
	205	BACC45FT14D12S6	.CONNECTOR- ELECTRICAL EQUIP NUMBER: D03520 WIRING DIAGRAM REF: 304211 REWORKED BY SB: 30-0016	002004 006010 107107 121503 904999	1
-	210	324485	.CAP-END POST SERVICE BULLETIN: 30-0016	121503	2

MISSING ITEM NUMBERS NOT APPLICABLE

- ITEM NOT ILLUSTRATED

30-43-51-01

30-43-51  
FIG. 01  
PAGE 2  
JAN 20/09

BRI





757

PARTS CATALOG (MAINTENANCE)

FIG ITEM	PART NUMBER	1 2 3 4 5 6 7	NOMENCLATURE	EFFECT FROM TO	UNITS PER ASSY
1					
- 300	286N2064-003		WIRE BUNDLE ASSY- (WINDSHIELD RAIN REPELLENT SYSTEM ONLY)	121503 904949	RF
- 300	286N2064-004		WIRE BUNDLE ASSY- (WINDSHIELD RAIN REPELLENT SYSTEM ONLY)	107107	RF
- 300	286N2064-005		WIRE BUNDLE ASSY- (WINDSHIELD RAIN REPELLENT SYSTEM ONLY)	002004 006010 950999	RF
305	BACC45FT14D12S8		.CONNECTOR- ELECTRICAL EQUIP NUMBER: D03522 WIRING DIAGRAM REF: 304211 REWORKED BY SB: 30-0016	002004 006010 107107 121503 904999	1
- 310	324485		.CAP-END POST SERVICE BULLETIN: 30-0016	121503	2

MISSING ITEM NUMBERS NOT APPLICABLE

- ITEM NOT ILLUSTRATED

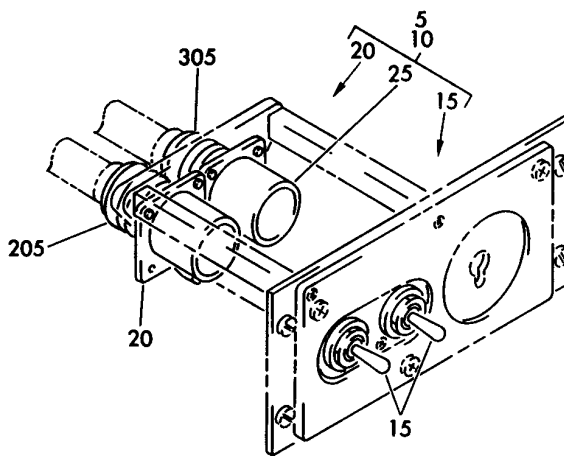
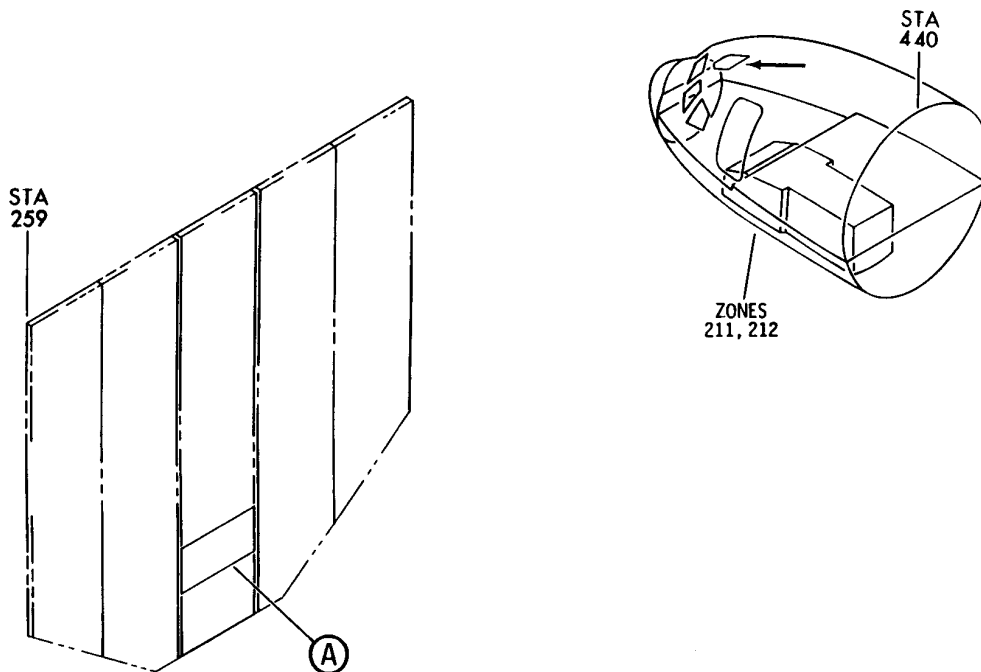
BRI

30-43-51-01

BOEING PROPRIETARY - Copyright © - Unpublished Work - See title page for details.

30-43-51  
FIG. 01  
PAGE 3  
JAN 20/09

**BOEING**  
757  
PARTS CATALOG (MAINTENANCE)



(A)

Y 30435102 REV 155

PANEL INSTL-P5 OVERHEAD (WINDSHIELD RAIN REPELLENT SYSTEM ONLY)

FIGURE 2

**30-43-51-02**

BRI  
MAY 28/07

30-43-51-02  
PAGE 0



757

PARTS CATALOG (MAINTENANCE)

FIG ITEM	PART NUMBER	1 2 3 4 5 6 7	NOMENCLATURE	EFFECT FROM TO	UNITS PER ASSY
2			PANEL INSTL-P5 OVERHEAD (WINDSHIELD RAIN REPELLENT SYSTEM ONLY)	011100	
- 1	233N3101-1		PANEL INSTL-P5 OVERHEAD (WINDSHIELD RAIN REPELLENT SYSTEM ONLY) VARIABLE DRAWING REF: 233N3101-5142 FOR NHA/OTHER SYS DET SEE: 25-10-00-05A	011100	RF
5	233N3201-300		.PANEL ASSY-RAIN REPELLENT AND WIPER SUPPLIER CODE: V89954 COMPONENT MAINT MANUAL REF: 30-42-01 QUALIFIED I/W DATA: 233N3201-11 PANEL ASSY T/W S233T100-1074 LIGHTPLATE AND BP248-127 KNOB IS I/W 233N3201-300	011100	RF
10	233N3201-11		..PANEL ASSY-WSHLD CLEARANCE SUPPLIER CODE: V89954 ELECTRICAL EQUIP NUMBER: M10023 COMPONENT MAINT MANUAL REF: 30-42-01	011100	RF
15	D20011B01GUB		...SWITCH- SUPPLIER CODE: V81640	011100	2
20	BACC45FN14-12P6		...CONNECTOR	011100	1
25	BACC45FN14-12P8		...CONNECTOR	011100	1
- 30	NAS1801-04-5		...SCREW	011100	6
- 35	K19798-04		...NUT SUPPLIER CODE: V15653 SPECIFICATION NUMBER: BACN10NW1 OPTIONAL PART: RMA4812-160-40 V72962 293162 V60119	011100	6
- 200	286N2070-005		-----*----- WIRE BUNDLE ASSY-	011100	RF

MISSING ITEM NUMBERS NOT APPLICABLE

- ITEM NOT ILLUSTRATED

30-43-51-02

30-43-51  
FIG. 02  
PAGE 1  
JAN 20/09

BRI



757

PARTS CATALOG (MAINTENANCE)

FIG ITEM	PART NUMBER	1 2 3 4 5 6 7	NOMENCLATURE	EFFECT FROM TO	UNITS PER ASSY
2 205	BACC45FT14D12S6	.	CONNECTOR- ELECTRICAL EQUIP NUMBER: D03520 WIRING DIAGRAM REF: 304211	011100	1
- 300	286N2064-005		WIRE BUNDLE ASSY- REWORKED BY SB: 33-0039	011100	RF
305	BACC45FT14D12S8	.	CONNECTOR- ELECTRICAL EQUIP NUMBER: D03522 WIRING DIAGRAM REF: 304211	011100	1

MISSING ITEM NUMBERS NOT APPLICABLE

- ITEM NOT ILLUSTRATED

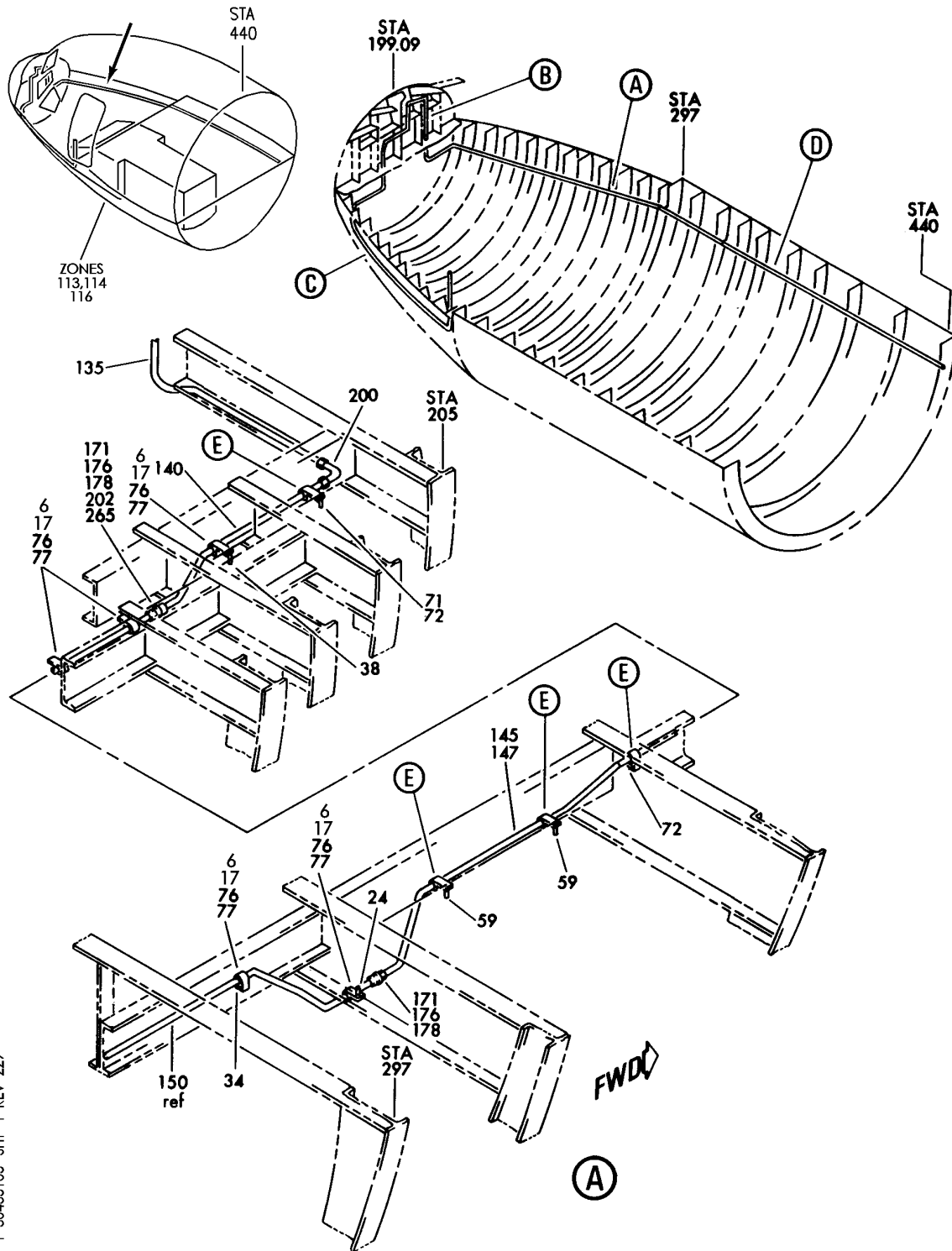
BRI

30-43-51-02

BOEING PROPRIETARY - Copyright © - Unpublished Work - See title page for details.

30-43-51  
FIG. 02  
PAGE 2  
JAN 20/09

**BOEING**  
757  
PARTS CATALOG (MAINTENANCE)



Y 30435105 SHT 1 REV 229

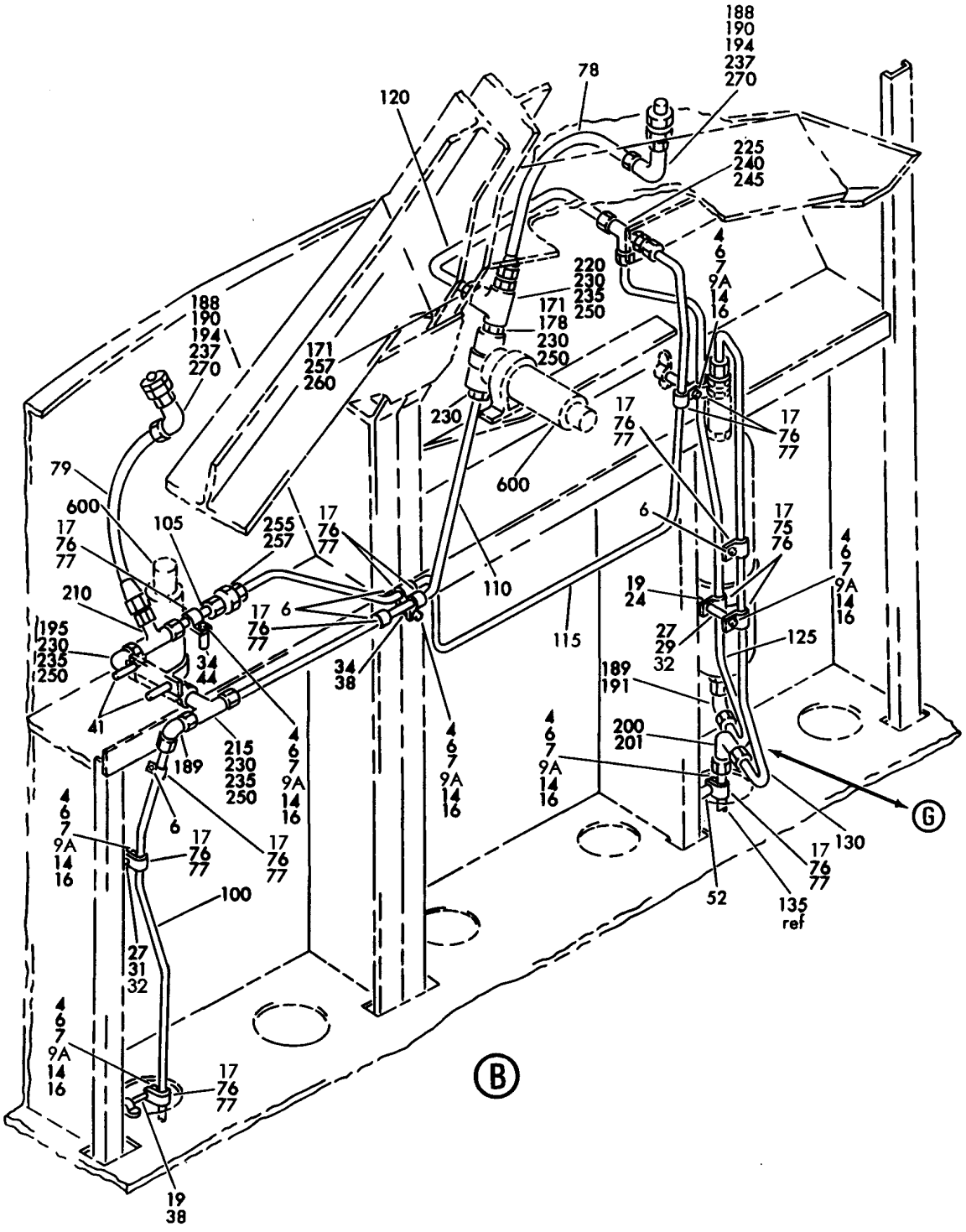
TUBING INSTL-RAIN REPELLENT  
FIGURE 5 (SHEET 1)

**30-43-51-05**

BRI  
MAY 28/07

30-43-51-05  
PAGE 0

**BOEING**  
757  
PARTS CATALOG (MAINTENANCE)



Y 30435105 SHT 2 REV 204

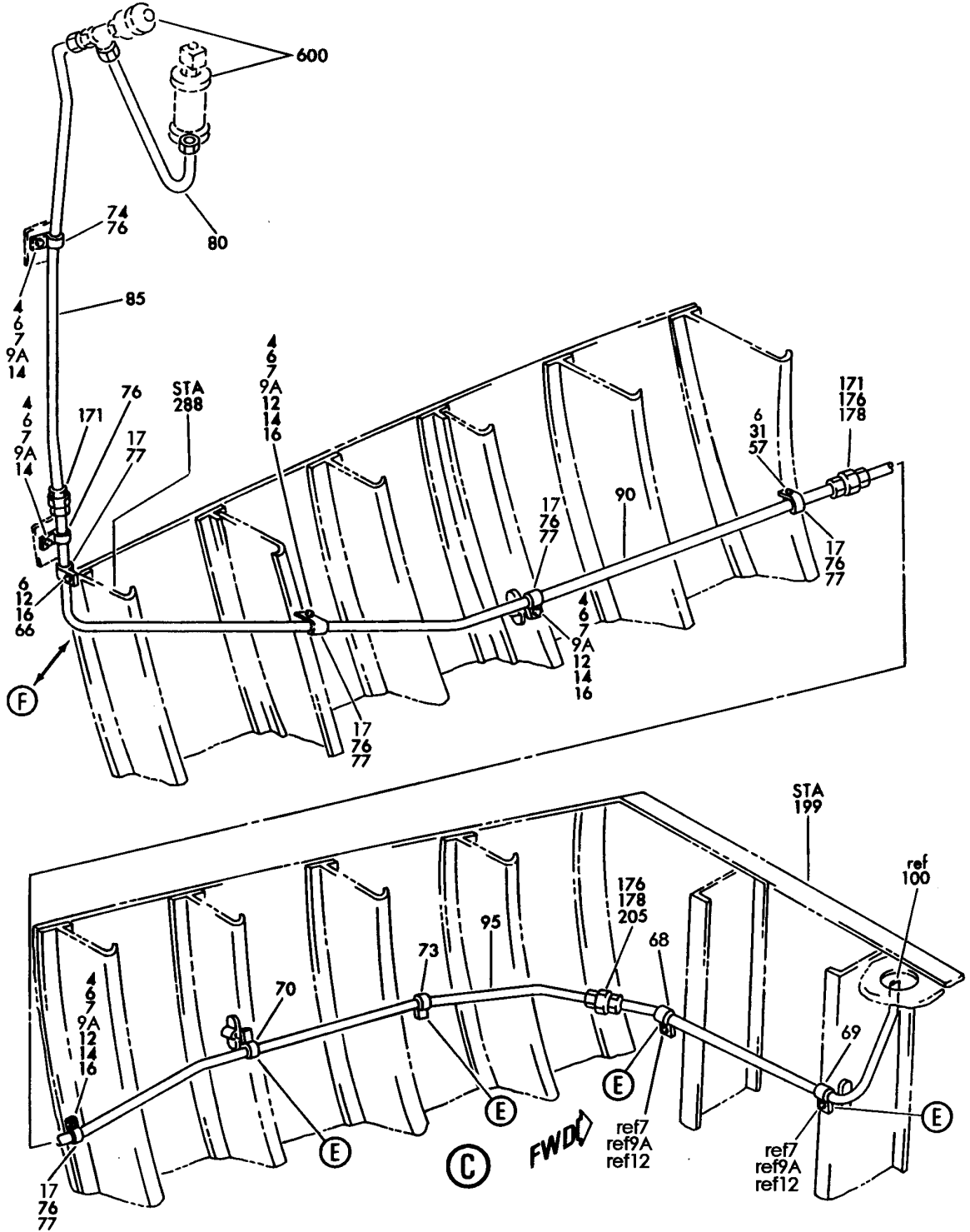
TUBING INSTL-RAIN REPELLENT  
FIGURE 5 (SHEET 2)

**30-43-51-05**

BRI  
MAY 28/07

30-43-51-05  
PAGE 0A

**BOEING**  
757  
PARTS CATALOG (MAINTENANCE)



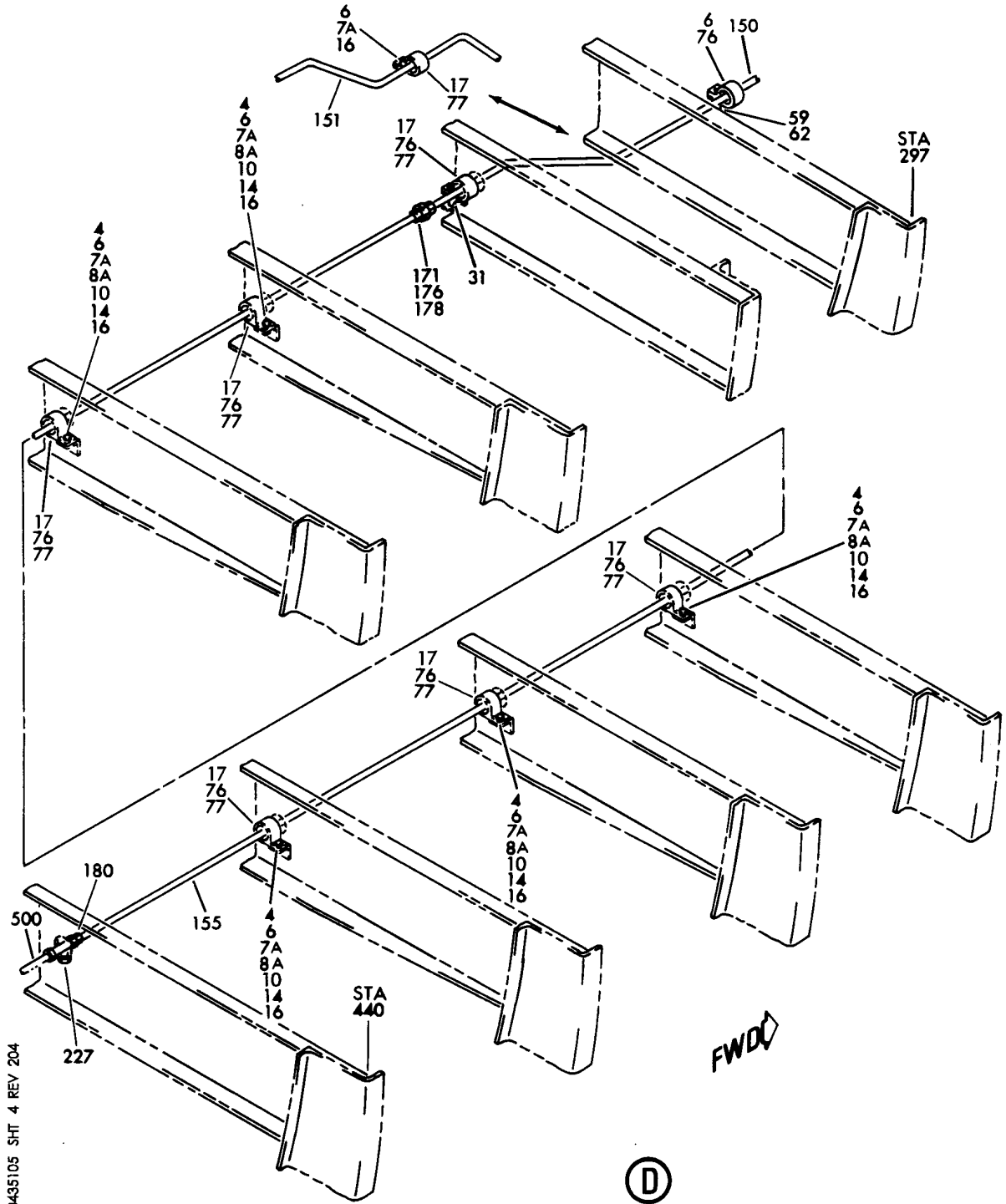
TUBING INSTL-RAIN REPELLENT  
FIGURE 5 (SHEET 3)

**30-43-51-05**

BRI  
MAY 28/07

30-43-51-05  
PAGE 0B

**BOEING**  
757  
PARTS CATALOG (MAINTENANCE)



Y 30435105 SHT 4 REV 204

TUBING INSTL-RAIN REPELLENT  
FIGURE 5 (SHEET 4)

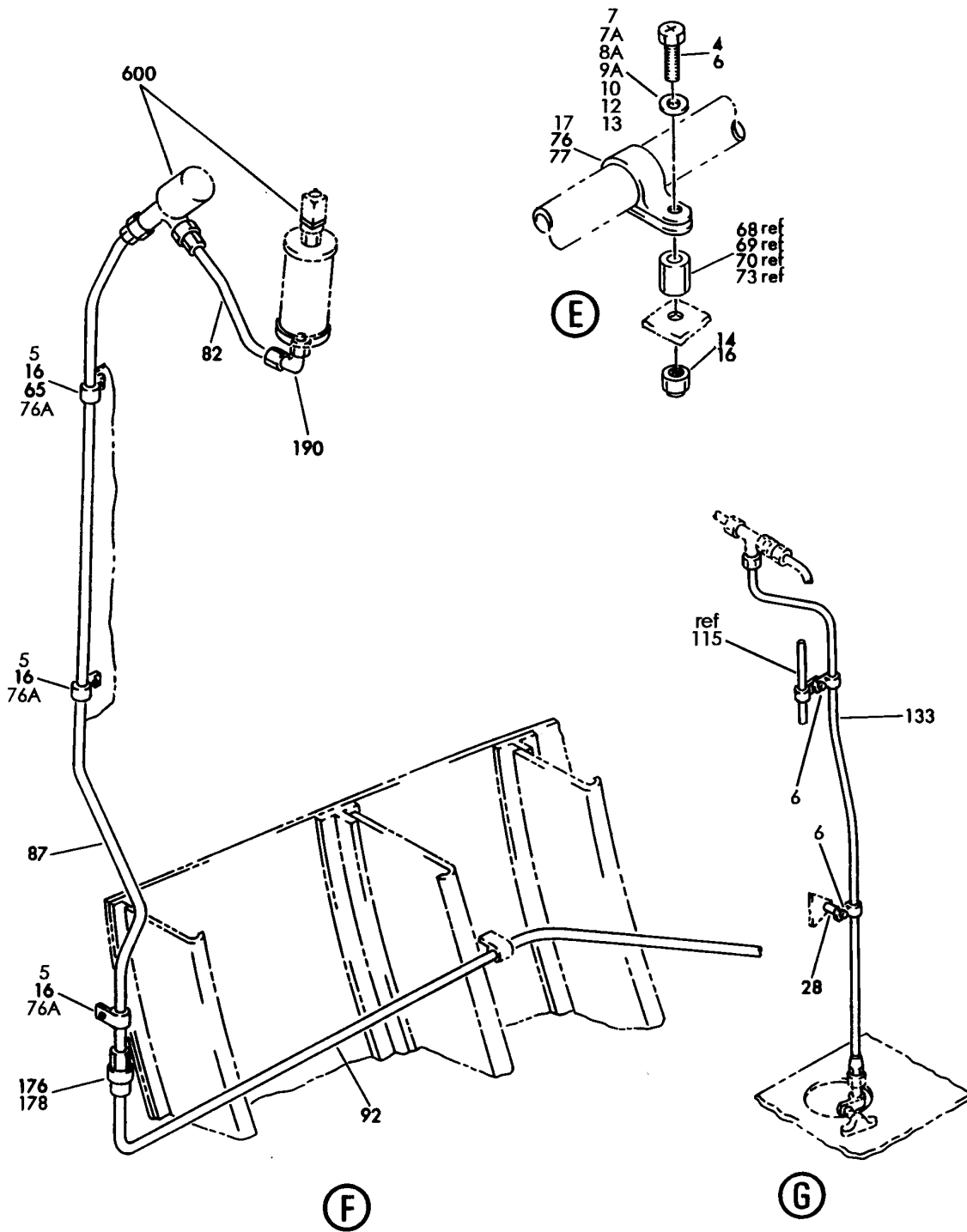
**30-43-51-05**

BRI  
MAY 28/07

30-43-51-05  
PAGE 0C



**BOEING**  
757  
PARTS CATALOG (MAINTENANCE)



Y 30435105 SHT 5 REV 204

TUBING INSTL-RAIN REPELLENT  
FIGURE 5 (SHEET 5)

**30-43-51-05**

BRI  
MAY 28/07

30-43-51-05  
PAGE 0D



757

PARTS CATALOG (MAINTENANCE)

FIG ITEM	PART NUMBER	1 2 3 4 5 6 7	NOMENCLATURE	EFFECT FROM TO	UNITS PER ASSY
5			TUBING INSTL-RAIN REPELLENT	002004 006999	
- 1	232N6202-42		TUBING INSTL-RAIN REPELLENT VARIABLE DRAWING REF: 232N6202-43 232N6202-52 FOR NHA SEE: 21-00-00-04	002004 006100 107107 121503 904999	RF
5	NAS1801-3		.SCREW- SIZE DETERMINED ON INSTL.	101106 108120 504903	3
6	NAS1801-3		.SCREW- SIZE DETERMINED ON INSTL.	002004 006100 107107 121503 904999	33
9A	AN960JD10L		.WASHER	002004 006100 107107 121503 904999	14
10	AN960JD10		.WASHER	002004 006999	9
12	AN960KD10L		.WASHER	002004 006100 107107 121503 904999	6
13	AN960KD10		.WASHER	002004 006999	4
17	MS21042L3		.NUT	002004 006100 107107 121503 904999	36
24	NAS42DD6-40		.SPACER	002004 006999	1
28	NAS42DD6-40		.SPACER	002004 006100 950999	1
29	NAS42DD6-24		.SPACER	107107 121503 904949	1
31	NAS42DD6-24		.SPACER	101106 108120 504903	3

MISSING ITEM NUMBERS NOT APPLICABLE

- ITEM NOT ILLUSTRATED

30-43-51-05

30-43-51  
FIG. 05  
PAGE 1  
JAN 20/09

BRI

 **BOEING**  
757  
**PARTS CATALOG (MAINTENANCE)**

FIG ITEM	PART NUMBER	1 2 3 4 5 6 7	NOMENCLATURE	EFFECT FROM TO	UNITS PER ASSY
5	32	NAS42DD6-24	. SPACER	002004 006100 107107 121503 904999	2
	38	NAS42DD6-16	. SPACER	002004 006999	3
	44	NAS42DD6-64	. SPACER	002004 006999	1
	52	NAS42DD6-32	. SPACER	002004 006999	1
	59	NAS42DD6-48	. SPACER	002004 006999	3
	65	NAS42DD6-8	. SPACER	002004 006100 107107 121503 904999	1
	66	NAS42DD6-74	. SPACER	002004 006100 107107 121503 904999	1
	68	NAS42DD6-52	. SPACER	002004 006100 107107 121503 904999	1
	69	NAS42DD6-32	. SPACER	002004 006100 107107 121503 904999	1
	70	NAS42DD6-56	. SPACER	002004 006100 107107 121503 904999	1
	72	NAS42DD6-20	. SPACER	002004 006999	2
	73	NAS42DD6-64	. SPACER	002004 006100 107107 121503 904999	1
	74	BACC10DK	. CLAMP- SIZE DETERMINED ON INSTL.	002004 006100 950999	1

MISSING ITEM NUMBERS NOT APPLICABLE

— ITEM NOT ILLUSTRATED

BRI

# 30-43-51-05

BOEING PROPRIETARY - Copyright © - Unpublished Work - See title page for details.

30-43-51  
FIG. 05  
PAGE 2  
JAN 20/09



757

PARTS CATALOG (MAINTENANCE)

FIG ITEM	PART NUMBER	1 2 3 4 5 6 7	NOMENCLATURE	EFFECT FROM TO	UNITS PER ASSY
5	75 BACC10DK	.CLAMP-	SIZE DETERMINED ON INSTL.	107107 121503 904949	2
	76A BACC10DK	.CLAMP-	SIZE DETERMINED ON INSTL.	101106 108120 504903	3
	77 BACC10DK	.CLAMP-	SIZE DETERMINED ON INSTL.	002004 006100 107107 121503 904999	36
	78 AS118E0120AA	.HOSE ASSY	SUPPLIER CODE: V00624 SPECIFICATION NUMBER: BACH5M0120AA OPTIONAL PART: 95850M0120AA V78570 B307BBB0120C V98441 R89180120AA V06851 R89180120AA V12157 R89180120AA V50599	002004 006100 107107 121503 904999	1
	79 AS118E0150AA	.HOSE ASSY	SUPPLIER CODE: V00624 SPECIFICATION NUMBER: BACH5M0150AA OPTIONAL PART: 95850M0150AA V78570 B307BBB0150C V98441 R89180150AA V06851 R89180150AA V12157 R89180150AA V50599	002004 006100 107107 121503 904999	1
	82 232N6202-34	.TUBE ASSY-		002004 006010 107107 121503 904999	1

MISSING ITEM NUMBERS NOT APPLICABLE

- ITEM NOT ILLUSTRATED

30-43-51-05

30-43-51  
FIG. 05  
PAGE 3  
JAN 20/09

BRI

BOEING PROPRIETARY - Copyright © - Unpublished Work - See title page for details.



757

PARTS CATALOG (MAINTENANCE)

FIG ITEM	PART NUMBER	1 2 3 4 5 6 7	NOMENCLATURE	EFFECT FROM TO	UNITS PER ASSY
5					
87	232N6202-23	.	TUBE ASSY-	002004 006010 107107 121503 904999	1
92	232N6202-22	.	TUBE ASSY-	002004 006100 107107 121503 904999	1
95	232N6202-10	.	TUBE ASSY-	107107	1
95	232N6202-45	.	TUBE ASSY-	002004 006100 121503 904999	1
100	232N6202-31	.	TUBE ASSY-	002004 006100 107107 121503 904999	1
105	232N6202-33	.	TUBE ASSY-	002004 006100 107107 121503 904999	1
110	232N6202-30	.	TUBE ASSY-	002004 006100 107107 121503 904999	1
115	232N6202-29	.	TUBE ASSY-	002004 006100 107107 121503 904999	1
120	232N6202-28	.	TUBE ASSY-	002004 006100 107107 121503 904999	1
125	232N6202-3	.	TUBE ASSY-	107107 121503 904949	1
130	232N6202-2	.	TUBE ASSY-	107107 121503 904949	1
133	232N6202-35	.	TUBE ASSY-	002004 006100 950999	1

MISSING ITEM NUMBERS NOT APPLICABLE

- ITEM NOT ILLUSTRATED

30-43-51-05

30-43-51  
FIG. 05  
PAGE 4  
JAN 20/09

BRI

BOEING PROPRIETARY - Copyright © - Unpublished Work - See title page for details.



757

PARTS CATALOG (MAINTENANCE)

FIG ITEM	PART NUMBER	1 2 3 4 5 6 7	NOMENCLATURE	EFFECT FROM TO	UNITS PER ASSY
5					
135	232N6202-32	.	TUBE ASSY-	002004 006100 107107 121503 904999	1
140	232N6202-15	.	TUBE ASSY-	107107 121503 904949	1
140	232N6202-37	.	TUBE ASSY-	002004 006100 950999	1
147	232N6202-16	.	TUBE ASSY	002004 006100 107107 121503 904999	1
151	232N6202-19	.	TUBE ASSY-	002004 006100 107107 121503 904999	1
155	232N6202-20	.	TUBE ASSY-	002004 006100 107107 121503 904999	1
- 157	232N6202-47	.	TUBE ASSY	011100	1
- 158	232N6202-55	.	TUBE ASSY	011100	1

MISSING ITEM NUMBERS NOT APPLICABLE

- ITEM NOT ILLUSTRATED

30-43-51-05

30-43-51  
FIG. 05  
PAGE 5  
JAN 20/09

BRI

BOEING PROPRIETARY - Copyright © - Unpublished Work - See title page for details.



757

PARTS CATALOG (MAINTENANCE)

FIG ITEM	PART NUMBER	1 2 3 4 5 6 7	NOMENCLATURE	EFFECT FROM TO	UNITS PER ASSY
5 - 160	MS21921-4D	. .	NUT- OPTIONAL PART: BACN10YL04 USED ON: 232N6202-3 232N6202-15 232N6202-16 232N6202-19 232N6202-20 232N6202-22 232N6202-23 232N6202-28 232N6202-29 232N6202-30 232N6202-31 232N6202-32 232N6202-33 232N6202-37 232N6202-38 232N6202-39 232N6202-41 232N6202-47 232N6202-48 232N6202-50 232N6202-51 232N6202-55 232N6202-58 232N6202-62	002004 006100 107107 121503 904999	2

MISSING ITEM NUMBERS NOT APPLICABLE

- ITEM NOT ILLUSTRATED

BRI

30-43-51-05

BOEING PROPRIETARY - Copyright © - Unpublished Work - See title page for details.

30-43-51  
FIG. 05  
PAGE 6  
JAN 20/09



757

PARTS CATALOG (MAINTENANCE)

FIG ITEM	PART NUMBER	1 2 3 4 5 6 7	NOMENCLATURE	EFFECT FROM TO	UNITS PER ASSY
5 - 160	BACN10YL04	..	NUT- OPTIONAL PART: MS21921-4D USED ON: 232N6202-3 232N6202-15 232N6202-16 232N6202-19 232N6202-20 232N6202-22 232N6202-23 232N6202-28 232N6202-29 232N6202-30 232N6202-31 232N6202-32 232N6202-33 232N6202-37 232N6202-38 232N6202-39 232N6202-41 232N6202-47 232N6202-48 232N6202-50 232N6202-51 232N6202-55 232N6202-58 232N6202-62	002004 006100 107107 121503 904999	2
- 160	MS21921-4D	..	NUT- OPTIONAL PART: BACN10YL04	002004 006100 107107 121503 904999	2
- 160	BACN10YL04	..	NUT- OPTIONAL PART: MS21921-4D	002004 006100 107107 121503 904999	2
- 161	MS21921-4D	..	NUT- OPTIONAL PART: BACN10YL04 USED ON: 232N6202-2	107107 121503 904949	2
- 161	BACN10YL04	..	NUT- OPTIONAL PART: MS21921-4D USED ON: 232N6202-2	107107 121503 904949	2

MISSING ITEM NUMBERS NOT APPLICABLE

- ITEM NOT ILLUSTRATED

30-43-51-05

30-43-51  
FIG. 05  
PAGE 7  
JAN 20/09

BRI





757

PARTS CATALOG (MAINTENANCE)

FIG ITEM	PART NUMBER	1 2 3 4 5 6 7	NOMENCLATURE	EFFECT FROM TO	UNITS PER ASSY
5					
- 161	BACN10YL04	..	NUT- USED ON: 232N6202-35	002004 006100 950999	2
- 163	MS21921-4D	..	NUT- OPTIONAL PART: BACN10YL04 USED ON: 232N6202-10	107107	2
- 163	BACN10YL04	..	NUT- OPTIONAL PART: MS21921-4D USED ON: 232N6202-10	107107	2
- 163	BACN10YL04	..	NUT- USED ON: 232N6202-45	002004 006100 121503 904999	2
- 165	AFP1644	..	SLEEVE- SUPPLIER CODE: V30974 SPECIFICATION NUMBER: BACS13AP4 OPTIONAL PART: BC922-4 V50948 DBOS13AP4 V14798 2-01033-4 V11328 2-01033-4 V70195 BC922-4 V92003	002004 006100 107107 121503 904999	2
- 165	AP2097HP04	..	SLEEVE- SUPPLIER CODE: V01673 SPECIFICATION NUMBER: BACS13BX04HP OPTIONAL PART: 2-02903-04HP V11328 35235VN04 V08199 AFP175V04P V30974 DBOS13BX04HP V14798	002004 006100 107107 121503 904999	2

MISSING ITEM NUMBERS NOT APPLICABLE

- ITEM NOT ILLUSTRATED

30-43-51-05

30-43-51  
FIG. 05  
PAGE 8  
JAN 20/09

BRI



757

PARTS CATALOG (MAINTENANCE)

FIG ITEM	PART NUMBER	1 2 3 4 5 6 7	NOMENCLATURE	EFFECT FROM TO	UNITS PER ASSY
5					
176	MS21902D4	.	UNION-	002004 006100 107107 121503 904999	6
180	232N6203-1	.	UNION	002004 006100 107107 121503 904999	1
188	AN939D4	.	ELBOW-	002004 006100 107107 121503 904999	2
191	NAS1762D0404	.	ELBOW	107107 121503 904949	1
194	MS21902D4	.	UNION-	002004 006100 107107 121503 904999	2
195	MS21908D4	.	ELBOW	002004 006100 107107 121503 904999	1
200	MS21904D4	.	ELBOW	011100 107107 121503 904949	2
201	MS21904D4	.	ELBOW	002004 006010 950999	1
202	MS21902D4	.	UNION	002004 006100 950999	1
210	NAS1763D040404	.	TEE	002004 006100 107107 121503 904999	1
215	MS21909D4	.	TEE	002004 006100 107107 121503 904999	1

MISSING ITEM NUMBERS NOT APPLICABLE

- ITEM NOT ILLUSTRATED

30-43-51-05

30-43-51  
FIG. 05  
PAGE 9  
JAN 20/09

BRI

BOEING PROPRIETARY - Copyright © - Unpublished Work - See title page for details.



757

PARTS CATALOG (MAINTENANCE)

FIG ITEM	PART NUMBER	1 2 3 4 5 6 7	NOMENCLATURE	EFFECT FROM TO	UNITS PER ASSY
5					
220	MS21910D4	.	TEE	002004 006100 107107 121503 904999	1
225	MS21912D4	.	TEE	002004 006100 107107 121503 904999	1
227	NAS1763J040806	.	TEE	002004 006100 107107 121503 904999	1
230	MS28778-4	.	PACKING	002004 006100 107107 121503 904999	6
236	AN6289D4	.	NUT	002004 006100 107107 121503 904999	5
237	AN924-4D	.	NUT-	002004 006100 107107 121503 904999	4
245	AN960PD716L	.	WASHER	002004 006100 107107 121503 904999	1
252	MS28777-4	.	WASHER	002004 006100 107107 121503 904999	6
255	2677T4EE3	.	VALVE-CHK SUPPLIER CODE: V91816	002004 006100 107107 121503 904999	1

MISSING ITEM NUMBERS NOT APPLICABLE

- ITEM NOT ILLUSTRATED

30-43-51-05

30-43-51  
FIG. 05  
PAGE 10  
JAN 20/09

BRI

BOEING PROPRIETARY - Copyright © - Unpublished Work - See title page for details.



757

PARTS CATALOG (MAINTENANCE)

FIG ITEM	PART NUMBER	1 2 3 4 5 6 7	NOMENCLATURE	EFFECT FROM TO	UNITS PER ASSY
5					
260	2677T4EE3		.VALVE-CHK SUPPLIER CODE: V91816	002004 006100 107107 121503 904999	1
265	2677T4EE3		.VALVE-CHK SUPPLIER CODE: V91816	002004 006100 950999	1
270	NAS1612-4		.PACKING-	002004 006100 107107 121503 904999	4
500			ILLUSTRATION REFERENCE: TUBING INSTL-TOTAL AIR TEMP 34-12-51-01	002004 006100 107107 121503 904999	RF
600			ILLUSTRATION REFERENCE: EQUIPMENT INSTL-RAIN REPELLENT (ICE AND RAIN PROTECTION ONLY) (DEACTIVATED FOR AAL) 30-43-01-05	002004 006100 107107 121503 904999	RF

MISSING ITEM NUMBERS NOT APPLICABLE

- ITEM NOT ILLUSTRATED

BRI

**30-43-51-05**

BOEING PROPRIETARY - Copyright © - Unpublished Work - See title page for details.

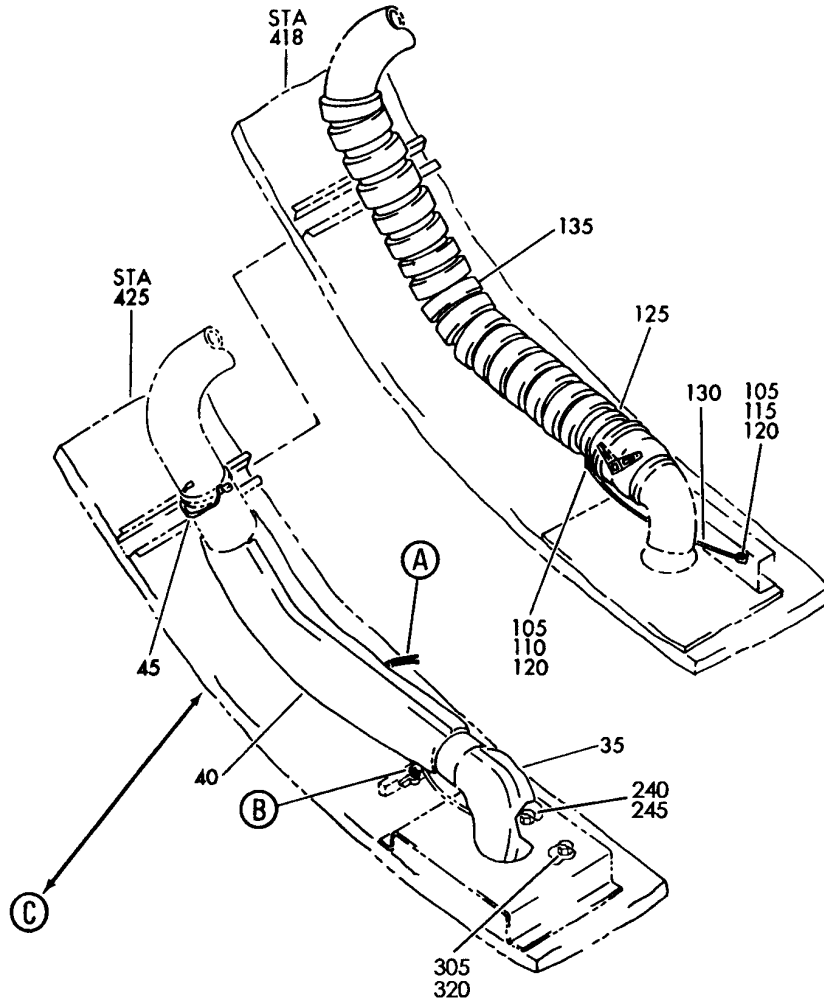
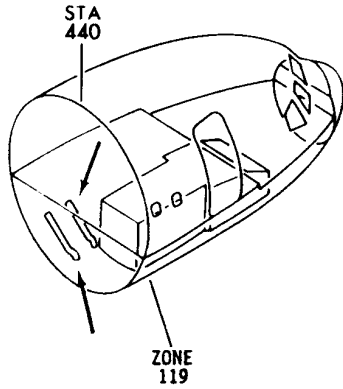
30-43-51  
FIG. 05  
PAGE 11  
JAN 20/09

## DRAIN AND WATER SUPPLY LINE HEATING

BRI  
MAY 28/07

30-71-00  
SECTION TITLE  
PAGE 1

**BOEING**  
757  
PARTS CATALOG (MAINTENANCE)



Y 30710101 SHT 1 REV 206

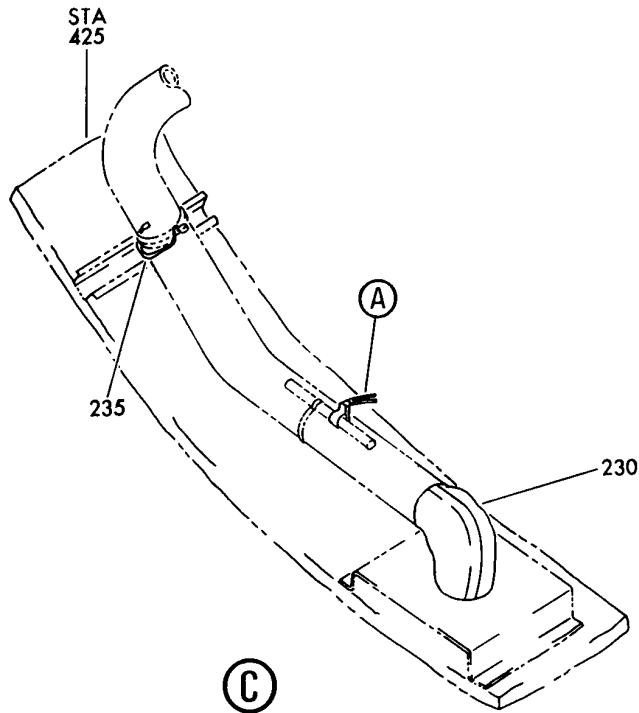
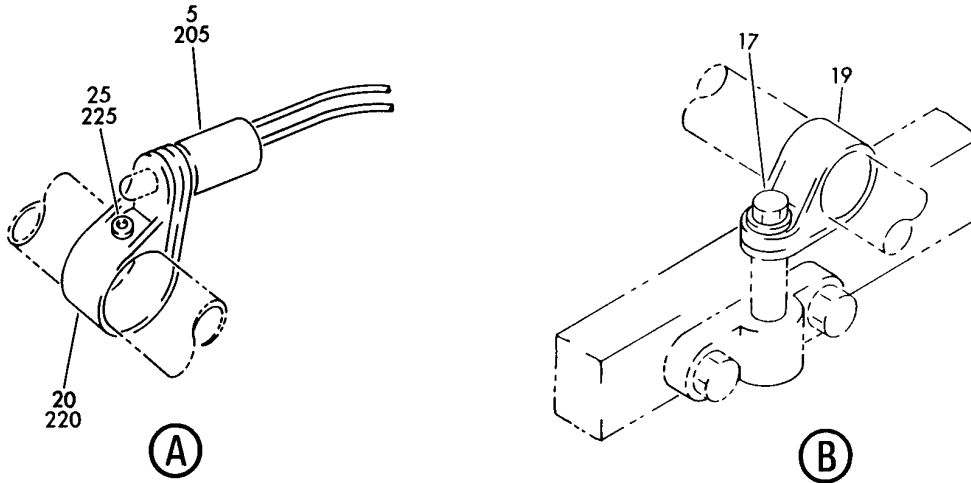
BLANKET INSTL-LAV WASTE DUCT HEATER FWD  
FIGURE 1 (SHEET 1)

**30-71-01-01**

BRI  
MAY 28/07

30-71-01-01  
PAGE 0

**BOEING**  
757  
PARTS CATALOG (MAINTENANCE)



Y 30710101 SHT 2 REV 171

BLANKET INSTL-LAV WASTE DUCT HEATER FWD  
FIGURE 1 (SHEET 2)

**30-71-01-01**

BRI  
MAY 28/07

30-71-01-01  
PAGE 0A



757

PARTS CATALOG (MAINTENANCE)

FIG ITEM	PART NUMBER	1 2 3 4 5 6 7	NOMENCLATURE	EFFECT FROM TO	UNITS PER ASSY
1			BLANKET INSTL-LAV WASTE DUCT HEATER FWD	002004 006102 107999	
- 1	417N8202-2		BLANKET INSTL-LAV WASTE DUCT HEATER POSITION DATA: FWD FOR NHA SEE: 25-20-00-03A	002004 006100 107107 121503 904999	RF
5	3100-101-4		.THERMOSTAT- SUPPLIER CODE: V14604 ELECTRICAL EQUIP NUMBER: B00085	002004 006100 107107 121503 904999	1
- 10	AN960PD10L		ATTACHING PARTS .WASHER-	002004 006100 107107 121503 904999	1
- 15	BRH10C3D		.NUT SUPPLIER CODE: V52828 SPECIFICATION NUMBER: BACN10JC3CD OPTIONAL PART: T6C1032JCD V11815 NS202486-02 V80539 102LH9075-3W V72962 H51650-3BAC V15653	002004 006100 107107 121503 904999	1
20	BACC10DK14		-----*----- .CLAMP-	002004 006100 107107 121503 904999	1

MISSING ITEM NUMBERS NOT APPLICABLE

- ITEM NOT ILLUSTRATED

BRI

30-71-01-01

BOEING PROPRIETARY - Copyright © - Unpublished Work - See title page for details.

30-71-01  
FIG. 01  
PAGE 1  
JAN 20/09





757

PARTS CATALOG (MAINTENANCE)

FIG ITEM	PART NUMBER	1 2 3 4 5 6 7	NOMENCLATURE	EFFECT FROM TO	UNITS PER ASSY
1 25	N2088		. PLUG-FILLER SUPPLIER CODE: V75345 SPECIFICATION NUMBER: BACP20BA1 OPTIONAL PART: SZ7105 V95272 4841 V84914	002004 006100 107107 121503 904999	1
35	115540-11		. BLANKET-HEATER SUPPLIER CODE: V85932 SPECIFICATION NUMBER: S417N801-11 OPTIONAL PART: 43-21022-011 V11416	002004 006100 107107 121503 904999	1
40	115540-29		. BLANKET-HEATER SUPPLIER CODE: V85932 SPECIFICATION NUMBER: S417N801-29 OPTIONAL PART: 43-21022-029 V11416	002004 006100 107107 121503 904999	1
45	740A20-10		. JUMPER ASSY- SUPPLIER CODE: V91812 SPECIFICATION NUMBER: BACJ40A20-10 OPTIONAL PART: TJEJ40A20-10 V33483 RBEJ20-10 V1GK47	002004 006100 107107 121503 904999	1
- 200	417N8202-7		BLANKET INSTL-LAV WASTE DUCT HEATER POSITION DATA: FWD FOR NHA SEE: 25-20-00-09	101102 108120 504903	RF
205	3100-101-4		. THERMOSTAT- SUPPLIER CODE: V14604 ELECTRICAL EQUIP NUMBER: B00085	101102 108120 504903	1

MISSING ITEM NUMBERS NOT APPLICABLE

- ITEM NOT ILLUSTRATED

30-71-01-01

30-71-01  
FIG. 01  
PAGE 2  
JAN 20/09

BRI



757

PARTS CATALOG (MAINTENANCE)

FIG ITEM	PART NUMBER	1 2 3 4 5 6 7	NOMENCLATURE	EFFECT FROM TO	UNITS PER ASSY
1			ATTACHING PARTS		
- 210	NAS1149D0332J		.WASHER	101102 108120 504903	1
- 215	PLH53CD		.NUT SUPPLIER CODE: VF0224 SPECIFICATION NUMBER: BACN10YR3CD OPTIONAL PART: H52732-3CD V15653 -----*-----	101102 108120 504903	1
220	BACC10DK14		.CLAMP	101102 108120 504903	1
225	N2088		.PLUG-FILLER SUPPLIER CODE: V75345 SPECIFICATION NUMBER: BACP20BA1 OPTIONAL PART: SZ7105 V95272 4841 V84914	101102 108120 504903	1
230	115540-11		.BLANKET-HEATER SUPPLIER CODE: V85932 SPECIFICATION NUMBER: S417N801-11 ELECTRICAL EQUIP NUMBER: B00107 OPTIONAL PART: 43-21022-011 V11416	101102 108120 504903	1
235	740A20-10		.JUMPER ASSY SUPPLIER CODE: V91812 SPECIFICATION NUMBER: BACJ40A20-10 OPTIONAL PART: TJEJ40A20-10 V33483 RBEJ20-10 V1GK47	101102 108120 504903	1

MISSING ITEM NUMBERS NOT APPLICABLE

- ITEM NOT ILLUSTRATED

30-71-01-01

30-71-01  
FIG. 01  
PAGE 3  
JAN 20/09

BRI



757

PARTS CATALOG (MAINTENANCE)

FIG ITEM	PART NUMBER	1 2 3 4 5 6 7	NOMENCLATURE	EFFECT FROM TO	UNITS PER ASSY
1					
- 300	417N8202-9		BLANKET INSTL-LAV WASTE DUCT HEATER POSITION DATA: FWD FOR NHA SEE: 25-20-00-11B	504903	RF
305	116684-11		.BLANKET-LAV A SUPPLIER CODE: V85932 SPECIFICATION NUMBER: S417T202-11 ELECTRICAL EQUIP NUMBER: B10170	504903	1
- 315	417N8202-10		HEATER INSTL-LAV WASTE FILL/RINSE LINE LAV F POSITION DATA: FWD FOR NHA SEE: 25-20-00-11B	504903	RF
320	116684-11		.BLANKET-LAV A SUPPLIER CODE: V85932 SPECIFICATION NUMBER: S417T202-11 ELECTRICAL EQUIP NUMBER: B10173	504903	1

MISSING ITEM NUMBERS NOT APPLICABLE

- ITEM NOT ILLUSTRATED

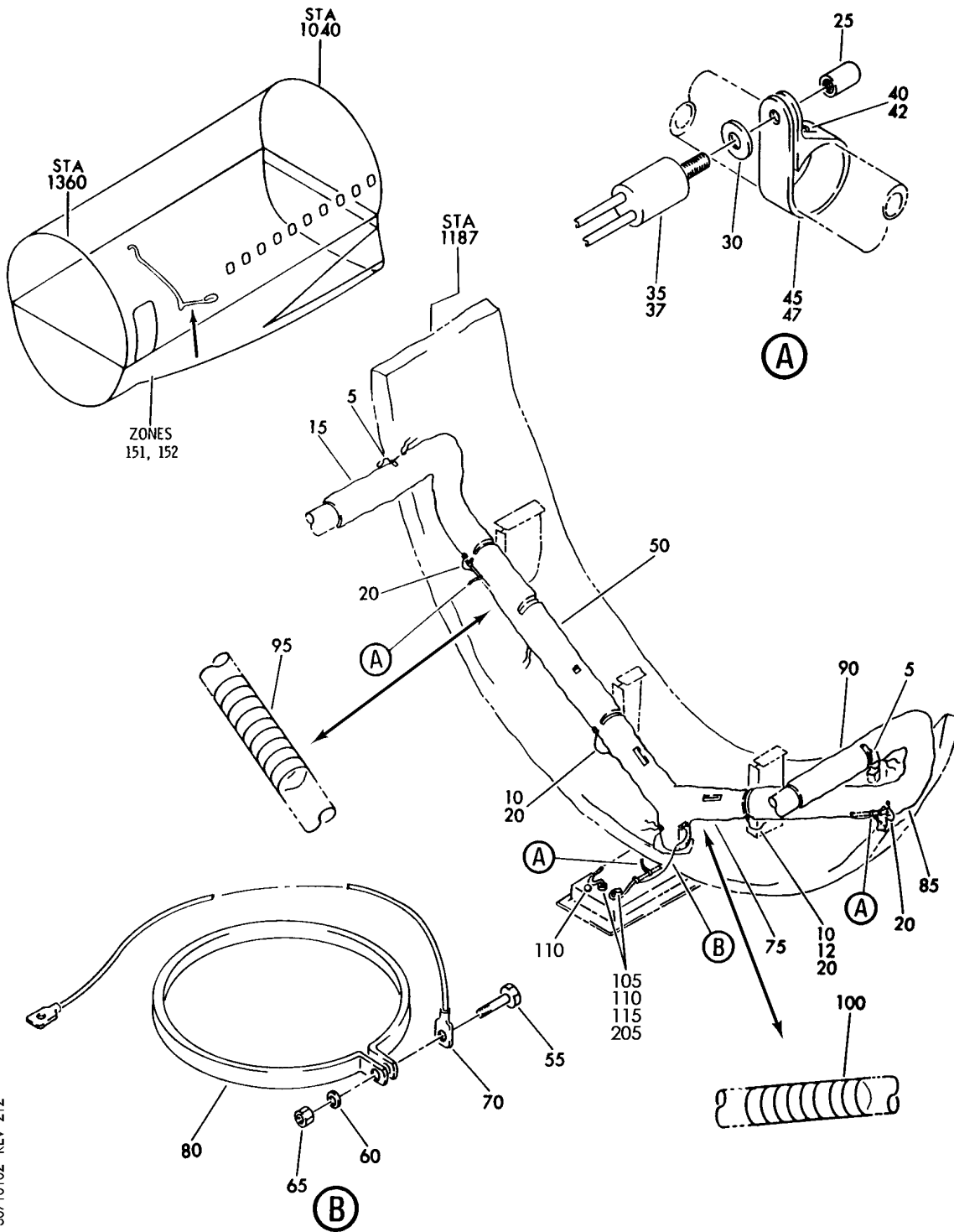
BRI

30-71-01-01

BOEING PROPRIETARY - Copyright © - Unpublished Work - See title page for details.

30-71-01  
FIG. 01  
PAGE 4  
JAN 20/09

**BOEING**  
757  
PARTS CATALOG (MAINTENANCE)



Y 30710102 REV 212

BLANKET AND TAPE INSTL-LAV WASTE DUCT HEATER MID CAB.  
FIGURE 2

**30-71-01-02**

BRI  
MAY 28/07

30-71-01-02  
PAGE 0



757

PARTS CATALOG (MAINTENANCE)

FIG ITEM	PART NUMBER	1 2 3 4 5 6 7	NOMENCLATURE	EFFECT FROM TO	UNITS PER ASSY
2			BLANKET AND TAPE INSTL-LAV WASTE DUCT HEATER MID CAB.	002004 006102 107999	
- 3	417N8302-4		TAPE INSTL-LAV WASTE DUCT HEATER POSITION DATA: MID CAB. FOR NHA SEE: 25-20-00-03A	002004 006100 107107 121503 904999	RF
- 3	417N8302-7		TAPE INSTL-LAV WASTE DUCT HEATER POSITION DATA: MID CAB. FOR NHA SEE: 25-20-00-09	101102 108120 504903	RF
10	740A20-10		. JUMPER ASSY SUPPLIER CODE: V91812 SPECIFICATION NUMBER: BACJ40A20-10 OPTIONAL PART: TJEJ40A20-10 V33483 RBEJ20-10 V1GK47	107107 904949 952952	2
12	740A20-10		. JUMPER ASSY- SUPPLIER CODE: V91812 SPECIFICATION NUMBER: BACJ40A20-10 OPTIONAL PART: TJEJ40A20-10 V33483 RBEJ20-10 V1GK47	002004 006102 108903 950951 953999	1
37	3100-101-4		. THERMOSTAT- SUPPLIER CODE: V14604 ELECTRICAL EQUIP NUMBER: B10166	002004 006102 108903 950951 953999	1

MISSING ITEM NUMBERS NOT APPLICABLE

- ITEM NOT ILLUSTRATED

BRI

30-71-01-02

BOEING PROPRIETARY - Copyright © - Unpublished Work - See title page for details.

30-71-01  
FIG. 02  
PAGE 1  
JAN 20/09



757

PARTS CATALOG (MAINTENANCE)

FIG ITEM	PART NUMBER	1 2 3 4 5 6 7	NOMENCLATURE	EFFECT FROM TO	UNITS PER ASSY
2					
42	N2088		. PLUG SUPPLIER CODE: V75345 SPECIFICATION NUMBER: BACP20BA1 OPTIONAL PART: SZ7105 V95272 4841 V84914	002004 006102 108903 950951 953999	1
47	BACC10DK14		. CLAMP	002004 006102 108903 950951 953999	1
55	NAS1801-3-6		. SCREW	107107 904949 952952	1
60	AN960C10L		. WASHER	107107 904949 952952	1
65	BRH10C3D		. NUT SUPPLIER CODE: V52828 SPECIFICATION NUMBER: BACN10JC3CD OPTIONAL PART: T6C1032JCD V11815 NS202486-02 V80539 102LH9075-3W V72962 H51650-3BAC V15653	107107 904949 952952	1
70	740A20-15		. JUMPER ASSY SUPPLIER CODE: V91812 SPECIFICATION NUMBER: BACJ40A20-15 OPTIONAL PART: TJEJ40A20-15 V33483 RBEJ20-15 V1GK47	107107 904949 952952	1

MISSING ITEM NUMBERS NOT APPLICABLE

- ITEM NOT ILLUSTRATED

BRI

30-71-01-02

BOEING PROPRIETARY - Copyright © - Unpublished Work - See title page for details.

30-71-01  
FIG. 02  
PAGE 2  
JAN 20/09



757

PARTS CATALOG (MAINTENANCE)

FIG ITEM	PART NUMBER	1 2 3 4 5 6 7	NOMENCLATURE	EFFECT FROM TO	UNITS PER ASSY
2					
75	43-21022-010		.HEATER ASSY- SUPPLIER CODE: V14604 SPECIFICATION NUMBER: S417N801-10 ELECTRICAL EQUIP NUMBER: B00120	002004 006102 108903 950951 953999	1
80	69B41830-6		.CLAMP-ELECTRICAL BONDING	107107 904949 952952	1
95	115529-32		.TAPE- SUPPLIER CODE: V85932 SPECIFICATION NUMBER: S417N204-32 ELECTRICAL EQUIP NUMBER: B10126	107107 904949 952952	1
100	115529-33		.TAPE- SUPPLIER CODE: V85932 SPECIFICATION NUMBER: S417N204-33 ELECTRICAL EQUIP NUMBER: B10127	107107 904949 952952	1
- 200	417N8302-11		HEATER NUT INSTL- FOR NHA SEE: 25-20-00-11B	504903	RF
205	116684-11		.BLANKET-HEATER SUPPLIER CODE: V85932 SPECIFICATION NUMBER: S417T202-11 ELECTRICAL EQUIP NUMBER: B10162 B10163	504903	2

MISSING ITEM NUMBERS NOT APPLICABLE

- ITEM NOT ILLUSTRATED

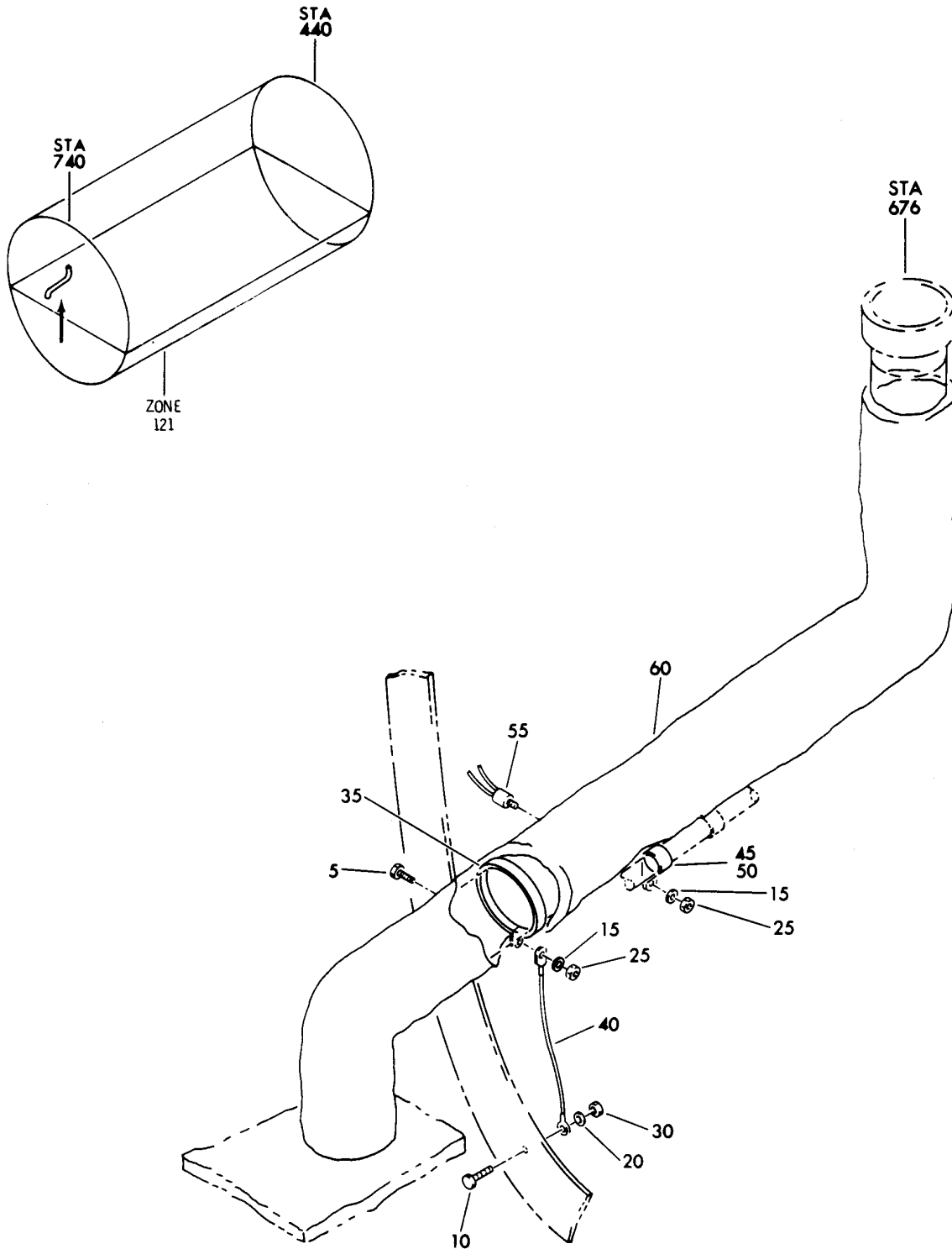
BRI

30-71-01-02

BOEING PROPRIETARY - Copyright © - Unpublished Work - See title page for details.

30-71-01  
FIG. 02  
PAGE 3  
JAN 20/09

**BOEING**  
757  
PARTS CATALOG (MAINTENANCE)



Y 30710105 SHT 1 REV 041

HEATER AND BLANKET INSTL FWD LAV WASTE DUCT (MODULE S)  
FIGURE 5

**30-71-01-05**

BRI  
JAN 20/09

30-71-01-05  
PAGE 0





757

PARTS CATALOG (MAINTENANCE)

FIG ITEM	PART NUMBER	1 2 3 4 5 6 7	NOMENCLATURE	EFFECT FROM TO	UNITS PER ASSY
5			HEATER AND BLANKET INSTL FWD LAV WASTE DUCT (MODULE S)	108120 950999	
- 1	417N8504-2		BLANKET INSTL-LAV S WASTE DUCT HEATER POSITION DATA: FWD FOR NHA SEE: 25-20-00-01A	950999	RF
- 1	417N8504-9		BLANKET INSTL-LAV S WASTE DUCT HEATER POSITION DATA: FWD FOR NHA SEE: 25-20-00-11B	108120	RF
5	NAS1801-3-8		.SCREW	108120 950999	1
10	NAS1801-4-8		.SCREW	108120 950999	1
15	AN960KD10L		.WASHER	108120 950999	2
20	AN960D416L		.WASHER	108120 950999	1
25	BRH10C3D		.NUT SUPPLIER CODE: V52828 SPECIFICATION NUMBER: BACN10JC3CD OPTIONAL PART: T6C1032JCD V11815 NS202486-02 V80539 102LH9075-3W V72962 H51650-3BAC V15653	108120 950999	2

MISSING ITEM NUMBERS NOT APPLICABLE

- ITEM NOT ILLUSTRATED

BRI

30-71-01-05

BOEING PROPRIETARY - Copyright © - Unpublished Work - See title page for details.

30-71-01  
FIG. 05  
PAGE 1  
JAN 20/09



757

PARTS CATALOG (MAINTENANCE)

FIG ITEM	PART NUMBER	1 2 3 4 5 6 7	NOMENCLATURE	EFFECT FROM TO	UNITS PER ASSY
5	30 BRH10C4D	.NUT	SUPPLIER CODE: V52828 SPECIFICATION NUMBER: BACN10JC4CD OPTIONAL PART: T6C428JCD V11815 NS202486-048 V80539 102LH9075-4W V72962 H51650-4BAC V15653	108120 950999	1
	35 AN735D64	.CLAMP		108120 950999	1
	40 BACJ40A21-11	.JUMPER ASSY		108120 950999	1
	45 BACC10DK14	.CLAMP		108120 950999	1
	50 N2088	.PLUG	SUPPLIER CODE: V75345 SPECIFICATION NUMBER: BACP20BA1 OPTIONAL PART: SZ7105 V95272 4841 V84914	108120 950999	1
	55 3100-101-4	.THERMOSTAT-	SUPPLIER CODE: V14604 ELECTRICAL EQUIP NUMBER: B10104	108120 950999	1
	60 115540-31	.BLANKET-	SUPPLIER CODE: V85932 SPECIFICATION NUMBER: S417N801-31 ELECTRICAL EQUIP NUMBER: B10102 OPTIONAL PART: 43-21022-031 V11416	108120 950999	1

MISSING ITEM NUMBERS NOT APPLICABLE

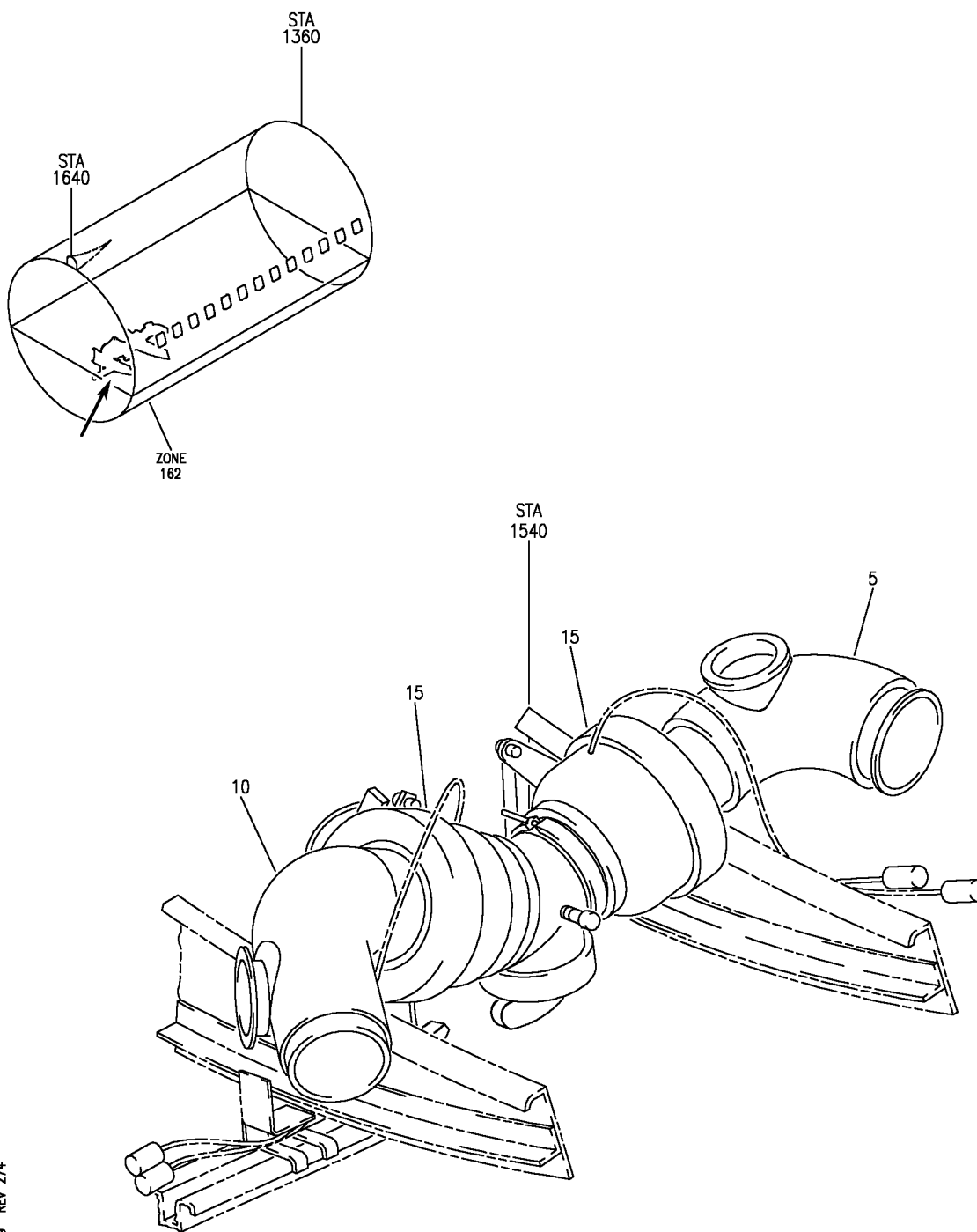
- ITEM NOT ILLUSTRATED

30-71-01-05

30-71-01  
FIG. 05  
PAGE 2  
JAN 20/09

BRI

**BOEING**  
757  
PARTS CATALOG (MAINTENANCE)



Y 30710108 REV 274

BLANKET AND MARKER INSTL HEATER BALL VALVE AND INPUT SWITCH VAC WASTE SYS  
FIGURE 9

BRI  
JAN 20/09

**30-71-01-09**

30-71-01-09  
PAGE 0



757

PARTS CATALOG (MAINTENANCE)

FIG ITEM	PART NUMBER	1 2 3 4 5 6 7	NOMENCLATURE	EFFECT FROM TO	UNITS PER ASSY
9			BLANKET AND MARKER INSTL HEATER BALL VALVE AND INPUT SWITCH VAC WASTE SYS	103106	
- 1	MODREF18999		BLANKET INSTL-HEATER VAC WASTE SYSTEM MODULE NUMBER: 417N8660-1 REV A	103106	1
5	HB206		.BLANKET- SUPPLIER CODE: V79326 SPECIFICATION NUMBER: 60B44001-17 ELECTRICAL EQUIP NUMBER: B10247	103106	1
10	HB207		.BLANKET- SUPPLIER CODE: V79326 SPECIFICATION NUMBER: 60B44001-18 ELECTRICAL EQUIP NUMBER: B10248	103106	1
15	HB115		.BLANKET- SUPPLIER CODE: V79326 SPECIFICATION NUMBER: 60B44001-13 ELECTRICAL EQUIP NUMBER: B10245 B10246	103106	2

MISSING ITEM NUMBERS NOT APPLICABLE

- ITEM NOT ILLUSTRATED

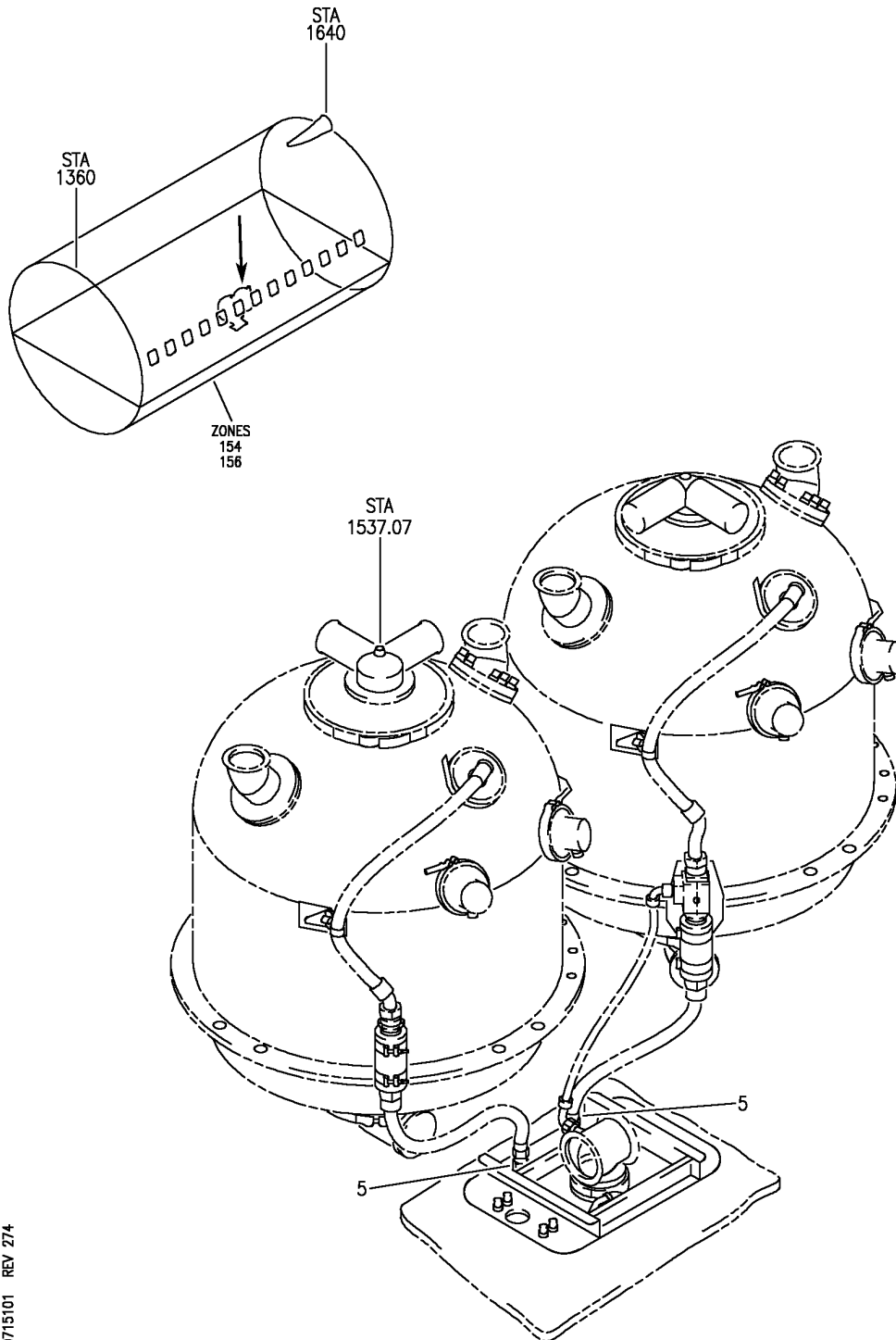
BRI

30-71-01-09

BOEING PROPRIETARY - Copyright © - Unpublished Work - See title page for details.

30-71-01  
FIG. 09  
PAGE 1  
JAN 20/09

**BOEING**  
757  
PARTS CATALOG (MAINTENANCE)



Y 30715101 REV 274

HOSE AND MARKER INSTL RINSE LINE HEATER VAC WASTE SYS  
FIGURE 1

**30-71-51-01**

BRI  
JAN 20/09

30-71-51-01  
PAGE 0



757

PARTS CATALOG (MAINTENANCE)

FIG ITEM	PART NUMBER	1 2 3 4 5 6 7	NOMENCLATURE	EFFECT FROM TO	UNITS PER ASSY
1			HOSE AND MARKER INSTL RINSE LINE HEATER VAC WASTE SYS	103106	
- 1	MODREF18993		HOSE INSTL-RINSE VAC WASTE SYS	103106	1
5	CH017		MODULE NUMBER: 417N8640-1 REV A .HEATER-CARTRIDGE SUPPLIER CODE: V79326 ELECTRICAL EQUIP NUMBER: B10249 B10250	103106	2

MISSING ITEM NUMBERS NOT APPLICABLE

- ITEM NOT ILLUSTRATED

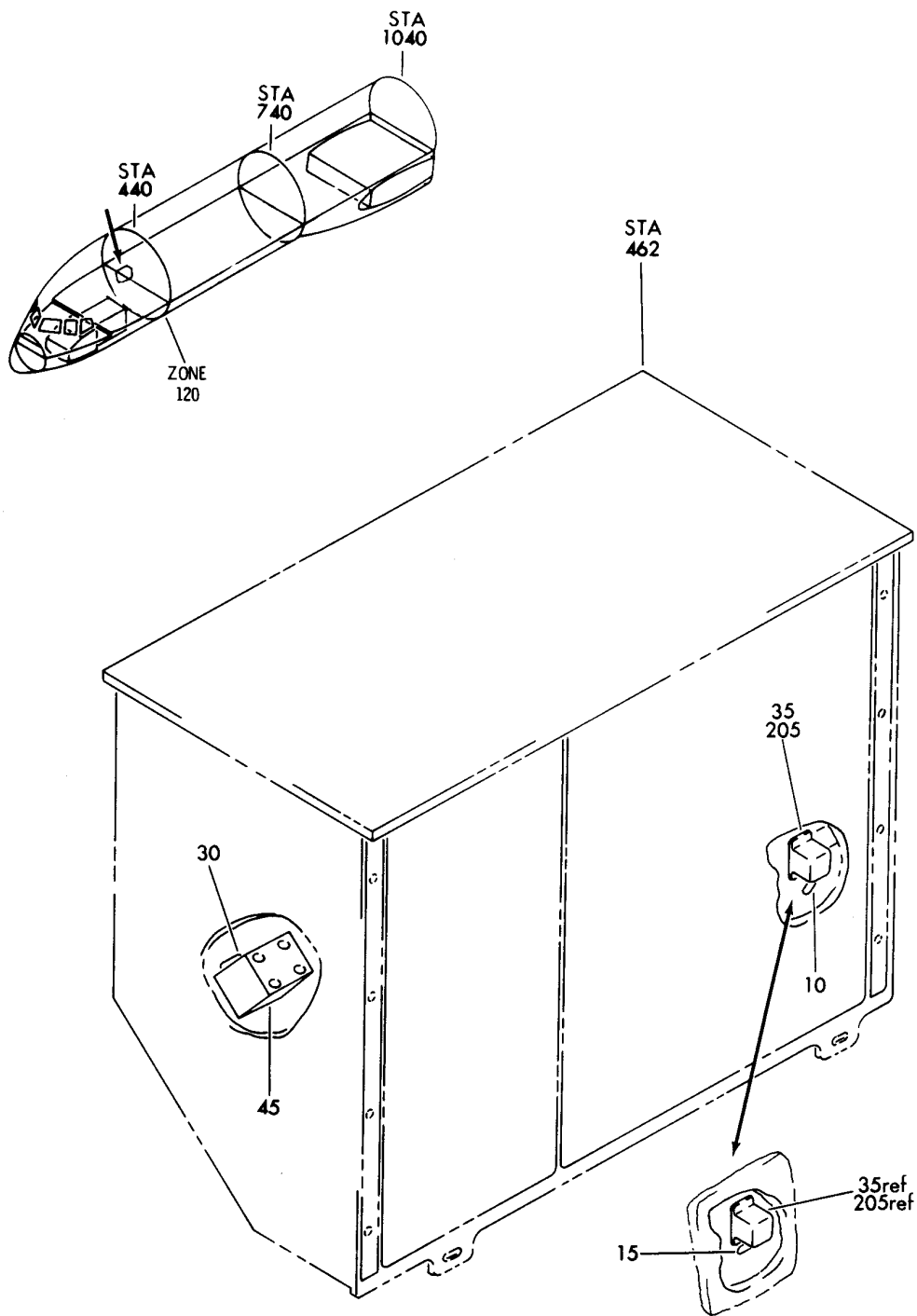
BRI

**30-71-51-01**

BOEING PROPRIETARY - Copyright © - Unpublished Work - See title page for details.

30-71-51  
FIG. 01  
PAGE 1  
JAN 20/09

**BOEING**  
757  
PARTS CATALOG (MAINTENANCE)



Y 30717102 SHT 1 REV 034

PANEL ASSY-P37 MISC RELAY R (WATER AND DRAIN LINE HEATERS ONLY)  
FIGURE 2

**30-71-71-02**

BRI  
JAN 20/09

30-71-71-02  
PAGE 0



757

PARTS CATALOG (MAINTENANCE)

FIG ITEM	PART NUMBER	1 2 3 4 5 6 7	NOMENCLATURE	EFFECT FROM TO	UNITS PER ASSY
2			PANEL ASSY-P37 MISC RELAY R (WATER AND DRAIN LINE HEATERS ONLY)	107107	
- 1	284N1127-1		PANEL ASSY-P37 MISC RELAY R (WATER AND DRAIN LINE HEATERS ONLY) VARIABLE DRAWING REF: 284N1127-5028 REWORKED BY ALERT SB: 27A0130 FOR NHA/OTHER SYS DET SEE: 31-01-37-01B	107107	RF
15	BAC27TEX0369		.DECAL- PLACARD CONTENT: K375	107107	1
30	BAC27TEX0370		.DECAL- PLACARD CONTENT: T147	107107	1
35	KAD9F005		.RELAY- SUPPLIER CODE: V58657 ELECTRICAL EQUIP NUMBER: K00375	107107	1
45	12783		.TRANSFORMER- SUPPLIER CODE: V95266 SPECIFICATION NUMBER: 60B40026-27 ELECTRICAL EQUIP NUMBER: T00147 OPTIONAL PART: FT1021 V14752	107107	1
- 50	NAS603-6P		ATTACHING PARTS .SCREW- -----*-----	107107	4
- 200	286N1270-003		WIRE BUNDLE ASSY-(WATER AND DRAIN LINE HEATERS ONLY) REWORKED BY ALERT SB: 27A0130 34A0222	107107	RF
205	BACS16W3		.SOCKET- ELECTRICAL EQUIP NUMBER: D00958 WIRING DIAGRAM REF: 307121	107107	1

MISSING ITEM NUMBERS NOT APPLICABLE

- ITEM NOT ILLUSTRATED

30-71-71-02

30-71-71  
FIG. 02  
PAGE 1  
JAN 20/09

BRI