

# Technical Engineering Order:

## TEO/757/1353 Issue 2

Title : **Removal / Reinstallation of Nose Gear  
Aft Tow Fitting**

Modification Classification : **Minor/Major**

ATA Chapter(s) : 9, 32

Aircraft Effectivities : **Type Variable No. Serial No.**

757-204	NB422	26963
757-204	NB423	26964
757-204	NB426	26966
757-204	NB427	26967
757-204	NB429	26267
757-204	NB430	25626
757-204	NB432	27235
757-204	NB433	27236
757-204	NB435	27238
757-204	NB436	27208
757-204	NB437	27220
757-204	NB438	27234
757-204	NT431	28884
757-204	NT432	28836
757-2Y0	NB329	26158
757-236	NA352	25593
757-236	NT404	29941
757-236	NT405	29942
757-236	NT406	29943
757-236	NT407	29944
757-28A	NT245	32446
757-28A	NT246	32447
757-2Y0	NB322	25268

MODIFICATION NUMBER : TEO/757/1353  
 PART 21 APPROVAL REF: **EASA.21J.049**

ISSUE: 2

**Certificate of Design**

I hereby certify that this Technical Engineering Order defines the changes associated with the relevant Modification Summary.

The technical information contained within or associated with this document has been approved under the authority of the EASA Approval No. EASA.21J.049

Office of Airworthiness (or Nominee) Approved:



Date: 18/03/09

---

MODIFICATION NUMBER : TEO/757/1353  
PART 21 APPROVAL REF: EASA.21J.049

ISSUE: 2

## Record Drawing Office Instructions (DOI) Numbers raised as a result of this modification

<u>DOI No.</u>	<u>Details</u>

Compiled : Bhavesh Mandalia      **Signed:**       **Date:** 16-03-09  
 Avionics Checked : Not required at this issue      **Signed:** \_\_\_\_\_      **Date:** \_\_\_\_\_  
 Airframe Checked : Richard Perkins      **Signed:**       **Date:** 16/03/09  
 Stress Checked : Mark Evans      **Signed:** \_\_\_\_\_      **Date:** \_\_\_\_\_


MODIFICATION NUMBER : TEO/757/1353      ISSUE: 2  
 PART 21 APPROVAL REF: EASA.21J.049



Thomsonfly Ltd.  
London Luton Airport  
Bedfordshire  
LU2 9ND  
England

Recom Drawing Office Instructions (DOI) Numbers raised as a result of this modification

DOI No.	Details

Compiled : Bhavesh Mandalia Signed: \_\_\_\_\_ Date: \_\_\_\_\_  
Avionics Checked : Not required at this issue Signed: \_\_\_\_\_ Date: \_\_\_\_\_  
Airframe Checked : Richard Perkins Signed: \_\_\_\_\_ Date: \_\_\_\_\_  
Stress Checked : Mark Evans Signed:  Date: 17-3-09

MODIFICATION NUMBER : TEO/757/1353 ISSUE: 2  
PART 21 APPROVAL REF: EASA.21J.049

## 1. Contents

<b>1.</b>	<b>Contents .....</b>	<b>4</b>
<b>2.</b>	<b>Revision History- .....</b>	<b>5</b>
<b>3.</b>	<b>Document required for Continued airworthiness .....</b>	<b>6</b>
<b>4.</b>	<b>Modification Details.....</b>	<b>7</b>
4.1	Description.....	7
4.2	Parts Required Per Aircraft – PART B ONLY.....	7
4.3	Parts Removed Per Aircraft – PART A ONLY .....	8
4.4	Documents & Drawings Required.....	9
<b>5.</b>	<b>Accomplishment Instructions.....</b>	<b>10</b>
5.1	Part A – Removal of Nose Gear Aft Tow Fitting.....	11
5.2	Part B – Installation of Nose Gear Aft Tow Fitting.....	12

**Including Fault Log for anomaly/deviation reporting purposes**

## 2. Revision History-

Issue	Date	Raised Issue Details	Sheets Affected
1	16/01/09	Initial Issue	All
2	16/03/09	Parts lists for parts removed and parts required revised to show Tow Fitting Assy as the highest assembly and all additional parts form part of this assembly. Serviceability note for removed parts amended and reference to route all parts to stores as a kit removed. BM	7-8, 11-12

### 3. Document required for Continued airworthiness

Documents Affected	Aircraft Maintenance Manual	Yes/ <del>No</del>
	Wiring Diagram Manual	<del>Yes</del> /No
	Illustrated Parts Catalogue	Yes/ <del>No</del>
	Line E.T.O.P.S. Manual	<del>Yes</del> /No
	MEL	<del>Yes</del> /No
	Weight Schedule	Yes/ <del>No</del>
	Maintenance Schedule	<del>Yes</del> /No
	Configuration Manual	<del>Yes</del> /No
	Operation Manual	<del>Yes</del> /No
	Flight Manual	<del>Yes</del> /No
	Cabin/Emergency Manual	<del>Yes</del> /No
	Simulator	<del>Yes</del> /No
	Capability List	<del>Yes</del> /No
	Advisory Bulletin	<del>Yes</del> /No
	Other (Please Specify)	<del>Yes</del> /No

## 4. Modification Details

### 4.1 Description

This modification has been raised to provide instructions for removal and reinstallation of the existing Nose Wheel aft Tow fitting. Thomson Airways utilise the fwd Tow fitting only, therefore the redundant aft tow fitting is removed for weight saving purposes.

This modification has been raised in two parts to enable the removal and reinstallation of the Tow Fitting, if required, for leasing or end of lease requirements for the subject aircraft.

This modification is in two parts:

**Part A – Removal of Nose Gear Aft Tow Fitting.**

**Part B – Re-installation of Nose Gear Aft Tow Fitting.**

### 4.2 Parts Required Per Aircraft – PART B ONLY

<u>PART NO.</u>	<u>DESCRIPTION</u>	<u>QTY</u>
162N1201-1	FITTING ASSY – TOW	1
.162N1209-1	BOLT ASSY	2
.AN960C1416*	WASHER	2
.BMN4122AD3-14 OR .H51650-14BAC	NUT	2
.162N1207-1	PIN – TOW	1
.162N1208-1	COLLAR – TOW PIN	2
.BRH10A5 OR .BRH10CD5	NUT	1
.AN960C516L OR .NAS1149CO532R	WASHER	2
.BACB30LJ5-32	BOLT	2
BMS 3-33	GREASE	A/R

\* NOT INSTALLED ON NT404 – NT407, NT245, NT246, NT431 & NT432



**4.3 Parts Removed Per Aircraft – PART A ONLY**

<u>PART NO.</u>	<u>DESCRIPTION</u>	<u>QTY</u>
162N1201-1	FITTING ASSY – TOW	1
.162N1209-1	BOLT ASSY	2
.AN960C1416*	WASHER	2
.BMN4122AD3-14 OR .H51650-14BAC	NUT	2
.162N1207-1	PIN – TOW	1
.162N1208-1	COLLAR – TOW PIN	2
.BRH10A5 OR .BRH10CD5	NUT	1
.AN960C516L OR .NAS1149CO532R	WASHER	2
.BACB30LJ5-32	BOLT	2

\* NOT INSTALLED ON NT404 – NT407, NT245, NT246, NT431 & NT432

**4.4 Documents & Drawings Required**

<u>DOCUMENT/DRAWING No.</u>	<u>TITLE</u>	<u>ISSUE</u>
AIPC CH 32	ILLUSTRATED PARTS CATALOG	
AMM CH 32	MAINTENANCE MANUAL	

---

MODIFICATION NUMBER : TEO/757/1353 ISSUE: 2  
PART 21 APPROVAL REF: **EASA.21J.049**

## 5. Accomplishment Instructions

### General Notes for Installation

Part A and Part B contain the information required to carry out this modification.

Part A must only be referred to if the aircraft is fitted with a Nose Gear Aft Tow Fitting.

Part B must be referred to if the aircraft is required to be fitted with a Nose Gear Aft Tow Fitting for any purpose including leasing and end of lease requirements. In this case, the original kit of parts removed in Part A must be refitted to the subject aircraft.

### 5.1 Part A – Removal of Nose Gear Aft Tow Fitting.

**A1. Refer to IPC Chapter 32-21-13 & AMM Chapter 32-21-13 PG 401.**

A1.1 Remove the following items for the Nose Gear Aft Tow Fitting from the subject aircraft.

Part Number	Description	Quantity
162N1201-1	FITTING ASSY – TOW	1
.162N1209-1	BOLT ASSY	2
.AN960C1416*	WASHER	2
.BMN4122AD3-14 OR .H51650-14BAC	NUT	2
.162N1207-1	PIN – TOW	1
.162N1208-1	COLLAR – TOW PIN	2
.BRH10A5 OR .BRH10CD5	NUT	1
.AN960C516L OR .NAS1149CO532R	WASHER	2
.BACB30LJ5-32	BOLT	2

\* NOT INSTALLED ON NT404 – NT407, NT245, NT246, NT431 & NT432

Check all parts for serviceability, re-certify **Fitting Assy – Tow (P/N 162N1201-1)** with a **Form 1** and route to **bonded** stores with appropriate paperwork.

**END**

**5.2 Part B – Installation of Nose Gear Aft Tow Fitting.**
**B1. Refer to IPC Chapter 32-21-13 & AMM Chapter 32-21-13 PG 403.**

B1.1 Install the following items for the Nose Gear Aft Tow Fitting to the subject aircraft per AMM Chapter 32-21-13 PG 403 with reference to IPC Chapter 32-21-13.

Part Number	Description	Quantity
162N1201-1	FITTING ASSY – TOW	1
.162N1209-1*	BOLT ASSY	2
.AN960C1416**	WASHER	2
.BMN4122AD3-14 OR .H51650-14BAC *	NUT	2
.162N1207-1	PIN – TOW	1
.162N1208-1	COLLAR – TOW PIN	2
.BRH10A5 OR .BRH10CD5	NUT	1
.AN960C516L OR .NAS1149CO532R	WASHER	2
.BACB30LJ5-32	BOLT	2
BMS 3-33***	GREASE	A/R

\* TIGHTEN WITH CORRECT TORQUE LIMITS. CHECK EACH NUT FOR SELF LOCKING TORQUE. THE TORQUE SHOULD BE BETWEEN 70 TO 300 IN-LBS. CALCULATE INSTALLATION TORQUE BY ADDING THE SELF LOCKING TORQUE TO 50 TO 70 IN-LBS. TIGHTEN NUTS WITH THIS CALCULATED TORQUE RANGE.

\*\* NOT TO BE INSTALLED ON NT404 – NT407, NT245, NT246, NT431 & NT432

\*\*\* REFER TO AMM FOR APPLICATION OF GREASE

**END**

NB. Any deviation from these accomplishment instructions must be reported to the Design Office using form ENG/1335 attached.

THOMSONFLY LIMITED

**FAULT LOG**

Priority P1 / P2 / P3 / P4 *	Date	Hangar	Workpack	A/C Reg	Log No
---------------------------------	------	--------	----------	---------	--------

**TYPE OF FAULT**

WORK PACK <input type="checkbox"/>	MATERIAL <input type="checkbox"/>	SYSTEM <input type="checkbox"/>	CATEGORY
Task ID	Part No/Kit No	Screen	Shortage <input type="checkbox"/>
SB/ B mod	Tool No	Report	Jobcard Revision <input type="checkbox"/>
Manual Ref		Hardware	Manufacturer/ vendor action <input type="checkbox"/>
Drawing No			

DETAIL OF FAULT

Raised by	For Attention Of	Reply by
-----------	------------------	----------

REPLY ACTION

Actioned By	Date
-------------	------

\* Circle as appropriate

P1 = Job Stop (instant verbal response, followed up in writing).

P2 = Reply required within 24 hours in writing.

P3 = Fix by next a/c input.

P4 = Next WMP.



# Technical Engineering Order: TEO/757/1353 Issue 2

Title : **Removal / Reinstallation of Nose Gear  
 Aft Tow Fitting**

Modification Classification : **Minor/Major**

ATA Chapter(s) : 9, 32

Aircraft Effectivities : **Type Variable No. Serial No.**

757-204	NB422	26963
757-204	NB423	26964
757-204	NB426	26966
757-204	NB427	26967
757-204	NB429	26267
757-204	NB430	25626
757-204	NB432	27235
757-204	NB433	27236
757-204	NB435	27238
757-204	NB436	27208
757-204	NB437	27220
757-204	NB438	27234
757-204	NT431	28884
757-204	NT432	28836
757-2Y0	NB329	26158
757-236	NA352	25593
757-236	NT404	29941
757-236	NT405	29942
757-236	NT406	29943
757-236	NT407	29944
757-28A	NT245	32446
757-28A	NT246	32447
757-2Y0	NB322	25268

MODIFICATION NUMBER : TEO/757/1353  
 PART 21 APPROVAL REF: **EASA.21J.049**

ISSUE: 2



---

**Certificate of Design**

I hereby certify that this Technical Engineering Order defines the changes associated with the relevant Modification Summary.

The technical information contained within or associated with this document has been approved under the authority of the EASA Approval No. EASA.21J.049

Office of Airworthiness (or Nominee) Approved:



Date: 18/03/09

---

MODIFICATION NUMBER : TEO/757/1353  
PART 21 APPROVAL REF: EASA.21J.049

ISSUE: 2

## Record Drawing Office Instructions (DOI) Numbers raised as a result of this modification

<u>DOI No.</u>	<u>Details</u>

Compiled : Bhavesh Mandalia      **Signed:**       **Date:** 16-03-09  
 Avionics Checked : Not required at this issue      **Signed:** \_\_\_\_\_      **Date:** \_\_\_\_\_  
 Airframe Checked : Richard Perkins      **Signed:**       **Date:** 16/03/09  
 Stress Checked : Mark Evans      **Signed:** \_\_\_\_\_      **Date:** \_\_\_\_\_

---


MODIFICATION NUMBER : TEO/757/1353      ISSUE: 2  
 PART 21 APPROVAL REF: EASA.21J.049



Thomsonfly Ltd.  
London Luton Airport  
Bedfordshire  
LU2 9ND  
England

Revised Drawing Office Instructions (DOI) Numbers raised as a result of this modification

DOI No.	Details

Compiled : Bhavesh Mandalia Signed: \_\_\_\_\_ Date: \_\_\_\_\_  
Avionics Checked : Not required at this issue Signed: \_\_\_\_\_ Date: \_\_\_\_\_  
Airframe Checked : Richard Perkins Signed: \_\_\_\_\_ Date: \_\_\_\_\_  
Stress Checked : Mark Evans Signed:  Date: 17-3-09

MODIFICATION NUMBER : TEO/757/1353 ISSUE: 2  
PART 21 APPROVAL REF: EASA.21J.049

## 1. Contents

<b>1.</b>	<b>Contents .....</b>	<b>4</b>
<b>2.</b>	<b>Revision History- .....</b>	<b>5</b>
<b>3.</b>	<b>Document required for Continued airworthiness .....</b>	<b>6</b>
<b>4.</b>	<b>Modification Details.....</b>	<b>7</b>
4.1	Description.....	7
4.2	Parts Required Per Aircraft – PART B ONLY.....	7
4.3	Parts Removed Per Aircraft – PART A ONLY .....	8
4.4	Documents & Drawings Required.....	9
<b>5.</b>	<b>Accomplishment Instructions.....</b>	<b>10</b>
5.1	Part A – Removal of Nose Gear Aft Tow Fitting.....	11
5.2	Part B – Installation of Nose Gear Aft Tow Fitting.....	12

**Including Fault Log for anomaly/deviation reporting purposes**

**2. Revision History-**

Issue	Date	Raised Issue Details	Sheets Affected
1	16/01/09	Initial Issue	All
2	16/03/09	Parts lists for parts removed and parts required revised to show Tow Fitting Assy as the highest assembly and all additional parts form part of this assembly. Serviceability note for removed parts amended and reference to route all parts to stores as a kit removed. <span style="float: right;">BM</span>	7-8, 11-12

 MODIFICATION NUMBER : TEO/757/1353 ISSUE: 2  
 PART 21 APPROVAL REF: EASA.21J.049

### 3. Document required for Continued airworthiness

Documents Affected	Aircraft Maintenance Manual	Yes/ <del>No</del>
	Wiring Diagram Manual	<del>Yes</del> /No
	Illustrated Parts Catalogue	Yes/ <del>No</del>
	Line E.T.O.P.S. Manual	<del>Yes</del> /No
	MEL	<del>Yes</del> /No
	Weight Schedule	Yes/ <del>No</del>
	Maintenance Schedule	<del>Yes</del> /No
	Configuration Manual	<del>Yes</del> /No
	Operation Manual	<del>Yes</del> /No
	Flight Manual	<del>Yes</del> /No
	Cabin/Emergency Manual	<del>Yes</del> /No
	Simulator	<del>Yes</del> /No
	Capability List	<del>Yes</del> /No
	Advisory Bulletin	<del>Yes</del> /No
	Other (Please Specify)	<del>Yes</del> /No

## 4. Modification Details

### 4.1 Description

This modification has been raised to provide instructions for removal and reinstallation of the existing Nose Wheel aft Tow fitting. Thomson Airways utilise the fwd Tow fitting only, therefore the redundant aft tow fitting is removed for weight saving purposes.

This modification has been raised in two parts to enable the removal and reinstallation of the Tow Fitting, if required, for leasing or end of lease requirements for the subject aircraft.

This modification is in two parts:

**Part A – Removal of Nose Gear Aft Tow Fitting.**

**Part B – Re-installation of Nose Gear Aft Tow Fitting.**

### 4.2 Parts Required Per Aircraft – PART B ONLY

<u>PART NO.</u>	<u>DESCRIPTION</u>	<u>QTY</u>
162N1201-1	FITTING ASSY – TOW	1
.162N1209-1	BOLT ASSY	2
.AN960C1416*	WASHER	2
.BMN4122AD3-14 OR .H51650-14BAC	NUT	2
.162N1207-1	PIN – TOW	1
.162N1208-1	COLLAR – TOW PIN	2
.BRH10A5 OR .BRH10CD5	NUT	1
.AN960C516L OR .NAS1149CO532R	WASHER	2
.BACB30LJ5-32	BOLT	2
BMS 3-33	GREASE	A/R

\* NOT INSTALLED ON NT404 – NT407, NT245, NT246, NT431 & NT432

**4.3 Parts Removed Per Aircraft – PART A ONLY**

<u>PART NO.</u>	<u>DESCRIPTION</u>	<u>QTY</u>
162N1201-1	FITTING ASSY – TOW	1
.162N1209-1	BOLT ASSY	2
.AN960C1416*	WASHER	2
.BMN4122AD3-14 OR .H51650-14BAC	NUT	2
.162N1207-1	PIN – TOW	1
.162N1208-1	COLLAR – TOW PIN	2
.BRH10A5 OR .BRH10CD5	NUT	1
.AN960C516L OR .NAS1149CO532R	WASHER	2
.BACB30LJ5-32	BOLT	2

\* NOT INSTALLED ON NT404 – NT407, NT245, NT246, NT431 & NT432



**4.4 Documents & Drawings Required**

<u>DOCUMENT/DRAWING No.</u>	<u>TITLE</u>	<u>ISSUE</u>
AIPC CH 32	ILLUSTRATED PARTS CATALOG	
AMM CH 32	MAINTENANCE MANUAL	

---

MODIFICATION NUMBER : TEO/757/1353 ISSUE: 2  
PART 21 APPROVAL REF: **EASA.21J.049**

## 5. Accomplishment Instructions

### General Notes for Installation

Part A and Part B contain the information required to carry out this modification.

Part A must only be referred to if the aircraft is fitted with a Nose Gear Aft Tow Fitting.

Part B must be referred to if the aircraft is required to be fitted with a Nose Gear Aft Tow Fitting for any purpose including leasing and end of lease requirements. In this case, the original kit of parts removed in Part A must be refitted to the subject aircraft.

### 5.1 Part A – Removal of Nose Gear Aft Tow Fitting.

**A1. Refer to IPC Chapter 32-21-13 & AMM Chapter 32-21-13 PG 401.**

A1.1 Remove the following items for the Nose Gear Aft Tow Fitting from the subject aircraft.

Part Number	Description	Quantity
162N1201-1	FITTING ASSY – TOW	1
.162N1209-1	BOLT ASSY	2
.AN960C1416*	WASHER	2
.BMN4122AD3-14 OR .H51650-14BAC	NUT	2
.162N1207-1	PIN – TOW	1
.162N1208-1	COLLAR – TOW PIN	2
.BRH10A5 OR .BRH10CD5	NUT	1
.AN960C516L OR .NAS1149CO532R	WASHER	2
.BACB30LJ5-32	BOLT	2

\* NOT INSTALLED ON NT404 – NT407, NT245, NT246, NT431 & NT432

Check all parts for serviceability, re-certify **Fitting Assy – Tow (P/N 162N1201-1)** with a **Form 1** and route to **bonded** stores with appropriate paperwork.

**END**

**5.2 Part B – Installation of Nose Gear Aft Tow Fitting.**
**B1. Refer to IPC Chapter 32-21-13 & AMM Chapter 32-21-13 PG 403.**

B1.1 Install the following items for the Nose Gear Aft Tow Fitting to the subject aircraft per AMM Chapter 32-21-13 PG 403 with reference to IPC Chapter 32-21-13.

Part Number	Description	Quantity
162N1201-1	FITTING ASSY – TOW	1
.162N1209-1*	BOLT ASSY	2
.AN960C1416**	WASHER	2
.BMN4122AD3-14 OR .H51650-14BAC *	NUT	2
.162N1207-1	PIN – TOW	1
.162N1208-1	COLLAR – TOW PIN	2
.BRH10A5 OR .BRH10CD5	NUT	1
.AN960C516L OR .NAS1149CO532R	WASHER	2
.BACB30LJ5-32	BOLT	2
BMS 3-33***	GREASE	A/R

\* TIGHTEN WITH CORRECT TORQUE LIMITS. CHECK EACH NUT FOR SELF LOCKING TORQUE. THE TORQUE SHOULD BE BETWEEN 70 TO 300 IN-LBS. CALCULATE INSTALLATION TORQUE BY ADDING THE SELF LOCKING TORQUE TO 50 TO 70 IN-LBS. TIGHTEN NUTS WITH THIS CALCULATED TORQUE RANGE.

\*\* NOT TO BE INSTALLED ON NT404 – NT407, NT245, NT246, NT431 & NT432

\*\*\* REFER TO AMM FOR APPLICATION OF GREASE

**END**

NB. Any deviation from these accomplishment instructions must be reported to the Design Office using form ENG/1335 attached.

THOMSONFLY LIMITED

**FAULT LOG**

Priority P1 / P2 / P3 / P4 *	Date	Hangar	Workpack	A/C Reg	Log No
---------------------------------	------	--------	----------	---------	--------

**TYPE OF FAULT**

WORK PACK <input type="checkbox"/>	MATERIAL <input type="checkbox"/>	SYSTEM <input type="checkbox"/>	CATEGORY
Task ID	Part No/Kit No	Screen	Shortage <input type="checkbox"/>
SB/ B mod	Tool No	Report	Jobcard Revision <input type="checkbox"/>
Manual Ref		Hardware	Manufacturer/ vendor action <input type="checkbox"/>
Drawing No			

DETAIL OF FAULT

Raised by	For Attention Of	Reply by
-----------	------------------	----------

REPLY ACTION

Actioned By	Date
-------------	------

\* Circle as appropriate

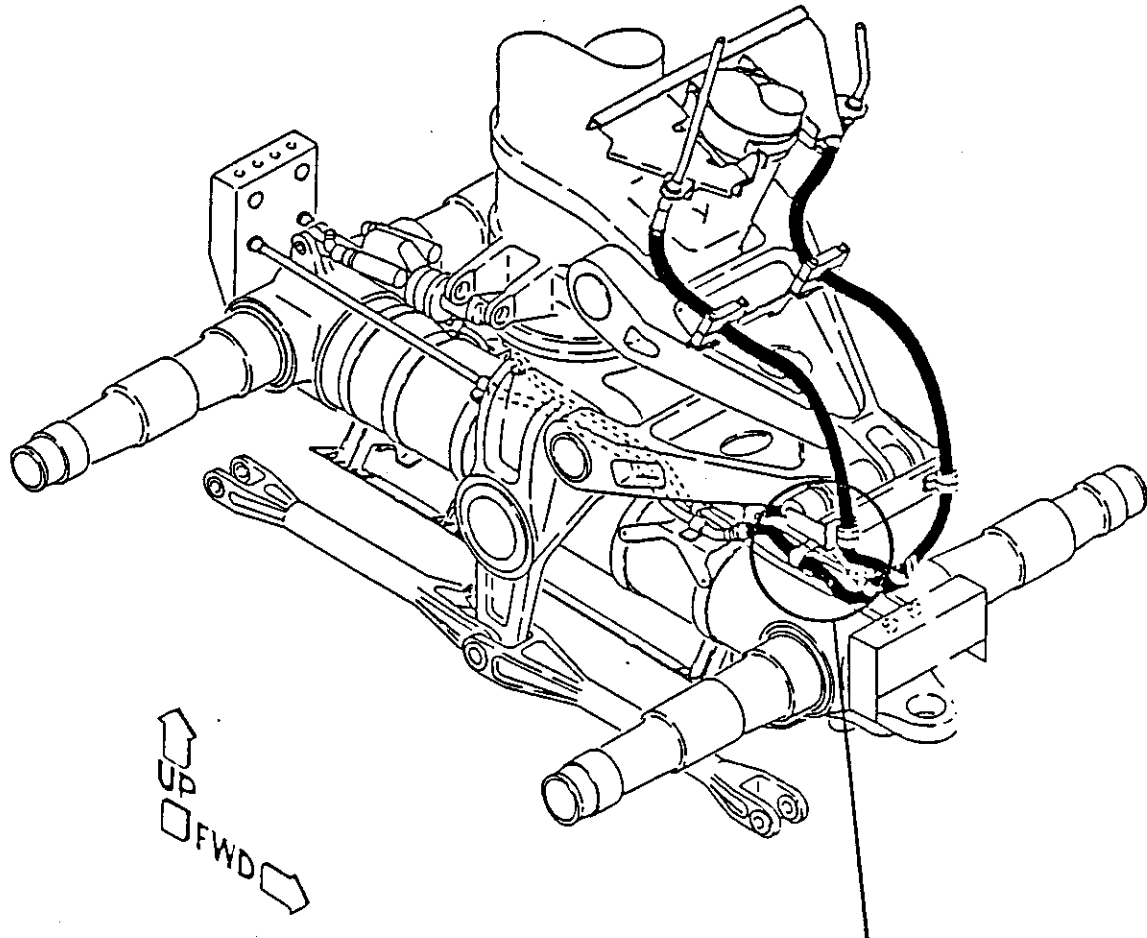
- P1 = Job Stop (instant verbal response, followed up in writing).
- P2 = Reply required within 24 hours in writing.
- P3 = Fix by next a/c input.
- P4 = Next WMP.

# BOEING 757 <sup>AIR 2000</sup> Monarch

AIR 2000

757-28A

## PARTS CATALOGUE



SEE FIGURES MON 3 AND 4

MAIN LANDING GEAR  
LEFT SIDE SHOWN  
RIGHT SIDE OPPOSITE

EFFECTIVITY

Aircraft incorporating M.A.E.L.  
Modification ATT/757/1264.

32-61-52  
Fig MON 2  
Page MON 1  
24.1.90

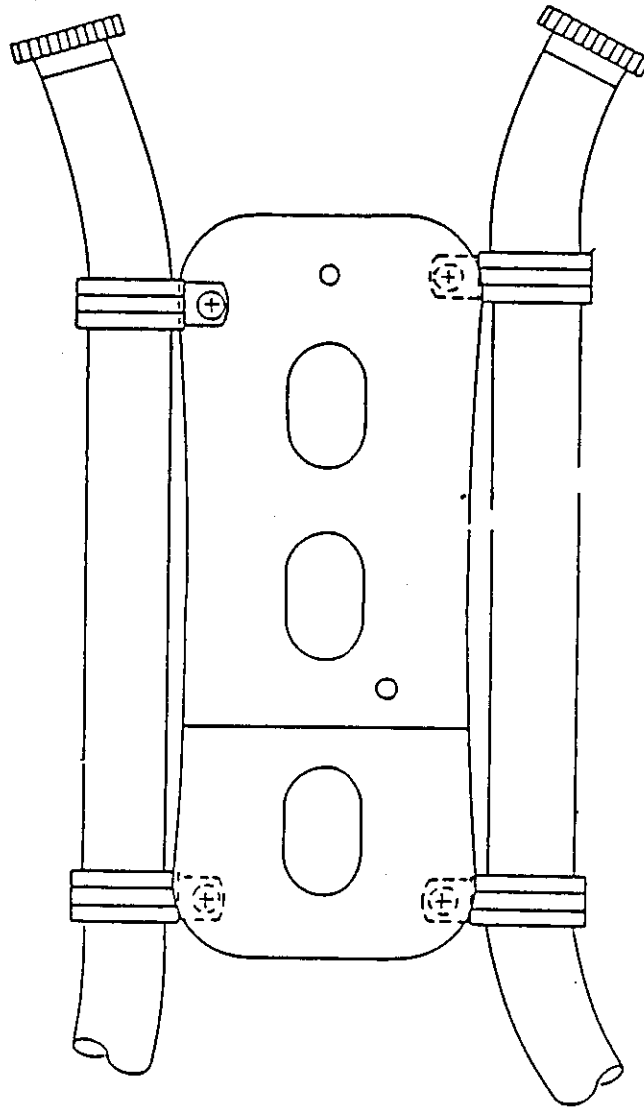
# BOEING 757

# Monarch

AIR 2000

757-28A

PARTS CATALOGUE



PRE-MODIFICATION

EFFECTIVITY

Aircraft incorporating M.A.E.L.  
Modification ATT/757/1264.

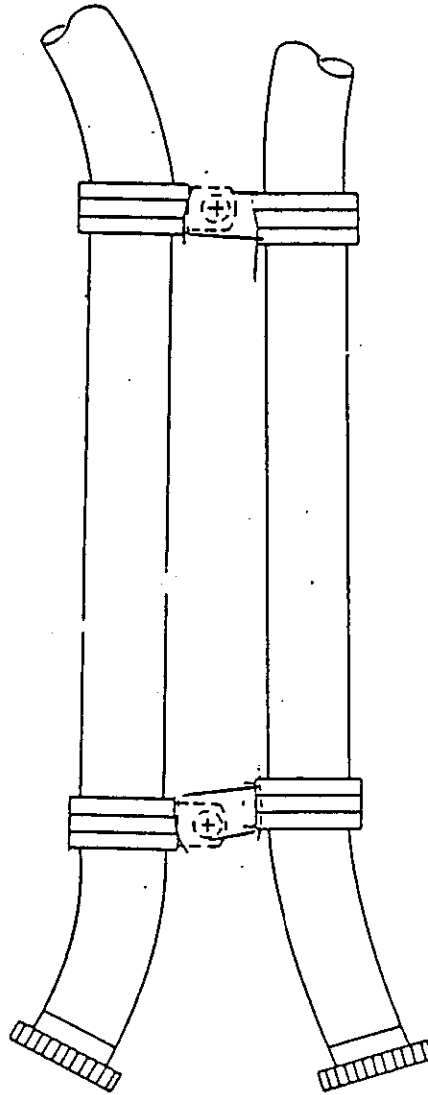
32-61-52  
Fig MON 3  
Page MON 4  
24.1.90

# BOEING 757 Monarch

AIR 2000

757-28A

PARTS CATALOGUE



POST MODIFICATION

EFFECTIVITY

Aircraft incorporating M.A.E.L.  
Modification ATT/757/1264.

32-61-52  
Fig MON 4  
Page MON 5  
24.1.90



AIR 2000

## PARTS CATALOGUE

Fig	Item	Part Number	Description	Units per Assy
2	328B	287 N1023-5	Plate  <u>DELETED BY THIS MODIFICATION</u>	1

ACTIVITY

Aircraft incorporating M.A.E.L.  
Modification ATT/757/1264.

32-61-52  
Fig MON 2  
Page MON 8  
24.1.90

B757 MANUAL SUPPLEMENT - ATP.2860

SECTION 2 CHAPTER 32

CONTROL PAGE ISSUE 1

- A. File the attached Temporary Revisions/Alerts in the Manual supplement in ATA Chapter/Section/Subject/Page sequence.
- B. File this control page in front of the chapter TRs/Alerts.
- C. The following list shows active TRs/Alerts together with TRs/Alerts added by this control page.

Chapter Section Subject	Page	TR/Alert No.
32-32-51-16	8	* BA.32-503
32-45-01-01	4	32-501
32-45-02-01	2	32-502

- D Remove and Destroy the following TR's/Alerts:

\* - TR's/Alerts issued with this control page

# ATP TEMPORARY REVISION

NA351, NA352

TR Page 1 of 1  
21 March 1994

B.757  
ILLUSTRATED PARTS CATALOGUE

THIS TEMPORARY REVISION IS ISSUED BY BRITISH AIRWAYS TECHNICAL SERVICES AND COMPLIES WITH BCAR'S CHAPTER A5-3, B5-3 AND/OR TSS No. 0-2 AS REQUIRED. CAA DESIGN APPROVAL No. DAI/8566/78.

FOR CHIEF ENGINEER TECHNICAL SERVICES

TEMPORARY REVISION NO. 32-503

Manual Reference 32-32-51-16 Page 8

## REASON FOR REVISION

To include ETOPS approved hose P/N.BACH8A04EE0232K.

## ACTION

Figure 16

Add the following item 345:

ITEM	PART NUMBER	1 2 3 4 5 6 7							NOMENCLATURE	EFFECT		UNITS PER ASSY.
		FROM	TO									
345	BACH8A04EE0232K	.							HOSE ASSY- (APPROVED FOR ETOPS)			1

Originator: R. ROSS  
(Ref): EAA-F-3703  
Work Record: 32-240

32-32-51-16

**ATP  
TEMPORARY  
REVISION**

A/C NA351, NA352

TR Page 1 of 1  
June 1992

757

ILLUSTRATED PARTS CATALOGUE

This Temporary Revision complies with BCAR Chapter A5-3, B5-3 and/or TSS No. 0-2 as appropriate.



for Chief Engineer (Technical & Quality Services) CAA Design Approval No.  
DAI/8566/78.

TEMPORARY REVISION NO.32-501

Manual Reference 32-45-01-01 Page 4

REASON FOR REVISION

To include BA main wheel assy part number.

ACTION

Figure 1

Add the following item 85:

ITEM	PART NUMBER	1234567	NOMENCLATURE	EFFECT FROM TO	UNITS PER ASSY
85	4-48529		WHEEL ASSY		1

Originator: E. JOLLY  
(Ref) EAA.F.2575  
Work Record: 32-220

32-45-01-01  
Page 4

# ATP TEMPORARY REVISION

A/C NA351, NA352

TR Page 1 of 1  
June 1992

757

ILLUSTRATED PARTS CATALOGUE

This Temporary Revision complies with BCAR Chapter A5-3, B5-3 and/or TSS No. 0-2 as appropriate.



for Chief Engineer (Technical & Quality Services) CAA Design Approval No.  
DAI/8566/78.

TEMPORARY REVISION NO.32-502

Manual Reference 32-45-02-01 Page 2

## REASON FOR REVISION

To include BA nose wheel assy part number.

## ACTION

Figure 1

ITEM	PART NUMBER	1234567	NOMENCLATURE	EFFECT FROM TO	UNITS PER ASSY
3	4-40021		WHEEL ASSY		1

Originator: E. JOLLY  
(Ref) EAA.F.2574  
Work Record: 32-219

32-45-02-01  
Page 2

B757 MANUAL SUPPLEMENT - ATP 3510  
SECTION 2 CHAPTER 32  
CONTROL PAGE - ISSUE 4

- A. File the attached Temporary Revision/Alerts in the Manual Supplement in ATA Chapter/Section/Subject/Page sequence
- B. File this Control Page in front of the Chapter TRs/Alerts.
- C. The following list shows active TRs/Alerts together with TRs/Alerts added by this control page.

Chapter Section Subject	Page	TR/Alert No.
32-21-01-01	5	BA.32-525
32-34-51-15	1	BA 32-526
32-35-52-01	1	* BA.32-529
32-40-00-01	1	BA.32-523
32-41-10-01	1	BA.32-522
32-41-51-15	0	BA.32-527
32-41-51-16	0	BA.32-528
32-42-01-01	1	BA.32-524
32-42-07-01	1	BA.32-521

- D. Remove and Destroy the following TRs/Alerts:

\* Indicates TRs/Alerts issued with this control page

**ATP  
TEMPORARY  
REVISION**

**AIRPLANE**

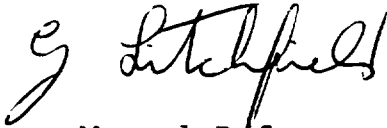
TR Page 1 of 1

NB322

20 June, 1997

757 ILLUSTRATED PARTS CATALOG  
TEMPORARY REVISION No. 32-525

THIS TEMPORARY REVISION IS ISSUED BY BRITISH AIRWAYS QUALITY AND TECHNICAL SERVICES AND COMPLIES WITH BCAR'S CHAPTER A5-3, B5-3 AND/OR TSS No. 0-2 AS REQUIRED. CAA DESIGN APPROVAL No. DAI/8566/78.



For CHIEF ENGINEER QUALITY AND TECHNICAL SERVICES.

Manual Reference 32-21-01-01 Page 5

REASON FOR REVISION

Rear tow fitting added to nose landing gear.

ACTION

FIG ITEM	PART NUMBER	NOMENCLATURE	EFFECT	UPA
1				
145	BACB30LJ5-32	.BOLT	002002	4
150	AN960C516L	.WASHER	002002	4
155	BACN10JC5	.NUT	002002	4
156	162N1208-1	.COLLAR-TOW PIN	002002	4
157	162N1207-1	.PIN-TOW	002002	2
161	BACB30LJ5-32	.DELETED	002002	2
162	AN960C516L	.DELETED	002002	2
163	BACN10JC5	.DELETED	002002	2
164	162N1208-1	.DELETED	002002	2
165	162N1207-1	.DELETED	002002	1
170	162N1209-1	.BOLT ASSY	002002	4
171	162N1209-1	.DELETED	002002	2
174	AN960C1416	.DELETED	002002	2
175	AN960C1416	.WASHER	002002	4
179	H10-14BAC	.DELETED	002002	2
180	H10-14BAC	.NUT	002002	4
181	162N1201-1	.DELETED	002002	1
185	162N1201-1	.FITTING ASSY-TOW	002002	2

Originator: S.GURD  
Reference: 2027  
Workbook: 32-260

32-21-01-01  
Page 5

**ATP  
TEMPORARY  
REVISION**

**AIRPLANE**


TR Page 1 of 1

NB322

18 November, 1997

757 ILLUSTRATED PARTS CATALOG  
TEMPORARY REVISION No. 32-526

THIS TEMPORARY REVISION IS ISSUED BY BRITISH AIRWAYS QUALITY AND TECHNICAL SERVICES AND COMPLIES WITH BCAR'S CHAPTER A5-3, B5-3 AND/OR TSS No. 0-2 AS REQUIRED. CAA DESIGN APPROVAL No. DAI/8566/78.



For CHIEF ENGINEER QUALITY AND TECHNICAL SERVICES.

Manual Reference 32-34-51-15 Page 1

REASON FOR REVISION

Product improvement.

ACTION

FIG ITEM	PART NUMBER	NOMENCLATURE	EFFECT	UPA
15				
316	BACH8A08EE0322B	.DELETED	002002	1
316	271N6119-3	.HOSE ASSY (MOD32G066)	002002	1
317	AS115-08K0322	.DELETED	002002	1
317	271N6119-4	.HOSE ASSY (MOD32G066)	002002	1

Originator: GL/TIS  
Reference: --  
Workbook: 32-264

32-34-51-15  
Page 1



**ATP  
TEMPORARY  
REVISION**

**BRITISH AIRWAYS**

B757 (PEP)

TR Page 1 of 1

8 October, 1999

**ILLUSTRATED PARTS CATALOGUE**

**TEMPORARY REVISION No. 32-529**

THIS TEMPORARY REVISION IS ISSUED BY BRITISH AIRWAYS ENGINEERING (TECHNICAL INFORMATION SERVICES, G2, TBA, S401, P. O. BOX 10, HEATHROW AIRPORT, HOUNSLOW, MIDDLESEX TW6 2JA).  
CAA DESIGN APPROVAL No. DAI/8566/78.

Manual Reference 32-35-52-01 Page 1

**REASON FOR REVISION**

To show post mod 39G001 applicability

**ACTION**

Fig Item	Part Number	Nomenclature	Effect	Units/ Assy
1 10	433-100-002	..GUARD-SWITCH SUPPLIER CODE: V81590	002002	1
15	BCREFA0534	..SWITCH ASSY-LIGHTED PUSH BUTTON IND SUPPLIER CODE: V81590	002002	1

Originator: Jim Prior

Reference: 39G001

Workbook: JS 39-7

32-35-52-01

Page 1

←

**ATP  
TEMPORARY  
REVISION**

**AIRPLANE**

TR Page 1 of 1

NB322

28 May, 1997

757 ILLUSTRATED PARTS CATALOG

TEMPORARY REVISION No. 32-523

THIS TEMPORARY REVISION IS ISSUED BY BRITISH AIRWAYS QUALITY AND TECHNICAL SERVICES AND COMPLIES WITH BCAR'S CHAPTER A5-3, B5-3 AND/OR TSS No. 0-2 AS REQUIRED. CAA DESIGN APPROVAL No. DAI/8566/78.

 For CHIEF ENGINEER QUALITY AND TECHNICAL SERVICES.

Manual Reference 32-40-00-01 Page 1

REASON FOR REVISION

Carbon brake system replaced with steel brake system.

ACTION

FIG ITEM	PART NUMBER	NOMENCLATURE	EFFECT	UPA
1				
45	AHA1301	.DELETED	002002	4
45	AHA1637	.DELETED	002002	4
45	AHA1676	.DELETED	002002	4
45	AHA1693	.DELETED	002002	4
45	AHA1884	.DELETED	002002	4
45	2-1457-2	.BRAKE ASSY (V97415)	002002	4

Originator: S.GURD

Reference: 1985

Workbook: 32-259

32-40-00-01

Page 1

**ATP  
TEMPORARY  
REVISION**

**AIRPLANE**

NB322

TR Page 1 of 1

28 May, 1997

757 ILLUSTRATED PARTS CATALOG

TEMPORARY REVISION No. 32-522

THIS TEMPORARY REVISION IS ISSUED BY BRITISH AIRWAYS QUALITY AND TECHNICAL SERVICES AND COMPLIES WITH BCAR'S CHAPTER A5-3, B5-3 AND/OR TSS No. 0-2 AS REQUIRED. CAA DESIGN APPROVAL No. DA1/8566/78.

 For CHIEF ENGINEER QUALITY AND TECHNICAL SERVICES.

Manual Reference 32-41-10-01 Page 1

REASON FOR REVISION

Carbon brake system replaced with steel brake system.

ACTION

FIG ITEM	PART NUMBER	NOMENCLATURE	EFFECT	UPA
1				
7	AHA1301	.DELETED	002002	4
7	AHA1637	.DELETED	002002	4
7	AHA1676	.DELETED	002002	4
7	AHA1693	.DELETED	002002	4
7	AHA1884	.DELETED	002002	4
10	2-1457-2	.BRAKE ASSY (V97415)	002002	4

Originator: S.GURD  
Reference: 1985  
Workbook: 32-259

32-41-10-01  
Page 1

**ATP  
TEMPORARY  
REVISION**

**AIRPLANE**

NB322

TR Page 1 of 1  
26 November, 1998

ILLUSTRATED PARTS CATALOG

TEMPORARY REVISION No. 32-527

THIS TEMPORARY REVISION IS ISSUED BY BRITISH AIRWAYS ENGINEERING (TECHNICAL INFORMATION SERVICES, G2, TBA, S401, P. O. BOX 10, HEATHROW AIRPORT, HOUNSLOW, MIDDLESEX TW6 2JA).  
CAA DESIGN APPROVAL No. DAI/8566/78.

Manual Reference 32-41-51-15 Page 0

REASON FOR REVISION

To clarify part number of screw to be fitted. This removes the requirement to determine screw size on installation.

ACTION

Fig Item	Part Number	Nomenclature	Effect	Units/ Assy
15				
8	NAS1801-3	.SCREW (REPLACED BY NAS1801-3-12)	002002	3
10	NAS1801-3	.SCREW (REPLACED BY NAS1801-3-12)	002002	1

Originator: I.HODGES  
Reference: 98-0843  
Workbook: 32-268

32-41-51-15  
Page 0

**ATP  
TEMPORARY  
REVISION**

**AIRPLANE**

NB322

TR Page 1 of 1

26 November, 1998

ILLUSTRATED PARTS CATALOG

TEMPORARY REVISION No. 32-528

THIS TEMPORARY REVISION IS ISSUED BY BRITISH AIRWAYS ENGINEERING (TECHNICAL INFORMATION SERVICES, G2, TBA, S401, P. O. BOX 10, HEATHROW AIRPORT, HOUNSLOW, MIDDLESEX TW6 2JA).  
CAA DESIGN APPROVAL No. DAI/8566/78.

Manual Reference 32-41-51-16 Page 0

REASON FOR REVISION

To clarify part number of screw to be fitted. This removes the requirement to determine screw size on installation.

ACTION

Fig Item	Part Number	Nomenclature	Effect	Units/ Assy
16				
22	NAS1801-3	.SCREW (REPLACED BY NAS1801-3-12)	002002	1
25	NAS1801-3	.SCREW (REPLACED BY NAS1801-3-12)	002002	2

Originator: I.HODGES  
Reference: 98-0843  
Workbook: 32-268

32-41-51-16  
Page 0

←

**ATP  
TEMPORARY  
REVISION**

**AIRPLANE**

NB322

TR Page 1 of 1

28 May, 1997

757 ILLUSTRATED PARTS CATALOG

TEMPORARY REVISION No. 32-524

THIS TEMPORARY REVISION IS ISSUED BY BRITISH AIRWAYS QUALITY AND TECHNICAL SERVICES AND COMPLIES WITH BCAR'S CHAPTER A5-3, B5-3 AND/OR TSS No. 0-2 AS REQUIRED. CAA DESIGN APPROVAL No. DAI/8566/78.



For CHIEF ENGINEER QUALITY AND TECHNICAL SERVICES.

Manual Reference 32-42-01-01 Page 1

REASON FOR REVISION

Carbon brake system replaced with steel brake system.

ACTION

FIG ITEM	PART NUMBER	NOMENCLATURE	EFFECT	UPA
1				
7	42-757-1	.DELETED	002002	1
7	42-641-2	.CONTROL UNIT ASSY-ANTISKID	002002	1

Originator: S.GURD  
Reference: 1985  
Workbook: 32-259

32-42-01-01  
Page 1

**ATP  
TEMPORARY  
REVISION**

**AIRPLANE**

TR Page 1 of 1

NB322

28 May, 1997

757 ILLUSTRATED PARTS CATALOG

TEMPORARY REVISION No. 32-521

THIS TEMPORARY REVISION IS ISSUED BY BRITISH AIRWAYS QUALITY AND TECHNICAL SERVICES AND COMPLIES WITH BCAR'S CHAPTER A5-3, B5-3 AND/OR TSS No. 0-2 AS REQUIRED. CAA DESIGN APPROVAL No. DAI/8566/78.



For CHIEF ENGINEER QUALITY AND TECHNICAL SERVICES.

Manual Reference 32-42-07-01 Page 1

REASON FOR REVISION

To delete valve used on carbon brake systems.

ACTION

FIG ITEM	PART NUMBER	NOMENCLATURE	EFFECT	UPA
1 37	6F2602-2	..DELETED	002002	4

Originator: S.GURD  
Reference: 2003  
Workbook: 32-258

32-42-07-01  
Page 1


**BOEING**  
 757  
**PARTS CATALOG (MAINTENANCE)**

CH-SECT-UNIT-FIG	PAGE NO.	DATE	CH-SECT-UNIT-FIG	PAGE NO.	DATE
*32	1	MAY 20/09	32-00-00-15	1	JAN 20/09
*32	2	MAY 20/09	32-00-00-15	2	JAN 20/09
*32	3	MAY 20/09	32-00-00-15	3	JAN 20/09
*32	4	MAY 20/09	32-00-00-15	4	JAN 20/09
*32	5	MAY 20/09	32-00-00-15	5	JAN 20/09
*32	6	MAY 20/09	32-00-00-15	6	JAN 20/09
*32	7	MAY 20/09	32-00-00-15	7	JAN 20/09
*32	8	MAY 20/09	32-00-00-15	8	JAN 20/09
*32	9	MAY 20/09	32-00-00-18	0	MAY 28/07
*32	10	MAY 20/09	32-00-00-18	1	JAN 20/09
*32	11	MAY 20/09	32-00-00-18	2	JAN 20/09
*32	12	MAY 20/09	32-00-00-18	3	JAN 20/09
*32	13	MAY 20/09	32-00-00-19	0	MAY 28/07
*32	14	MAY 20/09	32-00-00-19	1	JAN 20/09
*32	15	MAY 20/09	32-00-00-21	0	JAN 20/09
*32	16	MAY 20/09	32-00-00-21	1	JAN 20/09
*32	17	MAY 20/09	32-00-00-22	0	MAY 28/07
*32	18	MAY 20/09	32-00-00-22	1	JAN 20/09
*32	19	MAY 20/09	32-00-00-22	2	JAN 20/09
*32	20	MAY 20/09	32-00-00-23	0	MAY 28/07
*32	21	MAY 20/09	32-00-00-23	0A	MAY 28/07
*32	22	MAY 20/09	32-00-00-23	0B	MAY 28/07
*32	23	MAY 20/09	32-00-00-23	0C	MAY 28/07
*32	24	MAY 20/09	32-00-00-23	1	JAN 20/09
*32	25	MAY 20/09	32-00-00-23	2	JAN 20/09
*32	26	MAY 20/09	32-00-00-23	3	JAN 20/09
*32	27	MAY 20/09	32-00-00-23	4	JAN 20/09
*32	28	MAY 20/09	32-00-00-23	5	JAN 20/09
*32	29	MAY 20/09	32-00-00-23	6	JAN 20/09
32-00-00	1	MAY 28/07	32-00-00-23	7	JAN 20/09
32-00-00- 1	0	MAY 28/07	32-00-00-23	8	JAN 20/09
32-00-00- 1	1	JAN 20/09	32-00-00-23	9	JAN 20/09
32-00-00- 1	2	JAN 20/09	32-00-00-24	0	MAY 28/07
32-00-00- 1	3	JAN 20/09	32-00-00-24	1	JAN 20/09
32-00-00- 2	0	MAY 28/07	32-09-00	1	MAY 28/07
32-00-00- 2	1	JAN 20/09	32-09-02- 3	0	MAY 28/07
32-00-00- 2	2	JAN 20/09	32-09-02- 3	0A	MAY 20/08
32-00-00- 2	3	JAN 20/09	32-09-02- 3	1	JAN 20/09
32-00-00- 3	0	MAY 28/07	32-09-02- 3	2	JAN 20/09
32-00-00- 3	1	JAN 20/09	32-09-02- 3	3	JAN 20/09
32-00-00-10	0	MAY 28/07	32-09-02- 3	4	JAN 20/09
32-00-00-10	1	JAN 20/09	32-09-02- 3	5	JAN 20/09
32-00-00-10	2	JAN 20/09	32-09-02- 3	6	JAN 20/09
32-00-00-10	3	JAN 20/09	32-09-02- 3A	0	MAY 28/07
32-00-00-10	4	JAN 20/09	32-09-02- 3A	1	JAN 20/09
32-00-00-10	5	JAN 20/09	32-09-02- 3A	2	JAN 20/09
32-00-00-11	0	JAN 20/09	32-09-02- 3A	3	JAN 20/09
32-00-00-11	1	JAN 20/09	32-09-02- 3A	4	JAN 20/09
32-00-00-13	0	MAY 28/07	32-09-02- 3C	0	JAN 20/09
32-00-00-13	1	JAN 20/09	32-09-02- 3C	1	JAN 20/09
32-00-00-15	0	MAY 28/07	32-09-02- 3C	2	JAN 20/09

\* THE ASTERISK INDICATES PAGES CHANGED OR ADDED BY THE CURRENT REVISION





757

PARTS CATALOG (MAINTENANCE)

CH-SECT-UNIT-FIG	PAGE NO.	DATE	CH-SECT-UNIT-FIG	PAGE NO.	DATE
32-09-02- 3C	3	JAN 20/09	32-09-04- 8	4	JAN 20/09
32-09-02- 3C	4	JAN 20/09	32-09-04- 8	5	JAN 20/09
32-09-02- 3C	5	JAN 20/09	32-09-07- 1	0	MAY 28/07
32-09-02- 3C	6	JAN 20/09	32-09-07- 1	0A	SEP 20/08
32-09-02- 4	0	MAY 28/07	32-09-07- 1	1	JAN 20/09
32-09-02- 4	0A	SEP 20/08	32-09-07- 1	2	JAN 20/09
32-09-02- 4	1	JAN 20/09	32-09-07- 1	3	JAN 20/09
32-09-02- 4	2	JAN 20/09	32-09-07- 1	4	JAN 20/09
32-09-02- 4	3	JAN 20/09	32-09-07- 1	5	JAN 20/09
32-09-02- 4	4	JAN 20/09	32-09-07- 1	6	JAN 20/09
32-09-02- 4	5	JAN 20/09	32-09-07- 1	7	JAN 20/09
32-09-02- 4	6	JAN 20/09	32-09-07- 1	8	JAN 20/09
32-09-02- 4	7	JAN 20/09	32-09-07- 1	9	JAN 20/09
32-09-02- 4	8	JAN 20/09	32-09-07- 1	10	JAN 20/09
32-09-02- 4B	0	MAY 28/07	32-09-07- 1	11	JAN 20/09
32-09-02- 4B	1	JAN 20/09	32-09-07- 1	12	JAN 20/09
32-09-02- 4B	2	JAN 20/09	32-09-07- 1A	0	MAY 28/07
32-09-02- 4B	3	JAN 20/09	32-09-07- 1A	0A	MAY 28/07
32-09-02- 4B	4	JAN 20/09	32-09-07- 1A	1	JAN 20/09
32-09-02- 4B	5	JAN 20/09	32-09-07- 1A	2	JAN 20/09
32-09-02- 4B	6	JAN 20/09	32-09-07- 1A	3	JAN 20/09
32-09-02- 4D	0	JAN 20/09	32-09-07- 1A	4	JAN 20/09
32-09-02- 4D	1	JAN 20/09	32-09-07- 1A	5	JAN 20/09
32-09-02- 4D	2	JAN 20/09	32-09-07- 1A	6	JAN 20/09
32-09-02- 4D	3	JAN 20/09	32-09-07- 1A	7	JAN 20/09
32-09-02- 4D	4	JAN 20/09	32-09-07- 1A	8	JAN 20/09
32-09-02- 4D	5	JAN 20/09	32-09-08- 1	0	JAN 20/09
32-09-02- 4D	6	JAN 20/09	32-09-08- 1	0A	JAN 20/09
32-09-02- 4D	7	JAN 20/09	32-09-08- 1	1	JAN 20/09
32-09-02- 4D	8	JAN 20/09	32-09-08- 1	2	JAN 20/09
32-09-02- 4D	9	JAN 20/09	32-09-08- 1	3	JAN 20/09
32-09-02- 5	0	MAY 28/07	32-09-08- 1	4	JAN 20/09
32-09-02- 5	1	JAN 20/09	32-11-00	1	MAY 28/07
32-09-04- 1	0	MAY 28/07	32-11-00- 1	0	MAY 28/07
32-09-04- 1	0A	MAY 20/08	32-11-00- 1	0A	MAY 28/07
32-09-04- 1	1	JAN 20/09	32-11-00- 1	0B	MAY 28/07
32-09-04- 1	2	JAN 20/09	32-11-00- 1	0C	MAY 28/07
32-09-04- 1	3	JAN 20/09	32-11-00- 1	1	JAN 20/09
32-09-04- 1	4	JAN 20/09	32-11-00- 1	2	JAN 20/09
32-09-04- 1	5	JAN 20/09	32-11-00- 1	3	JAN 20/09
32-09-04- 1	6	JAN 20/09	32-11-00- 1	4	JAN 20/09
32-09-04- 1	7	JAN 20/09	32-11-00- 1	5	JAN 20/09
32-09-04- 1B	0	MAY 28/07	32-11-00- 1	6	JAN 20/09
32-09-04- 1B	0A	MAY 28/07	*32-11-00- 1	7	MAY 20/09
32-09-04- 1B	1	JAN 20/09	*32-11-00- 1	8	MAY 20/09
32-09-04- 8	0	JAN 20/09	*32-11-00- 1	9	MAY 20/09
32-09-04- 8	0A	JAN 20/09	*32-11-00- 1	10	MAY 20/09
32-09-04- 8	0B	JAN 20/09	*32-11-00- 1	11	MAY 20/09
32-09-04- 8	1	JAN 20/09	*32-11-00- 1	12	MAY 20/09
32-09-04- 8	2	JAN 20/09	*32-11-00- 1	13	MAY 20/09
32-09-04- 8	3	JAN 20/09	*32-11-00- 1	14	MAY 20/09

\* THE ASTERISK INDICATES PAGES CHANGED OR ADDED BY THE CURRENT REVISION



757

PARTS CATALOG (MAINTENANCE)

CH-SECT-UNIT-FIG	PAGE NO.	DATE
*32-11-00- 1	15	MAY 20/09
*32-11-00- 1	16	MAY 20/09
*32-11-00- 1	17	MAY 20/09
*32-11-00- 1	18	MAY 20/09
*32-11-00- 1	19	MAY 20/09
*32-11-00- 1	20	MAY 20/09
*32-11-00- 1	21	MAY 20/09
*32-11-00- 1	22	MAY 20/09
*32-11-00- 1	23	MAY 20/09
*32-11-00- 1	24	MAY 20/09
*32-11-00- 1	25	MAY 20/09
*32-11-00- 1	26	MAY 20/09
*32-11-00- 1	27	MAY 20/09
*32-11-00- 1	28	MAY 20/09
32-11-00- 2	0	MAY 28/07
32-11-00- 2	0A	MAY 28/07
32-11-00- 2	0B	MAY 28/07
32-11-00- 2	0C	MAY 28/07
32-11-00- 2	1	JAN 20/09
32-11-00- 2	2	JAN 20/09
32-11-00- 2	3	JAN 20/09
32-11-00- 2	4	JAN 20/09
32-11-00- 2	5	JAN 20/09
*32-11-00- 2	6	MAY 20/09
*32-11-00- 2	7	MAY 20/09
*32-11-00- 2	8	MAY 20/09
*32-11-00- 2	9	MAY 20/09
*32-11-00- 2	10	MAY 20/09
*32-11-00- 2	11	MAY 20/09
*32-11-00- 2	12	MAY 20/09
*32-11-00- 2	13	MAY 20/09
*32-11-00- 2	14	MAY 20/09
*32-11-00- 2	15	MAY 20/09
*32-11-00- 2	16	MAY 20/09
*32-11-00- 2	17	MAY 20/09
*32-11-00- 2	18	MAY 20/09
*32-11-00- 2	19	MAY 20/09
*32-11-00- 2	20	MAY 20/09
*32-11-00- 2	21	MAY 20/09
*32-11-00- 2	22	MAY 20/09
*32-11-00- 2	23	MAY 20/09
*32-11-00- 2	24	MAY 20/09
*32-11-00- 2	25	MAY 20/09
32-11-00- 3	0	JAN 20/09
32-11-00- 3	0A	JAN 20/09
32-11-00- 3	0B	JAN 20/09
32-11-00- 3	0C	JAN 20/09
32-11-00- 3	0D	JAN 20/09
32-11-00- 3	0E	JAN 20/09
32-11-00- 3	1	JAN 20/09
32-11-00- 3	2	JAN 20/09

CH-SECT-UNIT-FIG	PAGE NO.	DATE
32-11-00- 3	3	JAN 20/09
*32-11-00- 3	4	MAY 20/09
*32-11-00- 3	5	MAY 20/09
*32-11-00- 3	6	MAY 20/09
*32-11-00- 3	7	MAY 20/09
*32-11-00- 3	8	MAY 20/09
*32-11-00- 3	9	MAY 20/09
*32-11-00- 3	10	MAY 20/09
*32-11-00- 3	11	MAY 20/09
*32-11-00- 3	12	MAY 20/09
*32-11-00- 3	13	MAY 20/09
*32-11-00- 3	14	MAY 20/09
*32-11-00- 3	15	MAY 20/09
*32-11-00- 3	16	MAY 20/09
*32-11-00- 3	17	MAY 20/09
*32-11-00- 3	18	MAY 20/09
*32-11-00- 3	19	MAY 20/09
*32-11-00- 3	20	MAY 20/09
*32-11-00- 3	21	MAY 20/09
*32-11-00- 3	22	MAY 20/09
32-11-01-10	0	MAY 28/07
32-11-01-10	0A	MAY 28/07
32-11-01-10	0B	MAY 28/07
32-11-01-10	0C	MAY 28/07
32-11-01-10	0D	MAY 28/07
32-11-01-10	1	JAN 20/09
32-11-01-10	2	JAN 20/09
32-11-01-10	3	JAN 20/09
32-11-01-10	4	JAN 20/09
32-11-01-10	5	JAN 20/09
32-11-01-10	6	JAN 20/09
32-11-01-10	7	JAN 20/09
32-11-01-10	8	JAN 20/09
32-11-01-10	9	JAN 20/09
32-11-01-10	10	JAN 20/09
32-11-01-10	11	JAN 20/09
32-11-01-10	12	JAN 20/09
32-11-01-10	13	JAN 20/09
32-11-01-10	14	JAN 20/09
32-11-01-10	15	JAN 20/09
32-11-01-10	16	JAN 20/09
32-11-01-10	17	JAN 20/09
32-11-01-10	18	JAN 20/09
32-11-01-10	19	JAN 20/09
32-11-01-10	20	JAN 20/09
32-11-01-10	21	JAN 20/09
32-11-01-10	22	JAN 20/09
32-11-01-10	23	JAN 20/09
32-11-01-10	24	JAN 20/09
32-11-01-10	25	JAN 20/09
32-11-01-10	26	JAN 20/09

\* THE ASTERISK INDICATES PAGES CHANGED OR ADDED BY THE CURRENT REVISION



757

PARTS CATALOG (MAINTENANCE)

CH-SECT-UNIT-FIG	PAGE NO.	DATE	CH-SECT-UNIT-FIG	PAGE NO.	DATE
32-11-01-10	27	JAN 20/09	*32-11-10- 2	3	MAY 20/09
32-11-01-10	28	JAN 20/09	32-11-11- 2	0	MAY 28/07
32-11-01-10	29	JAN 20/09	32-11-11- 2	0A	MAY 28/07
32-11-01-10	30	JAN 20/09	32-11-11- 2	0B	MAY 28/07
32-11-01-10	31	JAN 20/09	32-11-11- 2	0C	MAY 28/07
32-11-03- 1	0	MAY 28/07	32-11-11- 2	1	JAN 20/09
32-11-03- 1	1	JAN 20/09	32-11-11- 2	2	JAN 20/09
32-11-03- 1	2	JAN 20/09	32-11-11- 2	3	JAN 20/09
32-11-03- 1	3	JAN 20/09	*32-11-11- 2	4	MAY 20/09
32-11-04- 1	0	MAY 28/07	32-11-11- 2	5	JAN 20/09
32-11-04- 1	1	JAN 20/09	*32-11-11- 2	6	MAY 20/09
32-11-04- 1	2	JAN 20/09	32-11-11- 2	7	JAN 20/09
32-11-04- 1	3	JAN 20/09	*32-11-11- 2	8	MAY 20/09
32-11-04- 1	4	JAN 20/09	*32-11-11- 2	9	MAY 20/09
32-11-04- 1	5	JAN 20/09	32-11-11- 2	10	JAN 20/09
32-11-04- 1	6	JAN 20/09	32-11-11- 2	11	JAN 20/09
32-11-04- 1	7	JAN 20/09	32-11-11- 2	12	JAN 20/09
32-11-04- 1	8	JAN 20/09	32-11-12- 1	0	MAY 28/07
32-11-04- 1	9	JAN 20/09	32-11-12- 1	0A	MAY 28/07
32-11-04- 1	10	JAN 20/09	32-11-12- 1	1	SEP 20/08
32-11-04- 1	11	JAN 20/09	32-11-12- 1	2	SEP 20/08
32-11-04- 1	12	JAN 20/09	32-11-12- 1	3	SEP 20/08
32-11-04- 1	13	JAN 20/09	*32-11-12- 1	4	MAY 20/09
32-11-04- 2	0	MAY 28/07	*32-11-12- 1	5	MAY 20/09
32-11-04- 2	0A	MAY 28/07	32-11-12- 2	0	MAY 28/07
32-11-04- 2	1	JAN 20/09	32-11-12- 2	0A	MAY 28/07
32-11-04- 2	2	JAN 20/09	*32-11-12- 2	1	MAY 20/09
32-11-04- 2	3	JAN 20/09	*32-11-12- 2	2	MAY 20/09
32-11-04- 2	4	JAN 20/09	*32-11-12- 2	3	MAY 20/09
32-11-04- 2	5	JAN 20/09	32-11-12- 2	4	SEP 20/08
32-11-04- 2	6	JAN 20/09	32-11-12- 2	5	SEP 20/08
32-11-04- 2	7	JAN 20/09	32-11-15- 1	0	MAY 28/07
32-11-04- 2	8	JAN 20/09	32-11-15- 1	0A	MAY 28/07
*32-11-04- 2	9	MAY 20/09	32-11-15- 1	0B	MAY 28/07
32-11-04- 2	10	JAN 20/09	32-11-15- 1	0C	MAY 28/07
32-11-04- 2	11	JAN 20/09	32-11-15- 1	1	SEP 20/08
*32-11-04- 2	12	MAY 20/09	*32-11-15- 1	2	MAY 20/09
*32-11-04- 2	13	MAY 20/09	*32-11-15- 1	3	MAY 20/09
*32-11-04- 2	14	MAY 20/09	*32-11-15- 1	4	MAY 20/09
32-11-05- 1	0	MAY 28/07	*32-11-15- 1	5	MAY 20/09
32-11-05- 1	1	JAN 20/09	32-11-15- 1	6	SEP 20/08
32-11-05- 2	0	MAY 28/07	32-11-15- 1	7	SEP 20/08
*32-11-05- 2	1	MAY 20/09	32-11-15- 1	8	SEP 20/08
32-11-07- 1	0	MAY 28/07	32-11-15- 1	9	SEP 20/08
*32-11-07- 1	1	MAY 20/09	32-11-16- 1	0	MAY 28/07
32-11-09- 1	0	MAY 28/07	32-11-16- 1	0A	MAY 28/07
32-11-09- 1	1	JAN 20/09	32-11-16- 1	0B	MAY 28/07
32-11-09- 1	2	JAN 20/09	32-11-16- 1	0C	MAY 28/07
32-11-10- 2	0	MAY 28/07	32-11-16- 1	1	JAN 20/09
*32-11-10- 2	1	MAY 20/09	32-11-16- 1	2	JAN 20/09
*32-11-10- 2	2	MAY 20/09	32-11-16- 1	3	JAN 20/09

\* THE ASTERISK INDICATES PAGES CHANGED OR ADDED BY THE CURRENT REVISION



**757**  
**PARTS CATALOG (MAINTENANCE)**

CH-SECT-UNIT-FIG	PAGE NO.	DATE	CH-SECT-UNIT-FIG	PAGE NO.	DATE
32-11-16- 1	4	JAN 20/09	32-11-19- 1	3	JAN 20/09
32-11-16- 1	5	JAN 20/09	32-11-19- 1	4	JAN 20/09
32-11-16- 1	6	JAN 20/09	32-11-19- 1	5	JAN 20/09
32-11-16- 1	7	JAN 20/09	32-11-19- 1	6	JAN 20/09
32-11-16- 1	8	JAN 20/09	32-11-19- 1	7	JAN 20/09
32-11-16- 1	9	JAN 20/09	32-11-19- 1	8	JAN 20/09
32-11-16- 1	10	JAN 20/09	32-11-19- 1	9	JAN 20/09
32-11-16- 1	11	JAN 20/09	32-11-19- 1	10	JAN 20/09
32-11-16- 1	12	JAN 20/09	32-11-19- 1	11	JAN 20/09
32-11-16- 1	13	JAN 20/09	32-11-19- 1	12	JAN 20/09
32-11-16- 1	14	JAN 20/09	32-11-19- 1	13	JAN 20/09
32-11-16- 1	15	JAN 20/09	32-11-19- 1	14	JAN 20/09
32-11-16- 1	16	SEP 20/08	32-11-19- 1	15	SEP 20/08
32-11-16- 1	17	SEP 20/08	32-11-19- 1	16	SEP 20/08
32-11-16- 1	18	SEP 20/08	32-11-19- 1	17	SEP 20/08
32-11-16- 1	19	JAN 20/09	32-11-19- 1	18	SEP 20/08
32-11-16- 1	20	JAN 20/09	32-11-19- 1	19	SEP 20/08
32-11-16- 1	21	JAN 20/09	32-11-25- 1	0	MAY 28/07
32-11-16- 1	22	JAN 20/09	32-11-25- 1	1	SEP 20/08
32-11-17- 1	0	MAY 28/07	32-11-25- 1	2	SEP 20/08
32-11-17- 1	0A	JAN 20/09	32-11-25- 1	3	SEP 20/08
32-11-17- 1	1	JAN 20/09	32-11-25- 1	4	SEP 20/08
32-11-17- 1	2	JAN 20/09	32-11-25- 1	5	SEP 20/08
32-11-17- 1	3	JAN 20/09	32-11-25- 1	6	SEP 20/08
32-11-17- 1	4	JAN 20/09	32-11-25- 1	7	SEP 20/08
32-11-17- 1	5	JAN 20/09	32-11-25- 1	8	SEP 20/08
32-11-17- 1	6	JAN 20/09	32-11-25- 1	9	SEP 20/08
32-11-17- 1	7	JAN 20/09	32-11-25- 1	10	SEP 20/08
32-11-17- 1	8	JAN 20/09	32-11-25- 1	11	SEP 20/08
32-11-17- 1	9	JAN 20/09	32-11-25- 1	12	SEP 20/08
32-11-17- 1	10	JAN 20/09	32-11-25- 1	13	SEP 20/08
32-11-17- 1	11	JAN 20/09	32-11-25- 1	14	SEP 20/08
32-11-17- 1	12	JAN 20/09	32-11-51- 1	0	MAY 28/07
32-11-17- 1	13	JAN 20/09	32-11-51- 1	1	JAN 20/09
32-11-17- 1	14	JAN 20/09	32-11-51- 1	2	JAN 20/09
32-11-17- 1	15	JAN 20/09	32-11-51- 1	3	JAN 20/09
32-11-17- 1	16	JAN 20/09	32-12-00	1	MAY 28/07
32-11-17- 1	17	JAN 20/09	32-12-01- 1	0	MAY 28/07
32-11-17- 1	18	JAN 20/09	32-12-01- 1	0A	MAY 28/07
32-11-17- 1	19	JAN 20/09	32-12-01- 1	0B	MAY 28/07
32-11-17- 1	20	JAN 20/09	32-12-01- 1	0C	MAY 28/07
32-11-17- 1	21	JAN 20/09	32-12-01- 1	0D	MAY 28/07
32-11-17- 2	0	MAY 28/07	32-12-01- 1	0E	MAY 28/07
32-11-17- 2	1	JAN 20/09	32-12-01- 1	0F	MAY 28/07
32-11-17- 2	2	JAN 20/09	32-12-01- 1	0G	MAY 28/07
32-11-17- 3	0	JAN 20/09	32-12-01- 1	0H	MAY 28/07
32-11-17- 3	1	JAN 20/09	32-12-01- 1	1	JAN 20/09
32-11-17- 3	2	JAN 20/09	32-12-01- 1	2	JAN 20/09
32-11-19- 1	0	MAY 28/07	32-12-01- 1	3	JAN 20/09
32-11-19- 1	1	JAN 20/09	32-12-01- 1	4	JAN 20/09
32-11-19- 1	2	JAN 20/09	32-12-01- 1	5	JAN 20/09

\* THE ASTERISK INDICATES PAGES CHANGED OR ADDED BY THE CURRENT REVISION



757

**PARTS CATALOG (MAINTENANCE)**

CH-SECT-UNIT-FIG	PAGE NO.	DATE	CH-SECT-UNIT-FIG	PAGE NO.	DATE
32-12-01- 1	6	JAN 20/09	32-12-01- 2	1	JAN 20/09
32-12-01- 1	7	JAN 20/09	32-12-01- 2	2	JAN 20/09
32-12-01- 1	8	JAN 20/09	32-12-01- 2	3	JAN 20/09
32-12-01- 1	9	JAN 20/09	32-12-01- 2	4	JAN 20/09
32-12-01- 1	10	JAN 20/09	32-12-01- 2	5	JAN 20/09
32-12-01- 1	11	JAN 20/09	32-12-01- 2	6	JAN 20/09
32-12-01- 1	12	JAN 20/09	32-12-01- 2	7	JAN 20/09
32-12-01- 1	13	JAN 20/09	32-12-01- 2	8	JAN 20/09
32-12-01- 1	14	JAN 20/09	32-12-01- 2	9	JAN 20/09
32-12-01- 1	15	JAN 20/09	32-12-01- 2	10	JAN 20/09
32-12-01- 1	16	JAN 20/09	32-12-01- 2	11	JAN 20/09
32-12-01- 1	17	JAN 20/09	32-12-01- 2	12	JAN 20/09
32-12-01- 1	18	JAN 20/09	32-12-01- 2	13	JAN 20/09
32-12-01- 1	19	JAN 20/09	32-12-01- 2	14	JAN 20/09
32-12-01- 1	20	JAN 20/09	32-12-01- 2	15	JAN 20/09
32-12-01- 1	21	JAN 20/09	32-12-01- 2	16	JAN 20/09
32-12-01- 1	22	JAN 20/09	32-12-01- 2	17	JAN 20/09
32-12-01- 1	23	JAN 20/09	32-12-01- 2	18	JAN 20/09
32-12-01- 1	24	JAN 20/09	32-12-01- 2	19	JAN 20/09
32-12-01- 1	25	JAN 20/09	32-12-01- 2	20	JAN 20/09
32-12-01- 1	26	JAN 20/09	32-12-01- 2	21	JAN 20/09
32-12-01- 1	27	JAN 20/09	32-12-01- 2	22	JAN 20/09
32-12-01- 1	28	JAN 20/09	32-12-01- 2	23	JAN 20/09
32-12-01- 1	29	JAN 20/09	32-12-01- 2	24	JAN 20/09
32-12-01- 1	30	JAN 20/09	32-12-01- 2	25	JAN 20/09
32-12-01- 1	31	JAN 20/09	32-12-01- 2	26	JAN 20/09
32-12-01- 1	32	JAN 20/09	32-12-01- 2	27	JAN 20/09
32-12-01- 1	33	JAN 20/09	32-12-01- 2	28	JAN 20/09
32-12-01- 1	34	JAN 20/09	32-12-01- 2	29	JAN 20/09
32-12-01- 1	35	JAN 20/09	32-12-01- 2	30	JAN 20/09
32-12-01- 1	36	JAN 20/09	32-12-01- 2	31	JAN 20/09
32-12-01- 1	37	JAN 20/09	32-12-01- 2	32	JAN 20/09
32-12-01- 1	38	JAN 20/09	32-12-01- 2	33	JAN 20/09
32-12-01- 1	39	JAN 20/09	32-12-01- 2	34	JAN 20/09
32-12-01- 1	40	JAN 20/09	32-12-01- 2	35	JAN 20/09
32-12-01- 1	41	JAN 20/09	32-12-01- 2	36	JAN 20/09
32-12-01- 1	42	JAN 20/09	32-12-01- 2	37	JAN 20/09
32-12-01- 1	43	JAN 20/09	32-12-01- 2	38	JAN 20/09
32-12-01- 1	44	JAN 20/09	32-12-01- 2	39	JAN 20/09
32-12-01- 1	45	JAN 20/09	32-12-01- 2	40	JAN 20/09
32-12-01- 1	46	JAN 20/09	32-12-01- 2	41	JAN 20/09
32-12-01- 1	47	JAN 20/09	32-12-01- 2	42	JAN 20/09
32-12-01- 1	48	JAN 20/09	32-12-01- 2	43	JAN 20/09
32-12-01- 1	49	JAN 20/09	32-12-01- 2	44	JAN 20/09
32-12-01- 2	0	MAY 28/07	32-12-01- 2	45	JAN 20/09
32-12-01- 2	0A	MAY 28/07	32-12-01- 2	46	JAN 20/09
32-12-01- 2	0B	MAY 28/07	32-12-01- 2	47	JAN 20/09
32-12-01- 2	0C	MAY 28/07	32-12-01- 2	48	JAN 20/09
32-12-01- 2	0D	MAY 28/07	32-12-01- 2	49	JAN 20/09
32-12-01- 2	0E	MAY 28/07	32-12-01- 2	50	JAN 20/09
32-12-01- 2	0F	MAY 28/07	32-12-01- 2	51	JAN 20/09

\* THE ASTERISK INDICATES PAGES CHANGED OR ADDED BY THE CURRENT REVISION



757

PARTS CATALOG (MAINTENANCE)

CH-SECT-UNIT-FIG	PAGE NO.	DATE	CH-SECT-UNIT-FIG	PAGE NO.	DATE
32-12-01- 2	52	JAN 20/09	32-12-04- 2	7	JAN 20/09
32-12-01- 2	53	JAN 20/09	32-12-04- 2	8	JAN 20/09
32-12-02- 1	0	MAY 28/07	32-12-04- 2	9	JAN 20/09
32-12-02- 1	0A	MAY 28/07	32-12-04- 2	10	JAN 20/09
32-12-02- 1	0B	MAY 28/07	32-12-04- 2	11	JAN 20/09
32-12-02- 1	0C	MAY 28/07	32-12-04- 2	12	JAN 20/09
32-12-02- 1	0D	MAY 28/07	32-12-04- 2	13	JAN 20/09
32-12-02- 1	1	JAN 20/09	32-12-04- 2	14	JAN 20/09
32-12-02- 1	2	JAN 20/09	32-12-04- 2	15	JAN 20/09
32-12-02- 1	3	JAN 20/09	32-12-04- 2	16	JAN 20/09
32-12-02- 1	4	JAN 20/09	32-12-04- 2	17	JAN 20/09
32-12-02- 1	5	JAN 20/09	32-12-04- 2	18	JAN 20/09
32-12-02- 1	6	JAN 20/09	32-12-04- 2	19	JAN 20/09
32-12-02- 1	7	JAN 20/09	32-12-04- 2	20	JAN 20/09
32-12-02- 1	8	JAN 20/09	32-12-04- 2	21	JAN 20/09
32-12-02- 1	9	JAN 20/09	32-12-04- 2	22	JAN 20/09
32-12-02- 1	10	JAN 20/09	32-12-04- 2	23	JAN 20/09
32-12-02- 1	11	JAN 20/09	32-12-04- 2	24	JAN 20/09
32-12-02- 1	12	JAN 20/09	32-12-04- 2	25	JAN 20/09
32-12-02- 1	13	JAN 20/09	32-12-04- 2	26	JAN 20/09
32-12-02- 1	14	JAN 20/09	32-12-04- 2	27	JAN 20/09
32-12-02- 1	15	JAN 20/09	32-12-04- 2	28	JAN 20/09
32-12-02- 1	16	JAN 20/09	32-12-04- 2	29	JAN 20/09
32-12-02- 1	17	JAN 20/09	32-12-04- 2	30	JAN 20/09
32-12-02- 1	18	JAN 20/09	32-12-04- 2	31	JAN 20/09
32-12-02- 1	19	JAN 20/09	32-12-04- 2	32	JAN 20/09
32-12-02- 2	0	JAN 20/09	32-12-04- 2	33	JAN 20/09
32-12-02- 2	0A	JAN 20/09	32-12-04- 2	34	JAN 20/09
32-12-02- 2	1	JAN 20/09	32-12-04- 2	35	JAN 20/09
32-12-02- 2	2	JAN 20/09	32-12-04- 2	36	JAN 20/09
32-12-02- 2	3	JAN 20/09	32-12-04- 2	37	JAN 20/09
32-12-02- 2	4	JAN 20/09	32-12-04- 2	38	JAN 20/09
32-12-02- 2	5	JAN 20/09	32-12-04- 2	39	JAN 20/09
32-12-04- 1	0	MAY 28/07	32-12-04- 2A	0	JAN 20/09
32-12-04- 1	0A	MAY 28/07	32-12-04- 2A	0A	JAN 20/09
32-12-04- 1	1	JAN 20/09	32-12-04- 2A	0B	JAN 20/09
32-12-04- 1	2	JAN 20/09	32-12-04- 2A	0C	JAN 20/09
32-12-04- 1	3	JAN 20/09	32-12-04- 2A	0D	JAN 20/09
32-12-04- 1	4	JAN 20/09	32-12-04- 2A	0E	JAN 20/09
32-12-04- 1	5	JAN 20/09	32-12-04- 2A	1	JAN 20/09
32-12-04- 2	0	MAY 28/07	32-12-04- 2A	2	JAN 20/09
32-12-04- 2	0A	MAY 28/07	32-12-04- 2A	3	JAN 20/09
32-12-04- 2	0B	MAY 28/07	32-12-04- 2A	4	JAN 20/09
32-12-04- 2	0C	MAY 28/07	32-12-04- 2A	5	JAN 20/09
32-12-04- 2	0D	MAY 28/07	32-12-04- 2A	6	JAN 20/09
32-12-04- 2	1	JAN 20/09	32-12-04- 2A	7	JAN 20/09
32-12-04- 2	2	JAN 20/09	32-12-04- 2A	8	JAN 20/09
32-12-04- 2	3	JAN 20/09	32-12-04- 2A	9	JAN 20/09
32-12-04- 2	4	JAN 20/09	32-12-04- 2A	10	JAN 20/09
32-12-04- 2	5	JAN 20/09	32-12-04- 2A	11	JAN 20/09
32-12-04- 2	6	JAN 20/09	32-12-04- 2A	12	JAN 20/09

\* THE ASTERISK INDICATES PAGES CHANGED OR ADDED BY THE CURRENT REVISION

BRI  
MAY 20/09

32 - LIST OF EFFECTIVE PAGES  
PAGE 7



757

PARTS CATALOG (MAINTENANCE)

CH-SECT-UNIT-FIG	PAGE NO.	DATE	CH-SECT-UNIT-FIG	PAGE NO.	DATE
32-12-04- 2A	13	JAN 20/09	32-12-10- 1	3	JAN 20/09
32-12-04- 2A	14	JAN 20/09	32-12-10- 1	4	JAN 20/09
32-12-04- 2A	15	JAN 20/09	32-12-10- 1	5	JAN 20/09
32-12-04- 2A	16	JAN 20/09	32-12-10- 1	6	JAN 20/09
32-12-04- 3	0	MAY 28/07	32-12-10- 1	7	JAN 20/09
32-12-04- 3	0A	MAY 28/07	32-12-10- 1	8	JAN 20/09
32-12-04- 3	0B	MAY 28/07	32-12-10- 1	9	JAN 20/09
32-12-04- 3	0C	MAY 28/07	32-12-10- 1	10	JAN 20/09
32-12-04- 3	0D	MAY 28/07	32-12-10- 1	11	JAN 20/09
32-12-04- 3	1	JAN 20/09	32-12-10- 1	12	JAN 20/09
32-12-04- 3	2	JAN 20/09	32-12-10- 1	13	JAN 20/09
32-12-04- 3	3	JAN 20/09	32-12-10- 1	14	JAN 20/09
32-12-04- 3	4	JAN 20/09	32-12-10- 1	15	JAN 20/09
32-12-04- 3	5	JAN 20/09	32-12-10- 1	16	JAN 20/09
32-12-04- 3	6	JAN 20/09	32-12-10- 1	17	JAN 20/09
32-12-04- 3	7	JAN 20/09	32-12-10- 1	18	JAN 20/09
32-12-04- 3	8	JAN 20/09	32-12-10- 1	19	JAN 20/09
32-12-04- 3	9	JAN 20/09	32-12-10- 1	20	JAN 20/09
32-12-04- 3	10	JAN 20/09	32-12-10- 1	21	JAN 20/09
32-12-04- 3	11	JAN 20/09	32-12-10- 1	22	JAN 20/09
32-12-04- 3	12	JAN 20/09	32-12-10- 1	23	JAN 20/09
32-12-04- 3	13	JAN 20/09	32-12-10- 1	24	JAN 20/09
32-12-04- 3	14	JAN 20/09	32-12-10- 1	25	JAN 20/09
32-12-04- 3	15	JAN 20/09	32-12-10- 1	26	JAN 20/09
32-12-04- 3	16	JAN 20/09	32-12-10- 1	27	JAN 20/09
32-12-04- 3	17	JAN 20/09	32-12-10- 1	28	JAN 20/09
32-12-04- 3	18	JAN 20/09	32-12-10- 1	29	JAN 20/09
32-12-04- 3	19	JAN 20/09	32-12-10- 1	30	JAN 20/09
32-12-04- 3	20	JAN 20/09	32-12-10- 1	31	JAN 20/09
32-12-04- 3	21	JAN 20/09	32-12-10- 1	32	JAN 20/09
32-12-04- 3	22	JAN 20/09	32-12-10- 1	33	JAN 20/09
32-12-04- 3	23	JAN 20/09	32-12-10- 1	34	JAN 20/09
32-12-04- 3	24	JAN 20/09	32-12-10- 1	35	JAN 20/09
32-12-04- 3	25	JAN 20/09	32-12-10- 1	36	JAN 20/09
32-12-04- 4	0	MAY 20/08	32-12-10- 1	37	JAN 20/09
32-12-04- 4	1	JAN 20/09	32-12-10- 1	38	JAN 20/09
32-12-04- 4	2	JAN 20/09	32-12-10- 1	39	JAN 20/09
32-12-04- 4	3	JAN 20/09	32-12-10- 1	40	JAN 20/09
32-12-04- 4	4	JAN 20/09	*32-12-10- 1	41	MAY 20/09
32-12-10- 1	0	MAY 28/07	*32-12-10- 1	42	MAY 20/09
32-12-10- 1	0A	MAY 28/07	32-12-10- 1	43	JAN 20/09
32-12-10- 1	0B	MAY 28/07	*32-12-10- 1	44	MAY 20/09
32-12-10- 1	0C	MAY 28/07	32-12-10- 1	45	JAN 20/09
32-12-10- 1	0D	MAY 28/07	32-12-10- 1	46	JAN 20/09
32-12-10- 1	0E	MAY 28/07	32-12-10- 1	47	JAN 20/09
32-12-10- 1	0F	MAY 28/07	32-12-10- 1	48	JAN 20/09
32-12-10- 1	0G	MAY 28/07	32-12-10- 1	49	JAN 20/09
32-12-10- 1	0H	MAY 28/07	32-12-10- 1	50	JAN 20/09
32-12-10- 1	0I	MAY 28/07	32-12-10- 1	51	JAN 20/09
32-12-10- 1	1	JAN 20/09	32-12-10- 1	52	JAN 20/09
32-12-10- 1	2	JAN 20/09	32-12-10- 1	53	JAN 20/09

\* THE ASTERISK INDICATES PAGES CHANGED OR ADDED BY THE CURRENT REVISION



757

PARTS CATALOG (MAINTENANCE)

CH-SECT-UNIT-FIG	PAGE NO.	DATE	CH-SECT-UNIT-FIG	PAGE NO.	DATE
32-12-10- 1	54	JAN 20/09	32-12-51- 1	6	JAN 20/09
32-12-10- 1	55	JAN 20/09	32-12-51- 1	7	JAN 20/09
32-12-10- 1	56	JAN 20/09	32-12-52- 1	0	MAY 28/07
32-12-10- 1	57	JAN 20/09	32-12-52- 1	1	JAN 20/09
32-12-10- 1	58	JAN 20/09	32-12-52- 1	2	JAN 20/09
32-12-10- 1	59	JAN 20/09	32-12-52- 1	3	JAN 20/09
32-12-10- 1	60	JAN 20/09	32-12-52- 1B	0	MAY 28/07
32-12-10- 1	61	JAN 20/09	32-12-52- 1B	1	JAN 20/09
32-12-10- 1	62	JAN 20/09	32-12-71- 1	0	MAY 28/07
32-12-10- 1	63	JAN 20/09	32-12-71- 1	1	JAN 20/09
32-12-10- 1	64	JAN 20/09	32-12-71- 1	2	JAN 20/09
32-12-10- 1	65	JAN 20/09	32-12-72- 1	0	MAY 28/07
32-12-10- 1	66	JAN 20/09	32-12-72- 1	1	JAN 20/09
32-12-10- 1	67	JAN 20/09	32-12-72- 1	2	JAN 20/09
32-12-10- 1	68	JAN 20/09	32-21-00	1	MAY 28/07
32-12-10- 1	69	JAN 20/09	32-21-00- 1B	0	MAY 28/07
32-12-10- 1	70	JAN 20/09	32-21-00- 1B	0A	MAY 28/07
32-12-10- 1	71	JAN 20/09	32-21-00- 1B	0B	MAY 28/07
32-12-10- 1	72	JAN 20/09	32-21-00- 1B	0C	MAY 28/07
32-12-10- 1	73	JAN 20/09	32-21-00- 1B	0D	MAY 28/07
32-12-10- 1	74	JAN 20/09	32-21-00- 1B	1	JAN 20/09
32-12-10- 1	75	JAN 20/09	32-21-00- 1B	2	JAN 20/09
32-12-10- 1	76	JAN 20/09	32-21-00- 1B	3	JAN 20/09
32-12-10- 1	77	JAN 20/09	32-21-00- 1B	4	JAN 20/09
32-12-10- 1	78	JAN 20/09	32-21-00- 1B	5	JAN 20/09
32-12-10- 1	79	JAN 20/09	32-21-00- 1B	6	JAN 20/09
32-12-10- 2	0	MAY 28/07	32-21-00- 1B	7	JAN 20/09
32-12-10- 2	0A	MAY 28/07	32-21-00- 1B	8	JAN 20/09
32-12-10- 2	0B	MAY 28/07	32-21-00- 1B	9	JAN 20/09
32-12-10- 2	0C	MAY 28/07	32-21-00- 1B	10	JAN 20/09
32-12-10- 2	1	JAN 20/09	32-21-00- 1B	11	JAN 20/09
*32-12-10- 2	2	MAY 20/09	32-21-00- 1B	12	JAN 20/09
*32-12-10- 2	3	MAY 20/09	32-21-00- 1B	13	JAN 20/09
*32-12-10- 2	4	MAY 20/09	32-21-00- 1B	14	JAN 20/09
*32-12-10- 2	5	MAY 20/09	32-21-00- 1B	15	JAN 20/09
*32-12-10- 2	6	MAY 20/09	32-21-00- 1B	16	JAN 20/09
*32-12-10- 2	7	MAY 20/09	32-21-00- 1B	17	JAN 20/09
*32-12-10- 2	8	MAY 20/09	32-21-00- 1B	18	JAN 20/09
*32-12-10- 2	9	MAY 20/09	32-21-00- 1B	19	JAN 20/09
*32-12-10- 2	10	MAY 20/09	32-21-00- 1B	20	JAN 20/09
*32-12-10- 2	11	MAY 20/09	32-21-00- 1B	21	JAN 20/09
*32-12-10- 2	12	MAY 20/09	32-21-00- 1B	22	JAN 20/09
*32-12-10- 2	13	MAY 20/09	32-21-00- 1B	23	JAN 20/09
32-12-51- 1	0	MAY 28/07	32-21-00- 1B	24	JAN 20/09
32-12-51- 1	0A	MAY 28/07	32-21-00- 1B	25	JAN 20/09
32-12-51- 1	0B	MAY 28/07	32-21-00- 1B	26	JAN 20/09
32-12-51- 1	1	JAN 20/09	32-21-00- 1B	27	JAN 20/09
32-12-51- 1	2	JAN 20/09	32-21-00- 1B	28	JAN 20/09
32-12-51- 1	3	JAN 20/09	32-21-00- 1B	29	JAN 20/09
32-12-51- 1	4	JAN 20/09	32-21-00- 1B	30	JAN 20/09
32-12-51- 1	5	JAN 20/09	32-21-00- 1B	31	JAN 20/09

\* THE ASTERISK INDICATES PAGES CHANGED OR ADDED BY THE CURRENT REVISION




**BOEING**  
 757  
**PARTS CATALOG (MAINTENANCE)**

CH-SECT-UNIT-FIG	PAGE NO.	DATE	CH-SECT-UNIT-FIG	PAGE NO.	DATE
32-21-00- 1B	32	JAN 20/09	32-21-00- 1B	83	JAN 20/09
32-21-00- 1B	33	JAN 20/09	32-21-00- 1B	84	JAN 20/09
32-21-00- 1B	34	JAN 20/09	32-21-00- 1B	85	JAN 20/09
32-21-00- 1B	35	JAN 20/09	32-21-00- 1B	86	JAN 20/09
32-21-00- 1B	36	JAN 20/09	32-21-00- 1B	87	JAN 20/09
32-21-00- 1B	37	JAN 20/09	32-21-00- 1B	88	JAN 20/09
32-21-00- 1B	38	JAN 20/09	32-21-00- 1B	89	JAN 20/09
32-21-00- 1B	39	JAN 20/09	32-21-00- 2	0	MAY 28/07
32-21-00- 1B	40	JAN 20/09	32-21-00- 2	0A	MAY 28/07
32-21-00- 1B	41	JAN 20/09	32-21-00- 2	0B	MAY 28/07
32-21-00- 1B	42	JAN 20/09	32-21-00- 2	0C	MAY 28/07
32-21-00- 1B	43	JAN 20/09	32-21-00- 2	1	JAN 20/09
32-21-00- 1B	44	JAN 20/09	32-21-00- 2	2	JAN 20/09
32-21-00- 1B	45	JAN 20/09	32-21-00- 2	3	JAN 20/09
32-21-00- 1B	46	JAN 20/09	32-21-00- 2	4	JAN 20/09
32-21-00- 1B	47	JAN 20/09	32-21-00- 2	5	JAN 20/09
32-21-00- 1B	48	JAN 20/09	32-21-00- 2A	0	JAN 20/09
32-21-00- 1B	49	JAN 20/09	32-21-00- 2A	0A	JAN 20/09
32-21-00- 1B	50	JAN 20/09	32-21-00- 2A	0B	JAN 20/09
32-21-00- 1B	51	JAN 20/09	32-21-00- 2A	0C	JAN 20/09
32-21-00- 1B	52	JAN 20/09	32-21-00- 2A	1	JAN 20/09
32-21-00- 1B	53	JAN 20/09	32-21-00- 2A	2	JAN 20/09
32-21-00- 1B	54	JAN 20/09	32-21-00- 2A	3	JAN 20/09
32-21-00- 1B	55	JAN 20/09	32-21-01- 1	0	MAY 28/07
32-21-00- 1B	56	JAN 20/09	32-21-01- 1	1	JAN 20/09
32-21-00- 1B	57	JAN 20/09	32-21-01- 1	2	JAN 20/09
32-21-00- 1B	58	JAN 20/09	32-21-01- 1	3	JAN 20/09
32-21-00- 1B	59	JAN 20/09	32-21-01- 1	4	JAN 20/09
32-21-00- 1B	60	JAN 20/09	32-21-01- 1	5	JAN 20/09
32-21-00- 1B	61	JAN 20/09	32-21-01- 1	6	JAN 20/09
32-21-00- 1B	62	JAN 20/09	32-21-01- 1	7	JAN 20/09
32-21-00- 1B	63	JAN 20/09	32-21-01- 1	8	JAN 20/09
32-21-00- 1B	64	JAN 20/09	32-21-01- 1	9	JAN 20/09
32-21-00- 1B	65	JAN 20/09	32-21-01- 1	10	JAN 20/09
32-21-00- 1B	66	JAN 20/09	32-21-01- 1	11	JAN 20/09
32-21-00- 1B	67	JAN 20/09	32-21-01- 1	12	JAN 20/09
32-21-00- 1B	68	JAN 20/09	32-21-01- 1	13	JAN 20/09
32-21-00- 1B	69	JAN 20/09	32-21-01- 1	14	JAN 20/09
32-21-00- 1B	70	JAN 20/09	32-21-01- 1	15	JAN 20/09
32-21-00- 1B	71	JAN 20/09	32-21-01- 1	16	JAN 20/09
32-21-00- 1B	72	JAN 20/09	32-21-01- 1	17	JAN 20/09
32-21-00- 1B	73	JAN 20/09	32-21-01- 1	18	JAN 20/09
32-21-00- 1B	74	JAN 20/09	32-21-01- 1	19	JAN 20/09
32-21-00- 1B	75	JAN 20/09	32-21-01- 1	20	JAN 20/09
32-21-00- 1B	76	JAN 20/09	32-21-01- 1	21	JAN 20/09
32-21-00- 1B	77	JAN 20/09	32-21-01- 1	22	JAN 20/09
32-21-00- 1B	78	JAN 20/09	32-21-01- 1B	0	JAN 20/09
32-21-00- 1B	79	JAN 20/09	32-21-01- 1B	1	JAN 20/09
32-21-00- 1B	80	JAN 20/09	32-21-01- 1B	2	JAN 20/09
32-21-00- 1B	81	JAN 20/09	32-21-01- 1B	3	JAN 20/09
32-21-00- 1B	82	JAN 20/09	32-21-01- 1B	4	JAN 20/09

\* THE ASTERISK INDICATES PAGES CHANGED OR ADDED BY THE CURRENT REVISION



757

**PARTS CATALOG (MAINTENANCE)**

CH-SECT-UNIT-FIG	PAGE NO.	DATE	CH-SECT-UNIT-FIG	PAGE NO.	DATE
32-21-01- 1B	5	JAN 20/09	32-21-01- 1C	35	JAN 20/09
32-21-01- 1B	6	JAN 20/09	32-21-01- 1C	36	JAN 20/09
32-21-01- 1B	7	JAN 20/09	32-21-01- 1C	37	JAN 20/09
32-21-01- 1B	8	JAN 20/09	32-21-01- 1C	38	JAN 20/09
32-21-01- 1B	9	JAN 20/09	32-21-01- 1C	39	JAN 20/09
32-21-01- 1B	10	JAN 20/09	32-21-01- 1C	40	JAN 20/09
32-21-01- 1B	11	JAN 20/09	32-21-01- 1C	41	JAN 20/09
32-21-01- 1B	12	JAN 20/09	32-21-01- 1C	42	JAN 20/09
32-21-01- 1B	13	JAN 20/09	32-21-01- 1C	43	JAN 20/09
32-21-01- 1B	14	JAN 20/09	32-21-01- 1C	44	JAN 20/09
32-21-01- 1B	15	JAN 20/09	32-21-01- 1C	45	JAN 20/09
32-21-01- 1B	16	JAN 20/09	32-21-01- 1C	46	JAN 20/09
32-21-01- 1B	17	JAN 20/09	32-21-01- 1C	47	JAN 20/09
32-21-01- 1B	18	JAN 20/09	32-21-01- 1C	48	JAN 20/09
32-21-01- 1B	19	JAN 20/09	32-21-01- 1C	49	JAN 20/09
32-21-01- 1B	20	JAN 20/09	32-21-01- 1C	50	JAN 20/09
32-21-01- 1C	0	MAY 28/07	32-21-01- 1C	51	JAN 20/09
32-21-01- 1C	1	JAN 20/09	32-21-01- 1C	52	JAN 20/09
32-21-01- 1C	2	JAN 20/09	32-21-01- 1C	53	JAN 20/09
32-21-01- 1C	3	JAN 20/09	32-21-01- 1C	54	JAN 20/09
32-21-01- 1C	4	JAN 20/09	32-21-01- 1C	55	JAN 20/09
32-21-01- 1C	5	JAN 20/09	32-21-01- 1C	56	JAN 20/09
32-21-01- 1C	6	JAN 20/09	32-21-01- 1C	57	JAN 20/09
32-21-01- 1C	7	JAN 20/09	32-21-01- 1C	58	JAN 20/09
32-21-01- 1C	8	JAN 20/09	32-21-01- 1C	59	JAN 20/09
32-21-01- 1C	9	JAN 20/09	32-21-01- 1C	60	JAN 20/09
32-21-01- 1C	10	JAN 20/09	32-21-01- 1C	61	JAN 20/09
32-21-01- 1C	11	JAN 20/09	32-21-01- 1C	62	JAN 20/09
32-21-01- 1C	12	JAN 20/09	32-21-01- 1C	63	JAN 20/09
32-21-01- 1C	13	JAN 20/09	32-21-01- 1C	64	JAN 20/09
32-21-01- 1C	14	JAN 20/09	32-21-01- 1C	65	JAN 20/09
32-21-01- 1C	15	JAN 20/09	32-21-01- 1C	66	JAN 20/09
32-21-01- 1C	16	JAN 20/09	32-21-01- 1C	67	JAN 20/09
32-21-01- 1C	17	JAN 20/09	32-21-01- 1C	68	JAN 20/09
32-21-01- 1C	18	JAN 20/09	32-21-01- 1C	69	JAN 20/09
32-21-01- 1C	19	JAN 20/09	32-21-01- 1C	70	JAN 20/09
32-21-01- 1C	20	JAN 20/09	32-21-01- 1C	71	JAN 20/09
32-21-01- 1C	21	JAN 20/09	32-21-01-20	0	MAY 28/07
32-21-01- 1C	22	JAN 20/09	32-21-01-20	0A	MAY 28/07
32-21-01- 1C	23	JAN 20/09	32-21-01-20	0B	MAY 28/07
32-21-01- 1C	24	JAN 20/09	32-21-01-20	0C	MAY 28/07
32-21-01- 1C	25	JAN 20/09	32-21-01-20	0D	MAY 28/07
32-21-01- 1C	26	JAN 20/09	32-21-01-20	0E	MAY 28/07
32-21-01- 1C	27	JAN 20/09	32-21-01-20	1	JAN 20/09
32-21-01- 1C	28	JAN 20/09	32-21-01-20	2	JAN 20/09
32-21-01- 1C	29	JAN 20/09	32-21-01-20	3	JAN 20/09
32-21-01- 1C	30	JAN 20/09	32-21-01-20	4	JAN 20/09
32-21-01- 1C	31	JAN 20/09	32-21-01-20	5	JAN 20/09
32-21-01- 1C	32	JAN 20/09	32-21-01-20	6	JAN 20/09
32-21-01- 1C	33	JAN 20/09	32-21-01-20	7	JAN 20/09
32-21-01- 1C	34	JAN 20/09	32-21-01-20	8	JAN 20/09

\* THE ASTERISK INDICATES PAGES CHANGED OR ADDED BY THE CURRENT REVISION



**757**  
**PARTS CATALOG (MAINTENANCE)**

CH-SECT-UNIT-FIG	PAGE NO.	DATE	CH-SECT-UNIT-FIG	PAGE NO.	DATE
32-21-01-20	9	JAN 20/09	32-21-03- 1	0A	MAY 28/07
32-21-01-20	10	JAN 20/09	32-21-03- 1	0B	MAY 28/07
32-21-01-20	11	JAN 20/09	32-21-03- 1	0C	MAY 28/07
32-21-01-20	12	JAN 20/09	32-21-03- 1	0D	MAY 28/07
32-21-01-20	13	JAN 20/09	*32-21-03- 1	1	MAY 20/09
32-21-01-20	14	JAN 20/09	*32-21-03- 1	2	MAY 20/09
32-21-01-20	15	SEP 20/08	*32-21-03- 1	3	MAY 20/09
32-21-01-20	16	JAN 20/09	*32-21-03- 1	4	MAY 20/09
32-21-01-20	17	JAN 20/09	*32-21-03- 1	5	MAY 20/09
32-21-01-20	18	JAN 20/09	*32-21-03- 1	6	MAY 20/09
32-21-01-20	19	SEP 20/08	*32-21-03- 1	7	MAY 20/09
32-21-01-20	20	JAN 20/09	*32-21-03- 1	8	MAY 20/09
32-21-01-20	21	JAN 20/09	*32-21-03- 1	9	MAY 20/09
32-21-01-20	22	JAN 20/09	*32-21-03- 1	10	MAY 20/09
32-21-01-20	23	SEP 20/08	*32-21-03- 1	11	MAY 20/09
32-21-01-20	24	SEP 20/08	*32-21-03- 1	12	MAY 20/09
32-21-01-20	25	SEP 20/08	*32-21-03- 1	13	MAY 20/09
32-21-01-20	26	JAN 20/09	*32-21-03- 1	14	MAY 20/09
32-21-01-20	27	JAN 20/09	32-21-06- 1	0	MAY 28/07
32-21-01-20	28	JAN 20/09	32-21-06- 1	0A	MAY 28/07
32-21-01-20	29	JAN 20/09	32-21-06- 1	1	SEP 20/08
32-21-01-20	30	JAN 20/09	32-21-06- 1	2	JAN 20/09
32-21-01-20	31	JAN 20/09	32-21-06- 1	3	SEP 20/08
32-21-01-20	32	JAN 20/09	32-21-06- 1	4	JAN 20/09
32-21-01-20	33	JAN 20/09	32-21-06- 1	5	SEP 20/08
32-21-01-20	34	JAN 20/09	32-21-06- 1	6	SEP 20/08
32-21-01-20	35	JAN 20/09	32-21-09- 1	0	JAN 20/09
32-21-01-20	36	JAN 20/09	32-21-09- 1	0A	JAN 20/09
32-21-01-20	37	JAN 20/09	32-21-09- 1	0B	JAN 20/09
32-21-01-20	38	SEP 20/08	32-21-09- 1	0C	JAN 20/09
32-21-01-20	39	JAN 20/09	32-21-09- 1	1	JAN 20/09
32-21-01-20	40	JAN 20/09	32-21-09- 1	2	JAN 20/09
32-21-01-20	41	JAN 20/09	32-21-09- 1	3	JAN 20/09
32-21-01-20	42	JAN 20/09	32-21-09- 1	4	JAN 20/09
32-21-01-20	43	JAN 20/09	32-21-09- 1	5	JAN 20/09
*32-21-01-20	44	MAY 20/09	32-21-09- 1	6	JAN 20/09
*32-21-01-20	45	MAY 20/09	32-21-09- 1	7	JAN 20/09
*32-21-01-20	46	MAY 20/09	32-21-09- 1	8	JAN 20/09
*32-21-01-20	47	MAY 20/09	32-21-09- 1	9	JAN 20/09
*32-21-01-20	48	MAY 20/09	32-21-09- 1	10	JAN 20/09
*32-21-01-20	49	MAY 20/09	32-21-09- 1	11	JAN 20/09
*32-21-01-20	50	MAY 20/09	32-21-09- 1	12	JAN 20/09
*32-21-01-20	51	MAY 20/09	32-21-09- 1	13	JAN 20/09
*32-21-01-20	52	MAY 20/09	32-21-09- 1	14	JAN 20/09
*32-21-01-20	53	MAY 20/09	32-21-09- 1	15	JAN 20/09
*32-21-01-20	54	MAY 20/09	32-21-09- 1	16	JAN 20/09
32-21-01-20	55	JAN 20/09	32-21-09- 1	17	JAN 20/09
32-21-01-20	56	JAN 20/09	32-21-09- 1	18	JAN 20/09
32-21-01-20	57	JAN 20/09	32-21-09- 1	19	JAN 20/09
32-21-01-20	58	JAN 20/09	32-21-09- 1	20	JAN 20/09
32-21-03- 1	0	MAY 28/07	32-21-09- 3	0	JAN 20/09

\* THE ASTERISK INDICATES PAGES CHANGED OR ADDED BY THE CURRENT REVISION


**BOEING**  
 757  
**PARTS CATALOG (MAINTENANCE)**

CH-SECT-UNIT-FIG	PAGE NO.	DATE	CH-SECT-UNIT-FIG	PAGE NO.	DATE
32-21-09- 3	0A	JAN 20/09	32-21-09- 5	33	JAN 20/09
32-21-09- 3	1	JAN 20/09	32-21-09- 5	34	JAN 20/09
32-21-09- 3	2	JAN 20/09	32-21-09- 5	35	JAN 20/09
32-21-09- 3	3	JAN 20/09	32-21-09- 5	36	JAN 20/09
32-21-09- 3	4	JAN 20/09	32-21-09- 5	37	JAN 20/09
32-21-09- 3	5	JAN 20/09	32-21-09- 5	38	JAN 20/09
32-21-09- 3	6	JAN 20/09	32-21-09- 5	39	JAN 20/09
32-21-09- 3	7	JAN 20/09	32-21-09- 5	40	JAN 20/09
32-21-09- 3	8	JAN 20/09	32-21-09- 5	41	JAN 20/09
32-21-09- 3	9	JAN 20/09	32-21-09- 5	42	JAN 20/09
32-21-09- 3	10	JAN 20/09	32-21-09- 5	43	JAN 20/09
32-21-09- 3	11	JAN 20/09	32-21-09- 5	44	JAN 20/09
32-21-09- 3	12	JAN 20/09	32-21-09- 5	45	JAN 20/09
32-21-09- 3	13	JAN 20/09	32-21-09- 5	46	JAN 20/09
32-21-09- 3	14	JAN 20/09	32-21-09- 5	47	JAN 20/09
32-21-09- 3	15	JAN 20/09	32-21-09- 5	48	JAN 20/09
32-21-09- 3	16	JAN 20/09	32-21-09- 5	49	JAN 20/09
32-21-09- 5	0	MAY 28/07	32-21-09- 5	50	JAN 20/09
32-21-09- 5	0A	MAY 28/07	32-21-09- 5	51	JAN 20/09
32-21-09- 5	1	JAN 20/09	32-21-09- 5	52	JAN 20/09
32-21-09- 5	2	JAN 20/09	32-21-09- 5	53	JAN 20/09
32-21-09- 5	3	JAN 20/09	32-21-09- 5	54	JAN 20/09
32-21-09- 5	4	JAN 20/09	32-21-09- 5	55	JAN 20/09
32-21-09- 5	5	JAN 20/09	32-21-09- 5	56	JAN 20/09
32-21-09- 5	6	JAN 20/09	32-21-09- 5	57	JAN 20/09
32-21-09- 5	7	JAN 20/09	32-21-09- 5	58	JAN 20/09
32-21-09- 5	8	JAN 20/09	32-21-09- 5	59	JAN 20/09
32-21-09- 5	9	JAN 20/09	32-21-09- 5	60	JAN 20/09
32-21-09- 5	10	JAN 20/09	32-21-09- 5	61	JAN 20/09
32-21-09- 5	11	JAN 20/09	32-21-09-10	0	MAY 28/07
32-21-09- 5	12	JAN 20/09	32-21-09-10	0A	MAY 28/07
32-21-09- 5	13	JAN 20/09	32-21-09-10	0B	MAY 28/07
32-21-09- 5	14	JAN 20/09	32-21-09-10	1	JAN 20/09
32-21-09- 5	15	JAN 20/09	32-21-09-10	2	JAN 20/09
32-21-09- 5	16	JAN 20/09	32-21-09-10A	0	JAN 20/09
32-21-09- 5	17	JAN 20/09	32-21-09-10A	0A	JAN 20/09
32-21-09- 5	18	JAN 20/09	32-21-09-10A	0B	JAN 20/09
32-21-09- 5	19	JAN 20/09	32-21-09-10A	1	JAN 20/09
32-21-09- 5	20	JAN 20/09	32-21-09-10A	2	JAN 20/09
32-21-09- 5	21	JAN 20/09	32-21-12- 1	0	MAY 28/07
32-21-09- 5	22	JAN 20/09	32-21-12- 1	0A	MAY 28/07
32-21-09- 5	23	JAN 20/09	32-21-12- 1	1	JAN 20/09
32-21-09- 5	24	JAN 20/09	32-21-12- 1	2	JAN 20/09
32-21-09- 5	25	JAN 20/09	32-21-12- 1	3	JAN 20/09
32-21-09- 5	26	JAN 20/09	32-21-12- 1	4	JAN 20/09
32-21-09- 5	27	JAN 20/09	32-21-12- 1	5	JAN 20/09
32-21-09- 5	28	JAN 20/09	32-21-12- 1	6	JAN 20/09
32-21-09- 5	29	JAN 20/09	32-21-12- 1	7	JAN 20/09
32-21-09- 5	30	JAN 20/09	32-21-12- 1	8	JAN 20/09
32-21-09- 5	31	JAN 20/09	32-21-12- 1	9	JAN 20/09
32-21-09- 5	32	JAN 20/09	32-21-12- 1	10	JAN 20/09

\* THE ASTERISK INDICATES PAGES CHANGED OR ADDED BY THE CURRENT REVISION

BRI  
MAY 20/09

32 - LIST OF EFFECTIVE PAGES  
PAGE 13



757

PARTS CATALOG (MAINTENANCE)

CH-SECT-UNIT-FIG	PAGE NO.	DATE	CH-SECT-UNIT-FIG	PAGE NO.	DATE
32-21-12- 1	11	JAN 20/09	32-21-12- 1C	27	JAN 20/09
32-21-12- 1	12	JAN 20/09	32-21-12- 1C	28	JAN 20/09
32-21-12- 1	13	JAN 20/09	32-21-12- 1C	29	JAN 20/09
32-21-12- 1	14	JAN 20/09	32-21-12- 1C	30	JAN 20/09
32-21-12- 1	15	JAN 20/09	32-21-12- 1C	31	JAN 20/09
32-21-12- 1	16	JAN 20/09	32-21-12- 1C	32	JAN 20/09
32-21-12- 1	17	JAN 20/09	32-21-12- 1C	33	JAN 20/09
32-21-12- 1	18	JAN 20/09	32-21-12- 1C	34	JAN 20/09
32-21-12- 1B	0	JAN 20/09	32-21-12- 1C	35	JAN 20/09
32-21-12- 1B	0A	JAN 20/09	32-21-12- 1C	36	JAN 20/09
32-21-12- 1B	1	JAN 20/09	32-21-12- 1C	37	JAN 20/09
32-21-12- 1B	2	JAN 20/09	32-21-12- 1C	38	JAN 20/09
32-21-12- 1B	3	JAN 20/09	32-21-12- 1C	39	JAN 20/09
32-21-12- 1B	4	JAN 20/09	32-21-12- 1C	40	JAN 20/09
32-21-12- 1B	5	JAN 20/09	32-21-12- 1C	41	JAN 20/09
32-21-12- 1B	6	JAN 20/09	32-21-12- 1C	42	JAN 20/09
32-21-12- 1B	7	JAN 20/09	32-21-12- 1C	43	JAN 20/09
32-21-12- 1B	8	JAN 20/09	32-21-12- 1C	44	JAN 20/09
32-21-12- 1B	9	JAN 20/09	32-21-12- 1C	45	JAN 20/09
32-21-12- 1B	10	JAN 20/09	32-21-12- 1C	46	JAN 20/09
32-21-12- 1B	11	JAN 20/09	32-21-12- 1C	47	JAN 20/09
32-21-12- 1B	12	JAN 20/09	32-21-12- 1C	48	JAN 20/09
32-21-12- 1B	13	JAN 20/09	32-21-12- 1C	49	JAN 20/09
32-21-12- 1B	14	JAN 20/09	32-21-13- 1	0	JAN 20/09
32-21-12- 1C	0	MAY 28/07	32-21-13- 1	0A	JAN 20/09
32-21-12- 1C	1	JAN 20/09	32-21-13- 1	1	JAN 20/09
32-21-12- 1C	2	JAN 20/09	32-21-13- 1	2	JAN 20/09
32-21-12- 1C	3	JAN 20/09	32-21-13- 1	3	JAN 20/09
32-21-12- 1C	4	JAN 20/09	32-21-13- 1	4	JAN 20/09
32-21-12- 1C	5	JAN 20/09	32-21-13- 1	5	JAN 20/09
32-21-12- 1C	6	JAN 20/09	32-21-13- 1	6	JAN 20/09
32-21-12- 1C	7	JAN 20/09	32-21-13- 1	7	JAN 20/09
32-21-12- 1C	8	JAN 20/09	32-21-13- 1	8	JAN 20/09
32-21-12- 1C	9	JAN 20/09	32-21-13- 1	9	JAN 20/09
32-21-12- 1C	10	JAN 20/09	32-21-13- 1	10	JAN 20/09
32-21-12- 1C	11	JAN 20/09	32-21-13- 1	11	JAN 20/09
32-21-12- 1C	12	JAN 20/09	32-21-13- 1	12	JAN 20/09
32-21-12- 1C	13	JAN 20/09	32-21-13- 1	13	JAN 20/09
32-21-12- 1C	14	JAN 20/09	32-21-13- 1	14	JAN 20/09
32-21-12- 1C	15	JAN 20/09	32-21-13- 1	15	JAN 20/09
32-21-12- 1C	16	JAN 20/09	32-21-13- 1	16	JAN 20/09
32-21-12- 1C	17	JAN 20/09	32-21-13- 1B	0	JAN 20/09
32-21-12- 1C	18	JAN 20/09	32-21-13- 1B	1	JAN 20/09
32-21-12- 1C	19	JAN 20/09	32-21-13- 1B	2	JAN 20/09
32-21-12- 1C	20	JAN 20/09	32-21-13- 1B	3	JAN 20/09
32-21-12- 1C	21	JAN 20/09	32-21-13- 1B	4	JAN 20/09
32-21-12- 1C	22	JAN 20/09	32-21-13- 1B	5	JAN 20/09
32-21-12- 1C	23	JAN 20/09	32-21-13- 1B	6	JAN 20/09
32-21-12- 1C	24	JAN 20/09	32-21-13- 1B	7	JAN 20/09
32-21-12- 1C	25	JAN 20/09	32-21-13- 1B	8	JAN 20/09
32-21-12- 1C	26	JAN 20/09	32-21-13- 1B	9	JAN 20/09

\* THE ASTERISK INDICATES PAGES CHANGED OR ADDED BY THE CURRENT REVISION



757

PARTS CATALOG (MAINTENANCE)

CH-SECT-UNIT-FIG	PAGE NO.	DATE	CH-SECT-UNIT-FIG	PAGE NO.	DATE
32-21-13- 1B	10	JAN 20/09	32-21-13- 1C	45	JAN 20/09
32-21-13- 1B	11	JAN 20/09	32-21-13- 1C	46	JAN 20/09
32-21-13- 1B	12	JAN 20/09	32-21-13- 1C	47	JAN 20/09
32-21-13- 1B	13	JAN 20/09	32-21-13- 1C	48	JAN 20/09
32-21-13- 1B	14	JAN 20/09	32-21-13- 1C	49	JAN 20/09
32-21-13- 1B	15	JAN 20/09	32-21-13- 1C	50	JAN 20/09
32-21-13- 1C	0	MAY 28/07	32-21-13- 1C	51	JAN 20/09
32-21-13- 1C	1	JAN 20/09	32-21-13- 1C	52	JAN 20/09
32-21-13- 1C	2	JAN 20/09	32-21-13- 1C	53	JAN 20/09
32-21-13- 1C	3	JAN 20/09	32-21-13-10	0	MAY 28/07
32-21-13- 1C	4	JAN 20/09	32-21-13-10	0A	MAY 28/07
32-21-13- 1C	5	JAN 20/09	32-21-13-10	1	JAN 20/09
32-21-13- 1C	6	JAN 20/09	32-21-13-10	2	JAN 20/09
32-21-13- 1C	7	JAN 20/09	32-21-13-10A	0	JAN 20/09
32-21-13- 1C	8	JAN 20/09	32-21-13-10A	0A	JAN 20/09
32-21-13- 1C	9	JAN 20/09	32-21-13-10A	1	JAN 20/09
32-21-13- 1C	10	JAN 20/09	32-21-13-10A	2	JAN 20/09
32-21-13- 1C	11	JAN 20/09	32-21-25- 1	0	MAY 28/07
32-21-13- 1C	12	JAN 20/09	32-21-25- 1	1	JAN 20/09
32-21-13- 1C	13	JAN 20/09	32-21-25- 1	2	JAN 20/09
32-21-13- 1C	14	JAN 20/09	32-21-51- 1	0	MAY 28/07
32-21-13- 1C	15	JAN 20/09	32-21-51- 1	0A	MAY 28/07
32-21-13- 1C	16	JAN 20/09	32-21-51- 1	0B	MAY 28/07
32-21-13- 1C	17	JAN 20/09	32-21-51- 1	0C	MAY 28/07
32-21-13- 1C	18	JAN 20/09	32-21-51- 1	0D	MAY 28/07
32-21-13- 1C	19	JAN 20/09	32-21-51- 1	0E	MAY 28/07
32-21-13- 1C	20	JAN 20/09	32-21-51- 1	0F	MAY 28/07
32-21-13- 1C	21	JAN 20/09	32-21-51- 1	0G	MAY 28/07
32-21-13- 1C	22	JAN 20/09	32-21-51- 1	1	JAN 20/09
32-21-13- 1C	23	JAN 20/09	32-21-51- 1	2	JAN 20/09
32-21-13- 1C	24	JAN 20/09	32-21-51- 1	3	JAN 20/09
32-21-13- 1C	25	JAN 20/09	32-21-51- 1	4	JAN 20/09
32-21-13- 1C	26	JAN 20/09	32-21-51- 1	5	JAN 20/09
32-21-13- 1C	27	JAN 20/09	32-21-51- 1	6	JAN 20/09
32-21-13- 1C	28	JAN 20/09	32-21-51- 1	7	JAN 20/09
32-21-13- 1C	29	JAN 20/09	32-21-51- 1	8	JAN 20/09
32-21-13- 1C	30	JAN 20/09	32-21-51- 1	9	JAN 20/09
32-21-13- 1C	31	JAN 20/09	32-21-51- 1	10	JAN 20/09
32-21-13- 1C	32	JAN 20/09	32-21-51- 1	11	JAN 20/09
32-21-13- 1C	33	JAN 20/09	32-21-51- 1	12	JAN 20/09
32-21-13- 1C	34	JAN 20/09	32-21-51- 2	0	JAN 20/09
32-21-13- 1C	35	JAN 20/09	32-21-51- 2	0A	JAN 20/09
32-21-13- 1C	36	JAN 20/09	32-21-51- 2	0B	JAN 20/09
32-21-13- 1C	37	JAN 20/09	32-21-51- 2	0C	JAN 20/09
32-21-13- 1C	38	JAN 20/09	32-21-51- 2	0D	JAN 20/09
32-21-13- 1C	39	JAN 20/09	32-21-51- 2	0E	JAN 20/09
32-21-13- 1C	40	JAN 20/09	32-21-51- 2	1	JAN 20/09
32-21-13- 1C	41	JAN 20/09	32-21-51- 2	2	JAN 20/09
32-21-13- 1C	42	JAN 20/09	32-21-51- 3	0	JAN 20/09
32-21-13- 1C	43	JAN 20/09	32-21-51- 3	0A	JAN 20/09
32-21-13- 1C	44	JAN 20/09	32-21-51- 3	0B	JAN 20/09

\* THE ASTERISK INDICATES PAGES CHANGED OR ADDED BY THE CURRENT REVISION



757

PARTS CATALOG (MAINTENANCE)

CH-SECT-UNIT-FIG	PAGE NO.	DATE	CH-SECT-UNIT-FIG	PAGE NO.	DATE
32-21-51- 3	0C	JAN 20/09	32-22-02- 1	3	JAN 20/09
32-21-51- 3	0D	JAN 20/09	32-22-02- 1	4	JAN 20/09
32-21-51- 3	1	JAN 20/09	32-22-03- 1	0	MAY 28/07
32-21-51- 3	2	JAN 20/09	32-22-03- 1	0A	MAY 28/07
32-21-51- 3	3	JAN 20/09	32-22-03- 1	1	JAN 20/09
32-21-51- 3	4	JAN 20/09	32-22-03- 1	2	JAN 20/09
32-21-51- 3	5	JAN 20/09	32-22-03- 1	3	JAN 20/09
32-21-51- 3	6	JAN 20/09	32-22-03- 1	4	JAN 20/09
32-21-51- 3	7	JAN 20/09	32-22-05- 1	0	MAY 28/07
32-21-51- 3	8	JAN 20/09	32-22-05- 1	0A	MAY 28/07
32-21-51- 3	9	JAN 20/09	32-22-05- 1	1	JAN 20/09
32-22-00	1	MAY 28/07	32-22-05- 1	2	JAN 20/09
32-22-01- 1	0	MAY 28/07	32-22-05- 1	3	JAN 20/09
32-22-01- 1	0A	MAY 28/07	32-22-05- 1	4	JAN 20/09
32-22-01- 1	0B	MAY 28/07	32-22-05- 1	5	JAN 20/09
32-22-01- 1	0C	MAY 28/07	32-22-05- 1	6	JAN 20/09
32-22-01- 1	1	JAN 20/09	32-22-05- 1	7	JAN 20/09
32-22-01- 1	2	JAN 20/09	32-31-00	1	MAY 28/07
32-22-01- 1	3	JAN 20/09	32-31-02- 1	0	MAY 28/07
32-22-01- 1	4	JAN 20/09	32-31-02- 1	1	JAN 20/09
32-22-01- 1	5	JAN 20/09	32-31-02- 1	2	JAN 20/09
32-22-01- 1	6	JAN 20/09	32-31-02- 1	3	JAN 20/09
32-22-01- 1	7	JAN 20/09	32-31-02- 1	4	JAN 20/09
32-22-01- 1	8	JAN 20/09	32-31-02- 1	5	SEP 20/08
32-22-01- 1	9	JAN 20/09	32-31-02- 1	6	SEP 20/08
32-22-01- 1	10	JAN 20/09	32-31-02- 2	0	MAY 28/07
32-22-01- 1	11	JAN 20/09	32-31-02- 2	0A	MAY 28/07
32-22-01- 1	12	JAN 20/09	32-31-02- 2	0B	MAY 28/07
32-22-01- 1	13	JAN 20/09	32-31-02- 2	0C	MAY 28/07
32-22-01- 1	14	JAN 20/09	32-31-02- 2	1	JAN 20/09
32-22-01- 1	15	JAN 20/09	32-31-02- 2	2	JAN 20/09
32-22-01- 1	16	JAN 20/09	32-31-02- 2	3	JAN 20/09
32-22-01- 1	17	JAN 20/09	32-31-02- 2	4	JAN 20/09
32-22-01- 1	18	JAN 20/09	32-31-02- 2	5	JAN 20/09
32-22-01- 1	19	JAN 20/09	32-31-02- 2	6	JAN 20/09
32-22-01- 1	20	JAN 20/09	32-31-02- 2	7	JAN 20/09
32-22-01- 1	21	JAN 20/09	32-31-02- 2	8	JAN 20/09
32-22-01- 1	22	JAN 20/09	32-31-02- 2	9	JAN 20/09
32-22-01- 1	23	JAN 20/09	32-31-02- 2	10	JAN 20/09
32-22-01- 1	24	JAN 20/09	32-31-02- 2	11	JAN 20/09
32-22-01- 1	25	JAN 20/09	32-31-02- 2	12	JAN 20/09
32-22-01- 1	26	JAN 20/09	32-31-02- 2	13	JAN 20/09
32-22-01- 1	27	JAN 20/09	32-31-02- 2	14	JAN 20/09
32-22-01- 1	28	JAN 20/09	32-31-02- 3	0	MAY 28/07
32-22-01- 1	29	JAN 20/09	32-31-02- 3	0A	MAY 28/07
32-22-01- 1	30	JAN 20/09	32-31-02- 3	0B	MAY 28/07
32-22-01- 1	31	JAN 20/09	32-31-02- 3	1	JAN 20/09
32-22-02- 1	0	MAY 28/07	32-31-02- 3	2	JAN 20/09
32-22-02- 1	0A	MAY 28/07	32-31-02- 3	3	JAN 20/09
32-22-02- 1	1	JAN 20/09	32-31-02- 3	4	JAN 20/09
32-22-02- 1	2	JAN 20/09	32-31-02- 3	5	JAN 20/09

\* THE ASTERISK INDICATES PAGES CHANGED OR ADDED BY THE CURRENT REVISION



**757**  
**PARTS CATALOG (MAINTENANCE)**

CH-SECT-UNIT-FIG	PAGE NO.	DATE	CH-SECT-UNIT-FIG	PAGE NO.	DATE
32-31-02- 3	6	JAN 20/09	32-31-51-20	0D	MAY 28/07
32-31-02- 3A	0	JAN 20/09	32-31-51-20	1	JAN 20/09
32-31-02- 3A	0A	JAN 20/09	32-31-51-20	2	JAN 20/09
32-31-02- 3A	0B	JAN 20/09	32-31-51-20	3	JAN 20/09
32-31-02- 3A	0C	JAN 20/09	32-31-51-20	4	JAN 20/09
32-31-02- 3A	0D	JAN 20/09	32-31-51-20	5	JAN 20/09
32-31-02- 3A	0E	JAN 20/09	32-31-51-20	6	JAN 20/09
32-31-02- 3A	0F	JAN 20/09	32-31-51-20	7	JAN 20/09
32-31-02- 3A	0G	JAN 20/09	32-31-51-20	8	JAN 20/09
32-31-02- 3A	1	JAN 20/09	32-31-51-20	9	JAN 20/09
32-31-02- 3A	2	JAN 20/09	32-31-51-20	10	JAN 20/09
32-31-02- 3A	3	JAN 20/09	32-31-51-20	11	JAN 20/09
32-31-02- 3A	4	JAN 20/09	32-31-51-20	12	JAN 20/09
32-31-02- 3A	5	JAN 20/09	32-31-51-20	13	JAN 20/09
32-31-02- 3A	6	JAN 20/09	32-31-51-20	14	JAN 20/09
32-31-02- 3A	7	JAN 20/09	32-31-51-20	15	JAN 20/09
32-31-02- 3A	8	JAN 20/09	32-31-51-20	16	JAN 20/09
32-31-02- 3A	9	JAN 20/09	32-31-51-22	0	MAY 28/07
32-31-02- 3A	10	JAN 20/09	32-31-51-22	0A	SEP 28/07
*32-31-02- 3A	11	MAY 20/09	32-31-51-22	0B	MAY 28/07
*32-31-02- 3A	12	MAY 20/09	32-31-51-22	0C	SEP 28/07
*32-31-02- 3A	13	MAY 20/09	32-31-51-22	1	JAN 20/09
*32-31-02- 3A	14	MAY 20/09	32-31-51-22	2	JAN 20/09
*32-31-02- 3A	15	MAY 20/09	32-31-51-22	3	JAN 20/09
*32-31-02- 3A	16	MAY 20/09	32-31-51-22	4	JAN 20/09
*32-31-02- 3A	17	MAY 20/09	32-31-51-22	5	JAN 20/09
*32-31-02- 3A	18	MAY 20/09	32-31-51-22	6	JAN 20/09
32-31-51- 1	0	MAY 28/07	32-31-51-22	7	JAN 20/09
32-31-51- 1	0A	MAY 28/07	32-31-51-22	8	JAN 20/09
32-31-51- 1	1	JAN 20/09	32-31-51-22	9	JAN 20/09
32-31-51- 1	2	JAN 20/09	32-31-51-22	10	JAN 20/09
32-31-51- 1	3	JAN 20/09	32-31-51-22	11	JAN 20/09
32-31-51- 1	4	JAN 20/09	32-31-51-22	12	JAN 20/09
32-31-51- 1	5	JAN 20/09	32-31-51-22	13	JAN 20/09
32-31-51- 2	0	MAY 28/07	32-31-51-22	14	JAN 20/09
32-31-51- 2	0A	MAY 28/07	32-31-51-22	15	JAN 20/09
32-31-51- 2	1	JAN 20/09	32-31-51-22	16	JAN 20/09
32-31-51- 2	2	SEP 20/08	32-31-51-22	17	JAN 20/09
32-31-51- 2	3	SEP 20/08	32-31-51-22	18	JAN 20/09
32-31-51- 2	4	SEP 20/08	32-31-51-22	19	JAN 20/09
32-31-51- 2	5	SEP 20/08	32-31-51-22	20	JAN 20/09
32-31-51- 3	0	MAY 28/07	32-31-51-22	21	JAN 20/09
32-31-51- 3	1	JAN 20/09	32-31-51-22	22	JAN 20/09
32-31-51- 3	2	SEP 20/08	32-31-51-22	23	JAN 20/09
32-31-51- 3	3	SEP 20/08	32-31-51-22	24	JAN 20/09
32-31-51- 3	4	SEP 20/08	32-31-51-22	25	JAN 20/09
32-31-51- 3	5	SEP 20/08	32-31-51-22	26	JAN 20/09
32-31-51-20	0	MAY 28/07	32-31-51-22	27	JAN 20/09
32-31-51-20	0A	MAY 28/07	32-31-51-22	28	JAN 20/09
32-31-51-20	0B	MAY 28/07	32-31-51-23	0	JAN 20/09
32-31-51-20	0C	MAY 28/07	32-31-51-23	0A	JAN 20/09

\* THE ASTERISK INDICATES PAGES CHANGED OR ADDED BY THE CURRENT REVISION





757

PARTS CATALOG (MAINTENANCE)

CH-SECT-UNIT-FIG	PAGE NO.	DATE
32-31-51-23	1	JAN 20/09
32-31-51-23	2	JAN 20/09
32-31-51-23	3	JAN 20/09
32-31-51-23	4	JAN 20/09
32-32-00	1	MAY 28/07
32-32-01- 1	0	MAY 28/07
32-32-01- 1	0A	MAY 28/07
32-32-01- 1	0B	MAY 28/07
32-32-01- 1	0C	MAY 28/07
32-32-01- 1	1	JAN 20/09
32-32-01- 1	2	JAN 20/09
32-32-01- 1	3	JAN 20/09
32-32-01- 1	4	JAN 20/09
32-32-01- 1	5	JAN 20/09
32-32-01- 1	6	JAN 20/09
32-32-01- 1	7	JAN 20/09
32-32-01- 1	8	JAN 20/09
32-32-01- 1	9	JAN 20/09
32-32-01- 1	10	JAN 20/09
32-32-01- 1	11	JAN 20/09
32-32-01- 1	12	JAN 20/09
32-32-01- 1	13	JAN 20/09
32-32-01- 1	14	JAN 20/09
32-32-01- 1	15	JAN 20/09
32-32-01- 1	16	JAN 20/09
*32-32-01- 1	17	MAY 20/09
32-32-01- 1	18	JAN 20/09
32-32-01- 1	19	JAN 20/09
32-32-01- 2	0	MAY 28/07
32-32-01- 2	0A	MAY 28/07
32-32-01- 2	0B	MAY 28/07
32-32-01- 2	0C	MAY 28/07
32-32-01- 2	0D	MAY 28/07
32-32-01- 2	0E	MAY 28/07
32-32-01- 2	1	JAN 20/09
32-32-01- 2	2	JAN 20/09
32-32-01- 2	3	JAN 20/09
32-32-01- 2	4	JAN 20/09
32-32-01- 2	5	JAN 20/09
32-32-01- 2	6	JAN 20/09
32-32-01- 2	7	JAN 20/09
32-32-01- 2	8	JAN 20/09
32-32-01- 2	9	JAN 20/09
32-32-01- 2	10	JAN 20/09
32-32-01- 2	11	JAN 20/09
32-32-01- 2	12	JAN 20/09
32-32-01- 2	13	JAN 20/09
32-32-01- 2	14	JAN 20/09
32-32-01- 2	15	JAN 20/09
32-32-01- 3A	0	JAN 20/09
32-32-01- 3A	0A	JAN 20/09

CH-SECT-UNIT-FIG	PAGE NO.	DATE
32-32-01- 3A	0B	JAN 20/09
32-32-01- 3A	0C	JAN 20/09
32-32-01- 3A	0D	JAN 20/09
32-32-01- 3A	0E	JAN 20/09
32-32-01- 3A	1	JAN 20/09
32-32-01- 3A	2	JAN 20/09
32-32-01- 3A	3	JAN 20/09
32-32-01- 3A	4	JAN 20/09
32-32-01- 3A	5	JAN 20/09
32-32-01- 3A	6	JAN 20/09
32-32-01- 3A	7	JAN 20/09
32-32-01- 4	0	JAN 20/09
32-32-01- 4	0A	JAN 20/09
32-32-01- 4	1	JAN 20/09
32-32-01- 4	2	JAN 20/09
32-32-01- 4	3	JAN 20/09
32-32-01- 4	4	JAN 20/09
32-32-01- 4	5	JAN 20/09
32-32-01- 5	0	JAN 20/09
32-32-01- 5	0A	JAN 20/09
32-32-01- 5	1	JAN 20/09
32-32-01- 5	2	JAN 20/09
32-32-01- 5	3	JAN 20/09
32-32-01- 5	4	JAN 20/09
32-32-01- 5	5	JAN 20/09
32-32-02- 1	0	MAY 28/07
32-32-02- 1	0A	MAY 28/07
32-32-02- 1	1	JAN 20/09
32-32-02- 1	2	JAN 20/09
32-32-02- 1	3	JAN 20/09
32-32-02- 1	4	JAN 20/09
32-32-02- 1	5	JAN 20/09
32-32-02- 1	6	JAN 20/09
32-32-02- 1	7	JAN 20/09
32-32-02- 1	8	JAN 20/09
32-32-02- 1	9	JAN 20/09
32-32-02- 1	10	JAN 20/09
32-32-02- 2	0	MAY 28/07
32-32-02- 2	0A	MAY 28/07
32-32-02- 2	1	JAN 20/09
32-32-02- 2	2	JAN 20/09
32-32-02- 2	3	JAN 20/09
32-32-02- 2	4	JAN 20/09
32-32-02- 2	5	JAN 20/09
32-32-02- 2A	0	JAN 20/09
32-32-02- 2A	0A	JAN 20/09
32-32-02- 2A	1	JAN 20/09
32-32-02- 2A	2	JAN 20/09
32-32-02- 2A	3	JAN 20/09
32-32-02- 2A	4	JAN 20/09
32-32-02- 3	0	JAN 20/09

\* THE ASTERISK INDICATES PAGES CHANGED OR ADDED BY THE CURRENT REVISION



757

PARTS CATALOG (MAINTENANCE)

CH-SECT-UNIT-FIG	PAGE NO.	DATE	CH-SECT-UNIT-FIG	PAGE NO.	DATE
32-32-02- 3	1	JAN 20/09	*32-32-07- 1	12	MAY 20/09
32-32-02- 3	2	JAN 20/09	*32-32-07- 1	13	MAY 20/09
32-32-02- 4	0	JAN 20/09	32-32-07- 1A	0	JAN 20/09
32-32-02- 4	0A	JAN 20/09	32-32-07- 1A	0A	JAN 20/09
32-32-02- 4	0B	JAN 20/09	32-32-07- 1A	0B	JAN 20/09
32-32-02- 4	1	JAN 20/09	32-32-07- 1A	0C	JAN 20/09
32-32-02- 4	2	JAN 20/09	32-32-07- 1A	1	JAN 20/09
32-32-04- 1	0	JAN 20/09	*32-32-07- 1A	2	MAY 20/09
32-32-04- 1	0A	JAN 20/09	32-32-07- 1A	3	JAN 20/09
32-32-04- 1	0B	JAN 20/09	32-32-07- 1A	4	JAN 20/09
32-32-04- 1	1	JAN 20/09	32-32-07- 1A	5	JAN 20/09
32-32-04- 1	2	JAN 20/09	32-32-07- 1A	6	JAN 20/09
32-32-04- 1	3	JAN 20/09	*32-32-07- 1A	7	MAY 20/09
32-32-04- 1	4	JAN 20/09	*32-32-07- 1A	8	MAY 20/09
32-32-04- 1	5	JAN 20/09	*32-32-07- 1A	9	MAY 20/09
32-32-04- 2	0	MAY 28/07	32-32-07- 1A	10	JAN 20/09
32-32-04- 2	1	JAN 20/09	32-32-07- 1A	11	JAN 20/09
32-32-04- 2	2	JAN 20/09	32-32-07- 1A	12	JAN 20/09
32-32-05- 1	0	MAY 28/07	32-32-07- 1A	13	JAN 20/09
32-32-05- 1	0A	MAY 28/07	32-32-07- 2	0	JAN 20/09
32-32-05- 1	0B	MAY 28/07	32-32-07- 2	0A	JAN 20/09
32-32-05- 1	1	JAN 20/09	*32-32-07- 2	1	MAY 20/09
*32-32-05- 1	2	MAY 20/09	32-32-07- 2	2	JAN 20/09
32-32-05- 1	3	JAN 20/09	32-32-07- 2	3	JAN 20/09
32-32-05- 1	4	JAN 20/09	32-32-07- 3	0	JAN 20/09
32-32-05- 1	5	JAN 20/09	32-32-07- 3	0A	JAN 20/09
*32-32-05- 1	6	MAY 20/09	32-32-07- 3	1	JAN 20/09
*32-32-05- 1	7	MAY 20/09	32-32-07- 3	2	JAN 20/09
*32-32-05- 1	8	MAY 20/09	32-32-07- 3	3	JAN 20/09
*32-32-05- 1	9	MAY 20/09	32-32-07- 3	4	JAN 20/09
*32-32-05- 1	10	MAY 20/09	32-32-09- 1	0	MAY 28/07
32-32-05- 1	11	JAN 20/09	32-32-09- 1	0A	MAY 28/07
*32-32-05- 1	12	MAY 20/09	32-32-09- 1	0B	MAY 28/07
*32-32-05- 1	13	MAY 20/09	*32-32-09- 1	1	MAY 20/09
32-32-05- 4	0	JAN 20/09	32-32-09- 1	2	JAN 20/09
32-32-05- 4	0A	JAN 20/09	32-32-09- 1	3	JAN 20/09
32-32-05- 4	1	JAN 20/09	32-32-09- 1	4	JAN 20/09
32-32-05- 4	2	JAN 20/09	32-32-09- 1	5	JAN 20/09
32-32-07- 1	0	MAY 28/07	*32-32-09- 1	6	MAY 20/09
32-32-07- 1	0A	MAY 28/07	*32-32-09- 1	7	MAY 20/09
32-32-07- 1	1	JAN 20/09	32-32-09- 1	8	JAN 20/09
*32-32-07- 1	2	MAY 20/09	32-32-09- 1	9	JAN 20/09
32-32-07- 1	3	JAN 20/09	32-32-09- 1	10	JAN 20/09
32-32-07- 1	4	JAN 20/09	32-32-12- 1	0	MAY 28/07
*32-32-07- 1	5	MAY 20/09	32-32-12- 1	1	JAN 20/09
32-32-07- 1	6	JAN 20/09	32-32-12- 1	2	JAN 20/09
*32-32-07- 1	7	MAY 20/09	32-32-12- 1	3	JAN 20/09
*32-32-07- 1	8	MAY 20/09	32-32-12- 1	4	JAN 20/09
*32-32-07- 1	9	MAY 20/09	32-32-12- 1	5	JAN 20/09
*32-32-07- 1	10	MAY 20/09	32-32-12- 1	6	JAN 20/09
*32-32-07- 1	11	MAY 20/09	32-32-12- 1	7	JAN 20/09

\* THE ASTERISK INDICATES PAGES CHANGED OR ADDED BY THE CURRENT REVISION



**757**  
**PARTS CATALOG (MAINTENANCE)**

CH-SECT-UNIT-FIG	PAGE NO.	DATE
32-32-13- 1	0	MAY 28/07
32-32-13- 1	1	JAN 20/09
32-32-13- 1	2	JAN 20/09
32-32-13- 1	3	JAN 20/09
32-32-13- 1	4	JAN 20/09
32-32-13- 1	5	JAN 20/09
32-32-13- 1	6	JAN 20/09
32-32-13- 1	7	JAN 20/09
32-32-13- 1	8	JAN 20/09
32-32-13- 1	9	JAN 20/09
32-32-13- 1	10	JAN 20/09
32-32-13- 1	11	JAN 20/09
32-32-15- 1	0	MAY 28/07
32-32-15- 1	0A	MAY 28/07
32-32-15- 1	1	JAN 20/09
32-32-15- 1	2	JAN 20/09
32-32-15- 1	3	JAN 20/09
32-32-15- 1	4	JAN 20/09
32-32-15- 1	5	JAN 20/09
32-32-15- 1	6	JAN 20/09
32-32-15- 2	0	MAY 28/07
32-32-15- 2	1	JAN 20/09
32-32-15- 2	2	JAN 20/09
32-32-15- 5	0	MAY 28/07
32-32-15- 5	0A	MAY 28/07
32-32-15- 5	1	JAN 20/09
32-32-15- 5	2	JAN 20/09
32-32-15- 5	3	JAN 20/09
32-32-15- 5	4	JAN 20/09
32-32-15- 5	5	JAN 20/09
32-32-15-10	0	MAY 28/07
32-32-15-10	1	SEP 20/08
32-32-15-10	2	JAN 20/09
32-32-15-10	3	JAN 20/09
32-32-15-10	4	JAN 20/09
32-32-16- 1	0	MAY 28/07
32-32-16- 1	0A	MAY 28/07
32-32-16- 1	0B	MAY 28/07
32-32-16- 1	1	JAN 20/09
32-32-16- 1	2	JAN 20/09
32-32-16- 1	3	JAN 20/09
32-32-16- 1	4	JAN 20/09
32-32-16- 1	5	JAN 20/09
32-32-16- 1	6	JAN 20/09
32-32-16- 1	7	JAN 20/09
32-32-16- 1	8	JAN 20/09
32-32-16- 1	9	JAN 20/09
32-32-16- 1	10	JAN 20/09
32-32-16- 1	11	JAN 20/09
32-32-16- 1	12	JAN 20/09
32-32-16- 1A	0	JAN 20/09

CH-SECT-UNIT-FIG	PAGE NO.	DATE
32-32-16- 1A	0A	JAN 20/09
32-32-16- 1A	0B	JAN 20/09
32-32-16- 1A	0C	JAN 20/09
32-32-16- 1A	0D	JAN 20/09
32-32-16- 1A	0E	JAN 20/09
32-32-16- 1A	1	JAN 20/09
32-32-16- 1A	2	JAN 20/09
32-32-16- 1A	3	JAN 20/09
32-32-16- 1A	4	JAN 20/09
32-32-16- 1A	5	JAN 20/09
32-32-16- 1A	6	JAN 20/09
32-32-16- 1A	7	JAN 20/09
32-32-16- 1A	8	JAN 20/09
32-32-16- 1A	9	JAN 20/09
32-32-16- 1A	10	JAN 20/09
32-32-16- 5	0	MAY 28/07
32-32-16- 5	0A	MAY 28/07
32-32-16- 5	0B	MAY 28/07
32-32-16- 5	0C	MAY 28/07
32-32-16- 5	1	JAN 20/09
32-32-16- 5	2	JAN 20/09
32-32-16- 5	3	JAN 20/09
32-32-16- 5	4	JAN 20/09
32-32-16- 5	5	JAN 20/09
32-32-17- 1	0	MAY 28/07
32-32-17- 1	0A	MAY 28/07
32-32-17- 1	1	JAN 20/09
32-32-17- 1	2	JAN 20/09
32-32-17- 1	3	JAN 20/09
32-32-17- 1	4	JAN 20/09
32-32-17- 1	5	JAN 20/09
32-32-17- 1	6	JAN 20/09
32-32-17- 1	7	JAN 20/09
32-32-17- 1	8	JAN 20/09
32-32-17- 2	0	JAN 20/09
32-32-17- 2	0A	JAN 20/09
32-32-17- 2	1	JAN 20/09
32-32-17- 2	2	JAN 20/09
32-32-17- 2	3	JAN 20/09
32-32-17- 2	4	JAN 20/09
32-32-17- 2	5	JAN 20/09
32-32-17- 2	6	JAN 20/09
32-32-17- 3	0	JAN 20/09
32-32-17- 3	0A	JAN 20/09
32-32-17- 3	0B	JAN 20/09
32-32-17- 3	1	JAN 20/09
32-32-17- 3	2	JAN 20/09
32-32-17- 3	3	JAN 20/09
32-32-17- 3	4	JAN 20/09
32-32-17- 3	5	JAN 20/09
32-32-51- 1	0	JAN 20/09

\* THE ASTERISK INDICATES PAGES CHANGED OR ADDED BY THE CURRENT REVISION


**BOEING**  
 757  
**PARTS CATALOG (MAINTENANCE)**

CH-SECT-UNIT-FIG	PAGE NO.	DATE
32-32-51- 1	0A	JAN 20/09
32-32-51- 1	0B	JAN 20/09
32-32-51- 1	1	JAN 20/09
32-32-51- 1	2	JAN 20/09
32-32-51- 1	3	JAN 20/09
32-32-51- 1	4	JAN 20/09
32-32-51- 1	5	JAN 20/09
32-32-51- 2	0	JAN 20/09
32-32-51- 2	0A	JAN 20/09
32-32-51- 2	1	JAN 20/09
32-32-51- 2	2	JAN 20/09
32-32-51- 2	3	JAN 20/09
32-32-51- 2	4	JAN 20/09
32-32-51- 2	5	JAN 20/09
32-32-51- 2	6	JAN 20/09
32-32-51-15	0	MAY 28/07
32-32-51-15	0A	JAN 20/09
32-32-51-15	0B	MAY 28/07
32-32-51-15	0C	MAY 28/07
32-32-51-15	1	JAN 20/09
32-32-51-15	2	JAN 20/09
32-32-51-15	3	JAN 20/09
32-32-51-15	4	JAN 20/09
32-32-51-15	5	JAN 20/09
32-32-51-15	6	JAN 20/09
32-32-51-15	7	JAN 20/09
32-32-51-15	8	JAN 20/09
32-32-51-15	9	JAN 20/09
32-32-51-15	10	JAN 20/09
32-32-51-15	11	JAN 20/09
32-32-51-15	12	JAN 20/09
*32-32-51-15	13	MAY 20/09
32-32-51-15	14	JAN 20/09
32-32-51-15	15	JAN 20/09
32-32-51-15	16	JAN 20/09
32-32-51-15	17	JAN 20/09
32-32-51-15	18	JAN 20/09
32-32-51-15	19	JAN 20/09
32-32-51-15	20	JAN 20/09
32-32-51-15	21	JAN 20/09
32-32-51-15	22	JAN 20/09
32-32-51-15	23	JAN 20/09
32-32-51-15	24	JAN 20/09
32-32-51-15	25	JAN 20/09
32-32-51-15	26	JAN 20/09
32-32-51-15	27	JAN 20/09
32-32-51-16	0	MAY 28/07
32-32-51-16	0A	MAY 28/07
32-32-51-16	0B	MAY 28/07
32-32-51-16	0C	MAY 28/07
32-32-51-16	1	JAN 20/09

CH-SECT-UNIT-FIG	PAGE NO.	DATE
32-32-51-16	2	JAN 20/09
32-32-51-16	3	JAN 20/09
32-32-51-16	4	JAN 20/09
32-32-51-16	5	JAN 20/09
32-32-51-16	6	JAN 20/09
32-32-51-16	7	JAN 20/09
32-32-51-16	8	JAN 20/09
32-32-51-16	9	JAN 20/09
32-32-51-16	10	JAN 20/09
32-32-51-16	11	JAN 20/09
32-32-51-16	12	JAN 20/09
32-32-51-16	13	JAN 20/09
32-32-51-16	14	JAN 20/09
32-32-51-16	15	JAN 20/09
32-32-51-16	16	JAN 20/09
32-32-51-16	17	JAN 20/09
32-32-51-16	18	JAN 20/09
32-32-51-16	19	JAN 20/09
32-32-51-16	20	JAN 20/09
32-32-51-16	21	JAN 20/09
32-32-51-16	22	JAN 20/09
32-32-51-16	23	JAN 20/09
32-32-51-16	24	JAN 20/09
32-32-51-16	25	JAN 20/09
32-32-51-16	26	JAN 20/09
32-32-51-16	27	JAN 20/09
32-32-51-16	28	JAN 20/09
32-32-51-16	29	JAN 20/09
32-32-51-16	30	JAN 20/09
32-32-51-16	31	JAN 20/09
32-32-51-16	32	JAN 20/09
32-32-51-16	33	JAN 20/09
32-32-51-16A	0	MAY 28/07
32-32-51-16A	0A	MAY 28/07
32-32-51-16A	0B	MAY 28/07
32-32-51-16A	0C	MAY 28/07
32-32-51-16A	0D	MAY 28/07
32-32-51-16A	0E	MAY 28/07
32-32-51-16A	0F	MAY 28/07
32-32-51-16A	1	JAN 20/09
32-32-51-16A	2	JAN 20/09
32-32-51-16A	3	JAN 20/09
32-32-51-16A	4	JAN 20/09
32-32-51-16A	5	JAN 20/09
32-32-51-16A	6	JAN 20/09
32-32-51-16A	7	JAN 20/09
32-32-51-16A	8	JAN 20/09
32-32-51-16A	9	JAN 20/09
32-32-51-16A	10	JAN 20/09
32-32-51-16A	11	JAN 20/09
32-32-51-16A	12	JAN 20/09

\* THE ASTERISK INDICATES PAGES CHANGED OR ADDED BY THE CURRENT REVISION


**BOEING**  
 757  
**PARTS CATALOG (MAINTENANCE)**

CH-SECT-UNIT-FIG	PAGE NO.	DATE	CH-SECT-UNIT-FIG	PAGE NO.	DATE
32-32-51-16A	13	JAN 20/09	32-32-51-24	4	JAN 20/09
32-32-51-16A	14	JAN 20/09	32-32-51-24	5	JAN 20/09
32-32-51-16A	15	JAN 20/09	32-32-51-24	6	JAN 20/09
32-32-51-16A	16	JAN 20/09	32-32-51-24	7	MAY 20/09
32-32-51-16A	17	JAN 20/09	*32-32-51-24	8	MAY 20/09
32-32-51-16A	18	JAN 20/09	32-32-51-24	9	JAN 20/09
32-32-51-16A	19	JAN 20/09	32-32-51-24	10	JAN 20/09
32-32-51-16A	20	JAN 20/09	32-32-51-24	11	JAN 20/09
32-32-51-22	0	MAY 28/07	32-32-51-24	12	JAN 20/09
32-32-51-22	0A	MAY 28/07	32-34-00	1	MAY 28/07
32-32-51-22	0B	MAY 28/07	32-34-01- 1	0	MAY 28/07
32-32-51-22	1	JAN 20/09	32-34-01- 1	1	JAN 20/09
32-32-51-22	2	JAN 20/09	32-34-01- 1A	0	JAN 20/09
32-32-51-22	3	JAN 20/09	32-34-01- 1A	0A	JAN 20/09
32-32-51-22	4	JAN 20/09	32-34-01- 1A	0B	JAN 20/09
32-32-51-22	5	JAN 20/09	32-34-01- 1A	0C	JAN 20/09
32-32-51-22	6	JAN 20/09	32-34-01- 1A	0D	JAN 20/09
32-32-51-22	7	JAN 20/09	32-34-01- 1A	1	JAN 20/09
32-32-51-22	8	JAN 20/09	32-34-01- 1A	2	JAN 20/09
32-32-51-22	9	JAN 20/09	32-34-01- 1A	3	JAN 20/09
32-32-51-22	10	JAN 20/09	32-34-01- 1A	4	JAN 20/09
32-32-51-22	11	JAN 20/09	32-34-01- 2	0	MAY 28/07
32-32-51-22	12	JAN 20/09	32-34-01- 2	0A	MAY 28/07
32-32-51-22	13	JAN 20/09	32-34-01- 2	0B	MAY 28/07
32-32-51-22	14	JAN 20/09	32-34-01- 2	0C	MAY 28/07
32-32-51-22	15	JAN 20/09	32-34-01- 2	1	JAN 20/09
32-32-51-22	16	JAN 20/09	32-34-01- 2	2	JAN 20/09
32-32-51-22	17	JAN 20/09	32-34-01- 2	3	JAN 20/09
32-32-51-23	0	JAN 20/09	32-34-01- 2	4	JAN 20/09
32-32-51-23	0A	JAN 20/09	32-34-01- 2	5	JAN 20/09
32-32-51-23	0B	JAN 20/09	32-34-01- 2	6	JAN 20/09
32-32-51-23	0C	JAN 20/09	32-34-01- 2	7	JAN 20/09
32-32-51-23	0D	JAN 20/09	32-34-01- 2	8	JAN 20/09
32-32-51-23	0E	JAN 20/09	32-34-01- 2	9	JAN 20/09
32-32-51-23	1	JAN 20/09	32-34-01- 2	10	JAN 20/09
32-32-51-23	2	JAN 20/09	32-34-01- 2	11	JAN 20/09
32-32-51-23	3	JAN 20/09	32-34-01- 2	12	JAN 20/09
32-32-51-23	4	JAN 20/09	32-34-01- 2	13	JAN 20/09
32-32-51-23	5	JAN 20/09	32-34-01- 2	14	JAN 20/09
32-32-51-23	6	JAN 20/09	32-34-01- 2	15	JAN 20/09
32-32-51-23	7	JAN 20/09	32-34-01- 2	16	JAN 20/09
32-32-51-23	8	JAN 20/09	32-34-02- 1	0	MAY 28/07
32-32-51-23	9	JAN 20/09	32-34-02- 1	0A	MAY 28/07
32-32-51-23	10	JAN 20/09	32-34-02- 1	1	JAN 20/09
32-32-51-23	11	JAN 20/09	32-34-02- 1	2	JAN 20/09
32-32-51-23	12	JAN 20/09	32-34-02- 1	3	JAN 20/09
32-32-51-24	0	MAY 28/07	32-34-02- 1	4	JAN 20/09
32-32-51-24	0A	MAY 28/07	32-34-02- 1	5	JAN 20/09
32-32-51-24	1	JAN 20/09	32-34-02- 2	0	MAY 28/07
32-32-51-24	2	JAN 20/09	32-34-02- 2	0A	MAY 28/07
32-32-51-24	3	JAN 20/09	32-34-02- 2	0B	MAY 28/07

\* THE ASTERISK INDICATES PAGES CHANGED OR ADDED BY THE CURRENT REVISION



757

PARTS CATALOG (MAINTENANCE)

CH-SECT-UNIT-FIG	PAGE NO.	DATE
32-34-02- 2	1	JAN 20/09
32-34-02- 2	2	JAN 20/09
32-34-02- 2	3	JAN 20/09
32-34-02- 2	4	JAN 20/09
32-34-02- 2	5	JAN 20/09
32-34-02- 2	6	JAN 20/09
32-34-03- 1	0	MAY 28/07
32-34-03- 1	0A	MAY 28/07
32-34-03- 1	1	JAN 20/09
32-34-03- 1	2	JAN 20/09
32-34-03- 1	3	JAN 20/09
32-34-03- 1	4	JAN 20/09
32-34-03- 1	5	JAN 20/09
32-34-03- 1	6	JAN 20/09
32-34-04- 1	0	MAY 28/07
32-34-04- 1	1	JAN 20/09
32-34-04- 1	2	JAN 20/09
32-34-04- 1	3	JAN 20/09
32-34-04- 1	4	JAN 20/09
32-34-04- 1	5	JAN 20/09
32-34-04- 1	6	JAN 20/09
32-34-05- 1	0	MAY 28/07
32-34-05- 1	0A	MAY 28/07
32-34-05- 1	0B	MAY 28/07
32-34-05- 1	1	JAN 20/09
32-34-05- 1	2	JAN 20/09
32-34-05- 1	3	JAN 20/09
32-34-05- 1	4	JAN 20/09
32-34-05- 1	5	JAN 20/09
32-34-05- 1	6	JAN 20/09
32-34-05- 1	7	JAN 20/09
32-34-05- 1	8	JAN 20/09
32-34-05- 1	9	JAN 20/09
32-34-05- 1	10	JAN 20/09
32-34-05- 1	11	JAN 20/09
32-34-05- 1	12	JAN 20/09
32-34-05- 1	13	JAN 20/09
32-34-05- 1	14	JAN 20/09
32-34-05- 1	15	JAN 20/09
32-34-06- 1	0	MAY 28/07
32-34-06- 1	0A	MAY 28/07
32-34-06- 1	1	JAN 20/09
32-34-06- 1	2	JAN 20/09
32-34-06- 1	3	JAN 20/09
32-34-06- 1	4	JAN 20/09
32-34-06- 1	5	JAN 20/09
32-34-06- 1	6	JAN 20/09
32-34-06- 1	7	JAN 20/09
32-34-06- 1	8	JAN 20/09
32-34-06- 1	9	JAN 20/09
32-34-06- 1	10	JAN 20/09

CH-SECT-UNIT-FIG	PAGE NO.	DATE
32-34-06- 1	11	JAN 20/09
32-34-06- 1	12	JAN 20/09
32-34-06- 1	13	JAN 20/09
32-34-06- 1	14	JAN 20/09
32-34-06- 1	15	JAN 20/09
32-34-06- 2	0	JAN 20/09
32-34-06- 2	0A	JAN 20/09
32-34-06- 2	1	JAN 20/09
32-34-06- 2	2	JAN 20/09
32-34-06- 2	3	JAN 20/09
32-34-06- 2	4	JAN 20/09
32-34-06- 2	5	JAN 20/09
32-34-06- 2	6	JAN 20/09
32-34-06- 2	7	JAN 20/09
32-34-06- 2	8	JAN 20/09
32-34-06- 2	9	JAN 20/09
32-34-06- 2	10	JAN 20/09
32-34-06- 2	11	JAN 20/09
32-34-51-15	0	MAY 28/07
32-34-51-15	0A	MAY 28/07
32-34-51-15	0B	MAY 28/07
32-34-51-15	0C	SEP 28/07
32-34-51-15	0D	MAY 28/07
32-34-51-15	1	JAN 20/09
32-34-51-15	2	JAN 20/09
32-34-51-15	3	JAN 20/09
32-34-51-15	4	JAN 20/09
32-34-51-15	5	JAN 20/09
32-34-51-15	6	JAN 20/09
32-34-51-15	7	JAN 20/09
32-34-51-15	8	JAN 20/09
32-34-51-15	9	JAN 20/09
32-34-51-15	10	JAN 20/09
32-34-51-15	11	JAN 20/09
32-34-51-15	12	JAN 20/09
32-34-51-15	13	JAN 20/09
32-34-51-15	14	JAN 20/09
32-34-51-15	15	JAN 20/09
32-34-51-15	16	JAN 20/09
32-34-51-15	17	JAN 20/09
32-34-51-15	18	JAN 20/09
32-34-51-15	19	JAN 20/09
32-34-51-15	20	JAN 20/09
32-34-51-15	21	JAN 20/09
32-34-51-15	22	JAN 20/09
32-34-51-15	23	JAN 20/09
32-34-51-15	24	JAN 20/09
32-34-51-15	25	JAN 20/09
32-34-51-15	26	JAN 20/09
32-34-51-15	27	JAN 20/09
32-34-51-15	28	JAN 20/09

\* THE ASTERISK INDICATES PAGES CHANGED OR ADDED BY THE CURRENT REVISION



757

PARTS CATALOG (MAINTENANCE)

CH-SECT-UNIT-FIG	PAGE NO.	DATE
32-34-51-15	29	JAN 20/09
32-34-51-15	30	JAN 20/09
32-34-51-15	31	JAN 20/09
32-34-51-15	32	JAN 20/09
32-34-51-15	33	JAN 20/09
32-34-51-15	34	JAN 20/09
32-34-51-15	35	JAN 20/09
32-34-51-15	36	JAN 20/09
32-34-51-15	37	JAN 20/09
32-34-51-15	38	JAN 20/09
32-34-51-15A	0	MAY 28/07
32-34-51-15A	0A	MAY 28/07
32-34-51-15A	0B	MAY 28/07
32-34-51-15A	0C	MAY 28/07
32-34-51-15A	1	JAN 20/09
32-34-51-15A	2	JAN 20/09
32-34-51-15A	3	JAN 20/09
32-34-51-15A	4	JAN 20/09
32-34-51-15A	5	JAN 20/09
32-34-51-15A	6	JAN 20/09
32-34-51-15A	7	JAN 20/09
32-34-51-15A	8	JAN 20/09
32-34-51-15A	9	JAN 20/09
32-34-51-15A	10	JAN 20/09
32-34-51-15A	11	JAN 20/09
32-34-51-15A	12	JAN 20/09
32-34-51-15A	13	JAN 20/09
32-34-51-15A	14	JAN 20/09
32-34-51-15A	15	JAN 20/09
32-34-51-15A	16	JAN 20/09
32-34-51-15A	17	JAN 20/09
32-34-51-15A	18	JAN 20/09
32-34-51-15A	19	JAN 20/09
32-34-51-16	0	MAY 28/07
32-34-51-16	1	JAN 20/09
32-34-51-16	2	JAN 20/09
32-34-51-16	3	JAN 20/09
32-34-51-16	4	JAN 20/09
32-34-51-16	5	JAN 20/09
32-34-51-17	0	MAY 28/07
32-34-51-17	0A	MAY 28/07
32-34-51-17	0B	MAY 28/07
32-34-51-17	0C	MAY 28/07
32-34-51-17	0D	MAY 28/07
32-34-51-17	0E	MAY 28/07
32-34-51-17	0F	MAY 28/07
32-34-51-17	1	JAN 20/09
32-34-51-17	2	JAN 20/09
32-34-51-17	3	JAN 20/09
32-34-51-17	4	JAN 20/09
32-34-51-17	5	JAN 20/09

CH-SECT-UNIT-FIG	PAGE NO.	DATE
32-34-51-17	6	JAN 20/09
32-34-51-17	7	JAN 20/09
32-34-51-17	8	JAN 20/09
32-34-51-17	9	JAN 20/09
32-34-51-17	10	JAN 20/09
32-34-51-17	11	JAN 20/09
32-34-51-17	12	JAN 20/09
32-34-51-20	0	MAY 28/07
32-34-51-20	0A	MAY 28/07
32-34-51-20	0B	MAY 28/07
32-34-51-20	0C	MAY 28/07
32-34-51-20	0D	MAY 28/07
32-34-51-20	0E	MAY 28/07
32-34-51-20	1	JAN 20/09
32-34-51-20	2	JAN 20/09
32-34-51-20	3	JAN 20/09
32-34-51-20	4	JAN 20/09
32-34-51-20	5	JAN 20/09
32-34-51-20	6	JAN 20/09
32-34-51-20	7	JAN 20/09
32-34-51-20	8	JAN 20/09
32-34-51-20A	0	MAY 28/07
32-34-51-20A	0A	MAY 28/07
32-34-51-20A	0B	MAY 28/07
32-34-51-20A	0C	MAY 28/07
32-34-51-20A	0D	MAY 28/07
32-34-51-20A	0E	MAY 28/07
32-34-51-20A	1	JAN 20/09
32-34-51-20A	2	JAN 20/09
32-34-51-20A	3	JAN 20/09
32-34-51-20A	4	JAN 20/09
32-34-51-20A	5	JAN 20/09
32-34-51-40	0	MAY 28/07
32-34-51-40	1	JAN 20/09
32-34-51-40	2	JAN 20/09
32-34-51-40	3	JAN 20/09
32-34-51-40A	0	JAN 20/09
32-34-51-40A	1	JAN 20/09
32-34-51-40A	2	JAN 20/09
32-34-51-40A	3	JAN 20/09
32-35-00	1	MAY 28/07
32-35-00- 1	0	MAY 28/07
32-35-00- 1	0A	MAY 28/07
32-35-00- 1	1	JAN 20/09
32-35-03- 1	0	MAY 28/07
32-35-03- 1	0A	MAY 28/07
32-35-03- 1	0B	MAY 28/07
32-35-03- 1	0C	MAY 28/07
32-35-03- 1	0D	MAY 28/07
32-35-03- 1	0E	MAY 28/07
32-35-03- 1	1	JAN 20/09

\* THE ASTERISK INDICATES PAGES CHANGED OR ADDED BY THE CURRENT REVISION



757

PARTS CATALOG (MAINTENANCE)

CH-SECT-UNIT-FIG	PAGE NO.	DATE
32-35-03- 1	2	JAN 20/09
32-35-03- 1	3	JAN 20/09
32-35-03- 1	4	JAN 20/09
32-35-03- 1	5	JAN 20/09
32-35-03- 1	6	JAN 20/09
32-35-03- 1	7	JAN 20/09
32-35-03- 1	8	JAN 20/09
32-35-03- 1	9	JAN 20/09
32-35-03- 1	10	JAN 20/09
32-35-03- 1	11	JAN 20/09
*32-35-03- 1	12	MAY 20/09
32-35-03- 1	13	JAN 20/09
32-35-03- 1	14	JAN 20/09
*32-35-03- 1	15	MAY 20/09
32-35-03- 1	16	JAN 20/09
*32-35-03- 1	17	MAY 20/09
32-35-03- 1	18	JAN 20/09
*32-35-03- 1	19	MAY 20/09
*32-35-03- 1	20	MAY 20/09
32-35-03- 1	21	JAN 20/09
32-35-03- 1	22	JAN 20/09
32-35-03- 1	23	JAN 20/09
32-35-03- 1	24	JAN 20/09
32-35-03- 1	25	JAN 20/09
32-35-03- 1	26	JAN 20/09
32-35-03- 1	27	JAN 20/09
32-35-03- 1	28	JAN 20/09
*32-35-03- 1	29	MAY 20/09
32-35-03- 1	30	JAN 20/09
*32-35-03- 1	31	MAY 20/09
*32-35-03- 1	32	MAY 20/09
32-35-03- 1	33	JAN 20/09
32-35-03- 1	34	JAN 20/09
32-35-03- 1	35	JAN 20/09
32-35-10- 1	0	MAY 28/07
32-35-10- 1	0A	MAY 28/07
32-35-10- 1	0B	MAY 28/07
32-35-10- 1	1	JAN 20/09
32-35-10- 1	2	JAN 20/09
32-35-10- 1	3	JAN 20/09
32-35-10- 1	4	SEP 20/08
32-35-10- 1	5	SEP 20/08
32-35-10- 1	6	SEP 20/08
32-35-10- 1	7	SEP 20/08
32-35-10- 1	8	JAN 20/09
32-35-10- 2	0	JAN 20/09
32-35-10- 2	1	JAN 20/09
32-35-21- 1	0	MAY 28/07
32-35-21- 1	0A	MAY 28/07
32-35-21- 1	1	JAN 20/09
32-35-21- 1	2	JAN 20/09

CH-SECT-UNIT-FIG	PAGE NO.	DATE
32-35-21- 1	3	JAN 20/09
32-35-21- 1	4	JAN 20/09
32-35-22- 1	0	MAY 28/07
32-35-22- 1	0A	MAY 28/07
32-35-22- 1	1	JAN 20/09
32-35-22- 1	2	SEP 20/08
32-35-22- 1	3	SEP 20/08
32-35-22- 1	4	JAN 20/09
32-35-22- 1	5	JAN 20/09
32-35-22- 1	6	JAN 20/09
32-35-22- 1	7	JAN 20/09
32-35-22- 1	8	JAN 20/09
32-35-22- 1	9	JAN 20/09
32-35-22- 1	10	JAN 20/09
32-35-22- 1	11	JAN 20/09
32-35-22- 1	12	JAN 20/09
32-35-22- 1	13	JAN 20/09
32-35-22- 1	14	JAN 20/09
32-35-51- 1	0	MAY 28/07
32-35-51- 1	0A	MAY 28/07
32-35-51- 1	0B	MAY 28/07
32-35-51- 1	0C	MAY 28/07
32-35-51- 1	1	JAN 20/09
32-35-51- 1	2	JAN 20/09
32-35-51- 1	3	JAN 20/09
32-35-51- 1	4	JAN 20/09
32-35-51- 1	5	JAN 20/09
32-35-51- 1	6	JAN 20/09
32-35-51- 1	7	JAN 20/09
32-35-51- 1	8	JAN 20/09
32-35-51- 1	9	JAN 20/09
32-35-51- 1	10	JAN 20/09
32-35-51- 1	11	JAN 20/09
32-35-51- 1	12	JAN 20/09
32-35-51- 1	13	JAN 20/09
32-35-51- 1	14	JAN 20/09
*32-35-51- 1	15	MAY 20/09
*32-35-51- 1	16	MAY 20/09
*32-35-51- 1	17	MAY 20/09
32-35-51- 1	18	JAN 20/09
*32-35-51- 1	19	MAY 20/09
32-35-51- 1	20	JAN 20/09
32-35-51- 5	0	MAY 28/07
32-35-51- 5	1	JAN 20/09
32-35-51- 5	2	JAN 20/09
32-35-51- 5	3	JAN 20/09
32-35-51-15	0	MAY 28/07
32-35-51-15	0A	MAY 28/07
32-35-51-15	1	JAN 20/09
32-35-51-15	2	JAN 20/09
32-35-51-15	3	JAN 20/09

\* THE ASTERISK INDICATES PAGES CHANGED OR ADDED BY THE CURRENT REVISION





757

PARTS CATALOG (MAINTENANCE)

CH-SECT-UNIT-FIG	PAGE NO.	DATE	CH-SECT-UNIT-FIG	PAGE NO.	DATE
32-35-51-15	4	JAN 20/09	32-35-51-30	14	JAN 20/09
*32-35-51-15	5	MAY 20/09	32-35-51-30	15	JAN 20/09
32-35-51-15	6	JAN 20/09	32-35-51-30	16	JAN 20/09
32-35-51-15	7	JAN 20/09	32-35-51-30	17	JAN 20/09
32-35-51-15	8	JAN 20/09	32-35-51-30	18	JAN 20/09
32-35-51-15	9	JAN 20/09	32-35-51-30	19	JAN 20/09
32-35-51-15A	0	MAY 28/07	32-35-51-30	20	JAN 20/09
32-35-51-15A	0A	MAY 28/07	32-35-51-30	21	JAN 20/09
32-35-51-15A	0B	MAY 28/07	32-35-51-30	22	JAN 20/09
32-35-51-15A	1	JAN 20/09	32-35-51-31	0	JAN 20/09
32-35-51-15A	2	JAN 20/09	32-35-51-31	0A	JAN 20/09
32-35-51-15A	3	JAN 20/09	32-35-51-31	1	JAN 20/09
32-35-51-15A	4	JAN 20/09	32-35-51-31	2	JAN 20/09
32-35-51-15A	5	JAN 20/09	32-35-51-40	0	MAY 28/07
32-35-51-15A	6	JAN 20/09	32-35-51-40	1	JAN 20/09
32-35-51-15A	7	JAN 20/09	32-35-51-40	2	JAN 20/09
32-35-51-15A	8	JAN 20/09	32-35-51-40	3	JAN 20/09
32-35-51-16	0	MAY 28/07	32-35-51-40A	0	MAY 28/07
32-35-51-16	1	JAN 20/09	32-35-51-40A	0A	MAY 28/07
32-35-51-16	2	JAN 20/09	32-35-51-40A	1	JAN 20/09
32-35-51-16	3	JAN 20/09	32-35-51-40A	2	JAN 20/09
32-35-51-16	4	JAN 20/09	32-35-51-40A	3	JAN 20/09
32-35-51-16	5	JAN 20/09	32-35-52- 1	0	MAY 28/07
32-35-51-16	6	JAN 20/09	32-35-52- 1	1	JAN 20/09
32-35-51-20	0	MAY 28/07	32-35-52- 1	2	JAN 20/09
32-35-51-20	0A	MAY 28/07	32-35-52- 1	3	JAN 20/09
32-35-51-20	1	JAN 20/09	32-35-52- 1	4	JAN 20/09
32-35-51-20	2	JAN 20/09	32-35-52- 1	5	JAN 20/09
32-35-51-20	3	JAN 20/09	32-35-52- 2	0	MAY 28/07
32-35-51-20	4	JAN 20/09	32-35-52- 2	1	JAN 20/09
32-35-51-20	5	JAN 20/09	32-35-52- 3	0	MAY 28/07
32-35-51-20	6	JAN 20/09	32-35-52- 3	1	JAN 20/09
32-35-51-20A	0	MAY 28/07	32-35-52- 3	2	JAN 20/09
32-35-51-20A	1	JAN 20/09	32-35-52- 3	3	JAN 20/09
32-35-51-30	0	MAY 28/07	32-35-52- 3	4	JAN 20/09
32-35-51-30	0A	MAY 28/07	32-35-52- 3	5	JAN 20/09
32-35-51-30	0B	MAY 28/07	32-35-52- 3	6	JAN 20/09
32-35-51-30	0C	MAY 28/07	32-35-52- 3	7	JAN 20/09
32-35-51-30	1	JAN 20/09	32-35-52- 3	8	JAN 20/09
32-35-51-30	2	JAN 20/09	32-35-53- 1	0	MAY 28/07
32-35-51-30	3	JAN 20/09	32-35-53- 1	1	SEP 20/08
32-35-51-30	4	JAN 20/09	32-35-71- 1	0	MAY 28/07
32-35-51-30	5	JAN 20/09	32-35-71- 1	1	JAN 20/09
32-35-51-30	6	JAN 20/09	32-35-71- 1A	0	MAY 28/07
*32-35-51-30	7	MAY 20/09	32-35-71- 1A	1	JAN 20/09
32-35-51-30	8	JAN 20/09	32-35-71- 1A	2	JAN 20/09
32-35-51-30	9	JAN 20/09	32-35-71- 1C	0	JAN 20/09
32-35-51-30	10	JAN 20/09	32-35-71- 1C	1	JAN 20/09
32-35-51-30	11	JAN 20/09	32-35-71- 1C	2	JAN 20/09
32-35-51-30	12	JAN 20/09	32-35-71- 1C	3	JAN 20/09
32-35-51-30	13	JAN 20/09	32-35-71- 1C	4	JAN 20/09

\* THE ASTERISK INDICATES PAGES CHANGED OR ADDED BY THE CURRENT REVISION



757

PARTS CATALOG (MAINTENANCE)

CH-SECT-UNIT-FIG	PAGE NO.	DATE
32-41-00	1	MAY 28/07
32-41-01- 2	0	MAY 28/07
32-41-01- 2	0A	MAY 28/07
32-41-01- 2	1	JAN 20/09
32-41-01- 2	2	JAN 20/09
32-41-01- 2	3	JAN 20/09
32-41-01- 2	4	JAN 20/09
32-41-01- 2	5	JAN 20/09
32-41-01- 2	6	JAN 20/09
32-41-02- 5	0	MAY 28/07
32-41-02- 5	0A	MAY 28/07
32-41-02- 5	0B	MAY 28/07
32-41-02- 5	0C	MAY 28/07
32-41-02- 5	0D	MAY 28/07
32-41-02- 5	1	JAN 20/09
32-41-02- 5	2	JAN 20/09
32-41-02- 5	3	JAN 20/09
*32-41-02- 5	4	MAY 20/09
*32-41-02- 5	5	MAY 20/09
*32-41-02- 5	6	MAY 20/09
32-41-02- 5	7	JAN 20/09
32-41-02- 5	8	JAN 20/09
32-41-02- 5	9	JAN 20/09
32-41-02- 5	10	JAN 20/09
32-41-02- 5	11	JAN 20/09
32-41-02- 5	12	JAN 20/09
32-41-02- 5	13	JAN 20/09
32-41-02- 5	14	JAN 20/09
32-41-02- 5	15	JAN 20/09
32-41-02- 5	16	JAN 20/09
32-41-02- 5	17	JAN 20/09
32-41-02- 5	18	JAN 20/09
*32-41-02- 5	19	MAY 20/09
*32-41-02- 5	20	MAY 20/09
*32-41-02- 5	21	MAY 20/09
*32-41-02- 5	22	MAY 20/09
*32-41-02- 5	23	MAY 20/09
*32-41-02- 5	24	MAY 20/09
*32-41-02- 5	25	MAY 20/09
*32-41-02- 5	26	MAY 20/09
*32-41-02- 5	27	MAY 20/09
*32-41-02- 5	28	MAY 20/09
*32-41-02- 5	29	MAY 20/09
32-41-02- 5A	0	JAN 20/09
32-41-02- 5A	0A	JAN 20/09
32-41-02- 5A	0B	JAN 20/09
32-41-02- 5A	0C	JAN 20/09
32-41-02- 5A	1	JAN 20/09
*32-41-02- 5A	2	MAY 20/09
*32-41-02- 5A	3	MAY 20/09
32-41-02- 5A	4	JAN 20/09

CH-SECT-UNIT-FIG	PAGE NO.	DATE
32-41-02- 5A	5	JAN 20/09
32-41-02- 5A	6	JAN 20/09
32-41-02- 5A	7	JAN 20/09
32-41-02- 5A	8	JAN 20/09
32-41-02- 5A	9	JAN 20/09
32-41-02- 5A	10	JAN 20/09
*32-41-02- 5A	11	MAY 20/09
*32-41-02- 5A	12	MAY 20/09
32-41-02- 5A	13	JAN 20/09
32-41-02- 5A	14	JAN 20/09
32-41-02- 5A	15	JAN 20/09
32-41-02-10A	0	MAY 28/07
32-41-02-10A	0A	MAY 28/07
32-41-02-10A	0B	MAY 28/07
32-41-02-10A	0C	MAY 28/07
32-41-02-10A	0D	MAY 28/07
32-41-02-10A	0E	MAY 28/07
32-41-02-10A	0F	MAY 28/07
32-41-02-10A	0G	MAY 28/07
32-41-02-10A	0H	MAY 28/07
32-41-02-10A	1	JAN 20/09
32-41-02-10A	2	JAN 20/09
32-41-02-10A	3	JAN 20/09
32-41-02-10A	4	JAN 20/09
32-41-02-10A	5	JAN 20/09
32-41-02-10A	6	JAN 20/09
32-41-02-10A	7	JAN 20/09
32-41-02-10A	8	JAN 20/09
32-41-02-10A	9	JAN 20/09
32-41-02-10A	10	JAN 20/09
32-41-02-10A	11	JAN 20/09
32-41-02-10A	12	JAN 20/09
*32-41-02-10A	13	MAY 20/09
*32-41-02-10A	14	MAY 20/09
*32-41-02-10A	15	MAY 20/09
*32-41-02-10A	16	MAY 20/09
*32-41-02-10A	17	MAY 20/09
*32-41-02-10A	18	MAY 20/09
*32-41-02-10A	19	MAY 20/09
*32-41-02-10A	20	MAY 20/09
*32-41-02-10A	21	MAY 20/09
*32-41-02-10A	22	MAY 20/09
*32-41-02-10A	23	MAY 20/09
*32-41-02-10A	24	MAY 20/09
*32-41-02-10A	25	MAY 20/09
*32-41-02-10A	26	MAY 20/09
*32-41-02-10A	27	MAY 20/09
32-41-02-10A	28	JAN 20/09
32-41-02-11	0	JAN 20/09
32-41-02-11	1	JAN 20/09
32-41-02-11	2	JAN 20/09

\* THE ASTERISK INDICATES PAGES CHANGED OR ADDED BY THE CURRENT REVISION



757

PARTS CATALOG (MAINTENANCE)

CH-SECT-UNIT-FIG	PAGE NO.	DATE	CH-SECT-UNIT-FIG	PAGE NO.	DATE
32-41-02-12	0	JAN 20/09	32-41-10- 1	30	JAN 20/09
32-41-02-12	1	JAN 20/09	32-41-10- 1	31	JAN 20/09
32-41-02-12	2	JAN 20/09	32-41-10- 1	32	JAN 20/09
32-41-02-13	0	JAN 20/09	32-41-10- 1	33	JAN 20/09
32-41-02-13	0A	JAN 20/09	32-41-10- 1	34	JAN 20/09
32-41-02-13	1	JAN 20/09	32-41-10- 1	35	JAN 20/09
32-41-02-13	2	JAN 20/09	32-41-10- 1	36	JAN 20/09
32-41-04- 1	0	MAY 28/07	32-41-10- 1	37	JAN 20/09
32-41-04- 1	1	JAN 20/09	32-41-10- 1A	0	JAN 20/09
32-41-04- 1	2	JAN 20/09	32-41-10- 1A	0A	JAN 20/09
32-41-04- 1	3	JAN 20/09	32-41-10- 1A	0B	JAN 20/09
32-41-04- 1	4	JAN 20/09	32-41-10- 1A	0C	JAN 20/09
32-41-04- 1	5	JAN 20/09	32-41-10- 1A	0D	JAN 20/09
32-41-04- 1	6	JAN 20/09	32-41-10- 1A	0E	JAN 20/09
32-41-04- 2	0	JAN 20/09	32-41-10- 1A	1	JAN 20/09
32-41-04- 2	1	JAN 20/09	32-41-10- 1A	2	JAN 20/09
32-41-04- 2	2	JAN 20/09	32-41-10- 1A	3	JAN 20/09
32-41-04- 3	0	JAN 20/09	32-41-10- 2A	0	JAN 20/09
32-41-04- 3	1	JAN 20/09	32-41-10- 2A	1	JAN 20/09
32-41-10- 1	0	MAY 28/07	32-41-10- 2A	2	JAN 20/09
32-41-10- 1	0A	MAY 28/07	32-41-10- 2A	3	JAN 20/09
32-41-10- 1	0B	MAY 28/07	32-41-10- 2A	4	JAN 20/09
32-41-10- 1	1	JAN 20/09	32-41-10- 2A	5	JAN 20/09
32-41-10- 1	2	JAN 20/09	32-41-10- 2A	6	JAN 20/09
32-41-10- 1	3	JAN 20/09	32-41-10- 2A	7	JAN 20/09
32-41-10- 1	4	JAN 20/09	32-41-10- 2A	8	JAN 20/09
32-41-10- 1	5	JAN 20/09	32-41-10- 2A	9	JAN 20/09
32-41-10- 1	6	JAN 20/09	32-41-10- 2A	10	JAN 20/09
32-41-10- 1	7	JAN 20/09	32-41-10- 2A	11	JAN 20/09
32-41-10- 1	8	JAN 20/09	32-41-10- 2A	12	JAN 20/09
32-41-10- 1	9	JAN 20/09	32-41-10- 2A	13	JAN 20/09
32-41-10- 1	10	JAN 20/09	32-41-10- 2A	14	JAN 20/09
32-41-10- 1	11	JAN 20/09	32-41-10- 2A	15	JAN 20/09
32-41-10- 1	12	JAN 20/09	32-41-10- 2A	16	JAN 20/09
32-41-10- 1	13	JAN 20/09	32-41-10- 3	0	MAY 28/07
32-41-10- 1	14	JAN 20/09	32-41-10- 3	1	JAN 20/09
32-41-10- 1	15	JAN 20/09	32-41-10- 3	2	JAN 20/09
32-41-10- 1	16	JAN 20/09	32-41-10-50	0	MAY 28/07
32-41-10- 1	17	JAN 20/09	32-41-10-50	0A	MAY 28/07
32-41-10- 1	18	JAN 20/09	32-41-10-50	0B	MAY 28/07
32-41-10- 1	19	JAN 20/09	32-41-10-50	0C	MAY 28/07
32-41-10- 1	20	JAN 20/09	32-41-10-50	1	JAN 20/09
32-41-10- 1	21	JAN 20/09	32-41-10-50	2	JAN 20/09
32-41-10- 1	22	JAN 20/09	32-41-10-50	3	JAN 20/09
32-41-10- 1	23	JAN 20/09	32-41-10-50	4	JAN 20/09
32-41-10- 1	24	JAN 20/09	32-41-10-50	5	JAN 20/09
32-41-10- 1	25	JAN 20/09	32-41-10-50	6	JAN 20/09
32-41-10- 1	26	JAN 20/09	32-41-10-50	7	JAN 20/09
32-41-10- 1	27	JAN 20/09	32-41-10-50	8	JAN 20/09
32-41-10- 1	28	JAN 20/09	32-41-10-50	9	JAN 20/09
32-41-10- 1	29	JAN 20/09	32-41-10-50	10	JAN 20/09

\* THE ASTERISK INDICATES PAGES CHANGED OR ADDED BY THE CURRENT REVISION



757

PARTS CATALOG (MAINTENANCE)

CH-SECT-UNIT-FIG	PAGE NO.	DATE	CH-SECT-UNIT-FIG	PAGE NO.	DATE
32-41-10-50	11	JAN 20/09	32-41-51- 3	8	JAN 20/09
32-41-10-50	12	JAN 20/09	32-41-51- 4	0	MAY 28/07
32-41-10-50	13	JAN 20/09	32-41-51- 4	1	JAN 20/09
32-41-10-50	14	JAN 20/09	32-41-51- 4	2	JAN 20/09
32-41-10-50	15	JAN 20/09	32-41-51- 4	3	JAN 20/09
32-41-10-50	16	JAN 20/09	32-41-51- 4	4	JAN 20/09
32-41-10-50	17	JAN 20/09	32-41-51- 4	5	JAN 20/09
32-41-10-50	18	JAN 20/09	32-41-51- 4	6	JAN 20/09
32-41-10-50	19	JAN 20/09	32-41-51- 4	7	JAN 20/09
32-41-12- 1	0	MAY 28/07	32-41-51- 4	8	JAN 20/09
32-41-12- 1	1	SEP 20/08	32-41-51- 4	9	JAN 20/09
32-41-12- 1	2	SEP 20/08	32-41-51- 5	0	JAN 20/09
32-41-51- 1	0	MAY 28/07	32-41-51- 5	1	JAN 20/09
32-41-51- 1	0A	MAY 28/07	32-41-51- 5	2	JAN 20/09
32-41-51- 1	1	JAN 20/09	32-41-51- 5	3	JAN 20/09
32-41-51- 1	2	JAN 20/09	32-41-51- 5	4	JAN 20/09
32-41-51- 1	3	JAN 20/09	32-41-51- 5	5	JAN 20/09
32-41-51- 1	4	SEP 20/08	32-41-51- 6	0	JAN 20/09
32-41-51- 1	5	SEP 20/08	32-41-51- 6	0A	JAN 20/09
32-41-51- 1	6	SEP 20/08	32-41-51- 6	1	JAN 20/09
32-41-51- 1	7	SEP 20/08	32-41-51- 6	2	JAN 20/09
32-41-51- 1	8	JAN 20/09	32-41-51- 6	3	JAN 20/09
32-41-51- 1	9	JAN 20/09	32-41-51- 6	4	JAN 20/09
32-41-51- 1	10	JAN 20/09	32-41-51- 7	0	JAN 20/09
32-41-51- 1	11	JAN 20/09	32-41-51- 7	0A	JAN 20/09
32-41-51- 1	12	JAN 20/09	32-41-51- 7	1	JAN 20/09
32-41-51- 1	13	JAN 20/09	32-41-51- 7	2	JAN 20/09
32-41-51- 1	14	JAN 20/09	32-41-51- 7	3	JAN 20/09
32-41-51- 2	0	MAY 28/07	32-41-51- 7	4	JAN 20/09
32-41-51- 2	1	JAN 20/09	32-41-51-15	0	MAY 28/07
32-41-51- 2	2	JAN 20/09	32-41-51-15	0A	MAY 28/07
32-41-51- 2	3	JAN 20/09	32-41-51-15	1	JAN 20/09
32-41-51- 2	4	JAN 20/09	32-41-51-15	2	JAN 20/09
32-41-51- 2	5	JAN 20/09	32-41-51-15	3	JAN 20/09
32-41-51- 2	6	JAN 20/09	32-41-51-15	4	JAN 20/09
32-41-51- 2	7	JAN 20/09	32-41-51-15	5	JAN 20/09
32-41-51- 2	8	JAN 20/09	32-41-51-15	6	JAN 20/09
32-41-51- 2	9	JAN 20/09	32-41-51-15	7	JAN 20/09
32-41-51- 2	10	JAN 20/09	32-41-51-15	8	JAN 20/09
32-41-51- 2	11	JAN 20/09	32-41-51-15	9	JAN 20/09
32-41-51- 2	12	JAN 20/09	32-41-51-15	10	JAN 20/09
32-41-51- 2	13	JAN 20/09	32-41-51-15	11	JAN 20/09
32-41-51- 3	0	MAY 28/07	32-41-51-15	12	JAN 20/09
32-41-51- 3	0A	MAY 28/07	32-41-51-16	0	MAY 28/07
32-41-51- 3	1	JAN 20/09	32-41-51-16	0A	MAY 28/07
32-41-51- 3	2	JAN 20/09	32-41-51-16	1	JAN 20/09
32-41-51- 3	3	JAN 20/09	32-41-51-16	2	JAN 20/09
32-41-51- 3	4	JAN 20/09	32-41-51-16	3	JAN 20/09
32-41-51- 3	5	JAN 20/09	32-41-51-16	4	JAN 20/09
32-41-51- 3	6	JAN 20/09	32-41-51-16	5	JAN 20/09
32-41-51- 3	7	JAN 20/09	32-41-51-16	6	JAN 20/09

\* THE ASTERISK INDICATES PAGES CHANGED OR ADDED BY THE CURRENT REVISION

BRI  
MAY 20/09

32 - LIST OF EFFECTIVE PAGES  
PAGE 29



757

PARTS CATALOG (MAINTENANCE)

CH-SECT-UNIT-FIG	PAGE NO.	DATE
32-41-51-16	7	JAN 20/09
32-41-51-16	8	JAN 20/09
*32-41-51-16	9	MAY 20/09
32-41-51-16	10	JAN 20/09
32-41-51-22	0	JAN 20/09
32-41-51-22	0A	JAN 20/09
32-41-51-22	0B	MAY 28/07
32-41-51-22	0C	MAY 28/07
32-41-51-22	0D	MAY 28/07
32-41-51-22	1	JAN 20/09
32-41-51-22	2	JAN 20/09
32-41-51-22	3	JAN 20/09
32-41-51-22	4	JAN 20/09
32-41-51-22	5	JAN 20/09
32-41-51-22	6	JAN 20/09
32-41-51-22	7	JAN 20/09
32-41-51-22	8	JAN 20/09
32-41-51-22	9	JAN 20/09
32-41-51-22	10	JAN 20/09
32-41-51-22	11	JAN 20/09
32-41-51-22	12	JAN 20/09
32-41-51-22	13	JAN 20/09
32-41-51-22	14	JAN 20/09
32-41-51-22	15	JAN 20/09
32-41-51-23	0	MAY 28/07
32-41-51-23	1	JAN 20/09
32-41-51-23	2	JAN 20/09
32-41-51-24	0	JAN 20/09
32-41-51-24	0A	JAN 20/09
32-41-51-24	1	JAN 20/09
32-41-51-24	2	JAN 20/09
32-41-51-24	3	JAN 20/09
32-41-51-24	4	JAN 20/09
32-41-51-24	5	JAN 20/09
32-41-51-25	0	MAY 28/07
32-41-51-25	0A	MAY 28/07
32-41-51-25	0B	MAY 28/07
32-41-51-25	0C	MAY 28/07
32-41-51-25	0D	MAY 28/07
32-41-51-25	1	JAN 20/09
32-41-51-25	2	JAN 20/09
32-41-51-25	3	JAN 20/09
32-41-51-25	4	JAN 20/09
32-41-51-25	5	JAN 20/09
32-41-51-25	6	JAN 20/09
32-41-51-25	7	JAN 20/09
32-41-51-25	8	JAN 20/09
32-41-51-25	9	JAN 20/09
32-41-51-25	10	JAN 20/09
32-41-51-25	11	JAN 20/09
32-41-51-25	12	JAN 20/09

CH-SECT-UNIT-FIG	PAGE NO.	DATE
32-41-51-25	13	JAN 20/09
32-41-51-25	14	JAN 20/09
32-41-51-25	15	JAN 20/09
32-41-51-25	16	JAN 20/09
32-41-51-25	17	JAN 20/09
32-41-51-25	18	JAN 20/09
32-41-51-25	19	JAN 20/09
32-41-51-25	20	JAN 20/09
32-41-51-25A	0	MAY 28/07
32-41-51-25A	0A	MAY 28/07
32-41-51-25A	0B	MAY 28/07
32-41-51-25A	0C	MAY 28/07
32-41-51-25A	0D	MAY 28/07
32-41-51-25A	0E	MAY 28/07
32-41-51-25A	1	JAN 20/09
32-41-51-25A	2	JAN 20/09
32-41-51-25A	3	JAN 20/09
32-41-51-25A	4	JAN 20/09
32-41-51-25A	5	JAN 20/09
32-41-51-25A	6	JAN 20/09
32-41-51-25A	7	JAN 20/09
32-41-51-25A	8	JAN 20/09
32-41-51-25A	9	JAN 20/09
32-41-51-25A	10	JAN 20/09
32-41-51-25A	11	JAN 20/09
32-41-51-25A	12	JAN 20/09
32-41-51-25A	13	JAN 20/09
32-41-52- 1	0	MAY 28/07
32-41-52- 1	1	JAN 20/09
32-41-52- 1	2	JAN 20/09
32-41-52- 1	3	JAN 20/09
32-41-52- 1	4	JAN 20/09
32-41-52- 1	5	JAN 20/09
32-41-52- 1	6	JAN 20/09
32-41-52- 1	7	JAN 20/09
32-41-52- 2	0	MAY 28/07
32-41-52- 2	1	JAN 20/09
32-41-52- 2	2	JAN 20/09
32-41-52- 2	3	JAN 20/09
32-41-52- 2	4	JAN 20/09
32-41-52- 2	5	JAN 20/09
32-41-52- 2	6	JAN 20/09
32-41-52- 2	7	JAN 20/09
32-41-52- 2	8	JAN 20/09
32-41-52- 2	9	JAN 20/09
32-41-52- 2	10	JAN 20/09
32-41-52- 2	11	JAN 20/09
32-41-52- 2	12	JAN 20/09
32-41-52- 2	13	JAN 20/09
32-41-52- 2	14	JAN 20/09
32-41-52- 2	15	JAN 20/09

\* THE ASTERISK INDICATES PAGES CHANGED OR ADDED BY THE CURRENT REVISION



757

PARTS CATALOG (MAINTENANCE)

CH-SECT-UNIT-FIG	PAGE NO.	DATE	CH-SECT-UNIT-FIG	PAGE NO.	DATE
32-41-52- 2	16	JAN 20/09	*32-42-02- 2	7	MAY 20/09
32-41-53- 1	0	MAY 28/07	32-42-02- 2	8	JAN 20/09
32-41-53- 1	0A	MAY 28/07	32-42-02- 2	9	JAN 20/09
32-41-53- 1	0B	MAY 28/07	32-42-02- 2	10	JAN 20/09
32-41-53- 1	1	JAN 20/09	32-42-02- 3	0	JAN 20/09
32-41-53- 1	2	JAN 20/09	32-42-02- 3	1	JAN 20/09
32-41-56- 1	0	MAY 28/07	32-42-02- 3	2	JAN 20/09
32-41-56- 1	1	JAN 20/09	32-42-02- 4	0	JAN 20/09
32-41-56- 1	2	JAN 20/09	32-42-02- 4	1	JAN 20/09
32-41-56- 1	3	JAN 20/09	32-42-02- 5	0	JAN 20/09
32-41-56- 1	4	JAN 20/09	32-42-02- 5	1	JAN 20/09
32-42-00	1	MAY 28/07	32-42-02- 5	2	JAN 20/09
32-42-01- 1	0	MAY 28/07	32-42-06- 1	0	MAY 28/07
32-42-01- 1	1	JAN 20/09	32-42-06- 1	0A	MAY 28/07
32-42-01- 1	2	JAN 20/09	32-42-06- 1	0B	MAY 28/07
*32-42-01- 1	3	MAY 20/09	32-42-06- 1	1	JAN 20/09
32-42-01- 1	4	JAN 20/09	32-42-06- 1	2	JAN 20/09
32-42-01- 1	5	JAN 20/09	32-42-06- 1	3	JAN 20/09
32-42-01- 1	6	JAN 20/09	32-42-06- 1	4	JAN 20/09
32-42-01- 1	7	JAN 20/09	32-42-06- 1	5	JAN 20/09
32-42-01- 1B	0	MAY 28/07	32-42-06- 1	6	JAN 20/09
32-42-01- 1B	1	JAN 20/09	32-42-06- 1	7	JAN 20/09
32-42-01- 8	0	JAN 20/09	32-42-06- 1	8	JAN 20/09
32-42-01- 8	0A	JAN 20/09	32-42-06- 1	9	JAN 20/09
32-42-01- 8	1	JAN 20/09	32-42-06- 1	10	JAN 20/09
32-42-01- 8	2	JAN 20/09	32-42-06- 1	11	JAN 20/09
32-42-01- 8	3	JAN 20/09	32-42-06- 1	12	JAN 20/09
32-42-02- 1	0	MAY 28/07	32-42-06- 1	13	JAN 20/09
32-42-02- 1	0A	MAY 28/07	32-42-06- 1	14	JAN 20/09
32-42-02- 1	0B	MAY 28/07	32-42-07- 1	0	MAY 28/07
32-42-02- 1	0C	MAY 28/07	32-42-07- 1	1	JAN 20/09
32-42-02- 1	1	JAN 20/09	32-42-07- 1	2	JAN 20/09
32-42-02- 1	2	JAN 20/09	32-42-07- 1	3	JAN 20/09
*32-42-02- 1	3	MAY 20/09	32-42-07- 1	4	JAN 20/09
32-42-02- 1	4	JAN 20/09	32-42-07- 1	5	JAN 20/09
32-42-02- 1	5	JAN 20/09	32-42-07- 1	6	JAN 20/09
*32-42-02- 1	6	MAY 20/09	32-42-07- 1	7	JAN 20/09
32-42-02- 1	7	SEP 20/08	32-42-07- 1	8	JAN 20/09
32-42-02- 1	8	SEP 20/08	32-42-07- 1	9	JAN 20/09
32-42-02- 1	9	SEP 20/08	32-42-07- 1	10	JAN 20/09
32-42-02- 1	10	SEP 20/08	32-42-07- 1	11	JAN 20/09
32-42-02- 1	11	JAN 20/09	32-42-07- 1	12	JAN 20/09
32-42-02- 1	12	JAN 20/09	32-42-07- 1A	0	MAY 28/07
32-42-02- 2	0	MAY 28/07	32-42-07- 1A	0A	MAY 28/07
32-42-02- 2	0A	MAY 28/07	32-42-07- 1A	1	JAN 20/09
32-42-02- 2	1	JAN 20/09	32-42-07- 1A	2	JAN 20/09
32-42-02- 2	2	JAN 20/09	32-42-07- 1A	3	JAN 20/09
32-42-02- 2	3	JAN 20/09	32-42-07- 1A	4	JAN 20/09
32-42-02- 2	4	JAN 20/09	32-42-07- 1A	5	JAN 20/09
*32-42-02- 2	5	MAY 20/09	32-42-07- 1A	6	JAN 20/09
*32-42-02- 2	6	MAY 20/09	32-42-07- 1A	7	JAN 20/09

\* THE ASTERISK INDICATES PAGES CHANGED OR ADDED BY THE CURRENT REVISION



757

PARTS CATALOG (MAINTENANCE)

CH-SECT-UNIT-FIG	PAGE NO.	DATE	CH-SECT-UNIT-FIG	PAGE NO.	DATE
32-42-07- 1A	8	JAN 20/09	32-42-10- 1	3	JAN 20/09
32-42-07- 2	0	JAN 20/09	32-42-10- 1	4	JAN 20/09
32-42-07- 2	0A	JAN 20/09	32-42-10- 1	5	JAN 20/09
32-42-07- 2	1	JAN 20/09	32-42-10- 1	6	JAN 20/09
32-42-07- 2	2	JAN 20/09	32-42-10- 1	7	JAN 20/09
32-42-07- 3	0	JAN 20/09	32-42-10- 1	8	JAN 20/09
32-42-07- 3	0A	JAN 20/09	32-42-10- 1	9	JAN 20/09
32-42-07- 3	0B	JAN 20/09	32-42-10- 2	0	JAN 20/09
32-42-07- 3	1	JAN 20/09	32-42-10- 2	1	JAN 20/09
32-42-07- 3	2	JAN 20/09	32-42-51- 1	0	SEP 20/08
32-42-07- 3	3	JAN 20/09	32-42-51- 1	0A	MAY 28/07
32-42-07- 3	4	JAN 20/09	32-42-51- 1	0B	SEP 20/08
32-42-07- 3	5	JAN 20/09	32-42-51- 1	0C	SEP 20/08
32-42-07- 3	6	JAN 20/09	32-42-51- 1	0D	SEP 20/08
32-42-07- 3	7	JAN 20/09	32-42-51- 1	1	JAN 20/09
32-42-07- 3	8	JAN 20/09	32-42-51- 1	2	JAN 20/09
32-42-09- 1	0	MAY 28/07	32-42-51- 1	3	JAN 20/09
32-42-09- 1	0A	MAY 28/07	32-42-51- 1	4	JAN 20/09
32-42-09- 1	1	JAN 20/09	32-42-51- 1	5	JAN 20/09
32-42-09- 1	2	JAN 20/09	32-42-51- 1	6	JAN 20/09
32-42-09- 1	3	JAN 20/09	32-42-51- 1	7	JAN 20/09
32-42-09- 1	4	JAN 20/09	32-42-51- 1	8	JAN 20/09
32-42-09- 1	5	JAN 20/09	32-42-51- 1	9	JAN 20/09
32-42-09- 1	6	JAN 20/09	32-42-51- 1	10	JAN 20/09
32-42-09- 1	7	JAN 20/09	32-42-51- 1	11	JAN 20/09
32-42-09- 1	8	JAN 20/09	32-42-51- 1	12	JAN 20/09
32-42-09- 1	9	JAN 20/09	32-42-51- 1	13	JAN 20/09
32-42-09- 1	10	JAN 20/09	32-42-51- 1	14	JAN 20/09
32-42-09- 1	11	JAN 20/09	32-42-51- 1	15	JAN 20/09
32-42-09- 1	12	JAN 20/09	32-42-51- 1	16	JAN 20/09
32-42-09- 1	13	JAN 20/09	32-42-51- 1	17	JAN 20/09
32-42-09- 1	14	JAN 20/09	32-42-51- 1	18	JAN 20/09
32-42-09- 1	15	JAN 20/09	32-42-51- 1	19	JAN 20/09
32-42-09- 1	16	JAN 20/09	32-42-51- 1	20	JAN 20/09
32-42-09- 1	17	JAN 20/09	32-42-51- 1	21	JAN 20/09
32-42-09- 1	18	JAN 20/09	32-42-51- 2	0	SEP 20/08
32-42-09- 1	19	JAN 20/09	32-42-51- 2	0A	SEP 20/08
32-42-09- 1	20	JAN 20/09	32-42-51- 2	0B	SEP 20/08
32-42-09- 1	21	JAN 20/09	32-42-51- 2	1	JAN 20/09
32-42-09- 1A	0	MAY 28/07	32-42-51- 2	2	JAN 20/09
32-42-09- 1A	1	SEP 20/08	32-42-51- 2	3	JAN 20/09
32-42-09- 1A	2	SEP 20/08	32-42-51- 2	4	JAN 20/09
32-42-09- 1A	3	JAN 20/09	32-42-51- 2	5	JAN 20/09
32-42-09- 1A	4	SEP 20/08	32-42-51- 2	6	JAN 20/09
32-42-09- 2	0	JAN 20/09	32-42-51-22	0	MAY 28/07
32-42-09- 2	1	JAN 20/09	32-42-51-22	0A	MAY 28/07
32-42-09- 2	2	JAN 20/09	32-42-51-22	0B	MAY 28/07
32-42-10- 1	0	MAY 28/07	32-42-51-22	0C	MAY 28/07
32-42-10- 1	0A	MAY 28/07	32-42-51-22	0D	MAY 28/07
32-42-10- 1	1	JAN 20/09	32-42-51-22	0E	MAY 28/07
32-42-10- 1	2	JAN 20/09	32-42-51-22	0F	MAY 28/07

\* THE ASTERISK INDICATES PAGES CHANGED OR ADDED BY THE CURRENT REVISION


**BOEING**  
 757  
**PARTS CATALOG (MAINTENANCE)**

CH-SECT-UNIT-FIG	PAGE NO.	DATE	CH-SECT-UNIT-FIG	PAGE NO.	DATE
32-42-51-22	0G	MAY 28/07	32-42-52- 3	4	JAN 20/09
32-42-51-22	0H	MAY 28/07	32-42-52- 3	5	JAN 20/09
32-42-51-22	1	JAN 20/09	32-42-52- 3	6	JAN 20/09
32-42-51-22	2	JAN 20/09	32-42-52- 3	7	JAN 20/09
32-42-51-22	3	JAN 20/09	32-42-55- 1	0	MAY 28/07
32-42-51-22	4	JAN 20/09	32-42-55- 1	1	JAN 20/09
32-42-51-22	5	JAN 20/09	32-42-55- 1	2	JAN 20/09
32-42-51-22	6	JAN 20/09	32-42-55- 1	3	JAN 20/09
32-42-51-22	7	JAN 20/09	32-42-55- 1	4	JAN 20/09
32-42-51-22	8	JAN 20/09	32-42-55- 1	5	JAN 20/09
32-42-51-22	9	JAN 20/09	32-42-55- 1	6	JAN 20/09
32-42-51-22	10	JAN 20/09	32-42-55- 1	7	JAN 20/09
32-42-51-22	11	JAN 20/09	32-42-55- 2	0	MAY 28/07
32-42-51-22	12	JAN 20/09	32-42-55- 2	1	JAN 20/09
32-42-51-22	13	JAN 20/09	32-42-55- 2	2	JAN 20/09
32-42-51-22	14	JAN 20/09	32-42-55- 2	3	JAN 20/09
32-42-51-22	15	JAN 20/09	32-42-55- 2	4	JAN 20/09
32-42-51-22	16	JAN 20/09	32-42-55- 3	0	MAY 28/07
32-42-51-22	17	JAN 20/09	32-42-55- 3	1	JAN 20/09
32-42-51-22	18	JAN 20/09	32-42-55- 3	2	JAN 20/09
32-42-51-22	19	JAN 20/09	32-42-55- 3	3	JAN 20/09
32-42-51-22	20	JAN 20/09	32-42-55- 3	4	JAN 20/09
32-42-51-22	21	JAN 20/09	32-42-55- 3	5	JAN 20/09
32-42-51-22	22	JAN 20/09	32-42-55- 3	6	JAN 20/09
32-42-51-22	23	JAN 20/09	32-42-55- 3	7	JAN 20/09
32-42-51-22	24	JAN 20/09	32-42-55- 3	8	JAN 20/09
32-42-51-22	25	JAN 20/09	32-42-55- 3	9	JAN 20/09
32-42-51-22	26	JAN 20/09	32-42-55- 3	10	JAN 20/09
32-42-51-22	27	JAN 20/09	32-42-71- 2	0	MAY 28/07
32-42-51-22	28	JAN 20/09	32-42-71- 2	0A	MAY 28/07
32-42-51-24	0	JAN 20/09	32-42-71- 2	1	JAN 20/09
32-42-51-24	0A	JAN 20/09	32-42-71- 2	2	JAN 20/09
32-42-51-24	0B	JAN 20/09	32-42-71- 2	3	JAN 20/09
32-42-51-24	0C	JAN 20/09	32-42-71- 2	4	JAN 20/09
32-42-51-24	1	JAN 20/09	32-42-71- 2A	0	MAY 28/07
32-42-51-24	2	JAN 20/09	32-42-71- 2A	1	JAN 20/09
32-42-51-24	3	JAN 20/09	32-42-71- 2A	2	JAN 20/09
32-42-51-24	4	JAN 20/09	32-42-71- 2B	0	MAY 28/07
32-42-51-24	5	JAN 20/09	32-42-71- 2B	1	JAN 20/09
32-42-51-24	6	JAN 20/09	32-42-71- 2B	2	JAN 20/09
32-42-52- 1	0	MAY 28/07	32-42-71- 2C	0	JAN 20/09
32-42-52- 1	1	JAN 20/09	32-42-71- 2C	1	JAN 20/09
32-42-52- 1	2	JAN 20/09	32-42-71- 2C	2	JAN 20/09
32-42-52- 1	3	JAN 20/09	32-42-71- 2C	3	JAN 20/09
32-42-52- 1	4	JAN 20/09	32-42-71- 2C	4	JAN 20/09
32-42-52- 2	0	MAY 28/07	32-42-71- 2D	0	JAN 20/09
32-42-52- 2	1	JAN 20/09	32-42-71- 2D	1	JAN 20/09
32-42-52- 3	0	MAY 28/07	32-42-71- 2D	2	JAN 20/09
32-42-52- 3	1	JAN 20/09	32-42-71- 2D	3	JAN 20/09
32-42-52- 3	2	JAN 20/09	32-42-71- 2D	4	JAN 20/09
32-42-52- 3	3	JAN 20/09	32-42-71- 2D	5	JAN 20/09

\* THE ASTERISK INDICATES PAGES CHANGED OR ADDED BY THE CURRENT REVISION





757

PARTS CATALOG (MAINTENANCE)

CH-SECT-UNIT-FIG	PAGE NO.	DATE	CH-SECT-UNIT-FIG	PAGE NO.	DATE
32-44-00	1	MAY 28/07	32-44-06- 2	0	JAN 20/09
32-44-01- 1	0	MAY 28/07	32-44-06- 2	1	JAN 20/09
32-44-01- 1	0A	MAY 28/07	32-44-09- 1	0	MAY 28/07
32-44-01- 1	1	JAN 20/09	32-44-09- 1	1	JAN 20/09
32-44-01- 1	2	JAN 20/09	32-44-09- 1	2	JAN 20/09
32-44-01- 1	3	JAN 20/09	32-44-09- 1	3	JAN 20/09
32-44-01- 1	4	JAN 20/09	32-44-09- 1	4	JAN 20/09
32-44-02- 1	0	MAY 28/07	32-44-51- 1	0	MAY 28/07
32-44-02- 1	1	JAN 20/09	32-44-51- 1	1	JAN 20/09
32-44-02- 1	2	JAN 20/09	32-44-51-15	0	MAY 28/07
32-44-02- 1	3	JAN 20/09	32-44-51-15	0A	MAY 28/07
32-44-02- 1	4	JAN 20/09	32-44-51-15	0B	MAY 28/07
32-44-02- 1	5	JAN 20/09	32-44-51-15	1	JAN 20/09
32-44-02- 1	6	JAN 20/09	32-44-51-15	2	JAN 20/09
32-44-02- 1	7	JAN 20/09	32-44-51-15	3	JAN 20/09
32-44-03- 1	0	MAY 28/07	32-44-51-15	4	JAN 20/09
32-44-03- 1	0A	MAY 28/07	32-44-51-15	5	JAN 20/09
32-44-03- 1	1	JAN 20/09	32-44-51-15A	0	MAY 28/07
32-44-03- 1	2	JAN 20/09	32-44-51-15A	1	JAN 20/09
32-44-03- 1	3	SEP 20/08	32-44-51-15A	2	JAN 20/09
*32-44-03- 1	4	MAY 20/09	32-44-51-15A	3	JAN 20/09
*32-44-03- 1	5	MAY 20/09	32-44-51-20	0	MAY 28/07
*32-44-03- 1	6	MAY 20/09	32-44-51-20	0A	MAY 28/07
*32-44-03- 1	7	MAY 20/09	32-44-51-20	0B	MAY 28/07
*32-44-03- 1	8	MAY 20/09	32-44-51-20	0C	MAY 28/07
*32-44-03- 1	9	MAY 20/09	32-44-51-20	1	JAN 20/09
*32-44-03- 1	10	MAY 20/09	32-44-51-20	2	JAN 20/09
*32-44-03- 1	11	MAY 20/09	32-44-51-20	3	JAN 20/09
*32-44-03- 1	12	MAY 20/09	32-44-51-20	4	JAN 20/09
*32-44-03- 1	13	MAY 20/09	32-44-51-20	5	JAN 20/09
*32-44-03- 1	14	MAY 20/09	32-44-51-20	6	JAN 20/09
*32-44-03- 1	15	MAY 20/09	32-44-51-20	7	JAN 20/09
*32-44-03- 1	16	MAY 20/09	*32-44-51-20	8	MAY 20/09
*32-44-03- 1	17	MAY 20/09	32-44-51-20	9	JAN 20/09
*32-44-03- 1	18	MAY 20/09	32-44-71- 2	0	MAY 28/07
32-44-03- 3	0	JAN 20/09	32-44-71- 2	1	JAN 20/09
32-44-03- 3	1	JAN 20/09	32-44-71- 2A	0	MAY 28/07
32-44-04- 1	0	MAY 28/07	32-44-71- 2A	1	JAN 20/09
32-44-04- 1	1	JAN 20/09	32-44-71- 2C	0	JAN 20/09
32-44-05- 1	0	MAY 28/07	32-44-71- 2C	1	JAN 20/09
32-44-05- 1	1	JAN 20/09	32-44-71- 2C	2	JAN 20/09
32-44-05- 1	2	JAN 20/09	32-44-71- 2C	3	JAN 20/09
32-44-05- 1	3	JAN 20/09	32-45-00	1	MAY 28/07
32-44-05- 1	4	JAN 20/09	32-45-01- 1	0	MAY 28/07
*32-44-05- 1	5	MAY 20/09	32-45-01- 1	1	JAN 20/09
*32-44-05- 1	6	MAY 20/09	32-45-01- 1	2	JAN 20/09
*32-44-05- 1	7	MAY 20/09	32-45-01- 1	3	JAN 20/09
32-44-06- 1	0	MAY 28/07	32-45-01- 1A	0	MAY 28/07
32-44-06- 1	1	JAN 20/09	32-45-01- 1A	0A	MAY 28/07
32-44-06- 1	2	JAN 20/09	32-45-01- 1A	1	JAN 20/09
32-44-06- 1	3	JAN 20/09	32-45-01- 1A	2	JAN 20/09

\* THE ASTERISK INDICATES PAGES CHANGED OR ADDED BY THE CURRENT REVISION



757

PARTS CATALOG (MAINTENANCE)

CH-SECT-UNIT-FIG	PAGE NO.	DATE	CH-SECT-UNIT-FIG	PAGE NO.	DATE
32-45-01- 1A	3	JAN 20/09	32-45-02- 1B	19	JAN 20/09
32-45-01- 1A	4	JAN 20/09	32-45-02- 1B	20	JAN 20/09
32-45-01- 1A	5	JAN 20/09	32-45-02- 1B	21	JAN 20/09
32-45-01- 2	0	JAN 20/09	32-45-02- 1B	22	JAN 20/09
32-45-01- 2	0A	JAN 20/09	32-45-02- 1B	23	JAN 20/09
32-45-01- 2	1	JAN 20/09	32-45-02- 1B	24	JAN 20/09
32-45-01- 2	2	JAN 20/09	32-45-02- 1B	25	JAN 20/09
32-45-02- 1	0	MAY 28/07	32-45-02- 1B	26	JAN 20/09
32-45-02- 1	1	JAN 20/09	32-45-02- 1B	27	JAN 20/09
32-45-02- 1	2	JAN 20/09	32-45-02- 1B	28	JAN 20/09
32-45-02- 1	3	JAN 20/09	32-45-02- 1B	29	JAN 20/09
32-45-02- 1	4	JAN 20/09	32-45-02- 1B	30	JAN 20/09
32-45-02- 1	5	JAN 20/09	32-45-02- 1B	31	JAN 20/09
32-45-02- 1	6	JAN 20/09	32-45-02- 1B	32	JAN 20/09
32-45-02- 1	7	JAN 20/09	32-45-02- 1B	33	JAN 20/09
32-45-02- 1	8	JAN 20/09	32-45-02- 1B	34	JAN 20/09
32-45-02- 1	9	JAN 20/09	32-45-02- 1B	35	JAN 20/09
32-45-02- 1	10	JAN 20/09	32-45-02- 1B	36	JAN 20/09
32-45-02- 1	11	JAN 20/09	32-45-02- 1B	37	JAN 20/09
32-45-02- 1	12	JAN 20/09	32-45-02- 1B	38	JAN 20/09
32-45-02- 1	13	JAN 20/09	32-45-02- 1B	39	JAN 20/09
32-45-02- 1	14	JAN 20/09	32-45-02- 1B	40	JAN 20/09
32-45-02- 1	15	JAN 20/09	32-45-02- 1B	41	JAN 20/09
32-45-02- 1	16	JAN 20/09	32-45-02- 1B	42	JAN 20/09
32-45-02- 1	17	JAN 20/09	32-45-02- 1B	43	JAN 20/09
32-45-02- 1	18	JAN 20/09	32-45-02- 1B	44	JAN 20/09
32-45-02- 1	19	JAN 20/09	32-45-02- 1B	45	JAN 20/09
32-45-02- 1	20	JAN 20/09	32-45-02- 1B	46	JAN 20/09
32-45-02- 1	21	JAN 20/09	32-45-02- 1B	47	JAN 20/09
32-45-02- 1	22	JAN 20/09	32-45-02- 1B	48	JAN 20/09
32-45-02- 1	23	JAN 20/09	32-45-02- 1B	49	JAN 20/09
32-45-02- 1	24	JAN 20/09	32-45-02- 1B	50	JAN 20/09
32-45-02- 1B	0	MAY 28/07	32-45-02- 1B	51	JAN 20/09
32-45-02- 1B	1	JAN 20/09	32-45-02- 1B	52	JAN 20/09
32-45-02- 1B	2	JAN 20/09	32-45-02- 1B	53	JAN 20/09
32-45-02- 1B	3	JAN 20/09	32-45-02- 1B	54	JAN 20/09
32-45-02- 1B	4	JAN 20/09	32-45-02- 1B	55	JAN 20/09
32-45-02- 1B	5	JAN 20/09	32-45-02- 1C	0	JAN 20/09
32-45-02- 1B	6	JAN 20/09	32-45-02- 1C	1	JAN 20/09
32-45-02- 1B	7	JAN 20/09	32-45-02- 1C	2	JAN 20/09
32-45-02- 1B	8	JAN 20/09	32-45-02- 1C	3	JAN 20/09
32-45-02- 1B	9	JAN 20/09	32-45-02- 1C	4	JAN 20/09
32-45-02- 1B	10	JAN 20/09	32-45-02- 1C	5	JAN 20/09
32-45-02- 1B	11	JAN 20/09	32-45-02- 1C	6	JAN 20/09
32-45-02- 1B	12	JAN 20/09	32-45-02- 1C	7	JAN 20/09
32-45-02- 1B	13	JAN 20/09	32-45-02- 1C	8	JAN 20/09
32-45-02- 1B	14	JAN 20/09	32-45-02- 1C	9	JAN 20/09
32-45-02- 1B	15	JAN 20/09	32-45-02- 1C	10	JAN 20/09
32-45-02- 1B	16	JAN 20/09	32-45-02- 1C	11	JAN 20/09
32-45-02- 1B	17	JAN 20/09	32-45-02- 1C	12	JAN 20/09
32-45-02- 1B	18	JAN 20/09	32-45-02- 1C	13	JAN 20/09

\* THE ASTERISK INDICATES PAGES CHANGED OR ADDED BY THE CURRENT REVISION



757

PARTS CATALOG (MAINTENANCE)

CH-SECT-UNIT-FIG	PAGE NO.	DATE	CH-SECT-UNIT-FIG	PAGE NO.	DATE
32-45-02- 1C	14	JAN 20/09	32-45-04- 1	7	JAN 20/09
32-45-02- 2	0	MAY 28/07	32-45-04- 2	0	MAY 28/07
32-45-02- 2	1	JAN 20/09	32-45-04- 2	1	JAN 20/09
32-45-02- 2	2	JAN 20/09	32-45-04- 2	2	JAN 20/09
32-45-02- 2	3	JAN 20/09	32-45-04- 2	3	JAN 20/09
32-45-02- 2A	0	JAN 20/09	32-45-04- 2	4	JAN 20/09
32-45-02- 2A	1	JAN 20/09	32-45-04- 2	5	JAN 20/09
32-45-03- 1	0	MAY 28/07	32-45-04- 2	6	JAN 20/09
32-45-03- 1	1	JAN 20/09	32-45-04- 5	0	MAY 28/07
32-45-03- 1	2	JAN 20/09	32-45-04- 5	1	JAN 20/09
32-45-03- 1	3	JAN 20/09	32-45-04- 5	2	JAN 20/09
32-45-03- 2	0	JAN 20/09	32-45-04- 5	3	JAN 20/09
32-45-03- 2	0A	MAY 28/07	32-45-04- 5	4	JAN 20/09
32-45-03- 2	1	JAN 20/09	32-45-04- 5	5	JAN 20/09
32-45-03- 2	2	JAN 20/09	32-45-04- 5	6	JAN 20/09
32-45-03- 2	3	JAN 20/09	32-45-04- 5	7	JAN 20/09
32-45-03- 2	4	JAN 20/09	32-45-04- 5	8	JAN 20/09
32-45-03- 2	5	JAN 20/09	32-45-04- 5	9	JAN 20/09
32-45-03- 2	6	JAN 20/09	32-45-04- 5	10	JAN 20/09
32-45-03- 4	0	MAY 28/07	32-45-04- 5	11	JAN 20/09
32-45-03- 4	0A	MAY 28/07	32-45-04- 5	12	JAN 20/09
32-45-03- 4	0B	MAY 28/07	32-45-04- 5	13	JAN 20/09
32-45-03- 4	1	JAN 20/09	32-45-04- 5	14	JAN 20/09
32-45-03- 4	2	JAN 20/09	32-45-04- 5	15	JAN 20/09
32-45-03- 4	3	JAN 20/09	32-45-04- 5	16	JAN 20/09
32-45-03- 4	4	JAN 20/09	32-45-04- 5	17	JAN 20/09
32-45-03- 4	5	JAN 20/09	32-45-04- 5	18	JAN 20/09
32-45-03- 4	6	JAN 20/09	32-45-04- 5	19	JAN 20/09
32-45-03- 4	7	JAN 20/09	32-45-04- 5	20	JAN 20/09
32-45-03- 4	8	JAN 20/09	32-45-04- 5	21	JAN 20/09
32-45-03- 4	9	JAN 20/09	32-45-05- 1	0	MAY 28/07
32-45-03- 4	10	JAN 20/09	32-45-05- 1	0A	MAY 28/07
32-45-03- 4	11	JAN 20/09	32-45-05- 1	1	JAN 20/09
32-45-03- 4	12	JAN 20/09	32-45-05- 1	2	JAN 20/09
32-45-03- 4	13	JAN 20/09	32-45-05- 1	3	JAN 20/09
32-45-03- 4	14	JAN 20/09	32-45-05- 1	4	JAN 20/09
32-45-03- 5	0	SEP 20/08	32-45-05- 1	5	JAN 20/09
32-45-03- 5	0A	SEP 28/07	32-45-05- 1	6	JAN 20/09
32-45-03- 5	0B	SEP 20/08	32-45-05- 1	7	JAN 20/09
32-45-03- 5	1	JAN 20/09	32-45-05- 1	8	JAN 20/09
32-45-03- 5	2	JAN 20/09	32-45-05- 1A	0	MAY 28/07
32-45-03- 5	3	JAN 20/09	32-45-05- 1A	1	JAN 20/09
32-45-03- 5	4	JAN 20/09	32-45-05- 1A	2	JAN 20/09
32-45-03- 5	5	JAN 20/09	32-45-05- 1A	3	JAN 20/09
32-45-04- 1	0	MAY 28/07	32-45-05- 1A	4	JAN 20/09
32-45-04- 1	1	JAN 20/09	32-45-08- 1	0	MAY 28/07
32-45-04- 1	2	JAN 20/09	32-45-08- 1	1	JAN 20/09
32-45-04- 1	3	JAN 20/09	32-45-08- 2	0	MAY 28/07
32-45-04- 1	4	JAN 20/09	32-45-08- 2	1	JAN 20/09
32-45-04- 1	5	JAN 20/09	32-45-08- 2	2	JAN 20/09
32-45-04- 1	6	JAN 20/09	32-45-08-10	0	MAY 28/07

\* THE ASTERISK INDICATES PAGES CHANGED OR ADDED BY THE CURRENT REVISION



757

PARTS CATALOG (MAINTENANCE)

CH-SECT-UNIT-FIG	PAGE NO.	DATE	CH-SECT-UNIT-FIG	PAGE NO.	DATE
32-45-08-10	1	JAN 20/09	32-51-01- 5	6	JAN 20/09
32-45-08-10	2	JAN 20/09	32-51-01- 5	7	JAN 20/09
32-45-08-10	3	JAN 20/09	32-51-01- 5	8	JAN 20/09
32-46-00	1	MAY 28/07	32-51-01-10	0	MAY 28/07
32-46-00- 1	0	JAN 20/09	32-51-01-10	0A	MAY 28/07
32-46-00- 1	1	JAN 20/09	32-51-01-10	1	JAN 20/09
32-46-00- 1	2	JAN 20/09	32-51-01-10	2	JAN 20/09
32-46-00- 1	3	JAN 20/09	32-51-01-10	3	JAN 20/09
32-46-00- 1	4	JAN 20/09	32-51-01-10	4	JAN 20/09
32-46-00- 1	5	JAN 20/09	32-51-01-10	5	JAN 20/09
32-46-00- 1	6	JAN 20/09	*32-51-01-10	6	MAY 20/09
32-46-00- 1	7	JAN 20/09	*32-51-01-10	7	MAY 20/09
32-46-00- 2	0	MAY 28/07	*32-51-01-10	8	MAY 20/09
32-46-00- 2	1	JAN 20/09	*32-51-01-10	9	MAY 20/09
32-46-00- 2	2	JAN 20/09	32-51-01-10	10	JAN 20/09
32-46-00- 2	3	JAN 20/09	*32-51-01-10	11	MAY 20/09
32-46-00- 2	4	JAN 20/09	*32-51-01-10	12	MAY 20/09
32-46-00- 2	5	JAN 20/09	*32-51-01-10	13	MAY 20/09
32-46-01- 1	0	MAY 28/07	32-51-01-10	14	JAN 20/09
32-46-01- 1	0A	MAY 28/07	32-51-01-51	0	MAY 28/07
32-46-01- 1	1	JAN 20/09	32-51-01-51	1	JAN 20/09
32-46-01- 1	2	JAN 20/09	32-51-01-51	2	JAN 20/09
32-46-01- 1	3	JAN 20/09	32-51-02-10	0	MAY 28/07
32-46-01- 8	0	SEP 20/08	32-51-02-10	1	JAN 20/09
32-46-01- 8	0A	SEP 20/08	32-51-02-10	2	JAN 20/09
32-46-01- 8	1	JAN 20/09	*32-51-02-10	3	MAY 20/09
32-46-03- 1	0	MAY 28/07	*32-51-02-10	4	MAY 20/09
32-46-03- 1	1	JAN 20/09	*32-51-02-10	5	MAY 20/09
32-46-03- 1	2	JAN 20/09	*32-51-02-10	6	MAY 20/09
32-46-03- 1	3	JAN 20/09	*32-51-02-10	7	MAY 20/09
32-46-03- 1	4	JAN 20/09	*32-51-02-10	8	MAY 20/09
32-46-51- 1	0	SEP 20/08	*32-51-02-10	9	MAY 20/09
32-46-51- 1	0A	SEP 20/08	32-51-05- 1	0	MAY 28/07
32-46-51- 1	1	JAN 20/09	32-51-05- 1	0A	MAY 28/07
32-46-51- 1	2	JAN 20/09	32-51-05- 1	0B	MAY 28/07
32-46-51- 1	3	JAN 20/09	32-51-05- 1	1	JAN 20/09
32-46-51- 1	4	JAN 20/09	32-51-05- 1	2	JAN 20/09
32-46-51- 1	5	JAN 20/09	32-51-05- 1	3	JAN 20/09
32-46-51- 1	6	JAN 20/09	32-51-05- 1	4	JAN 20/09
32-46-51- 1	7	JAN 20/09	32-51-05- 1	5	JAN 20/09
32-46-51- 1	8	JAN 20/09	32-51-05- 1	6	JAN 20/09
32-46-51- 1	9	JAN 20/09	32-51-05- 1	7	JAN 20/09
32-46-51- 1	10	JAN 20/09	32-51-05- 1	8	JAN 20/09
32-51-00	1	MAY 28/07	32-51-05- 1	9	JAN 20/09
32-51-01- 5	0	MAY 28/07	*32-51-05- 1	10	MAY 20/09
32-51-01- 5	0A	MAY 28/07	*32-51-05- 1	11	MAY 20/09
32-51-01- 5	1	JAN 20/09	*32-51-05- 1	12	MAY 20/09
32-51-01- 5	2	JAN 20/09	32-51-05- 1	13	JAN 20/09
32-51-01- 5	3	JAN 20/09	32-51-05- 1	14	JAN 20/09
32-51-01- 5	4	JAN 20/09	32-51-05- 1	15	JAN 20/09
32-51-01- 5	5	JAN 20/09	*32-51-05- 1	16	MAY 20/09

\* THE ASTERISK INDICATES PAGES CHANGED OR ADDED BY THE CURRENT REVISION



757

PARTS CATALOG (MAINTENANCE)

CH-SECT-UNIT-FIG	PAGE NO.	DATE	CH-SECT-UNIT-FIG	PAGE NO.	DATE
*32-51-05- 1	17	MAY 20/09	32-51-09- 2	3	JAN 20/09
*32-51-05- 1	18	MAY 20/09	32-51-09- 2	4	JAN 20/09
*32-51-05- 1	19	MAY 20/09	32-51-09- 2	5	JAN 20/09
*32-51-05- 1	20	MAY 20/09	32-51-09- 2	6	JAN 20/09
32-51-05- 1	21	JAN 20/09	*32-51-09- 2	7	MAY 20/09
32-51-06- 1	0	MAY 28/07	*32-51-09- 2	8	MAY 20/09
32-51-06- 1	0A	MAY 28/07	*32-51-09- 2	9	MAY 20/09
32-51-06- 1	0B	MAY 28/07	*32-51-09- 2	10	MAY 20/09
32-51-06- 1	0C	MAY 28/07	*32-51-09- 2	11	MAY 20/09
32-51-06- 1	0D	MAY 28/07	32-51-09- 2	12	JAN 20/09
32-51-06- 1	0E	MAY 28/07	*32-51-09- 2	13	MAY 20/09
32-51-06- 1	1	JAN 20/09	32-51-09- 2	14	JAN 20/09
32-51-06- 1	2	JAN 20/09	32-51-09- 2A	0	JAN 20/09
32-51-06- 1	3	JAN 20/09	32-51-09- 2A	0A	JAN 20/09
32-51-06- 1	4	JAN 20/09	32-51-09- 2A	0B	JAN 20/09
32-51-06- 1	5	JAN 20/09	32-51-09- 2A	1	JAN 20/09
32-51-06- 1	6	JAN 20/09	32-51-09- 2A	2	JAN 20/09
32-51-06- 1	7	JAN 20/09	32-51-09- 2A	3	JAN 20/09
32-51-06- 1	8	JAN 20/09	32-51-09- 2A	4	JAN 20/09
32-51-06- 1	9	JAN 20/09	32-51-09- 2A	5	JAN 20/09
32-51-06- 1	10	JAN 20/09	32-51-09- 2A	6	JAN 20/09
32-51-06- 1	11	JAN 20/09	32-51-09- 2A	7	JAN 20/09
32-51-06- 1	12	JAN 20/09	*32-51-09- 2A	8	MAY 20/09
*32-51-06- 1	13	MAY 20/09	32-51-09- 2A	9	JAN 20/09
*32-51-06- 1	14	MAY 20/09	*32-51-09- 2A	10	MAY 20/09
*32-51-06- 1	15	MAY 20/09	*32-51-09- 2A	11	MAY 20/09
*32-51-06- 1	16	MAY 20/09	32-51-09- 2A	12	JAN 20/09
32-51-06- 1	17	JAN 20/09	*32-51-09- 2A	13	MAY 20/09
32-51-06- 1	18	JAN 20/09	32-51-09- 2A	14	JAN 20/09
32-51-06- 1A	0	JAN 20/09	32-51-09-10	0	MAY 28/07
32-51-06- 1A	0A	JAN 20/09	32-51-09-10	1	JAN 20/09
32-51-06- 1A	0B	JAN 20/09	32-51-09-10	2	JAN 20/09
32-51-06- 1A	0C	JAN 20/09	32-51-09-10	3	JAN 20/09
32-51-06- 1A	1	JAN 20/09	32-51-11- 1	0	MAY 28/07
32-51-06- 1A	2	JAN 20/09	32-51-11- 1	0A	MAY 28/07
32-51-06- 1A	3	JAN 20/09	32-51-11- 1	0B	MAY 28/07
32-51-06- 1A	4	JAN 20/09	32-51-11- 1	1	JAN 20/09
*32-51-06- 1A	5	MAY 20/09	32-51-11- 1	2	JAN 20/09
*32-51-06- 1A	6	MAY 20/09	32-51-11- 1	3	JAN 20/09
*32-51-06- 1A	7	MAY 20/09	32-51-11- 1A	0	JAN 20/09
32-51-06- 1A	8	JAN 20/09	32-51-11- 1A	0A	JAN 20/09
32-51-06- 1A	9	JAN 20/09	32-51-11- 1A	0B	JAN 20/09
32-51-06- 1A	10	JAN 20/09	32-51-11- 1A	1	JAN 20/09
32-51-06- 1A	11	JAN 20/09	32-51-11- 1A	2	JAN 20/09
*32-51-06- 1A	12	MAY 20/09	32-51-11- 1A	3	JAN 20/09
32-51-06- 1A	13	JAN 20/09	32-51-12- 1	0	MAY 28/07
32-51-09- 2	0	MAY 28/07	32-51-12- 1	0A	MAY 28/07
32-51-09- 2	0A	MAY 28/07	32-51-12- 1	1	JAN 20/09
32-51-09- 2	0B	MAY 28/07	32-51-12- 1	2	JAN 20/09
32-51-09- 2	1	JAN 20/09	32-51-12- 1	3	JAN 20/09
32-51-09- 2	2	JAN 20/09	32-51-12- 1	4	JAN 20/09

\* THE ASTERISK INDICATES PAGES CHANGED OR ADDED BY THE CURRENT REVISION



757

PARTS CATALOG (MAINTENANCE)

CH-SECT-UNIT-FIG	PAGE NO.	DATE	CH-SECT-UNIT-FIG	PAGE NO.	DATE
32-51-12- 1A	0	JAN 20/09	32-51-52- 1	2	JAN 20/09
32-51-12- 1A	0A	JAN 20/09	32-51-52- 1	3	JAN 20/09
32-51-12- 1A	1	JAN 20/09	32-51-52- 1	4	SEP 20/08
32-51-12- 1A	2	JAN 20/09	32-51-53- 1	0	MAY 28/07
32-51-12- 1A	3	JAN 20/09	32-51-53- 1	0A	MAY 28/07
32-51-12- 1A	4	JAN 20/09	32-51-53- 1	0B	MAY 28/07
32-51-51- 1	0	MAY 28/07	32-51-53- 1	0C	MAY 28/07
32-51-51- 1	0A	MAY 28/07	32-51-53- 1	1	JAN 20/09
32-51-51- 1	0B	MAY 28/07	32-51-53- 1	2	JAN 20/09
32-51-51- 1	1	JAN 20/09	32-51-53- 1	3	JAN 20/09
32-51-51- 1	2	JAN 20/09	32-51-53- 1	4	JAN 20/09
32-51-51- 1	3	JAN 20/09	32-51-53- 2	0	MAY 28/07
32-51-51- 1	4	JAN 20/09	32-51-53- 2	1	JAN 20/09
32-51-51- 1	5	JAN 20/09	32-61-00	1	MAY 28/07
32-51-51- 1	6	JAN 20/09	32-61-02- 1	0	MAY 28/07
32-51-51- 1	7	JAN 20/09	32-61-02- 1	1	JAN 20/09
32-51-51- 1	8	JAN 20/09	32-61-02- 1	2	JAN 20/09
32-51-51- 1	9	JAN 20/09	*32-61-02- 1	3	MAY 20/09
32-51-51- 1	10	JAN 20/09	*32-61-02- 1	4	MAY 20/09
32-51-51- 1	11	JAN 20/09	*32-61-02- 1	5	MAY 20/09
32-51-51- 1	12	JAN 20/09	*32-61-02- 1	6	MAY 20/09
32-51-51- 1	13	JAN 20/09	*32-61-02- 1	7	MAY 20/09
32-51-51- 1	14	JAN 20/09	*32-61-02- 1	8	MAY 20/09
32-51-51- 1	15	JAN 20/09	*32-61-02- 1	9	MAY 20/09
32-51-51- 1	16	JAN 20/09	32-61-02- 2	0	MAY 28/07
32-51-51- 1	17	JAN 20/09	32-61-02- 2	1	JAN 20/09
32-51-51- 1	18	JAN 20/09	32-61-02- 2	2	JAN 20/09
32-51-51- 1	19	JAN 20/09	32-61-02- 2	3	JAN 20/09
32-51-51- 1	20	JAN 20/09	32-61-02- 2	4	JAN 20/09
32-51-51- 2	0	MAY 28/07	32-61-02- 4	0	MAY 28/07
32-51-51- 2	0A	MAY 28/07	32-61-02- 4	0A	MAY 28/07
32-51-51- 2	1	JAN 20/09	32-61-02- 4	1	JAN 20/09
32-51-51- 2	2	JAN 20/09	32-61-02- 4	2	JAN 20/09
32-51-51- 2	3	JAN 20/09	32-61-02- 4	3	JAN 20/09
32-51-51- 2	4	JAN 20/09	32-61-02- 4	4	JAN 20/09
32-51-51- 2	5	JAN 20/09	32-61-02- 5	0	MAY 28/07
32-51-51- 4	0	MAY 28/07	32-61-02- 5	1	JAN 20/09
32-51-51- 4	1	JAN 20/09	32-61-02- 5	2	JAN 20/09
32-51-51- 4	2	SEP 20/08	32-61-02- 5	3	JAN 20/09
32-51-51- 4	3	SEP 20/08	32-61-03- 2	0	MAY 28/07
32-51-51- 4A	0	JAN 20/09	32-61-03- 2	1	JAN 20/09
32-51-51- 4A	1	JAN 20/09	32-61-03- 2	2	JAN 20/09
32-51-51- 4A	2	JAN 20/09	32-61-03- 2	3	JAN 20/09
32-51-51- 4A	3	JAN 20/09	32-61-03- 2	4	JAN 20/09
32-51-51-15	0	MAY 28/07	32-61-03- 2	5	JAN 20/09
32-51-51-15	0A	MAY 28/07	32-61-03- 2	6	JAN 20/09
32-51-51-15	1	JAN 20/09	32-61-03- 3	0	MAY 28/07
32-51-51-15	2	JAN 20/09	32-61-03- 3	1	JAN 20/09
32-51-51-15	3	JAN 20/09	32-61-03- 3	2	JAN 20/09
32-51-52- 1	0	MAY 28/07	32-61-03- 3	3	JAN 20/09
32-51-52- 1	1	JAN 20/09	32-61-03- 3	4	JAN 20/09

\* THE ASTERISK INDICATES PAGES CHANGED OR ADDED BY THE CURRENT REVISION



757

PARTS CATALOG (MAINTENANCE)

CH-SECT-UNIT-FIG	PAGE NO.	DATE	CH-SECT-UNIT-FIG	PAGE NO.	DATE
32-61-03- 3	5	JAN 20/09	32-61-51- 3	16	JAN 20/09
32-61-03- 4	0	MAY 28/07	32-61-52- 2	0	SEP 20/08
32-61-03- 4	1	JAN 20/09	32-61-52- 2	0A	MAY 28/07
32-61-03- 4	2	JAN 20/09	32-61-52- 2	0B	MAY 28/07
32-61-51- 1	0	MAY 28/07	32-61-52- 2	0C	MAY 28/07
32-61-51- 1	1	JAN 20/09	32-61-52- 2	0D	MAY 28/07
32-61-51- 1	2	JAN 20/09	32-61-52- 2	0E	MAY 28/07
32-61-51- 1	3	JAN 20/09	32-61-52- 2	0F	MAY 28/07
32-61-51- 1	4	JAN 20/09	32-61-52- 2	0G	MAY 28/07
32-61-51- 1	5	JAN 20/09	32-61-52- 2	0H	SEP 20/08
32-61-51- 1	6	JAN 20/09	32-61-52- 2	0I	SEP 20/08
32-61-51- 1	7	JAN 20/09	32-61-52- 2	1	JAN 20/09
32-61-51- 1	8	JAN 20/09	32-61-52- 2	2	JAN 20/09
32-61-51- 1	9	JAN 20/09	32-61-52- 2	3	JAN 20/09
32-61-51- 1	10	JAN 20/09	32-61-52- 2	4	JAN 20/09
32-61-51- 1	11	JAN 20/09	32-61-52- 2	5	JAN 20/09
32-61-51- 1	12	JAN 20/09	32-61-52- 2	6	JAN 20/09
32-61-51- 1	13	JAN 20/09	32-61-52- 2	7	JAN 20/09
32-61-51- 1	14	JAN 20/09	32-61-52- 2	8	JAN 20/09
32-61-51- 1	15	JAN 20/09	32-61-52- 2	9	JAN 20/09
32-61-51- 1	16	JAN 20/09	32-61-52- 2	10	JAN 20/09
32-61-51- 2	0	MAY 28/07	32-61-52- 2	11	JAN 20/09
32-61-51- 2	0A	MAY 28/07	32-61-52- 2	12	JAN 20/09
32-61-51- 2	1	JAN 20/09	32-61-52- 2	13	JAN 20/09
32-61-51- 2	2	JAN 20/09	32-61-52- 2	14	JAN 20/09
32-61-51- 2	3	JAN 20/09	32-61-52- 2	15	JAN 20/09
32-61-51- 2	4	JAN 20/09	32-61-52- 2	16	JAN 20/09
32-61-51- 2	5	JAN 20/09	32-61-52- 2	17	JAN 20/09
32-61-51- 2	6	JAN 20/09	32-61-52- 2	18	JAN 20/09
32-61-51- 2	7	JAN 20/09	32-61-52- 2	19	JAN 20/09
32-61-51- 2	8	JAN 20/09	32-61-52- 2	20	JAN 20/09
32-61-51- 2	9	JAN 20/09	32-61-52- 2	21	JAN 20/09
32-61-51- 2	10	JAN 20/09	32-61-52- 2	22	JAN 20/09
32-61-51- 2	11	JAN 20/09	32-61-52- 2	23	JAN 20/09
32-61-51- 3	0	MAY 28/07	32-61-52- 2	24	JAN 20/09
32-61-51- 3	0A	MAY 28/07	32-61-52- 2	25	JAN 20/09
32-61-51- 3	1	JAN 20/09	32-61-52- 2	26	JAN 20/09
32-61-51- 3	2	JAN 20/09	32-61-52- 2	27	JAN 20/09
32-61-51- 3	3	JAN 20/09	32-61-52- 2	28	JAN 20/09
32-61-51- 3	4	JAN 20/09	32-61-52- 2	29	JAN 20/09
32-61-51- 3	5	JAN 20/09	32-61-52- 2A	0	JAN 20/09
32-61-51- 3	6	JAN 20/09	32-61-52- 2A	0A	JAN 20/09
32-61-51- 3	7	JAN 20/09	32-61-52- 2A	0B	JAN 20/09
32-61-51- 3	8	JAN 20/09	32-61-52- 2A	0C	JAN 20/09
32-61-51- 3	9	JAN 20/09	32-61-52- 2A	0D	JAN 20/09
32-61-51- 3	10	JAN 20/09	32-61-52- 2A	1	JAN 20/09
32-61-51- 3	11	JAN 20/09	32-61-52- 2A	2	JAN 20/09
32-61-51- 3	12	JAN 20/09	32-61-52- 2A	3	JAN 20/09
32-61-51- 3	13	JAN 20/09	32-61-52- 2A	4	JAN 20/09
32-61-51- 3	14	JAN 20/09	32-61-52- 2A	5	JAN 20/09
32-61-51- 3	15	JAN 20/09	32-61-52- 2A	6	JAN 20/09

\* THE ASTERISK INDICATES PAGES CHANGED OR ADDED BY THE CURRENT REVISION



**757**  
**PARTS CATALOG (MAINTENANCE)**

CH-SECT-UNIT-FIG	PAGE NO.	DATE	CH-SECT-UNIT-FIG	PAGE NO.	DATE
32-61-52- 2A	7	JAN 20/09	32-61-52- 2H	0F	SEP 20/08
32-61-52- 2A	8	JAN 20/09	32-61-52- 2H	1	JAN 20/09
32-61-52- 2C	0	JAN 20/09	32-61-52- 2H	2	JAN 20/09
32-61-52- 2C	0A	JAN 20/09	32-61-52- 2H	3	JAN 20/09
32-61-52- 2C	0B	JAN 20/09	32-61-52- 2H	4	JAN 20/09
32-61-52- 2C	0C	JAN 20/09	32-61-52- 2H	5	JAN 20/09
32-61-52- 2C	1	JAN 20/09	32-61-52- 2H	6	JAN 20/09
32-61-52- 2C	2	JAN 20/09	32-61-52- 2H	7	JAN 20/09
32-61-52- 2C	3	JAN 20/09	32-61-52- 2H	8	JAN 20/09
32-61-52- 2C	4	JAN 20/09	32-61-52- 2H	9	JAN 20/09
32-61-52- 2E	0	JAN 20/09	32-61-52- 2H	10	JAN 20/09
32-61-52- 2E	0A	JAN 20/09	32-61-52- 2H	11	JAN 20/09
32-61-52- 2E	1	JAN 20/09	32-61-52- 2H	12	JAN 20/09
32-61-52- 2E	2	JAN 20/09	32-61-52- 2H	13	JAN 20/09
32-61-52- 2E	3	JAN 20/09	32-61-52- 2H	14	JAN 20/09
32-61-52- 2E	4	JAN 20/09	32-61-52- 2H	15	JAN 20/09
32-61-52- 2E	5	JAN 20/09	32-61-52- 2H	16	JAN 20/09
32-61-52- 2E	6	JAN 20/09	32-61-52- 2H	17	JAN 20/09
32-61-52- 2F	0	MAY 28/07	32-61-52- 2H	18	JAN 20/09
32-61-52- 2F	0A	MAY 28/07	32-61-52- 2H	19	JAN 20/09
32-61-52- 2F	1	JAN 20/09	32-61-52- 2H	20	JAN 20/09
32-61-52- 2F	2	JAN 20/09	32-61-52- 2H	21	JAN 20/09
32-61-52- 2F	3	JAN 20/09	32-61-52- 2H	22	JAN 20/09
32-61-52- 2F	4	JAN 20/09	32-61-52- 2H	23	JAN 20/09
32-61-52- 2F	5	JAN 20/09	32-61-52- 2H	24	JAN 20/09
32-61-52- 2F	6	JAN 20/09	32-61-52- 2H	25	JAN 20/09
32-61-52- 2G	0	SEP 20/08	32-61-52- 2H	26	JAN 20/09
32-61-52- 2G	0A	MAY 28/07	32-61-52- 2H	27	JAN 20/09
32-61-52- 2G	0B	SEP 20/08	32-61-52- 2H	28	JAN 20/09
32-61-52- 2G	0C	SEP 20/08	32-61-52- 2H	29	JAN 20/09
32-61-52- 2G	0D	SEP 20/08	32-61-52- 2H	30	JAN 20/09
32-61-52- 2G	1	JAN 20/09	32-61-52- 2H	31	JAN 20/09
32-61-52- 2G	2	JAN 20/09	32-61-52- 2H	32	JAN 20/09
32-61-52- 2G	3	JAN 20/09	32-61-52- 3	0	MAY 28/07
32-61-52- 2G	4	JAN 20/09	32-61-52- 3	0A	SEP 20/08
32-61-52- 2G	5	JAN 20/09	32-61-52- 3	0B	MAY 28/07
32-61-52- 2G	6	JAN 20/09	32-61-52- 3	0C	SEP 20/08
32-61-52- 2G	7	JAN 20/09	32-61-52- 3	0D	SEP 20/08
32-61-52- 2G	8	JAN 20/09	32-61-52- 3	1	JAN 20/09
32-61-52- 2G	9	JAN 20/09	32-61-52- 3	2	JAN 20/09
32-61-52- 2G	10	JAN 20/09	32-61-52- 3	3	JAN 20/09
32-61-52- 2G	11	JAN 20/09	32-61-52- 3	4	JAN 20/09
32-61-52- 2G	12	JAN 20/09	32-61-52- 3	5	JAN 20/09
32-61-52- 2G	13	JAN 20/09	32-61-52- 3	6	JAN 20/09
32-61-52- 2G	14	JAN 20/09	32-61-52- 3	7	JAN 20/09
32-61-52- 2H	0	SEP 20/08	32-61-52- 3	8	JAN 20/09
32-61-52- 2H	0A	SEP 20/08	32-61-52- 3	9	JAN 20/09
32-61-52- 2H	0B	SEP 20/08	32-61-52- 3	10	JAN 20/09
32-61-52- 2H	0C	SEP 20/08	32-61-52- 3	11	JAN 20/09
32-61-52- 2H	0D	SEP 20/08	32-61-52- 3	12	JAN 20/09
32-61-52- 2H	0E	SEP 20/08	32-61-52- 3	13	JAN 20/09

\* THE ASTERISK INDICATES PAGES CHANGED OR ADDED BY THE CURRENT REVISION




**BOEING**  
 757  
**PARTS CATALOG (MAINTENANCE)**

CH-SECT-UNIT-FIG	PAGE NO.	DATE	CH-SECT-UNIT-FIG	PAGE NO.	DATE
32-61-52- 3	14	JAN 20/09			
32-61-52- 3	15	JAN 20/09			
32-61-52- 4	0	JAN 20/09			
32-61-52- 4	0A	JAN 20/09			
32-61-52- 4	1	JAN 20/09			
32-61-52- 4	2	JAN 20/09			
32-61-71- 2	0	MAY 28/07			
32-61-71- 2	1	JAN 20/09			
32-61-71- 2	2	JAN 20/09			
32-61-71- 2	3	JAN 20/09			
32-61-71- 2	4	JAN 20/09			
32-61-71- 2	5	JAN 20/09			
32-61-71- 2A	0	MAY 28/07			
32-61-71- 2A	1	JAN 20/09			
32-61-71- 2B	0	MAY 28/07			
32-61-71- 2B	1	JAN 20/09			
32-61-71- 2B	2	JAN 20/09			
32-61-71- 2B	3	JAN 20/09			
32-61-71- 2C	0	JAN 20/09			
32-61-71- 2C	1	JAN 20/09			
32-61-71- 2C	2	JAN 20/09			
32-61-71- 2C	3	JAN 20/09			
32-61-71- 2D	0	JAN 20/09			
32-61-71- 2D	1	JAN 20/09			
32-61-71- 2D	2	JAN 20/09			
32-61-71- 2D	3	JAN 20/09			
32-61-71- 2D	4	JAN 20/09			
32-61-71- 2D	5	JAN 20/09			
32-61-71- 2D	6	JAN 20/09			
32-61-71- 2D	7	JAN 20/09			

\* THE ASTERISK INDICATES PAGES CHANGED OR ADDED BY THE CURRENT REVISION



**BOEING**  
757  
PARTS CATALOG (MAINTENANCE)

CHAPTER 32 — LANDING GEAR

TABLE OF CONTENTS

SUBJECT	CC-SS-UU	FIGURE	EFFECT
LANDING GEAR - GENERAL	32-00-00		
BRAKE COLLECTOR 757-200 PASS.	32-00-00	13	101102 108120 504903
BRAKES COLLECTOR BASIC AND STABLE	32-00-00	10	101102 108120 504903
BRAKES INSTL	32-00-00	19	101102
COLLECTOR INSTL-BASIC AND STABLE (LANDING GEAR ONLY)	32-00-00	02	101102 108120 504903
COLLECTOR INSTL-PASS. MINOR MODEL (LANDING GEAR ONLY)	32-00-00	03	101102 108120 504903
COLLECTOR-BRAKE OPTION BF GOODRICH CO. STEEL BRAKES	32-00-00	21	108120 504903
CONTROL INSTL- LG BRAKE	32-00-00	23	002004 006100 107107 121503 904999
CONTROL INSTL-NOSE WHEEL STEERING	32-00-00	24	002004 006100 107107 121503 904999
CUSTOM COLLECTOR BRAKES SYS	32-00-00	11	504903
MANAGEMENT COLLECTOR	32-00-00	22	101102 108120 504903
MANAGEMENT COLLECTOR ACTUATION SYSTEM	32-00-00	15	101102 108120 504903
MANAGEMENT COLLECTOR MAIN/NOSE LANDING GEAR WHEEL/TIRE/BRAKE/ EQUIPMENT	32-00-00	18	101102 108120 504903
MANAGEMENT COLLECTOR-LANDING GEAR STRUCTURE MODEL 757	32-00-00	01	101102 108120 504903


**BOEING**  
 757  
**PARTS CATALOG (MAINTENANCE)**

**CHAPTER 32 — LANDING GEAR**

**TABLE OF CONTENTS**

SUBJECT	CC-SS-UU	FIGURE	EFFECT
LANDING GEAR MULTIPLE USE SYSTEMS/COMPONENTS	32-09-00		
EQUIPMENT INSTL-MAIN ELECTRONICS EQPT CTR (LANDING GEAR MULTIPLE USE SYSTEMS/COMPONENTS ONLY)	32-09-04	01	002004 006100 107107 121999
EQUIPMENT INSTL-MAIN ELECTRONICS EQPT CTR (LANDING GEAR MULTIPLE USE SYSTEMS/COMPONENTS ONLY)	32-09-04	01B	101102
EQUIPMENT INSTL-MAIN ELECTRONICS EQPT CTR PROXIMITY SWITCH UNIT	32-09-04	08	103106 108120
OPTION PACKAGE ASSY-P36 MISC RELAY LH (LANDING GEAR MULTIPLE USE SYSTEMS AND COMPONENTS ONLY)	32-09-02	03A	101102 504903
PACKAGE ASSY-OPTION P37 MISC RELAY (LANDING GEAR MULTIPLE USE SYSTEMS / COMPONENTS ONLY)	32-09-02	04B	101102 504903
PANEL ASSY-P36 MISC RELAY L (LANDING GEAR MULTIPLE USE SYSTEMS/COMPONENTS ONLY)	32-09-02	03	002004 006100 107107 121503 904999
PANEL ASSY-P37 MISC RELAY (LANDING GEAR MULTIPLE USE SYSTEMS / COMPONENTS ONLY)	32-09-02	04	002004 006100 107107 121503 904999
PANEL INSTL-P36 L MISC RELAY (LANDING GEAR MULTIPLE USE SYSTEMS/ COMPONENTS ONLY)	32-09-02	03C	103106 108120
PANEL INSTL-P37 R MISC RELAY (LANDING GEAR MULTIPLE USE SYSTEMS/ COMPONENTS ONLY)	32-09-02	04D	103106 108120
SENSOR AND E/E HARNESS INSTL-MLG TRUCK TILT	32-09-07	01A	101106 108120 504903

 **BOEING**  
757  
**PARTS CATALOG (MAINTENANCE)**

**CHAPTER 32 — LANDING GEAR**

**TABLE OF CONTENTS**

<b>SUBJECT</b>	<b>CC-SS-UU</b>	<b>FIGURE</b>	<b>EFFECT</b>
SENSOR INSTL-MLG TRUCK TILT	32-09-07	01	002004 006100 107107 121503 904999
SENSOR INSTL-NLG COMPRESSED (LANDING GEAR ONLY)	32-09-08	01	002004 006999
SHIELD ASSY-P33 MISC ELEC EQPT (LANDING GEAR MULTIPLE USE SYSTEMS/ COMPONENTS ONLY)	32-09-02	05	121503 904949



**BOEING**  
757  
PARTS CATALOG (MAINTENANCE)

CHAPTER 32 — LANDING GEAR

TABLE OF CONTENTS

SUBJECT	CC-SS-UU	FIGURE	EFFECT
MAIN LANDING GEAR	32-11-00		
BRACKET INSTL-MLG REACTION LINK HYDR TUBE SPRT	32-11-51	01	002004 006999
BRACKET INSTL-SECT. 61 MLG HYDR TUBE SPRT	32-11-11	02	002004 006999
DOWNLOCK ASSY - MLG, LH AND RH SIDE (MAIN GEAR DOWNLOCK ASSEMBLY ONLY)	32-11-12	02	002004 006999
DOWNLOCK ASSY-MLG SIDE STRUT	32-11-04	02	002004 006999
DOWNLOCK ASSY-MLG, LH AND RH SIDE (MAIN GEAR DOWNLOCK ASSEMBLY ONLY)	32-11-12	01	002004 006999
DOWNLOCK ASSY-MLG, LH AND RH SIDE (MAIN GEAR DOWNLOCK SPINDLE ONLY)	32-11-15	01	002004 006999
FITTING INSTL-MLG JURY AND BEAM STAB. SPRT	32-11-04	01	002004 006999
GEAR ASSY-MAIN LDG (MAIN GEAR ONLY)	32-11-01	10	002004 006999
GEAR ASSY-MLG (MAIN GEAR BRAKE ROD ONLY)	32-11-19	01	002004 006999
GEAR ASSY-MLG (MAIN GEAR TORSION LINKS ONLY)	32-11-16	01	002004 006999
GEAR ASSY-MLG (MAIN GEAR TRUCK ASSY ONLY)	32-11-17	01	002004 006999
INSTALLATION MAJOR AND MINOR-MLG	32-11-00	03	103106
LINK ASSY-REACTION MLG	32-11-10	02	002004 006999
LINK ASSY-SIDE STRUT SPRT MLG	32-11-09	01	002004 006999
LINK ASSY-TRUN MLG	32-11-05	01	002004 006999
MAIN GEAR INSTL-VAR (MAIN GEAR ONLY)	32-11-00	01	002004 006100 107107 121503 904999
MAJOR AND MINOR INSTL MLG (PREMODULE)	32-11-00	02	101102 108120 504903



**BOEING**  
757  
PARTS CATALOG (MAINTENANCE)

CHAPTER 32 — LANDING GEAR

TABLE OF CONTENTS

SUBJECT	CC-SS-UU	FIGURE	EFFECT
SHIELD INSTL-MLG TRUCK	32-11-17	02	002004 006102 106999
SHIELD INSTL-MLG TRUCK	32-11-17	03	103106
STRUT ASSY-MLG DRAG	32-11-03	01	002004 006999
STRUT ASSY-MLG SHOCK (MAIN GEAR SHOCK STRUT SEALS ONLY)	32-11-25	01	002004 006999
STRUT ASSY-UPR AND LWR MLG SIDE	32-11-05	02	002004 006999
SWIVEL ASSY-UPR AND LWR MLG SIDE STRUT	32-11-07	01	002004 006999
MAIN LANDING GEAR DOORS	32-12-00		
DOOR ASSY-MLG FAIRING TRUN	32-12-10	02	002004 006999
DOOR ASSY-MLG STRUT (LANDING GEAR ONLY)	32-12-04	03	002004 006106 108999
DOOR INSTL-MLG	32-12-01	01	002004 107107 904949 952952
DOOR INSTL-MLG (MAIN GEAR DOOR ONLY)	32-12-01	02	006106 108903 950951 953999
DOOR INSTL-MLG (MAIN GEAR DOOR TANG ONLY)	32-12-02	01	006106 108903 950951 953999
DOOR INSTL-MLG STRUT	32-12-04	02	002004 006102 107999
DOOR INSTL-MLG STRUT	32-12-04	02A	103106
FAIRING INSTL-WING TE MLG TRUN	32-12-10	01	002004 006102 107999
LIGHT INSTL-NLG DOOR UNSAFE	32-12-72	01	002004 006999


**BOEING**  
 757  
**PARTS CATALOG (MAINTENANCE)**

**CHAPTER 32 — LANDING GEAR**

**TABLE OF CONTENTS**

SUBJECT	CC-SS-UU	FIGURE	EFFECT
MLG (MAIN GEAR DOOR STRUT ONLY)	32-12-04	04	006106 108903 950951 953999
PANEL ASSY-P36 MISC RELAY L (MAIN GEAR DOORS ONLY)	32-12-71	01	002004 006100 107107 121503 904999
PANEL ASSY-P62 AND P63 NLG LDG AND TURNOFF LTS (MAIN GEAR AND DOORS ONLY)	32-12-52	01B	102106 108120 504903
PANEL INSTL-P62 AND P63 NLG LDG AND TURNOFF LTS (MAIN GEAR AND DOORS ONLY)	32-12-52	01	002004 006101 107107 121503 904999
SEAL INSTL-MLG DOOR	32-12-51	01	002004 006999
SEAL INSTL-MLG STRUT DOOR	32-12-04	01	002004 006999
TANG ASSY-MLG DOOR (MAIN GEAR DOOR ONLY)	32-12-02	02	121503

 **BOEING**  
757  
**PARTS CATALOG (MAINTENANCE)**

**CHAPTER 32 — LANDING GEAR**

**TABLE OF CONTENTS**

SUBJECT	CC-SS-UU	FIGURE	EFFECT
NOSE LANDING GEAR	32-21-00		
CYLINDER ASSY-INNER NLG	32-21-25	01	002004 006999
GEAR ASSY-NLG (NOSE GEAR TORSION LINKS ONLY)	32-21-09	01	950951
GEAR ASSY-NLG (NOSE GEAR TOW FITTING ONLY)	32-21-13	01	950951
GEAR ASSY-NLG (NOSE GEAR TRUNNION PIN ONLY)	32-21-12	01	101106 108120 504903 950951
GEAR ASSY-NLG SECT. 62 (NOSE GEAR TORSION LINKS ONLY)	32-21-09	05	002004 006100 107107 121503 904949
GEAR ASSY-NOSE LDG	32-21-01	01	101106 108120 504903 950951
GEAR ASSY-SECT. 62 NLG (NOSE GEAR ONLY)	32-21-01	01B	952999
GEAR ASSY-SECT. 62 NLG (NOSE GEAR TORSION LINKS)	32-21-09	03	952999
GEAR ASSY-SECT. 62 NLG (NOSE GEAR TOW FITTING ONLY)	32-21-13	01B	952999
GEAR ASSY-SECT. 62 NLG (NOSE GEAR TOW FITTING)	32-21-13	01C	002004 006100 107107 121503 904949
GEAR ASSY-SECT. 62 NLG (NOSE GEAR TRUNNION PIN ONLY)	32-21-12	01B	952999
GEAR ASSY-SECT. 62 NLG (NOSE GEAR TRUNNION PIN ONLY)	32-21-12	01C	002004 006100 107107 121503 904949




**BOEING**  
 757  
**PARTS CATALOG (MAINTENANCE)**

**CHAPTER 32 — LANDING GEAR**

**TABLE OF CONTENTS**

SUBJECT	CC-SS-UU	FIGURE	EFFECT
GEAR ASSY-SECT. 62 NLG (NOSE GEAR)	32-21-01	01C	002004 006100 107107 121503 904949
GEAR INSTL-SECT. 62 NLG VAR	32-21-00	01B	002004 006100 107107 121503 904999
HARNESS AND PROVISION INSTL NLG ELECT	32-21-51	02	103106 108120
HARNESS INSTL-NLG ELEC	32-21-51	01	002004 006102 107107 121999
INSTALLATION MAJOR AND MINOR-NLG INSTALLATION MINOR	32-21-00 32-21-00	02A 02	103106 101102 108120 504903
LINK ASSY-NLG LOCK	32-21-06	01	002004 006999
PROVISIONS INSTL-NLG ELEC	32-21-51	03	103106 108120
STRUT ASSY-NLG	32-21-01	20	002004 006999
R STRUT ASSY-NLG DRAG	32-21-03	01	002004 006999
TORSION LINK INSTL-SECT 62 NLG	32-21-09	10A	103106
TORSION LINK INSTL-SECT 62 NLG (PRE-MODULE)	32-21-09	10	101102 108120 504903
TOW OPTION INSTL-SECT 62 NLG	32-21-13	10A	103106
TOW OPTION INSTL-SECT 62 NLG (PRE-MODULE) (NOSE GEAR TOW FITTING ONLY)	32-21-13	10	101102 108120 504903
NOSE LANDING GEAR DOORS	32-22-00		
DOOR INSTL-NOSE WHL WELL	32-22-01	01	002004 006999

 **BOEING**  
757  
**PARTS CATALOG (MAINTENANCE)**

**CHAPTER 32 — LANDING GEAR**

**TABLE OF CONTENTS**

<b>SUBJECT</b>	<b>CC-SS-UU</b>	<b>FIGURE</b>	<b>EFFECT</b>
HINGE INSTL-WHL WELL NOSE GR	32-22-03	01	002004 006999
MECHANISM INSTL-NOSE WHL WELL DOOR AFT OPERATING	32-22-05	01	002004 006999
MECHANISM INSTL-NOSE WHL WELL DOOR FWD OPERATING	32-22-02	01	002004 006999



**BOEING**  
757  
**PARTS CATALOG (MAINTENANCE)**

**CHAPTER 32 — LANDING GEAR**

**TABLE OF CONTENTS**

<b>SUBJECT</b>	<b>CC-SS-UU</b>	<b>FIGURE</b>	<b>EFFECT</b>
LANDING GEAR CONTROL SYSTEM	32-31-00		
BRACKET INSTL—STA 1045 LG VALVE A AND LG VALVE B CABLES PULLEY	32-31-51	02	002004 006999
BRACKET INSTL—STA 230 THRU STA 247 PULLEY	32-31-51	01	002004 006999
BRACKET INSTL—STA 377.7 LGVA, LGVB PULLEY (LANDING GEAR ONLY)	32-31-51	03	002004 006999
CABLE AND HANDLE INSTL LG CONTROL	32-31-02	03	101102 108120 504903
CABLE AND HANDLE INSTL LG CONTROL	32-31-02	03A	103106
CONTROL INSTL—LG SELECTOR VALVE	32-31-02	02	002004 006100 107107 121503 904999
PLUMBING INSTL—SECT. 44 KEEL BEAM MLG WHL WELL HYDR (LANDING GEAR CONTROL ONLY)	32-31-51	20	002004 006100 107107 121503 904999
PLUMBING INSTL—SECT.44 R PRESSURE DECK HYDR (LANDING GEAR CONTROL ONLY)	32-31-51	22	002004 006100 107107 121503 904999
PLUMBING INSTL—SECT.44 R PRESSURE DECK HYDR (LANDING GEAR CONTROL ONLY)	32-31-51	23	103106
VALVE INSTL—LG CONT	32-31-02	01	002004 006999
MAIN LANDING GEAR EXTENSION AND RETRACTION SYSTEM	32-32-00		
ACTUATOR ASSY—DOOR RELEASE INTERLOCK MLG	32-32-13	01	002004 006102 107999
ACTUATOR ASSY—MLG TRUCK POSITIONER (LANDING GEAR ONLY)	32-32-15	05	002004 006999
ACTUATOR INSTL MLG (DOWNLOCK ONLY)	32-32-02	02	101102 108120 504903


**BOEING**  
 757  
**PARTS CATALOG (MAINTENANCE)**

**CHAPTER 32 — LANDING GEAR**

**TABLE OF CONTENTS**

SUBJECT	CC-SS-UU	FIGURE	EFFECT
ACTUATOR INSTL-MLG DOOR	32-32-12	01	002004 006999
ACTUATOR INSTL-MLG DOWNLOCK	32-32-02	02A	103106
ACTUATOR INSTL-MLG TRUCK	32-32-15	02	101106 108120 504903
ACTUATOR INSTL-RETRACT MLG	32-32-01	02	101102 108120 504903
ACTUATOR INSTL-RETRACT MLG	32-32-01	03A	103106
MAIN GEAR INSTL-VAR (MAIN GEAR DOWNLOCK ACTUATOR ONLY)	32-32-02	01	002004 006100 107107 121503 904999
MAIN GEAR INSTL-VAR (MAIN GEAR RETRACT ACTUATOR ONLY)	32-32-01	01	002004 006100 107107 121503 904999
MAIN GEAR INSTL-VAR (MAIN GEAR TRUCK POSITIONER ACTUATOR ONLY)	32-32-15	01	002004 006100 107107 121503 904999
PLUMBING INSTL-INBD WING SECT. 12 HYDR LH (MAIN GEAR EXTENSION AND RETRACTION ONLY)	32-32-51	01	103106
PLUMBING INSTL-INBD WING SECT. 12 HYDR LH (MAIN GEAR EXTENSION AND RETRACTION ONLY)	32-32-51	15	002004 006102 107999
PLUMBING INSTL-MAIN WHL WELL BHD HYDR (MAIN GEAR EXTENSION AND RETRACTION ONLY)	32-32-05	04	103106
PLUMBING INSTL-MLG WHL WELL KEEL BEAM HYDR (MAIN GEAR UP LOCK ACTUATOR)	32-32-04	02	101106 108120 504903
PLUMBING INSTL-SECT 12 R TRAILING EDGE CTR SYS (MAIN GEAR EXTENSION AND RETRACTION ONLY)	32-32-51	02	103106



**BOEING**  
757  
PARTS CATALOG (MAINTENANCE)

CHAPTER 32 — LANDING GEAR

TABLE OF CONTENTS

SUBJECT	CC-SS-UU	FIGURE	EFFECT
PLUMBING INSTL-SECT. 12 HYDR R WING INBD (MAIN GEAR EXTENSION AND RETRACTION ONLY)	32-32-51	16	002004 006100 107107 121503 904999
PLUMBING INSTL-SECT. 12 HYDR R WING INBD (MAIN GEAR EXTENSION AND RETRACTION ONLY)	32-32-51	16A	101102 108120 504903
PLUMBING INSTL-SECT. 12 L TRAILING EDGE CTR SYS (MAIN GEAR DOWNLOCK ACTUATOR ONLY)	32-32-02	03	103106
PLUMBING INSTL-SECT. 12 L TRAILING EDGE CTR SYS (MAIN GEAR RETRACT ACTUATOR ONLY)	32-32-01	04	103106
PLUMBING INSTL-SECT. 12 L TRAILING EDGE CTR SYS (MLG DOWNLOCK OPERATED DOOR SEQUENCE ONLY)	32-32-07	02	103106
PLUMBING INSTL-SECT. 12 L TRAILING EDGE CTR SYS (TRUCK POSITIONER VALVE ONLY)	32-32-17	02	103106
PLUMBING INSTL-SECT. 12 R TRAILING EDGE CTR SYS (MAIN GEAR DOWNLOCK ACTUATOR ONLY)	32-32-02	04	103106
PLUMBING INSTL-SECT. 12 R TRAILING EDGE CTR SYS (MAIN GEAR RETRACT ACTUATOR ONLY)	32-32-01	05	103106
PLUMBING INSTL-SECT. 12 R TRAILING EDGE CTR SYS (MLG DOWNLOCK OPERATED DOOR SEQUENCE ONLY)	32-32-07	03	103106
PLUMBING INSTL-SECT. 12 R TRAILING EDGE CTR SYS (TRUCK POSITIONER VALVE ONLY)	32-32-17	03	103106
PLUMBING INSTL-SECT. 44 L PRESSURE DECK HYDR (MAIN GEAR EXTENSION AND RETRACTION ONLY)	32-32-51	24	002004 006100 107107 121503 904999


**BOEING**  
 757  
**PARTS CATALOG (MAINTENANCE)**

**CHAPTER 32 — LANDING GEAR**

**TABLE OF CONTENTS**

SUBJECT	CC-SS-UU	FIGURE	EFFECT
PLUMBING INSTL-SECT.44 R PRESSURE DECK HYDR (MAIN GEAR EXTENSION AND RETRACTION ONLY)	32-32-51	22	002004 006100 107107 121503 904999
PLUMBING INSTL-SECT.44 R PRESSURE DECK HYDR (MAIN GEAR EXTENSION AND RETRACTION ONLY)	32-32-51	23	103106
TRUCK BEAM ASSY-MAIN LANDING GEAR	32-32-15	10	002004 006999
UPLOCK ASSY-MLG	32-32-16	05	002004 006102 107999
UPLOCK INSTL-MLG	32-32-16	01	002004 006102 107999
UPLOCK INSTL-MLG (MAIN GEAR UPLOCK ACTUATOR ONLY)	32-32-04	01	103106
UPLOCK INSTL-MLG (MAIN GEAR UPLOCK ASSEMBLY ONLY)	32-32-16	01A	103106
VALVE AND BRACKET INSTL-STA 1116 AND 1123 UPLOCK OPERATED SEQUENCE	32-32-09	01	002004 006999
VALVE INSTL-MLG DOOR OPERATED SEQ	32-32-05	01	002004 006999
VALVE INSTL-MLG DOWNLOCK OPERATED DOOR SEQUENCE	32-32-07	01	002004 006102 107999
VALVE INSTL-MLG DOWNLOCK OPERATED DOOR SEQUENCE	32-32-07	01A	103106
VALVE INSTL-TRUCK POSITIONER SHUTTLE	32-32-17	01	002004 006999
NOSE LANDING GEAR EXTENSION AND RETRACTION SYSTEM	32-34-00		
ACTUATOR ASSY-LOCK NLG	32-34-02	02	002004 006100 107107 121503 904999



**BOEING**  
757  
PARTS CATALOG (MAINTENANCE)

CHAPTER 32 — LANDING GEAR

TABLE OF CONTENTS

SUBJECT	CC-SS-UU	FIGURE	EFFECT
ACTUATOR ASSY-RETRACT NLG	32-34-01	02	002004 006102 107999
ACTUATOR INSTL-NLG DOOR	32-34-03	01	002004 006999
LOCK ACTUATOR INSTL NOSE LANDING GEAR	32-34-02	01	101106 108120 504903
MODULE INSTL-NLG LOCK UNLOAD VALVE/NLG GEAR SEQUENCE VALVE BYPASS VALVE	32-34-04	01	002004 006999
PLUMBING INSTL-HYD SECT. 41 NOSE WHEELWELL (NOSE GEAR EXTENSION AND RETRACTION ONLY)	32-34-51	17	101106 108120 504903
PLUMBING INSTL-HYDR BAY AND NOSE WHLWELL (NOSE GEAR EXTENSION AND RETRACTION ONLY) SECT. 41	32-34-51	15A	101106 108120 504903
PLUMBING INSTL-SECT. 41 BODY HYDR	32-34-51	16	002004 006999
PLUMBING INSTL-SECT. 41 NOSE WHLWELL HYDR (NOSE GEAR EXTENSION AND RETRACTION ONLY)	32-34-51	15	002004 006100 107107 121503 904999
PLUMBING INSTL-SECT. 43 HYDR (NOSE GEAR ALTERNATE EXTEND SYSTEM ONLY)	32-34-51	20A	101106 108120 504903
PLUMBING INSTL-SECT. 43 HYDR (NOSE GEAR EXTENSION AND RETRACTION ONLY)	32-34-51	20	002004 006100 107107 121503 904999
PLUMBING INSTL-SECT. 49 AC BAY HYDR	32-34-51	40A	101106 108120 504903
PLUMBING INSTL-SECT. 49 AC BAY HYDR (NOSE GEAR EXTENSION AND RETRACTION ONLY)	32-34-51	40	002004 006100 107107 121503 904999

 **BOEING**  
757  
**PARTS CATALOG (MAINTENANCE)**

**CHAPTER 32 — LANDING GEAR**

**TABLE OF CONTENTS**

SUBJECT	CC-SS-UU	FIGURE	EFFECT
RETRACT ACTUATOR INSTL NOSE ACTUATOR INSTL NLG	32-34-01	01	101102 108120 504903
RETRACT ACTUATOR INSTL NOSE LANDING GEAR VALVE INSTL-NLG DOOR OPERATED SEQ	32-34-01 32-34-05	01A 01	103106 002004 006999
VALVE INSTL-NLG GR OPERATED SEQ	32-34-06	01	002004 006102 107999
VALVE INSTL-NLG GR OPERATED SEQ	32-34-06	02	103106
LANDING GEAR ALTERNATE EXTENSION SYSTEM ACTUATOR INSTL-NLG	32-35-00 32-35-21	01	002004 006999
FITTING INSTL	32-35-51	20A	101106 108120 504903
LOCK RELEASE INSTL-MLG DOOR ACTR (LANDING GEAR ONLY)	32-35-03	01	002004 006999
LOCK RELEASE INSTL-NOSE GR DOOR ACTR	32-35-51	01	002004 006999
OPTION PACKAGE ASSY-P36 MISC RELAY LH (MAIN AND NOSE GEAR ALTERNATE EXTEND SYSTEM ONLY)	32-35-71	01A	101102 504903
PANEL ASSY-MAIN WHL WELL ELEC SVCE (LANDING GEAR ONLY)	32-35-53	01	002004 006999
PANEL ASSY-P36 MISC RELAY L (MAIN AND NOSE GEAR ALTERNATE EXTEND SYSTEM ONLY)	32-35-71	01	002004 006100 107107 121503 904999
PANEL INSTL-CAPT AND FIRST OFFICER FWD (MAIN AND NOSE GEAR ALTERNATE EXTEND SYSTEM ONLY)	32-35-52	01	002004 006010 107107 121503 904999
PANEL INSTL-CAPT AND FIRST OFFICER FWD (MAIN AND NOSE GEAR ALTERNATE EXTEND SYSTEM ONLY)	32-35-52	02	011100



 **BOEING**  
757  
**PARTS CATALOG (MAINTENANCE)**

**CHAPTER 32 — LANDING GEAR**

**TABLE OF CONTENTS**

SUBJECT	CC-SS-UU	FIGURE	EFFECT
PANEL INSTL-P3-1 (LANDING GEAR ALTERNATE EXTENSION ONLY)	32-35-52	03	101106 108120 504903
PANEL INSTL-P36 L MISC RELAY (LANDING GEAR ALTERNATE EXTENSION ONLY)	32-35-71	01C	103106 108120
PLUMBING INSTL-HYDR BAY AND NOSE WHLWELL (NOSE GEAR ALTERNATE EXTEND SYSTEM ONLY) SECT. 41	32-35-51	15A	101106 108120 504903
PLUMBING INSTL-MAIN WHL WELL BHD HYDR (LANDING GEAR ALTERNATE EXTENSION ONLY)	32-35-10	02	103106
PLUMBING INSTL-NOSE WHL WELL SECT. 41 HYDR (NOSE GEAR ALTERNATE EXTEND SYSTEM ONLY)	32-35-51	15	002004 006100 107107 121503 904999
PLUMBING INSTL-PRESSURE DECK HYDR (LANDING GEAR ALTERNATE EXTENSION SYSTEM ONLY)	32-35-51	31	103106
PLUMBING INSTL-SECT. 41 BODY HYDR	32-35-51	16	002004 006999
PLUMBING INSTL-SECT. 43 HYDR (NOSE GEAR ALTERNATE EXTEND SYSTEM ONLY)	32-35-51	20	002004 006999
PLUMBING INSTL-SECT. 44 KEEL BEAM MLG WHL WELL HYDR	32-35-51	30	002004 006999
PLUMBING INSTL-SECT. 49 AC BAY HYDR (NOSE GEAR ALTERNATE EXTEND SYSTEM ONLY)	32-35-51	40	002004 006100 107107 121503 904999
PLUMBING INSTL-SECT. 49 AND SECT. 44 AC BAY HYDR	32-35-51	40A	101106 108120 504903
POWER PACK INSTL- ALTERNATE EXTENSION SYS	32-35-10	01	002004 006999
RELEASE INSTL-NLG DOOR (LANDING GEAR ONLY)	32-35-22	01	002004 006999

 **BOEING**  
757  
**PARTS CATALOG (MAINTENANCE)**

**CHAPTER 32 — LANDING GEAR**

**TABLE OF CONTENTS**

<b>SUBJECT</b>	<b>CC-SS-UU</b>	<b>FIGURE</b>	<b>EFFECT</b>
SYSTEM INSTL-LG DOOR ACTR LOCK RELEASE	32-35-00	01	002004 006100 107107 121503 904999
VALVE INSTL-LG ALTERNATE EXTENSION SHUTTLE	32-35-51	05	002004 006999


**BOEING**  
 757  
**PARTS CATALOG (MAINTENANCE)**

**CHAPTER 32 — LANDING GEAR**

**TABLE OF CONTENTS**

SUBJECT	CC-SS-UU	FIGURE	EFFECT
HYDRAULIC BRAKE SYSTEM	32-41-00		
BRACKET INSTL—STA 1040-1063 L.G.B	32-41-51	05	103106
CABLES PULLEY			108120
			506903
BRACKET INSTL—STA 1040-1063 L.G.B.	32-41-51	03	002004
CABLES PULLEY			006102
			107107
			121505
			904999
BRACKET INSTL—STA 1041.55 AND 1040.75	32-41-51	04	002004
LG BRAKE CABLES PULLEY			006999
BRACKET INSTL—STA 266 LGB AND NGPP	32-41-51	02	002004
BRAKE PULLEY (HYDRAULIC BRAKE SYSTEM ONLY)			006999
BRACKET INSTL—STA 395 AND STA 418 LG	32-41-51	01	002004
BRAKES PULLEY			006999
BRAKE ASSY	32-41-10	50	002004
			006102
			952952
BRAKE ASSY—MLG	32-41-10	02A	106106
BRAKE INSTL—MLG DUNLOP AND BF GOODRICH	32-41-10	01A	103106
CARBON AND STEEL BRAKE			
BUS INSTL—BRAKE PEDAL	32-41-01	02	002004
			006999
CONTROL INSTL— LG BRAKE	32-41-53	01	101106
			108120
			504903
DISCONNECT INSTL HYDR INTERFACE - MLG	32-41-10	03	101106
			108120
			504903
MODULE AND SUPPORT INSTL—LG BRAKE	32-41-02	05	002004
METERING VALVE			006102
			107999
MODULE AND SUPPORT INSTL—LG BRAKE	32-41-02	05A	103106
METERING VALVE			
PANEL INSTL—CAPT AND FIRST OFFICER FWD	32-41-52	01	002004
(HYDRAULIC BRAKE SYSTEM ONLY)			006010
			107107
			121503
			904999

 **BOEING**  
757  
**PARTS CATALOG (MAINTENANCE)**

**CHAPTER 32 — LANDING GEAR**

**TABLE OF CONTENTS**

SUBJECT	CC-SS-UU	FIGURE	EFFECT
PANEL INSTL-CAPT AND FIRST OFFICER FWD AND P1-3 AND P3-1 (HYDRAULIC BRAKE SYSTEM ONLY)	32-41-52	02	011106 108120 504903
PLUMBING INSTL- SECT. 12 HYDR R WING INBD (HYDRAULIC BRAKE SYSTEM ONLY)	32-41-51	16	002004 006102 107999
PLUMBING INSTL-MAIN WHL WELL BHD HYDR (ALTERNATE BRAKE SELECTOR VALVE ONLY)	32-41-04	02	103106
PLUMBING INSTL-MAIN WHL WELL BHD HYDR (ALTERNATE BRAKE SELECTOR VALVE ONLY)	32-41-04	03	103106
PLUMBING INSTL-MAIN WHL WELL BHD HYDR (BRAKE METERING VALVE MODULE ONLY)	32-41-02	11	103106
PLUMBING INSTL-MAIN WHL WELL BHD HYDR (BRAKE METERING VALVE MODULE ONLY)	32-41-02	12	103106
PLUMBING INSTL-MAIN WHL WELL BHD HYDR (BRAKE METERING VALVE MODULE ONLY)	32-41-02	13	103106
PLUMBING INSTL-MLG SECT. 61 HYDR	32-41-51	25	002004 006100 107107 121503 904999
PLUMBING INSTL-MLG SECT. 61 HYDR	32-41-51	25A	101106 108120 504903
PLUMBING INSTL-SECT. 12 L TRAILING EDGE (HYDR BRAKE SYS ONLY)	32-41-51	06	103106
PLUMBING INSTL-SECT. 12 L WING INBD HYDR (HYDR BRAKE SYS ONLY)	32-41-51	15	
PLUMBING INSTL-SECT. 12 R TRAILING EDGE (HYDR BRAKE SYS ONLY)	32-41-51	07	103106
PLUMBING INSTL-SECT. 44 DFDAU BRAKE PRESSURE TRANSMITTER PROV.	32-41-51	23	101102 504903
PLUMBING INSTL-SECT. 44 MLG WHL WELL HYDR (HYDRAULIC BRAKE SYSTEM ONLY)	32-41-51	22	002004 006102 107999
PLUMBING INSTL-SECT.44 R PRESSURE DECK HYDR (HYDRAULIC BRAKE SYSTEM ONLY)	32-41-51	24	103106
SEAL INSTL-STA 1040 TO 1060 SLOPING PRESSURE DECK	32-41-56	01	002004 006999

 **BOEING**  
757  
**PARTS CATALOG (MAINTENANCE)**

**CHAPTER 32 — LANDING GEAR**

**TABLE OF CONTENTS**

SUBJECT	CC-SS-UU	FIGURE	EFFECT
VALVE ASSY-ALTERNATE BRAKE SELECTOR	32-41-12	01	002004 006999
VALVE ASSY-BRAKE METERING DUAL	32-41-02	10A	002004 006106 108903 950999
VALVE INSTL-ALTERNATE BRAKE SELECTOR	32-41-04	01	002004 006999
WHEEL AND BRAKE INSTL-MLG (HYDRAULIC BRAKE SYSTEM ONLY)	32-41-10	01	002004 006102 107999
ANTISKID/AUTOBRAKE SYSTEM	32-42-00		
EQUIPMENT INSTL-MAIN ELECTRONICS AND E6 AFT EQPT CTR (ANTISKID/AUTOBRAKE SYSTEM ONLY)	32-42-01	01	002004 006100 107107 121999
EQUIPMENT INSTL-MAIN ELECTRONICS EQPT CTR (ANTISKID/AUTOBRAKE SYSTEM ONLY)	32-42-01	01B	101102
EQUIPMENT INSTL-MAIN ELECTRONICS EQPT CTR ANTISKID AUTOBRAKE	32-42-01	08	103106 108120
HARNESS INST-MLG ELEC (ANTISKID/AUTOBRAKE SYSTEM ONLY)	32-42-51	02	101106 108120 504903
HARNESS INSTL-MLG ELEC (ANTISKID/AUTOBRAKE SYSTEM)	32-42-51	01	002004 006100 107107 121503 904999
OPTION PACKAGE ASSY-P36 MISC RELAY LH (ANTISKID/ AUTOBRAKE SYSTEM ONLY)	32-42-71	02A	101102 504903
PACKAGE ASSY-OPTION P37 MISC RELAY (ANTISKID/AUTOBRAKE SYSTEM ONLY)	32-42-71	02B	101102 504903
PANEL ASSY-P36 AND P37 MISC RELAY (ANTISKID/AUTOBRAKE SYSTEM ONLY)	32-42-71	02	002004 006100 107107 121503 904999

 **BOEING**  
757  
**PARTS CATALOG (MAINTENANCE)**

**CHAPTER 32 — LANDING GEAR**

**TABLE OF CONTENTS**

SUBJECT	CC-SS-UU	FIGURE	EFFECT
PANEL INSTL-CAPT AND FIRST OFFICER FWD (ANTISKID AUTOBRAKE SYSTEM ONLY)	32-42-55	01	002004 006010 107107 121503 904999
PANEL INSTL-CAPT AND FIRST OFFICER FWD (ANTISKID AUTOBRAKE SYSTEM ONLY)	32-42-55	02	011100
PANEL INSTL-P1-3 (ANTISKID AUTOBRAKE SYSTEM ONLY)	32-42-55	03	101106 108120 504903
PANEL INSTL-P36 L MISC RELAY (ANTISKID/AUTOBRAKE SYSTEM ONLY)	32-42-71	02C	103106 108120
PANEL INSTL-P37 R MISC RELAY (ANTISKID/ AUTOBRAKE SYSTEM ONLY)	32-42-71	02D	103106 108120
PANEL INSTL-P5 OVHD (LANDING GEAR ONLY)	32-42-52	01	002004 006010 107107 121503 904999
PANEL INSTL-P5 OVHD (LANDING GEAR ONLY)	32-42-52	02	011100
PANEL INSTL-P5 OVHD (LANDING GEAR ONLY)	32-42-52	03	101106 108120 504903
PLUMBING INSTL-MAIN WHL WELL BHD HYDR (ANTISKID MODULE (NORMAL AND ALTERNATE) ONLY)	32-42-02	03	103106
PLUMBING INSTL-MAIN WHL WELL BHD HYDR (ANTISKID MODULE (NORMAL AND ALTERNATE) ONLY)	32-42-02	04	103106
PLUMBING INSTL-MAIN WHL WELL BHD HYDR (ANTISKID MODULE (NORMAL AND ALTERNATE) ONLY)	32-42-02	05	103106
PLUMBING INSTL-MAIN WHL WELL BHD HYDR (ANTISKID SHUTTLE VALVE MODULE AND COMPONENTS ONLY)	32-42-07	02	103106
PLUMBING INSTL-MAIN WHL WELL BHD HYDR (AUTOBRAKE MODULE ONLY)	32-42-09	02	103106
PLUMBING INSTL-MAIN WHL WELL BHD HYDR (AUTOBRAKE SHUTTLE VALVE ONLY)	32-42-10	02	103106

 **BOEING**  
757  
**PARTS CATALOG (MAINTENANCE)**

**CHAPTER 32 — LANDING GEAR**

**TABLE OF CONTENTS**

SUBJECT	CC-SS-UU	FIGURE	EFFECT
PLUMBING INSTL-SECT 44 MLG WHL WELL HYDR (ANTISKID/AUTOBRAKE SYSTEM ONLY)	32-42-51	22	002004 006102 107999
PLUMBING INSTL-SECT.44 R PRESSURE DECK HYDR (ANTISKID/AUTOBRAKE SYSTEM ONLY)	32-42-51	24	103106
SERVOVALVE ASSY	32-42-09	01A	002004 006999
VALVE INSTL-ALTERNATE ANTISKID (LANDING GEAR ONLY)	32-42-02	02	002004 006999
VALVE INSTL-ANTISKID SHUTTLE	32-42-07	01	002004 006100 107107 121503 904999
VALVE INSTL-ANTISKID SHUTTLE	32-42-07	01A	101102 108120 504903
VALVE INSTL-ANTISKID SHUTTLE	32-42-07	03	103106
VALVE INSTL-AUTO BRAKE MODULE	32-42-09	01	002004 006999
VALVE INSTL-AUTOBRAKE SHUTTLE	32-42-10	01	002004 006999
VALVE INSTL-NORMAL BRAKES ANTISKID	32-42-02	01	002004 006999
WHEEL AND BRAKE AND E/E HARNESS INSTL-MLG (ANTISKID/AUTOBRAKE SYSTEM ONLY)	32-42-06	01	002004 006999
PARKING BRAKE SYSTEM	32-44-00		
ACCUMULATOR AND PRESSURE TRANSMITTER INSTL-PARKING BRAKE	32-44-05	01	002004 006999
CABLE INSTL-PARKING BRAKE	32-44-01	01	002004 006999
LIGHTPLATE INSTL-CONT STAND (LANDING GEAR ONLY)	32-44-51	01	002004 006999
MECHANISM INSTL-PARKING BRAKE	32-44-02	01	002004 006999
MODULE AND BRACKET INSTL-PARKING BRAKE	32-44-03	01	002004 006999
OPTION PACKAGE ASSY-P36 MISC RELAY LH (PARKING BRAKE SYSTEM ONLY)	32-44-71	02A	101102 504903

**BOEING**  
757  
**PARTS CATALOG (MAINTENANCE)**

**CHAPTER 32 — LANDING GEAR**

**TABLE OF CONTENTS**

SUBJECT	CC-SS-UU	FIGURE	EFFECT
PANEL ASSY-P36 MISC RELAY L (PARKING BRAKE SYSTEM ONLY)	32-44-71	02	002004 006100 107107 121503 904999
PANEL INSTL-P36 L MISC RELAY (PARKING BRAKE SYSTEM ONLY)	32-44-71	02C	103106 108120
PANEL INSTL-P62 AND P63 NLG LDG AND TURNOFF LTS (WHEELS AND BRAKES ONLY)	32-44-04	01	121503 904949
PLUMBING INSTL-MAIN WHL WELL BHD HYDR (ACCUMULATOR ISOLATION VALVE ONLY)	32-44-06	02	103106
PLUMBING INSTL-MAIN WHL WELL BHD HYDR (PARKING BRAKE VALVE ONLY)	32-44-03	03	103106
PLUMBING INSTL-SECT. 44 MLG WHL WELL HYDR (PARKING BRAKE SYSTEM ONLY)	32-44-51	20	002004 006102 107999
PLUMBING INSTL-SECT. 49 L HYDR BAY AND AFT BHD MLG WHL WELL HYDR (PARKING BRAKE SYSTEM ONLY)	32-44-51	15	002004 006100 107107 121503 904999
PLUMBING INSTL-SECT. 49 L HYDR BAY AND AFT BHD MLG WHL WELL HYDR (PARKING BRAKE SYSTEM ONLY)	32-44-51	15A	101106 108120 504903
VALVE AND GAUGE INSTL-BRAKE ACCUMULATOR CHARGING (LANDING GEAR ONLY)	32-44-09	01	002004 006999
VALVE INSTL-ACCUMULATOR ISOLATION	32-44-06	01	002004 006999
WHEELS BRAKES AND TIRES	32-45-00		
BRAKE INSTL-NOSE WHL WELL SPIN	32-45-05	01	002004 006100 107107 109503 505505 507999
BRAKE INSTL-NOSE WHL WELL SPIN	32-45-05	01A	101106 108120 504903




**BOEING**  
 757  
**PARTS CATALOG (MAINTENANCE)**

**CHAPTER 32 — LANDING GEAR**

**TABLE OF CONTENTS**

SUBJECT	CC-SS-UU	FIGURE	EFFECT
GEAR ASSY-SECT. 62 NLG (NOSE GEAR WHEEL AND TIRE ONLY)	32-45-02	01B	002004 006100 107107 121503 904949
GEAR ASSY-SECT. 62 NLG (NOSE GEAR WHEEL AND TIRE ONLY)	32-45-02	01C	952999
NOSE GEAR AND WHEEL AND TIRE ASSY-NLG	32-45-02	01	101106 108120 504903 950951
WHEEL AND BRAKE INSTL-MLG (TIRES AND WHEELS ONLY)	32-45-01	01	002004 006100 107107 121503 904999
WHEEL AND BRAKE INSTL-MLG (TIRES AND WHEELS ONLY)	32-45-01	01A	101102 108120 504903
WHEEL AND TIRE ASSY-MLG (TIRE INFLATION VALVE ONLY)	32-45-08	10	002004 006999
WHEEL AND TIRE ASSY-MLG (TIRES ONLY)	32-45-04	05	002004 006999
WHEEL AND TIRE ASSY-MLG (WHEELS ONLY)	32-45-03	04	002004 006105 952999
WHEEL AND TIRE ASSY-MLG (WHEELS ONLY)	32-45-03	05	106951
WHEEL AND TIRE ASSY-NLG (TIRE INFLATION VALVE ONLY)	32-45-08	01	107107 904949
WHEEL AND TIRE ASSY-NLG (TIRE INFLATION VALVE ONLY)	32-45-08	02	002004 006106 108903 950999
WHEEL AND TIRE ASSY-NLG (TIRES ONLY)	32-45-04	01	107107 904949
WHEEL AND TIRE ASSY-NLG (TIRES ONLY)	32-45-04	02	002004 006106 108903 950999

**BOEING**  
757  
**PARTS CATALOG (MAINTENANCE)**

**CHAPTER 32 — LANDING GEAR**

**TABLE OF CONTENTS**

SUBJECT	CC-SS-UU	FIGURE	EFFECT
WHEEL AND TIRE ASSY-NLG (WHEELS ONLY)	32-45-03	01	107107 904949
WHEEL AND TIRE ASSY-NLG (WHEELS ONLY)	32-45-03	02	002004 006106 108903 950999
WHEEL TIRE AND HUBCAP INSTL MLG	32-45-01	02	103106
WHEEL/TIRE AND FASTENER INSTL-NLG	32-45-02	02	002004 006999
WHEEL/TIRE INSTL-NLG	32-45-02	02A	103106
BRAKE TEMPERATURE MONITORING SYSTEM (BTMS)	32-46-00		
EQUIPMENT INSTL-MAIN ELECTRONICS AND E6 AFT EQPT CTR (BRAKE TEMPERATURE MONITORING SYSTEM ONLY)	32-46-01	01	121949
EQUIPMENT INSTL-MAIN ELECTRONICS EQPT CTR (BRAKE TEMPERATURE MONITORING UNIT ONLY)	32-46-01	08	107107
HARNESS INSTL-MLG ELEC (BRAKE TEMPERATURE MONITORING SYSTEM)	32-46-51	01	107107 121503 904949
PANEL INSTL-CAPT AND FIRST OFFICER FWD (BRAKE TEMPERATURE MONITORING SYSTEM ONLY)	32-46-00	02	107107 121503 904949
PANEL INSTL-P3-1 (BRAKE TEMPERATURE MONITORING SYSTEM ONLY)	32-46-00	01	103106 504903
SENSOR INSTL-MLG BRAKE TEMP AND EQUIPMENT INSTL-MLG BRAKE TEMP KIT (BRAKE TEMPERATURE SENSOR ONLY)	32-46-03	01	107107 121949



**BOEING**  
757  
PARTS CATALOG (MAINTENANCE)

CHAPTER 32 — LANDING GEAR

TABLE OF CONTENTS

SUBJECT	CC-SS-UU	FIGURE	EFFECT
NOSE LANDING GEAR STEERING SYSTEM	32-51-00		
BRACKET ASSY—STA 388 NOSE WHL STEERING A AND B PULLEY	32-51-51	02	002004 006999
BRACKET INSTL—STA 266 LGB AND NGPP PULLEY (NOSE WHEEL STEERING SYSTEM ONLY) (LH)	32-51-52	01	002004 006999
BRACKET INSTL—STA 274 NWSA PULLEY	32-51-51	04	002004 006999
BRACKET INSTL—STA 274 NWSA PULLEY	32-51-51	04A	103106
BRACKET INSTL—STA 388 NWSA NWSB NSPPA NGPPA PULLEY LH	32-51-51	01	002004 006999
CONTROL INSTL—NOSE WHEEL STEERING	32-51-53	01	002004 006999
COVER INSTL—NOSE WHL STEERING CONT SUMMING MECH	32-51-09	10	002004 006999
DRUM AND LINK INSTL—NOSE WHL STEERING CONT	32-51-06	01	002004 006102 107999
DRUM AND LINK INSTL—NOSE WHL STEERING CONT	32-51-06	01A	103106
GUARD INSTL—CABLE NOSE WHEEL STEERING	32-51-53	02	002004 006999
INDICATOR ASSY—NOSE WHL STEERING	32-51-01	51	002004 006100 103107 121503 904999
INTERCONNECT INSTL—RUD PEDAL STEERING	32-51-05	01	002004 006999
MECHANISM ASSY—NOSE WHL STEERING CONT TILLER AND GEAR BOX	32-51-01	10	002004 006999
MECHANISM ASSY—NOSE WHL STEERING CONT TORQUE LIMITER DRUM	32-51-02	10	002004 006999
MECHANISM INSTL—NOSE WHL STEERING CONT TILLER AND GEARBOX	32-51-01	05	002004 006999
MECHANISM INSTL—NOSE WHL STRG VALVE SUMMING	32-51-09	02	002004 006102 107999
MECHANISM INSTL—NOSE WHL STRG VALVE SUMMING	32-51-09	02A	103106


**BOEING**  
 757  
**PARTS CATALOG (MAINTENANCE)**

**CHAPTER 32 — LANDING GEAR**

**TABLE OF CONTENTS**

SUBJECT	CC-SS-UU	FIGURE	EFFECT
PLUMBING INSTL-SECT. 62 NOSE GR	32-51-51	15	002004 006999
VALVE AND ACTUATOR INSTL-NOSE GR	32-51-11	01	002004
STEERING METERING (NOSE WHEEL STEERING ACTUATOR ONLY)			006102 107999
VALVE AND ACTUATOR INSTL-NOSE GR	32-51-11	01A	103106
STEERING METERING (NOSE WHEEL STEERING ACTUATOR ONLY)			
VALVE AND ACTUATOR INSTL-NOSE GR	32-51-12	01	002004
STEERING METERING (NOSE WHEEL STEERING METERING VALVE ONLY)			006102 107999
VALVE AND ACTUATOR INSTL-NOSE GR	32-51-12	01A	103106
STEERING METERING (NOSE WHEEL STEERING METERING VALVE ONLY)			



**BOEING**  
757  
PARTS CATALOG (MAINTENANCE)

CHAPTER 32 — LANDING GEAR

TABLE OF CONTENTS

SUBJECT	CC-SS-UU	FIGURE	EFFECT
LANDING GEAR POSITION INDICATING AND WARNING SYSTEM	32-61-00		
HARNESST INSTL-LWR MLG (LANDING GEAR POSITION INDICATING AND WARNING SYSTEM ONLY)	32-61-52	02G	101102 504903
HARNESST INSTL-MLG ELEC (LANDING GEAR POSITION INDICATING AND WARNING SYSTEM ONLY)	32-61-52	02H	002004 006100 107107 121503 904999
HARNESST INSTL-MLG ELEC LANDING GEAR POSITION INDICATING AND WARNING SYSTEM	32-61-52	02	002004 006999
HARNESST INSTL-MLG ELEC LANDING GEAR POSITION INDICATING AND WARNING SYSTEM	32-61-52	03	101102 504903
HARNESST INSTL-UPR MLG (LANDING GEAR POSITION INDICATING AND WARNING SYSTEM ONLY)	32-61-52	02F	101106 108120 504903
LIGHT INSTL-MAIN WHL WELL DOOR UNLOCKED WARNING	32-61-02	04	002004 006999
OPTION PACKAGE ASSY-P36 MISC RELAY LH (LANDING GEAR POSITION INDICATING AND WARNING SYSTEM ONLY)	32-61-71	02A	101102 504903
PACKAGE ASSY-OPTION P37 MISC RELAY (LANDING GEAR POSITION INDICATING AND WARNING SYSTEM ONLY)	32-61-71	02B	101102 504903
PANEL ASSY-P36 AND P37 MISC RELAY (LANDING GEAR POSITION INDICATING AND WARNING SYSTEM ONLY)	32-61-71	02	002004 006100 107107 121503 904999
PANEL INSTL-CAPT AND FIRST OFFICER FWD (LANDING GEAR POSITION AND WARNING SYSTEM ONLY)	32-61-51	01	002004 006010 107107 121503 904999
PANEL INSTL-CAPT AND FIRST OFFICER FWD (LANDING GEAR POSITION AND WARNING SYSTEM ONLY)	32-61-51	02	011100



**BOEING**  
757  
PARTS CATALOG (MAINTENANCE)

CHAPTER 32 — LANDING GEAR

TABLE OF CONTENTS

SUBJECT	CC-SS-UU	FIGURE	EFFECT
PANEL INSTL-P3-1 (LANDING GEAR POSITION INDICATING AND WARNING SYSTEM ONLY)	32-61-51	03	101106 108120 504903
PANEL INSTL-P36 L MISC RELAY (LANDING GEAR POSITION INDICATING AND WARNING SYSTEM ONLY)	32-61-71	02C	103106 108120
PANEL INSTL-P37 R MISC RELAY (LANDING GEAR POSITION INDICATING AND WARNING SYSTEM ONLY)	32-61-71	02D	103106 108120
PROV AND HARNESS INSTL-WIRE MLG	32-61-52	02A	103106 108120
PROVISION INSTL-WIRE MAIN LANDING GEAR, NON BRAKE TEMP SENSING	32-61-52	04	103106 108120
PROVISION INSTL-WIRE MLG	32-61-52	02E	103106 108120
SENSOR INSTL-MLG DN AND LKD	32-61-02	02	002004 006999
SENSOR INSTL-MLG DOOR CLOSED	32-61-02	01	002004 006999
SENSOR INSTL-MLG UP AND LOCKED	32-61-02	05	002004 006999
SENSOR INSTL-NLG DOOR CLOSED	32-61-03	02	002004 006999
SENSOR INSTL-NLG UP AND DOWN LOCKED (NAVIGATION ONLY)	32-61-03	04	002004 006999
SENSOR INSTL-NLG UP AND DOWN POSITION	32-61-03	03	002004 006999
WIRE PROVISION INSTL- MLG FLEX CONDUIT	32-61-52	02C	103106 108120

## LANDING GEAR - GENERAL

BRI  
MAY 28/07

32-00-00  
SECTION TITLE  
PAGE 1

 **BOEING**  
757  
PARTS CATALOG (MAINTENANCE)

NON-ILLUSTRATED FIGURE

THE ITEMS REFLECTED IN THIS FIGURE ARE INTENTIONALLY  
NON-ILLUSTRATED. THEY ARE REFERENCED TO EITHER A  
NEXT HIGHER OR NEXT LOWER ASSEMBLY/INSTALLATION FIGURE.

MANAGEMENT COLLECTOR-LANDING GEAR STRUCTURE MODEL 757  
FIGURE 1

**32-00-00-01**

BRI  
MAY 28/07

32-00-00-01  
PAGE 0





757

PARTS CATALOG (MAINTENANCE)

FIG ITEM	PART NUMBER	1 2 3 4 5 6 7	NOMENCLATURE	EFFECT FROM TO	UNITS PER ASSY
1			MANAGEMENT COLLECTOR- LANDING GEAR STRUCTURE MODEL 757	101102 108120 504903	
- 1	160N0005-400		COLLECTOR INSTL-LANDING GEAR STRUCTURE	101102 108120 504903	1
- 20	160N0005-4003		COLLECTOR INSTL-LANDING GEAR STRUCTURE	108120 504903	1
- 60	160N0005-4009		COLLECTOR INSTL-LANDING GEAR STRUCTURE	101102 108120 504903	1
- 60	160N0005-4010		COLLECTOR INSTL-LANDING GEAR STRUCTURE	101102 108120 504903	1
- 300	160N0005-4016		COLLECTOR INSTL-LANDING GEAR STRUCTURE	101102 108120 504903	1
- 300	160N0005-4018		COLLECTOR INSTL-LANDING GEAR STRUCTURE	101102 108120 504903	1
- 305	162N0001-4014		.TOW OPTION INSTL-SECT 62 NLG (PRE-MODULE) USED ON: 160N0005-4016 FOR DETAILS SEE: 32-21-13-10	101102 108120 504903	1
- 310	162N0001-4016		.TORSION LINK INSTL-SECT 62 NLG OPTION (PRE-MODULE) USED ON: 160N0005-4018 FOR DETAILS SEE: 32-21-09-10	101102 108120 504903	1
- 500	160N0005-401		COLLECTOR MAJOR	101102 108120 504903	1
- 505	161N0001-405		.INSTALLATION MAJOR- POSITION DATA: LH FOR DETAILS SEE: 32-11-00-02	101102 504903	1
- 505	161N0001-407		.INSTALLATION MAJOR- POSITION DATA: LH FOR DETAILS SEE: 32-11-00-02	108120	1

MISSING ITEM NUMBERS NOT APPLICABLE

- ITEM NOT ILLUSTRATED

32-00-00-01

32-00-00  
FIG. 01  
PAGE 1  
JAN 20/09

BRI



757

PARTS CATALOG (MAINTENANCE)

FIG ITEM	PART NUMBER	1 2 3 4 5 6 7	NOMENCLATURE	EFFECT FROM TO	UNITS PER ASSY
1					
- 510	161N0001-406		.INSTALLATION MAJOR- POSITION DATA: RH FOR DETAILS SEE: 32-11-00-02	101102 504903	1
- 510	161N0001-408		.INSTALLATION MAJOR- POSITION DATA: RH FOR DETAILS SEE: 32-11-00-02	108120	1
- 515	162N0001-405		.INSTALLATION MAJOR- FOR DETAILS SEE: 32-21-00-02	101102 108120 504903	1
- 522	161N1709-1		.SHIELD INSTL-TRUCK FOR DETAILS SEE: 32-11-17-02	101102 108120 504903	2
- 525	161N5001-401		.UNLOCK INSTL- POSITION DATA: LH SIDE FOR DETAILS SEE: 32-32-16-01	101102 108120 504903	1
- 530	161N5001-402		.UNLOCK INSTL- POSITION DATA: RH SIDE FOR DETAILS SEE: 32-32-16-01	101102 108120 504903	1
- 600	160N0005-601		COLLECTOR MINOR	101102 108120 504903	1
- 615	161N0001-603		.INSTALLATION MINOR- POSITION DATA: LH FOR DETAILS SEE: 32-11-00-02	101102 504903	1
- 615	161N0001-605		.INSTALLATION MINOR- POSITION DATA: LH FOR DETAILS SEE: 32-11-00-02	108120	1
- 620	161N0001-604		.INSTALLATION MINOR- POSITION DATA: RH FOR DETAILS SEE: 32-11-00-02	101102 504903	1
- 620	161N0001-606		.INSTALLATION MINOR- POSITION DATA: RH FOR DETAILS SEE: 32-11-00-02	108120	1

MISSING ITEM NUMBERS NOT APPLICABLE

- ITEM NOT ILLUSTRATED

32-00-00-01

32-00-00  
FIG. 01  
PAGE 2  
JAN 20/09

BRI



757

PARTS CATALOG (MAINTENANCE)

FIG ITEM	PART NUMBER	1 2 3 4 5 6 7	NOMENCLATURE	EFFECT FROM TO	UNITS PER ASSY
1					
- 625	162N0001-601		.INSTALLATION MINOR- FOR DETAILS SEE: 32-21-00-02	101102 108120 504903	1
- 630	162N0007-1		.PLACARD INSTL-NLG SERVICING POSITION DATA: RH FOR DETAILS SEE: 11-22-57-03	108120	1

MISSING ITEM NUMBERS NOT APPLICABLE

- ITEM NOT ILLUSTRATED

BRI

32-00-00-01

BOEING PROPRIETARY - Copyright © - Unpublished Work - See title page for details.

32-00-00  
FIG. 01  
PAGE 3  
JAN 20/09

 **BOEING**  
757  
**PARTS CATALOG (MAINTENANCE)**

NON-ILLUSTRATED FIGURE

THE ITEMS REFLECTED IN THIS FIGURE ARE INTENTIONALLY  
NON-ILLUSTRATED. THEY ARE REFERENCED TO EITHER A  
NEXT HIGHER OR NEXT LOWER ASSEMBLY/INSTALLATION FIGURE.

Y 32000002 REV 236

COLLECTOR INSTL-BASIC AND STABLE (LANDING GEAR ONLY)  
FIGURE 2

**32-00-00-02**

BRI  
MAY 28/07

32-00-00-02  
PAGE 0

BOEING PROPRIETARY - Copyright © - Unpublished Work - See title page for details.



757

PARTS CATALOG (MAINTENANCE)

FIG ITEM	PART NUMBER	1 2 3 4 5 6 7	NOMENCLATURE	EFFECT FROM TO	UNITS PER ASSY
2			COLLECTOR INSTL-BASIC AND STABLE	101102	
- 1	270N0100-100		(LANDING GEAR ONLY) COLLECTOR INSTL-BASIC AND STABLE	108120 504903	RF
- 5	271N6411-20		FOR OTHER SYS DETAILS SEE: 11-00-00-01 27-00-00-03 29-00-51-02C .PLUMBING INSTL-HYDR NOSE		
			WHL WELL	101102	1
			POSITION DATA:	108120	
			SECT. 41	504903	
			FUNCTIONAL REFERENCE:		
			PLACARDS AND MARKINGS		
			FOR DETAILS SEE		
			11-22-56-01B		
			LANDING GEAR		
			FOR DETAILS SEE		
			32-34-51-15A		
			32-35-51-15A		
- 10	271N6621-2		.PLUMBING INSTL-HYDR NOSE	101102	1
			LDG GR	108120	
			POSITION DATA:	504903	
			SECT. 62		
			FOR DETAILS SEE:		
			32-51-51-15		
- 15	271N6431-4		.FITTING INSTL-BHD, SIDE OF	101102	1
			BODY	108120	
			FOR DETAILS SEE:	504903	
			32-34-51-20A		
			32-35-51-20A		
- 20	271N6156-1		.BRACKET INSTL-MLG REACTION	101102	1
			LINK HYDR TUBE SPRT	108120	
			POSITION DATA:	504903	
			LH		
			FOR DETAILS SEE:		
			32-11-51-01		
- 25	271N6156-2		.BRACKET INSTL-MLG REACTION	101102	1
			LINK HYDR TUBE SPRT	108120	
			POSITION DATA:	504903	
			RH		
			FOR DETAILS SEE:		
			32-11-51-01		

MISSING ITEM NUMBERS NOT APPLICABLE

- ITEM NOT ILLUSTRATED

32-00-00-02

32-00-00  
FIG. 02  
PAGE 1  
JAN 20/09

BRI



757

PARTS CATALOG (MAINTENANCE)

FIG ITEM	PART NUMBER	1 2 3 4 5 6 7	NOMENCLATURE	EFFECT FROM TO	UNITS PER ASSY
2					
- 35	271N6611-3		.PLUMBING INSTL-MLG HYDR POSITION DATA: SECT. 61 LH FOR DETAILS SEE: 32-41-51-25A	101102 108120 504903	1
- 40	271N6611-4		.PLUMBING INSTL-MLG HYDR POSITION DATA: SECT. 61 RH FOR DETAILS SEE: 32-41-51-25A	101102 108120 504903	1
- 60	271N6412-3		.FITTING INSTL-NOSE WHL WELL PRESSURE BHD POSITION DATA: SECT 41 FOR DETAILS SEE: 32-34-51-16 32-35-51-16	101102 108120 504903	1
- 65	271N6412-4		.PLUMBING INSTL-BODY HYDR POSITION DATA: SECT 41 FOR DETAILS SEE: 32-34-51-16 32-35-51-16	101102 504903	1
- 65	271N6412-5		.PLUMBING INSTL-BODY HYDR POSITION DATA: SECT 41 FOR DETAILS SEE: 32-34-51-16 32-35-51-16	108120	1
- 70	271N6443-6		.PLUMBING INSTL-PRESSURE BHD POSITION DATA: L MWW FOR DETAILS SEE: 32-35-51-30	101102 108120 504903	1
- 75	274N1005-18		.MODULE INSTL-PARKING BRAKE FOR DETAILS SEE: 32-44-03-01	108120	1
- 80	271N6444-4		.FITTING INSTL-PRESSURE BHD RGT MWW FOR DETAILS SEE: 29-11-51-48B	101102 108120 504903	1

MISSING ITEM NUMBERS NOT APPLICABLE

- ITEM NOT ILLUSTRATED

BRI

32-00-00-02

BOEING PROPRIETARY - Copyright © - Unpublished Work - See title page for details.

32-00-00  
FIG. 02  
PAGE 2  
JAN 20/09



757

PARTS CATALOG (MAINTENANCE)

FIG ITEM	PART NUMBER	1 2 3 4 5 6 7	NOMENCLATURE	EFFECT FROM TO	UNITS PER ASSY
2 - 90	271N6431-17		.PLUMBING INSTL-HYDR (NOSE GEAR ALTERNATE EXTEND SYSTEM ONLY) POSITION DATA: SECT. 43 FOR DETAILS SEE: 32-35-51-20 32-34-51-20A	101102 108120 504903	1
- 95	271N6122-22		.PLUMBING INSTL-HYDR (LANDING GEAR ONLY) POSITION DATA: INBD SECT. 12 LH FOR DETAILS SEE: 32-32-51-15 32-41-51-15	101102 108120 504903	RF

MISSING ITEM NUMBERS NOT APPLICABLE

- ITEM NOT ILLUSTRATED

BRI

32-00-00-02

BOEING PROPRIETARY - Copyright © - Unpublished Work - See title page for details.

32-00-00  
FIG. 02  
PAGE 3  
JAN 20/09

 **BOEING**  
757  
PARTS CATALOG (MAINTENANCE)

NON-ILLUSTRATED FIGURE

THE ITEMS REFLECTED IN THIS FIGURE ARE INTENTIONALLY  
NON-ILLUSTRATED. THEY ARE REFERENCED TO EITHER A  
NEXT HIGHER OR NEXT LOWER ASSEMBLY/INSTALLATION FIGURE.

Y 3200003 REV 235

COLLECTOR INSTL-PASS. MINOR MODEL (LANDING GEAR ONLY)  
FIGURE 3

**32-00-00-03**

BRI  
MAY 28/07

32-00-00-03  
PAGE 0





757

PARTS CATALOG (MAINTENANCE)

FIG ITEM	PART NUMBER	1 2 3 4 5 6 7	NOMENCLATURE	EFFECT FROM TO	UNITS PER ASSY
3			COLLECTOR INSTL-PASS. MINOR MODEL (LANDING GEAR ONLY)	101102 108120 504903	
- 1	270N0100-200		COLLECTOR INSTL-PASS. MINOR MODEL (LANDING GEAR ONLY) FOR OTHER SYS DETAILS SEE: 27-00-00-04 29-00-51-01A	101102 108120 504903	RF
- 5	271N6431-11		.PLUMBING INSTL-HYDR POSITION DATA: SECT. 43 FOR DETAILS SEE: 32-34-51-20A	101102 108120 504903	1
- 10	271N6179-5		.BRACKET INSTL-MLG HYDR TUBE SPRT POSITION DATA: LH SIDE FOR DETAILS SEE: 32-11-11-02	101102 108120 504903	1
- 15	271N6179-6		.BRACKET INSTL-MLG HYDR TUBE SPRT POSITION DATA: RH FOR DETAILS SEE: 32-11-11-02	101102 108120 504903	1
- 20	271N6431-18		.PLUMBING INSTL-HYDR POSITION DATA: SECT. 43 FOR DETAILS SEE: 32-34-51-20A	101102 108120 504903	1

MISSING ITEM NUMBERS NOT APPLICABLE

- ITEM NOT ILLUSTRATED

32-00-00-03

32-00-00  
FIG. 03  
PAGE 1  
JAN 20/09

BRI

 **BOEING**  
757  
**PARTS CATALOG (MAINTENANCE)**

NON-ILLUSTRATED FIGURE

THE ITEMS REFLECTED IN THIS FIGURE ARE INTENTIONALLY  
NON-ILLUSTRATED. THEY ARE REFERENCED TO EITHER A  
NEXT HIGHER OR NEXT LOWER ASSEMBLY/INSTALLATION FIGURE.

Y 32000010 REV 236

BRAKES COLLECTOR BASIC AND STABLE  
FIGURE 10

**32-00-00-10**

BRI  
MAY 28/07

32-00-00-10  
PAGE 0



757

PARTS CATALOG (MAINTENANCE)

FIG ITEM	PART NUMBER	1 2 3 4 5 6 7	NOMENCLATURE	EFFECT FROM TO	UNITS PER ASSY
10			BRAKES COLLECTOR BASIC AND STABLE	101102 108120 504903	
- 1	274N5001-1000		BRAKES COLLECTOR-BASIC AND STABLE	101102 108120 504903	1
- 5	251N6002-31		.BRACKET INSTL-LGB AND NGPP BRAKE PULLEY POSITION DATA: STA 266 LH FOR DETAILS SEE: 32-41-51-02 32-51-52-01	101102 108120 504903	1
- 7	251N6002-33		.SUPPORT INSTL- FOR DETAILS SEE: 32-41-51-02	101102 108120 504903	1
- 10	251N6002-32		.BRACKET INSTL-LGB AND NGPP BRAKE PULLEY POSITION DATA: STA 266 RH FOR DETAILS SEE: 32-41-51-02	101102 108120 504903	1
- 12	251N6002-34		.SUPPORT INSTL- FOR DETAILS SEE: 32-41-51-02	101102 108120 504903	1
- 15	251N6012-11		.BRACKET INSTL-LG BRAKES PULLEY POSITION DATA: STA 395 LH FOR DETAILS SEE: 32-41-51-01	101102 108120 504903	1
- 20	251N6012-12		.BRACKET INSTL-LG BRAKES PULLEY POSITION DATA: STA 395 RH FOR DETAILS SEE: 32-41-51-01	101102 108120 504903	1
- 25	251N6023-23		.BRACKET INSTL-LG BRAKE CABLES PULLEY POSITION DATA: STA 1041.55 AND 1040.75 LH FOR DETAILS SEE: 32-41-51-04	101102 108120 504903	1

MISSING ITEM NUMBERS NOT APPLICABLE

- ITEM NOT ILLUSTRATED

32-00-00-10

32-00-00  
FIG. 10  
PAGE 1  
JAN 20/09

BRI



757

PARTS CATALOG (MAINTENANCE)

FIG ITEM	PART NUMBER	1 2 3 4 5 6 7	NOMENCLATURE	EFFECT FROM TO	UNITS PER ASSY
10					
- 30	251N6023-24		.BRACKET INSTL-LG BRAKE CABLES PULLEY POSITION DATA: STA 1041.55 AND 1040.75 RH FOR DETAILS SEE: 32-41-51-04	101102 108120 504903	1
- 45	251N6028-8		.SEAL INSTL-SLOPING PRESSURE DECK PRESSURE PRESSURE POSITION DATA: STA 1040 TO 1060 FOR DETAILS SEE: 27-51-25-10	101102 108120 504903	1
- 50	251N6028-9		.SEAL INSTL-SLOPING PRESSURE DECK PRESSURE PRESSURE POSITION DATA: STA 1040 TO 1060 FOR DETAILS SEE: 27-51-25-10	101102 108120 504903	1
- 60	274N2006-36		.MODULE INSTL-LG BRAKE METERING VALVE POSITION DATA: LH FOR DETAILS SEE: 32-41-56-01	101102 108120 504903	1
- 65	274N2006-37		.MODULE INSTL-LG BRAKE METERING VALVE POSITION DATA: RH FOR DETAILS SEE: 32-41-02-05	101102 108120 504903	1
- 70	274N2012-8		.MECHANISM INSTL-PARKING BRAKE FOR DETAILS SEE: 32-44-02-01	101102 108120 504903	1
- 75	274N2020-5		.BUS INSTL-BRAKE PEDAL FOR DETAILS SEE: 32-41-01-02	101102 108120 504903	1
- 80	274N1001-8		.VALVE INSTL-AUTO BRAKE MODULE FOR DETAILS SEE: 32-42-09-01	101102 108120 504903	1
- 85	274N1002-21		.VALVE INSTL-AUTOBRAKE SHUTTLE POSITION DATA: LH FOR DETAILS SEE: 32-42-10-01	101102 108120 504903	1

MISSING ITEM NUMBERS NOT APPLICABLE

- ITEM NOT ILLUSTRATED

32-00-00-10

32-00-00  
FIG. 10  
PAGE 2  
JAN 20/09

BRI



757

PARTS CATALOG (MAINTENANCE)

FIG ITEM	PART NUMBER	1 2 3 4 5 6 7	NOMENCLATURE	EFFECT FROM TO	UNITS PER ASSY
10					
- 86	274N1002-22		.VALVE INSTL-AUTOBRAKE SHUTTLE POSITION DATA: RH FOR DETAILS SEE: 32-42-10-01	101102 108120 504903	1
- 88	274N1003-17		.VALVE INSTL-ALTERNATE BRAKE SELECTOR FOR DETAILS SEE: 32-41-04-01	101102 108120 504903	1
- 90	274N1028-9		.VALVE INSTL-ACCUMULATOR ISOLATION FOR DETAILS SEE: 32-44-06-01	101102 108120 504903	1
- 91	274N1006-2		.TRANSMITTER INSTL-PRESSURE PARKING BRAKE FOR DETAILS SEE: 32-44-05-01	101102 108120 504903	1
- 92	274N1006-6		.ACCUMULATOR INSTL-PARKING BRAKE FOR DETAILS SEE: 32-44-05-01	101102 108120 504903	1
- 95	274N1004-23		.VALVE INSTL-ANTISKID SHUTTLE POSITION DATA: LH SIDE FOR DETAILS SEE: 32-42-07-01A	101102 108120 504903	1
- 100	274N1004-27		.VALVE INSTL-ANTISKID SHUTTLE POSITION DATA: RH SIDE FOR DETAILS SEE: 32-42-07-01A	101102 108120 504903	1
- 105	274N1005-15		.MODULE INSTL-PARKING BRAKE FOR DETAILS SEE: 32-44-03-01	101102 504903	1
- 107	274N1005-12		.BRACKET INSTL-PARKING BRAKE FOR DETAILS SEE: 32-44-03-01	101102 108120 504903	1
- 110	274N1007-11		.VALVE INSTL-NORMAL BRAKES ANTISKID POSITION DATA: LH FOR DETAILS SEE: 32-42-02-01	101102 108120 504903	1

MISSING ITEM NUMBERS NOT APPLICABLE

- ITEM NOT ILLUSTRATED

32-00-00-10

32-00-00  
FIG. 10  
PAGE 3  
JAN 20/09

BRI



757

PARTS CATALOG (MAINTENANCE)

FIG ITEM	PART NUMBER	1 2 3 4 5 6 7	NOMENCLATURE	EFFECT FROM TO	UNITS PER ASSY
10					
- 115	274N1007-12		.VALVE INSTL-NORMAL BRAKES ANTISKID POSITION DATA: RH FOR DETAILS SEE: 32-42-02-01	101102 108120 504903	1
- 120	274N1008-14		.VALVE INSTL-ALTERNATE ANTISKID POSITION DATA: LH FUNCTIONAL REFERENCE: PLACARDS AND MARKINGS FOR DETAILS SEE 11-22-54-01 LANDING GEAR FOR DETAILS SEE 32-42-02-02	101102 108120 504903	1
- 125	274N1008-15		.VALVE INSTL-ALTERNATE ANTISKID POSITION DATA: RH FUNCTIONAL REFERENCE: PLACARDS AND MARKINGS FOR DETAILS SEE 11-22-54-01 LANDING GEAR FOR DETAILS SEE 32-42-02-02	101102 108120 504903	1
- 130	251N6025-17		.BRACKET INSTL-PULLEY POSITION DATA: STA. 1040-1063 FOR DETAILS SEE: 32-41-51-05	108120 506903	1
- 135	251N6025-18		.BRACKET INSTL-PULLEY POSITION DATA: STA. 1040-1063 FOR DETAILS SEE: 32-41-51-05	108120 506903	1
- 140	274N1117-1		.TRANSMITTER INSTL- ALTERNATE BRAKE PRESSURE POSITION DATA: LH SIDE FOR DETAILS SEE: 31-31-13-01	101102 108120 504903	1

MISSING ITEM NUMBERS NOT APPLICABLE

- ITEM NOT ILLUSTRATED

32-00-00-10

32-00-00  
FIG. 10  
PAGE 4  
JAN 20/09

BRI



757

PARTS CATALOG (MAINTENANCE)

FIG ITEM	PART NUMBER	1 2 3 4 5 6 7	NOMENCLATURE	EFFECT FROM TO	UNITS PER ASSY
10 - 145	274N1117-2		.TRANSMITTER INSTL- ALTERNATE BRAKE PRESSURE POSITION DATA: RH SIDE FOR DETAILS SEE: 31-31-13-01	101102 108120 504903	1
- 150	274N1118-1		.TRANSMITTER INSTL-NORMAL BRAKE PRESSURE POSITION DATA: LH FOR DETAILS SEE: 31-31-13-02	101102 108120 504903	1
- 155	274N1118-2		.TRANSMITTER INSTL-NORMAL BRAKE PRESSURE POSITION DATA: RH FOR DETAILS SEE: 31-31-13-02	101102 108120 504903	1

MISSING ITEM NUMBERS NOT APPLICABLE

- ITEM NOT ILLUSTRATED

BRI

32-00-00-10

BOEING PROPRIETARY - Copyright © - Unpublished Work - See title page for details.

32-00-00  
FIG. 10  
PAGE 5  
JAN 20/09

 **BOEING**  
757  
**PARTS CATALOG (MAINTENANCE)**

NON-ILLUSTRATED FIGURE

THE ITEMS REFLECTED IN THIS FIGURE ARE INTENTIONALLY  
NON-ILLUSTRATED. THEY ARE REFERENCED TO EITHER A  
NEXT HIGHER OR NEXT LOWER ASSEMBLY/INSTALLATION FIGURE.

Y 32000011 REV 236

CUSTOM COLLECTOR BRAKES SYS  
FIGURE 11

**32-00-00-11**

BRI  
JAN 20/09

32-00-00-11  
PAGE 0





757

PARTS CATALOG (MAINTENANCE)

FIG ITEM	PART NUMBER	1 2 3 4 5 6 7	NOMENCLATURE	EFFECT FROM TO	UNITS PER ASSY
11			CUSTOM COLLECTOR BRAKES SYS	504903	
- 1	274N5001-1620		CUSTOM COLLECTOR- BRAKES SYS	504903	1
- 5	274N2013-2		.SWITCH INSTL- FOR DETAILS SEE: 31-35-11-01	504903	1

MISSING ITEM NUMBERS NOT APPLICABLE

- ITEM NOT ILLUSTRATED

BRI

32-00-00-11

BOEING PROPRIETARY - Copyright © - Unpublished Work - See title page for details.

32-00-00  
FIG. 11  
PAGE 1  
JAN 20/09

 **BOEING**  
757  
PARTS CATALOG (MAINTENANCE)

NON-ILLUSTRATED FIGURE

THE ITEMS REFLECTED IN THIS FIGURE ARE INTENTIONALLY  
NON-ILLUSTRATED. THEY ARE REFERENCED TO EITHER A  
NEXT HIGHER OR NEXT LOWER ASSEMBLY/INSTALLATION FIGURE.

Y 3200013 REV 236

BRAKE COLLECTOR 757-200 PASS.  
FIGURE 13

**32-00-00-13**

BRI  
MAY 28/07

32-00-00-13  
PAGE 0



757

PARTS CATALOG (MAINTENANCE)

FIG ITEM	PART NUMBER	1 2 3 4 5 6 7	NOMENCLATURE	EFFECT FROM TO	UNITS PER ASSY
13			BRAKE COLLECTOR 757-200 PASS.	101102 108120 504903	
- 2	274N5001-3000		COLLECTOR	101102 108120 504903	1
- 5	251N6025-13		.BRACKET INSTL- FOR DETAILS SEE: 32-41-51-03	101102 504505	1
- 10	251N6025-14		.BRACKET INSTL- FOR DETAILS SEE: 32-41-51-03	101102 504505	1
- 15	274N2001-12		.CONTROL INSTL- FOR DETAILS SEE: 32-41-53-01	101102 108120 504903	1
- 20	274N1030-4		.VALVE AND GAUGE INSTL- BRAKE ACCUMULATOR CHARGING FUNCTIONAL REFERENCE: PLACARDS AND MARKINGS FOR DETAILS SEE 11-22-15-01 LANDING GEAR FOR DETAILS SEE 32-44-09-01	101102 108120 504903	1
- 55	274N2013-3		.SWITCH INSTL- FOR DETAILS SEE: 31-35-11-01	108120	1

MISSING ITEM NUMBERS NOT APPLICABLE

- ITEM NOT ILLUSTRATED

BRI

32-00-00-13

BOEING PROPRIETARY - Copyright © - Unpublished Work - See title page for details.

32-00-00  
FIG. 13  
PAGE 1  
JAN 20/09

 **BOEING**  
757  
**PARTS CATALOG (MAINTENANCE)**

NON-ILLUSTRATED FIGURE

THE ITEMS REFLECTED IN THIS FIGURE ARE INTENTIONALLY  
NON-ILLUSTRATED. THEY ARE REFERENCED TO EITHER A  
NEXT HIGHER OR NEXT LOWER ASSEMBLY/INSTALLATION FIGURE.

Y 32000015 REV 236

MANAGEMENT COLLECTOR ACTUATION SYSTEM  
FIGURE 15

**32-00-00-15**

BRI  
MAY 28/07

32-00-00-15  
PAGE 0



757

PARTS CATALOG (MAINTENANCE)

FIG ITEM	PART NUMBER	1 2 3 4 5 6 7	NOMENCLATURE	EFFECT FROM TO	UNITS PER ASSY
15			MANAGEMENT COLLECTOR ACTUATION SYSTEM	101102 108120 504903	
- 1	273N5001-1000		ACTUATION COLLECTOR-BASIC AND STABLE	101102 108120 504903	1
- 5	273N5001-3000		ACTUATION COLLECTOR-757-200 PASS.	101102 108120 504903	1
- 10	251N6017-6		.BRACKET INSTL-PULLEY POSITION DATA: STA 382 USED ON: 273N5001-1000 273N5001-1660 FOR DETAILS SEE: 32-31-51-03	101102 108120 504903	1
- 15	251N6026-8		.BRACKET INSTL-PULLEY POSITION DATA: STA 1043 USED ON: 273N5001-1000 273N5001-1660 FOR DETAILS SEE: 32-31-51-02	101102 108120 504903	1
- 20	251N6028-17		.SEAL INSTL-PRESSURE POSITION DATA: STA 1040 USED ON: 273N5001-1000 273N5001-1660 FOR DETAILS SEE: 32-31-51-02	101102 108120 504903	1
- 25	251N6028-19		.SEAL INSTL-PRESSURE POSITION DATA: STA 1040 USED ON: 273N5001-1000 273N5001-1660 FOR DETAILS SEE: 27-51-25-10	101102 108120 504903	1
- 26	273N1000-1		.RETRACT ACTUATOR INSTL- NOSE LANDING GEAR NLG FOR DETAILS SEE: 32-34-01-01	101102 108120 504903	1

MISSING ITEM NUMBERS NOT APPLICABLE

- ITEM NOT ILLUSTRATED

32-00-00-15

32-00-00  
FIG. 15  
PAGE 1  
JAN 20/09

BRI



757

PARTS CATALOG (MAINTENANCE)

FIG ITEM	PART NUMBER	1 2 3 4 5 6 7	NOMENCLATURE	EFFECT FROM TO	UNITS PER ASSY
15					
- 30	273N1002-12		.VALVE INSTL-DOOR OPERATED SEQUENCE NLG USED ON: 273N5001-1000 273N5001-1660 FOR DETAILS SEE: 32-34-06-01	101102 108120 504903	1
- 35	273N1003-9		.VALVE INSTL-DOOR OPERATED SEQUENCE NLG USED ON: 273N5001-1000 273N5001-1660 FOR DETAILS SEE: 32-34-05-01	101102 108120 504903	1
- 40	273N1080-6		.MODULE INSTL-NLG LOCK UNLOAD USED ON: 273N5001-1000 273N5001-1660 FOR DETAILS SEE: 32-34-04-01	101102 108120 504903	1
- 45	273N2001-13		.VALVE INSTL-SEQUENCE UPLOCK OPERATED, MLG USED ON: 273N5001-1000 273N5001-1660 FOR DETAILS SEE: 32-32-09-01	101102 108120 504903	1
- 50	273N2001-14		.VALVE INSTL-SEQUENCE UPLOCK OPERATED MLG USED ON: 273N5001-1000 273N5001-1660 FOR DETAILS SEE: 32-32-09-01	101102 108120 504903	1
- 55	273N2001-3		.BRACKET INSTL-VALVE SEQUENCE UPLOCK OPERATED MLG USED ON: 273N5001-1000 273N5001-1660 FOR DETAILS SEE: 32-32-09-01	101102 108120 504903	1

MISSING ITEM NUMBERS NOT APPLICABLE

- ITEM NOT ILLUSTRATED

32-00-00-15

32-00-00  
FIG. 15  
PAGE 2  
JAN 20/09

BRI



757

PARTS CATALOG (MAINTENANCE)

FIG ITEM	PART NUMBER	1 2 3 4 5 6 7	NOMENCLATURE	EFFECT FROM TO	UNITS PER ASSY
15					
- 60	273N2001-4		.BRACKET INSTL-VALVE SEQUENCE UPLOCK OPERATED MLG USED ON: 273N5001-1000 273N5001-1660 FOR DETAILS SEE: 32-32-09-01	101102 108120 504903	1
- 65	273N2002-5		.VALVE INSTL-DOOR SEQUENCE DOWNLOCK OPERATED MLG USED ON: 273N5001-1000 273N5001-1660 FOR DETAILS SEE: 32-32-07-01	101102 108120 504903	1
- 70	273N2002-6		.VALVE INSTL-DOOR SEQUENCE DOWNLOCK OPERATED MLG USED ON: 273N5001-1000 273N5001-1660 FOR DETAILS SEE: 32-32-07-01	101102 108120 504903	1
- 75	273N2003-3		.VALVE INSTL-DOOR OPERATED GEAR SEQUENCE, MLG POSITION DATA: LH SIDE USED ON: 273N5001-1000 273N5001-1660 FOR DETAILS SEE: 32-32-07-01	101102 108120 504903	1
- 80	273N2003-4		.VALVE INSTL-DOOR OPERATED GEAR SEQUENCE MLG POSITION DATA: RH SIDE USED ON: 273N5001-1000 273N5001-1660 FOR DETAILS SEE: 32-32-05-01	101102 108120 504903	1

MISSING ITEM NUMBERS NOT APPLICABLE

- ITEM NOT ILLUSTRATED

32-00-00-15

32-00-00  
FIG. 15  
PAGE 3  
JAN 20/09

BRI



757

PARTS CATALOG (MAINTENANCE)

FIG ITEM	PART NUMBER	1 2 3 4 5 6 7	NOMENCLATURE	EFFECT FROM TO	UNITS PER ASSY
15					
- 85	273N2005-13		.ACTUATOR INSTL-MLG DOOR POSITION DATA: LH SIDE USED ON: 273N5001-1660 273N5001-2000 273N5001-3000 FOR DETAILS SEE: 32-32-12-01	101102 504903	1
- 90	273N2005-14		.ACTUATOR INSTL-MLG DOOR POSITION DATA: RH SIDE USED ON: 273N5001-1660 273N5001-2000 273N5001-3000 FOR DETAILS SEE: 32-32-12-01	101102 504903	1
- 95	273N2087-6		.VALVE INSTL-SHUTTLE TRUCK POSITIONER MLG USED ON: 273N5001-1000 273N5001-1660 FOR DETAILS SEE: 32-32-17-01	101102 108120 504903	1
- 100	273N2087-7		.VALVE INSTL-SHUTTLE TRUCK POSITIONER MLG USED ON: 273N5001-1000 273N5001-1660 FOR DETAILS SEE: 32-32-17-01	101102 108120 504903	1
- 105	273N3001-45		.CABLE INSTL-LG SELECTOR VALVE USED ON: 273N5001-1660 273N5001-2000 273N5001-3000 FOR DETAILS SEE: 32-31-02-03	101102 108120 504903	1
- 110	273N3002-8		.VALVE INSTL-LG CONT USED ON: 273N5001-1000 273N5001-1660 FOR DETAILS SEE: 32-31-02-01	101102 108120 504903	1

MISSING ITEM NUMBERS NOT APPLICABLE

- ITEM NOT ILLUSTRATED

32-00-00-15

32-00-00  
FIG. 15  
PAGE 4  
JAN 20/09

BRI





757

PARTS CATALOG (MAINTENANCE)

FIG ITEM	PART NUMBER	1 2 3 4 5 6 7	NOMENCLATURE	EFFECT FROM TO	UNITS PER ASSY
15					
- 115	273N3003-7		.HANDLE INSTL-LG CONT USED ON: 273N5001-1000 273N5001-1660 FOR DETAILS SEE: 32-31-02-03	101102 108120 504903	1
- 115	273N3003-8		.HANDLE INSTL-LG CONT FOR DETAILS SEE: 32-31-02-03	101101	1
- 115	273N3003-10		.HANDLE INSTL-LG CONT FOR DETAILS SEE: 32-31-02-03	102102 108120 504903	1
- 120	273N4003-4		.ACTUATOR INSTL-ALTERNATE UPLOCK RELEASE NLG USED ON: 273N5001-1000 273N5001-1660 FOR DETAILS SEE: 32-35-21-01	101102 108120 504903	1
- 125	273N4007-7		.MARKER INSTL-LG DOOR EXTERNAL RELEASE USED ON: 273N5001-1000 273N5001-1660 FOR DETAILS SEE: 11-22-55-01	101102 108120 504903	1
- 127	273N4007-9		.MARKER INSTL-EXT RELEASE SYS LG DOOR FOR DETAILS SEE: 11-22-55-01	101102 108120 504903	1
- 130	273N4010-6		.POWER PACK INSTL-ALTERNATE EXTENSION SYS USED ON: 273N5001-1000 273N5001-1660 FOR DETAILS SEE: 32-35-10-01	101102 108120 504903	1
- 135	273N4031-3		.RELEASE INSTL-NLG DOOR USED ON: 273N5001-1000 273N5001-1660 FUNCTIONAL REFERENCE: LANDING GEAR FOR DETAILS SEE 32-35-22-01 PLACARDS AND MARKINGS FOR DETAILS SEE 11-22-55-03	101102 108120 504903	1

MISSING ITEM NUMBERS NOT APPLICABLE

- ITEM NOT ILLUSTRATED

32-00-00-15

32-00-00  
FIG. 15  
PAGE 5  
JAN 20/09

BRI



757

PARTS CATALOG (MAINTENANCE)

FIG ITEM	PART NUMBER	1 2 3 4 5 6 7	NOMENCLATURE	EFFECT FROM TO	UNITS PER ASSY
15					
- 136	273N4031-4		.RELEASE INSTL-NLG DOOR FOR DETAILS SEE: 32-35-22-01	101102 108120 504903	1
- 140	273N4034-7		.LOCK RELEASE INSTL-NLG DOOR ACTUATOR USED ON: 273N5001-1000 273N5001-1660 FOR DETAILS SEE: 32-35-51-01	101102 108120 504903	1
- 145	273N4041-23		.LOCK RELEASE INSTL-DOOR ACTUATOR, MLG USED ON: 273N5001-1000 273N5001-1660 FUNCTIONAL REFERENCE: LANDING GEAR FOR DETAILS SEE 32-35-03-01 PLACARDS AND MARKINGS FOR DETAILS SEE 11-22-55-03	101102 108120 504903	1
- 150	273N4041-24		.LOCK RELEASE INSTL-DOOR ACTUATOR, MLG USED ON: 273N5001-1000 273N5001-1660 FUNCTIONAL REFERENCE: LANDING GEAR FOR DETAILS SEE 32-35-03-01 PLACARDS AND MARKINGS FOR DETAILS SEE 11-22-55-03	101102 108120 504903	1
- 152	273N4041-25		.LOCK RELEASE INSTL-MLG DOOR ACTR (LANDING GEAR ONLY) POSITION DATA: LH SIDE FOR DETAILS SEE: 32-35-03-01	101102 108120 504903	1
- 153	273N4041-26		.LOCK RELEASE INSTL-MLG DOOR ACTR POSITION DATA: RH SIDE FOR DETAILS SEE: 32-35-03-01	101102 108120 504903	1

MISSING ITEM NUMBERS NOT APPLICABLE

- ITEM NOT ILLUSTRATED

32-00-00-15

32-00-00  
FIG. 15  
PAGE 6  
JAN 20/09

BRI



757

PARTS CATALOG (MAINTENANCE)

FIG ITEM	PART NUMBER	1 2 3 4 5 6 7	NOMENCLATURE	EFFECT FROM TO	UNITS PER ASSY
15					
- 155	273N4500-4		.VALVE INSTL-SHUTTLE, LG ALTERNATE EXTENSION USED ON: 273N5001-1000 273N5001-1660 FOR DETAILS SEE: 32-35-51-05	101102 108120 504903	1
- 160	273N2005-15		.ACTUATOR INSTL-MLG DOOR POSITION DATA: LH SIDE FOR DETAILS SEE: 32-32-12-01	108120	1
- 165	273N2005-16		.ACTUATOR INSTL-MLG DOOR POSITION DATA: RH SIDE FOR DETAILS SEE: 32-32-12-01	108120	1
- 180	273N1001-9		.ACTUATOR INSTL-DOOR NLG USED ON: 273N5001-1000 273N5001-1660 FOR DETAILS SEE: 32-34-03-01	101102 504903	1
- 180	273N1001-11		.ACTUATOR INSTL-DOOR NLG FOR DETAILS SEE: 32-34-03-01	108120	1
- 185	273N2300-1		.ACTUATOR INSTL-MLG POSITION DATA: LH FOR DETAILS SEE: 32-32-02-02	101102 108120 504903	1
- 190	273N2300-2		.ACTUATOR INSTL-MLG POSITION DATA: RH FOR DETAILS SEE: 32-32-02-02	101102 108120 504903	1
- 195	273N2400-1		.ACTUATOR INSTL-MLG TRUCK POSITION DATA: LH FOR DETAILS SEE: 32-32-15-02	101102 108120 504903	1
- 200	273N2400-2		.ACTUATOR INSTL-MLG TRUCK POSITION DATA: RH FOR DETAILS SEE: 32-32-15-02	101102 108120 504903	1

MISSING ITEM NUMBERS NOT APPLICABLE

- ITEM NOT ILLUSTRATED

BRI

32-00-00-15

BOEING PROPRIETARY - Copyright © - Unpublished Work - See title page for details.

32-00-00  
FIG. 15  
PAGE 7  
JAN 20/09



757

PARTS CATALOG (MAINTENANCE)

FIG ITEM	PART NUMBER	1 2 3 4 5 6 7	NOMENCLATURE	EFFECT FROM TO	UNITS PER ASSY
15 - 205	273N2000-1		.ACTUATOR INSTL-RETRACT MLG POSITION DATA: LH FOR DETAILS SEE: 32-32-01-02	101102 108120 504903	1
- 210	273N2000-2		.ACTUATOR INSTL-RETRACT MLG POSITION DATA: RH FOR DETAILS SEE: 32-32-01-02	101102 108120 504903	1
- 215	273N1200-1		.LOCK ACTUATOR INSTL- NOSE LANDING GEAR FOR DETAILS SEE: 32-34-02-01	101102 108120 504903	1

MISSING ITEM NUMBERS NOT APPLICABLE

- ITEM NOT ILLUSTRATED

BRI

32-00-00-15

BOEING PROPRIETARY - Copyright © - Unpublished Work - See title page for details.

32-00-00  
FIG. 15  
PAGE 8  
JAN 20/09

 **BOEING**  
757  
**PARTS CATALOG (MAINTENANCE)**

NON-ILLUSTRATED FIGURE

THE ITEMS REFLECTED IN THIS FIGURE ARE INTENTIONALLY  
NON-ILLUSTRATED. THEY ARE REFERENCED TO EITHER A  
NEXT HIGHER OR NEXT LOWER ASSEMBLY/INSTALLATION FIGURE.

Y 3200018 REV 237

MANAGEMENT COLLECTOR MAIN/NOSE LANDING GEAR WHEEL/TIRE/BRAKE/ EQUIPMENT  
FIGURE 18

**32-00-00-18**

BRI  
MAY 28/07

32-00-00-18  
PAGE 0



757

PARTS CATALOG (MAINTENANCE)

FIG ITEM	PART NUMBER	1 2 3 4 5 6 7	NOMENCLATURE	EFFECT FROM TO	UNITS PER ASSY
18			MANAGEMENT COLLECTOR MAIN/NOSE LANDING GEAR WHEEL/TIRE/BRAKE/ EQUIPMENT	101102 108120 504903	
- 1	277N0100-1950		MOD COLLECTOR INSTL-MLG	108120	1
- 5	277N0100-1620		MOD COLLECTOR INSTL-MLG	504903	1
- 10	277N0100-1440		MOD COLLECTOR INSTL-MLG	101102	1
- 190	277N1000-103		.WHEEL TIRE INSTL-MLG POSITION DATA: LH SIDE FOR DETAILS SEE: 32-45-01-01A	101102	1
- 190	277N1000-203		.WHEEL TIRE INSTL-MLG POSITION DATA: LH SIDE FOR DETAILS SEE: 32-45-01-01A	108120	1
- 190	277N1000-211		.WHEEL TIRE INSTL-MLG POSITION DATA: LH SIDE FOR DETAILS SEE: 32-45-01-01A	504903	1
- 195	277N1000-104		.WHEEL TIRE INSTL-MLG POSITION DATA: RH SIDE FOR DETAILS SEE: 32-45-01-01A	101102	1
- 195	277N1000-204		.WHEEL TIRE INSTL-MLG POSITION DATA: RH SIDE FOR DETAILS SEE: 32-45-01-01A	108120	1
- 195	277N1000-212		.WHEEL TIRE INSTL-MLG POSITION DATA: RH SIDE FOR DETAILS SEE: 32-45-01-01A	504903	1
- 350	277N1100-105		.BRAKE INSTL-DUNLOP CARBON BRAKE POSITION DATA: LH SIDE FOR DETAILS SEE: 32-41-10-01	101102	1
- 350	277N1100-207		.BRAKE INSTL-BF GOODRICH STEEL BRAKE POSITION DATA: LH SIDE FOR DETAILS SEE: 32-41-10-01	108120 504903	1

MISSING ITEM NUMBERS NOT APPLICABLE

- ITEM NOT ILLUSTRATED

32-00-00-18

32-00-00  
FIG. 18  
PAGE 1  
JAN 20/09

BRI



757

PARTS CATALOG (MAINTENANCE)

FIG ITEM	PART NUMBER	1 2 3 4 5 6 7	NOMENCLATURE	EFFECT FROM TO	UNITS PER ASSY
18					
- 355	277N1100-106		.BRAKE INSTL-DUNLOP CARBON BRAKE POSITION DATA: RH SIDE FOR DETAILS SEE: 32-41-10-01	101102	1
- 355	277N1100-208		.BRAKE INSTL-BF GOODRICH STEEL BRAKE POSITION DATA: RH SIDE FOR DETAILS SEE: 32-41-10-01	108120 504903	1
- 450	277N0200-01		MOD COLLECTOR INSTL-NLG	101102 108120 504903	1
- 455	277N0200-1620		MOD COLLECTOR INSTL-NLG	504903	1
- 460	277N0200-1440		MOD COLLECTOR INSTL-NLG	101102	1
- 465	277N0200-1950		MOD COLLECTOR INSTL-MLG (NAB) NATIONAL AIRLINES	108120	1
- 600	277N2000-300		.FASTENER INSTL-NLG NO DEFLECTOR FOR DETAILS SEE: 32-45-02-02	101102 108120 504903	1
- 650	277N2000-201		.WHEEL TIRE INSTL-NLG FOR DETAILS SEE: 32-45-02-02	101102 108120	1
- 650	277N2000-203		.WHEEL TIRE INSTL-NLG FOR DETAILS SEE: 32-45-02-02	504903	1
- 750	277N0100-01		MOD COLLECTOR INSTL-BASIC AND STABLE	101102 108120 504903	1
- 755	277N1100-605		.BRAKE INSTL-MLG POSITION DATA: LH SIDE FOR DETAILS SEE: 32-41-10-03	101102 108120 504903	1
- 760	277N1100-606		.BRAKE INSTL-MLG POSITION DATA: RH SIDE FOR DETAILS SEE: 32-41-10-03	101102 108120 504903	1
- 765	277N1200-1		.IN AXLE INSTL- POSITION DATA: LH SIDE FOR DETAILS SEE: 32-42-06-01	101102 108120 504903	1

MISSING ITEM NUMBERS NOT APPLICABLE

- ITEM NOT ILLUSTRATED

32-00-00-18

32-00-00  
FIG. 18  
PAGE 2  
JAN 20/09

BRI



757

PARTS CATALOG (MAINTENANCE)

FIG ITEM	PART NUMBER	1 2 3 4 5 6 7	NOMENCLATURE	EFFECT FROM TO	UNITS PER ASSY
18 - 770	277N1200-2		.IN AXLE INSTL- POSITION DATA: RH SIDE FOR DETAILS SEE: 32-42-06-01	101102 108120 504903	1
- 775	277N1300-1		.HUBCAP INSTL- POSITION DATA: LH SIDE FOR DETAILS SEE: 32-45-01-01A	101102 108120 504903	1
- 780	277N1300-2		.HUBCAP INSTL- POSITION DATA: RH SIDE FOR DETAILS SEE: 32-45-01-01A	101102 108120 504903	1

MISSING ITEM NUMBERS NOT APPLICABLE

- ITEM NOT ILLUSTRATED

BRI

32-00-00-18

BOEING PROPRIETARY - Copyright © - Unpublished Work - See title page for details.

32-00-00  
FIG. 18  
PAGE 3  
JAN 20/09



 **BOEING**  
757  
**PARTS CATALOG (MAINTENANCE)**

NON-ILLUSTRATED FIGURE

THE ITEMS REFLECTED IN THIS FIGURE ARE INTENTIONALLY  
NON-ILLUSTRATED. THEY ARE REFERENCED TO EITHER A  
NEXT HIGHER OR NEXT LOWER ASSEMBLY/INSTALLATION FIGURE.

Y 32000019 REV 236

BRAKES INSTL  
FIGURE 19

**32-00-00-19**

BRI  
MAY 28/07

32-00-00-19  
PAGE 0



757

PARTS CATALOG (MAINTENANCE)

FIG ITEM	PART NUMBER	1 2 3 4 5 6 7	NOMENCLATURE	EFFECT FROM TO	UNITS PER ASSY
19					
- 1	932N4504-1		BRAKES INSTL BRAKES INSTL-OPTION DUNLOP CARBON BRAKES	101102 101102	1
- 5	274N1004-25		.VALVE INSTL-SHUTTLE POSITION DATA: LH SIDE FOR DETAILS SEE: 32-42-07-01A	101102	1
- 10	274N1004-29		.VALVE INSTL-SHUTTLE POSITION DATA: RH SIDE FOR DETAILS SEE: 32-42-07-01A	101102	1

MISSING ITEM NUMBERS NOT APPLICABLE

- ITEM NOT ILLUSTRATED

BRI

32-00-00-19

BOEING PROPRIETARY - Copyright © - Unpublished Work - See title page for details.

32-00-00  
FIG. 19  
PAGE 1  
JAN 20/09

 **BOEING**  
757  
**PARTS CATALOG (MAINTENANCE)**

NON-ILLUSTRATED FIGURE

THE ITEMS REFLECTED IN THIS FIGURE ARE INTENTIONALLY  
NON-ILLUSTRATED. THEY ARE REFERENCED TO EITHER A  
NEXT HIGHER OR NEXT LOWER ASSEMBLY/INSTALLATION FIGURE.

Y 32000021 REV 237

COLLECTOR-BRAKE OPTION BF GOODRICH CO. STEEL BRAKES  
FIGURE 21

**32-00-00-21**

BRI  
JAN 20/09

32-00-00-21  
PAGE 0

BOEING PROPRIETARY - Copyright © - Unpublished Work - See title page for details.



757

PARTS CATALOG (MAINTENANCE)

FIG ITEM	PART NUMBER	1 2 3 4 5 6 7	NOMENCLATURE	EFFECT FROM TO	UNITS PER ASSY
21			COLLECTOR-BRAKE OPTION BF GOODRICH CO. STEEL BRAKES	108120 504903	
- 1	932N4505-1		COLLECTOR-BRAKE OPTION BF GOODRICH CO. STEEL BRAKES (757)	108120 504903	1
- 5	274N1004-24		.VALVE INSTL-ANTI-SKID SHUTTLE FOR DETAILS SEE: 32-42-07-01A	108120 504903	1
- 10	274N1004-28		.VALVE INSTL-ANTI-SKID SHUTTLE FOR DETAILS SEE: 32-42-07-01A	108120 504903	1

MISSING ITEM NUMBERS NOT APPLICABLE

- ITEM NOT ILLUSTRATED

BRI

32-00-00-21

BOEING PROPRIETARY - Copyright © - Unpublished Work - See title page for details.

32-00-00  
FIG. 21  
PAGE 1  
JAN 20/09

 **BOEING**  
757  
**PARTS CATALOG (MAINTENANCE)**

NON-ILLUSTRATED FIGURE

THE ITEMS REFLECTED IN THIS FIGURE ARE INTENTIONALLY  
NON-ILLUSTRATED. THEY ARE REFERENCED TO EITHER A  
NEXT HIGHER OR NEXT LOWER ASSEMBLY/INSTALLATION FIGURE.

Y 32000022 REV 237

MANAGEMENT COLLECTOR  
FIGURE 22

**32-00-00-22**

BRI  
MAY 28/07

32-00-00-22  
PAGE 0



757

PARTS CATALOG (MAINTENANCE)

FIG ITEM	PART NUMBER	1 2 3 4 5 6 7	NOMENCLATURE	EFFECT FROM TO	UNITS PER ASSY
22			MANAGEMENT COLLECTOR	101102 108120 504903	
- 1	275N5001-1000		MANAGEMENT COLLECTOR- STEERING SYSTEM	101102 108120 504903	1
- 1	275N5001-3000		MANAGEMENT COLLECTOR- STEERING SYSTEM	101102 108120 504903	1
- 5	251N6006-1		.BRACKET INSTL-NWSA PULLEY POSITION DATA: STA 274 FOR DETAILS SEE: 32-51-51-04	101102 108120 504903	1
- 10	251N6011-12		.SUPPORT INSTL- POSITION DATA: STA 388 LH FOR DETAILS SEE: 32-51-51-01	101102 108120 504903	1
- 25	251N6011-15		.BRACKET INSTL-NWSA AND NWSB PULLEY POSITION DATA: STA 388 LH FOR DETAILS SEE: 32-51-51-01	101102 108120 504903	1
- 30	251N6011-16		.BRACKET INSTL-NGPPA AND NGPPB PULLEY POSITION DATA: STA 388 LH FOR DETAILS SEE: 32-51-51-01	101102 108120 504903	1
- 35	251N6011-3		.BRACKET INSTL- FOR DETAILS SEE: 32-51-51-01	101102 108120 504903	1
- 37	275N1001-12		.VALVE AND ACTUATOR INSTL- NOSE GEAR STEERING METERING FOR DETAILS SEE: 32-51-11-01 32-51-12-01	101102 108120 504903	1
- 40	275N2001-42		.CONTROL INSTL- FOR DETAILS SEE: 32-51-53-01	101102 108120 504903	1
- 50	275N2002-1		.SEAL INSTL- FOR DETAILS SEE: 53-13-55-01	101102 108120 504903	1
- 60	275N2003-5		.COVER INSTL- FOR DETAILS SEE: 32-51-09-10	101102 108120 504903	1

MISSING ITEM NUMBERS NOT APPLICABLE

- ITEM NOT ILLUSTRATED

32-00-00-22

32-00-00  
FIG. 22  
PAGE 1  
JAN 20/09

BRI



757

PARTS CATALOG (MAINTENANCE)

FIG ITEM	PART NUMBER	1 2 3 4 5 6 7	NOMENCLATURE	EFFECT FROM TO	UNITS PER ASSY
22					
- 75	275N2009-1		.GUARD INSTL- FOR DETAILS SEE: 32-51-53-02	101102 108120 504903	1
- 80	275N2012-2		.INTERCONNECT INSTL- FOR DETAILS SEE: 32-51-05-01	101102 108120 504903	1
- 95	275N2021-3		.DRUM AND LINK INSTL- FOR DETAILS SEE: 32-51-06-01	101102 108120 504903	1
- 105	275N2022-2		.MECHANISM INSTL- FOR DETAILS SEE: 32-51-09-02	101102 108120 504903	1
- 125	275N2011-9		.MECHANISM INSTL- FOR DETAILS SEE: 32-51-01-05	101102 108120	1
- 130	932N5102-1		COLLECTOR INSTL- FIRST OFFICER NOSE WHEEL STEERING	504903	1
- 135	275N2001-43		.CONTROL INSTL- FOR DETAILS SEE: 32-51-53-01	504903	1
- 150	275N2011-10		.MECHANISM INSTL-NWS FOR DETAILS SEE: 32-51-01-05	504903	1
- 155	275N2011-11		.MECHANISM INSTL- FOR DETAILS SEE: 32-51-01-05	504903	1

MISSING ITEM NUMBERS NOT APPLICABLE

- ITEM NOT ILLUSTRATED

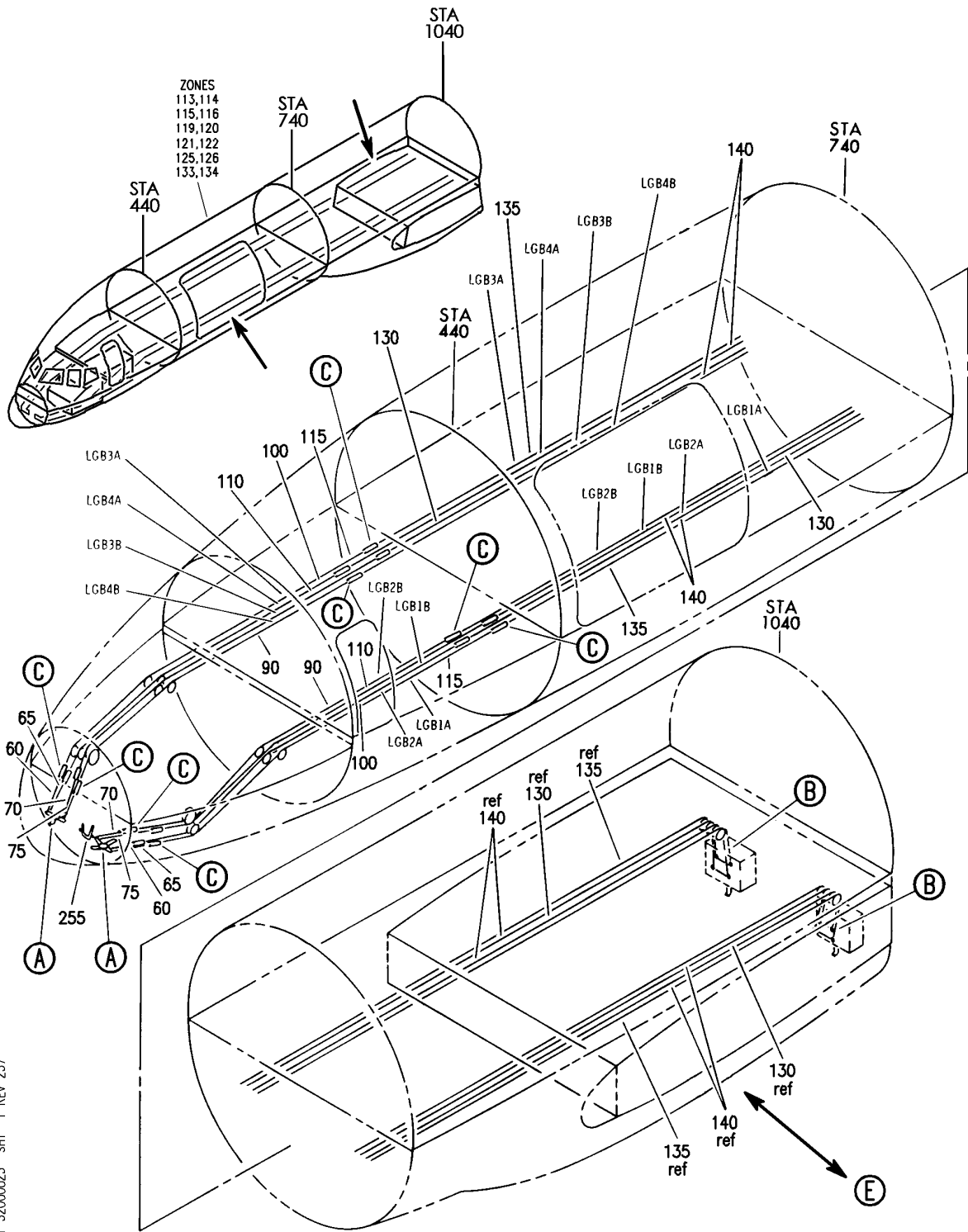
BRI

32-00-00-22

BOEING PROPRIETARY - Copyright © - Unpublished Work - See title page for details.

32-00-00  
FIG. 22  
PAGE 2  
JAN 20/09

**BOEING**  
757  
PARTS CATALOG (MAINTENANCE)



Y 3200023 SH1 1 REV 237

CONTROL INSTL- LG BRAKE  
FIGURE 23 (SHEET 1)

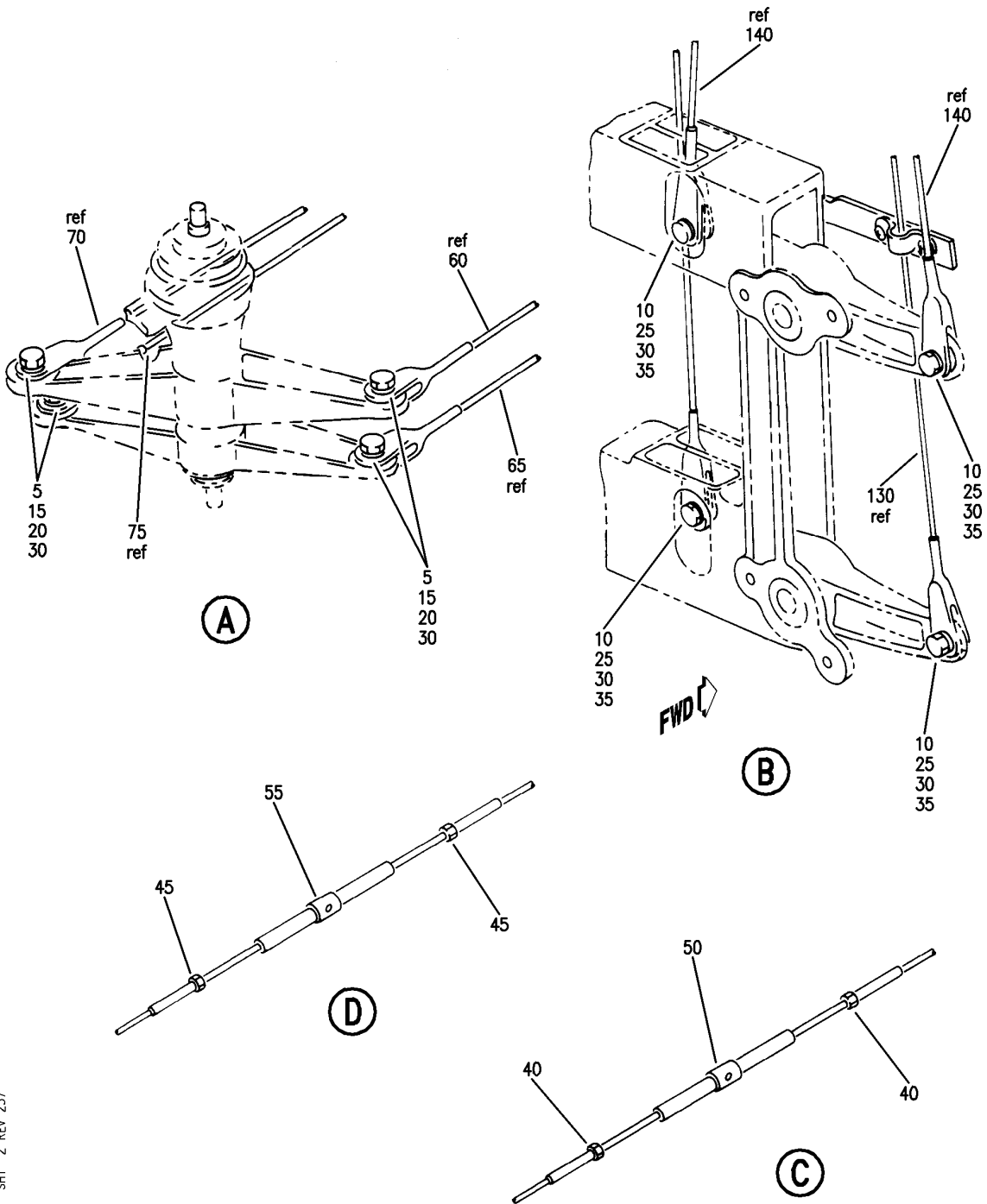
**32-00-00-23**

BRI  
MAY 28/07

32-00-00-23  
PAGE 0



**BOEING**  
757  
PARTS CATALOG (MAINTENANCE)



Y 32000023 SH1 2 REV 237

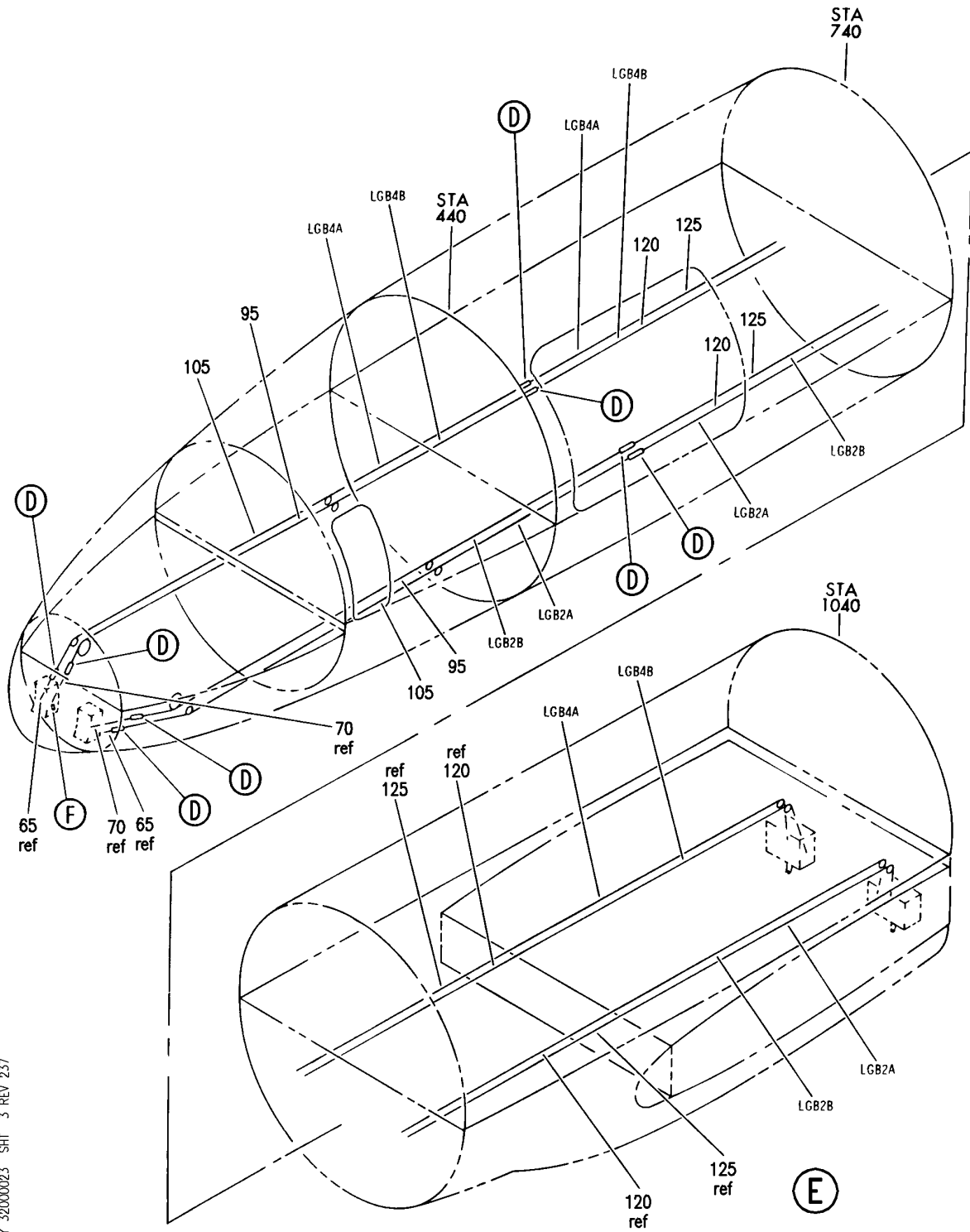
CONTROL INSTL- LG BRAKE  
FIGURE 23 (SHEET 2)

**32-00-00-23**

BRI  
MAY 28/07

32-00-00-23  
PAGE 0A

**BOEING**  
757  
PARTS CATALOG (MAINTENANCE)



Y 3200023 SHT 3 REV 237

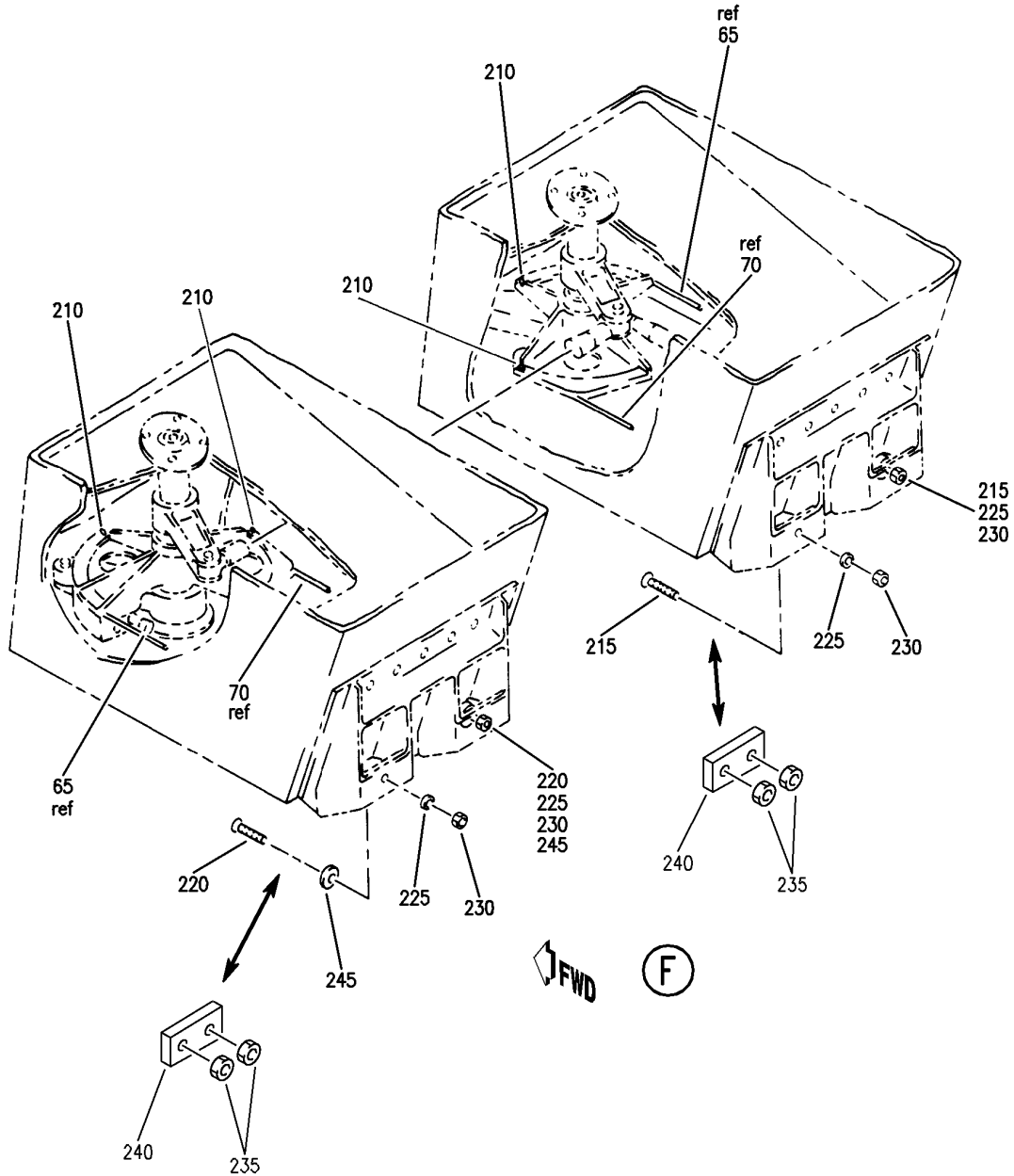
CONTROL INSTL- LG BRAKE  
FIGURE 23 (SHEET 3)

**32-00-00-23**

BRI  
MAY 28/07

32-00-00-23  
PAGE 0B

**BOEING**  
757  
PARTS CATALOG (MAINTENANCE)



Y 32000023 SH1 4 REV 237

CONTROL INSTL- LG BRAKE  
FIGURE 23 (SHEET 4)

**32-00-00-23**

BRI  
MAY 28/07

32-00-00-23  
PAGE 0C



757

PARTS CATALOG (MAINTENANCE)

FIG ITEM	PART NUMBER	1 2 3 4 5 6 7	NOMENCLATURE	EFFECT FROM TO	UNITS PER ASSY
23			CONTROL INSTL- LG BRAKE	002004 006100 107107 121503 904999	
- 1	274N2001-11		CONTROL INSTL-LG BRAKE VARIABLE DRAWING REF: 274N2001-103 274N2001-108 274N2001-111 274N2001-5005 274N2001-5007	002004 006100 107107 121503 904999	1
5	BACB30NF4-8		.BOLT	107107 121503 904949	8
10	BACB30LJ4-8		.BOLT	002004 006100 950999	8
15	AN960-416		.WASHER	107107 121503 904949	8
20	AN960KD416		.WASHER	107107 121503 904949	8
25	AN960C416		.WASHER	002004 006100 950999	8
30	BRH10C4D		.NUT- SUPPLIER CODE: V52828 SPECIFICATION NUMBER: BACN10JC4CD OPTIONAL PART: T6C428JCD V11815 NS202486-048 V80539 102LH9075-4W V72962 H51650-4BAC V15653	107107 121503 904949	16

MISSING ITEM NUMBERS NOT APPLICABLE

- ITEM NOT ILLUSTRATED

32-00-00-23

32-00-00  
FIG. 23  
PAGE 1  
JAN 20/09

BRI



757

PARTS CATALOG (MAINTENANCE)

FIG ITEM	PART NUMBER	1 2 3 4 5 6 7	NOMENCLATURE	EFFECT FROM TO	UNITS PER ASSY
23					
35	BRH10C4D	.NUT-	SUPPLIER CODE: V52828 SPECIFICATION NUMBER: BACN10JC4CD OPTIONAL PART: T6C428JCD V11815 NS202486-048 V80539 102LH9075-4W V72962 H51650-4BAC V15653	002004 006100 107107 950999	8
40	BACC15AJ2	.CLIP-		107107 121503 904949	32
45	BACC15AJ2	.CLIP-		002004 006100 950999	16
50	MS21251B3L	.TURNBUCKLE BODY-		107107 121503 904949	16
55	MS21251B3L	.TURNBUCKLE BODY-		002004 006100 950999	8
60	274N2112-17	.CABLE ASSY-LGB1A, LGB3A		107107 904949	2
60	274N2112-25	.CABLE ASSY-LGB1A, LGB3A		107107 904949	2
65	274N2112-18	.CABLE ASSY-LGB2A, LGB4A		107107 904949	2
65	274N2112-26	.CABLE ASSY-LGB2A, LGB4A		107107 904949	2
65	BACC2C3D00262FG	.CABLE ASSY-LGB2A, LGB4A		002004 006100 950999	2
70	274N2112-19	.CABLE ASSY-LGB1B, LGB3B		107107 904949	2
70	274N2112-27	.CABLE ASSY-LGB1B, LGB3B		107107 904949	2
75	274N2112-20	.CABLE ASSY-LGB2B, LGB4B		107107 904949	2
75	274N2112-28	.CABLE ASSY-LGB2B, LGB4B		107107 904949	2
75	BACC2C3D00349FG	.CABLE ASSY-LGB2B, LGB4B		002004 006100 950999	2

MISSING ITEM NUMBERS NOT APPLICABLE

- ITEM NOT ILLUSTRATED

32-00-00-23

32-00-00  
FIG. 23  
PAGE 2  
JAN 20/09

BRI



757

PARTS CATALOG (MAINTENANCE)

FIG ITEM	PART NUMBER	1 2 3 4 5 6 7	NOMENCLATURE	EFFECT FROM TO	UNITS PER ASSY
23					
- 80	69B81732-1	..	CLEVIS-	107107 904949	1
- 80	69B81732-2	..	CLEVIS-	107107 904949	1
- 85	MS21260L3RH	..	TERMINAL	107107 904949	1
90	BACC2C3D03447EE	.	CABLE ASSY-LGB2B, LGB4B	002004 006100 107107 121503 904999	2
100	BACC2C3D03580EE	.	CABLE ASSY-LGB2A, LGB4A	002004 006100 107107 121503 904999	2
100	BACC2C3A03580EE	.	CABLE ASSY-LGB2A, LGB4A MISCELLANEOUS DATA: ZINC-ONLY AND TIN-OVER-ZINC COATED CABLES ARE INTERCHANGEABLE, AND MAY BE INTERMIXED WITHIN A SYSTEM PROVIDING OPPOSITE CABLES WITHIN A GIVEN CABLE LOOP ARE REPLACED WITH CABLES OF THE SAME TYPE.	002004 006100 107107 121503 904999	2
110	BACC2C3D03669EE	.	CABLE ASSY-LGB1B, LGB3B	107107 121503 904949	2
110	BACC2C3A03669EE	.	CABLE ASSY-LGB1B, LGB3B MISCELLANEOUS DATA: ZINC-ONLY AND TIN-OVER-ZINC COATED CABLES ARE INTERCHANGEABLE, AND MAY BE INTERMIXED WITHIN A SYSTEM, PROVIDING OPPOSITE CABLES WITHIN A GIVEN CABLE LOOP ARE REPLACED WITH CABLES OF THE SAME TYPE.	107107 121503 904949	2
115	BACC2C3D03823EE	.	CABLE ASSY-LGB1A, LGB3A	107107 121503 904949	2

MISSING ITEM NUMBERS NOT APPLICABLE

- ITEM NOT ILLUSTRATED

32-00-00-23

32-00-00  
FIG. 23  
PAGE 3  
JAN 20/09

BRI



757

PARTS CATALOG (MAINTENANCE)

FIG ITEM	PART NUMBER	1 2 3 4 5 6 7	NOMENCLATURE	EFFECT FROM TO	UNITS PER ASSY
23 115	BACC2C3A03823EE		.CABLE ASSY-LGB1A, LGB3A MISCELLANEOUS DATA: ZINC-ONLY AND TIN-OVER-ZINC COATED CABLES ARE INTERCHANGEABLE, AND MAY BE INTERMIXED WITHIN A SYSTEM, PROVIDING OPPOSITE CABLES WITHIN A GIVEN CABLE LOOP ARE REPLACED WITH CABLES OF THE SAME TYPE.	107107 121503 904949	2
120	BACC2C3D04706FG		.CABLE ASSY-LGB2A, LGB4A MISCELLANEOUS DATA: ZINC-ONLY AND TIN-OVER-ZINC COATED CABLES ARE INTERCHANGEABLE, AND MAY BE INTERMIXED WITHIN A SYSTEM, PROVIDING OPPOSITE CABLES WITHIN A GIVEN CABLE LOOP ARE REPLACED WITH CABLES OF THE SAME TYPE.	002004 006100 950999	2
125	BACC2C3D04743FG		.CABLE ASSY-LGB2B, LGB4B MISCELLANEOUS DATA: ZINC-ONLY AND TIN-OVER-ZINC COATED CABLES ARE INTERCHANGEABLE, AND MAY BE INTERMIXED WITHIN A SYSTEM, PROVIDING OPPOSITE CABLES WITHIN A GIVEN CABLE LOOP ARE REPLACED SAME TYPE.	002004 006100 950999	2
130	274N2112-5		.CABLE ASSY-LGB1B, LGB3B	107107 904949	2
130	274N2112-21		.CABLE ASSY-LGB1B, LGB3B	107107 904949	2
130	274N2112-29		.CABLE ASSY-LGB1B, LGB3B	107107 904949	2
135	274N2112-24		.CABLE ASSY-LGB1A, LGB3A	107107 904949	2
135	274N2112-31		.CABLE ASSY-LGB1A, LGB3A	107107 904949	2

MISSING ITEM NUMBERS NOT APPLICABLE

- ITEM NOT ILLUSTRATED

32-00-00-23

32-00-00  
FIG. 23  
PAGE 4  
JAN 20/09

BRI



757

PARTS CATALOG (MAINTENANCE)

FIG ITEM	PART NUMBER	1 2 3 4 5 6 7	NOMENCLATURE	EFFECT FROM TO	UNITS PER ASSY
23					
140	274N2112-23		.CABLE ASSY-LGB2A, LGB2B, LGB4A, LGB4B	107107 904949	4
140	274N2112-30		.CABLE ASSY-LGB2A, LGB2B, LGB4A, LGB4B	107107 904949	4
- 145	69B81732-1		..CLEVIS-	107107 904949	1
- 145	69B81732-2		..CLEVIS-	107107 904949	1
- 150	MS21260L3RH		..TERMINAL	107107 904949	1
- 155	251N6002-21		.BRACKET INSTL-LGB AND NGPP PULLEY POSITION DATA: STA 266 LH VARIABLE DRAWING REF: 251N6002-25 FUNCTIONAL REFERENCE: LANDING GEAR FOR DETAILS SEE 32-41-51-02 32-51-52-01	002004 006100 107107 121503 904999	1
- 160	251N6002-22		.BRACKET INSTL-LGB AND NGPP PULLEY POSITION DATA: STA 266 RH VARIABLE DRAWING REF: 251N6002-26 FOR DETAILS SEE: 32-41-51-02	002004 006100 107107 121503 904999	1
- 165	251N6012-11		.BRACKET INSTL-LGB PULLEY POSITION DATA: STA 395 LH VARIABLE DRAWING REF: 251N6012-17 FOR DETAILS SEE: 32-41-51-01	002004 006100 107107 121503 904999	1
- 170	251N6012-12		.BRACKET INSTL-LGB PULLEY POSITION DATA: STA 395 RH VARIABLE DRAWING REF: 251N6012-18 FOR DETAILS SEE: 32-41-51-01	002004 006100 107107 121503 904999	1
- 175	251N6012-19		.BRACKET INSTL-LGB PULLEY POSITION DATA: STA 418 LH FOR DETAILS SEE: 32-41-51-01	107107 904949	1

MISSING ITEM NUMBERS NOT APPLICABLE

- ITEM NOT ILLUSTRATED

32-00-00-23

32-00-00  
FIG. 23  
PAGE 5  
JAN 20/09

BRI





757

PARTS CATALOG (MAINTENANCE)

FIG ITEM	PART NUMBER	1 2 3 4 5 6 7	NOMENCLATURE	EFFECT FROM TO	UNITS PER ASSY
23					
- 180	251N6012-20		.BRACKET INSTL-LGB PULLEY POSITION DATA: STA 418 RH FOR DETAILS SEE: 32-41-51-01	107107 904949	1
- 190	251N6028-8		.SEAL INSTL-SLOPING PRESSURE DECK PRESSURE POSITION DATA: STA 1040 TO 1063 VARIABLE DRAWING REF: 251N6028-12 FOR DETAILS SEE: 27-51-25-10	002004 006100 107107 121503 904999	1
- 195	251N6028-9		.SEAL INSTL-SLOPING PRESSURE DECK PRESSURE POSITION DATA: STA 1040 TO 1060 VARIABLE DRAWING REF: 251N6028-13 FOR DETAILS SEE: 32-41-56-01	002004 006100 107107 121503 904999	1
- 200	251N6023-11		.BRACKET INSTL-LGB CABLES PULLEY POSITION DATA: STA 1041.55 AND 1040.75 LH VARIABLE DRAWING REF: 251N6023-21 FOR DETAILS SEE: 32-41-51-04	002004 006100 107107 121503 904999	1
- 205	251N6023-12		.BRACKET INSTL-LGB CABLES PULLEY POSITION DATA: STA 1041.55 AND 1040.75 RH VARIABLE DRAWING REF: 251N6023-22 FOR DETAILS SEE: 32-41-51-04	002004 006100 107107 121503 904999	1
210	MS24665-132		.PIN-	002004 006100 950999	4
215	NAS514P1032-8		.SCREW-	002004 006100 950999	2
220	NAS514P1032-10		.SCREW-	002004 006100 950999	2

MISSING ITEM NUMBERS NOT APPLICABLE

- ITEM NOT ILLUSTRATED

32-00-00-23

32-00-00  
FIG. 23  
PAGE 6  
JAN 20/09

BRI



757

PARTS CATALOG (MAINTENANCE)

FIG ITEM	PART NUMBER	1 2 3 4 5 6 7	NOMENCLATURE	EFFECT FROM TO	UNITS PER ASSY
23					
225	AN960KD10	.	WASHER-	002004 006100 950999	4
230	MS21042L3	.	NUT-	002004 006100 950999	4
240	274N2038-1	.	STOP-	002004 006100 950999	4
245	274N2038-2	.	SHIM-	002004 006100 950999	2
- 250	274N2020-1	.	BUS INSTL-BRAKE PEDAL VARIABLE DRAWING REF: 274N2020-2 FOR DETAILS SEE: 32-41-01-02	002004 006100 107107 121503 904999	1
255	274N2012-6	.	MECHANISM INSTL-PARKING BRAKE FOR DETAILS SEE: 32-44-02-01	002004 006100 107107 121503 904999	1
- 260	274N2006-1	.	MODULE INSTL-LG BRAKE METERING VALVE POSITION DATA: LH VARIABLE DRAWING REF: 274N2006-29 POST SERVICE BULLETIN: 32-0083 FOR DETAILS SEE: 32-41-02-05	002004 006100 107107 121503 904999	1
- 265	274N2006-2	.	MODULE INSTL-LG BRAKE METERING VALVE POSITION DATA: RH VARIABLE DRAWING REF: 274N2006-30 POST SERVICE BULLETIN: 32-0083 FOR DETAILS SEE: 32-41-02-05	002004 006100 107107 121503 904999	1

MISSING ITEM NUMBERS NOT APPLICABLE

- ITEM NOT ILLUSTRATED

32-00-00-23

32-00-00  
FIG. 23  
PAGE 7  
JAN 20/09

BRI



757

PARTS CATALOG (MAINTENANCE)

FIG ITEM	PART NUMBER	1 2 3 4 5 6 7	NOMENCLATURE	EFFECT FROM TO	UNITS PER ASSY
23					
- 270	274N2006-3		.SUPPORT INSTL-LG BRAKE METERING VALVE POSITION DATA: LH VARIABLE DRAWING REF: 274N2006-11 FOR DETAILS SEE: 32-41-02-05	002004 006100 107107 121503 904999	1
- 275	274N2006-4		.SUPPORT INSTL-LG BRAKE METERING VALVE POSITION DATA: RH VARIABLE DRAWING REF: 274N2006-12 FOR DETAILS SEE: 32-41-02-05	002004 006100 107107 121503 904999	1
- 280	251N6025-1		.BRACKET INSTL-AIL. AND LGB CABLES PULLEY POSITION DATA: STA 1040-1063 LH VARIABLE DRAWING REF: 251N6025-5 FOR DETAILS SEE: 32-41-51-03	002004 006008 107107 121503 904949 952999	1
- 280	251N6025-11		.BRACKET INSTL-AIL. AND LGB CABLES PULLEY POSITION DATA: STA 1040-1063 LH FOR DETAILS SEE: 32-41-51-03	009100 950951	1
- 285	251N6025-2		.BRACKET INSTL-AIL. AND LGB CABLES PULLEY POSITION DATA: STA 1040-1063 RH VARIABLE DRAWING REF: 251N6025-6 FOR DETAILS SEE: 32-41-51-03	002004 006008 107107 121503 904949 952999	1
- 285	251N6025-12		.BRACKET INSTL-AIL. AND LGB CABLES PULLEY POSITION DATA: STA 1040-1063 RH FOR DETAILS SEE: 32-41-51-03	009100 950951	1
- 290	274N2013-1		.SWITCH INSTL-BRAKE AIDS FOR DETAILS SEE: 31-35-11-01	904949	1

MISSING ITEM NUMBERS NOT APPLICABLE

- ITEM NOT ILLUSTRATED

32-00-00-23

32-00-00  
FIG. 23  
PAGE 8  
JAN 20/09

BRI



757

PARTS CATALOG (MAINTENANCE)

FIG ITEM	PART NUMBER	1 2 3 4 5 6 7	NOMENCLATURE	EFFECT FROM TO	UNITS PER ASSY
23 - 290	274N2013-2		.SWITCH INSTL-BRAKE AIDS FOR DETAILS SEE: 31-35-11-01	121503	1

MISSING ITEM NUMBERS NOT APPLICABLE

- ITEM NOT ILLUSTRATED

BRI

32-00-00-23

BOEING PROPRIETARY - Copyright © - Unpublished Work - See title page for details.

32-00-00  
FIG. 23  
PAGE 9  
JAN 20/09

 **BOEING**  
757  
**PARTS CATALOG (MAINTENANCE)**

NON-ILLUSTRATED FIGURE

THE ITEMS REFLECTED IN THIS FIGURE ARE INTENTIONALLY  
NON-ILLUSTRATED. THEY ARE REFERENCED TO EITHER A  
NEXT HIGHER OR NEXT LOWER ASSEMBLY/INSTALLATION FIGURE.

Y 3200024 REV 236

CONTROL INSTL-NOSE WHEEL STEERING  
FIGURE 24

**32-00-00-24**

BRI  
MAY 28/07

32-00-00-24  
PAGE 0



757

PARTS CATALOG (MAINTENANCE)

FIG ITEM	PART NUMBER	1 2 3 4 5 6 7	NOMENCLATURE	EFFECT FROM TO	UNITS PER ASSY
24			CONTROL INSTL-NOSE WHEEL STEERING	002004 006100 107107 121503 904999	
- 1	275N2001-10		CONTROL INSTL-NOSE WHEEL STEERING	002004 006100 107107 121503 904999	1
- 5	275N2001-41		.CONTROL INSTL-NOSE WHEEL STEERING VARIABLE DRAWING REF: 275N2001-741 FOR DETAILS SEE: 32-51-53-01	002004 006100 107107 121503 904999	1

MISSING ITEM NUMBERS NOT APPLICABLE

- ITEM NOT ILLUSTRATED

BRI

32-00-00-24

BOEING PROPRIETARY - Copyright © - Unpublished Work - See title page for details.

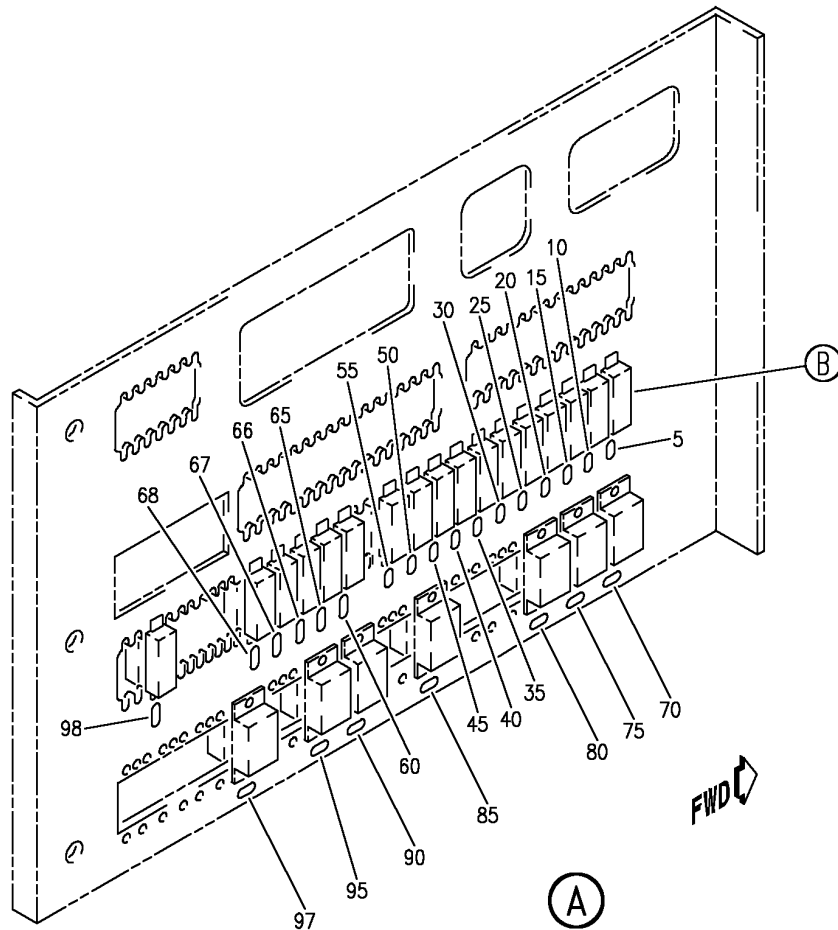
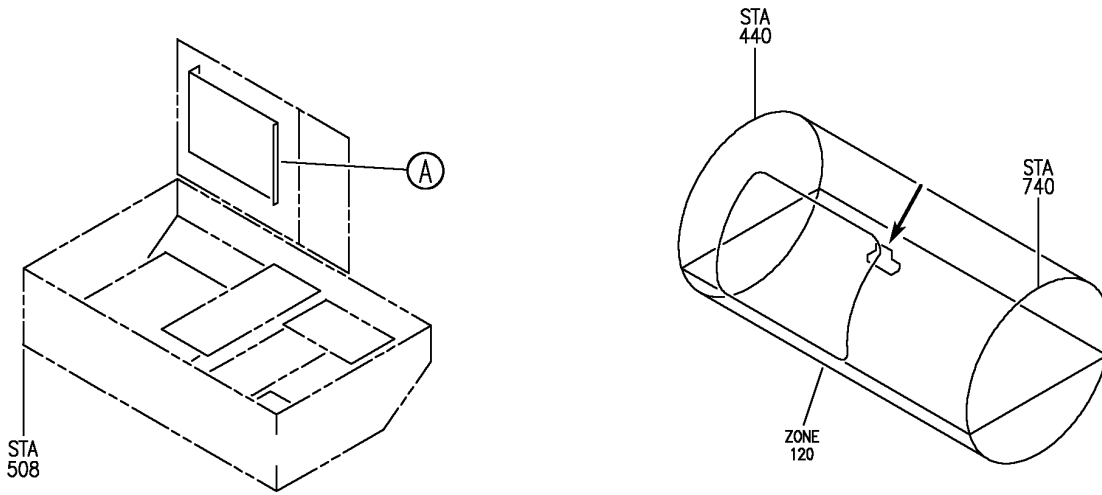
32-00-00  
FIG. 24  
PAGE 1  
JAN 20/09

## LANDING GEAR MULTIPLE USE SYSTEMS/COMPONENTS

BRI  
MAY 28/07

32-09-00  
SECTION TITLE  
PAGE 1

**BOEING**  
757  
PARTS CATALOG (MAINTENANCE)



Y 32090203 SH1 1 REV 269

PANEL ASSY-P36 MISC RELAY L (LANDING GEAR MULTIPLE USE SYSTEMS/COMPONENTS ONLY)  
FIGURE 3 (SHEET 1)

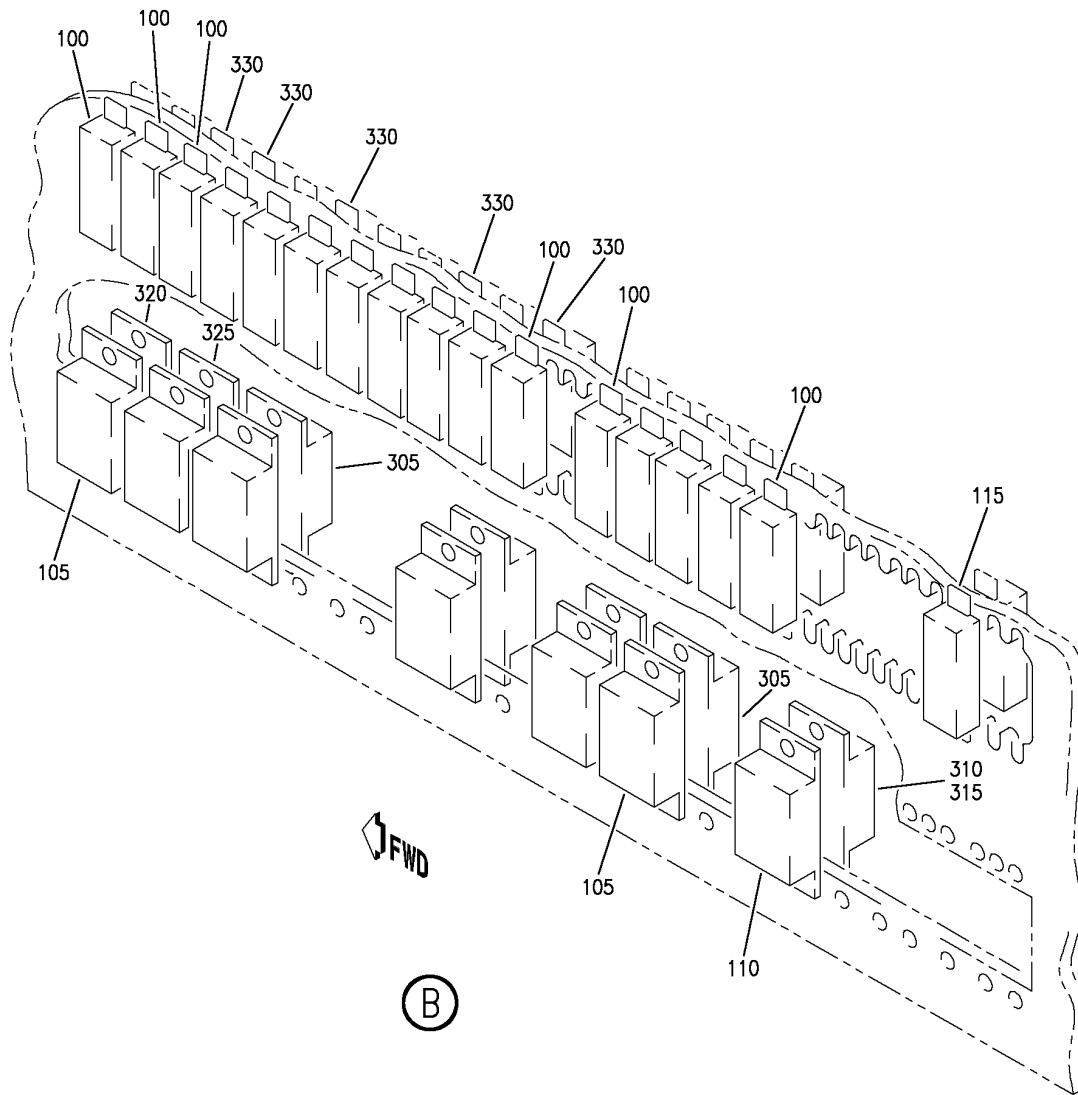
BRI  
MAY 28/07

**32-09-02-03**

32-09-02-03  
PAGE 0



**BOEING**  
757  
PARTS CATALOG (MAINTENANCE)



Y 32090203 SH1 2 REV 321

PANEL ASSY-P36 MISC RELAY L (LANDING GEAR MULTIPLE USE SYSTEMS/COMPONENTS ONLY)  
FIGURE 3 (SHEET 2)

BRI  
MAY 20/08

**32-09-02-03**

32-09-02-03  
PAGE 0A



757

PARTS CATALOG (MAINTENANCE)

FIG ITEM	PART NUMBER	1 2 3 4 5 6 7	NOMENCLATURE	EFFECT FROM TO	UNITS PER ASSY
3			PANEL ASSY-P36 MISC RELAY L (LANDING GEAR MULTIPLE USE SYSTEMS/COMPONENTS ONLY)	002004 006100 107107 121503 904999	
- 1	284N1125-1		PANEL ASSY-P36 MISC RELAY (LANDING GEAR MULTIPLE USE SYSTEMS/COMPONENTS ONLY) POSITION DATA: L VARIABLE DRAWING REF: 284N1125-5023 284N1125-5030 284N1125-5049 284N1125-5050 284N1125-5054 REWORKED BY SB: 34-0200 REWORKED BY ALERT SB: 27A0130 FOR NHA/OTHER SYS DET SEE: 31-01-36-01B	002004 006100 107107 121503 904999	RF
5	BAC27TEX0266		.DECAL- PLACARD CONTENT: K124	002004 006100 107107 121503 904999	1
10	BAC27TEX0280		.DECAL- PLACARD CONTENT: K135	002004 006100 107107 121503 904999	1
15	BAC27TEX0270		.DECAL- PLACARD CONTENT: K140	002004 006100 107107 121503 904999	1
20	BAC27TEX0271		.DECAL- PLACARD CONTENT: K141	002004 006100 107107 121503 904999	1
25	BAC27TEX0272		.DECAL- PLACARD CONTENT: K142	002004 006100 107107 121503 904999	1

MISSING ITEM NUMBERS NOT APPLICABLE

- ITEM NOT ILLUSTRATED

32-09-02-03

32-09-02  
FIG. 03  
PAGE 1  
JAN 20/09

BRI



757

PARTS CATALOG (MAINTENANCE)

FIG ITEM	PART NUMBER	1 2 3 4 5 6 7	NOMENCLATURE	EFFECT FROM TO	UNITS PER ASSY
3					
30	BAC27TEX0273	.DECAL-	PLACARD CONTENT: K143	002004 006100 107107 121503 904999	1
35	BAC27TEX0278	.DECAL-	PLACARD CONTENT: K148	002004 006100 107107 121503 904999	1
40	BAC27TEX0279	.DECAL-	PLACARD CONTENT: K149	002004 006100 107107 121503 904999	1
45	BAC27NEX0189	.DECAL-	PLACARD CONTENT: K167	107107 121503 904949	1
50	BAC27TEX0170	.DECAL-	PLACARD CONTENT: K170	002004 006100 107107 121503 904999	1
55	BAC27TEX0171	.DECAL-	PLACARD CONTENT: K177	002004 006100 107107 121503 904999	1
60	BAC27NEX0206	.DECAL-	PLACARD CONTENT: K10108	107107 121503 904949	1
65	BAC27NEX0232	.DECAL-	PLACARD CONTENT: K10238	107107 121503 904949	1
66	BAC27NEX1534	.DECAL-	PLACARD CONTENT: K10384	002004 006100 107107 121503 904999	1
67	BAC27NEX1535	.DECAL-	PLACARD CONTENT: K10385	002004 006100 107107 121503 904999	1
68	BAC27NEX1536	.DECAL-	PLACARD CONTENT: K10388	002004 006100 107107 121503 904999	1

MISSING ITEM NUMBERS NOT APPLICABLE

- ITEM NOT ILLUSTRATED

32-09-02-03

32-09-02  
FIG. 03  
PAGE 2  
JAN 20/09

BRI



757

PARTS CATALOG (MAINTENANCE)

FIG ITEM	PART NUMBER	1 2 3 4 5 6 7	NOMENCLATURE	EFFECT FROM TO	UNITS PER ASSY
3					
70	BAC27TEX0275	.DECAL-	PLACARD CONTENT: K145	002004 006100 107107 121503 904999	1
75	BAC27TEX0172	.DECAL-	PLACARD CONTENT: K178	002004 006100 107107 121503 904999	1
80	BAC27TEX0282	.DECAL-	PLACARD CONTENT: K199	002004 006100 107107 121503 904999	1
85	BAC27NEX0205	.DECAL-	PLACARD CONTENT: K10107	107107 121503 904949	1
90	BAC27NEX0881	.DECAL-	PLACARD CONTENT: K10306	107107 121503 904949	1
95	BAC27NEX0882	.DECAL-	PLACARD CONTENT: K10307	107107 121503 904949	1
97	BAC27TEX0274	.DECAL-	PLACARD CONTENT: K144	002004 006100 107107 950999	1
98	BAC27NEX2668	.DECAL-	PLACARD CONTENT: K10691	002004 006100 121503 950999	1

MISSING ITEM NUMBERS NOT APPLICABLE

- ITEM NOT ILLUSTRATED

32-09-02-03

32-09-02  
FIG. 03  
PAGE 3  
JAN 20/09

BRI

BOEING PROPRIETARY - Copyright © - Unpublished Work - See title page for details.



757

PARTS CATALOG (MAINTENANCE)

FIG ITEM	PART NUMBER	1 2 3 4 5 6 7	NOMENCLATURE	EFFECT FROM TO	UNITS PER ASSY
3 100	W460F1A		.RELAY- SUPPLIER CODE: VF0219 SPECIFICATION NUMBER: BACR13CE2 OPTIONAL PART: 3SAH5-13-4K1 V01526 3SAH1326A2 V01526 ELECTRICAL EQUIP NUMBER: K00124 K00135 K00140 K00141 K00142 K00143 K00148 K00149 K00167 K00170 K00177 K10108 K10238 K10384 K10385 K10388	002004 006100 107107 121503 904999	16
105	E410-1537		.RELAY- SUPPLIER CODE: V99699 SPECIFICATION NUMBER: BACR13CG2A OPTIONAL PART: E415-1078 V99699 BR230S0116 V56623 KD4A017 V58687 FCA410-62 V78290 ELECTRICAL EQUIP NUMBER: K00145 K00178 K00199 K10107 K10306 K10307	002004 006100 107107 121503 904999	6

MISSING ITEM NUMBERS NOT APPLICABLE

- ITEM NOT ILLUSTRATED

BRI

32-09-02-03

BOEING PROPRIETARY - Copyright © - Unpublished Work - See title page for details.

32-09-02  
FIG. 03  
PAGE 4  
JAN 20/09



757

PARTS CATALOG (MAINTENANCE)

FIG ITEM	PART NUMBER	1 2 3 4 5 6 7	NOMENCLATURE	EFFECT FROM TO	UNITS PER ASSY
3 110	E410-1537		.RELAY- SUPPLIER CODE: V99699 SPECIFICATION NUMBER: BACR13CG2A OPTIONAL PART: E415-1078 V99699 BR230S0116 V56623 KD4A017 V58687 FCA410-62 V78290 ELECTRICAL EQUIP NUMBER: K00144	002004 006100 107107 950999	1
115	W460F1A		.RELAY- SUPPLIER CODE: VF0219 SPECIFICATION NUMBER: BACR13CE2 OPTIONAL PART: 3SAH5-13-4K1 V01526 3SAH1326A2 V01526 ELECTRICAL EQUIP NUMBER: K10691	002004 006100 121503 950999	1
- 300	286N1260-002		WIRE BUNDLE ASSY-(LANDING GEAR MULTIPLE USE SYSTEMS /COMPONENTS ONLY) REWORKED BY ALERT SB: 27A0130	121503 904949	RF
- 300	286N1260-003		WIRE BUNDLE ASSY-(LANDING GEAR MULTIPLE USE SYSTEMS /COMPONENTS ONLY) REWORKED BY ALERT SB: 27A0130	107107	RF
- 300	286N1260-005		WIRE BUNDLE ASSY-(LANDING GEAR MULTIPLE USE SYSTEMS /COMPONENTS ONLY) REWORKED BY SB: 34-0200 REWORKED BY ALERT SB: 27A0130	002004 006100 950999	RF

MISSING ITEM NUMBERS NOT APPLICABLE

- ITEM NOT ILLUSTRATED

32-09-02-03

32-09-02  
FIG. 03  
PAGE 5  
JAN 20/09

BRI



757

PARTS CATALOG (MAINTENANCE)

FIG ITEM	PART NUMBER	1 2 3 4 5 6 7	NOMENCLATURE	EFFECT FROM TO	UNITS PER ASSY
3 305	BACS16W1		.SOCKET- ELECTRICAL EQUIP NUMBER: D00596 D00598 D04182 D04184 WIRING DIAGRAM REF: 320911	002004 006100 107107 121503 904999	4
310	BACS16W1		.SOCKET- ELECTRICAL EQUIP NUMBER: D00592 WIRING DIAGRAM REF: 320911	002004 006100 107107 950999	1
320	BACS16W1		.SOCKET- ELECTRICAL EQUIP NUMBER: D00594 WIRING DIAGRAM REF: 320911	002004 006100 107107 121503 904999	1

MISSING ITEM NUMBERS NOT APPLICABLE

- ITEM NOT ILLUSTRATED

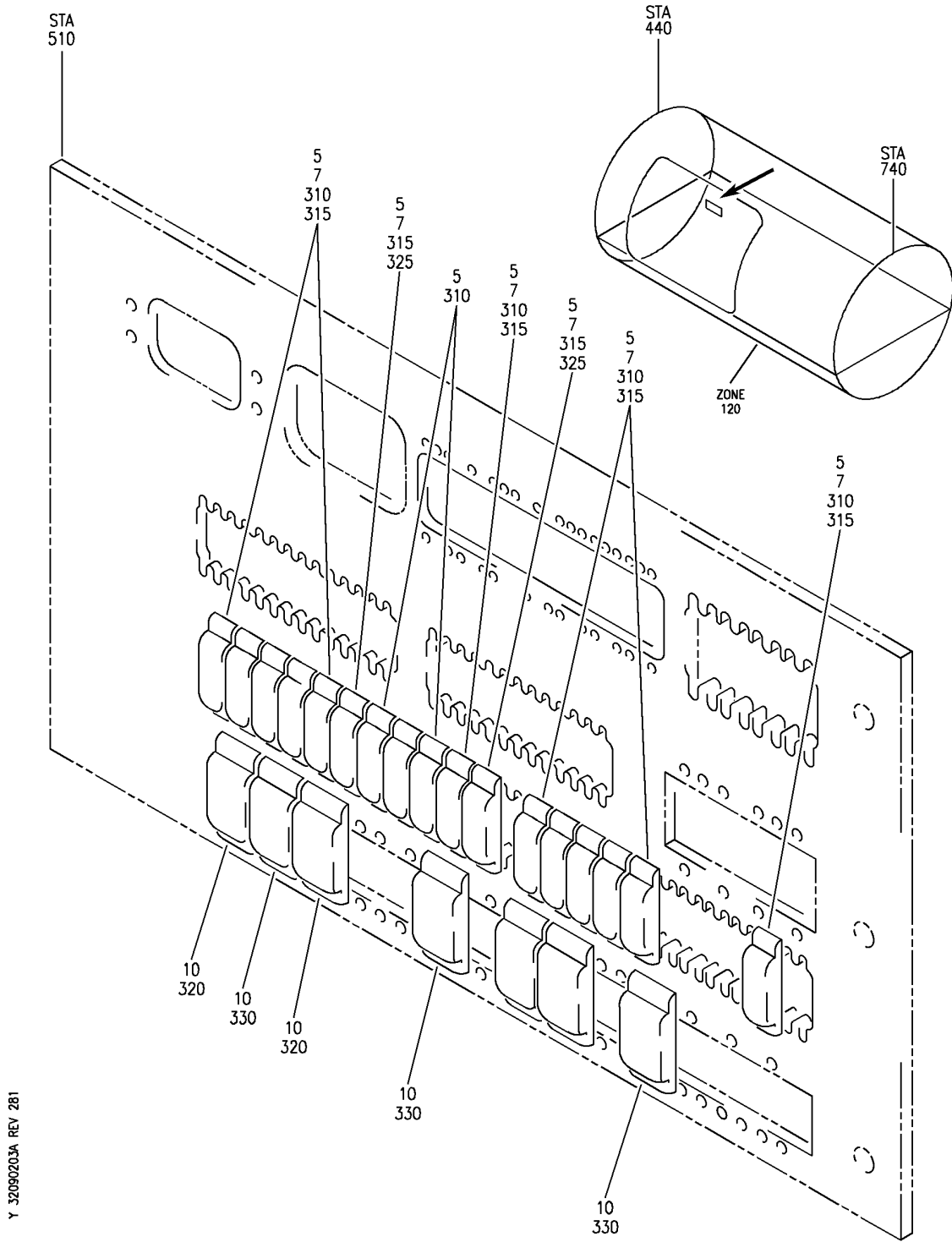
BRI

32-09-02-03

BOEING PROPRIETARY - Copyright © - Unpublished Work - See title page for details.

32-09-02  
FIG. 03  
PAGE 6  
JAN 20/09

**BOEING**  
757  
**PARTS CATALOG (MAINTENANCE)**



Y 32090203A REV 281

OPTION PACKAGE ASSY-P36 MISC RELAY LH (LANDING GEAR MULTIPLE USE SYSTEMS AND COMPONENTS ONLY)  
FIGURE 3A

BRI  
MAY 28/07

**32-09-02-03A**

32-09-02-03A  
PAGE 0





757

PARTS CATALOG (MAINTENANCE)

FIG ITEM	PART NUMBER	1 2 3 4 5 6 7	NOMENCLATURE	EFFECT FROM TO	UNITS PER ASSY
3A			OPTION PACKAGE ASSY-P36 MISC RELAY LH (LANDING GEAR MULTIPLE USE SYSTEMS AND COMPONENTS ONLY)	101102 504903	
- 1	284N1125-1018		OPTION PACKAGE ASSY-P36 MISC RELAY (LANDING GEAR MULTIPLE USE SYSTEMS AND COMPONENTS ONLY) POSITION DATA: LH REWORKED BY ALERT SB: 27A0130 FOR NHA/OTHER SYS DET SEE: 31-01-36-05	101102 504903	RF
5	W460F1A		.RELAY- SUPPLIER CODE: VF0219 SPECIFICATION NUMBER: BACR13CE2 OPTIONAL PART: 3SAH5-13-4K1 V01526 3SAH1326A2 V01526 ELECTRICAL EQUIP NUMBER: K00124 K00135 K00140 K00141 K00142 K00143 K00148 K00149 K00167 K00170 K00177 K10108 K10238 K10384 K10385 K10388 K10691	101102 504903	17

MISSING ITEM NUMBERS NOT APPLICABLE

- ITEM NOT ILLUSTRATED

BRI

32-09-02-03A

BOEING PROPRIETARY - Copyright © - Unpublished Work - See title page for details.

32-09-02  
FIG. 03A  
PAGE 1  
JAN 20/09



757

PARTS CATALOG (MAINTENANCE)

FIG ITEM	PART NUMBER	1 2 3 4 5 6 7	NOMENCLATURE	EFFECT FROM TO	UNITS PER ASSY
3A 10	E410-1537		.RELAY- SUPPLIER CODE: V99699 SPECIFICATION NUMBER: BACR13CG2A OPTIONAL PART: E415-1078 V99699 BR230S0116 V56623 KD4A017 V58687 FCA410-62 V78290 ELECTRICAL EQUIP NUMBER: K00144 K00145 K00178 K00199 K10107 K10306 K10307	101102 504903	7
- 301	286N1260-358		WIRE BUNDLE ASSY- REWORKED BY ALERT SB: 27A0130	101102	RF
- 301	286N1260-364		WIRE BUNDLE ASSY- REWORKED BY ALERT SB: 27A0130	504903	RF

MISSING ITEM NUMBERS NOT APPLICABLE

- ITEM NOT ILLUSTRATED

32-09-02-03A

32-09-02  
FIG. 03A  
PAGE 2  
JAN 20/09

BRI



757

PARTS CATALOG (MAINTENANCE)

FIG ITEM	PART NUMBER	1 2 3 4 5 6 7	NOMENCLATURE	EFFECT FROM TO	UNITS PER ASSY
3A 310	RSE120027		.SOCKET- SUPPLIER CODE: V58982 SPECIFICATION NUMBER: BACS16AF1 OPTIONAL PART: 451120-027 V58982 ELECTRICAL EQUIP NUMBER: D00582 D01780 D00584 D00586 D00588 D00600 D00602 D01782 D00604 D01784 D02754 D04706 D04708 D04510 D06914 WIRING DIAGRAM REF: 320911	101102 504903	15
320	BACS16W1		.SOCKET- ELECTRICAL EQUIP NUMBER: D00594 D00598 WIRING DIAGRAM REF: 320911	101102 504903	2
325	RSE120027		.SOCKET- SUPPLIER CODE: V58982 SPECIFICATION NUMBER: BACS16AF1 OPTIONAL PART: 451120-027 V58982 ELECTRICAL EQUIP NUMBER: D00590 D00606 WIRING DIAGRAM REF: 320911	101102 504903	2

MISSING ITEM NUMBERS NOT APPLICABLE

- ITEM NOT ILLUSTRATED

32-09-02-03A

32-09-02  
FIG. 03A  
PAGE 3  
JAN 20/09

BRI



757

PARTS CATALOG (MAINTENANCE)

FIG ITEM	PART NUMBER	1 2 3 4 5 6 7	NOMENCLATURE	EFFECT FROM TO	UNITS PER ASSY
3A 330	BACS16W1		. SOCKET- ELECTRICAL EQUIP NUMBER: D00592 D00608 D00596 D04182 D04184 WIRING DIAGRAM REF: 320911	101102 504903	5

MISSING ITEM NUMBERS NOT APPLICABLE

- ITEM NOT ILLUSTRATED

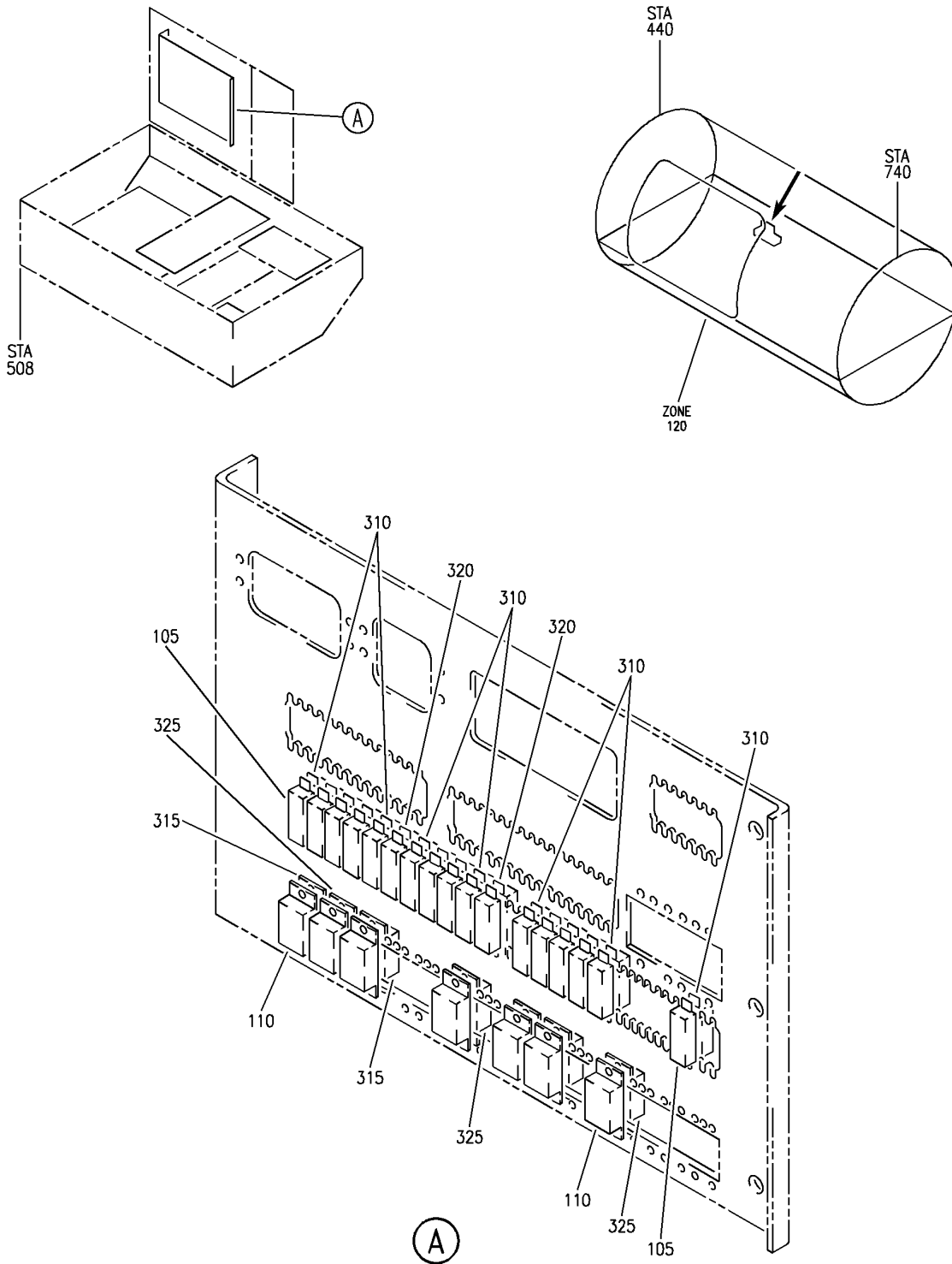
BRI

32-09-02-03A

BOEING PROPRIETARY - Copyright © - Unpublished Work - See title page for details.

32-09-02  
FIG. 03A  
PAGE 4  
JAN 20/09

**BOEING**  
757  
PARTS CATALOG (MAINTENANCE)



Y 32090203C SHT 1 REV 281

PANEL INSTL-P36 L MISC RELAY (LANDING GEAR MULTIPLE USE SYSTEMS/ COMPONENTS ONLY)  
FIGURE 3C

BRI  
JAN 20/09

**32-09-02-03C**

32-09-02-03C  
PAGE 0



757

PARTS CATALOG (MAINTENANCE)

FIG ITEM	PART NUMBER	1 2 3 4 5 6 7	NOMENCLATURE	EFFECT FROM TO	UNITS PER ASSY
3C			PANEL INSTL-P36 L MISC RELAY (LANDING GEAR MULTIPLE USE SYSTEMS/ COMPONENTS ONLY)	103106 108120	
- 3	284N1125-94		PANEL INSTL-P36 L MISC RELAY (LANDING GEAR MULTIPLE USE SYSTEMS/ COMPONENTS ONLY) FOR NHA/OTHER SYS DET SEE: 24-00-58-05C	108120	RF

MISSING ITEM NUMBERS NOT APPLICABLE

- ITEM NOT ILLUSTRATED

BRI

32-09-02-03C

BOEING PROPRIETARY - Copyright © - Unpublished Work - See title page for details.

32-09-02  
FIG. 03C  
PAGE 1  
JAN 20/09



757

PARTS CATALOG (MAINTENANCE)

FIG ITEM	PART NUMBER	1 2 3 4 5 6 7	NOMENCLATURE	EFFECT FROM TO	UNITS PER ASSY
3C - 7	MODREF31944		PANEL INSTL-P36 L MISC RELAY (LANDING GEAR MULTIPLE USE SYSTEMS/ COMPONENTS ONLY) MODULE NUMBER: 284N1125-123 REV A FOR OTHER SYS DETAILS SEE: 11-36-08-03C 21-25-71-02C 21-33-71-02C 21-51-56-01C 21-58-71-02C 23-12-00-05 23-31-54-01C 23-34-52-01C 24-21-51-01A 26-15-71-02C 26-16-71-01C 26-22-71-01C 27-48-52-03C 27-51-71-03C 27-58-71-02C 27-62-71-03C 29-11-71-03C 29-21-71-01C 30-21-71-03C 30-34-51-01C 31-01-36-01 32-35-71-01C 32-42-71-02C 32-44-71-02C 32-61-71-02C 34-12-71-02C 34-21-71-02C 34-22-52-01C 34-61-52-01C 36-11-71-02C 73-21-55-01C 74-31-71-02C 76-11-71-02C 77-12-71-01C 78-34-71-02C 78-36-71-02C 80-11-71-02C	103106	1

MISSING ITEM NUMBERS NOT APPLICABLE

- ITEM NOT ILLUSTRATED

32-09-02-03C

32-09-02  
FIG. 03C  
PAGE 2  
JAN 20/09

BRI



**757  
PARTS CATALOG (MAINTENANCE)**

FIG ITEM	PART NUMBER	1 2 3 4 5 6 7 NOMENCLATURE	EFFECT FROM TO	UNITS PER ASSY
3C 105	W460F1A	.RELAY- SUPPLIER CODE: VF0219 SPECIFICATION NUMBER: BACR13CE2 OPTIONAL PART: 3SAH5-13-4K1 V01526 3SAH1326A2 V01526 ELECTRICAL EQUIP NUMBER: K00124 K00135 K00140 K00141 K00142 K00143 K00148 K00149 K00167 K00170 K00177 K10108 K10238 K10384 K10385 K10388 K10691	103106 108120	17

MISSING ITEM NUMBERS NOT APPLICABLE

— ITEM NOT ILLUSTRATED

BRI

**32-09-02-03C**

BOEING PROPRIETARY - Copyright © - Unpublished Work - See title page for details.

32-09-02  
FIG. 03C  
PAGE 3  
JAN 20/09





757

PARTS CATALOG (MAINTENANCE)

FIG ITEM	PART NUMBER	1 2 3 4 5 6 7	NOMENCLATURE	EFFECT FROM TO	UNITS PER ASSY
3C 110	E410-1537		.RELAY- SUPPLIER CODE: V99699 SPECIFICATION NUMBER: BACR13CG2A OPTIONAL PART: E415-1078 V99699 BR230S0116 V56623 KD4A017 V58687 FCA410-62 V78290 ELECTRICAL EQUIP NUMBER: K00144 K00145 K00178 K00199 K10107 K10306 K10307	103106 108120	7
- 300	286N1260-357		WIRE BUNDLE ASSY	108120	RF
- 302	286N1260-601		WIRE BUNDLE ASSY	103106	RF

MISSING ITEM NUMBERS NOT APPLICABLE

- ITEM NOT ILLUSTRATED

32-09-02-03C

32-09-02  
FIG. 03C  
PAGE 4  
JAN 20/09

BRI



757

PARTS CATALOG (MAINTENANCE)

FIG ITEM	PART NUMBER	1 2 3 4 5 6 7	NOMENCLATURE	EFFECT FROM TO	UNITS PER ASSY
3C 310	RSE120027		.SOCKET- SUPPLIER CODE: V58982 SPECIFICATION NUMBER: BACS16AF1 OPTIONAL PART: 451120-027 V58982 ELECTRICAL EQUIP NUMBER: D00582 D01780 D00584 D00586 D00588 D00600 D00602 D01782 D00604 D01784 D02754 D04706 D04708 D04510 D06914 WIRING DIAGRAM REF: 320911	103106 108120	15
315	BACS16W1		.SOCKET- ELECTRICAL EQUIP NUMBER: D00594 D00598 WIRING DIAGRAM REF: 320911	103106 108120	2
320	RSE120027		.SOCKET- SUPPLIER CODE: V58982 SPECIFICATION NUMBER: BACS16AF1 OPTIONAL PART: 451120-027 V58982 ELECTRICAL EQUIP NUMBER: D00590 D00606 WIRING DIAGRAM REF: 320911	103106 108120	2

MISSING ITEM NUMBERS NOT APPLICABLE

- ITEM NOT ILLUSTRATED

32-09-02-03C

32-09-02  
FIG. 03C  
PAGE 5  
JAN 20/09

BRI



757

PARTS CATALOG (MAINTENANCE)

FIG ITEM	PART NUMBER	1 2 3 4 5 6 7	NOMENCLATURE	EFFECT FROM TO	UNITS PER ASSY
3C 325	BACS16W1		. SOCKET- ELECTRICAL EQUIP NUMBER: D00592 D00608 D00596 D04182 D04184 WIRING DIAGRAM REF: 320911	103106 108120	5

MISSING ITEM NUMBERS NOT APPLICABLE

- ITEM NOT ILLUSTRATED

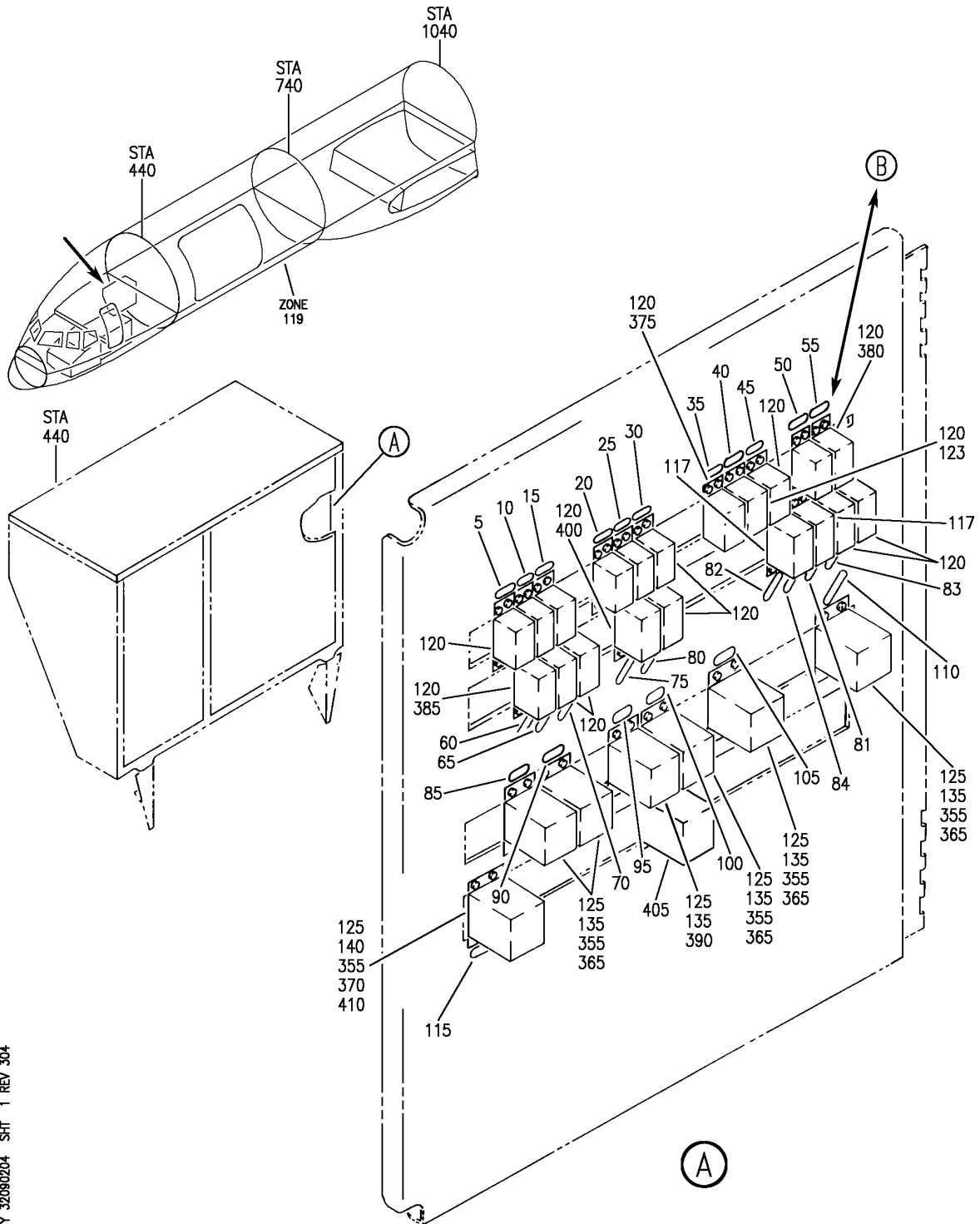
BRI

32-09-02-03C

BOEING PROPRIETARY - Copyright © - Unpublished Work - See title page for details.

32-09-02  
FIG. 03C  
PAGE 6  
JAN 20/09

**BOEING**  
757  
PARTS CATALOG (MAINTENANCE)



Y 32090204 SH1 1 REV 304

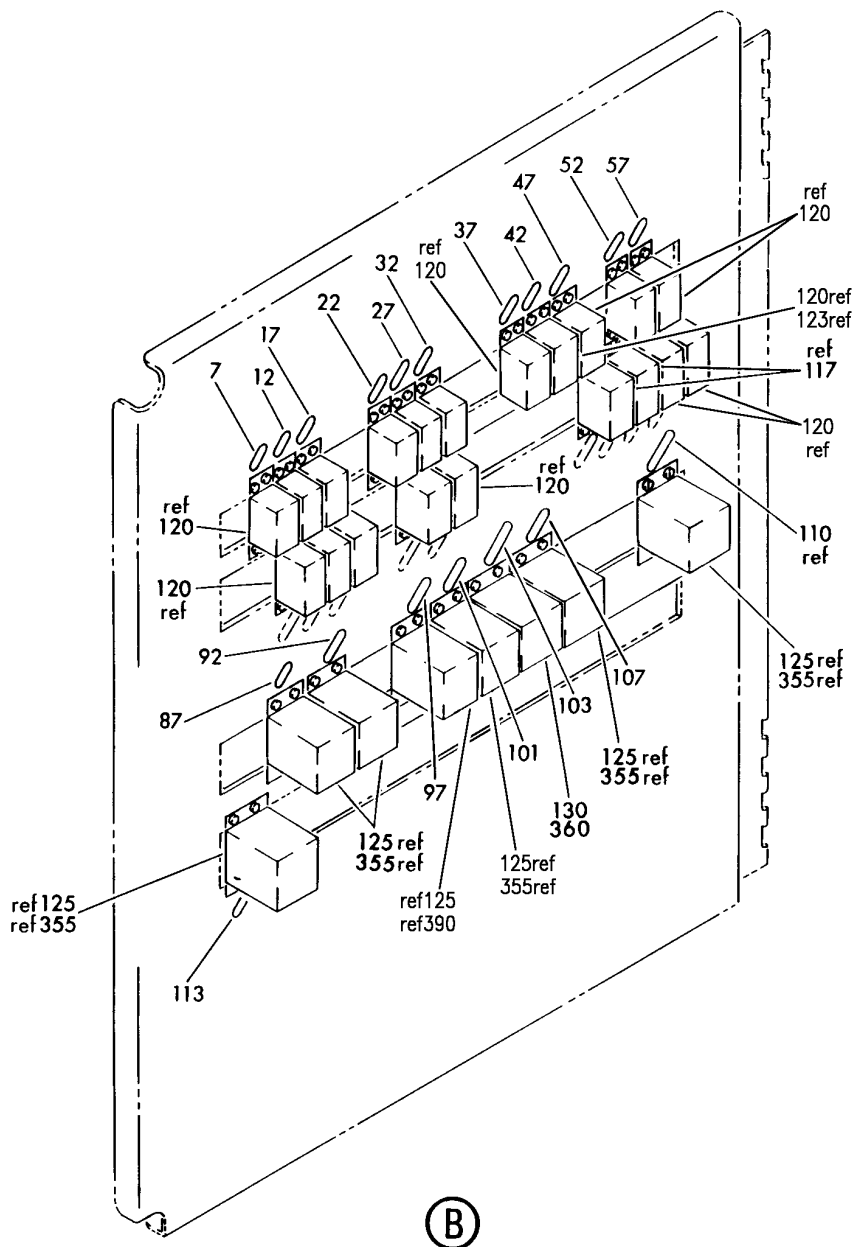
PANEL ASSY-P37 MISC RELAY (LANDING GEAR MULTIPLE USE SYSTEMS / COMPONENTS ONLY)  
FIGURE 4 (SHEET 1)

BRI  
MAY 28/07

**32-09-02-04**

32-09-02-04  
PAGE 0

**BOEING**  
757  
PARTS CATALOG (MAINTENANCE)



Y 32090204 SH1 2 REV 327

PANEL ASSY-P37 MISC RELAY (LANDING GEAR MULTIPLE USE SYSTEMS / COMPONENTS ONLY)  
FIGURE 4 (SHEET 2)

BRI  
SEP 20/08

**32-09-02-04**

32-09-02-04  
PAGE 0A



757

PARTS CATALOG (MAINTENANCE)

FIG ITEM	PART NUMBER	1 2 3 4 5 6 7	NOMENCLATURE	EFFECT FROM TO	UNITS PER ASSY
4			PANEL ASSY-P37 MISC RELAY (LANDING GEAR MULTIPLE USE SYSTEMS / COMPONENTS ONLY)	002004 006100 107107 121503 904999	
- 1	284N1127-1		PANEL ASSY-P37 MISC RELAY (LANDING GEAR MULTIPLE USE SYSTEMS/COMPONENTS ONLY) POSITION DATA: R VARIABLE DRAWING REF: 284N1127-5028 284N1127-5039 284N1127-5063 284N1127-5064 284N1127-5068 REWORKED BY SB: 33-0039 34-0200 REWORKED BY ALERT SB: 27A0130 FOR NHA/OTHER SYS DET SEE: 31-01-37-01B	002004 006100 107107 121503 904999	RF
5	BAC27TEX0319		.DECAL- PLACARD CONTENT: K200	107107	1
7	BAC27TEX0319		.DECAL- PLACARD CONTENT: K200	002004 006100 121503 904999	1
10	BAC27TEX0320		.DECAL- PLACARD CONTENT: K201	107107	1
12	BAC27TEX0320		.DECAL- PLACARD CONTENT: K201	002004 006100 121503 904999	1
15	BAC27TEX0321		.DECAL- PLACARD CONTENT: K202	107107	1
17	BAC27TEX0321		.DECAL- PLACARD CONTENT: K202	002004 006100 121503 904999	1
20	BAC27TEX0325		.DECAL- PLACARD CONTENT: K206	107107	1

MISSING ITEM NUMBERS NOT APPLICABLE

- ITEM NOT ILLUSTRATED

32-09-02-04

32-09-02  
FIG. 04  
PAGE 1  
JAN 20/09

BRI



757

PARTS CATALOG (MAINTENANCE)

FIG ITEM	PART NUMBER	1 2 3 4 5 6 7	NOMENCLATURE	EFFECT FROM TO	UNITS PER ASSY
4	22	BAC27TEX0325	.DECAL- PLACARD CONTENT: K206	002004 006100 121503 904999 107107	1
	25	BAC27TEX0326	.DECAL- PLACARD CONTENT: K207	002004 006100 121503 904999 107107	1
	27	BAC27TEX0326	.DECAL- PLACARD CONTENT: K207	002004 006100 121503 904999 107107	1
	30	BAC27TEX0361	.DECAL- PLACARD CONTENT: K208	002004 006100 121503 904999 107107	1
	32	BAC27TEX0361	.DECAL- PLACARD CONTENT: K208	002004 006100 121503 904999 107107	1
	35	BAC27TEX0329	.DECAL- PLACARD CONTENT: K211	002004 006100 121503 904999 107107	1
	37	BAC27TEX0329	.DECAL- PLACARD CONTENT: K211	002004 006100 121503 904999 107107	1
	40	BAC27TEX0332	.DECAL- PLACARD CONTENT: K214	002004 006100 121503 904999 107107	1
	42	BAC27TEX0332	.DECAL- PLACARD CONTENT: K214	002004 006100 121503 904999 107107	1
	45	BAC27TEX0330	.DECAL- PLACARD CONTENT: K215	002004 006100 121503 904999 107107	1
	47	BAC27TEX0330	.DECAL- PLACARD CONTENT: K215	002004 006100 121503 904999 107107	1
	50	BAC27TEX0342	.DECAL- PLACARD CONTENT: K219	002004 006100 121503 904999 107107	1
	52	BAC27TEX0342	.DECAL- PLACARD CONTENT: K219	002004 006100 121503 904999 107107	1
	55	BAC27TEX0337	.DECAL- PLACARD CONTENT: K263	002004 006100 121503 904999 107107	1

MISSING ITEM NUMBERS NOT APPLICABLE

- ITEM NOT ILLUSTRATED

32-09-02-04

32-09-02  
FIG. 04  
PAGE 2  
JAN 20/09

BRI

BOEING PROPRIETARY - Copyright © - Unpublished Work - See title page for details.



757

PARTS CATALOG (MAINTENANCE)

FIG ITEM	PART NUMBER	1 2 3 4 5 6 7	NOMENCLATURE	EFFECT FROM TO	UNITS PER ASSY
4	57 BAC27TEX0337	.DECAL-	PLACARD CONTENT: K263	002004 006100 121503 904999	1
	60 BAC27NEX0998	.DECAL-	PLACARD CONTENT: K10201	002004 006100 107107 121503 904999	1
	65 BAC27NEX0999	.DECAL-	PLACARD CONTENT: K10202	002004 006100 107107 121503 904999	1
	70 BAC27NEX1000	.DECAL-	PLACARD CONTENT: K10203	002004 006100 107107 121503 904999	1
	75 BAC27NEX1010	.DECAL-	PLACARD CONTENT: K10239	002004 006100 107107 121503 904999	1
	80 BAC27NEX1014	.DECAL-	PLACARD CONTENT: K10258	002004 006100 107107 121503 904999	1
	81 BAC27NEX1532	.DECAL-	PLACARD CONTENT: K10386	002004 006100 107107 121503 904999	1
	82 BAC27NEX1220	.DECAL-	PLACARD CONTENT: K10293	002004 006100 121503 904999	1
	83 BAC27NEX1533	.DECAL-	PLACARD CONTENT: K10387	002004 006100 107107 121503 904999	1
	84 BAC27NEX1221	.DECAL-	PLACARD CONTENT: K10294	002004 006100 121503 904999	1

MISSING ITEM NUMBERS NOT APPLICABLE

- ITEM NOT ILLUSTRATED

32-09-02-04

32-09-02  
FIG. 04  
PAGE 3  
JAN 20/09

BRI





757

PARTS CATALOG (MAINTENANCE)

FIG ITEM	PART NUMBER	1 2 3 4 5 6 7	NOMENCLATURE	EFFECT FROM TO	UNITS PER ASSY
4					
85	BAC27TEX0734	.DECAL-	PLACARD CONTENT: K203	107107	1
87	BAC27TEX0734	.DECAL-	PLACARD CONTENT: K203	002004 006100 121503 904999 107107	1
90	BAC27TEX0323	.DECAL-	PLACARD CONTENT: K204	107107	1
92	BAC27TEX0323	.DECAL-	PLACARD CONTENT: K204	002004 006100 121503 904999 107107	1
95	BAC27TEX0324	.DECAL-	PLACARD CONTENT: K205	107107	1
97	BAC27TEX0324	.DECAL-	PLACARD CONTENT: K205	002004 006100 121503 904999 107107	1
100	BAC27TEX0327	.DECAL-	PLACARD CONTENT: K209	107107	1
101	BAC27TEX0327	.DECAL-	PLACARD CONTENT: K209	002004 006100 121503 904999 107107	1
105	BAC27TEX0331	.DECAL-	PLACARD CONTENT: K213	107107	1
107	BAC27TEX0331	.DECAL-	PLACARD CONTENT: K213	002004 006100 121503 904999 107107	1
110	BAC27NEX1024	.DECAL-	PLACARD CONTENT: K10308	002004 006100 107107 121503 904999 107107	1
113	BAC27NEX1025	.DECAL-	PLACARD CONTENT: K10309 PRE ALERT SB: 27A0130 27A0130R2	002004 006100 904949 952952	1

MISSING ITEM NUMBERS NOT APPLICABLE

- ITEM NOT ILLUSTRATED

32-09-02-04

32-09-02  
FIG. 04  
PAGE 4  
JAN 20/09

BRI

BOEING PROPRIETARY - Copyright © - Unpublished Work - See title page for details.



757

PARTS CATALOG (MAINTENANCE)

FIG ITEM	PART NUMBER	1 2 3 4 5 6 7	NOMENCLATURE	EFFECT FROM TO	UNITS PER ASSY
4	113	BAC27NEX3174	.DECAL- PLACARD CONTENT: K10847 POST ALERT SB: 27A0130 27A0130R2	002004 006100 121503 904999	1
	115	BAC27NEX3174	.DECAL- PLACARD CONTENT: K10847 POST ALERT SB: 27A0130R2	107107	1
	117	W460F1A	.RELAY- SUPPLIER CODE: VF0219 SPECIFICATION NUMBER: BACR13CE2 OPTIONAL PART: 3SAH5-13-4K1 V01526 3SAH1326A2 V01526 ELECTRICAL EQUIP NUMBER: K10293 K10294	002004 006100 121503 904999	2

MISSING ITEM NUMBERS NOT APPLICABLE

- ITEM NOT ILLUSTRATED

BRI

32-09-02-04

BOEING PROPRIETARY - Copyright © - Unpublished Work - See title page for details.

32-09-02  
FIG. 04  
PAGE 5  
JAN 20/09



757

PARTS CATALOG (MAINTENANCE)

FIG ITEM	PART NUMBER	1 2 3 4 5 6 7	NOMENCLATURE	EFFECT FROM TO	UNITS PER ASSY
4 120	W460F1A		.RELAY- SUPPLIER CODE: VF0219 SPECIFICATION NUMBER: BACR13CE2 OPTIONAL PART: 3SAH5-13-4K1 V01526 3SAH1326A2 V01526 ELECTRICAL EQUIP NUMBER: K00200 K00201 K00202 K00206 K00207 K00208 K00214 K00215 K00219 K00263 K10201 K10202 K10203 K10239 K10258 K10386 K10387	002004 006100 107107 121503 904999	17
123	W460F1A		.RELAY- SUPPLIER CODE: VF0219 SPECIFICATION NUMBER: BACR13CE2 OPTIONAL PART: 3SAH5-13-4K1 V01526 3SAH1326A2 V01526 ELECTRICAL EQUIP NUMBER: K00211	002004 006100 107107 121503 904999	1

MISSING ITEM NUMBERS NOT APPLICABLE

- ITEM NOT ILLUSTRATED

BRI

32-09-02-04

BOEING PROPRIETARY - Copyright © - Unpublished Work - See title page for details.

32-09-02  
FIG. 04  
PAGE 6  
JAN 20/09



757

PARTS CATALOG (MAINTENANCE)

FIG ITEM	PART NUMBER	1 2 3 4 5 6 7	NOMENCLATURE	EFFECT FROM TO	UNITS PER ASSY
4 125	E410-1537		.RELAY- SUPPLIER CODE: V99699 SPECIFICATION NUMBER: BACR13CG2A OPTIONAL PART: E415-1078 V99699 BR230S0116 V56623 KD4A017 V58687 FCA410-62 V78290 ELECTRICAL EQUIP NUMBER: K00203 K00204 K00205 K00209 K00213 K10308 K10309	002004 006100 107107 121503 904999	7
- 350	286N1270-002		WIRE BUNDLE ASSY- REWORKED BY ALERT SB: 27A0130 34A0222	121503 904949	RF
- 350	286N1270-003		WIRE BUNDLE ASSY- REWORKED BY ALERT SB: 34A0222	107107	RF
- 350	286N1270-005		WIRE BUNDLE ASSY- REWORKED BY SB: 33-0039 34-0200 REWORKED BY ALERT SB: 27A0130 34A0222	002004 006100 950999	RF
- 353	280N3321-10203		.ID TAPE-ID PLACARD CONTENT: D10750 M/W D10847 POST ALERT SB: 27A0130	002004 006100 904949	1

MISSING ITEM NUMBERS NOT APPLICABLE

- ITEM NOT ILLUSTRATED

BRI

32-09-02-04

BOEING PROPRIETARY - Copyright © - Unpublished Work - See title page for details.

32-09-02  
FIG. 04  
PAGE 7  
JAN 20/09



**757  
PARTS CATALOG (MAINTENANCE)**

FIG ITEM	PART NUMBER	1 2 3 4 5 6 7	NOMENCLATURE	EFFECT FROM TO	UNITS PER ASSY
4 355	BACS16W1		.SOCKET- ELECTRICAL EQUIP NUMBER: D00616 D00618 D00626 D00634 D04090 D04092 WIRING DIAGRAM REF: 320912 303112	002004 006100 107107 121503 904999	6
390	BACS16W1		.SOCKET- ELECTRICAL EQUIP NUMBER: D00620 WIRING DIAGRAM REF: 320912	002004 006100 107107 121503 904999	1

MISSING ITEM NUMBERS NOT APPLICABLE

— ITEM NOT ILLUSTRATED

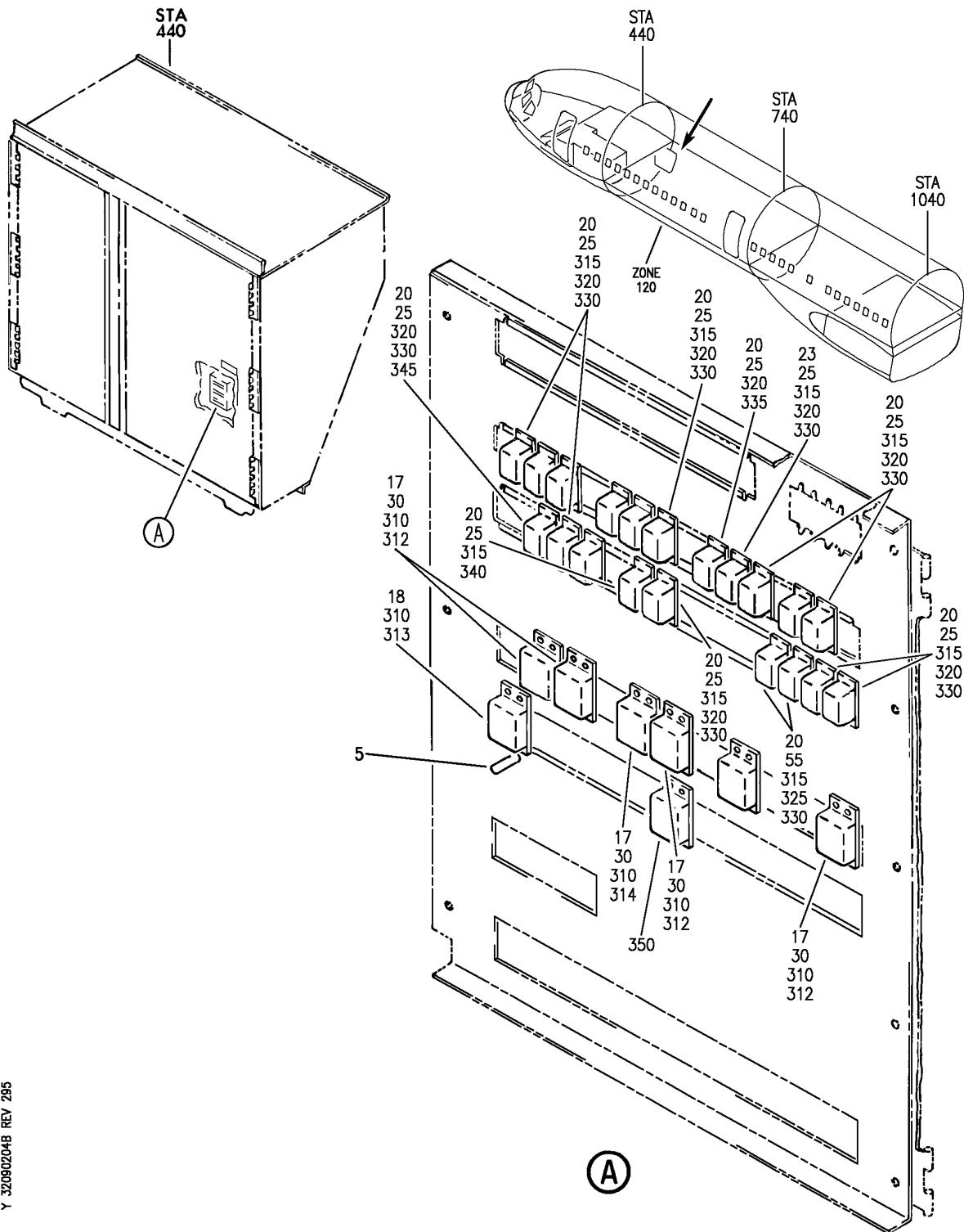
BRI

# 32-09-02-04

BOEING PROPRIETARY - Copyright © - Unpublished Work - See title page for details.

32-09-02  
FIG. 04  
PAGE 8  
JAN 20/09

**BOEING**  
757  
PARTS CATALOG (MAINTENANCE)



Y 32090204B REV 295

PACKAGE ASSY-OPTION P37 MISC RELAY (LANDING GEAR MULTIPLE USE SYSTEMS / COMPONENTS ONLY)  
FIGURE 4B

BRI  
MAY 28/07

**32-09-02-04B**

32-09-02-04B  
PAGE 0



757

PARTS CATALOG (MAINTENANCE)

FIG ITEM	PART NUMBER	1 2 3 4 5 6 7	NOMENCLATURE	EFFECT FROM TO	UNITS PER ASSY
4B			PACKAGE ASSY-OPTION P37 MISC RELAY (LANDING GEAR MULTIPLE USE SYSTEMS / COMPONENTS ONLY)	101102 504903	
- 1	284N1127-1041		PACKAGE ASSY-OPTION P37 MISC RELAY (LANDING GEAR MULTIPLE USE SYSTEMS/COMPONENTS ONLY) MISCELLANEOUS DATA: 757 MAJOR MODEL REWORKED BY ALERT SB: 27A0130 FOR NHA/OTHER SYS DET SEE: 31-01-37-02	101102 504903	RF
5	BAC27NEX3174		.DECAL- PLACARD CONTENT: K10847 POST ALERT SB: 27A0130	101102 504903	1
17	E410-1537		.RELAY- SUPPLIER CODE: V99699 SPECIFICATION NUMBER: BACR13CG2A OPTIONAL PART: E415-1078 V99699 BR230S0116 V56623 KD4A017 V58687 FCA410-62 V78290 ELECTRICAL EQUIP NUMBER: K00203 K00204 K00205 K00209 K00213 K10308	101102 504903	6

MISSING ITEM NUMBERS NOT APPLICABLE

- ITEM NOT ILLUSTRATED

32-09-02-04B

32-09-02  
FIG. 04B  
PAGE 1  
JAN 20/09

BRI



757

PARTS CATALOG (MAINTENANCE)

FIG ITEM	PART NUMBER	1 2 3 4 5 6 7	NOMENCLATURE	EFFECT FROM TO	UNITS PER ASSY
4B 18	E410-1537		.RELAY- SUPPLIER CODE: V99699 SPECIFICATION NUMBER: BACR13CG2A OPTIONAL PART: E415-1078 V99699 BR230S0116 V56623 KD4A017 V58687 FCA410-62 V78290 ELECTRICAL EQUIP NUMBER: K10309 PRE ALERT SB: 27A0130	101102 504903	1
18	E410-1537		.RELAY- SUPPLIER CODE: V99699 SPECIFICATION NUMBER: BACR13CG2A OPTIONAL PART: E415-1078 V99699 BR230S0116 V56623 KD4A017 V58687 FCA410-62 V78290 ELECTRICAL EQUIP NUMBER: K10847 POST ALERT SB: 27A0130	101102 504903	1

MISSING ITEM NUMBERS NOT APPLICABLE

- ITEM NOT ILLUSTRATED

32-09-02-04B

32-09-02  
FIG. 04B  
PAGE 2  
JAN 20/09

BRI

BOEING PROPRIETARY - Copyright © - Unpublished Work - See title page for details.





757

PARTS CATALOG (MAINTENANCE)

FIG ITEM	PART NUMBER	1 2 3 4 5 6 7	NOMENCLATURE	EFFECT FROM TO	UNITS PER ASSY
4B 20	W460F1A		.RELAY- SUPPLIER CODE: VF0219 SPECIFICATION NUMBER: BACR13CE2 OPTIONAL PART: 3SAH5-13-4K1 V01526 3SAH1326A2 V01526 ELECTRICAL EQUIP NUMBER: K00200 K00201 K00202 K00206 K00207 K00208 K00214 K00215 K00219 K00263 K10201 K10202 K10203 K10239 K10258 K10293 K10294 K10386 K10387	101102 504903	19
23	W460F1A		.RELAY- SUPPLIER CODE: VF0219 SPECIFICATION NUMBER: BACR13CE2 OPTIONAL PART: 3SAH5-13-4K1 V01526 3SAH1326A2 V01526 ELECTRICAL EQUIP NUMBER: K00211 REWORKED BY ALERT SB: 27A0130R1	101102 504903	1
- 300	286N1270-336		WIRE BUNDLE ASSY- REWORKED BY ALERT SB: 34A0222 27A0130	504903	RF

MISSING ITEM NUMBERS NOT APPLICABLE

- ITEM NOT ILLUSTRATED

32-09-02-04B

32-09-02  
FIG. 04B  
PAGE 3  
JAN 20/09

BRI

BOEING PROPRIETARY - Copyright © - Unpublished Work - See title page for details.



757

PARTS CATALOG (MAINTENANCE)

FIG ITEM	PART NUMBER	1 2 3 4 5 6 7	NOMENCLATURE	EFFECT FROM TO	UNITS PER ASSY
4B - 301	286N1270-361		WIRE BUNDLE ASSY- REWORKED BY ALERT SB: 34A0222 27A0130	101101	RF
- 302	286N1270-399		WIRE BUNDLE ASSY- REWORKED BY ALERT SB: 34A0222 27A0130	102102	RF
- 306	280N3321-10203		.ID TAPE- PLACARD CONTENT: D10750, M/W K10847 POST ALERT SB: 27A0130	101102 504903	1
312	BACS16W1		.SOCKET- ELECTRICAL EQUIP NUMBER: D00616 D00618 D00626 D00634 D04090 WIRING DIAGRAM REF: 320912 303112	101102 504903	5
313	BACS16W1		.SOCKET- ELECTRICAL EQUIP NUMBER: D04092 WIRING DIAGRAM REF: 320912 PRE ALERT SB: 27A0130	101102 504903	1
313	RSF116400		.SOCKET- SUPPLIER CODE: V58982 SPECIFICATION NUMBER: BACS16W1A OPTIONAL PART: 102-009-1 V09922 000300-1539 V05574 ELECTRICAL EQUIP NUMBER: D10750 WIRING DIAGRAM REF: 303112 POST ALERT SB: 27A0130	101102 504903	1

MISSING ITEM NUMBERS NOT APPLICABLE

- ITEM NOT ILLUSTRATED

32-09-02-04B

32-09-02  
FIG. 04B  
PAGE 4  
JAN 20/09

BRI



757

PARTS CATALOG (MAINTENANCE)

FIG ITEM	PART NUMBER	1 2 3 4 5 6 7	NOMENCLATURE	EFFECT FROM TO	UNITS PER ASSY
4B 314	BACS16W1		.SOCKET- ELECTRICAL EQUIP NUMBER: D00620 WIRING DIAGRAM REF: 320912	101102 504903	1
315	RSE120027		.SOCKET- SUPPLIER CODE: V58982 SPECIFICATION NUMBER: BACS16AF1 OPTIONAL PART: 451120-027 V58982 ELECTRICAL EQUIP NUMBER: D00610 D00612 D00614 D00622 D00624 D01868 D00636 D01872 D01870 D01866 D00628 D00632 D02676 D03118 D04046 D04122 D04674 D04676 WIRING DIAGRAM REF: 320912 320923 313162 270912	101102 504903	18
335	RSE120027		.SOCKET- SUPPLIER CODE: V58982 SPECIFICATION NUMBER: BACS16AF1 OPTIONAL PART: 451120-027 V58982 ELECTRICAL EQUIP NUMBER: D00630 WIRING DIAGRAM REF: 320912	101102 504903	1

MISSING ITEM NUMBERS NOT APPLICABLE

- ITEM NOT ILLUSTRATED

32-09-02-04B

32-09-02  
FIG. 04B  
PAGE 5  
JAN 20/09

BRI



757

PARTS CATALOG (MAINTENANCE)

FIG ITEM	PART NUMBER	1 2 3 4 5 6 7	NOMENCLATURE	EFFECT FROM TO	UNITS PER ASSY
4B 345	RSE120027		. SOCKET- SUPPLIER CODE: V58982 SPECIFICATION NUMBER: BACS16AF1 OPTIONAL PART: 451120-027 V58982 ELECTRICAL EQUIP NUMBER: D01864 WIRING DIAGRAM REF: 320912	101102 504903	1

MISSING ITEM NUMBERS NOT APPLICABLE

- ITEM NOT ILLUSTRATED

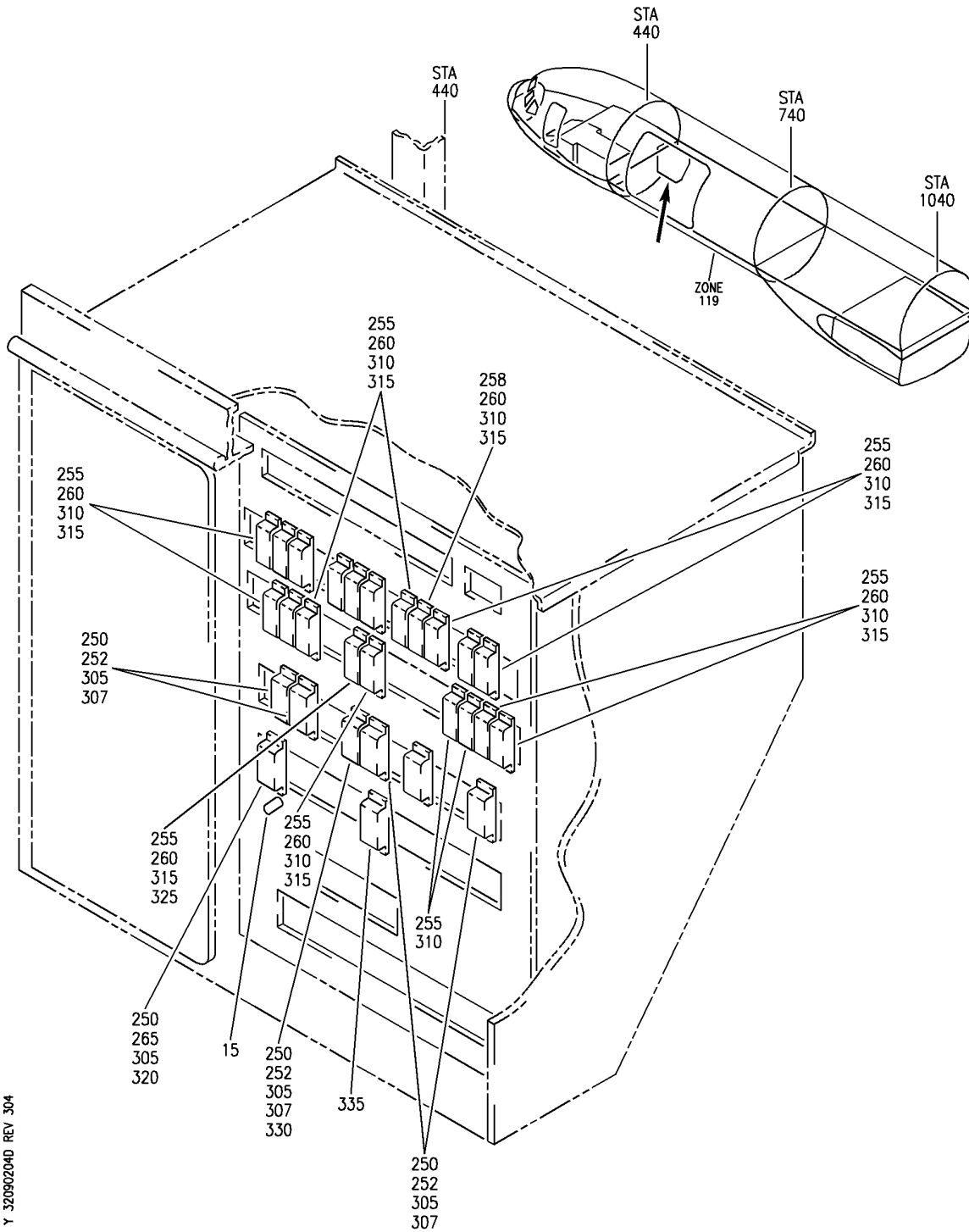
BRI

32-09-02-04B

BOEING PROPRIETARY - Copyright © - Unpublished Work - See title page for details.

32-09-02  
FIG. 04B  
PAGE 6  
JAN 20/09

**BOEING**  
757  
PARTS CATALOG (MAINTENANCE)



Y 32090204D REV 304

PANEL INSTL-P37 R MISC RELAY (LANDING GEAR MULTIPLE USE SYSTEMS/ COMPONENTS ONLY)  
FIGURE 4D

BRI  
JAN 20/09

**32-09-02-04D**

32-09-02-04D  
PAGE 0



757

PARTS CATALOG (MAINTENANCE)

FIG ITEM	PART NUMBER	1 2 3 4 5 6 7 NOMENCLATURE	EFFECT FROM TO	UNITS PER ASSY
4 D		PANEL INSTL-P37 R MISC RELAY (LANDING GEAR MULTIPLE USE SYSTEMS/ COMPONENTS ONLY)	103106 108120	

MISSING ITEM NUMBERS NOT APPLICABLE

- ITEM NOT ILLUSTRATED

BRI

32-09-02-04D

BOEING PROPRIETARY - Copyright © - Unpublished Work - See title page for details.

32-09-02  
FIG. 04D  
PAGE 1  
JAN 20/09



757

PARTS CATALOG (MAINTENANCE)

FIG ITEM	PART NUMBER	1 2 3 4 5 6 7	NOMENCLATURE	EFFECT FROM TO	UNITS PER ASSY
4 D - 1	MODREF185037		PANEL INSTL-P37 R MISC RELAY (LANDING GEAR MULTIPLE USE SYSTEMS/ COMPONENTS ONLY) MODULE NUMBER: 284N1127-169 REV D FOR OTHER SYS DETAILS SEE: 11-36-12-02A 21-25-71-02D 21-44-71-02D 21-45-31-01D 21-51-55-01D 21-58-71-02D 21-61-71-02D 23-31-51-05 24-21-51-05 24-51-01-02 24-51-02-03 24-51-58-02D 27-62-71-03D 28-22-71-03D 29-21-71-01D 30-11-71-02D 30-21-71-03D 30-31-71-02D 30-32-71-02D 30-33-71-02D 30-34-51-01D 31-01-37-10 31-31-71-02D 32-42-71-02D 32-61-71-02D 33-43-55-01D 33-51-71-01D 34-12-71-02D 34-25-50-01D 34-61-52-01D 35-21-71-02D 36-11-71-02D 38-15-71-02D 73-21-55-01D 74-31-71-02D 76-11-71-02D 77-12-71-01D 78-34-71-02D 78-36-71-02D 80-11-71-02D	106106	1

MISSING ITEM NUMBERS NOT APPLICABLE

- ITEM NOT ILLUSTRATED

32-09-02-04D

32-09-02  
FIG. 04D  
PAGE 2  
JAN 20/09

BRI



757

PARTS CATALOG (MAINTENANCE)

FIG ITEM	PART NUMBER	1 2 3 4 5 6 7	NOMENCLATURE	EFFECT FROM TO	UNITS PER ASSY
4 D - 3	284N1127-118		PANEL INSTL-P37 R MISC RELAY (LANDING GEAR MULTIPLE USE SYSTEMS/ COMPONENTS ONLY) FOR NHA/OTHER SYS DET SEE: 24-00-58-05C	108108	RF
- 4	284N1127-139		PANEL INSTL-P37 R MISC RELAY (LANDING GEAR MULTIPLE USE SYSTEMS/ COMPONENTS ONLY) FOR NHA/OTHER SYS DET SEE: 24-00-58-05C	109120	RF

MISSING ITEM NUMBERS NOT APPLICABLE

- ITEM NOT ILLUSTRATED

BRI

32-09-02-04D

BOEING PROPRIETARY - Copyright © - Unpublished Work - See title page for details.

32-09-02  
FIG. 04D  
PAGE 3  
JAN 20/09





757

PARTS CATALOG (MAINTENANCE)

FIG ITEM	PART NUMBER	1 2 3 4 5 6 7	NOMENCLATURE	EFFECT FROM TO	UNITS PER ASSY
4 D - 8	MODREF31945		PANEL INSTL-P37 R MISC RELAY (LANDING GEAR MULTIPLE USE SYSTEMS/ COMPONENTS ONLY) MODULE NUMBER: 284N1127-169 REV B FOR OTHER SYS DETAILS SEE: 11-36-12-02A 21-25-71-02D 21-44-71-02D 21-45-31-01D 21-51-55-01D 21-58-71-02D 21-61-71-02D 23-31-51-05 24-21-51-05 24-51-01-02 24-51-02-03 24-51-58-02D 27-62-71-03D 28-22-71-03D 29-21-71-01D 30-11-71-02D 30-21-71-03D 30-31-71-02D 30-32-71-02D 30-33-71-02D 30-34-51-01D 31-01-37-10 31-31-71-02D 32-42-71-02D 32-61-71-02D 33-43-55-01D 33-51-71-01D 34-12-71-02D 34-25-50-01D 34-61-52-01D 35-21-71-02D 36-11-71-02D 38-15-71-02D 73-21-55-01D 74-31-71-02D 76-11-71-02D 77-12-71-01D 78-34-71-02D 78-36-71-02D 80-11-71-02D	103103	1

MISSING ITEM NUMBERS NOT APPLICABLE

- ITEM NOT ILLUSTRATED

**32-09-02-04D**

32-09-02  
 FIG. 04D  
 PAGE 4  
 JAN 20/09

BRI



757

PARTS CATALOG (MAINTENANCE)

FIG ITEM	PART NUMBER	1 2 3 4 5 6 7	NOMENCLATURE	EFFECT FROM TO	UNITS PER ASSY
4 D - 9	MODREF34305		PANEL INSTL-P37 R MISC RELAY (LANDING GEAR MULTIPLE USE SYSTEMS/ COMPONENTS ONLY) MODULE NUMBER: 284N1127-169 REV C FOR OTHER SYS DETAILS SEE: 11-36-12-02A 21-25-71-02D 21-44-71-02D 21-45-31-01D 21-51-55-01D 21-58-71-02D 21-61-71-02D 23-31-51-05 24-21-51-05 24-51-01-02 24-51-02-03 24-51-58-02D 27-62-71-03D 28-22-71-03D 29-21-71-01D 30-11-71-02D 30-21-71-03D 30-31-71-02D 30-32-71-02D 30-33-71-02D 30-34-51-01D 31-01-37-10 31-31-71-02D 32-42-71-02D 32-61-71-02D 33-43-55-01D 33-51-71-01D 34-12-71-02D 34-25-50-01D 34-61-52-01D 35-21-71-02D 36-11-71-02D 38-15-71-02D 73-21-55-01D 74-31-71-02D 76-11-71-02D 77-12-71-01D 78-34-71-02D 78-36-71-02D 80-11-71-02D	104105	1

MISSING ITEM NUMBERS NOT APPLICABLE

- ITEM NOT ILLUSTRATED

**32-09-02-04D**

32-09-02  
 FIG. 04D  
 PAGE 5  
 JAN 20/09

BRI



757

PARTS CATALOG (MAINTENANCE)

FIG ITEM	PART NUMBER	1 2 3 4 5 6 7	NOMENCLATURE	EFFECT FROM TO	UNITS PER ASSY
4D 250	E410-1537		.RELAY- SUPPLIER CODE: V99699 SPECIFICATION NUMBER: BACR13CG2A OPTIONAL PART: E415-1078 V99699 BR230S0116 V56623 KD4A017 V58687 FCA410-62 V78290 ELECTRICAL EQUIP NUMBER: K00203 K00204 K00205 K00209 K00213 K10308 K10847	108120	7
250	E410-1537		.RELAY- SUPPLIER CODE: V99699 SPECIFICATION NUMBER: BACR13CG2A OPTIONAL PART: E415-1078 V99699 BR230S0116 V56623 KD4A017 V58687 FCA410-62 V78290 ELECTRICAL EQUIP NUMBER: K00203 K00204 K00205 K00209 K00213 K10308 K10815	103106	7

MISSING ITEM NUMBERS NOT APPLICABLE

- ITEM NOT ILLUSTRATED

32-09-02-04D

32-09-02  
FIG. 04D  
PAGE 6  
JAN 20/09

BRI

BOEING PROPRIETARY - Copyright © - Unpublished Work - See title page for details.



757

PARTS CATALOG (MAINTENANCE)

FIG ITEM	PART NUMBER	1 2 3 4 5 6 7	NOMENCLATURE	EFFECT FROM TO	UNITS PER ASSY
4D 255	W460F1A		.RELAY- SUPPLIER CODE: VF0219 SPECIFICATION NUMBER: BACR13CE2 OPTIONAL PART: 3SAH5-13-4K1 V01526 3SAH1326A2 V01526 ELECTRICAL EQUIP NUMBER: K00200 K00201 K00202 K00206 K00207 K00208 K00214 K00215 K00219 K00263 K10201 K10202 K10203 K10239 K10258 K10293 K10294 K10386 K10387	103106 108120	19
258	W460F1A		.RELAY- SUPPLIER CODE: VF0219 SPECIFICATION NUMBER: BACR13CE2 OPTIONAL PART: 3SAH5-13-4K1 V01526 3SAH1326A2 V01526 ELECTRICAL EQUIP NUMBER: K00211	103106 108120	1
- 300	286N1270-360		WIRE BUNDLE ASSY- REWORKED BY ALERT SB: 34A022	108120	RF
- 302	286N1270-602		WIRE BUNDLE ASSY	103106	RF

MISSING ITEM NUMBERS NOT APPLICABLE

- ITEM NOT ILLUSTRATED

32-09-02-04D

32-09-02  
FIG. 04D  
PAGE 7  
JAN 20/09

BRI

BOEING PROPRIETARY - Copyright © - Unpublished Work - See title page for details.

 **BOEING**  
757  
**PARTS CATALOG (MAINTENANCE)**

FIG ITEM	PART NUMBER	1 2 3 4 5 6 7	NOMENCLATURE	EFFECT FROM TO	UNITS PER ASSY
4D 305	BACS16W1		.SOCKET- ELECTRICAL EQUIP NUMBER: D00616 D00618 D00620 D00626 D00634 D04090 D10750 WIRING DIAGRAM REF: 320912 303112	108120	7
305	BACS16W1		.SOCKET- ELECTRICAL EQUIP NUMBER: D00616 D00618 D00620 D00626 D00634 D04090 D11096 WIRING DIAGRAM REF: 320912 303112	103106	7

MISSING ITEM NUMBERS NOT APPLICABLE

— ITEM NOT ILLUSTRATED

BRI

**32-09-02-04D**

BOEING PROPRIETARY - Copyright © - Unpublished Work - See title page for details.

32-09-02  
FIG. 04D  
PAGE 8  
JAN 20/09



**757  
PARTS CATALOG (MAINTENANCE)**

FIG ITEM	PART NUMBER	1 2 3 4 5 6 7 NOMENCLATURE	EFFECT FROM TO	UNITS PER ASSY
4 D 310	RSE120027	. SOCKET - SUPPLIER CODE: V58982 SPECIFICATION NUMBER: BACS16AF1 OPTIONAL PART: 451120-027 V58982 ELECTRICAL EQUIP NUMBER: D00610 D00612 D00614 D00622 D00624 D01868 D00630 D00636 D01872 D01870 D01866 D01864 D00628 D00632 D03118 D04046 D04122 D04674 D04676 WIRING DIAGRAM REF: 320911 320912 320923 313162 270912	103106 108120	19

MISSING ITEM NUMBERS NOT APPLICABLE

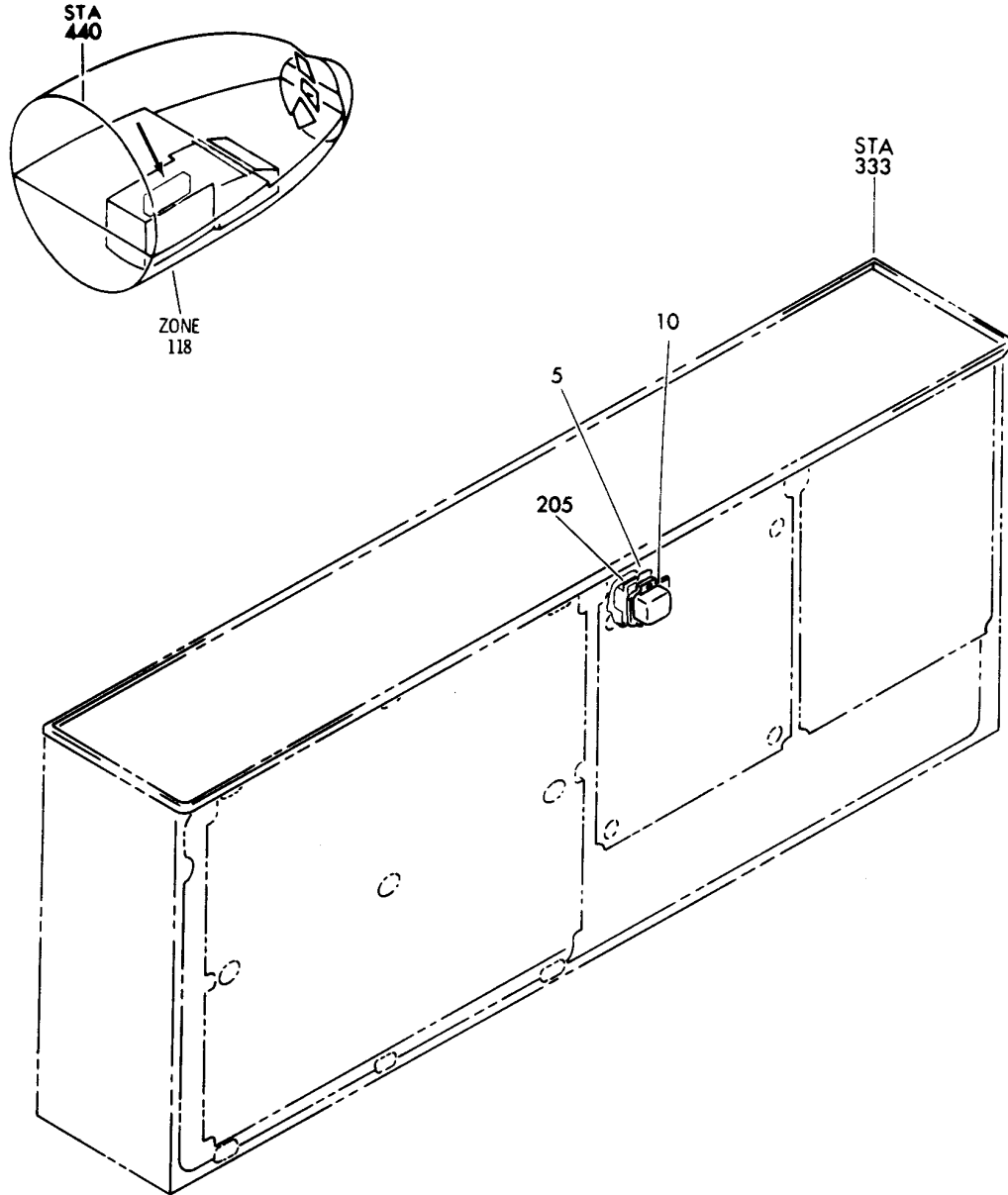
— ITEM NOT ILLUSTRATED

# 32-09-02-04D

32-09-02  
FIG. 04D  
PAGE 9  
JAN 20/09

BRI

**BOEING**  
757  
PARTS CATALOG (MAINTENANCE)



Y 32080205 SHT 1 REV 023

SHIELD ASSY-P33 MISC ELEC EQPT (LANDING GEAR MULTIPLE USE SYSTEMS/ COMPONENTS ONLY)

FIGURE 5

**32-09-02-05**

BRI  
MAY 28/07

32-09-02-05  
PAGE 0



757

PARTS CATALOG (MAINTENANCE)

FIG ITEM	PART NUMBER	1 2 3 4 5 6 7	NOMENCLATURE	EFFECT FROM TO	UNITS PER ASSY
5			SHIELD ASSY-P33 MISC ELEC EQPT (LANDING GEAR MULTIPLE USE SYSTEMS/ COMPONENTS ONLY)	121503 904949	
- 1	284N1318-1		SHIELD ASSY-P33 MISC ELEC EQPT (LANDING GEAR MULTIPLE USE SYSTEMS/ COMPONENTS ONLY) VARIABLE DRAWING REF: 284N1318-5016 FOR NHA/OTHER SYS DET SEE: 31-01-33-03	121503 904949	RF
5	BAC27TEX0274		.DECAL- PLACARD CONTENT: K144	121503 904949	1
10	E410-1537		.RELAY- SUPPLIER CODE: V99699 SPECIFICATION NUMBER: BACR13CG2A OPTIONAL PART: E415-1078 V99699 BR230S0116 V56623 KD4A017 V58687 FCA410-62 V78290 ELECTRICAL EQUIP NUMBER: K00144	121503 904949	1
- 200	286N1232-002		WIRE BUNDLE ASSY-(LANDING GEAR MULTIPLE USE SYSTEMS/COMPONENTS ONLY)	121503 904949	RF
205	BACS16W1		.SOCKET- ELECTRICAL EQUIP NUMBER: D00592 WIRING DIAGRAM REF: 320911	121503 904949	1

MISSING ITEM NUMBERS NOT APPLICABLE

- ITEM NOT ILLUSTRATED

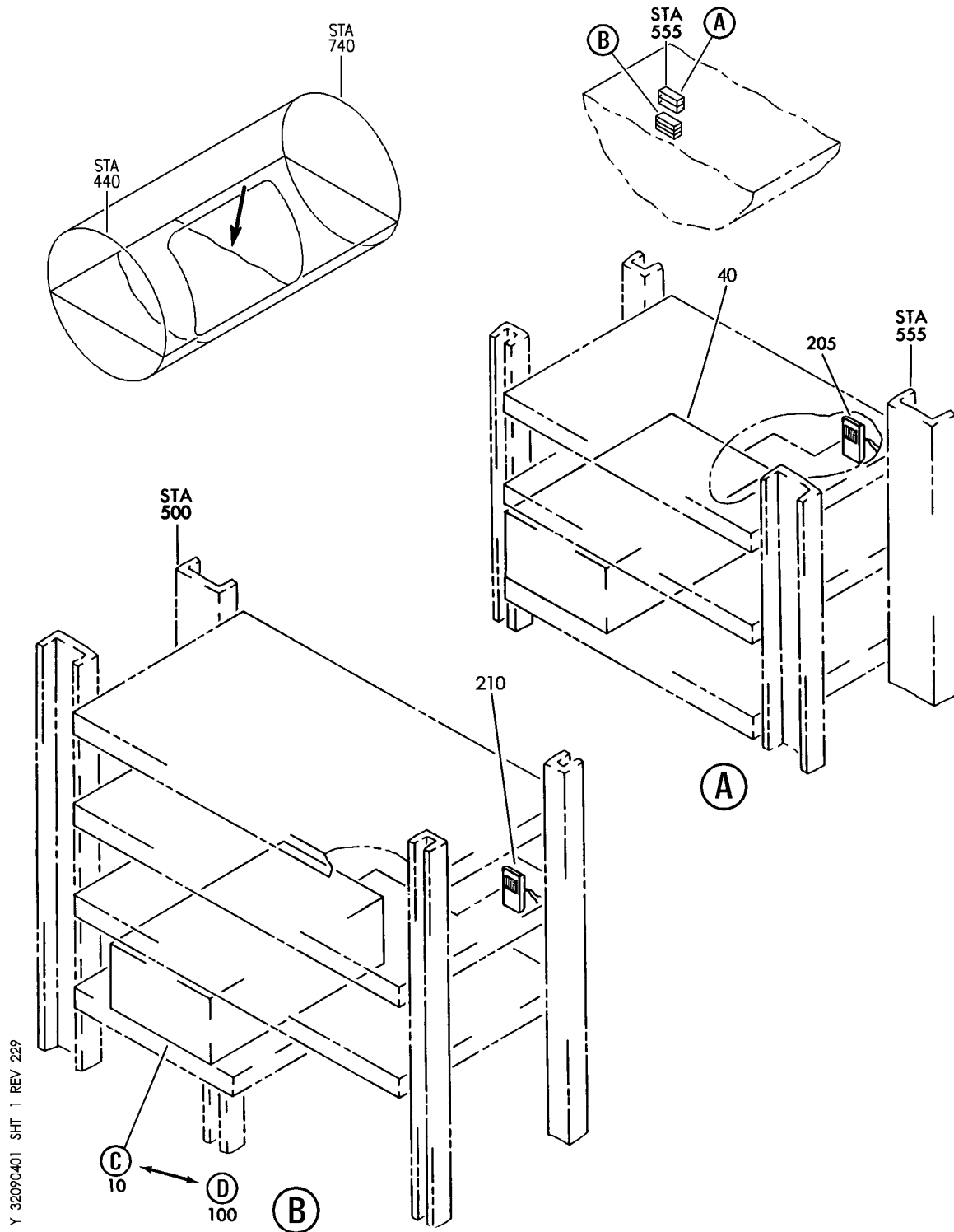
32-09-02-05

32-09-02  
FIG. 05  
PAGE 1  
JAN 20/09

BRI



**BOEING**  
757  
PARTS CATALOG (MAINTENANCE)



Y 32090401 SHT 1 REV 229

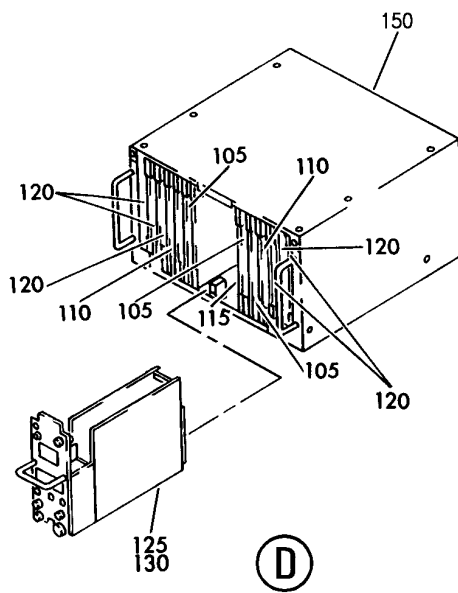
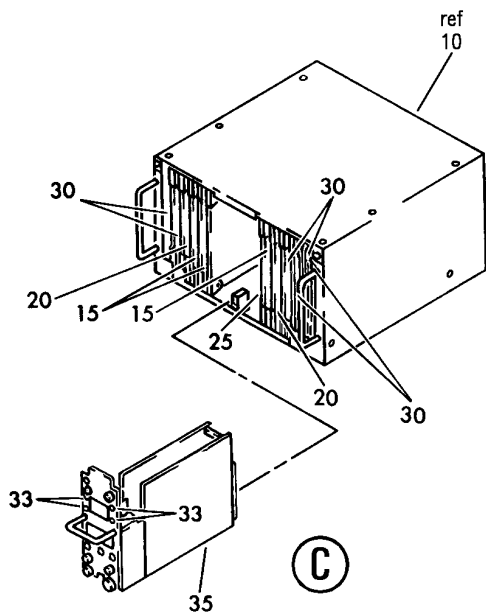
EQUIPMENT INSTL-MAIN ELECTRONICS EQPT CTR (LANDING GEAR MULTIPLE USE SYSTEMS/COMPONENTS ONLY)  
FIGURE 1 (SHEET 1)

BRI  
MAY 28/07

**32-09-04-01**

32-09-04-01  
PAGE 0

**BOEING**  
757  
PARTS CATALOG (MAINTENANCE)



Y 32090401 SH1 2 REV 322

EQUIPMENT INSTL-MAIN ELECTRONICS EQPT CTR (LANDING GEAR MULTIPLE USE SYSTEMS/COMPONENTS ONLY)  
FIGURE 1 (SHEET 2)

BRI  
MAY 20/08

32-09-04-01

32-09-04-01  
PAGE 0A



757

PARTS CATALOG (MAINTENANCE)

FIG ITEM	PART NUMBER	1 2 3 4 5 6 7	NOMENCLATURE	EFFECT FROM TO	UNITS PER ASSY
1			EQUIPMENT INSTL-MAIN ELECTRONICS EQPT CTR (LANDING GEAR MULTIPLE USE SYSTEMS/COMPONENTS ONLY)	002004 006100 107107 121999	
- 2	284N1307-33		EQUIPMENT INSTL-MAIN ELECTRONICS EQPT CTR (LANDING GEAR MULTIPLE USE SYSTEMS/COMPONENTS ONLY) FOR NHA/OTHER SYS DET SEE: 24-00-58-01	107107	RF
- 2	284N1800-32		EQUIPMENT INSTL-MAIN ELECTRONICS EQPT CTR (LANDING GEAR MULTIPLE USE SYSTEMS/COMPONENTS ONLY) FOR NHA/OTHER SYS DET SEE: 24-00-58-01	952999	RF
- 4	284N1800-16		EQUIPMENT INSTL-MAIN ELECTRONICS EQPT CTR (LANDING GEAR MULTIPLE USE SYSTEMS/COMPONENTS ONLY) FOR NHA/OTHER SYS DET SEE: 24-00-58-01	121503 904949	RF
- 5	284N1800-34		EQUIPMENT INSTL-MAIN ELECTRONICS EQPT CTR (LANDING GEAR MULTIPLE USE SYSTEMS/COMPONENTS ONLY) FOR NHA/OTHER SYS DET SEE: 24-00-58-01	002004 006100	RF
- 5	284N1800-38		EQUIPMENT INSTL-MAIN ELECTRONICS EQPT CTR (LANDING GEAR MULTIPLE USE SYSTEMS/COMPONENTS ONLY) FOR NHA/OTHER SYS DET SEE: 24-00-58-01	950951	RF
- 7	284N1800-88		EQUIPMENT INSTL-MAIN ELECTRONICS EQPT CTR (LANDING GEAR MULTIPLE USE SYSTEMS/COMPONENTS ONLY) FOR NHA/OTHER SYS DET SEE: 24-00-58-05E	505505	RF

MISSING ITEM NUMBERS NOT APPLICABLE

- ITEM NOT ILLUSTRATED

32-09-04-01

32-09-04  
FIG. 01  
PAGE 1  
JAN 20/09

BRI



757

PARTS CATALOG (MAINTENANCE)

FIG ITEM	PART NUMBER	1 2 3 4 5 6 7	NOMENCLATURE	EFFECT FROM TO	UNITS PER ASSY
1					
- 8	284N1800-190		EQUIPMENT INSTL-MAIN ELECTRONICS EQPT CTR (LANDING GEAR MULTIPLE USE SYSTEMS/COMPONENTS ONLY) FOR NHA/OTHER SYS DET SEE: 24-00-58-05E	504504 506903	RF
100	8-416-02		.ELECTRONICS UNIT ASSY- PROXIMITY SWITCH SUPPLIER CODE: V08748 SPECIFICATION NUMBER: S283T006-24 SB DATA FROM A CMM: POST SB8-416-32-01 ELECTRICAL EQUIP NUMBER: M00162 COMPONENT MAINT MANUAL REF: 32-09-05	002004 006100 107107 121999	1
105	8-351-07		..CARD ASSY-A5 DRIVER YTFM003 SUPPLIER CODE: V08748 CONFIG CHG DATA FROM A CMM: REPLD BY 8-351-09 REPLS 8-351-05 AND 8-351-06	002004 006100 107107 121999	3
105	8-351-05		..CARD ASSY-A5 DRIVER YTFM003 SUPPLIER CODE: V08748 CONFIG CHG DATA FROM A CMM: REPLD BY 8-351-07	002004 006100 107107 121999	3
105	8-351-06		..CARD ASSY-A5 DRIVER YTFM003 SUPPLIER CODE: V08748 CONFIG CHG DATA FROM A CMM: REPLD BY 8-351-07	002004 006100 107107 121999	3
105	8-351-09		..CARD ASSY-A5 DRIVER SUPPLIER CODE: V08748 CONFIG CHG DATA FROM A CMM: REPLS 8-351-07 COMPONENT MAINT MANUAL REF: 32-09-05	002004 006100 107107 121999	3

MISSING ITEM NUMBERS NOT APPLICABLE

- ITEM NOT ILLUSTRATED

32-09-04-01

32-09-04  
FIG. 01  
PAGE 2  
JAN 20/09

BRI



757

PARTS CATALOG (MAINTENANCE)

FIG ITEM	PART NUMBER	1 2 3 4 5 6 7	NOMENCLATURE	EFFECT FROM TO	UNITS PER ASSY
1 110	8-632-03		..CARD ASSY-A1 LOGIC, NO. 1 YTFM003 SUPPLIER CODE: V08748 OPTIONAL PART: 8-632-02 V08748 USED ON: 8-416-02	002004 006100 107107 121999	2
110	8-417-04		..CARD ASSY-A1 LOGIC, NO. 1 YTFM003 SUPPLIER CODE: V08748 CONFIG CHG DATA FROM A CMM: SUPSD BY 8-632-02 USED ON: 8-416-02	002004 006100 107107 121999	2
110	8-632-02		..CARD ASSY-A1 LOGIC, NO. 1 SUPPLIER CODE: V08748 CONFIG CHG DATA FROM A CMM: REPLS 8-417-04 OPTIONAL PART: 8-632-03 V08748 USED ON: 8-416-02	002004 006100 107107 121999	2
115	8-418-02		..CARD ASSY-A2 LOGIC, NO. 2 SUPPLIER CODE: V08748 CONFIG CHG DATA FROM A CMM: SUPERSEDES 8-418-01, 8-418-03, 8-418-04	002004 006100 107107 121999	1
115	8-418-03		..CARD ASSY-A2 LOGIC, NO. 2 YTFM005 SUPPLIER CODE: V08748 CONFIG CHG DATA FROM A CMM: SUPSD BY 8-418-02	002004 006100 107107 121999	1
115	8-418-04		..CARD ASSY-A2 LOGIC, NO. 2 SUPPLIER CODE: V08748 SB DATA FROM A CMM: POST SB8-416-32-02 CONFIG CHG DATA FROM A CMM: SUPSD BY 8-418-02	002004 006100 107107 121999	1

MISSING ITEM NUMBERS NOT APPLICABLE

- ITEM NOT ILLUSTRATED

32-09-04-01

32-09-04  
FIG. 01  
PAGE 3  
JAN 20/09

BRI



757

PARTS CATALOG (MAINTENANCE)

FIG ITEM	PART NUMBER	1 2 3 4 5 6 7	NOMENCLATURE	EFFECT FROM TO	UNITS PER ASSY
1					
115	8-418-05		..CARD ASSY-A2 LOGIC, NO. 2 YTFM005 SUPPLIER CODE: V08748	002004 006100 107107 121999	1
120	8-356-06		..CARD ASSY-A4 16 CHAN PROXIMITY YTFM001 SUPPLIER CODE: V08748 CONFIG CHG DATA FROM A CMM: SUPSD BY 8-442-02, 8-535-04 SUPERSEDES 8-356-05	002004 006100 107107 121999	6
120	8-356-05		..CARD ASSY-A4 16 CHAN PROXIMITY YTFM001 SUPPLIER CODE: V08748 CONFIG CHG DATA FROM A CMM: SUPSD BY 8-356-06, 8-535-04	002004 006100 107107 121999	6
120	8-535-02		..CARD ASSY-A4 16 CHAN PROXIMITY YTFM001 SUPPLIER CODE: V08748 CONFIG CHG DATA FROM A CMM: SUPERSEDES 8-442-02 SUPSD BY 8-535-03, 8-535-04	002004 006100 107107 121999	6
120	8-442-02		..CARD ASSY-A4 16 CHAN PROXIMITY YTFM001 SUPPLIER CODE: V08748 CONFIG CHG DATA FROM A CMM: SUPERSEDES 8-356-06 SUPSD BY 8-535-02, 8-535-04	002004 006100 107107 121999	6
120	8-535-03		..CARD ASSY-A4 16 CHAN SUPPLIER CODE: V08748 CONFIG CHG DATA FROM A CMM: SUPERSEDES 8-535-02 SUPERSEDE BY 8-535-04	002004 006100 107107 121999	6

MISSING ITEM NUMBERS NOT APPLICABLE

- ITEM NOT ILLUSTRATED

32-09-04-01

32-09-04  
FIG. 01  
PAGE 4  
JAN 20/09

BRI



757

PARTS CATALOG (MAINTENANCE)

FIG ITEM	PART NUMBER	1 2 3 4 5 6 7	NOMENCLATURE	EFFECT FROM TO	UNITS PER ASSY
1 120	8-535-04		..CARD ASSY-A4 16 CHAN PROXIMITY SUPPLIER CODE: V08748 CONFIG CHG DATA FROM A CMM: SUPERSEDES 8-356-05, 8-356-06, 8-442-02, 8-535-02, 8-535-03 POST SERVICE LETTER: 32-050A	002004 006100 107107 121999	6
125	8-420-05		..MODULE ASSY-BITE SUPPLIER CODE: V08748 CONFIG CHG DATA FROM A CMM: SUPERSEDES 8-420-04 USED ON: 8-416-02	002004 006100 107107 121999	1
125	8-420-04		..MODULE ASSY-BITE YTFM004 SUPPLIER CODE: V08748 CONFIG CHG DATA FROM A CMM: REPLD BY 8-420-05 USED ON: 8-416-02	002004 006100 107107 121999	1
130	8-420008-02		...CARD-NO. 2 A6A1 SUPPLIER CODE: V08748 USED ON: 8-420-05	002004 006100 107107 121999	1
130	8-355103-02		...CARD-NO. 2 A6A1 SUPPLIER CODE: V08748 CONFIG CHG DATA FROM A CMM: SUPSD BY 8-355203-01	002004 006100 107107 121999	1
130	8-355203-01		...CARD-NO. 2 A6A1 SUPPLIER CODE: V08748 CONFIG CHG DATA FROM A CMM: SUPERSEDES 8-355103-02 SUPSD BY 8-355303-01	002004 006100 107107 121999	1
130	8-355303-01		...CARD-NO. 2 A6A1 SUPPLIER CODE: V08748 CONFIG CHG DATA FROM A CMM: SUPERSEDES 8-355203-01 SUPSD BY 8-420008-01	002004 006100 107107 121999	1

MISSING ITEM NUMBERS NOT APPLICABLE

- ITEM NOT ILLUSTRATED

32-09-04-01

32-09-04  
FIG. 01  
PAGE 5  
JAN 20/09

BRI



757

PARTS CATALOG (MAINTENANCE)

FIG ITEM	PART NUMBER	1 2 3 4 5 6 7	NOMENCLATURE	EFFECT FROM TO	UNITS PER ASSY
1 130	8-420008-01	...	CARD-NO. 2 A6A1 SUPPLIER CODE: V08748 CONFIG CHG DATA FROM A CMM: SUPERSEDES 8-355303-01 USED ON: 8-420-04	002004 006100 107107 121999	1
- 140	8-420004-02	...	CARD-BITE, NO. 1 A6A2 SUPPLIER CODE: V08748 USED ON: 8-420-05	002004 006100 107107 121999	1
- 140	8-420006-04	...	CARD-BITE, NO. 1 SUPPLIER CODE: V08748 USED ON: 8-420-04	002004 006100 107107 121999	1
150	8-419-02	..	CHASSIS ASSY- SUPPLIER CODE: V08748 OPTIONAL PART: 8-647-02	002004 006100 107107 121999	1
150	8-647-02	..	CHASSIS ASSY- SUPPLIER CODE: V08748 OPTIONAL PART: 8-419-02	002004 006100 107107 121999	1
- 200	286N1280-001		WIRE BUNDLE ASSY- REWORKED BY SB: 32-0089R3	107107 121503 904949	RF
- 200	286N1280-003		WIRE BUNDLE ASSY- REWORKED BY SB: 31-0127R1 34-0200	002004 006100 950999	RF
- 201	286N1280-354		WIRE BUNDLE ASSY- REWORKED BY SB: 31-0093 31-0124	504903	RF
210	BACC66K31C50	.	CONNECTOR- ELECTRICAL EQUIP NUMBER: D03210 WIRING DIAGRAM REF: 320911	002004 006100 107107 121999	1

MISSING ITEM NUMBERS NOT APPLICABLE

- ITEM NOT ILLUSTRATED

32-09-04-01

32-09-04  
FIG. 01  
PAGE 6  
JAN 20/09

BRI





757

PARTS CATALOG (MAINTENANCE)

FIG ITEM	PART NUMBER	1 2 3 4 5 6 7	NOMENCLATURE	EFFECT FROM TO	UNITS PER ASSY
1 - 215	YHLZD33		. TERMINAL- SUPPLIER CODE: V09922 ELECTRICAL EQUIP NUMBER: TB0182A POST SERVICE BULLETIN: 32-0089R3	107107	2

MISSING ITEM NUMBERS NOT APPLICABLE

- ITEM NOT ILLUSTRATED

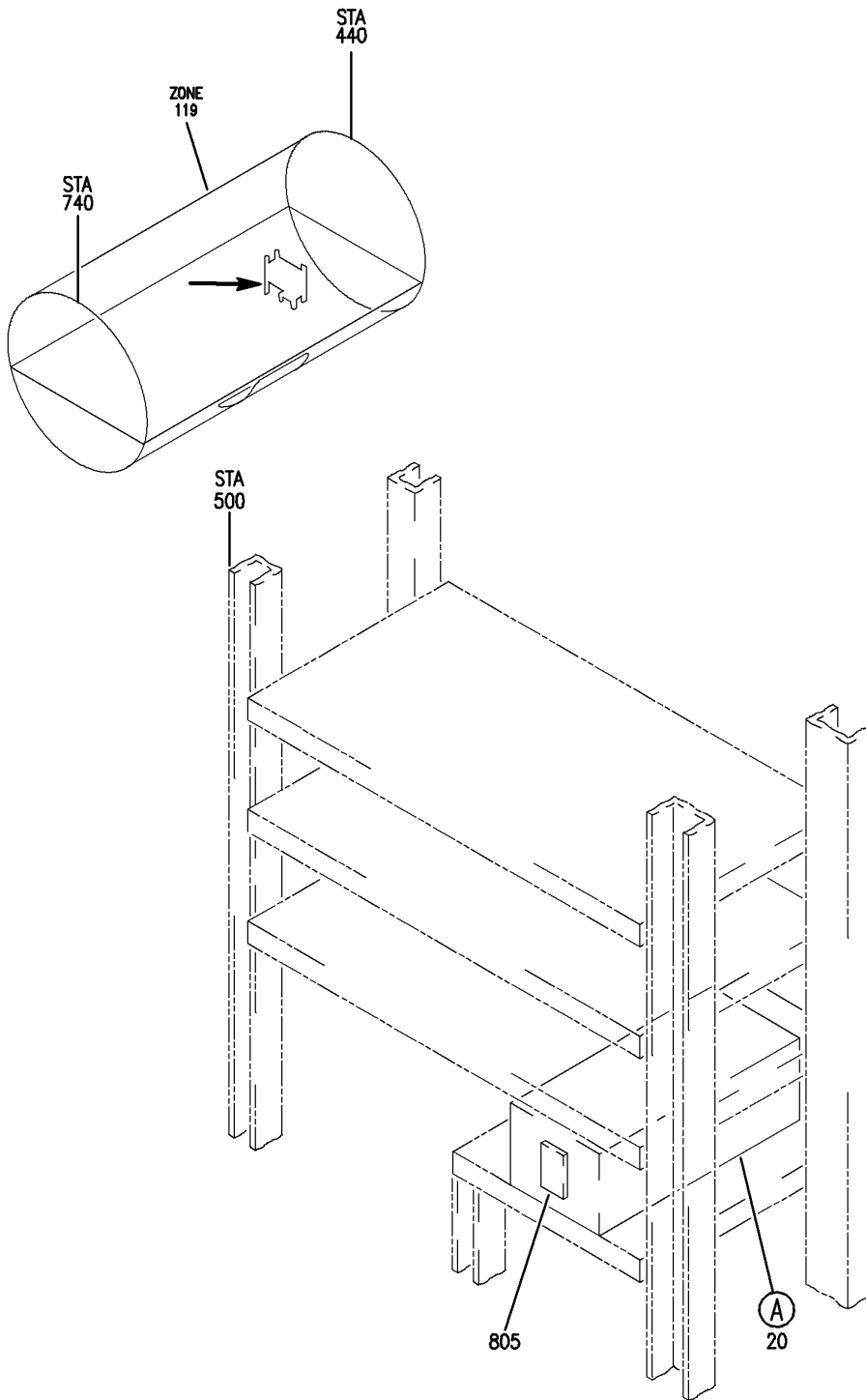
BRI

32-09-04-01

BOEING PROPRIETARY - Copyright © - Unpublished Work - See title page for details.

32-09-04  
FIG. 01  
PAGE 7  
JAN 20/09

**BOEING**  
757  
PARTS CATALOG (MAINTENANCE)



Y 32090401B SH1 1 REV 247

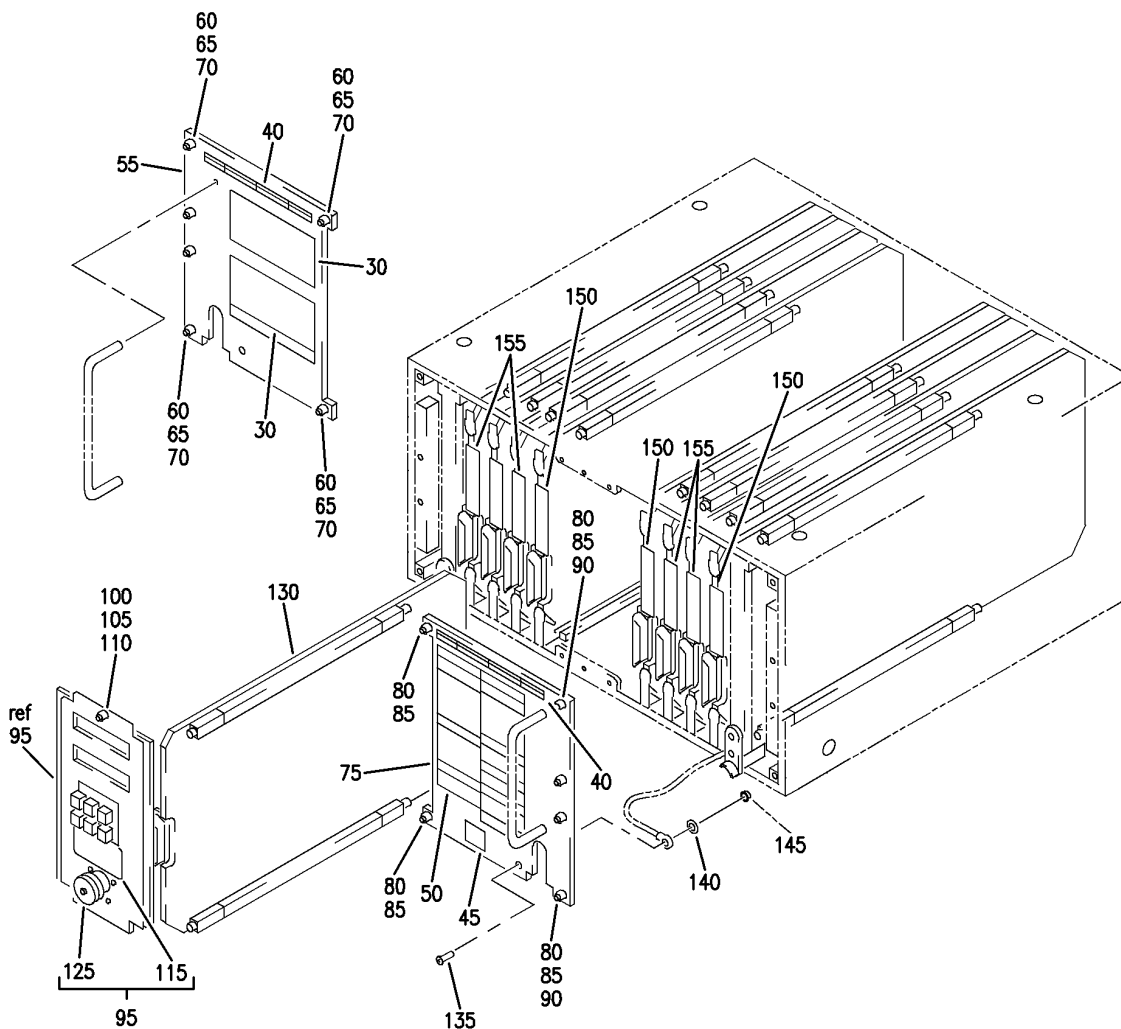
EQUIPMENT INSTL-MAIN ELECTRONICS EQPT CTR (LANDING GEAR MULTIPLE USE SYSTEMS/COMPONENTS ONLY)  
FIGURE 1B (SHEET 1)

BRI  
MAY 28/07

**32-09-04-01B**

32-09-04-01B  
PAGE 0

**BOEING**  
757  
PARTS CATALOG (MAINTENANCE)



(A)

Y 32090401B SHT 2 REV 247

EQUIPMENT INSTL-MAIN ELECTRONICS EQPT CTR (LANDING GEAR MULTIPLE USE SYSTEMS/COMPONENTS ONLY)  
FIGURE 1B (SHEET 2)

BRI  
MAY 28/07

**32-09-04-01B**

32-09-04-01B  
PAGE 0A



757

PARTS CATALOG (MAINTENANCE)

FIG ITEM	PART NUMBER	1 2 3 4 5 6 7	NOMENCLATURE	EFFECT FROM TO	UNITS PER ASSY
1B			EQUIPMENT INSTL-MAIN ELECTRONICS EQPT CTR (LANDING GEAR MULTIPLE USE SYSTEMS/COMPONENTS ONLY)	101102	
- 2	284N1800-140		EQUIPMENT INSTL-MAIN ELECTRONICS EQPT CTR (LANDING GEAR MULTIPLE USE SYSTEMS/COMPONENTS ONLY)	101101	RF
- 2	284N1800-141		FOR NHA/OTHER SYS DET SEE: 24-00-58-05E EQUIPMENT INSTL-MAIN ELECTRONICS EQPT CTR (LANDING GEAR MULTIPLE USE SYSTEMS/COMPONENTS ONLY)	102102	RF
20	8-416-02		FOR NHA/OTHER SYS DET SEE: 24-00-58-05E .ELECTRONICS UNIT ASSY- PROXIMITY SWITCH SUPPLIER CODE: V08748 SPECIFICATION NUMBER: S283T006-24 ELECTRICAL EQUIP NUMBER: M00162 COMPONENT MAINT MANUAL REF: 32-09-05	101102	1
- 801	286N1280-351		WIRE BUNDLE ASSY	101102	RF
805	BACC66K31C50		.CONNECTOR- ELECTRICAL EQUIP NUMBER: D03210 WIRING DIAGRAM REF: 320911	101102	1

MISSING ITEM NUMBERS NOT APPLICABLE

- ITEM NOT ILLUSTRATED

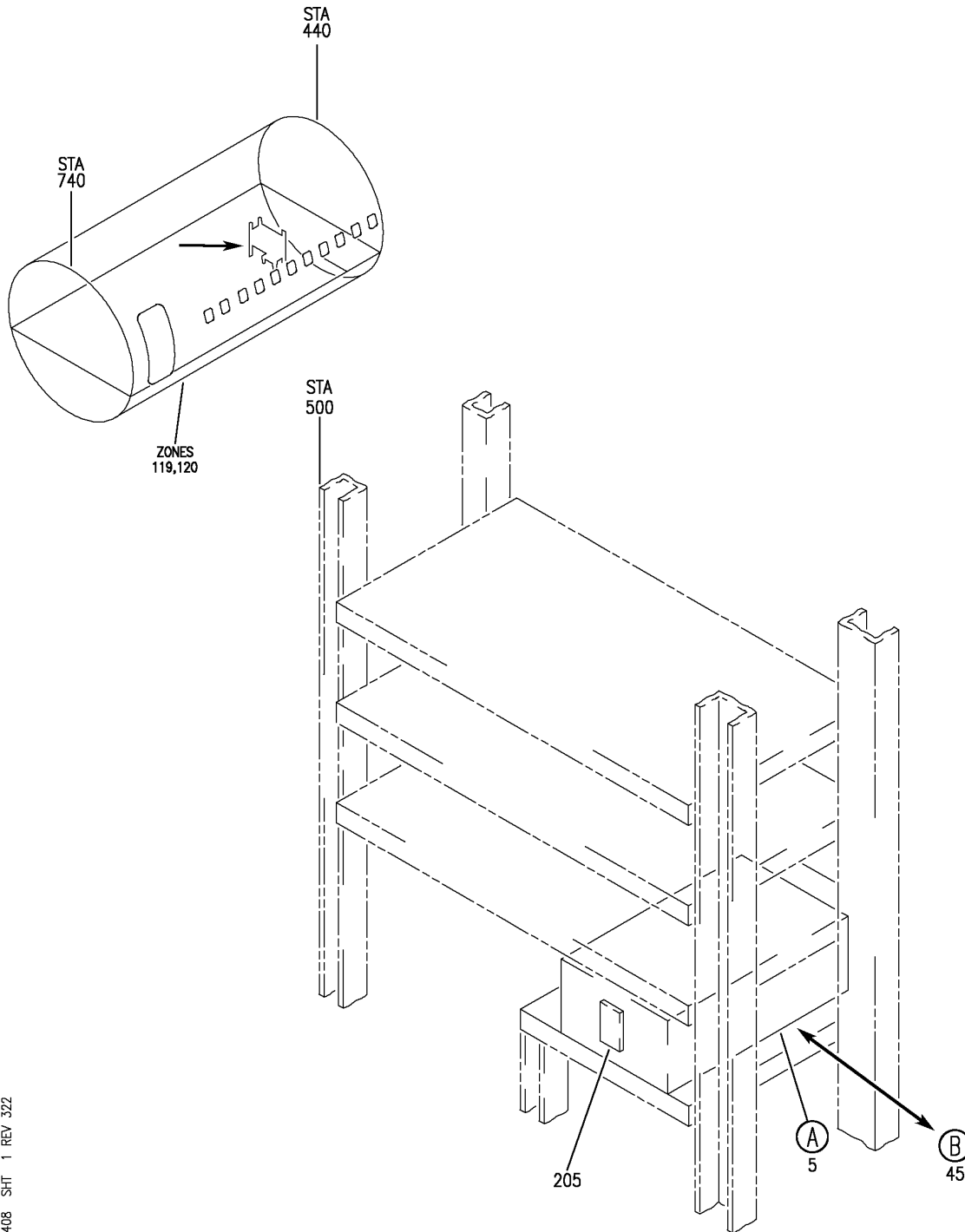
BRI

32-09-04-01B

BOEING PROPRIETARY - Copyright © - Unpublished Work - See title page for details.

32-09-04  
FIG. 01B  
PAGE 1  
JAN 20/09

**BOEING**  
757  
PARTS CATALOG (MAINTENANCE)



Y 32090408 SH1 1 REV 322

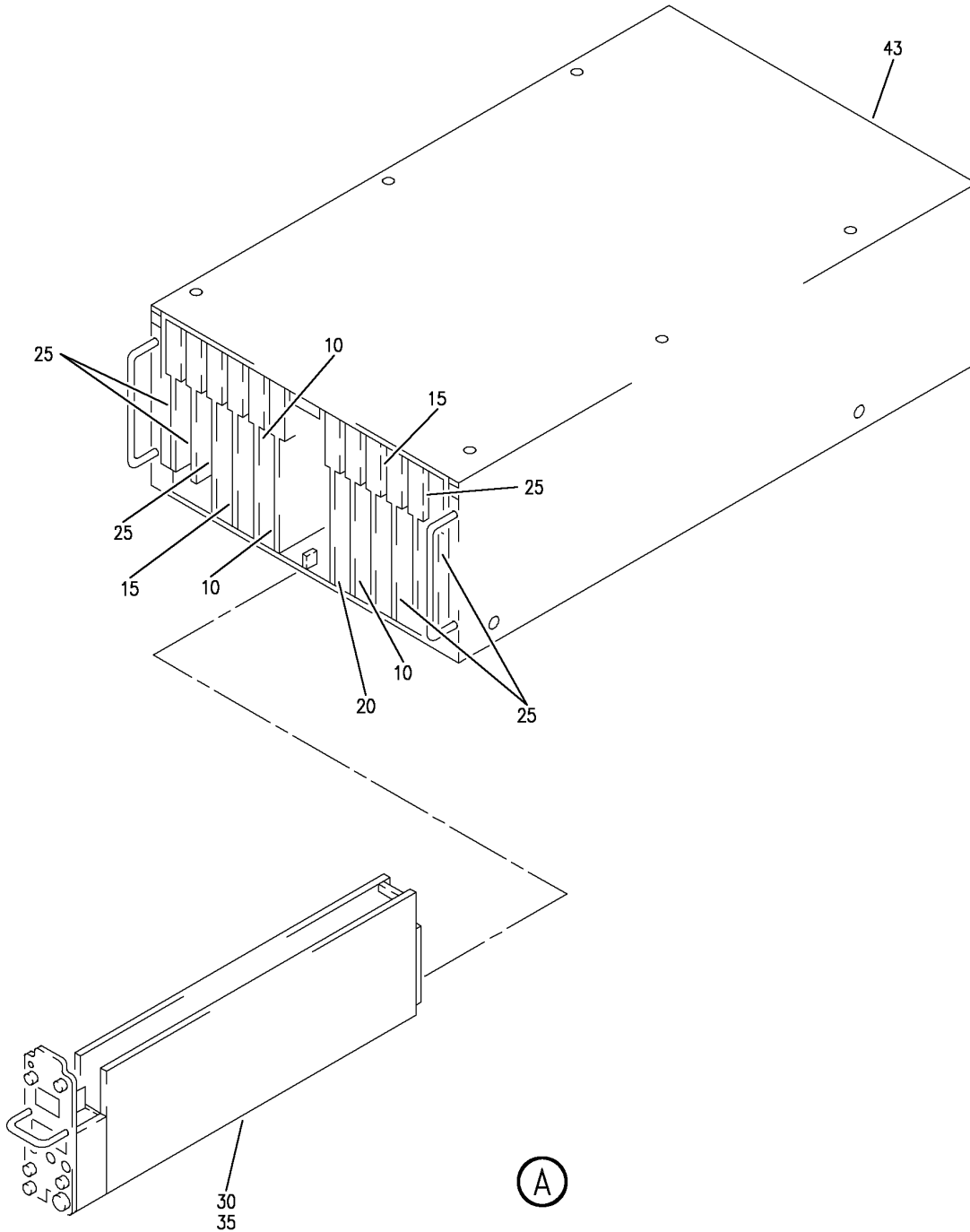
EQUIPMENT INSTL-MAIN ELECTRONICS EQPT CTR PROXIMITY SWITCH UNIT  
FIGURE 8 (SHEET 1)

BRI  
JAN 20/09

**32-09-04-08**

32-09-04-08  
PAGE 0

**BOEING**  
757  
PARTS CATALOG (MAINTENANCE)



Y 32090408 SH1 2 REV 322

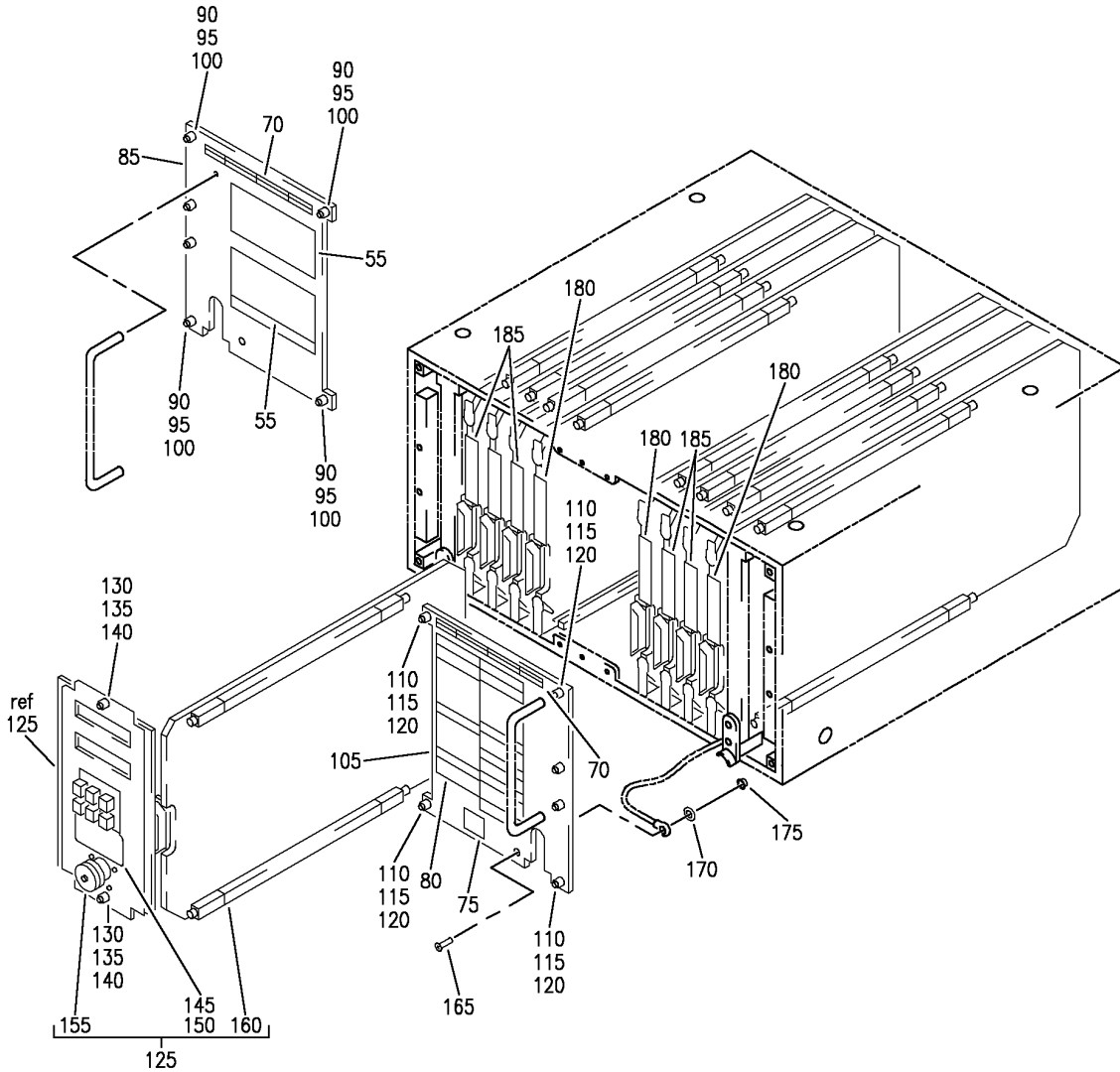
EQUIPMENT INSTL-MAIN ELECTRONICS EQPT CTR PROXIMITY SWITCH UNIT  
FIGURE 8 (SHEET 2)

**32-09-04-08**

BRI  
JAN 20/09

32-09-04-08  
PAGE 0A

**BOEING**  
757  
PARTS CATALOG (MAINTENANCE)



(B)

Y 32090408 SHT 3 REV 247

EQUIPMENT INSTL-MAIN ELECTRONICS EQPT CTR PROXIMITY SWITCH UNIT  
FIGURE 8 (SHEET 3)

**32-09-04-08**

BRI  
JAN 20/09

32-09-04-08  
PAGE 0B



757

PARTS CATALOG (MAINTENANCE)

FIG ITEM	PART NUMBER	1 2 3 4 5 6 7	NOMENCLATURE	EFFECT FROM TO	UNITS PER ASSY
8			EQUIPMENT INSTL-MAIN ELECTRONICS EQPT CTR PROXIMITY SWITCH UNIT	103106 108120	
- 1	284N4000-320001		EQUIPMENT INSTL-MAIN ELECTRONICS EQPT CTR PROXIMITY SWITCH UNIT	108120	RF
- 1	MODREF10151		FOR NHA SEE: 24-00-58-05A EQUIPMENT INSTL-MAIN ELECTRONICS EQPT CTR PROXIMITY SWITCH UNIT	103106	1
5	8-416-02		MODULE NUMBER: 284N4000-320001 REV A ELECTRONICS UNIT ASSY- SUPPLIER CODE: V08748	103106 108120	1
			SPECIFICATION NUMBER: S283T006-24 ELECTRICAL EQUIP NUMBER: M00162 COMPONENT MAINT MANUAL REF: 32-09-05		
10	8-351-07		..CARD ASSY-A5 DRIVER YTFM003 SUPPLIER CODE: V08748	103106 108120	3
			CONFIG CHG DATA FROM A CMM: REPLD BY 8-351-09 REPLS 8-351-05 AND 8-351-06		
10	8-351-05		..CARD ASSY-A5 DRIVER YTFM003 SUPPLIER CODE: V08748	103106 108120	3
			CONFIG CHG DATA FROM A CMM: REPLD BY 8-351-07		
10	8-351-06		..CARD ASSY-A5 DRIVER YTFM003 SUPPLIER CODE: V08748	103106 108120	3
			CONFIG CHG DATA FROM A CMM: REPLD BY 8-351-07		
10	8-351-09		..CARD ASSY-A5 DRIVER SUPPLIER CODE: V08748	103106 108120	3
			CONFIG CHG DATA FROM A CMM: REPLS 8-351-07 COMPONENT MAINT MANUAL REF: 32-09-05		

MISSING ITEM NUMBERS NOT APPLICABLE

- ITEM NOT ILLUSTRATED

32-09-04-08

32-09-04  
FIG. 08  
PAGE 1  
JAN 20/09

BRI





757

PARTS CATALOG (MAINTENANCE)

FIG ITEM	PART NUMBER	1 2 3 4 5 6 7	NOMENCLATURE	EFFECT FROM TO	UNITS PER ASSY
8					
15	8-417-04		..CARD ASSY-A1 LOGIC, NO. 1 YTFM002 SUPPLIER CODE: V08748 CONFIG CHG DATA FROM A CMM: SUPSD BY 8-632-02 SUPERSEDES 8-417-01, 8-417-01A, 8-417-02, 8-417-05 AND 8-417-06	103106 108120	2
15	8-632-02		..CARD ASSY-A1 LOGIC, NO. 1 SUPPLIER CODE: V08748 CONFIG CHG DATA FROM A CMM: SUPERSEDES 8-417-04	103106 108120	2
15	8-632-03		..CARD ASSY-A1 LOGIC, NO. 1 YTFM003 SUPPLIER CODE: V08748 OPTIONAL PART: 8-632-02 V08748	103106 108120	2
15	8-417-04		..CARD ASSY-A1 LOGIC, NO. 1 YTFM003 SUPPLIER CODE: V08748 CONFIG CHG DATA FROM A CMM: SUPSD BY 8-632-02	103106 108120	2
20	8-418-02		..CARD ASSY-A2 LOGIC, NO. 2 SUPPLIER CODE: V08748 CONFIG CHG DATA FROM A CMM: SUPERSEDES 8-418-01, 8-418-03, 8-418-04	103106 108120	1
20	8-418-03		..CARD ASSY-A2 LOGIC, NO. 2 YTFM005 SUPPLIER CODE: V08748 CONFIG CHG DATA FROM A CMM: SUPSD BY 8-418-02	103106 108120	1
20	8-418-05		..CARD ASSY-A2 LOGIC, NO. 2 YTFM005 SUPPLIER CODE: V08748	103106 108120	1
20	8-418-04		..CARD ASSY-A2 LOGIC, NO.2 SUPPLIER CODE: V08748 SB DATA FROM A CMM: POST SB8-416-32-02	103106 108120	1

MISSING ITEM NUMBERS NOT APPLICABLE

- ITEM NOT ILLUSTRATED

32-09-04-08

32-09-04  
FIG. 08  
PAGE 2  
JAN 20/09

BRI



757

PARTS CATALOG (MAINTENANCE)

FIG ITEM	PART NUMBER	1 2 3 4 5 6 7	NOMENCLATURE	EFFECT FROM TO	UNITS PER ASSY
8					
25	8-356-06		..CARD ASSY-A4 16 CHAN PROXIMITY YTFM001 SUPPLIER CODE: V08748 CONFIG CHG DATA FROM A CMM: SUPSD BY 8-442-02, 8-535-04 SUPERSEDES 8-356-05	103106 108120	6
25	8-356-05		..CARD ASSY-A4 16 CHAN PROXIMITY YTFM001 SUPPLIER CODE: V08748 CONFIG CHG DATA FROM A CMM: SUPSD BY 8-356-06, 8-535-04	103106 108120	6
25	8-535-02		..CARD ASSY-A4 16 CHAN PROXIMITY YTFM001 SUPPLIER CODE: V08748 CONFIG CHG DATA FROM A CMM: SUPERSEDES 8-442-02 SUPSD BY 8-535-03, 8-535-04	103106 108120	6
25	8-442-02		..CARD ASSY-A4 16 CHAN PROXIMITY YTFM001 SUPPLIER CODE: V08748 CONFIG CHG DATA FROM A CMM: SUPERSEDES 8-356-06 SUPSD BY 8-535-02, 8-535-04	103106 108120	6
25	8-535-04		..CARD ASSY-A4 16 CHAN PROXIMITY SUPPLIER CODE: V08748 CONFIG CHG DATA FROM A CMM: SUPERSEDES 8-356-05, 8-356-06, 8-442-02, 8-535-02, 8-535-03	103106 108120	6
25	8-535-03		..CARD ASSY-A4 16 CHAN SUPPLIER CODE: V08748 CONFIG CHG DATA FROM A CMM: SUPERSEDES 8-535-02 SUPERSEDE BY 8-535-04	103106 108120	6

MISSING ITEM NUMBERS NOT APPLICABLE

- ITEM NOT ILLUSTRATED

32-09-04-08

32-09-04  
FIG. 08  
PAGE 3  
JAN 20/09

BRI



757

PARTS CATALOG (MAINTENANCE)

FIG ITEM	PART NUMBER	1 2 3 4 5 6 7	NOMENCLATURE	EFFECT FROM TO	UNITS PER ASSY
8					
30	8-420-05	..	MODULE ASSY-BITE SUPPLIER CODE: V08748 CONFIG CHG DATA FROM A CMM: SUPERSEDES 8-420-04	103106 108120	1
30	8-420-04	..	MODULE ASSY-BITE YTFM004 SUPPLIER CODE: V08748 CONFIG CHG DATA FROM A CMM: REPLD BY 8-420-05	103106 108120	1
35	8-420008-02	...	CARD-NO. 2 A6A1 SUPPLIER CODE: V08748	103106 108120	1
35	8-355103-02	...	CARD-NO. 2 A6A1 SUPPLIER CODE: V08748 CONFIG CHG DATA FROM A CMM: SUPSD BY 8-355203-01	103106 108120	1
35	8-355203-01	...	CARD-NO. 2 A6A1 SUPPLIER CODE: V08748 CONFIG CHG DATA FROM A CMM: SUPERSEDES 8-355103-02 SUPSD BY 8-355303-01	103106 108120	1
35	8-355303-01	...	CARD-NO. 2 A6A1 SUPPLIER CODE: V08748 CONFIG CHG DATA FROM A CMM: SUPERSEDES 8-355203-01 SUPSD BY 8-420008-01	103106 108120	1
35	8-420008-01	...	CARD-NO. 2 A6A1 SUPPLIER CODE: V08748 CONFIG CHG DATA FROM A CMM: SUPERSEDES 8-355303-01	103106 108120	1
- 40	8-420004-02	...	CARD-BITE, NO. 1 A6A2 SUPPLIER CODE: V08748 USED ON: 8-420-05	103106 108120	1
- 40	8-420006-04	...	CARD-BITE, NO. 1 SUPPLIER CODE: V08748 USED ON: 8-420-04	103106 108120	1

MISSING ITEM NUMBERS NOT APPLICABLE

- ITEM NOT ILLUSTRATED

32-09-04-08

32-09-04  
FIG. 08  
PAGE 4  
JAN 20/09

BRI



757

PARTS CATALOG (MAINTENANCE)

FIG ITEM	PART NUMBER	1 2 3 4 5 6 7	NOMENCLATURE	EFFECT FROM TO	UNITS PER ASSY
8					
43	8-419-02		.. CHASSIS ASSY- SUPPLIER CODE: V08748 OPTIONAL PART: 8-647-02	103106 108120	1
43	8-647-02		.. CHASSIS ASSY- SUPPLIER CODE: V08748 OPTIONAL PART: 8-419-02	103106 108120	1
- 201	286N1280-393		WIRE BUNDLE ASSY-	108120	RF
- 202	286N1280-602		WIRE BUNDLE ASSY	103106	RF
205	BACC66K31C50		.CONNECTOR- ELECTRICAL EQUIP NUMBER: D03210 WIRING DIAGRAM REF: 320911	103106 108120	1

MISSING ITEM NUMBERS NOT APPLICABLE

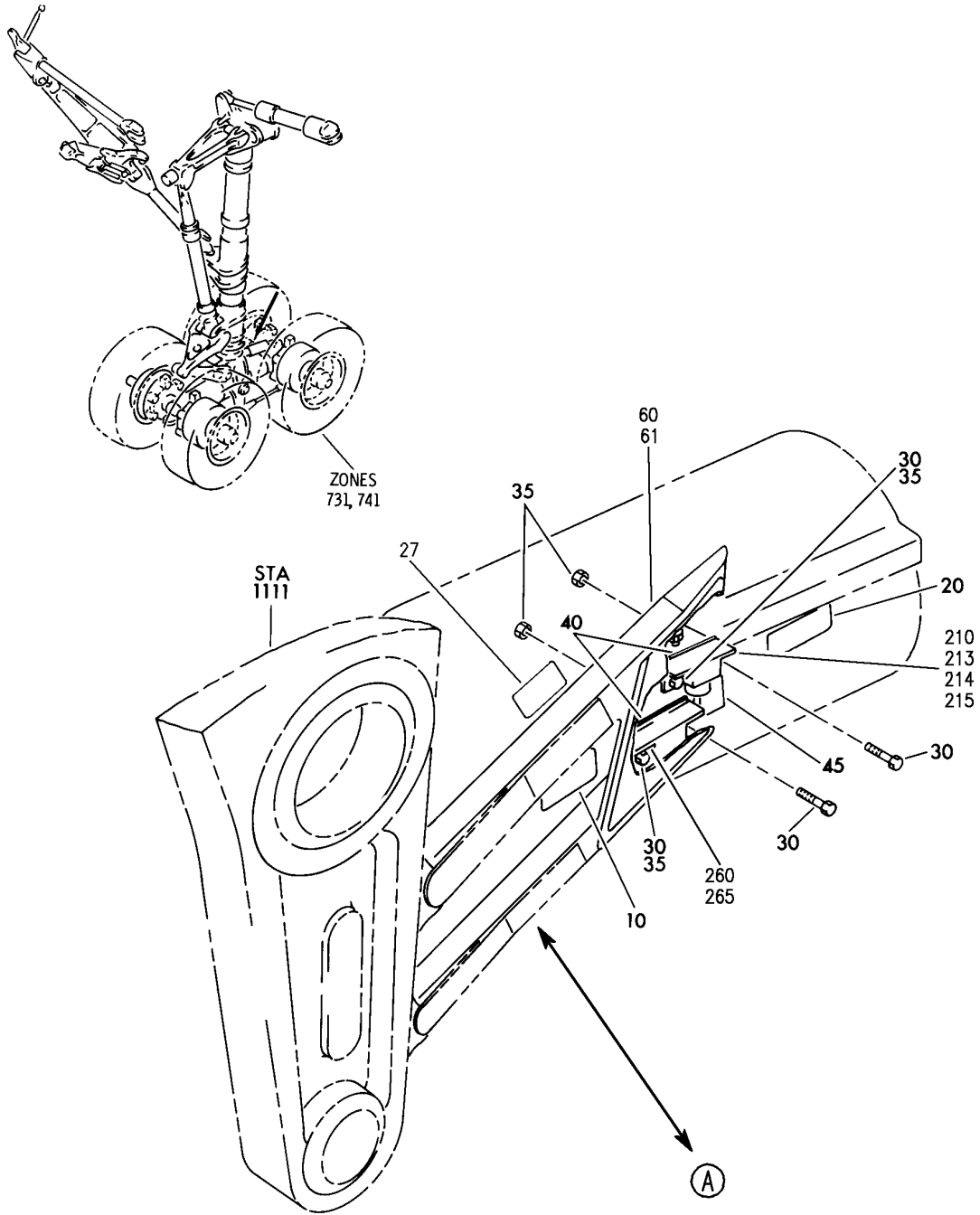
- ITEM NOT ILLUSTRATED

32-09-04-08

32-09-04  
FIG. 08  
PAGE 5  
JAN 20/09

BRI

**BOEING**  
757  
PARTS CATALOG (MAINTENANCE)



Y 32090701 SH1 1 REV 275

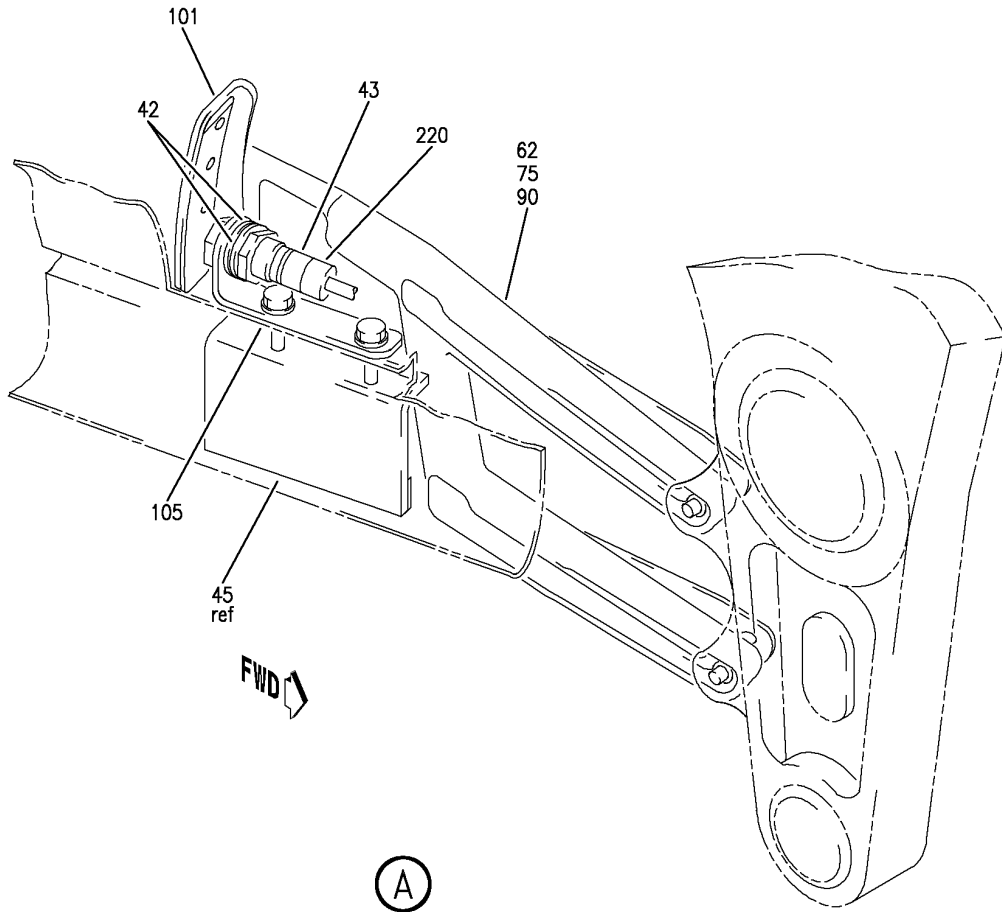
SENSOR INSTL-MLG TRUCK TILT  
FIGURE 1 (SHEET 1)

**32-09-07-01**

BRI  
MAY 28/07

32-09-07-01  
PAGE 0

**BOEING**  
757  
PARTS CATALOG (MAINTENANCE)



Y 32090701 SH1 2 REV 327

SENSOR INSTL-MLG TRUCK TILT  
FIGURE 1 (SHEET 2)

**32-09-07-01**

BRI  
SEP 20/08

32-09-07-01  
PAGE 0A



757

PARTS CATALOG (MAINTENANCE)

FIG ITEM	PART NUMBER	1 2 3 4 5 6 7	NOMENCLATURE	EFFECT FROM TO	UNITS PER ASSY
1			SENSOR INSTL-MLG TRUCK TILT	002004 006100 107107 121503 904999	
- 1	284N1613-1		SENSOR INSTL-MLG TRUCK TILT POSITION DATA: LH FOR NHA SEE: 24-00-58-01A	002004 006100 107107 121503 904999	RF
- 5	284N1613-2		SENSOR INSTL-MLG TRUCK TILT POSITION DATA: RH FOR NHA SEE: 24-00-58-01A	002004 006100 107107 121503 904999	RF
10	BAC27NEX0056		.MARKER-ALUMINUM FOIL- POSITION DATA: LH SIDE PLACARD CONTENT: S10064 LEFT TRUCK TILT SYSTEM 2	002004 006100 107107 121503 904999	1
- 15	BAC27NEX0057		.MARKER-ALUMINUM FOIL- POSITION DATA: RH SIDE PLACARD CONTENT: S10059 RIGHT TRUCK TILT SYSTEM 2	002004 006100 107107 121503 904999	1
20	BAC27NEX0049		.MARKER-ALUMINUM FOIL- POSITION DATA: LH SIDE PLACARD CONTENT: S10062 LEFT TRUCK TILT SYSTEM 1	002004 006100 107107 121503 904999	1
- 25	BAC27NEX0051		.MARKER-ALUMINUM FOIL- POSITION DATA: RH SIDE PLACARD CONTENT: S10060 RIGHT TRUCK TILT SYSTEM 1	002004 006100 107107 121503 904999	1
27	BAC27NEX3158		.MARKER-ALUMINUM FOIL POSITION DATA: RH SIDE PLACARD CONTENT: S10697 AUTOSPEEDBRAKE MLG POST ALERT SB: 27A0130	002004 006100 107107 121503 904999	1

MISSING ITEM NUMBERS NOT APPLICABLE

- ITEM NOT ILLUSTRATED

32-09-07-01

32-09-07  
FIG. 01  
PAGE 1  
JAN 20/09

BRI



757

PARTS CATALOG (MAINTENANCE)

FIG ITEM	PART NUMBER	1 2 3 4 5 6 7	NOMENCLATURE	EFFECT FROM TO	UNITS PER ASSY
1					
30	NAS1801-3-6	.	SCREW-	002004 006100 107107 121503 904999	4
35	BRH10A3	.	NUT- SUPPLIER CODE: V52828 SPECIFICATION NUMBER: BACN10JC3 OPTIONAL PART: H10-3BAC V15653 NS202101-02 V80539 RMLH9075-3W V72962 VN303A02 V92215 96-02 V80539 T6S1032J V11815	002004 006100 107107 121503 904999	4
40	284N1641-5	.	SHIM-	107107 121503 904999	2
40	284T0278-1	.	SHIM- POST SERVICE LETTER: 32-057	002004 006100 107107 121503 904999	2
42	284T0519-2	.	SHIM- POSITION DATA: RH SIDE POST ALERT SB: 27A0130	002004 006100 107107 121503 904999	2
43	8-527-03	.	SENSOR- SUPPLIER CODE: V08748 POSITION DATA: RH SIDE ELECTRICAL EQUIP NUMBER: S10697 WIRING DIAGRAM REF: 276211 276213 POST ALERT SB: 27A0130	002004 006100 107107 121503 904999	1

MISSING ITEM NUMBERS NOT APPLICABLE

- ITEM NOT ILLUSTRATED

32-09-07-01

32-09-07  
FIG. 01  
PAGE 2  
JAN 20/09

BRI





757

PARTS CATALOG (MAINTENANCE)

FIG ITEM	PART NUMBER	1 2 3 4 5 6 7	NOMENCLATURE	EFFECT FROM TO	UNITS PER ASSY
1	45 284N6102-5		.BRACKET	002004 006100 107107 121503 904999	1
- 50	BACB30NF4-12		ATTACHING PARTS .BOLT- POSITION DATA: LH	002004 006100 107107 121503 904999	2
- 52	BACB30NF4-12		.BOLT- POSITION DATA: RH SIDE PRE ALERT SB: 27A0130	002004 006100 904949 952952	2
- 52	BACB30NF4-14		.BOLT- POST ALERT SB: 27A0130R2	002004 006100 107107 121503 904999	2
- 53	BACW10BN4AC		.WASHER- POSITION DATA: UNDER BOLT HEAD POST ALERT SB: 27A0130R2	002004 006100 107107 121503 904999	2
- 54	BACW10BN4AP		.WASHER- POSITION DATA: UNDER NUT POST ALERT SB: 27A0130R2	002004 006100 107107 121503 904999	2

MISSING ITEM NUMBERS NOT APPLICABLE

- ITEM NOT ILLUSTRATED

BRI

32-09-07-01

BOEING PROPRIETARY - Copyright © - Unpublished Work - See title page for details.

32-09-07  
FIG. 01  
PAGE 3  
JAN 20/09



757

PARTS CATALOG (MAINTENANCE)

FIG ITEM	PART NUMBER	1 2 3 4 5 6 7	NOMENCLATURE	EFFECT FROM TO	UNITS PER ASSY
1					
- 55	BRH10A4		.NUT- SUPPLIER CODE: V52828 SPECIFICATION NUMBER: BACN10JC4 OPTIONAL PART: T6S428J V11815 96-048 V80539 VN303A048 V92215 RMLH9075-4W V72962 NS202101-048 V80539 H10-4BAC V15653 POSITION DATA: LH SIDE	002004 006100 107107 121503 904999	2
- 58	BRH10A4		.NUT- SUPPLIER CODE: V52828 SPECIFICATION NUMBER: BACN10JC4 OPTIONAL PART: T6S428J V11815 96-048 V80539 VN303A048 V92215 RMLH9075-4W V72962 NS202101-048 V80539 H10-4BAC V15653 POSITION DATA: RH SIDE PRE ALERT SB: 27A0130	002004 006100 904949 952952	2

MISSING ITEM NUMBERS NOT APPLICABLE

- ITEM NOT ILLUSTRATED

32-09-07-01

32-09-07  
FIG. 01  
PAGE 4  
JAN 20/09

BRI



757

PARTS CATALOG (MAINTENANCE)

FIG ITEM	PART NUMBER	1 2 3 4 5 6 7	NOMENCLATURE	EFFECT FROM TO	UNITS PER ASSY
1					
- 58	PLH54CD		.NUT- SUPPLIER CODE: VF0224 SPECIFICATION NUMBER: BACN10YR4CD OPTIONAL PART: H52732-4CD V15653 POST ALERT SB: 27A0130R2 -----*-----	002004 006100 107107 121503 904999	2
61	284N1613-4		.BRACKET ASSY- POSITION DATA: LH SIDE	002004 006100 107107 121503 904999	1
62	284N1613-4		.BRACKET ASSY- POSITION DATA: RH SIDE PRE ALERT SB: 27A0130 ATTACHING PARTS	002004 006100 107107 121503 904999	1
- 65	BACB30NF4-10		.BOLT- POSITION DATA: LH SIDE	002004 006100 107107 121503 904999	2
- 67	BACB30NF4-10		.BOLT- POSITION DATA: RH SIDE PRE ALERT SB: 27A0130	002004 006100 904949 952952	2

MISSING ITEM NUMBERS NOT APPLICABLE

- ITEM NOT ILLUSTRATED

32-09-07-01

32-09-07  
FIG. 01  
PAGE 5  
JAN 20/09

BRI



757

PARTS CATALOG (MAINTENANCE)

FIG ITEM	PART NUMBER	1 2 3 4 5 6 7	NOMENCLATURE	EFFECT FROM TO	UNITS PER ASSY
1 - 70	BRH10A4		.NUT- SUPPLIER CODE: V52828 SPECIFICATION NUMBER: BACN10JC4 OPTIONAL PART: T6S428J V11815 96-048 V80539 VN303A048 V92215 RMLH9075-4W V72962 NS202101-048 V80539 H10-4BAC V15653 POSITION DATA: LH SIDE	002004 006100 107107 121503 904999	2
- 73	BRH10A4		.NUT- SUPPLIER CODE: V52828 SPECIFICATION NUMBER: BACN10JC4 OPTIONAL PART: T6S428J V11815 96-048 V80539 VN303A048 V92215 RMLH9075-4W V72962 NS202101-048 V80539 H10-4BAC V15653 POSITION DATA: RH SIDE PRE ALERT SB: 27A0130 27A0130R2 -----*-----	002004 006100 904949 952952	2

MISSING ITEM NUMBERS NOT APPLICABLE

- ITEM NOT ILLUSTRATED

BRI

32-09-07-01

BOEING PROPRIETARY - Copyright © - Unpublished Work - See title page for details.

32-09-07  
FIG. 01  
PAGE 6  
JAN 20/09



757

PARTS CATALOG (MAINTENANCE)

FIG ITEM	PART NUMBER	1 2 3 4 5 6 7	NOMENCLATURE	EFFECT FROM TO	UNITS PER ASSY
1	75 284N1613-9		.SUPPORT ASSY- POSITION DATA: RH SIDE ALTERED FROM PART NUMBER: 284N1613-4 POST ALERT SB: 27A0130	002004 006100 107107 121503 904999	1
-	80 BACB30NF4-14		.BOLT- USED WITH: 284N1613-9	002004 006100 107107 121503 904999	2
-	85 PLH54CD		.NUT- SUPPLIER CODE: VF0224 SPECIFICATION NUMBER: BACN10YR4CD OPTIONAL PART: H52732-4CD V15653 POST ALERT SB: 27A0130R2 -----*-----	002004 006100 107107 121503 904999	2
	90 284N1613-11		..BRACKET ASSY  ATTACHING PARTS	002004 006100 107107 121503 904999	1
-	95 BACS12ER3K10		..SCREW	002004 006100 107107 121503 904999	2
-	100 PLH53CD		..NUT SUPPLIER CODE: VF0224 SPECIFICATION NUMBER: BACN10YR3CD OPTIONAL PART: H52732-3CD V15653 -----*-----	002004 006100 107107 121503 904999	2
	105 284N6102-8		.BRACKET- POSITION DATA: RH SIDE POST ALERT SB: 27A0130	002004 006100 107107 121503 904999	1

MISSING ITEM NUMBERS NOT APPLICABLE

- ITEM NOT ILLUSTRATED

32-09-07-01

32-09-07  
FIG. 01  
PAGE 7  
JAN 20/09

BRI



757

PARTS CATALOG (MAINTENANCE)

FIG ITEM	PART NUMBER	1 2 3 4 5 6 7	NOMENCLATURE	EFFECT FROM TO	UNITS PER ASSY
1					
- 200	286N4906-002		WIRE BUNDLE ASSY- POSITION DATA: RH REWORKED BY ALERT SB: 27A0130	107107 121503 904949	RF
- 201	286N4906-018		WIRE BUNDLE ASSY- POSITION DATA: RH REWORKED BY ALERT SB: 27A0130	952999	RF
- 201	286N4906-025		WIRE BUNDLE ASSY- POSITION DATA: RH REWORKED BY ALERT SB: 27A0130	950951	RF
- 201	286N4906-028		WIRE BUNDLE ASSY- POSITION DATA: RH POST ALERT SB: 27A0130	002004 006100	RF
- 205	286N3006-004		WIRE BUNDLE ASSY- POSITION DATA: LH	002004 006100 107107 121503 904999	RF
210	8-345-01		.SENSOR- SUPPLIER CODE: V08748 POSITION DATA: RH SIDE SPECIFICATION NUMBER: S283T006-5 ELECTRICAL EQUIP NUMBER: S10060 WIRING DIAGRAM REF: 320911	107107 121503 904999	1
- 211	280N3321-10802		.TAPE-IDENT POSITION DATA: RH SIDE PLACARD CONTENT: W4906-3001B-20, W4906-3001R-20 AND W4906-3001Y-20 POST ALERT SB: 27A0130	002004 006100 107107 121503 904999	1

MISSING ITEM NUMBERS NOT APPLICABLE

- ITEM NOT ILLUSTRATED

BRI

32-09-07-01

32-09-07  
FIG. 01  
PAGE 8  
JAN 20/09



757

PARTS CATALOG (MAINTENANCE)

FIG ITEM	PART NUMBER	1 2 3 4 5 6 7	NOMENCLATURE	EFFECT FROM TO	UNITS PER ASSY
1 - 212	280N3321-10801		.TAPE-IDENT POSITION DATA: RH SIDE PLACARD CONTENT: D04201, M/W S10697 POST ALERT SB: 27A0130	002004 006100 107107 121503 904999	1
213	8-345-01		.SENSOR- SUPPLIER CODE: V08748 POSITION DATA: LH SIDE SPECIFICATION NUMBER: S283T006-5 ELECTRICAL EQUIP NUMBER: S10062 WIRING DIAGRAM REF: 320911	002004 006100 107107 121503 904999	1
214	8-345-03		.SENSOR- SUPPLIER CODE: V08748 POSITION DATA: LH SIDE SPECIFICATION NUMBER: S283T006-10 ELECTRICAL EQUIP NUMBER: S10062 WIRING DIAGRAM REF: 320911 QUALIFIED I/W DATA: FOR 757-200 AIRCRAFT, 8-935-01 CAN REPLACE OR BE REPLACED BY 8-345-01, 8-345-02, OR 8-345-03. FOR 757-300 AIRCRAFT, 8-935-01 TOGETHER WITHST PSEU 8-949-02 CAN REPLACE OR BE REPLACED BY 8-345-01, 8-345-02, OR 8-345-03 TOGETHER WITH PSEU 8-949-01, AS DETAILED IN SERVICE BULLETIN 757-32-0175, REV. 1	002004 006100 107107 121503 904999	1

MISSING ITEM NUMBERS NOT APPLICABLE

- ITEM NOT ILLUSTRATED

32-09-07-01

32-09-07  
FIG. 01  
PAGE 9  
JAN 20/09

BRI



757

PARTS CATALOG (MAINTENANCE)

FIG ITEM	PART NUMBER	1 2 3 4 5 6 7	NOMENCLATURE	EFFECT FROM TO	UNITS PER ASSY
1 214	8-345-02		.SENSOR- SUPPLIER CODE: V08748 POSITION DATA: LH SIDE SPECIFICATION NUMBER: S283T006-10 ELECTRICAL EQUIP NUMBER: S10062 WIRING DIAGRAM REF: 320911	002004 006100 107107 121503 904999	1
215	8-345-02		.SENSOR- SUPPLIER CODE: V08748 POSITION DATA: RH SIDE SPECIFICATION NUMBER: S283T006-10 ELECTRICAL EQUIP NUMBER: S10060 WIRING DIAGRAM REF: 320911	107107 121503 904999	1
215	8-345-03		.SENSOR- SUPPLIER CODE: V08748 POSITION DATA: RH SIDE SPECIFICATION NUMBER: S283T006-10 ELECTRICAL EQUIP NUMBER: S10060 WIRING DIAGRAM REF: 320911 QUALIFIED I/W DATA: FOR 757-200 AIRCRAFT, 8-935-01 CAN REPLACE OR BE REPLACED BY 8-345-01, 8-345-02, OR 8-345-03. FOR 757-300 AIRCRAFT, 8-935-01 TOGETHER WITH PSEU 8-949-02 CAN REPLACE OR BE REPLACED BY 8-345-01, 8-345-02, OR 8-345-03 TOGETHER WITH PSEU 8-949-01, AS DETAILED IN SERVICE BULLETIN 757-32-0175, REV. 1	107107 121503 904999	1

MISSING ITEM NUMBERS NOT APPLICABLE

- ITEM NOT ILLUSTRATED

32-09-07-01

32-09-07  
FIG. 01  
PAGE 10  
JAN 20/09

BRI



 **BOEING**  
757  
**PARTS CATALOG (MAINTENANCE)**

FIG ITEM	PART NUMBER	1 2 3 4 5 6 7	NOMENCLATURE	EFFECT FROM TO	UNITS PER ASSY
1					
220	D38999-26FA98SN	.	PLUG- POSITION DATA: RH SIDE ELECTRICAL EQUIP NUMBER: D04201 WIRING DIAGRAM REF: 276211 276213 POST ALERT SB: 27A0130	002004 006100 107107 121503 904999	1
- 250	286N4926-002		WIRE BUNDLE ASSY- POSITION DATA: RH	002004 006100 107107 121503 904999	RF
- 255	286N3026-004		WIRE BUNDLE ASSY- POSITION DATA: LH	002004 006100 107107 121503 904999	RF
260	8-345-01	.	SENSOR- SUPPLIER CODE: V08748 SPECIFICATION NUMBER: S283T006-5 ELECTRICAL EQUIP NUMBER: S10059 S10064 WIRING DIAGRAM REF: 320912 320921	002004 006100 107107 121503 904999	1
265	8-345-02	.	SENSOR- SUPPLIER CODE: V08748 SPECIFICATION NUMBER: S283T006-10 ELECTRICAL EQUIP NUMBER: S10059 S10064 WIRING DIAGRAM REF: 320912 320921	002004 006100 107107 121503 904999	1

MISSING ITEM NUMBERS NOT APPLICABLE

- ITEM NOT ILLUSTRATED

BRI

# 32-09-07-01

BOEING PROPRIETARY - Copyright © - Unpublished Work - See title page for details.

32-09-07  
FIG. 01  
PAGE 11  
JAN 20/09



757

PARTS CATALOG (MAINTENANCE)

FIG ITEM	PART NUMBER	1 2 3 4 5 6 7	NOMENCLATURE	EFFECT FROM TO	UNITS PER ASSY
1 265	8-345-03		. SENSOR- SUPPLIER CODE: V08748 SPECIFICATION NUMBER: S283T006-10 ELECTRICAL EQUIP NUMBER: S10059 S10064 WIRING DIAGRAM REF: 320912 320921 QUALIFIED I/W DATA: FOR 757-200 AIRCRAFT, 8-935-01 CAN REPLACE OR BE REPLACED BY 8-345-01, 8-345-02, OR 8-345-03. FOR 757-300 AIRCRAFT, 8-935-01 TOGETHER WITH PSEU 8-949-02 CAN REPLACE OR BE REPLACED BY 8-345-01, 8-345-02, OR 8-345-03 TOGETHER WITH PSEU 8-949-01, AS DETAILED IN SERVICE BULLETIN 757-32-0175, REV. 1	002004 006100 107107 121503 904999	1

MISSING ITEM NUMBERS NOT APPLICABLE

- ITEM NOT ILLUSTRATED

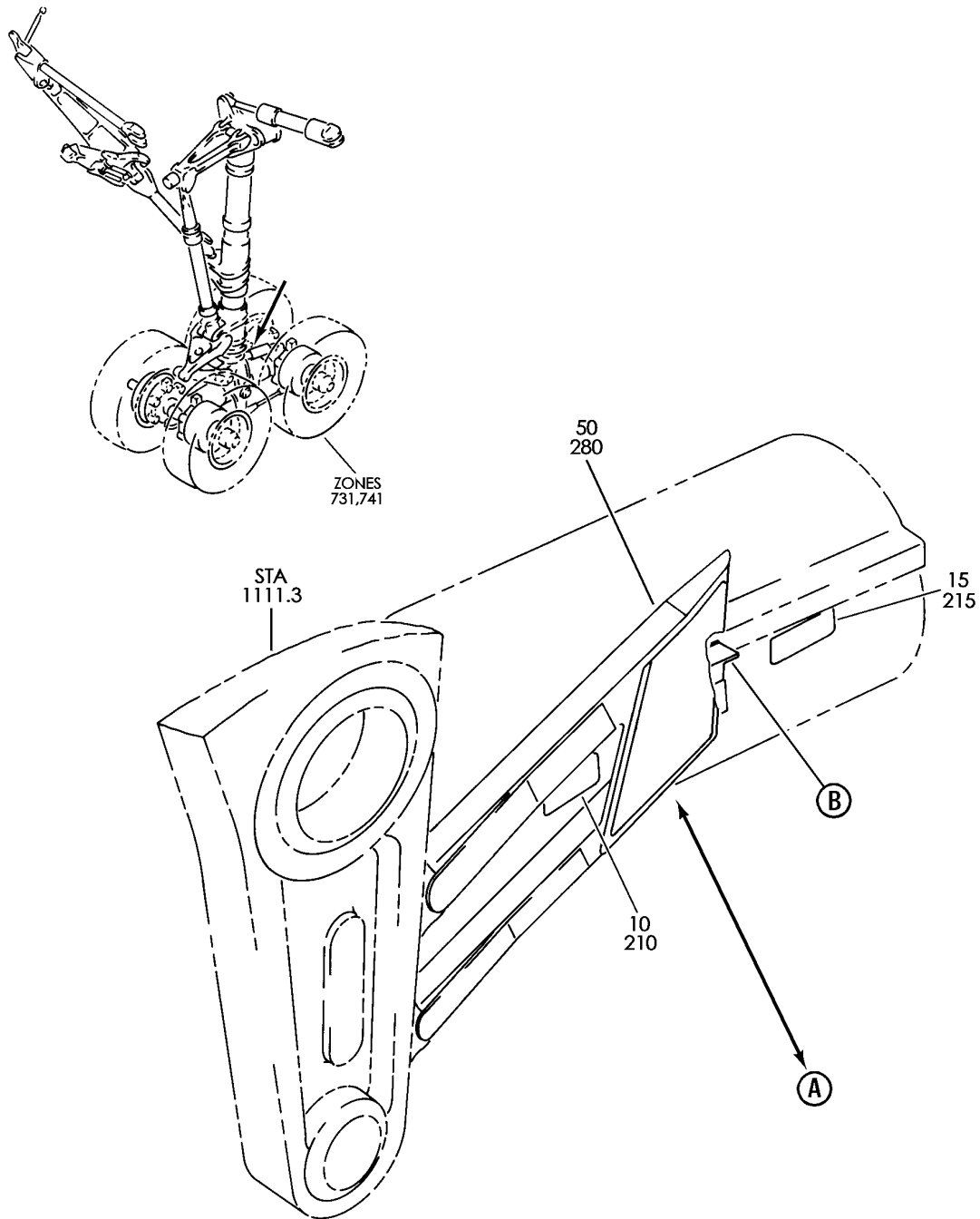
BRI

32-09-07-01

BOEING PROPRIETARY - Copyright © - Unpublished Work - See title page for details.

32-09-07  
FIG. 01  
PAGE 12  
JAN 20/09

**BOEING**  
757  
PARTS CATALOG (MAINTENANCE)



Y 32090701A SHT 1 REV 248

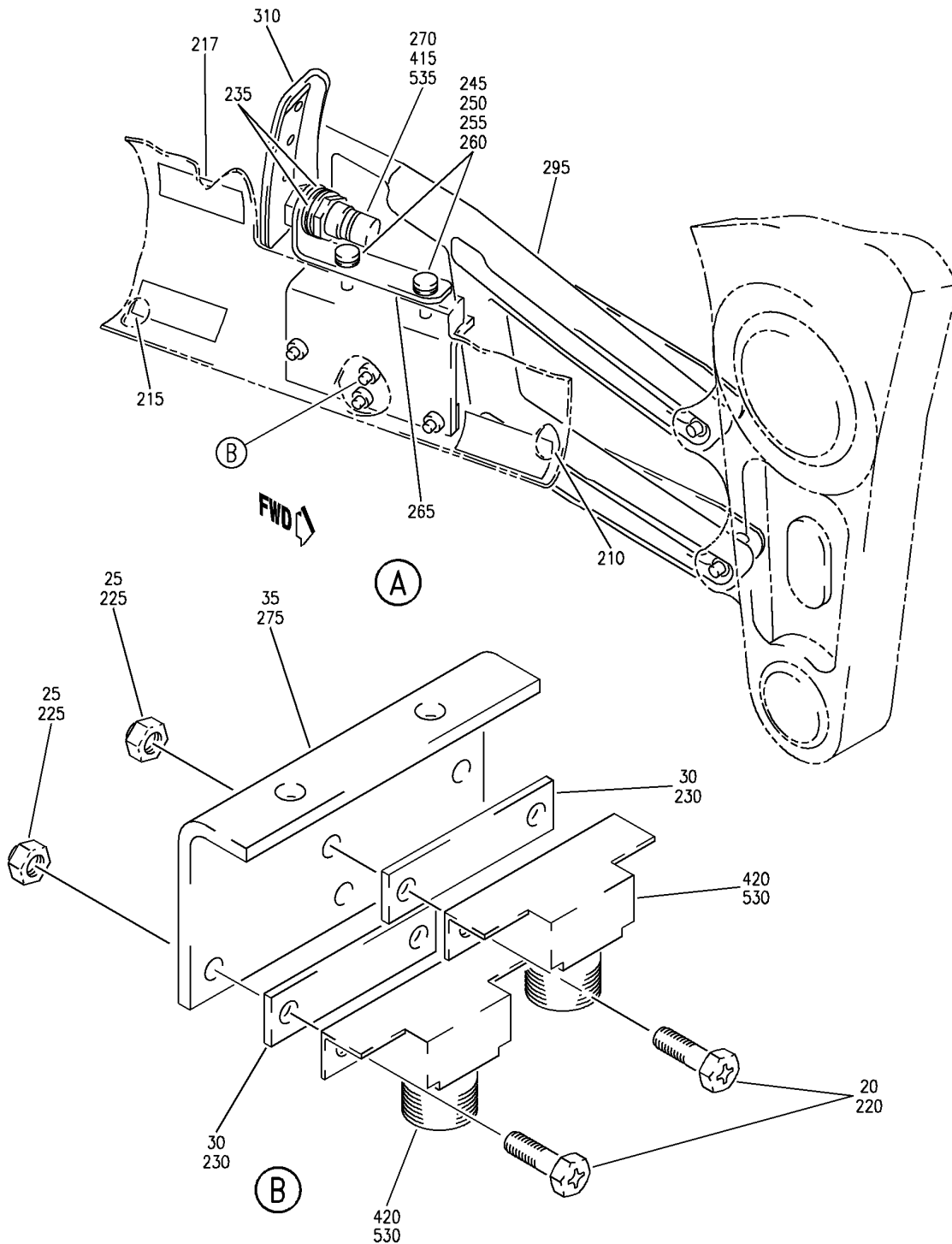
SENSOR AND E/E HARNESS INSTL-MLG TRUCK TILT  
FIGURE 1A (SHEET 1)

**32-09-07-01A**

BRI  
MAY 28/07

32-09-07-01A  
PAGE 0

**BOEING**  
757  
PARTS CATALOG (MAINTENANCE)



Y 32090701A SHT 2 REV 285

SENSOR AND E/E HARNESS INSTL-MLG TRUCK TILT  
FIGURE 1A (SHEET 2)

**32-09-07-01A**

BRI  
MAY 28/07

32-09-07-01A  
PAGE 0A



757

PARTS CATALOG (MAINTENANCE)

FIG ITEM	PART NUMBER	1 2 3 4 5 6 7	NOMENCLATURE	EFFECT FROM TO	UNITS PER ASSY
1A			SENSOR AND E/E HARNESS INSTL-MLG TRUCK TILT	101106 108120 504903	
- 1	284N1613-7		SENSOR INSTL-MLG TRUCK TILT POSITION DATA: LH FOR NHA SEE: 24-00-58-05	101102 108120 504903	RF
- 1	MODREF9027		SENSOR INSTL-MLG TRUCK TILT MODULE NUMBER: 284N1613-7 REV A POSITION DATA: LH	103106	1
10	BAC27NEX0056		.MARKER-ALUMINUM FOIL POSITION DATA: LH SIDE PLACARD CONTENT: S10064 LEFT TRUCK TILT SYSTEM 2	101106 108120 504903	1
15	BAC27NEX0049		.MARKER-ALUMINUM FOIL POSITION DATA: LH SIDE PLACARD CONTENT: S10062 LEFT TRUCK TILT SYSTEM 1	101106 108120 504903	1
20	NAS1801-3-6		.SCREW	101106 108120 504903	4
25	BRH10C3D		.NUT SUPPLIER CODE: V52828 SPECIFICATION NUMBER: BACN10JC3CD OPTIONAL PART: T6C1032JCD V11815 NS202486-02 V80539 102LH9075-3W V72962 H51650-3BAC V15653	101106 108120 504903	4
30	284T0278-1		.SHIM	101106 108120 504903	2
35	284N6102-5		.BRACKET	101106 108120 504903	1

MISSING ITEM NUMBERS NOT APPLICABLE

- ITEM NOT ILLUSTRATED

32-09-07-01A

32-09-07  
FIG. 01A  
PAGE 1  
JAN 20/09

BRI

BOEING PROPRIETARY - Copyright © - Unpublished Work - See title page for details.



757

PARTS CATALOG (MAINTENANCE)

FIG ITEM	PART NUMBER	1 2 3 4 5 6 7	NOMENCLATURE	EFFECT FROM TO	UNITS PER ASSY
1 A			ATTACHING PARTS		
- 40	BACB30NF4-12		.BOLT	101106 108120 504903	2
- 45	BRH10C4D		.NUT SUPPLIER CODE: V52828 SPECIFICATION NUMBER: BACN10JC4CD OPTIONAL PART: T6C428JCD V11815 NS202486-048 V80539 102LH9075-4W V72962 H51650-4BAC V15653 -----*-----	101106 108120 504903	2
50	284N1613-4		.BRACKET ASSY	101106 108120 504903	1
- 55	BACB30NF4-14		ATTACHING PARTS .BOLT	101106 108120 504903	2
- 60	BRH10C4D		.NUT SUPPLIER CODE: V52828 SPECIFICATION NUMBER: BACN10JC4CD OPTIONAL PART: T6C428JCD V11815 NS202486-048 V80539 102LH9075-4W V72962 H51650-4BAC V15653 -----*-----	101106 108120 504903	2
- 200	284N1613-8		SENSOR INSTL-MLG TRUCK TILT POSITION DATA: RH FOR NHA SEE: 24-00-58-05	101102 504903	RF

MISSING ITEM NUMBERS NOT APPLICABLE

- ITEM NOT ILLUSTRATED

BRI

32-09-07-01A

BOEING PROPRIETARY - Copyright © - Unpublished Work - See title page for details.

32-09-07  
FIG. 01A  
PAGE 2  
JAN 20/09



757

PARTS CATALOG (MAINTENANCE)

FIG ITEM	PART NUMBER	1 2 3 4 5 6 7	NOMENCLATURE	EFFECT FROM TO	UNITS PER ASSY
1A					
- 200	284N1613-10		SENSOR INSTL-MLG TRUCK TILT POSITION DATA: RH FOR NHA/OTHER SYS DET SEE: 24-00-58-05	108120	RF
- 200	MODREF9026		SENSOR INSTL-MLG TRUCK TILT MODULE NUMBER: 284N1613-10 REV A POSITION DATA: RH	103105	1
- 200	MODREF9028		SENSOR INSTL-MLG TRUCK TILT MODULE NUMBER: 284N1613-8 REV A POSITION DATA: RH	106106	1
210	BAC27NEX0057		.MARKER-ALUMINUM FOIL POSITION DATA: RH SIDE PLACARD CONTENT: S10059 RIGHT TRUCK TILT SYSTEM 2	101106 108120 504903	1
215	BAC27NEX0051		.MARKER-ALUMINUM FOIL POSITION DATA: RH SIDE PLACARD CONTENT: S10060 RIGHT TRUCK TILT SYSTEM 1	101106 108120 504903	1
217	BAC27NEX3158		.MARKER-ALUMINUM FOIL POSITION DATA: RH SIDE PLACARD CONTENT: S10697 AUTOSPEEDBRAKE MLG POST ALERT SB: 27A0130	101102 504903	1
220	NAS1801-3-6		.SCREW	101106 108120 504903	4

MISSING ITEM NUMBERS NOT APPLICABLE

- ITEM NOT ILLUSTRATED

32-09-07-01A

32-09-07  
FIG. 01A  
PAGE 3  
JAN 20/09

BRI

BOEING PROPRIETARY - Copyright © - Unpublished Work - See title page for details.



757

PARTS CATALOG (MAINTENANCE)

FIG ITEM	PART NUMBER	1 2 3 4 5 6 7	NOMENCLATURE	EFFECT FROM TO	UNITS PER ASSY
1A 225	BRH10C3D	.NUT	SUPPLIER CODE: V52828 SPECIFICATION NUMBER: BACN10JC3CD OPTIONAL PART: T6C1032JCD V11815 NS202486-02 V80539 102LH9075-3W V72962 H51650-3BAC V15653	101102 504903	4
225	PLH53CD	.NUT	SUPPLIER CODE: VF0224 SPECIFICATION NUMBER: BACN10YR3CD OPTIONAL PART: H52732-3CD V15653	103106 108120	4
230	284T0278-1	.SHIM		101106 108120 504903	2
235	284T0519-2	.SHIM-	POST ALERT SB: 27A0130	101106 108120	2
245	BACB30NF4-14	.BOLT-	POST ALERT SB: 27A0130	504903 101106 108120	2
250	BACW10BN4AC	.WASHER-	POSITION DATA: UNDER BOLT HEAD POST ALERT SB: 27A0130	504903 101106 108120	2
255	BACW10BN4AP	.WASHER-	POSITION DATA: UNDER NUT POST ALERT SB: 27A0130	101106 108120 504903	2

MISSING ITEM NUMBERS NOT APPLICABLE

- ITEM NOT ILLUSTRATED

32-09-07-01A

32-09-07  
FIG. 01A  
PAGE 4  
JAN 20/09

BRI

BOEING PROPRIETARY - Copyright © - Unpublished Work - See title page for details.





757

PARTS CATALOG (MAINTENANCE)

FIG ITEM	PART NUMBER	1 2 3 4 5 6 7	NOMENCLATURE	EFFECT FROM TO	UNITS PER ASSY
1A 260	PLH54CD		.NUT- SUPPLIER CODE: VF0224 SPECIFICATION NUMBER: BACN10YR4CD OPTIONAL PART: H52732-4CD V15653 POST ALERT SB: 27A0130	101106 108120 504903	2
265	284N6102-8		.BRACKET- POST ALERT SB: 27A0130	101106 108120 504903	1
270	8-527-03		.SENSOR- SUPPLIER CODE: V08748 ELECTRICAL EQUIP NUMBER: S10697 WIRING DIAGRAM REF: 276211 POST ALERT SB: 27A0130	101106 108120 504903	1
275	284N6102-5		.BRACKET	101106 108120 504903	1
- 276	BACB30NF4-12		ATTACHING PARTS .BOLT- PRE ALERT SB: 27A0130 27A0130R2	101102 504903	2
- 277	BRH10C4D		.NUT- SUPPLIER CODE: V52828 SPECIFICATION NUMBER: BACN10JC4CD OPTIONAL PART: T6C428JCD V11815 NS202486-048 V80539 102LH9075-4W V72962 H51650-4BAC V15653 PRE ALERT SB: 27A0130 27A0130R2 -----*-----	101102 504903	2

MISSING ITEM NUMBERS NOT APPLICABLE

- ITEM NOT ILLUSTRATED

32-09-07-01A

32-09-07  
FIG. 01A  
PAGE 5  
JAN 20/09

BRI

BOEING PROPRIETARY - Copyright © - Unpublished Work - See title page for details.



757

PARTS CATALOG (MAINTENANCE)

FIG ITEM	PART NUMBER	1 2 3 4 5 6 7	NOMENCLATURE	EFFECT FROM TO	UNITS PER ASSY
1A 280	284N1613-4		.BRACKET ASSY- PRE ALERT SB: 27A0130 27A0130R2 ATTACHING PARTS	101102 504903	1
- 285	BACB30NF4-14		.BOLT- PRE ALERT SB: 27A0130	101102 504903	2
- 290	BRH10C4D		.NUT- SUPPLIER CODE: V52828 SPECIFICATION NUMBER: BACN10JC4CD OPTIONAL PART: T6C428JCD V11815 NS202486-048 V80539 102LH9075-4W V72962 H51650-4BAC V15653 PRE ALERT SB: 27A0130 27A0130R2 -----*-----	101102 504903	2
295	284N1613-9		.SUPPORT ASSY- ALTERED FROM PART NUMBER: 284N1613-4 POST ALERT SB: 27A0130 ATTACHING PARTS	101106 108120 504903	1
- 300	BACB30NF4-14		.BOLT	101106 108120 504903	2
- 305	BRH10C4D		.NUT SUPPLIER CODE: V52828 SPECIFICATION NUMBER: BACN10JC4CD OPTIONAL PART: T6C428JCD V11815 NS202486-048 V80539 102LH9075-4W V72962 H51650-4BAC V15653	103106 108120	2

MISSING ITEM NUMBERS NOT APPLICABLE

- ITEM NOT ILLUSTRATED

32-09-07-01A

32-09-07  
FIG. 01A  
PAGE 6  
JAN 20/09

BRI



757

PARTS CATALOG (MAINTENANCE)

FIG ITEM	PART NUMBER	1 2 3 4 5 6 7	NOMENCLATURE	EFFECT FROM TO	UNITS PER ASSY
1A - 305	PLH54CD		.NUT- SUPPLIER CODE: VF0224 SPECIFICATION NUMBER: BACN10YR4CD OPTIONAL PART: H52732-4CD V15653 -----*-----	101102 504903	2
310	284N1613-11		..BRACKET ASSY  ATTACHING PARTS	101106 108120 504903	1
- 315	BACS12ER3K10		..SCREW	101106 108120 504903	2
- 320	PLH53CD		..NUT SUPPLIER CODE: VF0224 SPECIFICATION NUMBER: BACN10YR3CD OPTIONAL PART: H52732-3CD V15653 -----*-----	101106 108120 504903	2
- 400	286N4906-316		WIRE BUNDLE ASSY- POSITION DATA: RH POST ALERT SB: 27A0130R2	101102	RF
- 400	286N4906-327		WIRE BUNDLE ASSY- POSITION DATA: RH POST ALERT SB: 27A0130R2	504504 506506	RF
- 400	286N4906-326		WIRE BUNDLE ASSY- POSITION DATA: RH POST ALERT SB: 27A0130R2	505505 507903	RF

MISSING ITEM NUMBERS NOT APPLICABLE

- ITEM NOT ILLUSTRATED

32-09-07-01A

32-09-07  
FIG. 01A  
PAGE 7  
JAN 20/09

BRI

BOEING PROPRIETARY - Copyright © - Unpublished Work - See title page for details.



757

PARTS CATALOG (MAINTENANCE)

FIG ITEM	PART NUMBER	1 2 3 4 5 6 7	NOMENCLATURE	EFFECT FROM TO	UNITS PER ASSY
1 A 415	D38999-26FA98SN		.PLUG- POSITION DATA: RH SIDE ELECTRICAL EQUIP NUMBER: D04201 WIRING DIAGRAM REF: 276211 276213 320911 USED ON: 286N4906-301 286N4906-304 286N4906-311 POST ALERT SB: 27A0130R2	101102 504903	1

MISSING ITEM NUMBERS NOT APPLICABLE

- ITEM NOT ILLUSTRATED

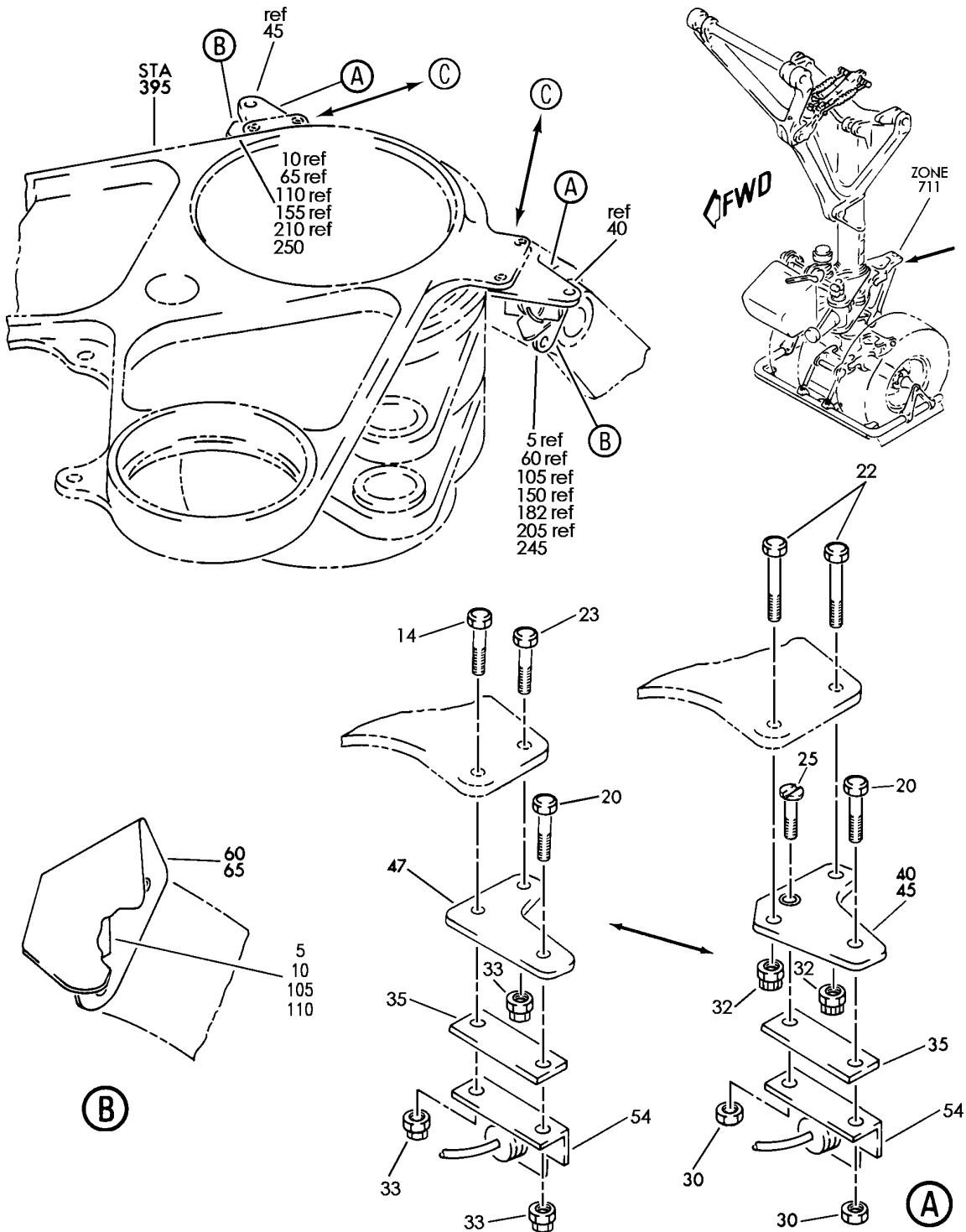
BRI

32-09-07-01A

BOEING PROPRIETARY - Copyright © - Unpublished Work - See title page for details.

32-09-07  
FIG. 01A  
PAGE 8  
JAN 20/09

**BOEING**  
757  
PARTS CATALOG (MAINTENANCE)



Y 32090801\_SHT 1 REV 331

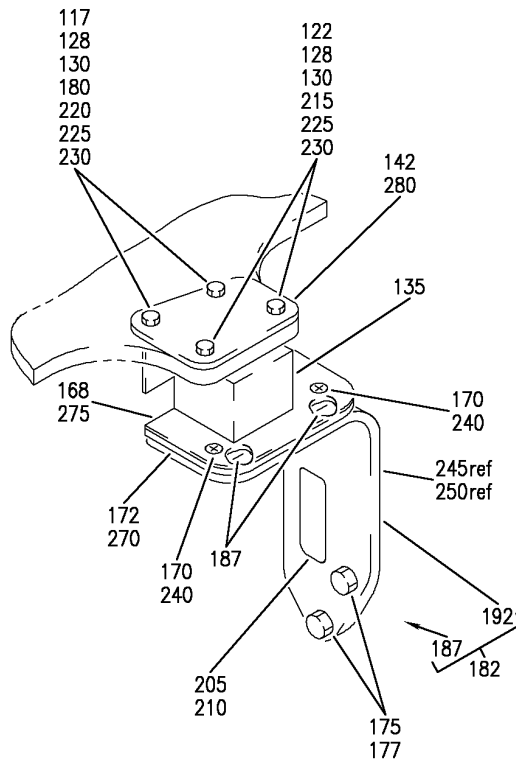
SENSOR INSTL-NLG COMPRESSED (LANDING GEAR ONLY)  
FIGURE 1 (SHEET 1)

**32-09-08-01**

BRI  
JAN 20/09

32-09-08-01  
PAGE 0

**BOEING**  
**757**  
**PARTS CATALOG (MAINTENANCE)**



(C)

Y 32090801 SH1 2 REV 331

SENSOR INSTL-NLG COMPRESSED (LANDING GEAR ONLY)  
 FIGURE 1 (SHEET 2)

**32-09-08-01**

BRI  
 JAN 20/09

32-09-08-01  
 PAGE 0A



757

PARTS CATALOG (MAINTENANCE)

FIG ITEM	PART NUMBER	1 2 3 4 5 6 7	NOMENCLATURE	EFFECT FROM TO	UNITS PER ASSY
1			SENSOR INSTL-NLG COMPRESSED (LANDING GEAR ONLY)	002004 006999	
- 1	284N1624-3		SENSOR INSTL-NLG COMPRESSED (LANDING GEAR ONLY) FOR NHA/OTHER SYS DET SEE: 24-00-58-01A	107107 904949 952952	RF
- 1	284N1624-4		SENSOR INSTL-NLG COMPRESSED (LANDING GEAR ONLY) FOR NHA/OTHER SYS DET SEE: 24-00-58-01A 24-00-58-05A	002004 006102 121903 950951 953999	RF
- 1	284N1624-8		SENSOR INSTL-NLG COMPRESSED (LANDING GEAR ONLY) FOR NHA/OTHER SYS DET SEE: 24-00-58-05A	108120	RF
- 1	MODREF9034		SENSOR INSTL-NLG COMPRESSED (LANDING GEAR ONLY) MODULE NUMBER: 284N1624-8 REV A	103106	1
5	BAC27NEX0662		.DECAL- PLACARD CONTENT: S10067 SYSTEM 1	002004 006999	1
10	BAC27NEX0663		.DECAL- PLACARD CONTENT: S10068 SYSTEM 2	002004 006999	1
14	NAS6603-7		.BOLT-	002004 006999	2
20	NAS6603-3		.BOLT-	002004 006999	2
23	NAS6603-6		.BOLT-	002004 006999	2
33	MS21042L3		.NUT-	002004 006102 107107 121999	6
33	PLH53CD		.NUT SUPPLIER CODE: VF0224 SPECIFICATION NUMBER: BACN10YR3CD OPTIONAL PART: H52732-3CD V15653	103106 108120	6
35	284N1641-4		.SHIM-	002004 006999	2
47	284N1641-21		.BRACKET-	002004 006999	2

MISSING ITEM NUMBERS NOT APPLICABLE

- ITEM NOT ILLUSTRATED

32-09-08-01

32-09-08  
FIG. 01  
PAGE 1  
JAN 20/09

BRI



757

PARTS CATALOG (MAINTENANCE)

FIG ITEM	PART NUMBER	1 2 3 4 5 6 7	NOMENCLATURE	EFFECT FROM TO	UNITS PER ASSY
1 54	8-345-01	.	SENSOR- SUPPLIER CODE: V08748 SPECIFICATION NUMBER: S283T006-5 ELECTRICAL EQUIP NUMBER: S10067 S10068 WIRING DIAGRAM REF: 320911 QUALIFIED I/W DATA: 8-935-01 CAN REPLACE OR BE REPLACED BY 8-345-01, 8-345-02, OR 8-345-03 FOR 757 ONLY. 8-935-01 CANNOT BE USED ON THRUST REVERSER OR ENGINES.	002004 006102 107999	2
54	8-345-03	.	SENSOR- SUPPLIER CODE: V08748 SPECIFICATION NUMBER: S283T006-10 ELECTRICAL EQUIP NUMBER: S10067 S10068 WIRING DIAGRAM REF: 320911 QUALIFIED I/W DATA: FOR 757-200 AIRCRAFT, 8-935-01 CAN REPLACE OR BE REPLACED BY 8-345-01, 8-345-02, OR 8-345-03. FOR 757-300 AIRCRAFT, 8-935-01 TOGETHER WITH PSEU 8-949-02 CAN REPLACE OR BE REPLACED BY 8-345-01, 8-345-02, OR 8-345-03 TOGETHER WITH PSEU 8-949-01, AS DETAILED IN SERVICE BULLETIN 757-32-0175, REV. 1	002004 006102 107999	2

MISSING ITEM NUMBERS NOT APPLICABLE

- ITEM NOT ILLUSTRATED

BRI

32-09-08-01

32-09-08  
FIG. 01  
PAGE 2  
JAN 20/09





757

PARTS CATALOG (MAINTENANCE)

FIG ITEM	PART NUMBER	1 2 3 4 5 6 7	NOMENCLATURE	EFFECT FROM TO	UNITS PER ASSY
1 54	8-345-02		.SENSOR- SUPPLIER CODE: V08748 SPECIFICATION NUMBER: S283T006-10 ELECTRICAL EQUIP NUMBER: S10067 S10068 WIRING DIAGRAM REF: 320911	002004 006102 107999	2
60	284N1641-19		.TARGET- QUALIFIED I/W DATA: 284N1641-23 CAN REPLACE BUT NOT BE REPLACED BY 284N1641-19 FOR THE AIRCRAFT WITH QUICK LINK DISCONNECT. 284N1641-23 CAN REPLACE OR BE REPLACED BY 284N1641-19 FOR THE AIRCRAFT WITHOUT QUICK LINK DISCONNECT.	107107 904949 952952	1
60	284N1641-23		.TARGET- QUALIFIED I/W DATA: 284N1641-23 CAN REPLACE BUT NOT BE REPLACED BY 284N1641-19 FOR THE AIRCRAFT WITH QUICK LINK DISCONNECT. 284N1641-23 CAN REPLACE OR BE REPLACED BY 284N1641-19 FOR THE AIRCRAFT WITHOUT QUICK LINK DISCONNECT.	002004 006106 108903 950951 953999	1
65	284N1641-20		.TARGET- QUALIFIED I/W DATA: 284N1641-24 CAN REPLACE BUT NOT BE REPLACED BY 284N1641-20 FOR THE AIRCRAFT WITH QUICK LINK DISCONNECT. 284N1641-24 CAN REPLACE OR BE REPLACED BY 284N1641-20 FOR THE AIRCRAFT. WITHOUT QUICK LINK DISCONNECT.	107107 904949 952952	1

MISSING ITEM NUMBERS NOT APPLICABLE

- ITEM NOT ILLUSTRATED

32-09-08-01

32-09-08  
FIG. 01  
PAGE 3  
JAN 20/09

BRI



757

PARTS CATALOG (MAINTENANCE)

FIG ITEM	PART NUMBER	1 2 3 4 5 6 7	NOMENCLATURE	EFFECT FROM TO	UNITS PER ASSY
1 65	284N1641-24		.TARGET- QUALIFIED I/W DATA: 284N1641-24 CAN REPLACE BUT NOT BE REPLACED BY 284N1641-20 FOR THE AIRCRAFT WITH QUICK LINK DISCONNECT. 284N1641-24 CAN REPLACE OR BE REPLACED BY 284N1641-20 FOR THE AIRCRAFT. WITHOUT QUICK LINK DISCONNECT. ATTACHING PARTS	002004 006106 108903 950951 953999	1
- 72	NAS6603-3		.BOLT	002004 006999	4
- 75	MS21042L3		.NUT-	002004 006102 107107 121999	4
- 75	PLH53CD		.NUT SUPPLIER CODE: VF0224 SPECIFICATION NUMBER: BACN10YR3CD OPTIONAL PART: H52732-3CD V15653 -----*-----	103106 108120	4

MISSING ITEM NUMBERS NOT APPLICABLE

- ITEM NOT ILLUSTRATED

BRI

32-09-08-01

BOEING PROPRIETARY - Copyright © - Unpublished Work - See title page for details.

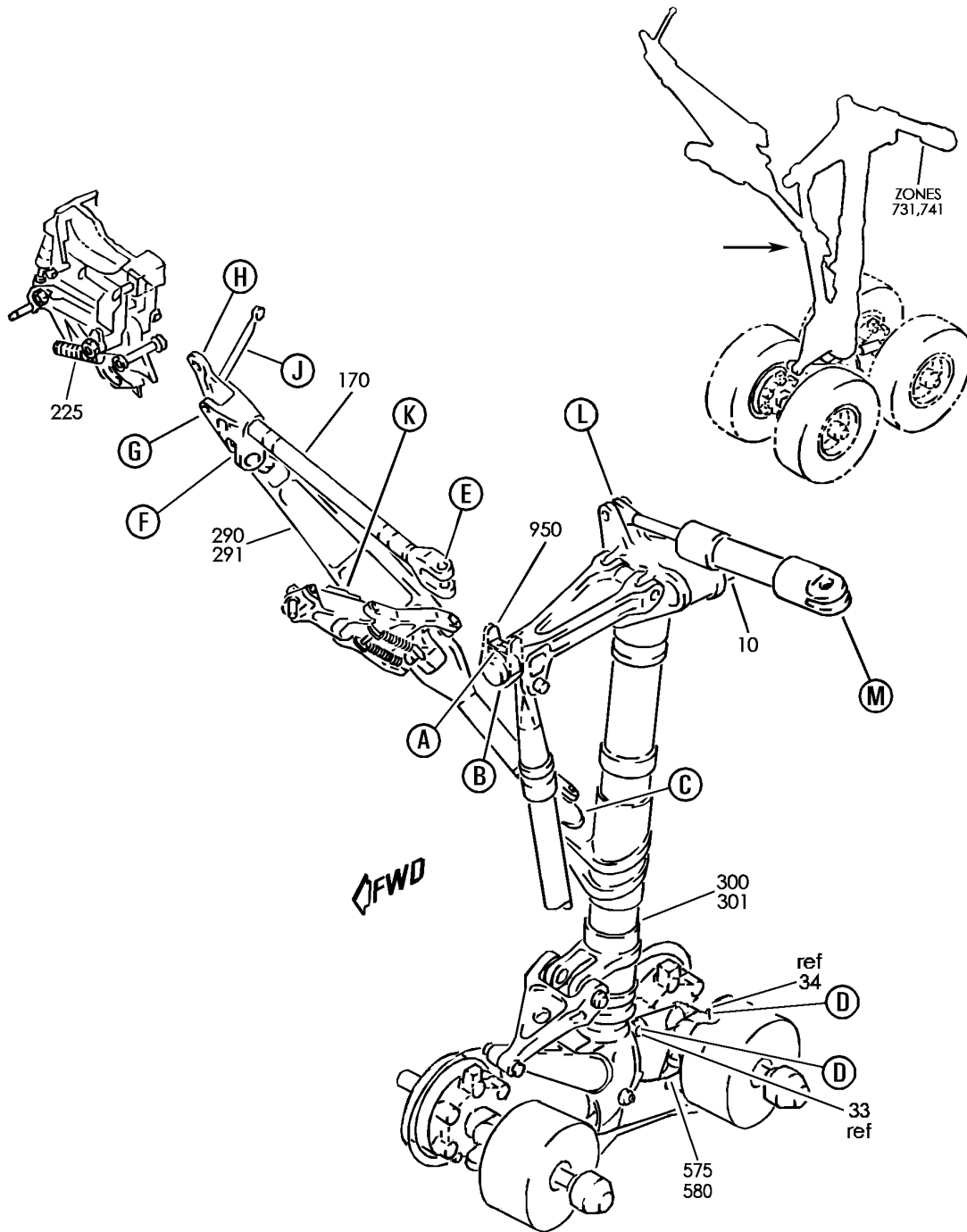
32-09-08  
FIG. 01  
PAGE 4  
JAN 20/09

## MAIN LANDING GEAR

BRI  
MAY 28/07

32-11-00  
SECTION TITLE  
PAGE 1

**BOEING**  
757  
PARTS CATALOG (MAINTENANCE)



Y 32110001 SH1 1 REV 299

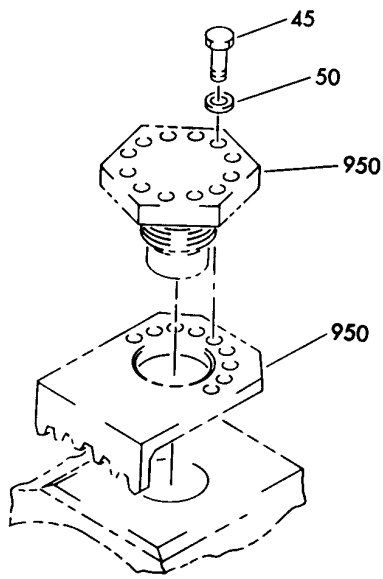
MAIN GEAR INSTL-VAR (MAIN GEAR ONLY)  
FIGURE 1 (SHEET 1)

**32-11-00-01**

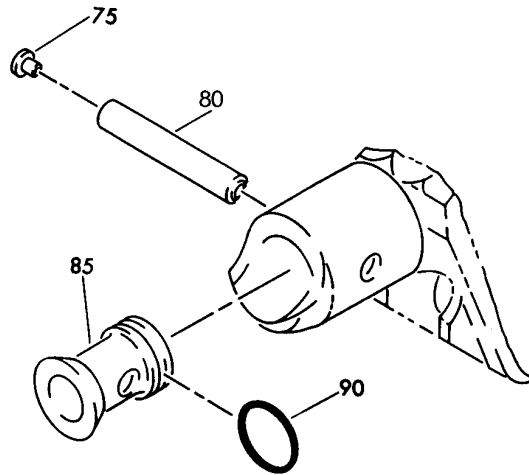
BRI  
MAY 28/07

32-11-00-01  
PAGE 0

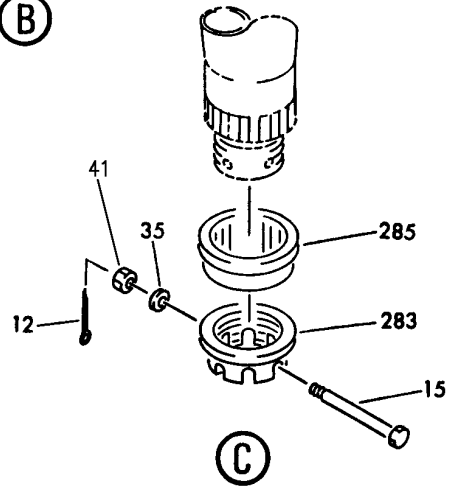
**BOEING**  
757  
PARTS CATALOG (MAINTENANCE)



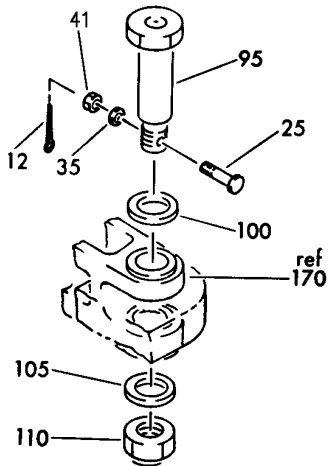
(A)



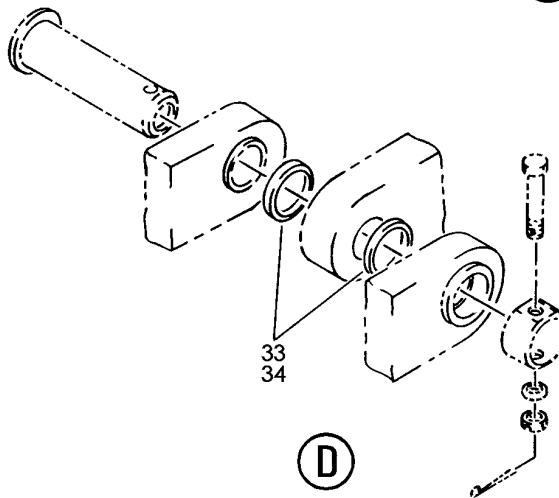
(B)



(C)



(E)



(D)

Y 32110001 SHT 2 REV 274

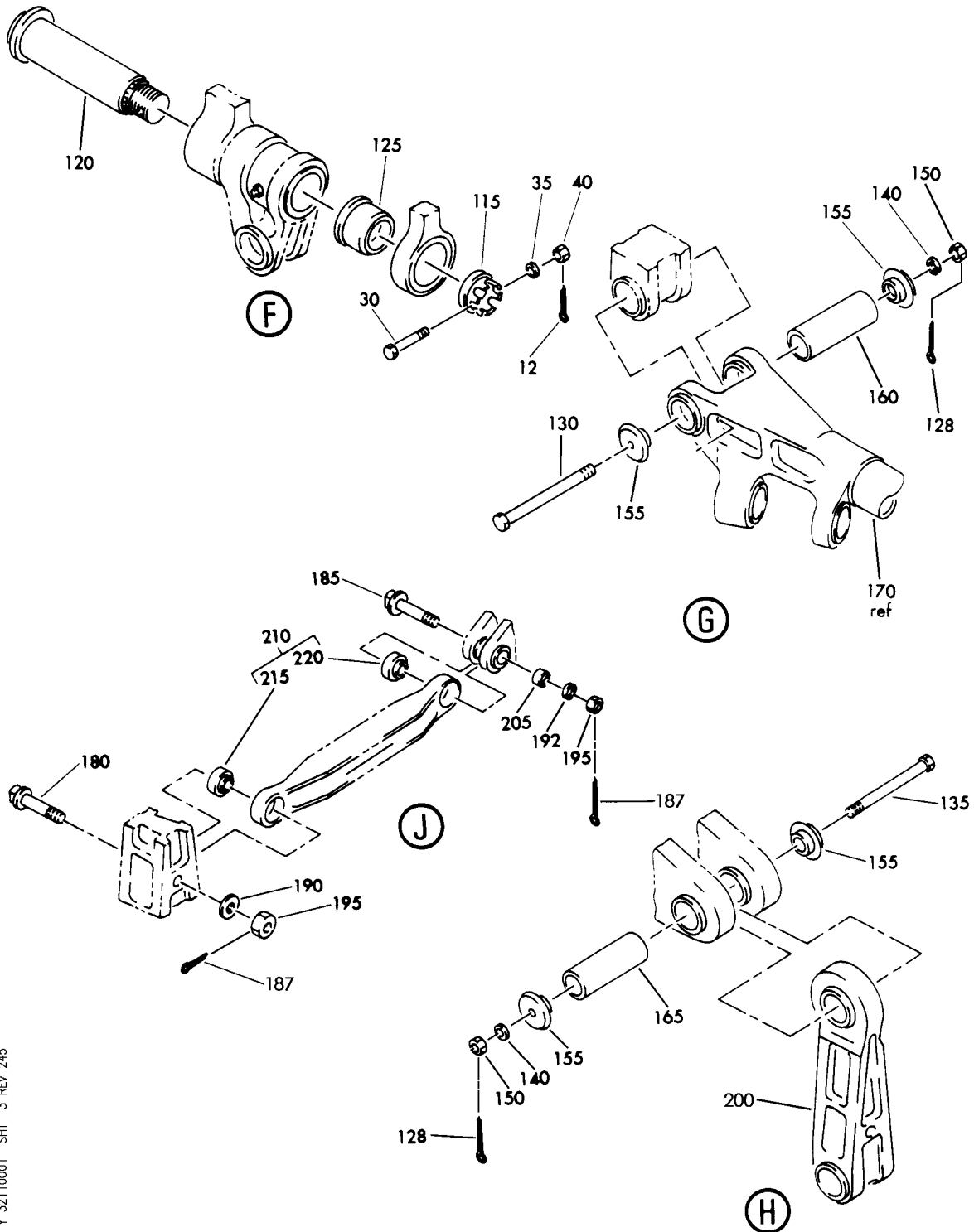
MAIN GEAR INSTL-VAR (MAIN GEAR ONLY)  
FIGURE 1 (SHEET 2)

**32-11-00-01**

BRI  
MAY 28/07

32-11-00-01  
PAGE 0A

**BOEING**  
757  
PARTS CATALOG (MAINTENANCE)



Y 32110001 SHT 3 REV 245

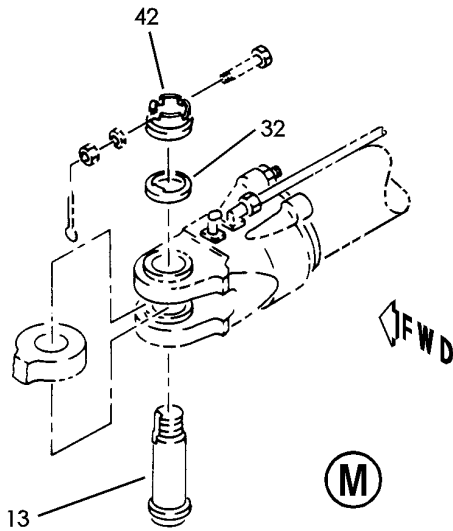
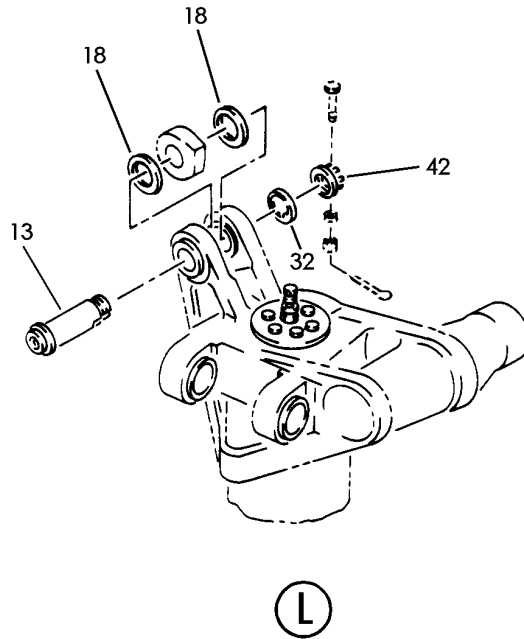
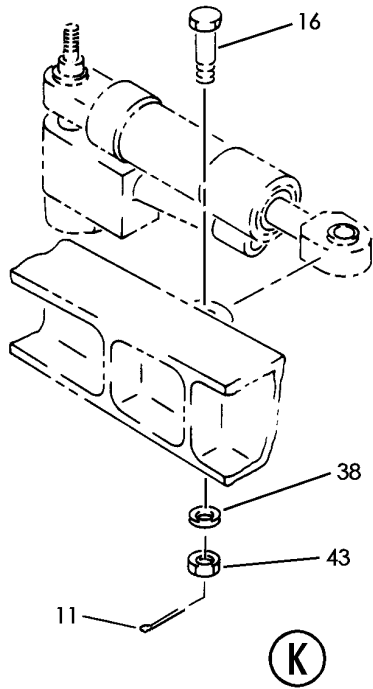
MAIN GEAR INSTL-VAR (MAIN GEAR ONLY)  
FIGURE 1 (SHEET 3)

**32-11-00-01**

BRI  
MAY 28/07

32-11-00-01  
PAGE 0B

**BOEING**  
757  
PARTS CATALOG (MAINTENANCE)



Y 32110001 SHT 4 REV 214

MAIN GEAR INSTL-VAR (MAIN GEAR ONLY)  
FIGURE 1 (SHEET 4)

**32-11-00-01**

BRI  
MAY 28/07

32-11-00-01  
PAGE 0C



757

PARTS CATALOG (MAINTENANCE)

FIG ITEM	PART NUMBER	1 2 3 4 5 6 7	NOMENCLATURE	EFFECT FROM TO	UNITS PER ASSY
1			MAIN GEAR INSTL-VAR (MAIN GEAR ONLY)	002004 006100 107107 121503 904999	
- 1	161N0001-93		MAIN GEAR INSTL-(MAIN GEAR ONLY) VAR POSITION DATA: LH FOR OTHER SYS DETAILS SEE: 32-32-01-01 32-32-02-01 32-32-15-01	107107 904949	1
- 1	161N0001-133		MAIN GEAR INSTL-(MAIN GEAR ONLY) VAR POSITION DATA: LH FOR OTHER SYS DETAILS SEE: 32-32-01-01 32-32-02-01 32-32-15-01	002004 006100 121503 950999	1
- 5	161N0001-94		MAIN GEAR INSTL-(MAIN GEAR ONLY) VAR POSITION DATA: RH FOR OTHER SYS DETAILS SEE: 32-32-01-01 32-32-02-01 32-32-15-01	107107 904949	1
- 5	161N0001-134		MAIN GEAR INSTL-(MAIN GEAR ONLY) VAR POSITION DATA: RH FOR OTHER SYS DETAILS SEE: 32-32-01-01 32-32-02-01 32-32-15-01	002004 006100 121503 950999	1
10	161N1706-1		.PLUG-	002004 006100 107107 121503 904999	1
12	MS24665-153		.PIN	002004 006100 107107 121503 904999	3

MISSING ITEM NUMBERS NOT APPLICABLE

- ITEM NOT ILLUSTRATED

32-11-00-01

32-11-00  
FIG. 01  
PAGE 1  
JAN 20/09

BRI





757

PARTS CATALOG (MAINTENANCE)

FIG ITEM	PART NUMBER	1 2 3 4 5 6 7	NOMENCLATURE	EFFECT FROM TO	UNITS PER ASSY
1	13	161N4001-2	.PIN-	002004 006100 107107 121503 904999	2
	13	161N4001-1	.PIN-	002004 006100 107107 121503 904999	2
	15	BACB30LJ4D35	.BOLT-	002004 006100 107107 121503 904999	1
	16	BACB30LJ10CD28	.BOLT-	002004 006100 107107 121503 904999	1
	16	BACB30LJ10CD29	.BOLT-	002004 006100 107107 121503 904999	1
	25	BACB30LJ4D23	.BOLT	002004 006100 107107 121503 904999	1
	30	BACB30LJ4D36	.BOLT	002004 006100 107107 121503 904999	1
	32	162N3115-17	.WASHER-TANG	002004 006100 107107 121503 904999	2
	32	162N3115-10	.WASHER-TANG	002004 006100 107107 121503 904999	2

MISSING ITEM NUMBERS NOT APPLICABLE

- ITEM NOT ILLUSTRATED

32-11-00-01

32-11-00  
FIG. 01  
PAGE 2  
JAN 20/09

BRI



757

PARTS CATALOG (MAINTENANCE)

FIG ITEM	PART NUMBER	1 2 3 4 5 6 7	NOMENCLATURE	EFFECT FROM TO	UNITS PER ASSY
1	33	162N5005-6	.WASHER-	002004 006100 107107 121503 904999	2
	34	162N5005-7	.WASHER-	002004 006100 107107 121503 904999	2
	35	AN960-416L	.WASHER-	002004 006100 107107 121503 904999	3
	40	LCN12-428	.NUT-SELF LOCKING SUPPLIER CODE: V56878	002004 006100 107107 121503 904999	1
	41	LCN12-428	.NUT-SELF LOCKING SUPPLIER CODE: V56878	002004 006100 107107 121503 904999	2
	42	161N2515-2	.NUT-	002004 006100 107107 121503 904999	2
	43	56287M1018	.NUT-SELF LOCKING SUPPLIER CODE: V56878 OPTIONAL PART: 56287-1018 V56878	002004 006100 107107 121503 904999	1
	43	56287-1018	.NUT-SELF LOCKING SUPPLIER CODE: V56878 OPTIONAL PART: 56287M1018 V56878	002004 006100 107107 121503 904999	1
	45	BACB30LJ4H6	.BOLT-	002004 006100 107107 121503 904999	1

MISSING ITEM NUMBERS NOT APPLICABLE

- ITEM NOT ILLUSTRATED

32-11-00-01

32-11-00  
FIG. 01  
PAGE 3  
JAN 20/09

BRI

BOEING PROPRIETARY - Copyright © - Unpublished Work - See title page for details.



757

PARTS CATALOG (MAINTENANCE)

FIG ITEM	PART NUMBER	1 2 3 4 5 6 7	NOMENCLATURE	EFFECT FROM TO	UNITS PER ASSY
1	50	AN960-416L	.WASHER-	002004 006100 107107 121503 904999	1
	75	113N1077-1	.CAP-	002004 006100 107107 121503 904999	1
	80	113N1088-1	.PIN-STRUCTURAL FUSE PRE ALERT SB: 57A0054	002004 006100	1
	80	113N1088-11	.PIN-STRUCTURAL FUSE PRE ALERT SB: 57A0054	002004 006100	1
	80	113N1488-1	.PIN- POST ALERT SB: 57A0054 57A0054R1	002004 006100 107107 121503 904999	1
	85	161N1707-1	.PLUG-	002004 006100 107107 121503 904999	1
	90	M83248-1-228	.PACKING-	002004 006100 107107 121503 904999	1
	95	113N1507-1	.BOLT-SPECIAL	107107 904949	1
	95	113N1507-3	.BOLT-SPECIAL	002004 006100 107107 121503 904999	1
	95	113N1507-13	.BOLT-SPECIAL	002004 006100 107107 121503 904999	1
	100	113N1094-1	.WASHER	002004 006100 107107 121503 904999	1

MISSING ITEM NUMBERS NOT APPLICABLE

- ITEM NOT ILLUSTRATED

32-11-00-01

32-11-00  
FIG. 01  
PAGE 4  
JAN 20/09

BRI

BOEING PROPRIETARY - Copyright © - Unpublished Work - See title page for details.



757

PARTS CATALOG (MAINTENANCE)

FIG ITEM	PART NUMBER	1 2 3 4 5 6 7	NOMENCLATURE	EFFECT FROM TO	UNITS PER ASSY
1					
105	113N1094-2	.	WASHER	002004 006100 107107 121503 904999	1
110	69235-2412CD	.	NUT SUPPLIER CODE: V92215 SPECIFICATION NUMBER: BACN10JC24CD	002004 006100 107107 121503 904999	1
115	161N2513-1	.	NUT	002004 006100 107107 121503 904999	1
120	161N2511-2	.	PIN-	002004 006100 107107 121503 904999	1
120	161N2511-3	.	PIN-	002004 006100 107107 121503 904999	1
120	161N2511-4	.	PIN-	002004 006100 107107 121503 904999	1
125	161N2512-1	.	BUSHING-SPLINED	107107 904949 952952	1
125	161N2512-2	.	BUSHING-SPLINED	107107 904949 952952	1
125	161N2512-3	.	BUSHING-SPLINED	002004 006100 107107 121503 904999	1
128	MS24665-304	.	PIN	002004 006100 107107 121503 904999	2

MISSING ITEM NUMBERS NOT APPLICABLE

- ITEM NOT ILLUSTRATED

32-11-00-01

32-11-00  
FIG. 01  
PAGE 5  
JAN 20/09

BRI

BOEING PROPRIETARY - Copyright © - Unpublished Work - See title page for details.



757

PARTS CATALOG (MAINTENANCE)

FIG ITEM	PART NUMBER	1 2 3 4 5 6 7	NOMENCLATURE	EFFECT FROM TO	UNITS PER ASSY
1					
130	BACB30LJ6D93	.	BOLT	002004 006100 107107 121503 904999	1
135	BACB30LJ6D88	.	BOLT	002004 006100 107107 121503 904999	1
140	AN960-616L	.	WASHER	002004 006100 107107 121503 904999	2
150	LCN12-624	.	NUT-SELF LOCKING SUPPLIER CODE: V56878	002004 006100 107107 121503 904999	2
155	161N2509-1	.	CAP-END	002004 006100 107107 121503 904999	4
160	161N2506-2	.	PIN-	002004 006100 107107 121503 904999	1
160	161N2506-4	.	PIN-	002004 006100 107107 121503 904999	1
165	161N2506-1	.	PIN-	002004 006100 107107 121503 904999	1
165	161N2506-3	.	PIN-	002004 006100 107107 121503 904999	1

MISSING ITEM NUMBERS NOT APPLICABLE

- ITEM NOT ILLUSTRATED

32-11-00-01

32-11-00  
FIG. 01  
PAGE 6  
JAN 20/09

BRI



757

PARTS CATALOG (MAINTENANCE)

FIG ITEM	PART NUMBER	1 2 3 4 5 6 7	NOMENCLATURE	EFFECT FROM TO	UNITS PER ASSY
1					
170	161N2301-1		.LINK ASSY-REACTION POSITION DATA: LH SIDE COMPONENT MAINT MANUAL REF: 32-11-80 FOR DETAILS SEE: 32-11-10-02	002004 006100 107107 121503 904999	1
170	161N2301-7		.LINK ASSY-REACTION POSITION DATA: LH SIDE COMPONENT MAINT MANUAL REF: 32-11-80 FOR DETAILS SEE: 32-11-10-02	002004 006100 107107 121503 904999	1
170	161N2301-21		.LINK ASSY-REACTION POSITION DATA: LH SIDE COMPONENT MAINT MANUAL REF: 32-11-80 FOR DETAILS SEE: 32-11-10-02	002004 006100 107107 121503 904999	1
170	161N2301-23		.LINK ASSY-REACTION POSITION DATA: LH SIDE FOR DETAILS SEE: 32-11-10-02	002004 006100 107107 121503 904999	1
170	161N2301-25		.LINK ASSY-REACTION POSITION DATA: LH SIDE FOR DETAILS SEE: 32-11-10-02	002004 006100 107107 121503 904999	1
- 175	161N2301-2		.LINK ASSY-REACTION POSITION DATA: RH SIDE COMPONENT MAINT MANUAL REF: 32-11-80 FOR DETAILS SEE: 32-11-10-02	002004 006100 107107 121503 904999	1
- 175	161N2301-8		.LINK ASSY-REACTION POSITION DATA: RH SIDE COMPONENT MAINT MANUAL REF: 32-11-80 FOR DETAILS SEE: 32-11-10-02	002004 006100 107107 121503 904999	1

R  
R  
R  
R  
R  
R  
R  
R  
R

MISSING ITEM NUMBERS NOT APPLICABLE

- ITEM NOT ILLUSTRATED

32-11-00-01

32-11-00  
FIG. 01  
PAGE 7  
MAY 20/09

BRI



757

PARTS CATALOG (MAINTENANCE)

FIG ITEM	PART NUMBER	1 2 3 4 5 6 7	NOMENCLATURE	EFFECT FROM TO	UNITS PER ASSY
1					
- 175	161N2301-22		.LINK ASSY-REACTION POSITION DATA: RH SIDE COMPONENT MAINT MANUAL REF: 32-11-80 FOR DETAILS SEE: 32-11-10-02	002004 006100 107107 121503 904999	1
R	- 175	161N2301-24	.LINK ASSY-REACTION POSITION DATA: RH SIDE FOR DETAILS SEE: 32-11-10-02	002004 006100 107107 121503 904999	1
R	- 175	161N2301-26	.LINK ASSY-REACTION POSITION DATA: RH SIDE FOR DETAILS SEE: 32-11-10-02	002004 006100 107107 121503 904999	1
R	180	161N2508-6	.BOLT-	002004 006100 107107 121503 904999	1
R	180	161N2508-8	.BOLT-	002004 006100 107107 121503 904999	1
R	180	161N2508-10	.BOLT-	002004 006100 107107 121503 904999	1
R	185	161N2508-5	.BOLT-	002004 006100 107107 121503 904999	1
R	185	161N2508-7	.BOLT-	002004 006100 107107 121503 904999	1
R	185	161N2508-9	.BOLT-	002004 006100 107107 121503 904999	1

MISSING ITEM NUMBERS NOT APPLICABLE

- ITEM NOT ILLUSTRATED

32-11-00-01

32-11-00  
FIG. 01  
PAGE 8  
MAY 20/09

BRI



757

PARTS CATALOG (MAINTENANCE)

FIG ITEM	PART NUMBER	1 2 3 4 5 6 7	NOMENCLATURE	EFFECT FROM TO	UNITS PER ASSY
1					
187	MS24665-304	.	PIN	002004 006100 107107 121503 904999	2
190	AN960-816	.	WASHER	002004 006100 107107 121503 904999	1
192	AN960-816L	.	WASHER	002004 006100 107107 121503 904999	1
195	LCN12-820	.	NUT-SELF-LOCKING SUPPLIER CODE: V56878	002004 006100 107107 121503 904999	2
200	161N2401-1	.	LINK ASSY-SIDE STRUT SPRT FOR DETAILS SEE: 32-11-09-01	002004 006100 107107 121503 904999	1
200	161N2401-3	.	LINK ASSY-SIDE STRUT SPRT FOR DETAILS SEE: 32-11-09-01	002004 006100 107107 121503 904999	1
200	161N2401-5	.	LINK ASSY-SIDE STRUT SPRT FOR DETAILS SEE: 32-11-09-01	002004 006100 107107 121503 904999	1
205	BACB28AK10-055	.	BUSHING	002004 006100 107107 121503 904999	1
210	161N2517-1	.	LINK ASSY-STAB.	002004 006100 107107 121503 904999	1

MISSING ITEM NUMBERS NOT APPLICABLE

- ITEM NOT ILLUSTRATED

32-11-00-01

32-11-00  
FIG. 01  
PAGE 9  
MAY 20/09

BRI





757

PARTS CATALOG (MAINTENANCE)

FIG ITEM	PART NUMBER	1 2 3 4 5 6 7	NOMENCLATURE	EFFECT FROM TO	UNITS PER ASSY
1					
210	161N2517-4	.	LINK ASSY-STAB.	002004 006100 107107 121503 904999	1
215	KR10CEGB	..	BEARING- SUPPLIER CODE: V50632 USED ON: 161N2517-1 161N2517-4	002004 006100 107107 121503 904999	1
220	KR10CNGB	..	BEARING- SUPPLIER CODE: V50632 USED ON: 161N2517-1 161N2517-4	002004 006100 107107 121503 904999	1
225	161N5001-1	.	UNLOCK INSTL- POSITION DATA: LH SIDE FOR DETAILS SEE: 32-32-16-01	002004 006100 107107 121503 904999	1
- 230	161N5001-2	.	UNLOCK INSTL- POSITION DATA: RH SIDE FOR DETAILS SEE: 32-32-16-01	002004 006100 107107 121503 904999	1
283	161N2515-1	.	NUT-	002004 006100 107107 121503 904999	1
285	161N2514-1	.	WASHER-SPLINED	002004 006100 107107 121503 904999	1
290	161N0001-123	.	DOWNLOCK ASSY-SIDE STRUT POSITION DATA: LH SIDE COMPONENT MAINT MANUAL REF: 32-11-72 FOR DETAILS SEE: 32-11-04-02	002004 006100 107107 121503 904999	1

MISSING ITEM NUMBERS NOT APPLICABLE

- ITEM NOT ILLUSTRATED

BRI

32-11-00-01

BOEING PROPRIETARY - Copyright © - Unpublished Work - See title page for details.

32-11-00  
FIG. 01  
PAGE 10  
MAY 20/09



757

PARTS CATALOG (MAINTENANCE)

FIG ITEM	PART NUMBER	1 2 3 4 5 6 7	NOMENCLATURE	EFFECT FROM TO	UNITS PER ASSY
1					
290	161N0001-159		.DOWNLOCK ASSY-SIDE STRUT POSITION DATA: LH SIDE COMPONENT MAINT MANUAL REF: 32-11-72 FOR DETAILS SEE: 32-11-04-02	002004 006100 107107 121503 904999	1
290	161N0001-164		.DOWNLOCK ASSY-SIDE STRUT POSITION DATA: LH SIDE COMPONENT MAINT MANUAL REF: 32-11-72 FOR DETAILS SEE: 32-11-04-02	002004 006100 107107 121503 904999	1
290	161N0001-61		.DOWNLOCK ASSY-SIDE STRUT POSITION DATA: LH SIDE COMPONENT MAINT MANUAL REF: 32-11-72 FOR DETAILS SEE: 32-11-04-02	002004 006100 107107 121503 904999	1
290	161N0001-63		.DOWNLOCK ASSY-SIDE STRUT POSITION DATA: LH SIDE COMPONENT MAINT MANUAL REF: 32-11-72 QUALIFIED I/W DATA: 161N0001-65 T/W 1EA 161N3022-1 SPINDLE AND 2EA BACB30LJ3-7 BOLT MAY REPLACE 161N0001-63 T/W 1EA 161N3006-1 SPINDLE AND 2EA BACB30LJ3-6 BOLT. FOR DETAILS SEE: 32-11-04-02	002004 006100 107107 121503 904999	1

MISSING ITEM NUMBERS NOT APPLICABLE

- ITEM NOT ILLUSTRATED

32-11-00-01

32-11-00  
FIG. 01  
PAGE 11  
MAY 20/09

BRI



757

PARTS CATALOG (MAINTENANCE)

FIG ITEM	PART NUMBER	1 2 3 4 5 6 7	NOMENCLATURE	EFFECT FROM TO	UNITS PER ASSY
1 290	161N0001-65		.DOWNLOCK ASSY-SIDE STRUT POSITION DATA: LH SIDE COMPONENT MAINT MANUAL REF: 32-11-72 QUALIFIED I/W DATA: 161N0001-65 T/W 1EA 161N3022-1 SPINDLE AND 2EA BACB30LJ3-7 BOLT MAY REPLACE 161N0001-63 T/W 1EA 161N3006-1 SPINDLE AND 2EA BACB30LJ3-6 BOLT. FOR DETAILS SEE: 32-11-04-02	002004 006100 107107 121503 904999	1
290	161N0001-71		.DOWNLOCK ASSY-SIDE STRUT POSITION DATA: LH SIDE COMPONENT MAINT MANUAL REF: 32-11-72 FOR DETAILS SEE: 32-11-04-02	002004 006100 107107 121503 904999	1
290	161N0001-143		.DOWNLOCK ASSY-SIDE STRUT POSITION DATA: LH SIDE COMPONENT MAINT MANUAL REF: 32-11-72 FOR DETAILS SEE: 32-11-04-02	002004 006100 107107 121503 904999	1
290	161N0001-403		.DOWNLOCK ASSY-SIDE STRUT POSITION DATA: LH SIDE COMPONENT MAINT MANUAL REF: 32-11-72 FOR DETAILS SEE: 32-11-04-02	002004 006100 107107 121503 904999	1
- 295	161N0001-124		.DOWNLOCK ASSY-SIDE STRUT RH SIDE COMPONENT MAINT MANUAL REF: 32-11-72 FOR DETAILS SEE: 32-11-04-02	002004 006100 107107 121503 904999	1
- 295	161N0001-62		.DOWNLOCK ASSY-SIDE STRUT POSITION DATA: RH SIDE COMPONENT MAINT MANUAL REF: 32-11-72 FOR DETAILS SEE: 32-11-04-02	002004 006100 107107 121503 904999	1

MISSING ITEM NUMBERS NOT APPLICABLE

- ITEM NOT ILLUSTRATED

32-11-00-01

32-11-00  
FIG. 01  
PAGE 12  
MAY 20/09

BRI



757

PARTS CATALOG (MAINTENANCE)

FIG ITEM	PART NUMBER	1 2 3 4 5 6 7	NOMENCLATURE	EFFECT FROM TO	UNITS PER ASSY
1					
- 295	161N0001-64		.DOWNLOCK ASSY-SIDE STRUT POSITION DATA: RH SIDE COMPONENT MAINT MANUAL REF: 32-11-72 QUALIFIED I/W DATA: 161N0001-66 T/W 1EA 161N3022-1 SPINDLE AND 2EA BACB30LJ3-7 BOLT MAY REPLACE 161N0001-64 T/W 1 EA 161N3006-1 SPINDLE AND 2EA BACB30LJ3-6 BOLT. FOR DETAILS SEE: 32-11-04-02	002004 006100 107107 121503 904999	1
- 295	161N0001-66		.DOWNLOCK ASSY-SIDE STRUT POSITION DATA: RH SIDE COMPONENT MAINT MANUAL REF: 32-11-72 QUALIFIED I/W DATA: 161N0001-66 T/W 1EA 161N3022-1 SPINDLE AND 2EA BACB30LJ3-7 BOLT MAY REPLACE 161N0001-64 T/W 1EA 161N3006-1 SPINDLE AND 2EA BACB30LJ3-6 BOLT. FOR DETAILS SEE: 32-11-04-02	002004 006100 107107 121503 904999	1
- 295	161N0001-72		.DOWNLOCK ASSY-SIDE STRUT POSITION DATA: RH SIDE COMPONENT MAINT MANUAL REF: 32-11-72 FOR DETAILS SEE: 32-11-04-02	002004 006100 107107 121503 904999	1
- 295	161N0001-144		.DOWNLOCK ASSY-SIDE STRUT POSITION DATA: RH SIDE COMPONENT MAINT MANUAL REF: 32-11-72 FOR DETAILS SEE: 32-11-04-02	002004 006100 107107 121503 904999	1

MISSING ITEM NUMBERS NOT APPLICABLE

- ITEM NOT ILLUSTRATED

32-11-00-01

32-11-00  
FIG. 01  
PAGE 13  
MAY 20/09

BRI



757

PARTS CATALOG (MAINTENANCE)

FIG ITEM	PART NUMBER	1 2 3 4 5 6 7	NOMENCLATURE	EFFECT FROM TO	UNITS PER ASSY
1					
- 295	161N0001-404		.DOWNLOCK ASSY-SIDE STRUT POSITION DATA: RH SIDE COMPONENT MAINT MANUAL REF: 32-11-72 FOR DETAILS SEE: 32-11-04-02	002004 006100 107107 121503 904999	1
- 296	161N0001-160		.DOWNLOCK ASSY-SIDE STRUT POSITION DATA: RH SIDE COMPONENT MAINT MANUAL REF: 32-11-72 FOR DETAILS SEE: 32-11-04-02	002004 006100 107107 121503 904999	1
- 296	161N0001-165		.DOWNLOCK ASSY-SIDE STRUT POSITION DATA: RH SIDE COMPONENT MAINT MANUAL REF: 32-11-72 FOR DETAILS SEE: 32-11-04-02	002004 006100 107107 121503 904999	1
300	161N0001-95		.GEAR ASSY-MLG POSITION DATA: LH SIDE MISCELLANEOUS DATA: FOR SPARES PROCURE LOWER COMPONENTS COMPONENT MAINT MANUAL REF: 32-11-32 QUALIFIED I/W DATA: 161N0001-95 T/W (2)BACB30NF4-14, (1)284N6102-7, (1)284N6102-6 CAN REPLACE BUT NOT BE REPLACED BY 161N0001-85 T/W (2)BACB30NF4-10, (1)284N6102-4 AND (1)284N6102-3 161N0001-95 T/W (2)BACB30NF4-14, (1)284N6102-7, (1)284N6102-6 CAN REPLACE BUT NOT BE REPLACED BY 161N0001-77 T/W (2)BACB30NF4-10, (1)284N6102-4 AND (1)284N6102-3 161N0001-95 T/W	002004 006100 107107 121503 904999	1

MISSING ITEM NUMBERS NOT APPLICABLE

- ITEM NOT ILLUSTRATED

32-11-00-01

32-11-00  
FIG. 01  
PAGE 14  
MAY 20/09

BRI



757

PARTS CATALOG (MAINTENANCE)

FIG ITEM	PART NUMBER	1 2 3 4 5 6 7	NOMENCLATURE	EFFECT FROM TO	UNITS PER ASSY
1			(2)BACB30NF4-14, (1)284N6102-7, (1)284N6102-6 CAN REPLACE BUT NOT BE REPLACED BY 161N0001-57 T/W (2)BACB30NF4-10, (1)284N6102-4 AND (1)284N6102-3 161N0001-95 T/W (2)BACB30NF4-14, (1)284N6102-7, (1)284N6102-6 CAN REPLACE BUT NOT BE REPLACED BY 161N0001-17 T/W (2)BACB30NF4-10, (1)284N6102-4 AND (1)284N6102-3 161N0001-95 T/W (2)BACB30NF4-14, (1)284N6102-7, (1)284N6102-6 CAN REPLACE BUT NOT BE REPLACED BY 161N0001-3 T/W (2)BACB30NF4-10, (1)284N6102-4 AND (1)284N6102-3 FOR DETAILS SEE: 32-11-01-10 32-11-16-01 32-11-17-01 32-11-19-01 .GEAR ASSY-MLG POSITION DATA: LH SIDE MISCELLANEOUS DATA: FOR SPARES PROCURE LOWER COMPONENTS COMPONENT MAINT MANUAL REF: 32-11-32 QUALIFIED I/W DATA: 161N0001-119 T/W (2)BACB30NF4-14, (1)284N6102-7, (1)284N6102-6 CAN REPLACE BUT NOT BE REPLACED BY 161N0001-85 T/W (2)BACB30NF4-10, (1)284N6102-4 AND (1)284N6102-3.		
300	161N0001-119		.GEAR ASSY-MLG POSITION DATA: LH SIDE MISCELLANEOUS DATA: FOR SPARES PROCURE LOWER COMPONENTS COMPONENT MAINT MANUAL REF: 32-11-32 QUALIFIED I/W DATA: 161N0001-119 T/W (2)BACB30NF4-14, (1)284N6102-7, (1)284N6102-6 CAN REPLACE BUT NOT BE REPLACED BY 161N0001-85 T/W (2)BACB30NF4-10, (1)284N6102-4 AND (1)284N6102-3.	002004 006100 107107 121503 904999	1

MISSING ITEM NUMBERS NOT APPLICABLE

- ITEM NOT ILLUSTRATED

32-11-00-01

32-11-00  
FIG. 01  
PAGE 15  
MAY 20/09

BRI



757

PARTS CATALOG (MAINTENANCE)

FIG ITEM	PART NUMBER	1 2 3 4 5 6 7 NOMENCLATURE	EFFECT FROM TO	UNITS PER ASSY
1	300 161N0001-141	<p>161N0001-199 T/W            (2)BACB30NF4-14,            (1)284N6102-7,            (1)284N6102-6 CAN            REPLACE BUT NOT BE            REPLACED BY 161N0001-77            T/W (2)BACB30NF4-10,            (1)284N6102-4 AND            (1)284N6102-3            161N0001-119 T/W            (2)BACB30NF4-14,            (1)284N6102-7,            (1)284N6102-6 CAN            REPLACE BUT NOT BE            REPLACED BY 161N0001-57            T/W (2)BACB30NF4-10,            (1)284N6102-4 AND            (1)284N6102-3            161N0001-119 T/W            (2)BACB30NF4-14,            (1)284N6102-7,            (1)284N6102-6 CAN            REPLACE BUT NOT BE            REPLACED BY 161N0001-17            T/W (2)BACB30NF4-10,            (1)284N6102-4 AND            (1)284N6102-3            161N0001-119 T/W            (2)BACB30NF4-14,            (1)284N6102-7,            (1)284N6102-6 CAN            REPLACE BUT NOT BE            REPLACED BY 161N0001-3            T/W (2)BACB30NF4-10,            (1)284N6102-4 AND            (1)284N6102-3            FOR DETAILS SEE:            32-11-01-10            32-11-16-01            32-11-17-01            32-11-19-01            .GEAR ASSY-MLG            POSITION DATA:            LH SIDE            MISCELLANEOUS DATA:            FOR SPARES PROCURE LOWER            COMPONENTS            COMPONENT MAINT MANUAL REF:            32-11-32</p>	002004 006100 107107 121503 904999	1

MISSING ITEM NUMBERS NOT APPLICABLE

- ITEM NOT ILLUSTRATED

BRI

32-11-00-01

BOEING PROPRIETARY - Copyright © - Unpublished Work - See title page for details.

32-11-00  
 FIG. 01  
 PAGE 16  
 MAY 20/09



757

PARTS CATALOG (MAINTENANCE)

FIG ITEM	PART NUMBER	1 2 3 4 5 6 7 NOMENCLATURE	EFFECT FROM TO	UNITS PER ASSY
1		<p>QUALIFIED I/W DATA:  161N0001-141 T/W  (2)BACB30NF4-14,  (1)284N6102-7,  (1)284N6102-6 CAN  REPLACE BUT NOT BE  REPLACED BY 161N0001-85  T/W (2)BACB30NF4-10,  (1)284N6102-4 AND  (1)284N6102-3  161N0001-141 T/W  (2)BACB30NF4-14,  (1)284N6102-7,  (1)284N6102-6 CAN  REPLACE BUT NOT BE  REPLACED BY 161N0001-77  T/W (2)BACB30NF4-10,  (1)284N6102-4 AND  (1)284N6102-3  161N0001-141 T/W  (2)BACB30NF4-14,  (1)284N6102-7,  (1)284N6102-6 CAN  REPLACE BUT NOT BE  REPLACED BY 161N0001-57  T/W (2)BACB30NF4-10,  (1)284N6102-4 AND  (1)284N6102-3  161N0001-141 T/W  (2)BACB30NF4-14,  (1)284N6102-7,  (1)284N6102-6 CAN  REPLACE BUT NOT BE  REPLACED BY 161N0001-17  T/W (2)BACB30NF4-10,  (1)284N6102-4 AND  (1)284N6102-3  161N0001-141 T/W  (2)BACB30NF4-14,  (1)284N6102-7,  (1)284N6102-6 CAN  REPLACE BUT NOT BE  REPLACED BY 161N0001-3  T/W (2)BACB30NF4-10,  (1)284N6102-4 AND  (1)284N6102-3  FOR DETAILS SEE:  32-11-01-10  32-11-16-01</p>		

MISSING ITEM NUMBERS NOT APPLICABLE

- ITEM NOT ILLUSTRATED

32-11-00-01

32-11-00  
FIG. 01  
PAGE 17  
MAY 20/09

BRI





757

PARTS CATALOG (MAINTENANCE)

FIG ITEM	PART NUMBER	1 2 3 4 5 6 7	NOMENCLATURE	EFFECT FROM TO	UNITS PER ASSY
1	300 161N0001-149		32-11-17-01 32-11-19-01 .GEAR ASSY-MLG POSITION DATA: LH SIDE COMPONENT MAINT MANUAL REF: 32-11-32 QUALIFIED I/W DATA: 161N0001-149 T/W (2)BACB30NF4-14, (1)284N6102-7, (1)284N6102-6 CAN REPLACE BUT NOT BE REPLACED BY 161N0001-85 (2)BACB30NF4-10, (1)284N6102-4 AND (1)284N6102-3 161N0001-149 T/W (2)BACB30NF4-14, (1)284N6102-7, (1)284N6102-6 CAN REPLACE BUT NOT BE REPLACED BY 161N0001-77 T/W (2)BACB30NF4-10, (1)284N6102-4 AND (1)284N6102-3 161N0001-149 T/W (2)BACB30NF4-14, (1)284N6102-7, (1)284N6102-6 CAN REPLACE BUT NOT BE REPLACED BY 161N0001-57 T/W (2)BACB30NF4-10, (1)284N6102-4 AND (1)284N6102-3 161N0001-149 T/W (2)BACB30NF4-14, (1)284N6102-7, (1)284N6102-6 CAN REPLACE BUT NOT BE REPLACED BY 161N0001-17 T/W (2)BACB30NF4-10, (1)284N6102-4 AND (1)284N6102-3 161N0001-149 T/W (2)BACB30NF4-14, (1)284N6102-7, (1)284N6102-6 CAN REPLACE BUT NOT BE	002004 006100 107107 121503 904999	1

MISSING ITEM NUMBERS NOT APPLICABLE

- ITEM NOT ILLUSTRATED

32-11-00-01

32-11-00  
FIG. 01  
PAGE 18  
MAY 20/09

BRI



757

PARTS CATALOG (MAINTENANCE)

FIG ITEM	PART NUMBER	1 2 3 4 5 6 7	NOMENCLATURE	EFFECT FROM TO	UNITS PER ASSY
1	300 161N0001-155		REPLACED BY 161N0001-3 T/W (2)BACB30NF4-10, (1)284N6102-4 AND (1)284N6102-3 FOR DETAILS SEE: 32-11-01-10 32-11-16-01 32-11-17-01 32-11-19-01 .GEAR ASSY-MLG POSITION DATA: LH SIDE COMPONENT MAINT MANUAL REF: 32-11-32 QUALIFIED I/W DATA: 161N0001-155 T/W (2)BACB30NF4-14, (1)284N6102-7, (1)284N6102-6 CAN REPLACE BUT NOT BE REPLACED BY 161N0001-85 T/W (2)BACB30NF4-10, (1)284N6102-4 AND (1)284N6102-3 161N0001-155 T/W (2)BACB30NF4-14, (1)284N6102-7, (1)284N6102-6 CAN REPLACE BUT NOT BE REPLACED BY 161N0001-77 T/W (2)BACB30NF4-10, (1)284N6102-4 AND (1)284N6102-3 161N0001-155 T/W (2)BACB30NF4-14, (1)284N6102-7, (1)284N6102-6 CAN REPLACE BUT NOT BE REPLACED BY 161N0001-57 T/W (2)BACB30NF4-10, (1)284N6102-4 AND (1)284N6102-3 161N0001-155 T/W (2)BACB30NF4-14, (1)284N6102-7, (1)284N6102-6 CAN REPLACE BUT NOT BE REPLACED BY 161N0001-17 T/W (2)BACB30NF4-10, 	002004 006100 107107 121503 904999	1

MISSING ITEM NUMBERS NOT APPLICABLE

- ITEM NOT ILLUSTRATED

32-11-00-01

32-11-00  
FIG. 01  
PAGE 19  
MAY 20/09

BRI



757

PARTS CATALOG (MAINTENANCE)

FIG ITEM	PART NUMBER	1 2 3 4 5 6 7 NOMENCLATURE	EFFECT FROM TO	UNITS PER ASSY
1		(1)24N6102-4 AND (1)284N6102-3 161N0001-155 T/W (2)BACB30NF4-14, (1)284N6102-7, (1)284N6102-6 CAN REPLACE BUT NOT BE REPLACED BY 161N0001-3 T/W (2)BACB30NF4-10, (1)284N6102-4 AND (1)284N6102-3 USED ON: 161N0001-4001 FOR DETAILS SEE: 32-11-01-10 32-11-16-01 32-11-17-01 32-11-19-01		
300	161N0001-161	.GEAR ASSY-MLG POSITION DATA: LH SIDE COMPONENT MAINT MANUAL REF: 32-11-32 FOR DETAILS SEE: 32-11-01-10 32-11-16-01 32-11-17-01 32-11-19-01	002004 006100 107107 121503 904999	1
301	161N0001-171	.GEAR ASSY-MLG POSITION DATA: LH SIDE COMPONENT MAINT MANUAL REF: 32-11-32 FOR DETAILS SEE: 32-11-01-10 32-11-16-01 32-11-17-01 32-11-19-01	002004 006100 107107 121503 904999	1
301	161N0001-167	.GEAR ASSY-MLG POSITION DATA: LH SIDE COMPONENT MAINT MANUAL REF: 32-11-32 FOR DETAILS SEE: 32-11-01-10 32-11-16-01 32-11-17-01 32-11-19-01	002004 006100 107107 121503 904999	1

MISSING ITEM NUMBERS NOT APPLICABLE

- ITEM NOT ILLUSTRATED

BRI

32-11-00-01

32-11-00  
FIG. 01  
PAGE 20  
MAY 20/09



757

PARTS CATALOG (MAINTENANCE)

FIG ITEM	PART NUMBER	1 2 3 4 5 6 7	NOMENCLATURE	EFFECT FROM TO	UNITS PER ASSY
1 301	161N0001-175		.GEAR ASSY-MLG POSITION DATA: LH SIDE FOR DETAILS SEE: 32-11-01-10 32-11-16-01 32-11-17-01 32-11-19-01	002004 006100 107107 121503 904999	1
- 305	161N0001-96		.GEAR ASSY- POSITION DATA: RH SIDE MISCELLANEOUS DATA: FOR SPARES PROCURE LOWER COMPONENTS COMPONENT MAINT MANUAL REF: 32-11-32 QUALIFIED I/W DATA: 161N0001-96 T/W (2)BACB30NF4-14, (1)284N6102-7, (1)284N6102-6 CAN REPLACE BUT NOT BE REPLACED BY 161N0001-86 T/W (2)BACB30NF4-10, (1)284N6102-4 AND (1)284N6102-3 161N0001-96 T/W (2)BACB30NF4-14, (1)284N6102-7, (1)284N6102-6 CAN REPLACE BUT NOT BE REPLACED BY 161N0001-78 T/W (2)BACB30NF4-10, (1)284N6102-4 AND (1)284N6102-3 161N0001-96 T/W (2)BACB30NF4-14, (1)284N6102-7, (1)284N6102-6 CAN REPLACE BUT NOT BE REPLACED BY 161N0001-58 T/W (2)BACB30NF4-10, (1)284N6102-4 AND (1)284N6102-3 161N0001-96 T/W (2)BACB30NF4-14, (1)284N6102-7, (1)284N6102-6 CAN REPLACE BUT NOT BE	002004 006100 107107 121503 904999	1

MISSING ITEM NUMBERS NOT APPLICABLE

- ITEM NOT ILLUSTRATED

32-11-00-01

32-11-00  
FIG. 01  
PAGE 21  
MAY 20/09

BRI





757

PARTS CATALOG (MAINTENANCE)

FIG ITEM	PART NUMBER	1 2 3 4 5 6 7 NOMENCLATURE	EFFECT FROM TO	UNITS PER ASSY
1		<p>REPLACE BUT NOT BE REPLACED BY 161N0001-58 T/W (2)BACB30NF4-10, (1)284N6102-4 AND (1)284N6102-3 161N0001-120 T/W (2)BACB30NF4-14, (1)284N6102-7. (1)284N6102-6 CAN REPLACE BUT NOT BE REPLACED BY 161N0001-18 T/W (2)BACB30NF4-10, (1)284N6102-4 AND (1)284N6102-3 161N0001-120 T/W (2)BACB30NF4-14, (1)284N6102-7, (1)284N6102-6 CAN REPLACE BUT NOT BE REPLACED BY 161N0001-4 T/W (2)BACB30NF4-10, (1)284N6102-4 AND (1)284N6102-3 FOR DETAILS SEE: 32-11-01-10 32-11-16-01 32-11-17-01 32-11-19-01 .GEAR ASSY- POSITION DATA: RH SIDE MISCELLANEOUS DATA: FOR SPARES PROCURE LOWER COMPONENTS COMPONENT MAINT MANUAL REF: 32-11-32 QUALIFIED I/W DATA: 161N0001-142 T/W (2)BACB30NF4-14, (1)284N6102-7, (1)284N6102-6 CAN REPLACE BUT NOT BE REPLACED BY 161N0001-86 T/W (2)BACB30NF4-10, (1)284N6102-4 AND (1)284N6102-3 161N0001-142 T/W (2)BACB30NF4-14, (1)284N6102-7,</p>		
- 305	161N0001-142	<p>MISSING ITEM NUMBERS NOT APPLICABLE</p>	002004 006100 107107 121503 904999	1

- ITEM NOT ILLUSTRATED

32-11-00-01

32-11-00  
FIG. 01  
PAGE 23  
MAY 20/09

BRI



757

PARTS CATALOG (MAINTENANCE)

FIG ITEM	PART NUMBER	1 2 3 4 5 6 7 NOMENCLATURE	EFFECT FROM TO	UNITS PER ASSY
1		<p>(1)284N6102-6 CAN REPLACE BUT NOT BE REPLACED BY 161N0001-78 T/W (2)BACB30NF4-10, (1)284N6102-4 AND (1)284N6102-3 161N0001-142 T/W (2)BACB30NF4-14, (1)284N6102-7, (1)284N6102-6 CAN REPLACE BUT NOT BE REPLACED BY 161N0001-58 T/W (2)BACB30NF4-10, (1)284N6102-4 AND (1)284N6102-3 161N0001-142 T/W (2)BACB30NF4-14, (1)284N6102-7, (1)284N6102-6 CAN REPLACE BUT NOT BE REPLACED BY 161N0001-18 T/W (2)BACB30NF4-10, (1)284N6102-4 AND (1)284N6102-3 161N0001-142 T/W (2)BACB30NF4-14, (1)284N6102-7, (1)284N6102-6 CAN REPLACE BUT NOT BE REPLACED BY 161N0001-4 T/W (2)BACB30NF4-10, (1)284N6102-4 AND (1)284N6102-3 FOR DETAILS SEE: 32-11-01-10 32-11-16-01 32-11-17-01 32-11-19-01 .GEAR ASSY- POSITION DATA: RH SIDE MISCELLANEOUS DATA: FOR SPARES PROCURE LOWER COMPONENTS COMPONENT MAINT MANUAL REF: 32-11-32 QUALIFIED I/W DATA: 161N0001-150 T/W (2)BACB30NF4-14,</p>		
- 305	161N0001-150	<p>MISSING ITEM NUMBERS NOT APPLICABLE</p>	<p>002004 006100 107107 121503 904999</p>	1

- ITEM NOT ILLUSTRATED

32-11-00-01

32-11-00  
FIG. 01  
PAGE 24  
MAY 20/09

BRI



757

PARTS CATALOG (MAINTENANCE)

FIG ITEM	PART NUMBER	1 2 3 4 5 6 7	NOMENCLATURE	EFFECT FROM TO	UNITS PER ASSY
1			(1)284N6102-7, (1)284N6102-6 CAN REPLACE BUT NOT BE REPLACED BY 161N0001-86 T/W (2)BACB30NF4-10, (1)284N6102-4 AND (1)284N6102-3 161N0001-150 T/W (2)BACB30NF4-14, (1)284N6102-7, (1)284N6102-6 CAN REPLACE BUT NOT BE REPLACED BY 161N0001-78 T/W (2)BACB30NF4-10, (1)284N6102-4 AND (1)284N6102-3 161N0001-150 T/W (2)BACB30NF4-14, (1)284N6102-7, (1)284N6102-6 CAN REPLACE BUT NOT BE REPLACED BY 161N0001-58 (2)BACB30NF4-10, (1)284N6102-4 AND (1)284N6102-3 161N0001-150 T/W (2)BACB30NF4-14, (1)284N6102-7, (1)284N6102-6 CAN REPLACE BUT NOT BE REPLACED BY 161N0001-18 T/W (2)BACB30NF4-10, (1)284N6102-4 AND (1)284N6102-3 161N0001-150 T/W (2)BACB30NF4-14, (1)284N6102-7, (1)284N6102-6 CAN REPLACE BUT NOT BE REPLACED BY 161N0001-4 T/W (2)BACB30NF4-10, (1)284N6102-4 AND (1)284N6102-3 FOR DETAILS SEE: 32-11-01-10 32-11-16-01 32-11-17-01 32-11-19-01		
- 305	161N0001-156		.GEAR ASSY-	002004	1

MISSING ITEM NUMBERS NOT APPLICABLE

- ITEM NOT ILLUSTRATED

32-11-00-01

32-11-00  
FIG. 01  
PAGE 25  
MAY 20/09

BRI





757

PARTS CATALOG (MAINTENANCE)

FIG ITEM	PART NUMBER	1 2 3 4 5 6 7 NOMENCLATURE	EFFECT FROM TO	UNITS PER ASSY
1		POSITION DATA: RH SIDE MISCELLANEOUS DATA: FOR SPARES PROCURE LOWER COMPONENTS COMPONENT MAINT MANUAL REF: 32-11-32 QUALIFIED I/W DATA: 161N0001-156 T/W (2)BACB30NF4-14, (1)284N6102-7, (1)284N6102-6 CAN REPLACE BUT NOT BE REPLACED BY 161N0001-86 T/W (2)BACB30NF4-10, (1)284N6102-4 AND (1)284N6102-3 161N0001-156 T/W (2)BACB30NF4-14, (1)284N6102-7, (1)284N6102-6 CAN REPLACE BUT NOT BE REPLACED BY 161N0001-78 T/W (2)BACB30NF4-10, (1)284N6102-4 AND (1)284N6102-3 161N0001-156 T/W (2)BACB30NF4-14, (1)284N6102-7, (1)284N6102-6 CAN REPLACE BUT NOT BE REPLACED BY 161N0001-58 T/W (2)BACB30NF4-10, (1)284N6102-4 AND (1)284N6102-3 161N0001-156 T/W (2)BACB30NF4-14, (1)284N6102-7, (1)284N6102-6 CAN REPLACE BUT NOT BE REPLACED BY 161N0001-18 T/W (2)BACB30NF4-10, (1)284N6102-4 AND (1)284N6102-3 161N0001-156 T/W (2)BACB30NF4-14, (1)284N6102-7, (1)284N6102-6 CAN REPLACE BUT NOT BE	006100 107107 121503 904999	

MISSING ITEM NUMBERS NOT APPLICABLE

- ITEM NOT ILLUSTRATED

32-11-00-01

32-11-00  
 FIG. 01  
 PAGE 26  
 MAY 20/09

BRI



757

PARTS CATALOG (MAINTENANCE)

FIG ITEM	PART NUMBER	1 2 3 4 5 6 7	NOMENCLATURE	EFFECT FROM TO	UNITS PER ASSY
1			REPLACED BY 161N0001-4 T/W (2)BACB30NF4-10, (1)284N6102-4 AND (1)284N6102-3 USED ON: 161N0001-4002 FOR DETAILS SEE: 32-11-01-10 32-11-16-01 32-11-17-01 32-11-19-01		
- 305	161N0001-162	.GEAR ASSY-	POSITION DATA: RH SIDE COMPONENT MAINT MANUAL REF: 32-11-32 FOR DETAILS SEE: 32-11-01-10 32-11-16-01 32-11-17-01 32-11-19-01	002004 006100 107107 121503 904999	1
- 306	161N0001-172	.GEAR ASSY-	POSITION DATA: RH SIDE COMPONENT MAINT MANUAL REF: 32-11-32 FOR DETAILS SEE: 32-11-01-10 32-11-16-01 32-11-17-01 32-11-19-01	002004 006100 107107 121503 904999	1
- 306	161N0001-168	.GEAR ASSY-	POSITION DATA: RH SIDE COMPONENT MAINT MANUAL REF: 32-11-32 FOR DETAILS SEE: 32-11-01-10 32-11-16-01 32-11-17-01 32-11-19-01	002004 006100 107107 121503 904999	1
- 306	161N0001-176	.GEAR ASSY-	POSITION DATA: RH SIDE FOR DETAILS SEE: 32-11-01-10 32-11-16-01 32-11-17-01 32-11-19-01	002004 006100 107107 121503 904999	1

MISSING ITEM NUMBERS NOT APPLICABLE

- ITEM NOT ILLUSTRATED

32-11-00-01

32-11-00  
FIG. 01  
PAGE 27  
MAY 20/09

BRI



757

PARTS CATALOG (MAINTENANCE)

FIG ITEM	PART NUMBER	1 2 3 4 5 6 7	NOMENCLATURE	EFFECT FROM TO	UNITS PER ASSY
1 575	161N1709-1		.SHIELD INSTL-TRUCK FOR DETAILS SEE: 32-11-17-02	002004 006100 107107 121503 904999	1
950			ILLUSTRATION REFERENCE: SUPPORT INSTL-MLG FWD TRUN 57-54-05-01A	002004 006100 107107 121503 904999	RF

MISSING ITEM NUMBERS NOT APPLICABLE

- ITEM NOT ILLUSTRATED

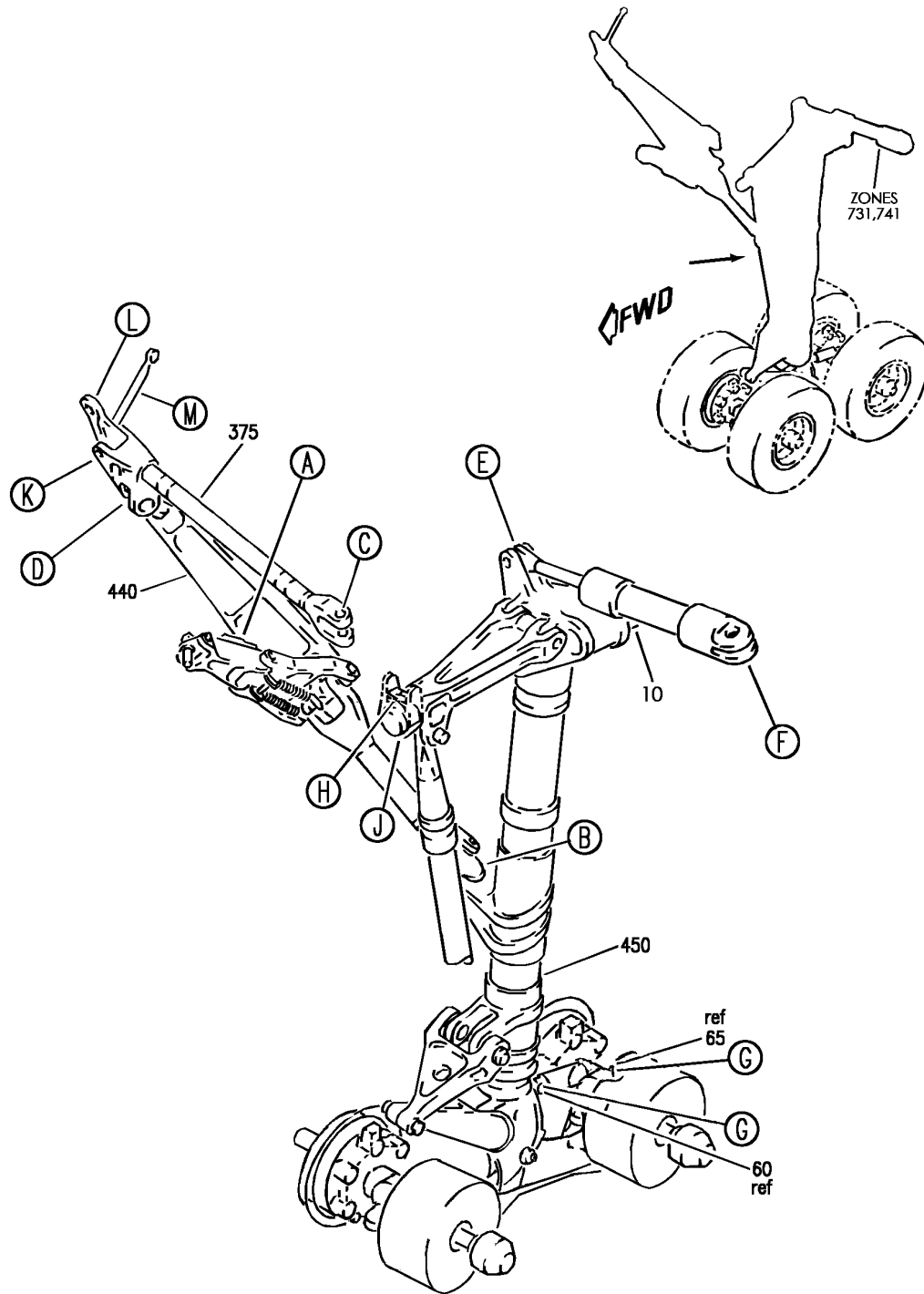
BRI

**32-11-00-01**

BOEING PROPRIETARY - Copyright © - Unpublished Work - See title page for details.

32-11-00  
FIG. 01  
PAGE 28  
MAY 20/09

**BOEING**  
757  
PARTS CATALOG (MAINTENANCE)



Y 32110002 SHT 1 REV 262

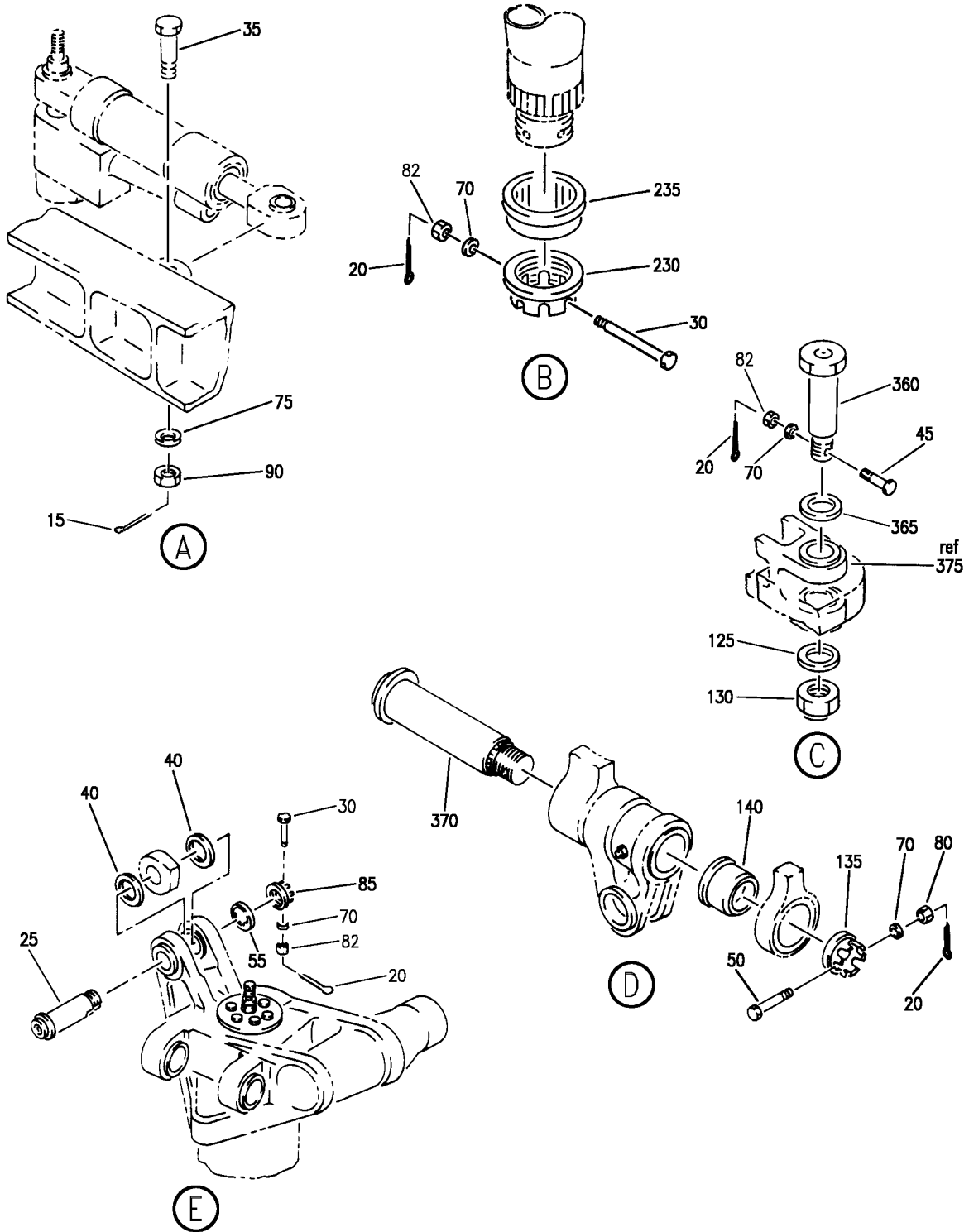
MAJOR AND MINOR INSTL MLG (PREMODULE)  
FIGURE 2 (SHEET 1)

**32-11-00-02**

BRI  
MAY 28/07

32-11-00-02  
PAGE 0

**BOEING**  
757  
PARTS CATALOG (MAINTENANCE)



Y 32110002 SHT 2 REV 282

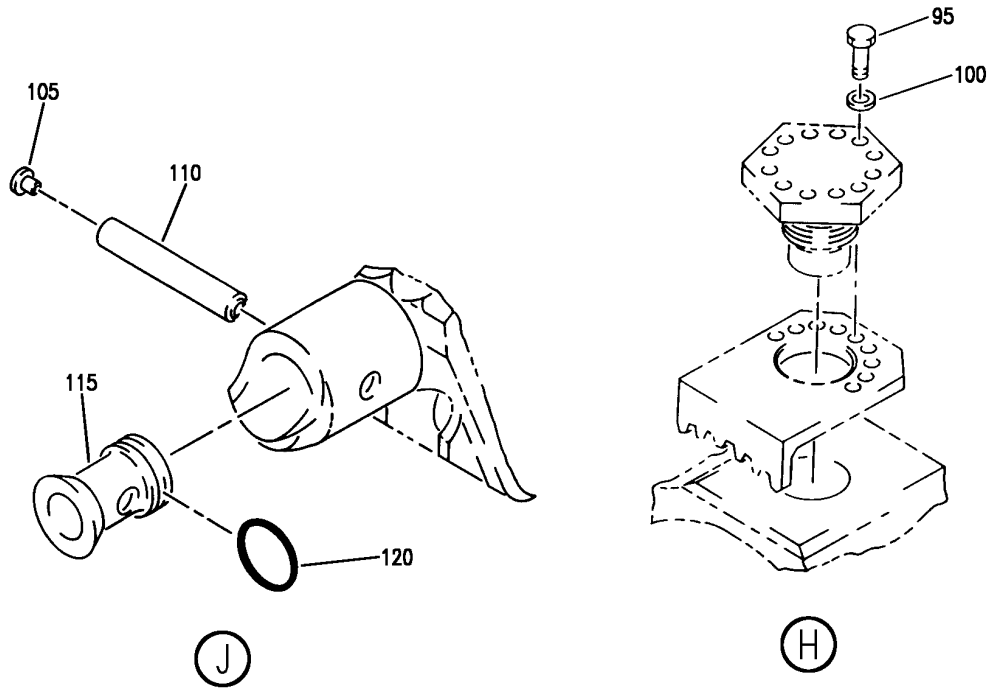
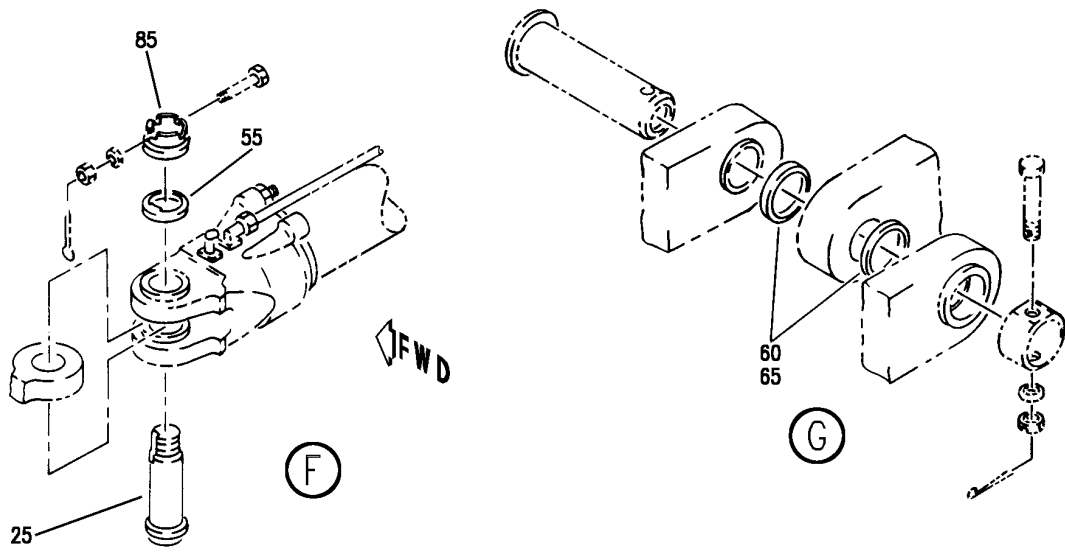
MAJOR AND MINOR INSTL MLG (PREMODULE)  
FIGURE 2 (SHEET 2)

**32-11-00-02**

BRI  
MAY 28/07

32-11-00-02  
PAGE 0A

**BOEING**  
757  
PARTS CATALOG (MAINTENANCE)



Y 32110002 SHT 3 REV 245

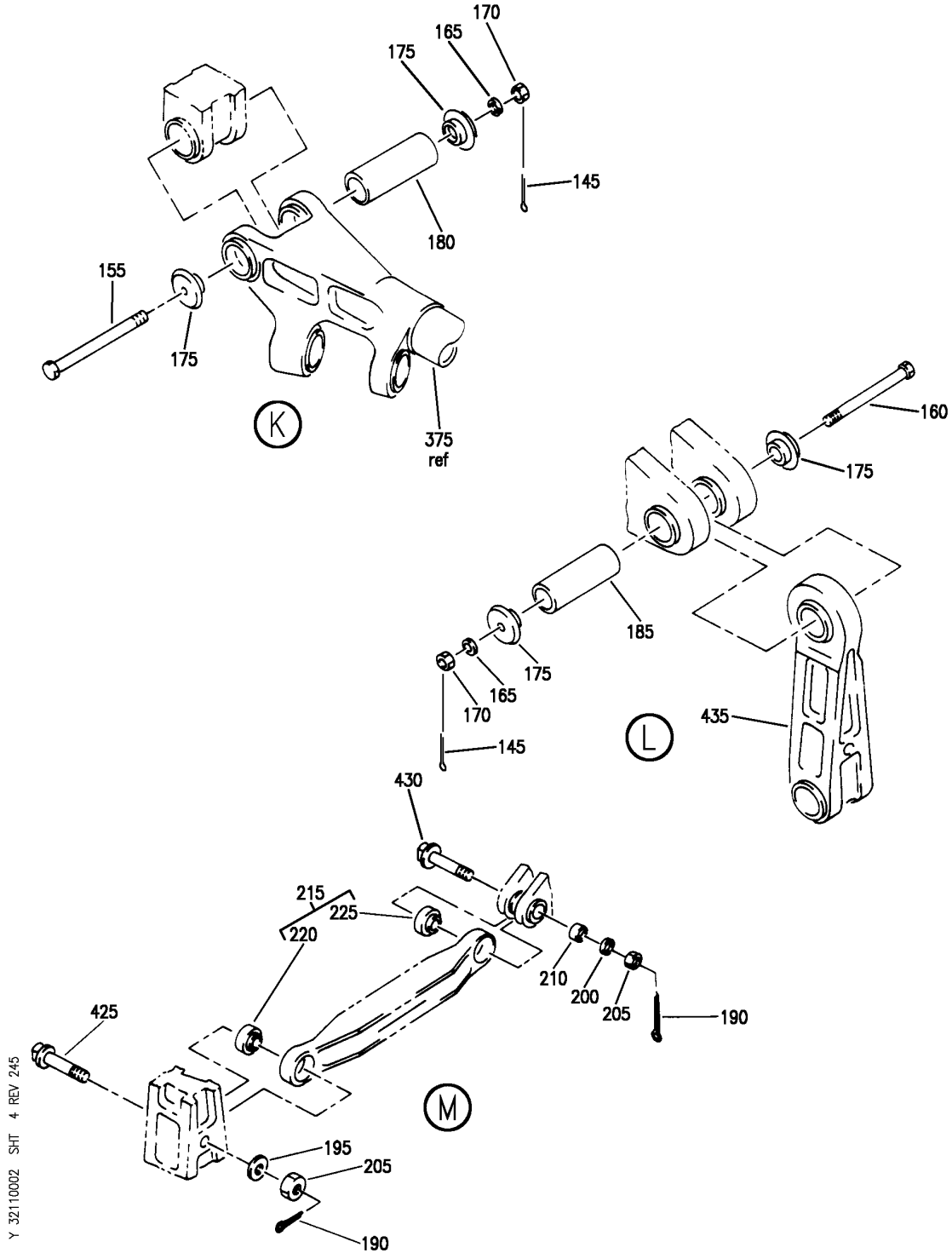
MAJOR AND MINOR INSTL MLG (PREMODULE)  
FIGURE 2 (SHEET 3)

**32-11-00-02**

BRI  
MAY 28/07

32-11-00-02  
PAGE 08

**BOEING**  
757  
PARTS CATALOG (MAINTENANCE)



Y 32110002 SHT 4 REV 245

MAJOR AND MINOR INSTL MLG (PREMODULE)  
FIGURE 2 (SHEET 4)

**32-11-00-02**

BRI  
MAY 28/07

32-11-00-02  
PAGE 0C



757

PARTS CATALOG (MAINTENANCE)

FIG ITEM	PART NUMBER	1 2 3 4 5 6 7	NOMENCLATURE	EFFECT FROM TO	UNITS PER ASSY
2			MAJOR AND MINOR INSTL MLG (PREMODULE)	101102 108120 504903	
- 1	161N0001-405		INSTALLATION MAJOR-MLG (PREMODULE) POSITION DATA: LH FOR NHA SEE: 32-00-00-01	101102 504903	RF
- 1	161N0001-407		INSTALLATION MAJOR-MLG (PREMODULE) POSITION DATA: LH FOR NHA SEE: 32-00-00-01	108120	RF
- 5	161N0001-406		INSTALLATION MAJOR-MLG (PREMODULE) POSITION DATA: RH FOR NHA SEE: 32-00-00-01	101102 504903	RF
- 5	161N0001-408		INSTALLATION MAJOR-MLG (PREMODULE) POSITION DATA: RH FOR NHA SEE: 32-00-00-01	108120	RF
10	161N1706-1		.PLUG-	101102 108120 504903	1
15	BACP18BC04A12P		.PIN	101102 108120 504903	1
20	BACP18BC02A06P		.PIN	101102 108120 504903	4
25	161N4001-2		.PIN-	101102 108120 504903	2
25	161N4001-1		.PIN-	101102 108120 504903	2
30	BACB30LJ4D35		.BOLT-	101102 108120 504903	2
35	BACB30LJ10CD28		.BOLT-	101102 108120 504903	1

MISSING ITEM NUMBERS NOT APPLICABLE

- ITEM NOT ILLUSTRATED

32-11-00-02

32-11-00  
FIG. 02  
PAGE 1  
JAN 20/09

BRI





757

PARTS CATALOG (MAINTENANCE)

FIG ITEM	PART NUMBER	1 2 3 4 5 6 7	NOMENCLATURE	EFFECT FROM TO	UNITS PER ASSY
2					
40	161N4002-1	.	SPACER-	101102 108120 504903	2
45	BACB30LJ4D23	.	BOLT	101102 108120 504903	1
50	BACB30LJ4D36	.	BOLT	101102 108120 504903	1
55	162N3115-17	.	WASHER-TANG	101102 108120 504903	2
55	162N3115-10	.	WASHER-TANG	101102 108120 504903	2
60	162N5005-6	.	WASHER-	101102 108120 504903	2
65	162N5005-7	.	WASHER-	101102 108120 504903	2
70	NAS1149F0432P	.	WASHER	101102 108120 504903	4
75	NAS1149F1063P	.	WASHER-	101102 108120 504903	1
80	LCN12-428	.	NUT-SELF LOCKING SUPPLIER CODE: V56878	101102 108120 504903	1
82	LCN12-428	.	NUT-SELF LOCKING SUPPLIER CODE: V56878	101102 108120 504903	3
85	161N2515-2	.	NUT-	101102 108120 504903	2
90	56287M1018	.	NUT-SELF LOCKING SUPPLIER CODE: V56878 OPTIONAL PART: 56287-1018 V56878	101102 108120 504903	1
90	56287-1018	.	NUT-SELF LOCKING SUPPLIER CODE: V56878 OPTIONAL PART: 56287M1018 V56878	101102 108120 504903	1

MISSING ITEM NUMBERS NOT APPLICABLE

- ITEM NOT ILLUSTRATED

32-11-00-02

32-11-00  
FIG. 02  
PAGE 2  
JAN 20/09

BRI



757

PARTS CATALOG (MAINTENANCE)

FIG ITEM	PART NUMBER	1 2 3 4 5 6 7	NOMENCLATURE	EFFECT FROM TO	UNITS PER ASSY
2					
95	BACB30LJ4H6	.BOLT-		101102	1
		OPTIONAL PART:		108120	
		BACB30NR4HK6		504903	
95	BACB30NR4HK6	.BOLT-		101102	1
		OPTIONAL PART:		108120	
		BACB30LJ4H6		504903	
100	NAS1149F0432P	.WASHER		101102	1
				108120	
				504903	
105	113N1077-1	.CAP-		101102	1
				108120	
				504903	
110	113N1088-1	.PIN-STRUCTURAL FUSE		101102	1
				108120	
				504903	
110	113N1088-11	.PIN-STRUCTURAL FUSE		101102	1
				108120	
				504903	
110	113N1488-1	.PIN-		101102	1
				108120	
				504903	
115	161N1707-1	.PLUG-		101102	1
				504903	
115	161N1707-2	.PLUG-		108120	1
120	M83248-1-228	.PACKING-		101102	1
				108120	
				504903	
125	113N1094-2	.WASHER		101102	1
				108120	
				504903	
130	69235-2412CD	.NUT		101102	1
		SUPPLIER CODE:		108120	
		V92215		504903	
		SPECIFICATION NUMBER:			
		BACN10JC24CD			
135	161N2513-1	.NUT		101102	1
				108120	
				504903	
140	161N2512-3	.BUSHING-SPLINED		101102	1
				108120	
				504903	
145	BACP18BC03A10P	.PIN		101102	2
				108120	
				504903	
155	BACB30LJ6D93	.BOLT		101102	1
				108120	
				504903	

MISSING ITEM NUMBERS NOT APPLICABLE

- ITEM NOT ILLUSTRATED

32-11-00-02

32-11-00  
FIG. 02  
PAGE 3  
JAN 20/09

BRI



757

PARTS CATALOG (MAINTENANCE)

FIG ITEM	PART NUMBER	1 2 3 4 5 6 7	NOMENCLATURE	EFFECT FROM TO	UNITS PER ASSY
2					
160	BACB30LJ6D88	.	BOLT	101102 108120 504903	1
165	NAS1149F0632P	.	WASHER	101102 108120 504903	2
170	LCN12-624	.	NUT-SELF LOCKING SUPPLIER CODE: V56878	101102 108120 504903	2
175	161N2509-1	.	CAP-END	101102 108120 504903	4
180	161N2506-2	.	PIN-	101102 108120 504903	1
180	161N2506-4	.	PIN-	101102 108120 504903	1
185	161N2506-1	.	PIN-	101102 108120 504903	1
185	161N2506-3	.	PIN-	101102 108120 504903	1
190	BACP18BC03A10P	.	PIN	101102 108120 504903	2
195	NAS1149F0832P	.	WASHER	101102 108120 504903	1
200	NAS1149F0863P	.	WASHER	101102 108120 504903	1
205	LCN12-820	.	NUT-SELF-LOCKING SUPPLIER CODE: V56878	101102 108120 504903	2
210	BACB28AK10-055	.	BUSHING	101102 108120 504903	1
215	161N2517-1	.	LINK ASSY-STAB.	101102 108120 504903	1
215	161N2517-4	.	LINK ASSY-STAB.	101102 108120 504903	1
220	KR10CEGB	..	BEARING- SUPPLIER CODE: V50632	101102 108120 504903	1

MISSING ITEM NUMBERS NOT APPLICABLE

- ITEM NOT ILLUSTRATED

32-11-00-02

32-11-00  
FIG. 02  
PAGE 4  
JAN 20/09

BRI

BOEING PROPRIETARY - Copyright © - Unpublished Work - See title page for details.



757

PARTS CATALOG (MAINTENANCE)

FIG ITEM	PART NUMBER	1 2 3 4 5 6 7	NOMENCLATURE	EFFECT FROM TO	UNITS PER ASSY
2					
225	KR10CNGB		. . BEARING- SUPPLIER CODE: V50632	101102 108120 504903	1
230	161N2515-1		. NUT-	101102 108120 504903	1
235	161N2514-1		. WASHER-SPLINED	101102 108120 504903	1
- 350	161N0001-603		INSTALLATION MINOR-MLG (PREMODULE) POSITION DATA: LH FOR NHA SEE: 32-00-00-01	101102 504903	RF
- 350	161N0001-605		INSTALLATION MINOR-MLG (PREMODULE) POSITION DATA: LH FOR NHA SEE: 32-00-00-01	108120	RF
- 355	161N0001-604		INSTALLATION MINOR-MLG (PREMODULE) POSITION DATA: RH FOR NHA SEE: 32-00-00-01	101102 504903	RF
- 355	161N0001-606		INSTALLATION MINOR-MLG (PREMODULE) POSITION DATA: RH FOR NHA SEE: 32-00-00-01	108120	RF
360	113N1507-3		. BOLT-SPECIAL	101102 108120 504903	1
360	113N1507-13		. BOLT-SPECIAL	101102 108120 504903	1
365	113N1094-1		. WASHER	101102 108120 504903	1
370	161N2511-2		. PIN-	101102 108120 504903	1
370	161N2511-3		. PIN-	101102 108120 504903	1

MISSING ITEM NUMBERS NOT APPLICABLE

- ITEM NOT ILLUSTRATED

BRI

32-11-00-02

32-11-00  
FIG. 02  
PAGE 5  
JAN 20/09



757

PARTS CATALOG (MAINTENANCE)

FIG ITEM	PART NUMBER	1 2 3 4 5 6 7	NOMENCLATURE	EFFECT FROM TO	UNITS PER ASSY
2					
370	161N2511-4		.PIN-	101102 108120 504903	1
375	161N2301-1		.LINK ASSY-REACTION POSITION DATA: LH SIDE COMPONENT MAINT MANUAL REF: 32-11-80 FOR DETAILS SEE: 32-11-10-02	101102 108120 504903	1
375	161N2301-7		.LINK ASSY-REACTION POSITION DATA: LH SIDE COMPONENT MAINT MANUAL REF: 32-11-80 FOR DETAILS SEE: 32-11-10-02	101102 108120 504903	1
375	161N2301-21		.LINK ASSY-REACTION POSITION DATA: LH SIDE COMPONENT MAINT MANUAL REF: 32-11-80 FOR DETAILS SEE: 32-11-10-02	101102 108120 504903	1
375	161N2301-23		.LINK ASSY-REACTION POSITION DATA: LH SIDE FOR DETAILS SEE: 32-11-10-02	101102 108120 504903	1
375	161N2301-25		.LINK ASSY-REACTION POSITION DATA: LH SIDE FOR DETAILS SEE: 32-11-10-02	101102 108120 504903	1
- 380	161N2301-2		.LINK ASSY-REACTION POSITION DATA: RH SIDE COMPONENT MAINT MANUAL REF: 32-11-80 FOR DETAILS SEE: 32-11-10-02	101102 108120 504903	1
- 380	161N2301-8		.LINK ASSY-REACTION POSITION DATA: RH SIDE COMPONENT MAINT MANUAL REF: 32-11-80 FOR DETAILS SEE: 32-11-10-02	101102 108120 504903	1

R  
R  
R  
R  
R  
R  
R  
R

MISSING ITEM NUMBERS NOT APPLICABLE

- ITEM NOT ILLUSTRATED

32-11-00-02

32-11-00  
FIG. 02  
PAGE 6  
MAY 20/09

BRI



757

PARTS CATALOG (MAINTENANCE)

FIG ITEM	PART NUMBER	1 2 3 4 5 6 7	NOMENCLATURE	EFFECT FROM TO	UNITS PER ASSY
2					
- 380	161N2301-22		.LINK ASSY-REACTION POSITION DATA: RH SIDE COMPONENT MAINT MANUAL REF: 32-11-80 FOR DETAILS SEE: 32-11-10-02	101102 108120 504903	1
R	- 380	161N2301-24	.LINK ASSY-REACTION POSITION DATA: RH SIDE FOR DETAILS SEE: 32-11-10-02	101102 108120 504903	1
R	- 380	161N2301-26	.LINK ASSY-REACTION POSITION DATA: RH SIDE FOR DETAILS SEE: 32-11-10-02	101102 108120 504903	1
R	425	161N2508-6	.BOLT-	101102 108120 504903	1
R	425	161N2508-8	.BOLT-	101102 108120 504903	1
R	425	161N2508-10	.BOLT-	101102 108120 504903	1
R	430	161N2508-5	.BOLT-	101102 108120 504903	1
R	430	161N2508-7	.BOLT-	101102 108120 504903	1
R	430	161N2508-9	.BOLT-	101102 108120 504903	1
	435	161N2401-1	.LINK ASSY-SIDE STRUT SPRT FOR DETAILS SEE: 32-11-09-01	101102 108120 504903	1
	435	161N2401-3	.LINK ASSY-SIDE STRUT SPRT FOR DETAILS SEE: 32-11-09-01	101102 108120 504903	1
	435	161N2401-5	.LINK ASSY-SIDE STRUT SPRT FOR DETAILS SEE: 32-11-09-01	101102 108120 504903	1

MISSING ITEM NUMBERS NOT APPLICABLE

- ITEM NOT ILLUSTRATED

32-11-00-02

32-11-00  
FIG. 02  
PAGE 7  
MAY 20/09

BRI



757

PARTS CATALOG (MAINTENANCE)

FIG ITEM	PART NUMBER	1 2 3 4 5 6 7	NOMENCLATURE	EFFECT FROM TO	UNITS PER ASSY
2					
440	161N0001-164		.DOWNLOCK ASSY-MLG SIDE STRUT PRE-MODULE POSITION DATA: LH SIDE COMPONENT MAINT MANUAL REF: 32-11-72 FOR DETAILS SEE: 32-11-04-02	101102 108120 504903	1
440	161N0001-403		.DOWNLOCK ASSY-MLG SIDE STRUT PRE-MODULE POSITION DATA: LH SIDE COMPONENT MAINT MANUAL REF: 32-11-72 FOR DETAILS SEE: 32-11-04-02	101102 108120 504903	1
440	161N0001-143		.DOWNLOCK ASSY-MLG SIDE STRUT POSITION DATA: LH SIDE COMPONENT MAINT MANUAL REF: 32-11-72 FOR DETAILS SEE: 32-11-04-02	101102 108120 504903	1
440	161N0001-123		.DOWNLOCK ASSY-MLG SIDE STRUT POSITION DATA: LH SIDE COMPONENT MAINT MANUAL REF: 32-11-72 FOR DETAILS SEE: 32-11-04-02	101102 108120 504903	1
440	161N0001-71		.DOWNLOCK ASSY-MLG SIDE STRUT POSITION DATA: LH SIDE COMPONENT MAINT MANUAL REF: 32-11-72 FOR DETAILS SEE: 32-11-04-02	101102 108120 504903	1

MISSING ITEM NUMBERS NOT APPLICABLE

- ITEM NOT ILLUSTRATED

32-11-00-02

32-11-00  
FIG. 02  
PAGE 8  
MAY 20/09

BRI



757

PARTS CATALOG (MAINTENANCE)

FIG ITEM	PART NUMBER	1 2 3 4 5 6 7	NOMENCLATURE	EFFECT FROM TO	UNITS PER ASSY
2 440	161N0001-65		.DOWNLOCK ASSY-MLG SIDE STRUT POSITION DATA: LH SIDE COMPONENT MAINT MANUAL REF: 32-11-72 QUALIFIED I/W DATA: 161N0001-65 T/W 1EA 161N3022-1 SPINDLE AND 2EA BACB30LJ3-7 BOLT MAY REPLACE 161N0001-63 T/W 1EA 161N3006-1 SPINDLE AND 2EA BACB30LJ3-6 BOLT. FOR DETAILS SEE: 32-11-04-02	101102 108120 504903	1
440	161N0001-63		.DOWNLOCK ASSY-MLG SIDE STRUT POSITION DATA: LH SIDE COMPONENT MAINT MANUAL REF: 32-11-72 QUALIFIED I/W DATA: 161N0001-65 T/W 1EA 161N3022-1 SPINDLE AND 2EA BACB30LJ3-7 BOLT MAY REPLACE 161N0001-63 T/W 1EA 161N3006-1 SPINDLE AND 2EA BACB30LJ3-6 BOLT. FOR DETAILS SEE: 32-11-04-02	101102 108120 504903	1
440	161N0001-61		.DOWNLOCK ASSY-MLG SIDE STRUT POSITION DATA: LH SIDE COMPONENT MAINT MANUAL REF: 32-11-72 FOR DETAILS SEE: 32-11-04-02	101102 108120 504903	1
440	161N0001-159		.DOWNLOCK ASSY-MLG SIDE STRUT PRE-MODULE POSITION DATA: LH SIDE COMPONENT MAINT MANUAL REF: 32-11-72 FOR DETAILS SEE: 32-11-04-02	101102 108120 504903	1

MISSING ITEM NUMBERS NOT APPLICABLE

- ITEM NOT ILLUSTRATED

32-11-00-02

32-11-00  
FIG. 02  
PAGE 9  
MAY 20/09

BRI





757

PARTS CATALOG (MAINTENANCE)

FIG ITEM	PART NUMBER	1 2 3 4 5 6 7	NOMENCLATURE	EFFECT FROM TO	UNITS PER ASSY
2					
- 445	161N0001-165		.DOWNLOCK ASSY-MLG SIDE STRUT PRE-MODULE POSITION DATA: RH SIDE COMPONENT MAINT MANUAL REF: 32-11-72 FOR DETAILS SEE: 32-11-04-02	101102 108120 504903	1
- 445	161N0001-404		.DOWNLOCK ASSY-MLG SIDE STRUT PRE-MODULE POSITION DATA: RH SIDE COMPONENT MAINT MANUAL REF: 32-11-72 FOR DETAILS SEE: 32-11-04-02	101102 108120 504903	1
- 445	161N0001-144		.DOWNLOCK ASSY-MLG SIDE STRUT POSITION DATA: RH SIDE COMPONENT MAINT MANUAL REF: 32-11-72 FOR DETAILS SEE: 32-11-04-02	101102 108120 504903	1
- 445	161N0001-124		.DOWNLOCK ASSY-MLG SIDE STRUT POSITION DATA: RH SIDE COMPONENT MAINT MANUAL REF: 32-11-72 FOR DETAILS SEE: 32-11-04-02	101102 108120 504903	1
- 445	161N0001-66		.DOWNLOCK ASSY-MLG SIDE STRUT POSITION DATA: RH SIDE COMPONENT MAINT MANUAL REF: 32-11-72 QUALIFIED I/W DATA: (161N0001-66 T/W 1EA 161N3022-1 SPINDLE AND 2EA BACB30LJ3-7 BOLT MAY REPLACE 161N0001-64 T/W 1EA 161N3006-1 SPINDLE AND 2EA BACB30LJ3-6 BOLT) FOR DETAILS SEE: 32-11-04-02	101102 108120 504903	1

MISSING ITEM NUMBERS NOT APPLICABLE

- ITEM NOT ILLUSTRATED

32-11-00-02

32-11-00  
FIG. 02  
PAGE 10  
MAY 20/09

BRI



757

PARTS CATALOG (MAINTENANCE)

FIG ITEM	PART NUMBER	1 2 3 4 5 6 7	NOMENCLATURE	EFFECT FROM TO	UNITS PER ASSY
2					
- 445	161N0001-72		.DOWNLOCK ASSY-MLG SIDE STRUT POSITION DATA: RH SIDE COMPONENT MAINT MANUAL REF: 32-11-72 FOR DETAILS SEE: 32-11-04-02	101102 108120 504903	1
- 445	161N0001-64		.DOWNLOCK ASSY-MLG SIDE STRUT POSITION DATA: RH SIDE COMPONENT MAINT MANUAL REF: 32-11-72 QUALIFIED I/W DATA: 161N0001-66 T/W 1EA 161N3022-1 SPINDLE AND 2EA BACB30LJ3-7 BOLT MAY REPLACE 161N0001-64 T/W 1 EA 161N3006-1 SPINDLE AND 2EA BACB30LJ3-6 BOLT. FOR DETAILS SEE: 32-11-04-02	101102 108120 504903	1
- 445	161N0001-62		.DOWNLOCK ASSY-MLG SIDE STRUT POSITION DATA: RH SIDE COMPONENT MAINT MANUAL REF: 32-11-72 FOR DETAILS SEE: 32-11-04-02	101102 108120 504903	1
- 445	161N0001-160		.DOWNLOCK ASSY-MLG SIDE STRUT PRE-MODULE POSITION DATA: RH SIDE COMPONENT MAINT MANUAL REF: 32-11-72 FOR DETAILS SEE: 32-11-04-02	101102 108120 504903	1

MISSING ITEM NUMBERS NOT APPLICABLE

- ITEM NOT ILLUSTRATED

BRI

32-11-00-02

32-11-00  
FIG. 02  
PAGE 11  
MAY 20/09



757

PARTS CATALOG (MAINTENANCE)

FIG ITEM	PART NUMBER	1 2 3 4 5 6 7	NOMENCLATURE	EFFECT FROM TO	UNITS PER ASSY
2 450	161N0001-161		.GEAR ASSY-MLG (MAIN GEAR ONLY) POSITION DATA: LH SIDE COMPONENT MAINT MANUAL REF: 32-11-32 FOR DETAILS SEE: 32-11-01-10 32-11-16-01 32-11-17-01 32-11-19-01	101102 108120 504903	1
450	161N0001-155		.GEAR ASSY-MLG (MAIN GEAR ONLY) POSITION DATA: LH SIDE COMPONENT MAINT MANUAL REF: 32-11-32 QUALIFIED I/W DATA: 161N0001-155 T/W (2)BACB30NF4-14, (1)284N6102-7, (1)284N6102-6 CAN REPLACE BUT NOT BE REPLACED BY 161N0001-85 T/W (2)BACB30NF4-10, (1)284N6102-4 AND (1)284N6102-3 161N0001-155 T/W (2)BACB30NF4-14, (1)284N6102-7, (1)284N6102-6 CAN REPLACE BUT NOT BE REPLACED BY 161N0001-77 T/W (2)BACB30NF4-10, (1)284N6102-4 AND (1)284N6102-3 161N0001-155 T/W (2)BACB30NF4-14, (1)284N6102-7, (1)284N6102-6 CAN REPLACE BUT NOT BE REPLACED BY 161N0001-57 T/W (2)BACB30NF4-10, (1)284N6102-4 AND (1)284N6102-3 161N0001-155 T/W (2)BACB30NF4-14, (1)284N6102-7, (1)284N6102-6 CAN	101102 108120 504903	1

MISSING ITEM NUMBERS NOT APPLICABLE

- ITEM NOT ILLUSTRATED

32-11-00-02

32-11-00  
FIG. 02  
PAGE 12  
MAY 20/09

BRI

 **BOEING**  
757  
**PARTS CATALOG (MAINTENANCE)**

FIG ITEM	PART NUMBER	1 2 3 4 5 6 7 NOMENCLATURE	EFFECT FROM TO	UNITS PER ASSY
2	450 161N0001-149	<p>REPLACE BUT NOT BE REPLACED BY 161N0001-17 T/W (2)BACB30NF4-10, (1)24N6102-4 AND (1)284N6102-3 161N0001-155 T/W (2)BACB30NF4-14, (1)284N6102-7, (1)284N6102-6 CAN REPLACE BUT NOT BE REPLACED BY 161N0001-3 T/W (2)BACB30NF4-10, (1)284N6102-4 AND (1)284N6102-3 FOR DETAILS SEE: 32-11-01-10 32-11-16-01 32-11-17-01 32-11-19-01 .GEAR ASSY-MLG (MAIN GEAR ONLY) POSITION DATA: LH SIDE COMPONENT MAINT MANUAL REF: 32-11-32 QUALIFIED I/W DATA: 161N0001-149 T/W (2)BACB30NF4-14, (1)284N6102-7, (1)284N6102-6 CAN REPLACE BUT NOT BE REPLACED BY 161N0001-85 (2)BACB30NF4-10, (1)284N6102-4 AND (1)284N6102-3 161N0001-149 T/W (2)BACB30NF4-14, (1)284N6102-7, (1)284N6102-6 CAN REPLACE BUT NOT BE REPLACED BY 161N0001-77 T/W (2)BACB30NF4-10, (1)284N6102-4 AND (1)284N6102-3 161N0001-149 T/W (2)BACB30NF4-14, (1)284N6102-7, (1)284N6102-6 CAN REPLACE BUT NOT BE</p>	101102 108120 504903	1

MISSING ITEM NUMBERS NOT APPLICABLE

— ITEM NOT ILLUSTRATED

BRI

# 32-11-00-02

BOEING PROPRIETARY - Copyright © - Unpublished Work - See title page for details.

32-11-00  
FIG. 02  
PAGE 13  
MAY 20/09



757

PARTS CATALOG (MAINTENANCE)

FIG ITEM	PART NUMBER	1 2 3 4 5 6 7 NOMENCLATURE	EFFECT FROM TO	UNITS PER ASSY
2		<p>REPLACED BY 161N0001-57 T/W (2)BACB30NF4-10, (1)284N6102-4 AND (1)284N6102-3 161N0001-149 T/W (2)BACB30NF4-14, (1)284N6102-7, (1)284N6102-6 CAN REPLACE BUT NOT BE REPLACED BY 161N0001-17 T/W (2)BACB30NF4-10, (1)284N6102-4 AND (1)284N6102-3 161N0001-149 T/W (2)BACB30NF4-14, (1)284N6102-7, (1)284N6102-6 CAN REPLACE BUT NOT BE REPLACED BY 161N0001-3 T/W (2)BACB30NF4-10, (1)284N6102-4 AND (1)284N6102-3 FOR DETAILS SEE: 32-11-01-10 32-11-16-01 32-11-17-01 32-11-19-01</p>		
450	161N0001-95	<p>.GEAR ASSY-MLG (MAIN GEAR ONLY) POSITION DATA: LH SIDE COMPONENT MAINT MANUAL REF: 32-11-32 QUALIFIED I/W DATA: 161N0001-95 T/W (2)BACB30NF4-14, (1)284N6102-7, (1)284N6102-6 CAN REPLACE BUT NOT BE REPLACED BY 161N0001-85 T/W (2)BACB30NF4-10, (1)284N6102-4 AND (1)284N6102-3 161N0001-95 T/W (2)BACB30NF4-14, (1)284N6102-7, (1)284N6102-6 CAN REPLACE BUT NOT BE REPLACED BY 161N0001-77</p>	101102 108120 504903	1

MISSING ITEM NUMBERS NOT APPLICABLE

- ITEM NOT ILLUSTRATED

32-11-00-02

32-11-00  
FIG. 02  
PAGE 14  
MAY 20/09

BRI



757

PARTS CATALOG (MAINTENANCE)

FIG ITEM	PART NUMBER	1 2 3 4 5 6 7	NOMENCLATURE	EFFECT FROM TO	UNITS PER ASSY
2			<p>T/W (2)BACB30NF4-10,            (1)284N6102-4 AND            (1)284N6102-3            161N0001-95 T/W            (2)BACB30NF4-14,            (1)284N6102-7,            (1)284N6102-6 CAN            REPLACE BUT NOT BE            REPLACED BY 161N0001-57            T/W (2)BACB30NF4-10,            (1)284N6102-4 AND            (1)284N6102-3            161N0001-95 T/W            (2)BACB30NF4-14,            (1)284N6102-7,            (1)284N6102-6 CAN            REPLACE BUT NOT BE            REPLACED BY 161N0001-17            T/W (2)BACB30NF4-10,            (1)284N6102-4 AND            (1)284N6102-3            161N0001-95 T/W            (2)BACB30NF4-14,            (1)284N6102-7,            (1)284N6102-6 CAN            REPLACE BUT NOT BE            REPLACED BY 161N0001-3            T/W (2)BACB30NF4-10,            (1)284N6102-4 AND            (1)284N6102-3            FOR DETAILS SEE:            32-11-01-10            32-11-16-01            32-11-17-01            32-11-19-01</p>		
450	161N0001-119		<p>.GEAR ASSY-MLG (MAIN GEAR ONLY)            POSITION DATA:            LH SIDE            COMPONENT MAINT MANUAL REF:            32-11-32            QUALIFIED I/W DATA:            161N0001-119 T/W            (2)BACB30NF4-14,            (1)284N6102-7,            (1)284N6102-6 CAN            REPLACE BUT NOT BE            REPLACED BY 161N0001-85            T/W (2)BACB30NF4-10,</p>	101102 108120 504903	1
MISSING ITEM NUMBERS NOT APPLICABLE					

- ITEM NOT ILLUSTRATED

32-11-00-02

32-11-00  
 FIG. 02  
 PAGE 15  
 MAY 20/09

BRI



757

PARTS CATALOG (MAINTENANCE)

FIG ITEM	PART NUMBER	1 2 3 4 5 6 7 NOMENCLATURE	EFFECT FROM TO	UNITS PER ASSY
2		(1)284N6102-4 AND (1)284N6102-3. 161N0001-199 T/W (2)BACB30NF4-14, (1)284N6102-7, (1)284N6102-6 CAN REPLACE BUT NOT BE REPLACED BY 161N0001-77 T/W (2)BACB30NF4-10, (1)284N6102-4 AND (1)284N6102-3 161N0001-119 T/W (2)BACB30NF4-14, (1)284N6102-7, (1)284N6102-6 CAN REPLACE BUT NOT BE REPLACED BY 161N0001-57 T/W (2)BACB30NF4-10, (1)284N6102-4 AND (1)284N6102-3 161N0001-119 T/W (2)BACB30NF4-14, (1)284N6102-7, (1)284N6102-6 CAN REPLACE BUT NOT BE REPLACED BY 161N0001-17 T/W (2)BACB30NF4-10, (1)284N6102-4 AND (1)284N6102-3 161N0001-119 T/W (2)BACB30NF4-14, (1)284N6102-7, (1)284N6102-6 CAN REPLACE BUT NOT BE REPLACED BY 161N0001-3 T/W (2)BACB30NF4-10, (1)284N6102-4 AND (1)284N6102-3 FOR DETAILS SEE: 32-11-01-10 32-11-16-01 32-11-17-01 32-11-19-01		
450	161N0001-141	.GEAR ASSY-MLG (MAIN GEAR ONLY) POSITION DATA: LH SIDE COMPONENT MAINT MANUAL REF: 32-11-32  MISSING ITEM NUMBERS NOT APPLICABLE	101102 108120 504903	1

- ITEM NOT ILLUSTRATED

32-11-00-02

32-11-00  
FIG. 02  
PAGE 16  
MAY 20/09

BRI



757

PARTS CATALOG (MAINTENANCE)

FIG ITEM	PART NUMBER	1 2 3 4 5 6 7 NOMENCLATURE	EFFECT FROM TO	UNITS PER ASSY
2		<p>QUALIFIED I/W DATA:  161N0001-141 T/W  (2)BACB30NF4-14,  (1)284N6102-7,  (1)284N6102-6 CAN  REPLACE BUT NOT BE  REPLACED BY 161N0001-85  T/W (2)BACB30NF4-10,  (1)284N6102-4 AND  (1)284N6102-3  161N0001-141 T/W  (2)BACB30NF4-14,  (1)284N6102-7,  (1)284N6102-6 CAN  REPLACE BUT NOT BE  REPLACED BY 161N0001-77  T/W (2)BACB30NF4-10,  (1)284N6102-4 AND  (1)284N6102-3  161N0001-141 T/W  (2)BACB30NF4-14,  (1)284N6102-7,  (1)284N6102-6 CAN  REPLACE BUT NOT BE  REPLACED BY 161N0001-57  T/W (2)BACB30NF4-10,  (1)284N6102-4 AND  (1)284N6102-3  161N0001-141 T/W  (2)BACB30NF4-14,  (1)284N6102-7,  (1)284N6102-6 CAN  REPLACE BUT NOT BE  REPLACED BY 161N0001-17  T/W (2)BACB30NF4-10,  (1)284N6102-4 AND  (1)284N6102-3  161N0001-141 T/W  (2)BACB30NF4-14,  (1)284N6102-7,  (1)284N6102-6 CAN  REPLACE BUT NOT BE  REPLACED BY 161N0001-3  T/W (2)BACB30NF4-10,  (1)284N6102-4 AND  (1)284N6102-3  FOR DETAILS SEE:  32-11-01-10  32-11-16-01</p>		

MISSING ITEM NUMBERS NOT APPLICABLE

- ITEM NOT ILLUSTRATED

32-11-00-02

32-11-00  
FIG. 02  
PAGE 17  
MAY 20/09

BRI





757

PARTS CATALOG (MAINTENANCE)

FIG ITEM	PART NUMBER	1 2 3 4 5 6 7	NOMENCLATURE	EFFECT FROM TO	UNITS PER ASSY
2					
450	161N0001-171		32-11-17-01 32-11-19-01 .GEAR ASSY-MLG (MAIN GEAR ONLY) POSITION DATA: LH SIDE COMPONENT MAINT MANUAL REF: 32-11-32 FOR DETAILS SEE: 32-11-01-10 32-11-16-01 32-11-17-01 32-11-19-01	101102 108120 504903	1
450	161N0001-167		.GEAR ASSY-MLG (MAIN GEAR ONLY) POSITION DATA: LH SIDE COMPONENT MAINT MANUAL REF: 32-11-32 FOR DETAILS SEE: 32-11-01-10 32-11-16-01 32-11-17-01 32-11-19-01	101102 108120 504903	1
450	161N0001-175		.GEAR ASSY-MLG (MAIN GEAR ONLY) POSITION DATA: LH SIDE FOR DETAILS SEE: 32-11-01-10 32-11-16-01 32-11-17-01 32-11-19-01	101102 108120 504903	1
- 455	161N0001-162		.GEAR ASSY-MLG (MAIN GEAR ONLY) POSITION DATA: RH SIDE COMPONENT MAINT MANUAL REF: 32-11-32 FOR DETAILS SEE: 32-11-01-10 32-11-16-01 32-11-17-01 32-11-19-01	101102 108120 504903	1
- 455	161N0001-156		.GEAR ASSY-MLG (MAIN GEAR ONLY) POSITION DATA: RH SIDE COMPONENT MAINT MANUAL REF:	101102 108120 504903	1

MISSING ITEM NUMBERS NOT APPLICABLE

- ITEM NOT ILLUSTRATED

32-11-00-02

32-11-00  
FIG. 02  
PAGE 18  
MAY 20/09

BRI



757

PARTS CATALOG (MAINTENANCE)

FIG ITEM	PART NUMBER	1 2 3 4 5 6 7 NOMENCLATURE	EFFECT FROM TO	UNITS PER ASSY
2		<p>32-11-32</p> <p>QUALIFIED I/W DATA:</p> <p>161N0001-156 T/W  (2)BACB30NF4-14,  (1)284N6102-7,  (1)284N6102-6 CAN  REPLACE BUT NOT BE  REPLACED BY 161N0001-86  T/W (2)BACB30NF4-10,  (1)284N6102-4 AND  (1)284N6102-3  161N0001-156 T/W  (2)BACB30NF4-14,  (1)284N6102-7,  (1)284N6102-6 CAN  REPLACE BUT NOT BE  REPLACED BY 161N0001-78  T/W (2)BACB30NF4-10,  (1)284N6102-4 AND  (1)284N6102-3  161N0001-156 T/W  (2)BACB30NF4-14,  (1)284N6102-7,  (1)284N6102-6 CAN  REPLACE BUT NOT BE  REPLACED BY 161N0001-58  T/W (2)BACB30NF4-10,  (1)284N6102-4 AND  (1)284N6102-3  161N0001-156 T/W  (2)BACB30NF4-14,  (1)284N6102-7,  (1)284N6102-6 CAN  REPLACE BUT NOT BE  REPLACED BY 161N0001-18  T/W (2)BACB30NF4-10,  (1)284N6102-4 AND  (1)284N6102-3  161N0001-156 T/W  (2)BACB30NF4-14,  (1)284N6102-7,  (1)284N6102-6 CAN  REPLACE BUT NOT BE  REPLACED BY 161N0001-4  T/W (2)BACB30NF4-10,  (1)284N6102-4 AND  (1)284N6102-3</p> <p>FOR DETAILS SEE:  32-11-01-10</p>		

MISSING ITEM NUMBERS NOT APPLICABLE

- ITEM NOT ILLUSTRATED

32-11-00-02

32-11-00  
FIG. 02  
PAGE 19  
MAY 20/09

BRI





757

PARTS CATALOG (MAINTENANCE)

FIG ITEM	PART NUMBER	1 2 3 4 5 6 7 NOMENCLATURE	EFFECT FROM TO	UNITS PER ASSY
2	- 455 161N0001-142	<p>(1)284N6102-6 CAN  REPLACE BUT NOT BE  REPLACED BY 161N0001-4  T/W (2)BACB30NF4-10,  (1)284N6102-4 AND  (1)284N6102-3  FOR DETAILS SEE:  32-11-01-10  32-11-16-01  32-11-17-01  32-11-19-01  .GEAR ASSY-MLG (MAIN GEAR  ONLY)  POSITION DATA:  RH SIDE  COMPONENT MAINT MANUAL REF:  32-11-32  QUALIFIED I/W DATA:  161N0001-142 T/W  (2)BACB30NF4-14,  (1)284N6102-7,  (1)284N6102-6 CAN  REPLACE BUT NOT BE  REPLACED BY 161N0001-86  T/W (2)BACB30NF4-10,  (1)284N6102-4 AND  (1)284N6102-3  161N0001-142 T/W  (2)BACB30NF4-14,  (1)284N6102-7,  (1)284N6102-6 CAN  REPLACE BUT NOT BE  REPLACED BY 161N0001-78  T/W (2)BACB30NF4-10,  (1)284N6102-4 AND  (1)284N6102-3  161N0001-142 T/W  (2)BACB30NF4-14,  (1)284N6102-7,  (1)284N6102-6 CAN  REPLACE BUT NOT BE  REPLACED BY 161N0001-58  T/W (2)BACB30NF4-10,  (1)284N6102-4 AND  (1)284N6102-3  161N0001-142 T/W  (2)BACB30NF4-14,  (1)284N6102-7,  (1)284N6102-6 CAN</p>	101102 108120 504903	1

MISSING ITEM NUMBERS NOT APPLICABLE

- ITEM NOT ILLUSTRATED

32-11-00-02

32-11-00  
FIG. 02  
PAGE 21  
MAY 20/09

BRI



**757  
PARTS CATALOG (MAINTENANCE)**

FIG ITEM	PART NUMBER	1 2 3 4 5 6 7	NOMENCLATURE	EFFECT FROM TO	UNITS PER ASSY
2			REPLACE BUT NOT BE REPLACED BY 161N0001-18 T/W (2)BACB30NF4-10, (1)284N6102-4 AND (1)284N6102-3 161N0001-142 T/W (2)BACB30NF4-14, (1)284N6102-7, (1)284N6102-6 CAN REPLACE BUT NOT BE REPLACED BY 161N0001-4 T/W (2)BACB30NF4-10, (1)284N6102-4 AND (1)284N6102-3 FOR DETAILS SEE: 32-11-01-10 32-11-16-01 32-11-17-01 32-11-19-01		
- 455	161N0001-120	.	GEAR ASSY-MLG (MAIN GEAR ONLY) POSITION DATA: RH SIDE COMPONENT MAINT MANUAL REF: 32-11-32 QUALIFIED I/W DATA: 161N0001-120 T/W (2)BACB30NF4-14, (1)284N6102-7, (1)284N6102-6 CAN REPLACE BUT NOT BE REPLACED BY 161N0001-86 T/W (2)BACB30NF4-10, (1)284N6102-4 AND (1)284N6102-3 161N0001-120 T/W (2)BACB30NF4-14, (1)284N6102-7, (1)284N6102-6 CAN REPLACE BUT NOT BE REPLACED BY 161N0001-78 T/W (2)BACB30NF4-10, (1)284N6102-4 AND (1)284N6102-3 161N0001-120 T/W (2)BACB30NF4-14, (1)284N6102-7, (1)284N6102-6 CAN REPLACE BUT NOT BE	101102 108120 504903	1

MISSING ITEM NUMBERS NOT APPLICABLE

- ITEM NOT ILLUSTRATED

BRI

# 32-11-00-02

BOEING PROPRIETARY - Copyright © - Unpublished Work - See title page for details.

32-11-00  
FIG. 02  
PAGE 22  
MAY 20/09



757

PARTS CATALOG (MAINTENANCE)

FIG ITEM	PART NUMBER	1 2 3 4 5 6 7 NOMENCLATURE	EFFECT FROM TO	UNITS PER ASSY
2		<p>REPLACED BY 161N0001-58 T/W (2)BACB30NF4-10, (1)284N6102-4 AND (1)284N6102-3 161N0001-120 T/W (2)BACB30NF4-14, (1)284N6102-7. (1)284N6102-6 CAN REPLACE BUT NOT BE REPLACED BY 161N0001-18 T/W (2)BACB30NF4-10, (1)284N6102-4 AND (1)284N6102-3 161N0001-120 T/W (2)BACB30NF4-14, (1)284N6102-7, (1)284N6102-6 CAN REPLACE BUT NOT BE REPLACED BY 161N0001-4 T/W (2)BACB30NF4-10, (1)284N6102-4 AND (1)284N6102-3 FOR DETAILS SEE: 32-11-01-10 32-11-16-01 32-11-17-01 32-11-19-01</p>		
- 455	161N0001-96	<p>.GEAR ASSY-MLG (MAIN GEAR ONLY) POSITION DATA: RH SIDE COMPONENT MAINT MANUAL REF: 32-11-32 QUALIFIED I/W DATA: 161N0001-96 T/W (2)BACB30NF4-14, (1)284N6102-7, (1)284N6102-6 CAN REPLACE BUT NOT BE REPLACED BY 161N0001-86 T/W (2)BACB30NF4-10, (1)284N6102-4 AND (1)284N6102-3 161N0001-96 T/W (2)BACB30NF4-14, (1)284N6102-7, (1)284N6102-6 CAN REPLACE BUT NOT BE REPLACED BY 161N0001-78</p>	101102 108120 504903	1

MISSING ITEM NUMBERS NOT APPLICABLE

- ITEM NOT ILLUSTRATED

32-11-00-02

32-11-00  
FIG. 02  
PAGE 23  
MAY 20/09

BRI



757

PARTS CATALOG (MAINTENANCE)

FIG ITEM	PART NUMBER	1 2 3 4 5 6 7 NOMENCLATURE	EFFECT FROM TO	UNITS PER ASSY
2		<p>T/W (2)BACB30NF4-10,            (1)284N6102-4 AND            (1)284N6102-3            161N0001-96 T/W            (2)BACB30NF4-14,            (1)284N6102-7,            (1)284N6102-6 CAN            REPLACE BUT NOT BE            REPLACED BY 161N0001-58            T/W (2)BACB30NF4-10,            (1)284N6102-4 AND            (1)284N6102-3            161N0001-96 T/W            (2)BACB30NF4-14,            (1)284N6102-7,            (1)284N6102-6 CAN            REPLACE BUT NOT BE            REPLACED BY 161N0001-18            T/W (2)BACB30NF4-10,            (1)284N6102-4 AND            (1)284N6102-3            161N0001-96 T/W            (2)BACB30NF4-14,            (1)284N6102-7,            (1)284N6102-6 CAN            REPLACE BUT NOT BE            REPLACED BY 161N0001-4            T/W (2)BACB30NF4-10,            (1)284N6102-4 AND            (1)284N6102-3            FOR DETAILS SEE:            32-11-01-10            32-11-16-01            32-11-17-01            32-11-19-01</p>		
- 455	161N0001-168	<p>.GEAR ASSY-MLG (MAIN GEAR            ONLY)            POSITION DATA:            RH SIDE            COMPONENT MAINT MANUAL REF:            32-11-32            FOR DETAILS SEE:            32-11-01-10            32-11-16-01            32-11-17-01            32-11-19-01</p>	<p>101102            108120            504903</p>	1

MISSING ITEM NUMBERS NOT APPLICABLE

- ITEM NOT ILLUSTRATED

BRI

32-11-00-02

BOEING PROPRIETARY - Copyright © - Unpublished Work - See title page for details.

32-11-00  
 FIG. 02  
 PAGE 24  
 MAY 20/09



757

PARTS CATALOG (MAINTENANCE)

FIG ITEM	PART NUMBER	1 2 3 4 5 6 7	NOMENCLATURE	EFFECT FROM TO	UNITS PER ASSY
2 - 455	161N0001-172		.GEAR ASSY-MLG (MAIN GEAR ONLY) POSITION DATA: RH SIDE COMPONENT MAINT MANUAL REF: 32-11-32 FOR DETAILS SEE: 32-11-01-10 32-11-16-01 32-11-17-01 32-11-19-01	101102 108120 504903	1
- 455	161N0001-176		.GEAR ASSY-MLG (MAIN GEAR ONLY) POSITION DATA: RH SIDE FOR DETAILS SEE: 32-11-01-10 32-11-16-01 32-11-17-01 32-11-19-01	101102 108120 504903	1

MISSING ITEM NUMBERS NOT APPLICABLE

- ITEM NOT ILLUSTRATED

BRI

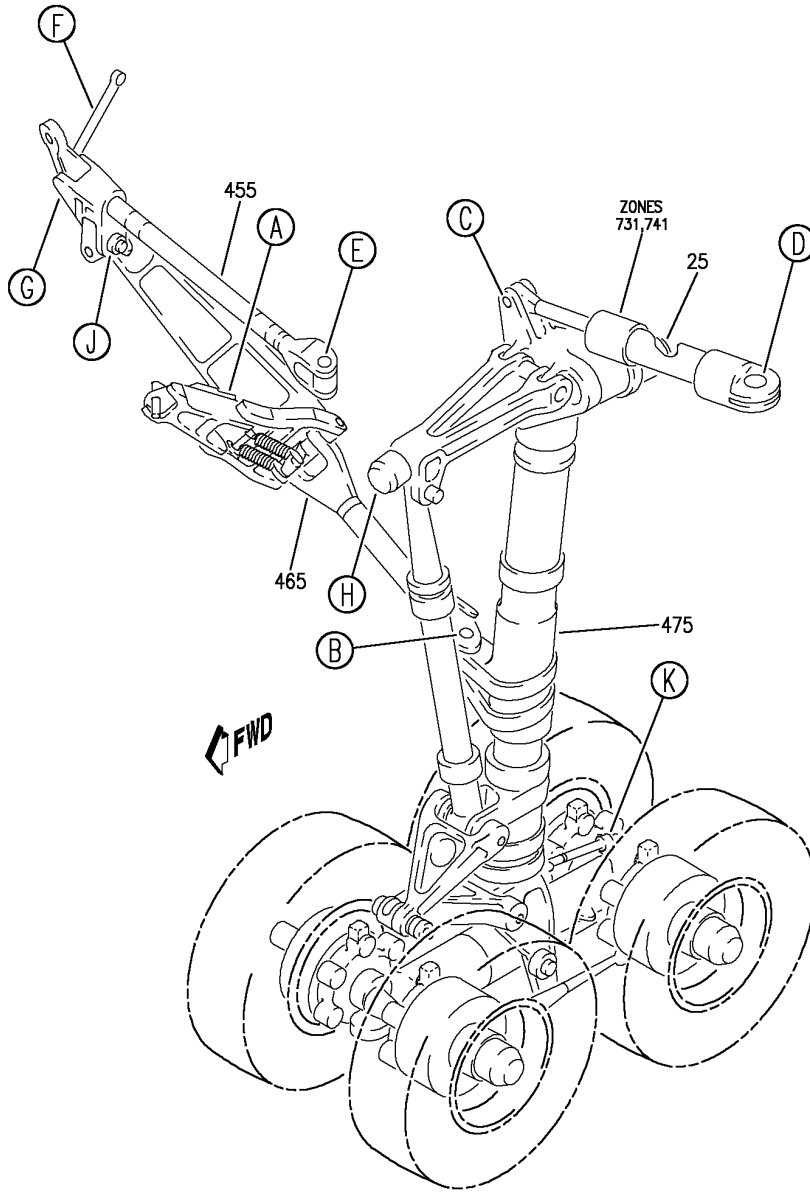
32-11-00-02

BOEING PROPRIETARY - Copyright © - Unpublished Work - See title page for details.

32-11-00  
FIG. 02  
PAGE 25  
MAY 20/09



**BOEING**  
757  
PARTS CATALOG (MAINTENANCE)



Y 32110003 SH1 1 REV 259

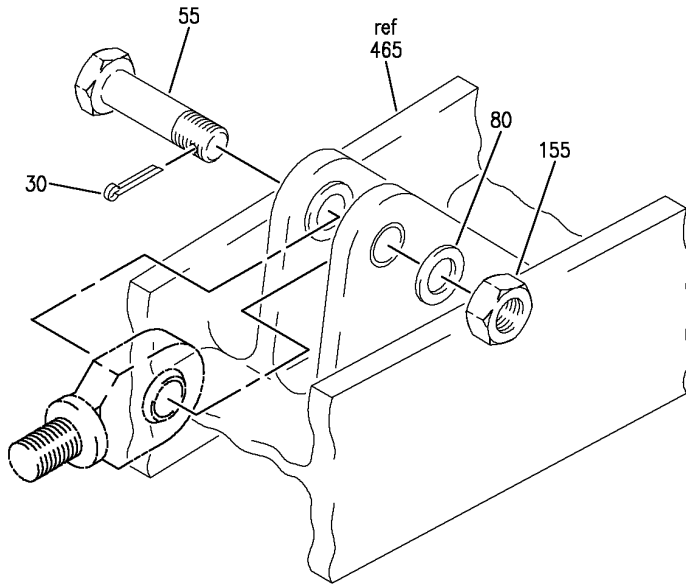
INSTALLATION MAJOR AND MINOR-MLG  
FIGURE 3 (SHEET 1)

**32-11-00-03**

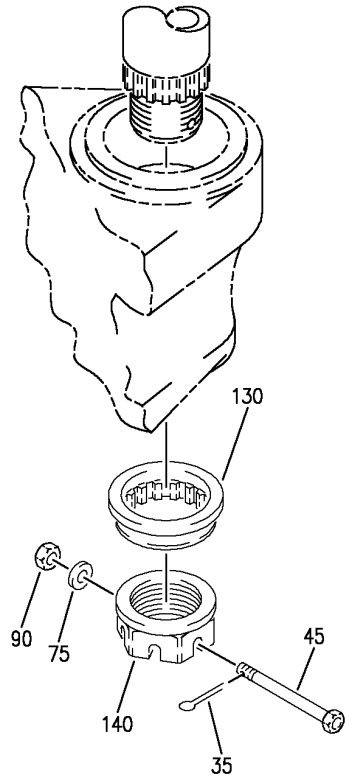
BRI  
JAN 20/09

32-11-00-03  
PAGE 0

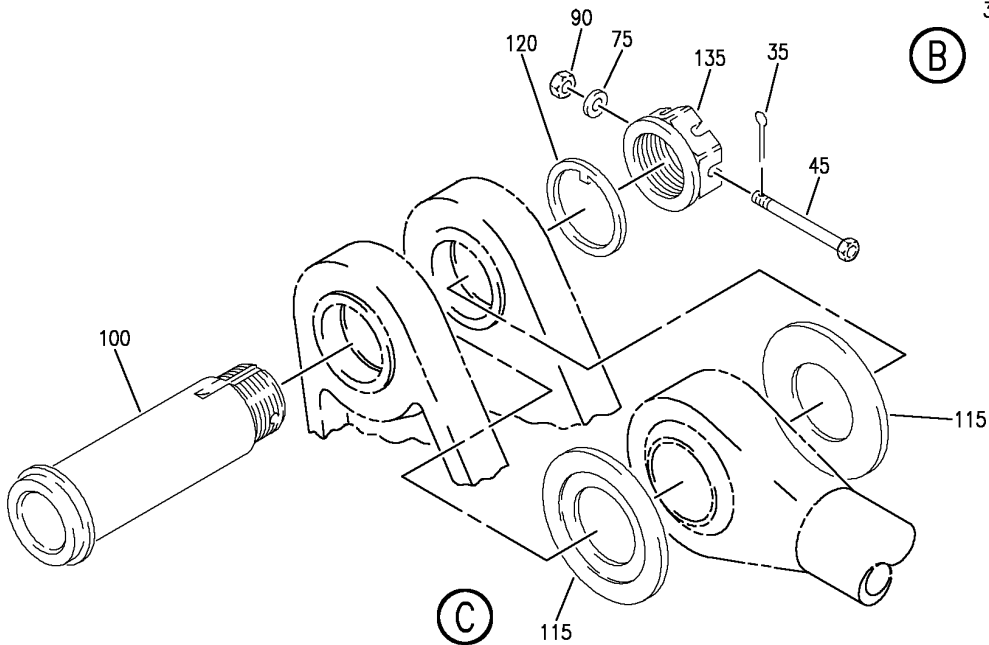
**BOEING**  
757  
PARTS CATALOG (MAINTENANCE)



(A)



(B)



(C)

Y 32110003 SHT 2 REV 259

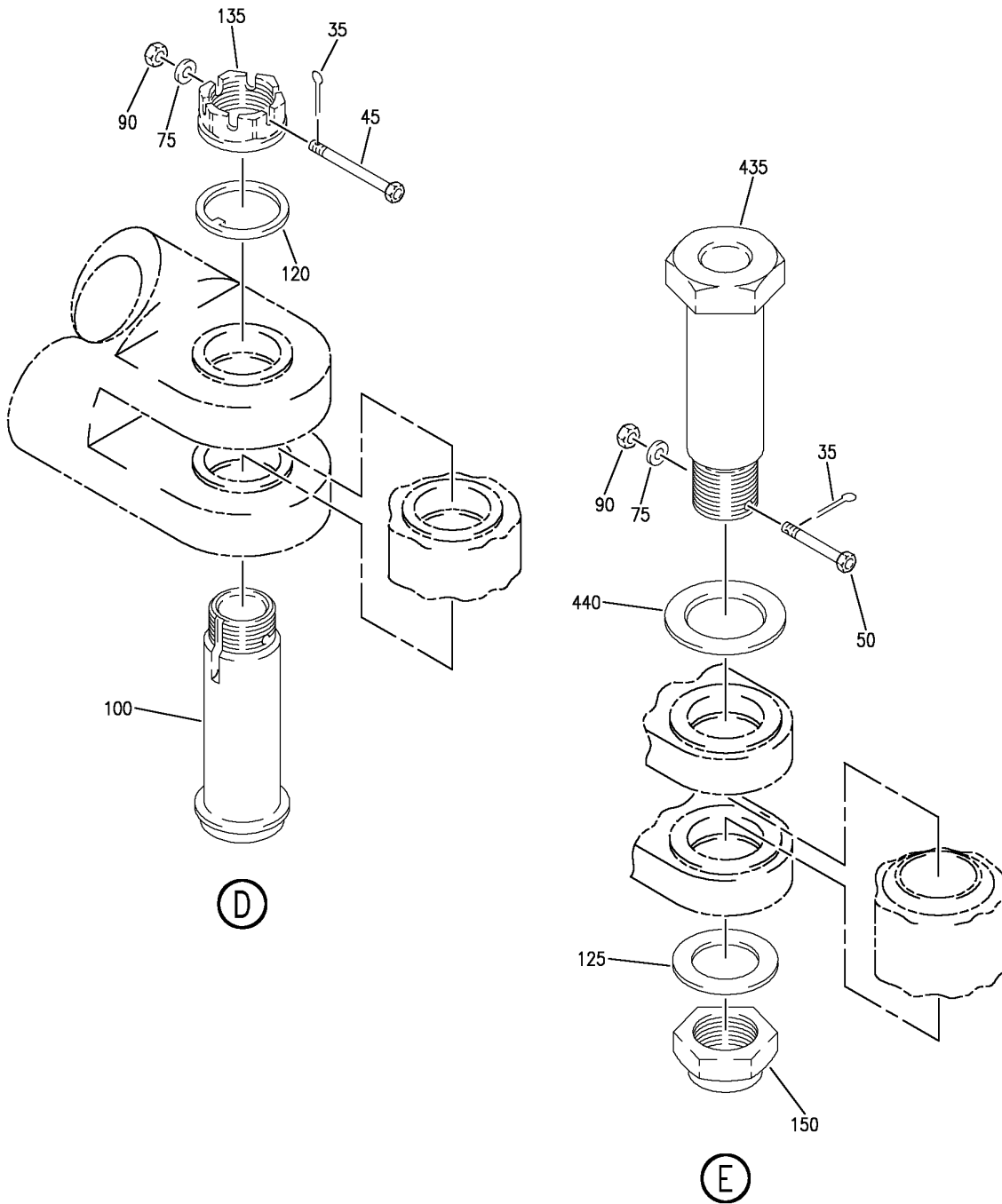
INSTALLATION MAJOR AND MINOR-MLG  
FIGURE 3 (SHEET 2)

**32-11-00-03**

BRI  
JAN 20/09

32-11-00-03  
PAGE 0A

**BOEING**  
757  
PARTS CATALOG (MAINTENANCE)



Y 32110003 SH1 3 REV 259

INSTALLATION MAJOR AND MINOR-MLG  
FIGURE 3 (SHEET 3)

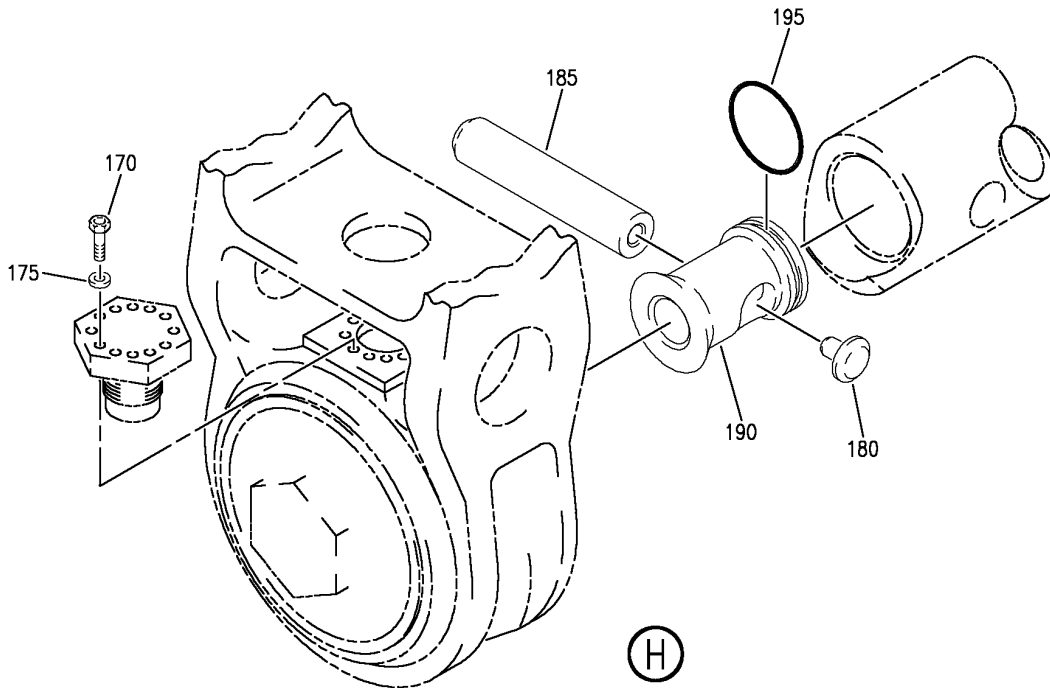
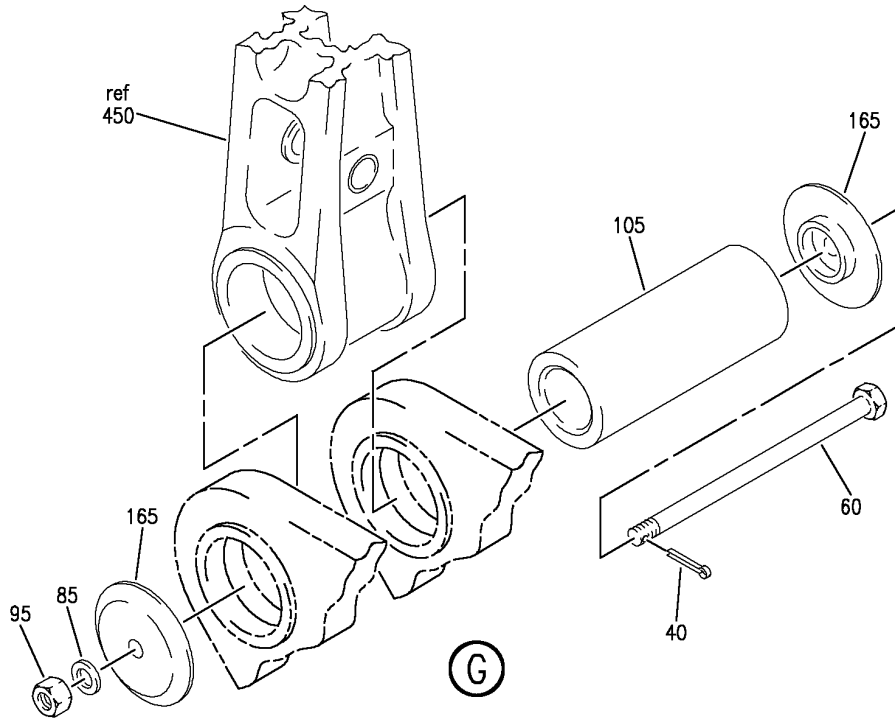
**32-11-00-03**

BRI  
JAN 20/09

32-11-00-03  
PAGE 0B



**BOEING**  
757  
PARTS CATALOG (MAINTENANCE)



Y 32110003 SHT 5 REV 259

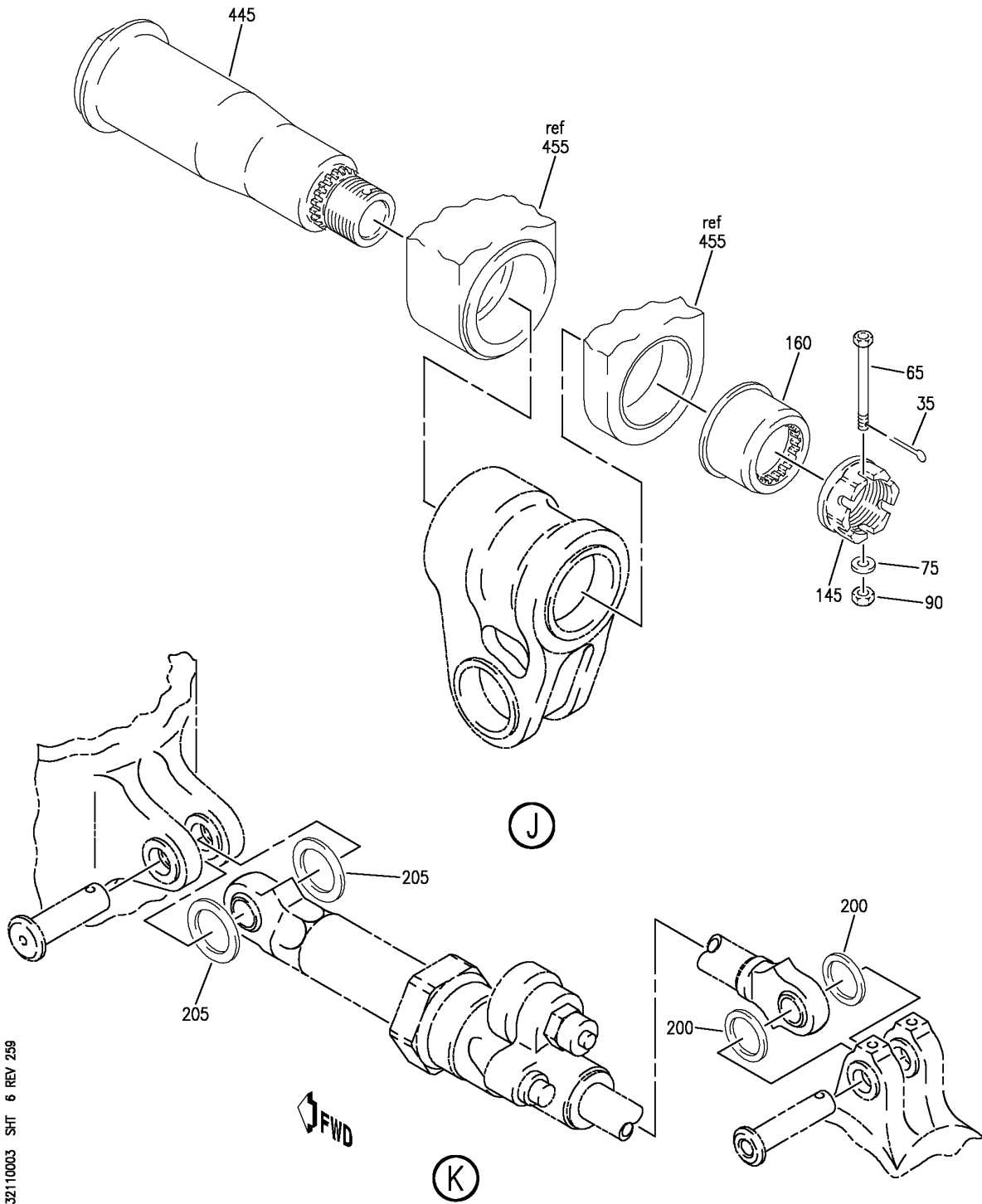
INSTALLATION MAJOR AND MINOR-MLG  
FIGURE 3 (SHEET 5)

**32-11-00-03**

BRI  
JAN 20/09

32-11-00-03  
PAGE 0D

**BOEING**  
757  
PARTS CATALOG (MAINTENANCE)



Y 32110003 SH1 6 REV 259

INSTALLATION MAJOR AND MINOR-MLG  
FIGURE 3 (SHEET 6)

**32-11-00-03**

BRI  
JAN 20/09

32-11-00-03  
PAGE 0E



757

PARTS CATALOG (MAINTENANCE)

FIG ITEM	PART NUMBER	1 2 3 4 5 6 7	NOMENCLATURE	EFFECT FROM TO	UNITS PER ASSY
3			INSTALLATION MAJOR AND MINOR-MLG	103106	
- 1	MODREF30065		INSTALLATION MAJOR-MLG MODULE NUMBER: 161N0001-407 REV C POSITION DATA: LH	104106	1
- 1	MODREF28744		INSTALLATION MAJOR-MLG MODULE NUMBER: 161N0001-407 REV B POSITION DATA: LH	103103	1
- 5	MODREF30066		INSTALLATION MAJOR-MLG MODULE NUMBER: 161N0001-408 REV C POSITION DATA: RH	104106	1
- 5	MODREF28745		INSTALLATION MAJOR-MLG MODULE NUMBER: 161N0001-408 REV B POSITION DATA: RH	103103	1
25	161N1706-1		.PLUG	103106	1
30	BACP18BC04A12P		.PIN	103106	1
35	BACP18BC02A06P		.PIN	103106	5
40	BACP18BC03A10P		.PIN	103106	2
45	BACB30LJ4D35		.BOLT	103106	3
50	BACB30LJ4D23		.BOLT	103106	1
55	BACB30LJ10CD28		.BOLT	103106	1
60	BACB30LJ6D93		.BOLT	103106	1
65	BACB30LJ4D36		.BOLT	103106	1
70	BACB30LJ6D88		.BOLT	103106	1
75	NAS1149F0432P		.WASHER	103106	5
80	NAS1149F1063P		.WASHER	103106	1
85	NAS1149F0632P		.WASHER	103106	2
90	LCN12-428		.NUT-SELF LOCKING SUPPLIER CODE: V56878	103106	5
95	LCN12-624		.NUT-SELF LOCKING SUPPLIER CODE: V56878	103106	2
100	161N4001-2		.PIN-	103106	2
100	161N4001-1		.PIN-	103106	2
105	161N2506-4		.PIN-	103106	1
105	161N2506-2		.PIN-	103106	1
110	161N2506-3		.PIN-	103106	1
110	161N2506-1		.PIN-	103106	1
115	161N4002-1		.SPACER	103106	2
120	162N3115-17		.WASHER-TANG	103106	2

MISSING ITEM NUMBERS NOT APPLICABLE

- ITEM NOT ILLUSTRATED

32-11-00-03

32-11-00  
FIG. 03  
PAGE 1  
JAN 20/09

BRI



757

PARTS CATALOG (MAINTENANCE)

FIG ITEM	PART NUMBER	1 2 3 4 5 6 7	NOMENCLATURE	EFFECT FROM TO	UNITS PER ASSY
3					
125	113N1094-2		.WASHER	103106	1
130	161N2514-1		.WASHER-SPLINED	103106	1
135	161N2515-2		.NUT	103106	2
140	161N2515-1		.NUT	103106	1
145	161N2513-1		.NUT	103106	1
150	69235-2412CD		.NUT	103106	1
			SUPPLIER CODE: V92215		
			SPECIFICATION NUMBER: BACN10JC24CD		
155	56287-1018		.NUT-SELF LOCKING	103106	1
			SUPPLIER CODE: V56878		
			OPTIONAL PART: 56287M1018		
			V56878		
155	56287M1018		.NUT-SELF LOCKING	103106	1
			SUPPLIER CODE: V56878		
			OPTIONAL PART: 56287-1018		
			V56878		
160	161N2512-3		.BUSHING-SPLINED	103106	1
165	161N2509-1		.CAP-END	103106	4
170	BACB30LJ4H6		.BOLT-	103106	1
			OPTIONAL PART: BACB30NR4HK6		
170	BACB30NR4HK6		.BOLT-	103106	1
			OPTIONAL PART: BACB30LJ4H6		
175	NAS1149F0432P		.WASHER	103106	1
180	113N1077-1		.CAP	103106	1
185	113N1488-1		.PIN-	103106	1
185	113N1088-1		.PIN-STRUCTURAL FUSE	103106	1
185	113N1088-11		.PIN-STRUCTURAL FUSE	103106	1
190	161N1707-2		.PLUG	103106	1
195	M83248-1-228		.PACKING	103106	1
200	162N5005-6		.WASHER	103106	2
205	162N5005-7		.WASHER	103106	2
210	BACP18BC03A10P		.PIN	103106	2
215	NAS1149F0832P		.WASHER	103106	1
220	NAS1149F0863P		.WASHER	103106	1
225	LCN12-820		.NUT-	103106	2
			SUPPLIER CODE: V56878		
230	BACB28AK10-055		.BUSHING	103106	1
235	161N2517-4		.LINK ASSY-STAB.	103106	1
235	161N2517-1		.LINK ASSY-STAB.	103106	1

MISSING ITEM NUMBERS NOT APPLICABLE

- ITEM NOT ILLUSTRATED

32-11-00-03

32-11-00  
FIG. 03  
PAGE 2  
JAN 20/09

BRI



 **BOEING**  
757  
**PARTS CATALOG (MAINTENANCE)**

FIG ITEM	PART NUMBER	1 2 3 4 5 6 7	NOMENCLATURE	EFFECT FROM TO	UNITS PER ASSY
3					
240	KR10CEGB	..	BEARING- SUPPLIER CODE: V50632	103106	1
245	KR10CNGB	..	BEARING- SUPPLIER CODE: V50632	103106	1
250	161N2517-5	..	LINK-STAB. ALTERED FROM PART NUMBER: 161N2517-3 USED ON: 161N2517-4	103106	1
250	161N2517-2	..	LINK-STAB. ALTERED FROM PART NUMBER: 161N2517-3 USED ON: 161N2517-1	103106	1
- 400	MODREF27261		INSTALLATION MINOR-MLG MODULE NUMBER: 161N0001-605 REV B POSITION DATA: LH	103106	1
- 405	MODREF27262		INSTALLATION MINOR-MLG MODULE NUMBER: 161N0001-606 REV B POSITION DATA: RH	103106	1
425	161N2508-7	.	BOLT-	103106	1
425	161N2508-5	.	BOLT-	103106	1
425	161N2508-9	.	BOLT-	103106	1
430	161N2508-8	.	BOLT-	103106	1
430	161N2508-6	.	BOLT-	103106	1
430	161N2508-10	.	BOLT-	103106	1
435	113N1507-13	.	BOLT-SPECIAL	103106	1
435	113N1507-3	.	BOLT-SPECIAL	103106	1
440	113N1094-1	.	WASHER	103106	1
445	161N2511-3	.	PIN-	103106	1
445	161N2511-2	.	PIN-	103106	1
445	161N2511-4	.	PIN-	103106	1
450	161N2401-3	.	LINK ASSY-SIDE STRUT SPRT FOR DETAILS SEE: 32-11-09-01	103106	1
450	161N2401-1	.	LINK ASSY-SIDE STRUT SPRT FOR DETAILS SEE: 32-11-09-01	103106	1
450	161N2401-5	.	LINK ASSY-SIDE STRUT SPRT FOR DETAILS SEE: 32-11-09-01	103106	1

MISSING ITEM NUMBERS NOT APPLICABLE

- ITEM NOT ILLUSTRATED

BRI

# 32-11-00-03

32-11-00  
FIG. 03  
PAGE 3  
JAN 20/09



757

PARTS CATALOG (MAINTENANCE)

FIG ITEM	PART NUMBER	1 2 3 4 5 6 7	NOMENCLATURE	EFFECT FROM TO	UNITS PER ASSY
3					
455	161N2301-7		.LINK ASSY-REACTION POSITION DATA: LH SIDE COMPONENT MAINT MANUAL REF: 32-11-80 FOR DETAILS SEE: 32-11-10-02	103106	1
455	161N2301-1		.LINK ASSY-REACTION POSITION DATA: LH SIDE COMPONENT MAINT MANUAL REF: 32-11-80 FOR DETAILS SEE: 32-11-10-02	103106	1
455	161N2301-21		.LINK ASSY-REACTION POSITION DATA: LH SIDE COMPONENT MAINT MANUAL REF: 32-11-80 FOR DETAILS SEE: 32-11-10-02	103106	1
455	161N2301-23		.LINK ASSY-REACTION POSITION DATA: LH SIDE FOR DETAILS SEE: 32-11-10-02	103106	1
455	161N2301-25		.LINK ASSY-REACTION POSITION DATA: LH SIDE FOR DETAILS SEE: 32-11-10-02	103106	1
- 460	161N2301-8		.LINK ASSY-REACTION POSITION DATA: RH SIDE COMPONENT MAINT MANUAL REF: 32-11-80 FOR DETAILS SEE: 32-11-10-02	103106	1
- 460	161N2301-2		.LINK ASSY-REACTION POSITION DATA: RH SIDE COMPONENT MAINT MANUAL REF: 32-11-80 FOR DETAILS SEE: 32-11-10-02	103106	1

R  
R  
R  
R  
R  
R  
R  
R

MISSING ITEM NUMBERS NOT APPLICABLE

- ITEM NOT ILLUSTRATED

32-11-00-03

32-11-00  
FIG. 03  
PAGE 4  
MAY 20/09

BRI



757

PARTS CATALOG (MAINTENANCE)

FIG ITEM	PART NUMBER	1 2 3 4 5 6 7	NOMENCLATURE	EFFECT FROM TO	UNITS PER ASSY
3					
- 460	161N2301-22		.LINK ASSY-REACTION POSITION DATA: RH SIDE COMPONENT MAINT MANUAL REF: 32-11-80 FOR DETAILS SEE: 32-11-10-02	103106	1
R					
- 460	161N2301-24		.LINK ASSY-REACTION POSITION DATA: RH SIDE FOR DETAILS SEE: 32-11-10-02	103106	1
R					
R					
R					
R					
- 460	161N2301-26		.LINK ASSY-REACTION POSITION DATA: RH SIDE FOR DETAILS SEE: 32-11-10-02	103106	1
R					
R					
R					
465	161N0001-164		.DOWNLOCK ASSY-MLG SIDE STRUT PRE-MODULE POSITION DATA: LH SIDE COMPONENT MAINT MANUAL REF: 32-11-72 FOR DETAILS SEE: 32-11-04-02	103106	1
465	161N0001-403		.DOWNLOCK ASSY-MLG SIDE STRUT PRE-MODULE POSITION DATA: LH SIDE COMPONENT MAINT MANUAL REF: 32-11-72 FOR DETAILS SEE: 32-11-04-02	103106	1
465	161N0001-143		.DOWNLOCK ASSY-MLG SIDE STRUT POSITION DATA: LH SIDE COMPONENT MAINT MANUAL REF: 32-11-72 FOR DETAILS SEE: 32-11-04-02	103106	1
465	161N0001-123		.DOWNLOCK ASSY-MLG SIDE STRUT POSITION DATA: LH SIDE COMPONENT MAINT MANUAL REF: 32-11-72 FOR DETAILS SEE: 32-11-04-02	103106	1

MISSING ITEM NUMBERS NOT APPLICABLE

- ITEM NOT ILLUSTRATED

32-11-00-03

32-11-00  
FIG. 03  
PAGE 5  
MAY 20/09

BRI



757

PARTS CATALOG (MAINTENANCE)

FIG ITEM	PART NUMBER	1 2 3 4 5 6 7	NOMENCLATURE	EFFECT FROM TO	UNITS PER ASSY
3 465	161N0001-71		.DOWNLOCK ASSY-MLG SIDE STRUT POSITION DATA: LH SIDE COMPONENT MAINT MANUAL REF: 32-11-72 FOR DETAILS SEE: 32-11-04-02	103106	1
465	161N0001-65		.DOWNLOCK ASSY-MLG SIDE STRUT POSITION DATA: LH SIDE COMPONENT MAINT MANUAL REF: 32-11-72 QUALIFIED I/W DATA: 161N0001-65 T/W 1EA 161N3022-1 SPINDLE AND 2EA BACB30LJ3-7 BOLT MAY REPLACE 161N0001-63 T/W 1EA 161N3006-1 SPINDLE AND 2EA BACB30LJ3-6 BOLT. FOR DETAILS SEE: 32-11-04-02	103106	1
465	161N0001-63		.DOWNLOCK ASSY-MLG SIDE STRUT POSITION DATA: LH SIDE COMPONENT MAINT MANUAL REF: 32-11-72 QUALIFIED I/W DATA: 161N0001-65 T/W 1EA 161N3022-1 SPINDLE AND 2EA BACB30LJ3-7 BOLT MAY REPLACE 161N0001-63 T/W 1EA 161N3006-1 SPINDLE AND 2EA BACB30LJ3-6 BOLT. FOR DETAILS SEE: 32-11-04-02	103106	1
465	161N0001-61		.DOWNLOCK ASSY-MLG SIDE STRUT POSITION DATA: LH SIDE COMPONENT MAINT MANUAL REF: 32-11-72 FOR DETAILS SEE: 32-11-04-02	103106	1

MISSING ITEM NUMBERS NOT APPLICABLE

- ITEM NOT ILLUSTRATED

32-11-00-03

32-11-00  
FIG. 03  
PAGE 6  
MAY 20/09

BRI



757

PARTS CATALOG (MAINTENANCE)

FIG ITEM	PART NUMBER	1 2 3 4 5 6 7	NOMENCLATURE	EFFECT FROM TO	UNITS PER ASSY
3					
- 470	161N0001-165		.DOWNLOCK ASSY-MLG SIDE STRUT PRE-MODULE POSITION DATA: RH SIDE COMPONENT MAINT MANUAL REF: 32-11-72 FOR DETAILS SEE: 32-11-04-02	103106	1
- 470	161N0001-404		.DOWNLOCK ASSY-MLG SIDE STRUT PRE-MODULE POSITION DATA: RH SIDE COMPONENT MAINT MANUAL REF: 32-11-72 FOR DETAILS SEE: 32-11-04-02	103106	1
- 470	161N0001-144		.DOWNLOCK ASSY-MLG SIDE STRUT POSITION DATA: RH SIDE COMPONENT MAINT MANUAL REF: 32-11-72 FOR DETAILS SEE: 32-11-04-02	103106	1
- 470	161N0001-124		.DOWNLOCK ASSY-MLG SIDE STRUT POSITION DATA: RH SIDE COMPONENT MAINT MANUAL REF: 32-11-72 FOR DETAILS SEE: 32-11-04-02	103106	1
- 470	161N0001-72		.DOWNLOCK ASSY-MLG SIDE STRUT POSITION DATA: RH SIDE COMPONENT MAINT MANUAL REF: 32-11-72 FOR DETAILS SEE: 32-11-04-02	103106	1

MISSING ITEM NUMBERS NOT APPLICABLE

- ITEM NOT ILLUSTRATED

32-11-00-03

32-11-00  
FIG. 03  
PAGE 7  
MAY 20/09

BRI



757

PARTS CATALOG (MAINTENANCE)

FIG ITEM	PART NUMBER	1 2 3 4 5 6 7	NOMENCLATURE	EFFECT FROM TO	UNITS PER ASSY
3 - 470	161N0001-66		.DOWNLOCK ASSY-MLG SIDE STRUT POSITION DATA: RH SIDE COMPONENT MAINT MANUAL REF: 32-11-72 QUALIFIED I/W DATA: 161N0001-66 T/W 1EA 161N3022-1 SPINDLE AND 2EA BACB30LJ3-7 BOLT MAY REPLACE 161N0001-64 T/W 1EA 161N3006-1 SPINDLE AND 2EA BACB30LJ3-6 BOLT. FOR DETAILS SEE: 32-11-04-02	103106	1
- 470	161N0001-64		.DOWNLOCK ASSY-MLG SIDE STRUT POSITION DATA: RH SIDE COMPONENT MAINT MANUAL REF: 32-11-72 QUALIFIED I/W DATA: 161N0001-66 T/W 1EA 161N3022-1 SPINDLE AND 2EA BACB30LJ3-7 BOLT MAY REPLACE 161N0001-64 T/W 1 EA 161N3006-1 SPINDLE AND 2EA BACB30LJ3-6 BOLT. FOR DETAILS SEE: 32-11-04-02	103106	1
- 470	161N0001-62		.DOWNLOCK ASSY-MLG SIDE STRUT POSITION DATA: RH SIDE COMPONENT MAINT MANUAL REF: 32-11-72 FOR DETAILS SEE: 32-11-04-02	103106	1

MISSING ITEM NUMBERS NOT APPLICABLE

- ITEM NOT ILLUSTRATED

32-11-00-03

32-11-00  
FIG. 03  
PAGE 8  
MAY 20/09

BRI



757

PARTS CATALOG (MAINTENANCE)

FIG ITEM	PART NUMBER	1 2 3 4 5 6 7	NOMENCLATURE	EFFECT FROM TO	UNITS PER ASSY
3 475	161N0001-167		.GEAR ASSY-MLG POSITION DATA: LH SIDE COMPONENT MAINT MANUAL REF: 32-11-32 FOR DETAILS SEE: 32-11-01-10 32-11-16-01 32-11-17-01 32-11-19-01	103106	1
475	161N0001-175		.GEAR ASSY-MLG POSITION DATA: LH SIDE FOR DETAILS SEE: 32-11-01-10 32-11-16-01 32-11-17-01 32-11-19-01	103106	1
475	161N0001-171		.GEAR ASSY-MLG POSITION DATA: LH SIDE COMPONENT MAINT MANUAL REF: 32-11-32 FOR DETAILS SEE: 32-11-01-10 32-11-16-01 32-11-17-01 32-11-19-01	103106	1
475	161N0001-161		.GEAR ASSY-MLG POSITION DATA: LH SIDE COMPONENT MAINT MANUAL REF: 32-11-32 FOR DETAILS SEE: 32-11-01-10 32-11-16-01 32-11-17-01 32-11-19-01	103106	1
475	161N0001-155		.GEAR ASSY-MLG POSITION DATA: LH SIDE COMPONENT MAINT MANUAL REF: 32-11-32 QUALIFIED I/W DATA: 161N0001-155 T/W (2)BACB30NF4-14, (1)284N6102-7, (1)284N6102-6 CAN REPLACE BUT NOT BE	103106	1

MISSING ITEM NUMBERS NOT APPLICABLE

- ITEM NOT ILLUSTRATED

32-11-00-03

32-11-00  
FIG. 03  
PAGE 9  
MAY 20/09

BRI



757

PARTS CATALOG (MAINTENANCE)

FIG ITEM	PART NUMBER	1 2 3 4 5 6 7 NOMENCLATURE	EFFECT FROM TO	UNITS PER ASSY
3		REPLACED BY 161N0001-85 T/W (2)BACB30NF4-10, (1)284N6102-4 AND (1)284N6102-3 161N0001-155 T/W (2)BACB30NF4-14, (1)284N6102-7, (1)284N6102-6 CAN REPLACE BUT NOT BE REPLACED BY 161N0001-77 T/W (2)BACB30NF4-10, (1)284N6102-4 AND (1)284N6102-3 161N0001-155 T/W (2)BACB30NF4-14, (1)284N6102-7, (1)284N6102-6 CAN REPLACE BUT NOT BE REPLACED BY 161N0001-57 T/W (2)BACB30NF4-10, (1)284N6102-4 AND (1)284N6102-3 161N0001-155 T/W (2)BACB30NF4-14, (1)284N6102-7, (1)284N6102-6 CAN REPLACE BUT NOT BE REPLACED BY 161N0001-17 T/W (2)BACB30NF4-10, (1)24N6102-4 AND (1)284N6102-3 161N0001-155 T/W (2)BACB30NF4-14, (1)284N6102-7, (1)284N6102-6 CAN REPLACE BUT NOT BE REPLACED BY 161N0001-3 T/W (2)BACB30NF4-10, (1)284N6102-4 AND (1)284N6102-3 FOR DETAILS SEE: 32-11-01-10 32-11-16-01 32-11-17-01 32-11-19-01 .GEAR ASSY-MLG POSITION DATA: LH SIDE COMPONENT MAINT MANUAL REF:  MISSING ITEM NUMBERS NOT APPLICABLE	103106	1
475	161N0001-149			

- ITEM NOT ILLUSTRATED

32-11-00-03

32-11-00  
FIG. 03  
PAGE 10  
MAY 20/09

BRI





757

PARTS CATALOG (MAINTENANCE)

FIG ITEM	PART NUMBER	1 2 3 4 5 6 7 NOMENCLATURE	EFFECT FROM TO	UNITS PER ASSY
3		<p>32-11-32            QUALIFIED I/W DATA:            161N0001-149 T/W            (2)BACB30NF4-14,            (1)284N6102-7,            (1)284N6102-6 CAN            REPLACE BUT NOT BE            REPLACED BY 161N0001-85            (2)BACB30NF4-10,            (1)284N6102-4 AND            (1)284N6102-3            161N0001-149 T/W            (2)BACB30NF4-14,            (1)284N6102-7,            (1)284N6102-6 CAN            REPLACE BUT NOT BE            REPLACED BY 161N0001-77            T/W (2)BACB30NF4-10,            (1)284N6102-4 AND            (1)284N6102-3            161N0001-149 T/W            (2)BACB30NF4-14,            (1)284N6102-7,            (1)284N6102-6 CAN            REPLACE BUT NOT BE            REPLACED BY 161N0001-57            T/W (2)BACB30NF4-10,            (1)284N6102-4 AND            (1)284N6102-3            161N0001-149 T/W            (2)BACB30NF4-14,            (1)284N6102-7,            (1)284N6102-6 CAN            REPLACE BUT NOT BE            REPLACED BY 161N0001-17            T/W (2)BACB30NF4-10,            (1)284N6102-4 AND            (1)284N6102-3            161N0001-149 T/W            (2)BACB30NF4-14,            (1)284N6102-7,            (1)284N6102-6 CAN            REPLACE BUT NOT BE            REPLACED BY 161N0001-3            T/W (2)BACB30NF4-10,            (1)284N6102-4 AND            (1)284N6102-3            FOR DETAILS SEE:            32-11-01-10</p>		

MISSING ITEM NUMBERS NOT APPLICABLE

- ITEM NOT ILLUSTRATED

32-11-00-03

32-11-00  
 FIG. 03  
 PAGE 11  
 MAY 20/09

BRI



757

PARTS CATALOG (MAINTENANCE)

FIG ITEM	PART NUMBER	1 2 3 4 5 6 7	NOMENCLATURE	EFFECT FROM TO	UNITS PER ASSY
3  475	161N0001-141		32-11-16-01 32-11-17-01 32-11-19-01 .GEAR ASSY-MLG POSITION DATA: LH SIDE MISCELLANEOUS DATA: FOR SPARES PROCURE LOWER COMPONENTS COMPONENT MAINT MANUAL REF: 32-11-32 QUALIFIED I/W DATA: 161N0001-141 T/W (2)BACB30NF4-14, (1)284N6102-7, (1)284N6102-6 CAN REPLACE BUT NOT BE REPLACED BY 161N0001-85 T/W (2)BACB30NF4-10, (1)284N6102-4 AND (1)284N6102-3 161N0001-141 T/W (2)BACB30NF4-14, (1)284N6102-7, (1)284N6102-6 CAN REPLACE BUT NOT BE REPLACED BY 161N0001-77 T/W (2)BACB30NF4-10, (1)284N6102-4 AND (1)284N6102-3 161N0001-141 T/W (2)BACB30NF4-14, (1)284N6102-7, (1)284N6102-6 CAN REPLACE BUT NOT BE REPLACED BY 161N0001-57 T/W (2)BACB30NF4-10, (1)284N6102-4 AND (1)284N6102-3 161N0001-141 T/W (2)BACB30NF4-14, (1)284N6102-7, (1)284N6102-6 CAN REPLACE BUT NOT BE REPLACED BY 161N0001-17 T/W (2)BACB30NF4-10, (1)284N6102-4 AND (1)284N6102-3 161N0001-141 T/W	103106	1

MISSING ITEM NUMBERS NOT APPLICABLE

- ITEM NOT ILLUSTRATED

32-11-00-03

32-11-00  
 FIG. 03  
 PAGE 12  
 MAY 20/09

BRI



757

PARTS CATALOG (MAINTENANCE)

FIG ITEM	PART NUMBER	1 2 3 4 5 6 7 NOMENCLATURE	EFFECT FROM TO	UNITS PER ASSY
3	475 161N0001-119	<p>(2)BACB30NF4-14,            (1)284N6102-7,            (1)284N6102-6 CAN            REPLACE BUT NOT BE            REPLACED BY 161N0001-3            T/W (2)BACB30NF4-10,            (1)284N6102-4 AND            (1)284N6102-3            FOR DETAILS SEE:            32-11-01-10            32-11-16-01            32-11-17-01            32-11-19-01            .GEAR ASSY-MLG            POSITION DATA:            LH SIDE            MISCELLANEOUS DATA:            FOR SPARES PROCURE LOWER            COMPONENTS            COMPONENT MAINT MANUAL REF:            32-11-32            QUALIFIED I/W DATA:            161N0001-119 T/W            (2)BACB30NF4-14,            (1)284N6102-7,            (1)284N6102-6 CAN            REPLACE BUT NOT BE            REPLACED BY 161N0001-85            T/W (2)BACB30NF4-10,            (1)284N6102-4 AND            (1)284N6102-3.            161N0001-199 T/W            (2)BACB30NF4-14,            (1)284N6102-7,            (1)284N6102-6 CAN            REPLACE BUT NOT BE            REPLACED BY 161N0001-77            T/W (2)BACB30NF4-10,            (1)284N6102-4 AND            (1)284N6102-3            161N0001-119 T/W            (2)BACB30NF4-14,            (1)284N6102-7,            (1)284N6102-6 CAN            REPLACE BUT NOT BE            REPLACED BY 161N0001-57            T/W (2)BACB30NF4-10,            (1)284N6102-4 AND            (1)284N6102-3</p>	103106	1

MISSING ITEM NUMBERS NOT APPLICABLE

- ITEM NOT ILLUSTRATED

32-11-00-03

32-11-00  
 FIG. 03  
 PAGE 13  
 MAY 20/09

BRI



757

PARTS CATALOG (MAINTENANCE)

FIG ITEM	PART NUMBER	1 2 3 4 5 6 7 NOMENCLATURE	EFFECT FROM TO	UNITS PER ASSY
3	475 161N0001-95	<p>161N0001-119 T/W            (2)BACB30NF4-14,            (1)284N6102-7,            (1)284N6102-6 CAN            REPLACE BUT NOT BE            REPLACED BY 161N0001-17            T/W (2)BACB30NF4-10,            (1)284N6102-4 AND            (1)284N6102-3            161N0001-119 T/W            (2)BACB30NF4-14,            (1)284N6102-7,            (1)284N6102-6 CAN            REPLACE BUT NOT BE            REPLACED BY 161N0001-3            T/W (2)BACB30NF4-10,            (1)284N6102-4 AND            (1)284N6102-3            FOR DETAILS SEE:            32-11-01-10            32-11-16-01            32-11-17-01            32-11-19-01            .GEAR ASSY-MLG            POSITION DATA:            LH SIDE            MISCELLANEOUS DATA:            FOR SPARES PROCURE LOWER            COMPONENTS            COMPONENT MAINT MANUAL REF:            32-11-32            QUALIFIED I/W DATA:            161N0001-95 T/W            (2)BACB30NF4-14,            (1)284N6102-7,            (1)284N6102-6 CAN            REPLACE BUT NOT BE            REPLACED BY 161N0001-85            T/W (2)BACB30NF4-10,            (1)284N6102-4 AND            (1)284N6102-3            161N0001-95 T/W            (2)BACB30NF4-14,            (1)284N6102-7,            (1)284N6102-6 CAN            REPLACE BUT NOT BE            REPLACED BY 161N0001-77            T/W (2)BACB30NF4-10,            (1)284N6102-4 AND</p>	103106	1

MISSING ITEM NUMBERS NOT APPLICABLE

- ITEM NOT ILLUSTRATED

32-11-00-03

32-11-00  
 FIG. 03  
 PAGE 14  
 MAY 20/09

BRI



757

PARTS CATALOG (MAINTENANCE)

FIG ITEM	PART NUMBER	1 2 3 4 5 6 7 NOMENCLATURE	EFFECT FROM TO	UNITS PER ASSY
3		<p>(1)284N6102-3 161N0001-95 T/W (2)BACB30NF4-14, (1)284N6102-7, (1)284N6102-6 CAN REPLACE BUT NOT BE REPLACED BY 161N0001-57 T/W (2)BACB30NF4-10, (1)284N6102-4 AND (1)284N6102-3 161N0001-95 T/W (2)BACB30NF4-14, (1)284N6102-7, (1)284N6102-6 CAN REPLACE BUT NOT BE REPLACED BY 161N0001-17 T/W (2)BACB30NF4-10, (1)284N6102-4 AND (1)284N6102-3 161N0001-95 T/W (2)BACB30NF4-14, (1)284N6102-7, (1)284N6102-6 CAN REPLACE BUT NOT BE REPLACED BY 161N0001-3 T/W (2)BACB30NF4-10, (1)284N6102-4 AND (1)284N6102-3 FOR DETAILS SEE: 32-11-01-10 32-11-16-01 32-11-17-01 32-11-19-01 .GEAR ASSY-MLG POSITION DATA: RH SIDE COMPONENT MAINT MANUAL REF: 32-11-32 FOR DETAILS SEE: 32-11-01-10 32-11-16-01 32-11-17-01 32-11-19-01</p>	103106	1
- 480	161N0001-168			

MISSING ITEM NUMBERS NOT APPLICABLE

- ITEM NOT ILLUSTRATED

BRI

32-11-00-03

BOEING PROPRIETARY - Copyright © - Unpublished Work - See title page for details.

32-11-00  
FIG. 03  
PAGE 15  
MAY 20/09



757

PARTS CATALOG (MAINTENANCE)

FIG ITEM	PART NUMBER	1 2 3 4 5 6 7	NOMENCLATURE	EFFECT FROM TO	UNITS PER ASSY
3					
- 480	161N0001-176		.GEAR ASSY-MLG POSITION DATA: RH SIDE FOR DETAILS SEE: 32-11-01-10 32-11-16-01 32-11-17-01 32-11-19-01	103106	1
- 480	161N0001-172		.GEAR ASSY-MLG POSITION DATA: RH SIDE COMPONENT MAINT MANUAL REF: 32-11-32 FOR DETAILS SEE: 32-11-01-10 32-11-16-01 32-11-17-01 32-11-19-01	103106	1
- 480	161N0001-162		.GEAR ASSY-MLG POSITION DATA: RH SIDE COMPONENT MAINT MANUAL REF: 32-11-32 FOR DETAILS SEE: 32-11-01-10 32-11-16-01 32-11-17-01 32-11-19-01	103106	1
- 480	161N0001-156		.GEAR ASSY-MLG POSITION DATA: RH SIDE MISCELLANEOUS DATA: FOR SPARES PROCURE LOWER COMPONENTS COMPONENT MAINT MANUAL REF: 32-11-32 QUALIFIED I/W DATA: 161N0001-156 T/W (2)BACB30NF4-14, (1)284N6102-7, (1)284N6102-6 CAN REPLACE BUT NOT BE REPLACED BY 161N0001-86 T/W (2)BACB30NF4-10, (1)284N6102-4 AND (1)284N6102-3 161N0001-156 T/W (2)BACB30NF4-14, (1)284N6102-7,	103106	1

MISSING ITEM NUMBERS NOT APPLICABLE

- ITEM NOT ILLUSTRATED

32-11-00-03

32-11-00  
FIG. 03  
PAGE 16  
MAY 20/09

BRI



757

PARTS CATALOG (MAINTENANCE)

FIG ITEM	PART NUMBER	1 2 3 4 5 6 7 NOMENCLATURE	EFFECT FROM TO	UNITS PER ASSY
3		<p>(1)284N6102-6 CAN REPLACE BUT NOT BE REPLACED BY 161N0001-78 T/W (2)BACB30NF4-10, (1)284N6102-4 AND (1)284N6102-3 161N0001-156 T/W (2)BACB30NF4-14, (1)284N6102-7, (1)284N6102-6 CAN REPLACE BUT NOT BE REPLACED BY 161N0001-58 T/W (2)BACB30NF4-10, (1)284N6102-4 AND (1)284N6102-3 161N0001-156 T/W (2)BACB30NF4-14, (1)284N6102-7, (1)284N6102-6 CAN REPLACE BUT NOT BE REPLACED BY 161N0001-18 T/W (2)BACB30NF4-10, (1)284N6102-4 AND (1)284N6102-3 161N0001-156 T/W (2)BACB30NF4-14, (1)284N6102-7, (1)284N6102-6 CAN REPLACE BUT NOT BE REPLACED BY 161N0001-4 T/W (2)BACB30NF4-10, (1)284N6102-4 AND (1)284N6102-3 FOR DETAILS SEE: 32-11-01-10 32-11-16-01 32-11-17-01 32-11-19-01 .GEAR ASSY-MLG POSITION DATA: RH SIDE MISCELLANEOUS DATA: FOR SPARES PROCURE LOWER COMPONENTS COMPONENT MAINT MANUAL REF: 32-11-32 QUALIFIED I/W DATA: 161N0001-150 T/W (2)BACB30NF4-14,</p>		
- 480	161N0001-150	<p>MISSING ITEM NUMBERS NOT APPLICABLE</p>	103106	1

- ITEM NOT ILLUSTRATED

32-11-00-03

32-11-00  
FIG. 03  
PAGE 17  
MAY 20/09

BRI



757

PARTS CATALOG (MAINTENANCE)

FIG ITEM	PART NUMBER	1 2 3 4 5 6 7 NOMENCLATURE	EFFECT FROM TO	UNITS PER ASSY
3		(1)284N6102-7, (1)284N6102-6 CAN REPLACE BUT NOT BE REPLACED BY 161N0001-86 T/W (2)BACB30NF4-10, (1)284N6102-4 AND (1)284N6102-3 161N0001-150 T/W (2)BACB30NF4-14, (1)284N6102-7, (1)284N6102-6 CAN REPLACE BUT NOT BE REPLACED BY 161N0001-78 T/W (2)BACB30NF4-10, (1)284N6102-4 AND (1)284N6102-3 161N0001-150 T/W (2)BACB30NF4-14, (1)284N6102-7, (1)284N6102-6 CAN REPLACE BUT NOT BE REPLACED BY 161N0001-58 (2)BACB30NF4-10, (1)284N6102-4 AND (1)284N6102-3 161N0001-150 T/W (2)BACB30NF4-14, (1)284N6102-7, (1)284N6102-6 CAN REPLACE BUT NOT BE REPLACED BY 161N0001-18 T/W (2)BACB30NF4-10, (1)284N6102-4 AND (1)284N6102-3 161N0001-150 T/W (2)BACB30NF4-14, (1)284N6102-7, (1)284N6102-6 CAN REPLACE BUT NOT BE REPLACED BY 161N0001-4 T/W (2)BACB30NF4-10, (1)284N6102-4 AND (1)284N6102-3 FOR DETAILS SEE: 32-11-01-10 32-11-16-01 32-11-17-01 32-11-19-01		
- 480	161N0001-142	.GEAR ASSY-MLG	103106	1

MISSING ITEM NUMBERS NOT APPLICABLE

- ITEM NOT ILLUSTRATED

32-11-00-03

32-11-00  
 FIG. 03  
 PAGE 18  
 MAY 20/09

BRI

BOEING PROPRIETARY - Copyright © - Unpublished Work - See title page for details.





757

PARTS CATALOG (MAINTENANCE)

FIG ITEM	PART NUMBER	1 2 3 4 5 6 7 NOMENCLATURE	EFFECT FROM TO	UNITS PER ASSY
3		<p>POSITION DATA: RH SIDE MISCELLANEOUS DATA: FOR SPARES PROCURE LOWER COMPONENTS COMPONENT MAINT MANUAL REF: 32-11-32 QUALIFIED I/W DATA: 161N0001-142 T/W (2)BACB30NF4-14, (1)284N6102-7, (1)284N6102-6 CAN REPLACE BUT NOT BE REPLACED BY 161N0001-86 T/W (2)BACB30NF4-10, (1)284N6102-4 AND (1)284N6102-3 161N0001-142 T/W (2)BACB30NF4-14, (1)284N6102-7, (1)284N6102-6 CAN REPLACE BUT NOT BE REPLACED BY 161N0001-78 T/W (2)BACB30NF4-10, (1)284N6102-4 AND (1)284N6102-3 161N0001-142 T/W (2)BACB30NF4-14, (1)284N6102-7, (1)284N6102-6 CAN REPLACE BUT NOT BE REPLACED BY 161N0001-58 T/W (2)BACB30NF4-10, (1)284N6102-4 AND (1)284N6102-3 161N0001-142 T/W (2)BACB30NF4-14, (1)284N6102-7, (1)284N6102-6 CAN REPLACE BUT NOT BE REPLACED BY 161N0001-18 T/W (2)BACB30NF4-10, (1)284N6102-4 AND (1)284N6102-3 161N0001-142 T/W (2)BACB30NF4-14, (1)284N6102-7, (1)284N6102-6 CAN REPLACE BUT NOT BE</p>		

MISSING ITEM NUMBERS NOT APPLICABLE

- ITEM NOT ILLUSTRATED

32-11-00-03

32-11-00  
FIG. 03  
PAGE 19  
MAY 20/09

BRI







757

PARTS CATALOG (MAINTENANCE)

FIG ITEM	PART NUMBER	1 2 3 4 5 6 7 NOMENCLATURE	EFFECT FROM TO	UNITS PER ASSY
3		<p>(1)284N6102-6 CAN  REPLACE BUT NOT BE  REPLACED BY 161N0001-58  T/W (2)BACB30NF4-10,  (1)284N6102-4 AND  (1)284N6102-3  161N0001-96 T/W  (2)BACB30NF4-14,  (1)284N6102-7,  (1)284N6102-6 CAN  REPLACE BUT NOT BE  REPLACED BY 161N0001-18  T/W (2)BACB30NF4-10,  (1)284N6102-4 AND  (1)284N6102-3  161N0001-96 T/W  (2)BACB30NF4-14,  (1)284N6102-7,  (1)284N6102-6 CAN  REPLACE BUT NOT BE  REPLACED BY 161N0001-4  T/W (2)BACB30NF4-10,  (1)284N6102-4 AND  (1)284N6102-3  FOR DETAILS SEE:  32-11-01-10  32-11-16-01  32-11-17-01  32-11-19-01</p>		

MISSING ITEM NUMBERS NOT APPLICABLE

- ITEM NOT ILLUSTRATED

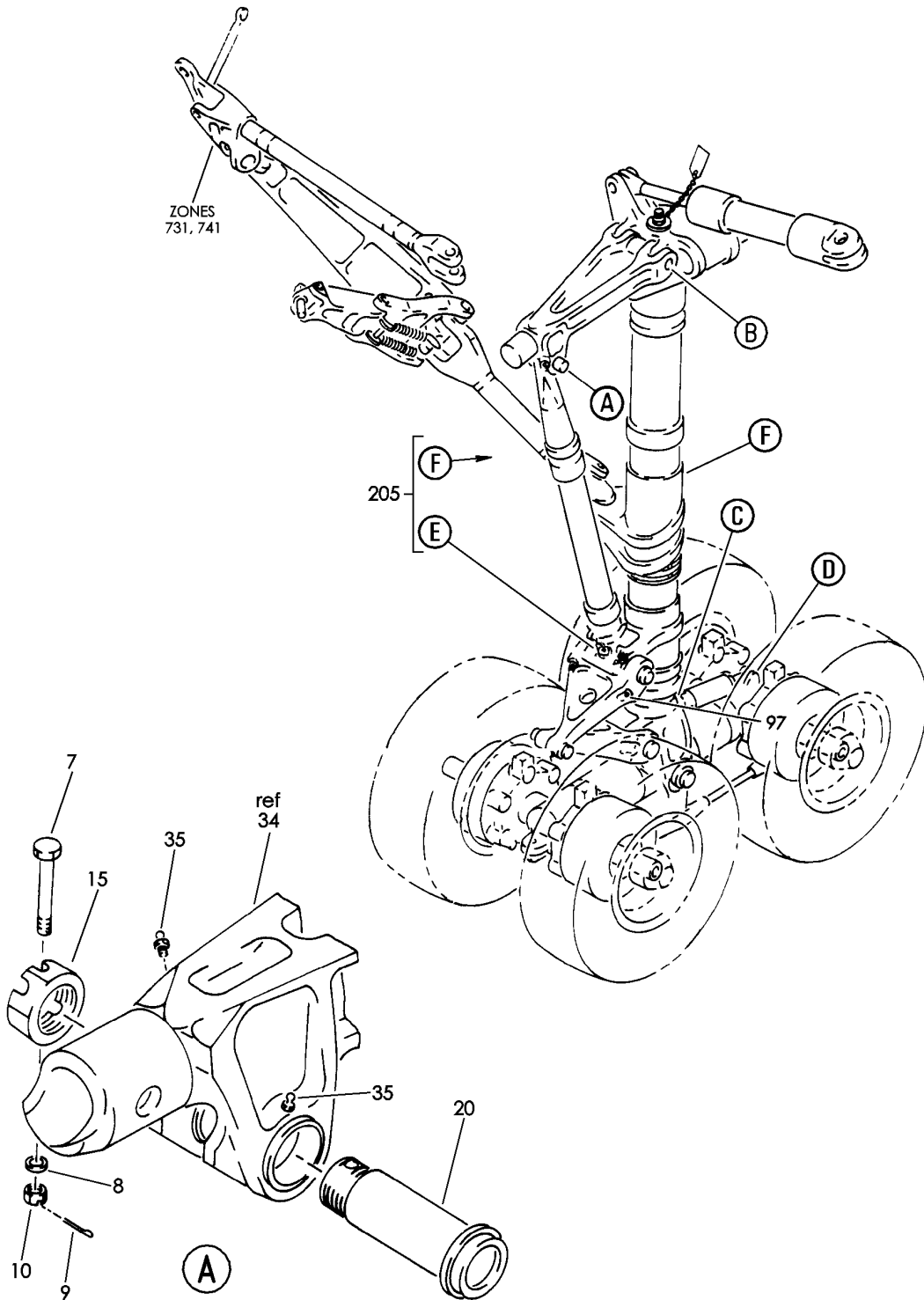
BRI

32-11-00-03

BOEING PROPRIETARY - Copyright © - Unpublished Work - See title page for details.

32-11-00  
FIG. 03  
PAGE 22  
MAY 20/09

**BOEING**  
757  
PARTS CATALOG (MAINTENANCE)



Y 32110110 SHT 1 REV 246

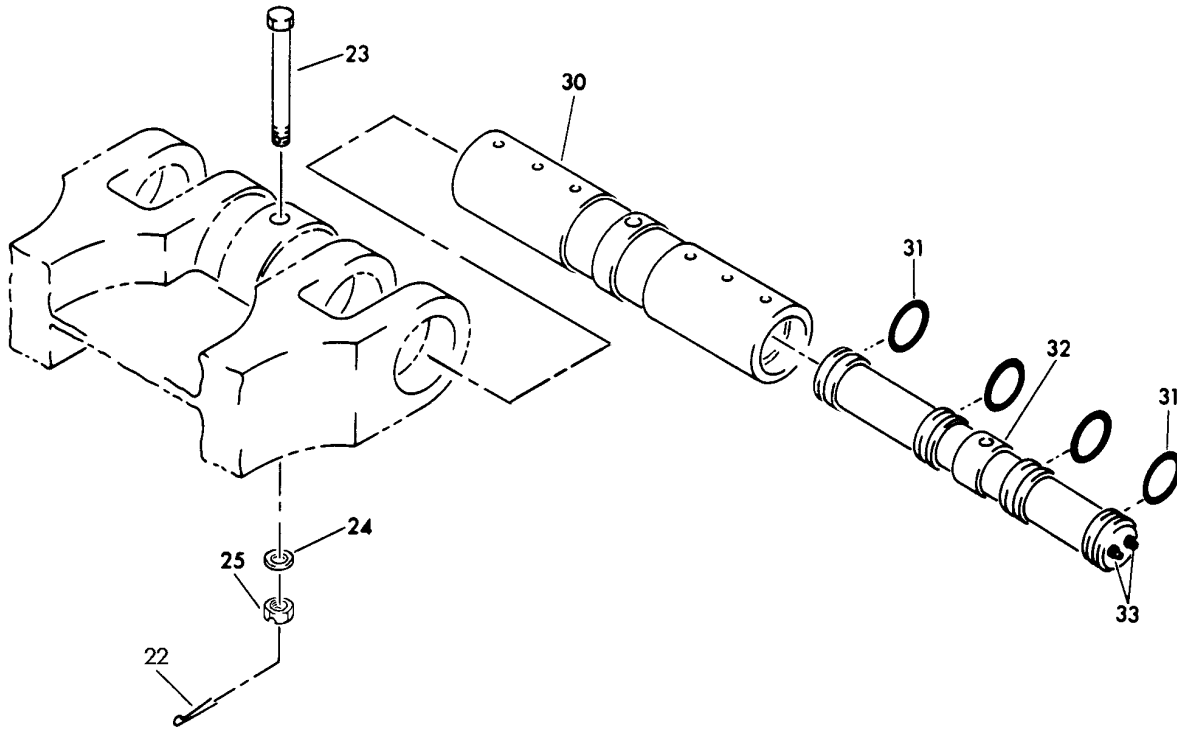
GEAR ASSY-MAIN LDG (MAIN GEAR ONLY)  
FIGURE 10 (SHEET 1)

**32-11-01-10**

BRI  
MAY 28/07

32-11-01-10  
PAGE 0

**BOEING**  
757  
PARTS CATALOG (MAINTENANCE)



(B)

Y 32110110 SHT 2 REV 246

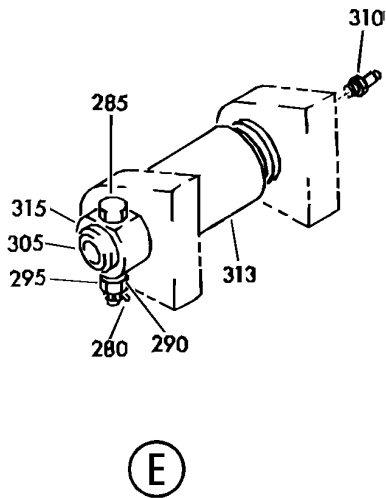
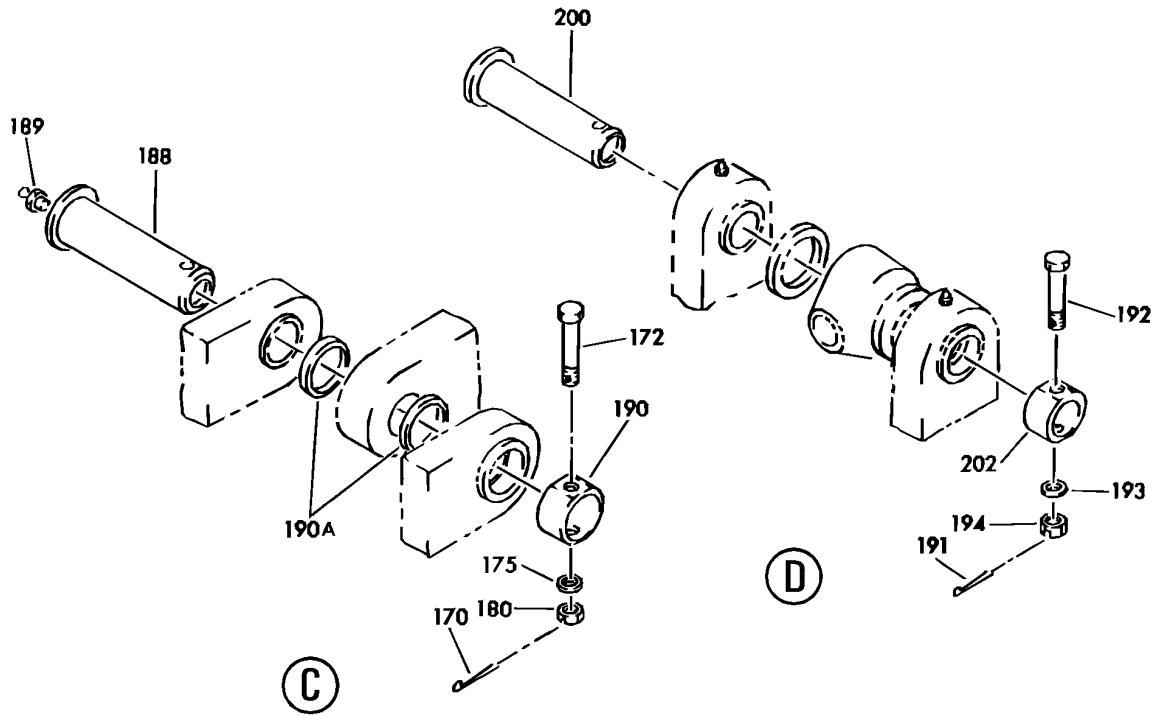
GEAR ASSY-MAIN LDG (MAIN GEAR ONLY)  
FIGURE 10 (SHEET 2)

BRI  
MAY 28/07

**32-11-01-10**

32-11-01-10  
PAGE 0A

**BOEING**  
757  
PARTS CATALOG (MAINTENANCE)



Y 32110110 SH-T 3 REV 259

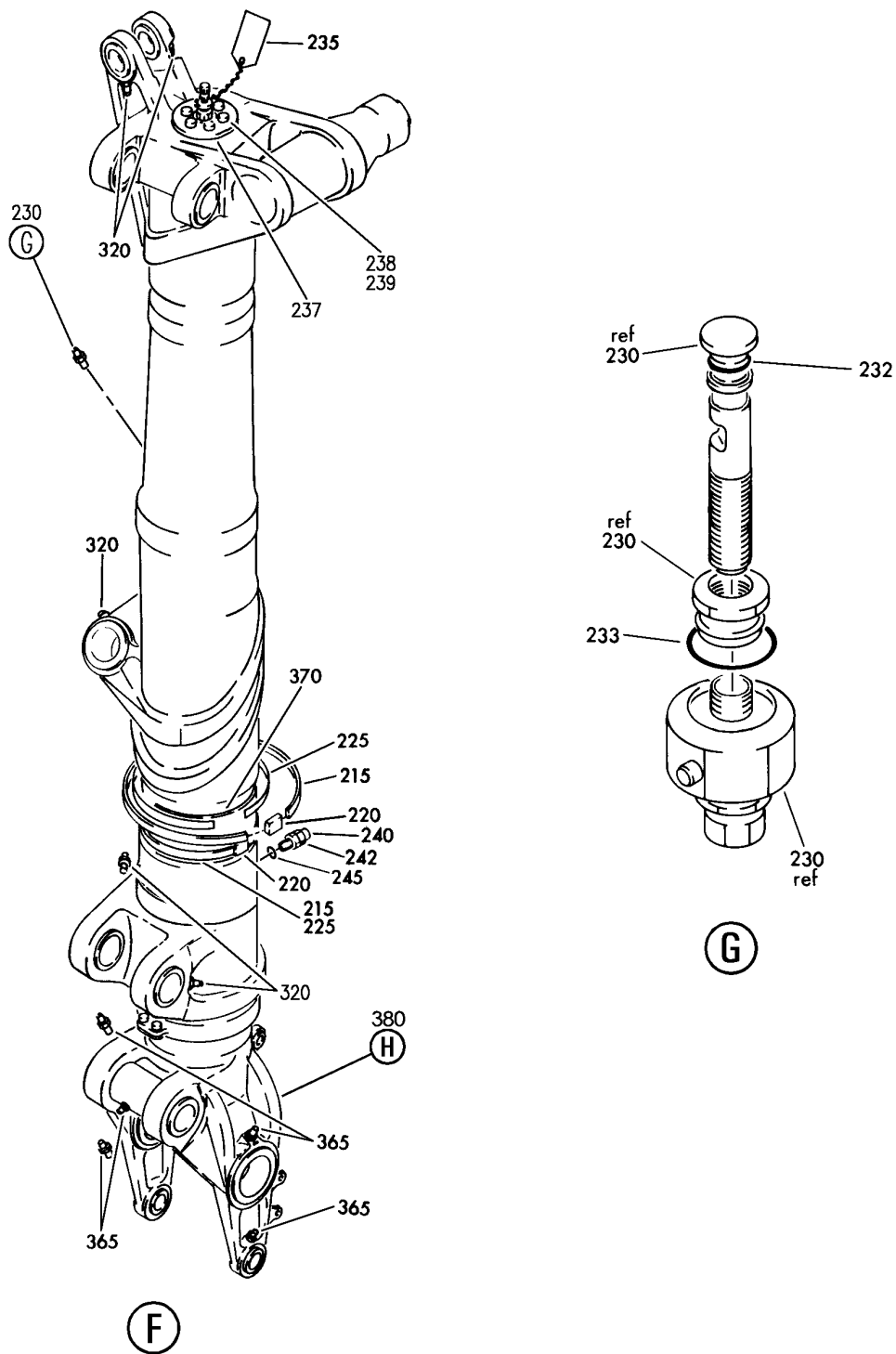
GEAR ASSY-MAIN LDG (MAIN GEAR ONLY)  
FIGURE 10 (SHEET 3)

**32-11-01-10**

BRI  
MAY 28/07

32-11-01-10  
PAGE 0B

**BOEING**  
757  
PARTS CATALOG (MAINTENANCE)



Y 32110110 SH-T 4 REV 298

GEAR ASSY-MAIN LDG (MAIN GEAR ONLY)  
FIGURE 10 (SHEET 4)

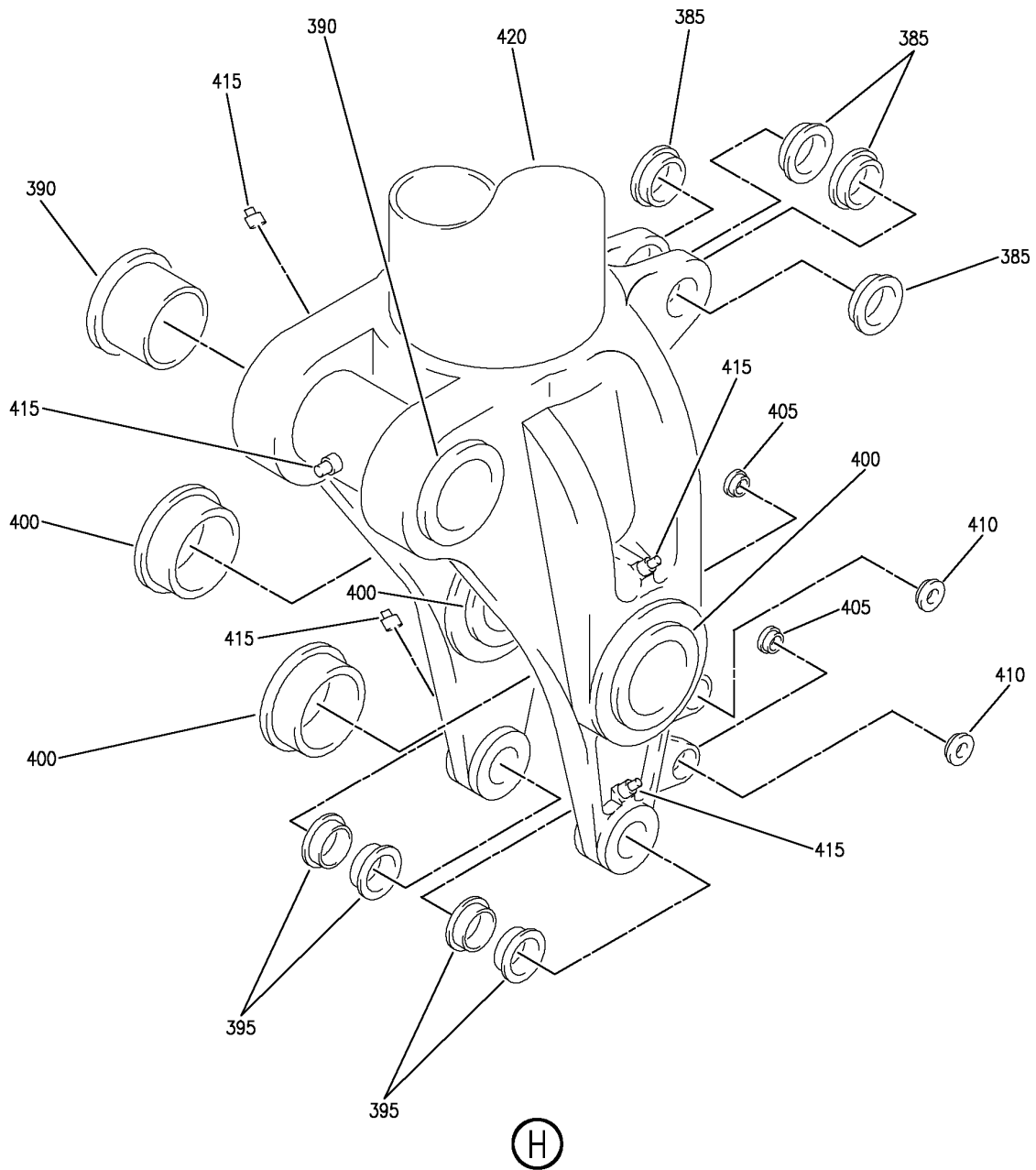
**32-11-01-10**

BRI  
MAY 28/07

32-11-01-10  
PAGE 0C



**BOEING**  
757  
PARTS CATALOG (MAINTENANCE)



Y 32110110 SHT 5 REV 246

GEAR ASSY-MAIN LDG (MAIN GEAR ONLY)  
FIGURE 10 (SHEET 5)

**32-11-01-10**

BRI  
MAY 28/07

32-11-01-10  
PAGE 0D



757

PARTS CATALOG (MAINTENANCE)

FIG ITEM	PART NUMBER	1 2 3 4 5 6 7	NOMENCLATURE	EFFECT FROM TO	UNITS PER ASSY
10			GEAR ASSY-MAIN LDG (MAIN GEAR ONLY)	002004 006999	
- 1	161N0001-95		GEAR ASSY-MLG (MAIN GEAR ONLY) POSITION DATA: LH MISCELLANEOUS DATA: FOR SPARES PROCURE LOWER COMPONENTS COMPONENT MAINT MANUAL REF: 32-11-32 QUALIFIED I/W DATA: 161N0001-95 T/W (2) BACB30NF4-14, (1) 284N6102-7, (1) 284N6102-6 CAN REPLACE BUT NOT BE REPLACED BY 161N0001-17 T/W (2) BACB30NF4-10, (1) 284N6102-4 AND (1) 284N6102-3 161N0001-95 T/W (2) BACB30NF4-14, (1) 284N6102-7, (1) 284N6102-6 CAN REPLACE BUT NOT BE REPLACED BY 161N0001-85 T/W (2) BACB30NF4-10, (1) 284N6102-4 AND (1) 284N6102-3 161N0001-95 T/W (2) BACB30NF4-14, (1) 284N6102-7, (1) 284N6102-6 CAN REPLACE BUT NOT BE REPLACED BY 161N0001-77 T/W (2) BACB30NF4-10, (1) 284N6102-4 AND (1) 284N6102-3 161N0001-95 T/W (2) BACB30NF4-14, (1) 284N6102-7, (1) 284N6102-6 CAN REPLACE BUT NOT BE REPLACED BY 161N0001-57 T/W (2) BACB30NF4-10, (1) 284N6102-4 AND (1) 284N6102-3 161N0001-95 T/W (2)	002004 006999	RF
MISSING ITEM NUMBERS NOT APPLICABLE					

- ITEM NOT ILLUSTRATED

32-11-01-10

32-11-01  
FIG. 10  
PAGE 1  
JAN 20/09

BRI



757

PARTS CATALOG (MAINTENANCE)

FIG ITEM	PART NUMBER	1 2 3 4 5 6 7 NOMENCLATURE	EFFECT FROM TO	UNITS PER ASSY
10	161N0001-119	<p>BACB30NF4-14, (1)            284N6102-7, (1)            284N6102-6 CAN REPLACE            BUT NOT BE REPLACED BY            161N0001-3 T/W (2)            BACB30NF4-10, (1)            284N6102-4 AND (1)            284N6102-3            FOR NHA/ADDITIONAL DET SEE:            32-11-00-01            32-11-00-02            32-11-00-03            GEAR ASSY-MLG (MAIN GEAR            ONLY)            POSITION DATA:            LH            MISCELLANEOUS DATA:            FOR SPARES PROCURE LOWER            COMPONENTS            COMPONENT MAINT MANUAL REF:            32-11-32            QUALIFIED I/W DATA:            161N0001-119 T/W (2)            BACB30NF4-14, (1)            284N6102-7, (1)            284N6102-6 CAN REPLACE            BUT NOT BE REPLACED BY            161N0001-17 T/W (2)            BACB30NF4-10, (1)            284N6102-4 AND (1)            284N6102-3            161N0001-119 T/W (2)            BACB30NF4-14, (1)            284N6102-7, (1)            284N6102-6 CAN REPLACE            BUT NOT BE REPLACED BY            161N0001-85 T/W (2)            BACB30NF4-10, (1)            284N6102-4 AND (1)            284N6102-3            161N0001-119 T/W (2)            BACB30NG4-14, (1)            284N6102-7, (1)            284N6102-6 CAN REPLACE            BUT NOT BE REPLACED BY            161N0001-77 T/W (2)            BACB30NF4-10, (1)            284N6102-4 AND (1)            284N6102-3</p>	002004 006999	RF

MISSING ITEM NUMBERS NOT APPLICABLE

- ITEM NOT ILLUSTRATED

32-11-01-10

32-11-01  
 FIG. 10  
 PAGE 2  
 JAN 20/09

BRI



757

PARTS CATALOG (MAINTENANCE)

FIG ITEM	PART NUMBER	1 2 3 4 5 6 7 NOMENCLATURE	EFFECT FROM TO	UNITS PER ASSY
10		<p>161N0001-119 T/W (2)            BACB30NF4-14, (1)            284N6102-7, (1)            284N6102-6 CAN REPLACE            BUT NOT BE REPLACED BY            161N0001-57 T/W (2)            BACB30NF4-10, (2)            284N6102-4 AND (1)            284N6102-3            161N0001-119 T/W (2)            BACB30NF4-14, (1)            284N6102-7, (1)            284N6102-6 CAN REPLACE            BUT NOT BE REPLACED BY            161N0001-3 T/W (2)            BACB30NF4-10, (1)            284N6102-4 AND (1)            284N6102-3            FOR NHA/ADDITIONAL DET SEE:            32-11-00-01            32-11-00-02            32-11-00-03            GEAR ASSY-MLG (MAIN GEAR            ONLY)            POSITION DATA:            LH            MISCELLANEOUS DATA:            FOR SPARES PROCURE LOWER            COMPONENTS            COMPONENT MAINT MANUAL REF:            32-11-32            QUALIFIED I/W DATA:            161N0001-141 T/W (2)            BACB30NF4-14, (1)            284N6102-7, (1)            284N6102-6 CAN REPLACE            BUT NOT BE REPLACED BY            161N0001-17 T/W (2)            BACB30NF4-10, (1)            284N6102-4 AND (1)            284N6102-3            161N0001-141 T/W (2)            BACB30NF4-14, (1)            284N6102-7, (1)            284N6102-6 CAN REPLACE            BUT NOT BE REPLACED BY            161N0001-85 T/W (2)            BACB30NF4-10, (1)            284N6102-4 AND (1)</p>	002004 006999	RF
-	1 161N0001-141	<p>MISSING ITEM NUMBERS NOT APPLICABLE</p>		

- ITEM NOT ILLUSTRATED

32-11-01-10

32-11-01  
 FIG. 10  
 PAGE 3  
 JAN 20/09

BRI



757

PARTS CATALOG (MAINTENANCE)

FIG ITEM	PART NUMBER	1 2 3 4 5 6 7	NOMENCLATURE	EFFECT FROM TO	UNITS PER ASSY
10			284N6102-3 161N0001-141 T/W (2) BACB30NF4-14, (1) 284N6102-7, (1) 284N6102-6 CAN REPLACE BUT NOT BE REPLACED BY 161N0001-77 T/W (2) BACB30NF4-10, (1) 284N6102-4 AND (1) 284N6102-3 161N0001-141 T/W (2) BACB30NF4-14, (1) 284N6102-7, (1) 284N6102-6 CAN REPLACE BUT NOT BE REPLACED BY 161N0001-57 T/W (2) BACB30NF4-10, (1) 284N6102-4 AND (1) 284N6102-3 161N0001-141 T/W (2) BACB30NF4-14, (1) 284N6102-7, (1) 284N6102-6 CAN REPLACE BUT NOT BE REPLACED BY 161N0001-3 T/W (2) BACB30NF4-10, (1) 284N6102-4 AND (1) 284N6102-3 FOR NHA/ADDITIONAL DET SEE: 32-11-00-01 32-11-00-02 32-11-00-03		
- 1	161N0001-149		GEAR ASSY-MLG (MAIN GEAR ONLY) POSITION DATA: LH COMPONENT MAINT MANUAL REF: 32-11-32 QUALIFIED I/W DATA: 161N0001-149 T/W (2) BACB30NF4-14, (1) 284N6102-7, (1) 284N6102-6 CAN REPLACE BUT NOT BE REPLACED BY 161N0001-17 T/W (2) BACB30NF4-10, (1) 284N6102-4 AND (1) 284N6102-3 161N0001-149 T/W (2)	002004 006999	RF

MISSING ITEM NUMBERS NOT APPLICABLE

- ITEM NOT ILLUSTRATED

32-11-01-10

32-11-01  
FIG. 10  
PAGE 4  
JAN 20/09

BRI



757

PARTS CATALOG (MAINTENANCE)

FIG ITEM	PART NUMBER	1 2 3 4 5 6 7	NOMENCLATURE	EFFECT FROM TO	UNITS PER ASSY
10			<p>BACB30NF4-14, (1)  284N6102-7, (1)  284N6102-6 CAN REPLACE  BUT NOT BE REPLACED BY  161N0001-85 T/W (2)  BACB30NF4-10, (1)  284N6102-4 AND (1)  284N6102-3  161N0001-149 T/W (2)  BACB30NF4-14, (1)  284N6102-7, (1)  284N6102-6 CAN REPLACE  BUT NOT BE REPLACED BY  161N0001-77 T/W (2)  BACB30NF4-10, (1)  284N6102-4 AND (1)  284N6102-3  161N0001-149 T/W (2)  BACB30NF4-14, (1)  284N6102-7, (1)  284N6102-6 CAN REPLACE  BUT NOT BE REPLACED BY  161N0001-57 T/W (2)  BACB30NF4-10, (1)  284N6102-4 AND (1)  284N6102-3  161N0001-149 T/W  (2)BACB30NF4-14,  (1)284N6102-7,  (1)284N6102-6 CAN  REPLACE BUT NOT BE  REPLACED BY 161N0001-3  T/W (2)BACB30NF4-10,  (1)284N6102-4 AND  (1)284N6102-3  FOR NHA/ADDITIONAL DET SEE:  32-11-00-01  32-11-00-02  32-11-00-03</p>		
- 1	161N0001-155		<p>GEAR ASSY-MLG (MAIN GEAR  ONLY)  POSITION DATA:  LH  COMPONENT MAINT MANUAL REF:  32-11-32  QUALIFIED I/W DATA:  161N0001-155 T/W (2)  BACB30NF4-14, (1)  284N6102-7, (1)</p>	002004 006999	RF

MISSING ITEM NUMBERS NOT APPLICABLE

- ITEM NOT ILLUSTRATED

32-11-01-10

32-11-01  
FIG. 10  
PAGE 5  
JAN 20/09

BRI



757

PARTS CATALOG (MAINTENANCE)

FIG ITEM	PART NUMBER	1 2 3 4 5 6 7 NOMENCLATURE	EFFECT FROM TO	UNITS PER ASSY
10		<p>284N6102-6 CAN REPLACE BUT NOT BE REPLACED BY 161N0001-17 T/W (2) BACB30NF4-10, (1) 284N6102-4 AND (1) 284N6102-3 161N0001-155 T/W (2) BACB30NF4-14, (1) 284N6102-7, (1) 284N6102-6 CAN REPLACE BUT NOT BE REPLACED BY 161N0001-85 T/W (2) BACB30NF4-10, (1) 284N6102-4 AND (1) 284N6102-3 161N0001-155 T/W (2) BACB30NF4-14 (1) 284N6102-7, (1) 284N6102-6 CAN REPLACE BUT NOT BE REPLACE BY 161N0001-77 T/W (2) BACB30NF4-10, (1) 284N6102-4 AND (1) 284N6102-3 161N0001-155 T/W (2) BACB30NF4-14, (1) 284N6102-7, (1) 284N6102-6 CAN REPLACE BUT NOT BE REPLACED BY 161N0001-57 T/W (2) BACB30NF4-10, (1) 284N6102-4 AND (1) 284N6102-3 161N0001-155 T/W (2) BACB30NF4-14, (1) 284N6102-7, (1) 284N6102-6 CAN REPLACE BUT NOT BE REPLACED BY 161N0001-3 T/W (2) BACB30NF4-10, (1) 284N6102-4 AND (1) 284N6102-3 FOR NHA/ADDITIONAL DET SEE: 32-11-00-01 32-11-00-02 32-11-00-03</p>		

MISSING ITEM NUMBERS NOT APPLICABLE

- ITEM NOT ILLUSTRATED

BRI

32-11-01-10

BOEING PROPRIETARY - Copyright © - Unpublished Work - See title page for details.

32-11-01  
FIG. 10  
PAGE 6  
JAN 20/09



757

PARTS CATALOG (MAINTENANCE)

FIG ITEM	PART NUMBER	1 2 3 4 5 6 7	NOMENCLATURE	EFFECT FROM TO	UNITS PER ASSY
10					
- 2	161N0001-161		GEAR ASSY-MLG (MAIN GEAR ONLY) POSITION DATA: LH COMPONENT MAINT MANUAL REF: 32-11-32 FOR NHA/ADDITIONAL DET SEE: 32-11-00-01 32-11-00-02 32-11-00-03	002004 006999	RF
- 2	161N0001-171		GEAR ASSY-MLG (MAIN GEAR ONLY) POSITION DATA: LH COMPONENT MAINT MANUAL REF: 32-11-32 FOR NHA/ADDITIONAL DET SEE: 32-11-00-01 32-11-00-02 32-11-00-03	002004 006999	RF
- 2	161N0001-167		GEAR ASSY-MLG (MAIN GEAR ONLY) POSITION DATA: LH COMPONENT MAINT MANUAL REF: 32-11-32 FOR NHA/ADDITIONAL DET SEE: 32-11-00-02 32-11-00-03 32-11-00-01	002004 006999	RF
- 2	161N0001-175		GEAR ASSY-MLG (MAIN GEAR ONLY) POSITION DATA: LH FOR NHA/ADDITIONAL DET SEE: 32-11-00-03 32-11-00-01 32-11-00-02	002004 006999	RF
- 5	161N0001-162		GEAR ASSY-MLG (MAIN GEAR ONLY) POSITION DATA: RH COMPONENT MAINT MANUAL REF: 32-11-32 FOR NHA/ADDITIONAL DET SEE: 32-11-00-01 32-11-00-02 32-11-00-03	002004 006999	RF
- 5	161N0001-96		GEAR ASSY-MLG (MAIN GEAR	002004	RF

MISSING ITEM NUMBERS NOT APPLICABLE

- ITEM NOT ILLUSTRATED

32-11-01-10

32-11-01  
FIG. 10  
PAGE 7  
JAN 20/09

BRI





757

PARTS CATALOG (MAINTENANCE)

FIG ITEM	PART NUMBER	1 2 3 4 5 6 7 NOMENCLATURE	EFFECT FROM TO	UNITS PER ASSY
10		<p>ONLY)</p> <p>POSITION DATA: RH</p> <p>MISCELLANEOUS DATA: FOR SPARES PROCURE LOWER COMPONENTS</p> <p>COMPONENT MAINT MANUAL REF: 32-11-32</p> <p>QUALIFIED I/W DATA: 161N0001-96 T/W (2) BACB30NF4-14, (1) 284N6102-7, (1) 284N6102-6 CAN REPLACE BUT NOT BE REPLACED BY 161N0001-18 T/W (2) BACB30NF4-10, (1) 284N6102-4 AND (1) 284N6102-3 161N0001-96 T/W (2) BACB30NF4-14, (1) 284N6102-7, (1) 284N6102-6 CAN REPLACE BUT NOT BE REPLACED BY 161N0001-86 T/W (2) BACB30NF4-10, (1) 284N6102-4 AND (1) 284N6102-3 161N0001-96 T/W (2) BACB30NF4-14, (1) 284N6102-7, (1) 284N6102-6 CAN REPLACE BUT NOT BE REPLACED BY 161N0001-78, T/W (2) BACB30NF4-10, (1) 284N6102-4 AND (1) 284N6102-3 161N0001-96 T/W (2) BACB30NF4-14, (1) 284N6102-7, (1) 284N6102-6 CAN REPLACE BUT NOT BE REPLACED BY 161N0001-58 T/W (2) BACB30NF4-10, (1) 284N6102-4 AND (1) 284N6102-3 161N0001-96 T/W (2) BACB30NF4-14, (1) 284N6102-7, (1) 284N6102-6 CAN REPLACE</p>	006999	

MISSING ITEM NUMBERS NOT APPLICABLE

- ITEM NOT ILLUSTRATED

32-11-01-10

32-11-01  
FIG. 10  
PAGE 8  
JAN 20/09

BRI





757

PARTS CATALOG (MAINTENANCE)

FIG ITEM	PART NUMBER	1 2 3 4 5 6 7	NOMENCLATURE	EFFECT FROM TO	UNITS PER ASSY
10			284N6102-6 CAN REPLACE BUT NOT BE REPLACED BY 161N0001-58 T/W (2) BACB30NF4-10, (1) 284N6102-4 AND (1) 284N6102-3 161N0001-120 T/W (2) BACB30NF4-14, (1) 284N6102-7, (1) 284N6102-6 CAN REPLACE BUT NOT BE REPLACED BY 161N0001-4 T/W (2) BACB30NF4-10, (1) 284N6102-4 AND (1) 284N6102-3 FOR NHA/ADDITIONAL DET SEE: 32-11-00-01 32-11-00-02 32-11-00-03		
- 5	161N0001-142		GEAR ASSY-MLG (MAIN GEAR ONLY) POSITION DATA: RH MISCELLANEOUS DATA: FOR SPARES PROCURE LOWER COMPONENTS COMPONENT MAINT MANUAL REF: 32-11-32 QUALIFIED I/W DATA: 161N0001-142 T/W (2) BACB30NF4-14, (1) 284N6102-7, (1) 284N6102-6 CAN REPLACE BUT NOT BE REPLACED BY 161N0001-18 T/W (2) BACB30NF4-10, (1) 284N6102-4 AND (1) 284N6102-3 161N0001-142 T/W (2) BACB30NF4-14, (1) 284N6102-7, (1) 284N6102-6 CAN REPLACE BUT NOT BE REPLACED BY 161N0001-86 T/W (2) BACB30NF4-10, (1) 284N6102-4 AND (1) 284N6102-3 161N0001-142 T/W (2) BACB30NF4-14, (1)	002004 006999	RF

MISSING ITEM NUMBERS NOT APPLICABLE

- ITEM NOT ILLUSTRATED

BR I

32-11-01-10

BOEING PROPRIETARY - Copyright © - Unpublished Work - See title page for details.

32-11-01  
 FIG. 10  
 PAGE 10  
 JAN 20/09



757

PARTS CATALOG (MAINTENANCE)

FIG ITEM	PART NUMBER	1 2 3 4 5 6 7	NOMENCLATURE	EFFECT FROM TO	UNITS PER ASSY
10			284N6102-7, (1) 284N6102-6 CAN REPLACE BUT NOT BE REPLACED BY 161N0001-78 T/W (2) BACB30NF4-10, (1) 284N6102-4 AND (1) 284N6102-3 161N0001-142 T/W (2) BACB30NF4-14, (1) 284N6102-7, (1) 284N6102-6 CAN REPLACE BUT NOT BE REPLACED BY 161N0001-58 T/W (2) BACB30NF4-10, (1) 284N6102-4 AND (1) 284N6102-3 161N0001-142 T/W (2) BACB30NF4-14, (1) 284N6102-7, (1) 284N6102-6 CAN REPLACE BUT NOT BE REPLACED BY 161N0001-4 T/W (2) BACB30NF4-10, (1) 284N6102-4 AND (1) 284N6102-3 FOR NHA/ADDITIONAL DET SEE: 32-11-00-01 32-11-00-02 32-11-00-03		
- 5	161N0001-150		GEAR ASSY-MLG (MAIN GEAR ONLY) POSITION DATA: RH MISCELLANEOUS DATA: FOR SPARES PROCURE LOWER COMPONENTS COMPONENT MAINT MANUAL REF: 32-11-32 QUALIFIED I/W DATA: 161N0001-150 T/W (2) BACBN30NF4-14, (1) 284N6102-7, (1) 284N6102-6 CAN REPLACE BUT NOT BE REPLACED BY 161N0001-18 T/W (2) BACB30NF4-10, (1) 284N6102-4 AND (1) 284N6102-3 161N0001-150 T/W (2)	002004 006999	RF

MISSING ITEM NUMBERS NOT APPLICABLE

- ITEM NOT ILLUSTRATED

32-11-01-10

32-11-01  
FIG. 10  
PAGE 11  
JAN 20/09

BRI



757

PARTS CATALOG (MAINTENANCE)

FIG ITEM	PART NUMBER	1 2 3 4 5 6 7 NOMENCLATURE	EFFECT FROM TO	UNITS PER ASSY
10		BACB30NF4-14, (1) 284N6102-7, (1) 284N6102-6 CAN REPLACE BUT NOT BE REPLACED BY 161N0001-86 T/W (2) BACB30NF4-10, (1) 284N6102-4 AND (1) 284N6102-3 161N0001-150 T/W (2) BACB30NF4-14, (1) 284N6102-7, (1) 284N6102-6 CAN REPLACE BUT NOT BE REPLACED BY 161N0001-78 T/W (2) BACB30NF4-10, (1) 284N6102-4 AND (1) 284N6102-2 161N0001-150 T/W (2) BACB30NF4-14, (1) 284N6102-7, (1) 284N6102-6 CAN REPLACE BUT NOT BE REPLACED BY 161N0001-58 T/W (2) BACB30NF4-10, (1) 284N6102-4 AND (1) 284N6102-3 161N0001-150 T/W (2) BACB30NF4-10, (1) 284N6102-7, (1) 284N6102-6 CAN REPLACE BUT NOT BE REPLACED BY 161N0001-4 T/W (2) BACB30NF4-10, (1) 284N6102-4 AND (1) 284N6102-3 FOR NHA/ADDITIONAL DET SEE: 32-11-00-01 32-11-00-02 32-11-00-03		
- 5	161N0001-156	GEAR ASSY-MLG (MAIN GEAR ONLY) POSITION DATA: RH MISCELLANEOUS DATA: FOR SPARES PROCURE LOWER COMPONENTS COMPONENT MAINT MANUAL REF: 32-11-32 QUALIFIED I/W DATA:  MISSING ITEM NUMBERS NOT APPLICABLE	002004 006999	RF

- ITEM NOT ILLUSTRATED

32-11-01-10

32-11-01  
 FIG. 10  
 PAGE 12  
 JAN 20/09

BRI



757

PARTS CATALOG (MAINTENANCE)

FIG ITEM	PART NUMBER	1 2 3 4 5 6 7 NOMENCLATURE	EFFECT FROM TO	UNITS PER ASSY
10		<p>161N0001-156 T/W (2)  BACB30NF4-14, (1)  284N6102-7, (1)  284N6102-6 CAN REPLACE  BUT NOT BE REPLACED BY  161N0001-18 T/W (2)  BACB30NF4-10, (1)  284N6102-4 AND (1)  284N6102-3  161N0001-156 T/W (2)  BACB30NF4-14, (1)  284N6102-7, (1)  284N6102-6 CAN REPLACE  BUT NOT BE REPLACED BY  161N0001-86 T/W (2)  BACB30NF4-10, (1)  284N6102-4 AND (1)  284N6102-3  161N0001-156 T/W (2)  BACB30NF4-14, (1)  284N6102-7, (1)  284N6102-6 CAN REPLACE  BUT NOT BE REPLACED BY  161N0001-78 T/W (2)  BACB30NF4-10, (1)  284N6102-4 AND (1)  284N6102-3  161N0001-156 T/W (2)  BACB30NF4-14, (1)  284N6102-7, (1)  284N6102-6 CAN REPLACE  BUT NOT BE REPLACED BY  161N0001-58 T/W (2)  BACB30NF4-10, (1)  284N6102-4 AND (1)  284N6102-3  161N0001-156 T/W (2)  BACB30NF4-14, (1)  284N6102-7, (1)  284N6102-6 CAN REPLACE  BUT NOT BE REPLACED BY  161N0001-4 T/W (2)  BACB30NF4-10, (1)  284N6102-4 AND (1)  284N6102-3</p> <p>FOR NHA/ADDITIONAL DET SEE:  32-11-00-01  32-11-00-02  32-11-00-03</p>		

MISSING ITEM NUMBERS NOT APPLICABLE

- ITEM NOT ILLUSTRATED

32-11-01-10

32-11-01  
FIG. 10  
PAGE 13  
JAN 20/09

BRI



757

PARTS CATALOG (MAINTENANCE)

FIG ITEM	PART NUMBER	1 2 3 4 5 6 7	NOMENCLATURE	EFFECT FROM TO	UNITS PER ASSY
10					
- 6	161N0001-172		GEAR ASSY-MLG (MAIN GEAR ONLY) POSITION DATA: RH COMPONENT MAINT MANUAL REF: 32-11-32 FOR NHA/ADDITIONAL DET SEE: 32-11-00-01 32-11-00-02 32-11-00-03	002004 006999	RF
- 6	161N0001-168		GEAR ASSY-MLG (MAIN GEAR ONLY) POSITION DATA: RH COMPONENT MAINT MANUAL REF: 32-11-32 FOR NHA/ADDITIONAL DET SEE: 32-11-00-02 32-11-00-03 32-11-00-01	002004 006999	RF
- 6	161N0001-176		GEAR ASSY-MLG (MAIN GEAR ONLY) POSITION DATA: RH FOR NHA/ADDITIONAL DET SEE: 32-11-00-03 32-11-00-01 32-11-00-02	002004 006999	RF
7	BACB30LJ4D39		.BOLT-	002004 006999	1
8	NAS1149F0432P		.WASHER-	101106 108120 504903	1
8	AN960-416L		.WASHER-	002004 006100 107107 121503 904999	1
9	MS24665-153		.PIN-	002004 006100 107107 121503 904999	1
9	BACP18BC03A10P		.PIN-	101102 504903	1
9	BACP18BC02A06P		.PIN-	103106 108120	1

MISSING ITEM NUMBERS NOT APPLICABLE

- ITEM NOT ILLUSTRATED

32-11-01-10

32-11-01  
FIG. 10  
PAGE 14  
JAN 20/09

BRI



757

PARTS CATALOG (MAINTENANCE)

FIG ITEM	PART NUMBER	1 2 3 4 5 6 7	NOMENCLATURE	EFFECT FROM TO	UNITS PER ASSY
10					
10	LCN12-428		.NUT-SELF-LOCKING SUPPLIER CODE: V56878	002004 006999	1
15	161N1811-1		.NUT-	002004 006999	1
20	161N1802-2		.PIN- QUALIFIED I/W DATA: 161N1802-2 OR 161N1802-3 CAN REPLACE BUT NOT BE REPLACED BY 161N1802-1 WITH INCORPORATION OF BOTH SERVICE BULLETINS 757-57-0004 AND 757-57A0054. OPTIONAL PART: 161N1802-3	002004 006999	1
20	161N1802-3		.PIN- QUALIFIED I/W DATA: 161N1802-2 OR 161N1802-3 CAN REPLACE BUT NOT BE REPLACED BY 161N1802-1 WITH INCORPORATION OF BOTH SERVICE BULLETINS 757-57-0004 AND 757-57A0054. OPTIONAL PART: 161N1802-2	002004 006999	1
22	MS24665-304		.PIN-	002004 006102 107107 121999	1
22	BACP18BC03A10P		.PIN-	103106 108120	1
23	NAS6608D54		.BOLT-	002004 006999	1
24	NAS1149F0832P		.WASHER-	101106 108120 504903	1
24	AN960-816L		.WASHER-	002004 006100 107107 121503 904999	1
25	LCN12-820		.NUT-SELF-LOCKING SUPPLIER CODE: V56878	002004 006999	1
30	161N1801-1		.PIN-	002004 006999	1

MISSING ITEM NUMBERS NOT APPLICABLE

- ITEM NOT ILLUSTRATED

32-11-01-10

32-11-01  
FIG. 10  
PAGE 15  
JAN 20/09

BRI





757

PARTS CATALOG (MAINTENANCE)

FIG ITEM	PART NUMBER	1 2 3 4 5 6 7	NOMENCLATURE	EFFECT FROM TO	UNITS PER ASSY
10					
31	M83248-1-129	.	PACKING	002004 006999	4
32	161N1816-1	.	INSERT ASSY-	002004 006999	1
33	MS15001-2	..	FITTING	002004 006999	2
34	161N1401-7	.	LINK ASSY-TRUN USED ON: 161N0001-95 161N0001-96 161N0001-117 161N0001-118 161N0001-119 161N0001-120 161N0001-141 161N0001-142 161N0001-149 161N0001-150 161N0001-155 161N0001-156 161N0001-161 161N0001-162 161N0001-171 161N0001-172 161N0001-89 161N0001-90 QUALIFIED SB I/W DATA: 161N1401-7 OPT TO 161N1401-1, -3, -5 PER SERVICE LETTER 32-030, INTERCHANGEABILITY LIMITED BY MTGW FOR DETAILS SEE: 32-11-05-01	002004 006999	1
34	161N1401-11	.	LINK ASSY-TRUN USED ON: 161N0001-167 161N0001-168 161N0001-175 161N0001-176 FOR DETAILS SEE: 32-11-05-01	002004 006999	1
55	161N1301-1	.	STRUT ASSY-DRAG POSITION DATA: LH SIDE FOR DETAILS SEE: 32-11-03-01	002004 006999	1

MISSING ITEM NUMBERS NOT APPLICABLE

- ITEM NOT ILLUSTRATED

32-11-01-10

32-11-01  
FIG. 10  
PAGE 16  
JAN 20/09

BRI



757

PARTS CATALOG (MAINTENANCE)

FIG ITEM	PART NUMBER	1 2 3 4 5 6 7	NOMENCLATURE	EFFECT FROM TO	UNITS PER ASSY
10					
55	161N1301-7	.	STRUT ASSY-DRAG POSITION DATA: LH SIDE FOR DETAILS SEE: 32-11-03-01	002004 006999	1
55	161N1301-11	.	STRUT ASSY-DRAG POSITION DATA: LH SIDE FOR DETAILS SEE: 32-11-03-01	002004 006999	1
55	161N1301-15	.	STRUT ASSY-DRAG POSITION DATA: LH SIDE FOR DETAILS SEE: 32-11-03-01	002004 006999	1
- 60	161N1301-2	.	STRUT ASSY-DRAG POSITION DATA: RH SIDE FOR DETAILS SEE: 32-11-03-01	002004 006999	1
- 60	161N1301-8	.	STRUT ASSY-DRAG POSITION DATA: RH SIDE FOR DETAILS SEE: 32-11-03-01	002004 006999	1
- 60	161N1301-12	.	STRUT ASSY-DRAG POSITION DATA: RH SIDE FOR DETAILS SEE: 32-11-03-01	002004 006999	1
- 60	161N1301-16	.	STRUT ASSY-DRAG POSITION DATA: RH SIDE FOR DETAILS SEE: 32-11-03-01	002004 006999	1
170	MS24665-153	.	PIN-	002004 006100 107107 121503 904999	1
170	BACP18BC02A06P	.	PIN-	101106 108120 504903	1
172	BACB30LJ4D18	.	BOLT-	002004 006999	1
175	NAS1149F0432P	.	WASHER-	101106 108120 504903	1

MISSING ITEM NUMBERS NOT APPLICABLE

- ITEM NOT ILLUSTRATED

32-11-01-10

32-11-01  
FIG. 10  
PAGE 17  
JAN 20/09

BRI



757

PARTS CATALOG (MAINTENANCE)

FIG ITEM	PART NUMBER	1 2 3 4 5 6 7	NOMENCLATURE	EFFECT FROM TO	UNITS PER ASSY
10					
175	AN960-416L	.	WASHER-	002004 006100 107107 121503 904999	1
180	LCN12-428	.	NUT-SELF-LOCKING SUPPLIER CODE: V56878	002004 006999	1
188	161N1809-3	.	PIN ASSY-	002004 006999	1
189	1728B	..	FITTING-LUBE SUPPLIER CODE: VOFKM1	002004 006999	1
190	161N1814-2	.	COLLAR-	002004 006999	1
190A	162N5005-7	.	WASHER-	002004 006999	2
191	MS24665-153	.	PIN-	002004 006100 107107 121503 904999	1
191	BACP18BC02A06P	.	PIN-	101106 108120 504903	1
192	BACB30LJ4D15	.	BOLT-	002004 006999	1
193	NAS1149F0432P	.	WASHER-	101106 108120 504903	1
193	AN960-416L	.	WASHER-	002004 006100 107107 121503 904999	1
194	LCN12-428	.	NUT-SELF-LOCKING SUPPLIER CODE: V56878	002004 006999	1
200	161N1808-1	.	PIN-	002004 006999	1
202	161N1814-1	.	COLLAR-	002004 006999	1

MISSING ITEM NUMBERS NOT APPLICABLE

- ITEM NOT ILLUSTRATED

BRI

32-11-01-10

32-11-01  
FIG. 10  
PAGE 18  
JAN 20/09



757

PARTS CATALOG (MAINTENANCE)

FIG ITEM	PART NUMBER	1 2 3 4 5 6 7	NOMENCLATURE	EFFECT FROM TO	UNITS PER ASSY
10 205	161N1201-23	.	STRUT ASSY-SHOCK POSITION DATA: LH SIDE MISCELLANEOUS DATA: FOR SPARES PROCURE LOWER COMPONENTS COMPONENT MAINT MANUAL REF: 32-11-95 QUALIFIED I/W DATA: 161N1201-23 T/W (2) BACB30NF4-14, (1) 284N6102-7, (1) 284N6102-6 CAN REPLACE BUT NOT BE REPLACED BY 161N1201-3 T/W (2) BACB30NF4-10, (1) 284N6102-4, (1) 284N6102-3 161N1201-23 T/W (2) BACB30NF4-14, (1) 284N6102-7, (1) 284N6102-6 CAN REPLACE BUT NOT BE REPLACED BY 161N1201-9 T/W (2) BACB30NF4-10, (1) 284N1602-4, (1) 284N1602-3 161N1201-23 T/W (2) BACB30NF4-14, (1) 284N6102-7, (1) 284N6102-6 CAN REPLACE BUT NOT BE REPLACED BY 161N1201-17 T/W (2) BACB30NF4-10, (1) 284N6102-4, (1) 284N6102-3 USED ON: 161N0001-95 161N0001-119 FOR DETAILS SEE: 32-11-25-01	002004 006999	1

MISSING ITEM NUMBERS NOT APPLICABLE

- ITEM NOT ILLUSTRATED

32-11-01-10

32-11-01  
FIG. 10  
PAGE 19  
JAN 20/09

BRI



757

PARTS CATALOG (MAINTENANCE)

FIG ITEM	PART NUMBER	1 2 3 4 5 6 7	NOMENCLATURE	EFFECT FROM TO	UNITS PER ASSY
10 205	161N1201-27		.STRUT ASSY-SHOCK POSITION DATA: LH SIDE MISCELLANEOUS DATA: FOR SPARES PROCURE LOWER COMPONENTS COMPONENT MAINT MANUAL REF: 31-11-95 QUALIFIED I/W DATA: 161N1201-27 T/W (2) BACB30NF4-14, (1) 284N6102-7, (1) 284N6102-6 CAN REPLACE BUT NOT BE REPLACED BY 161N1201-3 T/W (2) BACB30NF4-10, (1) 284N6102-4, (1) 284N6102-3 161N1201-27 T/W (2) BACB30NF4-14, (1) 284N6102-7, (1) 284N6102-6 CAN REPLACE BUT NOT BE REPLACED BY 161N1201-9 T/W (2) BACB30NF4-10, (1) 284N6102-4, (1) 284N6102-3 161N1201-27 T/W (2) BACB30NF4-14, (1) 284N6102-7, (1) 284N6102-6 CAN REPLACE BUT NOT BE REPLACED BY 161N1201-17 T/W (2) BACB30NF4-10, (1) 284N6102-4, (1) 284N6102-3 FOR DETAILS SEE: 32-11-25-01	002004 006999	1

MISSING ITEM NUMBERS NOT APPLICABLE

- ITEM NOT ILLUSTRATED

32-11-01-10

32-11-01  
FIG. 10  
PAGE 20  
JAN 20/09

BRI



757

PARTS CATALOG (MAINTENANCE)

FIG ITEM	PART NUMBER	1 2 3 4 5 6 7 NOMENCLATURE	EFFECT FROM TO	UNITS PER ASSY
10 205	161N1201-29	.STRUT ASSY-SHOCK POSITION DATA: LH SIDE MISCELLANEOUS DATA: FOR SPARES PROCURE LOWER COMPONENTS COMPONENT MAINT MANUAL REF: 31-11-95 QUALIFIED I/W DATA: 161N1201-29 T/W (2) BACB30NF4-14, (1) 284N6102-7, (1) 284N6102-6 CAN REPLACE BUT NOT BE REPLACED BY 161N1201-3 T/W (2) BACB30NF4-10, (1) 284N6102-4, (1) 284N6102-3 161N1201-29 T/W (2) BACB30NF4-14, (1) 284N6102-7, (1) 284N6102-6 CAN REPLACE BUT NOT BE REPLACED BY 161N1201-9 T/W (2) BACB30NF4-10, (1) 284N6102-4, (1) 284N6102-3 161N1201-29 T/W (2) BACB30NF4-14, (1) 284N6102-7, (1) 284N6102-6 CAN REPLACE BUT NOT BE REPLACED BY 161N1201-17 T/W (2) BACB30NF4-10, (1) 284N6102-4, (1) 284N6102-3 FOR DETAILS SEE: 32-11-25-01	002004 006999	1

MISSING ITEM NUMBERS NOT APPLICABLE

- ITEM NOT ILLUSTRATED

BRI

32-11-01-10

BOEING PROPRIETARY - Copyright © - Unpublished Work - See title page for details.

32-11-01  
FIG. 10  
PAGE 21  
JAN 20/09



757

PARTS CATALOG (MAINTENANCE)

FIG ITEM	PART NUMBER	1 2 3 4 5 6 7	NOMENCLATURE	EFFECT FROM TO	UNITS PER ASSY
10 205	161N1201-31		.STRUT ASSY-SHOCK POSITION DATA: LH SIDE MISCELLANEOUS DATA: FOR SPARES PROCURE LOWER COMPONENTS COMPONENT MAINT MANUAL REF: 31-11-95 QUALIFIED I/W DATA: 161N1201-31 T/W (2) BACB30NF4-14, (1) 284N6102-7, (1) 284N6102-6 CAN REPLACE BUT NOT BE REPLACED BY 161N1201-3 T/W (2) BACB30NF4-10, (1) 284N6102-4, (1) 284N6102-3 161N1201-31 T/W (2) BACB30NF4-14, (1) 284N6102-7, (1) 284N6102-6 CAN REPLACE BUT NOT BE REPLACED BY 161N1201-9 T/W (2) BACB30NF4-10, (1) 284N6102-4, (1) 284N6102-3 161N1201-31 T/W (2) BACB30NF4-14, (1) 284N6102-7, (1) 284N6102-6 CAN REPLACE BUT NOT BE REPLACED BY 161N1201-17, T/W (2) BACB30NF4-10, (1) 284N6102-4, (1) 284N6102-3 FOR DETAILS SEE: 32-11-25-01	002004 006999	1
205	161N1201-35		.STRUT ASSY-SHOCK POSITION DATA: LH SIDE MISCELLANEOUS DATA: FOR SPARES PROCURE LOWER COMPONENTS COMPONENT MAINT MANUAL REF: 31-11-95 FOR DETAILS SEE: 32-11-25-01	002004 006999	1

MISSING ITEM NUMBERS NOT APPLICABLE

- ITEM NOT ILLUSTRATED

32-11-01-10

32-11-01  
FIG. 10  
PAGE 22  
JAN 20/09

BRI



757

PARTS CATALOG (MAINTENANCE)

FIG ITEM	PART NUMBER	1 2 3 4 5 6 7	NOMENCLATURE	EFFECT FROM TO	UNITS PER ASSY
10 - 210	161N1201-24		.STRUT ASSY-SHOCK POSITION DATA: RH SIDE MISCELLANEOUS DATA: FOR SPARES PROCURE LOWER COMPONENTS COMPONENT MAINT MANUAL REF: 32-11-95 QUALIFIED I/W DATA: 161N1201-24 T/W (2) BACB30NF4-14, (1) 284N6102-7, (1) 284N6102-6 CAN REPLACE BUT NOT BE REPLACED BY 161N1201-4 T/W (2) BACB30NF4-10, (1) 284N6102-4, (1) 284N6102-3 161N1201-24 T/W (2) BACB30NF4-14, (1) 284N6102-7, (1) 284N6102-6 CAN REPLACE BUT NOT BE REPLACED BY 161N1201-10 T/W (2) BACB30NF4-10, (1) 284N6102-4, (1) 284N6102-3 161N1201-24 T/W (2) BACB30NF4-14, (1) 284N6102-7, (1) 284N6102-6 CAN REPLACE BUT NOT BE REPLACED BY 161N1201-18 T/W (2) BACB30NF4-10, (1) 284N6102-4, (1) 284N6102-3 USED ON: 161N0001-96 161N0001-120 FOR DETAILS SEE: 32-11-25-01	002004 006999	1

MISSING ITEM NUMBERS NOT APPLICABLE

- ITEM NOT ILLUSTRATED

32-11-01-10

32-11-01  
FIG. 10  
PAGE 23  
JAN 20/09

BRI





757

PARTS CATALOG (MAINTENANCE)

FIG ITEM	PART NUMBER	1 2 3 4 5 6 7 NOMENCLATURE	EFFECT FROM TO	UNITS PER ASSY
10 - 210	161N1201-28	.STRUT ASSY-SHOCK POSITION DATA: RH SIDE MISCELLANEOUS DATA: FOR SPARES PROCURE LOWER COMPONENTS COMPONENT MAINT MANUAL REF: 32-11-95 QUALIFIED I/W DATA: 161N1201-28 T/W (2) BACB30NF4-14, (1) 284N6102-7, (1) 284N6102-6 CAN REPLACE BUT NOT BE REPLACED BY 161N1201-4 T/W (2) BACB30NF4-10, (1) 284N6102-4, (1) 284N6102-3 161N1201-28 T/W (2) BACB30NF4-14, (1) 284N6102-7, (1) 284N6102-6 CAN REPLACE BUT NOT BE REPLACED BY 161N1201-10 T/W (2) BACB30NF4-10, (1) 284N6102-4, (1) 284N6102-3 161N1201-28 T/W (2) BACB30NF4-14, (1) 284N6102-7, (1) 284N6102-6 CAN REPLACE BUT NOT BE REPLACED BY 161N1201-18 T/W (2) BACB30NF4-10, (1) 284N6102-4, (1) 284N6102-3 FOR DETAILS SEE: 32-11-25-01	002004 006999	1

MISSING ITEM NUMBERS NOT APPLICABLE

- ITEM NOT ILLUSTRATED

BRI

32-11-01-10

BOEING PROPRIETARY - Copyright © - Unpublished Work - See title page for details.

32-11-01  
FIG. 10  
PAGE 24  
JAN 20/09



757

PARTS CATALOG (MAINTENANCE)

FIG ITEM	PART NUMBER	1 2 3 4 5 6 7 NOMENCLATURE	EFFECT FROM TO	UNITS PER ASSY
10 - 210	161N1201-30	.STRUT ASSY-SHOCK POSITION DATA: RH SIDE MISCELLANEOUS DATA: FOR SPARES PROCURE LOWER COMPONENTS COMPONENT MAINT MANUAL REF: 32-11-95 QUALIFIED I/W DATA: 161N1201-30 T/W (2) BACB30NF4-14, (1) 284N6102-7, (1) 284N6102-6 CAN REPLACE BUT NOT BE REPLACED BY 161N1201-4 T/W (2) BACB30NF4-10, (1) 284N6102-4, (1) 284N6102-3 161N1201-30 T/W (2) BACB30NF4-14, (1) 284N6102-7, (1) 284N6102-6 CAN REPLACE BUT NOT BE REPLACED BY 161N1201-10 T/W (2) BACB30NF4-10, (1) 284N6102-4, (1) 284N6102-3 161N1201-30 T/W (2) BACB30NF4-14, (1) 284N6102-7, (1) 284N6102-6 CAN REPLACE BUT NOT BE REPLACED BY 161N1201-18 T/W (2) BACB30NF4-10, (1) 284N6102-4, (1) 284N6102-3 FOR DETAILS SEE: 32-11-25-01	002004 006999	1

MISSING ITEM NUMBERS NOT APPLICABLE

- ITEM NOT ILLUSTRATED

BRI

32-11-01-10

BOEING PROPRIETARY - Copyright © - Unpublished Work - See title page for details.

32-11-01  
FIG. 10  
PAGE 25  
JAN 20/09



757

PARTS CATALOG (MAINTENANCE)

FIG ITEM	PART NUMBER	1 2 3 4 5 6 7	NOMENCLATURE	EFFECT FROM TO	UNITS PER ASSY
10 - 210	161N1201-32		.STRUT ASSY-SHOCK POSITION DATA: RH SIDE MISCELLANEOUS DATA: FOR SPARES PROCURE LOWER COMPONENTS COMPONENT MAINT MANUAL REF: 32-11-95 QUALIFIED I/W DATA: 161N1201-32 T/W (2) BACB30NF4-14, (1) 284N6102-7, (1) 284N6102-6 CAN REPLACE BUT NOT BE REPLACED BY 161N1201-4 T/W (2) BACB30NF4-10, (1) 284N6102-4, (1) 284N6102-3 161N1201-32 T/W (2) BACB30NF4-14, (1) 284N6102-7, (1) 284N6102-6 CAN REPLACE BUT NOT BE REPLACED BY 161N1201-10 T/W (2) BACB30NF4-10, (1) 284N6102-4, (1) 284N6102-3 161N1201-32 T/W (2) BACB30NF4-14, (1) 284N6102-7, (1) 284N6102-6 CAN REPLACE BUT NOT BE REPLACED BY 161N1201-18 T/W (2) BACB30NF4-10, (1) 284N6102-4, (1) 284N6102-3 FOR DETAILS SEE: 32-11-25-01	002004 006999	1
- 210	161N1201-36		.STRUT ASSY-SHOCK POSITION DATA: RH SIDE MISCELLANEOUS DATA: FOR SPARES PROCURE LOWER COMPONENTS COMPONENT MAINT MANUAL REF: 32-11-95 FOR DETAILS SEE: 32-11-25-01	002004 006999	1

MISSING ITEM NUMBERS NOT APPLICABLE

- ITEM NOT ILLUSTRATED

32-11-01-10

32-11-01  
FIG. 10  
PAGE 26  
JAN 20/09

BRI



757

PARTS CATALOG (MAINTENANCE)

FIG ITEM	PART NUMBER	1 2 3 4 5 6 7	NOMENCLATURE	EFFECT FROM TO	UNITS PER ASSY
10					
215	BACS38E8-40	..	STRAP-	002004 006999	2
220	44PB134-4441	..	SEAL-	002004 006999	2
			SUPPLIER CODE: V00266		
			SPECIFICATION NUMBER: BACS11AK2		
			OPTIONAL PART: 65-4600-8		
220	65-46100-8	..	SEAL-	002004 006999	2
			OPTIONAL PART: BACS11AK		
225	7355	..	TAPE-MYSTIK	002004 006999	AR
			SUPPLIER CODE: V88301		
230	MS28889-2	..	VALVE ASSY-	002004 006102 107999	1
232	MS28775-008	...	PACKING	002004 006999	1
233	MS28775-015	...	PACKING	002004 006999	1
235	MMS175	..	TAG-	002004 006999	1
			SUPPLIER CODE: V39661		
237	161N1246-1	..	CAP-FILLER	002004 006100 103107 121503 904999	1
			OPTIONAL PART: 161N1246-2		
237	161N1246-2	..	CAP-FILLER	002004 006999	1
			OPTIONAL PART: 161N1246-1		
			ATTACHING PARTS		
238	BACB30LJ5H4	..	BOLT	002004 006999	6
239	BACW10BP5DP	..	WASHER	002004 006999	6
			-----*-----		

MISSING ITEM NUMBERS NOT APPLICABLE

- ITEM NOT ILLUSTRATED

BRI

32-11-01-10

32-11-01  
FIG. 10  
PAGE 27  
JAN 20/09



757

PARTS CATALOG (MAINTENANCE)

FIG ITEM	PART NUMBER	1 2 3 4 5 6 7	NOMENCLATURE	EFFECT FROM TO	UNITS PER ASSY
10 240	2C9638		.. VALVE ASSY-OIL CHARGE SUPPLIER CODE: V99240 MISCELLANEOUS DATA: INTERCHANGEABILITY IS LOCATION-DEPENDENT QUALIFIED I/W DATA: 2C9638 IS REPLACED BY AND FULLY INTERCHANGEABLE WITH 1C3976. REPLACING 1C3976 WITH 2C9638, HOWEVER, NEGATES THE EFFECT OF SERVICE BULLETIN 757-32A0123. PRE ALERT SB: 32A0123	002004 006100 107107 121503 904999	1
240	1C3976		.. VALVE ASSY-OIL CHARGE SUPPLIER CODE: V99240 MISCELLANEOUS DATA: INTERCHANGEABILITY IS LOCATION-DEPENDENT QUALIFIED I/W DATA: 2C9638 IS REPLACED BY AND FULLY INTERCHANGEABLE WITH 1C3976. REPLACING 1C3976 WITH 2C9638, HOWEVER, NEGATES THE EFFECT OF SERVICE BULLETIN 757-32A0123. POST ALERT SB: 32A0123	101106 108120 504903	1
242	MS28778-4		... PACKING	002004 006999	1
245	MS28778-5		.. PACKING-	002004 006999	1
280	MS24665-153		.. PIN	002004 006999	1
285	BACB30LJ4D19		.. BOLT	002004 006999	1
290	AN960C416L		.. WASHER	002004 006999	1
295	LCN12-428		.. NUT- SUPPLIER CODE: V56878	002004 006999	1
305	161N1248-4		.. PIN ASSY-UPLOCK	002004 006999	1

MISSING ITEM NUMBERS NOT APPLICABLE

- ITEM NOT ILLUSTRATED

32-11-01-10

32-11-01  
FIG. 10  
PAGE 28  
JAN 20/09

BRI



757

PARTS CATALOG (MAINTENANCE)

FIG ITEM	PART NUMBER	1 2 3 4 5 6 7	NOMENCLATURE	EFFECT FROM TO	UNITS PER ASSY
10					
310	1728B	...	FITTING-LUBE SUPPLIER CODE: VOFKM1	002004 006999	1
313	69-20520-3	..	ROLLER ASSY-UNLOCK	002004 006999	1
315	161N1814-2	..	COLLAR	002004 006999	1
320	1728B	..	FITTING-LUBE SUPPLIER CODE: VOFKM1	002004 006999	5
365	1728B	..	FITTING-LUBE SUPPLIER CODE: VOFKM1	002004 006999	5
370	161N1238-1	..	NAMEPLATE-	002004 006100 107107 121503 904999	1
370	161N1238-2	..	NAMEPLATE-	101106 108120 504903	1
380	161N1220-5	..	CYLINDER ASSY- POSITION DATA: INNER	101106 108120 504903	1
380	161N1220-3	..	CYLINDER ASSY- POSITION DATA: INNER	002004 006100 107107 121503 904999	1
385	160N0201-34	...	BUSHING- OPTIONAL PART: 160N0201-96	002004 006999	4
385	160N0201-96	...	BUSHING- OPTIONAL PART: 160N0201-34	101106 108120 504903	4
390	160N0201-76	...	BUSHING- OPTIONAL PART: 160N0201-101	002004 006999	2
390	160N0201-101	...	BUSHING- OPTIONAL PART: 160N0201-76	101106 108120 504903	2
395	160N0201-8	...	BUSHING- OPTIONAL PART: 160N0201-93	002004 006999	4
395	160N0201-93	...	BUSHING- OPTIONAL PART: 160N0201-8	101106 108120 504903	4

MISSING ITEM NUMBERS NOT APPLICABLE

- ITEM NOT ILLUSTRATED

32-11-01-10

32-11-01  
FIG. 10  
PAGE 29  
JAN 20/09

BRI



757

PARTS CATALOG (MAINTENANCE)

FIG ITEM	PART NUMBER	1 2 3 4 5 6 7	NOMENCLATURE	EFFECT FROM TO	UNITS PER ASSY
10					
400	161N1842-2	...	BUSHING- SERVICE BULLETIN OPT DATA: 161N1834-8 POST ALERT SB: 32A0124R3 32A0124R4	002004 006105 107999	4
400	161N1834-8	...	BUSHING- SERVICE BULLETIN OPT DATA: 161N1842-2 POST ALERT SB: 32A0124R3 32A0124R4	002004 006105 107999	4
400	161N1817-1	...	BUSHING- OPTIONAL PART: 161N1817-2 PRE ALERT SB: 32A0124R3 32A0124R4	002004 006999	4
400	161N1817-2	...	BUSHING- OPTIONAL PART: 161N1817-1 PRE ALERT SB: 32A0124R3 32A0124R4	101106 108120 504903	4
405	BACB28AA4B040	...	BUSHING	002004 006999	2
410	BACB28AA6B035	...	BUSHING	002004 006999	2
415	1728B	...	FITTING-LUBE SUPPLIER CODE: VOFKM1	002004 006999	5
420	161N1220-6	...	CYLINDER-INNER	101106 108120 504903	1
420	161N1220-4	...	CYLINDER-INNER	002004 006100 107107 121503 904999	1
425	BACB30LM5U1P	..	BOLT- OPTIONAL PART: NAS6705LU1 USED ON: 161N1201-31 161N1201-32	002004 006999	2

MISSING ITEM NUMBERS NOT APPLICABLE

- ITEM NOT ILLUSTRATED

BRI

32-11-01-10

BOEING PROPRIETARY - Copyright © - Unpublished Work - See title page for details.

32-11-01  
FIG. 10  
PAGE 30  
JAN 20/09



757

PARTS CATALOG (MAINTENANCE)

FIG ITEM	PART NUMBER	1 2 3 4 5 6 7	NOMENCLATURE	EFFECT FROM TO	UNITS PER ASSY
10 425	NAS6705LU1		..BOLT- OPTIONAL PART: BACB30LM5U1P USED ON: 161N1201-31 161N1201-32	002004 006999	2
425	NAS6705LU1		..BOLT- USED ON: 161N1201-3 161N1201-4 161N1201-9 161N1201-17 161N1201-18 161N1201-19 161N1201-20 161N1201-21 161N1201-22 161N1201-23 161N1201-24 161N1201-27 161N1201-28 161N1201-29 161N1201-30	002004 006100 107107 121503 904999	2
425	NAS6705PU1		..BOLT- USED ON: 161N1201-33 161N1201-34 161N1201-35 161N1201-36	101106 108120 504903	2

MISSING ITEM NUMBERS NOT APPLICABLE

- ITEM NOT ILLUSTRATED

BRI

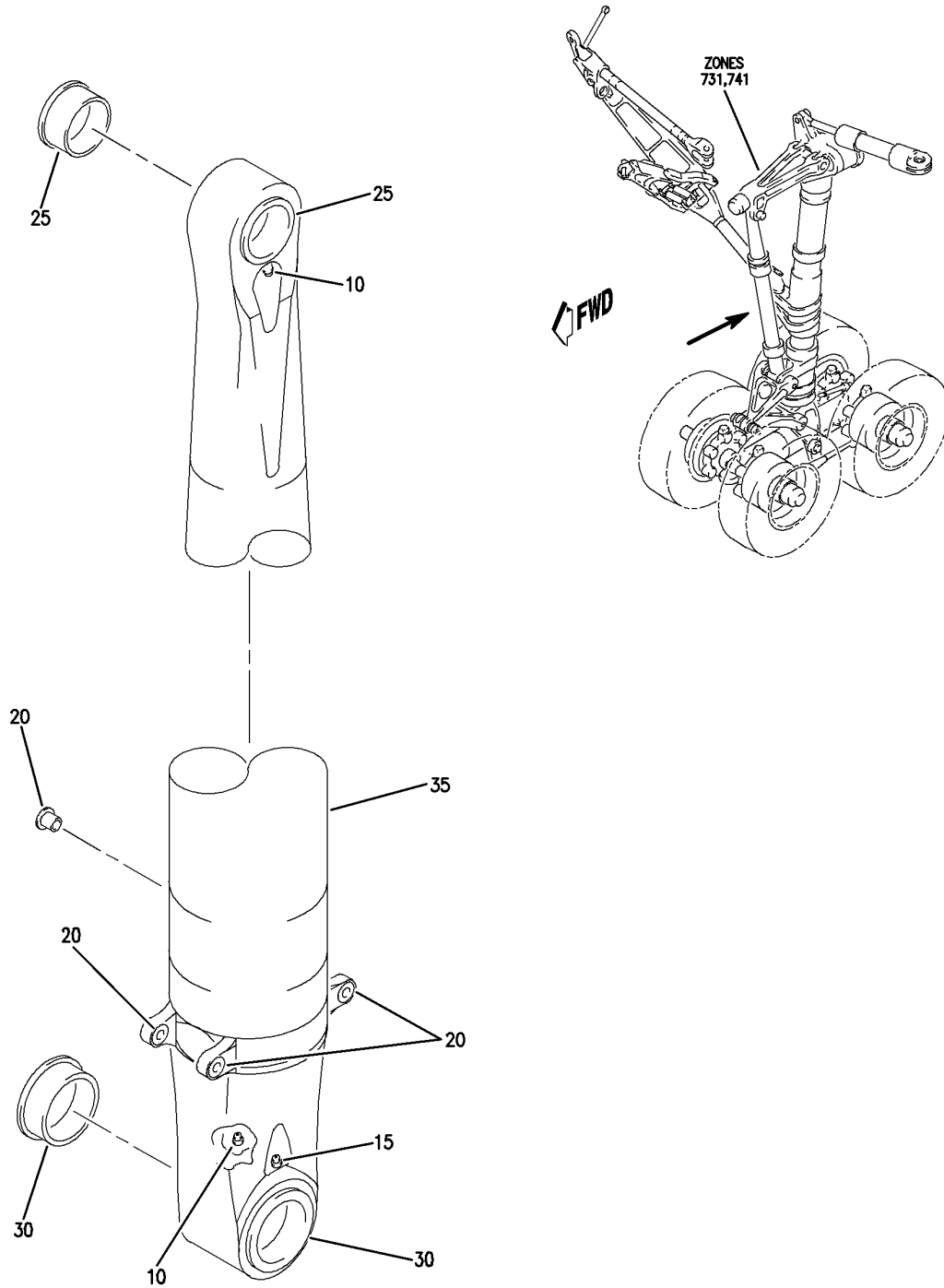
32-11-01-10

BOEING PROPRIETARY - Copyright © - Unpublished Work - See title page for details.

32-11-01  
FIG. 10  
PAGE 31  
JAN 20/09



**BOEING**  
757  
PARTS CATALOG (MAINTENANCE)



Y 32110301 REV 247

STRUT ASSY-MLG DRAG  
FIGURE 1

**32-11-03-01**

BRI  
MAY 28/07

32-11-03-01  
PAGE 0



757

PARTS CATALOG (MAINTENANCE)

FIG ITEM	PART NUMBER	1 2 3 4 5 6 7	NOMENCLATURE	EFFECT FROM TO	UNITS PER ASSY
1			STRUT ASSY-MLG DRAG	002004 006999	
- 1	161N1301-1		STRUT ASSY-MLG DRAG POSITION DATA: LH FOR NHA SEE: 32-11-01-10	002004 006999	RF
- 1	161N1301-7		STRUT ASSY-MLG DRAG POSITION DATA: LH FOR NHA SEE: 32-11-01-10	002004 006999	RF
- 1	161N1301-11		STRUT ASSY-MLG DRAG POSITION DATA: LH FOR NHA SEE: 32-11-01-10	002004 006999	RF
- 1	161N1301-15		STRUT ASSY-MLG DRAG POSITION DATA: LH FOR NHA SEE: 32-11-01-10	002004 006999	RF
- 5	161N1301-2		STRUT ASSY-MLG DRAG POSITION DATA: RH FOR NHA SEE: 32-11-01-10	002004 006999	RF
- 5	161N1301-8		STRUT ASSY-MLG DRAG POSITION DATA: RH FOR NHA SEE: 32-11-01-10	002004 006999	RF
- 5	161N1301-12		STRUT ASSY-MLG DRAG POSITION DATA: RH FOR NHA SEE: 32-11-01-10	002004 006999	RF
- 5	161N1301-16		STRUT ASSY-MLG DRAG POSITION DATA: RH FOR NHA SEE: 32-11-01-10	002004 006999	RF
10	1728B		.FITTING-LUBE SUPPLIER CODE: VOFKM1	002004 006999	2
15	1728B		.FITTING-LUBE SUPPLIER CODE: VOFKM1 USED ON: 161N1301-1 161N1301-2	002004 006999	1

MISSING ITEM NUMBERS NOT APPLICABLE

- ITEM NOT ILLUSTRATED

32-11-03-01

32-11-03  
FIG. 01  
PAGE 1  
JAN 20/09

BRI



757

PARTS CATALOG (MAINTENANCE)

FIG ITEM	PART NUMBER	1 2 3 4 5 6 7	NOMENCLATURE	EFFECT FROM TO	UNITS PER ASSY
1					
15	1646B		. FITTING-LUBE SUPPLIER CODE: V95879 USED ON: 161N1301-7 161N1301-8 161N1301-11 161N1301-12	002004 006999	1
20	BACB28AA4B050		. BUSHING	002004 006999	4
25	160N0201-47		. BUSHING- OPTIONAL PART: 160N0201-114 USED ON: 161N1301-7 161N1301-8 161N1301-11 161N1301-12	002004 006999	2
25	160N0201-114		. BUSHING- OPTIONAL PART: 160N0201-47 USED ON: 161N1301-7 161N1301-8 161N1301-11 161N1301-12	002004 006999	2
25	160N0201-47		. BUSHING- USED ON: 161N1301-1 161N1301-2	002004 006999	2
30	160N0201-46		. BUSHING- OPTIONAL PART: 160N0201-113 USED ON: 161N1301-7 161N1301-8 161N1301-11 161N1301-12	002004 006999	2
30	160N0201-113		. BUSHING- OPTIONAL PART: 160N0201-46 USED ON: 161N1301-7 161N1301-8 161N1301-11 161N1301-12	002004 006999	2

MISSING ITEM NUMBERS NOT APPLICABLE

- ITEM NOT ILLUSTRATED

32-11-03-01

32-11-03  
FIG. 01  
PAGE 2  
JAN 20/09

BRI

BOEING PROPRIETARY - Copyright © - Unpublished Work - See title page for details.



757

PARTS CATALOG (MAINTENANCE)

FIG ITEM	PART NUMBER	1 2 3 4 5 6 7	NOMENCLATURE	EFFECT FROM TO	UNITS PER ASSY
1					
30	160N0201-46		.BUSHING- USED ON: 161N1301-1 161N1301-2	002004 006999	2
35	161N1301-3		.STRUT- POSITION DATA: LH SIDE	002004 006999	1
- 40	161N1301-4		.STRUT- POSITION DATA: RH SIDE	002004 006999	1

MISSING ITEM NUMBERS NOT APPLICABLE

- ITEM NOT ILLUSTRATED

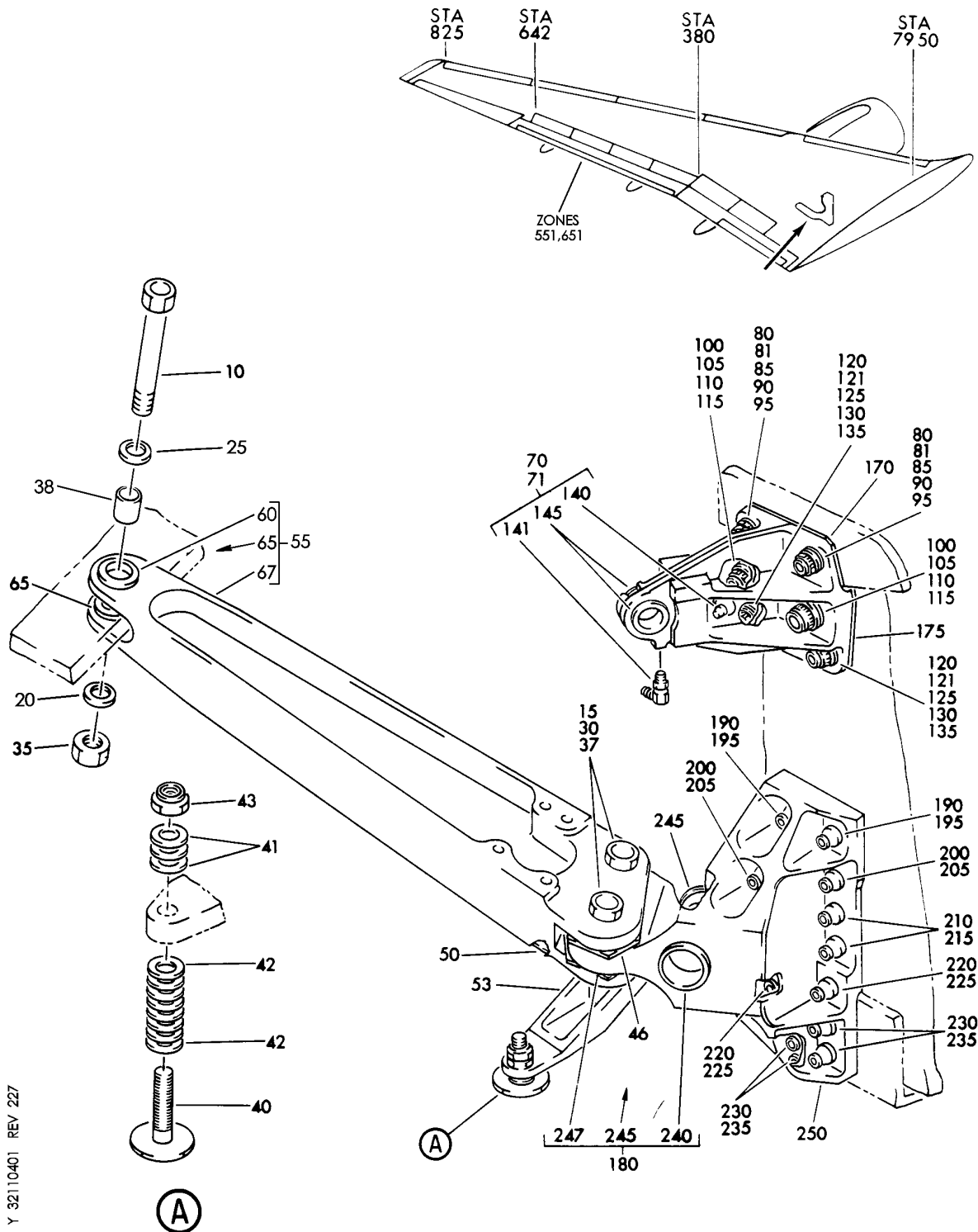
BRI

32-11-03-01

BOEING PROPRIETARY - Copyright © - Unpublished Work - See title page for details.

32-11-03  
FIG. 01  
PAGE 3  
JAN 20/09

**BOEING**  
757  
PARTS CATALOG (MAINTENANCE)



Y 32110401 REV 227

FITTING INSTL-MLG JURY AND BEAM STAB. SPRT  
FIGURE 1

**32-11-04-01**

BRI  
MAY 28/07

32-11-04-01  
PAGE 0



757

PARTS CATALOG (MAINTENANCE)

FIG ITEM	PART NUMBER	1 2 3 4 5 6 7	NOMENCLATURE	EFFECT FROM TO	UNITS PER ASSY
1			FITTING INSTL-MLG JURY AND BEAM STAB. SPRT	002004 006999	
- 1	113N1100-7		FITTING INSTL-MLG JURY AND BEAM STAB. SPRT POSITION DATA: LH FOR NHA SEE: 57-20-52-01	002004 006100 107107 121503 904999	RF
- 1	113N1100-401		FITTING INSTL-MLG JURY AND BEAM STAB. SPRT POSITION DATA: LH FOR NHA SEE: 57-00-00-05	101102 108120 504903	RF
- 1	MODREF1147		FITTING INSTL-MLG JURY AND BEAM STAB. SPRT MODULE NUMBER: 113N1100-401 REV A POSITION DATA: LH	103103	1
- 1	MODREF26515		FITTING INSTL-MLG JURY AND BEAM STAB. SPRT MODULE NUMBER: 113N1100-401 REV B POSITION DATA: LH	104106	RF
- 5	113N1100-8		FITTING INSTL-MLG JURY AND BEAM STAB. SPRT POSITION DATA: RH FOR NHA SEE: 57-20-52-01	002004 006100 107107 121503 904999	RF
- 5	113N1100-402		FITTING INSTL-MLG JURY AND BEAM STAB. SPRT POSITION DATA: RH FOR NHA SEE: 57-00-00-05	101102 108120 504903	RF
- 5	MODREF1148		FITTING INSTL-MLG JURY AND BEAM STAB. SPRT MODULE NUMBER: 113N1100-402 REV A POSITION DATA: RH	103103	1

MISSING ITEM NUMBERS NOT APPLICABLE

- ITEM NOT ILLUSTRATED

32-11-04-01

32-11-04  
FIG. 01  
PAGE 1  
JAN 20/09

BRI



757

PARTS CATALOG (MAINTENANCE)

FIG ITEM	PART NUMBER	1 2 3 4 5 6 7	NOMENCLATURE	EFFECT FROM TO	UNITS PER ASSY
1					
- 5	MODREF26516		FITTING INSTL-MLG JURY AND BEAM STAB. SPRT MODULE NUMBER: 113N1100-402 REV B POSITION DATA: RH	104106	RF
10	BACB30NR12K36		.BOLT	002004 006100 107107 121503 904999	1
10	BACB30LJ12K36		.BOLT	101106 108120 504903	1
15	BACB30NR14K43		.BOLT-	002004 006100 107107 121503 904999	2
15	BACB30LJ14K43		.BOLT	101106 108120 504903	2
20	BACW10BP12DP		.WASHER	002004 006999	1
25	BACW10BP12CD		.WASHER	002004 006999	1
30	BACW10BN14AP		.WASHER	002004 006999	2
35	69235-1216CD		.NUT SUPPLIER CODE: V92215 SPECIFICATION NUMBER: BACN10JC12CD OPTIONAL PART: 102LH9074-12 V72962 BMN4122CPD8-12 V97928 H51650-12BAC V15653	002004 006999	1

MISSING ITEM NUMBERS NOT APPLICABLE

- ITEM NOT ILLUSTRATED

BRI

32-11-04-01

32-11-04  
FIG. 01  
PAGE 2  
JAN 20/09



757

PARTS CATALOG (MAINTENANCE)

FIG ITEM	PART NUMBER	1 2 3 4 5 6 7	NOMENCLATURE	EFFECT FROM TO	UNITS PER ASSY
1					
37	H51650-14BAC	.NUT	SUPPLIER CODE: V15653 SPECIFICATION NUMBER: BACN10JC14CD OPTIONAL PART: 102LH9074-14 V72962 69235-1414CD V92215 BMN4122CPD8-14 V97928	002004 006999	2
38	113N1006-7	.BUSHING		002004 006999	1
40	113N8126-1	.BOLT-STOP		002004 006999	1
41	AN960PD816L	.WASHER		002004 006100 107107 121503 904999	3
41	NAS1149D0816J	.WASHER		101106 108120 504903 002004 006100 107107 121503 904999	3
42	AN960PD816	.WASHER		101106 108120 504903 002004 006100 107107 121503 904999	8
42	NAS1149D0863J	.WASHER		101106 108120 504903 002004 006999	8
43	69235-820CD	.NUT	SUPPLIER CODE: V92215 SPECIFICATION NUMBER: BACN10JC8CD OPTIONAL PART: 102LH9074-8 V72962 BMN4122CPD8-8 V97928 H51650-8BAC V15653	002004 006999	1
46	113N1100-6	.SHIM-LAMINATED		002004 006999	AR

MISSING ITEM NUMBERS NOT APPLICABLE

- ITEM NOT ILLUSTRATED

32-11-04-01

32-11-04  
FIG. 01  
PAGE 3  
JAN 20/09

BRI

BOEING PROPRIETARY - Copyright © - Unpublished Work - See title page for details.





757

PARTS CATALOG (MAINTENANCE)

FIG ITEM	PART NUMBER	1 2 3 4 5 6 7	NOMENCLATURE	EFFECT FROM TO	UNITS PER ASSY
1					
50	BACS40R10C12F	.SHIM		002004 006100 107107 121503 904999	1
50	BACS40R010C012F	.SHIM		101106 108120 504903	1
53	113N8102-5	.FITTING- POSITION DATA: LH SIDE OPTIONAL PART: 113N8132-1		002004 006999	1
53	113N8132-1	.FITTING- POSITION DATA: LH SIDE OPTIONAL PART: 113N8102-5		002004 006999	1
- 54	113N8102-6	.FITTING- POSITION DATA: RH SIDE OPTIONAL PART: 113N8132-2		002004 006999	1
- 54	113N8132-2	.FITTING- POSITION DATA: RH SIDE OPTIONAL PART: 113N8102-6		002004 006999	1
55	113N1103-1	.FITTING ASSY-JURY OPTIONAL PART: 113N1013-1		002004 006999	1
55	113N1013-1	.BRACE ASSY- OPTIONAL PART: 113N1103-1		002004 006999	1
60	113N1007-9	..BUSHING		002004 006999	1
65	113N1007-10	..BUSHING		002004 006999	1
67	113N1103-2	..FITTING- USED ON: 113N1103-1		002004 006999	1
67	113N1013-3	..BRACE- USED ON: 113N1013-1		002004 006999	1
71	113N1115-1	.FITTING ASSY- POSITION DATA: LH SIDE		002004 006999	1

MISSING ITEM NUMBERS NOT APPLICABLE

- ITEM NOT ILLUSTRATED

32-11-04-01

32-11-04  
FIG. 01  
PAGE 4  
JAN 20/09

BRI

BOEING PROPRIETARY - Copyright © - Unpublished Work - See title page for details.



757

PARTS CATALOG (MAINTENANCE)

FIG ITEM	PART NUMBER	1 2 3 4 5 6 7	NOMENCLATURE	EFFECT FROM TO	UNITS PER ASSY
1					
- 76	113N1115-2		.FITTING ASSY- POSITION DATA: RH SIDE ATTACHING PARTS	002004 006999	1
81	BACB30LE7K34		.BOLT-	002004 006999	2
85	BACW10BP7CD		.WASHER	002004 006999	2
90	BACW10BP7PTU		.WASHER-	002004 006999	2
			OPTIONAL PART: BACW10BP7APU		
90	BACW10BP7APU		.WASHER-	101106 108120	2
			OPTIONAL PART: BACW10BP7PTU	504903	
95	BMN10HRCWD3-7		.NUT	002004 006999	2
			SUPPLIER CODE: V97928		
			SPECIFICATION NUMBER: BACN10HR7CD		
			OPTIONAL PART: H51560-7 V15653 67832CD720 V56878 102LH9031-7 V72962 BH00303CM7 V27238 BMN5024CWD37 V97928 SL7108C7 V11815 VCU0005D7 V06710 102LH90317 V72962 67832CD7 V56878 CR6030-7 VF0224 BMN10HRCWD3-7 V97928		
100	BACB30LE10K34		.BOLT	002004 006999	2
105	BACW10BP10CD		.WASHER	002004 006999	2
110	BACW10BP10PTU		.WASHER-	002004 006999	2
			OPTIONAL PART: BACW10BP10APU		

MISSING ITEM NUMBERS NOT APPLICABLE

- ITEM NOT ILLUSTRATED

32-11-04-01

32-11-04  
FIG. 01  
PAGE 5  
JAN 20/09

BRI

BOEING PROPRIETARY - Copyright © - Unpublished Work - See title page for details.



757

PARTS CATALOG (MAINTENANCE)

FIG ITEM	PART NUMBER	1 2 3 4 5 6 7	NOMENCLATURE	EFFECT FROM TO	UNITS PER ASSY
1					
110	BACW10BP10APU	.	WASHER- OPTIONAL PART: BACW10BP10PTU	101106 108120 504903	2
115	BMN5024CWD310	.	NUT SUPPLIER CODE: V97928 SPECIFICATION NUMBER: BACN10HR10CD OPTIONAL PART: H51560-10 V15653 102LH9031-10 V72962 67832CD1018 V56878 BH00303CM10 V27238 SL7108C10 V11815 VCU0005D10 V06710 BMN10HRCWD3-10 V97928 102LH903110 V72962 102LH903110 V72962	002004 006999	2
121	BACB30LE7K26	.	BOLT-	002004 006999	2
125	BACW10BP7CD	.	WASHER	002004 006999	2
130	BACW10BP7PTU	.	WASHER- OPTIONAL PART: BACW10BP7APU	002004 006999	2
130	BACW10BP7APU	.	WASHER- OPTIONAL PART: BACW10BP7PTU	101106 108120 504903	2

MISSING ITEM NUMBERS NOT APPLICABLE

- ITEM NOT ILLUSTRATED

BRI

32-11-04-01

BOEING PROPRIETARY - Copyright © - Unpublished Work - See title page for details.

32-11-04  
FIG. 01  
PAGE 6  
JAN 20/09



**757  
PARTS CATALOG (MAINTENANCE)**

FIG ITEM	PART NUMBER	1 2 3 4 5 6 7	NOMENCLATURE	EFFECT FROM TO	UNITS PER ASSY
1 135	BMN10HRCWD3-7	.NUT	SUPPLIER CODE: V97928 SPECIFICATION NUMBER: BACN10HR7CD OPTIONAL PART: H51560-7 V15653 67832CD720 V56878 102LH9031-7 V72962 BH00303CM7 V27238 BMN5024CWD37 V97928 SL7108C7 V11815 VCU0005D7 V06710 102LH90317 V72962 67832CD7 V56878 CR6030-7 VF0224 BMN10HRCWD3-7 V97928	002004 006999	2
141	MS15004-3	-----*----- ..FITTING-	USED ON: 113N1115-1 113N1115-2	002004 006999	1
145	113N1005-2	..BUSHING		002004 006999	2
170	113N1100-5	.SHIM-LAMINATED		002004 006999	AR
175	113N1100-4	.SHIM-LAMINATED		002004 006999	AR
180	113N1101-9	.FITTING ASSY-JURY POSITION DATA: LH SIDE		002004 006999	1
- 185	113N1101-10	.FITTING ASSY-JURY POSITION DATA: RH SIDE		002004 006999	1

MISSING ITEM NUMBERS NOT APPLICABLE

- ITEM NOT ILLUSTRATED

# 32-11-04-01

32-11-04  
FIG. 01  
PAGE 7  
JAN 20/09

BRI



757

PARTS CATALOG (MAINTENANCE)

FIG ITEM	PART NUMBER	1 2 3 4 5 6 7	NOMENCLATURE	EFFECT FROM TO	UNITS PER ASSY
1			ATTACHING PARTS		
190	HL1012AZ14-20	.	BOLT SUPPLIER CODE: VOPTK6 SPECIFICATION NUMBER: BACB30NX14K20 OPTIONAL PART: HL12VAZ14-20 V73197 HL12VAZ14-20 V92215 HL12VAZ14-20 V97928 L802-14K20 V06725 HL12VAZ14-20 V56878 HL1012AZ14-20 V06725 HL1012AZ14-20 V06950 HL1012AZ14-20 V17446 HL1012AZ14-20 V56878 HL1012AZ14-20 V60516 HL1012AZ14-20 V73197 HL1012AZ14-20 V97928	002004 006999	2
195	HL1187-14	.	COLLAR SUPPLIER CODE: V5M902 SPECIFICATION NUMBER: BACC30X14 OPTIONAL PART: HL1187-14 V56878 HL1187-14 V92215 HL1187-14 V73197 HL1187-14 V92215 HL87-14 V56878 HL1187-14 V73197	002004 006999	2

MISSING ITEM NUMBERS NOT APPLICABLE

- ITEM NOT ILLUSTRATED

32-11-04-01

32-11-04  
FIG. 01  
PAGE 8  
JAN 20/09

BRI



757

PARTS CATALOG (MAINTENANCE)

FIG ITEM	PART NUMBER	1 2 3 4 5 6 7	NOMENCLATURE	EFFECT FROM TO	UNITS PER ASSY
1 200	HL1012AZ14-13	.BOLT	SUPPLIER CODE: VOPTK6 SPECIFICATION NUMBER: BACB30NX14K13 OPTIONAL PART: HL12VAZ14-13 V73197 HL12VAZ14-13 V92215 HL12VAZ14-13 V97928 L802-14K13 V06725 HL12VAZ14-13 V56878 HL1012AZ14-13 V06725 HL1012AZ14-13 V06950 HL1012AZ14-13 V17446 HL1012AZ14-13 V56878 HL1012AZ14-13 V60516 HL1012AZ14-13 V73197 HL1012AZ14-13 V97928	002004 006999	2
205	HL1187-14	.COLLAR	SUPPLIER CODE: V5M902 SPECIFICATION NUMBER: BACC30X14 OPTIONAL PART: HL1187-14 V56878 HL1187-14 V92215 HL1187-14 V73197 HL1187-14 V92215 HL87-14 V56878 HL1187-14 V73197	002004 006999	2

MISSING ITEM NUMBERS NOT APPLICABLE

- ITEM NOT ILLUSTRATED

32-11-04-01

32-11-04  
FIG. 01  
PAGE 9  
JAN 20/09

BRI



757

PARTS CATALOG (MAINTENANCE)

FIG ITEM	PART NUMBER	1 2 3 4 5 6 7	NOMENCLATURE	EFFECT FROM TO	UNITS PER ASSY
1 210	HL1012AZ12-12	.BOLT	SUPPLIER CODE: VOPTK6 SPECIFICATION NUMBER: BACB30NX12K12 OPTIONAL PART: HL12VAZ12-12 V73197 HL12VAZ12-12 V92215 HL12VAZ12-12 V97928 L802-12K12 V06725 HL12VAZ12-12 V56878 HL1012AZ12-12 V06725 HL1012AZ12-12 V06950 HL1012AZ12-12 V17446 HL1012AZ12-12 V56878 HL1012AZ12-12 V60516 HL1012AZ12-12 V73197 HL1012AZ12-12 V97928	002004 006999	2
215	HL1187-12	.COLLAR	SUPPLIER CODE: V5M902 SPECIFICATION NUMBER: BACC30X12 OPTIONAL PART: HL1187-12 V73197 HL1187-12 V56878 HL1187-12 V92215 HL1187-12 V92215 HL87-12 V56878 HL87-12 V73197	002004 006999	2

MISSING ITEM NUMBERS NOT APPLICABLE

- ITEM NOT ILLUSTRATED

32-11-04-01

32-11-04  
FIG. 01  
PAGE 10  
JAN 20/09

BRI



757

PARTS CATALOG (MAINTENANCE)

FIG ITEM	PART NUMBER	1 2 3 4 5 6 7	NOMENCLATURE	EFFECT FROM TO	UNITS PER ASSY
1 220	HL1012AZ12-20	.BOLT	SUPPLIER CODE: VOPTK6 SPECIFICATION NUMBER: BACB30NX12K20 OPTIONAL PART: HL12VAZ12-20 V73197 HL12VAZ12-20 V92215 HL12VAZ12-20 V97928 L802-12K20 V06725 HL12VAZ12-20 V56878 HL1012AZ12-20 V06725 HL1012AZ12-20 V06950 HL1012AZ12-20 V17446 HL1012AZ12-20 V56878 HL1012AZ12-20 V60516 HL1012AZ12-20 V73197 HL1012AZ12-20 V97928	002004 006999	2
225	HL1187-12	.COLLAR	SUPPLIER CODE: V5M902 SPECIFICATION NUMBER: BACC30X12 OPTIONAL PART: HL1187-12 V73197 HL1187-12 V56878 HL1187-12 V92215 HL1187-12 V92215 HL87-12 V56878 HL87-12 V73197	002004 006999	2

MISSING ITEM NUMBERS NOT APPLICABLE

- ITEM NOT ILLUSTRATED

BRI

32-11-04-01

BOEING PROPRIETARY - Copyright © - Unpublished Work - See title page for details.

32-11-04  
 FIG. 01  
 PAGE 11  
 JAN 20/09





757

PARTS CATALOG (MAINTENANCE)

FIG ITEM	PART NUMBER	1 2 3 4 5 6 7	NOMENCLATURE	EFFECT FROM TO	UNITS PER ASSY
1 230	HL1012AZ12-23	.BOLT	SUPPLIER CODE: VOPTK6 SPECIFICATION NUMBER: BACB30NX12K23 OPTIONAL PART: HL12VAZ12-23 V73197 HL12VAZ12-23 V92215 HL12VAZ12-23 V97928 L802-12K23 V06725 HL12VAZ12-23 V56878 HL1012AZ12-23 V06725 HL1012AZ12-23 V06950 HL1012AZ12-23 V17446 HL1012AZ12-23 V56878 HL1012AZ12-23 V60516 HL1012AZ12-23 V73197 HL1012AZ12-23 V97928	002004 006999	4
235	HL1187-12	.COLLAR	SUPPLIER CODE: V5M902 SPECIFICATION NUMBER: BACC30X12 OPTIONAL PART: HL1187-12 V73197 HL1187-12 V56878 HL1187-12 V92215 HL1187-12 V92215 HL87-12 V56878 HL87-12 V73197 -----*-----	002004 006999	4

MISSING ITEM NUMBERS NOT APPLICABLE

- ITEM NOT ILLUSTRATED

BRI

32-11-04-01

BOEING PROPRIETARY - Copyright © - Unpublished Work - See title page for details.

32-11-04  
 FIG. 01  
 PAGE 12  
 JAN 20/09



757

PARTS CATALOG (MAINTENANCE)

FIG ITEM	PART NUMBER	1 2 3 4 5 6 7	NOMENCLATURE	EFFECT FROM TO	UNITS PER ASSY
1					
240	113N1005-17	..	BUSHING- USED ON: 113N1101-9 113N1101-10 113N1101-13 113N1101-14	002004 006100 107107 121503 904999	1
245	113N1005-14	..	BUSHING-	002004 006999	1
247	113N1101-11	..	FITTING- POSITION DATA: LH SIDE OPTIONAL PART: 113N1101-15 USED ON: 113N1101-9	002004 006999	1
247	113N1101-15	..	FITTING- POSITION DATA: LH SIDE OPTIONAL PART: 113N1101-11 USED ON: 113N1101-13	002004 006100 103107 121503 904999	1
- 248	113N1101-12	..	FITTING- POSITION DATA: RH SIDE OPTIONAL PART: 113N1101-16 USED ON: 113N1101-10	002004 006999	1
- 248	113N1101-16	..	FITTING- POSITION DATA: RH SIDE OPTIONAL PART: 113N1101-12 USED ON: 113N1101-14	002004 006100 103107 121503 904999	1
250	113N1100-3	.	SHIM-LAMINATED	002004 006999	AR

MISSING ITEM NUMBERS NOT APPLICABLE

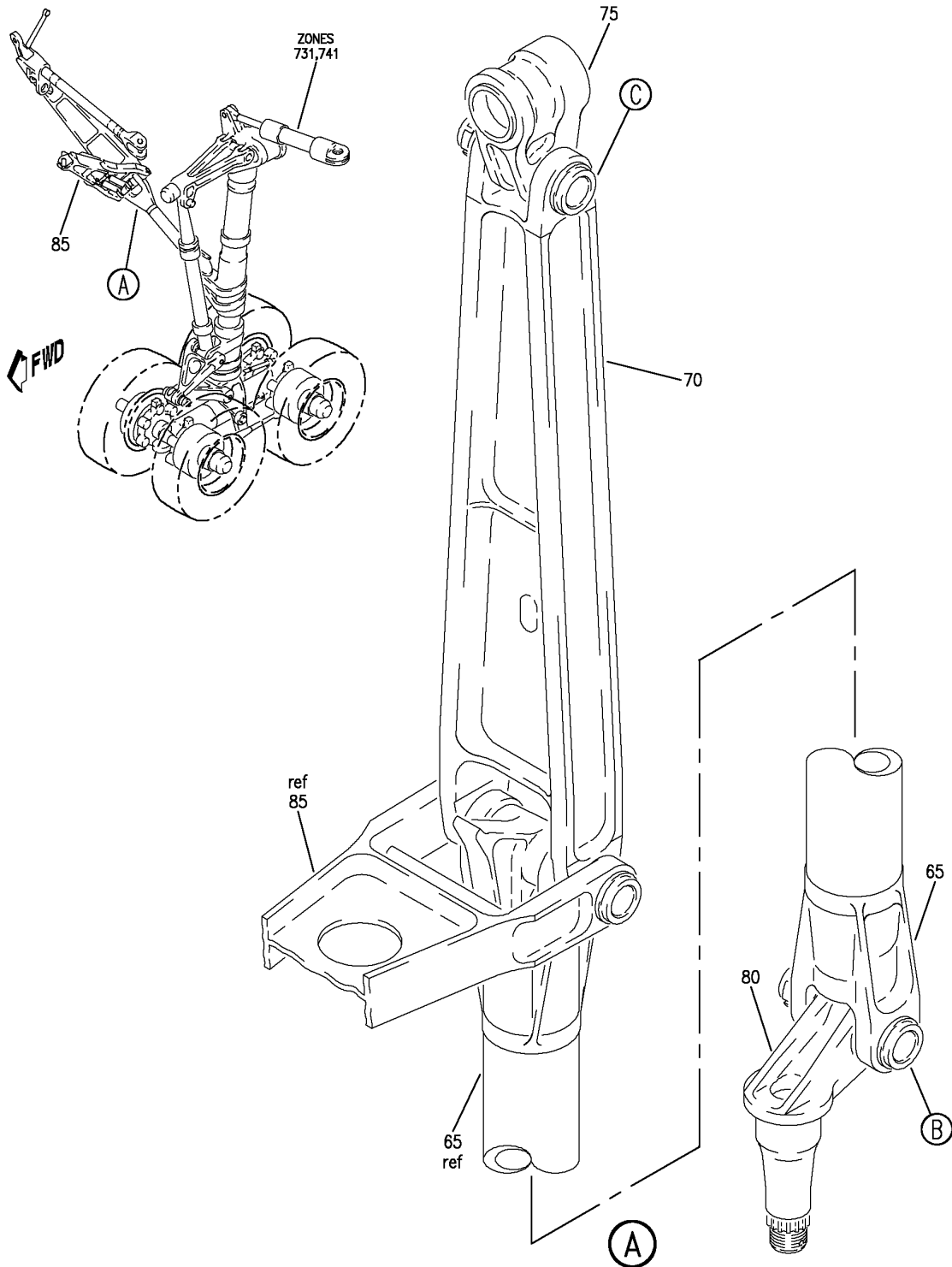
- ITEM NOT ILLUSTRATED

32-11-04-01

32-11-04  
FIG. 01  
PAGE 13  
JAN 20/09

BRI

**BOEING**  
757  
PARTS CATALOG (MAINTENANCE)



Y 32110402 SH1 1 REV 259

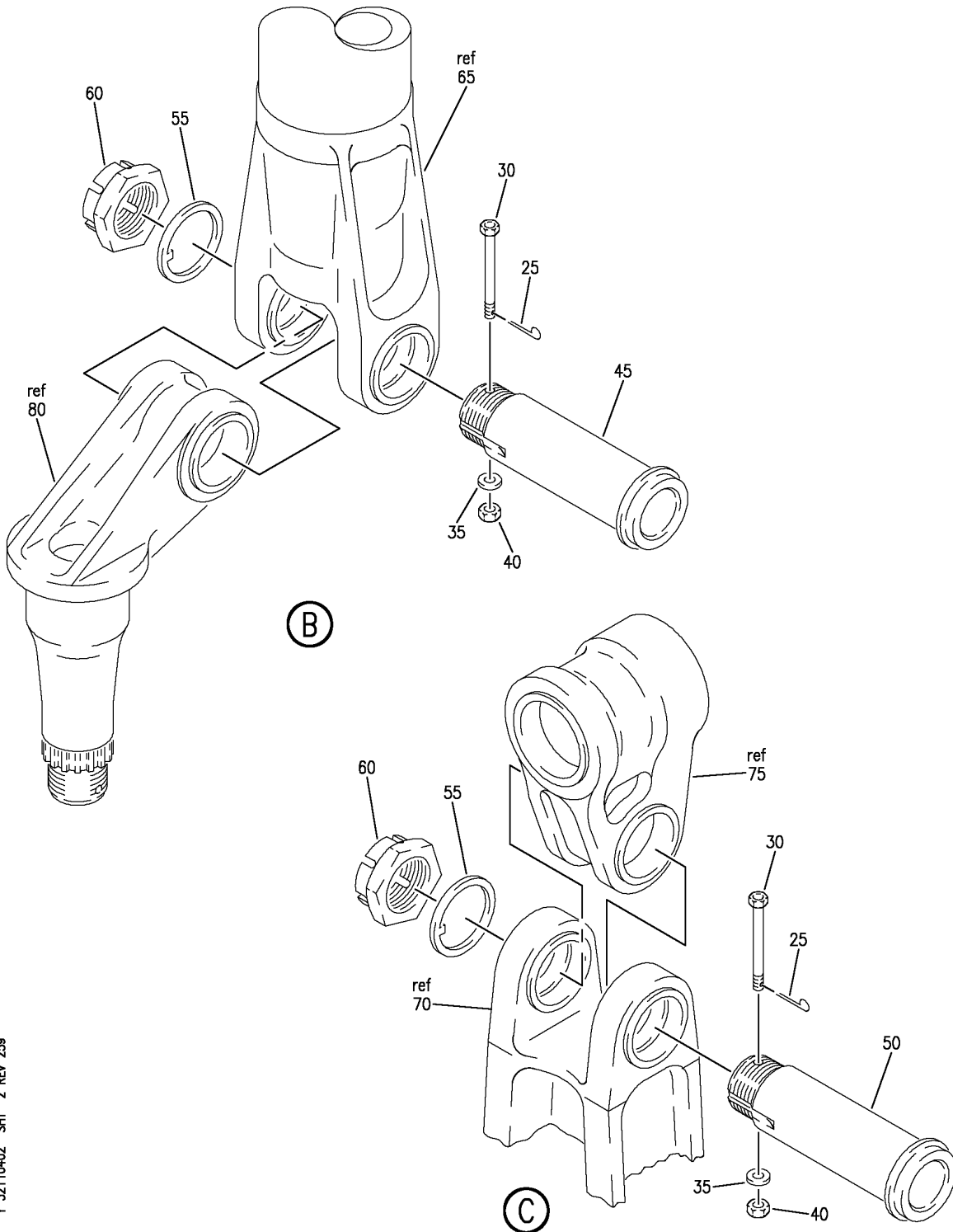
DOWNLOCK ASSY-MLG SIDE STRUT  
FIGURE 2 (SHEET 1)

**32-11-04-02**

BRI  
MAY 28/07

32-11-04-02  
PAGE 0

**BOEING**  
757  
PARTS CATALOG (MAINTENANCE)



Y 32110402 SH1 2 REV 259

DOWNLOCK ASSY-MLG SIDE STRUT  
FIGURE 2 (SHEET 2)

**32-11-04-02**

BRI  
MAY 28/07

32-11-04-02  
PAGE 0A



757

PARTS CATALOG (MAINTENANCE)

FIG ITEM	PART NUMBER	1 2 3 4 5 6 7	NOMENCLATURE	EFFECT FROM TO	UNITS PER ASSY
2			DOWNLOCK ASSY-MLG SIDE STRUT	002004 006999	
- 1	161N0001-143		DOWNLOCK ASSY-MLG SIDE STRUT POSITION DATA: LH COMPONENT MAINT MANUAL REF: 32-11-72 FOR NHA SEE: 32-11-00-01 32-11-00-02 32-11-00-03	002004 006999	RF
- 1	161N0001-403		DOWNLOCK ASSY-MLG SIDE STRUT PRE-MODULE POSITION DATA: LH COMPONENT MAINT MANUAL REF: 32-11-72 FOR NHA SEE: 32-11-00-01 32-11-00-02 32-11-00-03	002004 006999	RF
- 1	161N0001-164		DOWNLOCK ASSY-MLG SIDE STRUT PRE-MODULE POSITION DATA: LH COMPONENT MAINT MANUAL REF: 32-11-72 FOR NHA SEE: 32-11-00-01 32-11-00-02 32-11-00-03	002004 006999	RF
- 1	161N0001-123		DOWNLOCK ASSY-MLG SIDE STRUT POSITION DATA: LH COMPONENT MAINT MANUAL REF: 32-11-72 FOR NHA SEE: 32-11-00-01 32-11-00-02 32-11-00-03	002004 006999	RF

MISSING ITEM NUMBERS NOT APPLICABLE

- ITEM NOT ILLUSTRATED

32-11-04-02

32-11-04  
FIG. 02  
PAGE 1  
JAN 20/09

BRI



757

PARTS CATALOG (MAINTENANCE)

FIG ITEM	PART NUMBER	1 2 3 4 5 6 7	NOMENCLATURE	EFFECT FROM TO	UNITS PER ASSY
2 - 1	161N0001-71		DOWNLOCK ASSY-MLG SIDE STRUT POSITION DATA: LH COMPONENT MAINT MANUAL REF: 32-11-72 FOR NHA SEE: 32-11-00-01 32-11-00-02 32-11-00-03	002004 006999	RF
- 1	161N0001-65		DOWNLOCK ASSY-MLG SIDE STRUT POSITION DATA: LH COMPONENT MAINT MANUAL REF: 32-11-72 QUALIFIED I/W DATA: 161N0001-65 T/W 1EA 161N3002-1 SPINDLE AND 2EA BACB30LJ3-7 BOLT MAY REPLACE 161N0001-63 T/W 1EA 161N3006-1 SPINDLE AND 2EA BACB30LJ3-6 BOLT. FOR NHA SEE: 32-11-00-01 32-11-00-02 32-11-00-03	002004 006999	RF
- 1	161N0001-63		DOWNLOCK ASSY-MLG SIDE STRUT POSITION DATA: LH COMPONENT MAINT MANUAL REF: 32-11-72 QUALIFIED I/W DATA: 161N0001-65 T/W 1EA 161N3022-1 SPINDLE AND 2EA BACB30LJ3-7 BOLT MAY REPLACE 161N0001-63 T/W 1EA 161N3006-1 SPINDLE AND 2EA BACB30LJ3-6 BOLT. FOR NHA SEE: 32-11-00-01 32-11-00-02 32-11-00-03	002004 006999	RF

MISSING ITEM NUMBERS NOT APPLICABLE

- ITEM NOT ILLUSTRATED

32-11-04-02

32-11-04  
FIG. 02  
PAGE 2  
JAN 20/09

BRI



757

PARTS CATALOG (MAINTENANCE)

FIG ITEM	PART NUMBER	1 2 3 4 5 6 7	NOMENCLATURE	EFFECT FROM TO	UNITS PER ASSY
2 - 1	161N0001-61		DOWNLOCK ASSY-MLG SIDE STRUT POSITION DATA: LH COMPONENT MAINT MANUAL REF: 32-11-72 FOR NHA SEE: 32-11-00-01 32-11-00-02 32-11-00-03	002004 006999	RF
- 1	161N0001-159		DOWNLOCK ASSY-MLG SIDE STRUT PRE-MODULE POSITION DATA: LH COMPONENT MAINT MANUAL REF: 32-11-72	002004 006999	RF
- 10	161N0001-144		DOWNLOCK ASSY-MLG SIDE STRUT POSITION DATA: RH COMPONENT MAINT MANUAL REF: 32-11-72 FOR NHA SEE: 32-11-00-01 32-11-00-02 32-11-00-03	002004 006999	RF
- 10	161N0001-404		DOWNLOCK ASSY-MLG SIDE STRUT PRE-MODULE POSITION DATA: RH COMPONENT MAINT MANUAL REF: 32-11-72 FOR NHA SEE: 32-11-00-01 32-11-00-02 32-11-00-03	002004 006999	RF
- 10	161N0001-165		DOWNLOCK ASSY-MLG SIDE STRUT PRE-MODULE POSITION DATA: RH COMPONENT MAINT MANUAL REF: 32-11-72 FOR NHA SEE: 32-11-00-01 32-11-00-02 32-11-00-03	002004 006999	RF

MISSING ITEM NUMBERS NOT APPLICABLE

- ITEM NOT ILLUSTRATED

32-11-04-02

32-11-04  
FIG. 02  
PAGE 3  
JAN 20/09

BRI



757

PARTS CATALOG (MAINTENANCE)

FIG ITEM	PART NUMBER	1 2 3 4 5 6 7	NOMENCLATURE	EFFECT FROM TO	UNITS PER ASSY
2 - 10	161N0001-124		DOWNLOCK ASSY-MLG SIDE STRUT POSITION DATA: RH COMPONENT MAINT MANUAL REF: 32-11-72 FOR NHA SEE: 32-11-00-01 32-11-00-02 32-11-00-03	002004 006999	RF
- 10	161N0001-72		DOWNLOCK ASSY-MLG SIDE STRUT POSITION DATA: RH COMPONENT MAINT MANUAL REF: 32-11-72 FOR NHA SEE: 32-11-00-01 32-11-00-02 32-11-00-03	002004 006999	RF
- 10	161N0001-66		DOWNLOCK ASSY-MLG SIDE STRUT POSITION DATA: RH COMPONENT MAINT MANUAL REF: 32-11-72 QUALIFIED I/W DATA: OLD81205 161N0001-64 161N0001-66 T/W 1 EA 161N3022-1 SPINDLE AND 2 EA BACB30LJ3-7 BOLT MAY REPLACE 161N0001-64 T/W 1 EA 161N3006-1 SPINDLE AND 2 EA BACB30LJ3-6 BOLT FOR NHA SEE: 32-11-00-01 32-11-00-02 32-11-00-03	002004 006999	RF

MISSING ITEM NUMBERS NOT APPLICABLE

- ITEM NOT ILLUSTRATED

32-11-04-02

32-11-04  
FIG. 02  
PAGE 4  
JAN 20/09

BRI





757

PARTS CATALOG (MAINTENANCE)

FIG ITEM	PART NUMBER	1 2 3 4 5 6 7	NOMENCLATURE	EFFECT FROM TO	UNITS PER ASSY
2 - 10	161N0001-64		DOWNLOCK ASSY-MLG SIDE STRUT POSITION DATA: RH COMPONENT MAINT MANUAL REF: 32-11-72 QUALIFIED I/W DATA: 161N0001-66 T/W 1EA 161N3022-1 SPINDLE AND 2EA BACB30LJ3-7 BOLT MAY REPLACE 161N0001-64 T/W 1EA 161N3006-1 SPINDLE AND 2EA BACB30LJ3-6 BOLT. FOR NHA SEE: 32-11-00-01 32-11-00-02 32-11-00-03	002004 006999	RF
- 10	161N0001-62		DOWNLOCK ASSY-MLG SIDE STRUT POSITION DATA: RH COMPONENT MAINT MANUAL REF: 32-11-72 FOR NHA SEE: 32-11-00-01 32-11-00-02 32-11-00-03	002004 006999	RF
- 10	161N0001-160		DOWNLOCK ASSY-MLG SIDE STRUT PRE-MODULE POSITION DATA: RH COMPONENT MAINT MANUAL REF: 32-11-72	002004 006999	RF

MISSING ITEM NUMBERS NOT APPLICABLE

- ITEM NOT ILLUSTRATED

BRI

32-11-04-02

BOEING PROPRIETARY - Copyright © - Unpublished Work - See title page for details.

32-11-04  
FIG. 02  
PAGE 5  
JAN 20/09



757

PARTS CATALOG (MAINTENANCE)

FIG ITEM	PART NUMBER	1 2 3 4 5 6 7	NOMENCLATURE	EFFECT FROM TO	UNITS PER ASSY
2					
25	MS24665-153		.PIN- USED ON: 161N0001-143 161N0001-123 161N0001-71 161N0001-65 161N0001-63 161N0001-61 161N0001-59 161N0001-51 161N0001-144 161N0001-124 161N0001-72 161N0001-66 161N0001-64 161N0001-62 161N0001-60 161N0001-52	002004 006999	2
25	BACP18BC02A06P		.PIN- USED ON: 161N0001-403 161N0001-404 161N0001-164 161N0001-165 161N0001-159 161N0001-160	002004 006999	2
30	BACB30LJ4D35		.BOLT	002004 006999	2
35	AN960-416L		.WASHER- USED ON: 161N0001-143 161N0001-123 161N0001-71 161N0001-65 161N0001-63 161N0001-61 161N0001-59 161N0001-51 161N0001-144 161N0001-124 161N0001-72 161N0001-66 161N0001-64 161N0001-62 161N0001-60 161N0001-52	002004 006999	2

MISSING ITEM NUMBERS NOT APPLICABLE

- ITEM NOT ILLUSTRATED

32-11-04-02

32-11-04  
FIG. 02  
PAGE 6  
JAN 20/09

BRI



757

PARTS CATALOG (MAINTENANCE)

FIG ITEM	PART NUMBER	1 2 3 4 5 6 7	NOMENCLATURE	EFFECT FROM TO	UNITS PER ASSY
2	35 NAS1149F0432P		.WASHER- USED ON: 161N0001-403 161N0001-404 161N0001-164 161N0001-165 161N0001-159 161N0001-160	002004 006999	2
	40 LCN12-428		.NUT- SUPPLIER CODE: V56878	002004 006999	2
	45 161N2510-5		.PIN- OPTIONAL PART: 161N2510-8 USED ON: 161N0001-61 161N0001-62 161N0001-63 161N0001-64 161N0001-65 161N0001-66 161N0001-71 161N0001-72 161N0001-123 161N0001-124 161N0004-5 161N0004-6 161N0004-7 161N0004-8	002004 006999	1
	45 161N2510-8		.PIN- OPTIONAL PART: 161N2510-5 USED ON: 161N0001-123 161N0001-124 161N0001-143 161N0001-144 161N0001-403 161N0001-404 161N0001-164 161N0001-165	002004 006999	1

MISSING ITEM NUMBERS NOT APPLICABLE

- ITEM NOT ILLUSTRATED

32-11-04-02

32-11-04  
FIG. 02  
PAGE 7  
JAN 20/09

BRI



757

PARTS CATALOG (MAINTENANCE)

FIG ITEM	PART NUMBER	1 2 3 4 5 6 7	NOMENCLATURE	EFFECT FROM TO	UNITS PER ASSY
2					
50	161N2510-4		.PIN- OPTIONAL PART: 161N2510-7 USED ON: 161N0001-61 161N0001-62 161N0001-63 161N0001-64 161N0001-65 161N0001-66 161N0001-71 161N0001-72 161N0001-123 161N0001-124 161N0004-5 161N0004-6 161N0004-7 161N0004-8	002004 006999	1
50	161N2510-7		.PIN- OPTIONAL PART: 161N2510-4 USED ON: 161N0001-123 161N0001-124 161N0001-143 161N0001-144 161N0001-403 161N0001-404 161N0001-164 161N0001-165	002004 006999	1
55	162N3115-3		.WASHER-TANG	002004 006999	2
60	162N2304-2		.NUT	002004 006999	2
65	161N2101-1		.STRUT ASSY-SIDE USED ON: 161N0001-51 161N0001-52 161N0001-59 161N0001-60 161N0001-61 161N0001-62 161N0004-3 161N0004-4 161N0004-5 161N0004-6 FOR DETAILS SEE: 32-11-05-02	002004 006999	1

MISSING ITEM NUMBERS NOT APPLICABLE

- ITEM NOT ILLUSTRATED

32-11-04-02

32-11-04  
FIG. 02  
PAGE 8  
JAN 20/09

BRI

BOEING PROPRIETARY - Copyright © - Unpublished Work - See title page for details.



757

PARTS CATALOG (MAINTENANCE)

FIG ITEM	PART NUMBER	1 2 3 4 5 6 7	NOMENCLATURE	EFFECT FROM TO	UNITS PER ASSY
2					
65	161N2101-3		.STRUT ASSY-SIDE USED ON: 161N0001-143 161N0001-144 161N0001-403 161N0001-404 161N0001-164 161N0001-165 161N0001-123 161N0001-124 161N0001-71 161N0001-72 161N0001-65 161N0001-66 161N0001-63 161N0001-64 161N0004-7 161N0004-8 FOR DETAILS SEE: 32-11-05-02	002004 006999	1
R	65	161N2101-5	.STRUT ASSY-SIDE USED ON: 161N0001-159 161N0001-160 FOR DETAILS SEE: 32-11-05-02	002004 006999	1
R					
R					
R					
R					
R	70	161N2201-1	.STRUT ASSY-SIDE USED ON: 161N0001-65 161N0001-66 161N0001-63 161N0001-64 161N0001-61 161N0001-62 161N0001-59 161N0001-60 161N0001-51 161N0001-52 161N0004-3 161N0004-4 161N0004-5 161N0004-6 161N0004-7 161N0004-8 FOR DETAILS SEE: 32-11-05-02	002004 006999	1

MISSING ITEM NUMBERS NOT APPLICABLE

- ITEM NOT ILLUSTRATED

32-11-04-02

32-11-04  
FIG. 02  
PAGE 9  
MAY 20/09

BRI



757

PARTS CATALOG (MAINTENANCE)

FIG ITEM	PART NUMBER	1 2 3 4 5 6 7	NOMENCLATURE	EFFECT FROM TO	UNITS PER ASSY
2	70 161N2203-1		.STRUT ASSY-SIDE USED ON: 161N0001-123 161N0001-124 161N0001-143 161N0001-144 161N0001-164 161N0001-165 161N0001-403 161N0001-404 161N0001-71 161N0001-72 FOR DETAILS SEE: 32-11-05-02	002004 006999	1
	70 161N2203-3		.STRUT ASSY-SIDE USED ON: 161N0001-159 161N0001-160 FOR DETAILS SEE: 32-11-05-02	002004 006999	1
	75 161N2501-1		.SWIVEL ASSY- POSITION DATA: UPR OPTIONAL PART: 161N2501-3 USED ON: 161N0001-51 161N0001-52 161N0001-59 161N0001-60 161N0001-61 161N0001-62 161N0001-63 161N0001-64 161N0001-65 161N0001-66 161N0001-71 161N0001-72 161N0001-123 161N0001-124 161N0004-3 161N0004-4 161N0004-5 161N0004-6 161N0004-7 161N0004-8 FOR DETAILS SEE: 32-11-07-01	002004 006999	1

MISSING ITEM NUMBERS NOT APPLICABLE

- ITEM NOT ILLUSTRATED

32-11-04-02

32-11-04  
FIG. 02  
PAGE 10  
JAN 20/09

BRI



757

PARTS CATALOG (MAINTENANCE)

FIG ITEM	PART NUMBER	1 2 3 4 5 6 7	NOMENCLATURE	EFFECT FROM TO	UNITS PER ASSY
2 75	161N2501-3		.SWIVEL ASSY- POSITION DATA: UPR OPTIONAL PART: 161N2501-1 USED ON: 161N0001-123 161N0001-124 161N0001-143 161N0001-144 161N0001-403 161N0001-404 161N0001-164 161N0001-165 FOR DETAILS SEE: 32-11-07-01	002004 006999	1
80	161N2503-1		.SWIVEL ASSY- POSITION DATA: LWR USED ON: 161N0001-51 161N0001-52 161N0001-59 161N0001-60 161N0001-61 161N0001-62 161N0001-63 161N0001-64 161N0001-65 161N0001-66 161N0001-71 161N0001-72 161N0001-123 161N0001-124 161N0001-143 161N0001-144 161N0001-403 161N0001-404 161N0001-164 161N0001-165 161N0004-3 161N0004-4 161N0004-5 161N0004-6 161N0004-7 161N0004-8 FOR DETAILS SEE: 32-11-07-01	002004 006999	1

MISSING ITEM NUMBERS NOT APPLICABLE

- ITEM NOT ILLUSTRATED

32-11-04-02

32-11-04  
FIG. 02  
PAGE 11  
JAN 20/09

BRI

 **BOEING**  
757  
**PARTS CATALOG (MAINTENANCE)**

FIG ITEM	PART NUMBER	1 2 3 4 5 6 7	NOMENCLATURE	EFFECT FROM TO	UNITS PER ASSY
R R R R R R R	2 80	161N2503-3	.SWIVEL ASSY- POSITION DATA: LWR USED ON: 161N0001-159 161N0001-160 FOR DETAILS SEE: 32-11-07-01	002004 006999	1
	85	161N3001-11	.DOWNLOCK ASSY- POSITION DATA: LH SIDE USED ON: 161N0001-61 161N0001-63 FOR DETAILS SEE: 32-11-12-01 32-11-15-01	002004 006999	1
	85	161N3001-13	.DOWNLOCK ASSY- POSITION DATA: LH SIDE USED ON: 161N0001-65 161N0001-71 FOR DETAILS SEE: 32-11-12-01 32-11-15-01	002004 006999	1
	85	161N3001-15	.DOWNLOCK ASSY- POSITION DATA: LH SIDE USED ON: 161N0001-123 FOR DETAILS SEE: 32-11-12-01 32-11-15-01	002004 006999	1
	85	161N3001-17	.DOWNLOCK ASSY- POSITION DATA: LH SIDE USED ON: 161N0001-143 FOR DETAILS SEE: 32-11-12-01 32-11-15-01	002004 006999	1

MISSING ITEM NUMBERS NOT APPLICABLE

— ITEM NOT ILLUSTRATED

BRI

# 32-11-04-02

BOEING PROPRIETARY - Copyright © - Unpublished Work - See title page for details.

32-11-04  
FIG. 02  
PAGE 12  
MAY 20/09





757

PARTS CATALOG (MAINTENANCE)

FIG ITEM	PART NUMBER	1 2 3 4 5 6 7	NOMENCLATURE	EFFECT FROM TO	UNITS PER ASSY
2					
85	161N3001-401		.DOWNLOCK ASSY- POSITION DATA: LH SIDE USED ON: 161N0001-403 FOR DETAILS SEE: 32-11-12-02 32-11-15-01	002004 006999	1
85	161N3001-25		.DOWNLOCK ASSY- POSITION DATA: LH SIDE USED ON: 161N0001-164 FOR DETAILS SEE: 32-11-12-02 32-11-15-01	002004 006999	1
85	161N3001-23		.DOWNLOCK ASSY- POSITION DATA: LH SIDE FOR DETAILS SEE: 32-11-12-02 32-11-15-01	002004 006999	1
- 90	161N3001-12		.DOWNLOCK ASSY- POSITION DATA: RH SIDE USED ON: 161N0001-62 161N0001-64 FOR DETAILS SEE: 32-11-12-01 32-11-15-01	002004 006999	1
- 90	161N3001-14		.DOWNLOCK ASSY- POSITION DATA: RH SIDE USED ON: 161N0001-66 161N0001-72 FOR DETAILS SEE: 32-11-12-01 32-11-15-01	002004 006999	1
- 90	161N3001-16		.DOWNLOCK ASSY- POSITION DATA: RH SIDE USED ON: 161N0001-124 FOR DETAILS SEE: 32-11-12-01 32-11-15-01	002004 006999	1

R  
R  
R  
R  
R  
R

MISSING ITEM NUMBERS NOT APPLICABLE

- ITEM NOT ILLUSTRATED

32-11-04-02

32-11-04  
FIG. 02  
PAGE 13  
MAY 20/09

BRI

 **BOEING**  
757  
**PARTS CATALOG (MAINTENANCE)**

FIG ITEM	PART NUMBER	1 2 3 4 5 6 7	NOMENCLATURE	EFFECT FROM TO	UNITS PER ASSY
2					
- 90	161N3001-18		.DOWNLOCK ASSY- POSITION DATA: RH SIDE USED ON: 161N0001-144 FOR DETAILS SEE: 32-11-12-01 32-11-15-01	002004 006999	1
- 90	161N3001-402		.DOWNLOCK ASSY- POSITION DATA: RH SIDE USED ON: 161N0001-404 FOR DETAILS SEE: 32-11-12-02 32-11-15-01	002004 006999	1
- 90	161N3001-26		.DOWNLOCK ASSY- POSITION DATA: RH SIDE USED ON: 161N0001-165 FOR DETAILS SEE: 32-11-12-02 32-11-15-01	002004 006999	1
- 90	161N3001-24		.DOWNLOCK ASSY- POSITION DATA: RH SIDE USED ON: 161N0001-160 FOR DETAILS SEE: 32-11-12-02 32-11-15-01	002004 006999	1

R  
R  
R  
R  
R  
R  
R

MISSING ITEM NUMBERS NOT APPLICABLE

- ITEM NOT ILLUSTRATED

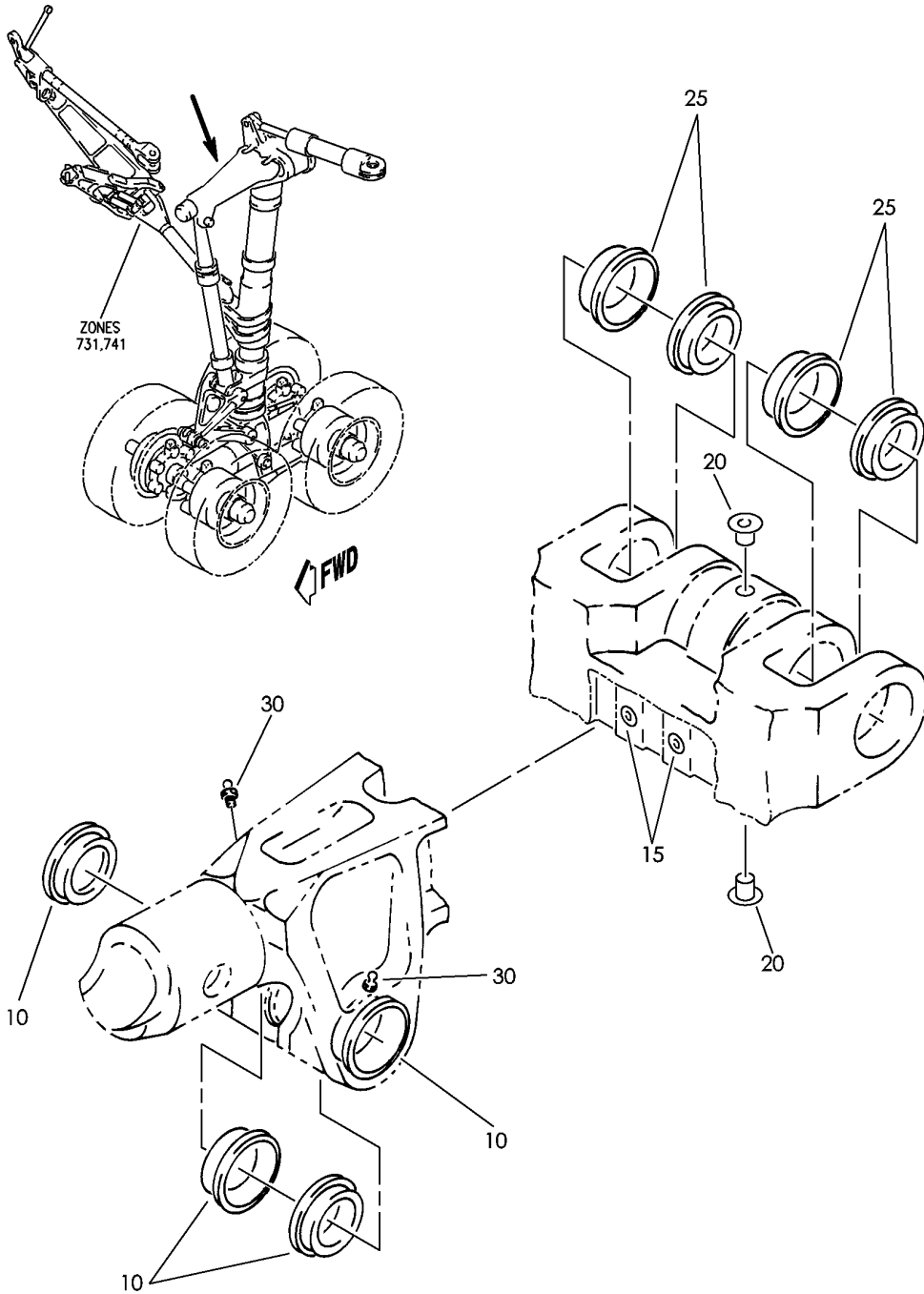
BRI

# 32-11-04-02

BOEING PROPRIETARY - Copyright © - Unpublished Work - See title page for details.

32-11-04  
FIG. 02  
PAGE 14  
MAY 20/09

**BOEING**  
757  
PARTS CATALOG (MAINTENANCE)



Y 32110501 REV 227

LINK ASSY-TRUN MLG  
FIGURE 1

**32-11-05-01**

BRI  
MAY 28/07

32-11-05-01  
PAGE 0



757

PARTS CATALOG (MAINTENANCE)

FIG ITEM	PART NUMBER	1 2 3 4 5 6 7	NOMENCLATURE	EFFECT FROM TO	UNITS PER ASSY
1			LINK ASSY-TRUN MLG	002004 006999	
- 1	161N1401-7		LINK ASSY-TRUN MLG QUALIFIED SB I/W DATA: 161N1401-7 OPT TO 161N1401-1, -3, -5 PER SERVICE LETTER 32-030, INTERCHANGEABILITY LIMITED BY MTGW FOR NHA SEE: 32-11-01-10	002004 006999	RF
- 1	161N1401-11		LINK ASSY-TRUN MLG FOR NHA SEE: 32-11-01-10	002004 006999	RF
10	160N0201-44		.BUSHING- OPTIONAL PART: 160N0201-116	002004 006999	4
10	160N0201-116		.BUSHING- OPTIONAL PART: 160N0201-44	002004 006999	4
15	BACB28X6M050		.BUSHING	002004 006999	2
20	BACB28X8M034		.BUSHING	002004 006999	2
25	160N0201-45		.BUSHING- OPTIONAL PART: 160N0201-115	002004 006999	4
25	160N0201-115		.BUSHING- OPTIONAL PART: 160N0201-45	002004 006999	4
30	1728B		.FITTING-LUBE SUPPLIER CODE: VOFKM1	002004 006999	2

MISSING ITEM NUMBERS NOT APPLICABLE

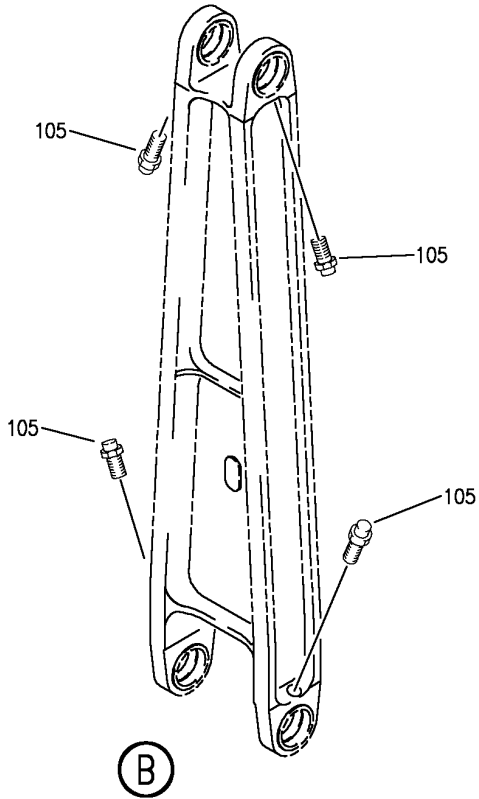
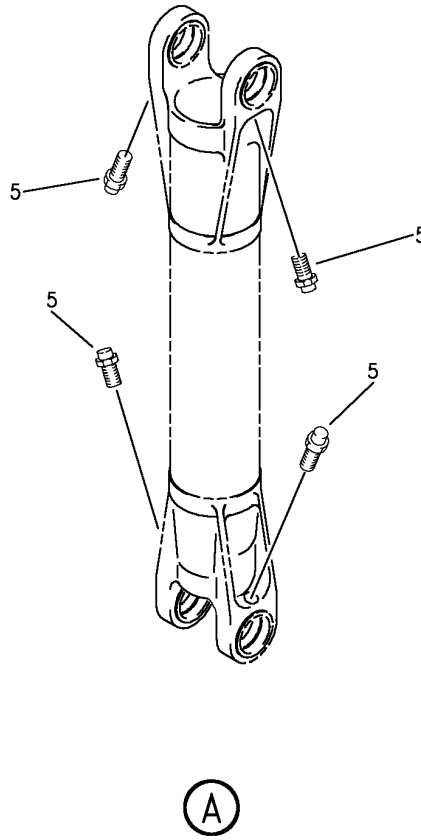
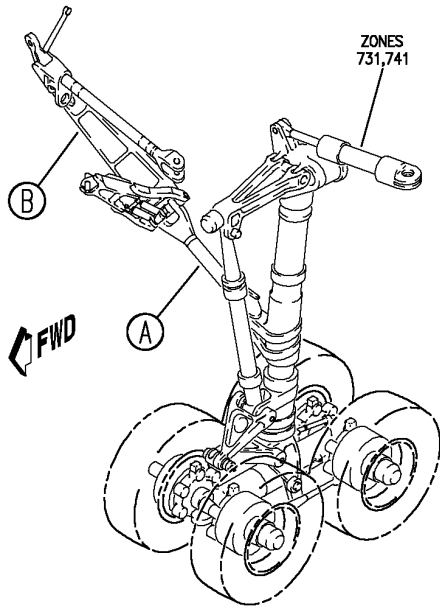
- ITEM NOT ILLUSTRATED

32-11-05-01

32-11-05  
FIG. 01  
PAGE 1  
JAN 20/09

BRI

**BOEING**  
757  
PARTS CATALOG (MAINTENANCE)



Y 32110502 REV 259

STRUT ASSY-UPR AND LWR MLG SIDE  
FIGURE 2

**32-11-05-02**

BRI  
MAY 28/07

32-11-05-02  
PAGE 0



757

PARTS CATALOG (MAINTENANCE)

FIG ITEM	PART NUMBER	1 2 3 4 5 6 7	NOMENCLATURE	EFFECT FROM TO	UNITS PER ASSY
2			STRUT ASSY-UPR AND LWR MLG SIDE	002004 006999	
- 1	161N2101-1		STRUT ASSY-MLG SIDE POSITION DATA: LWR FOR NHA SEE: 32-11-04-02	002004 006999	RF
- 1	161N2101-3		STRUT ASSY-MLG SIDE POSITION DATA: LWR FOR NHA SEE: 32-11-04-02	002004 006999	RF
- 1	161N2101-5		STRUT ASSY-MLG SIDE POSITION DATA: LWR FOR NHA SEE: 32-11-04-02	002004 006999	RF
5	1728B		.FITTING-LUBE SUPPLIER CODE: VOFKM1	002004 006999	4
- 100	161N2201-1		STRUT ASSY-MLG SIDE POSITION DATA: UPR FOR NHA SEE: 32-11-04-02	002004 006999	RF
- 100	161N2203-1		STRUT ASSY-MLG SIDE POSITION DATA: UPR FOR NHA SEE: 32-11-04-02	002004 006999	RF
- 100	161N2203-3		STRUT ASSY-MLG SIDE POSITION DATA: UPR FOR NHA SEE: 32-11-04-02	002004 006999	RF
105	1728B		.FITTING-LUBE SUPPLIER CODE: VOFKM1 USED ON: 161N2201-1 161N2203-1	002004 006999	4
105	MS15004-1		.FITTING-LUBE USED ON: 161N2203-3	002004 006999	4

R  
R  
R  
R  
R

MISSING ITEM NUMBERS NOT APPLICABLE

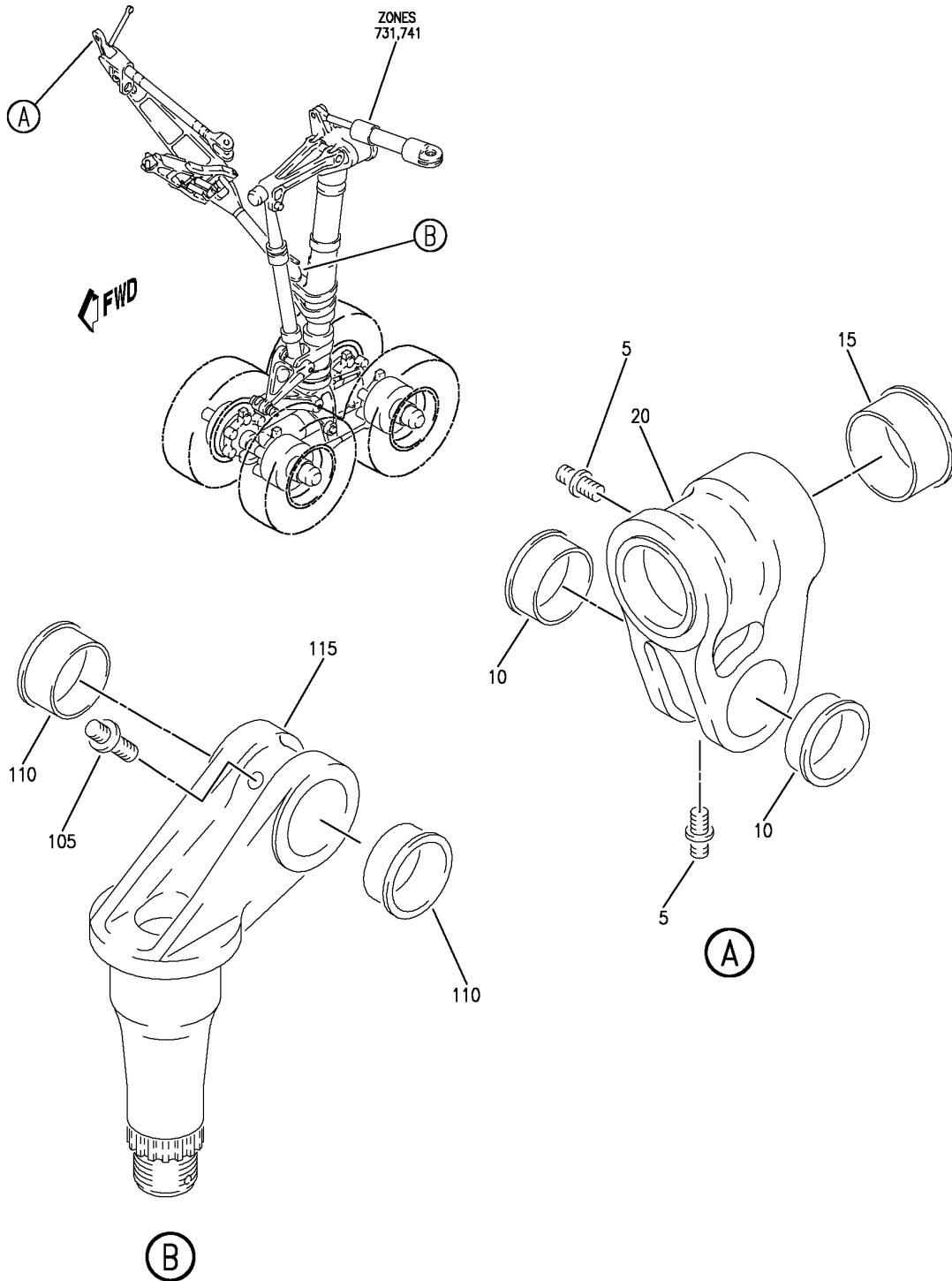
- ITEM NOT ILLUSTRATED

32-11-05-02

32-11-05  
FIG. 02  
PAGE 1  
MAY 20/09

BRI

**BOEING**  
757  
PARTS CATALOG (MAINTENANCE)



Y 32110701 REV 259

SWIVEL ASSY-UPR AND LWR MLG SIDE STRUT  
FIGURE 1

**32-11-07-01**

BRI  
MAY 28/07

32-11-07-01  
PAGE 0



757

PARTS CATALOG (MAINTENANCE)

FIG ITEM	PART NUMBER	1 2 3 4 5 6 7	NOMENCLATURE	EFFECT FROM TO	UNITS PER ASSY
1			SWIVEL ASSY-UPR AND LWR MLG SIDE STRUT	002004 006999	
- 1	161N2501-1		SWIVEL ASSY-MLG SIDE STRUT POSITION DATA: UPR OPTIONAL PART: 161N2501-3 FOR NHA SEE: 32-11-04-02	002004 006999	RF
- 1	161N2501-3		SWIVEL ASSY-MLG SIDE STRUT POSITION DATA: UPR OPTIONAL PART: 161N2501-1 FOR NHA SEE: 32-11-04-02	002004 006999	RF
5	1728B		.FITTING-LUBE SUPPLIER CODE: VOFKM1	002004 006999	2
- 100	161N2503-1		SWIVEL ASSY-MLG SIDE STRUT POSITION DATA: LWR FOR NHA SEE: 32-11-04-02	002004 006999	RF
- 100	161N2503-3		SWIVEL ASSY-MLG SIDE STRUT POSITION DATA: LWR FOR NHA SEE: 32-11-04-02	002004 006999	RF
105	1728B		.FITTING-LUBE SUPPLIER CODE: VOFKM1	002004 006999	1

R  
R  
R  
R  
R

MISSING ITEM NUMBERS NOT APPLICABLE

- ITEM NOT ILLUSTRATED

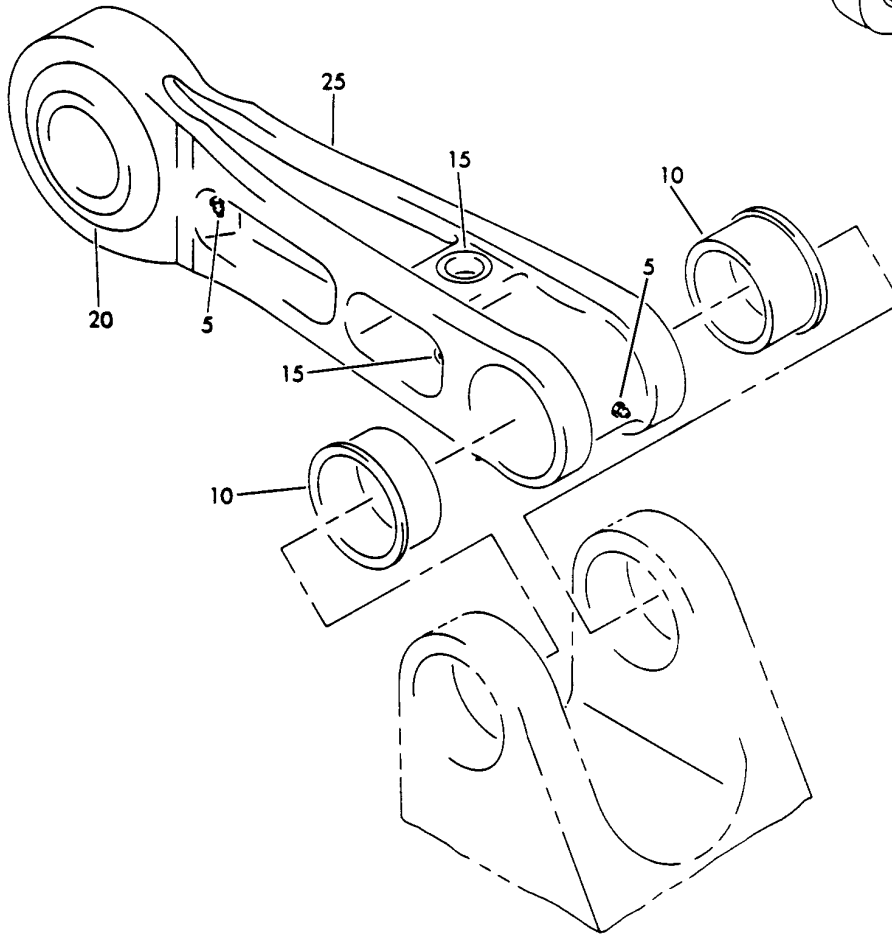
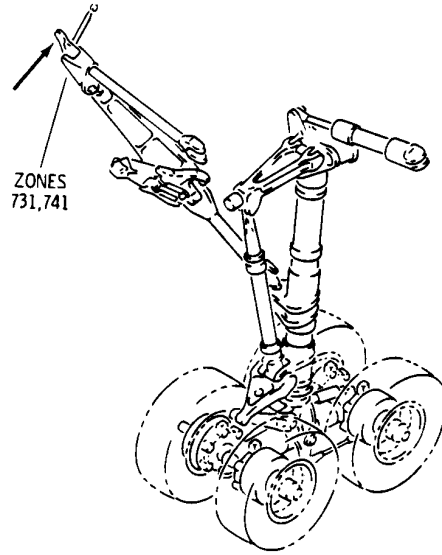
32-11-07-01

32-11-07  
FIG. 01  
PAGE 1  
MAY 20/09

BRI



**BOEING**  
757  
PARTS CATALOG (MAINTENANCE)



Y 32110901 REV 245

LINK ASSY-SIDE STRUT SPRT MLG  
FIGURE 1

**32-11-09-01**

BRI  
MAY 28/07

32-11-09-01  
PAGE 0



757

PARTS CATALOG (MAINTENANCE)

FIG ITEM	PART NUMBER	1 2 3 4 5 6 7	NOMENCLATURE	EFFECT FROM TO	UNITS PER ASSY
1			LINK ASSY-SIDE STRUT SPRT MLG	002004 006999	
- 1	161N2401-1		LINK ASSY-SIDE STRUT SPRT MLG FOR NHA SEE: 32-11-00-01 32-11-00-02 32-11-00-03	002004 006999	RF
- 1	161N2401-3		LINK ASSY-SIDE STRUT SPRT MLG FOR NHA SEE: 32-11-00-01 32-11-00-02 32-11-00-03	002004 006999	RF
- 1	161N2401-5		LINK ASSY-SIDE STRUT SPRT MLG FOR NHA SEE: 32-11-00-01 32-11-00-02 32-11-00-03	002004 006999	RF
5	1728B		.FITTING-LUBE SUPPLIER CODE: VOFKM1	002004 006999	2
10	160N0201-35		.BUSHING	002004 006999	2
15	BCREF5238		.BUSHING- SUPPLIER CODE: V50632 OVERLENGTH PART NUMBER: KJB165100B10-043	002004 006999	2
20	ASBB32-6		.BEARING-SPHERICAL SUPPLIER CODE: V15860 SPECIFICATION NUMBER: 60B00180-38 OPTIONAL PART: BDS32H124 V16746 KSB32-1 V97613 ASB32V101 VS0352 BDS32H124-1 V16746 WC32G9 V56644	002004 006999	1

MISSING ITEM NUMBERS NOT APPLICABLE

- ITEM NOT ILLUSTRATED

BRI

32-11-09-01

32-11-09  
FIG. 01  
PAGE 1  
JAN 20/09



757

PARTS CATALOG (MAINTENANCE)

FIG ITEM	PART NUMBER	1 2 3 4 5 6 7	NOMENCLATURE	EFFECT FROM TO	UNITS PER ASSY
1					
25	161N2401-2		.LINK- ALTERED FROM PART NUMBER: 161N2402-1 USED ON: 161N2401-1	002004 006999	1
25	161N2401-4		.LINK- ALTERED FROM PART NUMBER: 161N2401-1 USED ON: 161N2401-3	002004 006999	1
25	161N2401-6		.LINK- ALTERED FROM PART NUMBER: 161N2402-1 USED ON: 161N2401-5	002004 006999	1

MISSING ITEM NUMBERS NOT APPLICABLE

- ITEM NOT ILLUSTRATED

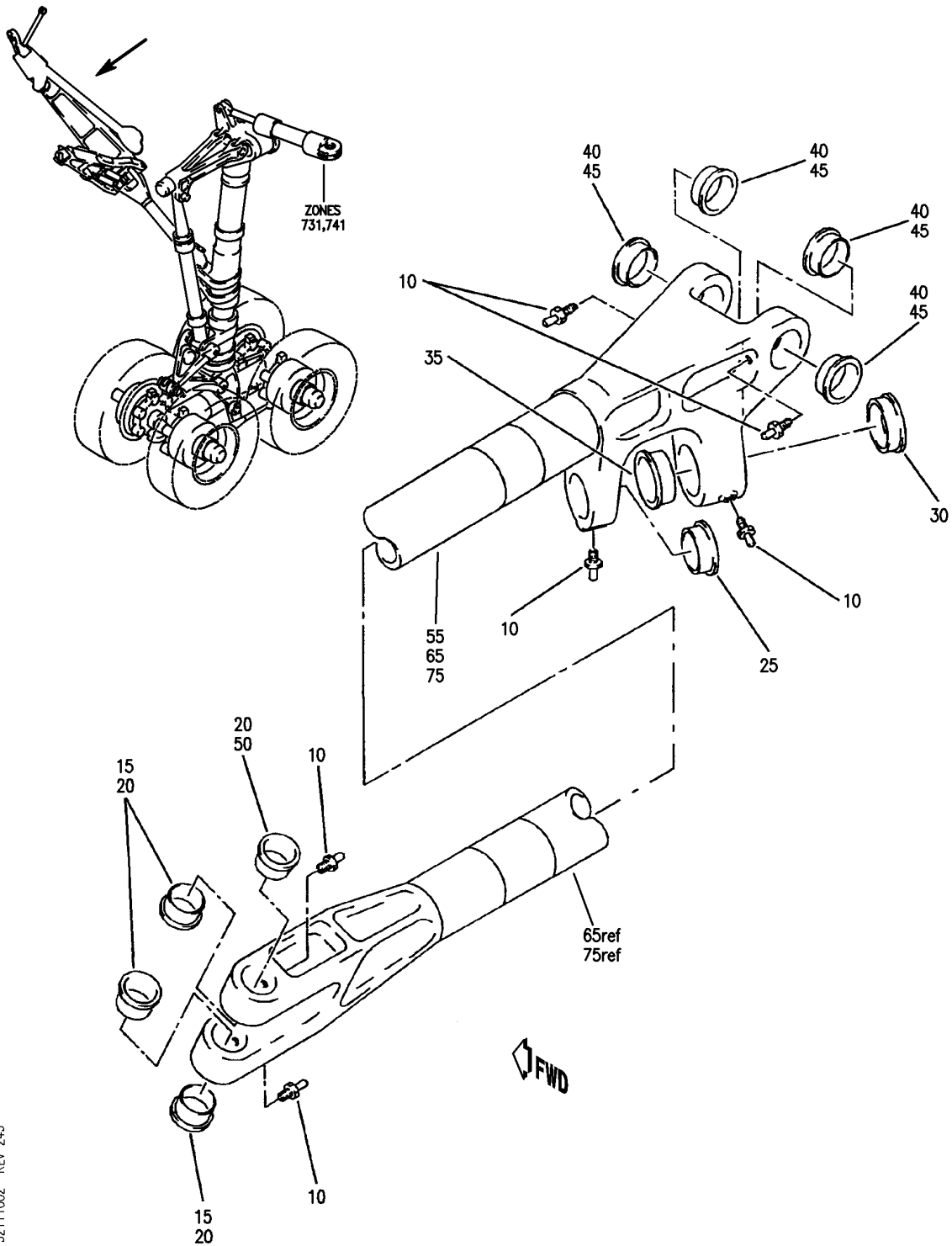
BRI

32-11-09-01

BOEING PROPRIETARY - Copyright © - Unpublished Work - See title page for details.

32-11-09  
FIG. 01  
PAGE 2  
JAN 20/09

**BOEING**  
757  
PARTS CATALOG (MAINTENANCE)



Y 3211002 REV 245

LINK ASSY-REACTION MLG  
FIGURE 2

**32-11-10-02**

BRI  
MAY 28/07

32-11-10-02  
PAGE 0



757

PARTS CATALOG (MAINTENANCE)

FIG ITEM	PART NUMBER	1 2 3 4 5 6 7	NOMENCLATURE	EFFECT FROM TO	UNITS PER ASSY
2			LINK ASSY-REACTION MLG	002004 006999	
- 1	161N2301-1		LINK ASSY-REACTION MLG POSITION DATA: LH COMPONENT MAINT MANUAL REF: 32-11-80 FOR NHA SEE: 32-11-00-01 32-11-00-02 32-11-00-03	002004 006999	RF
- 1	161N2301-7		LINK ASSY-REACTION MLG POSITION DATA: LH COMPONENT MAINT MANUAL REF: 32-11-80 FOR NHA SEE: 32-11-00-01 32-11-00-02 32-11-00-03	002004 006999	RF
R R R R R R	- 1	161N2301-25	LINK ASSY-REACTION MLG POSITION DATA: LH FOR NHA SEE: 32-11-00-01 32-11-00-02 32-11-00-03	002004 006999	RF
- 5	161N2301-2		LINK ASSY-REACTION MLG POSITION DATA: RH COMPONENT MAINT MANUAL REF: 32-11-80 FOR NHA SEE: 32-11-00-01 32-11-00-02 32-11-00-03	002004 006999	RF
- 5	161N2301-8		LINK ASSY-REACTION MLG POSITION DATA: RH COMPONENT MAINT MANUAL REF: 32-11-80 FOR NHA SEE: 32-11-00-01 32-11-00-02 32-11-00-03	002004 006999	RF

MISSING ITEM NUMBERS NOT APPLICABLE

- ITEM NOT ILLUSTRATED

32-11-10-02

32-11-10  
FIG. 02  
PAGE 1  
MAY 20/09

BRI



757

PARTS CATALOG (MAINTENANCE)

FIG ITEM	PART NUMBER	1 2 3 4 5 6 7	NOMENCLATURE	EFFECT FROM TO	UNITS PER ASSY
R R R R R R R R R R R R R R R R R	2 - 5	161N2301-26	LINK ASSY-REACTION MLG POSITION DATA: RH FOR NHA SEE: 32-11-00-01 32-11-00-02 32-11-00-03	002004 006999	RF
	10	1728B	.FITTING-LUBE SUPPLIER CODE: VOFKM1	002004 006999	6
	15	160N0201-38	.BUSHING- OPTIONAL PART: 160N0201-106	002004 006999	3
	15	160N0201-106	.BUSHING- OPTIONAL PART: 160N0201-38	002004 006999	3
	20	160N0201-38	.BUSHING- OPTIONAL PART: 160N0201-106	002004 006999	4
	20	160N0201-95	.BUSHING- OPTIONAL PART: 160N0201-38	002004 006999	4
	25	160N0201-39	.BUSHING- OPTIONAL PART: 160N0201-97	002004 006999	1
	25	160N0201-97	.BUSHING- OPTIONAL PART: 160N0201-39	002004 006999	1
	30	160N0201-40	.BUSHING- OPTIONAL PART: 160N0201-98	002004 006999	1
	30	160N0201-98	.BUSHING- OPTIONAL PART: 160N0201-40	002004 006999	1
	35	160N0201-41	.BUSHING- OPTIONAL PART: 160N0201-99	002004 006999	1
	35	160N0201-99	.BUSHING- OPTIONAL PART: 160N0201-41	002004 006999	1
	40	160N0201-42	.BUSHING- OPTIONAL PART: 160N0201-100	002004 006999	4
	40	160N0201-100	.BUSHING- OPTIONAL PART: 160N0201-42	002004 006999	4
	45	160N0201-92	.BUSHING- OPTIONAL PART: 160N0201-105	002004 006999	4

MISSING ITEM NUMBERS NOT APPLICABLE

- ITEM NOT ILLUSTRATED

32-11-10-02

32-11-10  
FIG. 02  
PAGE 2  
MAY 20/09

BRI



757

PARTS CATALOG (MAINTENANCE)

FIG ITEM	PART NUMBER	1 2 3 4 5 6 7	NOMENCLATURE	EFFECT FROM TO	UNITS PER ASSY
2					
45	160N0201-105		.BUSHING- OPTIONAL PART: 160N0201-92	002004 006999	4
50	161N2306-1		.BUSHING- OPTIONAL PART: 161N2306-2	002004 006999	1
50	161N2306-2		.BUSHING- OPTIONAL PART: 161N2306-1	002004 006999	1
55	161N2301-3		.LINK- POSITION DATA: LH SIDE USED ON: 161N2301-1	002004 006999	1
- 60	161N2301-4		.LINK- POSITION DATA: RH SIDE USED ON: 161N2301-2	002004 006999	1
65	161N2301-15		.LINK- POSITION DATA: LH SIDE	002004 006999	1
- 70	161N2301-16		.LINK- POSITION DATA: RH SIDE	002004 006999	1
75	161N2301-9		.LINK- POSITION DATA: LH SIDE USED ON: 161N2301-7	002004 006999	1
- 80	161N2301-10		.LINK- POSITION DATA: RH SIDE USED ON: 161N2301-8	002004 006999	1

MISSING ITEM NUMBERS NOT APPLICABLE

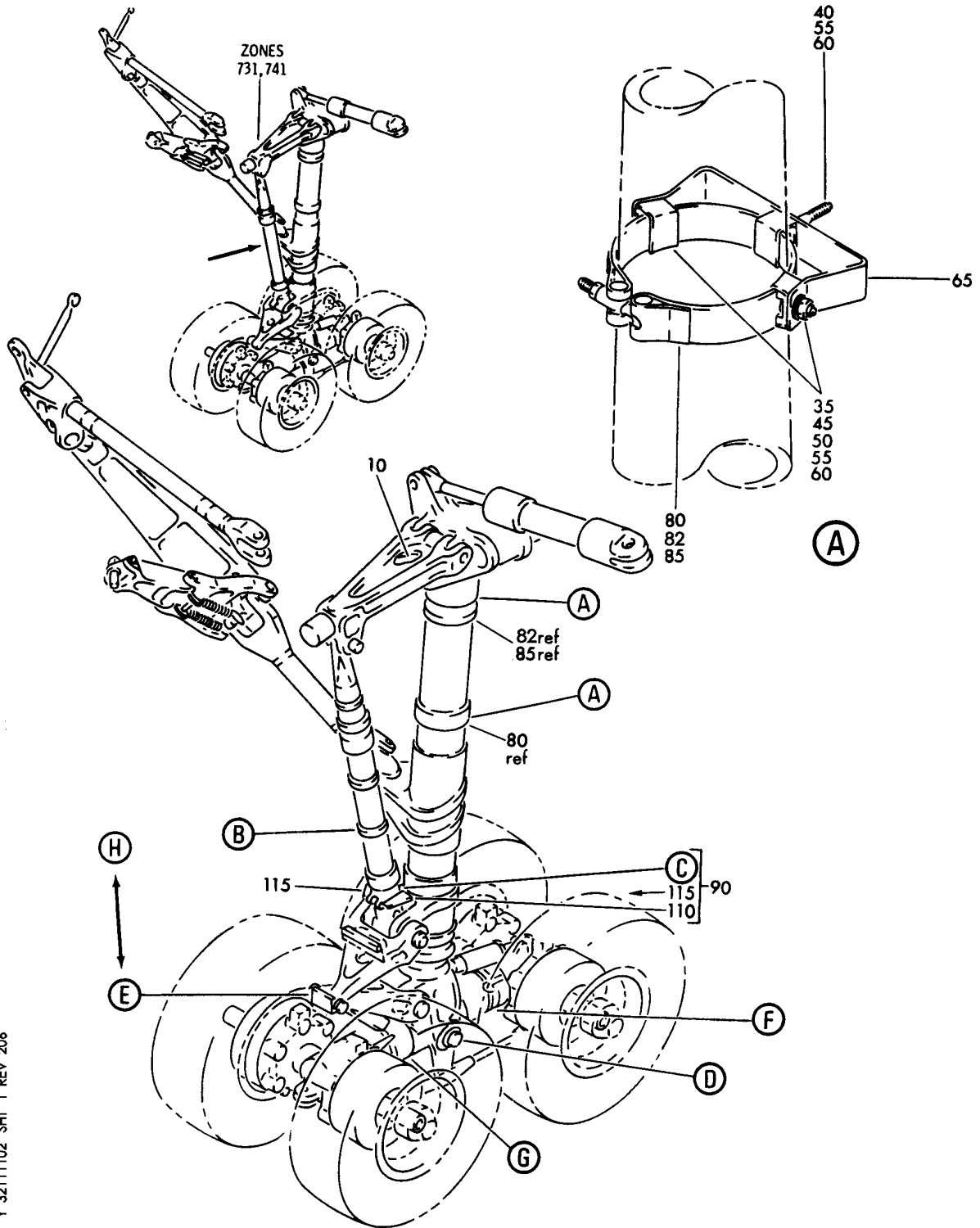
- ITEM NOT ILLUSTRATED

32-11-10-02

32-11-10  
FIG. 02  
PAGE 3  
MAY 20/09

BRI

**BOEING**  
757  
PARTS CATALOG (MAINTENANCE)



Y 32111102 SHF 1 REV 206

BRACKET INSTL-SECT. 61 MLG HYDR TUBE SPRT  
FIGURE 2 (SHEET 1)

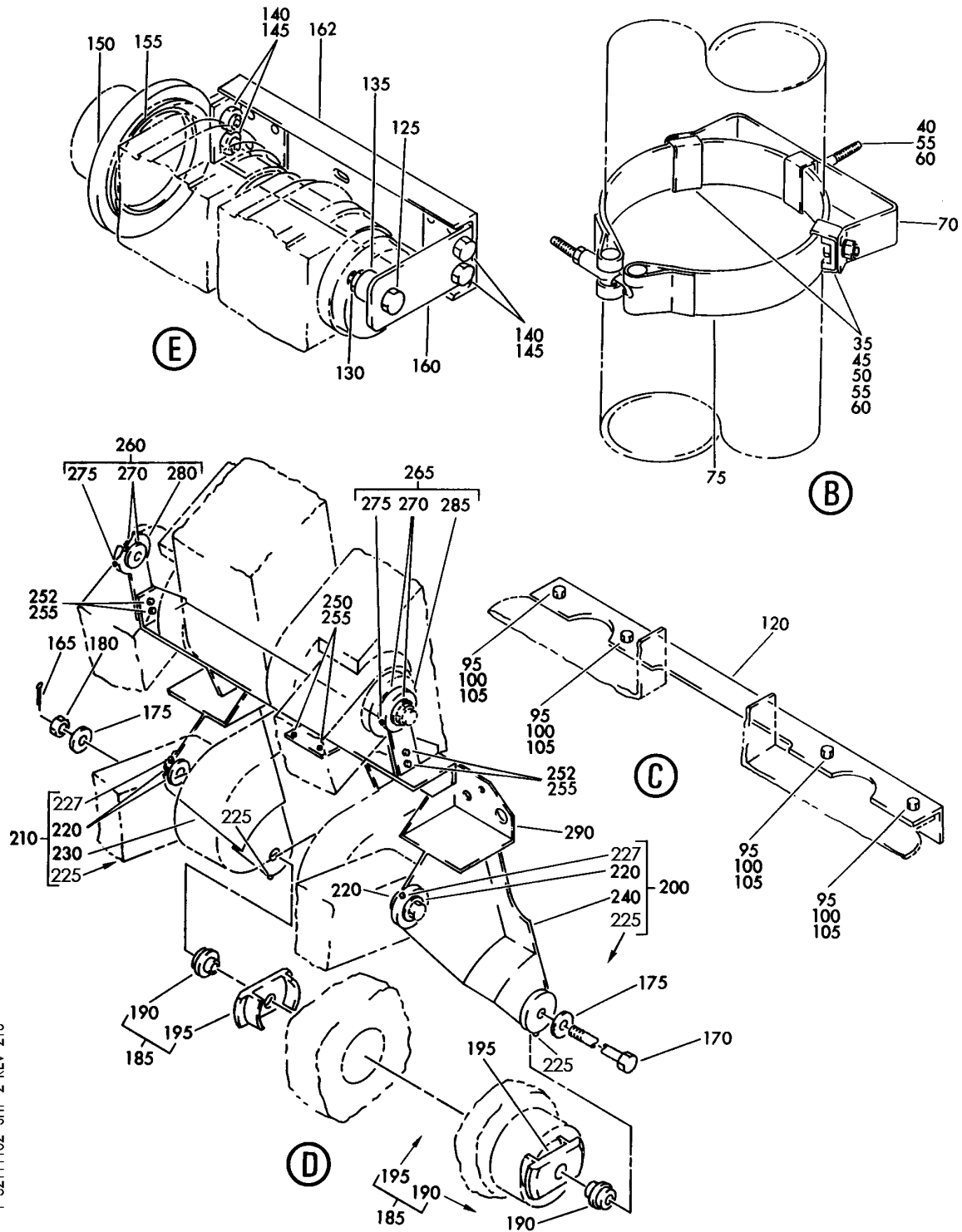
**32-11-11-02**

BRI  
MAY 28/07

32-11-11-02  
PAGE 0



**BOEING**  
757  
PARTS CATALOG (MAINTENANCE)



Y 32111102 SHT 2 REV 216

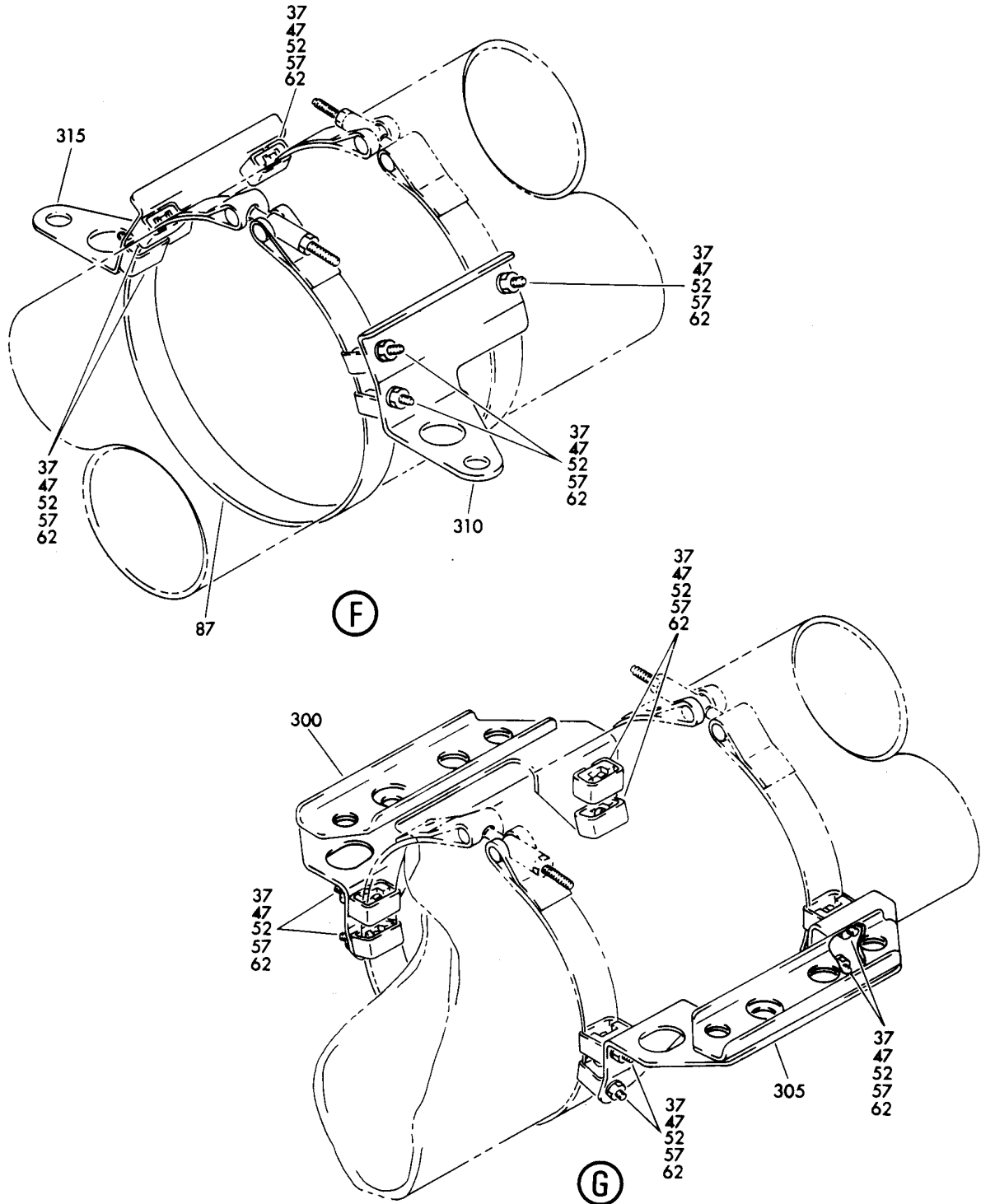
BRACKET INSTL-SECT. 61 MLG HYDR TUBE SPRT  
FIGURE 2 (SHEET 2)

**32-11-11-02**

BRI  
MAY 28/07

32-11-11-02  
PAGE 0A

**BOEING**  
757  
PARTS CATALOG (MAINTENANCE)



Y 32111102 SHT 3 REV 042

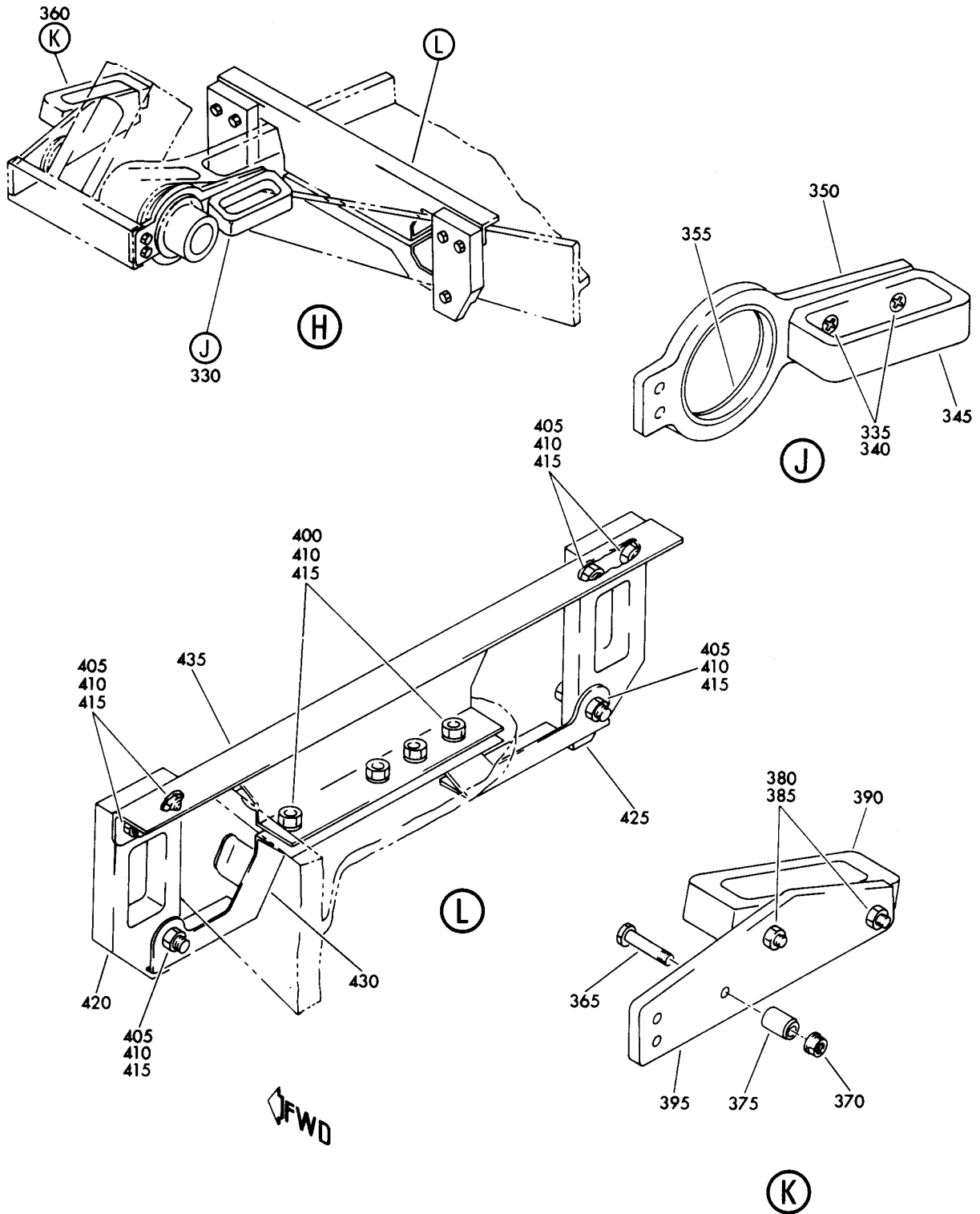
BRACKET INSTL-SECT. 61 MLG HYDR TUBE SPRT  
FIGURE 2 (SHEET 3)

**32-11-11-02**

BRI  
MAY 28/07

32-11-11-02  
PAGE 0B

**BOEING**  
757  
PARTS CATALOG (MAINTENANCE)



Y 32111102 SH1 4 REV 060

BRACKET INSTL-SECT. 61 MLG HYDR TUBE SPRT  
FIGURE 2 (SHEET 4)

**32-11-11-02**

BRI  
MAY 28/07

32-11-11-02  
PAGE 0C



757

PARTS CATALOG (MAINTENANCE)

FIG ITEM	PART NUMBER	1 2 3 4 5 6 7	NOMENCLATURE	EFFECT FROM TO	UNITS PER ASSY
2			BRACKET INSTL-SECT. 61 MLG HYDR TUBE SPRT	002004 006999	
- 1	271N6179-3		BRACKET INSTL-MLG HYDR TUBE SPRT LG POSITION DATA: SECT. 61 L FOR NHA SEE: 32-41-51-25	002004 006100 107107 121503 904999	RF
- 1	271N6179-5		BRACKET INSTL- POSITION DATA: SECT. 61 MLG HYDR TUBE SPRT L LG FOR NHA SEE: 32-00-00-03	101102 108120 504903	RF
- 1	MODREF29983		BRACKET INSTL- MODULE NUMBER: 271N6179-5 REV B POSITION DATA: SECT. 61 MLG HYDR TUBE SPRT L LG	103106	1
- 5	271N6179-4		BRACKET INSTL-MLG HYDR TUBE SPRT LG POSITION DATA: SECT. 61 R FOR NHA SEE: 32-41-51-25	002004 006100 107107 121503 904999	RF
- 5	271N6179-6		BRACKET INSTL- POSITION DATA: SECT. 61 MLG HYDR TUBE SPRT R LG FOR NHA SEE: 32-00-00-03	101102 108120 504903	RF
- 5	MODREF29984		BRACKET INSTL- MODULE NUMBER: 271N6179-6 REV B POSITION DATA: SECT. 61 MLG HYDR TUBE SPRT R LG	103106	1
10	271N6096-1		.BRACKET- POSITION DATA: LH SIDE	002004 006999	1
- 15	271N6096-2		.BRACKET- POSITION DATA: RH SIDE	002004 006999	1
- 20	BACB30NM4K6		ATTACHING PARTS .BOLT	002004 006999	4

MISSING ITEM NUMBERS NOT APPLICABLE

- ITEM NOT ILLUSTRATED

32-11-11-02

32-11-11  
FIG. 02  
PAGE 1  
JAN 20/09

BRI



757

PARTS CATALOG (MAINTENANCE)

FIG ITEM	PART NUMBER	1 2 3 4 5 6 7	NOMENCLATURE	EFFECT FROM TO	UNITS PER ASSY
2					
- 25	AN960PD416	.	WASHER	002004 006100 107107 121503 904999	4
- 25	NAS1149D0463J	.	WASHER	101106 108120 504903	4
- 30	BRH10C4D	.	NUT SUPPLIER CODE: V52828 SPECIFICATION NUMBER: BACN10JC4CD OPTIONAL PART: T6C428JCD V11815 NS202486-048 V80539 102LH9075-4W V72962 H51650-4BAC V15653 -----*-----	002004 006999	4
35	BACB30NM3K4	.	BOLT	002004 006999	6
40	BACB30NM3K26	.	BOLT	002004 006999	3
45	AN960PD10	.	WASHER	002004 006100 107107 121503 904999	6
45	NAS1149D0363J	.	WASHER	101106 108120 504903	6
50	BRH10C3D	.	NUT SUPPLIER CODE: V52828 SPECIFICATION NUMBER: BACN10JC3CD OPTIONAL PART: T6C1032JCD V11815 NS202486-02 V80539 102LH9075-3W V72962 H51650-3BAC V15653	002004 006999	6

MISSING ITEM NUMBERS NOT APPLICABLE

- ITEM NOT ILLUSTRATED

32-11-11-02

32-11-11  
FIG. 02  
PAGE 2  
JAN 20/09

BRI



757

PARTS CATALOG (MAINTENANCE)

FIG ITEM	PART NUMBER	1 2 3 4 5 6 7	NOMENCLATURE	EFFECT FROM TO	UNITS PER ASSY
2					
55	BACC15AN10	.	CLIP	002004 006999	9
60	BACB19F10S	.	BLOCK	002004 006999	9
65	271N6096-5	.	BRACKET	002004 006999	2
70	271N6096-6	.	BRACKET	002004 006999	1
75	BC1083-055S	.	CLAMP SUPPLIER CODE: V14242 SPECIFICATION NUMBER: BACC10FY055S OPTIONAL PART: 3140AB055 V94581 57490-055 V98625 B06A055S V10234 MBC68941-055 V8W928	002004 006100 107107 121503 904999	1
75	3140AB055E	.	CLAMP SUPPLIER CODE: V94581 SPECIFICATION NUMBER: BACC10FY055SE OPTIONAL PART: BC1083-055SE V14242 NE103338-055 V8W928	101106 108120 504903	1
80	BC4083-101S	.	CLAMP SUPPLIER CODE: V14242 SPECIFICATION NUMBER: BACC10FY101S OPTIONAL PART: 3140AB101 V94581 57490-101 V98625 B06A101S V10234 MBC68941-101 V8W928	002004 006100 107107 121503 904999	1

MISSING ITEM NUMBERS NOT APPLICABLE

- ITEM NOT ILLUSTRATED

BRI

32-11-11-02

32-11-11  
FIG. 02  
PAGE 3  
JAN 20/09





757

PARTS CATALOG (MAINTENANCE)

FIG ITEM	PART NUMBER	1 2 3 4 5 6 7	NOMENCLATURE	EFFECT FROM TO	UNITS PER ASSY
2					
100	AN960KD10	..	WASHER	002004 006999	4
105	BRH10C3D	..	NUT	002004 006999	4
			SUPPLIER CODE: V52828		
			SPECIFICATION NUMBER: BACN10JC3CD		
			OPTIONAL PART: T6C1032JCD		
			V11815		
			NS202486-02		
			V80539		
			102LH9075-3W		
			V72962		
			H51650-3BAC		
			V15653		
110	271N6170-8	..	BRACKET ASSY-	107107	1
			USED ON: 271N6170-7		
			271N6170-10		
110	271N6170-11	..	BRACKET ASSY-	002004 006999	1
			USED ON: 271N6170-13		
115	271N6170-9	..	BRACKET ASSY-	107107	1
			USED ON: 271N6170-7		
			271N6170-10		
115	271N6170-12	..	BRACKET ASSY-	002004 006999	1
			USED ON: 271N6170-13		
120	271N6165-3	..	BRACKET-	002004 006999	1
			USED ON: 271N6170-10		
			271N6170-13		
140	BACB30NM4K6	.	BOLT	002004 006999	4

MISSING ITEM NUMBERS NOT APPLICABLE

- ITEM NOT ILLUSTRATED

32-11-11-02

32-11-11  
FIG. 02  
PAGE 5  
JAN 20/09

BRI

BOEING PROPRIETARY - Copyright © - Unpublished Work - See title page for details.





757

PARTS CATALOG (MAINTENANCE)

FIG ITEM	PART NUMBER	1 2 3 4 5 6 7	NOMENCLATURE	EFFECT FROM TO	UNITS PER ASSY
2 145	BRH10C4D	.NUT	SUPPLIER CODE: V52828 SPECIFICATION NUMBER: BACN10JC4CD OPTIONAL PART: T6C428JCD V11815 NS202486-048 V80539 102LH9075-4W V72962 H51650-4BAC V15653	002004 006999	4
R R R R	162	271N6162-10	.BRACKET ASSY	107107	1
	162	271N6162-12	.BRACKET ASSY	002004 006106 108999	1
	165	MS24665-304	.PIN	002004 006100 107107 121503 904999	1
	165	BACP18BC03A10P	.PIN	101106 108120 504903	1
	170	NAS6708D293	.BOLT	002004 006999	1
	175	161N1829-1	.WASHER	002004 006999	2
	180	69235-820CD	.NUT	002004 006999	1
			SUPPLIER CODE: V92215 SPECIFICATION NUMBER: BACN10JC8CD OPTIONAL PART: 102LH9074-8 V72962 BMN4122CPD8-8 V97928 H51650-8BAC V15653		
	185	161N1830-4	.CAP ASSY	002004 006999	2
R R	190	161N1828-1	..BUSHING	002004 006999	1
	195	161N1820-5	..CAP	002004 006999	1

MISSING ITEM NUMBERS NOT APPLICABLE

- ITEM NOT ILLUSTRATED

32-11-11-02

32-11-11  
FIG. 02  
PAGE 6  
MAY 20/09

BRI

BOEING PROPRIETARY - Copyright © - Unpublished Work - See title page for details.



757

PARTS CATALOG (MAINTENANCE)

FIG ITEM	PART NUMBER	1 2 3 4 5 6 7	NOMENCLATURE	EFFECT FROM TO	UNITS PER ASSY
2					
200	271N6618-15		.BRACKET ASSY- POSITION DATA: LH SIDE	002004 006999	1
200	271N6618-9		.BRACKET ASSY- POSITION DATA: LH SIDE	002004 006999	1
- 205	271N6618-16		.BRACKET ASSY- POSITION DATA: RH SIDE	002004 006999	1
- 205	271N6618-12		.BRACKET ASSY- POSITION DATA: RH SIDE	002004 006999	1
210	271N6618-10		.BRACKET ASSY- POSITION DATA: LH SIDE	002004 006999	1
210	271N6618-13		.BRACKET ASSY- POSITION DATA: LH SIDE	002004 006999	1
- 215	271N6618-11		.BRACKET ASSY- POSITION DATA: RH SIDE	002004 006999	1
- 215	271N6618-14		.BRACKET ASSY- POSITION DATA: RH SIDE	002004 006999	1
220	BACB28X14M019		..BUSHING	002004 006999	4
225	1728B		.. FITTING-LUBE SUPPLIER CODE: VOFKM1	002004 006999	1
227	3036		.. FITTING-LUBE SUPPLIER CODE: VOFKM1	002004 006999	1
230	271N6620-7		..BRACKET- USED ON: 271N6618-5 271N6618-9 271N6618-15	002004 006999	1
230	271N6511-1		..BRACKET- USED ON: 271N6618-5 271N6618-9 271N6618-15 USED ON: 271N6618-15	002004 006999	1

MISSING ITEM NUMBERS NOT APPLICABLE

- ITEM NOT ILLUSTRATED

32-11-11-02

32-11-11  
FIG. 02  
PAGE 7  
JAN 20/09

BRI

BOEING PROPRIETARY - Copyright © - Unpublished Work - See title page for details.



757

PARTS CATALOG (MAINTENANCE)

FIG ITEM	PART NUMBER	1 2 3 4 5 6 7	NOMENCLATURE	EFFECT FROM TO	UNITS PER ASSY
2					
- 235	271N6620-10	..	BRACKET- USED ON: 271N6618-8 271N6618-12 271N6618-16 USED ON: 271N6618-12	002004 006999	1
- 235	271N6511-2	..	BRACKET- USED ON: 271N6618-8 271N6618-12 271N6618-16 USED ON: 271N6618-16	002004 006999	1
240	271N6620-8	..	BRACKET- USED ON: 271N6618-6 271N6618-10 271N6618-13 USED ON: 271N6618-10	002004 006999	1
240	271N6510-1	..	BRACKET- USED ON: 271N6618-6 271N6618-10 271N6618-13 USED ON: 271N6618-13	002004 006999	1
- 245	271N6620-9	..	BRACKET- USED ON: 271N6618-7 271N6618-11 271N6618-14 USED ON: 271N6618-11	002004 006999	1
- 245	271N6510-2	..	BRACKET- USED ON: 271N6618-7 271N6618-11 271N6618-14 USED ON: 271N6618-14	002004 006999	1
250	BACB30NM4K11	.	BOLT-	002004 006999	2
252	BACB30NM4K8	.	BOLT	002004 006999	4

MISSING ITEM NUMBERS NOT APPLICABLE

- ITEM NOT ILLUSTRATED

32-11-11-02

32-11-11  
FIG. 02  
PAGE 8  
MAY 20/09

BRI





757

PARTS CATALOG (MAINTENANCE)

FIG ITEM	PART NUMBER	1 2 3 4 5 6 7	NOMENCLATURE	EFFECT FROM TO	UNITS PER ASSY
2					
290	271N6382-3		.BRACKET- POSITION DATA: LH SIDE	002004 121503 952952	1
290	271N6615-7		.BRACKET- POSITION DATA: LH SIDE	107107 904949	1
290	271N6382-5		.BRACKET- POSITION DATA: LH SIDE	006106 108120 504903 950951 953999	1
- 295	271N6382-4		.BRACKET- POSITION DATA: RH SIDE	002004 121503 952952	1
- 295	271N6615-8		.BRACKET- POSITION DATA: RH SIDE	107107 904949	1
- 295	271N6382-6		.BRACKET- POSITION DATA: RH SIDE	006106 108120 504903 950951 953999	1
330	271N6306-1		.GUIDE ASSY-HOSE	002004 006999	1
335	BACB30LU4-6		..BOLT-	002004 006999	2
340	BRH10C4D		..NUT SUPPLIER CODE: V52828 SPECIFICATION NUMBER: BACN10JC4CD OPTIONAL PART: T6C428JCD V11815 NS202486-048 V80539 102LH9075-4W V72962 H51650-4BAC V15653	002004 006999	2
345	271N6309-1		..GUIDE	002004 006999	1
350	271N6310-1		..BRACKET ASSY-SPRT	002004 006999	1
355	271N6168-3		...BUSHING	002004 006999	1
360	271N6306-2		.GUIDE ASSY-HOSE	002004 006999	1

MISSING ITEM NUMBERS NOT APPLICABLE

- ITEM NOT ILLUSTRATED

BRI

32-11-11-02

32-11-11  
FIG. 02  
PAGE 10  
JAN 20/09



757

PARTS CATALOG (MAINTENANCE)

FIG ITEM	PART NUMBER	1 2 3 4 5 6 7	NOMENCLATURE	EFFECT FROM TO	UNITS PER ASSY
2					
365	BACB30NM5K16	..	BOLT	002004 006999	1
370	BRH10C5D	..	NUT SUPPLIER CODE: V52828 SPECIFICATION NUMBER: BACN10JC5CD OPTIONAL PART: T6C524JCD V11815 102LH9075-5W V72962 H51650-5BAC V15653	002004 006999	1
375	271N6169-1	..	BUSHING-	002004 006100 103107 121503 904999	1
380	BACB30LU4-6	..	BOLT-	002004 006999	2
385	BRH10C4D	..	NUT SUPPLIER CODE: V52828 SPECIFICATION NUMBER: BACN10JC4CD OPTIONAL PART: T6C428JCD V11815 NS202486-048 V80539 102LH9075-4W V72962 H51650-4BAC V15653	002004 006999	2
390	271N6309-2	..	GUIDE	002004 006999	1
395	271N6310-4	..	BRACKET-SPRT	002004 006999	1
400	BACB30NM4K5	.	BOLT	002004 006100 107107 121503 904999	4
400	BACB30NM4K7	.	BOLT	101106 108120 504903	4

MISSING ITEM NUMBERS NOT APPLICABLE

- ITEM NOT ILLUSTRATED

32-11-11-02

32-11-11  
FIG. 02  
PAGE 11  
JAN 20/09

BRI



757

PARTS CATALOG (MAINTENANCE)

FIG ITEM	PART NUMBER	1 2 3 4 5 6 7	NOMENCLATURE	EFFECT FROM TO	UNITS PER ASSY
2					
405	BACB30NM4K9	.	BOLT	002004 006100 107107 121503 904999	6
405	BACB30NM4K12	.	BOLT	101106 108120 504903	6
410	BACW10BP4CD	.	WASHER-	002004 006999	10
415	BRH10C4D	.	NUT-	002004 006999	10
			SUPPLIER CODE: V52828		
			SPECIFICATION NUMBER: BACN10JC4CD		
			OPTIONAL PART: T6C428JCD		
			V11815		
			NS202486-048		
			V80539		
			102LH9075-4W		
			V72962		
			H51650-4BAC		
			V15653		
420	271N6309-3	.	GUIDE-HOSE	002004 006999	1
425	271N6309-4	.	GUIDE-HOSE	002004 006999	1
430	271N6308-1	.	BRACKET ASSY-	002004 006999	1
435	271N6308-3	.	BRACKET ASSY-	002004 006999	1

MISSING ITEM NUMBERS NOT APPLICABLE

- ITEM NOT ILLUSTRATED

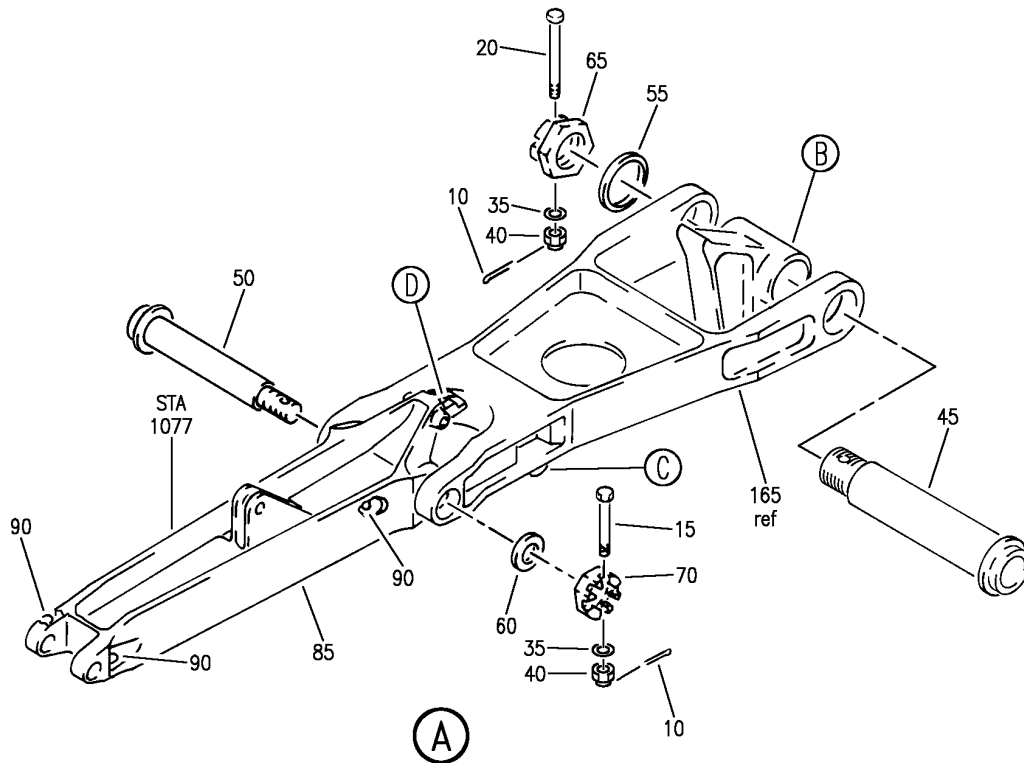
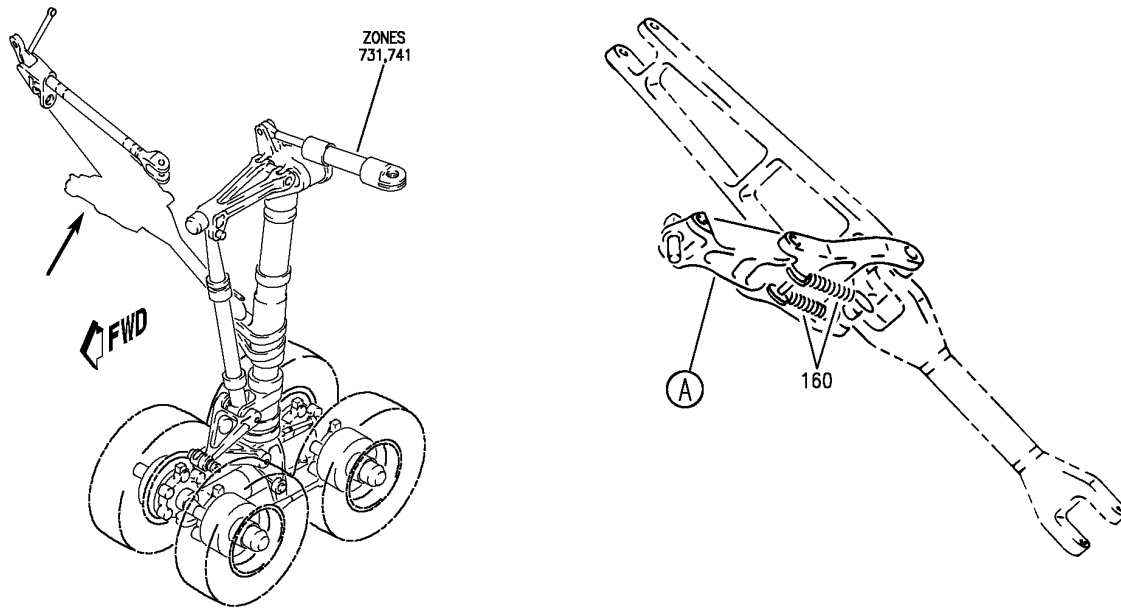
32-11-11-02

32-11-11  
FIG. 02  
PAGE 12  
JAN 20/09

BRI

BOEING PROPRIETARY - Copyright © - Unpublished Work - See title page for details.

**BOEING**  
757  
PARTS CATALOG (MAINTENANCE)



Y 32111201 SHT 1 REV 259

DOWNLOCK ASSY-MLG, LH AND RH SIDE (MAIN GEAR DOWNLOCK ASSEMBLY ONLY)  
FIGURE 1 (SHEET 1)

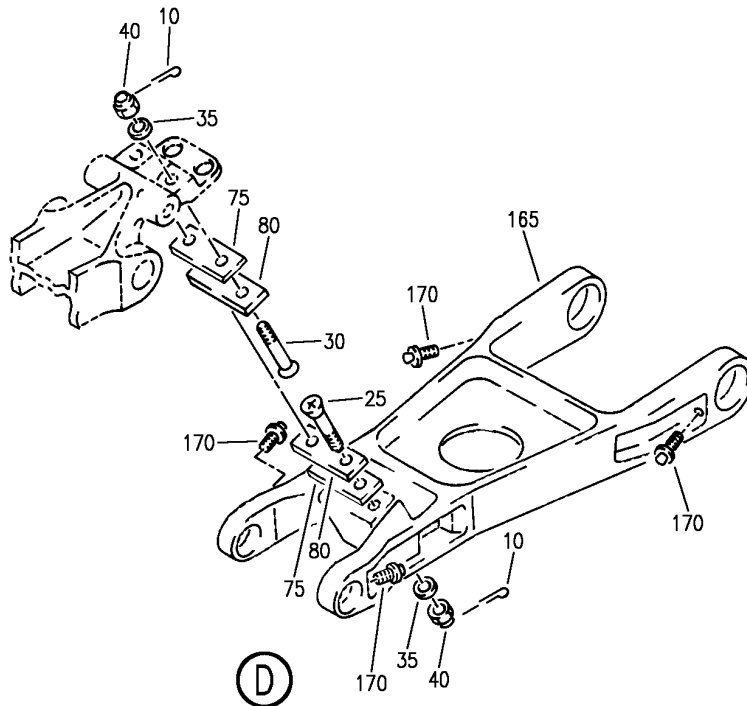
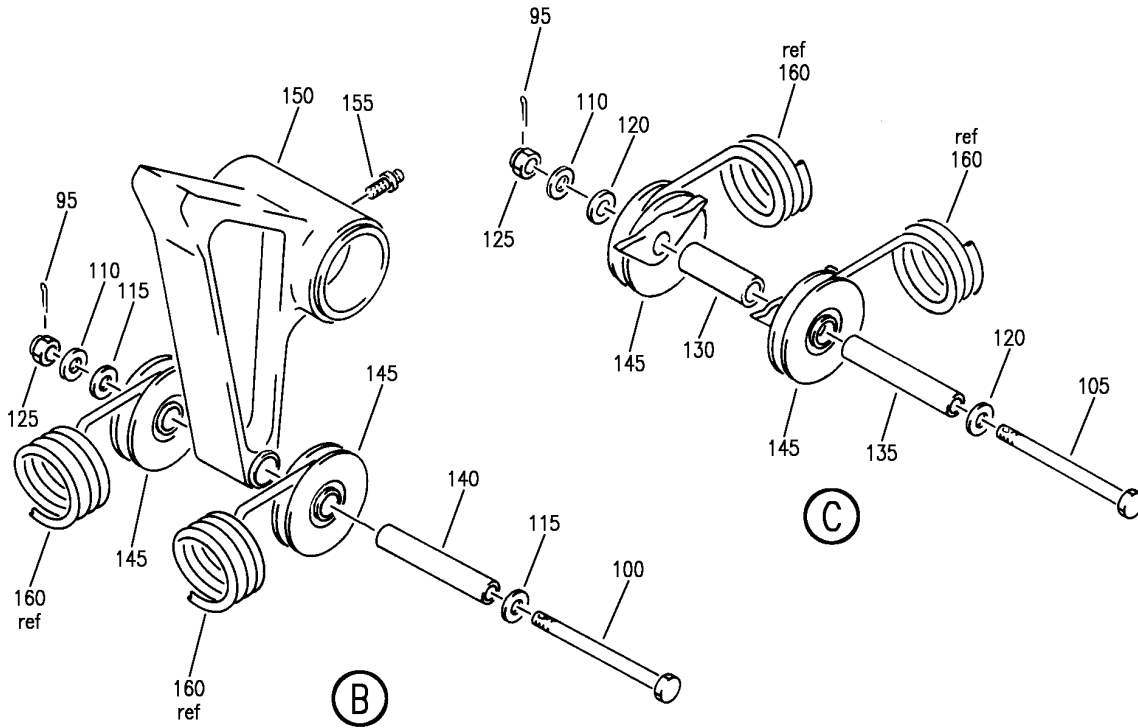
**32-11-12-01**

BRI  
MAY 28/07

32-11-12-01  
PAGE 0



**BOEING**  
757  
PARTS CATALOG (MAINTENANCE)



Y 3211201 SHT 2 REV 259

DOWNLOCK ASSY-MLG, LH AND RH SIDE (MAIN GEAR DOWNLOCK ASSEMBLY ONLY)  
FIGURE 1 (SHEET 2)

BRI  
MAY 28/07

**32-11-12-01**

32-11-12-01  
PAGE 0A



757

PARTS CATALOG (MAINTENANCE)

FIG ITEM	PART NUMBER	1 2 3 4 5 6 7	NOMENCLATURE	EFFECT FROM TO	UNITS PER ASSY
1			DOWNLOCK ASSY-MLG, LH AND RH SIDE (MAIN GEAR DOWNLOCK ASSEMBLY ONLY)	002004 006999	
- 1	161N3001-11		DOWNLOCK ASSY-MLG (MAIN GEAR DOWNLOCK ASSEMBLY ONLY) POSITION DATA: LH SIDE FOR NHA/ADDITIONAL DET SEE: 32-11-04-02	002004 006999	RF
- 1	161N3001-13		DOWNLOCK ASSY-MLG (MAIN GEAR DOWNLOCK ASSEMBLY ONLY) POSITION DATA: LH SIDE FOR NHA/ADDITIONAL DET SEE: 32-11-04-02	002004 006999	RF
- 1	161N3001-15		DOWNLOCK ASSY-MLG (MAIN GEAR DOWNLOCK ASSEMBLY ONLY) POSITION DATA: LH SIDE FOR NHA/ADDITIONAL DET SEE: 32-11-04-02	002004 006999	RF
- 2	161N3001-17		DOWNLOCK ASSY-MLG (MAIN GEAR DOWNLOCK ASSEMBLY ONLY) POSITION DATA: LH SIDE FOR NHA/ADDITIONAL DET SEE: 32-11-04-02	002004 006999	RF
- 5	161N3001-12		DOWNLOCK ASSY-MLG (MAIN GEAR DOWNLOCK ASSEMBLY ONLY) POSITION DATA: RH SIDE FOR NHA/ADDITIONAL DET SEE: 32-11-04-02	002004 006999	RF
- 5	161N3001-14		DOWNLOCK ASSY-MLG (MAIN GEAR DOWNLOCK ASSEMBLY ONLY) POSITION DATA: RH SIDE FOR NHA/ADDITIONAL DET SEE: 32-11-04-02	002004 006999	RF

MISSING ITEM NUMBERS NOT APPLICABLE

- ITEM NOT ILLUSTRATED

32-11-12-01

32-11-12  
FIG. 01  
PAGE 1  
SEP 20/08

BRI



757

PARTS CATALOG (MAINTENANCE)

FIG ITEM	PART NUMBER	1 2 3 4 5 6 7	NOMENCLATURE	EFFECT FROM TO	UNITS PER ASSY
1					
- 5	161N3001-16		DOWNLOCK ASSY-MLG (MAIN GEAR DOWNLOCK ASSEMBLY ONLY) POSITION DATA: RH SIDE FOR NHA/ADDITIONAL DET SEE: 32-11-04-02	002004 006999	RF
- 5	161N3001-18		DOWNLOCK ASSY-MLG (MAIN GEAR DOWNLOCK ASSEMBLY ONLY) POSITION DATA: RH SIDE FOR NHA/ADDITIONAL DET SEE: 32-11-04-02	002004 006999	RF
10	BACP18BC02A04P		.PIN-COTTER	002004 006999	6
15	BACB30LJ4D23		.BOLT	002004 006999	1
20	BACB30LJ4D36		.BOLT	002004 006999	1
25	BACB30LH4DU26		.BOLT	002004 006999	2
30	BACB30LH4DU18		.BOLT	002004 006999	2
35	NAS1149F0432P		.WASHER	002004 006999	6
40	BRH10C4D		.NUT SUPPLIER CODE: V52828 SPECIFICATION NUMBER: BACN10JC4CD OPTIONAL PART: T6C428JCD V11815 NS202486-048 V80539 102LH9075-4W V72962 H51650-4BAC V15653	002004 006999	6

MISSING ITEM NUMBERS NOT APPLICABLE

- ITEM NOT ILLUSTRATED

32-11-12-01

32-11-12  
FIG. 01  
PAGE 2  
SEP 20/08

BRI



757

PARTS CATALOG (MAINTENANCE)

FIG ITEM	PART NUMBER	1 2 3 4 5 6 7	NOMENCLATURE	EFFECT FROM TO	UNITS PER ASSY
1	45 161N2510-6		.PIN- OPTIONAL PART: 161N2510-9 USED ON: 161N3001-11 161N3001-12 161N3001-13 161N3001-14 161N3001-15 161N3001-16 161N0004-11 161N0004-12	002004 006999	1
	45 161N2510-9		.PIN- OPTIONAL PART: 161N2510-6 USED ON: 161N3001-15 161N3001-16 161N3001-17 161N3001-18	002004 006999	1
	50 161N3011-1		.BOLT-DOWNLOCK APEX OPTIONAL PART: 161N3011-2 USED ON: 161N3001-7 161N3001-8 161N3001-9 161N3001-10 161N3001-11 161N3001-12 161N3001-13 161N3001-14 161N3001-15 161N3001-16 161N0004-9 161N0004-10 161N0004-11 161N0004-12	002004 006999	1
	50 161N3011-2		.BOLT-DOWNLOCK APEX OPTIONAL PART: 161N3011-1 USED ON: 161N3001-15 161N3001-16 161N3001-17 161N3001-18 161N3001-23 161N3001-24	002004 006999	1

MISSING ITEM NUMBERS NOT APPLICABLE

- ITEM NOT ILLUSTRATED

32-11-12-01

32-11-12  
FIG. 01  
PAGE 3  
SEP 20/08

BRI



757

PARTS CATALOG (MAINTENANCE)

FIG ITEM	PART NUMBER	1 2 3 4 5 6 7	NOMENCLATURE	EFFECT FROM TO	UNITS PER ASSY
R R	1 55	162N3115-3	.WASHER	002004 006999	1
	60	162N3115-7	.WASHER-TANG	002004 006999	1
	65	162N2304-2	.NUT	002004 006999	1
	70	161N3020-1	.NUT	002004 006999	1
	75	161N3018-1	.SHIM	002004 006999	2
	80	161N3017-1	.BLOCK	002004 006999	2
	85	161N3002-3	.LINK ASSY-DOWNLOCK	002004 006999	1
	85	161N3002-5	.LINK ASSY-DOWNLOCK	002004 006999	1
	90	1728B	.. FITTING-LUBE SUPPLIER CODE: VOFKM1	002004 006999	3
	95	BACP18BC02A04P	.PIN-COTTER	002004 006999	2
	100	BACB30LJ4D56	.BOLT	002004 006999	1
	105	BACB30LJ4D67	.BOLT	002004 006999	1
	110	NAS1149C0432R	.WASHER	002004 006999	2
	115	161N3021-2	.WASHER	002004 006999	2
	120	161N3021-3	.WASHER	002004 006999	2
	125	BRH10C4D	.NUT SUPPLIER CODE: V52828 SPECIFICATION NUMBER: BACN10JC4CD OPTIONAL PART: T6C428JCD V11815 NS202486-048 V80539 102LH9075-4W V72962 H51650-4BAC V15653	002004 006999	2
	130	BACB28Z4-223	.BUSHING	002004 006999	1
	135	BACB28Z4-408	.BUSHING	002004 006999	1

MISSING ITEM NUMBERS NOT APPLICABLE

- ITEM NOT ILLUSTRATED

32-11-12-01

32-11-12  
FIG. 01  
PAGE 4  
MAY 20/09

BRI



757

PARTS CATALOG (MAINTENANCE)

FIG ITEM	PART NUMBER	1 2 3 4 5 6 7	NOMENCLATURE	EFFECT FROM TO	UNITS PER ASSY
1					
140	BACB28Z4-334	.	BUSHING	002004 006999	1
145	161N3013-1	.	SPOOL ASSY	002004 006999	4
150	161N3008-1	.	RETAINER ASSY-SPR	002004 006999	1
155	1728B	..	FITTING-LUBE SUPPLIER CODE: VOFKM1	002004 006999	1
160	161N3019-2	.	SPRING- USED ON: 161N3001-9 161N3001-10 161N3001-11 161N3001-12 161N3001-13 161N3001-14 161N0004-9 161N0004-10 161N0004-11 161N0004-12	002004 006999	2
160	161N3019-3	.	SPRING- USED ON: 161N3001-15 161N3001-16 161N3001-17 161N3001-18	002004 006999	2
165	161N3004-3	.	LINK ASSY-DOWNLOCK	002004 006999	1
170	1728B	..	FITTING-LUBE SUPPLIER CODE: VOFKM1	002004 006999	4

MISSING ITEM NUMBERS NOT APPLICABLE

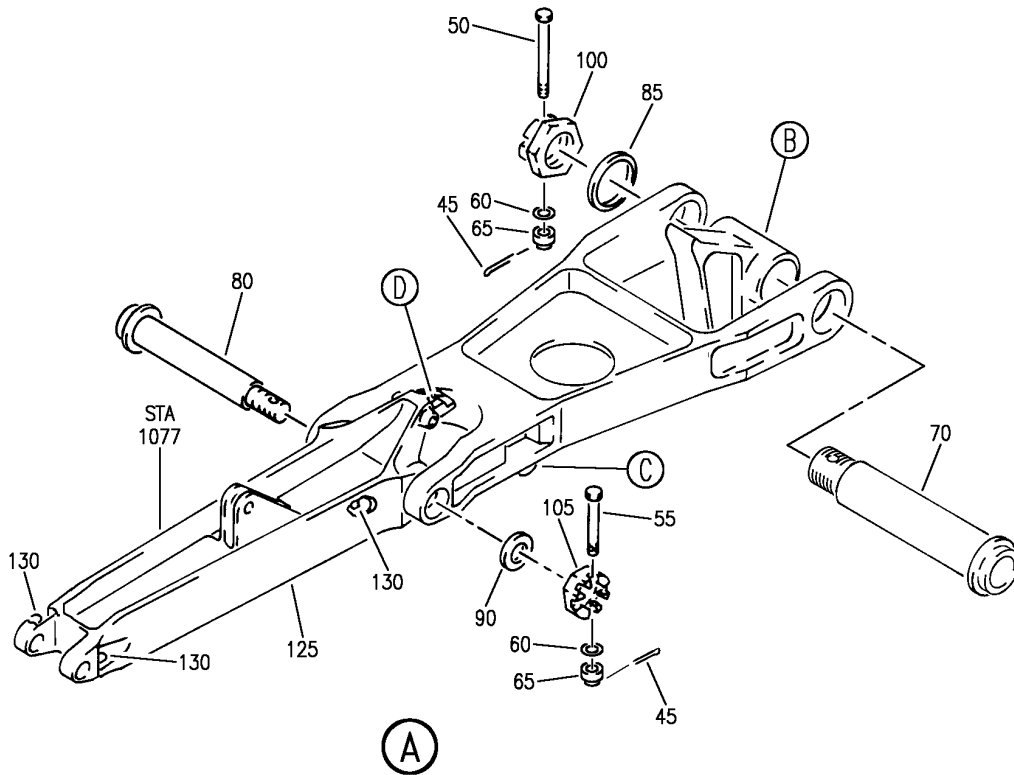
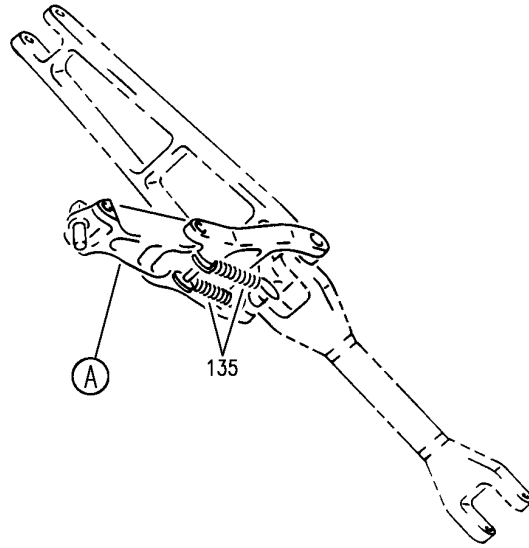
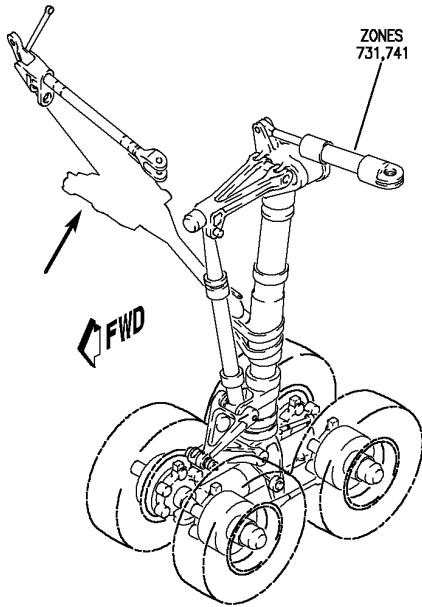
- ITEM NOT ILLUSTRATED

32-11-12-01

32-11-12  
FIG. 01  
PAGE 5  
MAY 20/09

BRI

**BOEING**  
757  
PARTS CATALOG (MAINTENANCE)



Y 32111202 SHT 1 REV 259

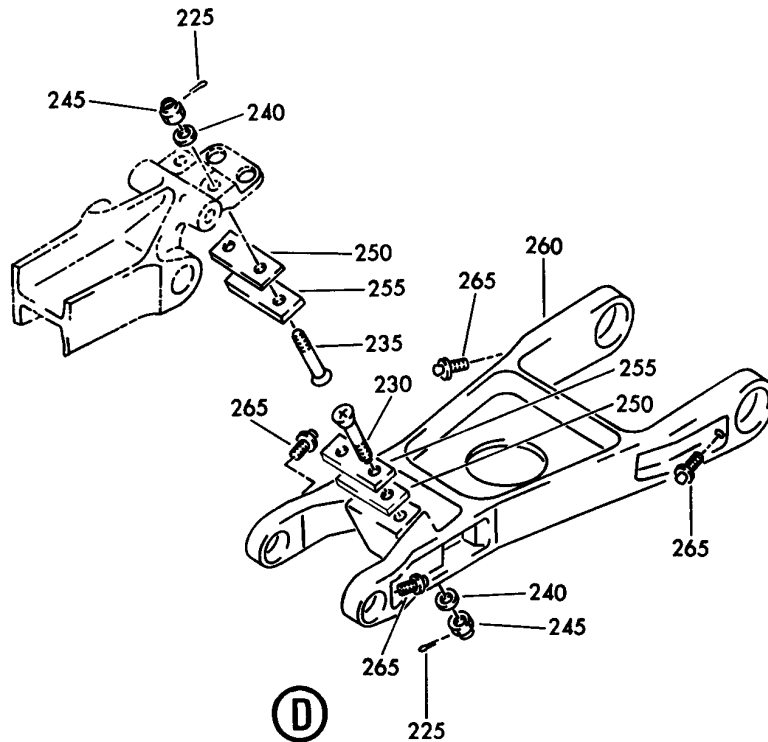
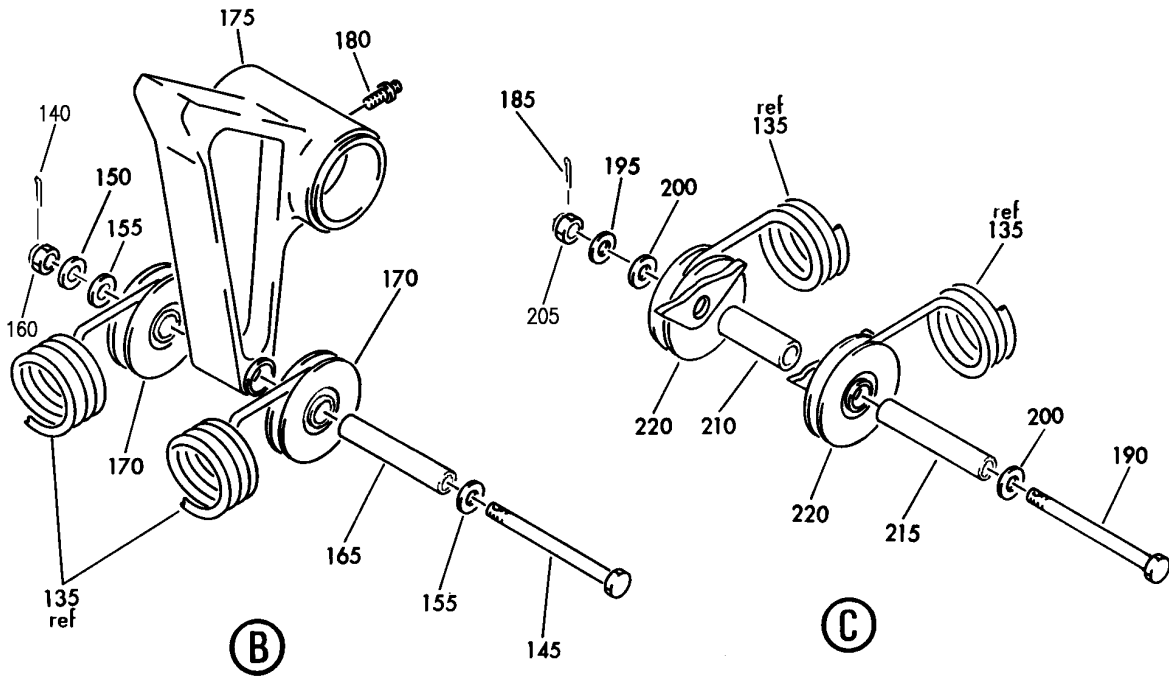
DOWNLOCK ASSY - MLG, LH AND RH SIDE (MAIN GEAR DOWNLOCK ASSEMBLY ONLY)  
FIGURE 2 (SHEET 1)

BRI  
MAY 28/07

**32-11-12-02**

32-11-12-02  
PAGE 0

**BOEING**  
757  
PARTS CATALOG (MAINTENANCE)



Y 3211202 SHT 2 REV 259

DOWNLOCK ASSY - MLG, LH AND RH SIDE (MAIN GEAR DOWNLOCK ASSEMBLY ONLY)  
FIGURE 2 (SHEET 2)

BRI  
MAY 28/07

**32-11-12-02**

32-11-12-02  
PAGE 0A





757

PARTS CATALOG (MAINTENANCE)

FIG ITEM	PART NUMBER	1 2 3 4 5 6 7	NOMENCLATURE	EFFECT FROM TO	UNITS PER ASSY
2			DOWNLOCK ASSY - MLG, LH AND RH SIDE (MAIN GEAR DOWNLOCK ASSEMBLY ONLY)	002004 006999	
- 1	161N3001-401		DOWNLOCK ASSY-MLG (MAIN GEAR DOWNLOCK ASSEMBLY ONLY) POSITION DATA: LH FOR NHA/ADDITIONAL DET SEE: 32-11-04-02	002004 006999	RF
R R R R R R	- 1	161N3001-23	DOWNLOCK ASSY-MLG (MAIN GEAR DOWNLOCK ASSEMBLY ONLY) POSITION DATA: LH FOR NHA/ADDITIONAL DET SEE: 32-11-04-02	002004 006999	RF
- 1	161N3001-25		DOWNLOCK ASSY-MLG (MAIN GEAR DOWNLOCK ASSEMBLY ONLY) POSITION DATA: LH FOR NHA/ADDITIONAL DET SEE: 32-11-04-02	002004 006999	RF
- 5	161N3001-402		DOWNLOCK ASSY-MLG (MAIN GEAR DOWNLOCK ASSEMBLY ONLY) POSITION DATA: RH FOR NHA/ADDITIONAL DET SEE: 32-11-04-02	002004 006999	RF
R R R R R R	- 5	161N3001-24	DOWNLOCK ASSY-MLG (MAIN GEAR DOWNLOCK ASSEMBLY ONLY) POSITION DATA: RH FOR NHA/ADDITIONAL DET SEE: 32-11-04-02	002004 006999	RF
- 5	161N3001-26		DOWNLOCK ASSY-MLG (MAIN GEAR DOWNLOCK ASSEMBLY ONLY) POSITION DATA: RH FOR NHA/ADDITIONAL DET SEE: 32-11-04-02	002004 006999	RF
45	BACP18BC02A04P		.PIN-COTTER	002004 006999	2
50	BACB30LJ4D36		.BOLT	002004 006999	1

MISSING ITEM NUMBERS NOT APPLICABLE

- ITEM NOT ILLUSTRATED

32-11-12-02

32-11-12  
FIG. 02  
PAGE 1  
MAY 20/09

BRI



757

PARTS CATALOG (MAINTENANCE)

FIG ITEM	PART NUMBER	1 2 3 4 5 6 7	NOMENCLATURE	EFFECT FROM TO	UNITS PER ASSY
2					
55	BACB30LJ4D23	.BOLT		002004 006999	1
60	NAS1149F0432P	.WASHER		002004 006999	2
65	BRH10C4D	.NUT		002004 006999	2
			SUPPLIER CODE: V52828		
			SPECIFICATION NUMBER: BACN10JC4CD		
			OPTIONAL PART: T6C428JCD		
			V11815		
			NS202486-048		
			V80539		
			102LH9075-4W		
			V72962		
			H51650-4BAC		
			V15653		
70	161N2510-9	.PIN-		002004 006999	1
			OPTIONAL PART: 161N2510-12		
			USED ON: 161N3001-401		
			161N3001-402		
			161N3001-25		
			161N3001-26		
70	161N2510-12	.PIN-		002004 006999	1
			OPTIONAL PART: 161N2510-9		
			USED ON: 161N3001-23		
			161N3001-24		
			161N3001-25		
			161N3001-26		
80	161N3011-2	.BOLT-		002004 006999	1
85	162N3115-3	.WASHER		002004 006999	1
90	162N3115-7	.WASHER-TANG		002004 006999	1
100	162N2304-2	.NUT		002004 006999	1
105	161N3020-1	.NUT		002004 006999	1
125	161N3002-3	.LINK ASSY-DOWNLOCK		002004 006999	1
125	161N3002-5	.LINK ASSY-DOWNLOCK		002004 006999	1

MISSING ITEM NUMBERS NOT APPLICABLE

- ITEM NOT ILLUSTRATED

32-11-12-02

32-11-12  
FIG. 02  
PAGE 2  
MAY 20/09

BRI



757

PARTS CATALOG (MAINTENANCE)

FIG ITEM	PART NUMBER	1 2 3 4 5 6 7	NOMENCLATURE	EFFECT FROM TO	UNITS PER ASSY
2					
130	1728B	..	FITTING-LUBE SUPPLIER CODE: VOFKM1	002004 006999	3
135	161N3019-3	.	SPRING	002004 006999	2
140	BACP18BC02A04P	.	PIN-COTTER	002004 006999	1
145	BACB30LJ4D56	.	BOLT	002004 006999	1
150	NAS1149C0432R	.	WASHER	002004 006999	1
155	161N3021-2	.	WASHER	002004 006999	2
160	BRH10C4D	.	NUT SUPPLIER CODE: V52828 SPECIFICATION NUMBER: BACN10JC4CD OPTIONAL PART: T6C428JCD V11815 NS202486-048 V80539 102LH9075-4W V72962 H51650-4BAC V15653	002004 006999	1
165	BACB28Z4-334	.	BUSHING	002004 006999	1
170	161N3013-1	.	SPOOL ASSY	002004 006999	2
175	161N3008-1	.	RETAINER ASSY-SPR	002004 006999	1
180	1728B	..	FITTING-LUBE SUPPLIER CODE: VOFKM1	002004 006999	1
185	BACP18BC02A04P	.	PIN-COTTER	002004 006999	1
190	BACB30LJ4D67	.	BOLT	002004 006999	1
195	NAS1149C0432R	.	WASHER	002004 006999	AR
200	161N3021-3	.	WASHER	002004 006999	2

MISSING ITEM NUMBERS NOT APPLICABLE

- ITEM NOT ILLUSTRATED

32-11-12-02

32-11-12  
FIG. 02  
PAGE 3  
MAY 20/09

BRI

BOEING PROPRIETARY - Copyright © - Unpublished Work - See title page for details.



757

PARTS CATALOG (MAINTENANCE)

FIG ITEM	PART NUMBER	1 2 3 4 5 6 7	NOMENCLATURE	EFFECT FROM TO	UNITS PER ASSY
2 205	BRH10C4D	.	NUT SUPPLIER CODE: V52828 SPECIFICATION NUMBER: BACN10JC4CD OPTIONAL PART: T6C428JCD V11815 NS202486-048 V80539 102LH9075-4W V72962 H51650-4BAC V15653	002004 006999	1
210	BACB28Z4-223	.	BUSHING	002004 006999	1
215	BACB28Z4-408	.	BUSHING	002004 006999	1
220	161N3013-1	.	SPOOL ASSY	002004 006999	2
225	BACP18BC02A04P	.	PIN-COTTER	002004 006999	4
230	BACB30LH4DU26	.	BOLT	002004 006999	2
235	BACB30LH4DU18	.	BOLT	002004 006999	2
240	NAS1149F0432R	.	WASHER	002004 006999	4
245	BRH10C4D	.	NUT SUPPLIER CODE: V52828 SPECIFICATION NUMBER: BACN10JC4CD OPTIONAL PART: T6C428JCD V11815 NS202486-048 V80539 102LH9075-4W V72962 H51650-4BAC V15653	002004 006999	4
250	161N3018-1	.	SHIM	002004 006999	2
255	161N3017-1	.	BLOCK	002004 006999	2
260	161N3004-3	.	LINK ASSY-DOWNLOCK	002004 006999	1

MISSING ITEM NUMBERS NOT APPLICABLE

- ITEM NOT ILLUSTRATED

32-11-12-02

32-11-12  
FIG. 02  
PAGE 4  
SEP 20/08

BRI



757

PARTS CATALOG (MAINTENANCE)

FIG ITEM	PART NUMBER	1 2 3 4 5 6 7	NOMENCLATURE	EFFECT FROM TO	UNITS PER ASSY
2 265	1728B		.. FITTING-LUBE SUPPLIER CODE: VOFKM1	002004 006999	4

MISSING ITEM NUMBERS NOT APPLICABLE

- ITEM NOT ILLUSTRATED

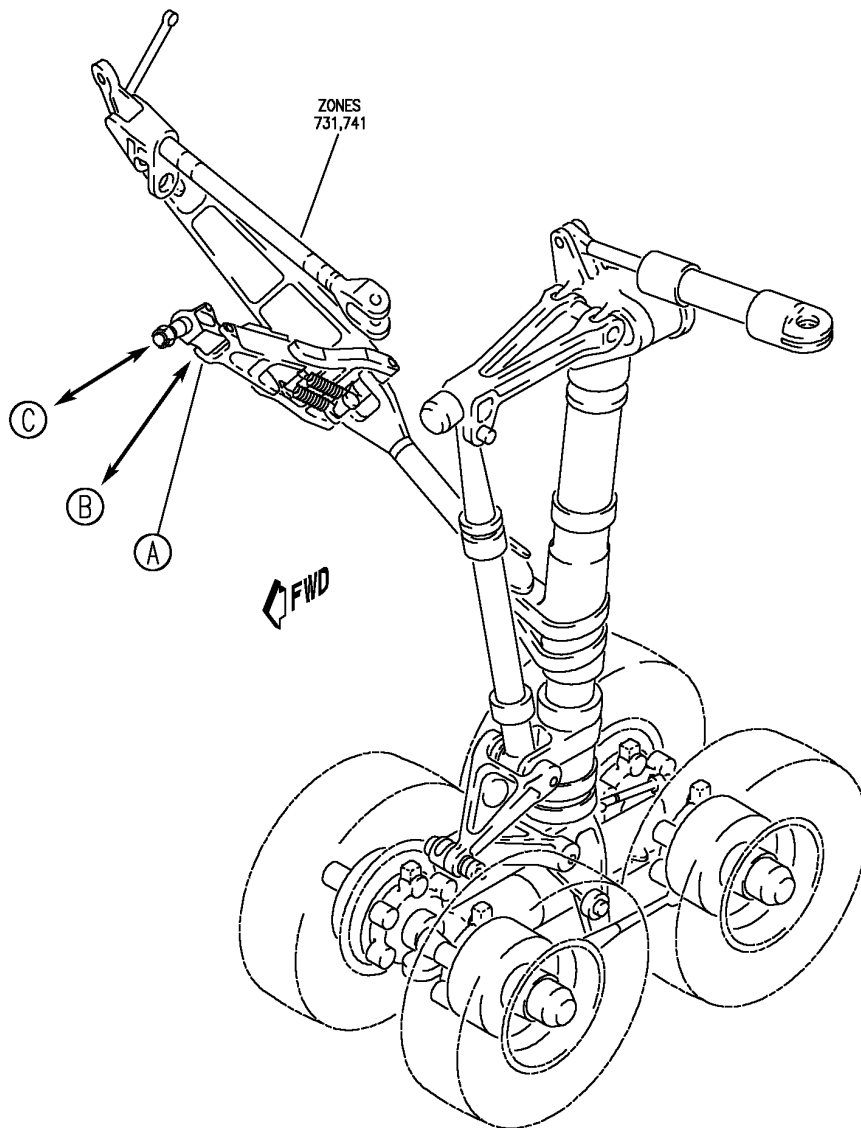
BRI

32-11-12-02

BOEING PROPRIETARY - Copyright © - Unpublished Work - See title page for details.

32-11-12  
FIG. 02  
PAGE 5  
SEP 20/08

**BOEING**  
757  
PARTS CATALOG (MAINTENANCE)



Y 32111501 SH1 1 REV 259

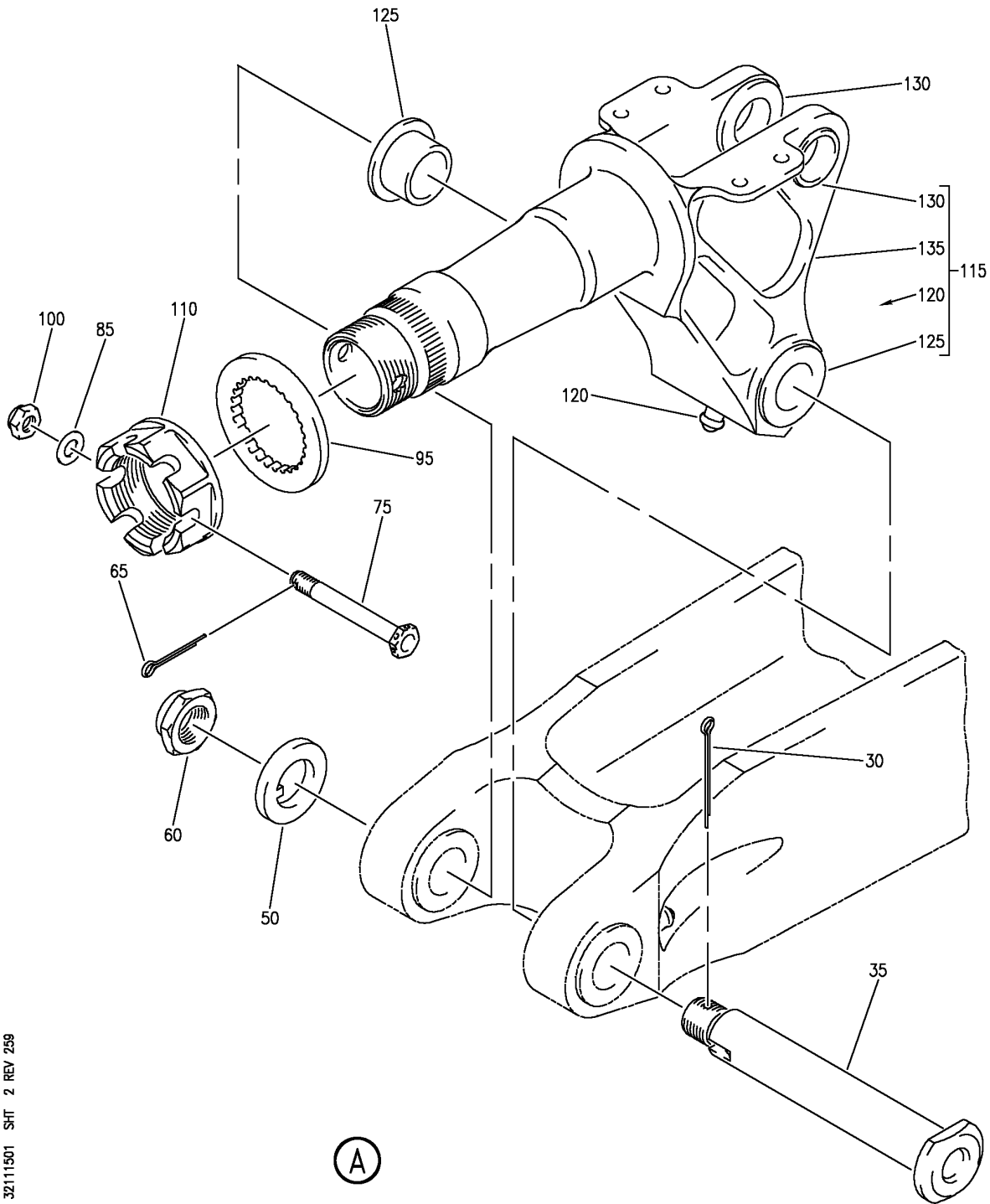
DOWNLOCK ASSY-MLG, LH AND RH SIDE (MAIN GEAR DOWNLOCK SPINDLE ONLY)  
FIGURE 1 (SHEET 1)

BRI  
MAY 28/07

**32-11-15-01**

32-11-15-01  
PAGE 0

**BOEING**  
757  
PARTS CATALOG (MAINTENANCE)



Y 32111501 SH1 2 REV 259

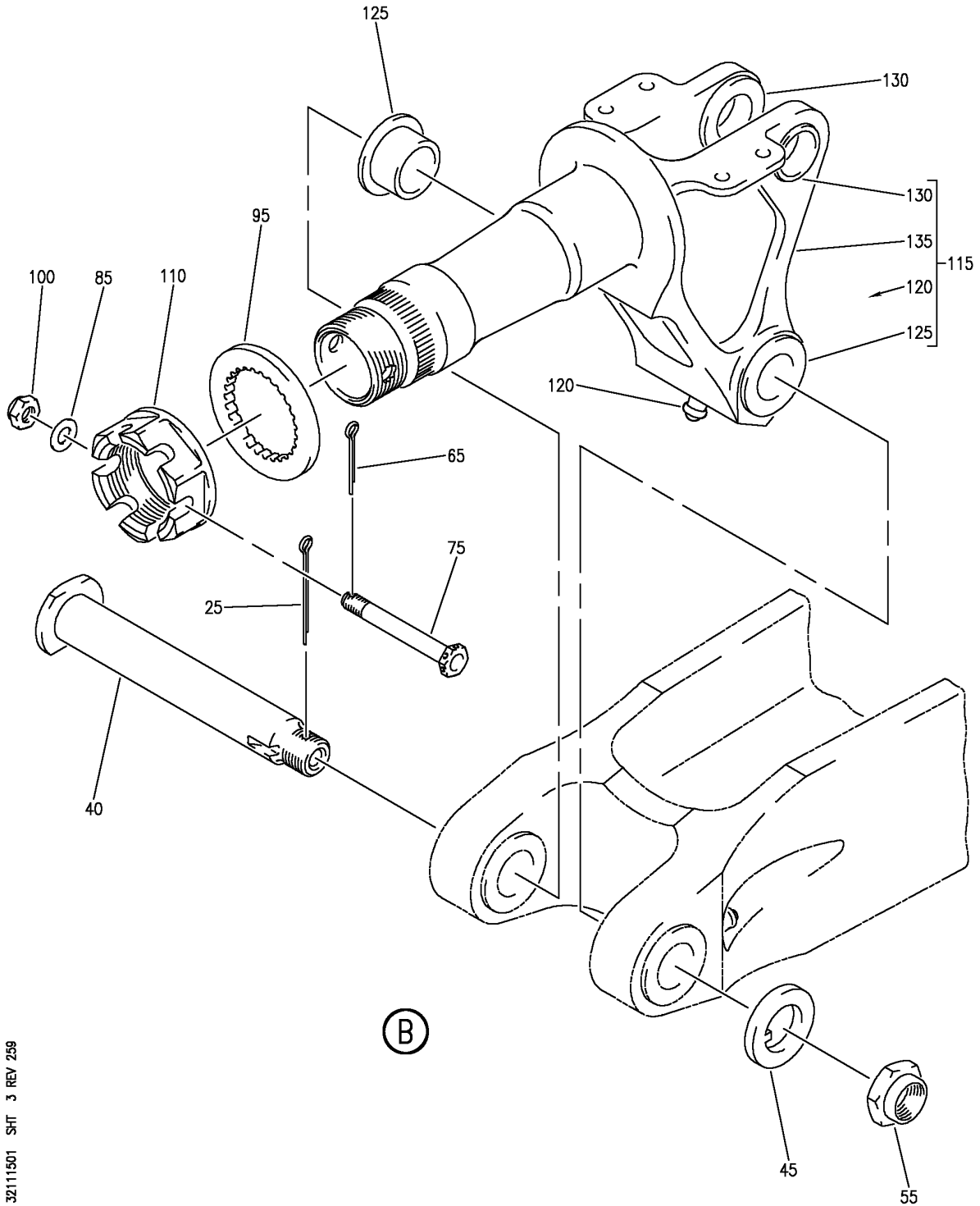
DOWNLOCK ASSY-MLG, LH AND RH SIDE (MAIN GEAR DOWNLOCK SPINDLE ONLY)  
FIGURE 1 (SHEET 2)

**32-11-15-01**

BRI  
MAY 28/07

32-11-15-01  
PAGE 0A

**BOEING**  
757  
PARTS CATALOG (MAINTENANCE)



Y 32111501 SH1 3 REV 259

DOWNLOCK ASSY-MLG, LH AND RH SIDE (MAIN GEAR DOWNLOCK SPINDLE ONLY)  
FIGURE 1 (SHEET 3)

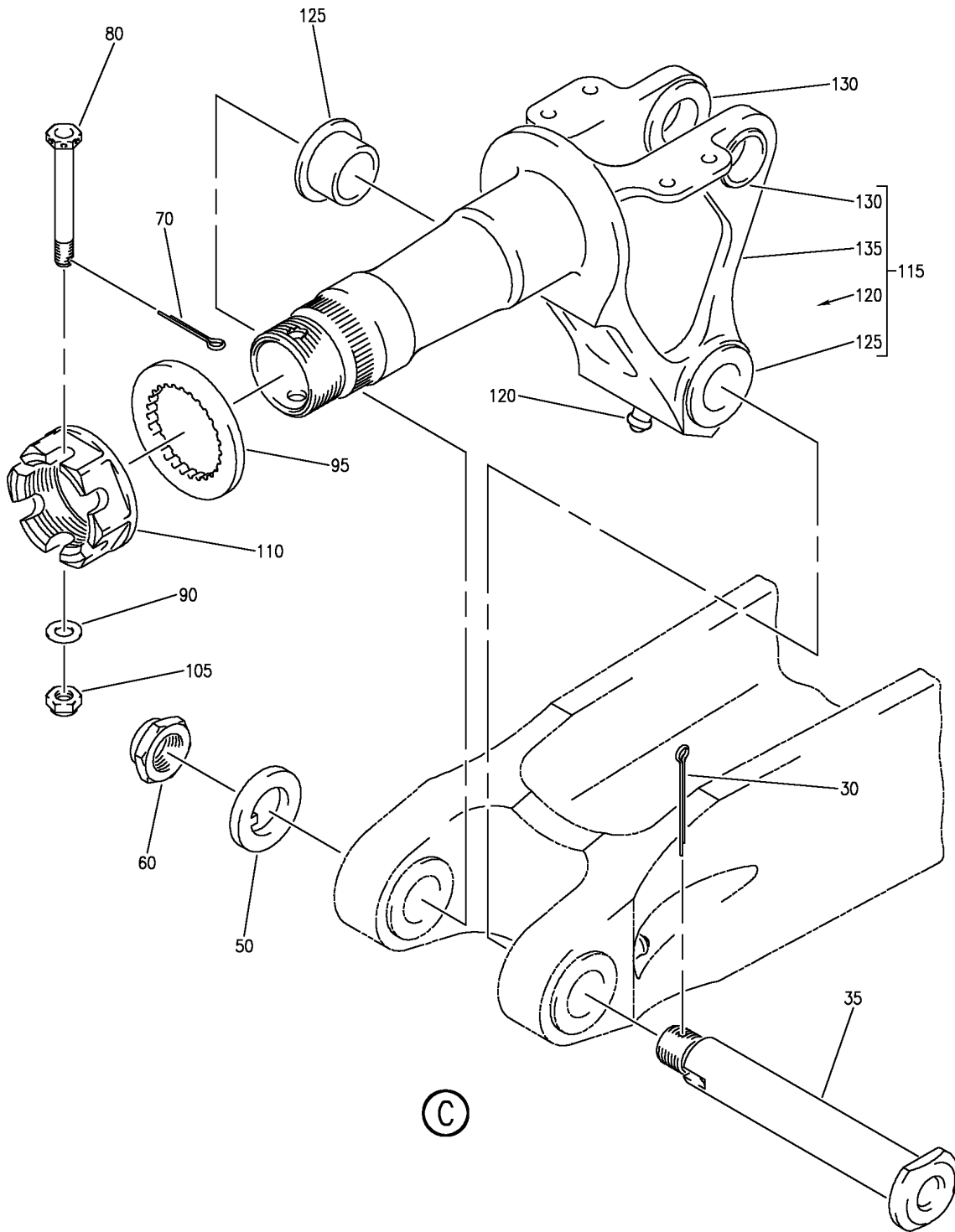
**32-11-15-01**

BRI  
MAY 28/07

32-11-15-01  
PAGE 0B



**BOEING**  
757  
PARTS CATALOG (MAINTENANCE)



Y 32111501 SH1 4 REV 259

DOWNLOCK ASSY-MLG, LH AND RH SIDE (MAIN GEAR DOWNLOCK SPINDLE ONLY)  
FIGURE 1 (SHEET 4)

**32-11-15-01**

BRI  
MAY 28/07

32-11-15-01  
PAGE 0C



757

PARTS CATALOG (MAINTENANCE)

FIG ITEM	PART NUMBER	1 2 3 4 5 6 7	NOMENCLATURE	EFFECT FROM TO	UNITS PER ASSY
1			DOWNLOCK ASSY-MLG, LH AND RH SIDE (MAIN GEAR DOWNLOCK SPINDLE ONLY)	002004 006999	
- 1	161N3001-11		DOWNLOCK ASSY-MLG (MAIN GEAR DOWNLOCK SPINDLE ONLY) POSITION DATA: LH SIDE FOR NHA/ADDITIONAL DET SEE: 32-11-04-02	002004 006999	RF
- 1	161N3001-13		DOWNLOCK ASSY-MLG (MAIN GEAR DOWNLOCK SPINDLE ONLY) POSITION DATA: LH SIDE FOR NHA/ADDITIONAL DET SEE: 32-11-04-02	002004 006999	RF
- 1	161N3001-15		DOWNLOCK ASSY-MLG (MAIN GEAR DOWNLOCK SPINDLE ONLY) POSITION DATA: LH SIDE FOR NHA/ADDITIONAL DET SEE: 32-11-04-02	002004 006999	RF
- 1	161N3001-17		DOWNLOCK ASSY-MLG (MAIN GEAR DOWNLOCK SPINDLE ONLY) POSITION DATA: LH SIDE FOR NHA/ADDITIONAL DET SEE: 32-11-04-02	002004 006999	RF
- 1	161N3001-401		DOWNLOCK ASSY-MLG (MAIN GEAR DOWNLOCK SPINDLE ONLY) POSITION DATA: LH SIDE FOR NHA/ADDITIONAL DET SEE: 32-11-04-02	002004 006999	RF
- 1	161N3001-25		DOWNLOCK ASSY-MLG (MAIN GEAR DOWNLOCK SPINDLE ONLY) POSITION DATA: LH SIDE FOR NHA/ADDITIONAL DET SEE: 32-11-04-02	002004 006999	RF

MISSING ITEM NUMBERS NOT APPLICABLE

- ITEM NOT ILLUSTRATED

32-11-15-01

32-11-15  
FIG. 01  
PAGE 1  
SEP 20/08

BRI



757

PARTS CATALOG (MAINTENANCE)

FIG ITEM	PART NUMBER	1 2 3 4 5 6 7	NOMENCLATURE	EFFECT FROM TO	UNITS PER ASSY
R R R R R R R	1				
	- 1	161N3001-23	DOWNLOCK ASSY-MLG (MAIN GEAR DOWNLOCK SPINDLE ONLY) POSITION DATA: LH SIDE FOR NHA/ADDITIONAL DET SEE: 32-11-04-02	002004 006999	RF
	- 5	161N3001-12	DOWNLOCK ASSY-MLG (MAIN GEAR DOWNLOCK SPINDLE ONLY) POSITION DATA: RH SIDE FOR NHA/ADDITIONAL DET SEE: 32-11-04-02	002004 006999	RF
	- 5	161N3001-14	DOWNLOCK ASSY-MLG (MAIN GEAR DOWNLOCK SPINDLE ONLY) POSITION DATA: LH SIDE FOR NHA/ADDITIONAL DET SEE: 32-11-04-02	002004 006999	RF
	- 5	161N3001-16	DOWNLOCK ASSY-MLG (MAIN GEAR DOWNLOCK SPINDLE ONLY) POSITION DATA: RH SIDE FOR NHA/ADDITIONAL DET SEE: 32-11-04-02	002004 006999	RF
	- 5	161N3001-18	DOWNLOCK ASSY-MLG (MAIN GEAR DOWNLOCK SPINDLE ONLY) POSITION DATA: RH SIDE FOR NHA/ADDITIONAL DET SEE: 32-11-04-02	002004 006999	RF
	- 5	161N3001-402	DOWNLOCK ASSY-MLG (MAIN GEAR DOWNLOCK SPINDLE ONLY) POSITION DATA: RH SIDE FOR NHA/ADDITIONAL DET SEE: 32-11-04-02	002004 006999	RF
	- 5	161N3001-26	DOWNLOCK ASSY-MLG (MAIN GEAR DOWNLOCK SPINDLE ONLY) POSITION DATA: RH SIDE FOR NHA/ADDITIONAL DET SEE: 32-11-04-02	002004 006999	RF

MISSING ITEM NUMBERS NOT APPLICABLE

- ITEM NOT ILLUSTRATED

32-11-15-01

32-11-15  
FIG. 01  
PAGE 2  
MAY 20/09

BRI



757

PARTS CATALOG (MAINTENANCE)

FIG ITEM	PART NUMBER	1 2 3 4 5 6 7	NOMENCLATURE	EFFECT FROM TO	UNITS PER ASSY
R R R R R R	1 - 5	161N3001-24	DOWNLOCK ASSY-MLG (MAIN GEAR DOWNLOCK SPINDLE ONLY) POSITION DATA: RH SIDE FOR NHA/ADDITIONAL DET SEE: 32-11-04-02	002004 006999	RF
	25	BACP18BC02A08P	.PIN-COTTER USED ON: 161N3001-401 161N3001-23 161N3001-402 161N3001-24	002004 006999	1
	30	BACP18BC02A08P	.PIN-COTTER USED ON: 161N3001-7 161N3001-8 161N3001-9 161N3001-10 161N3001-11 161N3001-12 161N3001-13 161N3001-14 161N3001-15 161N3001-16 161N3001-17 161N3001-18 161N3001-25 161N3001-26	002004 006999	1

MISSING ITEM NUMBERS NOT APPLICABLE

- ITEM NOT ILLUSTRATED

32-11-15-01

32-11-15  
FIG. 01  
PAGE 3  
MAY 20/09

BRI



757

PARTS CATALOG (MAINTENANCE)

FIG ITEM	PART NUMBER	1 2 3 4 5 6 7	NOMENCLATURE	EFFECT FROM TO	UNITS PER ASSY
1 35	161N3010-1		.PIN-FUSE DOWNLOCK LINK, MLG POSITION DATA: UPR OPTIONAL PART: 161N3010-2 USED ON: 161N3001-7 161N3001-8 161N3001-9 161N3001-10 161N3001-11 161N3001-12 161N3001-13 161N3001-14 161N3001-15 161N3001-16 161N0004-9 161N0004-10 161N0004-11 161N0004-12	002004 006999	1
35	161N3010-2		.PIN-FUSE DOWNLOCK LINK, MLG POSITION DATA: UPR OPTIONAL PART: 161N3010-1 USED ON: 161N3001-15 161N3001-16 161N3001-17 161N3001-18 161N3001-25 161N3001-26	002004 006999	1
40	161N3010-2		.PIN-FUSE DOWNLOCK LINK, MLG POSITION DATA: UPR USED ON: 161N3001-401 161N3001-402 161N3001-23 161N3001-24	002004 006999	1
40	161N3010-1		.PIN-FUSE DOWNLOCK LINK, MLG POSITION DATA: UPR	002004 006999	1

MISSING ITEM NUMBERS NOT APPLICABLE

- ITEM NOT ILLUSTRATED

32-11-15-01

32-11-15  
FIG. 01  
PAGE 4  
MAY 20/09

BRI



757

PARTS CATALOG (MAINTENANCE)

FIG ITEM	PART NUMBER	1 2 3 4 5 6 7	NOMENCLATURE	EFFECT FROM TO	UNITS PER ASSY
1	45 162N3115-12		.WASHER-TANG USED ON: 161N3001-401 161N3001-402 161N3001-23 161N3001-24	002004 006999	1
	50 162N3115-12		.WASHER-TANG USED ON: 161N3001-7 161N3001-8 161N3001-9 161N3001-10 161N3001-11 161N3001-12 161N3001-13 161N3001-14 161N3001-15 161N3001-16 161N3001-17 161N3001-18 161N3001-25 161N3001-26 161N0004-9 161N0004-10 161N0004-11 161N0004-12	002004 006999	1
	55 69235-918CD		.NUT- SUPPLIER CODE: V92215 SPECIFICATION NUMBER: BACN10JC9CD OPTIONAL PART: 102LH9074-9 V72962 BMN4122CPD8-9 V97928 H51650-9BAC V15653 USED ON: 161N3001-401 161N3001-23 161N3001-402 161N3001-24	002004 006999	1

MISSING ITEM NUMBERS NOT APPLICABLE

- ITEM NOT ILLUSTRATED

32-11-15-01

32-11-15  
FIG. 01  
PAGE 5  
MAY 20/09

BRI



757

PARTS CATALOG (MAINTENANCE)

FIG ITEM	PART NUMBER	1 2 3 4 5 6 7	NOMENCLATURE	EFFECT FROM TO	UNITS PER ASSY
1 60	69235-918CD		.NUT- SUPPLIER CODE: V92215 SPECIFICATION NUMBER: BACN10JC9CD OPTIONAL PART: 102LH9074-9 V72962 BMN4122CPD8-9 V97928 H51650-9BAC V15653 USED ON: 161N3001-7 161N3001-8 161N3001-9 161N3001-10 161N3001-11 161N3001-12 161N3001-13 161N3001-14 161N3001-15 161N3001-16 161N3001-17 161N3001-18 161N3001-25 161N3001-26	002004 006999	1
65	BACP18BC03A04P		.PIN-COTTER USED ON: 161N3001-13 161N3001-14 161N3001-15 161N3001-16 161N3001-17 161N3001-18 161N3001-23 161N3001-24 161N3001-25 161N3001-26 161N3001-401 161N3001-402	002004 006999	1
65	BACP18BC02A04P		.PIN-COTTER USED ON: 161N3001-7 161N3001-8 161N3001-9 161N3001-10 161N3001-11 161N3001-12	002004 006999	1

MISSING ITEM NUMBERS NOT APPLICABLE

- ITEM NOT ILLUSTRATED

32-11-15-01

32-11-15  
FIG. 01  
PAGE 6  
SEP 20/08

BRI



757

PARTS CATALOG (MAINTENANCE)

FIG ITEM	PART NUMBER	1 2 3 4 5 6 7	NOMENCLATURE	EFFECT FROM TO	UNITS PER ASSY
1	75 BACB30LJ4D26		.BOLT- USED ON: 161N3001-7 161N3001-8 161N3001-9 161N3001-10 161N3001-11 161N3001-12 161N3001-13 161N3001-14 161N3001-15 161N3001-16 161N3001-17 161N3001-18 161N3001-23 161N3001-24 161N3001-25 161N3001-26 161N3001-401 161N3001-402	002004 006999	1
	85 NAS1149F0432P		.WASHER- USED ON: 161N3001-7 161N3001-8 161N3001-9 161N3001-10 161N3001-11 161N3001-12 161N3001-13 161N3001-14 161N3001-15 161N3001-16 161N3001-17 161N3001-18 161N3001-23 161N3001-24 161N3001-25 161N3001-26 161N3001-401 161N3001-402	002004 006999	1
	95 161N3015-1		.WASHER-SPLINED	002004 006999	1

MISSING ITEM NUMBERS NOT APPLICABLE

- ITEM NOT ILLUSTRATED

BRI

# 32-11-15-01

BOEING PROPRIETARY - Copyright © - Unpublished Work - See title page for details.

32-11-15  
FIG. 01  
PAGE 7  
SEP 20/08





757

PARTS CATALOG (MAINTENANCE)

FIG ITEM	PART NUMBER	1 2 3 4 5 6 7	NOMENCLATURE	EFFECT FROM TO	UNITS PER ASSY
1 100	BRH10C4D		.NUT- SUPPLIER CODE: V52828 SPECIFICATION NUMBER: BACN10JC4CD OPTIONAL PART: T6C428JCD V11815 NS202486-048 V80539 102LH9075-4W V72962 H51650-4BAC V15653 USED ON: 161N3001-7 161N3001-8 161N3001-9 161N3001-10 161N3001-11 161N3001-12 161N3001-13 161N3001-14 161N3001-15 161N3001-16 161N3001-17 161N3001-18 161N3001-23 161N3001-24 161N3001-25 161N3001-26 161N3001-401 161N3001-402	002004 006999	1
110	161N3016-1		.NUT	002004 006999	1
115	161N3006-1		.SPINDLE ASSY- QUALIFIED I/W DATA: 161N3022-1 T/W 2EA BACB30LJ3-7 MAY REPLACE 161N3006-1 T/W 2EA BACB30LJ3-6 USED ON: 161N3001-7 161N3001-8 161N3001-9 161N3001-10 161N3001-11 161N3001-12	002004 006999	1

MISSING ITEM NUMBERS NOT APPLICABLE

- ITEM NOT ILLUSTRATED

BRI

32-11-15-01

BOEING PROPRIETARY - Copyright © - Unpublished Work - See title page for details.

32-11-15  
FIG. 01  
PAGE 8  
SEP 20/08



757

PARTS CATALOG (MAINTENANCE)

FIG ITEM	PART NUMBER	1 2 3 4 5 6 7	NOMENCLATURE	EFFECT FROM TO	UNITS PER ASSY
1 115	161N3022-1		. SPINDLE ASSY- QUALIFIED I/W DATA: 161N3022-1 T/W 2EA BACB30LJ3-7 MAY REPLACE 161N3006-1 T/W 2EA BACB30LJ3-6 USED ON: 161N3001-13 161N3001-14 161N3001-15 161N3001-16 161N3001-17 161N3001-18 161N3001-23 161N3001-24 161N3001-25 161N3001-26 161N3001-401 161N3001-402 161N0004-9 161N0004-10 161N0004-11 161N0004-12	002004 006999	1
120	1728B		.. FITTING-LUBE SUPPLIER CODE: VOFKM1	002004 006999	1
125	160N0201-70		.. BUSHING- USED ON: 161N3022-1	002004 006999	2
125	160N0201-53		.. BUSHING- USED ON: 161N3006-1	002004 006999	2
130	KJB165100B11035		.. BUSHING- SUPPLIER CODE: V50632	002004 006999	2
135	161N3022-2		.. SPINDLE- USED ON: 161N3022-1	002004 006999	1
135	161N3006-2		.. SPINDLE- USED ON: 161N3006-1	002004 006999	1

MISSING ITEM NUMBERS NOT APPLICABLE

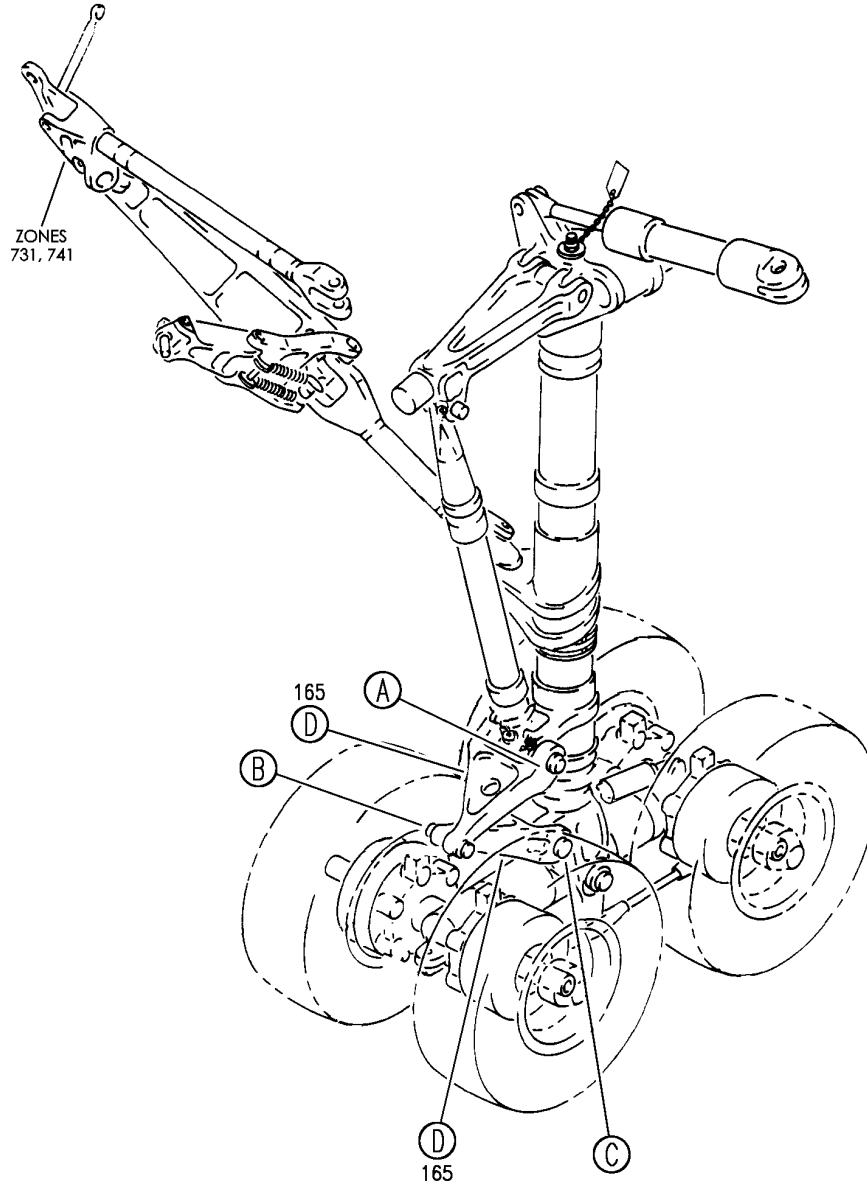
- ITEM NOT ILLUSTRATED

32-11-15-01

32-11-15  
FIG. 01  
PAGE 9  
SEP 20/08

BRI

**BOEING**  
757  
PARTS CATALOG (MAINTENANCE)



Y 32111601 SHT 1 REV 259

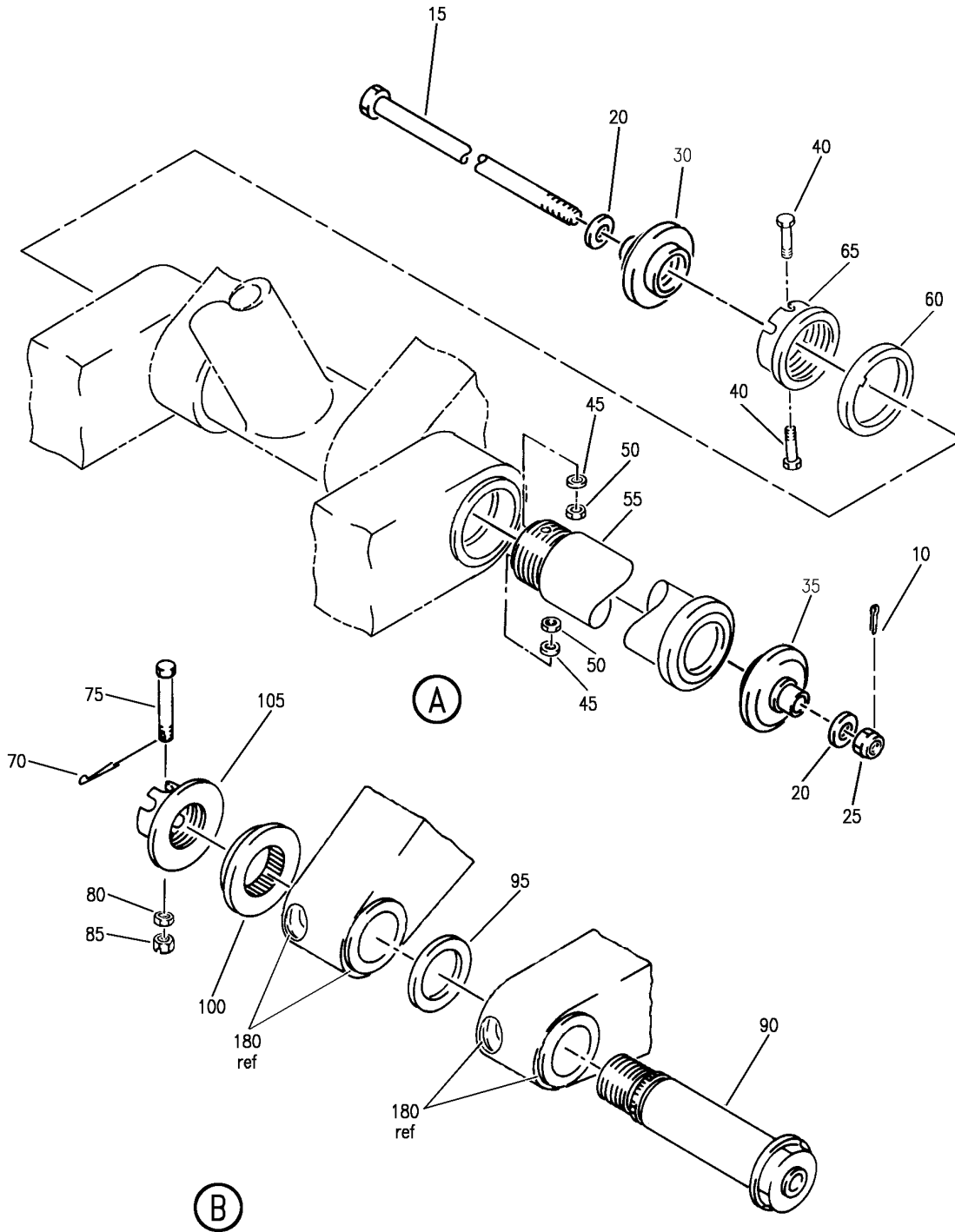
GEAR ASSY-MLG (MAIN GEAR TORSION LINKS ONLY)  
FIGURE 1 (SHEET 1)

**32-11-16-01**

BRI  
MAY 28/07

32-11-16-01  
PAGE 0

**BOEING**  
757  
PARTS CATALOG (MAINTENANCE)



Y 32111601 SHT 2 REV 259

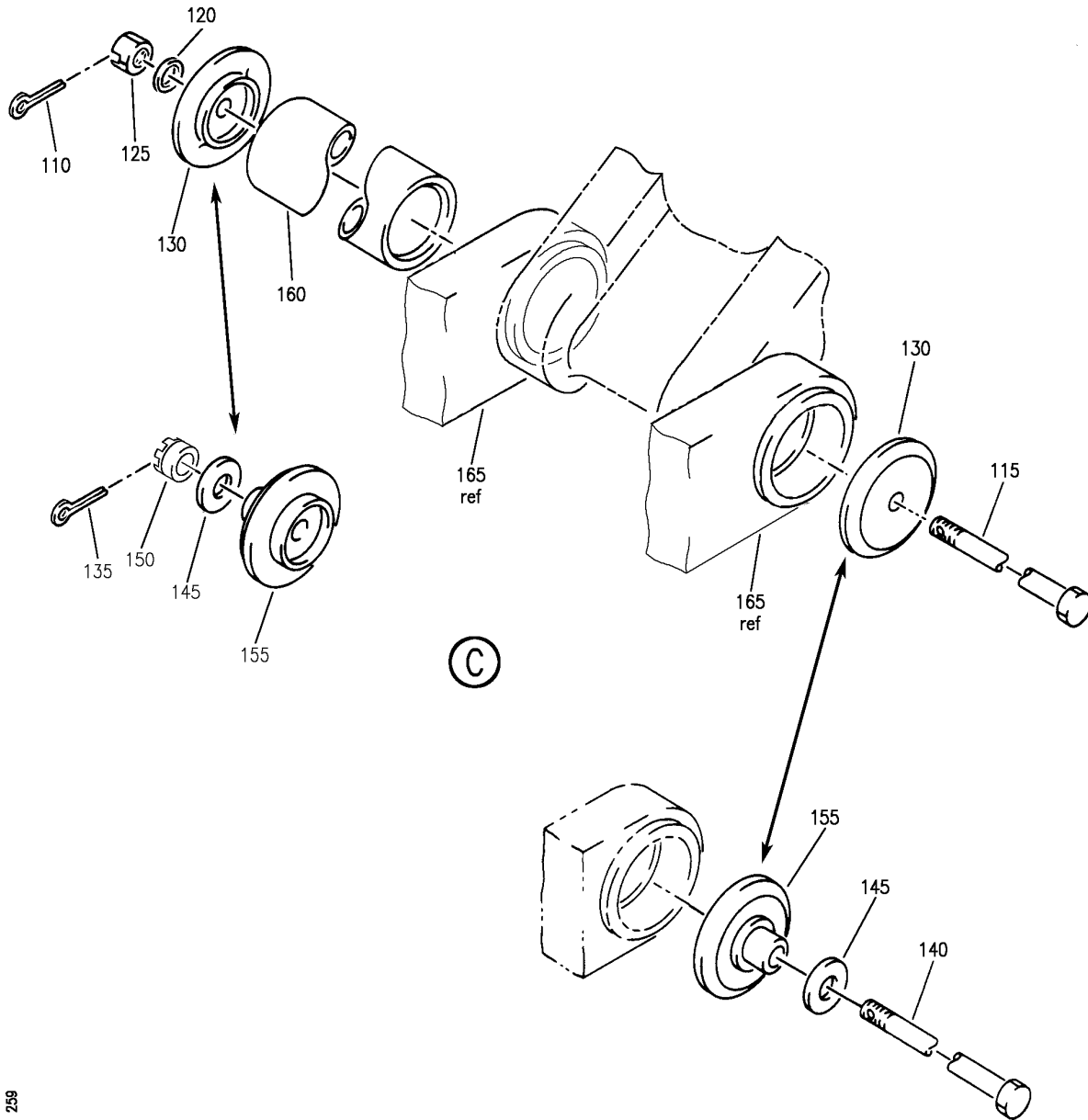
GEAR ASSY-MLG (MAIN GEAR TORSION LINKS ONLY)  
FIGURE 1 (SHEET 2)

**32-11-16-01**

BRI  
MAY 28/07

32-11-16-01  
PAGE 0A

**BOEING**  
757  
PARTS CATALOG (MAINTENANCE)



Y 32111601 SH1 3 REV 259

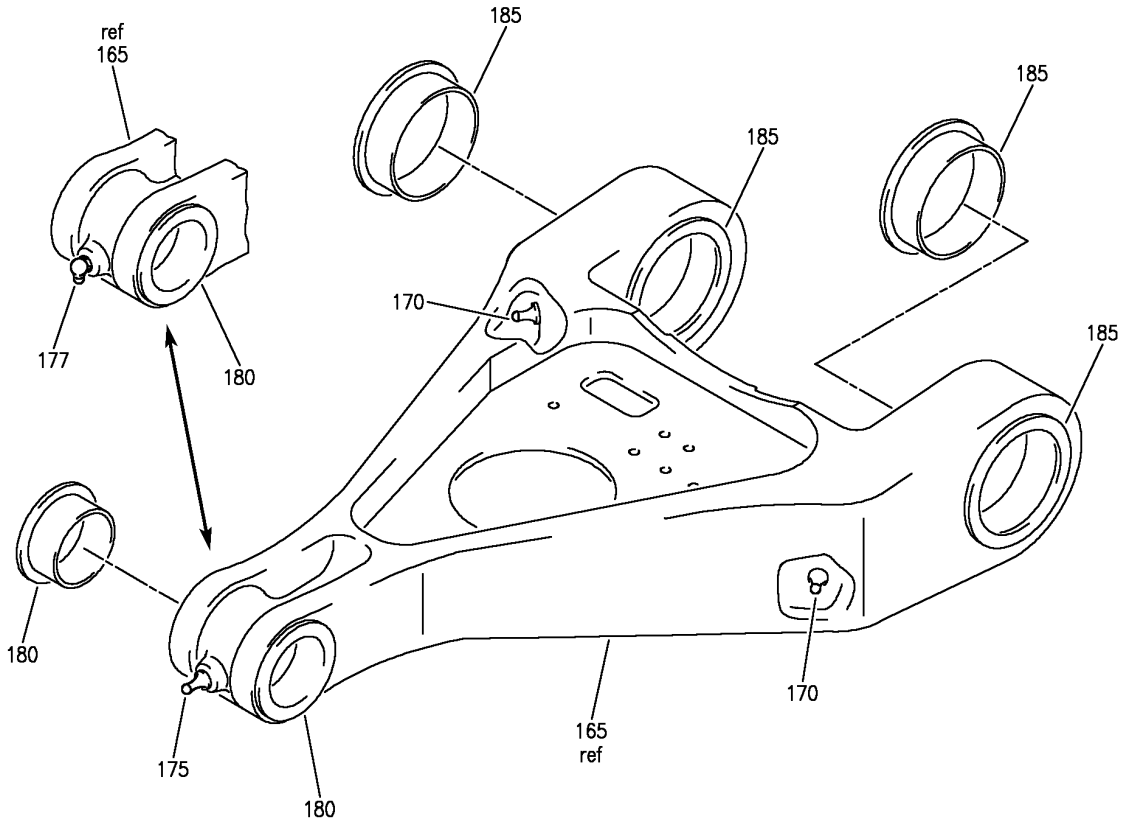
GEAR ASSY-MLG (MAIN GEAR TORSION LINKS ONLY)  
FIGURE 1 (SHEET 3)

**32-11-16-01**

BRI  
MAY 28/07

32-11-16-01  
PAGE 0B

**BOEING**  
757  
PARTS CATALOG (MAINTENANCE)



Y 32111601 SH1 4 REV 279

GEAR ASSY-MLG (MAIN GEAR TORSION LINKS ONLY)  
FIGURE 1 (SHEET 4)

**32-11-16-01**

BRI  
MAY 28/07

32-11-16-01  
PAGE 0C



757

PARTS CATALOG (MAINTENANCE)

FIG ITEM	PART NUMBER	1 2 3 4 5 6 7	NOMENCLATURE	EFFECT FROM TO	UNITS PER ASSY
1			GEAR ASSY-MLG (MAIN GEAR TORSION LINKS ONLY)	002004 006999	
- 1	161N0001-95		GEAR ASSY-MLG (MAIN GEAR TORSION LINKS ONLY) POSITION DATA: LH MISCELLANEOUS DATA: FOR SPARES PROCURE LOWER COMPONENTS COMPONENT MAINT MANUAL REF: 32-11-32 QUALIFIED I/W DATA: 161N0001-95 T/W (2)BACB30NF4-14, (1)284N6102-7, (1)284N6102-6 CAN REPLACE BUT NOT BE REPLACED BY 161N0001-85 T/W (2)BACB30NF4-10, (1)284N6102-4 AND (1)284N6102-3 161N0001-95 T/W (2)BACB30NF4-14, (1)284N6102-7, (1)284N6102-6 CAN REPLACE BUT NOT BE REPLACED BY 161N0001-77 T/W (2)BACB30NF4-10, (1)284N6102-4 AND (1)284N6102-3 161N0001-95 T/W (2)BACB30NF4-14, (1)284N6102-7, (1)284N6102-6 CAN REPLACE BUT NOT BE REPLACED BY 161N0001-57 T/W (2)BACB30NF4-10, (1)284N6102-4 AND (1)284N6102-3 161N0001-95 T/W (2)BACB30NF4-14, (1)284N6102-7, (1)284N6102-6 CAN REPLACE BUT NOT BE REPLACED BY 161N0001-17 T/W (2)BACB30NF4-10, (1)284N6102-4 AND	002004 006999	RF
MISSING ITEM NUMBERS NOT APPLICABLE					

- ITEM NOT ILLUSTRATED

32-11-16-01

32-11-16  
FIG. 01  
PAGE 1  
JAN 20/09

BRI



757

PARTS CATALOG (MAINTENANCE)

FIG ITEM	PART NUMBER	1 2 3 4 5 6 7	NOMENCLATURE	EFFECT FROM TO	UNITS PER ASSY
1			(1)284N6102-3 161N0001-95 T/W (2)BACB30NF4-14, (1)284N6102-7, (1)284N6102-6 CAN REPLACE BUT NOT BE REPLACED BY 161N0001-3 T/W (2)BACB30NF4-10, (1)284N6102-4 AND (1)284N6102-3 FOR NHA/ADDITIONAL DET SEE: 32-11-00-01 32-11-00-02 32-11-00-03		
- 2	161N0001-119		GEAR ASSY-MLG (MAIN GEAR TORSION LINKS ONLY) POSITION DATA: LH MISCELLANEOUS DATA: FOR SPARES PROCURE LOWER COMPONENTS COMPONENT MAINT MANUAL REF: 32-11-32 QUALIFIED I/W DATA: 161N0001-119 T/W (2)BACB30NF4-14, (1)284N6102-7, (1)284N6102-6 CAN REPLACE BUT NOT BE REPLACED BY 161N0001-85 T/W (2)BACB30NF4-10, (1)284N6102-4 AND (1)284N6102-3. 161N0001-199 T/W (2)BACB30NF4-14, (1)284N6102-7, (1)284N6102-6 CAN REPLACE BUT NOT BE REPLACED BY 161N0001-77 T/W (2)BACB30NF4-10, (1)284N6102-4 AND (1)284N6102-3 161N0001-119 T/W (2)BACB30NF4-14, (1)284N6102-7, (1)284N6102-6 CAN REPLACE BUT NOT BE REPLACED BY 161N0001-57	002004 006999	RF

MISSING ITEM NUMBERS NOT APPLICABLE

- ITEM NOT ILLUSTRATED

32-11-16-01

32-11-16  
FIG. 01  
PAGE 2  
JAN 20/09

BRI





757

PARTS CATALOG (MAINTENANCE)

FIG ITEM	PART NUMBER	1 2 3 4 5 6 7 NOMENCLATURE	EFFECT FROM TO	UNITS PER ASSY
1		<p>T/W (2)BACB30NF4-10,            (1)284N6102-4 AND            (1)284N6102-3            161N0001-119 T/W            (2)BACB30NF4-14,            (1)284N6102-7,            (1)284N6102-6 CAN            REPLACE BUT NOT BE            REPLACED BY 161N0001-17            T/W (2)BACB30NF4-10,            (1)284N6102-4 AND            (1)284N6102-3            161N0001-119 T/W            (2)BACB30NF4-14,            (1)284N6102-7,            (1)284N6102-6 CAN            REPLACE BUT NOT BE            REPLACED BY 161N0001-3            T/W (2)BACB30NF4-10,            (1)284N6102-4 AND            (1)284N6102-3            FOR NHA/ADDITIONAL DET SEE:            32-11-00-01            32-11-00-02            32-11-00-03</p>		
-	2 161N0001-141	<p>GEAR ASSY-MLG            (MAIN GEAR TORSION LINKS            ONLY)            POSITION DATA:            LH            MISCELLANEOUS DATA:            FOR SPARES PROCURE LOWER            COMPONENTS            COMPONENT MAINT MANUAL REF:            32-11-32            QUALIFIED I/W DATA:            161N0001-141 T/W            (2)BACB30NF4-14,            (1)284N6102-7,            (1)284N6102-6 CAN            REPLACE BUT NOT BE            REPLACED BY 161N0001-85            T/W (2)BACB30NF4-10,            (1)284N6102-4 AND            (1)284N6102-3            161N0001-141 T/W            (2)BACB30NF4-14,            (1)284N6102-7,            (1)284N6102-6 CAN</p>	002004 006999	RF

MISSING ITEM NUMBERS NOT APPLICABLE

- ITEM NOT ILLUSTRATED

32-11-16-01

32-11-16  
 FIG. 01  
 PAGE 3  
 JAN 20/09

BRI



757

PARTS CATALOG (MAINTENANCE)

FIG ITEM	PART NUMBER	1 2 3 4 5 6 7 NOMENCLATURE	EFFECT FROM TO	UNITS PER ASSY
1		REPLACE BUT NOT BE REPLACED BY 161N0001-77 T/W (2)BACB30NF4-10, (1)284N6102-4 AND (1)284N6102-3 161N0001-141 T/W (2)BACB30NF4-14, (1)284N6102-7, (1)284N6102-6 CAN REPLACE BUT NOT BE REPLACED BY 161N0001-57 T/W (2)BACB30NF4-10, (1)284N6102-4 AND (1)284N6102-3 161N0001-141 T/W (2)BACB30NF4-14, (1)284N6102-7, (1)284N6102-6 CAN REPLACE BUT NOT BE REPLACED BY 161N0001-17 T/W (2)BACB30NF4-10, (1)284N6102-4 AND (1)284N6102-3 161N0001-141 T/W (2)BACB30NF4-14, (1)284N6102-7, (1)284N6102-6 CAN REPLACE BUT NOT BE REPLACED BY 161N0001-3 T/W (2)BACB30NF4-10, (1)284N6102-4 AND (1)284N6102-3 FOR NHA/ADDITIONAL DET SEE: 32-11-00-01 32-11-00-02 32-11-00-03		
-	2 161N0001-149	GEAR ASSY-MLG (MAIN GEAR TORSION LINKS ONLY) POSITION DATA: LH COMPONENT MAINT MANUAL REF: 32-11-32 QUALIFIED I/W DATA: 161N0001-149 T/W (2)BACB30NF4-14, (1)284N6102-7, (1)284N6102-6 CAN REPLACE BUT NOT BE	002004 006999	RF

MISSING ITEM NUMBERS NOT APPLICABLE

- ITEM NOT ILLUSTRATED

32-11-16-01

32-11-16  
FIG. 01  
PAGE 4  
JAN 20/09

BRI



757

PARTS CATALOG (MAINTENANCE)

FIG ITEM	PART NUMBER	1 2 3 4 5 6 7 NOMENCLATURE	EFFECT FROM TO	UNITS PER ASSY
1		REPLACED BY 161N0001-85 (2)BACB30NF4-10, (1)284N6102-4 AND (1)284N6102-3 161N0001-149 T/W (2)BACB30NF4-14, (1)284N6102-7, (1)284N6102-6 CAN REPLACE BUT NOT BE REPLACED BY 161N0001-77 T/W (2)BACB30NF4-10, (1)284N6102-4 AND (1)284N6102-3 161N0001-149 T/W (2)BACB30NF4-14, (1)284N6102-7, (1)284N6102-6 CAN REPLACE BUT NOT BE REPLACED BY 161N0001-57 T/W (2)BACB30NF4-10, (1)284N6102-4 AND (1)284N6102-3 161N0001-149 T/W (2)BACB30NF4-14, (1)284N6102-7, (1)284N6102-6 CAN REPLACE BUT NOT BE REPLACED BY 161N0001-17 T/W (2)BACB30NF4-10, (1)284N6102-4 AND (1)284N6102-3 161N0001-149 T/W (2)BACB30NF4-14, (1)284N6102-7, (1)284N6102-6 CAN REPLACE BUT NOT BE REPLACED BY 161N0001-3 T/W (2)BACB30NF4-10, (1)284N6102-4 AND (1)284N6102-3 FOR NHA/ADDITIONAL DET SEE: 32-11-00-01 32-11-00-02 32-11-00-03		
-	2 161N0001-155	GEAR ASSY-MLG (MAIN GEAR TORSION LINKS ONLY) POSITION DATA: LH	002004 006999	RF

MISSING ITEM NUMBERS NOT APPLICABLE

- ITEM NOT ILLUSTRATED

32-11-16-01

32-11-16  
FIG. 01  
PAGE 5  
JAN 20/09

BRI



757

PARTS CATALOG (MAINTENANCE)

FIG ITEM	PART NUMBER	1 2 3 4 5 6 7 NOMENCLATURE	EFFECT FROM TO	UNITS PER ASSY
1		<p>COMPONENT MAINT MANUAL REF: 32-11-32</p> <p>QUALIFIED I/W DATA: 161N0001-155 T/W (2)BACB30NF4-14, (1)284N6102-7, (1)284N6102-6 CAN REPLACE BUT NOT BE REPLACED BY 161N0001-85 T/W (2)BACB30NF4-10, (1)284N6102-4 AND (1)284N6102-3 161N0001-155 T/W (2)BACB30NF4-14, (1)284N6102-7, (1)284N6102-6 CAN REPLACE BUT NOT BE REPLACED BY 161N0001-77 T/W (2)BACB30NF4-10, (1)284N6102-4 AND (1)284N6102-3 161N0001-155 T/W (2)BACB30NF4-14, (1)284N6102-7, (1)284N6102-6 CAN REPLACE BUT NOT BE REPLACED BY 161N0001-57 T/W (2)BACB30NF4-10, (1)284N6102-4 AND (1)284N6102-3 161N0001-155 T/W (2)BACB30NF4-14, (1)284N6102-7, (1)284N6102-6 CAN REPLACE BUT NOT BE REPLACED BY 161N0001-17 T/W (2)BACB30NF4-10, (1)24N6102-4 AND (1)284N6102-3 161N0001-155 T/W (2)BACB30NF4-14, (1)284N6102-7, (1)284N6102-6 CAN REPLACE BUT NOT BE REPLACED BY 161N0001-3 T/W (2)BACB30NF4-10, (1)284N6102-4 AND (1)284N6102-3</p> <p>FOR NHA/ADDITIONAL DET SEE:</p>		

MISSING ITEM NUMBERS NOT APPLICABLE

- ITEM NOT ILLUSTRATED

32-11-16-01

32-11-16  
FIG. 01  
PAGE 6  
JAN 20/09

BRI



757

PARTS CATALOG (MAINTENANCE)

FIG ITEM	PART NUMBER	1 2 3 4 5 6 7	NOMENCLATURE	EFFECT FROM TO	UNITS PER ASSY
1			32-11-00-01 32-11-00-02 32-11-00-03		
- 2	161N0001-161		GEAR ASSY-MLG (MAIN GEAR TORSION LINKS ONLY) POSITION DATA: LH COMPONENT MAINT MANUAL REF: 32-11-32 FOR NHA/ADDITIONAL DET SEE: 32-11-00-01 32-11-00-02 32-11-00-03	002004 006999	RF
- 2	161N0001-171		GEAR ASSY-MLG (MAIN GEAR TORSION LINKS ONLY) POSITION DATA: LH COMPONENT MAINT MANUAL REF: 32-11-32 FOR NHA/ADDITIONAL DET SEE: 32-11-00-01 32-11-00-02 32-11-00-03	002004 006999	RF
- 2	161N0001-167		GEAR ASSY-MLG (MAIN GEAR TORSION LINKS ONLY) POSITION DATA: LH COMPONENT MAINT MANUAL REF: 32-11-32 FOR NHA/ADDITIONAL DET SEE: 32-11-00-02 32-11-00-03 32-11-00-01	002004 006999	RF
- 2	161N0001-175		GEAR ASSY-MLG (MAIN GEAR TORSION LINKS ONLY) POSITION DATA: LH FOR NHA/ADDITIONAL DET SEE: 32-11-00-03 32-11-00-01 32-11-00-02	002004 006999	RF
- 5	161N0001-96		GEAR ASSY-MLG (MAIN GEAR TORSION LINKS ONLY) POSITION DATA:	002004 006999	RF

MISSING ITEM NUMBERS NOT APPLICABLE

- ITEM NOT ILLUSTRATED

32-11-16-01

32-11-16  
FIG. 01  
PAGE 7  
JAN 20/09

BRI



757

PARTS CATALOG (MAINTENANCE)

FIG ITEM	PART NUMBER	1 2 3 4 5 6 7 NOMENCLATURE	EFFECT FROM TO	UNITS PER ASSY
1		<p>RH            MISCELLANEOUS DATA:            FOR SPARES PROCURE LOWER            COMPONENTS            COMPONENT MAINT MANUAL REF:            32-11-32            QUALIFIED I/W DATA:            161N0001-96 T/W            (2)BACB30NF4-14,            (1)284N6102-7,            (1)284N6102-6 CAN            REPLACE BUT NOT BE            REPLACED BY 161N0001-86            T/W (2)BACB30NF4-10,            (1)284N6102-4 AND            (1)284N6102-3            161N0001-96 T/W            (2)BACB30NF4-14,            (1)284N6102-7,            (1)284N6102-6 CAN            REPLACE BUT NOT BE            REPLACED BY 161N0001-78            T/W (2)BACB30NF4-10,            (1)284N6102-4 AND            (1)284N6102-3            161N0001-96 T/W            (2)BACB30NF4-14,            (1)284N6102-7,            (1)284N6102-6 CAN            REPLACE BUT NOT BE            REPLACED BY 161N0001-58            T/W (2)BACB30NF4-10,            (1)284N6102-4 AND            (1)284N6102-3            161N0001-96 T/W            (2)BACB30NF4-14,            (1)284N6102-7,            (1)284N6102-6 CAN            REPLACE BUT NOT BE            REPLACED BY 161N0001-18            T/W (2)BACB30NF4-10,            (1)284N6102-4 AND            (1)284N6102-3            161N0001-96 T/W            (2)BACB30NF4-14,            (1)284N6102-7,            (1)284N6102-6 CAN            REPLACE BUT NOT BE            REPLACED BY 161N0001-4</p>		

MISSING ITEM NUMBERS NOT APPLICABLE

- ITEM NOT ILLUSTRATED

32-11-16-01

32-11-16  
 FIG. 01  
 PAGE 8  
 JAN 20/09

BRI





757

PARTS CATALOG (MAINTENANCE)

FIG ITEM	PART NUMBER	1 2 3 4 5 6 7 NOMENCLATURE	EFFECT FROM TO	UNITS PER ASSY
1		REPLACE BUT NOT BE REPLACED BY 161N0001-18 T/W (2)BACB30NF4-10, (1)284N6102-4 AND (1)284N6102-3 161N0001-120 T/W (2)BACB30NF4-14, (1)284N6102-7, (1)284N6102-6 CAN REPLACE BUT NOT BE REPLACED BY 161N0001-4 T/W (2)BACB30NF4-10, (1)284N6102-4 AND (1)284N6102-3 FOR NHA/ADDITIONAL DET SEE: 32-11-00-01 32-11-00-02 32-11-00-03 GEAR ASSY-MLG (MAIN GEAR TORSION LINKS ONLY) POSITION DATA: RH MISCELLANEOUS DATA: FOR SPARES PROCURE LOWER COMPONENTS COMPONENT MAINT MANUAL REF: 32-11-32 QUALIFIED I/W DATA: 161N0001-142 T/W (2)BACB30NF4-14, (1)284N6102-7, (1)284N6102-6 CAN REPLACE BUT NOT BE REPLACED BY 161N0001-86 T/W (2)BACB30NF4-10, (1)284N6102-4 AND (1)284N6102-3 161N0001-142 T/W (2)BACB30NF4-14, (1)284N6102-7, (1)284N6102-6 CAN REPLACE BUT NOT BE REPLACED BY 161N0001-78 T/W (2)BACB30NF4-10, (1)284N6102-4 AND (1)284N6102-3 161N0001-142 T/W (2)BACB30NF4-14, 	002004 006999	RF
-	6 161N0001-142	MISSING ITEM NUMBERS NOT APPLICABLE		

- ITEM NOT ILLUSTRATED

32-11-16-01

32-11-16  
FIG. 01  
PAGE 10  
JAN 20/09

BRI





757

PARTS CATALOG (MAINTENANCE)

FIG ITEM	PART NUMBER	1 2 3 4 5 6 7 NOMENCLATURE	EFFECT FROM TO	UNITS PER ASSY
1		<p>(1)284N6102-7,            (1)284N6102-6 CAN            REPLACE BUT NOT BE            REPLACED BY 161N0001-58            T/W (2)BACB30NF4-10,            (1)284N6102-4 AND            (1)284N6102-3            161N0001-142 T/W            (2)BACB30NF4-14,            (1)284N6102-7,            (1)284N6102-6 CAN            REPLACE BUT NOT BE            REPLACED BY 161N0001-18            T/W (2)BACB30NF4-10,            (1)284N6102-4 AND            (1)284N6102-3            161N0001-142 T/W            (2)BACB30NF4-14,            (1)284N6102-7,            (1)284N6102-6 CAN            REPLACE BUT NOT BE            REPLACED BY 161N0001-4            T/W (2)BACB30NF4-10,            (1)284N6102-4 AND            (1)284N6102-3            FOR NHA/ADDITIONAL DET SEE:            32-11-00-01            32-11-00-02            32-11-00-03            GEAR ASSY-MLG            (MAIN GEAR TORSION LINKS            ONLY)            POSITION DATA:            RH            MISCELLANEOUS DATA:            FOR SPARES PROCURE LOWER            COMPONENTS            COMPONENT MAINT MANUAL REF:            32-11-32            QUALIFIED I/W DATA:            161N0001-150 T/W            (2)BACB30NF4-14,            (1)284N6102-7,            (1)284N6102-6 CAN            REPLACE BUT NOT BE            REPLACED BY 161N0001-86            T/W (2)BACB30NF4-10,            (1)284N6102-4 AND            (1)284N6102-3</p>		
-	6 161N0001-150	<p>MISSING ITEM NUMBERS NOT APPLICABLE</p>	002004 006999	RF

- ITEM NOT ILLUSTRATED

32-11-16-01

32-11-16  
 FIG. 01  
 PAGE 11  
 JAN 20/09

BRI



757

PARTS CATALOG (MAINTENANCE)

FIG ITEM	PART NUMBER	1 2 3 4 5 6 7 NOMENCLATURE	EFFECT FROM TO	UNITS PER ASSY
1		161N0001-150 T/W (2)BACB30NF4-14, (1)284N6102-7, (1)284N6102-6 CAN REPLACE BUT NOT BE REPLACED BY 161N0001-78 T/W (2)BACB30NF4-10, (1)284N6102-4 AND (1)284N6102-3 161N0001-150 T/W (2)BACB30NF4-14, (1)284N6102-7, (1)284N6102-6 CAN REPLACE BUT NOT BE REPLACED BY 161N0001-58 (2)BACB30NF4-10, (1)284N6102-4 AND (1)284N6102-3 161N0001-150 T/W (2)BACB30NF4-14, (1)284N6102-7, (1)284N6102-6 CAN REPLACE BUT NOT BE REPLACED BY 161N0001-18 T/W (2)BACB30NF4-10, (1)284N6102-4 AND (1)284N6102-3 161N0001-150 T/W (2)BACB30NF4-14, (1)284N6102-7, (1)284N6102-6 CAN REPLACE BUT NOT BE REPLACED BY 161N0001-4 T/W (2)BACB30NF4-10, (1)284N6102-4 AND (1)284N6102-3 FOR NHA/ADDITIONAL DET SEE: 32-11-00-01 32-11-00-02 32-11-00-03		
-	6 161N0001-156	GEAR ASSY-MLG (MAIN GEAR TORSION LINKS ONLY) POSITION DATA: RH MISCELLANEOUS DATA: FOR SPARES PROCURE LOWER COMPONENTS COMPONENT MAINT MANUAL REF:  MISSING ITEM NUMBERS NOT APPLICABLE	002004 006999	RF

- ITEM NOT ILLUSTRATED

32-11-16-01

32-11-16  
FIG. 01  
PAGE 12  
JAN 20/09

BRI



757

PARTS CATALOG (MAINTENANCE)

FIG ITEM	PART NUMBER	1 2 3 4 5 6 7 NOMENCLATURE	EFFECT FROM TO	UNITS PER ASSY
1		<p>32-11-32  QUALIFIED I/W DATA:  161N0001-156 T/W  (2)BACB30NF4-14,  (1)284N6102-7,  (1)284N6102-6 CAN  REPLACE BUT NOT BE  REPLACED BY 161N0001-86  T/W (2)BACB30NF4-10,  (1)284N6102-4 AND  (1)284N6102-3  161N0001-156 T/W  (2)BACB30NF4-14,  (1)284N6102-7,  (1)284N6102-6 CAN  REPLACE BUT NOT BE  REPLACED BY 161N0001-78  T/W (2)BACB30NF4-10,  (1)284N6102-4 AND  (1)284N6102-3  161N0001-156 T/W  (2)BACB30NF4-14,  (1)284N6102-7,  (1)284N6102-6 CAN  REPLACE BUT NOT BE  REPLACED BY 161N0001-58  T/W (2)BACB30NF4-10,  (1)284N6102-4 AND  (1)284N6102-3  161N0001-156 T/W  (2)BACB30NF4-14,  (1)284N6102-7,  (1)284N6102-6 CAN  REPLACE BUT NOT BE  REPLACED BY 161N0001-18  T/W (2)BACB30NF4-10,  (1)284N6102-4 AND  (1)284N6102-3  161N0001-156 T/W  (2)BACB30NF4-14,  (1)284N6102-7,  (1)284N6102-6 CAN  REPLACE BUT NOT BE  REPLACED BY 161N0001-4  T/W (2)BACB30NF4-10,  (1)284N6102-4 AND  (1)284N6102-3  FOR NHA/ADDITIONAL DET SEE:  32-11-00-01</p>		

MISSING ITEM NUMBERS NOT APPLICABLE

- ITEM NOT ILLUSTRATED

# 32-11-16-01

32-11-16  
FIG. 01  
PAGE 13  
JAN 20/09

BRI



757

PARTS CATALOG (MAINTENANCE)

FIG ITEM	PART NUMBER	1 2 3 4 5 6 7	NOMENCLATURE	EFFECT FROM TO	UNITS PER ASSY
1					
- 6	161N0001-162	32-11-00-02 32-11-00-03	GEAR ASSY-MLG (MAIN GEAR TORSION LINKS ONLY) POSITION DATA: RH COMPONENT MAINT MANUAL REF: 32-11-32 FOR NHA/ADDITIONAL DET SEE: 32-11-00-01 32-11-00-02 32-11-00-03	002004 006999	RF
- 6	161N0001-172	32-11-00-02 32-11-00-03	GEAR ASSY-MLG (MAIN GEAR TORSION LINKS ONLY) POSITION DATA: RH COMPONENT MAINT MANUAL REF: 32-11-32 FOR NHA/ADDITIONAL DET SEE: 32-11-00-01 32-11-00-02 32-11-00-03	002004 006999	RF
- 6	161N0001-168	32-11-00-02 32-11-00-03	GEAR ASSY-MLG (MAIN GEAR TORSION LINKS ONLY) POSITION DATA: RH COMPONENT MAINT MANUAL REF: 32-11-32 FOR NHA/ADDITIONAL DET SEE: 32-11-00-02 32-11-00-03 32-11-00-01	002004 006999	RF
- 6	161N0001-176	32-11-00-02 32-11-00-03	GEAR ASSY-MLG (MAIN GEAR TORSION LINKS ONLY) POSITION DATA: RH FOR NHA/ADDITIONAL DET SEE: 32-11-00-03 32-11-00-01 32-11-00-02	002004 006999	RF
10	MS24665-304		.PIN-	002004 006102 107107 121999	1

MISSING ITEM NUMBERS NOT APPLICABLE

- ITEM NOT ILLUSTRATED

32-11-16-01

32-11-16  
FIG. 01  
PAGE 14  
JAN 20/09

BRI



757

PARTS CATALOG (MAINTENANCE)

FIG ITEM	PART NUMBER	1 2 3 4 5 6 7	NOMENCLATURE	EFFECT FROM TO	UNITS PER ASSY
1	10	BACP18BC03A10P	.PIN-	103106 108120	1
	15	NAS6708D291	.BOLT- USED ON: 161N0001-57 161N0001-58 161N0001-69 161N0001-70 161N0001-77 161N0001-78 161N0001-79 161N0001-80 161N0001-85 161N0001-86 161N0001-87 161N0001-88 161N0001-89 161N0001-90 161N0001-95 161N0001-96 161N0001-117 161N0001-118 161N0001-119 161N0001-120 161N0001-141 161N0001-142 161N0001-149 161N0001-150 161N0001-155 161N0001-156 161N0001-161 161N0001-162 161N0001-157 161N0001-158 161N0001-167 161N0001-168 161N0001-169 161N0001-170 161N0001-171 161N0001-172 161N0001-173 161N0001-174 POST SERVICE BULLETIN: 32-0015	002004 006999	1

MISSING ITEM NUMBERS NOT APPLICABLE

- ITEM NOT ILLUSTRATED

BRI

32-11-16-01

BOEING PROPRIETARY - Copyright © - Unpublished Work - See title page for details.

32-11-16  
FIG. 01  
PAGE 15  
JAN 20/09



757

PARTS CATALOG (MAINTENANCE)

FIG ITEM	PART NUMBER	1 2 3 4 5 6 7	NOMENCLATURE	EFFECT FROM TO	UNITS PER ASSY
1 20	161N1829-1		.WASHER- USED ON: 161N0001-57 161N0001-58 161N0001-69 161N0001-70 161N0001-77 161N0001-78 161N0001-79 161N0001-80 161N0001-85 161N0001-86 161N0001-87 161N0001-88 161N0001-89 161N0001-90 161N0001-95 161N0001-96 161N0001-117 161N0001-118 161N0001-119 161N0001-120 161N0001-141 161N0001-142 161N0001-149 161N0001-150 161N0001-155 161N0001-156 161N0001-161 161N0001-162 161N0001-157 161N0001-158 161N0001-167 161N0001-168 161N0001-169 161N0001-170 161N0001-171 161N0001-172 161N0001-173 161N0001-174	002004 006999	2
25	69235-820CD		.NUT- SUPPLIER CODE: V92215 SPECIFICATION NUMBER: BACN10JC8CD OPTIONAL PART: 102LH9074-8 V72962 BMN4122CPD8-8	002004 006999	1

MISSING ITEM NUMBERS NOT APPLICABLE

- ITEM NOT ILLUSTRATED

32-11-16-01

32-11-16  
FIG. 01  
PAGE 16  
SEP 20/08

BRI



757

PARTS CATALOG (MAINTENANCE)

FIG ITEM	PART NUMBER	1 2 3 4 5 6 7	NOMENCLATURE	EFFECT FROM TO	UNITS PER ASSY
1			V97928 H51650-8BAC V15653 USED ON: 161N0001-57 161N0001-58 161N0001-69 161N0001-70 161N0001-77 161N0001-78 161N0001-79 161N0001-80 161N0001-85 161N0001-86 161N0001-87 161N0001-88 161N0001-89 161N0001-90 161N0001-95 161N0001-96 161N0001-117 161N0001-118 161N0001-119 161N0001-120 161N0001-141 161N0001-142 161N0001-149 161N0001-150 161N0001-155 161N0001-156 161N0001-161 161N0001-162 161N0001-157 161N0001-158 161N0001-167 161N0001-168 161N0001-169 161N0001-170 161N0001-171 161N0001-172 161N0001-173 161N0001-174		

MISSING ITEM NUMBERS NOT APPLICABLE

- ITEM NOT ILLUSTRATED

BRI

32-11-16-01

BOEING PROPRIETARY - Copyright © - Unpublished Work - See title page for details.

32-11-16  
FIG. 01  
PAGE 17  
SEP 20/08



757

PARTS CATALOG (MAINTENANCE)

FIG ITEM	PART NUMBER	1 2 3 4 5 6 7	NOMENCLATURE	EFFECT FROM TO	UNITS PER ASSY
1 30	161N1830-1		.CAP ASSY-END USED ON: 161N0001-57 161N0001-58 161N0001-69 161N0001-70 161N0001-77 161N0001-78 161N0001-79 161N0001-80 161N0001-85 161N0001-86 161N0001-87 161N0001-88 161N0001-89 161N0001-90 161N0001-95 161N0001-96 161N0001-117 161N0001-118 161N0001-119 161N0001-120 161N0001-141 161N0001-142 161N0001-149 161N0001-150 161N0001-155 161N0001-156 161N0001-161 161N0001-162 161N0001-157 161N0001-158 161N0001-167 161N0001-168 161N0001-169 161N0001-170 161N0001-171 161N0001-172 161N0001-173 161N0001-174	002004 006999	1

MISSING ITEM NUMBERS NOT APPLICABLE

- ITEM NOT ILLUSTRATED

BRI

32-11-16-01

BOEING PROPRIETARY - Copyright © - Unpublished Work - See title page for details.

32-11-16  
FIG. 01  
PAGE 18  
SEP 20/08





757

PARTS CATALOG (MAINTENANCE)

FIG ITEM	PART NUMBER	1 2 3 4 5 6 7	NOMENCLATURE	EFFECT FROM TO	UNITS PER ASSY
1 35	161N1830-2		.CAP ASSY-END USED ON: 161N0001-57 161N0001-58 161N0001-69 161N0001-70 161N0001-77 161N0001-78 161N0001-79 161N0001-80 161N0001-85 161N0001-86 161N0001-87 161N0001-88 161N0001-89 161N0001-90 161N0001-95 161N0001-96 161N0001-117 161N0001-118 161N0001-119 161N0001-120 161N0001-141 161N0001-142 161N0001-149 161N0001-150 161N0001-155 161N0001-156 161N0001-161 161N0001-162 161N0001-157 161N0001-158 161N0001-167 161N0001-168 161N0001-169 161N0001-170 161N0001-171 161N0001-172 161N0001-173 161N0001-174	002004 006999	1
40	BACB30LJ4-9		.BOLT	002004 006999	2
45	AN960-416L		.WASHER-	002004 006100 107107 121503 904999	2

MISSING ITEM NUMBERS NOT APPLICABLE

- ITEM NOT ILLUSTRATED

32-11-16-01

32-11-16  
FIG. 01  
PAGE 19  
JAN 20/09

BRI



757

PARTS CATALOG (MAINTENANCE)

FIG ITEM	PART NUMBER	1 2 3 4 5 6 7	NOMENCLATURE	EFFECT FROM TO	UNITS PER ASSY
1					
45	NAS1149F0432P	.	WASHER-	101106 108120 504903	2
50	BRH10C4D	.	NUT SUPPLIER CODE: V52828 SPECIFICATION NUMBER: BACN10JC4CD OPTIONAL PART: T6C428JCD V11815 NS202486-048 V80539 102LH9075-4W V72962 H51650-4BAC V15653	002004 006999	2
55	161N1823-1	.	PIN-	002004 006999	1
60	162N3115-9	.	WASHER-TANG	002004 006999	1
65	161N1810-1	.	NUT	002004 006999	1
70	MS24665-153	.	PIN-	002004 006100 107107 121503 904999	1
70	BACP18BC02A06P	.	PIN-	101106 108120 504903	1
75	BACB30LJ4D33	.	BOLT	002004 006999	1
80	AN960-416L	.	WASHER-	002004 006100 107107 121503 904999	1
80	NAS1149F0432P	.	WASHER-	101106 108120 504903	1
85	LCN12-428	.	NUT-SELF-LOCKING SUPPLIER CODE: V56878	002004 006999	1
90	161N1825-3	.	PIN ASSY-	002004 006999	1
95	161N1822-1	.	SPACER	002004 006999	1

MISSING ITEM NUMBERS NOT APPLICABLE

- ITEM NOT ILLUSTRATED

32-11-16-01

32-11-16  
FIG. 01  
PAGE 20  
JAN 20/09

BRI



757

PARTS CATALOG (MAINTENANCE)

FIG ITEM	PART NUMBER	1 2 3 4 5 6 7	NOMENCLATURE	EFFECT FROM TO	UNITS PER ASSY
1					
100	161N1826-1	.	WASHER ASSY	002004 006999	1
105	161N1827-1	.	NUT	002004 006999	1
110	MS24665-304	.	PIN-	002004 006100 107107 121503 904999	1
135	BACP18BC03A10P	.	PIN-	101106 108120 504903	1
140	NAS6708D255	.	BOLT-	002004 006999	1
145	161N1829-1	.	WASHER-	002004 006999	2
150	69235-820CD	.	NUT- SUPPLIER CODE: V92215 SPECIFICATION NUMBER: BACN10JC8CD OPTIONAL PART: 102LH9074-8 V72962 BMN4122CPD8-8 V97928 H51650-8BAC V15653	002004 006999	1
155	161N1830-3	.	CAP ASSY-ND	002004 006999	2
160	161N1803-2	.	PIN-	002004 006999	1
165	161N1501-1	.	LINK ASSY-TORSION	002004 006999	2
165	161N1501-3	.	LINK ASSY-TORSION	002004 006999	2
170	1728B	..	FITTING-LUBE SUPPLIER CODE: VOFKM1	002004 006999	2
175	1728B	..	FITTING-LUBE SUPPLIER CODE: VOFKM1 USED ON: 161N1501-1	002004 006999	1

MISSING ITEM NUMBERS NOT APPLICABLE

- ITEM NOT ILLUSTRATED

32-11-16-01

32-11-16  
FIG. 01  
PAGE 21  
JAN 20/09

BRI

BOEING PROPRIETARY - Copyright © - Unpublished Work - See title page for details.



757

PARTS CATALOG (MAINTENANCE)

FIG ITEM	PART NUMBER	1 2 3 4 5 6 7	NOMENCLATURE	EFFECT FROM TO	UNITS PER ASSY
1 177	1646B		.. FITTING-LUBE SUPPLIER CODE: V95879 USED ON: 161N1501-3 161N1501-5 POST SERVICE BULLETIN: 32-0002	002004 006999	1
180	160N0201-36		.. BUSHING	002004 006999	2
185	160N0201-37		.. BUSHING	002004 006999	4

MISSING ITEM NUMBERS NOT APPLICABLE

- ITEM NOT ILLUSTRATED

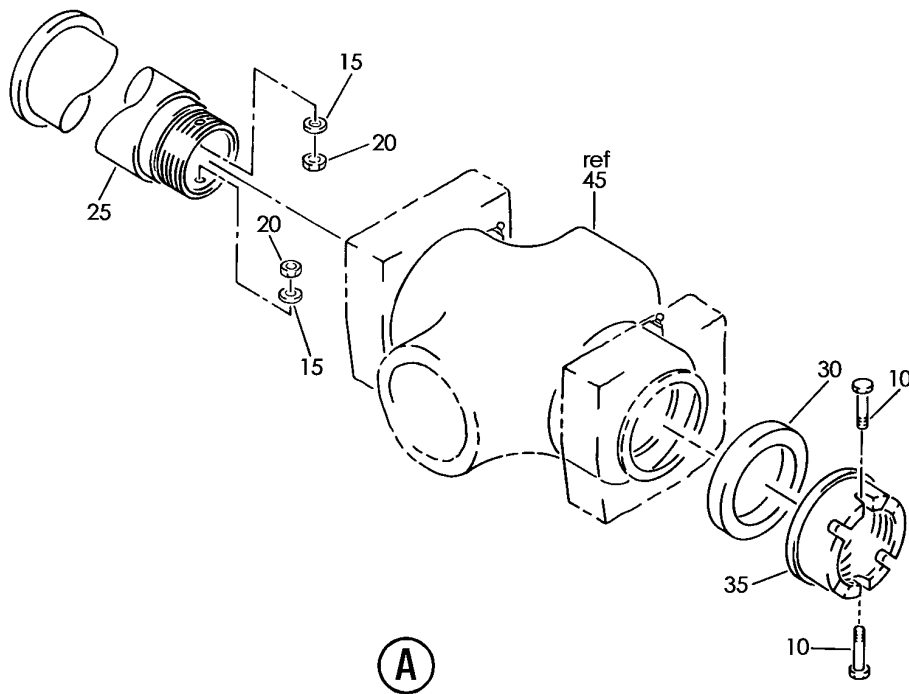
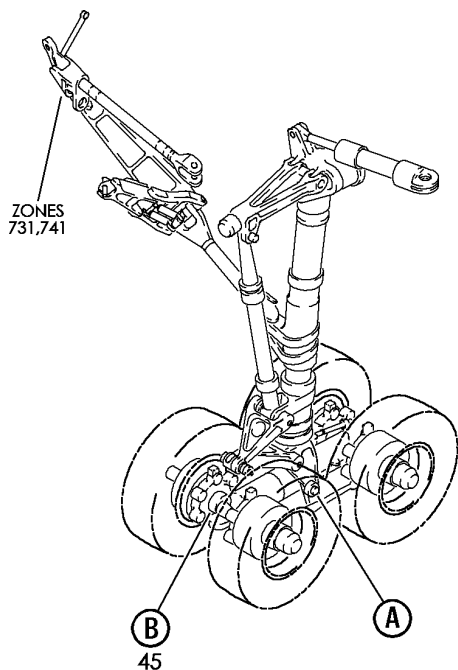
BRI

32-11-16-01

BOEING PROPRIETARY - Copyright © - Unpublished Work - See title page for details.

32-11-16  
FIG. 01  
PAGE 22  
JAN 20/09

**BOEING**  
757  
PARTS CATALOG (MAINTENANCE)



Y 32111701 SHT 1 REV 246

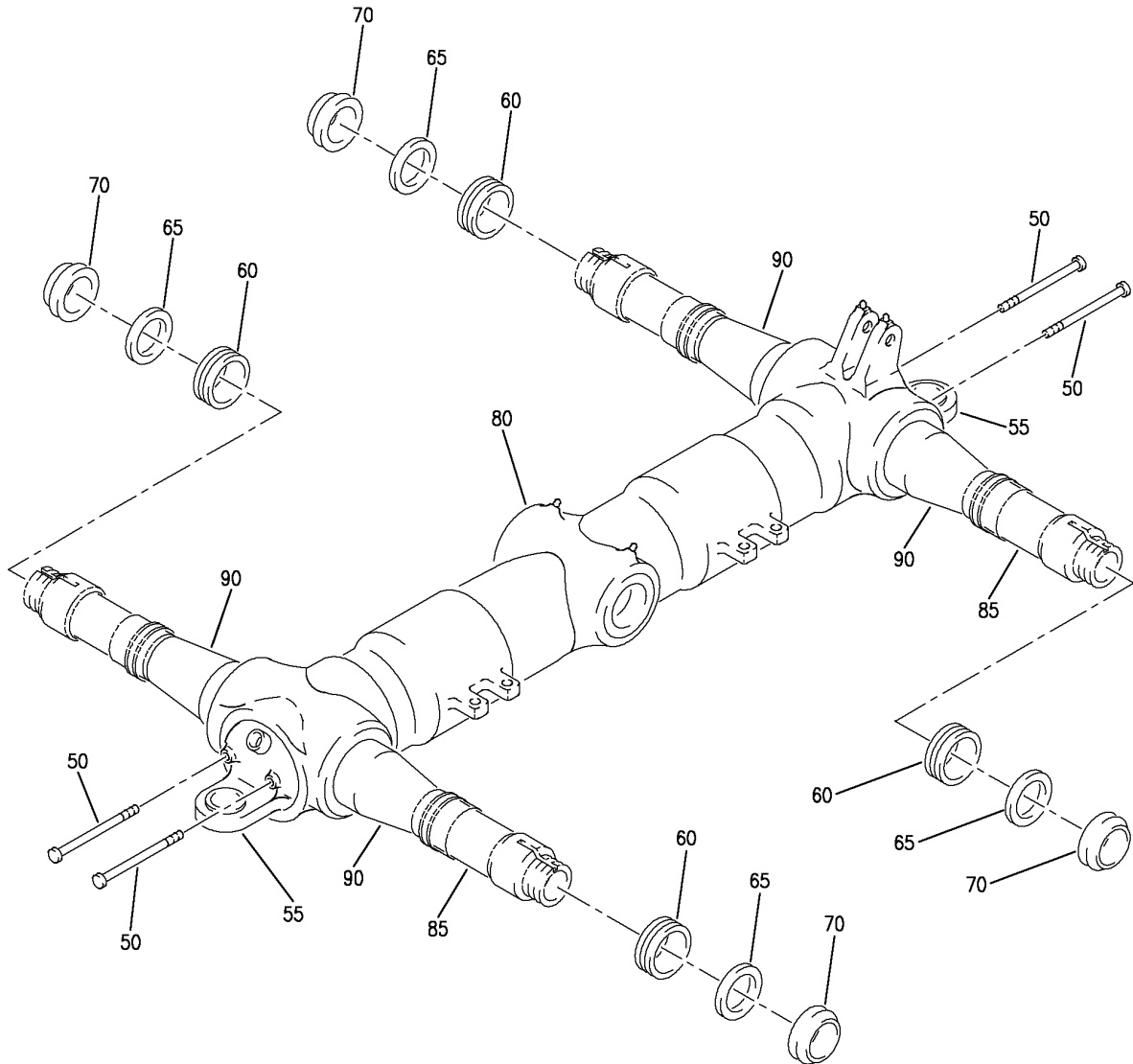
GEAR ASSY-MLG (MAIN GEAR TRUCK ASSY ONLY)  
FIGURE 1 (SHEET 1)

**32-11-17-01**

BRI  
MAY 28/07

32-11-17-01  
PAGE 0

**BOEING**  
757  
PARTS CATALOG (MAINTENANCE)



(B)

Y 32111701 SH1 2 REV 330

GEAR ASSY-MLG (MAIN GEAR TRUCK ASSY ONLY)  
FIGURE 1 (SHEET 2)

**32-11-17-01**

BRI  
JAN 20/09

32-11-17-01  
PAGE 0A



757

PARTS CATALOG (MAINTENANCE)

FIG ITEM	PART NUMBER	1 2 3 4 5 6 7	NOMENCLATURE	EFFECT FROM TO	UNITS PER ASSY
1			GEAR ASSY-MLG (MAIN GEAR TRUCK ASSY ONLY)	002004 006999	
- 1	161N0001-95		GEAR ASSY-MLG (MAIN GEAR TRUCK ASSY ONLY) POSITION DATA: LH MISCELLANEOUS DATA: FOR SPARES PROCURE LOWER COMPONENTS COMPONENT MAINT MANUAL REF: 32-11-32 QUALIFIED I/W DATA: 161N0001-95 T/W (2)BACB30NF4-14, (1)284N6102-7, (1)284N6102-6 CAN REPLACE BUT NOT BE REPLACED BY 161N0001-85 T/W (2)BACB30NF4-10, (1)284N6102-4 AND (1)284N6102-3 161N0001-95 T/W (2)BACB30NF4-14, (1)284N6102-7, (1)284N6102-6 CAN REPLACE BUT NOT BE REPLACED BY 161N0001-77 T/W (2)BACB30NF4-10, (1)284N6102-4 AND (1)284N6102-3 161N0001-95 T/W (2)BACB30NF4-14, (1)284N6102-7, (1)284N6102-6 CAN REPLACE BUT NOT BE REPLACED BY 161N0001-57 T/W (2)BACB30NF4-10, (1)284N6102-4 AND (1)284N6102-3 161N0001-95 T/W (2)BACB30NF4-14, (1)284N6102-7, (1)284N6102-6 CAN REPLACE BUT NOT BE REPLACED BY 161N0001-17 T/W (2)BACB30NF4-10, (1)284N6102-4 AND	002004 006999	RF

MISSING ITEM NUMBERS NOT APPLICABLE

- ITEM NOT ILLUSTRATED

32-11-17-01

32-11-17  
FIG. 01  
PAGE 1  
JAN 20/09

BRI



757

PARTS CATALOG (MAINTENANCE)

FIG ITEM	PART NUMBER	1 2 3 4 5 6 7	NOMENCLATURE	EFFECT FROM TO	UNITS PER ASSY
1			(1)284N6102-3 161N0001-95 T/W (2)BACB30NF4-14, (1)284N6102-7, (1)284N6102-6 CAN REPLACE BUT NOT BE REPLACED BY 161N0001-3 T/W (2)BACB30NF4-10, (1)284N6102-4 AND (1)284N6102-3 FOR NHA/ADDITIONAL DET SEE: 32-11-00-01 32-11-00-02 32-11-00-03		
- 2	161N0001-119		GEAR ASSY-MLG (MAIN GEAR TRUCK ASSY ONLY) POSITION DATA: LH MISCELLANEOUS DATA: FOR SPARES PROCURE LOWER COMPONENTS COMPONENT MAINT MANUAL REF: 32-11-32 QUALIFIED I/W DATA: 161N0001-119 T/W (2)BACB30NF4-14, (1)284N6102-7, (1)284N6102-6 CAN REPLACE BUT NOT BE REPLACED BY 161N0001-85 T/W (2)BACB30NF4-10, (1)284N6102-4 AND (1)284N6102-3. 161N0001-199 T/W (2)BACB30NF4-14, (1)284N6102-7, (1)284N6102-6 CAN REPLACE BUT NOT BE REPLACED BY 161N0001-77 T/W (2)BACB30NF4-10, (1)284N6102-4 AND (1)284N6102-3 161N0001-119 T/W (2)BACB30NF4-14, (1)284N6102-7, (1)284N6102-6 CAN REPLACE BUT NOT BE REPLACED BY 161N0001-57	002004 006999	RF

MISSING ITEM NUMBERS NOT APPLICABLE

- ITEM NOT ILLUSTRATED

32-11-17-01

32-11-17  
FIG. 01  
PAGE 2  
JAN 20/09

BRI





757

PARTS CATALOG (MAINTENANCE)

FIG ITEM	PART NUMBER	1 2 3 4 5 6 7 NOMENCLATURE	EFFECT FROM TO	UNITS PER ASSY
1		<p>T/W (2)BACB30NF4-10,            (1)284N6102-4 AND            (1)284N6102-3            161N0001-119 T/W            (2)BACB30NF4-14,            (1)284N6102-7,            (1)284N6102-6 CAN            REPLACE BUT NOT BE            REPLACED BY 161N0001-17            T/W (2)BACB30NF4-10,            (1)284N6102-4 AND            (1)284N6102-3            161N0001-119 T/W            (2)BACB30NF4-14,            (1)284N6102-7,            (1)284N6102-6 CAN            REPLACE BUT NOT BE            REPLACED BY 161N0001-3            T/W (2)BACB30NF4-10,            (1)284N6102-4 AND            (1)284N6102-3            FOR NHA/ADDITIONAL DET SEE:            32-11-00-01            32-11-00-02            32-11-00-03</p>		
-	2 161N0001-141	<p>GEAR ASSY-MLG            (MAIN GEAR TRUCK ASSY            ONLY)            POSITION DATA:            LH            MISCELLANEOUS DATA:            FOR SPARES PROCURE LOWER            COMPONENTS            COMPONENT MAINT MANUAL REF:            32-11-32            QUALIFIED I/W DATA:            161N0001-141 T/W            (2)BACB30NF4-14,            (1)284N6102-7,            (1)284N6102-6 CAN            REPLACE BUT NOT BE            REPLACED BY 161N0001-85            T/W (2)BACB30NF4-10,            (1)284N6102-4 AND            (1)284N6102-3            161N0001-141 T/W            (2)BACB30NF4-14,            (1)284N6102-7,            (1)284N6102-6 CAN</p>	002004 006999	RF

MISSING ITEM NUMBERS NOT APPLICABLE

- ITEM NOT ILLUSTRATED

32-11-17-01

32-11-17  
 FIG. 01  
 PAGE 3  
 JAN 20/09

BRI



757

PARTS CATALOG (MAINTENANCE)

FIG ITEM	PART NUMBER	1 2 3 4 5 6 7 NOMENCLATURE	EFFECT FROM TO	UNITS PER ASSY
1		REPLACE BUT NOT BE REPLACED BY 161N0001-77 T/W (2)BACB30NF4-10, (1)284N6102-4 AND (1)284N6102-3 161N0001-141 T/W (2)BACB30NF4-14, (1)284N6102-7, (1)284N6102-6 CAN REPLACE BUT NOT BE REPLACED BY 161N0001-57 T/W (2)BACB30NF4-10, (1)284N6102-4 AND (1)284N6102-3 161N0001-141 T/W (2)BACB30NF4-14, (1)284N6102-7, (1)284N6102-6 CAN REPLACE BUT NOT BE REPLACED BY 161N0001-17 T/W (2)BACB30NF4-10, (1)284N6102-4 AND (1)284N6102-3 161N0001-141 T/W (2)BACB30NF4-14, (1)284N6102-7, (1)284N6102-6 CAN REPLACE BUT NOT BE REPLACED BY 161N0001-3 T/W (2)BACB30NF4-10, (1)284N6102-4 AND (1)284N6102-3 FOR NHA/ADDITIONAL DET SEE: 32-11-00-01 32-11-00-02 32-11-00-03		
-	2 161N0001-149	GEAR ASSY-MLG (MAIN GEAR TRUCK ASSY ONLY) POSITION DATA: LH COMPONENT MAINT MANUAL REF: 32-11-32 QUALIFIED I/W DATA: 161N0001-149 T/W (2)BACB30NF4-14, (1)284N6102-7, (1)284N6102-6 CAN REPLACE BUT NOT BE	002004 006999	RF

MISSING ITEM NUMBERS NOT APPLICABLE

- ITEM NOT ILLUSTRATED

BRI

32-11-17-01

BOEING PROPRIETARY - Copyright © - Unpublished Work - See title page for details.

32-11-17  
FIG. 01  
PAGE 4  
JAN 20/09



757

PARTS CATALOG (MAINTENANCE)

FIG ITEM	PART NUMBER	1 2 3 4 5 6 7 NOMENCLATURE	EFFECT FROM TO	UNITS PER ASSY
1		REPLACED BY 161N0001-85 (2)BACB30NF4-10, (1)284N6102-4 AND (1)284N6102-3 161N0001-149 T/W (2)BACB30NF4-14, (1)284N6102-7, (1)284N6102-6 CAN REPLACE BUT NOT BE REPLACED BY 161N0001-77 T/W (2)BACB30NF4-10, (1)284N6102-4 AND (1)284N6102-3 161N0001-149 T/W (2)BACB30NF4-14, (1)284N6102-7, (1)284N6102-6 CAN REPLACE BUT NOT BE REPLACED BY 161N0001-57 T/W (2)BACB30NF4-10, (1)284N6102-4 AND (1)284N6102-3 161N0001-149 T/W (2)BACB30NF4-14, (1)284N6102-7, (1)284N6102-6 CAN REPLACE BUT NOT BE REPLACED BY 161N0001-17 T/W (2)BACB30NF4-10, (1)284N6102-4 AND (1)284N6102-3 161N0001-149 T/W (2)BACB30NF4-14, (1)284N6102-7, (1)284N6102-6 CAN REPLACE BUT NOT BE REPLACED BY 161N0001-3 T/W (2)BACB30NF4-10, (1)284N6102-4 AND (1)284N6102-3 FOR NHA/ADDITIONAL DET SEE: 32-11-00-01 32-11-00-02 32-11-00-03		
-	2 161N0001-155	GEAR ASSY-MLG (MAIN GEAR TRUCK ASSY ONLY) POSITION DATA: LH	002004 006999	RF

MISSING ITEM NUMBERS NOT APPLICABLE

- ITEM NOT ILLUSTRATED

BRI

32-11-17-01

BOEING PROPRIETARY - Copyright © - Unpublished Work - See title page for details.

32-11-17  
FIG. 01  
PAGE 5  
JAN 20/09



757

PARTS CATALOG (MAINTENANCE)

FIG ITEM	PART NUMBER	1 2 3 4 5 6 7 NOMENCLATURE	EFFECT FROM TO	UNITS PER ASSY
1		<p>COMPONENT MAINT MANUAL REF: 32-11-32</p> <p>QUALIFIED I/W DATA: 161N0001-155 T/W (2)BACB30NF4-14, (1)284N6102-7, (1)284N6102-6 CAN REPLACE BUT NOT BE REPLACED BY 161N0001-85 T/W (2)BACB30NF4-10, (1)284N6102-4 AND (1)284N6102-3 161N0001-155 T/W (2)BACB30NF4-14, (1)284N6102-7, (1)284N6102-6 CAN REPLACE BUT NOT BE REPLACED BY 161N0001-77 T/W (2)BACB30NF4-10, (1)284N6102-4 AND (1)284N6102-3 161N0001-155 T/W (2)BACB30NF4-14, (1)284N6102-7, (1)284N6102-6 CAN REPLACE BUT NOT BE REPLACED BY 161N0001-57 T/W (2)BACB30NF4-10, (1)284N6102-4 AND (1)284N6102-3 161N0001-155 T/W (2)BACB30NF4-14, (1)284N6102-7, (1)284N6102-6 CAN REPLACE BUT NOT BE REPLACED BY 161N0001-17 T/W (2)BACB30NF4-10, (1)24N6102-4 AND (1)284N6102-3 161N0001-155 T/W (2)BACB30NF4-14, (1)284N6102-7, (1)284N6102-6 CAN REPLACE BUT NOT BE REPLACED BY 161N0001-3 T/W (2)BACB30NF4-10, (1)284N6102-4 AND (1)284N6102-3</p> <p>FOR NHA/ADDITIONAL DET SEE:</p>		

MISSING ITEM NUMBERS NOT APPLICABLE

- ITEM NOT ILLUSTRATED

32-11-17-01

32-11-17  
FIG. 01  
PAGE 6  
JAN 20/09

BRI



757

PARTS CATALOG (MAINTENANCE)

FIG ITEM	PART NUMBER	1 2 3 4 5 6 7	NOMENCLATURE	EFFECT FROM TO	UNITS PER ASSY
1					
- 2	161N0001-161	32-11-00-01 32-11-00-02 32-11-00-03	GEAR ASSY-MLG (MAIN GEAR TRUCK ASSY ONLY) POSITION DATA: LH COMPONENT MAINT MANUAL REF: 32-11-32 FOR NHA/ADDITIONAL DET SEE: 32-11-00-01 32-11-00-02 32-11-00-03	002004 006999	RF
- 2	161N0001-171	32-11-00-01 32-11-00-02 32-11-00-03	GEAR ASSY-MLG (MAIN GEAR TRUCK ASSY ONLY) POSITION DATA: LH COMPONENT MAINT MANUAL REF: 32-11-32 FOR NHA/ADDITIONAL DET SEE: 32-11-00-01 32-11-00-02 32-11-00-03	002004 006999	RF
- 2	161N0001-167	32-11-00-01 32-11-00-02 32-11-00-03	GEAR ASSY-MLG (MAIN GEAR TRUCK ASSY ONLY) POSITION DATA: LH COMPONENT MAINT MANUAL REF: 32-11-32 FOR NHA/ADDITIONAL DET SEE: 32-11-00-01 32-11-00-02 32-11-00-03	002004 006999	RF
- 2	161N0001-175	32-11-00-01 32-11-00-02 32-11-00-03	GEAR ASSY-MLG (MAIN GEAR TRUCK ASSY ONLY) POSITION DATA: LH FOR NHA/ADDITIONAL DET SEE: 32-11-00-03 32-11-00-01 32-11-00-02	002004 006999	RF
- 5	161N0001-96	32-11-00-01 32-11-00-02 32-11-00-03	GEAR ASSY-MLG (MAIN GEAR TRUCK ASSY ONLY) POSITION DATA:	002004 006999	RF

MISSING ITEM NUMBERS NOT APPLICABLE

- ITEM NOT ILLUSTRATED

32-11-17-01

32-11-17  
FIG. 01  
PAGE 7  
JAN 20/09

BRI



757

PARTS CATALOG (MAINTENANCE)

FIG ITEM	PART NUMBER	1 2 3 4 5 6 7 NOMENCLATURE	EFFECT FROM TO	UNITS PER ASSY
1		RH MISCELLANEOUS DATA: FOR SPARES PROCURE LOWER COMPONENTS COMPONENT MAINT MANUAL REF: 32-11-32 QUALIFIED I/W DATA: 161N0001-96 T/W (2)BACB30NF4-14, (1)284N6102-7, (1)284N6102-6 CAN REPLACE BUT NOT BE REPLACED BY 161N0001-86 T/W (2)BACB30NF4-10, (1)284N6102-4 AND (1)284N6102-3 161N0001-96 T/W (2)BACB30NF4-14, (1)284N6102-7, (1)284N6102-6 CAN REPLACE BUT NOT BE REPLACED BY 161N0001-78 T/W (2)BACB30NF4-10, (1)284N6102-4 AND (1)284N6102-3 161N0001-96 T/W (2)BACB30NF4-14, (1)284N6102-7, (1)284N6102-6 CAN REPLACE BUT NOT BE REPLACED BY 161N0001-58 T/W (2)BACB30NF4-10, (1)284N6102-4 AND (1)284N6102-3 161N0001-96 T/W (2)BACB30NF4-14, (1)284N6102-7, (1)284N6102-6 CAN REPLACE BUT NOT BE REPLACED BY 161N0001-18 T/W (2)BACB30NF4-10, (1)284N6102-4 AND (1)284N6102-3 161N0001-96 T/W (2)BACB30NF4-14, (1)284N6102-7, (1)284N6102-6 CAN REPLACE BUT NOT BE REPLACED BY 161N0001-4  MISSING ITEM NUMBERS NOT APPLICABLE		

- ITEM NOT ILLUSTRATED

32-11-17-01

32-11-17  
 FIG. 01  
 PAGE 8  
 JAN 20/09

BRI





757

PARTS CATALOG (MAINTENANCE)

FIG ITEM	PART NUMBER	1 2 3 4 5 6 7 NOMENCLATURE	EFFECT FROM TO	UNITS PER ASSY
1		REPLACE BUT NOT BE REPLACED BY 161N0001-18 T/W (2)BACB30NF4-10, (1)284N6102-4 AND (1)284N6102-3 161N0001-120 T/W (2)BACB30NF4-14, (1)284N6102-7, (1)284N6102-6 CAN REPLACE BUT NOT BE REPLACED BY 161N0001-4 T/W (2)BACB30NF4-10, (1)284N6102-4 AND (1)284N6102-3 FOR NHA/ADDITIONAL DET SEE: 32-11-00-01 32-11-00-02 32-11-00-03 GEAR ASSY-MLG (MAIN GEAR TRUCK ASSY ONLY) POSITION DATA: RH MISCELLANEOUS DATA: FOR SPARES PROCURE LOWER COMPONENTS COMPONENT MAINT MANUAL REF: 32-11-32 QUALIFIED I/W DATA: 161N0001-142 T/W (2)BACB30NF4-14, (1)284N6102-7, (1)284N6102-6 CAN REPLACE BUT NOT BE REPLACED BY 161N0001-86 T/W (2)BACB30NF4-10, (1)284N6102-4 AND (1)284N6102-3 161N0001-142 T/W (2)BACB30NF4-14, (1)284N6102-7, (1)284N6102-6 CAN REPLACE BUT NOT BE REPLACED BY 161N0001-78 T/W (2)BACB30NF4-10, (1)284N6102-4 AND (1)284N6102-3 161N0001-142 T/W (2)BACB30NF4-14, 	002004 006999	RF
-	6 161N0001-142	MISSING ITEM NUMBERS NOT APPLICABLE		

- ITEM NOT ILLUSTRATED

32-11-17-01

32-11-17  
FIG. 01  
PAGE 10  
JAN 20/09

BRI





757

PARTS CATALOG (MAINTENANCE)

FIG ITEM	PART NUMBER	1 2 3 4 5 6 7 NOMENCLATURE	EFFECT FROM TO	UNITS PER ASSY
1		<p>(1)284N6102-7,            (1)284N6102-6 CAN            REPLACE BUT NOT BE            REPLACED BY 161N0001-58            T/W (2)BACB30NF4-10,            (1)284N6102-4 AND            (1)284N6102-3            161N0001-142 T/W            (2)BACB30NF4-14,            (1)284N6102-7,            (1)284N6102-6 CAN            REPLACE BUT NOT BE            REPLACED BY 161N0001-18            T/W (2)BACB30NF4-10,            (1)284N6102-4 AND            (1)284N6102-3            161N0001-142 T/W            (2)BACB30NF4-14,            (1)284N6102-7,            (1)284N6102-6 CAN            REPLACE BUT NOT BE            REPLACED BY 161N0001-4            T/W (2)BACB30NF4-10,            (1)284N6102-4 AND            (1)284N6102-3            FOR NHA/ADDITIONAL DET SEE:            32-11-00-01            32-11-00-02            32-11-00-03</p>		
- 6	161N0001-150	<p>GEAR ASSY-MLG            (MAIN GEAR TRUCK ASSY            ONLY)            POSITION DATA:            RH            MISCELLANEOUS DATA:            FOR SPARES PROCURE LOWER            COMPONENTS            COMPONENT MAINT MANUAL REF:            32-11-32            QUALIFIED I/W DATA:            161N0001-150 T/W            (2)BACB30NF4-14,            (1)284N6102-7,            (1)284N6102-6 CAN            REPLACE BUT NOT BE            REPLACED BY 161N0001-86            T/W (2)BACB30NF4-10,            (1)284N6102-4 AND            (1)284N6102-3</p>	002004 006999	RF

MISSING ITEM NUMBERS NOT APPLICABLE

- ITEM NOT ILLUSTRATED

32-11-17-01

32-11-17  
 FIG. 01  
 PAGE 11  
 JAN 20/09

BRI



757

PARTS CATALOG (MAINTENANCE)

FIG ITEM	PART NUMBER	1 2 3 4 5 6 7 NOMENCLATURE	EFFECT FROM TO	UNITS PER ASSY
1		161N0001-150 T/W (2)BACB30NF4-14, (1)284N6102-7, (1)284N6102-6 CAN REPLACE BUT NOT BE REPLACED BY 161N0001-78 T/W (2)BACB30NF4-10, (1)284N6102-4 AND (1)284N6102-3 161N0001-150 T/W (2)BACB30NF4-14, (1)284N6102-7, (1)284N6102-6 CAN REPLACE BUT NOT BE REPLACED BY 161N0001-58 (2)BACB30NF4-10, (1)284N6102-4 AND (1)284N6102-3 161N0001-150 T/W (2)BACB30NF4-14, (1)284N6102-7, (1)284N6102-6 CAN REPLACE BUT NOT BE REPLACED BY 161N0001-18 T/W (2)BACB30NF4-10, (1)284N6102-4 AND (1)284N6102-3 161N0001-150 T/W (2)BACB30NF4-14, (1)284N6102-7, (1)284N6102-6 CAN REPLACE BUT NOT BE REPLACED BY 161N0001-4 T/W (2)BACB30NF4-10, (1)284N6102-4 AND (1)284N6102-3 FOR NHA/ADDITIONAL DET SEE: 32-11-00-01 32-11-00-02 32-11-00-03		
-	6 161N0001-156	GEAR ASSY-MLG (MAIN GEAR TRUCK ASSY ONLY) POSITION DATA: RH MISCELLANEOUS DATA: FOR SPARES PROCURE LOWER COMPONENTS COMPONENT MAINT MANUAL REF:  MISSING ITEM NUMBERS NOT APPLICABLE	002004 006999	RF

- ITEM NOT ILLUSTRATED

32-11-17-01

32-11-17  
FIG. 01  
PAGE 12  
JAN 20/09

BRI

 **BOEING**  
757  
**PARTS CATALOG (MAINTENANCE)**

FIG ITEM	PART NUMBER	1 2 3 4 5 6 7 NOMENCLATURE	EFFECT FROM TO	UNITS PER ASSY
1		<p>32-11-32            QUALIFIED I/W DATA:            161N0001-156 T/W            (2)BACB30NF4-14,            (1)284N6102-7,            (1)284N6102-6 CAN            REPLACE BUT NOT BE            REPLACED BY 161N0001-86            T/W (2)BACB30NF4-10,            (1)284N6102-4 AND            (1)284N6102-3            161N0001-156 T/W            (2)BACB30NF4-14,            (1)284N6102-7,            (1)284N6102-6 CAN            REPLACE BUT NOT BE            REPLACED BY 161N0001-78            T/W (2)BACB30NF4-10,            (1)284N6102-4 AND            (1)284N6102-3            161N0001-156 T/W            (2)BACB30NF4-14,            (1)284N6102-7,            (1)284N6102-6 CAN            REPLACE BUT NOT BE            REPLACED BY 161N0001-58            T/W (2)BACB30NF4-10,            (1)284N6102-4 AND            (1)284N6102-3            161N0001-156 T/W            (2)BACB30NF4-14,            (1)284N6102-7,            (1)284N6102-6 CAN            REPLACE BUT NOT BE            REPLACED BY 161N0001-18            T/W (2)BACB30NF4-10,            (1)284N6102-4 AND            (1)284N6102-3            161N0001-156 T/W            (2)BACB30NF4-14,            (1)284N6102-7,            (1)284N6102-6 CAN            REPLACE BUT NOT BE            REPLACED BY 161N0001-4            T/W (2)BACB30NF4-10,            (1)284N6102-4 AND            (1)284N6102-3            FOR NHA/ADDITIONAL DET SEE:            32-11-00-01</p>		

MISSING ITEM NUMBERS NOT APPLICABLE

— ITEM NOT ILLUSTRATED

BRI

# 32-11-17-01

32-11-17  
FIG. 01  
PAGE 13  
JAN 20/09



757

PARTS CATALOG (MAINTENANCE)

FIG ITEM	PART NUMBER	1 2 3 4 5 6 7	NOMENCLATURE	EFFECT FROM TO	UNITS PER ASSY
1					
- 6	161N0001-162		32-11-00-02 32-11-00-03 GEAR ASSY-MLG (MAIN GEAR TRUCK ASSY ONLY) POSITION DATA: RH COMPONENT MAINT MANUAL REF: 32-11-32 FOR NHA/ADDITIONAL DET SEE: 32-11-00-01 32-11-00-02 32-11-00-03	002004 006999	RF
- 6	161N0001-172		32-11-00-02 32-11-00-03 GEAR ASSY-MLG (MAIN GEAR TRUCK ASSY ONLY) POSITION DATA: RH COMPONENT MAINT MANUAL REF: 32-11-32 FOR NHA/ADDITIONAL DET SEE: 32-11-00-01 32-11-00-02 32-11-00-03	002004 006999	RF
- 6	161N0001-168		32-11-00-02 32-11-00-03 GEAR ASSY-MLG (MAIN GEAR TRUCK ASSY ONLY) POSITION DATA: RH COMPONENT MAINT MANUAL REF: 32-11-32 FOR NHA/ADDITIONAL DET SEE: 32-11-00-01 32-11-00-02 32-11-00-03	002004 006999	RF
- 6	161N0001-176		32-11-00-01 32-11-00-02 32-11-00-03 GEAR ASSY-MLG (MAIN GEAR TRUCK ASSY ONLY) POSITION DATA: RH FOR NHA/ADDITIONAL DET SEE: 32-11-00-03 32-11-00-01 32-11-00-02	002004 006999	RF
10	BACB30LJ4-10		.BOLT-	002004 006999	2

MISSING ITEM NUMBERS NOT APPLICABLE

- ITEM NOT ILLUSTRATED

32-11-17-01

32-11-17  
FIG. 01  
PAGE 14  
JAN 20/09

BRI



757

PARTS CATALOG (MAINTENANCE)

FIG ITEM	PART NUMBER	1 2 3 4 5 6 7	NOMENCLATURE	EFFECT FROM TO	UNITS PER ASSY
1					
15	NAS1149F0432P		.WASHER- USED ON: 161N0001-157 161N0001-158 161N0001-161 161N0001-162 161N0001-167 161N0001-168 161N0001-169 161N0001-170 161N0001-171 161N0001-172 161N0001-173 161N0001-174	002004 006999	2
15	AN960-416L		.WASHER- USED ON: 161N0001-117 161N0001-118 161N0001-119 161N0001-120 161N0001-141 161N0001-142 161N0001-149 161N0001-150 161N0001-155 161N0001-156 161N0001-17 161N0001-18 161N0001-3 161N0001-4 161N0001-57 161N0001-58 161N0001-69 161N0001-70 161N0001-77 161N0001-78 161N0001-79 161N0001-80 161N0001-85 161N0001-86 161N0001-87 161N0001-88 161N0001-89 161N0001-90 161N0001-95 161N0001-96	002004 006999	2

MISSING ITEM NUMBERS NOT APPLICABLE

- ITEM NOT ILLUSTRATED

32-11-17-01

32-11-17  
FIG. 01  
PAGE 15  
JAN 20/09

BRI



757

PARTS CATALOG (MAINTENANCE)

FIG ITEM	PART NUMBER	1 2 3 4 5 6 7	NOMENCLATURE	EFFECT FROM TO	UNITS PER ASSY
1 20	BRH10C4D	.NUT-	SUPPLIER CODE: V52828 SPECIFICATION NUMBER: BACN10JC4CD OPTIONAL PART: T6C428JCD V11815 NS202486-048 V80539 102LH9075-4W V72962 H51650-4BAC V15653	002004 006999	2
25	161N1805-1	.PIN-	PRE ALERT SB: 32A0124R3 32A0124R4	002004 006999	1
25	161N1805-4	.PIN-		002004 006999	1
25	161N1805-5	.PIN-	POST ALERT SB: 32A0124R3 32A0124R4	002004 006999	1
30	161N1819-1	.WASHER-SPLINED	OPTIONAL PART: 161N1819-2 QUALIFIED SB I/W DATA: 161N1819-2 WASHER MAY REPLACE 161N1819-1. HOWEVER, 161N1819-1 CAN REPLACE 161N1819-2 ONLY IF MATING INNER CYLINDER BUSHING IS NOT TUNGSTEN CARBIDE COATED.	002004 006999	1
30	161N1819-2	.WASHER-	OPTIONAL PART: 161N1819-1	002004 006999	1
35	161N1813-1	.NUT-		002004 006999	1

MISSING ITEM NUMBERS NOT APPLICABLE

- ITEM NOT ILLUSTRATED

32-11-17-01

32-11-17  
FIG. 01  
PAGE 16  
JAN 20/09

BRI



757

PARTS CATALOG (MAINTENANCE)

FIG ITEM	PART NUMBER	1 2 3 4 5 6 7	NOMENCLATURE	EFFECT FROM TO	UNITS PER ASSY
1 45	161N1601-5		.TRUCK ASSY- MISCELLANEOUS DATA: FOR SPARES PROCURE LOWER COMPONENTS FOR COMPREHENSIVE INTER CHANGEABILITY DATA SEE DRAWING 161N0006 AND SERVICE LETTER SL-757-32-030 COMPONENT MAINT MANUAL REF: 32-11-56 USED ON: 161N0001-89 161N0001-90 161N0001-95 161N0001-96	002004 006999	1
45	161N1601-7		.TRUCK ASSY- MISCELLANEOUS DATA: FOR SPARES PROCURE LOWER COMPONENTS FOR COMPREHENSIVE INTER CHANGEABILITY DATA SEE DRAWING 161N0006 AND SEVICE LETTER SL-757-32-030 COMPONENT MAINT MANUAL REF: 32-11-56 USED ON: 161N0001-117 161N0001-118 161N0001-119 161N0001-120	002004 006999	1

MISSING ITEM NUMBERS NOT APPLICABLE

- ITEM NOT ILLUSTRATED

BRI

32-11-17-01

BOEING PROPRIETARY - Copyright © - Unpublished Work - See title page for details.

32-11-17  
FIG. 01  
PAGE 17  
JAN 20/09



757

PARTS CATALOG (MAINTENANCE)

FIG ITEM	PART NUMBER	1 2 3 4 5 6 7	NOMENCLATURE	EFFECT FROM TO	UNITS PER ASSY
1 45	161N1601-10		.TRUCK ASSY- MISCELLANEOUS DATA: FOR SPARES PROCURE LOWER COMPONENTS FOR COMPREHENSIVE INTER CHANGEABILITY DATA SEE DRAWING 161N0006 AND SERVICE LETTER SL-757-32-030 COMPONENT MAINT MANUAL REF: 32-11-56 USED ON: 161N0001-141 161N0001-142 161N0001-149 161N0001-150 161N0001-155 161N0001-156	002004 006999	1
45	161N1601-12		.TRUCK ASSY- MISCELLANEOUS DATA: FOR SPARES PROCURE LOWER COMPONENTS FOR COMPREHENSIVE INTER CHANGEABILITY DATA SEE DRAWING 161N0006 AND SERVICE LETTER SL-757-32-030 COMPONENT MAINT MANUAL REF: 32-11-56 USED ON: 161N0001-161 161N0001-162	002004 006999	1
45	161N1601-13		.TRUCK ASSY- MISCELLANEOUS DATA: FOR SPARES PROCURE LOWER COMPONENTS FOR COMPREHENSIVE INTER CHANGEABILITY DATA SEE DRAWING 161N0006 AND SERVICE LETTER SL-757-32-030 COMPONENT MAINT MANUAL REF: 32-11-56 USED ON: 161N0001-171 161N0001-172	002004 006999	1

MISSING ITEM NUMBERS NOT APPLICABLE

- ITEM NOT ILLUSTRATED

32-11-17-01

32-11-17  
FIG. 01  
PAGE 18  
JAN 20/09

BRI





757

PARTS CATALOG (MAINTENANCE)

FIG ITEM	PART NUMBER	1 2 3 4 5 6 7	NOMENCLATURE	EFFECT FROM TO	UNITS PER ASSY
1					
50	NAS6608H93	..	BOLT- OPTIONAL PART: NAS6708EH93 USED ON: 161N1601-7	002004 006999	4
50	NAS6708EH93	..	BOLT- OPTIONAL PART: NAS6608H93	002004 006999	4
55	161N1621-1	..	FITTING ASSY-TOW OPTIONAL PART: 161N1621-3 USED ON: 161N1601-10 161N1601-11 161N1601-12	006106 108903 950951 953999	2
55	161N1621-3	..	FITTING ASSY-TOW OPTIONAL PART: 161N1621-1 USED ON: 161N1601-10 161N1601-11 161N1601-12	006106 108903 950951 953999	2
55	161N1621-1	..	FITTING ASSY-TOW USED ON: 161N1601-1 161N1601-2 161N1601-3 161N1601-4 161N1601-5 161N1601-6 161N1601-7 161N1601-8 161N1601-9	002004 107107 904949 952952	2
60	161N1632-1	..	SPACER- USED ON: 161N1601-4 161N1601-5 161N1601-6 161N1601-7 161N1601-8 161N1601-9 161N1601-10 161N1601-11 161N1601-12 161N1601-13	002004 006999	4
65	161N1631-1	..	WASHER	002004 006999	4
70	161N1630-1	..	NUT	002004 006999	4

MISSING ITEM NUMBERS NOT APPLICABLE

- ITEM NOT ILLUSTRATED

32-11-17-01

32-11-17  
FIG. 01  
PAGE 19  
JAN 20/09

BRI



757

PARTS CATALOG (MAINTENANCE)

FIG ITEM	PART NUMBER	1 2 3 4 5 6 7	NOMENCLATURE	EFFECT FROM TO	UNITS PER ASSY
1 80	161N1611-5		..BEAM ASSY- MAIN LANDING GEAR MISCELLANEOUS DATA: FOR COMPREHENSIVE INTER CHANGEABILITY DATA SEE DRAWING 161N0006 AND SERVICE LETTER SL-757-32-030 USED ON: 161N1601-5 161N1601-7 FOR DETAILS SEE: 32-32-15-10	002004 006999	1
80	161N1611-7		..BEAM ASSY- MAIN LANDING GEAR MISCELLANEOUS DATA: FOR COMPREHENSIVE INTER CHANGEABILITY DATA SEE DRAWING 161N0006 AND SERVICE LETTER SL-757-32-030 USED ON: 161N1601-10 FOR DETAILS SEE: 32-32-15-10	002004 006999	1
80	161N1611-9		..BEAM ASSY- MAIN LANDING GEAR MISCELLANEOUS DATA: FOR COMPREHENSIVE INTER CHANGEABILITY DATA SEE DRAWING 161N0006 AND SERVICE LETTER SL-757-32-030 USED ON: 161N1601-12 FOR DETAILS SEE: 32-32-15-10	002004 006999	1
80	161N1611-13		..BEAM ASSY- MAIN LANDING GEAR MISCELLANEOUS DATA: FOR COMPREHENSIVE INTER CHANGEABILITY DATA SEE DRAWING 161N0006 AND SERVICE LETTER SL-757-32-030 USED ON: 161N1601-13 FOR DETAILS SEE: 32-32-15-10	002004 006999	1

MISSING ITEM NUMBERS NOT APPLICABLE

- ITEM NOT ILLUSTRATED

32-11-17-01

32-11-17  
FIG. 01  
PAGE 20  
JAN 20/09

BRI

 **BOEING**  
757  
**PARTS CATALOG (MAINTENANCE)**

FIG ITEM	PART NUMBER	1 2 3 4 5 6 7	NOMENCLATURE	EFFECT FROM TO	UNITS PER ASSY
1 85	161N1625-3		.. AXLE- USED ON: 161N1601-10 161N1601-12 161N1601-13 161N1601-15 161N1601-5 161N1601-7 161N1601-8 161N1601-9	006903 950951 953999	2
85	161N1625-4		.. AXLE- USED ON: 161N1601-11 161N1601-14	006903 950951 953999	2
90	161N1626-1		.. SLEEVE- USED ON: 161N1601-1 161N1601-2 161N1601-3 161N1601-4 161N1601-8	107107	4
90	161N1626-2		.. SLEEVE- USED ON: 161N1601-1 161N1601-2 161N1601-3 161N1601-4 161N1601-5 161N1601-8	107107	4
90	161N1626-3		.. SLEEVE- USED ON: 161N1601-1 161N1601-2 161N1601-3 161N1601-4 161N1601-5 161N1601-6 161N1601-7 161N1601-8 161N1601-9	006903 950951 953999	2
90	161N1626-4		.. SLEEVE- USED ON: 161N1601-10 161N1601-11 161N1601-12 161N1601-13 161N1601-14 161N1601-15 161N1601-7	006903 950951 953999	2

MISSING ITEM NUMBERS NOT APPLICABLE

— ITEM NOT ILLUSTRATED

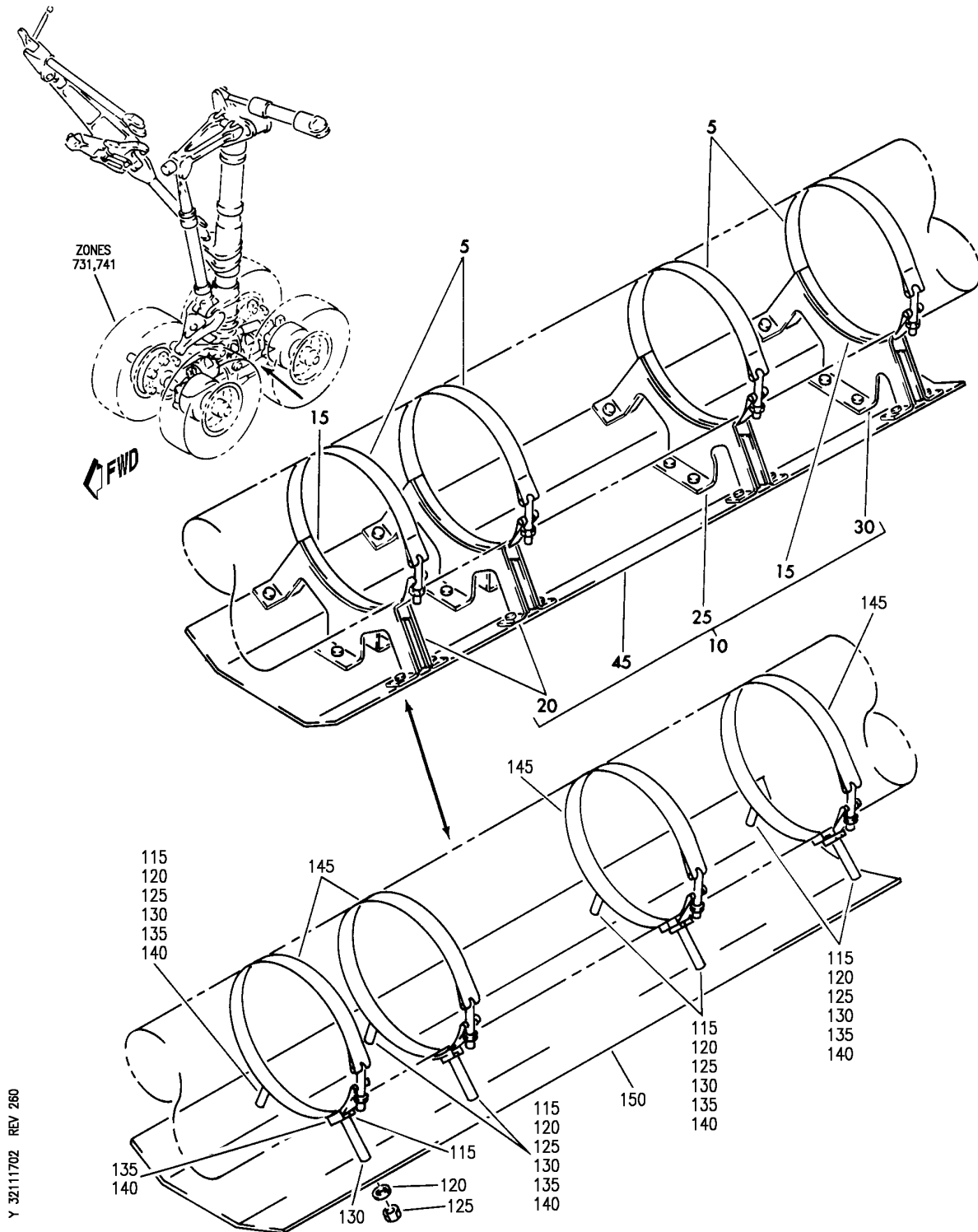
BRI

# 32-11-17-01

BOEING PROPRIETARY - Copyright © - Unpublished Work - See title page for details.

32-11-17  
FIG. 01  
PAGE 21  
JAN 20/09

**BOEING**  
757  
PARTS CATALOG (MAINTENANCE)



Y 32111702 REV 260

SHIELD INSTL-MLG TRUCK  
FIGURE 2

**32-11-17-02**

BRI  
MAY 28/07

32-11-17-02  
PAGE 0



757

PARTS CATALOG (MAINTENANCE)

FIG ITEM	PART NUMBER	1 2 3 4 5 6 7	NOMENCLATURE	EFFECT FROM TO	UNITS PER ASSY
2			SHIELD INSTL-MLG TRUCK	002004 006102 106999	
- 100	161N1709-1		SHIELD INSTL-MLG TRUCK FOR NHA SEE: 32-11-00-01 32-00-00-01	002004 006102 107999	RF
- 105	161N1709-1		SHIELD INSTL-MLG TRUCK	106106	1
- 110	161N1709-2		SHIELD INSTL-MLG TRUCK	106106	1
115	NAS6703-29		.BOLT	002004 006102 106999	8
120	NAS1149D0332J		.WASHER-	002004 006102 106999	8
125	BRH10C3D		.NUT SUPPLIER CODE: V52828 SPECIFICATION NUMBER: BACN10JC3CD OPTIONAL PART: T6C1032JCD V11815 NS202486-02 V80539 102LH9075-3W V72962 H51650-3BAC V15653	002004 006102 106999	8
130	NAS1056C8-158		.SPACER	002004 006102 106999	8
135	66-20900-1		.CLIP- OPTIONAL PART: MMM59646-2 V00624 MMM59646 V00624	002004 006102 106999	8
135	MMM59646-2		.CLIP- SUPPLIER CODE: V00624 OPTIONAL PART: 66-20900-1 MMM59646 V00624	002004 006102 106999	8

MISSING ITEM NUMBERS NOT APPLICABLE

- ITEM NOT ILLUSTRATED

BRI

32-11-17-02

32-11-17  
FIG. 02  
PAGE 1  
JAN 20/09



757

PARTS CATALOG (MAINTENANCE)

FIG ITEM	PART NUMBER	1 2 3 4 5 6 7	NOMENCLATURE	EFFECT FROM TO	UNITS PER ASSY
2 135	MMM59646		.CLIP- SUPPLIER CODE: V00624 OPTIONAL PART: 66-20900-1 MMM59646-2 V00624	002004 006102 106999	8
140	BACB19F10		.BLOCK	002004 006102 106999	8
145	BC1083-074S		.CLAMP SUPPLIER CODE: V14242 SPECIFICATION NUMBER: BACC10FY074S OPTIONAL PART: 3140AB074 V94581 57490-074 V98625 B06A074S V10234 MBC68941-074 V8W928 57490-740 V8W928	002004 006102 106999	4
150	161N1710-1		.PLATE-BASE	002004 006102 106999	1

MISSING ITEM NUMBERS NOT APPLICABLE

- ITEM NOT ILLUSTRATED

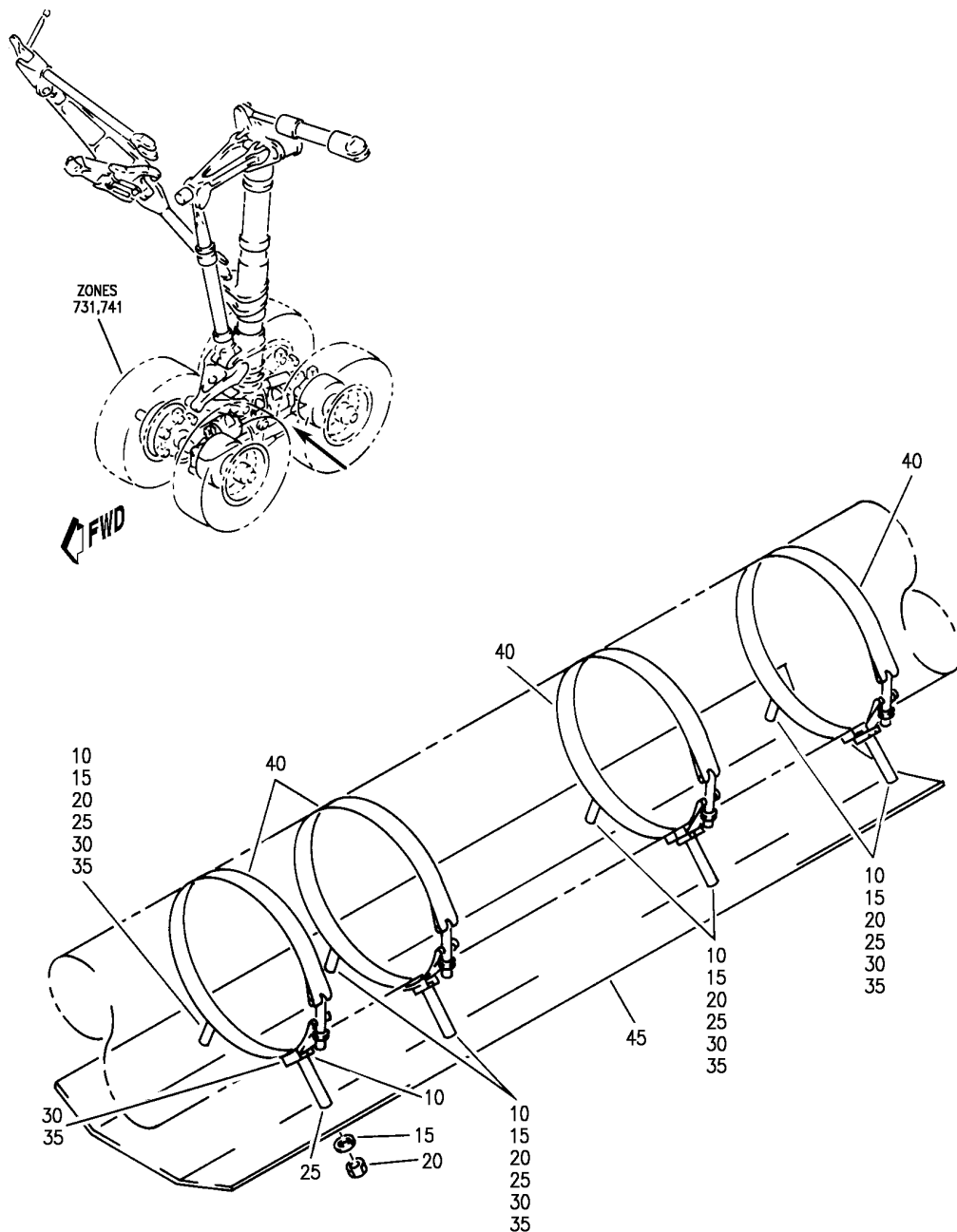
BRI

32-11-17-02

BOEING PROPRIETARY - Copyright © - Unpublished Work - See title page for details.

32-11-17  
FIG. 02  
PAGE 2  
JAN 20/09

**BOEING**  
757  
PARTS CATALOG (MAINTENANCE)



Y 3211703 REV 260

SHIELD INSTL-MLG TRUCK  
FIGURE 3

**32-11-17-03**

BRI  
JAN 20/09

32-11-17-03  
PAGE 0



757

PARTS CATALOG (MAINTENANCE)

FIG ITEM	PART NUMBER	1 2 3 4 5 6 7	NOMENCLATURE	EFFECT FROM TO	UNITS PER ASSY
3			SHIELD INSTL-MLG TRUCK	103106	
- 1	MODREF22172		SHIELD INSTL-MLG TRUCK MODULE NUMBER: 161N1709-1 REV B	103103	1
- 1	MODREF27263		SHIELD INSTL-MLG TRUCK MODULE NUMBER: 161N1709-1 REV C	104106	1
- 5	MODREF22173		SHIELD INSTL-MLG TRUCK MODULE NUMBER: 161N1709-2 REV B	103103	1
- 5	MODREF27264		SHIELD INSTL-MLG TRUCK MODULE NUMBER: 161N1709-2 REV C	104106	1
10	NAS6703-29		.BOLT	103106	8
15	NAS1149D0332J		.WASHER-	103106	8
20	BRH10C3D		.NUT SUPPLIER CODE: V52828 SPECIFICATION NUMBER: BACN10JC3CD OPTIONAL PART: T6C1032JCD V11815 NS202486-02 V80539 102LH9075-3W V72962 H51650-3BAC V15653	103106	8
25	NAS1056C8-158		.SPACER	103106	8
30	66-20900-1		.CLIP- OPTIONAL PART: MMM59646-2 V00624 MMM59646 V00624	103106	8
30	MMM59646-2		.CLIP- SUPPLIER CODE: V00624 OPTIONAL PART: 66-20900-1 MMM59646 V00624	103106	8

MISSING ITEM NUMBERS NOT APPLICABLE

- ITEM NOT ILLUSTRATED

32-11-17-03

32-11-17  
FIG. 03  
PAGE 1  
JAN 20/09

BRI

BOEING PROPRIETARY - Copyright © - Unpublished Work - See title page for details.





757

PARTS CATALOG (MAINTENANCE)

FIG ITEM	PART NUMBER	1 2 3 4 5 6 7	NOMENCLATURE	EFFECT FROM TO	UNITS PER ASSY
3					
30	MMM59646		.CLIP- SUPPLIER CODE: V00624 OPTIONAL PART: 66-20900-1 MMM59646-2 V00624	103106	8
35	BACB19F10		.BLOCK	103106	8
40	BC1083-074S		.CLAMP SUPPLIER CODE: V14242 SPECIFICATION NUMBER: BACC10FY074S OPTIONAL PART: 3140AB074 V94581 57490-074 V98625 B06A074S V10234 MBC68941-074 V8W928 57490-740 V8W928	103106	4
45	161N1710-1		.PLATE-BASE	103106	1

MISSING ITEM NUMBERS NOT APPLICABLE

- ITEM NOT ILLUSTRATED

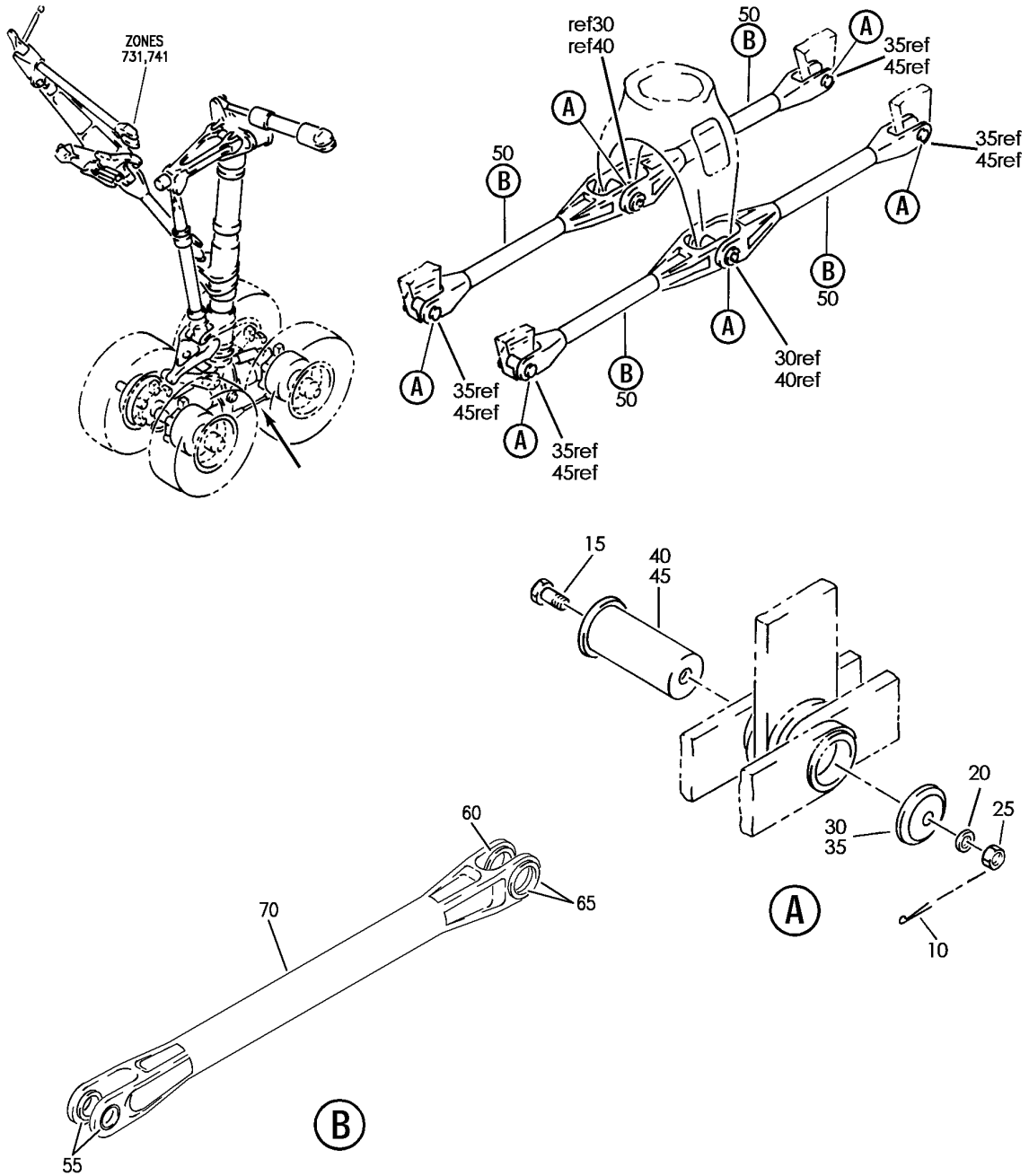
32-11-17-03

32-11-17  
FIG. 03  
PAGE 2  
JAN 20/09

BRI

BOEING PROPRIETARY - Copyright © - Unpublished Work - See title page for details.

**BOEING**  
757  
PARTS CATALOG (MAINTENANCE)



Y 32111901 REV 245

GEAR ASSY-MLG (MAIN GEAR BRAKE ROD ONLY)  
FIGURE 1

**32-11-19-01**

BRI  
MAY 28/07

32-11-19-01  
PAGE 0



757

PARTS CATALOG (MAINTENANCE)

FIG ITEM	PART NUMBER	1 2 3 4 5 6 7	NOMENCLATURE	EFFECT FROM TO	UNITS PER ASSY
1			GEAR ASSY-MLG (MAIN GEAR BRAKE ROD ONLY)	002004 006999	
- 1	161N0001-95		GEAR ASSY-MLG (MAIN GEAR BRAKE ROD ONLY) POSITION DATA: LH MISCELLANEOUS DATA: FOR SPARES PROCURE LOWER COMPONENTS COMPONENT MAINT MANUAL REF: 32-11-32 QUALIFIED I/W DATA: 161N0001-95 T/W (2)BACB30NF4-14, (1)284N6102-7, (1)284N6102-6 CAN REPLACE BUT NOT BE REPLACED BY 161N0001-85 T/W (2)BACB30NF4-10, (1)284N6102-4 AND (1)284N6102-3 161N0001-95 T/W (2)BACB30NF4-14, (1)284N6102-7, (1)284N6102-6 CAN REPLACE BUT NOT BE REPLACED BY 161N0001-77 T/W (2)BACB30NF4-10, (1)284N6102-4 AND (1)284N6102-3 161N0001-95 T/W (2)BACB30NF4-14, (1)284N6102-7, (1)284N6102-6 CAN REPLACE BUT NOT BE REPLACED BY 161N0001-57 T/W (2)BACB30NF4-10, (1)284N6102-4 AND (1)284N6102-3 161N0001-95 T/W (2)BACB30NF4-14, (1)284N6102-7, (1)284N6102-6 CAN REPLACE BUT NOT BE REPLACED BY 161N0001-17 T/W (2)BACB30NF4-10, (1)284N6102-4 AND	002004 006999	RF

MISSING ITEM NUMBERS NOT APPLICABLE

- ITEM NOT ILLUSTRATED

32-11-19-01

32-11-19  
FIG. 01  
PAGE 1  
JAN 20/09

BRI



757

PARTS CATALOG (MAINTENANCE)

FIG ITEM	PART NUMBER	1 2 3 4 5 6 7	NOMENCLATURE	EFFECT FROM TO	UNITS PER ASSY
1			(1)284N6102-3 161N0001-95 T/W (2)BACB30NF4-14, (1)284N6102-7, (1)284N6102-6 CAN REPLACE BUT NOT BE REPLACED BY 161N0001-3 T/W (2)BACB30NF4-10, (1)284N6102-4 AND (1)284N6102-3 FOR NHA/ADDITIONAL DET SEE: 32-11-00-01 32-11-00-02 32-11-00-03		
- 2	161N0001-119		GEAR ASSY-MLG (MAIN GEAR BRAKE ROD ONLY) POSITION DATA: LH MISCELLANEOUS DATA: FOR SPARES PROCURE LOWER COMPONENTS COMPONENT MAINT MANUAL REF: 32-11-32 QUALIFIED I/W DATA: 161N0001-119 T/W (2)BACB30NF4-14, (1)284N6102-7, (1)284N6102-6 CAN REPLACE BUT NOT BE REPLACED BY 161N0001-85 T/W (2)BACB30NF4-10, (1)284N6102-4 AND (1)284N6102-3. 161N0001-199 T/W (2)BACB30NF4-14, (1)284N6102-7, (1)284N6102-6 CAN REPLACE BUT NOT BE REPLACED BY 161N0001-77 T/W (2)BACB30NF4-10, (1)284N6102-4 AND (1)284N6102-3 161N0001-119 T/W (2)BACB30NF4-14, (1)284N6102-7, (1)284N6102-6 CAN REPLACE BUT NOT BE REPLACED BY 161N0001-57	002004 006999	RF

MISSING ITEM NUMBERS NOT APPLICABLE

- ITEM NOT ILLUSTRATED

32-11-19-01

32-11-19  
FIG. 01  
PAGE 2  
JAN 20/09

BRI



757

PARTS CATALOG (MAINTENANCE)

FIG ITEM	PART NUMBER	1 2 3 4 5 6 7 NOMENCLATURE	EFFECT FROM TO	UNITS PER ASSY
1		<p>T/W (2)BACB30NF4-10,            (1)284N6102-4 AND            (1)284N6102-3            161N0001-119 T/W            (2)BACB30NF4-14,            (1)284N6102-7,            (1)284N6102-6 CAN            REPLACE BUT NOT BE            REPLACED BY 161N0001-17            T/W (2)BACB30NF4-10,            (1)284N6102-4 AND            (1)284N6102-3            161N0001-119 T/W            (2)BACB30NF4-14,            (1)284N6102-7,            (1)284N6102-6 CAN            REPLACE BUT NOT BE            REPLACED BY 161N0001-3            T/W (2)BACB30NF4-10,            (1)284N6102-4 AND            (1)284N6102-3            FOR NHA/ADDITIONAL DET SEE:            32-11-00-01            32-11-00-02            32-11-00-03</p>		
-	2 161N0001-141	<p>GEAR ASSY-MLG            (MAIN GEAR BRAKE ROD            ONLY)            POSITION DATA:            LH            MISCELLANEOUS DATA:            FOR SPARES PROCURE LOWER            COMPONENTS            COMPONENT MAINT MANUAL REF:            32-11-32            QUALIFIED I/W DATA:            161N0001-141 T/W            (2)BACB30NF4-14,            (1)284N6102-7,            (1)284N6102-6 CAN            REPLACE BUT NOT BE            REPLACED BY 161N0001-85            T/W (2)BACB30NF4-10,            (1)284N6102-4 AND            (1)284N6102-3            161N0001-141 T/W            (2)BACB30NF4-14,            (1)284N6102-7,            (1)284N6102-6 CAN</p>	002004 006999	RF

MISSING ITEM NUMBERS NOT APPLICABLE

- ITEM NOT ILLUSTRATED

32-11-19-01

32-11-19  
 FIG. 01  
 PAGE 3  
 JAN 20/09

BRI



757

PARTS CATALOG (MAINTENANCE)

FIG ITEM	PART NUMBER	1 2 3 4 5 6 7 NOMENCLATURE	EFFECT FROM TO	UNITS PER ASSY
1		REPLACE BUT NOT BE REPLACED BY 161N0001-77 T/W (2)BACB30NF4-10, (1)284N6102-4 AND (1)284N6102-3 161N0001-141 T/W (2)BACB30NF4-14, (1)284N6102-7, (1)284N6102-6 CAN REPLACE BUT NOT BE REPLACED BY 161N0001-57 T/W (2)BACB30NF4-10, (1)284N6102-4 AND (1)284N6102-3 161N0001-141 T/W (2)BACB30NF4-14, (1)284N6102-7, (1)284N6102-6 CAN REPLACE BUT NOT BE REPLACED BY 161N0001-17 T/W (2)BACB30NF4-10, (1)284N6102-4 AND (1)284N6102-3 161N0001-141 T/W (2)BACB30NF4-14, (1)284N6102-7, (1)284N6102-6 CAN REPLACE BUT NOT BE REPLACED BY 161N0001-3 T/W (2)BACB30NF4-10, (1)284N6102-4 AND (1)284N6102-3 FOR NHA/ADDITIONAL DET SEE: 32-11-00-01 32-11-00-02 32-11-00-03		
-	2 161N0001-149	GEAR ASSY-MLG (MAIN GEAR BRAKE ROD ONLY) POSITION DATA: LH COMPONENT MAINT MANUAL REF: 32-11-32 QUALIFIED I/W DATA: 161N0001-149 T/W (2)BACB30NF4-14, (1)284N6102-7, (1)284N6102-6 CAN REPLACE BUT NOT BE	002004 006999	RF

MISSING ITEM NUMBERS NOT APPLICABLE

- ITEM NOT ILLUSTRATED

BRI

32-11-19-01

BOEING PROPRIETARY - Copyright © - Unpublished Work - See title page for details.

32-11-19  
FIG. 01  
PAGE 4  
JAN 20/09



757

PARTS CATALOG (MAINTENANCE)

FIG ITEM	PART NUMBER	1 2 3 4 5 6 7 NOMENCLATURE	EFFECT FROM TO	UNITS PER ASSY
1		REPLACED BY 161N0001-85 (2)BACB30NF4-10, (1)284N6102-4 AND (1)284N6102-3 161N0001-149 T/W (2)BACB30NF4-14, (1)284N6102-7, (1)284N6102-6 CAN REPLACE BUT NOT BE REPLACED BY 161N0001-77 T/W (2)BACB30NF4-10, (1)284N6102-4 AND (1)284N6102-3 161N0001-149 T/W (2)BACB30NF4-14, (1)284N6102-7, (1)284N6102-6 CAN REPLACE BUT NOT BE REPLACED BY 161N0001-57 T/W (2)BACB30NF4-10, (1)284N6102-4 AND (1)284N6102-3 161N0001-149 T/W (2)BACB30NF4-14, (1)284N6102-7, (1)284N6102-6 CAN REPLACE BUT NOT BE REPLACED BY 161N0001-17 T/W (2)BACB30NF4-10, (1)284N6102-4 AND (1)284N6102-3 161N0001-149 T/W (2)BACB30NF4-14, (1)284N6102-7, (1)284N6102-6 CAN REPLACE BUT NOT BE REPLACED BY 161N0001-3 T/W (2)BACB30NF4-10, (1)284N6102-4 AND (1)284N6102-3 FOR NHA/ADDITIONAL DET SEE: 32-11-00-01 32-11-00-02 32-11-00-03		
-	2 161N0001-155	GEAR ASSY-MLG (MAIN GEAR BRAKE ROD ONLY) POSITION DATA: LH	002004 006999	RF

MISSING ITEM NUMBERS NOT APPLICABLE

- ITEM NOT ILLUSTRATED

32-11-19-01

32-11-19  
FIG. 01  
PAGE 5  
JAN 20/09

BRI



757

PARTS CATALOG (MAINTENANCE)

FIG ITEM	PART NUMBER	1 2 3 4 5 6 7 NOMENCLATURE	EFFECT FROM TO	UNITS PER ASSY
1		<p>COMPONENT MAINT MANUAL REF: 32-11-32</p> <p>QUALIFIED I/W DATA: 161N0001-155 T/W (2)BACB30NF4-14, (1)284N6102-7, (1)284N6102-6 CAN REPLACE BUT NOT BE REPLACED BY 161N0001-85 T/W (2)BACB30NF4-10, (1)284N6102-4 AND (1)284N6102-3 161N0001-155 T/W (2)BACB30NF4-14, (1)284N6102-7, (1)284N6102-6 CAN REPLACE BUT NOT BE REPLACED BY 161N0001-77 T/W (2)BACB30NF4-10, (1)284N6102-4 AND (1)284N6102-3 161N0001-155 T/W (2)BACB30NF4-14, (1)284N6102-7, (1)284N6102-6 CAN REPLACE BUT NOT BE REPLACED BY 161N0001-57 T/W (2)BACB30NF4-10, (1)284N6102-4 AND (1)284N6102-3 161N0001-155 T/W (2)BACB30NF4-14, (1)284N6102-7, (1)284N6102-6 CAN REPLACE BUT NOT BE REPLACED BY 161N0001-17 T/W (2)BACB30NF4-10, (1)24N6102-4 AND (1)284N6102-3 161N0001-155 T/W (2)BACB30NF4-14, (1)284N6102-7, (1)284N6102-6 CAN REPLACE BUT NOT BE REPLACED BY 161N0001-3 T/W (2)BACB30NF4-10, (1)284N6102-4 AND (1)284N6102-3</p> <p>FOR NHA/ADDITIONAL DET SEE:</p>		

MISSING ITEM NUMBERS NOT APPLICABLE

- ITEM NOT ILLUSTRATED

32-11-19-01

32-11-19  
FIG. 01  
PAGE 6  
JAN 20/09

BRI





757

PARTS CATALOG (MAINTENANCE)

FIG ITEM	PART NUMBER	1 2 3 4 5 6 7	NOMENCLATURE	EFFECT FROM TO	UNITS PER ASSY
1					
- 2	161N0001-161		32-11-00-01 32-11-00-02 32-11-00-03 GEAR ASSY-MLG (MAIN GEAR BRAKE ROD ONLY) POSITION DATA: LH COMPONENT MAINT MANUAL REF: 32-11-32 FOR NHA/ADDITIONAL DET SEE: 32-11-00-01 32-11-00-02 32-11-00-03	002004 006999	RF
- 2	161N0001-171		GEAR ASSY-MLG (MAIN GEAR BRAKE ROD ONLY) POSITION DATA: LH COMPONENT MAINT MANUAL REF: 32-11-32 FOR NHA/ADDITIONAL DET SEE: 32-11-00-01 32-11-00-02 32-11-00-03	002004 006999	RF
- 2	161N0001-167		GEAR ASSY-MLG (MAIN GEAR BRAKE ROD ONLY) POSITION DATA: LH COMPONENT MAINT MANUAL REF: 32-11-32 FOR NHA/ADDITIONAL DET SEE: 32-11-00-01 32-11-00-02 32-11-00-03	002004 006999	RF
- 2	161N0001-175		GEAR ASSY-MLG (MAIN GEAR BRAKE ROD ONLY) POSITION DATA: LH FOR NHA/ADDITIONAL DET SEE: 32-11-00-03 32-11-00-01 32-11-00-02	002004 006999	RF
- 5	161N0001-96		GEAR ASSY-MLG (MAIN GEAR BRAKE ROD ONLY) POSITION DATA:	002004 006999	RF

MISSING ITEM NUMBERS NOT APPLICABLE

- ITEM NOT ILLUSTRATED

32-11-19-01

32-11-19  
FIG. 01  
PAGE 7  
JAN 20/09

BRI



757

PARTS CATALOG (MAINTENANCE)

FIG ITEM	PART NUMBER	1 2 3 4 5 6 7 NOMENCLATURE	EFFECT FROM TO	UNITS PER ASSY
1		<p>RH            MISCELLANEOUS DATA:            FOR SPARES PROCURE LOWER            COMPONENTS            COMPONENT MAINT MANUAL REF:            32-11-32            QUALIFIED I/W DATA:            161N0001-96 T/W            (2)BACB30NF4-14,            (1)284N6102-7,            (1)284N6102-6 CAN            REPLACE BUT NOT BE            REPLACED BY 161N0001-86            T/W (2)BACB30NF4-10,            (1)284N6102-4 AND            (1)284N6102-3            161N0001-96 T/W            (2)BACB30NF4-14,            (1)284N6102-7,            (1)284N6102-6 CAN            REPLACE BUT NOT BE            REPLACED BY 161N0001-78            T/W (2)BACB30NF4-10,            (1)284N6102-4 AND            (1)284N6102-3            161N0001-96 T/W            (2)BACB30NF4-14,            (1)284N6102-7,            (1)284N6102-6 CAN            REPLACE BUT NOT BE            REPLACED BY 161N0001-58            T/W (2)BACB30NF4-10,            (1)284N6102-4 AND            (1)284N6102-3            161N0001-96 T/W            (2)BACB30NF4-14,            (1)284N6102-7,            (1)284N6102-6 CAN            REPLACE BUT NOT BE            REPLACED BY 161N0001-18            T/W (2)BACB30NF4-10,            (1)284N6102-4 AND            (1)284N6102-3            161N0001-96 T/W            (2)BACB30NF4-14,            (1)284N6102-7,            (1)284N6102-6 CAN            REPLACE BUT NOT BE            REPLACED BY 161N0001-4</p>		

MISSING ITEM NUMBERS NOT APPLICABLE

- ITEM NOT ILLUSTRATED

32-11-19-01

32-11-19  
 FIG. 01  
 PAGE 8  
 JAN 20/09

BRI



757  
PARTS CATALOG (MAINTENANCE)

FIG ITEM	PART NUMBER	1 2 3 4 5 6 7	NOMENCLATURE	EFFECT FROM TO	UNITS PER ASSY
1			T/W (2)BACB30NF4-10, (1)284N6102-4 AND (1)284N6102-3 FOR NHA/ADDITIONAL DET SEE: 32-11-00-01 32-11-00-02 32-11-00-03		
- 5	161N0001-120		GEAR ASSY-MLG (MAIN GEAR BRAKE ROD ONLY) POSITION DATA: RH MISCELLANEOUS DATA: FOR SPARES PROCURE LOWER COMPONENTS COMPONENT MAINT MANUAL REF: 32-11-32 QUALIFIED I/W DATA: 161N0001-120 T/W (2)BACB30NF4-14, (1)284N6102-7, (1)284N6102-6 CAN REPLACE BUT NOT BE REPLACED BY 161N0001-86 T/W (2)BACB30NF4-10, (1)284N6102-4 AND (1)284N6102-3 161N0001-120 T/W (2)BACB30NF4-14, (1)284N6102-7, (1)284N6102-6 CAN REPLACE BUT NOT BE REPLACED BY 161N0001-78 T/W (2)BACB30NF4-10, (1)284N6102-4 AND (1)284N6102-3 161N0001-120 T/W (2)BACB30NF4-14, (1)284N6102-7, (1)284N6102-6 CAN REPLACE BUT NOT BE REPLACED BY 161N0001-58 T/W (2)BACB30NF4-10, (1)284N6102-4 AND (1)284N6102-3 161N0001-120 T/W (2)BACB30NF4-14, (1)284N6102-7. (1)284N6102-6 CAN	002004 006999	RF

MISSING ITEM NUMBERS NOT APPLICABLE

- ITEM NOT ILLUSTRATED

BRI

# 32-11-19-01

BOEING PROPRIETARY - Copyright © - Unpublished Work - See title page for details.

32-11-19  
FIG. 01  
PAGE 9  
JAN 20/09



757

PARTS CATALOG (MAINTENANCE)

FIG ITEM	PART NUMBER	1 2 3 4 5 6 7 NOMENCLATURE	EFFECT FROM TO	UNITS PER ASSY
1		REPLACE BUT NOT BE REPLACED BY 161N0001-18 T/W (2)BACB30NF4-10, (1)284N6102-4 AND (1)284N6102-3 161N0001-120 T/W (2)BACB30NF4-14, (1)284N6102-7, (1)284N6102-6 CAN REPLACE BUT NOT BE REPLACED BY 161N0001-4 T/W (2)BACB30NF4-10, (1)284N6102-4 AND (1)284N6102-3 FOR NHA/ADDITIONAL DET SEE: 32-11-00-01 32-11-00-02 32-11-00-03 GEAR ASSY-MLG (MAIN GEAR BRAKE ROD ONLY) POSITION DATA: RH MISCELLANEOUS DATA: FOR SPARES PROCURE LOWER COMPONENTS COMPONENT MAINT MANUAL REF: 32-11-32 QUALIFIED I/W DATA: 161N0001-142 T/W (2)BACB30NF4-14, (1)284N6102-7, (1)284N6102-6 CAN REPLACE BUT NOT BE REPLACED BY 161N0001-86 T/W (2)BACB30NF4-10, (1)284N6102-4 AND (1)284N6102-3 161N0001-142 T/W (2)BACB30NF4-14, (1)284N6102-7, (1)284N6102-6 CAN REPLACE BUT NOT BE REPLACED BY 161N0001-78 T/W (2)BACB30NF4-10, (1)284N6102-4 AND (1)284N6102-3 161N0001-142 T/W (2)BACB30NF4-14, 	002004 006999	RF
-	6 161N0001-142	MISSING ITEM NUMBERS NOT APPLICABLE		

- ITEM NOT ILLUSTRATED

32-11-19-01

32-11-19  
FIG. 01  
PAGE 10  
JAN 20/09

BRI



757

PARTS CATALOG (MAINTENANCE)

FIG ITEM	PART NUMBER	1 2 3 4 5 6 7 NOMENCLATURE	EFFECT FROM TO	UNITS PER ASSY
1		<p>(1)284N6102-7,            (1)284N6102-6 CAN            REPLACE BUT NOT BE            REPLACED BY 161N0001-58            T/W (2)BACB30NF4-10,            (1)284N6102-4 AND            (1)284N6102-3            161N0001-142 T/W            (2)BACB30NF4-14,            (1)284N6102-7,            (1)284N6102-6 CAN            REPLACE BUT NOT BE            REPLACED BY 161N0001-18            T/W (2)BACB30NF4-10,            (1)284N6102-4 AND            (1)284N6102-3            161N0001-142 T/W            (2)BACB30NF4-14,            (1)284N6102-7,            (1)284N6102-6 CAN            REPLACE BUT NOT BE            REPLACED BY 161N0001-4            T/W (2)BACB30NF4-10,            (1)284N6102-4 AND            (1)284N6102-3            FOR NHA/ADDITIONAL DET SEE:            32-11-00-01            32-11-00-02            32-11-00-03</p>		
- 6	161N0001-150	<p>GEAR ASSY-MLG            (MAIN GEAR BRAKE ROD            ONLY)            POSITION DATA:            RH            MISCELLANEOUS DATA:            FOR SPARES PROCURE LOWER            COMPONENTS            COMPONENT MAINT MANUAL REF:            32-11-32            QUALIFIED I/W DATA:            161N0001-150 T/W            (2)BACB30NF4-14,            (1)284N6102-7,            (1)284N6102-6 CAN            REPLACE BUT NOT BE            REPLACED BY 161N0001-86            T/W (2)BACB30NF4-10,            (1)284N6102-4 AND            (1)284N6102-3</p>	002004 006999	RF

MISSING ITEM NUMBERS NOT APPLICABLE

- ITEM NOT ILLUSTRATED

32-11-19-01

32-11-19  
 FIG. 01  
 PAGE 11  
 JAN 20/09

BRI



757

PARTS CATALOG (MAINTENANCE)

FIG ITEM	PART NUMBER	1 2 3 4 5 6 7 NOMENCLATURE	EFFECT FROM TO	UNITS PER ASSY
1		161N0001-150 T/W (2)BACB30NF4-14, (1)284N6102-7, (1)284N6102-6 CAN REPLACE BUT NOT BE REPLACED BY 161N0001-78 T/W (2)BACB30NF4-10, (1)284N6102-4 AND (1)284N6102-3 161N0001-150 T/W (2)BACB30NF4-14, (1)284N6102-7, (1)284N6102-6 CAN REPLACE BUT NOT BE REPLACED BY 161N0001-58 (2)BACB30NF4-10, (1)284N6102-4 AND (1)284N6102-3 161N0001-150 T/W (2)BACB30NF4-14, (1)284N6102-7, (1)284N6102-6 CAN REPLACE BUT NOT BE REPLACED BY 161N0001-18 T/W (2)BACB30NF4-10, (1)284N6102-4 AND (1)284N6102-3 161N0001-150 T/W (2)BACB30NF4-14, (1)284N6102-7, (1)284N6102-6 CAN REPLACE BUT NOT BE REPLACED BY 161N0001-4 T/W (2)BACB30NF4-10, (1)284N6102-4 AND (1)284N6102-3 FOR NHA/ADDITIONAL DET SEE: 32-11-00-01 32-11-00-02 32-11-00-03		
-	6 161N0001-156	GEAR ASSY-MLG (MAIN GEAR BRAKE ROD ONLY) POSITION DATA: RH MISCELLANEOUS DATA: FOR SPARES PROCURE LOWER COMPONENTS COMPONENT MAINT MANUAL REF:  MISSING ITEM NUMBERS NOT APPLICABLE	002004 006999	RF

- ITEM NOT ILLUSTRATED

32-11-19-01

32-11-19  
FIG. 01  
PAGE 12  
JAN 20/09

BRI



757

PARTS CATALOG (MAINTENANCE)

FIG ITEM	PART NUMBER	1 2 3 4 5 6 7 NOMENCLATURE	EFFECT FROM TO	UNITS PER ASSY
1		<p>32-11-32            QUALIFIED I/W DATA:            161N0001-156 T/W            (2)BACB30NF4-14,            (1)284N6102-7,            (1)284N6102-6 CAN            REPLACE BUT NOT BE            REPLACED BY 161N0001-86            T/W (2)BACB30NF4-10,            (1)284N6102-4 AND            (1)284N6102-3            161N0001-156 T/W            (2)BACB30NF4-14,            (1)284N6102-7,            (1)284N6102-6 CAN            REPLACE BUT NOT BE            REPLACED BY 161N0001-78            T/W (2)BACB30NF4-10,            (1)284N6102-4 AND            (1)284N6102-3            161N0001-156 T/W            (2)BACB30NF4-14,            (1)284N6102-7,            (1)284N6102-6 CAN            REPLACE BUT NOT BE            REPLACED BY 161N0001-58            T/W (2)BACB30NF4-10,            (1)284N6102-4 AND            (1)284N6102-3            161N0001-156 T/W            (2)BACB30NF4-14,            (1)284N6102-7,            (1)284N6102-6 CAN            REPLACE BUT NOT BE            REPLACED BY 161N0001-18            T/W (2)BACB30NF4-10,            (1)284N6102-4 AND            (1)284N6102-3            161N0001-156 T/W            (2)BACB30NF4-14,            (1)284N6102-7,            (1)284N6102-6 CAN            REPLACE BUT NOT BE            REPLACED BY 161N0001-4            T/W (2)BACB30NF4-10,            (1)284N6102-4 AND            (1)284N6102-3            FOR NHA/ADDITIONAL DET SEE:            32-11-00-01</p>		

MISSING ITEM NUMBERS NOT APPLICABLE

- ITEM NOT ILLUSTRATED

32-11-19-01

32-11-19  
 FIG. 01  
 PAGE 13  
 JAN 20/09

BRI



757

PARTS CATALOG (MAINTENANCE)

FIG ITEM	PART NUMBER	1 2 3 4 5 6 7	NOMENCLATURE	EFFECT FROM TO	UNITS PER ASSY
1					
- 6	161N0001-162		32-11-00-02 32-11-00-03 GEAR ASSY-MLG (MAIN GEAR BRAKE ROD ONLY) POSITION DATA: RH COMPONENT MAINT MANUAL REF: 32-11-32 FOR NHA/ADDITIONAL DET SEE: 32-11-00-01 32-11-00-02 32-11-00-03	002004 006999	RF
- 6	161N0001-172		GEAR ASSY-MLG (MAIN GEAR BRAKE ROD ONLY) POSITION DATA: RH COMPONENT MAINT MANUAL REF: 32-11-32 FOR NHA/ADDITIONAL DET SEE: 32-11-00-01 32-11-00-02 32-11-00-03	002004 006999	RF
- 6	161N0001-168		GEAR ASSY-MLG (MAIN GEAR BRAKE ROD ONLY) POSITION DATA: RH COMPONENT MAINT MANUAL REF: 32-11-32 FOR NHA/ADDITIONAL DET SEE: 32-11-00-02 32-11-00-03 32-11-00-01	002004 006999	RF
- 6	161N0001-176		GEAR ASSY-MLG (MAIN GEAR BRAKE ROD ONLY) POSITION DATA: RH FOR NHA/ADDITIONAL DET SEE: 32-11-00-03 32-11-00-01 32-11-00-02	002004 006999	RF

MISSING ITEM NUMBERS NOT APPLICABLE

- ITEM NOT ILLUSTRATED

32-11-19-01

32-11-19  
FIG. 01  
PAGE 14  
JAN 20/09

BRI





757

PARTS CATALOG (MAINTENANCE)

FIG ITEM	PART NUMBER	1 2 3 4 5 6 7	NOMENCLATURE	EFFECT FROM TO	UNITS PER ASSY
1	10 MS24665-304		.PIN- USED ON: 161N0001-117 161N0001-118 161N0001-119 161N0001-120 161N0001-141 161N0001-142 161N0001-149 161N0001-150 161N0001-155 161N0001-156 161N0001-17 161N0001-18 161N0001-3 161N0001-4 161N0001-57 161N0001-58 161N0001-69 161N0001-70 161N0001-77 161N0001-78 161N0001-79 161N0001-80 161N0001-85 161N0001-86 161N0001-87 161N0001-88 161N0001-89 161N0001-90 161N0001-95 161N0001-96	002004 006999	6
	10 BACP18BC03A10P		.PIN- USED ON: 161N0001-157 161N0001-158 161N0001-161 161N0001-162 161N0001-167 161N0001-168 161N0001-169 161N0001-170 161N0001-171 161N0001-172 161N0001-173 161N0001-174	002004 006999	6
	15 BACB30LJ6D7		.BOLT- OPTIONAL PART: BACB30NF6D7	002004 006999	6

MISSING ITEM NUMBERS NOT APPLICABLE

- ITEM NOT ILLUSTRATED

32-11-19-01

32-11-19  
FIG. 01  
PAGE 15  
SEP 20/08

BRI

BOEING PROPRIETARY - Copyright © - Unpublished Work - See title page for details.



757

PARTS CATALOG (MAINTENANCE)

FIG ITEM	PART NUMBER	1 2 3 4 5 6 7	NOMENCLATURE	EFFECT FROM TO	UNITS PER ASSY
1	15	BACB30NF6D7	.BOLT- OPTIONAL PART: BACB30LJ6D7	002004 006999	6
	20	NAS1149F0632P	.WASHER- USED ON: 161N0001-157 161N0001-158 161N0001-161 161N0001-162 161N0001-167 161N0001-168 161N0001-169 161N0001-170 161N0001-171 161N0001-172 161N0001-173 161N0001-174	002004 006999	6
	20	AN960-616L	.WASHER- USED ON: 161N0001-117 161N0001-118 161N0001-119 161N0001-120 161N0001-141 161N0001-142 161N0001-149 161N0001-150 161N0001-155 161N0001-156 161N0001-17 161N0001-18 161N0001-3 161N0001-4 161N0001-57 161N0001-58 161N0001-69 161N0001-70 161N0001-77 161N0001-78 161N0001-79 161N0001-80 161N0001-85 161N0001-86 161N0001-87 161N0001-88 161N0001-89 161N0001-90 161N0001-95 161N0001-96	002004 006999	6
MISSING ITEM NUMBERS NOT APPLICABLE					

- ITEM NOT ILLUSTRATED

32-11-19-01

32-11-19  
FIG. 01  
PAGE 16  
SEP 20/08

BRI



757

PARTS CATALOG (MAINTENANCE)

FIG ITEM	PART NUMBER	1 2 3 4 5 6 7	NOMENCLATURE	EFFECT FROM TO	UNITS PER ASSY
1	25	LCN12-624	.NUT-SELF-LOCKING SUPPLIER CODE: V56878	002004 006999	6
	30	161N1815-2	.CAP-END	002004 006999	2
	35	161N1815-1	.CAP-END	002004 006999	4
	40	161N1806-1	.PIN-	002004 006999	2
	45	161N1807-1	.PIN- USED ON: 161N0001-117 161N0001-118 161N0001-119 161N0001-120 161N0001-141 161N0001-142 161N0001-149 161N0001-150 161N0001-155 161N0001-156 161N0001-161 161N0001-162 161N0001-167 161N0001-168 161N0001-17 161N0001-18 161N0001-3 161N0001-4 161N0001-57 161N0001-58 161N0001-69 161N0001-70 161N0001-77 161N0001-78 161N0001-79 161N0001-80 161N0001-85 161N0001-86 161N0001-87 161N0001-88 161N0001-89 161N0001-90 161N0001-95 161N0001-96	002004 006999	4

MISSING ITEM NUMBERS NOT APPLICABLE

- ITEM NOT ILLUSTRATED

32-11-19-01

32-11-19  
FIG. 01  
PAGE 17  
SEP 20/08

BRI



757

PARTS CATALOG (MAINTENANCE)

FIG ITEM	PART NUMBER	1 2 3 4 5 6 7	NOMENCLATURE	EFFECT FROM TO	UNITS PER ASSY
1	45 161N1807-2		.PIN- USED ON: 161N0001-157 161N0001-158 161N0001-169 161N0001-170 161N0001-171 161N0001-172 161N0001-173 161N0001-174	002004 006999	4
	50 161N1623-1		.ROD ASSY-BRAKE USED ON: 161N0001-117 161N0001-118 161N0001-119 161N0001-120 161N0001-141 161N0001-142 161N0001-149 161N0001-150 161N0001-155 161N0001-156 161N0001-161 161N0001-162 161N0001-167 161N0001-168 161N0001-17 161N0001-18 161N0001-3 161N0001-4 161N0001-57 161N0001-58 161N0001-69 161N0001-70 161N0001-77 161N0001-78 161N0001-79 161N0001-80 161N0001-85 161N0001-86 161N0001-87 161N0001-88 161N0001-89 161N0001-90 161N0001-95 161N0001-96	002004 006999	4

MISSING ITEM NUMBERS NOT APPLICABLE

- ITEM NOT ILLUSTRATED

BRI

32-11-19-01

BOEING PROPRIETARY - Copyright © - Unpublished Work - See title page for details.

32-11-19  
FIG. 01  
PAGE 18  
SEP 20/08



757

PARTS CATALOG (MAINTENANCE)

FIG ITEM	PART NUMBER	1 2 3 4 5 6 7	NOMENCLATURE	EFFECT FROM TO	UNITS PER ASSY
1					
50	161N1623-7		.ROD ASSY-BRAKE USED ON: 161N0001-157 161N0001-158 161N0001-169 161N0001-170 161N0001-171 161N0001-172 161N0001-173 161N0001-174	002004 006999	4
55	160N0201-23		..BUSHING	002004 006999	2
60	160N0201-22		..BUSHING	002004 006999	1
65	160N0201-21		..BUSHING	002004 006999	2
70	161N1623-2		..ROD- USED ON: 161N1623-1	002004 006999	1
70	161N1623-8		..ROD- USED ON: 161N1623-7	002004 006999	1

MISSING ITEM NUMBERS NOT APPLICABLE

- ITEM NOT ILLUSTRATED

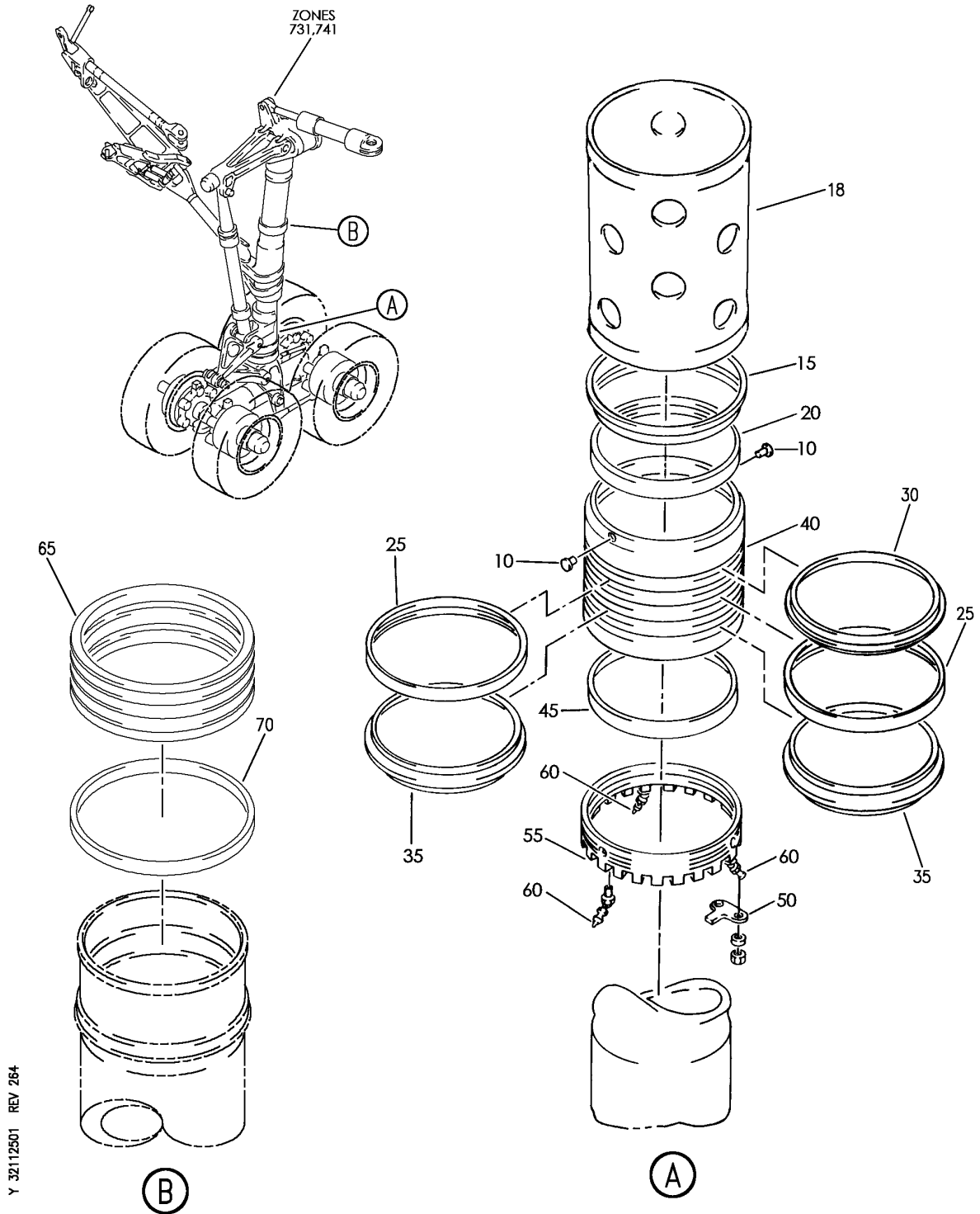
BRI

32-11-19-01

BOEING PROPRIETARY - Copyright © - Unpublished Work - See title page for details.

32-11-19  
FIG. 01  
PAGE 19  
SEP 20/08

**BOEING**  
757  
PARTS CATALOG (MAINTENANCE)



Y 32112501 REV 264

STRUT ASSY-MLG SHOCK (MAIN GEAR SHOCK STRUT SEALS ONLY)  
FIGURE 1

**32-11-25-01**

BRI  
MAY 28/07

32-11-25-01  
PAGE 0



757

PARTS CATALOG (MAINTENANCE)

FIG ITEM	PART NUMBER	1 2 3 4 5 6 7	NOMENCLATURE	EFFECT FROM TO	UNITS PER ASSY
1			STRUT ASSY-MLG SHOCK (MAIN GEAR SHOCK STRUT SEALS ONLY)	002004 006999	
- 1	161N1201-23		STRUT ASSY-MLG SHOCK (MAIN GEAR SHOCK STRUT SEALS ONLY) POSITION DATA: LH MISCELLANEOUS DATA: FOR SPARES PROCURE LOWER COMPONENTS COMPONENT MAINT MANUAL REF: 32-11-95 QUALIFIED I/W DATA: 161N1201-23 T/W (2) BACB30NF4-14, (1) 284N6102-7, (1) 284N6102-6 CAN REPLACE BUT NOT BE REPLACED BY 161N1201-3 T/W (2) BACB30NF4-10, (1) 284N6102-4, (1) 284N6102-3 161N1201-23 T/W (2) BACB30NF4-14, (1) 284N6102-7, (1) 284N6102-6 CAN REPLACE BUT NOT BE REPLACED BY 161N1201-9 T/W (2) BACB30NF4-10, (1) 284N1602-4, (1) 284N1602-3 161N1201-23 T/W (2) BACB30NF4-14, (1) 284N6102-7, (1) 284N6102-6 CAN REPLACE BUT NOT BE REPLACED BY 161N1201-17 T/W (2) BACB30NF4-10, (1) 284N6102-4, (1) 284N6102-3 FOR NHA/ADDITIONAL DET SEE: 32-11-01-10	002004 006999	RF

MISSING ITEM NUMBERS NOT APPLICABLE

- ITEM NOT ILLUSTRATED

BRI

32-11-25-01

BOEING PROPRIETARY - Copyright © - Unpublished Work - See title page for details.

32-11-25  
FIG. 01  
PAGE 1  
SEP 20/08



757

PARTS CATALOG (MAINTENANCE)

FIG ITEM	PART NUMBER	1 2 3 4 5 6 7	NOMENCLATURE	EFFECT FROM TO	UNITS PER ASSY
1 - 1	161N1201-27		STRUT ASSY-MLG SHOCK (MAIN GEAR SHOCK STRUT SEALS ONLY) POSITION DATA: LH MISCELLANEOUS DATA: FOR SPARES PROCURE LOWER COMPONENTS COMPONENT MAINT MANUAL REF: 31-11-95 QUALIFIED I/W DATA: 161N1201-27 T/W (2) BACB30NF4-14, (1) 284N6102-7, (1) 284N6102-6 CAN REPLACE BUT NOT BE REPLACED BY 161N1201-3 T/W (2) BACB30NF4-10, (1) 284N6102-4, (1) 284N6102-3 161N1201-27 T/W (2) BACB30NF4-14, (1) 284N6102-7, (1) 284N6102-6 CAN REPLACE BUT NOT BE REPLACED BY 161N1201-9 T/W (2) BACB30NF4-10, (1) 284N6102-4, (1) 284N6102-3 161N1201-27 T/W (2) BACB30NF4-14, (1) 284N6102-7, (1) 284N6102-6 CAN REPLACE BUT NOT BE REPLACED BY 161N1201-17 T/W (2) BACB30NF4-10, (1) 284N6102-4, (1) 284N6102-3 FOR NHA/ADDITIONAL DET SEE: 32-11-01-10	002004 006999	RF

MISSING ITEM NUMBERS NOT APPLICABLE

- ITEM NOT ILLUSTRATED

BRI

32-11-25-01

BOEING PROPRIETARY - Copyright © - Unpublished Work - See title page for details.

32-11-25  
FIG. 01  
PAGE 2  
SEP 20/08





757

PARTS CATALOG (MAINTENANCE)

FIG ITEM	PART NUMBER	1 2 3 4 5 6 7	NOMENCLATURE	EFFECT FROM TO	UNITS PER ASSY
1 - 1	161N1201-29		STRUT ASSY-MLG SHOCK (MAIN GEAR SHOCK STRUT SEALS ONLY) POSITION DATA: LH MISCELLANEOUS DATA: PREFERRED SPARE FOR SPARES PROCURE LOWER COMPONENTS COMPONENT MAINT MANUAL REF: 31-11-95 QUALIFIED I/W DATA: 161N1201-29 T/W (2) BACB30NF4-14, (1) 284N6102-7, (1) 284N6102-6 CAN REPLACE BUT NOT BE REPLACED BY 161N1201-3 T/W (2) BACB30NF4-10, (1) 284N6102-4, (1) 284N6102-3 161N1201-29 T/W (2) BACB30NF4-14, (1) 284N6102-7, (1) 284N6102-6 CAN REPLACE BUT NOT BE REPLACED BY 161N1201-9 T/W (2) BACB30NF4-10, (1) 284N6102-4, (1) 284N6102-3 161N1201-29 T/W (2) BACB30NF4-14, (1) 284N6102-7, (1) 284N6102-6 CAN REPLACE BUT NOT BE REPLACED BY 161N1201-17 T/W (2) BACB30NF4-10, (1) 284N6102-4, (1) 284N6102-3 FOR NHA/ADDITIONAL DET SEE: 32-11-01-10	002004 006999	RF

MISSING ITEM NUMBERS NOT APPLICABLE

- ITEM NOT ILLUSTRATED

32-11-25-01

32-11-25  
FIG. 01  
PAGE 3  
SEP 20/08

BRI



757

PARTS CATALOG (MAINTENANCE)

FIG ITEM	PART NUMBER	1 2 3 4 5 6 7	NOMENCLATURE	EFFECT FROM TO	UNITS PER ASSY
1 - 1	161N1201-31		STRUT ASSY-MLG SHOCK (MAIN GEAR SHOCK STRUT SEALS ONLY) POSITION DATA: LH MISCELLANEOUS DATA: FOR SPARES PROCURE LOWER COMPONENTS COMPONENT MAINT MANUAL REF: 31-11-95 QUALIFIED I/W DATA: 161N1201-31 T/W (2) BACB30NF4-14, (1) 284N6102-7, (1) 284N6102-6 CAN REPLACE BUT NOT BE REPLACED BY 161N1201-3 T/W (2) BACB30NF4-10, (1) 284N6102-4, (1) 284N6102-3 161N1201-31 T/W (2) BACB30NF4-14, (1) 284N6102-7, (1) 284N6102-6 CAN REPLACE BUT NOT BE REPLACED BY 161N1201-9 T/W (2) BACB30NF4-10, (1) 284N6102-4, (1) 284N6102-3 161N1201-31 T/W (2) BACB30NF4-14, (1) 284N6102-7, (1) 284N6102-6 CAN REPLACE BUT NOT BE REPLACED BY 161N1201-17, T/W (2) BACB30NF4-10, (1) 284N6102-4, (1) 284N6102-3 FOR NHA/ADDITIONAL DET SEE: 32-11-01-10	002004 006999	RF

MISSING ITEM NUMBERS NOT APPLICABLE

- ITEM NOT ILLUSTRATED

32-11-25-01

32-11-25  
FIG. 01  
PAGE 4  
SEP 20/08

BRI



**757  
PARTS CATALOG (MAINTENANCE)**

FIG ITEM	PART NUMBER	1 2 3 4 5 6 7	NOMENCLATURE	EFFECT FROM TO	UNITS PER ASSY
1 - 1	161N1201-35		STRUT ASSY-MLG SHOCK (MAIN GEAR SHOCK STRUT SEALS ONLY) POSITION DATA: LH MISCELLANEOUS DATA: FOR SPARES PROCURE LOWER COMPONENTS COMPONENT MAINT MANUAL REF: 31-11-95 FOR NHA/ADDITIONAL DET SEE: 32-11-01-10	002004 006999	RF

MISSING ITEM NUMBERS NOT APPLICABLE

- ITEM NOT ILLUSTRATED

BRI

# 32-11-25-01

BOEING PROPRIETARY - Copyright © - Unpublished Work - See title page for details.

32-11-25  
FIG. 01  
PAGE 5  
SEP 20/08



757

PARTS CATALOG (MAINTENANCE)

FIG ITEM	PART NUMBER	1 2 3 4 5 6 7	NOMENCLATURE	EFFECT FROM TO	UNITS PER ASSY
1 - 5	161N1201-24		STRUT ASSY-MLG SHOCK (MAIN GEAR SHOCK STRUT SEALS ONLY) POSITION DATA: RH MISCELLANEOUS DATA: FOR SPARES PROCURE LOWER COMPONENTS COMPONENT MAINT MANUAL REF: 32-11-95 QUALIFIED I/W DATA: 161N1201-24 T/W (2) BACB30NF4-14, (1) 284N6102-7, (1) 284N6102-6 CAN REPLACE BUT NOT BE REPLACED BY 161N1201-4 T/W (2) BACB30NF4-10, (1) 284N6102-4, (1) 284N6102-3 161N1201-24 T/W (2) BACB30NF4-14, (1) 284N6102-7, (1) 284N6102-6 CAN REPLACE BUT NOT BE REPLACED BY 161N1201-10 T/W (2) BACB30NF4-10, (1) 284N6102-4, (1) 284N6102-3 161N1201-24 T/W (2) BACB30NF4-14, (1) 284N6102-7, (1) 284N6102-6 CAN REPLACE BUT NOT BE REPLACED BY 161N1201-18 T/W (2) BACB30NF4-10, (1) 284N6102-4, (1) 284N6102-3 FOR NHA/ADDITIONAL DET SEE: 32-11-01-10	002004 006999	RF

MISSING ITEM NUMBERS NOT APPLICABLE

- ITEM NOT ILLUSTRATED

32-11-25-01

32-11-25  
FIG. 01  
PAGE 6  
SEP 20/08

BRI



757

PARTS CATALOG (MAINTENANCE)

FIG ITEM	PART NUMBER	1 2 3 4 5 6 7	NOMENCLATURE	EFFECT FROM TO	UNITS PER ASSY
1 - 5	161N1201-28		STRUT ASSY-MLG SHOCK (MAIN GEAR SHOCK STRUT SEALS ONLY) POSITION DATA: RH MISCELLANEOUS DATA: FOR SPARES PROCURE LOWER COMPONENTS COMPONENT MAINT MANUAL REF: 32-11-95 QUALIFIED I/W DATA: 161N1201-28 T/W (2) BACB30NF4-14, (1) 284N6102-7, (1) 284N6102-6 CAN REPLACE BUT NOT BE REPLACED BY 161N1201-4 T/W (2) BACB30NF4-10, (1) 284N6102-4, (1) 284N6102-3 161N1201-28 T/W (2) BACB30NF4-14, (1) 284N6102-7, (1) 284N6102-6 CAN REPLACE BUT NOT BE REPLACED BY 161N1201-10 T/W (2) BACB30NF4-10, (1) 284N6102-4, (1) 284N6102-3 161N1201-28 T/W (2) BACB30NF4-14, (1) 284N6102-7, (1) 284N6102-6 CAN REPLACE BUT NOT BE REPLACED BY 161N1201-18 T/W (2) BACB30NF4-10, (1) 284N6102-4, (1) 284N6102-3 FOR NHA/ADDITIONAL DET SEE: 32-11-01-10	002004 006999	RF

MISSING ITEM NUMBERS NOT APPLICABLE

- ITEM NOT ILLUSTRATED

BRI

32-11-25-01

BOEING PROPRIETARY - Copyright © - Unpublished Work - See title page for details.

32-11-25  
FIG. 01  
PAGE 7  
SEP 20/08



757

PARTS CATALOG (MAINTENANCE)

FIG ITEM	PART NUMBER	1 2 3 4 5 6 7	NOMENCLATURE	EFFECT FROM TO	UNITS PER ASSY
1 - 5	161N1201-30		STRUT ASSY-MLG SHOCK (MAIN GEAR SHOCK STRUT SEALS ONLY) POSITION DATA: RH MISCELLANEOUS DATA: PREFERRED SPARE FOR SPARES PROCURE LOWER COMPONENTS COMPONENT MAINT MANUAL REF: 32-11-95 QUALIFIED I/W DATA: 161N1201-30 T/W (2) BACB30NF4-14, (1) 284N6102-7, (1) 284N6102-6 CAN REPLACE BUT NOT BE REPLACED BY 161N1201-4 T/W (2) BACB30NF4-10, (1) 284N6102-4, (1) 284N6102-3 161N1201-30 T/W (2) BACB30NF4-14, (1) 284N6102-7, (1) 284N6102-6 CAN REPLACE BUT NOT BE REPLACED BY 161N1201-10 T/W (2) BACB30NF4-10, (1) 284N6102-4, (1) 284N6102-3 161N1201-30 T/W (2) BACB30NF4-14, (1) 284N6102-7, (1) 284N6102-6 CAN REPLACE BUT NOT BE REPLACED BY 161N1201-18 T/W (2) BACB30NF4-10, (1) 284N6102-4, (1) 284N6102-3 FOR NHA/ADDITIONAL DET SEE: 32-11-01-10	002004 006999	RF

MISSING ITEM NUMBERS NOT APPLICABLE

- ITEM NOT ILLUSTRATED

32-11-25-01

32-11-25  
FIG. 01  
PAGE 8  
SEP 20/08

BRI



757

PARTS CATALOG (MAINTENANCE)

FIG ITEM	PART NUMBER	1 2 3 4 5 6 7	NOMENCLATURE	EFFECT FROM TO	UNITS PER ASSY
1 - 5	161N1201-32		STRUT ASSY-MLG SHOCK (MAIN GEAR SHOCK STRUT SEALS ONLY) POSITION DATA: RH MISCELLANEOUS DATA: FOR SPARES PROCURE LOWER COMPONENTS COMPONENT MAINT MANUAL REF: 32-11-95 QUALIFIED I/W DATA: 161N1201-32 T/W (2) BACB30NF4-14, (1) 284N6102-7, (1) 284N6102-6 CAN REPLACE BUT NOT BE REPLACED BY 161N1201-4 T/W (2) BACB30NF4-10, (1) 284N6102-4, (1) 284N6102-3 161N1201-32 T/W (2) BACB30NF4-14, (1) 284N6102-7, (1) 284N6102-6 CAN REPLACE BUT NOT BE REPLACED BY 161N1201-10 T/W (2) BACB30NF4-10, (1) 284N6102-4, (1) 284N6102-3 161N1201-32 T/W (2) BACB30NF4-14, (1) 284N6102-7, (1) 284N6102-6 CAN REPLACE BUT NOT BE REPLACED BY 161N1201-18 T/W (2) BACB30NF4-10, (1) 284N6102-4, (1) 284N6102-3 FOR NHA/ADDITIONAL DET SEE: 32-11-01-10	002004 006999	RF

MISSING ITEM NUMBERS NOT APPLICABLE

- ITEM NOT ILLUSTRATED

BRI

32-11-25-01

BOEING PROPRIETARY - Copyright © - Unpublished Work - See title page for details.

32-11-25  
FIG. 01  
PAGE 9  
SEP 20/08



757

PARTS CATALOG (MAINTENANCE)

FIG ITEM	PART NUMBER	1 2 3 4 5 6 7	NOMENCLATURE	EFFECT FROM TO	UNITS PER ASSY
1					
- 5	161N1201-36		STRUT ASSY-MLG SHOCK (MAIN GEAR SHOCK STRUT SEALS ONLY) POSITION DATA: RH MISCELLANEOUS DATA: FOR SPARES PROCURE LOWER COMPONENTS COMPONENT MAINT MANUAL REF: 32-11-95 FOR NHA/ADDITIONAL DET SEE: 32-11-01-10	002004 006999	RF
10	161N1254-1		.PIN	002004 006999	2
15	161N1250-1		.RETAINER-SEAL	002004 006999	1
20	7446FT972P3		.SEAL-DYNAMIC SUPPLIER CODE: V5F573 OPTIONAL PART: S34692-446GLF17 V09257	002004 006999	1
20	S34692-446GLF17		.SEAL-DYNAMIC SUPPLIER CODE: V09257 OPTIONAL PART: 7446FT972P3 V5F573 USED ON: 161N1201-27 161N1201-28 161N1201-29 161N1201-30 161N1201-31 161N1201-32 161N1201-33 161N1201-34 161N1201-35 161N1201-36	002004 006999	1
25	7446FT972		.SEAL-SPARE DYNAMIC SUPPLIER CODE: V5F573 OPTIONAL PART: S34697-446GLF V09257	002004 006999	2

MISSING ITEM NUMBERS NOT APPLICABLE

- ITEM NOT ILLUSTRATED

BRI

32-11-25-01

BOEING PROPRIETARY - Copyright © - Unpublished Work - See title page for details.

32-11-25  
FIG. 01  
PAGE 10  
SEP 20/08





757

PARTS CATALOG (MAINTENANCE)

FIG ITEM	PART NUMBER	1 2 3 4 5 6 7	NOMENCLATURE	EFFECT FROM TO	UNITS PER ASSY
1 25	S34697-446GLF		.SEAL-SPARE DYNAMIC SUPPLIER CODE: V09257 OPTIONAL PART: 7446FT972 V5F573 USED ON: 161N1201-27 161N1201-28 161N1201-29 161N1201-30 161N1201-31 161N1201-32 161N1201-33 161N1201-34 161N1201-35 161N1201-36	002004 006999	2
30	7447MT987N		.SEAL-STATIC SUPPLIER CODE: V5F573 OPTIONAL PART: S34702-447BEA60 V09257	002004 006999	1
30	S34702-447BEA60		.SEAL-SPARE DYNAMIC SUPPLIER CODE: V09257 OPTIONAL PART: 7447MT987N V5F573 USED ON: 161N1201-27 161N1201-28 161N1201-29 161N1201-30 161N1201-31 161N1201-32 161N1201-33 161N1201-34 161N1201-35 161N1201-36	002004 006999	1
35	7447MT987		.SEAL-SPARE STATIC SUPPLIER CODE: V5F573 OPTIONAL PART: S34706-447BEA V09257	002004 006999	2

MISSING ITEM NUMBERS NOT APPLICABLE

- ITEM NOT ILLUSTRATED

32-11-25-01

32-11-25  
FIG. 01  
PAGE 11  
SEP 20/08

BRI



757

PARTS CATALOG (MAINTENANCE)

FIG ITEM	PART NUMBER	1 2 3 4 5 6 7	NOMENCLATURE	EFFECT FROM TO	UNITS PER ASSY
1					
35	S34706-447BEA		.SEAL-SPARE DYNAMIC SUPPLIER CODE: V09257 OPTIONAL PART: 7447MT987 V5F573 USED ON: 161N1201-27 161N1201-28 161N1201-29 161N1201-30 161N1201-31 161N1201-32 161N1201-33 161N1201-34 161N1201-35 161N1201-36	002004 006999	2
40	161N1233-1		.BEARING- POSITION DATA: LWR	002004 006999	1
45	161N1201-25		.SCRAPER- OPTIONAL PART: 351-44601-318A V5F573 351-44601-330G V5F573	002004 006999	1
45	351-44601-318A		.SCRAPER ASSY- SUPPLIER CODE: V5F573 OPTIONAL PART: 161N1201-25 351-44601-330G V5F573	002004 006999	1
45	351-44601-330G		.SCRAPER- SUPPLIER CODE: V5F573 OPTIONAL PART: 161N1201-25 351-44601-318A V5F573 161N1201-25 351-44601-318A V5F573	002004 006999	1
45	BCREF5440		.SCRAPER- SUPPLIER CODE: V5F573 OVERLENGTH PART NUMBER: 3498-08497-0175-0240	002004 006999	1

MISSING ITEM NUMBERS NOT APPLICABLE

- ITEM NOT ILLUSTRATED

32-11-25-01

32-11-25  
FIG. 01  
PAGE 12  
SEP 20/08

BRI



757

PARTS CATALOG (MAINTENANCE)

FIG ITEM	PART NUMBER	1 2 3 4 5 6 7	NOMENCLATURE	EFFECT FROM TO	UNITS PER ASSY
1					
50	161N1236-1		.KEY-LOCKING	002004 006999	1
55	161N1235-1		.NUT ASSY-GLAND OPTIONAL PART: 161N1235-3 USED ON: 161N1201-10 161N1201-17 161N1201-18 161N1201-19 161N1201-20 161N1201-21 161N1201-22 161N1201-23 161N1201-24 161N1201-3 161N1201-4 161N1201-9	002004 006999	1
55	161N1235-3		.NUT ASSY-GLAND OPTIONAL PART: 161N1235-1 USED ON: 161N1201-23 161N1201-24 161N1201-27 161N1201-28	002004 006999	1
55	161N1235-6		.NUT ASSY-GLAND USED ON: 161N1201-29 161N1201-30 161N1201-31 161N1201-32 161N1201-33 161N1201-34 161N1201-35 161N1201-36	002004 006999	1
55	161N1235-5		.NUT ASSY-GLAND USED ON: 161N1201-29 161N1201-30 161N1201-31 161N1201-32 161N1201-33 161N1201-34 161N1201-35 161N1201-36	002004 006999	1
60	1992B		..FITTING-LUBE SUPPLIER CODE: VOFKM1	002004 006999	3

MISSING ITEM NUMBERS NOT APPLICABLE

- ITEM NOT ILLUSTRATED

32-11-25-01

32-11-25  
FIG. 01  
PAGE 13  
SEP 20/08

BRI

BOEING PROPRIETARY - Copyright © - Unpublished Work - See title page for details.



757

PARTS CATALOG (MAINTENANCE)

FIG ITEM	PART NUMBER	1 2 3 4 5 6 7	NOMENCLATURE	EFFECT FROM TO	UNITS PER ASSY
1					
65	161N1256-4		.BEARING- POSITION DATA: UPR	002004 006999	1
65	161N1256-1		.BEARING- POSITION DATA: UPR	002004 006999	1
70	161N1257-1		.SNUBBER-REBOUND	002004 006999	1

MISSING ITEM NUMBERS NOT APPLICABLE

- ITEM NOT ILLUSTRATED

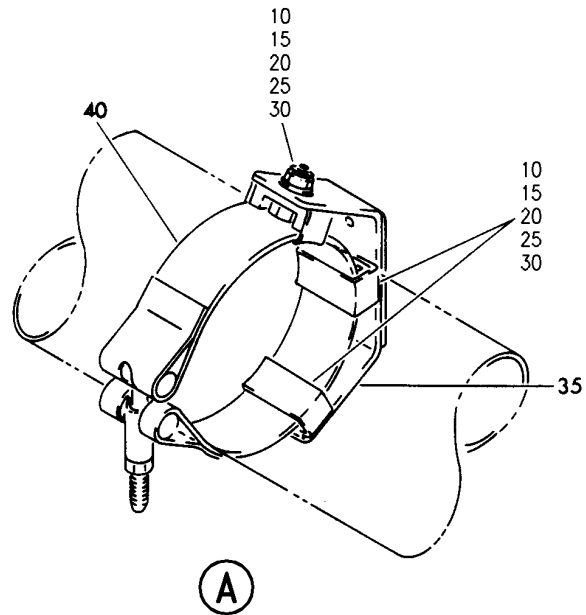
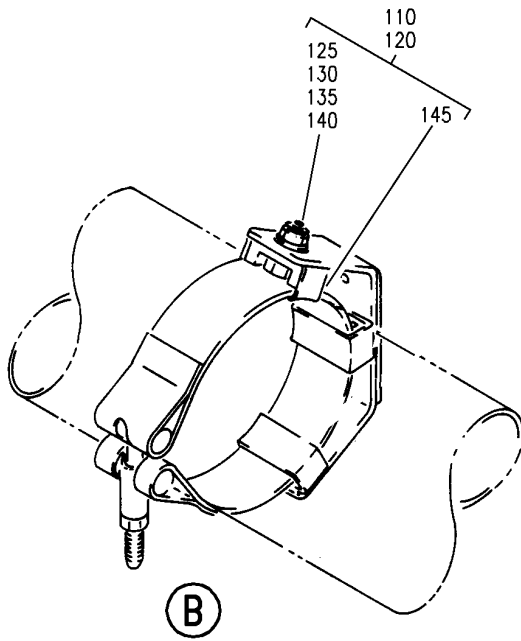
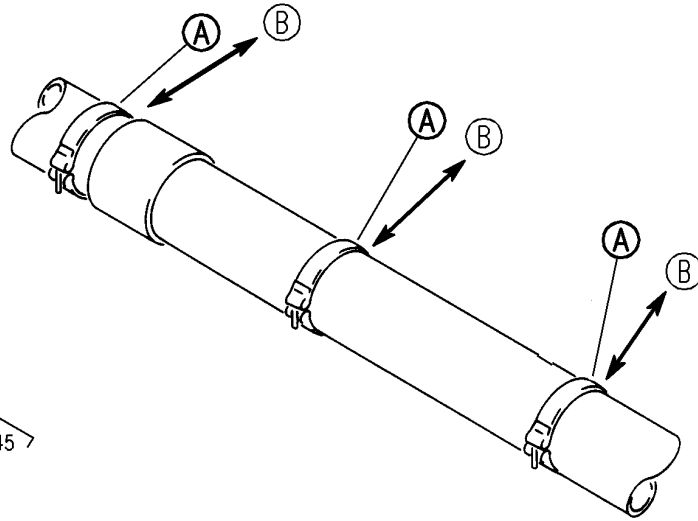
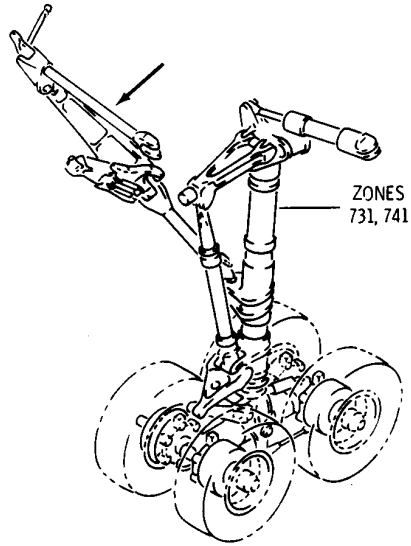
BRI

32-11-25-01

BOEING PROPRIETARY - Copyright © - Unpublished Work - See title page for details.

32-11-25  
FIG. 01  
PAGE 14  
SEP 20/08

**BOEING**  
757  
PARTS CATALOG (MAINTENANCE)



Y 32115101 REV 236

BRACKET INSTL-MLG REACTION LINK HYDR TUBE SPRT  
FIGURE 1

**32-11-51-01**

BRI  
MAY 28/07

32-11-51-01  
PAGE 0



757

PARTS CATALOG (MAINTENANCE)

FIG ITEM	PART NUMBER	1 2 3 4 5 6 7	NOMENCLATURE	EFFECT FROM TO	UNITS PER ASSY
1			BRACKET INSTL-MLG REACTION LINK HYDR TUBE SPRT	002004 006999	
- 1	271N6156-1		BRACKET INSTL-MLG REACTION LINK HYDR TUBE SPRT POSITION DATA: LH FOR NHA SEE: 32-41-51-15 32-00-00-02	002004 006102 107999	RF
- 5	271N6156-2		BRACKET INSTL-MLG REACTION LINK HYDR TUBE SPRT POSITION DATA: RH FOR NHA SEE: 29-11-51-18 32-00-00-02	002004 006102 107999	RF
10	BACB30NM3K4		.BOLT	002004 006102 107999	9
15	AN960KD10		.WASHER	002004 006102 107999	9
20	BRH10C3D		.NUT SUPPLIER CODE: V52828 SPECIFICATION NUMBER: BACN10JC3CD OPTIONAL PART: T6C1032JCD V11815 NS202486-02 V80539 102LH9075-3W V72962 H51650-3BAC V15653	002004 006102 107999	9
25	BACC15AN10		.CLIP	002004 006102 107999	9
30	BACB19F10S		.BLOCK	002004 006102 107999	9
35	271N6064-1		.BRACKET ASSY- POSITION DATA: SECT. 12	002004 006102 107999	3

MISSING ITEM NUMBERS NOT APPLICABLE

- ITEM NOT ILLUSTRATED

BRI

32-11-51-01

32-11-51  
FIG. 01  
PAGE 1  
JAN 20/09



757

PARTS CATALOG (MAINTENANCE)

FIG ITEM	PART NUMBER	1 2 3 4 5 6 7	NOMENCLATURE	EFFECT FROM TO	UNITS PER ASSY
1 40	MCB68941-035	.CLAMP	SUPPLIER CODE: V8W928 SPECIFICATION NUMBER: BACC10FY035S OPTIONAL PART: B06A035S V10234 3140AB035 V94581 57490-035 V98625 BC1083035S V14242 57490-350 V8W928 57490-353 V8W928	002004 006102 107999	3
- 100	MODREF29981	BRACKET INSTL-MLG REACTION LINK HYDR TUBE SPRT	MODULE NUMBER: 271N6156-3 REV C POSITION DATA: LH	103106	1
- 105	MODREF29982	BRACKET INSTL-MLG REACTION LINK HYDR TUBE SPRT	MODULE NUMBER: 271N6156-4 REV C POSITION DATA: RH	103106	1
110	271N6156-5	.BRACKET ASSY-	POSITION DATA: LH	103106	3
- 115	271N6156-6	.BRACKET ASSY-	POSITION DATA: RH	103106	3
120	271N6064-1	..BRACKET ASSY-	POSITION DATA: SECT. 12	103106	1
125	BACB30NM3K4	...BOLT		103106	3
130	AN960KD10	...WASHER		103106	3

MISSING ITEM NUMBERS NOT APPLICABLE

- ITEM NOT ILLUSTRATED

32-11-51-01

32-11-51  
FIG. 01  
PAGE 2  
JAN 20/09

BRI



757

PARTS CATALOG (MAINTENANCE)

FIG ITEM	PART NUMBER	1 2 3 4 5 6 7	NOMENCLATURE	EFFECT FROM TO	UNITS PER ASSY
1 135	BRH10C3D	...	NUT SUPPLIER CODE: V52828 SPECIFICATION NUMBER: BACN10JC3CD OPTIONAL PART: T6C1032JCD V11815 NS202486-02 V80539 102LH9075-3W V72962 H51650-3BAC V15653	103106	3
140	BACC15AN10	...	CLIP	103106	3
145	BACB19F10S	...	BLOCK	103106	3

MISSING ITEM NUMBERS NOT APPLICABLE

- ITEM NOT ILLUSTRATED

BRI

32-11-51-01

BOEING PROPRIETARY - Copyright © - Unpublished Work - See title page for details.

32-11-51  
FIG. 01  
PAGE 3  
JAN 20/09

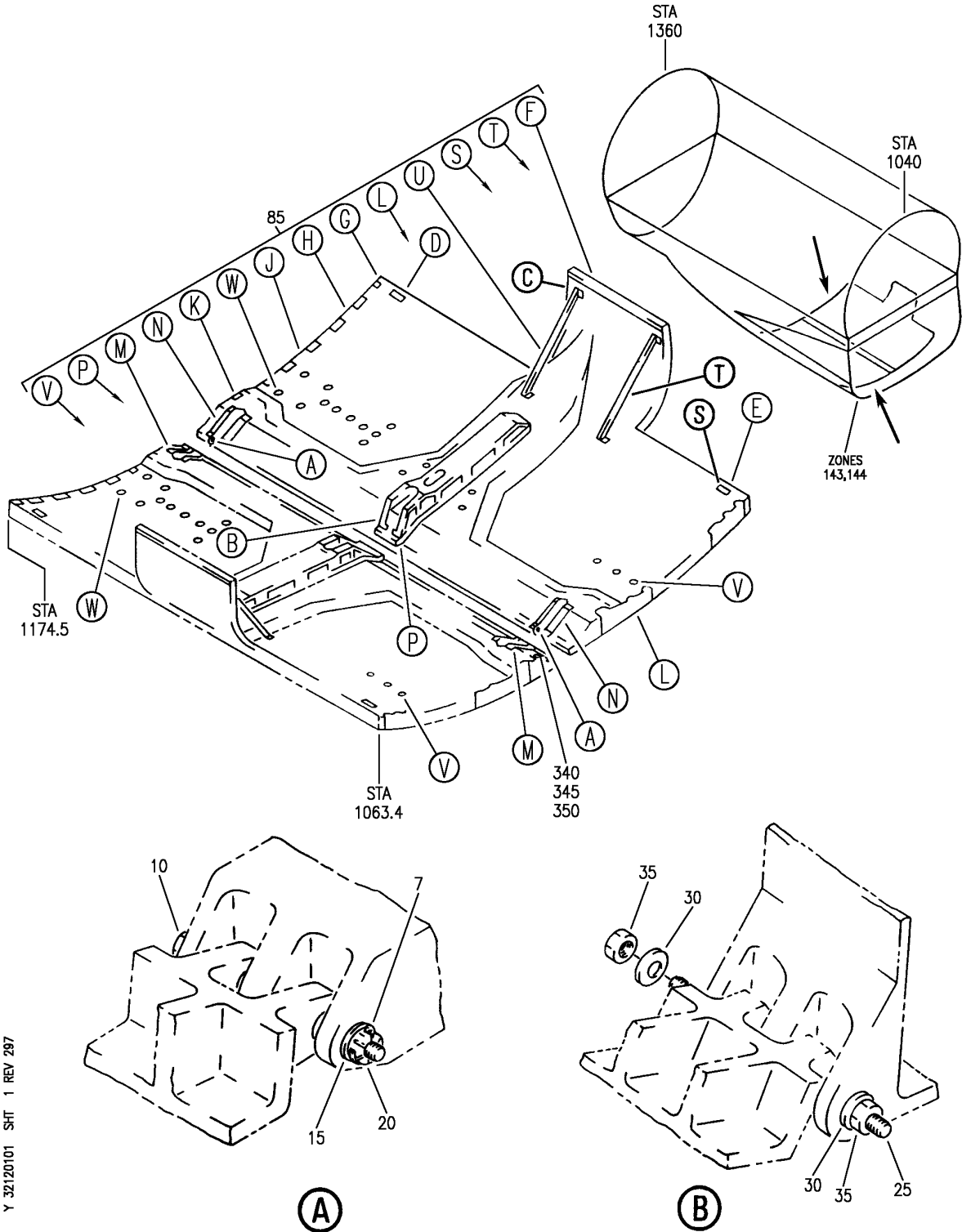


## MAIN LANDING GEAR DOORS

BRI  
MAY 28/07

32-12-00  
SECTION TITLE  
PAGE 1

**BOEING**  
757  
PARTS CATALOG (MAINTENANCE)



Y 32120101 SHT 1 REV 297

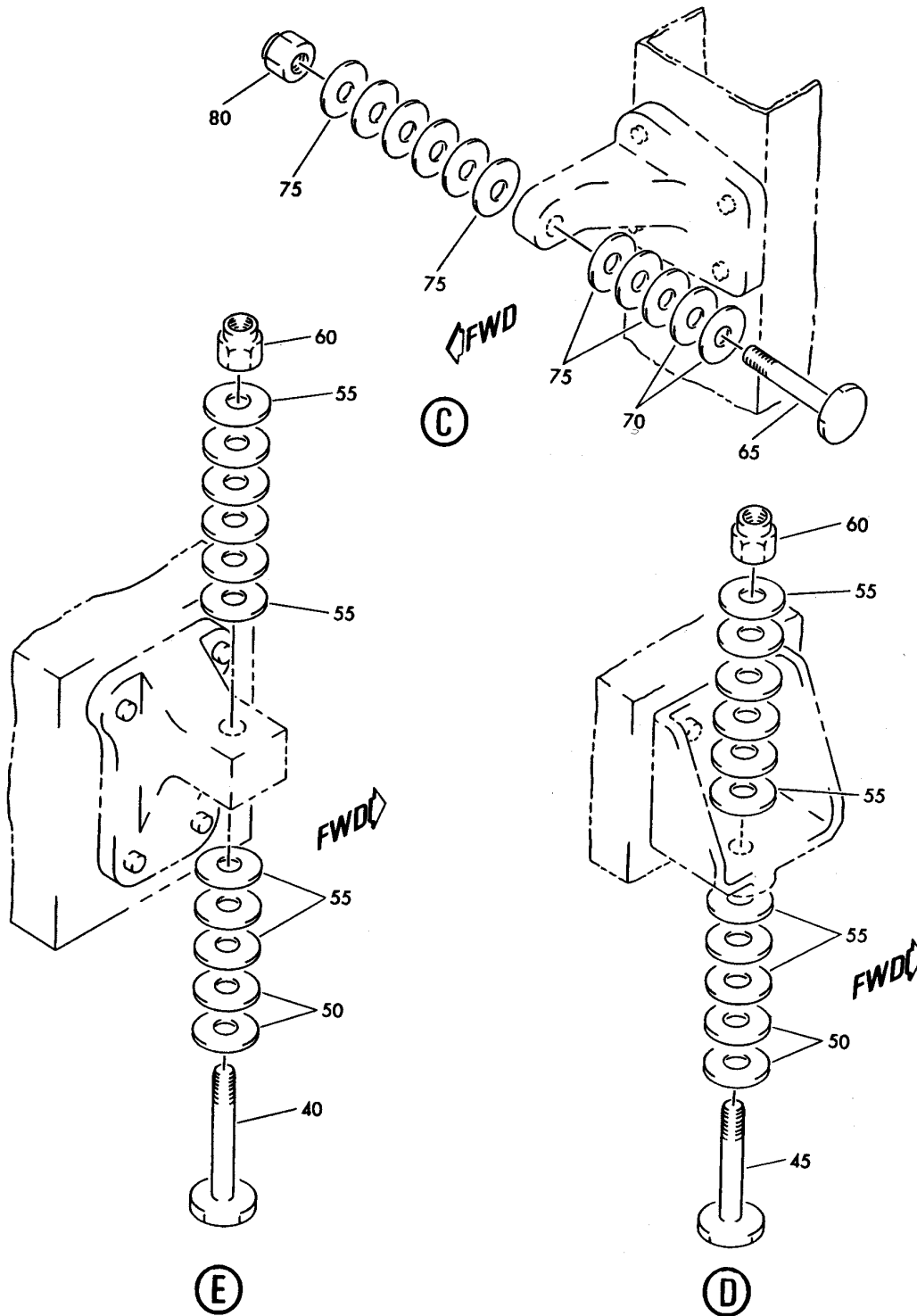
DOOR INSTL-MLG  
FIGURE 1 (SHEET 1)

**32-12-01-01**

BRI  
MAY 28/07

32-12-01-01  
PAGE 0

**BOEING**  
757  
PARTS CATALOG (MAINTENANCE)



Y 32120101 SH1 2 REV 209

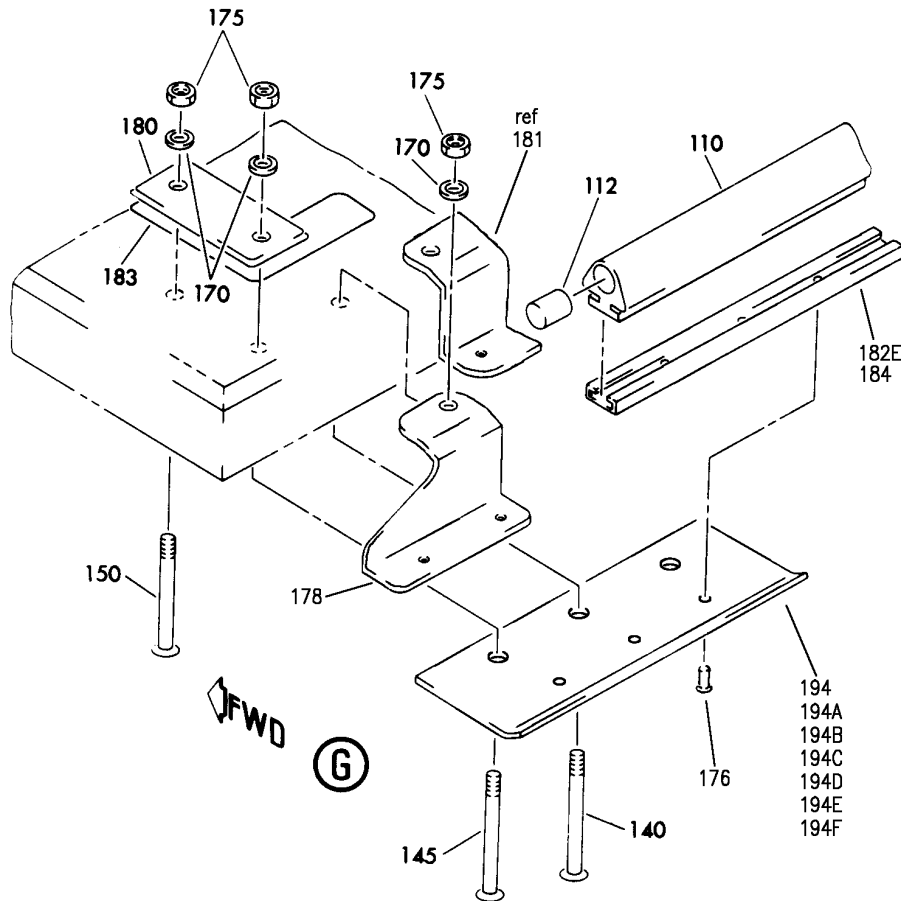
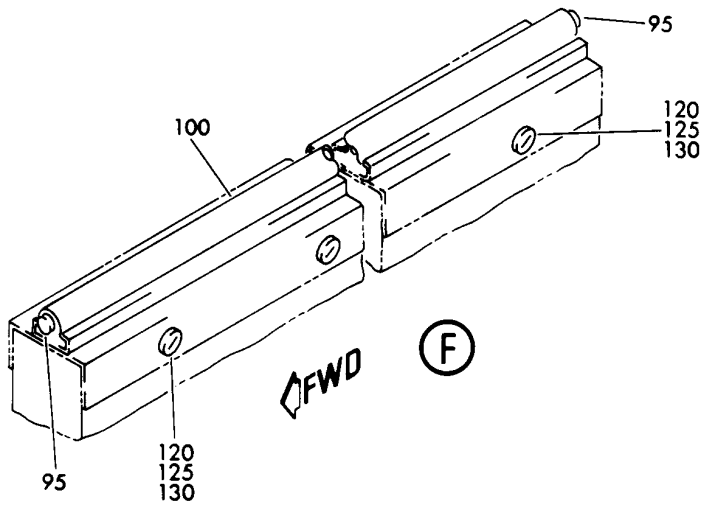
DOOR INSTL-MLG  
FIGURE 1 (SHEET 2)

**32-12-01-01**

BRI  
MAY 28/07

32-12-01-01  
PAGE 0A

**BOEING**  
757  
PARTS CATALOG (MAINTENANCE)



Y 32120101 SH1 3 REV 256

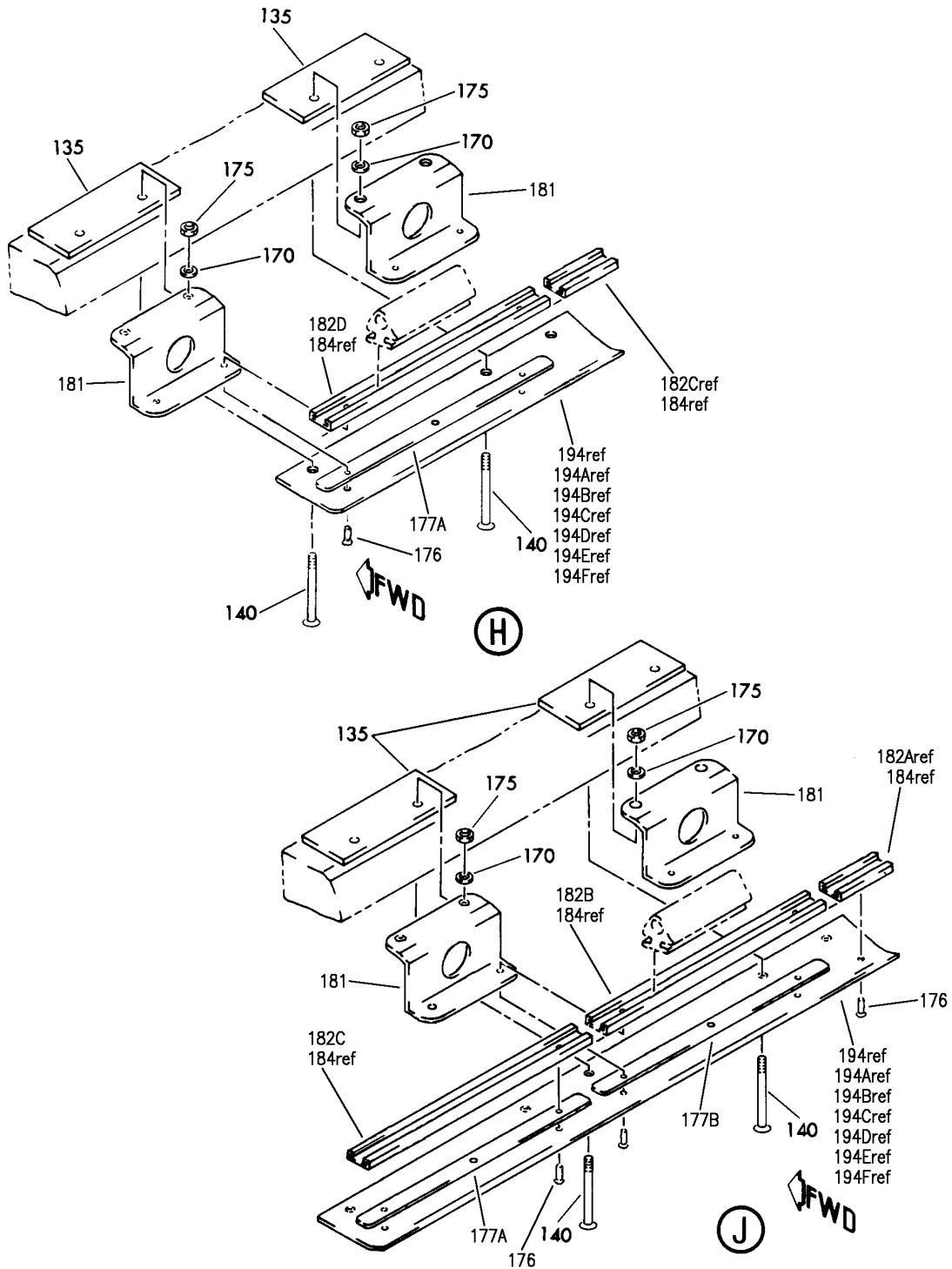
DOOR INSTL-MLG  
FIGURE 1 (SHEET 3)

**32-12-01-01**

BRI  
MAY 28/07

32-12-01-01  
PAGE 0B

**BOEING**  
757  
PARTS CATALOG (MAINTENANCE)



Y 32120101 SH1 4 REV 256

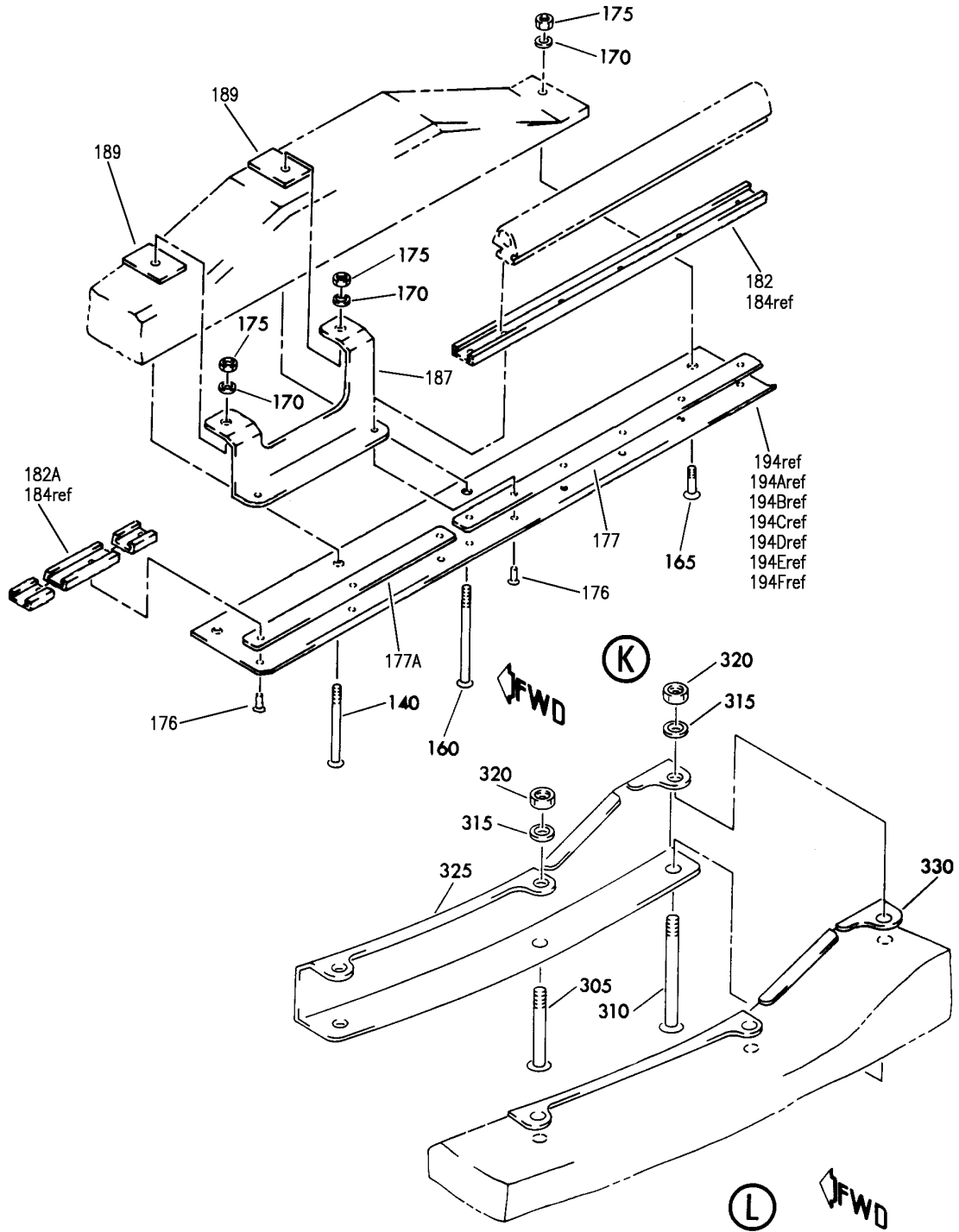
DOOR INSTL-MLG  
FIGURE 1 (SHEET 4)

**32-12-01-01**

BRI  
MAY 28/07

32-12-01-01  
PAGE 0C

**BOEING**  
757  
PARTS CATALOG (MAINTENANCE)



Y 32120101 SHT 5 REV 256

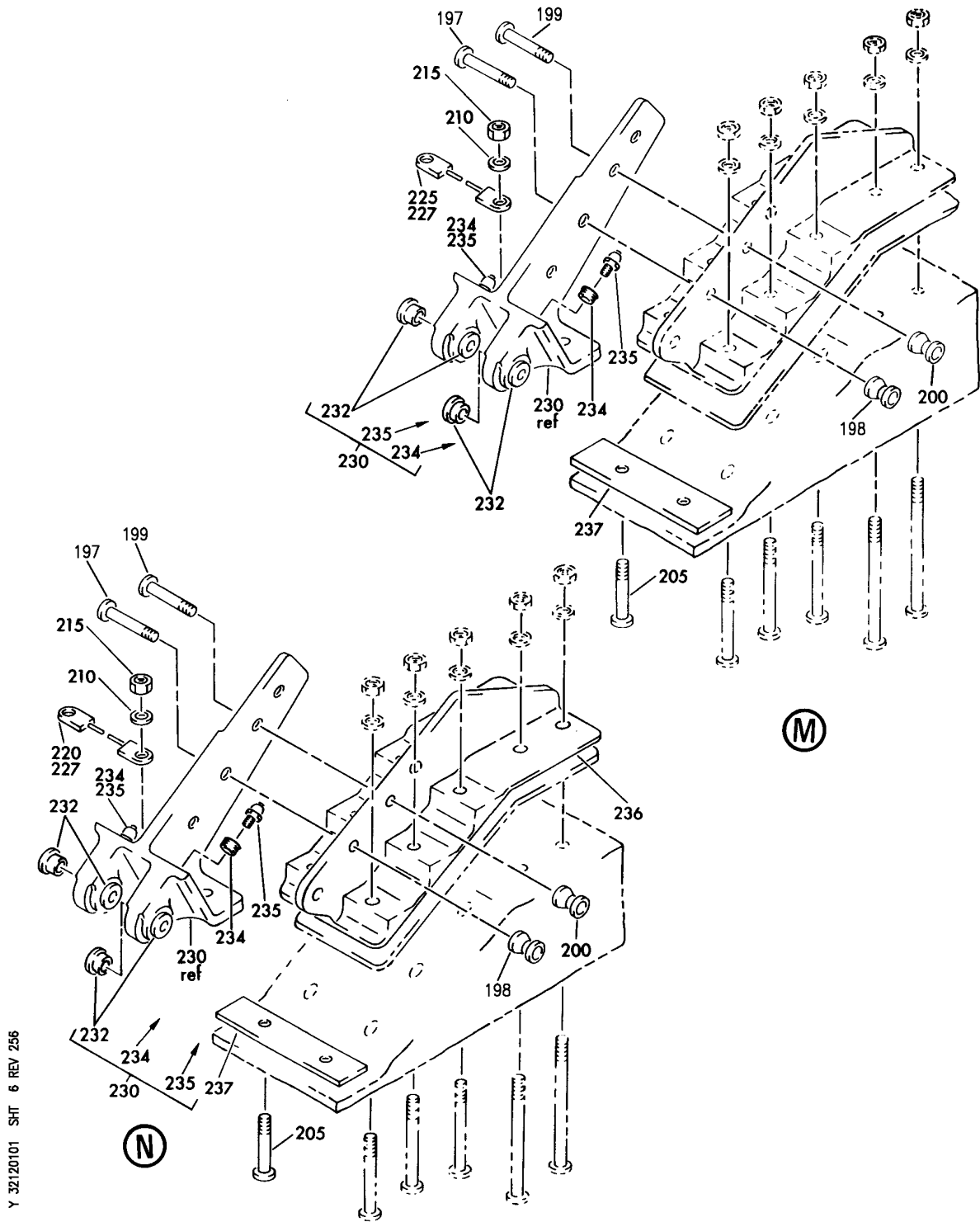
DOOR INSTL-MLG  
FIGURE 1 (SHEET 5)

**32-12-01-01**

BRI  
MAY 28/07

32-12-01-01  
PAGE 0D

**BOEING**  
757  
PARTS CATALOG (MAINTENANCE)



Y 32120101 SHT 6 REV 256

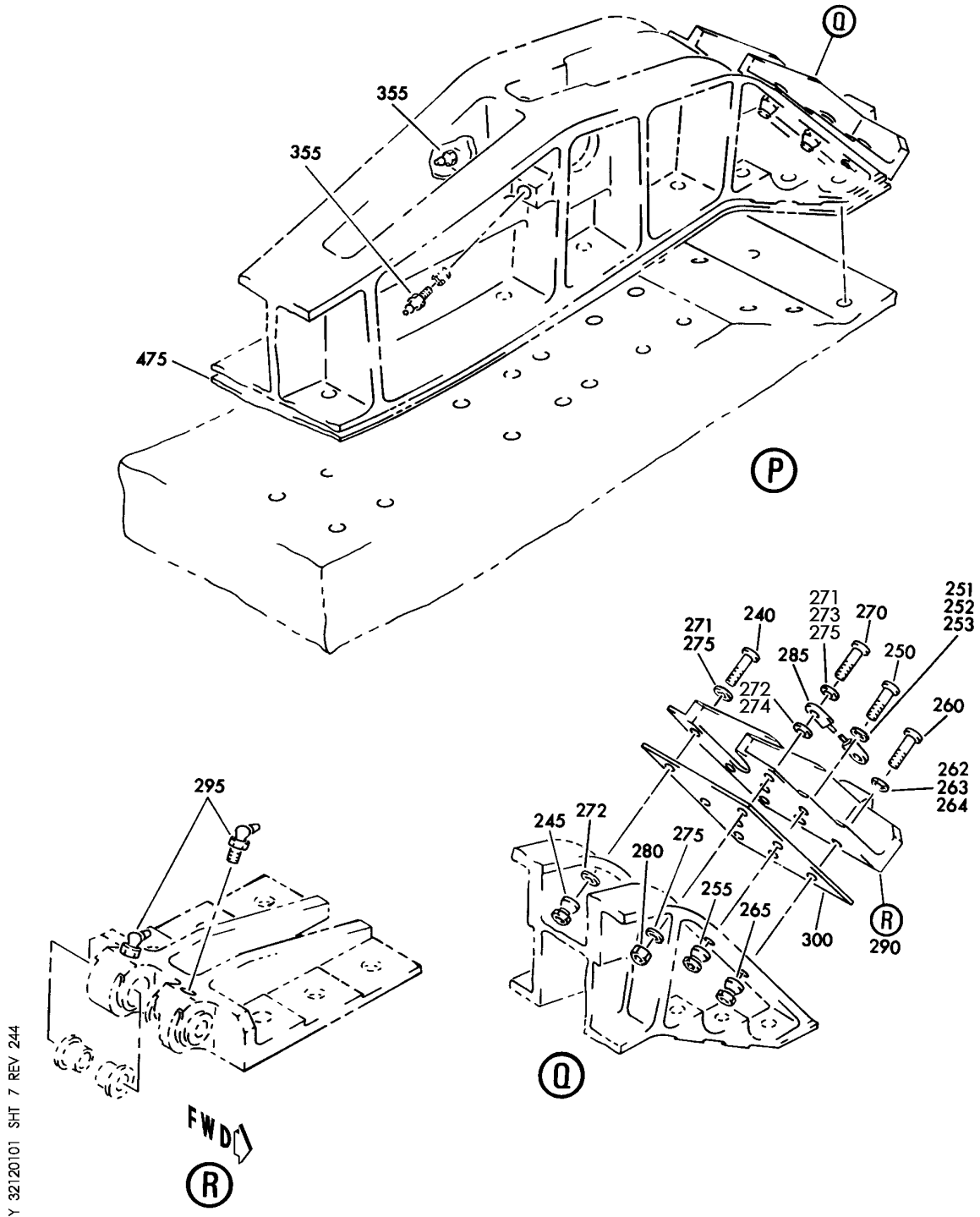
DOOR INSTL-MLG  
FIGURE 1 (SHEET 6)

**32-12-01-01**

BRI  
MAY 28/07

32-12-01-01  
PAGE 0E

**BOEING**  
757  
PARTS CATALOG (MAINTENANCE)



Y 32120101 SHT 7 REV 244

DOOR INSTL-MLG  
FIGURE 1 (SHEET 7)

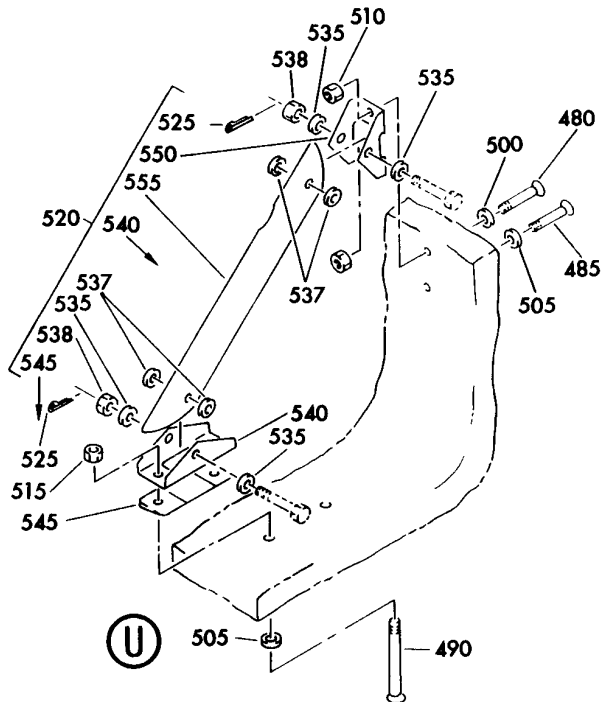
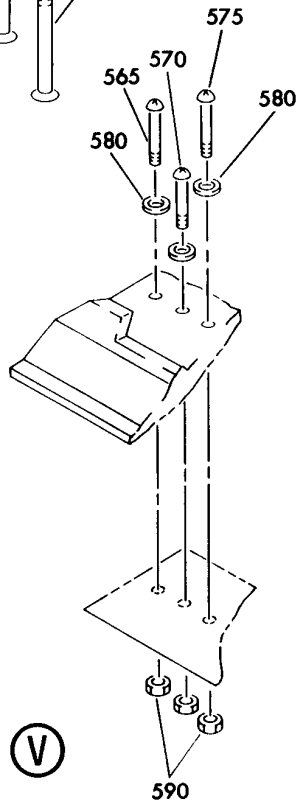
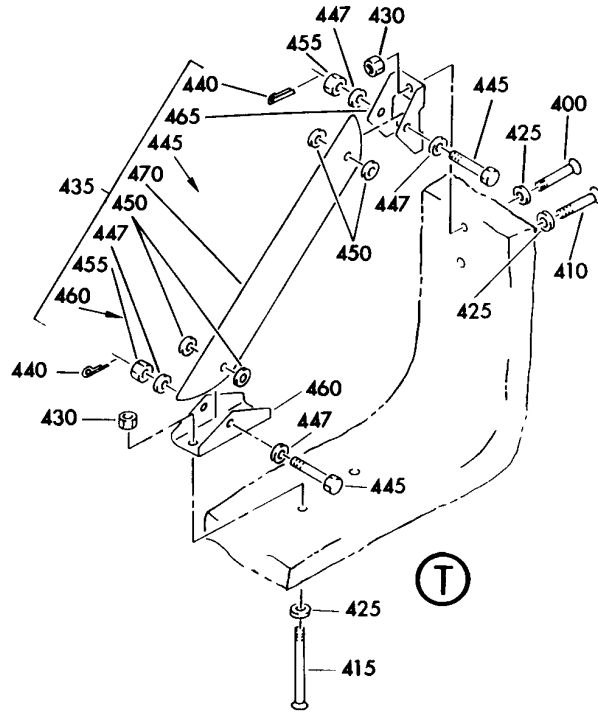
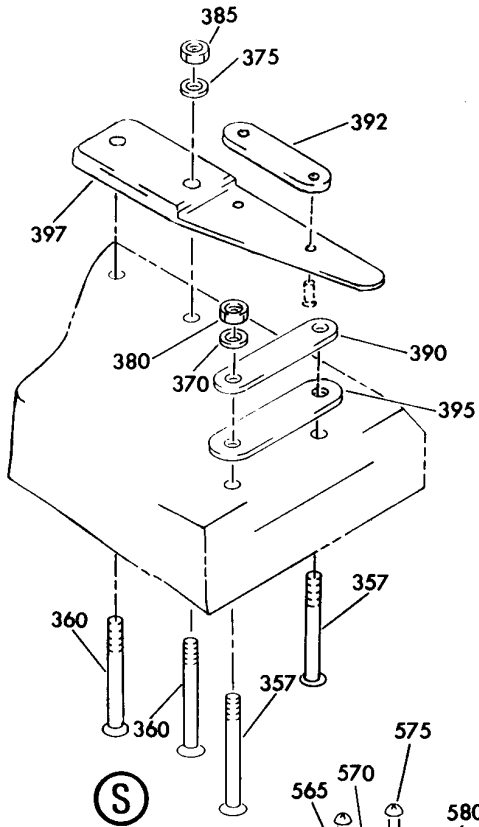
**32-12-01-01**

BRI  
MAY 28/07

32-12-01-01  
PAGE OF




**BOEING**  
 757  
**PARTS CATALOG (MAINTENANCE)**



Y 32120101 SHT 8 REV 117

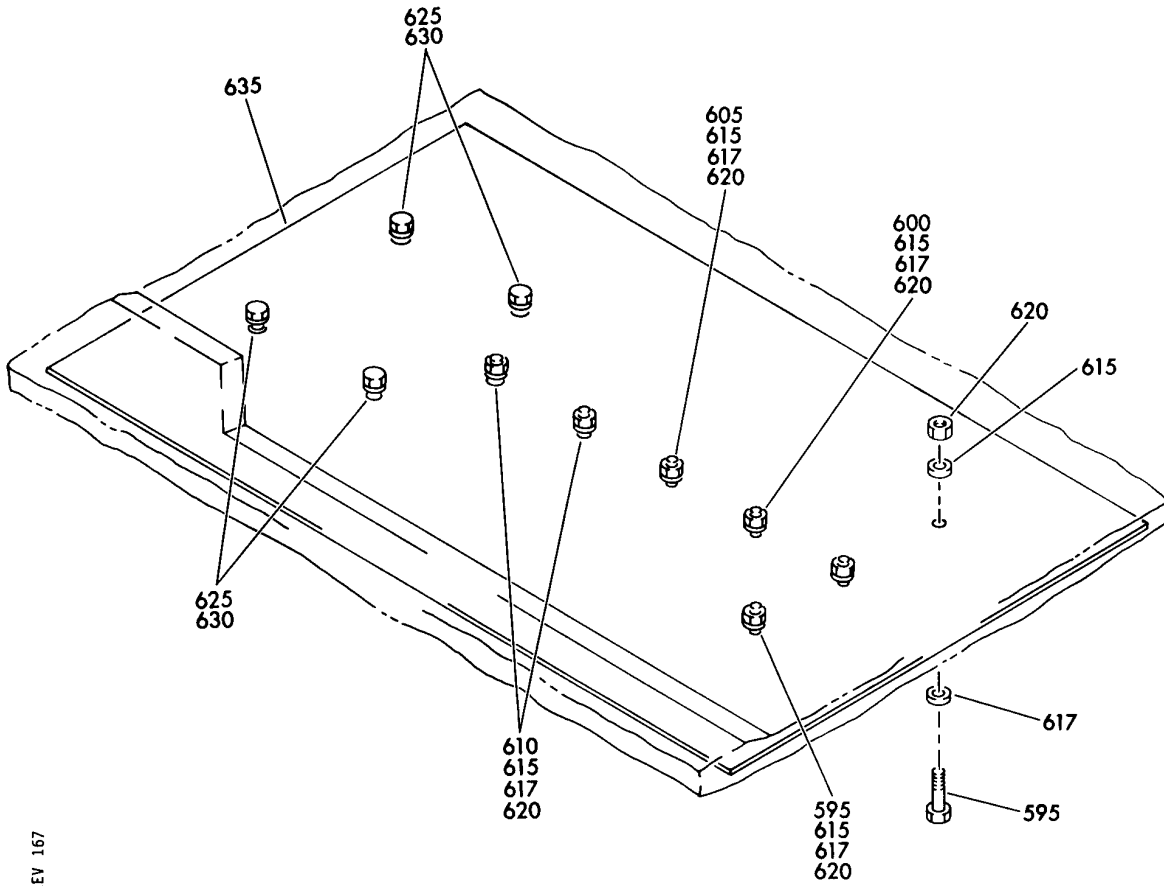
DOOR INSTL-MLG  
FIGURE 1 (SHEET 8)

**32-12-01-01**

BRI  
MAY 28/07

32-12-01-01  
PAGE 0G

**BOEING**  
757  
PARTS CATALOG (MAINTENANCE)



Y 32120101 SHT 9 REV 167



DOOR INSTL-MLG  
FIGURE 1 (SHEET 9)

**32-12-01-01**

BRI  
MAY 28/07

32-12-01-01  
PAGE 0H



757

PARTS CATALOG (MAINTENANCE)

FIG ITEM	PART NUMBER	1 2 3 4 5 6 7	NOMENCLATURE	EFFECT FROM TO	UNITS PER ASSY
1			DOOR INSTL-MLG	002004 107107 904949 952952	
- 1	149N6001-1		DOOR INSTL-MLG POSITION DATA: LH FOR NHA SEE: 53-00-00-04	002004 107107 904949 952952	RF
- 5	149N6001-2		DOOR INSTL-MLG POSITION DATA: RH FOR NHA SEE: 53-00-00-04	002004 107107 904949 952952	RF
7	MS24665-153		.PIN	002004 107107 904949 952952	2
10	149N6019-4		.BOLT-	107107	2
10	149N6019-5		.BOLT-	002004 107107 904949 952952	2
15	BACW10BP5DP		.WASHER-	002004 107107 904949 952952	2
20	BACN10JD5CD		.NUT-	002004 107107 904949 952952	2
25	149N6006-3		.PIN-HINGE	107107	1
25	149N6006-7		.PIN-HINGE	002004 107107 904949 952952	1
30	BACW10BN7SP		.WASHER-	002004 107107 904949 952952	2
35	BACN10JD107CD		.NUT-	002004 107107 904949 952952	2
40	149N6019-1		.BOLT	002004 107107 904949 952952	1

MISSING ITEM NUMBERS NOT APPLICABLE

- ITEM NOT ILLUSTRATED

32-12-01-01

32-12-01  
FIG. 01  
PAGE 1  
JAN 20/09

BRI

BOEING PROPRIETARY - Copyright © - Unpublished Work - See title page for details.



757

PARTS CATALOG (MAINTENANCE)

FIG ITEM	PART NUMBER	1 2 3 4 5 6 7	NOMENCLATURE	EFFECT FROM TO	UNITS PER ASSY
1					
45	149N6019-2	.	BOLT	002004 107107 904949 952952	1
50	BACW10P125C	.	WASHER	002004 107107 904949 952952	4
55	BACW10P49AL	.	WASHER	002004 107107 904949 952952	18
60	73781CM624	.	NUT- SUPPLIER CODE: V80539	002004 107107 904949 952952	2
65	149N6019-3	.	BOLT	002004 107107 904949 952952	1
70	BACW10P93A	.	WASHER-	002004 107107 904949 952952	2
75	BACW10P250C	.	WASHER-	002004 107107 904949 952952	9
80	73781CM428	.	NUT- SUPPLIER CODE: V80539	002004 107107 904949 952952	1
85	149N6002-69	.	DOOR ASSY-MLG POSITION DATA: LH SIDE COMPONENT MAINT MANUAL REF: 32-12-04 QUALIFIED I/W DATA: 149N6002-69 DOOR AY - MLG T/W 2EA BACW10P93A WASHER, 2EA MS24665-153 COTTER PIN, AND 2EA MS24665-304 COTTER PIN I/W 149N6110-2 DOOR AY T/W 1 EA 149N6041-1 FILLER, 2EA S149N600-1 STRUT TURNBUCKLE, 20EA BACW10BP5NDP WASHER 6EA BACB28AK05-28	002004 107107 904949 952952	1

MISSING ITEM NUMBERS NOT APPLICABLE

- ITEM NOT ILLUSTRATED

32-12-01-01

32-12-01  
FIG. 01  
PAGE 2  
JAN 20/09

BRI



757

PARTS CATALOG (MAINTENANCE)

FIG ITEM	PART NUMBER	1 2 3 4 5 6 7 NOMENCLATURE	EFFECT FROM TO	UNITS PER ASSY
1		<p>BUSHING,            4EA BACB30LE5K16 BOLT,            2EA BACB30LE5K18 BOLT,            1EA BACB30LT3-5 BOLT,            6EA BACBN3F026G042NG            FILLER, 6EA            BACN10HR5CD NUT, 3EA            BACW10BP3DP WASHER, 6EA            BACW10BP5CD WASHER, AND            6EA BACW10BP5DP WASHER            149N6002-69 DOOR AY -            MLG T/W 2EA BACW10P93A            WASHER, 2EA MS24665-153            COTTER PIN, AND 2EA            MS24665-304 COTTER PIN            I/W 149N6110-2 DOOR AY            T/W 1 EA 149N6041-1            FILLER, 2EA S149N600-1            STRUT TURNBUCKLE, 20EA            BACW10BP5NDP WASHER            6EA BACB28AK05-28            BUSHING,            4EA BACB30LE5K16 BOLT,            2EA BACB30LE5K18 BOLT,            1EA BACB30LT3-5 BOLT,            6EA BACB3F026G042NG            FILLER, 6EA            BACN10HR5CD NUT, 3EA            BACW10BP3DP WASHER, 6EA            BACW10BP5CD WASHER, AND            6EA BACW10BP5DP WASHER            FOR SPARES PROCURE:            149N6001-9            .DOOR ASSY-MLG            POSITION DATA:            LH SIDE            COMPONENT MAINT MANUAL REF:            32-12-04            QUALIFIED I/W DATA:            149N6002-58 DOOR AY-            MLG T/W 2EA BACW10P93A            WASHER, 2 EA MS24665-153            COTTER PIN, AND 2 EA            MS24665-304 COTTER PIN            I/W 149N6110-5 DOOR AY            T/W 1 EA 149N6009-1            TANG AY, 6EA 149N6041-1            FILLER, 2 EA S149N600-1            STRUT TURNBUCKLE, 20EA</p>		
85	149N6002-58	<p>MISSING ITEM NUMBERS NOT APPLICABLE</p>	<p>002004            107107            904949            952952</p>	1

- ITEM NOT ILLUSTRATED

32-12-01-01

32-12-01  
 FIG. 01  
 PAGE 3  
 JAN 20/09

BRI



**757  
PARTS CATALOG (MAINTENANCE)**

FIG ITEM	PART NUMBER	1 2 3 4 5 6 7	NOMENCLATURE	EFFECT FROM TO	UNITS PER ASSY
1			BACW10BP5NDP WASHER, 6EA BACB28AK05-28 BUSHING, 4EA BACB30LE5K16 BOLT, 2EA BACB30LE5K18 BOLT, 1EA BACB30LT3-5 BOLT, 6EA BACF3F026G042NG FILLER, 6EA BACN10HR5CD NUT, 3EA BACW10BP3DP WASHER, 6EA BACW10BP5CD WASHER, AND 6EA BACW10BP5DP WASHER 149N6002-58 DOOR AY MLG T/W 2EA BACW1093A WASHER, 2EA MS24665-153 COTTER PIN, AND 2 EA MS24665-304 COTTER PIN I/W 149N6009-2 TANG AY, 6EA 149N6041-1 FILLER, 2 EA S149N600-1 STRUT TURNBUCKLE, 20EA BACW10BP5NDP WASHER, 6EA BACB28AK05-28 BUSHING, 4EA BACB30LE5K16 BOLT, 2EA BACB30LE5K18 BOLT, 1EA BACB30LT3-5 BOLT, 6EA BAF3F026G042NG FILLER, 6EA BACN10HR5CD NUT, 3EA BACW10BP3DP WASHER, 6EA BACW10BP5CD WASHER, AND 6EA BACW10BP5DP		
85	149N6002-60	.	DOOR ASSY-MLG POSITION DATA: LH SIDE COMPONENT MAINT MANUAL REF: 32-12-04 OPTIONAL PART: 149N6002-58 FOR SPARES PROCURE: 149N6001-9	002004 107107 904949 952952	1
85	149N6002-73	.	DOOR ASSY-MLG POSITION DATA: LH SIDE COMPONENT MAINT MANUAL REF: 32-12-04 QUALIFIED I/W DATA:	002004 107107 904949 952952	1

MISSING ITEM NUMBERS NOT APPLICABLE

— ITEM NOT ILLUSTRATED

# 32-12-01-01

32-12-01  
FIG. 01  
PAGE 4  
JAN 20/09

BRI



757

PARTS CATALOG (MAINTENANCE)

FIG ITEM	PART NUMBER	1 2 3 4 5 6 7	NOMENCLATURE	EFFECT FROM TO	UNITS PER ASSY
1			149N6002-73 DOOR AY - MLG T/W 2EA BACW10P93A WASHER, 2EA MS24665-153 COTTER PIN, AND 2EA MS24665-304 COTTER PIN I/W 149N6110-1 DOOR AY T/W 1EA 149N6009-1 TANG AY, 6EA 149N6041-1 FILLER, 2EA S149N600-1 STRUT TURNBUCKLE, 20EA BACW10BP5NDP WASHER, 6EA BACB28AK05-28 BUSHING, 4EA BACB30LE5K16 BOLT, 2EA BACB30LE5K18 BOLT, 1EA BACB30LT3-5 BOLT, 6EA BACF3F026G042NG FILLER, 6EA BACN10HR5CD NUT, 3EA BACW10BP3DP WASHER, 6EA BACW10BP5CD WASHER, AND 6EA BACW10BP5DP WASHER 149N6002-73 DOOR AY- MLG T/W 2EA BACW10P93A WASHER, 2EA MS24665-153 COTTER PIN, AND 2 EA MS24665-304 COTTER PIN I/W 149N6110-5 DOOR AY T/W 1EA 149N6009-1 TANG AY, 6EA 149N6041-1 FILLER, 2EA S14N600-1 STRUT TURNBUCKLE, 20 EA BACW10BP5NDP WASHER, 6EA BACB28AK05-28 BUSHING, 4 EA BACB30LE5K16 BOLT, 2 EA BACB30LE5K18 BOLT, 1 EA BACB30LT3-5 BOLT, 6 EA BACF3F026G042NG FILLER, 6EA BACN10HR5CD NUT, 3EA BACW10BP3DP WASHER, 6 EA BACW10BP5CD WASHER, AQND 6 EA BACW10BP5DP WASHER FOR SPARES PROCURE: 149N6001-9 .DOOR ASSY-MLG POSITION DATA: RH SIDE COMPONENT MAINT MANUAL REF:		
- 90	149N6002-70		.DOOR ASSY-MLG POSITION DATA: RH SIDE COMPONENT MAINT MANUAL REF:	002004 107107 904949 952952	1

MISSING ITEM NUMBERS NOT APPLICABLE

- ITEM NOT ILLUSTRATED

32-12-01-01

32-12-01  
 FIG. 01  
 PAGE 5  
 JAN 20/09

BRI



757

PARTS CATALOG (MAINTENANCE)

FIG ITEM	PART NUMBER	1 2 3 4 5 6 7 NOMENCLATURE	EFFECT FROM TO	UNITS PER ASSY
1		32-12-04 QUALIFIED I/W DATA: 1496002-70 DOOR AY - MLG T/W 2EA BACW10P93A WASHER, 2EA MS24665-153 COTTER PIN, AND 2EA MS24665-304 COTTER PIN I/W 149N6110-6 DOOR AY T/W 1EA 149N6009-2 TANG AY, 6EA 149N6041-1 FILLER, 2EA S149N600-1 STRUT TURNBUCKLE, 20EA BACW10BP5NDP WASHER, 6EA BACB28AK05-28 BUSHING, 4EA BACB30LE5K16 BOLT, 2EA BACB30LE5K18 BOLT, 1EA BACB30LT3-5 BOLT, 6EA BACF3F026G042NG FILLER, 6EA BACN10HR5CD NUT, 3EA BACW10BP3DP WASHER, 6EA BACW10BP5CD WASHER, AND 6EA BACW10BP5DP WASHER 149N6002-70 DOOR AY - MLG T/W 2EA BACW10P93A WASHER, 2EA MS24665-153 COTTER PIN, AND 2EA MS24665-304 COTTER PIN I/W 149N6110-2 DOOR AY T/W 1EA 149N6009-2 TANG AY, 6EA 149N6041-1 FILLER, 2EA S149N600-1 STRUT TURNBUCKLE, 20EA BACW10BP5NDP WASHER, 6EA BACB28AK05-28 BUSHING, 4EA BACB30LE5K16 BOLT, 2EA BACB30LE5K18 BOLT, 1EA BACB30LT3-5 BOLT, 6EA BACF3F026G042NG FILLER, 6EA BACN10HR5CD NUT, 3EA BACW10BP3DP WASHER, 6EA BACW10BP5CD WASHER, AND 6EA BACW10BP5DP WASHER FOR SPARES PROCURE: 149N6001-10		
- 90	149N6002-59	.DOOR ASSY-MLG	107107	1

MISSING ITEM NUMBERS NOT APPLICABLE

- ITEM NOT ILLUSTRATED

BRI

32-12-01-01

32-12-01  
FIG. 01  
PAGE 6  
JAN 20/09





757

PARTS CATALOG (MAINTENANCE)

FIG ITEM	PART NUMBER	1 2 3 4 5 6 7 NOMENCLATURE	EFFECT FROM TO	UNITS PER ASSY
1		<p>POSITION DATA:  RH SIDE  COMPONENT MAINT MANUAL REF:  32-12-04  QUALIFIED I/W DATA:  149N6110-59 DOOR AY -  MLG T/W 2EA BACW10P93A  WASHER, 2EA MS24665-153  COTTER PIN, AND 2EA  MS24665-304 COTTER PIN  I/W 149N6110-6 DOOR AY  T/W 1EA 149N6009-2  TANG AY, 6EA 149N6041-1  STRUT TURNBUCKLE, 20EA  BACW10BP5NDP WASHER,  6EA BACB28AK05-28  BUSHING,  4EA BACB30LE5K16 BOLT,  2EA BACB30LE5K18 BOLT,  1EA BACB30LT3-5 BOLT,  6EA BACF3F026G042NG  FILLER, 6EA  BACN10HR5CD NUT, 3EA  BACW10BP3DP WASHER, 6EA  BACW10BP5CD WASHER, AND  6EA BACW10BP5DP WASHER  149N6002-59 DOOR AY -  MLG T/W 2EA BACW10P93A  WASHER, 2EA MS24665-153  COTTER PIN, AND 2EA  MS24665-304 COTTER PIN  I/W 149N6110-2 DOOR AY  T/W 1EA 149N6009-2  TANG AY, 6EA 149N6041-1  FILLER, 2EA S149N600-1  STRUT TURNBUCKLE, 20EA  BACW10BP5NDP WASHER  6EA BACB28AK05-28  BUSHING,  4EA BACB30LE5K16 BOLT,  2EA BACB30LE5K18 BOLT,  1EA BACB30LT3-5 BOLT,  6EA BACB3F026G042NG  FILLER, 6EA  BACN10HR5CD NUT, 3EA  BACW10BP3DP WASHER, AND  6EA BACW10BP5DP WASHER  FOR SPARES PROCURE:  149N6001-10</p>		

MISSING ITEM NUMBERS NOT APPLICABLE

- ITEM NOT ILLUSTRATED

32-12-01-01

32-12-01  
FIG. 01  
PAGE 7  
JAN 20/09

BRI



757

PARTS CATALOG (MAINTENANCE)

FIG ITEM	PART NUMBER	1 2 3 4 5 6 7	NOMENCLATURE	EFFECT FROM TO	UNITS PER ASSY
1 - 90	149N6002-74		.DOOR ASSY-MLG POSITION DATA: RH SIDE COMPONENT MAINT MANUAL REF: 32-12-04 QUALIFIED I/W DATA: 149N6002-74 DOOR AY - MLG T/W 2EA BACW10P93A WASHER, 2EA MS24665-153 COTTER PIN, AND 2EA MS24665-304 COTTER PIN I/W 149N6110-2 DOOR AY T/W 1EA 149N6009-2 TANG AY, 6EA 149N6041-1 FILLER, 2EA S149N600-1 STRUT TURNBUCKLE, 20EA BACW10BP5NDP WASHER, 6EA BACB28AK05-28 BUSHING, 4EA BACB30LE5K16 BOLT, 2EA BACB30LE5K18 BOLT, 1EA BACB30LT3-5 BOLT, 6EA BACF3F026G042NG FILLER, 6EA BACN10HR5CD NUT, 3EA BACW10BP3DP WASHER, 6EA BACW10BP5CD WASHER, AND 6EA BACW10BP5DP WASHER 149N6002-74 DOOR AY - MLG T/W 2EA BACW10P93A WASHER, 2EA MS24665-153 COTTER PIN, AND 2EA MS24665-304 COTTER PIN I/W 149N6110-6 DOOR AY- T/W 1EA 149N6009-2 TANG AY, 6EA 149N6041-1 FILLER, 2EA S149N600-1 STRUT TURNBUCKLE, 20EA BACW10BP5NDP WASHER, 6EA BACB28AK05-28 BUSHING, 4EA BACB30LE5K16 BOLT, 2EA BACB30LE5K18 BOLT, 1EA BACB30LT3-5 BOLT 6EA BACF3F026G042NG FILLER, 6EA BACN10HR5CD NUT, 3EA BACW10BP3DP WASHER, 6EA BACW10BP5CD WASHER, AND 6EA BACW10BP5DP WASHER	002004 107107 904949 952952	1

MISSING ITEM NUMBERS NOT APPLICABLE

- ITEM NOT ILLUSTRATED

32-12-01-01

32-12-01  
FIG. 01  
PAGE 8  
JAN 20/09

BRI



757

PARTS CATALOG (MAINTENANCE)

FIG ITEM	PART NUMBER	1 2 3 4 5 6 7	NOMENCLATURE	EFFECT FROM TO	UNITS PER ASSY
1			FOR SPARES PROCURE: 149N6001-10		
95	149N6002-48	..	PLUG-SEAL MANUFACTURED FROM: SILICONE SPONGE BMS1-23 .625 DIA X 1.0	002004 107107 904949 952952	2
100	149N6002-10	..	SEAL- MANUFACTURED FROM: EXTR RUBBER 10-60754-2 30 IN.	002004 107107 904949 952952	1
100	149N6002-79	..	SEAL- MANUFACTURED FROM: 10-60754-159 X 58.0 IN.	002004 107107 904949 952952	1
110	149N6002-39	..	SEAL ASSY- MANUFACTURED FROM: EXTR RUBBER 10-60754-159 58 IN. OPTIONAL PART: 149N6002-76	002004 107107 904949 952952	1
110	149N6002-76	..	SEAL ASSY- MANUFACTURED FROM: EXTR RUBBER 10-60754-159 58 IN. OPTIONAL PART: 149N6002-39	002004 107107 904949 952952	1
112	149N6002-51	...	PLUG-SEAL MANUFACTURED FROM: SILICONE SPONGE BMS1-23 .80 DIA X 1.0	002004 107107 904949 952952	2
120	BACB30NU3K34	..	BOLT	002004 107107 904949 952952	4
125	BACW10BN3SP	..	WASHER	002004 107107 904949 952952	4
130	PLH53CD	..	NUT- SUPPLIER CODE: VF0224 SPECIFICATION NUMBER: BACN10YR3CD OPTIONAL PART: H52732-3CD V15653	002004 107107 904949 952952	4

MISSING ITEM NUMBERS NOT APPLICABLE

- ITEM NOT ILLUSTRATED

BRI

32-12-01-01

32-12-01  
FIG. 01  
PAGE 9  
JAN 20/09



757

PARTS CATALOG (MAINTENANCE)

FIG ITEM	PART NUMBER	1 2 3 4 5 6 7	NOMENCLATURE	EFFECT FROM TO	UNITS PER ASSY
1					
135	BAC1535-29	..	SHIM- OPTIONAL PART: BAC1535-110	002004 107107 904949 952952	AR
135	BAC1535-110	..	SHIM- OPTIONAL PART: BAC1535-29	002004 107107 904949 952952	AR
140	BACB30NU3K35	..	BOLT	002004 107107 904949 952952	10
145	BACB30NU3K37	..	BOLT	002004 107107 904949 952952	1
150	HL8606K35	..	BOLT- SUPPLIER CODE: V56878 SPECIFICATION NUMBER: BACB30VG6K35 OPTIONAL PART: HL8606K35 V73197 HL8606K35 V97928 HL8606K35 VOPTK6 L8606K35 V06725 HL8606K35 V97928 POSITION DATA: LH SIDE	002004 107107 904949 952952	1
- 155	HL859VAP6-35	..	BOLT- SUPPLIER CODE: V73197 POSITION DATA: RH SIDE	002004 107107 904949 952952	1

MISSING ITEM NUMBERS NOT APPLICABLE

- ITEM NOT ILLUSTRATED

BRI

32-12-01-01

BOEING PROPRIETARY - Copyright © - Unpublished Work - See title page for details.

32-12-01  
FIG. 01  
PAGE 10  
JAN 20/09



757

PARTS CATALOG (MAINTENANCE)

FIG ITEM	PART NUMBER	1 2 3 4 5 6 7	NOMENCLATURE	EFFECT FROM TO	UNITS PER ASSY
1					
160	BACB30VF3K54	..	BOLT- OPTIONAL PART: BACB30NU3K55 USED ON: 149N6002-58 149N6002-59 149N6002-60 149N6002-69 149N6002-70 149N6002-73 149N6002-74	002004 107107 904949 952952	1
160	BACB30NU3K55	..	BOLT- OPTIONAL PART: BACB30VF3K54	002004 107107 904949 952952	1
165	BACB30NU3K6	..	BOLT	002004 107107 904949 952952	1
170	BACW10BN3SP	..	WASHER	002004 107107 904949 952952	14
175	PLH53CD	..	NUT- SUPPLIER CODE: VF0224 SPECIFICATION NUMBER: BACN10YR3CD OPTIONAL PART: H52732-3CD V15653	002004 107107 904949 952952	14
177	149N6002-53	..	FILLER	002004 107107 904949 952952	1
177A	149N6002-54	..	FILLER	002004 107107 904949 952952	3
177B	149N6002-55	..	FILLER	002004 107107 904949 952952	1
178	149N6002-15	..	BRACKET- POSITION DATA: RH SIDE	002004 107107 904949 952952	1

MISSING ITEM NUMBERS NOT APPLICABLE

- ITEM NOT ILLUSTRATED

32-12-01-01

32-12-01  
FIG. 01  
PAGE 11  
JAN 20/09

BRI



757

PARTS CATALOG (MAINTENANCE)

FIG ITEM	PART NUMBER	1 2 3 4 5 6 7	NOMENCLATURE	EFFECT FROM TO	UNITS PER ASSY
1					
- 179	149N6002-16	..	BRACKET- POSITION DATA: LH SIDE	002004 107107 904949 952952	1
180	149N6002-7	..	PLATE-STOP	002004 107107 904949 952952	1
181	149N6002-13	..	BRACKET	002004 107107 904949 952952	4
182	149N6002-33	..	RETAINER	107107	1
182A	149N6002-34	..	RETAINER	107107	1
182B	149N6002-35	..	RETAINER	107107	1
182C	149N6002-36	..	RETAINER	107107	1
182D	149N6002-37	..	RETAINER	107107	1
182E	149N6002-38	..	RETAINER	107107	1
183	BAC1535-29	..	SHIM- OPTIONAL PART: BAC1535-110	002004 107107 904949 952952	AR
183	BAC1535-110	..	SHIM- OPTIONAL PART: BAC1535-25	002004 107107 904949 952952	AR
184	149N6002-77	..	RETAINER- OPTIONAL PART: 149N6002-78	002004 107107 904949 952952	1
184	149N6002-78	..	RETAINER- OPTIONAL PART: 149N6002-77	002004 107107 904949 952952	1
- 186	149N6002-11	..	BRACKET- POSITION DATA: RH SIDE	002004 107107 904949 952952	1
187	149N6002-12	..	BRACKET- POSITION DATA: LH SIDE	002004 107107 904949 952952	1
189	BAC1535-29	..	SHIM- OPTIONAL PART: BAC1535-110	002004 107107 904949 952952	AR

MISSING ITEM NUMBERS NOT APPLICABLE

- ITEM NOT ILLUSTRATED

32-12-01-01

32-12-01  
FIG. 01  
PAGE 12  
JAN 20/09

BRI



757

PARTS CATALOG (MAINTENANCE)

FIG ITEM	PART NUMBER	1 2 3 4 5 6 7	NOMENCLATURE	EFFECT FROM TO	UNITS PER ASSY
1 189	BAC1535-110		.. SHIM- OPTIONAL PART: BAC1535-29	002004 107107 904949 952952	AR
- 192	149N6002-67		.. SUPPORT-SEAL POSITION DATA: RH SIDE QUALIFIED OPTIONAL DATA: -17, -19, -21, -23, -25 AND -27 OPTIONAL TO -67	002004 107107 904949 952952	1
- 193	149N6002-17		.. SUPPORT-SEAL POSITION DATA: RH SIDE QUALIFIED OPTIONAL DATA: -17, -19, -21, -23, -25 AND -27 OPTIONAL TO -67	002004 107107 904949 952952	1
-193A	149N6002-19		.. SUPPORT-SEAL POSITION DATA: RH SIDE QUALIFIED OPTIONAL DATA: -17, -19, -21, -23, -25 AND -27 OPTIONAL TO -67	002004 107107 904949 952952	1
-193B	149N6002-21		.. SUPPORT-SEAL POSITION DATA: RH SIDE QUALIFIED OPTIONAL DATA: -17, -19, -21, -23, -25 AND -27 OPTIONAL TO -67	002004 107107 904949 952952	1
-193C	149N6002-23		.. SUPPORT-SEAL POSITION DATA: RH SIDE QUALIFIED OPTIONAL DATA: -17, -19, -21, -23, -25 AND -27 OPTIONAL TO -67	002004 107107 904949 952952	1
-193D	149N6002-25		.. SUPPORT-SEAL POSITION DATA: RH SIDE QUALIFIED OPTIONAL DATA: -17, -19, -21, -23, -25 AND -27 OPTIONAL TO -67	002004 107107 904949 952952	1
-193E	149N6002-27		.. SUPPORT-SEAL POSITION DATA: RH SIDE QUALIFIED OPTIONAL DATA: -17, -19, -21, -23, -25 AND -27 OPTIONAL TO -67	002004 107107 904949 952952	1

MISSING ITEM NUMBERS NOT APPLICABLE

- ITEM NOT ILLUSTRATED

32-12-01-01

32-12-01  
FIG. 01  
PAGE 13  
JAN 20/09

BRI



757

PARTS CATALOG (MAINTENANCE)

FIG ITEM	PART NUMBER	1 2 3 4 5 6 7	NOMENCLATURE	EFFECT FROM TO	UNITS PER ASSY
1 194	149N6002-18	..	SUPPORT-SEAL POSITION DATA: LH SIDE QUALIFIED OPTIONAL DATA: -18, -20, -22, -24, 26, AND -28 OPTIONAL TO -67	002004 107107 904949 952952	1
194A	149N6002-20	..	SUPPORT-SEAL POSITION DATA: LH SIDE QUALIFIED OPTIONAL DATA: -18, -20, -22, -24, 26, AND -28 OPTIONAL TO -67	002004 107107 904949 952952	1
194B	149N6002-22	..	SUPPORT-SEAL POSITION DATA: LH SIDE QUALIFIED OPTIONAL DATA: -18, -20, -22, -24, 26, AND -28 OPTIONAL TO -67	002004 107107 904949 952952	1
194C	149N6002-24	..	SUPPORT-SEAL POSITION DATA: LH SIDE QUALIFIED OPTIONAL DATA: -18, -20, -22, -24, 26, AND -28 OPTIONAL TO -67	002004 107107 904949 952952	1
194D	149N6002-26	..	SUPPORT-SEAL POSITION DATA: LH SIDE QUALIFIED OPTIONAL DATA: -18, -20, -22, -24, 26, AND -28 OPTIONAL TO -67	002004 107107 904949 952952	1
194E	149N6002-28	..	SUPPORT-SEAL POSITION DATA: LH SIDE QUALIFIED OPTIONAL DATA: -18, -20, -22, -24, 26, AND -28 OPTIONAL TO -67	002004 107107 904949 952952	1
194F	149N6002-67	..	SUPPORT-SEAL POSITION DATA: LH SIDE QUALIFIED OPTIONAL DATA: -18, -20, -22, -24, -26 AND -28 OPTIONAL TO -67	002004 107107 904949 952952	1
197	L80010K8	..	BOLT SUPPLIER CODE: V06725 SPECIFICATION NUMBER: BACB30MY10K8	002004 107107 904949 952952	4

MISSING ITEM NUMBERS NOT APPLICABLE

- ITEM NOT ILLUSTRATED

32-12-01-01

32-12-01  
FIG. 01  
PAGE 14  
JAN 20/09

BRI

BOEING PROPRIETARY - Copyright © - Unpublished Work - See title page for details.





757

PARTS CATALOG (MAINTENANCE)

FIG ITEM	PART NUMBER	1 2 3 4 5 6 7	NOMENCLATURE	EFFECT FROM TO	UNITS PER ASSY
1 198	HL79-10		.. COLLAR SUPPLIER CODE: V5M902 SPECIFICATION NUMBER: BACC30M10 OPTIONAL PART: HL79-10 V73197 HL79-10 V92215 66014-10 V56878 HL79-10 V56878	002004 107107 904949 952952	4
199	L8008K6		.. BOLT SUPPLIER CODE: V06725 SPECIFICATION NUMBER: BACB30MY8K6	002004 107107 904949 952952	4
200	HL79-8		.. COLLAR SUPPLIER CODE: V5M902 SPECIFICATION NUMBER: BACC30M8 OPTIONAL PART: HL79-8 V73197 HL79-8 V92215 66014-8 V56878 HL79-8 V56878	002004 107107 904949 952952	4
205	HL8608K9		.. BOLT- SUPPLIER CODE: V56878 SPECIFICATION NUMBER: BACB30VG8K9 OPTIONAL PART: HL8608K9 V73197 HL8608K9 VOPTK6 HL8608K9 V92215 L8608K9 V06725 HL8608K9 V97928	002004 107107 904949 952952	4

MISSING ITEM NUMBERS NOT APPLICABLE

- ITEM NOT ILLUSTRATED

32-12-01-01

32-12-01  
FIG. 01  
PAGE 15  
JAN 20/09

BRI



757

PARTS CATALOG (MAINTENANCE)

FIG ITEM	PART NUMBER	1 2 3 4 5 6 7	NOMENCLATURE	EFFECT FROM TO	UNITS PER ASSY
1	210 BACW10BP4DP	..	WASHER	002004 107107 904949 952952	4
	215 PLH54CD	..	NUT- SUPPLIER CODE: VF0224 SPECIFICATION NUMBER: BACN10YR4CD OPTIONAL PART: H52732-4CD V15653	002004 107107 904949 952952	4
	220 940CW23-8	..	JUMPER ASSY- SUPPLIER CODE: V91812 SPECIFICATION NUMBER: BACJ40AB23-8 OPTIONAL PART: 100223-8 V1FF12 RBEJ40AB23-8 V1GK47 USED ON: 149N6002-58 149N6002-59 149N6002-60 149N6002-61	107107	1
	225 940CW27-8	..	JUMPER ASSY- SUPPLIER CODE: V91812 SPECIFICATION NUMBER: BACJ40AB27-8 OPTIONAL PART: 100227-8 V1FF12 RBEJ40AB27-8 V1GK47 USED ON: 149N6002-58 149N6002-59 149N6002-60 149N6002-61	002004 107107 904949 952952	1

MISSING ITEM NUMBERS NOT APPLICABLE

- ITEM NOT ILLUSTRATED

BRI

32-12-01-01

BOEING PROPRIETARY - Copyright © - Unpublished Work - See title page for details.

32-12-01  
FIG. 01  
PAGE 16  
JAN 20/09



757

PARTS CATALOG (MAINTENANCE)

FIG ITEM	PART NUMBER	1 2 3 4 5 6 7	NOMENCLATURE	EFFECT FROM TO	UNITS PER ASSY
1 227	940CW22-8		.. JUMPER ASSY- SUPPLIER CODE: V91812 SPECIFICATION NUMBER: BACJ40AB22-8 OPTIONAL PART: 100222-8 V1FF12 RBEJ40AB22-8 V1GK47 USED ON: 149N6002-69 149N6002-70 149N6002-73 149N6002-74	002004 107107 904949 952952	2
230	149N6008-13		..HINGE ASSY- OPTIONAL PART: 149N6027-1 149N6008-1	002004 107107 904949 952952	2
230	149N6008-1		..HINGE ASSY- OPTIONAL PART: 149N6027-1 149N6008-13	002004 107107 904949 952952	2
230	149N6027-1		..HINGE ASSY- OPTIONAL PART: 149N6008-1 149N6008-13	002004 107107 904949 952952	2
232	BACB28AM06B020A		...BUSHING	002004 107107 904949 952952	4
234	MS21209F4-10L		...INSERT	002004 107107 904949 952952	4
235	MS15001-1		...FITTING	002004 107107 904949 952952	4
236	149N6008-2		..HINGE ASSY-	002004 107107 904949 952952	2
236	149N6026-1		..HINGE ASSY-	002004 107107 904949 952952	2

MISSING ITEM NUMBERS NOT APPLICABLE

- ITEM NOT ILLUSTRATED

32-12-01-01

32-12-01  
FIG. 01  
PAGE 17  
JAN 20/09

BRI

BOEING PROPRIETARY - Copyright © - Unpublished Work - See title page for details.



757

PARTS CATALOG (MAINTENANCE)

FIG ITEM	PART NUMBER	1 2 3 4 5 6 7	NOMENCLATURE	EFFECT FROM TO	UNITS PER ASSY
1 236	6927-21		..HINGE ASSY-	002004 107107 904949 952952	2
237	BAC1535-29		..SHIM- OPTIONAL PART: BAC1535-110	002004 107107 904949 952952	AR
237	BAC1535-110		..SHIM- OPTIONAL PART: BAC1535-25	002004 107107 904949 952952	AR
240	HL1012AZ8-10		..BOLT- SUPPLIER CODE: VOPTK6 SPECIFICATION NUMBER: BACB30NX8K10 OPTIONAL PART: HL12VAZ8-10 V73197 HL12VAZ8-10 V92215 HL12VAZ8-10 V97928 L802-8K10 V06725 HL12VAZ8-10 V56878 HL1012AZ8-10 V06725 HL1012AZ8-10 V06950 HL1012AZ8-10 V17446 HL1012AZ8-10 V56878 HL1012AZ8-10 V60516 HL1012AZ8-10 V73197 HL1012AZ8-10 V97928 USED ON: 149N6002-69 149N6002-70	002004 107107 904949 952952	1

MISSING ITEM NUMBERS NOT APPLICABLE

- ITEM NOT ILLUSTRATED

32-12-01-01

32-12-01  
FIG. 01  
PAGE 18  
JAN 20/09

BRI



757

PARTS CATALOG (MAINTENANCE)

FIG ITEM	PART NUMBER	1 2 3 4 5 6 7	NOMENCLATURE	EFFECT FROM TO	UNITS PER ASSY
1 240	HL1012AZ8-9		..BOLT- SUPPLIER CODE: VOPTK6 SPECIFICATION NUMBER: BACB30NX8K9 OPTIONAL PART: HL12VAZ8-9 V73197 HL12VAZ8-9 V92215 HL12VAZ8-9 V97928 L802-8K9 V06725 HL12VAZ8-9 V56878 HL1012AZ8-9 V06725 HL1012AZ8-9 V06950 HL1012AZ8-9 V17446 HL1012AZ8-9 V56878 HL1012AZ8-9 V60516 HL1012AZ8-9 V73197 HL1012AZ8-9 V97928 USED ON: 149N6002-58 149N6002-59 149N6002-60 149N6002-61	107107	1

MISSING ITEM NUMBERS NOT APPLICABLE

- ITEM NOT ILLUSTRATED

BRI

32-12-01-01

BOEING PROPRIETARY - Copyright © - Unpublished Work - See title page for details.

32-12-01  
FIG. 01  
PAGE 19  
JAN 20/09



**757  
PARTS CATALOG (MAINTENANCE)**

FIG ITEM	PART NUMBER	1 2 3 4 5 6 7 NOMENCLATURE	EFFECT FROM TO	UNITS PER ASSY
1 240	BACB30LE4-11	..BOLT- QUALIFIED OPTIONAL DATA: (BACB30NX8K13 PLUS BACW10CA104CV (QTY 1) AND BACW10CA104CC (QTY 1) OPT TO BACB30LE4-11 PLUS BACW10BP4DP (QTY 1). NOTE- THIS CONFIGURATION OF FASTENER USED ON -73, -74, ZONE D7, SH 1 OF 149N6002 ONLY) USED ON: 149N6002-73 149N6002-74	002004 107107 904949 952952	1

MISSING ITEM NUMBERS NOT APPLICABLE

— ITEM NOT ILLUSTRATED

BRI

# 32-12-01-01

BOEING PROPRIETARY - Copyright © - Unpublished Work - See title page for details.

32-12-01  
FIG. 01  
PAGE 20  
JAN 20/09



757

PARTS CATALOG (MAINTENANCE)

FIG ITEM	PART NUMBER	1 2 3 4 5 6 7 NOMENCLATURE	EFFECT FROM TO	UNITS PER ASSY
1 240	HL1012AZ8-13	..BOLT- SUPPLIER CODE: VOPTK6 SPECIFICATION NUMBER: BACB30NX8K13 OPTIONAL PART: HL12VAZ8-13 V73197 HL12VAZ8-13 V92215 HL12VAZ8-13 V97928 L802-8K13 V06725 HL12VAZ8-13 V56878 HL1012AZ8-13 V06725 HL1012AZ8-13 V06950 HL1012AZ8-13 V17446 HL1012AZ8-13 V56878 HL1012AZ8-13 V60516 HL1012AZ8-13 V73197 HL1012AZ8-13 V97928 QUALIFIED OPTIONAL DATA: (BACB30NX8K13 PLUS BACW10CA104CV (QTY 1) AND BACW10CA104CC (QTY 1) OPT TO BACB30LE4-11 PLUS BACW10BP4DP (QTY 1). NOTE- THIS CONFIGURATION OF FASTENER USED ON -73, -74, ZONE D7, SH 1 OF 149N6002 ONLY) USED ON: 149N6002-73 149N6002-74	002004 107107 904949 952952	1

MISSING ITEM NUMBERS NOT APPLICABLE

- ITEM NOT ILLUSTRATED

32-12-01-01

32-12-01  
FIG. 01  
PAGE 21  
JAN 20/09

BRI



757

PARTS CATALOG (MAINTENANCE)

FIG ITEM	PART NUMBER	1 2 3 4 5 6 7	NOMENCLATURE	EFFECT FROM TO	UNITS PER ASSY
1 245	HL1187-8		.. COLLAR- SUPPLIER CODE: V5M902 SPECIFICATION NUMBER: BACC30X8 OPTIONAL PART: HL87-8 V92215 HL87-8 V73197 HL1187-8 V56878 HL1187-8 V92215 HL87-8 V56878 HL1187-8 V73197 USED ON: 149N6002-58 149N6002-59 149N6002-60 149N6002-61	107107	1
245	NAS1805-4L		.. NUT-	002004 107107 904949 952952	1

MISSING ITEM NUMBERS NOT APPLICABLE

- ITEM NOT ILLUSTRATED

BRI

32-12-01-01

BOEING PROPRIETARY - Copyright © - Unpublished Work - See title page for details.

32-12-01  
 FIG. 01  
 PAGE 22  
 JAN 20/09





757

PARTS CATALOG (MAINTENANCE)

FIG ITEM	PART NUMBER	1 2 3 4 5 6 7	NOMENCLATURE	EFFECT FROM TO	UNITS PER ASSY
1 250	HL1012AZ10-11	..	BOLT- SUPPLIER CODE: VOPTK6 SPECIFICATION NUMBER: BACB30NX10K11 OPTIONAL PART: HL12VAZ10-11 V73197 HL12VAZ10-11 V92215 HL12VAZ10-11 V97928 L802-10K11 V06725 HL1012AZ10-11 V06725 HL1012AZ10-11 V06950 HL1012AZ10-11 V17446 HL1012AZ10-11 V56878 HL1012AZ10-11 V60516 HL1012AZ10-11 V73197 HL1012AZ10-11 V97928 HL12VAZ10-11 V56878	107107	3
250	BACB30LE5-10	..	BOLT- QUALIFIED OPTIONAL DATA: (BACB30N10K14 PLUS BACW10CA5CV (QTY 1) AND BACW10CA5CC (QTY 1) OPT TO BACB30LE5-10 PLUS BACW10BP5DP (ON -73, -74 ONLY))	002004 107107 904949 952952	3

MISSING ITEM NUMBERS NOT APPLICABLE

- ITEM NOT ILLUSTRATED

BRI

32-12-01-01

BOEING PROPRIETARY - Copyright © - Unpublished Work - See title page for details.

32-12-01  
FIG. 01  
PAGE 23  
JAN 20/09



757

PARTS CATALOG (MAINTENANCE)

FIG ITEM	PART NUMBER	1 2 3 4 5 6 7	NOMENCLATURE	EFFECT FROM TO	UNITS PER ASSY
1 250	HL1012AZ10-14	..	BOLT- SUPPLIER CODE: VOPTK6 SPECIFICATION NUMBER: BACB30NX10K14 OPTIONAL PART: HL12VAZ10-14 V73197 HL12VAZ10-14 V92215 HL12VAZ10-14 V97928 L802-10K14 V06725 HL12VAZ10-14 V56878 HL1012AZ10-14 V06725 HL1012AZ10-14 V06950 HL1012AZ10-14 V17446 HL1012AZ10-14 V56878 HL1012AZ10-14 V60516 HL1012AZ10-14 V73197 HL1012AZ10-14 V97928 QUALIFIED OPTIONAL DATA: (BACB30N10K14 PLUS BACW10CA5CV (QTY 1) AND BACW10CA5CC (QTY 1) OPT TO BACB30LE5-10 PLUS BACW10BP5DP (ON -73, -74 ONLY))	002004 107107 904949 952952	3
251	BACW10BP5DP	..	WASHER- QUALIFIED OPTIONAL DATA: (BACB30N10K14 PLUS BACW10CA5CV (QTY 1) AND BACW10CA5CC (QTY 1) OPT TO BACB30LE5-10 PLUS BACW10BP5DP (ON -73, -74 ONLY)) USED ON: 149N6002-73 149N6002-74	002004 107107 904949 952952	3

MISSING ITEM NUMBERS NOT APPLICABLE

- ITEM NOT ILLUSTRATED

32-12-01-01

32-12-01  
FIG. 01  
PAGE 24  
JAN 20/09

BRI



757

PARTS CATALOG (MAINTENANCE)

FIG ITEM	PART NUMBER	1 2 3 4 5 6 7	NOMENCLATURE	EFFECT FROM TO	UNITS PER ASSY
1 252	K29646-5		.. WASHER- SUPPLIER CODE: V15653 SPECIFICATION NUMBER: BACW10CA5CV OPTIONAL PART: 70188-5 V56878 922007-5 V60119 942007-5 V60119 USED ON: 149N6002-69 149N6002-70	002004 107107 904949 952952	3
252	K29646-5		.. WASHER- SUPPLIER CODE: V15653 SPECIFICATION NUMBER: BACW10CA5CV OPTIONAL PART: 70188-5 V56878 922007-5 V60119 942007-5 V60119 QUALIFIED OPTIONAL DATA: (BACB30N10K14 PLUS BACW10CA5CV (QTY 1) AND BACW10CA5CC (QTY 1) OPT TO BACB30LE5-10 PLUS BACW10BP5DP (ON -73, -74 ONLY)) USED ON: 149N6002-73 149N6002-74	002004 107107 904949 952952	3

MISSING ITEM NUMBERS NOT APPLICABLE

- ITEM NOT ILLUSTRATED

BRI

32-12-01-01

BOEING PROPRIETARY - Copyright © - Unpublished Work - See title page for details.

32-12-01  
FIG. 01  
PAGE 25  
JAN 20/09



757

PARTS CATALOG (MAINTENANCE)

FIG ITEM	PART NUMBER	1 2 3 4 5 6 7	NOMENCLATURE	EFFECT FROM TO	UNITS PER ASSY
1 253	K29913-5		.. WASHER- SUPPLIER CODE: V15653 SPECIFICATION NUMBER: BACW10CA5CC OPTIONAL PART: 70191-5 V56878 922008-5 V60119 942008-5 V60119 USED ON: 149N6002-69 149N6002-70	002004 107107 904949 952952	3
253	K29913-5		.. WASHER- SUPPLIER CODE: V15653 SPECIFICATION NUMBER: BACW10CA5CC OPTIONAL PART: 70191-5 V56878 922008-5 V60119 942008-5 V60119 QUALIFIED OPTIONAL DATA: (BACB30N10K14 PLUS BACW10CA5CV (QTY 1) AND BACW10CA5CC (QTY 1) OPT TO BACB30LE5-10 PLUS BACW10BP5DP (ON -73, -74 ONLY)) USED ON: 149N6002-73 149N6002-74	002004 107107 904949 952952	3

MISSING ITEM NUMBERS NOT APPLICABLE

- ITEM NOT ILLUSTRATED

32-12-01-01

32-12-01  
FIG. 01  
PAGE 26  
JAN 20/09

BRI



757

PARTS CATALOG (MAINTENANCE)

FIG ITEM	PART NUMBER	1 2 3 4 5 6 7	NOMENCLATURE	EFFECT FROM TO	UNITS PER ASSY
1 255	HL1187-10		.. COLLAR- SUPPLIER CODE: V5M902 SPECIFICATION NUMBER: BACC30X10 OPTIONAL PART: HL1187-10 V56878 HL1187-10 V92215 HL1187-10 V73197 HL1187-10 V92215 HL87-10 V56878 HL1187-10 V73197 USED ON: 149N6002-58 149N6002-59 149N6002-60 149N6002-61	107107	3
255	NAS1805-5L		.. NUT-	002004 107107 904949 952952	3

MISSING ITEM NUMBERS NOT APPLICABLE

- ITEM NOT ILLUSTRATED

BRI

32-12-01-01

BOEING PROPRIETARY - Copyright © - Unpublished Work - See title page for details.

32-12-01  
 FIG. 01  
 PAGE 27  
 JAN 20/09



757

PARTS CATALOG (MAINTENANCE)

FIG ITEM	PART NUMBER	1 2 3 4 5 6 7	NOMENCLATURE	EFFECT FROM TO	UNITS PER ASSY
1 260	HL1012AZ12-11		..BOLT- SUPPLIER CODE: VOPTK6 SPECIFICATION NUMBER: BACB30NX12K11 OPTIONAL PART: HL12VAZ12-11 V73197 HL12VAZ12-11 V92215 HL12VAZ12-11 V97928 L802-12K11 V06725 HL12VAZ12-11 V56878 HL1012AZ12-11 V06725 HL1012AZ12-11 V06950 HL1012AZ12-11 V17446 HL1012AZ12-11 V56878 HL1012AZ12-11 V60516 HL1012AZ12-11 V73197 HL1012AZ12-11 V97928 USED ON: 149N6002-58 149N6002-59 149N6002-60 149N6002-61	107107	3

MISSING ITEM NUMBERS NOT APPLICABLE

- ITEM NOT ILLUSTRATED

BRI

32-12-01-01

BOEING PROPRIETARY - Copyright © - Unpublished Work - See title page for details.

32-12-01  
 FIG. 01  
 PAGE 28  
 JAN 20/09



757

PARTS CATALOG (MAINTENANCE)

FIG ITEM	PART NUMBER	1 2 3 4 5 6 7	NOMENCLATURE	EFFECT FROM TO	UNITS PER ASSY
1 260	HL1012AZ12-12	..	BOLT- SUPPLIER CODE: VOPTK6 SPECIFICATION NUMBER: BACB30NX12K12 OPTIONAL PART: HL12VAZ12-12 V73197 HL12VAZ12-12 V92215 HL12VAZ12-12 V97928 L802-12K12 V06725 HL12VAZ12-12 V56878 HL1012AZ12-12 V06725 HL1012AZ12-12 V06950 HL1012AZ12-12 V17446 HL1012AZ12-12 V56878 HL1012AZ12-12 V60516 HL1012AZ12-12 V73197 HL1012AZ12-12 V97928	002004 107107 904949 952952	3
260	BACB30LE6-13	..	BOLT- QUALIFIED OPTIONAL DATA: (BACB30NX12K15 PLUS BACW10CA6CV (QTY 1) AND BACW10CA6CC (QTY 1) OPT TO BACB30LE6-13 PLUS BACW10BP6DP (ON -73, -74)) USED ON: 149N6002-73 149N6002-74	002004 107107 904949 952952	3

MISSING ITEM NUMBERS NOT APPLICABLE

- ITEM NOT ILLUSTRATED

BRI

32-12-01-01

BOEING PROPRIETARY - Copyright © - Unpublished Work - See title page for details.

32-12-01  
FIG. 01  
PAGE 29  
JAN 20/09



757

PARTS CATALOG (MAINTENANCE)

FIG ITEM	PART NUMBER	1 2 3 4 5 6 7	NOMENCLATURE	EFFECT FROM TO	UNITS PER ASSY
1 260	HL1012AZ12-15		..BOLT- SUPPLIER CODE: VOPTK6 SPECIFICATION NUMBER: BACB30NX12K15 OPTIONAL PART: HL12VAZ12-15 V73197 HL12VAZ12-15 V92215 HL12VAZ12-15 V97928 L802-12K15 V06725 HL12VAZ12-15 V56878 HL12AZ12-15 V06725 HL12AZ12-15 V06950 HL1012AZ12-15 V17446 HL1012AZ12-15 V56878 HL1012AZ12-15 V60516 HL1012AZ12-15 V73197 HL1012AZ12-15 V97928 QUALIFIED OPTIONAL DATA: (BACB30NX12K15 PLUS BACW10CA6CV (QTY 1) AND BACW10CA6CC (QTY 1) OPT TO BACB30LE6-13 PLUS BACW10BP6DP (ON -73, -74)) USED ON: 149N6002-73 149N6002-74	002004 107107 904949 952952	3

MISSING ITEM NUMBERS NOT APPLICABLE

- ITEM NOT ILLUSTRATED

BRI

32-12-01-01

BOEING PROPRIETARY - Copyright © - Unpublished Work - See title page for details.

32-12-01  
FIG. 01  
PAGE 30  
JAN 20/09





757

PARTS CATALOG (MAINTENANCE)

FIG ITEM	PART NUMBER	1 2 3 4 5 6 7	NOMENCLATURE	EFFECT FROM TO	UNITS PER ASSY
1 262	BACW10BP6DP		.. WASHER- QUALIFIED OPTIONAL DATA: (BACB30NX12K15 PLUS BACW10CA6CV (QTY 1) AND BACW10CA6CC (QTY 1) OPT TO BACB30LE6-13 PLUS BACW10BP6DP (ON -73, -74)) USED ON: 149N6002-73 149N6002-74	002004 107107 904949 952952	3
263	K29646-6		.. WASHER- SUPPLIER CODE: V15653 SPECIFICATION NUMBER: BACW10CA6CV OPTIONAL PART: 70188-6 V56878 922007-6 V60119 942007-6 V60119 USED ON: 149N6002-69 149N6002-70	002004 107107 904949 952952	3
263	K29646-6		.. WASHER- SUPPLIER CODE: V15653 SPECIFICATION NUMBER: BACW10CA6CV OPTIONAL PART: 70188-6 V56878 922007-6 V60119 942007-6 V60119 QUALIFIED OPTIONAL DATA: (BACB30NX12K15 PLUS BACW10CA6CV (QTY 1) AND BACW10CA6CC (QTY 1) OPT TO BACB30LE6-13 PLUS BACW10BP6DP (ON -73, -74)) USED ON: 149N6002-73 149N6002-74	002004 107107 904949 952952	3

MISSING ITEM NUMBERS NOT APPLICABLE

- ITEM NOT ILLUSTRATED

32-12-01-01

32-12-01  
FIG. 01  
PAGE 31  
JAN 20/09

BRI



757

PARTS CATALOG (MAINTENANCE)

FIG ITEM	PART NUMBER	1 2 3 4 5 6 7	NOMENCLATURE	EFFECT FROM TO	UNITS PER ASSY
1 264	K29913-6		.. WASHER- SUPPLIER CODE: V15653 SPECIFICATION NUMBER: BACW10CA6CC OPTIONAL PART: 70191-6 V56878 922008-6 V60119 942008-6 V60119 USED ON: 149N6002-69 149N6002-70	002004 107107 904949 952952	3
264	K29913-6		.. WASHER- SUPPLIER CODE: V15653 SPECIFICATION NUMBER: BACW10CA6CC OPTIONAL PART: 70191-6 V56878 922008-6 V60119 942008-6 V60119 QUALIFIED OPTIONAL DATA: (BACB30NX12K15 PLUS BACW10CA6CV (QTY 1) AND BACW10CA6CC (QTY 1) OPT TO BACB30LE6-13 PLUS BACW10BP6DP (ON -73, -74)) USED ON: 149N6002-73 149N6002-74	002004 107107 904949 952952	3
265	NAS1805-6L		.. NUT-	002004 107107 904949 952952	3
270	BACB30LT4-13		.. BOLT-	002004 107107 904949 952952	1
270	BACB30LT4-10		.. BOLT-	002004 107107 904949 952952	1

MISSING ITEM NUMBERS NOT APPLICABLE

- ITEM NOT ILLUSTRATED

32-12-01-01

32-12-01  
FIG. 01  
PAGE 32  
JAN 20/09

BRI



757

PARTS CATALOG (MAINTENANCE)

FIG ITEM	PART NUMBER	1 2 3 4 5 6 7	NOMENCLATURE	EFFECT FROM TO	UNITS PER ASSY
1 271	K29646-104		.. WASHER- SUPPLIER CODE: V15653 SPECIFICATION NUMBER: BACW10CA104CV OPTIONAL PART: 70188-104 V56878 922007-4 V60119 942007-4 V60119 USED ON: 149N6002-69 149N6002-70	002004 107107 904949 952952	2
272	K29913-104		.. WASHER- SUPPLIER CODE: V15653 SPECIFICATION NUMBER: BACW10CA104CC OPTIONAL PART: 70191-104 V56878 922008-4 V60119 942008-4 V60119 USED ON: 149N6002-69 149N6002-70	002004 107107 904949 952952	2

MISSING ITEM NUMBERS NOT APPLICABLE

- ITEM NOT ILLUSTRATED

BRI

32-12-01-01

BOEING PROPRIETARY - Copyright © - Unpublished Work - See title page for details.

32-12-01  
FIG. 01  
PAGE 33  
JAN 20/09



757

PARTS CATALOG (MAINTENANCE)

FIG ITEM	PART NUMBER	1 2 3 4 5 6 7 NOMENCLATURE	EFFECT FROM TO	UNITS PER ASSY
1 273	K29646-104	<p>.. WASHER-</p> <p>SUPPLIER CODE: V15653</p> <p>SPECIFICATION NUMBER: BACW10CA104CV</p> <p>OPTIONAL PART: 70188-104 V56878 922007-4 V60119 942007-4 V60119</p> <p>QUALIFIED OPTIONAL DATA: (BACB30NX8K13 PLUS BACW10CA104CV (QTY 1) AND BACW10CA104CC (QTY 1) OPT TO BACB30LE4-11 PLUS BACW10BP4DP (QTY 1).</p> <p>NOTE- THIS CONFIGURATION OF FASTENER USED ON -73, -74, ZONE D7, SH 1 OF 149N6002 ONLY)</p> <p>USED ON: 149N6002-73 149N6002-74</p>	002004 107107 904949 952952	1

MISSING ITEM NUMBERS NOT APPLICABLE

- ITEM NOT ILLUSTRATED

32-12-01-01

32-12-01  
FIG. 01  
PAGE 34  
JAN 20/09

BRI



757

PARTS CATALOG (MAINTENANCE)

FIG ITEM	PART NUMBER	1 2 3 4 5 6 7	NOMENCLATURE	EFFECT FROM TO	UNITS PER ASSY
1 274	K29913-104		<p>.. WASHER-</p> <p>SUPPLIER CODE: V15653</p> <p>SPECIFICATION NUMBER: BACW10CA104CC</p> <p>OPTIONAL PART: 70191-104 V56878 922008-4 V60119 942008-4 V60119</p> <p>QUALIFIED OPTIONAL DATA: (BACB30NX8K13 PLUS BACW10CA104CV (QTY 1) AND BACW10CA104CC (QTY 1) OPT TO BACB30LE4-11 PLUS BACW10BP4DP (QTY 1). NOTE- THIS CONFIGURATION OF FASTENER USED ON -73, -74, ZONE D7, SH 1 OF 149N6002 ONLY)</p> <p>USED ON: 149N6002-73 149N6002-74</p>	002004 107107 904949 952952	1
275	BACW10BP4DP		<p>.. WASHER-</p> <p>QUALIFIED OPTIONAL DATA: (BACB30NX8K13 PLUS BACW10CA104CV (QTY 1) AND BACW10CA104CC (QTY 1) OPT TO BACB30LE4-11 PLUS BACW10BP4DP (QTY 1). NOTE- THIS CONFIGURATION OF FASTENER USED ON -73, -74, ZONE D7, SH 1 OF 149N6002 ONLY)</p> <p>USED ON: 149N6002-73 149N6002-74</p>	002004 107107 904949 952952	2
275	BACW10BP4DP		<p>.. WASHER-</p>	002004 107107 904949 952952	2

MISSING ITEM NUMBERS NOT APPLICABLE

- ITEM NOT ILLUSTRATED

32-12-01-01

32-12-01  
FIG. 01  
PAGE 35  
JAN 20/09

BRI



757

PARTS CATALOG (MAINTENANCE)

FIG ITEM	PART NUMBER	1 2 3 4 5 6 7	NOMENCLATURE	EFFECT FROM TO	UNITS PER ASSY
1 280	PLH54CD		..NUT- SUPPLIER CODE: VF0224 SPECIFICATION NUMBER: BACN10YR4CD OPTIONAL PART: H52732-4CD V15653	002004 107107 904949 952952	1
285	940CW23-9		..JUMPER ASSY- SUPPLIER CODE: V91812 SPECIFICATION NUMBER: BACJ40AB23-9 OPTIONAL PART: 100223-9 V1FF12 RBEJ40AB23-9 V1GK47 USED ON: 149N6002-58 149N6002-59 149N6002-60 149N6002-61	107107	1
285	940CW22-9		..JUMPER ASSY- SUPPLIER CODE: V91812 SPECIFICATION NUMBER: BACJ40AB22-9 OPTIONAL PART: 100222-9 V1FF12 RBEJ40AB22-9 V1GK47 USED ON: 149N6002-69 149N6002-70 149N6002-73 149N6002-74	002004 107107 904949 952952	1
290	149N6006-1		..FITTING-HINGE	002004 107107 904949 952952	1
290	149N6006-4		..HINGE ASSY-FITTING	002004 107107 904949 952952	1

MISSING ITEM NUMBERS NOT APPLICABLE

- ITEM NOT ILLUSTRATED

32-12-01-01

32-12-01  
FIG. 01  
PAGE 36  
JAN 20/09

BRI

BOEING PROPRIETARY - Copyright © - Unpublished Work - See title page for details.



757

PARTS CATALOG (MAINTENANCE)

FIG ITEM	PART NUMBER	1 2 3 4 5 6 7	NOMENCLATURE	EFFECT FROM TO	UNITS PER ASSY
1					
295	MS15001-3	...	FITTING	002004 107107 904949 952952	2
300	BAC1534-62C	..	SHIM	002004 107107 904949 952952	AR
305	BACB30NU3K35	..	BOLT- POSITION DATA: LH SIDE	002004 107107 904949 952952	2
310	BACB30NU3K55	..	BOLT- POSITION DATA: LH SIDE	002004 107107 904949 952952	1
315	BACW10BN3UP	..	WASHER- POSITION DATA: LH SIDE	002004 107107 904949 952952	3
320	PLH53CD	..	NUT- SUPPLIER CODE: VFO224 SPECIFICATION NUMBER: BACN10YR3CD OPTIONAL PART: H52732-3CD V15653 POSITION DATA: LH SIDE	002004 107107 904949 952952	3
325	149N6002-41	..	CHANNEL- POSITION DATA: LH SIDE	002004 107107 904949 952952	1
330	BAC1535-29	..	SHIM- OPTIONAL PART: BAC1535-110	002004 107107 904949 952952	AR
330	BAC1535-110	..	SHIM- OPTIONAL PART: BAC1535-25	002004 107107 904949 952952	AR
340	BACB30NU3K35	..	BOLT- POSITION DATA: RH SIDE	002004 107107 904949 952952	1

MISSING ITEM NUMBERS NOT APPLICABLE

- ITEM NOT ILLUSTRATED

32-12-01-01

32-12-01  
FIG. 01  
PAGE 37  
JAN 20/09

BRI

BOEING PROPRIETARY - Copyright © - Unpublished Work - See title page for details.



757

PARTS CATALOG (MAINTENANCE)

FIG ITEM	PART NUMBER	1 2 3 4 5 6 7	NOMENCLATURE	EFFECT FROM TO	UNITS PER ASSY
1					
345	BACW10BP4DP		.. WASHER- POSITION DATA: RH SIDE	002004 107107 904949 952952	1
350	PLH53CD		.. NUT- SUPPLIER CODE: VF0224 SPECIFICATION NUMBER: BACN10YR3CD OPTIONAL PART: H52732-3CD V15653 POSITION DATA: RH SIDE	002004 107107 904949 952952	1
355	MS15001-1		.. FITTING	002004 107107 904949 952952	2
357	HL8606K34		.. BOLT- SUPPLIER CODE: V56878 SPECIFICATION NUMBER: BACB30VG6K34 OPTIONAL PART: HL8606K34 V73197 HL8606K34 VOPTK6 HL8606K34 VOPTK6 L8606K34 V06725 HL8606K34 V97928 POSITION DATA: LH SIDE	002004 107107 904949 952952	2

MISSING ITEM NUMBERS NOT APPLICABLE

- ITEM NOT ILLUSTRATED

32-12-01-01

32-12-01  
FIG. 01  
PAGE 38  
JAN 20/09

BRI





757

PARTS CATALOG (MAINTENANCE)

FIG ITEM	PART NUMBER	1 2 3 4 5 6 7	NOMENCLATURE	EFFECT FROM TO	UNITS PER ASSY
1 360	HL8608K34		..BOLT- SUPPLIER CODE: V56878 SPECIFICATION NUMBER: BACB30VG8K34 OPTIONAL PART: HL8608K34 V73197 HL8608K34 VOPTK6 HL8608K34 V92215 L8608K34 V06725 HL8608K34 V97928 POSITION DATA: LH SIDE	002004 107107 904949 952952	2
- 365	HL859VAP8-34		..BOLT- SUPPLIER CODE: V73197 POSITION DATA: RH SIDE	002004 107107 904949 952952	2
- 367	HL859VAP6-34		..BOLT- SUPPLIER CODE: V73197 POSITION DATA: RH SIDE	002004 107107 904949 952952	2
370	BACW10BN3SP		..WASHER	002004 107107 904949 952952	2
375	BACW10BP4DP		..WASHER	002004 107107 904949 952952	2
380	PLH53CD		..NUT- SUPPLIER CODE: VF0224 SPECIFICATION NUMBER: BACN10YR3CD OPTIONAL PART: H52732-3CD V15653	002004 107107 904949 952952	2

MISSING ITEM NUMBERS NOT APPLICABLE

- ITEM NOT ILLUSTRATED

32-12-01-01

32-12-01  
FIG. 01  
PAGE 39  
JAN 20/09

BRI



757

PARTS CATALOG (MAINTENANCE)

FIG ITEM	PART NUMBER	1 2 3 4 5 6 7	NOMENCLATURE	EFFECT FROM TO	UNITS PER ASSY
1 385	PLH54CD		..NUT- SUPPLIER CODE: VF0224 SPECIFICATION NUMBER: BACN10YR4CD OPTIONAL PART: H52732-4CD V15653	002004 107107 904949 952952	2
390	149N6002-42		..TARGET- POSITION DATA: LH SIDE	002004 107107 904949 952952	1
392	149N6002-47		..TARGET	002004 107107 904949 952952	1
- 393	MS20427M4		ATTACHING PARTS ..RIVET- SIZE DETERMINED ON INSTL.	002004 107107 904949 952952	2
395	149N6002-43		-----*----- ..PLATE-SPRT POSITION DATA: LH SIDE	002004 107107 904949 952952	1
397	149N6002-62		..STOP- POSITION DATA: LH SIDE	002004 107107 904949 952952	1
397	149N6037-5		..STOP- POSITION DATA: LH SIDE MISCELLANEOUS DATA: NHA RECOMMENDED AS SPARE REPLACEMENT FOR SPARES PROCURE: 149N6037-1	002004 107107 904949 952952	1
- 398	149N6002-63		..STOP- POSITION DATA: RH SIDE	002004 107107 904949 952952	1

MISSING ITEM NUMBERS NOT APPLICABLE

- ITEM NOT ILLUSTRATED

32-12-01-01

32-12-01  
FIG. 01  
PAGE 40  
JAN 20/09

BRI



757

PARTS CATALOG (MAINTENANCE)

FIG ITEM	PART NUMBER	1 2 3 4 5 6 7	NOMENCLATURE	EFFECT FROM TO	UNITS PER ASSY
1 400	HL8608K33		..BOLT- SUPPLIER CODE: V56878 SPECIFICATION NUMBER: BACB30VG8K33 OPTIONAL PART: HL8608K33 V73197 HL8608K33 VOPTK6 HL8608K33 V92215 L8608K33 V06725 HL8608K33 V97928	002004 107107 904949 952952	1
410	HL860VAP8-32		..BOLT- SUPPLIER CODE: V73197	002004 107107 904949 952952	1
415	HL8608K32		..BOLT- SUPPLIER CODE: V56878 SPECIFICATION NUMBER: BACB30VG8K32 OPTIONAL PART: HL8608K32 V73197 HL86068K32 VOPTK6 HL8608K32 V92215 L8608K32 V06725 HL8608K32 V97928 POSITION DATA: LH SIDE	002004 107107 904949 952952	2
- 420	HL859VAP8-32		..BOLT- SUPPLIER CODE: V73197 POSITION DATA: RH SIDE	002004 107107 904949 952952	2
425	BACW10BP4DP		..WASHER	002004 107107 904949 952952	4

MISSING ITEM NUMBERS NOT APPLICABLE

- ITEM NOT ILLUSTRATED

32-12-01-01

32-12-01  
FIG. 01  
PAGE 41  
JAN 20/09

BRI



757

PARTS CATALOG (MAINTENANCE)

FIG ITEM	PART NUMBER	1 2 3 4 5 6 7	NOMENCLATURE	EFFECT FROM TO	UNITS PER ASSY
1					
430	PLH54CD	..	NUT- SUPPLIER CODE: VF0224 SPECIFICATION NUMBER: BACN10YR4CD OPTIONAL PART: H52732-4CD V15653	002004 107107 904949 952952	4
435	149N6017-2	..	BAR ASSY-SKID	002004 107107 904949 952952	1
440	MS24665-155	...	PIN	002004 107107 904949 952952	2
445	BACB30LJ4DK29	...	BOLT	002004 107107 904949 952952	2
447	BACW10BP4DP	...	WASHER	002004 107107 904949 952952	4
450	BACW10P196L	...	WASHER	002004 107107 904949 952952	4
455	73781CM428	...	NUT- SUPPLIER CODE: V80539	002004 107107 904949 952952	2
460	149N6017-8	...	BRACKET	002004 107107 904949 952952	1
465	149N6017-10	...	BRACKET	002004 107107 904949 952952	1
470	149N6017-17	...	BAR-	002004 107107 904949 952952	1
475	BAC1535-29	..	SHIM- OPTIONAL PART: BAC1535-110	002004 107107 904949 952952	AR

MISSING ITEM NUMBERS NOT APPLICABLE

- ITEM NOT ILLUSTRATED

32-12-01-01

32-12-01  
FIG. 01  
PAGE 42  
JAN 20/09

BRI

BOEING PROPRIETARY - Copyright © - Unpublished Work - See title page for details.



757

PARTS CATALOG (MAINTENANCE)

FIG ITEM	PART NUMBER	1 2 3 4 5 6 7	NOMENCLATURE	EFFECT FROM TO	UNITS PER ASSY
1 475	BAC1535-110	..	SHIM- OPTIONAL PART: BAC1535-25	002004 107107 904949 952952	AR
480	HL8608K33	..	BOLT- SUPPLIER CODE: V56878 SPECIFICATION NUMBER: BACB30VG8K33 OPTIONAL PART: HL8608K33 V73197 HL8608K33 VOPTK6 HL8608K33 V92215 L8608K33 V06725 HL8608K33 V97928	002004 107107 904949 952952	1
485	HL8608K33	..	BOLT- SUPPLIER CODE: V56878 SPECIFICATION NUMBER: BACB30VG8K33 OPTIONAL PART: HL8608K33 V73197 HL8608K33 VOPTK6 HL8608K33 V92215 L8608K33 V06725 HL8608K33 V97928	002004 107107 904949 952952	1

MISSING ITEM NUMBERS NOT APPLICABLE

- ITEM NOT ILLUSTRATED

BRI

32-12-01-01

BOEING PROPRIETARY - Copyright © - Unpublished Work - See title page for details.

32-12-01  
FIG. 01  
PAGE 43  
JAN 20/09



757

PARTS CATALOG (MAINTENANCE)

FIG ITEM	PART NUMBER	1 2 3 4 5 6 7	NOMENCLATURE	EFFECT FROM TO	UNITS PER ASSY
1 490	HL8608K54		..BOLT- SUPPLIER CODE: V56878 SPECIFICATION NUMBER: BACB30VG8K54 OPTIONAL PART: HL8608K54 V73197 HL8608K54 VOPTK6 HL8608K54 V92215 L8608K50 V06725 HL8608K54 V97928 POSITION DATA: LH SIDE	002004 107107 904949 952952	2
- 495	HL859VAP8-54		..BOLT- SUPPLIER CODE: V73197 POSITION DATA: RH SIDE	002004 107107 904949 952952	2
500	BACW10BN4SP		..WASHER-	002004 107107 904949 952952	1
505	BACW10BN4SP		..WASHER	002004 107107 904949 952952	3
510	PLH53CD		..NUT- SUPPLIER CODE: VF0224 SPECIFICATION NUMBER: BACN10YR3CD OPTIONAL PART: H52732-3CD V15653	002004 107107 904949 952952	1
515	PLH54CD		..NUT SUPPLIER CODE: VF0224 SPECIFICATION NUMBER: BACN10YR4CD OPTIONAL PART: H52732-4CD V15653	002004 107107 904949 952952	3

MISSING ITEM NUMBERS NOT APPLICABLE

- ITEM NOT ILLUSTRATED

32-12-01-01

32-12-01  
FIG. 01  
PAGE 44  
JAN 20/09

BRI



757

PARTS CATALOG (MAINTENANCE)

FIG ITEM	PART NUMBER	1 2 3 4 5 6 7	NOMENCLATURE	EFFECT FROM TO	UNITS PER ASSY
1	520	149N6017-1	..BAR ASSY-SKID	002004 107107 904949 952952	1
	525	MS24665-155	...PIN	002004 107107 904949 952952	2
	535	BACW10BP4DP	...WASHER	002004 107107 904949 952952	4
	537	BACW10P196L	...WASHER	002004 107107 904949 952952	4
	538	73781CM428	...NUT- SUPPLIER CODE: V80539	002004 107107 904949 952952	2
	540	149N6017-4	...BRACKET	002004 107107 904949 952952	1
	545	149N6017-6	...SHIM	002004 107107 904949 952952	1
	550	149N6017-5	...BRACKET	002004 107107 904949 952952	1
	555	149N6017-13	...WELDMENT ASSY- POSITION DATA: LH SIDE	002004 107107 904949 952952	1
-	560	149N6017-14	...WELDMENT ASSY- POSITION DATA: RH SIDE	002004 107107 904949 952952	1

MISSING ITEM NUMBERS NOT APPLICABLE

- ITEM NOT ILLUSTRATED

BRI

32-12-01-01

BOEING PROPRIETARY - Copyright © - Unpublished Work - See title page for details.

32-12-01  
FIG. 01  
PAGE 45  
JAN 20/09



757

PARTS CATALOG (MAINTENANCE)

FIG ITEM	PART NUMBER	1 2 3 4 5 6 7	NOMENCLATURE	EFFECT FROM TO	UNITS PER ASSY
1 565	HL8608K38		..BOLT- SUPPLIER CODE: V56878 SPECIFICATION NUMBER: BACB30VG8K38 OPTIONAL PART: HL8608K38 V73197 HL8608K38 VOPTK6 HL8608K38 V92215 L8608K38 V06725 HL8608K38 V97928	002004 107107 904949 952952	1
570	HL8608K40		..BOLT- SUPPLIER CODE: V56878 SPECIFICATION NUMBER: BACB30VG8K40 OPTIONAL PART: HL8608K40 V73197 HL8608K40 VOPTK6 HL8608K40 V92215 L8608K40 V06725 HL8608K40 V97928	002004 107107 904949 952952	1
575	HL8608K42		..BOLT- SUPPLIER CODE: V56878 SPECIFICATION NUMBER: BACB30VG8K42 OPTIONAL PART: HL8608K42 V73197 HL8608K42 VOPTK6 HL8608K42 V92215 L8608K42 V06725 HL8608K42 V97928	002004 107107 904949 952952	1

MISSING ITEM NUMBERS NOT APPLICABLE

- ITEM NOT ILLUSTRATED

32-12-01-01

32-12-01  
FIG. 01  
PAGE 46  
JAN 20/09

BRI





757

PARTS CATALOG (MAINTENANCE)

FIG ITEM	PART NUMBER	1 2 3 4 5 6 7	NOMENCLATURE	EFFECT FROM TO	UNITS PER ASSY
1 580	149N6002-50	..	WASHER	002004 107107 904949 952952	3
- 585	149N6002-50	..	WASHER	002004 107107 904949 952952	29
590	PLH54CD	..	NUT- SUPPLIER CODE: VF0224 SPECIFICATION NUMBER: BACN10YR4CD OPTIONAL PART: H52732-4CD V15653	002004 107107 904949 952952	3
595	HL8608K33	..	BOLT SUPPLIER CODE: V56878 SPECIFICATION NUMBER: BACB30VG8K33 OPTIONAL PART: HL8608K33 V73197 HL8608K33 V0PTK6 HL8608K33 V92215 L8608K33 V06725 HL8608K33 V97928	002004 107107 904949 952952	3
600	HL8608K35	..	BOLT SUPPLIER CODE: V56878 SPECIFICATION NUMBER: BACB30VG8K35 OPTIONAL PART: HL8608K35 V73197 HL8608K35 V0PTK6 L8608K35 V06725 HL8608K35 V97928 HL8608K35 V06725	002004 107107 904949 952952	1

MISSING ITEM NUMBERS NOT APPLICABLE

- ITEM NOT ILLUSTRATED

BRI

32-12-01-01

32-12-01  
FIG. 01  
PAGE 47  
JAN 20/09



757

PARTS CATALOG (MAINTENANCE)

FIG ITEM	PART NUMBER	1 2 3 4 5 6 7	NOMENCLATURE	EFFECT FROM TO	UNITS PER ASSY
1 605	HL8608K36		.. BOLT SUPPLIER CODE: V56878 SPECIFICATION NUMBER: BACB30VG8K36 OPTIONAL PART: HL8608K36 V73197 HL8608K36 VOPTK6 HL8608K36 V92215 L8608K36 V06725 HL8608K36 V97928	002004 107107 904949 952952	1
610	HL8608K39		.. BOLT SUPPLIER CODE: V56878 SPECIFICATION NUMBER: BACB30VG8K39 OPTIONAL PART: HL8608K39 V73197 HL8608K39 VOPTK6 HL8608K39 V92215 L8608K39 V06725 HL8608K39 V97928	002004 107107 904949 952952	2
615	149N6002-50		.. WASHER- POSITION DATA: UNDER NUT	002004 107107 904949 952952	7
620	PLH54CD		.. NUT SUPPLIER CODE: VF0224 SPECIFICATION NUMBER: BACN10YR4CD OPTIONAL PART: H52732-4CD V15653	002004 107107 904949 952952	7
625	BACB30NT4K32		.. BOLT	002004 107107 904949 952952	4

MISSING ITEM NUMBERS NOT APPLICABLE

- ITEM NOT ILLUSTRATED

32-12-01-01

32-12-01  
FIG. 01  
PAGE 48  
JAN 20/09

BRI

BOEING PROPRIETARY - Copyright © - Unpublished Work - See title page for details.



757

PARTS CATALOG (MAINTENANCE)

FIG ITEM	PART NUMBER	1 2 3 4 5 6 7	NOMENCLATURE	EFFECT FROM TO	UNITS PER ASSY
1 630	149N6002-50		.. WASHER- POSITION DATA: UNDER HEAD	002004 107107 904949 952952	4
635	149N6023-1		.. SHIELD ASSY-HEAT	002004 107107 904949 952952	1
635	149N6023-5		.. SHIELD ASSY-HEAT	002004 107107 904949 952952	1
635	149N6023-3		.. SHIELD ASSY-	002004 107107 904949 952952	1
635	149N6023-7		.. SHIELD ASSY-	002004 107107 904949 952952	1

MISSING ITEM NUMBERS NOT APPLICABLE

- ITEM NOT ILLUSTRATED

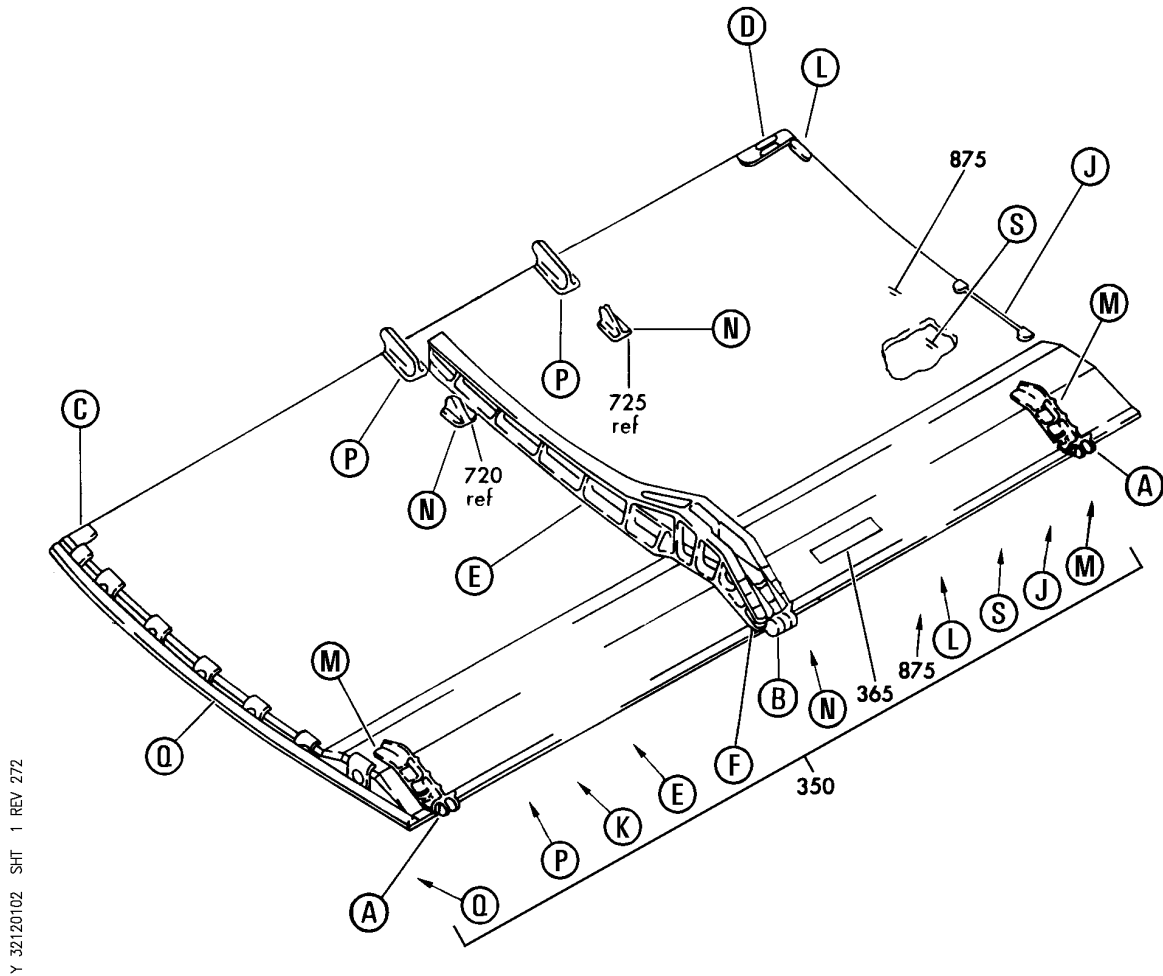
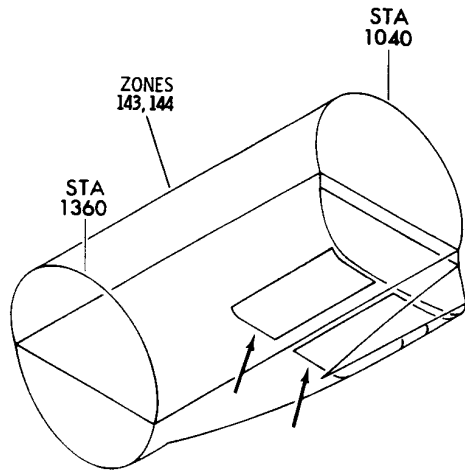
BRI

32-12-01-01

BOEING PROPRIETARY - Copyright © - Unpublished Work - See title page for details.

32-12-01  
FIG. 01  
PAGE 49  
JAN 20/09

**BOEING**  
757  
PARTS CATALOG (MAINTENANCE)



Y 32120102 SHT 1 REV 272

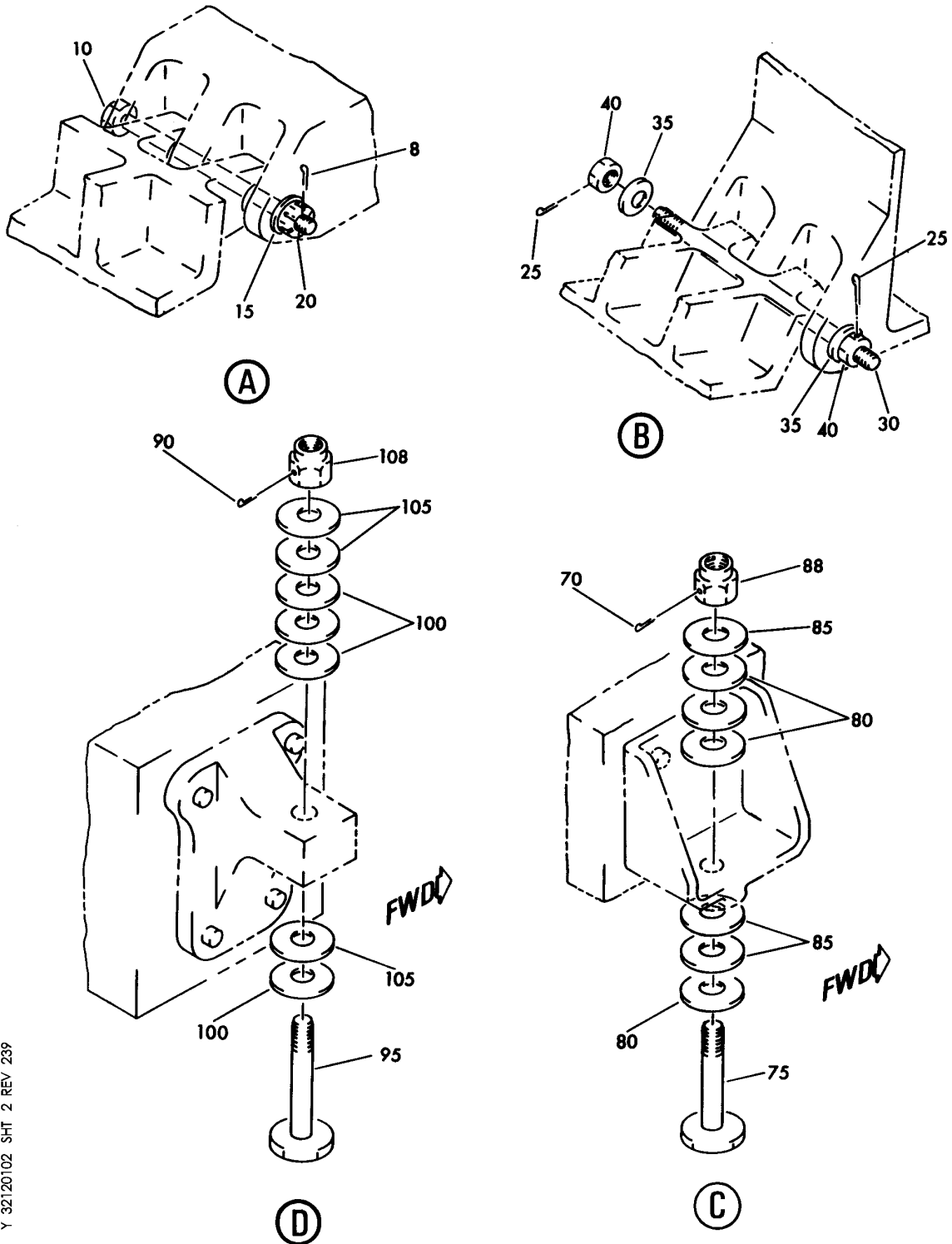
DOOR INSTL-MLG (MAIN GEAR DOOR ONLY)  
FIGURE 2 (SHEET 1)

**32-12-01-02**

BRI  
MAY 28/07

32-12-01-02  
PAGE 0

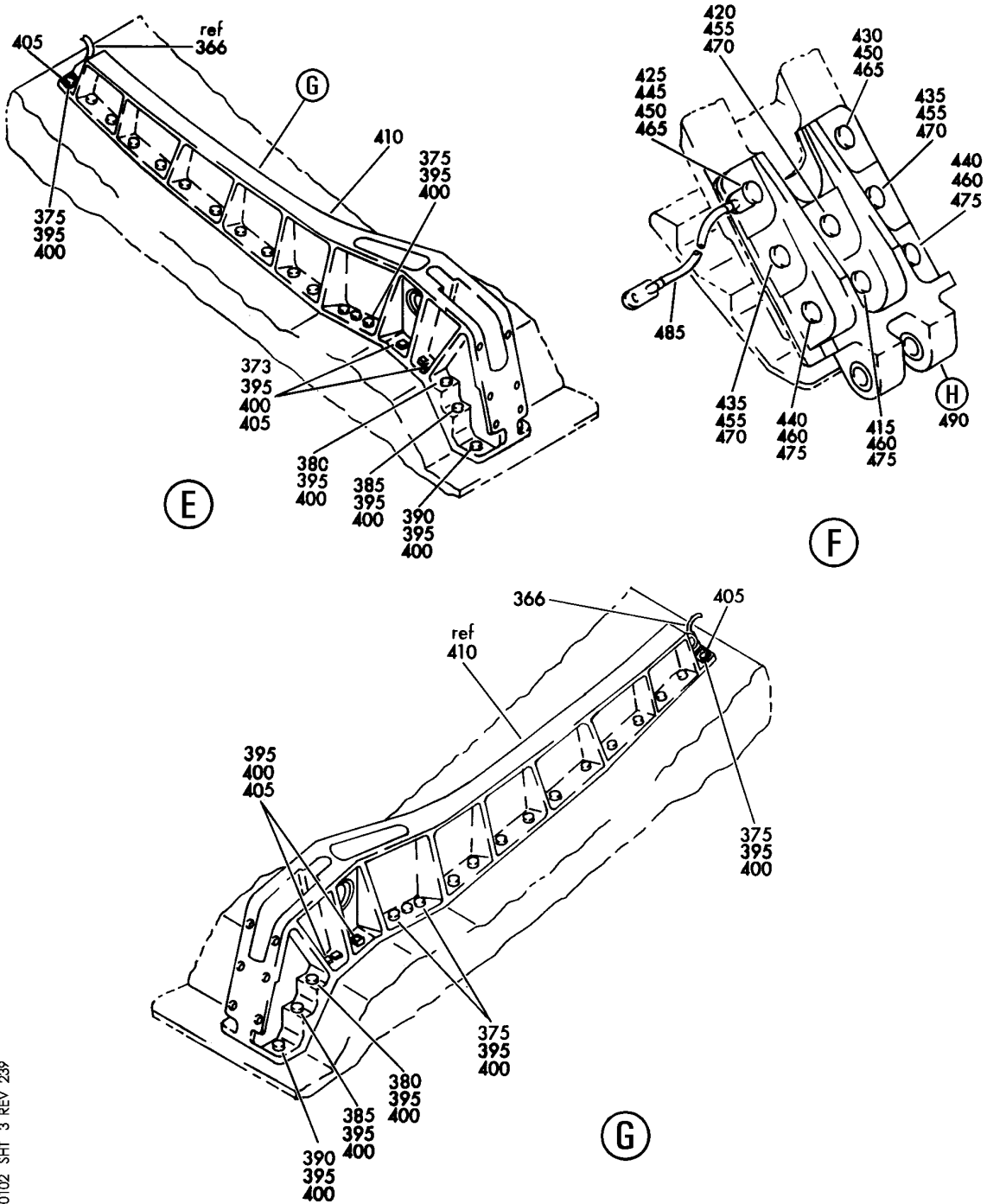
**BOEING**  
757  
PARTS CATALOG (MAINTENANCE)



DOOR INSTL-MLG (MAIN GEAR DOOR ONLY)  
FIGURE 2 (SHEET 2)

**32-12-01-02**


**BOEING**  
 757  
**PARTS CATALOG (MAINTENANCE)**



Y 32120102 SH1 3 REV 23P

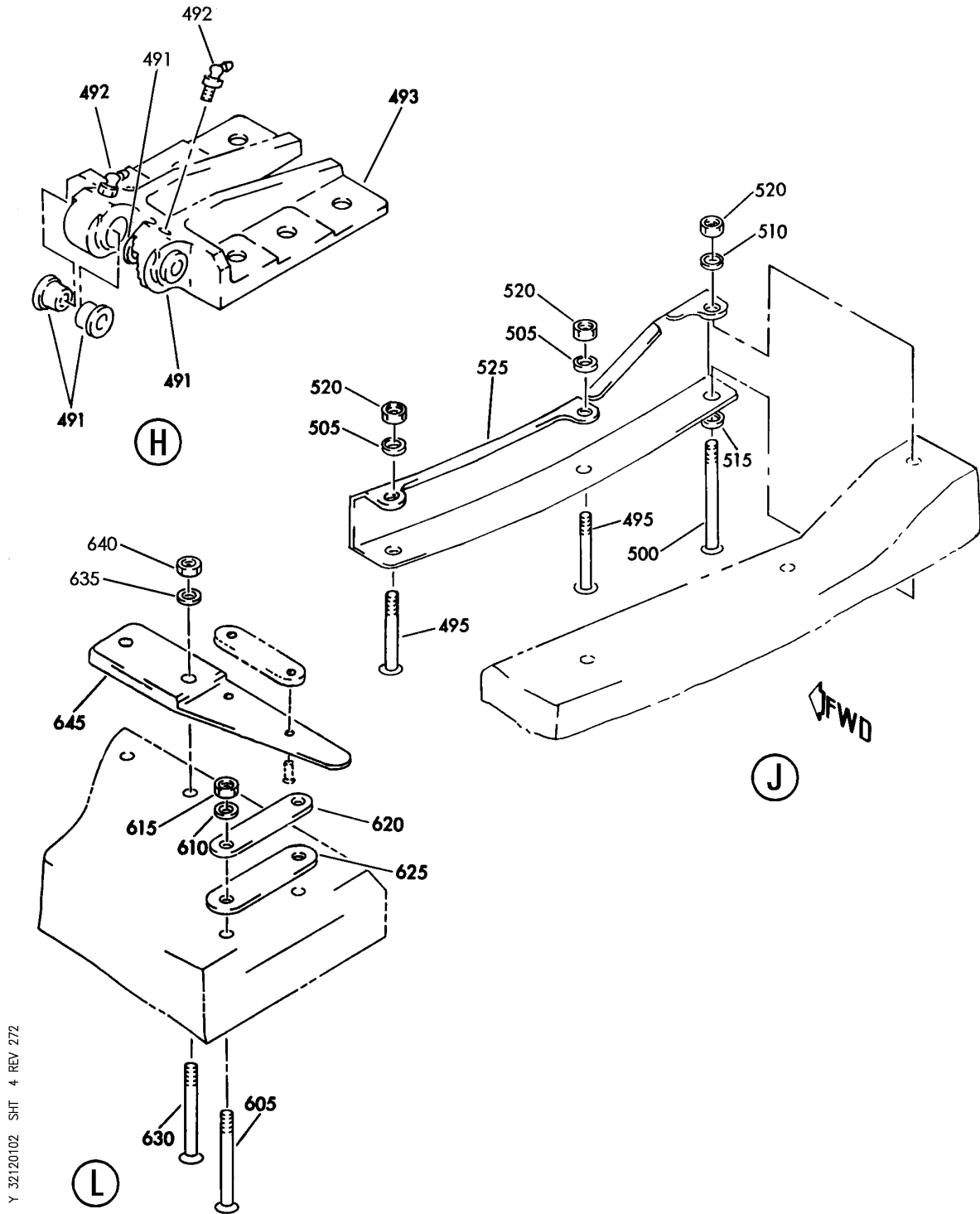
DOOR INSTL-MLG (MAIN GEAR DOOR ONLY)  
FIGURE 2 (SHEET 3)

**32-12-01-02**

BRI  
MAY 28/07

32-12-01-02  
PAGE 0B

**BOEING**  
757  
PARTS CATALOG (MAINTENANCE)



Y 32120102 SH1 4 REV 272

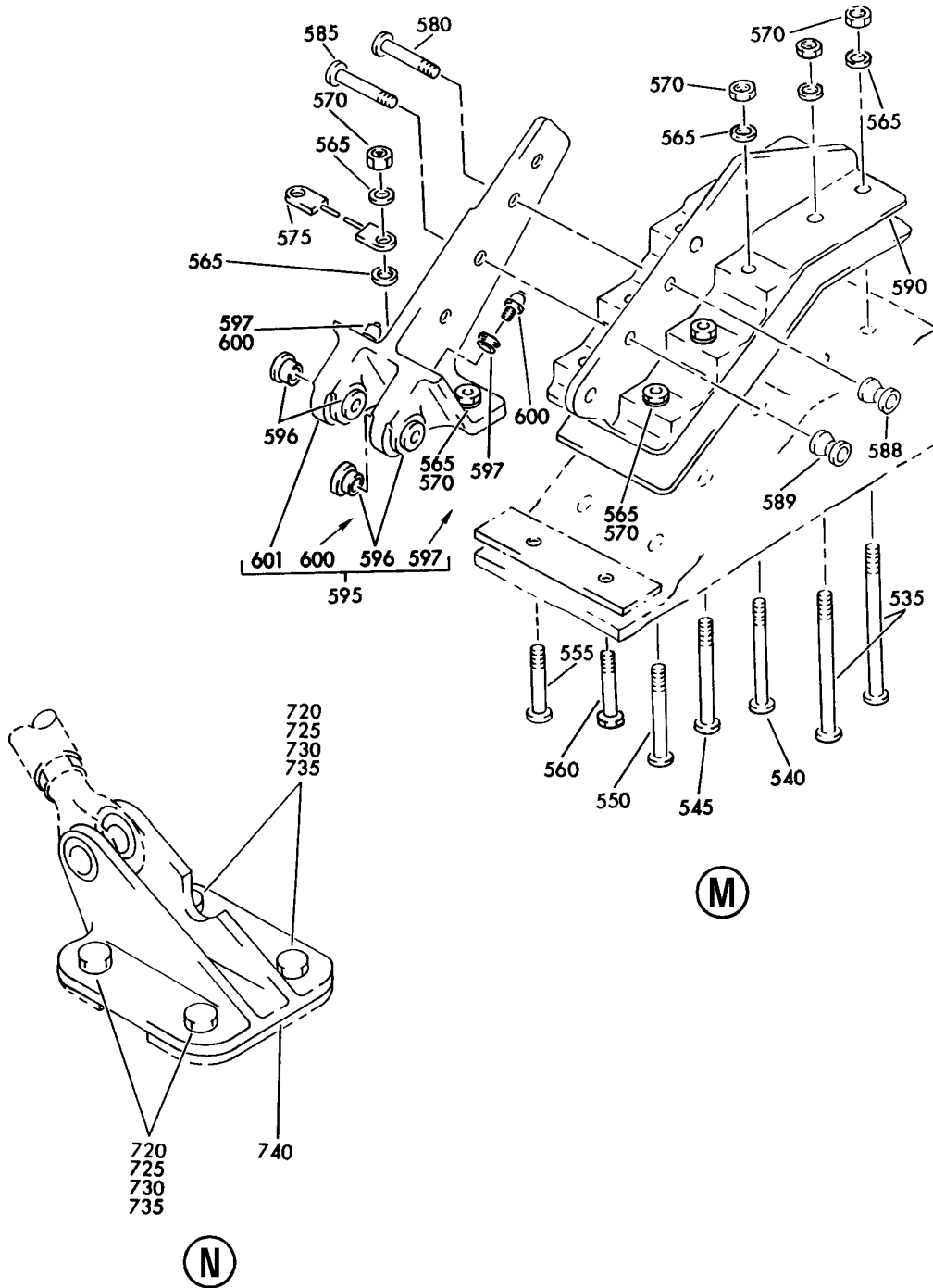
DOOR INSTL-MLG (MAIN GEAR DOOR ONLY)  
FIGURE 2 (SHEET 4)

**32-12-01-02**

BRI  
MAY 28/07

32-12-01-02  
PAGE 0C

**BOEING**  
757  
PARTS CATALOG (MAINTENANCE)



Y 32120102 SHT 5 REV 23P

DOOR INSTL-MLG (MAIN GEAR DOOR ONLY)  
FIGURE 2 (SHEET 5)

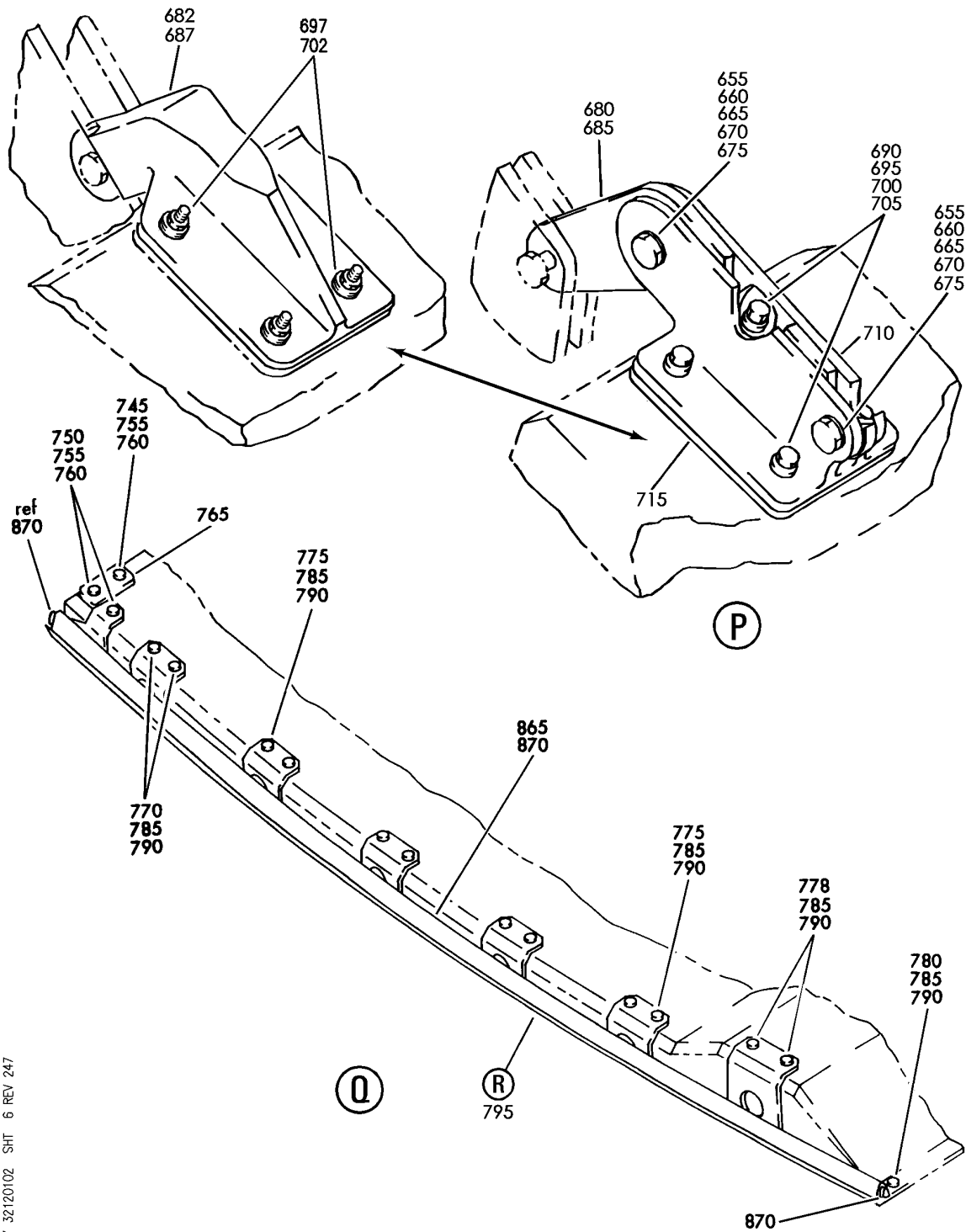
**32-12-01-02**

BRI  
MAY 28/07

32-12-01-02  
PAGE 0D



**BOEING**  
757  
PARTS CATALOG (MAINTENANCE)



Y 32120102 SH1 6 REV 247

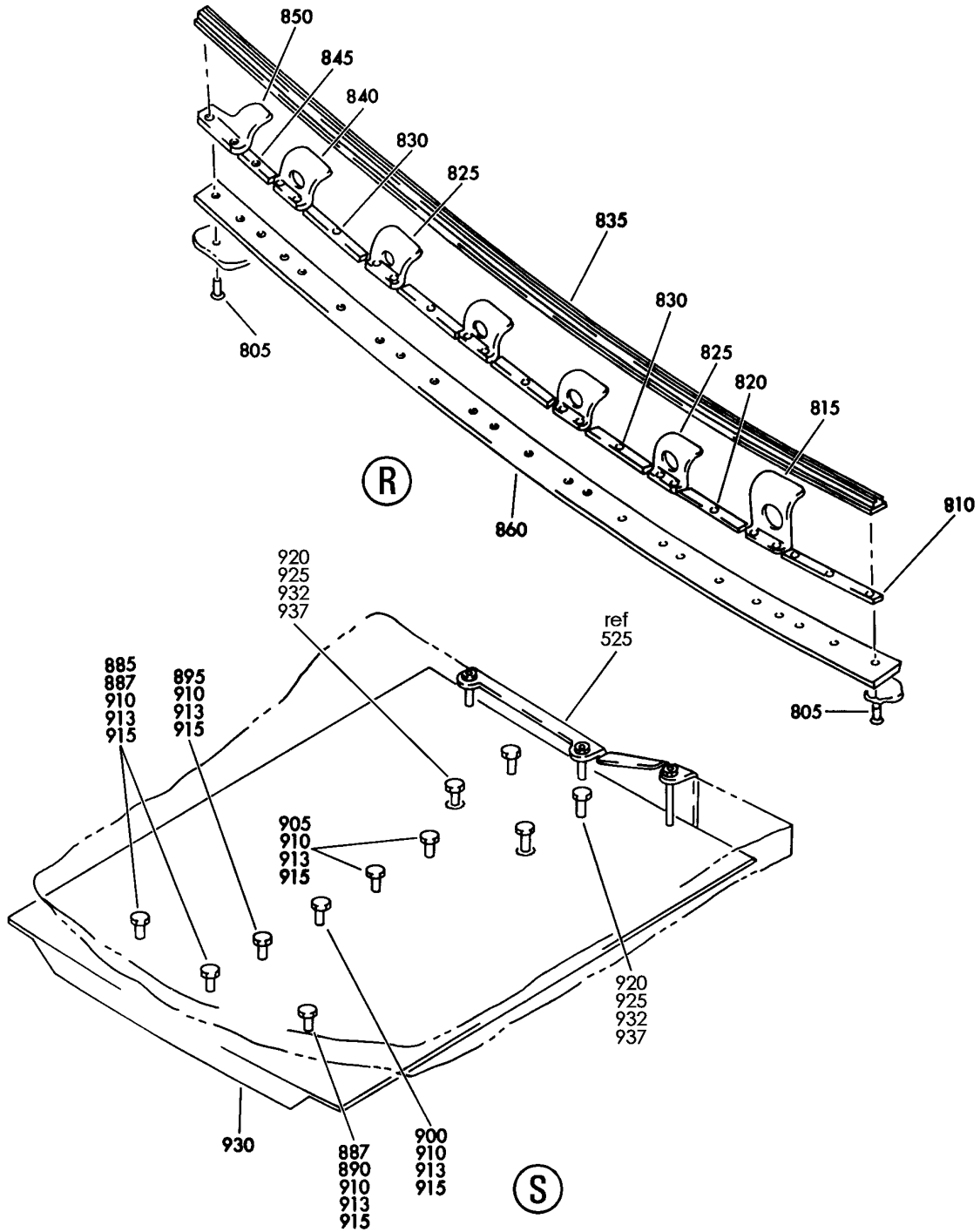
DOOR INSTL-MLG (MAIN GEAR DOOR ONLY)  
FIGURE 2 (SHEET 6)

**32-12-01-02**

BRI  
MAY 28/07

32-12-01-02  
PAGE 0E

**BOEING**  
757  
PARTS CATALOG (MAINTENANCE)



Y 32120102 SH7 7 REV 23P

DOOR INSTL-MLG (MAIN GEAR DOOR ONLY)  
FIGURE 2 (SHEET 7)

**32-12-01-02**

BRI  
MAY 28/07

32-12-01-02  
PAGE OF



757

PARTS CATALOG (MAINTENANCE)

FIG ITEM	PART NUMBER	1 2 3 4 5 6 7	NOMENCLATURE	EFFECT FROM TO	UNITS PER ASSY
2			DOOR INSTL-MLG (MAIN GEAR DOOR ONLY)	006106 108903 950951 953999	
- 1	149N6001-3		DOOR INSTL-MLG (MAIN GEAR DOOR ONLY) POSITION DATA: LH FOR NHA SEE: 53-00-00-04	006017 121503 950951 953999	RF
- 1	149N6001-7		DOOR INSTL-MLG (MAIN GEAR DOOR ONLY) POSITION DATA: LH FOR NHA SEE: 53-00-00-04	018100	RF
- 1	149N6001-403		DOOR INSTL-MLG (MAIN GEAR DOOR ONLY) POSITION DATA: LH FOR NHA SEE: 53-00-00-04	101102 108120 504903	RF
- 1	MODREF29845		DOOR INSTL-MLG (MAIN GEAR DOOR ONLY) MODULE NUMBER: 149N6001-405 REV B POSITION DATA: LH	103106	1
- 5	149N6001-4		DOOR INSTL-MLG (MAIN GEAR DOOR ONLY) POSITION DATA: RH FOR NHA SEE: 53-00-00-04	006017 121503 950951 953999	RF
- 5	149N6001-8		DOOR INSTL-MLG (MAIN GEAR DOOR ONLY) POSITION DATA: RH FOR NHA SEE: 53-00-00-04	018100	RF
- 5	149N6001-404		DOOR INSTL-MLG (MAIN GEAR DOOR ONLY) POSITION DATA: RH FOR NHA SEE: 53-42-01-01A	101102 108120 504903	RF

MISSING ITEM NUMBERS NOT APPLICABLE

- ITEM NOT ILLUSTRATED

32-12-01-02

32-12-01  
FIG. 02  
PAGE 1  
JAN 20/09

BRI



757

PARTS CATALOG (MAINTENANCE)

FIG ITEM	PART NUMBER	1 2 3 4 5 6 7	NOMENCLATURE	EFFECT FROM TO	UNITS PER ASSY
2					
- 5	MODREF29828		DOOR INSTL-MLG (MAIN GEAR DOOR ONLY) MODULE NUMBER: 149N6001-406 REV B POSITION DATA: RH	103106	1
8	MS24665-153		.PIN	006100 121503 950951 953999	2
10	149N6019-5		.BOLT	006106 108903 950951 953999	2
15	BACW10BP5DP		.WASHER	006106 108903 950951 953999	2
20	BACN10JD5CD		.NUT-	006106 108903 950951 953999	2
25	MS24665-304		.PIN	006100 121503 950951 953999	2
30	149N6006-7		.PIN-HINGE	006106 108903 950951 953999	1
35	BACW10BN7SP		.WASHER	006106 108903 950951 953999	2
40	BACN10JD107CD		.NUT	006106 108903 950951 953999	2
70	MS24665-155		.PIN	006100 121503 950951 953999	1
75	149N6019-2		.BOLT	006106 108903 950951 953999	1

MISSING ITEM NUMBERS NOT APPLICABLE

- ITEM NOT ILLUSTRATED

BRI

32-12-01-02

BOEING PROPRIETARY - Copyright © - Unpublished Work - See title page for details.

32-12-01  
FIG. 02  
PAGE 2  
JAN 20/09



757

PARTS CATALOG (MAINTENANCE)

FIG ITEM	PART NUMBER	1 2 3 4 5 6 7	NOMENCLATURE	EFFECT FROM TO	UNITS PER ASSY
2					
80	BACW10P125C	.	WASHER	006106 108903 950951 953999	4
85	BACW10P49AL	.	WASHER	006106 108903 950951 953999	3
88	73781CM624	.	NUT- SUPPLIER CODE: V80539	006106 108903 950951 953999	1
90	MS24665-155	.	PIN	006100 121503 950951 953999	1
95	149N6019-1	.	BOLT	006106 108903 950951 953999	1
100	BACW10P125C	.	WASHER	006106 108903 950951 953999	4
105	BACW10P49AL	.	WASHER	006106 108903 950951 953999	3
108	73781CM624	.	NUT- SUPPLIER CODE: V80539	006106 108903 950951 953999	1
350	149N6110-7	.	DOOR ASSY- POSITION DATA: LH SIDE COMPONENT MAINT MANUAL REF: 32-12-04 QUALIFIED I/W DATA: THE 149N6110-1 DOOR ASSEMBLY LESS (4) BACB28AK05-030 BUSHINGS AND (4) BACB30LE5K15 BOLTS AND (4) BACB30VG8K42 BOLTS AND (4) BACB30VG8K44 BOLTS AND (2) 149N6028-1 CLEVIS AND (2) 149N6028-3 PLATES AND (1) 149N6032-11 LINK	018106 108120 504903	1

MISSING ITEM NUMBERS NOT APPLICABLE

- ITEM NOT ILLUSTRATED

32-12-01-02

32-12-01  
FIG. 02  
PAGE 3  
JAN 20/09

BRI



757

PARTS CATALOG (MAINTENANCE)

FIG ITEM	PART NUMBER	1 2 3 4 5 6 7 NOMENCLATURE	EFFECT FROM TO	UNITS PER ASSY
2		<p>ASSEMBLY AND (1)            149N6032-12 LINK            ASSEMBLY T/W (4)            BACB30VG8K48 BOLTS AND            (4) BACB30VG8K50 BOLTS            AND (2) 149N6028-10            PLATES AND (2)            149N6032-13 LINK            ASSEMBLIES IS I/W THE            149N6110-7 DOOR            ASSEMBLY            THE 149N6110-5 DOOR            ASSEMBLY LESS (4)            BACB28AK05-030 BUSHINGS            AND (4) BACB30LE5K15            BOLTS AND (4)            BACB30VG8K42 BOLTS AND            (4) BACB30VG8K44 BOLTS            AND (2) 149N6028-1            CLEVIS AND (2)            149N6028-3 PLATES AND            (1) 149N6032-11 LINK            ASSEMBLY AND (1)            149N6032-12 LINK            ASSEMBLY T/W (4)            BACB30VG8K48 BOLTS AND            (4) BACB30VG8K50 BOLTS            AND (2) 149N6028-10            PLATES AND (2)            149N6032-13 LINK            ASSEMBLIES IS I/W THE            149N6110-7 DOOR            ASSEMBLY.            FOR SPARES PROCURE:            149N6001-9            FUNCTIONAL REFERENCE:            PLACARDS AND MARKINGS            FOR DETAILS SEE            11-35-07-01A</p>		
350	149N6110-9	<p>. DOOR ASSY-            POSITION DATA:            LH SIDE            QUALIFIED I/W DATA:            THE 149N6110-5 DOOR            ASSEMBLY LESS (4)            BACB28AK05-030 BUSHINGS            AND (4) BACB30LE5K15            BOLTS AND (4)            BACB30VG8K42 BOLTS</p>	018106 108120 504903	1

MISSING ITEM NUMBERS NOT APPLICABLE

- ITEM NOT ILLUSTRATED

32-12-01-02

32-12-01  
 FIG. 02  
 PAGE 4  
 JAN 20/09

BRI



757

PARTS CATALOG (MAINTENANCE)

FIG ITEM	PART NUMBER	1 2 3 4 5 6 7 NOMENCLATURE	EFFECT FROM TO	UNITS PER ASSY
2		<p>AND (4) BACB30VG8K44 BOLTS AND (2) 149N6028-1 CLEAVIS AND (2) 149N6028-3 PLATES AND (1) 149N6032-11 LINK ASSEMBLY AND (1) 149N6032-12 LINK ASSEMBLY T/W (4) BACB30VG8K48 BOLTS AND (4) BACB30VG8K50 BOLTS AND (2) 149N6028-10 PLATES AND (2) 149N6032-13 LINK ASSEMBLY IS I/W THE 149N6110-9 DOOR ASSEMBLY THE 149N6110-1 DOOR ASSEMBLY LESS (4) BACB28AK05-030 BUSHINGS AND (4) BACB30LE5K15 BOLTS AND (4) BACB30VG8K42 BOLTS AND (4) BACB30VG8K44 BOLTS AND (2) 149N6028-1 CLEVIS AND (2) 149N6028-3 PLATES AND (1) 149N6110-11 LINK ASSEMBLY AND (1) 149N6032-12 LINK ASSEMBLY T/W (4) BACB30VG8K48 BOLTS AND (4) BACB30VG8K50 BOLTS AND (2) 149N6028-10 PLATES AND (2) 149N6032-13 LINK ASSEMBLIES IS I/W THE 149N6110-9 DOOR ASSEMBLY FOR SPARES PROCURE: 149N6001-9 FUNCTIONAL REFERENCE: PLACARDS AND MARKINGS FOR DETAILS SEE 11-35-07-01A</p>		
350	149N6110-11	<p>.DOOR ASSY- POSITION DATA: LH SIDE QUALIFIED I/W DATA: THE 149N6110-5 DOOR ASSEMBLY LESS (4) BACB28AK05-030 BUSHINGS</p>	018106 108120 504903	1

MISSING ITEM NUMBERS NOT APPLICABLE

- ITEM NOT ILLUSTRATED

32-12-01-02

32-12-01  
FIG. 02  
PAGE 5  
JAN 20/09

BRI



757

PARTS CATALOG (MAINTENANCE)

FIG ITEM	PART NUMBER	1 2 3 4 5 6 7	NOMENCLATURE	EFFECT FROM TO	UNITS PER ASSY
2			AND (4) BACB30LE5K15 BOLTS AND (4) BACB30VG8K42 BOLTS AND (4) BACB30VG8K44 BOLTS AND (2) 149N6028-1 CLEVIS AND (2) 149N6028-3 PLATES AND (1) 149N6032-11 LINK ASSEMBLY AND (1) 149N6032-12 LINK ASSEMBLY T/W (4) BACB30VG8K48 BOLTS AND (4) BACB30VG8K50 BOLTS AND (2) 149N6028-10 PLATES AND (2) 149N6032-13 LINK ASSEMBLIES IS I/W THE 149N6110-11 DOOR ASSEMBLY THE 149N6110-1 DOOR ASSEMBLY LESS (4) BACB28AK05-030 BUSHINGS AND (4) BACB30LEK15 BOLTS AND (4) BACB30VG8K50 BOLTS AND (4) BACB30VG8K44 BOLTS AND (2) 149N6028-1 CLEVIS AND (2) 149N6028-3 PLATES AND (1) 149N6032-11 LINK ASSEMBLY AND (1) 149N6032-12 LINK ASSEMBLY T/W (4) BACB30VG8K50 BOLTS AND AND (2) 149N6028-10 PLATES AND (2) 143N6032-13 LINK ASSEMBLIES IS I/W THE 149N6110- 11 DOOR ASSEMBLY FOR SPARES PROCURE: 149N6001-9 FUNCTIONAL REFERENCE: PLACARDS AND MARKINGS FOR DETAILS SEE 11-35-07-01A		

MISSING ITEM NUMBERS NOT APPLICABLE

- ITEM NOT ILLUSTRATED

BRI

32-12-01-02

BOEING PROPRIETARY - Copyright © - Unpublished Work - See title page for details.

32-12-01  
FIG. 02  
PAGE 6  
JAN 20/09





757

PARTS CATALOG (MAINTENANCE)

FIG ITEM	PART NUMBER	1 2 3 4 5 6 7	NOMENCLATURE	EFFECT FROM TO	UNITS PER ASSY
2 350	149N6110-13		.DOOR ASSY- POSITION DATA: LH SIDE FUNCTIONAL REFERENCE: PLACARDS AND MARKINGS FOR DETAILS SEE 11-35-07-01A	018106 108120 504903	1
350	149N6110-1		.DOOR ASSY- POSITION DATA: LH COMPONENT MAINT MANUAL REF: 32-12-04 QUALIFIED I/W DATA: THE 149N6110-1 DOOR ASSEMBLY LESS (4) BACB28AK05-030 BUSHINGS AND (4) BACB30LE5K15 BOLTS AND (4) BACB30VG8K42 BOLTS AND (4) BACB30VG8K44 BOLTS AND (2) 149N6028-1 CLEVIS AND (2) 149N6028-3 PLATES AND (1) 149N6032-11 LINK ASSEMBLY AND (1) 149N6032-12 LINK ASSEMBLY T/W (4) BACB30VG8K48 BOLTS AND (4) BACB30VG8K50 BOLTS AND (2) 149N6028-10 PLATES AND (2) 149N6032-13 LINK ASSEMBLIES IS I/W THE 149N6110-11 DOOR ASSEMBLY. THE 149N6110-5 DOOR ASSEMBLY LESS (4) BACB28AK05-030 BUSHINGS AND (4) BACB30LE5K15 BOLTS AND (4) BACB30VG8K42 BOLTS AND (4) BACB30VG8K44 BOLTS AND (2) 149N6028-1 CLEVIS AND (2) 149N6028-3 PLATES AND (1) 149N6032-11 LINK ASSEMBLY AND (1) 149N6032-12 LINK ASSEMBLY T/W (4)	006017 121503 950951 953999	1

MISSING ITEM NUMBERS NOT APPLICABLE

- ITEM NOT ILLUSTRATED

32-12-01-02

32-12-01  
FIG. 02  
PAGE 7  
JAN 20/09

BRI



757

PARTS CATALOG (MAINTENANCE)

FIG ITEM	PART NUMBER	1 2 3 4 5 6 7 NOMENCLATURE	EFFECT FROM TO	UNITS PER ASSY
2	350 149N6110-1	<p>BACB30VG8K48 BOLTS AND            (4) BACB30VG8K50 BOLTS            AND (2) 149N6028-10            PLATES AND (2)            149N6032-13 LINK            ASSEMBLIES IS I/W THE            149N6110-9 DOOR            ASSEMBLY.            THE 149N6110-1 DOOR            ASSEMBLY LESS (4)            BACB28AK05-030 BUSHINGS            AND (4) BACB30LE5K15            BOLTS AND (4)            BACB30VG8K42 BOLTS AND            (4) BACB30VG8K44 BOLTS            AND (2) 149N6028-1            CLEVIS AND (2)            149N6028-3 PLATES AND            (1) 149N6032-11 LINK            ASSEMBLY AND (1)            149N6032-12 LINK            ASSEMBLY T/W (4)            BACB30VG8K48 BOLTS AND            (4) BACB30VG8K50 BOLTS            AND (2) 149N6028-10            PLATES AND (2)            149N6032-13 LINK            ASSEMBLIES IS I/W THE            149N6110-7 DOOR            ASSEMBLY.            FOR SPARES PROCURE:            149N6001-9            FUNCTIONAL REFERENCE:            11-35-07-01A            .DOOR ASSY-            POSITION DATA:            LH SIDE            COMPONENT MAINT MANUAL REF:            32-12-04            QUALIFIED I/W DATA:            149N6002-73 DOOR AY -            MLG T/W 2EA BACW10P93A            WASHER, 2EA MS24665-153            COTTER PIN, AND 2EA            MS24665-304 COTTER PIN            I/W 149N6110-1 DOOR AY            T/W 1EA 149N6009-1 TANG            AY, 6EA 149N6041-1            FILLER, 2EA S149N600-1</p>	006017 121503 950951 953999	1

MISSING ITEM NUMBERS NOT APPLICABLE

- ITEM NOT ILLUSTRATED

BRI

32-12-01-02

BOEING PROPRIETARY - Copyright © - Unpublished Work - See title page for details.

32-12-01  
 FIG. 02  
 PAGE 8  
 JAN 20/09



757

PARTS CATALOG (MAINTENANCE)

FIG ITEM	PART NUMBER	1 2 3 4 5 6 7 NOMENCLATURE	EFFECT FROM TO	UNITS PER ASSY
2		<p>STRUT TURNBUCKLE, 20EA  BACW10BP5NDP WASHER, 6EA  BACB28AK05-28 BUSHING,  4EA BACB30LE5K16 BOLT,  2EA BACB30LE5K18 BOLT,  1EA BACB30LT3-5 BOLT,  6EA BACB3F026G042NG  FILLER, 6EA BACN10HR5CD  NUT, 3EA BACW10BP3DP  WASHER, 6EA BACW10BP5CD  WASHER, AND 6EA  BACW10BP5DP WASHER  149N6002-69 DOOR AY -  MLG T/W 2EA BACW10P93A  WASHER, 2EA MS24665-153  COTTER PIN, AND 2EA  MS24665-304 COTTER PIN  I/W 149N6110-1 DOOR AY  T/W 1EA 149N6009-1 TANG  AY, 6EA 149N6041-1  FILLER, 2EA S149N600-1  STRUT TURNBUCKLE, 20EA  BACW10BP5NDP WASHER, 6EA  BACB28AK05-28 BUSHING,  4EA BACB30LE5KA6 BOLT,  2EA BACB30LE5K18 BOLT,  1EA BACB30LT3-5 BOLT,  6EA BACF3F026G042NG  FILLER, 6EA BACN10HR5CD  NUT, 3EA BACW10BP3DP  WASHER, 6EA BACW10BP5CD  WASHER, AND 6EA  BACW10BP5DP WASHER  149N6002-58 DOOR AY -  MLG T/W 2EA BACW10P93A  WASHER, 2EA MS24665-153  COTTER PIN, AND 2EA  MS24665-304 COTTER PIN  I/W 149N6110-1 DOOR AY  T/W 1EA 149N6009-1 TANG  AY, 6EA 149N6041-1  FILLER, 2EA S149N600-1  STRUT TURNBUCKLE, 20EA  BACW10BP5NDP WASHER, 6EA  BACB28AK05-28 BUSHING,  4EA BACB30LE5K16 BOLT,  2EA BACB30LE5K18 BOLT,  1EA BACB30LT3-5 BOLT,  6EA BACF3F026G042NG</p>		

MISSING ITEM NUMBERS NOT APPLICABLE

- ITEM NOT ILLUSTRATED

32-12-01-02

32-12-01  
FIG. 02  
PAGE 9  
JAN 20/09

BRI



757

PARTS CATALOG (MAINTENANCE)

FIG ITEM	PART NUMBER	1 2 3 4 5 6 7	NOMENCLATURE	EFFECT FROM TO	UNITS PER ASSY
2			FILLER, 6EA BACN10HR5CD NUT, 3EA BACW10BP3DP WASHER, 6EA BACW10BP5CD WASHER, AND 6EA BACW10BP5DP WASHER.		
350	149N6110-1		.DOOR ASSY- POSITION DATA: LH COMPONENT MAINT MANUAL REF: 32-12-04 QUALIFIED I/W DATA: 149N6002-60 DOOR AY - MLG T/W 2EA BACW10P93A WASHER, 2EA MS24665-153 COTTER PIN, AND 2EA MS24665-304 COTTER PIN I/W 149N6110-1 DOOR AY T/W 1EA 149N6009-1 TANG AY, 6EA 149N6041-1 FILLER, 2EA S149N600-1 STRUT TURNBUCKLE, 20EA BACW10BP5NDP WASHER, 6EA BACB28AK05-28 BUSHING, 4EA BACB30LE5K16 BOLT, 2EA BACB30LE5K18 BOLT, 1EA BACB30LT3-5 BOLT, 6EA BACF3F026G042NG FILLER, 6EA BACN10HR5CD NUT 3EA BACW10BP3DP WASHER 6EA BACW10BP5CD WASHER AND 6EA BACW10BP5DP WASHER.	006017 121503 950951 953999	1
350	149N6110-5		.DOOR ASSY- POSITION DATA: LH SIDE COMPONENT MAINT MANUAL REF: 32-12-04 QUALIFIED I/W DATA: THE 149N6110-5 DOOR ASSEMBLY LESS (4) BACB28AK05-030 BUSHINGS AND (4) BACB30LE5K15 BOLTS AND (4) BACB30VG8K42 BOLTS AND (4) BACB30VG8K44 BOLTS AND (2) 149N6028-1 CLEVIS AND (2) 149N6028-3 PLATES AND (1) 149N6032-11 LINK	006017 121503 950951 953999	1

MISSING ITEM NUMBERS NOT APPLICABLE

- ITEM NOT ILLUSTRATED

32-12-01-02

32-12-01  
FIG. 02  
PAGE 10  
JAN 20/09

BRI



757

PARTS CATALOG (MAINTENANCE)

FIG ITEM	PART NUMBER	1 2 3 4 5 6 7 NOMENCLATURE	EFFECT FROM TO	UNITS PER ASSY
2		<p>ASSEMBLY AND (1)  149N6032-12 LINK  ASSEMBLY T/W (4)  BACB30VG8K48 BOLTS AND  (4) BACB30VG8K50 BOLTS  AND (2) 149N6028-10  PLATES AND (2)  149N6032-13 LINK  ASSEMBLIES IS I/W THE  149N6110-7 DOOR  ASSEMBLY  THE 149N6110-5 DOOR  ASSEMBLY LESS (4)  BACB28AK05-030 BUSHINGS  AND (4) BACB30LE5K15  BOLTS AND (4)  BACB30VG8K42 BOLTS AND  (4) BACB30VG8K44 BOLTS  AND (2) 149N6028-1  CLEVIS AND (2)  149N6028-3 PLATES AND  (1) 149N6032-11 LINK  ASSEMBLY AND (1)  149N6032-12 LINK  ASSEMBLY T/W (4)  BACB30VG8K48 BOLTS  AND (4) BACB30VG8K50  BOLTS AND (2)  149N6028-10 PLATES  AND (2) 149N6032-13  LINK ASSEMBLIES IS I/W  THE 149N6110-11 DOOR  ASSEMBLY.  THE 149N6110-5 DOOR  ASSEMBLY LESS (4)  BACB28AK05-030 BUSHINGS  AND (4) BACB30LE5K15  BOLTS AND (4)  BACB30VG8K42 BOLTS AND  (4) BACB30VG8K44 BOLTS  AND (2) 149N6028-1  CLEVIS AND (2)  149N6028-3 PLATES AND  (1) 149N6032-11 LINK  ASSEMBLY AND (1)  149N6032-12 LINK  ASSEMBLY T/W (4)  BACB30VG8K48 BOLTS AND  (4) BACB30VG8K50 BOLTS</p>		

MISSING ITEM NUMBERS NOT APPLICABLE

- ITEM NOT ILLUSTRATED

32-12-01-02

32-12-01  
FIG. 02  
PAGE 11  
JAN 20/09

BRI



757

PARTS CATALOG (MAINTENANCE)

FIG ITEM	PART NUMBER	1 2 3 4 5 6 7	NOMENCLATURE	EFFECT FROM TO	UNITS PER ASSY
2			<p>AND (2) 149N6028-10            PLATES AND (2)            149N6032-13 LINK            ASSEMBLIES IS I/W THE            149N6110-9 DOOR            ASSEMBLY.            FOR SPARES PROCURE:            149N6001-9            FUNCTIONAL REFERENCE:            PLACARDS AND MARKINGS            FOR DETAILS SEE            11-35-07-01A</p>		
350	149N6110-5	.	<p>DOOR ASSY-            POSITION DATA:            LH SIDE            COMPONENT MAINT MANUAL REF:            32-12-04            QUALIFIED I/W DATA:            149N6002-73 DOOR AY -            MLG T/W 2EA BACW10P93A            WASHER, 2EA MS24665-153            COTTER PIN, AND 2EA            MS24665-304 COTTER PIN            I/W 149N6110-5 DOOR AY            T/W 1EA 149N6009-1            TANG AY, 6EA 149N6041-1            FILLER, 2EA S149N600-1            STRUT TURNBUCKLE, 20EA            BACW10BP5NDP WASHER, 6EA            BACB28AK05-28 BUSHING,            4EA BACB30LE5K16 BOLT,            2EA BACB30LE5K18 BOLT,            1EA BACB30LT3-5 BOLT,            6EA BACF3F026G042NG            FILLER, 6EA BACN10HR5CD            NUT, 3EA BACW10BP3DP            WASHER 6EA BACW10BP5CD            AND BACW10BP5DP WASHER.            149N6002-69 DOOR AY -            MLG T/W 2EA BACW10P93A            WASHER, 2EA MS24665-153            COTTER PIN, AND 2EA            MS24665-304 COTTER PIN            I/W 149N6110-5 DOOR AY            T/W 1EA 149N6009-1 TANG            AY, 6EA 149N6041-1            FILLER, 2EA S149N600-1            STRUT TURNBUCKLE, 20EA            BACW10BP5NDP WASHER, 6EA</p>	006017 121503 950951 953999	1

MISSING ITEM NUMBERS NOT APPLICABLE

- ITEM NOT ILLUSTRATED

32-12-01-02

32-12-01  
FIG. 02  
PAGE 12  
JAN 20/09

BRI



757

PARTS CATALOG (MAINTENANCE)

FIG ITEM	PART NUMBER	1 2 3 4 5 6 7	NOMENCLATURE	EFFECT FROM TO	UNITS PER ASSY
2			BACB28AK05-28 BUSHING, 4EA BACB30LE5K16 BOLT, 2EA BACB30LE5K18 BOLT, 1EA BACB30LT3-5 BOLT, 6EA BACB3F026G042NG FILLER, 6EA BACN10HR5CD NUT, 3EA BACW10BP3DP WASHER, 6EA BACW10BP5CD WASHER, AND 6EA BACW10BP5DP WASHER 149N6002-58 DOOR AY - MLG T/W 2EA BACW10P93A WASHER, 2EA MS24665-153 COTTER PIN, AND 2EA MS24665-304 COTTER PIN I/W 149N6110-5 DOOR AY T/W 1EA 149N6009-1 TANG AY, 6EA 149N6041-1 FILLER, 2EA S149N600-1 STRUT TURNBUCKLE, 20EA BACW10BP5NDP WASHER, 6EA BACB28AK05-28 BUSHING, 4EA BACB30LE5K16 BOLT, 2EA BACB30LE5K18 BOLT, 1EA BACB30LT3-5 BOLT, 6EA BACF3F026G042NG FILLER, 6EA BACN10HR5CD NUT, 3EA BACW10BP3DP WASHER, 6EA BACW10BP5CD WASHER, AND 6EA BACW10BP5DP WASHER.		

MISSING ITEM NUMBERS NOT APPLICABLE

- ITEM NOT ILLUSTRATED

BRI

32-12-01-02

BOEING PROPRIETARY - Copyright © - Unpublished Work - See title page for details.

32-12-01  
FIG. 02  
PAGE 13  
JAN 20/09



757

PARTS CATALOG (MAINTENANCE)

FIG ITEM	PART NUMBER	1 2 3 4 5 6 7	NOMENCLATURE	EFFECT FROM TO	UNITS PER ASSY
2 350	149N6110-5		.DOOR ASSY- POSITION DATA: LH SIDE COMPONENT MAINT MANUAL REF: 32-12-04 QUALIFIED I/W DATA: 149N6002-60 DOOR AY - MLG T/W 2EA BACW10P93A WASHER, 2 EA MS24665-153 COTTER PIN, AND 2EA MS24665-304 COTTER PIN I/W 149N6110-5 DOOR AY T/W 1 EA 149N6009-1 TANG AY, 6EA 149N6041-1 FILLER, 2EA S149N600-1 STRUT TURNBUCKLE, 20EA BACW10BP5NDP WASHER, 6EA BACB28AK05-28 BUSHING, 4EA BACB30LE5K16 BOLT, 2EA BACB30LE5K18 BOLT, 1EA BACB30LT3-5 BOLT, 6EA BACF3F026G042NG FILLER, 6EA BACN10HR5CD NUT, 3EA BACW10BP3DP WASHER, 6EA BACW10BP5CD WASHER, AND 6EA BACW10BP5DP WASHER	006017 121503 950951 953999	1
- 355	149N6110-8		.DOOR ASSY- POSITION DATA: RH SIDE COMPONENT MAINT MANUAL REF: 32-12-04 QUALIFIED I/W DATA: THE 149N6110-2 DOOR ASSEMBLY LESS (4) BACB28AK05-030 BUSHINGS AND (4) BACB30LE5K15 BOLTS AND (4) BACB30VG8K42 BOLTS AND (4) BACB30VG8K44 BOLTS AND (2) 149N6028-1 CLEVIS AND (2) 149N6028-3 PLATES AND (1) 149N6032-11 LINK ASSEMBLY AND (1) 149N6032-12 LINK ASSEMBLY T/W (4) BACB30VG8K48 BOLTS AND (4) BACB30VG8K50 BOLTS	018106 108120 504903	1

MISSING ITEM NUMBERS NOT APPLICABLE

- ITEM NOT ILLUSTRATED

32-12-01-02

32-12-01  
FIG. 02  
PAGE 14  
JAN 20/09

BRI





757

PARTS CATALOG (MAINTENANCE)

FIG ITEM	PART NUMBER	1 2 3 4 5 6 7 NOMENCLATURE	EFFECT FROM TO	UNITS PER ASSY
2		<p>AND (2) 149N6028-10            PLATES AND (2)            149N6032-13 LINK            ASSEMBLIES IS I/W THE            149N6110-8 DOOR ASSEMBLY            THE 149N6110-6 DOOR            ASSEMBLY LESS (4)            BACB28AK05-030 BUSHINGS            AND (4) BACB30LE5K15            BOLTS AND (4)            BACB30VG8K42 BOLTS AND            (4) BACB30VG8K44 BOLTS            AND (2) 149N6028-1            CLEVIS AND (2)            149N6028-3 PLATES AND            (1) 149N6032-11 LINK            ASSEMBLY AND (1)            149N6032-12 LINK            ASSEMBLY T/W (4)            BACB30VG8K48 BOLTS AND            (4) BACB30VG8K50 BOLTS            AND (2) 149N6028-10            PLATES AND (2)            149N6032-13 LINK            ASSEMBLIES IS I/W THE            149N6110-8 DOOR            ASSEMBLY.            FOR SPARES PROCURE:            149N6001-10            FUNCTIONAL REFERENCE:            PLACARDS AND MARKINGS            FOR DETAILS SEE            11-35-07-01A</p>		
- 355	149N6110-10	<p>.DOOR ASSY-            POSITION DATA:            RH SIDE            QUALIFIED I/W DATA:            THE 149N6110-2 DOOR            ASSEMBLY LESS (4)            BACB28AK05-030 BUSHINGS            AND (4) BACB30LE5K15            BOLTS AND (4)            BACB30VG8K44 BOLTS AND            (4) BACB30VG8K42 BOLTS            AND (2) 149N6028-1            CLEVIS AND (2)            149N6028-3 PLATES AND            (1) 149N6032-11 LINK            ASSEMBLY AND (1)</p>	018106 108120 504903	1

MISSING ITEM NUMBERS NOT APPLICABLE

- ITEM NOT ILLUSTRATED

32-12-01-02

32-12-01  
FIG. 02  
PAGE 15  
JAN 20/09

BRI



757

PARTS CATALOG (MAINTENANCE)

FIG ITEM	PART NUMBER	1 2 3 4 5 6 7 NOMENCLATURE	EFFECT FROM TO	UNITS PER ASSY
2		<p>149N6032-12 LINK            ASSEMBLY T/W (4)            BACB30VG8K48 BOLTS AND            (4) BACB30VG8K50 BOLTS            AND (2) 149N6028-10            PLATES AND (2)            149N6032-13 LINK            ASSEMBLIES IS I/W THE            149N6110-10 DOOR            ASSEMBLY            THE 149N6110-6 DOOR            ASSEMBLY LESS (4)            BACB28AK05-030 BUSHINGS            AND (4) BACB30LE5K15            BOLTS AND (4)            BACB30VG8K42 BOLTS AND            (4) BACB30VG8K44 BOLTS            AND (2) 149N6028-1            CLEVIS AND (2)            149N6028-3 PLATES AND            (1) 149N6032-11 LINK            ASSEMBLY AND (1)            149N6032-12 LINK            ASSEMBLY T/W (4)            BACB30VG8K48 BOLTS AND            (4) BACB30VG8H50 BOLTS            AND (2) 149N6028-10            PLATES AND (2)            149N6032-13 LINK            ASSEMBLIES IS I/W THE            149N6110-10            FOR SPARES PROCURE:            149N6001-10            FUNCTIONAL REFERENCE:            PLACARDS AND MARKINGS            FOR DETAILS SEE            11-35-07-01A</p>		
- 355	149N6110-12	<p>.DOOR ASSY-            POSITION DATA:            RH SIDE            QUALIFIED I/W DATA:            THE 149N6110-2 DOOR            ASSEMBLY LESS (4)            BACB28AK05-030 BUSHINGS            AND (4) BACB30LE5K15            BOLTS AND (4)            BACB30VG8K42 BOLTS AND            (4) BACB30VG8K44 BOLTS            AND (2) 149N6028-1</p>	018106 108120 504903	1

MISSING ITEM NUMBERS NOT APPLICABLE

- ITEM NOT ILLUSTRATED

32-12-01-02

32-12-01  
 FIG. 02  
 PAGE 16  
 JAN 20/09

BRI



757

PARTS CATALOG (MAINTENANCE)

FIG ITEM	PART NUMBER	1 2 3 4 5 6 7 NOMENCLATURE	EFFECT FROM TO	UNITS PER ASSY
2		<p>CLEVIS AND (2)            149N6028-3 PLATES AND            (1) 149N6032-11 LINK            ASSEMBLY AND (1)            149N6032-12 LINK            ASSEMBLY T/W (4)            BACB30VG8K48 BOLTS AND            (4) BACB30VG8K50 BOLTS            AND (2) 149N6028-10            PLATES AND (2)            149N6032-13 LINK            ASSEMBLIES IS I/W THE            149N6110-12 DOOR            ASSEMBLY            THE 149N6110-6 DOOR            ASSEMBLY LESS (4)            BACB28AK05-030 BUSHINGS            AND (4) BACB30LE5K15            BOLTS AND (4)            BACB30VG8K42 BOLTS AND            (4) BACB30VG8K44 BOLTS            AND (2) 149N6028-1            CLEVIS AND (2)            149N6028-3 PLATES AND            (1) 149N6032-11 LINK            ASSEMBLY AND (1)            149N6032-12 LINK            ASSEMBLY T/W (4)            BACB30VG8K48 BOLTS AND            (4) BACB30VG8K50 BOLTS            AND (2) 149N6028-10            PLATES AND (2)            149N6032-13 LINK            ASSEMBLIES IS I/W THE            149N6110-12 DOOR            ASSEMBLY            FOR SPARES PROCURE:            149N6001-10            FUNCTIONAL REFERENCE:            PLACARDS AND MARKINGS            FOR DETAILS SEE            11-35-07-01A</p>		
- 355	149N6110-14	<p>.DOOR ASSY-            POSITION DATA:            RH SIDE            FUNCTIONAL REFERENCE:            PLACARDS AND MARKINGS            FOR DETAILS SEE            11-35-07-01A</p>	<p>018106            108120            504903</p>	1

MISSING ITEM NUMBERS NOT APPLICABLE

- ITEM NOT ILLUSTRATED

32-12-01-02

32-12-01  
 FIG. 02  
 PAGE 17  
 JAN 20/09

BRI



757

PARTS CATALOG (MAINTENANCE)

FIG ITEM	PART NUMBER	1 2 3 4 5 6 7 NOMENCLATURE	EFFECT FROM TO	UNITS PER ASSY
2 - 355	149N6110-2	.DOOR ASSY- POSITION DATA: RH SIDE COMPONENT MAINT MANUAL REF: 32-12-04 QUALIFIED I/W DATA: THE 149N6110-2 DOOR ASSEMBLY LESS (4) BACB28AK05-030 BUSHINGS AND (4) BACB30LE5K15 BOLTS AND (4) BACB30VG8K42 BOLTS AND (4) BACB30VG8K44 BOLTS AND (2) 149N6028-1 CLEVIS AND (2) 149N6028-3 PLATES AND (1) 149N6032-11 LINK ASSEMBLY AND (1) 149N6032-12 LINK ASSEMBLY T/W (4) BACB30VG8K48 BOLTS AND (4) BACB30VG8K50 BOLTS AND (2) 149N6028-10 PLATES AND (2) 149N6032-13 LINK ASSEMBLIES IS I/W THE 149N6110-12 DOOR ASSEMBLY. THE 149N6110-2 DOOR ASSEMBLY LESS (4) BACB28AK05-030 BUSHINGS AND (4) BACB30LE5K15 BOLTS AND (4) BACB30VG8K42 BOLTS AND (4) BACB30VG8K44 BOLTS AND (2) 149N6028-1 CLEVIS AND (2) 149N6028-3 PLATES AND (1) 149N6032-11 LINK ASSEMBLY AND (1) 149N6032-12 LINK ASSEMBLY T/W (4) BACB30VG8K48 BOLTS AND (4) BACB30VG8K50 BOLTS AND (2) 149N6028-10 PLATES AND (2) 149N6032-13 LINK ASSEMBLIES IS I/W THE 149N6110-10 DOOR  MISSING ITEM NUMBERS NOT APPLICABLE	006017 121503 950951 953999	1

- ITEM NOT ILLUSTRATED

32-12-01-02

32-12-01  
FIG. 02  
PAGE 18  
JAN 20/09

BRI

 **BOEING**  
757  
**PARTS CATALOG (MAINTENANCE)**

FIG ITEM	PART NUMBER	1 2 3 4 5 6 7	NOMENCLATURE	EFFECT FROM TO	UNITS PER ASSY
2			ASSEMBLY. THE 149N6110-2 DOOR ASSEMBLY LESS (4) BACB28AK05-030 BUSHINGS AND (4) BACB30LE5K15 BOLTS AND (4) BACB30VG8K42 BOLTS AND (4) BACB30VG8K44 BOLTS AND (2) 149N6028-1 CLEVIS AND (2) 149N6028-3 PLATES AND (1) 149N6032-11 LINK ASSEMBLY AND (1) 149N6032-12 LINK ASSEMBLY T/W (4) BACB30VG8K48 BOLTS AND (4) BACB30VG8K50 BOLTS AND (2) 149N6028-10 PLATES AND (2) 149N6032-13 LINK ASSEMBLIES IS I/W THE 149N6110-8 DOOR ASSEMBLY. FOR SPARES PROCURE: 149N6001-9 FUNCTIONAL REFERENCE: 11-35-07-01A .DOOR ASSY- POSITION DATA: RH SIDE COMPONENT MAINT MANUAL REF: 32-12-04 QUALIFIED I/W DATA: 149N6002-74 DOOR AY - MLG T/W 2EA BACW10P93A WASHER, 2EA MS24665-153 COTTER PIN, AND 2EA MS24665-304 COTTER PIN I/W 149N6110-2 DOOR AY T/W 1EA 149N6009-2 TANG AY, 6EA 149N6041-1 FILLER, 2EA S149N600-1 STRUT TURNBUCKLE, 20EA BACW10BP5NDP WASHER, 6EA BACB28AK05-28 BUSHING, 4EA BACB30LE5K16 BOLT, 2EA BACB30LE5K18 BOLT, 1EA BACB30LT3-5 BOLT, 6EA BACB3F026G042NG		
- 355	149N6110-2		.DOOR ASSY- POSITION DATA: RH SIDE COMPONENT MAINT MANUAL REF: 32-12-04 QUALIFIED I/W DATA: 149N6002-74 DOOR AY - MLG T/W 2EA BACW10P93A WASHER, 2EA MS24665-153 COTTER PIN, AND 2EA MS24665-304 COTTER PIN I/W 149N6110-2 DOOR AY T/W 1EA 149N6009-2 TANG AY, 6EA 149N6041-1 FILLER, 2EA S149N600-1 STRUT TURNBUCKLE, 20EA BACW10BP5NDP WASHER, 6EA BACB28AK05-28 BUSHING, 4EA BACB30LE5K16 BOLT, 2EA BACB30LE5K18 BOLT, 1EA BACB30LT3-5 BOLT, 6EA BACB3F026G042NG	006017 121503 950951 953999	1

MISSING ITEM NUMBERS NOT APPLICABLE

- ITEM NOT ILLUSTRATED

BRI

# 32-12-01-02

BOEING PROPRIETARY - Copyright © - Unpublished Work - See title page for details.

32-12-01  
FIG. 02  
PAGE 19  
JAN 20/09



757

PARTS CATALOG (MAINTENANCE)

FIG ITEM	PART NUMBER	1 2 3 4 5 6 7 NOMENCLATURE	EFFECT FROM TO	UNITS PER ASSY
2		<p>FILLER, 6EA BACN10HR5CD            NUT, 3EA BACW10BP3DP            WASHER, 6EA BACW10BP5CD            WASHER, AND 6EA            BACW10BP5DP WASHER            149N6002-70 DOOR AY -            MLG T/W 2EA BACW10P93A            WASHER, 2EA MS24665-153            COTTER PIN, AND 2EA            MS24665-304 COTTER PIN            I/W 149N6110-2 DOOR AY            T/W 1EA 149N6009-2 TANG            AY, 6EA 149N6041-1            FILLER, 2EA S149N600-1            STRUT TURNBUCKLE, 20EA            BACW10BP5NDP WASHER, 6EA            BACB28AK05-28 BUSHING,            4EA BACB30LE5KA6 BOLT,            2EA BACB30LE5K18 BOLT,            1EA BACB30LT3-5 BOLT,            6EA BACF3F026G042NG            FILLER, 6EA BACN10HR5CD            FILLER, 6EA BACN10HR5CD,            3EA BACW10BP3DP WASHER,            6EA BACW10BP5CD WASHER,            AND 6EA BACW10BP5DP            WASHER.            149N6002-59 DOOR AY -            MLG T/W 2EA BACW10P93A            WASHER, 2EA MS24665-153            COTTER PIN, AND 2EA            MS24665-304 COTTER PIN            I/W 149N6110-2 DOOR AY            T/W 1EA 149N6009-2 TANG            AY, 6EA 149N6041-1            FILLER, 2EA S149N600-1            STRUT TURNBUCKLE, 20EA            BACW10BP5NDP WASHER, 6EA            BACB28AK05-28 BUSHING,            4EA BACB30LE5K16 BOLT,            2EA BACB30LE5K18 BOLT,            1EA BACB30LT3-5 BOLT,            6EA BACF3F026G042NG            FILLER, 6EA BACN10HR5CD            NUT, 3EA BACW10BP3DP            WASHER, 6EA BACW10BP5CD            WASHER, AND 6EA            BACW10BP5DP WASHER.</p>		

MISSING ITEM NUMBERS NOT APPLICABLE

- ITEM NOT ILLUSTRATED

32-12-01-02

BRI

BOEING PROPRIETARY - Copyright © - Unpublished Work - See title page for details.

32-12-01  
 FIG. 02  
 PAGE 20  
 JAN 20/09



757

PARTS CATALOG (MAINTENANCE)

FIG ITEM	PART NUMBER	1 2 3 4 5 6 7	NOMENCLATURE	EFFECT FROM TO	UNITS PER ASSY
2 - 355	149N6110-2		.DOOR ASSY- POSITION DATA: RH SIDE COMPONENT MAINT MANUAL REF: 32-12-04 QUALIFIED I/W DATA: 149N6002-61 DOOR AY - MLG T/W 2EA BACW10P93A WASHER, 2EA MS24665-153 COTTER PIN, AND 2EA MS24665-304 COTTER PIN I/W 149N6110-2 DOOR AY T/W 1EA 149N6009-2 TANG AY, 6EA 149N6041-1 FILLER, 2EA S149N600-1 STRUT TURNBUCKLE, 20EA BACW10BP5NDP WASHER, 6EA BACB28AK05-28 BUSHING, 4EA BACB30LE5K16 BOLT, 2EA BACB30LE5K18 BOLT, 1EA BACB30LT3-5 BOLT, 6EA BACF3F026G042NG FILLER, 6EA BACN10HR5CD NUT 3EA BACW10BP3DP WASHER 6EA BACW10BP5CD WASHER AND 6EA BACW10BP5DP WASHER.	006017 121503 950951 953999	1
- 355	149N6110-6		.DOOR ASSY- POSITION DATA: RH SIDE COMPONENT MAINT MANUAL REF: 32-12-04 QUALIFIED I/W DATA: THE 149N6110-6 DOOR ASSEMBLY LESS (4) BACB28AK05-030 BUSHINGS AND (4) BACB30LE5K15 BOLTS AND (4) BACB30VG8K42 BOLTS AND (4) BACB30VG8K44 BOLTS AND (2) 149N6028-1 CLEVIS AND (2) 149N6028-3 PLATES AND (1) 149N6032-11 LINK ASSEMBLY AND (1) 149N6032-12 LINK ASSEMBLY T/W (4) BACB30VG8K48 BOLTS AND (4) BACB30VG8K50 BOLTS	006017 121503 950951 953999	1

MISSING ITEM NUMBERS NOT APPLICABLE

- ITEM NOT ILLUSTRATED

32-12-01-02

32-12-01  
FIG. 02  
PAGE 21  
JAN 20/09

BRI



757

PARTS CATALOG (MAINTENANCE)

FIG ITEM	PART NUMBER	1 2 3 4 5 6 7 NOMENCLATURE	EFFECT FROM TO	UNITS PER ASSY
2		<p>AND (2) 149N6028-10            PLATES AND (2)            149N6032-13 LINK            ASSEMBLIES IS I/W THE            149N6110-8 DOOR            ASSEMBLY            THE 149N6110-6 DOOR            ASSEMBLY LESS (4)            BACB28AK05-030 BUSHINGS            AND (4) BACB30LE5K15            BOLTS AND (4)            BACB30VG8K42 BOLTS AND            (4) BACB30VG8K44 BOLTS            AND (2) 149N6028-1            CLEVIS AND (2)            149N6028-3 PLATES AND            (1) 149N6032-11 LINK            ASSEMBLY AND (1)            149N6032-12 LINK            ASSEMBLY T/W (4)            BACB30VG8K48 BOLTS            AND (4) BACB30VG8K50            BOLTS AND (2)            149N6028-10 PLATES            AND (2) 149N6032-13            LINK ASSEMBLIES IS I/W            THE 149N6110-12 DOOR            ASSEMBLY.            THE 149N6110-6 DOOR            ASSEMBLY LESS (4)            BACB28AK05-030 BUSHINGS            AND (4) BACB30LE5K15            BOLTS AND (4)            BACB30VG8K42 BOLTS AND            (4) BACB30VG8K44 BOLTS            AND (2) 149N6028-1            CLEVIS AND (2)            149N6028-3 PLATES AND            (1) 149N6032-11 LINK            ASSEMBLY AND (1)            149N6032-12 LINK            ASSEMBLY T/W (4)            BACB30VG8K48 BOLTS AND            (4) BACB30VG8K50 BOLTS            AND (2) 149N6028-10            PLATES AND (2)            149N6032-13 LINK            ASSEMBLIES IS I/W THE            149N6110-10 DOOR</p>		

MISSING ITEM NUMBERS NOT APPLICABLE

- ITEM NOT ILLUSTRATED

32-12-01-02

32-12-01  
 FIG. 02  
 PAGE 22  
 JAN 20/09

BRI





757

PARTS CATALOG (MAINTENANCE)

FIG ITEM	PART NUMBER	1 2 3 4 5 6 7	NOMENCLATURE	EFFECT FROM TO	UNITS PER ASSY
2			ASSEMBLY. FOR SPARES PROCURE: 149N6001-9 FUNCTIONAL REFERENCE: PLACARDS AND MARKINGS FOR DETAILS SEE 11-35-07-01A		
- 355	149N6110-6		.DOOR ASSY- POSITION DATA: RH SIDE COMPONENT MAINT MANUAL REF: 32-12-04 QUALIFIED I/W DATA: 149N6002-74 DOOR AY - MLG T/W 2EA BACW10P93A WASHER, 2EA MS24665-153 COTTER PIN, AND 2EA MS24665-304 COTTER PIN I/W 149N6110-6 DOOR AY T/W 1EA 149N6009-1 TANG AY, 6EA 149N6041-1 FILLER, 2EA S149N600-1 STRUT TURNBUCKLE, 20EA BACW10BP5NDP WASHER, 6EA BACB28AK05-28 BUSHING, 4EA BACB30LE5K16 BOLT, 2EA BACB30LE5K18 BOLT, 1EA BACB30LT3-5 BOLT, 6EA BACF3F026G042NG FILLER, 6EA BACN10HR5CD NUT, 3EA BACW10BP3DP WASHER 6EA BACW10BP5CD AND BACW10BP5DP WASHER. 149N6002-70 DOOR AY - MLG T/W 2EA BACW10P93A WASHER, 2EA MS24665-153 COTTER PIN, AND 2EA MS24665-304 COTTER PIN I/W 149N6110-6 DOOR AY T/W 1EA 149N6009-1 TANG AY, 6EA 149N6041-1 FILLER, 2EA S149N600-1 STRUT TURNBUCKLE, 20EA BACW10BP5NDP WASHER, 6EA BACB28AK05-28 BUSHING, 4EA BACB30LE5K16 BOLT, 2EA BACB30LE5K18 BOLT, 1EA BACB30LT3-5 BOLT, 6EA BACB3F026G042NG	006017 121503 950951 953999	1
MISSING ITEM NUMBERS NOT APPLICABLE					

- ITEM NOT ILLUSTRATED

# 32-12-01-02

32-12-01  
FIG. 02  
PAGE 23  
JAN 20/09

BRI



757

**PARTS CATALOG (MAINTENANCE)**

FIG ITEM	PART NUMBER	1 2 3 4 5 6 7 NOMENCLATURE	EFFECT FROM TO	UNITS PER ASSY
2		FILLER, 6EA BACN10HR5CD NUT, 3EA BACW10BP3DP WASHER, 6EA BACW10BP5CD WASHER, AND 6EA BACW10BP5DP WASHER 149N6002-59 DOOR AY - MLG T/W 2EA BACW10P93A WASHER, 2EA MS24665-153 COTTER PIN, AND 2EA MS24665-304 COTTER PIN I/W 149N6110-6 DOOR AY T/W 1EA 149N6009-1 TANG AY, 6EA 149N6041-1 FILLER, 2EA S149N600-1 STRUT TURNBUCKLE, 20EA BACW10BP5NDP WASHER, 6EA BACB28AK05-28 BUSHING, 4EA BACB30LE5K16 BOLT, 2EA BACB30LE5K18 BOLT, 1EA BACB30LT3-5 BOLT, 6EA BACF3F026G042NG FILLER, 6EA BACN10HR5CD NUT, 3EA BACW10BP3DP WASHER, 6EA BACW10BP5CD WASHER, AND 6EA BACW10BP5DP WASHER.		

MISSING ITEM NUMBERS NOT APPLICABLE

- ITEM NOT ILLUSTRATED

**32-12-01-02**

32-12-01  
 FIG. 02  
 PAGE 24  
 JAN 20/09

BRI



757

PARTS CATALOG (MAINTENANCE)

FIG ITEM	PART NUMBER	1 2 3 4 5 6 7	NOMENCLATURE	EFFECT FROM TO	UNITS PER ASSY
2 - 355	149N6110-6		. DOOR ASSY- POSITION DATA: RH SIDE COMPONENT MAINT MANUAL REF: 32-12-04 QUALIFIED I/W DATA: 149N6002-61 DOOR AY - MLG T/W 2EA BACW10P93A WASHER, 2 EA MS24665-153 COTTER PIN, AND 2EA MS24665-304 COTTER PIN I/W 149N6110-6 DOOR AY T/W 1 EA 149N6009-1 TANG AY, 6EA 149N6041-1 FILLER, 2EA S149N600-1 STRUT TURNBUCKLE, 20EA BACW10BP5NDP WASHER, 6EA BACB28AK05-28 BUSHING, 4EA BACB30LE5K16 BOLT, 2EA BACB30LE5K18 BOLT, 1EA BACB30LT3-5 BOLT, 6EA BACF3F026G042NG FILLER, 6EA BACN10HR5CD NUT, 3EA BACW10BP3DP WASHER, 6EA BACW10BP5CD WASHER, AND 6EA BACW10BP5DP WASHER	006017 121503 950951 953999	1
366	940CW21-10		.. JUMPER ASSY SUPPLIER CODE: V91812 SPECIFICATION NUMBER: BACJ40AB21-10 OPTIONAL PART: 100221-10 V1FF12 RBEJ40AB21-10 V1GK47 ATTACHING PARTS	006106 108903 950951 953999	1
- 368	BACB30LT3-5		.. BOLT	006106 108903 950951 953999	1
- 371	BACW10BP3DP		.. WASHER	006106 108903 950951 953999	3

MISSING ITEM NUMBERS NOT APPLICABLE

- ITEM NOT ILLUSTRATED

32-12-01-02

32-12-01  
FIG. 02  
PAGE 25  
JAN 20/09

BRI



757

PARTS CATALOG (MAINTENANCE)

FIG ITEM	PART NUMBER	1 2 3 4 5 6 7	NOMENCLATURE	EFFECT FROM TO	UNITS PER ASSY
2 - 372	PLH53CD		..NUT SUPPLIER CODE: VF0224 SPECIFICATION NUMBER: BACN10YR3CD OPTIONAL PART: H52732-3CD V15653 -----*-----	006106 108903 950951 953999	1
373	BACB30VG10K61		..BOLT- OPTIONAL PART: BACB30VG10K57	006106 108903 950951 953999	6
373	HL86010K57		..BOLT- SUPPLIER CODE: V56878 SPECIFICATION NUMBER: BACB30VG10K57 OPTIONAL PART: HL86010K57 V0PTK6 HL86010K57 V73197 HL86010K57 V92215 L86010K57 V06725 HL86010K57 V97928 BACB30VG10K61	006106 108903 950951 953999	6
375	BACB30VG10K41		..BOLT	006106 108903 950951 953999	28
380	BACB30VG10K52		..BOLT	006106 108903 950951 953999	2

MISSING ITEM NUMBERS NOT APPLICABLE

- ITEM NOT ILLUSTRATED

32-12-01-02

32-12-01  
FIG. 02  
PAGE 26  
JAN 20/09

BRI



757

PARTS CATALOG (MAINTENANCE)

FIG ITEM	PART NUMBER	1 2 3 4 5 6 7	NOMENCLATURE	EFFECT FROM TO	UNITS PER ASSY
2 385	HL86010K32	..	BOLT SUPPLIER CODE: V56878 SPECIFICATION NUMBER: BACB30VG10K32 OPTIONAL PART: HL86010K32 V73197 HL86010K32 VOPTK6 HL86010K32 V92215 L86010K32 V06725 HL86010K32 V97928	006106 108903 950951 953999	2
390	BACB30VG10K9	..	BOLT	006106 108903 950951 953999	2
395	BACW10BP5DP	..	WASHER	006106 108903 950951 953999	40
400	PLH55CD	..	NUT SUPPLIER CODE: VF0224 SPECIFICATION NUMBER: BACN10YR5CD OPTIONAL PART: H52732-5CD V15653	006106 108903 950951 953999	40
405	BACF33C100-075G	..	FILLER-RADIUS	006106 108903 950951 953999	8
410	149N6015-1	..	STRONGBACK ASSY	006106 108903 950951 953999	1
415	BACB30LE6K12	..	BOLT-	006106 108903 950951 953999	1
420	BACB30LE5K10	..	BOLT-	006106 108903 950951 953999	1

MISSING ITEM NUMBERS NOT APPLICABLE

- ITEM NOT ILLUSTRATED

32-12-01-02

32-12-01  
FIG. 02  
PAGE 27  
JAN 20/09

BRI



757

PARTS CATALOG (MAINTENANCE)

FIG ITEM	PART NUMBER	1 2 3 4 5 6 7	NOMENCLATURE	EFFECT FROM TO	UNITS PER ASSY
2					
425	BACB30LE4K14	..	BOLT	006106 108903 950951 953999	1
430	BACB30LE4K12	..	BOLT	006106 108903 950951 953999	1
435	BACB30LE5K11	..	BOLT	006106 108903 950951 953999	2
440	BACB30LE6K13	..	BOLT	006106 108903 950951 953999	2
445	BACW10BP4CD	..	WASHER	006106 108903 950951 953999	1
450	BACW10BP4DP	..	WASHER	006106 108903 950951 953999	3
455	BACW10BP5DP	..	WASHER	006106 108903 950951 953999	3
460	BACW10BP6DP	..	WASHER	006106 108903 950951 953999	3
465	NAS1805-4L	..	NUT	006106 108903 950951 953999	2
470	NAS1805-5L	..	NUT	006106 108903 950951 953999	3
475	NAS1805-6L	..	NUT	006106 108903 950951 953999	3

MISSING ITEM NUMBERS NOT APPLICABLE

- ITEM NOT ILLUSTRATED

32-12-01-02

32-12-01  
FIG. 02  
PAGE 28  
JAN 20/09

BRI

BOEING PROPRIETARY - Copyright © - Unpublished Work - See title page for details.



757

PARTS CATALOG (MAINTENANCE)

FIG ITEM	PART NUMBER	1 2 3 4 5 6 7	NOMENCLATURE	EFFECT FROM TO	UNITS PER ASSY
2 485	940CW22-9	..	JUMPER ASSY SUPPLIER CODE: V91812 SPECIFICATION NUMBER: BACJ40AB22-9 OPTIONAL PART: 100222-9 V1FF12 RBEJ40AB22-9 V1GK47	006106 108903 950951 953999	1
490	149N6006-4	..	HINGE ASSY-FITTING POSITION DATA: CENTER	006106 108903 950951 953999	1
491	BACB28AM09B042	...	BUSHING	006106 108903 950951 953999	4
492	MS15001-3	...	FITTING	006106 108903 950951 953999	2
493	149N6006-5	...	FITTING	006106 108903 950951 953999	1
495	BACB30VF3K36	..	BOLT	006106 108903 950951 953999	2
500	BACB30VF3K55	..	BOLT	006106 108903 950951 953999	1
505	BACW10BP3DP	..	WASHER	006106 108903 950951 953999	2

MISSING ITEM NUMBERS NOT APPLICABLE

- ITEM NOT ILLUSTRATED

32-12-01-02

32-12-01  
FIG. 02  
PAGE 29  
JAN 20/09

BRI



757

PARTS CATALOG (MAINTENANCE)

FIG ITEM	PART NUMBER	1 2 3 4 5 6 7	NOMENCLATURE	EFFECT FROM TO	UNITS PER ASSY
2 510	K29913-3		.. WASHER SUPPLIER CODE: V15653 SPECIFICATION NUMBER: BACW10CA3CC OPTIONAL PART: 70191-3 V56878 922008-3 V60119 942008-3 V60119	006106 108903 950951 953999	1
515	K29646-3		.. WASHER SUPPLIER CODE: V15653 SPECIFICATION NUMBER: BACW10CA3CV OPTIONAL PART: 70188-3 V56878 922007-3 V60119 942007-3 V60119	006106 108903 950951 953999	1
520	PLH53CD		.. NUT SUPPLIER CODE: VF0224 SPECIFICATION NUMBER: BACN10YR3CD OPTIONAL PART: H52732-3CD V15653	006106 108903 950951 953999	3
525	149N6033-1		.. CHANNEL-HEAT SHIELD POSITION DATA: LH SIDE	006106 108903 950951 953999	1
- 530	149N6033-2		.. CHANNEL-HEAT SHIELD POSITION DATA: RH SIDE	006106 108903 950951 953999	1

MISSING ITEM NUMBERS NOT APPLICABLE

- ITEM NOT ILLUSTRATED

32-12-01-02

32-12-01  
FIG. 02  
PAGE 30  
JAN 20/09

BRI





757

PARTS CATALOG (MAINTENANCE)

FIG ITEM	PART NUMBER	1 2 3 4 5 6 7	NOMENCLATURE	EFFECT FROM TO	UNITS PER ASSY
2 535	HL8608K57	..	BOLT SUPPLIER CODE: V56878 SPECIFICATION NUMBER: BACB30VG8K57 OPTIONAL PART: HL8608K57 V73197 HL8608K57 VOPTK6 HL8608K57 V92215 L8608K57 V06725 HL8608K57 V97928	006106 108903 950951 953999	8
540	BACB30VG8K53	..	BOLT	006106 108903 950951 953999	4
545	HL8608K37	..	BOLT SUPPLIER CODE: V56878 SPECIFICATION NUMBER: BACB30VG8K37 OPTIONAL PART: HL8608K37 V73197 HL8608K37 VOPTK6 HL8608K37 V92215 L8608K37 V06725 HL8608K37 V97928	006106 108903 950951 953999	4

MISSING ITEM NUMBERS NOT APPLICABLE

- ITEM NOT ILLUSTRATED

BRI

32-12-01-02

BOEING PROPRIETARY - Copyright © - Unpublished Work - See title page for details.

32-12-01  
FIG. 02  
PAGE 31  
JAN 20/09



757

PARTS CATALOG (MAINTENANCE)

FIG ITEM	PART NUMBER	1 2 3 4 5 6 7	NOMENCLATURE	EFFECT FROM TO	UNITS PER ASSY
2 550	HL8608K21	..	BOLT SUPPLIER CODE: V56878 SPECIFICATION NUMBER: BACB30VG8K21 OPTIONAL PART: HL8608K21 V73197 HL8608K21 VOPTK6 L8608K21 V06725 HL8608K21 V97928 HL8608K21 V06725	006106 108903 950951 953999	4
555	HL8608K12	..	BOLT SUPPLIER CODE: V56878 SPECIFICATION NUMBER: BACB30VG8K12 OPTIONAL PART: HL8608K12 V73197 HL8608K12 VOPTK6 HL8608K12 V97928 HL8608K12 V06725 L8608K12 V06725	006106 108903 950951 953999	2
560	BACB30VG8K10	..	BOLT	006106 108903 950951 953999	2
565	BACW10BP4DP	..	WASHER	006106 108903 950951 953999	26
570	PLH54CD	..	NUT SUPPLIER CODE: VF0224 SPECIFICATION NUMBER: BACN10YR4CD OPTIONAL PART: H52732-4CD V15653	006106 108903 950951 953999	24

MISSING ITEM NUMBERS NOT APPLICABLE

- ITEM NOT ILLUSTRATED

32-12-01-02

32-12-01  
FIG. 02  
PAGE 32  
JAN 20/09

BRI



757

PARTS CATALOG (MAINTENANCE)

FIG ITEM	PART NUMBER	1 2 3 4 5 6 7	NOMENCLATURE	EFFECT FROM TO	UNITS PER ASSY
2	575 940CW22-9		.. JUMPER ASSY SUPPLIER CODE: V91812 SPECIFICATION NUMBER: BACJ40AB22-9 OPTIONAL PART: 100222-9 V1FF12 RBEJ40AB22-9 V1GK47	006106 108903 950951 953999	2
580	BACB30MY8K		.. BOLT- SIZE DETERMINED ON INSTL.	006106 108903 950951 953999	4
585	BACB30MY10K		.. BOLT- SIZE DETERMINED ON INSTL.	006106 108903 950951 953999	4
588	HL79-8		.. COLLAR- SUPPLIER CODE: V5M902 SPECIFICATION NUMBER: BACC30M8 OPTIONAL PART: HL79-8 V73197 HL79-8 V92215 66014-8 V56878 HL79-8 V56878	006106 108903 950951 953999	4
589	HL79-10		.. COLLAR- SUPPLIER CODE: V5M902 SPECIFICATION NUMBER: BACC30M10 OPTIONAL PART: HL79-10 V73197 HL79-10 V92215 66014-10 V56878 HL79-10 V56878	006106 108903 950951 953999	4

MISSING ITEM NUMBERS NOT APPLICABLE

- ITEM NOT ILLUSTRATED

32-12-01-02

32-12-01  
FIG. 02  
PAGE 33  
JAN 20/09

BRI



757

PARTS CATALOG (MAINTENANCE)

FIG ITEM	PART NUMBER	1 2 3 4 5 6 7	NOMENCLATURE	EFFECT FROM TO	UNITS PER ASSY
2					
590	149N6026-1		..HINGE ASSY-FITTING OPTIONAL PART: 149N6026-3 USED ON: 149N6110-1 149N6110-2 149N6110-5 149N6110-6 149N6110-7 149N6110-8 149N6110-9 149N6110-10	006106 108903 950951 953999	2
590	149N6026-3		..HINGE ASSY-FITTING OPTIONAL PART: 149N6026-1 USED ON: 149N6110-11 149N6110-12	006106 108903 950951 953999	2
590	149N6026-5		..HINGE ASSY-FITTING USED ON: 149N6110-13 149N6110-14	006106 108903 950951 953999	2
595	149N6027-1		..HINGE ASSY- OPTIONAL PART: 149N6027-4	006102 108903 950951 953999	2
595	149N6027-4		..HINGE ASSY- OPTIONAL PART: 149N6027-1	006106 108903 950951 953999	2
596	BACB28AM06B020A		...BUSHING	006106 108903 950951 953999	4
597	MS21209F4-10L		...INSERT	006106 108903 950951 953999	2
600	MS15001-1		...FITTING- OPTIONAL PART: MS15001-3	006106 108903 950951 953999	2
600	MS15001-3		...FITTING- OPTIONAL PART: MS15001-1	006106 108903 950951 953999	2

MISSING ITEM NUMBERS NOT APPLICABLE

- ITEM NOT ILLUSTRATED

32-12-01-02

32-12-01  
FIG. 02  
PAGE 34  
JAN 20/09

BRI

BOEING PROPRIETARY - Copyright © - Unpublished Work - See title page for details.



757

PARTS CATALOG (MAINTENANCE)

FIG ITEM	PART NUMBER	1 2 3 4 5 6 7	NOMENCLATURE	EFFECT FROM TO	UNITS PER ASSY
2 601	149N6027-2	...	FITTING	006106 108903 950951 953999	1
605	BACB30VG6K36	..	BOLT	006106 108903 950951 953999	2
610	BACW10BP3DP	..	WASHER	006106 108903 950951 953999	2
615	PLH53CD	..	NUT SUPPLIER CODE: VF0224 SPECIFICATION NUMBER: BACN10YR3CD OPTIONAL PART: H52732-3CD V15653	006106 108903 950951 953999	2
620	149N6002-42	..	TARGET- POSITION DATA: LH SIDE	006106 108903 950951 953999	1
- 623	149N6002-52	..	TARGET- POSITION DATA: RH SIDE	006106 108903 950951 953999	1
625	149N6037-4	..	PLATE-SUPPORT POSITION DATA: LH SIDE	006106 108903 950951 953999	1

MISSING ITEM NUMBERS NOT APPLICABLE

- ITEM NOT ILLUSTRATED

BRI

32-12-01-02

BOEING PROPRIETARY - Copyright © - Unpublished Work - See title page for details.

32-12-01  
FIG. 02  
PAGE 35  
JAN 20/09



757

PARTS CATALOG (MAINTENANCE)

FIG ITEM	PART NUMBER	1 2 3 4 5 6 7	NOMENCLATURE	EFFECT FROM TO	UNITS PER ASSY
2 630	HL8608K37		..BOLT- SUPPLIER CODE: V56878 SPECIFICATION NUMBER: BACB30VG8K37 OPTIONAL PART: HL8608K37 V73197 HL8608K37 VOPTK6 HL8608K37 V92215 L8608K37 V06725 HL8608K37 V97928 POSITION DATA: LH SIDE	006106 108903 950951 953999	2
- 633	HL859AP8-37		..BOLT- SUPPLIER CODE: V73197 POSITION DATA: RH SIDE	006106 108903 950951 953999	2
635	BACW10BP4DP		..WASHER	006106 108903 950951 953999	2
640	PLH54CD		..NUT SUPPLIER CODE: VF0224 SPECIFICATION NUMBER: BACN10YR4CD OPTIONAL PART: H52732-4CD V15653	006106 108903 950951 953999	2
645	149N6037-1		..STOP ASSY- POSITION DATA: FWD LH SIDE	006106 108903 950951 953999	1
- 650	149N6037-2		..STOP ASSY- POSITION DATA: FWD RH SIDE	006106 108903 950951 953999	1
655	BACB30LE5K15		..BOLT- PRE SERVICE BULLETIN: 52-0061	006017 950951	4
660	BACW10BP5CD		..WASHER- PRE SERVICE BULLETIN: 52-0061	006017 950951	4

MISSING ITEM NUMBERS NOT APPLICABLE

- ITEM NOT ILLUSTRATED

32-12-01-02

32-12-01  
FIG. 02  
PAGE 36  
JAN 20/09

BRI



757

PARTS CATALOG (MAINTENANCE)

FIG ITEM	PART NUMBER	1 2 3 4 5 6 7	NOMENCLATURE	EFFECT FROM TO	UNITS PER ASSY
2					
665	BACW10BP5DP		.. WASHER- PRE SERVICE BULLETIN: 52-0061	006017 950951	4
670	BACB28AK05-30		.. BUSHING- PRE SERVICE BULLETIN: 52-0061	006017 950951	4
675	BH00303CM5		.. NUT- SUPPLIER CODE: V27238 SPECIFICATION NUMBER: BACN10HR5CD OPTIONAL PART: H51560-5 V15653 67832CD524 V56878 102LH9031-5 V72962 SL7108C524 V11815 BMN5024CWD35 V97928 SL7108C5 V11815 VCU0005D5 V06710 102LH90315 V72962 BMN10HRCWD3-5 V97928 67832CD5 V56878 CR6030-5 VF0224 67832CD5 V56878 PRE SERVICE BULLETIN: 52-0061	006017 950951	4
680	149N6032-1		.. LINK ASSY-DROP POSITION DATA: FWD PRE SERVICE BULLETIN: 52-0061	006100 950951	1

MISSING ITEM NUMBERS NOT APPLICABLE

- ITEM NOT ILLUSTRATED

BRI

32-12-01-02

BOEING PROPRIETARY - Copyright © - Unpublished Work - See title page for details.

32-12-01  
FIG. 02  
PAGE 37  
JAN 20/09



757

PARTS CATALOG (MAINTENANCE)

FIG ITEM	PART NUMBER	1 2 3 4 5 6 7	NOMENCLATURE	EFFECT FROM TO	UNITS PER ASSY
2 680	149N6032-11		..LINK ASSY-DROP POSITION DATA: FWD QUALIFIED I/W DATA: (1) 149N6032-13 LINK ASSEMBLY T/W (1) 149N6028-10 BASE PLATE T/W (4) BACB30VG8K48 BOLTS T/W (16) BACW10P71S WASHERS I/W (1) 149N6032-11 DROP LINK ASSEMBLY T/W (1) 149N6028-1 CLEVIS ASSEMBLY T/W (1) 149N6028-3 BASE PLATE T/W (4) BACB30V68K42 BOLTS T/W (16) BACW10BP4DP WASHERS	006017 950951	1
682	149N6032-15		..LINK ASSY-DROP POSITION DATA: FWD QUALIFIED I/W DATA: (1) 149N6032-15, LINK FITTING ASSEMBLY, T/W (1) 149N6028-12, BASE PLATE ARE I/W (1) 149N6032-13, LINK FITTING ASSEMBLY T/W (1) 149N6028-10, BASE PLATE SERVICE BULLETIN OPT DATA: 149N6032-13 POST SERVICE BULLETIN: 52-0061	018106 108903 950951 953999	1
682	149N6032-13		..LINK ASSY-DROP POSITION DATA: FWD QUALIFIED I/W DATA: (1) 149N6032-13 LINK ASSEMBLY T/W (1) 149N6028-10 BASE PLATE T/W (4) BACB30VG8K48 BOLTS T/W (16) BACW10P71S WASHERS I/W (1) 149N6032-11 DROP LINK ASSEMBLY T/W (1) 149N6028-1 CLEVIS ASSEMBLY T/W 1) 149N6028-3 BASE PLATE T/W (4) BACB30V68K42	018106 108903 950951 953999	1

MISSING ITEM NUMBERS NOT APPLICABLE

- ITEM NOT ILLUSTRATED

32-12-01-02

32-12-01  
FIG. 02  
PAGE 38  
JAN 20/09

BRI





757

PARTS CATALOG (MAINTENANCE)

FIG ITEM	PART NUMBER	1 2 3 4 5 6 7 NOMENCLATURE	EFFECT FROM TO	UNITS PER ASSY
2		BOLTS T/W (16) BACW10BP4DP WASHERS (1) 149N6032-13 LINK ASSEMBLY T/W 149N6028-10 BASE PLATE T/W (4) BACB30VG8K50 BOLTS T/W (16) BACW10P71S WASHERS I/W (1) 149N6032-12 DROP LINK ASSEMBLY T/W (1) 149N6028-1 CLEVIS ASSEMBLY T/W (1) 149N6028-3 BASE PLATE T/W (4) BACB30VG8K44 T/W (16) BACB10BP4DP WASHERS (1) 149N6032-15, LINK FITTING ASSEMBLY, T/W (1) 149N6028-12, BASE PLATE ARE I/W (1) 149N6032-13, LINK FITTING ASSEMBLY T/W (1) 149N6028-10, BASE PLATE (1) 149N6028-1, CLEVIS ASSY T/W (1) 149N6032-11 OR (1) 149N6032-12 DROP LINK ASSY T/W (1) 149N6028-3 BASE PLATE T/W (4) BACB30VG8K44 BOLTS T/W (16) BACW10BP4DP WASHER I/W (1) 149N6032-13 LINK ASSY T/W (1) 149N6028-10 BASE PLATE T/W (4) BACB30VG8K48 BOLTS T/W (16) BACW10P71S WASHER. SERVICE BULLETIN OPT DATA: 149N6032-15 POST SERVICE BULLETIN: 52-0061 ..LINK ASSY-DROP POSITION DATA: AFT PRE SERVICE BULLETIN: 52-0061	006100 950951	1

MISSING ITEM NUMBERS NOT APPLICABLE

- ITEM NOT ILLUSTRATED

BRI

32-12-01-02

BOEING PROPRIETARY - Copyright © - Unpublished Work - See title page for details.

32-12-01  
 FIG. 02  
 PAGE 39  
 JAN 20/09



757

PARTS CATALOG (MAINTENANCE)

FIG ITEM	PART NUMBER	1 2 3 4 5 6 7	NOMENCLATURE	EFFECT FROM TO	UNITS PER ASSY
2 685	149N6032-12		..LINK ASSY-DROP POSITION DATA: AFT QUALIFIED I/W DATA: (1) 149N6032-13 LINK ASSEMBLY T/W 149N6028-10 BASE PLATE T/W (4) BACB30VG8K50 BOLTS T/W (16) BACW10P71S WASHERS I/W (1) 149N6032-12 DROP LINK ASSEMBLY T/W (1) 149N6028-1 CLEVIS ASSEMBLY T/W (1) 149N6028-3 BASE PLATE T/W (4) BACB30VG8K44 BOLTS T/W (16) BACB10BP4DP WASHERS	006017 950951	1
687	149N6032-15		..LINK ASSY-DROP POSITION DATA: AFT QUALIFIED I/W DATA: (1) 149N6032-15, LINK FITTING ASSEMBLY, T/W (1) 149N6028-12, BASE PLATE ARE I/W (1) 149N6032-13, LINK FITTING ASSEMBLY T/W (1) 149N6028-10, BASE PLATE SERVICE BULLETIN OPT DATA: 149N6032-13 POST SERVICE BULLETIN: 52-0061	018106 108903 950951 953999	1
687	149N6032-13		..LINK ASSY-DROP POSITION DATA: AFT QUALIFIED I/W DATA: (1) 149N6032-13 LINK ASSEMBLY T/W (1) 149N6028-10 BASE PLATE T/W (4) BACB30VG8K48 BOLTS T/W (16) BACW10P71S WASHERS I/W (1) 149N6032-11 DROP LINK ASSEMBLY T/W (1) 149N6028-1 CLEVIS ASSEMBLY T/W 1) 149N6028-3 BASE PLATE T/W (4) BACB30V68K42 BOLTS T/W (16)	018106 108903 950951 953999	1

MISSING ITEM NUMBERS NOT APPLICABLE

- ITEM NOT ILLUSTRATED

32-12-01-02

32-12-01  
FIG. 02  
PAGE 40  
JAN 20/09

BRI



757

PARTS CATALOG (MAINTENANCE)

FIG ITEM	PART NUMBER	1 2 3 4 5 6 7 NOMENCLATURE	EFFECT FROM TO	UNITS PER ASSY
2		<p>BACW10BP4DP WASHERS            (1) 149N6032-13 LINK            ASSEMBLY T/W 149N6028-10            BASE PLATE T/W (4)            BACB30VG8K50 BOLTS T/W            (16) BACW10P71S WASHERS            I/W (1) 149N6032-12 DROP            LINK ASSEMBLY T/W (1)            149N6028-1 CLEVIS            ASSEMBLY T/W (1)            149N6028-3 BASE PLATE            T/W (4) BACB30VG8K44 T/W            (16) BACB10BP4DP WASHERS            (1) 149N6032-15, LINK            FITTING ASSEMBLY, T/W            (1) 149N6028-12, BASE            PLATE ARE I/W (1)            149N6032-13, LINK            FITTING ASSEMBLY T/W (1)            149N6028-10, BASE PLATE            (1) 149N6028-1, CLEVIS            ASSY T/W (1) 149N6032-11            OR (1) 149N6032-12 DROP            LINK ASSY T/W (1)            149N6028-3 BASE PLATE            T/W (4) BACB30VG8K44            BOLTS T/W (16)            BACW10BP4DP WASHER I/W            (1) 149N6032-13 LINK            ASSY T/W (1) 149N6028-10            BASE PLATE T/W (4)            BACB30VG8K48 BOLTS T/W            (16) BACW10P71S WASHER.            SERVICE BULLETIN OPT DATA:            149N6032-15            POST SERVICE BULLETIN:            52-0061            ..BOLT-            PRE SERVICE BULLETIN:            52-0061</p>	006017 950951	4
	690 BACB30VG8K44			

MISSING ITEM NUMBERS NOT APPLICABLE

- ITEM NOT ILLUSTRATED

BRI

32-12-01-02

BOEING PROPRIETARY - Copyright © - Unpublished Work - See title page for details.

32-12-01  
 FIG. 02  
 PAGE 41  
 JAN 20/09



757

PARTS CATALOG (MAINTENANCE)

FIG ITEM	PART NUMBER	1 2 3 4 5 6 7	NOMENCLATURE	EFFECT FROM TO	UNITS PER ASSY
2 690	HL8608K50		..BOLT- SUPPLIER CODE: V56878 SPECIFICATION NUMBER: BACB30VG8K50 OPTIONAL PART: HL8608K50 V73197 HL8608K50 VOPTK6 HL8608K50 V92215 L8608K50 V06725 HL8608K50 V97928	018106 108120 504903	4
695	HL8608K42		..BOLT- SUPPLIER CODE: V56878 SPECIFICATION NUMBER: BACB30VG8K42 OPTIONAL PART: HL8608K42 V73197 HL8608K42 VOPTK6 HL8608K42 V92215 L8608K42 V06725 HL8608K42 V97928 PRE SERVICE BULLETIN: 52-0061	006017 950951	4
695	BACB30VG8K48		..BOLT-	018106 108120 504903	4
697	BACB30VG8K46		..BOLT- SELECT FROM ITEM. POST SERVICE BULLETIN: 52-0061	121503 950951 953999	AR
697	BACB30VG8K48		..BOLT- SELECT FROM ITEM. POST SERVICE BULLETIN: 52-0061	121503 950951 953999	AR

MISSING ITEM NUMBERS NOT APPLICABLE

- ITEM NOT ILLUSTRATED

32-12-01-02

32-12-01  
FIG. 02  
PAGE 42  
JAN 20/09

BRI



757

PARTS CATALOG (MAINTENANCE)

FIG ITEM	PART NUMBER	1 2 3 4 5 6 7	NOMENCLATURE	EFFECT FROM TO	UNITS PER ASSY
2 697	HL8608K50		..BOLT- SUPPLIER CODE: V56878 SPECIFICATION NUMBER: BACB30VG8K50 OPTIONAL PART: HL8608K50 V73197 HL8608K50 VOPTK6 HL8608K50 V92215 L8608K50 V06725 HL8608K50 V97928 SELECT FROM ITEM. POST SERVICE BULLETIN: 52-0061	121503 950951 953999	AR
700	BACW10BP4DP		..WASHER- PRE SERVICE BULLETIN: 52-0061	006106 108120 504903 950951	8
700	BACW10P71S		..WASHER-	018106 108120 504903	8
702	BACW10P71S		..WASHER- POST SERVICE BULLETIN: 52-0061	121503 950951 953999	AR
705	PLH54CD		..NUT SUPPLIER CODE: VF0224 SPECIFICATION NUMBER: BACN10YR4CD OPTIONAL PART: H52732-4CD V15653	006106 108903 950951 953999	8

MISSING ITEM NUMBERS NOT APPLICABLE

- ITEM NOT ILLUSTRATED

32-12-01-02

32-12-01  
FIG. 02  
PAGE 43  
JAN 20/09

BRI



757

PARTS CATALOG (MAINTENANCE)

FIG ITEM	PART NUMBER	1 2 3 4 5 6 7	NOMENCLATURE	EFFECT FROM TO	UNITS PER ASSY
2 710	149N6028-1		..CLEVIS ASSY- QUALIFIED I/W DATA: (1) 149N6032-1, CLEVIS ASSY T/W (1) 149N6032-11 OR (1) 149N6032-12 DROP LINK ASSY T/W 149N6028-3 BASE PLATE T/W (4) BACB30VG8K44 BOLTS T/W (16) BACW10BP4DP WASHER I/W (1) 149N6032-13 LINK ASSY T/W (1) 149N6028-10 BASE PLATE T/W (4) BACB30VG8K48 BOLTS T/W (16) BACW10BP71S WASHER PRE SERVICE BULLETIN: 52-0061	006017 950951	2
715	149N6028-3		..BASE-PLATE QUALIFIED I/W DATA: (1) 149N6032-13 LINK ASSEMBLY T/W (1) 149N6028-10 BASE PLATE T/W (4) BACB30VG8K48 BOLTS T/W (16) BACW10P71S WASHERS I/W (1) 149N6032-11 DROP LINK ASSEMBLY T/W (1) 149N6028-1 CLEVIS ASSEMBLY T/W (1) 149N6028-3 BASE PLATE T/W (4) BACB30V68K42 BOLTS T/W (16) BACW10BP4DP WASHERS PRE SERVICE BULLETIN: 52-0061	006017 950951	2

MISSING ITEM NUMBERS NOT APPLICABLE

- ITEM NOT ILLUSTRATED

BRI

32-12-01-02

BOEING PROPRIETARY - Copyright © - Unpublished Work - See title page for details.

32-12-01  
FIG. 02  
PAGE 44  
JAN 20/09



757

PARTS CATALOG (MAINTENANCE)

FIG ITEM	PART NUMBER	1 2 3 4 5 6 7	NOMENCLATURE	EFFECT FROM TO	UNITS PER ASSY
2 715	149N6028-10		..BASE-PLATE QUALIFIED I/W DATA: (1) 149N6032-15, LINK FITTING ASSEMBLY T/W (1) 149N6028-12, BASE PLATE ARE I/W (1) 149N6032-13, LINK FITTING ASSEMBLY T/W (1) 149N6028-10, BASE PLATE (1) 149N6032-13 LINK ASSEMBLY T/W (1) 149N6028-10 BASE PLATE T/W (4) BACB30VG8K48 BOLTS T/W (16) BACW10P71S WASHERS I/W (1) 149N6032-11 DROP LINK ASSEMBLY T/W (1) 149N6028-1 CLEVIS ASSEMBLY T/W (1) 149N6028-3 BASE PLATE T/W (4) BACB30V68K42 BOLTS T/W (16) BACW10BP4DP WASHERS SERVICE BULLETIN OPT DATA: 149N6028-12 POST SERVICE BULLETIN: 52-0061	018106 108903 950951 953999	2
715	149N6028-12		..BASE-PLATE QUALIFIED I/W DATA: (1) 149N6032-15, LINK FITTING ASSEMBLY T/W (1) 149N6028-12, BASE PLATE ARE I/W (1) 149N6032-13, LINK FITTING ASSEMBLY T/W (1) 149N6028-10, BASE PLATE SERVICE BULLETIN OPT DATA: 149N6028-10 POST SERVICE BULLETIN: 52-0061	018106 108903 950951 953999	2

MISSING ITEM NUMBERS NOT APPLICABLE

- ITEM NOT ILLUSTRATED

BRI

32-12-01-02

BOEING PROPRIETARY - Copyright © - Unpublished Work - See title page for details.

32-12-01  
FIG. 02  
PAGE 45  
JAN 20/09



757

PARTS CATALOG (MAINTENANCE)

FIG ITEM	PART NUMBER	1 2 3 4 5 6 7	NOMENCLATURE	EFFECT FROM TO	UNITS PER ASSY
2 720	HL8608K38	..	BOLT SUPPLIER CODE: V56878 SPECIFICATION NUMBER: BACB30VG8K38 OPTIONAL PART: HL8608K38 V73197 HL8608K38 VOPTK6 HL8608K38 V92215 L8608K38 V06725 HL8608K38 V97928	006106 108903 950951 953999	4
725	HL8608K37	..	BOLT SUPPLIER CODE: V56878 SPECIFICATION NUMBER: BACB30VG8K37 OPTIONAL PART: HL8608K37 V73197 HL8608K37 VOPTK6 HL8608K37 V92215 L8608K37 V06725 HL8608K37 V97928	006106 108903 950951 953999	4
730	BACW10BP4DP	..	WASHER	006106 108903 950951 953999	8
735	PLH54CD	..	NUT SUPPLIER CODE: VF0224 SPECIFICATION NUMBER: BACN10YR4CD OPTIONAL PART: H52732-4CD V15653	006106 108903 950951 953999	8
740	149N6029-1	..	CLEVIS ASSY	006106 108903 950951 953999	2

MISSING ITEM NUMBERS NOT APPLICABLE

- ITEM NOT ILLUSTRATED

32-12-01-02

32-12-01  
FIG. 02  
PAGE 46  
JAN 20/09

BRI





757

PARTS CATALOG (MAINTENANCE)

FIG ITEM	PART NUMBER	1 2 3 4 5 6 7	NOMENCLATURE	EFFECT FROM TO	UNITS PER ASSY
2					
745	BACB30VG6K37	..	BOLT	006106 108903 950951 953999	1
750	BACB30VF3K38	..	BOLT	006106 108903 950951 953999	2
755	BACW10BP3DP	..	WASHER	006106 108903 950951 953999	3
760	PLH53CD	..	NUT SUPPLIER CODE: VF0224 SPECIFICATION NUMBER: BACN10YR3CD OPTIONAL PART: H52732-3CD V15653	006106 108903 950951 953999	3
765	149N6037-3	..	STOP- POSITION DATA: AFT	006106 108903 950951 953999	1
770	BACB30VF3K37	..	BOLT	006106 108903 950951 953999	2
775	BACB30VF3K36	..	BOLT	006106 108903 950951 953999	8
778	BACB30VF3K56	..	BOLT	006106 108903 950951 953999	2
780	BACB30VF3K6	..	BOLT	006106 108903 950951 953999	1
785	BACW10BP3DP	..	WASHER	006106 108903 950951 953999	13

MISSING ITEM NUMBERS NOT APPLICABLE

- ITEM NOT ILLUSTRATED

32-12-01-02

32-12-01  
FIG. 02  
PAGE 47  
JAN 20/09

BRI

BOEING PROPRIETARY - Copyright © - Unpublished Work - See title page for details.



757

PARTS CATALOG (MAINTENANCE)

FIG ITEM	PART NUMBER	1 2 3 4 5 6 7	NOMENCLATURE	EFFECT FROM TO	UNITS PER ASSY
2 790	PLH53CD	..	NUT SUPPLIER CODE: VF0224 SPECIFICATION NUMBER: BACN10YR3CD OPTIONAL PART: H52732-3CD V15653	006106 108903 950951 953999	13
795	149N6043-1	..	SUPPORT ASSY-SEAL POSITION DATA: LH SIDE	006106 108903 950951 953999	1
- 800	149N6043-2	..	SUPPORT ASSY- POSITION DATA: RH SIDE	006106 108903 950951 953999	1
805	BACR15CE5D	...	RIVET- SIZE DETERMINED ON INSTL.	006106 108903 950951 953999	23
810	BACF3F009G078AG	...	FILLER	006106 108903 950951 953999	1
815	149N6035-1	...	BRACKET-SEAL SUPPORT	006106 108903 950951 953999	1
820	BACF3F009G052AG	...	FILLER	006106 108903 950951 953999	1
825	149N6035-2	...	BRACKET-SEAL SUPPORT	006106 108903 950951 953999	4
830	BACF3F009G050AG	...	FILLER	006106 108903 950951 953999	4
835	149N6043-3	...	RETAINER-SEAL	006106 108903 950951 953999	1
840	149N6035-5	...	BRACKET-SEAL SUPPORT	006106 108903 950951 953999	1

MISSING ITEM NUMBERS NOT APPLICABLE

- ITEM NOT ILLUSTRATED

32-12-01-02

32-12-01  
FIG. 02  
PAGE 48  
JAN 20/09

BRI

BOEING PROPRIETARY - Copyright © - Unpublished Work - See title page for details.



757

PARTS CATALOG (MAINTENANCE)

FIG ITEM	PART NUMBER	1 2 3 4 5 6 7	NOMENCLATURE	EFFECT FROM TO	UNITS PER ASSY
2					
845	BACF3F009G025AG	...	FILLER	006106 108903 950951 953999	1
850	149N6035-3	...	BRACKET-SEAL SUPPORT POSITION DATA: LH SIDE	006106 108903 950951 953999	1
- 855	149N6035-4	...	BRACKET-SEAL SUPPORT POSITION DATA: RH SIDE	006106 108903 950951 953999	1
860	149N6034-1	...	SUPPORT-SEAL	006106 108903 950951 953999	1
865	149N6002-76	..	SEAL ASSY- MANUFACTURED FROM: EXTR RUBBER 10-60754-159 58 IN.	006106 108903 950951 953999	1
870	149N6002-51	...	PLUG-SEAL MANUFACTURED FROM: SILICONE SPONGE BMS1-23 .80 DIA X 1.0	006106 108903 950951 953999	2
875	149N6007-1	..	PANEL ASSY- POSITION DATA: LH SIDE	006106 108903 950951 953999	1
875	149N6007-23	..	PANEL ASSY- POSITION DATA: LH SIDE	006106 108903 950951 953999	1
- 880	149N6007-2	..	PANEL ASSY- POSITION DATA: RH SIDE	006106 108903 950951 953999	1
- 880	149N6007-24	..	PANEL ASSY- POSITION DATA: RH SIDE	006106 108903 950951 953999	1

MISSING ITEM NUMBERS NOT APPLICABLE

- ITEM NOT ILLUSTRATED

32-12-01-02

32-12-01  
FIG. 02  
PAGE 49  
JAN 20/09

BRI



757

PARTS CATALOG (MAINTENANCE)

FIG ITEM	PART NUMBER	1 2 3 4 5 6 7	NOMENCLATURE	EFFECT FROM TO	UNITS PER ASSY
2 885	HL8608K34		..BOLT- SUPPLIER CODE: V56878 SPECIFICATION NUMBER: BACB30VG8K34 OPTIONAL PART: HL8608K34 V73197 HL8608K34 VOPTK6 HL8608K34 V92215 L8608K34 V06725 HL8608K34 V97928 POSITION DATA: LH SIDE	006106 108903 950951 953999	2
887	HL8608K34		..BOLT- SUPPLIER CODE: V56878 SPECIFICATION NUMBER: BACB30VG8K34 OPTIONAL PART: HL8608K34 V73197 HL8608K34 VOPTK6 HL8608K34 V92215 L8608K34 V06725 HL8608K34 V97928 POSITION DATA: RH SIDE	006106 108903 950951 953999	3
890	BACB30VG8K44		..BOLT	006106 108903 950951 953999	1

MISSING ITEM NUMBERS NOT APPLICABLE

- ITEM NOT ILLUSTRATED

32-12-01-02

32-12-01  
FIG. 02  
PAGE 50  
JAN 20/09

BRI



757

PARTS CATALOG (MAINTENANCE)

FIG ITEM	PART NUMBER	1 2 3 4 5 6 7	NOMENCLATURE	EFFECT FROM TO	UNITS PER ASSY
2 895	HL8608K36		..BOLT SUPPLIER CODE: V56878 SPECIFICATION NUMBER: BACB30VG8K36 OPTIONAL PART: HL8608K36 V73197 HL8608K36 VOPTK6 HL8608K36 V92215 L8608K36 V06725 HL8608K36 V97928	006106 108903 950951 953999	1
900	HL8608K38		..BOLT SUPPLIER CODE: V56878 SPECIFICATION NUMBER: BACB30VG8K38 OPTIONAL PART: HL8608K38 V73197 HL8608K38 VOPTK6 HL8608K38 V92215 L8608K38 V06725 HL8608K38 V97928	006106 108903 950951 953999	1
905	HL8608K40		..BOLT SUPPLIER CODE: V56878 SPECIFICATION NUMBER: BACB30VG8K40 OPTIONAL PART: HL8608K40 V73197 HL8608K40 VOPTK6 HL8608K40 V92215 L8608K40 V06725 HL8608K40 V97928	006106 108903 950951 953999	2

MISSING ITEM NUMBERS NOT APPLICABLE

- ITEM NOT ILLUSTRATED

32-12-01-02

32-12-01  
FIG. 02  
PAGE 51  
JAN 20/09

BRI



757

PARTS CATALOG (MAINTENANCE)

FIG ITEM	PART NUMBER	1 2 3 4 5 6 7	NOMENCLATURE	EFFECT FROM TO	UNITS PER ASSY
2					
910	BACW10BP4DP	..	WASHER	006106 108903 950951 953999	7
915	PLH54CD	..	NUT SUPPLIER CODE: VF0224 SPECIFICATION NUMBER: BACN10YR4CD OPTIONAL PART: H52732-4CD V15653	006106 108903 950951 953999	7
920	BACB30NT4K33	..	BOLT	006106 108903 950951 953999	4
925	BACW10BP4CD	..	WASHER	006106 108903 950951 953999	4
930	149N6023-3	..	SHIELD ASSY-HEAT POSITION DATA: LH SIDE OPTIONAL PART: 149N6023-5	006106 108903 950951 953999	1
930	149N6023-5	..	SHIELD ASSY-HEAT POSITION DATA: LH SIDE OPTIONAL PART: 149N6023-3	006106 108903 950951 953999	1
930	149N6023-7	..	SHIELD ASSY-HEAT POSITION DATA: LH SIDE	006106 108903 950951 953999	1
930	149N6023-1	..	SHIELD ASSY- POSITION DATA: LH SIDE	006106 108903 950951 953999	1
932	SL2334-4C4	...	INSERT- SUPPLIER CODE: V97393	006106 108903 950951 953999	4
- 935	149N6023-5	..	SHIELD ASSY-HEAT POSITION DATA: RH SIDE	006106 108903 950951 953999	1

MISSING ITEM NUMBERS NOT APPLICABLE

- ITEM NOT ILLUSTRATED

32-12-01-02

32-12-01  
FIG. 02  
PAGE 52  
JAN 20/09

BRI



757

PARTS CATALOG (MAINTENANCE)

FIG ITEM	PART NUMBER	1 2 3 4 5 6 7	NOMENCLATURE	EFFECT FROM TO	UNITS PER ASSY
2					
- 935	149N6023-7		..SHIELD ASSY-HEAT POSITION DATA: RH SIDE	006106 108903 950951 953999	1
- 935	149N6023-1		..SHIELD ASSY- POSITION DATA: RH SIDE	006106 108903 950951 953999	1
- 935	149N6023-3		..SHIELD ASSY-HEAT POSITION DATA: RH SIDE	006106 108903 950951 953999	1
937	SL2334-4C4		...INSERT- SUPPLIER CODE: V97393	101106 108120 504903	4

MISSING ITEM NUMBERS NOT APPLICABLE

- ITEM NOT ILLUSTRATED

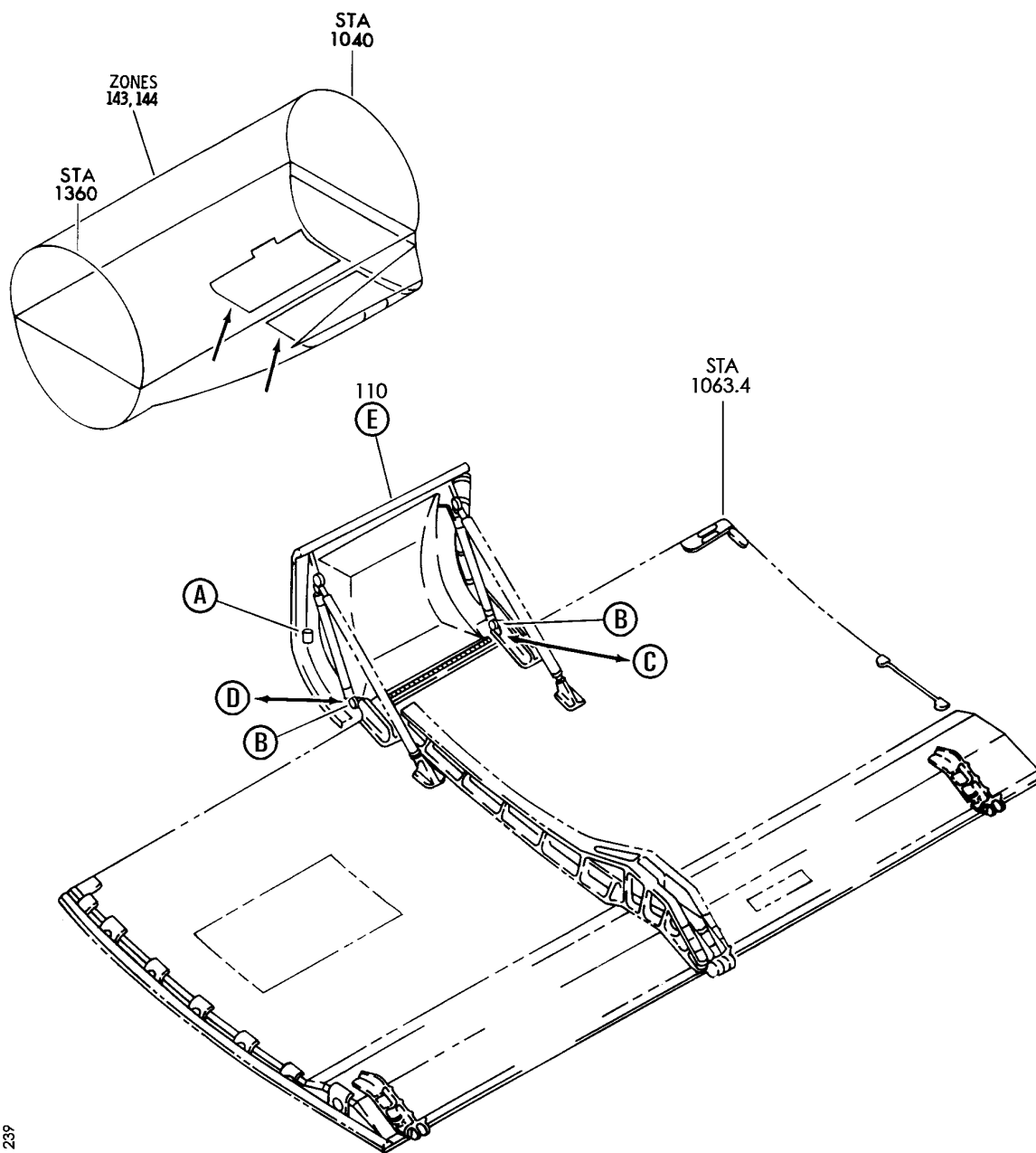
BRI

32-12-01-02

BOEING PROPRIETARY - Copyright © - Unpublished Work - See title page for details.

32-12-01  
FIG. 02  
PAGE 53  
JAN 20/09

**BOEING**  
757  
PARTS CATALOG (MAINTENANCE)



Y 32120201 SHT 1 REV 239

DOOR INSTL-MLG (MAIN GEAR DOOR TANG ONLY)  
FIGURE 1 (SHEET 1)

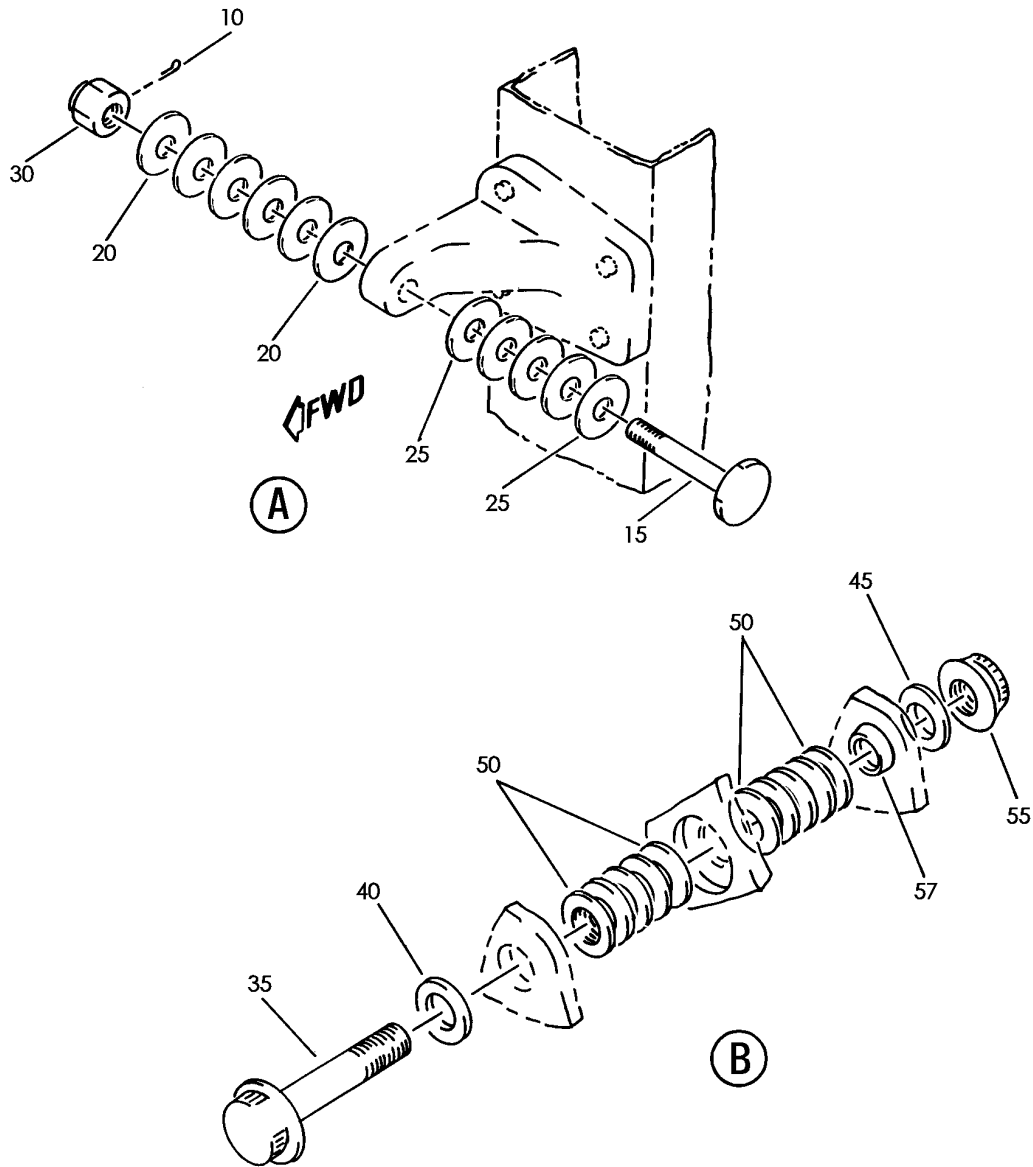
BRI  
MAY 28/07

**32-12-02-01**

32-12-02-01  
PAGE 0



**BOEING**  
757  
PARTS CATALOG (MAINTENANCE)



Y 32120201 SHT 2 REV 239

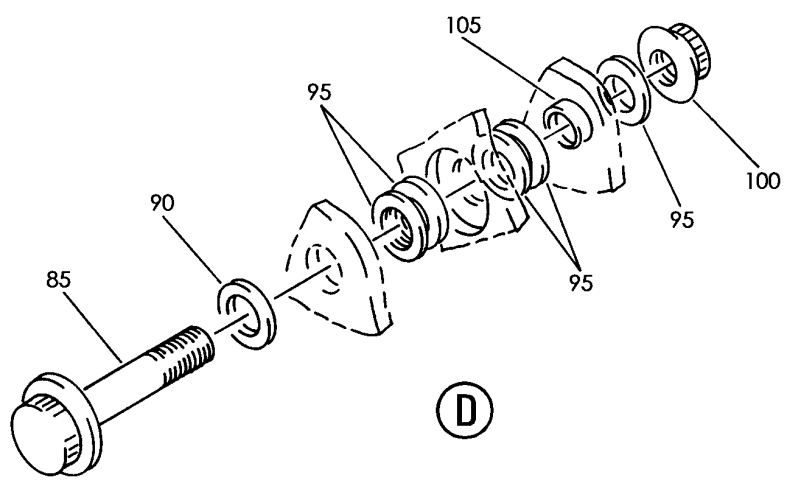
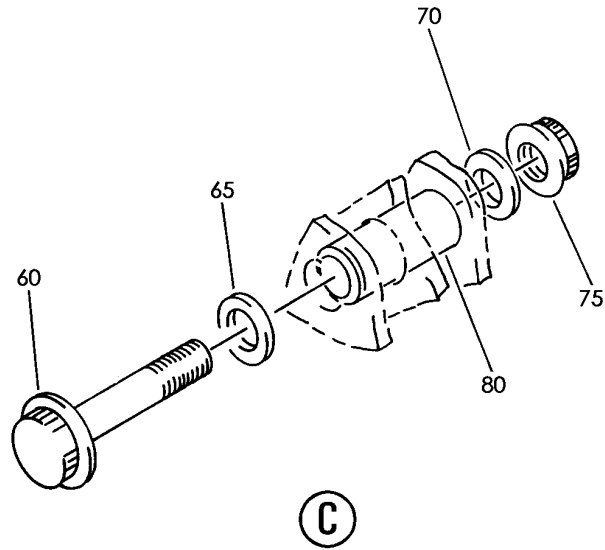
DOOR INSTL-MLG (MAIN GEAR DOOR TANG ONLY)  
FIGURE 1 (SHEET 2)

**32-12-02-01**

BRI  
MAY 28/07

32-12-02-01  
PAGE 0A

**BOEING**  
757  
PARTS CATALOG (MAINTENANCE)



Y 32120201 SHT 3 REV 239

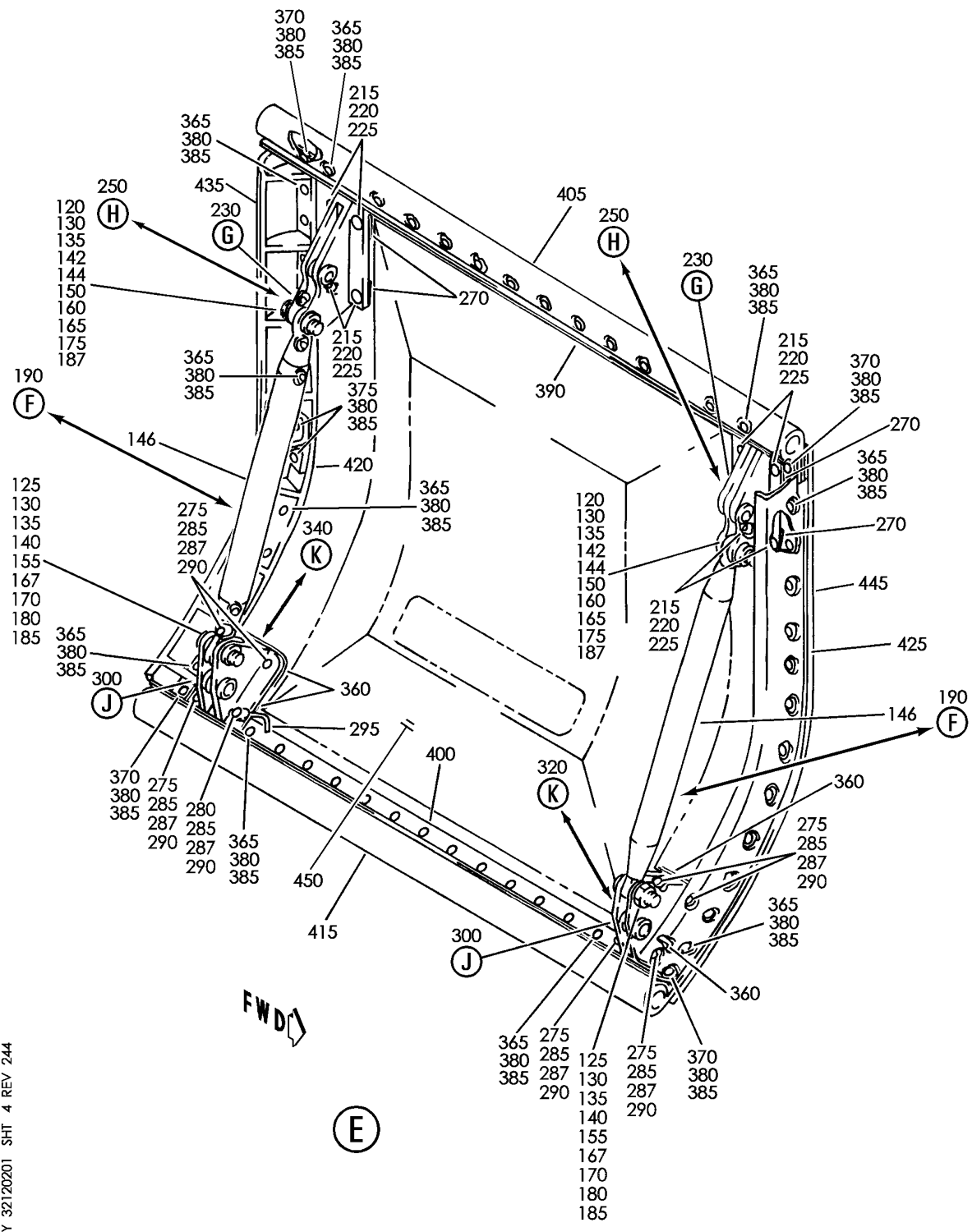
DOOR INSTL-MLG (MAIN GEAR DOOR TANG ONLY)  
FIGURE 1 (SHEET 3)

**32-12-02-01**

BRI  
MAY 28/07

32-12-02-01  
PAGE 0B

**BOEING**  
757  
**PARTS CATALOG (MAINTENANCE)**



Y 32120201 SHT 4 REV 244

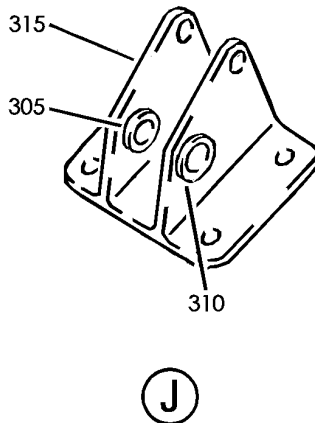
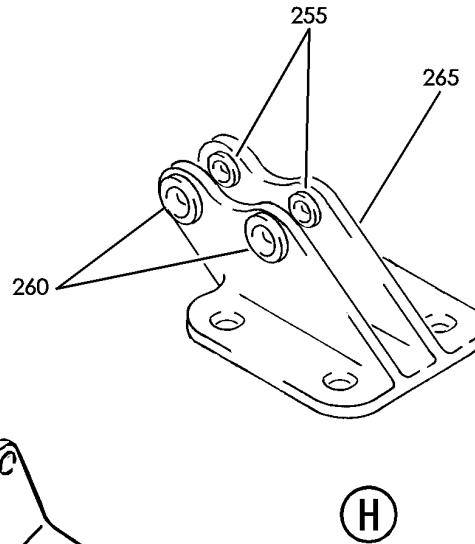
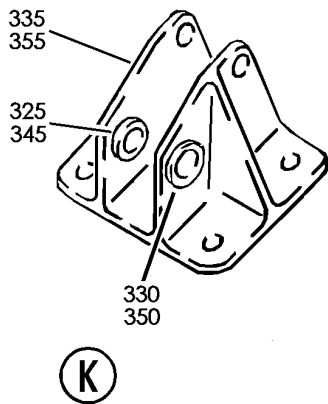
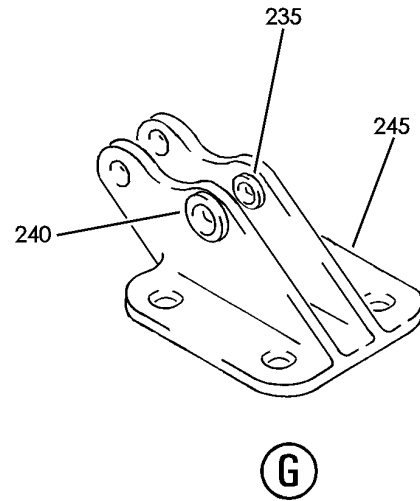
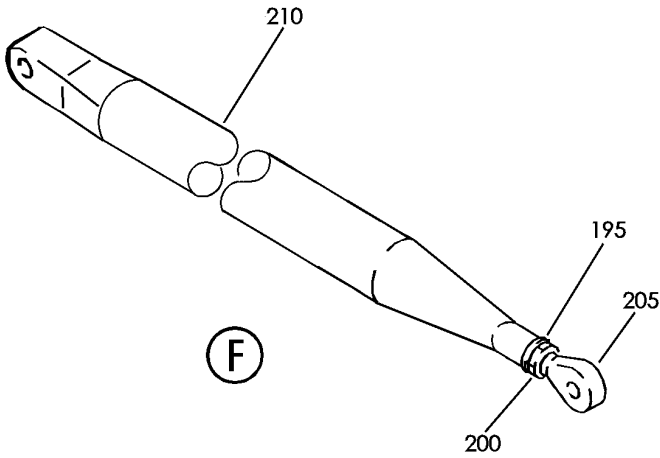
DOOR INSTL-MLG (MAIN GEAR DOOR TANG ONLY)  
FIGURE 1 (SHEET 4)

**32-12-02-01**

BRI  
MAY 28/07

32-12-02-01  
PAGE 0C

**BOEING**  
757  
PARTS CATALOG (MAINTENANCE)



Y 32120201 SHT 5 REV 239

DOOR INSTL-MLG (MAIN GEAR DOOR TANG ONLY)  
FIGURE 1 (SHEET 5)

**32-12-02-01**

BRI  
MAY 28/07

32-12-02-01  
PAGE 0D



757

PARTS CATALOG (MAINTENANCE)

FIG ITEM	PART NUMBER	1 2 3 4 5 6 7	NOMENCLATURE	EFFECT FROM TO	UNITS PER ASSY
1			DOOR INSTL-MLG (MAIN GEAR DOOR TANG ONLY)	006106 108903 950951 953999	
- 1	149N6001-3		DOOR INSTL-MLG (MAIN GEAR DOOR TANG ONLY) POSITION DATA: LH FOR NHA/OTHER SYS DET SEE: 53-00-00-04	006017 121503 950951 953999	RF
- 1	149N6001-7		DOOR INSTL-MLG (MAIN GEAR DOOR TANG ONLY) POSITION DATA: LH FOR NHA/OTHER SYS DET SEE: 53-00-00-04	018100	RF
- 1	149N6001-403		DOOR INSTL-MLG (MAIN GEAR DOOR TANG ONLY) POSITION DATA: LH FOR NHA/OTHER SYS DET SEE: 53-42-01-01A	101102 108120 504903	RF
- 1	MODREF29845		DOOR INSTL-MLG (MAIN GEAR DOOR TANG ONLY) MODULE NUMBER: 149N6001-405 REV B POSITION DATA: LH FOR NHA/OTHER SYS DET SEE: 53-00-00-04	103106	1
- 5	149N6001-4		DOOR INSTL-MLG (MAIN GEAR DOOR TANG ONLY) POSITION DATA: RH FOR NHA/OTHER SYS DET SEE: 53-00-00-04	006017 121503 950951 953999	RF
- 5	149N6001-8		DOOR INSTL-MLG (MAIN GEAR DOOR TANG ONLY) POSITION DATA: RH FOR NHA/OTHER SYS DET SEE: 53-00-00-04	018100	RF

MISSING ITEM NUMBERS NOT APPLICABLE

- ITEM NOT ILLUSTRATED

32-12-02-01

32-12-02  
FIG. 01  
PAGE 1  
JAN 20/09

BRI



757

PARTS CATALOG (MAINTENANCE)

FIG ITEM	PART NUMBER	1 2 3 4 5 6 7	NOMENCLATURE	EFFECT FROM TO	UNITS PER ASSY
1					
- 5	149N6001-404		DOOR INSTL-MLG (MAIN GEAR DOOR TANG ONLY) POSITION DATA: RH FOR NHA/OTHER SYS DET SEE: 53-42-01-01A	101102 108120 504903	RF
- 5	MODREF29828		DOOR INSTL-MLG (MAIN GEAR DOOR TANG ONLY) MODULE NUMBER: 149N6001-406 REV B POSITION DATA: RH	103106	1
10	MS24665-153		.PIN	006106 108903 950951 953999	2
15	149N6019-3		.BOLT	006106 108903 950951 953999	1
20	BACW10P93A		.WASHER	006106 108903 950951 953999	6
25	BACW10P250C		.WASHER	006100 121503 950951 953999	5
25	BACW10P250CC		.WASHER	101106 108120 504903	5
30	73781CM428		.NUT- SUPPLIER CODE: V80539	006106 108903 950951 953999	1
35	BACB30LE5K18		.BOLT- PRE SERVICE BULLETIN: 52-0061	006017 950951	2
40	BACW10BP5CD		.WASHER- PRE SERVICE BULLETIN: 52-0061	006017 950951	2
45	BACW10BP5DP		.WASHER- PRE SERVICE BULLETIN: 52-0061	006017 950951	2
50	BACW10BP5NDP		.WASHER- PRE SERVICE BULLETIN: 52-0061	006017 950951	10

MISSING ITEM NUMBERS NOT APPLICABLE

- ITEM NOT ILLUSTRATED

32-12-02-01

32-12-02  
FIG. 01  
PAGE 2  
JAN 20/09

BRI



757

PARTS CATALOG (MAINTENANCE)

FIG ITEM	PART NUMBER	1 2 3 4 5 6 7	NOMENCLATURE	EFFECT FROM TO	UNITS PER ASSY
1 55	BH00303CM5		.NUT- SUPPLIER CODE: V27238 SPECIFICATION NUMBER: BACN10HR5CD OPTIONAL PART: H51560-5 V15653 67832CD524 V56878 102LH9031-5 V72962 SL7108C524 V11815 BMN5024CWD35 V97928 SL7108C5 V11815 VCU0005D5 V06710 102LH90315 V72962 BMN10HRCWD3-5 V97928 67832CD5 V56878 CR6030-5 VF0224 67832CD5 V56878 POST SERVICE BULLETIN: 52-0061	006017 950951	2
57	BACB28AK05-028		.BUSHING- PRE SERVICE BULLETIN: 52-0061	006017 950951	2
60	BACB30LE3K20		.BOLT	018106 108120 504903	1
60	BACB30LE3K19		.BOLT- MISCELLANEOUS DATA: THE BOLT, NUT AND WASHERS CAN BE REVERSED TO ELIMINATE INTERFERENCE. POST SERVICE BULLETIN: 52-0061	121503 950951 953999	1

MISSING ITEM NUMBERS NOT APPLICABLE

- ITEM NOT ILLUSTRATED

32-12-02-01

32-12-02  
FIG. 01  
PAGE 3  
JAN 20/09

BRI



757

PARTS CATALOG (MAINTENANCE)

FIG ITEM	PART NUMBER	1 2 3 4 5 6 7	NOMENCLATURE	EFFECT FROM TO	UNITS PER ASSY
1	65 BACW10BP3CD		.WASHER- MISCELLANEOUS DATA: THE BOLT, NUT AND WASHERS CAN BE REVERSED TO ELIMINATE INTERFERENCE. POST SERVICE BULLETIN: 52-0061	018106 108903 950951 953999	1
	70 BACW10BP3DP		.WASHER- MISCELLANEOUS DATA: THE BOLT, NUT AND WASHERS CAN BE REVERSED TO ELIMINATE INTERFERENCE. POST SERVICE BULLETIN: 52-0061	018106 108903 950951 953999	1

MISSING ITEM NUMBERS NOT APPLICABLE

- ITEM NOT ILLUSTRATED

BRI

32-12-02-01

BOEING PROPRIETARY - Copyright © - Unpublished Work - See title page for details.

32-12-02  
FIG. 01  
PAGE 4  
JAN 20/09





**757**  
**PARTS CATALOG (MAINTENANCE)**

FIG ITEM	PART NUMBER	1 2 3 4 5 6 7	NOMENCLATURE	EFFECT FROM TO	UNITS PER ASSY
1 75	BMN5024CWD33	.	NUT- SUPPLIER CODE: V97928 SPECIFICATION NUMBER: BACN10HR3CD OPTIONAL PART: H51560-3 V15653 67832CD1032 V56878 BMN5024CWD3-3 V97928 102LH9031-3 V72962 BH00303CM3 V27238 SL7108C1032 V11815 SL7108C3 V11815 VCU0005D3 V06710 102LH90313 V72962 67832CD3 V56878 BMN10HRCWD3-3 V97928 MISCELLANEOUS DATA: THE BOLT, NUT AND WASHERS CAN BE REVERSED TO ELIMINATE INTERFERENCE. POST SERVICE BULLETIN: 52-0061	018106 108903 950951 953999	1
80	BACB28AK03-085	.	BUSHING- SELECT FROM ITEM. POST SERVICE BULLETIN: 52-0061	018106 108903 950951 953999	1
80	BACB28AK03	.	BUSHING- SIZE DETERMINED ON INSTL. SELECT FROM ITEM. POST SERVICE BULLETIN: 52-0061	121503 950951 953999	1

MISSING ITEM NUMBERS NOT APPLICABLE

— ITEM NOT ILLUSTRATED

BRI

# 32-12-02-01

BOEING PROPRIETARY - Copyright © - Unpublished Work - See title page for details.

32-12-02  
FIG. 01  
PAGE 5  
JAN 20/09



757

PARTS CATALOG (MAINTENANCE)

FIG ITEM	PART NUMBER	1 2 3 4 5 6 7	NOMENCLATURE	EFFECT FROM TO	UNITS PER ASSY
1	85 BACB30LE5K21		.BOLT- MISCELLANEOUS DATA: THE BOLT, NUT AND WASHERS CAN BE REVERSED TO ELIMINATE INTERFERENCE. POST SERVICE BULLETIN: 52-0061	018106 108903 950951 953999	1
	90 BACW10BP5CD		.WASHER- MISCELLANEOUS DATA: THE BOLT, NUT AND WASHERS CAN BE REVERSED TO ELIMINATE INTERFERENCE. POST SERVICE BULLETIN: 52-0061	018106 108903 950951 953999	1
	95 BACW10BP5DP		.WASHER- MISCELLANEOUS DATA: THE BOLT, NUT AND WASHERS CAN BE REVERSED TO ELIMINATE INTERFERENCE. POST SERVICE BULLETIN: 52-0061	018106 108903 950951 953999	5

MISSING ITEM NUMBERS NOT APPLICABLE

- ITEM NOT ILLUSTRATED

BRI

32-12-02-01

BOEING PROPRIETARY - Copyright © - Unpublished Work - See title page for details.

32-12-02  
FIG. 01  
PAGE 6  
JAN 20/09



757

PARTS CATALOG (MAINTENANCE)

FIG ITEM	PART NUMBER	1 2 3 4 5 6 7	NOMENCLATURE	EFFECT FROM TO	UNITS PER ASSY
1 100	BH00303CM5	.	NUT- SUPPLIER CODE: V27238 SPECIFICATION NUMBER: BACN10HR5CD OPTIONAL PART: H51560-5 V15653 67832CD524 V56878 102LH9031-5 V72962 SL7108C524 V11815 BMN5024CWD35 V97928 SL7108C5 V11815 VCU0005D5 V06710 102LH90315 V72962 BMN10HRCWD3-5 V97928 67832CD5 V56878 CR6030-5 VF0224 67832CD5 V56878 MISCELLANEOUS DATA: THE BOLT, NUT AND WASHERS CAN BE REVERSED TO ELIMINATE INTERFERENCE. POST SERVICE BULLETIN: 52-0061	018106 108903 950951 953999	1
105	BACB28AK05-038	.	BUSHING- POST SERVICE BULLETIN: 52-0061	018106 108903 950951 953999	1

MISSING ITEM NUMBERS NOT APPLICABLE

- ITEM NOT ILLUSTRATED

32-12-02-01

32-12-02  
FIG. 01  
PAGE 7  
JAN 20/09

BRI



757

PARTS CATALOG (MAINTENANCE)

FIG ITEM	PART NUMBER	1 2 3 4 5 6 7	NOMENCLATURE	EFFECT FROM TO	UNITS PER ASSY
1 110	149N6009-1		.TANG ASSY- POSITION DATA: LH SIDE FUNCTIONAL REFERENCE: PLACARDS AND MARKINGS FOR DETAILS SEE 11-22-55-04 LANDING GEAR FOR DETAILS SEE 32-12-02-02	121503	1
110	149N6009-13		.TANG ASSY- POSITION DATA: LH QUALIFIED I/W DATA: THE 149N6009-17 TANG ASSEMBLY LESS (1) 149N6030-3 CLEVIS ASSEMBLY AND (1) 149N6030-4 CLEVIS ASSY AND (1) BACB30VG8K10 BOLT AND (6) BACB30VG8K9 BOLTS T/W (2) 149N6030-1 CLEVIS ASSEMBLY AND (7) BACB30VG8K8 BOLTS IS I/W THE 149N6009-13 TANG ASSEMBLY FUNCTIONAL REFERENCE: 11-22-55-04	006017 950951 953999	1
110	149N6009-17		.TANG ASSY- POSITION DATA: LH QUALIFIED I/W DATA: THE 149N6009-17 TANG ASSEMBLY LESS (1) 149N6030-3 CLEVIS ASSEMBLY AND (1) 149N6030-4 CLEVIS ASSY AND (1) BACB30VG8K10 BOLT AND (6) BACB30VG8K9 BOLTS T/W (2) 149N6030-1 CLEVIS ASSEMBLY AND (7) BACB30VG8K8 BOLTS IS I/W THE 149N6009-13 TANG ASSEMBLY FUNCTIONAL REFERENCE: 11-22-55-04	018106 108120 504903	1

MISSING ITEM NUMBERS NOT APPLICABLE

- ITEM NOT ILLUSTRATED

32-12-02-01

32-12-02  
FIG. 01  
PAGE 8  
JAN 20/09

BRI



757

PARTS CATALOG (MAINTENANCE)

FIG ITEM	PART NUMBER	1 2 3 4 5 6 7	NOMENCLATURE	EFFECT FROM TO	UNITS PER ASSY
1					
- 115	149N6009-2		.TANG ASSY- POSITION DATA: RH SIDE FUNCTIONAL REFERENCE: PLACARDS AND MARKINGS FOR DETAILS SEE 11-22-55-04 LANDING GEAR FOR DETAILS SEE 32-12-02-02	121503	1
- 115	149N6009-14		.TANG ASSY- POSITION DATA: RH QUALIFIED I/W DATA: THE 149N6009-18 TANG ASSEMBLY LESS (1) 149N6030-3 CLEVIS ASSEMBLY AND (1) 149N6030-4 CLEVIS ASSY AND (1) BACB30VG8K10 BOLT AND (6) BACB30VG8K9 BOLTS T/W (2) 149N6030-1 CLEVIS ASSEMBLY AND (7) BACB30VG8K8 BOLTS IS I/W THE 149N6009-14 TANG ASSEMBLY FUNCTIONAL REFERENCE: 11-22-55-04	006017 950951 953999	1
- 115	149N6009-18		.TANG ASSY- POSITION DATA: RH QUALIFIED I/W DATA: THE 149N6009-18 TANG ASSEMBLY LESS (1) 149N6030-3 CLEVIS ASSEMBLY AND (1) 149N6030-4 CLEVIS ASSY AND (1) BACB30VG8K10 BOLT AND (6) BACB30VG8K9 BOLTS T/W (2) 149N6030-1 CLEVIS ASSEMBLY AND (7) BACB30VG8K8 BOLTS IS I/W THE 149N6009-14 TANG ASSEMBLY FUNCTIONAL REFERENCE: 11-22-55-04	018106 108120 504903	1
120	BACB30LE5K15		..BOLT	121503	2
125	BACB30LE5K17		..BOLT-	121503	2
130	BACW10BP5CD		..WASHER	121503	12

MISSING ITEM NUMBERS NOT APPLICABLE

- ITEM NOT ILLUSTRATED

32-12-02-01

32-12-02  
FIG. 01  
PAGE 9  
JAN 20/09

BRI



757

PARTS CATALOG (MAINTENANCE)

FIG ITEM	PART NUMBER	1 2 3 4 5 6 7	NOMENCLATURE	EFFECT FROM TO	UNITS PER ASSY
1 135	BH00303CM5	..	NUT SUPPLIER CODE: V27238 SPECIFICATION NUMBER: BACN10HR5CD OPTIONAL PART: H51560-5 V15653 67832CD524 V56878 102LH9031-5 V72962 SL7108C524 V11815 BMN5024CWD35 V97928 SL7108C5 V11815 VCU0005D5 V06710 102LH90315 V72962 BMN10HRCWD3-5 V97928 67832CD5 V56878 CR6030-5 VF0224 67832CD5 V56878	121503	4
140	BACS40R006E008F	..	SHIM	121503	2
142	BACS40R006C008F	..	SHIM	121503	2
144	149N6009-9	..	FILLER	121503	1
146	149N6031-1	..	STRUT ASSY-COMPRESSION	121503	2
150	BACB30LE5K16	..	BOLT	006106 108120 504903 950951 953999	2
155	BACB30PW5-17	..	BOLT-	006106 108120 504903 950951 953999	2
160	BACW10BP5CD	..	WASHER	006106 108120 504903 950951 953999	4

MISSING ITEM NUMBERS NOT APPLICABLE

- ITEM NOT ILLUSTRATED

32-12-02-01

32-12-02  
FIG. 01  
PAGE 10  
JAN 20/09

BRI

BOEING PROPRIETARY - Copyright © - Unpublished Work - See title page for details.



757

PARTS CATALOG (MAINTENANCE)

FIG ITEM	PART NUMBER	1 2 3 4 5 6 7	NOMENCLATURE	EFFECT FROM TO	UNITS PER ASSY
1					
165	BACW10BP5DP	. .	WASHER	006106 108120 504903 950951 953999	2
167	BACW10BP4DP	. .	WASHER	006106 108120 504903 950951 953999	2
170	BACW10BP4DP	. .	WASHER-	006106 108120 504903 950951 953999	2
175	BH00303CM5	. .	NUT SUPPLIER CODE: V27238 SPECIFICATION NUMBER: BACN10HR5CD OPTIONAL PART: H51560-5 V15653 67832CD524 V56878 102LH9031-5 V72962 SL7108C524 V11815 BMN5024CWD35 V97928 SL7108C5 V11815 VCU0005D5 V06710 102LH90315 V72962 BMN10HRCWD3-5 V97928 67832CD5 V56878 CR6030-5 VF0224 67832CD5 V56878	006106 108120 504903 950951 953999	2

MISSING ITEM NUMBERS NOT APPLICABLE

- ITEM NOT ILLUSTRATED

BRI

32-12-02-01

32-12-02  
FIG. 01  
PAGE 11  
JAN 20/09



757

PARTS CATALOG (MAINTENANCE)

FIG ITEM	PART NUMBER	1 2 3 4 5 6 7	NOMENCLATURE	EFFECT FROM TO	UNITS PER ASSY
1					
185	PLH54CD	..	NUT- SUPPLIER CODE: VF0224 SPECIFICATION NUMBER: BACN10YR4CD OPTIONAL PART: H52732-4CD V15653	006106 108120 504903 950951 953999	2
187	BACB28AK05-028	..	BUSHING	006106 108120 504903 950951 953999	2
190	149N6031-4	..	STRUT ASSY-COMPRESSION	006106 108120 504903 950951 953999	2
195	NAS513-5	...	WASHER	006106 108120 504903 950951 953999	1
200	NAS509-5C	...	NUT	006106 108120 504903 950951 953999	1
205	M81935-1-5K	...	END-END	006106 108120 504903 950951 953999	1
210	149N6031-5	...	STRUT	006106 108120 504903 950951 953999	1
215	BACB30VG8K6	..	BOLT	006106 108903 950951 953999	8
220	BACW10BP4DP	..	WASHER	006106 108903 950951 953999	8

MISSING ITEM NUMBERS NOT APPLICABLE

- ITEM NOT ILLUSTRATED

BRI

32-12-02-01

BOEING PROPRIETARY - Copyright © - Unpublished Work - See title page for details.

32-12-02  
FIG. 01  
PAGE 12  
JAN 20/09





757

PARTS CATALOG (MAINTENANCE)

FIG ITEM	PART NUMBER	1 2 3 4 5 6 7	NOMENCLATURE	EFFECT FROM TO	UNITS PER ASSY
1					
225	PLH54CD	..	NUT SUPPLIER CODE: VF0224 SPECIFICATION NUMBER: BACN10YR4CD OPTIONAL PART: H52732-4CD V15653	006106 108903 950951 953999	8
230	149N6029-3	..	CLEVIS ASSY- POSITION DATA: UPPER	121503	2
235	BACB28AP05P012	...	BUSHING	121503	1
240	BACB28AT07B012C	...	BUSHING	121503	1
245	149N6029-4	...	CLEVIS	121503	1
250	149N6029-5	..	CLEVIS ASSY- POSITION DATA: UPPER	006106 108120 504903 950951 953999	2
255	BACB28AP05P012	...	BUSHING	006106 108120 504903 950951 953999	2
260	BACB28AT07B012C	...	BUSHING	006106 108120 504903 950951 953999	2
265	149N6029-6	...	CLEVIS	006106 108120 504903 950951 953999	1
270	149N6009-10	..	SHIM- OPTIONAL PART: BACS40V010D040	006106 108903 950951 953999	4
270	BACS40V010D040	..	SHIM- OPTIONAL PART: 149N6009-10	006106 108903 950951 953999	4

MISSING ITEM NUMBERS NOT APPLICABLE

- ITEM NOT ILLUSTRATED

32-12-02-01

32-12-02  
FIG. 01  
PAGE 13  
JAN 20/09

BRI

BOEING PROPRIETARY - Copyright © - Unpublished Work - See title page for details.



757

PARTS CATALOG (MAINTENANCE)

FIG ITEM	PART NUMBER	1 2 3 4 5 6 7	NOMENCLATURE	EFFECT FROM TO	UNITS PER ASSY
1 275	HL8608K8		..BOLT- SUPPLIER CODE: V56878 SPECIFICATION NUMBER: BACB30VG8K8 OPTIONAL PART: HL8608K8 V73197 HL8608K8 VOPTK6 HL8608K8 V92215 L8608K8 V06725 HL8608K8 V97928 PRE SERVICE BULLETIN: 52-0061	006017 950951	7
275	HL8608K9		..BOLT- SUPPLIER CODE: V56878 SPECIFICATION NUMBER: BACB30VG8K9 OPTIONAL PART: HL8608K9 V73197 HL8608K9 VOPTK6 HL8608K9 V92215 L8608K9 V06725 HL8608K9 V97928 POST SERVICE BULLETIN: 52-0061	018106 108903 950951 953999	7

MISSING ITEM NUMBERS NOT APPLICABLE

- ITEM NOT ILLUSTRATED

BRI

32-12-02-01

BOEING PROPRIETARY - Copyright © - Unpublished Work - See title page for details.

32-12-02  
FIG. 01  
PAGE 14  
JAN 20/09



757

PARTS CATALOG (MAINTENANCE)

FIG ITEM	PART NUMBER	1 2 3 4 5 6 7	NOMENCLATURE	EFFECT FROM TO	UNITS PER ASSY
1 280	HL8608K9	..	BOLT- SUPPLIER CODE: V56878 SPECIFICATION NUMBER: BACB30VG8K9 OPTIONAL PART: HL8608K9 V73197 HL8608K9 VOPTK6 HL8608K9 V92215 L8608K9 V06725 HL8608K9 V97928 PRE SERVICE BULLETIN: 52-0061	006017 950951	1
280	BACB30VG8K11	..	BOLT- POST SERVICE BULLETIN: 52-0061	121503 950951 953999	1
280	BACB30VG8K10	..	BOLT	018106 108120 504903	1
285	BACW10BP4DP	..	WASHER- PRE SERVICE BULLETIN: 52-0061	006106 108903 950951	9
287	BACW10BP4DP	..	WASHER- POST SERVICE BULLETIN: 52-0061	121503 950951 953999	AR
290	PLH54CD	..	NUT SUPPLIER CODE: VF0224 SPECIFICATION NUMBER: BACN10YR4CD OPTIONAL PART: H52732-4CD V15653	006106 108903 950951 953999	8

MISSING ITEM NUMBERS NOT APPLICABLE

- ITEM NOT ILLUSTRATED

32-12-02-01

32-12-02  
FIG. 01  
PAGE 15  
JAN 20/09

BRI



757

PARTS CATALOG (MAINTENANCE)

FIG ITEM	PART NUMBER	1 2 3 4 5 6 7	NOMENCLATURE	EFFECT FROM TO	UNITS PER ASSY
1 295	940CW21-7	..	JUMPER ASSY- SUPPLIER CODE: V91812 SPECIFICATION NUMBER: BACJ40AB21-7 OPTIONAL PART: 100221-7 V1FF12 RBEJ40AB21-7 V1GK47 POST SERVICE BULLETIN: 52-0061	006017 121503 950951 953999	1
300	149N6030-1	..	CLEVIS ASSY- POSITION DATA: LOWER PRE SERVICE BULLETIN: 52-0061	006017 950951	2
305	BACB28AP05P012	...	BUSHING	006017 950951	1
310	BACB28AT07B012C	...	BUSHING	006017 950951	1
315	149N6030-2	...	CLEVIS	006017 950951	1
320	149N6030-3	..	CLEVIS ASSY- POSITION DATA: LOWER POST SERVICE BULLETIN: 52-0061	018106 108903 950951 953999	1
325	BACB28X3P018	...	BUSHING	018106 108903 950951 953999	1
330	BACB28AT05B020C	...	BUSHING	018106 108903 950951 953999	1
335	149N6030-5	...	CLEVIS	018106 108903 950951 953999	1
340	149N6030-4	..	CLEVIS ASSY- POSITION DATA: LOWER POST SERVICE BULLETIN: 52-0061	018106 108903 950951 953999	1
345	BACB28AP05P018	...	BUSHING	018106 108903 950951 953999	1

MISSING ITEM NUMBERS NOT APPLICABLE

- ITEM NOT ILLUSTRATED

32-12-02-01

32-12-02  
FIG. 01  
PAGE 16  
JAN 20/09

BRI



757

PARTS CATALOG (MAINTENANCE)

FIG ITEM	PART NUMBER	1 2 3 4 5 6 7	NOMENCLATURE	EFFECT FROM TO	UNITS PER ASSY
1					
350	BACB28AT07B020C	...	BUSHING	018106 108903 950951 953999	1
355	149N6030-6	...	CLEVIS	018106 108903 950951 953999	1
360	149N6009-11	..	SHIM- OPTIONAL PART: BACS40V010D040 BACS40V010D030	006106 108903 950951 953999	4
360	BACS40V010D040	..	SHIM- OPTIONAL PART: 149N6009-11	006106 108903 950951 953999	4
360	BACS40V010D030	..	SHIM- OPTIONAL PART: 149N6009-11	006106 108903 950951 953999	4
365	BACB30VF3K5	..	BOLT	006106 108903 950951 953999	49
370	BACB30VF3K7	..	BOLT	006106 108903 950951 953999	4
375	BACB30VF3K8	..	BOLT	006106 108903 950951 953999	2
380	BACW10BP3DP	..	WASHER	006106 108903 950951 953999	55
385	PLH53CD	..	NUT SUPPLIER CODE: VF0224 SPECIFICATION NUMBER: BACN10YR3CD OPTIONAL PART: H52732-3CD V15653	006106 108903 950951 953999	55
390	149N6039-1	..	RETAINER- POSITION DATA: UPR LH SIDE	006106 108903 950951 953999	1

MISSING ITEM NUMBERS NOT APPLICABLE

- ITEM NOT ILLUSTRATED

BRI

32-12-02-01

32-12-02  
FIG. 01  
PAGE 17  
JAN 20/09



757

PARTS CATALOG (MAINTENANCE)

FIG ITEM	PART NUMBER	1 2 3 4 5 6 7	NOMENCLATURE	EFFECT FROM TO	UNITS PER ASSY
1					
- 395	149N6039-2		..RETAINER- POSITION DATA: UPR RH SIDE	006106 108903 950951 953999	1
400	149N6039-3		..RETAINER- POSITION DATA: LWR	006106 108903 950951 953999	1
405	149N6036-1		..SEAL- POSITION DATA: UPR LH SIDE	006106 108903 950951 953999	1
- 410	149N6036-2		..SEAL- POSITION DATA: UPR RH SIDE	006106 108903 950951 953999	1
415	149N6036-3		..SEAL- POSITION DATA: LWR	006106 108903 950951 953999	1
420	149N6042-1		..STOP ASSY	006106 108903 950951 953999	1
425	149N6038-1		..DEPRESSOR- POSITION DATA: FWD LH SIDE	006106 108903 950951 953999	1
- 430	149N6038-2		..DEPRESSOR- POSITION DATA: FWD RH SIDE	006106 108903 950951 953999	1
435	149N6038-3		..DEPRESSOR- POSITION DATA: AFT LH SIDE	006106 108903 950951 953999	1
- 440	149N6038-4		..DEPRESSOR- POSITION DATA: AFT RH SIDE	006106 108903 950951 953999	1
445	149N6009-7		..BOOT-RUBBER	121503	1
445	149N6009-12		..BOOT-RUBBER	006106 108120 504903 950951 953999	1
450	149N6009-3		..PANEL ASSY- POSITION DATA: LH SIDE	121503	1

MISSING ITEM NUMBERS NOT APPLICABLE

- ITEM NOT ILLUSTRATED

32-12-02-01

32-12-02  
FIG. 01  
PAGE 18  
JAN 20/09

BRI



757

PARTS CATALOG (MAINTENANCE)

FIG ITEM	PART NUMBER	1 2 3 4 5 6 7	NOMENCLATURE	EFFECT FROM TO	UNITS PER ASSY
1 450	149N6009-15		..PANEL ASSY- POSITION DATA: LH SIDE	006106 108120 504903 950951 953999	1
- 455	149N6009-4		..PANEL ASSY- POSITION DATA: RH SIDE	121503	1
- 455	149N6009-16		.PANEL ASSY- POSITION DATA: RH SIDE	006106 108120 504903 950951 953999	1

MISSING ITEM NUMBERS NOT APPLICABLE

- ITEM NOT ILLUSTRATED

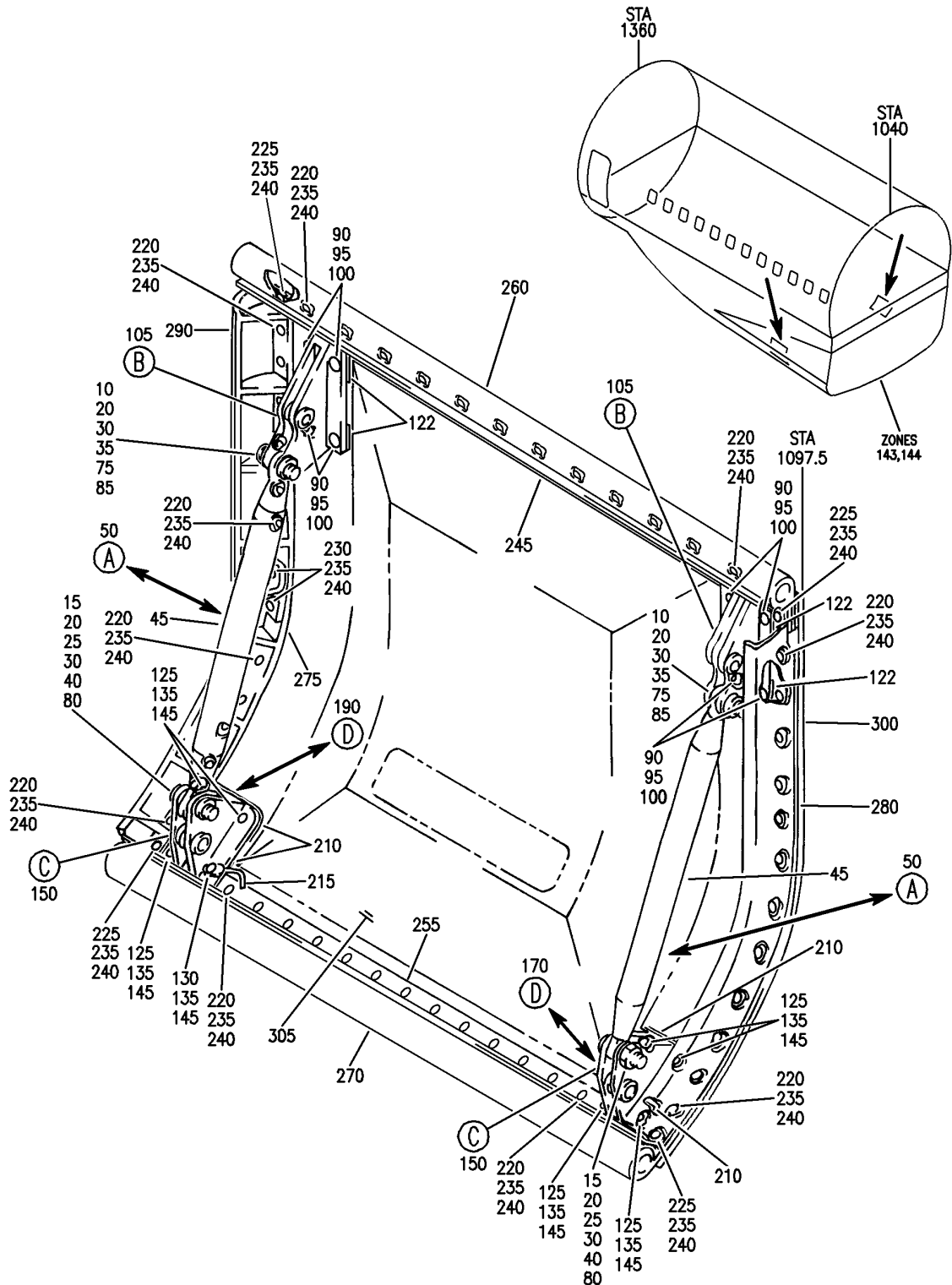
BRI

32-12-02-01

BOEING PROPRIETARY - Copyright © - Unpublished Work - See title page for details.

32-12-02  
FIG. 01  
PAGE 19  
JAN 20/09

**BOEING**  
757  
PARTS CATALOG (MAINTENANCE)



Y 32120202 SHT 1 REV 241

TANG ASSY-MLG DOOR (MAIN GEAR DOOR ONLY)  
FIGURE 2 (SHEET 1)

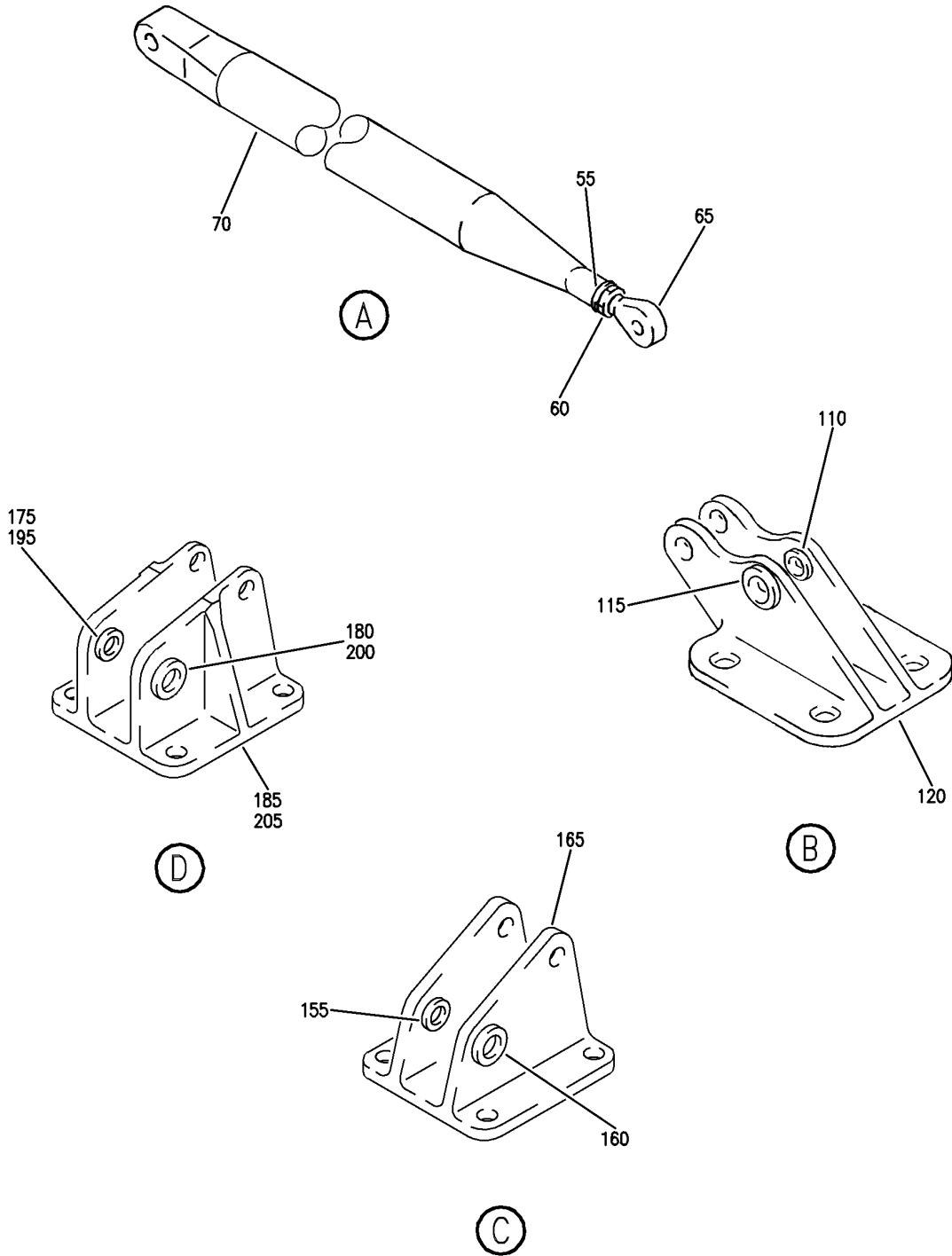
**32-12-02-02**

BRI  
JAN 20/09

32-12-02-02  
PAGE 0



**BOEING**  
757  
PARTS CATALOG (MAINTENANCE)



Y 32120202 SHT 2 REV 241

TANG ASSY-MLG DOOR (MAIN GEAR DOOR ONLY)  
FIGURE 2 (SHEET 2)

**32-12-02-02**

BRI  
JAN 20/09

32-12-02-02  
PAGE 0A



757

PARTS CATALOG (MAINTENANCE)

FIG ITEM	PART NUMBER	1 2 3 4 5 6 7	NOMENCLATURE	EFFECT FROM TO	UNITS PER ASSY
2			TANG ASSY-MLG DOOR (MAIN GEAR DOOR ONLY)	121503	
- 1	149N6009-1		TANG ASSY-MLG DOOR (MAIN GEAR DOOR ONLY)	121503	RF
			POSITION DATA: LH FOR NHA/OTHER SYS DET SEE: 32-12-02-01		
- 5	149N6009-2		TANG ASSY-MLG DOOR (MAIN GEAR DOOR ONLY)	121503	RF
			POSITION DATA: RH FOR NHA/OTHER SYS DET SEE: 32-12-02-01		
10	BACB30LE5K15		.BOLT	121503	2
15	BACB30PW5-17		.BOLT-	121503	2
			POST SERVICE BULLETIN: 52-0061		
20	BACW10BP5CD		.WASHER	121503	12
25	BACW10BP4DP		.WASHER-	121503	2
			POST SERVICE BULLETIN: 52-0061		

MISSING ITEM NUMBERS NOT APPLICABLE

- ITEM NOT ILLUSTRATED

32-12-02-02

32-12-02  
FIG. 02  
PAGE 1  
JAN 20/09

BRI



757

PARTS CATALOG (MAINTENANCE)

FIG ITEM	PART NUMBER	1 2 3 4 5 6 7	NOMENCLATURE	EFFECT FROM TO	UNITS PER ASSY
2	35 BH00303CM5	.NUT	SUPPLIER CODE: V27238 SPECIFICATION NUMBER: BACN10HR5CD OPTIONAL PART: H51560-5 V15653 67832CD524 V56878 102LH9031-5 V72962 SL7108C524 V11815 BMN5024CWD35 V97928 SL7108C5 V11815 VCU0005D5 V06710 102LH90315 V72962 BMN10HRCWD3-5 V97928 67832CD5 V56878 CR6030-5 VF0224 67832CD5 V56878	121503	2
	40 PLH54CD	.NUT-	SUPPLIER CODE: VF0224 SPECIFICATION NUMBER: BACN10YR4CD OPTIONAL PART: H52732-4CD V15653 POST SERVICE BULLETIN: 52-0061	121503	2
	50 149N6031-4	.STRUT ASSY-COMPRESSION	POST SERVICE BULLETIN: 52-0061	121503	2
	55 NAS513-5	..WASHER		121503	1
	60 NAS509-5C	..NUT		121503	1
	65 M819351-5K	..ROD-END		121503	1
	70 149N6031-5	..STRUT		121503	1
	75 BACS40R006C008F	.SHIM		121503	2
	80 BACS40R006E008F	.SHIM		121503	2

MISSING ITEM NUMBERS NOT APPLICABLE

- ITEM NOT ILLUSTRATED

32-12-02-02

32-12-02  
FIG. 02  
PAGE 2  
JAN 20/09

BRI



757

PARTS CATALOG (MAINTENANCE)

FIG ITEM	PART NUMBER	1 2 3 4 5 6 7	NOMENCLATURE	EFFECT FROM TO	UNITS PER ASSY
2					
85	149N6009-9	.	FILLER	121503	2
90	BACB30VG8K6	.	BOLT	121503	8
95	BACW10BP4DP	.	WASHER	121503	8
100	PLH54CD	.	NUT	121503	8
			SUPPLIER CODE: VF0224		
			SPECIFICATION NUMBER: BACN10YR4CD		
			OPTIONAL PART: H52732-4CD V15653		
105	149N6029-3	.	CLEVIS ASSY- POSITION DATA: UPR	121503	2
110	BACB28AP05P012	..	BUSHING	121503	1
115	BACB28AT07B012C	..	BUSHING	121503	1
120	149N6029-4	..	CLEVIS	121503	1
122	149N6009-10	.	SHIM	121503	4
125	HL8608K9	.	BOLT- SUPPLIER CODE: V56878	121503	7
			SPECIFICATION NUMBER: BACB30VG8K9		
			OPTIONAL PART: HL8608K9 V73197 HL8608K9 V0PTK6 HL8608K9 V92215 L8608K9 V06725 HL8608K9 V97928		
			POST SERVICE BULLETIN: 52-0061		
130	BACB30VG8K11	.	BOLT- POST SERVICE BULLETIN: 52-0061	121503	1
140	BACW10BP4DP	.	WASHER- POST SERVICE BULLETIN: 52-0061	121503	AR

MISSING ITEM NUMBERS NOT APPLICABLE

- ITEM NOT ILLUSTRATED

BRI

32-12-02-02

BOEING PROPRIETARY - Copyright © - Unpublished Work - See title page for details.

32-12-02  
FIG. 02  
PAGE 3  
JAN 20/09



757

PARTS CATALOG (MAINTENANCE)

FIG ITEM	PART NUMBER	1 2 3 4 5 6 7	NOMENCLATURE	EFFECT FROM TO	UNITS PER ASSY
2 145	PLH54CD	.	NUT SUPPLIER CODE: VF0224 SPECIFICATION NUMBER: BACN10YR4CD OPTIONAL PART: H52732-4CD V15653	121503	8
170	149N6030-3	.	CLEVIS ASSY- POSITION DATA: LWR POST SERVICE BULLETIN: 52-0061	121503	1
175	BACB28X3P018	..	BUSHING	121503	1
180	BACB28AT05B020C	..	BUSHING	121503	1
185	149N6030-5	..	CLEVIS	121503	1
190	149N6030-4	.	CLEVIS ASSY- POSITION DATA: LWR POST SERVICE BULLETIN: 52-0061	121503	1
195	BACB28AP05P018	..	BUSHING	121503	1
200	BACB28AT07B020C	..	BUSHING	121503	1
205	149N6030-6	..	CLEVIS	121503	1
210	149N6009-11	.	SHIM	121503	4
215	940CW21-7	.	JUMPER ASSY SUPPLIER CODE: V91812 SPECIFICATION NUMBER: BACJ40AB21-7 OPTIONAL PART: 100221-7 V1FF12 RBEJ40AB21-7 V1GK47	121503	1
220	BACB30VF3K5	.	BOLT	121503	49
225	BACB30VF3K7	.	BOLT	121503	4
230	BACB30VF3K8	.	BOLT	121503	2
235	BACW10BP3DP	.	WASHER	121503	55
240	PLH53CD	.	NUT SUPPLIER CODE: VF0224 SPECIFICATION NUMBER: BACN10YR3CD OPTIONAL PART: H52732-3CD V15653	121503	55

MISSING ITEM NUMBERS NOT APPLICABLE

- ITEM NOT ILLUSTRATED

32-12-02-02

32-12-02  
FIG. 02  
PAGE 4  
JAN 20/09

BRI



757

PARTS CATALOG (MAINTENANCE)

FIG ITEM	PART NUMBER	1 2 3 4 5 6 7	NOMENCLATURE	EFFECT FROM TO	UNITS PER ASSY
2					
245	149N6039-1		.RETAINER- POSITION DATA: UPR LH SIDE	121503	1
- 250	149N6039-2		.RETAINER- POSITION DATA: UPR RH SIDE	121503	1
255	149N6039-3		.RETAINER- POSITION DATA: LWR	121503	1
260	149N6036-1		.SEAL- POSITION DATA: UPR LH SIDE	121503	1
- 265	149N6036-2		.SEAL- POSITION DATA: UPR RH SIDE	121503	1
270	149N6036-3		.SEAL- POSITION DATA: LWR	121503	1
275	149N6042-1		.STOP ASSY	121503	1
280	149N6038-1		.DEPRESSOR- POSITION DATA: FWD LH SIDE	121503	1
- 285	149N6038-2		.DEPRESSOR- POSITION DATA: FWD RH SIDE	121503	1
290	149N6038-3		.DEPRESSOR- POSITION DATA: AFT LH SIDE	121503	1
- 295	149N6038-4		.DEPRESSOR- POSITION DATA: AFT RH SIDE	121503	1
300	149N6009-7		.BOOT-RUBBER	121503	1
305	149N6009-3		.PANEL ASSY- POSITION DATA: LH SIDE	121503	1
- 310	149N6009-4		.PANEL ASSY- POSITION DATA: RH SIDE	121503	1

MISSING ITEM NUMBERS NOT APPLICABLE

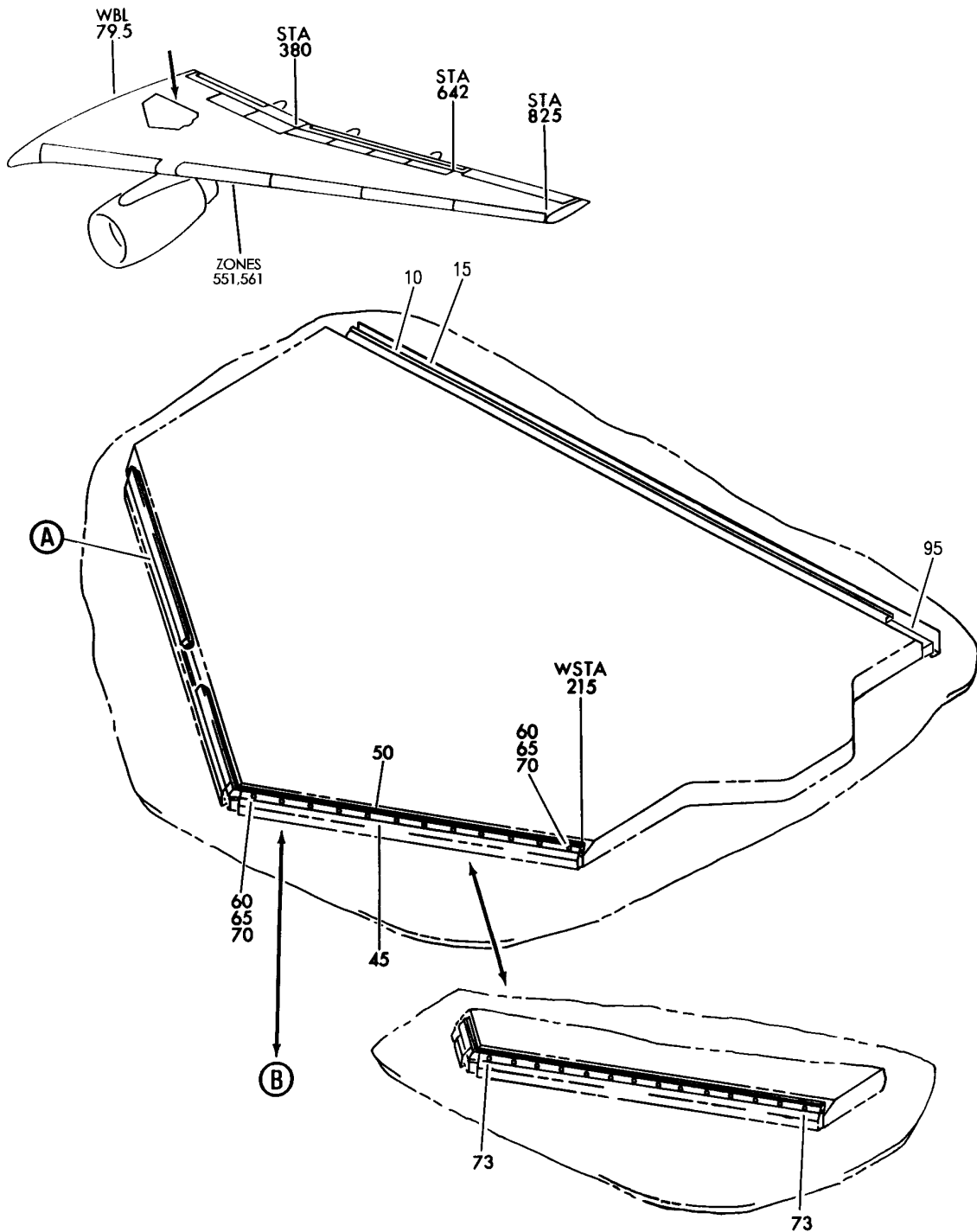
- ITEM NOT ILLUSTRATED

32-12-02-02

32-12-02  
FIG. 02  
PAGE 5  
JAN 20/09

BRI

**BOEING**  
757  
PARTS CATALOG (MAINTENANCE)



Y 32120401 SH1 1 REV 274

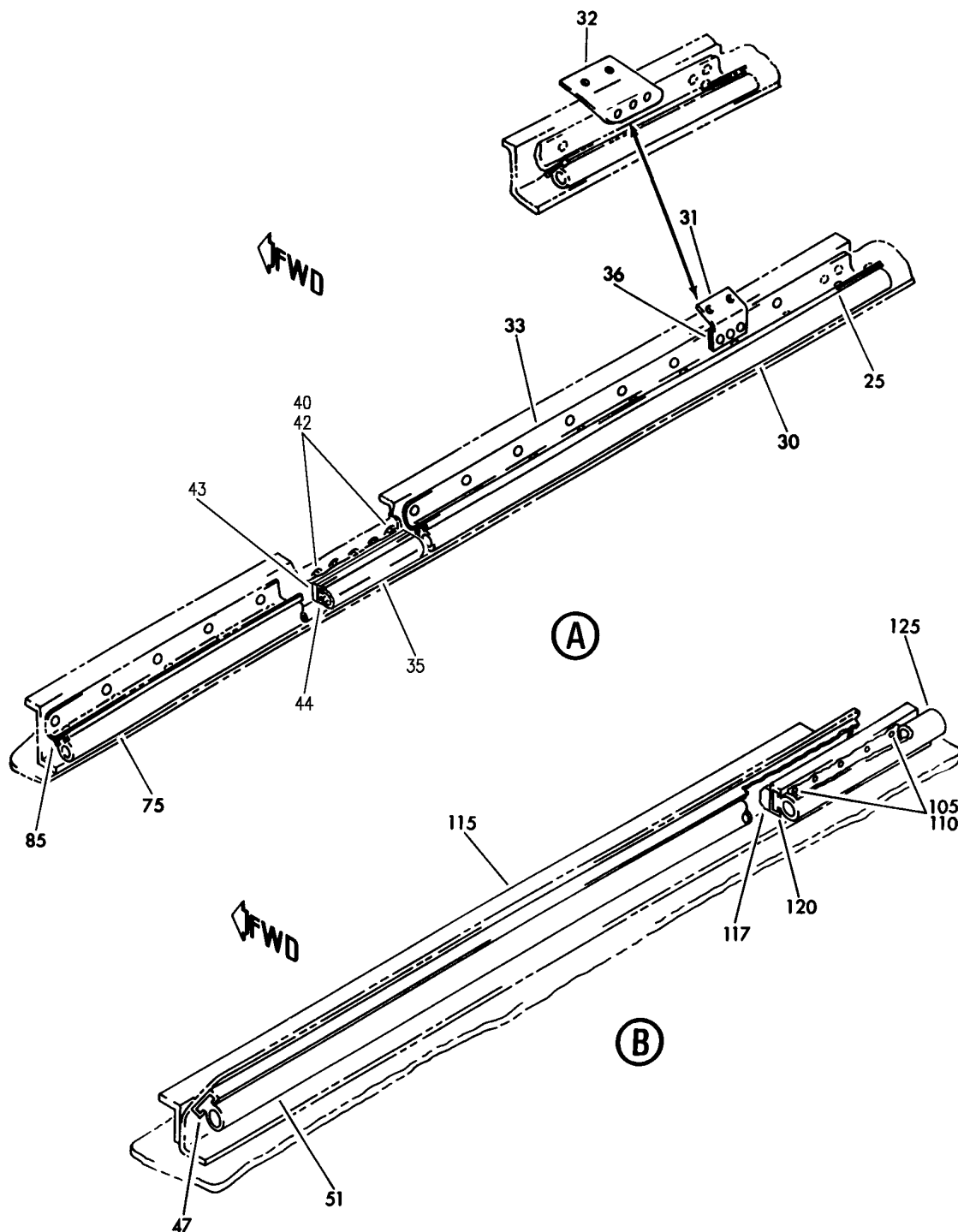
SEAL INSTL-MLG STRUT DOOR  
FIGURE 1 (SHEET 1)

**32-12-04-01**

BRI  
MAY 28/07

32-12-04-01  
PAGE 0

**BOEING**  
757  
PARTS CATALOG (MAINTENANCE)



Y 32120401 SHT 2 REV 274

SEAL INSTL-MLG STRUT DOOR  
FIGURE 1 (SHEET 2)

**32-12-04-01**

BRI  
MAY 28/07

32-12-04-01  
PAGE 0A





757

PARTS CATALOG (MAINTENANCE)

FIG ITEM	PART NUMBER	1 2 3 4 5 6 7	NOMENCLATURE	EFFECT FROM TO	UNITS PER ASSY
1			SEAL INSTL-MLG STRUT DOOR	002004 006999	
- 1	113N8101-25		SEAL INSTL-MLG STRUT DOOR POSITION DATA: LH FOR NHA SEE: 57-50-00-01	002004 006100 107107 121503 904999	RF
- 1	113N8101-301		SEAL INSTL-MLG STRUT DOOR POSITION DATA: LH FOR NHA SEE: 57-00-00-05B	101102 108120 504903	RF
- 1	MODREF1645		SEAL INSTL-MLG STRUT DOOR MODULE NUMBER: 113N8101-301 REV A POSITION DATA: LH	103103	1
- 1	MODREF26622		SEAL INSTL-MLG STRUT DOOR MODULE NUMBER: 113N8101-301 REV B POSITION DATA: LH	104106	1
- 5	113N8101-26		SEAL INSTL-MLG STRUT DOOR POSITION DATA: RH FOR NHA SEE: 57-50-00-01	002004 006100 107107 121503 904999	RF
- 5	113N8101-302		SEAL INSTL-MLG STRUT DOOR POSITION DATA: RH FOR NHA SEE: 57-00-00-05B	101102 108120 504903	RF
- 5	MODREF1646		SEAL INSTL-MLG STRUT DOOR MODULE NUMBER: 113N8101-302 REV A POSITION DATA: RH	103103	1
- 5	MODREF26623		SEAL INSTL-MLG STRUT DOOR MODULE NUMBER: 113N8101-302 REV B POSITION DATA: RH	104106	1
10	113N8101-20		.RETAINER-SEAL	002004 006999	1
15	113N8101-21		.SEAL- MANUFACTURED FROM: EXTR RUBBER F18.13 10-60754-221 68.0 IN.	002004 006999	1

MISSING ITEM NUMBERS NOT APPLICABLE

- ITEM NOT ILLUSTRATED

32-12-04-01

32-12-04  
FIG. 01  
PAGE 1  
JAN 20/09

BRI



757

PARTS CATALOG (MAINTENANCE)

FIG ITEM	PART NUMBER	1 2 3 4 5 6 7	NOMENCLATURE	EFFECT FROM TO	UNITS PER ASSY
1			ATTACHING PARTS		
- 20	BACR15BA6D		.RIVET- SIZE DETERMINED ON INSTL. -----*-----	002004 006999	25
- 22	BACR15BB6D		.RIVET	002004 006999	16
25	113N8000-2		.RETAINER-SEAL MANUFACTURED FROM: BAC1510-319 X 27.1 FIN F18.13 2024-T3511 EXTR PER QQ-A-200/3	002004 006999	1
30	113N8101-17		.SEAL- MANUFACTURED FROM: EXTR RUBBER F18.13 10-60754-221 27.2 IN.	002004 006999	1
35	113N8101-28		.SEAL- MANUFACTURED FROM: EXTR RUBBER F25.01 10-60754-221 9.10 IN.	002004 006999	1
40	L839-6A		.BOLT- SUPPLIER CODE: V06725 SPECIFICATION NUMBER: BACB30FN6A OPTIONAL PART: HL19-6A V06725 SIZE DETERMINED ON INSTL.	002004 006999	5
42	BACC30AB6		.COLLAR-	002004 006999	5
43	113N8101-27		.RETAINER-SEAL	002004 006999	1
44	113N1870-2		.FILLER-	002004 006999	1
45	113N8000-3		.RETAINER-SEAL MANUFACTURED FROM: ALUM BAC1510-319 X 30.4 FIN F18.13 2024-T3511 EXTR PER QQ-A-200/3	107107 904949	1
47	113N8004-1		.RETAINER-SEAL MANUFACTURED FROM: ALUM BAC1510-319 X 31.4 FIN F17.19 2024-T3511 EXTR PER QQ-A-200/3	002004 006106 108903 950999	1

MISSING ITEM NUMBERS NOT APPLICABLE

- ITEM NOT ILLUSTRATED

32-12-04-01

32-12-04  
FIG. 01  
PAGE 2  
JAN 20/09

BRI



757

PARTS CATALOG (MAINTENANCE)

FIG ITEM	PART NUMBER	1 2 3 4 5 6 7	NOMENCLATURE	EFFECT FROM TO	UNITS PER ASSY
1					
50	113N8101-9		.SEAL- POSITION DATA: LH SIDE MANUFACTURED FROM: EXTR RUBBER F18.13 10-60754-221 33.6 IN.	107107 904949	1
51	113N8101-35		.SEAL- POSITION DATA: LH SIDE MANUFACTURED FROM: EXTR RUBBER F25.01 10-60754-221 30.94 IN.	002004 006106 108903 950999	1
- 55	113N8101-10		.SEAL- POSITION DATA: RH SIDE MANUFACTURED FROM: EXTR RUBBER F18.13 10-60754-221 33.6 IN.	107107 904949	1
- 56	113N8101-36		.SEAL- POSITION DATA: RH SIDE MANUFACTURED FROM: EXTR RUBBER F25.01 10-60754-221 30.94 IN.	002004 006106 108903 950999	1
- 72	BACR15CE6D		ATTACHING PARTS .RIVET- SIZE DETERMINED ON INSTL.	002004 006106 108903 950999	13
73	BACR15CE6D		.RIVET- SIZE DETERMINED ON INSTL.	107107 904949	14
			-----*-----		
75	113N8101-15		.SEAL- POSITION DATA: LH SIDE MANUFACTURED FROM: EXTR RUBBER F25.01 10-60754-221 X 16.8 IN	002004 006999	1

MISSING ITEM NUMBERS NOT APPLICABLE

- ITEM NOT ILLUSTRATED

32-12-04-01

32-12-04  
FIG. 01  
PAGE 3  
JAN 20/09

BRI

BOEING PROPRIETARY - Copyright © - Unpublished Work - See title page for details.



757

PARTS CATALOG (MAINTENANCE)

FIG ITEM	PART NUMBER	1 2 3 4 5 6 7	NOMENCLATURE	EFFECT FROM TO	UNITS PER ASSY
1					
- 80	113N8101-16		.SEAL- POSITION DATA: RH SIDE MANUFACTURED FROM: EXTR RUBBER F25.01 10-60754-221 X 16.8 IN	002004 006999	1
85	113N8000-1		.RETAINER-SEAL MANUFACTURED FROM: ALUM BAC1510-319 X 16.4 FIN F18.13 2024-T3511 EXTR PER QQ-A-200/3	002004 006100 107107 121503 904999	1
85	113N8000-4		.RETAINER-SEAL MANUFACTURED FROM: ALUM BAC1510-319 X 16.4 FIN F18.13 2024-T3511 EXTR PER QQ-A-200/3 ATTACHING PARTS	101106 108120 504903	1
- 90	BACR15BA6D		.RIVET- SIZE DETERMINED ON INSTL. -----*-----	002004 006999	5
95	113N5403-2		.SEAL- POSITION DATA: LH SIDE	002004 006999	1
- 100	113N5403-1		.SEAL- POSITION DATA: RH SIDE	002004 006999	1
105	BACB30VU6K		.BOLT- SIZE DETERMINED ON INSTL.	002004 006106 108903 950999	5
110	BACC30BL6		.COLLAR SUPPLIER CODE: V73197 SPECIFICATION NUMBER: BACC30BL6 OPTIONAL PART: HST79-6 V92215 HST79CY6 V56878 HST79CY6 V5M902	002004 006106 108903 950999	5
115	113N8005-1		.ANGLE-	002004 006100 107107 121503 904999	1

MISSING ITEM NUMBERS NOT APPLICABLE

- ITEM NOT ILLUSTRATED

32-12-04-01

32-12-04  
FIG. 01  
PAGE 4  
JAN 20/09

BRI



757

PARTS CATALOG (MAINTENANCE)

FIG ITEM	PART NUMBER	1 2 3 4 5 6 7	NOMENCLATURE	EFFECT FROM TO	UNITS PER ASSY
1					
115	113N8005-3	.	ANGLE-	101106 108120 504903	1
117	113N1870-3	.	FILLER	002004 006106 108903 950999	1
120	113N8101-38	.	RETAINER-SEAL MANUFACTURED FROM: ALUM BAC1510-319 X 5.36 FIN F17.19 PLUS F20.02 7075-T6511 EXTR PER QQ-A-200/11	002004 006106 108903 950999	1
125	113N8101-37	.	SEAL- MANUFACTURED FROM: EXTR RUBBER F25.01 10-60754-221 5.66 IN.	002004 006106 108903 950999	1

MISSING ITEM NUMBERS NOT APPLICABLE

- ITEM NOT ILLUSTRATED

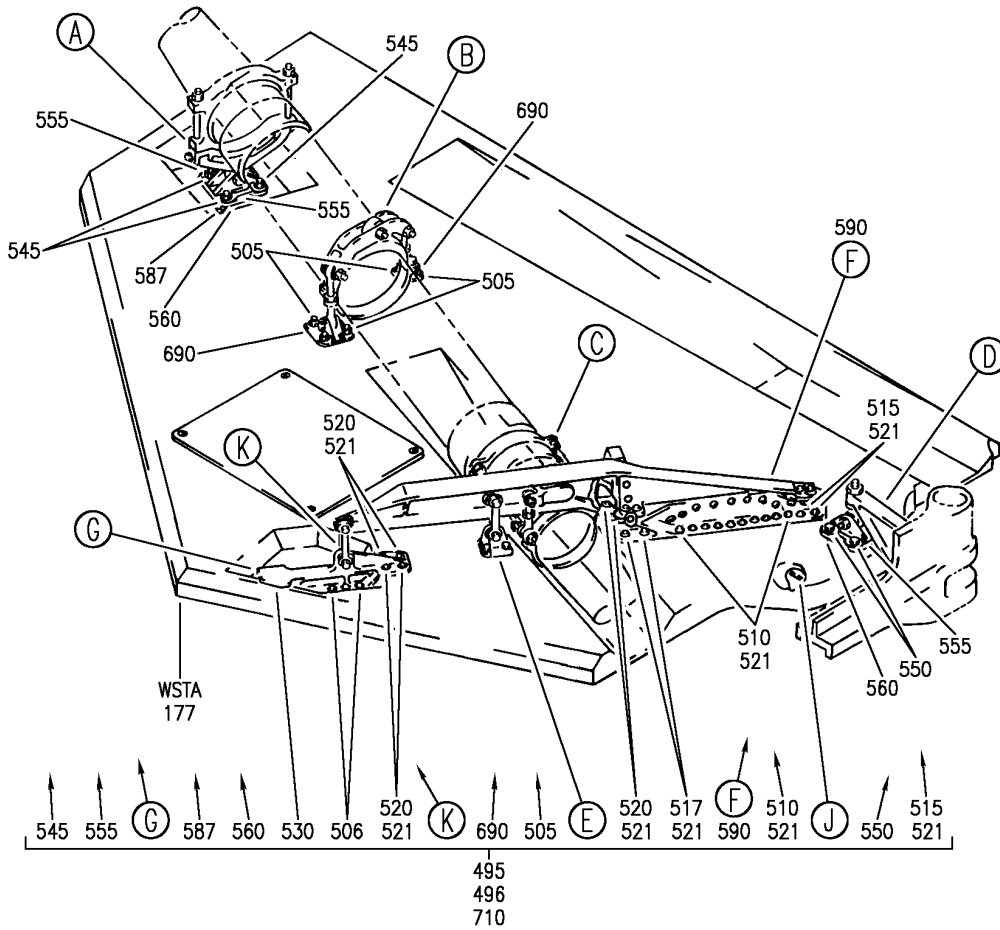
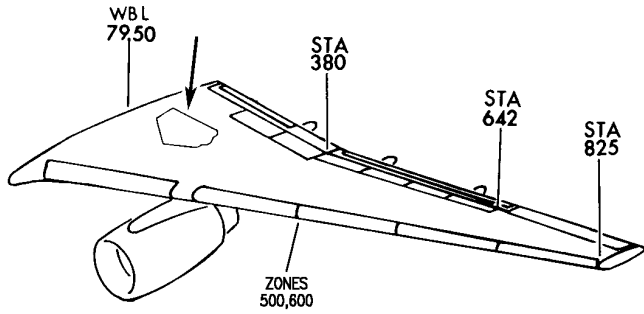
BRI

32-12-04-01

BOEING PROPRIETARY - Copyright © - Unpublished Work - See title page for details.

32-12-04  
FIG. 01  
PAGE 5  
JAN 20/09


**BOEING**  
 757  
**PARTS CATALOG (MAINTENANCE)**



Y 32120402 SH1 1 REV 305

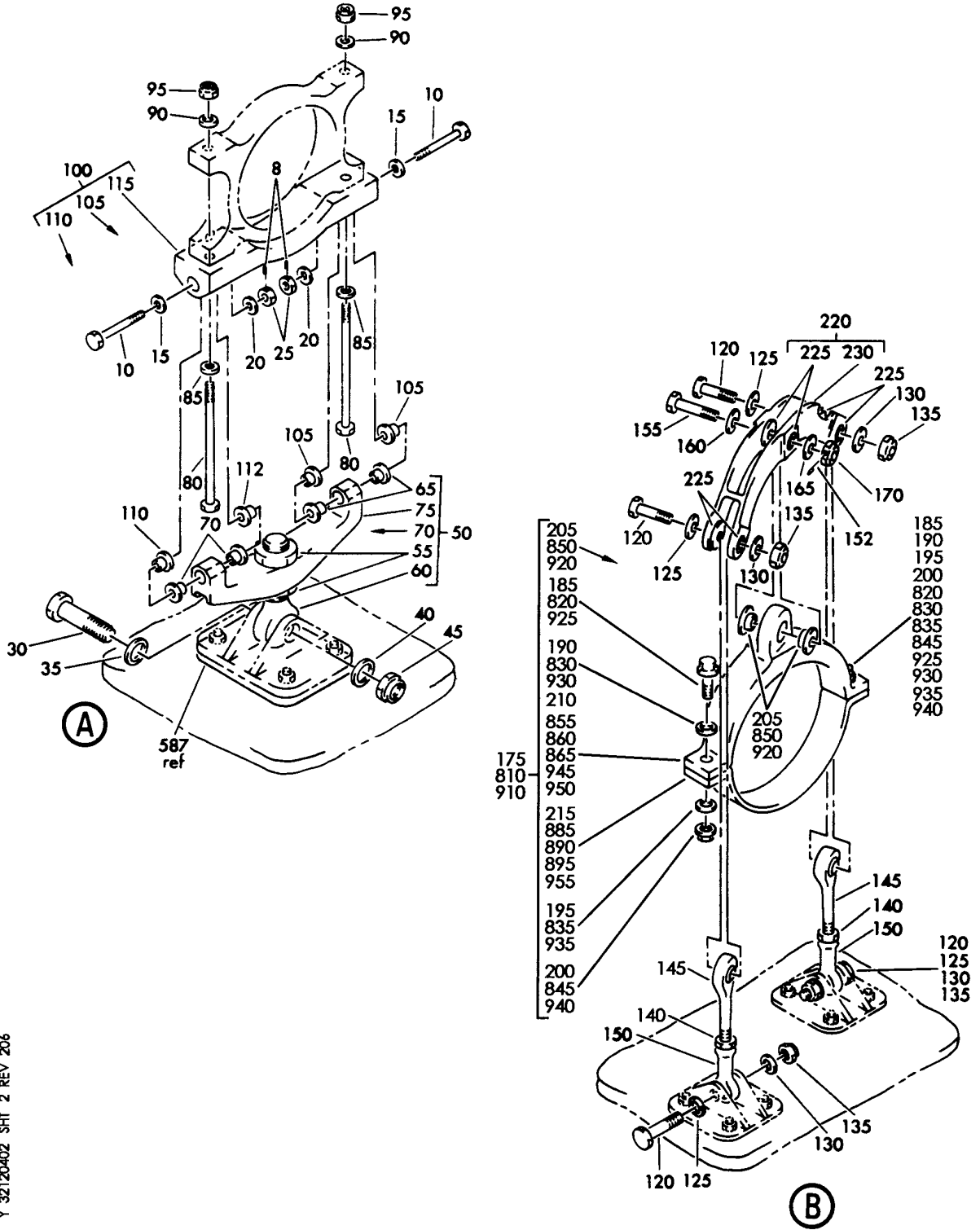
DOOR INSTL-MLG STRUT  
 FIGURE 2 (SHEET 1)

**32-12-04-02**

BRI  
 MAY 28/07

32-12-04-02  
 PAGE 0


**BOEING**  
 757  
**PARTS CATALOG (MAINTENANCE)**



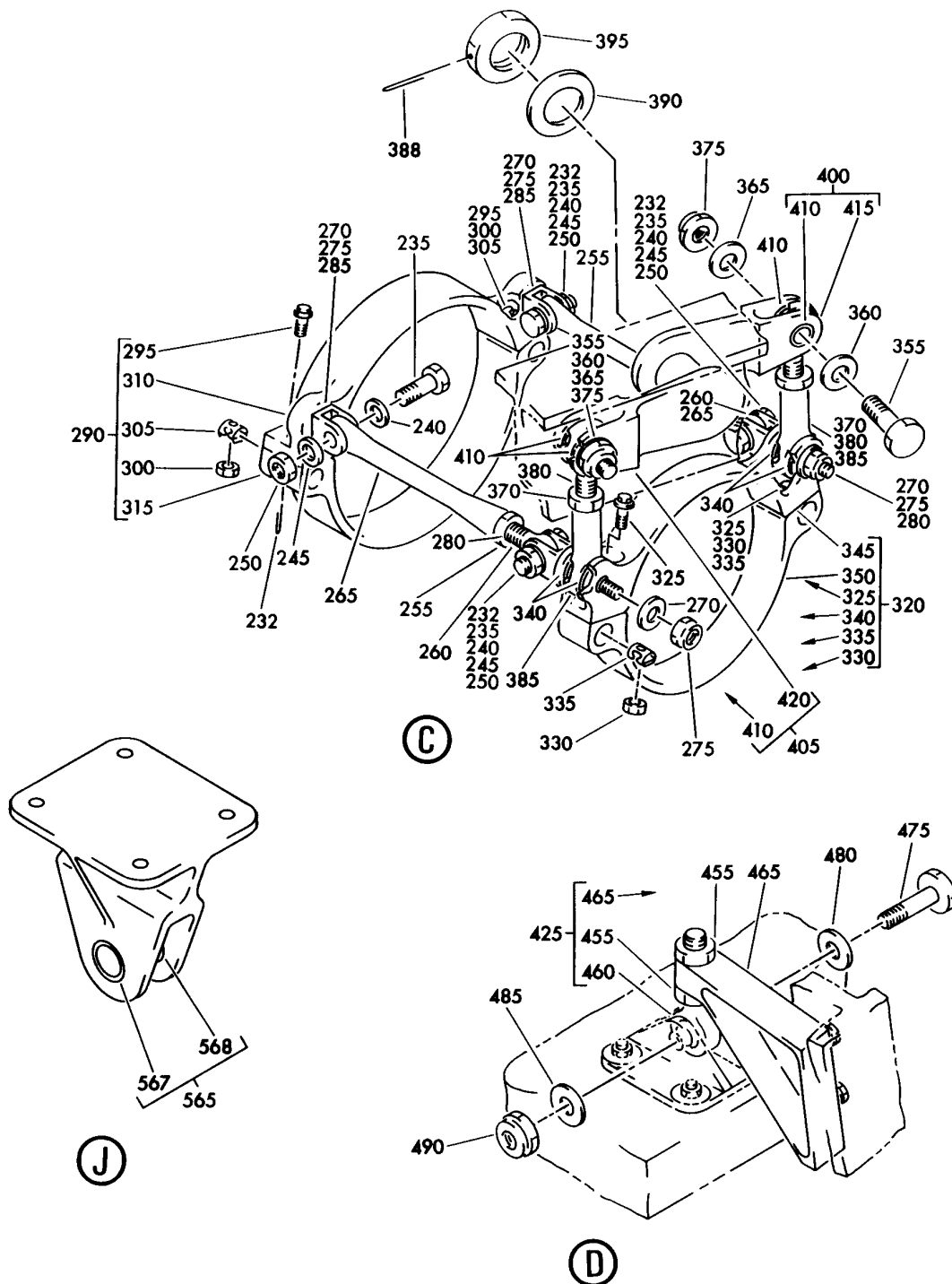
Y 32120402 SHT 2 REV 206

DOOR INSTL-MLG STRUT  
FIGURE 2 (SHEET 2)

**32-12-04-02**

BRI  
MAY 28/07

32-12-04-02  
PAGE 0A

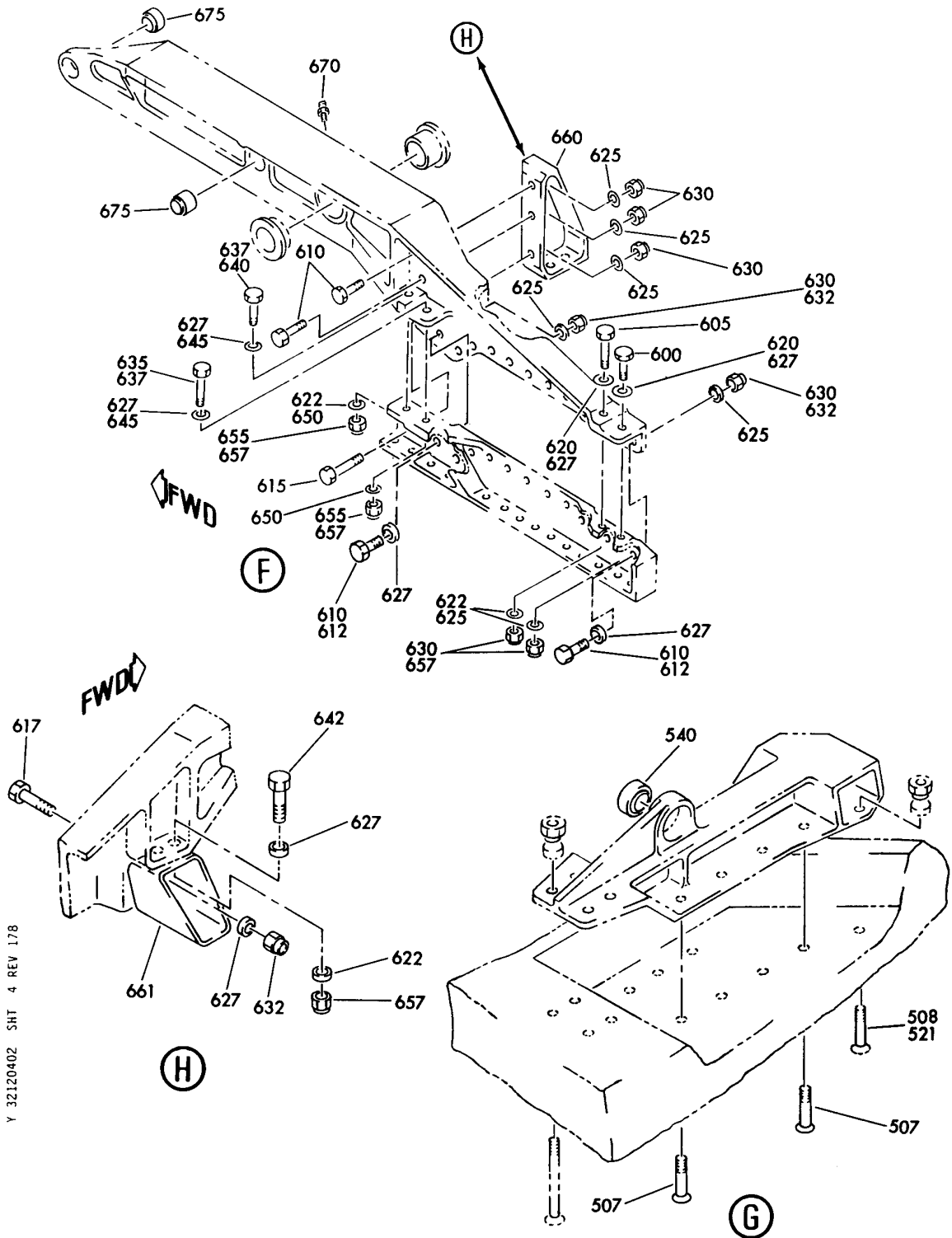


DOOR INSTL-MLG STRUT  
FIGURE 2 (SHEET 3)

# 32-12-04-02




**BOEING**  
 757  
**PARTS CATALOG (MAINTENANCE)**



Y 32120402 SHT 4 REV 178

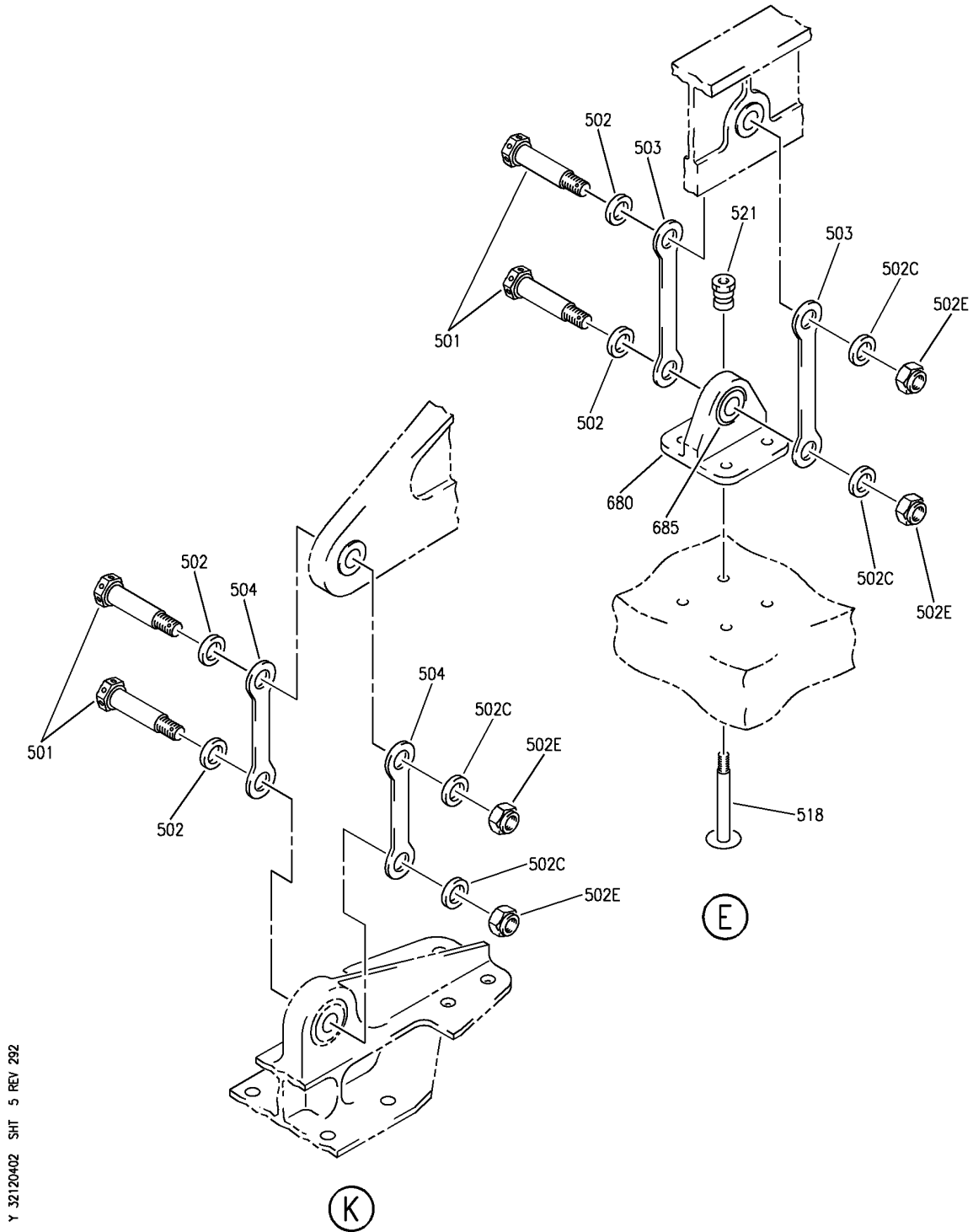
DOOR INSTL-MLG STRUT  
 FIGURE 2 (SHEET 4)

**32-12-04-02**

BRI  
MAY 28/07

32-12-04-02  
 PAGE 0C

**BOEING**  
757  
PARTS CATALOG (MAINTENANCE)



DOOR INSTL-MLG STRUT  
FIGURE 2 (SHEET 5)

**32-12-04-02**

BRI  
MAY 28/07

32-12-04-02  
PAGE 0D



757

PARTS CATALOG (MAINTENANCE)

FIG ITEM	PART NUMBER	1 2 3 4 5 6 7	NOMENCLATURE	EFFECT FROM TO	UNITS PER ASSY
2			DOOR INSTL-MLG STRUT	002004 006102 107999	
- 1	113N8100-1		DOOR INSTL-MLG STRUT FOR NHA SEE: 57-00-00-01	107107	RF
- 1	113N8100-13		DOOR INSTL-MLG STRUT FOR NHA SEE: 57-00-00-01	002004 006100 121503 904999	RF
- 1	113N8100-405		DOOR INSTL-MLG STRUT FOR NHA SEE: 57-00-00-05B	101102 504903	RF
- 1	113N8100-203SP		DOOR INSTL-MLG STRUT FOR NHA SEE: 57-00-00-05	108120	RF
- 5	113N8100-2		DOOR INSTL-MLG STRUT FOR NHA SEE: 57-00-00-01	107107	RF
- 5	113N8100-14		DOOR INSTL-MLG STRUT FOR NHA SEE: 57-00-00-01	002004 006100 121503 904999	RF
- 5	113N8100-406		DOOR INSTL-MLG STRUT FOR NHA SEE: 57-00-00-05B	101102 504903	RF
- 5	113N8100-204SP		DOOR INSTL-MLG STRUT FOR NHA SEE: 57-00-00-05	108120	RF
8	MS24665-300		.PIN	002004 006100 107107 121503 904999	2
8	BACP18BC03A06P		.PIN	101102 108120 504903	2
10	BACB30NR5DK26		.BOLT	002004 006102 107999	2
15	BACW10BP5ACU		.WASHER- POSITION DATA: UNDER BOLT	002004 006102 107999	2
20	BACW10BP5APU		.WASHER- POSITION DATA: UNDER NUT	002004 006102 107999	2
25	BACN10JD105		.NUT	002004 006102 107999	2

MISSING ITEM NUMBERS NOT APPLICABLE

- ITEM NOT ILLUSTRATED

32-12-04-02

32-12-04  
FIG. 02  
PAGE 1  
JAN 20/09

BRI



757

PARTS CATALOG (MAINTENANCE)

FIG ITEM	PART NUMBER	1 2 3 4 5 6 7	NOMENCLATURE	EFFECT FROM TO	UNITS PER ASSY
2					
30	BACB30NR10K26	.	BOLT-	002004 006102 107999	1
35	BACW10BP10ACU	.	WASHER- POSITION DATA: UNDER BOLT	002004 006102 107999	1
40	BACW10BP10APU	.	WASHER- POSITION DATA: UNDER NUT	002004 006102 107999	1
45	BMN4122AD3-10	.	NUT- SUPPLIER CODE: V97928 SPECIFICATION NUMBER: BACN10JC10 OPTIONAL PART: BMN4122A10 V85495 H10-10BAC V15653 RMLH9074-10 V72962 48FT1018 V56878	002004 006100 107107 121503 904999	1
45	102LH9074-10	.	NUT SUPPLIER CODE: V72962 SPECIFICATION NUMBER: BACN10JC10CD OPTIONAL PART: H51650-10BAC V15653 69235-1018CD V92215 BMN4122CPD8-10 V97928	101102 108120 504903	1
50	113N8138-7	.	LINK ASSY-	002004 006102 107999	1
55	NAS509-12C	..	NUT	002004 006102 107999	2
60	P33090	..	ROD END- SUPPLIER CODE: V57606 OPTIONAL PART: VTA5260 V06710	002004 006102 107999	1

MISSING ITEM NUMBERS NOT APPLICABLE

- ITEM NOT ILLUSTRATED

32-12-04-02

32-12-04  
FIG. 02  
PAGE 2  
JAN 20/09

BRI



757

PARTS CATALOG (MAINTENANCE)

FIG ITEM	PART NUMBER	1 2 3 4 5 6 7	NOMENCLATURE	EFFECT FROM TO	UNITS PER ASSY
2					
60	VTA05260	..	ROD END- SUPPLIER CODE: V06710 OPTIONAL PART: P33090 V57606	002004 006102 107999	1
65	BACB28AP05-023	..	BUSHING- USED ON: 113N8138-7	002004 006102 107999	2
70	113N1007-25	..	BUSHING- USED ON: 113N8138-7	002004 006102 107999	2
75	113N8138-3	..	LINK- USED ON: 113N8138-1 113N8138-7	002004 006102 107999	1
80	BACB30NR4K73	.	BOLT	002004 006102 107999	2
85	BACW10BP4ACU	.	WASHER- POSITION DATA: UNDER BOLT	002004 006102 107999	2
90	BACW10BP4APU	.	WASHER- POSITION DATA: UNDER HEAD	002004 006102 107999	2
95	BRH10A4	.	NUT SUPPLIER CODE: V52828 SPECIFICATION NUMBER: BACN10JC4 OPTIONAL PART: T6S428J V11815 96-048 V80539 VN303A048 V92215 RMLH9075-4W V72962 NS202101-048 V80539 H10-4BAC V15653	002004 006100 107107 121503 904999	2

MISSING ITEM NUMBERS NOT APPLICABLE

- ITEM NOT ILLUSTRATED

BRI

32-12-04-02

32-12-04  
FIG. 02  
PAGE 3  
JAN 20/09



757

PARTS CATALOG (MAINTENANCE)

FIG ITEM	PART NUMBER	1 2 3 4 5 6 7	NOMENCLATURE	EFFECT FROM TO	UNITS PER ASSY
2	95 BRH10C4D	.NUT	SUPPLIER CODE: V52828 SPECIFICATION NUMBER: BACN10JC4CD OPTIONAL PART: T6C428JCD V11815 NS202486-048 V80539 102LH9075-4W V72962 H51650-4BAC V15653	101102 108120 504903	2
100	113N8118-1	.FITTING ASSY-	OPTIONAL PART: 113N8139-7	002004 006102 107999	1
100	113N8139-7	.FITTING ASSY-		002004 006102 107999	1
100	113N8139-8	.FITTING ASSY-	OPTIONAL PART: 113N8118-4	002004 006102 107999	1
100	113N8118-4	.FITTING ASSY-	OPTIONAL PART: 113N8139-8	002004 006102 108999	1
105	BACB28AP05-022	..BUSHING		002004 006102 107999	2
110	113N1007-12	..BUSHING-	QUALIFIED I/W DATA: 113N1007-26 OR 113N1007-28 MAY REPLACE 113N1007-22 MACHINING OF FLANGE FACES MAY BE REQUIRED TO MEET DIMENSIONAL REQUIREMENTS OF DRAWING 113N8139, SHEET 0001. USED ON: 113N8118-1 113N8139-7	002004 006102 107999	1

MISSING ITEM NUMBERS NOT APPLICABLE

- ITEM NOT ILLUSTRATED

32-12-04-02

32-12-04  
FIG. 02  
PAGE 4  
JAN 20/09

BRI



757

PARTS CATALOG (MAINTENANCE)

FIG ITEM	PART NUMBER	1 2 3 4 5 6 7	NOMENCLATURE	EFFECT FROM TO	UNITS PER ASSY
2 110	113N1007-22		..BUSHING- QUALIFIED I/W DATA: 113N1007-26 OR 113N1007-28 MAY REPLACE 113N1007-22, MACHINING OF FLANGE FACES MAY BE REQUIRED TO MEET DIMENSIONAL REQUIREMENTS OF DRAWING 113N8139, SHEET 0001. OPTIONAL PART: 113N1007-28 113N1007-26 USED ON: 113N8139-8 113N8118-4	002004 006102 107999	1
110	113N1007-28		..BUSHING- QUALIFIED I/W DATA: 113N1007-26 OR 113N1007-28 MAY REPLACE 113N1007-22, MACHINING OF FLANGE FACES MAY BE REQUIRED TO MEET DIMENSIONAL REQUIREMENTS OF DRAWING 113N8139, SHEET 0001. OPTIONAL PART: 113N1007-22 113N1007-26 USED ON: 113N8139-8	002004 006102 107999	1
110	113N1007-26		..BUSHING- QUALIFIED I/W DATA: 113N1007-26 OR 113N1007-28 MAY REPLACE 113N1007-22 MACHINING OF FLANGE FACES MAY BE REQUIRED TO MEET DIMENSIONAL REQUIREMENTS OF DRAWING 113N8139, SHEET 0001. OPTIONAL PART: 113N1007-22 113N1007-28 USED ON: 113N8139-8	002004 006102 107999	1
112	113N1007-12		..BUSHING- USED ON: 113N8118-1	002004 006102 107999	1

MISSING ITEM NUMBERS NOT APPLICABLE

- ITEM NOT ILLUSTRATED

32-12-04-02

32-12-04  
FIG. 02  
PAGE 5  
JAN 20/09

BRI



757

PARTS CATALOG (MAINTENANCE)

FIG ITEM	PART NUMBER	1 2 3 4 5 6 7	NOMENCLATURE	EFFECT FROM TO	UNITS PER ASSY
2 112	113N1007-26		..BUSHING- QUALIFIED I/W DATA: 113N1007-26 OR 113N1007-28 MAY REPLACE 113N1007-22 MACHINING OF FLANGE FACES MAY BE REQUIRED TO MEET DIMENSIONAL REQUIREMENTS OF DRAWING 113N8139, SHEET 0001. OPTIONAL PART: 113N1007-28 113N1007-22 USED ON: 113N8139-8 113N8118-4 USED ON: 113N8139-7	002004 006102 107999	1
112	113N1007-28		..BUSHING- QUALIFIED I/W DATA: 113N1007-26 OR 113N1007-28 MAY REPLACE 113N1007-22, MACHINING OF FLANGE FACES MAY BE REQUIRED TO MEET DIMENSIONAL REQUIREMENTS OF DRAWING 113N8139, SHEET 0001. OPTIONAL PART: 113N1007-26 113N1007-22 USED ON: 113N8139-8 113N8118-4 USED ON: 113N8139-7	002004 006102 107999	1

MISSING ITEM NUMBERS NOT APPLICABLE

- ITEM NOT ILLUSTRATED

32-12-04-02

32-12-04  
FIG. 02  
PAGE 6  
JAN 20/09

BRI





757

PARTS CATALOG (MAINTENANCE)

FIG ITEM	PART NUMBER	1 2 3 4 5 6 7	NOMENCLATURE	EFFECT FROM TO	UNITS PER ASSY
2 112	113N1007-22		.. BUSHING- QUALIFIED I/W DATA: 113N1007-26 OR 113N1007-28 MAY REPLACE 113N1007-22, MACHINING OF FLANGE FACES MAY BE REQUIRED TO MEET DIMENSIONAL REQUIREMENTS OF DRAWING 113N8139, SHEET 0001. OPTIONAL PART: 113N1007-26 113N1007-28 USED ON: 113N8139-8	002004 006102 107999	1
115	113N8118-3		.. FITTING- USED ON: 113N8118-1 113N8118-4	002004 006102 107999	1
115	113N8139-3		.. FITTING- USED ON: 113N8139-7 113N8139-8	002004 006102 107999	1
120	BACB30NR6K20		. BOLT-	002004 006102 107999	4
125	BACW10BP6ACU		. WASHER- POSITION DATA: UNDER BOLT	002004 006102 107999	4
130	BACW10BP6APU		. WASHER- POSITION DATA: UNDER NUT	002004 006102 107999	4
135	BRH10A6		. NUT- SUPPLIER CODE: V52828 SPECIFICATION NUMBER: BACN10JC6 OPTIONAL PART: 96-064 V80539 RMLH9075-6 V72962 H10-6BAC V15653	002004 006100 107107 121503 904999	4

MISSING ITEM NUMBERS NOT APPLICABLE

- ITEM NOT ILLUSTRATED

32-12-04-02

32-12-04  
FIG. 02  
PAGE 7  
JAN 20/09

BRI



757

PARTS CATALOG (MAINTENANCE)

FIG ITEM	PART NUMBER	1 2 3 4 5 6 7	NOMENCLATURE	EFFECT FROM TO	UNITS PER ASSY
2 135	BRH10C6D	.NUT	SUPPLIER CODE: V52828 SPECIFICATION NUMBER: BACN10JC6CD OPTIONAL PART: H51650-6BAC V15653	101102 108120 504903	4
140	AN316C6R	.NUT-		002004 006102 107999	2
145	VTA07130	.ROD END-	SUPPLIER CODE: V06710 OPTIONAL PART: P33630 V57606	002004 006102 107999	2
145	P33630	.ROD END-	SUPPLIER CODE: V57606 OPTIONAL PART: VTA07130 V06710	002004 006102 107999	2
- 146	P33633	..BODY-ROD END	SUPPLIER CODE: V57606 POST AIRLINE MOD: 757-34-97 VUSA	950951	1
- 147	P33631	..BALL-	SUPPLIER CODE: V57606 POST AIRLINE MOD: 757-34-97 VUSA	950951	1
150	VTA02230	.ROD END-	SUPPLIER CODE: V06710 OPTIONAL PART: P30230 V06710	002004 006102 107999	2
150	P30230	.ROD END-	SUPPLIER CODE: V57606 OPTIONAL PART: VTA02230 V06710	002004 006102 107999	2

MISSING ITEM NUMBERS NOT APPLICABLE

- ITEM NOT ILLUSTRATED

32-12-04-02

32-12-04  
FIG. 02  
PAGE 8  
JAN 20/09

BRI



757

PARTS CATALOG (MAINTENANCE)

FIG ITEM	PART NUMBER	1 2 3 4 5 6 7	NOMENCLATURE	EFFECT FROM TO	UNITS PER ASSY
2					
152	MS24665-300	.PIN		002004 006100 107107 121503 904999	1
152	BACP18BC03A06P	.PIN		101102 108120 504903	1
155	BACB30NR6DK17	.BOLT		002004 006102 107999	1
160	BACW10BP6ACU	.WASHER-		002004	1
		POSITION DATA:		006102	
		UNDER BOLT		107999	
165	BACW10BP6APU	.WASHER-		002004	1
		POSITION DATA:		006102	
		UNDER NUT		107999	
170	BACN10JD106	.NUT		002004 006102 107999	1
175	113N8119-1	.CLAMP ASSY-CTR FTG		002004	1
		POSITION DATA:		006100	
		LH SIDE		107503	
		OPTIONAL PART:		904999	
		113N8119-7			
		113N8149-1			
175	113N8149-1	.CLAMP ASSY-CTR SPRT		002004	1
		POSITION DATA:		006100	
		LH SIDE		107503	
		OPTIONAL PART:		904999	
		113N8119-1			
		113N8119-7			
175	113N8119-7	.CLAMP ASSY-CTR FTG		002004	1
		POSITION DATA:		006100	
		LH SIDE		107503	
		OPTIONAL PART:		904999	
		113N8119-1			
		113N8149-1			
- 180	113N8119-2	.CLAMP ASSY-CTR FTG		002004	1
		POSITION DATA:		006100	
		RH SIDE		107503	
		OPTIONAL PART:		904999	
		113N8119-8			
		113N8149-2			

MISSING ITEM NUMBERS NOT APPLICABLE

- ITEM NOT ILLUSTRATED

32-12-04-02

32-12-04  
FIG. 02  
PAGE 9  
JAN 20/09

BRI



757

PARTS CATALOG (MAINTENANCE)

FIG ITEM	PART NUMBER	1 2 3 4 5 6 7	NOMENCLATURE	EFFECT FROM TO	UNITS PER ASSY
2					
- 180	113N8149-2		.CLAMP ASSY-CTR SPRT POSITION DATA: RH SIDE OPTIONAL PART: 113N8119-2 113N8119-8	002004 006100 107503 904999	1
- 180	113N8119-8		.CLAMP ASSY-CTR FTG POSITION DATA: RH SIDE OPTIONAL PART: 113N8119-2 113N8149-2	002004 006100 107503 904999	1
185	BACB30LE5H10		..BOLT- USED ON: 113N8119-1 113N8119-2 113N8119-7 113N8119-8	002004 006100 107503 904999	2
185	BACB30LE5-16		..BOLT- USED ON: 113N8149-1 113N8149-2	002004 006102 107999	2
190	BACW10BP5C		..WASHER- POSITION DATA: UNDER BOLT	002004 006100 107503 904999	2
195	AN960-516		..WASHER- POSITION DATA: UNDER NUT	002004 006100 107503 904999	2

MISSING ITEM NUMBERS NOT APPLICABLE

- ITEM NOT ILLUSTRATED

BRI

32-12-04-02

BOEING PROPRIETARY - Copyright © - Unpublished Work - See title page for details.

32-12-04  
FIG. 02  
PAGE 10  
JAN 20/09



757

PARTS CATALOG (MAINTENANCE)

FIG ITEM	PART NUMBER	1 2 3 4 5 6 7	NOMENCLATURE	EFFECT FROM TO	UNITS PER ASSY
2 200	BH00303CM5	..	NUT SUPPLIER CODE: V27238 SPECIFICATION NUMBER: BACN10HR5CD OPTIONAL PART: H51560-5 V15653 67832CD524 V56878 102LH9031-5 V72962 SL7108C524 V11815 BMN5024CWD35 V97928 SL7108C5 V11815 VCU0005D5 V06710 102LH90315 V72962 BMN10HRCWD3-5 V97928 67832CD5 V56878 CR6030-5 VF0224 67832CD5 V56878	002004 006100 107503 904999	2
205	113N1007-14	..	BUSHING	002004 006100 107503 904999	2
210	113N8119-3	..	CLAMP- POSITION DATA: LH SIDE USED ON: 113N8119-1	002004 006100 107503 904999	1
210	113N8149-3	..	CLAMP- POSITION DATA: LH SIDE USED ON: 113N8149-1	002004 006100 107503 904999	1
210	113N8119-9	..	CLAMP- POSITION DATA: LH SIDE USED ON: 113N8119-7	002004 006100 107503 904999	1

MISSING ITEM NUMBERS NOT APPLICABLE

- ITEM NOT ILLUSTRATED

32-12-04-02

32-12-04  
FIG. 02  
PAGE 11  
JAN 20/09

BRI



757

PARTS CATALOG (MAINTENANCE)

FIG ITEM	PART NUMBER	1 2 3 4 5 6 7	NOMENCLATURE	EFFECT FROM TO	UNITS PER ASSY
2					
- 212	113N8119-4	..	CLAMP- POSITION DATA: RH SIDE USED ON: 113N8119-2	002004 006100 107503 904999	1
- 212	113N8149-4	..	CLAMP- POSITION DATA: RH SIDE USED ON: 113N8149-2	002004 006100 107503 904999	1
- 212	113N8119-10	..	CLAMP- POSITION DATA: RH SIDE USED ON: 113N8119-8	002004 006100 107503 904999	1
215	113N8119-5	..	CLAMP- USED ON: 113N8119-1 113N8119-2	002004 006100 107503 904999	1
215	113N8149-5	..	CLAMP- USED ON: 113N8149-1 113N8149-2	002004 006100 107503 904999	1
215	113N8119-6	..	CLAMP- USED ON: 113N8119-7 113N8119-8	002004 006100 107503 904999	1
220	113N8120-1	.FITTING ASSY- OPTIONAL PART: 113N8140-1		002004 006102 107999	1
220	113N8140-1	.FITTING ASSY- OPTIONAL PART: 113N8120-1		002004 006102 107999	1
225	113N1007-17	..	BUSHING	002004 006102 107999	6
230	113N8120-3	..	FITTING- USED ON: 113N8120-1	002004 006102 107999	1
230	113N8140-3	..	FITTING- USED ON: 113N8140-1	002004 006102 107999	1
232	MS24665-300	.PIN		002004 006100 107107 121503 904999	4

MISSING ITEM NUMBERS NOT APPLICABLE

- ITEM NOT ILLUSTRATED

32-12-04-02

32-12-04  
FIG. 02  
PAGE 12  
JAN 20/09

BRI

BOEING PROPRIETARY - Copyright © - Unpublished Work - See title page for details.



757

PARTS CATALOG (MAINTENANCE)

FIG ITEM	PART NUMBER	1 2 3 4 5 6 7	NOMENCLATURE	EFFECT FROM TO	UNITS PER ASSY
2					
232	BACP18BC03A06P	.	PIN	101102 108120 504903	4
235	BACB30NR5DK7	.	BOLT	002004 006102 107999	4
240	BACW10BP5ACU	.	WASHER- POSITION DATA: UNDER BOLT	002004 006102 107999	4
245	BACW10BP5APU	.	WASHER- POSITION DATA: UNDER NUT	002004 006102 107999	4
250	BACN10JD105	.	NUT	002004 006102 107999	4
255	AN316C5R	.	NUT-	002004 006102 107999	2
260	113N8125-1	.	EYEBOLT	002004 006102 107999	2
265	113N8124-1	.	BARREL-TURN	002004 006102 107999	2
265	113N8150-1	.	BARREL-TURN	002004 006102 107999	2
270	BACW10BP6APU	.	WASHER	002004 006102 107999	4
275	BRH10A6	.	NUT SUPPLIER CODE: V52828 SPECIFICATION NUMBER: BACN10JC6 OPTIONAL PART: 96-064 V80539 RMLH9075-6 V72962 H10-6BAC V15653	002004 006100 107107 121503 904999	4

MISSING ITEM NUMBERS NOT APPLICABLE

- ITEM NOT ILLUSTRATED

BRI

32-12-04-02

32-12-04  
FIG. 02  
PAGE 13  
JAN 20/09



**757  
PARTS CATALOG (MAINTENANCE)**

FIG ITEM	PART NUMBER	1 2 3 4 5 6 7	NOMENCLATURE	EFFECT FROM TO	UNITS PER ASSY
2					
275	BRH10C6D	.	NUT SUPPLIER CODE: V52828 SPECIFICATION NUMBER: BACN10JC6CD OPTIONAL PART: H51650-6BAC V15653	101102 108120 504903	4
280	113N8123-1	.	CLEVIS	002004 006102 107999	2
285	113N8123-2	.	CLEVIS	002004 006102 107999	2
290	113N8122-1	.	CLAMP ASSY-UPR SPRT POSITIONER OPTIONAL PART: 113N8148-1	002004 006102 107999	1
290	113N8148-1	.	CLAMP ASSY-UPR SPRT POSITIONER OPTIONAL PART: 113N8122-1	002004 006102 107999	1
295	BACB30MR4K4	..	BOLT	002004 006102 107999	2
300	LH8065-048	..	NUT SUPPLIER CODE: V72962 SPECIFICATION NUMBER: BACN10HC4 OPTIONAL PART: SL414-4 V97393 94263-428 V56878	002004 006102 107999	2
305	SLR4027-4	..	RETAINER SUPPLIER CODE: V97393 SPECIFICATION NUMBER: BACR10V4 OPTIONAL PART: 2452-048RET V72962	002004 006102 107999	2
310	113N8122-3	..	CLAMP- USED ON: 113N8122-1	002004 006102 107999	1
310	113N8148-2	..	CLAMP HALF- USED ON: 113N8148-1	002004 006102 107999	1

MISSING ITEM NUMBERS NOT APPLICABLE

- ITEM NOT ILLUSTRATED

BRI

# 32-12-04-02

32-12-04  
FIG. 02  
PAGE 14  
JAN 20/09





757

PARTS CATALOG (MAINTENANCE)

FIG ITEM	PART NUMBER	1 2 3 4 5 6 7	NOMENCLATURE	EFFECT FROM TO	UNITS PER ASSY
2					
315	113N8122-5	..	CLAMP- USED ON: 113N8122-1	002004 006102 107999	1
315	113N8148-3	..	CLAMP HALF- USED ON: 113N8148-1	002004 006102 107999	1
320	113N8121-1	.	CLAMP ASSY-UPR SPRT FTG OPTIONAL PART: 113N8121-7 113N8147-1	002004 006102 107999	1
320	113N8147-1	.	CLAMP ASSY-UPR SPRT OPTIONAL PART: 113N8121-1 113N8121-7	002004 006102 107999	1
320	113N8121-7	.	CLAMP ASSY-UPR SPRT FTG OPTIONAL PART: 113N8121-1 113N8147-1	002004 006102 108999	1
325	BACB30MR4K4	..	BOLT	002004 006102 107999	2
330	LH8065-048	..	NUT SUPPLIER CODE: V72962 SPECIFICATION NUMBER: BACN10HC4 OPTIONAL PART: SL414-4 V97393 94263-428 V56878	002004 006102 107999	2
335	SLR4027-4	..	RETAINER SUPPLIER CODE: V97393 SPECIFICATION NUMBER: BACR10V4 OPTIONAL PART: 2452-048RET V72962	002004 006102 107999	2
340	113N1007-13	..	BUSHING	002004 006102 107999	4
345	113N8121-3	..	CLAMP- USED ON: 113N8121-1	002004 006102 107999	1
345	113N8147-2	..	CLAMP- USED ON: 113N8147-1	002004 006102 107999	1

MISSING ITEM NUMBERS NOT APPLICABLE

- ITEM NOT ILLUSTRATED

32-12-04-02

32-12-04  
FIG. 02  
PAGE 15  
JAN 20/09

BRI

BOEING PROPRIETARY - Copyright © - Unpublished Work - See title page for details.



757

PARTS CATALOG (MAINTENANCE)

FIG ITEM	PART NUMBER	1 2 3 4 5 6 7	NOMENCLATURE	EFFECT FROM TO	UNITS PER ASSY
2					
345	113N8121-9	..	CLAMP- USED ON: 113N8121-7	002004 006102 108999	1
350	113N8121-5	..	CLAMP- USED ON: 113N8121-1	002004 006102 107999	1
350	113N8147-3	..	CLAMP- USED ON: 113N8147-1	002004 006102 107999	1
350	113N8121-11	..	CLAMP- USED ON: 113N8121-7	002004 006102 108999	1
355	BACB30NR6K16	.	BOLT-	002004 006102 107999	2
360	BACW10BP6ACU	.	WASHER- POSITION DATA: UNDER BOLT	002004 006102 107999	2
365	BACW10BP6APU	.	WASHER- POSITION DATA: UNDER NUT	002004 006102 107999	2
370	AN316C6R	.	NUT-	002004 006102 107999	2
375	BRH10A6	.	NUT- SUPPLIER CODE: V52828 SPECIFICATION NUMBER: BACN10JC6 OPTIONAL PART: 96-064 V80539 RMLH9075-6 V72962 H10-6BAC V15653	002004 006100 107107 121503 904999	2
375	BRH10C6D	.	NUT SUPPLIER CODE: V52828 SPECIFICATION NUMBER: BACN10JC6CD OPTIONAL PART: H51650-6BAC V15653	101102 108120 504903	2

MISSING ITEM NUMBERS NOT APPLICABLE

- ITEM NOT ILLUSTRATED

BRI

32-12-04-02

32-12-04  
FIG. 02  
PAGE 16  
JAN 20/09



757

PARTS CATALOG (MAINTENANCE)

FIG ITEM	PART NUMBER	1 2 3 4 5 6 7	NOMENCLATURE	EFFECT FROM TO	UNITS PER ASSY
2					
380	VTA05290	.ROD END- SUPPLIER CODE: V06710 OPTIONAL PART: P33120 V57606		002004 006102 107999	2
380	P33120	.ROD END- SUPPLIER CODE: V57606 OPTIONAL PART: VTA05290 V06710		002004 006102 107999	2
385	VTA02230	.ROD END- SUPPLIER CODE: V06710 OPTIONAL PART: P30230 V57606		002004 006102 107999	2
385	P30230	.ROD END- SUPPLIER CODE: V57606 OPTIONAL PART: VTA02230 V06710		002004 006102 107999	2
388	MS24665-374	.PIN		002004 006100 107107 121503 904999	1
388	BACP18BC04A12P	.PIN		101102 108120 504903	1
390	BACW10BP14APU	.WASHER-		002004 006102 107999	1
395	BACN10JD114	.NUT-		002004 006102 107999	1
400	113N8127-1	.ARM ASSY-LEVER OPTIONAL PART: 113N8129-1		002004 006102 107999	1
400	113N8129-1	.ARM ASSY-LEVER		002004 006102 107999	1
405	113N8128-1	.ARM ASSY-LEVER OPTIONAL PART: 113N8130-1		002004 006102 107999	1

MISSING ITEM NUMBERS NOT APPLICABLE

- ITEM NOT ILLUSTRATED

32-12-04-02

32-12-04  
FIG. 02  
PAGE 17  
JAN 20/09

BRI



757

PARTS CATALOG (MAINTENANCE)

FIG ITEM	PART NUMBER	1 2 3 4 5 6 7	NOMENCLATURE	EFFECT FROM TO	UNITS PER ASSY
2					
405	113N8130-1	.	ARM ASSY-LEVER	002004 006102 107999	1
410	113N1007-15	..	BUSHING	002004 006102 107999	2
415	113N8127-2	..	LEVER- USED ON: 113N8127-1	002004 006102 107999	1
415	113N8129-3	..	LEVER- USED ON: 113N8129-1	002004 006102 107999	1
420	113N8128-2	..	LEVER- USED ON: 113N8128-1	002004 006102 107999	1
420	113N8130-3	..	LEVER- USED ON: 113N8130-1	002004 006102 107999	1
425	113N8116-1	.	FITTING ASSY- POSITION DATA: LH SIDE OPTIONAL PART: 113N8137-1	002004 006102 107999	1
425	113N8137-1	.	FITTING ASSY- POSITION DATA: LH SIDE OPTIONAL PART: 113N8116-1	002004 006102 107999	1
- 430	113N8116-2	.	FITTING ASSY- POSITION DATA: RH SIDE OPTIONAL PART: 113N8137-2	002004 006102 107999	1
- 430	113N8137-2	.	FITTING ASSY- POSITION DATA: RH SIDE OPTIONAL PART: 113N8116-2	002004 006102 107999	1
- 435	BACB30MR6K16	.	ATTACHING PARTS BOLT	002004 006102 107999	2
- 440	BACW10BP6ACU	.	WASHER- POSITION DATA: UNDER BOLT	002004 006102 107999	2
- 445	BACW10BP6APU	.	WASHER- POSITION DATA: UNDER NUT	002004 006102 107999	2

MISSING ITEM NUMBERS NOT APPLICABLE

- ITEM NOT ILLUSTRATED

32-12-04-02

32-12-04  
FIG. 02  
PAGE 18  
JAN 20/09

BRI



757

PARTS CATALOG (MAINTENANCE)

FIG ITEM	PART NUMBER	1 2 3 4 5 6 7	NOMENCLATURE	EFFECT FROM TO	UNITS PER ASSY
2					
- 450	NAS1805-6N	.	NUT	002004 006100 107107 121503 904999	2
- 450	NAS1805-6L	.	NUT-	101102 108120 504903	2
			-----*-----		
455	NAS509-12C	..	NUT	002004 006102 107999	2
460	P33090	..	ROD END- SUPPLIER CODE: V57606 OPTIONAL PART: VTA5260 V06710	002004 006102 107999	1
460	VTA05260	..	ROD END- SUPPLIER CODE: V06710 OPTIONAL PART: P33090 V57606	002004 006102 107999	1
465	113N8116-3	..	FITTING- USED ON: 113N8116-1	002004 006102 107999	1
465	113N8137-3	..	FITTING- USED ON: 113N8137-1	002004 006102 107999	1
- 470	113N8116-4	..	FITTING- USED ON: 113N8116-2	002004 006102 107999	1
- 470	113N8137-4	..	FITTING- USED ON: 113N8137-2	002004 006102 107999	1
475	BACB30NR10K26	.	BOLT-	002004 006102 107999	1
480	BACW10BP10ACU	.	WASHER- POSITION DATA: UNDER BOLT	002004 006102 107999	1
485	BACW10BP10APU	.	WASHER- POSITION DATA: UNDER NUT	002004 006102 107999	1

MISSING ITEM NUMBERS NOT APPLICABLE

- ITEM NOT ILLUSTRATED

32-12-04-02

32-12-04  
FIG. 02  
PAGE 19  
JAN 20/09

BRI



757

PARTS CATALOG (MAINTENANCE)

FIG ITEM	PART NUMBER	1 2 3 4 5 6 7	NOMENCLATURE	EFFECT FROM TO	UNITS PER ASSY
2 490	BMN4122AD3-10	.NUT-	SUPPLIER CODE: V97928 SPECIFICATION NUMBER: BACN10JC10 OPTIONAL PART: BMN4122A10 V85495 H10-10BAC V15653 RMLH9074-10 V72962 48FT1018 V56878	002004 006100 107107 121503 904999	1
490	102LH9074-10	.NUT	SUPPLIER CODE: V72962 SPECIFICATION NUMBER: BACN10JC10CD OPTIONAL PART: H51650-10BAC V15653 69235-1018CD V92215 BMN4122CPD8-10 V97928	101102 108120 504903	1
495	113N8107-17	.DOOR ASSY-(LANDING GEAR ONLY)	POSITION DATA: LH SIDE COMPONENT MAINT MANUAL REF: 32-12-54 FUNCTIONAL REFERENCE: PLACARDS AND MARKINGS FOR DETAILS SEE 11-21-12-01	107107	1
495	113N8107-19	.DOOR ASSY-(LANDING GEAR ONLY)	POSITION DATA: LH SIDE COMPONENT MAINT MANUAL REF: 32-12-54 FUNCTIONAL REFERENCE: PLACARDS AND MARKINGS FOR DETAILS SEE 11-21-12-01	107107	1

MISSING ITEM NUMBERS NOT APPLICABLE

- ITEM NOT ILLUSTRATED

32-12-04-02

32-12-04  
FIG. 02  
PAGE 20  
JAN 20/09

BRI



757

PARTS CATALOG (MAINTENANCE)

FIG ITEM	PART NUMBER	1 2 3 4 5 6 7	NOMENCLATURE	EFFECT FROM TO	UNITS PER ASSY
2 495	113N8107-21		.DOOR ASSY-(LANDING GEAR ONLY) POSITION DATA: LH SIDE COMPONENT MAINT MANUAL REF: 32-12-54 FUNCTIONAL REFERENCE: PLACARDS AND MARKINGS FOR DETAILS SEE 11-21-12-01	107107	1
495	113N8107-25		.DOOR ASSY-(LANDING GEAR ONLY) POSITION DATA: LH SIDE COMPONENT MAINT MANUAL REF: 32-12-54 FUNCTIONAL REFERENCE: PLACARDS AND MARKINGS FOR DETAILS SEE 11-21-12-01	107107	1
495	113N8107-33		.DOOR ASSY-(LANDING GEAR ONLY) POSITION DATA: LH SIDE COMPONENT MAINT MANUAL REF: 32-12-54 QUALIFIED I/W DATA: -43SP I/W -33SP SUBJECT TO CUSTOMER PREFERENCE FUNCTIONAL REFERENCE: PLACARDS AND MARKINGS FOR DETAILS SEE 11-21-12-01	107107	1

MISSING ITEM NUMBERS NOT APPLICABLE

- ITEM NOT ILLUSTRATED

32-12-04-02

32-12-04  
FIG. 02  
PAGE 21  
JAN 20/09

BRI



757

PARTS CATALOG (MAINTENANCE)

FIG ITEM	PART NUMBER	1 2 3 4 5 6 7	NOMENCLATURE	EFFECT FROM TO	UNITS PER ASSY
2 496	113N8107-43SP		.DOOR ASSY-(LANDING GEAR ONLY) POSITION DATA: LH SIDE COMPONENT MAINT MANUAL REF: 32-12-54 QUALIFIED I/W DATA: (-35); 113N8107-43SP I/W -35 SUBJECT TO CUSTOMER PREFERENCE. (-31); SUBJECT TO COLOR PREFERENCE. -43SP I/W -33 SUBJECT TO CUSTOMER PREFERENCE. -43SP I/W -47 SUBJECT TO CUSTOMER PREFERENCE. (-43SP) SUBJECT TO CUSTOMER COLOR PREFERENCE. FUNCTIONAL REFERENCE: PLACARDS AND MARKINGS FOR DETAILS SEE 11-21-12-01 LANDING GEAR FOR DETAILS SEE 32-12-04-03	002004 006100 121503 904999	1
496	113N8107-51SP		.DOOR ASSY-LANDING GEAR ONLY) POSITION DATA: LH SIDE COMPONENT MAINT MANUAL REF: 32-12-54 QUALIFIED I/W DATA: INTERCHANGEABLE SUBJECT TO CUSTOMER COLOR PREFERENCE FUNCTIONAL REFERENCE: PLACARDS AND MARKINGS FOR DETAILS SEE 11-21-12-01 LANDING GEAR FOR DETAILS SEE 32-12-04-03	002004 006100 121503 904999	1

MISSING ITEM NUMBERS NOT APPLICABLE

- ITEM NOT ILLUSTRATED

32-12-04-02

32-12-04  
FIG. 02  
PAGE 22  
JAN 20/09

BRI





757

PARTS CATALOG (MAINTENANCE)

FIG ITEM	PART NUMBER	1 2 3 4 5 6 7	NOMENCLATURE	EFFECT FROM TO	UNITS PER ASSY
2 496	113N8107-53		.DOOR ASSY-MLG STRUT POSITION DATA: LH SIDE COMPONENT MAINT MANUAL REF: 32-12-54 QUALIFIED I/W DATA: INTERCHANGEABLE SUBJECT TO CUSTOMER COLOR PREFERENCE USED ON: 113N8100-203SP 113N8100-303SP FUNCTIONAL REFERENCE: PLACARDS AND MARKINGS FOR DETAILS SEE 11-21-12-01 LANDING GEAR FOR DETAILS SEE 32-12-04-03	108120	1
496	113N8107-63		.DOOR ASSY-MLG STRUT POSITION DATA: LH SIDE COMPONENT MAINT MANUAL REF: 32-12-54 FUNCTIONAL REFERENCE: PLACARDS AND MARKINGS FOR DETAILS SEE 11-21-12-01 LANDING GEAR FOR DETAILS SEE 32-12-04-03	108120	1
- 499	113N8107-64		.DOOR ASSY-MLG STRUT POSITION DATA: RH SIDE COMPONENT MAINT MANUAL REF: 32-12-54 USED ON: MODREF25011 MODREF25013 FUNCTIONAL REFERENCE: PLACARDS AND MARKINGS FOR DETAILS SEE 11-21-12-01 LANDING GEAR FOR DETAILS SEE 32-12-04-03	108120	1

MISSING ITEM NUMBERS NOT APPLICABLE

- ITEM NOT ILLUSTRATED

32-12-04-02

32-12-04  
FIG. 02  
PAGE 23  
JAN 20/09

BRI



757

PARTS CATALOG (MAINTENANCE)

FIG ITEM	PART NUMBER	1 2 3 4 5 6 7	NOMENCLATURE	EFFECT FROM TO	UNITS PER ASSY
2 - 499	113N8107-44SP		.DOOR ASSY-(LANDING GEAR ONLY) POSITION DATA: RH SIDE COMPONENT MAINT MANUAL REF: 32-12-54 QUALIFIED I/W DATA: -44SP I/W -48 SUBJECT TO CUSTOMER PREFERENCE (-36); 113N8107-44SP I/W -36 SUBJECT TO CUSTOMER PREFERENCE. (-32); SUBJECT TO CUSTOMER COLOR PREFERENCE. -44SP I/W -48 SUBJECT TO CUSTOMER PREFERENCE. FUNCTIONAL REFERENCE: PLACARDS AND MARKINGS FOR DETAILS SEE 11-21-12-01 LANDING GEAR FOR DETAILS SEE 32-12-04-03	002004 006100 121503 904999	1
- 500	113N8107-18		.DOOR ASSY-(LANDING GEAR ONLY) POSITION DATA: RH SIDE COMPONENT MAINT MANUAL REF: 32-12-54 FUNCTIONAL REFERENCE: PLACARDS AND MARKINGS FOR DETAILS SEE 11-21-12-01	107107	1
- 500	113N8107-20		.DOOR ASSY-(LANDING GEAR ONLY) POSITION DATA: RH SIDE COMPONENT MAINT MANUAL REF: 32-12-54 FUNCTIONAL REFERENCE: PLACARDS AND MARKINGS FOR DETAILS SEE 11-21-12-01	107107	1

MISSING ITEM NUMBERS NOT APPLICABLE

- ITEM NOT ILLUSTRATED

32-12-04-02

32-12-04  
FIG. 02  
PAGE 24  
JAN 20/09

BRI



757

PARTS CATALOG (MAINTENANCE)

FIG ITEM	PART NUMBER	1 2 3 4 5 6 7	NOMENCLATURE	EFFECT FROM TO	UNITS PER ASSY
2 - 500	113N8107-52SP		.DOOR ASSY-(LANDING GEAR ONLY) POSITION DATA: RH SIDE COMPONENT MAINT MANUAL REF: 32-12-54 QUALIFIED I/W DATA: INTERCHANGEABLE SUBJECT TO CUSTOMER COLOR PREFERENCE FUNCTIONAL REFERENCE: PLACARDS AND MARKINGS FOR DETAILS SEE 11-21-12-01 LANDING GEAR FOR DETAILS SEE 32-12-04-03	002004 006100 121503 904999	1
- 500	113N8107-22		.DOOR ASSY-(LANDING GEAR ONLY) POSITION DATA: RH SIDE COMPONENT MAINT MANUAL REF: 32-12-54 FUNCTIONAL REFERENCE: PLACARDS AND MARKINGS FOR DETAILS SEE 11-21-12-01	107107	1
- 500	113N8107-26		.DOOR ASSY-(LANDING GEAR ONLY) POSITION DATA: RH SIDE COMPONENT MAINT MANUAL REF: 32-12-54 FUNCTIONAL REFERENCE: PLACARDS AND MARKINGS FOR DETAILS SEE 11-21-12-01	107107	1
- 500	113N8107-34		.DOOR ASSY-(LANDING GEAR ONLY) POSITION DATA: RH SIDE COMPONENT MAINT MANUAL REF: 32-12-54 FUNCTIONAL REFERENCE: PLACARDS AND MARKINGS FOR DETAILS SEE 11-21-12-01	107107	1

MISSING ITEM NUMBERS NOT APPLICABLE

- ITEM NOT ILLUSTRATED

32-12-04-02

32-12-04  
FIG. 02  
PAGE 25  
JAN 20/09

BRI



757

PARTS CATALOG (MAINTENANCE)

FIG ITEM	PART NUMBER	1 2 3 4 5 6 7	NOMENCLATURE	EFFECT FROM TO	UNITS PER ASSY
2 - 500	113N8107-54		.DOOR ASSY-MLG STRUT POSITION DATA: RH SIDE QUALIFIED I/W DATA: INTERCHANGEABLE SUBJECT TO CUSTOMER COLOR PREFERENCE USED ON: 113N8100-204SP 113N8100-304SP FUNCTIONAL REFERENCE: PLACARDS AND MARKINGS FOR DETAILS SEE 11-21-12-01 LANDING GEAR FOR DETAILS SEE 32-12-04-03	108120	1
501	BACB30NR8K15	..	BOLT	107107	4
502	BACW10BP8ACU	..	WASHER	107107	4
502C	BACW10BP8APU	..	WASHER	107107	4
502E	69235-820CD	..	NUT	107107	4
			SUPPLIER CODE: V92215 SPECIFICATION NUMBER: BACN10JC8CD OPTIONAL PART: 102LH9074-8 V72962 BMN4122CPD8-8 V97928 H51650-8BAC V15653		
503	113N8109-1	..	LINK-	107107	2
503	113N8109-4	..	LINK-	107107	2
504	113N8109-3	..	LINK-	107107	2
504	113N8109-5	..	LINK-	107107	2
			USED ON: 113N8107-51SP 113N8107-52SP		

MISSING ITEM NUMBERS NOT APPLICABLE

- ITEM NOT ILLUSTRATED

32-12-04-02

32-12-04  
FIG. 02  
PAGE 26  
JAN 20/09

BRI



757

PARTS CATALOG (MAINTENANCE)

FIG ITEM	PART NUMBER	1 2 3 4 5 6 7	NOMENCLATURE	EFFECT FROM TO	UNITS PER ASSY
2 505	HL8608K36	..	BOLT- SUPPLIER CODE: V56878 SPECIFICATION NUMBER: BACB30VG8K36 OPTIONAL PART: HL8608K36 V73197 HL8608K36 VOPTK6 HL8608K36 V92215 L8608K36 V06725 HL8608K36 V97928	107107	8
506	HL8608K20	..	BOLT SUPPLIER CODE: V56878 SPECIFICATION NUMBER: BACB30VG8K20 OPTIONAL PART: HL8608K20 V73197 HL8608K20 VOPTK6 HL8608K20 V97928 HL8608K20 V06725 L8608K18 V06725	107107	3
507	HL8608K21	..	BOLT SUPPLIER CODE: V56878 SPECIFICATION NUMBER: BACB30VG8K21 OPTIONAL PART: HL8608K21 V73197 HL8608K21 VOPTK6 L8608K21 V06725 HL8608K21 V97928 HL8608K21 V06725	107107	4
508	BACB30VG8K25	..	BOLT	107107	1

MISSING ITEM NUMBERS NOT APPLICABLE

- ITEM NOT ILLUSTRATED

32-12-04-02

32-12-04  
FIG. 02  
PAGE 27  
JAN 20/09

BRI



757

PARTS CATALOG (MAINTENANCE)

FIG ITEM	PART NUMBER	1 2 3 4 5 6 7	NOMENCLATURE	EFFECT FROM TO	UNITS PER ASSY
2 510	HL8608K37	..	BOLT- SUPPLIER CODE: V56878 SPECIFICATION NUMBER: BACB30VG8K37 OPTIONAL PART: HL8608K37 V73197 HL8608K37 VOPTK6 HL8608K37 V92215 L8608K37 V06725 HL8608K37 V97928	107107	10
515	HL8608K38	..	BOLT- SUPPLIER CODE: V56878 SPECIFICATION NUMBER: BACB30VG8K38 OPTIONAL PART: HL8608K38 V73197 HL8608K38 VOPTK6 HL8608K38 V92215 L8608K38 V06725 HL8608K38 V97928	107107	2
517	HL8608K40	..	BOLT SUPPLIER CODE: V56878 SPECIFICATION NUMBER: BACB30VG8K40 OPTIONAL PART: HL8608K40 V73197 HL8608K40 VOPTK6 HL8608K40 V92215 L8608K40 V06725 HL8608K40 V97928	107107	2
518	BACB30VG8K41	..	BOLT	107107	4

MISSING ITEM NUMBERS NOT APPLICABLE

- ITEM NOT ILLUSTRATED

32-12-04-02

32-12-04  
FIG. 02  
PAGE 28  
JAN 20/09

BRI



757

PARTS CATALOG (MAINTENANCE)

FIG ITEM	PART NUMBER	1 2 3 4 5 6 7	NOMENCLATURE	EFFECT FROM TO	UNITS PER ASSY
2 520	HL8608K39		..BOLT- SUPPLIER CODE: V56878 SPECIFICATION NUMBER: BACB30VG8K39 OPTIONAL PART: HL8608K39 V73197 HL8608K39 VOPTK6 HL8608K39 V92215 L8608K39 V06725 HL8608K39 V97928	107107	6
521	HL97DU8		..COLLAR SUPPLIER CODE: V73197 SPECIFICATION NUMBER: BACC30AB8S OPTIONAL PART: HL97DU8 V56878 HL97DU8 V5M902	107107	40
530	113N8142-13		..FITTING ASSY- POSITION DATA: LH SIDE	107107	1
- 535	113N8142-14		..FITTING ASSY- POSITION DATA: RH SIDE	107107	1

MISSING ITEM NUMBERS NOT APPLICABLE

- ITEM NOT ILLUSTRATED

BRI

32-12-04-02

BOEING PROPRIETARY - Copyright © - Unpublished Work - See title page for details.

32-12-04  
FIG. 02  
PAGE 29  
JAN 20/09



757

PARTS CATALOG (MAINTENANCE)

FIG ITEM	PART NUMBER	1 2 3 4 5 6 7	NOMENCLATURE	EFFECT FROM TO	UNITS PER ASSY
2 540	ABW8V5	...	BEARING- SUPPLIER CODE: VS0352 SPECIFICATION NUMBER: BACB10AB8 OPTIONAL PART: AW8VCRG V15860 BSSR8557 V81376 KWB8-20CRG V97613 WG8E V73134 55286 V09455 HU8-134 V02758 BWG8-110 V16746 WC8G1 V56644 ABW8V5 V50294	107107	1
545	BACB30NN4K13	..	BOLT	107107	4
550	BACB30NN4K41	..	BOLT-	107107	4
555	113N8106-2	..	WASHER ASSY	107107	4
560	113N8141-1	..	FITTING ASSY-	107107	2
560	113N8108-1	..	FITTING ASSY- OPTIONAL PART: 113N8141-1	107107	2
565	113N8136-1	..	FITTING-	107107	1
565	113N8105-1	..	FITTING-	107107	1

MISSING ITEM NUMBERS NOT APPLICABLE

- ITEM NOT ILLUSTRATED

BRI

32-12-04-02

BOEING PROPRIETARY - Copyright © - Unpublished Work - See title page for details.

32-12-04  
FIG. 02  
PAGE 30  
JAN 20/09





757

PARTS CATALOG (MAINTENANCE)

FIG ITEM	PART NUMBER	1 2 3 4 5 6 7 NOMENCLATURE	EFFECT FROM TO	UNITS PER ASSY
2 - 566	HL1012AZ8-40	ATTACHING PARTS ..BOLT SUPPLIER CODE: V56878 SPECIFICATION NUMBER: BACB30NX8K40 OPTIONAL PART: HL12VAZ8-40 V73197 HL12VAZ8-40 V92215 HL12VAZ8-40 V97928 L802-8K40 V06725 HL12VAZ8-40 V56878 HL1012AZ8-40 V0PTK6 HL1012AZ8-40 V06725 HL1012AZ8-40 V06950 HL1012AZ8-40 V17446 HL1012AZ8-40 V60516 HL1012AZ8-40 V73197 HL1012AZ8-40 V79728	107107	4

MISSING ITEM NUMBERS NOT APPLICABLE

- ITEM NOT ILLUSTRATED

BRI

32-12-04-02

BOEING PROPRIETARY - Copyright © - Unpublished Work - See title page for details.

32-12-04  
 FIG. 02  
 PAGE 31  
 JAN 20/09



757

PARTS CATALOG (MAINTENANCE)

FIG ITEM	PART NUMBER	1 2 3 4 5 6 7	NOMENCLATURE	EFFECT FROM TO	UNITS PER ASSY
2 -566A	HL1187DU8	..	COLLAR SUPPLIER CODE: V5M902 SPECIFICATION NUMBER: BACC30X8S OPTIONAL PART: HL87DU8 V92215 HL87DU8 V73197 HL1187DU8 V56878 HL1187DU8 V92215 HL87DU8 V56878 HL1187DU8 V73197	107107	4
567	BACB28AM11B017A	...	BUSHING	107107	1
568	BACB28AP08-017	...	BUSHING	107107	1
587	113N8112-1	..	PLATE	107107	1
590	113N8113-31	..	BEAM ASSY- POSITION DATA: LH SIDE USED ON: 113N8107-25 113N8107-29 113N8107-31	107107	1
- 595	113N8113-32	..	BEAM ASSY- POSITION DATA: RH SIDE USED ON: 113N8107-26 113N8107-30 113N8107-32	107107	1
600	BACB30MR4K9	...	BOLT-	107107	1
605	BACB30MR4K13	...	BOLT-	107107	1
610	BACB30NR4K4	...	BOLT-	107107	13
615	BACB30NR4K5	...	BOLT-	107107	1
620	BACW10BP4ACU	...	WASHER-	107107	2
625	BACW10BP4PTU	...	WASHER-	107107	16
630	NAS1804-4	...	NUT-	107107	16
635	BACB30MR5K13	...	BOLT-	107107	1
640	BACB30MR5K12	...	BOLT-	107107	1
650	BACW10BP5PTU	...	WASHER-	107107	2
655	NAS1804-5	...	NUT-	107107	2

MISSING ITEM NUMBERS NOT APPLICABLE

- ITEM NOT ILLUSTRATED

32-12-04-02

32-12-04  
FIG. 02  
PAGE 32  
JAN 20/09

BRI



757

PARTS CATALOG (MAINTENANCE)

FIG ITEM	PART NUMBER	1 2 3 4 5 6 7	NOMENCLATURE	EFFECT FROM TO	UNITS PER ASSY
2 660	113N8144-5		... FITTING- POSITION DATA: LH SIDE	107107	1
- 665	113N8144-6		... FITTING- POSITION DATA: RH SIDE	107107	1
675	ABW8V5		... BEARING- SUPPLIER CODE: VS0352 SPECIFICATION NUMBER: BACB10AB8 OPTIONAL PART: AW8VCRG V15860 BSSR8557 V81376 KWB8-20CRG V97613 WG8E V73134 55286 V09455 HU8-134 V02758 BWG8-110 V16746 WC8G1 V56644 ABW8V5 V50294	107107	2
680	113N8135-1		.. FITTING ASSY-INTERMEDIATE QUALIFIED I/W DATA: 113N8135-1 T/W 4EA BACB30VG8K38 BOLT AND 4EA BACC30AB8S COLLAR I/W 113N8154-1 T/W 4EA BACB30VG8K42 BOLT AND 4EA BACC30AB8C OPTIONAL PART: 113N8115-1	107107	1
680	113N8115-1		.. FITTING ASSY-INTERMEDIATE	107107	1

MISSING ITEM NUMBERS NOT APPLICABLE

- ITEM NOT ILLUSTRATED

BRI

32-12-04-02

BOEING PROPRIETARY - Copyright © - Unpublished Work - See title page for details.

32-12-04  
FIG. 02  
PAGE 33  
JAN 20/09



757

PARTS CATALOG (MAINTENANCE)

FIG ITEM	PART NUMBER	1 2 3 4 5 6 7	NOMENCLATURE	EFFECT FROM TO	UNITS PER ASSY
2 685	ABW8V5		... BEARING- SUPPLIER CODE: VS0352 SPECIFICATION NUMBER: BACB10AB8 OPTIONAL PART: AW8VCRG V15860 BSSR8557 V81376 KWB8-20CRG V97613 WG8E V73134 55286 V09455 HU8-134 V02758 BWG8-110 V16746 WC8G1 V56644 ABW8V5 V50294	107107	1
690	113N8133-1		.. FITTING ASSY-CTR ATTACH QUALIFIED I/W DATA: 113N8133-1 T/W 4EA BACC30AB8S COLLAR I/W 113N8155-1 T/W 4EA BACC30AB8C COLLAR	107107	2
690	113N8155-1		.. FITTING ASSY-CTR ATTACH QUALIFIED I/W DATA: (-1); 113N8133-1 T/W 4EA BACC30AB8S COLLAR I/W 113N8155-1 T/W 4EA BACC30AB8C COLLAR. OPTIONAL PART: 113N8133-1 USED ON: 113N8107-51SP 113N8107-52SP	107107	2
690	113N8155-5		.. FITTING ASSY-CTR ATTACH OPTIONAL PART: 113N8111-1 USED ON: 113N8107-51SP 113N8107-52SP	107107	2

MISSING ITEM NUMBERS NOT APPLICABLE

- ITEM NOT ILLUSTRATED

32-12-04-02

32-12-04  
 FIG. 02  
 PAGE 34  
 JAN 20/09

BRI



757

PARTS CATALOG (MAINTENANCE)

FIG ITEM	PART NUMBER	1 2 3 4 5 6 7	NOMENCLATURE	EFFECT FROM TO	UNITS PER ASSY
2					
- 700	113N8100-403SP		DOOR INSTL-MLG STRUT FOR NHA SEE: 57-00-00-05B	101102 504903	RF
- 705	113N8100-404SP		DOOR INSTL-MLG STRUT FOR NHA SEE: 57-00-00-05B	101102 504903	RF
710	113N8107-51SP		.DOOR ASSY-(LANDING GEAR ONLY) POSITION DATA: LH SIDE COMPONENT MAINT MANUAL REF: 32-12-54 QUALIFIED I/W DATA: INTERCHANGEABLE SUBJECT TO CUSTOMER COLOR PREFERENCE FUNCTIONAL REFERENCE: PLACARDS AND MARKINGS FOR DETAILS SEE 11-21-12-01 LANDING GEAR FOR DETAILS SEE 32-12-04-03	101102 504903	1
710	113N8107-43SP		.DOOR ASSY-(LANDING GEAR ONLY) POSITION DATA: LH SIDE COMPONENT MAINT MANUAL REF: 32-12-54 QUALIFIED I/W DATA: (-35); 113N8107-43SP I/W -35 SUBJECT TO CUSTOMER PREFERENCE. (-31); SUBJECT TO COLOR PREFERENCE. -43SP I/W -33 SUBJECT TO CUSTOMER PREFERENCE. -43SP I/W -47 SUBJECT TO CUSTOMER PREFERENCE. (-43SP) SUBJECT TO CUSTOMER COLOR PREFERENCE. FUNCTIONAL REFERENCE: PLACARDS AND MARKINGS FOR DETAILS SEE 11-21-12-01 LANDING GEAR FOR DETAILS SEE 32-12-04-03	101102 504903	1

MISSING ITEM NUMBERS NOT APPLICABLE

- ITEM NOT ILLUSTRATED

32-12-04-02

32-12-04  
FIG. 02  
PAGE 35  
JAN 20/09

BRI



757

PARTS CATALOG (MAINTENANCE)

FIG ITEM	PART NUMBER	1 2 3 4 5 6 7	NOMENCLATURE	EFFECT FROM TO	UNITS PER ASSY
2 - 715	113N8107-52SP		.DOOR ASSY-(LANDING GEAR ONLY) POSITION DATA: RH SIDE COMPONENT MAINT MANUAL REF: 32-12-54 QUALIFIED I/W DATA: INTERCHANGEABLE SUBJECT TO CUSTOMER COLOR PREFERENCE FUNCTIONAL REFERENCE: PLACARDS AND MARKINGS FOR DETAILS SEE 11-21-12-01 LANDING GEAR FOR DETAILS SEE 32-12-04-03	101102 504903	1
- 715	113N8107-44SP		.DOOR ASSY-(LANDING GEAR ONLY) POSITION DATA: RH SIDE COMPONENT MAINT MANUAL REF: 32-12-54 QUALIFIED I/W DATA: (-36); 113N8107-44SP I/W -36 SUBJECT TO CUSTOMER PREFERENCE. (-32); SUBJECT TO CUSTOMER COLOR PREFERENCE. -44SP I/W -48 SUBJECT TO CUSTOMER PREFERENCE. FUNCTIONAL REFERENCE: PLACARDS AND MARKINGS FOR DETAILS SEE 11-21-12-01 LANDING GEAR FOR DETAILS SEE 32-12-04-03	101102 504903	1
- 800	113N8100-201		DOOR INSTL- FOR NHA SEE: 57-00-00-05	101102 504903	RF
- 805	113N8100-202		DOOR INSTL- FOR NHA SEE: 57-00-00-05	101102 504903	RF

MISSING ITEM NUMBERS NOT APPLICABLE

- ITEM NOT ILLUSTRATED

32-12-04-02

32-12-04  
FIG. 02  
PAGE 36  
JAN 20/09

BRI



757

PARTS CATALOG (MAINTENANCE)

FIG ITEM	PART NUMBER	1 2 3 4 5 6 7	NOMENCLATURE	EFFECT FROM TO	UNITS PER ASSY
2					
810	113N8119-1		.CLAMP ASSY-CTR FTG POSITION DATA: LH SIDE OPTIONAL PART: 113N8119-7 113N8149-1	101102 504903	1
810	113N8149-1		.CLAMP ASSY-CTR SPRT POSITION DATA: LH SIDE OPTIONAL PART: 113N8119-1 113N8119-7	101102 504903	1
810	113N8119-7		.CLAMP ASSY-CTR FTG POSITION DATA: LH SIDE OPTIONAL PART: 113N8119-1 113N8149-1	101102 504903	1
- 815	113N8119-2		.CLAMP ASSY-CTR FTG POSITION DATA: RH SIDE OPTIONAL PART: 113N8119-8 113N8149-2	101102 504903	1
- 815	113N8149-2		.CLAMP ASSY-CTR SPRT POSITION DATA: RH SIDE OPTIONAL PART: 113N8119-2 113N8119-8	101102 504903	1
- 815	113N8119-8		.CLAMP ASSY-CTR FTG POSITION DATA: RH SIDE OPTIONAL PART: 113N8119-2 113N8149-2	101102 504903	1
820	BACB30LE5H10		..BOLT- USED ON: 113N8119-1 113N8119-2 113N8119-7 113N8119-8	101102 504903	2
820	BACB30LE5-16		..BOLT- USED ON: 113N8149-1 113N8149-2	101102 504903	2
830	BACW10BP5C		..WASHER- POSITION DATA: UNDER BOLT	101102 504903	2

MISSING ITEM NUMBERS NOT APPLICABLE

- ITEM NOT ILLUSTRATED

32-12-04-02

32-12-04  
FIG. 02  
PAGE 37  
JAN 20/09

BRI



757

PARTS CATALOG (MAINTENANCE)

FIG ITEM	PART NUMBER	1 2 3 4 5 6 7	NOMENCLATURE	EFFECT FROM TO	UNITS PER ASSY
2					
835	AN960-516	..	WASHER- POSITION DATA: UNDER NUT	101102 504903	2
845	BH00303CM5	..	NUT SUPPLIER CODE: V27238 SPECIFICATION NUMBER: BACN10HR5CD OPTIONAL PART: H51560-5 V15653 67832CD524 V56878 102LH9031-5 V72962 SL7108C524 V11815 BMN5024CWD35 V97928 SL7108C5 V11815 VCU0005D5 V06710 102LH90315 V72962 BMN10HRCWD3-5 V97928 67832CD5 V56878 CR6030-5 VF0224 67832CD5 V56878	101102 504903	2
850	113N1007-14	..	BUSHING	101102 504903	2
855	113N8119-3	..	CLAMP- POSITION DATA: LH SIDE USED ON: 113N8119-1	101102 504903	1
860	113N8119-9	..	CLAMP- POSITION DATA: LH SIDE USED ON: 113N8119-7	101102 504903	1

MISSING ITEM NUMBERS NOT APPLICABLE

- ITEM NOT ILLUSTRATED

32-12-04-02

32-12-04  
FIG. 02  
PAGE 38  
JAN 20/09

BRI





757

PARTS CATALOG (MAINTENANCE)

FIG ITEM	PART NUMBER	1 2 3 4 5 6 7	NOMENCLATURE	EFFECT FROM TO	UNITS PER ASSY
2 865	113N8149-3		.. CLAMP- POSITION DATA: LH SIDE USED ON: 113N8149-1	101102 504903	1
- 870	113N8119-4		.. CLAMP- POSITION DATA: RH SIDE USED ON: 113N8119-2	101102 504903	1
- 875	113N8149-4		.. CLAMP- POSITION DATA: RH SIDE USED ON: 113N8149-2	101102 504903	1
- 880	113N8119-10		.. CLAMP- POSITION DATA: RH SIDE USED ON: 113N8119-10	101102 504903	1
885	113N8119-5		.. CLAMP- USED ON: 113N8119-1 113N8119-2	101102 504903	1
890	113N8149-5		.. CLAMP- USED ON: 113N8149-1 113N8149-2	101102 504903	1
895	113N8119-6		.. CLAMP- USED ON: 113N8119-7 113N8119-8	101102 504903	1

MISSING ITEM NUMBERS NOT APPLICABLE

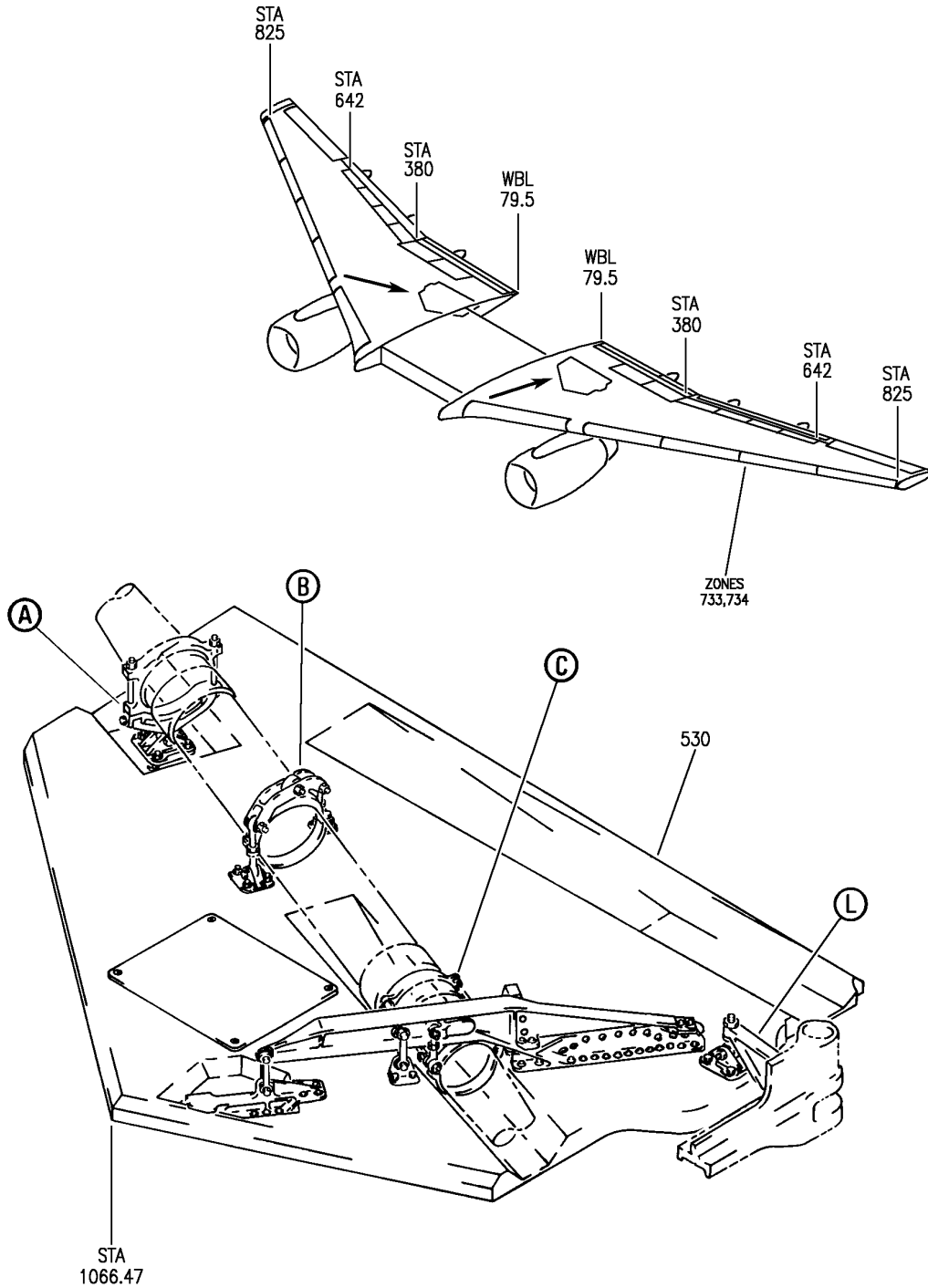
- ITEM NOT ILLUSTRATED

32-12-04-02

32-12-04  
FIG. 02  
PAGE 39  
JAN 20/09

BRI

**BOEING**  
757  
PARTS CATALOG (MAINTENANCE)



Y 32120402A SHT 1 REV 268

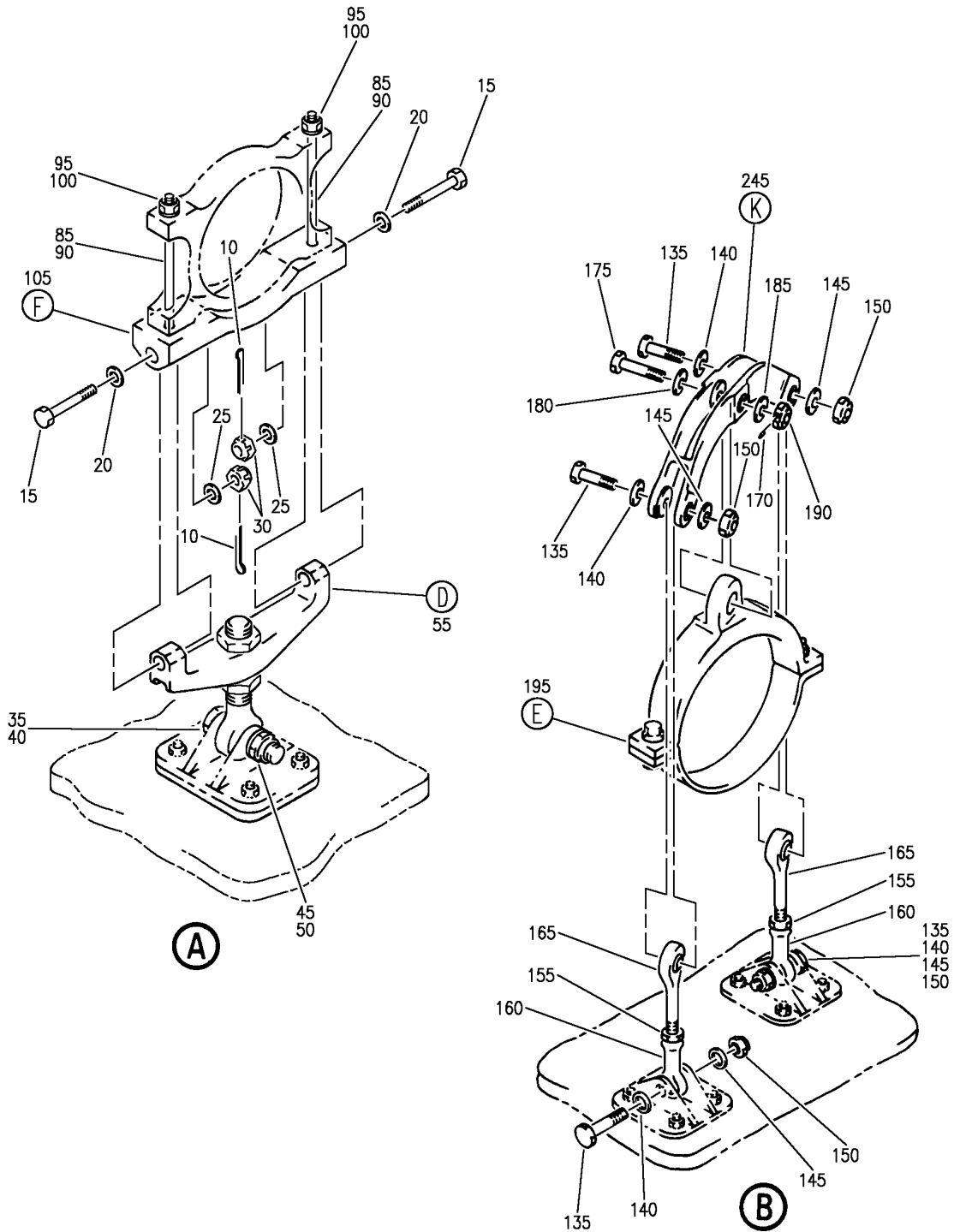
DOOR INSTL-MLG STRUT  
FIGURE 2A (SHEET 1)

**32-12-04-02A**

BRI  
JAN 20/09

32-12-04-02A  
PAGE 0

**BOEING**  
757  
PARTS CATALOG (MAINTENANCE)



Y 32120402A SHT 2 REV 268

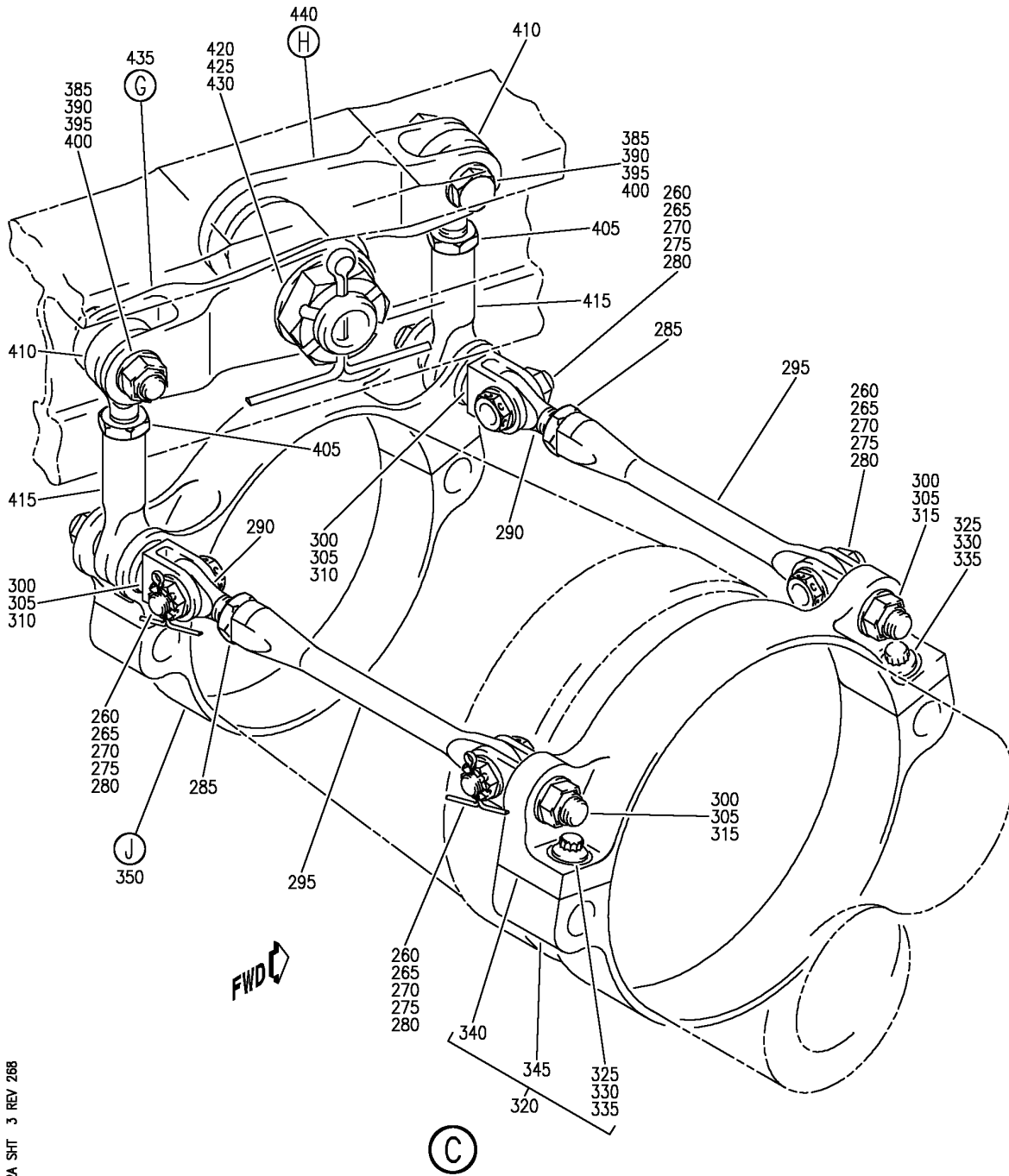
DOOR INSTL-MLG STRUT  
FIGURE 2A (SHEET 2)

**32-12-04-02A**

BRI  
JAN 20/09

32-12-04-02A  
PAGE 0A

**BOEING**  
757  
PARTS CATALOG (MAINTENANCE)



Y 32120402A SHT 3 REV 268

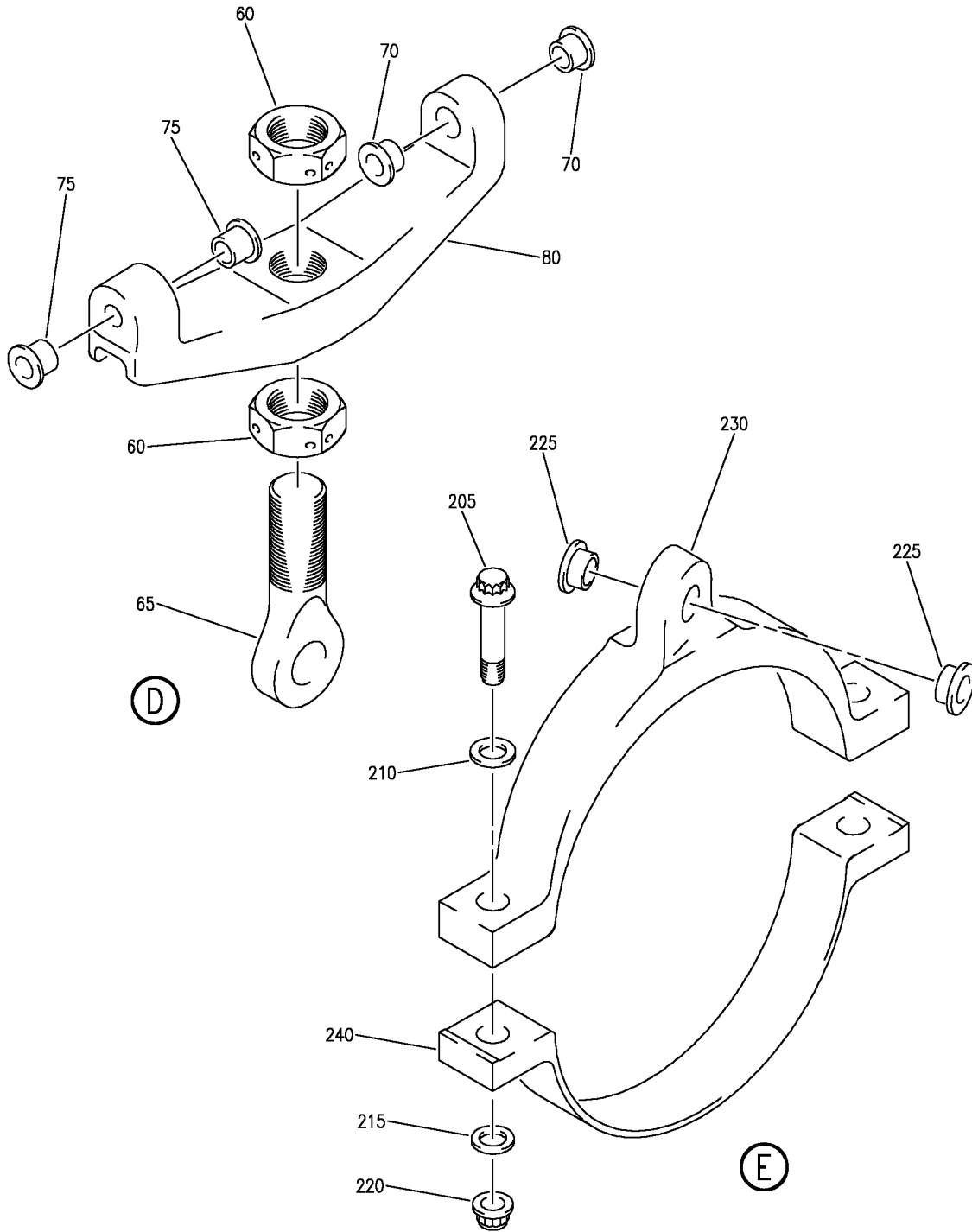
DOOR INSTL-MLG STRUT  
FIGURE 2A (SHEET 3)

**32-12-04-02A**

BRI  
JAN 20/09

32-12-04-02A  
PAGE 0B

**BOEING**  
757  
PARTS CATALOG (MAINTENANCE)



Y 32120402A SHT 4 REV 268

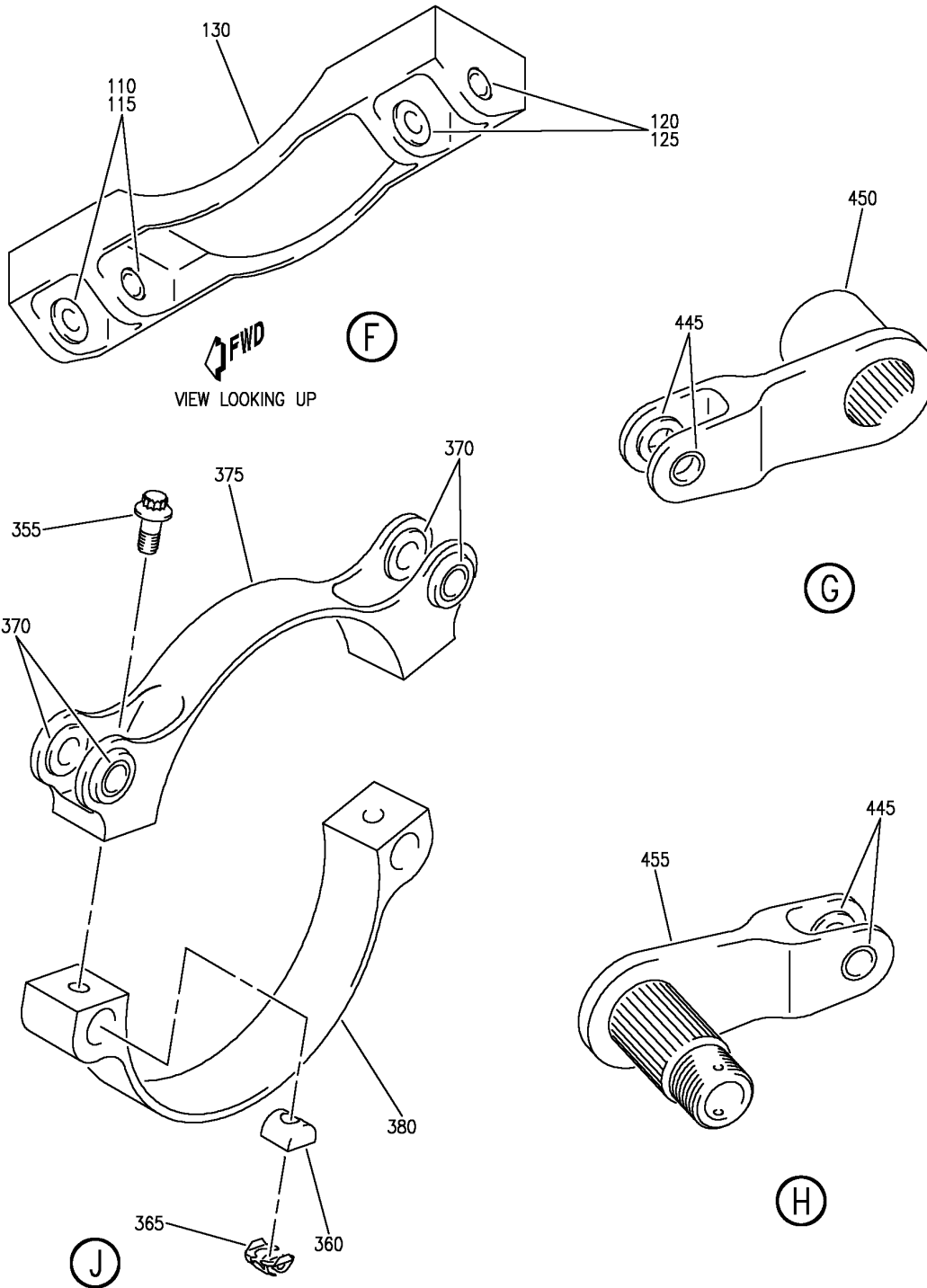
DOOR INSTL-MLG STRUT  
FIGURE 2A (SHEET 4)

**32-12-04-02A**

BRI  
JAN 20/09

32-12-04-02A  
PAGE 0C

**BOEING**  
757  
PARTS CATALOG (MAINTENANCE)



Y 32120402A SHT 5 REV 268

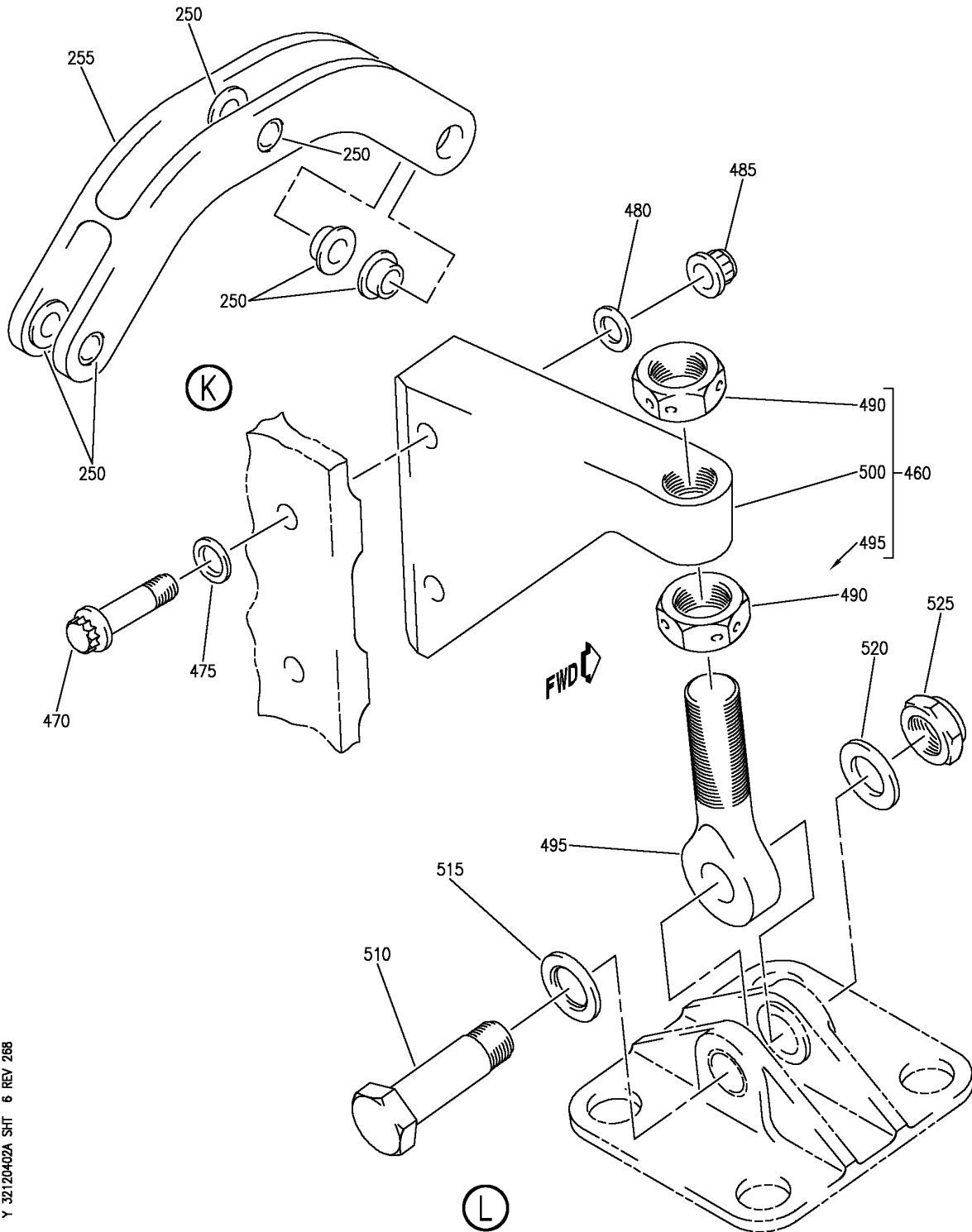
DOOR INSTL-MLG STRUT  
FIGURE 2A (SHEET 5)

**32-12-04-02A**

BRI  
JAN 20/09

32-12-04-02A  
PAGE 0D

**BOEING**  
757  
PARTS CATALOG (MAINTENANCE)



Y 32120402A SHT 6 REV 268

DOOR INSTL-MLG STRUT  
FIGURE 2A (SHEET 6)

**32-12-04-02A**

BRI  
JAN 20/09

32-12-04-02A  
PAGE 0E



757

PARTS CATALOG (MAINTENANCE)

FIG ITEM	PART NUMBER	1 2 3 4 5 6 7	NOMENCLATURE	EFFECT FROM TO	UNITS PER ASSY
2A					
- 1	MODREF25010		DOOR INSTL-MLG STRUT DOOR INSTL-MLG STRUT MODULE NUMBER: 113N8100-203 REV C POSITION DATA: LH	103106 103106	1
- 5	MODREF25011		DOOR INSTL-MLG STRUT MODULE NUMBER: 113N8100-204 REV C POSITION DATA: RH	103106	1
10	BACP18BC02A06P		.PIN	103106	2
15	BACB30NR5DK26		.BOLT	103106	2
20	BACW10BP5ACU		.WASHER- POSITION DATA: UNDER BOLT	103106	2
25	BACW10BP5APU		.WASHER- POSITION DATA: UNDER NUT	103106	2
30	BACN10JD105		.NUT	103106	2
35	BACB30NR10K26		.BOLT	103106	1
40	BACW10BP10ACU		.WASHER- POSITION DATA: UNDER BOLT	103106	1
45	BACW10BP10APU		.WASHER- POSITION DATA: UNDER NUT	103106	1
50	102LH9074-10		.NUT SUPPLIER CODE: V72962 SPECIFICATION NUMBER: BACN10JC10CD OPTIONAL PART: H51650-10BAC V15653 69235-1018CD V92215 BMN4122CPD8-10 V97928	103106	1
55	113N8138-7		.LINK ASSY	103106	1
60	NAS509-12C		..NUT	103106	2
65	P33090		..ROD END- SUPPLIER CODE: V57606 OPTIONAL PART: VTA05260 V06710	103106	1

MISSING ITEM NUMBERS NOT APPLICABLE

- ITEM NOT ILLUSTRATED

32-12-04-02A

32-12-04  
FIG. 02A  
PAGE 1  
JAN 20/09

BRI

BOEING PROPRIETARY - Copyright © - Unpublished Work - See title page for details.





757

PARTS CATALOG (MAINTENANCE)

FIG ITEM	PART NUMBER	1 2 3 4 5 6 7	NOMENCLATURE	EFFECT FROM TO	UNITS PER ASSY
2A					
65	VTA05260	..	ROD END- SUPPLIER CODE: V06710 OPTIONAL PART: P33090 V57606	103106	1
70	BACB28AP05-023	..	BUSHING	103106	2
75	113N1007-25	..	BUSHING	103106	2
80	113N8138-3	..	LINK	103106	1
85	BACB30NR4K73	.	BOLT	103106	2
90	BACW10BP4ACU	.	WASHER- POSITION DATA: UNDER BOLT	103106	2
95	BACW10BP4APU	.	WASHER- POSITION DATA: UNDER HEAD	103106	2
100	BRH10C4D	.	NUT SUPPLIER CODE: V52828 SPECIFICATION NUMBER: BACN10JC4CD OPTIONAL PART: T6C428JCD V11815 NS202486-048 V80539 102LH9075-4W V72962 H51650-4BAC V15653	103106	2
105	113N8139-8	.	FITTING ASSY- OPTIONAL PART: 113N8118-4	103106	1
105	113N8139-7	.	FITTING ASSY-	103106	1
105	113N8118-1	.	FITTING ASSY-	103106	1
105	113N8118-4	.	FITTING ASSY- OPTIONAL PART: 113N8139-8	103106	1
110	BACB28AP05-022	..	BUSHING	103106	2

MISSING ITEM NUMBERS NOT APPLICABLE

- ITEM NOT ILLUSTRATED

32-12-04-02A

32-12-04  
FIG. 02A  
PAGE 2  
JAN 20/09

BRI

BOEING PROPRIETARY - Copyright © - Unpublished Work - See title page for details.



757

PARTS CATALOG (MAINTENANCE)

FIG ITEM	PART NUMBER	1 2 3 4 5 6 7	NOMENCLATURE	EFFECT FROM TO	UNITS PER ASSY
2A 115	113N1007-22		..BUSHING- QUALIFIED I/W DATA: 113N1007-26 OR 113N1007-28 MAY REPLACE 113N1007-22, MACHINING OF FLANGE FACES MAY BE REQUIRED TO MEET DIMENSIONAL REQUIREMENTS OF DRAWING 113N8139, SHEET 0001. OPTIONAL PART: 113N1007-28 113N1007-26 USED ON: 113N8139-8	103106	2
115	113N1007-28		..BUSHING- QUALIFIED I/W DATA: 113N1007-26 OR 113N1007-28 MAY REPLACE 113N1007-22, MACHINING OF FLANGE FACES MAY BE REQUIRED TO MEET DIMENSIONAL REQUIREMENTS OF DRAWING 113N8139, SHEET 0001. OPTIONAL PART: 113N1007-22 113N1007-26 USED ON: 113N8139-8	103106	2
115	113N1007-26		..BUSHING- QUALIFIED I/W DATA: 113N1007-26 OR 113N1007-28 MAY REPLACE 113N1007-22 MACHINING OF REAQUIRED TO MEET DIMENSIONAL REQUIREMENTS OF DRAWING 113N8139, SHEET 0001. OPTIONAL PART: 113N1007-22 113N1007-28 USED ON: 113N8139-8	103106	2

MISSING ITEM NUMBERS NOT APPLICABLE

- ITEM NOT ILLUSTRATED

32-12-04-02A

32-12-04  
 FIG. 02A  
 PAGE 3  
 JAN 20/09

BRI



757

PARTS CATALOG (MAINTENANCE)

FIG ITEM	PART NUMBER	1 2 3 4 5 6 7	NOMENCLATURE	EFFECT FROM TO	UNITS PER ASSY
2A 115	113N1007-12		..BUSHING- QUALIFIED I/W DATA: 113N1007-26 OR 113N1007-28 MAY REPLACE 113N1007-22 MACHINING OF FLANGE FACES MAY BE REQUIRED TO MEET DIMENSIONAL REQUIREMENTS OF DRAWING 113N8139, SHEET 0001.	103106	2
120	113N1007-28		..BUSHING- QUALIFIED I/W DATA: 113N1007-26 OR 113N1007-28 MAY REPLACE 113N1007-22, MACHINING OF FLANGE FACES MAY BE REQUIRED TO MEET DIMENSIONAL REQUIREMENTS OF DRAWING 113N8139, SHEET 0001. OPTIONAL PART: 113N1007-26 USED ON: 113N8118-4 113N8139-7	103106	1
120	113N1007-26		..BUSHING- QUALIFIED I/W DATA: 113N1007-26 OR 113N1007-28 MAY REPLACE 113N1007-22 MACHINING OF REQUIRED TO MEET DIMENSIONAL REQUIREMENTS OF DRAWING 113N8139, SHEET 0001. OPTIONAL PART: 113N1007-28 USED ON: 113N8118-4 113N8139-7	103106	1
125	113N1007-22		..BUSHING- QUALIFIED I/W DATA: 113N1007-26 OR 113N1007-28 MAY REPLACE 113N1007-22, MACHINING OF FLANGE FACES MAY BE REQUIRED TO MEET DIMENSIONAL REQUIREMENTS OF DRAWING 113N8139, SHEET 0001.	103106	1

MISSING ITEM NUMBERS NOT APPLICABLE

- ITEM NOT ILLUSTRATED

32-12-04-02A

32-12-04  
FIG. 02A  
PAGE 4  
JAN 20/09

BRI

BOEING PROPRIETARY - Copyright © - Unpublished Work - See title page for details.

 **BOEING**  
757  
**PARTS CATALOG (MAINTENANCE)**

FIG ITEM	PART NUMBER	1 2 3 4 5 6 7	NOMENCLATURE	EFFECT FROM TO	UNITS PER ASSY
2A 125	113N1007-12		.. BUSHING- QUALIFIED I/W DATA: 113N1007-26 OR 113N1007-28 MAY REPLACE 113N1007-22 MACHINING OF FLANGE FACES MAY BE REQUIRED TO MEET DIMENSIONAL REQUIREMENTS OF DRAWING 113N8139, SHEET 0001. USED ON: 113N8139-7	103106	1
130	113N8139-3		.. FITTING- USED ON: 113N8139-7 113N8139-8	103106	1
130	113N8118-3		.. FITTING- USED ON: 113N8118-1 113N8118-4	103106	1
135	BACB30NR6K20		. BOLT	103106	4
140	BACW10BP6ACU		. WASHER- POSITION DATA: UNDER BOLT	103106	4
145	BACW10BP6APU		. WASHER- POSITION DATA: UNDER NUT	103106	4
150	BRH10C6D		. NUT SUPPLIER CODE: V52828 SPECIFICATION NUMBER: BACN10JC6CD OPTIONAL PART: H51650-6BAC V15653	103106	4
155	AN316C6R		. NUT	103106	2
160	VTA02230		. ROD END- SUPPLIER CODE: V06710 OPTIONAL PART: P30230 V06710	103106	2
160	P30230		. ROD END- SUPPLIER CODE: V57606 OPTIONAL PART: VTA02230 V06710	103106	2

MISSING ITEM NUMBERS NOT APPLICABLE

— ITEM NOT ILLUSTRATED

BRI

# 32-12-04-02A

BOEING PROPRIETARY - Copyright © - Unpublished Work - See title page for details.

32-12-04  
FIG. 02A  
PAGE 5  
JAN 20/09



757

PARTS CATALOG (MAINTENANCE)

FIG ITEM	PART NUMBER	1 2 3 4 5 6 7	NOMENCLATURE	EFFECT FROM TO	UNITS PER ASSY
2A 165	VTA07130	.ROD END- SUPPLIER CODE: V06710 OPTIONAL PART: P33630 V57606		103106	2
165	P33630	.ROD END- SUPPLIER CODE: V57606 OPTIONAL PART: VTA07130 V06710		103106	2
170	BACP18BC03A06P	.PIN		103106	1
175	BACB30NR6DK17	.BOLT		103106	1
180	BACW10BP6ACU	.WASHER- POSITION DATA: UNDER BOLT		103106	1
185	BACW10BP6APU	.WASHER- POSITION DATA: UNDER NUT		103106	1
190	BACN10JD106	.NUT		103106	1
195	113N8119-7	.CLAMP ASSY-CTR FTG POSITION DATA: LH SIDE OPTIONAL PART: 113N8119-1 113N8149-1		103106	1
195	113N8119-1	.CLAMP ASSY-CTR FTG POSITION DATA: LH SIDE OPTIONAL PART: 113N8119-7 113N8149-1		103106	1
195	113N8149-1	.CLAMP ASSY-CTR FTG POSITION DATA: LH SIDE OPTIONAL PART: 113N8119-7 113N8119-1		103106	1
- 200	113N8119-8	.CLAMP ASSY-CTR FTG POSITION DATA: RH SIDE OPTIONAL PART: 113N8119-2 113N8149-2		103106	1

MISSING ITEM NUMBERS NOT APPLICABLE

- ITEM NOT ILLUSTRATED

32-12-04-02A

32-12-04  
FIG. 02A  
PAGE 6  
JAN 20/09

BRI

BOEING PROPRIETARY - Copyright © - Unpublished Work - See title page for details.



757

PARTS CATALOG (MAINTENANCE)

FIG ITEM	PART NUMBER	1 2 3 4 5 6 7	NOMENCLATURE	EFFECT FROM TO	UNITS PER ASSY
2A - 200	113N8119-2		.CLAMP ASSY-CTR FTG POSITION DATA: RH SIDE OPTIONAL PART: 113N8119-8 113N8149-2	103106	1
- 200	113N8149-2		.CLAMP ASSY-CTR FTG POSITION DATA: RH SIDE MISCELLANEOUS DATA: FOR SPARES PROCURE LOWER COMPONENTS OPTIONAL PART: 113N8119-8 113N8119-2	103106	1
205	BACB30LE5H10		..BOLT- USED ON: 113N8119-1 113N8119-2 113N8119-7 113N8119-8	103106	2
205	BACB30LE5-16		..BOLT- USED ON: 113N8149-1 113N8149-2	103106	2
210	BACW10BP5C		..WASHER- POSITION DATA: UNDER BOLT	103106	2
215	AN960-516		..WASHER- POSITION DATA: UNDER NUT	103106	2

MISSING ITEM NUMBERS NOT APPLICABLE

- ITEM NOT ILLUSTRATED

32-12-04-02A

32-12-04  
FIG. 02A  
PAGE 7  
JAN 20/09

BRI

BOEING PROPRIETARY - Copyright © - Unpublished Work - See title page for details.



757

PARTS CATALOG (MAINTENANCE)

FIG ITEM	PART NUMBER	1 2 3 4 5 6 7	NOMENCLATURE	EFFECT FROM TO	UNITS PER ASSY
2A 220	BH00303CM5	..	NUT SUPPLIER CODE: V27238 SPECIFICATION NUMBER: BACN10HR5CD OPTIONAL PART: H51560-5 V15653 67832CD524 V56878 102LH9031-5 V72962 SL7108C524 V11815 BMN5024CWD35 V97928 SL7108C5 V11815 VCU0005D5 V06710 102LH90315 V72962 BMN10HRCWD3-5 V97928 67832CD5 V56878 CR6030-5 VF0224 67832CD5 V56878	103106	2
225	113N1007-14	..	BUSHING	103106	2
230	113N8119-3	..	CLAMP- POSITION DATA: LH SIDE USED ON: 113N8119-1	103106	1
230	113N8149-3	..	CLAMP- POSITION DATA: LH SIDE USED ON: 113N8149-1	103106	1
230	113N8119-9	..	CLAMP- POSITION DATA: LH SIDE USED ON: 113N8119-7	103106	1

MISSING ITEM NUMBERS NOT APPLICABLE

- ITEM NOT ILLUSTRATED

32-12-04-02A

32-12-04  
FIG. 02A  
PAGE 8  
JAN 20/09

BRI

BOEING PROPRIETARY - Copyright © - Unpublished Work - See title page for details.



757

PARTS CATALOG (MAINTENANCE)

FIG ITEM	PART NUMBER	1 2 3 4 5 6 7	NOMENCLATURE	EFFECT FROM TO	UNITS PER ASSY
2A					
- 235	113N8119-4	..	CLAMP- POSITION DATA: RH SIDE USED ON: 113N8119-2	103106	1
- 235	113N8149-4	..	CLAMP- POSITION DATA: RH SIDE USED ON: 113N8149-2	103106	1
- 235	113N8119-10	..	CLAMP- POSITION DATA: RH SIDE USED ON: 113N8119-8	103106	1
240	113N8119-5	..	CLAMP- USED ON: 113N8119-1 113N8119-2	103106	1
240	113N8149-5	..	CLAMP- USED ON: 113N8149-1 113N8149-2	103106	1
240	113N8119-6	..	CLAMP- USED ON: 113N8119-7 113N8119-8	103106	1
245	113N8140-1	.FITTING ASSY- OPTIONAL PART: 113N8120-1		103106	1
245	113N8120-1	.FITTING ASSY- OPTIONAL PART: 113N8140-1		103106	1
250	113N1007-17	..	BUSHING	103106	6
255	113N8140-3	..	FITTING- USED ON: 113N8140-1	103106	1
255	113N8120-3	..	FITTING- USED ON: 113N8120-1	103106	1
260	BACP18BC02A06P	.PIN		103106	4
265	BACB30NR5DK7	.BOLT		103106	4
270	BACW10BP5ACU	.WASHER- POSITION DATA: UNDER BOLT		103106	4
275	BACW10BP5APU	.WASHER- POSITION DATA: UNDER NUT		103106	4
280	BACN10JD105	.NUT		103106	4

MISSING ITEM NUMBERS NOT APPLICABLE

- ITEM NOT ILLUSTRATED

32-12-04-02A

32-12-04  
FIG. 02A  
PAGE 9  
JAN 20/09

BRI

BOEING PROPRIETARY - Copyright © - Unpublished Work - See title page for details.





757

PARTS CATALOG (MAINTENANCE)

FIG ITEM	PART NUMBER	1 2 3 4 5 6 7	NOMENCLATURE	EFFECT FROM TO	UNITS PER ASSY
2A					
285	AN316C5R	.	NUT	103106	2
290	113N8125-1	.	EYEBOLT	103106	2
295	113N8124-1	.	BARREL-TURN	103106	2
295	113N8150-1	.	BARREL-TURN	103106	2
300	BACW10BP6APU	.	WASHER	103106	4
305	BRH10C6D	.	NUT	103106	4
			SUPPLIER CODE: V52828		
			SPECIFICATION NUMBER: BACN10JC6CD		
			OPTIONAL PART: H51650-6BAC V15653		
310	113N8123-1	.	CLEVIS	103106	2
315	113N8123-2	.	CLEVIS	103106	2
320	113N8148-1	.	CLAMP ASSY-UPR SPRT POSITIONER OPTIONAL PART: 113N8122-1	103106	1
320	113N8122-1	.	CLAMP ASSY-UPR SPRT POSITIONER OPTIONAL PART: 113N8148-1	103106	1
325	BACB30MR4K4	..	BOLT	103106	2
330	LH8065-048	..	NUT SUPPLIER CODE: V72962 SPECIFICATION NUMBER: BACN10HC4 OPTIONAL PART: SL414-4 V97393 94263-428 V56878	103106	2
335	SLR4027-4	..	RETAINER SUPPLIER CODE: V97393 SPECIFICATION NUMBER: BACR10V4 OPTIONAL PART: 2452-048RET V72962	103106	2
340	113N8122-3	..	CLAMP- USED ON: 113N8122-1	103106	1
340	113N8148-2	..	CLAMP HALF- USED ON: 113N8148-1	103106	1

MISSING ITEM NUMBERS NOT APPLICABLE

- ITEM NOT ILLUSTRATED

32-12-04-02A

32-12-04  
FIG. 02A  
PAGE 10  
JAN 20/09

BRI

BOEING PROPRIETARY - Copyright © - Unpublished Work - See title page for details.



757

PARTS CATALOG (MAINTENANCE)

FIG ITEM	PART NUMBER	1 2 3 4 5 6 7	NOMENCLATURE	EFFECT FROM TO	UNITS PER ASSY
2A					
345	113N8122-5	..	CLAMP- USED ON: 113N8122-1	103106	1
345	113N8148-3	..	CLAMP HALF- USED ON: 113N8148-1	103106	1
350	113N8121-1	.	CLAMP ASSY-UPR SPRT FTG OPTIONAL PART: 113N8121-7	103106	1
350	113N8147-1	.	CLAMP ASSY-UPR SPRT OPTIONAL PART: 113N8121-7	103106	1
350	113N8121-7	.	CLAMP ASSY-UPR SPRT FTG OPTIONAL PART: 113N8121-1 113N8147-1	103106	1
355	BACB30MR4K4	..	BOLT	103106	2
360	LH8065-048	..	NUT SUPPLIER CODE: V72962 SPECIFICATION NUMBER: BACN10HC4 OPTIONAL PART: SL414-4 V97393 94263-428 V56878	103106	2
365	SLR4027-4	..	RETAINER SUPPLIER CODE: V97393 SPECIFICATION NUMBER: BACR10V4 OPTIONAL PART: 2452-048RET V72962	103106	2
370	113N1007-13	..	BUSHING	103106	4
375	113N8121-3	..	CLAMP- USED ON: 113N8121-1	103106	1
375	113N8147-2	..	CLAMP- USED ON: 113N8147-1	103106	1
375	113N8121-9	..	CLAMP- USED ON: 113N8121-7	103106	1
380	113N8121-5	..	CLAMP- USED ON: 113N8121-1	103106	1

MISSING ITEM NUMBERS NOT APPLICABLE

- ITEM NOT ILLUSTRATED

32-12-04-02A

32-12-04  
FIG. 02A  
PAGE 11  
JAN 20/09

BRI

BOEING PROPRIETARY - Copyright © - Unpublished Work - See title page for details.



757

PARTS CATALOG (MAINTENANCE)

FIG ITEM	PART NUMBER	1 2 3 4 5 6 7	NOMENCLATURE	EFFECT FROM TO	UNITS PER ASSY
2A					
380	113N8147-3	..	CLAMP- USED ON: 113N8147-1	103106	1
380	113N8121-11	..	CLAMP- USED ON: 113N8121-7	103106	1
385	BACB30NR6K16	.	BOLT	103106	2
390	BACW10BP6ACU	.	WASHER- POSITION DATA: UNDER BOLT	103106	2
395	BACW10BP6APU	.	WASHER- POSITION DATA: UNDER NUT	103106	2
400	BRH10C6D	.	NUT SUPPLIER CODE: V52828 SPECIFICATION NUMBER: BACN10JC6CD OPTIONAL PART: H51650-6BAC V15653	103106	2
405	AN316C6R	.	NUT	103106	2
410	VTA05290	.	ROD END- SUPPLIER CODE: V06710 OPTIONAL PART: P33120 V57606	103106	2
410	P33120	.	ROD END- SUPPLIER CODE: V57606 OPTIONAL PART: VTA05290 V06710	103106	2
415	VTA02230	.	ROD END- SUPPLIER CODE: V06710 OPTIONAL PART: P30230 V57606	103106	2
415	P30230	.	ROD END- SUPPLIER CODE: V57606 OPTIONAL PART: VTA02230 V06710	103106	2
420	BACP18BC04A12P	.	PIN	103106	1
425	BACW10BP14APU	.	WASHER	103106	1
430	BACN10JD114	.	NUT	103106	1

MISSING ITEM NUMBERS NOT APPLICABLE

- ITEM NOT ILLUSTRATED

32-12-04-02A

32-12-04  
FIG. 02A  
PAGE 12  
JAN 20/09

BRI

BOEING PROPRIETARY - Copyright © - Unpublished Work - See title page for details.



757

PARTS CATALOG (MAINTENANCE)

FIG ITEM	PART NUMBER	1 2 3 4 5 6 7	NOMENCLATURE	EFFECT FROM TO	UNITS PER ASSY
2A					
435	113N8129-1	.	ARM ASSY-LEVER	103106	1
435	113N8127-1	.	ARM ASSY-LEVER	103106	1
440	113N8130-1	.	ARM ASSY-LEVER	103106	1
440	113N8128-1	.	ARM ASSY-LEVER	103106	1
445	113N1007-15	..	BUSHING	103106	2
450	113N8129-3	..	LEVER- USED ON: 113N8129-1	103106	1
450	113N8127-2	..	LEVER- USED ON: 113N8127-1	103106	1
455	113N8130-3	..	LEVER- USED ON: 113N8130-1	103106	1
455	113N8128-2	..	LEVER- USED ON: 113N8128-1	103106	1
460	113N8137-1	.	FITTING ASSY- POSITION DATA: LH SIDE OPTIONAL PART: 113N8116-1	103106	1
460	113N8116-1	.	FITTING ASSY- POSITION DATA: LH SIDE OPTIONAL PART: 113N8137-1	103106	1
- 465	113N8137-2	.	FITTING ASSY- POSITION DATA: RH SIDE OPTIONAL PART: 113N8116-2	103106	1
- 465	113N8116-2	.	FITTING ASSY- POSITION DATA: RH SIDE OPTIONAL PART: 113N8137-2	103106	1
			ATTACHING PARTS		
470	BACB30MR6K16	.	BOLT	103106	2
475	BACW10BP6ACU	.	WASHER- POSITION DATA: UNDER BOLT	103106	2
480	BACW10BP6APU	.	WASHER- POSITION DATA: UNDER NUT	103106	2
485	NAS1805-6L	.	NUT	103106	2
490	NAS509-12C	..	NUT	103106	2

MISSING ITEM NUMBERS NOT APPLICABLE

- ITEM NOT ILLUSTRATED

32-12-04-02A

32-12-04  
FIG. 02A  
PAGE 13  
JAN 20/09

BRI

BOEING PROPRIETARY - Copyright © - Unpublished Work - See title page for details.



757

PARTS CATALOG (MAINTENANCE)

FIG ITEM	PART NUMBER	1 2 3 4 5 6 7	NOMENCLATURE	EFFECT FROM TO	UNITS PER ASSY
2A 495	P33090		..ROD END- SUPPLIER CODE: V57606 OPTIONAL PART: VTA05260 V06710	103106	1
495	VTA05260		..ROD END- SUPPLIER CODE: V06710 OPTIONAL PART: P33090 V57606	103106	1
500	113N8137-3		..FITTING- POSITION DATA: LH USED ON: 113N8137-1	103106	1
500	113N8116-3		..FITTING- POSITION DATA: LH USED ON: 113N8116-1	103106	1
- 505	113N8137-4		..FITTING- POSITION DATA: RH USED ON: 113N8137-2	103106	1
- 505	113N8116-4		..FITTING- POSITION DATA: RH USED ON: 113N8116-2	103106	1
510	BACB30NR10K26		.BOLT	103106	1
515	BACW10BP10ACU		.WASHER- POSITION DATA: UNDER BOLT	103106	1
520	BACW10BP10APU		.WASHER- POSITION DATA: UNDER NUT	103106	1

MISSING ITEM NUMBERS NOT APPLICABLE

- ITEM NOT ILLUSTRATED

32-12-04-02A

32-12-04  
FIG. 02A  
PAGE 14  
JAN 20/09

BRI



757

PARTS CATALOG (MAINTENANCE)

FIG ITEM	PART NUMBER	1 2 3 4 5 6 7	NOMENCLATURE	EFFECT FROM TO	UNITS PER ASSY
2A 525	102LH9074-10	.	NUT SUPPLIER CODE: V72962 SPECIFICATION NUMBER: BACN10JC10CD OPTIONAL PART: H51650-10BAC V15653 69235-1018CD V92215 BMN4122CPD8-10 V97928	103106	1
530	113N8107-53	.	DOOR ASSY-MLG STRUT POSITION DATA: LH SIDE COMPONENT MAINT MANUAL REF: 32-12-54 QUALIFIED I/W DATA: INTERCHANGEABLE SUBJECT TO CUSTOMER COLOR PREFERENCE FUNCTIONAL REFERENCE: PLACARDS AND MARKINGS FOR DETAILS SEE 11-21-12-01 LANDING GEAR FOR DETAILS SEE 32-12-04-03	103106	1
530	113N8107-63	.	DOOR ASSY-MLG STRUT POSITION DATA: LH SIDE COMPONENT MAINT MANUAL REF: 32-12-54 FUNCTIONAL REFERENCE: PLACARDS AND MARKINGS FOR DETAILS SEE 11-21-12-01 LANDING GEAR FOR DETAILS SEE 32-12-04-03	103106	1

MISSING ITEM NUMBERS NOT APPLICABLE

- ITEM NOT ILLUSTRATED

32-12-04-02A

32-12-04  
FIG. 02A  
PAGE 15  
JAN 20/09

BRI



757

PARTS CATALOG (MAINTENANCE)

FIG ITEM	PART NUMBER	1 2 3 4 5 6 7	NOMENCLATURE	EFFECT FROM TO	UNITS PER ASSY
2A - 535	113N8107-54		.DOOR ASSY-MLG STRUT POSITION DATA: RH SIDE QUALIFIED I/W DATA: INTERCHANGEABLE SUBJECT TO CUSTOMER COLOR PREFERENCE FUNCTIONAL REFERENCE: PLACARDS AND MARKINGS FOR DETAILS SEE 11-21-12-01 LANDING GEAR FOR DETAILS SEE 32-12-04-03	103106	1
- 535	113N8107-64		.DOOR ASSY-MLG STRUT POSITION DATA: RH SIDE COMPONENT MAINT MANUAL REF: 32-12-54 FUNCTIONAL REFERENCE: PLACARDS AND MARKINGS FOR DETAILS SEE 11-21-12-01 LANDING GEAR FOR DETAILS SEE 32-12-04-03	103106	1

MISSING ITEM NUMBERS NOT APPLICABLE

- ITEM NOT ILLUSTRATED

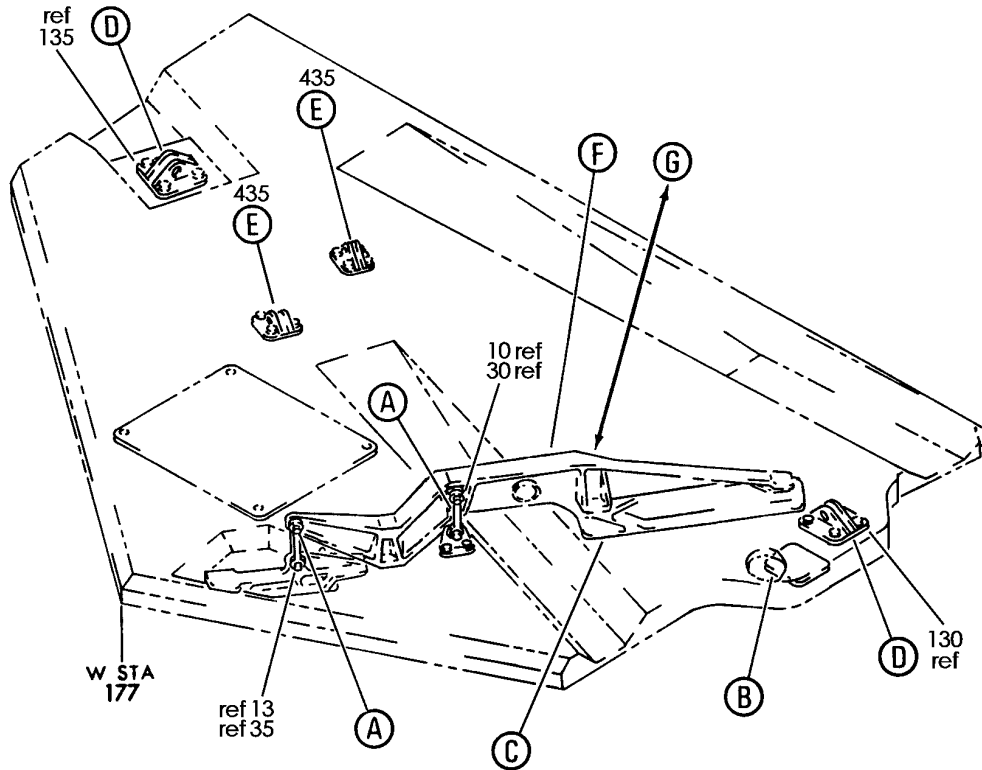
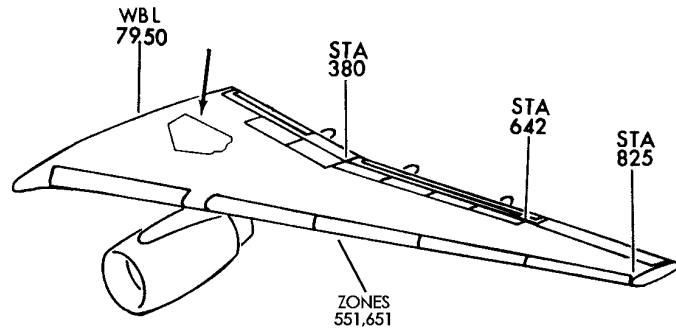
BRI

# 32-12-04-02A

BOEING PROPRIETARY - Copyright © - Unpublished Work - See title page for details.

32-12-04  
FIG. 02A  
PAGE 16  
JAN 20/09

**BOEING**  
757  
PARTS CATALOG (MAINTENANCE)



Y 32120403 SHT 1 REV 219

DOOR ASSY-MLG STRUT (LANDING GEAR ONLY)  
FIGURE 3 (SHEET 1)

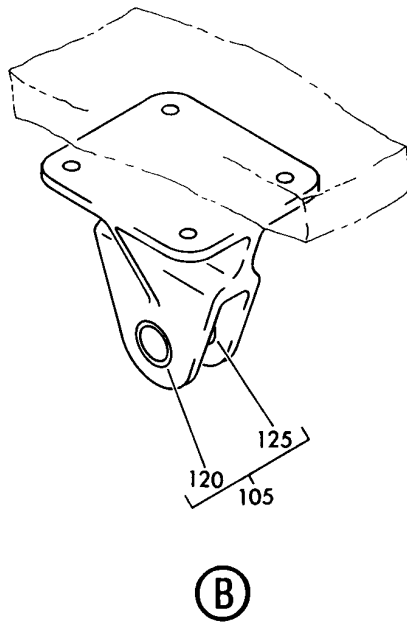
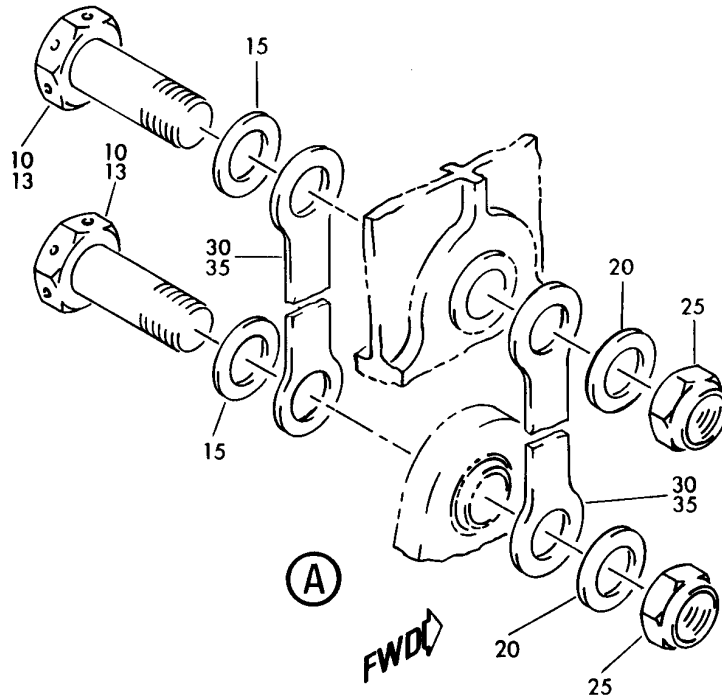
**32-12-04-03**

BRI  
MAY 28/07

32-12-04-03  
PAGE 0



**BOEING**  
757  
PARTS CATALOG (MAINTENANCE)



Y 32120403 SHT 2 REV 194

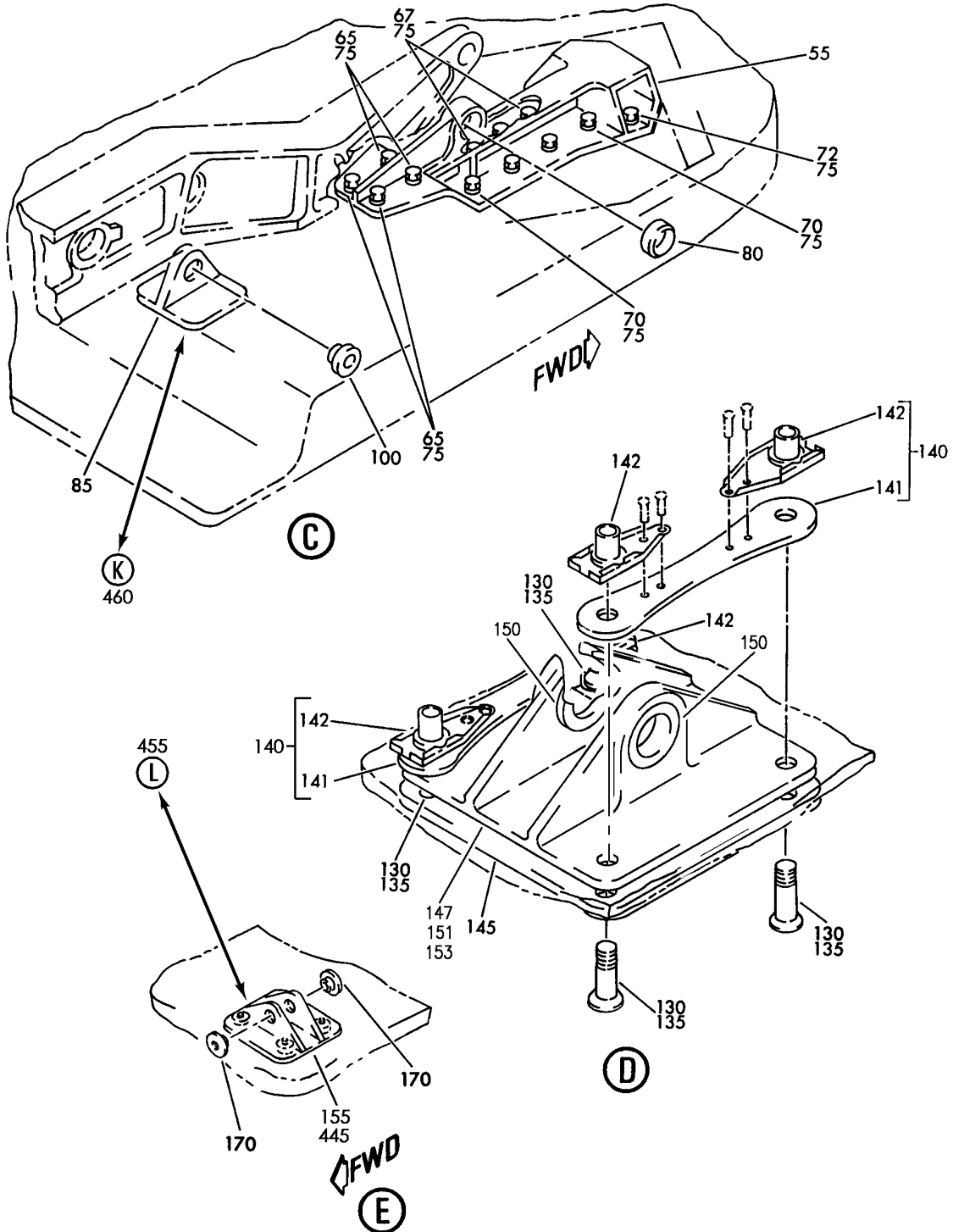
DOOR ASSY-MLG STRUT (LANDING GEAR ONLY)  
FIGURE 3 (SHEET 2)

**32-12-04-03**

BRI  
MAY 28/07

32-12-04-03  
PAGE 0A

**BOEING**  
757  
PARTS CATALOG (MAINTENANCE)



Y 32120403 SH1 3 REV 247

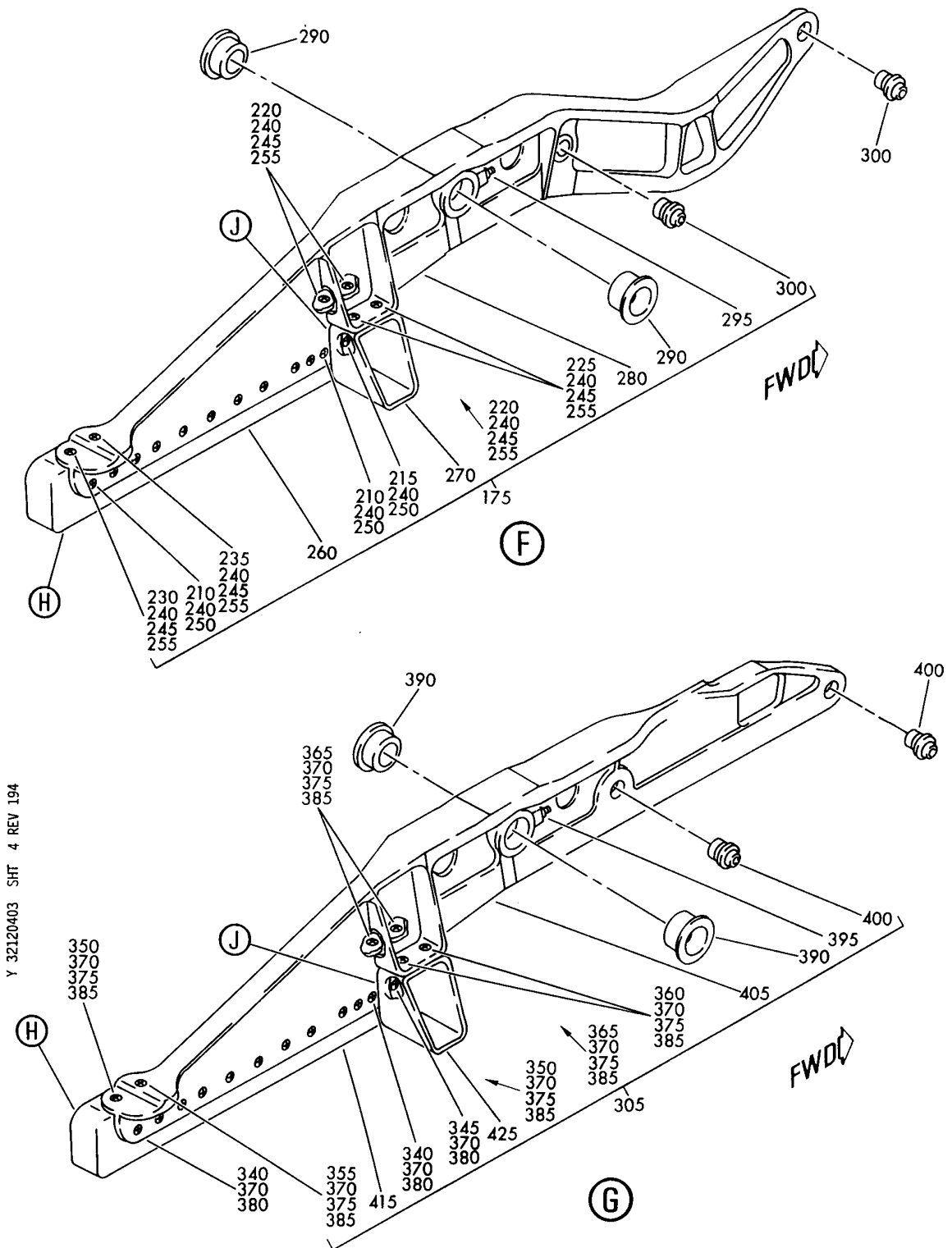
DOOR ASSY-MLG STRUT (LANDING GEAR ONLY)  
FIGURE 3 (SHEET 3)

**32-12-04-03**

BRI  
MAY 28/07

32-12-04-03  
PAGE 0B

**BOEING**  
757  
PARTS CATALOG (MAINTENANCE)



Y 32120403 SHT 4 REV 194

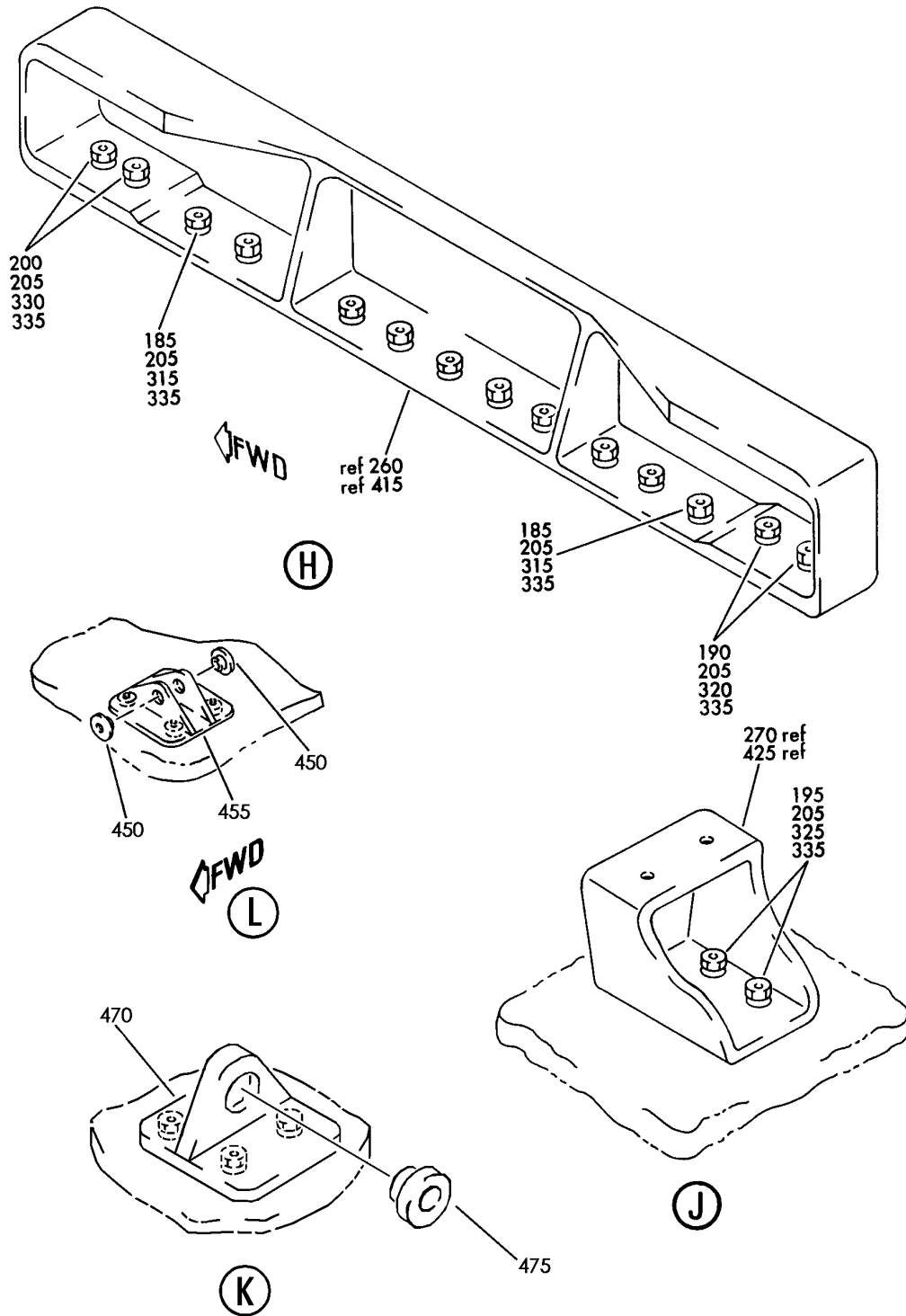
DOOR ASSY-MLG STRUT (LANDING GEAR ONLY)  
FIGURE 3 (SHEET 4)

**32-12-04-03**

BRI  
MAY 28/07

32-12-04-03  
PAGE 0C

**BOEING**  
757  
PARTS CATALOG (MAINTENANCE)



Y 32120403 SHT 5 REV 219

DOOR ASSY-MLG STRUT (LANDING GEAR ONLY)  
FIGURE 3 (SHEET 5)

**32-12-04-03**

BRI  
MAY 28/07

32-12-04-03  
PAGE 0D



757

PARTS CATALOG (MAINTENANCE)

FIG ITEM	PART NUMBER	1 2 3 4 5 6 7	NOMENCLATURE	EFFECT FROM TO	UNITS PER ASSY
3			DOOR ASSY-MLG STRUT (LANDING GEAR ONLY)	002004 006106 108999	
- 1	113N8107-51SP		DOOR ASSY-MLG STRUT (LANDING GEAR ONLY) POSITION DATA: LH SIDE COMPONENT MAINT MANUAL REF: 32-12-54 QUALIFIED I/W DATA: INTERCHANGEABLE SUBJECT TO CUSTOMER COLOR PREFERENCE FOR NHA/OTHER SYS DET SEE: 32-12-04-02	002004 006102 121999	RF
- 1	113N8107-53		DOOR ASSY-MLG STRUT (LANDING GEAR ONLY) POSITION DATA: LH SIDE COMPONENT MAINT MANUAL REF: 32-12-54 QUALIFIED I/W DATA: INTERCHANGEABLE SUBJECT TO CUSTOMER COLOR PREFERENCE FOR NHA/OTHER SYS DET SEE: 32-12-04-02 32-12-04-02A	103106 108120	RF

MISSING ITEM NUMBERS NOT APPLICABLE

- ITEM NOT ILLUSTRATED

**32-12-04-03**

32-12-04  
FIG. 03  
PAGE 1  
JAN 20/09

BRI



757

PARTS CATALOG (MAINTENANCE)

FIG ITEM	PART NUMBER	1 2 3 4 5 6 7	NOMENCLATURE	EFFECT FROM TO	UNITS PER ASSY
3 - 1	113N8107-43SP		DOOR ASSY-MLG STRUT (LANDING GEAR ONLY) POSITION DATA: LH SIDE COMPONENT MAINT MANUAL REF: 32-12-54 QUALIFIED I/W DATA: (-35); 113N8107-43SP I/W SUBJECT TO CUSTOMER PREFERENCE. (-31); SUBJECT TO CUSTOMER COLOR PREFERENCE. -43SP I/W -33 SUBJECT TO CUSTOMER PREFERENCE -43SP I/W -47 SUBJECT TO CUSTOMER PREFERENCE (-43SP) SUBJECT TO CUSTOMER COLOR PREFERENCE. FOR NHA/OTHER SYS DET SEE: 32-12-04-02	002004 006102 121999	RF
- 1	113N8107-63		DOOR ASSY-MLG STRUT (LANDING GEAR ONLY) POSITION DATA: LH SIDE COMPONENT MAINT MANUAL REF: 32-12-54 FOR NHA/OTHER SYS DET SEE: 32-12-04-02 32-12-04-02A	103106 108120	RF
- 5	113N8107-44SP		DOOR ASSY-MLG STRUT (LANDING GEAR ONLY) POSITION DATA: RH SIDE COMPONENT MAINT MANUAL REF: 32-12-54 QUALIFIED I/W DATA: (-36); 113N8107-44SP I/W -36 SUBJECT TO CUSTOMER PREFERENCE. (-32); SUBJECT TO CUSTOMER COLOR PREFERENCE. -44SP I/W -48 SUBJECT TO CUSTOMER PREFERENCE. FOR NHA/OTHER SYS DET SEE: 32-12-04-02	002004 006102 121999	RF

MISSING ITEM NUMBERS NOT APPLICABLE

- ITEM NOT ILLUSTRATED

32-12-04-03

32-12-04  
FIG. 03  
PAGE 2  
JAN 20/09

BRI



757

PARTS CATALOG (MAINTENANCE)

FIG ITEM	PART NUMBER	1 2 3 4 5 6 7	NOMENCLATURE	EFFECT FROM TO	UNITS PER ASSY
3					
- 5	113N8107-52SP		DOOR ASSY-MLG STRUT (LANDING GEAR ONLY) POSITION DATA: RH SIDE COMPONENT MAINT MANUAL REF: 32-12-54 QUALIFIED I/W DATA: INTERCHANGEABLE SUBJECT TO CUSTOMER COLOR PREFERENCE FOR NHA/OTHER SYS DET SEE: 32-12-04-02	002004 006102 121999	RF
- 5	113N8107-54		DOOR ASSY-MLG STRUT (LANDING GEAR ONLY) POSITION DATA: RH SIDE QUALIFIED I/W DATA: INTERCHANGEABLE SUBJECT TO CUSTOMER COLOR PREFERENCE FOR NHA/OTHER SYS DET SEE: 32-12-04-02	103106 108120	RF
- 5	113N8107-64		DOOR ASSY-MLG STRUT (LANDING GEAR ONLY) POSITION DATA: RH SIDE COMPONENT MAINT MANUAL REF: 32-12-54 FOR NHA/OTHER SYS DET SEE: 32-12-04-02 32-12-04-02A	103106 108120	RF
10	BACB30NR8K15		.BOLT	002004 006106 108999	2
13	BACB30NR8K17		.BOLT	002004 006106 108999	2
15	BACW10BP8ACU		.WASHER- POSITION DATA: UNDER HEAD	002004 006106 108999	4
20	BACW10BP8APU		.WASHER- POSITION DATA: UNDER NUT	002004 006106 108999	4

MISSING ITEM NUMBERS NOT APPLICABLE

- ITEM NOT ILLUSTRATED

32-12-04-03

32-12-04  
FIG. 03  
PAGE 3  
JAN 20/09

BRI



757

PARTS CATALOG (MAINTENANCE)

FIG ITEM	PART NUMBER	1 2 3 4 5 6 7	NOMENCLATURE	EFFECT FROM TO	UNITS PER ASSY
3					
25	69235-820CD	.	NUT SUPPLIER CODE: V92215 SPECIFICATION NUMBER: BACN10JC8CD OPTIONAL PART: 102LH9074-8 V72962 BMN4122CPD8-8 V97928 H51650-8BAC V15653	002004 006106 108999	4
30	113N8109-4	.	LINK	002004 006106 108999	2
35	113N8109-5	.	LINK	002004 006106 108999	2
55	113N8156-1	.	FITTING ASSY- POSITION DATA: LH SIDE	002004 006106 108999	1
- 60	113N8156-2	.	FITTING ASSY- POSITION DATA: RH SIDE	002004 006106 108999	1
65	HL8608K39	.	BOLT ATTACHING PARTS SUPPLIER CODE: V56878 SPECIFICATION NUMBER: BACB30VG8K39 OPTIONAL PART: HL8608K39 V73197 HL8608K39 VOPTK6	002004 006106 108999	4
67	HL8608K20	.	BOLT SUPPLIER CODE: V56878 SPECIFICATION NUMBER: BACB30VG8K20 OPTIONAL PART: HL8608K20 V73197 HL8608K20 VOPTK6	002004 006106 108999	3

MISSING ITEM NUMBERS NOT APPLICABLE

- ITEM NOT ILLUSTRATED

32-12-04-03

32-12-04  
FIG. 03  
PAGE 4  
JAN 20/09

BRI





757

PARTS CATALOG (MAINTENANCE)

FIG ITEM	PART NUMBER	1 2 3 4 5 6 7	NOMENCLATURE	EFFECT FROM TO	UNITS PER ASSY
3	70 HL8608K21		.BOLT SUPPLIER CODE: V56878 SPECIFICATION NUMBER: BACB30VG8K21 OPTIONAL PART: HL8608K21 V73197 HL8608K21 VOPTK6	002004 006106 108999	4
	72 BACB30VG8K25		.BOLT	002004 006106 108999	1
-	75 HL97KG8		.COLLAR- SUPPLIER CODE: V5M902 SPECIFICATION NUMBER: BACC30AB8C OPTIONAL PART: HL97PB8 V5M902 HL97PB8 V56878 HL97KG8 V73197 HL97KG8 V56878 HL97PB8 V73197 BACN10YR8CD	002004 006106 108999	12
-	75 H52732-8CD		.NUT- SUPPLIER CODE: V16563 SPECIFICATION NUMBER: BACN10YR8CD OPTIONAL PART: H52732-8CD V15653 BACC30AB8C -----*-----	103106 108120	12

MISSING ITEM NUMBERS NOT APPLICABLE

- ITEM NOT ILLUSTRATED

32-12-04-03

32-12-04  
FIG. 03  
PAGE 5  
JAN 20/09

BRI

BOEING PROPRIETARY - Copyright © - Unpublished Work - See title page for details.



757

PARTS CATALOG (MAINTENANCE)

FIG ITEM	PART NUMBER	1 2 3 4 5 6 7	NOMENCLATURE	EFFECT FROM TO	UNITS PER ASSY
3 80	WES078B10GC	. .	BEARING SUPPLIER CODE: V73134 SPECIFICATION NUMBER: BACB10FE08C OPTIONAL PART: WRRS08B10GC V73134 WHT08VSBC VS0352 KWDB8-39 V97613 KR8CWGBZC V50632 ADW8VNC V15860	002004 006106 108999	1
85	113N8154-1	. .	FITTING ASSY- QUALIFIED I/W DATA: 113N8135-1 T/W 4EA BACB30VG8K38 BOLT AND 4EA BACC30AB8S COLLAR I/W 113N8154-1 T/W 4EA BACB30VG8K42 BOLT AND 4EA BACC30AB8C OPTIONAL PART: 113N8135-1 USED ON: 113N8107-43SP 113N8107-44SP 113N8107-51SP 113N8107-52SP 113N8107-63 113N8107-64	002004 006106 108999	1
85	113N8135-1	. .	FITTING ASSY- QUALIFIED I/W DATA: 113N8135-1 T/W 4EA BACB30VG8K38 BOLT AND 4EA BACC30AB8S COLLAR I/W 113N8154-1 T/W 4EA BACB30VG8K42 BOLT AND 4EA BACC30AB8C OPTIONAL PART: 113N8154-1 USED ON: 113N8107-43SP 113N8107-44SP 113N8107-51SP 113N8107-52SP	002004 006102 121999	1

MISSING ITEM NUMBERS NOT APPLICABLE

- ITEM NOT ILLUSTRATED

32-12-04-03

32-12-04  
FIG. 03  
PAGE 6  
JAN 20/09

BRI



757

PARTS CATALOG (MAINTENANCE)

FIG ITEM	PART NUMBER	1 2 3 4 5 6 7	NOMENCLATURE	EFFECT FROM TO	UNITS PER ASSY
3			ATTACHING PARTS		
- 90	BACB30VG8K41		.BOLT	002004 006106 108999	4
- 95	HL97KG8		.COLLAR- SUPPLIER CODE: V5M902 SPECIFICATION NUMBER: BACC30AB8C OPTIONAL PART: HL97PB8 V5M902 HL97PB8 V56878 HL97KG8 V73197 HL97KG8 V56878 HL97PB8 V73197 USED WITH: 113N8154-1 BACB30VG8K36	002004 006106 108999	4
- 95	HL97DU8		.COLLAR- SUPPLIER CODE: V73197 SPECIFICATION NUMBER: BACC30AB8S OPTIONAL PART: HL97DU8 V56878 HL97DU8 V5M902 USED WITH: 113N8135-1 BACB30VG8K41 -----*-----	002004 006102 121999	4

MISSING ITEM NUMBERS NOT APPLICABLE

- ITEM NOT ILLUSTRATED

32-12-04-03

32-12-04  
FIG. 03  
PAGE 7  
JAN 20/09

BRI



757

PARTS CATALOG (MAINTENANCE)

FIG ITEM	PART NUMBER	1 2 3 4 5 6 7	NOMENCLATURE	EFFECT FROM TO	UNITS PER ASSY
3 100	WES078B10GC		.. BEARING- SUPPLIER CODE: V73134 SPECIFICATION NUMBER: BACB10FE08C OPTIONAL PART: WRRS08B10GC V73134 WHT08VSBC VS0352 KWDB8-39 V97613 KR8CWGBZC V50632 ADW8VNC V15860 USED ON: 113N8154-1	002004 006106 108999	1
100	ABW8V5		.. BEARING- SUPPLIER CODE: VS0352 SPECIFICATION NUMBER: BACB10AB8 OPTIONAL PART: AW8VCRG V15860 BSSR8557 V81376 KWB8-20CRG V97613 WG8E V73134 55286 V09455 HU8-134 V02758 BWG8-110 V16746 WC8G1 V56644 ABW8V5 V50294 USED ON: 113N8135-1	002004 006102 121999	1
105	113N8136-1		. FITTING-	002004 006106 108999	1

MISSING ITEM NUMBERS NOT APPLICABLE

- ITEM NOT ILLUSTRATED

32-12-04-03

32-12-04  
FIG. 03  
PAGE 8  
JAN 20/09

BRI

BOEING PROPRIETARY - Copyright © - Unpublished Work - See title page for details.



757

PARTS CATALOG (MAINTENANCE)

FIG ITEM	PART NUMBER	1 2 3 4 5 6 7	NOMENCLATURE	EFFECT FROM TO	UNITS PER ASSY
3 105	113N8105-1	.	FITTING-	002004 006106 108999	1
- 110	HL1012AZ8-40	.	ATTACHING PARTS BOLT SUPPLIER CODE: V56878 SPECIFICATION NUMBER: BACB30NX8K40 OPTIONAL PART: HL12VAZ8-40 V73197 HL12VAZ8-40 V92215 HL12VAZ8-40 V97928 L802-8K40 V06725 HL12VAZ8-40 V56878 HL1012AZ8-40 V0PTK6 HL1012AZ8-40 V06725 HL1012AZ8-40 V06950 HL1012AZ8-40 V17446 HL1012AZ8-40 V60516 HL1012AZ8-40 V73197 HL1012AZ8-40 V79728	002004 006106 108999	4

MISSING ITEM NUMBERS NOT APPLICABLE

- ITEM NOT ILLUSTRATED

BRI

32-12-04-03

BOEING PROPRIETARY - Copyright © - Unpublished Work - See title page for details.

32-12-04  
FIG. 03  
PAGE 9  
JAN 20/09



757

PARTS CATALOG (MAINTENANCE)

FIG ITEM	PART NUMBER	1 2 3 4 5 6 7	NOMENCLATURE	EFFECT FROM TO	UNITS PER ASSY
3 - 115	HL1187DU8	.	COLLAR SUPPLIER CODE: V5M902 SPECIFICATION NUMBER: BACC30X8S OPTIONAL PART: HL87DU8 V92215 HL87DU8 V73197 HL1187DU8 V56878 HL1187DU8 V92215 HL87DU8 V56878 HL1187DU8 V73197 -----*	002004 006106 108999	4
120	BACB28AM11B017A	..	BUSHING	002004 006106 108999	1
125	BACB28AP08-017	..	BUSHING	002004 006106 108999	1
130	BACB30NN4K13	.	BOLT	002004 006106 108999	4
135	BACB30NN4K41	.	BOLT	002004 006106 108999	4
140	113N8106-2	.	WASHER ASSY	002004 006106 108999	4
141	113N8106-3	..	WASHER	002004 006106 108999	1

MISSING ITEM NUMBERS NOT APPLICABLE

- ITEM NOT ILLUSTRATED

32-12-04-03

32-12-04  
FIG. 03  
PAGE 10  
JAN 20/09

BRI



757

PARTS CATALOG (MAINTENANCE)

FIG ITEM	PART NUMBER	1 2 3 4 5 6 7	NOMENCLATURE	EFFECT FROM TO	UNITS PER ASSY
3					
142	102F177-4		..NUTPLATE SUPPLIER CODE: V72962 SPECIFICATION NUMBER: BACN10JA4CD OPTIONAL PART: BRF110C4D V52828 BRF170C4D V52828 NS202484-048 V80539 F51636-4 V15653 ATTACHING PARTS	002004 006106 108999	2
- 143	BACR15BA3AD		..RIVET- SIZE DETERMINED ON INSTL.  -----*-----	002004 006106 108999	4
145	113N8112-1		.PLATE	002004 006106 108999	2
147	113N8141-1		.FITTING ASSY- OPTIONAL PART: 113N8108-1	002004 006106 108999	2
147	113N8108-1		.FITTING ASSY- OPTIONAL PART: 113N8141-1	103106 108120	2
150	113N1007-11		..BUSHING	002004 006106 108999	2
151	113N8141-3		..FITTING- USED ON: 113N8141-1	002004 006106 108999	1
153	113N8108-3		..FITTING- USED ON: 113N8108-1	103106 108120	1

MISSING ITEM NUMBERS NOT APPLICABLE

- ITEM NOT ILLUSTRATED

32-12-04-03

32-12-04  
FIG. 03  
PAGE 11  
JAN 20/09

BRI



757

PARTS CATALOG (MAINTENANCE)

FIG ITEM	PART NUMBER	1 2 3 4 5 6 7	NOMENCLATURE	EFFECT FROM TO	UNITS PER ASSY
3 155	113N8155-1		.FITTING ASSY-CTR ATTACH QUALIFIED I/W DATA: (-1); 113N8133-1 T/W 4EA BACC30AB8S COLLAR I/W 113N8155-1 T/W 4EA BACC30AB8C COLLAR. OPTIONAL PART: 113N8155-5 113N8133-1 USED ON: 113N8107-43SP 113N8107-44SP 113N8107-51SP 113N8107-52SP	002004 006102 121999	2
155	113N8155-5		.FITTING ASSY-CTR ATTACH OPTIONAL PART: 113N8155-1 113N8133-1 USED ON: 113N8107-43SP 113N8107-44SP 113N8107-51SP 113N8107-52SP 113N8107-63 113N8107-64	002004 006106 108999	2
155	113N8133-1		.FITTING ASSY- QUALIFIED I/W DATA: (-1); 113N8133-1 T/W 4EA BACC30AB8S COLLAR I/W 113N8155-1 T/W 4EA BACC30AB8C COLLAR. OPTIONAL PART: 113N8155-1 113N8155-5 USED ON: 113N8107-43SP 113N8107-44SP 113N8107-51SP 113N8107-52SP	002004 006102 121999	2

MISSING ITEM NUMBERS NOT APPLICABLE

- ITEM NOT ILLUSTRATED

32-12-04-03

32-12-04  
FIG. 03  
PAGE 12  
JAN 20/09

BRI





757

PARTS CATALOG (MAINTENANCE)

FIG ITEM	PART NUMBER	1 2 3 4 5 6 7	NOMENCLATURE	EFFECT FROM TO	UNITS PER ASSY
3			ATTACHING PARTS		
- 160	HL8608K36		.BOLT SUPPLIER CODE: V56878 SPECIFICATION NUMBER: BACB30VG8K36 OPTIONAL PART: HL8608K36 V73197 HL8608K36 V0PTK6 HL8608K36 V92215 L8608K36 V06725 HL8608K36 V97928	002004 006106 108999	8
- 165	HL97KG8		.COLLAR- SUPPLIER CODE: V5M902 SPECIFICATION NUMBER: BACC30AB8C OPTIONAL PART: HL97PB8 V5M902 HL97PB8 V56878 HL97KG8 V73197 HL97KG8 V56878 HL97PB8 V73197 USED WITH: 113N8155-1 113N8155-5 BACB30VG8K36	002004 006106 108999	8

MISSING ITEM NUMBERS NOT APPLICABLE

- ITEM NOT ILLUSTRATED

32-12-04-03

32-12-04  
FIG. 03  
PAGE 13  
JAN 20/09

BRI



757

PARTS CATALOG (MAINTENANCE)

FIG ITEM	PART NUMBER	1 2 3 4 5 6 7	NOMENCLATURE	EFFECT FROM TO	UNITS PER ASSY
3 - 165	HL97DU8		.COLLAR- SUPPLIER CODE: V73197 SPECIFICATION NUMBER: BACC30AB8S OPTIONAL PART: HL97DU8 V56878 HL97DU8 V5M902 USED WITH: 113N8133-1 BACB30VG8K36 -----*-----	002004 006102 121999	8
170	113N1007-14		..BUSHING	002004 006106 108999	2
170	113N1007-13		..BUSHING	002004 006102 121999	2
175	113N8003-1		.BEAM ASSY- POSITION DATA: LH SIDE	002004 006106 108999	1
175	113N8145-5		.BEAM ASSY- POSITION DATA: LH SIDE	002004 006106 108999	1
- 180	113N8003-2		.BEAM ASSY- POSITION DATA: RH SIDE	002004 006106 108999	1
185	HL8608K37		.BOLT SUPPLIER CODE: V56878 SPECIFICATION NUMBER: BACB30VG8K37 OPTIONAL PART: HL8608K37 V73197 HL8608K37 VOPTK6 HL8608K37 V92215 L8608K37 V06725 HL8608K37 V97928	002004 006106 108999	10

MISSING ITEM NUMBERS NOT APPLICABLE

- ITEM NOT ILLUSTRATED

32-12-04-03

32-12-04  
FIG. 03  
PAGE 14  
JAN 20/09

BRI



757

PARTS CATALOG (MAINTENANCE)

FIG ITEM	PART NUMBER	1 2 3 4 5 6 7	NOMENCLATURE	EFFECT FROM TO	UNITS PER ASSY
3	190 HL8608K38		.BOLT SUPPLIER CODE: V56878 SPECIFICATION NUMBER: BACB30VG8K38 OPTIONAL PART: HL8608K38 V73197 HL8608K38 VOPTK6 HL8608K38 V92215 L8608K38 V06725 HL8608K38 V97928	002004 006106 108999	2
	195 HL8608K39		.BOLT SUPPLIER CODE: V56878 SPECIFICATION NUMBER: BACB30VG8K39 OPTIONAL PART: HL8608K39 V73197 HL8608K39 VOPTK6 HL8608K39 V92215 L8608K39 V06725 HL8608K39 V97928	002004 006106 108999	2
	200 HL8608K40		.BOLT SUPPLIER CODE: V56878 SPECIFICATION NUMBER: BACB30VG8K40 OPTIONAL PART: HL8608K40 V73197 HL8608K40 VOPTK6 HL8608K40 V92215 L8608K40 V06725 HL8608K40 V97928	002004 006106 108999	2

MISSING ITEM NUMBERS NOT APPLICABLE

- ITEM NOT ILLUSTRATED

32-12-04-03

32-12-04  
FIG. 03  
PAGE 15  
JAN 20/09

BRI



757

PARTS CATALOG (MAINTENANCE)

FIG ITEM	PART NUMBER	1 2 3 4 5 6 7	NOMENCLATURE	EFFECT FROM TO	UNITS PER ASSY
3 205	HL97KG8		.COLLAR- SUPPLIER CODE: V5M902 SPECIFICATION NUMBER: BACC30AB8C OPTIONAL PART: HL97PB8 V5M902 HL97PB8 V56878 HL97KG8 V73197 HL97KG8 V56878 HL97PB8 V73197 BACN10YR8CD	002004 006106 108999	16
205	H52732-8CD		.NUT- SUPPLIER CODE: V16563 SPECIFICATION NUMBER: BACN10YR8CD OPTIONAL PART: H52732-8CD V15653 BACC30AB8C -----*-----	103106 108120	16
210	BACB30NR4K5		..BOLT	002004 006106 108999	11
215	BACB30NR4K7		..BOLT	002004 006106 108999	1
220	BACB30MR4K10		..BOLT	002004 006106 108999	2
225	BACB30MR4K7		..BOLT	002004 006106 108999	2
230	BACB30MR4K9		..BOLT	002004 006106 108999	1
235	BACB30MR4K12		..BOLT	002004 006106 108999	1
240	BACW10BP4DP		..WASHER	002004 006106 108999	18

MISSING ITEM NUMBERS NOT APPLICABLE

- ITEM NOT ILLUSTRATED

32-12-04-03

32-12-04  
FIG. 03  
PAGE 16  
JAN 20/09

BRI



757

PARTS CATALOG (MAINTENANCE)

FIG ITEM	PART NUMBER	1 2 3 4 5 6 7	NOMENCLATURE	EFFECT FROM TO	UNITS PER ASSY
3					
245	BACW10BP4CD	..	WASHER- POSITION DATA: UNDER HEAD	002004 006106 108999	6
250	PLH54CD	..	NUT SUPPLIER CODE: VFO224 SPECIFICATION NUMBER: BACN10YR4CD OPTIONAL PART: H52732-4CD V15653	002004 006106 108999	12
255	NAS1805-4L	..	NUT	002004 006106 108999	6
260	113N8152-5	..	FITTING- POSITION DATA: LH SIDE	002004 006106 108999	1
- 265	113N8152-6	..	FITTING- POSITION DATA: RH SIDE	002004 006106 108999	1
270	113N8153-5	..	FITTING- POSITION DATA: LH SIDE	002004 006106 108999	1
- 275	113N8153-6	..	FITTING- POSITION DATA: RH SIDE	002004 006106 108999	1
280	113N8002-1	..	BEAM- POSITION DATA: LH SIDE	002004 006106 108999	1
- 285	113N8002-2	..	BEAM- POSITION DATA: RH SIDE	002004 006106 108999	1
290	113N1005-19	...	BUSHING	002004 006106 108999	2
295	MS15004-1	...	FITTING	002004 006106 108999	1

MISSING ITEM NUMBERS NOT APPLICABLE

- ITEM NOT ILLUSTRATED

32-12-04-03

32-12-04  
FIG. 03  
PAGE 17  
JAN 20/09

BRI

BOEING PROPRIETARY - Copyright © - Unpublished Work - See title page for details.



757

PARTS CATALOG (MAINTENANCE)

FIG ITEM	PART NUMBER	1 2 3 4 5 6 7	NOMENCLATURE	EFFECT FROM TO	UNITS PER ASSY
3					
300	WES078B10GC	. . .	BEARING SUPPLIER CODE: V73134 SPECIFICATION NUMBER: BACB10FE08C OPTIONAL PART: WRRS08B10GC V73134 WHT08VSBC VS0352 KWDB8-39 V97613 KR8CWGBZC V50632 ADW8VNC V15860	002004 006106 108999	2
305	113N8145-1	. BEAM ASSY-	POSITION DATA: LH SIDE	904949	1
305	113N8145-5	. BEAM ASSY-	POSITION DATA: LH SIDE	002004 121503 952952	1
305	113N8003-1	. BEAM ASSY-	POSITION DATA: LH SIDE	002004 121503 952952	1
- 310	113N8145-2	. BEAM ASSY-	POSITION DATA: RH SIDE	904949	1
- 310	113N8145-6	. BEAM ASSY-	POSITION DATA: RH SIDE	002004 006106 108999	1
315	HL8608K37	. BOLT	ATTACHING PARTS SUPPLIER CODE: V56878 SPECIFICATION NUMBER: BACB30VG8K37 OPTIONAL PART: HL8608K37 V73197 HL8608K37 VOPTK6	002004 006106 108999	10

MISSING ITEM NUMBERS NOT APPLICABLE

- ITEM NOT ILLUSTRATED

32-12-04-03

32-12-04  
FIG. 03  
PAGE 18  
JAN 20/09

BRI



757

PARTS CATALOG (MAINTENANCE)

FIG ITEM	PART NUMBER	1 2 3 4 5 6 7	NOMENCLATURE	EFFECT FROM TO	UNITS PER ASSY
3	320	HL8608K38	.BOLT SUPPLIER CODE: V56878 SPECIFICATION NUMBER: BACB30VG8K38 OPTIONAL PART: HL8608K38 V73197 HL8608K38 VOPTK6	002004 006106 108999	2
	325	HL8608K39	.BOLT SUPPLIER CODE: V56878 SPECIFICATION NUMBER: BACB30VG8K39 OPTIONAL PART: HL8608K39 V73197 HL8608K39 VOPTK6	002004 006106 108999	2
	330	HL8608K40	.BOLT SUPPLIER CODE: V56878 SPECIFICATION NUMBER: BACB30VG8K40 OPTIONAL PART: HL8608K40 V73197 HL8608K40 VOPTK6	002004 006106 108999	2
	335	HL97KG8	.COLLAR SUPPLIER CODE: V5M902 SPECIFICATION NUMBER: BACC30AB8C OPTIONAL PART: HL97PB8 V5M902 HL97PB8 V56878 HL97KG8 V73197 HL97KG8 V56878 HL97PB8 V73197 -----*	002004 006106 108999	16

MISSING ITEM NUMBERS NOT APPLICABLE

- ITEM NOT ILLUSTRATED

32-12-04-03

32-12-04  
FIG. 03  
PAGE 19  
JAN 20/09

BRI



757

PARTS CATALOG (MAINTENANCE)

FIG ITEM	PART NUMBER	1 2 3 4 5 6 7	NOMENCLATURE	EFFECT FROM TO	UNITS PER ASSY
3					
340	BACB30NR4K5	..	BOLT	002004 006106 108999	11
345	BACB30NR4K7	..	BOLT	002004 006106 108999	1
350	BACB30MR4K10	..	BOLT	002004 006106 108999	2
355	BACB30MR4K7	..	BOLT	002004 006106 108999	2
360	BACB30MR4K9	..	BOLT	002004 006106 108999	2
365	BACB30MR4K12	..	BOLT	002004 006106 108999	2
370	BACW10BP4DP	..	WASHER	002004 006106 108999	18
375	BACW10BP4CD	..	WASHER- POSITION DATA: UNDER HEAD	002004 006106 108999	6
380	PLH54CD	..	NUT SUPPLIER CODE: VFO224 SPECIFICATION NUMBER: BACN10YR4CD OPTIONAL PART: H52732-4CD V15653	002004 006106 108999	12
385	NAS1805-4L	..	NUT	002004 006106 108999	6
390	113N1005-19	..	BUSHING	002004 006106 108999	2
395	MS15004-1	..	FITTING	002004 006106 108999	1

MISSING ITEM NUMBERS NOT APPLICABLE

- ITEM NOT ILLUSTRATED

32-12-04-03

32-12-04  
FIG. 03  
PAGE 20  
JAN 20/09

BRI

BOEING PROPRIETARY - Copyright © - Unpublished Work - See title page for details.





757

PARTS CATALOG (MAINTENANCE)

FIG ITEM	PART NUMBER	1 2 3 4 5 6 7	NOMENCLATURE	EFFECT FROM TO	UNITS PER ASSY
3					
400	WES078B10GC		.. BEARING SUPPLIER CODE: V73134 SPECIFICATION NUMBER: BACB10FE08C OPTIONAL PART: WRRS08B10GC V73134 WHT08VSBC VS0352 KWDB8-39 V97613 KR8CWGBZC V50632 ADW8VNC V15860	002004 006106 108999	2
405	113N8151-1		.. BEAM- POSITION DATA: LH SIDE	904949	1
405	113N8151-5		.. BEAM- POSITION DATA: LH SIDE	002004 121503 952952	1
- 410	113N8151-1		.. BEAM- POSITION DATA: RH SIDE	904949	1
- 410	113N8151-6		.. BEAM- POSITION DATA: RH SIDE	002004 006106 108999	1
415	113N8152-1		.. FITTING- POSITION DATA: LH SIDE	002004 121503 904949 952952	1
- 420	113N8152-2		.. FITTING- POSITION DATA: RH SIDE	002004 006106 108999	1
425	113N8153-1		.. FITTING- POSITION DATA: LH SIDE	002004 121503 904949 952952	1
- 430	113N8153-2		.. FITTING- POSITION DATA: RH SIDE	002004 006106 108999	1
- 435	113N8107-55		.KIT-SUBSTITUTE OPTIONAL PART: 113N8107-56 113N8107-57 USED ON: 113N8107-53 113N8107-54	103106 108120	1

MISSING ITEM NUMBERS NOT APPLICABLE

- ITEM NOT ILLUSTRATED

32-12-04-03

32-12-04  
FIG. 03  
PAGE 21  
JAN 20/09

BRI



757

PARTS CATALOG (MAINTENANCE)

FIG ITEM	PART NUMBER	1 2 3 4 5 6 7	NOMENCLATURE	EFFECT FROM TO	UNITS PER ASSY
3					
- 435	113N8107-56		.KIT-SUBSTITUTE OPTIONAL PART: 113N8107-55 113N8107-57 USED ON: 113N8107-53 113N8107-54	103106 108120	1
- 435	113N8107-57		.KIT-SUBSTITUTE OPTIONAL PART: 113N8107-55 113N8107-56 USED ON: 113N8107-53 113N8107-54	103106 108120	1
445	113N8155-1		..FITTING ASSY- QUALIFIED I/W DATA: (-1); 113N8133-1 T/W 4EA BACC30AB8S COLLAR I/W 113N8155-1 T/W 4EA BACC30AB8C COLLAR. USED ON: 113N8107-55	103106 108120	2
445	113N8155-5		..FITTING ASSY- USED ON: 113N8107-56	103106 108120	2
445	113N8133-1		..FITTING ASSY- QUALIFIED I/W DATA: (-1); 113N8133-1 T/W 4EA BACC30AB8S COLLAR I/W 113N8155-1 T/W 4EA BACC30AB8C COLLAR. USED ON: 113N8107-57	103106 108120	2

MISSING ITEM NUMBERS NOT APPLICABLE

- ITEM NOT ILLUSTRATED

32-12-04-03

32-12-04  
FIG. 03  
PAGE 22  
JAN 20/09

BRI

BOEING PROPRIETARY - Copyright © - Unpublished Work - See title page for details.



757

PARTS CATALOG (MAINTENANCE)

FIG ITEM	PART NUMBER	1 2 3 4 5 6 7	NOMENCLATURE	EFFECT FROM TO	UNITS PER ASSY
3			ATTACHING PARTS		
- 447	HL8608K37	..	BOLT SUPPLIER CODE: V56878 SPECIFICATION NUMBER: BACB30VG8K37 OPTIONAL PART: HL8608K37 V73197 HL8608K37 VOPTK6 HL8608K37 V92215 L8608K37 V06725 HL8608K37 V97928	103106 108120	4
- 449	HL97KG8	..	COLLAR SUPPLIER CODE: V5M902 SPECIFICATION NUMBER: BACC30AB8C OPTIONAL PART: HL97PB8 V5M902 HL97PB8 V56878 HL97KG8 V73197 HL97KG8 V56878 HL97PB8 V73197	103106 108120	4
450	113N1007-14	...	BUSHING- USED ON: 113N8155-1 113N8155-5 113N8133-1	103106 108120	2
455	113N8155-2	...	FITTING- USED ON: 113N8155-1 113N8133-1	103106 108120	1
455	113N8155-4	...	FITTING- USED ON: 113N8155-5	103106 108120	1
- 460	113N8107-58	.KIT-	SUBSTITUTE OPTIONAL PART: 113N8107-59	103106 108120	1

MISSING ITEM NUMBERS NOT APPLICABLE

- ITEM NOT ILLUSTRATED

32-12-04-03

32-12-04  
FIG. 03  
PAGE 23  
JAN 20/09

BRI



**757  
PARTS CATALOG (MAINTENANCE)**

FIG ITEM	PART NUMBER	1 2 3 4 5 6 7	NOMENCLATURE	EFFECT FROM TO	UNITS PER ASSY
3					
- 460	113N8107-59		.KIT-SUBSTITUTE OPTIONAL PART: 113N8107-58	103106 108120	1
470	113N8154-1		..FITTING ASSY- USED ON: 113N8107-58	103106 108120	1
470	113N8135-1		..FITTING ASSY- USED ON: 113N8107-59	103106 108120	1
- 472	BACB30VG8K41		ATTACHING PARTS ..BOLT	103106 108120	4
- 474	HL97KG8		..COLLAR SUPPLIER CODE: V5M902 SPECIFICATION NUMBER: BACC30AB8C OPTIONAL PART: HL97PB8 V5M902 HL97PB8 V56878 HL97KG8 V73197 HL97KG8 V56878 HL97PB8 V73197	103106 108120	4
475	WES078B10GC		-----*----- ...BEARING- SUPPLIER CODE: V73134 SPECIFICATION NUMBER: BACB10FE08C OPTIONAL PART: WRRS08B10GC V73134 WHT08VSBC VS0352 KWDB8-39 V97613 KR8CWGBZC V50632 ADW8VNC V15860 USED ON: 113N8154-1	103106 108120	1

MISSING ITEM NUMBERS NOT APPLICABLE

- ITEM NOT ILLUSTRATED

BRI

# 32-12-04-03

BOEING PROPRIETARY - Copyright © - Unpublished Work - See title page for details.

32-12-04  
FIG. 03  
PAGE 24  
JAN 20/09



757

PARTS CATALOG (MAINTENANCE)

FIG ITEM	PART NUMBER	1 2 3 4 5 6 7 NOMENCLATURE	EFFECT FROM TO	UNITS PER ASSY
3 475	ABW8V5	. . . BEARING- SUPPLIER CODE: VS0352 SPECIFICATION NUMBER: BACB10AB8 OPTIONAL PART: AW8VCRG V15860 BSSR8557 V81376 KWB8-20CRG V97613 WG8E V73134 55286 V09455 HU8-134 V02758 BWG8-110 V16746 WC8G1 V56644 ABW8V5 V50294 USED ON: 113N8135-1	103106 108120	1

MISSING ITEM NUMBERS NOT APPLICABLE

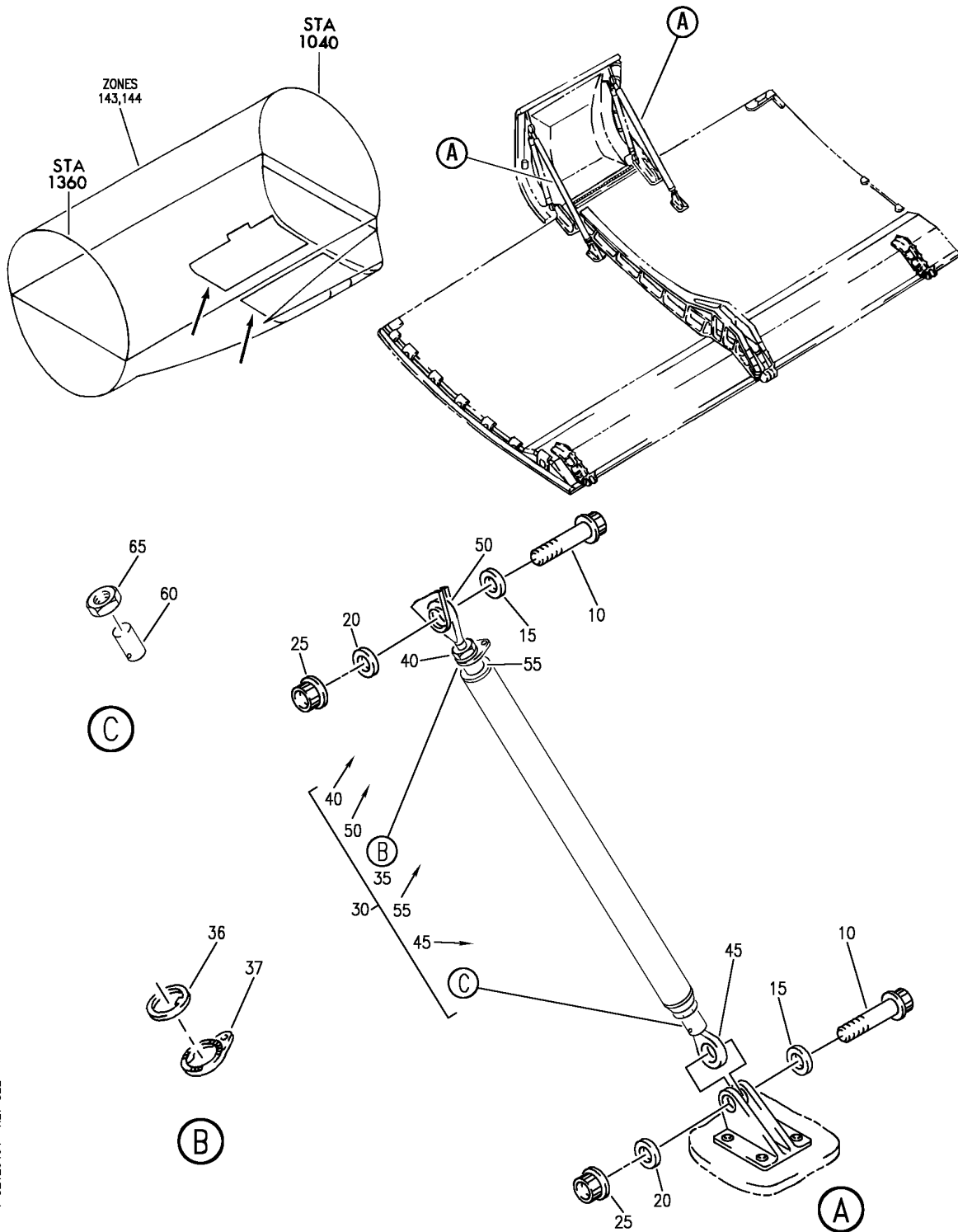
- ITEM NOT ILLUSTRATED

32-12-04-03

32-12-04  
FIG. 03  
PAGE 25  
JAN 20/09

BRI

**BOEING**  
757  
PARTS CATALOG (MAINTENANCE)



Y 32120404 REV 322

MLG (MAIN GEAR DOOR STRUT ONLY)  
FIGURE 4

**32-12-04-04**

BRI  
MAY 20/08

32-12-04-04  
PAGE 0



757

PARTS CATALOG (MAINTENANCE)

FIG ITEM	PART NUMBER	1 2 3 4 5 6 7	NOMENCLATURE	EFFECT FROM TO	UNITS PER ASSY
4			MLG (MAIN GEAR DOOR STRUT ONLY)	006106 108903 950951 953999	
- 1	149N6001-3		DOOR INSTL-MLG (MAIN GEAR DOOR STRUT ONLY) POSITION DATA: LH FOR NHA/OTHER SYS DET SEE: 53-00-00-04	006017 121503 950951 953999	RF
- 1	149N6001-7		DOOR INSTL-MLG (MAIN GEAR DOOR STRUT ONLY) POSITION DATA: LH FOR NHA/OTHER SYS DET SEE: 53-00-00-04	018100	RF
- 1	149N6001-403		DOOR INSTL-MLG (MAIN GEAR DOOR STRUT ONLY) POSITION DATA: LH FOR NHA/OTHER SYS DET SEE: 53-00-00-04	101102 108120 504903	RF
- 1	MODREF29845		DOOR INSTL-MLG (MAIN GEAR DOOR STRUT ONLY) MODULE NUMBER: 149N6001-405 REV B POSITION DATA: LH FOR NHA/OTHER SYS DET SEE: 53-42-01-01A	103106	1
- 5	149N6001-4		DOOR INSTL-MLG (MAIN GEAR DOOR STRUT ONLY) POSITION DATA: LH FOR NHA/OTHER SYS DET SEE: 53-00-00-04	006017 121503 950951 953999	RF
- 5	149N6001-8		DOOR INSTL-MLG (MAIN GEAR DOOR STRUT ONLY) POSITION DATA: LH FOR NHA/OTHER SYS DET SEE: 53-00-00-04	018100	RF

MISSING ITEM NUMBERS NOT APPLICABLE

- ITEM NOT ILLUSTRATED

32-12-04-04

32-12-04  
FIG. 04  
PAGE 1  
JAN 20/09

BRI



**757  
PARTS CATALOG (MAINTENANCE)**

FIG ITEM	PART NUMBER	1 2 3 4 5 6 7	NOMENCLATURE	EFFECT FROM TO	UNITS PER ASSY
4					
- 5	149N6001-404		DOOR INSTL-MLG (MAIN GEAR DOOR STRUT ONLY) POSITION DATA: LH FOR NHA/OTHER SYS DET SEE: 53-42-01-01A	101102 108120 504903	RF
- 5	MODREF29828		DOOR INSTL-MLG (MAIN GEAR DOOR STRUT ONLY) MODULE NUMBER: 149N6001-406 REV B POSITION DATA: RH	103106	1
10	BACB30LE5K16		.BOLT	006106 108903 950951 953999	4
15	BACW10BP5CD		.WASHER	006106 108903 950951 953999	4
20	BACW10BP5DP		.WASHER	006106 108903 950951 953999	4

MISSING ITEM NUMBERS NOT APPLICABLE

- ITEM NOT ILLUSTRATED

BRI

# 32-12-04-04

BOEING PROPRIETARY - Copyright © - Unpublished Work - See title page for details.

32-12-04  
FIG. 04  
PAGE 2  
JAN 20/09





757

PARTS CATALOG (MAINTENANCE)

FIG ITEM	PART NUMBER	1 2 3 4 5 6 7	NOMENCLATURE	EFFECT FROM TO	UNITS PER ASSY
4 25	BH00303CM5	.NUT	SUPPLIER CODE: V27238 SPECIFICATION NUMBER: BACN10HR5CD OPTIONAL PART: H51560-5 V15653 67832CD524 V56878 102LH9031-5 V72962 SL7108C524 V11815 BMN5024CWD35 V97928 SL7108C5 V11815 VCU0005D5 V06710 102LH90315 V72962 BMN10HRCWD3-5 V97928 67832CD5 V56878 CR6030-5 VF0224 67832CD5 V56878	006106 108903 950951 953999	4
30	ST158-1	.STRUT ASSY-TURNBUCKLE	SUPPLIER CODE: V84256 SPECIFICATION NUMBER: S149N600-1	006106 108903 950951 953999	2
35	NAS1193K5CP	..LOCKING DEVICE ASSY		006106 108903 950951 953999	1
36	NAS1193K5-1P	...WASHER		006106 108903 950951 953999	1
37	NAS1193K5-2P	...WASHER		006106 108903 950951 953999	1

MISSING ITEM NUMBERS NOT APPLICABLE

- ITEM NOT ILLUSTRATED

32-12-04-04

32-12-04  
FIG. 04  
PAGE 3  
JAN 20/09

BRI



**757  
PARTS CATALOG (MAINTENANCE)**

FIG ITEM	PART NUMBER	1 2 3 4 5 6 7	NOMENCLATURE	EFFECT FROM TO	UNITS PER ASSY
4	40		.. NUT	006106 108903 950951 953999	1
	45		.. END-BEARING	006106 108903 950951 953999	1
	50		.. END-BEARING	006106 108903 950951 953999	1

MISSING ITEM NUMBERS NOT APPLICABLE

— ITEM NOT ILLUSTRATED

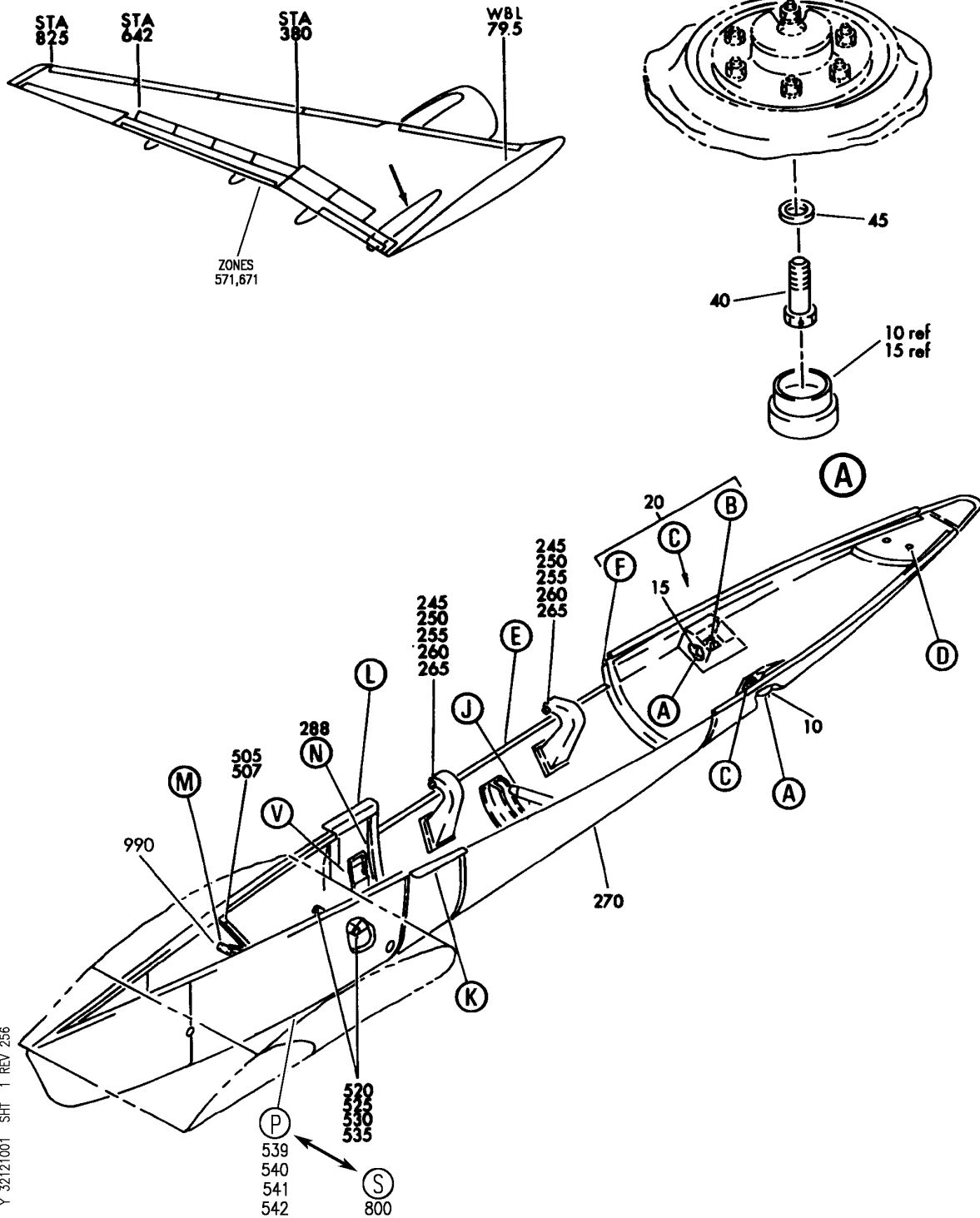
BRI

# 32-12-04-04

BOEING PROPRIETARY - Copyright © - Unpublished Work - See title page for details.

32-12-04  
FIG. 04  
PAGE 4  
JAN 20/09

**BOEING**  
757  
PARTS CATALOG (MAINTENANCE)



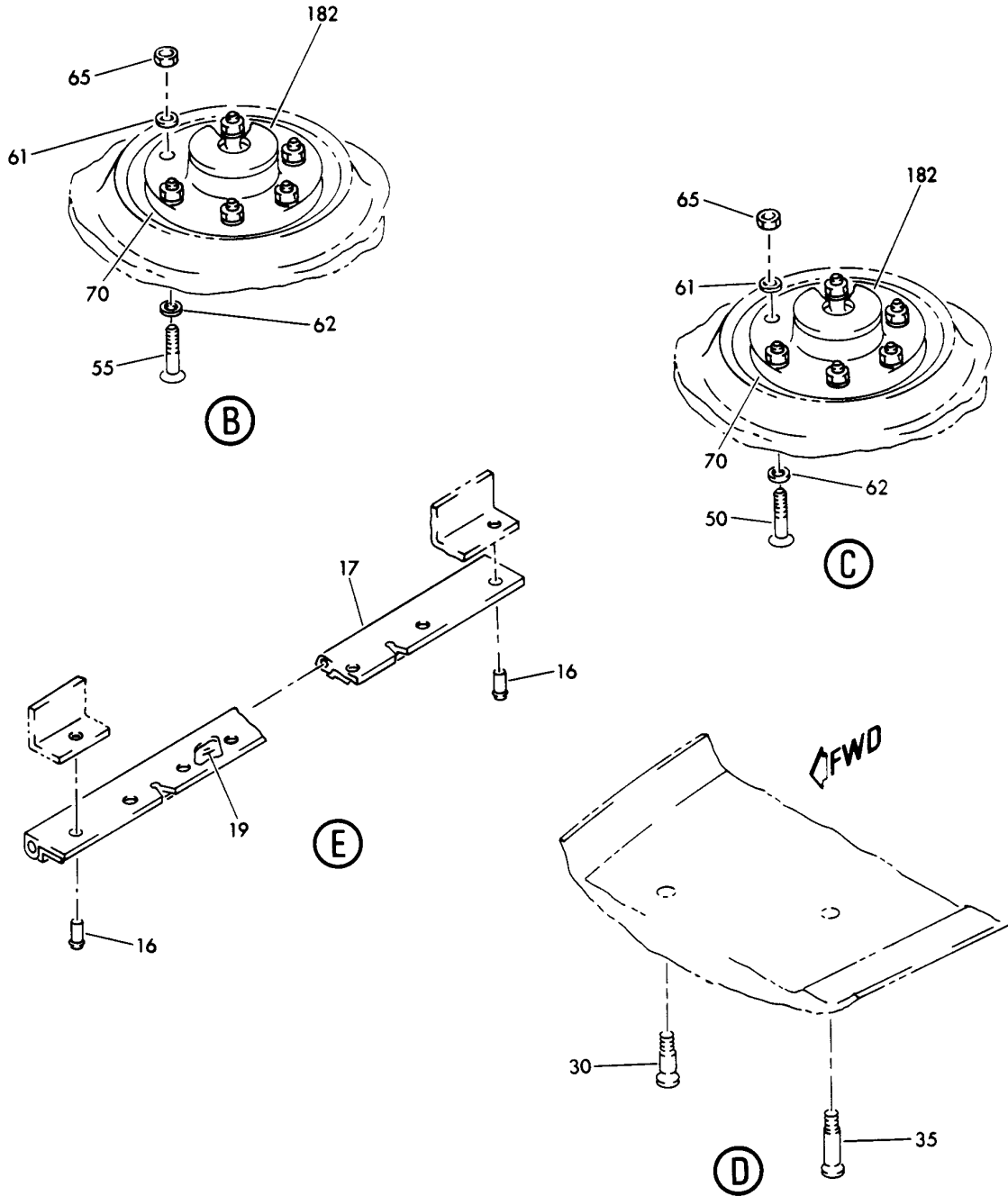
FAIRING INSTL-WING TE MLG TRUN  
FIGURE 1 (SHEET 1)

**32-12-10-01**

BRI  
MAY 28/07

32-12-10-01  
PAGE 0

**BOEING**  
757  
PARTS CATALOG (MAINTENANCE)



Y 32121001 SHT 2 REV 226

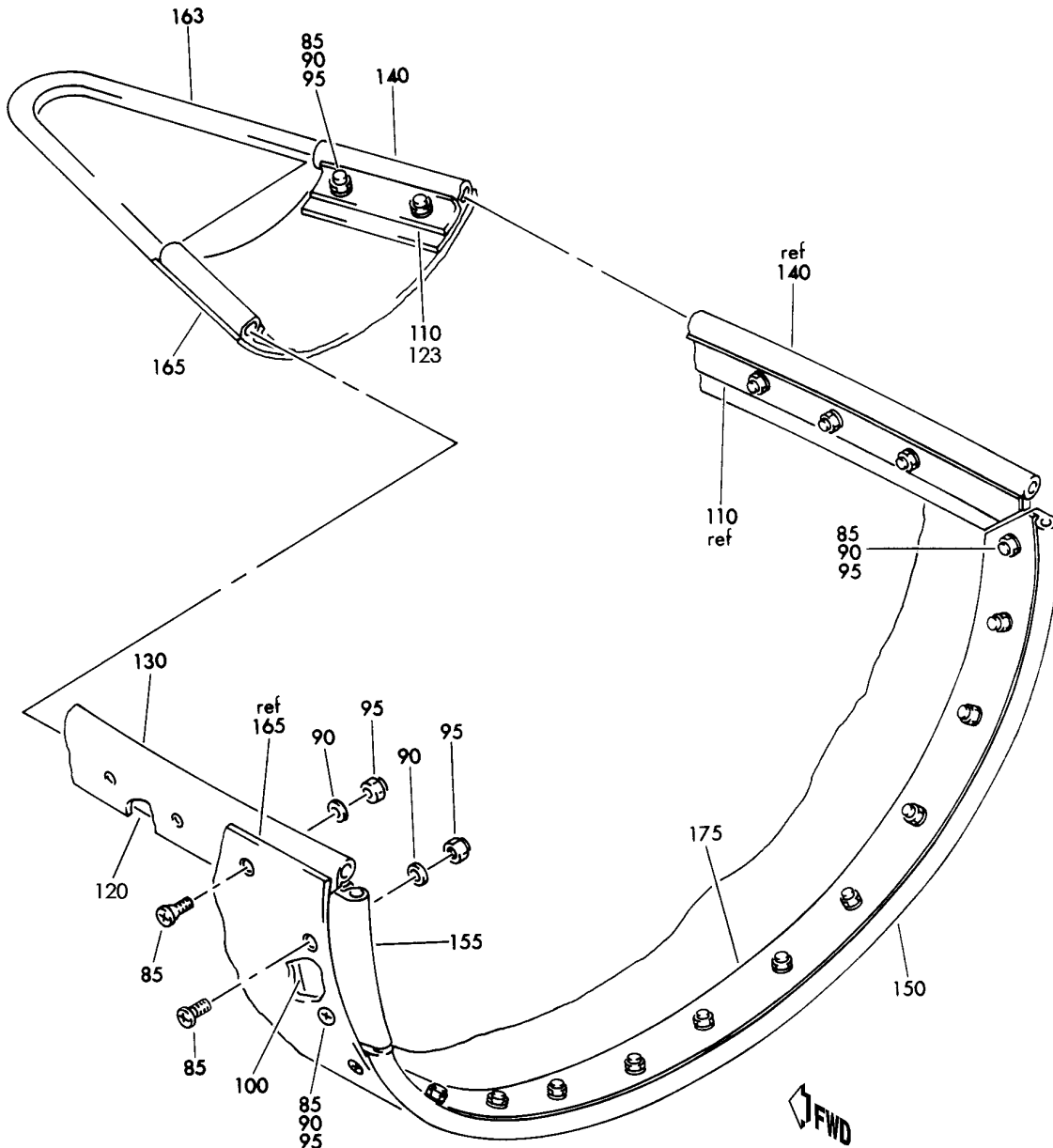
FAIRING INSTL-WING TE MLG TRUN  
FIGURE 1 (SHEET 2)

**32-12-10-01**

BRI  
MAY 28/07

32-12-10-01  
PAGE 0A

**BOEING**  
757  
PARTS CATALOG (MAINTENANCE)



Y 32121001 SHT 3 REV 244

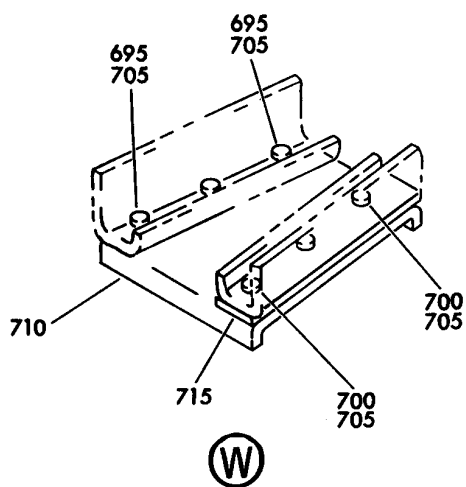
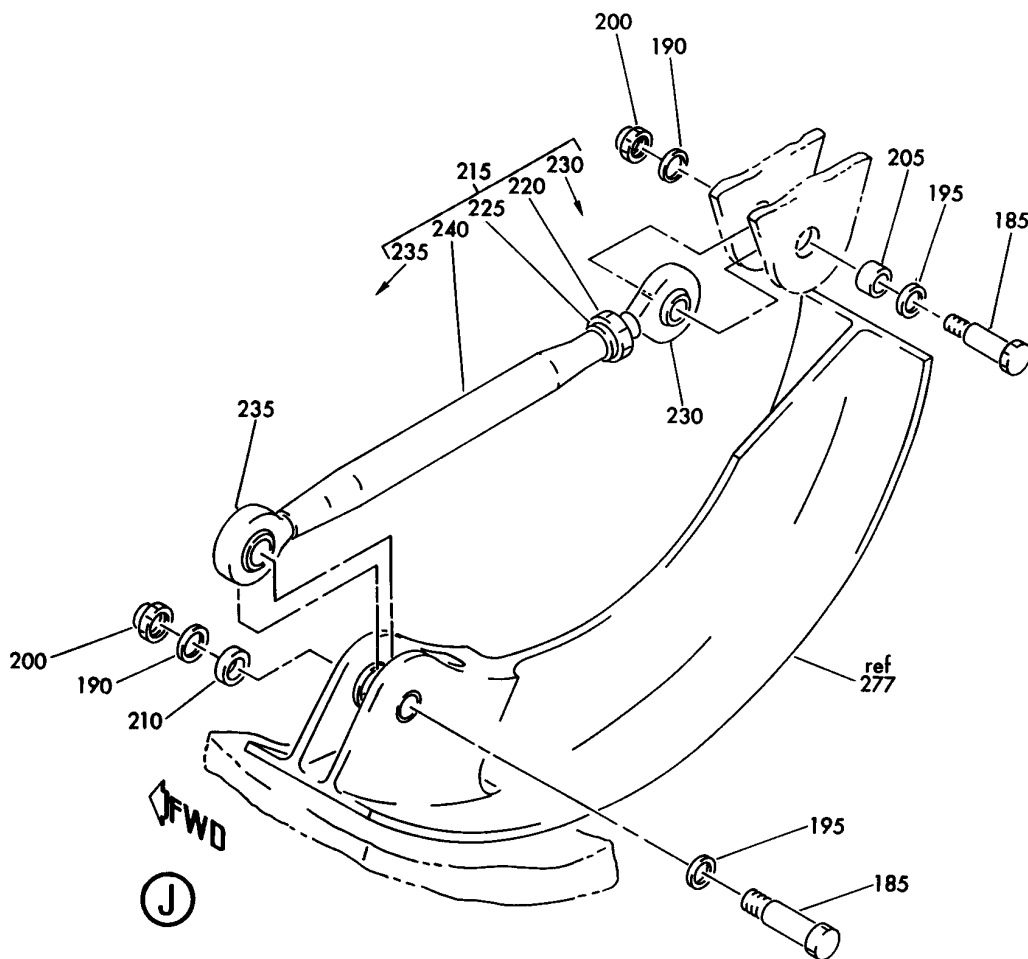
FAIRING INSTL-WING TE MLG TRUN  
FIGURE 1 (SHEET 3)

**32-12-10-01**

BRI  
MAY 28/07

32-12-10-01  
PAGE 0B

**BOEING**  
757  
PARTS CATALOG (MAINTENANCE)



Y 32121001 SHT 4 REV 143

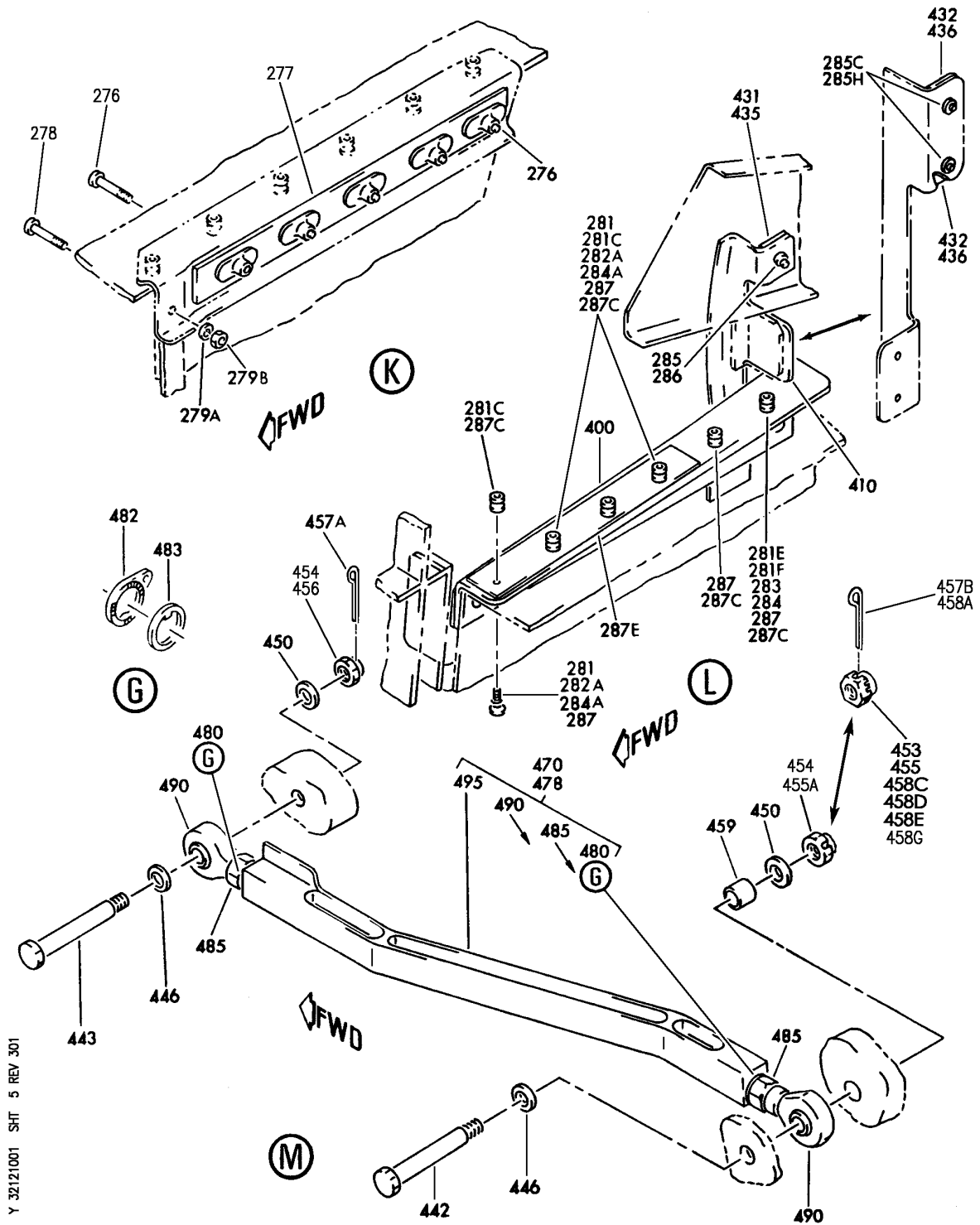
FAIRING INSTL-WING TE MLG TRUN  
FIGURE 1 (SHEET 4)

**32-12-10-01**

BRI  
MAY 28/07

32-12-10-01  
PAGE 0C

**BOEING**  
757  
PARTS CATALOG (MAINTENANCE)



Y 32121001 SHT 5 REV 301

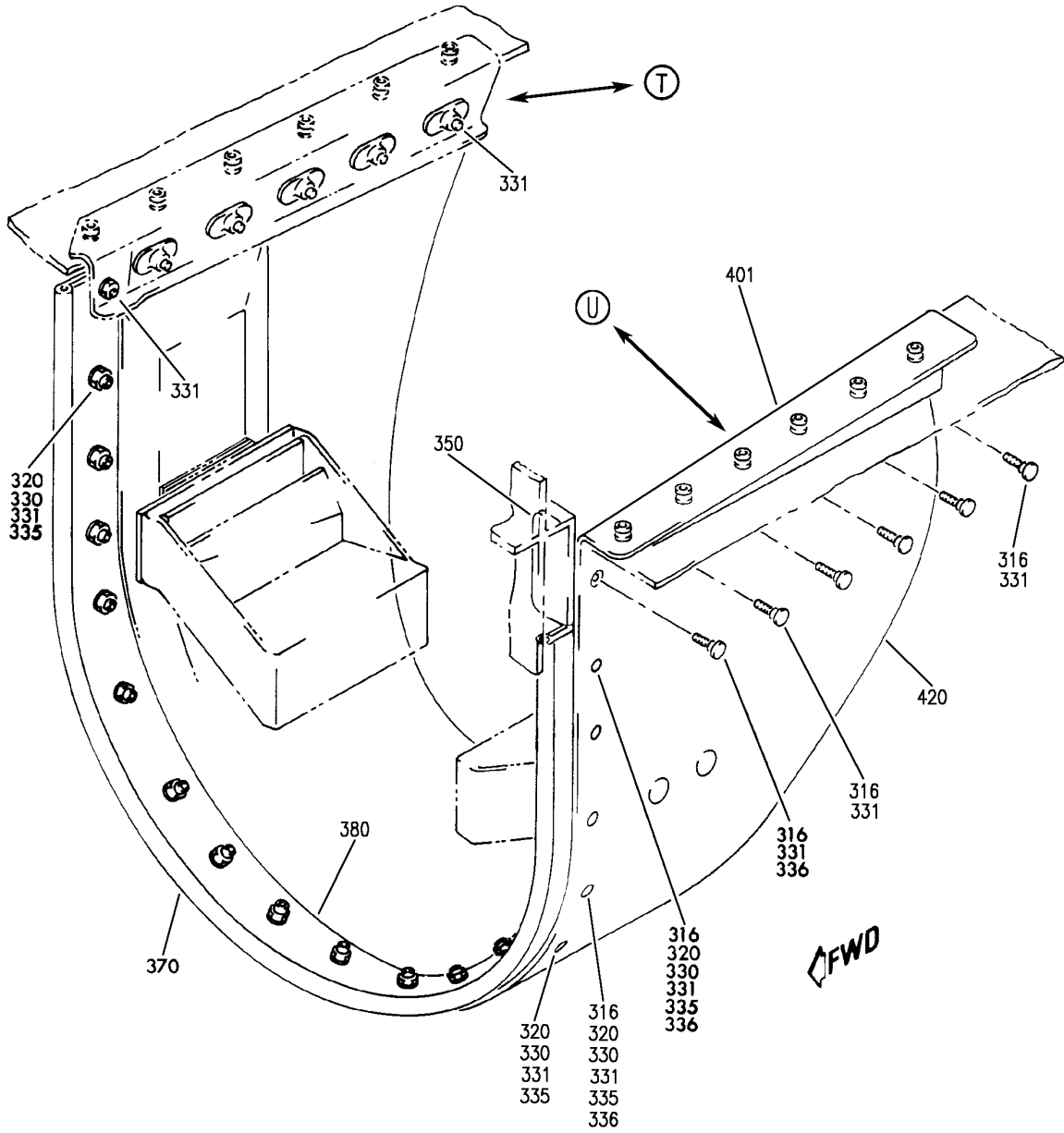
FAIRING INSTL-WING TE MLG TRUN  
FIGURE 1 (SHEET 5)

**32-12-10-01**

BRI  
MAY 28/07

32-12-10-01  
PAGE 0D

**BOEING**  
757  
PARTS CATALOG (MAINTENANCE)



Y 32121001 SH1 6 REV 301

(N)

FAIRING INSTL-WING TE MLG TRUN  
FIGURE 1 (SHEET 6)

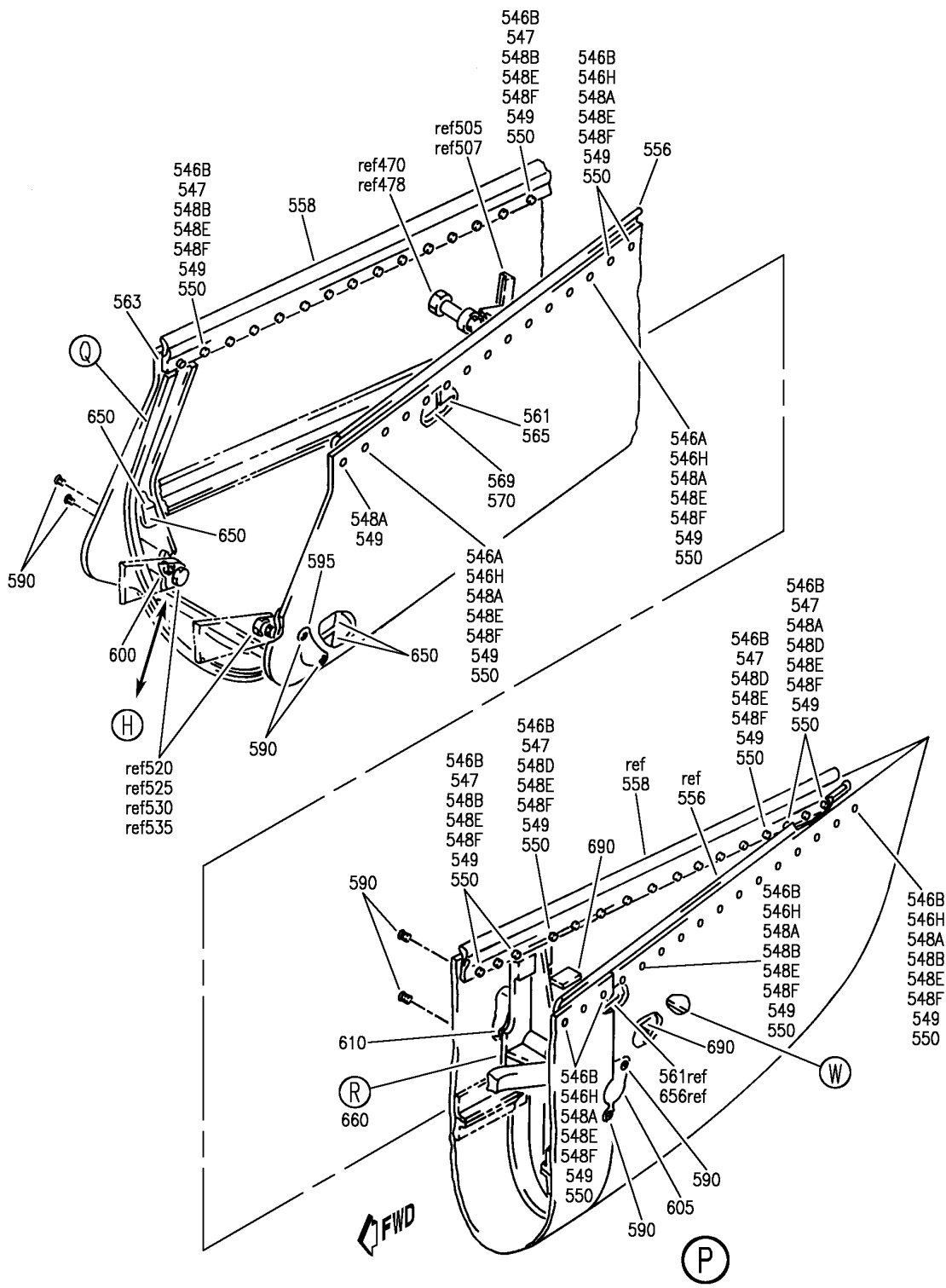
**32-12-10-01**

BRI  
MAY 28/07

32-12-10-01  
PAGE 0E



**BOEING**  
757  
**PARTS CATALOG (MAINTENANCE)**



Y 32121001 SH7 7 REV 266

FAIRING INSTL-WING TE MLG TRUN  
FIGURE 1 (SHEET 7)

**32-12-10-01**

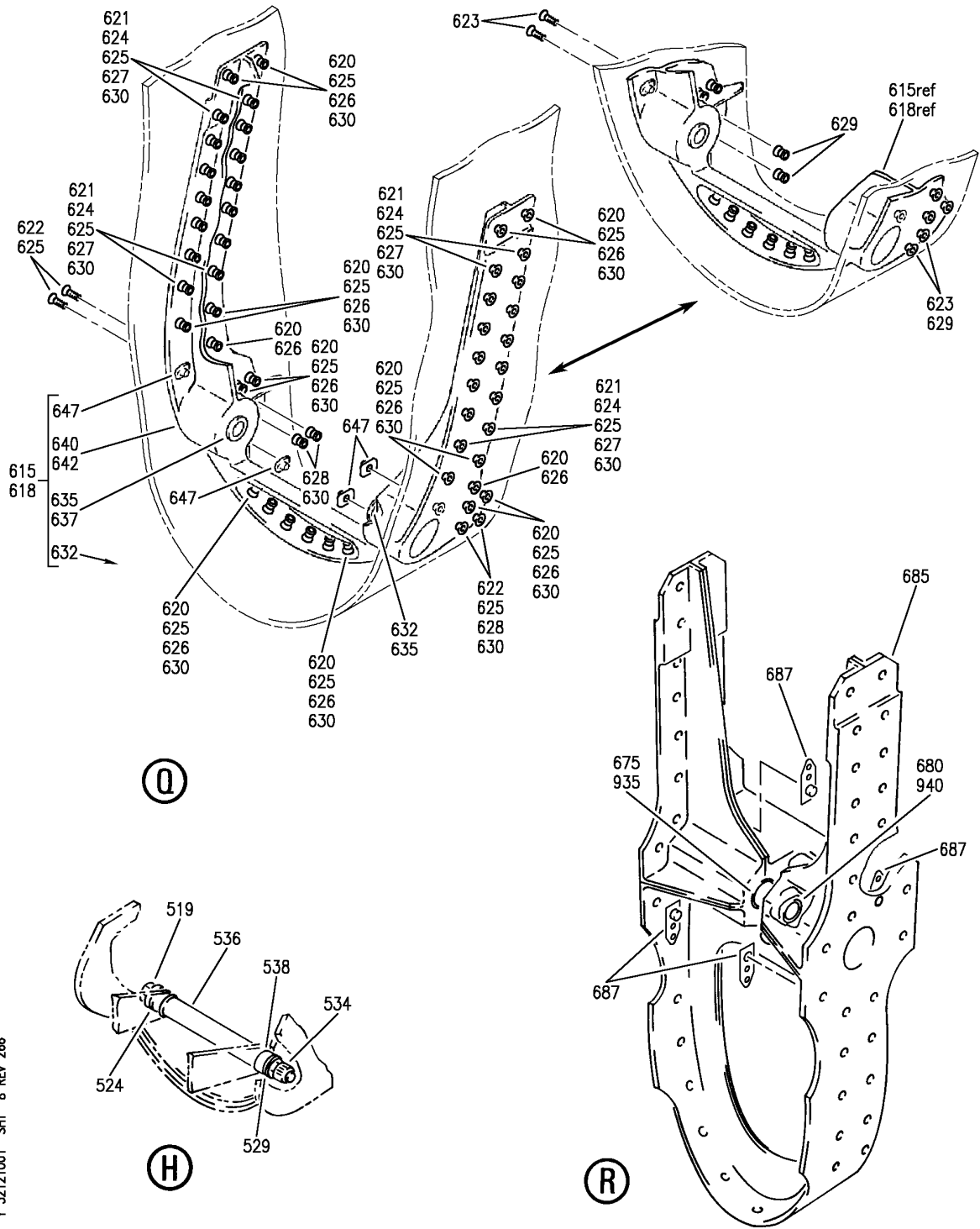
BRI  
MAY 28/07

32-12-10-01  
PAGE OF

# BOEING

## 757

### PARTS CATALOG (MAINTENANCE)



Y 32121001 SH1 8 REV 266

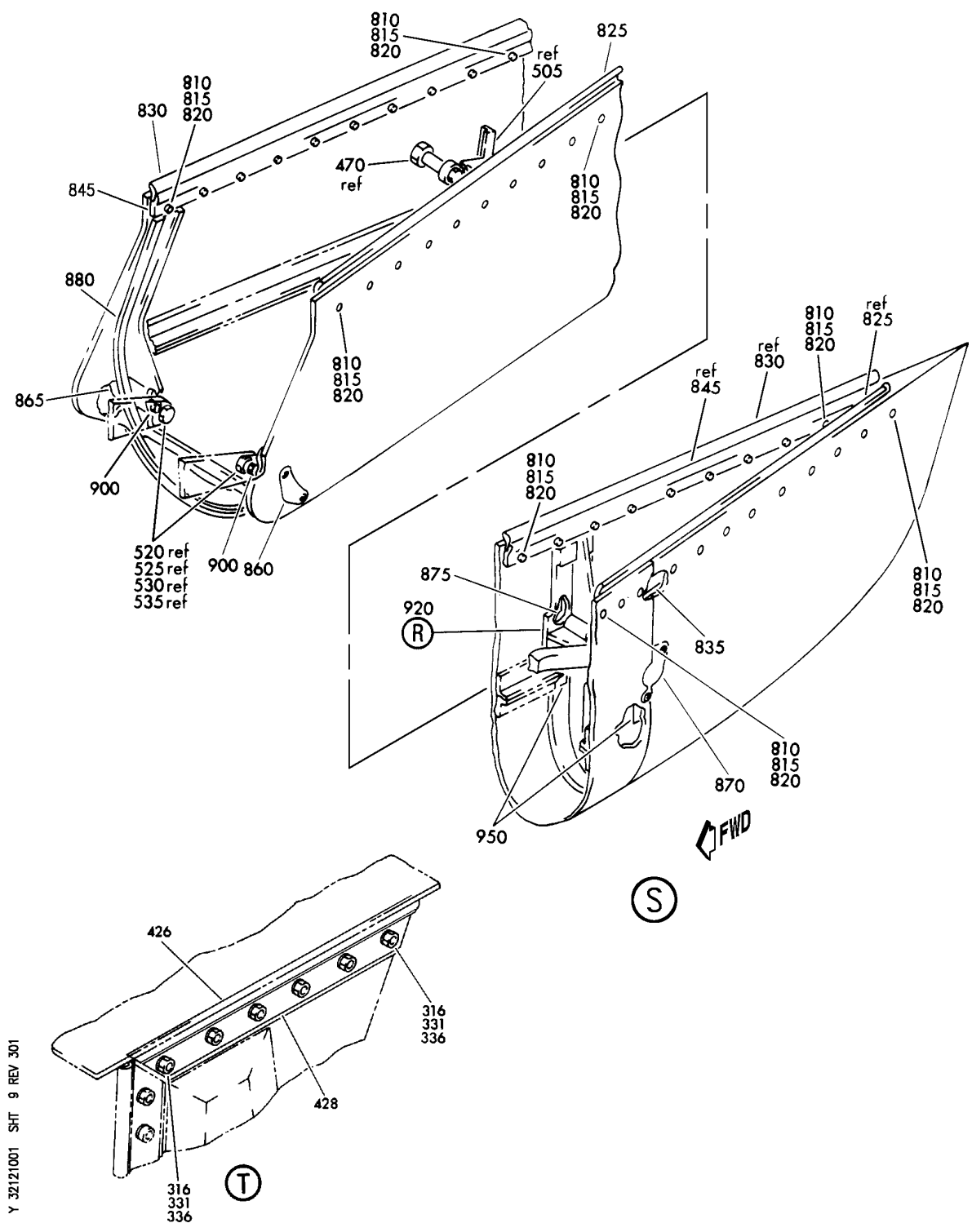
FAIRING INSTL-WING TE MLG TRUN  
FIGURE 1 (SHEET 8)

# 32-12-10-01

BRI  
MAY 28/07

32-12-10-01  
PAGE 0G

**BOEING**  
757  
PARTS CATALOG (MAINTENANCE)



Y 32121001 SHT 9 REV 301

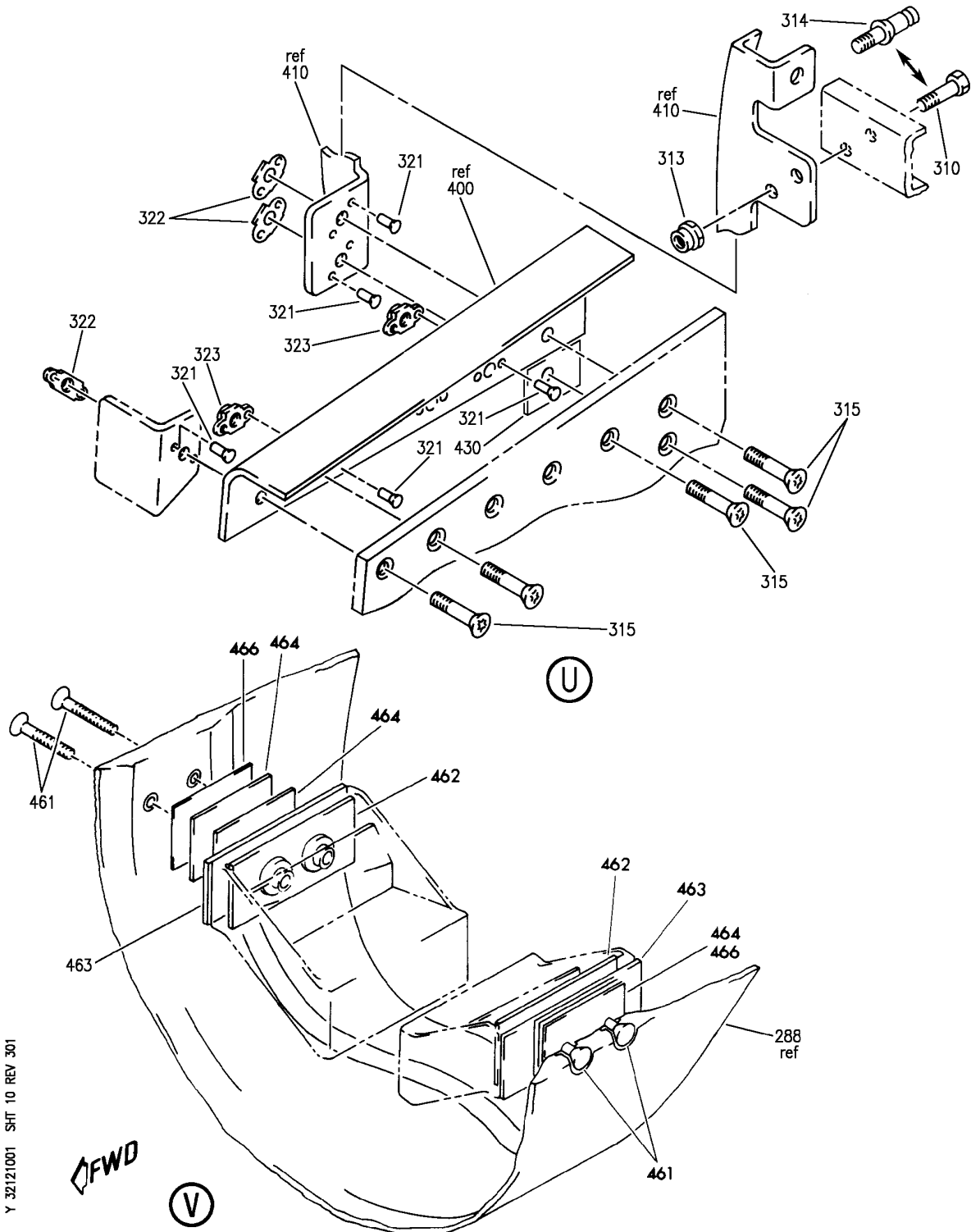
FAIRING INSTL-WING TE MLG TRUN  
FIGURE 1 (SHEET 9)

**32-12-10-01**

BRI  
MAY 28/07

32-12-10-01  
PAGE 0H

**BOEING**  
757  
PARTS CATALOG (MAINTENANCE)



Y 32121001 SHT 10 REV 301

FAIRING INSTL-WING TE MLG TRUN  
FIGURE 1 (SHEET 10)

**32-12-10-01**

BRI  
MAY 28/07

32-12-10-01  
PAGE 01



757

PARTS CATALOG (MAINTENANCE)

FIG ITEM	PART NUMBER	1 2 3 4 5 6 7	NOMENCLATURE	EFFECT FROM TO	UNITS PER ASSY
1			FAIRING INSTL-WING TE MLG TRUN	002004 006102 107999	
- 1	113N1800-11		FAIRING INSTL-WING TE MLG TRUN POSITION DATA: LH FOR NHA SEE: 57-20-52-01	107107	RF
- 1	113N1800-31		FAIRING INSTL-WING TE MLG TRUN POSITION DATA: LH FOR NHA SEE: 57-20-52-01	904949	RF
- 1	113N1800-41		FAIRING INSTL-WING TE MLG TRUN POSITION DATA: LH FOR NHA SEE: 57-20-52-01	003004 006100 121503 950999	RF
- 1	113N1800-405		FAIRING INSTL-WING TE MLG TRUN POSITION DATA: LH FOR NHA SEE: 57-20-52-01	101102 108120 504903	RF
- 3	113N1800-403		FAIRING INSTL-WING TE MLG TRUN POSITION DATA: LH FOR NHA SEE: 57-00-00-05	101102 504903	RF
- 3	113N1800-407		FAIRING INSTL-WING TE MLG TRUN POSITION DATA: LH FOR NHA SEE: 57-00-00-05	108120	RF
- 5	113N1800-12		FAIRING INSTL-WING TE MLG TRUN POSITION DATA: RH FOR NHA SEE: 57-20-52-01	107107	RF

MISSING ITEM NUMBERS NOT APPLICABLE

- ITEM NOT ILLUSTRATED

32-12-10-01

32-12-10  
FIG. 01  
PAGE 1  
JAN 20/09

BRI



757

PARTS CATALOG (MAINTENANCE)

FIG ITEM	PART NUMBER	1 2 3 4 5 6 7	NOMENCLATURE	EFFECT FROM TO	UNITS PER ASSY
1					
- 5	113N1800-32		FAIRING INSTL-WING TE MLG TRUN POSITION DATA: RH FOR NHA SEE: 57-20-52-01	904949	RF
- 5	113N1800-42		FAIRING INSTL-WING TE MLG TRUN POSITION DATA: RH FOR NHA SEE: 57-20-52-01	003004 006100 121503 950999	RF
- 5	113N1800-406		FAIRING INSTL-WING TE MLG TRUN POSITION DATA: RH FOR NHA SEE: 57-20-52-01	101102 108120 504903	RF
- 7	113N1800-404		FAIRING INSTL-WING TE MLG TRUN POSITION DATA: RH FOR NHA SEE: 57-00-00-05	101102 504903	RF
- 7	113N1800-408		FAIRING INSTL-WING TE MLG TRUN POSITION DATA: RH FOR NHA SEE: 57-00-00-05	108120	RF
10	113N1832-1		.PLUG-	002004 006100 107107 121503 904999	1
10	113N1832-4		.PLUG-	002004 006102 107999	1
15	113N1832-2		.PLUG-	002004 006100 107107 121503 904999	1
15	113N1832-3		.PLUG-	002004 006102 107999	1
16	BACR15FT4D		.RIVET- SIZE DETERMINED ON INSTL.	002004 006102 107999	24

MISSING ITEM NUMBERS NOT APPLICABLE

- ITEM NOT ILLUSTRATED

32-12-10-01

32-12-10  
FIG. 01  
PAGE 2  
JAN 20/09

BRI



757

PARTS CATALOG (MAINTENANCE)

FIG ITEM	PART NUMBER	1 2 3 4 5 6 7	NOMENCLATURE	EFFECT FROM TO	UNITS PER ASSY
1	17 113N1800-8		.SEAL- MANUFACTURED FROM: EXTR RUBBER F25.01 BAC1530-12 X 45.0 IN.	002004 006102 107999	1
-	18 113N1800-10		.RETAINER- POSITION DATA: RH SIDE	002004 006102 107999	1
	19 113N1800-9		.RETAINER- POSITION DATA: LH SIDE	002004 006102 107999	1
	20 113N1810-41		.FAIRING ASSY- POSITION DATA: LH SIDE	107107 904949	1
	20 113N1810-45		.FAIRING ASSY- POSITION DATA: LH SIDE	107107 904949	1
	20 113N1810-67SP		.FAIRING ASSY- POSITION DATA: LH SIDE	107107 904949	1
	20 113N1810-69SP		.FAIRING ASSY- POSITION DATA: LH SIDE	002004 006102 107999	1
	20 113N1810-81SP		.FAIRING ASSY- POSITION DATA: LH SIDE	002004 006102 107999	1
	20 113N1810-85SP		.FAIRING ASSY- POSITION DATA: LH SIDE	002004 006102 107999	1
-	25 113N1810-42		.FAIRING ASSY- POSITION DATA: RH SIDE	107107 904949	1
-	25 113N1810-46		.FAIRING ASSY- POSITION DATA: RH SIDE	107107 904949	1
-	25 113N1810-68SP		.FAIRING ASSY- POSITION DATA: RH SIDE	107107 904949	1
-	25 113N1810-70SP		.FAIRING ASSY- POSITION DATA: RH SIDE	002004 006102 107999	1
-	25 113N1810-82SP		.FAIRING ASSY- POSITION DATA: RH SIDE	002004 006102 107999	1
	30 BACB30LR5-9		ATTACHING PARTS .BOLT-	002004 006102 107999	1

MISSING ITEM NUMBERS NOT APPLICABLE

- ITEM NOT ILLUSTRATED

32-12-10-01

32-12-10  
FIG. 01  
PAGE 3  
JAN 20/09

BRI



757

PARTS CATALOG (MAINTENANCE)

FIG ITEM	PART NUMBER	1 2 3 4 5 6 7	NOMENCLATURE	EFFECT FROM TO	UNITS PER ASSY
1	35	BACB30LR5-6	.BOLT-	002004 006102 107999	1
	40	BACB30NR5K8	.BOLT-	002004 006102 107999	2
	45	BACW10BP5CD	.WASHER	002004 006102 107999	2
	50	BACB30LH3K11	-----*----- ..BOLT	002004 006102 107999	6
	55	BACB30LH3K13	..BOLT-	002004 006102 107999	6
	61	K29646-3	..WASHER SUPPLIER CODE: V15653 SPECIFICATION NUMBER: BACW10CA3CV OPTIONAL PART: 70188-3 V56878 922007-3 V60119 942007-3 V60119	002004 006102 107999	12
	62	K29913-3	..WASHER SUPPLIER CODE: V15653 SPECIFICATION NUMBER: BACW10CA3CC OPTIONAL PART: 70191-3 V56878 922008-3 V60119 942008-3 V60119	002004 006102 107999	12
	MISSING ITEM NUMBERS NOT APPLICABLE				

- ITEM NOT ILLUSTRATED

32-12-10-01

32-12-10  
FIG. 01  
PAGE 4  
JAN 20/09

BRI





757

PARTS CATALOG (MAINTENANCE)

FIG ITEM	PART NUMBER	1 2 3 4 5 6 7	NOMENCLATURE	EFFECT FROM TO	UNITS PER ASSY
1	65 BRH10C3D		..NUT SUPPLIER CODE: V52828 SPECIFICATION NUMBER: BACN10JC3CD OPTIONAL PART: T6C1032JCD V11815 NS202486-02 V80539 102LH9075-3W V72962 H51650-3BAC V15653	002004 006102 107999	12
	70 113N1811-1		..FITTING- OPTIONAL PART: 113N1134-1	002004 006102 107999	2
	70 113N1134-1		..FITTING- OPTIONAL PART: 113N1811-1	002004 006102 107999	2
	85 BACB30LH2K4		..BOLT- QUALIFIED OPTIONAL DATA: (BACB30LH3K4 OPTIONAL TO BACB30LH2K4 ONLY WHEN USED AS OPTION OF THE 3/16 BOLT AND RESPECTIVE PARTS USE THE .375 CSK ONLY)	002004 006102 107999	67
	85 BACB30LH3K4		..BOLT- QUALIFIED OPTIONAL DATA: (BACB30LH3K4 OPTIONAL TO BACB30LH2K4 ONLY WHEN USED AS OPTION OF THE 3/16 BOLT AND RESPECTIVE PARTS USE THE .375 CSK ONLY)	002004 006102 107999	67
	90 AN960PD8L		..WASHER- QUALIFIED OPTIONAL DATA: (AN960PD10L OPTIONAL TO AN960PD8L ONLY WHEN USED AS OPTION OF THE 3/16 BOLT AND RESPECTIVE PARTS USE THE .375 CSK ONLY)	107107 904949	67

MISSING ITEM NUMBERS NOT APPLICABLE

- ITEM NOT ILLUSTRATED

BRI

32-12-10-01

32-12-10  
FIG. 01  
PAGE 5  
JAN 20/09



757

PARTS CATALOG (MAINTENANCE)

FIG ITEM	PART NUMBER	1 2 3 4 5 6 7	NOMENCLATURE	EFFECT FROM TO	UNITS PER ASSY
1	90 AN960PD10L		.. WASHER- QUALIFIED OPTIONAL DATA: (AN960PD10L OPTIONAL TO AN960PD8L ONLY WHEN USED AS OPTION OF THE 3/16 BOLT AND RESPECTIVE PARTS USE THE .375 CSK ONLY)	107107 904949	67
	90 NAS1149DN816J		.. WASHER- QUALIFIED OPTIONAL DATA: FOR USE OF OPTION OF THE 3/16 BOLT AND RESPECTIVE PARTS USE THE .375 CSK ONLY.	002004 006102 108903 950999	67
	90 NAS1149D0332J		.. WASHER- QUALIFIED OPTIONAL DATA: FOR USE OF OPTION OF THE 3/16 BOLT AND RESPECTIVE PARTS USE THE .375 CSK ONLY.	002004 006102 108903 950999	67
	95 BRH10C08D		.. NUT- SUPPLIER CODE: V52828 SPECIFICATION NUMBER: BACN10JC08CD OPTIONAL PART: H51650-08BAC V15653 102LH9075-82W V72962 NS202486-82 V80539 T6C832JCD V11815 QUALIFIED OPTIONAL DATA: (BACN10JC10CD OPTIONAL TO BACN10JC08CD ONLY WHEN AS WITH OPTION OF THE 3/16 BOLT AND RESPECTIVE PARTS USE THE .375 CSK ONLY)	002004 006102 107999	67

MISSING ITEM NUMBERS NOT APPLICABLE

- ITEM NOT ILLUSTRATED

32-12-10-01

32-12-10  
FIG. 01  
PAGE 6  
JAN 20/09

BRI



757

PARTS CATALOG (MAINTENANCE)

FIG ITEM	PART NUMBER	1 2 3 4 5 6 7	NOMENCLATURE	EFFECT FROM TO	UNITS PER ASSY
1 95	102LH9074-10		..NUT- SUPPLIER CODE: V72962 SPECIFICATION NUMBER: BACN10JC10CD OPTIONAL PART: H51650-10BAC V15653 69235-1018CD V92215 BMN4122CPD8-10 V97928 QUALIFIED OPTIONAL DATA: (BACN10JC10CD OPTIONAL TO BACN10JC08CD ONLY WHEN USED AS OPTION OF THE 3/16 BOLT AND RESPECTIVE PARTS USE THE .375 CSK ONLY)	002004 006102 107999	67
100	113N1810-21		..RETAINER-SEAL POSITION DATA: LH SIDE	002004 006100 107999	1
100	113N1810-63		..RETAINER-SEAL POSITION DATA: LH SIDE	002004 006100 107999	1
- 105	113N1810-22		..RETAINER-SEAL POSITION DATA: RH SIDE	002004 006100 107999	1
- 105	113N1810-64		..RETAINER-SEAL POSITION DATA: RH SIDE	002004 006100 107999	1
110	113N1810-53		..RETAINER-SEAL POSITION DATA: LH SIDE	003004 006100 107107 121503 904999	1
110	113N1810-65		..RETAINER-SEAL POSITION DATA: LH SIDE	003004 006100 107107 121503 904999	1
- 115	113N1810-54		..RETAINER-SEAL POSITION DATA: RH SIDE	003004 006100 107107 121503 904999	1

MISSING ITEM NUMBERS NOT APPLICABLE

- ITEM NOT ILLUSTRATED

32-12-10-01

32-12-10  
FIG. 01  
PAGE 7  
JAN 20/09

BRI



757

PARTS CATALOG (MAINTENANCE)

FIG ITEM	PART NUMBER	1 2 3 4 5 6 7	NOMENCLATURE	EFFECT FROM TO	UNITS PER ASSY
1					
- 115	113N1810-66	..	RETAINER-SEAL POSITION DATA: RH SIDE	003004 006100 107107 121503 904999	1
120	113N1810-73	..	RETAINER-SEAL POSITION DATA: LH SIDE	002004 006102 108903 950999	1
120	113N1810-31	..	RETAINER-SEAL POSITION DATA: LH SIDE	107107 904949	1
123	113N1810-79	..	RETAINER-SEAL POSITION DATA: LH SIDE	002004 006102 108903 950999	1
- 125	113N1810-74	..	RETAINER-SEAL POSITION DATA: RH SIDE	002004 006102 108903 950999	1
- 125	113N1810-32	..	RETAINER-SEAL POSITION DATA: RH SIDE	107107 904949	1
- 127	113N1810-80	..	RETAINER-SEAL POSITION DATA: RH SIDE	002004 006102 108903 950999	1
130	113N1810-75	..	SEAL- POSITION DATA: LH SIDE MANUFACTURED FROM: EXTR RUBBER 10-60754-32 X 45.00 IN.)	002004 006102 108903 950999	1
130	113N1810-35	..	SEAL- POSITION DATA: LH SIDE MANUFACTURED FROM: EXTR RUBBER 10-60754-32 X 56.00 IN.)	107107 904949	1
- 135	113N1810-76	..	SEAL- POSITION DATA: RH SIDE MANUFACTURED FROM: EXTR RUBBER 10-60754-32 X 45.00 IN.)	002004 006102 108903 950999	1

MISSING ITEM NUMBERS NOT APPLICABLE

- ITEM NOT ILLUSTRATED

32-12-10-01

32-12-10  
FIG. 01  
PAGE 8  
JAN 20/09

BRI



757

PARTS CATALOG (MAINTENANCE)

FIG ITEM	PART NUMBER	1 2 3 4 5 6 7	NOMENCLATURE	EFFECT FROM TO	UNITS PER ASSY
1					
- 135	113N1810-36	..	SEAL- POSITION DATA: RH SIDE MANUFACTURED FROM: EXTR RUBBER 10-60754-32 X 56.00 IN.)	107107 904949	1
140	113N1810-77	..	SEAL- POSITION DATA: LH SIDE MANUFACTURED FROM: EXTR RUBBER 10-60754-32 X 49.00 IN.)	002004 006102 108903 950999	1
140	113N1810-37	..	SEAL- POSITION DATA: LH SIDE MANUFACTURED FROM: EXTR RUBBER 10-60754-32 X 56.00 IN.)	107107 904949	1
140	113N1810-55	..	SEAL- POSITION DATA: LH SIDE MANUFACTURED FROM: EXTR RUBBER 10-60754-32 X 56.00 IN.)	107107 904949	1
- 145	113N1810-78	..	SEAL- POSITION DATA: RH SIDE MANUFACTURED FROM: EXTR RUBBER 10-60754-32 X 49.00 IN.)	002004 006102 108903 950999	1
- 145	113N1810-38	..	SEAL- POSITION DATA: RH SIDE MANUFACTURED FROM: EXTR RUBBER 10-60754-32 X 56.00 IN.)	107107 904949	1
- 145	113N1810-56	..	SEAL- POSITION DATA: RH SIDE MANUFACTURED FROM: EXTR RUBBER 10-60754-32 X 56.00 IN.)	107107 904949	1
150	113N1810-39	..	SEAL- POSITION DATA: LH SIDE MANUFACTURED FROM: EXTR RUBBER 10-60754-32 X 28.00 IN.)	002004 006100 107999	1

MISSING ITEM NUMBERS NOT APPLICABLE

- ITEM NOT ILLUSTRATED

32-12-10-01

32-12-10  
FIG. 01  
PAGE 9  
JAN 20/09

BRI

BOEING PROPRIETARY - Copyright © - Unpublished Work - See title page for details.



757

PARTS CATALOG (MAINTENANCE)

FIG ITEM	PART NUMBER	1 2 3 4 5 6 7	NOMENCLATURE	EFFECT FROM TO	UNITS PER ASSY
1					
- 152	113N1810-40	..	SEAL- POSITION DATA: RH SIDE MANUFACTURED FROM: EXTR RUBBER 10-60754-32 X 28.00 IN.)	002004 006100 107999	1
155	113N1810-19	..	SEAL- POSITION DATA: LH SIDE MANUFACTURED FROM: EXTR RUBBER 10-60754-32 X 4.00 IN.	002004 006100 107999	AR
- 160	113N1810-20	..	SEAL- POSITION DATA: RH SIDE MANUFACTURED FROM: EXTR RUBBER 10-60754-32 X 4.00 IN.	002004 006100 107999	AR
163	113N1810-71	..	SEAL- USED ON: 113N1810-69SP 113N1810-70SP 113N1810-81SP 113N1810-82SP	002004 006102 108903 950999	1
163	113N1810-27	..	SEAL- USED ON: 113N1810-41 113N1810-42 113N1810-43 113N1810-44 113N1810-45 113N1810-46 113N1810-47 113N1810-48 113N1810-49 113N1810-50 113N1810-51 113N1810-52 113N1810-67SP 113N1810-68SP 113N1810-70SP	002004 006100 107999	1
165	113N1815-7	..	BOND ASSY- POSITION DATA: LH SIDE	002004 006100 107999	1
165	113N1851-1	..	BOND ASSY- POSITION DATA: LH SIDE	002004 006100 107999	1

MISSING ITEM NUMBERS NOT APPLICABLE

- ITEM NOT ILLUSTRATED

32-12-10-01

32-12-10  
FIG. 01  
PAGE 10  
JAN 20/09

BRI

BOEING PROPRIETARY - Copyright © - Unpublished Work - See title page for details.



757

PARTS CATALOG (MAINTENANCE)

FIG ITEM	PART NUMBER	1 2 3 4 5 6 7	NOMENCLATURE	EFFECT FROM TO	UNITS PER ASSY
1					
165	113N1851-11	..	BOND ASSY- POSITION DATA: LH SIDE	107107	1
- 170	113N1815-8	..	BOND ASSY- POSITION DATA: RH SIDE	002004 006100 107999	1
- 170	113N1851-2	..	BOND ASSY- POSITION DATA: RH SIDE	002004 006100 107999	1
175	113N1810-29	..	RETAINER-SEAL POSITION DATA: LH SIDE	002004 006100 107999	1
- 180	113N1810-30	..	RETAINER-SEAL POSITION DATA: RH SIDE	002004 006100 107999	1
182	113N1800-7	.	SHIM	002004 006102 107999	AR
185	BACB30LJ8-21	.	BOLT-	002004 006102 107999	2
190	BACW10BN8AP	.	WASHER-	002004 006102 107999	2
195	BACW10BP8CD	.	WASHER-	002004 006102 107999	2
200	69235-820CD	.	NUT- SUPPLIER CODE: V92215 SPECIFICATION NUMBER: BACN10JC8CD OPTIONAL PART: 102LH9074-8 V72962 BMN4122CPD8-8 V97928 H51650-8BAC V15653	002004 006102 107999	2
205	BACB28AK08-031	.	BUSHING-	002004 006102 107999	1
210	BACB28AK08-029	.	BUSHING-	002004 006102 107999	1
215	113N1820-1	.	ROD ASSY-PUSH	002004 006102 107999	1

MISSING ITEM NUMBERS NOT APPLICABLE

- ITEM NOT ILLUSTRATED

32-12-10-01

32-12-10  
FIG. 01  
PAGE 11  
JAN 20/09

BRI



757

PARTS CATALOG (MAINTENANCE)

FIG ITEM	PART NUMBER	1 2 3 4 5 6 7	NOMENCLATURE	EFFECT FROM TO	UNITS PER ASSY
1					
220	NAS509-8	. .	NUT	002004 006102 107999	1
225	NAS513-8	. .	WASHER	002004 006102 107999	1
230	10E8-116	. .	BEARING SUPPLIER CODE: V16746 SPECIFICATION NUMBER: BACB10Y8 OPTIONAL PART: BRES8-2001L2 V81376 HB8E212K V02758 KBE8-150AFNW V97613 MSSK8ASFG V73134 51588-081 V09455 ASMK8F1 V56644 AR8E7AFNW VS0352 ARB8E60FNW V15860	002004 006102 107999	1
235	113N1820-3	. .	BEARING-END ROD	002004 006102 107999	1
240	113N1820-2	. .	ROD	002004 006102 107999	1
245	BACB30LJ6-19	. .	BOLT-	002004 006102 107999	2
250	BACW10BN6AP	. .	WASHER-	002004 006102 107999	2
255	BACW10BP6CD	. .	WASHER-	002004 006102 107999	2

MISSING ITEM NUMBERS NOT APPLICABLE

- ITEM NOT ILLUSTRATED

32-12-10-01

32-12-10  
FIG. 01  
PAGE 12  
JAN 20/09

BRI

BOEING PROPRIETARY - Copyright © - Unpublished Work - See title page for details.





757

PARTS CATALOG (MAINTENANCE)

FIG ITEM	PART NUMBER	1 2 3 4 5 6 7	NOMENCLATURE	EFFECT FROM TO	UNITS PER ASSY
1 260	BRH10C6D		.NUT- SUPPLIER CODE: V52828 SPECIFICATION NUMBER: BACN10JC6CD OPTIONAL PART: H51650-6BAC V15653	002004 006102 107999	2
265	BACB28AK06-038		.BUSHING-	002004 006102 107999	2
270	113N8200-11		.DOOR ASSY- POSITION DATA: LH SIDE COMPONENT MAINT MANUAL REF: 32-12-65 QUALIFIED I/W DATA: I/W SUBJECT TO CUSTOMER PREFERENCE (-39SP); -39SP I/W -11 SUBJECT TO CUSTOMER PREFERENCE FOR DETAILS SEE: 32-12-10-02	107107	1
270	113N8200-39SP		.DOOR ASSY- POSITION DATA: LH SIDE COMPONENT MAINT MANUAL REF: 32-12-65 QUALIFIED I/W DATA: (-11); -39SP I/W -11 SUBJECT TO CUSTOMER PREFERENCE -39SP I/W -23 SUBJECT TO CUSTOMER PREFERENCE -39SP I/W -31 SUBJECT TO CUSTOMER PREFERENCE FOR DETAILS SEE: 32-12-10-02	002004 006102 108999	1
270	113N8200-41SP		.DOOR ASSY- POSITION DATA: LH SIDE COMPONENT MAINT MANUAL REF: 32-12-65 FOR DETAILS SEE: 32-12-10-02	002004 006102 108999	1

MISSING ITEM NUMBERS NOT APPLICABLE

- ITEM NOT ILLUSTRATED

32-12-10-01

32-12-10  
FIG. 01  
PAGE 13  
JAN 20/09

BRI



757

PARTS CATALOG (MAINTENANCE)

FIG ITEM	PART NUMBER	1 2 3 4 5 6 7	NOMENCLATURE	EFFECT FROM TO	UNITS PER ASSY
1					
- 275	113N8200-12		.DOOR ASSY- POSITION DATA: RH SIDE COMPONENT MAINT MANUAL REF: 32-12-65 QUALIFIED I/W DATA: I/W SUBJECT TO CUSTOMER PREFERENCE (-40SP); -40SP I/W -12 SUBJECT TO CUSTOMER PREFERENCE FOR DETAILS SEE: 32-12-10-02	107107	1
- 275	113N8200-40SP		.DOOR ASSY- POSITION DATA: RH SIDE COMPONENT MAINT MANUAL REF: 32-12-65 QUALIFIED I/W DATA: (-12); -40SP I/W -12 SUBJECT TO CUSTOMER PREFERENCE. -40SP I/W -24 SUBJECT TO CUSTOMER PREFERENCE -40SP I/W -34 SUBJECT TO CUSTOMER PREFERENCE FOR DETAILS SEE: 32-12-10-02	002004 006102 108999	1
- 275	113N8200-42SP		.DOOR ASSY- POSITION DATA: RH SIDE COMPONENT MAINT MANUAL REF: 32-12-65 FOR DETAILS SEE: 32-12-10-02	002004 006102 108999	1
276	BACB30LH3K5		.BOLT	107107 904949	5
277	BACS40R10E92F		.SHIM	107107	1
278	BACB30LH2K4		.BOLT	107107 904949	1
279A	AN960KD8L		.WASHER	107107 904949	1

MISSING ITEM NUMBERS NOT APPLICABLE

- ITEM NOT ILLUSTRATED

32-12-10-01

32-12-10  
FIG. 01  
PAGE 14  
JAN 20/09

BRI



757

PARTS CATALOG (MAINTENANCE)

FIG ITEM	PART NUMBER	1 2 3 4 5 6 7	NOMENCLATURE	EFFECT FROM TO	UNITS PER ASSY
1 279B	BRH10C08D	.NUT	SUPPLIER CODE: V52828 SPECIFICATION NUMBER: BACN10JC08CD OPTIONAL PART: H51650-08BAC V15653 102LH9075-82W V72962 NS202486-82 V80539 T6C832JCD V11815	107107 904949	1
281E	BACB30NW6K	.BOLT-	SIZE DETERMINED ON INSTL.	107107	1
281F	HL79-6	.COLLAR	SUPPLIER CODE: V5M902 SPECIFICATION NUMBER: BACC30M6 OPTIONAL PART: HL79-6 V73197 HL79-6 V92215 66014-6 V56878 HL79-6 V56878	107107	1
282A	BACB30VK6-200	.BOLT-BLIND	SUPPLIER CODE: V98524 SPECIFICATION NUMBER: BACB30VK6-200 OPTIONAL PART: MBF2013S6-200 V5M902	107107	4

MISSING ITEM NUMBERS NOT APPLICABLE

- ITEM NOT ILLUSTRATED

BRI

32-12-10-01

BOEING PROPRIETARY - Copyright © - Unpublished Work - See title page for details.

32-12-10  
FIG. 01  
PAGE 15  
JAN 20/09



757

PARTS CATALOG (MAINTENANCE)

FIG ITEM	PART NUMBER	1 2 3 4 5 6 7	NOMENCLATURE	EFFECT FROM TO	UNITS PER ASSY
1 285C	HL1012AZ6-5	.	BOLT SUPPLIER CODE: V97928 SPECIFICATION NUMBER: BACB30NX6K5 OPTIONAL PART: HL12VAZ6-5 V73197 HL12VAZ6-5 V92215 HL12VAZ6-5 V97928 L802-6K5 V06725 HL12VAZ6-5 V56878 HL1012AZ6-5 VOPTK6 HL1012AZ6-5 V06725 HL1012AZ6-5 V06950 HL1012AZ6-5 V17446 HL1012AZ6-5 V56878 HL1012AZ6-5 V60516 HL1012AZ6-5 V73197	107107	2
285H	HL1187-6	.	COLLAR SUPPLIER CODE: V5M902 SPECIFICATION NUMBER: BACC30X6 OPTIONAL PART: HL87-6 V92215 HL87-6 V73197 HL1187-6 V56878 HL1187-6 V92215 HL87-6 V56878 HL1187-6 V73197	107107	2

MISSING ITEM NUMBERS NOT APPLICABLE

- ITEM NOT ILLUSTRATED

32-12-10-01

32-12-10  
FIG. 01  
PAGE 16  
JAN 20/09

BRI



757

PARTS CATALOG (MAINTENANCE)

FIG ITEM	PART NUMBER	1 2 3 4 5 6 7	NOMENCLATURE	EFFECT FROM TO	UNITS PER ASSY
1					
288	113N1816-99SP	.	FAIRING ASSY- POSITION DATA: LH	002004 006102 108999	1
288	113N1816-25	.	FAIRING ASSY- POSITION DATA: LH SIDE QUALIFIED I/W DATA: 113N1816-37 MAY REPLACE 113N1816-25 FOR EAA ONLY	107107	1
288	113N1816-47	.	FAIRING ASSY- POSITION DATA: LH SIDE QUALIFIED I/W DATA: -51 MAY REPLACE -47 FOR NWA NCO01-CO50 ONLY	107107	1
288	113N1816-49	.	FAIRING ASSY- POSITION DATA: LH SIDE QUALIFIED I/W DATA: -53 MAY REPLACE -49 FOR NWA NCO01-NC050 ONLY	107107	1
288	113N1816-61	.	FAIRING ASSY- POSITION DATA: LH SIDE	107107	1
288	113N1816-85SP	.	FAIRING ASSY- POSITION DATA: LH SIDE QUALIFIED I/W DATA: -85SP I/W -75 OR -81 OR -53 SUBJECT TO COLOR PREF	002004 006102 121999	1
288	113N1816-87SP	.	FAIRING ASSY- POSITION DATA: LH SIDE	002004 006102 121999	1
288	113N1816-93SP	.	FAIRING ASSY- POSITION DATA: LH SIDE	002004 006102 108999	1
- 289	113N1816-100SP	.	FAIRING ASSY- POSITION DATA: RH	002004 006102 108999	1
- 289	113N1816-26	.	FAIRING ASSY- POSITION DATA: RH SIDE QUALIFIED I/W DATA: 113N1816-38 MAY REPLACE 113N1816-26 FOR EAA ONLY	107107	1

MISSING ITEM NUMBERS NOT APPLICABLE

- ITEM NOT ILLUSTRATED

32-12-10-01

32-12-10  
FIG. 01  
PAGE 17  
JAN 20/09

BRI



757

PARTS CATALOG (MAINTENANCE)

FIG ITEM	PART NUMBER	1 2 3 4 5 6 7	NOMENCLATURE	EFFECT FROM TO	UNITS PER ASSY
1					
- 289	113N1816-48		. FAIRING ASSY- POSITION DATA: RH SIDE QUALIFIED I/W DATA: -52 MAY REPLACE -48 FOR NWA NCO01-NC050 ONLY	107107	1
- 289	113N1816-50		. FAIRING ASSY- POSITION DATA: RH SIDE QUALIFIED I/W DATA: -54 MAY REPLACE -50 FOR NWA NCO01-NC050 ONLY	107107	1
- 289	113N1816-62		. FAIRING ASSY- POSITION DATA: RH SIDE	107107	1
- 289	113N1816-86SP		. FAIRING ASSY- POSITION DATA: RH SIDE QUALIFIED I/W DATA: -86SP I/W -76 OR -82 OR -54 SUBJECT TO COLOR PREF	002004 006102 121999	1
- 289	113N1816-88SP		. FAIRING ASSY- POSITION DATA: RH SIDE	002004 006102 121999	1
- 289	113N1816-94SP		. FAIRING ASSY- POSITION DATA: RH SIDE	002004 006102 108999	1
310	BACB30LJ3K4		.. BOLT- USED ON: 113N1816-37 113N1816-38 113N1816-41 113N1816-42 113N1816-47 113N1816-48 113N1816-49 113N1816-50 113N1816-51 113N1816-52 113N1816-53 113N1816-54 113N1816-61 113N1816-62	107107	2

MISSING ITEM NUMBERS NOT APPLICABLE

- ITEM NOT ILLUSTRATED

32-12-10-01

32-12-10  
FIG. 01  
PAGE 18  
JAN 20/09

BRI



757

PARTS CATALOG (MAINTENANCE)

FIG ITEM	PART NUMBER	1 2 3 4 5 6 7	NOMENCLATURE	EFFECT FROM TO	UNITS PER ASSY
1 313	BRH10C3D		..NUT- SUPPLIER CODE: V52828 SPECIFICATION NUMBER: BACN10JC3CD OPTIONAL PART: T6C1032JCD V11815 NS202486-02 V80539 102LH9075-3W V72962 H51650-3BAC V15653 USED ON: 113N1816-37 113N1816-38 113N1816-41 113N1816-42 113N1816-47 113N1816-48 113N1816-49 113N1816-50 113N1816-51 113N1816-52 113N1816-53 113N1816-54 113N1816-61 113N1816-62	107107	2
314	NAS1398D5-4		..RIVET- USED ON: 113N1816-25 113N1816-26 113N1816-37 113N1816-38	107107	2

MISSING ITEM NUMBERS NOT APPLICABLE

- ITEM NOT ILLUSTRATED

BRI

32-12-10-01

BOEING PROPRIETARY - Copyright © - Unpublished Work - See title page for details.

32-12-10  
 FIG. 01  
 PAGE 19  
 JAN 20/09



757

PARTS CATALOG (MAINTENANCE)

FIG ITEM	PART NUMBER	1 2 3 4 5 6 7	NOMENCLATURE	EFFECT FROM TO	UNITS PER ASSY
1 315	BACB30LH3K5		..BOLT- USED ON: 113N1816-25 113N1816-26 113N1816-37 113N1816-38 113N1816-41 113N1816-42 113N1816-47 113N1816-48 113N1816-49 113N1816-50 113N1816-51 113N1816-52 113N1816-53 113N1816-54 113N1816-61 113N1816-62	107107	7
316	BACB30LH2-4		..BOLT- USED ON: 113N1816-100SP 113N1816-41 113N1816-42 113N1816-53 113N1816-54 113N1816-63 113N1816-64 113N1816-75 113N1816-76 113N1816-81 113N1816-82 113N1816-85SP 113N1816-86SP 113N1816-87SP 113N1816-88SP 113N1816-93SP 113N1816-94SP 113N1816-99SP	002004 006102 108999	30

MISSING ITEM NUMBERS NOT APPLICABLE

- ITEM NOT ILLUSTRATED

BRI

32-12-10-01

BOEING PROPRIETARY - Copyright © - Unpublished Work - See title page for details.

32-12-10  
FIG. 01  
PAGE 20  
JAN 20/09





757

PARTS CATALOG (MAINTENANCE)

FIG ITEM	PART NUMBER	1 2 3 4 5 6 7	NOMENCLATURE	EFFECT FROM TO	UNITS PER ASSY
1 320	BACB30LH2K4		..BOLT- USED ON: 113N1816-25 113N1816-26 113N1816-37 113N1816-38 113N1816-41 113N1816-42 113N1816-47 113N1816-48 113N1816-49 113N1816-50 113N1816-51 113N1816-52 113N1816-53 113N1816-54 113N1816-61 113N1816-62	107107	17
321	BACR15BA3AD		..RIVET- SIZE DETERMINED ON INSTL. USED ON: 113N1816-25 113N1816-26 113N1816-37 113N1816-38 113N1816-41 113N1816-42 113N1816-47 113N1816-48 113N1816-49 113N1816-50 113N1816-51 113N1816-52 113N1816-53 113N1816-54 113N1816-61 113N1816-62	107107	14

MISSING ITEM NUMBERS NOT APPLICABLE

- ITEM NOT ILLUSTRATED

BRI

32-12-10-01

BOEING PROPRIETARY - Copyright © - Unpublished Work - See title page for details.

32-12-10  
FIG. 01  
PAGE 21  
JAN 20/09



757

PARTS CATALOG (MAINTENANCE)

FIG ITEM	PART NUMBER	1 2 3 4 5 6 7	NOMENCLATURE	EFFECT FROM TO	UNITS PER ASSY
1 322	BRF220C2-3D		. . NUTPLATE- SUPPLIER CODE: V52828 SPECIFICATION NUMBER: BACN10JS3A2CD OPTIONAL PART: F51900-3-2BAC V15653 NS202562-3-2 V80539 102F9206-2-3 V72962 USED ON: 113N1816-25 113N1816-26 113N1816-37 113N1816-38 113N1816-41 113N1816-42 113N1816-47 113N1816-48 113N1816-49 113N1816-50 113N1816-51 113N1816-52 113N1816-53 113N1816-54 113N1816-61 113N1816-62	107107	3

MISSING ITEM NUMBERS NOT APPLICABLE

- ITEM NOT ILLUSTRATED

BRI

32-12-10-01

BOEING PROPRIETARY - Copyright © - Unpublished Work - See title page for details.

32-12-10  
FIG. 01  
PAGE 22  
JAN 20/09



757

PARTS CATALOG (MAINTENANCE)

FIG ITEM	PART NUMBER	1 2 3 4 5 6 7	NOMENCLATURE	EFFECT FROM TO	UNITS PER ASSY
1 323	BRF220C3-3D		..NUTPLATE- SUPPLIER CODE: V52828 SPECIFICATION NUMBER: BACN10JS3A3CD OPTIONAL PART: F51900-3-3BAC V15653 NS202562-3-3 V80539 102F9206-3-3 V72962 USED ON: 113N1816-25 113N1816-26 113N1816-37 113N1816-38 113N1816-41 113N1816-42 113N1816-47 113N1816-48 113N1816-49 113N1816-50 113N1816-51 113N1816-52 113N1816-53 113N1816-54 113N1816-61 113N1816-62	107107	4
330	AN960KD8L		..WASHER- USED ON: 113N1816-25 113N1816-26 113N1816-37 113N1816-38 113N1816-41 113N1816-42 113N1816-47 113N1816-48 113N1816-49 113N1816-50 113N1816-51 113N1816-52 113N1816-53 113N1816-54 113N1816-61 113N1816-62	107107	17

MISSING ITEM NUMBERS NOT APPLICABLE

- ITEM NOT ILLUSTRATED

32-12-10-01

32-12-10  
 FIG. 01  
 PAGE 23  
 JAN 20/09

BRI



757

PARTS CATALOG (MAINTENANCE)

FIG ITEM	PART NUMBER	1 2 3 4 5 6 7	NOMENCLATURE	EFFECT FROM TO	UNITS PER ASSY
1 331	AN960JD8L		.. WASHER- USED ON: 113N1816-41 113N1816-42 113N1816-53 113N1816-54 113N1816-63 113N1816-64 113N1816-75 113N1816-76 113N1816-81 113N1816-82 113N1816-85SP 113N1816-86SP	002004 006102 121999	30
331	BACW10P43AL		.. WASHER- OPTIONAL PART: NAS1149DN816J USED ON: 113N1816-100SP 113N1816-87SP 113N1816-88SP 113N1816-93SP 113N1816-94SP 113N1816-99SP	002004 006102 108999	30
331	NAS1149DN816J		.. WASHER- OPTIONAL PART: BACW10P43AL USED ON: 113N1816-100SP 113N1816-87SP 113N1816-88SP 113N1816-93SP 113N1816-94SP 113N1816-99SP	002004 006102 108999	30

MISSING ITEM NUMBERS NOT APPLICABLE

- ITEM NOT ILLUSTRATED

32-12-10-01

32-12-10  
FIG. 01  
PAGE 24  
JAN 20/09

BRI



757

PARTS CATALOG (MAINTENANCE)

FIG ITEM	PART NUMBER	1 2 3 4 5 6 7 NOMENCLATURE	EFFECT FROM TO	UNITS PER ASSY
1 335	BRH10C08D	..NUT- SUPPLIER CODE: V52828 SPECIFICATION NUMBER: BACN10JC08CD OPTIONAL PART: H51650-08BAC V15653 102LH9075-82W V72962 NS202486-82 V80539 T6C832JCD V11815 USED ON: 113N1816-25 113N1816-26 113N1816-37 113N1816-38 113N1816-41 113N1816-42 113N1816-47 113N1816-48 113N1816-49 113N1816-50 113N1816-51 113N1816-52 113N1816-53 113N1816-54 113N1816-61 113N1816-62	107107	17

MISSING ITEM NUMBERS NOT APPLICABLE

- ITEM NOT ILLUSTRATED

BRI

32-12-10-01

BOEING PROPRIETARY - Copyright © - Unpublished Work - See title page for details.

32-12-10  
FIG. 01  
PAGE 25  
JAN 20/09



757

PARTS CATALOG (MAINTENANCE)

FIG ITEM	PART NUMBER	1 2 3 4 5 6 7	NOMENCLATURE	EFFECT FROM TO	UNITS PER ASSY
1 336	BRH10C08D		..NUT- SUPPLIER CODE: V52828 SPECIFICATION NUMBER: BACN10JC08CD OPTIONAL PART: H51650-08BAC V15653 102LH9075-82W V72962 NS202486-82 V80539 T6C832JCD V11815 USED ON: 113N1816-100SP 113N1816-63 113N1816-64 113N1816-75 113N1816-76 113N1816-81 113N1816-82 113N1816-85SP 113N1816-86SP 113N1816-87SP 113N1816-88SP 113N1816-93SP 113N1816-94SP 113N1816-99SP	002004 006102 108999	30
350	113N1816-11		..CLIP- POSITION DATA: LH SIDE USED ON: 113N1816-25	107107	1
- 355	113N1816-12		..CLIP- POSITION DATA: RH SIDE USED ON: 113N1816-26	107107	1
370	113N1816-29		..SEAL- POSITION DATA: LH SIDE MANUFACTURED FROM: EXTR RUBBER 10-60754-32 X 35.00 IN.) USED ON: 113N1816-25 113N1816-37 113N1816-47	107107	1

MISSING ITEM NUMBERS NOT APPLICABLE

- ITEM NOT ILLUSTRATED

32-12-10-01

32-12-10  
FIG. 01  
PAGE 26  
JAN 20/09

BRI



757

PARTS CATALOG (MAINTENANCE)

FIG ITEM	PART NUMBER	1 2 3 4 5 6 7	NOMENCLATURE	EFFECT FROM TO	UNITS PER ASSY
1 370	113N1816-57		..SEAL- POSITION DATA: LH SIDE MANUFACTURED FROM: EXTR RUBBER 10-60754-32 X 35.0 USED ON: 113N1816-47 113N1816-49 113N1816-61	107107	1
370	113N1816-67		..SEAL- POSITION DATA: LH SIDE MANUFACTURED FROM: EXTR RUBBER 10-60754-32 X 35.0 USED ON: 113N1816-41 113N1816-53 113N1816-63 113N1816-75 113N1816-81 113N1816-85SP	002004 006102 121999	1
370	113N1816-91		..SEAL- POSITION DATA: LH SIDE MANUFACTURED FROM: EXTR RUBBER 10-60754-32 X 35.0 USED ON: 113N1816-87SP 113N1816-93SP 113N1816-99SP	002004 006102 108999	1
- 375	113N1816-30		..SEAL- POSITION DATA: RH SIDE MANUFACTURED FROM: EXTR RUBBER 10-60754-32 X 35.00 IN.) USED ON: 113N1816-26 113N1816-38 113N1816-48	107107	1

MISSING ITEM NUMBERS NOT APPLICABLE

- ITEM NOT ILLUSTRATED

32-12-10-01

32-12-10  
FIG. 01  
PAGE 27  
JAN 20/09

BRI



757

PARTS CATALOG (MAINTENANCE)

FIG ITEM	PART NUMBER	1 2 3 4 5 6 7	NOMENCLATURE	EFFECT FROM TO	UNITS PER ASSY
1					
- 375	113N1816-58	..	SEAL- POSITION DATA: RH SIDE MANUFACTURED FROM: EXTR RUBBER 10-60754-32 X 35.0 USED ON: 113N1816-48 113N1816-50 113N1816-62	107107	1
- 375	113N1816-68	..	SEAL- POSITION DATA: RH SIDE MANUFACTURED FROM: EXTR RUBBER 10-60754-32 X 35.0 USED ON: 113N1816-42 113N1816-54 113N1816-64 113N1816-76 113N1816-82 113N1816-86SP	002004 006102 121999	1
- 375	113N1816-92	..	SEAL- POSITION DATA: RH SIDE MANUFACTURED FROM: EXTR RUBBER 10-60754-32 X 35.0 USED ON: 113N1816-100SP 113N1816-88SP 113N1816-94SP	002004 006102 108999	1
380	113N1816-27	..	RETAINER-SEAL POSITION DATA: LH SIDE USED ON: 113N1816-25 113N1816-37 113N1816-47	107107	1
380	113N1816-55	..	RETAINER-SEAL POSITION DATA: LH SIDE USED ON: 113N1816-47 113N1816-49 113N1816-61	107107	1

MISSING ITEM NUMBERS NOT APPLICABLE

- ITEM NOT ILLUSTRATED

32-12-10-01

32-12-10  
FIG. 01  
PAGE 28  
JAN 20/09

BRI





757

PARTS CATALOG (MAINTENANCE)

FIG ITEM	PART NUMBER	1 2 3 4 5 6 7	NOMENCLATURE	EFFECT FROM TO	UNITS PER ASSY
1 380	113N1816-65		..RETAINER-SEAL POSITION DATA: LH SIDE USED ON: 113N1816-41 113N1816-53 113N1816-63 113N1816-75 113N1816-81 113N1816-85SP	002004 006102 121999	1
380	113N1816-89		..RETAINER-SEAL POSITION DATA: LH SIDE	002004 006102 108999	1
- 385	113N1816-28		..RETAINER-SEAL POSITION DATA: RH SIDE USED ON: 113N1816-26 113N1816-38 113N1816-48	107107	1
- 385	113N1816-56		..RETAINER-SEAL POSITION DATA: RH SIDE USED ON: 113N1816-48 113N1816-50 113N1816-62	107107	1
- 385	113N1816-66		..RETAINER-SEAL POSITION DATA: RH SIDE USED ON: 113N1816-42 113N1816-54 113N1816-64 113N1816-76 113N1816-82 113N1816-86SP	002004 006102 121999	1
- 385	113N1816-90		..RETAINER-SEAL POSITION DATA: RH SIDE USED ON: 113N1816-100SP 113N1816-88SP 113N1816-94SP	002004 006102 108999	1

MISSING ITEM NUMBERS NOT APPLICABLE

- ITEM NOT ILLUSTRATED

32-12-10-01

32-12-10  
FIG. 01  
PAGE 29  
JAN 20/09

BRI

BOEING PROPRIETARY - Copyright © - Unpublished Work - See title page for details.



757

PARTS CATALOG (MAINTENANCE)

FIG ITEM	PART NUMBER	1 2 3 4 5 6 7	NOMENCLATURE	EFFECT FROM TO	UNITS PER ASSY
1 400	113N1816-39		.. ANGLE-SKATE POSITION DATA: OUTBD LH SIDE USED ON: 113N1816-25 113N1816-37 113N1816-41 113N1816-47 113N1816-49 113N1816-51 113N1816-53 113N1816-61	107107	1
401	113N1877-5		.. SEAL- POSITION DATA: OUTBD LH SIDE MANUFACTURED FROM: EXTRU RUBBER 10-60754-61 X 10.7 OPTIONAL PART: 113N1877-7 USED ON: 113N1816-41 113N1816-53 113N1816-63 113N1816-75 113N1816-81 113N1816-85SP 113N1816-87SP 113N1816-93SP 113N1816-99SP	002004 006102 108999	1
401	113N1877-7		.. SEAL- POSITION DATA: OUTBD LH SIDE MANUFACTURED FROM: EXTRU RUBBER 10-60754-61 X 10.7 OPTIONAL PART: 113N1877-5 USED ON: 113N1816-87SP 113N1816-93SP 113N1816-99SP	002004 006102 108999	1

MISSING ITEM NUMBERS NOT APPLICABLE

- ITEM NOT ILLUSTRATED

BRI

32-12-10-01

BOEING PROPRIETARY - Copyright © - Unpublished Work - See title page for details.

32-12-10  
FIG. 01  
PAGE 30  
JAN 20/09



757

PARTS CATALOG (MAINTENANCE)

FIG ITEM	PART NUMBER	1 2 3 4 5 6 7	NOMENCLATURE	EFFECT FROM TO	UNITS PER ASSY
1 - 405	113N1816-40		.. ANGLE-SKATE POSITION DATA: OUTBD RH SIDE USED ON: 113N1816-26 113N1816-38 113N1816-42 113N1816-48 113N1816-50 113N1816-52 113N1816-54 113N1816-62	107107	1
406	113N1877-6		.. SEAL- POSITION DATA: OUTBD RH SIDE MANUFACTURED FROM: EXTRU RUBBER 10-60754-61 X 10.7 OPTIONAL PART: 113N1877-8 USED ON: 113N1816-100SP 113N1816-42 113N1816-54 113N1816-64 113N1816-76 113N1816-82 113N1816-86SP 113N1816-88SP 113N1816-94SP	002004 006102 108999	1
406	113N1877-8		.. SEAL- POSITION DATA: OUTBD RH SIDE MANUFACTURED FROM: EXTRU RUBBER 10-60754-61 X 10.7 OPTIONAL PART: 113N1877-6 USED ON: 113N1816-100SP 113N1816-88SP 113N1816-94SP	002004 006102 108999	1

MISSING ITEM NUMBERS NOT APPLICABLE

- ITEM NOT ILLUSTRATED

BRI

32-12-10-01

BOEING PROPRIETARY - Copyright © - Unpublished Work - See title page for details.

32-12-10  
FIG. 01  
PAGE 31  
JAN 20/09



757

PARTS CATALOG (MAINTENANCE)

FIG ITEM	PART NUMBER	1 2 3 4 5 6 7	NOMENCLATURE	EFFECT FROM TO	UNITS PER ASSY
1 408	113N1816-69		..RETAINER- POSITION DATA: OUTBD LH SIDE USED ON: 113N1816-41 113N1816-53 113N1816-63 113N1816-75 113N1816-81 113N1816-85SP 113N1816-87SP 113N1816-93SP 113N1816-99SP	002004 006102 108999	1
410	113N1816-35		..BRACKET- POSITION DATA: LH SIDE USED ON: 113N1816-25	107107	1
410	113N1816-45		..BRACKET- POSITION DATA: LH SIDE USED ON: 113N1816-47 113N1816-49 113N1816-61	107107	1
410	113N1875-1		..BRACKET- POSITION DATA: LH SIDE USED ON: 113N1816-61	107107	1
- 412	113N1816-70		..RETAINER- POSITION DATA: OUTBD RH SIDE USED ON: 113N1816-100SP 113N1816-42 113N1816-54 113N1816-64 113N1816-76 113N1816-82 113N1816-86SP 113N1816-88SP 113N1816-94SP	002004 006102 108999	1
- 415	113N1816-36		..BRACKET- POSITION DATA: RH SIDE USED ON: 113N1816-26	107107	1

MISSING ITEM NUMBERS NOT APPLICABLE

- ITEM NOT ILLUSTRATED

32-12-10-01

32-12-10  
FIG. 01  
PAGE 32  
JAN 20/09

BRI



757

PARTS CATALOG (MAINTENANCE)

FIG ITEM	PART NUMBER	1 2 3 4 5 6 7	NOMENCLATURE	EFFECT FROM TO	UNITS PER ASSY
1					
- 415	113N1816-46		..BRACKET- POSITION DATA: RH SIDE USED ON: 113N1816-48 113N1816-50 113N1816-62	107107	1
- 415	113N1875-2		..BRACKET- POSITION DATA: RH SIDE USED ON: 113N1816-62	107107	1
420	113N1817-1		..BOND ASSY- POSITION DATA: LH SIDE USED ON: 113N1816-25 113N1816-37 113N1816-41 113N1816-47 113N1816-51	107107	1
420	113N1853-1		..BOND ASSY- POSITION DATA: LH SIDE USED ON: 113N1816-49	107107	1
420	113N1853-3		..BOND ASSY- POSITION DATA: LH SIDE USED ON: 113N1816-61	107107	1
420	113N1853-11		..BOND ASSY- POSITION DATA: LH SIDE USED ON: 113N1816-75 113N1816-85SP 113N1816-87SP	002004 006102 108999	1
420	113N1853-13		..BOND ASSY- POSITION DATA: LH SIDE USED ON: 113N1816-93SP 113N1816-99SP	002004 006102 108999	1
- 425	113N1817-2		..BOND ASSY- POSITION DATA: RH SIDE	107107	1

MISSING ITEM NUMBERS NOT APPLICABLE

- ITEM NOT ILLUSTRATED

32-12-10-01

32-12-10  
FIG. 01  
PAGE 33  
JAN 20/09

BRI

BOEING PROPRIETARY - Copyright © - Unpublished Work - See title page for details.



757

PARTS CATALOG (MAINTENANCE)

FIG ITEM	PART NUMBER	1 2 3 4 5 6 7	NOMENCLATURE	EFFECT FROM TO	UNITS PER ASSY
1					
- 425	113N1853-2		..BOND ASSY- POSITION DATA: RH SIDE USED ON: 113N1816-50	107107	1
- 425	113N1853-4		..BOND ASSY- POSITION DATA: RH SIDE USED ON: 113N1816-62	107107	1
- 425	113N1853-12		..BOND ASSY- POSITION DATA: RH SIDE USED ON: 113N1816-76 113N1816-86SP 113N1816-88SP	002004 006102 108999	1
- 425	113N1853-14		..BOND ASSY- POSITION DATA: RH SIDE USED ON: 113N1816-100SP 113N1816-94SP	002004 006102 108999	1
426	113N1816-71		..SEAL- POSITION DATA: INBD LH SIDE MANUFACTURED FROM: EXTR RUBBER 10-60754-32 X 11.70 USED ON: 113N1816-63	002004 006102 108999	1
426	113N1816-77		..SEAL- POSITION DATA: INBD LH SIDE MANUFACTURED FROM: EXTR RUBBER 10-60754-32 X 11.70 USED ON: 113N1816-75 113N1816-85SP 113N1816-87SP 113N1816-93SP	002004 006102 108999	1

MISSING ITEM NUMBERS NOT APPLICABLE

- ITEM NOT ILLUSTRATED

32-12-10-01

32-12-10  
FIG. 01  
PAGE 34  
JAN 20/09

BRI

BOEING PROPRIETARY - Copyright © - Unpublished Work - See title page for details.



757

PARTS CATALOG (MAINTENANCE)

FIG ITEM	PART NUMBER	1 2 3 4 5 6 7	NOMENCLATURE	EFFECT FROM TO	UNITS PER ASSY
1 426	113N1816-95		..SEAL- POSITION DATA: INBD LH SIDE MANUFACTURED FROM: EXTR RUBBER 10-60754-7 X 11.70 USED ON: 113N1816-99SP	002004 006102 108999	1
- 427	113N1816-72		..SEAL- POSITION DATA: INBD RH SIDE MANUFACTURED FROM: EXTR RUBBER 10-60754-32 X 11.70 USED ON: 113N1816-64	002004 006102 108999	1
- 427	113N1816-78		..SEAL- POSITION DATA: INBD RH SIDE MANUFACTURED FROM: EXTR RUBBER 10-60754-32 X 11.70 USED ON: 113N1816-76 113N1816-86SP 113N1816-88SP 113N1816-94SP	002004 006102 108999	1
- 427	113N1816-96		..SEAL- POSITION DATA: INBD RH SIDE MANUFACTURED FROM: EXTR RUBBER 10-60754-7 X 11.70 USED ON: 113N1816-100SP	002004 006102 108999	1
428	113N1816-73		..RETAINER- POSITION DATA: INBD LH SIDE USED ON: 113N1816-63	002004 006102 108999	1
428	113N1816-79		..RETAINER- POSITION DATA: INBD LH SIDE USED ON: 113N1816-75 113N1816-85SP 113N1816-87SP 113N1816-93SP	002004 006102 108999	1

MISSING ITEM NUMBERS NOT APPLICABLE

- ITEM NOT ILLUSTRATED

32-12-10-01

32-12-10  
FIG. 01  
PAGE 35  
JAN 20/09

BRI



757

PARTS CATALOG (MAINTENANCE)

FIG ITEM	PART NUMBER	1 2 3 4 5 6 7	NOMENCLATURE	EFFECT FROM TO	UNITS PER ASSY
1 428	113N1816-97		..RETAINER- POSITION DATA: INBD LH SIDE USED ON: 113N1816-99SP	002004 006102 108999	1
- 429	113N1816-74		..RETAINER- POSITION DATA: INBD RH SIDE USED ON: 113N1816-64	002004 006102 108999	1
- 429	113N1816-80		..RETAINER- POSITION DATA: INBD RH SIDE USED ON: 113N1816-76 113N1816-86SP 113N1816-88SP 113N1816-94SP	002004 006102 108999	1
- 429	113N1816-98		..RETAINER- POSITION DATA: INBD RH SIDE USED ON: 113N1816-100SP	002004 006102 108999	1
430	BACS40R10D11F		..SHIM-LAMINATED	107107	1
432	BACS40R11E34F		.SHIM-LAMINATED	107107	1
436	113N1800-4		.FILLER-RADIUS	107107	2
442	NAS6706D27		.BOLT-	002004 006102 107999	1
443	NAS6706D37		.BOLT- PRE SERVICE BULLETIN: 57-0032	904949	1
443	NAS6706D18		.BOLT- POST SERVICE BULLETIN: 57-0032	002004 006102 107999	1
446	BACW10BP6CD		.WASHER-	002004 006100 107999	2
450	BACW10BN6AP		.WASHER-	002004 006100 107999	2

MISSING ITEM NUMBERS NOT APPLICABLE

- ITEM NOT ILLUSTRATED

32-12-10-01

32-12-10  
FIG. 01  
PAGE 36  
JAN 20/09

BRI





757

PARTS CATALOG (MAINTENANCE)

FIG ITEM	PART NUMBER	1 2 3 4 5 6 7	NOMENCLATURE	EFFECT FROM TO	UNITS PER ASSY
1 453	PHCR56CD		.NUT- SUPPLIER CODE: VF0224 QUALIFIED OPTIONAL DATA: (PHCR56CD OR 102E9925-6 OPTIONAL TO 73781CD624 OR PHCR56CD OR 102E9925-6 PLUS BACP18BC03A06P IS OPTIONAL TO NAS1805-6L PLUS MS20995NC32 FOR ZONE 3B2)	101102 108120 504903	1
453	102E9925-6		.NUT-CASTELLATED SUPPLIER CODE: V72962 QUALIFIED OPTIONAL DATA: (PHCR56CD OR 102E9925-6 OPTIONAL TO 73781CD624 OR PHCR56CD OR 102E9925-6 PLUS BACP18BC03A06P IS OPTIONAL TO NAS1805-6L PLUS MS20995NC32 FOR ZONE 3B2)	101102 108120 504903	1
453	73781CD624		.NUT- SUPPLIER CODE: V56878 QUALIFIED OPTIONAL DATA: (PHCR56CD OR 102E9925-6 OPTIONAL TO 73781CD624 OR PHCR56CD OR 102E9925-6 PLUS BACP18BC03A06P IS OPTIONAL TO NAS1805-6L PLUS MS20995NC32 FOR ZONE 3B2)	101102 108120 504903	1
454	NAS1805-6L		.NUT- PRE SERVICE BULLETIN: 57-0032	107107 904949	2
455	NAS1805-6L		.NUT-	015100	1
455A	NAS1805-6N		.NUT- POST SERVICE BULLETIN: 57-0032	904949	1

MISSING ITEM NUMBERS NOT APPLICABLE

- ITEM NOT ILLUSTRATED

32-12-10-01

32-12-10  
FIG. 01  
PAGE 37  
JAN 20/09

BRI



757

PARTS CATALOG (MAINTENANCE)

FIG ITEM	PART NUMBER	1 2 3 4 5 6 7	NOMENCLATURE	EFFECT FROM TO	UNITS PER ASSY
1 456	PHCR56CD		.NUT- SUPPLIER CODE: VF0224 OPTIONAL PART: 102E9925-6 V72962 73781CD624 V56878	003004 006100 121503 950999	1
456	102E9925-6		.NUT-CASTELLATED SUPPLIER CODE: V72962 OPTIONAL PART: 73781CD624 V56878 PHCR56CD VF0224	003004 006100 121503 950999	1
456	73781CD624		.NUT-SELF LOCKING SUPPLIER CODE: V56878 OPTIONAL PART: PHCR56CD VF0224 102E9925-6 V72962	003004 006100 121503 950999	1
456	PHCR56CDBACN		.NUT- SUPPLIER CODE: VF0224 SPECIFICATION NUMBER: BACN11N6CD POST SERVICE BULLETIN: 57-0032R1	904949	1
457A	MS24665-300		.PIN-COTTER POST SERVICE BULLETIN: 57-0032	904949	1
457B	BACP18BC03A06P		.PIN-COTTER	101102 108120 504903 015100	1
458A	MS24665-300		.PIN-COTTER QUALIFIED OPTIONAL DATA: (73781CD624 OR PHCR56CD OR 102E9925-6 PLUS MS24665-300 IS OPT TO NAS1805-6N PLUS MS20995NC32)		1

MISSING ITEM NUMBERS NOT APPLICABLE

- ITEM NOT ILLUSTRATED

32-12-10-01

32-12-10  
FIG. 01  
PAGE 38  
JAN 20/09

BRI



757

PARTS CATALOG (MAINTENANCE)

FIG ITEM	PART NUMBER	1 2 3 4 5 6 7	NOMENCLATURE	EFFECT FROM TO	UNITS PER ASSY
1 458C	PHCR56CD		.NUT- SUPPLIER CODE: VF0224 QUALIFIED OPTIONAL DATA: (73781CD624 OR PHCR56CD OR 102E9925-6 PLUS MS24665-300 IS OPT TO NAS1805-6N PLUS MS20995NC32)	015100	1
458D	102E9925-6		.NUT-CASTELLATED SUPPLIER CODE: V72962 QUALIFIED OPTIONAL DATA: (73781CD624 OR PHCR56CD OR 102E9925-6 PLUS MS24665-300 IS OPT TO NAS1805-6N PLUS MS20995NC32)	015100	1
458E	73781CD624		.NUT-SELF LOCKING SUPPLIER CODE: V56878 QUALIFIED OPTIONAL DATA: (73781CD624 OR PHCR56CD OR 102E9925-6 PLUS MS24665-300 IS OPT TO NAS1805-6N PLUS MS20995NC32)	015100	1
458G	NAS1805-6L		.NUT- QUALIFIED OPTIONAL DATA: (73781CD624 OR PHCR56CD OR 102E9925-6 PLUS BACP18BC03A06P IS OPTIONAL TO NAS1805-6L PLUS MS20995NC32)	101102 108120 504903	1
459	BACB28AK06-057		.BUSHING- PRE SERVICE BULLETIN: 57-0032	002004 006100 107999	1
459	BACB28AK06-57		.BUSHING- POST SERVICE BULLETIN: 57-0032	904949	1
461	BACB30NN4K18		.BOLT	002004 006102 108999	4
462	113N1148-1		.WASHER ASSY	002004 006102 108999	2
463	113N1878-1		.PLATE	002004 006102 108999	2

MISSING ITEM NUMBERS NOT APPLICABLE

- ITEM NOT ILLUSTRATED

32-12-10-01

32-12-10  
FIG. 01  
PAGE 39  
JAN 20/09

BRI



757

PARTS CATALOG (MAINTENANCE)

FIG ITEM	PART NUMBER	1 2 3 4 5 6 7	NOMENCLATURE	EFFECT FROM TO	UNITS PER ASSY
1					
464	BACS40R018B024F	.SHIM		002004 006102 108999	2
466	BACS40R018E024F	.SHIM		002004 006102 108999	1
478	113N1821-9	.ROD ASSY-PUSH QUALIFIED I/W DATA: -1 I/W -9 ON LEFT SIDE ONLY -2 I/W -9 ON RIGHT SIDE ONLY -7 I/W -9 ON LEFT SIDE ONLY -8 I/W -9 ON RIGHT SIDE ONLY -10 MAY REPLACE -9 UPON INCORPORATION OF S/B 757-57-0032 PRE SERVICE BULLETIN: 57-0032		904949	1
478	113N1821-10	.ROD ASSY-PUSH QUALIFIED I/W DATA: -10 MAY REPLACE -9 UPON INCORPORATION OF S/B 757-57-0032 POST SERVICE BULLETIN: 57-0032		002004 006102 107999	1
480	NAS1193K7CP	..LOCKING DEVICE		002004 006102 107999	2
482	NAS1193K7-1P	...WASHER		002004 006102 107999	1
483	NAS1193K7-2P	...WASHER		002004 006102 107999	1
485	NAS509-7C	..NUT- OPTIONAL PART: NAS1423-7		002004 006102 107999	2
485	NAS1423-7	..NUT- OPTIONAL PART: NAS509-7C		002004 006102 107999	2

MISSING ITEM NUMBERS NOT APPLICABLE

- ITEM NOT ILLUSTRATED

32-12-10-01

32-12-10  
FIG. 01  
PAGE 40  
JAN 20/09

BRI



757

PARTS CATALOG (MAINTENANCE)

FIG ITEM	PART NUMBER	1 2 3 4 5 6 7	NOMENCLATURE	EFFECT FROM TO	UNITS PER ASSY
1 490	BCREF106924		.. BEARING-ROD END SUPPLIER CODE: V15860 OVERLENGTH PART NUMBER: S012T234-106-679 SPECIFICATION NUMBER: S012T234-106-679 MISCELLANEOUS DATA: SUPPLIER PART NUMBER ARB6E190W69, WITH FSCM 15860, QUALIFIES TO BOEING SPECIFICATION NUMBER S012T234-106-679 USED ON: 113N1821-1 113N1821-2	002004 006102 107999	2
490	P35690		.. BEARING-ROD END SUPPLIER CODE: V57606 OPTIONAL PART: VTA06440 V06710 USED ON: 113N1821-7 113N1821-8 113N1821-9 113N1821-10	002004 006102 107999	2
490	VTA06440		.. BEARING-ROD END SUPPLIER CODE: V06710 OPTIONAL PART: P35690 V57606 USED ON: 113N1821-7 113N1821-8 113N1821-9 113N1821-10	002004 006102 107999	2
R R R	495	113N1821-3	.. ROD-PUSH POSITION DATA: LH SIDE	107107 904949	1
-	502	113N1867-1	.. ROD-PUSH	107107 904949	1
-	503	113N1867-3	.. ROD-PUSH REWORK DRAWING REF: 113N1867-5 OPTIONAL PART: 113N1867-4 113N1867-5	002004 006102 107903 950999	1

MISSING ITEM NUMBERS NOT APPLICABLE

- ITEM NOT ILLUSTRATED

32-12-10-01

32-12-10  
FIG. 01  
PAGE 41  
MAY 20/09

BRI



757

PARTS CATALOG (MAINTENANCE)

FIG ITEM	PART NUMBER	1 2 3 4 5 6 7	NOMENCLATURE	EFFECT FROM TO	UNITS PER ASSY	
1						
- 503	113N1867-4	. .	ROD-PUSH OPTIONAL PART: 113N1867-3 113N1867-5	002004 006102 107903 950999	1	
- 503	113N1867-5	. .	ROD-PUSH OPTIONAL PART: 113N1867-3 113N1867-4	002004 006102 107903 950999	1	
505	113N1831-1	. .	STABILIZER ASSY- POSITION DATA: LH SIDE	107107 904949	1	
507	113N1173-1	. .	STABILIZER ASSY- POSITION DATA: LH SIDE POST SERVICE BULLETIN: 57-0032	002004 006102 108999	1	
- 510	113N1831-2	. .	STABILIZER ASSY- POSITION DATA: RH SIDE	107107 904949	1	
- 512	113N1173-2	. .	STABILIZER ASSY- POSITION DATA: RH SIDE POST SERVICE BULLETIN: 57-0032	002004 006102 108999	1	
- 515	BACR15FT6D	. .	RIVET- ATTACHING PARTS SIZE DETERMINED ON INSTL. PRE SERVICE BULLETIN: 57-0032	107107 904949	4	
R R R R R	- 517	L8006K3	. .	BOLT SUPPLIER CODE: V06725 SPECIFICATION NUMBER: BACB30MY6K3	002004 006102 108903 950999	4
- 517	NAS1669-5L3	. .	BOLT- QUALIFIED OPTIONAL DATA: P/N NAS1669-5L3 OPTIONAL TO P/N BACB30MY6K3 TOGETHER WITH BACC30M6 POST SERVICE BULLETIN: 57-0032	904949	4	

MISSING ITEM NUMBERS NOT APPLICABLE

- ITEM NOT ILLUSTRATED

32-12-10-01

32-12-10  
FIG. 01  
PAGE 42  
MAY 20/09

BRI



757

PARTS CATALOG (MAINTENANCE)

FIG ITEM	PART NUMBER	1 2 3 4 5 6 7	NOMENCLATURE	EFFECT FROM TO	UNITS PER ASSY
1 - 517	L8006K3		.BOLT- SUPPLIER CODE: V06725 SPECIFICATION NUMBER: BACB30MY6K3 QUALIFIED OPTIONAL DATA: P/N NAS1669-5L3 OPTIONAL TO P/N BACB30MY6K3 TOGETHER WITH BACC30M6 POST SERVICE BULLETIN: 57-0032R1	904949	4
- 518	HL79-6		.COLLAR- SUPPLIER CODE: V5M902 SPECIFICATION NUMBER: BACC30M6 OPTIONAL PART: HL79-6 V73197 HL79-6 V92215 66014-6 V56878 HL79-6 V56878 QUALIFIED OPTIONAL DATA: P/N NAS1669-5L3 OPTIONAL TO P/N BACB30MY6K3 TOGETHER WITH BACC30M6 POST SERVICE BULLETIN: 57-0032R1	904949	4
519	BACB30LE9-124		.BOLT- -----*-----	002004 006100 107107 121503 904999	1
519	BACB30LE9K124		.BOLT-	101102 108120 504903	1
524	BACW10BP9CD		.WASHER-	002004 006100 107107 121503 904999	1

MISSING ITEM NUMBERS NOT APPLICABLE

- ITEM NOT ILLUSTRATED

32-12-10-01

32-12-10  
FIG. 01  
PAGE 43  
JAN 20/09

BRI



757

PARTS CATALOG (MAINTENANCE)

FIG ITEM	PART NUMBER	1 2 3 4 5 6 7	NOMENCLATURE	EFFECT FROM TO	UNITS PER ASSY
R R R R R	1 529	NAS1149C0963R	.WASHER	002004 006100 107107 121503 904999	1
	534	BMN10HRCWD3-9	.NUT- SUPPLIER CODE: V97928 SPECIFICATION NUMBER: BACN10HR9CD OPTIONAL PART: H51560-9 V15653 67832CD918 V56878 102LH9031-9 V72962 BH00303CM9 V27238 BMN5024CWD39 V97928 SL7108C9 V11815 VCU0005D9 V06710 102LH90319 V72962 67832CD9 V56878 67832CD9 V56878	002004 006100 107107 121503 904999	1
	535	NAS1805-8N	.NUT-	002004 006100 107107 121503 904999	2
	536	NAS43HT9-345	.SPACER-	002004 006100 107107 121503 904999	1
	538	NAS73-9E010	.BUSHING-	002004 006100 107107 121503 904999	1

MISSING ITEM NUMBERS NOT APPLICABLE

- ITEM NOT ILLUSTRATED

32-12-10-01

32-12-10  
FIG. 01  
PAGE 44  
MAY 20/09

BRI





757

PARTS CATALOG (MAINTENANCE)

FIG ITEM	PART NUMBER	1 2 3 4 5 6 7	NOMENCLATURE	EFFECT FROM TO	UNITS PER ASSY
1 541	113N1849-65SP		. FAIRING ASSY- POSITION DATA: LH SIDE QUALIFIED I/W DATA: 113N1849-37 IS INTERCHANGEABLE WITH 113N1849-65SP SUBJECT TO CUSTOMER COLOR PREFERENCE 113N1849-63 IS INTERCHANGEABLE WITH 113N1849-65SP SUBJECT TO CUSTOMER COLOR PREFERENCE FOR SPARES PROCURE: 654N0244-143	107107 904949	1
541	113N1849-33		. FAIRING ASSY- POSITION DATA: LH SIDE COMPONENT MAINT MANUAL REF: 32-12-66 QUALIFIED I/W DATA: 113N1849-19 OR -15 MAY BE REPLACED BY -41 OR -49 OR -33 AFTER INCORPORATION OF S/B 757-57-0018	107107 904949	1
541	113N1849-67SP		. FAIRING ASSY- POSITION DATA: LH SIDE	002004 006008 107107 121503 904949 952999	1
541	113N1849-49		. FAIRING ASSY- POSITION DATA: LH SIDE COMPONENT MAINT MANUAL REF: 32-12-66 QUALIFIED I/W DATA: 113N1849-19 MAY BE REPLACED BY -49 AFTER INCORPORATION OF S/B 757-57-0018 113N1849-15 MAY BE REPLACED BY -49 AFTER INCORPORATION OF S/B 757-57-0018	107107 904949	1

MISSING ITEM NUMBERS NOT APPLICABLE

- ITEM NOT ILLUSTRATED

32-12-10-01

32-12-10  
FIG. 01  
PAGE 45  
JAN 20/09

BRI



757

PARTS CATALOG (MAINTENANCE)

FIG ITEM	PART NUMBER	1 2 3 4 5 6 7	NOMENCLATURE	EFFECT FROM TO	UNITS PER ASSY
1					
541	113N1849-53		. FAIRING ASSY- POSITION DATA: LH SIDE	107107 904949	1
541	113N1849-55		. FAIRING ASSY- POSITION DATA: LH SIDE	107107 904949	1
541	113N1849-61		. FAIRING ASSY- POSITION DATA: LH SIDE	107107 904949	1
541	113N1849-73SP		. FAIRING ASSY- POSITION DATA: LH SIDE	002004 006100 107107 121503 904999	1
541	113N1849-77SP		. FAIRING ASSY- POSITION DATA: LH SIDE	002004 006100 107107 121503 904999	1
542	113N1849-87SP		. FAIRING ASSY- POSITION DATA: LH SIDE	002004 006102 107999	1
542	113N1849-41		. FAIRING ASSY- POSITION DATA: LH SIDE	107107 904949	1
- 544	113N1849-66SP		. FAIRING ASSY- POSITION DATA: RH SIDE QUALIFIED I/W DATA: 113N1849-19 OR -15 MAY BE REPLACED BY -41 OR -49 OR -33 AFTER INCORPORATION OF S/B 757-57-0018	107107 904949	1
			QUALIFIED I/W DATA: 113N1849-38 IS INTERCHANGEABLE WITH 113N1849-66SP SUBJECT TO CUSTOMER COLOR PREFERENCE 113N1849-64 IS INTERCHANGEABLE WITH 113N1849-66SP SUBJECT TO CUSTOMER COLOR PREFERENCE FOR SPARES PROCURE: 654N0244-142		

MISSING ITEM NUMBERS NOT APPLICABLE

- ITEM NOT ILLUSTRATED

32-12-10-01

32-12-10  
FIG. 01  
PAGE 46  
JAN 20/09

BRI



757

PARTS CATALOG (MAINTENANCE)

FIG ITEM	PART NUMBER	1 2 3 4 5 6 7	NOMENCLATURE	EFFECT FROM TO	UNITS PER ASSY
1					
- 544	113N1849-34		. FAIRING ASSY- POSITION DATA: RH SIDE COMPONENT MAINT MANUAL REF: 32-12-66 QUALIFIED I/W DATA: 113N1849-20 OR -16 MAY BE REPLACED BY -42 OR -50 OR -34 AFTER INCORPORATION OF S/B 757-57-0018	107107 904949	1
- 544	113N1849-68SP		. FAIRING ASSY- POSITION DATA: RH SIDE	002004 006008 107107 121503 904949 952999	1
- 544	113N1849-50		. FAIRING ASSY- POSITION DATA: RH SIDE COMPONENT MAINT MANUAL REF: 32-12-66 QUALIFIED I/W DATA: 113N1849-20 OR -16 MAY BE REPLACED BY -42 OR -50 OR -30 AFTER INCORPORATION OF S/B 757-57-0018 113N1849-20 OR -16 MAY BE REPLACED BY -42 OR -50 OR -34 AFTER INCORPORATION OF S/B 757-57-0018	107107 904949	1
- 544	113N1849-54		. FAIRING ASSY- POSITION DATA: RH SIDE COMPONENT MAINT MANUAL REF: 32-12-66	107107 904949	1
- 544	113N1849-56		. FAIRING ASSY- POSITION DATA: RH SIDE COMPONENT MAINT MANUAL REF: 32-12-66	107107 904949	1
- 544	113N1849-62		. FAIRING ASSY- POSITION DATA: RH SIDE COMPONENT MAINT MANUAL REF: 32-12-66	107107 904949	1

MISSING ITEM NUMBERS NOT APPLICABLE

- ITEM NOT ILLUSTRATED

32-12-10-01

32-12-10  
FIG. 01  
PAGE 47  
JAN 20/09

BRI



757

PARTS CATALOG (MAINTENANCE)

FIG ITEM	PART NUMBER	1 2 3 4 5 6 7	NOMENCLATURE	EFFECT FROM TO	UNITS PER ASSY
1					
- 544	113N1849-74SP		. FAIRING ASSY- POSITION DATA: RH SIDE	002004 006100 107107 121503 904999	1
- 544	113N1849-78SP		. FAIRING ASSY- POSITION DATA: RH SIDE	002004 006100 107107 121503 904999	1
- 545	113N1849-88SP		. FAIRING ASSY- POSITION DATA: RH SIDE	002004 006102 107999	1
- 545	113N1849-42		. FAIRING ASSY- POSITION DATA: RH SIDE QUALIFIED I/W DATA: 113N1849-42 MAY REPLACE 113N1849-20 AFTER INCORPORATION OF S/B 757-57-0018	107107 904949	1
546A	BACS12ER3K8		.. SCREW- USED ON: 113N1849-87SP 113N1849-88SP	002004 006102 107999	12
546B	BACS12ER3K12		.. SCREW- USED ON: 113N1849-87SP 113N1849-88SP	002004 006102 107999	48

MISSING ITEM NUMBERS NOT APPLICABLE

- ITEM NOT ILLUSTRATED

BRI

32-12-10-01

BOEING PROPRIETARY - Copyright © - Unpublished Work - See title page for details.

32-12-10  
FIG. 01  
PAGE 48  
JAN 20/09



757

PARTS CATALOG (MAINTENANCE)

FIG ITEM	PART NUMBER	1 2 3 4 5 6 7	NOMENCLATURE	EFFECT FROM TO	UNITS PER ASSY
1 546H	BACS12ER3K8		.. SCREW- USED ON: 113N1849-37 113N1849-38 113N1849-41 113N1849-42 113N1849-53 113N1849-54 113N1849-55 113N1849-56 113N1849-61 113N1849-62 113N1849-63 113N1849-64 113N1849-65SP 113N1849-66SP 113N1849-67SP 113N1849-68SP 113N1849-73SP 113N1849-74SP 113N1849-77SP 113N1849-78SP USED ON: 113N1849-3 113N1849-4 113N1849-13 113N1849-14 113N1849-15 113N1849-16 113N1849-19 113N1849-20 113N1849-24 113N1849-25 113N1849-33 113N1849-34 113N1849-35 113N1849-36 113N1849-43 113N1849-44 113N1849-47 113N1849-48 113N1849-49 113N1849-50 113N1849-51 113N1849-52 113N1849-45 113N1849-46	002004 006100 107107 121503 904999	30

MISSING ITEM NUMBERS NOT APPLICABLE

- ITEM NOT ILLUSTRATED

32-12-10-01

32-12-10  
FIG. 01  
PAGE 49  
JAN 20/09

BRI



757

PARTS CATALOG (MAINTENANCE)

FIG ITEM	PART NUMBER	1 2 3 4 5 6 7	NOMENCLATURE	EFFECT FROM TO	UNITS PER ASSY
1 547	BACS12ER3K12		. . SCREW- USED ON: 113N1849-15 113N1849-16 113N1849-19 113N1849-20 113N1849-41 113N1849-42 113N1849-49 113N1849-50 113N1849-53 113N1849-54 113N1849-55 113N1849-56 113N1849-61 113N1849-62 113N1849-65SP 113N1849-66SP 113N1849-67SP 113N1849-68SP 113N1849-73SP 113N1849-74SP 113N1849-77SP 113N1849-78SP	002004 006100 107107 121503 904999	30

MISSING ITEM NUMBERS NOT APPLICABLE

- ITEM NOT ILLUSTRATED

BRI

32-12-10-01

BOEING PROPRIETARY - Copyright © - Unpublished Work - See title page for details.

32-12-10  
FIG. 01  
PAGE 50  
JAN 20/09



757

PARTS CATALOG (MAINTENANCE)

FIG ITEM	PART NUMBER	1 2 3 4 5 6 7 NOMENCLATURE	EFFECT FROM TO	UNITS PER ASSY
1 548E	AN960KD10L	. . WASHER- USED ON: 113N1849-37 113N1849-38 113N1849-41 113N1849-42 113N1849-53 113N1849-54 113N1849-55 113N1849-56 113N1849-61 113N1849-62 113N1849-63 113N1849-64 113N1849-65SP 113N1849-66SP 113N1849-67SP 113N1849-68SP 113N1849-73SP 113N1849-74SP 113N1849-77SP 113N1849-78SP USED ON: 113N1849-3 113N1849-4 113N1849-13 113N1849-14 113N1849-15 113N1849-16 113N1849-19 113N1849-20 113N1849-24 113N1849-25 113N1849-33 113N1849-34 113N1849-35 113N1849-36 113N1849-43 113N1849-44 113N1849-47 113N1849-48 113N1849-49 113N1849-50 113N1849-51 113N1849-52 113N1849-45 113N1849-46	002004 006100 107107 121503 904999	60

MISSING ITEM NUMBERS NOT APPLICABLE

- ITEM NOT ILLUSTRATED

32-12-10-01

32-12-10  
FIG. 01  
PAGE 51  
JAN 20/09

BRI



757

PARTS CATALOG (MAINTENANCE)

FIG ITEM	PART NUMBER	1 2 3 4 5 6 7	NOMENCLATURE	EFFECT FROM TO	UNITS PER ASSY
1 548F	NAS1149D0332J		.. WASHER- USED ON: 113N1849-87SP 113N1849-88SP	002004 006102 107999	60
550	BRH10C3D		.. NUT- SUPPLIER CODE: V52828 SPECIFICATION NUMBER: BACN10JC3CD OPTIONAL PART: T6C1032JCD V11815 NS202486-02 V80539 102LH9075-3W V72962 H51650-3BAC V15653 USED ON: 113N1849-37 113N1849-38 113N1849-41 113N1849-42 113N1849-53 113N1849-54 113N1849-55 113N1849-56 113N1849-61 113N1849-62 113N1849-63 113N1849-64 113N1849-65SP 113N1849-66SP 113N1849-67SP 113N1849-68SP 113N1849-73SP 113N1849-74SP 113N1849-77SP 113N1849-78SP 113N1849-87SP 113N1849-88SP USED ON: 113N1849-3 113N1849-4 113N1849-13 113N1849-14 113N1849-15 113N1849-16 113N1849-19	002004 006100 107999	60

MISSING ITEM NUMBERS NOT APPLICABLE

- ITEM NOT ILLUSTRATED

32-12-10-01

32-12-10  
FIG. 01  
PAGE 52  
JAN 20/09

BRI



 **BOEING**  
757  
**PARTS CATALOG (MAINTENANCE)**

FIG ITEM	PART NUMBER	1 2 3 4 5 6 7	NOMENCLATURE	EFFECT FROM TO	UNITS PER ASSY
1			113N1849-20 113N1849-24 113N1849-25 113N1849-33 113N1849-34 113N1849-35 113N1849-36 113N1849-43 113N1849-44 113N1849-47 113N1849-48 113N1849-49 113N1849-50 113N1849-51 113N1849-52 113N1849-45 113N1849-46		
556	113N1822-33		.. SEAL- POSITION DATA: OUTBD LH SIDE MANUFACTURED FROM: EXTR RUBBER F25.01 10-60754-79 X 53.00 IN. USED ON: 113N1822-23 113N1822-55 113N1822-65 113N1849-15 113N1849-19 113N1849-33 113N1849-41 113N1849-49 113N1849-53 113N1849-55 113N1849-61 113N1849-65SP 113N1849-67SP 113N1849-73SP	002004 006100 107107 121503 904999	1
556	113N1849-79		.. SEAL- POSITION DATA: OUTBD LH SIDE MANUFACTURED FROM: EXTR RUBBER F25.01 10-60754-79 X 53.00 IN. USED ON: 113N1849-77SP 113N1849-87SP	002004 006102 107999	1

MISSING ITEM NUMBERS NOT APPLICABLE

— ITEM NOT ILLUSTRATED

BRI

# 32-12-10-01

BOEING PROPRIETARY - Copyright © - Unpublished Work - See title page for details.

32-12-10  
FIG. 01  
PAGE 53  
JAN 20/09



757

PARTS CATALOG (MAINTENANCE)

FIG ITEM	PART NUMBER	1 2 3 4 5 6 7	NOMENCLATURE	EFFECT FROM TO	UNITS PER ASSY
1 - 557	113N1822-34		..SEAL- POSITION DATA: OUTBD RH SIDE MANUFACTURED FROM: EXTR RUBBER F25.01 10-60754-79 X 53.00 IN. USED ON: 113N1822-24 113N1822-56 113N1822-66 113N1849-16 113N1849-20 113N1849-34 113N1849-42 113N1849-50 113N1849-54 113N1849-56 113N1849-62 113N1849-66SP 113N1849-68SP 113N1849-74SP	002004 006100 107107 121503 904999	1
- 557	113N1849-80		..SEAL- POSITION DATA: OUTBD RH SIDE MANUFACTURED FROM: EXTR RUBBER F25.01 10-60754-79 X 53.00 IN. USED ON: 113N1849-78SP 113N1849-88SP	002004 006102 107999	1

MISSING ITEM NUMBERS NOT APPLICABLE

- ITEM NOT ILLUSTRATED

BRI

32-12-10-01

BOEING PROPRIETARY - Copyright © - Unpublished Work - See title page for details.

32-12-10  
FIG. 01  
PAGE 54  
JAN 20/09



757

PARTS CATALOG (MAINTENANCE)

FIG ITEM	PART NUMBER	1 2 3 4 5 6 7	NOMENCLATURE	EFFECT FROM TO	UNITS PER ASSY
1 558	113N1822-35		.. SEAL- POSITION DATA: INBD LH SIDE MANUFACTURED FROM: EXTR RUBBER F25.01 10-60754-79 X 53.00 IN. USED ON: 113N1822-23 113N1822-55 113N1822-65 113N1849-15 113N1849-19 113N1849-33 113N1849-41 113N1849-49 113N1849-53 113N1849-55 113N1849-61 113N1849-65SP 113N1849-67SP 113N1849-73SP	002004 006100 107107 121503 904999	1
558	113N1849-81		.. SEAL- POSITION DATA: INBD LH SIDE MANUFACTURED FROM: EXTR RUBBER F25.01 10-60754-79 X 53.00 IN. USED ON: 113N1849-77SP 113N1849-87SP	002004 006102 107999	1

MISSING ITEM NUMBERS NOT APPLICABLE

- ITEM NOT ILLUSTRATED

BRI

32-12-10-01

BOEING PROPRIETARY - Copyright © - Unpublished Work - See title page for details.

32-12-10  
FIG. 01  
PAGE 55  
JAN 20/09



757

PARTS CATALOG (MAINTENANCE)

FIG ITEM	PART NUMBER	1 2 3 4 5 6 7	NOMENCLATURE	EFFECT FROM TO	UNITS PER ASSY
1					
- 559	113N1822-36		.. SEAL- POSITION DATA: INBD RH SIDE MANUFACTURED FROM: EXTR RUBBER F25.01 10-60754-79 X 53.00 IN. USED ON: 113N1822-24 113N1822-56 113N1822-66 113N1849-16 113N1849-20 113N1849-34 113N1849-42 113N1849-50 113N1849-54 113N1849-56 113N1849-62 113N1849-66SP 113N1849-68SP 113N1849-74SP	002004 006100 107107 121503 904999	1
- 559	113N1849-82		.. SEAL- POSITION DATA: INBD RH SIDE MANUFACTURED FROM: EXTR RUBBER F25.01 10-60754-79 X 53.00 IN. USED ON: 113N1849-78SP 113N1849-88SP	002004 006102 107999	1
563	113N1822-39		.. RETAINER-SEAL POSITION DATA: INBD LH SIDE USED ON: 113N1822-23 113N1822-55 113N1822-65 113N1849-19 113N1849-33 113N1849-41 113N1849-49 113N1849-53 113N1849-55 113N1849-61 113N1849-65SP 113N1849-67SP 113N1849-73SP	002004 006100 107107 121503 904999	1

MISSING ITEM NUMBERS NOT APPLICABLE

- ITEM NOT ILLUSTRATED

32-12-10-01

32-12-10  
FIG. 01  
PAGE 56  
JAN 20/09

BRI



757

PARTS CATALOG (MAINTENANCE)

FIG ITEM	PART NUMBER	1 2 3 4 5 6 7	NOMENCLATURE	EFFECT FROM TO	UNITS PER ASSY
1 563	113N1849-85		..RETAINER-SEAL POSITION DATA: INBD LH SIDE USED ON: 113N1849-77SP 113N1849-87SP	002004 006102 107999	1
- 564	113N1822-40		..RETAINER-SEAL POSITION DATA: INBD RH SIDE USED ON: 113N1822-24 113N1822-56 113N1822-66 113N1849-16 113N1849-20 113N1849-34 113N1849-42 113N1849-50 113N1849-54 113N1849-56 113N1849-62 113N1849-66SP 113N1849-68SP 113N1849-74SP	002004 006100 107107 121503 904999	1
- 564	113N1849-86		..RETAINER-SEAL POSITION DATA: INBD RH SIDE USED ON: 113N1849-78SP 113N1849-88SP	002004 006102 107999	1
565	113N1849-69		..RETAINER-SEAL POSITION DATA: OUTBD LH SIDE USED ON: 113N1849-67SP 113N1849-73SP	002004 006100 107107 121503 904999	1

MISSING ITEM NUMBERS NOT APPLICABLE

- ITEM NOT ILLUSTRATED

32-12-10-01

32-12-10  
FIG. 01  
PAGE 57  
JAN 20/09

BRI



757

PARTS CATALOG (MAINTENANCE)

FIG ITEM	PART NUMBER	1 2 3 4 5 6 7	NOMENCLATURE	EFFECT FROM TO	UNITS PER ASSY
1 565	113N1849-17		..RETAINER-SEAL POSITION DATA: OUTBD LH SIDE USED ON: 113N1849-3 113N1849-13 113N1849-15 113N1849-19 113N1849-24 113N1849-33 113N1849-35 113N1849-37 113N1849-41 113N1849-43 113N1849-45 113N1849-47 113N1849-49 113N1849-51 113N1849-53 113N1849-55 113N1849-61 113N1849-63 113N1849-65SP	107107 904949	1
565	113N1849-83		..RETAINER-SEAL POSITION DATA: OUTBD LH SIDE USED ON: 113N1849-77SP 113N1849-87SP	002004 006102 107999	1

MISSING ITEM NUMBERS NOT APPLICABLE

- ITEM NOT ILLUSTRATED

BRI

32-12-10-01

BOEING PROPRIETARY - Copyright © - Unpublished Work - See title page for details.

32-12-10  
FIG. 01  
PAGE 58  
JAN 20/09



757

PARTS CATALOG (MAINTENANCE)

FIG ITEM	PART NUMBER	1 2 3 4 5 6 7	NOMENCLATURE	EFFECT FROM TO	UNITS PER ASSY
1 569	113N1876-1		.. RETAINER-SEAL POSITION DATA: LH SIDE USED ON: 113N1849-19 113N1849-24 113N1849-33 113N1849-35 113N1849-37 113N1849-41 113N1849-43 113N1849-45 113N1849-47 113N1849-49 113N1849-51 113N1849-53 113N1849-55 113N1849-61 113N1849-63 113N1849-65SP 113N1849-67SP 113N1849-73SP 113N1849-77SP 113N1849-87SP	002004 006100 107999	1
- 572	113N1876-2		.. RETAINER-SEAL POSITION DATA: RH SIDE USED ON: 113N1849-20 113N1849-25 113N1849-34 113N1849-36 113N1849-38 113N1849-42 113N1849-44 113N1849-46 113N1849-48 113N1849-50 113N1849-52 113N1849-54 113N1849-56 113N1849-62 113N1849-64 113N1849-66SP 113N1849-68SP 113N1849-74SP 113N1849-78SP 113N1849-88SP	002004 006100 107999	1

MISSING ITEM NUMBERS NOT APPLICABLE

- ITEM NOT ILLUSTRATED

32-12-10-01

32-12-10  
FIG. 01  
PAGE 59  
JAN 20/09

BRI



757

PARTS CATALOG (MAINTENANCE)

FIG ITEM	PART NUMBER	1 2 3 4 5 6 7	NOMENCLATURE	EFFECT FROM TO	UNITS PER ASSY
1					
- 575	113N1849-70		..RETAINER-SEAL POSITION DATA: OUTBD RH SIDE USED ON: 113N1849-68SP 113N1849-74SP	002004 006100 107107 121503 904999	1
- 575	113N1849-18		..RETAINER-SEAL POSITION DATA: OUTBD RH SIDE USED ON: 113N1849-4 113N1849-14 113N1849-16 113N1849-20 113N1849-25 113N1849-34 113N1849-36 113N1849-38 113N1849-42 113N1849-44 113N1849-46 113N1849-48 113N1849-50 113N1849-52 113N1849-54 113N1849-56 113N1849-62 113N1849-64 113N1849-66SP	107107 904949	1
- 575	113N1849-84		..RETAINER-SEAL POSITION DATA: OUTBD RH SIDE USED ON: 113N1849-78SP 113N1849-88SP	002004 006102 107999	1
590	BACB30NN3K4		..BOLT	002004 006102 107999	8

MISSING ITEM NUMBERS NOT APPLICABLE

- ITEM NOT ILLUSTRATED

32-12-10-01

32-12-10  
FIG. 01  
PAGE 60  
JAN 20/09

BRI

BOEING PROPRIETARY - Copyright © - Unpublished Work - See title page for details.





757

PARTS CATALOG (MAINTENANCE)

FIG ITEM	PART NUMBER	1 2 3 4 5 6 7	NOMENCLATURE	EFFECT FROM TO	UNITS PER ASSY
1 595	113N1823-9		.. PLATE-COVER USED ON: 113N1822-23 113N1822-24 113N1822-49 113N1822-50 113N1822-55 113N1822-56 113N1822-61 113N1822-62 113N1822-65 113N1822-66 113N1822-67 113N1822-68	107107	1
595	113N1848-15		.. PLATE-COVER USED ON: 113N1849-3 113N1849-4 113N1849-13 113N1849-14 113N1849-15 113N1849-16 113N1849-19 113N1849-20 113N1849-24 113N1849-25 113N1849-41 113N1849-42 113N1849-43 113N1849-44 113N1849-45 113N1849-46 113N1849-47 113N1849-48	107107	1

MISSING ITEM NUMBERS NOT APPLICABLE

- ITEM NOT ILLUSTRATED

BRI

32-12-10-01

BOEING PROPRIETARY - Copyright © - Unpublished Work - See title page for details.

32-12-10  
FIG. 01  
PAGE 61  
JAN 20/09



757

PARTS CATALOG (MAINTENANCE)

FIG ITEM	PART NUMBER	1 2 3 4 5 6 7	NOMENCLATURE	EFFECT FROM TO	UNITS PER ASSY
1 595	113N1848-41		.. PLATE-COVER POSITION DATA: FWD OUTBD USED ON: 113N1849-33 113N1849-34 113N1849-35 113N1849-36 113N1849-37 113N1849-38 113N1849-49 113N1849-50 113N1849-51 113N1849-52 113N1849-53 113N1849-54 113N1849-55 113N1849-56 113N1849-61 113N1849-62 113N1849-63 113N1849-64 113N1849-65SP 113N1849-66SP 113N1849-67SP 113N1849-68SP 113N1849-73SP 113N1849-74SP 113N1849-77SP 113N1849-78SP 113N1849-87SP 113N1849-88SP	002004 006102 107999	1
600	113N1823-10		.. PLATE-COVER USED ON: 113N1822-23 113N1822-24 113N1822-49 113N1822-50 113N1822-55 113N1822-56 113N1822-61 113N1822-62 113N1822-65 113N1822-66 113N1822-67 113N1822-68	107107	1

MISSING ITEM NUMBERS NOT APPLICABLE

- ITEM NOT ILLUSTRATED

32-12-10-01

32-12-10  
FIG. 01  
PAGE 62  
JAN 20/09

BRI



757

PARTS CATALOG (MAINTENANCE)

FIG ITEM	PART NUMBER	1 2 3 4 5 6 7	NOMENCLATURE	EFFECT FROM TO	UNITS PER ASSY
1 600	113N1848-16		. . PLATE-COVER USED ON: 113N1849-3 113N1849-4 113N1849-13 113N1849-14 113N1849-15 113N1849-16 113N1849-19 113N1849-20 113N1849-24 113N1849-25 113N1849-41 113N1849-42 113N1849-43 113N1849-44 113N1849-45 113N1849-46 113N1849-47 113N1849-48	107107	1

MISSING ITEM NUMBERS NOT APPLICABLE

- ITEM NOT ILLUSTRATED

BRI

32-12-10-01

BOEING PROPRIETARY - Copyright © - Unpublished Work - See title page for details.

32-12-10  
FIG. 01  
PAGE 63  
JAN 20/09



757

PARTS CATALOG (MAINTENANCE)

FIG ITEM	PART NUMBER	1 2 3 4 5 6 7	NOMENCLATURE	EFFECT FROM TO	UNITS PER ASSY
1 600	113N1848-42		.. PLATE-COVER POSITION DATA: FWD INBD USED ON: 113N1849-33 113N1849-34 113N1849-35 113N1849-36 113N1849-37 113N1849-38 113N1849-49 113N1849-50 113N1849-51 113N1849-52 113N1849-53 113N1849-54 113N1849-55 113N1849-56 113N1849-61 113N1849-62 113N1849-63 113N1849-64 113N1849-65SP 113N1849-66SP 113N1849-67SP 113N1849-68SP 113N1849-73SP 113N1849-74SP 113N1849-77SP 113N1849-78SP 113N1849-87SP 113N1849-88SP	002004 006102 107999	1
605	113N1823-11		.. PLATE-COVER USED ON: 113N1822-23 113N1822-24 113N1822-49 113N1822-50 113N1822-55 113N1822-56 113N1822-61 113N1822-62 113N1822-65 113N1822-66 113N1822-67 113N1822-68	002004 006100 107999	1
605	113N1848-13		.. PLATE-COVER POSITION DATA: AFT INBD	002004 006102 107999	1

MISSING ITEM NUMBERS NOT APPLICABLE

- ITEM NOT ILLUSTRATED

32-12-10-01

32-12-10  
FIG. 01  
PAGE 64  
JAN 20/09

BRI



757

PARTS CATALOG (MAINTENANCE)

FIG ITEM	PART NUMBER	1 2 3 4 5 6 7	NOMENCLATURE	EFFECT FROM TO	UNITS PER ASSY
1			USED ON: 113N1849-3 113N1849-4 113N1849-13 113N1849-14 113N1849-15 113N1849-16 113N1849-19 113N1849-20 113N1849-24 113N1849-25 113N1849-33 113N1849-34 113N1849-35 113N1849-36 113N1849-37 113N1849-38 113N1849-41 113N1849-42 113N1849-43 113N1849-44 113N1849-45 113N1849-46 113N1849-47 113N1849-48 113N1849-49 113N1849-50 113N1849-51 113N1849-52 113N1849-53 113N1849-54 113N1849-55 113N1849-56 113N1849-61 113N1849-62 113N1849-63 113N1849-64 113N1849-65SP 113N1849-66SP 113N1849-67SP 113N1849-68SP 113N1849-73SP 113N1849-74SP 113N1849-77SP 113N1849-78SP 113N1849-87SP 113N1849-88SP		
MISSING ITEM NUMBERS NOT APPLICABLE					

- ITEM NOT ILLUSTRATED

32-12-10-01

32-12-10  
FIG. 01  
PAGE 65  
JAN 20/09

BRI



757

PARTS CATALOG (MAINTENANCE)

FIG ITEM	PART NUMBER	1 2 3 4 5 6 7	NOMENCLATURE	EFFECT FROM TO	UNITS PER ASSY
1 610	113N1823-12		.. PLATE-COVER USED ON: 113N1822-23 113N1822-24 113N1822-49 113N1822-50 113N1822-55 113N1822-56 113N1822-61 113N1822-62 113N1822-65 113N1822-66 113N1822-67 113N1822-68	002004 006100 107999	1
610	113N1848-14		.. PLATE-COVER POSITION DATA: AFT OUTBD USED ON: 113N1849-3 113N1849-4 113N1849-13 113N1849-14 113N1849-15 113N1849-16 113N1849-19 113N1849-20 113N1849-24 113N1849-25 113N1849-33 113N1849-34 113N1849-35 113N1849-36 113N1849-37 113N1849-38 113N1849-41 113N1849-42 113N1849-43 113N1849-44 113N1849-45 113N1849-46 113N1849-47 113N1849-48 113N1849-49 113N1849-50 113N1849-51 113N1849-52 113N1849-53 113N1849-54 113N1849-55	002004 006102 107999	1

MISSING ITEM NUMBERS NOT APPLICABLE

- ITEM NOT ILLUSTRATED

32-12-10-01

32-12-10  
FIG. 01  
PAGE 66  
JAN 20/09

BRI



757

PARTS CATALOG (MAINTENANCE)

FIG ITEM	PART NUMBER	1 2 3 4 5 6 7 NOMENCLATURE	EFFECT FROM TO	UNITS PER ASSY
1		113N1849-56 113N1849-61 113N1849-62 113N1849-63 113N1849-64 113N1849-65SP 113N1849-66SP 113N1849-67SP 113N1849-68SP 113N1849-73SP 113N1849-74SP 113N1849-77SP 113N1849-78SP 113N1849-87SP 113N1849-88SP .. FITTING ASSY-HINGE MISCELLANEOUS DATA: 113N1872-5 HAS SPARES CONFIGURATION 113N1872-3. -3 IS SIMILAR TO -5 EXCEPT NUTPLATES ARE NOT INSTALLED AND PILOT HOLES ARE NOT DRILLED (113N1872 REV. B). USED ON: 113N1849-33 113N1849-34 113N1849-35 113N1849-36 113N1849-37 113N1849-38 113N1849-41 113N1849-42 113N1849-43 113N1849-44 113N1849-45 113N1849-46 113N1849-47 113N1849-48 113N1849-49 113N1849-50 113N1849-51 113N1849-52 113N1849-53 113N1849-54	107107	1
618	113N1872-5			

MISSING ITEM NUMBERS NOT APPLICABLE

- ITEM NOT ILLUSTRATED

BRI

32-12-10-01

BOEING PROPRIETARY - Copyright © - Unpublished Work - See title page for details.

32-12-10  
 FIG. 01  
 PAGE 67  
 JAN 20/09



757

PARTS CATALOG (MAINTENANCE)

FIG ITEM	PART NUMBER	1 2 3 4 5 6 7	NOMENCLATURE	EFFECT FROM TO	UNITS PER ASSY
1 618	113N1872-7		.. FITTING ASSY-HINGE MISCELLANEOUS DATA: 113N1872-7 HAS SPARES CONFIGURATION 113N1872-9. -9 IS IDENTICAL TO -7, EXCEPT NUT PLATES OMITTED. USED ON: 113N1849-63 113N1849-64 113N1849-65SP 113N1849-66SP 113N1849-67SP 113N1849-68SP 113N1849-73SP 113N1849-74SP 113N1849-77SP 113N1849-78SP USED ON: 113N1849-55 113N1849-56 113N1849-61 113N1849-62	002004 006100 107107 121503 904999	1
618	113N1872-13		.. FITTING ASSY HINGE- USED ON: 113N1849-87SP 113N1849-88SP FOR SPARES PROCURE: 113N1872U13 ATTACHING PARTS	002004 006102 107999	1
620	BACB30NZ6K		..BOLT- SIZE DETERMINED ON INSTL.	002004 006102 107999	20
621	BACB30NZ6K		..BOLT- SIZE DETERMINED ON INSTL. QUALIFIED OPTIONAL DATA: BACR15BA6AD OPTIONAL TO BACB30NZ6K PLUS BACC30M6 OPTIONAL TO BACB30NZ6K PLUS BACC30AG6 ON SLOPED FACES UP TO 7 DEG	002004 006102 107999	28
622	BACB30NZ6K		..BOLT- SIZE DETERMINED ON INSTL.	002004 006100 107107 121503 904999	4
623	BACB30NZ6K		..BOLT- SIZE DETERMINED ON INSTL.	002004 006102 107999	4

MISSING ITEM NUMBERS NOT APPLICABLE

- ITEM NOT ILLUSTRATED

32-12-10-01

32-12-10  
FIG. 01  
PAGE 68  
JAN 20/09

BRI





757

PARTS CATALOG (MAINTENANCE)

FIG ITEM	PART NUMBER	1 2 3 4 5 6 7	NOMENCLATURE	EFFECT FROM TO	UNITS PER ASSY
1 624	BACR15BA6AD		..RIVET- SIZE DETERMINED ON INSTL. QUALIFIED OPTIONAL DATA: BACR15BA6AD OPTIONAL TO BACB30NZ6K PLUS BACC30M6 OPTIONAL TO BACB30NZ6K PLUS BACC30AG6 ON SLOPED FACES UP TO 7 DEG	002004 006102 107999	28
626	HL79-6		..COLLAR SUPPLIER CODE: V5M902 SPECIFICATION NUMBER: BACC30M6 OPTIONAL PART: HL79-6 V73197 HL79-6 V92215 66014-6 V56878 HL79-6 V56878	002004 006102 107999	20
627	HL79-6		..COLLAR- SUPPLIER CODE: V5M902 SPECIFICATION NUMBER: BACC30M6 OPTIONAL PART: HL79-6 V73197 HL79-6 V92215 66014-6 V56878 HL79-6 V56878 QUALIFIED OPTIONAL DATA: BACR15BA6AD OPTIONAL TO BACB30NZ6K PLUS BACC30M6 OPTIONAL TO BACB30NZ6K PLUS BACC30AG6 ON SLOPED FACES UP TO 7 DEG	002004 006102 107999	28

MISSING ITEM NUMBERS NOT APPLICABLE

- ITEM NOT ILLUSTRATED

BRI

32-12-10-01

BOEING PROPRIETARY - Copyright © - Unpublished Work - See title page for details.

32-12-10  
FIG. 01  
PAGE 69  
JAN 20/09



757

PARTS CATALOG (MAINTENANCE)

FIG ITEM	PART NUMBER	1 2 3 4 5 6 7	NOMENCLATURE	EFFECT FROM TO	UNITS PER ASSY
1 627	HL82-6APBW		.. COLLAR- SUPPLIER CODE: V5M902 SPECIFICATION NUMBER: BACC30AG6 OPTIONAL PART: HL82-6APBW V92215 HL82-6APBW V56878 HL82-6APBW V73197 QUALIFIED OPTIONAL DATA: BACR15BA6AD OPTIONAL TO BACB30NZ6K PLUS BACC30M6 OPTIONAL TO BACB30NZ6K PLUS BACC30AG6 ON SLOPED FACES UP TO 7 DEG	002004 006102 107999	28
628	HL79-6		.. COLLAR SUPPLIER CODE: V5M902 SPECIFICATION NUMBER: BACC30M6 OPTIONAL PART: HL79-6 V73197 HL79-6 V92215 66014-6 V56878 HL79-6 V56878	002004 006100 107107 121503 904999	4
629	HL79-6		.. COLLAR SUPPLIER CODE: V5M902 SPECIFICATION NUMBER: BACC30M6 OPTIONAL PART: HL79-6 V73197 HL79-6 V92215 66014-6 V56878 HL79-6 V56878 -----*-----	002004 006102 107999	4

MISSING ITEM NUMBERS NOT APPLICABLE

- ITEM NOT ILLUSTRATED

32-12-10-01

32-12-10  
FIG. 01  
PAGE 70  
JAN 20/09

BRI



757

PARTS CATALOG (MAINTENANCE)

FIG ITEM	PART NUMBER	1 2 3 4 5 6 7	NOMENCLATURE	EFFECT FROM TO	UNITS PER ASSY
1					
632	BACB28AP09P048	...	BUSHING- USED ON: 113N1872-13 113N1872-7 113N1872-5 113N1872-3	002004 006100 107107 121503 904999	1
637	BACB28U12C048	...	BUSHING- USED ON: 113N1872-13 113N1872-7 113N1872-5 113N1872-3	002004 006100 107107 121503 904999	1
642	113N1872-6	...	FITTING- USED ON: 113N1872-5	107107	1
642	113N1872-8	...	FITTING- USED ON: 113N1872-7	002004 006100 107107 121503 904999	1
642	113N1872-14	...	FITTING- USED ON: 113N1872-13	002004 006102 107999	1
647	BRFR220C3-2D	...	NUTPLATE- SUPPLIER CODE: V52828 SPECIFICATION NUMBER: BACN10KE3B2CD OPTIONAL PART: F51747-3-2CD V15653 102A9213-2-3 V72962 NS202493-02-2 V80539 USED ON: 113N1872-13 113N1872-7 113N1872-5 113N1824-5 113N1824-6	002004 006102 107999	4
- 648	BACR15BA3AD	...	RIVET- SIZE DETERMINED ON INSTL.  -----*-----	002004 006102 107999	8
650	BACS40R008C015F	..	SHIM-	002004 006102 107999	4

MISSING ITEM NUMBERS NOT APPLICABLE

- ITEM NOT ILLUSTRATED

32-12-10-01

32-12-10  
FIG. 01  
PAGE 71  
JAN 20/09

BRI



757

PARTS CATALOG (MAINTENANCE)

FIG ITEM	PART NUMBER	1 2 3 4 5 6 7	NOMENCLATURE	EFFECT FROM TO	UNITS PER ASSY
1 660	113N1825-9		.. FITTING ASSY-ACTR SPRT USED ON: 113N1849-3 113N1849-4 113N1849-13 113N1849-14 113N1849-15 113N1849-16 113N1849-19 113N1849-20 113N1849-24 113N1849-25 113N1849-41 113N1849-42 113N1849-43 113N1849-44 113N1849-45 113N1849-46 113N1849-47 113N1849-48 113N1849-49 113N1849-50 113N1849-51 113N1849-52	107107	1

MISSING ITEM NUMBERS NOT APPLICABLE

- ITEM NOT ILLUSTRATED

BRI

32-12-10-01

BOEING PROPRIETARY - Copyright © - Unpublished Work - See title page for details.

32-12-10  
FIG. 01  
PAGE 72  
JAN 20/09



757

PARTS CATALOG (MAINTENANCE)

FIG ITEM	PART NUMBER	1 2 3 4 5 6 7	NOMENCLATURE	EFFECT FROM TO	UNITS PER ASSY
1 660	113N1858-1		..FITTING ASSY-ACTR SPRT USED ON: 113N1849-33 113N1849-34 113N1849-35 113N1849-36 113N1849-37 113N1849-38 113N1849-53 113N1849-54 113N1849-55 113N1849-56 113N1849-61 113N1849-62 113N1849-63 113N1849-64 113N1849-65SP 113N1849-66SP 113N1849-67SP 113N1849-68SP 113N1849-73SP 113N1849-74SP 113N1849-77SP 113N1849-78SP 113N1849-87SP 113N1849-88SP	002004 006102 107999	1
- 665	BACB30NZ6K		ATTACHING PARTS ..BOLT- SIZE DETERMINED ON INSTL.	002004 006102 107999	58
- 670	HL79-6		..COLLAR SUPPLIER CODE: V5M902 SPECIFICATION NUMBER: BACC30M6 OPTIONAL PART: HL79-6 V73197 HL79-6 V92215 66014-6 V56878 HL79-6 V56878	002004 006102 107999	58
675	BACB28AM09B040		-----*----- ...BUSHING	002004 006102 107999	1

MISSING ITEM NUMBERS NOT APPLICABLE

- ITEM NOT ILLUSTRATED

32-12-10-01

32-12-10  
FIG. 01  
PAGE 73  
JAN 20/09

BRI



757

PARTS CATALOG (MAINTENANCE)

FIG ITEM	PART NUMBER	1 2 3 4 5 6 7	NOMENCLATURE	EFFECT FROM TO	UNITS PER ASSY
1					
680	BACB28AP06P040	...	BUSHING	002004 006102 107999	1
685	113N1825-10	...	FITTING- USED ON: 113N1825-9	107107	1
685	113N1858-2	...	FITTING- USED ON: 113N1858-1	002004 006102 107999	1
687	BRF100C3D	...	NUTPLATE- SUPPLIER CODE: V52828 SPECIFICATION NUMBER: BACN10KB3CFD OPTIONAL PART: NS202478-02 V80539 102F9207P3 V72962 F51604-3 V15653 USED ON: 113N1858-1 ATTACHING PARTS	002004 006102 107999	4
- 688	BACR15BA3AD	...	RIVET- SIZE DETERMINED ON INSTL.  -----*-----	002004 006102 107999	8
690	BACS40R008C016F	..	SHIM-	002004 006102 107999	1
695	L8006K2	..	BOLT- SUPPLIER CODE: V06725 SPECIFICATION NUMBER: BACB30MY6K2 POST SERVICE BULLETIN: 57-0029	107107	3
700	L8006K3	..	BOLT- SUPPLIER CODE: V06725 SPECIFICATION NUMBER: BACB30MY6K3 POST SERVICE BULLETIN: 57-0029	107107	3

MISSING ITEM NUMBERS NOT APPLICABLE

- ITEM NOT ILLUSTRATED

32-12-10-01

32-12-10  
FIG. 01  
PAGE 74  
JAN 20/09

BRI



757

PARTS CATALOG (MAINTENANCE)

FIG ITEM	PART NUMBER	1 2 3 4 5 6 7	NOMENCLATURE	EFFECT FROM TO	UNITS PER ASSY
1 705	HL79-6		.. COLLAR- SUPPLIER CODE: V5M902 SPECIFICATION NUMBER: BACC30M6 OPTIONAL PART: HL79-6 V73197 HL79-6 V92215 66014-6 V56878 HL79-6 V56878 POST SERVICE BULLETIN: 57-0029	107107	6
710	113N1886-1		.. GUSSET- POST SERVICE BULLETIN: 57-0029	107107	1
715	BACF3F008G029NN		.. FILLER- POST SERVICE BULLETIN: 57-0029	107107	1
800	113N1837-3		. FAIRING ASSY- POSITION DATA: LH SIDE REWORK DRAWING REF: 113N1837-1	002004 006100 107107 121503 904999	1
- 805	113N1837-4		. FAIRING ASSY- POSITION DATA: RH SIDE REWORK DRAWING REF: 113N1837-2	002004 006100 107107 121503 904999	1
810	BACS12ER3K8		.. SCREW- REWORK DRAWING REF: 113N1837-1 113N1837-2	002004 006100 107107 121503 904999	41
815	AN960D10L		.. WASHER- REWORK DRAWING REF: 113N1837-1 113N1837-2	002004 006100 107107 121503 904999	41

MISSING ITEM NUMBERS NOT APPLICABLE

- ITEM NOT ILLUSTRATED

32-12-10-01

32-12-10  
FIG. 01  
PAGE 75  
JAN 20/09

BRI



757

PARTS CATALOG (MAINTENANCE)

FIG ITEM	PART NUMBER	1 2 3 4 5 6 7	NOMENCLATURE	EFFECT FROM TO	UNITS PER ASSY
1 820	BRH10A3		..NUT- SUPPLIER CODE: V52828 SPECIFICATION NUMBER: BACN10JC3 OPTIONAL PART: H10-3BAC V15653 NS202101-02 V80539 RMLH9075-3W V72962 VN303A02 V92215 96-02 V80539 T6S1032J V11815 REWORK DRAWING REF: 113N1837-1 113N1837-2	002004 006100 107107 121503 904999	41
825	113N1837-8		..SEAL- POSITION DATA: OUTBD REWORK DRAWING REF: 113N1837-1 113N1837-2 MANUFACTURED FROM: EXTR RUBBER 10-60754-79 X 60.0 IN.	002004 006100 107107 121503 904999	1
830	113N1837-13		..SEAL- POSITION DATA: INBD REWORK DRAWING REF: 113N1837-1 113N1837-2 MANUFACTURED FROM: EXTR RUBBER 10-60754-79 X 60.0 IN.	002004 006100 107107 121503 904999	1
835	113N1837-11		..RETAINER-SEAL POSITION DATA: OUTBD LH SIDE REWORK DRAWING REF: 113N1837-1	002004 006100 107107 121503 904999	1
- 840	113N1837-12		..RETAINER-SEAL POSITION DATA: OUTBD RH SIDE REWORK DRAWING REF: 113N1837-2	002004 006100 107107 121503 904999	1

MISSING ITEM NUMBERS NOT APPLICABLE

- ITEM NOT ILLUSTRATED

32-12-10-01

32-12-10  
 FIG. 01  
 PAGE 76  
 JAN 20/09

BRI





757

PARTS CATALOG (MAINTENANCE)

FIG ITEM	PART NUMBER	1 2 3 4 5 6 7	NOMENCLATURE	EFFECT FROM TO	UNITS PER ASSY
1					
845	113N1837-9		..RETAINER-SEAL POSITION DATA: INBD LH SIDE REWORK DRAWING REF: 113N1837-1	002004 006100 107107 121503 904999	1
- 850	113N1837-10		..RETAINER-SEAL POSITION DATA: INBD RH SIDE REWORK DRAWING REF: 113N1837-2	002004 006100 107107 121503 904999	1
860	113N1823-9		..PLATE-COVER	002004 006100 107107 121503 904999	1
865	113N1823-10		..PLATE-COVER	002004 006100 107107 121503 904999	1
870	113N1823-11		..PLATE-COVER	002004 006100 107107 121503 904999	1
875	113N1823-12		..PLATE-COVER	002004 006100 107107 121503 904999	1
880	113N1837-5		..FITTING-HINGE POSITION DATA: LH SIDE REWORK DRAWING REF: 113N1837-1	002004 006100 107107 121503 904999	1
- 885	113N1837-6		..FITTING-HINGE POSITION DATA: RH SIDE REWORK DRAWING REF: 113N1837-2	002004 006100 107107 121503 904999	1
- 890	BACB30NX6K		ATTACHING PARTS ..BOLT- SIZE DETERMINED ON INSTL.	002004 006100 107107 121503 904999	60

MISSING ITEM NUMBERS NOT APPLICABLE

- ITEM NOT ILLUSTRATED

32-12-10-01

32-12-10  
FIG. 01  
PAGE 77  
JAN 20/09

BRI



757

PARTS CATALOG (MAINTENANCE)

FIG ITEM	PART NUMBER	1 2 3 4 5 6 7	NOMENCLATURE	EFFECT FROM TO	UNITS PER ASSY
1 - 895	HL79-6		.. COLLAR SUPPLIER CODE: V5M902 SPECIFICATION NUMBER: BACC30M6 OPTIONAL PART: HL79-6 V73197 HL79-6 V92215 66014-6 V56878 HL79-6 V56878 -----*-----	002004 006100 107107 121503 904999	60
900	BACB28AP08P048		... BUSHING	002004 006100 107107 121503 904999	2
920	113N1837-7		.. SUPPORT ASSY-ACTR REWORK DRAWING REF: 113N1837-1 113N1837-2	002004 006100 107107 121503 904999	1
- 925	BACB30NX6K		ATTACHING PARTS .. BOLT- SIZE DETERMINED ON INSTL.	002004 006100 107107 121503 904999	58
- 930	HL79-6		.. COLLAR SUPPLIER CODE: V5M902 SPECIFICATION NUMBER: BACC30M6 OPTIONAL PART: HL79-6 V73197 HL79-6 V92215 66014-6 V56878 HL79-6 V56878 -----*-----	002004 006100 107107 121503 904999	58

MISSING ITEM NUMBERS NOT APPLICABLE

- ITEM NOT ILLUSTRATED

BRI

32-12-10-01

32-12-10  
 FIG. 01  
 PAGE 78  
 JAN 20/09



**757  
PARTS CATALOG (MAINTENANCE)**

FIG ITEM	PART NUMBER	1 2 3 4 5 6 7	NOMENCLATURE	EFFECT FROM TO	UNITS PER ASSY
1	935 BACB28AM09B040	. . .	BUSHING-FLANGED	002004	1
				006100	
				107107	
				121503	
	940 BACB28AP06P040	. . .	BUSHING-FLANGED	904999	1
				002004	
				006100	
				107107	
	950 BACS4OR08C18F	. . .	SHIM-	121503	2
				904999	
				002004	
				006100	
107107					
121503					
904999					
002004					
006102					
		.....		107999	

MISSING ITEM NUMBERS NOT APPLICABLE

— ITEM NOT ILLUSTRATED

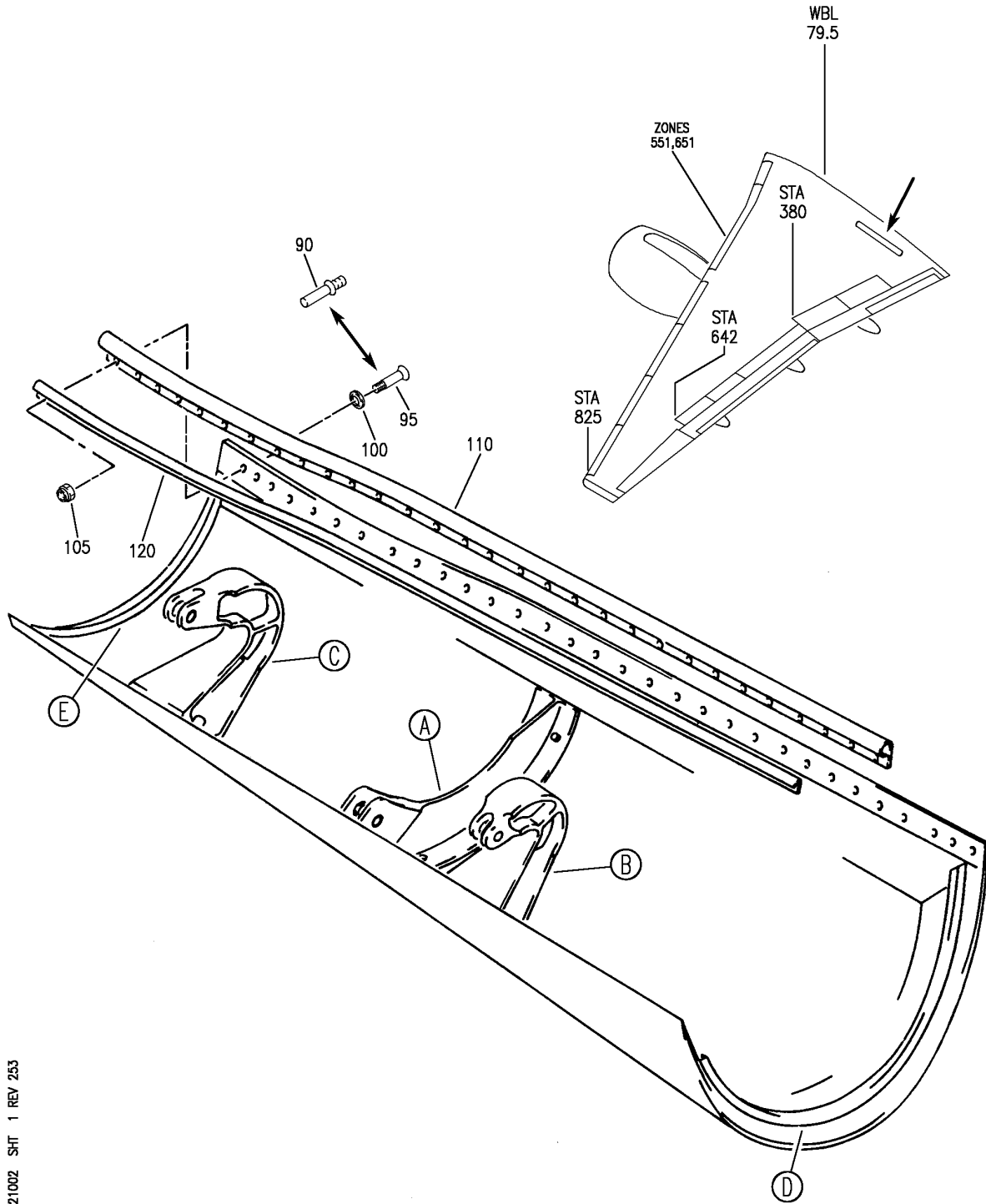
BRI

# 32-12-10-01

BOEING PROPRIETARY - Copyright © - Unpublished Work - See title page for details.

32-12-10  
FIG. 01  
PAGE 79  
JAN 20/09

**BOEING**  
757  
PARTS CATALOG (MAINTENANCE)



Y 32121002 SH1 1 REV 253

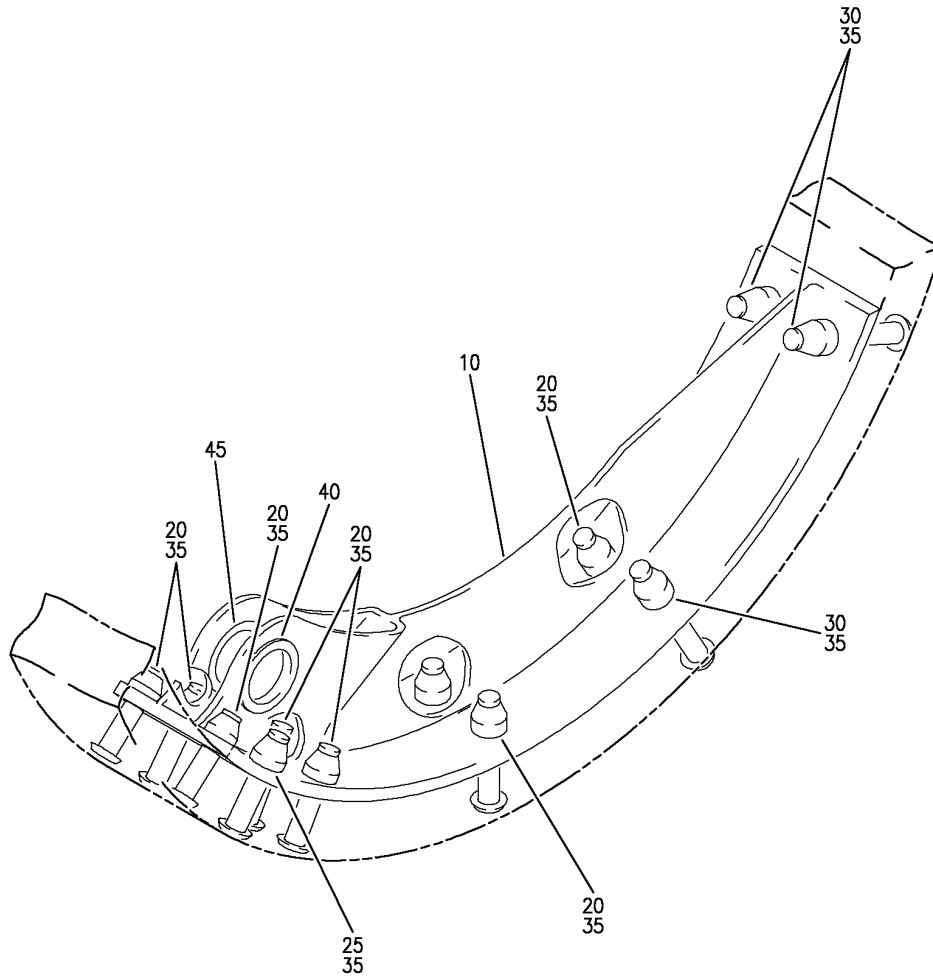
DOOR ASSY-MLG FAIRING TRUN  
FIGURE 2 (SHEET 1)

**32-12-10-02**

BRI  
MAY 28/07

32-12-10-02  
PAGE 0

**BOEING**  
757  
PARTS CATALOG (MAINTENANCE)



Y 32121002 SH1 2 REV 251

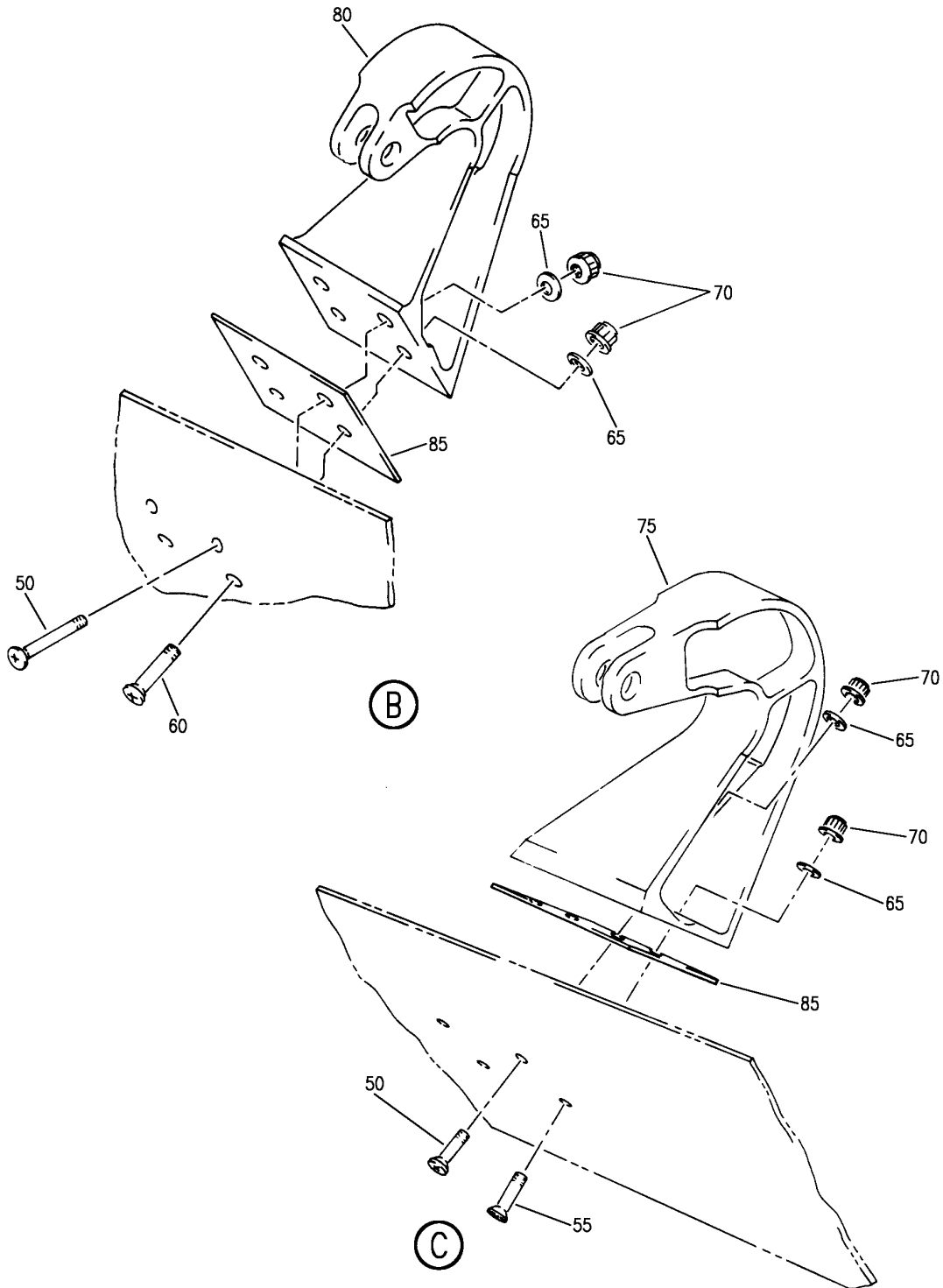
DOOR ASSY-MLG FAIRING TRUN  
FIGURE 2 (SHEET 2)

**32-12-10-02**

BRI  
MAY 28/07

32-12-10-02  
PAGE 0A

**BOEING**  
757  
PARTS CATALOG (MAINTENANCE)



Y 32121002 SH1 3 REV 251

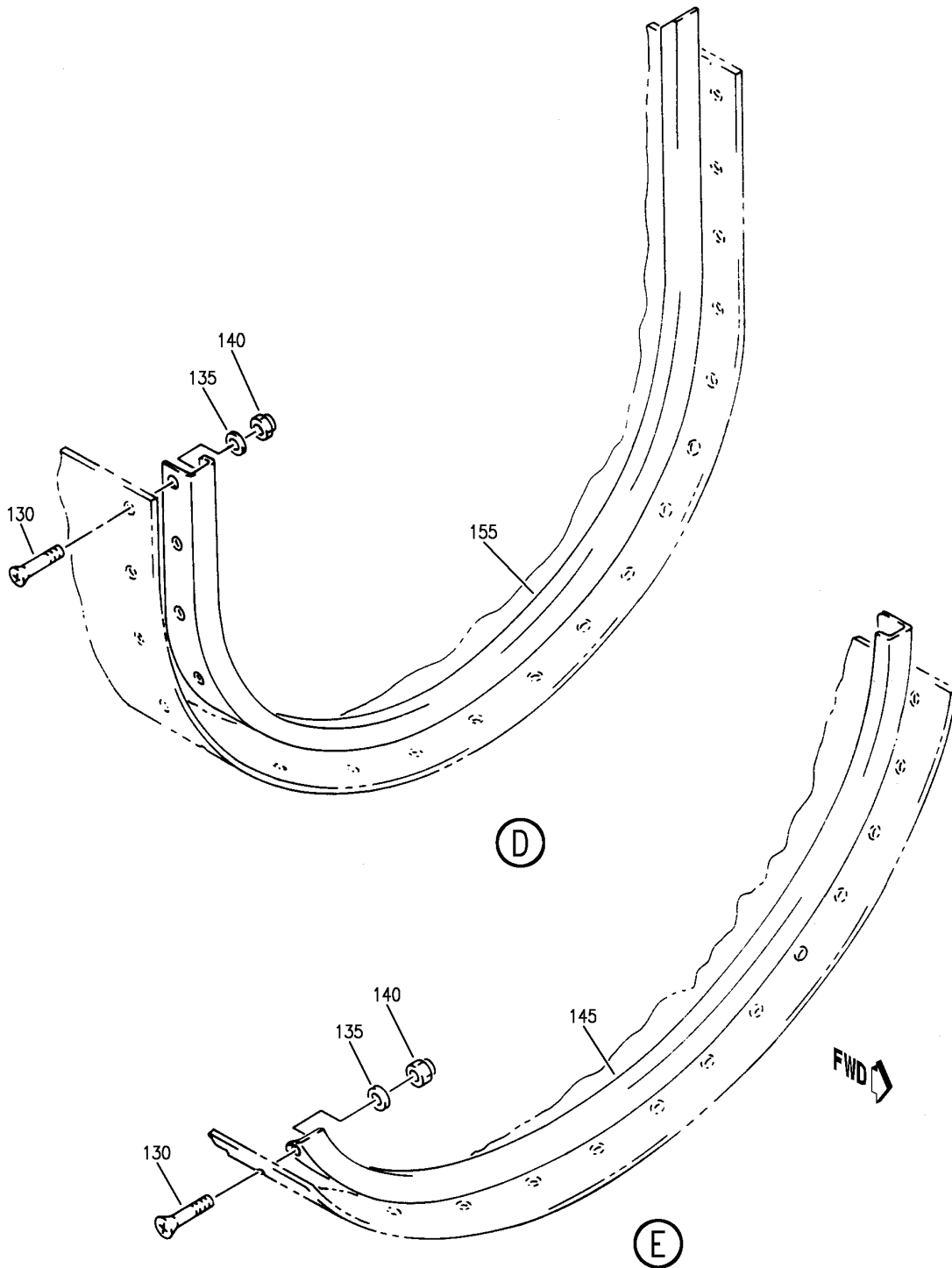
DOOR ASSY-MLG FAIRING TRUN  
FIGURE 2 (SHEET 3)

**32-12-10-02**

BRI  
MAY 28/07

32-12-10-02  
PAGE 0B

**BOEING**  
757  
PARTS CATALOG (MAINTENANCE)



Y 32121002 SH1 4 REV 251

DOOR ASSY-MLG FAIRING TRUN  
FIGURE 2 (SHEET 4)

**32-12-10-02**

BRI  
MAY 28/07

32-12-10-02  
PAGE 0C



757

PARTS CATALOG (MAINTENANCE)

FIG ITEM	PART NUMBER	1 2 3 4 5 6 7	NOMENCLATURE	EFFECT FROM TO	UNITS PER ASSY
2			DOOR ASSY-MLG FAIRING TRUN	002004	
- 1	113N8200-11		DOOR ASSY-MLG FAIRING TRUN POSITION DATA: LH COMPONENT MAINT MANUAL REF: 32-12-65 QUALIFIED I/W DATA: I/W SUBJECT TO CUSTOMER PREFERENCE (-39SP); -39SP I/W -11 SUBJECT TO CUSTOMER PREFERENCE FOR NHA SEE: 32-12-10-01	006999 107107	RF
- 1	113N8200-39SP		DOOR ASSY-MLG FAIRING TRUN POSITION DATA: LH COMPONENT MAINT MANUAL REF: 32-12-65 QUALIFIED I/W DATA: (-11); -39SP I/W -11 SUBJECT TO CUSTOMER PREFERENCE -39SP I/W -23 SUBJECT TO CUSTOMER PREFERENCE -39SP I/W -31 SUBJECT TO CUSTOMER PREFERENCE FOR NHA SEE: 32-12-10-01 57-51-10-06	002004 006106 108999	RF
- 1	113N8200-41SP		DOOR ASSY-MLG FAIRING TRUN POSITION DATA: LH COMPONENT MAINT MANUAL REF: 32-12-65 FOR NHA SEE: 32-12-10-01 57-51-10-06	002004 006106 108999	RF

MISSING ITEM NUMBERS NOT APPLICABLE

- ITEM NOT ILLUSTRATED

32-12-10-02

32-12-10  
FIG. 02  
PAGE 1  
JAN 20/09

BRI





757

PARTS CATALOG (MAINTENANCE)

FIG ITEM	PART NUMBER	1 2 3 4 5 6 7	NOMENCLATURE	EFFECT FROM TO	UNITS PER ASSY
2					
- 5	113N8200-12		DOOR ASSY-MLG FAIRING TRUN POSITION DATA: RH COMPONENT MAINT MANUAL REF: 32-12-65 QUALIFIED I/W DATA: I/W SUBJECT TO CUSTOMER PREFERENCE (-40SP); -40SP I/W -12 SUBJECT TO CUSTOMER PREFERENCE FOR NHA SEE: 32-12-10-01	107107	RF
- 5	113N8200-40SP		DOOR ASSY-MLG FAIRING TRUN POSITION DATA: RH COMPONENT MAINT MANUAL REF: 32-12-65 QUALIFIED I/W DATA: (-12); -40SP I/W -12 SUBJECT TO CUSTOMER PREFERENCE -40SP I/W -24 SUBJECT TO CUSTOMER PREFERENCE -40SP I/W -34 SUBJECT TO CUSTOMER PREFERENCE FOR NHA SEE: 32-12-10-01 57-51-10-06	002004 006106 108999	RF
- 5	113N8200-42SP		DOOR ASSY-MLG FAIRING TRUN POSITION DATA: RH COMPONENT MAINT MANUAL REF: 32-12-65 FOR NHA SEE: 32-12-10-01 57-51-10-06	002004 006106 108999	RF
R R R R R R R R R R	10 113N8204-1		.FITTING ASSY-ACTR SPRT POSITION DATA: LH SIDE QUALIFIED I/W DATA: 113N8209-5 CAN REPLACE OR BE REPLACED BY 113N8204-1 TOGETHER WITH 113N8204-3. 113N8209-6 CAN REPLACE OR BE REPLACED BY 113N8204-1 TOGETHER WITH 113N8204-4.	002004 006999	1

MISSING ITEM NUMBERS NOT APPLICABLE

- ITEM NOT ILLUSTRATED

32-12-10-02

32-12-10  
FIG. 02  
PAGE 2  
MAY 20/09

BRI

**BOEING**  
757  
**PARTS CATALOG (MAINTENANCE)**

FIG ITEM	PART NUMBER	1 2 3 4 5 6 7	NOMENCLATURE	EFFECT FROM TO	UNITS PER ASSY
R R R R R R R R R R R R R R R R R R R R R R R R R R R R R R R	2 10		. FITTING ASSY-ACTR SPRT POSITION DATA: LH SIDE QUALIFIED I/W DATA: 113N8209-5 CAN REPLACE OR BE REPLACED BY 133N8204-1 TOGETHER WITH 113N8204-3. OPTIONAL PART: 113N8209-5	002004 006999	1
	10	113N8209-5	. FITTING ASSY-ACTR SPRT POSITION DATA: LH SIDE QUALIFIED I/W DATA: 113N8209-5 CAN REPLACE OR BE REPLACED BY 133N8204-1 TOGETHER WITH 113N8204-3. OPTIONAL PART: 113N8209-5	002004 006999	1
	- 15	113N8204-1	. FITTING ASSY-ACTR SPRT POSITION DATA: RH SIDE QUALIFIED I/W DATA: 113N8209-5 CAN REPLACE OR BE REPLACED BY 133N8204-1 TOGETHER WITH 113N8204-3. 113N8209-6 CAN REPLACE OR BE REPLACED BY 133N8204-1 TOGETHER WITH 113N8204-4.	002004 006999	1
	- 15	113N8204-4	. FITTING ASSY-ACTR SPRT POSITION DATA: RH SIDE QUALIFIED I/W DATA: 113N8209-6 CAN REPLACE OR BE REPLACED BY 133N8204-1 TOGETHER WITH 113N8204-4. OPTIONAL PART: 113N8209-6	002004 006999	1
MISSING ITEM NUMBERS NOT APPLICABLE					

- ITEM NOT ILLUSTRATED

BRI

# 32-12-10-02

BOEING PROPRIETARY - Copyright © - Unpublished Work - See title page for details.

32-12-10  
FIG. 02  
PAGE 3  
MAY 20/09



757

PARTS CATALOG (MAINTENANCE)

FIG ITEM	PART NUMBER	1 2 3 4 5 6 7	NOMENCLATURE	EFFECT FROM TO	UNITS PER ASSY
R R R R R R R R	2 - 15	113N8209-6	.FITTING ASSY-ACTR SPRT POSITION DATA: RH SIDE QUALIFIED I/W DATA: 113N8209-6 CAN REPLACE OR BE REPLACED BY 133N8204-1 TOGETHER WITH 113N8204-4. OPTIONAL PART: 113N8204-4	002004 006999	1
	20	HL13VAZ8-23	.BOLT- SUPPLIER CODE: V56878 SPECIFICATION NUMBER: BACB30NY8K23 OPTIONAL PART: HL13VAZ8-23 V73197 HL13VAZ8-23 V92215 HL13VAZ8-23 V97928 L801-8K23 V06725 HL13VAZ8-23 V60516 L801-8K23 VOPTK6 HL13VAZ8-23 V17446 HL1030AZ8-23 V60516 BACB30NY8K20 BACB30NY8K21 BACB30NY8K22 BACB30NY8K26	002004 006999	8

MISSING ITEM NUMBERS NOT APPLICABLE

- ITEM NOT ILLUSTRATED

32-12-10-02

32-12-10  
FIG. 02  
PAGE 4  
MAY 20/09

BRI



757

PARTS CATALOG (MAINTENANCE)

FIG ITEM	PART NUMBER	1 2 3 4 5 6 7	NOMENCLATURE	EFFECT FROM TO	UNITS PER ASSY
2 20	HL13VAZ8-20	.BOLT-	SUPPLIER CODE: V56878 SPECIFICATION NUMBER: BACB30NY8K20 OPTIONAL PART: HL13VAZ8-20 V73197 HL13VAZ8-20 V92215 HL13VAZ8-20 V97928 L801-8K20 V06725 HL13VAZ8-20 V60516 L801-8K20 VOPTK6 HL13VAZ8-20 V17446 HL1013AZ8-20 V60516 BACB30NY8K23	002004 006999	8
20	HL13VAZ8-21	.BOLT-	SUPPLIER CODE: V56878 SPECIFICATION NUMBER: BACB30NY8K21 OPTIONAL PART: HL13VAZ8-21 V73197 HL13VAZ8-21 V92215 HL13VAZ8-21 V97928 L801-8K21 V06725 HL13VAZ8-21 V60516 L801-8K21 VOPTK6 HL13VAZ8-21 V17446 HL1030AZ8-21 V60516 BACB30NY8K23	002004 006999	8

MISSING ITEM NUMBERS NOT APPLICABLE

- ITEM NOT ILLUSTRATED

BRI

32-12-10-02

BOEING PROPRIETARY - Copyright © - Unpublished Work - See title page for details.

32-12-10  
FIG. 02  
PAGE 5  
MAY 20/09



757

PARTS CATALOG (MAINTENANCE)

FIG ITEM	PART NUMBER	1 2 3 4 5 6 7	NOMENCLATURE	EFFECT FROM TO	UNITS PER ASSY
2 20	HL13VAZ8-22	.BOLT-	SUPPLIER CODE: V56878 SPECIFICATION NUMBER: BACB30NY8K22 OPTIONAL PART: HL13VAZ8-22 V73197 HL13VAZ8-22 V92215 HL13VAZ8-22 V97928 L801-8K22 V06725 HL13VAZ8-22 V60516 L801-8K22 VOPTK6 HL13VAZ8-22 V17446 HL1030AZ8-22 V60516 BACB30NY8K23	002004 006999	8
20	HL13VAZ8-26	.BOLT-	SUPPLIER CODE: V56878 SPECIFICATION NUMBER: BACB30NY8K26 OPTIONAL PART: HL13VAZ8-26 V73197 HL13VAZ8-26 V92215 L801-8K26 V06725 HL13VAZ8-26 V97928 HL13VAZ8-26 V60516 L801-8K26 VOPTK6 HL13VAZ8-26 V17446 HL1030AZ8-26 V60516 BACB30NY8K23	002004 006999	8

MISSING ITEM NUMBERS NOT APPLICABLE

- ITEM NOT ILLUSTRATED

32-12-10-02

32-12-10  
FIG. 02  
PAGE 6  
MAY 20/09

BRI



757

PARTS CATALOG (MAINTENANCE)

FIG ITEM	PART NUMBER	1 2 3 4 5 6 7	NOMENCLATURE	EFFECT FROM TO	UNITS PER ASSY
2 25	HL13VAZ8-24	.BOLT-	SUPPLIER CODE: V56878 SPECIFICATION NUMBER: BACB30NY8K24 OPTIONAL PART: HL13VAZ8-24 V73197 HL13VAZ8-24 V92215 HL13VAZ8-24 V97928 L801-8K24 V06725 HL13VAZ8-24 V60516 L801-8K24 VOPTK6 HL13VAZ8-24 V17446 HL1030AZ8-24 V60516 BACB30NY8K20 BACB30NY8K21 BACB30NY8K22 BACB30NY8K26	002004 006999	1
25	HL13VAZ8-20	.BOLT-	SUPPLIER CODE: V56878 SPECIFICATION NUMBER: BACB30NY8K20 OPTIONAL PART: HL13VAZ8-20 V73197 HL13VAZ8-20 V92215 HL13VAZ8-20 V97928 L801-8K20 V06725 HL13VAZ8-20 V60516 L801-8K20 VOPTK6 HL13VAZ8-20 V17446 HL1013AZ8-20 V60516 BACB30NY8K24	002004 006999	1

MISSING ITEM NUMBERS NOT APPLICABLE

- ITEM NOT ILLUSTRATED

BRI

32-12-10-02

32-12-10  
FIG. 02  
PAGE 7  
MAY 20/09



757

PARTS CATALOG (MAINTENANCE)

FIG ITEM	PART NUMBER	1 2 3 4 5 6 7	NOMENCLATURE	EFFECT FROM TO	UNITS PER ASSY
2 25	HL13VAZ8-21	.BOLT-	SUPPLIER CODE: V56878 SPECIFICATION NUMBER: BACB30NY8K21 OPTIONAL PART: HL13VAZ8-21 V73197 HL13VAZ8-21 V92215 HL13VAZ8-21 V97928 L801-8K21 V06725 HL13VAZ8-21 V60516 L801-8K21 VOPTK6 HL13VAZ8-21 V17446 HL1030AZ8-21 V60516 BACB30NY8K24	002004 006999	1
25	HL13VAZ8-22	.BOLT-	SUPPLIER CODE: V56878 SPECIFICATION NUMBER: BACB30NY8K22 OPTIONAL PART: HL13VAZ8-22 V73197 HL13VAZ8-22 V92215 HL13VAZ8-22 V97928 L801-8K22 V06725 HL13VAZ8-22 V60516 L801-8K22 VOPTK6 HL13VAZ8-22 V17446 HL1030AZ8-22 V60516 BACB30NY8K24	002004 006999	1

MISSING ITEM NUMBERS NOT APPLICABLE

- ITEM NOT ILLUSTRATED

32-12-10-02

32-12-10  
FIG. 02  
PAGE 8  
MAY 20/09

BRI



757

PARTS CATALOG (MAINTENANCE)

FIG ITEM	PART NUMBER	1 2 3 4 5 6 7	NOMENCLATURE	EFFECT FROM TO	UNITS PER ASSY
2 25	HL13VAZ8-26	.BOLT-	SUPPLIER CODE: V56878 SPECIFICATION NUMBER: BACB30NY8K26 OPTIONAL PART: HL13VAZ8-26 V73197 HL13VAZ8-26 V92215 L801-8K26 V06725 HL13VAZ8-26 V97928 HL13VAZ8-26 V60516 L801-8K26 VOPTK6 HL13VAZ8-26 V17446 HL1030AZ8-26 V60516 BACB30NY8K24	002004 006999	1
30	HL13VAZ8-25	.BOLT	SUPPLIER CODE: V56878 SPECIFICATION NUMBER: BACB30NY8K25 OPTIONAL PART: HL13VAZ8-25 V73197 HL13VAZ8-25 V92215 HL13VAZ8-25 V97928 L801-8K25 V06725 HL13VAZ8-25 V60516 L801-8K25 VOPTK6 HL13VAZ8-25 V17446 HL1013AZ8-25 V60516	002004 006999	3

MISSING ITEM NUMBERS NOT APPLICABLE

- ITEM NOT ILLUSTRATED

BRI

32-12-10-02

BOEING PROPRIETARY - Copyright © - Unpublished Work - See title page for details.

32-12-10  
FIG. 02  
PAGE 9  
MAY 20/09





757

PARTS CATALOG (MAINTENANCE)

FIG ITEM	PART NUMBER	1 2 3 4 5 6 7	NOMENCLATURE	EFFECT FROM TO	UNITS PER ASSY
2					
35	HL82-8APBW	.	COLLAR SUPPLIER CODE: V5M902 SPECIFICATION NUMBER: BACC30AG8 OPTIONAL PART: HL82-8APBW V92215 HL82-8APBW V56878 HL82-8APBW V73197 -----*	002004 006999	12
40	BACB28AP08P015	..	BUSHING	002004 006999	1
45	BACB28AM11B015A	..	BUSHING	002004 006999	1
50	BACB30NN5K21	.	BOLT	002004 006999	4
55	BACB30NN5K26	.	BOLT	002004 006999	2
60	BACB30NN5K28	.	BOLT	002004 006999	2
65	BACW10BP52DP	.	WASHER- OPTIONAL PART: BACW10BP5DP	002004 006999	8
65	BACW10BP5DP	.	WASHER- OPTIONAL PART: BACW10BP52DP	002004 006999	8
70	NAS1805-5N	.	NUT	002004 006999	8
70	NAS1805-5L	.	NUT	002004 006106 108999	8
75	113N8202-3	.	HINGE ASSY-FTG POSITION DATA: FWD	002004 006999	1
75	113N8207-4	.	HINGE ASSY-FTG POSITION DATA: FWD	002004 006999	1
80	113N8203-1	.	HINGE ASSY-FTG POSITION DATA: AFT OPTIONAL PART: 113N8208-4	002004 006999	1

R  
R  
R  
R  
R  
R  
R  
R  
R  
R

MISSING ITEM NUMBERS NOT APPLICABLE

- ITEM NOT ILLUSTRATED

32-12-10-02

32-12-10  
FIG. 02  
PAGE 10  
MAY 20/09

BRI



757

PARTS CATALOG (MAINTENANCE)

FIG ITEM	PART NUMBER	1 2 3 4 5 6 7	NOMENCLATURE	EFFECT FROM TO	UNITS PER ASSY
R R R R R	2 80	113N8208-1	.HINGE ASSY-FTG POSITION DATA: AFT OPTIONAL PART: 113N8208-4	002004 006999	1
	80	113N8208-4	.HINGE ASSY-FTG POSITION DATA: AFT OPTIONAL PART: 113N8203-1 113N8208-1	002004 006106 108999	1
	85	113N8200-5	.FILLER	002004 006999	2
	90	NAS1399C6-3	.RIVET- QUALIFIED OPTIONAL DATA: BACB30NN3K2 PLUS BACW10BP3NAPU AND BACN10JC3CD OPTIONAL TO NAS1399C6-3	002004 006999	30
	95	BACB30NN3K2	.BOLT- QUALIFIED OPTIONAL DATA: BACB30NN3K2 PLUS BACW10BP3NAPU AND BACN10JC3CD OPTIONAL TO NAS1399C6-3	002004 006999	30
100	BACW10BP3NAPU	.WASHER- QUALIFIED OPTIONAL DATA: BACB30NN3K2 PLUS BACW10BP3NAPU AND BACN10JC3CD OPTIONAL TO NAS1399C6-3	002004 006999	30	

MISSING ITEM NUMBERS NOT APPLICABLE

- ITEM NOT ILLUSTRATED

32-12-10-02

32-12-10  
FIG. 02  
PAGE 11  
MAY 20/09

BRI



757

PARTS CATALOG (MAINTENANCE)

FIG ITEM	PART NUMBER	1 2 3 4 5 6 7	NOMENCLATURE	EFFECT FROM TO	UNITS PER ASSY
2 105	BRH10C3D		.NUT- SUPPLIER CODE: V52828 SPECIFICATION NUMBER: BACN10JC3CD OPTIONAL PART: T6C1032JCD V11815 NS202486-02 V80539 102LH9075-3W V72962 H51650-3BAC V15653 QUALIFIED OPTIONAL DATA: BACB30NN3K2 PLUS BACW10BP3NAPU AND BACN10JC3CD OPTIONAL TO NAS1399C6-3	002004 006999	30
110	113N8200-19		.SEAL- POSITION DATA: LH SIDE MANUFACTURED FROM: EXTR RUBBER 10-60754-7 X 46.0 IN.	002004 006999	1
- 115	113N8200-20		.SEAL- POSITION DATA: RH SIDE MANUFACTURED FROM: EXTR RUBBER 10-60754-7 X 46.0 IN.	002004 006999	1
120	113N8200-21		.RETAINER-SEAL POSITION DATA: LH SIDE FOR SPARES PROCURE: 654N0010-15	002004 006999	1
- 125	113N8200-22		.RETAINER-SEAL POSITION DATA: RH SIDE FOR SPARES PROCURE: 654N0010-16	002004 006999	1
130	BACB30LH2K3		.BOLT	002004 006999	33
135	AN960XC8L		.WASHER	002004 006999	33
135	NAS1149CN816B		.WASHER	002004 006106 108999	33

MISSING ITEM NUMBERS NOT APPLICABLE

- ITEM NOT ILLUSTRATED

32-12-10-02

32-12-10  
FIG. 02  
PAGE 12  
MAY 20/09

BRI



757

PARTS CATALOG (MAINTENANCE)

FIG ITEM	PART NUMBER	1 2 3 4 5 6 7	NOMENCLATURE	EFFECT FROM TO	UNITS PER ASSY
2 140	BRH10C08M	.	NUT SUPPLIER CODE: V52828 SPECIFICATION NUMBER: BACN10JC08CM OPTIONAL PART: T6C832JM V11815 97E82 V80539 109LH9075-82W V72962 VN303D82 V92215 NS202101SE82 V80539 H01-08BAC V15653	002004 006999	33
145	113N8200-35	.	CHANNEL-RUB POSITION DATA: FWD LH SIDE	002004 006999	1
- 150	113N8200-36	.	CHANNEL-RUB POSITION DATA: FWD RH SIDE	002004 006999	1
155	113N8200-37	.	CHANNEL-RUB POSITION DATA: AFT LH SIDE	002004 006999	1

MISSING ITEM NUMBERS NOT APPLICABLE

- ITEM NOT ILLUSTRATED

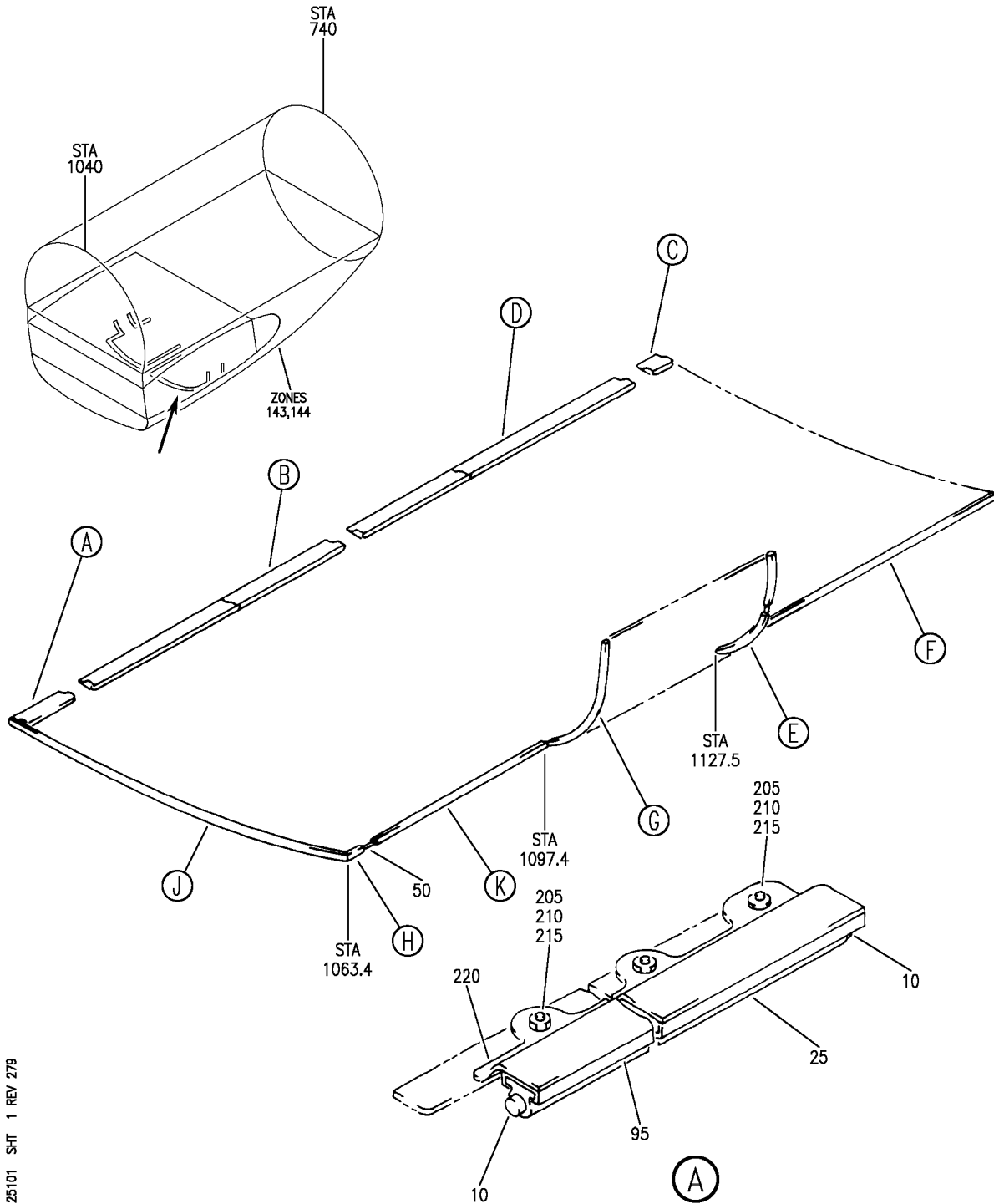
BRI

32-12-10-02

BOEING PROPRIETARY - Copyright © - Unpublished Work - See title page for details.

32-12-10  
FIG. 02  
PAGE 13  
MAY 20/09

**BOEING**  
757  
PARTS CATALOG (MAINTENANCE)



Y 32125101 SHT 1 REV 279

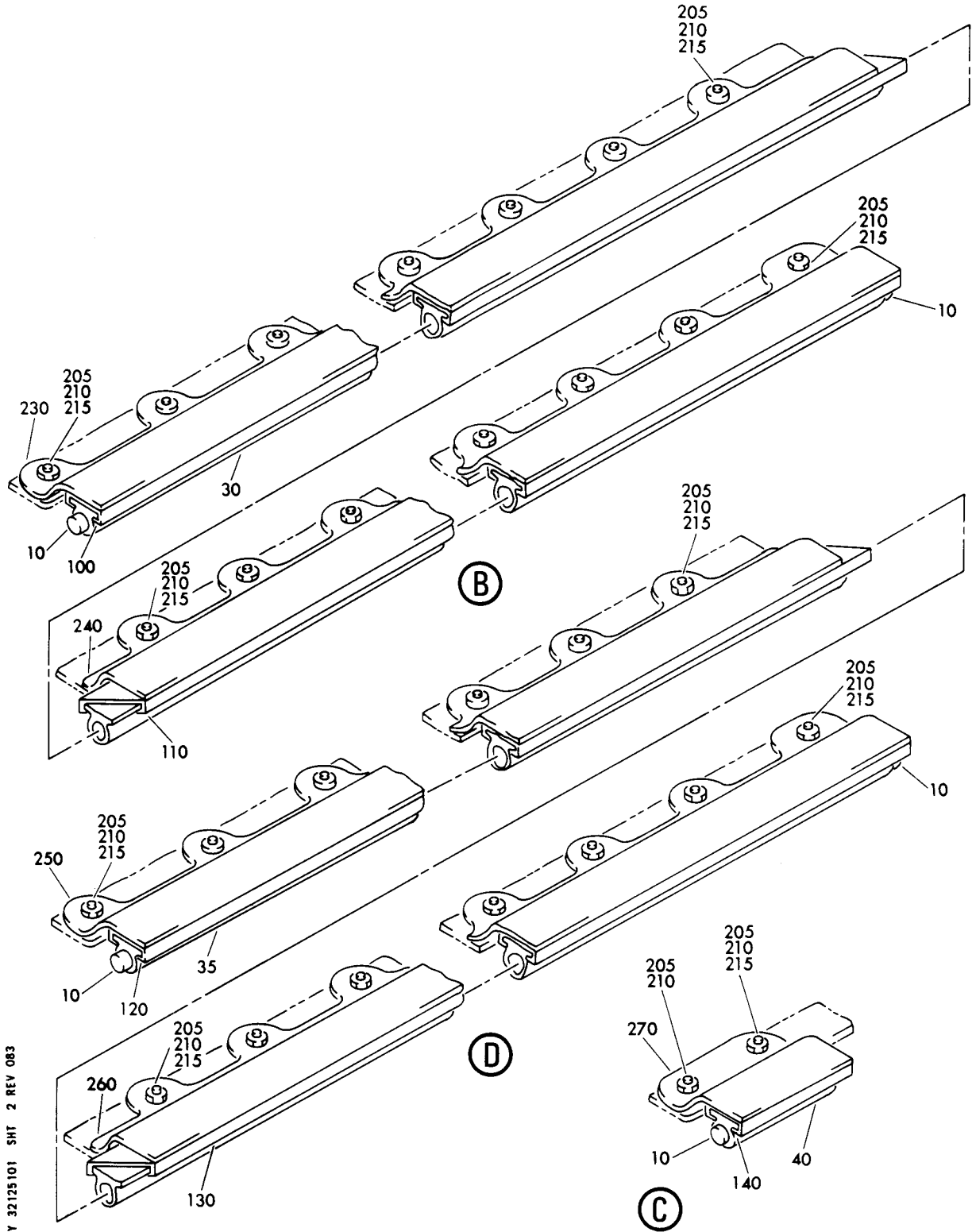
SEAL INSTL-MLG DOOR  
FIGURE 1 (SHEET 1)

**32-12-51-01**

BRI  
MAY 28/07

32-12-51-01  
PAGE 0

**BOEING**  
757  
PARTS CATALOG (MAINTENANCE)



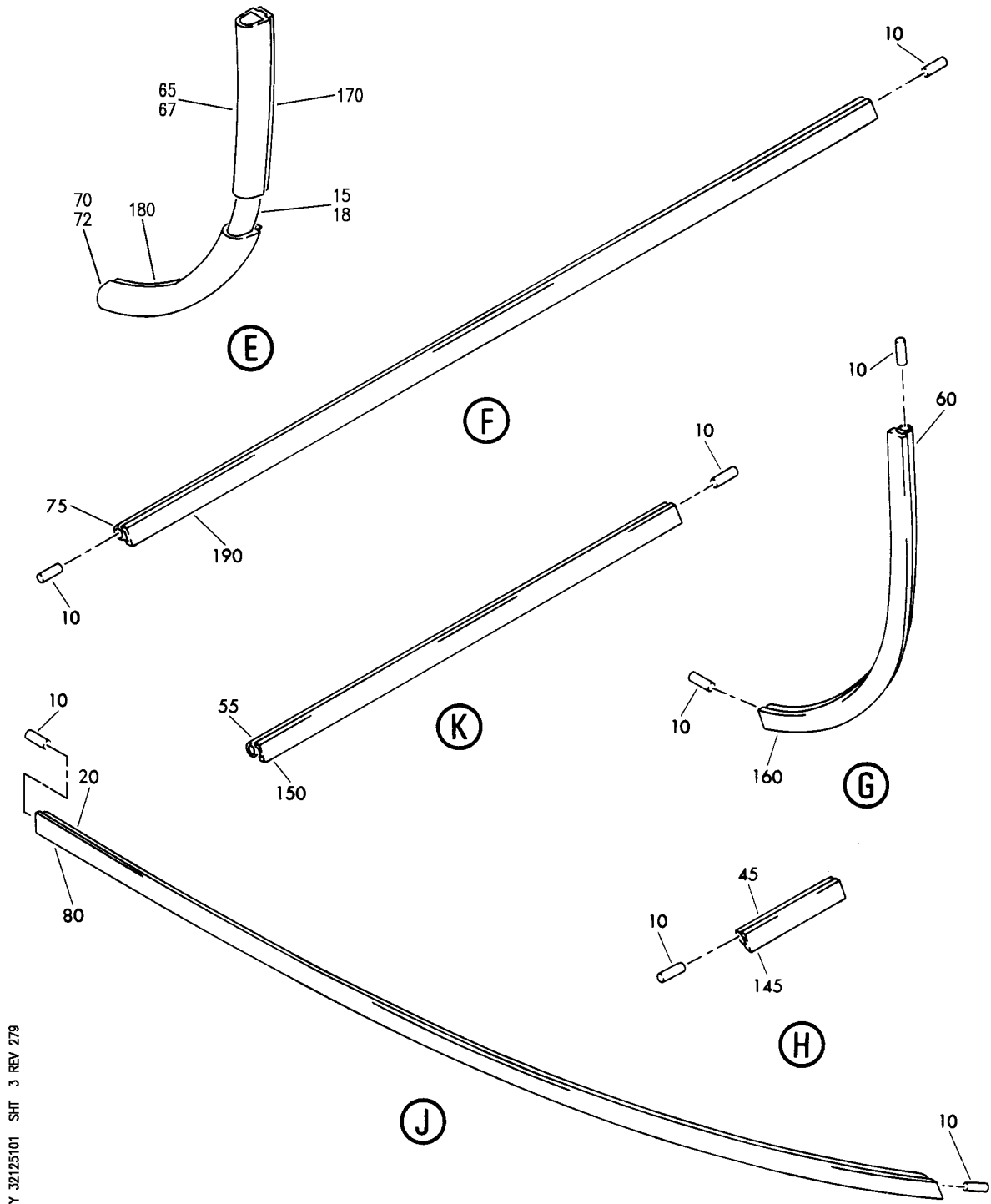
SEAL INSTL-MLG DOOR  
FIGURE 1 (SHEET 2)

**32-12-51-01**

BRI  
MAY 28/07

32-12-51-01  
PAGE 0A

**BOEING**  
757  
PARTS CATALOG (MAINTENANCE)



Y 32125101 SHT 3 REV 279

SEAL INSTL-MLG DOOR  
FIGURE 1 (SHEET 3)

**32-12-51-01**

BRI  
MAY 28/07

32-12-51-01  
PAGE 0B



757

PARTS CATALOG (MAINTENANCE)

FIG ITEM	PART NUMBER	1 2 3 4 5 6 7	NOMENCLATURE	EFFECT FROM TO	UNITS PER ASSY
1			SEAL INSTL-MLG DOOR	002004 006999	
- 1	149N6016-111		SEAL INSTL-MLG DOOR POSITION DATA: LH FOR NHA SEE: 53-42-02-01	002004 006100 107107 121503 904999	RF
- 1	149N6016-401		SEAL INSTL-MLG DOOR POSITION DATA: LH FOR NHA SEE: 53-42-01-01A	101102 108120 504903	RF
- 1	MODREF5940		SEAL INSTL-MLG DOOR MODULE NUMBER: 149N6016-401 REV A POSITION DATA: LH	103103	1
- 1	MODREF26152		SEAL INSTL-MLG DOOR MODULE NUMBER: 149N6016-401 REV B POSITION DATA: LH	104106	1
- 5	149N6016-112		SEAL INSTL-MLG DOOR POSITION DATA: RH FOR NHA SEE: 53-42-02-01	002004 006100 107107 121503 904999	RF
- 5	149N6016-402		SEAL INSTL-MLG DOOR POSITION DATA: RH FOR NHA SEE: 53-42-01-01A	101102 108120 504903	RF
- 5	MODREF5941		SEAL INSTL-MLG DOOR MODULE NUMBER: 149N6016-402 REV A POSITION DATA: RH	103103	1
- 5	MODREF26153		SEAL INSTL-MLG DOOR MODULE NUMBER: 149N6016-402 REV B POSITION DATA: RH	104106	1
10	149N6016-36		.SEAL- MANUFACTURED FROM: TUBE RUBBER BMS1-23 .50 DIA 1.0 IN.	002004 006999	18

MISSING ITEM NUMBERS NOT APPLICABLE

- ITEM NOT ILLUSTRATED

32-12-51-01

32-12-51  
FIG. 01  
PAGE 1  
JAN 20/09

BRI





757

PARTS CATALOG (MAINTENANCE)

FIG ITEM	PART NUMBER	1 2 3 4 5 6 7	NOMENCLATURE	EFFECT FROM TO	UNITS PER ASSY
1					
18	149N6016-88	.SEAL-	MANUFACTURED FROM: EXTR RUBBER 10-60754-729 4.5 IN.	107107 904949 952952	1
18	149N6016-153	.SEAL-	MANUFACTURED FROM: EXTR RUBBER 10-60754-729 4.5 IN.	002004 006106 108903 950951 953999	1
20	149N6016-44	.SEAL-	MANUFACTURED FROM: EXTRU RUBBER 10-60754-1 68.5 IN.	002004 006999	1
25	149N6016-70	.SEAL-	MANUFACTURED FROM: EXTRU RUBBER 10-60754-2 7.9 IN.	002004 006999	1
30	149N6016-81	.SEAL-	MANUFACTURED FROM: EXTRU RUBBER 10-60754-2 41.75 IN.	002004 006999	1
35	149N6016-72	.SEAL-	MANUFACTURED FROM: EXTRU RUBBER 10-60754-2 45.70 IN.	002004 006999	1
40	149N6016-56	.SEAL-	MANUFACTURED FROM: EXTRU RUBBER 10-60754-2 1.7 IN	002004 006999	1
45	149N6016-34	.SEAL-	MANUFACTURED FROM: EXTRU RUBBER 10-60754-2 6.0 IN.	002004 006006 121503 904949 952952	1
45	149N6016-161	.SEAL-	MANUFACTURED FROM: EXTRU RUBBER 10-60754-2 5.7 IN. POST SERVICE BULLETIN: 53-0062	007120 504903 950951 953999	1
50	149N6016-87	.SEAL-BRIDGE	MANUFACTURED FROM: EXTR RUBBER 10-60754-81 4.2 IN.	002004 006006 121503 904949 952952	1

MISSING ITEM NUMBERS NOT APPLICABLE

- ITEM NOT ILLUSTRATED

32-12-51-01

32-12-51  
FIG. 01  
PAGE 2  
JAN 20/09

BRI

BOEING PROPRIETARY - Copyright © - Unpublished Work - See title page for details.



757

PARTS CATALOG (MAINTENANCE)

FIG ITEM	PART NUMBER	1 2 3 4 5 6 7	NOMENCLATURE	EFFECT FROM TO	UNITS PER ASSY
1					
50	149N6016-163		.SEAL-BRIDGE MANUFACTURED FROM: EXTRU RUBBER 10-60754-81 5.0 IN. POST SERVICE BULLETIN: 53-0062	007120 504903 950951 953999	1
55	149N6016-33		.SEAL- MANUFACTURED FROM: EXTRU RUBBER 10-60754-2 26.2 IN.	002004 006006 121503 904949 952952	1
55	149N6016-159		.SEAL- MANUFACTURED FROM: EXTRU RUBBER 10-60754-2 25.9 IN. POST SERVICE BULLETIN: 53-0062	007120 504903 950951 953999	1
60	149N6016-43		.SEAL- MANUFACTURED FROM: EXTRU RUBBER 10-60754-1 24.5 IN.	002004 006999	1
65	149N6016-93		.SEAL- MANUFACTURED FROM: EXTR RUBBER 10-60754-159 11.50 IN.	107107 904949 952952	1
67	149N6016-149		.SEAL- POSITION DATA: LH SIDE MANUFACTURED FROM: 10-60754-159 12.5 IN.	002004 006106 108903 950951 953999	1
- 68	149N6016-150		.SEAL- POSITION DATA: RH SIDE MANUFACTURED FROM: 10-60754-159 12.5 IN.	002004 006106 108903 950951 953999	1
70	149N6016-94		.SEAL- MANUFACTURED FROM: EXTR RUBBER 10-60754-159 11.50 IN.	107107 904949 952952	1
72	149N6016-151		.SEAL- POSITION DATA: LH SIDE MANUFACTURED FROM: 10-60754-159 12.5 IN.	002004 006106 108903 950951 953999	1
- 73	149N6016-152		.SEAL- POSITION DATA: RH SIDE MANUFACTURED FROM: 10-60754-159 12.5 IN.	002004 006106 108903 950951 953999	1

MISSING ITEM NUMBERS NOT APPLICABLE

- ITEM NOT ILLUSTRATED

32-12-51-01

32-12-51  
FIG. 01  
PAGE 3  
JAN 20/09

BRI



757

PARTS CATALOG (MAINTENANCE)

FIG ITEM	PART NUMBER	1 2 3 4 5 6 7	NOMENCLATURE	EFFECT FROM TO	UNITS PER ASSY
1					
75	149N6016-32		.SEAL- MANUFACTURED FROM: EXTR RUBBER 10-60754-2 47.0 IN.	002004 006999	1
80	149N6016-97		.RETAINER- POSITION DATA: LH SIDE	002004 006999	1
- 85	149N6016-98		.RETAINER- POSITION DATA: RH SIDE ATTACHING PARTS	002004 006999	1
- 90	BACB30NN3K2		.BOLT-	002004 006999	18
			-----*-----		
95	149N6016-129		.RETAINER-	002004 006999	1
100	149N6016-128		.RETAINER-	002004 006999	1
110	149N6016-126		.RETAINER-	002004 006999	1
120	149N6016-125		.RETAINER-	002004 006999	1
130	149N6016-127		.RETAINER-	002004 006999	1
140	149N6016-67		.RETAINER-	002004 006999	1
145	149N6016-27		.RETAINER- REWORKED BY SB: 53-0062	002004 006006 107107 121503 904949 952952	1
145	149N6016-157		.RETAINER-	007106 108120 504903 950951 953999	1
150	149N6016-25		.RETAINER- POSITION DATA: LH SIDE REWORKED BY SB: 53-0062	002004 006006 107107 121503 904949 952952	1
150	149N6016-155		.RETAINER- POSITION DATA: LH SIDE	007106 108120 504903 950951 953999	1

MISSING ITEM NUMBERS NOT APPLICABLE

- ITEM NOT ILLUSTRATED

BRI

32-12-51-01

32-12-51  
FIG. 01  
PAGE 4  
JAN 20/09



757

PARTS CATALOG (MAINTENANCE)

FIG ITEM	PART NUMBER	1 2 3 4 5 6 7	NOMENCLATURE	EFFECT FROM TO	UNITS PER ASSY
1					
- 155	149N6016-26		.RETAINER- POSITION DATA: RH SIDE REWORKED BY SB: 53-0062	002004 006006 107107 121503 904949 952952	1
- 155	149N6016-155		.RETAINER- POSITION DATA: RH SIDE	007106 108120 504903 950951 953999	1
160	149N6016-41		.RETAINER- POSITION DATA: LH SIDE	002004 006999	1
- 165	149N6016-42		.RETAINER- POSITION DATA: RH SIDE	002004 006999	1
170	149N6024-1		.RETAINER- POSITION DATA: LH SIDE	107107 904949 952952	1
170	149N6024-9		.RETAINER- POSITION DATA: LH SIDE	002004 006106 108903 950951 953999	1
- 175	149N6024-2		.RETAINER- POSITION DATA: RH SIDE	107107 904949 952952	1
- 175	149N6024-10		.RETAINER- POSITION DATA: RH SIDE	002004 006106 108903 950951 953999	1
180	149N6024-3		.RETAINER- POSITION DATA: LH SIDE	107107 904949 952952	1
180	149N6024-11		.RETAINER- POSITION DATA: LH SIDE	002004 006106 108903 950951 953999	1
- 185	149N6024-4		.RETAINER- POSITION DATA: RH SIDE	107107 904949 952952	1
- 185	149N6024-12		.RETAINER- POSITION DATA: RH SIDE	002004 006106 108903 950951 953999	1

MISSING ITEM NUMBERS NOT APPLICABLE

- ITEM NOT ILLUSTRATED

32-12-51-01

32-12-51  
FIG. 01  
PAGE 5  
JAN 20/09

BRI

BOEING PROPRIETARY - Copyright © - Unpublished Work - See title page for details.



757

PARTS CATALOG (MAINTENANCE)

FIG ITEM	PART NUMBER	1 2 3 4 5 6 7	NOMENCLATURE	EFFECT FROM TO	UNITS PER ASSY
1					
190	149N6016-23		.RETAINER- POSITION DATA: LH SIDE	002004 006999	1
- 195	149N6016-24		.RETAINER- POSITION DATA: RH SIDE	002004 006999	1
- 200	BACR15CE5D		.RIVET- SIZE DETERMINED ON INSTL.	002004 006100 107107 121503 904999	AR
			-----*-----		
205	BACB30NN3K4		.BOLT-	002004 006999	37
210	BACW10BN3SP		.WASHER	002004 006999	37
215	BRH10C3D		.NUT SUPPLIER CODE: V52828 SPECIFICATION NUMBER: BACN10JC3CD OPTIONAL PART: T6C1032JCD V11815 NS202486-02 V80539 102LH9075-3W V72962 H51650-3BAC V15653	002004 006999	36
220	149N6016-147		.SUPPORT- POSITION DATA: LH SIDE	002004 006999	1
- 225	149N6016-148		.SUPPORT- POSITION DATA: RH SIDE	002004 006999	1
230	149N6016-145		.SUPPORT- POSITION DATA: LH SIDE	002004 006999	1
- 235	149N6016-146		.SUPPORT- POSITION DATA: RH SIDE	002004 006999	1
240	149N6016-119		.SUPPORT- POSITION DATA: LH SIDE	002004 006999	1
- 245	149N6016-120		.SUPPORT- POSITION DATA: RH SIDE	002004 006999	1

MISSING ITEM NUMBERS NOT APPLICABLE

- ITEM NOT ILLUSTRATED

32-12-51-01

32-12-51  
FIG. 01  
PAGE 6  
JAN 20/09

BRI



757

PARTS CATALOG (MAINTENANCE)

FIG ITEM	PART NUMBER	1 2 3 4 5 6 7	NOMENCLATURE	EFFECT FROM TO	UNITS PER ASSY
1					
250	149N6016-117	.	SUPPORT- POSITION DATA: LH SIDE	002004 006999	1
- 255	149N6016-118	.	SUPPORT- POSITION DATA: RH SIDE	002004 006999	1
260	149N6016-143	.	SUPPORT- POSITION DATA: LH SIDE	002004 006999	1
- 265	149N6016-144	.	SUPPORT- POSITION DATA: RH SIDE	002004 006999	1
270	149N6016-113	.	SUPPORT- POSITION DATA: LH SIDE	002004 006999	1
- 275	149N6016-114	.	SUPPORT- POSITION DATA: RH SIDE	002004 006999	1

MISSING ITEM NUMBERS NOT APPLICABLE

- ITEM NOT ILLUSTRATED

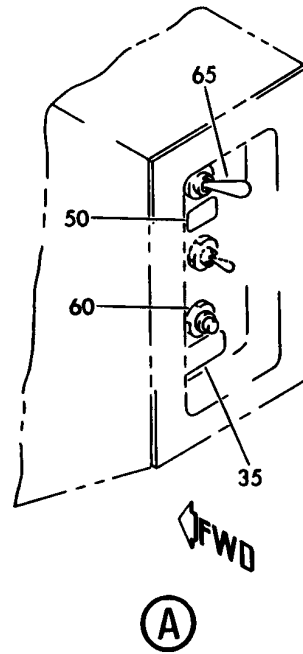
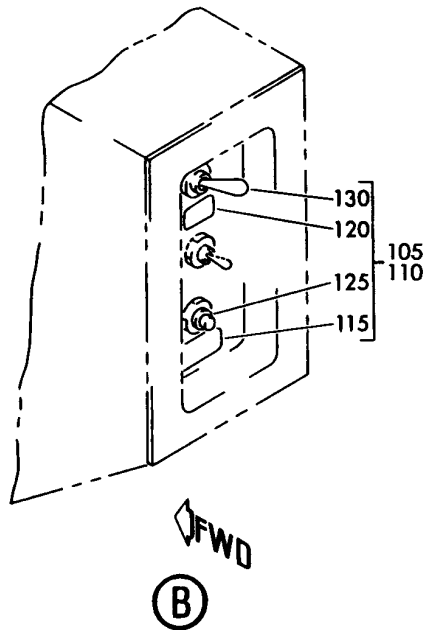
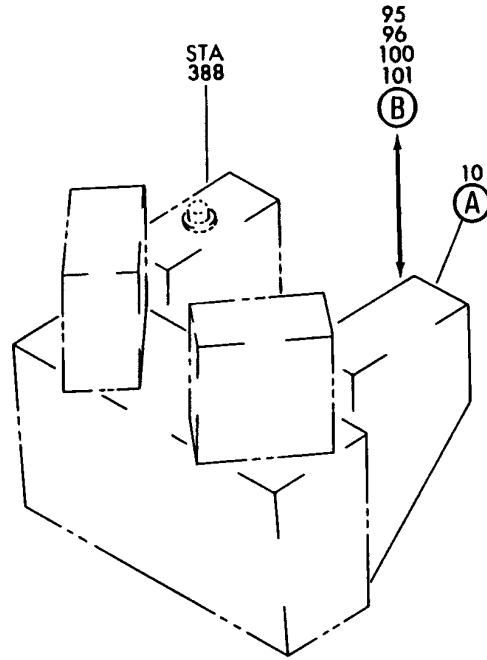
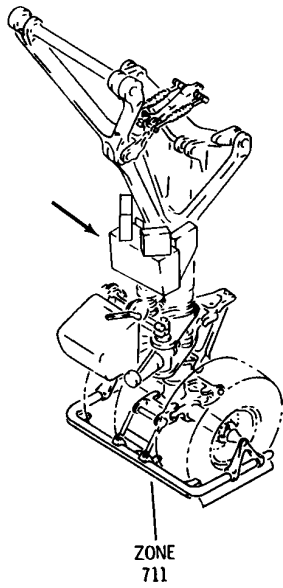
BRI

32-12-51-01

BOEING PROPRIETARY - Copyright © - Unpublished Work - See title page for details.

32-12-51  
FIG. 01  
PAGE 7  
JAN 20/09

**BOEING**  
757  
PARTS CATALOG (MAINTENANCE)



Y 32125201 REV 204

PANEL INSTL-P62 AND P63 NLG LDG AND TURNOFF LTS (MAIN GEAR AND DOORS ONLY)  
FIGURE 1

**32-12-52-01**

BRI  
MAY 28/07

32-12-52-01  
PAGE 0



757

PARTS CATALOG (MAINTENANCE)

FIG ITEM	PART NUMBER	1 2 3 4 5 6 7	NOMENCLATURE	EFFECT FROM TO	UNITS PER ASSY
1			PANEL INSTL-P62 AND P63 NLG LDG AND TURNOFF LTS (MAIN GEAR AND DOORS ONLY)	002004 006101 107107 121503 904999	
- 2	284N1761-30		PANEL INSTL-P62 AND P63 NLG LDG AND TURNOFF LTS (MAIN GEAR AND DOORS ONLY) FOR NHA/OTHER SYS DET SEE: 24-00-58-01C	107107	RF
- 2	284N1761-31		PANEL INSTL-P62 AND P63 NLG LDG AND TURNOFF LTS (MAIN GEAR AND DOORS ONLY) FOR NHA/OTHER SYS DET SEE: 24-00-58-01C	904949	RF
- 2	284N1761-34		PANEL INSTL-P62 AND P63 NLG LDG AND TURNOFF LTS (MAIN GEAR AND DOORS ONLY) FOR NHA/OTHER SYS DET SEE: 24-00-58-01C	952952	RF
- 2	284N1761-38		PANEL INSTL-P62 AND P63 NLG LDG AND TURNOFF LTS (MAIN GEAR AND DOORS ONLY) FOR NHA/OTHER SYS DET SEE: 24-00-58-01C	002004	RF
- 3	284N1761-42		PANEL INSTL-P62 AND P63 NLG LDG AND TURNOFF LTS (MAIN GEAR AND DOORS ONLY) FOR NHA/OTHER SYS DET SEE: 24-00-58-01C	121503	RF
- 3	284N1761-48		PANEL INSTL-P62 AND P63 NLG LDG AND TURNOFF LTS (MAIN GEAR AND DOORS ONLY) FOR NHA/OTHER SYS DET SEE: 24-00-58-01C	006017	RF
- 3	284N1761-54		PANEL INSTL-P62 AND P63 NLG LDG AND TURNOFF LTS (MAIN GEAR AND DOORS ONLY) FOR NHA/OTHER SYS DET SEE: 24-00-58-01C	953999	RF
- 4	284N1761-57		PANEL INSTL-P62 AND P63 NLG LDG AND TURNOFF LTS (MAIN GEAR AND DOORS ONLY) FOR NHA/OTHER SYS DET SEE: 24-00-58-01C	950951	RF

MISSING ITEM NUMBERS NOT APPLICABLE

- ITEM NOT ILLUSTRATED

32-12-52-01

32-12-52  
FIG. 01  
PAGE 1  
JAN 20/09

BRI





757

PARTS CATALOG (MAINTENANCE)

FIG ITEM	PART NUMBER	1 2 3 4 5 6 7	NOMENCLATURE	EFFECT FROM TO	UNITS PER ASSY
1					
- 4	284N1761-60		PANEL INSTL-P62 AND P63 NLG LDG AND TURNOFF LTS (MAIN GEAR AND DOORS ONLY) FOR NHA/OTHER SYS DET SEE: 24-00-58-01C	018100	RF
- 5	284N1761-90		PANEL INSTL-P62 AND P63 NLG LDG AND TURNOFF LTS (MAIN GEAR AND DOORS ONLY) FOR NHA/OTHER SYS DET SEE: 24-00-58-05E	101101	RF
10	284N1758-11		.HOUSING ASSY-P63 CONT PNL POSITION DATA: LH	002004 107107 121503 904949	1
10	284N1758-21		.HOUSING ASSY-P63 CONT PNL POSITION DATA: LH	952952	1
10	284N1758-33		.HOUSING ASSY-P63 CONT PNL POSITION DATA: LH	006017	1
10	284N1758-36		.HOUSING ASSY-P63 CONT PNL POSITION DATA: LH	953999	1
10	284N1758-45		.HOUSING ASSY-P63 CONT PNL POSITION DATA: LH	950951	1
35	BAC27NEL0949		..MARKER-ALUMINUM FOIL- PLACARD CONTENT: S10361 NOSE GEAR DOOR UNSAFE LIGHT PRESS TO TEST SW	002004 006017 107107 121503 904999	1
50	BAC27NEL0165		..MARKER-ALUMINUM FOIL- PLACARD CONTENT: S10193 SWITCH-NOSE DOOR CLOSE	002004 006017 107107 121503 904999	1
60	702PB1		..SWITCH- SUPPLIER CODE: V91929 ELECTRICAL EQUIP NUMBER: S10361	002004 006017 107107 121503 904999	1
65	MS24659-26F		..SWITCH- ELECTRICAL EQUIP NUMBER: S10193	002004 006017 107107 121503 904999	1

MISSING ITEM NUMBERS NOT APPLICABLE

- ITEM NOT ILLUSTRATED

32-12-52-01

32-12-52  
FIG. 01  
PAGE 2  
JAN 20/09

BRI



757

PARTS CATALOG (MAINTENANCE)

FIG ITEM	PART NUMBER	1 2 3 4 5 6 7	NOMENCLATURE	EFFECT FROM TO	UNITS PER ASSY
1					
- 70	1-59132A		..PIN AND FLAG ASSY- STEERING LOCKOUT SUPPLIER CODE: VK6807 POST AIRLINE MOD: CICB757/IPC/32-12 VBAA	121503 904949	1
- 75	2-59133		..STOWAGE-STEERING LOCKOUT PIN SUPPLIER CODE: VK6807 POST AIRLINE MOD: CICB757/IPC/32-12 VBAA	121503 904949	1
- 80	A217D16		ATTACHING PARTS ..SCREW- SUPPLIER CODE: VK7766	121503 904949	4
- 85	SP122D		..WASHER	121503 904949	4
- 90	A125D		..NUT	121503 904949	4
			-----*-----		
95	284N1209-2		.PANEL ASSY-P62 AND P63, NLG, LDG AND TURNOFF LTS	018100	RF
100	284N1209-13		..HOUSING ASSY-	018100	RF
105	284N1758-48		...CONTROL PANEL ASSY-P63	018100	1
105	284N1758-68		...CONTROL PANEL ASSY-P63	101101	1
115	BAC27NEL0949		....MARKER-ALUMINUM FOIL- PLACARD CONTENT: S10361 NOSE GEAR DOOR UNSAFE LIGHT PRESS TO TEST SW	018101	1
120	BAC27NEL0165		....MARKER-ALUMINUM FOIL- PLACARD CONTENT: S10193 SWITCH-NOSE DOOR CLOSE	018101	1
125	702PB1		....SWITCH- SUPPLIER CODE: V91929 ELECTRICAL EQUIP NUMBER: S10361	018101	1
130	MS24659-26F		....SWITCH- ELECTRICAL EQUIP NUMBER: S10193	018101	1

MISSING ITEM NUMBERS NOT APPLICABLE

- ITEM NOT ILLUSTRATED

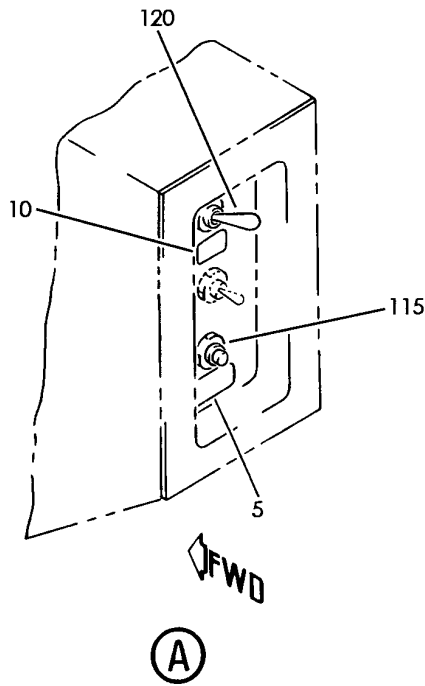
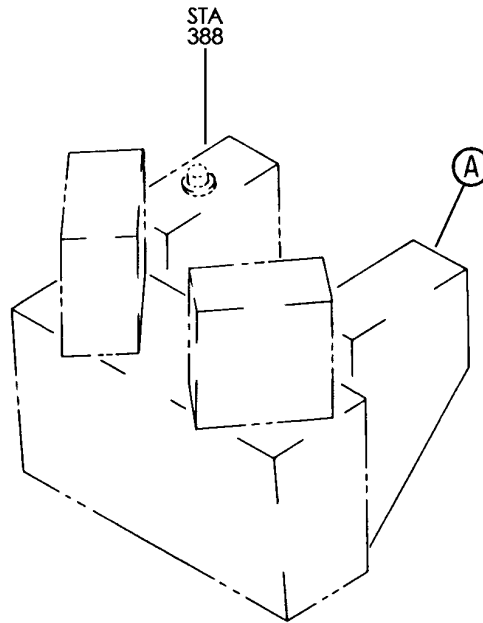
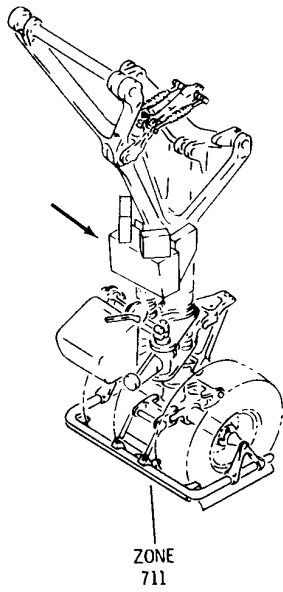
BRI

32-12-52-01

BOEING PROPRIETARY - Copyright © - Unpublished Work - See title page for details.

32-12-52  
FIG. 01  
PAGE 3  
JAN 20/09

**BOEING**  
757  
PARTS CATALOG (MAINTENANCE)



Y 32125201B REV 208

PANEL ASSY-P62 AND P63 NLG LDG AND TURNOFF LTS (MAIN GEAR AND DOORS ONLY)  
FIGURE 1B

BRI  
MAY 28/07

**32-12-52-01B**

32-12-52-01B  
PAGE 0



757

PARTS CATALOG (MAINTENANCE)

FIG ITEM	PART NUMBER	1 2 3 4 5 6 7	NOMENCLATURE	EFFECT FROM TO	UNITS PER ASSY
1B			PANEL ASSY-P62 AND P63 NLG LDG AND TURNOFF LTS (MAIN GEAR AND DOORS ONLY)	102106 108120 504903	
- 1	284N1209-103		PANEL ASSY-P62 AND P63, NLG LDG AND TURNOFF LTS (MAIN GEAR AND DOORS ONLY) FOR NHA/OTHER SYS DET SEE: 33-42-04-01	102102	RF
- 1	284N1209-108		PANEL ASSY-P62 AND P63, NLG LDG AND TURNOFF LTS (MAIN GEAR AND DOORS ONLY) FOR NHA/OTHER SYS DET SEE: 33-42-04-01	504903	RF
- 2	284N1209-134		PANEL ASSY-P62 AND P63 NLG LDG AND TURNOFF LTS (MAIN GEAR AND DOORS ONLY) FOR NHA/OTHER SYS DET SEE: 33-42-04-01	108120	RF
- 3	284N1209-140		PANEL ASSY-P62 AND P63 NGL LDG AND TURNOFF LTS (MAIN GEAR AND DOORS ONLY) FOR NHA/OTHER SYS DET SEE: 33-42-04-01	103106	RF
10	BAC27NEL0165		.MARKER-ALUMINUM FOIL PLACARD CONTENT: S10193 SWITCH-NOSE DOOR CLOSE	102106 108120 504903	1
115	702PB1		.SWITCH- SUPPLIER CODE: V91929 ELECTRICAL EQUIP NUMBER: S10361	102106 108120 504903	1
120	MS24659-26F		.SWITCH- ELECTRICAL EQUIP NUMBER: S10193	102106 108120 504903	1

MISSING ITEM NUMBERS NOT APPLICABLE

- ITEM NOT ILLUSTRATED

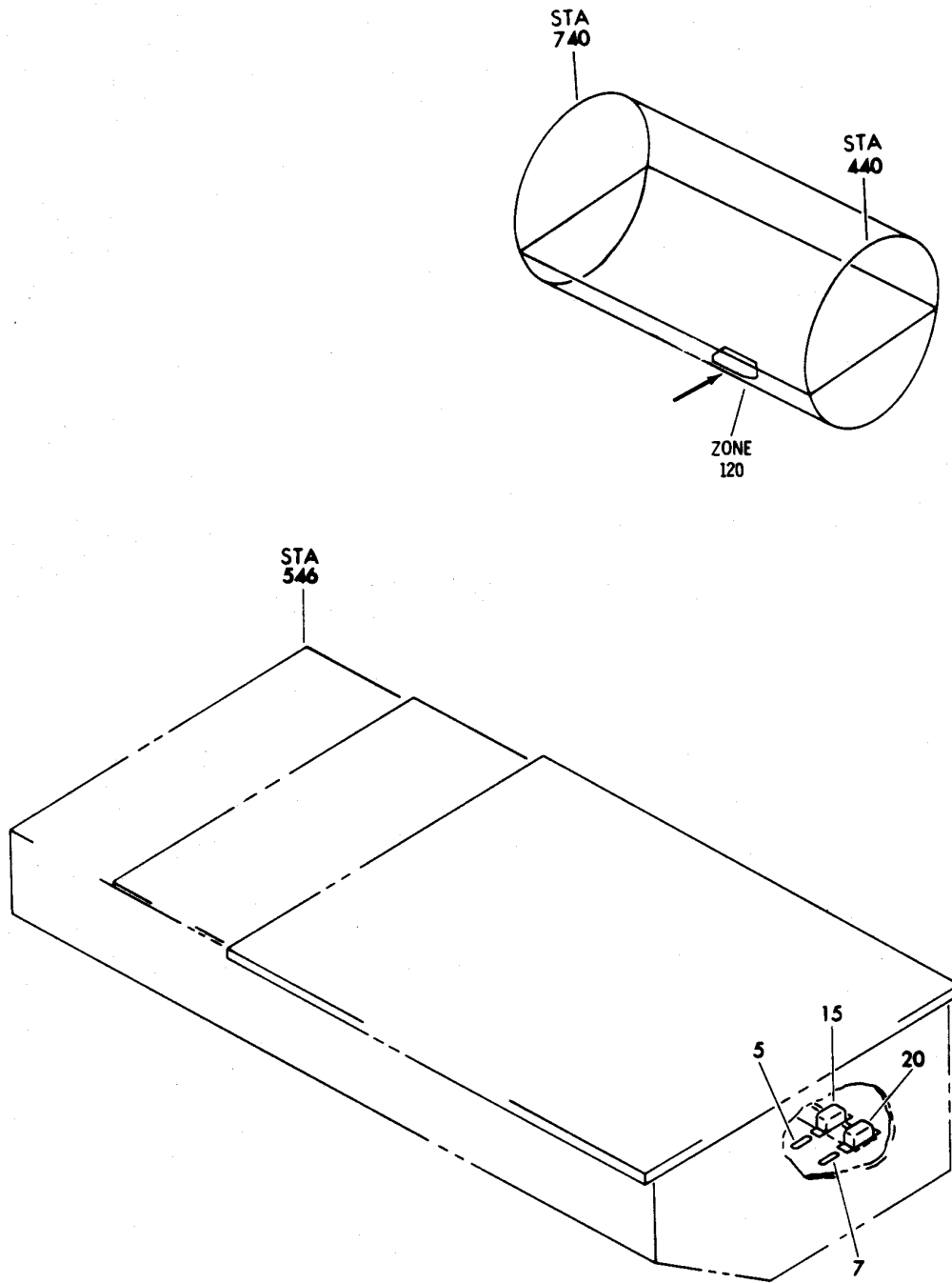
32-12-52-01B

32-12-52  
FIG. 01B  
PAGE 1  
JAN 20/09

BRI

BOEING PROPRIETARY - Copyright © - Unpublished Work - See title page for details.

**BOEING**  
757  
PARTS CATALOG (MAINTENANCE)



Y 32127101 SH1 1 REV 001

PANEL ASSY-P36 MISC RELAY L (MAIN GEAR DOORS ONLY)  
FIGURE 1

**32-12-71-01**

BRI  
MAY 28/07

32-12-71-01  
PAGE 0



757

PARTS CATALOG (MAINTENANCE)

FIG ITEM	PART NUMBER	1 2 3 4 5 6 7	NOMENCLATURE	EFFECT FROM TO	UNITS PER ASSY
1			PANEL ASSY-P36 MISC RELAY L (MAIN GEAR DOORS ONLY)	002004 006100 107107 121503 904999	
- 1	284N1125-1		PANEL ASSY-P36 MISC RELAY (MAIN GEAR DOORS ONLY) POSITION DATA: L VARIABLE DRAWING REF: 284N1125-5023 284N1125-5030 284N1125-5049 284N1125-5050 284N1125-5054 REWORKED BY SB: 34-0200 REWORKED BY ALERT SB: 27A0130 FOR NHA/OTHER SYS DET SEE: 31-01-36-01B	002004 006100 107107 121503 904999	RF
5	BAC27NEX2514		.DECAL- PLACARD CONTENT: K10370	002004 006100 950999	1
7	BAC27NEX0902		.DECAL- PLACARD CONTENT: K10370	107107 121503 904949	1
15	W460F1A		.RELAY- SUPPLIER CODE: VF0219 SPECIFICATION NUMBER: BACR13CE2 OPTIONAL PART: 3SAH5-13-4K1 V01526 3SAH1326A2 V01526 ELECTRICAL EQUIP NUMBER: K10370	002004 006100 950999	1

MISSING ITEM NUMBERS NOT APPLICABLE

- ITEM NOT ILLUSTRATED

BRI

32-12-71-01

BOEING PROPRIETARY - Copyright © - Unpublished Work - See title page for details.

32-12-71  
FIG. 01  
PAGE 1  
JAN 20/09



757

PARTS CATALOG (MAINTENANCE)

FIG ITEM	PART NUMBER	1 2 3 4 5 6 7	NOMENCLATURE	EFFECT FROM TO	UNITS PER ASSY
1 20	W460F1A		.RELAY- SUPPLIER CODE: VF0219 SPECIFICATION NUMBER: BACR13CE2 OPTIONAL PART: 3SAH5-13-4K1 V01526 3SAH1326A2 V01526 ELECTRICAL EQUIP NUMBER: K10370	107107 121503 904949	1

MISSING ITEM NUMBERS NOT APPLICABLE

- ITEM NOT ILLUSTRATED

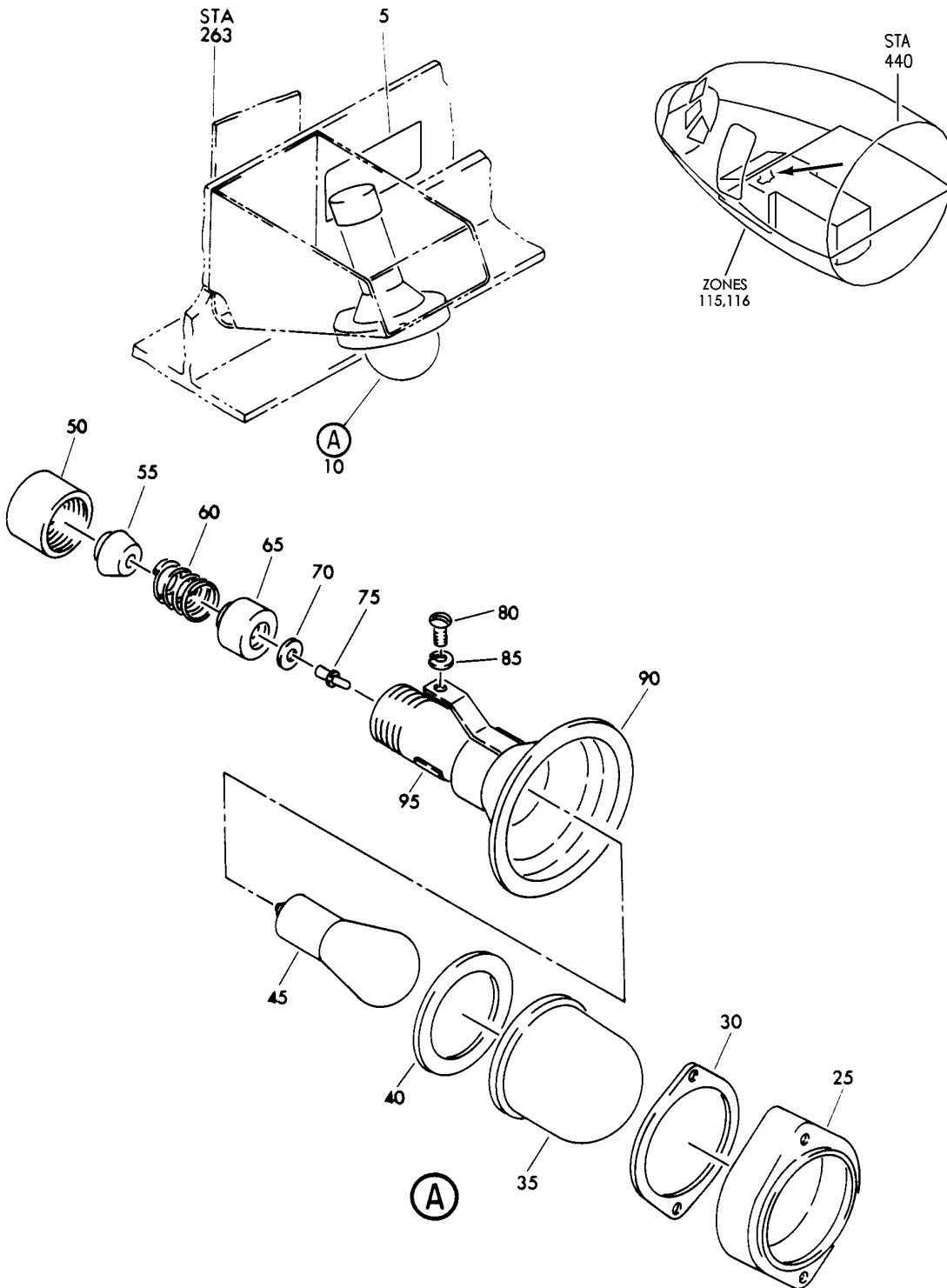
BRI

32-12-71-01

BOEING PROPRIETARY - Copyright © - Unpublished Work - See title page for details.

32-12-71  
FIG. 01  
PAGE 2  
JAN 20/09

**BOEING**  
757  
PARTS CATALOG (MAINTENANCE)



Y 32127201 SHT 1 REV 229

LIGHT INSTL-NLG DOOR UNSAFE  
FIGURE 1

**32-12-72-01**

BRI  
MAY 28/07

32-12-72-01  
PAGE 0





757

PARTS CATALOG (MAINTENANCE)

FIG ITEM	PART NUMBER	1 2 3 4 5 6 7	NOMENCLATURE	EFFECT FROM TO	UNITS PER ASSY
1			LIGHT INSTL-NLG DOOR UNSAFE	002004	
- 1	284N1763-4		LIGHT INSTL-NLG DOOR UNSAFE FOR NHA SEE: 24-00-58-01A	006999 107107	RF
- 1	284N1763-5		LIGHT INSTL-NLG DOOR UNSAFE FOR NHA SEE: 24-00-58-01A 24-00-58-05	002004 006102 108999	RF
- 1	MODREF9331		LIGHT INSTL-NLG DOOR UNSAFE MODULE NUMBER: 284N1763-5 REV A	103106	1
5	BAC27NEL0932		.MARKER-ALUMINUM FOIL- PLACARD CONTENT: L00489 NOSE GEAR DOOR UNSAFE LIGHT	002004 006999	1
10	A8985-10		.LIGHT ASSY-FLOOD SUPPLIER CODE: V72914 ELECTRICAL EQUIP NUMBER: L00489	002004 006999	1
- 15	NAS1801-06-10		ATTACHING PARTS .SCREW	002004 006999	2
- 20	BRH10A06		.NUT SUPPLIER CODE: V52828 SPECIFICATION NUMBER: BACN10JC06 OPTIONAL PART: H10-06BAC V15653 RMLH9075-62W V72962 VN303A62 V92215 96-62 V80539 NS202101-62 V80539 T6S632J V11815	002004 006999	2
25	A4861-1		-----*----- . . RETAINER- SUPPLIER CODE: V72914	002004 006999	1
30	A4865-1		. . WASHER- SUPPLIER CODE: V72914	002004 006999	2

MISSING ITEM NUMBERS NOT APPLICABLE

- ITEM NOT ILLUSTRATED

32-12-72-01

32-12-72  
FIG. 01  
PAGE 1  
JAN 20/09

BRI



757

PARTS CATALOG (MAINTENANCE)

FIG ITEM	PART NUMBER	1 2 3 4 5 6 7	NOMENCLATURE	EFFECT FROM TO	UNITS PER ASSY
1					
35	A4513-2	..	LENS- SUPPLIER CODE: V72914	002004 006999	1
40	A2109-4	..	GASKET- SUPPLIER CODE: V72914	002004 006999	1
45	1665	..	LAMP- SUPPLIER CODE: V71744	002004 006999	1
50	A4711	..	NUT-CONDUIT SUPPLIER CODE: V72914	002004 006999	1
55	A9314-1	..	GROMMET- SUPPLIER CODE: V72914	002004 006999	1
60	A5717	..	SPRING- SUPPLIER CODE: V72914	002004 006999	1
65	60-1542-1	..	INSULATOR- SUPPLIER CODE: V72914	002004 006999	1
70	60-1543-1	..	WASHER- SUPPLIER CODE: V72914	002004 006999	1
75	60-1541-1	..	CONTACT- SUPPLIER CODE: V72914	002004 006999	1
80	MS35206-226	..	ATTACHING PARTS SCREW	002004 006999	1
85	MS35338-41	..	WASHER	002004 006999	1
90	A8515-1	..	-----*----- LAMPHOLDER ASSY- SUPPLIER CODE: V72914	002004 006999	1
95	31-1752-1	..	PLATE-IDENT SUPPLIER CODE: V72914	002004 006999	1

MISSING ITEM NUMBERS NOT APPLICABLE

- ITEM NOT ILLUSTRATED

BRI

32-12-72-01

BOEING PROPRIETARY - Copyright © - Unpublished Work - See title page for details.

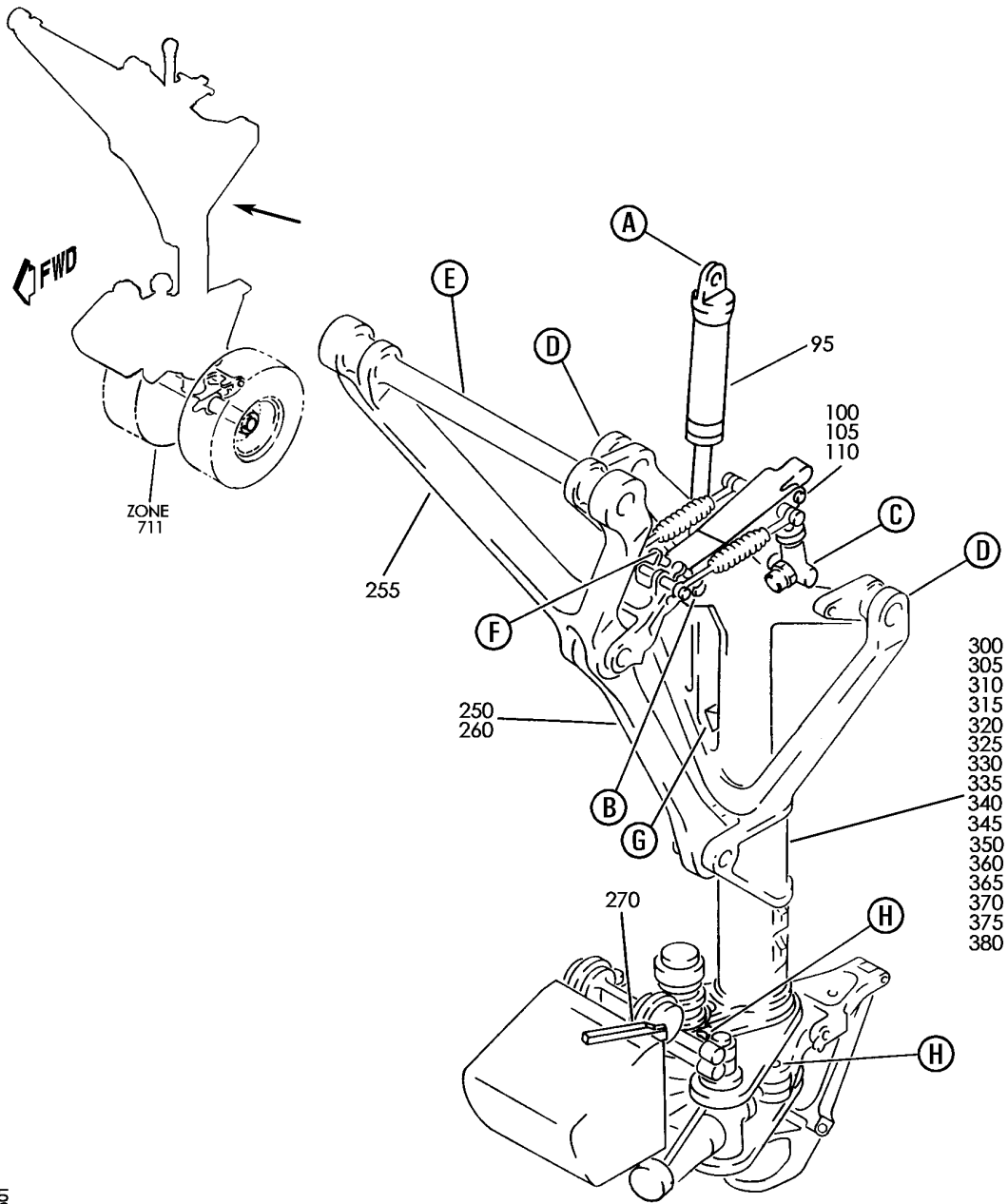
32-12-72  
FIG. 01  
PAGE 2  
JAN 20/09

## NOSE LANDING GEAR

BRI  
MAY 28/07

32-21-00  
SECTION TITLE  
PAGE 1

**BOEING**  
757  
PARTS CATALOG (MAINTENANCE)



Y 32210001B SHT 1 REV 301

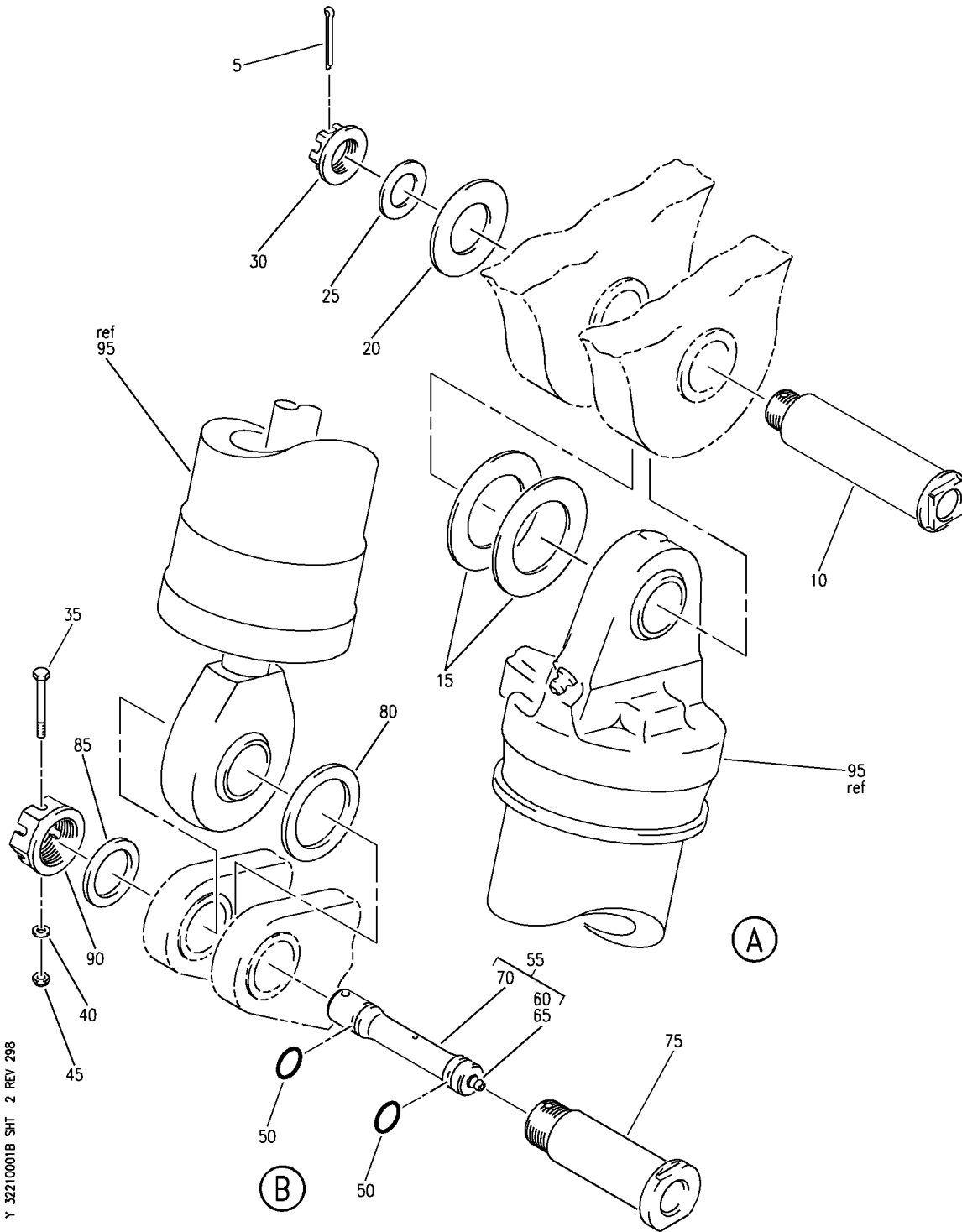
GEAR INSTL-SECT. 62 NLG VAR  
FIGURE 1B (SHEET 1)

BRI  
MAY 28/07

**32-21-00-01B**

32-21-00-01B  
PAGE 0

**BOEING**  
757  
PARTS CATALOG (MAINTENANCE)



Y 32210001B SHT 2 REV 298

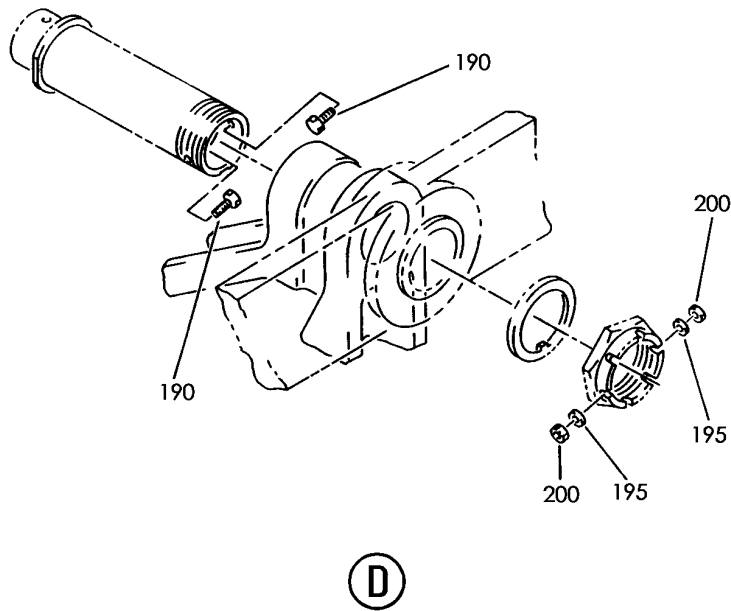
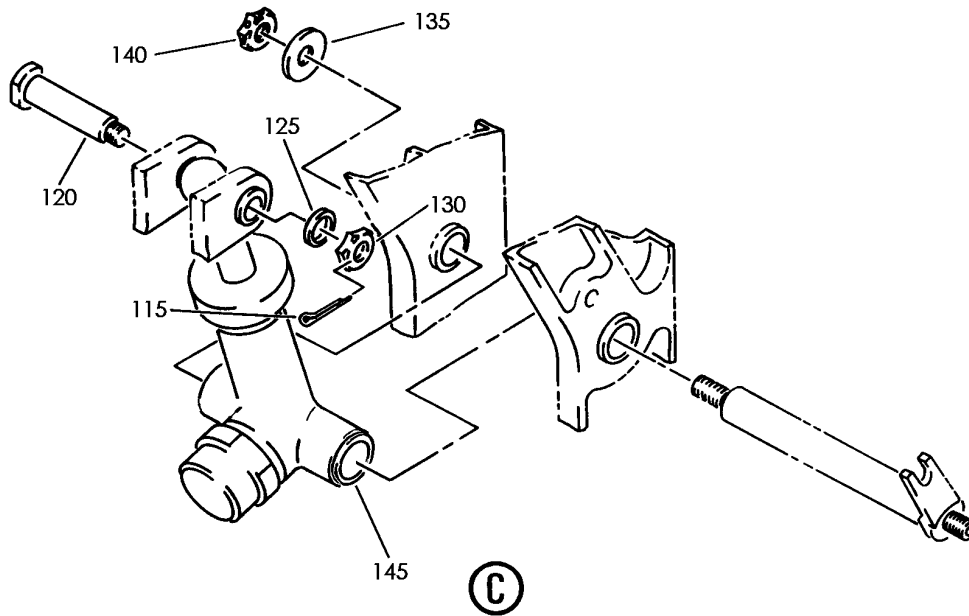
GEAR INSTL-SECT. 62 NLG VAR  
FIGURE 1B (SHEET 2)

**32-21-00-01B**

BRI  
MAY 28/07

32-21-00-01B  
PAGE 0A

**BOEING**  
757  
PARTS CATALOG (MAINTENANCE)



Y 32210001B SH1 3 REV 247

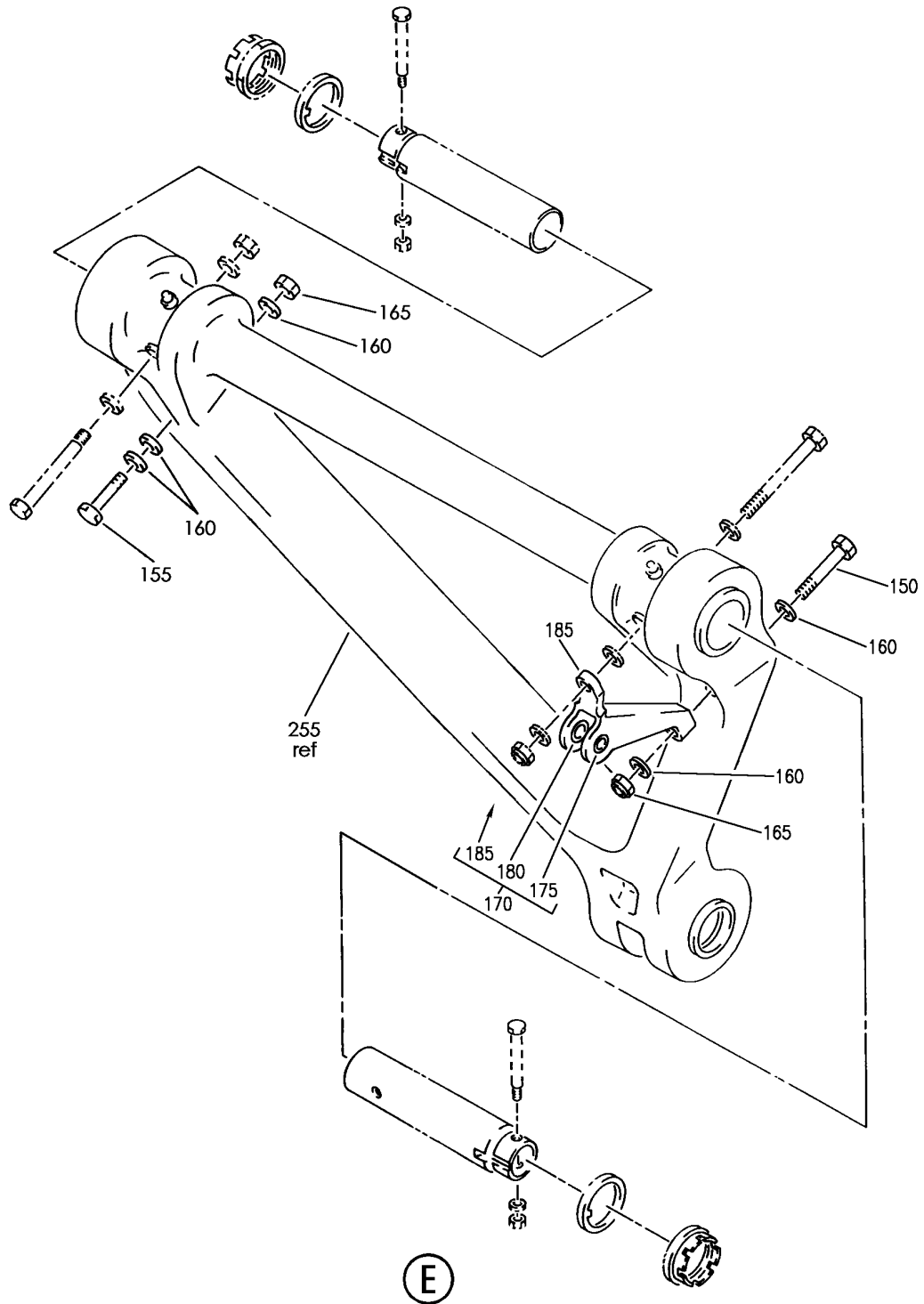
GEAR INSTL-SECT. 62 NLG VAR  
FIGURE 1B (SHEET 3)

BRI  
MAY 28/07

**32-21-00-01B**

32-21-00-01B  
PAGE 0B

**BOEING**  
757  
PARTS CATALOG (MAINTENANCE)



Y 32210001B SHT 4 REV 291

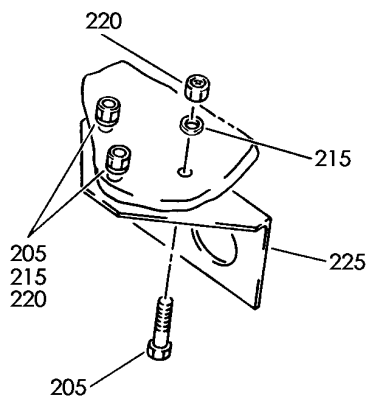
GEAR INSTL-SECT. 62 NLG VAR  
FIGURE 1B (SHEET 4)

**32-21-00-01B**

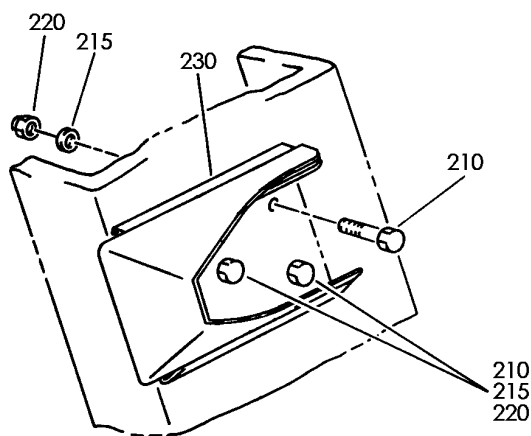
BRI  
MAY 28/07

32-21-00-01B  
PAGE 0C

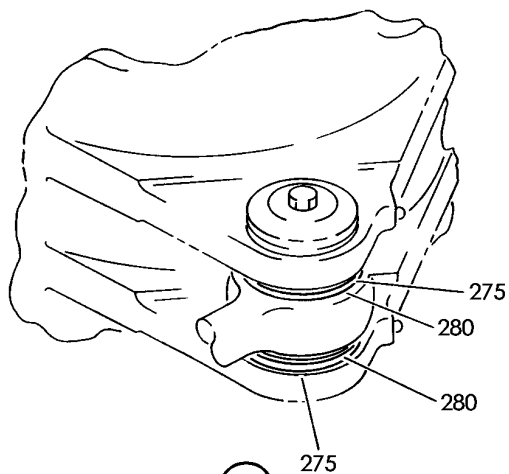
**BOEING**  
757  
PARTS CATALOG (MAINTENANCE)



(F)



(G)



(H)

Y 32210001B SH 5 REV 247

GEAR INSTL-SECT. 62 NLG VAR  
FIGURE 1B (SHEET 5)

**32-21-00-01B**

BRI  
MAY 28/07

32-21-00-01B  
PAGE 0D





757

PARTS CATALOG (MAINTENANCE)

FIG ITEM	PART NUMBER	1 2 3 4 5 6 7	NOMENCLATURE	EFFECT FROM TO	UNITS PER ASSY
1B			GEAR INSTL-SECT. 62 NLG VAR	002004 006100 107107 121503 904999	
- 1	162N0001-43		GEAR INSTL-NLG VAR POSITION DATA: SECT. 62	002004 006100 107107 121503 904999	1
5	BACP18BC05A16P		.PIN	002004 006100 107107 121503 904999	1
10	273N1059-1		.PIN-	002004 006100 107107 121503 904999	1
15	162N5005-8		.WASHER-	002004 006100 107107 121503 904999	2
20	BACW10BP28APU		.WASHER-	002004 006100 107107 121503 904999	1
25	NAS1149C2090R		.WASHER-	002004 006100 107107 121503 904999	1
30	73783CD2012		.NUT- SUPPLIER CODE: V56878 OPTIONAL PART: MS14145-20	002004 006100 107107 121503 904999	1
30	MS14145-20		.NUT- OPTIONAL PART: 73783CD2012 V56878	002004 006100 107107 121503 904999	1

MISSING ITEM NUMBERS NOT APPLICABLE

- ITEM NOT ILLUSTRATED

**32-21-00-01B**

32-21-00  
FIG. 01B  
PAGE 1  
JAN 20/09

BRI

BOEING PROPRIETARY - Copyright © - Unpublished Work - See title page for details.



757

PARTS CATALOG (MAINTENANCE)

FIG ITEM	PART NUMBER	1 2 3 4 5 6 7	NOMENCLATURE	EFFECT FROM TO	UNITS PER ASSY
1B					
35	BACB30LJ4-32	.	BOLT-	002004 006100 107107 121503 904999	1
40	NAS1149C0463R	.	WASHER-	002004 006100 107107 121503 904999	1
45	BRH10A4	.	NUT-	002004 006100 107107 121503 904999	1
			SUPPLIER CODE: V52828	006100 107107	
			SPECIFICATION NUMBER: BACN10JC4	121503 904999	
			OPTIONAL PART: T6S428J		
			V11815		
			96-048		
			V80539		
			VN303A048		
			V92215		
			RMLH9075-4W		
			V72962		
			NS202101-048		
			V80539		
			H10-4BAC		
			V15653		
50	NAS1611-118	.	PACKING-	002004 006100 107107 121503 904999	2
55	162N5003-1	.	INSERT ASSY-LUB	002004 006100 107107 121503 904999	1
60	MS15001-2	..	FITTING	002004 006100 107107 121503 904999	1
65	MS21209F4-15	..	INSERT	002004 006100 107107 121503 904999	1

MISSING ITEM NUMBERS NOT APPLICABLE

- ITEM NOT ILLUSTRATED

32-21-00-01B

32-21-00  
FIG. 01B  
PAGE 2  
JAN 20/09

BRI

BOEING PROPRIETARY - Copyright © - Unpublished Work - See title page for details.



757

PARTS CATALOG (MAINTENANCE)

FIG ITEM	PART NUMBER	1 2 3 4 5 6 7	NOMENCLATURE	EFFECT FROM TO	UNITS PER ASSY
1B					
70	162N5003-2	. .	INSERT	002004 006100 107107 121503 904999	1
75	162N5001-2	. BOLT-		002004 006100 107107 121503 904999	1
75	162N5001-3	. BOLT-		002004 006100 107107 121503 904999	1
80	162N5005-4	. WASHER-		002004 006100 107107 121503 904999	1
85	162N3115-11	. WASHER-		002004 006100 107107 121503 904999	1
90	162N5002-1	. NUT-		002004 006100 107107 121503 904999	1
95	162N0001-35	. ACTUATOR ASSY-	COMPONENT MAINT MANUAL REF: 32-34-09 FOR DETAILS SEE: 32-34-01-02	002004 006010 107107 121503 904999	1
95	162N0001-110	. ACTUATOR ASSY-	COMPONENT MAINT MANUAL REF: 32-34-09 FOR DETAILS SEE: 32-34-01-02	002004 006100 107107 121503 904999	1
95	273N1004-5	. ACTUATOR ASSY-	COMPONENT MAINT MANUAL REF: 32-34-09 FOR DETAILS SEE: 32-34-01-02	002004 006100 107107 121503 904999	1

MISSING ITEM NUMBERS NOT APPLICABLE

- ITEM NOT ILLUSTRATED

**32-21-00-01B**

32-21-00  
FIG. 01B  
PAGE 3  
JAN 20/09

BRI

BOEING PROPRIETARY - Copyright © - Unpublished Work - See title page for details.



757

PARTS CATALOG (MAINTENANCE)

FIG ITEM	PART NUMBER	1 2 3 4 5 6 7	NOMENCLATURE	EFFECT FROM TO	UNITS PER ASSY
1B					
95	162N0001-17		.ACTUATOR ASSY- COMPONENT MAINT MANUAL REF: 32-34-09 FOR DETAILS SEE: 32-34-01-02	002004 006010 107107 121503 904999	1
100	273N1093-1		.PIN	002004 006100 107107 121503 904999	1
105	BACS12BP3AP9		.SCREW	002004 006100 107107 121503 904999	1
110	BACW10BP31ACU		.WASHER	002004 006100 107107 121503 904999	1
115	BACP18BC02A10P		.PIN	002004 006100 107107 121503 904999	1
120	162N5004-2		.BOLT-	002004 006100 107107 121503 904999	1
125	162N3115-13		.WASHER-	002004 006100 107107 121503 904999	1
130	LCN6-820		.NUT- SUPPLIER CODE: V56878 OPTIONAL PART: TE9868-8 V72962 MS14145L8	002004 006100 107107 121503 904999	1
130	TE9868-8		.NUT- OPTIONAL PART: LCN6-820 V56878 MS14145L8	002004 006100 107107 121503 904999	1

MISSING ITEM NUMBERS NOT APPLICABLE

- ITEM NOT ILLUSTRATED

32-21-00-01B

32-21-00  
FIG. 01B  
PAGE 4  
JAN 20/09

BRI

BOEING PROPRIETARY - Copyright © - Unpublished Work - See title page for details.



757

PARTS CATALOG (MAINTENANCE)

FIG ITEM	PART NUMBER	1 2 3 4 5 6 7	NOMENCLATURE	EFFECT FROM TO	UNITS PER ASSY
1B 130	MS14145L8	.NUT-	OPTIONAL PART: LCN6-820 V56878 TE9868-8 V72962	002004 006100 107107 121503 904999	1
135	BACW10P74S	.WASHER-		002004 006100 107107 121503 904999	1
140	NAS509-7	.NUT-		002004 006100 107107 121503 904999	1
145	273N1005-1	.ACTUATOR ASSY-LOCK	COMPONENT MAINT MANUAL REF: 32-34-32 FOR DETAILS SEE: 32-34-02-02	002004 006100 107107 121503 904999	1
145	273N1005-2	.ACTUATOR ASSY-LOCK	COMPONENT MAINT MANUAL REF: 32-34-32 FOR DETAILS SEE: 32-34-02-02	002004 006100 107107 121503 904999	1
150	BACB30LJ4-15	.BOLT-		002004 006100 107107 121503 904999	1
155	BACB30LJ4-9	.BOLT-		002004 006100 107107 121503 904999	1
160	NAS1149D0463J	.WASHER-		002004 006100 107107 121503 904999	5

MISSING ITEM NUMBERS NOT APPLICABLE

- ITEM NOT ILLUSTRATED

32-21-00-01B

32-21-00  
FIG. 01B  
PAGE 5  
JAN 20/09

BRI

BOEING PROPRIETARY - Copyright © - Unpublished Work - See title page for details.



757

PARTS CATALOG (MAINTENANCE)

FIG ITEM	PART NUMBER	1 2 3 4 5 6 7	NOMENCLATURE	EFFECT FROM TO	UNITS PER ASSY
1B 165	BRH10A4	.NUT-	SUPPLIER CODE: V52828 SPECIFICATION NUMBER: BACN10JC4 OPTIONAL PART: T6S428J V11815 96-048 V80539 VN303A048 V92215 RMLH9075-4W V72962 NS202101-048 V80539 H10-4BAC V15653	002004 006100 107107 121503 904999	2
170	273N1089-4	.BRACKET ASSY-		002004 006100 107107 121503 904999	1
175	BACB28X4N010	..BUSHING		002004 006100 107107 121503 904999	1
180	BACB28X6N012	..BUSHING		002004 006100 107107 121503 904999	1
185	273N1089-5	..BRACKET		002004 006100 107107 121503 904999	1
190	BACB30LJ4-8	.BOLT-		002004 006100 107107 121503 904999	4
195	NAS1149C0432R	.WASHER-		002004 006100 107107 121503 904999	4

MISSING ITEM NUMBERS NOT APPLICABLE

- ITEM NOT ILLUSTRATED

32-21-00-01B

32-21-00  
FIG. 01B  
PAGE 6  
JAN 20/09

BRI

BOEING PROPRIETARY - Copyright © - Unpublished Work - See title page for details.



757

PARTS CATALOG (MAINTENANCE)

FIG ITEM	PART NUMBER	1 2 3 4 5 6 7	NOMENCLATURE	EFFECT FROM TO	UNITS PER ASSY
1B 200	BRH10A4	.	NUT- SUPPLIER CODE: V52828 SPECIFICATION NUMBER: BACN10JC4 OPTIONAL PART: T6S428J V11815 96-048 V80539 VN303A048 V92215 RMLH9075-4W V72962 NS202101-048 V80539 H10-4BAC V15653	002004 006100 107107 121503 904999	4
205	BACB30LJ4-7	.	BOLT	002004 006100 107107 121503 904999	3
210	BACB30LJ4-9	.	BOLT	002004 006100 107107 121503 904999	3
215	NAS1149D0463J	.	WASHER	002004 006100 107107 121503 904999	6

MISSING ITEM NUMBERS NOT APPLICABLE

- ITEM NOT ILLUSTRATED

32-21-00-01B

32-21-00  
FIG. 01B  
PAGE 7  
JAN 20/09

BRI

BOEING PROPRIETARY - Copyright © - Unpublished Work - See title page for details.



757

PARTS CATALOG (MAINTENANCE)

FIG ITEM	PART NUMBER	1 2 3 4 5 6 7	NOMENCLATURE	EFFECT FROM TO	UNITS PER ASSY
1B 220	BRH10A4	.NUT-	SUPPLIER CODE: V52828 SPECIFICATION NUMBER: BACN10JC4 OPTIONAL PART: T6S428J V11815 96-048 V80539 VN303A048 V92215 RMLH9075-4W V72962 NS202101-048 V80539 H10-4BAC V15653	002004 006100 107107 121503 904999	6
225	271N6149-3	.BRACKET		002004 006100 107107 121503 904999	1
230	271N6148-7	.BRACKET ASSY		002004 006100 107107 121503 904999	1
250	162N0001-104	.STRUT ASSY-DRAG MISCELLANEOUS DATA: FOR SPARES PROCURE LOWER COMPONENTS COMPONENT MAINT MANUAL REF: 32-21-64 QUALIFIED I/W DATA: 162N0001-116 DRAG STRUT- LOCK LINK ASSY T/W 162N0001-117 LOWER DRAG STRUT ASSY ARE I/W 162N0001-104 FOR DETAILS SEE: 32-21-03-01	002004 006017 107107 121503 904999	1	

MISSING ITEM NUMBERS NOT APPLICABLE

- ITEM NOT ILLUSTRATED

BRI

**32-21-00-01B**

BOEING PROPRIETARY - Copyright © - Unpublished Work - See title page for details.

32-21-00  
FIG. 01B  
PAGE 8  
JAN 20/09





757

PARTS CATALOG (MAINTENANCE)

FIG ITEM	PART NUMBER	1 2 3 4 5 6 7	NOMENCLATURE	EFFECT FROM TO	UNITS PER ASSY
1B 250	162N0001-94	.	STRUT ASSY-DRAG MISCELLANEOUS DATA: FOR SPARES PROCURE LOWER COMPONENTS COMPONENT MAINT MANUAL REF: 32-21-64 QUALIFIED I/W DATA: 162N0001-116 DRAG STRUT-LOCK LINK ASSY ARE T/W 162N0001-117 LOWER DRAG STRUT ASSY ARE I/W 162N0001-104 FOR DETAILS SEE: 32-21-03-01	002004 006017 107107 121503 904999	1
250	162N0001-16	.	STRUT ASSY-DRAG MISCELLANEOUS DATA: FOR SPARES PROCURE LOWER COMPONENTS COMPONENT MAINT MANUAL REF: 32-21-64 QUALIFIED I/W DATA: 162N0001-116 DRAG STRUT-LOCK LINK ASSY T/W 162N0001-117 LOWER DRAG STRUT ASSY ARE I/W 162N0001-104 FOR DETAILS SEE: 32-21-03-01	002004 006017 107107 121503 904999	1
250	162N0001-25	.	STRUT ASSY-DRAG MISCELLANEOUS DATA: FOR SPARES PROCURE LOWER COMPONENTS COMPONENT MAINT MANUAL REF: 32-21-64 QUALIFIED I/W DATA: 162N0001-116 DRAG STRUT-LOCK LINK ASSY T/W 162N0001-117 LOWER DRAG STRUT ASSY ARE I/W 162N0001-104 FOR DETAILS SEE: 32-21-03-01	002004 006017 107107 121503 904999	1

MISSING ITEM NUMBERS NOT APPLICABLE

- ITEM NOT ILLUSTRATED

**32-21-00-01B**

32-21-00  
FIG. 01B  
PAGE 9  
JAN 20/09

BRI



757

PARTS CATALOG (MAINTENANCE)

FIG ITEM	PART NUMBER	1 2 3 4 5 6 7	NOMENCLATURE	EFFECT FROM TO	UNITS PER ASSY
1B 250	162N0001-36	.	STRUT ASSY-DRAG MISCELLANEOUS DATA: FOR SPARES PROCURE LOWER COMPONENTS COMPONENT MAINT MANUAL REF: 32-21-64 QUALIFIED I/W DATA: 162N0001-116 DRAG STRUT-LOCK LINK ASSY T/W 162N0001-117 LOWER DRAG STRUT ASSY ARE I/W 162N0001-104 FOR DETAILS SEE: 32-21-03-01	002004 006017 107107 121503 904999	1
250	162N0001-37	.	STRUT ASSY-DRAG MISCELLANEOUS DATA: FOR SPARES PROCURE LOWER COMPONENTS COMPONENT MAINT MANUAL REF: 32-21-64 QUALIFIED I/W DATA: 162N0001-116 DRAG STRUT-LOCK LINK ASSY T/W 162N0001-117 LOWER DRAG STRUT ASSY ARE I/W 162N0001-104 FOR DETAILS SEE: 32-21-03-01	002004 006017 107107 121503 904999	1
250	162N0001-93	.	STRUT ASSY-DRAG MISCELLANEOUS DATA: FOR SPARES PROCURE LOWER COMPONENTS COMPONENT MAINT MANUAL REF: 32-21-64 QUALIFIED I/W DATA: 162N0001-116 DRAG STRUT-LOCK LINK ASSY T/W 162N0001-117 LOWER DRAG STRUT ASSY ARE I/W 162N0001-104 FOR DETAILS SEE: 32-21-03-01	002004 006017 107107 121503 904999	1

MISSING ITEM NUMBERS NOT APPLICABLE

- ITEM NOT ILLUSTRATED

**32-21-00-01B**

32-21-00  
FIG. 01B  
PAGE 10  
JAN 20/09

BRI



757

PARTS CATALOG (MAINTENANCE)

FIG ITEM	PART NUMBER	1 2 3 4 5 6 7	NOMENCLATURE	EFFECT FROM TO	UNITS PER ASSY
1B 255	162N0001-116	.	STRUT ASSY-DRAG MISCELLANEOUS DATA: FOR SPARES PROCURE LOWER COMPONENTS COMPONENT MAINT MANUAL REF: 32-21-64 QUALIFIED I/W DATA: 162N0001-116 DRAG STRUT-LOCK LINK ASSY T/W 162N0001-117 LOWER DRAG STRUT ASSY ARE I/W 162N0001-104 FOR DETAILS SEE: 32-21-03-01	018100	1
260	162N0001-117	.	STRUT ASSY-DRAG MISCELLANEOUS DATA: FOR SPARES PROCURE LOWER COMPONENTS COMPONENT MAINT MANUAL REF: 32-21-64 QUALIFIED I/W DATA: 162N0001-116 DRAG STRUT-LOCK LINK ASSY T/W 162N0001-117 LOWER DRAG STRUT ASSY ARE I/W 162N0001-104 FOR DETAILS SEE: 32-21-03-01	018100	1
270	275N1001-3	.	VALVE AND ACTUATOR INSTL-NOSE GEAR STEERING METERING FOR DETAILS SEE: 32-51-11-01 32-51-12-01	002004 006100 107107 121503 904999	1
275	162N5005-9	.	WASHER	002004 006100 107107 121503 904999	4
280	162N5005-2	.	WASHER	002004 006100 107107 121503 904999	4

MISSING ITEM NUMBERS NOT APPLICABLE

- ITEM NOT ILLUSTRATED

**32-21-00-01B**

32-21-00  
FIG. 01B  
PAGE 11  
JAN 20/09

BRI



757

PARTS CATALOG (MAINTENANCE)

FIG ITEM	PART NUMBER	1 2 3 4 5 6 7 NOMENCLATURE	EFFECT FROM TO	UNITS PER ASSY
1B 315	162N0001-6	.GEAR ASSY-NLG POSITION DATA: SECT. 62 COMPONENT MAINT MANUAL REF: 32-21-25 QUALIFIED I/W DATA: 162N0001-41, -38, -32, -31, -26, -24, -23, -21, -19, -18, -14, -6 T/W (1)BACB28AK06-045 AND (1)BACB30NR6DK21 I/W 162N0001-22, -20 I/W (1)BACB28AK06-058 AND (1)BACB30NR6DK25 OPTIONAL PART: 162N0001-18 FOR DETAILS SEE: 32-21-01-01C 32-21-09-05 32-21-12-01C 32-21-13-01C 32-45-02-01B	002004 006100 107107 121503 904949	1

MISSING ITEM NUMBERS NOT APPLICABLE

- ITEM NOT ILLUSTRATED

**32-21-00-01B**

32-21-00  
FIG. 01B  
PAGE 12  
JAN 20/09

BRI



757

PARTS CATALOG (MAINTENANCE)

FIG ITEM	PART NUMBER	1 2 3 4 5 6 7 NOMENCLATURE	EFFECT FROM TO	UNITS PER ASSY
1B 315	162N0001-6	.GEAR ASSY-NLG COMPONENT MAINT MANUAL REF: 32-21-25 QUALIFIED I/W DATA: 12N0001-119, -112, -106, -99, -45 WITH QUICK RELEASE TORSION LINKS MAY REPLACE BUT NOT BE REPLACED BY 162N0001-41, -38, -32, -31, -26, -24, -23, -21, -19, -18, -14, -6 WITHOUT QUICK RELEASE TORSION LINKS SUBJECT TO CUSTOMER APPROVAL 162N0001-122,-115,-109, -103,-98 REQUIRES THE 727 TOW BAR MAY REPLACE BUT NOT BE REPLACED BY 162N0001-41,-38,-32,-31, -26,-24,-23,-21,-19,-18, -14,-6 REQUIRES 757 TOW BAR SUBJECT TO CUSTOMER APPROVAL 162N0001-119 WITH QUICK RELEASE TORSION LINKS MAY REPLACE BUT NOT BE REPLACED BY 162N0001-41, -38, -32, -31, -26, -24, -23, -21, -19, -18, -14, -6 WITH CUSTOMER APPROVAL	002004 006100 107107 121503 904949	1

MISSING ITEM NUMBERS NOT APPLICABLE

- ITEM NOT ILLUSTRATED

**32-21-00-01B**

32-21-00  
FIG. 01B  
PAGE 13  
JAN 20/09

BRI



757

PARTS CATALOG (MAINTENANCE)

FIG ITEM	PART NUMBER	1 2 3 4 5 6 7	NOMENCLATURE	EFFECT FROM TO	UNITS PER ASSY
1B 315	162N0001-6		.GEAR ASSY-NLG COMPONENT MAINT MANUAL REF: 32-21-25 QUALIFIED I/W DATA: 162N0001-41, -38, -32, -31, -26, -24, -23, -21, -19, -18, -14, -6 WITHOUT QUICK RELEASE TORSION LINKS I/W 162N0001-46, -42, -33 WITH QUICK RELEASE TORSION LINKS SUBJECT TO CUSTOMER APPROVAL 162N0001-118, -111, -105, -101, -49 WITH ONLY FORWARD TOW FITTING MAY REPLACE BUT NOT BE REPLACED BY 162N001-41, -38, -32, -31, -26, -24, -23, -21, -19, -18, -14, -6 WITH FORWARD AND AFT TOW FITTING SUBJECT TO CUSTOMER APPROVAL	002004 006100 107107 121503 904949	1
315	162N0001-6		.GEAR ASSY-NLG COMPONENT MAINT MANUAL REF: 32-21-25 QUALIFIED I/W DATA: 162N0001-121, -114, -108, -102, -97 WITH QUICK RELEASE TORSION LINKS AND ONLY FORWARD TOW FITTING MAY REPLACE BUT NOT BE REPLACED BY 162N0001-41, -38, -32, -31, -26, -24, -23, -21, -19, -18, -14, -6 WITH FORWARD AND AFT TOW FITTING AND WITHOUT QUICK RELEASE TORSION LINKS SUBJECT TO CUSTOMER APPROVAL	002004 006100 107107 121503 904949	1

MISSING ITEM NUMBERS NOT APPLICABLE

- ITEM NOT ILLUSTRATED

**32-21-00-01B**

32-21-00  
FIG. 01B  
PAGE 14  
JAN 20/09

BRI



757

PARTS CATALOG (MAINTENANCE)

FIG ITEM	PART NUMBER	1 2 3 4 5 6 7 NOMENCLATURE	EFFECT FROM TO	UNITS PER ASSY
1B 315	162N0001-14	.GEAR ASSY-NLG POSITION DATA: SECT. 62 COMPONENT MAINT MANUAL REF: 32-21-25 QUALIFIED I/W DATA: 162N0001-41, -38, -32, -31, -26, -24, -23, -21, -19, -18, -14, -6 T/W (1)BACB28AK06-045 AND (1)BACB30NR6DK21 I/W 162N0001-22, -20 I/W (1)BACB28AK06-058 AND (1)BACB30NR6DK25 FOR DETAILS SEE: 32-21-01-01C 32-21-09-05 32-21-12-01C 32-21-13-01C 32-45-02-01B	002004 006100 107107 121503 904949	1

MISSING ITEM NUMBERS NOT APPLICABLE

- ITEM NOT ILLUSTRATED

BRI

**32-21-00-01B**

BOEING PROPRIETARY - Copyright © - Unpublished Work - See title page for details.

32-21-00  
FIG. 01B  
PAGE 15  
JAN 20/09



757

PARTS CATALOG (MAINTENANCE)

FIG ITEM	PART NUMBER	1 2 3 4 5 6 7 NOMENCLATURE	EFFECT FROM TO	UNITS PER ASSY
1B 315	162N0001-14	.GEAR ASSY-NLG COMPONENT MAINT MANUAL REF: 32-21-25 QUALIFIED I/W DATA: 12N0001-119, -112, -106, -99, -45 WITH QUICK RELEASE TORSION LINKS MAY REPLACE BUT NOT BE REPLACED BY 162N0001-41, -38, -32, -31, -26, -24, -23, -21, -19, -18, -14, -6 WITHOUT QUICK RELEASE TORSION LINKS SUBJECT TO CUSTOMER APPROVAL 162N0001-122,-115,-109, -103,-98 REQUIRES THE 727 TOW BAR MAY REPLACE BUT NOT BE REPLACED BY 162N0001-41,-38,-32,-31, -26,-24,-23,-21,-19,-18, -14,-6 REQUIRES 757 TOW BAR SUBJECT TO CUSTOMER APPROVAL 162N0001-119 WITH QUICK RELEASE TORSION LINKS MAY REPLACE BUT NOT BE REPLACED BY 162N0001-41, -38, -32, -31, -26, -24, -23, -21, -19, -18, -14, -6 WITH CUSTOMER APPROVAL	002004 006100 107107 121503 904949	1

MISSING ITEM NUMBERS NOT APPLICABLE

- ITEM NOT ILLUSTRATED

**32-21-00-01B**

32-21-00  
FIG. 01B  
PAGE 16  
JAN 20/09

BRI





757

PARTS CATALOG (MAINTENANCE)

FIG ITEM	PART NUMBER	1 2 3 4 5 6 7	NOMENCLATURE	EFFECT FROM TO	UNITS PER ASSY
1B 315	162N0001-14		.GEAR ASSY-NLG COMPONENT MAINT MANUAL REF: 32-21-25 QUALIFIED I/W DATA: 162N0001-41, -38, -32, -31, -26, -24, -23, -21, -19, -18, -14, -6 WITHOUT QUICK RELEASE TORSION LINKS I/W 162N0001-46, -42, -33 WITH QUICK RELEASE TORSION LINKS SUBJECT TO CUSTOMER APPROVAL 162N0001-118, -111, -105, -101, -49 WITH ONLY FORWARD TOW FITTING MAY REPLACE BUT NOT BE REPLACED BY 162N001-41, -38, -32, -31, -26, -24, -23, -21, -19, -18, -14, -6 WITH FORWARD AND AFT TOW FITTING SUBJECT TO CUSTOMER APPROVAL	002004 006100 107107 121503 904949	1
315	162N0001-14		.GEAR ASSY-NLG COMPONENT MAINT MANUAL REF: 32-21-25 QUALIFIED I/W DATA: 162N0001-121, -114, -108, -102, -97 WITH QUICK RELEASE TORSION LINKS AND ONLY FORWARD TOW FITTING MAY REPLACE BUT NOT BE REPLACED BY 162N0001-41, -38, -32, -31, -26, -24, -23, -21, -19, -18, -14, -6 WITH FORWARD AND AFT TOW FITTING AND WITHOUT QUICK RELEASE TORSION LINKS SUBJECT TO CUSTOMER APPROVAL	002004 006100 107107 121503 904949	1

MISSING ITEM NUMBERS NOT APPLICABLE

- ITEM NOT ILLUSTRATED

32-21-00-01B

32-21-00  
FIG. 01B  
PAGE 17  
JAN 20/09

BRI



757

PARTS CATALOG (MAINTENANCE)

FIG ITEM	PART NUMBER	1 2 3 4 5 6 7	NOMENCLATURE	EFFECT FROM TO	UNITS PER ASSY
1B 315	162N0001-18		.GEAR ASSY-NLG POSITION DATA: SECT. 62 COMPONENT MAINT MANUAL REF: 32-21-25 QUALIFIED I/W DATA: 162N0001-41, -38, -32, -31, -26, -24, -23, -21, -19, -18, -14, -6 T/W (1)BACB28AK06-045 AND (1)BACB30NR6DK21 I/W 162N0001-22, -20 I/W (1)BACB28AK06-058 AND (1)BACB30NR6DK25 FOR DETAILS SEE: 32-21-01-01C 32-21-09-05 32-21-12-01C 32-21-13-01C 32-45-02-01B	002004 006100 107107 121503 904949	1

MISSING ITEM NUMBERS NOT APPLICABLE

- ITEM NOT ILLUSTRATED

BRI

32-21-00-01B

BOEING PROPRIETARY - Copyright © - Unpublished Work - See title page for details.

32-21-00  
FIG. 01B  
PAGE 18  
JAN 20/09



757

PARTS CATALOG (MAINTENANCE)

FIG ITEM	PART NUMBER	1 2 3 4 5 6 7 NOMENCLATURE	EFFECT FROM TO	UNITS PER ASSY
1B 315	162N0001-18	.GEAR ASSY-NLG COMPONENT MAINT MANUAL REF: 32-21-25 QUALIFIED I/W DATA: 12N0001-119, -112, -106, -99, -45 WITH QUICK RELEASE TORSION LINKS MAY REPLACE BUT NOT BE REPLACED BY 162N0001-41, -38, -32, -31, -26, -24, -23, -21, -19, -18, -14, -6 WITHOUT QUICK RELEASE TORSION LINKS SUBJECT TO CUSTOMER APPROVAL 162N0001-122,-115,-109, -103,-98 REQUIRES THE 727 TOW BAR MAY REPLACE BUT NOT BE REPLACED BY 162N0001-41,-38,-32,-31, -26,-24,-23,-21,-19,-18, -14,-6 REQUIRES 757 TOW BAR SUBJECT TO CUSTOMER APPROVAL 162N0001-119 WITH QUICK RELEASE TORSION LINKS MAY REPLACE BUT NOT BE REPLACED BY 162N0001-41, -38, -32, -31, -26, -24, -23, -21, -19, -18, -14, -6 WITH CUSTOMER APPROVAL	002004 006100 107107 121503 904949	1

MISSING ITEM NUMBERS NOT APPLICABLE

- ITEM NOT ILLUSTRATED

**32-21-00-01B**

32-21-00  
FIG. 01B  
PAGE 19  
JAN 20/09

BRI



757

PARTS CATALOG (MAINTENANCE)

FIG ITEM	PART NUMBER	1 2 3 4 5 6 7	NOMENCLATURE	EFFECT FROM TO	UNITS PER ASSY
1B 315	162N0001-18		.GEAR ASSY-NLG COMPONENT MAINT MANUAL REF: 32-21-25 QUALIFIED I/W DATA: 162N0001-41, -38, -32, -31, -26, -24, -23, -21, -19, -18, -14, -6 WITHOUT QUICK RELEASE TORSION LINKS I/W 162N0001-46, -42, -33 WITH QUICK RELEASE TORSION LINKS SUBJECT TO CUSTOMER APPROVAL 162N0001-118, -111, -105, -101, -49 WITH ONLY FORWARD TOW FITTING MAY REPLACE BUT NOT BE REPLACED BY 162N001-41, -38, -32, -31, -26, -24, -23, -21, -19, -18, -14, -6 WITH FORWARD AND AFT TOW FITTING SUBJECT TO CUSTOMER APPROVAL	002004 006100 107107 121503 904949	1
315	162N0001-18		.GEAR ASSY-NLG COMPONENT MAINT MANUAL REF: 32-21-25 QUALIFIED I/W DATA: 162N0001-121, -114, -108, -102, -97 WITH QUICK RELEASE TORSION LINKS AND ONLY FORWARD TOW FITTING MAY REPLACE BUT NOT BE REPLACED BY 162N0001-41, -38, -32, -31, -26, -24, -23, -21, -19, -18, -14, -6 WITH FORWARD AND AFT TOW FITTING AND WITHOUT QUICK RELEASE TORSION LINKS SUBJECT TO CUSTOMER APPROVAL	002004 006100 107107 121503 904949	1

MISSING ITEM NUMBERS NOT APPLICABLE

- ITEM NOT ILLUSTRATED

32-21-00-01B

32-21-00  
FIG. 01B  
PAGE 20  
JAN 20/09

BRI



757

PARTS CATALOG (MAINTENANCE)

FIG ITEM	PART NUMBER	1 2 3 4 5 6 7	NOMENCLATURE	EFFECT FROM TO	UNITS PER ASSY
1B 320	162N0001-19		.GEAR ASSY-NLG POSITION DATA: SECT. 62 COMPONENT MAINT MANUAL REF: 32-21-25 QUALIFIED I/W DATA: 162N0001-41, -38, -32, -31, -26, -24, -23, -21, -19, -18, -14, -6 T/W (1)BACB28AK06-045 AND (1)BACB30NR6DK21 I/W 162N0001-22, -20 I/W (1)BACB28AK06-058 AND (1)BACB30NR6DK25 FOR DETAILS SEE: 32-21-01-01C 32-21-09-05 32-21-12-01C 32-21-13-01C 32-45-02-01B	002004 006100 107107 121503 904949	1
320	162N0001-19		.GEAR ASSY-NLG COMPONENT MAINT MANUAL REF: 32-21-25 QUALIFIED I/W DATA: 12N0001-119, -112, -106, -99, -45 WITH QUICK RELEASE TORSION LINKS MAY REPLACE BUT NOT BE REPLACED BY 162N0001-41, -38, -32, -31, -26, -24, -23, -21, -19, -18, -14, -6 WITHOUT QUICK RELEASE TORSION LINKS SUBJECT TO CUSTOMER APPROVAL 162N0001-122, -115, -109, -103, -98 REQUIRES 727 TOW BAR MAY REPLACE BUT NOT BE REPLACED BY 162N0001-41, -38, -32, -31, -26, -24, -23, -21, -19, -18, -14, -6 REQUIRES THE 757 TOW BAR SUBJECT TO CUSTOMER APPROVAL	002004 006100 107107 121503 904949	1

MISSING ITEM NUMBERS NOT APPLICABLE

- ITEM NOT ILLUSTRATED

BRI

**32-21-00-01B**

BOEING PROPRIETARY - Copyright © - Unpublished Work - See title page for details.

32-21-00  
FIG. 01B  
PAGE 21  
JAN 20/09



757

PARTS CATALOG (MAINTENANCE)

FIG ITEM	PART NUMBER	1 2 3 4 5 6 7	NOMENCLATURE	EFFECT FROM TO	UNITS PER ASSY
1B 320	162N0001-19		.GEAR ASSY-NLG COMPONENT MAINT MANUAL REF: 32-21-25 QUALIFIED I/W DATA: 162N0001-41, -38, -32, -31, -26, -24, -23, -21, -19, -18, -14, -6 WITHOUT QUICK RELEASE TORSION LINKS I/W 162N0001-46, -42, -33 WITH QUICK RELEASE TORSION LINKS SUBJECT TO CUSTOMER APPROVAL 162N0001-118, -111, -105, -101, -49 WITH ONLY FORWARD TOW FITTING MAY REPLACE BUT NOT BE REPLACED BY 162N001-41, -38, -32, -31, -26, -24, -23, -21, -19, -18, -14, -6 WITH FORWARD AND AFT TOW FITTING SUBJECT TO CUSTOMER APPROVAL	002004 006100 107107 121503 904949	1
320	162N0001-19		.GEAR ASSY-NLG COMPONENT MAINT MANUAL REF: 32-21-25 QUALIFIED I/W DATA: 162N0001-121, -114, -108, -102, -97 WITH QUICK RELEASE TORSION LINKS AND ONLY FORWARD TOW FITTING MAY REPLACE BUT NOT BE REPLACED BY 162N0001-41, -38, -32, -31, -26, -24, -23, -21, -19, -18, -14, -6 WITH FORWARD AND AFT TOW FITTING AND WITHOUT QUICK RELEASE TORSION LINKS SUBJECT TO CUSTOMER APPROVAL	002004 006100 107107 121503 904949	1

MISSING ITEM NUMBERS NOT APPLICABLE

- ITEM NOT ILLUSTRATED

**32-21-00-01B**

32-21-00  
FIG. 01B  
PAGE 22  
JAN 20/09

BRI



757

PARTS CATALOG (MAINTENANCE)

FIG ITEM	PART NUMBER	1 2 3 4 5 6 7	NOMENCLATURE	EFFECT FROM TO	UNITS PER ASSY
1B 320	162N0001-20		.GEAR ASSY-NLG POSITION DATA: SECT. 62 COMPONENT MAINT MANUAL REF: 32-21-25 QUALIFIED I/W DATA: 162N0001-46, -42, -33 T/W (1)BACB28AK06-045 AND (1)BACB30NR6DK21 WITH QUICK RELEASE TORSION LINK I/W 162N0001-21, -20 T/W (1)BACB28AK06-058 AND (1)BACB30NR6DK25 WITHOUT QUICK RELEASE TORSION LINK SUBJECT TO CUSTOMER APPROVAL FOR DETAILS SEE: 32-21-01-01C 32-21-09-05 32-21-12-01C 32-21-13-01C 32-45-02-01B	002004 006100 107107 121503 904949	1
320	162N0001-20		.GEAR ASSY-NLG COMPONENT MAINT MANUAL REF: 32-21-25 QUALIFIED I/W DATA: 162N0001-41, -38, -32, -31, -26, -24, -23, -21, -19, -18, -14, -6 T/W (1)BACB28AK06-045 AND (1)BACB30NR6DK21 I/W 162N0001-22, -20 I/W (1)BACB28AK06-058 AND (1)BACB30NR6DK25	002004 006100 107107 121503 904949	1

MISSING ITEM NUMBERS NOT APPLICABLE

- ITEM NOT ILLUSTRATED

**32-21-00-01B**

32-21-00  
FIG. 01B  
PAGE 23  
JAN 20/09

BRI



757

PARTS CATALOG (MAINTENANCE)

FIG ITEM	PART NUMBER	1 2 3 4 5 6 7 NOMENCLATURE	EFFECT FROM TO	UNITS PER ASSY
1B 320	162N0001-20	.GEAR ASSY-NLG COMPONENT MAINT MANUAL REF: 32-21-25 QUALIFIED I/W DATA: 162N0001-120, -113, -107, -100, -47 T/W (1)BACB28AK06-045 AND (1)BACB30NR6DK21 MAY REPLACE BUT NOT BE REPLACED BY 162N0001-20, -22 T/W (1)BACB28AK06-58 AND (1)BACB30NR6DK25 162N0001-119, -112, -106, -99, -45 T/W (1)BACB28AK06-045 AND (1)BACB30NR6DK21 WITH QUICK RELEASE TORSION LINK MAY REPLACE BUT NOT BE REPLACED BY 162N0001-22, -20 T/W (1)BACB28AK06-058 AND (1)BACB30NR6DK25 WITHOUT QUICK RELEASE TORISON LINK SUBJECT TO CUSTOMER APPROVAL	002004 006100 107107 121503 904949	1

MISSING ITEM NUMBERS NOT APPLICABLE

- ITEM NOT ILLUSTRATED

BRI

**32-21-00-01B**

BOEING PROPRIETARY - Copyright © - Unpublished Work - See title page for details.

32-21-00  
FIG. 01B  
PAGE 24  
JAN 20/09



 **BOEING**  
757  
**PARTS CATALOG (MAINTENANCE)**

FIG ITEM	PART NUMBER	1 2 3 4 5 6 7	NOMENCLATURE	EFFECT FROM TO	UNITS PER ASSY
1B 320	162N0001-20		.GEAR ASSY-NLG COMPONENT MAINT MANUAL REF: 32-21-25 QUALIFIED I/W DATA: 162N0001-122,-115,109, -103,-98 T/W (1) BACB28AK06-045, (1) BACB30NR6DK REQUIRES THE 727 TOW BAR MAY REPLACE BUT NOT BE REPLACED BY 162N0001-22, -20 T/W (1) BACB28AK06-058 (1) BACB30NR6DK25 REQUIRES THE 757 TOW BAR SUBJECT TO CUSTOMER 162N0001-118, -111, -105, -101, -49 T/W (1)BACB28AK06-045 AND (1)BACB30NR6DK21 WITH ONLY FORWARD TOW FITTING MAY REPLACE BUT NOT BEREPLACED BY 162N0001-22, -20 T/W (1)BACB28AK06-058 AND (1)BACB30NR6DK25	002004 006100 107107 121503 904949	1
320	162N0001-20		.GEAR ASSY-NLG COMPONENT MAINT MANUAL REF: 32-21-25 QUALIFIED I/W DATA: 162N0001-121, -114, -108, -102, -97 T/W (1)BACB28AK06-045, (1)BACB30NR6DK21 WITH QUICK RELEASE TORSION LINK AND FORWARD TOW FITTING ONLY MAY REPLACE BUT NOT BE REPLACED BY 162N0001-22, -20 T/W (1)BACB28AK06-058, (1)BACB30NR6DK25 WITHOUT QUICK RELEASE TORSION LINK AND WITH FORWARD AND AFT TOW FITTINGS SUBJECT TO CUSTOMER APPROVAL	002004 006100 107107 121503 904949	1

MISSING ITEM NUMBERS NOT APPLICABLE

— ITEM NOT ILLUSTRATED

BRI

# 32-21-00-01B

BOEING PROPRIETARY - Copyright © - Unpublished Work - See title page for details.

32-21-00  
FIG. 01B  
PAGE 25  
JAN 20/09



757

PARTS CATALOG (MAINTENANCE)

FIG ITEM	PART NUMBER	1 2 3 4 5 6 7	NOMENCLATURE	EFFECT FROM TO	UNITS PER ASSY
1B 320	162N0001-21		.GEAR ASSY-NLG POSITION DATA: SECT. 62 COMPONENT MAINT MANUAL REF: 32-21-25 QUALIFIED I/W DATA: 162N0001-41, -38, -32, -31, -26, -24, -23, -21, -19, -18, -14, -6 T/W (1)BACB28AK06-045 AND (1)BACB30NR6DK21 I/W 162N0001-22, -20 I/W (1)BACB28AK06-058 AND (1)BACB30NR6DK25 FOR DETAILS SEE: 32-21-01-01C 32-21-09-05 32-21-12-01C 32-21-13-01C 32-45-02-01B	002004 006100 107107 121503 904949	1

MISSING ITEM NUMBERS NOT APPLICABLE

- ITEM NOT ILLUSTRATED

BRI

32-21-00-01B

BOEING PROPRIETARY - Copyright © - Unpublished Work - See title page for details.

32-21-00  
FIG. 01B  
PAGE 26  
JAN 20/09



757

PARTS CATALOG (MAINTENANCE)

FIG ITEM	PART NUMBER	1 2 3 4 5 6 7	NOMENCLATURE	EFFECT FROM TO	UNITS PER ASSY
1B 320	162N0001-21		.GEAR ASSY-NLG COMPONENT MAINT MANUAL REF: 32-21-25 QUALIFIED I/W DATA: 162N0001-119 WITH QUICK RELEASE TORSION LINKS MAY REPLACE BUT NOT BE REPLACED BY 162N0001-41, -38, -32, -31, -26, -24, -23, -21, -19, -18, -14, -6 WITH CUSTOMER APPROVAL 162N0001-122,-115,-109, -103,-98 REQUIRES THE 727 TOW BAR MAY REPLACE BUT NOT BE REPLACED BY 162N0001-41,-38,-32,-31, -26,-24,-23,-21,-19,-18, -14,-6 REQUIRES 757 TOW BAR SUBJECT TO CUSTOMER APPROVAL 12N0001-119, -112, -106, -99, -45 WITH QUICK RELEASE TORSION LINKS MAY REPLACE BUT NOT BE REPLACED BY 162N0001-41, -38, -32, -31, -26, -24, -23, -21, -19, -18, -14, -6 WITHOUT QUICK RELEASE TORSION LINKS SUBJECT TO CUSTOMER APPROVAL	002004 006100 107107 121503 904949	1

MISSING ITEM NUMBERS NOT APPLICABLE

- ITEM NOT ILLUSTRATED

**32-21-00-01B**

32-21-00  
FIG. 01B  
PAGE 27  
JAN 20/09

BRI



757

PARTS CATALOG (MAINTENANCE)

FIG ITEM	PART NUMBER	1 2 3 4 5 6 7	NOMENCLATURE	EFFECT FROM TO	UNITS PER ASSY
1B 320	162N0001-21		.GEAR ASSY-NLG COMPONENT MAINT MANUAL REF: 32-21-25 QUALIFIED I/W DATA: 162N0001-41, -38, -32, -31, -26, -24, -23, -21, -19, -18, -14, -6 WITHOUT QUICK RELEASE TORSION LINKS I/W 162N0001-46, -42, -33 WITH QUICK RELEASE TORSION LINKS SUBJECT TO CUSTOMER APPROVAL 162N0001-118, -111, -105, -101, -49 WITH ONLY FORWARD TOW FITTING MAY REPLACE BUT NOT BE REPLACED BY 162N001-41, -38, -32, -31, -26, -24, -23, -21, -19, -18, -14, -6 WITH FORWARD AND AFT TOW FITTING SUBJECT TO CUSTOMER APPROVAL	002004 006100 107107 121503 904949	1
320	162N0001-21		.GEAR ASSY-NLG COMPONENT MAINT MANUAL REF: 32-21-25 QUALIFIED I/W DATA: 162N0001-121, -114, -108, -102, -97 WITH QUICK RELEASE TORSION LINKS AND ONLY FORWARD TOW FITTING MAY REPLACE BUT NOT BE REPLACED BY 162N0001-41, -38, -32, -31, -26, -24, -23, -21, -19, -18, -14, -6 WITH FORWARD AND AFT TOW FITTING AND WITHOUT QUICK RELEASE TORSION LINKS SUBJECT TO CUSTOMER APPROVAL	002004 006100 107107 121503 904949	1

MISSING ITEM NUMBERS NOT APPLICABLE

- ITEM NOT ILLUSTRATED

32-21-00-01B

32-21-00  
FIG. 01B  
PAGE 28  
JAN 20/09

BRI



757

PARTS CATALOG (MAINTENANCE)

FIG ITEM	PART NUMBER	1 2 3 4 5 6 7	NOMENCLATURE	EFFECT FROM TO	UNITS PER ASSY
1B 325	162N0001-22		.GEAR ASSY-NLG POSITION DATA: SECT. 62 COMPONENT MAINT MANUAL REF: 32-21-25 QUALIFIED I/W DATA: 162N0001-46, -42, -33 T/W (1)BACB28AK06-045 AND (1)BACB30NR6DK21 WITH QUICK RELEASE TORSION LINK I/W 162N0001-21, -20 T/W (1)BACB28AK06-058 AND (1)BACB30NR6DK25 WITHOUT QUICK RELEASE TORSION LINK SUBJECT TO CUSTOMER APPROVAL FOR DETAILS SEE: 32-21-01-01C 32-21-09-05 32-21-12-01C 32-21-13-01C 32-45-02-01B	002004 006100 107107 121503 904949	1
325	162N0001-22		.GEAR ASSY-NLG COMPONENT MAINT MANUAL REF: 32-21-25 QUALIFIED I/W DATA: 162N0001-41, -38, -32, -31, -26, -24, -23, -21, -19, -18, -14, -6 T/W (1)BACB28AK06-045 AND (1)BACB30NR6DK21 I/W 162N0001-22, -20 I/W (1)BACB28AK06-058 AND (1)BACB30NR6DK25	002004 006100 107107 121503 904949	1

MISSING ITEM NUMBERS NOT APPLICABLE

- ITEM NOT ILLUSTRATED

**32-21-00-01B**

32-21-00  
FIG. 01B  
PAGE 29  
JAN 20/09

BRI



757

PARTS CATALOG (MAINTENANCE)

FIG ITEM	PART NUMBER	1 2 3 4 5 6 7 NOMENCLATURE	EFFECT FROM TO	UNITS PER ASSY
1B 325	162N0001-22	.GEAR ASSY-NLG COMPONENT MAINT MANUAL REF: 32-21-25 QUALIFIED I/W DATA: 162N0001-120, -113, -107, -100, -47 T/W (1)BACB28AK06-045 AND (1)BACB30NR6DK21 MAY REPLACE BUT NOT BE REPLACED BY 162N0001-20, -22 T/W (1)BACB28AK06-58 AND (1)BACB30NR6DK25 162N0001-119, -112, -106, -99, -45 T/W (1)BACB28AK06-045 AND (1)BACB30NR6DK21 WITH QUICK RELEASE TORSION LINK MAY REPLACE BUT NOT BE REPLACED BY 162N0001-22, -20 T/W (1)BACB28AK06-058 AND (1)BACB30NR6DK25 WITHOUT QUICK RELEASE TORISON LINK SUBJECT TO CUSTOMER APPROVAL	002004 006100 107107 121503 904949	1

MISSING ITEM NUMBERS NOT APPLICABLE

- ITEM NOT ILLUSTRATED

BRI

**32-21-00-01B**

BOEING PROPRIETARY - Copyright © - Unpublished Work - See title page for details.

32-21-00  
FIG. 01B  
PAGE 30  
JAN 20/09



757

PARTS CATALOG (MAINTENANCE)

FIG ITEM	PART NUMBER	1 2 3 4 5 6 7	NOMENCLATURE	EFFECT FROM TO	UNITS PER ASSY
1B 325	162N0001-22		.GEAR ASSY-NLG COMPONENT MAINT MANUAL REF: 32-21-25 QUALIFIED I/W DATA: 162N0001-122,-115,109, -103,-98 T/W (1) BACB28AK06-045, (1) BACB30NR6DK REQUIRES THE 727 TOW BAR MAY REPLACE BUT NOT BE REPLACED BY 162N0001-22, -20 T/W (1) BACB28AK06-058 (1) BACB30NR6DK25 REQUIRES THE 757 TOW BAR SUBJECT TO CUSTOMER APPROVAL 162N0001-118, -111, -105, -101, -49 T/W (1)BACB28AK06-045 AND (1)BACB30NR6DK21 WITH ONLY FORWARD TOW FITTING MAY REPLACE BUT NOT BEREPLACED BY 162N0001-22, -20 T/W (1)BACB28AK06-058 AND (1)BACB30NR6DK25	002004 006100 107107 121503 904949	1
325	162N0001-22		.GEAR ASSY-NLG COMPONENT MAINT MANUAL REF: 32-21-25 QUALIFIED I/W DATA: 162N0001-121, -114, -108, -102, -97 T/W (1)BACB28AK06-045, (1)BACB30NR6DK21 WITH QUICK RELEASE TORSION LINK AND FORWARD TOW FITTING ONLY MAY REPLACE BUT NOT BE REPLACED BY 162N0001-22, -20 T/W (1)BACB28AK06-058, (1)BACB30NR6DK25 WITHOUT QUICK RELEASE TORSION LINK AND WITH FORWARD AND AFT TOW FITTINGS SUBJECT TO CUSTOMER APPROVAL	002004 006100 107107 121503 904949	1

MISSING ITEM NUMBERS NOT APPLICABLE

- ITEM NOT ILLUSTRATED

32-21-00-01B

32-21-00  
FIG. 01B  
PAGE 31  
JAN 20/09

BRI

BOEING PROPRIETARY - Copyright © - Unpublished Work - See title page for details.



757

PARTS CATALOG (MAINTENANCE)

FIG ITEM	PART NUMBER	1 2 3 4 5 6 7	NOMENCLATURE	EFFECT FROM TO	UNITS PER ASSY
1B 325	162N0001-23		.GEAR ASSY-NLG POSITION DATA: SECT. 62 COMPONENT MAINT MANUAL REF: 32-21-25 QUALIFIED I/W DATA: 162N0001-41, -38, -32, -31, -26, -24, -23, -21, -19, -18, -14, -6 T/W (1)BACB28AK06-045 AND (1)BACB30NR6DK21 I/W 162N0001-22, -20 I/W (1)BACB28AK06-058 AND (1)BACB30NR6DK25 FOR DETAILS SEE: 32-21-01-01C 32-21-09-05 32-21-12-01C 32-21-13-01C 32-45-02-01B	002004 006100 107107 121503 904949	1
325	162N0001-23		.GEAR ASSY-NLG COMPONENT MAINT MANUAL REF: 32-21-25 QUALIFIED I/W DATA: 12N0001-119, -112, -106, -99, -45 WITH QUICK RELEASE TORSION LINKS MAY REPLACE BUT NOT BE REPLACED BY 162N0001-41, -38, -32, -31, -26, -24, -23, -21, -19, -18, -14, -6 WITHOUT QUICK RELEASE TORSION LINKS SUBJECT TO CUSTOMER APPROVAL 162N0001-122, -115, -109, -103, -98 REQUIRES THE 727 TOW BAR MAY REPLACE BUT NOT BE REPLACED BY 162N0001-41, -38, -32, -31, -26, -24, -23, -21, -19, -18, -14, -6 REQUIRES 757 TOW BAR SUBJECT TO CUSTOMER APPROVAL	002004 006100 107107 121503 904949	1

MISSING ITEM NUMBERS NOT APPLICABLE

- ITEM NOT ILLUSTRATED

**32-21-00-01B**

32-21-00  
FIG. 01B  
PAGE 32  
JAN 20/09

BRI





757

PARTS CATALOG (MAINTENANCE)

FIG ITEM	PART NUMBER	1 2 3 4 5 6 7	NOMENCLATURE	EFFECT FROM TO	UNITS PER ASSY
1B 325	162N0001-23		.GEAR ASSY-NLG COMPONENT MAINT MANUAL REF: 32-21-25 QUALIFIED I/W DATA: 162N0001-41, -38, -32, -31, -26, -24, -23, -21, -19, -18, -14, -6 WITHOUT QUICK RELEASE TORSION LINKS I/W 162N0001-46, -42, -33 WITH QUICK RELEASE TORSION LINKS SUBJECT TO CUSTOMER APPROVAL 162N0001-118, -111, -105, -101, -49 WITH ONLY FORWARD TOW FITTING MAY REPLACE BUT NOT BE REPLACED BY 162N001-41, -38, -32, -31, -26, -24, -23, -21, -19, -18, -14, -6 WITH FORWARD AND AFT TOW FITTING SUBJECT TO CUSTOMER APPROVAL	002004 006100 107107 121503 904949	1
325	162N0001-23		.GEAR ASSY-NLG COMPONENT MAINT MANUAL REF: 32-21-25 QUALIFIED I/W DATA: 162N0001-121, -114, -108, -102, -97 WITH QUICK RELEASE TORSION LINKS AND ONLY FORWARD TOW FITTING MAY REPLACE BUT NOT BE REPLACED BY 162N0001-41, -38, -32, -31, -26, -24, -23, -21, -19, -18, -14, -6 WITH FORWARD AND AFT TOW FITTING AND WITHOUT QUICK RELEASE TORSION LINKS SUBJECT TO CUSTOMER APPROVAL 162N0001-119 WITH QUICK RELEASE TORSION LINKS MAY REPLACE BUT NOT BE REPLACED BY 162N0001-41, -38, -32, -31, -26, -24, -23, -21, -19, -18, -14, -6 WITH CUSTOMER APPROVAL	002004 006100 107107 121503 904949	1

MISSING ITEM NUMBERS NOT APPLICABLE

- ITEM NOT ILLUSTRATED

**32-21-00-01B**

32-21-00  
FIG. 01B  
PAGE 33  
JAN 20/09

BRI



757

PARTS CATALOG (MAINTENANCE)

FIG ITEM	PART NUMBER	1 2 3 4 5 6 7	NOMENCLATURE	EFFECT FROM TO	UNITS PER ASSY
1B 325	162N0001-24		.GEAR ASSY-NLG POSITION DATA: SECT. 62 COMPONENT MAINT MANUAL REF: 32-21-25 QUALIFIED I/W DATA: 162N0001-41, -38, -32, -31, -26, -24, -23, -21, -19, -18, -14, -6 T/W (1)BACB28AK06-045 AND (1)BACB30NR6DK21 I/W 162N0001-22, -20 I/W (1)BACB28AK06-058 AND (1)BACB30NR6DK25 FOR DETAILS SEE: 32-21-01-01C 32-21-09-05 32-21-12-01C 32-21-13-01C 32-45-02-01B	002004 006100 107107 121503 904949	1
325	162N0001-24		.GEAR ASSY-NLG COMPONENT MAINT MANUAL REF: 32-21-25 QUALIFIED I/W DATA: 12N0001-119, -112, -106, -99, -45 WITH QUICK RELEASE TORSION LINKS MAY REPLACE BUT NOT BE REPLACED BY 162N0001-41, -38, -32, -31, -26, -24, -23, -21, -19, -18, -14, -6 WITHOUT QUICK RELEASE TORSION LINKS SUBJECT TO CUSTOMER APPROVAL 162N0001-122,-115,-109, -103,-98 REQUIRES THE 727 TOW BAR MAY REPLACE BUT NOT BE REPLACED BY 162N0001-41,-38,-32,-31, -26,-24,-23,-21,-19,-18, -14,-6 REQUIRES 757 TOW BAR SUBJECT TO CUSTOMER APPROVAL	002004 006100 107107 121503 904949	1

MISSING ITEM NUMBERS NOT APPLICABLE

- ITEM NOT ILLUSTRATED

**32-21-00-01B**

32-21-00  
FIG. 01B  
PAGE 34  
JAN 20/09

BRI



757

PARTS CATALOG (MAINTENANCE)

FIG ITEM	PART NUMBER	1 2 3 4 5 6 7	NOMENCLATURE	EFFECT FROM TO	UNITS PER ASSY
1B 325	162N0001-24		.GEAR ASSY-NLG COMPONENT MAINT MANUAL REF: 32-21-25 QUALIFIED I/W DATA: 162N0001-41, -38, -32, -31, -26, -24, -23, -21, -19, -18, -14, -6 WITHOUT QUICK RELEASE TORSION LINKS I/W 162N0001-46, -42, -33 WITH QUICK RELEASE TORSION LINKS SUBJECT TO CUSTOMER APPROVAL 162N0001-118, -111, -105, -101, -49 WITH ONLY FORWARD TOW FITTING MAY REPLACE BUT NOT BE REPLACED BY 162N001-41, -38, -32, -31, -26, -24, -23, -21, -19, -18, -14, -6 WITH FORWARD AND AFT TOW FITTING SUBJECT TO CUSTOMER APPROVAL	002004 006100 107107 121503 904949	1
325	162N0001-24		.GEAR ASSY-NLG COMPONENT MAINT MANUAL REF: 32-21-25 QUALIFIED I/W DATA: 162N0001-121, -114, -108, -102, -97 WITH QUICK RELEASE TORSION LINKS AND ONLY FORWARD TOW FITTING MAY REPLACE BUT NOT BE REPLACED BY 162N0001-41, -38, -32, -31, -26, -24, -23, -21, -19, -18, -14, -6 WITH FORWARD AND AFT TOW FITTING AND WITHOUT QUICK RELEASE TORSION LINKS SUBJECT TO CUSTOMER APPROVAL 162N0001-119 WITH QUICK RELEASE TORSION LINKS MAY REPLACE BUT NOT BE REPLACED BY 162N0001-41, -38, -32, -31, -26, -24, -23, -21, -19, -18, -14, -6 WITH CUSTOMER APPROVAL	002004 006100 107107 121503 904949	1

MISSING ITEM NUMBERS NOT APPLICABLE

- ITEM NOT ILLUSTRATED

32-21-00-01B

32-21-00  
FIG. 01B  
PAGE 35  
JAN 20/09

BRI



757

PARTS CATALOG (MAINTENANCE)

FIG ITEM	PART NUMBER	1 2 3 4 5 6 7	NOMENCLATURE	EFFECT FROM TO	UNITS PER ASSY
1B 330	162N0001-26		.GEAR ASSY-NLG POSITION DATA: SECT. 62 COMPONENT MAINT MANUAL REF: 32-21-25 QUALIFIED I/W DATA: 162N0001-41, -38, -32, -31, -26, -24, -23, -21, -19, -18, -14, -6 T/W (1)BACB28AK06-045 AND (1)BACB30NR6DK21 I/W 162N0001-22, -20 I/W (1)BACB28AK06-058 AND (1)BACB30NR6DK25 FOR DETAILS SEE: 32-21-01-01C 32-21-09-05 32-21-12-01C 32-21-13-01C 32-45-02-01B	002004 006100 107107 121503 904949	1
330	162N0001-26		.GEAR ASSY-NLG COMPONENT MAINT MANUAL REF: 32-21-25 QUALIFIED I/W DATA: 12N0001-119, -112, -106, -99, -45 WITH QUICK RELEASE TORSION LINKS MAY REPLACE BUT NOT BE REPLACED BY 162N0001-41, -38, -32, -31, -26, -24, -23, -21, -19, -18, -14, -6 WITHOUT QUICK RELEASE TORSION LINKS SUBJECT TO CUSTOMER APPROVAL 162N0001-122,-115,-109, -103,-98 REQUIRES THE 727 TOW BAR MAY REPLACE BUT NOT BE REPLACED BY 162N0001-41,-38,-32,-31, -26,-24,-23,-21,-19,-18, -14,-6 REQUIRES 757 TOW BAR SUBJECT TO CUSTOMER APPROVAL	002004 006100 107107 121503 904949	1

MISSING ITEM NUMBERS NOT APPLICABLE

- ITEM NOT ILLUSTRATED

**32-21-00-01B**

32-21-00  
FIG. 01B  
PAGE 36  
JAN 20/09

BRI



757

PARTS CATALOG (MAINTENANCE)

FIG ITEM	PART NUMBER	1 2 3 4 5 6 7	NOMENCLATURE	EFFECT FROM TO	UNITS PER ASSY
1B 330	162N0001-26		.GEAR ASSY-NLG COMPONENT MAINT MANUAL REF: 32-21-25 QUALIFIED I/W DATA: 162N0001-41, -38, -32, -31, -26, -24, -23, -21, -19, -18, -14, -6 WITHOUT QUICK RELEASE TORSION LINKS I/W 162N0001-46, -42, -33 WITH QUICK RELEASE TORSION LINKS SUBJECT TO CUSTOMER APPROVAL 162N0001-118, -111, -105, -101, -49 WITH ONLY FORWARD TOW FITTING MAY REPLACE BUT NOT BE REPLACED BY 162N001-41, -38, -32, -31, -26, -24, -23, -21, -19, -18, -14, -6 WITH FORWARD AND AFT TOW FITTING SUBJECT TO CUSTOMER APPROVAL	002004 006100 107107 121503 904949	1
330	162N0001-26		.GEAR ASSY-NLG COMPONENT MAINT MANUAL REF: 32-21-25 QUALIFIED I/W DATA: 162N0001-121, -114, -108, -102, -97 WITH QUICK RELEASE TORSION LINKS AND ONLY FORWARD TOW FITTING MAY REPLACE BUT NOT BE REPLACED BY 162N0001-41, -38, -32, -31, -26, -24, -23, -21, -19, -18, -14, -6 WITH FORWARD AND AFT TOW FITTING AND WITHOUT QUICK RELEASE TORSION LINKS SUBJECT TO CUSTOMER APPROVAL 162N0001-119 WITH QUICK RELEASE TORSION LINKS MAY REPLACE BUT NOT BE REPLACED BY 162N0001-41, -38, -32, -31, -26, -24, -23, -21, -19, -18, -14, -6 WITH CUSTOMER APPROVAL	002004 006100 107107 121503 904949	1

MISSING ITEM NUMBERS NOT APPLICABLE

- ITEM NOT ILLUSTRATED

32-21-00-01B

32-21-00  
FIG. 01B  
PAGE 37  
JAN 20/09

BRI



757

PARTS CATALOG (MAINTENANCE)

FIG ITEM	PART NUMBER	1 2 3 4 5 6 7	NOMENCLATURE	EFFECT FROM TO	UNITS PER ASSY
1B 330	162N0001-30		.GEAR ASSY-NLG COMPONENT MAINT MANUAL REF: 32-21-25 FOR DETAILS SEE: 32-21-01-01C 32-21-09-05 32-21-12-01C 32-21-13-01C 32-45-02-01B	002004 006100 107107 121503 904949	1
330	162N0001-31		.GEAR ASSY-NLG POSITION DATA: SECT. 62 COMPONENT MAINT MANUAL REF: 32-21-25 QUALIFIED I/W DATA: 162N0001-41, -38, -32, -31, -26, -24, -23, -21, -19, -18, -14, -6 T/W (1)BACB28AK06-045 AND (1)BACB30NR6DK21 I/W 162N0001-22, -20 I/W (1)BACB28AK06-058 AND (1)BACB30NR6DK25 FOR DETAILS SEE: 32-21-01-01C 32-21-09-05 32-21-12-01C 32-21-13-01C 32-45-02-01B	002004 006100 107107 121503 904949	1

MISSING ITEM NUMBERS NOT APPLICABLE

- ITEM NOT ILLUSTRATED

BRI

**32-21-00-01B**

BOEING PROPRIETARY - Copyright © - Unpublished Work - See title page for details.

32-21-00  
FIG. 01B  
PAGE 38  
JAN 20/09



757

PARTS CATALOG (MAINTENANCE)

FIG ITEM	PART NUMBER	1 2 3 4 5 6 7	NOMENCLATURE	EFFECT FROM TO	UNITS PER ASSY
1B 330	162N0001-31		.GEAR ASSY-NLG COMPONENT MAINT MANUAL REF: 32-21-25 QUALIFIED I/W DATA: 12N0001-119, -112, -106, -99, -45 WITH QUICK RELEASE TORSION LINKS MAY REPLACE BUT NOT BE REPLACED BY 162N0001-41, -38, -32, -31, -26, -24, -23, -21, -19, -18, -14, -6 WITHOUT QUICK RELEASE TORSION LINKS SUBJECT TO CUSTOMER APPROVAL 162N0001-122, -115, -109, -103, -98 REQUIRES THE 727 TOW BAR MAY REPLACE BUT NOT BE REPLACED BY 162N0001-41, -38, -32, -31, -26, -24, -23, -21, -19, -18, -14, -6 REQUIRES 757 TOW BAR SUBJECT TO CUSTOMER APPROVAL	002004 006100 107107 121503 904949	1
330	162N0001-31		.GEAR ASSY-NLG COMPONENT MAINT MANUAL REF: 32-21-25 QUALIFIED I/W DATA: 162N0001-41, -38, -32, -31, -26, -24, -23, -21, -19, -18, -14, -6 WITHOUT QUICK RELEASE TORSION LINKS I/W 162N0001-46, -42, -33 WITH QUICK RELEASE TORSION LINKS SUBJECT TO CUSTOMER APPROVAL 162N0001-118, -111, -105, -101, -49 WITH ONLY FORWARD TOW FITTING MAY REPLACE BUT NOT BE REPLACED BY 162N001-41, -38, -32, -31, -26, -24, -23, -21, -19, -18, -14, -6 WITH FORWARD AND AFT TOW FITTING SUBJECT TO CUSTOMER APPROVAL	002004 006100 107107 121503 904949	1

MISSING ITEM NUMBERS NOT APPLICABLE

- ITEM NOT ILLUSTRATED

**32-21-00-01B**

32-21-00  
FIG. 01B  
PAGE 39  
JAN 20/09

BRI



757

PARTS CATALOG (MAINTENANCE)

FIG ITEM	PART NUMBER	1 2 3 4 5 6 7	NOMENCLATURE	EFFECT FROM TO	UNITS PER ASSY
1B 330	162N0001-31		.GEAR ASSY-NLG COMPONENT MAINT MANUAL REF: 32-21-25 QUALIFIED I/W DATA: 162N0001-121, -114, -108, -102, -97 WITH QUICK RELEASE TORSION LINKS AND ONLY FORWARD TOW FITTING MAY REPLACE BUT NOT BE REPLACED BY 162N0001-41, -38, -32, -31, -26, -24, -23, -21, -19, -18, -14, -6 WITH FORWARD AND AFT TOW FITTING AND WITHOUT QUICK RELEASE TORSION LINKS SUBJECT TO CUSTOMER APPROVAL 162N0001-119 WITH QUICK RELEASE TORSION LINKS MAY REPLACE BUT NOT BE REPLACED BY 162N0001-41, -38, -32, -31, -26, -24, -23, -21, -19, -18, -14, -6 WITH CUSTOMER APPROVAL	002004 006100 107107 121503 904949	1
330	162N0001-32		.GEAR ASSY-NLG POSITION DATA: SECT. 62 COMPONENT MAINT MANUAL REF: 32-21-25 QUALIFIED I/W DATA: 162N0001-41, -38, -32, -31, -26, -24, -23, -21, -19, -18, -14, -6 T/W (1)BACB28AK06-045 AND (1)BACB30NR6DK21 I/W 162N0001-22, -20 T/W (1)BACB28AK06-058 AND (1)BACB30NR6DK25 FOR DETAILS SEE: 32-21-01-01C 32-21-09-05 32-21-12-01C 32-21-13-01C 32-45-02-01B	002004 006100 107107 121503 904949	1

MISSING ITEM NUMBERS NOT APPLICABLE

- ITEM NOT ILLUSTRATED

**32-21-00-01B**

32-21-00  
FIG. 01B  
PAGE 40  
JAN 20/09

BRI





757

PARTS CATALOG (MAINTENANCE)

FIG ITEM	PART NUMBER	1 2 3 4 5 6 7	NOMENCLATURE	EFFECT FROM TO	UNITS PER ASSY
1B 330	162N0001-32		.GEAR ASSY-NLG COMPONENT MAINT MANUAL REF: 32-21-25 QUALIFIED I/W DATA: 12N0001-119, -112, -106, -99, -45 WITH QUICK RELEASE TORSION LINKS MAY REPLACE BUT NOT BE REPLACED BY 162N0001-41, -38, -32, -31, -26, -24, -23, -21, -19, -18, -14, -6 WITHOUT QUICK RELEASE TORSION LINKS SUBJECT TO CUSTOMER APPROVAL 162N0001-122, -115, -109, -103, -98 REQUIRES THE 727 TOW BAR MAY REPLACE BUT NOT BE REPLACED BY 162N0001-41, -38, -32, -31, -26, -24, -23, -21, -19, -18, -14, -6 REQUIRES 757 TOW BAR SUBJECT TO CUSTOMER APPROVAL	002004 006100 107107 121503 904949	1
330	162N0001-32		.GEAR ASSY-NLG COMPONENT MAINT MANUAL REF: 32-21-25 QUALIFIED I/W DATA: 162N0001-41, -38, -32, -31, -26, -24, -23, -21, -19, -18, -14, -6 WITHOUT QUICK RELEASE TORSION LINKS I/W 162N0001-46, -42, -33 WITH QUICK RELEASE TORSION LINKS SUBJECT TO CUSTOMER APPROVAL 162N0001-118, -111, -105, -101, -49 WITH ONLY FORWARD TOW FITTING MAY REPLACE BUT NOT BE REPLACED BY 162N001-41, -38, -32, -31, -26, -24, -23, -21, -19, -18, -14, -6 WITH FORWARD AND AFT TOW FITTING SUBJECT TO CUSTOMER APPROVAL	002004 006100 107107 121503 904949	1

MISSING ITEM NUMBERS NOT APPLICABLE

- ITEM NOT ILLUSTRATED

32-21-00-01B

32-21-00  
FIG. 01B  
PAGE 41  
JAN 20/09

BRI



757

PARTS CATALOG (MAINTENANCE)

FIG ITEM	PART NUMBER	1 2 3 4 5 6 7	NOMENCLATURE	EFFECT FROM TO	UNITS PER ASSY
1B 330	162N0001-32		.GEAR ASSY-NLG COMPONENT MAINT MANUAL REF: 32-21-25 QUALIFIED I/W DATA: 162N0001-121, -114, -108, -102, -97 WITH QUICK RELEASE TORSION LINKS AND ONLY FORWARD TOW FITTING MAY REPLACE BUT NOT BE REPLACED BY 162N0001-41, -38, -32, -31, -26, -24, -23, -21, -19, -18, -14, -6 WITH FORWARD AND AFT TOW FITTING AND WITHOUT QUICK RELEASE TORSION LINKS SUBJECT TO CUSTOMER APPROVAL 162N0001-119 WITH QUICK RELEASE TORSION LINKS MAY REPLACE BUT NOT BE REPLACED BY 162N0001-41, -38, -32, -31, -26, -24, -23, -21, -19, -18, -14, -6 WITH CUSTOMER APPROVAL	002004 006100 107107 121503 904949	1
335	162N0001-38		.GEAR ASSY-NLG POSITION DATA: SECT. 62 COMPONENT MAINT MANUAL REF: 32-21-25 QUALIFIED I/W DATA: 162N0001-41, -38, -32, -31, -26, -24, -23, -21, -19, -18, -14, -6 T/W (1)BACB28AK06-045 AND (1)BACB30NR6DK21 I/W 162N0001-22, -20 I/W (1)BACB28AK06-058 AND (1)BACB30NR6DK25 FOR DETAILS SEE: 32-21-01-01C 32-21-09-05 32-21-12-01C 32-21-13-01C 32-45-02-01B	002004 006100 107107 121503 904949	1

MISSING ITEM NUMBERS NOT APPLICABLE

- ITEM NOT ILLUSTRATED

**32-21-00-01B**

32-21-00  
FIG. 01B  
PAGE 42  
JAN 20/09

BRI



757

PARTS CATALOG (MAINTENANCE)

FIG ITEM	PART NUMBER	1 2 3 4 5 6 7	NOMENCLATURE	EFFECT FROM TO	UNITS PER ASSY
1B 335	162N0001-38		.GEAR ASSY-NLG COMPONENT MAINT MANUAL REF: 32-21-25 QUALIFIED I/W DATA: 12N0001-119, -112, -106, -99, -45 WITH QUICK RELEASE TORSION LINKS MAY REPLACE BUT NOT BE REPLACED BY 162N0001-41, -38, -32, -31, -26, -24, -23, -21, -19, -18, -14, -6 WITHOUT QUICK RELEASE TORSION LINKS SUBJECT TO CUSTOMER APPROVAL 162N0001-122, -115, -109, -103, -98 REQUIRES THE 727 TOW BAR MAY REPLACE BUT NOT BE REPLACED BY 162N0001-41, -38, -32, -31, -26, -24, -23, -21, -19, -18, -14, -6 REQUIRES 757 TOW BAR SUBJECT TO CUSTOMER APPROVAL	002004 006100 107107 121503 904949	1
335	162N0001-38		.GEAR ASSY-NLG COMPONENT MAINT MANUAL REF: 32-21-25 QUALIFIED I/W DATA: 162N0001-41, -38, -32, -31, -26, -24, -23, -21, -19, -18, -14, -6 WITHOUT QUICK RELEASE TORSION LINKS I/W 162N0001-46, -42, -33 WITH QUICK RELEASE TORSION LINKS SUBJECT TO CUSTOMER APPROVAL 162N0001-118, -111, -105, -101, -49 WITH ONLY FORWARD TOW FITTING MAY REPLACE BUT NOT BE REPLACED BY 162N001-41, -38, -32, -31, -26, -24, -23, -21, -19, -18, -14, -6 WITH FORWARD AND AFT TOW FITTING SUBJECT TO CUSTOMER APPROVAL	002004 006100 107107 121503 904949	1

MISSING ITEM NUMBERS NOT APPLICABLE

- ITEM NOT ILLUSTRATED

**32-21-00-01B**

32-21-00  
FIG. 01B  
PAGE 43  
JAN 20/09

BRI



757

PARTS CATALOG (MAINTENANCE)

FIG ITEM	PART NUMBER	1 2 3 4 5 6 7	NOMENCLATURE	EFFECT FROM TO	UNITS PER ASSY
1B 335	162N0001-38		.GEAR ASSY-NLG COMPONENT MAINT MANUAL REF: 32-21-25 QUALIFIED I/W DATA: 162N0001-121, -114, -108, -102, -97 WITH QUICK RELEASE TORSION LINKS AND ONLY FORWARD TOW FITTING MAY REPLACE BUT NOT BE REPLACED BY 162N0001-41, -38, -32, -31, -26, -24, -23, -21, -19, -18, -14, -6 WITH FORWARD AND AFT TOW FITTING AND WITHOUT QUICK RELEASE TORSION LINKS SUBJECT TO CUSTOMER APPROVAL 162N0001-119 WITH QUICK RELEASE TORSION LINKS MAY REPLACE BUT NOT BE REPLACED BY 162N0001-41, -38, -32, -31, -26, -24, -23, -21, -19, -18, -14, -6 WITH CUSTOMER APPROVAL	002004 006100 107107 121503 904949	1
335	162N0001-41		.GEAR ASSY-NLG POSITION DATA: SECT. 62 COMPONENT MAINT MANUAL REF: 32-21-25 QUALIFIED I/W DATA: 162N0001-41, -38, -32, -31, -26, -24, -23, -21, -19, -18, -14, -6 T/W (1)BACB28AK06-045 AND (1)BACB30NR6DK21 I/W 162N0001-22, -20 I/W (1)BACB28AK06-058 AND (1)BACB30NR6DK25 FOR DETAILS SEE: 32-21-01-01C 32-21-09-05 32-21-12-01C 32-21-13-01C 32-45-02-01B	002004 006100 107107 121503 904949	1

MISSING ITEM NUMBERS NOT APPLICABLE

- ITEM NOT ILLUSTRATED

**32-21-00-01B**

32-21-00  
FIG. 01B  
PAGE 44  
JAN 20/09

BRI



757

PARTS CATALOG (MAINTENANCE)

FIG ITEM	PART NUMBER	1 2 3 4 5 6 7 NOMENCLATURE	EFFECT FROM TO	UNITS PER ASSY
1B 335	162N0001-41	.GEAR ASSY-NLG COMPONENT MAINT MANUAL REF: 32-21-25 QUALIFIED I/W DATA: 12N0001-119, -112, -106, -99, -45 WITH QUICK RELEASE TORSION LINKS MAY REPLACE BUT NOT BE REPLACED BY 162N0001-41, -38, -32, -31, -26, -24, -23, -21, -19, -18, -14, -6 WITHOUT QUICK RELEASE TORSION LINKS SUBJECT TO CUSTOMER APPROVAL 162N0001-122, -115, -109, -103, -98 REQUIRES THE 727 TOW BAR MAY REPLACE BUT NOT BE REPLACED BY 162N0001-41, -38, -32, -31, -26, -24, -23, -21, -19, -18, -14, -6 REQUIRES 757 TOW BAR SUBJECT TO CUSTOMER APPROVAL	002004 006100 107107 121503 904949	1

MISSING ITEM NUMBERS NOT APPLICABLE

- ITEM NOT ILLUSTRATED

BRI

**32-21-00-01B**

BOEING PROPRIETARY - Copyright © - Unpublished Work - See title page for details.

32-21-00  
FIG. 01B  
PAGE 45  
JAN 20/09



757

PARTS CATALOG (MAINTENANCE)

FIG ITEM	PART NUMBER	1 2 3 4 5 6 7 NOMENCLATURE	EFFECT FROM TO	UNITS PER ASSY
1B 335	162N0001-41	.GEAR ASSY-NLG COMPONENT MAINT MANUAL REF: 32-21-25 QUALIFIED I/W DATA: 162N0001-41, -38, -32, -31, -26, -24, -23, -21, -19, -18, -14, -6 WITHOUT QUICK RELEASE TORSION LINKS I/W 162N0001-46, -42, -33 WITH QUICK RELEASE TORSION LINKS SUBJECT TO CUSTOMER APPROVAL 162N0001-118, -111, -105, -101, -49 WITH ONLY FORWARD TOW FITTING MAY REPLACE BUT NOT BE REPLACED BY 162N001-41, -38, -32, -31, -26, -24, -23, -21, -19, -18, -14, -6 WITH FORWARD AND AFT TOW FITTING SUBJECT TO CUSTOMER APPROVAL 162N0001-119, -112, -106, -99, -45 WITH QUICK RELEASE TORSION LINKS I/W 162N0001-120, -113, -107, -100, -47 WITHOUT QUICK RELEASE TORSION LINKS SUBJECT TO CUSTOMER APPROVAL	002004 006100 107107 121503 904949	1

MISSING ITEM NUMBERS NOT APPLICABLE

- ITEM NOT ILLUSTRATED

32-21-00-01B

32-21-00  
FIG. 01B  
PAGE 46  
JAN 20/09

BRI



757

PARTS CATALOG (MAINTENANCE)

FIG ITEM	PART NUMBER	1 2 3 4 5 6 7	NOMENCLATURE	EFFECT FROM TO	UNITS PER ASSY
1B 335	162N0001-41		.GEAR ASSY-NLG COMPONENT MAINT MANUAL REF: 32-21-25 QUALIFIED I/W DATA: 162N0001-121, -114, -108, -102, -97 WITH QUICK RELEASE TORSION LINKS AND ONLY FORWARD TOW FITTING MAY REPLACE BUT NOT BE REPLACED BY 162N0001-41, -38, -32, -31, -26, -24, -23, -21, -19, -18, -14, -6 WITH FORWARD AND AFT TOW FITTING AND WITHOUT QUICK RELEASE TORSION LINKS SUBJECT TO CUSTOMER APPROVAL 162N0001-119 WITH QUICK RELEASE TORSION LINKS MAY REPLACE BUT NOT BE REPLACED BY 162N0001-41, -38, -32, -31, -26, -24, -23, -21, -19, -18, -14, -6 WITH CUSTOMER APPROVAL	002004 006100 107107 121503 904949	1
335	162N0001-47		.GEAR ASSY-NLG POSITION DATA: SECT. 62 COMPONENT MAINT MANUAL REF: 32-21-25 QUALIFIED I/W DATA: 162N0001-120, -113, -107, -100, -47 T/W (1)BACB30NR6DK21 MAY REPLACE BUT NOT BE REPLACED BY 162N0001-20, -22 T/W (1)BACB28AK06-058 AND (1)BACB30NR6DK25 FUNCTIONAL REFERENCE: 11-22-57-01C 32-21-01-01C 32-21-09-05 32-21-12-01C 32-21-13-01C 32-45-02-01B	002004 006100 107107 121503 904949	1

MISSING ITEM NUMBERS NOT APPLICABLE

- ITEM NOT ILLUSTRATED

**32-21-00-01B**

32-21-00  
FIG. 01B  
PAGE 47  
JAN 20/09

BRI



757

PARTS CATALOG (MAINTENANCE)

FIG ITEM	PART NUMBER	1 2 3 4 5 6 7 NOMENCLATURE	EFFECT FROM TO	UNITS PER ASSY
1B 335	162N0001-47	.GEAR ASSY-NLG COMPONENT MAINT MANUAL REF: 32-21-25 QUALIFIED I/W DATA: 162N0001-118, -111, -105, -101, -49 WITH ONLY FORWARD TOW FITTING I/W 162N0001-120, -113, -107, -100, -47 WITH FORWARD AND AFT TOW FITTINGS WITH CUSTOMER APPROVAL 162N0001-120, -113, -107, -100, -47 WITHOUT QUICK RELEASE TORSION LINKS MAY REPLACE BUT NOT BE REPLACED BY 162N0001-46, -42, -33 WITH QUICK RELEASE COND RPL SUBJECT TO CUSTOMER APPROVAL 162N0001-119, -112, -106, -99, -45 WITH QUICK RELEASE TORSION LINKS I/W 162N0001-120, -113, -107, -100, -47 WITHOUT QUICK RELEASE TORSION LINKS SUBJECT TO CUSTOMER APPROVAL	002004 006100 107107 121503 904949	1

MISSING ITEM NUMBERS NOT APPLICABLE

- ITEM NOT ILLUSTRATED

**32-21-00-01B**

32-21-00  
FIG. 01B  
PAGE 48  
JAN 20/09

BRI





757

PARTS CATALOG (MAINTENANCE)

FIG ITEM	PART NUMBER	1 2 3 4 5 6 7	NOMENCLATURE	EFFECT FROM TO	UNITS PER ASSY
1B 335	162N0001-47		.GEAR ASSY-NLG COMPONENT MAINT MANUAL REF: 32-21-25 QUALIFIED I/W DATA: 162N0001-122, -115, -109, -103, -98 REQUIRES THE 727 TOW BAR I/W 162N0001-120, -113, -107, -100, -47 REQUIRES THE 757 TOW BAR SUBJECT TO CUSTOMER APPROVAL 162N0001-121, -114, -108, -102, -97 WITH QUICK RELEASE TORSION LINKS AND ONLY FORWARD TOW FITTING I/W 162N0001-120, -113, -107, -100, -47 WITH FORWARD AND AFT TOW FITTING AND WITHOUT QUICK RELEASE TORSION LINKS SUBJECT TO CUSTOMER APPROVAL	002004 006100 107107 121503 904949	1
335	162N0001-47		.GEAR ASSY-NLG COMPONENT MAINT MANUAL REF: 32-21-25 QUALIFIED I/W DATA: 162N0001-119 WITH QUICK RELEASE TORSION LINKS I/W 162N0001-113, -107, -100, -47 WITHOUT QUICK RELEASE TORSION LINKS WITH CUSTOMER APPROVAL	002004 006100 107107 121503 904949	1

MISSING ITEM NUMBERS NOT APPLICABLE

- ITEM NOT ILLUSTRATED

**32-21-00-01B**

32-21-00  
FIG. 01B  
PAGE 49  
JAN 20/09

BRI



757

PARTS CATALOG (MAINTENANCE)

FIG ITEM	PART NUMBER	1 2 3 4 5 6 7	NOMENCLATURE	EFFECT FROM TO	UNITS PER ASSY
1B 340	162N0001-100		.GEAR ASSY-NLG POSITION DATA: SECT. 62 COMPONENT MAINT MANUAL REF: 32-21-25 QUALIFIED I/W DATA: 162N0001-120, -113, -107, -100, -47 T/W (1)BACB30NR6DK21 MAY REPLACE BUT NOT BE REPLACED BY 162N0001-20, -22 T/W (1)BACB28AK06-058 AND (1)BACB30NR6DK25 FUNCTIONAL REFERENCE: 11-22-57-01C 32-21-01-01C 32-21-09-05 32-21-12-01C 32-21-13-01C 32-45-02-01B	002004 006100 107107 121503 904949	1

MISSING ITEM NUMBERS NOT APPLICABLE

- ITEM NOT ILLUSTRATED

BRI

32-21-00-01B

BOEING PROPRIETARY - Copyright © - Unpublished Work - See title page for details.

32-21-00  
FIG. 01B  
PAGE 50  
JAN 20/09



757

PARTS CATALOG (MAINTENANCE)

FIG ITEM	PART NUMBER	1 2 3 4 5 6 7 NOMENCLATURE	EFFECT FROM TO	UNITS PER ASSY
1B 340	162N0001-100	.GEAR ASSY-NLG COMPONENT MAINT MANUAL REF: 32-21-25 QUALIFIED I/W DATA: 162N0001-118, -111, -105, -101, -49 WITH ONLY FORWARD TOW FITTING I/W 162N0001-120, -113, -107, -100, -47 WITH FORWARD AND AFT TOW FITTINGS WITH CUSTOMER APPROVAL 162N0001-120, -113, -107, -100, -47 WITHOUT QUICK RELEASE TORSION LINKS MAY REPLACE BUT NOT BE REPLACED BY 162N0001-46, -42, -33 WITH QUICK RELEASE COND RPL SUBJECT TO CUSTOMER APPROVAL 162N0001-119, -112, -106, -99, -45 WITH QUICK RELEASE TORSION LINKS I/W 162N0001-120, -113, -107, -100, -47 WITHOUT QUICK RELEASE TORSION LINKS SUBJECT TO CUSTOMER APPROVAL	002004 006100 107107 121503 904949	1

MISSING ITEM NUMBERS NOT APPLICABLE

- ITEM NOT ILLUSTRATED

**32-21-00-01B**

32-21-00  
FIG. 01B  
PAGE 51  
JAN 20/09

BRI



757

PARTS CATALOG (MAINTENANCE)

FIG ITEM	PART NUMBER	1 2 3 4 5 6 7	NOMENCLATURE	EFFECT FROM TO	UNITS PER ASSY
1B 340	162N0001-100		.GEAR ASSY-NLG COMPONENT MAINT MANUAL REF: 32-21-25 QUALIFIED I/W DATA: 162N0001-122, -115, -109, -103, -98 REQUIRES THE 727 TOW BAR I/W 162N0001-120, -113, -107, -100, -47 REQUIRES THE 757 TOW BAR SUBJECT TO CUSTOMER APPROVAL 162N0001-121, -114, -108, -102, -97 WITH QUICK RELEASE TORSION LINKS AND ONLY FORWARD TOW FITTING I/W 162N0001-120, -113, -107, -100, -47 WITH FORWARD AND AFT TOW FITTING AND WITHOUT QUICK RELEASE TORSION LINKS SUBJECT TO CUSTOMER APPROVAL	002004 006100 107107 121503 904949	1
340	162N0001-100		.GEAR ASSY-NLG COMPONENT MAINT MANUAL REF: 32-21-25 QUALIFIED I/W DATA: 162N0001-119 WITH QUICK RELEASE TORSION LINKS I/W 162N0001-113, -107, -100, -47 WITHOUT QUICK RELEASE TORSION LINKS WITH CUSTOMER APPROVAL 162N0001-118, -111, -105, -101, -49 WITHOUT QUICK RELEASE TORSION LINKS I/W 162N0001-121, -114, -108, -102, -97 WITH QUICK RELEASE TORSION LINKS SUBJECT TO CUSTOMER APPROVAL.	002004 006100 107107 121503 904949	1

MISSING ITEM NUMBERS NOT APPLICABLE

- ITEM NOT ILLUSTRATED

BRI

32-21-00-01B

BOEING PROPRIETARY - Copyright © - Unpublished Work - See title page for details.

32-21-00  
FIG. 01B  
PAGE 52  
JAN 20/09



757

PARTS CATALOG (MAINTENANCE)

FIG ITEM	PART NUMBER	1 2 3 4 5 6 7 NOMENCLATURE	EFFECT FROM TO	UNITS PER ASSY
1B 340	162N0001-107	.GEAR ASSY-NLG POSITION DATA: SECT. 62 COMPONENT MAINT MANUAL REF: 32-21-25 QUALIFIED I/W DATA: 162N0001-120, -113, -107, -100, -47 T/W (1)BACB30NR6DK21 MAY REPLACE BUT NOT BE REPLACED BY 162N0001-20, -22 T/W (1)BACB28AK06-058 AND (1)BACB30NR6DK25 FUNCTIONAL REFERENCE: 11-22-57-01C 32-21-01-01C 32-21-09-05 32-21-12-01C 32-21-13-01C 32-45-02-01B	002004 006100 107107 121503 904949	1

MISSING ITEM NUMBERS NOT APPLICABLE

- ITEM NOT ILLUSTRATED

BRI

**32-21-00-01B**

BOEING PROPRIETARY - Copyright © - Unpublished Work - See title page for details.

32-21-00  
FIG. 01B  
PAGE 53  
JAN 20/09



757

PARTS CATALOG (MAINTENANCE)

FIG ITEM	PART NUMBER	1 2 3 4 5 6 7 NOMENCLATURE	EFFECT FROM TO	UNITS PER ASSY
1B 340	162N0001-107	.GEAR ASSY-NLG COMPONENT MAINT MANUAL REF: 32-21-25 QUALIFIED I/W DATA: 162N0001-118, -111, -105, -101, -49 WITH ONLY FORWARD TOW FITTING I/W 162N0001-120, -113, -107, -100, -47 WITH FORWARD AND AFT TOW FITTINGS WITH CUSTOMER APPROVAL 162N0001-120, -113, -107, -100, -47 WITHOUT QUICK RELEASE TORSION LINKS MAY REPLACE BUT NOT BE REPLACED BY 162N0001-46, -42, -33 WITH QUICK RELEASE COND RPL SUBJECT TO CUSTOMER APPROVAL 162N0001-119, -112, -106, -99, -45 WITH QUICK RELEASE TORSION LINKS I/W 162N0001-120, -113, -107, -100, -47 WITHOUT QUICK RELEASE TORSION LINKS SUBJECT TO CUSTOMER APPROVAL	002004 006100 107107 121503 904949	1

MISSING ITEM NUMBERS NOT APPLICABLE

- ITEM NOT ILLUSTRATED

**32-21-00-01B**

32-21-00  
FIG. 01B  
PAGE 54  
JAN 20/09

BRI



757

PARTS CATALOG (MAINTENANCE)

FIG ITEM	PART NUMBER	1 2 3 4 5 6 7	NOMENCLATURE	EFFECT FROM TO	UNITS PER ASSY
1B 340	162N0001-107		.GEAR ASSY-NLG COMPONENT MAINT MANUAL REF: 32-21-25 QUALIFIED I/W DATA: 162N0001-122, -115, -109, -103, -98 REQUIRES THE 727 TOW BAR I/W 162N0001-120, -113, -107, -100, -47 REQUIRES THE 757 TOW BAR SUBJECT TO CUSTOMER APPROVAL 162N0001-121, -114, -108, -102, -97 WITH QUICK RELEASE TORSION LINKS AND ONLY FORWARD TOW FITTING I/W 162N0001-120, -113, -107, -100, -47 WITH FORWARD AND AFT TOW FITTING AND WITHOUT QUICK RELEASE TORSION LINKS SUBJECT TO CUSTOMER APPROVAL	002004 006100 107107 121503 904949	1
340	162N0001-107		.GEAR ASSY-NLG COMPONENT MAINT MANUAL REF: 32-21-25 QUALIFIED I/W DATA: 162N0001-119 WITH QUICK RELEASE TORSION LINKS I/W 162N0001-113, -107, -100, -47 WITHOUT QUICK RELEASE TORSION LINKS WITH CUSTOMER APPROVAL	002004 006100 107107 121503 904949	1

MISSING ITEM NUMBERS NOT APPLICABLE

- ITEM NOT ILLUSTRATED

**32-21-00-01B**

32-21-00  
FIG. 01B  
PAGE 55  
JAN 20/09

BRI



757

PARTS CATALOG (MAINTENANCE)

FIG ITEM	PART NUMBER	1 2 3 4 5 6 7 NOMENCLATURE	EFFECT FROM TO	UNITS PER ASSY
1B 340	162N0001-113	.GEAR ASSY-NLG POSITION DATA: SECT. 62 COMPONENT MAINT MANUAL REF: 32-21-25 QUALIFIED I/W DATA: 162N0001-120, -113, -107, -100, -47 T/W (1)BACB30NR6DK21 MAY REPLACE BUT NOT BE REPLACED BY 162N0001-20, -22 T/W (1)BACB28AK06-058 AND (1)BACB30NR6DK25 FUNCTIONAL REFERENCE: 11-22-57-01C 32-21-01-01C 32-21-09-05 32-21-12-01C 32-21-13-01C 32-45-02-01B	002004 006100 107107 121503 904949	1

MISSING ITEM NUMBERS NOT APPLICABLE

- ITEM NOT ILLUSTRATED

BRI

**32-21-00-01B**

BOEING PROPRIETARY - Copyright © - Unpublished Work - See title page for details.

32-21-00  
FIG. 01B  
PAGE 56  
JAN 20/09





757

PARTS CATALOG (MAINTENANCE)

FIG ITEM	PART NUMBER	1 2 3 4 5 6 7 NOMENCLATURE	EFFECT FROM TO	UNITS PER ASSY
1B 340	162N0001-113	.GEAR ASSY-NLG COMPONENT MAINT MANUAL REF: 32-21-25 QUALIFIED I/W DATA: 162N0001-118, -111, -105, -101, -49 WITH ONLY FORWARD TOW FITTING I/W 162N0001-120, -113, -107, -100, -47 WITH FORWARD AND AFT TOW FITTINGS WITH CUSTOMER APPROVAL 162N0001-120, -113, -107, -100, -47 WITHOUT QUICK RELEASE TORSION LINKS MAY REPLACE BUT NOT BE REPLACED BY 162N0001-46, -42, -33 WITH QUICK RELEASE COND RPL SUBJECT TO CUSTOMER APPROVAL 162N0001-119, -112, -106, -99, -45 WITH QUICK RELEASE TORSION LINKS I/W 162N0001-120, -113, -107, -100, -47 WITHOUT QUICK RELEASE TORSION LINKS SUBJECT TO CUSTOMER APPROVAL	002004 006100 107107 121503 904949	1

MISSING ITEM NUMBERS NOT APPLICABLE

- ITEM NOT ILLUSTRATED

**32-21-00-01B**

32-21-00  
FIG. 01B  
PAGE 57  
JAN 20/09

BRI



757

PARTS CATALOG (MAINTENANCE)

FIG ITEM	PART NUMBER	1 2 3 4 5 6 7	NOMENCLATURE	EFFECT FROM TO	UNITS PER ASSY
1B 340	162N0001-113		.GEAR ASSY-NLG COMPONENT MAINT MANUAL REF: 32-21-25 QUALIFIED I/W DATA: 162N0001-122, -115, -109, -103, -98 REQUIRES THE 727 TOW BAR I/W 162N0001-120, -113, -107, -100, -47 WITH FORWARD AND AFT TOW FITTINGS WITH CUSTOMER APPROVAL 162N0001-121, -114, -108, -102, -97 WITH QUICK RELEASE TORSION LINKS AND ONLY FORWARD TOW FITTING I/W 162N0001-120, -113, -107, -100, -47 WITH FORWARD AND AFT TOW FITTING AND WITHOUT QUICK RELEASE TORSION LINKS SUBJECT TO CUSTOMER APPROVAL	002004 006100 107107 121503 904949	1
340	162N0001-113		.GEAR ASSY-NLG COMPONENT MAINT MANUAL REF: 32-21-25 QUALIFIED I/W DATA: 162N0001-119 WITH QUICK RELEASE TORSION LINKS I/W 162N0001-113, -107, -100, -47 WITHOUT QUICK RELEASE TORSION LINKS WITH CUSTOMER APPROVAL 162N0001-402, NOSE GEAR ASSEMBLY T/W 162N0001-4003, TOW OPTION INSTALLATION I/W P/N 162N0001-113, NOSE GEAR ASSEMBLY 162N0001-122, -115, -109, -103, -98 REQUIRES THE 727 TOW BAR I/W 162N0001-120, -113, -107, -100, -47 REQUIRES THE 757 TOW BAR SUBJECT TO CUSTOMER APPROVAL	002004 006100 107107 121503 904949	1

MISSING ITEM NUMBERS NOT APPLICABLE

- ITEM NOT ILLUSTRATED

BRI

32-21-00-01B

BOEING PROPRIETARY - Copyright © - Unpublished Work - See title page for details.

32-21-00  
FIG. 01B  
PAGE 58  
JAN 20/09



757

PARTS CATALOG (MAINTENANCE)

FIG ITEM	PART NUMBER	1 2 3 4 5 6 7	NOMENCLATURE	EFFECT FROM TO	UNITS PER ASSY
1B 345	162N0001-120		.GEAR ASSY-NLG POSITION DATA: SECT. 62 MISCELLANEOUS DATA: INCLUDES TWO TOW FITTINGS AND NO QUICK DISCONNECT OPTION COMPONENT MAINT MANUAL REF: 32-21-25 QUALIFIED I/W DATA: 162N0001-120, -113, -107, -100, -47 T/W (1)BACB30NR6DK21 MAY REPLACE BUT NOT BE REPLACED BY 162N0001-20, -22 T/W (1)BACB28AK06-058 AND (1)BACB30NR6DK25 FUNCTIONAL REFERENCE: 11-22-57-01C 32-21-01-01C 32-21-09-05 32-21-12-01C 32-21-13-01C 32-45-02-01B	002004 006100 107107 121503 904949	1
345	162N0001-120		.GEAR ASSY-NLG COMPONENT MAINT MANUAL REF: 32-21-25 QUALIFIED I/W DATA: 162N0001-119, -112, -106, -99, -45 WITH QUICK RELEASE TORSION LINKS I/W 162N0001-120, -113, -107, -100, -47 WITHOUT QUICK RELEASE TORSION LINKS SUBJECT TO CUSTOMER APPROVAL 162N0001-118, -111, -105, -101, -49 WITH ONLY FORWARD TOW FITTING I/W 162N0001-120, -113, -107, -100, -47 WITH FORWARD AND AFT TOW FITTINGS WITH CUSTOMER APPROVAL	002004 006100 107107 121503 904949	1

MISSING ITEM NUMBERS NOT APPLICABLE

- ITEM NOT ILLUSTRATED

BRI

**32-21-00-01B**

BOEING PROPRIETARY - Copyright © - Unpublished Work - See title page for details.

32-21-00  
FIG. 01B  
PAGE 59  
JAN 20/09



757

PARTS CATALOG (MAINTENANCE)

FIG ITEM	PART NUMBER	1 2 3 4 5 6 7	NOMENCLATURE	EFFECT FROM TO	UNITS PER ASSY
1B 345	162N0001-120		.GEAR ASSY-NLG COMPONENT MAINT MANUAL REF: 32-21-25 QUALIFIED I/W DATA: 162N0001-120, -113, -107, -100, -47 WITHOUT QUICK RELEASE TORSION LINKS MAY REPLACE BUT NOT BE REPLACED BY 162N0001-46, -42, -33 WITH QUICK RELEASE SUBJECT TO CUSTOMER APPROVAL 162N0001-122, -115, -109, -103, -98 REQUIRES THE 727 TOW BAR I/W 162N0001-120, -113, -107, -100, -47 REQUIRES THE 757 TOW BAR SUBJECT TO CUSTOMER APPROVAL	002004 006100 107107 121503 904949	1
345	162N0001-120		.GEAR ASSY-NLG COMPONENT MAINT MANUAL REF: 32-21-25 QUALIFIED I/W DATA: 162N0001-121, -114, -108, -102, -97 WITH QUICK RELEASE TORSION LINKS AND ONLY FORWARD TOW FITTING I/W 162N0001-120, -113, -107, -100, -47 WITH FORWARD AND AFT TOW FITTING AND WITHOUT QUICK RELEASE TORSION LINKS SUBJECT TO CUSTOMER APPROVAL	002004 006100 107107 121503 904949	1

MISSING ITEM NUMBERS NOT APPLICABLE

- ITEM NOT ILLUSTRATED

BRI

**32-21-00-01B**

BOEING PROPRIETARY - Copyright © - Unpublished Work - See title page for details.

32-21-00  
FIG. 01B  
PAGE 60  
JAN 20/09



757

PARTS CATALOG (MAINTENANCE)

FIG ITEM	PART NUMBER	1 2 3 4 5 6 7	NOMENCLATURE	EFFECT FROM TO	UNITS PER ASSY
1B 345	162N0001-49		.GEAR ASSY-NLG (NOSE GEAR ONLY) POSITION DATA: SECT. 62 COMPONENT MAINT MANUAL REF: 32-21-25 QUALIFIED I/W DATA: (-98); 162N0001-98 MAY REPLACE -49 FOR AMERICAN AIRLINES ONLY. 162N0001-119, -112, -106, -99, -45 WITH FORWARD AND AFT TOW FITTING AND QUICK RELEASE TORSION LINK I/W 162N0001-118, -111, -105, -101, -49 WITH FORWARD TOW FITTING AND WITHOUT QUICK RELEASE TORSION LINK SUBJECT TO CUSTOMER APPROVAL FUNCTIONAL REFERENCE: PLACARDS AND MARKINGS FOR DETAILS SEE 11-22-57-01B LANDING GEAR FOR DETAILS SEE 32-21-01-01B 32-21-09-03 32-21-12-01B 32-21-13-01B 32-45-02-01C	952999	1
345	162N0001-49		.GEAR ASSY-NLG (NOSE GEAR ONLY) COMPONENT MAINT MANUAL REF: 32-21-25 QUALIFIED I/W DATA: 162N0001-118, -111, -105, -101, -49 WITH ONLY FORWARD TOW FITTING MAY REPLACE BUT NOT BE REPLACED BY 162N0001-41, -38, -32, -31, -26, -24, -23, -21, -19, -18, -14, -6 WITH FORWARD AND AFT TOW FITTING SUBJECT TO CUSTOMER APPROVAL	952999	1

MISSING ITEM NUMBERS NOT APPLICABLE

- ITEM NOT ILLUSTRATED

BRI

**32-21-00-01B**

BOEING PROPRIETARY - Copyright © - Unpublished Work - See title page for details.

32-21-00  
FIG. 01B  
PAGE 61  
JAN 20/09



757

PARTS CATALOG (MAINTENANCE)

FIG ITEM	PART NUMBER	1 2 3 4 5 6 7 NOMENCLATURE	EFFECT FROM TO	UNITS PER ASSY
1B 345	162N0001-49	.GEAR ASSY-NLG (NOSE GEAR ONLY) COMPONENT MAINT MANUAL REF: 32-21-25 QUALIFIED I/W DATA: 162N0001-118, -111, -105, -101 WITH FORWARD TOW FITTING AND WITHOUT QUICK RELEASE TORSION LINK MAY REPLACE BUT NOT BE REPLACED BY 162N0001-46, -42, -33 WITH FORWARD AND AFT TOW FITTING AND QUICK RELEASE TORSION LINK SUBJECT TO CUSTOMER APPROVAL 162N0001-122, -115, -109, -103, -98 REQUIRES THE 727 TOW BAR I/W 162N0001-118, -111, -105, -101, -49 REQUIRES THE 757 TOW BAR SUBJECT TO CUSTOMER APPROVAL 162N0001-118, -11, -105, -101, -49 WITHOUT QUICK RELEASE TORSION LINKS I/W 162N0001-121, -114, -108, -102, -97 WITH QUICK RELEASE TORSION LINKS SUBJECT TO CUSTOMER APPROVAL	952999	1

MISSING ITEM NUMBERS NOT APPLICABLE

- ITEM NOT ILLUSTRATED

BRI

32-21-00-01B

BOEING PROPRIETARY - Copyright © - Unpublished Work - See title page for details.

32-21-00  
FIG. 01B  
PAGE 62  
JAN 20/09



757

PARTS CATALOG (MAINTENANCE)

FIG ITEM	PART NUMBER	1 2 3 4 5 6 7 NOMENCLATURE	EFFECT FROM TO	UNITS PER ASSY
1B 345	162N0001-49	.GEAR ASSY-NLG (NOSE GEAR ONLY) COMPONENT MAINT MANUAL REF: 32-21-25 QUALIFIED I/W DATA: 162N0001-118, -111, -105, -101, -49 WITH ONLY FORWARD TOW FITTING I/W 162N0001-120, -113, -107, -100, -47 WITH FORWARD AND AFT TOW FITTINGS WITH CUSTOMER APPROVAL 162N0001-122, -115, -109, -103, -98 REQUIRES THE 727 TOW BAR I/W 162N0001-118, -111, -105, -101, -49 REQUIRES THE 757 TOW BAR SUBJECT TO CUSTOMER APPROVAL. 162N0001-118, -111, -105, -101, -49 T/W (1)BACB28AK06-045 AND (1)BACB30NR6DK21 WITH ONLY FORWARD TOW FITTING MAY REPLACE BUT NOT BE REPLACED BY 162N0001-22, -20 T/W (1)BACB28AK06-058 AND (1)BACB30NR6DK25	952999	1

MISSING ITEM NUMBERS NOT APPLICABLE

- ITEM NOT ILLUSTRATED

**32-21-00-01B**

32-21-00  
 FIG. 01B  
 PAGE 63  
 JAN 20/09

BRI



757

PARTS CATALOG (MAINTENANCE)

FIG ITEM	PART NUMBER	1 2 3 4 5 6 7	NOMENCLATURE	EFFECT FROM TO	UNITS PER ASSY
1B 345	162N0001-101		.GEAR ASSY-NLG POSITION DATA: SECT. 62 COMPONENT MAINT MANUAL REF: 32-21-25 QUALIFIED I/W DATA: 162N0001-118, -111, -105, -101, -49 WITH ONLY FORWARD TOW FITTING I/W 162N0001-120, -113, -107, -100, -47 WITH FORWARD AND AFT TOW FITTINGS WITH CUSTOMER APPROVAL. FUNCTIONAL REFERENCE: 11-22-57-01B 32-21-00-01B 32-21-09-03 32-21-12-01B 32-21-13-01B 32-45-02-01C	952999	1
345	162N0001-101		.GEAR ASSY-NLG (NOSE GEAR ONLY) COMPONENT MAINT MANUAL REF: 32-21-25 QUALIFIED I/W DATA: 162N0001-118, -111, -105, -101, -49 WITH ONLY FORWARD TOW FITTING MAY REPLACE BUT NOT BE REPLACED BY 162N0001-41, -38, -32, -31, -26, -24, -23, -21, -19, -18, -14, -6 WITH FORWARD AND AFT TOW FITTING SUBJECT TO CUSTOMER APPROVAL	952999	1

MISSING ITEM NUMBERS NOT APPLICABLE

- ITEM NOT ILLUSTRATED

BRI

**32-21-00-01B**

BOEING PROPRIETARY - Copyright © - Unpublished Work - See title page for details.

32-21-00  
FIG. 01B  
PAGE 64  
JAN 20/09





757

PARTS CATALOG (MAINTENANCE)

FIG ITEM	PART NUMBER	1 2 3 4 5 6 7 NOMENCLATURE	EFFECT FROM TO	UNITS PER ASSY
1B 345	162N0001-101	.GEAR ASSY-NLG (NOSE GEAR ONLY) COMPONENT MAINT MANUAL REF: 32-21-25 QUALIFIED I/W DATA: 162N0001-119, -112, -106, -99, -45 WITH FORWARD AND AFT TOW FITTING AND QUICK RELEASE TORSION LINK I/W 162N0001-118, -111, -105, -101, -49 WITH FORWARD TOW FITTING AND WITHOUT QUICK RELEASE TORSION LINK SUBJECT TO CUSTOMER APPROVAL 162N0001-118, -111, -105, -101 WITH FORWARD TOW FITTING AND WITHOUT QUICK RELEASE TORSION LINK MAY REPLACE BUT NOT BE REPLACED BY 162N0001-46, -42, -33 WITH FORWARD AND AFT TOW FITTING AND QUICK RELEASE TORSION LINK SUBJECT TO CUSTOMER APPROVAL 162N0001-118, -111, -105, -101, -49 T/W (1)BACB28AK06-045 AND (1)BACB30NR6DK21 WITH ONLY FORWARD TOW FITTING MAY REPLACE BUT NOT BE REPLACED BY 162N0001-22, -20 T/W (1)BACB28AK06-058 AND (1)BACB30NR6DK25	952999	1

MISSING ITEM NUMBERS NOT APPLICABLE

- ITEM NOT ILLUSTRATED

**32-21-00-01B**

32-21-00  
 FIG. 01B  
 PAGE 65  
 JAN 20/09

BRI



757

PARTS CATALOG (MAINTENANCE)

FIG ITEM	PART NUMBER	1 2 3 4 5 6 7	NOMENCLATURE	EFFECT FROM TO	UNITS PER ASSY
1B 345	162N0001-101		.GEAR ASSY-NLG (NOSE GEAR ONLY) COMPONENT MAINT MANUAL REF: 32-21-25 QUALIFIED I/W DATA: 162N0001-122, -115, -109, -103, -98 REQUIRES THE 727 TOW BAR I/W 162N0001-118, -111, -105, -101, -49 REQUIRES THE 757 TOW BAR SUBJECT TO CUSTOMER APPROVAL 162N0001-118, -111, -105, -101, -49 WITHOUT QUICK RELEASE TORSION LINKS I/W 162N0001-121, -114, -108, -102, -97 WITH QUICK RELEASE TORSION LINKS SUBJECT TO CUSTOMER APPROVAL	952999	1
350	162N0001-105		.GEAR ASSY-NLG (NOSE GEAR ONLY) POSITION DATA: SECT. 62 COMPONENT MAINT MANUAL REF: 32-21-25 QUALIFIED I/W DATA: 162N0001-118, -111, -105, -101, -49 WITH ONLY FORWARD TOW FITTING I/W 162N0001-120, -113, -107, -100, -47 WITH FORWARD AND AFT TOW FITTINGS WITH CUSTOMER APPROVAL FUNCTIONAL REFERENCE: 11-22-57-01B 32-21-01-01B 32-21-09-03 32-21-12-01B 32-21-13-01B 32-45-02-01C	952999	1

MISSING ITEM NUMBERS NOT APPLICABLE

- ITEM NOT ILLUSTRATED

BRI

**32-21-00-01B**

BOEING PROPRIETARY - Copyright © - Unpublished Work - See title page for details.

32-21-00  
FIG. 01B  
PAGE 66  
JAN 20/09



757

PARTS CATALOG (MAINTENANCE)

FIG ITEM	PART NUMBER	1 2 3 4 5 6 7	NOMENCLATURE	EFFECT FROM TO	UNITS PER ASSY
1B 350	162N0001-105		.GEAR ASSY-NLG (NOSE GEAR ONLY) COMPONENT MAINT MANUAL REF: 32-21-25 QUALIFIED I/W DATA: 162N0001-118, -111, -105, -101, -49 WITH ONLY FORWARD TOW FITTING MAY REPLACE BUT NOT BE REPLACED BY 162N0001-41, -38, -32, -31, -26, -24, -23, -21, -19, -18, -14, -6 WITH FORWARD AND AFT TOW FITTING SUBJECT TO CUSTOMER APPROVAL	952999	1

MISSING ITEM NUMBERS NOT APPLICABLE

- ITEM NOT ILLUSTRATED

BRI

32-21-00-01B

BOEING PROPRIETARY - Copyright © - Unpublished Work - See title page for details.

32-21-00  
FIG. 01B  
PAGE 67  
JAN 20/09



757

PARTS CATALOG (MAINTENANCE)

FIG ITEM	PART NUMBER	1 2 3 4 5 6 7 NOMENCLATURE	EFFECT FROM TO	UNITS PER ASSY
1B 350	162N0001-105	.GEAR ASSY-NLG (NOSE GEAR ONLY) COMPONENT MAINT MANUAL REF: 32-21-25 QUALIFIED I/W DATA: 162N0001-119, -112, -106, -99, -45 WITH FORWARD AND AFT TOW FITTING AND QUICK RELEASE TORSION LINK I/W 162N0001-118, -111, -105, -101, -49 WITH FORWARD TOW FITTING AND WITHOUT QUICK RELEASE TORSION LINK SUBJECT TO CUSTOMER APPROVAL 162N0001-118, -111, -105, -101 WITH FORWARD TOW FITTING AND WITHOUT QUICK RELEASE TORSION LINK MAY REPLACE BUT NOT BE REPLACED BY 162N0001-46, -42, -33 WITH FORWARD AND AFT TOW FITTING AND QUICK RELEASE TORSION LINK SUBJECT TO CUSTOMER APPROVAL 162N0001-118, -111, -105, -101, -49 T/W (1)BACB28AK06-045 AND (1)BACB30NR6DK21 WITH ONLY FORWARD TOW FITTING MAY REPLACE BUT NOT BE REPLACED BY 162N0001-22, -20 T/W (1)BACB28AK06-058 AND (1)BACB30NR6DK25	952999	1

MISSING ITEM NUMBERS NOT APPLICABLE

- ITEM NOT ILLUSTRATED

**32-21-00-01B**

32-21-00  
 FIG. 01B  
 PAGE 68  
 JAN 20/09

BRI



757

PARTS CATALOG (MAINTENANCE)

FIG ITEM	PART NUMBER	1 2 3 4 5 6 7 NOMENCLATURE	EFFECT FROM TO	UNITS PER ASSY
1B 350	162N0001-105	.GEAR ASSY-NLG (NOSE GEAR ONLY) COMPONENT MAINT MANUAL REF: 32-21-25 QUALIFIED I/W DATA: 162N0001-122, -115, -109, -103, -98 REQUIRES THE 727 TOW BAR I/W 162N0001-118, -111, -105, -101, -49 REQUIRES THE 757 TOW BAR SUBJECT TO CUSTOMER APPROVAL 162N0001-118, -11, -105, -101, -49 WITHOUT QUICK RELEASE TORSION LINKS I/W 162N0001-121, -114, -108, -102, -97 WITH QUICK RELEASE TORSION LINKS SUBJECT TO CUSTOMER APPROVAL	952999	1

MISSING ITEM NUMBERS NOT APPLICABLE

- ITEM NOT ILLUSTRATED

BRI

**32-21-00-01B**

BOEING PROPRIETARY - Copyright © - Unpublished Work - See title page for details.

32-21-00  
 FIG. 01B  
 PAGE 69  
 JAN 20/09



757

PARTS CATALOG (MAINTENANCE)

FIG ITEM	PART NUMBER	1 2 3 4 5 6 7	NOMENCLATURE	EFFECT FROM TO	UNITS PER ASSY
1B 350	162N0001-111		.GEAR ASSY-NLG (NOSE GEAR ONLY) POSITION DATA: SECT. 62 MISCELLANEOUS DATA: 162N0001-111 INCLUDES ONE TOW FITTING AND NO QUICK DISCONNECT OPTION COMPONENT MAINT MANUAL REF: 32-21-25 QUALIFIED I/W DATA: 162N0001-402, NOSE GEAR ASSEMBLY T/W 162N0001-4001, TOW OPTION INSTALLATION I/W P/N 162N0001-111, NOSE GEAR ASSEMBLY 162N0001-118, -111, -105, -101, -49 WITH ONLY FORWARD TOW FITTING I/W 162N0001-120, -113, -107, -100, -47 WITH FORWARD AND AFT TOW FITTINGS WITH CUSTOMER APPROVAL FUNCTIONAL REFERENCE: LANDING GEAR FOR DETAILS SEE 32-21-01-01B 32-21-09-03 32-21-12-01B 32-21-13-01B 32-45-02-01C	952999	1
350	162N0001-111		.GEAR ASSY-NLG (NOSE GEAR ONLY) COMPONENT MAINT MANUAL REF: 32-21-25 QUALIFIED I/W DATA: 162N0001-118, -111, -105, -101, -49 WITH ONLY FORWARD TOW FITTING MAY REPLACE BUT NOT BE REPLACED BY 162N0001-41, -38, -32, -31, -26, -24, -23, -21, -19, -18, -14, -6 WITH FORWARD AND AFT TOW FITTING SUBJECT TO CUSTOMER APPROVAL	952999	1

MISSING ITEM NUMBERS NOT APPLICABLE

- ITEM NOT ILLUSTRATED

BRI

**32-21-00-01B**

BOEING PROPRIETARY - Copyright © - Unpublished Work - See title page for details.

32-21-00  
FIG. 01B  
PAGE 70  
JAN 20/09



757

PARTS CATALOG (MAINTENANCE)

FIG ITEM	PART NUMBER	1 2 3 4 5 6 7	NOMENCLATURE	EFFECT FROM TO	UNITS PER ASSY
1B 350	162N0001-111		.GEAR ASSY-NLG (NOSE GEAR ONLY) COMPONENT MAINT MANUAL REF: 32-21-25 QUALIFIED I/W DATA: 162N0001-119, -112, -106, -99, -45 WITH FORWARD AND AFT TOW FITTING AND QUICK RELEASE TORSION LINK I/W 162N0001-118, -111, -105, -101, -49 WITH FORWARD TOW FITTING AND WITHOUT QUICK RELEASE TORSION LINK SUBJECT TO CUSTOMER APPROVAL 162N0001-118, -111, -105, -101, -49 T/W (1)BACB28AK06-045 AND (1)BACB30NR6DK21 WITH ONLY FORWARD TOW FITTING MAY REPLACE BUT NOT BE REPLACED BY 162N0001-22, -20 T/W (1)BACB28AK06-058 AND (1)BACB30NR6DK25	952999	1
350	162N0001-111		.GEAR ASSY-NLG (NOSE GEAR ONLY) COMPONENT MAINT MANUAL REF: 32-21-25 QUALIFIED I/W DATA: 162N0001-122, -115, -109, -103, -98 REQUIRES THE 727 TOW BAR I/W 162N0001-118, -111, -105, -101, -49 REQUIRES THE 757 TOW BAR SUBJECT TO CUSTOMER APPROVAL 162N0001-118, -111, -105, -101, -49 WITHOUT QUICK RELEASE TORSION LINKS I/W 162N0001-121, -114, -108, -102, -97 WITH QUICK RELEASE TORSION LINKS SUBJECT TO CUSTOMER APPROVAL	952999	1

MISSING ITEM NUMBERS NOT APPLICABLE

- ITEM NOT ILLUSTRATED

32-21-00-01B

32-21-00  
FIG. 01B  
PAGE 71  
JAN 20/09

BRI



757

PARTS CATALOG (MAINTENANCE)

FIG ITEM	PART NUMBER	1 2 3 4 5 6 7	NOMENCLATURE	EFFECT FROM TO	UNITS PER ASSY
1B 350	162N0001-118		.GEAR ASSY-NLG (NOSE GEAR ONLY) POSITION DATA: SECT. 62 COMPONENT MAINT MANUAL REF: 32-21-25 QUALIFIED I/W DATA: 162N0001-118, -111, -105, -101, -49 WITH ONLY FORWARD TOW FITTING I/W 162N0001-120, -113, -107, -100, -47 WITH FORWARD AND AFT TOW FITTINGS WITH CUSTOMER APPROVAL FUNCTIONAL REFERENCE: 11-22-57-01B 32-21-01-01B 32-21-09-03 32-21-12-01B 32-21-13-01B 32-45-02-01C	952999	1
350	162N0001-118		.GEAR ASSY-NLG (NOSE GEAR ONLY) COMPONENT MAINT MANUAL REF: 32-21-25 QUALIFIED I/W DATA: 162N0001-118, -111, -105, -101, -49 WITH ONLY FORWARD TOW FITTING MAY REPLACE BUT NOT BE REPLACED BY 162N0001-41, -38, -32, -31, -26, -24, -23, -21, -19, -18, -14, -6 WITH FORWARD AND AFT TOW FITTING SUBJECT TO CUSTOMER APPROVAL	952999	1

MISSING ITEM NUMBERS NOT APPLICABLE

- ITEM NOT ILLUSTRATED

BRI

**32-21-00-01B**

BOEING PROPRIETARY - Copyright © - Unpublished Work - See title page for details.

32-21-00  
FIG. 01B  
PAGE 72  
JAN 20/09





757

PARTS CATALOG (MAINTENANCE)

FIG ITEM	PART NUMBER	1 2 3 4 5 6 7 NOMENCLATURE	EFFECT FROM TO	UNITS PER ASSY
1B 350	162N0001-118	.GEAR ASSY-NLG (NOSE GEAR ONLY) COMPONENT MAINT MANUAL REF: 32-21-25 QUALIFIED I/W DATA: 162N0001-119, -112, -106, -99, -45 WITH FORWARD AND AFT TOW FITTING AND QUICK RELEASE TORSION LINK I/W 162N0001-118, -111, -105, -101, -49 WITH FORWARD TOW FITTING AND WITHOUT QUICK RELEASE TORSION LINK SUBJECT TO CUSTOMER APPROVAL 162N0001-118, -111, -105, -101 WITH FORWARD TOW FITTING AND WITHOUT QUICK RELEASE TORSION LINK MAY REPLACE BUT NOT BE REPLACED BY 162N0001-46, -42, -33 WITH FORWARD AND AFT TOW FITTING AND QUICK RELEASE TORSION LINK SUBJECT TO CUSTOMER APPROVAL 162N0001-118, -111, -105, -101, -49 T/W (1)BACB28AK06-045 AND (1)BACB30NR6DK21 WITH ONLY FORWARD TOW FITTING MAY REPLACE BUT NOT BE REPLACED BY 162N0001-22, -20 T/W (1)BACB28AK06-058 AND (1)BACB30NR6DK25	952999	1

MISSING ITEM NUMBERS NOT APPLICABLE

- ITEM NOT ILLUSTRATED

**32-21-00-01B**

32-21-00  
 FIG. 01B  
 PAGE 73  
 JAN 20/09

BRI



757

PARTS CATALOG (MAINTENANCE)

FIG ITEM	PART NUMBER	1 2 3 4 5 6 7	NOMENCLATURE	EFFECT FROM TO	UNITS PER ASSY
1B 350	162N0001-118		.GEAR ASSY-NLG (NOSE GEAR ONLY) COMPONENT MAINT MANUAL REF: 32-21-25 QUALIFIED I/W DATA: 162N0001-122, -115, -109, -103, -98 REQUIRES THE 727 TOW BAR I/W 162N0001-118, -111, -105, -101, -49 REQUIRES THE 757 TOW BAR SUBJECT TO CUSTOMER APPROVAL 162N0001-118, -11, -105, -101, -49 WITHOUT QUICK RELEASE TORSION LINKS I/W 162N0001-121, -114, -108, -102, -97 WITH QUICK RELEASE TORSION LINKS SUBJECT TO CUSTOMER APPROVAL	952999	1

MISSING ITEM NUMBERS NOT APPLICABLE

- ITEM NOT ILLUSTRATED

BRI

32-21-00-01B

BOEING PROPRIETARY - Copyright © - Unpublished Work - See title page for details.

32-21-00  
FIG. 01B  
PAGE 74  
JAN 20/09



757

PARTS CATALOG (MAINTENANCE)

FIG ITEM	PART NUMBER	1 2 3 4 5 6 7	NOMENCLATURE	EFFECT FROM TO	UNITS PER ASSY
1B 360	162N0001-97		.GEAR ASSY-NLG COMPONENT MAINT MANUAL REF: 32-21-25 QUALIFIED I/W DATA: 162N0001-121, -114, -108, -102, -97 WITH QUICK RELEASE TORSION LINKS AND ONLY FORWARD TOW FITTING I/W 162N0001-120, -113, -107, -100, -47 WITH FORWARD AND AFT TOW FITTING AND WITHOUT QUICK RELEASE TORSION LINKS SUBJECT TO CUSTOMER APPROVAL 162N0001-121, -114, -108, -102, -97 WITH ONLY FORWARD TOW FITTING MAY REPLACE BUT NOT BE REPLACED BY 162N0001-46, -42, -33 WITH FORWARD AND AFT TOW FITTING SUBJECT TO CUSTOMER CUSTOMER APPROVAL FUNCTIONAL REFERENCE: 32-21-01-01 32-21-12-01 32-21-13-01 32-45-02-01 11-22-57-01	950951	1
360	162N0001-97		.GEAR ASSY-NLG COMPONENT MAINT MANUAL REF: 32-21-25 QUALIFIED I/W DATA: 162N0001-121, -114, -108, -102, -97 WITH QUICK RELEASE TORSION LINKS AND ONLY FORWARD TOW FITTING MAY REPLACE BUT NOT BE REPLACED BY 162N0001-41, -38, -32, -31, -26, -24, -23, -21, -19, -18, -14, -6 WITH FORWARD AND AFT TOW FITTING AND WITHOUT QUICK RELEASE TORSION LINKS SUBJECT TO CUSTOMER APPROVAL	950951	1

MISSING ITEM NUMBERS NOT APPLICABLE

- ITEM NOT ILLUSTRATED

**32-21-00-01B**

32-21-00  
FIG. 01B  
PAGE 75  
JAN 20/09

BRI



757

PARTS CATALOG (MAINTENANCE)

FIG ITEM	PART NUMBER	1 2 3 4 5 6 7	NOMENCLATURE	EFFECT FROM TO	UNITS PER ASSY
1B 360	162N0001-97	.	GEAR ASSY-NLG COMPONENT MAINT MANUAL REF: 32-21-25	950951	1
360	162N0001-97	.	GEAR ASSY-NLG COMPONENT MAINT MANUAL REF: 32-21-25 QUALIFIED I/W DATA: 162N0001-118, -111, -105, -101, -49 WITHOUT QUICK RELEASE TORSION LINKS I/W 162N0001-121, -114, -108, -102, -97 WITH QUICK RELEASE TORSION LINKS SUBJECT TO CUSTOMER APPROVAL 162N0001-121, -114, -108, -102, -97 WITH QUICK RELEASE TORSION LINKS AND REQUIRES 757 TOW BAR I/W 162N0001-122, -115, -109, -103, -98 WITHOUT QUICK RELEASE TORSION LINKS AND REQUIRES 727 TOW BAR SUBJECT TO CUSTOMER APPROVAL	950951	1

MISSING ITEM NUMBERS NOT APPLICABLE

- ITEM NOT ILLUSTRATED

**32-21-00-01B**

32-21-00  
FIG. 01B  
PAGE 76  
JAN 20/09

BRI



757

PARTS CATALOG (MAINTENANCE)

FIG ITEM	PART NUMBER	1 2 3 4 5 6 7 NOMENCLATURE	EFFECT FROM TO	UNITS PER ASSY
1B 360	162N0001-97	.GEAR ASSY-NLG COMPONENT MAINT MANUAL REF: 32-21-25 QUALIFIED I/W DATA: 162N0001-121, -114, -108, -102, -97 T/W (1)BACB28AK06-045, (1)BACB30NR6DK21 WITH QUICK RELEASE TORSION LINK AND FORWARD TOW FITTING ONLY MAY REPLACE BUT NOT BE REPLACED BY 162N0001-22, -20 T/W (1)BACB28AK06-058, (1)BACB30N6DK25 WITHOUT QUICK RELEASE TORSION LINK AND WITH FORWARD AND AFT TOW FITTINGS SUBJECT TO CUSTOMER APPROVAL 162N0001-119, -112, -106, -99, -45 WITH FORWARD AND AFT TOW FITTING I/W 162N0001-121, -114, -108, -102, -97 WITH ONLY FORWARD TOW FITTING SUBJECT TO CUSTOMER APPROVAL	950951	1

MISSING ITEM NUMBERS NOT APPLICABLE

- ITEM NOT ILLUSTRATED

32-21-00-01B

32-21-00  
FIG. 01B  
PAGE 77  
JAN 20/09

BRI



757

PARTS CATALOG (MAINTENANCE)

FIG ITEM	PART NUMBER	1 2 3 4 5 6 7	NOMENCLATURE	EFFECT FROM TO	UNITS PER ASSY
1B 360	162N0001-102		.GEAR ASSY-NLG COMPONENT MAINT MANUAL REF: 32-21-25 QUALIFIED I/W DATA: 162N0001-121, -114, -108, -102, -97 WITH QUICK RELEASE TORSION LINKS AND ONLY FORWARD TOW FITTING I/W 162N0001-120, -113, -107, -100, -47 WITH FORWARD AND AFT TOW FITTING AND WITHOUT QUICK RELEASE TORSION LINKS SUBJECT TO CUSTOMER APPROVAL 162N0001-121, -114, -108, -102, -97 WITH ONLY FORWARD TOW FITTING MAY REPLACE BUT NOT BE REPLACED BY 162N0001-46, -42, -33 WITH FORWARD AND AFT TOW FITTING SUBJECT TO CUSTOMER CUSTOMER APPROVAL FUNCTIONAL REFERENCE: 32-21-01-01 32-21-12-01 32-21-13-01 32-45-02-01 11-22-57-01	950951	1
360	162N0001-102		.GEAR ASSY-NLG COMPONENT MAINT MANUAL REF: 32-21-25 QUALIFIED I/W DATA: 162N0001-121, -114, -108, -102, -97 WITH QUICK RELEASE TORSION LINKS AND ONLY FORWARD TOW FITTING MAY REPLACE BUT NOT BE REPLACED BY 162N0001-41, -38, -32, -31, -26, -24, -23, -21, -19, -18, -14, -6 WITH FORWARD AND AFT TOW FITTING AND WITHOUT QUICK RELEASE TORSION LINKS SUBJECT TO CUSTOMER APPROVAL	950951	1

MISSING ITEM NUMBERS NOT APPLICABLE

- ITEM NOT ILLUSTRATED

**32-21-00-01B**

32-21-00  
FIG. 01B  
PAGE 78  
JAN 20/09

BRI



757

PARTS CATALOG (MAINTENANCE)

FIG ITEM	PART NUMBER	1 2 3 4 5 6 7	NOMENCLATURE	EFFECT FROM TO	UNITS PER ASSY
1B 360	162N0001-102		.GEAR ASSY-NLG COMPONENT MAINT MANUAL REF: 32-21-25	950951	1
360	162N0001-102		.GEAR ASSY-NLG COMPONENT MAINT MANUAL REF: 32-21-25 QUALIFIED I/W DATA: 162N0001-118, -111, -105, -101, -49 WITHOUT QUICK RELEASE TORSION LINKS I/W 162N0001-121, -114, -108, -102, -97 WITH QUICK RELEASE TORSION LINKS SUBJECT TO CUSTOMER APPROVAL 162N0001-121, -114, -108, -102, -97 WITH QUICK RELEASE TORSION LINKS AND REQUIRES 757 TOW BAR I/W 162N0001-122, -115, -109, -103, -98 WITHOUT QUICK RELEASE TORSION LINKS AND REQUIRES 727 TOW BAR SUBJECT TO CUSTOMER APPROVAL	950951	1

MISSING ITEM NUMBERS NOT APPLICABLE

- ITEM NOT ILLUSTRATED

BRI

**32-21-00-01B**

BOEING PROPRIETARY - Copyright © - Unpublished Work - See title page for details.

32-21-00  
FIG. 01B  
PAGE 79  
JAN 20/09



757

PARTS CATALOG (MAINTENANCE)

FIG ITEM	PART NUMBER	1 2 3 4 5 6 7 NOMENCLATURE	EFFECT FROM TO	UNITS PER ASSY
1B 360	162N0001-102	.GEAR ASSY-NLG COMPONENT MAINT MANUAL REF: 32-21-25 QUALIFIED I/W DATA: 162N0001-121, -114, -108, -102, -97 T/W (1)BACB28AK06-045, (1)BACB30NR6DK21 WITH QUICK RELEASE TORSION LINK AND FORWARD TOW FITTING ONLY MAY REPLACE BUT NOT BE REPLACED BY 162N0001-22, -20 T/W (1)BACB28AK06-058, (1)BACB30N6DK25 WITHOUT QUICK RELEASE TORSION LINK AND WITH FORWARD AND AFT TOW FITTINGS SUBJECT TO CUSTOMER APPROVAL 162N0001-119, -112, -106, -99, -45 WITH FORWARD AND AFT TOW FITTING I/W 162N0001-121, -114, -108, -102, -97 WITH ONLY FORWARD TOW FITTING SUBJECT TO CUSTOMER APPROVAL	950951	1

MISSING ITEM NUMBERS NOT APPLICABLE

- ITEM NOT ILLUSTRATED

**32-21-00-01B**

BRI

BOEING PROPRIETARY - Copyright © - Unpublished Work - See title page for details.

32-21-00  
 FIG. 01B  
 PAGE 80  
 JAN 20/09





757

PARTS CATALOG (MAINTENANCE)

FIG ITEM	PART NUMBER	1 2 3 4 5 6 7	NOMENCLATURE	EFFECT FROM TO	UNITS PER ASSY
1B 365	162N0001-108		.GEAR ASSY-NLG COMPONENT MAINT MANUAL REF: 32-21-25 QUALIFIED I/W DATA: 162N0001-121, -114, -108, -102, -97 WITH QUICK RELEASE TORSION LINKS AND ONLY FORWARD TOW FITTING I/W 162N0001-120, -113, -107, -100, -47 WITH FORWARD AND AFT TOW FITTING AND WITHOUT QUICK RELEASE TORSION LINKS SUBJECT TO CUSTOMER APPROVAL 162N0001-121, -114, -108, -102, -97 WITH ONLY FORWARD TOW FITTING MAY REPLACE BUT NOT BE REPLACED BY 162N0001-46, -42, -33 WITH FORWARD AND AFT TOW FITTING SUBJECT TO CUSTOMER CUSTOMER APPROVAL FUNCTIONAL REFERENCE: 32-21-01-01 32-21-12-01 32-21-13-01 32-45-02-01 11-22-57-01	950951	1
365	162N0001-108		.GEAR ASSY-NLG COMPONENT MAINT MANUAL REF: 32-21-25 QUALIFIED I/W DATA: 162N0001-121, -114, -108, -102, -97 WITH QUICK RELEASE TORSION LINKS AND ONLY FORWARD TOW FITTING MAY REPLACE BUT NOT BE REPLACED BY 162N0001-41, -38, -32, -31, -26, -24, -23, -21, -19, -18, -14, -6 WITH FORWARD AND AFT TOW FITTING AND WITHOUT QUICK RELEASE TORSION LINKS SUBJECT TO CUSTOMER APPROVAL	950951	1

MISSING ITEM NUMBERS NOT APPLICABLE

- ITEM NOT ILLUSTRATED

**32-21-00-01B**

32-21-00  
FIG. 01B  
PAGE 81  
JAN 20/09

BRI



757

PARTS CATALOG (MAINTENANCE)

FIG ITEM	PART NUMBER	1 2 3 4 5 6 7	NOMENCLATURE	EFFECT FROM TO	UNITS PER ASSY
1B 365	162N0001-108	.	GEAR ASSY-NLG COMPONENT MAINT MANUAL REF: 32-21-25	950951	1
365	162N0001-108	.	GEAR ASSY-NLG COMPONENT MAINT MANUAL REF: 32-21-25 QUALIFIED I/W DATA: 162N0001-118, -111, -105, -101, -49 WITHOUT QUICK RELEASE TORSION LINKS I/W 162N0001-121, -114, -108, -102, -97 WITH QUICK RELEASE TORSION LINKS SUBJECT TO CUSTOMER APPROVAL 162N0001-121, -114, -108, -102, -97 WITH QUICK RELEASE TORSION LINKS AND REQUIRES 757 TOW BAR I/W 162N0001-122, -115, -109, -103, -98 WITHOUT QUICK RELEASE TORSION LINKS AND REQUIRES 727 TOW BAR SUBJECT TO CUSTOMER APPROVAL	950951	1

MISSING ITEM NUMBERS NOT APPLICABLE

- ITEM NOT ILLUSTRATED

BRI

32-21-00-01B

BOEING PROPRIETARY - Copyright © - Unpublished Work - See title page for details.

32-21-00  
FIG. 01B  
PAGE 82  
JAN 20/09



757

PARTS CATALOG (MAINTENANCE)

FIG ITEM	PART NUMBER	1 2 3 4 5 6 7 NOMENCLATURE	EFFECT FROM TO	UNITS PER ASSY
1B 365	162N0001-108	.GEAR ASSY-NLG COMPONENT MAINT MANUAL REF: 32-21-25 QUALIFIED I/W DATA: 162N0001-121, -114, -108, -102, -97 T/W (1)BACB28AK06-045, (1)BACB30NR6DK21 WITH QUICK RELEASE TORSION LINK AND FORWARD TOW FITTING ONLY MAY REPLACE BUT NOT BE REPLACED BY 162N0001-22, -20 T/W (1)BACB28AK06-058, (1)BACB30N6DK25 WITHOUT QUICK RELEASE TORSION LINK AND WITH FORWARD AND AFT TOW FITTINGS SUBJECT TO CUSTOMER APPROVAL 162N0001-119, -112, -106, -99, -45 WITH FORWARD AND AFT TOW FITTING I/W 162N0001-121, -114, -108, -102, -97 WITH ONLY FORWARD TOW FITTING SUBJECT TO CUSTOMER APPROVAL	950951	1

MISSING ITEM NUMBERS NOT APPLICABLE

- ITEM NOT ILLUSTRATED

**32-21-00-01B**

32-21-00  
FIG. 01B  
PAGE 83  
JAN 20/09

BRI



757

PARTS CATALOG (MAINTENANCE)

FIG ITEM	PART NUMBER	1 2 3 4 5 6 7	NOMENCLATURE	EFFECT FROM TO	UNITS PER ASSY
1B 365	162N0001-114		.GEAR ASSY-NLG MISCELLANEOUS DATA: 162N0001-114 INCLUDES ONE TOW FITTING AND QUICK DISCONNECT OPTION COMPONENT MAINT MANUAL REF: 32-21-25 QUALIFIED I/W DATA: 162N0001-121, -114, -108, -102, -97 WITH QUICK RELEASE TORSION LINKS AND ONLY FORWARD TOW FITTING I/W 162N0001-120, -113, -107, -100, -47 WITH FORWARD AND AFT TOW FITTING AND WITHOUT QUICK RELEASE TORSION LINKS SUBJECT TO CUSTOMER APPROVAL 162N0001-121, -114, -108, -102, -97 WITH ONLY FORWARD TOW FITTING MAY REPLACE BUT NOT BE REPLACED BY 162N0001-46, -42, -33 WITH FORWARD AND AFT TOW FITTING SUBJECT TO CUSTOMER CUSTOMER APPROVAL FUNCTIONAL REFERENCE: 32-21-01-01 32-21-12-01 32-21-13-01 32-45-02-01 11-22-57-01	950951	1

MISSING ITEM NUMBERS NOT APPLICABLE

- ITEM NOT ILLUSTRATED

**32-21-00-01B**

32-21-00  
FIG. 01B  
PAGE 84  
JAN 20/09

BRI



757

PARTS CATALOG (MAINTENANCE)

FIG ITEM	PART NUMBER	1 2 3 4 5 6 7	NOMENCLATURE	EFFECT FROM TO	UNITS PER ASSY
1B 365	162N0001-114		.GEAR ASSY-NLG COMPONENT MAINT MANUAL REF: 32-21-25 QUALIFIED I/W DATA: 162N0001-121, -114, -108, -102, -97 WITH QUICK RELEASE TORSION LINKS AND ONLY FORWARD TOW FITTING MAY REPLACE BUT NOT BE REPLACED BY 162N0001-41, -38, -32, -31, -26, -24, -23, -21, -19, -18, -14, -6 WITH FORWARD AND AFT TOW FITTING AND WITHOUT QUICK RELEASE TORSION LINKS SUBJECT TO CUSTOMER APPROVAL	950951	1
365	162N0001-114		.GEAR ASSY-NLG COMPONENT MAINT MANUAL REF: 32-21-25	950951	1
365	162N0001-114		.GEAR ASSY-NLG COMPONENT MAINT MANUAL REF: 32-21-25 QUALIFIED I/W DATA: 162N0001-118, -111, -105, -101, -49 WITHOUT QUICK RELEASE TORSION LINKS I/W 162N0001-121, -114, -108, -102, -97 WITH QUICK RELEASE TORSION LINKS SUBJECT TO CUSTOMER APPROVAL 162N0001-121, -114, -108, -102, -97 WITH QUICK RELEASE TORSION LINKS AND REQUIRES 757 TOW BAR I/W 162N0001-122, -115, -109, -103, -98 WITHOUT QUICK RELEASE TORSION LINKS AND REQUIRES 727 TOW BAR SUBJECT TO CUSTOMER APPROVAL	950951	1

MISSING ITEM NUMBERS NOT APPLICABLE

- ITEM NOT ILLUSTRATED

**32-21-00-01B**

32-21-00  
FIG. 01B  
PAGE 85  
JAN 20/09

BRI



757

PARTS CATALOG (MAINTENANCE)

FIG ITEM	PART NUMBER	1 2 3 4 5 6 7 NOMENCLATURE	EFFECT FROM TO	UNITS PER ASSY
1B 365	162N0001-114	.GEAR ASSY-NLG COMPONENT MAINT MANUAL REF: 32-21-25 QUALIFIED I/W DATA: 162N0001-121, -114, -108, -102, -97 T/W (1)BACB28AK06-045, (1)BACB30NR6DK21 WITH QUICK RELEASE TORSION LINK AND FORWARD TOW FITTING ONLY MAY REPLACE BUT NOT BE REPLACED BY 162N0001-22, -20 T/W (1)BACB28AK06-058, (1)BACB30N6DK25 WITHOUT QUICK RELEASE TORSION LINK AND WITH FORWARD AND AFT TOW FITTINGS SUBJECT TO CUSTOMER APPROVAL 162N0001-119, -112, -106, -99, -45 WITH FORWARD AND AFT TOW FITTING I/W 162N0001-121, -114, -108, -102, -97 WITH ONLY FORWARD TOW FITTING SUBJECT TO CUSTOMER APPROVAL 162N0001-402, NOSE GEAR ASSEMBLY T/W 162N0001-4004, TOW OPTION INSTALLATION I/W P/N 162N0001-114, NOSE GEAR ASSEMBLY	950951	1

MISSING ITEM NUMBERS NOT APPLICABLE

- ITEM NOT ILLUSTRATED

**32-21-00-01B**

32-21-00  
 FIG. 01B  
 PAGE 86  
 JAN 20/09

BRI



757

PARTS CATALOG (MAINTENANCE)

FIG ITEM	PART NUMBER	1 2 3 4 5 6 7	NOMENCLATURE	EFFECT FROM TO	UNITS PER ASSY
1B 370	162N0001-121		.GEAR ASSY-NLG COMPONENT MAINT MANUAL REF: 32-21-25 QUALIFIED I/W DATA: 162N0001-121, -114, -108, -102, -97 WITH QUICK RELEASE TORSION LINKS AND ONLY FORWARD TOW FITTING I/W 162N0001-120, -113, -107, -100, -47 WITH FORWARD AND AFT TOW FITTING AND WITHOUT QUICK RELEASE TORSION LINKS SUBJECT TO CUSTOMER APPROVAL 162N0001-121, -114, -108, -102, -97 WITH ONLY FORWARD TOW FITTING MAY REPLACE BUT NOT BE REPLACED BY 162N0001-46, -42, -33 WITH FORWARD AND AFT TOW FITTING SUBJECT TO CUSTOMER CUSTOMER APPROVAL FUNCTIONAL REFERENCE: 32-21-01-01 32-21-12-01 32-21-13-01 32-45-02-01 11-22-57-01	950951	1
370	162N0001-121		.GEAR ASSY-NLG COMPONENT MAINT MANUAL REF: 32-21-25 QUALIFIED I/W DATA: 162N0001-121, -114, -108, -102, -97 WITH QUICK RELEASE TORSION LINKS AND ONLY FORWARD TOW FITTING MAY REPLACE BUT NOT BE REPLACED BY 162N0001-41, -38, -32, -31, -26, -24, -23, -21, -19, -18, -14, -6 WITH FORWARD AND AFT TOW FITTING AND WITHOUT QUICK RELEASE TORSION LINKS SUBJECT TO CUSTOMER APPROVAL	950951	1

MISSING ITEM NUMBERS NOT APPLICABLE

- ITEM NOT ILLUSTRATED

**32-21-00-01B**

32-21-00  
FIG. 01B  
PAGE 87  
JAN 20/09

BRI



757

PARTS CATALOG (MAINTENANCE)

FIG ITEM	PART NUMBER	1 2 3 4 5 6 7	NOMENCLATURE	EFFECT FROM TO	UNITS PER ASSY
1B 370	162N0001-121	.	GEAR ASSY-NLG COMPONENT MAINT MANUAL REF: 32-21-25	950951	1
370	162N0001-121	.	GEAR ASSY-NLG COMPONENT MAINT MANUAL REF: 32-21-25 QUALIFIED I/W DATA: 162N0001-118, -111, -105, -101, -49 WITHOUT QUICK RELEASE TORSION LINKS I/W 162N0001-121, -114, -108, -102, -97 WITH QUICK RELEASE TORSION LINKS SUBJECT TO CUSTOMER APPROVAL 162N0001-121, -114, -108, -102, -97 WITH QUICK RELEASE TORSION LINKS AND REQUIRES 757 TOW BAR I/W 162N0001-122, -115, -109, -103, -98 WITHOUT QUICK RELEASE TORSION LINKS AND REQUIRES 727 TOW BAR SUBJECT TO CUSTOMER APPROVAL	950951	1

MISSING ITEM NUMBERS NOT APPLICABLE

- ITEM NOT ILLUSTRATED

BRI

**32-21-00-01B**

BOEING PROPRIETARY - Copyright © - Unpublished Work - See title page for details.

32-21-00  
FIG. 01B  
PAGE 88  
JAN 20/09





757

PARTS CATALOG (MAINTENANCE)

FIG ITEM	PART NUMBER	1 2 3 4 5 6 7 NOMENCLATURE	EFFECT FROM TO	UNITS PER ASSY
1B 370	162N0001-121	.GEAR ASSY-NLG COMPONENT MAINT MANUAL REF: 32-21-25 QUALIFIED I/W DATA: 162N0001-121, -114, -108, -102, -97 T/W (1)BACB28AK06-045, (1)BACB30NR6DK21 WITH QUICK RELEASE TORSION LINK AND FORWARD TOW FITTING ONLY MAY REPLACE BUT NOT BE REPLACED BY 162N0001-22, -20 T/W (1)BACB28AK06-058, (1)BACB30N6DK25 WITHOUT QUICK RELEASE TORSION LINK AND WITH FORWARD AND AFT TOW FITTINGS SUBJECT TO CUSTOMER APPROVAL 162N0001-119, -112, -106, -99, -45 WITH FORWARD AND AFT TOW FITTING I/W 162N0001-121, -114, -108, -102, -97 WITH ONLY FORWARD TOW FITTING SUBJECT TO CUSTOMER APPROVAL	950951	1

MISSING ITEM NUMBERS NOT APPLICABLE

- ITEM NOT ILLUSTRATED

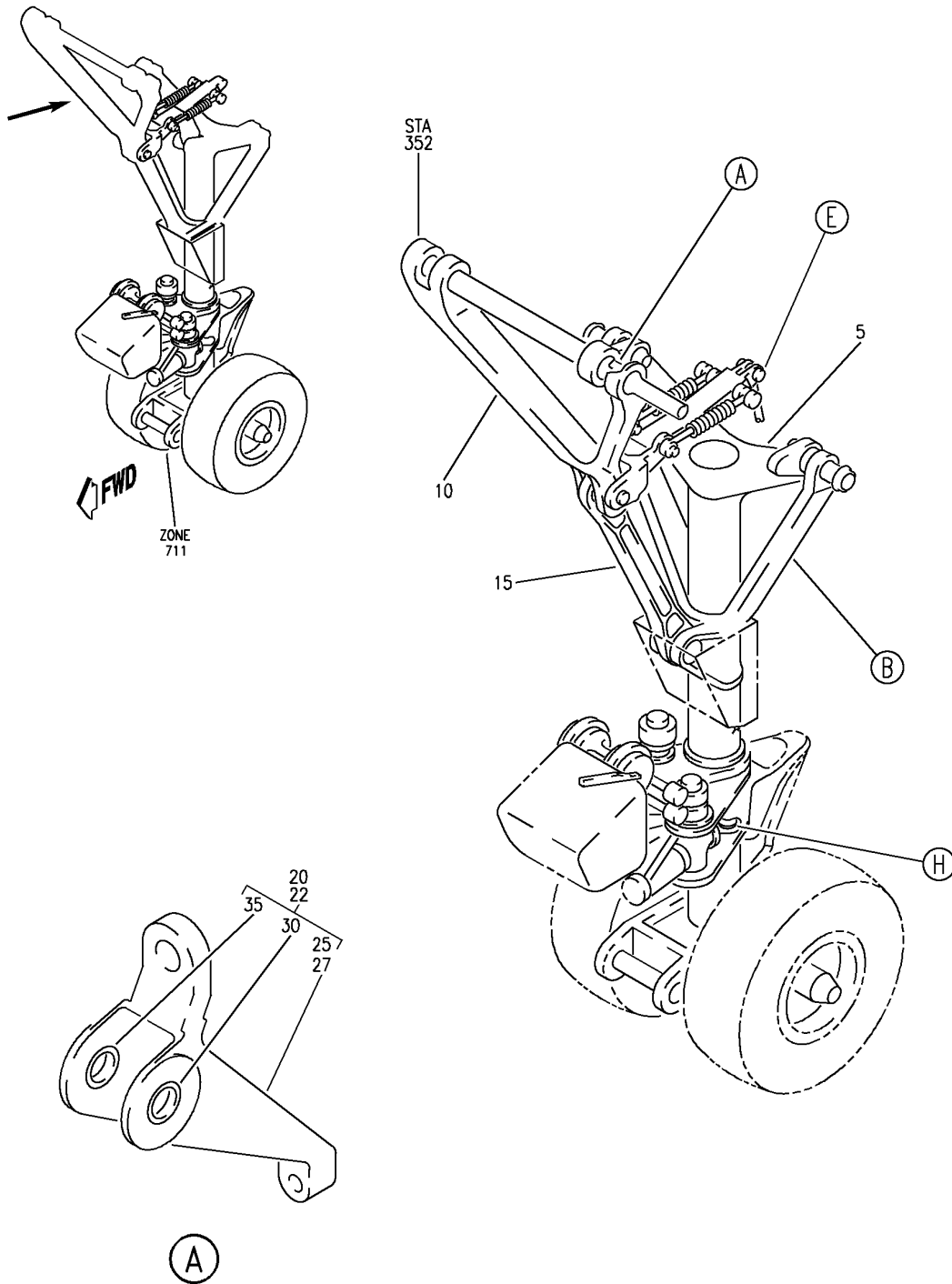
BRI

**32-21-00-01B**

BOEING PROPRIETARY - Copyright © - Unpublished Work - See title page for details.

32-21-00  
 FIG. 01B  
 PAGE 89  
 JAN 20/09

**BOEING**  
 757  
 PARTS CATALOG (MAINTENANCE)



Y 32210002 SHT 1 REV 299

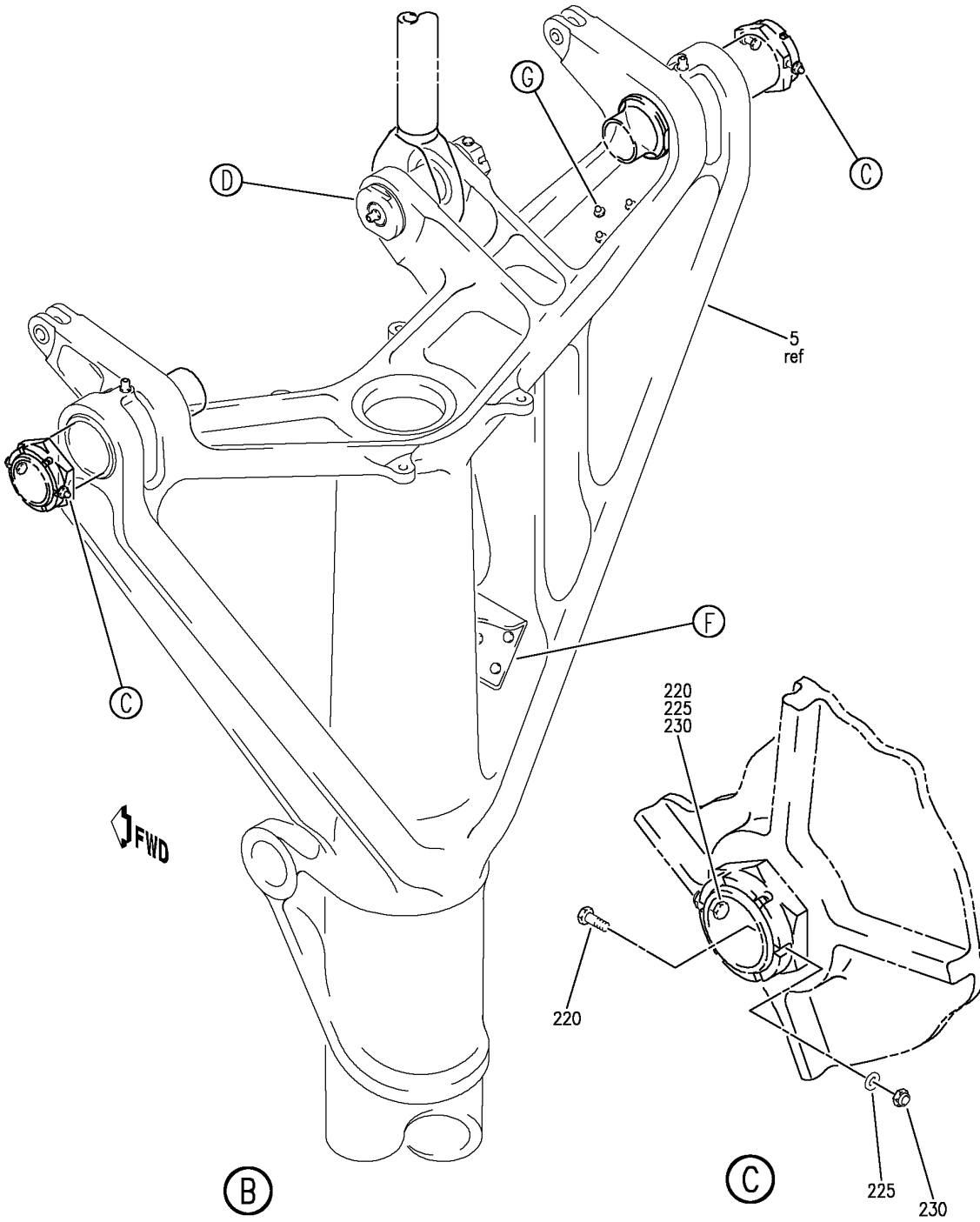
INSTALLATION MINOR  
 FIGURE 2 (SHEET 1)

**32-21-00-02**

BRI  
 MAY 28/07

32-21-00-02  
 PAGE 0

**BOEING**  
757  
PARTS CATALOG (MAINTENANCE)



Y 32210002 SH1 2 REV 259

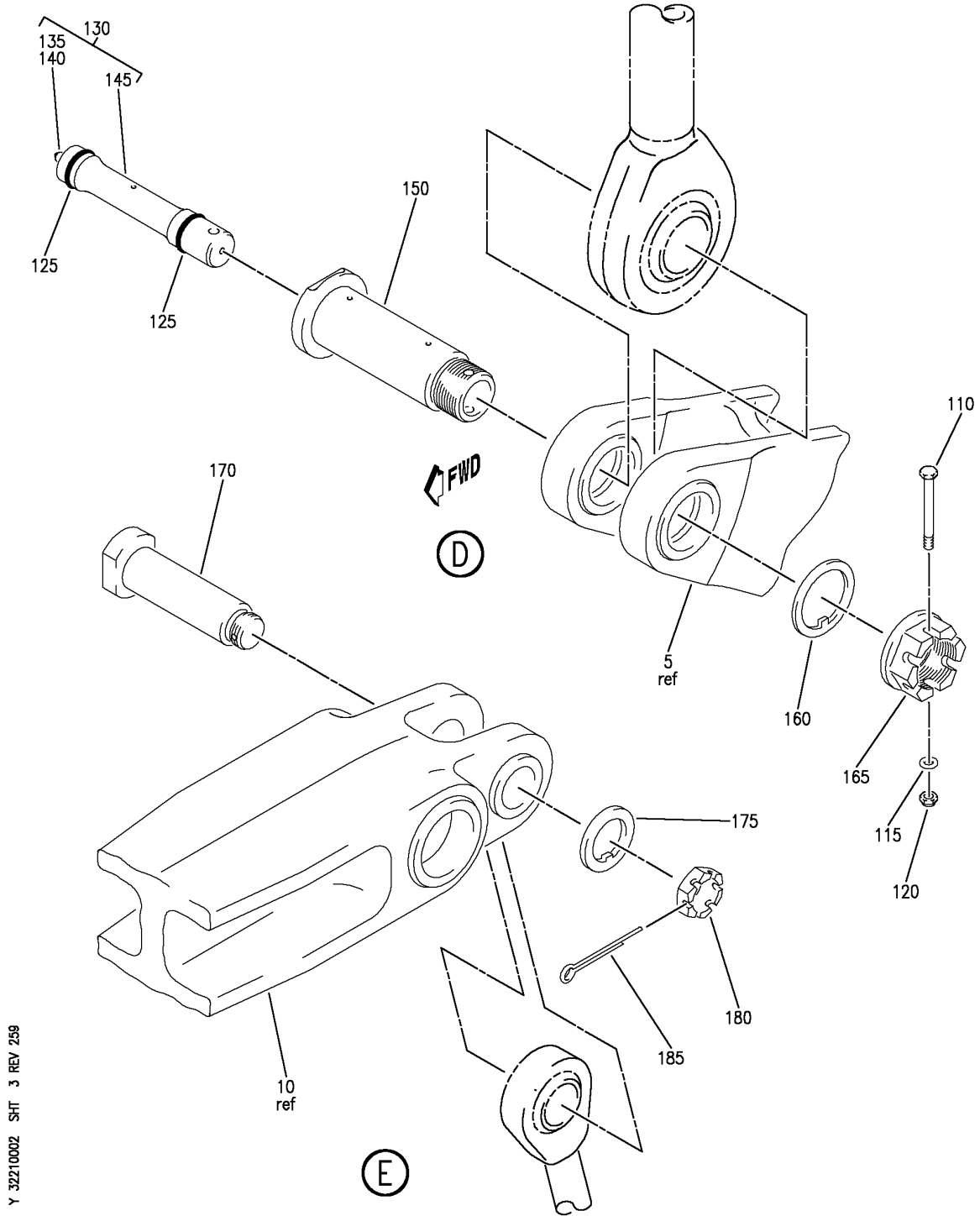
INSTALLATION MINOR  
FIGURE 2 (SHEET 2)

**32-21-00-02**

BRI  
MAY 28/07

32-21-00-02  
PAGE 0A

**BOEING**  
757  
PARTS CATALOG (MAINTENANCE)



Y 32210002 SHIT 3 REV 259

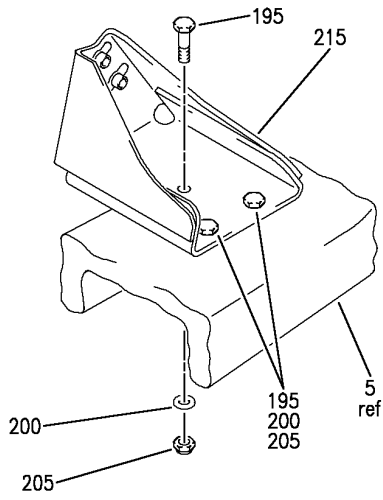
INSTALLATION MINOR  
FIGURE 2 (SHEET 3)

**32-21-00-02**

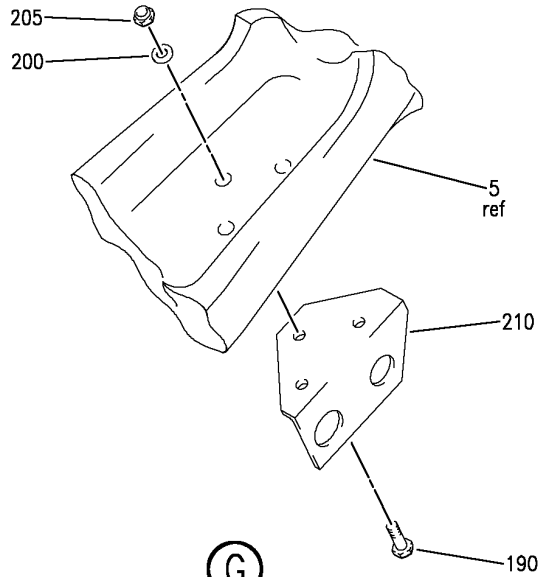
BRI  
MAY 28/07

32-21-00-02  
PAGE 0B

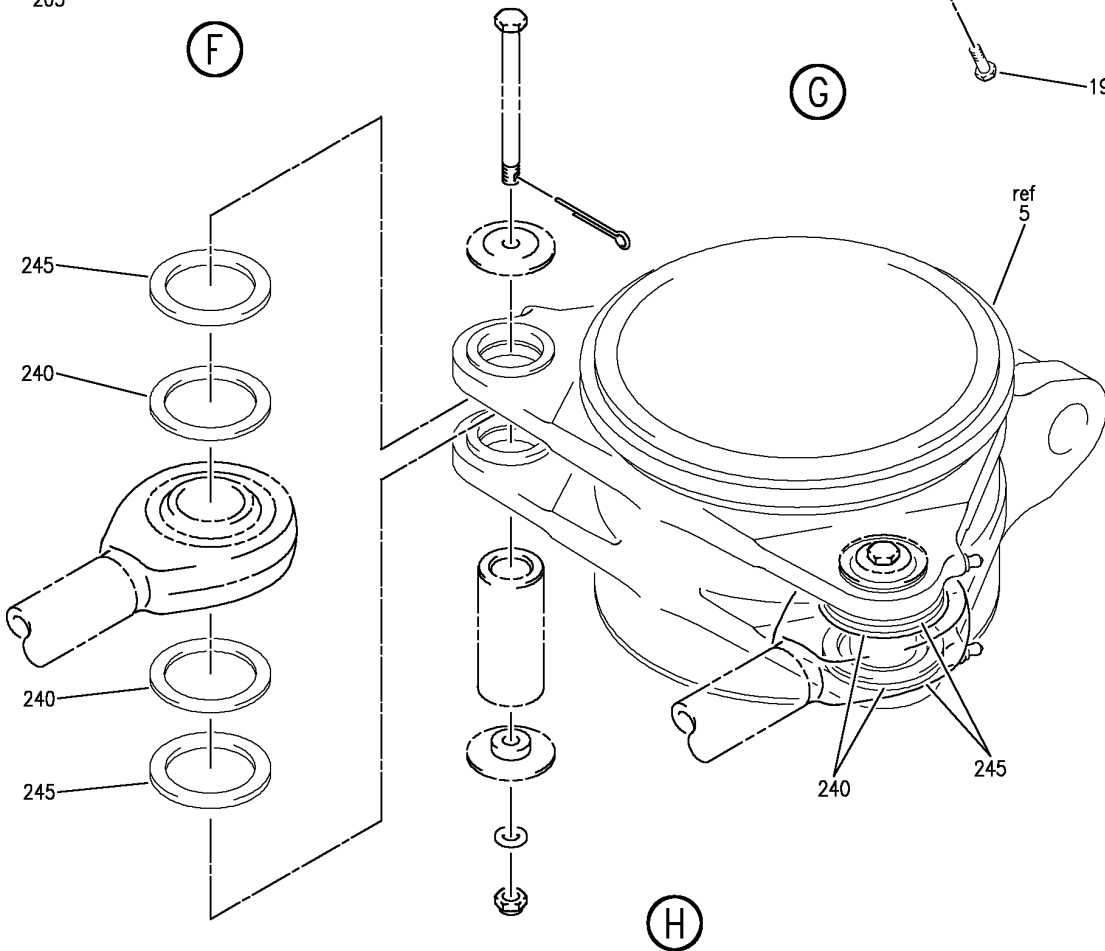
**BOEING**  
757  
PARTS CATALOG (MAINTENANCE)



(F)



(G)



(H)

Y 32210002 SH1 4 REV 259

INSTALLATION MINOR  
FIGURE 2 (SHEET 4)

**32-21-00-02**

BRI  
MAY 28/07

32-21-00-02  
PAGE 0C



757

PARTS CATALOG (MAINTENANCE)

FIG ITEM	PART NUMBER	1 2 3 4 5 6 7	NOMENCLATURE	EFFECT FROM TO	UNITS PER ASSY
2			INSTALLATION MINOR	101102 108120 504903	
- 1	162N0001-601		INSTALLATION MINOR- FOR NHA SEE: 32-00-00-01	101102 108120 504903	RF
5	162N0001-402		.GEAR ASSY- MISCELLANEOUS DATA: 162N0001-111 INCLUDES ONE TOW FITTING AND NO QUICK DISCONNECT OPTION 162N0001-112 INCLUDES TWO TOW FITTINGS AND DISCONNECT OPTION 162N0001-114 INCLUDES ONE TOW FITTING AND QUICK DISCONNECT OPTION 162N0001-115 INCLUDE 727 TYPE TOW FITTING COMPONENT MAINT MANUAL REF: 32-21-25 QUALIFIED I/W DATA: 162N0001-402, NOSE GEAR ASSEMBLY T/W 162N0001-4001, TOW OPTION INSTALLATION I/W P/N 162N0001-111, NOSE GEAR ASSEMBLY 162N0001-402, NOSE GEAR ASSEMBLY T/W 162N0001-4002, TOW OPTION INSTALLATION, I/W P/N 162N0001-112, NOSE GEAR ASSEMBLY 162N0001-402, NOSE GEAR ASSEMBLY T/W 162N0001-4003, TOW OPTION INSTALLATION I/W P/N 162N0001-113, NOSE GEAR ASSEMBLY 162N0001-402 NOSE GEAR ASSEMBLY T/W 162N0001-4004, TOW OPTION INSTALLATION I/W P/N 162N0001-114, NOSE GEAR ASSEMBLY 162N0001-402 NOSE GEAR ASSEMBLY T/W	101102 108120 504903	1

MISSING ITEM NUMBERS NOT APPLICABLE

- ITEM NOT ILLUSTRATED

32-21-00-02

32-21-00  
FIG. 02  
PAGE 1  
JAN 20/09

BRI



757

PARTS CATALOG (MAINTENANCE)

FIG ITEM	PART NUMBER	1 2 3 4 5 6 7	NOMENCLATURE	EFFECT FROM TO	UNITS PER ASSY
2			162N0001-4005, TOW OPTION INSTALLATION I/W P/N 162N0001-115, NOSE GEAR ASSEMBLY FUNCTIONAL REFERENCE: LANDING GEAR FOR DETAILS SEE 32-21-01-01 32-21-12-01 32-45-02-01 PLACARDS AND MARKINGS FOR DETAILS SEE 11-22-57-01		
10	162N0001-116	.	STRUT ASSY- MISCELLANEOUS DATA: FOR SPARES PROCURE LOWER COMPONENTS COMPONENT MAINT MANUAL REF: 32-21-64 QUALIFIED I/W DATA: 162N0001-116 DRAG STRUT-LOCK LINK ASSY T/W 162N0001-117 LOWER DRAG STRUT ASSY ARE I/W 162N0001-104 FOR DETAILS SEE: 32-21-03-01	101102 108120 504903	1
15	162N0001-117	.	STRUT ASSY-DRAG MISCELLANEOUS DATA: FOR SPARES PROCURE LOWER COMPONENTS COMPONENT MAINT MANUAL REF: 32-21-64 QUALIFIED I/W DATA: 162N0001-116 DRAG STRUT-LOCK LINK ASSY T/W 162N0001-117 LOWER DRAG STRUT ASSY ARE I/W 162N0001-104 FOR DETAILS SEE: 32-21-03-01	101102 108120 504903	1
22	273N1089-4	.	BRACKET ASSY	101102 108120 504903	1
27	273N1089-5	..	BRACKET	101102 108120 504903	1

MISSING ITEM NUMBERS NOT APPLICABLE

- ITEM NOT ILLUSTRATED

BRI

32-21-00-02

BOEING PROPRIETARY - Copyright © - Unpublished Work - See title page for details.

32-21-00  
FIG. 02  
PAGE 2  
JAN 20/09



757

PARTS CATALOG (MAINTENANCE)

FIG ITEM	PART NUMBER	1 2 3 4 5 6 7	NOMENCLATURE	EFFECT FROM TO	UNITS PER ASSY
2					
30	BACB28X4N010	..	BUSHING	101102 108120 504903	1
35	BACB28X6N012	..	BUSHING	101102 108120 504903	1
- 100	162N0001-405		INSTALLATION MAJOR- FOR NHA SEE: 32-00-00-01	101102 108120 504903	RF
110	BACB30LJ4-32	.	BOLT	101102 108120 504903	1
115	NAS1149C0463R	.	WASHER	101102 108120 504903	1
120	BRH10C4D	.	NUT SUPPLIER CODE: V52828 SPECIFICATION NUMBER: BACN10JC4CD OPTIONAL PART: T6C428JCD V11815 NS202486-048 V80539 102LH9075-4W V72962 H51650-4BAC V15653	101102 108120 504903	1
125	NAS1611-118	.	PACKING-	101102 108120 504903	2
130	162N5003-1	.	INSERT ASSY-LUB	101102 108120 504903	1
135	MS15001-2	..	FITTING	101102 108120 504903	1
140	MS21209F4-15	..	INSERT	101102 108120 504903	1
145	162N5003-2	..	INSERT	101102 108120 504903	1
150	162N5001-3	.	BOLT-	101102 108120 504903	1

MISSING ITEM NUMBERS NOT APPLICABLE

- ITEM NOT ILLUSTRATED

32-21-00-02

32-21-00  
FIG. 02  
PAGE 3  
JAN 20/09

BRI





757

PARTS CATALOG (MAINTENANCE)

FIG ITEM	PART NUMBER	1 2 3 4 5 6 7	NOMENCLATURE	EFFECT FROM TO	UNITS PER ASSY
2					
155	162N5005-4	.	WASHER	101102 108120 504903	1
160	162N3115-11	.	WASHER	101102 108120 504903	1
165	162N5002-1	.	NUT	101102 108120 504903	1
170	162N5004-2	.	BOLT	101102 108120 504903	1
175	162N3115-13	.	WASHER	101102 108120 504903	1
180	LCN6-820	.	NUT- SUPPLIER CODE: V56878 OPTIONAL PART: MS14145L8	101102 108120 504903	1
180	MS14145L8	.	NUT- OPTIONAL PART: LCN6-820 V56878 TE9868-8	101102 108120 504903	1
180	TE9868-8	.	NUT- OPTIONAL PART: LCN6-820 V56878 MS14145L8	101102 108120 504903	1
185	BACP18BC02A10P	.	PIN	101102 108120 504903	1
190	BACB30LJ4-7	.	BOLT	101102 108120 504903	3
195	BACB30LJ4-9	.	BOLT	101102 108120 504903	3
200	NAS1149D0463J	.	WASHER	101102 108120 504903	6

MISSING ITEM NUMBERS NOT APPLICABLE

- ITEM NOT ILLUSTRATED

BRI

32-21-00-02

BOEING PROPRIETARY - Copyright © - Unpublished Work - See title page for details.

32-21-00  
FIG. 02  
PAGE 4  
JAN 20/09



757

PARTS CATALOG (MAINTENANCE)

FIG ITEM	PART NUMBER	1 2 3 4 5 6 7	NOMENCLATURE	EFFECT FROM TO	UNITS PER ASSY
2 205	BRH10C4D	.NUT	SUPPLIER CODE: V52828 SPECIFICATION NUMBER: BACN10JC4CD OPTIONAL PART: T6C428JCD V11815 NS202486-048 V80539 102LH9075-4W V72962 H51650-4BAC V15653	101102 108120 504903	6
210	271N6149-3	.BRACKET		101102 108120 504903	1
215	271N6148-7	.BRACKET ASSY		101102 108120 504903	1
220	BACB30LJ4-8	.BOLT		101102 108120 504903	4
225	NAS1149C0432R	.WASHER		101102 108120 504903	4
230	BRH10C4D	.NUT	SUPPLIER CODE: V52828 SPECIFICATION NUMBER: BACN10JC4CD OPTIONAL PART: T6C428JCD V11815 NS202486-048 V80539 102LH9075-4W V72962 H51650-4BAC V15653	101102 108120 504903	4
240	162N5005-2	.WASHER-ALIGN.		101102 108120 504903	4
245	162N5005-9	.WASHER-ALIGN.		101102 108120 504903	4
245	162N5005-1	.WASHER-ALIGN.		101102 108120 504903	4

MISSING ITEM NUMBERS NOT APPLICABLE

- ITEM NOT ILLUSTRATED

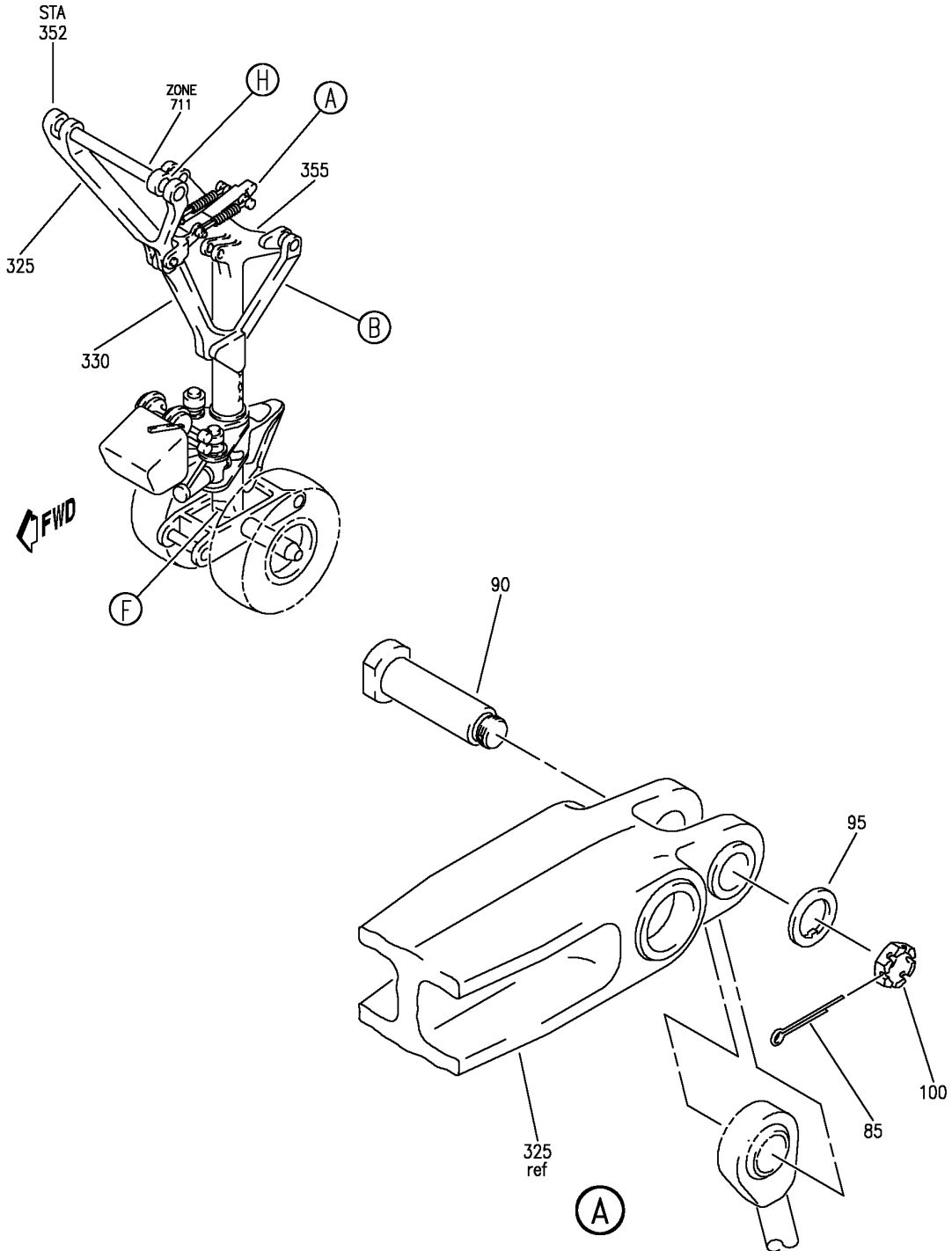
32-21-00-02

32-21-00  
FIG. 02  
PAGE 5  
JAN 20/09

BRI

BOEING PROPRIETARY - Copyright © - Unpublished Work - See title page for details.

**BOEING**  
757  
PARTS CATALOG (MAINTENANCE)



Y 3221002A SHT 1 REV 261

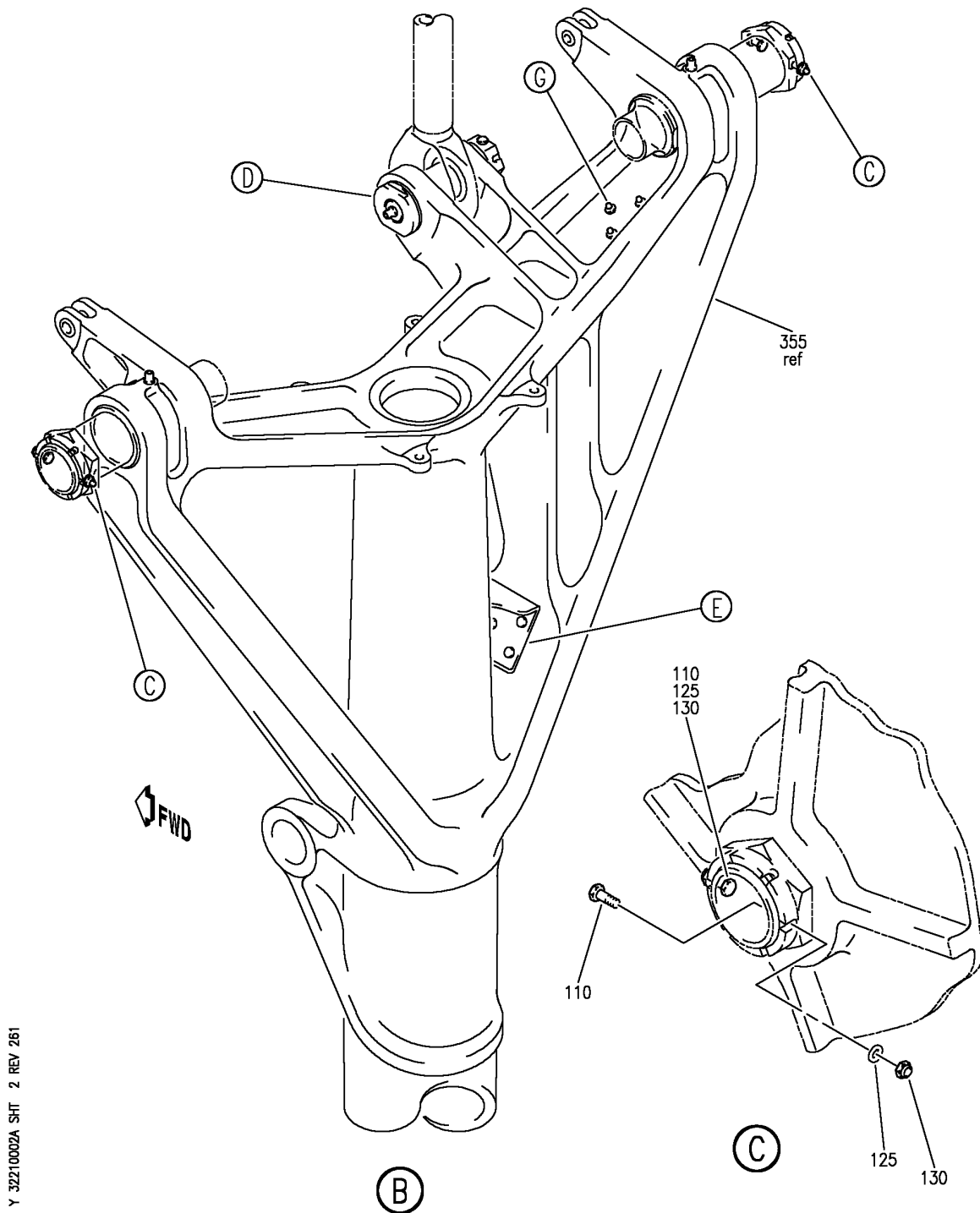
INSTALLATION MAJOR AND MINOR-NLG  
FIGURE 2A (SHEET 1)

BRI  
JAN 20/09

**32-21-00-02A**

32-21-00-02A  
PAGE 0

**BOEING**  
757  
PARTS CATALOG (MAINTENANCE)



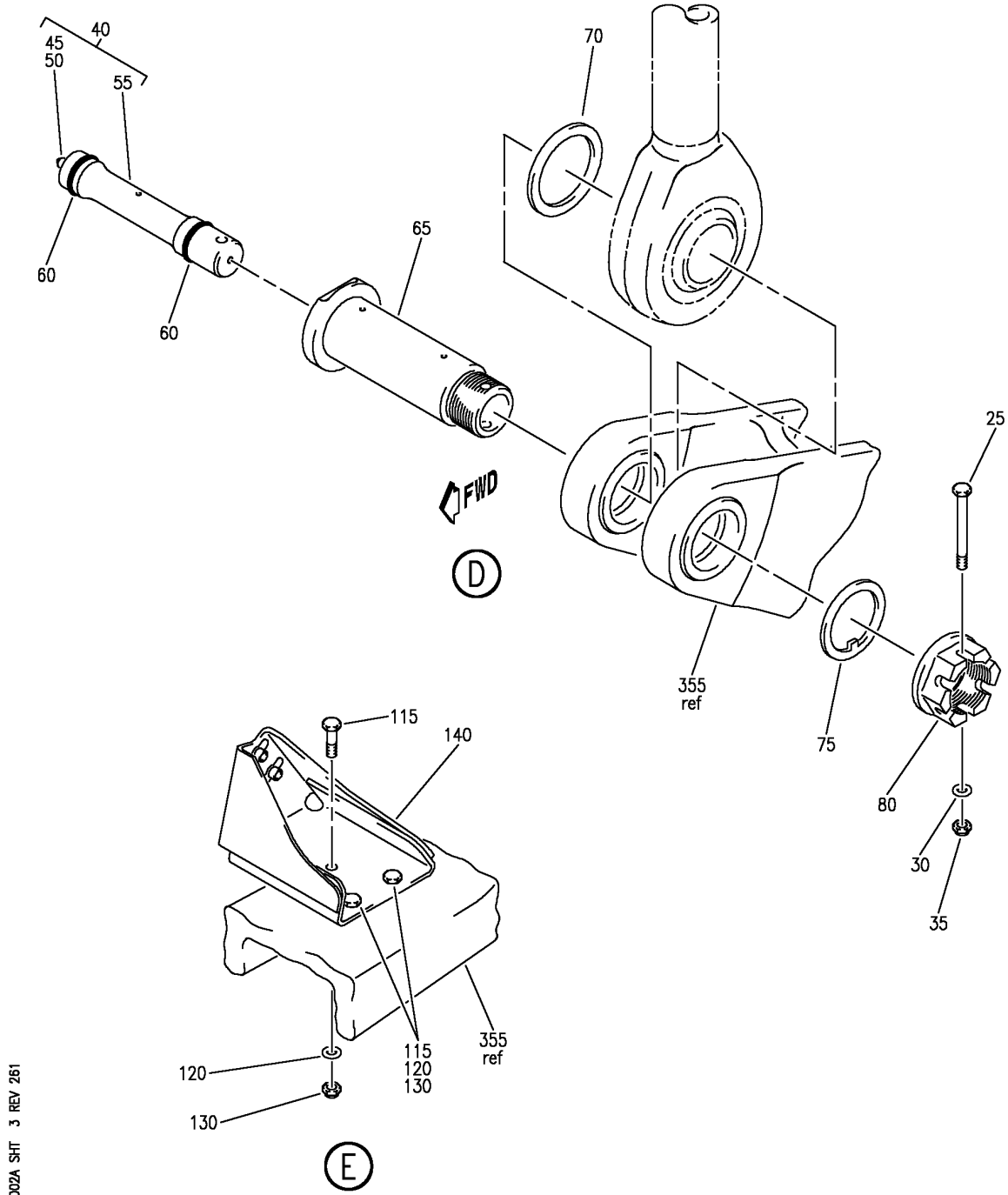
INSTALLATION MAJOR AND MINOR-NLG  
FIGURE 2A (SHEET 2)

BRI  
JAN 20/09

**32-21-00-02A**

32-21-00-02A  
PAGE 0A

**BOEING**  
757  
PARTS CATALOG (MAINTENANCE)



Y 32210002A SHT 3 REV 261

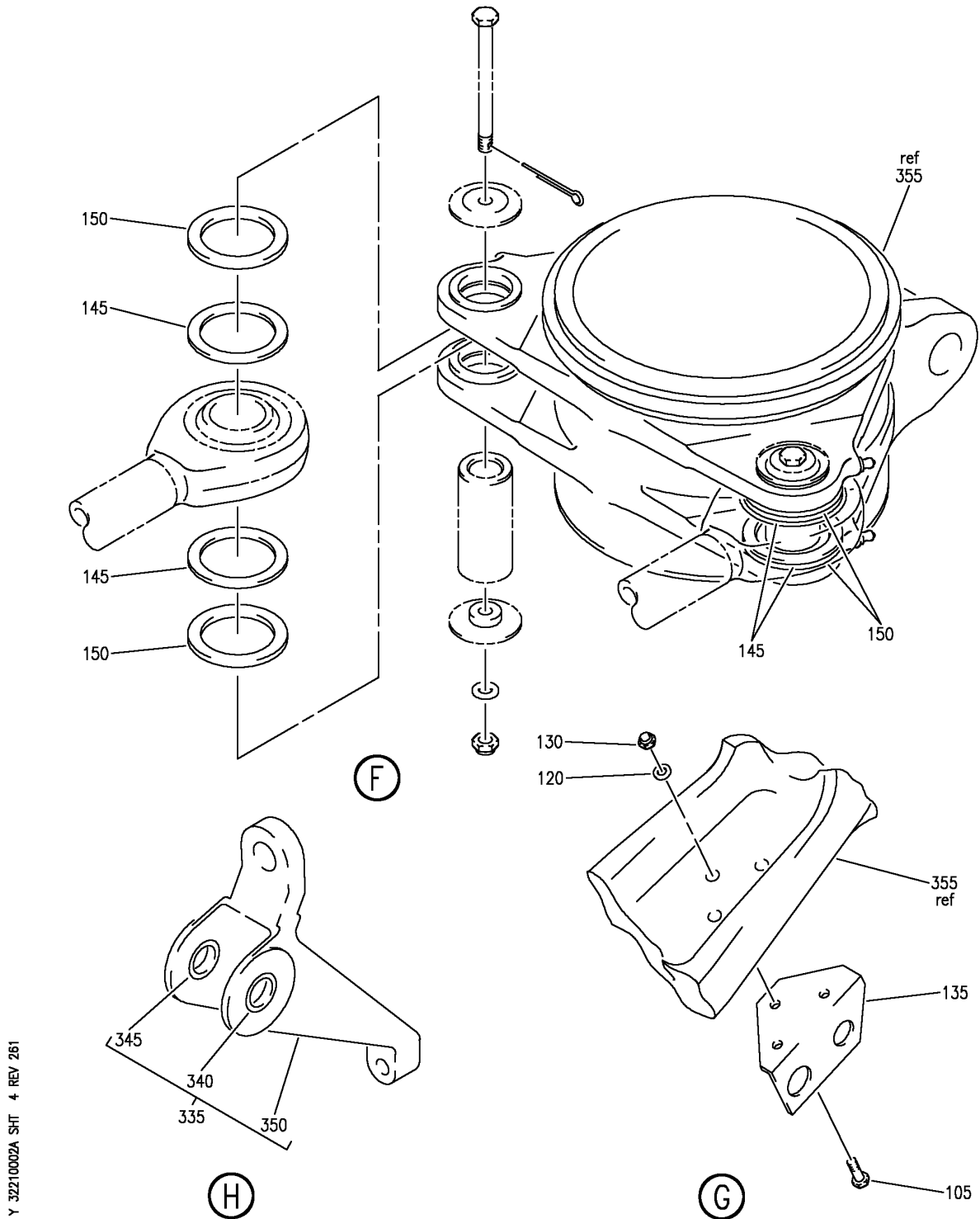
INSTALLATION MAJOR AND MINOR-NLG  
FIGURE 2A (SHEET 3)

**32-21-00-02A**

BRI  
JAN 20/09

32-21-00-02A  
PAGE 0B

**BOEING**  
757  
PARTS CATALOG (MAINTENANCE)



Y 32210002A SHT 4 REV 261

INSTALLATION MAJOR AND MINOR-NLG  
FIGURE 2A (SHEET 4)

**32-21-00-02A**

BRI  
JAN 20/09

32-21-00-02A  
PAGE 0C



757

PARTS CATALOG (MAINTENANCE)

FIG ITEM	PART NUMBER	1 2 3 4 5 6 7	NOMENCLATURE	EFFECT FROM TO	UNITS PER ASSY
2A			INSTALLATION MAJOR AND MINOR-NLG	103106	
- 1	MODREF28746		INSTALLATION MAJOR-NLG MODULE NUMBER: 162N0001-405 REV B	103106	1
25	BACB30LJ4-32		.BOLT	103106	1
30	NAS1149C0463R		.WASHER	103106	1
35	BRH10C4D		.NUT SUPPLIER CODE: V52828 SPECIFICATION NUMBER: BACN10JC4CD OPTIONAL PART: T6C428JCD V11815 NS202486-048 V80539 102LH9075-4W V72962 H51650-4BAC V15653	103106	1
40	162N5003-1		.INSERT ASSY-LUB	103106	1
45	MS15001-2		.. FITTING	103106	1
50	MS21209F4-15		.. INSERT	103106	1
55	162N5003-2		.. INSERT	103106	1
60	NAS1611-118A		.PACKING	103106	2
65	162N5001-3		.BOLT-	103106	1
70	162N5005-4		.WASHER	103106	1
75	162N3115-11		.WASHER	103106	1
80	162N5002-1		.NUT	103106	1
85	BACP18BC02A10P		.PIN	103106	1
90	162N5004-2		.BOLT	103106	1
95	162N3115-13		.WASHER	103106	1
100	LCN6-820		.NUT- SUPPLIER CODE: V56878 OPTIONAL PART: BACN11N108CD	103106	1
100	THCR58CDBACH		.NUT- SUPPLIER CODE: VF0224 SPECIFICATION NUMBER: BACN11N108CD OPTIONAL PART: LCN6-820 V56878 TE9868-8	103106	1

MISSING ITEM NUMBERS NOT APPLICABLE

- ITEM NOT ILLUSTRATED

32-21-00-02A

32-21-00  
FIG. 02A  
PAGE 1  
JAN 20/09

BRI

BOEING PROPRIETARY - Copyright © - Unpublished Work - See title page for details.



757

PARTS CATALOG (MAINTENANCE)

FIG ITEM	PART NUMBER	1 2 3 4 5 6 7	NOMENCLATURE	EFFECT FROM TO	UNITS PER ASSY
2A					
100	TE9868-8	.NUT-		103106	1
		OPTIONAL PART:			
		BACN11N108CD			
105	BACB30LJ4-7	.BOLT		103106	3
110	BACB30LJ4-8	.BOLT		103106	4
115	BACB30LJ4-9	.BOLT		103106	3
120	NAS1149D0463J	.WASHER		103106	6
125	NAS1149C0432R	.WASHER		103106	4
130	BRH10C4D	.NUT		103106	10
		SUPPLIER CODE:			
		V52828			
		SPECIFICATION NUMBER:			
		BACN10JC4CD			
		OPTIONAL PART:			
		T6C428JCD			
		V11815			
		NS202486-048			
		V80539			
		102LH9075-4W			
		V72962			
		H51650-4BAC			
		V15653			
135	271N6149-3	.BRACKET		103106	1
140	271N6148-7	.BRACKET ASSY		103106	1
145	162N5005-2	.WASHER-ALIGN.		103106	4
150	162N5005-9	.WASHER-ALIGN.		103106	4
150	162N5005-1	.WASHER-ALIGN.		103106	4
- 300	MODREF4615	INSTALLATION MINOR-NLG		103106	1
		MODULE NUMBER:			
		162N0001-602 REV A			
325	162N0001-116	.STRUT ASSY-		103106	1
		MISCELLANEOUS DATA:			
		FOR SPARES PROCURE LOWER COMPONENTS			
		COMPONENT MAINT MANUAL REF:			
		32-21-64			
		QUALIFIED I/W DATA:			
		162N0001-116 DRAG			
		STRUT-LOCK LINK ASSY T/W			
		162N0001-117 LOWER DRAG			
		STRUT ASSY ARE I/W			
		162N0001-104			
		FOR DETAILS SEE:			
		32-21-03-01			

MISSING ITEM NUMBERS NOT APPLICABLE

- ITEM NOT ILLUSTRATED

32-21-00-02A

32-21-00  
FIG. 02A  
PAGE 2  
JAN 20/09

BRI





757

PARTS CATALOG (MAINTENANCE)

FIG ITEM	PART NUMBER	1 2 3 4 5 6 7	NOMENCLATURE	EFFECT FROM TO	UNITS PER ASSY
2A 330	162N0001-117	.	STRUT ASSY-DRAG MISCELLANEOUS DATA: FOR SPARES PROCURE LOWER COMPONENTS COMPONENT MAINT MANUAL REF: 32-21-64 QUALIFIED I/W DATA: 162N0001-116 DRAG STRUT-LOCK LINK ASSY T/W 162N0001-117 LOWER DRAG STRUT ASSY ARE I/W 162N0001-104 FOR DETAILS SEE: 32-21-03-01	103106	1
335	273N1089-4	.	BRACKET ASSY	103106	1
340	BACB28X4N010	..	BUSHING	103106	1
345	BACB28X6N012	..	BUSHING	103106	1
350	273N1089-5	..	BRACKET	103106	1
355	162N0001-406	.	GEAR ASSY- FUNCTIONAL REFERENCE: PLACARDS AND MARKINGS FOR DETAILS SEE 11-22-57-01 LANDING GEAR FOR DETAILS SEE 32-21-01-01 32-21-12-01 32-45-02-01	103106	1

MISSING ITEM NUMBERS NOT APPLICABLE

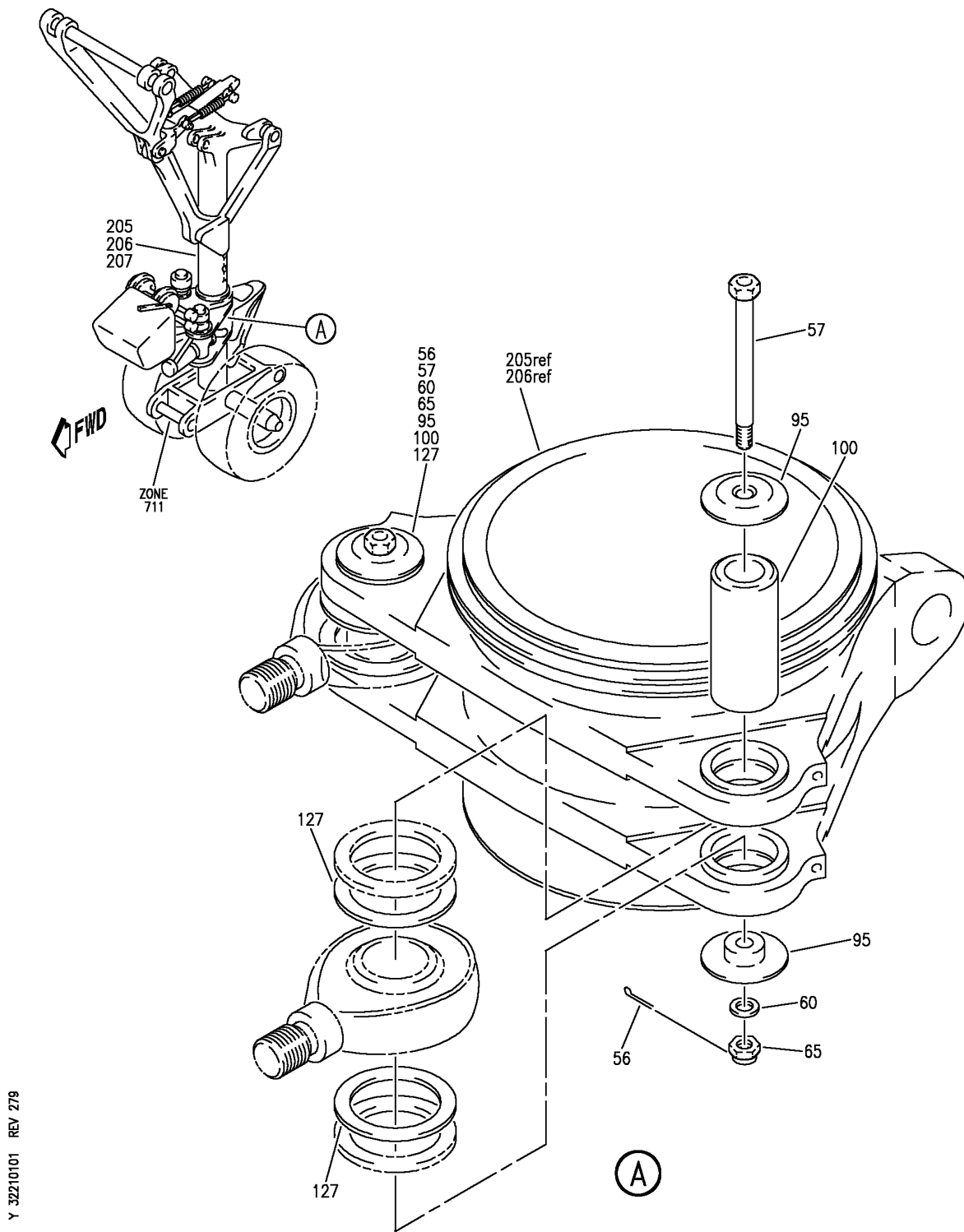
- ITEM NOT ILLUSTRATED

32-21-00-02A

32-21-00  
FIG. 02A  
PAGE 3  
JAN 20/09

BRI

**BOEING**  
757  
PARTS CATALOG (MAINTENANCE)



GEAR ASSY-NOSE LDG  
FIGURE 1

**32-21-01-01**

BRI  
MAY 28/07

32-21-01-01  
PAGE 0



757

PARTS CATALOG (MAINTENANCE)

FIG ITEM	PART NUMBER	1 2 3 4 5 6 7	NOMENCLATURE	EFFECT FROM TO	UNITS PER ASSY
1			GEAR ASSY-NOSE LDG	101106 108120 504903 950951 103106	
- 3	162N0001-406		GEAR ASSY-NOSE LDG (NOSE GEAR ONLY) FOR NHA/OTHER SYS DET SEE: 32-21-00-02A		RF
- 5	162N0001-402		GEAR ASSY-NLG (NOSE GEAR ONLY) MISCELLANEOUS DATA: 162N0001-111 INCLUDES ONE TOW FITTING AND NO QUICK DISCONNECT OPTION 162N0001-112 INCLUDES TWO TOW FITTINGS AND DISCONNECT OPTION 162N0001-114 INCLUDES ONE TOW FITTING AND QUICK DISCONNECT OPTION 162N0001-115 INCLUDE 727 TYPE TOW FITTING FOR SPARES PROCURE LOWER COMPONENTS COMPONENT MAINT MANUAL REF: 32-21-25 QUALIFIED I/W DATA: 162N0001-402, NOSE GEAR ASSEMBLY T/W 162N0001-4001, TOW OPTION INSTALLATION I/W P/N 162N0001-111, NOSE GEAR ASSEMBLY 162N0001-402, NOSE GEAR ASSEMBLY T/W 162N0001-4002, TOW OPTION INSTALLATION, I/W P/N 162N0001-112, NOSE GEAR ASSEMBLY 162N0001-402, NOSE GEAR ASSEMBLY T/W 162N0001-4003, TOW OPTION INSTALLATION I/W P/N 162N0001-113, NOSE GEAR ASSEMBLY 162N0001-402 NOSE GEAR ASSEMBLY T/W 162N0001-4004, TOW OPTION INSTALLATION I/W	101102 108120 504903	RF

MISSING ITEM NUMBERS NOT APPLICABLE

- ITEM NOT ILLUSTRATED

32-21-01-01

32-21-01  
FIG. 01  
PAGE 1  
JAN 20/09

BRI



757

PARTS CATALOG (MAINTENANCE)

FIG ITEM	PART NUMBER	1 2 3 4 5 6 7 NOMENCLATURE	EFFECT FROM TO	UNITS PER ASSY
1		<p>P/N 162N0001-114, NOSE GEAR ASSEMBLY 162N0001-402 NOSE GEAR ASSEMBLY T/W 162N0001-4005, TOW OPTION INSTALLATION I/W P/N 162N0001-115, NOSE GEAR ASSEMBLY FOR NHA/OTHER SYS DET SEE: 32-21-00-02</p>		
-	6 162N0001-97	<p>GEAR ASSY-NLG (NOSE GEAR ONLY) COMPONENT MAINT MANUAL REF: 32-21-25 QUALIFIED I/W DATA: 162N0001-121, -114, -108, -102, -97 WITH QUICK RELEASE TORSION LINKS AND ONLY FORWARD TOW FITTING I/W 162N0001-120, -113, -107, -100, -47 WITH FORWARD AND AFT TOW FITTING AND WITHOUT QUICK RELEASE TORSION LINKS SUBJECT TO CUSTOMER APPROVAL 162N0001-121, -114, -108, -102, -97 WITH ONLY FORWARD TOW FITTING MAY REPLACE BUT NOT BE REPLACED BY 162N0001-46, -42, -33 WITH FORWARD AND AFT TOW FITTING SUBJECT TO CUSTOMER CUSTOMER APPROVAL FOR NHA/OTHER SYS DET SEE: 32-21-00-01B</p>	950951	RF

MISSING ITEM NUMBERS NOT APPLICABLE

- ITEM NOT ILLUSTRATED

**32-21-01-01**

32-21-01  
FIG. 01  
PAGE 2  
JAN 20/09

BRI



757

PARTS CATALOG (MAINTENANCE)

FIG ITEM	PART NUMBER	1 2 3 4 5 6 7	NOMENCLATURE	EFFECT FROM TO	UNITS PER ASSY
1					
- 6	162N0001-97		GEAR ASSY-NLG COMPONENT MAINT MANUAL REF: 32-21-25 QUALIFIED I/W DATA: 162N0001-121, -114, -108, -102, -97 WITH QUICK RELEASE TORSION LINKS AND ONLY FORWARD TOW FITTING MAY REPLACE BUT NOT BE REPLACED BY 162N0001-41, -38, -32, -31, -26, -24, -23, -21, -19, -18, -14, -6 WITH FORWARD AND AFT TOW FITTING AND WITHOUT QUICK RELEASE TORSION LINKS SUBJECT TO CUSTOMER APPROVAL	950951	RF
- 6	162N0001-97		GEAR ASSY-NLG COMPONENT MAINT MANUAL REF: 32-21-25	950951	RF
- 6	162N0001-97		GEAR ASSY-NLG COMPONENT MAINT MANUAL REF: 32-21-25 QUALIFIED I/W DATA: 162N0001-118, -111, -105, -101, -49 WITHOUT QUICK RELEASE TORSION LINKS I/W 162N0001-121, -114, -108, -102, -97 WITH QUICK RELEASE TORSION LINKS SUBJECT TO CUSTOMER APPROVAL 162N0001-121, -114, -108, -102, -97 WITH QUICK RELEASE TORSION LINKS AND REQUIRES 757 TOW BAR I/W 162N0001-122, -115, -109, -103, -98 WITHOUT QUICK RELEASE TORSION LINKS AND REQUIRES 727 TOW BAR SUBJECT TO CUSTOMER APPROVAL	950951	RF

MISSING ITEM NUMBERS NOT APPLICABLE

- ITEM NOT ILLUSTRATED

32-21-01-01

32-21-01  
FIG. 01  
PAGE 3  
JAN 20/09

BRI



757

PARTS CATALOG (MAINTENANCE)

FIG ITEM	PART NUMBER	1 2 3 4 5 6 7	NOMENCLATURE	EFFECT FROM TO	UNITS PER ASSY
1 - 6	162N0001-97		GEAR ASSY-NLG COMPONENT MAINT MANUAL REF: 32-21-25 QUALIFIED I/W DATA: 162N0001-121, -114, -108, -102, -97 T/W (1)BACB28AK06-045, (1)BACB30NR6DK21 WITH QUICK RELEASE TORSION LINK AND FORWARD TOW FITTING ONLY MAY REPLACE BUT NOT BE REPLACED BY 162N0001-22, -20 T/W (1)BACB28AK06-058, (1)BACB30N6DK25 WITHOUT QUICK RELEASE TORSION LINK AND WITH FORWARD AND AFT TOW FITTINGS SUBJECT TO CUSTOMER APPROVAL 162N0001-119, -112, -106, -99, -45 WITH FORWARD AND AFT TOW FITTING I/W 162N0001-121, -114, -108, -102, -97 WITH ONLY FORWARD TOW FITTING SUBJECT TO CUSTOMER APPROVAL	950951	RF

MISSING ITEM NUMBERS NOT APPLICABLE

- ITEM NOT ILLUSTRATED

BRI

32-21-01-01

BOEING PROPRIETARY - Copyright © - Unpublished Work - See title page for details.

32-21-01  
 FIG. 01  
 PAGE 4  
 JAN 20/09



757

PARTS CATALOG (MAINTENANCE)

FIG ITEM	PART NUMBER	1 2 3 4 5 6 7	NOMENCLATURE	EFFECT FROM TO	UNITS PER ASSY
1 - 6	162N0001-102		GEAR ASSY-NLG (NOSE GEAR ONLY) COMPONENT MAINT MANUAL REF: 32-21-25 QUALIFIED I/W DATA: 162N0001-121, -114, -108, -102, -97 WITH QUICK RELEASE TORSION LINKS AND ONLY FORWARD TOW FITTING I/W 162N0001-120, -113, -107, -100, -47 WITH FORWARD AND AFT TOW FITTING AND WITHOUT QUICK RELEASE TORSION LINKS SUBJECT TO CUSTOMER APPROVAL 162N0001-121, -114, -108, -102, -97 WITH ONLY FORWARD TOW FITTING MAY REPLACE BUT NOT BE REPLACED BY 162N0001-46, -42, -33 WITH FORWARD AND AFT TOW FITTING SUBJECT TO CUSTOMER CUSTOMER APPROVAL FOR NHA/OTHER SYS DET SEE: 32-21-00-01B	950951	RF
- 6	162N0001-102		GEAR ASSY-NLG COMPONENT MAINT MANUAL REF: 32-21-25 QUALIFIED I/W DATA: 162N0001-121, -114, -108, -102, -97 WITH QUICK RELEASE TORSION LINKS AND ONLY FORWARD TOW FITTING MAY REPLACE BUT NOT BE REPLACED BY 162N0001-41, -38, -32, -31, -26, -24, -23, -21, -19, -18, -14, -6 WITH FORWARD AND AFT TOW FITTING AND WITHOUT QUICK RELEASE TORSION LINKS SUBJECT TO CUSTOMER APPROVAL	950951	RF
- 6	162N0001-102		GEAR ASSY-NLG COMPONENT MAINT MANUAL REF: 32-21-25	950951	RF

MISSING ITEM NUMBERS NOT APPLICABLE

- ITEM NOT ILLUSTRATED

32-21-01-01

32-21-01  
FIG. 01  
PAGE 5  
JAN 20/09

BRI



757

PARTS CATALOG (MAINTENANCE)

FIG ITEM	PART NUMBER	1 2 3 4 5 6 7	NOMENCLATURE	EFFECT FROM TO	UNITS PER ASSY
1 - 6	162N0001-102		GEAR ASSY-NLG COMPONENT MAINT MANUAL REF: 32-21-25 QUALIFIED I/W DATA: 162N0001-118, -111, -105, -101, -49 WITHOUT QUICK RELEASE TORSION LINKS I/W 162N0001-121, -114, -108, -102, -97 WITH QUICK RELEASE TORSION LINKS SUBJECT TO CUSTOMER APPROVAL 162N0001-121, -114, -108, -102, -97 WITH QUICK RELEASE TORSION LINKS AND REQUIRES 757 TOW BAR I/W 162N0001-122, -115, -109, -103, -98 WITHOUT QUICK RELEASE TORSION LINKS AND REQUIRES 727 TOW BAR SUBJECT TO CUSTOMER APPROVAL	950951	RF

MISSING ITEM NUMBERS NOT APPLICABLE

- ITEM NOT ILLUSTRATED

BRI

32-21-01-01

BOEING PROPRIETARY - Copyright © - Unpublished Work - See title page for details.

32-21-01  
FIG. 01  
PAGE 6  
JAN 20/09





757

PARTS CATALOG (MAINTENANCE)

FIG ITEM	PART NUMBER	1 2 3 4 5 6 7	NOMENCLATURE	EFFECT FROM TO	UNITS PER ASSY
1 - 6	162N0001-102		GEAR ASSY-NLG COMPONENT MAINT MANUAL REF: 32-21-25 QUALIFIED I/W DATA: 162N0001-121, -114, -108, -102, -97 T/W (1)BACB28AK06-045, (1)BACB30NR6DK21 WITH QUICK RELEASE TORSION LINK AND FORWARD TOW FITTING ONLY MAY REPLACE BUT NOT BE REPLACED BY 162N0001-22, -20 T/W (1)BACB28AK06-058, (1)BACB30N6DK25 WITHOUT QUICK RELEASE TORSION LINK AND WITH FORWARD AND AFT TOW FITTINGS SUBJECT TO CUSTOMER APPROVAL 162N0001-119, -112, -106, -99, -45 WITH FORWARD AND AFT TOW FITTING I/W 162N0001-121, -114, -108, -102, -97 WITH ONLY FORWARD TOW FITTING SUBJECT TO CUSTOMER APPROVAL	950951	RF

MISSING ITEM NUMBERS NOT APPLICABLE

- ITEM NOT ILLUSTRATED

BRI

32-21-01-01

BOEING PROPRIETARY - Copyright © - Unpublished Work - See title page for details.

32-21-01  
FIG. 01  
PAGE 7  
JAN 20/09



757

PARTS CATALOG (MAINTENANCE)

FIG ITEM	PART NUMBER	1 2 3 4 5 6 7	NOMENCLATURE	EFFECT FROM TO	UNITS PER ASSY
1 - 13	162N0001-108		GEAR ASSY-NLG (NOSE GEAR ONLY) COMPONENT MAINT MANUAL REF: 32-21-25 QUALIFIED I/W DATA: 162N0001-121, -114, -108, -102, -97 WITH QUICK RELEASE TORSION LINKS AND ONLY FORWARD TOW FITTING I/W 162N0001-120, -113, -107, -100, -47 WITH FORWARD AND AFT TOW FITTING AND WITHOUT QUICK RELEASE TORSION LINKS SUBJECT TO CUSTOMER APPROVAL 162N0001-121, -114, -108, -102, -97 WITH ONLY FORWARD TOW FITTING MAY REPLACE BUT NOT BE REPLACED BY 162N0001-46, -42, -33 WITH FORWARD AND AFT TOW FITTING SUBJECT TO CUSTOMER CUSTOMER APPROVAL FOR NHA/OTHER SYS DET SEE: 32-21-00-01B	950951	RF
- 13	162N0001-108		GEAR ASSY-NLG COMPONENT MAINT MANUAL REF: 32-21-25 QUALIFIED I/W DATA: 162N0001-121, -114, -108, -102, -97 WITH QUICK RELEASE TORSION LINKS AND ONLY FORWARD TOW FITTING MAY REPLACE BUT NOT BE REPLACED BY 162N0001-41, -38, -32, -31, -26, -24, -23, -21, -19, -18, -14, -6 WITH FORWARD AND AFT TOW FITTING AND WITHOUT QUICK RELEASE TORSION LINKS SUBJECT TO CUSTOMER APPROVAL	950951	RF
- 13	162N0001-108		GEAR ASSY-NLG COMPONENT MAINT MANUAL REF: 32-21-25	950951	RF

MISSING ITEM NUMBERS NOT APPLICABLE

- ITEM NOT ILLUSTRATED

32-21-01-01

32-21-01  
FIG. 01  
PAGE 8  
JAN 20/09

BRI



757

PARTS CATALOG (MAINTENANCE)

FIG ITEM	PART NUMBER	1 2 3 4 5 6 7	NOMENCLATURE	EFFECT FROM TO	UNITS PER ASSY
1 - 13	162N0001-108		GEAR ASSY-NLG COMPONENT MAINT MANUAL REF: 32-21-25 QUALIFIED I/W DATA: 162N0001-118, -111, -105, -101, -49 WITHOUT QUICK RELEASE TORSION LINKS I/W 162N0001-121, -114, -108, -102, -97 WITH QUICK RELEASE TORSION LINKS SUBJECT TO CUSTOMER APPROVAL 162N0001-121, -114, -108, -102, -97 WITH QUICK RELEASE TORSION LINKS AND REQUIRES 757 TOW BAR I/W 162N0001-122, -115, -109, -103, -98 WITHOUT QUICK RELEASE TORSION LINKS AND REQUIRES 727 TOW BAR SUBJECT TO CUSTOMER APPROVAL	950951	RF

MISSING ITEM NUMBERS NOT APPLICABLE

- ITEM NOT ILLUSTRATED

BRI

32-21-01-01

BOEING PROPRIETARY - Copyright © - Unpublished Work - See title page for details.

32-21-01  
FIG. 01  
PAGE 9  
JAN 20/09



757

PARTS CATALOG (MAINTENANCE)

FIG ITEM	PART NUMBER	1 2 3 4 5 6 7 NOMENCLATURE	EFFECT FROM TO	UNITS PER ASSY
1 - 13	162N0001-108	GEAR ASSY-NLG COMPONENT MAINT MANUAL REF: 32-21-25 QUALIFIED I/W DATA: 162N0001-121, -114, -108, -102, -97 T/W (1)BACB28AK06-045, (1)BACB30NR6DK21 WITH QUICK RELEASE TORSION LINK AND FORWARD TOW FITTING ONLY MAY REPLACE BUT NOT BE REPLACED BY 162N0001-22, -20 T/W (1)BACB28AK06-058, (1)BACB30N6DK25 WITHOUT QUICK RELEASE TORSION LINK AND WITH FORWARD AND AFT TOW FITTINGS SUBJECT TO CUSTOMER APPROVAL 162N0001-119, -112, -106, -99, -45 WITH FORWARD AND AFT TOW FITTING I/W 162N0001-121, -114, -108, -102, -97 WITH ONLY FORWARD TOW FITTING SUBJECT TO CUSTOMER APPROVAL	950951	RF

MISSING ITEM NUMBERS NOT APPLICABLE

- ITEM NOT ILLUSTRATED

BRI

32-21-01-01

BOEING PROPRIETARY - Copyright © - Unpublished Work - See title page for details.

32-21-01  
 FIG. 01  
 PAGE 10  
 JAN 20/09



757

PARTS CATALOG (MAINTENANCE)

FIG ITEM	PART NUMBER	1 2 3 4 5 6 7	NOMENCLATURE	EFFECT FROM TO	UNITS PER ASSY
1 - 13	162N0001-114		GEAR ASSY-NLG (NOSE GEAR ONLY) MISCELLANEOUS DATA: 162N0001-114 INCLUDES ONE TOW FITTING AND QUICK DISCONNECT OPTION COMPONENT MAINT MANUAL REF: 32-21-25 QUALIFIED I/W DATA: 162N0001-121, -114, -108, -102, -97 WITH QUICK RELEASE TORSION LINKS AND ONLY FORWARD TOW FITTING I/W 162N0001-120, -113, -107, -100, -47 WITH FORWARD AND AFT TOW FITTING AND WITHOUT QUICK RELEASE TORSION LINKS SUBJECT TO CUSTOMER APPROVAL 162N0001-121, -114, -108, -102, -97 WITH ONLY FORWARD TOW FITTING MAY REPLACE BUT NOT BE REPLACED BY 162N0001-46, -42, -33 WITH FORWARD AND AFT TOW FITTING SUBJECT TO CUSTOMER CUSTOMER APPROVAL FOR NHA/OTHER SYS DET SEE: 32-21-00-01B	950951	RF

MISSING ITEM NUMBERS NOT APPLICABLE

- ITEM NOT ILLUSTRATED

BRI

# 32-21-01-01

BOEING PROPRIETARY - Copyright © - Unpublished Work - See title page for details.

32-21-01  
FIG. 01  
PAGE 11  
JAN 20/09



757

PARTS CATALOG (MAINTENANCE)

FIG ITEM	PART NUMBER	1 2 3 4 5 6 7	NOMENCLATURE	EFFECT FROM TO	UNITS PER ASSY
1					
- 13	162N0001-114		GEAR ASSY-NLG COMPONENT MAINT MANUAL REF: 32-21-25 QUALIFIED I/W DATA: 162N0001-121, -114, -108, -102, -97 WITH QUICK RELEASE TORSION LINKS AND ONLY FORWARD TOW FITTING MAY REPLACE BUT NOT BE REPLACED BY 162N0001-41, -38, -32, -31, -26, -24, -23, -21, -19, -18, -14, -6 WITH FORWARD AND AFT TOW FITTING AND WITHOUT QUICK RELEASE TORSION LINKS SUBJECT TO CUSTOMER APPROVAL	950951	RF
- 13	162N0001-114		GEAR ASSY-NLG COMPONENT MAINT MANUAL REF: 32-21-25	950951	RF
- 13	162N0001-114		GEAR ASSY-NLG COMPONENT MAINT MANUAL REF: 32-21-25 QUALIFIED I/W DATA: 162N0001-118, -111, -105, -101, -49 WITHOUT QUICK RELEASE TORSION LINKS I/W 162N0001-121, -114, -108, -102, -97 WITH QUICK RELEASE TORSION LINKS SUBJECT TO CUSTOMER APPROVAL 162N0001-121, -114, -108, -102, -97 WITH QUICK RELEASE TORSION LINKS AND REQUIRES 757 TOW BAR I/W 162N0001-122, -115, -109, -103, -98 WITHOUT QUICK RELEASE TORSION LINKS AND REQUIRES 727 TOW BAR SUBJECT TO CUSTOMER APPROVAL	950951	RF

MISSING ITEM NUMBERS NOT APPLICABLE

- ITEM NOT ILLUSTRATED

32-21-01-01

32-21-01  
FIG. 01  
PAGE 12  
JAN 20/09

BRI



757

PARTS CATALOG (MAINTENANCE)

FIG ITEM	PART NUMBER	1 2 3 4 5 6 7	NOMENCLATURE	EFFECT FROM TO	UNITS PER ASSY
1 - 13	162N0001-114		GEAR ASSY-NLG COMPONENT MAINT MANUAL REF: 32-21-25 QUALIFIED I/W DATA: 162N0001-121, -114, -108, -102, -97 T/W (1)BACB28AK06-045, (1)BACB30NR6DK21 WITH QUICK RELEASE TORSION LINK AND FORWARD TOW FITTING ONLY MAY REPLACE BUT NOT BE REPLACED BY 162N0001-22, -20 T/W (1)BACB28AK06-058, (1)BACB30N6DK25 WITHOUT QUICK RELEASE TORSION LINK AND WITH FORWARD AND AFT TOW FITTINGS SUBJECT TO CUSTOMER APPROVAL 162N0001-119, -112, -106, -99, -45 WITH FORWARD AND AFT TOW FITTING I/W 162N0001-121, -114, -108, -102, -97 WITH ONLY FORWARD TOW FITTING SUBJECT TO CUSTOMER APPROVAL 162N0001-402, NOSE GEAR ASSEMBLY T/W 162N0001-4004, TOW OPTION INSTALLATION I/W P/N 162N0001-114, NOSE GEAR ASSEMBLY	950951	RF

MISSING ITEM NUMBERS NOT APPLICABLE

- ITEM NOT ILLUSTRATED

32-21-01-01

32-21-01  
FIG. 01  
PAGE 13  
JAN 20/09

BRI



757

PARTS CATALOG (MAINTENANCE)

FIG ITEM	PART NUMBER	1 2 3 4 5 6 7	NOMENCLATURE	EFFECT FROM TO	UNITS PER ASSY
1					
- 15	162N0001-121		GEAR ASSY-NLG (NOSE GEAR ONLY) COMPONENT MAINT MANUAL REF: 32-21-25 QUALIFIED I/W DATA: 162N0001-121, -114, -108, -102, -97 WITH QUICK RELEASE TORSION LINKS AND ONLY FORWARD TOW FITTING I/W 162N0001-120, -113, -107, -100, -47 WITH FORWARD AND AFT TOW FITTING AND WITHOUT QUICK RELEASE TORSION LINKS SUBJECT TO CUSTOMER APPROVAL 162N0001-121, -114, -108, -102, -97 WITH ONLY FORWARD TOW FITTING MAY REPLACE BUT NOT BE REPLACED BY 162N0001-46, -42, -33 WITH FORWARD AND AFT TOW FITTING SUBJECT TO CUSTOMER CUSTOMER APPROVAL FOR NHA/OTHER SYS DET SEE: 32-21-00-01B	950951	RF
- 15	162N0001-121		GEAR ASSY-NLG COMPONENT MAINT MANUAL REF: 32-21-25 QUALIFIED I/W DATA: 162N0001-121, -114, -108, -102, -97 WITH QUICK RELEASE TORSION LINKS AND ONLY FORWARD TOW FITTING MAY REPLACE BUT NOT BE REPLACED BY 162N0001-41, -38, -32, -31, -26, -24, -23, -21, -19, -18, -14, -6 WITH FORWARD AND AFT TOW FITTING AND WITHOUT QUICK RELEASE TORSION LINKS SUBJECT TO CUSTOMER APPROVAL	950951	RF
- 15	162N0001-121		GEAR ASSY-NLG COMPONENT MAINT MANUAL REF: 32-21-25	950951	RF

MISSING ITEM NUMBERS NOT APPLICABLE

- ITEM NOT ILLUSTRATED

32-21-01-01

32-21-01  
FIG. 01  
PAGE 14  
JAN 20/09

BRI





757

PARTS CATALOG (MAINTENANCE)

FIG ITEM	PART NUMBER	1 2 3 4 5 6 7 NOMENCLATURE	EFFECT FROM TO	UNITS PER ASSY
1 - 15	162N0001-121	GEAR ASSY-NLG COMPONENT MAINT MANUAL REF: 32-21-25 QUALIFIED I/W DATA: 162N0001-118, -111, -105, -101, -49 WITHOUT QUICK RELEASE TORSION LINKS I/W 162N0001-121, -114, -108, -102, -97 WITH QUICK RELEASE TORSION LINKS SUBJECT TO CUSTOMER APPROVAL 162N0001-121, -114, -108, -102, -97 WITH QUICK RELEASE TORSION LINKS AND REQUIRES 757 TOW BAR I/W 162N0001-122, -115, -109, -103, -98 WITHOUT QUICK RELEASE TORSION LINKS AND REQUIRES 727 TOW BAR SUBJECT TO CUSTOMER APPROVAL	950951	RF

MISSING ITEM NUMBERS NOT APPLICABLE

- ITEM NOT ILLUSTRATED

BRI

32-21-01-01

BOEING PROPRIETARY - Copyright © - Unpublished Work - See title page for details.

32-21-01  
 FIG. 01  
 PAGE 15  
 JAN 20/09



757

PARTS CATALOG (MAINTENANCE)

FIG ITEM	PART NUMBER	1 2 3 4 5 6 7	NOMENCLATURE	EFFECT FROM TO	UNITS PER ASSY
1 - 15	162N0001-121		GEAR ASSY-NLG COMPONENT MAINT MANUAL REF: 32-21-25 QUALIFIED I/W DATA: 162N0001-121, -114, -108, -102, -97 T/W (1)BACB28AK06-045, (1)BACB30NR6DK21 WITH QUICK RELEASE TORSION LINK AND FORWARD TOW FITTING ONLY MAY REPLACE BUT NOT BE REPLACED BY 162N0001-22, -20 T/W (1)BACB28AK06-058, (1)BACB30N6DK25 WITHOUT QUICK RELEASE TORSION LINK AND WITH FORWARD AND AFT TOW FITTINGS SUBJECT TO CUSTOMER APPROVAL 162N0001-119, -112, -106, -99, -45 WITH FORWARD AND AFT TOW FITTING I/W 162N0001-121, -114, -108, -102, -97 WITH ONLY FORWARD TOW FITTING SUBJECT TO CUSTOMER APPROVAL	950951	RF
56	MS24665-304		.PIN- USED ON: 162N0001-97 162N0001-102 162N0001-108	950951	2
56	BACP18BC03A10P		.PIN- USED ON: 162N0001-114 162N0001-121 162N0001-124 162N0001-128 162N0001-402 162N0001-406	101106 108120 504903 950951	2
57	NAS6606D58		.BOLT	101106 108120 504903 950951	2

MISSING ITEM NUMBERS NOT APPLICABLE

- ITEM NOT ILLUSTRATED

32-21-01-01

32-21-01  
FIG. 01  
PAGE 16  
JAN 20/09

BRI



757

PARTS CATALOG (MAINTENANCE)

FIG ITEM	PART NUMBER	1 2 3 4 5 6 7	NOMENCLATURE	EFFECT FROM TO	UNITS PER ASSY
1					
60	AN960C616		.WASHER- USED ON: 162N0001-97 162N0001-102 162N0001-108	950951	2
60	NAS1149C0663R		.WASHER- USED ON: 162N0001-114 162N0001-121 162N0001-124 162N0001-128 162N0001-402 162N0001-406	101106 108120 504903 950951	2
65	LCN6-624		.NUT- SUPPLIER CODE: V56878	101106 108120 504903 950951	2
95	162N1172-1		.CAP	101106 108120 504903 950951	4
100	162N1149-1		.PIN- USED ON: 162N0001-97 162N0001-102	101106 108120 504903 950951	2
100	162N1149-2		.PIN- USED ON: 162N0001-108 162N0001-114 162N0001-121 162N0001-102 162N0001-124 162N0001-128 162N0001-402 162N0001-406	101106 108120 504903 950951	2
127	162N5005-2		.WASHER-ALIGN.	950951	4

MISSING ITEM NUMBERS NOT APPLICABLE

- ITEM NOT ILLUSTRATED

BRI

32-21-01-01

BOEING PROPRIETARY - Copyright © - Unpublished Work - See title page for details.

32-21-01  
FIG. 01  
PAGE 17  
JAN 20/09



757

PARTS CATALOG (MAINTENANCE)

FIG ITEM	PART NUMBER	1 2 3 4 5 6 7 NOMENCLATURE	EFFECT FROM TO	UNITS PER ASSY
1 205	162N1101-25	.STRUT ASSY-NLG MISCELLANEOUS DATA: FOR SPARES PROCURE LOWER COMPONENTS COMPONENT MAINT MANUAL REF: 32-21-49 QUALIFIED I/W DATA: 162N1101-25 T/W (1) BACB28AK06-045 BUSHING AND (1) BACB30NR6DK21 BOLT (REF 141N0932) CAN REPLACE BUT NOT BE REPLACED BY 162N1101-14 T/W (1) BACB28AK06-058 BUSHING AND (1) BACB30NR6DK25 BOLT (REF 141N0932). 162N1101-25 T/W (1) BACB28AK06-045 BUSHING AND (1) BACB30NR6DK21 BOLT (REF 141N0932) CAN REPLACE BUT NOT BE REPLACED BY 162N1101-13 T/W (1) BACB28AK06-058 BUSHING AND (1) BACB30NR6DK25 BOLT (REF 141N0932). USED ON: 162N0001-108 FOR DETAILS SEE: 32-21-01-20	101102 108120 504903 950951	1

MISSING ITEM NUMBERS NOT APPLICABLE

- ITEM NOT ILLUSTRATED

32-21-01-01

32-21-01  
FIG. 01  
PAGE 18  
JAN 20/09

BRI



757

PARTS CATALOG (MAINTENANCE)

FIG ITEM	PART NUMBER	1 2 3 4 5 6 7	NOMENCLATURE	EFFECT FROM TO	UNITS PER ASSY
1 205	162N1101-26		.STRUT ASSY-NLG MISCELLANEOUS DATA: FOR SPARES PROCURE LOWER COMPONENTS COMPONENT MAINT MANUAL REF: 32-21-49 QUALIFIED I/W DATA: 162N1101-26 T/W (1) BACB28AK06-045 BUSHING AND (1) BACB30NR6DK21 BOLT (REF 141N0932) CAN REPLACE BUT NOT BE REPLACED BY 162N1101-14 T/W (1) BACB28AK06-058 BUSHING AND (1) BACB30NR6DK25 BOLT (REF 141N0932). 162N1101-26 T/W (1) BACB28AK06-045 BUSHING AND (1) BACB30NR6DK21 BOLT (REF 141N0932) CAN REPLACE BUT NOT BE REPLACED BY 162N1101-13 T/W (1) BACB28AK06-058 BUSHING AND (1) BACB30NR6DK25 BOLT (REF 141N0932). USED ON: 162N0001-114 162N0001-402 FOR DETAILS SEE: 32-21-01-20	101102 108120 504903 950951	1

MISSING ITEM NUMBERS NOT APPLICABLE

- ITEM NOT ILLUSTRATED

BRI

32-21-01-01

BOEING PROPRIETARY - Copyright © - Unpublished Work - See title page for details.

32-21-01  
FIG. 01  
PAGE 19  
JAN 20/09



757

PARTS CATALOG (MAINTENANCE)

FIG ITEM	PART NUMBER	1 2 3 4 5 6 7	NOMENCLATURE	EFFECT FROM TO	UNITS PER ASSY
1 205	162N1101-22		.STRUT ASSY-NLG MISCELLANEOUS DATA: FOR SPARES PROCURE LOWER COMPONENTS COMPONENT MAINT MANUAL REF: 32-21-49 QUALIFIED I/W DATA: 162N1101-22 T/W (1) BACB28AK06-045 BUSHING AND (1) BACB30NR6DK21 BOLT (REF 141N0932) CAN REPLACE BUT NOT BE REPLACED BY 162N1101-14 T/W (1) BACB28AK06-058 BUSHING AND (1) BACB30NR6DK25 BOLT (REF 141N0932). 162N1101-22 T/W (1) BACB28AK06-045 BUSHING AND (1) BACB30NR6DK21 BOLT (REF 141N0932) CAN REPLACE BUT NOT BE REPLACED BY 162N1101-13 T/W (1) BACB28AK06-058 BUSHING AND (1) BACB30NR6DK25 BOLT (REF 141N0932). USED ON: 162N0001-97 162N0001-402 FOR DETAILS SEE: 32-21-01-20	101102 108120 504903 950951	1

MISSING ITEM NUMBERS NOT APPLICABLE

- ITEM NOT ILLUSTRATED

32-21-01-01

32-21-01  
FIG. 01  
PAGE 20  
JAN 20/09

BRI



757

PARTS CATALOG (MAINTENANCE)

FIG ITEM	PART NUMBER	1 2 3 4 5 6 7 NOMENCLATURE	EFFECT FROM TO	UNITS PER ASSY
1 205	162N1101-24	.STRUT ASSY-NLG MISCELLANEOUS DATA: FOR SPARES PROCURE LOWER COMPONENTS COMPONENT MAINT MANUAL REF: 32-21-49 QUALIFIED I/W DATA: 162N1101-24 T/W (1) BACB28AK06-045 BUSHING AND (1) BACB30NR6DK21 BOLT (REF 141N0932) CAN REPLACE BUT NOT BE REPLACED BY 162N1101-14 T/W (1) BACB28AK06-058 BUSHING AND (1) BACB30NR6DK25 BOLT (REF 141N0932). 162N1101-24 T/W (1) BACB28AK06-045 BUSHING AND (1) BACB30NR6DK21 BOLT (REF 141N0932) CAN REPLACE BUT NOT BE REPLACED BY 162N1101-13 T/W (1) BACB28AK06-058 BUSHING AND (1) BACB30NR6DK25 BOLT (REF 141N0932). USED ON: 162N0001-102 162N0001-402 FOR DETAILS SEE: 32-21-01-20	101102 108120 504903 950951	1

MISSING ITEM NUMBERS NOT APPLICABLE

- ITEM NOT ILLUSTRATED

32-21-01-01

32-21-01  
FIG. 01  
PAGE 21  
JAN 20/09

BRI



757

PARTS CATALOG (MAINTENANCE)

FIG ITEM	PART NUMBER	1 2 3 4 5 6 7	NOMENCLATURE	EFFECT FROM TO	UNITS PER ASSY
1 206	162N1101-27		.STRUT ASSY-NLG MISCELLANEOUS DATA: FOR SPARE PROCURE LOWER COMPONENTS QUALIFIED I/W DATA: 162N1101-27 T/W (1) BACB28AK06-045 BUSHING AND (1) BACB30NR6DK21 BOLT (REF 141N0932) CAN REPLACE BUT NOT BE REPLACED BY 162N1101-14 T/W (1) BACB28AK06-058 BUSHING AND (1) BACB30NR6DK25 BOLT (REF 141N0932). 162N1101-27 T/W (1) BACB28AK06-045 BUSHING AND (1) BACB30NR6DK21 BOLT (REF 141N0932) CAN REPLACE BUT NOT BE REPLACED BY 162N1101-13 T/W (1) BACB28AK06-058 BUSHING AND (1) BACB30NR6DK25 BOLT (REF 141N093). USED ON: 162N0001-121 162N0001-402 FOR DETAILS SEE: 32-21-01-20	101102 108120 504903 950951	1
206	162N1101-28		.STRUT ASSY-NLG MISCELLANEOUS DATA: FOR SPARES PROCURE LOWER COMPONENTS USED ON: 162N0001-124 FOR DETAILS SEE: 32-21-01-20	101102 108120 504903 950951	1
206	162N1101-31		.STRUT ASSY-NLG MISCELLANEOUS DATA: FOR SPARES PROCURE LOWER COMPONENTS FOR DETAILS SEE: 32-21-01-20	103106	1

MISSING ITEM NUMBERS NOT APPLICABLE

- ITEM NOT ILLUSTRATED

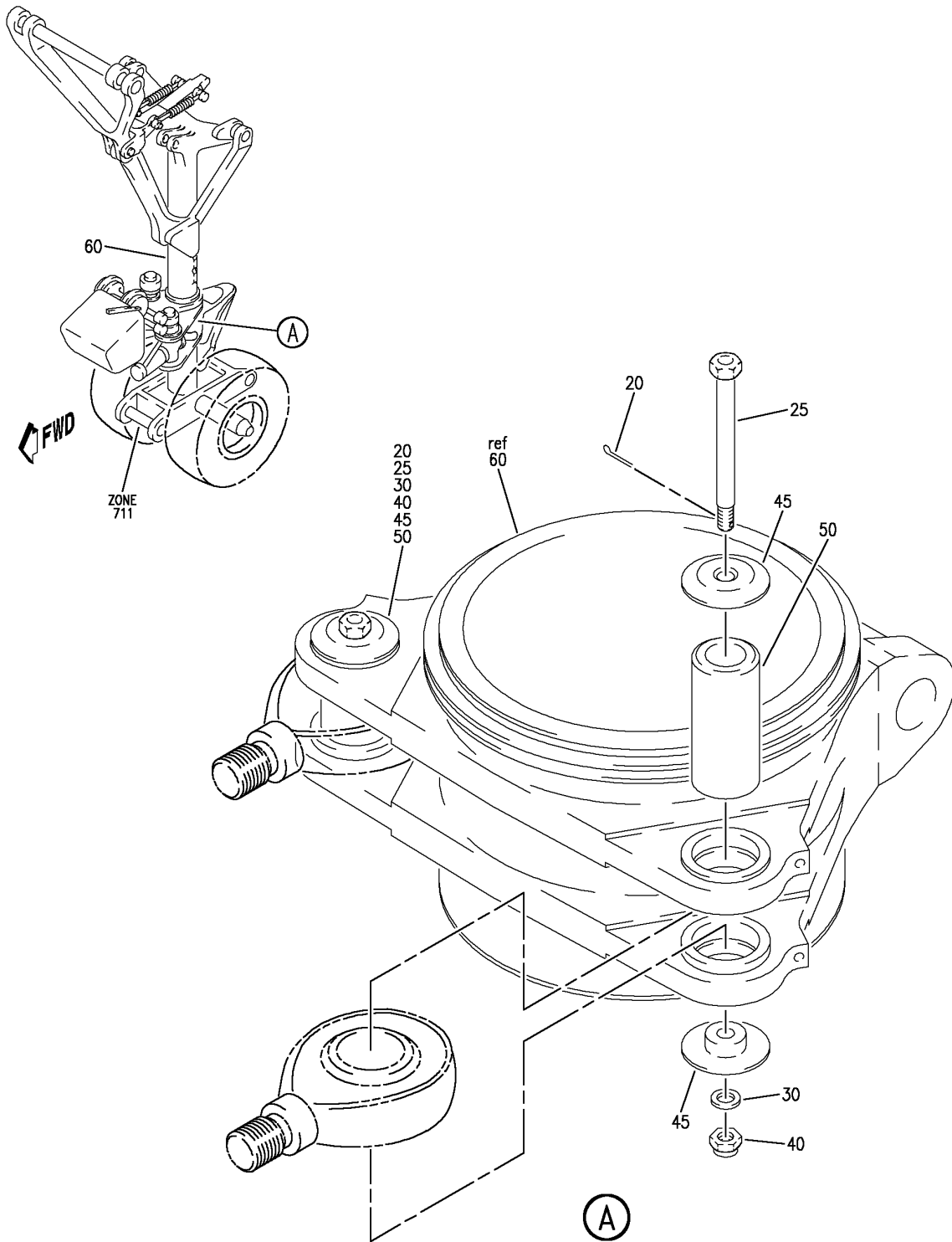
32-21-01-01

32-21-01  
FIG. 01  
PAGE 22  
JAN 20/09

BRI



**BOEING**  
757  
PARTS CATALOG (MAINTENANCE)



Y 32210101B REV 252

GEAR ASSY-SECT. 62 NLG (NOSE GEAR ONLY)  
FIGURE 1B

**32-21-01-01B**

BRI  
JAN 20/09

32-21-01-01B  
PAGE 0



757

PARTS CATALOG (MAINTENANCE)

FIG ITEM	PART NUMBER	1 2 3 4 5 6 7	NOMENCLATURE	EFFECT FROM TO	UNITS PER ASSY
1B			GEAR ASSY-SECT. 62 NLG (NOSE GEAR ONLY)	952999	
- 1	162N0001-101		GEAR ASSY-NLG (NOSE GEAR ONLY) POSITION DATA: SECT. 62 COMPONENT MAINT MANUAL REF: 32-21-25 QUALIFIED I/W DATA: 162N0001-118, -111, -105, -101, -49 WITH ONLY FORWARD TOW FITTING I/W 162N0001-120, -113, -107, -100, -47 WITH FORWARD AND AFT TOW FITTINGS WITH CUSTOMER APPROVAL. FOR NHA/OTHER SYS DET SEE: 32-21-00-01B	952999	RF
- 1	162N0001-101		GEAR ASSY-NLG (NOSE GEAR ONLY) COMPONENT MAINT MANUAL REF: 32-21-25 QUALIFIED I/W DATA: 162N0001-118, -111, -105, -101, -49 WITH ONLY FORWARD TOW FITTING MAY REPLACE BUT NOT BE REPLACED BY 162N0001-41, -38, -32, -31, -26, -24, -23, -21, -19, -18, -14, -6 WITH FORWARD AND AFT TOW FITTING SUBJECT TO CUSTOMER APPROVAL	952999	RF

MISSING ITEM NUMBERS NOT APPLICABLE

- ITEM NOT ILLUSTRATED

**32-21-01-01B**

32-21-01  
FIG. 01B  
PAGE 1  
JAN 20/09

BRI



757

PARTS CATALOG (MAINTENANCE)

FIG ITEM	PART NUMBER	1 2 3 4 5 6 7 NOMENCLATURE	EFFECT FROM TO	UNITS PER ASSY
1B - 1	162N0001-101	GEAR ASSY-NLG (NOSE GEAR ONLY) COMPONENT MAINT MANUAL REF: 32-21-25 QUALIFIED I/W DATA: 162N0001-119, -112, -106, -99, -45 WITH FORWARD AND AFT TOW FITTING AND QUICK RELEASE TORSION LINK I/W 162N0001-118, -111, -105, -101, -49 WITH FORWARD TOW FITTING AND WITHOUT QUICK RELEASE TORSION LINK SUBJECT TO CUSTOMER APPROVAL 162N0001-118, -111, -105, -101 WITH FORWARD TOW FITTING AND WITHOUT QUICK RELEASE TORSION LINK MAY REPLACE BUT NOT BE REPLACED BY 162N0001-46, -42, -33 WITH FORWARD AND AFT TOW FITTING AND QUICK RELEASE TORSION LINK SUBJECT TO CUSTOMER APPROVAL 162N0001-118, -111, -105, -101, -49 T/W (1)BACB28AK06-045 AND (1)BACB30NR6DK21 WITH ONLY FORWARD TOW FITTING MAY REPLACE BUT NOT BE REPLACED BY 162N0001-22, -20 T/W (1)BACB28AK06-058 AND (1)BACB30NR6DK25	952999	RF

MISSING ITEM NUMBERS NOT APPLICABLE

- ITEM NOT ILLUSTRATED

32-21-01-01B

32-21-01  
FIG. 01B  
PAGE 2  
JAN 20/09

BRI



757

PARTS CATALOG (MAINTENANCE)

FIG ITEM	PART NUMBER	1 2 3 4 5 6 7	NOMENCLATURE	EFFECT FROM TO	UNITS PER ASSY
1B - 1	162N0001-101		GEAR ASSY-NLG (NOSE GEAR ONLY) COMPONENT MAINT MANUAL REF: 32-21-25 QUALIFIED I/W DATA: 162N0001-122, -115, -109, -103, -98 REQUIRES THE 727 TOW BAR I/W 162N0001-118, -111, -105, -101, -49 REQUIRES THE 757 TOW BAR SUBJECT TO CUSTOMER APPROVAL 162N0001-118, -111, -105, -101, -49 WITHOUT QUICK RELEASE TORSION LINKS I/W 162N0001-121, -114, -108, -102, -97 WITH QUICK RELEASE TORSION LINKS SUBJECT TO CUSTOMER APPROVAL	952999	RF
- 1	162N0001-105		GEAR ASSY-NLG (NOSE GEAR ONLY) POSITION DATA: SECT. 62 COMPONENT MAINT MANUAL REF: 32-21-25 QUALIFIED I/W DATA: 162N0001-118, -111, -105, -101, -49 WITH ONLY FORWARD TOW FITTING I/W 162N0001-120, -113, -107, -100, -47 WITH FORWARD AND AFT TOW FITTINGS WITH CUSTOMER APPROVAL FOR NHA/OTHER SYS DET SEE: 32-21-00-01B	952999	RF

MISSING ITEM NUMBERS NOT APPLICABLE

- ITEM NOT ILLUSTRATED

BRI

**32-21-01-01B**

BOEING PROPRIETARY - Copyright © - Unpublished Work - See title page for details.

32-21-01  
FIG. 01B  
PAGE 3  
JAN 20/09



757  
PARTS CATALOG (MAINTENANCE)

FIG ITEM	PART NUMBER	1 2 3 4 5 6 7	NOMENCLATURE	EFFECT FROM TO	UNITS PER ASSY
1B - 1	162N0001-105		GEAR ASSY-NLG (NOSE GEAR ONLY) COMPONENT MAINT MANUAL REF: 32-21-25 QUALIFIED I/W DATA: 162N0001-118, -111, -105, -101, -49 WITH ONLY FORWARD TOW FITTING MAY REPLACE BUT NOT BE REPLACED BY 162N0001-41, -38, -32, -31, -26, -24, -23, -21, -19, -18, -14, -6 WITH FORWARD AND AFT TOW FITTING SUBJECT TO CUSTOMER APPROVAL	952999	RF

MISSING ITEM NUMBERS NOT APPLICABLE

- ITEM NOT ILLUSTRATED

BRI

32-21-01-01B

BOEING PROPRIETARY - Copyright © - Unpublished Work - See title page for details.

32-21-01  
FIG. 01B  
PAGE 4  
JAN 20/09



757

PARTS CATALOG (MAINTENANCE)

FIG ITEM	PART NUMBER	1 2 3 4 5 6 7 NOMENCLATURE	EFFECT FROM TO	UNITS PER ASSY
1B - 1	162N0001-105	GEAR ASSY-NLG (NOSE GEAR ONLY) COMPONENT MAINT MANUAL REF: 32-21-25 QUALIFIED I/W DATA: 162N0001-119, -112, -106, -99, -45 WITH FORWARD AND AFT TOW FITTING AND QUICK RELEASE TORSION LINK I/W 162N0001-118, -111, -105, -101, -49 WITH FORWARD TOW FITTING AND WITHOUT QUICK RELEASE TORSION LINK SUBJECT TO CUSTOMER APPROVAL 162N0001-118, -111, -105, -101 WITH FORWARD TOW FITTING AND WITHOUT QUICK RELEASE TORSION LINK MAY REPLACE BUT NOT BE REPLACED BY 162N0001-46, -42, -33 WITH FORWARD AND AFT TOW FITTING AND QUICK RELEASE TORSION LINK SUBJECT TO CUSTOMER APPROVAL 162N0001-118, -111, -105, -101, -49 T/W (1)BACB28AK06-045 AND (1)BACB30NR6DK21 WITH ONLY FORWARD TOW FITTING MAY REPLACE BUT NOT BE REPLACED BY 162N0001-22, -20 T/W (1)BACB28AK06-058 AND (1)BACB30NR6DK25	952999	RF

MISSING ITEM NUMBERS NOT APPLICABLE

- ITEM NOT ILLUSTRATED

BRI

32-21-01-01B

BOEING PROPRIETARY - Copyright © - Unpublished Work - See title page for details.

32-21-01  
 FIG. 01B  
 PAGE 5  
 JAN 20/09



757

PARTS CATALOG (MAINTENANCE)

FIG ITEM	PART NUMBER	1 2 3 4 5 6 7	NOMENCLATURE	EFFECT FROM TO	UNITS PER ASSY
1B - 1	162N0001-105		GEAR ASSY-NLG (NOSE GEAR ONLY) COMPONENT MAINT MANUAL REF: 32-21-25 QUALIFIED I/W DATA: 162N0001-122, -115, -109, -103, -98 REQUIRES THE 727 TOW BAR I/W 162N0001-118, -111, -105, -101, -49 REQUIRES THE 757 TOW BAR SUBJECT TO CUSTOMER APPROVAL 162N0001-118, -11, -105, -101, -49 WITHOUT QUICK RELEASE TORSION LINKS I/W 162N0001-121, -114, -108, -102, -97 WITH QUICK RELEASE TORSION LINKS SUBJECT TO CUSTOMER APPROVAL	952999	RF
- 1	162N0001-111		GEAR ASSY-NLG (NOSE GEAR ONLY) POSITION DATA: SECT. 62 MISCELLANEOUS DATA: 162N0001-111 INCLUDES ONE TOW FITTING AND NO QUICK DISCONNECT OPTION COMPONENT MAINT MANUAL REF: 32-21-25 QUALIFIED I/W DATA: 162N0001-402, NOSE GEAR ASSEMBLY T/W 162N0001-4001, TOW OPTION INSTALLATION I/W P/N 162N0001-111, NOSE GEAR ASSEMBLY 162N0001-118, -111, -105, -101, -49 WITH ONLY FORWARD TOW FITTING I/W 162N0001-120, -113, -107, -100, -47 WITH FORWARD AND AFT TOW FITTINGS WITH CUSTOMER APPROVAL FOR NHA/OTHER SYS DET SEE: 32-21-00-01B	952999	RF

MISSING ITEM NUMBERS NOT APPLICABLE

- ITEM NOT ILLUSTRATED

BRI

**32-21-01-01B**

BOEING PROPRIETARY - Copyright © - Unpublished Work - See title page for details.

32-21-01  
FIG. 01B  
PAGE 6  
JAN 20/09



757

PARTS CATALOG (MAINTENANCE)

FIG ITEM	PART NUMBER	1 2 3 4 5 6 7	NOMENCLATURE	EFFECT FROM TO	UNITS PER ASSY
1B - 1	162N0001-111		GEAR ASSY-NLG (NOSE GEAR ONLY) COMPONENT MAINT MANUAL REF: 32-21-25 QUALIFIED I/W DATA: 162N0001-118, -111, -105, -101, -49 WITH ONLY FORWARD TOW FITTING MAY REPLACE BUT NOT BE REPLACED BY 162N0001-41, -38, -32, -31, -26, -24, -23, -21, -19, -18, -14, -6 WITH FORWARD AND AFT TOW FITTING SUBJECT TO CUSTOMER APPROVAL	952999	RF
- 2	162N0001-111		GEAR ASSY-NLG (NOSE GEAR ONLY) COMPONENT MAINT MANUAL REF: 32-21-25 QUALIFIED I/W DATA: 162N0001-119, -112, -106, -99, -45 WITH FORWARD AND AFT TOW FITTING AND QUICK RELEASE TORSION LINK I/W 162N0001-118, -111, -105, -101, -49 WITH FORWARD TOW FITTING AND WITHOUT QUICK RELEASE TORSION LINK SUBJECT TO CUSTOMER APPROVAL 162N0001-118, -111, -105, -101, -49 T/W (1)BACB28AK06-045 AND (1)BACB30NR6DK21 WITH ONLY FORWARD TOW FITTING MAY REPLACE BUT NOT BE REPLACED BY 162N0001-22, -20 T/W (1)BACB28AK06-058 AND (1)BACB30NR6DK25	952999	RF

MISSING ITEM NUMBERS NOT APPLICABLE

- ITEM NOT ILLUSTRATED

32-21-01-01B

32-21-01  
FIG. 01B  
PAGE 7  
JAN 20/09

BRI





757

PARTS CATALOG (MAINTENANCE)

FIG ITEM	PART NUMBER	1 2 3 4 5 6 7	NOMENCLATURE	EFFECT FROM TO	UNITS PER ASSY
1B - 2	162N0001-111		GEAR ASSY-NLG (NOSE GEAR ONLY) COMPONENT MAINT MANUAL REF: 32-21-25 QUALIFIED I/W DATA: 162N0001-122, -115, -109, -103, -98 REQUIRES THE 727 TOW BAR I/W 162N0001-118, -111, -105, -101, -49 REQUIRES THE 757 TOW BAR SUBJECT TO CUSTOMER APPROVAL 162N0001-118, -111, -105, -101, -49 WITHOUT QUICK RELEASE TORSION LINKS I/W 162N0001-121, -114, -108, -102, -97 WITH QUICK RELEASE TORSION LINKS SUBJECT TO CUSTOMER APPROVAL	952999	RF
- 2	162N0001-118		GEAR ASSY-NLG (NOSE GEAR ONLY) POSITION DATA: SECT. 62 COMPONENT MAINT MANUAL REF: 32-21-25 QUALIFIED I/W DATA: 162N0001-118, -111, -105, -101, -49 WITH ONLY FORWARD TOW FITTING I/W 162N0001-120, -113, -107, -100, -47 WITH FORWARD AND AFT TOW FITTINGS WITH CUSTOMER APPROVAL FOR NHA/OTHER SYS DET SEE: 32-21-00-01B	952999	RF

MISSING ITEM NUMBERS NOT APPLICABLE

- ITEM NOT ILLUSTRATED

BRI

**32-21-01-01B**

BOEING PROPRIETARY - Copyright © - Unpublished Work - See title page for details.

32-21-01  
FIG. 01B  
PAGE 8  
JAN 20/09



757

PARTS CATALOG (MAINTENANCE)

FIG ITEM	PART NUMBER	1 2 3 4 5 6 7	NOMENCLATURE	EFFECT FROM TO	UNITS PER ASSY
1B - 2	162N0001-118		GEAR ASSY-NLG (NOSE GEAR ONLY) COMPONENT MAINT MANUAL REF: 32-21-25 QUALIFIED I/W DATA: 162N0001-118, -111, -105, -101, -49 WITH ONLY FORWARD TOW FITTING MAY REPLACE BUT NOT BE REPLACED BY 162N0001-41, -38, -32, -31, -26, -24, -23, -21, -19, -18, -14, -6 WITH FORWARD AND AFT TOW FITTING SUBJECT TO CUSTOMER APPROVAL	952999	RF

MISSING ITEM NUMBERS NOT APPLICABLE

- ITEM NOT ILLUSTRATED

BRI

32-21-01-01B

BOEING PROPRIETARY - Copyright © - Unpublished Work - See title page for details.

32-21-01  
FIG. 01B  
PAGE 9  
JAN 20/09



757

PARTS CATALOG (MAINTENANCE)

FIG ITEM	PART NUMBER	1 2 3 4 5 6 7 NOMENCLATURE	EFFECT FROM TO	UNITS PER ASSY
1B - 2	162N0001-118	GEAR ASSY-NLG (NOSE GEAR ONLY) COMPONENT MAINT MANUAL REF: 32-21-25 QUALIFIED I/W DATA: 162N0001-119, -112, -106, -99, -45 WITH FORWARD AND AFT TOW FITTING AND QUICK RELEASE TORSION LINK I/W 162N0001-118, -111, -105, -101, -49 WITH FORWARD TOW FITTING AND WITHOUT QUICK RELEASE TORSION LINK SUBJECT TO CUSTOMER APPROVAL 162N0001-118, -111, -105, -101 WITH FORWARD TOW FITTING AND WITHOUT QUICK RELEASE TORSION LINK MAY REPLACE BUT NOT BE REPLACED BY 162N0001-46, -42, -33 WITH FORWARD AND AFT TOW FITTING AND QUICK RELEASE TORSION LINK SUBJECT TO CUSTOMER APPROVAL 162N0001-118, -111, -105, -101, -49 T/W (1)BACB28AK06-045 AND (1)BACB30NR6DK21 WITH ONLY FORWARD TOW FITTING MAY REPLACE BUT NOT BE REPLACED BY 162N0001-22, -20 T/W (1)BACB28AK06-058 AND (1)BACB30NR6DK25	952999	RF

MISSING ITEM NUMBERS NOT APPLICABLE

- ITEM NOT ILLUSTRATED

**32-21-01-01B**

32-21-01  
FIG. 01B  
PAGE 10  
JAN 20/09

BRI



757

PARTS CATALOG (MAINTENANCE)

FIG ITEM	PART NUMBER	1 2 3 4 5 6 7	NOMENCLATURE	EFFECT FROM TO	UNITS PER ASSY
1B - 2	162N0001-118		GEAR ASSY-NLG (NOSE GEAR ONLY) COMPONENT MAINT MANUAL REF: 32-21-25 QUALIFIED I/W DATA: 162N0001-122, -115, -109, -103, -98 REQUIRES THE 727 TOW BAR I/W 162N0001-118, -111, -105, -101, -49 REQUIRES THE 757 TOW BAR SUBJECT TO CUSTOMER APPROVAL 162N0001-118, -11, -105, -101, -49 WITHOUT QUICK RELEASE TORSION LINKS I/W 162N0001-121, -114, -108, -102, -97 WITH QUICK RELEASE TORSION LINKS SUBJECT TO CUSTOMER APPROVAL	952999	RF
- 2	162N0001-49		GEAR ASSY-NLG (NOSE GEAR ONLY) POSITION DATA: SECT. 62 COMPONENT MAINT MANUAL REF: 32-21-25 QUALIFIED I/W DATA: (-98); 162N0001-98 MAY REPLACE -49 FOR AMERICAN AIRLINES ONLY. 162N0001-119, -112, -106, -99, -45 WITH FORWARD AND AFT TOW FITTING AND QUICK RELEASE TORSION LINK I/W 162N0001-118, -111, -105, -101, -49 WITH FORWARD TOW FITTING AND WITHOUT QUICK RELEASE TORSION LINK SUBJECT TO CUSTOMER APPROVAL FOR NHA/OTHER SYS DET SEE: 32-21-00-01B	952999	RF

MISSING ITEM NUMBERS NOT APPLICABLE

- ITEM NOT ILLUSTRATED

BRI

32-21-01-01B

BOEING PROPRIETARY - Copyright © - Unpublished Work - See title page for details.

32-21-01  
FIG. 01B  
PAGE 11  
JAN 20/09



757

PARTS CATALOG (MAINTENANCE)

FIG ITEM	PART NUMBER	1 2 3 4 5 6 7	NOMENCLATURE	EFFECT FROM TO	UNITS PER ASSY
1B - 2	162N0001-49		GEAR ASSY-NLG (NOSE GEAR ONLY) COMPONENT MAINT MANUAL REF: 32-21-25 QUALIFIED I/W DATA: 162N0001-118, -111, -105, -101, -49 WITH ONLY FORWARD TOW FITTING MAY REPLACE BUT NOT BE REPLACED BY 162N0001-41, -38, -32, -31, -26, -24, -23, -21, -19, -18, -14, -6 WITH FORWARD AND AFT TOW FITTING SUBJECT TO CUSTOMER APPROVAL	952999	RF

MISSING ITEM NUMBERS NOT APPLICABLE

- ITEM NOT ILLUSTRATED

BRI

32-21-01-01B

BOEING PROPRIETARY - Copyright © - Unpublished Work - See title page for details.

32-21-01  
FIG. 01B  
PAGE 12  
JAN 20/09



757

PARTS CATALOG (MAINTENANCE)

FIG ITEM	PART NUMBER	1 2 3 4 5 6 7 NOMENCLATURE	EFFECT FROM TO	UNITS PER ASSY
1B - 2	162N0001-49	GEAR ASSY-NLG (NOSE GEAR ONLY) COMPONENT MAINT MANUAL REF: 32-21-25 QUALIFIED I/W DATA: 162N0001-118, -111, -105, -101 WITH FORWARD TOW FITTING AND WITHOUT QUICK RELEASE TORSION LINK MAY REPLACE BUT NOT BE REPLACED BY 162N0001-46, -42, -33 WITH FORWARD AND AFT TOW FITTING AND QUICK RELEASE TORSION LINK SUBJECT TO CUSTOMER APPROVAL 162N0001-122, -115, -109, -103, -98 REQUIRES THE 727 TOW BAR I/W 162N0001-118, -111, -105, -101, -49 REQUIRES THE 757 TOW BAR SUBJECT TO CUSTOMER APPROVAL 162N0001-118, -11, -105, -101, -49 WITHOUT QUICK RELEASE TORSION LINKS I/W 162N0001-121, -114, -108, -102, -97 WITH QUICK RELEASE TORSION LINKS SUBJECT TO CUSTOMER APPROVAL 162N0001-118, -111, -105, -101, -49 T/W (1)BACB28AK06-045 AND (1)BACB30NR6DK21 WITH ONLY FORWARD TOW FITTING MAY REPLACE BUT NOT BE REPLACED BY 162N0001-22, -20 T/W (1)BACB28AK06-058 AND (1)BACB30NR6DK25	952999	RF

MISSING ITEM NUMBERS NOT APPLICABLE

- ITEM NOT ILLUSTRATED

**32-21-01-01B**

32-21-01  
FIG. 01B  
PAGE 13  
JAN 20/09

BRI



757

PARTS CATALOG (MAINTENANCE)

FIG ITEM	PART NUMBER	1 2 3 4 5 6 7	NOMENCLATURE	EFFECT FROM TO	UNITS PER ASSY
1B - 2	162N0001-49		GEAR ASSY-NLG (NOSE GEAR ONLY) COMPONENT MAINT MANUAL REF: 32-21-25 QUALIFIED I/W DATA: 162N0001-118, -111, -105, -101, -49 WITH ONLY FORWARD TOW FITTING I/W 162N0001-120, -113, -107, -100, -47 WITH FORWARD AND AFT TOW FITTINGS WITH CUSTOMER APPROVAL 162N0001-122, -115, -109, -103, -98 REQUIRES THE 727 TOW BAR I/W 162N0001-118, -111, -105, -101, -49 REQUIRES THE 757 TOW BAR SUBJECT TO CUSTOMER APPROVAL.	952999	RF
20	MS24665-304		.PIN- USED ON: 162N0001-49 162N0001-101 162N0001-105 USED ON: 162N0001-49 162N0001-101 162N0001-105	952999	2
20	BACP18BC03A10P		.PIN- USED ON: 162N0001-111 162N0001-118 USED ON: 162N0001-111 162N0001-118	952999	2
25	NAS6606D58		.BOLT	952999	2
30	AN960C616		.WASHER- USED ON: 162N0001-49 162N0001-101 162N0001-105 USED ON: 162N0001-49 162N0001-101 162N0001-105	952999	2

MISSING ITEM NUMBERS NOT APPLICABLE

- ITEM NOT ILLUSTRATED

32-21-01-01B

32-21-01  
FIG. 01B  
PAGE 14  
JAN 20/09

BRI



757

PARTS CATALOG (MAINTENANCE)

FIG ITEM	PART NUMBER	1 2 3 4 5 6 7	NOMENCLATURE	EFFECT FROM TO	UNITS PER ASSY
1B					
30	NAS1149C0663R		.WASHER- USED ON: 162N0001-111 162N0001-118 USED ON: 162N0001-111 162N0001-118	952999	2
40	LCN6-624		.NUT- SUPPLIER CODE: V56878	952999	2
45	162N1172-1		.CAP	952999	4
50	162N1149-1		.PIN- OPTIONAL PART: 162N1149-2 USED ON: 162N0001-49 162N0001-101 USED ON: 162N0001-49 162N0001-101	952999	2
50	162N1149-2		.PIN- OPTIONAL PART: 162N1149-1 USED ON: 162N0001-101 162N0001-111 162N0001-118 162N0001-105 USED ON: 162N0001-101 162N0001-111 162N0001-118 162N0001-105	952999	2

MISSING ITEM NUMBERS NOT APPLICABLE

- ITEM NOT ILLUSTRATED

BRI

32-21-01-01B

BOEING PROPRIETARY - Copyright © - Unpublished Work - See title page for details.

32-21-01  
FIG. 01B  
PAGE 15  
JAN 20/09





757

PARTS CATALOG (MAINTENANCE)

FIG ITEM	PART NUMBER	1 2 3 4 5 6 7 NOMENCLATURE	EFFECT FROM TO	UNITS PER ASSY
1B 60	162N1101-22	.STRUT ASSY-NLG MISCELLANEOUS DATA: FOR SPARE PROCURE LOWER COMPONENTS COMPONENT MAINT MANUAL REF: 32-21-49 QUALIFIED I/W DATA: 162N1101-22 T/W (1) BACB28AK06-045 BUSHING AND (1) BACB30NR6DK21 BOLT (REF 141N0932) CAN REPLACE BUT NOT BE REPLACED BY 162N1101-14 T/W (1) BACB28AK06-058 BUSHING AND (1) BACB30NR6DK25 BOLT (REF 141N0932). 162N1101-22 T/W (1) BACB28AK06-045 BUSHING AND (1) BACB30NR6DK21 BOLT (REF 141N0932) CAN REPLACE BUT NOT BE REPLACED BY 162N1101-13 T/W (1) BACB28AK06-058 BUSHING AND (1) BACB30NR6DK25 BOLT (REF 141N0932). USED ON: 162N0001-49 USED ON: 162N0001-49 FOR DETAILS SEE: 32-21-01-20	952999	1

MISSING ITEM NUMBERS NOT APPLICABLE

- ITEM NOT ILLUSTRATED

**32-21-01-01B**

32-21-01  
FIG. 01B  
PAGE 16  
JAN 20/09

BRI



757

PARTS CATALOG (MAINTENANCE)

FIG ITEM	PART NUMBER	1 2 3 4 5 6 7	NOMENCLATURE	EFFECT FROM TO	UNITS PER ASSY
1B 60	162N1101-24	.	STRUT ASSY-NLG MISCELLANEOUS DATA: FOR SPARES PROCURE LOWER COMPONENTS COMPONENT MAINT MANUAL REF: 32-21-49 QUALIFIED I/W DATA: 162N1101-24 T/W (1) BACB28AK06-045 BUSHING AND (1) BACB30NR6DK21 BOLT (REF 141N0932) CAN REPLACE BUT NOT BE REPLACED BY 162N1101-14 T/W (1) BACB28AK06-058 BUSHING AND (1) BACB30NR6DK25 BOLT (REF 141N0932). 162N1101-24 T/W (1) BACB28AK06-045 BUSHING AND (1) BACB30NR6DK21 BOLT (REF 141N0932) CAN REPLACE BUT NOT BE REPLACED BY 162N1101-13 T/W (1) BACB28AK06-058 BUSHING AND (1) BACB30NR6DK25 BOLT (REF 141N0932). USED ON: 162N0001-101 USED ON: 162N0001-101 FOR DETAILS SEE: 32-21-01-20	952999	1

MISSING ITEM NUMBERS NOT APPLICABLE

- ITEM NOT ILLUSTRATED

**32-21-01-01B**

32-21-01  
FIG. 01B  
PAGE 17  
JAN 20/09

BRI



757

PARTS CATALOG (MAINTENANCE)

FIG ITEM	PART NUMBER	1 2 3 4 5 6 7	NOMENCLATURE	EFFECT FROM TO	UNITS PER ASSY
1B 60	162N1101-25	.	STRUT ASSY-NLG MISCELLANEOUS DATA: FOR SPARES PROCURE LOWER COMPONENTS COMPONENT MAINT MANUAL REF: 32-21-49 QUALIFIED I/W DATA: 162N1101-25 T/W (1) BACB28AK06-045 BUSHING AND (1) BACB30NR6DK21 BOLT (REF 141N0932) CAN REPLACE BUT NOT BE REPLACED BY 162N1101-14 T/W (1) BACB28AK06-058 BUSHING AND (1) BACB30NR6DK25 BOLT (REF 141N0932). 162N1101-25 T/W (1) BACB28AK06-045 BUSHING AND (1) BACB30NR6DK21 BOLT (REF 141N0932) CAN REPLACE BUT NOT BE REPLACED BY 162N1101-13 T/W (1) BACB28AK06-058 BUSHING AND (1) BACB30NR6DK25 BOLT (REF 141N0932). USED ON: 162N0001-105 USED ON: 162N0001-105 FOR DETAILS SEE: 32-21-01-20	952999	1

MISSING ITEM NUMBERS NOT APPLICABLE

- ITEM NOT ILLUSTRATED

32-21-01-01B

32-21-01  
FIG. 01B  
PAGE 18  
JAN 20/09

BRI



757

PARTS CATALOG (MAINTENANCE)

FIG ITEM	PART NUMBER	1 2 3 4 5 6 7	NOMENCLATURE	EFFECT FROM TO	UNITS PER ASSY
1B 60	162N1101-26		.STRUT ASSY-NLG MISCELLANEOUS DATA: FOR SPARES PROCURE LOWER COMPONENTS COMPONENT MAINT MANUAL REF: 32-21-49 QUALIFIED I/W DATA: 162N1101-26 T/W (1) BACB28AK06-045 BUSHING AND (1) BACB30NR6DK21 BOLT (REF 141N0932) CAN REPLACE BUT NOT BE REPLACED BY 162N1101-14 T/W (1) BACB28AK06-058 BUSHING AND (1) BACB30NR6DK25 BOLT (REF 141N0932). 162N1101-26 T/W (1) BACB28AK06-045 BUSHING AND (1) BACB30NR6DK21 BOLT (REF 141N0932) CAN REPLACE BUT NOT BE REPLACED BY 162N1101-13 T/W (1) BACB28AK06-058 BUSHING AND (1) BACB30NR6DK25 BOLT (REF 141N0932). USED ON: 162N0001-111 USED ON: 162N0001-111 QUALIFIED SB I/W DATA: MAX TAXI GROSS WEIGHT 256,000 LBS FOR DETAILS SEE: 32-21-01-20	952999	1

MISSING ITEM NUMBERS NOT APPLICABLE

- ITEM NOT ILLUSTRATED

32-21-01-01B

32-21-01  
FIG. 01B  
PAGE 19  
JAN 20/09

BRI



757

PARTS CATALOG (MAINTENANCE)

FIG ITEM	PART NUMBER	1 2 3 4 5 6 7	NOMENCLATURE	EFFECT FROM TO	UNITS PER ASSY
1B 60	162N1101-27		.STRUT ASSY-NLG MISCELLANEOUS DATA: FOR SPARES PROCURE LOWER COMPONENTS QUALIFIED I/W DATA: 162N1101-27 T/W (1) BACB28AK06-045 BUSHING AND (1) BACB30NR6DK21 BOLT (REF 141N0932) CAN REPLACE BUT NOT BE REPLACED BY 162N1101-14 T/W (1) BACB28AK06-058 BUSHING AND (1) BACB30NR6DK25 BOLT (REF 141N0932). 162N1101-27 T/W (1) BACB28AK06-045 BUSHING AND (1) BACB30NR6DK21 BOLT (REF 141N0932) CAN REPLACE BUT NOT BE REPLACED BY 162N1101-13 T/W (1) BACB28AK06-058 BUSHING AND (1) BACB30NR6DK25 BOLT (REF 141N093). USED ON: 162N0001-118 USED ON: 162N0001-118 FOR DETAILS SEE: 32-21-01-20	952999	1
60	162N1101-28		.STRUT ASSY-NLG USED ON: 162N0001-118 FOR DETAILS SEE: 32-21-01-20	952999	1

MISSING ITEM NUMBERS NOT APPLICABLE

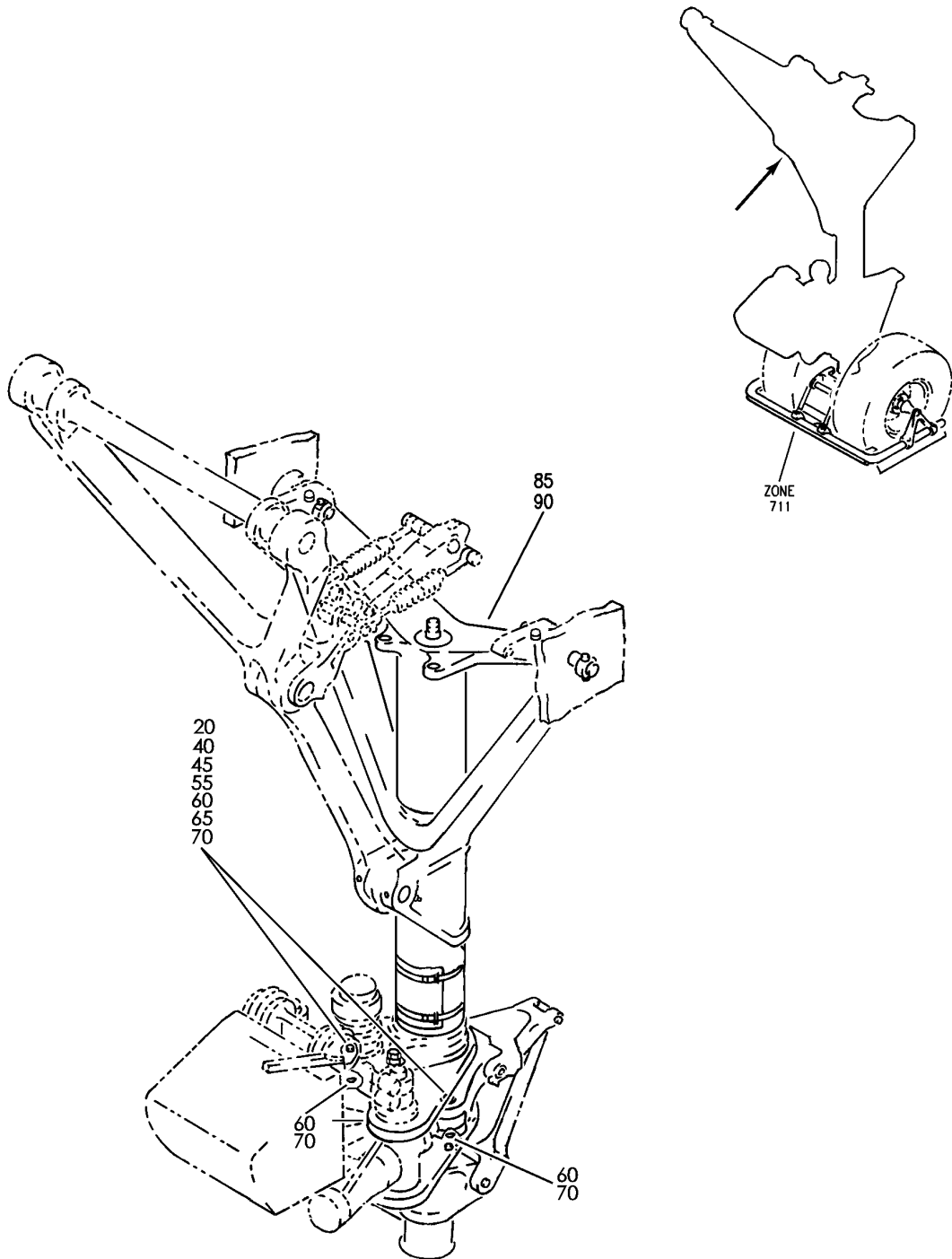
- ITEM NOT ILLUSTRATED

**32-21-01-01B**

32-21-01  
FIG. 01B  
PAGE 20  
JAN 20/09

BRI

**BOEING**  
757  
PARTS CATALOG (MAINTENANCE)



Y 32210101C REV 253

GEAR ASSY-SECT. 62 NLG (NOSE GEAR)  
FIGURE 1C

**32-21-01-01C**

BRI  
MAY 28/07

32-21-01-01C  
PAGE 0



757

PARTS CATALOG (MAINTENANCE)

FIG ITEM	PART NUMBER	1 2 3 4 5 6 7	NOMENCLATURE	EFFECT FROM TO	UNITS PER ASSY
1 C			GEAR ASSY-SECT. 62 NLG (NOSE GEAR)	002004 006100 107107 121503 904949	
- 1	162N0001-6		GEAR ASSY-NLG (NOSE GEAR ONLY) POSITION DATA: SECT. 62 COMPONENT MAINT MANUAL REF: 32-21-25 QUALIFIED I/W DATA: 162N0001-41, -38, -32, -31, -26, -24, -23, -21, -19, -18, -14, -6 T/W (1)BACB28AK06-045 AND (1)BACB30NR6DK21 I/W 162N0001-22, -20 I/W (1)BACB28AK06-058 AND (1)BACB30NR6DK25 OPTIONAL PART: 162N0001-18 FOR NHA/OTHER SYS DET SEE: 32-21-00-01B	002004 006100 107107 121503 904949	RF

MISSING ITEM NUMBERS NOT APPLICABLE

- ITEM NOT ILLUSTRATED

BRI

**32-21-01-01C**

BOEING PROPRIETARY - Copyright © - Unpublished Work - See title page for details.

32-21-01  
FIG. 01C  
PAGE 1  
JAN 20/09



757

PARTS CATALOG (MAINTENANCE)

FIG ITEM	PART NUMBER	1 2 3 4 5 6 7	NOMENCLATURE	EFFECT FROM TO	UNITS PER ASSY
1C - 1	162N0001-6		GEAR ASSY-NLG (NOSE GEAR ONLY) POSITION DATA: SECT. 62 COMPONENT MAINT MANUAL REF: 32-21-25 QUALIFIED I/W DATA: 12N0001-119, -112, -106, -99, -45 WITH QUICK RELEASE TORSION LINKS MAY REPLACE BUT NOT BE REPLACED BY 162N0001-41, -38, -32, -31, -26, -24, -23, -21, -19, -18, -14, -6 WITHOUT QUICK RELEASE TORSION LINKS SUBJECT TO CUSTOMER APPROVAL 162N0001-122, -115, -109, -103, -98 REQUIRES THE 727 TOW BAR MAY REPLACE BUT NOT BE REPLACED BY 162N0001-41, -38, -32, -31, -26, -24, -23, -21, -19, -18, -14, -6 REQUIRES 757 TOW BAR SUBJECT TO CUSTOMER APPROVAL	002004 006100 107107 121503 904949	RF

MISSING ITEM NUMBERS NOT APPLICABLE

- ITEM NOT ILLUSTRATED

BRI

**32-21-01-01C**

BOEING PROPRIETARY - Copyright © - Unpublished Work - See title page for details.

32-21-01  
 FIG. 01C  
 PAGE 2  
 JAN 20/09





757

PARTS CATALOG (MAINTENANCE)

FIG ITEM	PART NUMBER	1 2 3 4 5 6 7	NOMENCLATURE	EFFECT FROM TO	UNITS PER ASSY
1C - 1	162N0001-6		GEAR ASSY-NLG (NOSE GEAR ONLY) COMPONENT MAINT MANUAL REF: 32-21-25 QUALIFIED I/W DATA: 162N0001-41, -38, -32, -31, -26, -24, -23, -21, -19, -18, -14, -6 WITHOUT QUICK RELEASE TORSION LINKS I/W 162N0001-46, -42, -33 WITH QUICK RELEASE TORSION LINKS SUBJECT TO CUSTOMER APPROVAL 162N0001-118, -111, -105, -101, -49 WITH ONLY FORWARD TOW FITTING MAY REPLACE BUT NOT BE REPLACED BY 162N001-41, -38, -32, -31, -26, -24, -23, -21, -19, -18, -14, -6 WITH FORWARD AND AFT TOW FITTING SUBJECT TO CUSTOMER APPROVAL	002004 006100 107107 121503 904949	RF

MISSING ITEM NUMBERS NOT APPLICABLE

- ITEM NOT ILLUSTRATED

BRI

32-21-01-01C

BOEING PROPRIETARY - Copyright © - Unpublished Work - See title page for details.

32-21-01  
 FIG. 01C  
 PAGE 3  
 JAN 20/09



757

PARTS CATALOG (MAINTENANCE)

FIG ITEM	PART NUMBER	1 2 3 4 5 6 7	NOMENCLATURE	EFFECT FROM TO	UNITS PER ASSY
1C - 1	162N0001-6		GEAR ASSY-NLG (NOSE GEAR ONLY) COMPONENT MAINT MANUAL REF: 32-21-25 QUALIFIED I/W DATA: 162N0001-121, -114, -108, -102, -97 WITH QUICK RELEASE TORSION LINKS AND ONLY FORWARD TOW FITTING MAY REPLACE BUT NOT BE REPLACED BY 162N0001-41, -38, -32, -31, -26, -24, -23, -21, -19, -18, -14, -6 WITH FORWARD AND AFT TOW FITTING AND WITHOUT QUICK RELEASE TORSION LINKS SUBJECT TO CUSTOMER APPROVAL 162N0001-119 WITH QUICK RELEASE TORSION LINKS MAY REPLACE BUT NOT BE REPLACED BY 162N0001-41, -38, -32, -31, -26, -24, -23, -21, -19, -18, -14, -6 WITH CUSTOMER APPROVAL	002004 006100 107107 121503 904949	RF
- 1	162N0001-14		GEAR ASSY-NLG (NOSE GEAR ONLY) POSITION DATA: SECT. 62 COMPONENT MAINT MANUAL REF: 32-21-25 QUALIFIED I/W DATA: 162N0001-41, -38, -32, -31, -26, -24, -23, -21, -19, -18, -14, -6 T/W (1)BACB28AK06-045 AND (1)BACB30NR6DK21 I/W 162N0001-22, -20 I/W (1)BACB28AK06-058 AND (1)BACB30NR6DK25 FOR NHA/OTHER SYS DET SEE: 32-21-00-01B	002004 006100 107107 121503 904949	RF

MISSING ITEM NUMBERS NOT APPLICABLE

- ITEM NOT ILLUSTRATED

32-21-01-01C

32-21-01  
FIG. 01C  
PAGE 4  
JAN 20/09

BRI



757

PARTS CATALOG (MAINTENANCE)

FIG ITEM	PART NUMBER	1 2 3 4 5 6 7 NOMENCLATURE	EFFECT FROM TO	UNITS PER ASSY
1 C - 1	162N0001-14	GEAR ASSY-NLG (NOSE GEAR ONLY) COMPONENT MAINT MANUAL REF: 32-21-25 QUALIFIED I/W DATA: 12N0001-119, -112, -106, -99, -45 WITH QUICK RELEASE TORSION LINKS MAY REPLACE BUT NOT BE REPLACED BY 162N0001-41, -38, -32, -31, -26, -24, -23, -21, -19, -18, -14, -6 WITHOUT QUICK RELEASE TORSION LINKS SUBJECT TO CUSTOMER APPROVAL 162N0001-122, -115, -109, -103, -98 REQUIRES THE 727 TOW BAR MAY REPLACE BUT NOT BE REPLACED BY 162N0001-41, -38, -32, -31, -26, -24, -23, -21, -19, -18, -14, -6 REQUIRES 757 TOW BAR SUBJECT TO CUSTOMER APPROVAL	002004 006100 107107 121503 904949	RF

MISSING ITEM NUMBERS NOT APPLICABLE

- ITEM NOT ILLUSTRATED

BRI

**32-21-01-01C**

BOEING PROPRIETARY - Copyright © - Unpublished Work - See title page for details.

32-21-01  
 FIG. 01C  
 PAGE 5  
 JAN 20/09



757

PARTS CATALOG (MAINTENANCE)

FIG ITEM	PART NUMBER	1 2 3 4 5 6 7	NOMENCLATURE	EFFECT FROM TO	UNITS PER ASSY
1 C - 1	162N0001-14		GEAR ASSY-NLG (NOSE GEAR ONLY) COMPONENT MAINT MANUAL REF: 32-21-25 QUALIFIED I/W DATA: 162N0001-41, -38, -32, -31, -26, -24, -23, -21, -19, -18, -14, -6 WITHOUT QUICK RELEASE TORSION LINKS I/W 162N0001-46, -42, -33 WITH QUICK RELEASE TORSION LINKS SUBJECT TO CUSTOMER APPROVAL 162N0001-118, -111, -105, -101, -49 WITH ONLY FORWARD TOW FITTING MAY REPLACE BUT NOT BE REPLACED BY 162N001-41, -38, -32, -31, -26, -24, -23, -21, -19, -18, -14, -6 WITH FORWARD AND AFT TOW FITTING SUBJECT TO CUSTOMER APPROVAL 162N0001-119 WITH QUICK RELEASE TORSION LINKS MAY REPLACE BUT NOT BE REPLACED BY 162N0001-41, -38, -32, -31, -26, -24, -23, -21, -19, -18, -14, -6 WITH CUSTOMER APPROVAL	002004 006100 107107 121503 904949	RF

MISSING ITEM NUMBERS NOT APPLICABLE

- ITEM NOT ILLUSTRATED

**32-21-01-01C**

32-21-01  
 FIG. 01C  
 PAGE 6  
 JAN 20/09

BRI



757

PARTS CATALOG (MAINTENANCE)

FIG ITEM	PART NUMBER	1 2 3 4 5 6 7	NOMENCLATURE	EFFECT FROM TO	UNITS PER ASSY
1C - 1	162N0001-14		GEAR ASSY-NLG (NOSE GEAR ONLY) COMPONENT MAINT MANUAL REF: 32-21-25 QUALIFIED I/W DATA: 162N0001-121, -114, -108, -102, -97 WITH QUICK RELEASE TORSION LINKS AND ONLY FORWARD TOW FITTING MAY REPLACE BUT NOT BE REPLACED BY 162N0001-41, -38, -32, -31, -26, -24, -23, -21, -19, -18, -14, -6 WITH FORWARD AND AFT TOW FITTING AND WITHOUT QUICK RELEASE TORSION LINKS SUBJECT TO CUSTOMER APPROVAL	002004 006100 107107 121503 904949	RF
- 1	162N0001-18		GEAR ASSY-NLG (NOSE GEAR ONLY) POSITION DATA: SECT. 62 COMPONENT MAINT MANUAL REF: 32-21-25 QUALIFIED I/W DATA: 162N0001-41, -38, -32, -31, -26, -24, -23, -21, -19, -18, -14, -6 T/W (1)BACB28AK06-045 AND (1)BACB30NR6DK21 I/W 162N0001-22, -20 I/W (1)BACB28AK06-058 AND (1)BACB30NR6DK25 FOR NHA/OTHER SYS DET SEE: 32-21-00-01B	002004 006100 107107 121503 904949	RF

MISSING ITEM NUMBERS NOT APPLICABLE

- ITEM NOT ILLUSTRATED

BRI

32-21-01-01C

BOEING PROPRIETARY - Copyright © - Unpublished Work - See title page for details.

32-21-01  
FIG. 01C  
PAGE 7  
JAN 20/09



757

PARTS CATALOG (MAINTENANCE)

FIG ITEM	PART NUMBER	1 2 3 4 5 6 7 NOMENCLATURE	EFFECT FROM TO	UNITS PER ASSY
1C - 1	162N0001-18	GEAR ASSY-NLG (NOSE GEAR ONLY) COMPONENT MAINT MANUAL REF: 32-21-25 QUALIFIED I/W DATA: 12N0001-119, -112, -106, -99, -45 WITH QUICK RELEASE TORSION LINKS MAY REPLACE BUT NOT BE REPLACED BY 162N0001-41, -38, -32, -31, -26, -24, -23, -21, -19, -18, -14, -6 WITHOUT QUICK RELEASE TORSION LINKS SUBJECT TO CUSTOMER APPROVAL 162N0001-122, -115, -109, -103, -98 REQUIRES THE 727 TOW BAR MAY REPLACE BUT NOT BE REPLACED BY 162N0001-41, -38, -32, -31, -26, -24, -23, -21, -19, -18, -14, -6 REQUIRES 757 TOW BAR SUBJECT TO CUSTOMER APPROVAL	002004 006100 107107 121503 904949	RF

MISSING ITEM NUMBERS NOT APPLICABLE

- ITEM NOT ILLUSTRATED

BRI

**32-21-01-01C**

BOEING PROPRIETARY - Copyright © - Unpublished Work - See title page for details.

32-21-01  
 FIG. 01C  
 PAGE 8  
 JAN 20/09



757

PARTS CATALOG (MAINTENANCE)

FIG ITEM	PART NUMBER	1 2 3 4 5 6 7	NOMENCLATURE	EFFECT FROM TO	UNITS PER ASSY
1C - 1	162N0001-18		GEAR ASSY-NLG (NOSE GEAR ONLY) COMPONENT MAINT MANUAL REF: 32-21-25 QUALIFIED I/W DATA: 162N0001-41, -38, -32, -31, -26, -24, -23, -21, -19, -18, -14, -6 WITHOUT QUICK RELEASE TORSION LINKS I/W 162N0001-46, -42, -33 WITH QUICK RELEASE TORSION LINKS SUBJECT TO CUSTOMER APPROVAL 162N0001-118, -111, -105, -101, -49 WITH ONLY FORWARD TOW FITTING MAY REPLACE BUT NOT BE REPLACED BY 162N001-41, -38, -32, -31, -26, -24, -23, -21, -19, -18, -14, -6 WITH FORWARD AND AFT TOW FITTING SUBJECT TO CUSTOMER APPROVAL 162N0001-119 WITH QUICK RELEASE TORSION LINKS MAY REPLACE BUT NOT BE REPLACED BY 162N0001-41, -38, -32, -31, -26, -24, -23, -21, -19, -18, -14, -6 WITH CUSTOMER APPROVAL	002004 006100 107107 121503 904949	RF

MISSING ITEM NUMBERS NOT APPLICABLE

- ITEM NOT ILLUSTRATED

BRI

32-21-01-01C

BOEING PROPRIETARY - Copyright © - Unpublished Work - See title page for details.

32-21-01  
 FIG. 01C  
 PAGE 9  
 JAN 20/09



757

PARTS CATALOG (MAINTENANCE)

FIG ITEM	PART NUMBER	1 2 3 4 5 6 7	NOMENCLATURE	EFFECT FROM TO	UNITS PER ASSY
1C - 1	162N0001-18		GEAR ASSY-NLG (NOSE GEAR ONLY) COMPONENT MAINT MANUAL REF: 32-21-25 QUALIFIED I/W DATA: 162N0001-121, -114, -108, -102, -97 WITH QUICK RELEASE TORSION LINKS AND ONLY FORWARD TOW FITTING MAY REPLACE BUT NOT BE REPLACED BY 162N0001-41, -38, -32, -31, -26, -24, -23, -21, -19, -18, -14, -6 WITH FORWARD AND AFT TOW FITTING AND WITHOUT QUICK RELEASE TORSION LINKS SUBJECT TO CUSTOMER APPROVAL	002004 006100 107107 121503 904949	RF
- 2	162N0001-19		GEAR ASSY-NLG (NOSE GEAR ONLY) POSITION DATA: SECT. 62 COMPONENT MAINT MANUAL REF: 32-21-25 QUALIFIED I/W DATA: 162N0001-41, -38, -32, -31, -26, -24, -23, -21, -19, -18, -14, -6 T/W (1)BACB28AK06-045 AND (1)BACB30NR6DK21 I/W 162N0001-22, -20 I/W (1)BACB28AK06-058 AND (1)BACB30NR6DK25 FOR NHA/OTHER SYS DET SEE: 32-21-00-01B	002004 006100 107107 121503 904949	RF

MISSING ITEM NUMBERS NOT APPLICABLE

- ITEM NOT ILLUSTRATED

BRI

32-21-01-01C

BOEING PROPRIETARY - Copyright © - Unpublished Work - See title page for details.

32-21-01  
FIG. 01C  
PAGE 10  
JAN 20/09





757

PARTS CATALOG (MAINTENANCE)

FIG ITEM	PART NUMBER	1 2 3 4 5 6 7	NOMENCLATURE	EFFECT FROM TO	UNITS PER ASSY
1C - 2	162N0001-19		GEAR ASSY-NLG (NOSE GEAR ONLY) COMPONENT MAINT MANUAL REF: 32-21-25 QUALIFIED I/W DATA: 12N0001-119, -112, -106, -99, -45 WITH QUICK RELEASE TORSION LINKS MAY REPLACE BUT NOT BE REPLACED BY 162N0001-41, -38, -32, -31, -26, -24, -23, -21, -19, -18, -14, -6 WITHOUT QUICK RELEASE TORSION LINKS SUBJECT TO CUSTOMER APPROVAL 162N0001-122, -115, -109, -103, -98 REQUIRES THE 727 TOW BAR MAY REPLACE BUT NOT BE REPLACED BY 162N0001-41, -38, -32, -31, -26, -24, -23, -21, -19, -18, -14, -6 REQUIRES 757 TOW BAR SUBJECT TO CUSTOMER APPROVAL	002004 006100 107107 121503 904949	RF
- 2	162N0001-19		GEAR ASSY-NLG (NOSE GEAR ONLY) COMPONENT MAINT MANUAL REF: 32-21-25 QUALIFIED I/W DATA: 162N0001-41, -38, -32, -31, -26, -24, -23, -21, -19, -18, -14, -6 WITHOUT QUICK RELEASE TORSION LINKS I/W 162N0001-46, -42, -33 WITH QUICK RELEASE TORSION LINKS SUBJECT TO CUSTOMER APPROVAL 162N0001-118, -111, -105, -101, -49 WITH ONLY FORWARD TOW FITTING MAY REPLACE BUT NOT BE REPLACED BY 162N001-41, -38, -32, -31, -26, -24, -23, -21, -19, -18, -14, -6 WITH FORWARD AND AFT TOW FITTING SUBJECT TO CUSTOMER APPROVAL	002004 006100 107107 121503 904949	RF

MISSING ITEM NUMBERS NOT APPLICABLE

- ITEM NOT ILLUSTRATED

32-21-01-01C

32-21-01  
FIG. 01C  
PAGE 11  
JAN 20/09

BRI



757

PARTS CATALOG (MAINTENANCE)

FIG ITEM	PART NUMBER	1 2 3 4 5 6 7	NOMENCLATURE	EFFECT FROM TO	UNITS PER ASSY
1C - 2	162N0001-19		GEAR ASSY-NLG (NOSE GEAR ONLY) COMPONENT MAINT MANUAL REF: 32-21-25 QUALIFIED I/W DATA: 162N0001-121, -114, -108, -102, -97 WITH QUICK RELEASE TORSION LINKS AND ONLY FORWARD TOW FITTING MAY REPLACE BUT NOT BE REPLACED BY 162N0001-41, -38, -32, -31, -26, -24, -23, -21, -19, -18, -14, -6 WITH FORWARD AND AFT TOW FITTING AND WITHOUT QUICK RELEASE TORSION LINKS SUBJECT TO CUSTOMER APPROVAL	002004 006100 107107 121503 904949	RF
- 2	162N0001-20		GEAR ASSY-NLG (NOSE GEAR ONLY) POSITION DATA: SECT. 62 COMPONENT MAINT MANUAL REF: 32-21-25 QUALIFIED I/W DATA: 162N0001-46, -42, -33 T/W (1)BACB28AK06-045 AND (1)BACB30NR6DK21 WITH QUICK RELEASE TORSION LINK I/W 162N0001-21, -20 T/W (1)BACB28AK06-058 AND (1)BACB30NR6DK25 WITHOUT QUICK RELEASE TORSION LINK SUBJECT TO CUSTOMER APPROVAL FOR NHA/OTHER SYS DET SEE: 32-21-00-01B	002004 006100 107107 121503 904949	RF

MISSING ITEM NUMBERS NOT APPLICABLE

- ITEM NOT ILLUSTRATED

BRI

32-21-01-01C

BOEING PROPRIETARY - Copyright © - Unpublished Work - See title page for details.

32-21-01  
FIG. 01C  
PAGE 12  
JAN 20/09



757

PARTS CATALOG (MAINTENANCE)

FIG ITEM	PART NUMBER	1 2 3 4 5 6 7	NOMENCLATURE	EFFECT FROM TO	UNITS PER ASSY
1C - 2	162N0001-20		GEAR ASSY-NLG (NOSE GEAR ONLY) COMPONENT MAINT MANUAL REF: 32-21-25 QUALIFIED I/W DATA: 162N0001-41, -38, -32, -31, -26, -24, -23, -21, -19, -18, -14, -6 T/W (1)BACB28AK06-045 AND (1)BACB30NR6DK21 I/W 162N0001-22, -20 I/W (1)BACB28AK06-058 AND (1)BACB30NR6DK25	002004 006100 107107 121503 904949	RF
- 2	162N0001-20		GEAR ASSY-NLG (NOSE GEAR ONLY) COMPONENT MAINT MANUAL REF: 32-21-25 QUALIFIED I/W DATA: 162N0001-120, -113, -107, -100, -47 T/W (1)BACB28AK06-045 AND (1)BACB30NR6DK21 MAY REPLACE BUT NOT BE REPLACED BY 162N0001-20, -22 T/W (1)BACB28AK06-58 AND (1)BACB30NR6DK25 162N0001-119, -112, -106, -99, -45 T/W (1)BACB28AK06-045 AND (1)BACB30NR6DK21 WITH QUICK RELEASE TORSION LINK MAY REPLACE BUT NOT BE REPLACED BY 162N0001-22, -20 T/W (1)BACB28AK06-058 AND (1)BACB30NR6DK25 WITHOUT QUICK RELEASE TORISON LINK SUBJECT TO CUSTOMER APPROVAL	002004 006100 107107 121503 904949	RF

MISSING ITEM NUMBERS NOT APPLICABLE

- ITEM NOT ILLUSTRATED

BRI

32-21-01-01C

BOEING PROPRIETARY - Copyright © - Unpublished Work - See title page for details.

32-21-01  
FIG. 01C  
PAGE 13  
JAN 20/09



757

PARTS CATALOG (MAINTENANCE)

FIG ITEM	PART NUMBER	1 2 3 4 5 6 7	NOMENCLATURE	EFFECT FROM TO	UNITS PER ASSY
1C - 2	162N0001-20		GEAR ASSY-NLG (NOSE GEAR ONLY) COMPONENT MAINT MANUAL REF: 32-21-25 QUALIFIED I/W DATA: 162N0001-122,-115,109, -103,-98 T/W (1) BACB28AK06-045, (1) BACB30NR6DK REQUIRES THE 727 TOW BAR MAY REPLACE BUT NOT BE REPLACED BY 162N0001-22, -20 T/W (1) BACB28AK06-058 (1) BACB30NR6DK25 REQUIRES THE 757 TOW BAR SUBJECT TO CUSTOMER 162N0001-118, -111, -105, -101, -49 T/W (1)BACB28AK06-045 AND (1)BACB30NR6DK21 WITH ONLY FORWARD TOW FITTING MAY REPLACE BUT NOT BEREPLACED BY 162N0001-22, -20 T/W (1)BACB28AK06-058 AND (1)BACB30NR6DK25	002004 006100 107107 121503 904949	RF
- 2	162N0001-20		GEAR ASSY-NLG (NOSE GEAR ONLY) COMPONENT MAINT MANUAL REF: 32-21-25 QUALIFIED I/W DATA: 162N0001-121, -114, -108, -102, -97 T/W (1)BACB28AK06-045, (1)BACB30NR6DK21 WITH QUICK RELEASE TORSION LINK AND FORWARD TOW FITTING ONLY MAY REPLACE BUT NOT BE REPLACED BY 162N0001-22, -20 T/W (1)BACB28AK06-058, (1)BACB30NR6DK25 WITHOUT QUICK RELEASE TORSION LINK AND WITH FORWARD AND AFT TOW FITTINGS SUBJECT TO CUSTOMER APPROVAL	002004 006100 107107 121503 904949	RF

MISSING ITEM NUMBERS NOT APPLICABLE

- ITEM NOT ILLUSTRATED

32-21-01-01C

32-21-01  
FIG. 01C  
PAGE 14  
JAN 20/09

BRI



757

PARTS CATALOG (MAINTENANCE)

FIG ITEM	PART NUMBER	1 2 3 4 5 6 7	NOMENCLATURE	EFFECT FROM TO	UNITS PER ASSY
1C - 3	162N0001-21		GEAR ASSY-NLG (NOSE GEAR ONLY) POSITION DATA: SECT. 62 COMPONENT MAINT MANUAL REF: 32-21-25 QUALIFIED I/W DATA: 162N0001-41, -38, -32, -31, -26, -24, -23, -21, -19, -18, -14, -6 T/W (1)BACB28AK06-045 AND (1)BACB30NR6DK21 I/W 162N0001-22, -20 I/W (1)BACB28AK06-058 AND (1)BACB30NR6DK25 FOR NHA/OTHER SYS DET SEE: 32-21-00-01B	002004 006100 107107 121503 904949	RF
- 3	162N0001-21		GEAR ASSY-NLG (NOSE GEAR ONLY) COMPONENT MAINT MANUAL REF: 32-21-25 QUALIFIED I/W DATA: 162N0001-119 WITH QUICK RELEASE TORSION LINKS MAY REPLACE BUT NOT BE REPLACED BY 162N0001-41, -38, -32, -31, -26, -24, -23, -21, -19, -18, -14, -6 WITH CUSTOMER APPROVAL 162N0001-122,-115,-109, -103,-98 REQUIRES THE 727 TOW BAR MAY REPLACE BUT NOT BE REPLACED BY 162N0001-41,-38,-32,-31, -26,-24,-23,-21,-19,-18, -14,-6 REQUIRES 757 TOW BAR SUBJECT TO CUSTOMER APPROVAL 12N0001-119, -112, -106, -99, -45 WITH QUICK RELEASE TORSION LINKS MAY REPLACE BUT NOT BE REPLACED BY 162N0001-41, -38, -32, -31, -26, -24, -23, -21, -19, -18, -14, -6 WITHOUT QUICK RELEASE TORSION LINKS SUBJECT TO CUSTOMER APPROVAL	002004 006100 107107 121503 904949	RF

MISSING ITEM NUMBERS NOT APPLICABLE

- ITEM NOT ILLUSTRATED

32-21-01-01C

32-21-01  
FIG. 01C  
PAGE 15  
JAN 20/09

BRI



757

PARTS CATALOG (MAINTENANCE)

FIG ITEM	PART NUMBER	1 2 3 4 5 6 7	NOMENCLATURE	EFFECT FROM TO	UNITS PER ASSY
1C - 3	162N0001-21		GEAR ASSY-NLG (NOSE GEAR ONLY) COMPONENT MAINT MANUAL REF: 32-21-25 QUALIFIED I/W DATA: 162N0001-41, -38, -32, -31, -26, -24, -23, -21, -19, -18, -14, -6 WITHOUT QUICK RELEASE TORSION LINKS I/W 162N0001-46, -42, -33 WITH QUICK RELEASE TORSION LINKS SUBJECT TO CUSTOMER APPROVAL 162N0001-118, -111, -105, -101, -49 WITH ONLY FORWARD TOW FITTING MAY REPLACE BUT NOT BE REPLACED BY 162N001-41, -38, -32, -31, -26, -24, -23, -21, -19, -18, -14, -6 WITH FORWARD AND AFT TOW FITTING SUBJECT TO CUSTOMER APPROVAL	002004 006100 107107 121503 904949	RF
- 3	162N0001-21		GEAR ASSY-NLG (NOSE GEAR ONLY) COMPONENT MAINT MANUAL REF: 32-21-25 QUALIFIED I/W DATA: 162N0001-121, -114, -108, -102, -97 WITH QUICK RELEASE TORSION LINKS AND ONLY FORWARD TOW FITTING MAY REPLACE BUT NOT BE REPLACED BY 162N0001-41, -38, -32, -31, -26, -24, -23, -21, -19, -18, -14, -6 WITH FORWARD AND AFT TOW FITTING AND WITHOUT QUICK RELEASE TORSION LINKS SUBJECT TO CUSTOMER APPROVAL	002004 006100 107107 121503 904949	RF

MISSING ITEM NUMBERS NOT APPLICABLE

- ITEM NOT ILLUSTRATED

BRI

32-21-01-01C

BOEING PROPRIETARY - Copyright © - Unpublished Work - See title page for details.

32-21-01  
FIG. 01C  
PAGE 16  
JAN 20/09



757

PARTS CATALOG (MAINTENANCE)

FIG ITEM	PART NUMBER	1 2 3 4 5 6 7	NOMENCLATURE	EFFECT FROM TO	UNITS PER ASSY
1C - 3	162N0001-22		GEAR ASSY-NLG (NOSE GEAR ONLY) POSITION DATA: SECT. 62 COMPONENT MAINT MANUAL REF: 32-21-25 QUALIFIED I/W DATA: 162N0001-46, -42, -33 T/W (1)BACB28AK06-045 AND (1)BACB30NR6DK21 WITH QUICK RELEASE TORSION LINK I/W 162N0001-21, -20 T/W (1)BACB28AK06-058 AND (1)BACB30NR6DK25 WITHOUT QUICK RELEASE TORSION LINK SUBJECT TO CUSTOMER APPROVAL FOR NHA/OTHER SYS DET SEE: 32-21-00-01B	002004 006100 107107 121503 904949	RF
- 3	162N0001-22		GEAR ASSY-NLG (NOSE GEAR ONLY) COMPONENT MAINT MANUAL REF: 32-21-25 QUALIFIED I/W DATA: 162N0001-41, -38, -32, -31, -26, -24, -23, -21, -19, -18, -14, -6 T/W (1)BACB28AK06-045 AND (1)BACB30NR6DK21 I/W 162N0001-22, -20 I/W (1)BACB28AK06-058 AND (1)BACB30NR6DK25	002004 006100 107107 121503 904949	RF

MISSING ITEM NUMBERS NOT APPLICABLE

- ITEM NOT ILLUSTRATED

BRI

32-21-01-01C

BOEING PROPRIETARY - Copyright © - Unpublished Work - See title page for details.

32-21-01  
FIG. 01C  
PAGE 17  
JAN 20/09



757

PARTS CATALOG (MAINTENANCE)

FIG ITEM	PART NUMBER	1 2 3 4 5 6 7	NOMENCLATURE	EFFECT FROM TO	UNITS PER ASSY
1C - 3	162N0001-22		GEAR ASSY-NLG (NOSE GEAR ONLY) COMPONENT MAINT MANUAL REF: 32-21-25 QUALIFIED I/W DATA: 162N0001-120, -113, -107, -100, -47 T/W (1)BACB28AK06-045 AND (1)BACB30NR6DK21 MAY REPLACE BUT NOT BE REPLACED BY 162N0001-20, -22 T/W (1)BACB28AK06-58 AND (1)BACB30NR6DK25 162N0001-119, -112, -106, -99, -45 T/W (1)BACB28AK06-045 AND (1)BACB30NR6DK21 WITH QUICK RELEASE TORSION LINK MAY REPLACE BUT NOT BE REPLACED BY 162N0001-22, -20 T/W (1)BACB28AK06-058 AND (1)BACB30NR6DK25 WITHOUT QUICK RELEASE TORISON LINK SUBJECT TO CUSTOMER APPROVAL	002004 006100 107107 121503 904949	RF

MISSING ITEM NUMBERS NOT APPLICABLE

- ITEM NOT ILLUSTRATED

BRI

32-21-01-01C

BOEING PROPRIETARY - Copyright © - Unpublished Work - See title page for details.

32-21-01  
 FIG. 01C  
 PAGE 18  
 JAN 20/09





757

PARTS CATALOG (MAINTENANCE)

FIG ITEM	PART NUMBER	1 2 3 4 5 6 7	NOMENCLATURE	EFFECT FROM TO	UNITS PER ASSY
1C - 3	162N0001-22		GEAR ASSY-NLG (NOSE GEAR ONLY) COMPONENT MAINT MANUAL REF: 32-21-25 QUALIFIED I/W DATA: 162N0001-122,-115,109, -103,-98 T/W (1) BACB28AK06-045, (1) BACB30NR6DK REQUIRES THE 727 TOW BAR MAY REPLACE BUT NOT BE REPLACED BY 162N0001-22, -20 T/W (1) BACB28AK06-058 (1) BACB30NR6DK25 REQUIRES THE 757 TOW BAR SUBJECT TO CUSTOMER APPROVAL 162N0001-118, -111, -105, -101, -49 T/W (1)BACB28AK06-045 AND (1)BACB30NR6DK21 WITH ONLY FORWARD TOW FITTING MAY REPLACE BUT NOT BEREPLACED BY 162N0001-22, -20 T/W (1)BACB28AK06-058 AND (1)BACB30NR6DK25	002004 006100 107107 121503 904949	RF
- 3	162N0001-22		GEAR ASSY-NLG (NOSE GEAR ONLY) COMPONENT MAINT MANUAL REF: 32-21-25 QUALIFIED I/W DATA: 162N0001-121, -114, -108, -102, -97 T/W (1)BACB28AK06-045, (1)BACB30NR6DK21 WITH QUICK RELEASE TORSION LINK AND FORWARD TOW FITTING ONLY MAY REPLACE BUT NOT BE REPLACED BY 162N0001-22, -20 T/W (1)BACB28AK06-058, (1)BACB30NR6DK25 WITHOUT QUICK RELEASE TORSION LINK AND WITH FORWARD AND AFT TOW FITTINGS SUBJECT TO CUSTOMER APPROVAL	002004 006100 107107 121503 904949	RF

MISSING ITEM NUMBERS NOT APPLICABLE

- ITEM NOT ILLUSTRATED

32-21-01-01C

32-21-01  
FIG. 01C  
PAGE 19  
JAN 20/09

BRI



757

PARTS CATALOG (MAINTENANCE)

FIG ITEM	PART NUMBER	1 2 3 4 5 6 7	NOMENCLATURE	EFFECT FROM TO	UNITS PER ASSY
1C - 3	162N0001-23		GEAR ASSY-NLG (NOSE GEAR ONLY) POSITION DATA: SECT. 62 COMPONENT MAINT MANUAL REF: 32-21-25 QUALIFIED I/W DATA: 162N0001-41, -38, -32, -31, -26, -24, -23, -21, -19, -18, -14, -6 T/W (1)BACB28AK06-045 AND (1)BACB30NR6DK21 I/W 162N0001-22, -20 I/W (1)BACB28AK06-058 AND (1)BACB30NR6DK25 FOR NHA/OTHER SYS DET SEE: 32-21-00-01B	002004 006100 107107 121503 904949	RF
- 3	162N0001-23		GEAR ASSY-NLG (NOSE GEAR ONLY) COMPONENT MAINT MANUAL REF: 32-21-25 QUALIFIED I/W DATA: 12N0001-119, -112, -106, -99, -45 WITH QUICK RELEASE TORSION LINKS MAY REPLACE BUT NOT BE REPLACED BY 162N0001-41, -38, -32, -31, -26, -24, -23, -21, -19, -18, -14, -6 WITHOUT QUICK RELEASE TORSION LINKS SUBJECT TO CUSTOMER APPROVAL 162N0001-122, -115, -109, -103, -98 REQUIRES THE 727 TOW BAR MAY REPLACE BUT NOT BE REPLACED BY 162N0001-41, -38, -32, -31, -26, -24, -23, -21, -19, -18, -14, -6 REQUIRES 757 TOW BAR SUBJECT TO CUSTOMER APPROVAL	002004 006100 107107 121503 904949	RF

MISSING ITEM NUMBERS NOT APPLICABLE

- ITEM NOT ILLUSTRATED

32-21-01-01C

32-21-01  
FIG. 01C  
PAGE 20  
JAN 20/09

BRI



757

PARTS CATALOG (MAINTENANCE)

FIG ITEM	PART NUMBER	1 2 3 4 5 6 7 NOMENCLATURE	EFFECT FROM TO	UNITS PER ASSY
1C - 4	162N0001-23	GEAR ASSY-NLG (NOSE GEAR ONLY) COMPONENT MAINT MANUAL REF: 32-21-25 QUALIFIED I/W DATA: 162N0001-41, -38, -32, -31, -26, -24, -23, -21, -19, -18, -14, -6 WITHOUT QUICK RELEASE TORSION LINKS I/W 162N0001-46, -42, -33 WITH QUICK RELEASE TORSION LINKS SUBJECT TO CUSTOMER APPROVAL 162N0001-118, -111, -105, -101, -49 WITH ONLY FORWARD TOW FITTING MAY REPLACE BUT NOT BE REPLACED BY 162N001-41, -38, -32, -31, -26, -24, -23, -21, -19, -18, -14, -6 WITH FORWARD AND AFT TOW FITTING SUBJECT TO CUSTOMER APPROVAL	002004 006100 107107 121503 904949	RF

MISSING ITEM NUMBERS NOT APPLICABLE

- ITEM NOT ILLUSTRATED

BRI

32-21-01-01C

BOEING PROPRIETARY - Copyright © - Unpublished Work - See title page for details.

32-21-01  
FIG. 01C  
PAGE 21  
JAN 20/09



757

PARTS CATALOG (MAINTENANCE)

FIG ITEM	PART NUMBER	1 2 3 4 5 6 7	NOMENCLATURE	EFFECT FROM TO	UNITS PER ASSY
1C - 4	162N0001-23		GEAR ASSY-NLG (NOSE GEAR ONLY) COMPONENT MAINT MANUAL REF: 32-21-25 QUALIFIED I/W DATA: 162N0001-121, -114, -108, -102, -97 WITH QUICK RELEASE TORSION LINKS AND ONLY FORWARD TOW FITTING MAY REPLACE BUT NOT BE REPLACED BY 162N0001-41, -38, -32, -31, -26, -24, -23, -21, -19, -18, -14, -6 WITH FORWARD AND AFT TOW FITTING AND WITHOUT QUICK RELEASE TORSION LINKS SUBJECT TO CUSTOMER APPROVAL 162N0001-119 WITH QUICK RELEASE TORSION LINKS MAY REPLACE BUT NOT BE REPLACED BY 162N0001-41, -38, -32, -31, -26, -24, -23, -21, -19, -18, -14, -6 WITH CUSTOMER APPROVAL	002004 006100 107107 121503 904949	RF
- 4	162N0001-24		GEAR ASSY-NLG (NOSE GEAR ONLY) POSITION DATA: SECT. 62 COMPONENT MAINT MANUAL REF: 32-21-25 QUALIFIED I/W DATA: 162N0001-41, -38, -32, -31, -26, -24, -23, -21, -19, -18, -14, -6 T/W (1)BACB28AK06-045 AND (1)BACB30NR6DK21 I/W 162N0001-22, -20 I/W (1)BACB28AK06-058 AND (1)BACB30NR6DK25 FOR NHA/OTHER SYS DET SEE: 32-21-00-01B	002004 006100 107107 121503 904949	RF

MISSING ITEM NUMBERS NOT APPLICABLE

- ITEM NOT ILLUSTRATED

32-21-01-01C

32-21-01  
FIG. 01C  
PAGE 22  
JAN 20/09

BRI



757

PARTS CATALOG (MAINTENANCE)

FIG ITEM	PART NUMBER	1 2 3 4 5 6 7	NOMENCLATURE	EFFECT FROM TO	UNITS PER ASSY
1 C - 4	162N0001-24		GEAR ASSY-NLG (NOSE GEAR ONLY) COMPONENT MAINT MANUAL REF: 32-21-25 QUALIFIED I/W DATA: 12N0001-119, -112, -106, -99, -45 WITH QUICK RELEASE TORSION LINKS MAY REPLACE BUT NOT BE REPLACED BY 162N0001-41, -38, -32, -31, -26, -24, -23, -21, -19, -18, -14, -6 WITHOUT QUICK RELEASE TORSION LINKS SUBJECT TO CUSTOMER APPROVAL 162N0001-122, -115, -109, -103, -98 REQUIRES THE 727 TOW BAR MAY REPLACE BUT NOT BE REPLACED BY 162N0001-41, -38, -32, -31, -26, -24, -23, -21, -19, -18, -14, -6 REQUIRES 757 TOW BAR SUBJECT TO CUSTOMER APPROVAL	002004 006100 107107 121503 904949	RF
- 4	162N0001-24		GEAR ASSY-NLG (NOSE GEAR ONLY) COMPONENT MAINT MANUAL REF: 32-21-25 QUALIFIED I/W DATA: 162N0001-41, -38, -32, -31, -26, -24, -23, -21, -19, -18, -14, -6 WITHOUT QUICK RELEASE TORSION LINKS I/W 162N0001-46, -42, -33 WITH QUICK RELEASE TORSION LINKS SUBJECT TO CUSTOMER APPROVAL 162N0001-118, -111, -105, -101, -49 WITH ONLY FORWARD TOW FITTING MAY REPLACE BUT NOT BE REPLACED BY 162N001-41, -38, -32, -31, -26, -24, -23, -21, -19, -18, -14, -6 WITH FORWARD AND AFT TOW FITTING SUBJECT TO CUSTOMER APPROVAL	002004 006100 107107 121503 904949	RF

MISSING ITEM NUMBERS NOT APPLICABLE

- ITEM NOT ILLUSTRATED

32-21-01-01C

32-21-01  
FIG. 01C  
PAGE 23  
JAN 20/09

BRI



757

PARTS CATALOG (MAINTENANCE)

FIG ITEM	PART NUMBER	1 2 3 4 5 6 7	NOMENCLATURE	EFFECT FROM TO	UNITS PER ASSY
1C - 4	162N0001-24		GEAR ASSY-NLG (NOSE GEAR ONLY) COMPONENT MAINT MANUAL REF: 32-21-25 QUALIFIED I/W DATA: 162N0001-121, -114, -108, -102, -97 WITH QUICK RELEASE TORSION LINKS AND ONLY FORWARD TOW FITTING MAY REPLACE BUT NOT BE REPLACED BY 162N0001-41, -38, -32, -31, -26, -24, -23, -21, -19, -18, -14, -6 WITH FORWARD AND AFT TOW FITTING AND WITHOUT QUICK RELEASE TORSION LINKS SUBJECT TO CUSTOMER APPROVAL 162N0001-119 WITH QUICK RELEASE TORSION LINKS MAY REPLACE BUT NOT BE REPLACED BY 162N0001-41, -38, -32, -31, -26, -24, -23, -21, -19, -18, -14, -6 WITH CUSTOMER APPROVAL	002004 006100 107107 121503 904949	RF
- 4	162N0001-26		GEAR ASSY-NLG (NOSE GEAR ONLY) POSITION DATA: SECT. 62 COMPONENT MAINT MANUAL REF: 32-21-25 QUALIFIED I/W DATA: 162N0001-41, -38, -32, -31, -26, -24, -23, -21, -19, -18, -14, -6 T/W (1)BACB28AK06-045 AND (1)BACB30NR6DK21 I/W 162N0001-22, -20 I/W (1)BACB28AK06-058 AND (1)BACB30NR6DK25 FOR NHA/OTHER SYS DET SEE: 32-21-00-01B	002004 006100 107107 121503 904949	RF

MISSING ITEM NUMBERS NOT APPLICABLE

- ITEM NOT ILLUSTRATED

32-21-01-01C

32-21-01  
FIG. 01C  
PAGE 24  
JAN 20/09

BRI



757

PARTS CATALOG (MAINTENANCE)

FIG ITEM	PART NUMBER	1 2 3 4 5 6 7	NOMENCLATURE	EFFECT FROM TO	UNITS PER ASSY
1C - 4	162N0001-26		GEAR ASSY-NLG (NOSE GEAR ONLY) COMPONENT MAINT MANUAL REF: 32-21-25 QUALIFIED I/W DATA: 12N0001-119, -112, -106, -99, -45 WITH QUICK RELEASE TORSION LINKS MAY REPLACE BUT NOT BE REPLACED BY 162N0001-41, -38, -32, -31, -26, -24, -23, -21, -19, -18, -14, -6 WITHOUT QUICK RELEASE TORSION LINKS SUBJECT TO CUSTOMER APPROVAL 162N0001-122, -115, -109, -103, -98 REQUIRES THE 727 TOW BAR MAY REPLACE BUT NOT BE REPLACED BY 162N0001-41, -38, -32, -31, -26, -24, -23, -21, -19, -18, -14, -6 REQUIRES 757 TOW BAR SUBJECT TO CUSTOMER APPROVAL	002004 006100 107107 121503 904949	RF
- 4	162N0001-26		GEAR ASSY-NLG (NOSE GEAR ONLY) COMPONENT MAINT MANUAL REF: 32-21-25 QUALIFIED I/W DATA: 162N0001-41, -38, -32, -31, -26, -24, -23, -21, -19, -18, -14, -6 WITHOUT QUICK RELEASE TORSION LINKS I/W 162N0001-46, -42, -33 WITH QUICK RELEASE TORSION LINKS SUBJECT TO CUSTOMER APPROVAL 162N0001-118, -111, -105, -101, -49 WITH ONLY FORWARD TOW FITTING MAY REPLACE BUT NOT BE REPLACED BY 162N001-41, -38, -32, -31, -26, -24, -23, -21, -19, -18, -14, -6 WITH FORWARD AND AFT TOW FITTING SUBJECT TO CUSTOMER APPROVAL	002004 006100 107107 121503 904949	RF

MISSING ITEM NUMBERS NOT APPLICABLE

- ITEM NOT ILLUSTRATED

32-21-01-01C

32-21-01  
FIG. 01C  
PAGE 25  
JAN 20/09

BRI



757

PARTS CATALOG (MAINTENANCE)

FIG ITEM	PART NUMBER	1 2 3 4 5 6 7	NOMENCLATURE	EFFECT FROM TO	UNITS PER ASSY
1C - 4	162N0001-26		GEAR ASSY-NLG (NOSE GEAR ONLY) COMPONENT MAINT MANUAL REF: 32-21-25 QUALIFIED I/W DATA: 162N0001-121, -114, -108, -102, -97 WITH QUICK RELEASE TORSION LINKS AND ONLY FORWARD TOW FITTING MAY REPLACE BUT NOT BE REPLACED BY 162N0001-41, -38, -32, -31, -26, -24, -23, -21, -19, -18, -14, -6 WITH FORWARD AND AFT TOW FITTING AND WITHOUT QUICK RELEASE TORSION LINKS SUBJECT TO CUSTOMER APPROVAL 162N0001-119 WITH QUICK RELEASE TORSION LINKS MAY REPLACE BUT NOT BE REPLACED BY 162N0001-41, -38, -32, -31, -26, -24, -23, -21, -19, -18, -14, -6 WITH CUSTOMER APPROVAL	002004 006100 107107 121503 904949	RF
- 5	162N0001-30		GEAR ASSY-NLG (NOSE GEAR ONLY) POSITION DATA: SECT. 62 COMPONENT MAINT MANUAL REF: 32-21-25 FOR NHA/OTHER SYS DET SEE: 32-21-00-01B	002004 006100 107107 121503 904949	RF

MISSING ITEM NUMBERS NOT APPLICABLE

- ITEM NOT ILLUSTRATED

**32-21-01-01C**

32-21-01  
FIG. 01C  
PAGE 26  
JAN 20/09

BRI





757

PARTS CATALOG (MAINTENANCE)

FIG ITEM	PART NUMBER	1 2 3 4 5 6 7	NOMENCLATURE	EFFECT FROM TO	UNITS PER ASSY
1C - 5	162N0001-31		GEAR ASSY-NLG (NOSE GEAR ONLY) POSITION DATA: SECT. 62 COMPONENT MAINT MANUAL REF: 32-21-25 QUALIFIED I/W DATA: 162N0001-41, -38, -32, -31, -26, -24, -23, -21, -19, -18, -14, -6 T/W (1)BACB28AK06-045 AND (1)BACB30NR6DK21 I/W 162N0001-22, -20 I/W (1)BACB28AK06-058 AND (1)BACB30NR6DK25 FOR NHA/OTHER SYS DET SEE: 32-21-00-01B	002004 006100 107107 121503 904949	RF
- 5	162N0001-31		GEAR ASSY-NLG (NOSE GEAR ONLY) COMPONENT MAINT MANUAL REF: 32-21-25 QUALIFIED I/W DATA: 12N0001-119, -112, -106, -99, -45 WITH QUICK RELEASE TORSION LINKS MAY REPLACE BUT NOT BE REPLACED BY 162N0001-41, -38, -32, -31, -26, -24, -23, -21, -19, -18, -14, -6 WITHOUT QUICK RELEASE TORSION LINKS SUBJECT TO CUSTOMER APPROVAL 162N0001-122, -115, -109, -103, -98 REQUIRES THE 727 TOW BAR MAY REPLACE BUT NOT BE REPLACED BY 162N0001-41, -38, -32, -31, -26, -24, -23, -21, -19, -18, -14, -6 REQUIRES 757 TOW BAR SUBJECT TO CUSTOMER APPROVAL	002004 006100 107107 121503 904949	RF

MISSING ITEM NUMBERS NOT APPLICABLE

- ITEM NOT ILLUSTRATED

BRI

32-21-01-01C

BOEING PROPRIETARY - Copyright © - Unpublished Work - See title page for details.

32-21-01  
FIG. 01C  
PAGE 27  
JAN 20/09



757

PARTS CATALOG (MAINTENANCE)

FIG ITEM	PART NUMBER	1 2 3 4 5 6 7	NOMENCLATURE	EFFECT FROM TO	UNITS PER ASSY
1C - 5	162N0001-31		GEAR ASSY-NLG (NOSE GEAR ONLY) COMPONENT MAINT MANUAL REF: 32-21-25 QUALIFIED I/W DATA: 162N0001-41, -38, -32, -31, -26, -24, -23, -21, -19, -18, -14, -6 WITHOUT QUICK RELEASE TORSION LINKS I/W 162N0001-46, -42, -33 WITH QUICK RELEASE TORSION LINKS SUBJECT TO CUSTOMER APPROVAL 162N0001-118, -111, -105, -101, -49 WITH ONLY FORWARD TOW FITTING MAY REPLACE BUT NOT BE REPLACED BY 162N001-41, -38, -32, -31, -26, -24, -23, -21, -19, -18, -14, -6 WITH FORWARD AND AFT TOW FITTING SUBJECT TO CUSTOMER APPROVAL	002004 006100 107107 121503 904949	RF

MISSING ITEM NUMBERS NOT APPLICABLE

- ITEM NOT ILLUSTRATED

BRI

**32-21-01-01C**

BOEING PROPRIETARY - Copyright © - Unpublished Work - See title page for details.

32-21-01  
 FIG. 01C  
 PAGE 28  
 JAN 20/09



757

PARTS CATALOG (MAINTENANCE)

FIG ITEM	PART NUMBER	1 2 3 4 5 6 7	NOMENCLATURE	EFFECT FROM TO	UNITS PER ASSY
1C - 5	162N0001-31		GEAR ASSY-NLG (NOSE GEAR ONLY) COMPONENT MAINT MANUAL REF: 32-21-25 QUALIFIED I/W DATA: 162N0001-121, -114, -108, -102, -97 WITH QUICK RELEASE TORSION LINKS AND ONLY FORWARD TOW FITTING MAY REPLACE BUT NOT BE REPLACED BY 162N0001-41, -38, -32, -31, -26, -24, -23, -21, -19, -18, -14, -6 WITH FORWARD AND AFT TOW FITTING AND WITHOUT QUICK RELEASE TORSION LINKS SUBJECT TO CUSTOMER APPROVAL 162N0001-119 WITH QUICK RELEASE TORSION LINKS MAY REPLACE BUT NOT BE REPLACED BY 162N0001-41, -38, -32, -31, -26, -24, -23, -21, -19, -18, -14, -6 WITH CUSTOMER APPROVAL	002004 006100 107107 121503 904949	RF
- 5	162N0001-32		GEAR ASSY-NLG (NOSE GEAR ONLY) POSITION DATA: SECT. 62 COMPONENT MAINT MANUAL REF: 32-21-25 QUALIFIED I/W DATA: 162N0001-41, -38, -32, -31, -26, -24, -23, -21, -19, -18, -14, -6 T/W (1)BACB28AK06-045 AND (1)BACB30NR6DK21 I/W 162N0001-22, -20 I/W (1)BACB28AK06-058 AND (1)BACB30NR6DK25 FOR NHA/OTHER SYS DET SEE: 32-21-00-01B	002004 006100 107107 121503 904949	RF

MISSING ITEM NUMBERS NOT APPLICABLE

- ITEM NOT ILLUSTRATED

BRI

32-21-01-01C

BOEING PROPRIETARY - Copyright © - Unpublished Work - See title page for details.

32-21-01  
FIG. 01C  
PAGE 29  
JAN 20/09



757

PARTS CATALOG (MAINTENANCE)

FIG ITEM	PART NUMBER	1 2 3 4 5 6 7	NOMENCLATURE	EFFECT FROM TO	UNITS PER ASSY
1C - 5	162N0001-32		GEAR ASSY-NLG (NOSE GEAR ONLY) COMPONENT MAINT MANUAL REF: 32-21-25 QUALIFIED I/W DATA: 12N0001-119, -112, -106, -99, -45 WITH QUICK RELEASE TORSION LINKS MAY REPLACE BUT NOT BE REPLACED BY 162N0001-41, -38, -32, -31, -26, -24, -23, -21, -19, -18, -14, -6 WITHOUT QUICK RELEASE TORSION LINKS SUBJECT TO CUSTOMER APPROVAL 162N0001-122, -115, -109, -103, -98 REQUIRES THE 727 TOW BAR MAY REPLACE BUT NOT BE REPLACED BY 162N0001-41, -38, -32, -31, -26, -24, -23, -21, -19, -18, -14, -6 REQUIRES 757 TOW BAR SUBJECT TO CUSTOMER APPROVAL	002004 006100 107107 121503 904949	RF
- 5	162N0001-32		GEAR ASSY-NLG (NOSE GEAR ONLY) COMPONENT MAINT MANUAL REF: 32-21-25 QUALIFIED I/W DATA: 162N0001-41, -38, -32, -31, -26, -24, -23, -21, -19, -18, -14, -6 WITHOUT QUICK RELEASE TORSION LINKS I/W 162N0001-46, -42, -33 WITH QUICK RELEASE TORSION LINKS SUBJECT TO CUSTOMER APPROVAL 162N0001-118, -111, -105, -101, -49 WITH ONLY FORWARD TOW FITTING MAY REPLACE BUT NOT BE REPLACED BY 162N001-41, -38, -32, -31, -26, -24, -23, -21, -19, -18, -14, -6 WITH FORWARD AND AFT TOW FITTING SUBJECT TO CUSTOMER APPROVAL	002004 006100 107107 121503 904949	RF

MISSING ITEM NUMBERS NOT APPLICABLE

- ITEM NOT ILLUSTRATED

32-21-01-01C

32-21-01  
FIG. 01C  
PAGE 30  
JAN 20/09

BRI



757

PARTS CATALOG (MAINTENANCE)

FIG ITEM	PART NUMBER	1 2 3 4 5 6 7	NOMENCLATURE	EFFECT FROM TO	UNITS PER ASSY
1C - 5	162N0001-32		GEAR ASSY-NLG (NOSE GEAR ONLY) COMPONENT MAINT MANUAL REF: 32-21-25 QUALIFIED I/W DATA: 162N0001-121, -114, -108, -102, -97 WITH QUICK RELEASE TORSION LINKS AND ONLY FORWARD TOW FITTING MAY REPLACE BUT NOT BE REPLACED BY 162N0001-41, -38, -32, -31, -26, -24, -23, -21, -19, -18, -14, -6 WITH FORWARD AND AFT TOW FITTING AND WITHOUT QUICK RELEASE TORSION LINKS SUBJECT TO CUSTOMER APPROVAL 162N0001-119 WITH QUICK RELEASE TORSION LINKS MAY REPLACE BUT NOT BE REPLACED BY 162N0001-41, -38, -32, -31, -26, -24, -23, -21, -19, -18, -14, -6 WITH CUSTOMER APPROVAL	002004 006100 107107 121503 904949	RF
- 6	162N0001-38		GEAR ASSY-NLG (NOSE GEAR ONLY) POSITION DATA: SECT. 62 COMPONENT MAINT MANUAL REF: 32-21-25 QUALIFIED I/W DATA: 162N0001-41, -38, -32, -31, -26, -24, -23, -21, -19, -18, -14, -6 T/W (1)BACB28AK06-045 AND (1)BACB30NR6DK21 I/W 162N0001-22, -20 I/W (1)BACB28AK06-058 AND (1)BACB30NR6DK25 FOR NHA/OTHER SYS DET SEE: 32-21-00-01B	002004 006100 107107 121503 904949	RF

MISSING ITEM NUMBERS NOT APPLICABLE

- ITEM NOT ILLUSTRATED

32-21-01-01C

32-21-01  
FIG. 01C  
PAGE 31  
JAN 20/09

BRI



757

PARTS CATALOG (MAINTENANCE)

FIG ITEM	PART NUMBER	1 2 3 4 5 6 7	NOMENCLATURE	EFFECT FROM TO	UNITS PER ASSY
1C - 6	162N0001-38		GEAR ASSY-NLG (NOSE GEAR ONLY) COMPONENT MAINT MANUAL REF: 32-21-25 QUALIFIED I/W DATA: 12N0001-119, -112, -106, -99, -45 WITH QUICK RELEASE TORSION LINKS MAY REPLACE BUT NOT BE REPLACED BY 162N0001-41, -38, -32, -31, -26, -24, -23, -21, -19, -18, -14, -6 WITHOUT QUICK RELEASE TORSION LINKS SUBJECT TO CUSTOMER APPROVAL 162N0001-122, -115, -109, -103, -98 REQUIRES THE 727 TOW BAR MAY REPLACE BUT NOT BE REPLACED BY 162N0001-41, -38, -32, -31, -26, -24, -23, -21, -19, -18, -14, -6 REQUIRES 757 TOW BAR SUBJECT TO CUSTOMER APPROVAL	002004 006100 107107 121503 904949	RF
- 6	162N0001-38		GEAR ASSY-NLG (NOSE GEAR ONLY) COMPONENT MAINT MANUAL REF: 32-21-25 QUALIFIED I/W DATA: 162N0001-41, -38, -32, -31, -26, -24, -23, -21, -19, -18, -14, -6 WITHOUT QUICK RELEASE TORSION LINKS I/W 162N0001-46, -42, -33 WITH QUICK RELEASE TORSION LINKS SUBJECT TO CUSTOMER APPROVAL 162N0001-118, -111, -105, -101, -49 WITH ONLY FORWARD TOW FITTING MAY REPLACE BUT NOT BE REPLACED BY 162N001-41, -38, -32, -31, -26, -24, -23, -21, -19, -18, -14, -6 WITH FORWARD AND AFT TOW FITTING SUBJECT TO CUSTOMER APPROVAL	002004 006100 107107 121503 904949	RF

MISSING ITEM NUMBERS NOT APPLICABLE

- ITEM NOT ILLUSTRATED

32-21-01-01C

32-21-01  
FIG. 01C  
PAGE 32  
JAN 20/09

BRI



757

PARTS CATALOG (MAINTENANCE)

FIG ITEM	PART NUMBER	1 2 3 4 5 6 7	NOMENCLATURE	EFFECT FROM TO	UNITS PER ASSY
1C - 6	162N0001-38		GEAR ASSY-NLG (NOSE GEAR ONLY) COMPONENT MAINT MANUAL REF: 32-21-25 QUALIFIED I/W DATA: 162N0001-121, -114, -108, -102, -97 WITH QUICK RELEASE TORSION LINKS AND ONLY FORWARD TOW FITTING MAY REPLACE BUT NOT BE REPLACED BY 162N0001-41, -38, -32, -31, -26, -24, -23, -21, -19, -18, -14, -6 WITH FORWARD AND AFT TOW FITTING AND WITHOUT QUICK RELEASE TORSION LINKS SUBJECT TO CUSTOMER APPROVAL 162N0001-119 WITH QUICK RELEASE TORSION LINKS MAY REPLACE BUT NOT BE REPLACED BY 162N0001-41, -38, -32, -31, -26, -24, -23, -21, -19, -18, -14, -6 WITH CUSTOMER APPROVAL	002004 006100 107107 121503 904949	RF
- 6	162N0001-41		GEAR ASSY-NLG (NOSE GEAR ONLY) POSITION DATA: SECT. 62 COMPONENT MAINT MANUAL REF: 32-21-25 QUALIFIED I/W DATA: 162N0001-41, -38, -32, -31, -26, -24, -23, -21, -19, -18, -14, -6 T/W (1)BACB28AK06-045 AND (1)BACB30NR6DK21 I/W 162N0001-22, -20 I/W (1)BACB28AK06-058 AND (1)BACB30NR6DK25 FOR NHA/OTHER SYS DET SEE: 32-21-00-01B	002004 006100 107107 121503 904949	RF

MISSING ITEM NUMBERS NOT APPLICABLE

- ITEM NOT ILLUSTRATED

BRI

32-21-01-01C

BOEING PROPRIETARY - Copyright © - Unpublished Work - See title page for details.

32-21-01  
FIG. 01C  
PAGE 33  
JAN 20/09



757

PARTS CATALOG (MAINTENANCE)

FIG ITEM	PART NUMBER	1 2 3 4 5 6 7 NOMENCLATURE	EFFECT FROM TO	UNITS PER ASSY
1C - 6	162N0001-41	GEAR ASSY-NLG (NOSE GEAR ONLY) COMPONENT MAINT MANUAL REF: 32-21-25 QUALIFIED I/W DATA: 12N0001-119, -112, -106, -99, -45 WITH QUICK RELEASE TORSION LINKS MAY REPLACE BUT NOT BE REPLACED BY 162N0001-41, -38, -32, -31, -26, -24, -23, -21, -19, -18, -14, -6 WITHOUT QUICK RELEASE TORSION LINKS SUBJECT TO CUSTOMER APPROVAL 162N0001-122, -115, -109, -103, -98 REQUIRES THE 727 TOW BAR MAY REPLACE BUT NOT BE REPLACED BY 162N0001-41, -38, -32, -31, -26, -24, -23, -21, -19, -18, -14, -6 REQUIRES 757 TOW BAR SUBJECT TO CUSTOMER APPROVAL	002004 006100 107107 121503 904949	RF

MISSING ITEM NUMBERS NOT APPLICABLE

- ITEM NOT ILLUSTRATED

BRI

**32-21-01-01C**

BOEING PROPRIETARY - Copyright © - Unpublished Work - See title page for details.

32-21-01  
 FIG. 01C  
 PAGE 34  
 JAN 20/09





757

PARTS CATALOG (MAINTENANCE)

FIG ITEM	PART NUMBER	1 2 3 4 5 6 7	NOMENCLATURE	EFFECT FROM TO	UNITS PER ASSY
1C - 6	162N0001-41		GEAR ASSY-NLG (NOSE GEAR ONLY) COMPONENT MAINT MANUAL REF: 32-21-25 QUALIFIED I/W DATA: 162N0001-41, -38, -32, -31, -26, -24, -23, -21, -19, -18, -14, -6 WITHOUT QUICK RELEASE TORSION LINKS I/W 162N0001-46, -42, -33 WITH QUICK RELEASE TORSION LINKS SUBJECT TO CUSTOMER APPROVAL 162N0001-118, -111, -105, -101, -49 WITH ONLY FORWARD TOW FITTING MAY REPLACE BUT NOT BE REPLACED BY 162N001-41, -38, -32, -31, -26, -24, -23, -21, -19, -18, -14, -6 WITH FORWARD AND AFT TOW FITTING SUBJECT TO CUSTOMER APPROVAL 162N0001-119, -112, -106, -99, -45 WITH QUICK RELEASE TORSION LINKS I/W 162N0001-120, -113, -107, -100, -47 WITHOUT QUICK RELEASE TORSION LINKS SUBJECT TO CUSTOMER APPROVAL	002004 006100 107107 121503 904949	RF

MISSING ITEM NUMBERS NOT APPLICABLE

- ITEM NOT ILLUSTRATED

BRI

32-21-01-01C

BOEING PROPRIETARY - Copyright © - Unpublished Work - See title page for details.

32-21-01  
FIG. 01C  
PAGE 35  
JAN 20/09



757

PARTS CATALOG (MAINTENANCE)

FIG ITEM	PART NUMBER	1 2 3 4 5 6 7	NOMENCLATURE	EFFECT FROM TO	UNITS PER ASSY
1C - 6	162N0001-41		GEAR ASSY-NLG (NOSE GEAR ONLY) COMPONENT MAINT MANUAL REF: 32-21-25 QUALIFIED I/W DATA: 162N0001-121, -114, -108, -102, -97 WITH QUICK RELEASE TORSION LINKS AND ONLY FORWARD TOW FITTING MAY REPLACE BUT NOT BE REPLACED BY 162N0001-41, -38, -32, -31, -26, -24, -23, -21, -19, -18, -14, -6 WITH FORWARD AND AFT TOW FITTING AND WITHOUT QUICK RELEASE TORSION LINKS SUBJECT TO CUSTOMER APPROVAL 162N0001-119 WITH QUICK RELEASE TORSION LINKS MAY REPLACE BUT NOT BE REPLACED BY 162N0001-41, -38, -32, -31, -26, -24, -23, -21, -19, -18, -14, -6 WITH CUSTOMER APPROVAL	002004 006100 107107 121503 904949	RF
- 6	162N0001-47		GEAR ASSY-NLG (NOSE GEAR ONLY) POSITION DATA: SECT. 62 COMPONENT MAINT MANUAL REF: 32-21-25 QUALIFIED I/W DATA: 162N0001-120, -113, -107, -100, -47 T/W (1)BACB30NR6DK21 MAY REPLACE BUT NOT BE REPLACED BY 162N0001-20, -22 T/W (1)BACB28AK06-058 AND (1)BACB30NR6DK25 FOR NHA/OTHER SYS DET SEE: 32-21-00-01B	002004 006100 107107 121503 904949	RF

MISSING ITEM NUMBERS NOT APPLICABLE

- ITEM NOT ILLUSTRATED

32-21-01-01C

32-21-01  
FIG. 01C  
PAGE 36  
JAN 20/09

BRI



757

PARTS CATALOG (MAINTENANCE)

FIG ITEM	PART NUMBER	1 2 3 4 5 6 7 NOMENCLATURE	EFFECT FROM TO	UNITS PER ASSY
1C - 6	162N0001-47	GEAR ASSY-NLG (NOSE GEAR ONLY) COMPONENT MAINT MANUAL REF: 32-21-25 QUALIFIED I/W DATA: 162N0001-118, -111, -105, -101, -49 WITH ONLY FORWARD TOW FITTING I/W 162N0001-120, -113, -107, -100, -47 WITH FORWARD AND AFT TOW FITTINGS WITH CUSTOMER APPROVAL 162N0001-120, -113, -107, -100, -47 WITHOUT QUICK RELEASE TORSION LINKS MAY REPLACE BUT NOT BE REPLACED BY 162N0001-46, -42, -33 WITH QUICK RELEASE COND RPL SUBJECT TO CUSTOMER APPROVAL 162N0001-119, -112, -106, -99, -45 WITH QUICK RELEASE TORSION LINKS I/W 162N0001-120, -113, -107, -100, -47 WITHOUT QUICK RELEASE TORSION LINKS SUBJECT TO CUSTOMER APPROVAL	002004 006100 107107 121503 904949	RF

MISSING ITEM NUMBERS NOT APPLICABLE

- ITEM NOT ILLUSTRATED

**32-21-01-01C**

32-21-01  
FIG. 01C  
PAGE 37  
JAN 20/09

BRI



757

PARTS CATALOG (MAINTENANCE)

FIG ITEM	PART NUMBER	1 2 3 4 5 6 7	NOMENCLATURE	EFFECT FROM TO	UNITS PER ASSY
1C - 6	162N0001-47		GEAR ASSY-NLG (NOSE GEAR ONLY) COMPONENT MAINT MANUAL REF: 32-21-25 QUALIFIED I/W DATA: 162N0001-122, -115, -109, -103, -98 REQUIRES THE 727 TOW BAR I/W 162N0001-120, -113, -107, -100, -47 REQUIRES THE 757 TOW BAR SUBJECT TO CUSTOMER APPROVAL 162N0001-121, -114, -108, -102, -97 WITH QUICK RELEASE TORSION LINKS AND ONLY FORWARD TOW FITTING I/W 162N0001-120, -113, -107, -100, -47 WITH FORWARD AND AFT TOW FITTING AND WITHOUT QUICK RELEASE TORSION LINKS SUBJECT TO CUSTOMER APPROVAL	002004 006100 107107 121503 904949	RF
- 6	162N0001-47		GEAR ASSY-NLG (NOSE GEAR ONLY) COMPONENT MAINT MANUAL REF: 32-21-25 QUALIFIED I/W DATA: 162N0001-119 WITH QUICK RELEASE TORSION LINKS I/W 162N0001-113, -107, -100, -47 WITHOUT QUICK RELEASE TORSION LINKS WITH CUSTOMER APPROVAL	002004 006100 107107 121503 904949	RF

MISSING ITEM NUMBERS NOT APPLICABLE

- ITEM NOT ILLUSTRATED

32-21-01-01C

32-21-01  
FIG. 01C  
PAGE 38  
JAN 20/09

BRI



757

PARTS CATALOG (MAINTENANCE)

FIG ITEM	PART NUMBER	1 2 3 4 5 6 7	NOMENCLATURE	EFFECT FROM TO	UNITS PER ASSY
1C - 7	162N0001-100		GEAR ASSY-NLG (NOSE GEAR ONLY) POSITION DATA: SECT. 62 COMPONENT MAINT MANUAL REF: 32-21-25 QUALIFIED I/W DATA: 162N0001-120, -113, -107, -100, -47 T/W (1)BACB30NR6DK21 MAY REPLACE BUT NOT BE REPLACED BY 162N0001-20, -22 T/W (1)BACB28AK06-058 AND (1)BACB30NR6DK25 FOR NHA/OTHER SYS DET SEE: 32-21-00-01B	002004 006100 107107 121503 904949	RF
- 7	162N0001-100		GEAR ASSY-NLG (NOSE GEAR ONLY) COMPONENT MAINT MANUAL REF: 32-21-25 QUALIFIED I/W DATA: 162N0001-118, -111, -105, -101, -49 WITH ONLY FORWARD TOW FITTING I/W 162N0001-120, -113, -107, -100, -47 WITH FORWARD AND AFT TOW FITTINGS WITH CUSTOMER APPROVAL 162N0001-120, -113, -107, -100, -47 WITHOUT QUICK RELEASE TORSION LINKS MAY REPLACE BUT NOT BE REPLACED BY 162N0001-46, -42, -33 WITH QUICK RELEASE COND RPL SUBJECT TO CUSTOMER APPROVAL 162N0001-119, -112, -106, -99, -45 WITH QUICK RELEASE TORSION LINKS I/W 162N0001-120, -113, -107, -100, -47 WITHOUT QUICK RELEASE TORSION LINKS SUBJECT TO CUSTOMER APPROVAL	002004 006100 107107 121503 904949	RF

MISSING ITEM NUMBERS NOT APPLICABLE

- ITEM NOT ILLUSTRATED

32-21-01-01C

32-21-01  
FIG. 01C  
PAGE 39  
JAN 20/09

BRI



757

PARTS CATALOG (MAINTENANCE)

FIG ITEM	PART NUMBER	1 2 3 4 5 6 7	NOMENCLATURE	EFFECT FROM TO	UNITS PER ASSY
1C - 7	162N0001-100		GEAR ASSY-NLG (NOSE GEAR ONLY) COMPONENT MAINT MANUAL REF: 32-21-25 QUALIFIED I/W DATA: 162N0001-122, -115, -109, -103, -98 REQUIRES THE 727 TOW BAR I/W 162N0001-120, -113, -107, -100, -47 REQUIRES THE 757 TOW BAR SUBJECT TO CUSTOMER APPROVAL 162N0001-121, -114, -108, -102, -97 WITH QUICK RELEASE TORSION LINKS AND ONLY FORWARD TOW FITTING I/W 162N0001-120, -113, -107, -100, -47 WITH FORWARD AND AFT TOW FITTING AND WITHOUT QUICK RELEASE TORSION LINKS SUBJECT TO CUSTOMER APPROVAL	002004 006100 107107 121503 904949	RF
- 7	162N0001-100		GEAR ASSY-NLG (NOSE GEAR ONLY) COMPONENT MAINT MANUAL REF: 32-21-25 QUALIFIED I/W DATA: 162N0001-119 WITH QUICK RELEASE TORSION LINKS I/W 162N0001-113, -107, -100, -47 WITHOUT QUICK RELEASE TORSION LINKS WITH CUSTOMER APPROVAL 162N0001-118, -111, -105, -101, -49 WITHOUT QUICK RELEASE TORSION LINKS I/W 162N0001-121, -114, -108, -102, -97 WITH QUICK RELEASE TORSION LINKS SUBJECT TO CUSTOMER APPROVAL	002004 006100 107107 121503 904949	RF

MISSING ITEM NUMBERS NOT APPLICABLE

- ITEM NOT ILLUSTRATED

32-21-01-01C

32-21-01  
FIG. 01C  
PAGE 40  
JAN 20/09

BRI



757

PARTS CATALOG (MAINTENANCE)

FIG ITEM	PART NUMBER	1 2 3 4 5 6 7	NOMENCLATURE	EFFECT FROM TO	UNITS PER ASSY
1C - 7	162N0001-107		GEAR ASSY-NLG (NOSE GEAR ONLY) POSITION DATA: SECT. 62 COMPONENT MAINT MANUAL REF: 32-21-25 QUALIFIED I/W DATA: 162N0001-120, -113, -107, -100, -47 T/W (1)BACB30NR6DK21 MAY REPLACE BUT NOT BE REPLACED BY 162N0001-20, -22 T/W (1)BACB28AK06-058 AND (1)BACB30NR6DK25 FOR NHA/OTHER SYS DET SEE: 32-21-00-01B	002004 006100 107107 121503 904949	RF
- 7	162N0001-107		GEAR ASSY-NLG (NOSE GEAR ONLY) COMPONENT MAINT MANUAL REF: 32-21-25 QUALIFIED I/W DATA: 162N0001-118, -111, -105, -101, -49 WITH ONLY FORWARD TOW FITTING I/W 162N0001-120, -113, -107, -100, -47 WITH FORWARD AND AFT TOW FITTINGS WITH CUSTOMER APPROVAL 162N0001-120, -113, -107, -100, -47 WITHOUT QUICK RELEASE TORSION LINKS MAY REPLACE BUT NOT BE REPLACED BY 162N0001-46, -42, -33 WITH QUICK RELEASE COND RPL SUBJECT TO CUSTOMER APPROVAL 162N0001-119, -112, -106, -99, -45 WITH QUICK RELEASE TORSION LINKS I/W 162N0001-120, -113, -107, -100, -47 WITHOUT QUICK RELEASE TORSION LINKS SUBJECT TO CUSTOMER APPROVAL	002004 006100 107107 121503 904949	RF

MISSING ITEM NUMBERS NOT APPLICABLE

- ITEM NOT ILLUSTRATED

32-21-01-01C

32-21-01  
FIG. 01C  
PAGE 41  
JAN 20/09

BRI



757

PARTS CATALOG (MAINTENANCE)

FIG ITEM	PART NUMBER	1 2 3 4 5 6 7	NOMENCLATURE	EFFECT FROM TO	UNITS PER ASSY
1C - 7	162N0001-107		GEAR ASSY-NLG (NOSE GEAR ONLY) COMPONENT MAINT MANUAL REF: 32-21-25 QUALIFIED I/W DATA: 162N0001-122, -115, -109, -103, -98 REQUIRES THE 727 TOW BAR I/W 162N0001-120, -113, -107, -100, -47 REQUIRES THE 757 TOW BAR SUBJECT TO CUSTOMER APPROVAL 162N0001-121, -114, -108, -102, -97 WITH QUICK RELEASE TORSION LINKS AND ONLY FORWARD TOW FITTING I/W 162N0001-120, -113, -107, -100, -47 WITH FORWARD AND AFT TOW FITTING AND WITHOUT QUICK RELEASE TORSION LINKS SUBJECT TO CUSTOMER APPROVAL	002004 006100 107107 121503 904949	RF
- 7	162N0001-107		GEAR ASSY-NLG (NOSE GEAR ONLY) COMPONENT MAINT MANUAL REF: 32-21-25 QUALIFIED I/W DATA: 162N0001-119 WITH QUICK RELEASE TORSION LINKS I/W 162N0001-113, -107, -100, -47 WITHOUT QUICK RELEASE TORSION LINKS WITH CUSTOMER APPROVAL	002004 006100 107107 121503 904949	RF

MISSING ITEM NUMBERS NOT APPLICABLE

- ITEM NOT ILLUSTRATED

BRI

32-21-01-01C

BOEING PROPRIETARY - Copyright © - Unpublished Work - See title page for details.

32-21-01  
FIG. 01C  
PAGE 42  
JAN 20/09





757

PARTS CATALOG (MAINTENANCE)

FIG ITEM	PART NUMBER	1 2 3 4 5 6 7	NOMENCLATURE	EFFECT FROM TO	UNITS PER ASSY
1C - 8	162N0001-113		GEAR ASSY-NLG (NOSE GEAR ONLY) POSITION DATA: SECT. 62 COMPONENT MAINT MANUAL REF: 32-21-25 QUALIFIED I/W DATA: 162N0001-120, -113, -107, -100, -47 T/W (1)BACB30NR6DK21 MAY REPLACE BUT NOT BE REPLACED BY 162N0001-20, -22 T/W (1)BACB28AK06-058 AND (1)BACB30NR6DK25 FOR NHA/OTHER SYS DET SEE: 32-21-00-01B	002004 006100 107107 121503 904949	RF
- 8	162N0001-113		GEAR ASSY-NLG (NOSE GEAR ONLY) COMPONENT MAINT MANUAL REF: 32-21-25 QUALIFIED I/W DATA: 162N0001-122, -115, -109, -103, -98 REQUIRES THE 727 TOW BAR I/W 162N0001-120, -113, -107, -100, -47 REQUIRES THE 757 TOW BAR SUBJECT TO CUSTOMER APPROVAL 162N0001-121, -114, -108, -102, -97 WITH QUICK RELEASE TORSION LINKS AND ONLY FORWARD TOW FITTING I/W 162N0001-120, -113, -107, -100, -47 WITH FORWARD AND AFT TOW FITTING AND WITHOUT QUICK RELEASE TORSION LINKS SUBJECT TO CUSTOMER APPROVAL	002004 006100 107107 121503 904949	RF

MISSING ITEM NUMBERS NOT APPLICABLE

- ITEM NOT ILLUSTRATED

32-21-01-01C

32-21-01  
FIG. 01C  
PAGE 43  
JAN 20/09

BRI



757

PARTS CATALOG (MAINTENANCE)

FIG ITEM	PART NUMBER	1 2 3 4 5 6 7	NOMENCLATURE	EFFECT FROM TO	UNITS PER ASSY
1C - 8	162N0001-113		GEAR ASSY-NLG (NOSE GEAR ONLY) COMPONENT MAINT MANUAL REF: 32-21-25 QUALIFIED I/W DATA: 162N0001-119 WITH QUICK RELEASE TORSION LINKS I/W 162N0001-113, -107, -100, -47 WITHOUT QUICK RELEASE TORSION LINKS WITH CUSTOMER APPROVAL 162N0001-122, -115, -109, -103, -98 REQUIRES THE 727 TOW BAR I/W 162N0001-120, -113, -107, -100, -47 REQUIRES THE 757 TOW BAR SUBJECT TO CUSTOMER APPROVAL	002004 006100 107107 121503 904949	RF
- 8	162N0001-113		GEAR ASSY-NLG (NOSE GEAR ONLY) COMPONENT MAINT MANUAL REF: 32-21-25 QUALIFIED I/W DATA: 162N0001-118, -111, -105, -101, -49 WITH ONLY FORWARD TOW FITTING I/W 162N0001-120, -113, -107, -100, -47 WITH FORWARD AND AFT TOW FITTINGS WITH CUSTOMER APPROVAL 162N0001-120, -113, -107, -100, -47 WITHOUT QUICK RELEASE TORSION LINKS MAY REPLACE BUT NOT BE REPLACED BY 162N0001-46, -42, -33 WITH QUICK RELEASE COND RPL SUBJECT TO CUSTOMER APPROVAL 162N0001-119, -112, -106, -99, -45 WITH QUICK RELEASE TORSION LINKS I/W 162N0001-120, -113, -107, -100, -47 WITHOUT QUICK RELEASE TORSION LINKS SUBJECT TO CUSTOMER APPROVAL	002004 006100 107107 121503 904949	RF

MISSING ITEM NUMBERS NOT APPLICABLE

- ITEM NOT ILLUSTRATED

32-21-01-01C

32-21-01  
FIG. 01C  
PAGE 44  
JAN 20/09

BRI



757

PARTS CATALOG (MAINTENANCE)

FIG ITEM	PART NUMBER	1 2 3 4 5 6 7	NOMENCLATURE	EFFECT FROM TO	UNITS PER ASSY
1C - 8	162N0001-120		GEAR ASSY-NLG (NOSE GEAR ONLY) POSITION DATA: SECT. 62 MISCELLANEOUS DATA: INCLUDES TWO TOW FITTINGS AND NO QUICK DISCONNECT OPTION COMPONENT MAINT MANUAL REF: 32-21-25 QUALIFIED I/W DATA: 162N0001-120, -113, -107, -100, -47 T/W (1)BACB30NR6DK21 MAY REPLACE BUT NOT BE REPLACED BY 162N0001-20, -22 T/W (1)BACB28AK06-058 AND (1)BACB30NR6DK25 FOR NHA/OTHER SYS DET SEE: 32-21-00-01B	002004 006100 107107 121503 904949	RF
- 8	162N0001-120		GEAR ASSY-NLG (NOSE GEAR ONLY) COMPONENT MAINT MANUAL REF: 32-21-25 QUALIFIED I/W DATA: 162N0001-119, -112, -106, -99, -45 WITH QUICK RELEASE TORSION LINKS I/W 162N0001-120, -113, -107, -100, -47 WITHOUT QUICK RELEASE TORSION LINKS SUBJECT TO CUSTOMER APPROVAL 162N0001-118, -111, -105, -101, -49 WITH ONLY FORWARD TOW FITTING I/W 162N0001-120, -113, -107, -100, -47 WITH FORWARD AND AFT TOW FITTINGS WITH CUSTOMER APPROVAL	002004 006100 107107 121503 904949	RF

MISSING ITEM NUMBERS NOT APPLICABLE

- ITEM NOT ILLUSTRATED

BRI

32-21-01-01C

BOEING PROPRIETARY - Copyright © - Unpublished Work - See title page for details.

32-21-01  
FIG. 01C  
PAGE 45  
JAN 20/09



757

PARTS CATALOG (MAINTENANCE)

FIG ITEM	PART NUMBER	1 2 3 4 5 6 7	NOMENCLATURE	EFFECT FROM TO	UNITS PER ASSY
1C - 8	162N0001-120		GEAR ASSY-NLG (NOSE GEAR ONLY) COMPONENT MAINT MANUAL REF: 32-21-25 QUALIFIED I/W DATA: 162N0001-120, -113, -107, -100, -47 WITHOUT QUICK RELEASE TORSION LINKS MAY REPLACE BUT NOT BE REPLACED BY 162N0001-46, -42, -33 WITH QUICK RELEASE SUBJECT TO CUSTOMER APPROVAL 162N0001-122, -115, -109, -103, -98 REQUIRES THE 727 TOW BAR I/W 162N0001-120, -113, -107, -100, -47 REQUIRES THE 757 TOW BAR SUBJECT TO CUSTOMER APPROVAL	002004 006100 107107 121503 904949	RF
- 8	162N0001-120		GEAR ASSY-NLG (NOSE GEAR ONLY) COMPONENT MAINT MANUAL REF: 32-21-25 QUALIFIED I/W DATA: 162N0001-121, -114, -108, -102, -97 WITH QUICK RELEASE TORSION LINKS AND ONLY FORWARD TOW FITTING I/W 162N0001-120, -113, -107, -100, -47 WITH FORWARD AND AFT TOW FITTING AND WITHOUT QUICK RELEASE TORSION LINKS SUBJECT TO CUSTOMER APPROVAL	002004 006100 107107 121503 904949	RF

MISSING ITEM NUMBERS NOT APPLICABLE

- ITEM NOT ILLUSTRATED

BRI

32-21-01-01C

BOEING PROPRIETARY - Copyright © - Unpublished Work - See title page for details.

32-21-01  
FIG. 01C  
PAGE 46  
JAN 20/09



757

PARTS CATALOG (MAINTENANCE)

FIG ITEM	PART NUMBER	1 2 3 4 5 6 7	NOMENCLATURE	EFFECT FROM TO	UNITS PER ASSY
1 C 20	MS24665-304		.PIN- USED ON: 162N0001-6 162N0001-14 162N0001-18 162N0001-19 162N0001-20 162N0001-21 162N0001-22 162N0001-23 162N0001-24 162N0001-26 162N0001-30 162N0001-31 162N0001-32 162N0001-38 162N0001-41 162N0001-47 162N0001-100 162N0001-107 USED ON: 162N0001-6 162N0001-14 162N0001-18 162N0001-19 162N0001-21 162N0001-23 162N0001-24 162N0001-26 162N0001-31 162N0001-32 162N0001-38 162N0001-41 162N0001-47 162N0001-100 162N0001-107	002004 006100 107107 121503 904949	2
20	BACP18BC03A10P		.PIN- USED ON: 162N0001-113 162N0001-120 USED ON: 162N0001-113 162N0001-120	002004 006100 107107 121503 904949	2
40	NAS6606D58		.BOLT	002004 006100 107107 121503 904949	2

MISSING ITEM NUMBERS NOT APPLICABLE

- ITEM NOT ILLUSTRATED

32-21-01-01C

32-21-01  
FIG. 01C  
PAGE 47  
JAN 20/09

BRI

BOEING PROPRIETARY - Copyright © - Unpublished Work - See title page for details.



757

PARTS CATALOG (MAINTENANCE)

FIG ITEM	PART NUMBER	1 2 3 4 5 6 7	NOMENCLATURE	EFFECT FROM TO	UNITS PER ASSY
1C 45	AN960C616		.WASHER- USED ON: 162N0001-6 162N0001-14 162N0001-18 162N0001-19 162N0001-20 162N0001-21 162N0001-22 162N0001-23 162N0001-24 162N0001-26 162N0001-30 162N0001-31 162N0001-32 162N0001-38 162N0001-41 162N0001-47 162N0001-100 162N0001-107 USED ON: 162N0001-6 162N0001-14 162N0001-18 162N0001-19 162N0001-21 162N0001-23 162N0001-24 162N0001-26 162N0001-31 162N0001-32 162N0001-38 162N0001-41 162N0001-47 162N0001-100 162N0001-107	002004 006100 107107 121503 904949	2
45	NAS1149C0663R		.WASHER- USED ON: 162N0001-113 162N0001-120 USED ON: 162N0001-113 162N0001-120	002004 006100 107107 121503 904949	2
55	LCN6-624		.NUT- SUPPLIER CODE: V56878	002004 006100 107107 121503 904949	2

MISSING ITEM NUMBERS NOT APPLICABLE

- ITEM NOT ILLUSTRATED

32-21-01-01C

32-21-01  
FIG. 01C  
PAGE 48  
JAN 20/09

BRI



757

PARTS CATALOG (MAINTENANCE)

FIG ITEM	PART NUMBER	1 2 3 4 5 6 7	NOMENCLATURE	EFFECT FROM TO	UNITS PER ASSY
1C 60	162N1172-1	.	CAP	002004 006100 107107 121503 904949	4
65	162N1149-1	.	PIN- OPTIONAL PART: 162N1149-2	002004 006100 107107 121503 904949	2
65	162N1149-2	.	PIN- OPTIONAL PART: 162N1149-1	002004 006100 107107 121503 904949	2
70	162N5005-2	.	WASHER-ALIGN.	002004 006100 107107 121503 904949	4

MISSING ITEM NUMBERS NOT APPLICABLE

- ITEM NOT ILLUSTRATED

BRI

32-21-01-01C

BOEING PROPRIETARY - Copyright © - Unpublished Work - See title page for details.

32-21-01  
FIG. 01C  
PAGE 49  
JAN 20/09



757

PARTS CATALOG (MAINTENANCE)

FIG ITEM	PART NUMBER	1 2 3 4 5 6 7	NOMENCLATURE	EFFECT FROM TO	UNITS PER ASSY
1C 85	162N1101-9		.STRUT ASSY-NLG COMPONENT MAINT MANUAL REF: 32-21-49 QUALIFIED I/W DATA: 162N1101-9 T/W (1) BACB28AK06-045 BUSHING AND (1) BACB30NR6DK21 BOLT (REF 141N0932) I/W 162N1101-13 T/W (1) BACB28AK06-058 BUSHING AND (1) BACB30NR6DK25 BOLT (REF 141N0932) 162N1101-9 T/W (1) BACB28AK06-045 BUSHING AND (1) BACB30NR6DK21 BOLT (REF 141N0932) I/W 162N1101-14 T/W (1) BACB28AK06-058 BUSHING AND (1) BACB30NR6DK25 BOLT (REF 141N0932) 162N1101-9 TOGETHER WITH (1) BACB28AK06-045 BUSHING AND (1) BACB30NR6DK21 BOLT (REF 141N0932) CAN REPLACE AND BE REPLACED BY 162N1101-15 TOGETHER WITH (1) BACB28AK06-058 BUSHING AND (1) BACB30NR6DK25 BOLT (REF 141N0932). USED ON: 162N0001-6 FOR DETAILS SEE: 32-21-01-20	002004 006100 107107 121503 904949	1

MISSING ITEM NUMBERS NOT APPLICABLE

- ITEM NOT ILLUSTRATED

BRI

32-21-01-01C

BOEING PROPRIETARY - Copyright © - Unpublished Work - See title page for details.

32-21-01  
FIG. 01C  
PAGE 50  
JAN 20/09





757

PARTS CATALOG (MAINTENANCE)

FIG ITEM	PART NUMBER	1 2 3 4 5 6 7 NOMENCLATURE	EFFECT FROM TO	UNITS PER ASSY
1C 85	162N1101-10	.STRUT ASSY-NLG COMPONENT MAINT MANUAL REF: 32-21-49 QUALIFIED I/W DATA: 162N1101-10 T/W (1) BACB28AK06-045 BUSHING AND (1) BACB30NR6DK21 BOLT (REF 141N0932) CAN REPLACE BUT NOT BE REPLACED BY 162N1101-14 T/W (1) BACB28AK06-058 BUSHING AND (1) BACB30NR6DK25 BOLT (REF 141N0932). 162N1101-10 T/W (1)BACB28AK06-045 BUSHING AND (1)BACB30NR6DK21 BOLT (REF 141N0932) I/W 162N1101-13 T/W (1)BACB28AK06-058 BUSHING AND (1)BACB30NR6DK25 BOLT (REF 141N0932) USED ON: 162N0001-18 FOR DETAILS SEE: 32-21-01-20	002004 006100 107107 121503 904949	1

MISSING ITEM NUMBERS NOT APPLICABLE

- ITEM NOT ILLUSTRATED

**32-21-01-01C**

32-21-01  
FIG. 01C  
PAGE 51  
JAN 20/09

BRI



757

PARTS CATALOG (MAINTENANCE)

FIG ITEM	PART NUMBER	1 2 3 4 5 6 7	NOMENCLATURE	EFFECT FROM TO	UNITS PER ASSY
1C 85	162N1101-11		.STRUT ASSY-NLG COMPONENT MAINT MANUAL REF: 32-21-49 QUALIFIED I/W DATA: 162N1101-11 T/W (1) BACB28AK06-045 BUSHING AND (1) BACB30NR6DK21 BOLT (REF 141N0932) CAN REPLACE BUT NOT BE REPLACED BY 162N1101-14 T/W (1) BACB28AK06-058 BUSHING AND (1) BACB30R6DK25 BOLT (REF 141N0932). 162N1101-11 T/W (1)BACB28AK06-045 BUSHING AND (1)BACB30NR6DK21 BOLT (REF 141N0932) I/W 162N1101-13 T/W (1)BACB28AK06-058 BUSHING AND (1)BACB30NR6DK25 BOLT (REF 141N0932) USED ON: 162N0001-23 FOR DETAILS SEE: 32-21-01-20	002004 006100 107107 121503 904949	1

MISSING ITEM NUMBERS NOT APPLICABLE

- ITEM NOT ILLUSTRATED

# 32-21-01-01C

32-21-01  
FIG. 01C  
PAGE 52  
JAN 20/09

BRI



757

PARTS CATALOG (MAINTENANCE)

FIG ITEM	PART NUMBER	1 2 3 4 5 6 7 NOMENCLATURE	EFFECT FROM TO	UNITS PER ASSY
1C 85	162N1101-12	.STRUT ASSY-NLG COMPONENT MAINT MANUAL REF: 32-21-49 QUALIFIED I/W DATA: 162N1101-12 T/W (1) BACB28AK06-045 BUSHING AND (1) BACB30NR6DK21 BOLT (REF 141N0932) CAN REPLACE BUT NOT BE REPLACED BY 162N1101-14 T/W (1) BACB28AK06-058 BUSHING AND (1) BACB30NR6DK25 BOLT (REF 141N0932). 162N1101-12 T/W (1)BACB28AK06-045 BUSHING AND (1)BACB30NR6DK21 BOLT (REF 141N0932) I/W 162N1101-13 T/W (1)BACB28AK06-058 BUSHING AND (1)BACB30NR6DK25 BOLT (REF 141N0932) USED ON: 162N0001-19 FOR DETAILS SEE: 32-21-01-20	002004 006100 107107 121503 904949	1

MISSING ITEM NUMBERS NOT APPLICABLE

- ITEM NOT ILLUSTRATED

**32-21-01-01C**

32-21-01  
FIG. 01C  
PAGE 53  
JAN 20/09

BRI



757

PARTS CATALOG (MAINTENANCE)

FIG ITEM	PART NUMBER	1 2 3 4 5 6 7	NOMENCLATURE	EFFECT FROM TO	UNITS PER ASSY
1C 85	162N1101-13	.	STRUT ASSY-NLG COMPONENT MAINT MANUAL REF: 32-21-49 QUALIFIED I/W DATA: 162N1101-9 T/W (1) BACB28AK06-045 BUSHINIG AND (1) BACB30NR6DK21 BOLT (REF 141N0932) I/W 162N1101-13 T/W (1) BACB28AK06-058 BUSHING AND (1) BACB30NR6DK25 BOLT (REF 141N0932). 162N1101-15 T/W (1) BACB28AK06-045 BUSHING AND (1) BACB30NR6DK21 BOLT (REF 141N0932) I/W 162N1101-13 T/W (1) BACB28AK06-058 BUSHING AND (1) BACB30NR6DK25 BOLT (REF 141N0932). 162N1101-18 T/W (1) BACB28AK06-045 BUSHING AND (1) BACB30NR6DK21 BOLT (REF 141N0932) CAN REPLACE BUT NOT BE REPLACED BY 162N1101-13 T/W (1) BACB28AK06-058 BUSHING AND (1) BACB30NR6DK25 BOLT (REF 141N0932). 162N1101-19 T/W (1) BACB28AK06-045 BUSHING AND (1) BACB30NR6DK21 BOLT (REF 141N0932) CAN REPLACE BUT NOT BE REPLACED BY 162N1101-13 T/W (1) BACB28AK06-058 BUSHING AND (1) BACB30NR6DK25 BOLT (REF 141N0932). FOR DETAILS SEE: 32-21-01-20	002004 006100 107107 121503 904949	1
85	162N1101-13	.	STRUT ASSY-NLG COMPONENT MAINT MANUAL REF: 32-21-49	002004 006100 107107	1

MISSING ITEM NUMBERS NOT APPLICABLE

- ITEM NOT ILLUSTRATED

32-21-01-01C

32-21-01  
FIG. 01C  
PAGE 54  
JAN 20/09

BRI



757

PARTS CATALOG (MAINTENANCE)

FIG ITEM	PART NUMBER	1 2 3 4 5 6 7 NOMENCLATURE	EFFECT FROM TO	UNITS PER ASSY
1 C		QUALIFIED I/W DATA: 162N1101-20 T/W (1)BACB28AK06-045 BUSHING AND (1)BACB30NR6DK21 BOLT (REF 141N0932) CAN REPLACE BUT NOT BE REPLACED BY 162N1101-13 T/W (1)BACB28AK06-058 BUSHING AND (1)BACB30NR6DK25 BOLT (REF 141N0932) 162N1101-22 T/W (1)BACB28AK06-045 BUSHING AND (1)BACB30NR6DK21 BOLT (REF 141N0932) CAN REPLACE BUT NOT BE REPLACED BY 162N1101-13 T/W (1)BACB28AK06-058 BUSHING AND (1)BACB30NR6DK25 BOLT (REF 141N0932) 162N1101-24 T/W (1)BACB28AK06-045 BUSHING AND (1)BACB30NR6DK21 BOLT (REF 141N0932) CAN REPLACE BUT NOT BE REPLACED BY 162N1101-13 T/W (1)BACB28AK06-058 BUSHING AND (1)BACB30NR6DK25 BOLT (REF 141N0932) 162N1101-25 T/W (1)BACB28AK06-045 BUSHING AND (1)BACB30NR6DK21 BOLT (REF 141N0932) CAN REPLACE BUT NOT BE REPLACED BY 162N1101-13 T/W (1)BACB28AK06-058 BUSHING AND (1)BACB30NR6DK25 BOLT (REF 141N0932) 162N1101-26 T/W (1)BACB28AK06-045 BUSHING AND (1)BACB30NR6DK21 BOLT	121503 904949	

MISSING ITEM NUMBERS NOT APPLICABLE

- ITEM NOT ILLUSTRATED

**32-21-01-01C**

32-21-01  
FIG. 01C  
PAGE 55  
JAN 20/09

BRI



757

PARTS CATALOG (MAINTENANCE)

FIG ITEM	PART NUMBER	1 2 3 4 5 6 7	NOMENCLATURE	EFFECT FROM TO	UNITS PER ASSY
1 C			(REF 141N0932) CAN REPLACE BUT NOT BE REPLACED BY 162N1101-13 T/W (1)BACB28AK06-058 BUSHING AND (1)BACB30NR6DK25 BOLT (REF 141N0932) 162N1101-27 T/W (1)BACB28AK06-045 BUSHING AND (1)BACB30NR6DK21 BOLT (REF 141N0932) CAN REPLACE BUT NOT BE REPLACED BY 162N1101-13 T/W (1)BACB28AK06-058 BUSHING AND (1)BACB30NR6DK25 BOLT (REF 141N0932)		

MISSING ITEM NUMBERS NOT APPLICABLE

- ITEM NOT ILLUSTRATED

BRI

32-21-01-01C

BOEING PROPRIETARY - Copyright © - Unpublished Work - See title page for details.

32-21-01  
FIG. 01C  
PAGE 56  
JAN 20/09



757

PARTS CATALOG (MAINTENANCE)

FIG ITEM	PART NUMBER	1 2 3 4 5 6 7	NOMENCLATURE	EFFECT FROM TO	UNITS PER ASSY
1C 85	162N1101-13	.	STRUT ASSY-NLG COMPONENT MAINT MANUAL REF: 32-21-49 QUALIFIED I/W DATA: 162N1101-11 T/W (1)BACB28AK06-045 BUSHING AND (1)BACB30NR6DK21 BOLT (REF 141N0932) I/W 162N1101-13 T/W (1)BACB28AK06-058 BUSHING AND (1)BACB30NR6DK25 BOLT (REF 141N0932) 162N1101-12 T/W (1)BACB28AK06-045 BUSHING AND (1)BACB30NR6DK21 BOLT (REF 141N0932) I/W 162N1101-13 T/W (1)BACB28AK06-058 BUSHING AND (1)BACB30NR6DK25 BOLT (REF 141N0932) 162N1101-16 T/W (1)BACB28AK06-045 BUSHING AND (1)BACB30NR6DK21 BOLT (REF 141N0932) I/W 162N1101-13 T/W (1)BACB28AK06-058 BUSHING AND (1)BACB30NR6DK25 BOLT (REF 141N0932) 162N1101-10 T/W (1)BACB28AK06-045 BUSHING AND (1)BACB30NR6DK21 BOLT (REF 141N0932) I/W 162N1101-13 T/W (1)BACB28AK06-058 BUSHING AND (1)BACB30NR6DK25 BOLT (REF 141N0932)	002004 006100 107107 121503 904949	1

MISSING ITEM NUMBERS NOT APPLICABLE

- ITEM NOT ILLUSTRATED

32-21-01-01C

32-21-01  
FIG. 01C  
PAGE 57  
JAN 20/09

BRI



757

PARTS CATALOG (MAINTENANCE)

FIG ITEM	PART NUMBER	1 2 3 4 5 6 7	NOMENCLATURE	EFFECT FROM TO	UNITS PER ASSY
1C 85	162N1101-14	.	STRUT ASSY-NLG COMPONENT MAINT MANUAL REF: 32-21-49 QUALIFIED I/W DATA: 162N1101-9 T/W (1)BACB28AK06-045 BUSHING AND (1)BACB30NR6DK21 BOLT (REF 141N0932) I/W 162N1101-14 T/W (1)BACB28AK06-058 BUSHING AND (1)BACB30NR6DK25 BOLT (REF 141N0932) 162N1101-10 T/W (1)BACB28AK06-045 BUSHING AND (1)BACB30NR6DK21 BOLT (REF 141N0932) I/W 162N1101-14 T/W (1)BACB28AK06-058 BUSHING AND (1)BACB30NR6DK25 BOLT (REF 141N0932) 162N1101-11 T/W (1)BACB28AK06-045 BUSHING AND (1)BACB30NR6DK21 BOLT (REF 141N0932) I/W 162N1101-14 T/W (1)BACB28AK06-058 BUSHING AND (1)BACB30NR6DK25 BOLT (REF 141N0932) 162N1101-12 T/W (1)BACB28AK06-045 BUSHING AND (1)BACB30NR6DK21 BOLT (REF 141N0932) I/W 162N1101-14 T/W (1)BACB28AK06-058 BUSHING AND (1)BACB30NR6DK25 BOLT (REF 141N0932) FOR DETAILS SEE: 32-21-01-20	002004 006100 107107 121503 904949	1
85	162N1101-14	.	STRUT ASSY-NLG COMPONENT MAINT MANUAL REF: 32-21-49	002004 006100 107107	1

MISSING ITEM NUMBERS NOT APPLICABLE

- ITEM NOT ILLUSTRATED

32-21-01-01C

32-21-01  
FIG. 01C  
PAGE 58  
JAN 20/09

BRI





757

PARTS CATALOG (MAINTENANCE)

FIG ITEM	PART NUMBER	1 2 3 4 5 6 7 NOMENCLATURE	EFFECT FROM TO	UNITS PER ASSY
1 C		<p>QUALIFIED I/W DATA:  162N1101-15 T/W  (1)BACB28AK06-045  BUSHING AND  (1)BACB30NR6DK21 BOLT  (REF 141N0932) I/W  162N1101-14 T/W  (1)BACB28AK06-058  BUSHING AND  (1)BACB30NR6DK25 BOLT  (REF 141N0932)  162N1101-16 T/W  (1)BACB28AK06-045  BUSHING AND  (1)BACB30NR6DK21 BOLT  (REF 141N0932) I/W  162N1101-14 T/W  (1)BACB28AK06-058  BUSHING AND  (1)BACB30NR6DK25 BOLT  (REF 141N0932)  162N1101-18 T/W  (1)BACB28AK06-045  BUSHING AND  (1)BACB30NR6DK21 BOLT  (REF 141N0932) CAN  REPLACE BUT NOT BE  REPLACED BY 162N1101-14  T/W (1)BACB28AK06-058  BUSHING AND  (1)BACB30NR6DK25 BOLT  (REF 141N0932)  162N1101-19 T/W  (1)BACB28AK06-045  BUSHING AND  (1)BACB30NR6DK21 BOLT  (REF 141N0932) CAN  REPLACE BUT NOT BE  REPLACED BY 162N1101-14  T/W (1)BACB28AK06-058  BUSHING AND  (1)BACB30NR6DK25 BOLT  (REF 141N0932)  162N1101-20 T/W  (1)BACB28AK06-045  BUSHING AND  (1)BACB30NR6DK21 BOLT  (REF 141N0932) CAN  REPLACE BUT NOT BE</p>	121503 904949	

MISSING ITEM NUMBERS NOT APPLICABLE

- ITEM NOT ILLUSTRATED

32-21-01-01C

32-21-01  
FIG. 01C  
PAGE 59  
JAN 20/09

BRI



757

PARTS CATALOG (MAINTENANCE)

FIG ITEM	PART NUMBER	1 2 3 4 5 6 7	NOMENCLATURE	EFFECT FROM TO	UNITS PER ASSY
1 C			REPLACED BY 162N1101-14 T/W (1)BACB28AK06-058 BUSHING AND (1)BACB30NR6DK25 BOLT (REF 141N0932) 162N1101-22 T/W (1)BACB28AK06-045 BUSHING AND (1)BACB30NR6DK21 BOLT (REF 141N0932) CAN REPLACE BUT NOT BE REPLACED BY 162N1101-14 T/W (1)BACB28AK06-058 BUSHING AND (1)BACB30NR6DK25 BOLT (REF 141N0932)		

MISSING ITEM NUMBERS NOT APPLICABLE

- ITEM NOT ILLUSTRATED

BRI

32-21-01-01C

BOEING PROPRIETARY - Copyright © - Unpublished Work - See title page for details.

32-21-01  
FIG. 01C  
PAGE 60  
JAN 20/09



757

PARTS CATALOG (MAINTENANCE)

FIG ITEM	PART NUMBER	1 2 3 4 5 6 7	NOMENCLATURE	EFFECT FROM TO	UNITS PER ASSY
1C 85	162N1101-14	.	STRUT ASSY-NLG COMPONENT MAINT MANUAL REF: 32-21-49 QUALIFIED I/W DATA: 162N1101-24 T/W (1)BACB28AK06-045 BUSHING AND (1)BACB30NR6DK21 BOLT (REF 141N0932) CAN REPLACE BUT NOT BE REPLACED BY 162N1101-14 T/W (1)BACB28AK06-058 BUSHING AND (1)BACB30NR6DK25 BOLT (REF 141N0932) 162N1101-25 T/W (1)BACB28AK06-045 BUSHING AND (1)BACB30NR6DK21 BOLT (REF 141N0932) CAN REPLACE BUT NOT BE REPLACED BY 162N1101-14 T/W (1)BACB28AK06-058 BUSHING AND (1)BACB30NR6DK25 BOLT (REF 141N0932) 162N1101-26 T/W (1)BACB28AK06-045 BUSHING AND (1)BACB30NR6DK21 BOLT (REF 141N0932) CAN REPLACE BUT NOT BE REPLACED BY 162N1101-14 T/W (1)BACB28AK06-058 BUSHING AND (1)BACB30NR6DK25 BOLT (REF 141N0932) 162N1101-27 T/W (1)BACB28AK06-045 BUSHING AND (1)BACB30NR6DK21 BOLT (REF 141N0932) CAN REPLACE BUT NOT BE REPLACED BY 162N1101-14 T/W (1)BACB28AK06-058 BUSHING AND (1)BACB30NR6DK25 BOLT (REF 141N0932)	002004 006100 107107 121503 904949	1

MISSING ITEM NUMBERS NOT APPLICABLE

- ITEM NOT ILLUSTRATED

32-21-01-01C

32-21-01  
FIG. 01C  
PAGE 61  
JAN 20/09

BRI



757

PARTS CATALOG (MAINTENANCE)

FIG ITEM	PART NUMBER	1 2 3 4 5 6 7 NOMENCLATURE	EFFECT FROM TO	UNITS PER ASSY
1C 85	162N1101-15	.STRUT ASSY-NLG COMPONENT MAINT MANUAL REF: 32-21-49 QUALIFIED I/W DATA: 162N1101-15 T/W (1) BACB28AK06-045 BUSHING AND (1) BACB30NR6DK21 BOLT (REF 141N0932) I/W 162N1101-13 T/W (1) BACB28AK06-058 BUSHING AND (1) BACB30NR6DK25 BOLT (REF 141N0932). 162N1101-15 T/W (1) BACB28AK06-045 BUSHING AND (1) BACB30NR6DK21 BOLT (REF 141N0932) I/W 162N1101-14 T/W (1) BACB28AK06-058 BUSHING AND (1) BACB30NR6DK25 BOLT (REF 141N0932). 162N1101-9 TOGETHER WITH (1) BACB28AK06-045 BUSHING AND (1) BACB30NR6DK21 BOLT (REF 141N0932) CAN REPLACE AND BE REPLACED BY 162N1101-15 TOGETHER WITH (1) BACB28AK06-058 BUSHING AND (1) BACB30NR6DK25 BOLT (REF 141N0932). USED ON: 162N0001-21 FOR DETAILS SEE: 32-21-01-20	002004 006100 107107 121503 904949	1

MISSING ITEM NUMBERS NOT APPLICABLE

- ITEM NOT ILLUSTRATED

**32-21-01-01C**

32-21-01  
FIG. 01C  
PAGE 62  
JAN 20/09

BRI



757

PARTS CATALOG (MAINTENANCE)

FIG ITEM	PART NUMBER	1 2 3 4 5 6 7 NOMENCLATURE	EFFECT FROM TO	UNITS PER ASSY
1C 85	162N1101-16	.STRUT ASSY-NLG COMPONENT MAINT MANUAL REF: 32-21-49 QUALIFIED I/W DATA: 162N1101-16 T/W (1) BACB28AK06-045 BUSHING AND (1) BACB30NR6DK21 BOLT (REF 141N0932) CAN REPLACE BUT NOT BE REPLACED BY 162N1101-14 T/W (1) BACB28AK06-058 BUSHING AND (1) BACB30NR6DK25 BOLT (REF 141N0932). 162N1101-16 T/W (1) BACB28AK06-045 BUSHING AND (1) BACB30NR6DK21 BOLT (REF 141N0932) I/W 162N1101-13 T/W (1) BACB28AK06-058 BUSHING AND (1) BACB30NR6D25 BOLT (REF 141N0932). USED ON: 162N0001-24 FOR DETAILS SEE: 32-21-01-20	002004 006100 107107 121503 904949	1

MISSING ITEM NUMBERS NOT APPLICABLE

- ITEM NOT ILLUSTRATED

**32-21-01-01C**

32-21-01  
FIG. 01C  
PAGE 63  
JAN 20/09

BRI



757

PARTS CATALOG (MAINTENANCE)

FIG ITEM	PART NUMBER	1 2 3 4 5 6 7 NOMENCLATURE	EFFECT FROM TO	UNITS PER ASSY
1C 85	162N1101-18	.STRUT ASSY-NLG COMPONENT MAINT MANUAL REF: 32-21-49 QUALIFIED I/W DATA: 162N1101-18 T/W (1) BACB28AK06-045 BUSHING AND (1) BACB30NR6DK21 BOLT (REF 141N0932) CAN REPLACE BUT NOT BE REPLACED BY 162N1101-14 T/W (1) BACB28AK06-058 BUSHING AND (1) BACB30NR6DK25 BOLT (REF 141N0932). 162N1101-18 T/W (1) BACB28AK06-045 BUSHING AND (1) BACB30NR6DK12 BOLT (REF 141N0932) CAN REPLACE BUT NOT BE REPLACED BY 162N1101-13 T/W (1) BACB28AK06-058 BUSHING AND (1) BACB30NR6DK25 BOLT (REF 141N0932). USED ON: 162N0001-31 FOR DETAILS SEE: 32-21-01-20	002004 006100 107107 121503 904949	1

MISSING ITEM NUMBERS NOT APPLICABLE

- ITEM NOT ILLUSTRATED

**32-21-01-01C**

32-21-01  
FIG. 01C  
PAGE 64  
JAN 20/09

BRI



757

PARTS CATALOG (MAINTENANCE)

FIG ITEM	PART NUMBER	1 2 3 4 5 6 7 NOMENCLATURE	EFFECT FROM TO	UNITS PER ASSY
1C 85	162N1101-19	.STRUT ASSY-NLG COMPONENT MAINT MANUAL REF: 32-21-49 QUALIFIED I/W DATA: 162N1101-19 T/W (1) BACB28AK06-045 BUSHING AND (1) BACB30NR6DK21 BOLT (REF 141N0932) CAN REPLACE BUT NOT BE REPLACED BY 162N1101-14 T/W (1) BACB28AK06-058 BUSHING AND (1) BACB30NR6DK25 BOLT (REF 141N0932). 162N1101-19 T/W (1) BACB28AK06-045 BUSHING AND (1) BACB30NR6DK21 BOLT (REF 141N0932) CAN REPLACE BUT NOT BE REPLACED BY 162N1101-13 T/W (1) BACB28AK06-058 BUSHING AND (1) BACB30NR6DK25 BOLT (REF 141N0932). USED ON: 162N0001-32 162N0001-38 FOR DETAILS SEE: 32-21-01-20	002004 006100 107107 121503 904949	1

MISSING ITEM NUMBERS NOT APPLICABLE

- ITEM NOT ILLUSTRATED

**32-21-01-01C**

32-21-01  
FIG. 01C  
PAGE 65  
JAN 20/09

BRI



757

PARTS CATALOG (MAINTENANCE)

FIG ITEM	PART NUMBER	1 2 3 4 5 6 7 NOMENCLATURE	EFFECT FROM TO	UNITS PER ASSY
1C 85	162N1101-20	.STRUT ASSY-NLG COMPONENT MAINT MANUAL REF: 32-21-49 QUALIFIED I/W DATA: 162N1101-20 T/W (1) BACB28AK06-045 BUSHING AND (1) BACB30NR6DK21 BOLT (REF 141N0932) CAN REPLACE BUT NOT BE REPLACED BY 162N1101-14 T/W (1) BACB28AK06-058 BUSHING AND (1) BACB30NR6DK25 BOLT (REF 141N0932). 162N1101-20 T/W (1) BACB28AK06-045 BUSHING AND (1) BACB30NR6DK21 BOLT (REF 141N0932) CAN REPLACE BUT NOT BE REPLACED BY 162N1101-13 T/W (1) BACB28AK06-058 BUSHING AND (1) BACB30NR6DK25 BOLT (REF 141N0932). USED ON: 162N0001-14 162N0001-26 162N0001-41 FOR DETAILS SEE: 32-21-01-20	002004 006100 107107 121503 904949	1

MISSING ITEM NUMBERS NOT APPLICABLE

- ITEM NOT ILLUSTRATED

**32-21-01-01C**

32-21-01  
FIG. 01C  
PAGE 66  
JAN 20/09

BRI



 **BOEING**  
757  
**PARTS CATALOG (MAINTENANCE)**

FIG ITEM	PART NUMBER	1 2 3 4 5 6 7 NOMENCLATURE	EFFECT FROM TO	UNITS PER ASSY
1C 85	162N1101-22	.STRUT ASSY-NLG COMPONENT MAINT MANUAL REF: 32-21-49 QUALIFIED I/W DATA: 162N1101-22 T/W (1) BACB28AK06-045 BUSHING AND (1) BACB30NR6DK21 BOLT (REF 141N0932) CAN REPLACE BUT NOT BE REPLACED BY 162N1101-14 T/W (1) BACB28AK06-058 BUSHING AND (1) BACB30NR6DK25 BOLT (REF 141N0932). 162N1101-22 T/W (1) BACB28AK06-045 BUSHING AND (1) BACB30NR6DK21 BOLT (REF 141N0932) CAN REPLACE BUT NOT BE REPLACED BY 162N1101-13 T/W (1) BACB28AK06-058 BUSHING AND (1) BACB30NR6DK25 BOLT (REF 141N0932). USED ON: 162N0001-47 FOR DETAILS SEE: 32-21-01-20	002004 006100 107107 121503 904949	1

MISSING ITEM NUMBERS NOT APPLICABLE

— ITEM NOT ILLUSTRATED

BRI

# 32-21-01-01C

BOEING PROPRIETARY - Copyright © - Unpublished Work - See title page for details.

32-21-01  
FIG. 01C  
PAGE 67  
JAN 20/09



757

PARTS CATALOG (MAINTENANCE)

FIG ITEM	PART NUMBER	1 2 3 4 5 6 7	NOMENCLATURE	EFFECT FROM TO	UNITS PER ASSY
1C 85	162N1101-24		.STRUT ASSY-NLG COMPONENT MAINT MANUAL REF: 32-21-49 QUALIFIED I/W DATA: 162N1101-24 T/W (1) BACB28AK06-045 BUSHING AND (1) BACB30NR6DK21 BOLT (REF 141N0932) CAN REPLACE BUT NOT BE REPLACED BY 162N1101-14 T/W (1) BACB28AK06-058 BUSHING AND (1) BACB30NR6DK25 BOLT (REF 141N0932). 162N1101-24 T/W (1) BACB28AK06-045 BUSHING AND (1) BACB30NR6DK21 BOLT (REF 141N0932) CAN REPLACE BUT NOT BE REPLACED BY 162N1101-13 T/W (1) BACB28AK06-058 BUSHING AND (1) BACB30NR6DK25 BOLT (REF 141N0932). USED ON: 162N0001-100 FOR DETAILS SEE: 32-21-01-20	002004 006100 107107 121503 904949	1

MISSING ITEM NUMBERS NOT APPLICABLE

- ITEM NOT ILLUSTRATED

32-21-01-01C

32-21-01  
FIG. 01C  
PAGE 68  
JAN 20/09

BRI



757

PARTS CATALOG (MAINTENANCE)

FIG ITEM	PART NUMBER	1 2 3 4 5 6 7 NOMENCLATURE	EFFECT FROM TO	UNITS PER ASSY
1C 90	162N1101-25	.STRUT ASSY-NLG COMPONENT MAINT MANUAL REF: 32-21-49 QUALIFIED I/W DATA: 162N1101-25 T/W (1) BACB28AK06-045 BUSHING AND (1) BACB30NR6DK21 BOLT (REF 141N0932) CAN REPLACE BUT NOT BE REPLACED BY 162N1101-14 T/W (1) BACB28AK06-058 BUSHING AND (1) BACB30NR6DK25 BOLT (REF 141N0932). 162N1101-25 T/W (1) BACB28AK06-045 BUSHING AND (1) BACB30NR6DK21 BOLT (REF 141N0932) CAN REPLACE BUT NOT BE REPLACED BY 162N1101-13 T/W (1) BACB28AK06-058 BUSHING AND (1) BACB30NR6DK25 BOLT (REF 141N0932). FOR DETAILS SEE: 32-21-01-20	002004 006100 107107 121503 904949	1

MISSING ITEM NUMBERS NOT APPLICABLE

- ITEM NOT ILLUSTRATED

**32-21-01-01C**

32-21-01  
FIG. 01C  
PAGE 69  
JAN 20/09

BRI



757

PARTS CATALOG (MAINTENANCE)

FIG ITEM	PART NUMBER	1 2 3 4 5 6 7	NOMENCLATURE	EFFECT FROM TO	UNITS PER ASSY
1C 90	162N1101-26		.STRUT ASSY-NLG COMPONENT MAINT MANUAL REF: 32-21-49 QUALIFIED I/W DATA: 162N1101-26 T/W (1) BACB28AK06-045 BUSHING AND (1) BACB30NR6DK21 BOLT (REF 141N0932) CAN REPLACE BUT NOT BE REPLACED BY 162N1101-14 T/W (1) BACB28AK06-058 BUSHING AND (1) BACB30NR6DK25 BOLT (REF 141N0932). 162N1101-26 T/W (1) BACB28AK06-045 BUSHING AND (1) BACB30NR6DK21 BOLT (REF 141N0932) CAN REPLACE BUT NOT BE REPLACED BY 162N1101-13 T/W (1) BACB28AK06-058 BUSHING AND (1) BACB30NR6DK25 BOLT (REF 141N0932). USED ON: 162N0001-113 FOR DETAILS SEE: 32-21-01-20	002004 006100 107107 121503 904949	1

MISSING ITEM NUMBERS NOT APPLICABLE

- ITEM NOT ILLUSTRATED

32-21-01-01C

32-21-01  
FIG. 01C  
PAGE 70  
JAN 20/09

BRI



757

PARTS CATALOG (MAINTENANCE)

FIG ITEM	PART NUMBER	1 2 3 4 5 6 7	NOMENCLATURE	EFFECT FROM TO	UNITS PER ASSY
1C 90	162N1101-27		.STRUT ASSY-NLG QUALIFIED I/W DATA: 162N1101-27 T/W (1) BACB28AK06-045 BUSHING AND (1) BACB30NR6DK21 BOLT (REF 141N0932) CAN REPLACE BUT NOT BE REPLACED BY 162N1101-14 T/W (1) BACB28AK06-058 BUSHING AND (1) BACB30NR6DK25 BOLT (REF 141N0932). 162N1101-27 T/W (1) BACB28AK06-045 BUSHING AND (1) BACB30NR6DK21 BOLT (REF 141N0932) CAN REPLACE BUT NOT BE REPLACED BY 162N1101-13 T/W (1) BACB28AK06-058 BUSHING AND (1) BACB30NR6DK25 BOLT (REF 141N093). USED ON: 162N0001-120 FOR DETAILS SEE: 32-21-01-20	002004 006100 107107 121503 904949	1
90	162N1101-28		.STRUT ASSY-NLG FOR DETAILS SEE: 32-21-01-20	002004 006100 107107 121503 904949	1
90	162N1101-5		.STRUT ASSY-NLG FOR DETAILS SEE: 32-21-01-20	002004 006100 107107 121503 904949	1

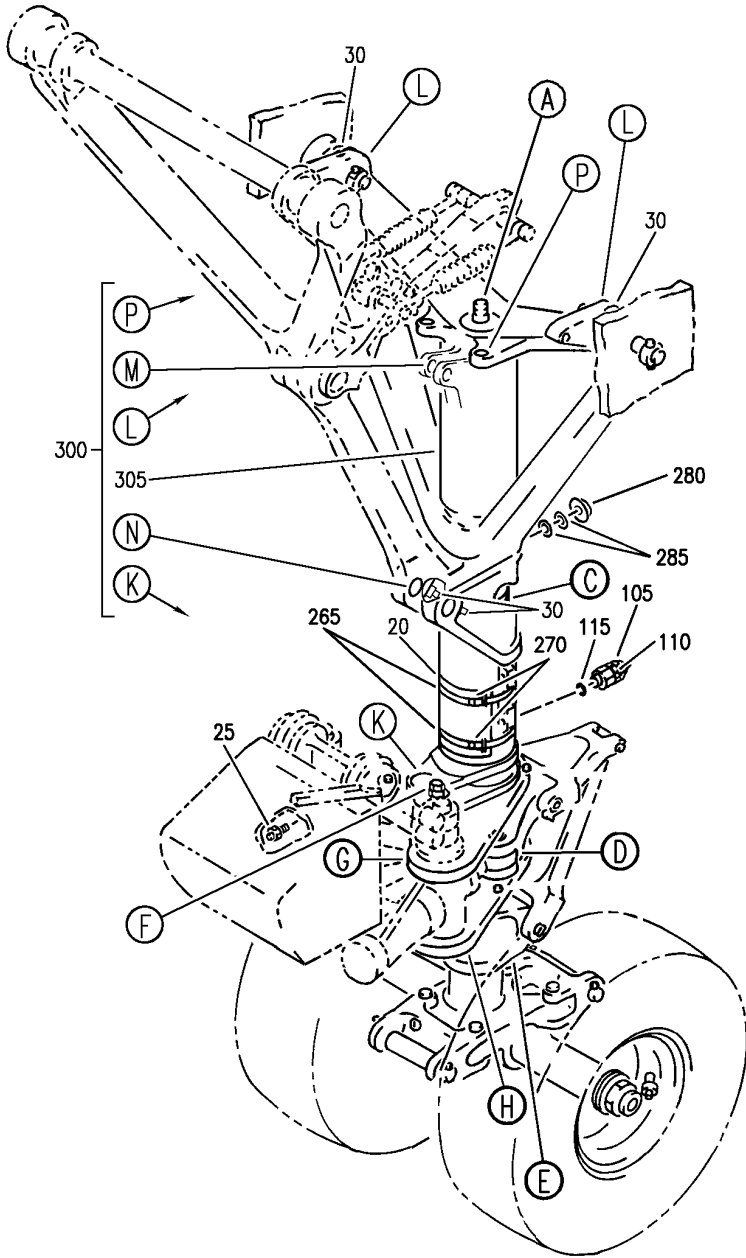
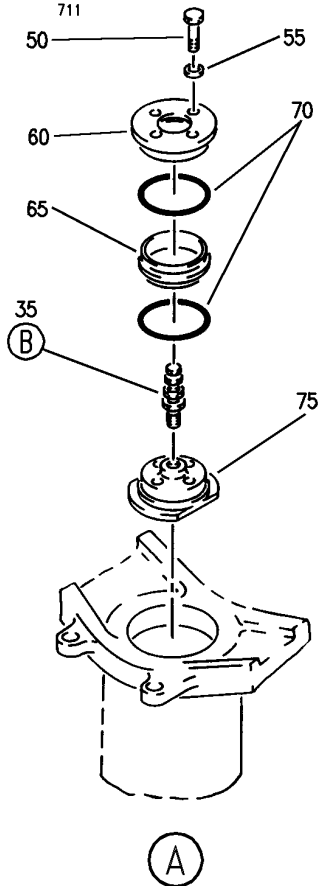
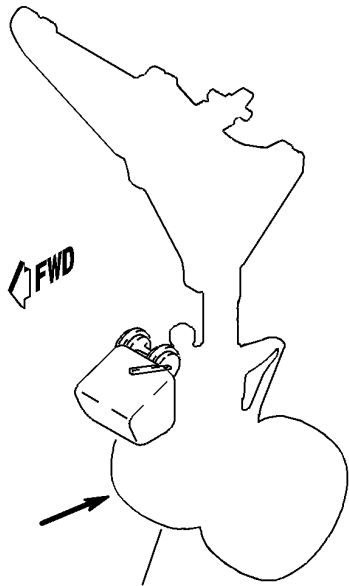
MISSING ITEM NUMBERS NOT APPLICABLE

- ITEM NOT ILLUSTRATED

32-21-01-01C

32-21-01  
FIG. 01C  
PAGE 71  
JAN 20/09

BRI

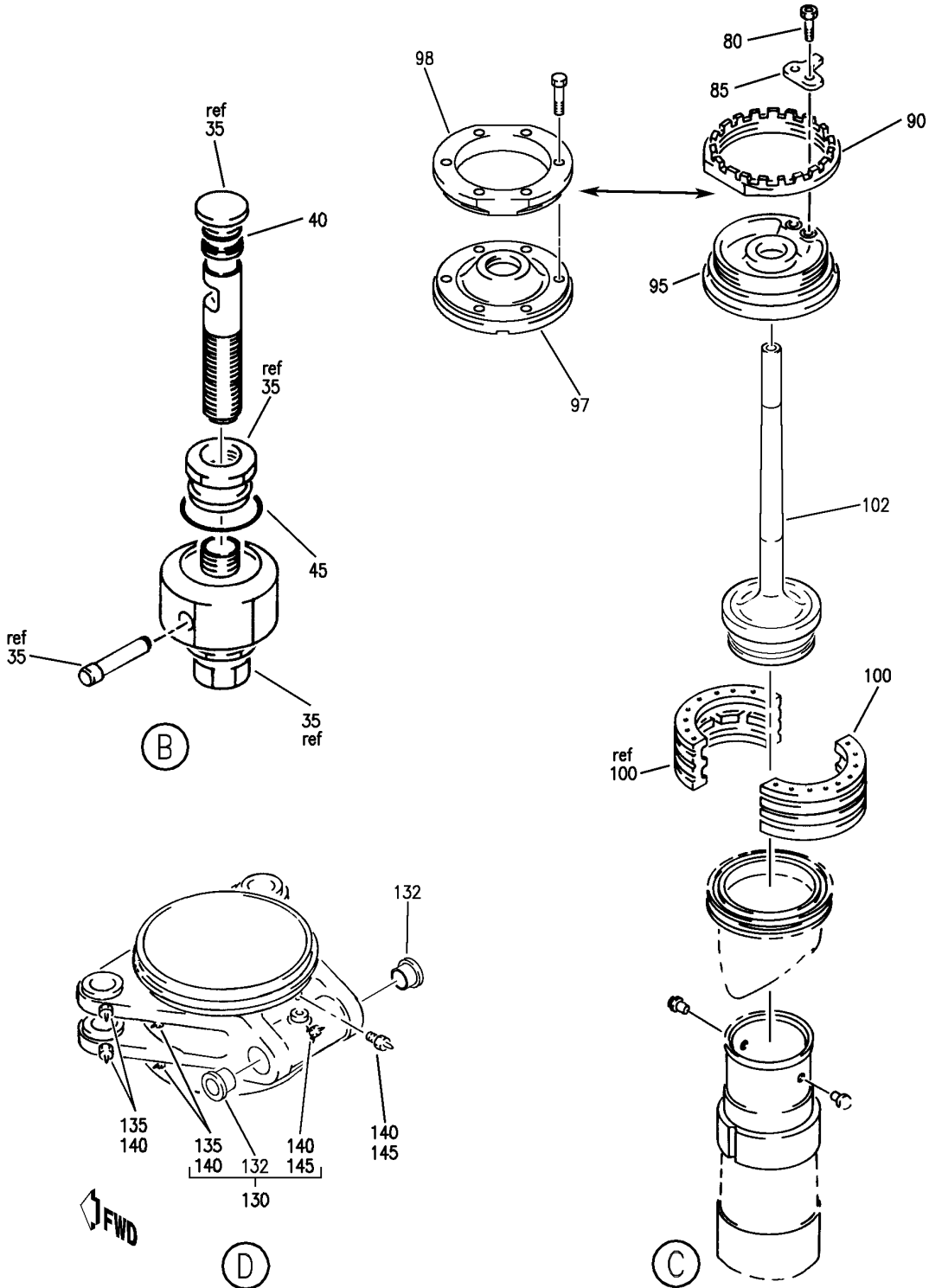


Y 32210120 SHT 1 REV 298

STRUT ASSY-NLG  
FIGURE 20 (SHEET 1)

**32-21-01-20**

**BOEING**  
757  
PARTS CATALOG (MAINTENANCE)



Y 32210120 SHT 2 REV 298

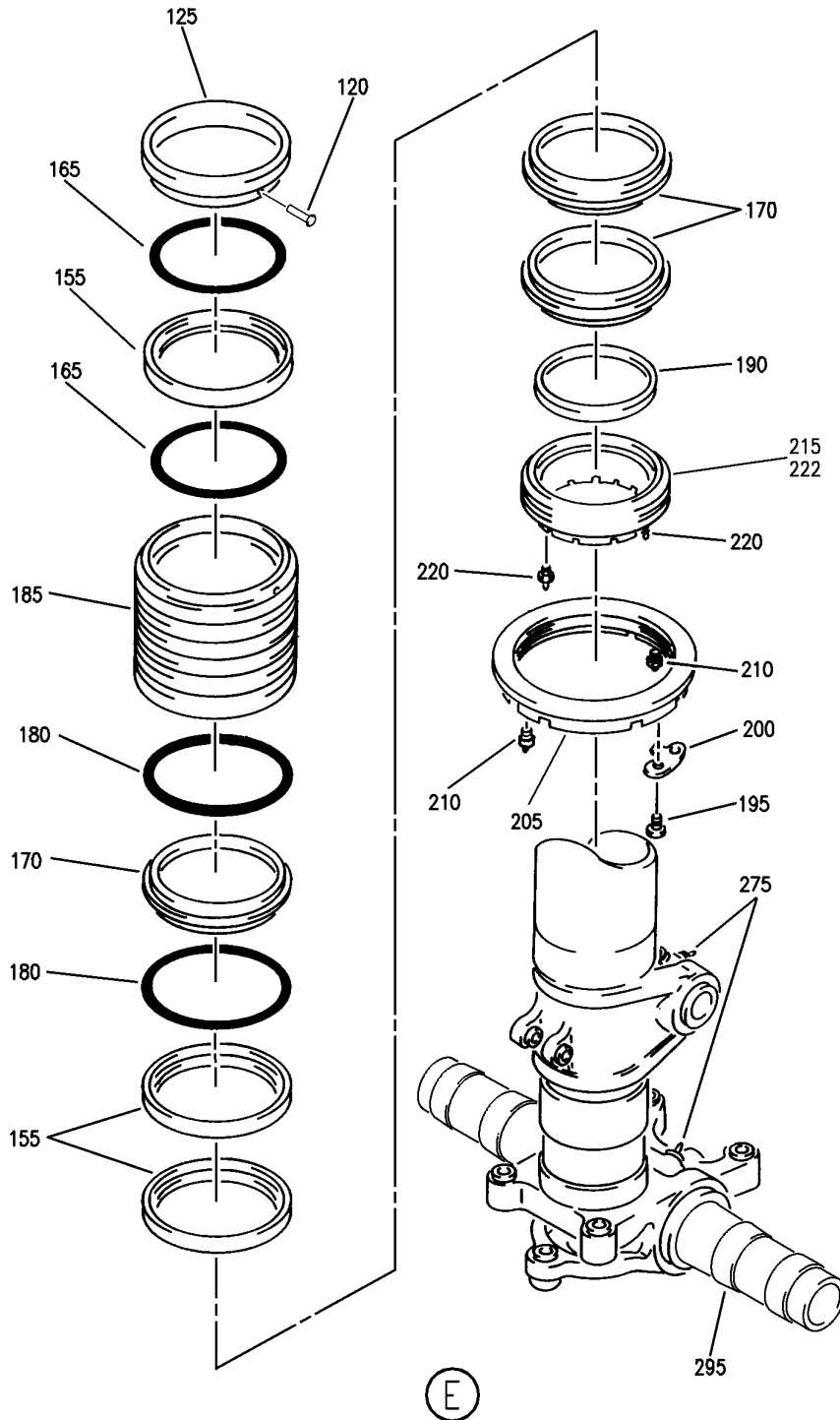
STRUT ASSY-NLG  
FIGURE 20 (SHEET 2)

**32-21-01-20**

BRI  
MAY 28/07

32-21-01-20  
PAGE 0A

**BOEING**  
757  
PARTS CATALOG (MAINTENANCE)



Y 32210120 SH1 3 REV 254

STRUT ASSY-NLG  
FIGURE 20 (SHEET 3)

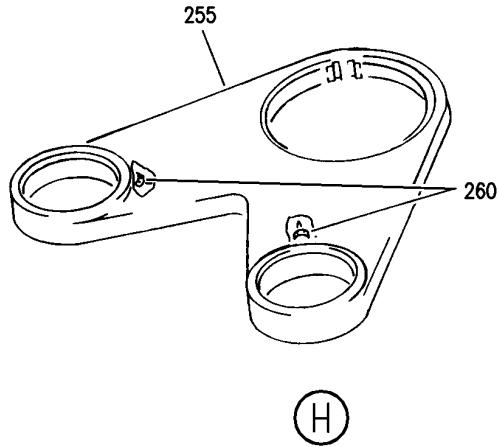
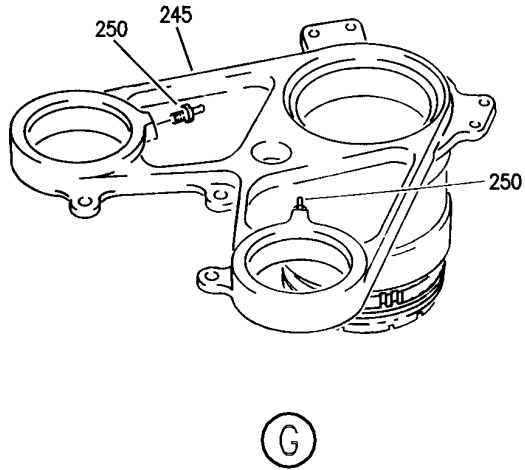
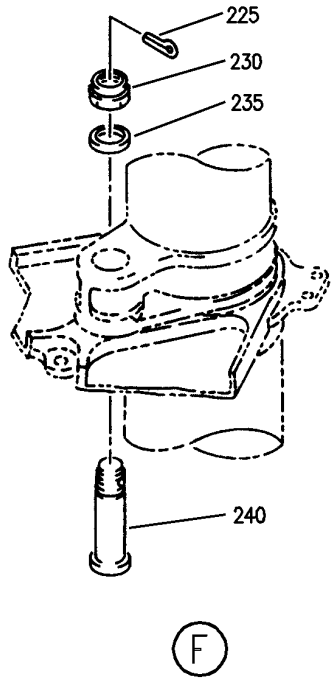
**32-21-01-20**

BRI  
MAY 28/07

32-21-01-20  
PAGE 08



**BOEING**  
757  
PARTS CATALOG (MAINTENANCE)



Y 32210120 SHT 4 REV 247

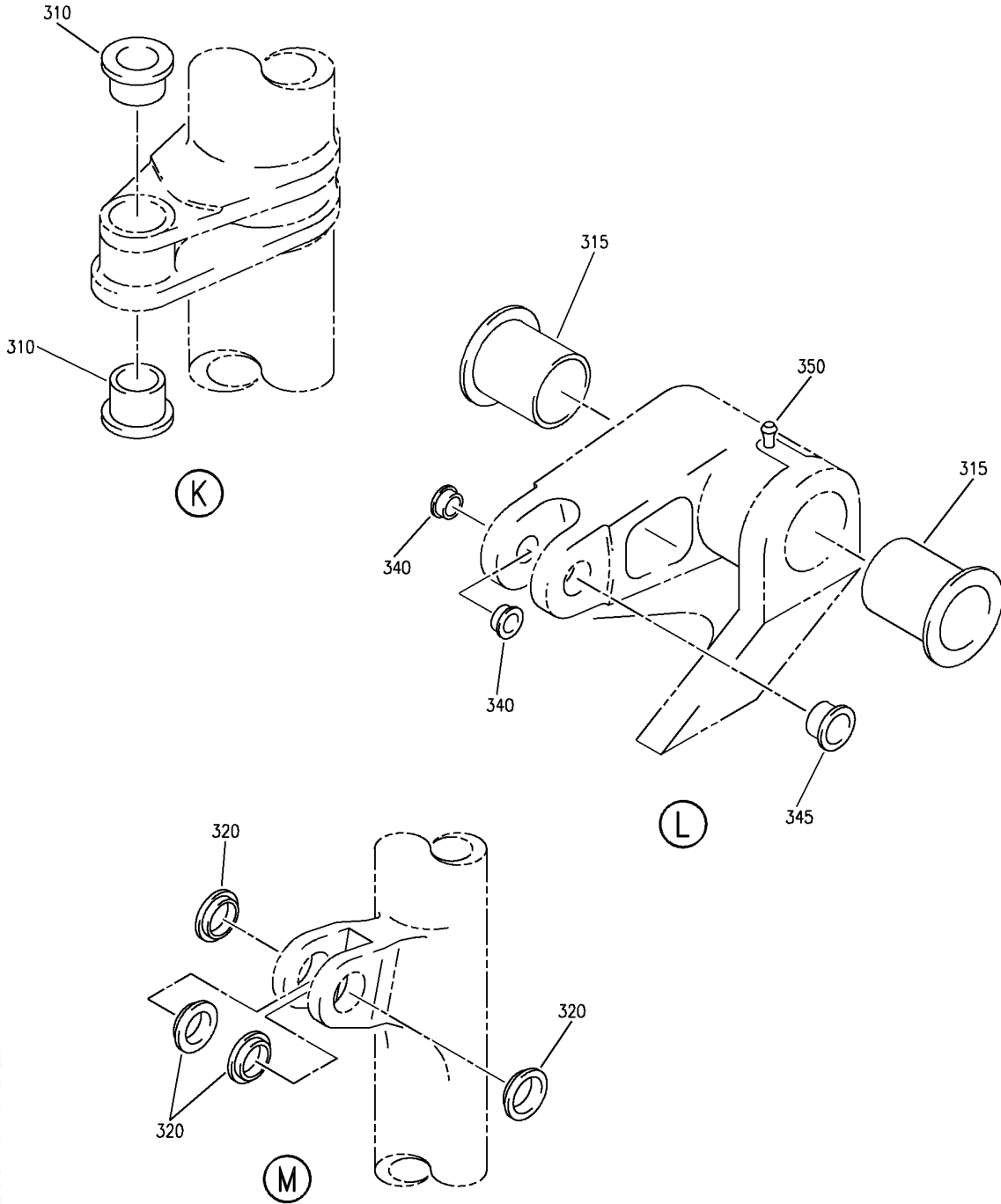
STRUT ASSY-NLG  
FIGURE 20 (SHEET 4)

**32-21-01-20**

BRI  
MAY 28/07

32-21-01-20  
PAGE 0C

**BOEING**  
757  
PARTS CATALOG (MAINTENANCE)



Y 32210120 SHT 5 REV 298

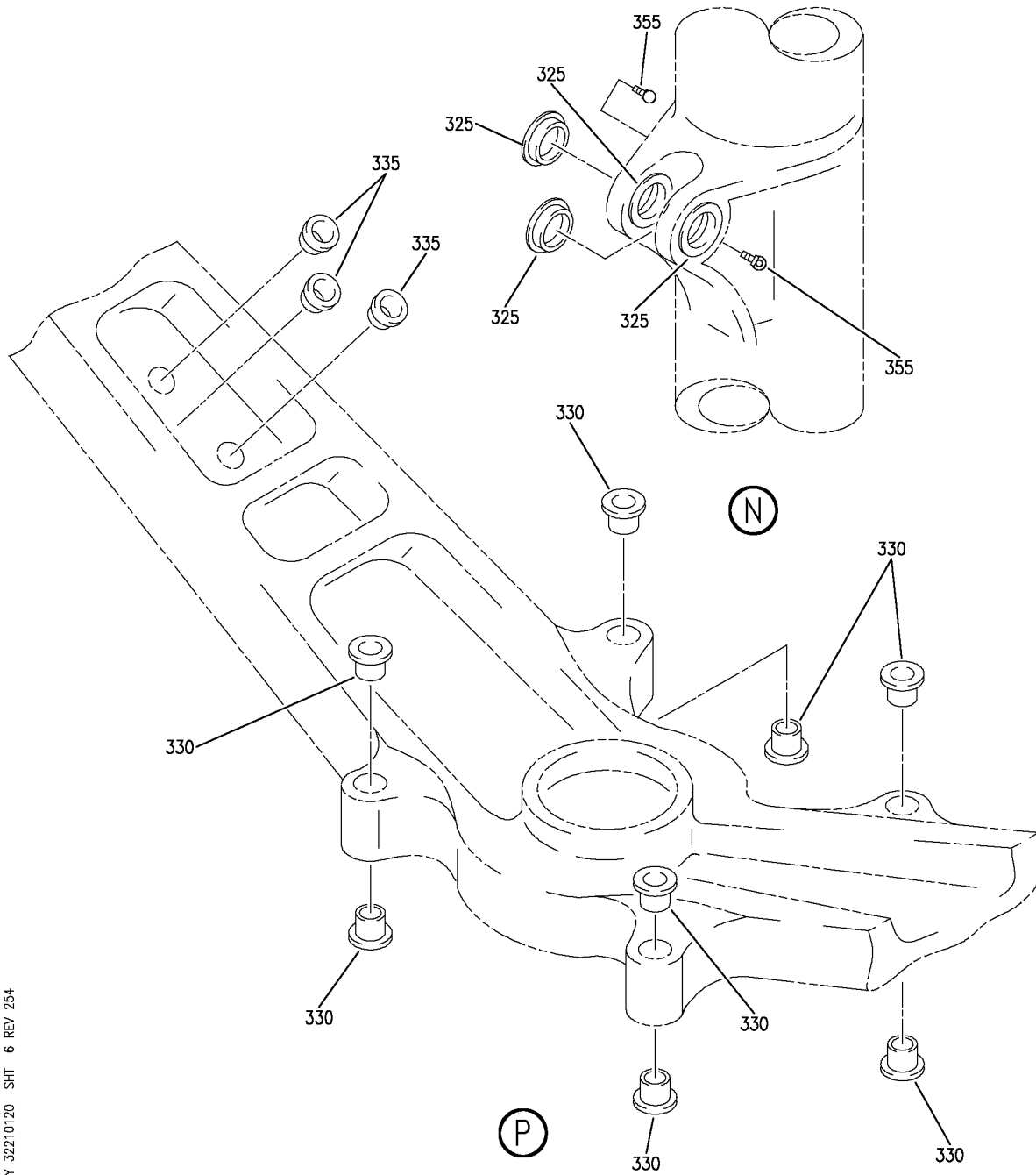
STRUT ASSY-NLG  
FIGURE 20 (SHEET 5)

**32-21-01-20**

BRI  
MAY 28/07

32-21-01-20  
PAGE 0D

**BOEING**  
757  
PARTS CATALOG (MAINTENANCE)



Y 32210120 SH1 6 REV 254

STRUT ASSY-NLG  
FIGURE 20 (SHEET 6)

**32-21-01-20**

BRI  
MAY 28/07

32-21-01-20  
PAGE 0E



757

PARTS CATALOG (MAINTENANCE)

FIG ITEM	PART NUMBER	1 2 3 4 5 6 7	NOMENCLATURE	EFFECT FROM TO	UNITS PER ASSY
20			STRUT ASSY-NLG	002004	
- 1	162N1101-20		STRUT ASSY-NLG MISCELLANEOUS DATA: FOR SPARES PROCURE LOWER COMPONENTS COMPONENT MAINT MANUAL REF: 32-21-49 QUALIFIED I/W DATA: 162N1101-20 T/W (1)BACB28AK06-045 BUSHING AND (1)BACB30NR6DK21 BOLT (REF 141N0932) CAN REPLACE BUT NOT BE REPLACED BY 162N1101-14 T/W (1)BACB28AK06-058 BUSHING AND (1)BACB30NR6DK25 BOLT (REF 141N0932) 162N1101-20 T/W (1) BACB28AK06-045 BUSHING AND (1) BACB30NR6DK21 BOLT (REF 141N0932) CAN REPLACE BUT NOT BE REPLACED BY 162N1101-13 T/W (1) BACB28AK06-058 BUSHING AND (1) BACB30NR6DK25 BOLT (REF 141N0932). FOR NHA SEE: 32-21-01-01C	006999 002004 006100 107107 121503 904949	RF

MISSING ITEM NUMBERS NOT APPLICABLE

- ITEM NOT ILLUSTRATED

**32-21-01-20**

32-21-01  
FIG. 20  
PAGE 1  
JAN 20/09

BRI



757

PARTS CATALOG (MAINTENANCE)

FIG ITEM	PART NUMBER	1 2 3 4 5 6 7	NOMENCLATURE	EFFECT FROM TO	UNITS PER ASSY
20 - 1	162N1101-22		STRUT ASSY-NLG MISCELLANEOUS DATA: FOR SPARES PROCURE LOWER COMPONENTS COMPONENT MAINT MANUAL REF: 32-21-49 QUALIFIED I/W DATA: 162N1101-22 T/W (1)BACB28AK06-045 BUSHING AND (1)BACB30NR6DK21 BOLT (REF 141N0932) CAN REPLACE BUT NOT BE REPLACED BY 162N1101-14 T/W (1)BACB28AK06-058 BUSHING AND (1)BACB30NR6DK25 BOLT (REF 141N0932) 162N1101-22 T/W (1)BACB28AK06-045 BUSHING AND (1)BACB30NR6DK21 BOLT (REF 141N0932) CAN REPLACE BUT NOT BE REPLACED BY 162N1101-13 T/W (1)BACB28AK06-058 BUSHING AND (1)BACB30NR6DK25 BOLT (REF 141N0932) FOR NHA SEE: 32-21-01-01 32-21-01-01B 32-21-01-01C	002004 006102 107999	RF

MISSING ITEM NUMBERS NOT APPLICABLE

- ITEM NOT ILLUSTRATED

BRI

32-21-01-20

BOEING PROPRIETARY - Copyright © - Unpublished Work - See title page for details.

32-21-01  
FIG. 20  
PAGE 2  
JAN 20/09



757

PARTS CATALOG (MAINTENANCE)

FIG ITEM	PART NUMBER	1 2 3 4 5 6 7	NOMENCLATURE	EFFECT FROM TO	UNITS PER ASSY
20 - 1	162N1101-24		STRUT ASSY-NLG MISCELLANEOUS DATA: FOR SPARES PROCURE LOWER COMPONENTS COMPONENT MAINT MANUAL REF: 32-21-49 QUALIFIED I/W DATA: 162N1101-24 T/W (1)BACB28AK06-045 BUSHING AND (1)BACB30NR6DK21 BOLT (REF 141N0932) CAN REPLACE BUT NOT BE REPLACED BY 162N1101-14 T/W (1)BACB28AK06-058 BUSHING AND (1)BACB30NR6DK25 BOLT (REF 141N0932) 162N1101-24 T/W (1)BACB28AK06-045 BUSHING AND (1)BACB30NR6DK21 BOLT (REF 141N0932) CAN REPLACE BUT NOT BE REPLACED BY 162N1101-13 T/W (1)BACB28AK06-058 BUSHING AND (1)BACB30NR6DK25 BOLT (REF 141N0932) FOR NHA SEE: 32-21-01-01 32-21-01-01B 32-21-01-01C	002004 006102 107999	RF

MISSING ITEM NUMBERS NOT APPLICABLE

- ITEM NOT ILLUSTRATED

BRI

**32-21-01-20**

BOEING PROPRIETARY - Copyright © - Unpublished Work - See title page for details.

32-21-01  
FIG. 20  
PAGE 3  
JAN 20/09



757

PARTS CATALOG (MAINTENANCE)

FIG ITEM	PART NUMBER	1 2 3 4 5 6 7	NOMENCLATURE	EFFECT FROM TO	UNITS PER ASSY
20 - 1	162N1101-25		STRUT ASSY-NLG MISCELLANEOUS DATA: FOR SPARES PROCURE LOWER COMPONENTS COMPONENT MAINT MANUAL REF: 32-21-49 QUALIFIED I/W DATA: 162N1101-25 T/W (1)BACB28AK06-045 BUSHING AND (1)BACB30NR6DK21 BOLT (REF 141N0932) CAN REPLACE BUT NOT BE REPLACED BY 162N1101-14 T/W (1)BACB28AK06-058 BUSHING AND (1)BACB30NR6DK25 BOLT (REF 141N0932) 162N1101-25 T/W (1)BACB28AK06-045 BUSHING AND (1)BACB30NR6DK21 BOLT (REF 141N0932) CAN REPLACE BUT NOT BE REPLACED BY 162N1101-13 T/W (1)BACB28AK06-058 BUSHING AND (1)BACB30NR6DK25 BOLT (REF 141N0932) FOR NHA SEE: 32-21-01-01 32-21-01-01B 32-21-01-01C	002004 006102 107999	RF

MISSING ITEM NUMBERS NOT APPLICABLE

- ITEM NOT ILLUSTRATED

BRI

32-21-01-20

BOEING PROPRIETARY - Copyright © - Unpublished Work - See title page for details.

32-21-01  
FIG. 20  
PAGE 4  
JAN 20/09



757

PARTS CATALOG (MAINTENANCE)

FIG ITEM	PART NUMBER	1 2 3 4 5 6 7	NOMENCLATURE	EFFECT FROM TO	UNITS PER ASSY
20 - 1	162N1101-26		STRUT ASSY-NLG MISCELLANEOUS DATA: FOR SPARES PROCURE LOWER COMPONENTS COMPONENT MAINT MANUAL REF: 32-21-49 QUALIFIED I/W DATA: 162N1101-26 T/W (1)BACB28AK06-045 BUSHING AND (1)BACB30NR6DK21 BOLT (REF 141N0932) CAN REPLACE BUT NOT BE REPLACED BY 162N1101-14 T/W (1)BACB28AK06-058 BUSHING AND (1)BACB30NR6DK25 BOLT (REF 141N0932) 162N1101-26 T/W (1)BACB28AK06-045 BUSHING AND (1)BACB30NR6DK21 BOLT (REF 141N0932) CAN REPLACE BUT NOT BE REPLACED BY 162N1101-13 T/W (1)BACB28AK06-058 BUSHING AND (1)BACB30NR6DK25 BOLT (REF 141N0932) FOR NHA SEE: 32-21-01-01 32-21-01-01B 32-21-01-01C	002004 006102 107999	RF

MISSING ITEM NUMBERS NOT APPLICABLE

- ITEM NOT ILLUSTRATED

BRI

**32-21-01-20**

BOEING PROPRIETARY - Copyright © - Unpublished Work - See title page for details.

32-21-01  
FIG. 20  
PAGE 5  
JAN 20/09





757

PARTS CATALOG (MAINTENANCE)

FIG ITEM	PART NUMBER	1 2 3 4 5 6 7	NOMENCLATURE	EFFECT FROM TO	UNITS PER ASSY
20 - 1	162N1101-27		STRUT ASSY-NLG MISCELLANEOUS DATA: FOR SPARES PROCURE LOWER COMPONENTS QUALIFIED I/W DATA: 162N1101-27 T/W (1)BACB28AK06-045 BUSHING AND (1)BACB30NR6DK21 BOLT (REF 141N0932) CAN REPLACE BUT NOT BE REPLACED BY 162N1101-14 T/W (1)BACB28AK06-058 BUSHING AND (1)BACB30NR6DK25 BOLT (REF 141N0932) 162N1101-27 T/W (1)BACB28AK06-045 BUSHING AND (1)BACB30NR6DK21 BOLT (REF 141N0932) CAN REPLACE BUT NOT BE REPLACED BY 162N1101-13 T/W (1)BACB28AK06-058 BUSHING AND (1)BACB30NR6DK25 BOLT (REF 141N0932) FOR NHA SEE: 32-21-01-01 32-21-01-01B 32-21-01-01C	002004 006102 107999	RF
- 1	162N1101-5		STRUT ASSY-NLG FOR NHA SEE: 32-21-01-01C	002004 006100 107107 121503 904949	RF
- 1	162N1101-28		STRUT ASSY-NLG MISCELLANEOUS DATA: FOR SPARES PROCURE LOWER COMPONENTS FOR NHA SEE: 32-21-01-01 32-21-01-01B 32-21-01-01C	002004 006102 107999	RF

MISSING ITEM NUMBERS NOT APPLICABLE

- ITEM NOT ILLUSTRATED

BRI

32-21-01-20

BOEING PROPRIETARY - Copyright © - Unpublished Work - See title page for details.

32-21-01  
FIG. 20  
PAGE 6  
JAN 20/09



757

PARTS CATALOG (MAINTENANCE)

FIG ITEM	PART NUMBER	1 2 3 4 5 6 7	NOMENCLATURE	EFFECT FROM TO	UNITS PER ASSY
20 - 1	162N1101-9		STRUT ASSY-NLG MISCELLANEOUS DATA: FOR SPARES PROCURE LOWER COMPONENTS COMPONENT MAINT MANUAL REF: 32-21-49 QUALIFIED I/W DATA: 162N1101-9 T/W (1) BACB28AK06-045 BUSHING AND (1) BACB30NR6DK21 BOLT (REF 141N0932) I/W 162N1101-13 T/W (1) BACB28AK06-058 BUSHING AND (1) BACB30NR6DK25 BOLT (REF 141N0932) 162N1101-9 T/W (1) BACB28AK06-045 BUSHING AND (1) BACB30NR6DK21 BOLT (REF 141N0932) I/W 162N1101-14 T/W (1) BACB28AK06-058 BUSHING AND (1) BACB30NR6DK25 BOLT (REF 141N0932) 162N1101-9 TOGETHER WITH (1) BACB28AK06-045 BUSHING AND (1) BACB30NR6DK21 BOLT (REF 141N0932) CAN REPLACE AND BE REPLACED BY 162N1101-15 TOGETHER WITH (1) BACB28AK06-058 BUSHING AND (1) BACB30NR6DK25 BOLT (REF 141N0932). FOR NHA SEE: 32-21-01-01C	002004 006100 107107 121503 904949	RF

MISSING ITEM NUMBERS NOT APPLICABLE

- ITEM NOT ILLUSTRATED

32-21-01-20

32-21-01  
FIG. 20  
PAGE 7  
JAN 20/09

BRI



757

PARTS CATALOG (MAINTENANCE)

FIG ITEM	PART NUMBER	1 2 3 4 5 6 7	NOMENCLATURE	EFFECT FROM TO	UNITS PER ASSY
20 - 1	162N1101-10		STRUT ASSY-NLG MISCELLANEOUS DATA: FOR SPARES PROCURE LOWER COMPONENTS COMPONENT MAINT MANUAL REF: 32-21-49 QUALIFIED I/W DATA: 162N1101-10 T/W (1) BACB28AK06-045 BUSHING AND (1) BACB30NR6DK21 BOLT (REF 141N0932) CAN REPLACE BUT NOT BE REPLACED BY 162N1101-14 T/W (1) BACB28AK06-058 BUSHING AND (1) BACB30NR6DK25 BOLT (REF 141N0932). 162N1101-10 T/W (1)BACB28AK06-045 BUSHING AND (1)BACB30NR6DK21 BOLT (REF 141N0932) I/W 162N1101-13 T/W (1)BACB28AK06-058 BUSHING AND (1)BACB30NR6DK25 BOLT (REF 141N0932) FOR NHA SEE: 32-21-01-01C	002004 006100 107107 121503 904949	RF

MISSING ITEM NUMBERS NOT APPLICABLE

- ITEM NOT ILLUSTRATED

BRI

32-21-01-20

BOEING PROPRIETARY - Copyright © - Unpublished Work - See title page for details.

32-21-01  
 FIG. 20  
 PAGE 8  
 JAN 20/09



757

PARTS CATALOG (MAINTENANCE)

FIG ITEM	PART NUMBER	1 2 3 4 5 6 7	NOMENCLATURE	EFFECT FROM TO	UNITS PER ASSY
20 - 1	162N1101-11		STRUT ASSY-NLG MISCELLANEOUS DATA: FOR SPARES PROCURE LOWER COMPONENTS COMPONENT MAINT MANUAL REF: 32-21-49 QUALIFIED I/W DATA: 162N1101-11 T/W (1) BACB28AK06-045 BUSHING AND (1) BACB30NR6DK21 BOLT (REF 141N0932) CAN REPLACE BUT NOT BE REPLACED BY 162N1101-14 T/W (1) BACB28AK06-058 BUSHING AND (1) BACB30R6DK25 BOLT (REF 141N0932). 162N1101-11 T/W (1)BACB28AK06-045 BUSHING AND (1)BACB30NR6DK21 BOLT (REF 141N0932) I/W 162N1101-13 T/W (1)BACB28AK06-058 BUSHING AND (1)BACB30NR6DK25 BOLT (REF 141N0932) FOR NHA SEE: 32-21-01-01C	002004 006100 107107 121503 904949	RF

MISSING ITEM NUMBERS NOT APPLICABLE

- ITEM NOT ILLUSTRATED

BRI

32-21-01-20

BOEING PROPRIETARY - Copyright © - Unpublished Work - See title page for details.

32-21-01  
FIG. 20  
PAGE 9  
JAN 20/09



757

PARTS CATALOG (MAINTENANCE)

FIG ITEM	PART NUMBER	1 2 3 4 5 6 7	NOMENCLATURE	EFFECT FROM TO	UNITS PER ASSY
20 - 1	162N1101-12		STRUT ASSY-NLG MISCELLANEOUS DATA: FOR SPARES PROCURE LOWER COMPONENTS COMPONENT MAINT MANUAL REF: 32-21-49 QUALIFIED I/W DATA: 162N1101-12 T/W (1) BACB28AK06-045 BUSHING AND (1) BACB30NR6DK21 BOLT (REF 141N0932) CAN REPLACE BUT NOT BE REPLACED BY 162N1101-14 T/W (1) BACB28AK06-058 BUSHING AND (1) BACB30NR6DK25 BOLT (REF 141N0932). 162N1101-12 T/W (1)BACB28AK06-045 BUSHING AND (1)BACB30NR6DK21 BOLT (REF 141N0932) I/W 162N1101-13 T/W (1)BACB28AK06-058 BUSHING AND (1)BACB30NR6DK25 BOLT (REF 141N0932) FOR NHA SEE: 32-21-01-01C	002004 006100 107107 121503 904949	RF

MISSING ITEM NUMBERS NOT APPLICABLE

- ITEM NOT ILLUSTRATED

BRI

32-21-01-20

BOEING PROPRIETARY - Copyright © - Unpublished Work - See title page for details.

32-21-01  
FIG. 20  
PAGE 10  
JAN 20/09



757

PARTS CATALOG (MAINTENANCE)

FIG ITEM	PART NUMBER	1 2 3 4 5 6 7	NOMENCLATURE	EFFECT FROM TO	UNITS PER ASSY
20 - 2	162N1101-15		STRUT ASSY-NLG MISCELLANEOUS DATA: FOR SPARES PROCURE LOWER COMPONENTS COMPONENT MAINT MANUAL REF: 32-21-49 QUALIFIED I/W DATA: 162N1101-15 T/W (1) BACB28AK06-045 BUSHING AND (1) BACB30NR6DK21 BOLT (REF 141N0932) I/W 162N1101-13 T/W (1) BACB28AK06-058 BUSHING AND (1) BACB30NR6DK25 BOLT (REF 141N0932). 162N1101-15 T/W (1) BACB28AK06-045 BUSHING AND (1) BACB30NR6DK21 BOLT (REF 141N0932) I/W 162N1101-14 T/W (1) BACB28AK06-058 BUSHING AND (1) BACB30NR6DK25 BOLT (REF 141N0932). 162N1101-9 TOGETHER WITH (1) BACB28AK06-045 BUSHING AND (1) BACB30NR6DK21 BOLT (REF 141N0932) CAN REPLACE AND BE REPLACED BY 162N1101-15 TOGETHER WITH (1) BACB28AK06-058 BUSHING AND (1) BACB30NR6DK25 BOLT (REF 141N0932). FOR NHA SEE: 32-21-01-01C	002004 006100 107107 121503 904949	RF

MISSING ITEM NUMBERS NOT APPLICABLE

- ITEM NOT ILLUSTRATED

32-21-01-20

32-21-01  
FIG. 20  
PAGE 11  
JAN 20/09

BRI



757

PARTS CATALOG (MAINTENANCE)

FIG ITEM	PART NUMBER	1 2 3 4 5 6 7	NOMENCLATURE	EFFECT FROM TO	UNITS PER ASSY
20 - 2	162N1101-16		STRUT ASSY-NLG MISCELLANEOUS DATA: FOR SPARES PROCURE LOWER COMPONENTS COMPONENT MAINT MANUAL REF: 32-21-49 QUALIFIED I/W DATA: 162N1101-16 T/W (1) BACB28AK06-045 BUSHING AND (1) BACB30NR6DK21 BOLT (REF 141N0932) CAN REPLACE BUT NOT BE REPLACED BY 162N1101-14 T/W (1) BACB28AK06-058 BUSHING AND (1) BACB30NR6DK25 BOLT (REF 141N0932). 162N1101-16 T/W (1) BACB28AK06-045 BUSHING AND (1) BACB30NR6DK21 BOLT (REF 141N0932) I/W 162N1101-13 T/W (1) BACB28AK06-058 BUSHING AND (1) BACB30NR6D25 BOLT (REF 141N0932). FOR NHA SEE: 32-21-01-01C	002004 006100 107107 121503 904949	RF

MISSING ITEM NUMBERS NOT APPLICABLE

- ITEM NOT ILLUSTRATED

BRI

32-21-01-20

BOEING PROPRIETARY - Copyright © - Unpublished Work - See title page for details.

32-21-01  
 FIG. 20  
 PAGE 12  
 JAN 20/09



757

PARTS CATALOG (MAINTENANCE)

FIG ITEM	PART NUMBER	1 2 3 4 5 6 7	NOMENCLATURE	EFFECT FROM TO	UNITS PER ASSY
20 - 2	162N1101-18		STRUT ASSY-NLG MISCELLANEOUS DATA: FOR SPARES PROCURE LOWER COMPONENTS COMPONENT MAINT MANUAL REF: 32-21-49 QUALIFIED I/W DATA: 162N1101-18 T/W (1) BACB28AK06-045 BUSHING AND (1) BACB30NR6DK21 BOLT (REF 141N0932) CAN REPLACE BUT NOT BE REPLACED BY 162N1101-14 T/W (1) BACB28AK06-058 BUSHING AND (1) BACB30NR6DK25 BOLT (REF 141N0932). 162N1101-18 T/W (1) BACB28AK06-045 BUSHING AND (1) BACB30NR6DK12 BOLT (REF 141N0932) CAN REPLACE BUT NOT BE REPLACED BY 162N1101-13 T/W (1) BACB28AK06-058 BUSHING AND (1) BACB30NR6DK25 BOLT (REF 141N0932). FOR NHA SEE: 32-21-01-01C	002004 006100 107107 121503 904949	RF

MISSING ITEM NUMBERS NOT APPLICABLE

- ITEM NOT ILLUSTRATED

32-21-01-20

32-21-01  
FIG. 20  
PAGE 13  
JAN 20/09

BRI





757

PARTS CATALOG (MAINTENANCE)

FIG ITEM	PART NUMBER	1 2 3 4 5 6 7	NOMENCLATURE	EFFECT FROM TO	UNITS PER ASSY
20 - 2	162N1101-19		STRUT ASSY-NLG MISCELLANEOUS DATA: FOR SPARES PROCURE LOWER COMPONENTS COMPONENT MAINT MANUAL REF: 32-21-49 QUALIFIED I/W DATA: 162N11101-19 T/W (1) BACB28AK06-045 BUSHING AND (1) BACB30NR6DK21 BOLT (REF 141N0932) CAN REPLACE BUT NOT BE REPLACED BY 162N1101-14 T/W (1) BACB28AK06-058 BUSHING AND (1) BACB30NR6DK25 BOLT (REF 141N0932). 162N1101-19 T/W (1) BACB28AK06-045 BUSHING AND (1) BACB30NR6DK21 BOLT (REF 141N0932) CAN REPLACE BUT NOT BE REPLACED BY 162N1101-13 T/W (1) BACB28AK06-058 BUSHING AND (1) BACB30NR6DK25 BOLT (REF 141N0932). FOR NHA SEE: 32-21-01-01C	002004 006100 107107 121503 904949	RF
- 2	162N1101-31		STRUT ASSY-NLG MISCELLANEOUS DATA: FOR SPARES PROCURE LOWER COMPONENTS FOR NHA SEE: 32-21-01-01	103106	RF

MISSING ITEM NUMBERS NOT APPLICABLE

- ITEM NOT ILLUSTRATED

BRI

32-21-01-20

BOEING PROPRIETARY - Copyright © - Unpublished Work - See title page for details.

32-21-01  
 FIG. 20  
 PAGE 14  
 JAN 20/09



757

PARTS CATALOG (MAINTENANCE)

FIG ITEM	PART NUMBER	1 2 3 4 5 6 7	NOMENCLATURE	EFFECT FROM TO	UNITS PER ASSY
20	162N1210-1		.NAMEPLATE-	002004 006999	1
20			USED ON:		
			162N1101-10		
			162N1101-11		
			162N1101-12		
			162N1101-13		
			162N1101-14		
			162N1101-15		
			162N1101-16		
			162N1101-18		
			162N1101-19		
		162N1101-20			
		162N1101-22			
		162N1101-24			
		162N1101-25			
		162N1101-26			
		162N1101-5			
		162N1101-9			
		USED ON:			
		162N1101-9			
		162N1101-10			
		162N1101-11			
		162N1101-12			
		162N1101-15			
		162N1101-16			
		162N1101-18			
		162N1101-19			
		162N1101-20			
		162N1101-22			
		162N1101-24			
		162N1101-25			
		162N1101-26			
20	162N1210-2		.NAMEPLATE-	002004	1
			USED ON:	006999	
			162N1101-27		
			162N1101-28		
			162N1101-31		
			162N1101-32		
			USED ON:		
			162N1101-27		
25	1646B		.FITTING-LUBE	002004	1
			SUPPLIER CODE:	006999	
			V95879		
30	1728B		.FITTING-LUBE	002004	4
			SUPPLIER CODE:	006999	
			VOFKM1		
35	MS28889-2		.VALVE ASSY	002004	1
				006999	

MISSING ITEM NUMBERS NOT APPLICABLE

- ITEM NOT ILLUSTRATED

32-21-01-20

32-21-01  
FIG. 20  
PAGE 15  
SEP 20/08

BRI



757

PARTS CATALOG (MAINTENANCE)

FIG ITEM	PART NUMBER	1 2 3 4 5 6 7	NOMENCLATURE	EFFECT FROM TO	UNITS PER ASSY
20					
40	MS28775-008	. .	PACKING	002004 006999	1
45	MS28775-015	. .	PACKING	002004 006999	1
50	NAS6705H4	.BOLT		002004 006999	4
55	AN960C516L	.WASHER		002004 006999	4
60	162N1182-1	.SEAL-RETAINER		002004 006999	1
		USED ON:			
		162N1101-10			
		162N1101-11			
		162N1101-12			
		162N1101-13			
		162N1101-14			
		162N1101-15			
		162N1101-16			
		162N1101-18			
		162N1101-19			
		162N1101-20			
		162N1101-22			
		162N1101-5			
		162N1101-9			
		USED ON:			
		162N1101-10			
		162N1101-11			
		162N1101-12			
		162N1101-15			
		162N1101-16			
		162N1101-18			
		162N1101-19			
		162N1101-20			
		162N1101-22			
		162N1101-9			
60	162N1182-1	.SEAL-RETAINER		002004	1
		OPTIONAL PART:		006102	
		162N1182-2		107999	
		USED ON:			
		162N1101-24			

MISSING ITEM NUMBERS NOT APPLICABLE

- ITEM NOT ILLUSTRATED

BRI

32-21-01-20

BOEING PROPRIETARY - Copyright © - Unpublished Work - See title page for details.

32-21-01  
FIG. 20  
PAGE 16  
JAN 20/09



757

PARTS CATALOG (MAINTENANCE)

FIG ITEM	PART NUMBER	1 2 3 4 5 6 7	NOMENCLATURE	EFFECT FROM TO	UNITS PER ASSY
20					
60	162N1182-2		.SEAL-RETAINER USED ON: 162N1101-25 162N1101-26 162N1101-27 162N1101-28 162N1101-31 162N1101-32 USED ON: 162N1101-24 162N1101-25 162N1101-26 162N1101-27 162N1101-31	002004 006999	1
60	162N1182-2		.SEAL-RETAINER OPTIONAL PART: 162N1182-1 USED ON: 162N1101-24	002004 006102 107999	1
65	7338MT987		.SEAL-T RING SUPPLIER CODE: V5F573 QUALIFIED I/W DATA: SUBJECT TO CUSTOMER PREFERENCE, T-RING SEALS AND BACKUP RINGS MUST BE FROM SAME SUPPLIER OPTIONAL PART: 7338MTE987 V72902 USED ON: 162N1101-10 162N1101-11 162N1101-12 162N1101-13 162N1101-14 162N1101-15 162N1101-16 162N1101-18 162N1101-19 162N1101-20 162N1101-22 162N1101-24 162N1101-25 162N1101-5 162N1101-9	002004 006102 107999	1

MISSING ITEM NUMBERS NOT APPLICABLE

- ITEM NOT ILLUSTRATED

32-21-01-20

32-21-01  
FIG. 20  
PAGE 17  
JAN 20/09

BRI



757

PARTS CATALOG (MAINTENANCE)

FIG ITEM	PART NUMBER	1 2 3 4 5 6 7	NOMENCLATURE	EFFECT FROM TO	UNITS PER ASSY
20 65	7338MTE987		.SEAL-T RING SUPPLIER CODE: V5F573 QUALIFIED I/W DATA: SUBJECT TO CUSTOMER PREFERENCE; T-RING SEALS AND BACKUP RINGS MUST BE FROM SAME SUPPLIER USED ON: 162N1101-10 162N1101-11 162N1101-12 162N1101-13 162N1101-14 162N1101-15 162N1101-16 162N1101-18 162N1101-19 162N1101-20 162N1101-22 162N1101-24 162N1101-25 162N1101-5 162N1101-9	002004 006102 107999	1
65	7338MT987		.SEAL-T RING SUPPLIER CODE: V5F573 QUALIFIED I/W DATA: SUBJECT TO CUSTOMER PREFERENCE; T-RING SEALS AND BACKUP RINGS MUST BE FROM SAME SUPPLIER OPTIONAL PART: 7338MTE987 V72902 S34706-338BEA V72902 USED ON: 162N1101-26 162N1101-27 162N1101-28 162N1101-31 162N1101-32	002004 006999	1

MISSING ITEM NUMBERS NOT APPLICABLE

- ITEM NOT ILLUSTRATED

BRI

32-21-01-20

BOEING PROPRIETARY - Copyright © - Unpublished Work - See title page for details.

32-21-01  
FIG. 20  
PAGE 18  
JAN 20/09



757

PARTS CATALOG (MAINTENANCE)

FIG ITEM	PART NUMBER	1 2 3 4 5 6 7	NOMENCLATURE	EFFECT FROM TO	UNITS PER ASSY
20 65	7338MTE987		.SEAL-T RING SUPPLIER CODE: V5F573 QUALIFIED I/W DATA: SUBJECT TO CUSTOMER PREFERENCE; T-RING SEALS AND BACKUP RINGS MUST BE FROM SAME SUPPLIER OPTIONAL PART: 7338MT987 V72902 S34706-338BEA V72902 USED ON: 162N1101-26 162N1101-27 162N1101-28 162N1101-31 162N1101-32	002004 006999	1
65	S34706-338BEA		.SEAL-T RING SUPPLIER CODE: V09257 QUALIFIED I/W DATA: SUBJECT TO CUSTOMER PREFERENCE, T-RING SEALS AND BACKUP RINGS MUST BE FROM SAME SUPPLIER TO ALLOW USE OF OPTIONAL SEALSAND RINGS OPTIONAL PART: 7338MT987 V72902 7338MTE987 V72902 USED ON: 162N1101-26 162N1101-27 162N1101-28 162N1101-31 162N1101-32	002004 006999	1

MISSING ITEM NUMBERS NOT APPLICABLE

- ITEM NOT ILLUSTRATED

BRI

32-21-01-20

BOEING PROPRIETARY - Copyright © - Unpublished Work - See title page for details.

32-21-01  
FIG. 20  
PAGE 19  
SEP 20/08



757

PARTS CATALOG (MAINTENANCE)

FIG ITEM	PART NUMBER	1 2 3 4 5 6 7	NOMENCLATURE	EFFECT FROM TO	UNITS PER ASSY
20 70	7338MTN		.RING-BACKUP SUPPLIER CODE: V5F573 QUALIFIED I/W DATA: SUBJECT TO CUSTOMER PREFERENCE, T-RING SEALS AND BACKUP RINGS MUST BE FROM SAME SUPPLIER USED ON: 162N1101-10 162N1101-11 162N1101-12 162N1101-13 162N1101-14 162N1101-15 162N1101-16 162N1101-18 162N1101-19 162N1101-20 162N1101-22 162N1101-24 162N1101-25 162N1101-5 162N1101-9	002004 006102 107999	2
70	7338MTN		.RING-BACKUP SUPPLIER CODE: V5F573 QUALIFIED I/W DATA: SUBJECT TO CUSTOMER PREFERENCE, T-RING SEALS AND BACKUP RINGS MUST BE FROM SAME SUPPLIER OPTIONAL PART: S34707-338-60 V09257 USED ON: 162N1101-26 162N1101-27 162N1101-28 162N1101-31 162N1101-32	002004 006999	2

MISSING ITEM NUMBERS NOT APPLICABLE

- ITEM NOT ILLUSTRATED

BRI

32-21-01-20

BOEING PROPRIETARY - Copyright © - Unpublished Work - See title page for details.

32-21-01  
FIG. 20  
PAGE 20  
JAN 20/09



757

PARTS CATALOG (MAINTENANCE)

FIG ITEM	PART NUMBER	1 2 3 4 5 6 7	NOMENCLATURE	EFFECT FROM TO	UNITS PER ASSY
20 70	S34707-338-60		.RING-BACKUP SUPPLIER CODE: V09257 QUALIFIED I/W DATA: SUBJECT TO CUSTOMER PREFERENCE, T-RING SEALS AND BACKUP RINGS MUST BE FROM SAME SUPPLIER OPTIONAL PART: 7338MTN V72902 USED ON: 162N1101-26 162N1101-27 162N1101-28 162N1101-31 162N1101-32	002004 006999	2
75	162N1181-1		.BULKHEAD- USED ON: 162N1101-10 162N1101-11 162N1101-12 162N1101-13 162N1101-14 162N1101-15 162N1101-16 162N1101-18 162N1101-19 162N1101-20 162N1101-22 162N1101-5 162N1101-9 USED ON: 162N1101-10 162N1101-11 162N1101-12 162N1101-15 162N1101-16 162N1101-18 162N1101-19 162N1101-20 162N1101-22 162N1101-9	002004 006999	1
75	162N1181-1		.BULKHEAD- OPTIONAL PART: 162B1181-2 USED ON: 162N1101-24	002004 006102 107999	1

MISSING ITEM NUMBERS NOT APPLICABLE

- ITEM NOT ILLUSTRATED

BRI

32-21-01-20

BOEING PROPRIETARY - Copyright © - Unpublished Work - See title page for details.

32-21-01  
FIG. 20  
PAGE 21  
JAN 20/09





757

PARTS CATALOG (MAINTENANCE)

FIG ITEM	PART NUMBER	1 2 3 4 5 6 7	NOMENCLATURE	EFFECT FROM TO	UNITS PER ASSY
20					
75	162N1181-2		.BULKHEAD- USED ON: 162N1101-25 162N1101-26 162N1101-27 162N1101-28 162N1101-31 162N1101-32 USED ON: 162N1101-25 162N1101-26 162N1101-27 162N1101-31	002004 006999	1
75	162N1181-2		.BULKHEAD- OPTIONAL PART: 162N1181-1 SERVICE BULLETIN OPT DATA: 162N1181-1 USED ON: 162N1101-24	002004 006102 107999	1
80	NAS6705U1		.BOLT- USED ON: 162N1101-12 162N1101-13 162N1101-14 162N1101-15 162N1101-16 162N1101-18 162N1101-19 162N1101-20 162N1101-22 162N1101-24 162N1101-25 162N1101-26 162N1101-27 162N1101-28 162N1101-5 162N1101-31 162N1101-32	002004 006999	2

MISSING ITEM NUMBERS NOT APPLICABLE

- ITEM NOT ILLUSTRATED

BRI

32-21-01-20

BOEING PROPRIETARY - Copyright © - Unpublished Work - See title page for details.

32-21-01  
FIG. 20  
PAGE 22  
JAN 20/09



757

PARTS CATALOG (MAINTENANCE)

FIG ITEM	PART NUMBER	1 2 3 4 5 6 7	NOMENCLATURE	EFFECT FROM TO	UNITS PER ASSY
20 85	162N1198-1		.KEY-LOCKING QUALIFIED I/W DATA: 162N1180-2 T/W 1EA 162N1179-1 NUT ORIFICE PLATE AND 6EA NAS6706PU10 BOLTS I/W 162N1196-1 T/W 1EA 162N1197-1 NUT, 1EA 162N1198-1 LOCKING KEY AND 2EA NAS6705U1 BOLT. USED ON: 162N1101-12 162N1101-13 162N1101-14 162N1101-15 162N1101-16 162N1101-18 162N1101-19 162N1101-20 162N1101-22 162N1101-24 162N1101-25 162N1101-26 162N1101-27 162N1101-28 162N1101-5 162N1101-31 162N1101-32 USED ON: 162N1101-9 162N1101-10 162N1101-11	002004 006999	1

MISSING ITEM NUMBERS NOT APPLICABLE

- ITEM NOT ILLUSTRATED

32-21-01-20

32-21-01  
FIG. 20  
PAGE 23  
SEP 20/08

BRI



**757  
PARTS CATALOG (MAINTENANCE)**

FIG ITEM	PART NUMBER	1 2 3 4 5 6 7 NOMENCLATURE	EFFECT FROM TO	UNITS PER ASSY
20 90	162N1197-1	.NUT- QUALIFIED I/W DATA: 162N1180-2 T/W 1EA 162N1179-1 NUT ORIFICE PLATE AND 6EA NAS6706PU10 BOLTS I/W 162N1196-1 T/W 1EA 162N1197-1 NUT, 1EA 162N1198-1 LOCKING KEY AND 2EA NAS6705U1BOLT. USED ON: 162N1101-12 162N1101-13 162N1101-14 162N1101-15 162N1101-16 162N1101-18 162N1101-19 162N1101-20 162N1101-22 162N1101-24 162N1101-25 162N1101-26 162N1101-27 162N1101-28 162N1101-5 162N1101-31 162N1101-32 USED ON: 162N1101-9 162N1101-10 162N1101-11	002004 006999	1

MISSING ITEM NUMBERS NOT APPLICABLE

— ITEM NOT ILLUSTRATED

BRI

# 32-21-01-20

BOEING PROPRIETARY - Copyright © - Unpublished Work - See title page for details.

32-21-01  
FIG. 20  
PAGE 24  
SEP 20/08



757

PARTS CATALOG (MAINTENANCE)

FIG ITEM	PART NUMBER	1 2 3 4 5 6 7 NOMENCLATURE	EFFECT FROM TO	UNITS PER ASSY
20 95	162N1196-1	.PLATE ASSY-ORIFICE QUALIFIED I/W DATA: 162N1180-2 T/W 1EA 162N1179-1 NUT ORIFICE PLATE AND 6EA NAS6706PU10 BOLTS I/W 162N1196-1 T/W 1EA 162N1197-1 NUT, 1EA 162N1198-1 LOCKING KEY AND 2EA NAS6705U1 BOLT USED ON: 162N1101-12 162N1101-13 162N1101-14 162N1101-15 162N1101-16 162N1101-18 162N1101-19 162N1101-20 162N1101-22 162N1101-24 162N1101-25 162N1101-26 162N1101-27 162N1101-28 162N1101-5 162N1101-31 162N1101-32 USED ON: 162N1101-9 162N1101-10 162N1101-11	002004 006999	1

MISSING ITEM NUMBERS NOT APPLICABLE

- ITEM NOT ILLUSTRATED

BRI

32-21-01-20

BOEING PROPRIETARY - Copyright © - Unpublished Work - See title page for details.

32-21-01  
FIG. 20  
PAGE 25  
SEP 20/08



757

PARTS CATALOG (MAINTENANCE)

FIG ITEM	PART NUMBER	1 2 3 4 5 6 7	NOMENCLATURE	EFFECT FROM TO	UNITS PER ASSY
20 97	162N1180-2		.PLATE-ORIFICE QUALIFIED I/W DATA: 162N1180-2 T/W 1EA 162N1179-1 NUT ORIFICE PLATE AND 6EA NAS6706PU10 BOLTS I/W 162N1196-1 T/W 1EA 162N1197-1 NUT, 1EA 162N1198-1 LOCKING KEY AND 2EA NAS6705U1 BOLT USED ON: 162N1101-10 162N1101-11 162N1101-9 USED ON: 162N1101-12 162N1101-15 162N1101-16 162N1101-18 162N1101-19 162N1101-20 162N1101-22 162N1101-24 162N1101-25 162N1101-26 162N1101-27 162N1101-31	002004 006100 107107 121503 904949	1

MISSING ITEM NUMBERS NOT APPLICABLE

- ITEM NOT ILLUSTRATED

32-21-01-20

32-21-01  
FIG. 20  
PAGE 26  
JAN 20/09

BRI



757

PARTS CATALOG (MAINTENANCE)

FIG ITEM	PART NUMBER	1 2 3 4 5 6 7	NOMENCLATURE	EFFECT FROM TO	UNITS PER ASSY
20 98	162N1179-1		.NUT-ORIFICE PLATE QUALIFIED I/W DATA: 162N1180-2 T/W 1EA 162N1179-1 NUT ORIFICE PLATE AND 6EA NAS6706PU10 BOLTS I/W 162N1196-1 T/W 1EA 162N1197-1 NUT, 1EA 162N1198-1 LOCKING KEY AND 2EA NAS6705U1BOLT. USED ON: 162N1101-10 162N1101-11 162N1101-9 USED ON: 162N1101-12 162N1101-15 162N1101-16 162N1101-18 162N1101-19 162N1101-20 162N1101-22 162N1101-24 162N1101-25 162N1101-26 162N1101-27 162N1101-31	002004 006100 107107 121503 904949	1
100	162N1195-1		.BEARING ASSY- POSITION DATA: UPR USED ON: 162N1101-10 162N1101-11 162N1101-12 162N1101-13 162N1101-14 162N1101-15 162N1101-16 162N1101-18 162N1101-19 162N1101-20 162N1101-22 162N1101-24 162N1101-25 162N1101-26 162N1101-27 162N1101-5 162N1101-9 162N1101-31	002004 006999	1

MISSING ITEM NUMBERS NOT APPLICABLE

- ITEM NOT ILLUSTRATED

BRI

32-21-01-20

BOEING PROPRIETARY - Copyright © - Unpublished Work - See title page for details.

32-21-01  
FIG. 20  
PAGE 27  
JAN 20/09



757

PARTS CATALOG (MAINTENANCE)

FIG ITEM	PART NUMBER	1 2 3 4 5 6 7	NOMENCLATURE	EFFECT FROM TO	UNITS PER ASSY
20 100	162N1195-4		.BEARING ASSY- POSITION DATA: UPR USED ON: 162N1101-10 162N1101-11 162N1101-12 162N1101-13 162N1101-14 162N1101-15 162N1101-16 162N1101-18 162N1101-19 162N1101-20 162N1101-22 162N1101-24 162N1101-25 162N1101-26 162N1101-27 162N1101-5 162N1101-9 162N1101-31	002004 006999	1
102	162N1191-1		.PIN-METERING USED ON: 162N1101-10 162N1101-11 162N1101-12 162N1101-13 162N1101-14 162N1101-15 162N1101-16 162N1101-18 162N1101-19 162N1101-20 162N1101-22 162N1101-24 162N1101-25 162N1101-26 162N1101-27 162N1101-31 162N1101-9	002004 006999	1
102	162N1191-2		.PIN-METERING USED ON: 162N1101-28 162N1101-32	002004 006102 107999	1

MISSING ITEM NUMBERS NOT APPLICABLE

- ITEM NOT ILLUSTRATED

BRI

32-21-01-20

BOEING PROPRIETARY - Copyright © - Unpublished Work - See title page for details.

32-21-01  
FIG. 20  
PAGE 28  
JAN 20/09



757

PARTS CATALOG (MAINTENANCE)

FIG ITEM	PART NUMBER	1 2 3 4 5 6 7	NOMENCLATURE	EFFECT FROM TO	UNITS PER ASSY
20 105	2C9638		.VALVE ASSY-OIL CHARGE SUPPLIER CODE: V99240 MISCELLANEOUS DATA: INTERCHANGEABILITY IS LOCATION-DEPENDENT QUALIFIED I/W DATA: 2C9638 IS REPLACED BY AND FULLY INTERCHANGEABLE WITH 1C3976. REPLACING 1C3976 WITH 2C9638, HOWEVER, NEGATES THE EFFECT OF SERVICE BULLETIN 757-32A0123. OPTIONAL PART: 1C3976 V99240	002004 006999	1
105	1C3976		.VALVE ASSY-OIL CHARGE SUPPLIER CODE: V99240 MISCELLANEOUS DATA: INTERCHANGEABILITY IS LOCATION-DEPENDENT QUALIFIED I/W DATA: 2C9638 IS REPLACED BY AND FULLY INTERCHANGEABLE WITH 1C3976.REPLACING 1C3976 WITH 2C9638, HOWEVER, NEGATES THE EFFECT OF SERVICE BULLETIN 757-32A0123. OPTIONAL PART: 2C9638 V99240	103106	1
110	MS28778-4		..PACKING	002004 006999	1
115	MS28778-5		.PACKING	002004 006999	1
120	NAS1198-6-5		.RIVET	002004 006999	1
125	162N1166-1		.RETAINER-BRG SEAL	002004 006999	1

MISSING ITEM NUMBERS NOT APPLICABLE

- ITEM NOT ILLUSTRATED

32-21-01-20

32-21-01  
FIG. 20  
PAGE 29  
JAN 20/09

BRI





757

PARTS CATALOG (MAINTENANCE)

FIG ITEM	PART NUMBER	1 2 3 4 5 6 7	NOMENCLATURE	EFFECT FROM TO	UNITS PER ASSY
20 130	162N1146-3		.COLLAR ASSY- USED ON: 162N1101-11 162N1101-12 162N1101-16 162N1101-18 162N1101-19 162N1101-20 162N1101-22 162N1101-5 USED ON: 162N1101-9 162N1101-10 162N1101-15 162N1101-24 162N1101-25 162N1101-26 162N1101-27 162N1101-31	002004 006999	1
130	162N1146-4		.COLLAR ASSY- USED ON: 162N1101-24 162N1101-25 162N1101-26 162N1101-27 162N1101-28 162N1101-31 162N1101-32 USED ON: 162N1101-9 162N1101-10 162N1101-11 162N1101-12 162N1101-15 162N1101-16 162N1101-18 162N1101-19 162N1101-20 162N1101-22	002004 006999	1

MISSING ITEM NUMBERS NOT APPLICABLE

- ITEM NOT ILLUSTRATED

BRI

32-21-01-20

BOEING PROPRIETARY - Copyright © - Unpublished Work - See title page for details.

32-21-01  
FIG. 20  
PAGE 30  
JAN 20/09



757

PARTS CATALOG (MAINTENANCE)

FIG ITEM	PART NUMBER	1 2 3 4 5 6 7	NOMENCLATURE	EFFECT FROM TO	UNITS PER ASSY
20 130	162N1146-1		. COLLAR ASSY- USED ON: 162N1101-10 162N1101-13 162N1101-14 162N1101-15 162N1101-9 USED ON: 162N1101-11 162N1101-12 162N1101-16 162N1101-18 162N1101-19 162N1101-20 162N1101-22 162N1101-24 162N1101-25 162N1101-26 162N1101-27 162N1101-31	002004 006999	1
135	1728B		.. FITTING-LUBE SUPPLIER CODE: VOFKM1 USED ON: 162N1146-3 162N1146-4	002004 006999	6
140	1728B		.. FITTING-LUBE SUPPLIER CODE: VOFKM1 USED ON: 162N1146-1	002004 006999	8
145	1646B		.. FITTING-LUBE SUPPLIER CODE: V95879 USED ON: 162N1146-3 162N1146-4	002004 006999	2

MISSING ITEM NUMBERS NOT APPLICABLE

- ITEM NOT ILLUSTRATED

BRI

32-21-01-20

BOEING PROPRIETARY - Copyright © - Unpublished Work - See title page for details.

32-21-01  
FIG. 20  
PAGE 31  
JAN 20/09



757

PARTS CATALOG (MAINTENANCE)

FIG ITEM	PART NUMBER	1 2 3 4 5 6 7	NOMENCLATURE	EFFECT FROM TO	UNITS PER ASSY
20 155	7433FT972		.SEAL-T RING SUPPLIER CODE: V5F573 MISCELLANEOUS DATA: (CONTAINED IN SEAL KIT 157-8010-1 QUALIFIED I/W DATA: SUBJECT TO CUSTOMER PREFERENCE, T-RING SEALS AND BACKUP RINGS MUST BE FROM SAME SUPPLIER USED ON: 162N1101-10 162N1101-11 162N1101-12 162N1101-13 162N1101-14 162N1101-15 162N1101-16 162N1101-18 162N1101-19 162N1101-20 162N1101-22 162N1101-24 162N1101-25 162N1101-5 162N1101-9	002004 006999	3
155	7433FT972		.SEAL-T RING SUPPLIER CODE: V5F573 MISCELLANEOUS DATA: (CONTAINED IN SEAL KIT 157-8010-1 QUALIFIED I/W DATA: SUBJECT TO CUSTOMER PREFERENCE, T-RING SEALS AND BACKUP RINGS MUST BE FROM SAME SUPPLIER OPTIONAL PART: S34697-433GLF V09257 USED ON: 162N1101-26 162N1101-27 162N1101-28	002004 006999	3

MISSING ITEM NUMBERS NOT APPLICABLE

- ITEM NOT ILLUSTRATED

32-21-01-20

32-21-01  
FIG. 20  
PAGE 32  
JAN 20/09

BRI



757

PARTS CATALOG (MAINTENANCE)

FIG ITEM	PART NUMBER	1 2 3 4 5 6 7	NOMENCLATURE	EFFECT FROM TO	UNITS PER ASSY
20 155	S34697-433GLF		.SEAL-T RING SUPPLIER CODE: V09257 QUALIFIED I/W DATA: SUBJECT TO CUSTOMER PREFERENCE, T-RING SEALS AND BACKUP RINGS MUST BE FROM SAME SUPPLIER OPTIONAL PART: 7433FTP3 V72902 USED ON: 162N1101-22 162N1101-24 162N1101-25 162N1101-26 162N1101-27 162N1101-28	002004 006999	3
165	7433FTP3		.RING-BACKUP SUPPLIER CODE: V5F573 MISCELLANEOUS DATA: (CONTAINED IN SEAL KIT 157-8010-1 QUALIFIED I/W DATA: SUBJECT TO CUSTOMER PREFERENCE, T-RING SEALS AND BACKUP RINGS MUST BE FROM SAME SUPPLIER USED ON: 162N1101-10 162N1101-11 162N1101-12 162N1101-13 162N1101-14 162N1101-15 162N1101-16 162N1101-18 162N1101-19 162N1101-20 162N1101-22 162N1101-24 162N1101-25 162N1101-5 162N1101-9	002004 006102 107999	2

MISSING ITEM NUMBERS NOT APPLICABLE

- ITEM NOT ILLUSTRATED

BRI

32-21-01-20

BOEING PROPRIETARY - Copyright © - Unpublished Work - See title page for details.

32-21-01  
FIG. 20  
PAGE 33  
JAN 20/09



757

PARTS CATALOG (MAINTENANCE)

FIG ITEM	PART NUMBER	1 2 3 4 5 6 7	NOMENCLATURE	EFFECT FROM TO	UNITS PER ASSY
20 165	7433FTP3		.RING-BACKUP SUPPLIER CODE: V5F573 MISCELLANEOUS DATA: (CONTAINED IN SEAL KIT 157-8010-1 QUALIFIED I/W DATA: SUBJECT TO CUSTOMER PREFERENCE, T-RING SEALS AND BACKUP RINGS MUST BE FROM SAME SUPPLIER OPTIONAL PART: S34698-433-17 V09257 USED ON: 162N1101-26 162N1101-27 162N1101-28 162N1101-31 162N1101-32	002004 006999	2
165	S34698-433-17		.RING-BACKUP SUPPLIER CODE: V09257 QUALIFIED I/W DATA: SUBJECT TO CUSTOMER PREFERENCE, T-RING SEALS AND BACKUP RINGS MUST BE FROM SAME SUPPLIER OPTIONAL PART: 7433FTP3 V72902 USED ON: 162N1101-26 162N1101-27 162N1101-28 162N1101-31 162N1101-32	002004 006999	2

MISSING ITEM NUMBERS NOT APPLICABLE

- ITEM NOT ILLUSTRATED

BRI

32-21-01-20

BOEING PROPRIETARY - Copyright © - Unpublished Work - See title page for details.

32-21-01  
FIG. 20  
PAGE 34  
JAN 20/09



757

PARTS CATALOG (MAINTENANCE)

FIG ITEM	PART NUMBER	1 2 3 4 5 6 7	NOMENCLATURE	EFFECT FROM TO	UNITS PER ASSY
20 170	7437MT987		.SEAL-T RING SUPPLIER CODE: V5F573 MISCELLANEOUS DATA: CONTAINED IN SEAL KIT 157-8010-1 QUALIFIED I/W DATA: SUBJECT TO CUSTOMER PREFERENCE, T-RING SEALS AND BACKUP RINGS MUST BE FROM SAME SUPPLIER USED ON: 162N1101-10 162N1101-11 162N1101-12 162N1101-13 162N1101-14 162N1101-15 162N1101-16 162N1101-18 162N1101-19 162N1101-20 162N1101-22 162N1101-24 162N1101-25 162N1101-5 162N1101-9	002004 006102 107999	3
170	7437MT987		.SEAL-T RING SUPPLIER CODE: V5F573 MISCELLANEOUS DATA: CONTAINED IN SEAL KIT 157-8010-1 QUALIFIED I/W DATA: SUBJECT TO CUSTOMER PREFERENCE, T-RING SEALS AND BACKUP RINGS MUST BE FROM SAME SUPPLIER OPTIONAL PART: S34706-437BEA V09257 USED ON: 162N1101-26 162N1101-27 162N1101-28 162N1101-31 162N1101-32	002004 006999	3

MISSING ITEM NUMBERS NOT APPLICABLE

- ITEM NOT ILLUSTRATED

32-21-01-20

32-21-01  
FIG. 20  
PAGE 35  
JAN 20/09

BRI



757

PARTS CATALOG (MAINTENANCE)

FIG ITEM	PART NUMBER	1 2 3 4 5 6 7	NOMENCLATURE	EFFECT FROM TO	UNITS PER ASSY
20 170	S34706-437BEA		.SEAL-T RING SUPPLIER CODE: V09257 QUALIFIED I/W DATA: SUBJECT TO CUSTOMER PREFERENCE, T-RING SEALS AND BACKUP RINGS MUST BE FROM SAME SUPPLIER OPTIONAL PART: 7437MT987 V72902 USED ON: 162N1101-26 162N1101-27 162N1101-28 162N1101-31 162N1101-32	002004 006999	3
170	7437MT987		.SEAL-T RING SUPPLIER CODE: V5F573 MISCELLANEOUS DATA: CONTAINED IN SEAL KIT 157-8010-1 QUALIFIED I/W DATA: SUBJECT TO CUSTOMER PREFERENCE, T-RING SEALS AND BACKUP RINGS MUST BE FROM SAME SUPPLIER OPTIONAL PART: S34706-437BEA V09257 USED ON: 162N1101-22 162N1101-24 162N1101-25 162N1101-26 162N1101-27 162N1101-28	002004 006999	3

MISSING ITEM NUMBERS NOT APPLICABLE

- ITEM NOT ILLUSTRATED

BRI

32-21-01-20

BOEING PROPRIETARY - Copyright © - Unpublished Work - See title page for details.

32-21-01  
FIG. 20  
PAGE 36  
JAN 20/09



757

PARTS CATALOG (MAINTENANCE)

FIG ITEM	PART NUMBER	1 2 3 4 5 6 7	NOMENCLATURE	EFFECT FROM TO	UNITS PER ASSY
20 180	7437MTN		.RING-BACKUP SUPPLIER CODE: V5F573 MISCELLANEOUS DATA: CONTAINED IN SEAL KIT 7157-8010-1 VENDOR SUPPLIES THESE PARTS LABELED AS 7437MT-2N ADDED PER WORK DRIVER 7514IPC9064 DTD 5/21/03 QUALIFIED I/W DATA: SUBJECT TO CUSTOMER PREFERENCE, T-RING SEALS AND BACKUP RINGS MUST BE FROM SAME SUPPLIER USED ON: 162N1101-10 162N1101-11 162N1101-12 162N1101-13 162N1101-14 162N1101-15 162N1101-16 162N1101-18 162N1101-19 162N1101-20 162N1101-22 162N1101-24 162N1101-25 162N1101-5 162N1101-9	002004 006102 107999	2

MISSING ITEM NUMBERS NOT APPLICABLE

- ITEM NOT ILLUSTRATED

32-21-01-20

32-21-01  
FIG. 20  
PAGE 37  
JAN 20/09

BRI





**757  
PARTS CATALOG (MAINTENANCE)**

FIG ITEM	PART NUMBER	1 2 3 4 5 6 7	NOMENCLATURE	EFFECT FROM TO	UNITS PER ASSY
20 180	7437MTN		.RING-BACKUP SUPPLIER CODE: V5F573 MISCELLANEOUS DATA: CONTAINED IN SEAL KIT 7157-8010-1 VENDOR SUPPLIES THESE PARTS LABELED AS 7437MT-2N ADDED PER WORK DRIVER 7514IPC9064 DTD 5/21/03 QUALIFIED I/W DATA: SUBJECT TO CUSTOMER PREFERENCE, T-RING SEALS AND BACKUP RINGS MUST BE FROM SAME SUPPLIER OPTIONAL PART: S34707-437-60 V09257 USED ON: 162N1101-26 162N1101-27 162N1101-28 162N1101-31 162N1101-32	002004 006999	2
180	S34707-437-60		.RING-BACKUP SUPPLIER CODE: V09257 QUALIFIED I/W DATA: SUBJECT TO CUSTOMER PREFERENCE, T-RING SEALS AND BACKUP RINGS MUST BE FROM SAME SUPPLIER OPTIONAL PART: 7437MTN V72902 USED ON: 162N1101-26 162N1101-27 162N1101-28 162N1101-31 162N1101-32	002004 006999	2
185	162N1164-1		.BEARING- POSITION DATA: LWR	002004 006999	1

MISSING ITEM NUMBERS NOT APPLICABLE

— ITEM NOT ILLUSTRATED

BRI

# 32-21-01-20

BOEING PROPRIETARY - Copyright © - Unpublished Work - See title page for details.

32-21-01  
FIG. 20  
PAGE 38  
SEP 20/08



757

PARTS CATALOG (MAINTENANCE)

FIG ITEM	PART NUMBER	1 2 3 4 5 6 7	NOMENCLATURE	EFFECT FROM TO	UNITS PER ASSY
20 190	162N1101-23	.	SCRAPER ASSY-RSA OPTIONAL PART: 351-43301-330G V5F573 351-43301-318A V5F573 USED ON: 162N1101-27 162N1101-31	002004 006999	1
190	162N1101-23	.	SCRAPER ASSY-RSA OPTIONAL PART: 351-43301-318A V5F573 USED ON: 162N1101-18 162N1101-19 162N1101-20 162N1101-22 162N1101-24 162N1101-25 162N1101-26 162N1101-32	002004 006102 107999	1
190	162N1101-23	.	SCRAPER ASSY-RSA USED ON: 162N1101-10 162N1101-11 162N1101-12 162N1101-13 162N1101-14 162N1101-15 162N1101-16 162N1101-5 162N1101-9	002004 006102 107999	1

MISSING ITEM NUMBERS NOT APPLICABLE

- ITEM NOT ILLUSTRATED

BRI

32-21-01-20

BOEING PROPRIETARY - Copyright © - Unpublished Work - See title page for details.

32-21-01  
FIG. 20  
PAGE 39  
JAN 20/09



757

PARTS CATALOG (MAINTENANCE)

FIG ITEM	PART NUMBER	1 2 3 4 5 6 7	NOMENCLATURE	EFFECT FROM TO	UNITS PER ASSY
20 190	BCREF5239	.	SCRAPER ASSY-RSA SUPPLIER CODE: V5F573 OVERLENGTH PART NUMBER: 3498-05497-0175-0240 MISCELLANEOUS DATA: (351-43301-318A (CONTAINED IN SEAL KIT 157-8010-1) USED ON: 162N1101-9 162N1101-10 162N1101-11 162N1101-12 162N1101-15 162N1101-16 162N1101-18 162N1101-19 162N1101-20 162N1101-22 162N1101-24 162N1101-25 162N1101-26 162N1101-27 162N1101-31	002004 006999	1
190	351-43301-318A	.	SCRAPER ASSY-RSA SUPPLIER CODE: V5F573 USED ON: 162N1101-28 162N1101-32	002004 006102 107999	1
190	351-43301-330G	.	SCRAPER ASSY-RSA SUPPLIER CODE: V5F573 USED ON: 162N1101-28 162N1101-32	002004 006102 107999	1
190	351-43301-318A	.	SCRAPER ASSY-RSA SUPPLIER CODE: V5F573 OPTIONAL PART: 162N1101-23 351-43301-330G V5F573 USED ON: 162N1101-27 162N1101-31	002004 006999	1

MISSING ITEM NUMBERS NOT APPLICABLE

- ITEM NOT ILLUSTRATED

32-21-01-20

32-21-01  
FIG. 20  
PAGE 40  
JAN 20/09

BRI



757

PARTS CATALOG (MAINTENANCE)

FIG ITEM	PART NUMBER	1 2 3 4 5 6 7	NOMENCLATURE	EFFECT FROM TO	UNITS PER ASSY
20 190	351-43301-330G	.	SCRAPER ASSY-RSA SUPPLIER CODE: V5F573 OPTIONAL PART: 162N1101-23 351-43301-318A V5F573 USED ON: 162N1101-27 162N1101-31	002004 006999	1
190	351-43301-318A	.	SCRAPER ASSY-RSA SUPPLIER CODE: V5F573 OPTIONAL PART: 162N1101-23 USED ON: 162N1101-18 162N1101-19 162N1101-20 162N1101-22 162N1101-24 162N1101-25 162N1101-26 162N1101-32	002004 006102 107999	1
195	BACB30NF4H4	.	BOLT-	002004 006999	2
200	162N1171-1	.	PLATE-LOCK	002004 006999	1
205	162N1147-1	.	NUT ASSY- OPTIONAL PART: 162N1147-3 USED ON: 162N1101-24 USED ON: 162N1101-9 162N1101-10 162N1101-11 162N1101-12 162N1101-15 162N1101-16 162N1101-18 162N1101-19 162N1101-20 162N1101-22	002004 006102 107999	1

MISSING ITEM NUMBERS NOT APPLICABLE

- ITEM NOT ILLUSTRATED

BRI

32-21-01-20

BOEING PROPRIETARY - Copyright © - Unpublished Work - See title page for details.

32-21-01  
FIG. 20  
PAGE 41  
JAN 20/09



757

PARTS CATALOG (MAINTENANCE)

FIG ITEM	PART NUMBER	1 2 3 4 5 6 7	NOMENCLATURE	EFFECT FROM TO	UNITS PER ASSY
20 205	162N1147-3		.NUT ASSY- USED ON: 162N1101-25 162N1101-26 162N1101-27 162N1101-28 162N1101-31 162N1101-32 USED ON: 162N1101-25 162N1101-26 162N1101-27 162N1101-31	002004 006999	1
205	162N1147-3		.NUT ASSY- OPTIONAL PART: 162N1147-1 USED ON: 162N1101-24	002004 006102 107999	1
205	162N1147-1		.NUT ASSY- USED ON: 162N1101-10 162N1101-11 162N1101-12 162N1101-13 162N1101-14 162N1101-15 162N1101-16 162N1101-18 162N1101-19 162N1101-20 162N1101-22 162N1101-5 162N1101-9	002004 006999	1
210	1728B		.. FITTING-LUBE SUPPLIER CODE: VOFKM1	002004 006999	2

MISSING ITEM NUMBERS NOT APPLICABLE

- ITEM NOT ILLUSTRATED

BRI

32-21-01-20

BOEING PROPRIETARY - Copyright © - Unpublished Work - See title page for details.

32-21-01  
FIG. 20  
PAGE 42  
JAN 20/09



757

PARTS CATALOG (MAINTENANCE)

FIG ITEM	PART NUMBER	1 2 3 4 5 6 7	NOMENCLATURE	EFFECT FROM TO	UNITS PER ASSY
20 215	162N1163-1		.NUT ASSY-GLAND USED ON: 162N1101-13 162N1101-14 162N1101-9 USED ON: 162N1101-9 162N1101-10 162N1101-11 162N1101-12 162N1101-15 162N1101-16 162N1101-18 162N1101-19 162N1101-20 162N1101-22 162N1101-24 162N1101-25 162N1101-26 162N1101-27 162N1101-31	002004 006999	1
215	162N1163-3		.NUT ASSY-GLAND OPTIONAL PART: 162N1163-5 USED ON: 162N1101-10 162N1101-11 162N1101-12 162N1101-13 162N1101-14 162N1101-15 162N1101-16 162N1101-18 162N1101-19 162N1101-20 162N1101-22 162N1101-24 162N1101-5 162N1101-9 USED ON: 162N1101-24 162N1101-25 162N1101-26 162N1101-27 162N1101-28	002004 006999	1

MISSING ITEM NUMBERS NOT APPLICABLE

- ITEM NOT ILLUSTRATED

BRI

32-21-01-20

BOEING PROPRIETARY - Copyright © - Unpublished Work - See title page for details.

32-21-01  
FIG. 20  
PAGE 43  
JAN 20/09



757

PARTS CATALOG (MAINTENANCE)

FIG ITEM	PART NUMBER	1 2 3 4 5 6 7 NOMENCLATURE	EFFECT FROM TO	UNITS PER ASSY
20	162N1163-5	.NUT ASSY-GLAND QUALIFIED I/W DATA: 162N1163-8 CAN REPLACE OR BE REPLACED BY 162N1163-5 SUBJECT TO CUSTOMER PREFERENCE OF LUBE FITTING. OPTIONAL PART: 162N1163-3 USED ON: 162N1101-24 162N1101-25 162N1101-26 162N1101-27 162N1101-28 USED ON: 162N1101-9 162N1101-10 162N1101-11 162N1101-12 162N1101-15 162N1101-16 162N1101-18 162N1101-19 162N1101-20 162N1101-22	002004 006999	1
215				
215	162N1163-8	.NUT-GLAND QUALIFIED I/W DATA: 162N1163-8 CAN REPLACE OR BE REPLACED BY 162N1163-5 SUBJECT TO CUSTOMER PREFERENCE OF LUBE FITTING. SERVICE BULLETIN OPT DATA: 162N1163-3 162N1163-5 USED ON: 162N1101-31	103106	1
220	1728B	.. FITTING-LUBE SUPPLIER CODE: VOFKM1	002004 006999	2
222	162N1163-7	.NUT-GLAND OPTIONAL PART: 162N1163-8	103106	1

MISSING ITEM NUMBERS NOT APPLICABLE

- ITEM NOT ILLUSTRATED

# 32-21-01-20

32-21-01  
FIG. 20  
PAGE 44  
MAY 20/09

BRI



757

PARTS CATALOG (MAINTENANCE)

FIG ITEM	PART NUMBER	1 2 3 4 5 6 7	NOMENCLATURE	EFFECT FROM TO	UNITS PER ASSY
R R R R R R R	20 222	162N1163-8	.NUT-GLAND QUALIFIED I/W DATA: 162N1163-8 CAN REPLACE OR BE REPLACED BY 162N1163-5 SUBJECT TO CUSTOMER PREFERENCE OF LUBE FITTING. OPTIONAL PART: 162N1163-7	103106	1
	225	MS24665-379	.PIN-	002004 006999	1
	230	BMN4122AD3-20	.NUT- SUPPLIER CODE: V97928 SPECIFICATION NUMBER: BACN10JC20 OPTIONAL PART: H10-20BAC V15653 RMLH9074-20 V72962 48FT2012 V56878 BMN4122A20 V85495	002004 006999	1
	235	AN960C2016	.WASHER-	002004 006999	1
	240	162N1170-1	.BOLT-STEER PLATE USED ON: 162N1101-10 162N1101-11 162N1101-12 162N1101-14 162N1101-15 162N1101-9	002004 006999	1

MISSING ITEM NUMBERS NOT APPLICABLE

- ITEM NOT ILLUSTRATED

BRI

32-21-01-20

BOEING PROPRIETARY - Copyright © - Unpublished Work - See title page for details.

32-21-01  
FIG. 20  
PAGE 45  
MAY 20/09





757

PARTS CATALOG (MAINTENANCE)

FIG ITEM	PART NUMBER	1 2 3 4 5 6 7	NOMENCLATURE	EFFECT FROM TO	UNITS PER ASSY
20 240	162N1170-2		.BOLT-STEER PLATE USED ON: 162N1101-13 162N1101-16 162N1101-18 162N1101-19 162N1101-20 162N1101-22 162N1101-24 162N1101-25 162N1101-26 162N1101-27 162N1101-28 162N1101-5 162N1101-31 162N1101-32 USED ON: 162N1101-9 162N1101-10 162N1101-11 162N1101-12 162N1101-15	002004 006999	1
245	162N1142-3		.PLATE ASSY-SPRT USED ON: 162N1101-5	002004 006100 107107 121503 904949	1
245	162N1142-7		.PLATE ASSY-SPRT USED ON: 162N1101-20 162N1101-22 162N1101-24 USED ON: 162N1101-9 162N1101-10 162N1101-11 162N1101-12 162N1101-15 162N1101-16 162N1101-18 162N1101-19 162N1101-25 162N1101-26 162N1101-27 162N1101-31	002004 006999	1

MISSING ITEM NUMBERS NOT APPLICABLE

- ITEM NOT ILLUSTRATED

BRI

32-21-01-20

BOEING PROPRIETARY - Copyright © - Unpublished Work - See title page for details.

32-21-01  
FIG. 20  
PAGE 46  
MAY 20/09



757

PARTS CATALOG (MAINTENANCE)

FIG ITEM	PART NUMBER	1 2 3 4 5 6 7	NOMENCLATURE	EFFECT FROM TO	UNITS PER ASSY
20 245	162N1142-6		.PLATE ASSY-SPRT USED ON: 162N1101-18 162N1101-19 USED ON: 162N1101-9 162N1101-10 162N1101-11 162N1101-12 162N1101-15 162N1101-16 162N1101-20 162N1101-22 162N1101-24 162N1101-25 162N1101-26 162N1101-27 162N1101-31	002004 006999	1
245	162N1142-10		.PLATE ASSY-SPRT USED ON: 162N1101-25 USED ON: 162N1101-9 162N1101-10 162N1101-11 162N1101-12 162N1101-15 162N1101-16 162N1101-18 162N1101-19 162N1101-20 162N1101-22 162N1101-24 162N1101-26 162N1101-27 162N1101-31	002004 006999	1

MISSING ITEM NUMBERS NOT APPLICABLE

- ITEM NOT ILLUSTRATED

BRI

32-21-01-20

BOEING PROPRIETARY - Copyright © - Unpublished Work - See title page for details.

32-21-01  
FIG. 20  
PAGE 47  
MAY 20/09



757

PARTS CATALOG (MAINTENANCE)

FIG ITEM	PART NUMBER	1 2 3 4 5 6 7	NOMENCLATURE	EFFECT FROM TO	UNITS PER ASSY
20 245	162N1142-12		.PLATE ASSY-SPRT USED ON: 162N1101-26 162N1101-27 162N1101-28 162N1101-31 162N1101-32 USED ON: 162N1101-9 162N1101-10 162N1101-11 162N1101-12 162N1101-15 162N1101-16 162N1101-18 162N1101-19 162N1101-20 162N1101-22 162N1101-24 162N1101-25	002004 006999	1
245	162N1142-1		.PLATE ASSY-SPRT USED ON: 162N1101-10 162N1101-13 162N1101-14 162N1101-15 162N1101-9	002004 006100 107107 121503 904949	1
245	162N1142-5		.PLATE ASSY-SPRT USED ON: 162N1101-11 162N1101-12 162N1101-16	002004 006100 107107 121503 904949	1
250	1646B		..FITTING-LUBE SUPPLIER CODE: V95879	002004 006999	2

MISSING ITEM NUMBERS NOT APPLICABLE

- ITEM NOT ILLUSTRATED

32-21-01-20

32-21-01  
FIG. 20  
PAGE 48  
MAY 20/09

BRI



757

PARTS CATALOG (MAINTENANCE)

FIG ITEM	PART NUMBER	1 2 3 4 5 6 7	NOMENCLATURE	EFFECT FROM TO	UNITS PER ASSY
20 255	162N1144-1		.PLATE ASSY-SPRT USED ON: 162N1101-10 162N1101-13 162N1101-14 162N1101-15 162N1101-9 USED ON: 162N1101-11 162N1101-12 162N1101-16 162N1101-18 162N1101-19 162N1101-20 162N1101-22 162N1101-24 162N1101-25 162N1101-26 162N1101-27 162N1101-31	002004 006999	1
255	162N1144-3		.PLATE ASSY-SPRT USED ON: 162N1101-20 162N1101-22 162N1101-5	002004 006999	1
255	162N1144-3		.PLATE ASSY-SPRT OPTIONAL PART: 162N1144-6 USED ON: 162N1101-24	002004 006102 107999	1
255	162N1144-5		.PLATE ASSY-SPRT USED ON: 162N1101-11 162N1101-12 162N1101-16 162N1101-18 162N1101-19 USED ON: 162N1101-9 162N1101-10 162N1101-15 162N1101-20 162N1101-22 162N1101-24 162N1101-25 162N1101-26 162N1101-27 162N1101-31	002004 006999	1

MISSING ITEM NUMBERS NOT APPLICABLE

- ITEM NOT ILLUSTRATED

32-21-01-20

32-21-01  
FIG. 20  
PAGE 49  
MAY 20/09

BRI



757

PARTS CATALOG (MAINTENANCE)

FIG ITEM	PART NUMBER	1 2 3 4 5 6 7	NOMENCLATURE	EFFECT FROM TO	UNITS PER ASSY
20					
255	162N1144-6		.PLATE ASSY-SPRT USED ON: 162N1101-25	002004 006999	1
255	162N1144-6		.PLATE ASSY-SPRT OPTIONAL PART: 162N1144-3 USED ON: 162N1101-24	002004 006102 107999	1
255	162N1144-8		.PLATE ASSY-SPRT USED ON: 162N1101-26 162N1101-27 162N1101-28 162N1101-31 162N1101-32 USED ON: 162N1101-9 162N1101-10 162N1101-11 162N1101-12 162N1101-15 162N1101-16 162N1101-18 162N1101-19 162N1101-20 162N1101-22 162N1101-24 162N1101-25	002004 006999	1
260	1728B		.. FITTING-LUBE SUPPLIER CODE: VOFKM1 USED ON: 162N1144-1	002004 006999	2
260	1646B		.. FITTING-LUBE SUPPLIER CODE: V95879 USED ON: 162N1144-3 162N1144-5 162N1144-6 162N1144-8	002004 006999	2
265	BACS38E8-25		.STRAP	002004 006999	2
270	65-46100-8		.SEAL- OPTIONAL PART: BACS11AK2	002004 006999	2

MISSING ITEM NUMBERS NOT APPLICABLE

- ITEM NOT ILLUSTRATED

32-21-01-20

32-21-01  
FIG. 20  
PAGE 50  
MAY 20/09

BRI

BOEING PROPRIETARY - Copyright © - Unpublished Work - See title page for details.



757

PARTS CATALOG (MAINTENANCE)

FIG ITEM	PART NUMBER	1 2 3 4 5 6 7	NOMENCLATURE	EFFECT FROM TO	UNITS PER ASSY
20 270	44PB134-4441	.	SEAL- SUPPLIER CODE: V00266 SPECIFICATION NUMBER: BACS11AK2 OPTIONAL PART: 65-46100-8	002004 006999	2
280	7346MT987	.	SEAL-T RING SUPPLIER CODE: V5F573 QUALIFIED I/W DATA: SUBJECT TO CUSTOMER PREFERENCE, T-RING SEALS AND BACKUP RINGS MUST BE FROM SAME SUPPLIER\$ USED ON: 162N1101-10 162N1101-11 162N1101-12 162N1101-13 162N1101-14 162N1101-15 162N1101-16 162N1101-18 162N1101-19 162N1101-20 162N1101-22 162N1101-24 162N1101-25 162N1101-5 162N1101-9	002004 006102 107999	1
280	7346MT987	.	SEAL-T RING SUPPLIER CODE: V5F573 QUALIFIED I/W DATA: SUBJECT TO CUSTOMER PREFERENCE, T-RING SEALS AND BACKUP RINGS MUST BE FROM SAME SUPPLIER\$ OPTIONAL PART: S34706-346BEA V72902 USED ON: 162N1101-26 162N1101-27 162N1101-28 162N1101-31 162N1101-32	002004 006999	1

MISSING ITEM NUMBERS NOT APPLICABLE

- ITEM NOT ILLUSTRATED

BRI

32-21-01-20

BOEING PROPRIETARY - Copyright © - Unpublished Work - See title page for details.

32-21-01  
FIG. 20  
PAGE 51  
MAY 20/09



757

PARTS CATALOG (MAINTENANCE)

FIG ITEM	PART NUMBER	1 2 3 4 5 6 7	NOMENCLATURE	EFFECT FROM TO	UNITS PER ASSY
20 280	S34706-346BEA		.SEAL-T RING SUPPLIER CODE: V5F573 QUALIFIED I/W DATA: SUBJECT TO CUSTOMER PREFERENCE, T-RING SEALS AND BACKUP RINGS MUST BE FROM SAME SUPPLIER\$ OPTIONAL PART: 7346MT987 V72902 USED ON: 162N1101-26 162N1101-27 162N1101-28	002004 006999	1
285	7346MTN		.RING-BACKUP SUPPLIER CODE: V5F573 QUALIFIED I/W DATA: SUBJECT TO CUSTOMER PREFERENCE, T-RING SEALS AND BACKUP RINGS MUST BE FROM SAME SUPPLIER USED ON: 162N1101-10 162N1101-11 162N1101-12 162N1101-13 162N1101-14 162N1101-15 162N1101-16 162N1101-18 162N1101-19 162N1101-20 162N1101-22 162N1101-24 162N1101-25 162N1101-5 162N1101-9	002004 006102 107999	2

MISSING ITEM NUMBERS NOT APPLICABLE

- ITEM NOT ILLUSTRATED

BRI

32-21-01-20

BOEING PROPRIETARY - Copyright © - Unpublished Work - See title page for details.

32-21-01  
FIG. 20  
PAGE 52  
MAY 20/09



757

PARTS CATALOG (MAINTENANCE)

FIG ITEM	PART NUMBER	1 2 3 4 5 6 7	NOMENCLATURE	EFFECT FROM TO	UNITS PER ASSY
20 285	7346MTN		.RING-BACKUP SUPPLIER CODE: V5F573 QUALIFIED I/W DATA: SUBJECT TO CUSTOMER PREFERENCE, T-RING SEALS AND BACKUP RINGS MUST BE FROM SAME SUPPLIER OPTIONAL PART: S34707-346-60 V09257 USED ON: 162N1101-26 162N1101-27 162N1101-28 162N1101-31 162N1101-32	002004 006999	2
285	S34707-346-60		.RING-BACKUP SUPPLIER CODE: V09257 QUALIFIED I/W DATA: SUBJECT TO CUSTOMER PREFERENCE, T-RING SEALS AND BACKUP RINGS MUST BE FROM SAME SUPPLIER OPTIONAL PART: 7346MTN V09257 USED ON: 162N1101-26 162N1101-27 162N1101-28 162N1101-31 162N1101-32	002004 006999	2

MISSING ITEM NUMBERS NOT APPLICABLE

- ITEM NOT ILLUSTRATED

BRI

32-21-01-20

BOEING PROPRIETARY - Copyright © - Unpublished Work - See title page for details.

32-21-01  
FIG. 20  
PAGE 53  
MAY 20/09





757

PARTS CATALOG (MAINTENANCE)

FIG ITEM	PART NUMBER	1 2 3 4 5 6 7	NOMENCLATURE	EFFECT FROM TO	UNITS PER ASSY
20 295	162N1101-2		.CYLINDER ASSY-INNER NLG USED ON: 162N1101-10 162N1101-11 162N1101-12 162N1101-13 162N1101-14 162N1101-15 162N1101-16 162N1101-18 162N1101-19 162N1101-20 162N1101-5 USED ON: 162N1101-22 162N1101-24 162N1101-25 162N1101-26 162N1101-27 162N1101-31 FOR DETAILS SEE: 32-21-25-01	002004 006100 107107 121503 904949	1
295	162N1101-21		.CYLINDER ASSY-INNER NLG QUALIFIED I/W DATA: -29 T/W 162N1211-1 CAN REPLACE -21 USED ON: 162N1101-22 162N1101-24 162N1101-25 162N1101-26 162N1101-27 162N1101-31 USED ON: 162N1101-9 162N1101-10 162N1101-11 162N1101-12 162N1101-13 162N1101-14 162N1101-15 162N1101-16 162N1101-18 162N1101-19 162N1101-20 FOR DETAILS SEE: 32-21-25-01	002004 006999	1

MISSING ITEM NUMBERS NOT APPLICABLE

- ITEM NOT ILLUSTRATED

32-21-01-20

32-21-01  
FIG. 20  
PAGE 54  
MAY 20/09

BRI



757

PARTS CATALOG (MAINTENANCE)

FIG ITEM	PART NUMBER	1 2 3 4 5 6 7	NOMENCLATURE	EFFECT FROM TO	UNITS PER ASSY
20 295	162N1101-29		.CYLINDER ASSY-INNER NLG QUALIFIED I/W DATA: -29 T/W 162N1211-1 CAN REPLACE -21 USED ON: 162N1101-28 162N1101-32 USED ON: 162N1101-9 162N1101-10 162N1101-11 162N1101-12 162N1101-13 162N1101-14 162N1101-15 162N1101-16 162N1101-18 162N1101-19 162N1101-20 162N1101-22 162N1101-24 162N1101-25 162N1101-26 162N1101-27 162N1101-31 FOR DETAILS SEE: 32-21-25-01	002004 006102 107999	1
300	162N1112-3		.CYLINDER ASSY-OUTER NLG USED ON: 162N1101-10 162N1101-15 162N1101-9 USED ON: 162N1101-11 162N1101-12 162N1101-13 162N1101-14 162N1101-16 162N1101-18 162N1101-19 162N1101-20 162N1101-22 162N1101-24 162N1101-25 162N1101-26 162N1101-27	002004 006100 107107 121503 904949	1

MISSING ITEM NUMBERS NOT APPLICABLE

- ITEM NOT ILLUSTRATED

32-21-01-20

32-21-01  
FIG. 20  
PAGE 55  
JAN 20/09

BRI



757

PARTS CATALOG (MAINTENANCE)

FIG ITEM	PART NUMBER	1 2 3 4 5 6 7	NOMENCLATURE	EFFECT FROM TO	UNITS PER ASSY
20 300	162N1112-5		.CYLINDER ASSY-OUTER NLG USED ON: 162N1101-19 162N1101-20 162N1101-22 162N1101-24 162N1101-25 162N1101-26 162N1101-27 162N1101-31 162N1101-5 USED ON: 162N1101-9 162N1101-10 162N1101-11 162N1101-12 162N1101-13 162N1101-14 162N1101-15 162N1101-16 162N1101-18	002004 006102 107999	1
300	162N1112-7		.CYLINDER ASSY-OUTER NLG USED ON: 162N1101-11 162N1101-22 162N1101-16 162N1101-18 USED ON: 162N1101-9 162N1101-10 162N1101-12 162N1101-13 162N1101-14 162N1101-15 162N1101-19 162N1101-20 162N1101-24 162N1101-25 162N1101-26 162N1101-27	002004 006100 107107 121503 904949	1
300	162N1112-9		.CYLINDER ASSY-OUTER NLG USED ON: 162N1101-28 162N1101-32	002004 006999	1
305	162N1112-4		..CYLINDER- USED ON: 162N1112-3 162N1112-7	002004 006100 107107 121503 904949	1

MISSING ITEM NUMBERS NOT APPLICABLE

- ITEM NOT ILLUSTRATED

32-21-01-20

32-21-01  
FIG. 20  
PAGE 56  
JAN 20/09

BRI



757

PARTS CATALOG (MAINTENANCE)

FIG ITEM	PART NUMBER	1 2 3 4 5 6 7	NOMENCLATURE	EFFECT FROM TO	UNITS PER ASSY
20					
305	162N1112-6		.. CYLINDER- USED ON: 162N1112-5	002004 006102 107999	1
305	162N1112-8		.. CYLINDER- USED ON: 162N1112-9	002004 006999	1
310	160N0201-10		.. BUSHING	002004 006999	2
315	160N0201-11		.. BUSHING	002004 006999	4
320	160N0201-12		.. BUSHING	002004 006999	4
325	160N0201-78		.. BUSHING- USED ON: 162N1112-9	002004 006999	4
325	160N0201-9		.. BUSHING- USED ON: 162N1112-1 162N1112-3 162N1112-5 162N1112-7	002004 006102 107999	4
330	BACB28X4M018		.. BUSHING	002004 006999	8
335	BACB28X4M022		.. BUSHING	002004 006999	3
340	BACB28X6M012		.. BUSHING- USED ON: 162N1112-3 162N1112-5 162N1112-7 162N1112-9	002004 006999	4
345	BACB28X9M025		.. BUSHING- USED ON: 162N1112-3 162N1112-5 162N1112-7 162N1112-9	002004 006999	2
350	1728B		.. FITTING-LUBE SUPPLIER CODE: VOFKM1 USED ON: 162N1112-7	002004 006100 107107 121503 904949	2
350	1728B		.. FITTING-LUBE SUPPLIER CODE: VOFKM1 USED ON: 162N1112-1 162N1112-3	002004 006100 107107 121503 904949	3

MISSING ITEM NUMBERS NOT APPLICABLE

- ITEM NOT ILLUSTRATED

32-21-01-20

32-21-01  
FIG. 20  
PAGE 57  
JAN 20/09

BRI

BOEING PROPRIETARY - Copyright © - Unpublished Work - See title page for details.



757

PARTS CATALOG (MAINTENANCE)

FIG ITEM	PART NUMBER	1 2 3 4 5 6 7	NOMENCLATURE	EFFECT FROM TO	UNITS PER ASSY
20 350	1728B		.. FITTING-LUBE SUPPLIER CODE: VOFKM1 USED ON: 162N1112-5 162N1112-9	002004 006999	4
355	1646B		.. FITTING-LUBE SUPPLIER CODE: V95879 USED ON: 162N1112-1 162N1112-3	002004 006100 107107 121503 904949	2
355	1646B		.. FITTING-LUBE SUPPLIER CODE: V95879 USED ON: 162N1112-5 162N1112-9	002004 006999	1
355	1646B		.. FITTING-LUBE SUPPLIER CODE: V95879 USED ON: 162N1112-7	002004 006100 107107 121503 904949	3

MISSING ITEM NUMBERS NOT APPLICABLE

- ITEM NOT ILLUSTRATED

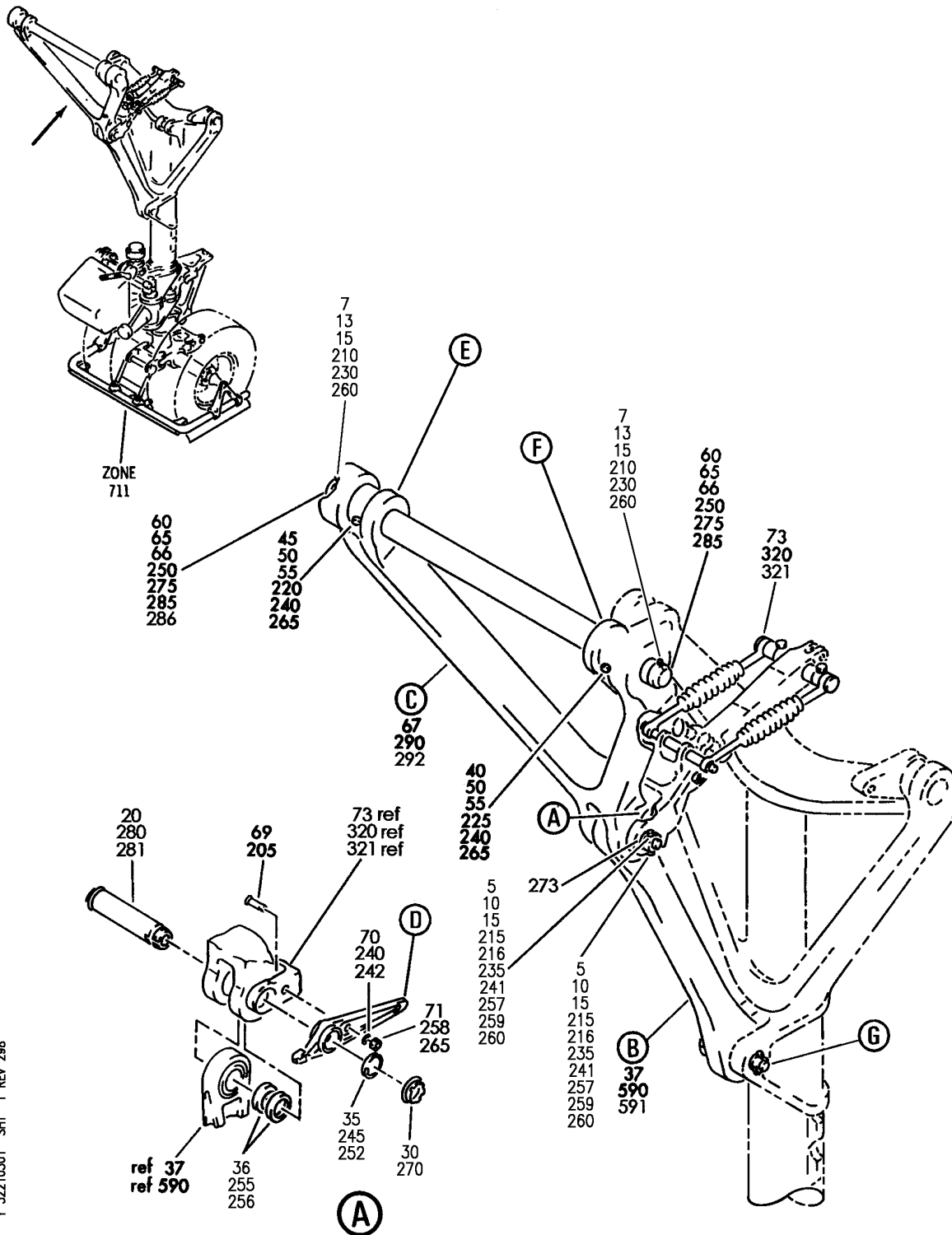
BRI

32-21-01-20

BOEING PROPRIETARY - Copyright © - Unpublished Work - See title page for details.

32-21-01  
FIG. 20  
PAGE 58  
JAN 20/09

**BOEING**  
757  
PARTS CATALOG (MAINTENANCE)



Y 32210301 SH1 1 REV 298

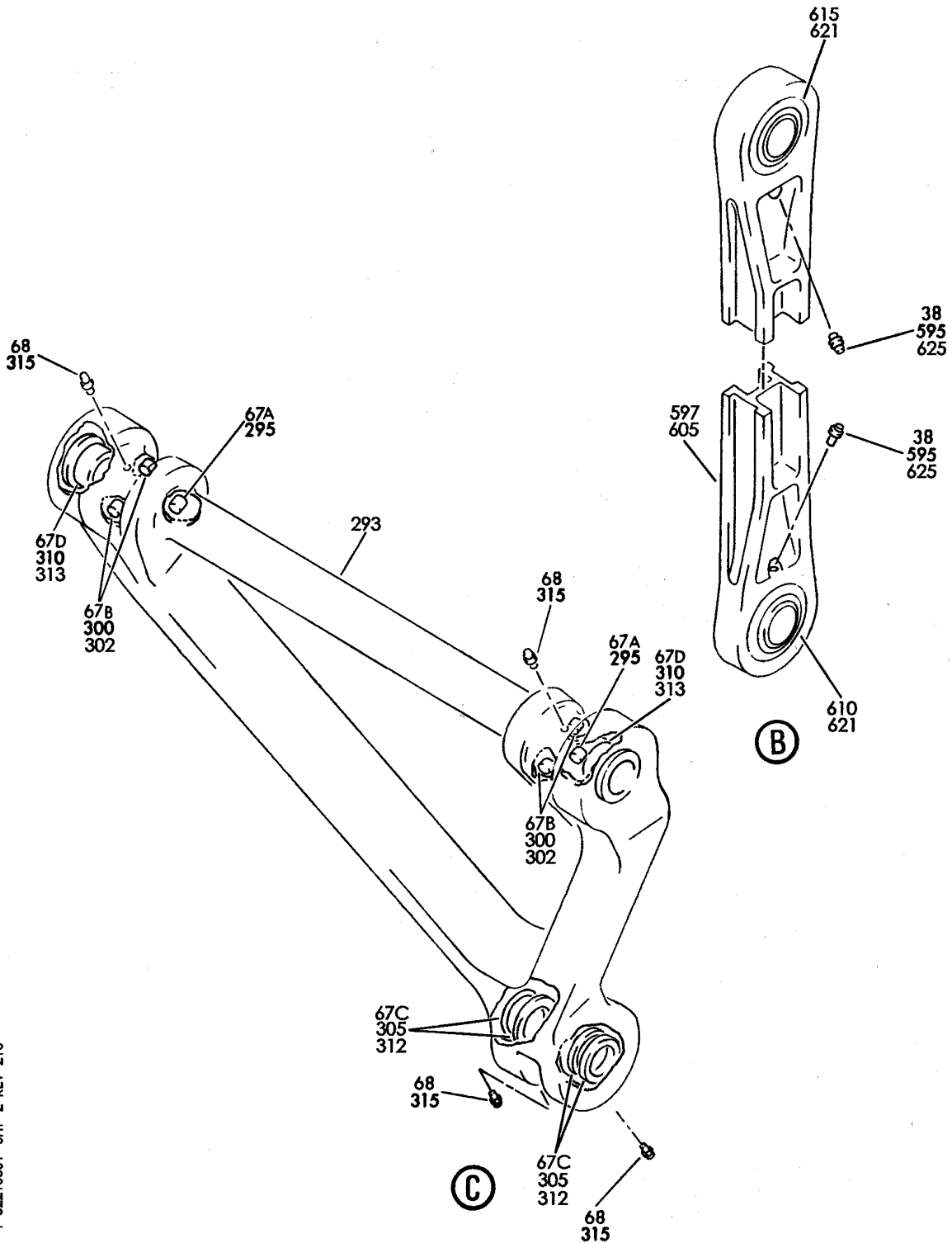
STRUT ASSY-NLG DRAG  
FIGURE 1 (SHEET 1)

**32-21-03-01**

BRI  
MAY 28/07

32-21-03-01  
PAGE 0

**BOEING**  
757  
PARTS CATALOG (MAINTENANCE)



Y 32210301 SHT 2 REV 210

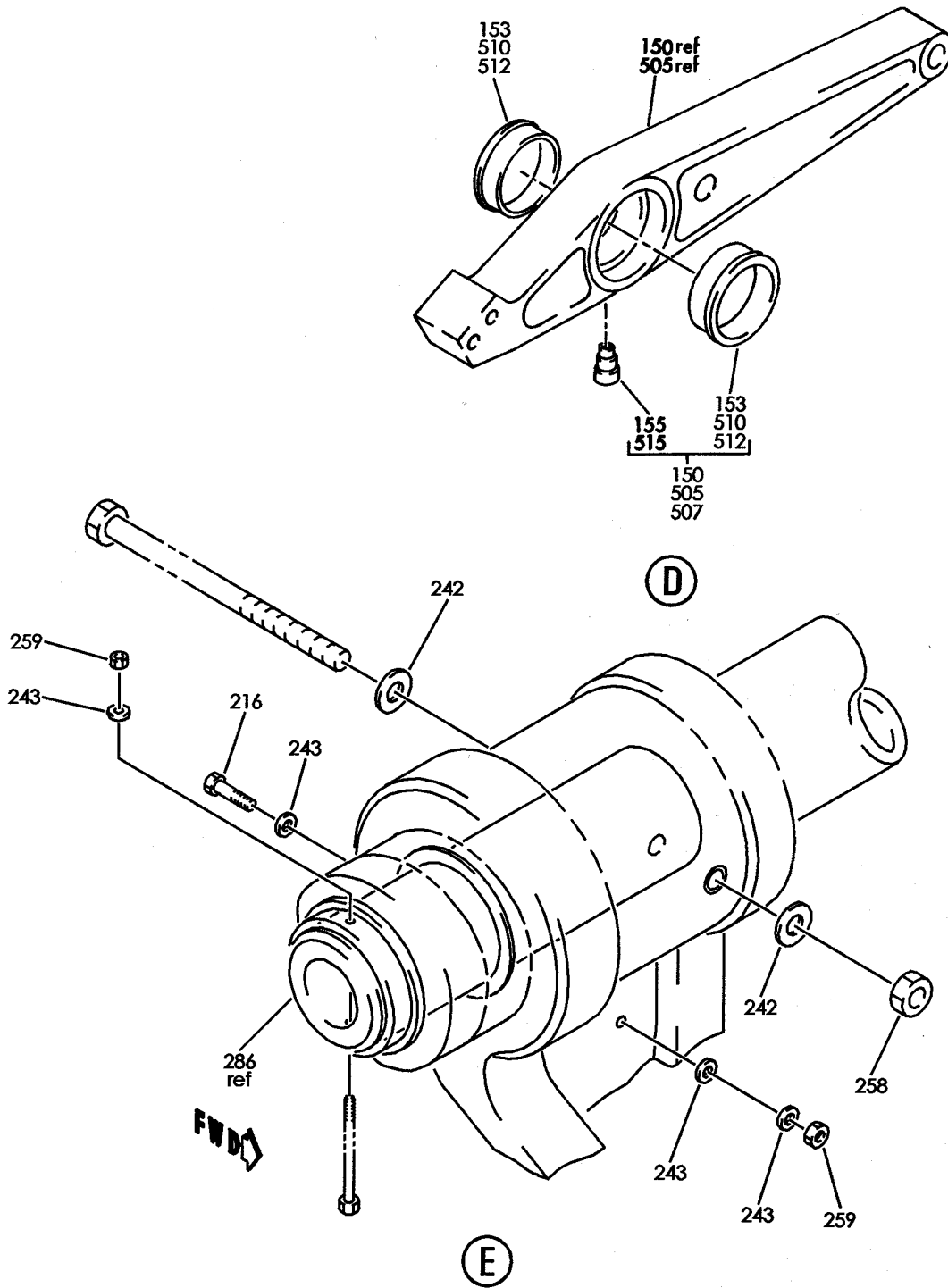
STRUT ASSY-NLG DRAG  
FIGURE 1 (SHEET 2)

**32-21-03-01**

BRI  
MAY 28/07

32-21-03-01  
PAGE 0A

**BOEING**  
757  
PARTS CATALOG (MAINTENANCE)



Y 32210301 SHT 3 REV 210

STRUT ASSY-NLG DRAG  
FIGURE 1 (SHEET 3)

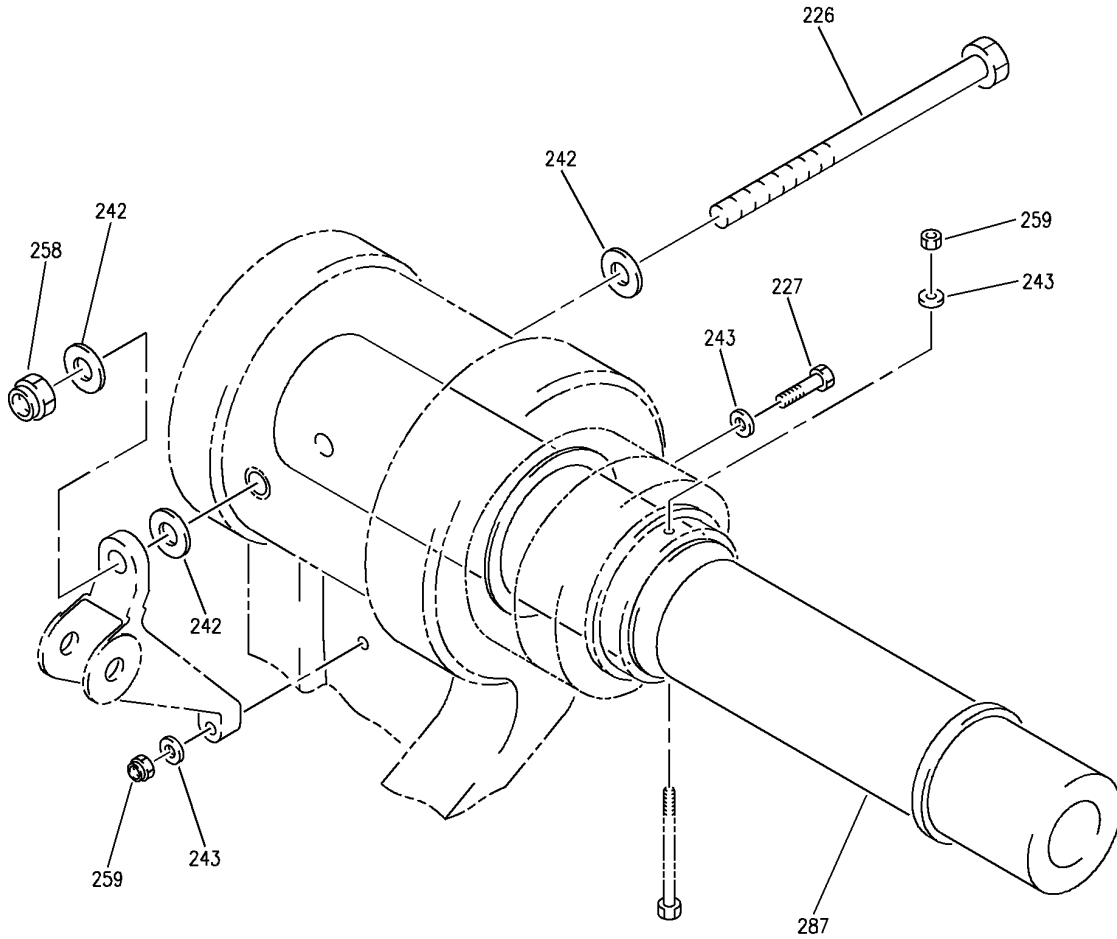
**32-21-03-01**

BRI  
MAY 28/07

32-21-03-01  
PAGE 0B



**BOEING**  
757  
PARTS CATALOG (MAINTENANCE)



(F)

Y 32210301 SH1 4 REV 291

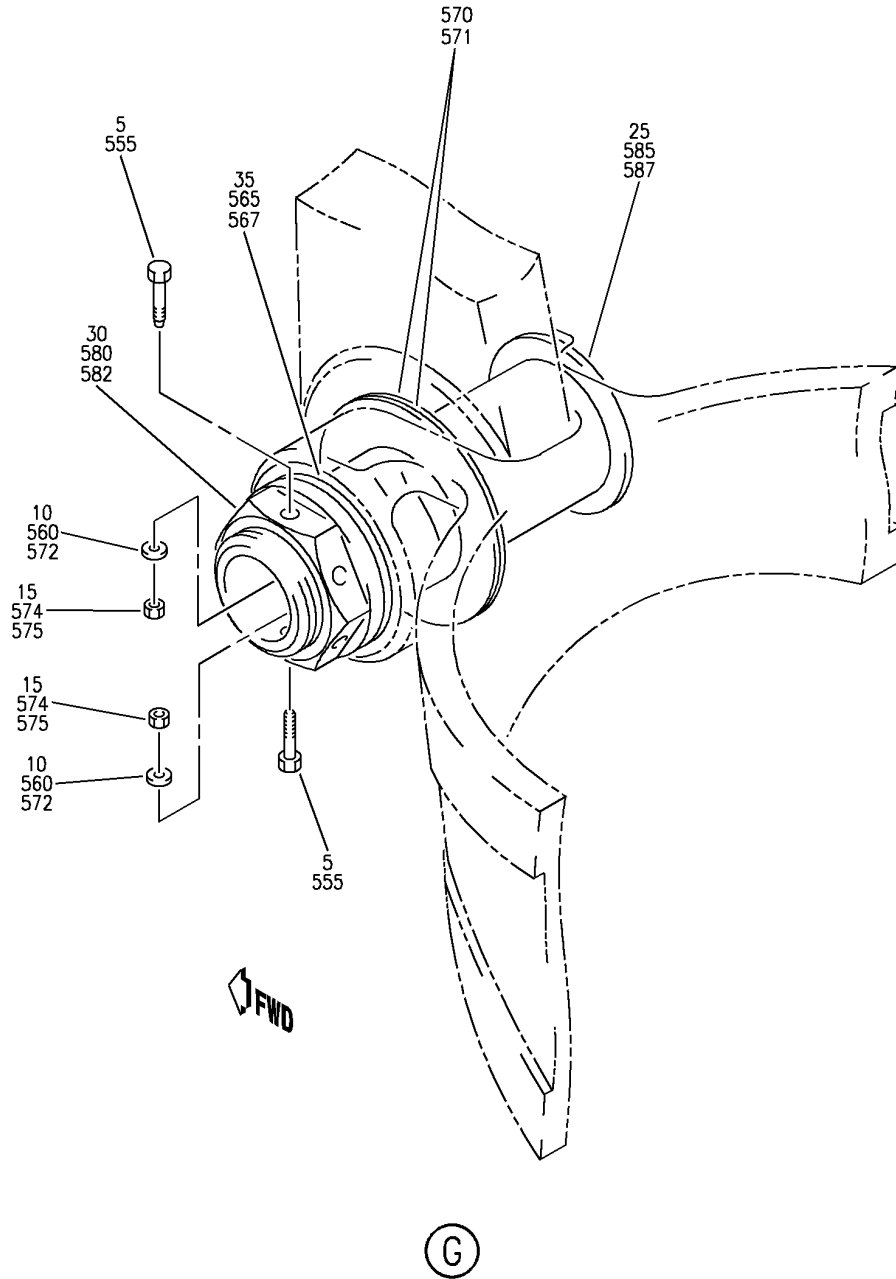
STRUT ASSY-NLG DRAG  
FIGURE 1 (SHEET 4)

**32-21-03-01**

BRI  
MAY 28/07

32-21-03-01  
PAGE 0C

**BOEING**  
757  
PARTS CATALOG (MAINTENANCE)



Y 32210301 SHT 5 REV 298

STRUT ASSY-NLG DRAG  
FIGURE 1 (SHEET 5)

**32-21-03-01**

BRI  
MAY 28/07

32-21-03-01  
PAGE 0D



757

PARTS CATALOG (MAINTENANCE)

FIG ITEM	PART NUMBER	1 2 3 4 5 6 7	NOMENCLATURE	EFFECT FROM TO	UNITS PER ASSY
R			STRUT ASSY-NLG DRAG	002004	
R				006999	
R	- 1	162N0001-16	STRUT ASSY-NLG DRAG	002004	RF
R			MISCELLANEOUS DATA:	006017	
R			FOR SPARES PROCURE LOWER	107107	
R			COMPONENTS	121503	
R			COMPONENT MAINT MANUAL REF:	904999	
R			32-21-64		
R			QUALIFIED I/W DATA:		
R			162N0001-116 DRAG STRUT-		
R			LOCK LINK ASSY T/W		
R			162N0001-117 LOWER DRAG		
R			STRUT ASSY ARE I/W		
R			162N0001-104		
R			FOR NHA SEE:		
R			32-21-00-01B		
R	- 1	162N0001-25	STRUT ASSY-NLG DRAG	002004	RF
R			MISCELLANEOUS DATA:	006017	
R			FOR SPARES PROCURE LOWER	107107	
R			COMPONENTS	121503	
R			COMPONENT MAINT MANUAL REF:	904999	
R			32-21-64		
R			QUALIFIED I/W DATA:		
R			162N0001-116 DRAG STRUT-		
R			LOCK LINK ASSY T/W		
R			162N0001-117 LOWER DRAG		
R			STRUT ASSY ARE I/W		
R			162N0001-104		
R			FOR NHA SEE:		
R			32-21-00-01B		
R	- 1	162N0001-36	STRUT ASSY-NLG DRAG	002004	RF
R			MISCELLANEOUS DATA:	006017	
R			FOR SPARES PROCURE LOWER	107107	
R			COMPONENTS	121503	
R			COMPONENT MAINT MANUAL REF:	904999	
R			32-21-64		
R			QUALIFIED I/W DATA:		
R			162N0001-116 DRAG STRUT-		
R			LOCK LINK ASSY T/W		
R			162N0001-117 LOWER DRAG		
R			STRUT ASSY ARE I/W		
R			162N0001-104		
R			FOR NHA SEE:		
R			32-21-00-01B		

MISSING ITEM NUMBERS NOT APPLICABLE

- ITEM NOT ILLUSTRATED

BRI

32-21-03-01

32-21-03  
FIG. 01  
PAGE 1  
MAY 20/09



757

PARTS CATALOG (MAINTENANCE)

FIG ITEM	PART NUMBER	1 2 3 4 5 6 7	NOMENCLATURE	EFFECT FROM TO	UNITS PER ASSY
R R R R R R R R R R R R R R R R R R R R R R R R R R R	1				
	- 1	162N0001-37	STRUT ASSY-NLG DRAG MISCELLANEOUS DATA: FOR SPARES PROCURE LOWER COMPONENTS COMPONENT MAINT MANUAL REF: 32-21-64 QUALIFIED I/W DATA: 162N0001-116 DRAG STRUT-LOCK LINK ASSY T/W 162N0001-117 LOWER DRAG STRUT ASSY ARE I/W 162N0001-104 FOR NHA SEE: 32-21-00-01B	002004 006017 107107 121503 904999	RF
	- 1	162N0001-93	STRUT ASSY-NLG DRAG MISCELLANEOUS DATA: FOR SPARES PROCURE LOWER COMPONENTS COMPONENT MAINT MANUAL REF: 32-21-64 QUALIFIED I/W DATA: 162N0001-116 DRAG STRUT-LOCK LINK ASSY T/W 162N0001-117 LOWER DRAG STRUT ASSY ARE I/W 162N0001-104 FOR NHA SEE: 32-21-00-01B	002004 006017 107107 121503 904999	RF
	- 1	162N0001-94	STRUT ASSY-NLG DRAG MISCELLANEOUS DATA: FOR SPARES PROCURE LOWER COMPONENTS COMPONENT MAINT MANUAL REF: 32-21-64 QUALIFIED I/W DATA: 162N0001-116 DRAG STRUT-LOCK LINK ASSY T/W 162N0001-117 LOWER DRAG STRUT ASSY ARE I/W 162N0001-104 FOR NHA SEE: 32-21-00-01B	002004 006017 107107 121503 904999	RF

MISSING ITEM NUMBERS NOT APPLICABLE

- ITEM NOT ILLUSTRATED

32-21-03-01

32-21-03  
FIG. 01  
PAGE 2  
MAY 20/09

BRI



757

PARTS CATALOG (MAINTENANCE)

FIG ITEM	PART NUMBER	1 2 3 4 5 6 7	NOMENCLATURE	EFFECT FROM TO	UNITS PER ASSY
R R R R R R R R R R R R R R R R R R R R	1	162N0001-104	STRUT ASSY-NLG DRAG MISCELLANEOUS DATA: FOR SPARES PROCURE LOWER COMPONENTS COMPONENT MAINT MANUAL REF: 32-21-64 QUALIFIED I/W DATA: 162N0001-116 DRAG STRUT-LOCK LINK ASSY T/W 162N0001-117 LOWER DRAG STRUT ASSY ARE I/W 162N0001-104 FOR NHA SEE: 32-21-00-01B	002004 006017 107107 121503 904999	RF
	5	BACB30LJ4-8	.BOLT-	002004 006017 107107 121503 904999	4
	7	BACB30LJ4-43	.BOLT	002004 006017 107107 121503 904999	2
	10	AN960JD416L	.WASHER-	002004 006017 107107 121503 904999	4
	13	AN960JD416	.WASHER	002004 006017 107107 121503 904999	2

MISSING ITEM NUMBERS NOT APPLICABLE

- ITEM NOT ILLUSTRATED

BRI

32-21-03-01

BOEING PROPRIETARY - Copyright © - Unpublished Work - See title page for details.

32-21-03  
FIG. 01  
PAGE 3  
MAY 20/09

**BOEING**  
757  
PARTS CATALOG (MAINTENANCE)

FIG ITEM	PART NUMBER	1 2 3 4 5 6 7	NOMENCLATURE	EFFECT FROM TO	UNITS PER ASSY
R R R R R R R R R R R R R R R R R R R R R	1 15	BRH10A4	.NUT- SUPPLIER CODE: V52828 SPECIFICATION NUMBER: BACN10JC4 OPTIONAL PART: T6S428J V11815 96-048 V80539 VN303A048 V92215 RMLH9075-4W V72962 NS202101-048 V80539 H10-4BAC V15653	002004 006017 107107 121503 904999	6
	20	162N2301-1	.PIN-APEX OPTIONAL PART: 162N2301-2 USED ON: 162N0001-16 162N0001-25 162N0001-36 162N0001-37 162N0001-93 162N0001-94 USED ON: 162N0001-16 162N0001-25 162N0001-36 162N0001-37 162N0001-93 162N0001-94	002004 006017 107107 121503 904999	1
	20	162N2301-2	.PIN-APEX OPTIONAL PART: 162N2301-1 USED ON: 162N0001-94 162N0001-104 USED ON: 162N0001-94 162N0001-104	002004 006017 107107 121503 904999	1

MISSING ITEM NUMBERS NOT APPLICABLE

— ITEM NOT ILLUSTRATED

BRI

# 32-21-03-01

BOEING PROPRIETARY - Copyright © - Unpublished Work - See title page for details.

32-21-03  
FIG. 01  
PAGE 4  
MAY 20/09

**BOEING**  
757  
**PARTS CATALOG (MAINTENANCE)**

FIG ITEM	PART NUMBER	1 2 3 4 5 6 7	NOMENCLATURE	EFFECT FROM TO	UNITS PER ASSY
R R R R R R R R R R R R R R R R	1 25	162N2302-1	.PIN-LWR OPTIONAL PART: 162N2302-2 USED ON: 162N0001-16 162N0001-25 162N0001-36 162N0001-37 162N0001-93 162N0001-94 USED ON: 162N0001-16 162N0001-25 162N0001-36 162N0001-37 162N0001-93 162N0001-94	002004 006017 107107 121503 904999	1
	25	162N2302-2	.PIN-LWR OPTIONAL PART: 162N2302-1 USED ON: 162N0001-94 162N0001-104 USED ON: 162N0001-94 162N0001-104	002004 006017 107107 121503 904999	1
	30	162N2304-1	.NUT-	002004 006017 107107 121503 904999	2
	35	162N3115-4	.WASHER- USED ON: 162N0001-16 162N0001-25 162N0001-36 162N0001-37 USED ON: 162N0001-16 162N0001-25 162N0001-36 162N0001-37	002004 006017 107107 121503 904999	2

MISSING ITEM NUMBERS NOT APPLICABLE

— ITEM NOT ILLUSTRATED

BRI

# 32-21-03-01

BOEING PROPRIETARY - Copyright © - Unpublished Work - See title page for details.

32-21-03  
FIG. 01  
PAGE 5  
MAY 20/09



757

PARTS CATALOG (MAINTENANCE)

FIG ITEM	PART NUMBER	1 2 3 4 5 6 7	NOMENCLATURE	EFFECT FROM TO	UNITS PER ASSY
R R R R R R R R R R R R R R R R R R R R	1				
	35	162N3115-18	.WASHER- USED ON: 162N0001-93 162N0001-94 162N0001-104 USED ON: 162N0001-93 162N0001-94 162N0001-104	002004 006017 107107 121503 904999	2
	36	162N5005-3	.WASHER	002004 006017 107107 121503 904999	2
	37	162N2201-1	.STRUT ASSY- POSITION DATA: LWR	002004 006017 107107 121503 904999	1
	38	1728B	..FITTING-LUBE SUPPLIER CODE: VOFKM1	002004 006017 107107 121503 904999	2
	40	BACB30LJ6-66	.BOLT-	002004 006017 107107 121503 904999	1
	45	BACB30LJ6-62	.BOLT-	002004 006017 107107 121503 904999	1
	50	AN960JD616	.WASHER-	002004 006017 107107 121503 904999	5

MISSING ITEM NUMBERS NOT APPLICABLE

- ITEM NOT ILLUSTRATED

32-21-03-01

32-21-03  
FIG. 01  
PAGE 6  
MAY 20/09

BRI



**BOEING**  
757  
**PARTS CATALOG (MAINTENANCE)**

FIG ITEM	PART NUMBER	1 2 3 4 5 6 7	NOMENCLATURE	EFFECT FROM TO	UNITS PER ASSY
R R R R R R R R R R R R R R R R R R R R	1 55	BRH10A4	.NUT- SUPPLIER CODE: V52828 SPECIFICATION NUMBER: BACN10JC4 OPTIONAL PART: T6S428J V11815 96-048 V80539 VN303A048 V92215 RMLH9075-4W V72962 NS202101-048 V80539 H10-4BAC V15653	002004 006017 107107 121503 904999	2
	60	162N2303-1	.PIN-TRUN USED ON: 162N0001-16 162N0001-25 162N0001-36 162N0001-37	002004 006017 107107 121503 904999	2
	60	162N2303-2	.PIN-TRUN OPTIONAL PART: 162N2303-4 USED ON: 162N0001-94 USED ON: 162N0001-93 162N0001-94	002004 006017 107107 121503 904999	2
	60	162N2303-4	.PIN-TRUN OPTIONAL PART: 162N2303-2 USED ON: 162N0001-94 162N0001-104 USED ON: 162N0001-94 162N0001-104	002004 006017 107107 121503 904999	2
	65	162N3115-6	.WASHER-TANG	002004 006017 107107 121503 904999	2

MISSING ITEM NUMBERS NOT APPLICABLE

— ITEM NOT ILLUSTRATED

# 32-21-03-01

32-21-03  
FIG. 01  
PAGE 7  
MAY 20/09

BRI

BOEING PROPRIETARY - Copyright © - Unpublished Work - See title page for details.

**BOEING**  
757  
**PARTS CATALOG (MAINTENANCE)**

FIG ITEM	PART NUMBER	1 2 3 4 5 6 7	NOMENCLATURE	EFFECT FROM TO	UNITS PER ASSY
R R R R R R R R R R R R R R R R	1 66	162N2306-1	.NUT-	002004 006017 107107 121503 904999	2
	67	162N2101-1	.STRUT ASSY- POSITION DATA: UPR	002004 006017 107107 121503 904999	1
	68	1728B	..FITTING-LUBE SUPPLIER CODE: VOFKM1	002004 006017 107107 121503 904999	4
	69	BACB30LH6-25	.BOLT	002004 006017 107107 121503 904999	1
	70	AN960PD616L	.WASHER	002004 006017 107107 121503 904999	1
	71	BRH10A6	.NUT SUPPLIER CODE: V52828 SPECIFICATION NUMBER: BACN10JC6 OPTIONAL PART: 96-064 V80539 RMLH9075-6 V72962 H10-6BAC V15653	002004 006017 107107 121503 904999	1
	73	162N3001-3	.LINK ASSY-LOCK USED ON: 162N0001-16 FOR DETAILS SEE: 32-21-06-01	002004 006017 107107 121503 904999	1
	73	162N3001-4	.LINK ASSY-LOCK USED ON: 162N0001-25 FOR DETAILS SEE: 32-21-06-01	002004 006017 107107 121503 904999	1

MISSING ITEM NUMBERS NOT APPLICABLE

— ITEM NOT ILLUSTRATED

BRI

# 32-21-03-01

32-21-03  
FIG. 01  
PAGE 8  
MAY 20/09

 **BOEING**  
757  
**PARTS CATALOG (MAINTENANCE)**

FIG ITEM	PART NUMBER	1 2 3 4 5 6 7	NOMENCLATURE	EFFECT FROM TO	UNITS PER ASSY
R R R R R R R R R R R R	1 73	162N3001-5	.LINK ASSY-LOCK USED ON: 162N0001-36 FOR DETAILS SEE: 32-21-06-01	002004 006017 107107 121503 904999	1
	73	162N3001-6	.LINK ASSY-LOCK MISCELLANEOUS DATA: FOR SPARES PROCURE LOWER COMPONENTS USED ON: 162N0001-93 162N0001-94 USED ON: 162N0001-37 162N0001-93 162N0001-94 FOR DETAILS SEE: 32-21-06-01	002004 006017 107107 121503 904999	1
	73	162N3001-7	.LINK ASSY-LOCK USED ON: 162N0001-104 FOR DETAILS SEE: 32-21-06-01	002004 006017 107107 121503 904999	1
	150	273N1063-1	.LINK ASSY- USED ON: 162N0001-16 USED ON: 162N0001-16	002004 006017 107107 121503 904999	1
	150	273N1063-5	.LINK ASSY- USED ON: 162N0001-104 162N0001-16 162N0001-25 162N0001-36 162N0001-37 162N0001-93 162N0001-94	002004 006017 107107 121503 904999	1
	155	1728B	..FITTING-LUBE SUPPLIER CODE: VOFKM1	002004 006017 107107 121503 904999	1

MISSING ITEM NUMBERS NOT APPLICABLE

— ITEM NOT ILLUSTRATED

BRI

# 32-21-03-01

BOEING PROPRIETARY - Copyright © - Unpublished Work - See title page for details.

32-21-03  
FIG. 01  
PAGE 9  
MAY 20/09



757

PARTS CATALOG (MAINTENANCE)

FIG ITEM	PART NUMBER	1 2 3 4 5 6 7	NOMENCLATURE	EFFECT FROM TO	UNITS PER ASSY
1 - 200	162N0001-116		STRUT ASSY-NLG DRAG MISCELLANEOUS DATA: FOR SPARES PROCURE LOWER COMPONENTS COMPONENT MAINT MANUAL REF: 32-21-64 QUALIFIED I/W DATA: 162N0001-116 DRAG STRUT-LOCK LINK ASSY T/W 162N0001-117 LOWER DRAG STRUT ASSY ARE I/W 162N0001-104 FOR NHA SEE: 32-21-00-01B 32-21-00-02 32-21-00-02A	018106 108120 504903	RF
205	BACB30LH6-25	.BOLT		018106 108120 504903	1
210	BACB30LJ4-43	.BOLT		018106 108120 504903	2
215	BACB30LJ4-9	.BOLT		018106 108120 504903	2
220	BACB30LJ6-62	.BOLT		018106 108120 504903	1
225	BACB30LJ6-66	.BOLT		018106 108120 504903	1
227	BACB30LJ4-15	.BOLT		018106 108120 504903	1
230	AN960JD416	.WASHER		018106 108120 504903	2
235	AN960JD416L	.WASHER		018106 108120 504903	2
240	AN960JD616	.WASHER		018106 108120 504903	6
245	162N3115-18	.WASHER-TANG		018106 108120 504903	1
250	162N3115-6	.WASHER-TANG		018106 108120 504903	2

MISSING ITEM NUMBERS NOT APPLICABLE

- ITEM NOT ILLUSTRATED

32-21-03-01

32-21-03  
FIG. 01  
PAGE 10  
MAY 20/09

BRI



757

PARTS CATALOG (MAINTENANCE)

FIG ITEM	PART NUMBER	1 2 3 4 5 6 7	NOMENCLATURE	EFFECT FROM TO	UNITS PER ASSY
1 255	162N5005-3	.	WASHER-TANG	018106 108120	2
257	BRH10C4D	.	NUT SUPPLIER CODE: V52828 SPECIFICATION NUMBER: BACN10JC4CD OPTIONAL PART: T6C428JCD V11815 NS202486-048 V80539 102LH9075-4W V72962 H51650-4BAC V15653	018106 108120 504903	2
260	BRH10A4	.	NUT SUPPLIER CODE: V52828 SPECIFICATION NUMBER: BACN10JC4 OPTIONAL PART: T6S428J V11815 96-048 V80539 VN303A048 V92215 RMLH9075-4W V72962 NS202101-048 V80539 H10-4BAC V15653	018106 108120 504903	4
265	BRH10A6	.	NUT SUPPLIER CODE: V52828 SPECIFICATION NUMBER: BACN10JC6 OPTIONAL PART: 96-064 V80539 RMLH9075-6 V72962 H10-6BAC V15653	018106 108120 504903	3

MISSING ITEM NUMBERS NOT APPLICABLE

- ITEM NOT ILLUSTRATED

BRI

32-21-03-01

32-21-03  
FIG. 01  
PAGE 11  
MAY 20/09



757

PARTS CATALOG (MAINTENANCE)

FIG ITEM	PART NUMBER	1 2 3 4 5 6 7	NOMENCLATURE	EFFECT FROM TO	UNITS PER ASSY
1					
270	162N2304-1	.	NUT	018106 108120 504903	1
280	162N2301-2	.	PIN-APEX	018106 108120 504903	1
285	162N2303-4	.	PIN-DRAG STRUT	018106 108120 504903	1
290	162N2101-1	.	STRUT ASSY- POSITION DATA: UPR	018106 108120 504903	1
295	BACB28X4M033	..	BUSHING	018106 108120 504903	2
300	BACB28X6M050	..	BUSHING	018106 108120 504903	4
305	160N0201-65	..	BUSHING	018106 108120 504903	4
310	160N0201-66	..	BUSHING	018106 108120 504903	2
315	1728B	..	FITTING-LUBE SUPPLIER CODE: VOFKM1	018106 108120 504903	4
320	162N3001-7	.	LINK ASSY-LOCK MISCELLANEOUS DATA: FOR SPARES PROCURE LOWER COMPONENTS FOR DETAILS SEE: 32-21-06-01	018106 108120 504903	1
505	273N1063-5	.	LINK ASSY-	018106 108120 504903	1
510	160N0201-68	..	BUSHING	018106 108120 504903	2
515	1728B	..	FITTING-LUBE SUPPLIER CODE: VOFKM1	018106 108120 504903	1

MISSING ITEM NUMBERS NOT APPLICABLE

- ITEM NOT ILLUSTRATED

32-21-03-01

32-21-03  
FIG. 01  
PAGE 12  
MAY 20/09

BRI



757

PARTS CATALOG (MAINTENANCE)

FIG ITEM	PART NUMBER	1 2 3 4 5 6 7	NOMENCLATURE	EFFECT FROM TO	UNITS PER ASSY
1 - 550	162N0001-117		STRUT ASSY-DRAG POSITION DATA: LOWER MISCELLANEOUS DATA: FOR SPARES PROCURE LOWER COMPONENTS COMPONENT MAINT MANUAL REF: 32-21-64 QUALIFIED I/W DATA: 162N0001-116 DRAG STRUT-LOCK LINK ASSY T/W 162N0001-117 LOWER DRAG STRUT ASSY ARE I/W 162N0001-104 FOR NHA SEE: 32-21-00-01B 32-21-00-02 32-21-00-02A	018106 108120 504903	RF
555	BACB30LJ4-8	.	BOLT	018106 108120 504903	2
560	AN960JD416L	.	WASHER	018106 108120 504903	2
565	162N3115-18	.	WASHER-TANG	018106 108120 504903	1
570	162N5005-3	.	WASHER	018106 108120 504903	2
575	BRH10C4D	.	NUT SUPPLIER CODE: V52828 SPECIFICATION NUMBER: BACN10JC4CD OPTIONAL PART: T6C428JCD V11815 NS202486-048 V80539 102LH9075-4W V72962 H51650-4BAC V15653	018106 108120 504903	2
580	162N2304-1	.	NUT	018106 108120 504903	1

MISSING ITEM NUMBERS NOT APPLICABLE

- ITEM NOT ILLUSTRATED

BRI

32-21-03-01

BOEING PROPRIETARY - Copyright © - Unpublished Work - See title page for details.

32-21-03  
FIG. 01  
PAGE 13  
MAY 20/09



757

PARTS CATALOG (MAINTENANCE)

FIG ITEM	PART NUMBER	1 2 3 4 5 6 7	NOMENCLATURE	EFFECT FROM TO	UNITS PER ASSY
1					
585	162N2302-2	.	PIN	018106 108120 504903	1
590	162N2201-1	.	STRUT ASSY- POSITION DATA: LWR	018106 108120 504903	1
595	1728B	..	FITTING-LUBE SUPPLIER CODE: VOFKM1	018106 108120 504903	2
597	162N2201-2	..	DRAG STRUT	018106 108120 504903	1
621	BDS32H125-1	..	BEARING- SUPPLIER CODE: V16746 SPECIFICATION NUMBER: 60B00180-36 OPTIONAL PART: ASBB32-7 V15860 HSP32-116 V02756 KSSB32-23 V97613	018106 108120 504903	2

MISSING ITEM NUMBERS NOT APPLICABLE

- ITEM NOT ILLUSTRATED

BRI

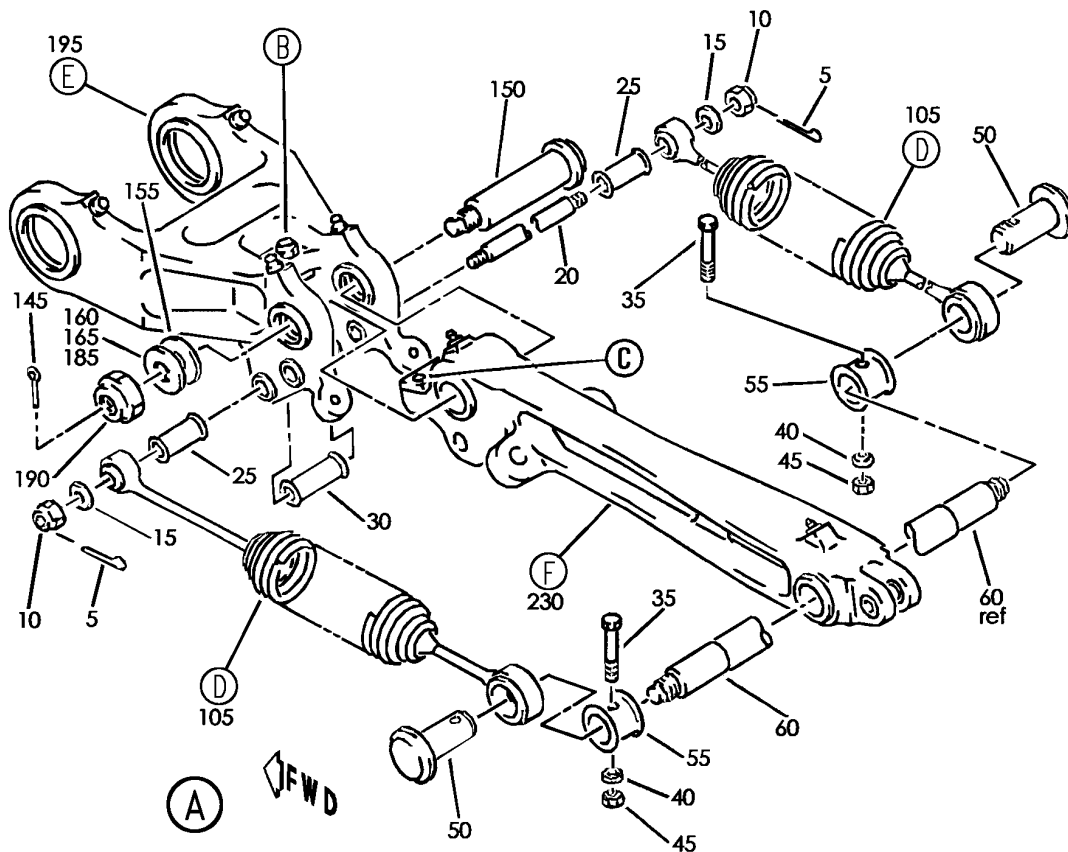
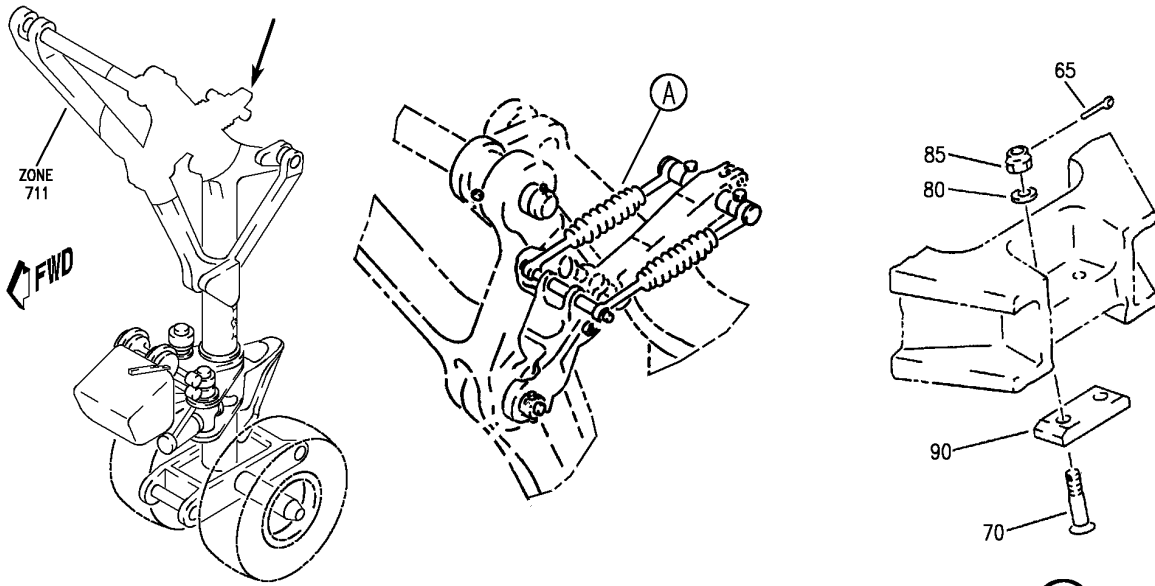
32-21-03-01

BOEING PROPRIETARY - Copyright © - Unpublished Work - See title page for details.

32-21-03  
FIG. 01  
PAGE 14  
MAY 20/09



**BOEING**  
757  
PARTS CATALOG (MAINTENANCE)



Y 32210601 SHT 1 REV 261

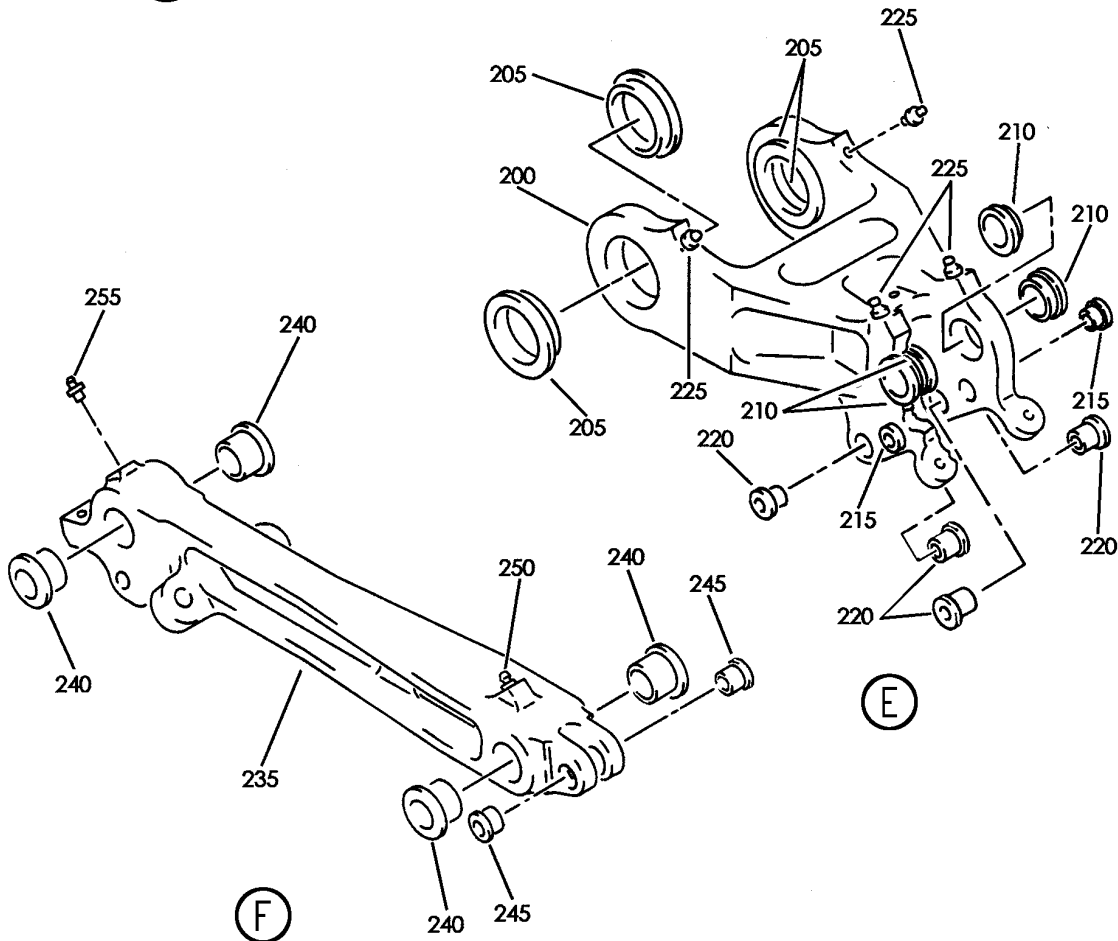
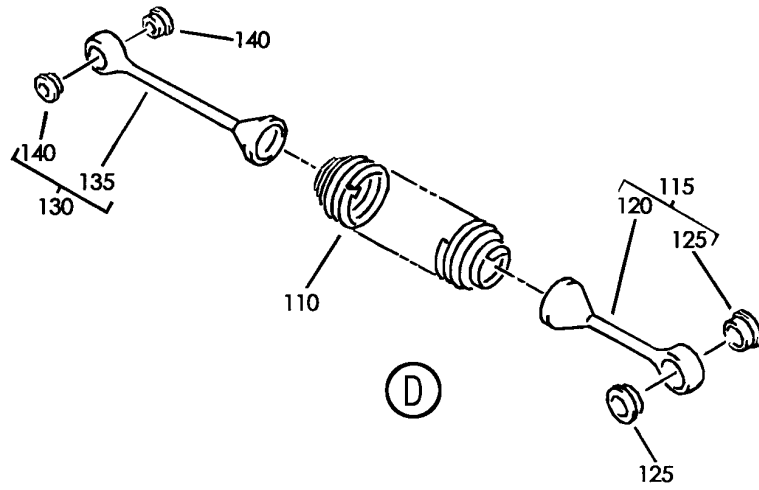
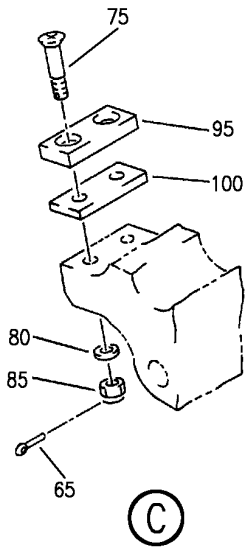
LINK ASSY-NLG LOCK  
FIGURE 1 (SHEET 1)

**32-21-06-01**

BRI  
MAY 28/07

32-21-06-01  
PAGE 0

**BOEING**  
757  
PARTS CATALOG (MAINTENANCE)



Y 32210601 SHT 2 REV 261

LINK ASSY-NLG LOCK  
FIGURE 1 (SHEET 2)

**32-21-06-01**

BRI  
MAY 28/07

32-21-06-01  
PAGE 0A



757

PARTS CATALOG (MAINTENANCE)

FIG ITEM	PART NUMBER	1 2 3 4 5 6 7	NOMENCLATURE	EFFECT FROM TO	UNITS PER ASSY
1			LINK ASSY-NLG LOCK	002004 006999	
- 1	162N3001-3		LINK ASSY-NLG LOCK FOR NHA SEE: 32-21-03-01	002004 006999	RF
- 1	162N3001-4		LINK ASSY-NLG LOCK FOR NHA SEE: 32-21-03-01	002004 006999	RF
- 1	162N3001-5		LINK ASSY-NLG LOCK FOR NHA SEE: 32-21-03-01	002004 006999	RF
- 1	162N3001-6		LINK ASSY-NLG LOCK MISCELLANEOUS DATA: FOR SPARES PROCURE LOWER COMPONENTS FOR NHA SEE: 32-21-03-01	002004 006999	RF
- 1	162N3001-7		LINK ASSY-NLG LOCK FOR NHA SEE: 32-21-03-01	002004 006999	RF
	5 MS24665-151		.PIN-COTTER	002004 006999	2
	10 BRH10A6		.NUT SUPPLIER CODE: V52828 SPECIFICATION NUMBER: BACN10JC6 OPTIONAL PART: 96-064 V80539 RMLH9075-6 V72962 H10-6BAC V15653	002004 006999	2
	15 162N3115-1		.WASHER-TANG	002004 006999	2
	20 162N3108-1		.SHAFT-SPR SPRT	002004 006999	1
	25 162N3109-1		.SPACER-SPR	002004 006999	2
	30 162N3109-2		.SPACER-SPR	002004 006999	1
	35 BACB30LJ4-16		.BOLT	002004 006999	2
	40 AN960C416L		.WASHER	002004 006999	2

MISSING ITEM NUMBERS NOT APPLICABLE

- ITEM NOT ILLUSTRATED

BRI

32-21-06-01

32-21-06  
FIG. 01  
PAGE 1  
SEP 20/08



757

PARTS CATALOG (MAINTENANCE)

FIG ITEM	PART NUMBER	1 2 3 4 5 6 7	NOMENCLATURE	EFFECT FROM TO	UNITS PER ASSY
1 45	BRH10A4	.	NUT SUPPLIER CODE: V52828 SPECIFICATION NUMBER: BACN10JC4 OPTIONAL PART: T6S428J V11815 96-048 V80539 VN303A048 V92215 RMLH9075-4W V72962 NS202101-048 V80539 H10-4BAC V15653	002004 006999	2
50	162N3119-1	.	CAP-END	002004 006999	2
55	162N3112-1	.	SPACER-SPR	002004 006999	2
60	162N3111-2	.	SHAFT-SPRT	002004 006999	1
60	162N3111-3	.	SHAFT-SPRT	002004 006999	1
65	MS24665-151	.	PIN-COTTER	002004 006999	4
70	BACB30LH4DU14	.	BOLT	002004 006999	2
75	BACB30LH4DU17	.	BOLT	002004 006999	2
80	AN960C416L	.	WASHER	002004 006999	4

MISSING ITEM NUMBERS NOT APPLICABLE

- ITEM NOT ILLUSTRATED

32-21-06-01

32-21-06  
FIG. 01  
PAGE 2  
JAN 20/09

BRI

BOEING PROPRIETARY - Copyright © - Unpublished Work - See title page for details.



757

PARTS CATALOG (MAINTENANCE)

FIG ITEM	PART NUMBER	1 2 3 4 5 6 7	NOMENCLATURE	EFFECT FROM TO	UNITS PER ASSY
1 85	BRH10A4	.	NUT SUPPLIER CODE: V52828 SPECIFICATION NUMBER: BACN10JC4 OPTIONAL PART: T6S428J V11815 96-048 V80539 VN303A048 V92215 RMLH9075-4W V72962 NS202101-048 V80539 H10-4BAC V15653	002004 006999	4
90	162N3113-2	.	BLOCK-STOP	002004 006999	1
95	162N3113-1	.	BLOCK-STOP	002004 006999	1
100	162N3114-1	.	SHIM-STOP BLOCK	002004 006999	1
105	162N3105-1	.	SPRING ASSY	002004 006999	2
110	162N3105-2	..	SPRING	002004 006999	1
115	162N3106-1	..	TERMINAL ASSY	002004 006999	1
- 120	162N3106-2	...	TERMINAL	002004 006999	1
125	BCREF5809	...	BUSHING- SUPPLIER CODE: V50632 OVERLENGTH PART NUMBER: KJB165300B14-022	002004 006999	2
130	162N3107-1	..	TERMINAL ASSY	002004 006999	1
135	162N3107-2	...	TERMINAL	002004 006999	1
140	BCREF5807	...	BUSHING- SUPPLIER CODE: V50632 OVERLENGTH PART NUMBER: KJB165300B08-022	002004 006999	2
145	MS24665-304	.	PIN	002004 006999	1

MISSING ITEM NUMBERS NOT APPLICABLE

- ITEM NOT ILLUSTRATED

32-21-06-01

32-21-06  
FIG. 01  
PAGE 3  
SEP 20/08

BRI



757

PARTS CATALOG (MAINTENANCE)

FIG ITEM	PART NUMBER	1 2 3 4 5 6 7	NOMENCLATURE	EFFECT FROM TO	UNITS PER ASSY
1					
150	162N3116-1		.BOLT-APEX USED ON: 162N3001-3 162N3001-4 162N3001-5 162N3001-6	002004 006999	1
150	162N3116-2		.BOLT-LOCK LINK APEX USED ON: 162N3001-7	002004 006999	1
155	AN960C1216		.WASHER- QUALIFIED OPTIONAL DATA: (162N3115-16 TOGETHER WITH AN960C1216 ARE OPT TO 162N3115-19)	002004 006999	1
160	162N3115-16		.WASHER-TANG QUALIFIED OPTIONAL DATA: (162N3115-16 TOGETHER WITH AN960C1216 ARE OPT TO 162N3115-19)	002004 006999	1
165	162N3115-19		.WASHER-TANG QUALIFIED OPTIONAL DATA: (162N3115-16 TOGETHER WITH AN960C1216 ARE OPT TO 162N3115-19)	002004 006999	1
- 170	162N3001-9		.KIT ASSY-SUB OPTIONAL PART: 162N3115-19	002004 006999	1
- 175	AN960C1216		..WASHER	002004 006999	1
- 180	162N3115-16		..WASHER-TANG	002004 006999	1
185	162N3115-19		.WASHER	006106 108903 950951 953999	1
190	BMN4122AD3-12		.NUT SUPPLIER CODE: V97928 SPECIFICATION NUMBER: BACN10JC12 OPTIONAL PART: H10-12BAC V15653 RMLH9074-12 V72962 48FT1216 V56878	002004 006999	1

MISSING ITEM NUMBERS NOT APPLICABLE

- ITEM NOT ILLUSTRATED

32-21-06-01

32-21-06  
FIG. 01  
PAGE 4  
JAN 20/09

BRI



757

PARTS CATALOG (MAINTENANCE)

FIG ITEM	PART NUMBER	1 2 3 4 5 6 7	NOMENCLATURE	EFFECT FROM TO	UNITS PER ASSY
1 195	162N3101-1		.LINK ASSY-LOCK POSITION DATA: FWD OPTIONAL PART: 162N3101-3 USED ON: 162N3001-3 162N3001-4 162N3001-5 162N3001-6	002004 006999	1
195	162N3101-3		.LINK ASSY-LOCK POSITION DATA: FWD OPTIONAL PART: 162N3101-1 USED ON: 162N3001-6 162N3001-7	002004 006999	1
200	162N3101-2		..LINK-LOCK	002004 006999	1
200	162N3101-4		..LINK-LOCK USED ON: 162N3101-1	002004 006999	1
205	160N0201-57		..BUSHING	002004 006999	4
210	160N0201-58		..BUSHING	002004 006999	4
215	160N0201-60		..BUSHING	002004 006999	2
220	BCREF5808		..BUSHING- SUPPLIER CODE: V50632 OVERLENGTH PART NUMBER: KJB165300B08-025	002004 006999	4
225	1728B		..FITTING-LUBE SUPPLIER CODE: VOFKM1	002004 006999	4
230	162N3103-5		.LINK ASSY-LOCK POSITION DATA: AFT	002004 006999	1
230	162N3103-7		.LINK ASSY-LOCK POSITION DATA: AFT	002004 006999	1
230	162N3103-9		.LINK ASSY-LOCK POSITION DATA: AFT	002004 006999	1

MISSING ITEM NUMBERS NOT APPLICABLE

- ITEM NOT ILLUSTRATED

32-21-06-01

32-21-06  
FIG. 01  
PAGE 5  
SEP 20/08

BRI



757

PARTS CATALOG (MAINTENANCE)

FIG ITEM	PART NUMBER	1 2 3 4 5 6 7	NOMENCLATURE	EFFECT FROM TO	UNITS PER ASSY
1					
230	162N3103-10	.	LINK ASSY-LOCK POSITION DATA: AFT OPTIONAL PART: 162N3103-11	002004 006999	1
230	162N3103-11	.	LINK ASSY-LOCK POSITION DATA: AFT OPTIONAL PART: 162N3103-10	002004 006999	1
235	162N3103-6	..	LINK-LOCK USED ON: 162N3103-5	002004 006999	1
235	162N3103-8	..	LINK-LOCK USED ON: 162N3103-7 162N3103-9 162N3103-10	002004 006999	1
235	162N3103-12	..	LINK-LOCK USED ON: 162N3103-11	002004 006999	1
240	BACB28X16M075	..	BUSHING	002004 006999	4
245	BCREF5326	..	BUSHING- SUPPLIER CODE: V50632 OVERLENGTH PART NUMBER: KJB165300B10-035	002004 006999	2
250	1728B	..	FITTING-LUBE SUPPLIER CODE: VOFKM1	002004 006999	1
250	1992B	..	FITTING-LUBE SUPPLIER CODE: VOFKM1 USED ON: 162N3103-9 162N3103-10 162N3103-11	002004 006999	1
255	1728B	..	FITTING-LUBE SUPPLIER CODE: VOFKM1	002004 006999	1

MISSING ITEM NUMBERS NOT APPLICABLE

- ITEM NOT ILLUSTRATED

32-21-06-01

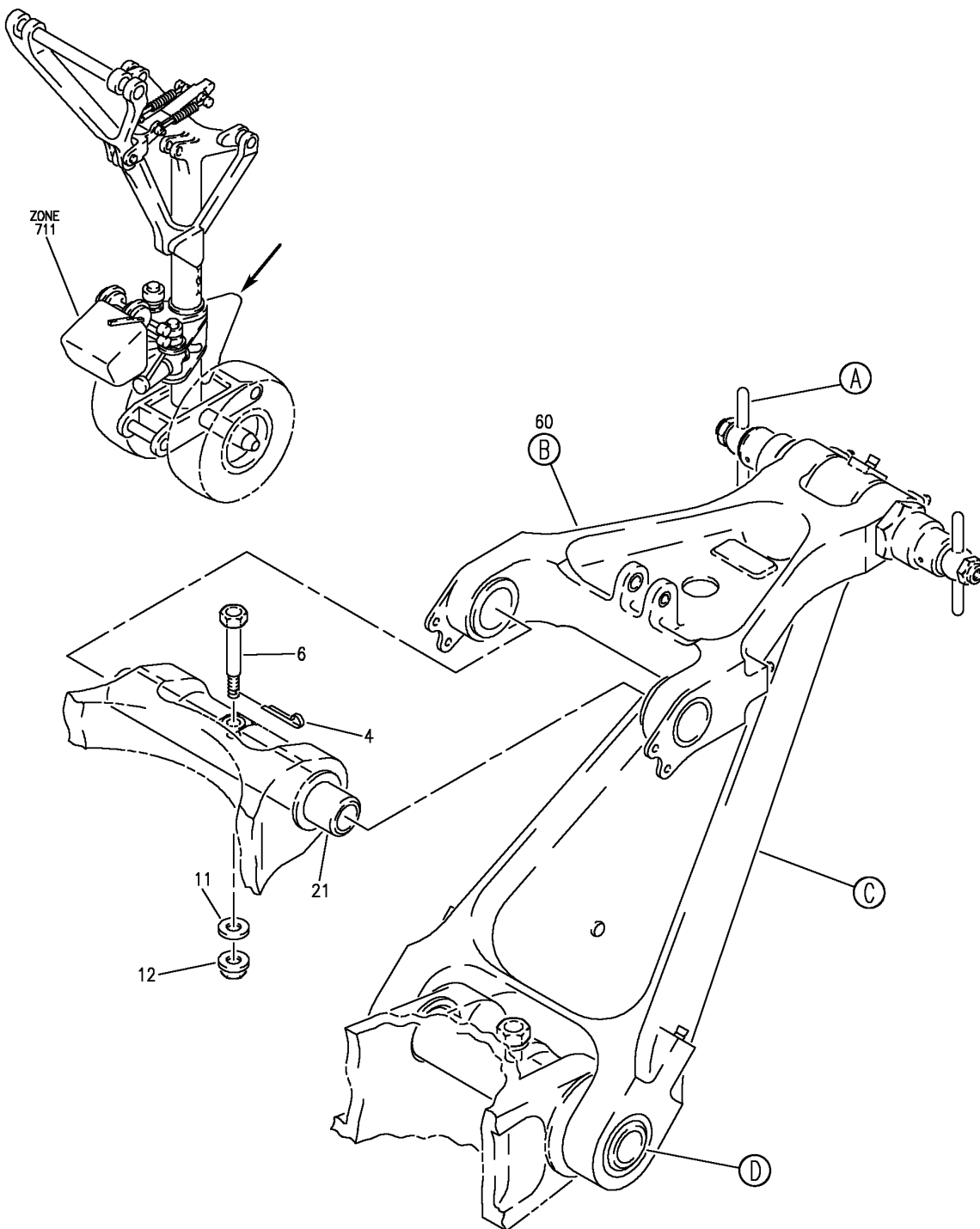
32-21-06  
FIG. 01  
PAGE 6  
SEP 20/08

BRI

BOEING PROPRIETARY - Copyright © - Unpublished Work - See title page for details.



**BOEING**  
757  
PARTS CATALOG (MAINTENANCE)



Y 32210901 SH1 1 REV 265

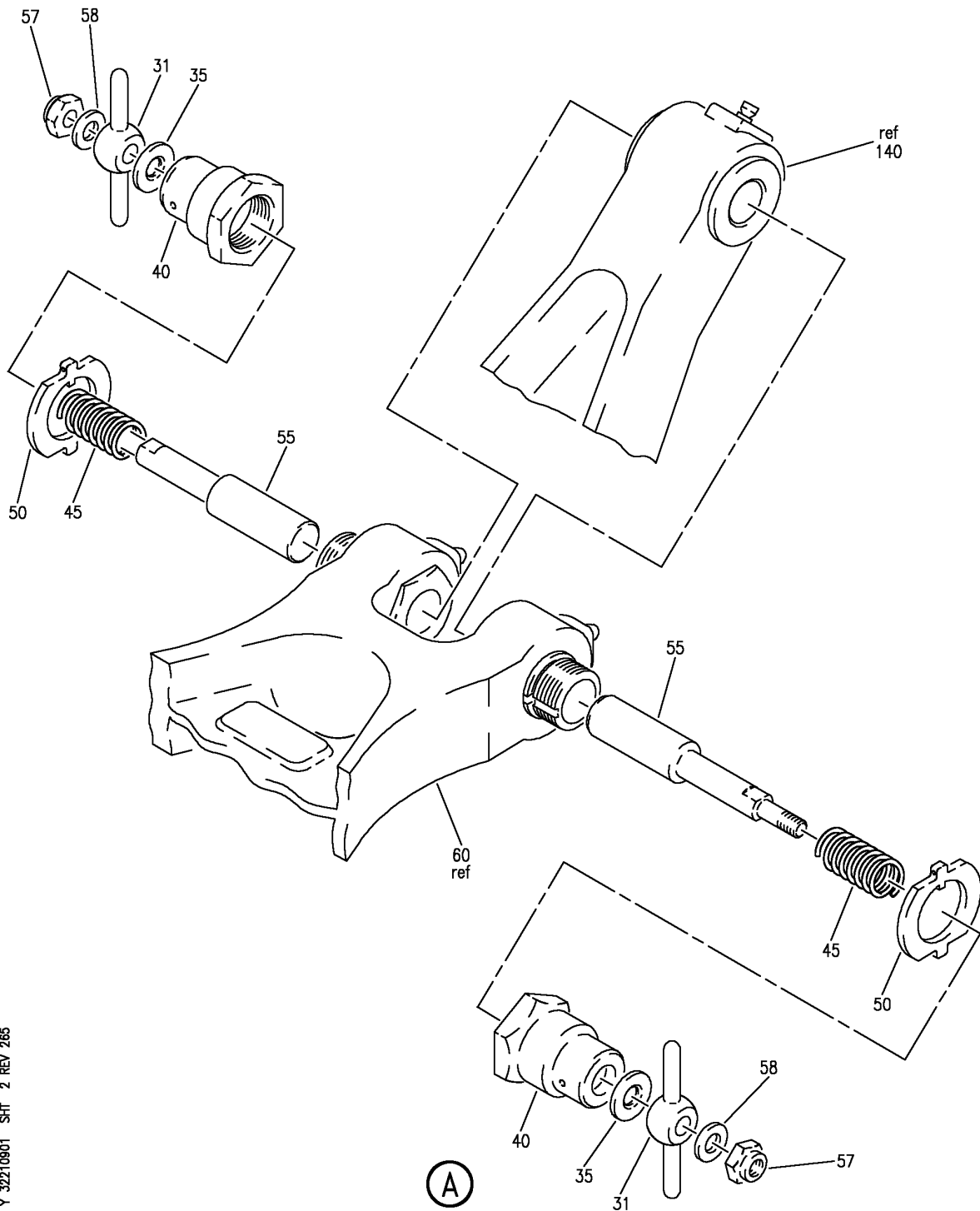
GEAR ASSY-NLG (NOSE GEAR TORSION LINKS ONLY)  
FIGURE 1 (SHEET 1)

**32-21-09-01**

BRI  
JAN 20/09

32-21-09-01  
PAGE 0

**BOEING**  
757  
PARTS CATALOG (MAINTENANCE)



Y 32210901 SHT 2 REV 265

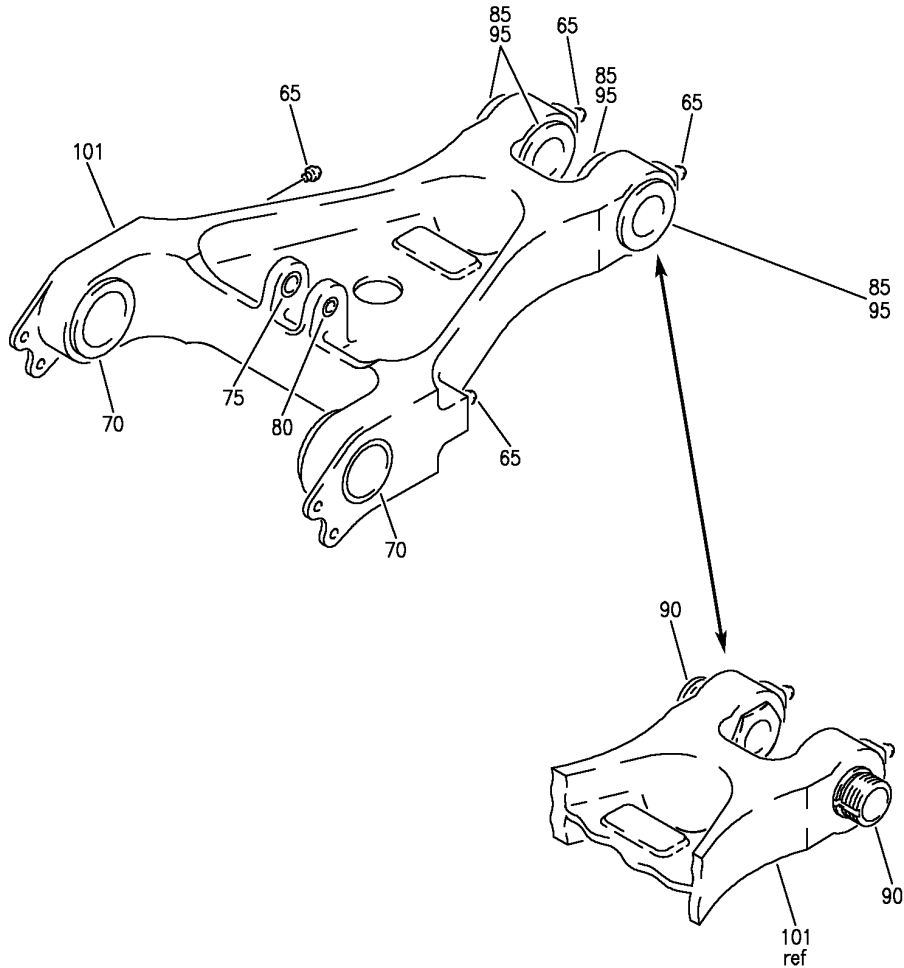
GEAR ASSY-NLG (NOSE GEAR TORSION LINKS ONLY)  
FIGURE 1 (SHEET 2)

**32-21-09-01**

BRI  
JAN 20/09

32-21-09-01  
PAGE 0A

**BOEING**  
757  
PARTS CATALOG (MAINTENANCE)



(B)

Y 32210901 SH1 3 REV 265

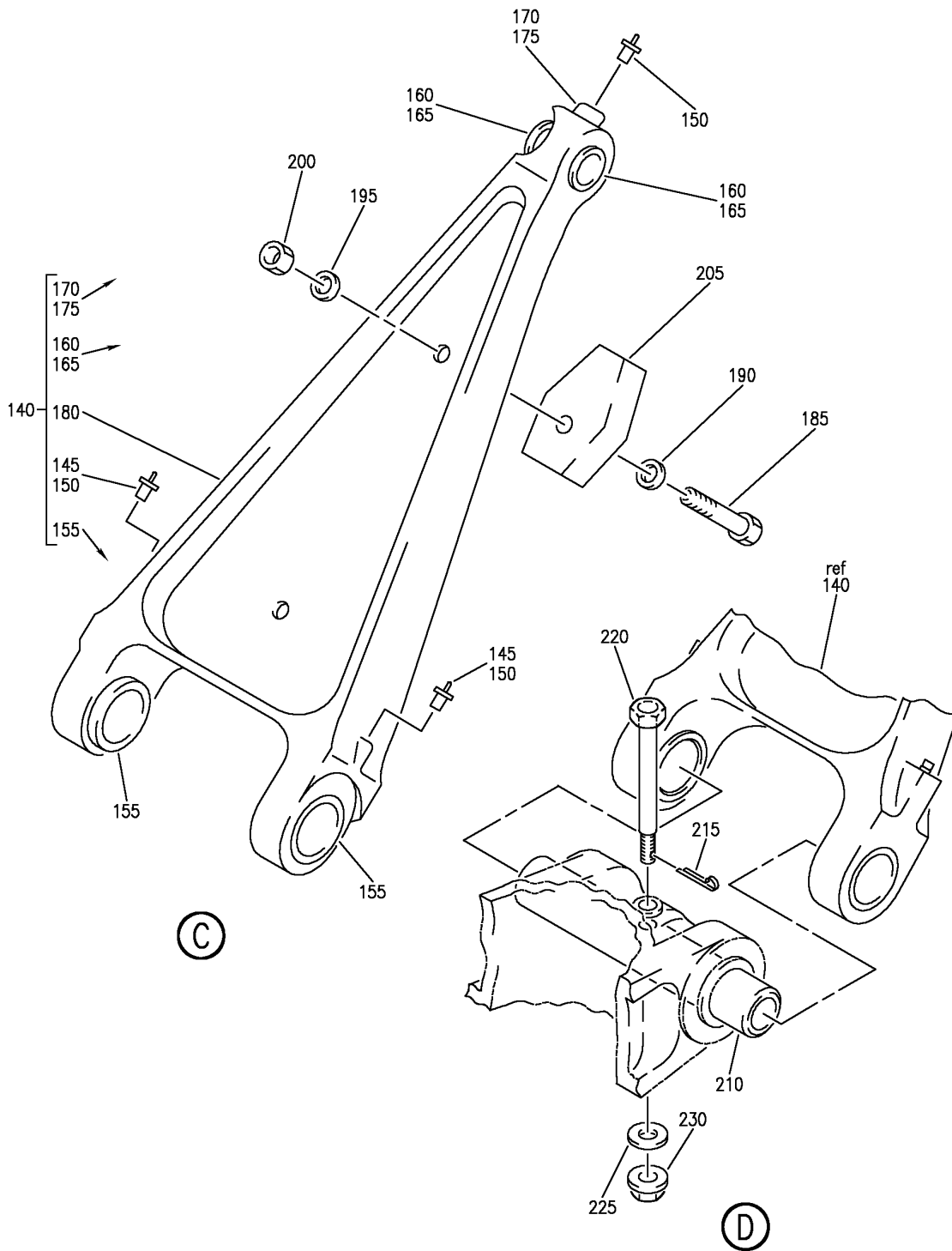
GEAR ASSY-NLG (NOSE GEAR TORSION LINKS ONLY)  
FIGURE 1 (SHEET 3)

**32-21-09-01**

BRI  
JAN 20/09

32-21-09-01  
PAGE 0B

**BOEING**  
757  
**PARTS CATALOG (MAINTENANCE)**



Y 32210901 SH1 4 REV 265

GEAR ASSY-NLG (NOSE GEAR TORSION LINKS ONLY)  
FIGURE 1 (SHEET 4)

**32-21-09-01**

BRI  
JAN 20/09

32-21-09-01  
PAGE 0C



757

PARTS CATALOG (MAINTENANCE)

FIG ITEM	PART NUMBER	1 2 3 4 5 6 7	NOMENCLATURE	EFFECT FROM TO	UNITS PER ASSY
1			GEAR ASSY-NLG (NOSE GEAR TORSION LINKS ONLY)	950951	
- 1	162N0001-97		GEAR ASSY-NLG (NOSE GEAR TORSION LINKS ONLY) COMPONENT MAINT MANUAL REF: 32-21-25 QUALIFIED I/W DATA: 162N0001-121, -114, -108, -102, -97 WITH QUICK RELEASE TORSION LINKS AND ONLY FORWARD TOW FITTING I/W 162N0001-120, -113, -107, -100, -47 WITH FORWARD AND AFT TOW FITTING AND WITHOUT QUICK RELEASE TORSION LINKS SUBJECT TO CUSTOMER APPROVAL 162N0001-121, -114, -108, -102, -97 WITH ONLY FORWARD TOW FITTING MAY REPLACE BUT NOT BE REPLACED BY 162N0001-46, -42, -33 WITH FORWARD AND AFT TOW FITTING SUBJECT TO CUSTOMER CUSTOMER APPROVAL FOR NHA/OTHER SYS DET SEE: 32-21-00-01B	950951	RF
- 1	162N0001-97		GEAR ASSY-NLG (NOSE GEAR TORSION LINKS ONLY) COMPONENT MAINT MANUAL REF: 32-21-25 QUALIFIED I/W DATA: 162N0001-121, -114, -108, -102, -97 WITH QUICK RELEASE TORSION LINKS AND ONLY FORWARD TOW FITTING MAY REPLACE BUT NOT BE REPLACED BY 162N0001-41, -38, -32, -31, -26, -24, -23, -21, -19, -18, -14, -6 WITH FORWARD AND AFT TOW FITTING AND WITHOUT QUICK RELEASE TORSION LINKS SUBJECT TO CUSTOMER APPROVAL	950951	RF

MISSING ITEM NUMBERS NOT APPLICABLE

- ITEM NOT ILLUSTRATED

32-21-09-01

32-21-09  
FIG. 01  
PAGE 1  
JAN 20/09

BRI



757

PARTS CATALOG (MAINTENANCE)

FIG ITEM	PART NUMBER	1 2 3 4 5 6 7	NOMENCLATURE	EFFECT FROM TO	UNITS PER ASSY
1					
- 1	162N0001-97		GEAR ASSY-NLG (NOSE GEAR TORSION LINKS ONLY) COMPONENT MAINT MANUAL REF: 32-21-25	950951	RF
- 1	162N0001-97		GEAR ASSY-NLG (NOSE GEAR TORSION LINKS ONLY) COMPONENT MAINT MANUAL REF: 32-21-25 QUALIFIED I/W DATA: 162N0001-118, -111, -105, -101, -49 WITHOUT QUICK RELEASE TORSION LINKS I/W 162N0001-121, -114, -108, -102, -97 WITH QUICK RELEASE TORSION LINKS SUBJECT TO CUSTOMER APPROVAL 162N0001-121, -114, -108, -102, -97 WITH QUICK RELEASE TORSION LINKS AND REQUIRES 757 TOW BAR I/W 162N0001-122, -115, -109, -103, -98 WITHOUT QUICK RELEASE TORSION LINKS AND REQUIRES 727 TOW BAR SUBJECT TO CUSTOMER APPROVAL	950951	RF

MISSING ITEM NUMBERS NOT APPLICABLE

- ITEM NOT ILLUSTRATED

BRI

32-21-09-01

BOEING PROPRIETARY - Copyright © - Unpublished Work - See title page for details.

32-21-09  
FIG. 01  
PAGE 2  
JAN 20/09



757

PARTS CATALOG (MAINTENANCE)

FIG ITEM	PART NUMBER	1 2 3 4 5 6 7 NOMENCLATURE	EFFECT FROM TO	UNITS PER ASSY
1 - 1	162N0001-97	GEAR ASSY-NLG (NOSE GEAR TORSION LINKS ONLY) COMPONENT MAINT MANUAL REF: 32-21-25 QUALIFIED I/W DATA: 162N0001-121, -114, -108, -102, -97 T/W (1)BACB28AK06-045, (1)BACB30NR6DK21 WITH QUICK RELEASE TORSION LINK AND FORWARD TOW FITTING ONLY MAY REPLACE BUT NOT BE REPLACED BY 162N0001-22, -20 T/W (1)BACB28AK06-058, (1)BACB30N6DK25 WITHOUT QUICK RELEASE TORSION LINK AND WITH FORWARD AND AFT TOW FITTINGS SUBJECT TO CUSTOMER APPROVAL 162N0001-119, -112, -106, -99, -45 WITH FORWARD AND AFT TOW FITTING I/W 162N0001-121, -114, -108, -102, -97 WITH ONLY FORWARD TOW FITTING SUBJECT TO CUSTOMER APPROVAL	950951	RF

MISSING ITEM NUMBERS NOT APPLICABLE

- ITEM NOT ILLUSTRATED

BRI

32-21-09-01

BOEING PROPRIETARY - Copyright © - Unpublished Work - See title page for details.

32-21-09  
 FIG. 01  
 PAGE 3  
 JAN 20/09



757

PARTS CATALOG (MAINTENANCE)

FIG ITEM	PART NUMBER	1 2 3 4 5 6 7	NOMENCLATURE	EFFECT FROM TO	UNITS PER ASSY
1	162N0001-102		GEAR ASSY-NLG (NOSE GEAR TORSION LINKS ONLY) COMPONENT MAINT MANUAL REF: 32-21-25 QUALIFIED I/W DATA: 162N0001-121, -114, -108, -102, -97 WITH QUICK RELEASE TORSION LINKS AND ONLY FORWARD TOW FITTING I/W 162N0001-120, -113, -107, -100, -47 WITH FORWARD AND AFT TOW FITTING AND WITHOUT QUICK RELEASE TORSION LINKS SUBJECT TO CUSTOMER APPROVAL 162N0001-121, -114, -108, -102, -97 WITH ONLY FORWARD TOW FITTING MAY REPLACE BUT NOT BE REPLACED BY 162N0001-46, -42, -33 WITH FORWARD AND AFT TOW FITTING SUBJECT TO CUSTOMER APPROVAL	950951	RF
- 1	162N0001-102		GEAR ASSY-NLG (NOSE GEAR TORSION LINKS ONLY) COMPONENT MAINT MANUAL REF: 32-21-25 QUALIFIED I/W DATA: 162N0001-121, -114, -108, -102, -97 WITH QUICK RELEASE TORSION LINKS AND ONLY FORWARD TOW FITTING MAY REPLACE BUT NOT BE REPLACED BY 162N0001-41, -38, -32, -31, -26, -24, -23, -21, -19, -18, -14, -6 WITH FORWARD AND AFT TOW FITTING AND WITHOUT QUICK RELEASE TORSION LINKS SUBJECT TO CUSTOMER APPROVAL	950951	RF

MISSING ITEM NUMBERS NOT APPLICABLE

- ITEM NOT ILLUSTRATED

32-21-09-01

32-21-09  
FIG. 01  
PAGE 4  
JAN 20/09

BRI





757

PARTS CATALOG (MAINTENANCE)

FIG ITEM	PART NUMBER	1 2 3 4 5 6 7	NOMENCLATURE	EFFECT FROM TO	UNITS PER ASSY
1					
- 1	162N0001-102		GEAR ASSY-NLG (NOSE GEAR TORSION LINKS ONLY) COMPONENT MAINT MANUAL REF: 32-21-25	950951	RF
- 1	162N0001-102		GEAR ASSY-NLG (NOSE GEAR TORSION LINKS ONLY) COMPONENT MAINT MANUAL REF: 32-21-25 QUALIFIED I/W DATA: 162N0001-118, -111, -105, -101, -49 WITHOUT QUICK RELEASE TORSION LINKS I/W 162N0001-121, -114, -108, -102, -97 WITH QUICK RELEASE TORSION LINKS SUBJECT TO CUSTOMER APPROVAL 162N0001-121, -114, -108, -102, -97 WITH QUICK RELEASE TORSION LINKS AND REQUIRES 757 TOW BAR I/W 162N0001-122, -115, -109, -103, -98 WITHOUT QUICK RELEASE TORSION LINKS AND REQUIRES 727 TOW BAR SUBJECT TO CUSTOMER APPROVAL	950951	RF

MISSING ITEM NUMBERS NOT APPLICABLE

- ITEM NOT ILLUSTRATED

BRI

32-21-09-01

BOEING PROPRIETARY - Copyright © - Unpublished Work - See title page for details.

32-21-09  
FIG. 01  
PAGE 5  
JAN 20/09



757

PARTS CATALOG (MAINTENANCE)

FIG ITEM	PART NUMBER	1 2 3 4 5 6 7	NOMENCLATURE	EFFECT FROM TO	UNITS PER ASSY
1 - 1	162N0001-102		GEAR ASSY-NLG (NOSE GEAR TORSION LINKS ONLY) COMPONENT MAINT MANUAL REF: 32-21-25 QUALIFIED I/W DATA: 162N0001-121, -114, -108, -102, -97 T/W (1)BACB28AK06-045, (1)BACB30NR6DK21 WITH QUICK RELEASE TORSION LINK AND FORWARD TOW FITTING ONLY MAY REPLACE BUT NOT BE REPLACED BY 162N0001-22, -20 T/W (1)BACB28AK06-058, (1)BACB30N6DK25 WITHOUT QUICK RELEASE TORSION LINK AND WITH FORWARD AND AFT TOW FITTINGS SUBJECT TO CUSTOMER APPROVAL 162N0001-119, -112, -106, -99, -45 WITH FORWARD AND AFT TOW FITTING I/W 162N0001-121, -114, -108, -102, -97 WITH ONLY FORWARD TOW FITTING SUBJECT TO CUSTOMER APPROVAL	950951	RF

MISSING ITEM NUMBERS NOT APPLICABLE

- ITEM NOT ILLUSTRATED

BRI

32-21-09-01

BOEING PROPRIETARY - Copyright © - Unpublished Work - See title page for details.

32-21-09  
FIG. 01  
PAGE 6  
JAN 20/09



757

PARTS CATALOG (MAINTENANCE)

FIG ITEM	PART NUMBER	1 2 3 4 5 6 7	NOMENCLATURE	EFFECT FROM TO	UNITS PER ASSY
1					
- 2	162N0001-108		GEAR ASSY-NLG (NOSE GEAR TORSION LINKS ONLY) COMPONENT MAINT MANUAL REF: 32-21-25 QUALIFIED I/W DATA: 162N0001-121, -114, -108, -102, -97 WITH QUICK RELEASE TORSION LINKS AND ONLY FORWARD TOW FITTING I/W 162N0001-120, -113, -107, -100, -47 WITH FORWARD AND AFT TOW FITTING AND WITHOUT QUICK RELEASE TORSION LINKS SUBJECT TO CUSTOMER APPROVAL 162N0001-121, -114, -108, -102, -97 WITH ONLY FORWARD TOW FITTING MAY REPLACE BUT NOT BE REPLACED BY 162N0001-46, -42, -33 WITH FORWARD AND AFT TOW FITTING SUBJECT TO CUSTOMER CUSTOMER APPROVAL FOR NHA/OTHER SYS DET SEE: 32-21-00-01B	950951	RF
- 2	162N0001-108		GEAR ASSY-NLG (NOSE GEAR TORSION LINKS ONLY) COMPONENT MAINT MANUAL REF: 32-21-25 QUALIFIED I/W DATA: 162N0001-121, -114, -108, -102, -97 WITH QUICK RELEASE TORSION LINKS AND ONLY FORWARD TOW FITTING MAY REPLACE BUT NOT BE REPLACED BY 162N0001-41, -38, -32, -31, -26, -24, -23, -21, -19, -18, -14, -6 WITH FORWARD AND AFT TOW FITTING AND WITHOUT QUICK RELEASE TORSION LINKS SUBJECT TO CUSTOMER APPROVAL	950951	RF

MISSING ITEM NUMBERS NOT APPLICABLE

- ITEM NOT ILLUSTRATED

BRI

32-21-09-01

32-21-09  
FIG. 01  
PAGE 7  
JAN 20/09



757

PARTS CATALOG (MAINTENANCE)

FIG ITEM	PART NUMBER	1 2 3 4 5 6 7	NOMENCLATURE	EFFECT FROM TO	UNITS PER ASSY
1					
- 2	162N0001-108		GEAR ASSY-NLG (NOSE GEAR TORSION LINKS ONLY) COMPONENT MAINT MANUAL REF: 32-21-25	950951	RF
- 2	162N0001-108		GEAR ASSY-NLG (NOSE GEAR TORSION LINKS ONLY) COMPONENT MAINT MANUAL REF: 32-21-25 QUALIFIED I/W DATA: 162N0001-118, -111, -105, -101, -49 WITHOUT QUICK RELEASE TORSION LINKS I/W 162N0001-121, -114, -108, -102, -97 WITH QUICK RELEASE TORSION LINKS SUBJECT TO CUSTOMER APPROVAL 162N0001-121, -114, -108, -102, -97 WITH QUICK RELEASE TORSION LINKS AND REQUIRES 757 TOW BAR I/W 162N0001-122, -115, -109, -103, -98 WITHOUT QUICK RELEASE TORSION LINKS AND REQUIRES 727 TOW BAR SUBJECT TO CUSTOMER APPROVAL	950951	RF

MISSING ITEM NUMBERS NOT APPLICABLE

- ITEM NOT ILLUSTRATED

BRI

32-21-09-01

BOEING PROPRIETARY - Copyright © - Unpublished Work - See title page for details.

32-21-09  
FIG. 01  
PAGE 8  
JAN 20/09



757

PARTS CATALOG (MAINTENANCE)

FIG ITEM	PART NUMBER	1 2 3 4 5 6 7	NOMENCLATURE	EFFECT FROM TO	UNITS PER ASSY
1 - 2	162N0001-108		GEAR ASSY-NLG (NOSE GEAR TORSION LINKS ONLY) COMPONENT MAINT MANUAL REF: 32-21-25 QUALIFIED I/W DATA: 162N0001-121, -114, -108, -102, -97 T/W (1)BACB28AK06-045, (1)BACB30NR6DK21 WITH QUICK RELEASE TORSION LINK AND FORWARD TOW FITTING ONLY MAY REPLACE BUT NOT BE REPLACED BY 162N0001-22, -20 T/W (1)BACB28AK06-058, (1)BACB30N6DK25 WITHOUT QUICK RELEASE TORSION LINK AND WITH FORWARD AND AFT TOW FITTINGS SUBJECT TO CUSTOMER APPROVAL 162N0001-119, -112, -106, -99, -45 WITH FORWARD AND AFT TOW FITTING I/W 162N0001-121, -114, -108, -102, -97 WITH ONLY FORWARD TOW FITTING SUBJECT TO CUSTOMER APPROVAL	950951	RF

MISSING ITEM NUMBERS NOT APPLICABLE

- ITEM NOT ILLUSTRATED

BRI

32-21-09-01

BOEING PROPRIETARY - Copyright © - Unpublished Work - See title page for details.

32-21-09  
 FIG. 01  
 PAGE 9  
 JAN 20/09



757

PARTS CATALOG (MAINTENANCE)

FIG ITEM	PART NUMBER	1 2 3 4 5 6 7	NOMENCLATURE	EFFECT FROM TO	UNITS PER ASSY
1 - 2	162N0001-114		GEAR ASSY-NLG (NOSE GEAR TORSION LINKS ONLY) MISCELLANEOUS DATA: 162N0001-114 INCLUDES ONE TOW FITTING AND QUICK DISCONNECT OPTION COMPONENT MAINT MANUAL REF: 32-21-25 QUALIFIED I/W DATA: 162N0001-121, -114, -108, -102, -97 WITH QUICK RELEASE TORSION LINKS AND ONLY FORWARD TOW FITTING I/W 162N0001-120, -113, -107, -100, -47 WITH FORWARD AND AFT TOW FITTING AND WITHOUT QUICK RELEASE TORSION LINKS SUBJECT TO CUSTOMER APPROVAL 162N0001-121, -114, -108, -102, -97 WITH ONLY FORWARD TOW FITTING MAY REPLACE BUT NOT BE REPLACED BY 162N0001-46, -42, -33 WITH FORWARD AND AFT TOW FITTING SUBJECT TO CUSTOMER CUSTOMER APPROVAL FOR NHA/OTHER SYS DET SEE: 32-21-00-01B	950951	RF

MISSING ITEM NUMBERS NOT APPLICABLE

- ITEM NOT ILLUSTRATED

BRI

32-21-09-01

BOEING PROPRIETARY - Copyright © - Unpublished Work - See title page for details.

32-21-09  
 FIG. 01  
 PAGE 10  
 JAN 20/09



757

PARTS CATALOG (MAINTENANCE)

FIG ITEM	PART NUMBER	1 2 3 4 5 6 7	NOMENCLATURE	EFFECT FROM TO	UNITS PER ASSY
1					
- 2	162N0001-114		GEAR ASSY-NLG (NOSE GEAR TORSION LINKS ONLY) COMPONENT MAINT MANUAL REF: 32-21-25 QUALIFIED I/W DATA: 162N0001-121, -114, -108, -102, -97 WITH QUICK RELEASE TORSION LINKS AND ONLY FORWARD TOW FITTING MAY REPLACE BUT NOT BE REPLACED BY 162N0001-41, -38, -32, -31, -26, -24, -23, -21, -19, -18, -14, -6 WITH FORWARD AND AFT TOW FITTING AND WITHOUT QUICK RELEASE TORSION LINKS SUBJECT TO CUSTOMER APPROVAL	950951	RF
- 2	162N0001-114		GEAR ASSY-NLG (NOSE GEAR TORSION LINKS ONLY) COMPONENT MAINT MANUAL REF: 32-21-25	950951	RF
- 2	162N0001-114		GEAR ASSY-NLG (NOSE GEAR TORSION LINKS ONLY) COMPONENT MAINT MANUAL REF: 32-21-25 QUALIFIED I/W DATA: 162N0001-118, -111, -105, -101, -49 WITHOUT QUICK RELEASE TORSION LINKS I/W 162N0001-121, -114, -108, -102, -97 WITH QUICK RELEASE TORSION LINKS SUBJECT TO CUSTOMER APPROVAL 162N0001-121, -114, -108, -102, -97 WITH QUICK RELEASE TORSION LINKS AND REQUIRES 757 TOW BAR I/W 162N0001-122, -115, -109, -103, -98 WITHOUT QUICK RELEASE TORSION LINKS AND REQUIRES 727 TOW BAR SUBJECT TO CUSTOMER APPROVAL	950951	RF

MISSING ITEM NUMBERS NOT APPLICABLE

- ITEM NOT ILLUSTRATED

32-21-09-01

32-21-09  
FIG. 01  
PAGE 11  
JAN 20/09

BRI



757

PARTS CATALOG (MAINTENANCE)

FIG ITEM	PART NUMBER	1 2 3 4 5 6 7	NOMENCLATURE	EFFECT FROM TO	UNITS PER ASSY
1 - 2	162N0001-114		GEAR ASSY-NLG (NOSE GEAR TORSION LINKS ONLY) COMPONENT MAINT MANUAL REF: 32-21-25 QUALIFIED I/W DATA: 162N0001-121, -114, -108, -102, -97 T/W (1)BACB28AK06-045, (1)BACB30NR6DK21 WITH QUICK RELEASE TORSION LINK AND FORWARD TOW FITTING ONLY MAY REPLACE BUT NOT BE REPLACED BY 162N0001-22, -20 T/W (1)BACB28AK06-058, (1)BACB30N6DK25 WITHOUT QUICK RELEASE TORSION LINK AND WITH FORWARD AND AFT TOW FITTINGS SUBJECT TO CUSTOMER APPROVAL 162N0001-119, -112, -106, -99, -45 WITH FORWARD AND AFT TOW FITTING I/W 162N0001-121, -114, -108, -102, -97 WITH ONLY FORWARD TOW FITTING SUBJECT TO CUSTOMER APPROVAL 162N0001-402, NOSE GEAR ASSEMBLY T/W 162N0001-4004, TOW OPTION INSTALLATION I/W P/N 162N0001-114, NOSE GEAR ASSEMBLY	950951	RF

MISSING ITEM NUMBERS NOT APPLICABLE

- ITEM NOT ILLUSTRATED

BRI

32-21-09-01

BOEING PROPRIETARY - Copyright © - Unpublished Work - See title page for details.

32-21-09  
 FIG. 01  
 PAGE 12  
 JAN 20/09





757

PARTS CATALOG (MAINTENANCE)

FIG ITEM	PART NUMBER	1 2 3 4 5 6 7	NOMENCLATURE	EFFECT FROM TO	UNITS PER ASSY
1 -	3 162N0001-121		GEAR ASSY-NLG (NOSE GEAR TORSION LINKS ONLY) COMPONENT MAINT MANUAL REF: 32-21-25 QUALIFIED I/W DATA: 162N0001-121, -114, -108, -102, -97 WITH QUICK RELEASE TORSION LINKS AND ONLY FORWARD TOW FITTING I/W 162N0001-120, -113, -107, -100, -47 WITH FORWARD AND AFT TOW FITTING AND WITHOUT QUICK RELEASE TORSION LINKS SUBJECT TO CUSTOMER APPROVAL 162N0001-121, -114, -108, -102, -97 WITH ONLY FORWARD TOW FITTING MAY REPLACE BUT NOT BE REPLACED BY 162N0001-46, -42, -33 WITH FORWARD AND AFT TOW FITTING SUBJECT TO CUSTOMER CUSTOMER APPROVAL FOR NHA/OTHER SYS DET SEE: 32-21-00-01B	950951	RF
-	3 162N0001-121		GEAR ASSY-NLG (NOSE GEAR TORSION LINKS ONLY) COMPONENT MAINT MANUAL REF: 32-21-25 QUALIFIED I/W DATA: 162N0001-121, -114, -108, -102, -97 WITH QUICK RELEASE TORSION LINKS AND ONLY FORWARD TOW FITTING MAY REPLACE BUT NOT BE REPLACED BY 162N0001-41, -38, -32, -31, -26, -24, -23, -21, -19, -18, -14, -6 WITH FORWARD AND AFT TOW FITTING AND WITHOUT QUICK RELEASE TORSION LINKS SUBJECT TO CUSTOMER APPROVAL	950951	RF

MISSING ITEM NUMBERS NOT APPLICABLE

- ITEM NOT ILLUSTRATED

BRI

32-21-09-01

32-21-09  
FIG. 01  
PAGE 13  
JAN 20/09



757

PARTS CATALOG (MAINTENANCE)

FIG ITEM	PART NUMBER	1 2 3 4 5 6 7	NOMENCLATURE	EFFECT FROM TO	UNITS PER ASSY
1					
- 3	162N0001-121		GEAR ASSY-NLG (NOSE GEAR TORSION LINKS ONLY) COMPONENT MAINT MANUAL REF: 32-21-25	950951	RF
- 3	162N0001-121		GEAR ASSY-NLG (NOSE GEAR TORSION LINKS ONLY) COMPONENT MAINT MANUAL REF: 32-21-25 QUALIFIED I/W DATA: 162N0001-118, -111, -105, -101, -49 WITHOUT QUICK RELEASE TORSION LINKS I/W 162N0001-121, -114, -108, -102, -97 WITH QUICK RELEASE TORSION LINKS SUBJECT TO CUSTOMER APPROVAL 162N0001-121, -114, -108, -102, -97 WITH QUICK RELEASE TORSION LINKS AND REQUIRES 757 TOW BAR I/W 162N0001-122, -115, -109, -103, -98 WITHOUT QUICK RELEASE TORSION LINKS AND REQUIRES 727 TOW BAR SUBJECT TO CUSTOMER APPROVAL	950951	RF

MISSING ITEM NUMBERS NOT APPLICABLE

- ITEM NOT ILLUSTRATED

BRI

32-21-09-01

BOEING PROPRIETARY - Copyright © - Unpublished Work - See title page for details.

32-21-09  
FIG. 01  
PAGE 14  
JAN 20/09



757

PARTS CATALOG (MAINTENANCE)

FIG ITEM	PART NUMBER	1 2 3 4 5 6 7	NOMENCLATURE	EFFECT FROM TO	UNITS PER ASSY
1 - 3	162N0001-121		GEAR ASSY-NLG (NOSE GEAR TORSION LINKS ONLY) COMPONENT MAINT MANUAL REF: 32-21-25 QUALIFIED I/W DATA: 162N0001-121, -114, -108, -102, -97 T/W (1)BACB28AK06-045, (1)BACB30NR6DK21 WITH QUICK RELEASE TORSION LINK AND FORWARD TOW FITTING ONLY MAY REPLACE BUT NOT BE REPLACED BY 162N0001-22, -20 T/W (1)BACB28AK06-058, (1)BACB30N6DK25 WITHOUT QUICK RELEASE TORSION LINK AND WITH FORWARD AND AFT TOW FITTINGS SUBJECT TO CUSTOMER APPROVAL 162N0001-119, -112, -106, -99, -45 WITH FORWARD AND AFT TOW FITTING I/W 162N0001-121, -114, -108, -102, -97 WITH ONLY FORWARD TOW FITTING SUBJECT TO CUSTOMER APPROVAL	950951	RF
	4 BACP18BC02A06P		.PIN-COTTER	950951	1
	6 BACB30LJ5D36		.BOLT-	950951	1
	11 NAS1149C0532R		.WASHER	950951	1
	12 LCN12-524		.NUT-	950951	2
			SUPPLIER CODE: V56878		
	21 162N1135-1		.PIN-TORSION LINK POSITION DATA: UPR	950951	1
	31 162T1608-1		.HANDLE- USED ON: 162N0001-97 162N0001-102 162N0001-108 162N0001-114 162N0001-121	950951	2

MISSING ITEM NUMBERS NOT APPLICABLE

- ITEM NOT ILLUSTRATED

32-21-09-01

32-21-09  
FIG. 01  
PAGE 15  
JAN 20/09

BRI



757

PARTS CATALOG (MAINTENANCE)

FIG ITEM	PART NUMBER	1 2 3 4 5 6 7	NOMENCLATURE	EFFECT FROM TO	UNITS PER ASSY
1					
35	162T1615-1		.WASHER- USED ON: 162N0001-97 162N0001-102 162N0001-108 162N0001-114 162N0001-121	950951	2
40	162N1215-1		.CAP- USED ON: 162N0001-97 162N0001-102 162N0001-108 162N0001-114 162N0001-121	950951	2
45	162N1218-1		.SPRING- USED ON: 162N0001-97 162N0001-102 162N0001-108 162N0001-114 162N0001-121	950951	2
50	162N1217-1		.WASHER- USED ON: 162N0001-97 162N0001-102 162N0001-108 162N0001-114 162N0001-121	950951	2
55	162N1216-1		.PIN- USED ON: 162N0001-97 162N0001-102 162N0001-108 162N0001-114 162N0001-121	950951	2
57	BRH10C5D		.NUT SUPPLIER CODE: V52828 SPECIFICATION NUMBER: BACN10JC5CD OPTIONAL PART: T6C524JCD V11815 102LH9075-5W V72962 H51650-5BAC V15653	950951	2
58	NAS1149C0563R		.WASHER	950951	2

MISSING ITEM NUMBERS NOT APPLICABLE

- ITEM NOT ILLUSTRATED

32-21-09-01

32-21-09  
FIG. 01  
PAGE 16  
JAN 20/09

BRI

BOEING PROPRIETARY - Copyright © - Unpublished Work - See title page for details.



757

PARTS CATALOG (MAINTENANCE)

FIG ITEM	PART NUMBER	1 2 3 4 5 6 7	NOMENCLATURE	EFFECT FROM TO	UNITS PER ASSY
1					
60	162N1132-5		.LINK ASSY-TORSION POSITION DATA: UPR	950951	1
65	1728B		..FITTING-LUBE SUPPLIER CODE: VOFKM1	950951	4
70	160N0201-14		..BUSHING	950951	2
75	BACB28X6M030		..BUSHING	950951	1
80	BACB28X4C029		..BUSHING	950951	1
90	162N1214-1		..SLEEVE- USED ON: 162N1132-5	950951	2
101	162N1132-6		..LINK-TORSION USED ON: 162N1132-5 162N1132-7	950951	1
140	162N1134-1		.LINK ASSY-TORSION POSITION DATA: LWR MISCELLANEOUS DATA: REF SL32-030-A POST SERVICE LETTER: SL32-030-B	950951	1
140	162N1134-3		.LINK ASSY-TORSION POSITION DATA: LWR SERVICE BULLETIN OPT DATA: 162N1134-1 162N1134-5 162N1134-7 POST SERVICE LETTER: 32-030-A SL-32-030-B	950951	1
140	162N1134-5		.LINK ASSY-TORSION POSITION DATA: LWR	950951	1
145	1728B		..FITTING-LUBE SUPPLIER CODE: VOFKM1 USED ON: 162N1134-5	950951	2
150	1728B		..FITTING-LUBE SUPPLIER CODE: VOFKM1 USED ON: 162N1134-1 162N1134-3 162N1134-7	950951	3
155	160N0201-20		..BUSHING	950951	2

MISSING ITEM NUMBERS NOT APPLICABLE

- ITEM NOT ILLUSTRATED

32-21-09-01

32-21-09  
FIG. 01  
PAGE 17  
JAN 20/09

BRI

BOEING PROPRIETARY - Copyright © - Unpublished Work - See title page for details.



757

PARTS CATALOG (MAINTENANCE)

FIG ITEM	PART NUMBER	1 2 3 4 5 6 7	NOMENCLATURE	EFFECT FROM TO	UNITS PER ASSY
1					
160	160N0201-59	..	BUSHING- USED ON: 162N1134-1 162N1134-3	950951	2
165	162N1140-1	..	BUSHING- USED ON: 162N1134-5 162N1134-7	950951	2
170	BACP20AX15A	..	PLUG- USED ON: 162N1134-5	950951	1
175	PLGA1874020	..	PLUG- SUPPLIER CODE: V92555 SPECIFICATION NUMBER: BACP20AX15AP USED ON: 162N1134-5	950951	1
180	162N1134-2	..	LINK-TORSION USED ON: 162N1134-1	950951	1
180	162N1134-6	..	LINK-TORSION USED ON: 162N1134-5 162N1134-7	950951	1
185	BACB30LM5-15	.BOLT-	USED ON: 162N0001-97 162N0001-102 162N0001-108	950951	1
185	NAS6705-15	.BOLT-	USED ON: 162N0001-114 162N0001-121	950951	1
190	BACW10P16S	.WASHER		950951	1
195	AN960C516	.WASHER-	USED ON: 162N0001-97 162N0001-102 162N0001-108	950951	1
195	NAS1149C0563R	.WASHER-	USED ON: 162N0001-114 162N0001-121	950951	1

MISSING ITEM NUMBERS NOT APPLICABLE

- ITEM NOT ILLUSTRATED

32-21-09-01

32-21-09  
FIG. 01  
PAGE 18  
JAN 20/09

BRI

BOEING PROPRIETARY - Copyright © - Unpublished Work - See title page for details.



757

PARTS CATALOG (MAINTENANCE)

FIG ITEM	PART NUMBER	1 2 3 4 5 6 7	NOMENCLATURE	EFFECT FROM TO	UNITS PER ASSY
1 200	BRH10C5	.NUT-	SUPPLIER CODE: V52828 SPECIFICATION NUMBER: BACN10JC5C OPTIONAL PART: T6C524J V11815 97-054 V80539 101LH9075-5W V72962 H31-5BAC V15653 USED ON: 162N0001-97 162N0001-102 162N0001-108	950951	1
200	BRH10C5D	.NUT-	SUPPLIER CODE: V52828 SPECIFICATION NUMBER: BACN10JC5CD OPTIONAL PART: T6C524JCD V11815 102LH9075-5W V72962 H51650-5BAC V15653 USED ON: 162N0001-114 162N0001-121	950951	1
205	162N1219-2	.BUMPER		950951	1
210	162N1136-1	.PIN-TORSION LINK LWR		950951	1
215	BACP18BC03A10P	.PIN-	USED ON: 162N0001-114 162N0001-121	950951	1
215	MS24665-304	.PIN-	USED ON: 162N0001-97 162N0001-102 162N0001-108	950951	1
220	BACB30LJ6D40	.BOLT-		950951	1
225	NAS1149C0663R	.WASHER-	USED ON: 162N0001-114 162N0001-121	950951	1

MISSING ITEM NUMBERS NOT APPLICABLE

- ITEM NOT ILLUSTRATED

32-21-09-01

32-21-09  
FIG. 01  
PAGE 19  
JAN 20/09

BRI



757

PARTS CATALOG (MAINTENANCE)

FIG ITEM	PART NUMBER	1 2 3 4 5 6 7	NOMENCLATURE	EFFECT FROM TO	UNITS PER ASSY
1 225	AN960C616		.WASHER- USED ON: 162N0001-97 162N0001-102 162N0001-108	950951	1
230	LCN6-624		.NUT- SUPPLIER CODE: V56878	950951	1

MISSING ITEM NUMBERS NOT APPLICABLE

- ITEM NOT ILLUSTRATED

BRI

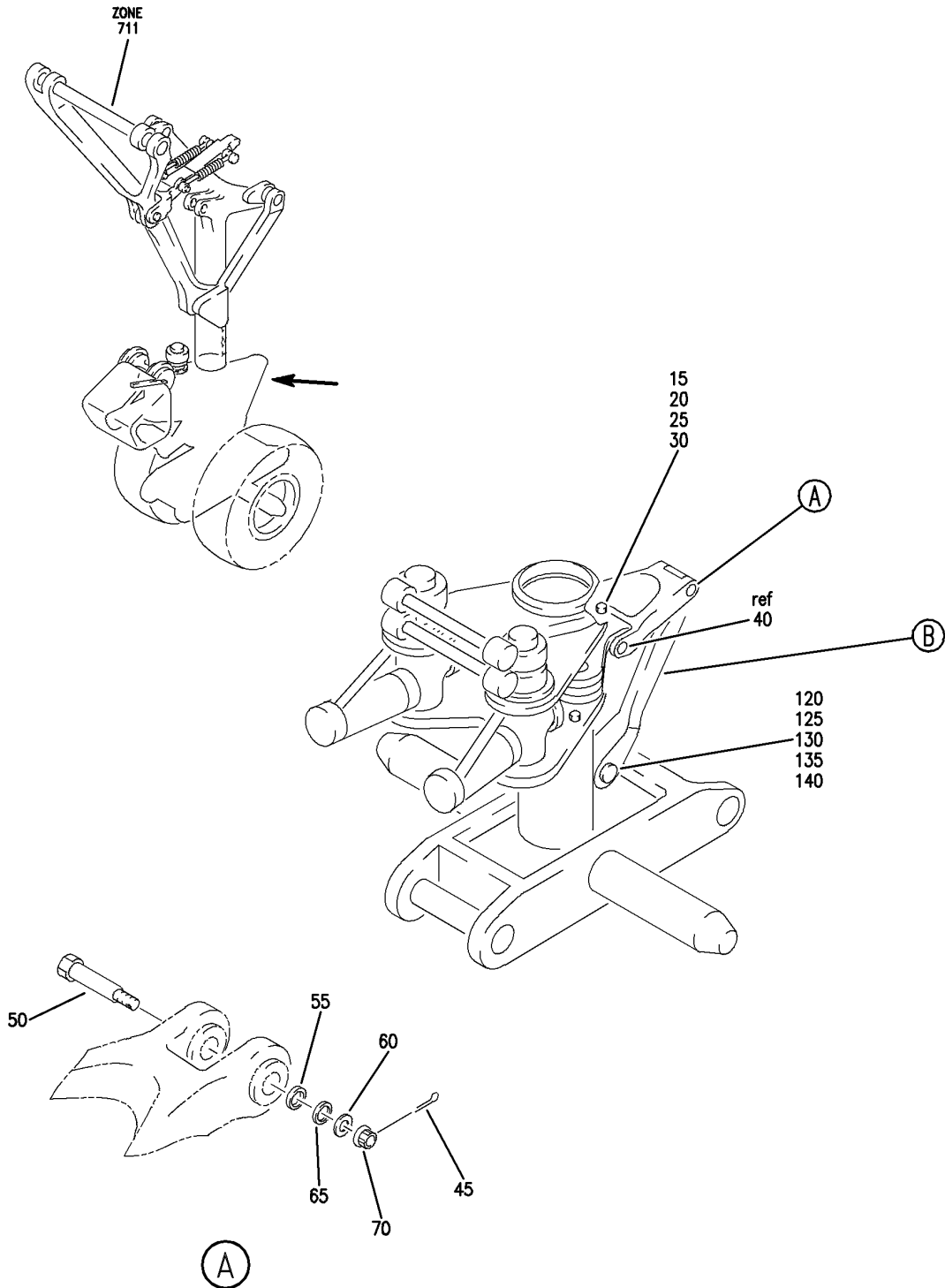
32-21-09-01

BOEING PROPRIETARY - Copyright © - Unpublished Work - See title page for details.

32-21-09  
FIG. 01  
PAGE 20  
JAN 20/09



**BOEING**  
757  
PARTS CATALOG (MAINTENANCE)



Y 32210903 SH1 1 REV 243

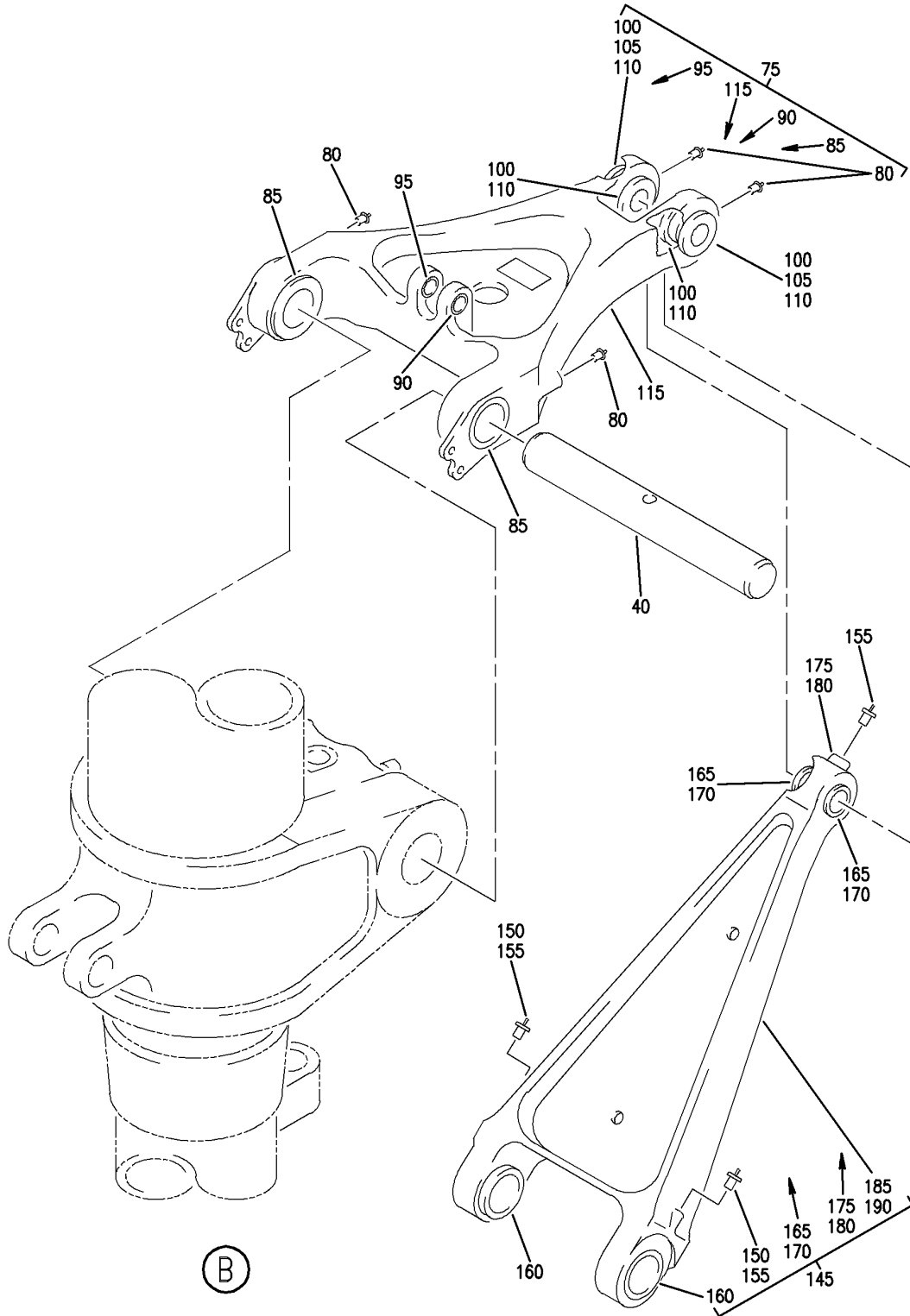
GEAR ASSY-SECT. 62 NLG (NOSE GEAR TORSION LINKS)  
FIGURE 3 (SHEET 1)

**32-21-09-03**

BRI  
JAN 20/09

32-21-09-03  
PAGE 0

**BOEING**  
757  
PARTS CATALOG (MAINTENANCE)



Y 32210903 SH1 2 REV 243

GEAR ASSY-SECT. 62 NLG (NOSE GEAR TORSION LINKS)  
FIGURE 3 (SHEET 2)

**32-21-09-03**

BRI  
JAN 20/09

32-21-09-03  
PAGE 0A



757

PARTS CATALOG (MAINTENANCE)

FIG ITEM	PART NUMBER	1 2 3 4 5 6 7	NOMENCLATURE	EFFECT FROM TO	UNITS PER ASSY
3			GEAR ASSY-SECT. 62 NLG (NOSE GEAR TORSION LINKS)	952999	
- 1	162N0001-101		GEAR ASSY-NLG (NOSE GEAR TORSION LINKS ONLY) POSITION DATA: SECT. 62 COMPONENT MAINT MANUAL REF: 32-21-25 QUALIFIED I/W DATA: 162N0001-118, -111, -105, -101, -49 WITH ONLY FORWARD TOW FITTING I/W 162N0001-120, -113, -107, -100, -47 WITH FORWARD AND AFT TOW FITTINGS WITH CUSTOMER APPROVAL. FOR NHA/OTHER SYS DET SEE: 32-21-00-01B	952999	RF
- 1	162N0001-101		GEAR ASSY-NLG (NOSE GEAR TORSION LINKS ONLY) POSITION DATA: SECT. 62 COMPONENT MAINT MANUAL REF: 32-21-25 QUALIFIED I/W DATA: 162N0001-118, -111, -105, -101, -49 WITH ONLY FORWARD TOW FITTING MAY REPLACE BUT NOT BE REPLACED BY 162N0001-41, -38, -32, -31, -26, -24, -23, -21, -19, -18, -14, -6 WITH FORWARD AND AFT TOW FITTING SUBJECT TO CUSTOMER APPROVAL	952999	RF

MISSING ITEM NUMBERS NOT APPLICABLE

- ITEM NOT ILLUSTRATED

32-21-09-03

32-21-09  
FIG. 03  
PAGE 1  
JAN 20/09

BRI



757

PARTS CATALOG (MAINTENANCE)

FIG ITEM	PART NUMBER	1 2 3 4 5 6 7 NOMENCLATURE	EFFECT FROM TO	UNITS PER ASSY
3 - 1	162N0001-101	GEAR ASSY-NLG (NOSE GEAR TORSION LINKS ONLY) POSITION DATA: SECT. 62 COMPONENT MAINT MANUAL REF: 32-21-25 QUALIFIED I/W DATA: 162N0001-119, -112, -106, -99, -45 WITH FORWARD AND AFT TOW FITTING AND QUICK RELEASE TORSION LINK I/W 162N0001-118, -111, -105, -101, -49 WITH FORWARD TOW FITTING AND WITHOUT QUICK RELEASE TORSION LINK SUBJECT TO CUSTOMER APPROVAL 162N0001-118, -111, -105, -101 WITH FORWARD TOW FITTING AND WITHOUT QUICK RELEASE TORSION LINK MAY REPLACE BUT NOT BE REPLACED BY 162N0001-46, -42, -33 WITH FORWARD AND AFT TOW FITTING AND QUICK RELEASE TORSION LINK SUBJECT TO CUSTOMER APPROVAL 162N0001-118, -111, -105, -101, -49 T/W (1)BACB28AK06-045 AND (1)BACB30NR6DK21 WITH ONLY FORWARD TOW FITTING MAY REPLACE BUT NOT BE REPLACED BY 162N0001-22, -20 T/W (1)BACB28AK06-058 AND (1)BACB30NR6DK25	952999	RF

MISSING ITEM NUMBERS NOT APPLICABLE

- ITEM NOT ILLUSTRATED

32-21-09-03

32-21-09  
FIG. 03  
PAGE 2  
JAN 20/09

BRI



757

PARTS CATALOG (MAINTENANCE)

FIG ITEM	PART NUMBER	1 2 3 4 5 6 7	NOMENCLATURE	EFFECT FROM TO	UNITS PER ASSY
3 - 1	162N0001-101		GEAR ASSY-NLG (NOSE GEAR TORSION LINKS ONLY) POSITION DATA: SECT. 62 COMPONENT MAINT MANUAL REF: 32-21-25 QUALIFIED I/W DATA: 162N0001-122, -115, -109, -103, -98 REQUIRES THE 727 TOW BAR I/W 162N0001-118, -111, -105, -101, -49 REQUIRES THE 757 TOW BAR SUBJECT TO CUSTOMER APPROVAL 162N0001-118, -111, -105, -101, -49 WITHOUT QUICK RELEASE TORSION LINKS I/W 162N0001-121, -114, -108, -102, -97 WITH QUICK RELEASE TORSION LINKS SUBJECT TO CUSTOMER APPROVAL	952999	RF
- 1	162N0001-105		GEAR ASSY-NLG (NOSE GEAR TORSION LINKS ONLY) POSITION DATA: SECT. 62 COMPONENT MAINT MANUAL REF: 32-21-25 QUALIFIED I/W DATA: 162N0001-118, -111, -105, -101, -49 WITH ONLY FORWARD TOW FITTING I/W 162N0001-120, -113, -107, -100, -47 WITH FORWARD AND AFT TOW FITTINGS WITH CUSTOMER APPROVAL FOR NHA/OTHER SYS DET SEE: 32-21-00-01B	952999	RF

MISSING ITEM NUMBERS NOT APPLICABLE

- ITEM NOT ILLUSTRATED

32-21-09-03

32-21-09  
FIG. 03  
PAGE 3  
JAN 20/09

BRI



757

PARTS CATALOG (MAINTENANCE)

FIG ITEM	PART NUMBER	1 2 3 4 5 6 7	NOMENCLATURE	EFFECT FROM TO	UNITS PER ASSY
3 - 1	162N0001-105		GEAR ASSY-NLG (NOSE GEAR TORSION LINKS ONLY) POSITION DATA: SECT. 62 COMPONENT MAINT MANUAL REF: 32-21-25 QUALIFIED I/W DATA: 162N0001-118, -111, -105, -101, -49 WITH ONLY FORWARD TOW FITTING MAY REPLACE BUT NOT BE REPLACED BY 162N0001-41, -38, -32, -31, -26, -24, -23, -21, -19, -18, -14, -6 WITH FORWARD AND AFT TOW FITTING SUBJECT TO CUSTOMER APPROVAL	952999	RF

MISSING ITEM NUMBERS NOT APPLICABLE

- ITEM NOT ILLUSTRATED

BRI

32-21-09-03

BOEING PROPRIETARY - Copyright © - Unpublished Work - See title page for details.

32-21-09  
FIG. 03  
PAGE 4  
JAN 20/09



757

PARTS CATALOG (MAINTENANCE)

FIG ITEM	PART NUMBER	1 2 3 4 5 6 7	NOMENCLATURE	EFFECT FROM TO	UNITS PER ASSY
3 - 1	162N0001-105		GEAR ASSY-NLG (NOSE GEAR TORSION LINKS ONLY) POSITION DATA: SECT. 62 COMPONENT MAINT MANUAL REF: 32-21-25 QUALIFIED I/W DATA: 162N0001-119, -112, -106, -99, -45 WITH FORWARD AND AFT TOW FITTING AND QUICK RELEASE TORSION LINK I/W 162N0001-118, -111, -105, -101, -49 WITH FORWARD TOW FITTING AND WITHOUT QUICK RELEASE TORSION LINK SUBJECT TO CUSTOMER APPROVAL 162N0001-118, -111, -105, -101 WITH FORWARD TOW FITTING AND WITHOUT QUICK RELEASE TORSION LINK MAY REPLACE BUT NOT BE REPLACED BY 162N0001-46, -42, -33 WITH FORWARD AND AFT TOW FITTING AND QUICK RELEASE TORSION LINK SUBJECT TO CUSTOMER APPROVAL 162N0001-118, -111, -105, -101, -49 T/W (1)BACB28AK06-045 AND (1)BACB30NR6DK21 WITH ONLY FORWARD TOW FITTING MAY REPLACE BUT NOT BE REPLACED BY 162N0001-22, -20 T/W (1)BACB28AK06-058 AND (1)BACB30NR6DK25	952999	RF

MISSING ITEM NUMBERS NOT APPLICABLE

- ITEM NOT ILLUSTRATED

BRI

32-21-09-03

BOEING PROPRIETARY - Copyright © - Unpublished Work - See title page for details.

32-21-09  
 FIG. 03  
 PAGE 5  
 JAN 20/09



757

PARTS CATALOG (MAINTENANCE)

FIG ITEM	PART NUMBER	1 2 3 4 5 6 7	NOMENCLATURE	EFFECT FROM TO	UNITS PER ASSY
3 - 1	162N0001-105		GEAR ASSY-NLG (NOSE GEAR TORSION LINKS ONLY) POSITION DATA: SECT. 62 COMPONENT MAINT MANUAL REF: 32-21-25 QUALIFIED I/W DATA: 162N0001-122, -115, -109, -103, -98 REQUIRES THE 727 TOW BAR I/W 162N0001-118, -111, -105, -101, -49 REQUIRES THE 757 TOW BAR SUBJECT TO CUSTOMER APPROVAL 162N0001-118, -11, -105, -101, -49 WITHOUT QUICK RELEASE TORSION LINKS I/W 162N0001-121, -114, -108, -102, -97 WITH QUICK RELEASE TORSION LINKS SUBJECT TO CUSTOMER APPROVAL	952999	RF
- 1	162N0001-111		GEAR ASSY-NLG (NOSE GEAR TORSION LINKS ONLY) POSITION DATA: SECT. 62 MISCELLANEOUS DATA: 162N0001-111 INCLUDES ONE TOW FITTING AND NO QUICK DISCONNECT OPTION COMPONENT MAINT MANUAL REF: 32-21-25 QUALIFIED I/W DATA: 162N0001-402, NOSE GEAR ASSEMBLY T/W 162N0001-4001, TOW OPTION INSTALLATION I/W P/N 162N0001-111, NOSE GEAR ASSEMBLY 162N0001-118, -111, -105, -101, -49 WITH ONLY FORWARD TOW FITTING I/W 162N0001-120, -113, -107, -100, -47 WITH FORWARD AND AFT TOW FITTINGS WITH CUSTOMER APPROVAL FOR NHA/OTHER SYS DET SEE: 32-21-00-01B	952999	RF

MISSING ITEM NUMBERS NOT APPLICABLE

- ITEM NOT ILLUSTRATED

32-21-09-03

32-21-09  
FIG. 03  
PAGE 6  
JAN 20/09

BRI





757

PARTS CATALOG (MAINTENANCE)

FIG ITEM	PART NUMBER	1 2 3 4 5 6 7	NOMENCLATURE	EFFECT FROM TO	UNITS PER ASSY
3 -	1 162N0001-111		GEAR ASSY-NLG (NOSE GEAR TORSION LINKS ONLY) POSITION DATA: SECT. 62 COMPONENT MAINT MANUAL REF: 32-21-25 QUALIFIED I/W DATA: 162N0001-118, -111, -105, -101, -49 WITH ONLY FORWARD TOW FITTING MAY REPLACE BUT NOT BE REPLACED BY 162N0001-41, -38, -32, -31, -26, -24, -23, -21, -19, -18, -14, -6 WITH FORWARD AND AFT TOW FITTING SUBJECT TO CUSTOMER APPROVAL	952999	RF
-	2 162N0001-111		GEAR ASSY-NLG (NOSE GEAR TORSION LINKS ONLY) POSITION DATA: SECT. 62 COMPONENT MAINT MANUAL REF: 32-21-25 QUALIFIED I/W DATA: 162N0001-119, -112, -106, -99, -45 WITH FORWARD AND AFT TOW FITTING AND QUICK RELEASE TORSION LINK I/W 162N0001-118, -111, -105, -101, -49 WITH FORWARD TOW FITTING AND WITHOUT QUICK RELEASE TORSION LINK SUBJECT TO CUSTOMER APPROVAL 162N0001-118, -111, -105, -101, -49 T/W (1)BACB28AK06-045 AND (1)BACB30NR6DK21 WITH ONLY FORWARD TOW FITTING MAY REPLACE BUT NOT BE REPLACED BY 162N0001-22, -20 T/W (1)BACB28AK06-058 AND (1)BACB30NR6DK25	952999	RF

MISSING ITEM NUMBERS NOT APPLICABLE

- ITEM NOT ILLUSTRATED

32-21-09-03

32-21-09  
FIG. 03  
PAGE 7  
JAN 20/09

BRI



757

PARTS CATALOG (MAINTENANCE)

FIG ITEM	PART NUMBER	1 2 3 4 5 6 7	NOMENCLATURE	EFFECT FROM TO	UNITS PER ASSY
3 - 2	162N0001-111		GEAR ASSY-NLG (NOSE GEAR TORSION LINKS ONLY) POSITION DATA: SECT. 62 COMPONENT MAINT MANUAL REF: 32-21-25 QUALIFIED I/W DATA: 162N0001-122, -115, -109, -103, -98 REQUIRES THE 727 TOW BAR I/W 162N0001-118, -111, -105, -101, -49 REQUIRES THE 757 TOW BAR SUBJECT TO CUSTOMER APPROVAL 162N0001-118, -111, -105, -101, -49 WITHOUT QUICK RELEASE TORSION LINKS I/W 162N0001-121, -114, -108, -102, -97 WITH QUICK RELEASE TORSION LINKS SUBJECT TO CUSTOMER APPROVAL	952999	RF
- 2	162N0001-118		GEAR ASSY-NLG (NOSE GEAR TORSION LINKS ONLY) POSITION DATA: SECT. 62 COMPONENT MAINT MANUAL REF: 32-21-25 QUALIFIED I/W DATA: 162N0001-118, -111, -105, -101, -49 WITH ONLY FORWARD TOW FITTING I/W 162N0001-120, -113, -107, -100, -47 WITH FORWARD AND AFT TOW FITTINGS WITH CUSTOMER APPROVAL FOR NHA/OTHER SYS DET SEE: 32-21-00-01B	952999	RF

MISSING ITEM NUMBERS NOT APPLICABLE

- ITEM NOT ILLUSTRATED

32-21-09-03

32-21-09  
FIG. 03  
PAGE 8  
JAN 20/09

BRI



757

PARTS CATALOG (MAINTENANCE)

FIG ITEM	PART NUMBER	1 2 3 4 5 6 7	NOMENCLATURE	EFFECT FROM TO	UNITS PER ASSY
3 - 2	162N0001-118		GEAR ASSY-NLG (NOSE GEAR TORSION LINKS ONLY) POSITION DATA: SECT. 62 COMPONENT MAINT MANUAL REF: 32-21-25 QUALIFIED I/W DATA: 162N0001-118, -111, -105, -101, -49 WITH ONLY FORWARD TOW FITTING MAY REPLACE BUT NOT BE REPLACED BY 162N0001-41, -38, -32, -31, -26, -24, -23, -21, -19, -18, -14, -6 WITH FORWARD AND AFT TOW FITTING SUBJECT TO CUSTOMER APPROVAL	952999	RF

MISSING ITEM NUMBERS NOT APPLICABLE

- ITEM NOT ILLUSTRATED

BRI

32-21-09-03

BOEING PROPRIETARY - Copyright © - Unpublished Work - See title page for details.

32-21-09  
FIG. 03  
PAGE 9  
JAN 20/09



757

PARTS CATALOG (MAINTENANCE)

FIG ITEM	PART NUMBER	1 2 3 4 5 6 7	NOMENCLATURE	EFFECT FROM TO	UNITS PER ASSY
3 - 2	162N0001-118		GEAR ASSY-NLG (NOSE GEAR TORSION LINKS ONLY) POSITION DATA: SECT. 62 COMPONENT MAINT MANUAL REF: 32-21-25 QUALIFIED I/W DATA: 162N0001-119, -112, -106, -99, -45 WITH FORWARD AND AFT TOW FITTING AND QUICK RELEASE TORSION LINK I/W 162N0001-118, -111, -105, -101, -49 WITH FORWARD TOW FITTING AND WITHOUT QUICK RELEASE TORSION LINK SUBJECT TO CUSTOMER APPROVAL 162N0001-118, -111, -105, -101 WITH FORWARD TOW FITTING AND WITHOUT QUICK RELEASE TORSION LINK MAY REPLACE BUT NOT BE REPLACED BY 162N0001-46, -42, -33 WITH FORWARD AND AFT TOW FITTING AND QUICK RELEASE TORSION LINK SUBJECT TO CUSTOMER APPROVAL 162N0001-118, -111, -105, -101, -49 T/W (1)BACB28AK06-045 AND (1)BACB30NR6DK21 WITH ONLY FORWARD TOW FITTING MAY REPLACE BUT NOT BE REPLACED BY 162N0001-22, -20 T/W (1)BACB28AK06-058 AND (1)BACB30NR6DK25	952999	RF

MISSING ITEM NUMBERS NOT APPLICABLE

- ITEM NOT ILLUSTRATED

32-21-09-03

32-21-09  
FIG. 03  
PAGE 10  
JAN 20/09

BRI



757

PARTS CATALOG (MAINTENANCE)

FIG ITEM	PART NUMBER	1 2 3 4 5 6 7	NOMENCLATURE	EFFECT FROM TO	UNITS PER ASSY
3 - 2	162N0001-118		GEAR ASSY-NLG (NOSE GEAR TORSION LINKS ONLY) POSITION DATA: SECT. 62 COMPONENT MAINT MANUAL REF: 32-21-25 QUALIFIED I/W DATA: 162N0001-122, -115, -109, -103, -98 REQUIRES THE 727 TOW BAR I/W 162N0001-118, -111, -105, -101, -49 REQUIRES THE 757 TOW BAR SUBJECT TO CUSTOMER APPROVAL 162N0001-118, -11, -105, -101, -49 WITHOUT QUICK RELEASE TORSION LINKS I/W 162N0001-121, -114, -108, -102, -97 WITH QUICK RELEASE TORSION LINKS SUBJECT TO CUSTOMER APPROVAL	952999	RF
- 2	162N0001-49		GEAR ASSY-NLG (NOSE GEAR TORSION LINKS ONLY) POSITION DATA: SECT. 62 COMPONENT MAINT MANUAL REF: 32-21-25 QUALIFIED I/W DATA: (-98); 162N0001-98 MAY REPLACE -49 FOR AMERICAN AIRLINES ONLY. 162N0001-119, -112, -106, -99, -45 WITH FORWARD AND AFT TOW FITTING AND QUICK RELEASE TORSION LINK I/W 162N0001-118, -111, -105, -101, -49 WITH FORWARD TOW FITTING AND WITHOUT QUICK RELEASE TORSION LINK SUBJECT TO CUSTOMER APPROVAL FOR NHA/OTHER SYS DET SEE: 32-21-00-01B	952999	RF

MISSING ITEM NUMBERS NOT APPLICABLE

- ITEM NOT ILLUSTRATED

BRI

32-21-09-03

BOEING PROPRIETARY - Copyright © - Unpublished Work - See title page for details.

32-21-09  
FIG. 03  
PAGE 11  
JAN 20/09



757

PARTS CATALOG (MAINTENANCE)

FIG ITEM	PART NUMBER	1 2 3 4 5 6 7	NOMENCLATURE	EFFECT FROM TO	UNITS PER ASSY
3 - 2	162N0001-49		GEAR ASSY-NLG (NOSE GEAR TORSION LINKS ONLY) POSITION DATA: SECT. 62 COMPONENT MAINT MANUAL REF: 32-21-25 QUALIFIED I/W DATA: 162N0001-118, -111, -105, -101, -49 WITH ONLY FORWARD TOW FITTING MAY REPLACE BUT NOT BE REPLACED BY 162N0001-41, -38, -32, -31, -26, -24, -23, -21, -19, -18, -14, -6 WITH FORWARD AND AFT TOW FITTING SUBJECT TO CUSTOMER APPROVAL	952999	RF

MISSING ITEM NUMBERS NOT APPLICABLE

- ITEM NOT ILLUSTRATED

BRI

32-21-09-03

BOEING PROPRIETARY - Copyright © - Unpublished Work - See title page for details.

32-21-09  
FIG. 03  
PAGE 12  
JAN 20/09



757

PARTS CATALOG (MAINTENANCE)

FIG ITEM	PART NUMBER	1 2 3 4 5 6 7	NOMENCLATURE	EFFECT FROM TO	UNITS PER ASSY
3 - 2	162N0001-49		GEAR ASSY-NLG (NOSE GEAR TORSION LINKS ONLY) POSITION DATA: SECT. 62 COMPONENT MAINT MANUAL REF: 32-21-25 QUALIFIED I/W DATA: 162N0001-118, -111, -105, -101 WITH FORWARD TOW FITTING AND WITHOUT QUICK RELEASE TORSION LINK MAY REPLACE BUT NOT BE REPLACED BY 162N0001-46, -42, -33 WITH FORWARD AND AFT TOW FITTING AND QUICK RELEASE TORSION LINK SUBJECT TO CUSTOMER APPROVAL 162N0001-122, -115, -109, -103, -98 REQUIRES THE 727 TOW BAR I/W 162N0001-118, -111, -105, -101, -49 REQUIRES THE 757 TOW BAR SUBJECT TO CUSTOMER APPROVAL 162N0001-118, -11, -105, -101, -49 WITHOUT QUICK RELEASE TORSION LINKS I/W 162N0001-121, -114, -108, -102, -97 WITH QUICK RELEASE TORSION LINKS SUBJECT TO CUSTOMER APPROVAL 162N0001-118, -111, -105, -101, -49 T/W (1)BACB28AK06-045 AND (1)BACB30NR6DK21 WITH ONLY FORWARD TOW FITTING MAY REPLACE BUT NOT BE REPLACED BY 162N0001-22, -20 T/W (1)BACB28AK06-058 AND (1)BACB30NR6DK25	952999	RF

MISSING ITEM NUMBERS NOT APPLICABLE

- ITEM NOT ILLUSTRATED

32-21-09-03

32-21-09  
FIG. 03  
PAGE 13  
JAN 20/09

BRI



757

PARTS CATALOG (MAINTENANCE)

FIG ITEM	PART NUMBER	1 2 3 4 5 6 7	NOMENCLATURE	EFFECT FROM TO	UNITS PER ASSY
3					
- 2	162N0001-49		GEAR ASSY-NLG (NOSE GEAR TORSION LINKS ONLY) POSITION DATA: SECT. 62 COMPONENT MAINT MANUAL REF: 32-21-25 QUALIFIED I/W DATA: 162N0001-118, -111, -105, -101, -49 WITH ONLY FORWARD TOW FITTING I/W 162N0001-120, -113, -107, -100, -47 WITH FORWARD AND AFT TOW FITTINGS WITH CUSTOMER APPROVAL	952999	RF
15	BACP18BC02A06P		.PIN-COTTER	952999	1
20	BACB30LJ5D36		.BOLT-	952999	1
25	NAS1149C0532R		.WASHER	952999	1
30	LCN12-524		.NUT- SUPPLIER CODE: V56878	952999	1
40	162N1135-1		.PIN-TORSION LINK POSITION DATA: UPR	952999	1
45	BACP18BC03A08P		.PIN	952999	1
50	162N1137-2		.PIN-TORSION LINK APEX	952999	1
55	162N3115-14		.WASHER-	952999	1
60	NAS1149C1232R		.WASHER-	952999	1
65	NAS1149C1290R		.WASHER-	952999	1
70	102LH9074-10		.NUT- SUPPLIER CODE: V72962 SPECIFICATION NUMBER: BACN10JC10CD OPTIONAL PART: H51650-10BAC V15653 69235-1018CD V92215 BMN4122CPD8-10 V97928	952999	1
75	162N1132-1		.LINK ASSY-TORSION POSITION DATA: UPR MISCELLANEOUS DATA: REF SL32-030-A	952999	1

MISSING ITEM NUMBERS NOT APPLICABLE

- ITEM NOT ILLUSTRATED

32-21-09-03

32-21-09  
FIG. 03  
PAGE 14  
JAN 20/09

BRI





757

PARTS CATALOG (MAINTENANCE)

FIG ITEM	PART NUMBER	1 2 3 4 5 6 7	NOMENCLATURE	EFFECT FROM TO	UNITS PER ASSY
3					
75	162N1132-3		.LINK ASSY-TORSION POSITION DATA: UPR MISCELLANEOUS DATA: REF SL32-030-A	952999	1
75	162N1132-7		.LINK ASSY-TORSION POSITION DATA: UPR	952999	1
80	1728B		..FITTING-LUBE SUPPLIER CODE: VOFKM1	952999	4
85	160N0201-14		..BUSHING	952999	2
90	BACB28X6M030		..BUSHING	952999	1
95	BACB28X4C029		..BUSHING	952999	1
100	160N0201-15		..BUSHING- USED ON: 162N1132-1 162N1132-3	952999	4
110	160N0201-69		..BUSHING- USED ON: 162N1132-7	952999	4
115	162N1132-2		..LINK-TORSION USED ON: 162N1132-1	952999	1
115	162N1132-4		..LINK-TORSION USED ON: 162N1132-3	952999	1
115	162N1132-6		..LINK-TORSION USED ON: 162N1132-5 162N1132-7	952999	1
120	162N1136-1		.PIN-TORSION LINK LWR	952999	1
125	BACP18BC03A10P		.PIN	952999	1
125	MS24665-304		.PIN	952999	1
130	BACB30LJ6D40		.BOLT-	952999	1
135	NAS1149C0663R		.WASHER-	952999	1
135	AN960C616		.WASHER-	952999	1
140	LCN6-624		.NUT- SUPPLIER CODE: V56878	952999	1
145	162N1134-7		.LINK ASSY-TORSION POSITION DATA: LWR	952999	1

MISSING ITEM NUMBERS NOT APPLICABLE

- ITEM NOT ILLUSTRATED

32-21-09-03

32-21-09  
FIG. 03  
PAGE 15  
JAN 20/09

BRI

BOEING PROPRIETARY - Copyright © - Unpublished Work - See title page for details.



757

PARTS CATALOG (MAINTENANCE)

FIG ITEM	PART NUMBER	1 2 3 4 5 6 7	NOMENCLATURE	EFFECT FROM TO	UNITS PER ASSY
3					
155	1728B		.. FITTING-LUBE SUPPLIER CODE: VOFKM1 USED ON: 162N1134-1 162N1134-3 162N1134-7	952999	3
160	160N0201-20		.. BUSHING	952999	2
170	162N1140-1		.. BUSHING- USED ON: 162N1134-5 162N1134-7	952999	2
190	162N1134-6		.. LINK-TORSION USED ON: 162N1134-5 162N1134-7	952999	1

MISSING ITEM NUMBERS NOT APPLICABLE

- ITEM NOT ILLUSTRATED

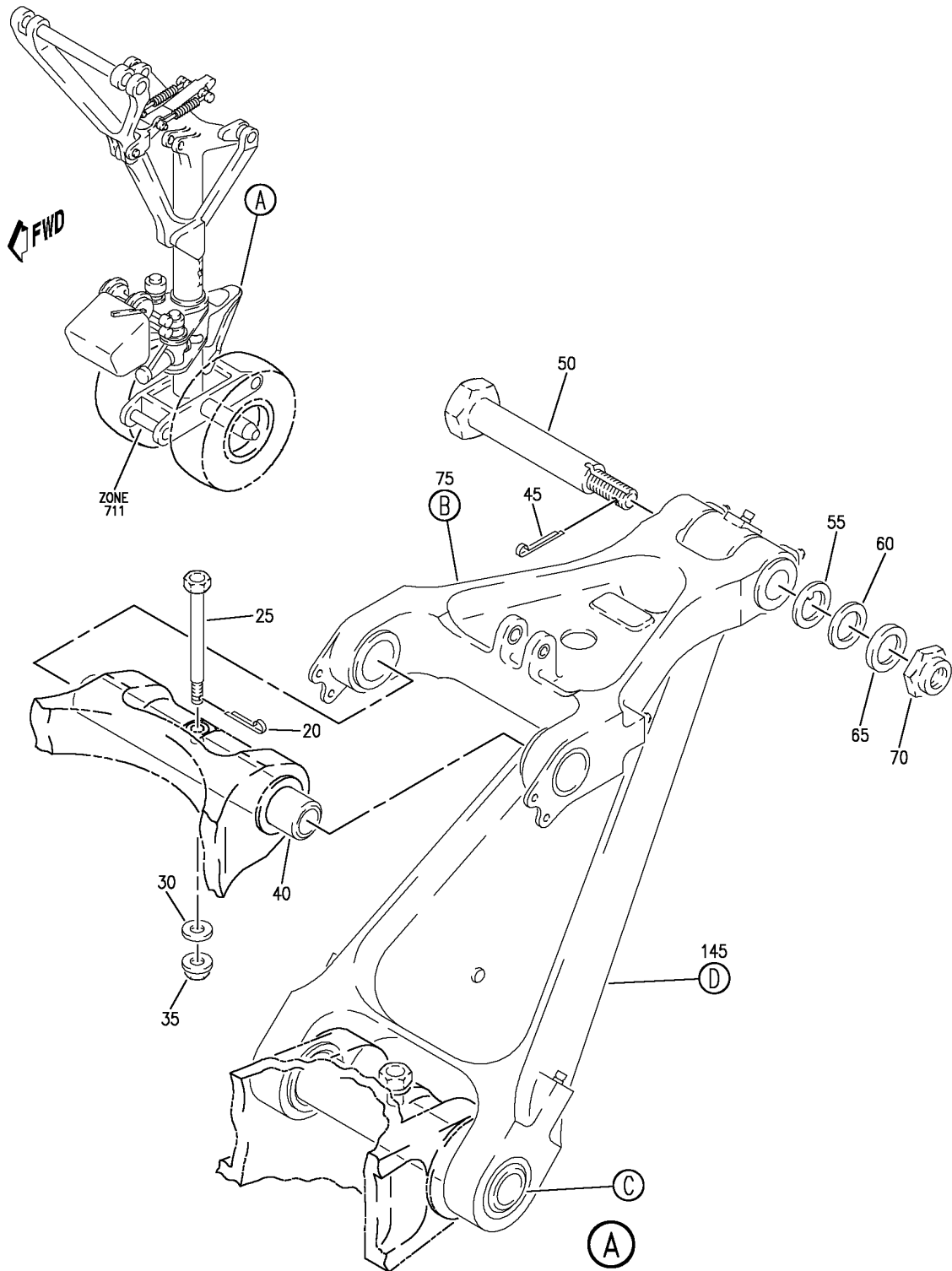
BRI

32-21-09-03

BOEING PROPRIETARY - Copyright © - Unpublished Work - See title page for details.

32-21-09  
FIG. 03  
PAGE 16  
JAN 20/09

**BOEING**  
757  
PARTS CATALOG (MAINTENANCE)



Y 32210905 SHT 1 REV 250

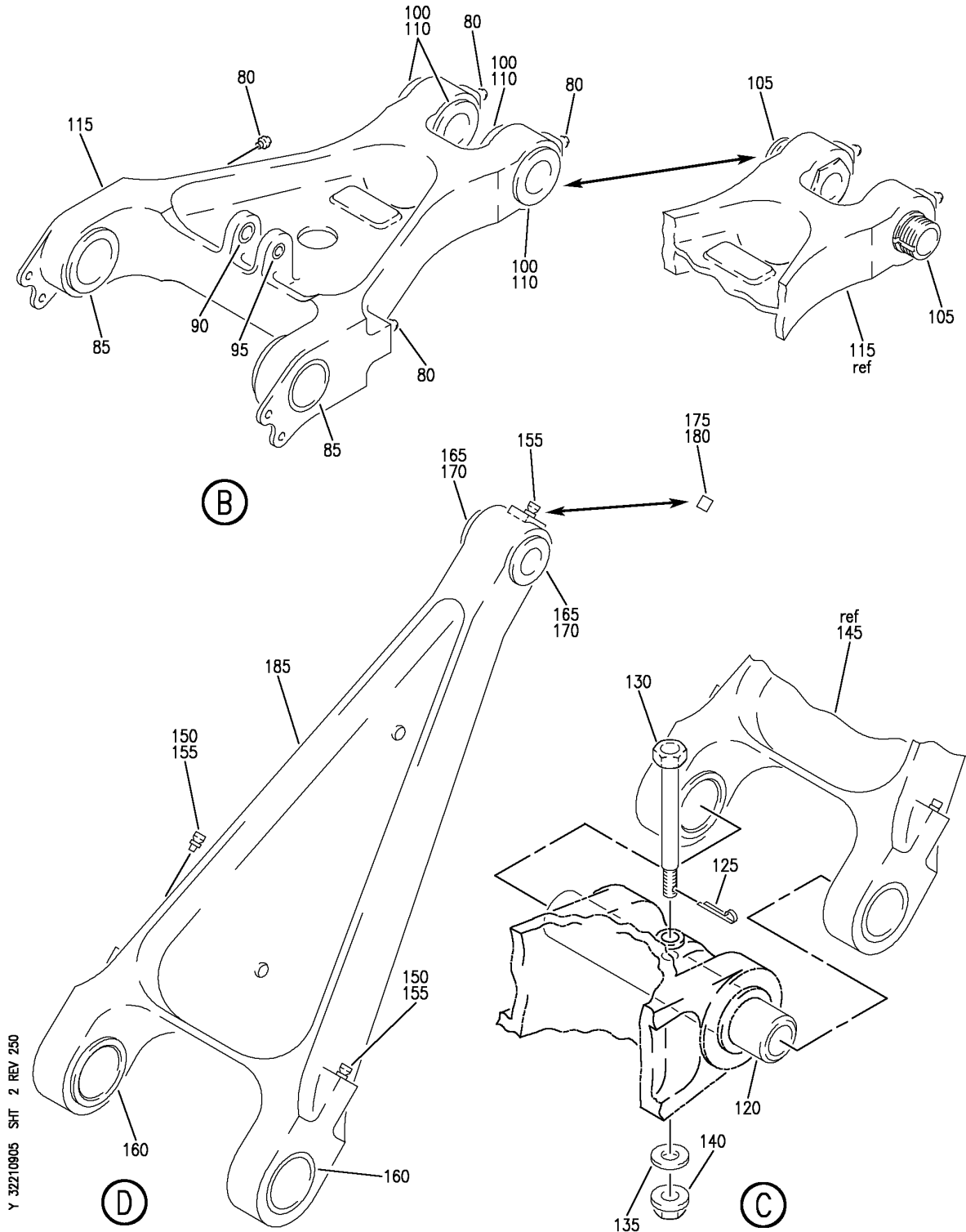
GEAR ASSY-NLG SECT. 62 (NOSE GEAR TORSION LINKS ONLY)  
FIGURE 5 (SHEET 1)

**32-21-09-05**

BRI  
MAY 28/07

32-21-09-05  
PAGE 0

**BOEING**  
 757  
 PARTS CATALOG (MAINTENANCE)



Y 32210905 SHT 2 REV 250

GEAR ASSY-NLG SECT. 62 (NOSE GEAR TORSION LINKS ONLY)  
 FIGURE 5 (SHEET 2)

**32-21-09-05**

BRI  
 MAY 28/07

32-21-09-05  
 PAGE 0A



757

PARTS CATALOG (MAINTENANCE)

FIG ITEM	PART NUMBER	1 2 3 4 5 6 7	NOMENCLATURE	EFFECT FROM TO	UNITS PER ASSY
5			GEAR ASSY-NLG SECT. 62 (NOSE GEAR TORSION LINKS ONLY)	002004 006100 107107 121503 904949	
- 1	162N0001-6		GEAR ASSY-NLG (NOSE GEAR TORSION LINKS ONLY) POSITION DATA: SECT. 62 COMPONENT MAINT MANUAL REF: 32-21-25 QUALIFIED I/W DATA: 162N0001-41, -38, -32, -31, -26, -24, -23, -21, -19, -18, -14, -6 T/W (1)BACB28AK06-045 AND (1)BACB30NR6DK21 I/W 162N0001-22, -20 I/W (1)BACB28AK06-058 AND (1)BACB30NR6DK25 OPTIONAL PART: 162N0001-18 FOR NHA/OTHER SYS DET SEE: 32-21-00-01B	002004 006100 107107 121503 904949	RF

MISSING ITEM NUMBERS NOT APPLICABLE

- ITEM NOT ILLUSTRATED

BRI

32-21-09-05

BOEING PROPRIETARY - Copyright © - Unpublished Work - See title page for details.

32-21-09  
FIG. 05  
PAGE 1  
JAN 20/09



757

PARTS CATALOG (MAINTENANCE)

FIG ITEM	PART NUMBER	1 2 3 4 5 6 7	NOMENCLATURE	EFFECT FROM TO	UNITS PER ASSY
5 - 1	162N0001-6		GEAR ASSY-NLG (NOSE GEAR TORSION LINKS ONLY) POSITION DATA: SECT. 62 COMPONENT MAINT MANUAL REF: 32-21-25 QUALIFIED I/W DATA: 12N0001-119, -112, -106, -99, -45 WITH QUICK RELEASE TORSION LINKS MAY REPLACE BUT NOT BE REPLACED BY 162N0001-41, -38, -32, -31, -26, -24, -23, -21, -19, -18, -14, -6 WITHOUT QUICK RELEASE TORSION LINKS SUBJECT TO CUSTOMER APPROVAL 162N0001-122, -115, -109, -103, -98 REQUIRES THE 727 TOW BAR MAY REPLACE BUT NOT BE REPLACED BY 162N0001-41, -38, -32, -31, -26, -24, -23, -21, -19, -18, -14, -6 REQUIRES 757 TOW BAR SUBJECT TO CUSTOMER APPROVAL	002004 006100 107107 121503 904949	RF

MISSING ITEM NUMBERS NOT APPLICABLE

- ITEM NOT ILLUSTRATED

BRI

32-21-09-05

BOEING PROPRIETARY - Copyright © - Unpublished Work - See title page for details.

32-21-09  
 FIG. 05  
 PAGE 2  
 JAN 20/09



757

PARTS CATALOG (MAINTENANCE)

FIG ITEM	PART NUMBER	1 2 3 4 5 6 7	NOMENCLATURE	EFFECT FROM TO	UNITS PER ASSY
5 - 1	162N0001-6		GEAR ASSY-NLG (NOSE GEAR TORSION LINKS ONLY) COMPONENT MAINT MANUAL REF: 32-21-25 QUALIFIED I/W DATA: 162N0001-41, -38, -32, -31, -26, -24, -23, -21, -19, -18, -14, -6 WITHOUT QUICK RELEASE TORSION LINKS I/W 162N0001-46, -42, -33 WITH QUICK RELEASE TORSION LINKS SUBJECT TO CUSTOMER APPROVAL 162N0001-118, -111, -105, -101, -49 WITH ONLY FORWARD TOW FITTING MAY REPLACE BUT NOT BE REPLACED BY 162N001-41, -38, -32, -31, -26, -24, -23, -21, -19, -18, -14, -6 WITH FORWARD AND AFT TOW FITTING SUBJECT TO CUSTOMER APPROVAL	002004 006100 107107 121503 904949	RF

MISSING ITEM NUMBERS NOT APPLICABLE

- ITEM NOT ILLUSTRATED

BRI

32-21-09-05

BOEING PROPRIETARY - Copyright © - Unpublished Work - See title page for details.

32-21-09  
 FIG. 05  
 PAGE 3  
 JAN 20/09



757

PARTS CATALOG (MAINTENANCE)

FIG ITEM	PART NUMBER	1 2 3 4 5 6 7	NOMENCLATURE	EFFECT FROM TO	UNITS PER ASSY
5 - 1	162N0001-6		GEAR ASSY-NLG (NOSE GEAR TORSION LINKS ONLY) COMPONENT MAINT MANUAL REF: 32-21-25 QUALIFIED I/W DATA: 162N0001-121, -114, -108, -102, -97 WITH QUICK RELEASE TORSION LINKS AND ONLY FORWARD TOW FITTING MAY REPLACE BUT NOT BE REPLACED BY 162N0001-41, -38, -32, -31, -26, -24, -23, -21, -19, -18, -14, -6 WITH FORWARD AND AFT TOW FITTING AND WITHOUT QUICK RELEASE TORSION LINKS SUBJECT TO CUSTOMER APPROVAL 162N0001-119 WITH QUICK RELEASE TORSION LINKS MAY REPLACE BUT NOT BE REPLACED BY 162N0001-41, -38, -32, -31, -26, -24, -23, -21, -19, -18, -14, -6 WITH CUSTOMER APPROVAL	002004 006100 107107 121503 904949	RF
- 1	162N0001-14		GEAR ASSY-NLG (NOSE GEAR TORSION LINKS ONLY) POSITION DATA: SECT. 62 COMPONENT MAINT MANUAL REF: 32-21-25 QUALIFIED I/W DATA: 162N0001-41, -38, -32, -31, -26, -24, -23, -21, -19, -18, -14, -6 T/W (1)BACB28AK06-045 AND (1)BACB30NR6DK21 I/W 162N0001-22, -20 I/W (1)BACB28AK06-058 AND (1)BACB30NR6DK25 FOR NHA/OTHER SYS DET SEE: 32-21-00-01B	002004 006100 107107 121503 904949	RF

MISSING ITEM NUMBERS NOT APPLICABLE

- ITEM NOT ILLUSTRATED

32-21-09-05

32-21-09  
 FIG. 05  
 PAGE 4  
 JAN 20/09

BRI





757

PARTS CATALOG (MAINTENANCE)

FIG ITEM	PART NUMBER	1 2 3 4 5 6 7	NOMENCLATURE	EFFECT FROM TO	UNITS PER ASSY
5 - 1	162N0001-14		GEAR ASSY-NLG (NOSE GEAR TORSION LINKS ONLY) COMPONENT MAINT MANUAL REF: 32-21-25 QUALIFIED I/W DATA: 12N0001-119, -112, -106, -99, -45 WITH QUICK RELEASE TORSION LINKS MAY REPLACE BUT NOT BE REPLACED BY 162N0001-41, -38, -32, -31, -26, -24, -23, -21, -19, -18, -14, -6 WITHOUT QUICK RELEASE TORSION LINKS SUBJECT TO CUSTOMER APPROVAL 162N0001-122, -115, -109, -103, -98 REQUIRES THE 727 TOW BAR MAY REPLACE BUT NOT BE REPLACED BY 162N0001-41, -38, -32, -31, -26, -24, -23, -21, -19, -18, -14, -6 REQUIRES 757 TOW BAR SUBJECT TO CUSTOMER APPROVAL	002004 006100 107107 121503 904949	RF

MISSING ITEM NUMBERS NOT APPLICABLE

- ITEM NOT ILLUSTRATED

BRI

32-21-09-05

BOEING PROPRIETARY - Copyright © - Unpublished Work - See title page for details.

32-21-09  
 FIG. 05  
 PAGE 5  
 JAN 20/09



757

PARTS CATALOG (MAINTENANCE)

FIG ITEM	PART NUMBER	1 2 3 4 5 6 7	NOMENCLATURE	EFFECT FROM TO	UNITS PER ASSY
5 - 1	162N0001-14		GEAR ASSY-NLG (NOSE GEAR TORSION LINKS ONLY) COMPONENT MAINT MANUAL REF: 32-21-25 QUALIFIED I/W DATA: 162N0001-41, -38, -32, -31, -26, -24, -23, -21, -19, -18, -14, -6 WITHOUT QUICK RELEASE TORSION LINKS I/W 162N0001-46, -42, -33 WITH QUICK RELEASE TORSION LINKS SUBJECT TO CUSTOMER APPROVAL 162N0001-118, -111, -105, -101, -49 WITH ONLY FORWARD TOW FITTING MAY REPLACE BUT NOT BE REPLACED BY 162N001-41, -38, -32, -31, -26, -24, -23, -21, -19, -18, -14, -6 WITH FORWARD AND AFT TOW FITTING SUBJECT TO CUSTOMER APPROVAL 162N0001-119 WITH QUICK RELEASE TORSION LINKS MAY REPLACE BUT NOT BE REPLACED BY 162N0001-41, -38, -32, -31, -26, -24, -23, -21, -19, -18, -14, -6 WITH CUSTOMER APPROVAL	002004 006100 107107 121503 904949	RF

MISSING ITEM NUMBERS NOT APPLICABLE

- ITEM NOT ILLUSTRATED

32-21-09-05

32-21-09  
 FIG. 05  
 PAGE 6  
 JAN 20/09

BRI



757

PARTS CATALOG (MAINTENANCE)

FIG ITEM	PART NUMBER	1 2 3 4 5 6 7	NOMENCLATURE	EFFECT FROM TO	UNITS PER ASSY
5 - 1	162N0001-14		GEAR ASSY-NLG (NOSE GEAR TORSION LINKS ONLY) COMPONENT MAINT MANUAL REF: 32-21-25 QUALIFIED I/W DATA: 162N0001-121, -114, -108, -102, -97 WITH QUICK RELEASE TORSION LINKS AND ONLY FORWARD TOW FITTING MAY REPLACE BUT NOT BE REPLACED BY 162N0001-41, -38, -32, -31, -26, -24, -23, -21, -19, -18, -14, -6 WITH FORWARD AND AFT TOW FITTING AND WITHOUT QUICK RELEASE TORSION LINKS SUBJECT TO CUSTOMER APPROVAL	002004 006100 107107 121503 904949	RF
- 1	162N0001-18		GEAR ASSY-NLG (NOSE GEAR TORSION LINKS ONLY) POSITION DATA: SECT. 62 COMPONENT MAINT MANUAL REF: 32-21-25 QUALIFIED I/W DATA: 162N0001-41, -38, -32, -31, -26, -24, -23, -21, -19, -18, -14, -6 T/W (1)BACB28AK06-045 AND (1)BACB30NR6DK21 I/W 162N0001-22, -20 I/W (1)BACB28AK06-058 AND (1)BACB30NR6DK25 FOR NHA/OTHER SYS DET SEE: 32-21-00-01B	002004 006100 107107 121503 904949	RF

MISSING ITEM NUMBERS NOT APPLICABLE

- ITEM NOT ILLUSTRATED

32-21-09-05

32-21-09  
FIG. 05  
PAGE 7  
JAN 20/09

BRI



757

PARTS CATALOG (MAINTENANCE)

FIG ITEM	PART NUMBER	1 2 3 4 5 6 7	NOMENCLATURE	EFFECT FROM TO	UNITS PER ASSY
5 - 1	162N0001-18		GEAR ASSY-NLG (NOSE GEAR TORSION LINKS ONLY) COMPONENT MAINT MANUAL REF: 32-21-25 QUALIFIED I/W DATA: 12N0001-119, -112, -106, -99, -45 WITH QUICK RELEASE TORSION LINKS MAY REPLACE BUT NOT BE REPLACED BY 162N0001-41, -38, -32, -31, -26, -24, -23, -21, -19, -18, -14, -6 WITHOUT QUICK RELEASE TORSION LINKS SUBJECT TO CUSTOMER APPROVAL 162N0001-122, -115, -109, -103, -98 REQUIRES THE 727 TOW BAR MAY REPLACE BUT NOT BE REPLACED BY 162N0001-41, -38, -32, -31, -26, -24, -23, -21, -19, -18, -14, -6 REQUIRES 757 TOW BAR SUBJECT TO CUSTOMER APPROVAL	002004 006100 107107 121503 904949	RF

MISSING ITEM NUMBERS NOT APPLICABLE

- ITEM NOT ILLUSTRATED

BRI

32-21-09-05

BOEING PROPRIETARY - Copyright © - Unpublished Work - See title page for details.

32-21-09  
 FIG. 05  
 PAGE 8  
 JAN 20/09



757

PARTS CATALOG (MAINTENANCE)

FIG ITEM	PART NUMBER	1 2 3 4 5 6 7	NOMENCLATURE	EFFECT FROM TO	UNITS PER ASSY
5 - 1	162N0001-18		GEAR ASSY-NLG (NOSE GEAR TORSION LINKS ONLY) COMPONENT MAINT MANUAL REF: 32-21-25 QUALIFIED I/W DATA: 162N0001-41, -38, -32, -31, -26, -24, -23, -21, -19, -18, -14, -6 WITHOUT QUICK RELEASE TORSION LINKS I/W 162N0001-46, -42, -33 WITH QUICK RELEASE TORSION LINKS SUBJECT TO CUSTOMER APPROVAL 162N0001-118, -111, -105, -101, -49 WITH ONLY FORWARD TOW FITTING MAY REPLACE BUT NOT BE REPLACED BY 162N001-41, -38, -32, -31, -26, -24, -23, -21, -19, -18, -14, -6 WITH FORWARD AND AFT TOW FITTING SUBJECT TO CUSTOMER APPROVAL 162N0001-119 WITH QUICK RELEASE TORSION LINKS MAY REPLACE BUT NOT BE REPLACED BY 162N0001-41, -38, -32, -31, -26, -24, -23, -21, -19, -18, -14, -6 WITH CUSTOMER APPROVAL	002004 006100 107107 121503 904949	RF

MISSING ITEM NUMBERS NOT APPLICABLE

- ITEM NOT ILLUSTRATED

32-21-09-05

32-21-09  
 FIG. 05  
 PAGE 9  
 JAN 20/09

BRI



757

PARTS CATALOG (MAINTENANCE)

FIG ITEM	PART NUMBER	1 2 3 4 5 6 7	NOMENCLATURE	EFFECT FROM TO	UNITS PER ASSY
5 - 1	162N0001-18		GEAR ASSY-NLG (NOSE GEAR TORSION LINKS ONLY) COMPONENT MAINT MANUAL REF: 32-21-25 QUALIFIED I/W DATA: 162N0001-121, -114, -108, -102, -97 WITH QUICK RELEASE TORSION LINKS AND ONLY FORWARD TOW FITTING MAY REPLACE BUT NOT BE REPLACED BY 162N0001-41, -38, -32, -31, -26, -24, -23, -21, -19, -18, -14, -6 WITH FORWARD AND AFT TOW FITTING AND WITHOUT QUICK RELEASE TORSION LINKS SUBJECT TO CUSTOMER APPROVAL	002004 006100 107107 121503 904949	RF
- 2	162N0001-19		GEAR ASSY-NLG (NOSE GEAR TORSION LINKS ONLY) POSITION DATA: SECT. 62 COMPONENT MAINT MANUAL REF: 32-21-25 QUALIFIED I/W DATA: 162N0001-41, -38, -32, -31, -26, -24, -23, -21, -19, -18, -14, -6 T/W (1)BACB28AK06-045 AND (1)BACB30NR6DK21 I/W 162N0001-22, -20 I/W (1)BACB28AK06-058 AND (1)BACB30NR6DK25 FOR NHA/OTHER SYS DET SEE: 32-21-00-01B	002004 006100 107107 121503 904949	RF

MISSING ITEM NUMBERS NOT APPLICABLE

- ITEM NOT ILLUSTRATED

32-21-09-05

32-21-09  
FIG. 05  
PAGE 10  
JAN 20/09

BRI



757

PARTS CATALOG (MAINTENANCE)

FIG ITEM	PART NUMBER	1 2 3 4 5 6 7	NOMENCLATURE	EFFECT FROM TO	UNITS PER ASSY
5 - 2	162N0001-19		GEAR ASSY-NLG (NOSE GEAR TORSION LINKS ONLY) COMPONENT MAINT MANUAL REF: 32-21-25 QUALIFIED I/W DATA: 162N0001-41, -38, -32, -31, -26, -24, -23, -21, -19, -18, -14, -6 WITHOUT QUICK RELEASE TORSION LINKS I/W 162N0001-46, -42, -33 WITH QUICK RELEASE TORSION LINKS SUBJECT TO CUSTOMER APPROVAL 162N0001-118, -111, -105, -101, -49 WITH ONLY FORWARD TOW FITTING MAY REPLACE BUT NOT BE REPLACED BY 162N001-41, -38, -32, -31, -26, -24, -23, -21, -19, -18, -14, -6 WITH FORWARD AND AFT TOW FITTING SUBJECT TO CUSTOMER APPROVAL	002004 006100 107107 121503 904949	RF
- 2	162N0001-19		GEAR ASSY-NLG (NOSE GEAR TORSION LINKS ONLY) COMPONENT MAINT MANUAL REF: 32-21-25 QUALIFIED I/W DATA: 162N0001-121, -114, -108, -102, -97 WITH QUICK RELEASE TORSION LINKS AND ONLY FORWARD TOW FITTING MAY REPLACE BUT NOT BE REPLACED BY 162N0001-41, -38, -32, -31, -26, -24, -23, -21, -19, -18, -14, -6 WITH FORWARD AND AFT TOW FITTING AND WITHOUT QUICK RELEASE TORSION LINKS SUBJECT TO CUSTOMER APPROVAL	002004 006100 107107 121503 904949	RF

MISSING ITEM NUMBERS NOT APPLICABLE

- ITEM NOT ILLUSTRATED

32-21-09-05

32-21-09  
FIG. 05  
PAGE 11  
JAN 20/09

BRI



757

PARTS CATALOG (MAINTENANCE)

FIG ITEM	PART NUMBER	1 2 3 4 5 6 7	NOMENCLATURE	EFFECT FROM TO	UNITS PER ASSY
5 - 2	162N0001-19		GEAR ASSY-NLG COMPONENT MAINT MANUAL REF: 32-21-25 QUALIFIED I/W DATA: 12N0001-119, -112, -106, -99, -45 WITH QUICK RELEASE TORSION LINKS MAY REPLACE BUT NOT BE REPLACED BY 162N0001-41, -38, -32, -31, -26, -24, -23, -21, -19, -18, -14, -6 WITHOUT QUICK RELEASE TORSION LINKS SUBJECT TO CUSTOMER APPROVAL 162N0001-122, -115, -109, -103, -98 REQUIRES THE 727 TOW BAR MAY REPLACE BUT NOT BE REPLACED BY 162N0001-41, -38, -32, -31, -26, -24, -23, -21, -19, -18, -14, -6 REQUIRES 757 TOW BAR SUBJECT TO CUSTOMER APPROVAL	002004 006100 107107 121503 904949	RF
- 2	162N0001-20		GEAR ASSY-NLG (NOSE GEAR TORSION LINKS ONLY) POSITION DATA: SECT. 62 COMPONENT MAINT MANUAL REF: 32-21-25 QUALIFIED I/W DATA: 162N0001-46, -42, -33 T/W (1)BACB28AK06-045 AND (1)BACB30NR6DK21 WITH QUICK RELEASE TORSION LINK I/W 162N0001-21, -20 T/W (1)BACB28AK06-058 AND (1)BACB30NR6DK25 WITHOUT QUICK RELEASE TORSION LINK SUBJECT TO CUSTOMER APPROVAL FOR NHA/OTHER SYS DET SEE: 32-21-00-01B	002004 006100 107107 121503 904949	RF

MISSING ITEM NUMBERS NOT APPLICABLE

- ITEM NOT ILLUSTRATED

32-21-09-05

32-21-09  
FIG. 05  
PAGE 12  
JAN 20/09

BRI





757

PARTS CATALOG (MAINTENANCE)

FIG ITEM	PART NUMBER	1 2 3 4 5 6 7	NOMENCLATURE	EFFECT FROM TO	UNITS PER ASSY
5					
- 2	162N0001-20		GEAR ASSY-NLG (NOSE GEAR TORSION LINKS ONLY) COMPONENT MAINT MANUAL REF: 32-21-25 QUALIFIED I/W DATA: 162N0001-41, -38, -32, -31, -26, -24, -23, -21, -19, -18, -14, -6 T/W (1)BACB28AK06-045 AND (1)BACB30NR6DK21 I/W 162N0001-22, -20 I/W (1)BACB28AK06-058 AND (1)BACB30NR6DK25	002004 006100 107107 121503 904949	RF
- 2	162N0001-20		GEAR ASSY-NLG (NOSE GEAR TORSION LINKS ONLY) COMPONENT MAINT MANUAL REF: 32-21-25 QUALIFIED I/W DATA: 162N0001-120, -113, -107, -100, -47 T/W (1)BACB28AK06-045 AND (1)BACB30NR6DK21 MAY REPLACE BUT NOT BE REPLACED BY 162N0001-20, -22 T/W (1)BACB28AK06-58 AND (1)BACB30NR6DK25 162N0001-119, -112, -106, -99, -45 T/W (1)BACB28AK06-045 AND (1)BACB30NR6DK21 WITH QUICK RELEASE TORSION LINK MAY REPLACE BUT NOT BE REPLACED BY 162N0001-22, -20 T/W (1)BACB28AK06-058 AND (1)BACB30NR6DK25 WITHOUT QUICK RELEASE TORISON LINK SUBJECT TO CUSTOMER APPROVAL	002004 006100 107107 121503 904949	RF

MISSING ITEM NUMBERS NOT APPLICABLE

- ITEM NOT ILLUSTRATED

32-21-09-05

32-21-09  
FIG. 05  
PAGE 13  
JAN 20/09

BRI



757

PARTS CATALOG (MAINTENANCE)

FIG ITEM	PART NUMBER	1 2 3 4 5 6 7	NOMENCLATURE	EFFECT FROM TO	UNITS PER ASSY
5 - 2	162N0001-20		GEAR ASSY-NLG (NOSE GEAR TORSION LINKS ONLY) COMPONENT MAINT MANUAL REF: 32-21-25 QUALIFIED I/W DATA: 162N0001-122, -115, 109, -103, -98 T/W (1) BACB28AK06-045, (1) BACB30NR6DK REQUIRES THE 727 TOW BAR MAY REPLACE BUT NOT BE REPLACED BY 162N0001-22, -20 T/W (1) BACB28AK06-058 (1) BACB30NR6DK25 REQUIRES THE 757 TOW BAR SUBJECT TO CUSTOMER 162N0001-118, -111, -105, -101, -49 T/W (1)BACB28AK06-045 AND (1)BACB30NR6DK21 WITH ONLY FORWARD TOW FITTING MAY REPLACE BUT NOT BEREPLACED BY 162N0001-22, -20 T/W (1)BACB28AK06-058 AND (1)BACB30NR6DK25	002004 006100 107107 121503 904949	RF
- 2	162N0001-20		GEAR ASSY-NLG (NOSE GEAR TORSION LINKS ONLY) COMPONENT MAINT MANUAL REF: 32-21-25 QUALIFIED I/W DATA: 162N0001-121, -114, -108, -102, -97 T/W (1)BACB28AK06-045, (1)BACB30NR6DK21 WITH QUICK RELEASE TORSION LINK AND FORWARD TOW FITTING ONLY MAY REPLACE BUT NOT BE REPLACED BY 162N0001-22, -20 T/W (1)BACB28AK06-058, (1)BACB30NR6DK25 WITHOUT QUICK RELEASE TORSION LINK AND WITH FORWARD AND AFT TOW FITTINGS SUBJECT TO CUSTOMER APPROVAL	002004 006100 107107 121503 904949	RF

MISSING ITEM NUMBERS NOT APPLICABLE

- ITEM NOT ILLUSTRATED

32-21-09-05

32-21-09  
FIG. 05  
PAGE 14  
JAN 20/09

BRI



757

PARTS CATALOG (MAINTENANCE)

FIG ITEM	PART NUMBER	1 2 3 4 5 6 7	NOMENCLATURE	EFFECT FROM TO	UNITS PER ASSY
5 - 3	162N0001-21		GEAR ASSY-NLG (NOSE GEAR TORSION LINKS ONLY) POSITION DATA: SECT. 62 COMPONENT MAINT MANUAL REF: 32-21-25 QUALIFIED I/W DATA: 162N0001-41, -38, -32, -31, -26, -24, -23, -21, -19, -18, -14, -6 T/W (1)BACB28AK06-045 AND (1)BACB30NR6DK21 I/W 162N0001-22, -20 I/W (1)BACB28AK06-058 AND (1)BACB30NR6DK25 FOR NHA/OTHER SYS DET SEE: 32-21-00-01B	002004 006100 107107 121503 904949	RF

MISSING ITEM NUMBERS NOT APPLICABLE

- ITEM NOT ILLUSTRATED

BRI

32-21-09-05

BOEING PROPRIETARY - Copyright © - Unpublished Work - See title page for details.

32-21-09  
FIG. 05  
PAGE 15  
JAN 20/09



757

PARTS CATALOG (MAINTENANCE)

FIG ITEM	PART NUMBER	1 2 3 4 5 6 7	NOMENCLATURE	EFFECT FROM TO	UNITS PER ASSY
5 - 3	162N0001-21		GEAR ASSY-NLG (NOSE GEAR TORSION LINKS ONLY) COMPONENT MAINT MANUAL REF: 32-21-25 QUALIFIED I/W DATA: 162N0001-119 WITH QUICK RELEASE TORSION LINKS MAY REPLACE BUT NOT BE REPLACED BY 162N0001-41, -38, -32, -31, -26, -24, -23, -21, -19, -18, -14, -6 WITH CUSTOMER APPROVAL 162N0001-122, -115, -109, -103, -98 REQUIRES THE 727 TOW BAR MAY REPLACE BUT NOT BE REPLACED BY 162N0001-41, -38, -32, -31, -26, -24, -23, -21, -19, -18, -14, -6 REQUIRES 757 TOW BAR SUBJECT TO CUSTOMER APPROVAL 12N0001-119, -112, -106, -99, -45 WITH QUICK RELEASE TORSION LINKS MAY REPLACE BUT NOT BE REPLACED BY 162N0001-41, -38, -32, -31, -26, -24, -23, -21, -19, -18, -14, -6 WITHOUT QUICK RELEASE TORSION LINKS SUBJECT TO CUSTOMER APPROVAL	002004 006100 107107 121503 904949	RF

MISSING ITEM NUMBERS NOT APPLICABLE

- ITEM NOT ILLUSTRATED

32-21-09-05

32-21-09  
 FIG. 05  
 PAGE 16  
 JAN 20/09

BRI



757

PARTS CATALOG (MAINTENANCE)

FIG ITEM	PART NUMBER	1 2 3 4 5 6 7	NOMENCLATURE	EFFECT FROM TO	UNITS PER ASSY
5 - 3	162N0001-21		GEAR ASSY-NLG (NOSE GEAR TORSION LINKS ONLY) COMPONENT MAINT MANUAL REF: 32-21-25 QUALIFIED I/W DATA: 162N0001-41, -38, -32, -31, -26, -24, -23, -21, -19, -18, -14, -6 WITHOUT QUICK RELEASE TORSION LINKS I/W 162N0001-46, -42, -33 WITH QUICK RELEASE TORSION LINKS SUBJECT TO CUSTOMER APPROVAL 162N0001-118, -111, -105, -101, -49 WITH ONLY FORWARD TOW FITTING MAY REPLACE BUT NOT BE REPLACED BY 162N001-41, -38, -32, -31, -26, -24, -23, -21, -19, -18, -14, -6 WITH FORWARD AND AFT TOW FITTING SUBJECT TO CUSTOMER APPROVAL	002004 006100 107107 121503 904949	RF
- 3	162N0001-21		GEAR ASSY-NLG (NOSE GEAR TORSION LINKS ONLY) COMPONENT MAINT MANUAL REF: 32-21-25 QUALIFIED I/W DATA: 162N0001-121, -114, -108, -102, -97 WITH QUICK RELEASE TORSION LINKS AND ONLY FORWARD TOW FITTING MAY REPLACE BUT NOT BE REPLACED BY 162N0001-41, -38, -32, -31, -26, -24, -23, -21, -19, -18, -14, -6 WITH FORWARD AND AFT TOW FITTING AND WITHOUT QUICK RELEASE TORSION LINKS SUBJECT TO CUSTOMER APPROVAL	002004 006100 107107 121503 904949	RF

MISSING ITEM NUMBERS NOT APPLICABLE

- ITEM NOT ILLUSTRATED

32-21-09-05

32-21-09  
FIG. 05  
PAGE 17  
JAN 20/09

BRI



757

PARTS CATALOG (MAINTENANCE)

FIG ITEM	PART NUMBER	1 2 3 4 5 6 7	NOMENCLATURE	EFFECT FROM TO	UNITS PER ASSY
5 - 3	162N0001-22		GEAR ASSY-NLG (NOSE GEAR TORSION LINKS ONLY) POSITION DATA: SECT. 62 COMPONENT MAINT MANUAL REF: 32-21-25 QUALIFIED I/W DATA: 162N0001-46, -42, -33 T/W (1)BACB28AK06-045 AND (1)BACB30NR6DK21 WITH QUICK RELEASE TORSION LINK I/W 162N0001-21, -20 T/W (1)BACB28AK06-058 AND (1)BACB30NR6DK25 WITHOUT QUICK RELEASE TORSION LINK SUBJECT TO CUSTOMER APPROVAL FOR NHA/OTHER SYS DET SEE: 32-21-00-01B	002004 006100 107107 121503 904949	RF
- 3	162N0001-22		GEAR ASSY-NLG (NOSE GEAR TORSION LINKS ONLY) COMPONENT MAINT MANUAL REF: 32-21-25 QUALIFIED I/W DATA: 162N0001-41, -38, -32, -31, -26, -24, -23, -21, -19, -18, -14, -6 T/W (1)BACB28AK06-045 AND (1)BACB30NR6DK21 I/W 162N0001-22, -20 I/W (1)BACB28AK06-058 AND (1)BACB30NR6DK25	002004 006100 107107 121503 904949	RF

MISSING ITEM NUMBERS NOT APPLICABLE

- ITEM NOT ILLUSTRATED

32-21-09-05

32-21-09  
FIG. 05  
PAGE 18  
JAN 20/09

BRI



757

PARTS CATALOG (MAINTENANCE)

FIG ITEM	PART NUMBER	1 2 3 4 5 6 7	NOMENCLATURE	EFFECT FROM TO	UNITS PER ASSY
5 - 3	162N0001-22		GEAR ASSY-NLG (NOSE GEAR TORSION LINKS ONLY) COMPONENT MAINT MANUAL REF: 32-21-25 QUALIFIED I/W DATA: 162N0001-120, -113, -107, -100, -47 T/W (1)BACB28AK06-045 AND (1)BACB30NR6DK21 MAY REPLACE BUT NOT BE REPLACED BY 162N0001-20, -22 T/W (1)BACB28AK06-58 AND (1)BACB30NR6DK25 162N0001-119, -112, -106, -99, -45 T/W (1)BACB28AK06-045 AND (1)BACB30NR6DK21 WITH QUICK RELEASE TORSION LINK MAY REPLACE BUT NOT BE REPLACED BY 162N0001-22, -20 T/W (1)BACB28AK06-058 AND (1)BACB30NR6DK25 WITHOUT QUICK RELEASE TORISON LINK SUBJECT TO CUSTOMER APPROVAL	002004 006100 107107 121503 904949	RF

MISSING ITEM NUMBERS NOT APPLICABLE

- ITEM NOT ILLUSTRATED

32-21-09-05

32-21-09  
 FIG. 05  
 PAGE 19  
 JAN 20/09

BRI



757

PARTS CATALOG (MAINTENANCE)

FIG ITEM	PART NUMBER	1 2 3 4 5 6 7	NOMENCLATURE	EFFECT FROM TO	UNITS PER ASSY
5 - 3	162N0001-22		GEAR ASSY-NLG (NOSE GEAR TORSION LINKS ONLY) COMPONENT MAINT MANUAL REF: 32-21-25 QUALIFIED I/W DATA: 162N0001-122, -115, 109, -103, -98 T/W (1) BACB28AK06-045, (1) BACB30NR6DK REQUIRES THE 727 TOW BAR MAY REPLACE BUT NOT BE REPLACED BY 162N0001-22, -20 T/W (1) BACB28AK06-058 (1) BACB30NR6DK25 REQUIRES THE 757 TOW BAR SUBJECT TO CUSTOMER APPROVAL 162N0001-118, -111, -105, -101, -49 T/W (1)BACB28AK06-045 AND (1)BACB30NR6DK21 WITH ONLY FORWARD TOW FITTING MAY REPLACE BUT NOT BEREPLACED BY 162N0001-22, -20 T/W (1)BACB28AK06-058 AND (1)BACB30NR6DK25	002004 006100 107107 121503 904949	RF
- 3	162N0001-22		GEAR ASSY-NLG (NOSE GEAR TORSION LINKS ONLY) COMPONENT MAINT MANUAL REF: 32-21-25 QUALIFIED I/W DATA: 162N0001-121, -114, -108, -102, -97 T/W (1)BACB28AK06-045, (1)BACB30NR6DK21 WITH QUICK RELEASE TORSION LINK AND FORWARD TOW FITTING ONLY MAY REPLACE BUT NOT BE REPLACED BY 162N0001-22, -20 T/W (1)BACB28AK06-058, (1)BACB30NR6DK25 WITHOUT QUICK RELEASE TORSION LINK AND WITH FORWARD AND AFT TOW FITTINGS SUBJECT TO CUSTOMER APPROVAL	002004 006100 107107 121503 904949	RF

MISSING ITEM NUMBERS NOT APPLICABLE

- ITEM NOT ILLUSTRATED

32-21-09-05

32-21-09  
FIG. 05  
PAGE 20  
JAN 20/09

BRI





757

PARTS CATALOG (MAINTENANCE)

FIG ITEM	PART NUMBER	1 2 3 4 5 6 7	NOMENCLATURE	EFFECT FROM TO	UNITS PER ASSY
5 -	3 162N0001-23		GEAR ASSY-NLG (NOSE GEAR TORSION LINKS ONLY) POSITION DATA: SECT. 62 COMPONENT MAINT MANUAL REF: 32-21-25 QUALIFIED I/W DATA: 162N0001-41, -38, -32, -31, -26, -24, -23, -21, -19, -18, -14, -6 T/W (1)BACB28AK06-045 AND (1)BACB30NR6DK21 I/W 162N0001-22, -20 I/W (1)BACB28AK06-058 AND (1)BACB30NR6DK25 FOR NHA/OTHER SYS DET SEE: 32-21-00-01B	002004 006100 107107 121503 904949	RF
-	3 162N0001-23		GEAR ASSY-NLG (NOSE GEAR TORSION LINKS ONLY) COMPONENT MAINT MANUAL REF: 32-21-25 QUALIFIED I/W DATA: 12N0001-119, -112, -106, -99, -45 WITH QUICK RELEASE TORSION LINKS MAY REPLACE BUT NOT BE REPLACED BY 162N0001-41, -38, -32, -31, -26, -24, -23, -21, -19, -18, -14, -6 WITHOUT QUICK RELEASE TORSION LINKS SUBJECT TO CUSTOMER APPROVAL 162N0001-122, -115, -109, -103, -98 REQUIRES THE 727 TOW BAR MAY REPLACE BUT NOT BE REPLACED BY 162N0001-41, -38, -32, -31, -26, -24, -23, -21, -19, -18, -14, -6 REQUIRES 757 TOW BAR SUBJECT TO CUSTOMER APPROVAL	002004 006100 107107 121503 904949	RF

MISSING ITEM NUMBERS NOT APPLICABLE

- ITEM NOT ILLUSTRATED

32-21-09-05

32-21-09  
FIG. 05  
PAGE 21  
JAN 20/09

BRI



757

PARTS CATALOG (MAINTENANCE)

FIG ITEM	PART NUMBER	1 2 3 4 5 6 7	NOMENCLATURE	EFFECT FROM TO	UNITS PER ASSY
5 - 4	162N0001-23		GEAR ASSY-NLG (NOSE GEAR TORSION LINKS ONLY) COMPONENT MAINT MANUAL REF: 32-21-25 QUALIFIED I/W DATA: 162N0001-41, -38, -32, -31, -26, -24, -23, -21, -19, -18, -14, -6 WITHOUT QUICK RELEASE TORSION LINKS I/W 162N0001-46, -42, -33 WITH QUICK RELEASE TORSION LINKS SUBJECT TO CUSTOMER APPROVAL 162N0001-118, -111, -105, -101, -49 WITH ONLY FORWARD TOW FITTING MAY REPLACE BUT NOT BE REPLACED BY 162N001-41, -38, -32, -31, -26, -24, -23, -21, -19, -18, -14, -6 WITH FORWARD AND AFT TOW FITTING SUBJECT TO CUSTOMER APPROVAL	002004 006100 107107 121503 904949	RF

MISSING ITEM NUMBERS NOT APPLICABLE

- ITEM NOT ILLUSTRATED

BRI

32-21-09-05

BOEING PROPRIETARY - Copyright © - Unpublished Work - See title page for details.

32-21-09  
 FIG. 05  
 PAGE 22  
 JAN 20/09



757

PARTS CATALOG (MAINTENANCE)

FIG ITEM	PART NUMBER	1 2 3 4 5 6 7	NOMENCLATURE	EFFECT FROM TO	UNITS PER ASSY
5 -	4 162N0001-23		GEAR ASSY-NLG (NOSE GEAR TORSION LINKS ONLY) COMPONENT MAINT MANUAL REF: 32-21-25 QUALIFIED I/W DATA: 162N0001-121, -114, -108, -102, -97 WITH QUICK RELEASE TORSION LINKS AND ONLY FORWARD TOW FITTING MAY REPLACE BUT NOT BE REPLACED BY 162N0001-41, -38, -32, -31, -26, -24, -23, -21, -19, -18, -14, -6 WITH FORWARD AND AFT TOW FITTING AND WITHOUT QUICK RELEASE TORSION LINKS SUBJECT TO CUSTOMER APPROVAL 162N0001-119 WITH QUICK RELEASE TORSION LINKS MAY REPLACE BUT NOT BE REPLACED BY 162N0001-41, -38, -32, -31, -26, -24, -23, -21, -19, -18, -14, -6 WITH CUSTOMER APPROVAL	002004 006100 107107 121503 904949	RF
-	4 162N0001-24		GEAR ASSY-NLG (NOSE GEAR TORSION LINKS ONLY) POSITION DATA: SECT. 62 COMPONENT MAINT MANUAL REF: 32-21-25 QUALIFIED I/W DATA: 162N0001-41, -38, -32, -31, -26, -24, -23, -21, -19, -18, -14, -6 T/W (1)BACB28AK06-045 AND (1)BACB30NR6DK21 I/W 162N0001-22, -20 I/W (1)BACB28AK06-058 AND (1)BACB30NR6DK25 FOR NHA/OTHER SYS DET SEE: 32-21-00-01B	002004 006100 107107 121503 904949	RF

MISSING ITEM NUMBERS NOT APPLICABLE

- ITEM NOT ILLUSTRATED

32-21-09-05

32-21-09  
FIG. 05  
PAGE 23  
JAN 20/09

BRI



757

PARTS CATALOG (MAINTENANCE)

FIG ITEM	PART NUMBER	1 2 3 4 5 6 7	NOMENCLATURE	EFFECT FROM TO	UNITS PER ASSY
5 - 4	162N0001-24		GEAR ASSY-NLG (NOSE GEAR TORSION LINKS ONLY) COMPONENT MAINT MANUAL REF: 32-21-25 QUALIFIED I/W DATA: 12N0001-119, -112, -106, -99, -45 WITH QUICK RELEASE TORSION LINKS MAY REPLACE BUT NOT BE REPLACED BY 162N0001-41, -38, -32, -31, -26, -24, -23, -21, -19, -18, -14, -6 WITHOUT QUICK RELEASE TORSION LINKS SUBJECT TO CUSTOMER APPROVAL 162N0001-122, -115, -109, -103, -98 REQUIRES THE 727 TOW BAR MAY REPLACE BUT NOT BE REPLACED BY 162N0001-41, -38, -32, -31, -26, -24, -23, -21, -19, -18, -14, -6 REQUIRES 757 TOW BAR SUBJECT TO CUSTOMER APPROVAL	002004 006100 107107 121503 904949	RF

MISSING ITEM NUMBERS NOT APPLICABLE

- ITEM NOT ILLUSTRATED

BRI

32-21-09-05

BOEING PROPRIETARY - Copyright © - Unpublished Work - See title page for details.

32-21-09  
 FIG. 05  
 PAGE 24  
 JAN 20/09



757

PARTS CATALOG (MAINTENANCE)

FIG ITEM	PART NUMBER	1 2 3 4 5 6 7	NOMENCLATURE	EFFECT FROM TO	UNITS PER ASSY
5 - 4	162N0001-24		GEAR ASSY-NLG (NOSE GEAR TORSION LINKS ONLY) COMPONENT MAINT MANUAL REF: 32-21-25 QUALIFIED I/W DATA: 162N0001-41, -38, -32, -31, -26, -24, -23, -21, -19, -18, -14, -6 WITHOUT QUICK RELEASE TORSION LINKS I/W 162N0001-46, -42, -33 WITH QUICK RELEASE TORSION LINKS SUBJECT TO CUSTOMER APPROVAL 162N0001-118, -111, -105, -101, -49 WITH ONLY FORWARD TOW FITTING MAY REPLACE BUT NOT BE REPLACED BY 162N001-41, -38, -32, -31, -26, -24, -23, -21, -19, -18, -14, -6 WITH FORWARD AND AFT TOW FITTING SUBJECT TO CUSTOMER APPROVAL	002004 006100 107107 121503 904949	RF

MISSING ITEM NUMBERS NOT APPLICABLE

- ITEM NOT ILLUSTRATED

BRI

32-21-09-05

BOEING PROPRIETARY - Copyright © - Unpublished Work - See title page for details.

32-21-09  
 FIG. 05  
 PAGE 25  
 JAN 20/09



757

PARTS CATALOG (MAINTENANCE)

FIG ITEM	PART NUMBER	1 2 3 4 5 6 7	NOMENCLATURE	EFFECT FROM TO	UNITS PER ASSY
5 - 4	162N0001-24		GEAR ASSY-NLG (NOSE GEAR TORSION LINKS ONLY) COMPONENT MAINT MANUAL REF: 32-21-25 QUALIFIED I/W DATA: 162N0001-121, -114, -108, -102, -97 WITH QUICK RELEASE TORSION LINKS AND ONLY FORWARD TOW FITTING MAY REPLACE BUT NOT BE REPLACED BY 162N0001-41, -38, -32, -31, -26, -24, -23, -21, -19, -18, -14, -6 WITH FORWARD AND AFT TOW FITTING AND WITHOUT QUICK RELEASE TORSION LINKS SUBJECT TO CUSTOMER APPROVAL 162N0001-119 WITH QUICK RELEASE TORSION LINKS MAY REPLACE BUT NOT BE REPLACED BY 162N0001-41, -38, -32, -31, -26, -24, -23, -21, -19, -18, -14, -6 WITH CUSTOMER APPROVAL	002004 006100 107107 121503 904949	RF
- 4	162N0001-26		GEAR ASSY-NLG (NOSE GEAR TORSION LINKS ONLY) POSITION DATA: SECT. 62 COMPONENT MAINT MANUAL REF: 32-21-25 QUALIFIED I/W DATA: 162N0001-41, -38, -32, -31, -26, -24, -23, -21, -19, -18, -14, -6 T/W (1)BACB28AK06-045 AND (1)BACB30NR6DK21 I/W 162N0001-22, -20 I/W (1)BACB28AK06-058 AND (1)BACB30NR6DK25 FOR NHA/OTHER SYS DET SEE: 32-21-00-01B	002004 006100 107107 121503 904949	RF

MISSING ITEM NUMBERS NOT APPLICABLE

- ITEM NOT ILLUSTRATED

32-21-09-05

32-21-09  
FIG. 05  
PAGE 26  
JAN 20/09

BRI



757

PARTS CATALOG (MAINTENANCE)

FIG ITEM	PART NUMBER	1 2 3 4 5 6 7	NOMENCLATURE	EFFECT FROM TO	UNITS PER ASSY
5 - 4	162N0001-26		GEAR ASSY-NLG (NOSE GEAR TORSION LINKS ONLY) COMPONENT MAINT MANUAL REF: 32-21-25 QUALIFIED I/W DATA: 12N0001-119, -112, -106, -99, -45 WITH QUICK RELEASE TORSION LINKS MAY REPLACE BUT NOT BE REPLACED BY 162N0001-41, -38, -32, -31, -26, -24, -23, -21, -19, -18, -14, -6 WITHOUT QUICK RELEASE TORSION LINKS SUBJECT TO CUSTOMER APPROVAL 162N0001-122, -115, -109, -103, -98 REQUIRES THE 727 TOW BAR MAY REPLACE BUT NOT BE REPLACED BY 162N0001-41, -38, -32, -31, -26, -24, -23, -21, -19, -18, -14, -6 REQUIRES 757 TOW BAR SUBJECT TO CUSTOMER APPROVAL	002004 006100 107107 121503 904949	RF

MISSING ITEM NUMBERS NOT APPLICABLE

- ITEM NOT ILLUSTRATED

BRI

32-21-09-05

BOEING PROPRIETARY - Copyright © - Unpublished Work - See title page for details.

32-21-09  
 FIG. 05  
 PAGE 27  
 JAN 20/09



757

PARTS CATALOG (MAINTENANCE)

FIG ITEM	PART NUMBER	1 2 3 4 5 6 7	NOMENCLATURE	EFFECT FROM TO	UNITS PER ASSY
5 - 4	162N0001-26		GEAR ASSY-NLG (NOSE GEAR TORSION LINKS ONLY) COMPONENT MAINT MANUAL REF: 32-21-25 QUALIFIED I/W DATA: 162N0001-41, -38, -32, -31, -26, -24, -23, -21, -19, -18, -14, -6 WITHOUT QUICK RELEASE TORSION LINKS I/W 162N0001-46, -42, -33 WITH QUICK RELEASE TORSION LINKS SUBJECT TO CUSTOMER APPROVAL 162N0001-118, -111, -105, -101, -49 WITH ONLY FORWARD TOW FITTING MAY REPLACE BUT NOT BE REPLACED BY 162N001-41, -38, -32, -31, -26, -24, -23, -21, -19, -18, -14, -6 WITH FORWARD AND AFT TOW FITTING SUBJECT TO CUSTOMER APPROVAL	002004 006100 107107 121503 904949	RF

MISSING ITEM NUMBERS NOT APPLICABLE

- ITEM NOT ILLUSTRATED

BRI

32-21-09-05

BOEING PROPRIETARY - Copyright © - Unpublished Work - See title page for details.

32-21-09  
 FIG. 05  
 PAGE 28  
 JAN 20/09





757

PARTS CATALOG (MAINTENANCE)

FIG ITEM	PART NUMBER	1 2 3 4 5 6 7	NOMENCLATURE	EFFECT FROM TO	UNITS PER ASSY
5 -	4 162N0001-26		GEAR ASSY-NLG (NOSE GEAR TORSION LINKS ONLY) COMPONENT MAINT MANUAL REF: 32-21-25 QUALIFIED I/W DATA: 162N0001-121, -114, -108, -102, -97 WITH QUICK RELEASE TORSION LINKS AND ONLY FORWARD TOW FITTING MAY REPLACE BUT NOT BE REPLACED BY 162N0001-41, -38, -32, -31, -26, -24, -23, -21, -19, -18, -14, -6 WITH FORWARD AND AFT TOW FITTING AND WITHOUT QUICK RELEASE TORSION LINKS SUBJECT TO CUSTOMER APPROVAL 162N0001-119 WITH QUICK RELEASE TORSION LINKS MAY REPLACE BUT NOT BE REPLACED BY 162N0001-41, -38, -32, -31, -26, -24, -23, -21, -19, -18, -14, -6 WITH CUSTOMER APPROVAL	002004 006100 107107 121503 904949	RF
-	5 162N0001-30		GEAR ASSY-NLG (NOSE GEAR TORSION LINKS ONLY) POSITION DATA: SECT. 62 COMPONENT MAINT MANUAL REF: 32-21-25 FOR NHA/OTHER SYS DET SEE: 32-21-00-01B	002004 006100 107107 121503 904949	RF

MISSING ITEM NUMBERS NOT APPLICABLE

- ITEM NOT ILLUSTRATED

BRI

32-21-09-05

BOEING PROPRIETARY - Copyright © - Unpublished Work - See title page for details.

32-21-09  
FIG. 05  
PAGE 29  
JAN 20/09



757

PARTS CATALOG (MAINTENANCE)

FIG ITEM	PART NUMBER	1 2 3 4 5 6 7	NOMENCLATURE	EFFECT FROM TO	UNITS PER ASSY
5	162N0001-31		GEAR ASSY-NLG (NOSE GEAR TORSION LINKS ONLY) POSITION DATA: SECT. 62 COMPONENT MAINT MANUAL REF: 32-21-25 QUALIFIED I/W DATA: 162N0001-41, -38, -32, -31, -26, -24, -23, -21, -19, -18, -14, -6 T/W (1)BACB28AK06-045 AND (1)BACB30NR6DK21 I/W 162N0001-22, -20 I/W (1)BACB28AK06-058 AND (1)BACB30NR6DK25 FOR NHA/OTHER SYS DET SEE: 32-21-00-01B	002004 006100 107107 121503 904949	RF
- 5	162N0001-31		GEAR ASSY-NLG (NOSE GEAR TORSION LINKS ONLY) COMPONENT MAINT MANUAL REF: 32-21-25 QUALIFIED I/W DATA: 12N0001-119, -112, -106, -99, -45 WITH QUICK RELEASE TORSION LINKS MAY REPLACE BUT NOT BE REPLACED BY 162N0001-41, -38, -32, -31, -26, -24, -23, -21, -19, -18, -14, -6 WITHOUT QUICK RELEASE TORSION LINKS SUBJECT TO CUSTOMER APPROVAL 162N0001-122, -115, -109, -103, -98 REQUIRES THE 727 TOW BAR MAY REPLACE BUT NOT BE REPLACED BY 162N0001-41, -38, -32, -31, -26, -24, -23, -21, -19, -18, -14, -6 REQUIRES 757 TOW BAR SUBJECT TO CUSTOMER APPROVAL	002004 006100 107107 121503 904949	RF

MISSING ITEM NUMBERS NOT APPLICABLE

- ITEM NOT ILLUSTRATED

32-21-09-05

32-21-09  
FIG. 05  
PAGE 30  
JAN 20/09

BRI



757

PARTS CATALOG (MAINTENANCE)

FIG ITEM	PART NUMBER	1 2 3 4 5 6 7	NOMENCLATURE	EFFECT FROM TO	UNITS PER ASSY
5 - 5	162N0001-31		GEAR ASSY-NLG (NOSE GEAR TORSION LINKS ONLY) COMPONENT MAINT MANUAL REF: 32-21-25 QUALIFIED I/W DATA: 162N0001-41, -38, -32, -31, -26, -24, -23, -21, -19, -18, -14, -6 WITHOUT QUICK RELEASE TORSION LINKS I/W 162N0001-46, -42, -33 WITH QUICK RELEASE TORSION LINKS SUBJECT TO CUSTOMER APPROVAL 162N0001-118, -111, -105, -101, -49 WITH ONLY FORWARD TOW FITTING MAY REPLACE BUT NOT BE REPLACED BY 162N001-41, -38, -32, -31, -26, -24, -23, -21, -19, -18, -14, -6 WITH FORWARD AND AFT TOW FITTING SUBJECT TO CUSTOMER APPROVAL	002004 006100 107107 121503 904949	RF

MISSING ITEM NUMBERS NOT APPLICABLE

- ITEM NOT ILLUSTRATED

BRI

32-21-09-05

BOEING PROPRIETARY - Copyright © - Unpublished Work - See title page for details.

32-21-09  
 FIG. 05  
 PAGE 31  
 JAN 20/09



757

PARTS CATALOG (MAINTENANCE)

FIG ITEM	PART NUMBER	1 2 3 4 5 6 7	NOMENCLATURE	EFFECT FROM TO	UNITS PER ASSY
5 -	5 162N0001-31		GEAR ASSY-NLG (NOSE GEAR TORSION LINKS ONLY) COMPONENT MAINT MANUAL REF: 32-21-25 QUALIFIED I/W DATA: 162N0001-121, -114, -108, -102, -97 WITH QUICK RELEASE TORSION LINKS AND ONLY FORWARD TOW FITTING MAY REPLACE BUT NOT BE REPLACED BY 162N0001-41, -38, -32, -31, -26, -24, -23, -21, -19, -18, -14, -6 WITH FORWARD AND AFT TOW FITTING AND WITHOUT QUICK RELEASE TORSION LINKS SUBJECT TO CUSTOMER APPROVAL 162N0001-119 WITH QUICK RELEASE TORSION LINKS MAY REPLACE BUT NOT BE REPLACED BY 162N0001-41, -38, -32, -31, -26, -24, -23, -21, -19, -18, -14, -6 WITH CUSTOMER APPROVAL	002004 006100 107107 121503 904949	RF
-	5 162N0001-32		GEAR ASSY-NLG (NOSE GEAR TORSION LINKS ONLY) POSITION DATA: SECT. 62 COMPONENT MAINT MANUAL REF: 32-21-25 QUALIFIED I/W DATA: 162N0001-41, -38, -32, -31, -26, -24, -23, -21, -19, -18, -14, -6 T/W (1)BACB28AK06-045 AND (1)BACB30NR6DK21 I/W 162N0001-22, -20 T/W (1)BACB28AK06-058 AND (1)BACB30NR6DK25 FOR NHA/OTHER SYS DET SEE: 32-21-00-01B	002004 006100 107107 121503 904949	RF

MISSING ITEM NUMBERS NOT APPLICABLE

- ITEM NOT ILLUSTRATED

32-21-09-05

32-21-09  
FIG. 05  
PAGE 32  
JAN 20/09

BRI



757

PARTS CATALOG (MAINTENANCE)

FIG ITEM	PART NUMBER	1 2 3 4 5 6 7	NOMENCLATURE	EFFECT FROM TO	UNITS PER ASSY
5	162N0001-32		GEAR ASSY-NLG (NOSE GEAR TORSION LINKS ONLY) POSITION DATA: SECT. 62 COMPONENT MAINT MANUAL REF: 32-21-25 QUALIFIED I/W DATA: 162N0001-41, -38, -32, -31, -26, -24, -23, -21, -19, -18, -14, -6 T/W (1)BACB28AK06-045 AND (1)BACB30NR6DK21 I/W 162N0001-22, -20 I/W (1)BACB28AK06-058 AND (1)BACB30NR6DK25	002004 006100 107107 121503 904949	RF
- 5	162N0001-32		GEAR ASSY-NLG (NOSE GEAR TORSION LINKS ONLY) COMPONENT MAINT MANUAL REF: 32-21-25 QUALIFIED I/W DATA: 162N0001-41, -38, -32, -31, -26, -24, -23, -21, -19, -18, -14, -6 WITHOUT QUICK RELEASE TORSION LINKS I/W 162N0001-46, -42, -33 WITH QUICK RELEASE TORSION LINKS SUBJECT TO CUSTOMER APPROVAL 162N0001-118, -111, -105, -101, -49 WITH ONLY FORWARD TOW FITTING MAY REPLACE BUT NOT BE REPLACED BY 162N001-41, -38, -32, -31, -26, -24, -23, -21, -19, -18, -14, -6 WITH FORWARD AND AFT TOW FITTING SUBJECT TO CUSTOMER APPROVAL	002004 006100 107107 121503 904949	RF

MISSING ITEM NUMBERS NOT APPLICABLE

- ITEM NOT ILLUSTRATED

32-21-09-05

32-21-09  
FIG. 05  
PAGE 33  
JAN 20/09

BRI



757

PARTS CATALOG (MAINTENANCE)

FIG ITEM	PART NUMBER	1 2 3 4 5 6 7	NOMENCLATURE	EFFECT FROM TO	UNITS PER ASSY
5	162N0001-32		GEAR ASSY-NLG (NOSE GEAR TORSION LINKS ONLY) COMPONENT MAINT MANUAL REF: 32-21-25 QUALIFIED I/W DATA: 162N0001-121, -114, -108, -102, -97 WITH QUICK RELEASE TORSION LINKS AND ONLY FORWARD TOW FITTING MAY REPLACE BUT NOT BE REPLACED BY 162N0001-41, -38, -32, -31, -26, -24, -23, -21, -19, -18, -14, -6 WITH FORWARD AND AFT TOW FITTING AND WITHOUT QUICK RELEASE TORSION LINKS SUBJECT TO CUSTOMER APPROVAL 162N0001-119 WITH QUICK RELEASE TORSION LINKS MAY REPLACE BUT NOT BE REPLACED BY 162N0001-41, -38, -32, -31, -26, -24, -23, -21, -19, -18, -14, -6 WITH CUSTOMER APPROVAL	002004 006100 107107 121503 904949	RF
6	162N0001-38		GEAR ASSY-NLG (NOSE GEAR TORSION LINKS ONLY) POSITION DATA: SECT. 62 COMPONENT MAINT MANUAL REF: 32-21-25 QUALIFIED I/W DATA: 162N0001-41, -38, -32, -31, -26, -24, -23, -21, -19, -18, -14, -6 T/W (1)BACB28AK06-045 AND (1)BACB30NR6DK21 I/W 162N0001-22, -20 I/W (1)BACB28AK06-058 AND (1)BACB30NR6DK25 FOR NHA/OTHER SYS DET SEE: 32-21-00-01B	002004 006100 107107 121503 904949	RF

MISSING ITEM NUMBERS NOT APPLICABLE

- ITEM NOT ILLUSTRATED

32-21-09-05

32-21-09  
FIG. 05  
PAGE 34  
JAN 20/09

BRI



757

PARTS CATALOG (MAINTENANCE)

FIG ITEM	PART NUMBER	1 2 3 4 5 6 7	NOMENCLATURE	EFFECT FROM TO	UNITS PER ASSY
5 - 6	162N0001-38		GEAR ASSY-NLG (NOSE GEAR TORSION LINKS ONLY) COMPONENT MAINT MANUAL REF: 32-21-25 QUALIFIED I/W DATA: 12N0001-119, -112, -106, -99, -45 WITH QUICK RELEASE TORSION LINKS MAY REPLACE BUT NOT BE REPLACED BY 162N0001-41, -38, -32, -31, -26, -24, -23, -21, -19, -18, -14, -6 WITHOUT QUICK RELEASE TORSION LINKS SUBJECT TO CUSTOMER APPROVAL 162N0001-122,-115,-109, -103,-98 REQUIRES THE 727 TOW BAR MAY REPLACE BUT NOT BE REPLACED BY 162N0001-41,-38,-32,-31, -26,-24,-23,-21,-19,-18, -14,-6 REQUIRES 757 TOW BAR SUBJECT TO CUSTOMER APPROVAL	002004 006100 107107 121503 904949	RF

MISSING ITEM NUMBERS NOT APPLICABLE

- ITEM NOT ILLUSTRATED

BRI

32-21-09-05

BOEING PROPRIETARY - Copyright © - Unpublished Work - See title page for details.

32-21-09  
 FIG. 05  
 PAGE 35  
 JAN 20/09



757

PARTS CATALOG (MAINTENANCE)

FIG ITEM	PART NUMBER	1 2 3 4 5 6 7 NOMENCLATURE	EFFECT FROM TO	UNITS PER ASSY
5 - 6	162N0001-38	GEAR ASSY-NLG (NOSE GEAR TORSION LINKS ONLY) COMPONENT MAINT MANUAL REF: 32-21-25 QUALIFIED I/W DATA: 162N0001-41, -38, -32, -31, -26, -24, -23, -21, -19, -18, -14, -6 WITHOUT QUICK RELEASE TORSION LINKS I/W 162N0001-46, -42, -33 WITH QUICK RELEASE TORSION LINKS SUBJECT TO CUSTOMER APPROVAL 162N0001-118, -111, -105, -101, -49 WITH ONLY FORWARD TOW FITTING MAY REPLACE BUT NOT BE REPLACED BY 162N001-41, -38, -32, -31, -26, -24, -23, -21, -19, -18, -14, -6 WITH FORWARD AND AFT TOW FITTING SUBJECT TO CUSTOMER APPROVAL	002004 006100 107107 121503 904949	RF

MISSING ITEM NUMBERS NOT APPLICABLE

- ITEM NOT ILLUSTRATED

BRI

32-21-09-05

BOEING PROPRIETARY - Copyright © - Unpublished Work - See title page for details.

32-21-09  
 FIG. 05  
 PAGE 36  
 JAN 20/09





757

PARTS CATALOG (MAINTENANCE)

FIG ITEM	PART NUMBER	1 2 3 4 5 6 7	NOMENCLATURE	EFFECT FROM TO	UNITS PER ASSY
5 -	6 162N0001-38		GEAR ASSY-NLG (NOSE GEAR TORSION LINKS ONLY) COMPONENT MAINT MANUAL REF: 32-21-25 QUALIFIED I/W DATA: 162N0001-121, -114, -108, -102, -97 WITH QUICK RELEASE TORSION LINKS AND ONLY FORWARD TOW FITTING MAY REPLACE BUT NOT BE REPLACED BY 162N0001-41, -38, -32, -31, -26, -24, -23, -21, -19, -18, -14, -6 WITH FORWARD AND AFT TOW FITTING AND WITHOUT QUICK RELEASE TORSION LINKS SUBJECT TO CUSTOMER APPROVAL 162N0001-119 WITH QUICK RELEASE TORSION LINKS MAY REPLACE BUT NOT BE REPLACED BY 162N0001-41, -38, -32, -31, -26, -24, -23, -21, -19, -18, -14, -6 WITH CUSTOMER APPROVAL	002004 006100 107107 121503 904949	RF
-	6 162N0001-41		GEAR ASSY-NLG (NOSE GEAR TORSION LINKS ONLY) POSITION DATA: SECT. 62 COMPONENT MAINT MANUAL REF: 32-21-25 QUALIFIED I/W DATA: 162N0001-41, -38, -32, -31, -26, -24, -23, -21, -19, -18, -14, -6 T/W (1)BACB28AK06-045 AND (1)BACB30NR6DK21 I/W 162N0001-22, -20 I/W (1)BACB28AK06-058 AND (1)BACB30NR6DK25 FOR NHA/OTHER SYS DET SEE: 32-21-00-01B	002004 006100 107107 121503 904949	RF

MISSING ITEM NUMBERS NOT APPLICABLE

- ITEM NOT ILLUSTRATED

32-21-09-05

32-21-09  
FIG. 05  
PAGE 37  
JAN 20/09

BRI



757

PARTS CATALOG (MAINTENANCE)

FIG ITEM	PART NUMBER	1 2 3 4 5 6 7	NOMENCLATURE	EFFECT FROM TO	UNITS PER ASSY
5 - 6	162N0001-41		GEAR ASSY-NLG (NOSE GEAR TORSION LINKS ONLY) COMPONENT MAINT MANUAL REF: 32-21-25 QUALIFIED I/W DATA: 12N0001-119, -112, -106, -99, -45 WITH QUICK RELEASE TORSION LINKS MAY REPLACE BUT NOT BE REPLACED BY 162N0001-41, -38, -32, -31, -26, -24, -23, -21, -19, -18, -14, -6 WITHOUT QUICK RELEASE TORSION LINKS SUBJECT TO CUSTOMER APPROVAL 162N0001-122, -115, -109, -103, -98 REQUIRES THE 727 TOW BAR MAY REPLACE BUT NOT BE REPLACED BY 162N0001-41, -38, -32, -31, -26, -24, -23, -21, -19, -18, -14, -6 REQUIRES 757 TOW BAR SUBJECT TO CUSTOMER APPROVAL	002004 006100 107107 121503 904949	RF

MISSING ITEM NUMBERS NOT APPLICABLE

- ITEM NOT ILLUSTRATED

BRI

32-21-09-05

BOEING PROPRIETARY - Copyright © - Unpublished Work - See title page for details.

32-21-09  
 FIG. 05  
 PAGE 38  
 JAN 20/09



757

PARTS CATALOG (MAINTENANCE)

FIG ITEM	PART NUMBER	1 2 3 4 5 6 7	NOMENCLATURE	EFFECT FROM TO	UNITS PER ASSY
5 - 6	162N0001-41		GEAR ASSY-NLG (NOSE GEAR TORSION LINKS ONLY) COMPONENT MAINT MANUAL REF: 32-21-25 QUALIFIED I/W DATA: 162N0001-41, -38, -32, -31, -26, -24, -23, -21, -19, -18, -14, -6 WITHOUT QUICK RELEASE TORSION LINKS I/W 162N0001-46, -42, -33 WITH QUICK RELEASE TORSION LINKS SUBJECT TO CUSTOMER APPROVAL 162N0001-118, -111, -105, -101, -49 WITH ONLY FORWARD TOW FITTING MAY REPLACE BUT NOT BE REPLACED BY 162N001-41, -38, -32, -31, -26, -24, -23, -21, -19, -18, -14, -6 WITH FORWARD AND AFT TOW FITTING SUBJECT TO CUSTOMER APPROVAL 162N0001-119, -112, -106, -99, -45 WITH QUICK RELEASE TORSION LINKS I/W 162N0001-120, -113, -107, -100, -47 WITHOUT QUICK RELEASE TORSION LINKS SUBJECT TO CUSTOMER APPROVAL	002004 006100 107107 121503 904949	RF

MISSING ITEM NUMBERS NOT APPLICABLE

- ITEM NOT ILLUSTRATED

32-21-09-05

32-21-09  
 FIG. 05  
 PAGE 39  
 JAN 20/09

BRI



757

PARTS CATALOG (MAINTENANCE)

FIG ITEM	PART NUMBER	1 2 3 4 5 6 7	NOMENCLATURE	EFFECT FROM TO	UNITS PER ASSY
5 - 6	162N0001-41		GEAR ASSY-NLG (NOSE GEAR TORSION LINKS ONLY) COMPONENT MAINT MANUAL REF: 32-21-25 QUALIFIED I/W DATA: 162N0001-121, -114, -108, -102, -97 WITH QUICK RELEASE TORSION LINKS AND ONLY FORWARD TOW FITTING MAY REPLACE BUT NOT BE REPLACED BY 162N0001-41, -38, -32, -31, -26, -24, -23, -21, -19, -18, -14, -6 WITH FORWARD AND AFT TOW FITTING AND WITHOUT QUICK RELEASE TORSION LINKS SUBJECT TO CUSTOMER APPROVAL 162N0001-119 WITH QUICK RELEASE TORSION LINKS MAY REPLACE BUT NOT BE REPLACED BY 162N0001-41, -38, -32, -31, -26, -24, -23, -21, -19, -18, -14, -6 WITH CUSTOMER APPROVAL	002004 006100 107107 121503 904949	RF
- 6	162N0001-47		GEAR ASSY-NLG (NOSE GEAR TORSION LINKS ONLY) POSITION DATA: SECT. 62 COMPONENT MAINT MANUAL REF: 32-21-25 QUALIFIED I/W DATA: 162N0001-120, -113, -107, -100, -47 T/W (1)BACB30NR6DK21 MAY REPLACE BUT NOT BE REPLACED BY 162N0001-20, -22 T/W (1)BACB28AK06-058 AND (1)BACB30NR6DK25 FOR NHA/OTHER SYS DET SEE: 32-21-00-01B	002004 006100 107107 121503 904949	RF

MISSING ITEM NUMBERS NOT APPLICABLE

- ITEM NOT ILLUSTRATED

32-21-09-05

32-21-09  
FIG. 05  
PAGE 40  
JAN 20/09

BRI



757

PARTS CATALOG (MAINTENANCE)

FIG ITEM	PART NUMBER	1 2 3 4 5 6 7	NOMENCLATURE	EFFECT FROM TO	UNITS PER ASSY
5 - 6	162N0001-47		GEAR ASSY-NLG (NOSE GEAR TORSION LINKS ONLY) COMPONENT MAINT MANUAL REF: 32-21-25 QUALIFIED I/W DATA: 162N0001-118, -111, -105, -101, -49 WITH ONLY FORWARD TOW FITTING I/W 162N0001-120, -113, -107, -100, -47 WITH FORWARD AND AFT TOW FITTINGS WITH CUSTOMER APPROVAL 162N0001-120, -113, -107, -100, -47 WITHOUT QUICK RELEASE TORSION LINKS MAY REPLACE BUT NOT BE REPLACED BY 162N0001-46, -42, -33 WITH QUICK RELEASE COND RPL SUBJECT TO CUSTOMER APPROVAL 162N0001-119, -112, -106, -99, -45 WITH QUICK RELEASE TORSION LINKS I/W 162N0001-120, -113, -107, -100, -47 WITHOUT QUICK RELEASE TORSION LINKS SUBJECT TO CUSTOMER APPROVAL	002004 006100 107107 121503 904949	RF

MISSING ITEM NUMBERS NOT APPLICABLE

- ITEM NOT ILLUSTRATED

BRI

32-21-09-05

BOEING PROPRIETARY - Copyright © - Unpublished Work - See title page for details.

32-21-09  
 FIG. 05  
 PAGE 41  
 JAN 20/09



757

PARTS CATALOG (MAINTENANCE)

FIG ITEM	PART NUMBER	1 2 3 4 5 6 7	NOMENCLATURE	EFFECT FROM TO	UNITS PER ASSY
5					
- 6	162N0001-47		GEAR ASSY-NLG (NOSE GEAR TORSION LINKS ONLY) COMPONENT MAINT MANUAL REF: 32-21-25 QUALIFIED I/W DATA: 162N0001-122, -115, -109, -103, -98 REQUIRES THE 727 TOW BAR I/W 162N0001-120, -113, -107, -100, -47 REQUIRES THE 757 TOW BAR SUBJECT TO CUSTOMER APPROVAL 162N0001-121, -114, -108, -102, -97 WITH QUICK RELEASE TORSION LINKS AND ONLY FORWARD TOW FITTING I/W 162N0001-120, -113, -107, -100, -47 WITH FORWARD AND AFT TOW FITTING AND WITHOUT QUICK RELEASE TORSION LINKS SUBJECT TO CUSTOMER APPROVAL	002004 006100 107107 121503 904949	RF
- 6	162N0001-47		GEAR ASSY-NLG (NOSE GEAR TORSION LINKS ONLY) COMPONENT MAINT MANUAL REF: 32-21-25 QUALIFIED I/W DATA: 162N0001-119 WITH QUICK RELEASE TORSION LINKS I/W 162N0001-113, -107, -100, -47 WITHOUT QUICK RELEASE TORSION LINKS WITH CUSTOMER APPROVAL	002004 006100 107107 121503 904949	RF

MISSING ITEM NUMBERS NOT APPLICABLE

- ITEM NOT ILLUSTRATED

32-21-09-05

32-21-09  
FIG. 05  
PAGE 42  
JAN 20/09

BRI



757

PARTS CATALOG (MAINTENANCE)

FIG ITEM	PART NUMBER	1 2 3 4 5 6 7	NOMENCLATURE	EFFECT FROM TO	UNITS PER ASSY
5 - 7	162N0001-100		GEAR ASSY-NLG (NOSE GEAR TORSION LINKS ONLY) POSITION DATA: SECT. 62 COMPONENT MAINT MANUAL REF: 32-21-25 QUALIFIED I/W DATA: 162N0001-120, -113, -107, -100, -47 T/W (1)BACB30NR6DK21 MAY REPLACE BUT NOT BE REPLACED BY 162N0001-20, -22 T/W (1)BACB28AK06-058 AND (1)BACB30NR6DK25 FOR NHA/OTHER SYS DET SEE: 32-21-00-01B	002004 006100 107107 121503 904949	RF
- 7	162N0001-100		GEAR ASSY-NLG (NOSE GEAR TORSION LINKS ONLY) COMPONENT MAINT MANUAL REF: 32-21-25 QUALIFIED I/W DATA: 162N0001-118, -111, -105, -101, -49 WITH ONLY FORWARD TOW FITTING I/W 162N0001-120, -113, -107, -100, -47 WITH FORWARD AND AFT TOW FITTINGS WITH CUSTOMER APPROVAL 162N0001-120, -113, -107, -100, -47 WITHOUT QUICK RELEASE TORSION LINKS MAY REPLACE BUT NOT BE REPLACED BY 162N0001-46, -42, -33 WITH QUICK RELEASE COND RPL SUBJECT TO CUSTOMER APPROVAL 162N0001-119, -112, -106, -99, -45 WITH QUICK RELEASE TORSION LINKS I/W 162N0001-120, -113, -107, -100, -47 WITHOUT QUICK RELEASE TORSION LINKS SUBJECT TO CUSTOMER APPROVAL	002004 006100 107107 121503 904949	RF

MISSING ITEM NUMBERS NOT APPLICABLE

- ITEM NOT ILLUSTRATED

32-21-09-05

32-21-09  
FIG. 05  
PAGE 43  
JAN 20/09

BRI



757

PARTS CATALOG (MAINTENANCE)

FIG ITEM	PART NUMBER	1 2 3 4 5 6 7	NOMENCLATURE	EFFECT FROM TO	UNITS PER ASSY
5 - 7	162N0001-100		GEAR ASSY-NLG (NOSE GEAR TORSION LINKS ONLY) COMPONENT MAINT MANUAL REF: 32-21-25 QUALIFIED I/W DATA: 162N0001-122, -115, -109, -103, -98 REQUIRES THE 727 TOW BAR I/W 162N0001-120, -113, -107, -100, -47 REQUIRES THE 757 TOW BAR SUBJECT TO CUSTOMER APPROVAL 162N0001-121, -114, -108, -102, -97 WITH QUICK RELEASE TORSION LINKS AND ONLY FORWARD TOW FITTING I/W 162N0001-120, -113, -107, -100, -47 WITH FORWARD AND AFT TOW FITTING AND WITHOUT QUICK RELEASE TORSION LINKS SUBJECT TO CUSTOMER APPROVAL	002004 006100 107107 121503 904949	RF
- 7	162N0001-100		GEAR ASSY-NLG (NOSE GEAR TORSION LINKS ONLY) COMPONENT MAINT MANUAL REF: 32-21-25 QUALIFIED I/W DATA: 162N0001-119 WITH QUICK RELEASE TORSION LINKS I/W 162N0001-113, -107, -100, -47 WITHOUT QUICK RELEASE TORSION LINKS WITH CUSTOMER APPROVAL 162N0001-118, -111, -105, -101, -49 WITHOUT QUICK RELEASE TORSION LINKS I/W 162N0001-121, -114, -108, -102, -97 WITH QUICK RELEASE TORSION LINKS SUBJECT TO CUSTOMER APPROVAL	002004 006100 107107 121503 904949	RF

MISSING ITEM NUMBERS NOT APPLICABLE

- ITEM NOT ILLUSTRATED

32-21-09-05

32-21-09  
FIG. 05  
PAGE 44  
JAN 20/09

BRI





757

PARTS CATALOG (MAINTENANCE)

FIG ITEM	PART NUMBER	1 2 3 4 5 6 7	NOMENCLATURE	EFFECT FROM TO	UNITS PER ASSY
5 - 7	162N0001-107		GEAR ASSY-NLG (NOSE GEAR TORSION LINKS ONLY) POSITION DATA: SECT. 62 COMPONENT MAINT MANUAL REF: 32-21-25 QUALIFIED I/W DATA: 162N0001-120, -113, -107, -100, -47 T/W (1)BACB30NR6DK21 MAY REPLACE BUT NOT BE REPLACED BY 162N0001-20, -22 T/W (1)BACB28AK06-058 AND (1)BACB30NR6DK25 FOR NHA/OTHER SYS DET SEE: 32-21-00-01B	002004 006100 107107 121503 904949	RF
- 7	162N0001-107		GEAR ASSY-NLG (NOSE GEAR TORSION LINKS ONLY) COMPONENT MAINT MANUAL REF: 32-21-25 QUALIFIED I/W DATA: 162N0001-118, -111, -105, -101, -49 WITH ONLY FORWARD TOW FITTING I/W 162N0001-120, -113, -107, -100, -47 WITH FORWARD AND AFT TOW FITTINGS WITH CUSTOMER APPROVAL 162N0001-120, -113, -107, -100, -47 WITHOUT QUICK RELEASE TORSION LINKS MAY REPLACE BUT NOT BE REPLACED BY 162N0001-46, -42, -33 WITH QUICK RELEASE COND RPL SUBJECT TO CUSTOMER APPROVAL 162N0001-119, -112, -106, -99, -45 WITH QUICK RELEASE TORSION LINKS I/W 162N0001-120, -113, -107, -100, -47 WITHOUT QUICK RELEASE TORSION LINKS SUBJECT TO CUSTOMER APPROVAL	002004 006100 107107 121503 904949	RF

MISSING ITEM NUMBERS NOT APPLICABLE

- ITEM NOT ILLUSTRATED

32-21-09-05

32-21-09  
FIG. 05  
PAGE 45  
JAN 20/09

BRI



757

PARTS CATALOG (MAINTENANCE)

FIG ITEM	PART NUMBER	1 2 3 4 5 6 7	NOMENCLATURE	EFFECT FROM TO	UNITS PER ASSY
5 -	7 162N0001-107		GEAR ASSY-NLG (NOSE GEAR TORSION LINKS ONLY) COMPONENT MAINT MANUAL REF: 32-21-25 QUALIFIED I/W DATA: 162N0001-122, -115, -109, -103, -98 REQUIRES THE 727 TOW BAR I/W 162N0001-120, -113, -107, -100, -47 REQUIRES THE 757 TOW BAR SUBJECT TO CUSTOMER APPROVAL 162N0001-121, -114, -108, -102, -97 WITH QUICK RELEASE TORSION LINKS AND ONLY FORWARD TOW FITTING I/W 162N0001-120, -113, -107, -100, -47 WITH FORWARD AND AFT TOW FITTING AND WITHOUT QUICK RELEASE TORSION LINKS SUBJECT TO CUSTOMER APPROVAL	002004 006100 107107 121503 904949	RF
-	7 162N0001-107		GEAR ASSY-NLG (NOSE GEAR TORSION LINKS ONLY) COMPONENT MAINT MANUAL REF: 32-21-25 QUALIFIED I/W DATA: 162N0001-119 WITH QUICK RELEASE TORSION LINKS I/W 162N0001-113, -107, -100, -47 WITHOUT QUICK RELEASE TORSION LINKS WITH CUSTOMER APPROVAL	002004 006100 107107 121503 904949	RF

MISSING ITEM NUMBERS NOT APPLICABLE

- ITEM NOT ILLUSTRATED

BRI

32-21-09-05

BOEING PROPRIETARY - Copyright © - Unpublished Work - See title page for details.

32-21-09  
FIG. 05  
PAGE 46  
JAN 20/09



757

PARTS CATALOG (MAINTENANCE)

FIG ITEM	PART NUMBER	1 2 3 4 5 6 7	NOMENCLATURE	EFFECT FROM TO	UNITS PER ASSY
5					
- 8	162N0001-113		GEAR ASSY-NLG (NOSE GEAR TORSION LINKS ONLY) POSITION DATA: SECT. 62 COMPONENT MAINT MANUAL REF: 32-21-25 QUALIFIED I/W DATA: 162N0001-120, -113, -107, -100, -47 T/W (1)BACB30NR6DK21 MAY REPLACE BUT NOT BE REPLACED BY 162N0001-20, -22 T/W (1)BACB28AK06-058 AND (1)BACB30NR6DK25 FOR NHA/OTHER SYS DET SEE: 32-21-00-01B	002004 006100 107107 121503 904949	RF
- 8	162N0001-113		GEAR ASSY-NLG (NOSE GEAR TORSION LINKS ONLY) COMPONENT MAINT MANUAL REF: 32-21-25 QUALIFIED I/W DATA: 162N0001-118, -111, -105, -101, -49 WITH ONLY FORWARD TOW FITTING I/W 162N0001-120, -113, -107, -100, -47 WITH FORWARD AND AFT TOW FITTINGS WITH CUSTOMER APPROVAL 162N0001-120, -113, -107, -100, -47 WITHOUT QUICK RELEASE TORSION LINKS MAY REPLACE BUT NOT BE REPLACED BY 162N0001-46, -42, -33 WITH QUICK RELEASE COND RPL SUBJECT TO CUSTOMER APPROVAL 162N0001-119, -112, -106, -99, -45 WITH QUICK RELEASE TORSION LINKS I/W 162N0001-120, -113, -107, -100, -47 WITHOUT QUICK RELEASE TORSION LINKS SUBJECT TO CUSTOMER APPROVAL	002004 006100 107107 121503 904949	RF

MISSING ITEM NUMBERS NOT APPLICABLE

- ITEM NOT ILLUSTRATED

32-21-09-05

32-21-09  
FIG. 05  
PAGE 47  
JAN 20/09

BRI



757

PARTS CATALOG (MAINTENANCE)

FIG ITEM	PART NUMBER	1 2 3 4 5 6 7	NOMENCLATURE	EFFECT FROM TO	UNITS PER ASSY
5 - 8	162N0001-113		GEAR ASSY-NLG (NOSE GEAR TORSION LINKS ONLY) COMPONENT MAINT MANUAL REF: 32-21-25 QUALIFIED I/W DATA: 162N0001-122, -115, -109, -103, -98 REQUIRES THE 727 TOW BAR I/W 162N0001-120, -113, -107, -100, -47 WITH FORWARD AND AFT TOW FITTING WITH CUSTOMER APPROVAL 162N0001-121, -114, -108, -102, -97 WITH QUICK RELEASE TORSION LINKS AND ONLY FORWARD TOW FITTING I/W 162N0001-120, -113, -107, -100, -47 WITH FORWARD AND AFT TOW FITTING AND WITHOUT QUICK RELEASE TORSION LINKS SUBJECT TO CUSTOMER APPROVAL	002004 006100 107107 121503 904949	RF
- 8	162N0001-113		GEAR ASSY-NLG COMPONENT MAINT MANUAL REF: 32-21-25 QUALIFIED I/W DATA: 162N0001-119 WITH QUICK RELEASE TORSION LINKS I/W 162N0001-113, -107, -100, -47 WITHOUT QUICK RELEASE TORSION LINKS WITH CUSTOMER APPROVAL 162N0001-122, -115, -109, -103, -98 REQUIRES THE 727 TOW BAR I/W 162N0001-120, -113, -107, -100, -47 REQUIRES THE 757 TOW BAR SUBJECT TO CUSTOMER APPROVAL 162N0001-402, NOSE GEAR ASSEMBLY T/W 162N0001-4003 TOW OPTION INSTALLATION I/W P/N 162N0001-113, NOSE GEAR ASSEMBLY	002004 006100 107107 121503 904949	RF

MISSING ITEM NUMBERS NOT APPLICABLE

- ITEM NOT ILLUSTRATED

32-21-09-05

32-21-09  
FIG. 05  
PAGE 48  
JAN 20/09

BRI



757

PARTS CATALOG (MAINTENANCE)

FIG ITEM	PART NUMBER	1 2 3 4 5 6 7	NOMENCLATURE	EFFECT FROM TO	UNITS PER ASSY
5 -	8 162N0001-120		GEAR ASSY-NLG (NOSE GEAR TORSION LINKS ONLY) POSITION DATA: SECT. 62 MISCELLANEOUS DATA: INCLUDES TWO TOW FITTINGS AND NO QUICK DISCONNECT OPTION COMPONENT MAINT MANUAL REF: 32-21-25 QUALIFIED I/W DATA: 162N0001-120, -113, -107, -100, -47 T/W (1)BACB30NR6DK21 MAY REPLACE BUT NOT BE REPLACED BY 162N0001-20, -22 T/W (1)BACB28AK06-058 AND (1)BACB30NR6DK25 FOR NHA/OTHER SYS DET SEE: 32-21-00-01B	002004 006100 107107 121503 904949	RF
-	8 162N0001-120		GEAR ASSY-NLG (NOSE GEAR TORSION LINKS ONLY) COMPONENT MAINT MANUAL REF: 32-21-25 QUALIFIED I/W DATA: 162N0001-119, -112, -106, -99, -45 WITH QUICK RELEASE TORSION LINKS I/W 162N0001-120, -113, -107, -100, -47 WITHOUT QUICK RELEASE TORSION LINKS SUBJECT TO CUSTOMER APPROVAL 162N0001-118, -111, -105, -101, -49 WITH ONLY FORWARD TOW FITTING I/W 162N0001-120, -113, -107, -100, -47 WITH FORWARD AND AFT TOW FITTINGS WITH CUSTOMER APPROVAL	002004 006100 107107 121503 904949	RF

MISSING ITEM NUMBERS NOT APPLICABLE

- ITEM NOT ILLUSTRATED

BRI

32-21-09-05

BOEING PROPRIETARY - Copyright © - Unpublished Work - See title page for details.

32-21-09  
FIG. 05  
PAGE 49  
JAN 20/09



757

PARTS CATALOG (MAINTENANCE)

FIG ITEM	PART NUMBER	1 2 3 4 5 6 7	NOMENCLATURE	EFFECT FROM TO	UNITS PER ASSY
5 -	8 162N0001-120		GEAR ASSY-NLG (NOSE GEAR TORSION LINKS ONLY) COMPONENT MAINT MANUAL REF: 32-21-25 QUALIFIED I/W DATA: 162N0001-120, -113, -107, -100, -47 WITHOUT QUICK RELEASE TORSION LINKS MAY REPLACE BUT NOT BE REPLACED BY 162N0001-46, -42, -33 WITH QUICK RELEASE SUBJECT TO CUSTOMER APPROVAL 162N0001-122, -115, -109, -103, -98 REQUIRES THE 727 TOW BAR I/W 162N0001-120, -113, -107, -100, -47 REQUIRES THE 757 TOW BAR SUBJECT TO CUSTOMER APPROVAL	002004 006100 107107 121503 904949	RF
-	8 162N0001-120		GEAR ASSY-NLG (NOSE GEAR TORSION LINKS ONLY) COMPONENT MAINT MANUAL REF: 32-21-25 QUALIFIED I/W DATA: 162N0001-121, -114, -108, -102, -97 WITH QUICK RELEASE TORSION LINKS AND ONLY FORWARD TOW FITTING I/W 162N0001-120, -113, -107, -100, -47 WITH FORWARD AND AFT TOW FITTING AND WITHOUT QUICK RELEASE TORSION LINKS SUBJECT TO CUSTOMER APPROVAL	002004 006100 107107 121503 904949	RF
	20 BACP18BC02A06P		.PIN-COTTER	002004 006100 107107 121503 904949	1

MISSING ITEM NUMBERS NOT APPLICABLE

- ITEM NOT ILLUSTRATED

32-21-09-05

32-21-09  
FIG. 05  
PAGE 50  
JAN 20/09

BRI



757

PARTS CATALOG (MAINTENANCE)

FIG ITEM	PART NUMBER	1 2 3 4 5 6 7	NOMENCLATURE	EFFECT FROM TO	UNITS PER ASSY
5	25 BACB30LJ5D36		.BOLT-	002004 006100 107107 121503 904949	1
30	AN960C516L		.WASHER- USED ON: 162N0001-6 162N0001-14 162N0001-18 162N0001-19 162N0001-20 162N0001-21 162N0001-22 162N0001-23 162N0001-24 162N0001-26 162N0001-30 162N0001-31 162N0001-32 162N0001-38 162N0001-41 162N0001-47 162N0001-100 162N0001-107 USED ON: 162N0001-6 162N0001-14 162N0001-18 162N0001-19 162N0001-21 162N0001-23 162N0001-24 162N0001-26 162N0001-31 162N0001-38 162N0001-41 162N0001-47 162N0001-100 162N0001-107	002004 006100 107107 121503 904949	1
30	NAS1149C0532R		.WASHER- USED ON: 162N0001-113 162N0001-120 USED ON: 162N0001-113 162N0001-120	002004 006100 107107 121503 904949	1

MISSING ITEM NUMBERS NOT APPLICABLE

- ITEM NOT ILLUSTRATED

BRI

32-21-09-05

BOEING PROPRIETARY - Copyright © - Unpublished Work - See title page for details.

32-21-09  
FIG. 05  
PAGE 51  
JAN 20/09



757

PARTS CATALOG (MAINTENANCE)

FIG ITEM	PART NUMBER	1 2 3 4 5 6 7	NOMENCLATURE	EFFECT FROM TO	UNITS PER ASSY
5	35 LCN12-524		.NUT- SUPPLIER CODE: V56878	002004	1
				006100	
				107107	
				121503	
40	162N1135-1		.PIN-TORSION LINK POSITION DATA: UPR	904949	1
				002004	
				006100	
				107107	
45	BACP18BC03A08P		.PIN	121503	1
				904949	
				002004	
				006100	
50	162N1137-1		.PIN-TORSION LINK APEX USED ON: 162N0001-6 162N0001-14 162N0001-18 162N0001-19 162N0001-20 162N0001-21 162N0001-22 162N0001-23 162N0001-24 162N0001-30 162N0001-31 162N0001-32 USED ON: 162N0001-6 162N0001-14 162N0001-18 162N0001-19 162N0001-21 162N0001-23 162N0001-24 162N0001-31 162N0001-32	107107	1
				121503	
				904949	
				002004	
				006100	

MISSING ITEM NUMBERS NOT APPLICABLE

- ITEM NOT ILLUSTRATED

32-21-09-05

32-21-09  
FIG. 05  
PAGE 52  
JAN 20/09

BRI





757

PARTS CATALOG (MAINTENANCE)

FIG ITEM	PART NUMBER	1 2 3 4 5 6 7	NOMENCLATURE	EFFECT FROM TO	UNITS PER ASSY
5	162N1137-2		.PIN-TORSION LINK APEX USED ON: 162N0001-26 162N0001-38 162N0001-41 162N0001-47 162N0001-100 162N0001-107 162N0001-113 162N0001-120 USED ON: 162N0001-26 162N0001-38 162N0001-41 162N0001-47 162N0001-100 162N0001-107 162N0001-113 162N0001-120	002004 006100 107107 121503 904949	1
55	162N3115-14		.WASHER-	002004 006100 107107 121503 904949	1
60	NAS1149C0663R		.WASHER- USED ON: 162N0001-6 162N0001-14 162N0001-18 162N0001-19 162N0001-20 162N0001-21 162N0001-22 162N0001-23 162N0001-24 162N0001-30 162N0001-31 162N0001-32 USED ON: 162N0001-6 162N0001-14 162N0001-18 162N0001-19 162N0001-21 162N0001-23 162N0001-24 162N0001-31 162N0001-32	002004 006100 107107 121503 904949	1

MISSING ITEM NUMBERS NOT APPLICABLE

- ITEM NOT ILLUSTRATED

32-21-09-05

32-21-09  
FIG. 05  
PAGE 53  
JAN 20/09

BRI



757

PARTS CATALOG (MAINTENANCE)

FIG ITEM	PART NUMBER	1 2 3 4 5 6 7	NOMENCLATURE	EFFECT FROM TO	UNITS PER ASSY
5 60	NAS1149C1290R		.WASHER- USED ON: 162N0001-26 162N0001-38 162N0001-41 162N0001-47 162N0001-100 162N0001-107 162N0001-113 162N0001-120 USED ON: 162N0001-26 162N0001-38 162N0001-41 162N0001-47 162N0001-100 162N0001-107 162N0001-113 162N0001-120	002004 006100 107107 121503 904949	1
65	NAS1149D0616H		.WASHER- USED ON: 162N0001-6 162N0001-14 162N0001-18 162N0001-19 162N0001-20 162N0001-21 162N0001-22 162N0001-23 162N0001-24 162N0001-30 162N0001-31 162N0001-32 USED ON: 162N0001-6 162N0001-14 162N0001-18 162N0001-19 162N0001-21 162N0001-23 162N0001-24 162N0001-31 162N0001-32	002004 006100 107107 121503 904949	1

MISSING ITEM NUMBERS NOT APPLICABLE

- ITEM NOT ILLUSTRATED

BRI

32-21-09-05

BOEING PROPRIETARY - Copyright © - Unpublished Work - See title page for details.

32-21-09  
FIG. 05  
PAGE 54  
JAN 20/09



**757  
PARTS CATALOG (MAINTENANCE)**

FIG ITEM	PART NUMBER	1 2 3 4 5 6 7	NOMENCLATURE	EFFECT FROM TO	UNITS PER ASSY
5					
65	NAS1149C1232R		.WASHER- USED ON: 162N0001-26 162N0001-38 162N0001-41 162N0001-47 162N0001-100 162N0001-107 162N0001-113 162N0001-120 USED ON: 162N0001-26 162N0001-38 162N0001-41 162N0001-47 162N0001-100 162N0001-107 162N0001-113 162N0001-120	002004 006100 107107 121503 904949	1
70	102LH9074-10		.NUT- SUPPLIER CODE: V72962 SPECIFICATION NUMBER: BACN10JC10CD OPTIONAL PART: H51650-10BAC V15653 69235-1018CD V92215 BMN4122CPD8-10 V97928	002004 006100 107107 121503 904949	1
75	162N1132-1		.LINK ASSY-TORSION POSITION DATA: UPR	002004 006100 107107 121503 904949	1
75	162N1132-3		.LINK ASSY-TORSION POSITION DATA: UPR	002004 006100 107107 121503 904949	1
75	162N1132-7		.LINK ASSY-TORSION POSITION DATA: UPR	002004 006100 107107 121503 904949	1

MISSING ITEM NUMBERS NOT APPLICABLE

— ITEM NOT ILLUSTRATED

# 32-21-09-05

32-21-09  
FIG. 05  
PAGE 55  
JAN 20/09

BRI

BOEING PROPRIETARY - Copyright © - Unpublished Work - See title page for details.



757

PARTS CATALOG (MAINTENANCE)

FIG ITEM	PART NUMBER	1 2 3 4 5 6 7	NOMENCLATURE	EFFECT FROM TO	UNITS PER ASSY
5					
80	1728B		.. FITTING-LUBE SUPPLIER CODE: VOFKM1	002004 006100 107107 121503 904949	4
85	160N0201-14		.. BUSHING	002004 006100 107107 121503 904949	2
90	BACB28X6M030		.. BUSHING	002004 006100 107107 121503 904949	1
95	BACB28X4C029		.. BUSHING	002004 006100 107107 121503 904949	1
100	160N0201-15		.. BUSHING- USED ON: 162N1132-1 162N1132-3 USED ON: 162N1132-1 162N1132-3	002004 006100 107107 121503 904949	4
110	160N0201-69		.. BUSHING- USED ON: 162N1132-7 USED ON: 162N1132-7	002004 006100 107107 121503 904949	4
115	162N1132-2		.. LINK-TORSION USED ON: 162N1132-1 USED ON: 162N1132-1	002004 006100 107107 121503 904949	1
115	162N1132-4		.. LINK-TORSION USED ON: 162N1132-3 USED ON: 162N1132-3	002004 006100 107107 121503 904949	1
115	162N1132-6		.. LINK-TORSION USED ON: 162N1132-5 162N1132-7 USED ON: 162N1132-5 162N1132-7	002004 006100 107107 121503 904949	1

MISSING ITEM NUMBERS NOT APPLICABLE

- ITEM NOT ILLUSTRATED

32-21-09-05

32-21-09  
FIG. 05  
PAGE 56  
JAN 20/09

BRI



757

PARTS CATALOG (MAINTENANCE)

FIG ITEM	PART NUMBER	1 2 3 4 5 6 7	NOMENCLATURE	EFFECT FROM TO	UNITS PER ASSY
5 120	162N1136-1		.PIN-TORSION LINK LWR	002004 006100 107107 121503 904949	1
125	BACP18BC03A10P		.PIN- USED ON: 162N0001-113 162N0001-120 USED ON: 162N0001-113 162N0001-120	002004 006100 107107 121503 904949	1
125	MS24665-304		.PIN- USED ON: 162N0001-6 162N0001-14 162N0001-18 162N0001-19 162N0001-20 162N0001-21 162N0001-22 162N0001-23 162N0001-24 162N0001-26 162N0001-30 162N0001-31 162N0001-32 162N0001-38 162N0001-41 162N0001-47 162N0001-100 162N0001-107 USED ON: 162N0001-6 162N0001-14 162N0001-18 162N0001-19 162N0001-21 162N0001-23 162N0001-24 162N0001-26 162N0001-31 162N0001-38 162N0001-41 162N0001-47 162N0001-100 162N0001-107	002004 006100 107107 121503 904949	1

MISSING ITEM NUMBERS NOT APPLICABLE

- ITEM NOT ILLUSTRATED

32-21-09-05

32-21-09  
FIG. 05  
PAGE 57  
JAN 20/09

BRI



757

PARTS CATALOG (MAINTENANCE)

FIG ITEM	PART NUMBER	1 2 3 4 5 6 7	NOMENCLATURE	EFFECT FROM TO	UNITS PER ASSY
5 130	BACB30LJ6D40	.	BOLT-	002004 006100 107107 121503 904949	1
135	NAS1149C0663R	.	WASHER- USED ON: 162N0001-113 162N0001-120 USED ON: 162N0001-113 162N0001-120	002004 006100 107107 121503 904949	1
135	AN960C616	.	WASHER- USED ON: 162N0001-6 162N0001-14 162N0001-18 162N0001-19 162N0001-20 162N0001-21 162N0001-22 162N0001-23 162N0001-24 162N0001-26 162N0001-30 162N0001-31 162N0001-32 162N0001-38 162N0001-41 162N0001-47 162N0001-100 162N0001-107 USED ON: 162N0001-6 162N0001-14 162N0001-18 162N0001-19 162N0001-21 162N0001-23 162N0001-24 162N0001-26 162N0001-31 162N0001-38 162N0001-41 162N0001-47 162N0001-100 162N0001-107	002004 006100 107107 121503 904949	1

MISSING ITEM NUMBERS NOT APPLICABLE

- ITEM NOT ILLUSTRATED

BRI

32-21-09-05

BOEING PROPRIETARY - Copyright © - Unpublished Work - See title page for details.

32-21-09  
FIG. 05  
PAGE 58  
JAN 20/09



757

PARTS CATALOG (MAINTENANCE)

FIG ITEM	PART NUMBER	1 2 3 4 5 6 7	NOMENCLATURE	EFFECT FROM TO	UNITS PER ASSY
5 140	LCN6-624		.NUT- SUPPLIER CODE: V56878	002004 006100 107107 121503 904949	1
145	162N1134-1		.LINK ASSY-TORSION POSITION DATA: LWR USED ON: 162N0001-6 162N0001-14 162N0001-18 162N0001-19 162N0001-20 162N0001-21 162N0001-22 162N0001-23 162N0001-24 162N0001-30 162N0001-31 162N0001-32 USED ON: 162N0001-6 162N0001-14 162N0001-18 162N0001-19 162N0001-21 162N0001-23 162N0001-24 162N0001-31 162N0001-32	002004 006100 107107 121503 904949	1
145	162N1134-3		.LINK ASSY-TORSION POSITION DATA: LWR POST SERVICE LETTER: 32-030A 32-030B	002004 006100 107107 121503 904949	1

MISSING ITEM NUMBERS NOT APPLICABLE

- ITEM NOT ILLUSTRATED

BRI

32-21-09-05

BOEING PROPRIETARY - Copyright © - Unpublished Work - See title page for details.

32-21-09  
FIG. 05  
PAGE 59  
JAN 20/09



757

PARTS CATALOG (MAINTENANCE)

FIG ITEM	PART NUMBER	1 2 3 4 5 6 7	NOMENCLATURE	EFFECT FROM TO	UNITS PER ASSY
5 145	162N1134-5		.LINK ASSY-TORSION POSITION DATA: LWR MISCELLANEOUS DATA: REF SL32-030-A USED ON: 162N0001-6 162N0001-14 162N0001-18 162N0001-19 162N0001-20 162N0001-21 162N0001-22 162N0001-23 162N0001-24 162N0001-30 162N0001-31 162N0001-32	002004 006100 107107 121503 904949	1
145	162N1134-7		.LINK ASSY-TORSION POSITION DATA: LWR USED ON: 162N0001-26 162N0001-38 162N0001-41 162N0001-47 162N0001-100 162N0001-107 162N0001-113 162N0001-120 USED ON: 162N0001-41 162N0001-47 162N0001-100 162N0001-107 162N0001-113 162N0001-120	002004 006100 107107 121503 904949	1
155	1728B		..FITTING-LUBE SUPPLIER CODE: VOFKM1 USED ON: 162N1134-1 162N1134-3 162N1134-7	002004 006100 107107 121503 904949	3
160	160N0201-20		..BUSHING	002004 006100 107107 121503 904949	2

MISSING ITEM NUMBERS NOT APPLICABLE

- ITEM NOT ILLUSTRATED

32-21-09-05

32-21-09  
FIG. 05  
PAGE 60  
JAN 20/09

BRI





757

PARTS CATALOG (MAINTENANCE)

FIG ITEM	PART NUMBER	1 2 3 4 5 6 7	NOMENCLATURE	EFFECT FROM TO	UNITS PER ASSY
5					
165	160N0201-59		.. BUSHING- USED ON: 162N1134-1 162N1134-3 USED ON: 162N1134-1 162N1134-3	002004 006100 107107 121503 904949	2
170	162N1140-1		.. BUSHING- USED ON: 162N1134-5 162N1134-7 USED ON: 162N1134-5 162N1134-7	002004 006100 107107 121503 904949	2
175	BACP20AX15A		.. PLUG- USED ON: 162N1134-5	002004 006100 107107 121503 904949	1
180	PLGA1874020		.. PLUG- SUPPLIER CODE: V92555 SPECIFICATION NUMBER: BACP20AX15AP USED ON: 162N1134-5	002004 006100 107107 121503 904949	1
185	162N1134-2		.. LINK-TORSION USED ON: 162N1134-1	002004 006100 107107 121503 904949	1
185	162N1134-6		.. LINK-TORSION USED ON: 162N1134-5 162N1134-7	002004 006100 107107 121503 904949	1

MISSING ITEM NUMBERS NOT APPLICABLE

- ITEM NOT ILLUSTRATED

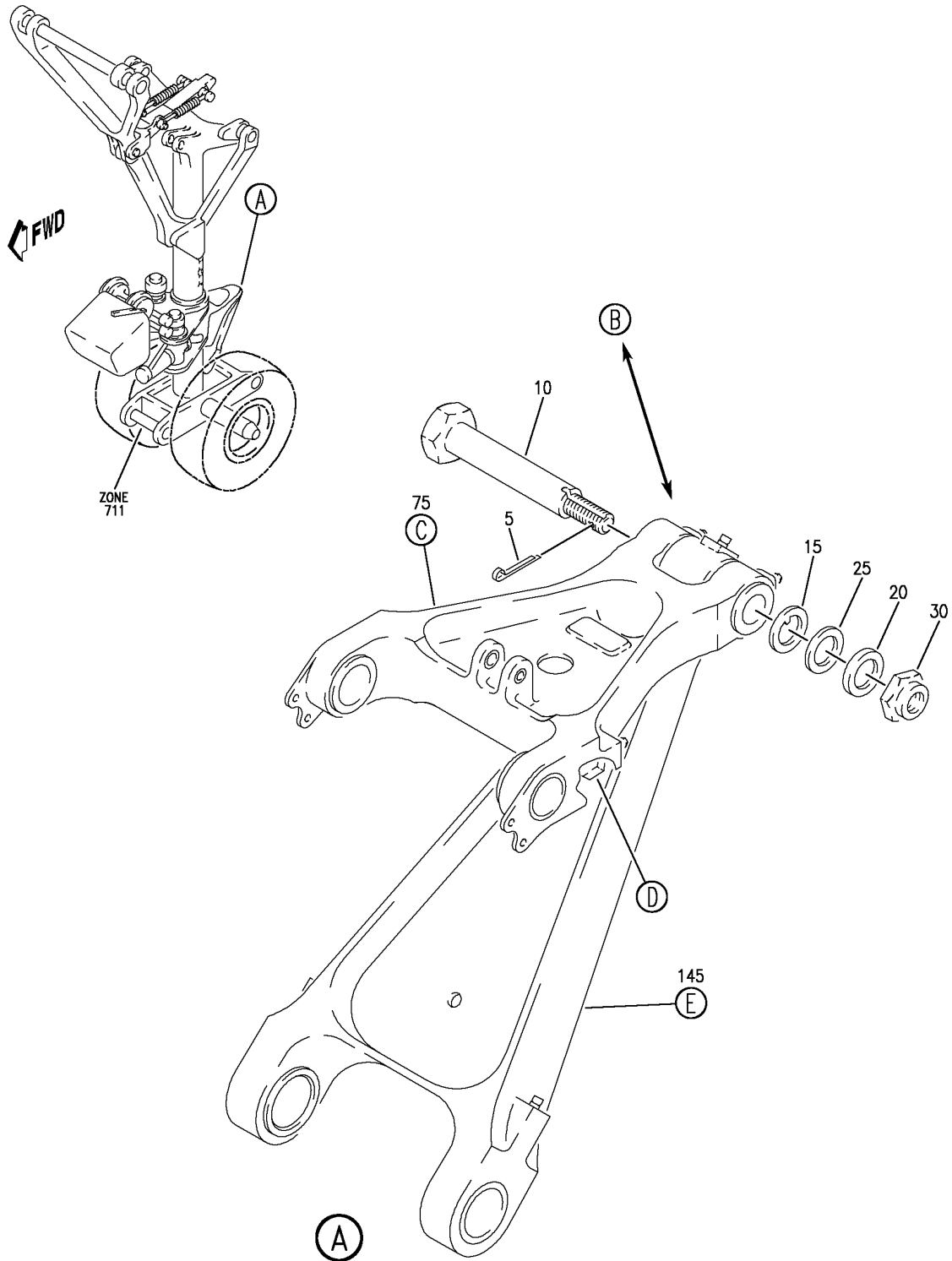
BRI

32-21-09-05

BOEING PROPRIETARY - Copyright © - Unpublished Work - See title page for details.

32-21-09  
FIG. 05  
PAGE 61  
JAN 20/09

**BOEING**  
757  
PARTS CATALOG (MAINTENANCE)



Y 32210910 SHT 1 REV 247

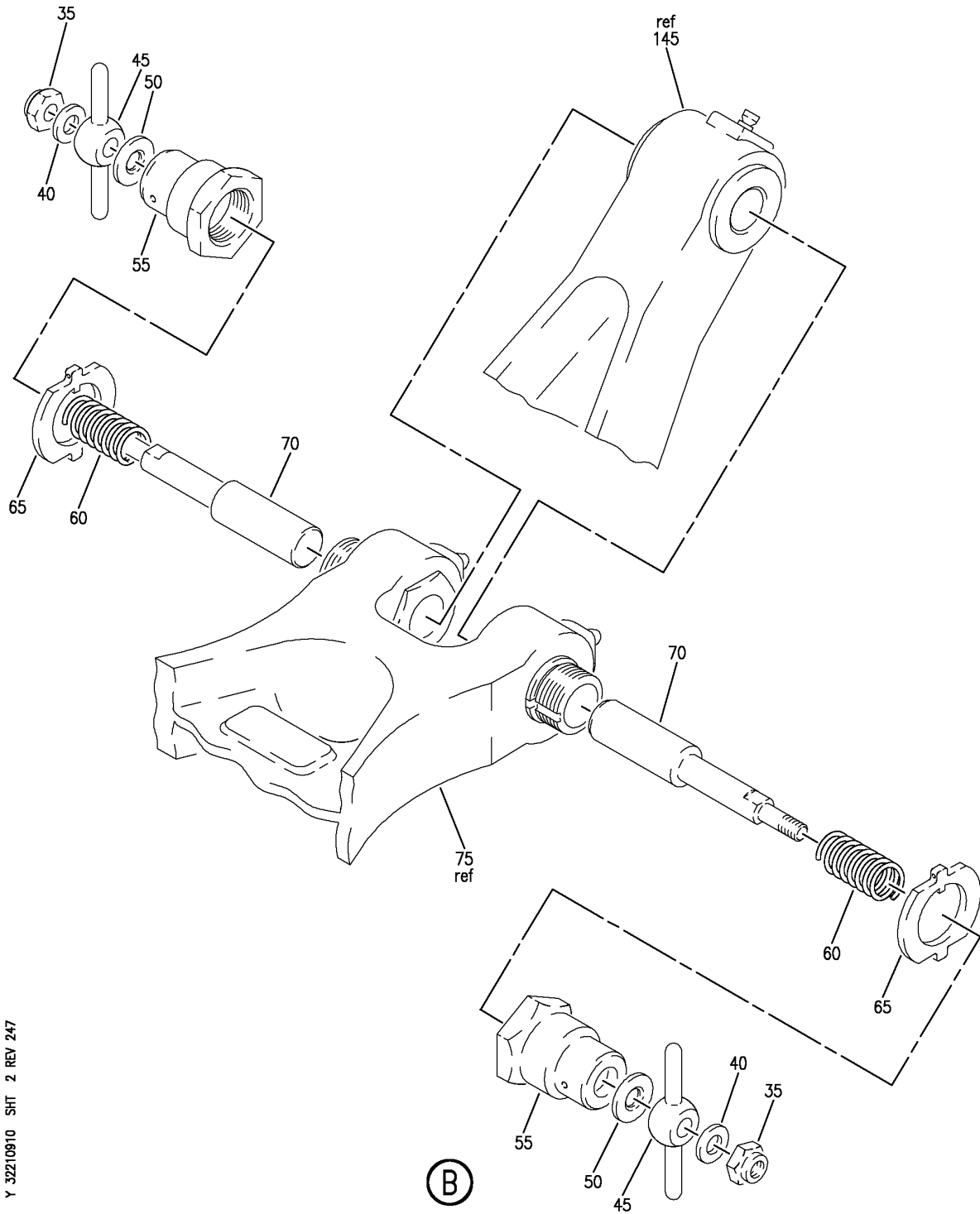
TORSION LINK INSTL-SECT 62 NLG (PRE-MODULE)  
FIGURE 10 (SHEET 1)

**32-21-09-10**

BRI  
MAY 28/07

32-21-09-10  
PAGE 0

**BOEING**  
757  
PARTS CATALOG (MAINTENANCE)



Y 32210910 SHT 2 REV 247

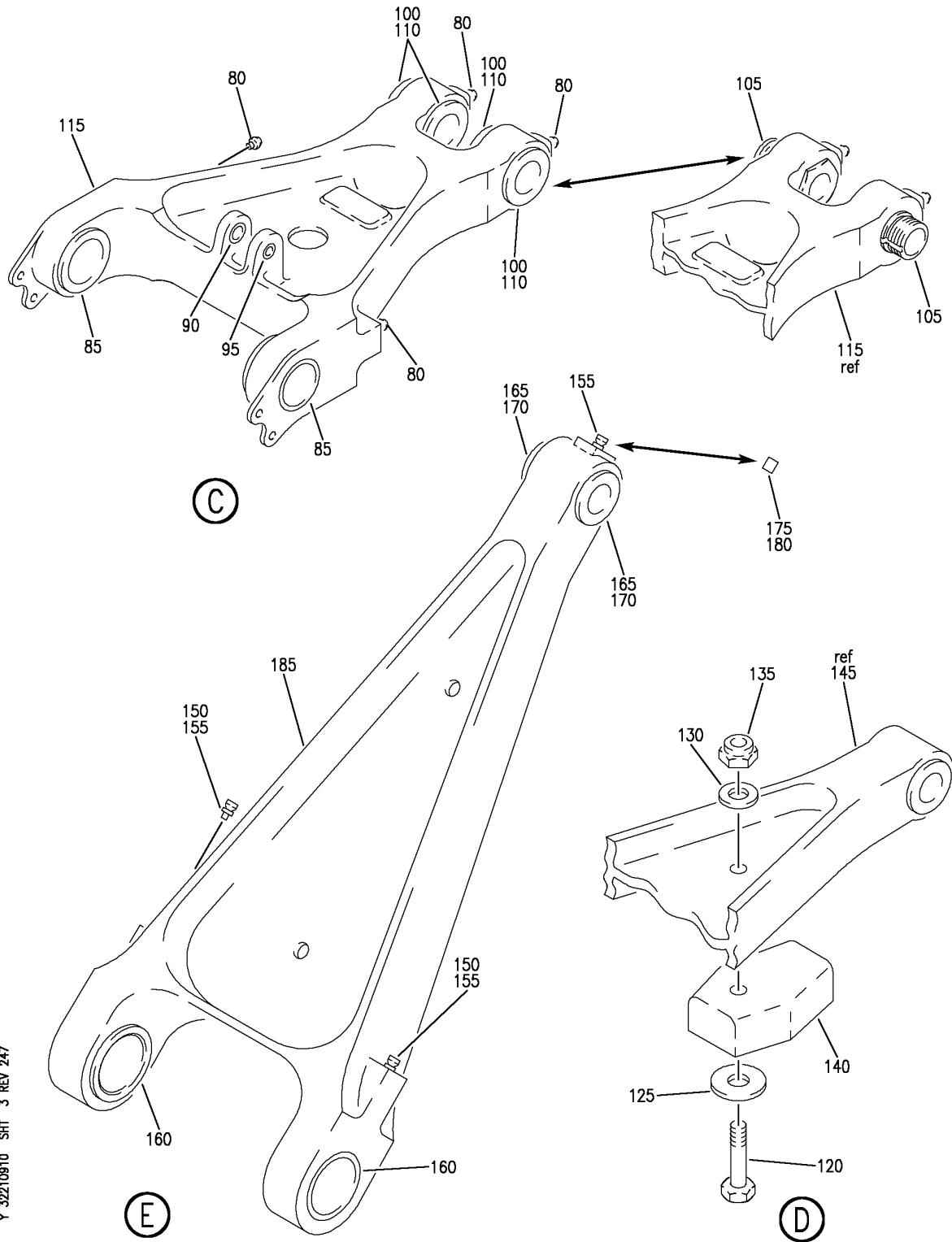
TORSION LINK INSTL-SECT 62 NLG (PRE-MODULE)  
FIGURE 10 (SHEET 2)

**32-21-09-10**

BRI  
MAY 28/07

32-21-09-10  
PAGE 0A

**BOEING**  
 757  
 PARTS CATALOG (MAINTENANCE)



Y 32210910 SH1 3 REV 247

TORSION LINK INSTL-SECT 62 NLG (PRE-MODULE)  
 FIGURE 10 (SHEET 3)

**32-21-09-10**

BRI  
 MAY 28/07

32-21-09-10  
 PAGE 0B



757

PARTS CATALOG (MAINTENANCE)

FIG ITEM	PART NUMBER	1 2 3 4 5 6 7	NOMENCLATURE	EFFECT FROM TO	UNITS PER ASSY
10			TORSION LINK INSTL-SECT 62 NLG (PRE-MODULE)	101102 108120 504903	
- 1	162N0001-4016		TORSION LINK INSTL-SECT 62 NLG OPTION (PRE-MODULE) FOR NHA SEE: 32-00-00-01	101102 108120 504903	RF
5	BACP18BC03A08P		.PIN	101102 108120 504903	1
10	162N1137-2		.PIN-TORSION LINK APEX	101102 108120 504903	1
15	162N3115-14		.WASHER-	101102 108120 504903	1
20	NAS1149C1232R		.WASHER-	101102 108120 504903	1
25	NAS1149C1290R		.WASHER-	101102 108120 504903	1
30	102LH9074-10		.NUT- SUPPLIER CODE: V72962 SPECIFICATION NUMBER: BACN10JC10CD OPTIONAL PART: H51650-10BAC V15653 69235-1018CD V92215 BMN4122CPD8-10 V97928	101102 108120 504903	1
75	162N1132-7		.LINK ASSY-TORSION POSITION DATA: UPR	101102 108120 504903	1
75	162N1132-1		.LINK ASSY-TORSION POSITION DATA: UPR	101102 108120 504903	1
75	162N1132-3		.LINK ASSY-TORSION POSITION DATA: UPR	101102 108120 504903	1
80	1728B		..FITTING-LUBE SUPPLIER CODE: VOFKM1	101102 108120 504903	4
85	160N0201-14		..BUSHING	101102 108120 504903	2

MISSING ITEM NUMBERS NOT APPLICABLE

- ITEM NOT ILLUSTRATED

BRI

32-21-09-10

32-21-09  
FIG. 10  
PAGE 1  
JAN 20/09



757

PARTS CATALOG (MAINTENANCE)

FIG ITEM	PART NUMBER	1 2 3 4 5 6 7	NOMENCLATURE	EFFECT FROM TO	UNITS PER ASSY
10					
90	BACB28X6M030	..	BUSHING	101102 108120 504903	1
95	BACB28X4C029	..	BUSHING	101102 108120 504903	1
100	160N0201-15	..	BUSHING- USED ON: 162N1132-1 162N1132-3	101102 108120 504903	4
110	160N0201-69	..	BUSHING- USED ON: 162N1132-5 162N1132-7	101102 108120 504903	4
115	162N1132-2	..	LINK- USED ON: 162N1132-1	101102 108120 504903	1
115	162N1132-4	..	LINK- USED ON: 162N1132-3	101102 108120 504903	1
115	162N1132-6	..	LINK- USED ON: 162N1132-5 162N1132-7	101102 108120 504903	1
145	162N1134-7	.LINK	ASSY- POSITION DATA: LWR	101102 108120 504903	1
155	1728B	..	FITTING-LUBE SUPPLIER CODE: VOFKM1 USED ON: 162N1134-1 162N1134-3 162N1134-5 162N1134-7	101102 108120 504903	3
160	160N0201-20	..	BUSHING	101102 108120 504903	2
170	162N1140-1	..	BUSHING- USED ON: 162N1134-5 162N1134-7	101102 108120 504903	2
185	162N1134-6	..	LINK- USED ON: 162N1134-5 162N1134-7	101102 108120 504903	1

MISSING ITEM NUMBERS NOT APPLICABLE

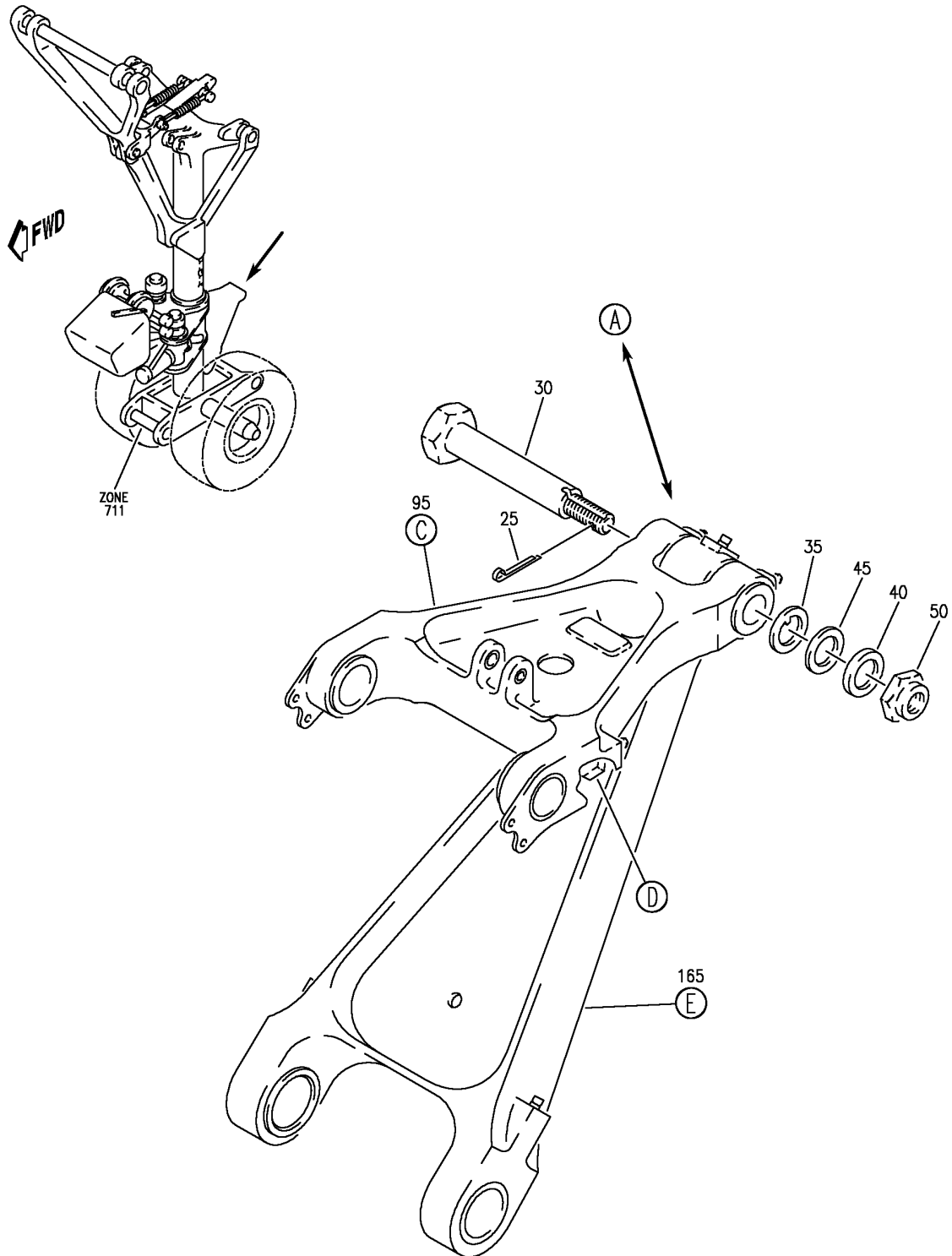
- ITEM NOT ILLUSTRATED

BRI

32-21-09-10

32-21-09  
FIG. 10  
PAGE 2  
JAN 20/09

**BOEING**  
757  
PARTS CATALOG (MAINTENANCE)



Y 32210910A SHT. 1 REV 260

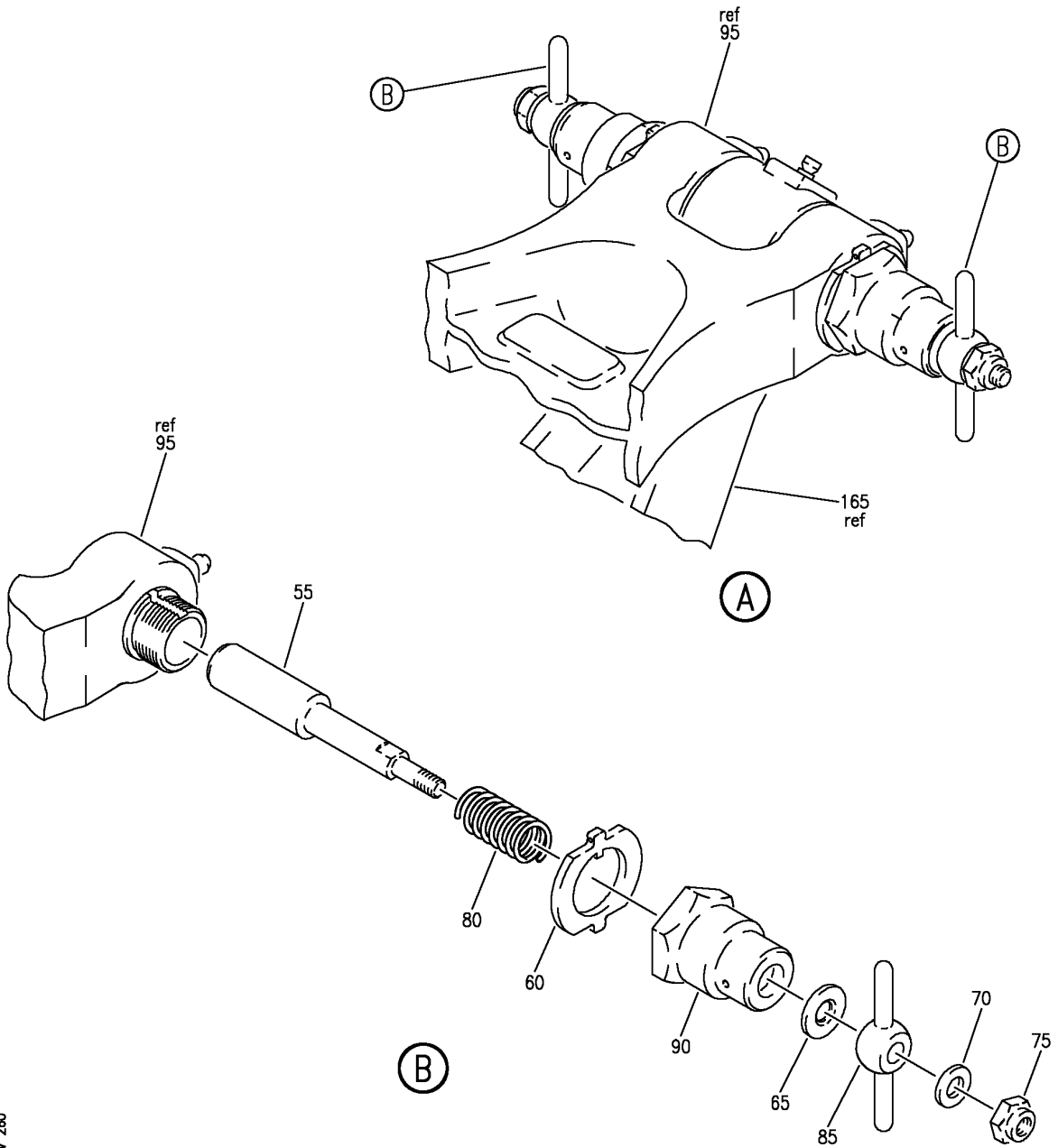
TORSION LINK INSTL-SECT 62 NLG  
FIGURE 10A (SHEET 1)

**32-21-09-10A**

BRI  
JAN 20/09

32-21-09-10A  
PAGE 0

**BOEING**  
757  
PARTS CATALOG (MAINTENANCE)



Y 32210910A SHT 2 REV 260

TORSION LINK INSTL-SECT 62 NLG  
FIGURE 10A (SHEET 2)

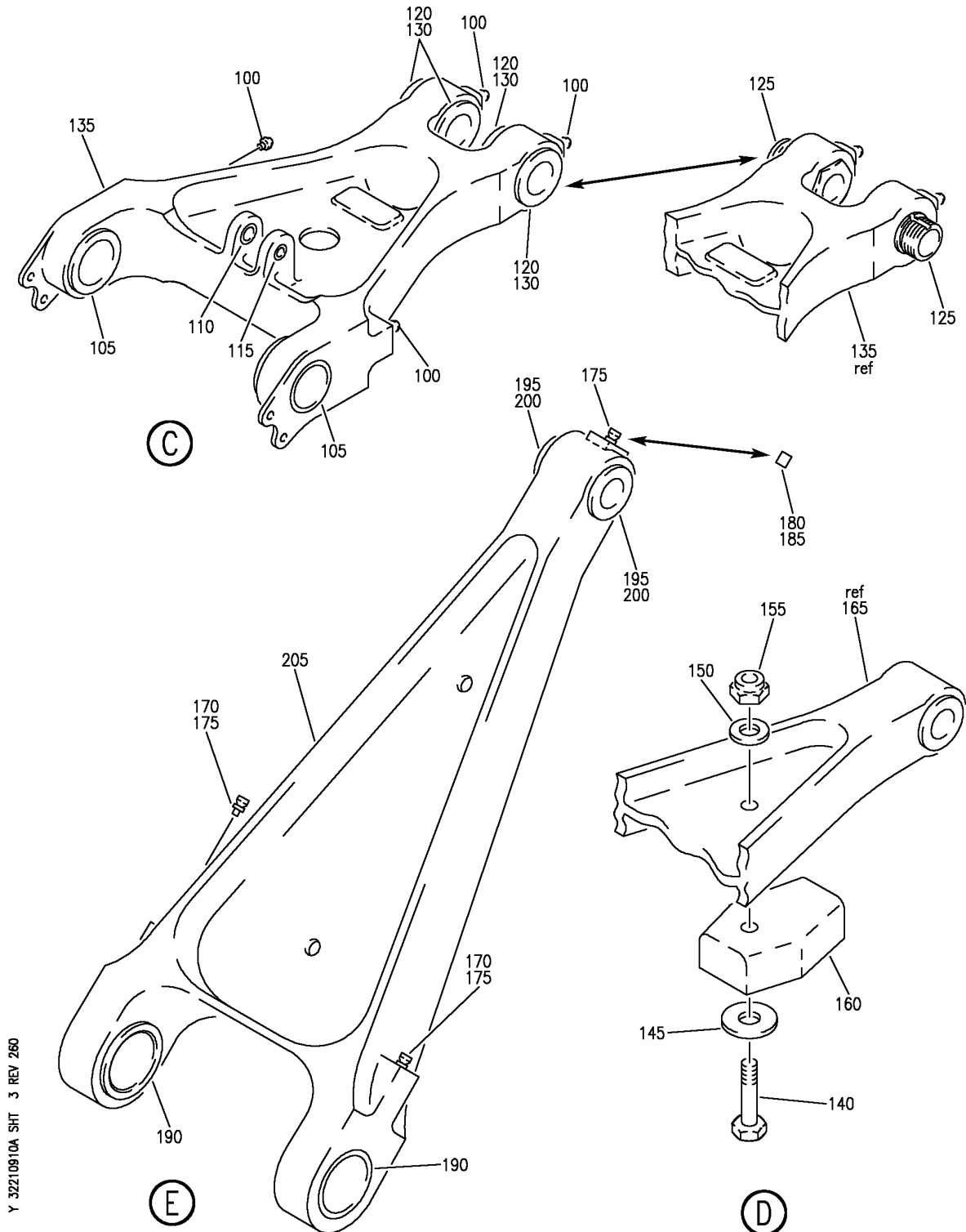
**32-21-09-10A**

BRI  
JAN 20/09

32-21-09-10A  
PAGE 0A



**BOEING**  
**757**  
**PARTS CATALOG (MAINTENANCE)**



Y 32210910A SHT 3 REV 260

TORSION LINK INSTL-SECT 62 NLG  
 FIGURE 10A (SHEET 3)

**32-21-09-10A**

BRI  
 JAN 20/09

32-21-09-10A  
 PAGE 0B



757

PARTS CATALOG (MAINTENANCE)

FIG ITEM	PART NUMBER	1 2 3 4 5 6 7	NOMENCLATURE	EFFECT FROM TO	UNITS PER ASSY
10A			TORSION LINK INSTL-SECT 62 NLG	103106	
- 1	MODREF4611		TORSION LINK INSTL-SECT 62 NLG OPTION MODULE NUMBER: 162N0001-4016 REV A	103103	1
- 1	MODREF27270		TORSION LINK INSTL-SECT 62 NLG OPTION MODULE NUMBER: 162N0001-4016 REV B	104106	1
25	BACP18BC03A08P		.PIN	103106	1
30	162N1137-2		.PIN-TORSION LINK APEX	103106	1
35	162N3115-14		.WASHER	103106	1
40	NAS1149C1232R		.WASHER	103106	1
45	NAS1149C1290R		.WASHER	103106	1
50	102LH9074-10		.NUT  SUPPLIER CODE: V72962 SPECIFICATION NUMBER: BACN10JC10CD OPTIONAL PART: H51650-10BAC V15653 69235-1018CD V92215 BMN4122CPD8-10 V97928	103106	1
95	162N1132-7		.LINK ASSY-TORSION POSITION DATA: UPR	103106	1
95	162N1132-1		.LINK ASSY-TORSION POSITION DATA: UPR	103106	1
95	162N1132-3		.LINK ASSY-TORSION POSITION DATA: UPR	103106	1
100	1728B		..FITTING-LUBE SUPPLIER CODE: VOFKM1	103106	4
105	160N0201-14		..BUSHING	103106	2
110	BACB28X6M030		..BUSHING	103106	1
115	BACB28X4C029		..BUSHING	103106	1
120	160N0201-15		..BUSHING- USED ON: 162N1132-1 162N1132-3	103106	4

MISSING ITEM NUMBERS NOT APPLICABLE

- ITEM NOT ILLUSTRATED

32-21-09-10A

32-21-09  
FIG. 10A  
PAGE 1  
JAN 20/09

BRI

BOEING PROPRIETARY - Copyright © - Unpublished Work - See title page for details.



757

PARTS CATALOG (MAINTENANCE)

FIG ITEM	PART NUMBER	1 2 3 4 5 6 7	NOMENCLATURE	EFFECT FROM TO	UNITS PER ASSY
10A 130	160N0201-69		.. BUSHING- USED ON: 162N1132-5 162N1132-7	103106	4
135	162N1132-2		.. LINK- USED ON: 162N1132-1	103106	1
135	162N1132-4		.. LINK- USED ON: 162N1132-3	103106	1
135	162N1132-6		.. LINK- USED ON: 162N1132-5 162N1132-7	103106	1
165	162N1134-7		. LINK ASSY- POSITION DATA: LWR	103106	1
175	1728B		.. FITTING-LUBE SUPPLIER CODE: VOFKM1 USED ON: 162N1134-1 162N1134-3 162N1134-5 162N1134-7	103106	3
190	160N0201-20		.. BUSHING	103106	2
200	162N1140-1		.. BUSHING- USED ON: 162N1134-5 162N1134-7	103106	2
205	162N1134-6		.. LINK- USED ON: 162N1134-5 162N1134-7	103106	1

MISSING ITEM NUMBERS NOT APPLICABLE

- ITEM NOT ILLUSTRATED

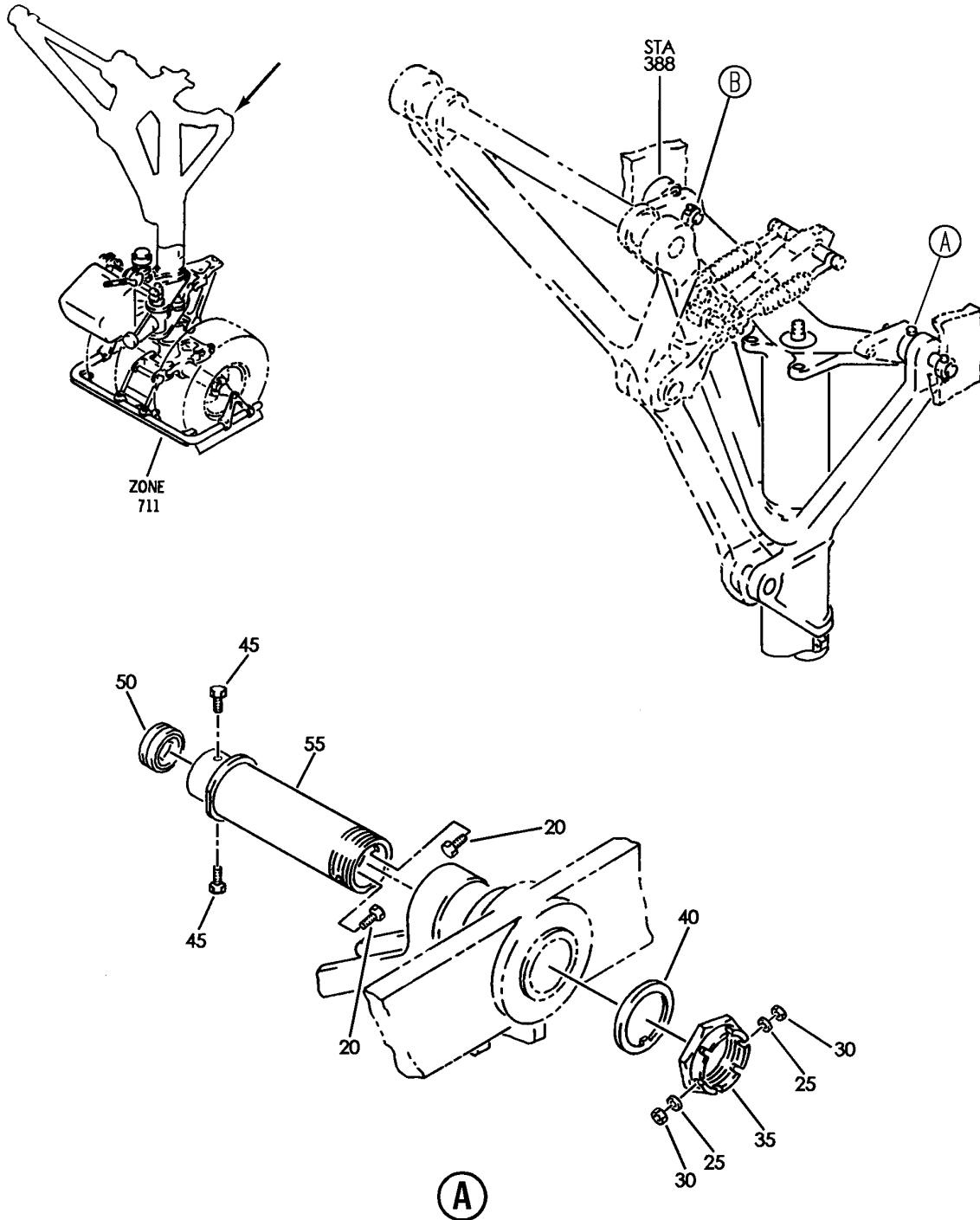
32-21-09-10A

32-21-09  
FIG. 10A  
PAGE 2  
JAN 20/09

BRI

BOEING PROPRIETARY - Copyright © - Unpublished Work - See title page for details.

**BOEING**  
757  
PARTS CATALOG (MAINTENANCE)



Y 32211201 SHT 1 REV 261

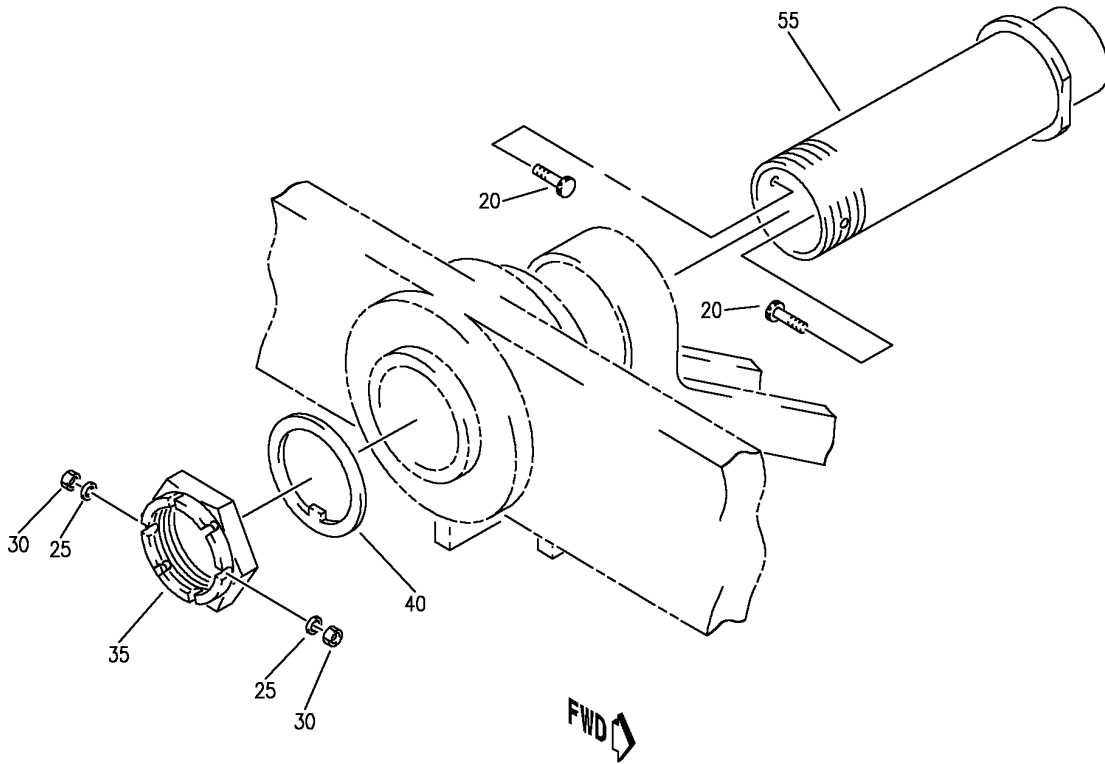
GEAR ASSY-NLG (NOSE GEAR TRUNNION PIN ONLY)  
FIGURE 1 (SHEET 1)

**32-21-12-01**

BRI  
MAY 28/07

32-21-12-01  
PAGE 0

**BOEING**  
757  
PARTS CATALOG (MAINTENANCE)



(B)

Y 32211201 SH1 2 REV 261

GEAR ASSY-NLG (NOSE GEAR TRUNNION PIN ONLY)  
FIGURE 1 (SHEET 2)

**32-21-12-01**

BRI  
MAY 28/07

32-21-12-01  
PAGE 0A



757

PARTS CATALOG (MAINTENANCE)

FIG ITEM	PART NUMBER	1 2 3 4 5 6 7	NOMENCLATURE	EFFECT FROM TO	UNITS PER ASSY
1			GEAR ASSY-NLG (NOSE GEAR TRUNNION PIN ONLY)	101106 108120 504903 950951	
- 1	162N0001-97		GEAR ASSY-NLG (NOSE GEAR TRUNNION PIN ONLY) COMPONENT MAINT MANUAL REF: 32-21-25 QUALIFIED I/W DATA: 162N0001-121, -114, -108, -102, -97 WITH QUICK RELEASE TORSION LINKS AND ONLY FORWARD TOW FITTING I/W 162N0001-120, -113, -107, -100, -47 WITH FORWARD AND AFT TOW FITTING AND WITHOUT QUICK RELEASE TORSION LINKS SUBJECT TO CUSTOMER APPROVAL 162N0001-121, -114, -108, -102, -97 WITH ONLY FORWARD TOW FITTING MAY REPLACE BUT NOT BE REPLACED BY 162N0001-46, -42, -33 WITH FORWARD AND AFT TOW FITTING SUBJECT TO CUSTOMER CUSTOMER APPROVAL FOR NHA/OTHER SYS DET SEE: 32-21-00-01B	950951	RF

MISSING ITEM NUMBERS NOT APPLICABLE

- ITEM NOT ILLUSTRATED

BRI

32-21-12-01

BOEING PROPRIETARY - Copyright © - Unpublished Work - See title page for details.

32-21-12  
FIG. 01  
PAGE 1  
JAN 20/09



757

PARTS CATALOG (MAINTENANCE)

FIG ITEM	PART NUMBER	1 2 3 4 5 6 7	NOMENCLATURE	EFFECT FROM TO	UNITS PER ASSY
1					
- 1	162N0001-97		GEAR ASSY-NLG (NOSE GEAR TRUNNION PIN ONLY) COMPONENT MAINT MANUAL REF: 32-21-25 QUALIFIED I/W DATA: 162N0001-121, -114, -108, -102, -97 WITH QUICK RELEASE TORSION LINKS AND ONLY FORWARD TOW FITTING MAY REPLACE BUT NOT BE REPLACED BY 162N0001-41, -38, -32, -31, -26, -24, -23, -21, -19, -18, -14, -6 WITH FORWARD AND AFT TOW FITTING AND WITHOUT QUICK RELEASE TORSION LINKS SUBJECT TO CUSTOMER APPROVAL	950951	RF
- 1	162N0001-97		GEAR ASSY-NLG (NOSE GEAR TRUNNION PIN ONLY) COMPONENT MAINT MANUAL REF: 32-21-25	950951	RF
- 1	162N0001-97		GEAR ASSY-NLG (NOSE GEAR TRUNNION PIN ONLY) COMPONENT MAINT MANUAL REF: 32-21-25 QUALIFIED I/W DATA: 162N0001-118, -111, -105, -101, -49 WITHOUT QUICK RELEASE TORSION LINKS I/W 162N0001-121, -114, -108, -102, -97 WITH QUICK RELEASE TORSION LINKS SUBJECT TO CUSTOMER APPROVAL 162N0001-121, -114, -108, -102, -97 WITH QUICK RELEASE TORSION LINKS AND REQUIRES 757 TOW BAR I/W 162N0001-122, -115, -109, -103, -98 WITHOUT QUICK RELEASE TORSION LINKS AND REQUIRES 727 TOW BAR SUBJECT TO CUSTOMER APPROVAL	950951	RF

MISSING ITEM NUMBERS NOT APPLICABLE

- ITEM NOT ILLUSTRATED

32-21-12-01

32-21-12  
FIG. 01  
PAGE 2  
JAN 20/09

BRI



757

PARTS CATALOG (MAINTENANCE)

FIG ITEM	PART NUMBER	1 2 3 4 5 6 7	NOMENCLATURE	EFFECT FROM TO	UNITS PER ASSY
1 - 1	162N0001-97		GEAR ASSY-NLG (NOSE GEAR TRUNNION PIN ONLY) COMPONENT MAINT MANUAL REF: 32-21-25 QUALIFIED I/W DATA: 162N0001-121, -114, -108, -102, -97 T/W (1)BACB28AK06-045, (1)BACB30NR6DK21 WITH QUICK RELEASE TORSION LINK AND FORWARD TOW FITTING ONLY MAY REPLACE BUT NOT BE REPLACED BY 162N0001-22, -20 T/W (1)BACB28AK06-058, (1)BACB30N6DK25 WITHOUT QUICK RELEASE TORSION LINK AND WITH FORWARD AND AFT TOW FITTINGS SUBJECT TO CUSTOMER APPROVAL 162N0001-119, -112, -106, -99, -45 WITH FORWARD AND AFT TOW FITTING I/W 162N0001-121, -114, -108, -102, -97 WITH ONLY FORWARD TOW FITTING SUBJECT TO CUSTOMER APPROVAL	950951	RF

MISSING ITEM NUMBERS NOT APPLICABLE

- ITEM NOT ILLUSTRATED

BRI

32-21-12-01

BOEING PROPRIETARY - Copyright © - Unpublished Work - See title page for details.

32-21-12  
 FIG. 01  
 PAGE 3  
 JAN 20/09





757

PARTS CATALOG (MAINTENANCE)

FIG ITEM	PART NUMBER	1 2 3 4 5 6 7	NOMENCLATURE	EFFECT FROM TO	UNITS PER ASSY
1	162N0001-102		GEAR ASSY-NLG (NOSE GEAR TRUNNION PIN ONLY) COMPONENT MAINT MANUAL REF: 32-21-25 QUALIFIED I/W DATA: 162N0001-121, -114, -108, -102, -97 WITH QUICK RELEASE TORSION LINKS AND ONLY FORWARD TOW FITTING I/W 162N0001-120, -113, -107, -100, -47 WITH FORWARD AND AFT TOW FITTING AND WITHOUT QUICK RELEASE TORSION LINKS SUBJECT TO CUSTOMER APPROVAL 162N0001-121, -114, -108, -102, -97 WITH ONLY FORWARD TOW FITTING MAY REPLACE BUT NOT BE REPLACED BY 162N0001-46, -42, -33 WITH FORWARD AND AFT TOW FITTING SUBJECT TO CUSTOMER APPROVAL	950951	RF
- 1	162N0001-102		GEAR ASSY-NLG (NOSE GEAR TRUNNION PIN ONLY) COMPONENT MAINT MANUAL REF: 32-21-25 QUALIFIED I/W DATA: 162N0001-121, -114, -108, -102, -97 WITH QUICK RELEASE TORSION LINKS AND ONLY FORWARD TOW FITTING MAY REPLACE BUT NOT BE REPLACED BY 162N0001-41, -38, -32, -31, -26, -24, -23, -21, -19, -18, -14, -6 WITH FORWARD AND AFT TOW FITTING AND WITHOUT QUICK RELEASE TORSION LINKS SUBJECT TO CUSTOMER APPROVAL	950951	RF

MISSING ITEM NUMBERS NOT APPLICABLE

- ITEM NOT ILLUSTRATED

32-21-12-01

32-21-12  
FIG. 01  
PAGE 4  
JAN 20/09

BRI



757

PARTS CATALOG (MAINTENANCE)

FIG ITEM	PART NUMBER	1 2 3 4 5 6 7	NOMENCLATURE	EFFECT FROM TO	UNITS PER ASSY
1					
- 1	162N0001-102		GEAR ASSY-NLG (NOSE GEAR TRUNNION PIN ONLY) COMPONENT MAINT MANUAL REF: 32-21-25	950951	RF
- 1	162N0001-102		GEAR ASSY-NLG (NOSE GEAR TRUNNION PIN ONLY) COMPONENT MAINT MANUAL REF: 32-21-25 QUALIFIED I/W DATA: 162N0001-118, -111, -105, -101, -49 WITHOUT QUICK RELEASE TORSION LINKS I/W 162N0001-121, -114, -108, -102, -97 WITH QUICK RELEASE TORSION LINKS SUBJECT TO CUSTOMER APPROVAL 162N0001-121, -114, -108, -102, -97 WITH QUICK RELEASE TORSION LINKS AND REQUIRES 757 TOW BAR I/W 162N0001-122, -115, -109, -103, -98 WITHOUT QUICK RELEASE TORSION LINKS AND REQUIRES 727 TOW BAR SUBJECT TO CUSTOMER APPROVAL	950951	RF

MISSING ITEM NUMBERS NOT APPLICABLE

- ITEM NOT ILLUSTRATED

32-21-12-01

32-21-12  
FIG. 01  
PAGE 5  
JAN 20/09

BRI



757

PARTS CATALOG (MAINTENANCE)

FIG ITEM	PART NUMBER	1 2 3 4 5 6 7	NOMENCLATURE	EFFECT FROM TO	UNITS PER ASSY
1 - 1	162N0001-102		GEAR ASSY-NLG (NOSE GEAR TRUNNION PIN ONLY) COMPONENT MAINT MANUAL REF: 32-21-25 QUALIFIED I/W DATA: 162N0001-121, -114, -108, -102, -97 T/W (1)BACB28AK06-045, (1)BACB30NR6DK21 WITH QUICK RELEASE TORSION LINK AND FORWARD TOW FITTING ONLY MAY REPLACE BUT NOT BE REPLACED BY 162N0001-22, -20 T/W (1)BACB28AK06-058, (1)BACB30N6DK25 WITHOUT QUICK RELEASE TORSION LINK AND WITH FORWARD AND AFT TOW FITTINGS SUBJECT TO CUSTOMER APPROVAL 162N0001-119, -112, -106, -99, -45 WITH FORWARD AND AFT TOW FITTING I/W 162N0001-121, -114, -108, -102, -97 WITH ONLY FORWARD TOW FITTING SUBJECT TO CUSTOMER APPROVAL	950951	RF

MISSING ITEM NUMBERS NOT APPLICABLE

- ITEM NOT ILLUSTRATED

BRI

32-21-12-01

BOEING PROPRIETARY - Copyright © - Unpublished Work - See title page for details.

32-21-12  
 FIG. 01  
 PAGE 6  
 JAN 20/09



757

PARTS CATALOG (MAINTENANCE)

FIG ITEM	PART NUMBER	1 2 3 4 5 6 7	NOMENCLATURE	EFFECT FROM TO	UNITS PER ASSY
1					
- 2	162N0001-108		GEAR ASSY-NLG (NOSE GEAR TRUNNION PIN ONLY) COMPONENT MAINT MANUAL REF: 32-21-25 QUALIFIED I/W DATA: 162N0001-121, -114, -108, -102, -97 WITH QUICK RELEASE TORSION LINKS AND ONLY FORWARD TOW FITTING I/W 162N0001-120, -113, -107, -100, -47 WITH FORWARD AND AFT TOW FITTING AND WITHOUT QUICK RELEASE TORSION LINKS SUBJECT TO CUSTOMER APPROVAL 162N0001-121, -114, -108, -102, -97 WITH ONLY FORWARD TOW FITTING MAY REPLACE BUT NOT BE REPLACED BY 162N0001-46, -42, -33 WITH FORWARD AND AFT TOW FITTING SUBJECT TO CUSTOMER CUSTOMER APPROVAL FOR NHA/OTHER SYS DET SEE: 32-21-00-01B	950951	RF
- 2	162N0001-108		GEAR ASSY-NLG (NOSE GEAR TRUNNION PIN ONLY) COMPONENT MAINT MANUAL REF: 32-21-25 QUALIFIED I/W DATA: 162N0001-121, -114, -108, -102, -97 WITH QUICK RELEASE TORSION LINKS AND ONLY FORWARD TOW FITTING MAY REPLACE BUT NOT BE REPLACED BY 162N0001-41, -38, -32, -31, -26, -24, -23, -21, -19, -18, -14, -6 WITH FORWARD AND AFT TOW FITTING AND WITHOUT QUICK RELEASE TORSION LINKS SUBJECT TO CUSTOMER APPROVAL	950951	RF

MISSING ITEM NUMBERS NOT APPLICABLE

- ITEM NOT ILLUSTRATED

BRI

32-21-12-01

32-21-12  
FIG. 01  
PAGE 7  
JAN 20/09



757

PARTS CATALOG (MAINTENANCE)

FIG ITEM	PART NUMBER	1 2 3 4 5 6 7	NOMENCLATURE	EFFECT FROM TO	UNITS PER ASSY
1					
- 2	162N0001-108		GEAR ASSY-NLG (NOSE GEAR TRUNNION PIN ONLY) COMPONENT MAINT MANUAL REF: 32-21-25	950951	RF
- 2	162N0001-108		GEAR ASSY-NLG (NOSE GEAR TRUNNION PIN ONLY) COMPONENT MAINT MANUAL REF: 32-21-25 QUALIFIED I/W DATA: 162N0001-118, -111, -105, -101, -49 WITHOUT QUICK RELEASE TORSION LINKS I/W 162N0001-121, -114, -108, -102, -97 WITH QUICK RELEASE TORSION LINKS SUBJECT TO CUSTOMER APPROVAL 162N0001-121, -114, -108, -102, -97 WITH QUICK RELEASE TORSION LINKS AND REQUIRES 757 TOW BAR I/W 162N0001-122, -115, -109, -103, -98 WITHOUT QUICK RELEASE TORSION LINKS AND REQUIRES 727 TOW BAR SUBJECT TO CUSTOMER APPROVAL	950951	RF

MISSING ITEM NUMBERS NOT APPLICABLE

- ITEM NOT ILLUSTRATED

BRI

32-21-12-01

BOEING PROPRIETARY - Copyright © - Unpublished Work - See title page for details.

32-21-12  
FIG. 01  
PAGE 8  
JAN 20/09



757

PARTS CATALOG (MAINTENANCE)

FIG ITEM	PART NUMBER	1 2 3 4 5 6 7	NOMENCLATURE	EFFECT FROM TO	UNITS PER ASSY
1 - 2	162N0001-108		GEAR ASSY-NLG (NOSE GEAR TRUNNION PIN ONLY) COMPONENT MAINT MANUAL REF: 32-21-25 QUALIFIED I/W DATA: 162N0001-121, -114, -108, -102, -97 T/W (1)BACB28AK06-045, (1)BACB30NR6DK21 WITH QUICK RELEASE TORSION LINK AND FORWARD TOW FITTING ONLY MAY REPLACE BUT NOT BE REPLACED BY 162N0001-22, -20 T/W (1)BACB28AK06-058, (1)BACB30N6DK25 WITHOUT QUICK RELEASE TORSION LINK AND WITH FORWARD AND AFT TOW FITTINGS SUBJECT TO CUSTOMER APPROVAL 162N0001-119, -112, -106, -99, -45 WITH FORWARD AND AFT TOW FITTING I/W 162N0001-121, -114, -108, -102, -97 WITH ONLY FORWARD TOW FITTING SUBJECT TO CUSTOMER APPROVAL	950951	RF

MISSING ITEM NUMBERS NOT APPLICABLE

- ITEM NOT ILLUSTRATED

BRI

32-21-12-01

BOEING PROPRIETARY - Copyright © - Unpublished Work - See title page for details.

32-21-12  
 FIG. 01  
 PAGE 9  
 JAN 20/09



757

PARTS CATALOG (MAINTENANCE)

FIG ITEM	PART NUMBER	1 2 3 4 5 6 7	NOMENCLATURE	EFFECT FROM TO	UNITS PER ASSY
1 - 2	162N0001-114		GEAR ASSY-NLG (NOSE GEAR TRUNNION PIN ONLY) MISCELLANEOUS DATA: 162N0001-114 INCLUDES ONE TOW FITTING AND QUICK DISCONNECT OPTION COMPONENT MAINT MANUAL REF: 32-21-25 QUALIFIED I/W DATA: 162N0001-121, -114, -108, -102, -97 WITH QUICK RELEASE TORSION LINKS AND ONLY FORWARD TOW FITTING I/W 162N0001-120, -113, -107, -100, -47 WITH FORWARD AND AFT TOW FITTING AND WITHOUT QUICK RELEASE TORSION LINKS SUBJECT TO CUSTOMER APPROVAL 162N0001-121, -114, -108, -102, -97 WITH ONLY FORWARD TOW FITTING MAY REPLACE BUT NOT BE REPLACED BY 162N0001-46, -42, -33 WITH FORWARD AND AFT TOW FITTING SUBJECT TO CUSTOMER CUSTOMER APPROVAL FOR NHA/OTHER SYS DET SEE: 32-21-00-01B	950951	RF

MISSING ITEM NUMBERS NOT APPLICABLE

- ITEM NOT ILLUSTRATED

BRI

32-21-12-01

BOEING PROPRIETARY - Copyright © - Unpublished Work - See title page for details.

32-21-12  
 FIG. 01  
 PAGE 10  
 JAN 20/09



757

PARTS CATALOG (MAINTENANCE)

FIG ITEM	PART NUMBER	1 2 3 4 5 6 7	NOMENCLATURE	EFFECT FROM TO	UNITS PER ASSY
1					
- 2	162N0001-114		GEAR ASSY-NLG (NOSE GEAR TRUNNION PIN ONLY) COMPONENT MAINT MANUAL REF: 32-21-25 QUALIFIED I/W DATA: 162N0001-121, -114, -108, -102, -97 WITH QUICK RELEASE TORSION LINKS AND ONLY FORWARD TOW FITTING MAY REPLACE BUT NOT BE REPLACED BY 162N0001-41, -38, -32, -31, -26, -24, -23, -21, -19, -18, -14, -6 WITH FORWARD AND AFT TOW FITTING AND WITHOUT QUICK RELEASE TORSION LINKS SUBJECT TO CUSTOMER APPROVAL	950951	RF
- 2	162N0001-114		GEAR ASSY-NLG (NOSE GEAR TRUNNION PIN ONLY) COMPONENT MAINT MANUAL REF: 32-21-25	950951	RF
- 2	162N0001-114		GEAR ASSY-NLG (NOSE GEAR TRUNNION PIN ONLY) COMPONENT MAINT MANUAL REF: 32-21-25 QUALIFIED I/W DATA: 162N0001-118, -111, -105, -101, -49 WITHOUT QUICK RELEASE TORSION LINKS I/W 162N0001-121, -114, -108, -102, -97 WITH QUICK RELEASE TORSION LINKS SUBJECT TO CUSTOMER APPROVAL 162N0001-121, -114, -108, -102, -97 WITH QUICK RELEASE TORSION LINKS AND REQUIRES 757 TOW BAR I/W 162N0001-122, -115, -109, -103, -98 WITHOUT QUICK RELEASE TORSION LINKS AND REQUIRES 727 TOW BAR SUBJECT TO CUSTOMER APPROVAL	950951	RF

MISSING ITEM NUMBERS NOT APPLICABLE

- ITEM NOT ILLUSTRATED

BRI

32-21-12-01

32-21-12  
FIG. 01  
PAGE 11  
JAN 20/09





757

PARTS CATALOG (MAINTENANCE)

FIG ITEM	PART NUMBER	1 2 3 4 5 6 7	NOMENCLATURE	EFFECT FROM TO	UNITS PER ASSY
1 - 2	162N0001-114		GEAR ASSY-NLG (NOSE GEAR TRUNNION PIN ONLY) COMPONENT MAINT MANUAL REF: 32-21-25 QUALIFIED I/W DATA: 162N0001-121, -114, -108, -102, -97 T/W (1)BACB28AK06-045, (1)BACB30NR6DK21 WITH QUICK RELEASE TORSION LINK AND FORWARD TOW FITTING ONLY MAY REPLACE BUT NOT BE REPLACED BY 162N0001-22, -20 T/W (1)BACB28AK06-058, (1)BACB30N6DK25 WITHOUT QUICK RELEASE TORSION LINK AND WITH FORWARD AND AFT TOW FITTINGS SUBJECT TO CUSTOMER APPROVAL 162N0001-119, -112, -106, -99, -45 WITH FORWARD AND AFT TOW FITTING I/W 162N0001-121, -114, -108, -102, -97 WITH ONLY FORWARD TOW FITTING SUBJECT TO CUSTOMER APPROVAL 162N0001-402, NOSE GEAR ASSEMBLY T/W 162N0001-4004, TOW OPTION INSTALLATION I/W P/N 162N0001-114, NOSE GEAR ASSEMBLY	950951	RF

MISSING ITEM NUMBERS NOT APPLICABLE

- ITEM NOT ILLUSTRATED

32-21-12-01

32-21-12  
FIG. 01  
PAGE 12  
JAN 20/09

BRI



757

PARTS CATALOG (MAINTENANCE)

FIG ITEM	PART NUMBER	1 2 3 4 5 6 7	NOMENCLATURE	EFFECT FROM TO	UNITS PER ASSY
1 -	3 162N0001-121		GEAR ASSY-NLG (NOSE GEAR TRUNNION PIN ONLY) COMPONENT MAINT MANUAL REF: 32-21-25 QUALIFIED I/W DATA: 162N0001-121, -114, -108, -102, -97 WITH QUICK RELEASE TORSION LINKS AND ONLY FORWARD TOW FITTING I/W 162N0001-120, -113, -107, -100, -47 WITH FORWARD AND AFT TOW FITTING AND WITHOUT QUICK RELEASE TORSION LINKS SUBJECT TO CUSTOMER APPROVAL 162N0001-121, -114, -108, -102, -97 WITH ONLY FORWARD TOW FITTING MAY REPLACE BUT NOT BE REPLACED BY 162N0001-46, -42, -33 WITH FORWARD AND AFT TOW FITTING SUBJECT TO CUSTOMER CUSTOMER APPROVAL FOR NHA/OTHER SYS DET SEE: 32-21-00-01B	950951	RF
-	3 162N0001-121		GEAR ASSY-NLG (NOSE GEAR TRUNNION PIN ONLY) COMPONENT MAINT MANUAL REF: 32-21-25 QUALIFIED I/W DATA: 162N0001-121, -114, -108, -102, -97 WITH QUICK RELEASE TORSION LINKS AND ONLY FORWARD TOW FITTING MAY REPLACE BUT NOT BE REPLACED BY 162N0001-41, -38, -32, -31, -26, -24, -23, -21, -19, -18, -14, -6 WITH FORWARD AND AFT TOW FITTING AND WITHOUT QUICK RELEASE TORSION LINKS SUBJECT TO CUSTOMER APPROVAL	950951	RF

MISSING ITEM NUMBERS NOT APPLICABLE

- ITEM NOT ILLUSTRATED

BRI

32-21-12-01

32-21-12  
FIG. 01  
PAGE 13  
JAN 20/09



757

PARTS CATALOG (MAINTENANCE)

FIG ITEM	PART NUMBER	1 2 3 4 5 6 7	NOMENCLATURE	EFFECT FROM TO	UNITS PER ASSY
1					
- 3	162N0001-121		GEAR ASSY-NLG (NOSE GEAR TRUNNION PIN ONLY) COMPONENT MAINT MANUAL REF: 32-21-25	950951	RF
- 3	162N0001-121		GEAR ASSY-NLG (NOSE GEAR TRUNNION PIN ONLY) COMPONENT MAINT MANUAL REF: 32-21-25 QUALIFIED I/W DATA: 162N0001-118, -111, -105, -101, -49 WITHOUT QUICK RELEASE TORSION LINKS I/W 162N0001-121, -114, -108, -102, -97 WITH QUICK RELEASE TORSION LINKS SUBJECT TO CUSTOMER APPROVAL 162N0001-121, -114, -108, -102, -97 WITH QUICK RELEASE TORSION LINKS AND REQUIRES 757 TOW BAR I/W 162N0001-122, -115, -109, -103, -98 WITHOUT QUICK RELEASE TORSION LINKS AND REQUIRES 727 TOW BAR SUBJECT TO CUSTOMER APPROVAL	950951	RF

MISSING ITEM NUMBERS NOT APPLICABLE

- ITEM NOT ILLUSTRATED

BRI

32-21-12-01

BOEING PROPRIETARY - Copyright © - Unpublished Work - See title page for details.

32-21-12  
FIG. 01  
PAGE 14  
JAN 20/09



757

PARTS CATALOG (MAINTENANCE)

FIG ITEM	PART NUMBER	1 2 3 4 5 6 7	NOMENCLATURE	EFFECT FROM TO	UNITS PER ASSY
1 - 3	162N0001-121		GEAR ASSY-NLG (NOSE GEAR TRUNNION PIN ONLY) COMPONENT MAINT MANUAL REF: 32-21-25 QUALIFIED I/W DATA: 162N0001-121, -114, -108, -102, -97 T/W (1)BACB28AK06-045, (1)BACB30NR6DK21 WITH QUICK RELEASE TORSION LINK AND FORWARD TOW FITTING ONLY MAY REPLACE BUT NOT BE REPLACED BY 162N0001-22, -20 T/W (1)BACB28AK06-058, (1)BACB30N6DK25 WITHOUT QUICK RELEASE TORSION LINK AND WITH FORWARD AND AFT TOW FITTINGS SUBJECT TO CUSTOMER APPROVAL 162N0001-119, -112, -106, -99, -45 WITH FORWARD AND AFT TOW FITTING I/W 162N0001-121, -114, -108, -102, -97 WITH ONLY FORWARD TOW FITTING SUBJECT TO CUSTOMER APPROVAL	950951	RF
- 3	162N0001-402		GEAR ASSY-NLG (NOSE GEAR TRUNNION PIN ONLY) MISCELLANEOUS DATA: 162N0001-111 INCLUDES ONE TOW FITTING AND NO QUICK DISCONNECT OPTION 162N0001-112 INCLUDES TWO TOW FITTINGS AND DISCONNECT OPTION 162N0001-113 INCLUDES TWO TOW FITTINGS AND NO QUICK DISCONNECT OPTION 162N0001-114 INCLUDES ONE TOW FITTING AND QUICK DISCONNECT OPTION 162N0001-115 INCLUDE 727 TYPE TOW FITTING FOR SPARES PROCURE LOWER COMPONENTS	101102 108120 504903	RF

MISSING ITEM NUMBERS NOT APPLICABLE

- ITEM NOT ILLUSTRATED

32-21-12-01

32-21-12  
FIG. 01  
PAGE 15  
JAN 20/09

BRI



757

PARTS CATALOG (MAINTENANCE)

FIG ITEM	PART NUMBER	1 2 3 4 5 6 7	NOMENCLATURE	EFFECT FROM TO	UNITS PER ASSY
1			COMPONENT MAINT MANUAL REF: 32-21-25 QUALIFIED I/W DATA: 162N0001-402, NOSE GEAR ASSEMBLY T/W 162N0001 -4001, TOW OPTION INSTALLATION I/W P/N 162N0001-111, NOSE GEAR ASSEMBLY 162N0001-402, NOSE GEAR ASSEMBLY T/W 162N0001 -4002, TOW OPTION INSTALLATION, I/W P/N 162N0001-112, NOSE GEAR ASSEMBLY 162N0001-402, NOSE GEAR ASSEMBLY T/W 162N0001 -4003, TOW OPTION INSTALLATION I/W P/N 162N0001-113, NOSE GEAR ASSEMBLY 162N0001-402, NOSE GEAR ASSEMBLY T/W 162N0001 -4004, TOW OPTION INSTALLATION I/W P/N 162N0001-114, NOSE GEAR ASSEMBLY 162N0001-402, NOSE GEAR ASSEMBLY T/W 162N0001 -4005, TOW OPTION INSTALLATION I/W P/N 162N0001-115, NOSE GEAR ASSEMBLY FOR NHA/OTHER SYS DET SEE: 32-21-00-02		
- 3	162N0001-406		GEAR ASSY-NLG (NOSE GEAR TRUNNION PIN ONLY) FOR NHA/OTHER SYS DET SEE: 32-21-00-02A	103106	RF
20	BACB30LJ4-8		.BOLT-	101106 108120 504903 950951	4
25	NAS1149C0432R		.WASHER-	101106 108120 504903 950951	4

MISSING ITEM NUMBERS NOT APPLICABLE

- ITEM NOT ILLUSTRATED

32-21-12-01

32-21-12  
FIG. 01  
PAGE 16  
JAN 20/09

BRI



757

PARTS CATALOG (MAINTENANCE)

FIG ITEM	PART NUMBER	1 2 3 4 5 6 7	NOMENCLATURE	EFFECT FROM TO	UNITS PER ASSY
1 30	BRH10C4D	.NUT-	SUPPLIER CODE: V52828 SPECIFICATION NUMBER: BACN10JC4CD OPTIONAL PART: T6C428JCD V11815 NS202486-048 V80539 102LH9075-4W V72962 H51650-4BAC V15653	101106 108120 504903 950951	4
35	162N1186-1	.NUT-TRUNNION PIN		101106 108120 504903 950951	2
40	162N3115-5	.WASHER-		101106 108120 504903 950951	2
45	NAS6703H1	.BOLT- USED ON: 162N0001-114 162N0001-121 162N0001-124 162N0001-128 162N0001-402 162N0001-406		101106 108120 504903 950951	2
45	BACB30LM3H1	.BOLT- USED ON: 162N0001-97 162N0001-102 162N0001-108		950951	2
50	162N1213-1	.PLUG-		101106 108120 504903 950951	1
55	162N1185-1	.PIN-TRUNNION		101106 108120 504903 950951	2
55	162N1185-2	.PIN-TRUNNION		101106 108120 504903 950951	2

MISSING ITEM NUMBERS NOT APPLICABLE

- ITEM NOT ILLUSTRATED

32-21-12-01

32-21-12  
FIG. 01  
PAGE 17  
JAN 20/09

BRI



757

PARTS CATALOG (MAINTENANCE)

FIG ITEM	PART NUMBER	1 2 3 4 5 6 7	NOMENCLATURE	EFFECT FROM TO	UNITS PER ASSY
1 55	162N1185-5		.PIN-TRUNNION	101106 108120 504903 950951	2

MISSING ITEM NUMBERS NOT APPLICABLE

- ITEM NOT ILLUSTRATED

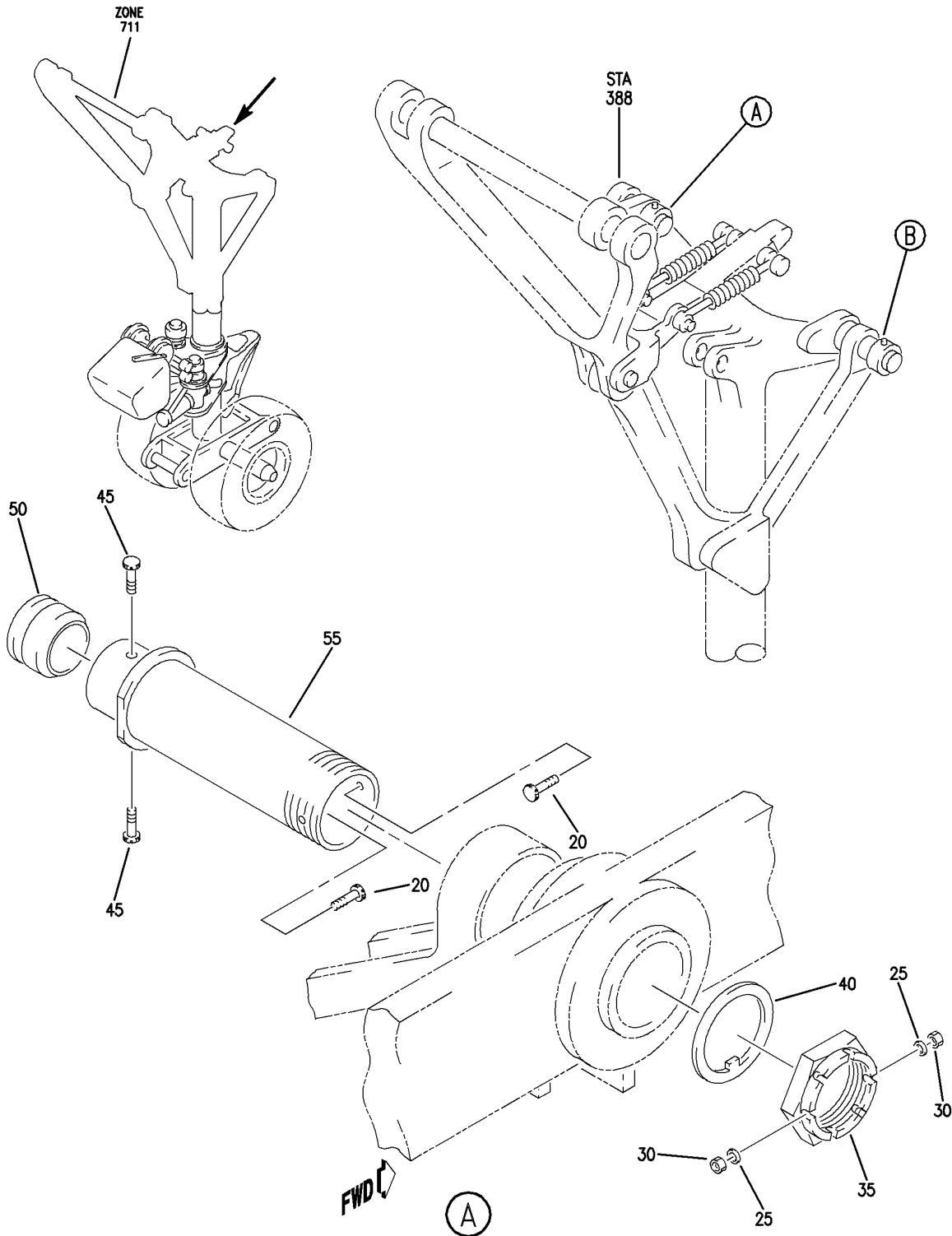
BRI

32-21-12-01

BOEING PROPRIETARY - Copyright © - Unpublished Work - See title page for details.

32-21-12  
FIG. 01  
PAGE 18  
JAN 20/09

**BOEING**  
757  
PARTS CATALOG (MAINTENANCE)



Y 32211201B SHT 1 REV 244

GEAR ASSY-SECT. 62 NLG (NOSE GEAR TRUNNION PIN ONLY)  
FIGURE 1B (SHEET 1)

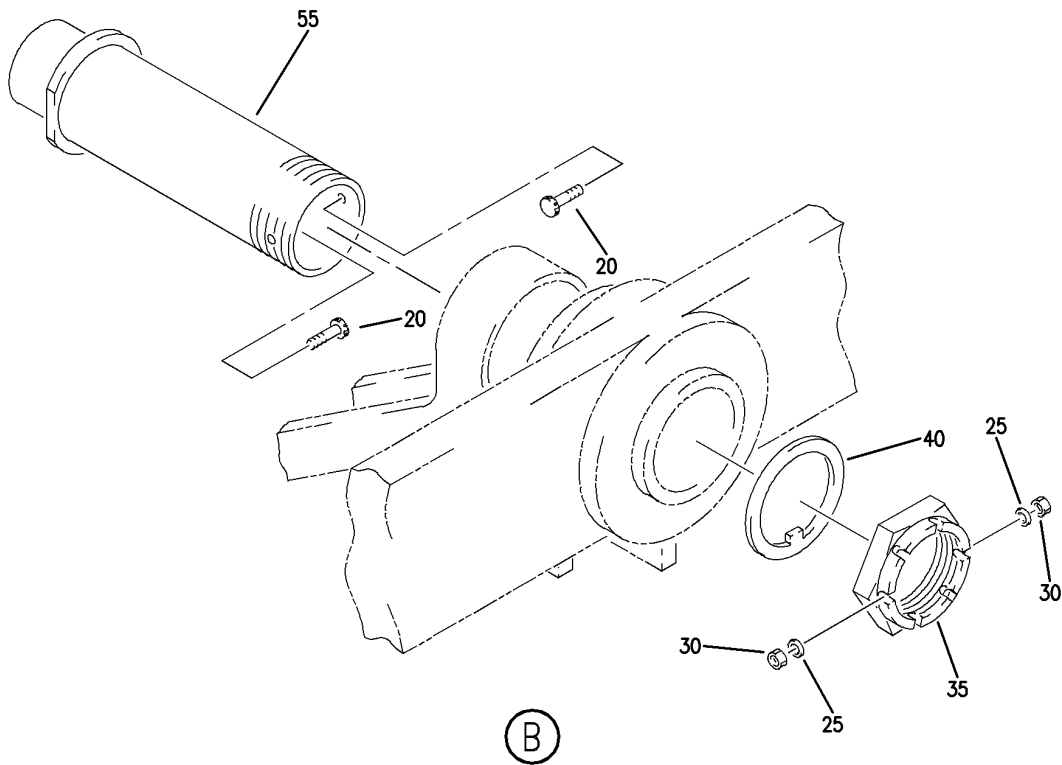
**32-21-12-01B**

BRI  
JAN 20/09

32-21-12-01B  
PAGE 0



**BOEING**  
757  
PARTS CATALOG (MAINTENANCE)



Y 32211201B SHT 2 REV 244

GEAR ASSY-SECT. 62 NLG (NOSE GEAR TRUNNION PIN ONLY)  
FIGURE 1B (SHEET 2)

BRI  
JAN 20/09

**32-21-12-01B**

32-21-12-01B  
PAGE 0A



757

PARTS CATALOG (MAINTENANCE)

FIG ITEM	PART NUMBER	1 2 3 4 5 6 7	NOMENCLATURE	EFFECT FROM TO	UNITS PER ASSY
1B			GEAR ASSY-SECT. 62 NLG (NOSE GEAR TRUNNION PIN ONLY)	952999	
- 1	162N0001-101		GEAR ASSY-NLG (NOSE GEAR TRUNNION PIN ONLY) POSITION DATA: SECT. 62 COMPONENT MAINT MANUAL REF: 32-21-25 QUALIFIED I/W DATA: 162N0001-118, -111, -105, -101, -49 WITH ONLY FORWARD TOW FITTING I/W 162N0001-120, -113, -107, -100, -47 WITH FORWARD AND AFT TOW FITTINGS WITH CUSTOMER APPROVAL. FOR NHA/OTHER SYS DET SEE: 32-21-00-01B	952999	RF
- 1	162N0001-101		GEAR ASSY-NLG (NOSE GEAR TRUNNION PIN ONLY) POSITION DATA: SECT. 62 COMPONENT MAINT MANUAL REF: 32-21-25 QUALIFIED I/W DATA: 162N0001-118, -111, -105, -101, -49 WITH ONLY FORWARD TOW FITTING MAY REPLACE BUT NOT BE REPLACED BY 162N0001-41, -38, -32, -31, -26, -24, -23, -21, -19, -18, -14, -6 WITH FORWARD AND AFT TOW FITTING SUBJECT TO CUSTOMER APPROVAL	952999	RF

MISSING ITEM NUMBERS NOT APPLICABLE

- ITEM NOT ILLUSTRATED

BRI

**32-21-12-01B**

BOEING PROPRIETARY - Copyright © - Unpublished Work - See title page for details.

32-21-12  
FIG. 01B  
PAGE 1  
JAN 20/09



757

PARTS CATALOG (MAINTENANCE)

FIG ITEM	PART NUMBER	1 2 3 4 5 6 7 NOMENCLATURE	EFFECT FROM TO	UNITS PER ASSY
1B - 1	162N0001-101	GEAR ASSY-NLG (NOSE GEAR TRUNNION PIN ONLY) POSITION DATA: SECT. 62 COMPONENT MAINT MANUAL REF: 32-21-25 QUALIFIED I/W DATA: 162N0001-119, -112, -106, -99, -45 WITH FORWARD AND AFT TOW FITTING AND QUICK RELEASE TORSION LINK I/W 162N0001-118, -111, -105, -101, -49 WITH FORWARD TOW FITTING AND WITHOUT QUICK RELEASE TORSION LINK SUBJECT TO CUSTOMER APPROVAL 162N0001-118, -111, -105, -101 WITH FORWARD TOW FITTING AND WITHOUT QUICK RELEASE TORSION LINK MAY REPLACE BUT NOT BE REPLACED BY 162N0001-46, -42, -33 WITH FORWARD AND AFT TOW FITTING AND QUICK RELEASE TORSION LINK SUBJECT TO CUSTOMER APPROVAL 162N0001-118, -111, -105, -101, -49 T/W (1)BACB28AK06-045 AND (1)BACB30NR6DK21 WITH ONLY FORWARD TOW FITTING MAY REPLACE BUT NOT BE REPLACED BY 162N0001-22, -20 T/W (1)BACB28AK06-058 AND (1)BACB30NR6DK25	952999	RF

MISSING ITEM NUMBERS NOT APPLICABLE

- ITEM NOT ILLUSTRATED

**32-21-12-01B**

32-21-12  
 FIG. 01B  
 PAGE 2  
 JAN 20/09

BRI



757

PARTS CATALOG (MAINTENANCE)

FIG ITEM	PART NUMBER	1 2 3 4 5 6 7	NOMENCLATURE	EFFECT FROM TO	UNITS PER ASSY
1B - 1	162N0001-101		GEAR ASSY-NLG (NOSE GEAR APAPNION PIN ONLY) POSITION DATA: SECT. 62 COMPONENT MAINT MANUAL REF: 32-21-25 QUALIFIED I/W DATA: 162N0001-122, -115, -109, -103, -98 REQUIRES THE 727 TOW BAR I/W 162N0001-118, -111, -105, -101, -49 REQUIRES THE 757 TOW BAR SUBJECT TO CUSTOMER APPROVAL 162N0001-118, -111, -105, -101, -49 WITHOUT QUICK RELEASE TORSION LINKS I/W 162N0001-121, -114, -108, -102, -97 WITH QUICK RELEASE TORSION LINKS SUBJECT TO CUSTOMER APPROVAL	952999	RF
- 1	162N0001-105		GEAR ASSY-NLG (NOSE GEAR TRUNNION PIN ONLY) POSITION DATA: SECT. 62 COMPONENT MAINT MANUAL REF: 32-21-25 QUALIFIED I/W DATA: 162N0001-118, -111, -105, -101, -49 WITH ONLY FORWARD TOW FITTING I/W 162N0001-120, -113, -107, -100, -47 WITH FORWARD AND AFT TOW FITTINGS WITH CUSTOMER APPROVAL FOR NHA/OTHER SYS DET SEE: 32-21-00-01B	952999	RF

MISSING ITEM NUMBERS NOT APPLICABLE

- ITEM NOT ILLUSTRATED

BRI

**32-21-12-01B**

BOEING PROPRIETARY - Copyright © - Unpublished Work - See title page for details.

32-21-12  
FIG. 01B  
PAGE 3  
JAN 20/09



757

PARTS CATALOG (MAINTENANCE)

FIG ITEM	PART NUMBER	1 2 3 4 5 6 7	NOMENCLATURE	EFFECT FROM TO	UNITS PER ASSY
1B - 1	162N0001-105		GEAR ASSY-NLG (NOSE GEAR TRUNNION PIN ONLY) POSITION DATA: SECT. 62 COMPONENT MAINT MANUAL REF: 32-21-25 QUALIFIED I/W DATA: 162N0001-118, -111, -105, -101, -49 WITH ONLY FORWARD TOW FITTING MAY REPLACE BUT NOT BE REPLACED BY 162N0001-41, -38, -32, -31, -26, -24, -23, -21, -19, -18, -14, -6 WITH FORWARD AND AFT TOW FITTING SUBJECT TO CUSTOMER APPROVAL	952999	RF

MISSING ITEM NUMBERS NOT APPLICABLE

- ITEM NOT ILLUSTRATED

BRI

32-21-12-01B

BOEING PROPRIETARY - Copyright © - Unpublished Work - See title page for details.

32-21-12  
FIG. 01B  
PAGE 4  
JAN 20/09



757

PARTS CATALOG (MAINTENANCE)

FIG ITEM	PART NUMBER	1 2 3 4 5 6 7 NOMENCLATURE	EFFECT FROM TO	UNITS PER ASSY
1B - 1	162N0001-105	GEAR ASSY-NLG (NOSE GEAR TRUNNION PIN ONLY) POSITION DATA: SECT. 62 COMPONENT MAINT MANUAL REF: 32-21-25 QUALIFIED I/W DATA: 162N0001-119, -112, -106, -99, -45 WITH FORWARD AND AFT TOW FITTING AND QUICK RELEASE TORSION LINK I/W 162N0001-118, -111, -105, -101, -49 WITH FORWARD TOW FITTING AND WITHOUT QUICK RELEASE TORSION LINK SUBJECT TO CUSTOMER APPROVAL 162N0001-118, -111, -105, -101 WITH FORWARD TOW FITTING AND WITHOUT QUICK RELEASE TORSION LINK MAY REPLACE BUT NOT BE REPLACED BY 162N0001-46, -42, -33 WITH FORWARD AND AFT TOW FITTING AND QUICK RELEASE TORSION LINK SUBJECT TO CUSTOMER APPROVAL 162N0001-118, -111, -105, -101, -49 T/W (1)BACB28AK06-045 AND (1)BACB30NR6DK21 WITH ONLY FORWARD TOW FITTING MAY REPLACE BUT NOT BE REPLACED BY 162N0001-22, -20 T/W (1)BACB28AK06-058 AND (1)BACB30NR6DK25	952999	RF

MISSING ITEM NUMBERS NOT APPLICABLE

- ITEM NOT ILLUSTRATED

**32-21-12-01B**

32-21-12  
 FIG. 01B  
 PAGE 5  
 JAN 20/09

BRI



757

PARTS CATALOG (MAINTENANCE)

FIG ITEM	PART NUMBER	1 2 3 4 5 6 7	NOMENCLATURE	EFFECT FROM TO	UNITS PER ASSY
1B - 1	162N0001-105		GEAR ASSY-NLG (NOSE GEAR TRUNNION PIN ONLY) POSITION DATA: SECT. 62 COMPONENT MAINT MANUAL REF: 32-21-25 QUALIFIED I/W DATA: 162N0001-122, -115, -109, -103, -98 REQUIRES THE 727 TOW BAR I/W 162N0001-118, -111, -105, -101, -49 REQUIRES THE 757 TOW BAR SUBJECT TO CUSTOMER APPROVAL 162N0001-118, -11, -105, -101, -49 WITHOUT QUICK RELEASE TORSION LINKS I/W 162N0001-121, -114, -108, -102, -97 WITH QUICK RELEASE TORSION LINKS SUBJECT TO CUSTOMER APPROVAL	952999	RF
- 1	162N0001-111		GEAR ASSY-NLG (NOSE GEAR TRUNNION PIN ONLY) POSITION DATA: SECT. 62 MISCELLANEOUS DATA: 162N0001-111 INCLUDES ONE TOW FITTING AND NO QUICK DISCONNECT OPTION COMPONENT MAINT MANUAL REF: 32-21-25 QUALIFIED I/W DATA: 162N0001-402, NOSE GEAR ASSEMBLY T/W 162N0001-4001, TOW OPTION INSTALLATION I/W P/N 162N0001-111, NOSE GEAR ASSEMBLY 162N0001-118, -111, -105, -101, -49 WITH ONLY FORWARD TOW FITTING I/W 162N0001-120, -113, -107, -100, -47 WITH FORWARD AND AFT TOW FITTINGS WITH CUSTOMER APPROVAL FOR NHA/OTHER SYS DET SEE: 32-21-00-01B	952999	RF

MISSING ITEM NUMBERS NOT APPLICABLE

- ITEM NOT ILLUSTRATED

**32-21-12-01B**

32-21-12  
FIG. 01B  
PAGE 6  
JAN 20/09

BRI



757

PARTS CATALOG (MAINTENANCE)

FIG ITEM	PART NUMBER	1 2 3 4 5 6 7	NOMENCLATURE	EFFECT FROM TO	UNITS PER ASSY
1B - 1	162N0001-111		GEAR ASSY-NLG (NOSE GEAR TRUNNION PIN ONLY) POSITION DATA: SECT. 62 COMPONENT MAINT MANUAL REF: 32-21-25 QUALIFIED I/W DATA: 162N0001-118, -111, -105, -101, -49 WITH ONLY FORWARD TOW FITTING MAY REPLACE BUT NOT BE REPLACED BY 162N0001-41, -38, -32, -31, -26, -24, -23, -21, -19, -18, -14, -6 WITH FORWARD AND AFT TOW FITTING SUBJECT TO CUSTOMER APPROVAL	952999	RF
- 2	162N0001-111		GEAR ASSY-NLG (NOSE GEAR TRUNNION PIN ONLY) POSITION DATA: SECT. 62 COMPONENT MAINT MANUAL REF: 32-21-25 QUALIFIED I/W DATA: 162N0001-119, -112, -106, -99, -45 WITH FORWARD AND AFT TOW FITTING AND QUICK RELEASE TORSION LINK I/W 162N0001-118, -111, -105, -101, -49 WITH FORWARD TOW FITTING AND WITHOUT QUICK RELEASE TORSION LINK SUBJECT TO CUSTOMER APPROVAL 162N0001-118, -111, -105, -101, -49 T/W (1)BACB28AK06-045 AND (1)BACB30NR6DK21 WITH ONLY FORWARD TOW FITTING MAY REPLACE BUT NOT BE REPLACED BY 162N0001-22, -20 T/W (1)BACB28AK06-058 AND (1)BACB30NR6DK25	952999	RF

MISSING ITEM NUMBERS NOT APPLICABLE

- ITEM NOT ILLUSTRATED

32-21-12-01B

32-21-12  
FIG. 01B  
PAGE 7  
JAN 20/09

BRI





757

PARTS CATALOG (MAINTENANCE)

FIG ITEM	PART NUMBER	1 2 3 4 5 6 7	NOMENCLATURE	EFFECT FROM TO	UNITS PER ASSY
1B - 2	162N0001-111		GEAR ASSY-NLG (NOSE GEAR TRUNNION PIN ONLY) POSITION DATA: SECT. 62 COMPONENT MAINT MANUAL REF: 32-21-25 QUALIFIED I/W DATA: 162N0001-122, -115, -109, -103, -98 REQUIRES THE 727 TOW BAR I/W 162N0001-118, -111, -105, -101, -49 REQUIRES THE 757 TOW BAR SUBJECT TO CUSTOMER APPROVAL 162N0001-118, -111, -105, -101, -49 WITHOUT QUICK RELEASE TORSION LINKS I/W 162N0001-121, -114, -108, -102, -97 WITH QUICK RELEASE TORSION LINKS SUBJECT TO CUSTOMER APPROVAL	952999	RF
- 2	162N0001-118		GEAR ASSY-NLG (NOSE GEAR TRUNNION PIN ONLY) POSITION DATA: SECT. 62 COMPONENT MAINT MANUAL REF: 32-21-25 QUALIFIED I/W DATA: 162N0001-118, -111, -105, -101, -49 WITH ONLY FORWARD TOW FITTING I/W 162N0001-120, -113, -107, -100, -47 WITH FORWARD AND AFT TOW FITTINGS WITH CUSTOMER APPROVAL FOR NHA/OTHER SYS DET SEE: 32-21-00-01B	952999	RF

MISSING ITEM NUMBERS NOT APPLICABLE

- ITEM NOT ILLUSTRATED

BRI

**32-21-12-01B**

BOEING PROPRIETARY - Copyright © - Unpublished Work - See title page for details.

32-21-12  
FIG. 01B  
PAGE 8  
JAN 20/09



757

PARTS CATALOG (MAINTENANCE)

FIG ITEM	PART NUMBER	1 2 3 4 5 6 7 NOMENCLATURE	EFFECT FROM TO	UNITS PER ASSY
1B - 2	162N0001-118	GEAR ASSY-NLG (NOSE GEAR TRUNNION PIN ONLY) POSITION DATA: SECT. 62 COMPONENT MAINT MANUAL REF: 32-21-25 QUALIFIED I/W DATA: 162N0001-118, -111, -105, -101, -49 WITH ONLY FORWARD TOW FITTING MAY REPLACE BUT NOT BE REPLACED BY 162N0001-41, -38, -32, -31, -26, -24, -23, -21, -19, -18, -14, -6 WITH FORWARD AND AFT TOW FITTING SUBJECT TO CUSTOMER APPROVAL	952999	RF

MISSING ITEM NUMBERS NOT APPLICABLE

- ITEM NOT ILLUSTRATED

BRI

**32-21-12-01B**

BOEING PROPRIETARY - Copyright © - Unpublished Work - See title page for details.

32-21-12  
 FIG. 01B  
 PAGE 9  
 JAN 20/09



757

PARTS CATALOG (MAINTENANCE)

FIG ITEM	PART NUMBER	1 2 3 4 5 6 7 NOMENCLATURE	EFFECT FROM TO	UNITS PER ASSY
1B - 2	162N0001-118	GEAR ASSY-NLG (NOSE GEAR TRUNNION PIN ONLY) POSITION DATA: SECT. 62 COMPONENT MAINT MANUAL REF: 32-21-25 QUALIFIED I/W DATA: 162N0001-119, -112, -106, -99, -45 WITH FORWARD AND AFT TOW FITTING AND QUICK RELEASE TORSION LINK I/W 162N0001-118, -111, -105, -101, -49 WITH FORWARD TOW FITTING AND WITHOUT QUICK RELEASE TORSION LINK SUBJECT TO CUSTOMER APPROVAL 162N0001-118, -111, -105, -101 WITH FORWARD TOW FITTING AND WITHOUT QUICK RELEASE TORSION LINK MAY REPLACE BUT NOT BE REPLACED BY 162N0001-46, -42, -33 WITH FORWARD AND AFT TOW FITTING AND QUICK RELEASE TORSION LINK SUBJECT TO CUSTOMER APPPROVAL 162N0001-118, -111, -105, -101, -49 T/W (1)BACB28AK06-045 AND (1)BACB30NR6DK21 WITH ONLY FORWARD TOW FITTING MAY REPLACE BUT NOT BE REPLACED BY 162N0001-22, -20 T/W (1)BACB28AK06-058 AND (1)BACB30NR6DK25	952999	RF

MISSING ITEM NUMBERS NOT APPLICABLE

- ITEM NOT ILLUSTRATED

**32-21-12-01B**

32-21-12  
 FIG. 01B  
 PAGE 10  
 JAN 20/09

BRI



757

PARTS CATALOG (MAINTENANCE)

FIG ITEM	PART NUMBER	1 2 3 4 5 6 7	NOMENCLATURE	EFFECT FROM TO	UNITS PER ASSY
1B - 2	162N0001-118		GEAR ASSY-NLG (NOSE GEAR TRUNNION PIN ONLY) POSITION DATA: SECT. 62 COMPONENT MAINT MANUAL REF: 32-21-25 QUALIFIED I/W DATA: 162N0001-122, -115, -109, -103, -98 REQUIRES THE 727 TOW BAR I/W 162N0001-118, -111, -105, -101, -49 REQUIRES THE 757 TOW BAR SUBJECT TO CUSTOMER APPROVAL 162N0001-118, -11, -105, -101, -49 WITHOUT QUICK RELEASE TORSION LINKS I/W 162N0001-121, -114, -108, -102, -97 WITH QUICK RELEASE TORSION LINKS SUBJECT TO CUSTOMER APPROVAL	952999	RF
- 2	162N0001-49		GEAR ASSY-NLG (NOSE GEAR TRUNNION PIN ONLY) POSITION DATA: SECT. 62 COMPONENT MAINT MANUAL REF: 32-21-25 QUALIFIED I/W DATA: (-98); 162N0001-98 MAY REPLACE -49 FOR AMERICAN AIRLINES ONLY. 162N0001-119, -112, -106, -99, -45 WITH FORWARD AND AFT TOW FITTING AND QUICK RELEASE TORSION LINK I/W 162N0001-118, -111, -105, -101, -49 WITH FORWARD TOW FITTING AND WITHOUT QUICK RELEASE TORSION LINK SUBJECT TO CUSTOMER APPROVAL FOR NHA/OTHER SYS DET SEE: 32-21-00-01B	952999	RF

MISSING ITEM NUMBERS NOT APPLICABLE

- ITEM NOT ILLUSTRATED

BRI

32-21-12-01B

BOEING PROPRIETARY - Copyright © - Unpublished Work - See title page for details.

32-21-12  
FIG. 01B  
PAGE 11  
JAN 20/09



757

PARTS CATALOG (MAINTENANCE)

FIG ITEM	PART NUMBER	1 2 3 4 5 6 7	NOMENCLATURE	EFFECT FROM TO	UNITS PER ASSY
1B - 2	162N0001-49		GEAR ASSY-NLG (NOSE GEAR TRUNNION PIN ONLY) POSITION DATA: SECT. 62 COMPONENT MAINT MANUAL REF: 32-21-25 QUALIFIED I/W DATA: 162N0001-118, -111, -105, -101, -49 WITH ONLY FORWARD TOW FITTING MAY REPLACE BUT NOT BE REPLACED BY 162N0001-41, -38, -32, -31, -26, -24, -23, -21, -19, -18, -14, -6 WITH FORWARD AND AFT TOW FITTING SUBJECT TO CUSTOMER APPROVAL	952999	RF

MISSING ITEM NUMBERS NOT APPLICABLE

- ITEM NOT ILLUSTRATED

BRI

32-21-12-01B

BOEING PROPRIETARY - Copyright © - Unpublished Work - See title page for details.

32-21-12  
FIG. 01B  
PAGE 12  
JAN 20/09



757

PARTS CATALOG (MAINTENANCE)

FIG ITEM	PART NUMBER	1 2 3 4 5 6 7	NOMENCLATURE	EFFECT FROM TO	UNITS PER ASSY
1B - 2	162N0001-49		GEAR ASSY-NLG (NOSE GEAR TRUNNION PIN ONLY) POSITION DATA: SECT. 62 COMPONENT MAINT MANUAL REF: 32-21-25 QUALIFIED I/W DATA: 162N0001-118, -111, -105, -101 WITH FORWARD TOW FITTING AND WITHOUT QUICK RELEASE TORSION LINK MAY REPLACE BUT NOT BE REPLACED BY 162N0001-46, -42, -33 WITH FORWARD AND AFT TOW FITTING AND QUICK RELEASE TORSION LINK SUBJECT TO CUSTOMER APPROVAL 162N0001-122, -115, -109, -103, -98 REQUIRES THE 727 TOW BAR I/W 162N0001-118, -111, -105, -101, -49 REQUIRES THE 757 TOW BAR SUBJECT TO CUSTOMER APPROVAL 162N0001-118, -11, -105, -101, -49 WITHOUT QUICK RELEASE TORSION LINKS I/W 162N0001-121, -114, -108, -102, -97 WITH QUICK RELEASE TORSION LINKS SUBJECT TO CUSTOMER APPROVAL 162N0001-118, -111, -105, -101, -49 T/W (1)BACB28AK06-045 AND (1)BACB30NR6DK21 WITH ONLY FORWARD TOW FITTING MAY REPLACE BUT NOT BE REPLACED BY 162N0001-22, -20 T/W (1)BACB28AK06-058 AND (1)BACB30NR6DK25	952999	RF

MISSING ITEM NUMBERS NOT APPLICABLE

- ITEM NOT ILLUSTRATED

32-21-12-01B

32-21-12  
 FIG. 01B  
 PAGE 13  
 JAN 20/09

BRI



**757  
PARTS CATALOG (MAINTENANCE)**

FIG ITEM	PART NUMBER	1 2 3 4 5 6 7	NOMENCLATURE	EFFECT FROM TO	UNITS PER ASSY
1B - 2	162N0001-49		GEAR ASSY-NLG (NOSE GEAR TRUNNION PIN ONLY) POSITION DATA: SECT. 62 COMPONENT MAINT MANUAL REF: 32-21-25 QUALIFIED I/W DATA: 162N0001-118, -111, -105, -101, -49 WITH ONLY FORWARD TOW FITTING I/W 162N0001-120, -113, -107, -100, -47 WITH FORWARD AND AFT TOW FITTINGS WITH CUSTOMER APPROVAL	952999	RF
20	BACB30LJ4-8	.BOLT-		952999	4
25	NAS1149C0432R	.WASHER-		952999	4
30	BRH10C4D	.NUT-		952999	4
			SUPPLIER CODE: V52828 SPECIFICATION NUMBER: BACN10JC4CD OPTIONAL PART: T6C428JCD V11815 NS202486-048 V80539 102LH9075-4W V72962 H51650-4BAC V15653		
35	162N1186-1	.NUT-TRUNNION PIN		952999	2
40	162N3115-5	.WASHER-		952999	2
45	BACB30LM3H1	.BOLT-		952999	2
50	162N1213-1	.PLUG-		952999	1
55	162N1185-1	.PIN-TRUNNION		952999	2
55	162N1185-2	.PIN-TRUNNION		952999	2
			OPTIONAL PART: 162N1185-5		
55	162N1185-5	.PIN-TRUNNION		952999	2
			OPTIONAL PART: 162N1185-2		

MISSING ITEM NUMBERS NOT APPLICABLE

- ITEM NOT ILLUSTRATED

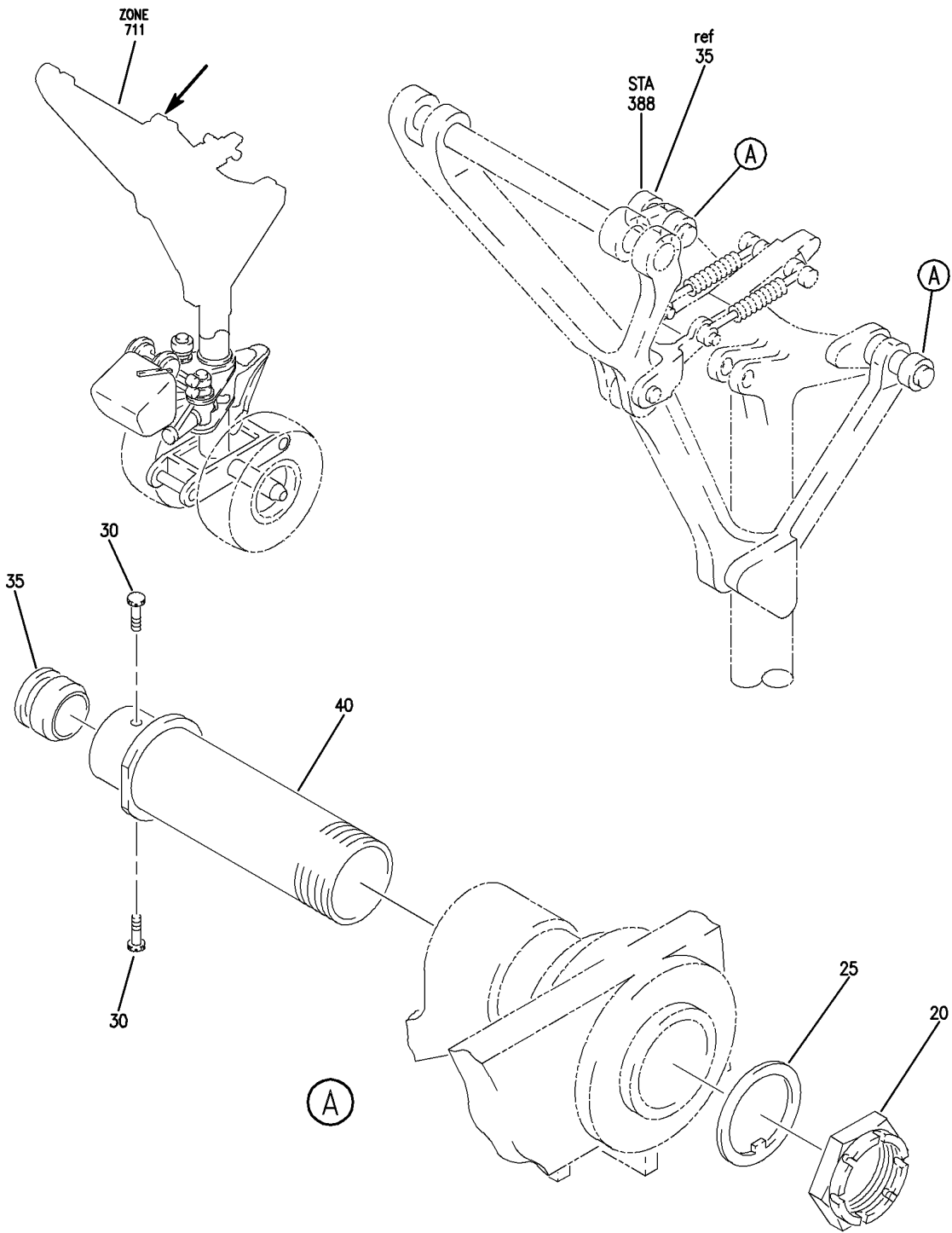
BRI

# 32-21-12-01B

BOEING PROPRIETARY - Copyright © - Unpublished Work - See title page for details.

32-21-12  
FIG. 01B  
PAGE 14  
JAN 20/09

**BOEING**  
757  
PARTS CATALOG (MAINTENANCE)



GEAR ASSY-SECT. 62 NLG (NOSE GEAR TRUNNION PIN ONLY)  
FIGURE 1C

**32-21-12-01C**

BRI  
MAY 28/07

32-21-12-01C  
PAGE 0





757

PARTS CATALOG (MAINTENANCE)

FIG ITEM	PART NUMBER	1 2 3 4 5 6 7	NOMENCLATURE	EFFECT FROM TO	UNITS PER ASSY
1 C			GEAR ASSY-SECT. 62 NLG (NOSE GEAR TRUNNION PIN ONLY)	002004 006100 107107 121503 904949	
- 1	162N0001-6		GEAR ASSY-NLG (NOSE GEAR TRUNNION PIN ONLY) POSITION DATA: SECT. 62 COMPONENT MAINT MANUAL REF: 32-21-25 QUALIFIED I/W DATA: 162N0001-41, -38, -32, -31, -26, -24, -23, -21, -19, -18, -14, -6 T/W (1)BACB28AK06-045 AND (1)BACB30NR6DK21 I/W 162N0001-22, -20 I/W (1)BACB28AK06-058 AND (1)BACB30NR6DK25 OPTIONAL PART: 162N0001-18 FOR NHA/OTHER SYS DET SEE: 32-21-00-01B	002004 006100 107107 121503 904949	RF

MISSING ITEM NUMBERS NOT APPLICABLE

- ITEM NOT ILLUSTRATED

BRI

32-21-12-01C

BOEING PROPRIETARY - Copyright © - Unpublished Work - See title page for details.

32-21-12  
FIG. 01C  
PAGE 1  
JAN 20/09



757

PARTS CATALOG (MAINTENANCE)

FIG ITEM	PART NUMBER	1 2 3 4 5 6 7	NOMENCLATURE	EFFECT FROM TO	UNITS PER ASSY
1C - 1	162N0001-6		GEAR ASSY-NLG (NOSE GEAR TRUNNION PIN ONLY) POSITION DATA: SECT. 62 COMPONENT MAINT MANUAL REF: 32-21-25 QUALIFIED I/W DATA: 12N0001-119, -112, -106, -99, -45 WITH QUICK RELEASE TORSION LINKS MAY REPLACE BUT NOT BE REPLACED BY 162N0001-41, -38, -32, -31, -26, -24, -23, -21, -19, -18, -14, -6 WITHOUT QUICK RELEASE TORSION LINKS SUBJECT TO CUSTOMER APPROVAL 162N0001-122, -115, -109, -103, -98 REQUIRES THE 727 TOW BAR MAY REPLACE BUT NOT BE REPLACED BY 162N0001-41, -38, -32, -31, -26, -24, -23, -21, -19, -18, -14, -6 REQUIRES 757 TOW BAR SUBJECT TO CUSTOMER APPROVAL	002004 006100 107107 121503 904949	RF

MISSING ITEM NUMBERS NOT APPLICABLE

- ITEM NOT ILLUSTRATED

BRI

32-21-12-01C

BOEING PROPRIETARY - Copyright © - Unpublished Work - See title page for details.

32-21-12  
FIG. 01C  
PAGE 2  
JAN 20/09



757

PARTS CATALOG (MAINTENANCE)

FIG ITEM	PART NUMBER	1 2 3 4 5 6 7 NOMENCLATURE	EFFECT FROM TO	UNITS PER ASSY
1C - 1	162N0001-6	GEAR ASSY-NLG (NOSE GEAR TRUNNION PIN ONLY) COMPONENT MAINT MANUAL REF: 32-21-25 QUALIFIED I/W DATA: 162N0001-41, -38, -32, -31, -26, -24, -23, -21, -19, -18, -14, -6 WITHOUT QUICK RELEASE TORSION LINKS I/W 162N0001-46, -42, -33 WITH QUICK RELEASE TORSION LINKS SUBJECT TO CUSTOMER APPROVAL 162N0001-118, -111, -105, -101, -49 WITH ONLY FORWARD TOW FITTING MAY REPLACE BUT NOT BE REPLACED BY 162N001-41, -38, -32, -31, -26, -24, -23, -21, -19, -18, -14, -6 WITH FORWARD AND AFT TOW FITTING SUBJECT TO CUSTOMER APPROVAL	002004 006100 107107 121503 904949	RF

MISSING ITEM NUMBERS NOT APPLICABLE

- ITEM NOT ILLUSTRATED

BRI

32-21-12-01C

BOEING PROPRIETARY - Copyright © - Unpublished Work - See title page for details.

32-21-12  
FIG. 01C  
PAGE 3  
JAN 20/09



757

PARTS CATALOG (MAINTENANCE)

FIG ITEM	PART NUMBER	1 2 3 4 5 6 7	NOMENCLATURE	EFFECT FROM TO	UNITS PER ASSY
1C - 1	162N0001-6		GEAR ASSY-NLG (NOSE GEAR TRUNNION PIN ONLY) COMPONENT MAINT MANUAL REF: 32-21-25 QUALIFIED I/W DATA: 162N0001-121, -114, -108, -102, -97 WITH QUICK RELEASE TORSION LINKS AND ONLY FORWARD TOW FITTING MAY REPLACE BUT NOT BE REPLACED BY 162N0001-41, -38, -32, -31, -26, -24, -23, -21, -19, -18, -14, -6 WITH FORWARD AND AFT TOW FITTING AND WITHOUT QUICK RELEASE TORSION LINKS SUBJECT TO CUSTOMER APPROVAL 162N0001-119 WITH QUICK RELEASE TORSION LINKS MAY REPLACE BUT NOT BE REPLACED BY 162N0001-41, -38, -32, -31, -26, -24, -23, -21, -19, -18, -14, -6 WITH CUSTOMER APPROVAL	002004 006100 107107 121503 904949	RF
- 1	162N0001-14		GEAR ASSY-NLG (NOSE GEAR TRUNNION PIN ONLY) POSITION DATA: SECT. 62 COMPONENT MAINT MANUAL REF: 32-21-25 QUALIFIED I/W DATA: 162N0001-41, -38, -32, -31, -26, -24, -23, -21, -19, -18, -14, -6 T/W (1)BACB28AK06-045 AND (1)BACB30NR6DK21 I/W 162N0001-22, -20 I/W (1)BACB28AK06-058 AND (1)BACB30NR6DK25 FOR NHA/OTHER SYS DET SEE: 32-21-00-01B	002004 006100 107107 121503 904949	RF

MISSING ITEM NUMBERS NOT APPLICABLE

- ITEM NOT ILLUSTRATED

BRI

32-21-12-01C

BOEING PROPRIETARY - Copyright © - Unpublished Work - See title page for details.

32-21-12  
FIG. 01C  
PAGE 4  
JAN 20/09



757

PARTS CATALOG (MAINTENANCE)

FIG ITEM	PART NUMBER	1 2 3 4 5 6 7	NOMENCLATURE	EFFECT FROM TO	UNITS PER ASSY
1C - 1	162N0001-14		GEAR ASSY-NLG (NOSE GEAR TRUNNION PIN ONLY) COMPONENT MAINT MANUAL REF: 32-21-25 QUALIFIED I/W DATA: 12N0001-119, -112, -106, -99, -45 WITH QUICK RELEASE TORSION LINKS MAY REPLACE BUT NOT BE REPLACED BY 162N0001-41, -38, -32, -31, -26, -24, -23, -21, -19, -18, -14, -6 WITHOUT QUICK RELEASE TORSION LINKS SUBJECT TO CUSTOMER APPROVAL 162N0001-122, -115, -109, -103, -98 REQUIRES THE 727 TOW BAR MAY REPLACE BUT NOT BE REPLACED BY 162N0001-41, -38, -32, -31, -26, -24, -23, -21, -19, -18, -14, -6 REQUIRES 757 TOW BAR SUBJECT TO CUSTOMER APPROVAL	002004 006100 107107 121503 904949	RF

MISSING ITEM NUMBERS NOT APPLICABLE

- ITEM NOT ILLUSTRATED

BRI

32-21-12-01C

BOEING PROPRIETARY - Copyright © - Unpublished Work - See title page for details.

32-21-12  
FIG. 01C  
PAGE 5  
JAN 20/09



757

PARTS CATALOG (MAINTENANCE)

FIG ITEM	PART NUMBER	1 2 3 4 5 6 7	NOMENCLATURE	EFFECT FROM TO	UNITS PER ASSY
1C - 1	162N0001-14		GEAR ASSY-NLG (NOSE GEAR TRUNNION PIN ONLY) COMPONENT MAINT MANUAL REF: 32-21-25 QUALIFIED I/W DATA: 162N0001-41, -38, -32, -31, -26, -24, -23, -21, -19, -18, -14, -6 WITHOUT QUICK RELEASE TORSION LINKS I/W 162N0001-46, -42, -33 WITH QUICK RELEASE TORSION LINKS SUBJECT TO CUSTOMER APPROVAL 162N0001-118, -111, -105, -101, -49 WITH ONLY FORWARD TOW FITTING MAY REPLACE BUT NOT BE REPLACED BY 162N001-41, -38, -32, -31, -26, -24, -23, -21, -19, -18, -14, -6 WITH FORWARD AND AFT TOW FITTING SUBJECT TO CUSTOMER APPROVAL 162N0001-119 WITH QUICK RELEASE TORSION LINKS MAY REPLACE BUT NOT BE REPLACED BY 162N0001-41, -38, -32, -31, -26, -24, -23, -21, -19, -18, -14, -6 WITH CUSTOMER APPROVAL	002004 006100 107107 121503 904949	RF

MISSING ITEM NUMBERS NOT APPLICABLE

- ITEM NOT ILLUSTRATED

BRI

32-21-12-01C

BOEING PROPRIETARY - Copyright © - Unpublished Work - See title page for details.

32-21-12  
 FIG. 01C  
 PAGE 6  
 JAN 20/09



757

PARTS CATALOG (MAINTENANCE)

FIG ITEM	PART NUMBER	1 2 3 4 5 6 7	NOMENCLATURE	EFFECT FROM TO	UNITS PER ASSY
1C - 1	162N0001-14		GEAR ASSY-NLG (NOSE GEAR TRUNNION PIN ONLY) COMPONENT MAINT MANUAL REF: 32-21-25 QUALIFIED I/W DATA: 162N0001-121, -114, -108, -102, -97 WITH QUICK RELEASE TORSION LINKS AND ONLY FORWARD TOW FITTING MAY REPLACE BUT NOT BE REPLACED BY 162N0001-41, -38, -32, -31, -26, -24, -23, -21, -19, -18, -14, -6 WITH FORWARD AND AFT TOW FITTING AND WITHOUT QUICK RELEASE TORSION LINKS SUBJECT TO CUSTOMER APPROVAL	002004 006100 107107 121503 904949	RF
- 1	162N0001-18		GEAR ASSY-NLG (NOSE GEAR TRUNNION PIN ONLY) POSITION DATA: SECT. 62 COMPONENT MAINT MANUAL REF: 32-21-25 QUALIFIED I/W DATA: 162N0001-41, -38, -32, -31, -26, -24, -23, -21, -19, -18, -14, -6 T/W (1)BACB28AK06-045 AND (1)BACB30NR6DK21 I/W 162N0001-22, -20 I/W (1)BACB28AK06-058 AND (1)BACB30NR6DK25 FOR NHA/OTHER SYS DET SEE: 32-21-00-01B	002004 006100 107107 121503 904949	RF

MISSING ITEM NUMBERS NOT APPLICABLE

- ITEM NOT ILLUSTRATED

BRI

32-21-12-01C

BOEING PROPRIETARY - Copyright © - Unpublished Work - See title page for details.

32-21-12  
FIG. 01C  
PAGE 7  
JAN 20/09



757

PARTS CATALOG (MAINTENANCE)

FIG ITEM	PART NUMBER	1 2 3 4 5 6 7	NOMENCLATURE	EFFECT FROM TO	UNITS PER ASSY
1C - 1	162N0001-18		GEAR ASSY-NLG (NOSE GEAR TRUNNION PIN ONLY) COMPONENT MAINT MANUAL REF: 32-21-25 QUALIFIED I/W DATA: 12N0001-119, -112, -106, -99, -45 WITH QUICK RELEASE TORSION LINKS MAY REPLACE BUT NOT BE REPLACED BY 162N0001-41, -38, -32, -31, -26, -24, -23, -21, -19, -18, -14, -6 WITHOUT QUICK RELEASE TORSION LINKS SUBJECT TO CUSTOMER APPROVAL 162N0001-122, -115, -109, -103, -98 REQUIRES THE 727 TOW BAR MAY REPLACE BUT NOT BE REPLACED BY 162N0001-41, -38, -32, -31, -26, -24, -23, -21, -19, -18, -14, -6 REQUIRES 757 TOW BAR SUBJECT TO CUSTOMER APPROVAL	002004 006100 107107 121503 904949	RF

MISSING ITEM NUMBERS NOT APPLICABLE

- ITEM NOT ILLUSTRATED

BRI

32-21-12-01C

BOEING PROPRIETARY - Copyright © - Unpublished Work - See title page for details.

32-21-12  
 FIG. 01C  
 PAGE 8  
 JAN 20/09





757

PARTS CATALOG (MAINTENANCE)

FIG ITEM	PART NUMBER	1 2 3 4 5 6 7 NOMENCLATURE	EFFECT FROM TO	UNITS PER ASSY
1C - 1	162N0001-18	GEAR ASSY-NLG (NOSE GEAR TRUNNION PIN ONLY) COMPONENT MAINT MANUAL REF: 32-21-25 QUALIFIED I/W DATA: 162N0001-41, -38, -32, -31, -26, -24, -23, -21, -19, -18, -14, -6 WITHOUT QUICK RELEASE TORSION LINKS I/W 162N0001-46, -42, -33 WITH QUICK RELEASE TORSION LINKS SUBJECT TO CUSTOMER APPROVAL 162N0001-118, -111, -105, -101, -49 WITH ONLY FORWARD TOW FITTING MAY REPLACE BUT NOT BE REPLACED BY 162N001-41, -38, -32, -31, -26, -24, -23, -21, -19, -18, -14, -6 WITH FORWARD AND AFT TOW FITTING SUBJECT TO CUSTOMER APPROVAL 162N0001-119 WITH QUICK RELEASE TORSION LINKS MAY REPLACE BUT NOT BE REPLACED BY 162N0001-41, -38, -32, -31, -26, -24, -23, -21, -19, -18, -14, -6 WITH CUSTOMER APPROVAL	002004 006100 107107 121503 904949	RF

MISSING ITEM NUMBERS NOT APPLICABLE

- ITEM NOT ILLUSTRATED

BRI

**32-21-12-01C**

BOEING PROPRIETARY - Copyright © - Unpublished Work - See title page for details.

32-21-12  
 FIG. 01C  
 PAGE 9  
 JAN 20/09



757

PARTS CATALOG (MAINTENANCE)

FIG ITEM	PART NUMBER	1 2 3 4 5 6 7	NOMENCLATURE	EFFECT FROM TO	UNITS PER ASSY
1C - 1	162N0001-18		GEAR ASSY-NLG (NOSE GEAR TRUNNION PIN ONLY) COMPONENT MAINT MANUAL REF: 32-21-25 QUALIFIED I/W DATA: 162N0001-121, -114, -108, -102, -97 WITH QUICK RELEASE TORSION LINKS AND ONLY FORWARD TOW FITTING MAY REPLACE BUT NOT BE REPLACED BY 162N0001-41, -38, -32, -31, -26, -24, -23, -21, -19, -18, -14, -6 WITH FORWARD AND AFT TOW FITTING AND WITHOUT QUICK RELEASE TORSION LINKS SUBJECT TO CUSTOMER APPROVAL	002004 006100 107107 121503 904949	RF
- 2	162N0001-19		GEAR ASSY-NLG (NOSE GEAR TRUNNION PIN ONLY) POSITION DATA: SECT. 62 COMPONENT MAINT MANUAL REF: 32-21-25 QUALIFIED I/W DATA: 162N0001-41, -38, -32, -31, -26, -24, -23, -21, -19, -18, -14, -6 T/W (1)BACB28AK06-045 AND (1)BACB30NR6DK21 I/W 162N0001-22, -20 I/W (1)BACB28AK06-058 AND (1)BACB30NR6DK25 FOR NHA/OTHER SYS DET SEE: 32-21-00-01B	002004 006100 107107 121503 904949	RF

MISSING ITEM NUMBERS NOT APPLICABLE

- ITEM NOT ILLUSTRATED

BRI

32-21-12-01C

BOEING PROPRIETARY - Copyright © - Unpublished Work - See title page for details.

32-21-12  
FIG. 01C  
PAGE 10  
JAN 20/09



757

PARTS CATALOG (MAINTENANCE)

FIG ITEM	PART NUMBER	1 2 3 4 5 6 7	NOMENCLATURE	EFFECT FROM TO	UNITS PER ASSY
1C - 2	162N0001-19		GEAR ASSY-NLG (NOSE GEAR TRUNNION PIN ONLY) COMPONENT MAINT MANUAL REF: 32-21-25 QUALIFIED I/W DATA: 12N0001-119, -112, -106, -99, -45 WITH QUICK RELEASE TORSION LINKS MAY REPLACE BUT NOT BE REPLACED BY 162N0001-41, -38, -32, -31, -26, -24, -23, -21, -19, -18, -14, -6 WITHOUT QUICK RELEASE TORSION LINKS SUBJECT TO CUSTOMER APPROVAL 162N0001-122, -115, -109, -103, -98 REQUIRES THE 727 TOW BAR MAY REPLACE BUT NOT BE REPLACED BY 162N0001-41, -38, -32, -31, -26, -24, -23, -21, -19, -18, -14, -6 REQUIRES 757 TOW BAR SUBJECT TO CUSTOMER APPROVAL	002004 006100 107107 121503 904949	RF
- 2	162N0001-19		GEAR ASSY-NLG (NOSE GEAR TRUNNION PIN ONLY) COMPONENT MAINT MANUAL REF: 32-21-25 QUALIFIED I/W DATA: 162N0001-41, -38, -32, -31, -26, -24, -23, -21, -19, -18, -14, -6 WITHOUT QUICK RELEASE TORSION LINKS I/W 162N0001-46, -42, -33 WITH QUICK RELEASE TORSION LINKS SUBJECT TO CUSTOMER APPROVAL 162N0001-118, -111, -105, -101, -49 WITH ONLY FORWARD TOW FITTING MAY REPLACE BUT NOT BE REPLACED BY 162N001-41, -38, -32, -31, -26, -24, -23, -21, -19, -18, -14, -6 WITH FORWARD AND AFT TOW FITTING SUBJECT TO CUSTOMER APPROVAL	002004 006100 107107 121503 904949	RF

MISSING ITEM NUMBERS NOT APPLICABLE

- ITEM NOT ILLUSTRATED

32-21-12-01C

32-21-12  
FIG. 01C  
PAGE 11  
JAN 20/09

BRI



757

PARTS CATALOG (MAINTENANCE)

FIG ITEM	PART NUMBER	1 2 3 4 5 6 7	NOMENCLATURE	EFFECT FROM TO	UNITS PER ASSY
1C - 2	162N0001-19		GEAR ASSY-NLG (NOSE GEAR TRUNNION PIN ONLY) COMPONENT MAINT MANUAL REF: 32-21-25 QUALIFIED I/W DATA: 162N0001-121, -114, -108, -102, -97 WITH QUICK RELEASE TORSION LINKS AND ONLY FORWARD TOW FITTING MAY REPLACE BUT NOT BE REPLACED BY 162N0001-41, -38, -32, -31, -26, -24, -23, -21, -19, -18, -14, -6 WITH FORWARD AND AFT TOW FITTING AND WITHOUT QUICK RELEASE TORSION LINKS SUBJECT TO CUSTOMER APPROVAL	002004 006100 107107 121503 904949	RF
- 2	162N0001-20		GEAR ASSY-NLG (NOSE GEAR TRUNNION PIN ONLY) POSITION DATA: SECT. 62 COMPONENT MAINT MANUAL REF: 32-21-25 QUALIFIED I/W DATA: 162N0001-46, -42, -33 T/W (1)BACB28AK06-045 AND (1)BACB30NR6DK21 WITH QUICK RELEASE TORSION LINK I/W 162N0001-21, -20 T/W (1)BACB28AK06-058 AND (1)BACB30NR6DK25 WITHOUT QUICK RELEASE TORSION LINK SUBJECT TO CUSTOMER APPROVAL FOR NHA/OTHER SYS DET SEE: 32-21-00-01B	002004 006100 107107 121503 904949	RF

MISSING ITEM NUMBERS NOT APPLICABLE

- ITEM NOT ILLUSTRATED

32-21-12-01C

32-21-12  
FIG. 01C  
PAGE 12  
JAN 20/09

BRI



757

PARTS CATALOG (MAINTENANCE)

FIG ITEM	PART NUMBER	1 2 3 4 5 6 7	NOMENCLATURE	EFFECT FROM TO	UNITS PER ASSY
1C - 2	162N0001-20		GEAR ASSY-NLG (NOSE GEAR TRUNNION PIN ONLY) COMPONENT MAINT MANUAL REF: 32-21-25 QUALIFIED I/W DATA: 162N0001-41, -38, -32, -31, -26, -24, -23, -21, -19, -18, -14, -6 T/W (1)BACB28AK06-045 AND (1)BACB30NR6DK21 I/W 162N0001-22, -20 I/W (1)BACB28AK06-058 AND (1)BACB30NR6DK25	002004 006100 107107 121503 904949	RF
- 2	162N0001-20		GEAR ASSY-NLG (NOSE GEAR TRUNNION PIN ONLY) COMPONENT MAINT MANUAL REF: 32-21-25 QUALIFIED I/W DATA: 162N0001-120, -113, -107, -100, -47 T/W (1)BACB28AK06-045 AND (1)BACB30NR6DK21 MAY REPLACE BUT NOT BE REPLACED BY 162N0001-20, -22 T/W (1)BACB28AK06-58 AND (1)BACB30NR6DK25 162N0001-119, -112, -106, -99, -45 T/W (1)BACB28AK06-045 AND (1)BACB30NR6DK21 WITH QUICK RELEASE TORSION LINK MAY REPLACE BUT NOT BE REPLACED BY 162N0001-22, -20 T/W (1)BACB28AK06-058 AND (1)BACB30NR6DK25 WITHOUT QUICK RELEASE TORISON LINK SUBJECT TO CUSTOMER APPROVAL	002004 006100 107107 121503 904949	RF

MISSING ITEM NUMBERS NOT APPLICABLE

- ITEM NOT ILLUSTRATED

32-21-12-01C

32-21-12  
FIG. 01C  
PAGE 13  
JAN 20/09

BRI



757

PARTS CATALOG (MAINTENANCE)

FIG ITEM	PART NUMBER	1 2 3 4 5 6 7	NOMENCLATURE	EFFECT FROM TO	UNITS PER ASSY
1C - 2	162N0001-20		GEAR ASSY-NLG (NOSE GEAR TRUNNION PIN ONLY) COMPONENT MAINT MANUAL REF: 32-21-25 QUALIFIED I/W DATA: 162N0001-122, -115, 109, -103, -98 T/W (1) BACB28AK06-045, (1) BACB30NR6DK REQUIRES THE 727 TOW BAR MAY REPLACE BUT NOT BE REPLACED BY 162N0001-22, -20 T/W (1) BACB28AK06-058 (1) BACB30NR6DK25 REQUIRES THE 757 TOW BAR SUBJECT TO CUSTOMER 162N0001-118, -111, -105, -101, -49 T/W (1)BACB28AK06-045 AND (1)BACB30NR6DK21 WITH ONLY FORWARD TOW FITTING MAY REPLACE BUT NOT BEREPLACED BY 162N0001-22, -20 T/W (1)BACB28AK06-058 AND (1)BACB30NR6DK25	002004 006100 107107 121503 904949	RF
- 2	162N0001-20		GEAR ASSY-NLG (NOSE GEAR TRUNNION PIN ONLY) COMPONENT MAINT MANUAL REF: 32-21-25 QUALIFIED I/W DATA: 162N0001-121, -114, -108, -102, -97 T/W (1)BACB28AK06-045, (1)BACB30NR6DK21 WITH QUICK RELEASE TORSION LINK AND FORWARD TOW FITTING ONLY MAY REPLACE BUT NOT BE REPLACED BY 162N0001-22, -20 T/W (1)BACB28AK06-058, (1)BACB30NR6DK25 WITHOUT QUICK RELEASE TORSION LINK AND WITH FORWARD AND AFT TOW FITTINGS SUBJECT TO CUSTOMER APPROVAL	002004 006100 107107 121503 904949	RF

MISSING ITEM NUMBERS NOT APPLICABLE

- ITEM NOT ILLUSTRATED

32-21-12-01C

32-21-12  
FIG. 01C  
PAGE 14  
JAN 20/09

BRI



757

PARTS CATALOG (MAINTENANCE)

FIG ITEM	PART NUMBER	1 2 3 4 5 6 7	NOMENCLATURE	EFFECT FROM TO	UNITS PER ASSY
1C - 3	162N0001-21		GEAR ASSY-NLG (NOSE GEAR TRUNNION PIN ONLY) POSITION DATA: SECT. 62 COMPONENT MAINT MANUAL REF: 32-21-25 QUALIFIED I/W DATA: 162N0001-41, -38, -32, -31, -26, -24, -23, -21, -19, -18, -14, -6 T/W (1)BACB28AK06-045 AND (1)BACB30NR6DK21 I/W 162N0001-22, -20 I/W (1)BACB28AK06-058 AND (1)BACB30NR6DK25 FOR NHA/OTHER SYS DET SEE: 32-21-00-01B	002004 006100 107107 121503 904949	RF
- 3	162N0001-21		GEAR ASSY-NLG (NOSE GEAR TRUNNION PIN ONLY) COMPONENT MAINT MANUAL REF: 32-21-25 QUALIFIED I/W DATA: 162N0001-119 WITH QUICK RELEASE TORSION LINKS MAY REPLACE BUT NOT BE REPLACED BY 162N0001-41, -38, -32, -31, -26, -24, -23, -21, -19, -18, -14, -6 WITH CUSTOMER APPROVAL 162N0001-122,-115,-109, -103,-98 REQUIRES THE 727 TOW BAR MAY REPLACE BUT NOT BE REPLACED BY 162N0001-41,-38,-32,-31, -26,-24,-23,-21,-19,-18, -14,-6 REQUIRES 757 TOW BAR SUBJECT TO CUSTOMER APPROVAL 12N0001-119, -112, -106, -99, -45 WITH QUICK RELEASE TORSION LINKS MAY REPLACE BUT NOT BE REPLACED BY 162N0001-41, -38, -32, -31, -26, -24, -23, -21, -19, -18, -14, -6 WITHOUT QUICK RELEASE TORSION LINKS SUBJECT TO CUSTOMER APPROVAL	002004 006100 107107 121503 904949	RF

MISSING ITEM NUMBERS NOT APPLICABLE

- ITEM NOT ILLUSTRATED

32-21-12-01C

32-21-12  
FIG. 01C  
PAGE 15  
JAN 20/09

BRI



757

PARTS CATALOG (MAINTENANCE)

FIG ITEM	PART NUMBER	1 2 3 4 5 6 7	NOMENCLATURE	EFFECT FROM TO	UNITS PER ASSY
1C - 3	162N0001-21		GEAR ASSY-NLG (NOSE GEAR TRUNNION PIN ONLY) COMPONENT MAINT MANUAL REF: 32-21-25 QUALIFIED I/W DATA: 162N0001-41, -38, -32, -31, -26, -24, -23, -21, -19, -18, -14, -6 WITHOUT QUICK RELEASE TORSION LINKS I/W 162N0001-46, -42, -33 WITH QUICK RELEASE TORSION LINKS SUBJECT TO CUSTOMER APPROVAL 162N0001-118, -111, -105, -101, -49 WITH ONLY FORWARD TOW FITTING MAY REPLACE BUT NOT BE REPLACED BY 162N001-41, -38, -32, -31, -26, -24, -23, -21, -19, -18, -14, -6 WITH FORWARD AND AFT TOW FITTING SUBJECT TO CUSTOMER APPROVAL	002004 006100 107107 121503 904949	RF
- 3	162N0001-21		GEAR ASSY-NLG (NOSE GEAR TRUNNION PIN ONLY) COMPONENT MAINT MANUAL REF: 32-21-25 QUALIFIED I/W DATA: 162N0001-121, -114, -108, -102, -97 WITH QUICK RELEASE TORSION LINKS AND ONLY FORWARD TOW FITTING MAY REPLACE BUT NOT BE REPLACED BY 162N0001-41, -38, -32, -31, -26, -24, -23, -21, -19, -18, -14, -6 WITH FORWARD AND AFT TOW FITTING AND WITHOUT QUICK RELEASE TORSION LINKS SUBJECT TO CUSTOMER APPROVAL	002004 006100 107107 121503 904949	RF

MISSING ITEM NUMBERS NOT APPLICABLE

- ITEM NOT ILLUSTRATED

BRI

32-21-12-01C

BOEING PROPRIETARY - Copyright © - Unpublished Work - See title page for details.

32-21-12  
FIG. 01C  
PAGE 16  
JAN 20/09





757

PARTS CATALOG (MAINTENANCE)

FIG ITEM	PART NUMBER	1 2 3 4 5 6 7	NOMENCLATURE	EFFECT FROM TO	UNITS PER ASSY
1C - 3	162N0001-22		GEAR ASSY-NLG (NOSE GEAR TRUNNION PIN ONLY) POSITION DATA: SECT. 62 COMPONENT MAINT MANUAL REF: 32-21-25 QUALIFIED I/W DATA: 162N0001-46, -42, -33 T/W (1)BACB28AK06-045 AND (1)BACB30NR6DK21 WITH QUICK RELEASE TORSION LINK I/W 162N0001-21, -20 T/W (1)BACB28AK06-058 AND (1)BACB30NR6DK25 WITHOUT QUICK RELEASE TORSION LINK SUBJECT TO CUSTOMER APPROVAL FOR NHA/OTHER SYS DET SEE: 32-21-00-01B	002004 006100 107107 121503 904949	RF
- 3	162N0001-22		GEAR ASSY-NLG (NOSE GEAR TRUNNION PIN ONLY) COMPONENT MAINT MANUAL REF: 32-21-25 QUALIFIED I/W DATA: 162N0001-41, -38, -32, -31, -26, -24, -23, -21, -19, -18, -14, -6 T/W (1)BACB28AK06-045 AND (1)BACB30NR6DK21 I/W 162N0001-22, -20 I/W (1)BACB28AK06-058 AND (1)BACB30NR6DK25	002004 006100 107107 121503 904949	RF

MISSING ITEM NUMBERS NOT APPLICABLE

- ITEM NOT ILLUSTRATED

BRI

32-21-12-01C

BOEING PROPRIETARY - Copyright © - Unpublished Work - See title page for details.

32-21-12  
FIG. 01C  
PAGE 17  
JAN 20/09



757

PARTS CATALOG (MAINTENANCE)

FIG ITEM	PART NUMBER	1 2 3 4 5 6 7	NOMENCLATURE	EFFECT FROM TO	UNITS PER ASSY
1C - 3	162N0001-22		GEAR ASSY-NLG (NOSE GEAR TRUNNION PIN ONLY) COMPONENT MAINT MANUAL REF: 32-21-25 QUALIFIED I/W DATA: 162N0001-120, -113, -107, -100, -47 T/W (1)BACB28AK06-045 AND (1)BACB30NR6DK21 MAY REPLACE BUT NOT BE REPLACED BY 162N0001-20, -22 T/W (1)BACB28AK06-58 AND (1)BACB30NR6DK25 162N0001-119, -112, -106, -99, -45 T/W (1)BACB28AK06-045 AND (1)BACB30NR6DK21 WITH QUICK RELEASE TORSION LINK MAY REPLACE BUT NOT BE REPLACED BY 162N0001-22, -20 T/W (1)BACB28AK06-058 AND (1)BACB30NR6DK25 WITHOUT QUICK RELEASE TORISON LINK SUBJECT TO CUSTOMER APPROVAL	002004 006100 107107 121503 904949	RF

MISSING ITEM NUMBERS NOT APPLICABLE

- ITEM NOT ILLUSTRATED

BRI

**32-21-12-01C**

BOEING PROPRIETARY - Copyright © - Unpublished Work - See title page for details.

32-21-12  
 FIG. 01C  
 PAGE 18  
 JAN 20/09



757

PARTS CATALOG (MAINTENANCE)

FIG ITEM	PART NUMBER	1 2 3 4 5 6 7	NOMENCLATURE	EFFECT FROM TO	UNITS PER ASSY
1C - 3	162N0001-22		GEAR ASSY-NLG (NOSE GEAR TRUNNION PIN ONLY) COMPONENT MAINT MANUAL REF: 32-21-25 QUALIFIED I/W DATA: 162N0001-122, -115, 109, -103, -98 T/W (1) BACB28AK06-045, (1) BACB30NR6DK REQUIRES THE 727 TOW BAR MAY REPLACE BUT NOT BE REPLACED BY 162N0001-22, -20 T/W (1) BACB28AK06-058 (1) BACB30NR6DK25 REQUIRES THE 757 TOW BAR SUBJECT TO CUSTOMER APPROVAL 162N0001-118, -111, -105, -101, -49 T/W (1)BACB28AK06-045 AND (1)BACB30NR6DK21 WITH ONLY FORWARD TOW FITTING MAY REPLACE BUT NOT BEREPLACED BY 162N0001-22, -20 T/W (1)BACB28AK06-058 AND (1)BACB30NR6DK25	002004 006100 107107 121503 904949	RF
- 3	162N0001-22		GEAR ASSY-NLG (NOSE GEAR TRUNNION PIN ONLY) COMPONENT MAINT MANUAL REF: 32-21-25 QUALIFIED I/W DATA: 162N0001-121, -114, -108, -102, -97 T/W (1)BACB28AK06-045, (1)BACB30NR6DK21 WITH QUICK RELEASE TORSION LINK AND FORWARD TOW FITTING ONLY MAY REPLACE BUT NOT BE REPLACED BY 162N0001-22, -20 T/W (1)BACB28AK06-058, (1)BACB30NR6DK25 WITHOUT QUICK RELEASE TORSION LINK AND WITH FORWARD AND AFT TOW FITTINGS SUBJECT TO CUSTOMER APPROVAL	002004 006100 107107 121503 904949	RF

MISSING ITEM NUMBERS NOT APPLICABLE

- ITEM NOT ILLUSTRATED

32-21-12-01C

32-21-12  
FIG. 01C  
PAGE 19  
JAN 20/09

BRI



757

PARTS CATALOG (MAINTENANCE)

FIG ITEM	PART NUMBER	1 2 3 4 5 6 7	NOMENCLATURE	EFFECT FROM TO	UNITS PER ASSY
1C - 3	162N0001-23		GEAR ASSY-NLG (NOSE GEAR TRUNNION PIN ONLY) POSITION DATA: SECT. 62 COMPONENT MAINT MANUAL REF: 32-21-25 QUALIFIED I/W DATA: 162N0001-41, -38, -32, -31, -26, -24, -23, -21, -19, -18, -14, -6 T/W (1)BACB28AK06-045 AND (1)BACB30NR6DK21 I/W 162N0001-22, -20 I/W (1)BACB28AK06-058 AND (1)BACB30NR6DK25 FOR NHA/OTHER SYS DET SEE: 32-21-00-01B	002004 006100 107107 121503 904949	RF
- 3	162N0001-23		GEAR ASSY-NLG (NOSE GEAR TRUNNION PIN ONLY) COMPONENT MAINT MANUAL REF: 32-21-25 QUALIFIED I/W DATA: 12N0001-119, -112, -106, -99, -45 WITH QUICK RELEASE TORSION LINKS MAY REPLACE BUT NOT BE REPLACED BY 162N0001-41, -38, -32, -31, -26, -24, -23, -21, -19, -18, -14, -6 WITHOUT QUICK RELEASE TORSION LINKS SUBJECT TO CUSTOMER APPROVAL 162N0001-122, -115, -109, -103, -98 REQUIRES THE 727 TOW BAR MAY REPLACE BUT NOT BE REPLACED BY 162N0001-41, -38, -32, -31, -26, -24, -23, -21, -19, -18, -14, -6 REQUIRES 757 TOW BAR SUBJECT TO CUSTOMER APPROVAL	002004 006100 107107 121503 904949	RF

MISSING ITEM NUMBERS NOT APPLICABLE

- ITEM NOT ILLUSTRATED

BRI

32-21-12-01C

BOEING PROPRIETARY - Copyright © - Unpublished Work - See title page for details.

32-21-12  
FIG. 01C  
PAGE 20  
JAN 20/09



757

PARTS CATALOG (MAINTENANCE)

FIG ITEM	PART NUMBER	1 2 3 4 5 6 7 NOMENCLATURE	EFFECT FROM TO	UNITS PER ASSY
1 C - 4	162N0001-23	GEAR ASSY-NLG (NOSE GEAR TRUNNION PIN ONLY) COMPONENT MAINT MANUAL REF: 32-21-25 QUALIFIED I/W DATA: 162N0001-41, -38, -32, -31, -26, -24, -23, -21, -19, -18, -14, -6 WITHOUT QUICK RELEASE TORSION LINKS I/W 162N0001-46, -42, -33 WITH QUICK RELEASE TORSION LINKS SUBJECT TO CUSTOMER APPROVAL 162N0001-118, -111, -105, -101, -49 WITH ONLY FORWARD TOW FITTING MAY REPLACE BUT NOT BE REPLACED BY 162N001-41, -38, -32, -31, -26, -24, -23, -21, -19, -18, -14, -6 WITH FORWARD AND AFT TOW FITTING SUBJECT TO CUSTOMER APPROVAL	002004 006100 107107 121503 904949	RF

MISSING ITEM NUMBERS NOT APPLICABLE

- ITEM NOT ILLUSTRATED

BRI

32-21-12-01C

BOEING PROPRIETARY - Copyright © - Unpublished Work - See title page for details.

32-21-12  
 FIG. 01C  
 PAGE 21  
 JAN 20/09



757

PARTS CATALOG (MAINTENANCE)

FIG ITEM	PART NUMBER	1 2 3 4 5 6 7	NOMENCLATURE	EFFECT FROM TO	UNITS PER ASSY
1C - 4	162N0001-23		GEAR ASSY-NLG (NOSE GEAR TRUNNION PIN ONLY) COMPONENT MAINT MANUAL REF: 32-21-25 QUALIFIED I/W DATA: 162N0001-121, -114, -108, -102, -97 WITH QUICK RELEASE TORSION LINKS AND ONLY FORWARD TOW FITTING MAY REPLACE BUT NOT BE REPLACED BY 162N0001-41, -38, -32, -31, -26, -24, -23, -21, -19, -18, -14, -6 WITH FORWARD AND AFT TOW FITTING AND WITHOUT QUICK RELEASE TORSION LINKS SUBJECT TO CUSTOMER APPROVAL 162N0001-119 WITH QUICK RELEASE TORSION LINKS MAY REPLACE BUT NOT BE REPLACED BY 162N0001-41, -38, -32, -31, -26, -24, -23, -21, -19, -18, -14, -6 WITH CUSTOMER APPROVAL	002004 006100 107107 121503 904949	RF
- 4	162N0001-24		GEAR ASSY-NLG (NOSE GEAR TRUNNION PIN ONLY) POSITION DATA: SECT. 62 COMPONENT MAINT MANUAL REF: 32-21-25 QUALIFIED I/W DATA: 162N0001-41, -38, -32, -31, -26, -24, -23, -21, -19, -18, -14, -6 T/W (1)BACB28AK06-045 AND (1)BACB30NR6DK21 I/W 162N0001-22, -20 I/W (1)BACB28AK06-058 AND (1)BACB30NR6DK25 FOR NHA/OTHER SYS DET SEE: 32-21-00-01B	002004 006100 107107 121503 904949	RF

MISSING ITEM NUMBERS NOT APPLICABLE

- ITEM NOT ILLUSTRATED

32-21-12-01C

32-21-12  
FIG. 01C  
PAGE 22  
JAN 20/09

BRI



757

PARTS CATALOG (MAINTENANCE)

FIG ITEM	PART NUMBER	1 2 3 4 5 6 7	NOMENCLATURE	EFFECT FROM TO	UNITS PER ASSY
1C - 4	162N0001-24		GEAR ASSY-NLG (NOSE GEAR TRUNNION PIN ONLY) COMPONENT MAINT MANUAL REF: 32-21-25 QUALIFIED I/W DATA: 12N0001-119, -112, -106, -99, -45 WITH QUICK RELEASE TORSION LINKS MAY REPLACE BUT NOT BE REPLACED BY 162N0001-41, -38, -32, -31, -26, -24, -23, -21, -19, -18, -14, -6 WITHOUT QUICK RELEASE TORSION LINKS SUBJECT TO CUSTOMER APPROVAL 162N0001-122, -115, -109, -103, -98 REQUIRES THE 727 TOW BAR MAY REPLACE BUT NOT BE REPLACED BY 162N0001-41, -38, -32, -31, -26, -24, -23, -21, -19, -18, -14, -6 REQUIRES 757 TOW BAR SUBJECT TO CUSTOMER APPROVAL	002004 006100 107107 121503 904949	RF
- 4	162N0001-24		GEAR ASSY-NLG (NOSE GEAR TRUNNION PIN ONLY) COMPONENT MAINT MANUAL REF: 32-21-25 QUALIFIED I/W DATA: 162N0001-41, -38, -32, -31, -26, -24, -23, -21, -19, -18, -14, -6 WITHOUT QUICK RELEASE TORSION LINKS I/W 162N0001-46, -42, -33 WITH QUICK RELEASE TORSION LINKS SUBJECT TO CUSTOMER APPROVAL 162N0001-118, -111, -105, -101, -49 WITH ONLY FORWARD TOW FITTING MAY REPLACE BUT NOT BE REPLACED BY 162N001-41, -38, -32, -31, -26, -24, -23, -21, -19, -18, -14, -6 WITH FORWARD AND AFT TOW FITTING SUBJECT TO CUSTOMER APPROVAL	002004 006100 107107 121503 904949	RF

MISSING ITEM NUMBERS NOT APPLICABLE

- ITEM NOT ILLUSTRATED

32-21-12-01C

32-21-12  
FIG. 01C  
PAGE 23  
JAN 20/09

BRI



757

PARTS CATALOG (MAINTENANCE)

FIG ITEM	PART NUMBER	1 2 3 4 5 6 7	NOMENCLATURE	EFFECT FROM TO	UNITS PER ASSY
1C - 4	162N0001-24		GEAR ASSY-NLG (NOSE GEAR TRUNNION PIN ONLY) COMPONENT MAINT MANUAL REF: 32-21-25 QUALIFIED I/W DATA: 162N0001-121, -114, -108, -102, -97 WITH QUICK RELEASE TORSION LINKS AND ONLY FORWARD TOW FITTING MAY REPLACE BUT NOT BE REPLACED BY 162N0001-41, -38, -32, -31, -26, -24, -23, -21, -19, -18, -14, -6 WITH FORWARD AND AFT TOW FITTING AND WITHOUT QUICK RELEASE TORSION LINKS SUBJECT TO CUSTOMER APPROVAL 162N0001-119 WITH QUICK RELEASE TORSION LINKS MAY REPLACE BUT NOT BE REPLACED BY 162N0001-41, -38, -32, -31, -26, -24, -23, -21, -19, -18, -14, -6 WITH CUSTOMER APPROVAL	002004 006100 107107 121503 904949	RF
- 4	162N0001-26		GEAR ASSY-NLG (NOSE GEAR TRUNNION PIN ONLY) POSITION DATA: SECT. 62 COMPONENT MAINT MANUAL REF: 32-21-25 QUALIFIED I/W DATA: 162N0001-41, -38, -32, -31, -26, -24, -23, -21, -19, -18, -14, -6 T/W (1)BACB28AK06-045 AND (1)BACB30NR6DK21 I/W 162N0001-22, -20 I/W (1)BACB28AK06-058 AND (1)BACB30NR6DK25 FOR NHA/OTHER SYS DET SEE: 32-21-00-01B	002004 006100 107107 121503 904949	RF

MISSING ITEM NUMBERS NOT APPLICABLE

- ITEM NOT ILLUSTRATED

BRI

32-21-12-01C

BOEING PROPRIETARY - Copyright © - Unpublished Work - See title page for details.

32-21-12  
FIG. 01C  
PAGE 24  
JAN 20/09





757

PARTS CATALOG (MAINTENANCE)

FIG ITEM	PART NUMBER	1 2 3 4 5 6 7	NOMENCLATURE	EFFECT FROM TO	UNITS PER ASSY
1 C - 4	162N0001-26		GEAR ASSY-NLG (NOSE GEAR TRUNNION PIN ONLY) COMPONENT MAINT MANUAL REF: 32-21-25 QUALIFIED I/W DATA: 12N0001-119, -112, -106, -99, -45 WITH QUICK RELEASE TORSION LINKS MAY REPLACE BUT NOT BE REPLACED BY 162N0001-41, -38, -32, -31, -26, -24, -23, -21, -19, -18, -14, -6 WITHOUT QUICK RELEASE TORSION LINKS SUBJECT TO CUSTOMER APPROVAL 162N0001-122, -115, -109, -103, -98 REQUIRES THE 727 TOW BAR MAY REPLACE BUT NOT BE REPLACED BY 162N0001-41, -38, -32, -31, -26, -24, -23, -21, -19, -18, -14, -6 REQUIRES 757 TOW BAR SUBJECT TO CUSTOMER APPROVAL	002004 006100 107107 121503 904949	RF
- 4	162N0001-26		GEAR ASSY-NLG (NOSE GEAR TRUNNION PIN ONLY) COMPONENT MAINT MANUAL REF: 32-21-25 QUALIFIED I/W DATA: 162N0001-41, -38, -32, -31, -26, -24, -23, -21, -19, -18, -14, -6 WITHOUT QUICK RELEASE TORSION LINKS I/W 162N0001-46, -42, -33 WITH QUICK RELEASE TORSION LINKS SUBJECT TO CUSTOMER APPROVAL 162N0001-118, -111, -105, -101, -49 WITH ONLY FORWARD TOW FITTING MAY REPLACE BUT NOT BE REPLACED BY 162N001-41, -38, -32, -31, -26, -24, -23, -21, -19, -18, -14, -6 WITH FORWARD AND AFT TOW FITTING SUBJECT TO CUSTOMER APPROVAL	002004 006100 107107 121503 904949	RF

MISSING ITEM NUMBERS NOT APPLICABLE

- ITEM NOT ILLUSTRATED

32-21-12-01C

32-21-12  
FIG. 01C  
PAGE 25  
JAN 20/09

BRI



757

PARTS CATALOG (MAINTENANCE)

FIG ITEM	PART NUMBER	1 2 3 4 5 6 7	NOMENCLATURE	EFFECT FROM TO	UNITS PER ASSY
1C - 4	162N0001-26		GEAR ASSY-NLG (NOSE GEAR TRUNNION PIN ONLY) COMPONENT MAINT MANUAL REF: 32-21-25 QUALIFIED I/W DATA: 162N0001-121, -114, -108, -102, -97 WITH QUICK RELEASE TORSION LINKS AND ONLY FORWARD TOW FITTING MAY REPLACE BUT NOT BE REPLACED BY 162N0001-41, -38, -32, -31, -26, -24, -23, -21, -19, -18, -14, -6 WITH FORWARD AND AFT TOW FITTING AND WITHOUT QUICK RELEASE TORSION LINKS SUBJECT TO CUSTOMER APPROVAL 162N0001-119 WITH QUICK RELEASE TORSION LINKS MAY REPLACE BUT NOT BE REPLACED BY 162N0001-41, -38, -32, -31, -26, -24, -23, -21, -19, -18, -14, -6 WITH CUSTOMER APPROVAL	002004 006100 107107 121503 904949	RF
- 5	162N0001-30		GEAR ASSY-NLG (NOSE GEAR TRUNNION PIN ONLY) POSITION DATA: SECT. 62 COMPONENT MAINT MANUAL REF: 32-21-25 FOR NHA/OTHER SYS DET SEE: 32-21-00-01B	002004 006100 107107 121503 904949	RF

MISSING ITEM NUMBERS NOT APPLICABLE

- ITEM NOT ILLUSTRATED

BRI

32-21-12-01C

BOEING PROPRIETARY - Copyright © - Unpublished Work - See title page for details.

32-21-12  
FIG. 01C  
PAGE 26  
JAN 20/09



757

PARTS CATALOG (MAINTENANCE)

FIG ITEM	PART NUMBER	1 2 3 4 5 6 7	NOMENCLATURE	EFFECT FROM TO	UNITS PER ASSY
1C - 5	162N0001-31		GEAR ASSY-NLG (NOSE GEAR TRUNNION PIN ONLY) POSITION DATA: SECT. 62 COMPONENT MAINT MANUAL REF: 32-21-25 QUALIFIED I/W DATA: 162N0001-41, -38, -32, -31, -26, -24, -23, -21, -19, -18, -14, -6 T/W (1)BACB28AK06-045 AND (1)BACB30NR6DK21 I/W 162N0001-22, -20 I/W (1)BACB28AK06-058 AND (1)BACB30NR6DK25 FOR NHA/OTHER SYS DET SEE: 32-21-00-01B	002004 006100 107107 121503 904949	RF
- 5	162N0001-31		GEAR ASSY-NLG (NOSE GEAR TRUNNION PIN ONLY) COMPONENT MAINT MANUAL REF: 32-21-25 QUALIFIED I/W DATA: 12N0001-119, -112, -106, -99, -45 WITH QUICK RELEASE TORSION LINKS MAY REPLACE BUT NOT BE REPLACED BY 162N0001-41, -38, -32, -31, -26, -24, -23, -21, -19, -18, -14, -6 WITHOUT QUICK RELEASE TORSION LINKS SUBJECT TO CUSTOMER APPROVAL 162N0001-122, -115, -109, -103, -98 REQUIRES THE 727 TOW BAR MAY REPLACE BUT NOT BE REPLACED BY 162N0001-41, -38, -32, -31, -26, -24, -23, -21, -19, -18, -14, -6 REQUIRES 757 TOW BAR SUBJECT TO CUSTOMER APPROVAL	002004 006100 107107 121503 904949	RF

MISSING ITEM NUMBERS NOT APPLICABLE

- ITEM NOT ILLUSTRATED

BRI

32-21-12-01C

BOEING PROPRIETARY - Copyright © - Unpublished Work - See title page for details.

32-21-12  
FIG. 01C  
PAGE 27  
JAN 20/09



757

PARTS CATALOG (MAINTENANCE)

FIG ITEM	PART NUMBER	1 2 3 4 5 6 7 NOMENCLATURE	EFFECT FROM TO	UNITS PER ASSY
1C - 5	162N0001-31	GEAR ASSY-NLG (NOSE GEAR TRUNNION PIN ONLY) COMPONENT MAINT MANUAL REF: 32-21-25 QUALIFIED I/W DATA: 162N0001-41, -38, -32, -31, -26, -24, -23, -21, -19, -18, -14, -6 WITHOUT QUICK RELEASE TORSION LINKS I/W 162N0001-46, -42, -33 WITH QUICK RELEASE TORSION LINKS SUBJECT TO CUSTOMER APPROVAL 162N0001-118, -111, -105, -101, -49 WITH ONLY FORWARD TOW FITTING MAY REPLACE BUT NOT BE REPLACED BY 162N001-41, -38, -32, -31, -26, -24, -23, -21, -19, -18, -14, -6 WITH FORWARD AND AFT TOW FITTING SUBJECT TO CUSTOMER APPROVAL	002004 006100 107107 121503 904949	RF

MISSING ITEM NUMBERS NOT APPLICABLE

- ITEM NOT ILLUSTRATED

BRI

32-21-12-01C

BOEING PROPRIETARY - Copyright © - Unpublished Work - See title page for details.

32-21-12  
 FIG. 01C  
 PAGE 28  
 JAN 20/09



757

PARTS CATALOG (MAINTENANCE)

FIG ITEM	PART NUMBER	1 2 3 4 5 6 7	NOMENCLATURE	EFFECT FROM TO	UNITS PER ASSY
1C - 5	162N0001-31		GEAR ASSY-NLG (NOSE GEAR TRUNNION PIN ONLY) COMPONENT MAINT MANUAL REF: 32-21-25 QUALIFIED I/W DATA: 162N0001-121, -114, -108, -102, -97 WITH QUICK RELEASE TORSION LINKS AND ONLY FORWARD TOW FITTING MAY REPLACE BUT NOT BE REPLACED BY 162N0001-41, -38, -32, -31, -26, -24, -23, -21, -19, -18, -14, -6 WITH FORWARD AND AFT TOW FITTING AND WITHOUT QUICK RELEASE TORSION LINKS SUBJECT TO CUSTOMER APPROVAL 162N0001-119 WITH QUICK RELEASE TORSION LINKS MAY REPLACE BUT NOT BE REPLACED BY 162N0001-41, -38, -32, -31, -26, -24, -23, -21, -19, -18, -14, -6 WITH CUSTOMER APPROVAL	002004 006100 107107 121503 904949	RF
- 5	162N0001-32		GEAR ASSY-NLG (NOSE GEAR TRUNNION PIN ONLY) POSITION DATA: SECT. 62 COMPONENT MAINT MANUAL REF: 32-21-25 QUALIFIED I/W DATA: 162N0001-41, -38, -32, -31, -26, -24, -23, -21, -19, -18, -14, -6 T/W (1)BACB28AK06-045 AND (1)BACB30NR6DK21 I/W 162N0001-22, -20 I/W (1)BACB28AK06-058 AND (1)BACB30NR6DK25 FOR NHA/OTHER SYS DET SEE: 32-21-00-01B	002004 006100 107107 121503 904949	RF

MISSING ITEM NUMBERS NOT APPLICABLE

- ITEM NOT ILLUSTRATED

BRI

32-21-12-01C

BOEING PROPRIETARY - Copyright © - Unpublished Work - See title page for details.

32-21-12  
FIG. 01C  
PAGE 29  
JAN 20/09



757

PARTS CATALOG (MAINTENANCE)

FIG ITEM	PART NUMBER	1 2 3 4 5 6 7	NOMENCLATURE	EFFECT FROM TO	UNITS PER ASSY
1C - 5	162N0001-32		GEAR ASSY-NLG (NOSE GEAR TRUNNION PIN ONLY) COMPONENT MAINT MANUAL REF: 32-21-25 QUALIFIED I/W DATA: 12N0001-119, -112, -106, -99, -45 WITH QUICK RELEASE TORSION LINKS MAY REPLACE BUT NOT BE REPLACED BY 162N0001-41, -38, -32, -31, -26, -24, -23, -21, -19, -18, -14, -6 WITHOUT QUICK RELEASE TORSION LINKS SUBJECT TO CUSTOMER APPROVAL 162N0001-122, -115, -109, -103, -98 REQUIRES THE 727 TOW BAR MAY REPLACE BUT NOT BE REPLACED BY 162N0001-41, -38, -32, -31, -26, -24, -23, -21, -19, -18, -14, -6 REQUIRES 757 TOW BAR SUBJECT TO CUSTOMER APPROVAL	002004 006100 107107 121503 904949	RF
- 5	162N0001-32		GEAR ASSY-NLG (NOSE GEAR TRUNNION PIN ONLY) COMPONENT MAINT MANUAL REF: 32-21-25 QUALIFIED I/W DATA: 162N0001-41, -38, -32, -31, -26, -24, -23, -21, -19, -18, -14, -6 WITHOUT QUICK RELEASE TORSION LINKS I/W 162N0001-46, -42, -33 WITH QUICK RELEASE TORSION LINKS SUBJECT TO CUSTOMER APPROVAL 162N0001-118, -111, -105, -101, -49 WITH ONLY FORWARD TOW FITTING MAY REPLACE BUT NOT BE REPLACED BY 162N001-41, -38, -32, -31, -26, -24, -23, -21, -19, -18, -14, -6 WITH FORWARD AND AFT TOW FITTING SUBJECT TO CUSTOMER APPROVAL	002004 006100 107107 121503 904949	RF

MISSING ITEM NUMBERS NOT APPLICABLE

- ITEM NOT ILLUSTRATED

32-21-12-01C

32-21-12  
FIG. 01C  
PAGE 30  
JAN 20/09

BRI



757

PARTS CATALOG (MAINTENANCE)

FIG ITEM	PART NUMBER	1 2 3 4 5 6 7	NOMENCLATURE	EFFECT FROM TO	UNITS PER ASSY
1C - 5	162N0001-32		GEAR ASSY-NLG (NOSE GEAR TRUNNION PIN ONLY) COMPONENT MAINT MANUAL REF: 32-21-25 QUALIFIED I/W DATA: 162N0001-121, -114, -108, -102, -97 WITH QUICK RELEASE TORSION LINKS AND ONLY FORWARD TOW FITTING MAY REPLACE BUT NOT BE REPLACED BY 162N0001-41, -38, -32, -31, -26, -24, -23, -21, -19, -18, -14, -6 WITH FORWARD AND AFT TOW FITTING AND WITHOUT QUICK RELEASE TORSION LINKS SUBJECT TO CUSTOMER APPROVAL 162N0001-119 WITH QUICK RELEASE TORSION LINKS MAY REPLACE BUT NOT BE REPLACED BY 162N0001-41, -38, -32, -31, -26, -24, -23, -21, -19, -18, -14, -6 WITH CUSTOMER APPROVAL	002004 006100 107107 121503 904949	RF
- 6	162N0001-38		GEAR ASSY-NLG (NOSE GEAR TRUNNION PIN ONLY) POSITION DATA: SECT. 62 COMPONENT MAINT MANUAL REF: 32-21-25 QUALIFIED I/W DATA: 162N0001-41, -38, -32, -31, -26, -24, -23, -21, -19, -18, -14, -6 T/W (1)BACB28AK06-045 AND (1)BACB30NR6DK21 I/W 162N0001-22, -20 I/W (1)BACB28AK06-058 AND (1)BACB30NR6DK25 FOR NHA/OTHER SYS DET SEE: 32-21-00-01B	002004 006100 107107 121503 904949	RF

MISSING ITEM NUMBERS NOT APPLICABLE

- ITEM NOT ILLUSTRATED

32-21-12-01C

32-21-12  
FIG. 01C  
PAGE 31  
JAN 20/09

BRI



757

PARTS CATALOG (MAINTENANCE)

FIG ITEM	PART NUMBER	1 2 3 4 5 6 7	NOMENCLATURE	EFFECT FROM TO	UNITS PER ASSY
1C - 6	162N0001-38		GEAR ASSY-NLG (NOSE GEAR TRUNNION PIN ONLY) COMPONENT MAINT MANUAL REF: 32-21-25 QUALIFIED I/W DATA: 12N0001-119, -112, -106, -99, -45 WITH QUICK RELEASE TORSION LINKS MAY REPLACE BUT NOT BE REPLACED BY 162N0001-41, -38, -32, -31, -26, -24, -23, -21, -19, -18, -14, -6 WITHOUT QUICK RELEASE TORSION LINKS SUBJECT TO CUSTOMER APPROVAL 162N0001-122, -115, -109, -103, -98 REQUIRES THE 727 TOW BAR MAY REPLACE BUT NOT BE REPLACED BY 162N0001-41, -38, -32, -31, -26, -24, -23, -21, -19, -18, -14, -6 REQUIRES 757 TOW BAR SUBJECT TO CUSTOMER APPROVAL	002004 006100 107107 121503 904949	RF
- 6	162N0001-38		GEAR ASSY-NLG (NOSE GEAR TRUNNION PIN ONLY) COMPONENT MAINT MANUAL REF: 32-21-25 QUALIFIED I/W DATA: 162N0001-41, -38, -32, -31, -26, -24, -23, -21, -19, -18, -14, -6 WITHOUT QUICK RELEASE TORSION LINKS I/W 162N0001-46, -42, -33 WITH QUICK RELEASE TORSION LINKS SUBJECT TO CUSTOMER APPROVAL 162N0001-118, -111, -105, -101, -49 WITH ONLY FORWARD TOW FITTING MAY REPLACE BUT NOT BE REPLACED BY 162N001-41, -38, -32, -31, -26, -24, -23, -21, -19, -18, -14, -6 WITH FORWARD AND AFT TOW FITTING SUBJECT TO CUSTOMER APPROVAL	002004 006100 107107 121503 904949	RF

MISSING ITEM NUMBERS NOT APPLICABLE

- ITEM NOT ILLUSTRATED

32-21-12-01C

32-21-12  
FIG. 01C  
PAGE 32  
JAN 20/09

BRI





757

PARTS CATALOG (MAINTENANCE)

FIG ITEM	PART NUMBER	1 2 3 4 5 6 7	NOMENCLATURE	EFFECT FROM TO	UNITS PER ASSY
1C - 6	162N0001-38		GEAR ASSY-NLG (NOSE GEAR TRUNNION PIN ONLY) COMPONENT MAINT MANUAL REF: 32-21-25 QUALIFIED I/W DATA: 162N0001-121, -114, -108, -102, -97 WITH QUICK RELEASE TORSION LINKS AND ONLY FORWARD TOW FITTING MAY REPLACE BUT NOT BE REPLACED BY 162N0001-41, -38, -32, -31, -26, -24, -23, -21, -19, -18, -14, -6 WITH FORWARD AND AFT TOW FITTING AND WITHOUT QUICK RELEASE TORSION LINKS SUBJECT TO CUSTOMER APPROVAL 162N0001-119 WITH QUICK RELEASE TORSION LINKS MAY REPLACE BUT NOT BE REPLACED BY 162N0001-41, -38, -32, -31, -26, -24, -23, -21, -19, -18, -14, -6 WITH CUSTOMER APPROVAL	002004 006100 107107 121503 904949	RF
- 6	162N0001-41		GEAR ASSY-NLG (NOSE GEAR TRUNNION PIN ONLY) POSITION DATA: SECT. 62 COMPONENT MAINT MANUAL REF: 32-21-25 QUALIFIED I/W DATA: 162N0001-41, -38, -32, -31, -26, -24, -23, -21, -19, -18, -14, -6 T/W (1)BACB28AK06-045 AND (1)BACB30NR6DK21 I/W 162N0001-22, -20 I/W (1)BACB28AK06-058 AND (1)BACB30NR6DK25 FOR NHA/OTHER SYS DET SEE: 32-21-00-01B	002004 006100 107107 121503 904949	RF

MISSING ITEM NUMBERS NOT APPLICABLE

- ITEM NOT ILLUSTRATED

32-21-12-01C

32-21-12  
FIG. 01C  
PAGE 33  
JAN 20/09

BRI



757

PARTS CATALOG (MAINTENANCE)

FIG ITEM	PART NUMBER	1 2 3 4 5 6 7	NOMENCLATURE	EFFECT FROM TO	UNITS PER ASSY
1C - 6	162N0001-41		GEAR ASSY-NLG (NOSE GEAR TRUNNION PIN ONLY) COMPONENT MAINT MANUAL REF: 32-21-25 QUALIFIED I/W DATA: 12N0001-119, -112, -106, -99, -45 WITH QUICK RELEASE TORSION LINKS MAY REPLACE BUT NOT BE REPLACED BY 162N0001-41, -38, -32, -31, -26, -24, -23, -21, -19, -18, -14, -6 WITHOUT QUICK RELEASE TORSION LINKS SUBJECT TO CUSTOMER APPROVAL 162N0001-122, -115, -109, -103, -98 REQUIRES THE 727 TOW BAR MAY REPLACE BUT NOT BE REPLACED BY 162N0001-41, -38, -32, -31, -26, -24, -23, -21, -19, -18, -14, -6 REQUIRES 757 TOW BAR SUBJECT TO CUSTOMER APPROVAL	002004 006100 107107 121503 904949	RF

MISSING ITEM NUMBERS NOT APPLICABLE

- ITEM NOT ILLUSTRATED

BRI

**32-21-12-01C**

BOEING PROPRIETARY - Copyright © - Unpublished Work - See title page for details.

32-21-12  
 FIG. 01C  
 PAGE 34  
 JAN 20/09



757

PARTS CATALOG (MAINTENANCE)

FIG ITEM	PART NUMBER	1 2 3 4 5 6 7	NOMENCLATURE	EFFECT FROM TO	UNITS PER ASSY
1C - 6	162N0001-41		GEAR ASSY-NLG (NOSE GEAR TRUNNION PIN ONLY) COMPONENT MAINT MANUAL REF: 32-21-25 QUALIFIED I/W DATA: 162N0001-41, -38, -32, -31, -26, -24, -23, -21, -19, -18, -14, -6 WITHOUT QUICK RELEASE TORSION LINKS I/W 162N0001-46, -42, -33 WITH QUICK RELEASE TORSION LINKS SUBJECT TO CUSTOMER APPROVAL 162N0001-118, -111, -105, -101, -49 WITH ONLY FORWARD TOW FITTING MAY REPLACE BUT NOT BE REPLACED BY 162N001-41, -38, -32, -31, -26, -24, -23, -21, -19, -18, -14, -6 WITH FORWARD AND AFT TOW FITTING SUBJECT TO CUSTOMER APPROVAL 162N0001-119, -112, -106, -99, -45 WITH QUICK RELEASE TORSION LINKS I/W 162N0001-120, -113, -107, -100, -47 WITHOUT QUICK RELEASE TORSION LINKS SUBJECT TO CUSTOMER APPROVAL	002004 006100 107107 121503 904949	RF

MISSING ITEM NUMBERS NOT APPLICABLE

- ITEM NOT ILLUSTRATED

**32-21-12-01C**

32-21-12  
 FIG. 01C  
 PAGE 35  
 JAN 20/09

BRI



757

PARTS CATALOG (MAINTENANCE)

FIG ITEM	PART NUMBER	1 2 3 4 5 6 7	NOMENCLATURE	EFFECT FROM TO	UNITS PER ASSY
1C - 6	162N0001-41		GEAR ASSY-NLG (NOSE GEAR TRUNNION PIN ONLY) COMPONENT MAINT MANUAL REF: 32-21-25 QUALIFIED I/W DATA: 162N0001-121, -114, -108, -102, -97 WITH QUICK RELEASE TORSION LINKS AND ONLY FORWARD TOW FITTING MAY REPLACE BUT NOT BE REPLACED BY 162N0001-41, -38, -32, -31, -26, -24, -23, -21, -19, -18, -14, -6 WITH FORWARD AND AFT TOW FITTING AND WITHOUT QUICK RELEASE TORSION LINKS SUBJECT TO CUSTOMER APPROVAL 162N0001-119 WITH QUICK RELEASE TORSION LINKS MAY REPLACE BUT NOT BE REPLACED BY 162N0001-41, -38, -32, -31, -26, -24, -23, -21, -19, -18, -14, -6 WITH CUSTOMER APPROVAL	002004 006100 107107 121503 904949	RF
- 6	162N0001-47		GEAR ASSY-NLG (NOSE GEAR TRUNNION PIN ONLY) POSITION DATA: SECT. 62 COMPONENT MAINT MANUAL REF: 32-21-25 QUALIFIED I/W DATA: 162N0001-120, -113, -107, -100, -47 T/W (1)BACB30NR6DK21 MAY REPLACE BUT NOT BE REPLACED BY 162N0001-20, -22 T/W (1)BACB28AK06-058 AND (1)BACB30NR6DK25 FOR NHA/OTHER SYS DET SEE: 32-21-00-01B	002004 006100 107107 121503 904949	RF

MISSING ITEM NUMBERS NOT APPLICABLE

- ITEM NOT ILLUSTRATED

32-21-12-01C

32-21-12  
FIG. 01C  
PAGE 36  
JAN 20/09

BRI



757

PARTS CATALOG (MAINTENANCE)

FIG ITEM	PART NUMBER	1 2 3 4 5 6 7	NOMENCLATURE	EFFECT FROM TO	UNITS PER ASSY
1C - 6	162N0001-47		GEAR ASSY-NLG (NOSE GEAR TRUNNION PIN ONLY) COMPONENT MAINT MANUAL REF: 32-21-25 QUALIFIED I/W DATA: 162N0001-118, -111, -105, -101, -49 WITH ONLY FORWARD TOW FITTING I/W 162N0001-120, -113, -107, -100, -47 WITH FORWARD AND AFT TOW FITTINGS WITH CUSTOMER APPROVAL 162N0001-120, -113, -107, -100, -47 WITHOUT QUICK RELEASE TORSION LINKS MAY REPLACE BUT NOT BE REPLACED BY 162N0001-46, -42, -33 WITH QUICK RELEASE COND RPL SUBJECT TO CUSTOMER APPROVAL 162N0001-119, -112, -106, -99, -45 WITH QUICK RELEASE TORSION LINKS I/W 162N0001-120, -113, -107, -100, -47 WITHOUT QUICK RELEASE TORSION LINKS SUBJECT TO CUSTOMER APPROVAL	002004 006100 107107 121503 904949	RF

MISSING ITEM NUMBERS NOT APPLICABLE

- ITEM NOT ILLUSTRATED

BRI

32-21-12-01C

BOEING PROPRIETARY - Copyright © - Unpublished Work - See title page for details.

32-21-12  
FIG. 01C  
PAGE 37  
JAN 20/09



757

PARTS CATALOG (MAINTENANCE)

FIG ITEM	PART NUMBER	1 2 3 4 5 6 7	NOMENCLATURE	EFFECT FROM TO	UNITS PER ASSY
1C - 6	162N0001-47		GEAR ASSY-NLG (NOSE GEAR TRUNNION PIN ONLY) COMPONENT MAINT MANUAL REF: 32-21-25 QUALIFIED I/W DATA: 162N0001-122, -115, -109, -103, -98 REQUIRES THE 727 TOW BAR I/W 162N0001-120, -113, -107, -100, -47 REQUIRES THE 757 TOW BAR SUBJECT TO CUSTOMER APPROVAL 162N0001-121, -114, -108, -102, -97 WITH QUICK RELEASE TORSION LINKS AND ONLY FORWARD TOW FITTING I/W 162N0001-120, -113, -107, -100, -47 WITH FORWARD AND AFT TOW FITTING AND WITHOUT QUICK RELEASE TORSION LINKS SUBJECT TO CUSTOMER APPROVAL	002004 006100 107107 121503 904949	RF
- 6	162N0001-47		GEAR ASSY-NLG (NOSE GEAR TRUNNION PIN ONLY) COMPONENT MAINT MANUAL REF: 32-21-25 QUALIFIED I/W DATA: 162N0001-119 WITH QUICK RELEASE TORSION LINKS I/W 162N0001-113, -107, -100, -47 WITHOUT QUICK RELEASE TORSION LINKS WITH CUSTOMER APPROVAL	002004 006100 107107 121503 904949	RF

MISSING ITEM NUMBERS NOT APPLICABLE

- ITEM NOT ILLUSTRATED

32-21-12-01C

32-21-12  
FIG. 01C  
PAGE 38  
JAN 20/09

BRI



757

PARTS CATALOG (MAINTENANCE)

FIG ITEM	PART NUMBER	1 2 3 4 5 6 7	NOMENCLATURE	EFFECT FROM TO	UNITS PER ASSY
1C - 7	162N0001-100		GEAR ASSY-NLG (NOSE GEAR TRUNNION PIN ONLY) POSITION DATA: SECT. 62 COMPONENT MAINT MANUAL REF: 32-21-25 QUALIFIED I/W DATA: 162N0001-120, -113, -107, -100, -47 T/W (1)BACB30NR6DK21 MAY REPLACE BUT NOT BE REPLACED BY 162N0001-20, -22 T/W (1)BACB28AK06-058 AND (1)BACB30NR6DK25 FOR NHA/OTHER SYS DET SEE: 32-21-00-01B	002004 006100 107107 121503 904949	RF
- 7	162N0001-100		GEAR ASSY-NLG (NOSE GEAR TRUNNION PIN ONLY) COMPONENT MAINT MANUAL REF: 32-21-25 QUALIFIED I/W DATA: 162N0001-118, -111, -105, -101, -49 WITH ONLY FORWARD TOW FITTING I/W 162N0001-120, -113, -107, -100, -47 WITH FORWARD AND AFT TOW FITTINGS WITH CUSTOMER APPROVAL 162N0001-120, -113, -107, -100, -47 WITHOUT QUICK RELEASE TORSION LINKS MAY REPLACE BUT NOT BE REPLACED BY 162N0001-46, -42, -33 WITH QUICK RELEASE COND RPL SUBJECT TO CUSTOMER APPROVAL 162N0001-119, -112, -106, -99, -45 WITH QUICK RELEASE TORSION LINKS I/W 162N0001-120, -113, -107, -100, -47 WITHOUT QUICK RELEASE TORSION LINKS SUBJECT TO CUSTOMER APPROVAL	002004 006100 107107 121503 904949	RF

MISSING ITEM NUMBERS NOT APPLICABLE

- ITEM NOT ILLUSTRATED

32-21-12-01C

32-21-12  
FIG. 01C  
PAGE 39  
JAN 20/09

BRI



757

PARTS CATALOG (MAINTENANCE)

FIG ITEM	PART NUMBER	1 2 3 4 5 6 7	NOMENCLATURE	EFFECT FROM TO	UNITS PER ASSY
1C - 7	162N0001-100		GEAR ASSY-NLG (NOSE GEAR TRUNNION PIN ONLY) COMPONENT MAINT MANUAL REF: 32-21-25 QUALIFIED I/W DATA: 162N0001-122, -115, -109, -103, -98 REQUIRES THE 727 TOW BAR I/W 162N0001-120, -113, -107, -100, -47 REQUIRES THE 757 TOW BAR SUBJECT TO CUSTOMER APPROVAL 162N0001-121, -114, -108, -102, -97 WITH QUICK RELEASE TORSION LINKS AND ONLY FORWARD TOW FITTING I/W 162N0001-120, -113, -107, -100, -47 WITH FORWARD AND AFT TOW FITTING AND WITHOUT QUICK RELEASE TORSION LINKS SUBJECT TO CUSTOMER APPROVAL	002004 006100 107107 121503 904949	RF
- 7	162N0001-100		GEAR ASSY-NLG (NOSE GEAR TRUNNION PIN ONLY) COMPONENT MAINT MANUAL REF: 32-21-25 QUALIFIED I/W DATA: 162N0001-119 WITH QUICK RELEASE TORSION LINKS I/W 162N0001-113, -107, -100, -47 WITHOUT QUICK RELEASE TORSION LINKS WITH CUSTOMER APPROVAL 162N0001-118, -111, -105, -101, -49 WITHOUT QUICK RELEASE TORSION LINKS I/W 162N0001-121, -114, -108, -102, -97 WITH QUICK RELEASE TORSION LINKS SUBJECT TO CUSTOMER APPROVAL	002004 006100 107107 121503 904949	RF

MISSING ITEM NUMBERS NOT APPLICABLE

- ITEM NOT ILLUSTRATED

BRI

32-21-12-01C

BOEING PROPRIETARY - Copyright © - Unpublished Work - See title page for details.

32-21-12  
FIG. 01C  
PAGE 40  
JAN 20/09





757

PARTS CATALOG (MAINTENANCE)

FIG ITEM	PART NUMBER	1 2 3 4 5 6 7	NOMENCLATURE	EFFECT FROM TO	UNITS PER ASSY
1C - 7	162N0001-107		GEAR ASSY-NLG (NOSE GEAR TRUNNION PIN ONLY) POSITION DATA: SECT. 62 COMPONENT MAINT MANUAL REF: 32-21-25 QUALIFIED I/W DATA: 162N0001-120, -113, -107, -100, -47 T/W (1)BACB30NR6DK21 MAY REPLACE BUT NOT BE REPLACED BY 162N0001-20, -22 T/W (1)BACB28AK06-058 AND (1)BACB30NR6DK25 FOR NHA/OTHER SYS DET SEE: 32-21-00-01B	002004 006100 107107 121503 904949	RF
- 7	162N0001-107		GEAR ASSY-NLG (NOSE GEAR TRUNNION PIN ONLY) COMPONENT MAINT MANUAL REF: 32-21-25 QUALIFIED I/W DATA: 162N0001-118, -111, -105, -101, -49 WITH ONLY FORWARD TOW FITTING I/W 162N0001-120, -113, -107, -100, -47 WITH FORWARD AND AFT TOW FITTINGS WITH CUSTOMER APPROVAL 162N0001-120, -113, -107, -100, -47 WITHOUT QUICK RELEASE TORSION LINKS MAY REPLACE BUT NOT BE REPLACED BY 162N0001-46, -42, -33 WITH QUICK RELEASE COND RPL SUBJECT TO CUSTOMER APPROVAL 162N0001-119, -112, -106, -99, -45 WITH QUICK RELEASE TORSION LINKS I/W 162N0001-120, -113, -107, -100, -47 WITHOUT QUICK RELEASE TORSION LINKS SUBJECT TO CUSTOMER APPROVAL	002004 006100 107107 121503 904949	RF

MISSING ITEM NUMBERS NOT APPLICABLE

- ITEM NOT ILLUSTRATED

32-21-12-01C

32-21-12  
FIG. 01C  
PAGE 41  
JAN 20/09

BRI



757

PARTS CATALOG (MAINTENANCE)

FIG ITEM	PART NUMBER	1 2 3 4 5 6 7	NOMENCLATURE	EFFECT FROM TO	UNITS PER ASSY
1C - 7	162N0001-107		GEAR ASSY-NLG (NOSE GEAR TRUNNION PIN ONLY) COMPONENT MAINT MANUAL REF: 32-21-25 QUALIFIED I/W DATA: 162N0001-122, -115, -109, -103, -98 REQUIRES THE 727 TOW BAR I/W 162N0001-120, -113, -107, -100, -47 REQUIRES THE 757 TOW BAR SUBJECT TO CUSTOMER APPROVAL 162N0001-121, -114, -108, -102, -97 WITH QUICK RELEASE TORSION LINKS AND ONLY FORWARD TOW FITTING I/W 162N0001-120, -113, -107, -100, -47 WITH FORWARD AND AFT TOW FITTING AND WITHOUT QUICK RELEASE TORSION LINKS SUBJECT TO CUSTOMER APPROVAL	002004 006100 107107 121503 904949	RF
- 7	162N0001-107		GEAR ASSY-NLG (NOSE GEAR TRUNNION PIN ONLY) COMPONENT MAINT MANUAL REF: 32-21-25 QUALIFIED I/W DATA: 162N0001-119 WITH QUICK RELEASE TORSION LINKS I/W 162N0001-113, -107, -100, -47 WITHOUT QUICK RELEASE TORSION LINKS WITH CUSTOMER APPROVAL	002004 006100 107107 121503 904949	RF

MISSING ITEM NUMBERS NOT APPLICABLE

- ITEM NOT ILLUSTRATED

BRI

32-21-12-01C

BOEING PROPRIETARY - Copyright © - Unpublished Work - See title page for details.

32-21-12  
FIG. 01C  
PAGE 42  
JAN 20/09



757

PARTS CATALOG (MAINTENANCE)

FIG ITEM	PART NUMBER	1 2 3 4 5 6 7	NOMENCLATURE	EFFECT FROM TO	UNITS PER ASSY
1C - 8	162N0001-113		GEAR ASSY-NLG (NOSE GEAR TRUNNION PIN ONLY) POSITION DATA: SECT. 62 COMPONENT MAINT MANUAL REF: 32-21-25 QUALIFIED I/W DATA: 162N0001-120, -113, -107, -100, -47 T/W (1)BACB30NR6DK21 MAY REPLACE BUT NOT BE REPLACED BY 162N0001-20, -22 T/W (1)BACB28AK06-058 AND (1)BACB30NR6DK25 FOR NHA/OTHER SYS DET SEE: 32-21-00-01B	002004 006100 107107 121503 904949	RF
- 8	162N0001-113		GEAR ASSY-NLG (NOSE GEAR TRUNNION PIN ONLY) COMPONENT MAINT MANUAL REF: 32-21-25 QUALIFIED I/W DATA: 162N0001-122, -115, -109, -103, -98 REQUIRES THE 727 TOW BAR I/W 162N0001-120, -113, -107, -100, -47 REQUIRES THE 757 TOW BAR SUBJECT TO CUSTOMER APPROVAL 162N0001-121, -114, -108, -102, -97 WITH QUICK RELEASE TORSION LINKS AND ONLY FORWARD TOW FITTING I/W 162N0001-120, -113, -107, -100, -47 WITH FORWARD AND AFT TOW FITTING AND WITHOUT QUICK RELEASE TORSION LINKS SUBJECT TO CUSTOMER APPROVAL	002004 006100 107107 121503 904949	RF

MISSING ITEM NUMBERS NOT APPLICABLE

- ITEM NOT ILLUSTRATED

32-21-12-01C

32-21-12  
FIG. 01C  
PAGE 43  
JAN 20/09

BRI



757

PARTS CATALOG (MAINTENANCE)

FIG ITEM	PART NUMBER	1 2 3 4 5 6 7	NOMENCLATURE	EFFECT FROM TO	UNITS PER ASSY
1C - 8	162N0001-113		GEAR ASSY-NLG (NOSE GEAR TRUNNION PIN ONLY) COMPONENT MAINT MANUAL REF: 32-21-25 QUALIFIED I/W DATA: 162N0001-119 WITH QUICK RELEASE TORSION LINKS I/W 162N0001-113, -107, -100, -47 WITHOUT QUICK RELEASE TORSION LINKS WITH CUSTOMER APPROVAL 162N0001-122, -115, -109, -103, -98 REQUIRES THE 727 TOW BAR I/W 162N0001-120, -113, -107, -100, -47 REQUIRES THE 757 TOW BAR SUBJECT TO CUSTOMER APPROVAL	002004 006100 107107 121503 904949	RF
- 8	162N0001-113		GEAR ASSY-NLG (NOSE GEAR TRUNNION PIN ONLY) COMPONENT MAINT MANUAL REF: 32-21-25 QUALIFIED I/W DATA: 162N0001-118, -111, -105, -101, -49 WITH ONLY FORWARD TOW FITTING I/W 162N0001-120, -113, -107, -100, -47 WITH FORWARD AND AFT TOW FITTINGS WITH CUSTOMER APPROVAL 162N0001-120, -113, -107, -100, -47 WITHOUT QUICK RELEASE TORSION LINKS MAY REPLACE BUT NOT BE REPLACED BY 162N0001-46, -42, -33 WITH QUICK RELEASE SUBJECT TO CUSTOMER APPROVAL 162N0001-119, -112, -106, -99, -45 WITH QUICK RELEASE TORSION LINKS I/W 162N0001-120, -113, -107, -100, -47 WITHOUT QUICK RELEASE TORSION LINKS SUBJECT TO CUSTOMER APPROVAL	002004 006100 107107 121503 904949	RF

MISSING ITEM NUMBERS NOT APPLICABLE

- ITEM NOT ILLUSTRATED

32-21-12-01C

32-21-12  
FIG. 01C  
PAGE 44  
JAN 20/09

BRI



757

PARTS CATALOG (MAINTENANCE)

FIG ITEM	PART NUMBER	1 2 3 4 5 6 7	NOMENCLATURE	EFFECT FROM TO	UNITS PER ASSY
1C - 8	162N0001-120		GEAR ASSY-NLG (NOSE GEAR TRUNNION PIN ONLY) POSITION DATA: SECT. 62 MISCELLANEOUS DATA: INCLUDES TWO TOW FITTINGS AND NO QUICK DISCONNECT OPTION COMPONENT MAINT MANUAL REF: 32-21-25 QUALIFIED I/W DATA: 162N0001-120, -113, -107, -100, -47 T/W (1)BACB30NR6DK21 MAY REPLACE BUT NOT BE REPLACED BY 162N0001-20, -22 T/W (1)BACB28AK06-058 AND (1)BACB30NR6DK25 FOR NHA/OTHER SYS DET SEE: 32-21-00-01B	002004 006100 107107 121503 904949	RF
- 8	162N0001-120		GEAR ASSY-NLG (NOSE GEAR TRUNNION PIN ONLY) COMPONENT MAINT MANUAL REF: 32-21-25 QUALIFIED I/W DATA: 162N0001-119, -112, -106, -99, -45 WITH QUICK RELEASE TORSION LINKS I/W 162N0001-120, -113, -107, -100, -47 WITHOUT QUICK RELEASE TORSION LINKS SUBJECT TO CUSTOMER APPROVAL 162N0001-118, -111, -105, -101, -49 WITH ONLY FORWARD TOW FITTING I/W 162N0001-120, -113, -107, -100, -47 WITH FORWARD AND AFT TOW FITTINGS WITH CUSTOMER APPROVAL	002004 006100 107107 121503 904949	RF

MISSING ITEM NUMBERS NOT APPLICABLE

- ITEM NOT ILLUSTRATED

BRI

32-21-12-01C

BOEING PROPRIETARY - Copyright © - Unpublished Work - See title page for details.

32-21-12  
FIG. 01C  
PAGE 45  
JAN 20/09



757

PARTS CATALOG (MAINTENANCE)

FIG ITEM	PART NUMBER	1 2 3 4 5 6 7	NOMENCLATURE	EFFECT FROM TO	UNITS PER ASSY
1C - 8	162N0001-120		GEAR ASSY-NLG (NOSE GEAR TRUNNION PIN ONLY) COMPONENT MAINT MANUAL REF: 32-21-25 QUALIFIED I/W DATA: 162N0001-120, -113, -107, -100, -47 WITHOUT QUICK RELEASE TORSION LINKS MAY REPLACE BUT NOT BE REPLACED BY 162N0001-46, -42, -33 WITH QUICK RELEASE SUBJECT TO CUSTOMER APPROVAL 162N0001-122, -115, -109, -103, -98 REQUIRES THE 727 TOW BAR I/W 162N0001-120, -113, -107, -100, -47 REQUIRES THE 757 TOW BAR SUBJECT TO CUSTOMER APPROVAL	002004 006100 107107 121503 904949	RF
- 8	162N0001-120		GEAR ASSY-NLG (NOSE GEAR TRUNNION PIN ONLY) COMPONENT MAINT MANUAL REF: 32-21-25 QUALIFIED I/W DATA: 162N0001-121, -114, -108, -102, -97 WITH QUICK RELEASE TORSION LINKS AND ONLY FORWARD TOW FITTING I/W 162N0001-120, -113, -107, -100, -47 WITH FORWARD AND AFT TOW FITTING AND WITHOUT QUICK RELEASE TORSION LINKS SUBJECT TO CUSTOMER APPROVAL	002004 006100 107107 121503 904949	RF
20	162N1186-1		.NUT-TRUNNION PIN	002004 006100 107107 121503 904949	2
25	162N3115-5		.WASHER-	002004 006100 107107 121503 904949	2

MISSING ITEM NUMBERS NOT APPLICABLE

- ITEM NOT ILLUSTRATED

BRI

32-21-12-01C

BOEING PROPRIETARY - Copyright © - Unpublished Work - See title page for details.

32-21-12  
FIG. 01C  
PAGE 46  
JAN 20/09



757

PARTS CATALOG (MAINTENANCE)

FIG ITEM	PART NUMBER	1 2 3 4 5 6 7	NOMENCLATURE	EFFECT FROM TO	UNITS PER ASSY
1C					
30	NAS6703H1		.BOLT- USED ON: 162N0001-113 162N0001-120 USED ON: 162N0001-113 162N0001-120	002004 006100 107107 121503 904949	4
30	BACB30LM3H1		.BOLT- USED ON: 162N0001-6 162N0001-14 162N0001-18 162N0001-19 162N0001-20 162N0001-21 162N0001-22 162N0001-23 162N0001-24 162N0001-26 162N0001-31 162N0001-32 162N0001-41 162N0001-47 162N0001-100 162N0001-107 USED ON: 162N0001-6 162N0001-14 162N0001-18 162N0001-19 162N0001-21 162N0001-23 162N0001-24 162N0001-26 162N0001-31 162N0001-32 162N0001-41 162N0001-47 162N0001-100 162N0001-107	002004 006100 107107 121503 904949	4
35	162N1213-1		.PLUG-	002004 006100 107107 121503 904949	1

MISSING ITEM NUMBERS NOT APPLICABLE

- ITEM NOT ILLUSTRATED

32-21-12-01C

32-21-12  
FIG. 01C  
PAGE 47  
JAN 20/09

BRI

BOEING PROPRIETARY - Copyright © - Unpublished Work - See title page for details.



757

PARTS CATALOG (MAINTENANCE)

FIG ITEM	PART NUMBER	1 2 3 4 5 6 7	NOMENCLATURE	EFFECT FROM TO	UNITS PER ASSY
1C 40	162N1185-1		.PIN-TRUNNION USED ON: 162N0001-6 162N0001-14 162N0001-18 162N0001-19 162N0001-20 162N0001-21 162N0001-22 162N0001-23 162N0001-24 162N0001-26 162N0001-31 162N0001-32 162N0001-38 USED ON: 162N0001-6 162N0001-14 162N0001-18 162N0001-19 162N0001-21 162N0001-23 162N0001-24 162N0001-26 162N0001-31 162N0001-32 162N0001-38	002004 006100 107107 121503 904949	2
40	162N1185-2		.PIN-TRUNNION OPTIONAL PART: 162N1185-5 USED ON: 162N0001-41 162N0001-47 162N0001-100 USED ON: 162N0001-41 162N0001-47 162N0001-100	002004 006100 107107 121503 904949	2

MISSING ITEM NUMBERS NOT APPLICABLE

- ITEM NOT ILLUSTRATED

BRI

32-21-12-01C

BOEING PROPRIETARY - Copyright © - Unpublished Work - See title page for details.

32-21-12  
FIG. 01C  
PAGE 48  
JAN 20/09





757

PARTS CATALOG (MAINTENANCE)

FIG ITEM	PART NUMBER	1 2 3 4 5 6 7	NOMENCLATURE	EFFECT FROM TO	UNITS PER ASSY
1C 40	162N1185-5		.PIN-RUNNION OPTIONAL PART: 162N1185-2 USED ON: 162N0001-113 162N0001-100 162N0001-107 162N0001-120 USED ON: 162N0001-113 162N0001-100 162N0001-107 162N0001-120	002004 006100 107107 121503 904949	2

MISSING ITEM NUMBERS NOT APPLICABLE

- ITEM NOT ILLUSTRATED

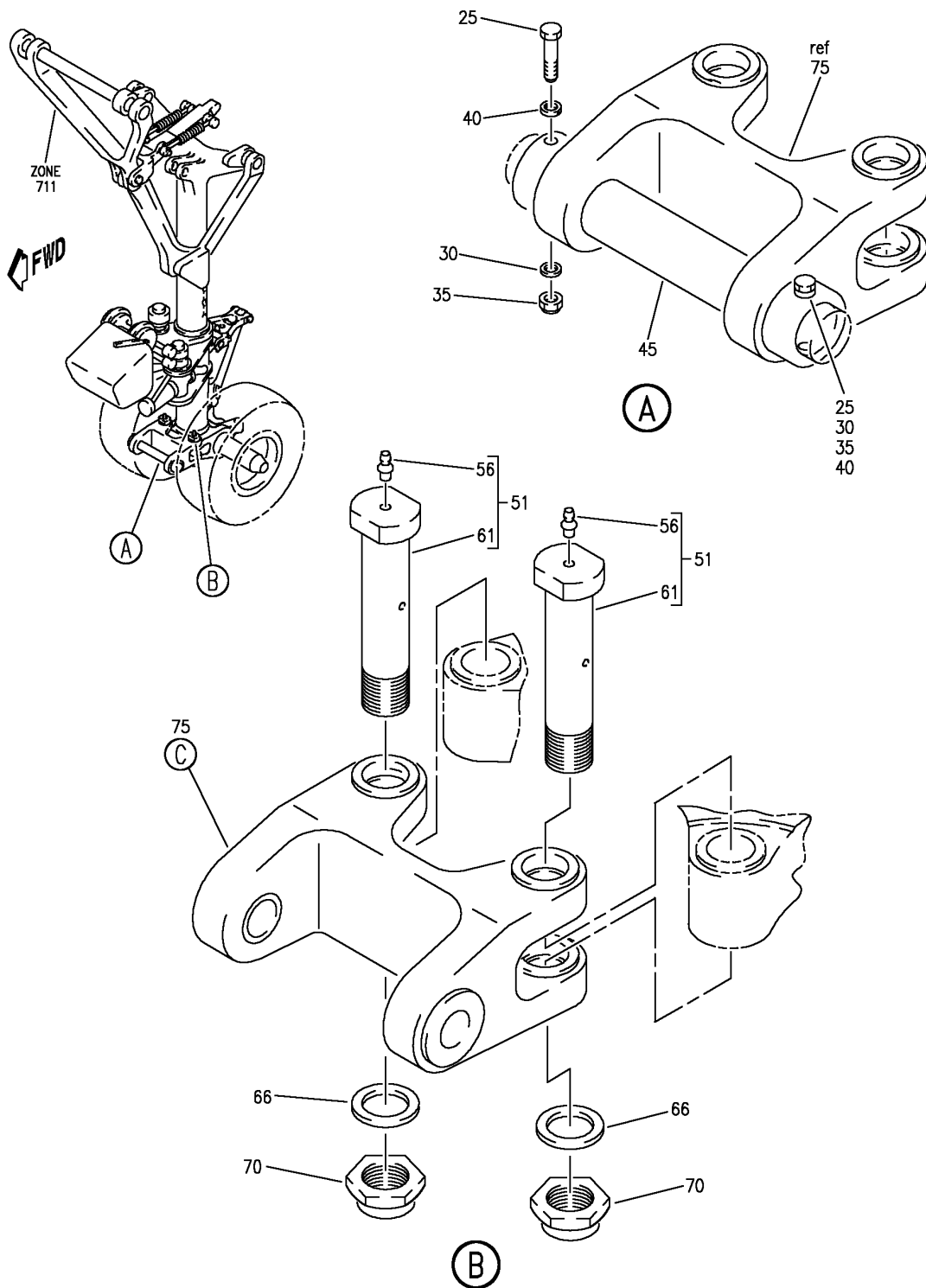
BRI

32-21-12-01C

BOEING PROPRIETARY - Copyright © - Unpublished Work - See title page for details.

32-21-12  
FIG. 01C  
PAGE 49  
JAN 20/09

**BOEING**  
757  
PARTS CATALOG (MAINTENANCE)



Y 32211301 SHT 1 REV 261

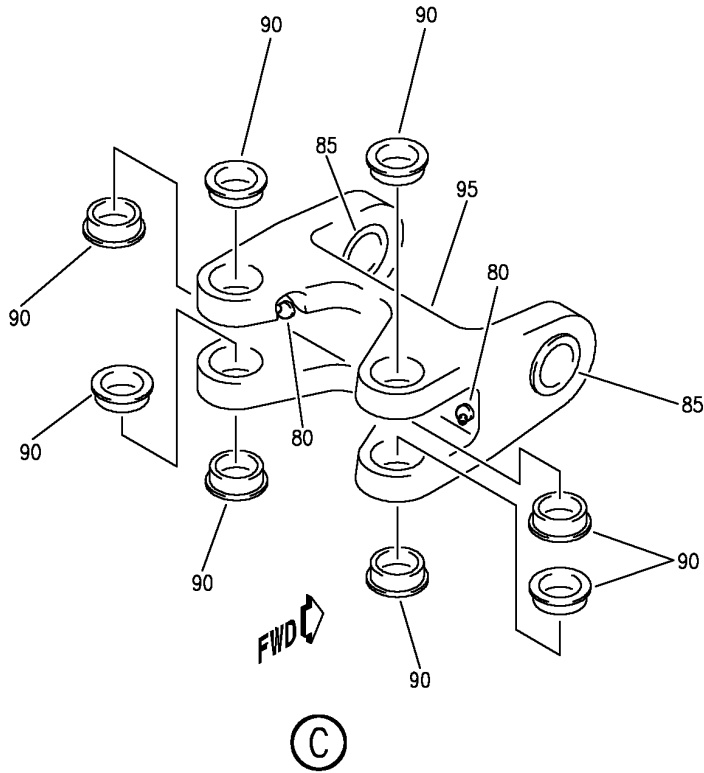
GEAR ASSY-NLG (NOSE GEAR TOW FITTING ONLY)  
FIGURE 1 (SHEET 1)

**32-21-13-01**

BRI  
JAN 20/09

32-21-13-01  
PAGE 0

**BOEING**  
757  
PARTS CATALOG (MAINTENANCE)



Y 32211301 SH1 2 REV 261

GEAR ASSY-NLG (NOSE GEAR TOW FITTING ONLY)  
FIGURE 1 (SHEET 2)

**32-21-13-01**

BRI  
JAN 20/09

32-21-13-01  
PAGE 0A



757

PARTS CATALOG (MAINTENANCE)

FIG ITEM	PART NUMBER	1 2 3 4 5 6 7	NOMENCLATURE	EFFECT FROM TO	UNITS PER ASSY
1			GEAR ASSY-NLG (NOSE GEAR TOW FITTING ONLY)	950951	
- 1	162N0001-97		GEAR ASSY-NLG (NOSE GEAR TOW FITTING ONLY) COMPONENT MAINT MANUAL REF: 32-21-25 QUALIFIED I/W DATA: 162N0001-121, -114, -108, -102, -97 WITH QUICK RELEASE TORSION LINKS AND ONLY FORWARD TOW FITTING I/W 162N0001-120, -113, -107, -100, -47 WITH FORWARD AND AFT TOW FITTING AND WITHOUT QUICK RELEASE TORSION LINKS SUBJECT TO CUSTOMER APPROVAL 162N0001-121, -114, -108, -102, -97 WITH ONLY FORWARD TOW FITTING MAY REPLACE BUT NOT BE REPLACED BY 162N0001-46, -42, -33 WITH FORWARD AND AFT TOW FITTING SUBJECT TO CUSTOMER CUSTOMER APPROVAL FOR NHA/OTHER SYS DET SEE: 32-21-00-01B	950951	RF
- 1	162N0001-97		GEAR ASSY-NLG (NOSE GEAR TOW FITTING ONLY) COMPONENT MAINT MANUAL REF: 32-21-25 QUALIFIED I/W DATA: 162N0001-121, -114, -108, -102, -97 WITH QUICK RELEASE TORSION LINKS AND ONLY FORWARD TOW FITTING MAY REPLACE BUT NOT BE REPLACED BY 162N0001-41, -38, -32, -31, -26, -24, -23, -21, -19, -18, -14, -6 WITH FORWARD AND AFT TOW FITTING AND WITHOUT QUICK RELEASE TORSION LINKS SUBJECT TO CUSTOMER APPROVAL	950951	RF

MISSING ITEM NUMBERS NOT APPLICABLE

- ITEM NOT ILLUSTRATED

32-21-13-01

32-21-13  
FIG. 01  
PAGE 1  
JAN 20/09

BRI



757

PARTS CATALOG (MAINTENANCE)

FIG ITEM	PART NUMBER	1 2 3 4 5 6 7	NOMENCLATURE	EFFECT FROM TO	UNITS PER ASSY
1					
- 1	162N0001-97		GEAR ASSY-NLG (NOSE GEAR TOW FITTING ONLY) COMPONENT MAINT MANUAL REF: 32-21-25	950951	RF
- 1	162N0001-97		GEAR ASSY-NLG (NOSE GEAR TOW FITTING ONLY) COMPONENT MAINT MANUAL REF: 32-21-25 QUALIFIED I/W DATA: 162N0001-118, -111, -105, -101, -49 WITHOUT QUICK RELEASE TORSION LINKS I/W 162N0001-121, -114, -108, -102, -97 WITH QUICK RELEASE TORSION LINKS SUBJECT TO CUSTOMER APPROVAL 162N0001-121, -114, -108, -102, -97 WITH QUICK RELEASE TORSION LINKS AND REQUIRES 757 TOW BAR I/W 162N0001-122, -115, -109, -103, -98 WITHOUT QUICK RELEASE TORSION LINKS AND REQUIRES 727 TOW BAR SUBJECT TO CUSTOMER APPROVAL	950951	RF

MISSING ITEM NUMBERS NOT APPLICABLE

- ITEM NOT ILLUSTRATED

BRI

32-21-13-01

BOEING PROPRIETARY - Copyright © - Unpublished Work - See title page for details.

32-21-13  
FIG. 01  
PAGE 2  
JAN 20/09



757

PARTS CATALOG (MAINTENANCE)

FIG ITEM	PART NUMBER	1 2 3 4 5 6 7	NOMENCLATURE	EFFECT FROM TO	UNITS PER ASSY
1 - 1	162N0001-97		GEAR ASSY-NLG (NOSE GEAR TOW FITTING ONLY) COMPONENT MAINT MANUAL REF: 32-21-25 QUALIFIED I/W DATA: 162N0001-121, -114, -108, -102, -97 T/W (1)BACB28AK06-045, (1)BACB30NR6DK21 WITH QUICK RELEASE TORSION LINK AND FORWARD TOW FITTING ONLY MAY REPLACE BUT NOT BE REPLACED BY 162N0001-22, -20 T/W (1)BACB28AK06-058, (1)BACB30N6DK25 WITHOUT QUICK RELEASE TORSION LINK AND WITH FORWARD AND AFT TOW FITTINGS SUBJECT TO CUSTOMER APPROVAL 162N0001-119, -112, -106, -99, -45 WITH FORWARD AND AFT TOW FITTING I/W 162N0001-121, -114, -108, -102, -97 WITH ONLY FORWARD TOW FITTING SUBJECT TO CUSTOMER APPROVAL	950951	RF

MISSING ITEM NUMBERS NOT APPLICABLE

- ITEM NOT ILLUSTRATED

BRI

32-21-13-01

BOEING PROPRIETARY - Copyright © - Unpublished Work - See title page for details.

32-21-13  
FIG. 01  
PAGE 3  
JAN 20/09



757

PARTS CATALOG (MAINTENANCE)

FIG ITEM	PART NUMBER	1 2 3 4 5 6 7	NOMENCLATURE	EFFECT FROM TO	UNITS PER ASSY
1	162N0001-102		GEAR ASSY-NLG (NOSE GEAR TOW FITTING ONLY) COMPONENT MAINT MANUAL REF: 32-21-25 QUALIFIED I/W DATA: 162N0001-121, -114, -108, -102, -97 WITH QUICK RELEASE TORSION LINKS AND ONLY FORWARD TOW FITTING I/W 162N0001-120, -113, -107, -100, -47 WITH FORWARD AND AFT TOW FITTING AND WITHOUT QUICK RELEASE TORSION LINKS SUBJECT TO CUSTOMER APPROVAL 162N0001-121, -114, -108, -102, -97 WITH ONLY FORWARD TOW FITTING MAY REPLACE BUT NOT BE REPLACED BY 162N0001-46, -42, -33 WITH FORWARD AND AFT TOW FITTING SUBJECT TO CUSTOMER APPROVAL	950951	RF
- 1	162N0001-102		GEAR ASSY-NLG (NOSE GEAR TOW FITTING ONLY) COMPONENT MAINT MANUAL REF: 32-21-25 QUALIFIED I/W DATA: 162N0001-121, -114, -108, -102, -97 WITH QUICK RELEASE TORSION LINKS AND ONLY FORWARD TOW FITTING MAY REPLACE BUT NOT BE REPLACED BY 162N0001-41, -38, -32, -31, -26, -24, -23, -21, -19, -18, -14, -6 WITH FORWARD AND AFT TOW FITTING AND WITHOUT QUICK RELEASE TORSION LINKS SUBJECT TO CUSTOMER APPROVAL	950951	RF

MISSING ITEM NUMBERS NOT APPLICABLE

- ITEM NOT ILLUSTRATED

32-21-13-01

32-21-13  
FIG. 01  
PAGE 4  
JAN 20/09

BRI



757

PARTS CATALOG (MAINTENANCE)

FIG ITEM	PART NUMBER	1 2 3 4 5 6 7	NOMENCLATURE	EFFECT FROM TO	UNITS PER ASSY
1					
- 1	162N0001-102		GEAR ASSY-NLG (NOSE GEAR TOW FITTING ONLY) COMPONENT MAINT MANUAL REF: 32-21-25	950951	RF
- 1	162N0001-102		GEAR ASSY-NLG (NOSE GEAR TOW FITTING ONLY) COMPONENT MAINT MANUAL REF: 32-21-25 QUALIFIED I/W DATA: 162N0001-118, -111, -105, -101, -49 WITHOUT QUICK RELEASE TORSION LINKS I/W 162N0001-121, -114, -108, -102, -97 WITH QUICK RELEASE TORSION LINKS SUBJECT TO CUSTOMER APPROVAL 162N0001-121, -114, -108, -102, -97 WITH QUICK RELEASE TORSION LINKS AND REQUIRES 757 TOW BAR I/W 162N0001-122, -115, -109, -103, -98 WITHOUT QUICK RELEASE TORSION LINKS AND REQUIRES 727 TOW BAR SUBJECT TO CUSTOMER APPROVAL	950951	RF

MISSING ITEM NUMBERS NOT APPLICABLE

- ITEM NOT ILLUSTRATED

BRI

32-21-13-01

BOEING PROPRIETARY - Copyright © - Unpublished Work - See title page for details.

32-21-13  
FIG. 01  
PAGE 5  
JAN 20/09





757

PARTS CATALOG (MAINTENANCE)

FIG ITEM	PART NUMBER	1 2 3 4 5 6 7	NOMENCLATURE	EFFECT FROM TO	UNITS PER ASSY
1 - 1	162N0001-102		GEAR ASSY-NLG (NOSE GEAR TOW FITTING ONLY) COMPONENT MAINT MANUAL REF: 32-21-25 QUALIFIED I/W DATA: 162N0001-121, -114, -108, -102, -97 T/W (1)BACB28AK06-045, (1)BACB30NR6DK21 WITH QUICK RELEASE TORSION LINK AND FORWARD TOW FITTING ONLY MAY REPLACE BUT NOT BE REPLACED BY 162N0001-22, -20 T/W (1)BACB28AK06-058, (1)BACB30N6DK25 WITHOUT QUICK RELEASE TORSION LINK AND WITH FORWARD AND AFT TOW FITTINGS SUBJECT TO CUSTOMER APPROVAL 162N0001-119, -112, -106, -99, -45 WITH FORWARD AND AFT TOW FITTING I/W 162N0001-121, -114, -108, -102, -97 WITH ONLY FORWARD TOW FITTING SUBJECT TO CUSTOMER APPROVAL	950951	RF

MISSING ITEM NUMBERS NOT APPLICABLE

- ITEM NOT ILLUSTRATED

BRI

32-21-13-01

BOEING PROPRIETARY - Copyright © - Unpublished Work - See title page for details.

32-21-13  
 FIG. 01  
 PAGE 6  
 JAN 20/09



757

PARTS CATALOG (MAINTENANCE)

FIG ITEM	PART NUMBER	1 2 3 4 5 6 7	NOMENCLATURE	EFFECT FROM TO	UNITS PER ASSY
1					
- 2	162N0001-108		GEAR ASSY-NLG (NOSE GEAR TOW FITTING ONLY) COMPONENT MAINT MANUAL REF: 32-21-25 QUALIFIED I/W DATA: 162N0001-121, -114, -108, -102, -97 WITH QUICK RELEASE TORSION LINKS AND ONLY FORWARD TOW FITTING I/W 162N0001-120, -113, -107, -100, -47 WITH FORWARD AND AFT TOW FITTING AND WITHOUT QUICK RELEASE TORSION LINKS SUBJECT TO CUSTOMER APPROVAL 162N0001-121, -114, -108, -102, -97 WITH ONLY FORWARD TOW FITTING MAY REPLACE BUT NOT BE REPLACED BY 162N0001-46, -42, -33 WITH FORWARD AND AFT TOW FITTING SUBJECT TO CUSTOMER APPROVAL FOR NHA/OTHER SYS DET SEE: 32-21-00-01B	950951	RF
- 2	162N0001-108		GEAR ASSY-NLG (NOSE GEAR TOW FITTING ONLY) COMPONENT MAINT MANUAL REF: 32-21-25 QUALIFIED I/W DATA: 162N0001-121, -114, -108, -102, -97 WITH QUICK RELEASE TORSION LINKS AND ONLY FORWARD TOW FITTING MAY REPLACE BUT NOT BE REPLACED BY 162N0001-41, -38, -32, -31, -26, -24, -23, -21, -19, -18, -14, -6 WITH FORWARD AND AFT TOW FITTING AND WITHOUT QUICK RELEASE TORSION LINKS SUBJECT TO CUSTOMER APPROVAL	950951	RF

MISSING ITEM NUMBERS NOT APPLICABLE

- ITEM NOT ILLUSTRATED

32-21-13-01

32-21-13  
FIG. 01  
PAGE 7  
JAN 20/09

BRI



757

PARTS CATALOG (MAINTENANCE)

FIG ITEM	PART NUMBER	1 2 3 4 5 6 7	NOMENCLATURE	EFFECT FROM TO	UNITS PER ASSY
1					
- 2	162N0001-108		GEAR ASSY-NLG (NOSE GEAR TOW FITTING ONLY) COMPONENT MAINT MANUAL REF: 32-21-25	950951	RF
- 2	162N0001-108		GEAR ASSY-NLG (NOSE GEAR TOW FITTING ONLY) COMPONENT MAINT MANUAL REF: 32-21-25 QUALIFIED I/W DATA: 162N0001-118, -111, -105, -101, -49 WITHOUT QUICK RELEASE TORSION LINKS I/W 162N0001-121, -114, -108, -102, -97 WITH QUICK RELEASE TORSION LINKS SUBJECT TO CUSTOMER APPROVAL 162N0001-121, -114, -108, -102, -97 WITH QUICK RELEASE TORSION LINKS AND REQUIRES 757 TOW BAR I/W 162N0001-122, -115, -109, -103, -98 WITHOUT QUICK RELEASE TORSION LINKS AND REQUIRES 727 TOW BAR SUBJECT TO CUSTOMER APPROVAL	950951	RF

MISSING ITEM NUMBERS NOT APPLICABLE

- ITEM NOT ILLUSTRATED

BRI

32-21-13-01

BOEING PROPRIETARY - Copyright © - Unpublished Work - See title page for details.

32-21-13  
FIG. 01  
PAGE 8  
JAN 20/09



757

PARTS CATALOG (MAINTENANCE)

FIG ITEM	PART NUMBER	1 2 3 4 5 6 7	NOMENCLATURE	EFFECT FROM TO	UNITS PER ASSY
1 - 2	162N0001-108		GEAR ASSY-NLG (NOSE GEAR TOW FITTING ONLY) COMPONENT MAINT MANUAL REF: 32-21-25 QUALIFIED I/W DATA: 162N0001-121, -114, -108, -102, -97 T/W (1)BACB28AK06-045, (1)BACB30NR6DK21 WITH QUICK RELEASE TORSION LINK AND FORWARD TOW FITTING ONLY MAY REPLACE BUT NOT BE REPLACED BY 162N0001-22, -20 T/W (1)BACB28AK06-058, (1)BACB30N6DK25 WITHOUT QUICK RELEASE TORSION LINK AND WITH FORWARD AND AFT TOW FITTINGS SUBJECT TO CUSTOMER APPROVAL 162N0001-119, -112, -106, -99, -45 WITH FORWARD AND AFT TOW FITTING I/W 162N0001-121, -114, -108, -102, -97 WITH ONLY FORWARD TOW FITTING SUBJECT TO CUSTOMER APPROVAL	950951	RF

MISSING ITEM NUMBERS NOT APPLICABLE

- ITEM NOT ILLUSTRATED

32-21-13-01

32-21-13  
 FIG. 01  
 PAGE 9  
 JAN 20/09

BRI



757

PARTS CATALOG (MAINTENANCE)

FIG ITEM	PART NUMBER	1 2 3 4 5 6 7	NOMENCLATURE	EFFECT FROM TO	UNITS PER ASSY
1 - 2	162N0001-114		GEAR ASSY-NLG (NOSE GEAR TOW FITTING ONLY) MISCELLANEOUS DATA: 162N0001-114 INCLUDES ONE TOW FITTING AND QUICK DISCONNECT OPTION COMPONENT MAINT MANUAL REF: 32-21-25 QUALIFIED I/W DATA: 162N0001-121, -114, -108, -102, -97 WITH QUICK RELEASE TORSION LINKS AND ONLY FORWARD TOW FITTING I/W 162N0001-120, -113, -107, -100, -47 WITH FORWARD AND AFT TOW FITTING AND WITHOUT QUICK RELEASE TORSION LINKS SUBJECT TO CUSTOMER APPROVAL 162N0001-121, -114, -108, -102, -97 WITH ONLY FORWARD TOW FITTING MAY REPLACE BUT NOT BE REPLACED BY 162N0001-46, -42, -33 WITH FORWARD AND AFT TOW FITTING SUBJECT TO CUSTOMER CUSTOMER APPROVAL FOR NHA/OTHER SYS DET SEE: 32-21-00-01B	950951	RF

MISSING ITEM NUMBERS NOT APPLICABLE

- ITEM NOT ILLUSTRATED

BRI

32-21-13-01

BOEING PROPRIETARY - Copyright © - Unpublished Work - See title page for details.

32-21-13  
 FIG. 01  
 PAGE 10  
 JAN 20/09



757

PARTS CATALOG (MAINTENANCE)

FIG ITEM	PART NUMBER	1 2 3 4 5 6 7	NOMENCLATURE	EFFECT FROM TO	UNITS PER ASSY
1					
- 2	162N0001-114		GEAR ASSY-NLG (NOSE GEAR TOW FITTING ONLY) COMPONENT MAINT MANUAL REF: 32-21-25 QUALIFIED I/W DATA: 162N0001-121, -114, -108, -102, -97 WITH QUICK RELEASE TORSION LINKS AND ONLY FORWARD TOW FITTING MAY REPLACE BUT NOT BE REPLACED BY 162N0001-41, -38, -32, -31, -26, -24, -23, -21, -19, -18, -14, -6 WITH FORWARD AND AFT TOW FITTING AND WITHOUT QUICK RELEASE TORSION LINKS SUBJECT TO CUSTOMER APPROVAL	950951	RF
- 2	162N0001-114		GEAR ASSY-NLG (NOSE GEAR TOW FITTING ONLY) COMPONENT MAINT MANUAL REF: 32-21-25	950951	RF
- 2	162N0001-114		GEAR ASSY-NLG (NOSE GEAR TOW FITTING ONLY) COMPONENT MAINT MANUAL REF: 32-21-25 QUALIFIED I/W DATA: 162N0001-118, -111, -105, -101, -49 WITHOUT QUICK RELEASE TORSION LINKS I/W 162N0001-121, -114, -108, -102, -97 WITH QUICK RELEASE TORSION LINKS SUBJECT TO CUSTOMER APPROVAL 162N0001-121, -114, -108, -102, -97 WITH QUICK RELEASE TORSION LINKS AND REQUIRES 757 TOW BAR I/W 162N0001-122, -115, -109, -103, -98 WITHOUT QUICK RELEASE TORSION LINKS AND REQUIRES 727 TOW BAR SUBJECT TO CUSTOMER APPROVAL	950951	RF

MISSING ITEM NUMBERS NOT APPLICABLE

- ITEM NOT ILLUSTRATED

32-21-13-01

32-21-13  
FIG. 01  
PAGE 11  
JAN 20/09

BRI



757

PARTS CATALOG (MAINTENANCE)

FIG ITEM	PART NUMBER	1 2 3 4 5 6 7	NOMENCLATURE	EFFECT FROM TO	UNITS PER ASSY
1 - 2	162N0001-114		GEAR ASSY-NLG (NOSE GEAR TOW FITTING ONLY) COMPONENT MAINT MANUAL REF: 32-21-25 QUALIFIED I/W DATA: 162N0001-121, -114, -108, -102, -97 T/W (1)BACB28AK06-045, (1)BACB30NR6DK21 WITH QUICK RELEASE TORSION LINK AND FORWARD TOW FITTING ONLY MAY REPLACE BUT NOT BE REPLACED BY 162N0001-22, -20 T/W (1)BACB28AK06-058, (1)BACB30N6DK25 WITHOUT QUICK RELEASE TORSION LINK AND WITH FORWARD AND AFT TOW FITTINGS SUBJECT TO CUSTOMER APPROVAL 162N0001-119, -112, -106, -99, -45 WITH FORWARD AND AFT TOW FITTING I/W 162N0001-121, -114, -108, -102, -97 WITH ONLY FORWARD TOW FITTING SUBJECT TO CUSTOMER APPROVAL 162N0001-402, NOSE GEAR ASSEMBLY T/W 162N0001-4004, TOW OPTION INSTALLATION I/W P/N 162N0001-114, NOSE GEAR ASSEMBLY	950951	RF

MISSING ITEM NUMBERS NOT APPLICABLE

- ITEM NOT ILLUSTRATED

BRI

32-21-13-01

BOEING PROPRIETARY - Copyright © - Unpublished Work - See title page for details.

32-21-13  
 FIG. 01  
 PAGE 12  
 JAN 20/09



757

PARTS CATALOG (MAINTENANCE)

FIG ITEM	PART NUMBER	1 2 3 4 5 6 7	NOMENCLATURE	EFFECT FROM TO	UNITS PER ASSY
1 - 3	162N0001-121		GEAR ASSY-NLG (NOSE GEAR TOW FITTING ONLY) COMPONENT MAINT MANUAL REF: 32-21-25 QUALIFIED I/W DATA: 162N0001-121, -114, -108, -102, -97 WITH QUICK RELEASE TORSION LINKS AND ONLY FORWARD TOW FITTING I/W 162N0001-120, -113, -107, -100, -47 WITH FORWARD AND AFT TOW FITTING AND WITHOUT QUICK RELEASE TORSION LINKS SUBJECT TO CUSTOMER APPROVAL 162N0001-121, -114, -108, -102, -97 WITH ONLY FORWARD TOW FITTING MAY REPLACE BUT NOT BE REPLACED BY 162N0001-46, -42, -33 WITH FORWARD AND AFT TOW FITTING SUBJECT TO CUSTOMER CUSTOMER APPROVAL FOR NHA/OTHER SYS DET SEE: 32-21-00-01B	950951	RF
- 3	162N0001-121		GEAR ASSY-NLG (NOSE GEAR TOW FITTING ONLY) COMPONENT MAINT MANUAL REF: 32-21-25 QUALIFIED I/W DATA: 162N0001-121, -114, -108, -102, -97 WITH QUICK RELEASE TORSION LINKS AND ONLY FORWARD TOW FITTING MAY REPLACE BUT NOT BE REPLACED BY 162N0001-41, -38, -32, -31, -26, -24, -23, -21, -19, -18, -14, -6 WITH FORWARD AND AFT TOW FITTING AND WITHOUT QUICK RELEASE TORSION LINKS SUBJECT TO CUSTOMER APPROVAL	950951	RF

MISSING ITEM NUMBERS NOT APPLICABLE

- ITEM NOT ILLUSTRATED

BRI

32-21-13-01

32-21-13  
FIG. 01  
PAGE 13  
JAN 20/09





757

PARTS CATALOG (MAINTENANCE)

FIG ITEM	PART NUMBER	1 2 3 4 5 6 7	NOMENCLATURE	EFFECT FROM TO	UNITS PER ASSY
1					
- 3	162N0001-121		GEAR ASSY-NLG (NOSE GEAR TOW FITTING ONLY) COMPONENT MAINT MANUAL REF: 32-21-25	950951	RF
- 3	162N0001-121		GEAR ASSY-NLG (NOSE GEAR TOW FITTING ONLY) COMPONENT MAINT MANUAL REF: 32-21-25 QUALIFIED I/W DATA: 162N0001-118, -111, -105, -101, -49 WITHOUT QUICK RELEASE TORSION LINKS I/W 162N0001-121, -114, -108, -102, -97 WITH QUICK RELEASE TORSION LINKS SUBJECT TO CUSTOMER APPROVAL 162N0001-121, -114, -108, -102, -97 WITH QUICK RELEASE TORSION LINKS AND REQUIRES 757 TOW BAR I/W 162N0001-122, -115, -109, -103, -98 WITHOUT QUICK RELEASE TORSION LINKS AND REQUIRES 727 TOW BAR SUBJECT TO CUSTOMER APPROVAL	950951	RF

MISSING ITEM NUMBERS NOT APPLICABLE

- ITEM NOT ILLUSTRATED

BRI

32-21-13-01

BOEING PROPRIETARY - Copyright © - Unpublished Work - See title page for details.

32-21-13  
FIG. 01  
PAGE 14  
JAN 20/09



757

PARTS CATALOG (MAINTENANCE)

FIG ITEM	PART NUMBER	1 2 3 4 5 6 7	NOMENCLATURE	EFFECT FROM TO	UNITS PER ASSY
1 - 3	162N0001-121		GEAR ASSY-NLG (NOSE GEAR TOW FITTING ONLY) COMPONENT MAINT MANUAL REF: 32-21-25 QUALIFIED I/W DATA: 162N0001-121, -114, -108, -102, -97 T/W (1)BACB28AK06-045, (1)BACB30NR6DK21 WITH QUICK RELEASE TORSION LINK AND FORWARD TOW FITTING ONLY MAY REPLACE BUT NOT BE REPLACED BY 162N0001-22, -20 T/W (1)BACB28AK06-058, (1)BACB30N6DK25 WITHOUT QUICK RELEASE TORSION LINK AND WITH FORWARD AND AFT TOW FITTINGS SUBJECT TO CUSTOMER APPROVAL 162N0001-119, -112, -106, -99, -45 WITH FORWARD AND AFT TOW FITTING I/W 162N0001-121, -114, -108, -102, -97 WITH ONLY FORWARD TOW FITTING SUBJECT TO CUSTOMER APPROVAL	950951	RF
25	BACB30LJ5-32	.BOLT		950951	2
30	NAS1149C0532R	.WASHER		950951	2
35	BRH10C5D	.NUT		950951	2
			SUPPLIER CODE: V52828 SPECIFICATION NUMBER: BACN10JC5CD OPTIONAL PART: T6C524JCD V11815 102LH9075-5W V72962 H51650-5BAC V15653		
40	162N1208-1	.COLLAR-TOW PIN		950951	2
45	162N1207-1	.PIN-TOW ATTACHING PARTS		950951	1
51	162N1209-1	.BOLT ASSY		950951	2

MISSING ITEM NUMBERS NOT APPLICABLE

- ITEM NOT ILLUSTRATED

32-21-13-01

32-21-13  
FIG. 01  
PAGE 15  
JAN 20/09

BRI



757

PARTS CATALOG (MAINTENANCE)

FIG ITEM	PART NUMBER	1 2 3 4 5 6 7	NOMENCLATURE	EFFECT FROM TO	UNITS PER ASSY
1					
56	1728B		.. FITTING-LUBE SUPPLIER CODE: VOFKM1	950951	1
61	162N1209-2		.. BOLT	950951	1
66	NAS1149C0463R		. WASHER- USED ON: 162N0001-97 162N0001-102 162N0001-108 162N0001-114 162N0001-121	950951	2
			-----*-----		
70	BMN4122AD3-14		. NUT- SUPPLIER CODE: V97928 SPECIFICATION NUMBER: BACN10JC14 OPTIONAL PART: H10-14BAC V15653 BMN4122A14 V85495 RMLH9074-14 V72962 48FT1414 V56878 USED ON: 162N0001-97 162N0001-102 162N0001-108 162N0001-114 162N0001-121	950951	2
75	162N1201-1		. FITTING ASSY	950951	1
80	1992B		.. FITTING-LUBE SUPPLIER CODE: VOFKM1	950951	2
80	1992B1		.. FITTING-LUBE SUPPLIER CODE: VOFKM1	950951	2
85	160N0201-28		.. BUSHING	950951	2
90	160N0201-64		.. BUSHING	950951	8
95	162N1201-2		. FITTING-TOW	950951	1

MISSING ITEM NUMBERS NOT APPLICABLE

- ITEM NOT ILLUSTRATED

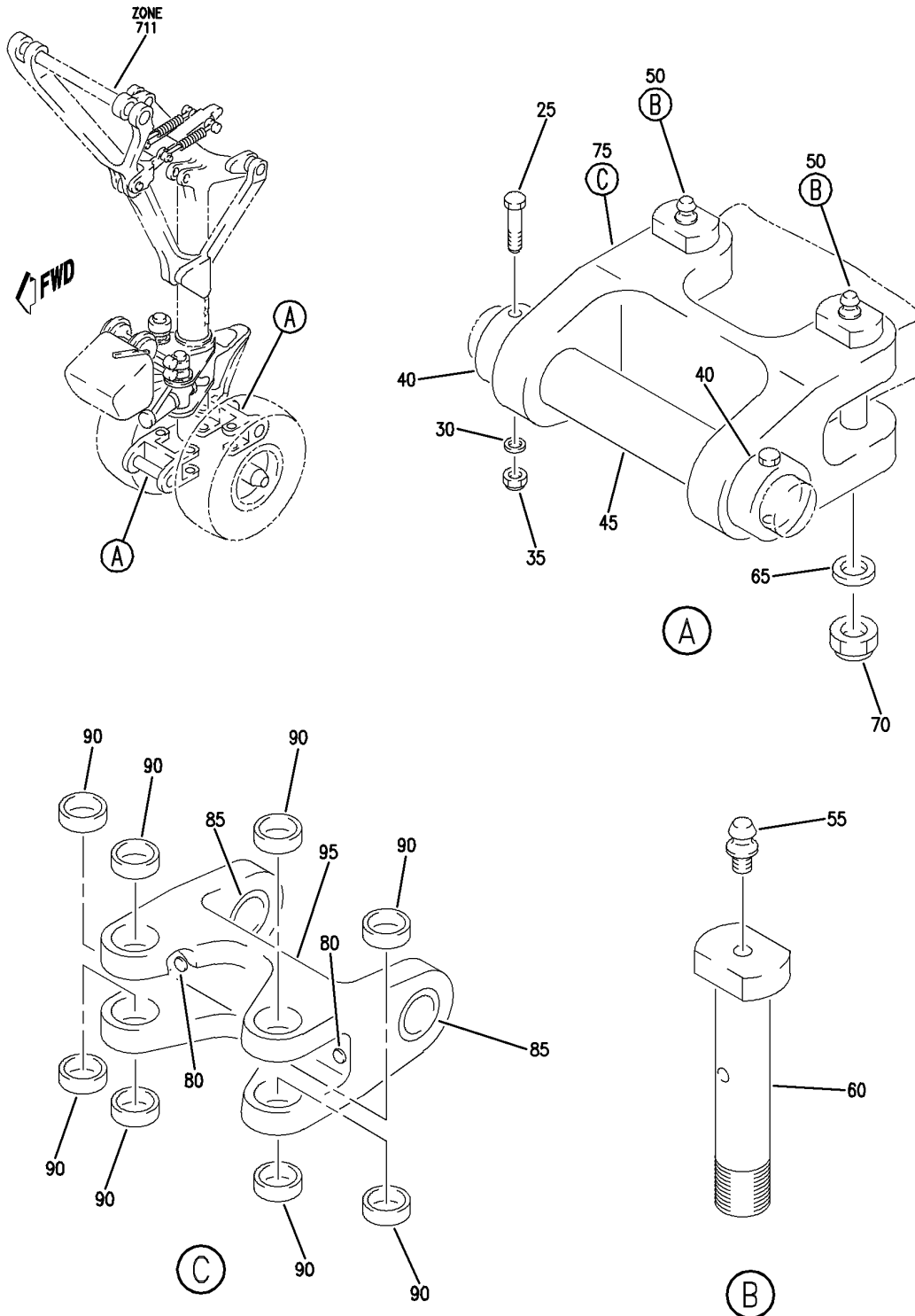
32-21-13-01

32-21-13  
FIG. 01  
PAGE 16  
JAN 20/09

BRI

BOEING PROPRIETARY - Copyright © - Unpublished Work - See title page for details.

**BOEING**  
757  
PARTS CATALOG (MAINTENANCE)



GEAR ASSY-SECT. 62 NLG (NOSE GEAR TOW FITTING ONLY)  
FIGURE 1B

**32-21-13-01B**

BRI  
JAN 20/09

32-21-13-01B  
PAGE 0



757

PARTS CATALOG (MAINTENANCE)

FIG ITEM	PART NUMBER	1 2 3 4 5 6 7	NOMENCLATURE	EFFECT FROM TO	UNITS PER ASSY
1B			GEAR ASSY-SECT. 62 NLG (NOSE GEAR TOW FITTING ONLY)	952999	
- 1	162N0001-101		GEAR ASSY-NLG (NOSE GEAR TOW FITTING ONLY) POSITION DATA: SECT. 62 COMPONENT MAINT MANUAL REF: 32-21-25 QUALIFIED I/W DATA: 162N0001-118, -111, -105, -101, -49 WITH ONLY FORWARD TOW FITTING I/W 162N0001-120, -113, -107, -100, -47 WITH FORWARD AND AFT TOW FITTINGS WITH CUSTOMER APPROVAL. FOR NHA/OTHER SYS DET SEE: 32-21-00-01B	952999	RF
- 1	162N0001-101		GEAR ASSY-NLG (NOSE GEAR TOW FITTING ONLY) POSITION DATA: SECT. 62 COMPONENT MAINT MANUAL REF: 32-21-25 QUALIFIED I/W DATA: 162N0001-118, -111, -105, -101, -49 WITH ONLY FORWARD TOW FITTING MAY REPLACE BUT NOT BE REPLACED BY 162N0001-41, -38, -32, -31, -26, -24, -23, -21, -19, -18, -14, -6 WITH FORWARD AND AFT TOW FITTING SUBJECT TO CUSTOMER APPROVAL	952999	RF

MISSING ITEM NUMBERS NOT APPLICABLE

- ITEM NOT ILLUSTRATED

BRI

**32-21-13-01B**

BOEING PROPRIETARY - Copyright © - Unpublished Work - See title page for details.

32-21-13  
FIG. 01B  
PAGE 1  
JAN 20/09



757

PARTS CATALOG (MAINTENANCE)

FIG ITEM	PART NUMBER	1 2 3 4 5 6 7 NOMENCLATURE	EFFECT FROM TO	UNITS PER ASSY
1B - 1	162N0001-101	GEAR ASSY-NLG (NOSE GEAR TOW FITTING ONLY) POSITION DATA: SECT. 62 COMPONENT MAINT MANUAL REF: 32-21-25 QUALIFIED I/W DATA: 162N0001-119, -112, -106, -99, -45 WITH FORWARD AND AFT TOW FITTING AND QUICK RELEASE TORSION LINK I/W 162N0001-118, -111, -105, -101, -49 WITH FORWARD TOW FITTING AND WITHOUT QUICK RELEASE TORSION LINK SUBJECT TO CUSTOMER APPROVAL 162N0001-118, -111, -105, -101 WITH FORWARD TOW FITTING AND WITHOUT QUICK RELEASE TORSION LINK MAY REPLACE BUT NOT BE REPLACED BY 162N0001-46, -42, -33 WITH FORWARD AND AFT TOW FITTING AND QUICK RELEASE TORSION LINK SUBJECT TO CUSTOMER APPROVAL 162N0001-118, -111, -105, -101, -49 T/W (1)BACB28AK06-045 AND (1)BACB30NR6DK21 WITH ONLY FORWARD TOW FITTING MAY REPLACE BUT NOT BE REPLACED BY 162N0001-22, -20 T/W (1)BACB28AK06-058 AND (1)BACB30NR6DK25	952999	RF

MISSING ITEM NUMBERS NOT APPLICABLE

- ITEM NOT ILLUSTRATED

**32-21-13-01B**

32-21-13  
 FIG. 01B  
 PAGE 2  
 JAN 20/09

BRI



757

PARTS CATALOG (MAINTENANCE)

FIG ITEM	PART NUMBER	1 2 3 4 5 6 7	NOMENCLATURE	EFFECT FROM TO	UNITS PER ASSY
1B - 1	162N0001-101		GEAR ASSY-NLG (NOSE GEAR TOW FITTING ONLY) POSITION DATA: SECT. 62 COMPONENT MAINT MANUAL REF: 32-21-25 QUALIFIED I/W DATA: 162N0001-122, -115, -109, -103, -98 REQUIRES THE 727 TOW BAR I/W 162N0001-118, -111, -105, -101, -49 REQUIRES THE 757 TOW BAR SUBJECT TO CUSTOMER APPROVAL 162N0001-118, -111, -105, -101, -49 WITHOUT QUICK RELEASE TORSION LINKS I/W 162N0001-121, -114, -108, -102, -97 WITH QUICK RELEASE TORSION LINKS SUBJECT TO CUSTOMER APPROVAL	952999	RF
- 1	162N0001-105		GEAR ASSY-NLG (NOSE GEAR TOW FITTING ONLY) POSITION DATA: SECT. 62 COMPONENT MAINT MANUAL REF: 32-21-25 QUALIFIED I/W DATA: 162N0001-118, -111, -105, -101, -49 WITH ONLY FORWARD TOW FITTING I/W 162N0001-120, -113, -107, -100, -47 WITH FORWARD AND AFT TOW FITTINGS WITH CUSTOMER APPROVAL FOR NHA/OTHER SYS DET SEE: 32-21-00-01B	952999	RF

MISSING ITEM NUMBERS NOT APPLICABLE

- ITEM NOT ILLUSTRATED

BRI

**32-21-13-01B**

BOEING PROPRIETARY - Copyright © - Unpublished Work - See title page for details.

32-21-13  
FIG. 01B  
PAGE 3  
JAN 20/09



757

PARTS CATALOG (MAINTENANCE)

FIG ITEM	PART NUMBER	1 2 3 4 5 6 7	NOMENCLATURE	EFFECT FROM TO	UNITS PER ASSY
1B - 1	162N0001-105		GEAR ASSY-NLG (NOSE GEAR TOW FITTING ONLY) POSITION DATA: SECT. 62 COMPONENT MAINT MANUAL REF: 32-21-25 QUALIFIED I/W DATA: 162N0001-118, -111, -105, -101, -49 WITH ONLY FORWARD TOW FITTING MAY REPLACE BUT NOT BE REPLACED BY 162N0001-41, -38, -32, -31, -26, -24, -23, -21, -19, -18, -14, -6 WITH FORWARD AND AFT TOW FITTING SUBJECT TO CUSTOMER APPROVAL	952999	RF

MISSING ITEM NUMBERS NOT APPLICABLE

- ITEM NOT ILLUSTRATED

BRI

32-21-13-01B

BOEING PROPRIETARY - Copyright © - Unpublished Work - See title page for details.

32-21-13  
FIG. 01B  
PAGE 4  
JAN 20/09





757

PARTS CATALOG (MAINTENANCE)

FIG ITEM	PART NUMBER	1 2 3 4 5 6 7 NOMENCLATURE	EFFECT FROM TO	UNITS PER ASSY
1B - 1	162N0001-105	GEAR ASSY-NLG (NOSE GEAR TOW FITTING ONLY) POSITION DATA: SECT. 62 COMPONENT MAINT MANUAL REF: 32-21-25 QUALIFIED I/W DATA: 162N0001-119, -112, -106, -99, -45 WITH FORWARD AND AFT TOW FITTING AND QUICK RELEASE TORSION LINK I/W 162N0001-118, -111, -105, -101, -49 WITH FORWARD TOW FITTING AND WITHOUT QUICK RELEASE TORSION LINK SUBJECT TO CUSTOMER APPROVAL 162N0001-118, -111, -105, -101 WITH FORWARD TOW FITTING AND WITHOUT QUICK RELEASE TORSION LINK MAY REPLACE BUT NOT BE REPLACED BY 162N0001-46, -42, -33 WITH FORWARD AND AFT TOW FITTING AND QUICK RELEASE TORSION LINK SUBJECT TO CUSTOMER APPROVAL 162N0001-118, -111, -105, -101, -49 T/W (1)BACB28AK06-045 AND (1)BACB30NR6DK21 WITH ONLY FORWARD TOW FITTING MAY REPLACE BUT NOT BE REPLACED BY 162N0001-22, -20 T/W (1)BACB28AK06-058 AND (1)BACB30NR6DK25	952999	RF

MISSING ITEM NUMBERS NOT APPLICABLE

- ITEM NOT ILLUSTRATED

32-21-13-01B

32-21-13  
 FIG. 01B  
 PAGE 5  
 JAN 20/09

BRI



757

PARTS CATALOG (MAINTENANCE)

FIG ITEM	PART NUMBER	1 2 3 4 5 6 7	NOMENCLATURE	EFFECT FROM TO	UNITS PER ASSY
1B - 1	162N0001-105		GEAR ASSY-NLG (NOSE GEAR TOW FITTING ONLY) POSITION DATA: SECT. 62 COMPONENT MAINT MANUAL REF: 32-21-25 QUALIFIED I/W DATA: 162N0001-122, -115, -109, -103, -98 REQUIRES THE 727 TOW BAR I/W 162N0001-118, -111, -105, -101, -49 REQUIRES THE 757 TOW BAR SUBJECT TO CUSTOMER APPROVAL 162N0001-118, -11, -105, -101, -49 WITHOUT QUICK RELEASE TORSION LINKS I/W 162N0001-121, -114, -108, -102, -97 WITH QUICK RELEASE TORSION LINKS SUBJECT TO CUSTOMER APPROVAL	952999	RF
- 1	162N0001-111		GEAR ASSY-NLG (NOSE GEAR TOW FITTING ONLY) POSITION DATA: SECT. 62 MISCELLANEOUS DATA: 162N0001-111 INCLUDES ONE TOW FITTING AND NO QUICK DISCONNECT OPTION COMPONENT MAINT MANUAL REF: 32-21-25 QUALIFIED I/W DATA: 162N0001-402, NOSE GEAR ASSEMBLY T/W 162N0001-4001, TOW OPTION INSTALLATION I/W P/N 162N0001-111, NOSE GEAR ASSEMBLY 162N0001-118, -111, -105, -101, -49 WITH ONLY FORWARD TOW FITTING I/W 162N0001-120, -113, -107, -100, -47 WITH FORWARD AND AFT TOW FITTINGS WITH CUSTOMER APPROVAL FOR NHA/OTHER SYS DET SEE: 32-21-00-01B	952999	RF

MISSING ITEM NUMBERS NOT APPLICABLE

- ITEM NOT ILLUSTRATED

**32-21-13-01B**

32-21-13  
FIG. 01B  
PAGE 6  
JAN 20/09

BRI



757

PARTS CATALOG (MAINTENANCE)

FIG ITEM	PART NUMBER	1 2 3 4 5 6 7	NOMENCLATURE	EFFECT FROM TO	UNITS PER ASSY
1B - 1	162N0001-111		GEAR ASSY-NLG (NOSE GEAR TOW FITTING ONLY) POSITION DATA: SECT. 62 COMPONENT MAINT MANUAL REF: 32-21-25 QUALIFIED I/W DATA: 162N0001-118, -111, -105, -101, -49 WITH ONLY FORWARD TOW FITTING MAY REPLACE BUT NOT BE REPLACED BY 162N0001-41, -38, -32, -31, -26, -24, -23, -21, -19, -18, -14, -6 WITH FORWARD AND AFT TOW FITTING SUBJECT TO CUSTOMER APPROVAL	952999	RF
- 2	162N0001-111		GEAR ASSY-NLG (NOSE GEAR TOW FITTING ONLY) POSITION DATA: SECT. 62 COMPONENT MAINT MANUAL REF: 32-21-25 QUALIFIED I/W DATA: 162N0001-119, -112, -106, -99, -45 WITH FORWARD AND AFT TOW FITTING AND QUICK RELEASE TORSION LINK I/W 162N0001-118, -111, -105, -101, -49 WITH FORWARD TOW FITTING AND WITHOUT QUICK RELEASE TORSION LINK SUBJECT TO CUSTOMER APPROVAL 162N0001-118, -111, -105, -101, -49 T/W (1)BACB28AK06-045 AND (1)BACB30NR6DK21 WITH ONLY FORWARD TOW FITTING MAY REPLACE BUT NOT BE REPLACED BY 162N0001-22, -20 T/W (1)BACB28AK06-058 AND (1)BACB30NR6DK25	952999	RF

MISSING ITEM NUMBERS NOT APPLICABLE

- ITEM NOT ILLUSTRATED

32-21-13-01B

32-21-13  
FIG. 01B  
PAGE 7  
JAN 20/09

BRI



757

PARTS CATALOG (MAINTENANCE)

FIG ITEM	PART NUMBER	1 2 3 4 5 6 7	NOMENCLATURE	EFFECT FROM TO	UNITS PER ASSY
1B - 2	162N0001-111		GEAR ASSY-NLG (NOSE GEAR TOW FITTING ONLY) POSITION DATA: SECT. 62 COMPONENT MAINT MANUAL REF: 32-21-25 QUALIFIED I/W DATA: 162N0001-122, -115, -109, -103, -98 REQUIRES THE 727 TOW BAR I/W 162N0001-118, -111, -105, -101, -49 REQUIRES THE 757 TOW BAR SUBJECT TO CUSTOMER APPROVAL 162N0001-118, -111, -105, -101, -49 WITHOUT QUICK RELEASE TORSION LINKS I/W 162N0001-121, -114, -108, -102, -97 WITH QUICK RELEASE TORSION LINKS SUBJECT TO CUSTOMER APPROVAL	952999	RF
- 2	162N0001-118		GEAR ASSY-NLG (NOSE GEAR TOW FITTING ONLY) POSITION DATA: SECT. 62 COMPONENT MAINT MANUAL REF: 32-21-25 QUALIFIED I/W DATA: 162N0001-118, -111, -105, -101, -49 WITH ONLY FORWARD TOW FITTING I/W 162N0001-120, -113, -107, -100, -47 WITH FORWARD AND AFT TOW FITTINGS WITH CUSTOMER APPROVAL FOR NHA/OTHER SYS DET SEE: 32-21-00-01B	952999	RF

MISSING ITEM NUMBERS NOT APPLICABLE

- ITEM NOT ILLUSTRATED

BRI

**32-21-13-01B**

BOEING PROPRIETARY - Copyright © - Unpublished Work - See title page for details.

32-21-13  
FIG. 01B  
PAGE 8  
JAN 20/09



757

PARTS CATALOG (MAINTENANCE)

FIG ITEM	PART NUMBER	1 2 3 4 5 6 7 NOMENCLATURE	EFFECT FROM TO	UNITS PER ASSY
1B - 2	162N0001-118	GEAR ASSY-NLG (NOSE GEAR TOW FITTING ONLY) POSITION DATA: SECT. 62 COMPONENT MAINT MANUAL REF: 32-21-25 QUALIFIED I/W DATA: 162N0001-118, -111, -105, -101, -49 WITH ONLY FORWARD TOW FITTING MAY REPLACE BUT NOT BE REPLACED BY 162N0001-41, -38, -32, -31, -26, -24, -23, -21, -19, -18, -14, -6 WITH FORWARD AND AFT TOW FITTING SUBJECT TO CUSTOMER APPROVAL	952999	RF

MISSING ITEM NUMBERS NOT APPLICABLE

- ITEM NOT ILLUSTRATED

BRI

**32-21-13-01B**

BOEING PROPRIETARY - Copyright © - Unpublished Work - See title page for details.

32-21-13  
 FIG. 01B  
 PAGE 9  
 JAN 20/09



757

PARTS CATALOG (MAINTENANCE)

FIG ITEM	PART NUMBER	1 2 3 4 5 6 7	NOMENCLATURE	EFFECT FROM TO	UNITS PER ASSY
1B - 2	162N0001-118		GEAR ASSY-NLG (NOSE GEAR TOW FITTING ONLY) POSITION DATA: SECT. 62 COMPONENT MAINT MANUAL REF: 32-21-25 QUALIFIED I/W DATA: 162N0001-119, -112, -106, -99, -45 WITH FORWARD AND AFT TOW FITTING AND QUICK RELEASE TORSION LINK I/W 162N0001-118, -111, -105, -101, -49 WITH FORWARD TOW FITTING AND WITHOUT QUICK RELEASE TORSION LINK SUBJECT TO CUSTOMER APPROVAL 162N0001-118, -111, -105, -101 WITH FORWARD TOW FITTING AND WITHOUT QUICK RELEASE TORSION LINK MAY REPLACE BUT NOT BE REPLACED BY 162N0001-46, -42, -33 WITH FORWARD AND AFT TOW FITTING AND QUICK RELEASE TORSION LINK SUBJECT TO CUSTOMER APPROVAL 162N0001-118, -111, -105, -101, -49 T/W (1)BACB28AK06-045 AND (1)BACB30NR6DK21 WITH ONLY FORWARD TOW FITTING MAY REPLACE BUT NOT BE REPLACED BY 162N0001-22, -20 T/W (1)BACB28AK06-058 AND (1)BACB30NR6DK25	952999	RF

MISSING ITEM NUMBERS NOT APPLICABLE

- ITEM NOT ILLUSTRATED

**32-21-13-01B**

32-21-13  
 FIG. 01B  
 PAGE 10  
 JAN 20/09

BRI



757

PARTS CATALOG (MAINTENANCE)

FIG ITEM	PART NUMBER	1 2 3 4 5 6 7	NOMENCLATURE	EFFECT FROM TO	UNITS PER ASSY
1B - 2	162N0001-118		GEAR ASSY-NLG (NOSE GEAR TOW FITTING ONLY) POSITION DATA: SECT. 62 COMPONENT MAINT MANUAL REF: 32-21-25 QUALIFIED I/W DATA: 162N0001-122, -115, -109, -103, -98 REQUIRES THE 727 TOW BAR I/W 162N0001-118, -111, -105, -101, -49 REQUIRES THE 757 TOW BAR SUBJECT TO CUSTOMER APPROVAL 162N0001-118, -11, -105, -101, -49 WITHOUT QUICK RELEASE TORSION LINKS I/W 162N0001-121, -114, -108, -102, -97 WITH QUICK RELEASE TORSION LINKS SUBJECT TO CUSTOMER APPROVAL	952999	RF
- 2	162N0001-49		GEAR ASSY-NLG (NOSE GEAR TOW FITTING ONLY) POSITION DATA: SECT. 62 COMPONENT MAINT MANUAL REF: 32-21-25 QUALIFIED I/W DATA: (-98); 162N0001-98 MAY REPLACE -49 FOR AMERICAN AIRLINES ONLY. 162N0001-119, -112, -106, -99, -45 WITH FORWARD AND AFT TOW FITTING AND QUICK RELEASE TORSION LINK I/W 162N0001-118, -111, -105, -101, -49 WITH FORWARD TOW FITTING AND WITHOUT QUICK RELEASE TORSION LINK SUBJECT TO CUSTOMER APPROVAL FOR NHA/OTHER SYS DET SEE: 32-21-00-01B	952999	RF

MISSING ITEM NUMBERS NOT APPLICABLE

- ITEM NOT ILLUSTRATED

BRI

**32-21-13-01B**

BOEING PROPRIETARY - Copyright © - Unpublished Work - See title page for details.

32-21-13  
FIG. 01B  
PAGE 11  
JAN 20/09



757

PARTS CATALOG (MAINTENANCE)

FIG ITEM	PART NUMBER	1 2 3 4 5 6 7	NOMENCLATURE	EFFECT FROM TO	UNITS PER ASSY
1B - 2	162N0001-49		GEAR ASSY-NLG (NOSE GEAR TOW FITTING ONLY) POSITION DATA: SECT. 62 COMPONENT MAINT MANUAL REF: 32-21-25 QUALIFIED I/W DATA: 162N0001-118, -111, -105, -101, -49 WITH ONLY FORWARD TOW FITTING MAY REPLACE BUT NOT BE REPLACED BY 162N0001-41, -38, -32, -31, -26, -24, -23, -21, -19, -18, -14, -6 WITH FORWARD AND AFT TOW FITTING SUBJECT TO CUSTOMER APPROVAL	952999	RF

MISSING ITEM NUMBERS NOT APPLICABLE

- ITEM NOT ILLUSTRATED

BRI

32-21-13-01B

BOEING PROPRIETARY - Copyright © - Unpublished Work - See title page for details.

32-21-13  
FIG. 01B  
PAGE 12  
JAN 20/09





757

PARTS CATALOG (MAINTENANCE)

FIG ITEM	PART NUMBER	1 2 3 4 5 6 7	NOMENCLATURE	EFFECT FROM TO	UNITS PER ASSY
1B - 2	162N0001-49		GEAR ASSY-NLG (NOSE GEAR TOW FITTING ONLY) POSITION DATA: SECT. 62 COMPONENT MAINT MANUAL REF: 32-21-25 QUALIFIED I/W DATA: 162N0001-118, -111, -105, -101 WITH FORWARD TOW FITTING AND WITHOUT QUICK RELEASE TORSION LINK MAY REPLACE BUT NOT BE REPLACED BY 162N0001-46, -42, -33 WITH FORWARD AND AFT TOW FITTING AND QUICK RELEASE TORSION LINK SUBJECT TO CUSTOMER APPROVAL 162N0001-122, -115, -109, -103, -98 REQUIRES THE 727 TOW BAR I/W 162N0001-118, -111, -105, -101, -49 REQUIRES THE 757 TOW BAR SUBJECT TO CUSTOMER APPROVAL 162N0001-118, -11, -105, -101, -49 WITHOUT QUICK RELEASE TORSION LINKS I/W 162N0001-121, -114, -108, -102, -97 WITH QUICK RELEASE TORSION LINKS SUBJECT TO CUSTOMER APPROVAL 162N0001-118, -111, -105, -101, -49 T/W (1)BACB28AK06-045 AND (1)BACB30NR6DK21 WITH ONLY FORWARD TOW FITTING MAY REPLACE BUT NOT BE REPLACED BY 162N0001-22, -20 T/W (1)BACB28AK06-058 AND (1)BACB30NR6DK25	952999	RF

MISSING ITEM NUMBERS NOT APPLICABLE

- ITEM NOT ILLUSTRATED

32-21-13-01B

32-21-13  
FIG. 01B  
PAGE 13  
JAN 20/09

BRI



757

PARTS CATALOG (MAINTENANCE)

FIG ITEM	PART NUMBER	1 2 3 4 5 6 7	NOMENCLATURE	EFFECT FROM TO	UNITS PER ASSY
1B - 2	162N0001-49		GEAR ASSY-NLG (NOSE GEAR TOW FITTING ONLY) POSITION DATA: SECT. 62 COMPONENT MAINT MANUAL REF: 32-21-25 QUALIFIED I/W DATA: 162N0001-118, -111, -105, -101, -49 WITH ONLY FORWARD TOW FITTING I/W 162N0001-120, -113, -107, -100, -47 WITH FORWARD AND AFT TOW FITTINGS WITH CUSTOMER APPROVAL	952999	RF
25	BACB30LJ5-32	.BOLT		952999	4
30	AN960C516L	.WASHER		952999	4
35	BRH10A5	.NUT		952999	4
		SUPPLIER CODE: V52828			
		SPECIFICATION NUMBER: BACN10JC5			
		OPTIONAL PART: T6S524J V11815 96-054 V80539 RMLH9075-5W V72962 H10-5BAC V15653			
40	162N1208-1	.COLLAR-TOW PIN		952999	4
45	162N1207-1	.PIN-TOW		952999	2
50	162N1209-1	.BOLT ASSY		952999	4
55	1728B	..FITTING-LUBE		952999	2
		SUPPLIER CODE: VOFKM1			
60	162N1209-2	..BOLT		952999	2
65	AN960C1416	.WASHER		952999	4

MISSING ITEM NUMBERS NOT APPLICABLE

- ITEM NOT ILLUSTRATED

32-21-13-01B

32-21-13  
FIG. 01B  
PAGE 14  
JAN 20/09

BRI



757

PARTS CATALOG (MAINTENANCE)

FIG ITEM	PART NUMBER	1 2 3 4 5 6 7	NOMENCLATURE	EFFECT FROM TO	UNITS PER ASSY
1B 70	BMN4122AD3-14	.NUT	SUPPLIER CODE: V97928 SPECIFICATION NUMBER: BACN10JC14 OPTIONAL PART: H10-14BAC V15653 BMN4122A14 V85495 RMLH9074-14 V72962 48FT1414 V56878	952999	4
75	162N1201-1	.FITTING ASSY-TOW		952999	2
80	1992B	..FITTING-LUBE	SUPPLIER CODE: VOFKM1	952999	2
80	1992B1	..FITTING-LUBE	SUPPLIER CODE: VOFKM1	952999	2
85	160N0201-28	..BUSHING		952999	2
90	160N0201-64	..BUSHING		952999	8
95	162N1201-2	..FITTING		952999	1

MISSING ITEM NUMBERS NOT APPLICABLE

- ITEM NOT ILLUSTRATED

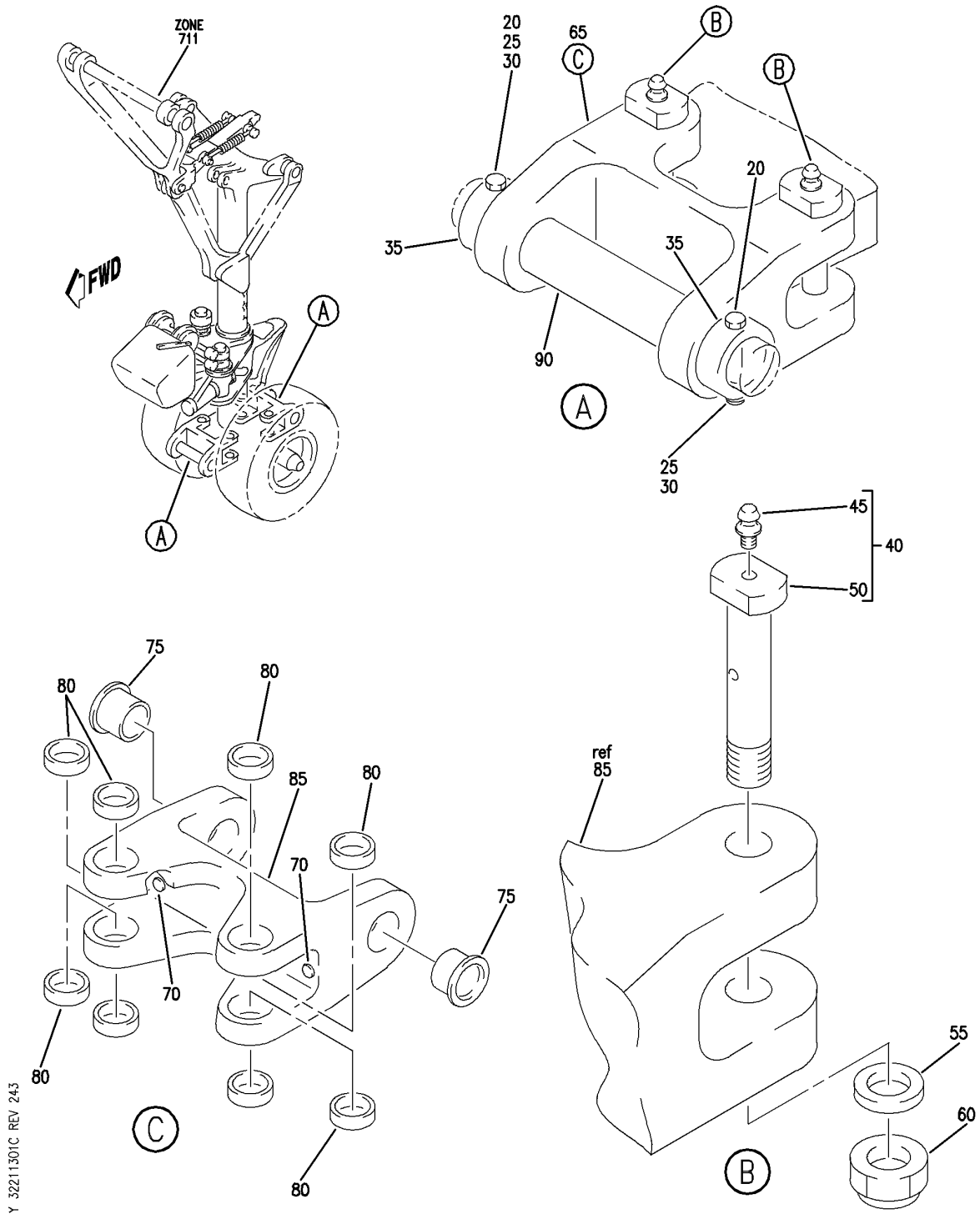
32-21-13-01B

32-21-13  
FIG. 01B  
PAGE 15  
JAN 20/09

BRI

BOEING PROPRIETARY - Copyright © - Unpublished Work - See title page for details.

**BOEING**  
757  
PARTS CATALOG (MAINTENANCE)



Y 32211301C REV 243

GEAR ASSY-SECT. 62 NLG (NOSE GEAR TOW FITTING)  
FIGURE 1C

**32-21-13-01C**

BRI  
MAY 28/07

32-21-13-01C  
PAGE 0



757

PARTS CATALOG (MAINTENANCE)

FIG ITEM	PART NUMBER	1 2 3 4 5 6 7 NOMENCLATURE	EFFECT FROM TO	UNITS PER ASSY
1 C		GEAR ASSY-SECT. 62 NLG (NOSE GEAR TOW FITTING)	002004 006100 107107 121503 904949	
-	1 162N0001-6	GEAR ASSY-NLG (NOSE GEAR TOW FITTING) POSITION DATA: SECT. 62 COMPONENT MAINT MANUAL REF: 32-21-25 QUALIFIED I/W DATA: 162N0001-41, -38, -32, -31, -26, -24, -23, -21, -19, -18, -14, -6 T/W (1)BACB28AK06-045 AND (1)BACB30NR6DK21 I/W 162N0001-22, -20 I/W (1)BACB28AK06-058 AND (1)BACB30NR6DK25 OPTIONAL PART: 162N0001-18 FOR NHA/OTHER SYS DET SEE: 32-21-00-01B	002004 006100 107107 121503 904949	RF

MISSING ITEM NUMBERS NOT APPLICABLE

- ITEM NOT ILLUSTRATED

BRI

**32-21-13-01C**

BOEING PROPRIETARY - Copyright © - Unpublished Work - See title page for details.

32-21-13  
FIG. 01C  
PAGE 1  
JAN 20/09



757

PARTS CATALOG (MAINTENANCE)

FIG ITEM	PART NUMBER	1 2 3 4 5 6 7	NOMENCLATURE	EFFECT FROM TO	UNITS PER ASSY
1C - 1	162N0001-6		GEAR ASSY-NLG (NOSE GEAR TOW FITTING) POSITION DATA: SECT. 62 COMPONENT MAINT MANUAL REF: 32-21-25 QUALIFIED I/W DATA: 12N0001-119, -112, -106, -99, -45 WITH QUICK RELEASE TORSION LINKS MAY REPLACE BUT NOT BE REPLACED BY 162N0001-41, -38, -32, -31, -26, -24, -23, -21, -19, -18, -14, -6 WITHOUT QUICK RELEASE TORSION LINKS SUBJECT TO CUSTOMER APPROVAL 162N0001-122, -115, -109, -103, -98 REQUIRES THE 727 TOW BAR MAY REPLACE BUT NOT BE REPLACED BY 162N0001-41, -38, -32, -31, -26, -24, -23, -21, -19, -18, -14, -6 REQUIRES 757 TOW BAR SUBJECT TO CUSTOMER APPROVAL	002004 006100 107107 121503 904949	RF

MISSING ITEM NUMBERS NOT APPLICABLE

- ITEM NOT ILLUSTRATED

BRI

32-21-13-01C

BOEING PROPRIETARY - Copyright © - Unpublished Work - See title page for details.

32-21-13  
 FIG. 01C  
 PAGE 2  
 JAN 20/09



757

PARTS CATALOG (MAINTENANCE)

FIG ITEM	PART NUMBER	1 2 3 4 5 6 7	NOMENCLATURE	EFFECT FROM TO	UNITS PER ASSY
1C - 1	162N0001-6		GEAR ASSY-NLG (NOSE GEAR TOW FITTING) COMPONENT MAINT MANUAL REF: 32-21-25 QUALIFIED I/W DATA: 162N0001-41, -38, -32, -31, -26, -24, -23, -21, -19, -18, -14, -6 WITHOUT QUICK RELEASE TORSION LINKS I/W 162N0001-46, -42, -33 WITH QUICK RELEASE TORSION LINKS SUBJECT TO CUSTOMER APPROVAL 162N0001-118, -111, -105, -101, -49 WITH ONLY FORWARD TOW FITTING MAY REPLACE BUT NOT BE REPLACED BY 162N001-41, -38, -32, -31, -26, -24, -23, -21, -19, -18, -14, -6 WITH FORWARD AND AFT TOW FITTING SUBJECT TO CUSTOMER APPROVAL	002004 006100 107107 121503 904949	RF

MISSING ITEM NUMBERS NOT APPLICABLE

- ITEM NOT ILLUSTRATED

BRI

32-21-13-01C

BOEING PROPRIETARY - Copyright © - Unpublished Work - See title page for details.

32-21-13  
FIG. 01C  
PAGE 3  
JAN 20/09



757

PARTS CATALOG (MAINTENANCE)

FIG ITEM	PART NUMBER	1 2 3 4 5 6 7	NOMENCLATURE	EFFECT FROM TO	UNITS PER ASSY
1C - 1	162N0001-6		GEAR ASSY-NLG (NOSE GEAR TOW FITTING) COMPONENT MAINT MANUAL REF: 32-21-25 QUALIFIED I/W DATA: 162N0001-121, -114, -108, -102, -97 WITH QUICK RELEASE TORSION LINKS AND ONLY FORWARD TOW FITTING MAY REPLACE BUT NOT BE REPLACED BY 162N0001-41, -38, -32, -31, -26, -24, -23, -21, -19, -18, -14, -6 WITH FORWARD AND AFT TOW FITTING AND WITHOUT QUICK RELEASE TORSION LINKS SUBJECT TO CUSTOMER APPROVAL 162N0001-119 WITH QUICK RELEASE TORSION LINKS MAY REPLACE BUT NOT BE REPLACED BY 162N0001-41, -38, -32, -31, -26, -24, -23, -21, -19, -18, -14, -6 WITH CUSTOMER APPROVAL	002004 006100 107107 121503 904949	RF
- 1	162N0001-14		GEAR ASSY-NLG (NOSE GEAR TOW FITTING) POSITION DATA: SECT. 62 COMPONENT MAINT MANUAL REF: 32-21-25 QUALIFIED I/W DATA: 162N0001-41, -38, -32, -31, -26, -24, -23, -21, -19, -18, -14, -6 T/W (1)BACB28AK06-045 AND (1)BACB30NR6DK21 I/W 162N0001-22, -20 I/W (1)BACB28AK06-058 AND (1)BACB30NR6DK25 FOR NHA/OTHER SYS DET SEE: 32-21-00-01B	002004 006100 107107 121503 904949	RF

MISSING ITEM NUMBERS NOT APPLICABLE

- ITEM NOT ILLUSTRATED

32-21-13-01C

32-21-13  
FIG. 01C  
PAGE 4  
JAN 20/09

BRI





757

PARTS CATALOG (MAINTENANCE)

FIG ITEM	PART NUMBER	1 2 3 4 5 6 7	NOMENCLATURE	EFFECT FROM TO	UNITS PER ASSY
1C - 1	162N0001-14		GEAR ASSY-NLG (NOSE GEAR TOW FITTING) COMPONENT MAINT MANUAL REF: 32-21-25 QUALIFIED I/W DATA: 12N0001-119, -112, -106, -99, -45 WITH QUICK RELEASE TORSION LINKS MAY REPLACE BUT NOT BE REPLACED BY 162N0001-41, -38, -32, -31, -26, -24, -23, -21, -19, -18, -14, -6 WITHOUT QUICK RELEASE TORSION LINKS SUBJECT TO CUSTOMER APPROVAL 162N0001-122, -115, -109, -103, -98 REQUIRES THE 727 TOW BAR MAY REPLACE BUT NOT BE REPLACED BY 162N0001-41, -38, -32, -31, -26, -24, -23, -21, -19, -18, -14, -6 REQUIRES 757 TOW BAR SUBJECT TO CUSTOMER APPROVAL	002004 006100 107107 121503 904949	RF

MISSING ITEM NUMBERS NOT APPLICABLE

- ITEM NOT ILLUSTRATED

BRI

32-21-13-01C

BOEING PROPRIETARY - Copyright © - Unpublished Work - See title page for details.

32-21-13  
FIG. 01C  
PAGE 5  
JAN 20/09



757

PARTS CATALOG (MAINTENANCE)

FIG ITEM	PART NUMBER	1 2 3 4 5 6 7	NOMENCLATURE	EFFECT FROM TO	UNITS PER ASSY
1C - 1	162N0001-14		GEAR ASSY-NLG (NOSE GEAR TOW FITTING) COMPONENT MAINT MANUAL REF: 32-21-25 QUALIFIED I/W DATA: 162N0001-41, -38, -32, -31, -26, -24, -23, -21, -19, -18, -14, -6 WITHOUT QUICK RELEASE TORSION LINKS I/W 162N0001-46, -42, -33 WITH QUICK RELEASE TORSION LINKS SUBJECT TO CUSTOMER APPROVAL 162N0001-118, -111, -105, -101, -49 WITH ONLY FORWARD TOW FITTING MAY REPLACE BUT NOT BE REPLACED BY 162N001-41, -38, -32, -31, -26, -24, -23, -21, -19, -18, -14, -6 WITH FORWARD AND AFT TOW FITTING SUBJECT TO CUSTOMER APPROVAL 162N0001-119 WITH QUICK RELEASE TORSION LINKS MAY REPLACE BUT NOT BE REPLACED BY 162N0001-41, -38, -32, -31, -26, -24, -23, -21, -19, -18, -14, -6 WITH CUSTOMER APPROVAL	002004 006100 107107 121503 904949	RF

MISSING ITEM NUMBERS NOT APPLICABLE

- ITEM NOT ILLUSTRATED

BRI

32-21-13-01C

BOEING PROPRIETARY - Copyright © - Unpublished Work - See title page for details.

32-21-13  
 FIG. 01C  
 PAGE 6  
 JAN 20/09



757

PARTS CATALOG (MAINTENANCE)

FIG ITEM	PART NUMBER	1 2 3 4 5 6 7	NOMENCLATURE	EFFECT FROM TO	UNITS PER ASSY
1C - 1	162N0001-14		GEAR ASSY-NLG (NOSE GEAR TOW FITTING) COMPONENT MAINT MANUAL REF: 32-21-25 QUALIFIED I/W DATA: 162N0001-121, -114, -108, -102, -97 WITH QUICK RELEASE TORSION LINKS AND ONLY FORWARD TOW FITTING MAY REPLACE BUT NOT BE REPLACED BY 162N0001-41, -38, -32, -31, -26, -24, -23, -21, -19, -18, -14, -6 WITH FORWARD AND AFT TOW FITTING AND WITHOUT QUICK RELEASE TORSION LINKS SUBJECT TO CUSTOMER APPROVAL	002004 006100 107107 121503 904949	RF
- 1	162N0001-18		GEAR ASSY-NLG (NOSE GEAR TOW FITTING) POSITION DATA: SECT. 62 COMPONENT MAINT MANUAL REF: 32-21-25 QUALIFIED I/W DATA: 162N0001-41, -38, -32, -31, -26, -24, -23, -21, -19, -18, -14, -6 T/W (1)BACB28AK06-045 AND (1)BACB30NR6DK21 I/W 162N0001-22, -20 I/W (1)BACB28AK06-058 AND (1)BACB30NR6DK25 FOR NHA/OTHER SYS DET SEE: 32-21-00-01B	002004 006100 107107 121503 904949	RF

MISSING ITEM NUMBERS NOT APPLICABLE

- ITEM NOT ILLUSTRATED

32-21-13-01C

32-21-13  
FIG. 01C  
PAGE 7  
JAN 20/09

BRI



757

PARTS CATALOG (MAINTENANCE)

FIG ITEM	PART NUMBER	1 2 3 4 5 6 7 NOMENCLATURE	EFFECT FROM TO	UNITS PER ASSY
1C - 1	162N0001-18	GEAR ASSY-NLG (NOSE GEAR TOW FITTING) COMPONENT MAINT MANUAL REF: 32-21-25 QUALIFIED I/W DATA: 12N0001-119, -112, -106, -99, -45 WITH QUICK RELEASE TORSION LINKS MAY REPLACE BUT NOT BE REPLACED BY 162N0001-41, -38, -32, -31, -26, -24, -23, -21, -19, -18, -14, -6 WITHOUT QUICK RELEASE TORSION LINKS SUBJECT TO CUSTOMER APPROVAL 162N0001-122, -115, -109, -103, -98 REQUIRES THE 727 TOW BAR MAY REPLACE BUT NOT BE REPLACED BY 162N0001-41, -38, -32, -31, -26, -24, -23, -21, -19, -18, -14, -6 REQUIRES 757 TOW BAR SUBJECT TO CUSTOMER APPROVAL	002004 006100 107107 121503 904949	RF

MISSING ITEM NUMBERS NOT APPLICABLE

- ITEM NOT ILLUSTRATED

BRI

32-21-13-01C

BOEING PROPRIETARY - Copyright © - Unpublished Work - See title page for details.

32-21-13  
 FIG. 01C  
 PAGE 8  
 JAN 20/09



757

PARTS CATALOG (MAINTENANCE)

FIG ITEM	PART NUMBER	1 2 3 4 5 6 7	NOMENCLATURE	EFFECT FROM TO	UNITS PER ASSY
1C - 1	162N0001-18		GEAR ASSY-NLG (NOSE GEAR TOW FITTING) COMPONENT MAINT MANUAL REF: 32-21-25 QUALIFIED I/W DATA: 162N0001-41, -38, -32, -31, -26, -24, -23, -21, -19, -18, -14, -6 WITHOUT QUICK RELEASE TORSION LINKS I/W 162N0001-46, -42, -33 WITH QUICK RELEASE TORSION LINKS SUBJECT TO CUSTOMER APPROVAL 162N0001-118, -111, -105, -101, -49 WITH ONLY FORWARD TOW FITTING MAY REPLACE BUT NOT BE REPLACED BY 162N001-41, -38, -32, -31, -26, -24, -23, -21, -19, -18, -14, -6 WITH FORWARD AND AFT TOW FITTING SUBJECT TO CUSTOMER APPROVAL 162N0001-119 WITH QUICK RELEASE TORSION LINKS MAY REPLACE BUT NOT BE REPLACED BY 162N0001-41, -38, -32, -31, -26, -24, -23, -21, -19, -18, -14, -6 WITH CUSTOMER APPROVAL	002004 006100 107107 121503 904949	RF

MISSING ITEM NUMBERS NOT APPLICABLE

- ITEM NOT ILLUSTRATED

BRI

**32-21-13-01C**

BOEING PROPRIETARY - Copyright © - Unpublished Work - See title page for details.

32-21-13  
 FIG. 01C  
 PAGE 9  
 JAN 20/09



757

PARTS CATALOG (MAINTENANCE)

FIG ITEM	PART NUMBER	1 2 3 4 5 6 7	NOMENCLATURE	EFFECT FROM TO	UNITS PER ASSY
1C - 1	162N0001-18		GEAR ASSY-NLG (NOSE GEAR TOW FITTING) COMPONENT MAINT MANUAL REF: 32-21-25 QUALIFIED I/W DATA: 162N0001-121, -114, -108, -102, -97 WITH QUICK RELEASE TORSION LINKS AND ONLY FORWARD TOW FITTING MAY REPLACE BUT NOT BE REPLACED BY 162N0001-41, -38, -32, -31, -26, -24, -23, -21, -19, -18, -14, -6 WITH FORWARD AND AFT TOW FITTING AND WITHOUT QUICK RELEASE TORSION LINKS SUBJECT TO CUSTOMER APPROVAL	002004 006100 107107 121503 904949	RF
- 2	162N0001-19		GEAR ASSY-NLG (NOSE GEAR TOW FITTING) POSITION DATA: SECT. 62 COMPONENT MAINT MANUAL REF: 32-21-25 QUALIFIED I/W DATA: 162N0001-41, -38, -32, -31, -26, -24, -23, -21, -19, -18, -14, -6 T/W (1)BACB28AK06-045 AND (1)BACB30NR6DK21 I/W 162N0001-22, -20 I/W (1)BACB28AK06-058 AND (1)BACB30NR6DK25 FOR NHA/OTHER SYS DET SEE: 32-21-00-01B	002004 006100 107107 121503 904949	RF

MISSING ITEM NUMBERS NOT APPLICABLE

- ITEM NOT ILLUSTRATED

BRI

32-21-13-01C

BOEING PROPRIETARY - Copyright © - Unpublished Work - See title page for details.

32-21-13  
FIG. 01C  
PAGE 10  
JAN 20/09



757

PARTS CATALOG (MAINTENANCE)

FIG ITEM	PART NUMBER	1 2 3 4 5 6 7	NOMENCLATURE	EFFECT FROM TO	UNITS PER ASSY
1C - 2	162N0001-19		GEAR ASSY-NLG (NOSE GEAR TOW FITTING) COMPONENT MAINT MANUAL REF: 32-21-25 QUALIFIED I/W DATA: 12N0001-119, -112, -106, -99, -45 WITH QUICK RELEASE TORSION LINKS MAY REPLACE BUT NOT BE REPLACED BY 162N0001-41, -38, -32, -31, -26, -24, -23, -21, -19, -18, -14, -6 WITHOUT QUICK RELEASE TORSION LINKS SUBJECT TO CUSTOMER APPROVAL 162N0001-122, -115, -109, -103, -98 REQUIRES THE 727 TOW BAR MAY REPLACE BUT NOT BE REPLACED BY 162N0001-41, -38, -32, -31, -26, -24, -23, -21, -19, -18, -14, -6 REQUIRES 757 TOW BAR SUBJECT TO CUSTOMER APPROVAL	002004 006100 107107 121503 904949	RF
- 2	162N0001-19		GEAR ASSY-NLG (NOSE GEAR TOW FITTING) COMPONENT MAINT MANUAL REF: 32-21-25 QUALIFIED I/W DATA: 162N0001-41, -38, -32, -31, -26, -24, -23, -21, -19, -18, -14, -6 WITHOUT QUICK RELEASE TORSION LINKS I/W 162N0001-46, -42, -33 WITH QUICK RELEASE TORSION LINKS SUBJECT TO CUSTOMER APPROVAL 162N0001-118, -111, -105, -101, -49 WITH ONLY FORWARD TOW FITTING MAY REPLACE BUT NOT BE REPLACED BY 162N001-41, -38, -32, -31, -26, -24, -23, -21, -19, -18, -14, -6 WITH FORWARD AND AFT TOW FITTING SUBJECT TO CUSTOMER APPROVAL	002004 006100 107107 121503 904949	RF

MISSING ITEM NUMBERS NOT APPLICABLE

- ITEM NOT ILLUSTRATED

32-21-13-01C

32-21-13  
FIG. 01C  
PAGE 11  
JAN 20/09

BRI



757

PARTS CATALOG (MAINTENANCE)

FIG ITEM	PART NUMBER	1 2 3 4 5 6 7	NOMENCLATURE	EFFECT FROM TO	UNITS PER ASSY
1C - 2	162N0001-19		GEAR ASSY-NLG (NOSE GEAR TOW FITTING) COMPONENT MAINT MANUAL REF: 32-21-25 QUALIFIED I/W DATA: 162N0001-121, -114, -108, -102, -97 WITH QUICK RELEASE TORSION LINKS AND ONLY FORWARD TOW FITTING MAY REPLACE BUT NOT BE REPLACED BY 162N0001-41, -38, -32, -31, -26, -24, -23, -21, -19, -18, -14, -6 WITH FORWARD AND AFT TOW FITTING AND WITHOUT QUICK RELEASE TORSION LINKS SUBJECT TO CUSTOMER APPROVAL	002004 006100 107107 121503 904949	RF
- 2	162N0001-20		GEAR ASSY-NLG (NOSE GEAR TOW FITTING) POSITION DATA: SECT. 62 COMPONENT MAINT MANUAL REF: 32-21-25 QUALIFIED I/W DATA: 162N0001-46, -42, -33 T/W (1)BACB28AK06-045 AND (1)BACB30NR6DK21 WITH QUICK RELEASE TORSION LINK I/W 162N0001-21, -20 T/W (1)BACB28AK06-058 AND (1)BACB30NR6DK25 WITHOUT QUICK RELEASE TORSION LINK SUBJECT TO CUSTOMER APPROVAL FOR NHA/OTHER SYS DET SEE: 32-21-00-01B	002004 006100 107107 121503 904949	RF

MISSING ITEM NUMBERS NOT APPLICABLE

- ITEM NOT ILLUSTRATED

32-21-13-01C

32-21-13  
FIG. 01C  
PAGE 12  
JAN 20/09

BRI





757

PARTS CATALOG (MAINTENANCE)

FIG ITEM	PART NUMBER	1 2 3 4 5 6 7	NOMENCLATURE	EFFECT FROM TO	UNITS PER ASSY
1C - 2	162N0001-20		GEAR ASSY-NLG (NOSE GEAR TOW FITTING) COMPONENT MAINT MANUAL REF: 32-21-25 QUALIFIED I/W DATA: 162N0001-41, -38, -32, -31, -26, -24, -23, -21, -19, -18, -14, -6 T/W (1)BACB28AK06-045 AND (1)BACB30NR6DK21 I/W 162N0001-22, -20 I/W (1)BACB28AK06-058 AND (1)BACB30NR6DK25	002004 006100 107107 121503 904949	RF
- 2	162N0001-20		GEAR ASSY-NLG (NOSE GEAR TOW FITTING) COMPONENT MAINT MANUAL REF: 32-21-25 QUALIFIED I/W DATA: 162N0001-120, -113, -107, -100, -47 T/W (1)BACB28AK06-045 AND (1)BACB30NR6DK21 MAY REPLACE BUT NOT BE REPLACED BY 162N0001-20, -22 T/W (1)BACB28AK06-58 AND (1)BACB30NR6DK25 162N0001-119, -112, -106, -99, -45 T/W (1)BACB28AK06-045 AND (1)BACB30NR6DK21 WITH QUICK RELEASE TORSION LINK MAY REPLACE BUT NOT BE REPLACED BY 162N0001-22, -20 T/W (1)BACB28AK06-058 AND (1)BACB30NR6DK25 WITHOUT QUICK RELEASE TORISON LINK SUBJECT TO CUSTOMER APPROVAL	002004 006100 107107 121503 904949	RF

MISSING ITEM NUMBERS NOT APPLICABLE

- ITEM NOT ILLUSTRATED

32-21-13-01C

32-21-13  
FIG. 01C  
PAGE 13  
JAN 20/09

BRI



757

PARTS CATALOG (MAINTENANCE)

FIG ITEM	PART NUMBER	1 2 3 4 5 6 7	NOMENCLATURE	EFFECT FROM TO	UNITS PER ASSY
1C - 2	162N0001-20		GEAR ASSY-NLG (NOSE GEAR TOW FITTING) COMPONENT MAINT MANUAL REF: 32-21-25 QUALIFIED I/W DATA: 162N0001-122,-115,109, -103,-98 T/W (1) BACB28AK06-045, (1) BACB30NR6DK REQUIRES THE 727 TOW BAR MAY REPLACE BUT NOT BE REPLACED BY 162N0001-22, -20 T/W (1) BACB28AK06-058 (1) BACB30NR6DK25 REQUIRES THE 757 TOW BAR SUBJECT TO CUSTOMER 162N0001-118, -111, -105, -101, -49 T/W (1)BACB28AK06-045 AND (1)BACB30NR6DK21 WITH ONLY FORWARD TOW FITTING MAY REPLACE BUT NOT BEREPLACED BY 162N0001-22, -20 T/W (1)BACB28AK06-058 AND (1)BACB30NR6DK25	002004 006100 107107 121503 904949	RF
- 2	162N0001-20		GEAR ASSY-NLG (NOSE GEAR TOW FITTING) COMPONENT MAINT MANUAL REF: 32-21-25 QUALIFIED I/W DATA: 162N0001-121, -114, -108, -102, -97 T/W (1)BACB28AK06-045, (1)BACB30NR6DK21 WITH QUICK RELEASE TORSION LINK AND FORWARD TOW FITTING ONLY MAY REPLACE BUT NOT BE REPLACED BY 162N0001-22, -20 T/W (1)BACB28AK06-058, (1)BACB30NR6DK25 WITHOUT QUICK RELEASE TORSION LINK AND WITH FORWARD AND AFT TOW FITTINGS SUBJECT TO CUSTOMER APPROVAL	002004 006100 107107 121503 904949	RF

MISSING ITEM NUMBERS NOT APPLICABLE

- ITEM NOT ILLUSTRATED

32-21-13-01C

32-21-13  
FIG. 01C  
PAGE 14  
JAN 20/09

BRI



757

PARTS CATALOG (MAINTENANCE)

FIG ITEM	PART NUMBER	1 2 3 4 5 6 7	NOMENCLATURE	EFFECT FROM TO	UNITS PER ASSY
1C - 3	162N0001-21		GEAR ASSY-NLG (NOSE GEAR TOW FITTING) POSITION DATA: SECT. 62 COMPONENT MAINT MANUAL REF: 32-21-25 QUALIFIED I/W DATA: 162N0001-41, -38, -32, -31, -26, -24, -23, -21, -19, -18, -14, -6 T/W (1)BACB28AK06-045 AND (1)BACB30NR6DK21 I/W 162N0001-22, -20 I/W (1)BACB28AK06-058 AND (1)BACB30NR6DK25 FOR NHA/OTHER SYS DET SEE: 32-21-00-01B	002004 006100 107107 121503 904949	RF
- 3	162N0001-21		GEAR ASSY-NLG (NOSE GEAR TOW FITTING) COMPONENT MAINT MANUAL REF: 32-21-25 QUALIFIED I/W DATA: 162N0001-119 WITH QUICK RELEASE TORSION LINKS MAY REPLACE BUT NOT BE REPLACED BY 162N0001-41, -38, -32, -31, -26, -24, -23, -21, -19, -18, -14, -6 WITH CUSTOMER APPROVAL 162N0001-122,-115,-109, -103,-98 REQUIRES THE 727 TOW BAR MAY REPLACE BUT NOT BE REPLACED BY 162N0001-41,-38,-32,-31, -26,-24,-23,-21,-19,-18, -14,-6 REQUIRES 757 TOW BAR SUBJECT TO CUSTOMER APPROVAL 12N0001-119, -112, -106, -99, -45 WITH QUICK RELEASE TORSION LINKS MAY REPLACE BUT NOT BE REPLACED BY 162N0001-41, -38, -32, -31, -26, -24, -23, -21, -19, -18, -14, -6 WITHOUT QUICK RELEASE TORSION LINKS SUBJECT TO CUSTOMER APPROVAL	002004 006100 107107 121503 904949	RF

MISSING ITEM NUMBERS NOT APPLICABLE

- ITEM NOT ILLUSTRATED

32-21-13-01C

32-21-13  
FIG. 01C  
PAGE 15  
JAN 20/09

BRI



757

PARTS CATALOG (MAINTENANCE)

FIG ITEM	PART NUMBER	1 2 3 4 5 6 7	NOMENCLATURE	EFFECT FROM TO	UNITS PER ASSY
1C - 3	162N0001-21		GEAR ASSY-NLG (NOSE GEAR TOW FITTING) COMPONENT MAINT MANUAL REF: 32-21-25 QUALIFIED I/W DATA: 162N0001-41, -38, -32, -31, -26, -24, -23, -21, -19, -18, -14, -6 WITHOUT QUICK RELEASE TORSION LINKS I/W 162N0001-46, -42, -33 WITH QUICK RELEASE TORSION LINKS SUBJECT TO CUSTOMER APPROVAL 162N0001-118, -111, -105, -101, -49 WITH ONLY FORWARD TOW FITTING MAY REPLACE BUT NOT BE REPLACED BY 162N001-41, -38, -32, -31, -26, -24, -23, -21, -19, -18, -14, -6 WITH FORWARD AND AFT TOW FITTING SUBJECT TO CUSTOMER APPROVAL	002004 006100 107107 121503 904949	RF
- 3	162N0001-21		GEAR ASSY-NLG (NOSE GEAR TOW FITTING) COMPONENT MAINT MANUAL REF: 32-21-25 QUALIFIED I/W DATA: 162N0001-121, -114, -108, -102, -97 WITH QUICK RELEASE TORSION LINKS AND ONLY FORWARD TOW FITTING MAY REPLACE BUT NOT BE REPLACED BY 162N0001-41, -38, -32, -31, -26, -24, -23, -21, -19, -18, -14, -6 WITH FORWARD AND AFT TOW FITTING AND WITHOUT QUICK RELEASE TORSION LINKS SUBJECT TO CUSTOMER APPROVAL	002004 006100 107107 121503 904949	RF

MISSING ITEM NUMBERS NOT APPLICABLE

- ITEM NOT ILLUSTRATED

BRI

32-21-13-01C

BOEING PROPRIETARY - Copyright © - Unpublished Work - See title page for details.

32-21-13  
FIG. 01C  
PAGE 16  
JAN 20/09



757

PARTS CATALOG (MAINTENANCE)

FIG ITEM	PART NUMBER	1 2 3 4 5 6 7	NOMENCLATURE	EFFECT FROM TO	UNITS PER ASSY
1C - 3	162N0001-22		GEAR ASSY-NLG (NOSE GEAR TOW FITTING) POSITION DATA: SECT. 62 COMPONENT MAINT MANUAL REF: 32-21-25 QUALIFIED I/W DATA: 162N0001-46, -42, -33 T/W (1)BACB28AK06-045 AND (1)BACB30NR6DK21 WITH QUICK RELEASE TORSION LINK I/W 162N0001-21, -20 T/W (1)BACB28AK06-058 AND (1)BACB30NR6DK25 WITHOUT QUICK RELEASE TORSION LINK SUBJECT TO CUSTOMER APPROVAL FOR NHA/OTHER SYS DET SEE: 32-21-00-01B	002004 006100 107107 121503 904949	RF
- 3	162N0001-22		GEAR ASSY-NLG (NOSE GEAR TOW FITTING) COMPONENT MAINT MANUAL REF: 32-21-25 QUALIFIED I/W DATA: 162N0001-41, -38, -32, -31, -26, -24, -23, -21, -19, -18, -14, -6 T/W (1)BACB28AK06-045 AND (1)BACB30NR6DK21 I/W 162N0001-22, -20 I/W (1)BACB28AK06-058 AND (1)BACB30NR6DK25	002004 006100 107107 121503 904949	RF

MISSING ITEM NUMBERS NOT APPLICABLE

- ITEM NOT ILLUSTRATED

BRI

32-21-13-01C

BOEING PROPRIETARY - Copyright © - Unpublished Work - See title page for details.

32-21-13  
FIG. 01C  
PAGE 17  
JAN 20/09



757

PARTS CATALOG (MAINTENANCE)

FIG ITEM	PART NUMBER	1 2 3 4 5 6 7 NOMENCLATURE	EFFECT FROM TO	UNITS PER ASSY
1C - 3	162N0001-22	GEAR ASSY-NLG (NOSE GEAR TOW FITTING) COMPONENT MAINT MANUAL REF: 32-21-25 QUALIFIED I/W DATA: 162N0001-120, -113, -107, -100, -47 T/W (1)BACB28AK06-045 AND (1)BACB30NR6DK21 MAY REPLACE BUT NOT BE REPLACED BY 162N0001-20, -22 T/W (1)BACB28AK06-58 AND (1)BACB30NR6DK25 162N0001-119, -112, -106, -99, -45 T/W (1)BACB28AK06-045 AND (1)BACB30NR6DK21 WITH QUICK RELEASE TORSION LINK MAY REPLACE BUT NOT BE REPLACED BY 162N0001-22, -20 T/W (1)BACB28AK06-058 AND (1)BACB30NR6DK25 WITHOUT QUICK RELEASE TORISON LINK SUBJECT TO CUSTOMER APPROVAL	002004 006100 107107 121503 904949	RF

MISSING ITEM NUMBERS NOT APPLICABLE

- ITEM NOT ILLUSTRATED

**32-21-13-01C**

32-21-13  
 FIG. 01C  
 PAGE 18  
 JAN 20/09

BRI



757

PARTS CATALOG (MAINTENANCE)

FIG ITEM	PART NUMBER	1 2 3 4 5 6 7	NOMENCLATURE	EFFECT FROM TO	UNITS PER ASSY
1C - 3	162N0001-22		GEAR ASSY-NLG (NOSE GEAR TOW FITTING) COMPONENT MAINT MANUAL REF: 32-21-25 QUALIFIED I/W DATA: 162N0001-122,-115,109, -103,-98 T/W (1) BACB28AK06-045, (1) BACB30NR6DK REQUIRES THE 727 TOW BAR MAY REPLACE BUT NOT BE REPLACED BY 162N0001-22, -20 T/W (1) BACB28AK06-058 (1) BACB30NR6DK25 REQUIRES THE 757 TOW BAR SUBJECT TO CUSTOMER APPROVAL 162N0001-118, -111, -105, -101, -49 T/W (1)BACB28AK06-045 AND (1)BACB30NR6DK21 WITH ONLY FORWARD TOW FITTING MAY REPLACE BUT NOT BEREPLACED BY 162N0001-22, -20 T/W (1)BACB28AK06-058 AND (1)BACB30NR6DK25	002004 006100 107107 121503 904949	RF
- 3	162N0001-22		GEAR ASSY-NLG (NOSE GEAR TOW FITTING) COMPONENT MAINT MANUAL REF: 32-21-25 QUALIFIED I/W DATA: 162N0001-121, -114, -108, -102, -97 T/W (1)BACB28AK06-045, (1)BACB30NR6DK21 WITH QUICK RELEASE TORSION LINK AND FORWARD TOW FITTING ONLY MAY REPLACE BUT NOT BE REPLACED BY 162N0001-22, -20 T/W (1)BACB28AK06-058, (1)BACB30NR6DK25 WITHOUT QUICK RELEASE TORSION LINK AND WITH FORWARD AND AFT TOW FITTINGS SUBJECT TO CUSTOMER APPROVAL	002004 006100 107107 121503 904949	RF

MISSING ITEM NUMBERS NOT APPLICABLE

- ITEM NOT ILLUSTRATED

32-21-13-01C

32-21-13  
FIG. 01C  
PAGE 19  
JAN 20/09

BRI



757

PARTS CATALOG (MAINTENANCE)

FIG ITEM	PART NUMBER	1 2 3 4 5 6 7	NOMENCLATURE	EFFECT FROM TO	UNITS PER ASSY
1C - 3	162N0001-23		GEAR ASSY-NLG (NOSE GEAR TOW FITTING) POSITION DATA: SECT. 62 COMPONENT MAINT MANUAL REF: 32-21-25 QUALIFIED I/W DATA: 162N0001-41, -38, -32, -31, -26, -24, -23, -21, -19, -18, -14, -6 T/W (1)BACB28AK06-045 AND (1)BACB30NR6DK21 I/W 162N0001-22, -20 I/W (1)BACB28AK06-058 AND (1)BACB30NR6DK25 FOR NHA/OTHER SYS DET SEE: 32-21-00-01B	002004 006100 107107 121503 904949	RF
- 3	162N0001-23		GEAR ASSY-NLG (NOSE GEAR TOW FITTING) COMPONENT MAINT MANUAL REF: 32-21-25 QUALIFIED I/W DATA: 12N0001-119, -112, -106, -99, -45 WITH QUICK RELEASE TORSION LINKS MAY REPLACE BUT NOT BE REPLACED BY 162N0001-41, -38, -32, -31, -26, -24, -23, -21, -19, -18, -14, -6 WITHOUT QUICK RELEASE TORSION LINKS SUBJECT TO CUSTOMER APPROVAL 162N0001-122, -115, -109, -103, -98 REQUIRES THE 727 TOW BAR MAY REPLACE BUT NOT BE REPLACED BY 162N0001-41, -38, -32, -31, -26, -24, -23, -21, -19, -18, -14, -6 REQUIRES 757 TOW BAR SUBJECT TO CUSTOMER APPROVAL	002004 006100 107107 121503 904949	RF

MISSING ITEM NUMBERS NOT APPLICABLE

- ITEM NOT ILLUSTRATED

32-21-13-01C

32-21-13  
FIG. 01C  
PAGE 20  
JAN 20/09

BRI





757

PARTS CATALOG (MAINTENANCE)

FIG ITEM	PART NUMBER	1 2 3 4 5 6 7	NOMENCLATURE	EFFECT FROM TO	UNITS PER ASSY
1C - 4	162N0001-23		GEAR ASSY-NLG (NOSE GEAR TOW FITTING) COMPONENT MAINT MANUAL REF: 32-21-25 QUALIFIED I/W DATA: 162N0001-41, -38, -32, -31, -26, -24, -23, -21, -19, -18, -14, -6 WITHOUT QUICK RELEASE TORSION LINKS I/W 162N0001-46, -42, -33 WITH QUICK RELEASE TORSION LINKS SUBJECT TO CUSTOMER APPROVAL 162N0001-118, -111, -105, -101, -49 WITH ONLY FORWARD TOW FITTING MAY REPLACE BUT NOT BE REPLACED BY 162N001-41, -38, -32, -31, -26, -24, -23, -21, -19, -18, -14, -6 WITH FORWARD AND AFT TOW FITTING SUBJECT TO CUSTOMER APPROVAL	002004 006100 107107 121503 904949	RF

MISSING ITEM NUMBERS NOT APPLICABLE

- ITEM NOT ILLUSTRATED

BRI

32-21-13-01C

BOEING PROPRIETARY - Copyright © - Unpublished Work - See title page for details.

32-21-13  
FIG. 01C  
PAGE 21  
JAN 20/09



757

PARTS CATALOG (MAINTENANCE)

FIG ITEM	PART NUMBER	1 2 3 4 5 6 7	NOMENCLATURE	EFFECT FROM TO	UNITS PER ASSY
1C - 4	162N0001-23		GEAR ASSY-NLG (NOSE GEAR TOW FITTING) COMPONENT MAINT MANUAL REF: 32-21-25 QUALIFIED I/W DATA: 162N0001-121, -114, -108, -102, -97 WITH QUICK RELEASE TORSION LINKS AND ONLY FORWARD TOW FITTING MAY REPLACE BUT NOT BE REPLACED BY 162N0001-41, -38, -32, -31, -26, -24, -23, -21, -19, -18, -14, -6 WITH FORWARD AND AFT TOW FITTING AND WITHOUT QUICK RELEASE TORSION LINKS SUBJECT TO CUSTOMER APPROVAL 162N0001-119 WITH QUICK RELEASE TORSION LINKS MAY REPLACE BUT NOT BE REPLACED BY 162N0001-41, -38, -32, -31, -26, -24, -23, -21, -19, -18, -14, -6 WITH CUSTOMER APPROVAL	002004 006100 107107 121503 904949	RF
- 4	162N0001-24		GEAR ASSY-NLG (NOSE GEAR TOW FITTING) POSITION DATA: SECT. 62 COMPONENT MAINT MANUAL REF: 32-21-25 QUALIFIED I/W DATA: 162N0001-41, -38, -32, -31, -26, -24, -23, -21, -19, -18, -14, -6 T/W (1)BACB28AK06-045 AND (1)BACB30NR6DK21 I/W 162N0001-22, -20 I/W (1)BACB28AK06-058 AND (1)BACB30NR6DK25 FOR NHA/OTHER SYS DET SEE: 32-21-00-01B	002004 006100 107107 121503 904949	RF

MISSING ITEM NUMBERS NOT APPLICABLE

- ITEM NOT ILLUSTRATED

32-21-13-01C

32-21-13  
FIG. 01C  
PAGE 22  
JAN 20/09

BRI



757

PARTS CATALOG (MAINTENANCE)

FIG ITEM	PART NUMBER	1 2 3 4 5 6 7	NOMENCLATURE	EFFECT FROM TO	UNITS PER ASSY
1 C - 4	162N0001-24		GEAR ASSY-NLG (NOSE GEAR TOW FITTING) COMPONENT MAINT MANUAL REF: 32-21-25 QUALIFIED I/W DATA: 12N0001-119, -112, -106, -99, -45 WITH QUICK RELEASE TORSION LINKS MAY REPLACE BUT NOT BE REPLACED BY 162N0001-41, -38, -32, -31, -26, -24, -23, -21, -19, -18, -14, -6 WITHOUT QUICK RELEASE TORSION LINKS SUBJECT TO CUSTOMER APPROVAL 162N0001-122, -115, -109, -103, -98 REQUIRES THE 727 TOW BAR MAY REPLACE BUT NOT BE REPLACED BY 162N0001-41, -38, -32, -31, -26, -24, -23, -21, -19, -18, -14, -6 REQUIRES 757 TOW BAR SUBJECT TO CUSTOMER APPROVAL	002004 006100 107107 121503 904949	RF
- 4	162N0001-24		GEAR ASSY-NLG (NOSE GEAR TOW FITTING) COMPONENT MAINT MANUAL REF: 32-21-25 QUALIFIED I/W DATA: 162N0001-41, -38, -32, -31, -26, -24, -23, -21, -19, -18, -14, -6 WITHOUT QUICK RELEASE TORSION LINKS I/W 162N0001-46, -42, -33 WITH QUICK RELEASE TORSION LINKS SUBJECT TO CUSTOMER APPROVAL 162N0001-118, -111, -105, -101, -49 WITH ONLY FORWARD TOW FITTING MAY REPLACE BUT NOT BE REPLACED BY 162N001-41, -38, -32, -31, -26, -24, -23, -21, -19, -18, -14, -6 WITH FORWARD AND AFT TOW FITTING SUBJECT TO CUSTOMER APPROVAL	002004 006100 107107 121503 904949	RF

MISSING ITEM NUMBERS NOT APPLICABLE

- ITEM NOT ILLUSTRATED

32-21-13-01C

32-21-13  
FIG. 01C  
PAGE 23  
JAN 20/09

BRI



757

PARTS CATALOG (MAINTENANCE)

FIG ITEM	PART NUMBER	1 2 3 4 5 6 7	NOMENCLATURE	EFFECT FROM TO	UNITS PER ASSY
1C - 4	162N0001-24		GEAR ASSY-NLG (NOSE GEAR TOW FITTING) COMPONENT MAINT MANUAL REF: 32-21-25 QUALIFIED I/W DATA: 162N0001-121, -114, -108, -102, -97 WITH QUICK RELEASE TORSION LINKS AND ONLY FORWARD TOW FITTING MAY REPLACE BUT NOT BE REPLACED BY 162N0001-41, -38, -32, -31, -26, -24, -23, -21, -19, -18, -14, -6 WITH FORWARD AND AFT TOW FITTING AND WITHOUT QUICK RELEASE TORSION LINKS SUBJECT TO CUSTOMER APPROVAL 162N0001-119 WITH QUICK RELEASE TORSION LINKS MAY REPLACE BUT NOT BE REPLACED BY 162N0001-41, -38, -32, -31, -26, -24, -23, -21, -19, -18, -14, -6 WITH CUSTOMER APPROVAL	002004 006100 107107 121503 904949	RF
- 4	162N0001-26		GEAR ASSY-NLG (NOSE GEAR TOW FITTING) POSITION DATA: SECT. 62 COMPONENT MAINT MANUAL REF: 32-21-25 QUALIFIED I/W DATA: 162N0001-41, -38, -32, -31, -26, -24, -23, -21, -19, -18, -14, -6 T/W (1)BACB28AK06-045 AND (1)BACB30NR6DK21 I/W 162N0001-22, -20 I/W (1)BACB28AK06-058 AND (1)BACB30NR6DK25 FOR NHA/OTHER SYS DET SEE: 32-21-00-01B	002004 006100 107107 121503 904949	RF

MISSING ITEM NUMBERS NOT APPLICABLE

- ITEM NOT ILLUSTRATED

32-21-13-01C

32-21-13  
FIG. 01C  
PAGE 24  
JAN 20/09

BRI



757

PARTS CATALOG (MAINTENANCE)

FIG ITEM	PART NUMBER	1 2 3 4 5 6 7	NOMENCLATURE	EFFECT FROM TO	UNITS PER ASSY
1 C - 4	162N0001-26		GEAR ASSY-NLG (NOSE GEAR TOW FITTING) COMPONENT MAINT MANUAL REF: 32-21-25 QUALIFIED I/W DATA: 12N0001-119, -112, -106, -99, -45 WITH QUICK RELEASE TORSION LINKS MAY REPLACE BUT NOT BE REPLACED BY 162N0001-41, -38, -32, -31, -26, -24, -23, -21, -19, -18, -14, -6 WITHOUT QUICK RELEASE TORSION LINKS SUBJECT TO CUSTOMER APPROVAL 162N0001-122, -115, -109, -103, -98 REQUIRES THE 727 TOW BAR MAY REPLACE BUT NOT BE REPLACED BY 162N0001-41, -38, -32, -31, -26, -24, -23, -21, -19, -18, -14, -6 REQUIRES 757 TOW BAR SUBJECT TO CUSTOMER APPROVAL	002004 006100 107107 121503 904949	RF
- 4	162N0001-26		GEAR ASSY-NLG (NOSE GEAR TOW FITTING) COMPONENT MAINT MANUAL REF: 32-21-25 QUALIFIED I/W DATA: 162N0001-41, -38, -32, -31, -26, -24, -23, -21, -19, -18, -14, -6 WITHOUT QUICK RELEASE TORSION LINKS I/W 162N0001-46, -42, -33 WITH QUICK RELEASE TORSION LINKS SUBJECT TO CUSTOMER APPROVAL 162N0001-118, -111, -105, -101, -49 WITH ONLY FORWARD TOW FITTING MAY REPLACE BUT NOT BE REPLACED BY 162N001-41, -38, -32, -31, -26, -24, -23, -21, -19, -18, -14, -6 WITH FORWARD AND AFT TOW FITTING SUBJECT TO CUSTOMER APPROVAL	002004 006100 107107 121503 904949	RF

MISSING ITEM NUMBERS NOT APPLICABLE

- ITEM NOT ILLUSTRATED

32-21-13-01C

32-21-13  
FIG. 01C  
PAGE 25  
JAN 20/09

BRI



757

PARTS CATALOG (MAINTENANCE)

FIG ITEM	PART NUMBER	1 2 3 4 5 6 7	NOMENCLATURE	EFFECT FROM TO	UNITS PER ASSY
1C - 4	162N0001-26		GEAR ASSY-NLG (NOSE GEAR TOW FITTING) COMPONENT MAINT MANUAL REF: 32-21-25 QUALIFIED I/W DATA: 162N0001-121, -114, -108, -102, -97 WITH QUICK RELEASE TORSION LINKS AND ONLY FORWARD TOW FITTING MAY REPLACE BUT NOT BE REPLACED BY 162N0001-41, -38, -32, -31, -26, -24, -23, -21, -19, -18, -14, -6 WITH FORWARD AND AFT TOW FITTING AND WITHOUT QUICK RELEASE TORSION LINKS SUBJECT TO CUSTOMER APPROVAL 162N0001-119 WITH QUICK RELEASE TORSION LINKS MAY REPLACE BUT NOT BE REPLACED BY 162N0001-41, -38, -32, -31, -26, -24, -23, -21, -19, -18, -14, -6 WITH CUSTOMER APPROVAL	002004 006100 107107 121503 904949	RF
- 5	162N0001-30		GEAR ASSY-NLG (NOSE GEAR TOW FITTING) POSITION DATA: SECT. 62 COMPONENT MAINT MANUAL REF: 32-21-25 FOR NHA/OTHER SYS DET SEE: 32-21-00-01B	002004 006100 107107 121503 904949	RF

MISSING ITEM NUMBERS NOT APPLICABLE

- ITEM NOT ILLUSTRATED

32-21-13-01C

32-21-13  
FIG. 01C  
PAGE 26  
JAN 20/09

BRI



757

PARTS CATALOG (MAINTENANCE)

FIG ITEM	PART NUMBER	1 2 3 4 5 6 7	NOMENCLATURE	EFFECT FROM TO	UNITS PER ASSY
1C - 5	162N0001-31		GEAR ASSY-NLG (NOSE GEAR TOW FITTING) POSITION DATA: SECT. 62 COMPONENT MAINT MANUAL REF: 32-21-25 QUALIFIED I/W DATA: 162N0001-41, -38, -32, -31, -26, -24, -23, -21, -19, -18, -14, -6 T/W (1)BACB28AK06-045 AND (1)BACB30NR6DK21 I/W 162N0001-22, -20 I/W (1)BACB28AK06-058 AND (1)BACB30NR6DK25 FOR NHA/OTHER SYS DET SEE: 32-21-00-01B	002004 006100 107107 121503 904949	RF
- 5	162N0001-31		GEAR ASSY-NLG (NOSE GEAR TOW FITTING) COMPONENT MAINT MANUAL REF: 32-21-25 QUALIFIED I/W DATA: 12N0001-119, -112, -106, -99, -45 WITH QUICK RELEASE TORSION LINKS MAY REPLACE BUT NOT BE REPLACED BY 162N0001-41, -38, -32, -31, -26, -24, -23, -21, -19, -18, -14, -6 WITHOUT QUICK RELEASE TORSION LINKS SUBJECT TO CUSTOMER APPROVAL 162N0001-122, -115, -109, -103, -98 REQUIRES THE 727 TOW BAR MAY REPLACE BUT NOT BE REPLACED BY 162N0001-41, -38, -32, -31, -26, -24, -23, -21, -19, -18, -14, -6 REQUIRES 757 TOW BAR SUBJECT TO CUSTOMER APPROVAL	002004 006100 107107 121503 904949	RF

MISSING ITEM NUMBERS NOT APPLICABLE

- ITEM NOT ILLUSTRATED

32-21-13-01C

32-21-13  
FIG. 01C  
PAGE 27  
JAN 20/09

BRI



757

PARTS CATALOG (MAINTENANCE)

FIG ITEM	PART NUMBER	1 2 3 4 5 6 7	NOMENCLATURE	EFFECT FROM TO	UNITS PER ASSY
1C - 5	162N0001-31		GEAR ASSY-NLG (NOSE GEAR TOW FITTING) COMPONENT MAINT MANUAL REF: 32-21-25 QUALIFIED I/W DATA: 162N0001-41, -38, -32, -31, -26, -24, -23, -21, -19, -18, -14, -6 WITHOUT QUICK RELEASE TORSION LINKS I/W 162N0001-46, -42, -33 WITH QUICK RELEASE TORSION LINKS SUBJECT TO CUSTOMER APPROVAL 162N0001-118, -111, -105, -101, -49 WITH ONLY FORWARD TOW FITTING MAY REPLACE BUT NOT BE REPLACED BY 162N001-41, -38, -32, -31, -26, -24, -23, -21, -19, -18, -14, -6 WITH FORWARD AND AFT TOW FITTING SUBJECT TO CUSTOMER APPROVAL	002004 006100 107107 121503 904949	RF

MISSING ITEM NUMBERS NOT APPLICABLE

- ITEM NOT ILLUSTRATED

**32-21-13-01C**

32-21-13  
 FIG. 01C  
 PAGE 28  
 JAN 20/09

BRI





757

PARTS CATALOG (MAINTENANCE)

FIG ITEM	PART NUMBER	1 2 3 4 5 6 7	NOMENCLATURE	EFFECT FROM TO	UNITS PER ASSY
1C - 5	162N0001-31		GEAR ASSY-NLG (NOSE GEAR TOW FITTING) COMPONENT MAINT MANUAL REF: 32-21-25 QUALIFIED I/W DATA: 162N0001-121, -114, -108, -102, -97 WITH QUICK RELEASE TORSION LINKS AND ONLY FORWARD TOW FITTING MAY REPLACE BUT NOT BE REPLACED BY 162N0001-41, -38, -32, -31, -26, -24, -23, -21, -19, -18, -14, -6 WITH FORWARD AND AFT TOW FITTING AND WITHOUT QUICK RELEASE TORSION LINKS SUBJECT TO CUSTOMER APPROVAL 162N0001-119 WITH QUICK RELEASE TORSION LINKS MAY REPLACE BUT NOT BE REPLACED BY 162N0001-41, -38, -32, -31, -26, -24, -23, -21, -19, -18, -14, -6 WITH CUSTOMER APPROVAL	002004 006100 107107 121503 904949	RF
- 5	162N0001-32		GEAR ASSY-NLG (NOSE GEAR TOW FITTING) POSITION DATA: SECT. 62 COMPONENT MAINT MANUAL REF: 32-21-25 QUALIFIED I/W DATA: 162N0001-41, -38, -32, -31, -26, -24, -23, -21, -19, -18, -14, -6 T/W (1)BACB28AK06-045 AND (1)BACB30NR6DK21 I/W 162N0001-22, -20 I/W (1)BACB28AK06-058 AND (1)BACB30NR6DK25 FOR NHA/OTHER SYS DET SEE: 32-21-00-01B	002004 006100 107107 121503 904949	RF

MISSING ITEM NUMBERS NOT APPLICABLE

- ITEM NOT ILLUSTRATED

32-21-13-01C

32-21-13  
FIG. 01C  
PAGE 29  
JAN 20/09

BRI



757

PARTS CATALOG (MAINTENANCE)

FIG ITEM	PART NUMBER	1 2 3 4 5 6 7	NOMENCLATURE	EFFECT FROM TO	UNITS PER ASSY
1C - 5	162N0001-32		GEAR ASSY-NLG (NOSE GEAR TOW FITTING) COMPONENT MAINT MANUAL REF: 32-21-25 QUALIFIED I/W DATA: 12N0001-119, -112, -106, -99, -45 WITH QUICK RELEASE TORSION LINKS MAY REPLACE BUT NOT BE REPLACED BY 162N0001-41, -38, -32, -31, -26, -24, -23, -21, -19, -18, -14, -6 WITHOUT QUICK RELEASE TORSION LINKS SUBJECT TO CUSTOMER APPROVAL 162N0001-122, -115, -109, -103, -98 REQUIRES THE 727 TOW BAR MAY REPLACE BUT NOT BE REPLACED BY 162N0001-41, -38, -32, -31, -26, -24, -23, -21, -19, -18, -14, -6 REQUIRES 757 TOW BAR SUBJECT TO CUSTOMER APPROVAL	002004 006100 107107 121503 904949	RF
- 5	162N0001-32		GEAR ASSY-NLG (NOSE GEAR TOW FITTING) COMPONENT MAINT MANUAL REF: 32-21-25 QUALIFIED I/W DATA: 162N0001-41, -38, -32, -31, -26, -24, -23, -21, -19, -18, -14, -6 WITHOUT QUICK RELEASE TORSION LINKS I/W 162N0001-46, -42, -33 WITH QUICK RELEASE TORSION LINKS SUBJECT TO CUSTOMER APPROVAL 162N0001-118, -111, -105, -101, -49 WITH ONLY FORWARD TOW FITTING MAY REPLACE BUT NOT BE REPLACED BY 162N001-41, -38, -32, -31, -26, -24, -23, -21, -19, -18, -14, -6 WITH FORWARD AND AFT TOW FITTING SUBJECT TO CUSTOMER APPROVAL	002004 006100 107107 121503 904949	RF

MISSING ITEM NUMBERS NOT APPLICABLE

- ITEM NOT ILLUSTRATED

32-21-13-01C

32-21-13  
FIG. 01C  
PAGE 30  
JAN 20/09

BRI



757

PARTS CATALOG (MAINTENANCE)

FIG ITEM	PART NUMBER	1 2 3 4 5 6 7	NOMENCLATURE	EFFECT FROM TO	UNITS PER ASSY
1C - 5	162N0001-32		GEAR ASSY-NLG (NOSE GEAR TOW FITTING) COMPONENT MAINT MANUAL REF: 32-21-25 QUALIFIED I/W DATA: 162N0001-121, -114, -108, -102, -97 WITH QUICK RELEASE TORSION LINKS AND ONLY FORWARD TOW FITTING MAY REPLACE BUT NOT BE REPLACED BY 162N0001-41, -38, -32, -31, -26, -24, -23, -21, -19, -18, -14, -6 WITH FORWARD AND AFT TOW FITTING AND WITHOUT QUICK RELEASE TORSION LINKS SUBJECT TO CUSTOMER APPROVAL 162N0001-119 WITH QUICK RELEASE TORSION LINKS MAY REPLACE BUT NOT BE REPLACED BY 162N0001-41, -38, -32, -31, -26, -24, -23, -21, -19, -18, -14, -6 WITH CUSTOMER APPROVAL	002004 006100 107107 121503 904949	RF
- 6	162N0001-38		GEAR ASSY-NLG (NOSE GEAR TOW FITTING) POSITION DATA: SECT. 62 COMPONENT MAINT MANUAL REF: 32-21-25 QUALIFIED I/W DATA: 162N0001-41, -38, -32, -31, -26, -24, -23, -21, -19, -18, -14, -6 T/W (1)BACB28AK06-045 AND (1)BACB30NR6DK21 I/W 162N0001-22, -20 I/W (1)BACB28AK06-058 AND (1)BACB30NR6DK25 FOR NHA/OTHER SYS DET SEE: 32-21-00-01B	002004 006100 107107 121503 904949	RF

MISSING ITEM NUMBERS NOT APPLICABLE

- ITEM NOT ILLUSTRATED

32-21-13-01C

32-21-13  
FIG. 01C  
PAGE 31  
JAN 20/09

BRI



757

PARTS CATALOG (MAINTENANCE)

FIG ITEM	PART NUMBER	1 2 3 4 5 6 7	NOMENCLATURE	EFFECT FROM TO	UNITS PER ASSY
1C - 6	162N0001-38		GEAR ASSY-NLG (NOSE GEAR TOW FITTING) COMPONENT MAINT MANUAL REF: 32-21-25 QUALIFIED I/W DATA: 12N0001-119, -112, -106, -99, -45 WITH QUICK RELEASE TORSION LINKS MAY REPLACE BUT NOT BE REPLACED BY 162N0001-41, -38, -32, -31, -26, -24, -23, -21, -19, -18, -14, -6 WITHOUT QUICK RELEASE TORSION LINKS SUBJECT TO CUSTOMER APPROVAL 162N0001-122, -115, -109, -103, -98 REQUIRES THE 727 TOW BAR MAY REPLACE BUT NOT BE REPLACED BY 162N0001-41, -38, -32, -31, -26, -24, -23, -21, -19, -18, -14, -6 REQUIRES 757 TOW BAR SUBJECT TO CUSTOMER APPROVAL	002004 006100 107107 121503 904949	RF
- 6	162N0001-38		GEAR ASSY-NLG (NOSE GEAR TOW FITTING) COMPONENT MAINT MANUAL REF: 32-21-25 QUALIFIED I/W DATA: 162N0001-41, -38, -32, -31, -26, -24, -23, -21, -19, -18, -14, -6 WITHOUT QUICK RELEASE TORSION LINKS I/W 162N0001-46, -42, -33 WITH QUICK RELEASE TORSION LINKS SUBJECT TO CUSTOMER APPROVAL 162N0001-118, -111, -105, -101, -49 WITH ONLY FORWARD TOW FITTING MAY REPLACE BUT NOT BE REPLACED BY 162N001-41, -38, -32, -31, -26, -24, -23, -21, -19, -18, -14, -6 WITH FORWARD AND AFT TOW FITTING SUBJECT TO CUSTOMER APPROVAL	002004 006100 107107 121503 904949	RF

MISSING ITEM NUMBERS NOT APPLICABLE

- ITEM NOT ILLUSTRATED

32-21-13-01C

32-21-13  
FIG. 01C  
PAGE 32  
JAN 20/09

BRI



757

PARTS CATALOG (MAINTENANCE)

FIG ITEM	PART NUMBER	1 2 3 4 5 6 7	NOMENCLATURE	EFFECT FROM TO	UNITS PER ASSY
1C - 6	162N0001-38		GEAR ASSY-NLG (NOSE GEAR TOW FITTING) COMPONENT MAINT MANUAL REF: 32-21-25 QUALIFIED I/W DATA: 162N0001-121, -114, -108, -102, -97 WITH QUICK RELEASE TORSION LINKS AND ONLY FORWARD TOW FITTING MAY REPLACE BUT NOT BE REPLACED BY 162N0001-41, -38, -32, -31, -26, -24, -23, -21, -19, -18, -14, -6 WITH FORWARD AND AFT TOW FITTING AND WITHOUT QUICK RELEASE TORSION LINKS SUBJECT TO CUSTOMER APPROVAL 162N0001-119 WITH QUICK RELEASE TORSION LINKS MAY REPLACE BUT NOT BE REPLACED BY 162N0001-41, -38, -32, -31, -26, -24, -23, -21, -19, -18, -14, -6 WITH CUSTOMER APPROVAL	002004 006100 107107 121503 904949	RF
- 6	162N0001-41		GEAR ASSY-NLG (NOSE GEAR TOW FITTING) POSITION DATA: SECT. 62 COMPONENT MAINT MANUAL REF: 32-21-25 QUALIFIED I/W DATA: 162N0001-41, -38, -32, -31, -26, -24, -23, -21, -19, -18, -14, -6 T/W (1)BACB28AK06-045 AND (1)BACB30NR6DK21 I/W 162N0001-22, -20 I/W (1)BACB28AK06-058 AND (1)BACB30NR6DK25 FOR NHA/OTHER SYS DET SEE: 32-21-00-01B	002004 006100 107107 121503 904949	RF

MISSING ITEM NUMBERS NOT APPLICABLE

- ITEM NOT ILLUSTRATED

32-21-13-01C

32-21-13  
FIG. 01C  
PAGE 33  
JAN 20/09

BRI



757

PARTS CATALOG (MAINTENANCE)

FIG ITEM	PART NUMBER	1 2 3 4 5 6 7 NOMENCLATURE	EFFECT FROM TO	UNITS PER ASSY
1C - 6	162N0001-41	GEAR ASSY-NLG (NOSE GEAR TOW FITTING) COMPONENT MAINT MANUAL REF: 32-21-25 QUALIFIED I/W DATA: 12N0001-119, -112, -106, -99, -45 WITH QUICK RELEASE TORSION LINKS MAY REPLACE BUT NOT BE REPLACED BY 162N0001-41, -38, -32, -31, -26, -24, -23, -21, -19, -18, -14, -6 WITHOUT QUICK RELEASE TORSION LINKS SUBJECT TO CUSTOMER APPROVAL 162N0001-122, -115, -109, -103, -98 REQUIRES THE 727 TOW BAR MAY REPLACE BUT NOT BE REPLACED BY 162N0001-41, -38, -32, -31, -26, -24, -23, -21, -19, -18, -14, -6 REQUIRES 757 TOW BAR SUBJECT TO CUSTOMER APPROVAL	002004 006100 107107 121503 904949	RF

MISSING ITEM NUMBERS NOT APPLICABLE

- ITEM NOT ILLUSTRATED

**32-21-13-01C**

32-21-13  
 FIG. 01C  
 PAGE 34  
 JAN 20/09

BRI



757

PARTS CATALOG (MAINTENANCE)

FIG ITEM	PART NUMBER	1 2 3 4 5 6 7 NOMENCLATURE	EFFECT FROM TO	UNITS PER ASSY
1C - 6	162N0001-41	GEAR ASSY-NLG (NOSE GEAR TOW FITTING) COMPONENT MAINT MANUAL REF: 32-21-25 QUALIFIED I/W DATA: 162N0001-41, -38, -32, -31, -26, -24, -23, -21, -19, -18, -14, -6 WITHOUT QUICK RELEASE TORSION LINKS I/W 162N0001-46, -42, -33 WITH QUICK RELEASE TORSION LINKS SUBJECT TO CUSTOMER APPROVAL 162N0001-118, -111, -105, -101, -49 WITH ONLY FORWARD TOW FITTING MAY REPLACE BUT NOT BE REPLACED BY 162N001-41, -38, -32, -31, -26, -24, -23, -21, -19, -18, -14, -6 WITH FORWARD AND AFT TOW FITTING SUBJECT TO CUSTOMER APPROVAL 162N0001-119, -112, -106, -99, -45 WITH QUICK RELEASE TORSION LINKS I/W 162N0001-120, -113, -107, -100, -47 WITHOUT QUICK RELEASE TORSION LINKS SUBJECT TO CUSTOMER APPROVAL	002004 006100 107107 121503 904949	RF

MISSING ITEM NUMBERS NOT APPLICABLE

- ITEM NOT ILLUSTRATED

**32-21-13-01C**

32-21-13  
 FIG. 01C  
 PAGE 35  
 JAN 20/09

BRI



757

PARTS CATALOG (MAINTENANCE)

FIG ITEM	PART NUMBER	1 2 3 4 5 6 7	NOMENCLATURE	EFFECT FROM TO	UNITS PER ASSY
1C - 6	162N0001-41		GEAR ASSY-NLG (NOSE GEAR TOW FITTING) COMPONENT MAINT MANUAL REF: 32-21-25 QUALIFIED I/W DATA: 162N0001-121, -114, -108, -102, -97 WITH QUICK RELEASE TORSION LINKS AND ONLY FORWARD TOW FITTING MAY REPLACE BUT NOT BE REPLACED BY 162N0001-41, -38, -32, -31, -26, -24, -23, -21, -19, -18, -14, -6 WITH FORWARD AND AFT TOW FITTING AND WITHOUT QUICK RELEASE TORSION LINKS SUBJECT TO CUSTOMER APPROVAL 162N0001-119 WITH QUICK RELEASE TORSION LINKS MAY REPLACE BUT NOT BE REPLACED BY 162N0001-41, -38, -32, -31, -26, -24, -23, -21, -19, -18, -14, -6 WITH CUSTOMER APPROVAL	002004 006100 107107 121503 904949	RF
- 6	162N0001-47		GEAR ASSY-NLG (NOSE GEAR TOW FITTING) POSITION DATA: SECT. 62 COMPONENT MAINT MANUAL REF: 32-21-25 QUALIFIED I/W DATA: 162N0001-120, -113, -107, -100, -47 T/W (1)BACB30NR6DK21 MAY REPLACE BUT NOT BE REPLACED BY 162N0001-20, -22 T/W (1)BACB28AK06-058 AND (1)BACB30NR6DK25 FOR NHA/OTHER SYS DET SEE: 32-21-00-01B	002004 006100 107107 121503 904949	RF

MISSING ITEM NUMBERS NOT APPLICABLE

- ITEM NOT ILLUSTRATED

32-21-13-01C

32-21-13  
FIG. 01C  
PAGE 36  
JAN 20/09

BRI





757

PARTS CATALOG (MAINTENANCE)

FIG ITEM	PART NUMBER	1 2 3 4 5 6 7	NOMENCLATURE	EFFECT FROM TO	UNITS PER ASSY
1C - 6	162N0001-47		GEAR ASSY-NLG (NOSE GEAR TOW FITTING) COMPONENT MAINT MANUAL REF: 32-21-25 QUALIFIED I/W DATA: 162N0001-118, -111, -105, -101, -49 WITH ONLY FORWARD TOW FITTING I/W 162N0001-120, -113, -107, -100, -47 WITH FORWARD AND AFT TOW FITTINGS WITH CUSTOMER APPROVAL 162N0001-120, -113, -107, -100, -47 WITHOUT QUICK RELEASE TORSION LINKS MAY REPLACE BUT NOT BE REPLACED BY 162N0001-46, -42, -33 WITH QUICK RELEASE COND RPL SUBJECT TO CUSTOMER APPROVAL 162N0001-119, -112, -106, -99, -45 WITH QUICK RELEASE TORSION LINKS I/W 162N0001-120, -113, -107, -100, -47 WITHOUT QUICK RELEASE TORSION LINKS SUBJECT TO CUSTOMER APPROVAL	002004 006100 107107 121503 904949	RF

MISSING ITEM NUMBERS NOT APPLICABLE

- ITEM NOT ILLUSTRATED

**32-21-13-01C**

32-21-13  
 FIG. 01C  
 PAGE 37  
 JAN 20/09

BRI



757

PARTS CATALOG (MAINTENANCE)

FIG ITEM	PART NUMBER	1 2 3 4 5 6 7	NOMENCLATURE	EFFECT FROM TO	UNITS PER ASSY
1C - 6	162N0001-47		GEAR ASSY-NLG (NOSE GEAR TOW FITTING) COMPONENT MAINT MANUAL REF: 32-21-25 QUALIFIED I/W DATA: 162N0001-122, -115, -109, -103, -98 REQUIRES THE 727 TOW BAR I/W 162N0001-120, -113, -107, -100, -47 REQUIRES THE 757 TOW BAR SUBJECT TO CUSTOMER APPROVAL 162N0001-121, -114, -108, -102, -97 WITH QUICK RELEASE TORSION LINKS AND ONLY FORWARD TOW FITTING I/W 162N0001-120, -113, -107, -100, -47 WITH FORWARD AND AFT TOW FITTING AND WITHOUT QUICK RELEASE TORSION LINKS SUBJECT TO CUSTOMER APPROVAL	002004 006100 107107 121503 904949	RF
- 6	162N0001-47		GEAR ASSY-NLG (NOSE GEAR TOW FITTING) COMPONENT MAINT MANUAL REF: 32-21-25 QUALIFIED I/W DATA: 162N0001-119 WITH QUICK RELEASE TORSION LINKS I/W 162N0001-113, -107, -100, -47 WITHOUT QUICK RELEASE TORSION LINKS WITH CUSTOMER APPROVAL	002004 006100 107107 121503 904949	RF

MISSING ITEM NUMBERS NOT APPLICABLE

- ITEM NOT ILLUSTRATED

32-21-13-01C

32-21-13  
FIG. 01C  
PAGE 38  
JAN 20/09

BRI



757

PARTS CATALOG (MAINTENANCE)

FIG ITEM	PART NUMBER	1 2 3 4 5 6 7	NOMENCLATURE	EFFECT FROM TO	UNITS PER ASSY
1C - 7	162N0001-100		GEAR ASSY-NLG (NOSE GEAR TOW FITTING) POSITION DATA: SECT. 62 COMPONENT MAINT MANUAL REF: 32-21-25 QUALIFIED I/W DATA: 162N0001-120, -113, -107, -100, -47 T/W (1)BACB30NR6DK21 MAY REPLACE BUT NOT BE REPLACED BY 162N0001-20, -22 T/W (1)BACB28AK06-058 AND (1)BACB30NR6DK25 FOR NHA/OTHER SYS DET SEE: 32-21-00-01B	002004 006100 107107 121503 904949	RF
- 7	162N0001-100		GEAR ASSY-NLG (NOSE GEAR TOW FITTING) COMPONENT MAINT MANUAL REF: 32-21-25 QUALIFIED I/W DATA: 162N0001-118, -111, -105, -101, -49 WITH ONLY FORWARD TOW FITTING I/W 162N0001-120, -113, -107, -100, -47 WITH FORWARD AND AFT TOW FITTINGS WITH CUSTOMER APPROVAL 162N0001-120, -113, -107, -100, -47 WITHOUT QUICK RELEASE TORSION LINKS MAY REPLACE BUT NOT BE REPLACED BY 162N0001-46, -42, -33 WITH QUICK RELEASE COND RPL SUBJECT TO CUSTOMER APPROVAL 162N0001-119, -112, -106, -99, -45 WITH QUICK RELEASE TORSION LINKS I/W 162N0001-120, -113, -107, -100, -47 WITHOUT QUICK RELEASE TORSION LINKS SUBJECT TO CUSTOMER APPROVAL	002004 006100 107107 121503 904949	RF

MISSING ITEM NUMBERS NOT APPLICABLE

- ITEM NOT ILLUSTRATED

32-21-13-01C

32-21-13  
FIG. 01C  
PAGE 39  
JAN 20/09

BRI



757

PARTS CATALOG (MAINTENANCE)

FIG ITEM	PART NUMBER	1 2 3 4 5 6 7	NOMENCLATURE	EFFECT FROM TO	UNITS PER ASSY
1C - 7	162N0001-100		GEAR ASSY-NLG (NOSE GEAR TOW FITTING) COMPONENT MAINT MANUAL REF: 32-21-25 QUALIFIED I/W DATA: 162N0001-122, -115, -109, -103, -98 REQUIRES THE 727 TOW BAR I/W 162N0001-120, -113, -107, -100, -47 REQUIRES THE 757 TOW BAR SUBJECT TO CUSTOMER APPROVAL 162N0001-121, -114, -108, -102, -97 WITH QUICK RELEASE TORSION LINKS AND ONLY FORWARD TOW FITTING I/W 162N0001-120, -113, -107, -100, -47 WITH FORWARD AND AFT TOW FITTING AND WITHOUT QUICK RELEASE TORSION LINKS SUBJECT TO CUSTOMER APPROVAL	002004 006100 107107 121503 904949	RF
- 7	162N0001-100		GEAR ASSY-NLG (NOSE GEAR TOW FITTING) COMPONENT MAINT MANUAL REF: 32-21-25 QUALIFIED I/W DATA: 162N0001-119 WITH QUICK RELEASE TORSION LINKS I/W 162N0001-113, -107, -100, -47 WITHOUT QUICK RELEASE TORSION LINKS WITH CUSTOMER APPROVAL 162N0001-118, -111, -105, -101, -49 WITHOUT QUICK RELEASE TORSION LINKS I/W 162N0001-121, -114, -108, -102, -97 WITH QUICK RELEASE TORSION LINKS SUBJECT TO CUSTOMER APPROVAL	002004 006100 107107 121503 904949	RF

MISSING ITEM NUMBERS NOT APPLICABLE

- ITEM NOT ILLUSTRATED

32-21-13-01C

32-21-13  
FIG. 01C  
PAGE 40  
JAN 20/09

BRI



757

PARTS CATALOG (MAINTENANCE)

FIG ITEM	PART NUMBER	1 2 3 4 5 6 7	NOMENCLATURE	EFFECT FROM TO	UNITS PER ASSY
1C - 7	162N0001-107		GEAR ASSY-NLG (NOSE GEAR TOW FITTING) POSITION DATA: SECT. 62 COMPONENT MAINT MANUAL REF: 32-21-25 QUALIFIED I/W DATA: 162N0001-120, -113, -107, -100, -47 T/W (1)BACB30NR6DK21 MAY REPLACE BUT NOT BE REPLACED BY 162N0001-20, -22 T/W (1)BACB28AK06-058 AND (1)BACB30NR6DK25 FOR NHA/OTHER SYS DET SEE: 32-21-00-01B	002004 006100 107107 121503 904949	RF
- 7	162N0001-107		GEAR ASSY-NLG (NOSE GEAR TOW FITTING) COMPONENT MAINT MANUAL REF: 32-21-25 QUALIFIED I/W DATA: 162N0001-118, -111, -105, -101, -49 WITH ONLY FORWARD TOW FITTING I/W 162N0001-120, -113, -107, -100, -47 WITH FORWARD AND AFT TOW FITTINGS WITH CUSTOMER APPROVAL 162N0001-120, -113, -107, -100, -47 WITHOUT QUICK RELEASE TORSION LINKS MAY REPLACE BUT NOT BE REPLACED BY 162N0001-46, -42, -33 WITH QUICK RELEASE COND RPL SUBJECT TO CUSTOMER APPROVAL 162N0001-119, -112, -106, -99, -45 WITH QUICK RELEASE TORSION LINKS I/W 162N0001-120, -113, -107, -100, -47 WITHOUT QUICK RELEASE TORSION LINKS SUBJECT TO CUSTOMER APPROVAL	002004 006100 107107 121503 904949	RF

MISSING ITEM NUMBERS NOT APPLICABLE

- ITEM NOT ILLUSTRATED

32-21-13-01C

32-21-13  
FIG. 01C  
PAGE 41  
JAN 20/09

BRI



757

PARTS CATALOG (MAINTENANCE)

FIG ITEM	PART NUMBER	1 2 3 4 5 6 7	NOMENCLATURE	EFFECT FROM TO	UNITS PER ASSY
1C - 7	162N0001-107		GEAR ASSY-NLG (NOSE GEAR TOW FITTING) COMPONENT MAINT MANUAL REF: 32-21-25 QUALIFIED I/W DATA: 162N0001-122, -115, -109, -103, -98 REQUIRES THE 727 TOW BAR I/W 162N0001-120, -113, -107, -100, -47 REQUIRES THE 757 TOW BAR SUBJECT TO CUSTOMER APPROVAL 162N0001-121, -114, -108, -102, -97 WITH QUICK RELEASE TORSION LINKS AND ONLY FORWARD TOW FITTING I/W 162N0001-120, -113, -107, -100, -47 WITH FORWARD AND AFT TOW FITTING AND WITHOUT QUICK RELEASE TORSION LINKS SUBJECT TO CUSTOMER APPROVAL	002004 006100 107107 121503 904949	RF
- 7	162N0001-107		GEAR ASSY-NLG (NOSE GEAR TOW FITTING) COMPONENT MAINT MANUAL REF: 32-21-25 QUALIFIED I/W DATA: 162N0001-119 WITH QUICK RELEASE TORSION LINKS I/W 162N0001-113, -107, -100, -47 WITHOUT QUICK RELEASE TORSION LINKS WITH CUSTOMER APPROVAL	002004 006100 107107 121503 904949	RF

MISSING ITEM NUMBERS NOT APPLICABLE

- ITEM NOT ILLUSTRATED

BRI

32-21-13-01C

BOEING PROPRIETARY - Copyright © - Unpublished Work - See title page for details.

32-21-13  
FIG. 01C  
PAGE 42  
JAN 20/09



757

PARTS CATALOG (MAINTENANCE)

FIG ITEM	PART NUMBER	1 2 3 4 5 6 7	NOMENCLATURE	EFFECT FROM TO	UNITS PER ASSY
1C - 8	162N0001-113		GEAR ASSY-NLG (NOSE GEAR TOW FITTING) POSITION DATA: SECT. 62 COMPONENT MAINT MANUAL REF: 32-21-25 QUALIFIED I/W DATA: 162N0001-120, -113, -107, -100, -47 T/W (1)BACB30NR6DK21 MAY REPLACE BUT NOT BE REPLACED BY 162N0001-20, -22 T/W (1)BACB28AK06-058 AND (1)BACB30NR6DK25 FOR NHA/OTHER SYS DET SEE: 32-21-00-01B	002004 006100 107107 121503 904949	RF
- 8	162N0001-113		GEAR ASSY-NLG (NOSE GEAR TOW FITTING) COMPONENT MAINT MANUAL REF: 32-21-25 QUALIFIED I/W DATA: 162N0001-122, -115, -109, -103, -98 REQUIRES THE 727 TOW BAR I/W 162N0001-120, -113, -107, -100, -47 REQUIRES THE 757 TOW BAR SUBJECT TO CUSTOMER APPROVAL 162N0001-121, -114, -108, -102, -97 WITH QUICK RELEASE TORSION LINKS AND ONLY FORWARD TOW FITTING I/W 162N0001-120, -113, -107, -100, -47 WITH FORWARD AND AFT TOW FITTING AND WITHOUT QUICK RELEASE TORSION LINKS SUBJECT TO CUSTOMER APPROVAL	002004 006100 107107 121503 904949	RF

MISSING ITEM NUMBERS NOT APPLICABLE

- ITEM NOT ILLUSTRATED

32-21-13-01C

32-21-13  
FIG. 01C  
PAGE 43  
JAN 20/09

BRI



757

PARTS CATALOG (MAINTENANCE)

FIG ITEM	PART NUMBER	1 2 3 4 5 6 7	NOMENCLATURE	EFFECT FROM TO	UNITS PER ASSY
1C - 8	162N0001-113		GEAR ASSY-NLG (NOSE GEAR TOW FITTING) COMPONENT MAINT MANUAL REF: 32-21-25 QUALIFIED I/W DATA: 162N0001-119 WITH QUICK RELEASE TORSION LINKS I/W 162N0001-113, -107, -100, -47 WITHOUT QUICK RELEASE TORSION LINKS WITH CUSTOMER APPROVAL 162N0001-122, -115, -109, -103, -98 REQUIRES THE 727 TOW BAR I/W 162N0001-120, -113, -107, -100, -47 REQUIRES THE 757 TOW BAR SUBJECT TO CUSTOMER APPROVAL	002004 006100 107107 121503 904949	RF
- 8	162N0001-113		GEAR ASSY-NLG (NOSE GEAR TOW FITTING) COMPONENT MAINT MANUAL REF: 32-21-25 QUALIFIED I/W DATA: 162N0001-118, -111, -105, -101, -49 WITH ONLY FORWARD TOW FITTING I/W 162N0001-120, -113, -107, -100, -47 WITH FORWARD AND AFT TOW FITTINGS WITH CUSTOMER APPROVAL 162N0001-120, -113, -107, -100, -47 WITHOUT QUICK RELEASE TORSION LINKS MAY REPLACE BUT NOT BE REPLACED BY 162N0001-46, -42, -33 WITH QUICK RELEASE SUBJECT TO CUSTOMER APPROVAL 162N0001-119, -112, -106, -99, -45 WITH QUICK RELEASE TORSION LINKS I/W 162N0001-120, -113, -107, -100, -47 WITHOUT QUICK RELEASE TORSION LINKS SUBJECT TO CUSTOMER APPROVAL	002004 006100 107107 121503 904949	RF

MISSING ITEM NUMBERS NOT APPLICABLE

- ITEM NOT ILLUSTRATED

32-21-13-01C

32-21-13  
FIG. 01C  
PAGE 44  
JAN 20/09

BRI





757

PARTS CATALOG (MAINTENANCE)

FIG ITEM	PART NUMBER	1 2 3 4 5 6 7	NOMENCLATURE	EFFECT FROM TO	UNITS PER ASSY
1C - 8	162N0001-120		GEAR ASSY-NLG (NOSE GEAR TOW FITTING) POSITION DATA: SECT. 62 MISCELLANEOUS DATA: INCLUDES TWO TOW FITTINGS AND NO QUICK DISCONNECT OPTION COMPONENT MAINT MANUAL REF: 32-21-25 QUALIFIED I/W DATA: 162N0001-120, -113, -107, -100, -47 T/W (1)BACB30NR6DK21 MAY REPLACE BUT NOT BE REPLACED BY 162N0001-20, -22 T/W (1)BACB28AK06-058 AND (1)BACB30NR6DK25 FOR NHA/OTHER SYS DET SEE: 32-21-00-01B	002004 006100 107107 121503 904949	RF
- 8	162N0001-120		GEAR ASSY-NLG (NOSE GEAR TOW FITTING) COMPONENT MAINT MANUAL REF: 32-21-25 QUALIFIED I/W DATA: 162N0001-119, -112, -106, -99, -45 WITH QUICK RELEASE TORSION LINKS I/W 162N0001-120, -113, -107, -100, -47 WITHOUT QUICK RELEASE TORSION LINKS SUBJECT TO CUSTOMER APPROVAL 162N0001-118, -111, -105, -101, -49 WITH ONLY FORWARD TOW FITTING I/W 162N0001-120, -113, -107, -100, -47 WITH FORWARD AND AFT TOW FITTINGS WITH CUSTOMER APPROVAL	002004 006100 107107 121503 904949	RF

MISSING ITEM NUMBERS NOT APPLICABLE

- ITEM NOT ILLUSTRATED

BRI

32-21-13-01C

BOEING PROPRIETARY - Copyright © - Unpublished Work - See title page for details.

32-21-13  
FIG. 01C  
PAGE 45  
JAN 20/09



757

PARTS CATALOG (MAINTENANCE)

FIG ITEM	PART NUMBER	1 2 3 4 5 6 7	NOMENCLATURE	EFFECT FROM TO	UNITS PER ASSY
1C - 8	162N0001-120		GEAR ASSY-NLG (NOSE GEAR TOW FITTING) COMPONENT MAINT MANUAL REF: 32-21-25 QUALIFIED I/W DATA: 162N0001-120, -113, -107, -100, -47 WITHOUT QUICK RELEASE TORSION LINKS MAY REPLACE BUT NOT BE REPLACED BY 162N0001-46, -42, -33 WITH QUICK RELEASE SUBJECT TO CUSTOMER APPROVAL 162N0001-122, -115, -109, -103, -98 REQUIRES THE 727 TOW BAR I/W 162N0001-120, -113, -107, -100, -47 REQUIRES THE 757 TOW BAR SUBJECT TO CUSTOMER APPROVAL	002004 006100 107107 121503 904949	RF
- 8	162N0001-120		GEAR ASSY-NLG (NOSE GEAR TOW FITTING) COMPONENT MAINT MANUAL REF: 32-21-25 QUALIFIED I/W DATA: 162N0001-121, -114, -108, -102, -97 WITH QUICK RELEASE TORSION LINKS AND ONLY FORWARD TOW FITTING I/W 162N0001-120, -113, -107, -100, -47 WITH FORWARD AND AFT TOW FITTING AND WITHOUT QUICK RELEASE TORSION LINKS SUBJECT TO CUSTOMER APPROVAL	002004 006100 107107 121503 904949	RF
20	BACB30LJ5-32		.BOLT	002004 006100 107107 121503 904949	4

MISSING ITEM NUMBERS NOT APPLICABLE

- ITEM NOT ILLUSTRATED

32-21-13-01C

32-21-13  
FIG. 01C  
PAGE 46  
JAN 20/09

BRI



757

PARTS CATALOG (MAINTENANCE)

FIG ITEM	PART NUMBER	1 2 3 4 5 6 7	NOMENCLATURE	EFFECT FROM TO	UNITS PER ASSY
1C 25	AN960C516L		.WASHER- USED ON: 162N0001-6 162N0001-14 162N0001-18 162N0001-19 162N0001-20 162N0001-21 162N0001-22 162N0001-23 162N0001-24 162N0001-26 162N0001-30 162N0001-31 162N0001-32 162N0001-38 162N0001-41 162N0001-47 162N0001-100 162N0001-107 USED ON: 162N0001-6 162N0001-14 162N0001-18 162N0001-19 162N0001-21 162N0001-23 162N0001-26 162N0001-31 162N0001-32 162N0001-38 162N0001-41 162N0001-47 162N0001-100 162N0001-107	002004 006100 107107 121503 904949	4
25	NAS1149C0532R		.WASHER- USED ON: 162N0001-113 162N0001-120 USED ON: 162N0001-113 162N0001-120	002004 006100 107107 121503 904949	4

MISSING ITEM NUMBERS NOT APPLICABLE

- ITEM NOT ILLUSTRATED

32-21-13-01C

32-21-13  
FIG. 01C  
PAGE 47  
JAN 20/09

BRI



757

PARTS CATALOG (MAINTENANCE)

FIG ITEM	PART NUMBER	1 2 3 4 5 6 7	NOMENCLATURE	EFFECT FROM TO	UNITS PER ASSY
1C 30	BRH10A5		.NUT- SUPPLIER CODE: V52828 SPECIFICATION NUMBER: BACN10JC5 OPTIONAL PART: T6S524J V11815 96-054 V80539 RMLH9075-5W V72962 H10-5BAC V15653 USED ON: 162N0001-6 162N0001-14 162N0001-18 162N0001-19 162N0001-20 162N0001-21 162N0001-22 162N0001-23 162N0001-24 162N0001-26 162N0001-30 162N0001-31 162N0001-32 162N0001-38 162N0001-41 162N0001-47 162N0001-100 162N0001-107 USED ON: 162N0001-6 162N0001-14 162N0001-18 162N0001-19 162N0001-21 162N0001-23 162N0001-26 162N0001-31 162N0001-32 162N0001-38 162N0001-41 162N0001-47 162N0001-100 162N0001-107	002004 006100 107107 121503 904949	4

MISSING ITEM NUMBERS NOT APPLICABLE

- ITEM NOT ILLUSTRATED

32-21-13-01C

32-21-13  
FIG. 01C  
PAGE 48  
JAN 20/09

BRI



757

PARTS CATALOG (MAINTENANCE)

FIG ITEM	PART NUMBER	1 2 3 4 5 6 7	NOMENCLATURE	EFFECT FROM TO	UNITS PER ASSY
1C 30	BRH10C5D	.NUT-	SUPPLIER CODE: V52828 SPECIFICATION NUMBER: BACN10JC5D OPTIONAL PART: T6C524JCD V11815 102LH9075-5W V72962 H51650-5BAC V15653 USED ON: 162N0001-113 162N0001-120 USED ON: 162N0001-113 162N0001-120	002004 006100 107107 121503 904949	4
35	162N1208-1	.COLLAR-TOW PIN		002004 006100 107107 121503 904949	4
40	162N1209-1	.BOLT ASSY		002004 006100 107107 121503 904949	4
45	1728B	..FITTING-LUBE SUPPLIER CODE: VOFKM1		002004 006100 107107 121503 904949	1
50	162N1209-2	..BOLT		002004 006100 107107 121503 904949	1

MISSING ITEM NUMBERS NOT APPLICABLE

- ITEM NOT ILLUSTRATED

32-21-13-01C

32-21-13  
FIG. 01C  
PAGE 49  
JAN 20/09

BRI



757

PARTS CATALOG (MAINTENANCE)

FIG ITEM	PART NUMBER	1 2 3 4 5 6 7	NOMENCLATURE	EFFECT FROM TO	UNITS PER ASSY
1C 55	AN960C1416		.WASHER- USED ON: 162N0001-6 162N0001-14 162N0001-18 162N0001-19 162N0001-20 162N0001-21 162N0001-22 162N0001-23 162N0001-24 162N0001-26 162N0001-30 162N0001-31 162N0001-32 162N0001-38 162N0001-41 162N0001-47 162N0001-100 162N0001-107 USED ON: 162N0001-6 162N0001-14 162N0001-18 162N0001-19 162N0001-21 162N0001-23 162N0001-26 162N0001-31 162N0001-32 162N0001-38 162N0001-41 162N0001-47 162N0001-100 162N0001-107	002004 006100 107107 121503 904949	4
55	NAS1149C1290R		.WASHER- USED ON: 162N0001-113 162N0001-120 USED ON: 162N0001-113 162N0001-120	002004 006100 107107 121503 904949	4

MISSING ITEM NUMBERS NOT APPLICABLE

- ITEM NOT ILLUSTRATED

32-21-13-01C

32-21-13  
FIG. 01C  
PAGE 50  
JAN 20/09

BRI



757

PARTS CATALOG (MAINTENANCE)

FIG ITEM	PART NUMBER	1 2 3 4 5 6 7	NOMENCLATURE	EFFECT FROM TO	UNITS PER ASSY
1C 60	BMN4122AD3-14	.	NUT- SUPPLIER CODE: V97928 SPECIFICATION NUMBER: BACN10JC14 OPTIONAL PART: H10-14BAC V15653 BMN4122A14 V85495 RMLH9074-14 V72962 48FT1414 V56878 USED ON: 162N0001-6 162N0001-14 162N0001-18 162N0001-19 162N0001-20 162N0001-21 162N0001-22 162N0001-23 162N0001-24 162N0001-26 162N0001-30 162N0001-31 162N0001-32 162N0001-38 162N0001-41 162N0001-47 162N0001-100 162N0001-107 USED ON: 162N0001-6 162N0001-14 162N0001-18 162N0001-19 162N0001-21 162N0001-23 162N0001-26 162N0001-31 162N0001-32 162N0001-38 162N0001-41 162N0001-47 162N0001-100 162N0001-107	002004 006100 107107 121503 904949	4

MISSING ITEM NUMBERS NOT APPLICABLE

- ITEM NOT ILLUSTRATED

32-21-13-01C

32-21-13  
FIG. 01C  
PAGE 51  
JAN 20/09

BRI



757

PARTS CATALOG (MAINTENANCE)

FIG ITEM	PART NUMBER	1 2 3 4 5 6 7	NOMENCLATURE	EFFECT FROM TO	UNITS PER ASSY
1C 60	H51650-14BAC	.NUT-	SUPPLIER CODE: V15653 SPECIFICATION NUMBER: BACN10JC14CD OPTIONAL PART: 102LH9074-14 V72962 69235-1414CD V92215 BMN4122CPD8-14 V97928 USED ON: 162N0001-113 162N0001-120 USED ON: 162N0001-113 162N0001-120	002004 006100 107107 121503 904949	4
65	162N1201-1	.FITTING ASSY-TOW		002004 006100 107107 121503 904949	2
70	1992B	..FITTING-LUBE SUPPLIER CODE: VOFKM1		002004 006100 107107 121503 904949	2
70	1992B1	..FITTING-LUBE SUPPLIER CODE: VOFKM1		002004 006100 107107 121503 904949	2
75	160N0201-28	..BUSHING		002004 006100 107107 121503 904949	2
80	160N0201-64	..BUSHING		002004 006100 107107 121503 904949	8
85	162N1201-2	..FITTING		002004 006100 107107 121503 904949	1

MISSING ITEM NUMBERS NOT APPLICABLE

- ITEM NOT ILLUSTRATED

32-21-13-01C

32-21-13  
FIG. 01C  
PAGE 52  
JAN 20/09

BRI

BOEING PROPRIETARY - Copyright © - Unpublished Work - See title page for details.





757  
PARTS CATALOG (MAINTENANCE)

FIG ITEM	PART NUMBER	1 2 3 4 5 6 7	NOMENCLATURE	EFFECT FROM TO	UNITS PER ASSY
1C 90	162N1207-1		.PIN-TOW	002004 006100 107107 121503 904949	2

MISSING ITEM NUMBERS NOT APPLICABLE

- ITEM NOT ILLUSTRATED

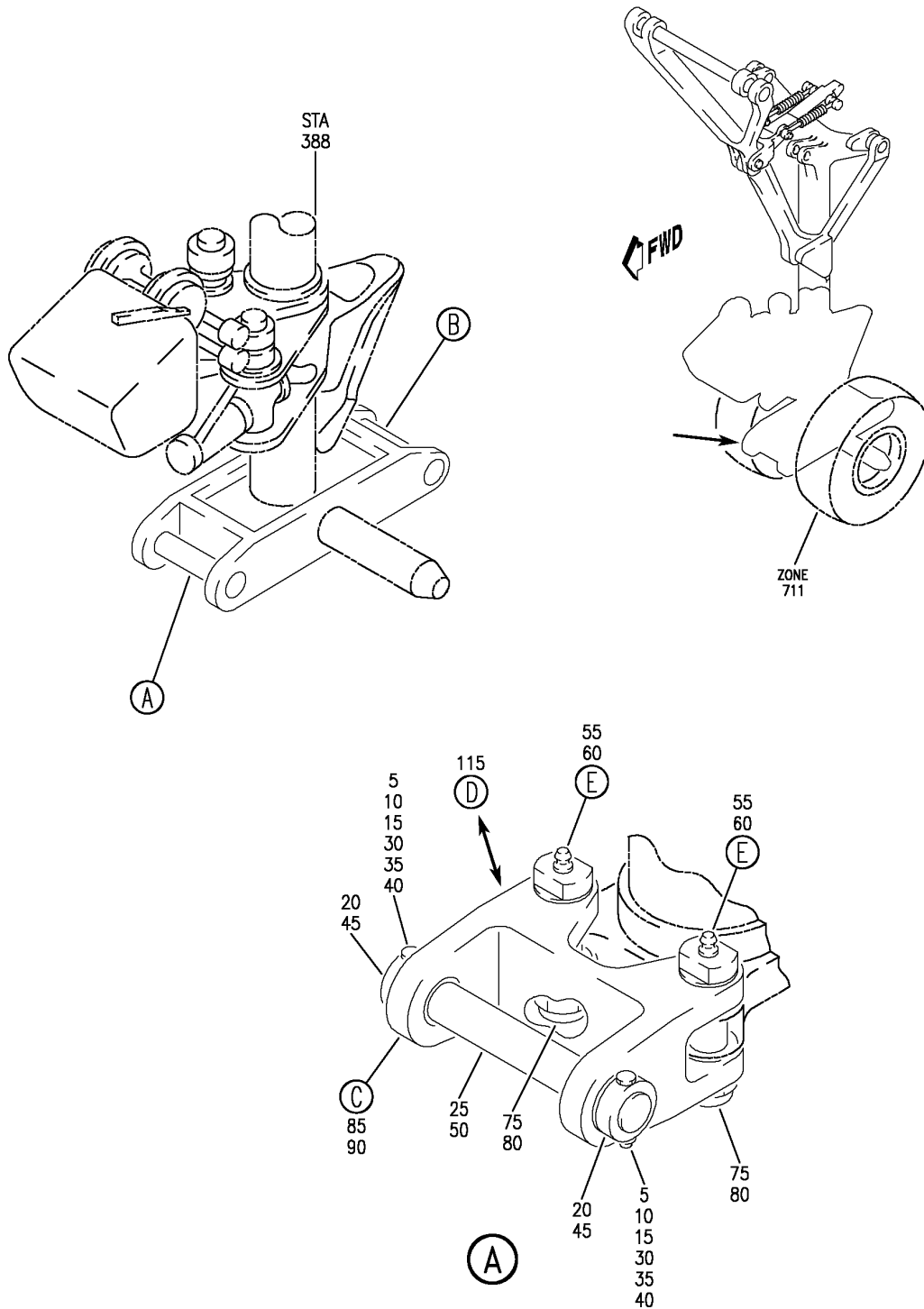
BRI

32-21-13-01C

BOEING PROPRIETARY - Copyright © - Unpublished Work - See title page for details.

32-21-13  
FIG. 01C  
PAGE 53  
JAN 20/09

**BOEING**  
757  
PARTS CATALOG (MAINTENANCE)



Y 32211310 SH1 1 REV 247

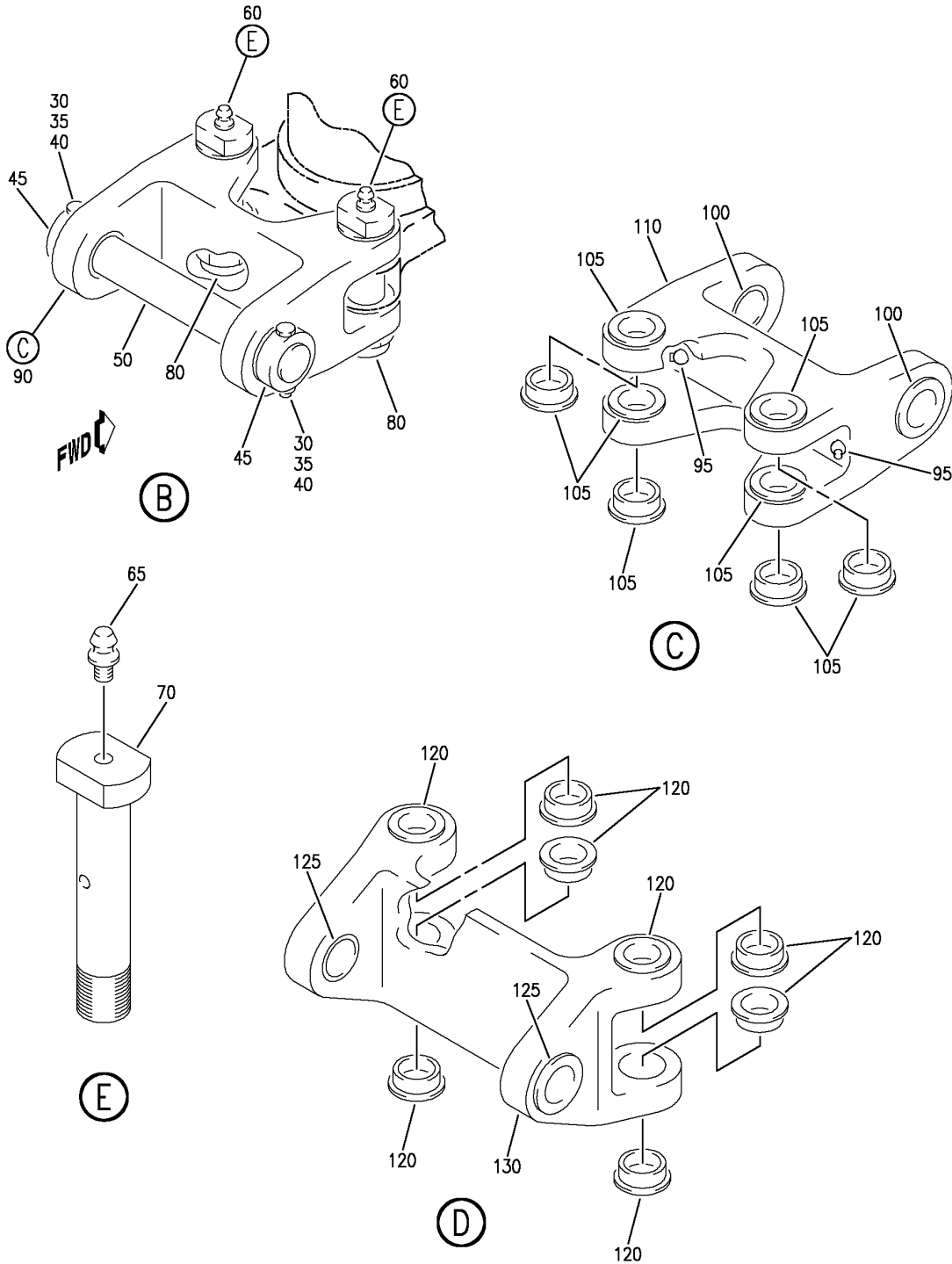
TOW OPTION INSTL-SECT 62 NLG (PRE-MODULE) (NOSE GEAR TOW FITTING ONLY)  
FIGURE 10 (SHEET 1)

**32-21-13-10**

BRI  
MAY 28/07

32-21-13-10  
PAGE 0

**BOEING**  
757  
PARTS CATALOG (MAINTENANCE)



Y 32211310 SHT 2 REV 247

TOW OPTION INSTL-SECT 62 NLG (PRE-MODULE) (NOSE GEAR TOW FITTING ONLY)  
FIGURE 10 (SHEET 2)

**32-21-13-10**

BRI  
MAY 28/07

32-21-13-10  
PAGE 0A



757

PARTS CATALOG (MAINTENANCE)

FIG ITEM	PART NUMBER	1 2 3 4 5 6 7	NOMENCLATURE	EFFECT FROM TO	UNITS PER ASSY
10			TOW OPTION INSTL-SECT 62 NLG (PRE-MODULE) (NOSE GEAR TOW FITTING ONLY)	101102 108120 504903	
- 1	162N0001-4014		TOW OPTION INSTL-SECT 62 NLG (PRE-MODULE) (NOSE GEAR TOW FITTING ONLY) FOR NHA SEE: 32-00-00-01	101102 108120 504903	RF
30	BACB30LJ5-32		.BOLT	101102 108120 504903	4
35	NAS1149C0532R		.WASHER	101102 108120 504903	4
40	BRH10C5D		.NUT SUPPLIER CODE: V52828 SPECIFICATION NUMBER: BACN10JC5CD OPTIONAL PART: T6C524JCD V11815 102LH9075-5W V72962 H51650-5BAC V15653	101102 108120 504903	4
45	162N1208-1		.COLLAR	101102 108120 504903	4
50	162N1207-1		.PIN	101102 108120 504903	2
60	162N1209-1		.BOLT ASSY	101102 108120 504903	4
65	1728B		..FITTING-LUBE SUPPLIER CODE: VOFKM1	101102 108120 504903	1
70	162N1209-2		..BOLT	101102 108120 504903	1

MISSING ITEM NUMBERS NOT APPLICABLE

- ITEM NOT ILLUSTRATED

BRI

32-21-13-10

BOEING PROPRIETARY - Copyright © - Unpublished Work - See title page for details.

32-21-13  
FIG. 10  
PAGE 1  
JAN 20/09



757

PARTS CATALOG (MAINTENANCE)

FIG ITEM	PART NUMBER	1 2 3 4 5 6 7	NOMENCLATURE	EFFECT FROM TO	UNITS PER ASSY
10					
80	H51650-14BAC	.	NUT SUPPLIER CODE: V15653 SPECIFICATION NUMBER: BACN10JC14CD OPTIONAL PART: 102LH9074-14 V72962 69235-1414CD V92215 BMN4122CPD8-14 V97928	101102 108120 504903	4
90	162N1201-1	.	FITTING ASSY	101102 108120 504903	2
95	1992B	..	FITTING-LUBE SUPPLIER CODE: VOFKM1	101102 108120 504903	2
95	1992B1	..	FITTING-LUBE SUPPLIER CODE: VOFKM1	101102 108120 504903	2
100	160N0201-28	..	BUSHING	101102 108120 504903	2
105	160N0201-64	..	BUSHING	101102 108120 504903	8
110	162N1201-2	..	FITTING	101102 108120 504903	1

MISSING ITEM NUMBERS NOT APPLICABLE

- ITEM NOT ILLUSTRATED

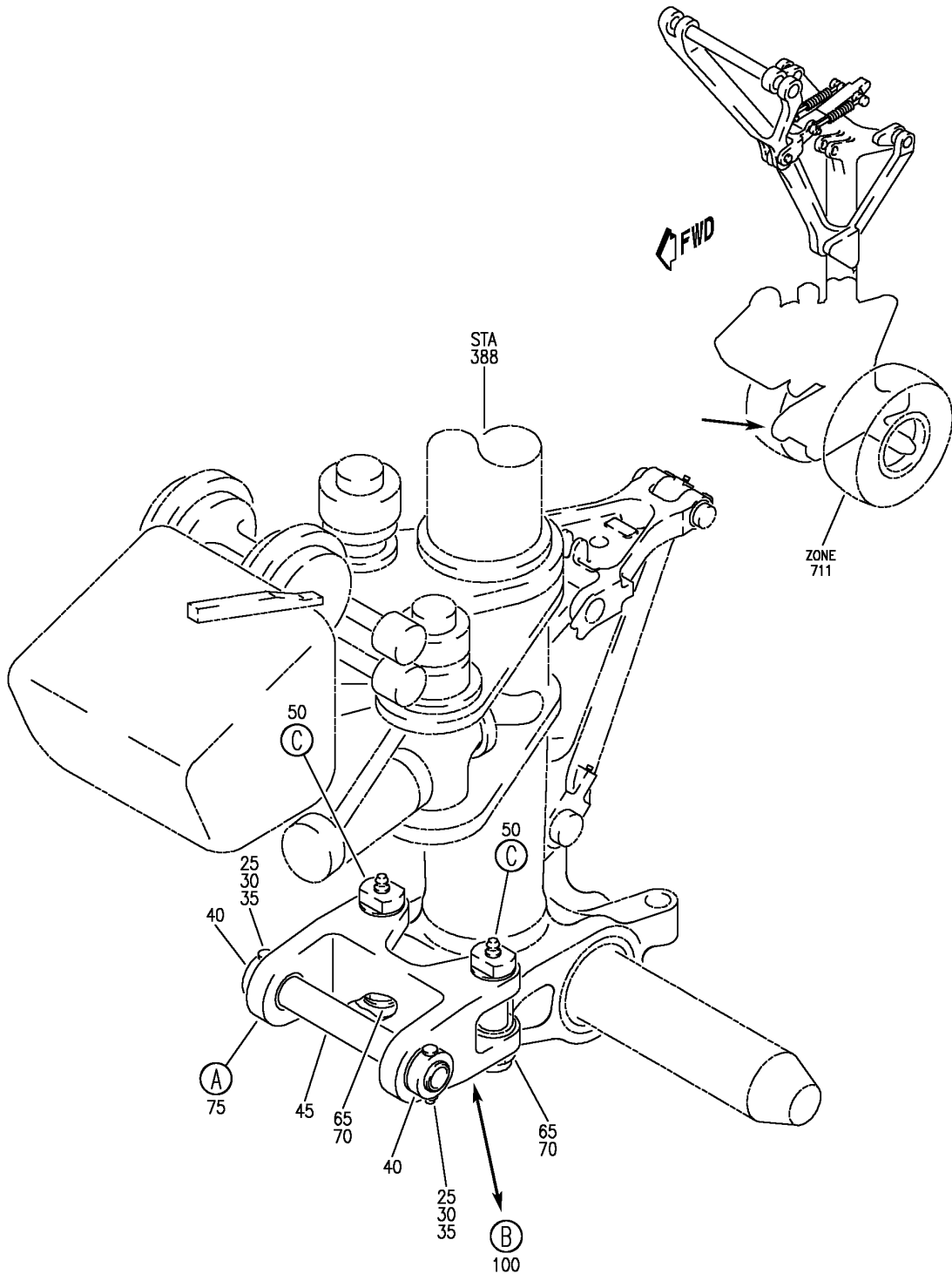
BRI

32-21-13-10

BOEING PROPRIETARY - Copyright © - Unpublished Work - See title page for details.

32-21-13  
FIG. 10  
PAGE 2  
JAN 20/09

**BOEING**  
757  
PARTS CATALOG (MAINTENANCE)



Y 32211310A SHT 1 REV 260

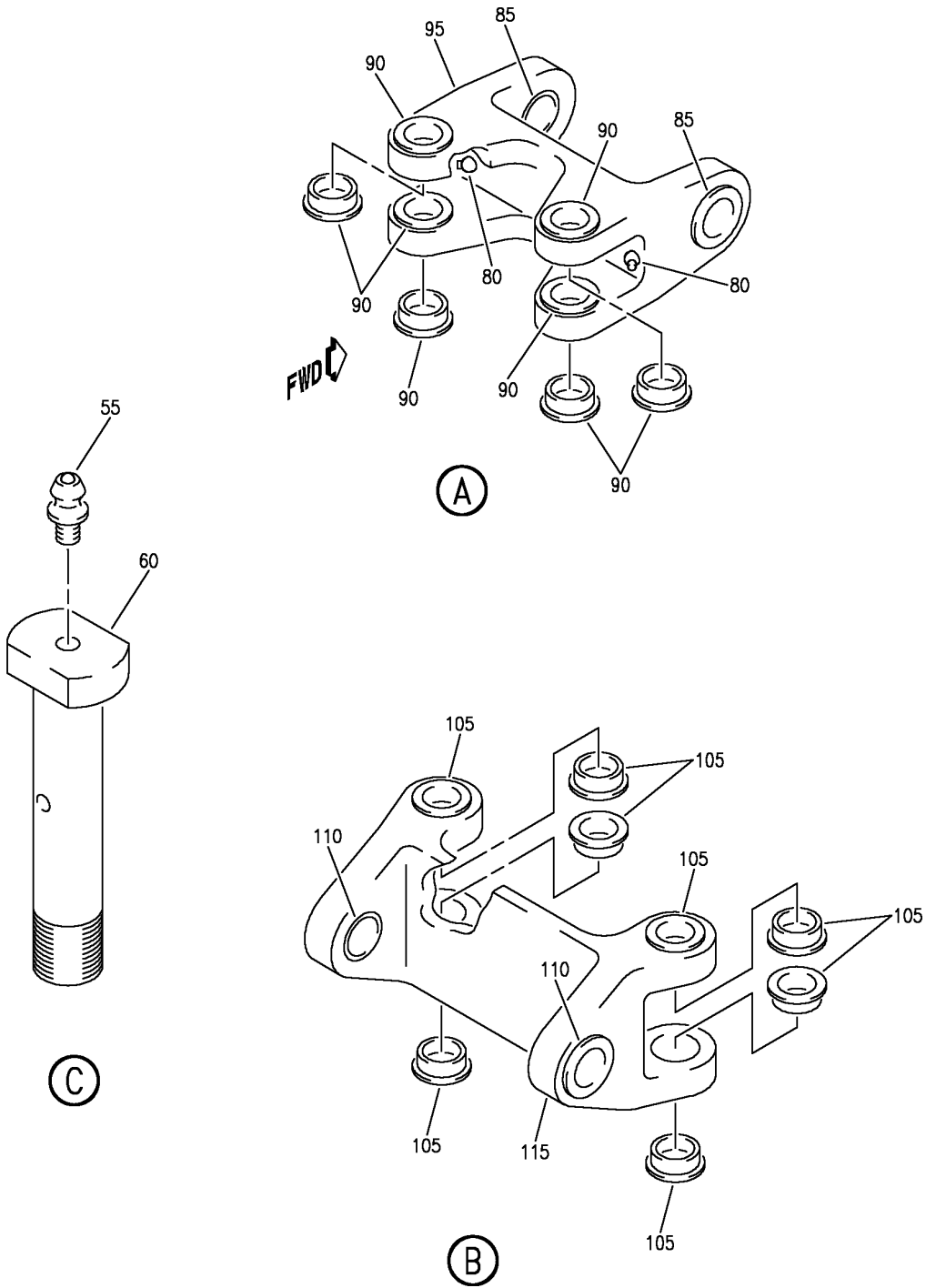
TOW OPTION INSTL-SECT 62 NLG  
FIGURE 10A (SHEET 1)

**32-21-13-10A**

BRI  
JAN 20/09

32-21-13-10A  
PAGE 0

**BOEING**  
757  
PARTS CATALOG (MAINTENANCE)



Y 32211310A SHT 2 REV 260

TOW OPTION INSTL-SECT 62 NLG  
FIGURE 10A (SHEET 2)

**32-21-13-10A**

BRI  
JAN 20/09

32-21-13-10A  
PAGE 0A



757

PARTS CATALOG (MAINTENANCE)

FIG ITEM	PART NUMBER	1 2 3 4 5 6 7	NOMENCLATURE	EFFECT FROM TO	UNITS PER ASSY
10A			TOW OPTION INSTL-SECT 62 NLG	103106	
- 1	MODREF4608		TOW OPTION INSTL-SECT 62 NLG	103103	1
- 1	MODREF27268		MODULE NUMBER: 162N0001-4013 REV A TOW OPTION INSTL-SECT 62 NLG	104106	1
25	BACB30LJ5-32		MODULE NUMBER: 162N0001-4013 REV B .BOLT	103106	2
30	NAS1149C0532R		.WASHER	103106	2
35	BRH10C5D		.NUT	103106	2
			SUPPLIER CODE: V52828		
			SPECIFICATION NUMBER: BACN10JC5CD		
			OPTIONAL PART: T6C524JCD		
			V11815		
			102LH9075-5W		
			V72962		
			H51650-5BAC		
			V15653		
40	162N1208-1		.COLLAR	103106	2
45	162N1207-1		.PIN	103106	1
50	162N1209-1		.BOLT ASSY	103106	2
55	1728B		..FITTING-LUBE	103106	1
			SUPPLIER CODE: VOFKM1		
60	162N1209-2		..BOLT	103106	1
65	NAS1149C0463R		.WASHER	103106	2
70	H51650-14BAC		.NUT	103106	2
			SUPPLIER CODE: V15653		
			SPECIFICATION NUMBER: BACN10JC14CD		
			OPTIONAL PART: 102LH9074-14		
			V72962		
			69235-1414CD		
			V92215		
			BMN4122CPD8-14		
			V97928		
75	162N1201-1		.FITTING ASSY	103106	1
80	1992B		..FITTING-LUBE	103106	2
			SUPPLIER CODE: VOFKM1		

MISSING ITEM NUMBERS NOT APPLICABLE

- ITEM NOT ILLUSTRATED

32-21-13-10A

32-21-13  
FIG. 10A  
PAGE 1  
JAN 20/09

BRI





757

PARTS CATALOG (MAINTENANCE)

FIG ITEM	PART NUMBER	1 2 3 4 5 6 7	NOMENCLATURE	EFFECT FROM TO	UNITS PER ASSY
10A					
80	1992B1	..	FITTING-LUBE SUPPLIER CODE: VOFKM1	103106	2
85	160N0201-28	..	BUSHING	103106	2
90	160N0201-64	..	BUSHING	103106	8
95	162N1201-2	..	FITTING	103106	1

MISSING ITEM NUMBERS NOT APPLICABLE

- ITEM NOT ILLUSTRATED

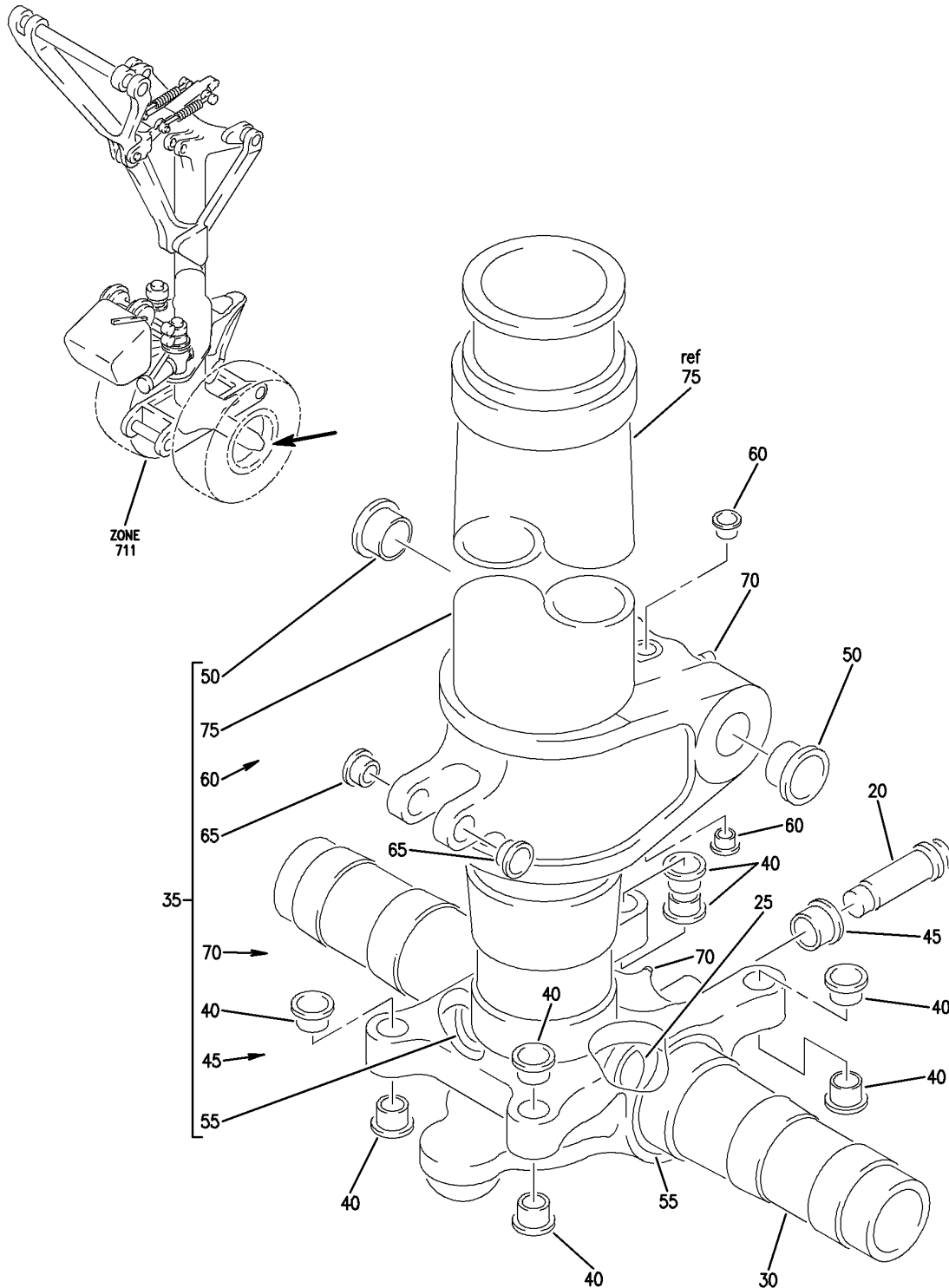
BRI

# 32-21-13-10A

BOEING PROPRIETARY - Copyright © - Unpublished Work - See title page for details.

32-21-13  
FIG. 10A  
PAGE 2  
JAN 20/09

**BOEING**  
757  
PARTS CATALOG (MAINTENANCE)



Y 32212501 REV 259

CYLINDER ASSY-INNER NLG  
FIGURE 1

**32-21-25-01**

BRI  
MAY 28/07

32-21-25-01  
PAGE 0



757

PARTS CATALOG (MAINTENANCE)

FIG ITEM	PART NUMBER	1 2 3 4 5 6 7	NOMENCLATURE	EFFECT FROM TO	UNITS PER ASSY
1			CYLINDER ASSY-INNER NLG	002004 006999	
- 1	162N1101-2		CYLINDER ASSY-INNER NLG FOR NHA SEE: 32-21-01-20	002004 006100 107107 121503 904949	RF
- 1	162N1101-21		CYLINDER ASSY-INNER NLG QUALIFIED I/W DATA: -29 T/W 162N1211-1 CAN REPLACE -21 FOR NHA SEE: 32-21-01-20	002004 006999	RF
- 1	162N1101-29		CYLINDER ASSY-INNER NLG QUALIFIED I/W DATA: -29 T/W 162N1211-1 CAN REPLACE -21 FOR NHA SEE: 32-21-01-20	002004 006102 107999	RF
20	162N1187-3		.PIN AXEL RETAINING	002004 006999	1
25	162N1188-1		.NUT AXEL RETAINING	002004 006999	1
30	162N1151-1		.AXLE ASSY- USED ON: 162N1101-2 USED ON: 162N1101-21 162N1101-29	002004 006100 107107 121503 904949	1
30	162N1151-3		.AXLE ASSY- USED ON: 162N1101-21 USED ON: 162N1101-2 162N1101-29	002004 006999	1
30	162N1151-5		.AXLE ASSY- USED ON: 162N1101-29 USED ON: 162N1101-2 162N1101-21	002004 006102 107999	1
35	162N1122-1		.INNER CYLINDER ASSY	002004 006999	1
40	160N0201-16		..BUSHING	002004 006999	8
45	160N0201-17		..BUSHING	002004 006999	1
50	160N0201-18		..BUSHING	002004 006999	2

MISSING ITEM NUMBERS NOT APPLICABLE

- ITEM NOT ILLUSTRATED

32-21-25-01

32-21-25  
FIG. 01  
PAGE 1  
JAN 20/09

BRI



757

PARTS CATALOG (MAINTENANCE)

FIG ITEM	PART NUMBER	1 2 3 4 5 6 7	NOMENCLATURE	EFFECT FROM TO	UNITS PER ASSY
1					
55	160N0201-19	..	BUSHING	002004 006999	2
60	BACB28X6M036	..	BUSHING	002004 006999	2
65	BACB28X6M047	..	BUSHING	002004 006999	2
70	1728B	..	FITTING-LUBE SUPPLIER CODE: VOFKM1	002004 006999	2
75	162N1122-2	..	CYLINDER	002004 006999	1

MISSING ITEM NUMBERS NOT APPLICABLE

- ITEM NOT ILLUSTRATED

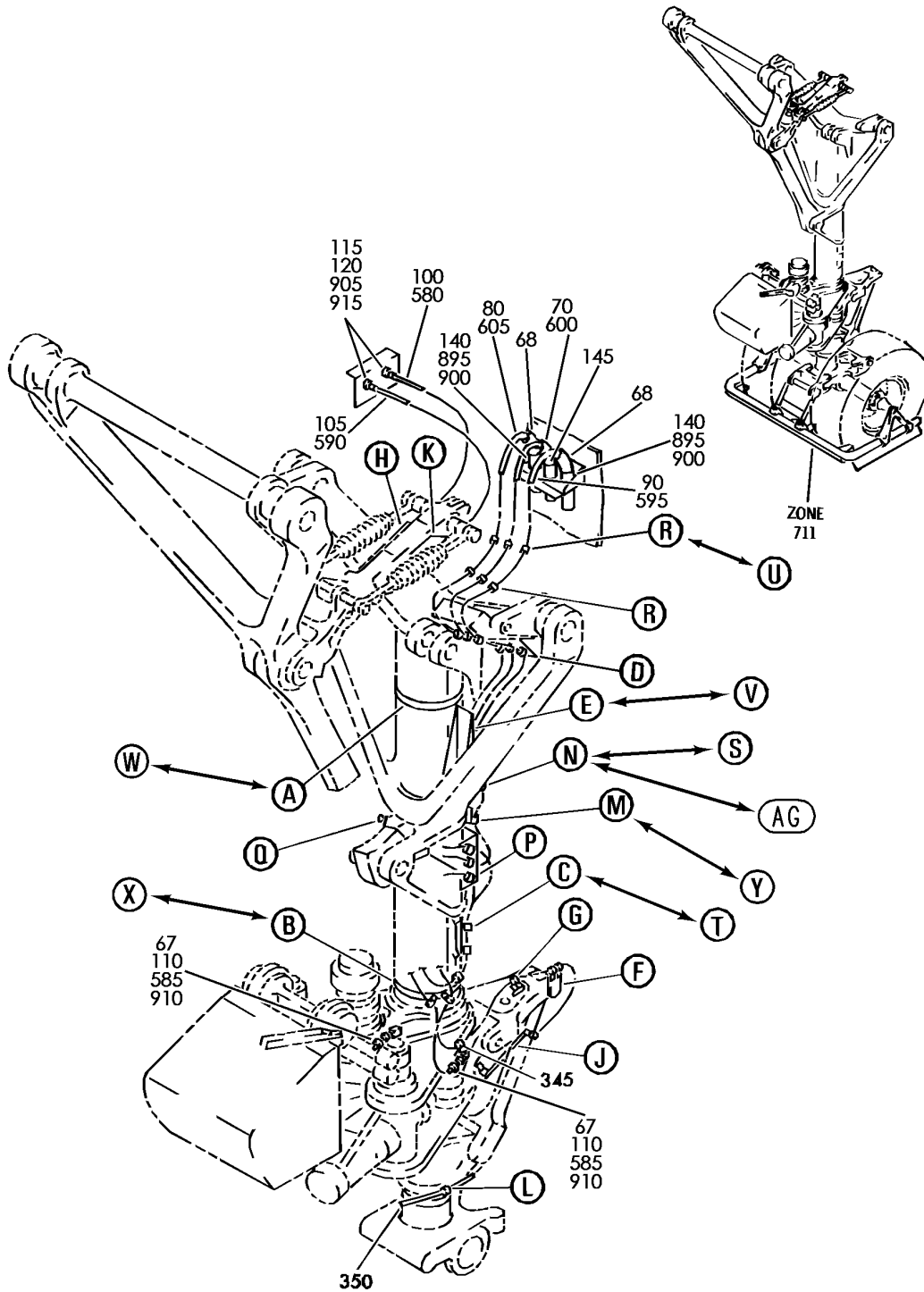
BRI

# 32-21-25-01

BOEING PROPRIETARY - Copyright © - Unpublished Work - See title page for details.

32-21-25  
FIG. 01  
PAGE 2  
JAN 20/09

**BOEING**  
757  
PARTS CATALOG (MAINTENANCE)



Y 32215101 SHT 1 REV 218

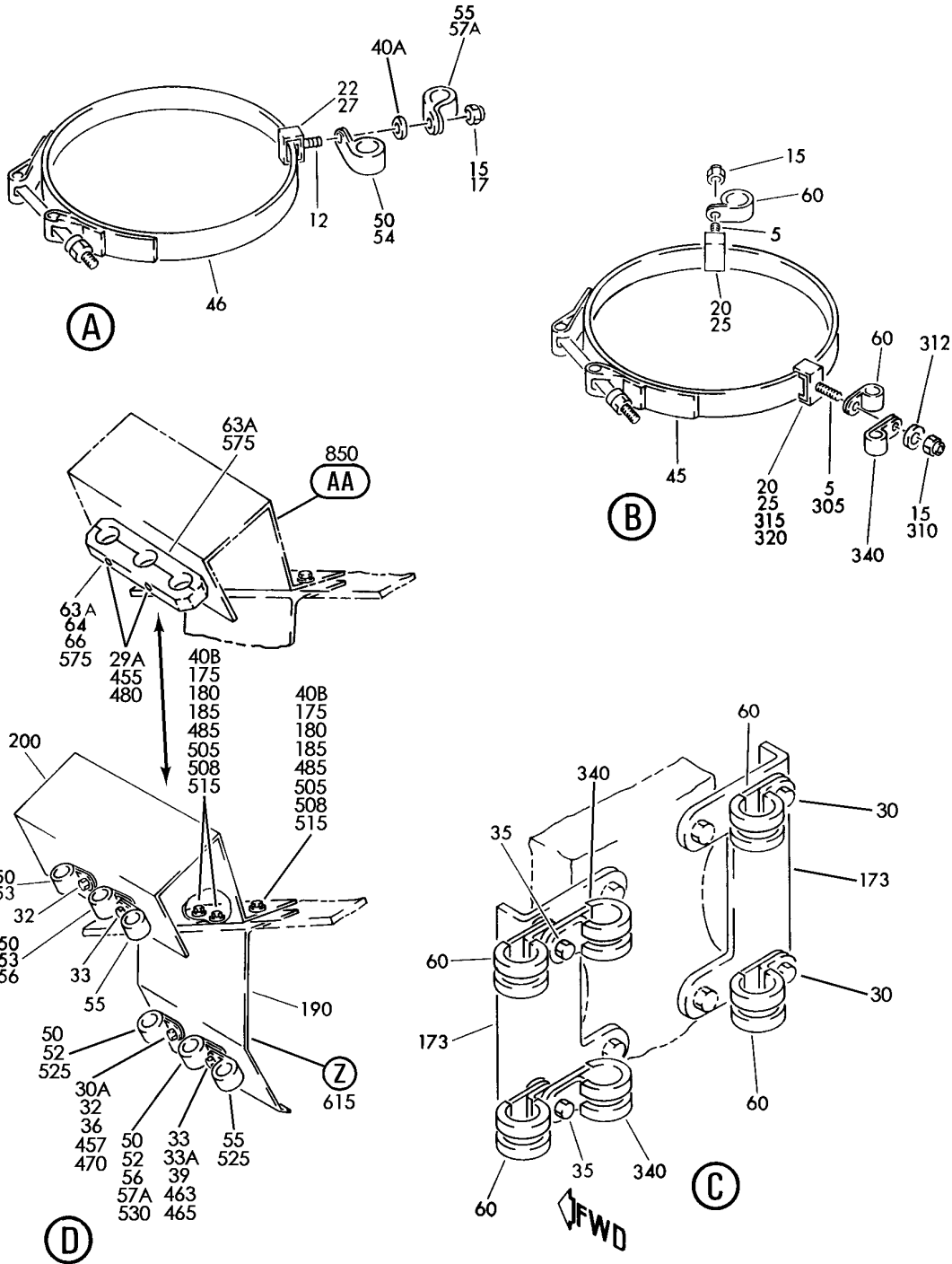
HARNESS INSTL-NLG ELEC  
FIGURE 1 (SHEET 1)

**32-21-51-01**

BRI  
MAY 28/07

32-21-51-01  
PAGE 0

**BOEING**  
757  
PARTS CATALOG (MAINTENANCE)



Y 32215101 SH1 2 REV 223

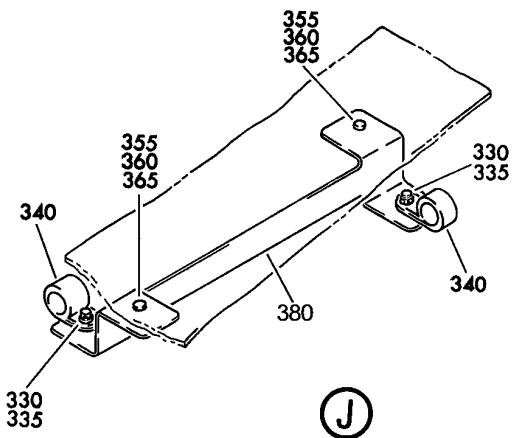
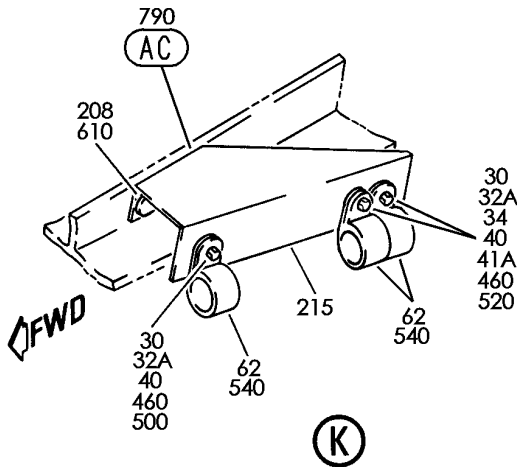
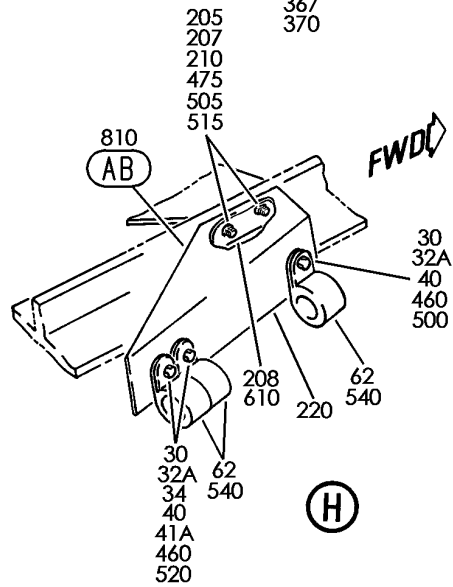
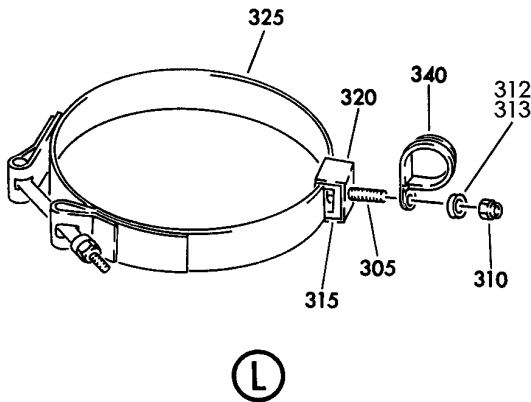
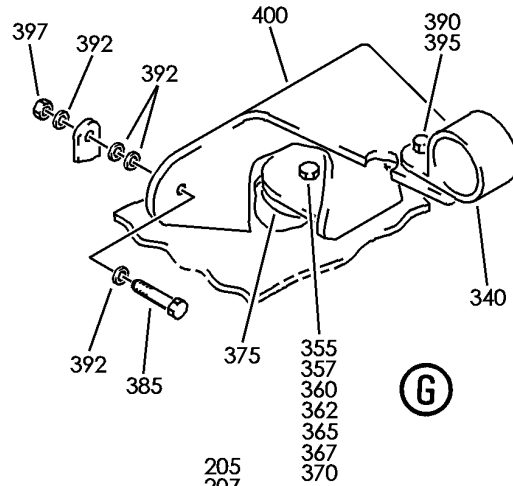
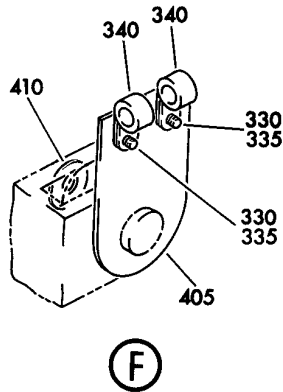
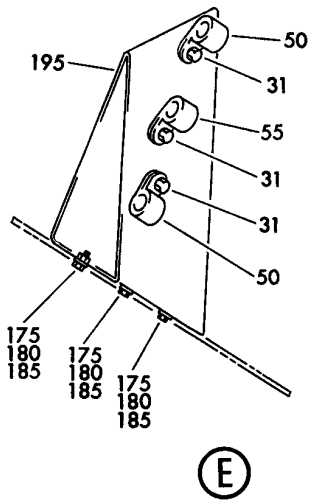
HARNESS INSTL-NLG ELEC  
FIGURE 1 (SHEET 2)

**32-21-51-01**

BRI  
MAY 28/07

32-21-51-01  
PAGE 0A

**BOEING**  
757  
PARTS CATALOG (MAINTENANCE)



Y 32215101 SHT 3 REV 223

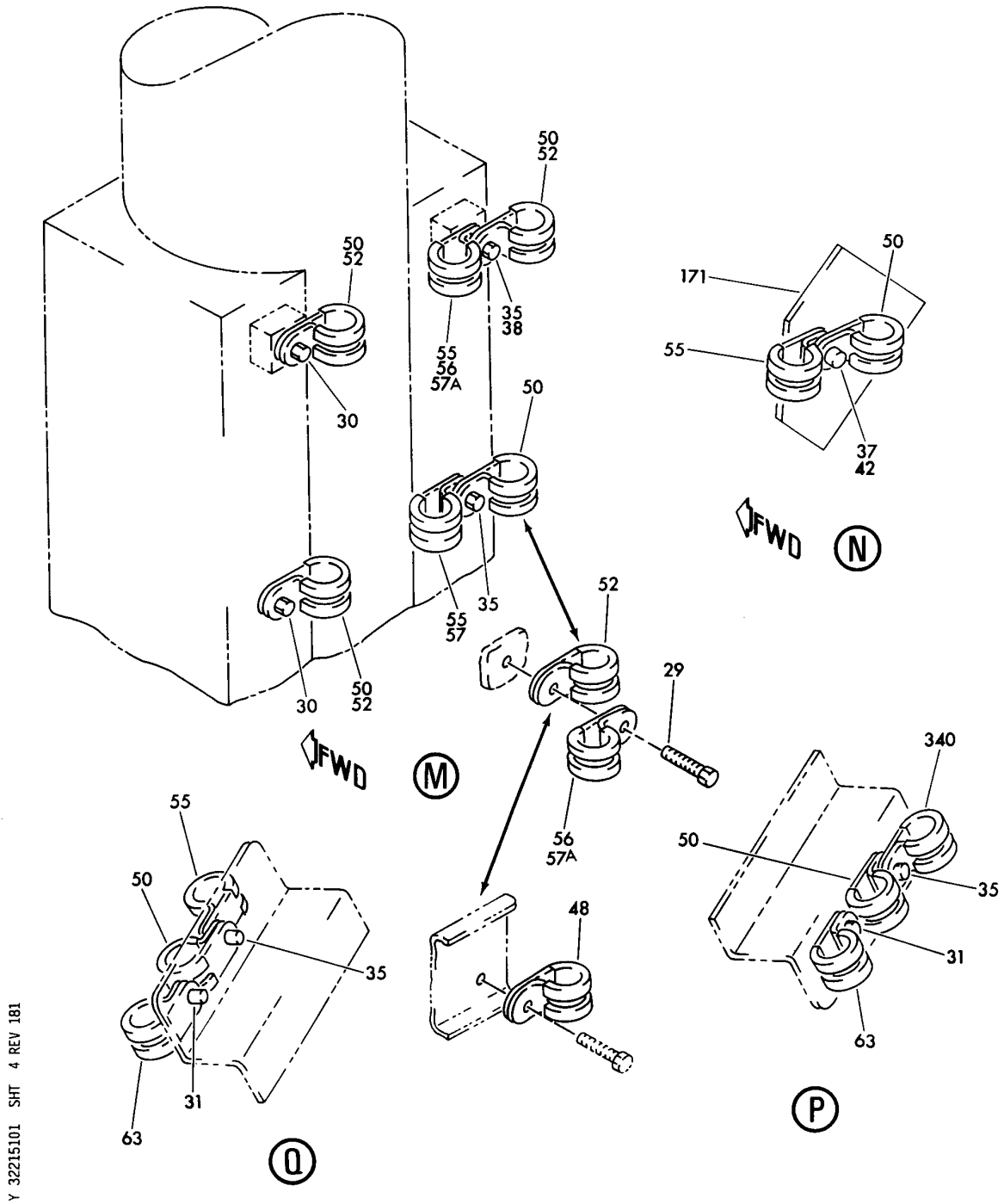
HARNESS INSTL-NLG ELEC  
FIGURE 1 (SHEET 3)

**32-21-51-01**

BRI  
MAY 28/07

32-21-51-01  
PAGE 0B

**BOEING**  
757  
PARTS CATALOG (MAINTENANCE)



HARNESS INSTL-NLG ELEC  
FIGURE 1 (SHEET 4)

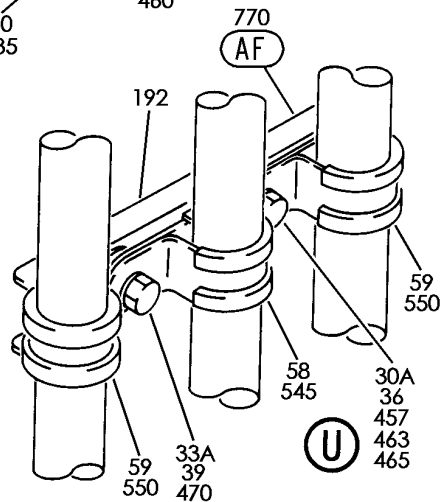
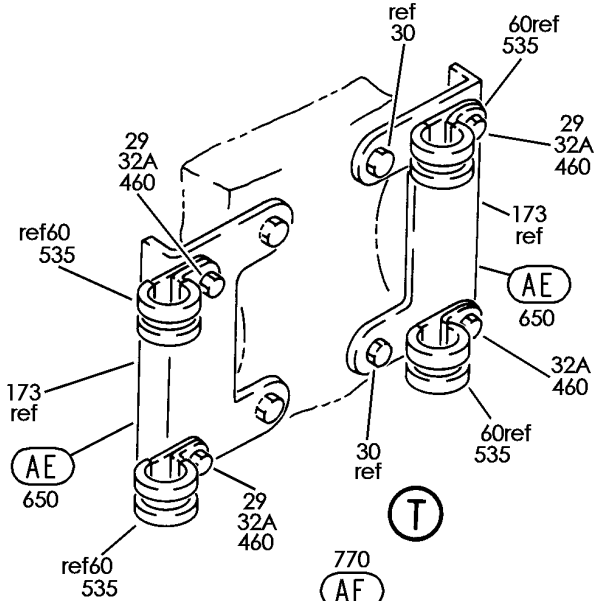
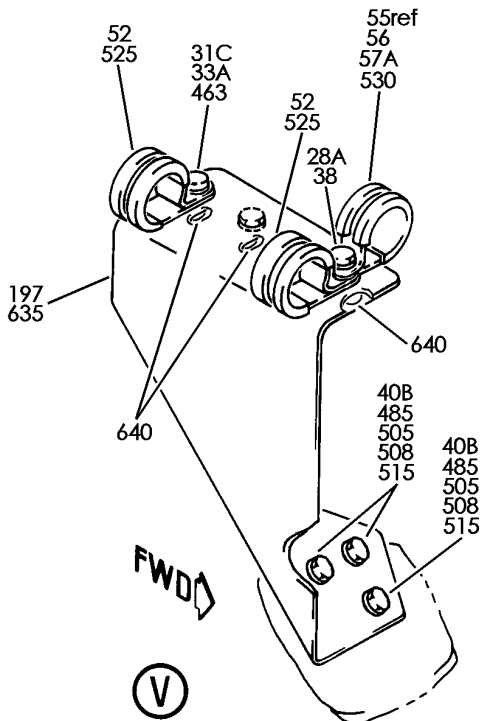
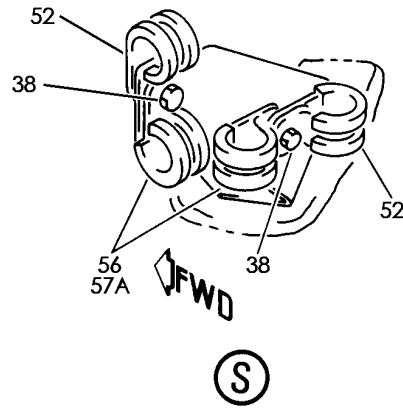
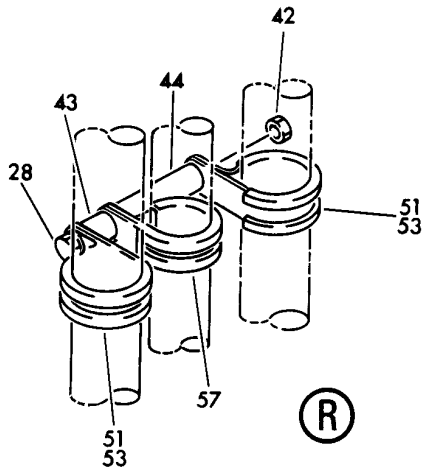
**32-21-51-01**

BRI  
MAY 28/07

32-21-51-01  
PAGE 0C



**BOEING**  
757  
PARTS CATALOG (MAINTENANCE)



Y 32215101 SHT 5 REV 223

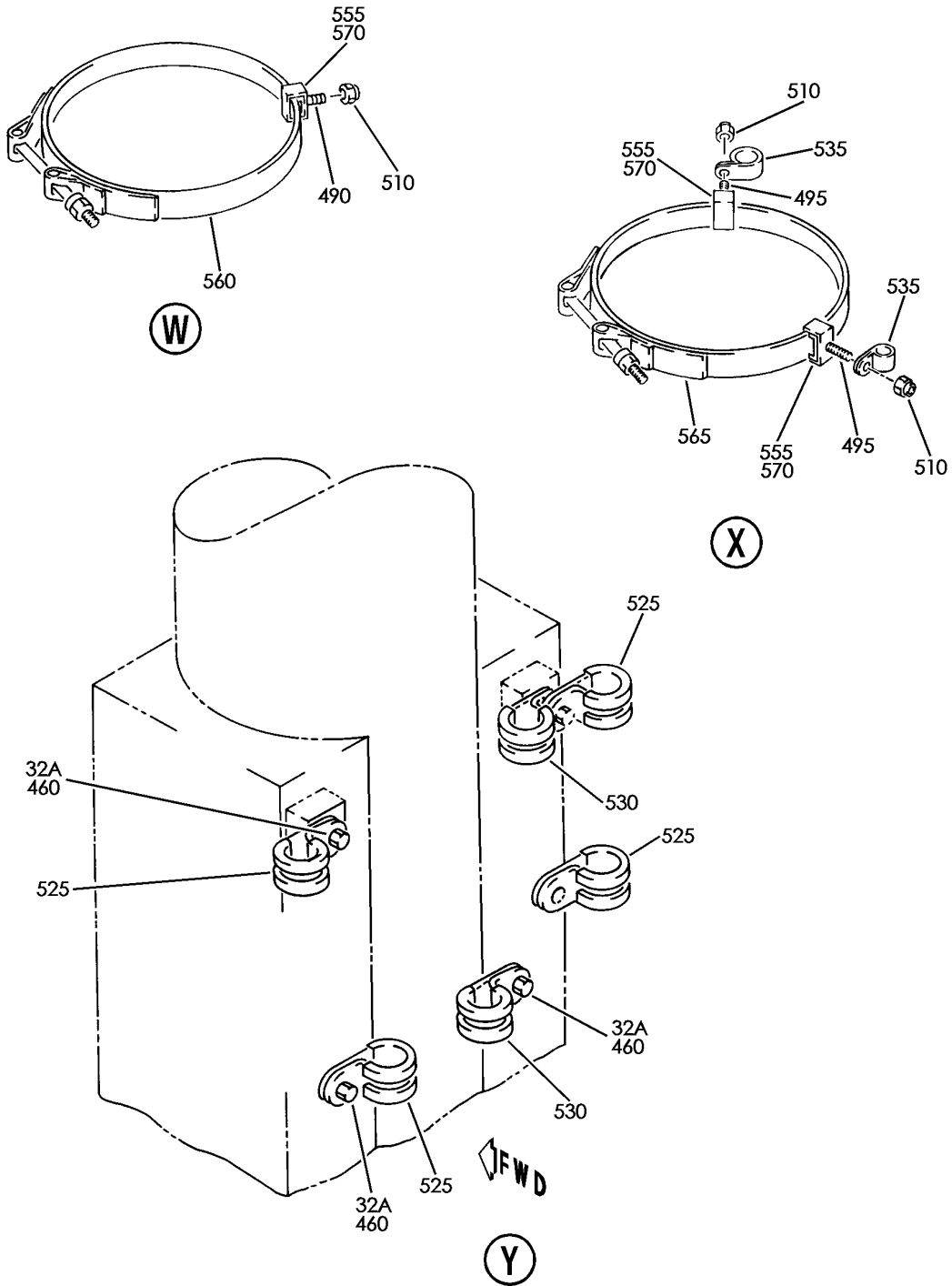
HARNESS INSTL-NLG ELEC  
FIGURE 1 (SHEET 5)

**32-21-51-01**

BRI  
MAY 28/07

32-21-51-01  
PAGE 0D

**BOEING**  
757  
PARTS CATALOG (MAINTENANCE)



Y 32215101 SHT 6 REV 223

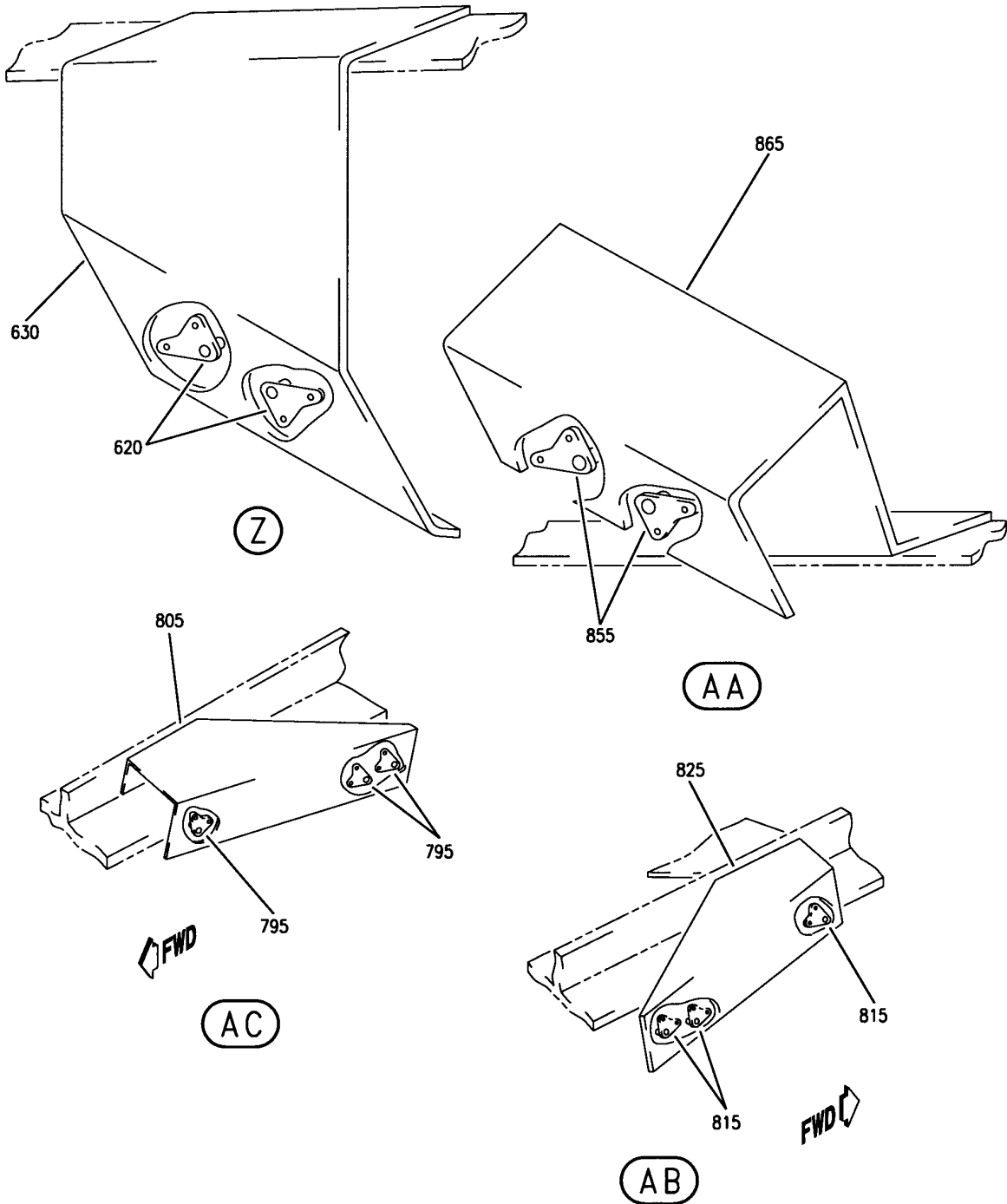
HARNESS INSTL-NLG ELEC  
FIGURE 1 (SHEET 6)

**32-21-51-01**

BRI  
MAY 28/07

32-21-51-01  
PAGE 0E

**BOEING**  
757  
PARTS CATALOG (MAINTENANCE)



Y 32215101 SHT 7 REV 204

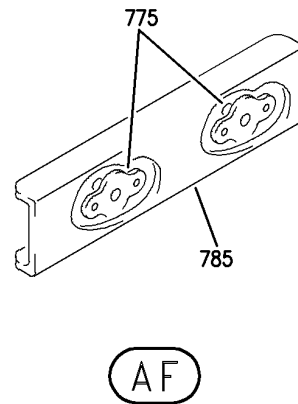
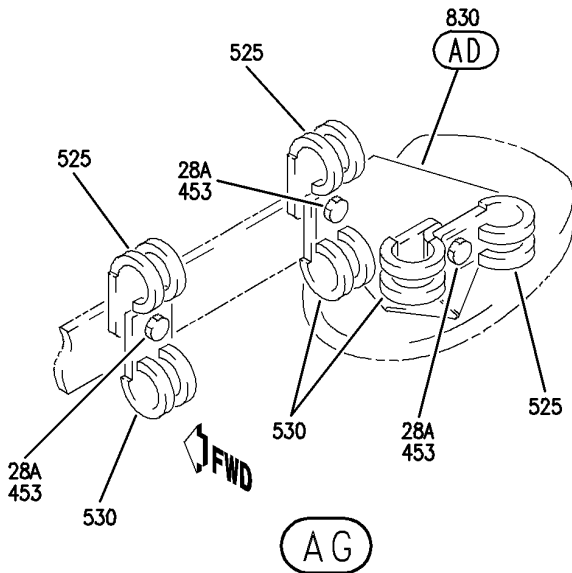
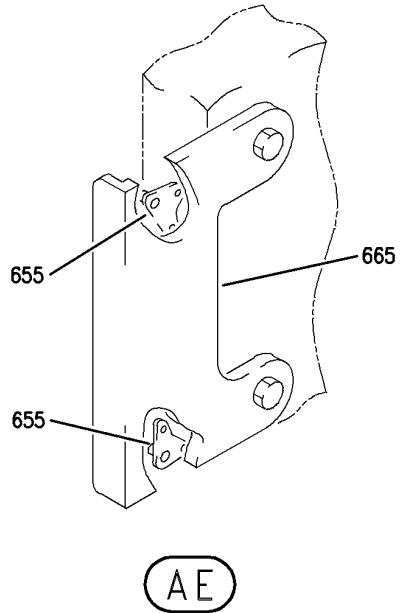
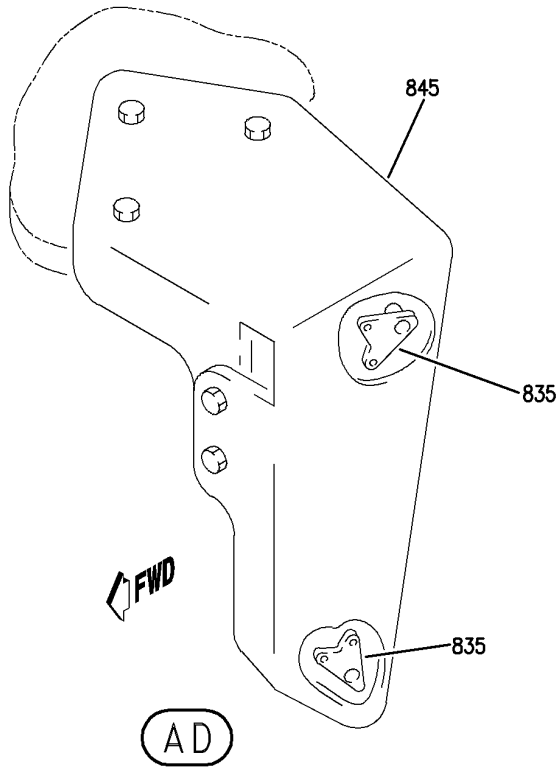
HARNESS INSTL-NLG ELEC  
FIGURE 1 (SHEET 7)

**32-21-51-01**

BRI  
MAY 28/07

32-21-51-01  
PAGE OF

**BOEING**  
757  
PARTS CATALOG (MAINTENANCE)



Y 32215101 SHT 8 REV 223

HARNESS INSTL-NLG ELEC  
FIGURE 1 (SHEET 8)

**32-21-51-01**

BRI  
MAY 28/07

32-21-51-01  
PAGE 0G



757

PARTS CATALOG (MAINTENANCE)

FIG ITEM	PART NUMBER	1 2 3 4 5 6 7	NOMENCLATURE	EFFECT FROM TO	UNITS PER ASSY
1			HARNESS INSTL-NLG ELEC	002004 006102 107107 121999	
- 1	287N6200-5		HARNESS INSTL-NLG ELEC FOR NHA SEE: 24-00-60-01	002004 006100 107107 121503 904999	RF
- 1	287N6200-11		HARNESS INSTL-NLG ELEC FOR NHA SEE: 24-00-60-20B	101102 504903	RF
4	NAS6603-2		.BOLT	101102 504903	2
5	NAS6603-4		.BOLT	002004 006100 107107 121503 904999	2
12	NAS6603-5		.BOLT	002004 006102 107107 121999	1
15	BRH10A3		.NUT SUPPLIER CODE: V52828 SPECIFICATION NUMBER: BACN10JC3 OPTIONAL PART: H10-3BAC V15653 NS202101-02 V80539 RMLH9075-3W V72962 VN303A02 V92215 96-02 V80539 T6S1032J V11815	002004 006102 107107 121999	2

MISSING ITEM NUMBERS NOT APPLICABLE

- ITEM NOT ILLUSTRATED

BRI

32-21-51-01

BOEING PROPRIETARY - Copyright © - Unpublished Work - See title page for details.

32-21-51  
FIG. 01  
PAGE 1  
JAN 20/09



757

PARTS CATALOG (MAINTENANCE)

FIG ITEM	PART NUMBER	1 2 3 4 5 6 7	NOMENCLATURE	EFFECT FROM TO	UNITS PER ASSY
1	17 BRH10A3		.NUT SUPPLIER CODE: V52828 SPECIFICATION NUMBER: BACN10JC3 OPTIONAL PART: H10-3BAC V15653 NS202101-02 V80539 RMLH9075-3W V72962 VN303A02 V92215 96-02 V80539 T6S1032J V11815	002004 006102 107107 121999	1
	20 BACB19F10		.BLOCK	002004 006102 107107 121999	2
	22 BACB19F10		.BLOCK	002004 006100 107107 121503 904999	1
	25 BACC15AN10		.CLIP	002004 006102 107107 121999	2
	27 BACC15AN10		.CLIP	002004 006100 107107 121503 904999	1
	28A BACS12GU3K10		.SCREW	101102 504903	4
	29 NAS1801-3-6		.SCREW	002004 006100 107107 121503 904999	3
	29A BACS12GU3K38		.SCREW	101102 504903	2
	30A BACS12GU3K7		.SCREW	101102 504903	2

MISSING ITEM NUMBERS NOT APPLICABLE

- ITEM NOT ILLUSTRATED

32-21-51-01

32-21-51  
FIG. 01  
PAGE 2  
JAN 20/09

BRI



757

PARTS CATALOG (MAINTENANCE)

FIG ITEM	PART NUMBER	1 2 3 4 5 6 7	NOMENCLATURE	EFFECT FROM TO	UNITS PER ASSY
1					
31C	NAS1801-3-10	.	SCREW	002004 006100 107107 121503 904999	1
32A	BACS12GU3K8	.	SCREW	101102	13
33A	BACS12GU3K9	.	SCREW	504903	3
36	NAS1801-3-7	.	SCREW	101102 504903	2
38	NAS1801-3-8	.	SCREW	002004 006102 107107 121999	4
39	NAS1801-3-9	.	SCREW	002004 006102 107107 121999	2
40	AN960D10L	.	WASHER	002004 006102 107107 121999	6
40A	NAS1149D0363J	.	WASHER	101102	1
40B	NAS1149D0463H	.	WASHER	504903 101102	6
45	3140AB066E	.	CLAMP SUPPLIER CODE: V94581 SPECIFICATION NUMBER: BACC10FY066SE OPTIONAL PART: BC1083-066SE V14242 NE103338-066 V8W928	002004 006102 107107 121999	1

MISSING ITEM NUMBERS NOT APPLICABLE

- ITEM NOT ILLUSTRATED

32-21-51-01

32-21-51  
FIG. 01  
PAGE 3  
JAN 20/09

BRI



757

PARTS CATALOG (MAINTENANCE)

FIG ITEM	PART NUMBER	1 2 3 4 5 6 7	NOMENCLATURE	EFFECT FROM TO	UNITS PER ASSY
1 46	3140AB064E	.CLAMP	SUPPLIER CODE: V94581 SPECIFICATION NUMBER: BACC10FY064SE OPTIONAL PART: BC1083-064SE V14242 NE103338-064 V8W928	002004 006102 107107 121999	1
52	S717-109	.CLAMP	SUPPLIER CODE: V18076 SPECIFICATION NUMBER: BACC10GU109 OPTIONAL PART: 534CS109 V83930 JM44LC39S109RG V22175	002004 006102 107107 121999	10
54	S717-109	.CLAMP	SUPPLIER CODE: V18076 SPECIFICATION NUMBER: BACC10GU109 OPTIONAL PART: 534CS109 V83930 JM44LC39S109RG V22175	002004 006102 107107 121999	1
57A	S717-106	.CLAMP	SUPPLIER CODE: V18076 SPECIFICATION NUMBER: BACC10GU106 OPTIONAL PART: 534CS106 V83930 JM44LC39S106RG V22175	002004 006102 107107 121999	7

MISSING ITEM NUMBERS NOT APPLICABLE

- ITEM NOT ILLUSTRATED

BRI

32-21-51-01

BOEING PROPRIETARY - Copyright © - Unpublished Work - See title page for details.

32-21-51  
FIG. 01  
PAGE 4  
JAN 20/09





757

PARTS CATALOG (MAINTENANCE)

FIG ITEM	PART NUMBER	1 2 3 4 5 6 7	NOMENCLATURE	EFFECT FROM TO	UNITS PER ASSY
1					
58	S717-108	.CLAMP	SUPPLIER CODE: V18076 SPECIFICATION NUMBER: BACC10GU108 OPTIONAL PART: 534CS108 V83930 JM44LC39S108RG V22175	002004 006102 107107 121999	1
59	S717-111	.CLAMP	SUPPLIER CODE: V18076 SPECIFICATION NUMBER: BACC10GU111 OPTIONAL PART: 534CS111 V83930 JM44LC39S111RG V22175	002004 006102 107107 121999	2
60	S717-103	.CLAMP	SUPPLIER CODE: V18076 SPECIFICATION NUMBER: BACC10GU103 OPTIONAL PART: 534CS103 V83930 JM44LC39S103RG V22175	002004 006102 107107 121999	6
62	S717-105	.CLAMP	SUPPLIER CODE: V18076 SPECIFICATION NUMBER: BACC10GU105 OPTIONAL PART: 534CS105 V83930 JM44LC39S105RG V22175	002004 006102 107107 121999	6
63A	287N6204-3	.GUIDE-HALF	QUALIFIED I/W DATA: 287N6204-3 (2) CAN REPLACE OR BE REPLACED BY 287N6204-1 (1)	002004 006102 121999	2

MISSING ITEM NUMBERS NOT APPLICABLE

- ITEM NOT ILLUSTRATED

32-21-51-01

32-21-51  
FIG. 01  
PAGE 5  
JAN 20/09

BRI



757

PARTS CATALOG (MAINTENANCE)

FIG ITEM	PART NUMBER	1 2 3 4 5 6 7	NOMENCLATURE	EFFECT FROM TO	UNITS PER ASSY
1	64 287N6204-1		.GUIDE ASSY- QUALIFIED I/W DATA: 287N6204-3 (2) CAN REPLACE OR BE REPLACED BY 287N6204-1 (1) ATTACHING PARTS	107107	1
-	65 NAS1801-3-38		.SCREW	002004 006102 107107 121999	2
	66 287N6204-2		-----*----- .GUIDE-HALF	107107	1
	67 287N6202-13		.CONDUIT ASSY	002004 006102 107107 121999	2
	68 BCRE8780		.SLEEVE- SUPPLIER CODE: V59659 OVERLENGTH PART NUMBER: GP0135-32-115-05	101102 504903	2
	70 287N6202-15		.CONDUIT ASSY-	002004 006102 107107 121999	1
	70 287N6202-20		.CONDUIT ASSY-	002004 006102 107107 121999	1
	80 287N6202-16		.CONDUIT ASSY-	002004 006102 107107 121999	1
	80 287N6202-21		.CONDUIT ASSY-	002004 006102 107107 121999	1
	90 287N6202-14		.CONDUIT ASSY-	002004 006102 107107 121999	1
	90 287N6202-19		.CONDUIT ASSY-	002004 006102 107107 121999	1
	100 287N6202-11		.CONDUIT ASSY	002004 006102 107107 121999	1

MISSING ITEM NUMBERS NOT APPLICABLE

- ITEM NOT ILLUSTRATED

32-21-51-01

32-21-51  
FIG. 01  
PAGE 6  
JAN 20/09

BRI



757

PARTS CATALOG (MAINTENANCE)

FIG ITEM	PART NUMBER	1 2 3 4 5 6 7	NOMENCLATURE	EFFECT FROM TO	UNITS PER ASSY
1					
105	287N6202-18	.	CONDUIT ASSY	002004 006102 107107 121999	1
110	208498FS67K20	.	ADAPTER-90 DEG SUPPLIER CODE: V30463 OPTIONAL PART: 208498FS67K2 V30463	002004 006102 107107 121999	2
110	208498FS67K2	.	ADAPTER-90 DEG SUPPLIER CODE: V30463 OPTIONAL PART: 208498FS67K20 V30463	002004 006102 107107 121999	2
115	186027FS60K30	.	LOCKNUT- SUPPLIER CODE: V30463 OPTIONAL PART: 186027FS60K3 V30463	002004 006102 107107 121999	2
115	186027FS60K3	.	LOCKNUT- SUPPLIER CODE: V30463 OPTIONAL PART: 186027FS60K30 V30463	002004 006102 107107 121999	2
120	188193FS60K3	.	CONNECTOR-BOX SUPPLIER CODE: V30463 OPTIONAL PART: 188193FS60K3J V30463	002004 006102 107107 121999	2
120	188193FS60K3J	.	CONNECTOR-BOX SUPPLIER CODE: V30463 OPTIONAL PART: 188193FS60K3 V30463	002004 006102 107107 121999	2
140	209495FS60000	.	BACKSHELL- SUPPLIER CODE: V30463 OPTIONAL PART: 209495FS6000 V30463	002004 006102 107107 121999	2

MISSING ITEM NUMBERS NOT APPLICABLE

- ITEM NOT ILLUSTRATED

32-21-51-01

32-21-51  
FIG. 01  
PAGE 7  
JAN 20/09

BRI



757

PARTS CATALOG (MAINTENANCE)

FIG ITEM	PART NUMBER	1 2 3 4 5 6 7	NOMENCLATURE	EFFECT FROM TO	UNITS PER ASSY
1					
140	209495FS6000		.BACKSHELL- SUPPLIER CODE: V30463 OPTIONAL PART: 209495FS60000 V30463	002004 006102 107107 121999	2
145	208643FS60000		.BACKSHELL- SUPPLIER CODE: V30463 OPTIONAL PART: 208643FS6000 V30463	002004 006102 107107 121999	1
145	208643FS6000		.BACKSHELL- SUPPLIER CODE: V30463 OPTIONAL PART: 208643FS60000 V30463	002004 006102 107107 121999	1
171	287N6203-80		.BRACKET ASSY	002004 006102 107107 121999	1
173	287N6203-81		.BRACKET ASSY-SPRT	002004 006102 107107 121999	2
175	NAS6604-8		.BOLT	002004 006102 107107 121999	6
180	AN960D416L		.WASHER	002004 006102 107107 121999	6

MISSING ITEM NUMBERS NOT APPLICABLE

- ITEM NOT ILLUSTRATED

32-21-51-01

32-21-51  
FIG. 01  
PAGE 8  
JAN 20/09

BRI



757

PARTS CATALOG (MAINTENANCE)

FIG ITEM	PART NUMBER	1 2 3 4 5 6 7	NOMENCLATURE	EFFECT FROM TO	UNITS PER ASSY
1 185	BRH10A4	.	NUT SUPPLIER CODE: V52828 SPECIFICATION NUMBER: BACN10JC4 OPTIONAL PART: T6S428J V11815 96-048 V80539 VN303A048 V92215 RMLH9075-4W V72962 NS202101-048 V80539 H10-4BAC V15653	002004 006102 107107 121999	6
190	287N6203-27	.	BRACKET ASSY	002004 006102 107107 121999	1
192	287N6203-70	.	BRACKET ASSY	002004 006102 107107 121999	1
197	287N6203-74	.	BRACKET ASSY	002004 006102 107107 121999	1
200	287N6203-29	.	BRACKET ASSY	002004 006102 107107 121999	1
205	NAS6604-12	.	BOLT-	002004 006102 107107 121999	2
207	AN960D416L	.	WASHER	002004 006102 107107 121999	2
208	287N6203-78	.	SHIM	002004 006102 107107 121999	2

MISSING ITEM NUMBERS NOT APPLICABLE

- ITEM NOT ILLUSTRATED

BRI

32-21-51-01

BOEING PROPRIETARY - Copyright © - Unpublished Work - See title page for details.

32-21-51  
FIG. 01  
PAGE 9  
JAN 20/09



757

PARTS CATALOG (MAINTENANCE)

FIG ITEM	PART NUMBER	1 2 3 4 5 6 7	NOMENCLATURE	EFFECT FROM TO	UNITS PER ASSY
1 210	BRH10A4	.	NUT SUPPLIER CODE: V52828 SPECIFICATION NUMBER: BACN10JC4 OPTIONAL PART: T6S428J V11815 96-048 V80539 VN303A048 V92215 RMLH9075-4W V72962 NS202101-048 V80539 H10-4BAC V15653	002004 006102 107107 121999	2
215	287N6203-83	.	BRACKET ASSY-	107107	1
215	287N6203-89	.	BRACKET ASSY-	002004 006102 121999	1
220	287N6203-84	.	BRACKET ASSY-	107107	1
220	287N6203-90	.	BRACKET ASSY-	002004 006102 121999	1
- 300	287N6200-2		HARNESS INSTL-NLG ELEC OPTIONAL INSTALLATION FOR NHA SEE: 24-00-60-01 24-00-60-20G	504903 952999	RF
305	NAS6603-4	.	BOLT	504903 952999	2
310	BRH10C3D	.	NUT SUPPLIER CODE: V52828 SPECIFICATION NUMBER: BACN10JC3CD OPTIONAL PART: T6C1032JCD V11815 NS202486-02 V80539 102LH9075-3W V72962 H51650-3BAC V15653	504903 952999	2
312	BACW10P196L	.	WASHER	504903 952999	2

MISSING ITEM NUMBERS NOT APPLICABLE

- ITEM NOT ILLUSTRATED

32-21-51-01

32-21-51  
FIG. 01  
PAGE 10  
JAN 20/09

BRI



757

PARTS CATALOG (MAINTENANCE)

FIG ITEM	PART NUMBER	1 2 3 4 5 6 7	NOMENCLATURE	EFFECT FROM TO	UNITS PER ASSY
1					
315	BACB19F10	.	BLOCK	504903 952999	2
320	BACC15AN10	.	CLIP	504903 952999	2
325	3140AB050E	.	CLAMP SUPPLIER CODE: V94581 SPECIFICATION NUMBER: BACC10FY050SE OPTIONAL PART: BC1083-050SE V14242 NE103338-050 V8W928	504903 952999	1
330	NAS1801-3-8	.	SCREW	504903 952999	4
335	AN960D10L	.	WASHER	504903 952999	4
340	S717-103	.	CLAMP SUPPLIER CODE: V18076 SPECIFICATION NUMBER: BACC10GU103 OPTIONAL PART: 534CS103 V83930 JM44LC39S103RG V22175	504903 952999	10
345	BACC10DK24	.	CLAMP	504903 952999	1
350	287N6202-17	.	CONDUIT ASSY	504903 952999	1
355	NAS6604-6	.	BOLT-	504903 952999	3
360	AN960D416L	.	WASHER-	504903 952999	3

MISSING ITEM NUMBERS NOT APPLICABLE

- ITEM NOT ILLUSTRATED

32-21-51-01

32-21-51  
FIG. 01  
PAGE 11  
JAN 20/09

BRI



757

PARTS CATALOG (MAINTENANCE)

FIG ITEM	PART NUMBER	1 2 3 4 5 6 7	NOMENCLATURE	EFFECT FROM TO	UNITS PER ASSY
1 365	BRH10A4		.NUT- SUPPLIER CODE: V52828 SPECIFICATION NUMBER: BACN10JC4 OPTIONAL PART: T6S428J V11815 96-048 V80539 VN303A048 V92215 RMLH9075-4W V72962 NS202101-048 V80539 H10-4BAC V15653	504903 952999	3
370	MS35489-95		.GROMMET-	504903 952999	1
375	287N6203-22		.DISC-	504903 952999	1
380	287N6203-1		.BRACKET ASSY	504903 952999	1
390	NAS1801-3-8		.SCREW	504903 952999	1
395	AN960D10L		.WASHER	504903 952999	1
400	287N6203-17		.BRACKET ASSY	504903 952999	1
405	287N6203-15		.BRACKET ASSY	504903 952999	1
410	162N3115-15		.WASHER	504903 952999	1

MISSING ITEM NUMBERS NOT APPLICABLE

- ITEM NOT ILLUSTRATED

32-21-51-01

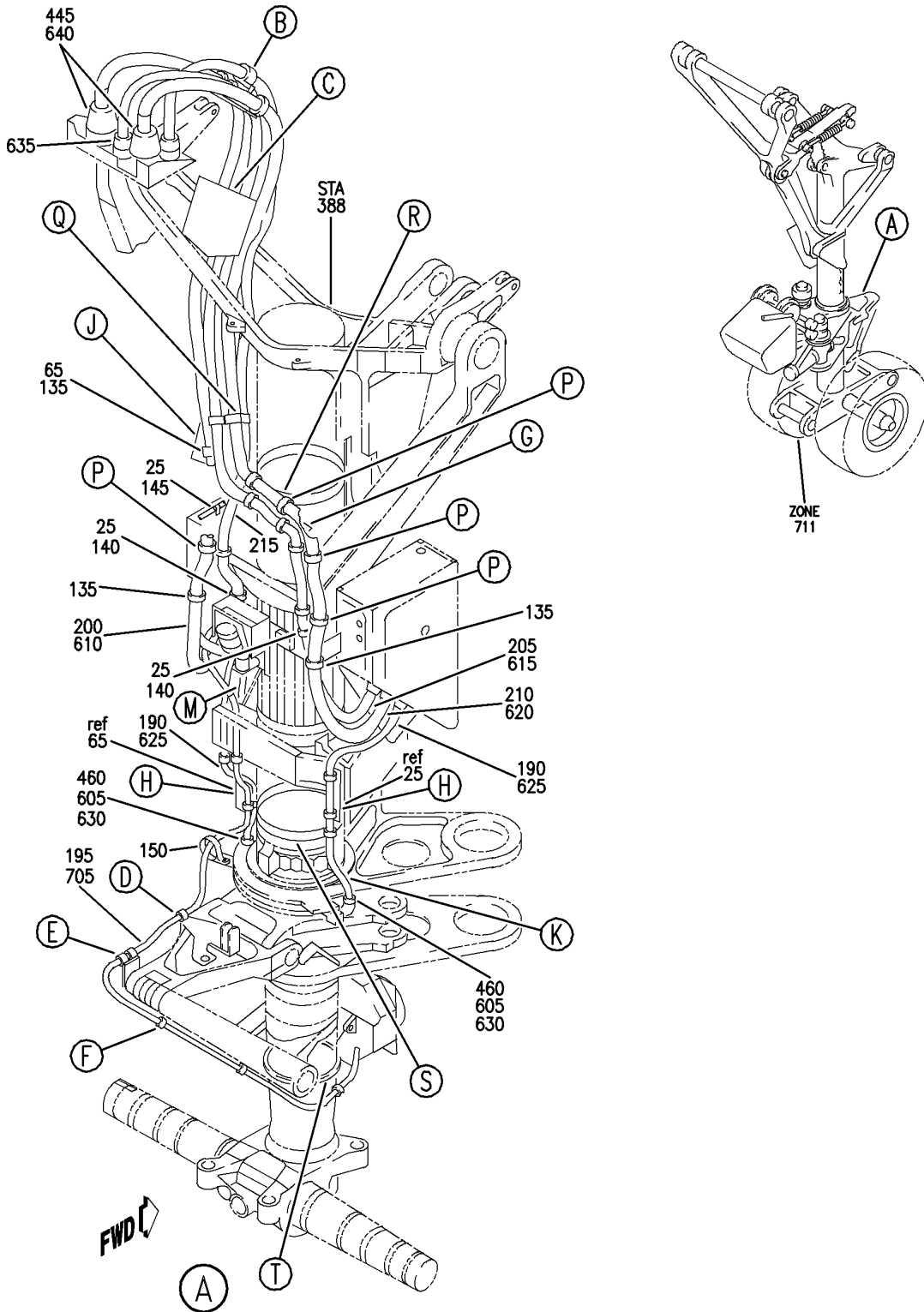
32-21-51  
FIG. 01  
PAGE 12  
JAN 20/09

BRI

BOEING PROPRIETARY - Copyright © - Unpublished Work - See title page for details.



**BOEING**  
757  
PARTS CATALOG (MAINTENANCE)



Y 32215102 SHT 1 REV 222

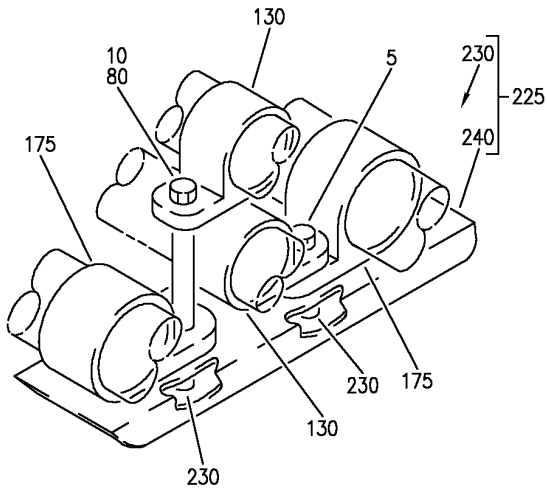
HARNES AND PROVISION INSTL NLG ELECT  
FIGURE 2 (SHEET 1)

**32-21-51-02**

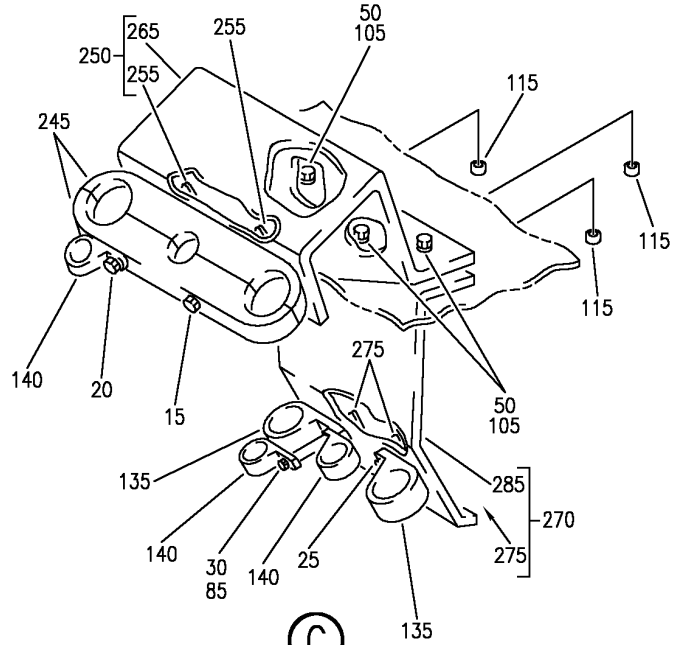
BRI  
JAN 20/09

32-21-51-02  
PAGE 0

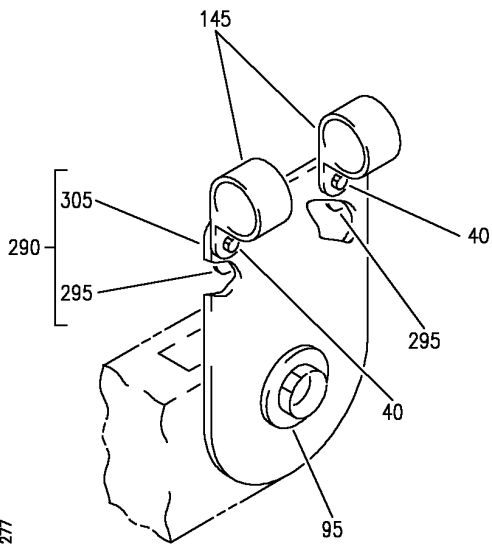

**BOEING**  
 757  
**PARTS CATALOG (MAINTENANCE)**



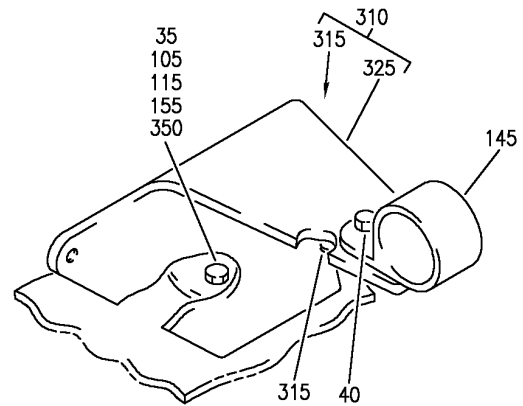
**(B)**



**(C)**



**(E)**



**(D)**

Y 32215102 SHT 2 REV 277

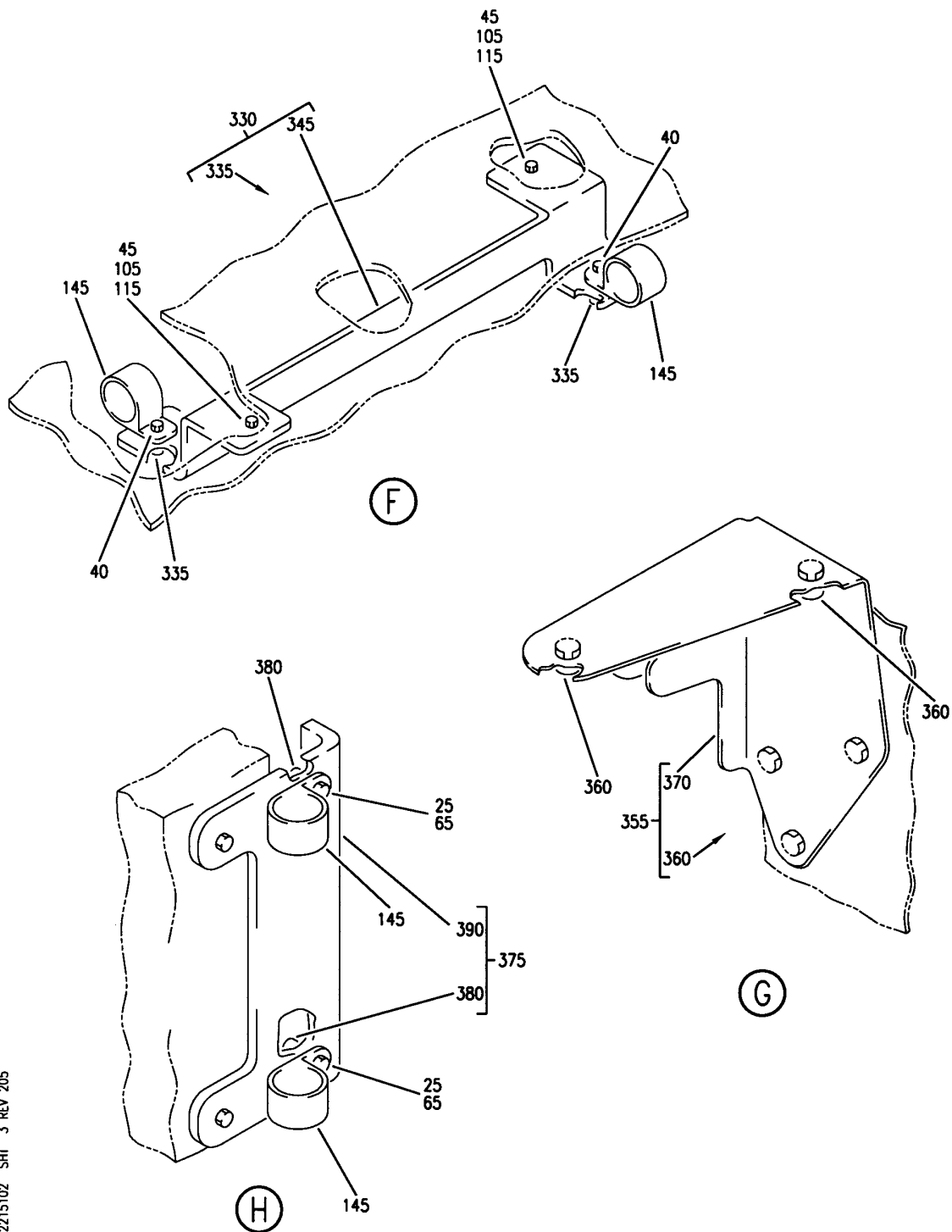
HARNES AND PROVISION INSTL NLG ELECT  
FIGURE 2 (SHEET 2)

**32-21-51-02**

BRI  
JAN 20/09

32-21-51-02  
PAGE 0A

**BOEING**  
757  
PARTS CATALOG (MAINTENANCE)



Y 32215102 SH1 3 REV 205

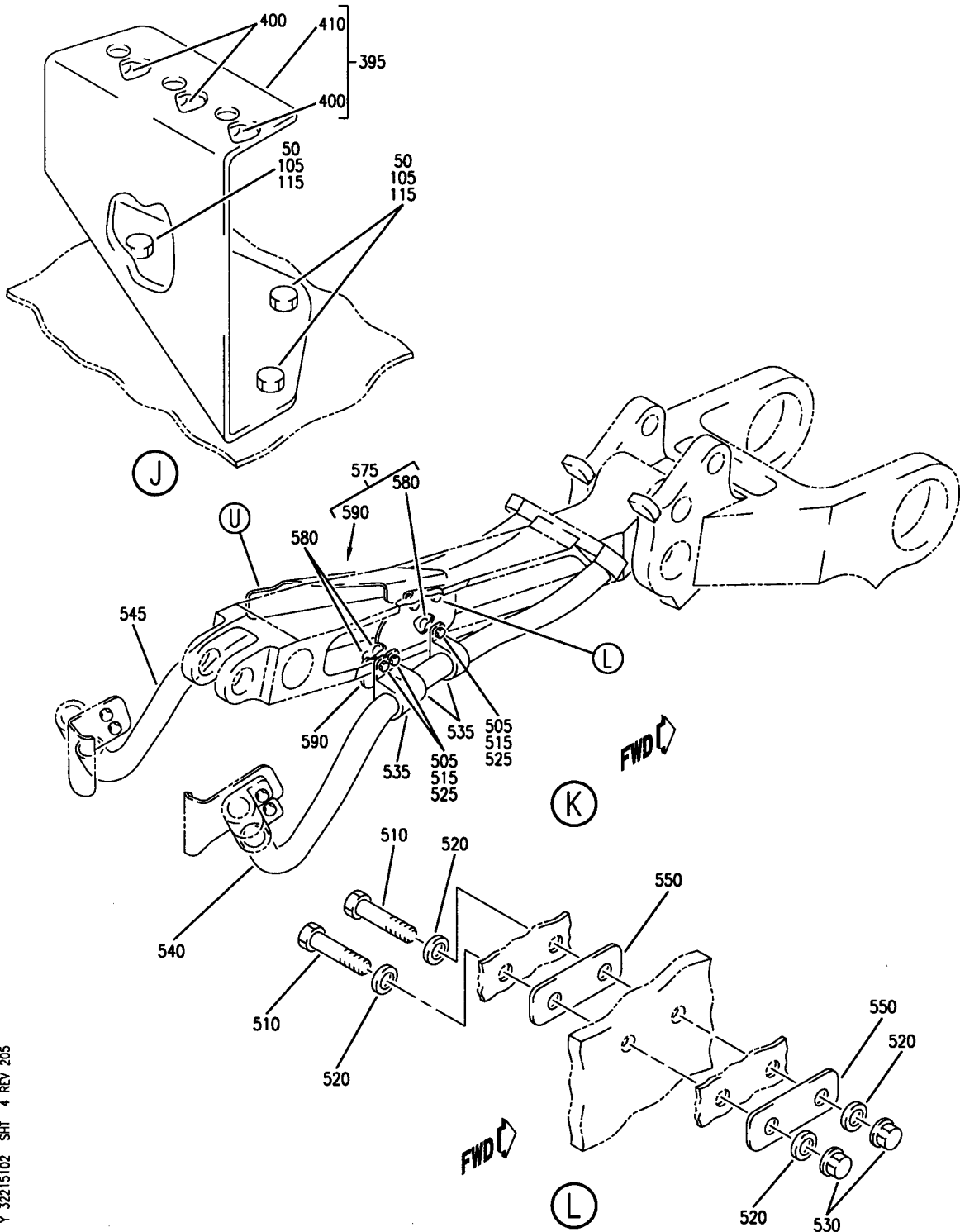
HARNESS AND PROVISION INSTL NLG ELECT  
FIGURE 2 (SHEET 3)

**32-21-51-02**

BRI  
JAN 20/09

32-21-51-02  
PAGE 08

**BOEING**  
757  
PARTS CATALOG (MAINTENANCE)



Y 32215102 SHT 4 REV 205

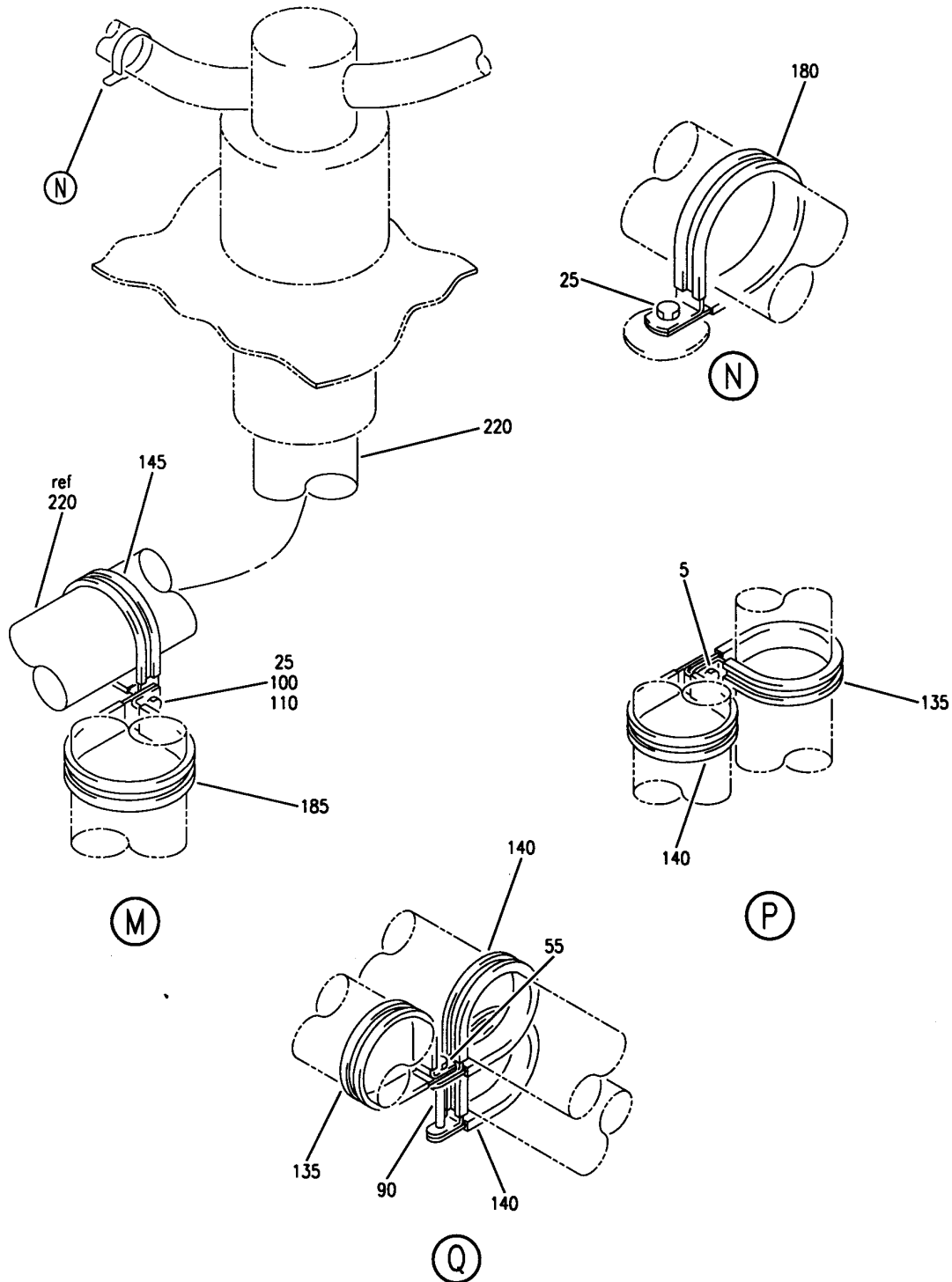
HARNES AND PROVISION INSTL NLG ELECT  
FIGURE 2 (SHEET 4)

**32-21-51-02**

BRI  
JAN 20/09

32-21-51-02  
PAGE 0C

**BOEING**  
757  
PARTS CATALOG (MAINTENANCE)



Y 32215102 SH1 5 REV 205

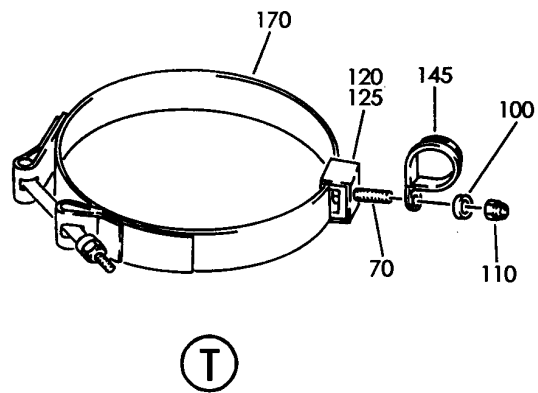
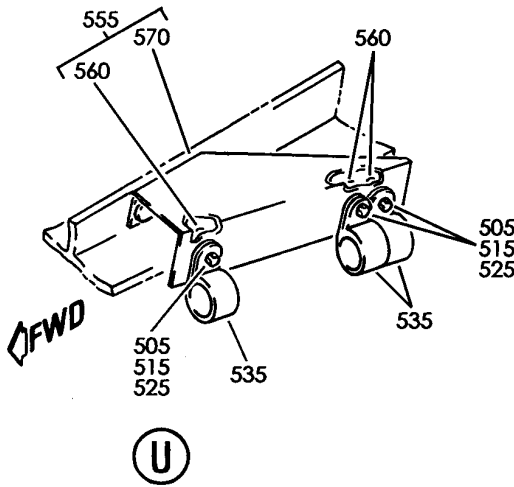
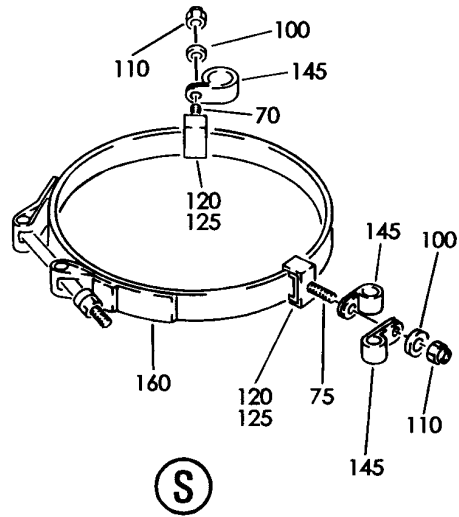
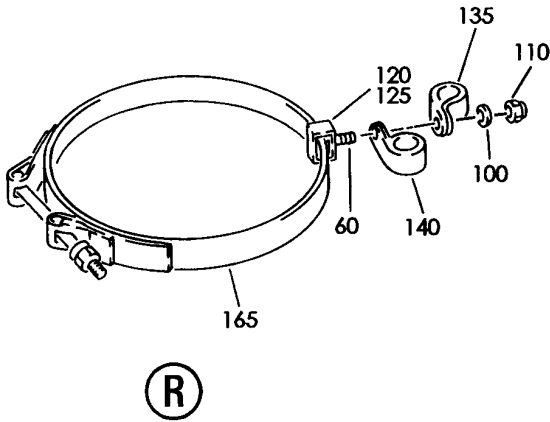
HARNES AND PROVISION INSTL NLG ELECT  
FIGURE 2 (SHEET 5)

**32-21-51-02**

BRI  
JAN 20/09

32-21-51-02  
PAGE 0D

**BOEING**  
757  
PARTS CATALOG (MAINTENANCE)



Y 32215102 SHIT 6 REV 205

HARNES AND PROVISION INSTL NLG ELECT  
FIGURE 2 (SHEET 6)

**32-21-51-02**

BRI  
JAN 20/09

32-21-51-02  
PAGE 0E



757

PARTS CATALOG (MAINTENANCE)

FIG ITEM	PART NUMBER	1 2 3 4 5 6 7	NOMENCLATURE	EFFECT FROM TO	UNITS PER ASSY
2			HARNESS AND PROVISION INSTL	103106	
- 600	287N6200-24		NLG ELECT	108120	
			PROVISION INSTL-NLG ELEC	103106	RF
			CONDUIT	108120	
			FOR NHA SEE:		
			33-42-04-01		
605	8-345-03		.SENSOR-	103106	2
			SUPPLIER CODE:	108120	
			V08748		
			SPECIFICATION NUMBER:		
			S283T006-10		
			QUALIFIED I/W DATA:		
			FOR 757-200 AIRCRAFT,		
			8-935-01 CAN REPLACE		
			OR BE REPLACED BY		
			8-345-01, 8-345-02, OR		
			8-345-03. FOR 757-300		
			AIRCRAFT, 8-935-01		
			TOGETHER WITH PSEU		
			8-949-02 CAN REPLACE OR		
			BE REPACED BY 8-345-01,		
			8-345-02, OR 8-345-03		
			TOGETHER WITH PSEU		
			8-949-01, AS DETAILED IN		
			SERVICE BULLETIN		
			757-32-0175, REV. 1.		
605	8-345-02		.SENSOR-	103106	2
			SUPPLIER CODE:	108120	
			V08748		
			SPECIFICATION NUMBER:		
			S283T006-10		
610	287N6202-19		.CONDUIT ASSY	103106	1
				108120	
615	287N6202-20		.CONDUIT ASSY	103106	1
				108120	
620	287N6202-21		.CONDUIT ASSY	103106	1
				108120	
625	287N6202-24		.CONDUIT ASSY	103106	1
				108120	
630	208498FS67K2		.ADAPTER-90 DEG	103106	2
			SUPPLIER CODE:	108120	
			V30463		
			OPTIONAL PART:		
			208498FS67K20		
			V30463		

MISSING ITEM NUMBERS NOT APPLICABLE

- ITEM NOT ILLUSTRATED

32-21-51-02

32-21-51  
FIG. 02  
PAGE 1  
JAN 20/09

BRI



757

PARTS CATALOG (MAINTENANCE)

FIG ITEM	PART NUMBER	1 2 3 4 5 6 7	NOMENCLATURE	EFFECT FROM TO	UNITS PER ASSY
2					
630	208498FS67K20		.ADAPTER-90 DEG SUPPLIER CODE: V30463 OPTIONAL PART: 208498FS67K2 V30463	103106 108120	2
635	208643FS6000		.BACKSHELL- SUPPLIER CODE: V30463 OPTIONAL PART: 208643FS60000 V30463	103106 108120	1
635	208643FS60000		.BACKSHELL- SUPPLIER CODE: V30463 OPTIONAL PART: 208643FS6000 V30463	103106 108120	1
640	209495FS6000		.BACKSHELL- SUPPLIER CODE: V30463 OPTIONAL PART: 209495FS60000 V30463	103106 108120	2
640	209495FS60000		.BACKSHELL- SUPPLIER CODE: V30463 OPTIONAL PART: 209495FS6000 V30463	103106 108120	2

MISSING ITEM NUMBERS NOT APPLICABLE

- ITEM NOT ILLUSTRATED

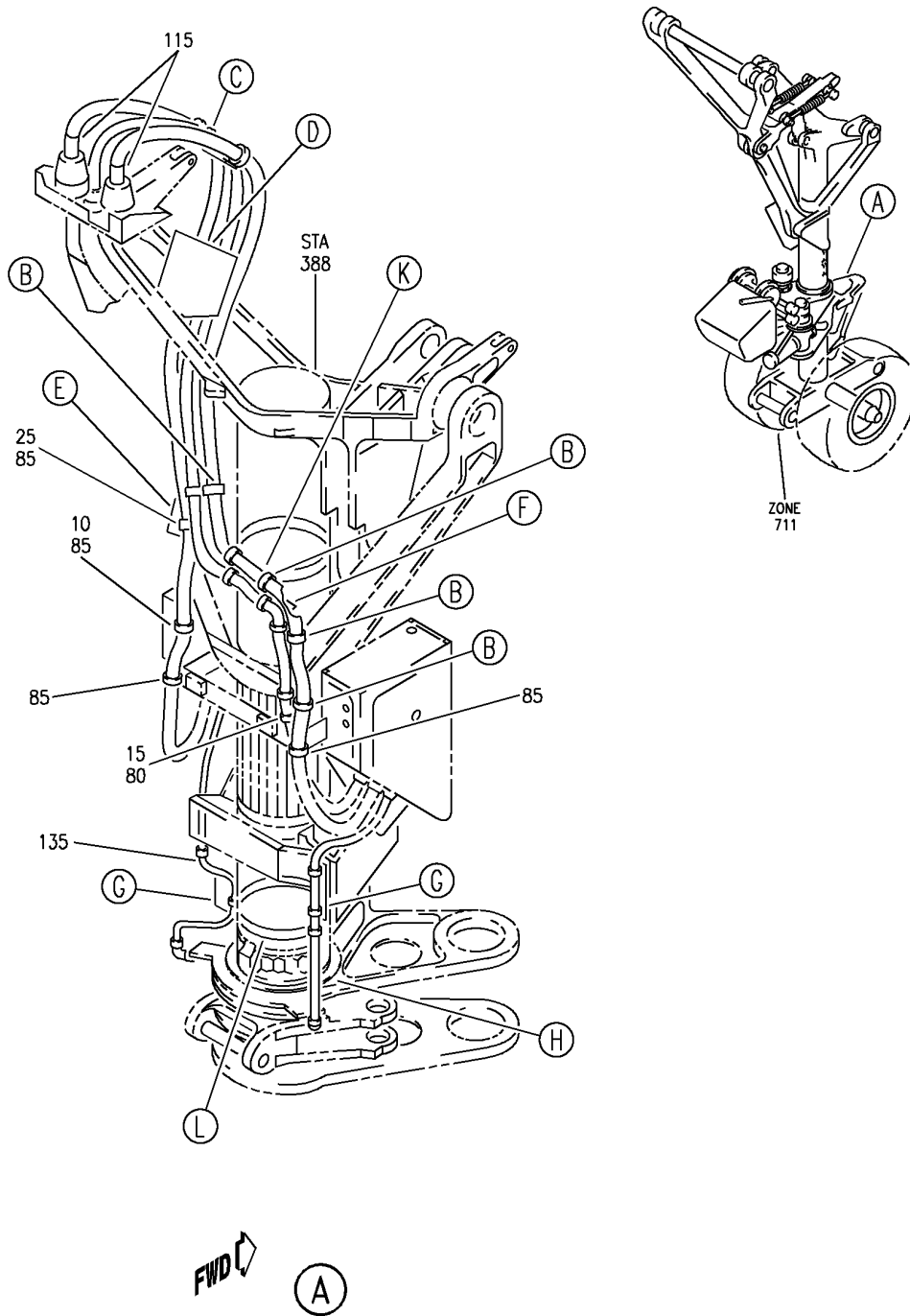
32-21-51-02

32-21-51  
FIG. 02  
PAGE 2  
JAN 20/09

BRI



**BOEING**  
757  
PARTS CATALOG (MAINTENANCE)



Y 32215103 SHT 1 REV 297

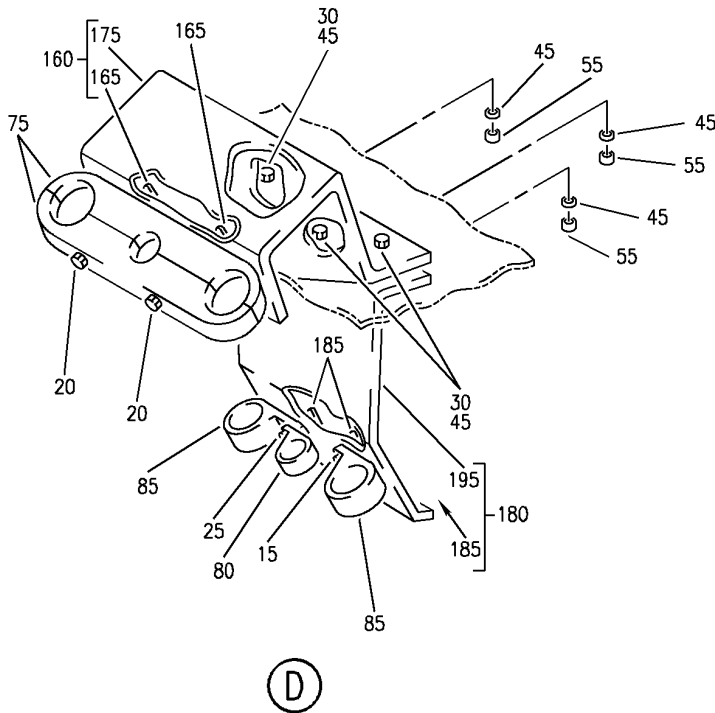
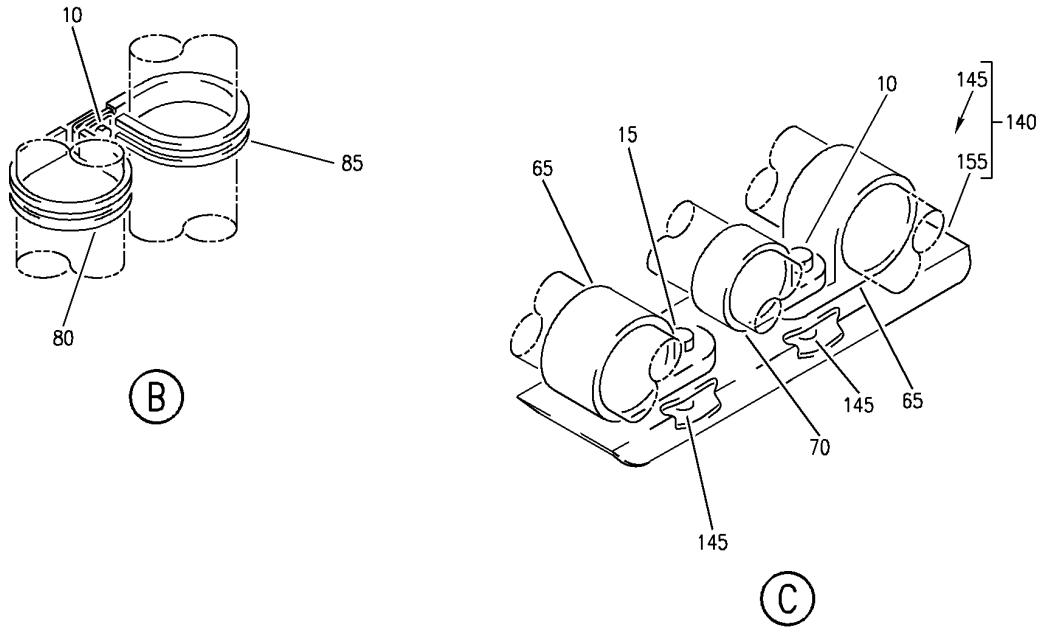
PROVISIONS INSTL-NLG ELEC  
FIGURE 3 (SHEET 1)

**32-21-51-03**

BRI  
JAN 20/09

32-21-51-03  
PAGE 0

**BOEING**  
757  
PARTS CATALOG (MAINTENANCE)



Y 32215103 SHT 2 REV 297

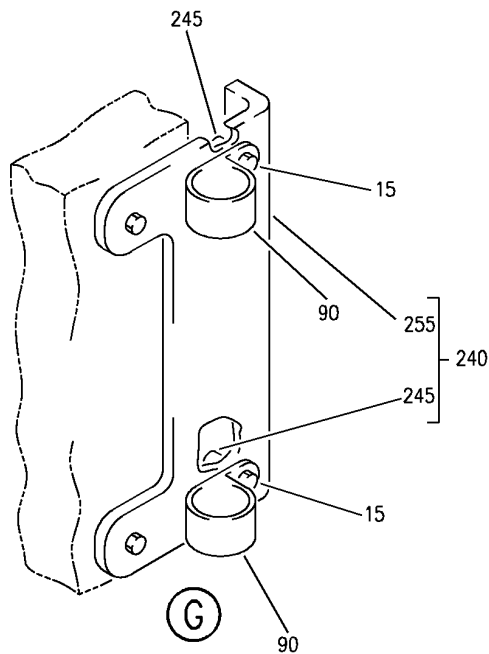
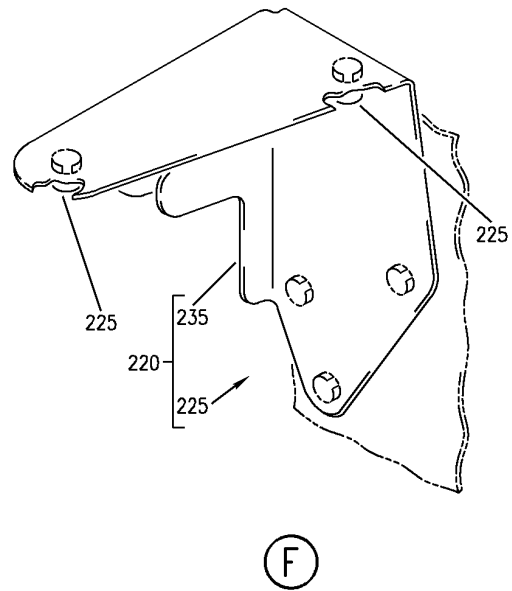
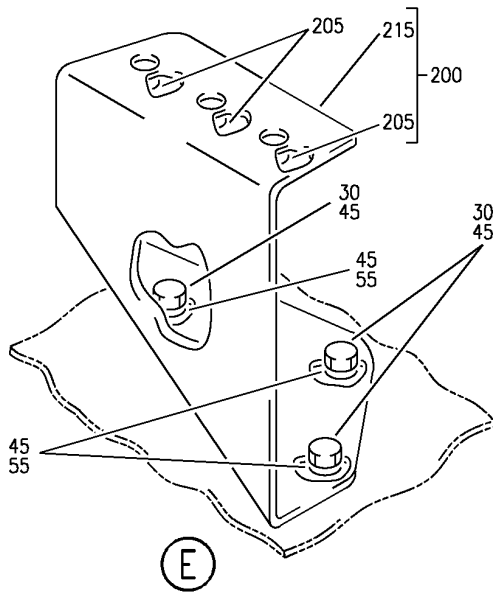
PROVISIONS INSTL-NLG ELEC  
FIGURE 3 (SHEET 2)

**32-21-51-03**

BRI  
JAN 20/09

32-21-51-03  
PAGE 0A

**BOEING**  
757  
PARTS CATALOG (MAINTENANCE)



Y 32215103 SH1 3 REV 297

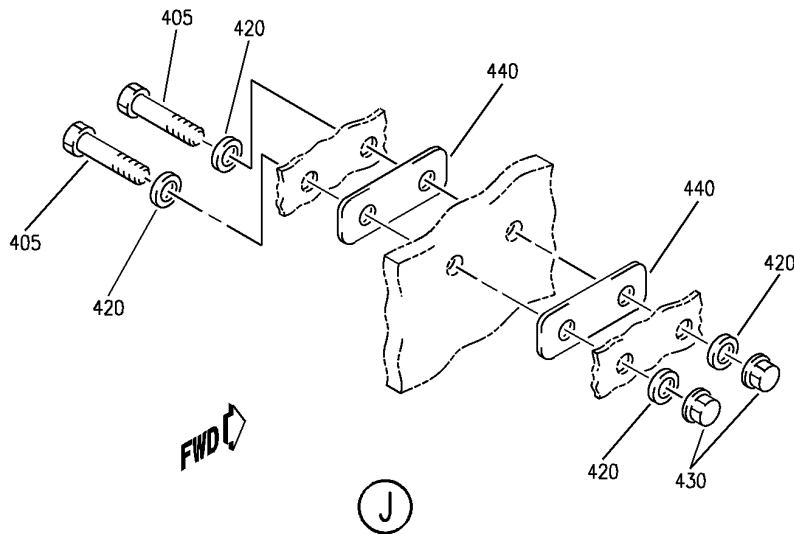
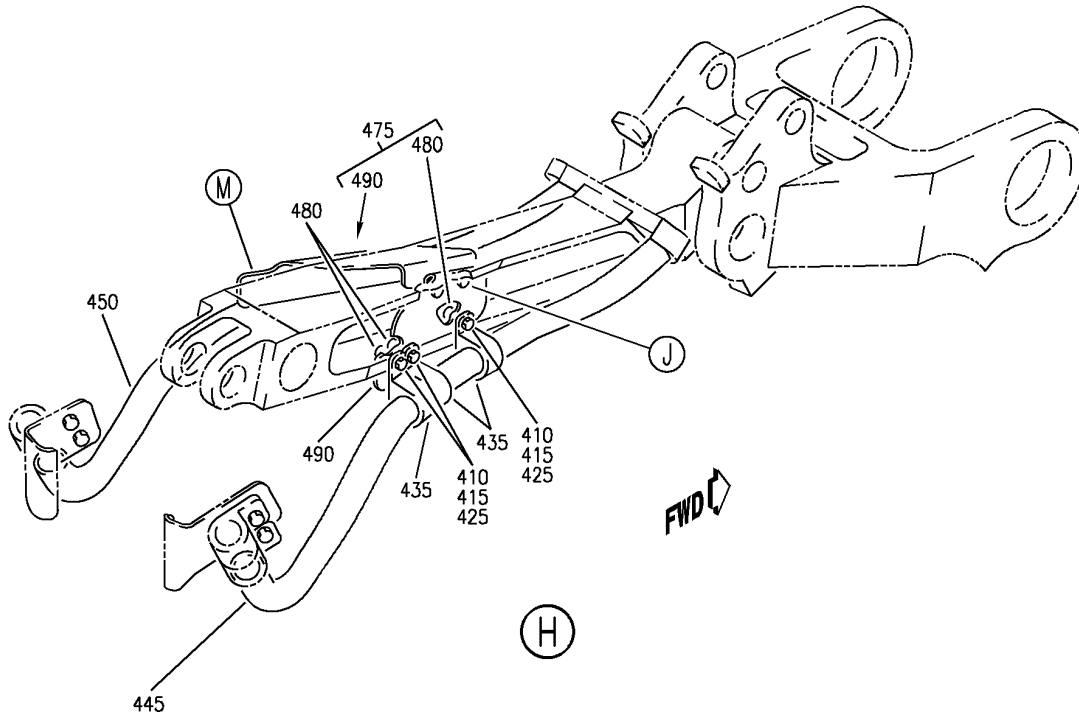
PROVISIONS INSTL-NLG ELEC  
FIGURE 3 (SHEET 3)

**32-21-51-03**

BRI  
JAN 20/09

32-21-51-03  
PAGE 0B

**BOEING**  
757  
PARTS CATALOG (MAINTENANCE)



Y 32215103 SH1 4 REV 297

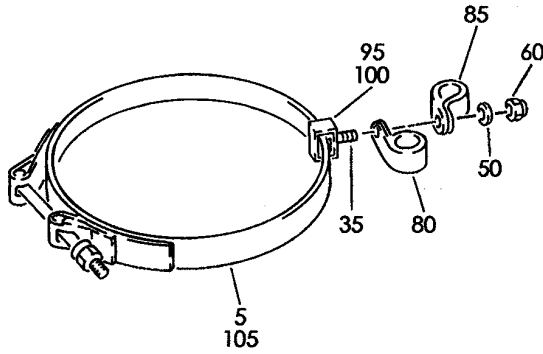
PROVISIONS INSTL-NLG ELEC  
FIGURE 3 (SHEET 4)

**32-21-51-03**

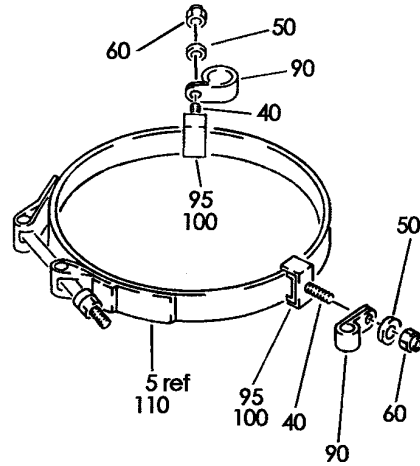
BRI  
JAN 20/09

32-21-51-03  
PAGE 0C

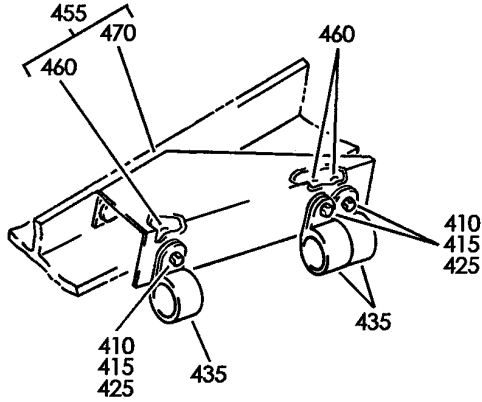
**BOEING**  
757  
PARTS CATALOG (MAINTENANCE)



(J)



(K)



(L)

FWD

Y 32215103 SH1 5 REV 297

PROVISIONS INSTL-NLG ELEC  
FIGURE 3 (SHEET 5)

**32-21-51-03**

BRI  
JAN 20/09

32-21-51-03  
PAGE 0D



757

PARTS CATALOG (MAINTENANCE)

FIG ITEM	PART NUMBER	1 2 3 4 5 6 7	NOMENCLATURE	EFFECT FROM TO	UNITS PER ASSY
3			PROVISIONS INSTL-NLG ELEC	103106 108120	
- 1	287N6200-23		PROVISION INSTL-NLG ELEC FOR NHA SEE: 24-00-60-20B	108120	RF
- 1	MODREF22772		PROVISION INSTL-NLG ELEC MODULE NUMBER: 287N6200-23 REV B	103106	1
5	7355		.TAPE- SUPPLIER CODE: V88301	103106 108120	1
10	BACS12GU3K9		.SCREW	103106 108120	6
15	BACS12GU3K7		.SCREW	103106 108120	7
20	BACS12GU3K38		.SCREW	103106 108120	2
25	BACS12GU3K8		.SCREW	103106 108120	2
30	NAS6604-8		.BOLT	103106 108120	6
35	NAS6603-5		.BOLT	103106 108120	1
40	NAS6603-2		.BOLT	103106 108120	2
45	NAS1149D0432H		.WASHER	103106 108120	12
50	NAS1149D0363J		.WASHER	103106 108120	3
55	PLH54CD		.NUT SUPPLIER CODE: VF0224 SPECIFICATION NUMBER: BACN10YR4CD OPTIONAL PART: H52732-4CD V15653	103106 108120	6
60	PLH53CD		.NUT SUPPLIER CODE: VF0224 SPECIFICATION NUMBER: BACN10YR3CD OPTIONAL PART: H52732-3CD V15653	103106 108120	3

MISSING ITEM NUMBERS NOT APPLICABLE

- ITEM NOT ILLUSTRATED

32-21-51-03

32-21-51  
FIG. 03  
PAGE 1  
JAN 20/09

BRI



757

PARTS CATALOG (MAINTENANCE)

FIG ITEM	PART NUMBER	1 2 3 4 5 6 7	NOMENCLATURE	EFFECT FROM TO	UNITS PER ASSY
3 65	S717-111		.CLAMP SUPPLIER CODE: V18076 SPECIFICATION NUMBER: BACC10GU111 OPTIONAL PART: 534CS111 V83930 JM44LC39S111RG V22175	103106 108120	2
70	S717-108		.CLAMP SUPPLIER CODE: V18076 SPECIFICATION NUMBER: BACC10GU108 OPTIONAL PART: 534CS108 V83930 JM44LC39S108RG V22175	103106 108120	1
75	287N6204-3		.GUIDE- QUALIFIED I/W DATA: 287N6204-3 (2) CAN REPLACE OR BE REPLACED BY 287N6204-1 (1)	103106 108120	2
80	S717-106		.CLAMP SUPPLIER CODE: V18076 SPECIFICATION NUMBER: BACC10GU106 OPTIONAL PART: 534CS106 V83930 JM44LC39S106RG V22175	103106 108120	7
85	S717-109		.CLAMP SUPPLIER CODE: V18076 SPECIFICATION NUMBER: BACC10GU109 OPTIONAL PART: 534CS109 V83930 JM44LC39S109RG V22175	103106 108120	11

MISSING ITEM NUMBERS NOT APPLICABLE

- ITEM NOT ILLUSTRATED

32-21-51-03

32-21-51  
FIG. 03  
PAGE 2  
JAN 20/09

BRI



757

PARTS CATALOG (MAINTENANCE)

FIG ITEM	PART NUMBER	1 2 3 4 5 6 7	NOMENCLATURE	EFFECT FROM TO	UNITS PER ASSY
3					
90	S717-103		.CLAMP SUPPLIER CODE: V18076 SPECIFICATION NUMBER: BACC10GU103 OPTIONAL PART: 534CS103 V83930 JM44LC39S103RG V22175	103106 108120	6
95	BACC15AN10		.CLIP-RETAINING	103106 108120	3
100	BACB19F10		.BLOCK	103106 108120	3
105	3140AB064E		.CLAMP SUPPLIER CODE: V94581 SPECIFICATION NUMBER: BACC10FY064SE OPTIONAL PART: BC1083-064SE V14242 NE103338-064 V8W928	103106 108120	1
110	3140AB066E		.CLAMP SUPPLIER CODE: V94581 SPECIFICATION NUMBER: BACC10FY066SE OPTIONAL PART: BC1083-066SE V14242 NE103338-066 V8W928	103106 108120	1
115	BCREF8780		.SLEEVE- SUPPLIER CODE: V59659 OVERLENGTH PART NUMBER: GP0135-32-115-05	103106 108120	2
140	287N6203-70		.BRACKET ASSY	103106 108120	1

MISSING ITEM NUMBERS NOT APPLICABLE

- ITEM NOT ILLUSTRATED

32-21-51-03

32-21-51  
FIG. 03  
PAGE 3  
JAN 20/09

BRI

BOEING PROPRIETARY - Copyright © - Unpublished Work - See title page for details.





757

PARTS CATALOG (MAINTENANCE)

FIG ITEM	PART NUMBER	1 2 3 4 5 6 7	NOMENCLATURE	EFFECT FROM TO	UNITS PER ASSY
3					
145	T8076S1032		..NUTPLATE SUPPLIER CODE: V11815 SPECIFICATION NUMBER: BACN10JP3A OPTIONAL PART: MK1000-3BAC V15653 NS103197-02 V80539 RMA9201M3 V72962 VN202A1-02 V92215 BRM200A3 V52828 ATTACHING PARTS	103106 108120	2
- 150	BACR15BA3AD		..RIVET- SIZE DETERMINED ON INSTL. -----*-----	103106 108120	4
155	287N6203-69		..BRACKET	103106 108120	1
160	287N6203-29		.BRACKET ASSY	103106 108120	1
165	T8078S1032		..NUTPLATE SUPPLIER CODE: V11815 SPECIFICATION NUMBER: BACN10JP3C OPTIONAL PART: MK3000-3BAC V15653 NS103199-02 V80539 RMA9205M3 V72962 VN203A1-02 V92215 BRM300A3 V52828 ATTACHING PARTS	103106 108120	2
- 170	BACR15BA3D		..RIVET- SIZE DETERMINED ON INSTL. -----*-----	103106 108120	4
175	287N6203-30		..BRACKET	103106 108120	1
180	287N6203-27		.BRACKET ASSY	103106 108120	1

MISSING ITEM NUMBERS NOT APPLICABLE

- ITEM NOT ILLUSTRATED

32-21-51-03

32-21-51  
FIG. 03  
PAGE 4  
JAN 20/09

BRI

BOEING PROPRIETARY - Copyright © - Unpublished Work - See title page for details.



**757  
PARTS CATALOG (MAINTENANCE)**

FIG ITEM	PART NUMBER	1 2 3 4 5 6 7	NOMENCLATURE	EFFECT FROM TO	UNITS PER ASSY
3 185	T8079S1032		..NUTPLATE SUPPLIER CODE: V11815 SPECIFICATION NUMBER: BACN10JP3D OPTIONAL PART: NS103200-02 V80539 RMA9209M3 V72962 VN204A1-02 V92215 MK4000-3BAC V15653 ATTACHING PARTS	103106 108120	2
- 190	BACR15BA3D		..RIVET- SIZE DETERMINED ON INSTL. -----*-----	103106 108120	4
195	287N6203-28		..BRACKET	103106 108120	1
200	287N6203-74		.BRACKET ASSY	103106 108120	1
205	T8078S1032		..NUTPLATE SUPPLIER CODE: V11815 SPECIFICATION NUMBER: BACN10JP3C OPTIONAL PART: MK3000-3BAC V15653 NS103199-02 V80539 RMA9205M3 V72962 VN203A1-02 V92215 BRM300A3 V52828 ATTACHING PARTS	103106 108120	3
- 210	BACR15BA3AD		..RIVET- SIZE DETERMINED ON INSTL. -----*-----	103106 108120	6
215	287N6203-73		..BRACKET	103106 108120	1
220	287N6203-80		.BRACKET ASSY	103106 108120	1

MISSING ITEM NUMBERS NOT APPLICABLE

- ITEM NOT ILLUSTRATED

# 32-21-51-03

32-21-51  
FIG. 03  
PAGE 5  
JAN 20/09

BRI

BOEING PROPRIETARY - Copyright © - Unpublished Work - See title page for details.



757

PARTS CATALOG (MAINTENANCE)

FIG ITEM	PART NUMBER	1 2 3 4 5 6 7	NOMENCLATURE	EFFECT FROM TO	UNITS PER ASSY
3					
225	T8078S1032		..NUTPLATE SUPPLIER CODE: V11815 SPECIFICATION NUMBER: BACN10JP3C OPTIONAL PART: MK3000-3BAC V15653 NS103199-02 V80539 RMA9205M3 V72962 VN203A1-02 V92215 BRM300A3 V52828 ATTACHING PARTS	103106 108120	2
- 230	BACR15BA3AD		..RIVET- SIZE DETERMINED ON INSTL. -----*-----	103106 108120	4
235	287N6203-79		..BRACKET	103106 108120	1
240	287N6203-81		.BRACKET ASSY	103106 108120	2
245	T8078S1032		..NUTPLATE SUPPLIER CODE: V11815 SPECIFICATION NUMBER: BACN10JP3C OPTIONAL PART: MK3000-3BAC V15653 NS103199-02 V80539 RMA9205M3 V72962 VN203A1-02 V92215 BRM300A3 V52828 ATTACHING PARTS	103106 108120	2
- 250	BACR15BA3D		..RIVET- SIZE DETERMINED ON INSTL. -----*-----	103106 108120	4
255	287N6203-81		..BRACKET ASSY	103106 108120	1

MISSING ITEM NUMBERS NOT APPLICABLE

- ITEM NOT ILLUSTRATED

32-21-51-03

32-21-51  
FIG. 03  
PAGE 6  
JAN 20/09

BRI



757

PARTS CATALOG (MAINTENANCE)

FIG ITEM	PART NUMBER	1 2 3 4 5 6 7	NOMENCLATURE	EFFECT FROM TO	UNITS PER ASSY
3					
- 400	287N6200-18		HARNESS INSTL-NLG ELEC DOWN LOCK INDICATING FOR NHA SEE: 24-00-60-20	108120	RF
- 400	MODREF11543		HARNESS INSTL-NLG ELEC DOWN LOCK INDICATING MODULE NUMBER: 287N6200-18 REV A	103106	1
405	NAS6604-10		.BOLT	103106 108120	2
410	BACS12GU3K7		.SCREW	103106 108120	6
415	NAS1149D0363J		.WASHER	103106 108120	6
420	NAS1149D0432H		.WASHER	103106 108120	4
425	BAC10YR3CD		.NUT	103106 108120	6
430	BAC10YR4CD		.NUT	103106 108120	2
435	S717-105		.CLAMP SUPPLIER CODE: V18076 SPECIFICATION NUMBER: BACC10GU105 OPTIONAL PART: 534CS105 V83930 JM44LC39S105RG V22175	103106 108120	6
440	287N6203-78		.SHIM	103106 108120	2
445	287N6202-11		.CONDUIT ASSY	103106 108120	1
450	287N6202-18		.CONDUIT ASSY	103106 108120	1
455	287N6203-89		.BRACKET ASSY	103106 108120	1

MISSING ITEM NUMBERS NOT APPLICABLE

- ITEM NOT ILLUSTRATED

32-21-51-03

32-21-51  
FIG. 03  
PAGE 7  
JAN 20/09

BRI



757

PARTS CATALOG (MAINTENANCE)

FIG ITEM	PART NUMBER	1 2 3 4 5 6 7	NOMENCLATURE	EFFECT FROM TO	UNITS PER ASSY
3 460	T8078S1032		..NUTPLATE SUPPLIER CODE: V11815 SPECIFICATION NUMBER: BACN10JP3C OPTIONAL PART: MK3000-3BAC V15653 NS103199-02 V80539 RMA9205M3 V72962 VN203A1-02 V92215 BRM300A3 V52828	103106 108120	3
- 465	BACR15BA3AD		..RIVET- SIZE DETERMINED ON INSTL.	103106 108120	6
470	287N6203-85		..BRACKET	103106 108120	1
- 471	186027FS60K30		.LOCKNUT- SUPPLIER CODE: V30463 OPTIONAL PART: 186027FS60K3 V30463	103106 108120	2
- 471	186027FS60K3		.LOCKNUT- SUPPLIER CODE: V30463 OPTIONAL PART: 186027FS60K30 V30463	103106 108120	2
- 472	188193FS60K30		.ADAPTER- SUPPLIER CODE: V30463 OPTIONAL PART: 188193FS60K3 V30463	103106 108120	2
- 472	188193FS60K3		.CONNECTOR- SUPPLIER CODE: V30463 OPTIONAL PART: 188193FS60K30 V30463	103106 108120	2
475	287N6203-90		.BRACKET ASSY	103106 108120	1

MISSING ITEM NUMBERS NOT APPLICABLE

- ITEM NOT ILLUSTRATED

32-21-51-03

32-21-51  
FIG. 03  
PAGE 8  
JAN 20/09

BRI



757

PARTS CATALOG (MAINTENANCE)

FIG ITEM	PART NUMBER	1 2 3 4 5 6 7	NOMENCLATURE	EFFECT FROM TO	UNITS PER ASSY
3 480	T8078S1032		..NUTPLATE SUPPLIER CODE: V11815 SPECIFICATION NUMBER: BACN10JP3C OPTIONAL PART: MK3000-3BAC V15653 NS103199-02 V80539 RMA9205M3 V72962 VN203A1-02 V92215 BRM300A3 V52828 ATTACHING PARTS	103106 108120	3
- 485	BACR15BA3AD		..RIVET- SIZE DETERMINED ON INSTL. -----*-----	103106 108120	6
490	287N6203-86		..BRACKET	103106 108120	1

MISSING ITEM NUMBERS NOT APPLICABLE

- ITEM NOT ILLUSTRATED

BRI

32-21-51-03

BOEING PROPRIETARY - Copyright © - Unpublished Work - See title page for details.

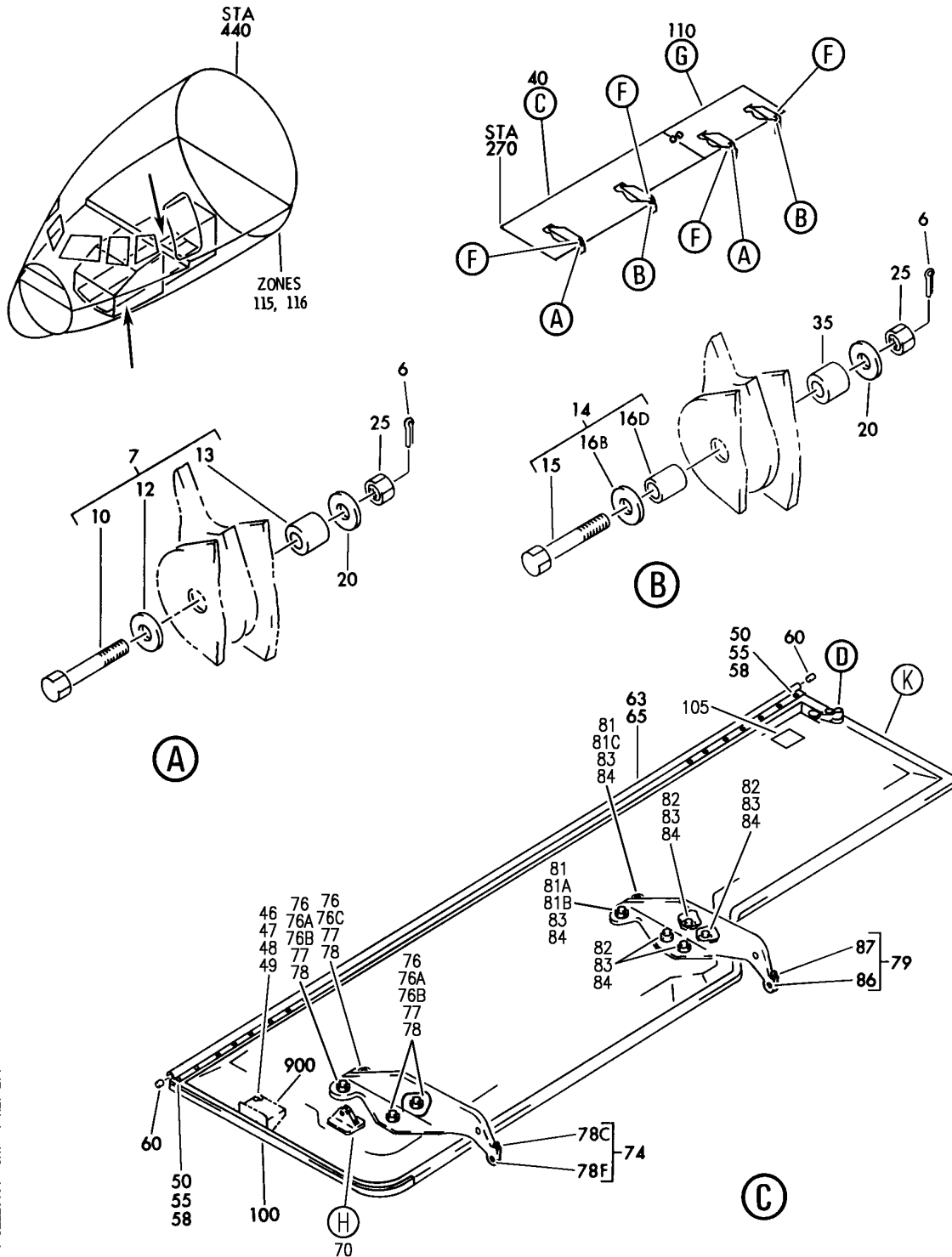
32-21-51  
FIG. 03  
PAGE 9  
JAN 20/09

## NOSE LANDING GEAR DOORS

BRI  
MAY 28/07

32-22-00  
SECTION TITLE  
PAGE 1


**BOEING**  
 757  
**PARTS CATALOG (MAINTENANCE)**



Y 32220101 SHT 1 REV 271

DOOR INSTL-NOSE WHL WELL  
FIGURE 1 (SHEET 1)

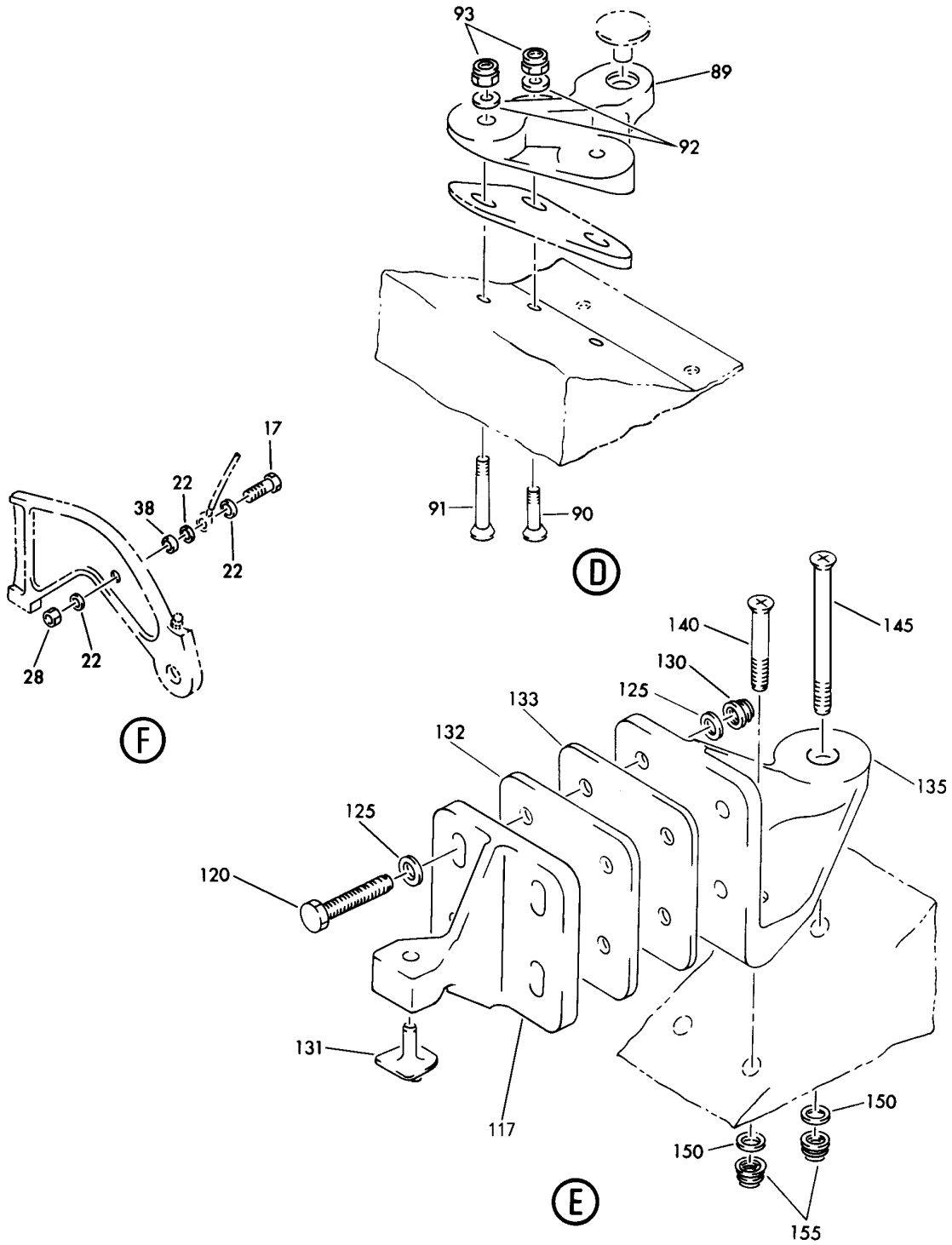
**32-22-01-01**

BRI  
MAY 28/07

32-22-01-01  
PAGE 0



**BOEING**  
757  
PARTS CATALOG (MAINTENANCE)



Y 32220101 SH1 2 REV 271

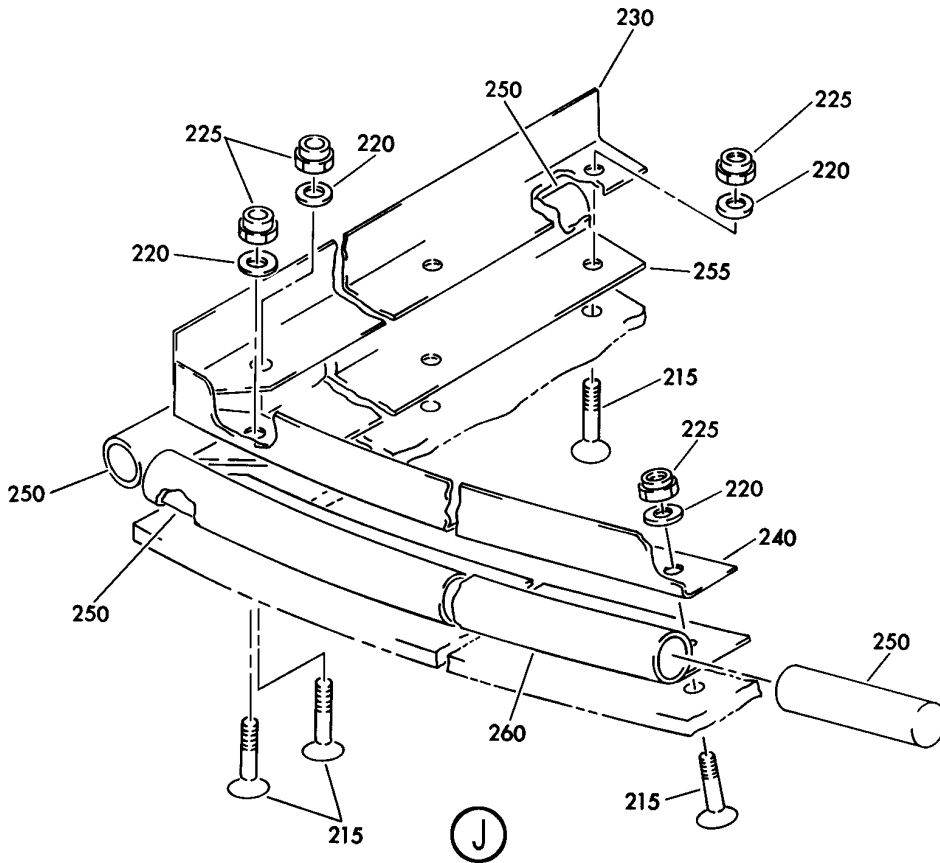
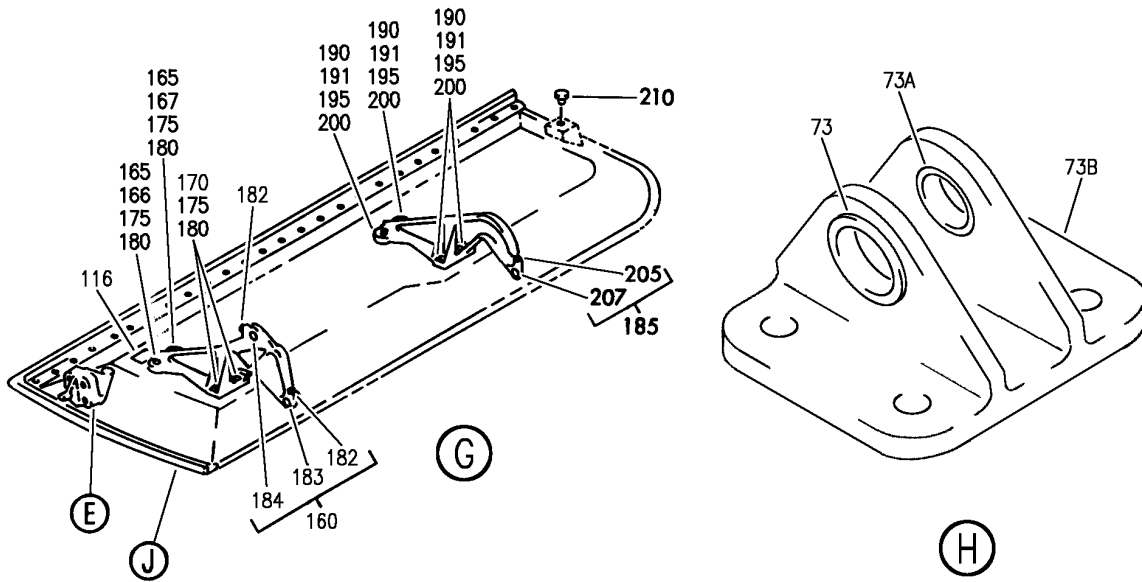
DOOR INSTL-NOSE WHL WELL  
FIGURE 1 (SHEET 2)

**32-22-01-01**

BRI  
MAY 28/07

32-22-01-01  
PAGE 0A

**BOEING**  
757  
PARTS CATALOG (MAINTENANCE)



Y 32220101 SHT 3 REV 271

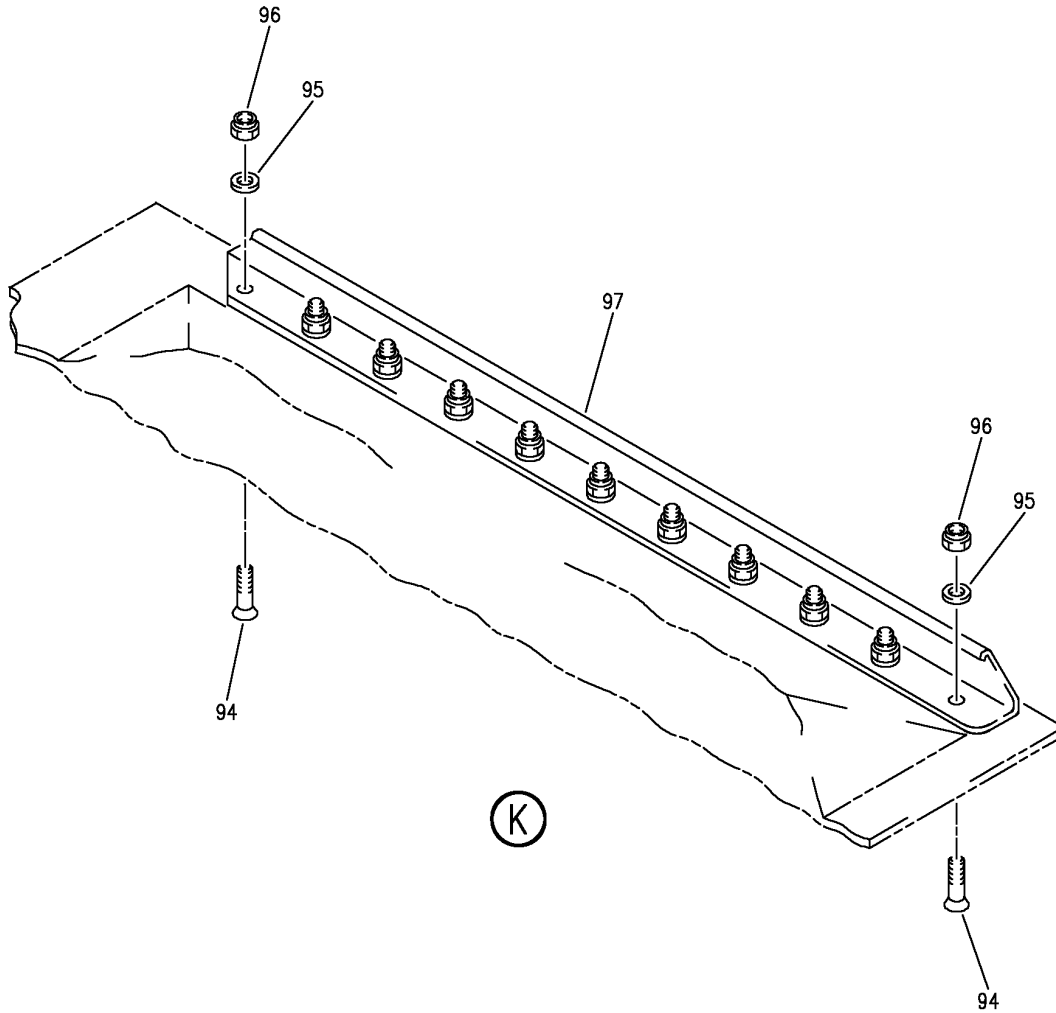
DOOR INSTL-NOSE WHL WELL  
FIGURE 1 (SHEET 3)

**32-22-01-01**

BRI  
MAY 28/07

32-22-01-01  
PAGE 0B

**BOEING**  
757  
PARTS CATALOG (MAINTENANCE)



Y 32220101 SHIT 4 REV 271

DOOR INSTL-NOSE WHL WELL  
FIGURE 1 (SHEET 4)

**32-22-01-01**

BRI  
MAY 28/07

32-22-01-01  
PAGE 0C



757

PARTS CATALOG (MAINTENANCE)

FIG ITEM	PART NUMBER	1 2 3 4 5 6 7	NOMENCLATURE	EFFECT FROM TO	UNITS PER ASSY
1			DOOR INSTL-NOSE WHL WELL	002004 006999	
- 1	141N6900-1		DOOR INSTL-NOSE WHL WELL POSITION DATA: LH FOR NHA SEE: 53-00-00-01	002004 006100 107107 121503 904999	RF
- 1	141N6900-9		DOOR INSTL-NOSE WHL WELL POSITION DATA: LH FOR NHA SEE: 53-00-00-01A	101102 504903	RF
- 1	141N6900-13		DOOR INSTL-NOSE WHL WELL POSITION DATA: LH FOR NHA SEE: 53-00-00-01A	108120	RF
- 1	MODREF2956		DOOR INSTL-NOSE WHL WELL MODULE NUMBER: 141N6900-13 REV A POSITION DATA: LH	103103	1
- 1	MODREF26804		DOOR INSTL-NOSE WHL WELL MODULE NUMBER: 141N6900-13 REV B POSITION DATA: LH	104105	1
- 1	MODREF33656		DOOR INSTL-NOSE WHL WELL MODULE NUMBER: 141N6900-13 REV C POSITION DATA: LH	106106	1
- 5	141N6900-2		DOOR INSTL-NOSE WHL WELL POSITION DATA: RH FOR NHA SEE: 53-00-00-01	002004 006100 107107 121503 904999	RF
- 5	141N6900-11		DOOR INSTL-NOSE WHL WELL POSITION DATA: RH FOR NHA SEE: 53-00-00-01A	101102 504903	RF
- 5	141N6900-14		DOOR INSTL-NOSE WHL WELL POSITION DATA: RH FOR NHA SEE: 53-00-00-01A	108120	RF

MISSING ITEM NUMBERS NOT APPLICABLE

- ITEM NOT ILLUSTRATED

BRI

32-22-01-01

32-22-01  
FIG. 01  
PAGE 1  
JAN 20/09



757

PARTS CATALOG (MAINTENANCE)

FIG ITEM	PART NUMBER	1 2 3 4 5 6 7	NOMENCLATURE	EFFECT FROM TO	UNITS PER ASSY
1					
- 5	MODREF2957		DOOR INSTL-NOSE WHL WELL MODULE NUMBER: 141N6900-14 REV A POSITION DATA: RH	103103	1
- 5	MODREF26805		DOOR INSTL-NOSE WHL WELL MODULE NUMBER: 141N6900-14 REV B POSITION DATA: RH	104105	1
- 5	MODREF33657		DOOR INSTL-NOSE WHL WELL MODULE NUMBER: 141N6900-14 REV C POSITION DATA: RH	106106	1
6	MS24665-153		.PIN	002004 006999	4
7	141N6903-2		.BOLT ASSY-	002004 006999	2
10	BACB30LJ5DU19		..BOLT	002004 006999	1
12	AN960PD516		..WASHER	002004 006999	1
13	BACB28AK05-041		..BUSHING	002004 006999	1
14	141N6903-1		.BOLT ASSY-	002004 006999	2
15	BACB30LJ5DU24		..BOLT	002004 006999	1
16B	AN960PD516		..WASHER	002004 006999	1
16D	BACB28AK05-052		..BUSHING	002004 006999	1
17	BACB30LJ4U10		.BOLT-	107107 904949	4
17	BACB30NM4K10		.BOLT-	002004 006106 108903 950999	4
20	AN960PD516		.WASHER-	002004 006100 107107 121503 904999	4
20	NAS1149D0563J		.WASHER-	101106 108120 504903	4

MISSING ITEM NUMBERS NOT APPLICABLE

- ITEM NOT ILLUSTRATED

32-22-01-01

32-22-01  
FIG. 01  
PAGE 2  
JAN 20/09

BRI

BOEING PROPRIETARY - Copyright © - Unpublished Work - See title page for details.



757

PARTS CATALOG (MAINTENANCE)

FIG ITEM	PART NUMBER	1 2 3 4 5 6 7	NOMENCLATURE	EFFECT FROM TO	UNITS PER ASSY
1					
22	AN960D416	.	WASHER-	002004 006100 107107 121503 904999	12
22	NAS1149D0463H	.	WASHER-	101106 108120 504903	12
25	BACN10JD5CD	.	NUT-	002004 006999	4
28	BRH10C4D	.	NUT-	002004 006999	4
			SUPPLIER CODE: V52828 SPECIFICATION NUMBER: BACN10JC4CD OPTIONAL PART: T6C428JCD V11815 NS202486-048 V80539 102LH9075-4W V72962 H51650-4BAC V15653		
35	BACB28AK05-052	.	BUSHING-	002004 006999	2
38	BACS18K25-17W	.	SPACER-	002004 006999	4
40	141N6910-53	.	DOOR ASSY-	002004 006010 101102 107107 121949 952999	1
			POSITION DATA: FWD LH SIDE COMPONENT MAINT MANUAL REF: 32-22-34 USED ON: 141N6900-1		
40	141N6910-47	.	DOOR ASSY-	002004 006010 101102 107107 121949 952999	1
			POSITION DATA: FWD LH SIDE COMPONENT MAINT MANUAL REF: 32-22-34 USED ON: 141N6900-1		

MISSING ITEM NUMBERS NOT APPLICABLE

- ITEM NOT ILLUSTRATED

BRI

32-22-01-01

BOEING PROPRIETARY - Copyright © - Unpublished Work - See title page for details.

32-22-01  
FIG. 01  
PAGE 3  
JAN 20/09



757

PARTS CATALOG (MAINTENANCE)

FIG ITEM	PART NUMBER	1 2 3 4 5 6 7	NOMENCLATURE	EFFECT FROM TO	UNITS PER ASSY
1					
40	141N6910-51		.DOOR ASSY- POSITION DATA: FWD LH SIDE MISCELLANEOUS DATA: FOR SPARES PROCEDURE LOWER COMPONENTS COMPONENT MAINT MANUAL REF: 32-22-34 USED ON: 141N6900-1	011100 950951	1
40	141N6910-55		.DOOR ASSY- POSITION DATA: FWD LH SIDE COMPONENT MAINT MANUAL REF: 32-22-34	002004 006010 101102 107107 121949 952999	1
40	141N6910-57		.DOOR ASSY- POSITION DATA: FWD LH SIDE COMPONENT MAINT MANUAL REF: 32-22-34 USED ON: 141N6900-1	002004 006102 107107 121999	1
40	141N6910-61		.DOOR ASSY- POSITION DATA: FWD LH SIDE COMPONENT MAINT MANUAL REF: 32-22-34 USED ON: 141N6900-1	002004 006102 107107 121999	1
40	141N6910-63		.DOOR ASSY- POSITION DATA: FWD LH SIDE COMPONENT MAINT MANUAL REF: 32-22-34 USED ON: 141N6900-9	002004 006102 107107 121999	1
40	141N6910-67		.DOOR ASSY- POSITION DATA: FWD LH SIDE COMPONENT MAINT MANUAL REF: 32-22-34 USED ON: 141N6900-13 MODREF2956 MODREF26804	103105 108120	1

MISSING ITEM NUMBERS NOT APPLICABLE

- ITEM NOT ILLUSTRATED

32-22-01-01

32-22-01  
FIG. 01  
PAGE 4  
JAN 20/09

BRI



757

PARTS CATALOG (MAINTENANCE)

FIG ITEM	PART NUMBER	1 2 3 4 5 6 7	NOMENCLATURE	EFFECT FROM TO	UNITS PER ASSY
1					
40	141N6910-69		.DOOR ASSY- POSITION DATA: FWD LH SIDE COMPONENT MAINT MANUAL REF: 32-22-34 USED ON: MODREF33656	106106	1
40	141N6910-45		.DOOR ASSY- POSITION DATA: FWD LH SIDE MISCELLANEOUS DATA: FOR SPARES PROCEDURE LOWER COMPONENTS COMPONENT MAINT MANUAL REF: 32-22-34 USED ON: 141N6900-1	002004 006102 107107 121999	1
40	141N6910-49		.DOOR ASSY- POSITION DATA: FWD LH SIDE MISCELLANEOUS DATA: FOR SPARES PROCEDURE LOWER COMPONENTS COMPONENT MAINT MANUAL REF: 32-22-34 USED ON: 141N6900-1	002004 006102 107107 121999	1
- 45	141N6910-54		.DOOR ASSY- POSITION DATA: FWD RH SIDE COMPONENT MAINT MANUAL REF: 32-22-34 USED ON: 141N6900-2	002004 006010 101102 107107 121949 952999	1
- 45	141N6910-48		.DOOR ASSY- POSITION DATA: FWD RH SIDE COMPONENT MAINT MANUAL REF: 32-27-34 USED ON: 141N6900-2	002004 006010 101102 107107 121949 952999	1
- 45	141N6910-52		.DOOR ASSY- POSITION DATA: FWD RH SIDE COMPONENT MAINT MANUAL REF: 32-22-34 USED ON: 141N6900-2	011100 950951	1

MISSING ITEM NUMBERS NOT APPLICABLE

- ITEM NOT ILLUSTRATED

32-22-01-01

32-22-01  
FIG. 01  
PAGE 5  
JAN 20/09

BRI





757

PARTS CATALOG (MAINTENANCE)

FIG ITEM	PART NUMBER	1 2 3 4 5 6 7	NOMENCLATURE	EFFECT FROM TO	UNITS PER ASSY
1					
- 45	141N6910-56		.DOOR ASSY- POSITION DATA: FWD RH SIDE COMPONENT MAINT MANUAL REF: 32-22-34	002004 006010 101102 107107 121949 952999	1
- 45	141N6910-58		.DOOR ASSY- POSITION DATA: FWD RH SIDE COMPONENT MAINT MANUAL REF: 32-22-34 USED ON: 141N6900-2	002004 006102 107107 121999	1
- 45	141N6910-62		.DOOR ASSY- POSITION DATA: FWD RH SIDE COMPONENT MAINT MANUAL REF: 32-22-34 USED ON: 141N6900-2	002004 006102 107107 121999	1
- 45	141N6910-64		.DOOR ASSY- POSITION DATA: FWD RH SIDE COMPONENT MAINT MANUAL REF: 32-22-34 OPTIONAL PART: 141N6910-65 USED ON: 141N6900-10 141N6900-11 141N6900-12	002004 006102 107107 121999	1
- 45	141N6910-68		.DOOR ASSY- POSITION DATA: FWD RH SIDE COMPONENT MAINT MANUAL REF: 32-22-34 USED ON: 141N6900-14 MODREF2957 MODREF26805	103105 108120	1

MISSING ITEM NUMBERS NOT APPLICABLE

- ITEM NOT ILLUSTRATED

32-22-01-01

32-22-01  
FIG. 01  
PAGE 6  
JAN 20/09

BRI



757

PARTS CATALOG (MAINTENANCE)

FIG ITEM	PART NUMBER	1 2 3 4 5 6 7	NOMENCLATURE	EFFECT FROM TO	UNITS PER ASSY
1					
- 45	141N6910-46		.DOOR ASSY- POSITION DATA: FWD RH SIDE MISCELLANEOUS DATA: FOR SPARES PROCEDURE LOWER COMPONENTS COMPONENT MAINT MANUAL REF: 32-22-34 USED ON: 141N6900-2	002004 006102 107107 121999	1
- 45	141N6910-50		.DOOR ASSY- POSITION DATA: FWD RH SIDE MISCELLANEOUS DATA: FOR SPARES PROCEDURE LOWER COMPONENTS COMPONENT MAINT MANUAL REF: 32-22-34 USED ON: 141N6900-2	002004 006102 107107 121999	1
- 45	141N6910-65		.DOOR ASSY- POSITION DATA: FWD RH SIDE COMPONENT MAINT MANUAL REF: 32-22-34 OPTIONAL PART: 141N6910-64 USED ON: 141N6900-2	002004 006102 107107 121999	1
- 45	141N6910-70		.DOOR ASSY- POSITION DATA: FWD RH SIDE COMPONENT MAINT MANUAL REF: 32-22-34 USED ON: MODREF33657	106106	1
46	141N6915-104		..BONDED ASSY- POSITION DATA: RH SIDE	011100 950951	1
46	141N6915-110		..BONDED ASSY- POSITION DATA: RH SIDE	011106 108120 504903 950951	1
46	141N6915-120		..BONDED ASSY- POSITION DATA: RH SIDE	101102 504903	1
47	141N6915-109		..BONDED ASSY- POSITION DATA: LH SIDE	101106 108120 504903	1

MISSING ITEM NUMBERS NOT APPLICABLE

- ITEM NOT ILLUSTRATED

32-22-01-01

32-22-01  
FIG. 01  
PAGE 7  
JAN 20/09

BRI



757

PARTS CATALOG (MAINTENANCE)

FIG ITEM	PART NUMBER	1 2 3 4 5 6 7	NOMENCLATURE	EFFECT FROM TO	UNITS PER ASSY
1					
47	141N6915-103	..	BONDED ASSY- POSITION DATA: LH SIDE	011100 950951	1
48	141N6915-69	...	BLOCK ASSY- POSITION DATA: LH SIDE OPTIONAL PART: 141N6915-113 FOR DETAILS SEE: 32-61-03-02	002004 006999	1
48	141N6915-113	...	BLOCK ASSY- POSITION DATA: LH SIDE OPTIONAL PART: 141N6915-69 FOR DETAILS SEE: 32-61-03-02	101106 108120 504903	1
49	141N6915-70	...	BLOCK ASSY- POSITION DATA: RH SIDE OPTIONAL PART: 141N6915-117 FOR DETAILS SEE: 32-61-03-02	002004 006999	1
49	141N6915-117	...	BLOCK ASSY- POSITION DATA: RH SIDE OPTIONAL PART: 141N6915-70 FOR DETAILS SEE: 32-61-03-02	101106 108120 504903	1
70	141N6917-1	..	FITTING ASSY-ROD ATTACH  ATTACHING PARTS	002004 006999	1
- 71	BACB30NN4K36	..	BOLT	002004 006999	4
- 72	AN960PD416L	..	WASHER-	002004 006105 107999	4
- 72A	NAS1149D0416J	..	WASHER-	106106	4
- 72B	NAS1805-4L	..	NUT-	106106	4
- 72C	NAS1805-4N	..	NUT-	002004 006105 107999	4
			-----*-----		
73	BACB28X9M020	...	BUSHING	002004 006999	1
73A	BACB28X6N020	...	BUSHING	002004 006999	1

MISSING ITEM NUMBERS NOT APPLICABLE

- ITEM NOT ILLUSTRATED

32-22-01-01

32-22-01  
FIG. 01  
PAGE 8  
JAN 20/09

BRI

BOEING PROPRIETARY - Copyright © - Unpublished Work - See title page for details.



757

PARTS CATALOG (MAINTENANCE)

FIG ITEM	PART NUMBER	1 2 3 4 5 6 7	NOMENCLATURE	EFFECT FROM TO	UNITS PER ASSY
1					
73B	141N6917-2	...	FITTING	002004 006999	1
74	141N6911-1	..	HINGE ASSY- POSITION DATA: LH SIDE USED ON: 141N6910-45 141N6910-49 141N6910-51	002004 006100 107107 121503 904999	1
74	141N6912-1	..	HINGE ASSY- POSITION DATA: LH SIDE USED ON: 141N6910-47 141N6910-51 141N6910-53 141N6910-55 141N6910-57 141N6910-61 141N6910-63	002004 006999	1
- 75	141N6911-2	..	HINGE ASSY- POSITION DATA: RH SIDE USED ON: 141N6910-46 141N6910-50 141N6910-52	002004 006100 107107 121503 904999	1
- 75	141N6912-2	..	HINGE ASSY- POSITION DATA: RH SIDE USED ON: 141N6910-48 141N6910-52 141N6910-54 141N6910-56 141N6910-58 141N6910-62 141N6910-64	002004 006999	1
76	BACB30NN4K44	..	ATTACHING PARTS BOLT-	002004 006105 107999 106106	4
76A	BACB30NN4K44	..	BOLT- OPTIONAL PART: BACB30LR4-44	106106	3
76B	BACB30LR4-44	..	BOLT- OPTIONAL PART: BACB30NN4K44	106106	3
76C	BACB30LR4-44	..	BOLT	106106	1

MISSING ITEM NUMBERS NOT APPLICABLE

- ITEM NOT ILLUSTRATED

32-22-01-01

32-22-01  
FIG. 01  
PAGE 9  
JAN 20/09

BRI



757

PARTS CATALOG (MAINTENANCE)

FIG ITEM	PART NUMBER	1 2 3 4 5 6 7	NOMENCLATURE	EFFECT FROM TO	UNITS PER ASSY
1	77 AS46-4		.. WASHER- SUPPLIER CODE: V10630 SPECIFICATION NUMBER: BACW10AU4 OPTIONAL PART: K19701P4 V15653 53488W428 V56878 6073-04 V72962 TLN1020L4W V08524	002004 006999	4
	78 H19700P4		.. NUT- SUPPLIER CODE: V15653 SPECIFICATION NUMBER: BACN10MT4 OPTIONAL PART: 52LH6073-048 V72962 53488N428 V56878 TLN1020L4N V97928	002004 006999	4
	78C NAS516-1A		-----*----- ... FITTING	002004 006999	1

MISSING ITEM NUMBERS NOT APPLICABLE

- ITEM NOT ILLUSTRATED

BRI

32-22-01-01

BOEING PROPRIETARY - Copyright © - Unpublished Work - See title page for details.

32-22-01  
FIG. 01  
PAGE 10  
JAN 20/09



757

PARTS CATALOG (MAINTENANCE)

FIG ITEM	PART NUMBER	1 2 3 4 5 6 7	NOMENCLATURE	EFFECT FROM TO	UNITS PER ASSY
1 78F	ABW5V5		... BEARING SUPPLIER CODE: VS0352 SPECIFICATION NUMBER: BACB10AB5 OPTIONAL PART: AW5VCRG V15860 BSSR5544 V81376 KWB5-20CRG V97613 WG5E V73134 55283 V09455 HU5-134 V02758 ABW5V5 V50294 BWG5-110 V16746 WC5G1 V56644	002004 006999	1
79	141N6913-1		.. HINGE ASSY- POSITION DATA: LH SIDE USED ON: 141N6910-45 141N6910-49 141N6910-51	002004 006100 107107 121503 904999	1
79	141N6914-1		.. HINGE ASSY- POSITION DATA: LH SIDE USED ON: 141N6910-47 141N6910-51 141N6910-53 141N6910-55 141N6910-57 141N6910-61 141N6910-63	002004 006999	1
- 80	141N6913-2		.. HINGE ASSY- POSITION DATA: RH SIDE USED ON: 141N6910-46 141N6910-50 141N6910-52	002004 006100 107107 121503 904999	1

MISSING ITEM NUMBERS NOT APPLICABLE

- ITEM NOT ILLUSTRATED

32-22-01-01

32-22-01  
FIG. 01  
PAGE 11  
JAN 20/09

BRI



757

PARTS CATALOG (MAINTENANCE)

FIG ITEM	PART NUMBER	1 2 3 4 5 6 7	NOMENCLATURE	EFFECT FROM TO	UNITS PER ASSY
1					
- 80	141N6914-2		..HINGE ASSY- POSITION DATA: RH SIDE USED ON: 141N6910-48 141N6910-52 141N6910-54 141N6910-56 141N6910-58 141N6910-62 141N6910-64 ATTACHING PARTS	002004 006999	1
81	BACB30NN4K39		..BOLT	002004 006105 107999 106106	2
81A	BACB30NN4K39		..BOLT- OPTIONAL PART: BACB30LR4-39	106106	1
81B	BACB30LR4-39		..BOLT- OPTIONAL PART: BACB30NN4K39	106106	1
81C	BACB30LR4-39		..BOLT	106106	1
82	BACB30LR4-41		..BOLT- OPTIONAL PART: BACB30NN4K41	106106	4
82	BACB30NN4K41		..BOLT- OPTIONAL PART: BACB30LR4-41	002004 006999	4
83	AN960PD416L		..WASHER-	002004 006105 107999	6
83	NAS1149D0416J		..WASHER-	106106	6
84	NAS1805-4N		..NUT-	002004 006105 107999	6
84	NAS1805-4L		..NUT- -----*	106106	6

MISSING ITEM NUMBERS NOT APPLICABLE

- ITEM NOT ILLUSTRATED

32-22-01-01

32-22-01  
FIG. 01  
PAGE 12  
JAN 20/09

BRI



757

PARTS CATALOG (MAINTENANCE)

FIG ITEM	PART NUMBER	1 2 3 4 5 6 7	NOMENCLATURE	EFFECT FROM TO	UNITS PER ASSY
1 86	ABW5V5	...	BEARING SUPPLIER CODE: VS0352 SPECIFICATION NUMBER: BACB10AB5 OPTIONAL PART: AW5VCRG V15860 BSSR5544 V81376 KWB5-20CRG V97613 WG5E V73134 55283 V09455 HU5-134 V02758 ABW5V5 V50294 BWG5-110 V16746 WC5G1 V56644	002004 006999	1
87	NAS516-1A	...	FITTING	002004 006999	1
89	141N6926-3	..	FITTING ASSY	002004 006999	1
90	BACB30NN4K13	..	BOLT ATTACHING PARTS	002004 006999	2
91	BACB30NN4K29	..	BOLT	002004 006999	1
92	AN960PD416L	..	WASHER-	002004 006105 107999	3
92	NAS1149D0416J	..	WASHER-	106106	3
93	NAS1805-4N	..	NUT-	002004 006105 107999	3
93	NAS1805-4L	..	NUT-	106106	3
94	BACB30LH2K3	..	BOLT -----*-----	002004 006999	11
95	NAS1149DN816J	..	WASHER-	106106	11
95	AN960PD8L	..	WASHER-	002004 006105 107999	11

MISSING ITEM NUMBERS NOT APPLICABLE

- ITEM NOT ILLUSTRATED

32-22-01-01

32-22-01  
FIG. 01  
PAGE 13  
JAN 20/09

BRI

BOEING PROPRIETARY - Copyright © - Unpublished Work - See title page for details.





757

PARTS CATALOG (MAINTENANCE)

FIG ITEM	PART NUMBER	1 2 3 4 5 6 7	NOMENCLATURE	EFFECT FROM TO	UNITS PER ASSY
1					
96	BRH10C08M	..	NUT SUPPLIER CODE: V52828 SPECIFICATION NUMBER: BACN10JC08CM OPTIONAL PART: T6C832JM V11815 97E82 V80539 109LH9075-82W V72962 VN303D82 V92215 NS202101SE82 V80539 H01-08BAC V15653	002004 006999	11
97	141N6910-34	..	DEPRESSOR-SEAL POSITION DATA: LH SIDE	002004 006999	1
- 98	141N6910-35	..	DEPRESSOR-SEAL POSITION DATA: RH SIDE	002004 006999	1
100	141N6910-59	..	BOOT- POSITION DATA: LH SIDE	002004 006999	1
- 102	141N6910-60	..	BOOT- POSITION DATA: RH SIDE	002004 006100 103503 904999	1
105	MS27253-3	..	PLATE	002004 006999	1
110	141N6920-11	.D	DOOR ASSY- POSITION DATA: AFT LH SIDE COMPONENT MAINT MANUAL REF: 32-22-44 USED ON: 141N6900-11	107107	1

MISSING ITEM NUMBERS NOT APPLICABLE

- ITEM NOT ILLUSTRATED

BRI

32-22-01-01

BOEING PROPRIETARY - Copyright © - Unpublished Work - See title page for details.

32-22-01  
FIG. 01  
PAGE 14  
JAN 20/09



757

PARTS CATALOG (MAINTENANCE)

FIG ITEM	PART NUMBER	1 2 3 4 5 6 7	NOMENCLATURE	EFFECT FROM TO	UNITS PER ASSY
1					
110	141N6920-15		.DOOR ASSY- POSITION DATA: AFT LH SIDE COMPONENT MAINT MANUAL REF: 32-22-44 QUALIFIED I/W DATA: -23 MAY REPLACE -15 FOR N0037, N3001-N3002 ONLY. USED ON: 141N6900-1	107107	1
110	141N6920-33		.DOOR ASSY- POSITION DATA: AFT LH SIDE COMPONENT MAINT MANUAL REF: 32-22-44	107107	1
110	141N6920-25		.DOOR ASSY- POSITION DATA: AFT LH SIDE COMPONENT MAINT MANUAL REF: 32-22-44 USED ON: 141N6900-1	107107	1
110	141N6920-35		.DOOR ASSY- POSITION DATA: AFT LH SIDE COMPONENT MAINT MANUAL REF: 32-22-44 USED ON: 141N6900-1	107107	1
110	141N6920-41		.DOOR ASSY- POSITION DATA: AFT LH SIDE COMPONENT MAINT MANUAL REF: 32-22-44 USED ON: 141N6900-1	002004 006105 107999	1
110	141N6920-49		.DOOR ASSY- POSITION DATA: AFT LH SIDE COMPONENT MAINT MANUAL REF: 32-22-44 USED ON: 141N6900-1	002004 006105 107999	1

MISSING ITEM NUMBERS NOT APPLICABLE

- ITEM NOT ILLUSTRATED

32-22-01-01

32-22-01  
FIG. 01  
PAGE 15  
JAN 20/09

BRI



757

PARTS CATALOG (MAINTENANCE)

FIG ITEM	PART NUMBER	1 2 3 4 5 6 7	NOMENCLATURE	EFFECT FROM TO	UNITS PER ASSY
1					
110	141N6920-51	.	DOOR ASSY- POSITION DATA: AFT LH SIDE COMPONENT MAINT MANUAL REF: 32-22-44 USED ON: 141N6900-9	002004 006105 107999	1
110	141N6920-55	.	DOOR ASSY- POSITION DATA: AFT LH SIDE COMPONENT MAINT MANUAL REF: 32-22-44 USED ON: 141N6900-13 MODREF2956 MODREF26804	002004 006105 107999	1
110	141N6920-21	.	DOOR ASSY- POSITION DATA: AFT LH SIDE COMPONENT MAINT MANUAL REF: 32-22-44 USED ON: 141N6900-1	107107	1
110	141N6920-57	.	DOOR ASSY- POSITION DATA: AFT LH SIDE COMPONENT MAINT MANUAL REF: 32-22-44 USED ON: MODREF33656	106106	1
- 115	141N6920-34	.	DOOR ASSY-(LANDING GEAR ONLY) POSITION DATA: AFT RH SIDE COMPONENT MAINT MANUAL REF: 32-22-44 FUNCTIONAL REFERENCE: PLACARDS AND MARKINGS FOR DETAILS SEE 11-22-51-03	107107	1

MISSING ITEM NUMBERS NOT APPLICABLE

- ITEM NOT ILLUSTRATED

32-22-01-01

32-22-01  
FIG. 01  
PAGE 16  
JAN 20/09

BRI



757

PARTS CATALOG (MAINTENANCE)

FIG ITEM	PART NUMBER	1 2 3 4 5 6 7	NOMENCLATURE	EFFECT FROM TO	UNITS PER ASSY
1					
- 115	141N6920-36		.DOOR ASSY-(LANDING GEAR ONLY) POSITION DATA: AFT RH SIDE COMPONENT MAINT MANUAL REF: 32-22-44 FUNCTIONAL REFERENCE: PLACARDS AND MARKINGS FOR DETAILS SEE 11-22-51-03	107107	1
- 115	141N6920-18		.DOOR ASSY-(LANDING GEAR ONLY) POSITION DATA: AFT RH SIDE COMPONENT MAINT MANUAL REF: 32-22-44 FUNCTIONAL REFERENCE: PLACARDS AND MARKINGS FOR DETAILS SEE 11-22-51-03	107107	1
- 115	141N6920-20		.DOOR ASSY-(LANDING GEAR ONLY) POSITION DATA: AFT RH SIDE COMPONENT MAINT MANUAL REF: 32-22-44 QUALIFIED I/W DATA: (-20); -24 MAY REPLACE -20 FOR N0037, N3001-N3002 ONLY. FUNCTIONAL REFERENCE: PLACARDS AND MARKINGS FOR DETAILS SEE 11-22-51-03	107107	1
- 115	141N6920-40		.DOOR ASSY-(LANDING GEAR ONLY) POSITION DATA: AFT RH SIDE COMPONENT MAINT MANUAL REF: 32-22-44 FUNCTIONAL REFERENCE: PLACARDS AND MARKINGS FOR DETAILS SEE 11-22-51-03	002004 006100 107107 121503 904999	1

MISSING ITEM NUMBERS NOT APPLICABLE

- ITEM NOT ILLUSTRATED

32-22-01-01

32-22-01  
FIG. 01  
PAGE 17  
JAN 20/09

BRI



757

PARTS CATALOG (MAINTENANCE)

FIG ITEM	PART NUMBER	1 2 3 4 5 6 7	NOMENCLATURE	EFFECT FROM TO	UNITS PER ASSY
1					
- 115	141N6920-26		.DOOR ASSY-(LANDING GEAR ONLY) POSITION DATA: AFT RH SIDE COMPONENT MAINT MANUAL REF: 32-22-44 FUNCTIONAL REFERENCE: PLACARDS AND MARKINGS FOR DETAILS SEE 11-22-51-03	107107	1
- 115	141N6920-50		.DOOR ASSY-(LANDING GEAR ONLY) POSITION DATA: AFT RH SIDE COMPONENT MAINT MANUAL REF: 32-22-44 FUNCTIONAL REFERENCE: PLACARDS AND MARKINGS FOR DETAILS SEE 11-22-51-03	002004 006100 107107 121503 904999	1
- 115	141N6920-52		.DOOR ASSY-(LANDING GEAR ONLY) POSITION DATA: AFT RH SIDE COMPONENT MAINT MANUAL REF: 32-22-44 FUNCTIONAL REFERENCE: PLACARDS AND MARKINGS FOR DETAILS SEE 11-22-51-03	002004 006102 107107 121999	1
- 115	141N6920-22		.DOOR ASSY-(LANDING GEAR ONLY) POSITION DATA: AFT RH SIDE COMPONENT MAINT MANUAL REF: 32-22-44 FUNCTIONAL REFERENCE: PLACARDS AND MARKINGS FOR DETAILS SEE 11-22-51-03	107107	1
- 115	141N6920-54		.DOOR ASSY- POSITION DATA: AFT RH SIDE COMPONENT MAINT MANUAL REF: 32-22-44	103105 108120	1
- 115	141N6920-56		.DOOR ASSY- POSITION DATA: AFT RH SIDE	103105 108120	1

MISSING ITEM NUMBERS NOT APPLICABLE

- ITEM NOT ILLUSTRATED

32-22-01-01

32-22-01  
FIG. 01  
PAGE 18  
JAN 20/09

BRI



757

PARTS CATALOG (MAINTENANCE)

FIG ITEM	PART NUMBER	1 2 3 4 5 6 7	NOMENCLATURE	EFFECT FROM TO	UNITS PER ASSY
1					
- 115	141N6920-58		. DOOR ASSY- POSITION DATA: AFT RH SIDE	106106	1
116	MS27253-3		.. PLATE	002004 006999	1
117	141N6927-4		.. FITTING ASSY	002004 006999	1
120	BACB30NM3K9		ATTACHING PARTS .. BOLT	002004 006999	4
125	AN960PD10		.. WASHER-	002004 006105 107999	8
125	NAS1149D0316J		.. WASHER-	106106	8
130	NAS1805-3N		.. NUT-	002004 006105 107999	4
130	NAS1805-3L		.. NUT- OPTIONAL PART: BACN10YR3CD	106106	4
130	PLH53CD		.. NUT- SUPPLIER CODE: VFO224 SPECIFICATION NUMBER: BACN10YR3CD OPTIONAL PART: H52732-3CD V15653 NAS1805-3L -----*-----	106106	4
131	141N6927-6		... PLATE-BRG	002004 006999	1
132	141N0108-2		.. SHIM	002004 006999	1
133	141N0108-1		.. PLATE-SERRATED	002004 006999	1

MISSING ITEM NUMBERS NOT APPLICABLE

- ITEM NOT ILLUSTRATED

BRI

32-22-01-01

BOEING PROPRIETARY - Copyright © - Unpublished Work - See title page for details.

32-22-01  
FIG. 01  
PAGE 19  
JAN 20/09



757

PARTS CATALOG (MAINTENANCE)

FIG ITEM	PART NUMBER	1 2 3 4 5 6 7	NOMENCLATURE	EFFECT FROM TO	UNITS PER ASSY
1 135	141N6928-2		.. FITTING-SPRT USED ON: 141N6920-11 141N6920-15 141N6920-18 141N6920-20 141N6920-21 141N6920-22 141N6920-23 141N6920-24 141N6920-25 141N6920-26 141N6920-33 141N6920-34 141N6920-35 141N6920-36 141N6920-40 141N6920-41	107107	1
135	141N6928-3		.. FITTING-SPRT OPTIONAL PART: 141N6928-4 USED ON: 141N6920-11 141N6920-15 141N6920-18 141N6920-20 141N6920-21 141N6920-22 141N6920-23 141N6920-24 141N6920-25 141N6920-26 141N6920-33 141N6920-34 141N6920-35 141N6920-36 141N6920-40 141N6920-41	107107 904949	1
135	141N6928-4		.. FITTING-SPRT OPTIONAL PART: 141N6928-3 USED ON: 141N6920-40 141N6920-41	904949	1

MISSING ITEM NUMBERS NOT APPLICABLE

- ITEM NOT ILLUSTRATED

BRI

32-22-01-01

BOEING PROPRIETARY - Copyright © - Unpublished Work - See title page for details.

32-22-01  
FIG. 01  
PAGE 20  
JAN 20/09



**757  
PARTS CATALOG (MAINTENANCE)**

FIG ITEM	PART NUMBER	1 2 3 4 5 6 7	NOMENCLATURE	EFFECT FROM TO	UNITS PER ASSY
1 135	141N6928-6		.. FITTING-SPRT USED ON: 141N6920-11 141N6920-15 141N6920-18 141N6920-20 141N6920-21 141N6920-22 141N6920-23 141N6920-24 141N6920-25 141N6920-26 141N6920-33 141N6920-34 141N6920-35 141N6920-36 141N6920-40 141N6920-41 141N6920-49 141N6920-50 141N6920-51 141N6920-52 141N6920-54 141N6920-55 141N6920-56 141N6920-57 141N6920-58 ATTACHING PARTS	002004 006999	1
140	BACB30NN4K14		.. BOLT	002004 006999	2
145	BACB30NN4K29		.. BOLT	002004 006999	1
150	AN960PD416L		.. WASHER-	002004 006105 107999	3
150	NAS1149D0416J		.. WASHER-	106106	3
155	NAS1805-4N		.. NUT-	002004 006105 107999	3
155	NAS1805-4L		.. NUT- -----*-----	106106	3

MISSING ITEM NUMBERS NOT APPLICABLE

— ITEM NOT ILLUSTRATED

BRI

# 32-22-01-01

BOEING PROPRIETARY - Copyright © - Unpublished Work - See title page for details.

32-22-01  
FIG. 01  
PAGE 21  
JAN 20/09





757

PARTS CATALOG (MAINTENANCE)

FIG ITEM	PART NUMBER	1 2 3 4 5 6 7	NOMENCLATURE	EFFECT FROM TO	UNITS PER ASSY
1 160	141N6922-1		..HINGE ASSY- USED ON: 141N6920-15 141N6920-20 141N6920-21 141N6920-22 141N6920-23 141N6920-24 141N6920-25 141N6920-26 141N6920-33 141N6920-34 141N6920-35 141N6920-36 141N6920-40 141N6920-41 141N6920-49 141N6920-50 141N6920-51 141N6920-52 141N6920-54 141N6920-55 141N6920-56 141N6920-57 141N6920-58	002004 006999	1
160	141N6921-1		..HINGE ASSY- USED ON: 141N6920-11 141N6920-15 141N6920-18 141N6920-20	107107	1
165	BACB30NN4K39		ATTACHING PARTS ..BOLT-	002004 006105 107999	2
166	BACB30NN4K39		..BOLT-	106106	1
166	BACB30LR4-39		OPTIONAL PART: BACB30LR4-39 ..BOLT-	106106	1
167	BACB30LR4-39		OPTIONAL PART: BACB30NN4K39 ..BOLT	106106	1
170	BACB30LR4-38		..BOLT- OPTIONAL PART: BACB30NN4K38	106106	2
170	BACB30NN4K38		..BOLT- OPTIONAL PART: BACB30LR4-38	002004 006999	2

MISSING ITEM NUMBERS NOT APPLICABLE

- ITEM NOT ILLUSTRATED

32-22-01-01

32-22-01  
FIG. 01  
PAGE 22  
JAN 20/09

BRI



757

PARTS CATALOG (MAINTENANCE)

FIG ITEM	PART NUMBER	1 2 3 4 5 6 7	NOMENCLATURE	EFFECT FROM TO	UNITS PER ASSY
1					
175	AN960PD416L	..	WASHER-	002004 006105 107999	4
175	NAS1149D0416J	..	WASHER-	106106	4
180	NAS1805-4N	..	NUT-	002004 006105 107999	4
180	NAS1805-4L	..	NUT-	106106	4
			-----*-----		
182	NAS516-1A	...	FITTING	002004 006999	2
183	ABW5V5	...	BEARING	002004 006999	1
			SUPPLIER CODE: VS0352		
			SPECIFICATION NUMBER: BACB10AB5		
			OPTIONAL PART: AW5VCRG V15860 BSSR5544 V81376 KWB5-20CRG V97613 WG5E V73134 55283 V09455 HU5-134 V02758 ABW5V5 V50294 BWG5-110 V16746 WC5G1 V56644		

MISSING ITEM NUMBERS NOT APPLICABLE

- ITEM NOT ILLUSTRATED

BRI

32-22-01-01

BOEING PROPRIETARY - Copyright © - Unpublished Work - See title page for details.

32-22-01  
FIG. 01  
PAGE 23  
JAN 20/09



757

PARTS CATALOG (MAINTENANCE)

FIG ITEM	PART NUMBER	1 2 3 4 5 6 7	NOMENCLATURE	EFFECT FROM TO	UNITS PER ASSY
1 184	ABW6V5		. . . BEARING- SUPPLIER CODE: VS0352 SPECIFICATION NUMBER: BACB10AB6 OPTIONAL PART: AW6VCRG V15860 BSSR6341 V81376 KWB6-20CRG V97613 WG6E V73134 55284 V09455 HU6-134 V02758 BWG6-110 V16746 WC6G1 V56644	002004 006999	1
184	ABW6V5M		. . . BEARING- SUPPLIER CODE: VS0352 SPECIFICATION NUMBER: BACB10AB6M OPTIONAL PART: AW6VCRG12 V15860 BSSR6341EC2 V81376 KWB6-20CRGD5 V97613 WG6EM V73134 55284M V09455 HU6-134M V02758 ABW6V5-12 V50294 WC6G1DM V56644 ABW6V5-12 VS0352	107107	1

MISSING ITEM NUMBERS NOT APPLICABLE

- ITEM NOT ILLUSTRATED

BRI

32-22-01-01

BOEING PROPRIETARY - Copyright © - Unpublished Work - See title page for details.

32-22-01  
 FIG. 01  
 PAGE 24  
 JAN 20/09



757

PARTS CATALOG (MAINTENANCE)

FIG ITEM	PART NUMBER	1 2 3 4 5 6 7	NOMENCLATURE	EFFECT FROM TO	UNITS PER ASSY
1 185	141N6924-1		..HINGE ASSY- USED ON: 141N6920-15 141N6920-20 141N6920-21 141N6920-22 141N6920-23 141N6920-24 141N6920-25 141N6920-26 141N6920-33 141N6920-34 141N6920-35 141N6920-36 141N6920-40 141N6920-41 141N6920-49 141N6920-50 141N6920-51 141N6920-52 141N6920-54 141N6920-55 141N6920-56 141N6920-57 141N6920-58	002004 006999	1
185	141N6923-1		..HINGE ASSY- USED ON: 141N6920-11 141N6920-15 141N6920-18 141N6920-20	002004 006999	1
190	BACB30NN4K38		ATTACHING PARTS ..BOLT-	002004 006105 107999	4
191	BACB30NN4K38		..BOLT-	106106	4
191	BACB30LR4-38		OPTIONAL PART: BACB30LR4-38 ..BOLT-	106106	4
195	AN960PD416L		OPTIONAL PART: BACB30NN4K38 ..WASHER-	002004 006105 107999	4
195 200	NAS1149D0416J NAS1805-4N		..WASHER- ..NUT-	106106 002004 006105 107999	4 4

MISSING ITEM NUMBERS NOT APPLICABLE

- ITEM NOT ILLUSTRATED

32-22-01-01

32-22-01  
FIG. 01  
PAGE 25  
JAN 20/09

BRI



757

PARTS CATALOG (MAINTENANCE)

FIG ITEM	PART NUMBER	1 2 3 4 5 6 7	NOMENCLATURE	EFFECT FROM TO	UNITS PER ASSY
1					
200	NAS1805-4L	..	NUT-	106106	4
			-----*-----		
205	NAS516-1A	...	FITTING	002004 006999	1
207	ABW5V5	...	BEARING	002004 006999	1
			SUPPLIER CODE: VS0352		
			SPECIFICATION NUMBER: BACB10AB5		
			OPTIONAL PART: AW5VCRG V15860 BSSR5544 V81376 KWB5-20CRG V97613 WG5E V73134 55283 V09455 HU5-134 V02758 ABW5V5 V50294 BWG5-110 V16746 WC5G1 V56644		
210	66-13873-6	..	PLATE-BRG	002004 006999	1
215	BACB30LH2K3	..	BOLT	002004 006999	37
220	AN60PD8L	..	WASHER-	002004 006105 107999	37
220	NAS1149DN816J	..	WASHER-	106106	37

MISSING ITEM NUMBERS NOT APPLICABLE

- ITEM NOT ILLUSTRATED

32-22-01-01

32-22-01  
FIG. 01  
PAGE 26  
JAN 20/09

BRI

BOEING PROPRIETARY - Copyright © - Unpublished Work - See title page for details.



757

PARTS CATALOG (MAINTENANCE)

FIG ITEM	PART NUMBER	1 2 3 4 5 6 7	NOMENCLATURE	EFFECT FROM TO	UNITS PER ASSY
1 225	BRH10C08M		..NUT SUPPLIER CODE: V52828 SPECIFICATION NUMBER: BACN10JC08CM OPTIONAL PART: T6C832JM V11815 97E82 V80539 109LH9075-82W V72962 VN303D82 V92215 NS202101SE82 V80539 H01-08BAC V15653	002004 006999	37
230	141N6920-3		..RETAINER-SEAL POSITION DATA: LH SIDE USED ON: 141N6920-11 141N6920-15 141N6920-21	107107	1
230	141N6920-29		..RETAINER-SEAL POSITION DATA: LH SIDE USED ON: 141N6920-25 141N6920-33 141N6920-35	107107	1
230	141N6920-43		..RETAINER-SEAL POSITION DATA: LH SIDE USED ON: 141N6920-41 141N6920-49 141N6920-51 141N6920-55 141N6920-57	002004 006999	1
- 235	141N6920-4		..RETAINER-SEAL POSITION DATA: RH SIDE USED ON: 141N6920-18 141N6920-20 141N6920-22	107107	1

MISSING ITEM NUMBERS NOT APPLICABLE

- ITEM NOT ILLUSTRATED

32-22-01-01

32-22-01  
FIG. 01  
PAGE 27  
JAN 20/09

BRI



757

PARTS CATALOG (MAINTENANCE)

FIG ITEM	PART NUMBER	1 2 3 4 5 6 7	NOMENCLATURE	EFFECT FROM TO	UNITS PER ASSY
1					
- 235	141N6920-28		.. RETAINER-SEAL POSITION DATA: RH SIDE USED ON: 141N6920-26 141N6920-34 141N6920-36	107107	1
- 235	141N6920-42		.. RETAINER-SEAL POSITION DATA: RH SIDE USED ON: 141N6920-40 141N6920-50 141N6920-52 141N6920-54 141N6920-56 141N6920-58	002004 006999	1
240	141N6920-5		.. RETAINER-SEAL POSITION DATA: LH SIDE USED ON: 141N6920-11 141N6920-15 141N6920-21 141N6920-23 141N6920-25 141N6920-33 141N6920-35	107107	1
240	141N6920-45		.. RETAINER-SEAL POSITION DATA: LH SIDE USED ON: 141N6920-41 141N6920-49 141N6920-51 141N6920-55 141N6920-57	002004 006999	1
- 245	141N6920-6		.. RETAINER-SEAL POSITION DATA: RH SIDE USED ON: 141N6920-18 141N6920-20 141N6920-22 141N6920-24 141N6920-26 141N6920-34 141N6920-36	107107	1

MISSING ITEM NUMBERS NOT APPLICABLE

- ITEM NOT ILLUSTRATED

32-22-01-01

32-22-01  
FIG. 01  
PAGE 28  
JAN 20/09

BRI



757

PARTS CATALOG (MAINTENANCE)

FIG ITEM	PART NUMBER	1 2 3 4 5 6 7	NOMENCLATURE	EFFECT FROM TO	UNITS PER ASSY
1 - 245	141N6920-44		.. RETAINER-SEAL POSITION DATA: RH SIDE USED ON: 141N6920-40 141N6920-50 141N6920-52 141N6920-54 141N6920-56 141N6920-58	002004 006999	1
250	141N6920-9		.. PLUG- MANUFACTURED FROM: ROD RUBBER F25.01 .5 DIA X 1.0 SILICONE FOR SPARES PROCURE: 141N6920Y9	002004 006999	4
255	141N6920-7		.. SEAL- MANUFACTURED FROM: EXTR RUBBER F25.01 BAC1530-44 X 48.55 USED ON: 141N6920-11 141N6920-15 141N6920-18 141N6920-20 141N6920-21 141N6920-22	107107	1
255	141N6920-27		.. SEAL- MANUFACTURED FROM: EXTR RUBBER F25.01 BAC1530-44 X 47.95 USED ON: 141N6920-25 141N6920-26 141N6920-33 141N6920-34 141N6920-35 141N6920-36	107107	1

MISSING ITEM NUMBERS NOT APPLICABLE

- ITEM NOT ILLUSTRATED

BRI

32-22-01-01

BOEING PROPRIETARY - Copyright © - Unpublished Work - See title page for details.

32-22-01  
FIG. 01  
PAGE 29  
JAN 20/09





757

PARTS CATALOG (MAINTENANCE)

FIG ITEM	PART NUMBER	1 2 3 4 5 6 7	NOMENCLATURE	EFFECT FROM TO	UNITS PER ASSY
1 255	141N6920-46		.. SEAL- MANUFACTURED FROM: EXTR RUBBER F25.01 BAC1530-44 X 47.99 USED ON: 141N6920-40 141N6920-41 141N6920-49 141N6920-50 141N6920-51 141N6920-52 141N6920-54 141N6920-55 141N6920-56 141N6920-57 141N6920-58	002004 006999	1
260	141N6920-8		.. SEAL- MANUFACTURED FROM: EXTR RUBBER F25.01 BAC1530-44 X 18.10 USED ON: 141N6920-11 141N6920-15 141N6920-18 141N6920-20 141N6920-21 141N6920-22 141N6920-23 141N6920-24 141N6920-25 141N6920-26 141N6920-33 141N6920-34 141N6920-35 141N6920-36	107107	1

MISSING ITEM NUMBERS NOT APPLICABLE

- ITEM NOT ILLUSTRATED

BRI

32-22-01-01

BOEING PROPRIETARY - Copyright © - Unpublished Work - See title page for details.

32-22-01  
FIG. 01  
PAGE 30  
JAN 20/09



757

PARTS CATALOG (MAINTENANCE)

FIG ITEM	PART NUMBER	1 2 3 4 5 6 7	NOMENCLATURE	EFFECT FROM TO	UNITS PER ASSY
1 260	141N6920-47		.. SEAL- MANUFACTURED FROM: EXTR RUBBER F25.01 BAC1530-44 X 17.95 IN. USED ON: 141N6920-40 141N6920-41 141N6920-49 141N6920-50 141N6920-51 141N6920-52 141N6920-54 141N6920-55 141N6920-56 141N6920-57 141N6920-58	002004 006999	1
900			ILLUSTRATION REFERENCE: SENSOR INSTL-NLG DOOR CLOSED 32-61-03-02	101106 108120 504903	RF

MISSING ITEM NUMBERS NOT APPLICABLE

- ITEM NOT ILLUSTRATED

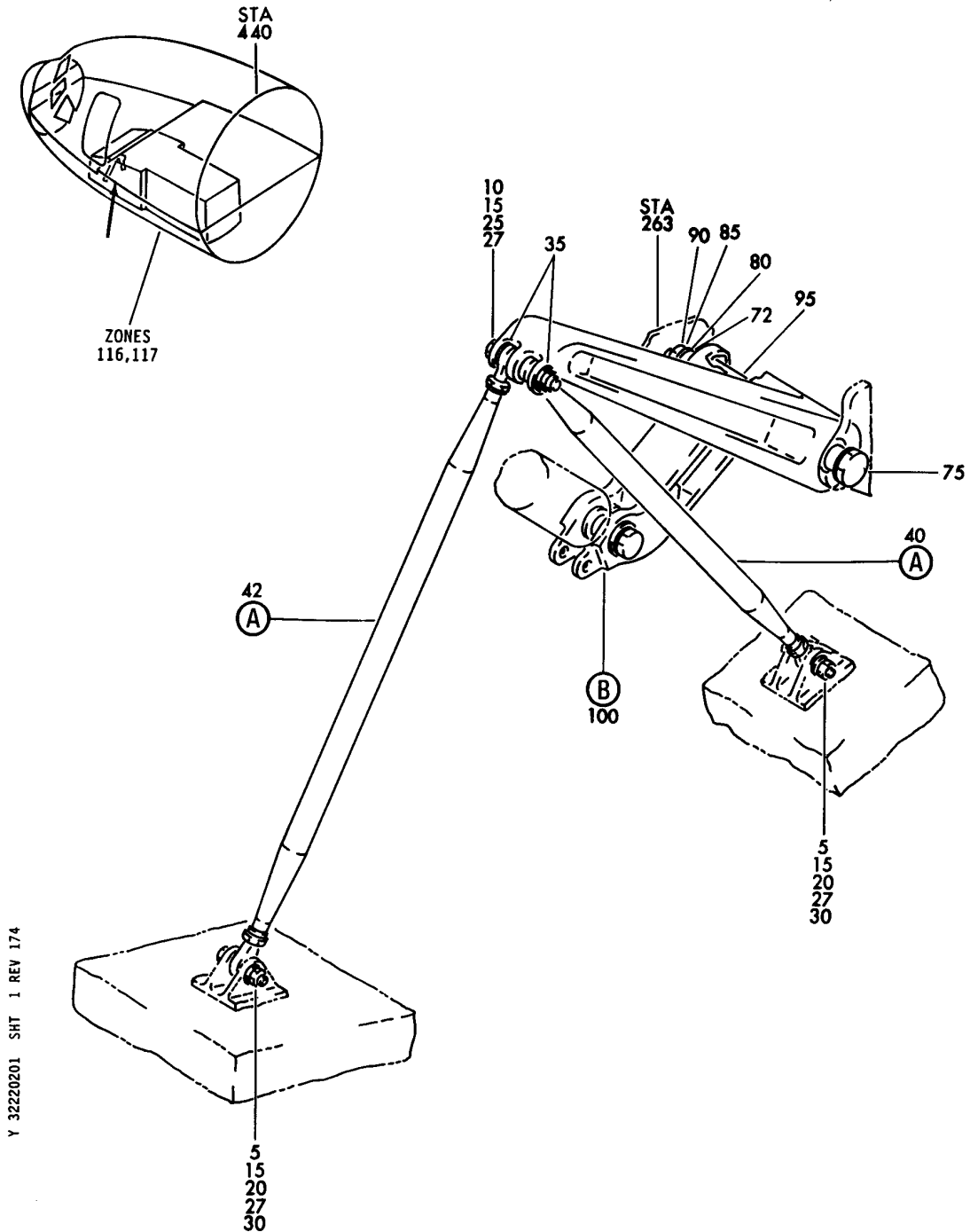
BRI

32-22-01-01

BOEING PROPRIETARY - Copyright © - Unpublished Work - See title page for details.

32-22-01  
FIG. 01  
PAGE 31  
JAN 20/09

**BOEING**  
757  
PARTS CATALOG (MAINTENANCE)



Y 32220201 SHT 1 REV 174

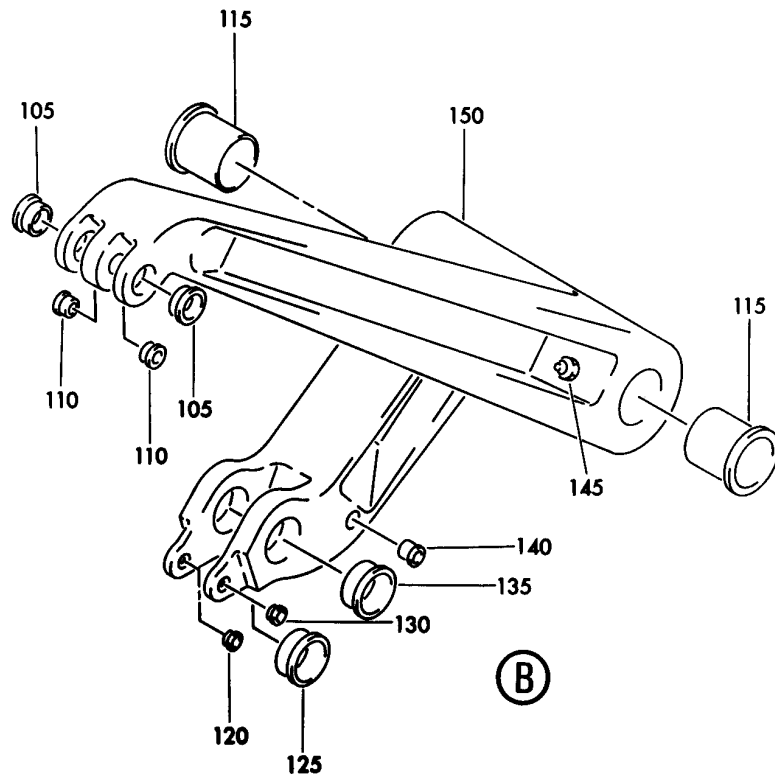
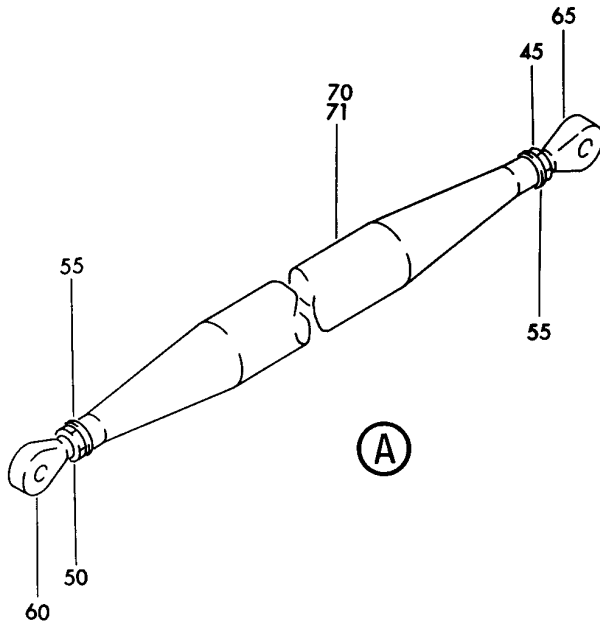
MECHANISM INSTL-NOSE WHL WELL DOOR FWD OPERATING  
FIGURE 1 (SHEET 1)

**32-22-02-01**

BRI  
MAY 28/07

32-22-02-01  
PAGE 0

**BOEING**  
757  
PARTS CATALOG (MAINTENANCE)



Y 32220201 SHT 2 REV 155

MECHANISM INSTL-NOSE WHL WELL DOOR FWD OPERATING  
FIGURE 1 (SHEET 2)

**32-22-02-01**

BRI  
MAY 28/07

32-22-02-01  
PAGE 0A



**757  
PARTS CATALOG (MAINTENANCE)**

FIG ITEM	PART NUMBER	1 2 3 4 5 6 7	NOMENCLATURE	EFFECT FROM TO	UNITS PER ASSY
1			MECHANISM INSTL-NOSE WHL WELL DOOR FWD OPERATING	002004 006999	
- 1	141N0931-1		MECHANISM INSTL-NOSE WHL WELL DOOR OPERATING POSITION DATA: FWD FOR NHA SEE: 53-00-00-01	002004 006100 107107 121503 904999	RF
- 1	141N0931-2		MECHANISM INSTL-NOSE WHL WELL DOOR OPERATING POSITION DATA: FWD FOR NHA SEE: 53-00-00-01A	101102 108120 504903	RF
- 1	MODREF1953		MECHANISM INSTL-NOSE WHL WELL DOOR OPERATING MODULE NUMBER: 141N0931-2 REV A POSITION DATA: FWD	103106	1
5	BACB30NR6DK22		.BOLT-	002004 006999	2
10	NAS6706D40		.BOLT	002004 006999	1
15	AN960C616		.WASHER-	002004 006999	3
20	BACN10JD106CD		.NUT-	002004 006999	2
25	BACN10JD6CD		.NUT	002004 006999	1
27	MS24665-304		.PIN-COTTER	002004 006999	3
30	BACB28AK06-041		.BUSHING-	002004 006999	2
35	BACB28AK06-044		.BUSHING	002004 006999	2
40	141N0936-1		.ROD ASSY	002004 006999	1
42	141N0936-1		.ROD ASSY- QUALIFIED I/W DATA: -4 MAY REPLACE -1 FOR FORWARD POSITION ONLY	107107	1
42	141N0936-4		.ROD ASSY- QUALIFIED I/W DATA: -4 MAY REPLACE -1 FOR FORWARD POSITION ONLY	002004 006999	1
45	NAS1423-6LH		..NUT	002004 006999	1

MISSING ITEM NUMBERS NOT APPLICABLE

- ITEM NOT ILLUSTRATED

# 32-22-02-01

32-22-02  
FIG. 01  
PAGE 1  
JAN 20/09

BRI



757

PARTS CATALOG (MAINTENANCE)

FIG ITEM	PART NUMBER	1 2 3 4 5 6 7	NOMENCLATURE	EFFECT FROM TO	UNITS PER ASSY
1					
50	NAS1423-6	..	NUT	002004 006999	1
55	NAS513-6	..	WASHER	002004 006999	2
60	10E6-116	..	BEARING SUPPLIER CODE: V16746 SPECIFICATION NUMBER: BACB10Y6 OPTIONAL PART: BRES6-2001L2 V81376 HB6E212K V02758 KBE6-150AFNW V97613 MSSK6ASFG V73134 51588-061 V09455 ASMK6F1 V56644 AR6E7AFNW VS0352 ARB6E60FNW V15860	002004 006999	1
65	11E6-116	..	BEARING SUPPLIER CODE: V16746 SPECIFICATION NUMBER: BACB10Y6L OPTIONAL PART: BRELHS6-2001L2 V81376 HB6E212KL V02758 KBEL6-150AFNW V97613 MSSKL6ASFG V73134 51588L061 V09455 ASBK6F1 V56644 ARL6E7AFNW VS0352 ARBL6E60FNW V15860	002004 006999	1

MISSING ITEM NUMBERS NOT APPLICABLE

- ITEM NOT ILLUSTRATED

BRI

32-22-02-01

BOEING PROPRIETARY - Copyright © - Unpublished Work - See title page for details.

32-22-02  
FIG. 01  
PAGE 2  
JAN 20/09



757

PARTS CATALOG (MAINTENANCE)

FIG ITEM	PART NUMBER	1 2 3 4 5 6 7	NOMENCLATURE	EFFECT FROM TO	UNITS PER ASSY
1					
70	141N0935-1	..	TUBE- USED ON: 141N0936-1	002004 006999	1
71	141N0935-1	..	TUBE- USED ON: 141N0936-1	107107	1
71	141N0935-6	..	TUBE- USED ON: 141N0936-1	002004 006999	1
72	MS24665-374	.	PIN-COTTER	002004 006100 107107 121503 904999	1
72	BACP18BC04A12P	.	PIN-COTTER	101106 108120 504903	1
75	141N0948-1	.	BOLT	002004 006999	1
80	141N0947-1	.	WASHER	002004 006999	1
85	AN960C1016	.	WASHER	002004 006999	1
90	BACN10JD10CD	.	NUT	002004 006999	1
95	141N0949-1	.	BUSHING	002004 006999	1
100	141N0933-1	.	BELLCRANK ASSY- OPTIONAL PART: 141N0933-3	002004 006999	1
100	141N0933-3	.	BELLCRANK ASSY- OPTIONAL PART: 141N0933-1	002004 006999	1
105	BACB28X9M024	..	BUSHING	002004 006999	2
110	BACB28X6N023	..	BUSHING	002004 006999	2
115	BACB28W22B150	..	BUSHING-	002004 006999	2
120	BACB28X4N018	..	BUSHING	002004 006999	1
125	BACB28X12N061	..	BUSHING	002004 006999	1
130	BACB28X6M018	..	BUSHING	002004 006999	1
135	BACB28X18M061	..	BUSHING	002004 006999	1
140	BACB28X5N031	..	BUSHING	002004 006999	1

MISSING ITEM NUMBERS NOT APPLICABLE

- ITEM NOT ILLUSTRATED

32-22-02-01

32-22-02  
FIG. 01  
PAGE 3  
JAN 20/09

BRI

BOEING PROPRIETARY - Copyright © - Unpublished Work - See title page for details.



757

PARTS CATALOG (MAINTENANCE)

FIG ITEM	PART NUMBER	1 2 3 4 5 6 7	NOMENCLATURE	EFFECT FROM TO	UNITS PER ASSY
1					
145	1728B		.. FITTING-LUB SUPPLIER CODE: VOFKM1	002004 006999	1
150	141N0933-5		.. BELLCRANK- USED ON: 141N0933-1	002004 006999	1
150	141N0933-4		.. BELLCRANK- USED ON: 141N0933-3	002004 006999	1

MISSING ITEM NUMBERS NOT APPLICABLE

- ITEM NOT ILLUSTRATED

BRI

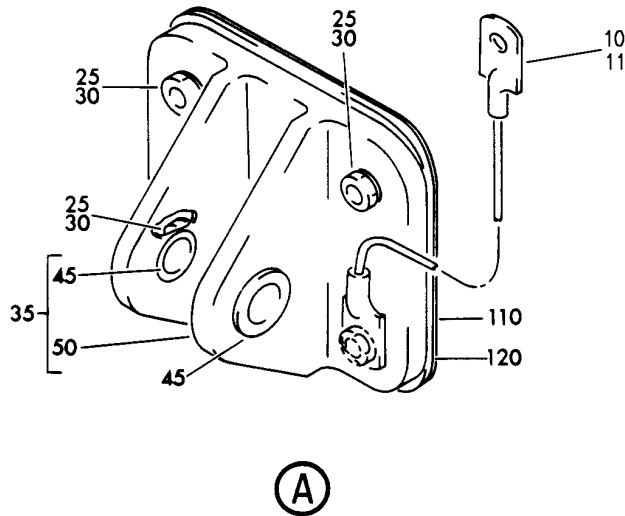
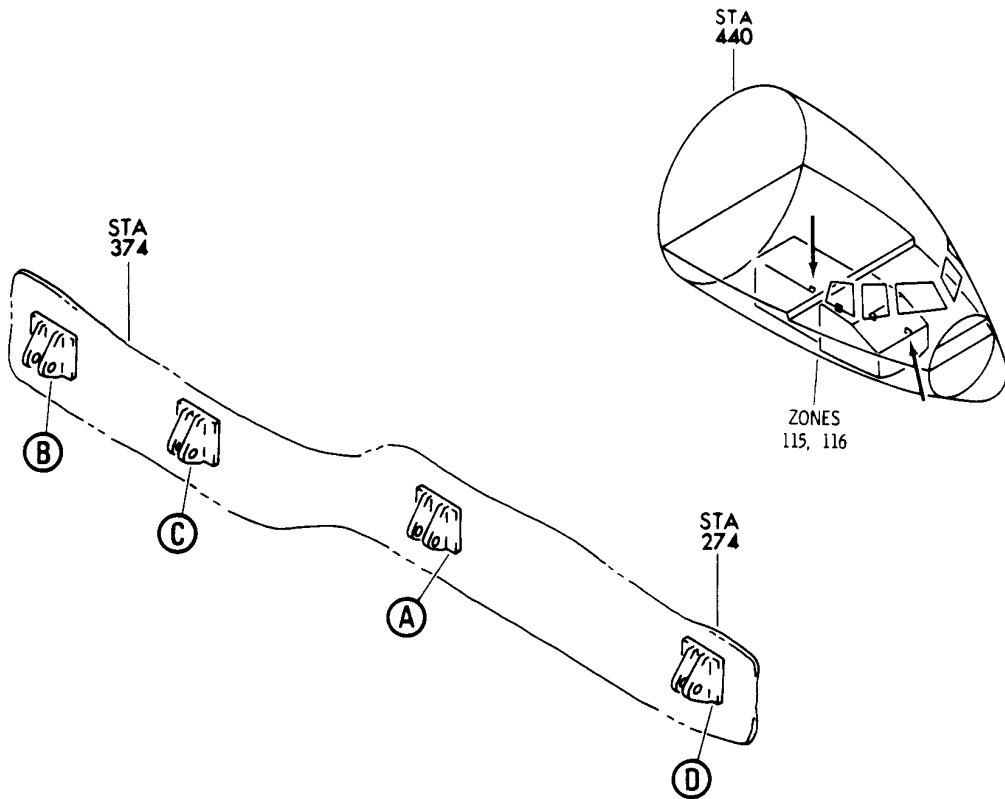
32-22-02-01

BOEING PROPRIETARY - Copyright © - Unpublished Work - See title page for details.

32-22-02  
FIG. 01  
PAGE 4  
JAN 20/09



**BOEING**  
757  
PARTS CATALOG (MAINTENANCE)



Y 32220301 SH-T 1 REV 299

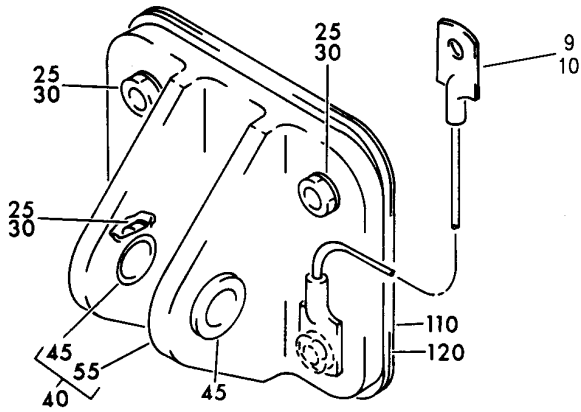
HINGE INSTL-WHL WELL NOSE GR  
FIGURE 1 (SHEET 1)

**32-22-03-01**

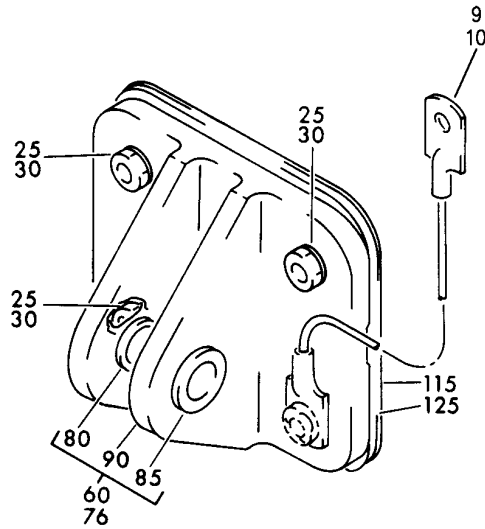
BRI  
MAY 28/07

32-22-03-01  
PAGE 0

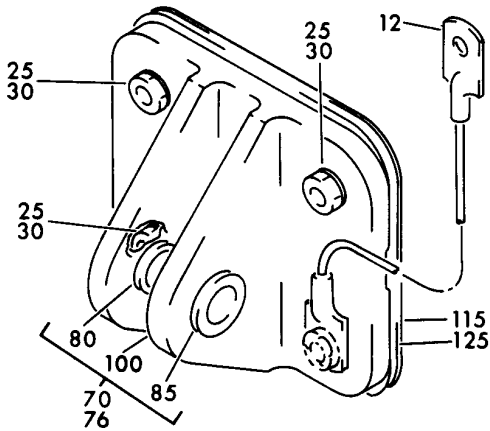
**BOEING**  
757  
PARTS CATALOG (MAINTENANCE)



**(B)**



**(C)**



**(D)**

Y 32220301 SHT 2 REV 299

HINGE INSTL-WHL WELL NOSE GR  
FIGURE 1 (SHEET 2)

**32-22-03-01**

BRI  
MAY 28/07

32-22-03-01  
PAGE 0A



757

PARTS CATALOG (MAINTENANCE)

FIG ITEM	PART NUMBER	1 2 3 4 5 6 7	NOMENCLATURE	EFFECT FROM TO	UNITS PER ASSY
1			HINGE INSTL-WHL WELL NOSE GR	002004 006999	
- 1	141N0101-1		HINGE INSTL-WHL WELL NOSE GR POSITION DATA: LH FOR NHA SEE: 53-13-52-01	002004 006100 107107 121503 904999	RF
- 1	141N0101-7		HINGE INSTL-WHL WELL NOSE GR POSITION DATA: LH FOR NHA SEE: 53-00-00-01A	101102 108120 504903	RF
- 1	MODREF1940		HINGE INSTL-WHL WELL NOSE GR MODULE NUMBER: 141N0101-7 REV A POSITION DATA: LH	103106	1
- 5	141N0101-2		HINGE INSTL-WHL WELL NOSE GR POSITION DATA: RH FOR NHA SEE: 53-13-52-01	002004 006100 107107 121503 904999	RF
- 5	MODREF1941		HINGE INSTL-WHL WELL NOSE GR MODULE NUMBER: 141N0101-8 REV A POSITION DATA: RH	103106	1
- 5	141N0101-8		HINGE INSTL-WHL WELL NOSE GR POSITION DATA: RH FOR NHA SEE: 53-00-00-01A	101102 108120 504903	RF
10	86655-6		JUMPER ASSY- SUPPLIER CODE: V91812 SPECIFICATION NUMBER: BACJ40AC55-6 OPTIONAL PART: 100655-6 V1FF12 RBEJ40AC55-6 V1GK47	107107 904949	3

MISSING ITEM NUMBERS NOT APPLICABLE

- ITEM NOT ILLUSTRATED

32-22-03-01

32-22-03  
FIG. 01  
PAGE 1  
JAN 20/09

BRI



757

PARTS CATALOG (MAINTENANCE)

FIG ITEM	PART NUMBER	1 2 3 4 5 6 7	NOMENCLATURE	EFFECT FROM TO	UNITS PER ASSY
1					
10	940CW22-6		. JUMPER ASSY- SUPPLIER CODE: V91812 SPECIFICATION NUMBER: BACJ40AB22-6 OPTIONAL PART: RBEJ40AB22-61FF V1GK47 100222-6 V1FF12	002004 006106 108903 950999	3
12	940CW22-9		. JUMPER ASSY- SUPPLIER CODE: V91812 SPECIFICATION NUMBER: BACJ40AB22-9 OPTIONAL PART: 100222-9 V1FF12 RBEJ40AB22-9 V1GK47	002004 006999	1
- 15	BACB30NM4K14		. BOLT	002004 006999	4
- 20	AN960D416		. WASHER	002004 006999	8
			-----*-----		
25	BACB30NM4K12		. BOLT	002004 006999	12
30	AN960PD416		. WASHER	002004 006999	12
35	141N0104-1		. HINGE ASSY	002004 006999	1
40	141N0104-2		. HINGE ASSY	002004 006999	1
45	BACB28X7M020		.. BUSHING	002004 006999	2
50	141N0104-3		.. FITTING- OPTIONAL PART: 141N0104-5 USED ON: 141N0104-1	002004 006999	1
50	141N0104-5		.. FITTING- OPTIONAL PART: 141N0104-3 USED ON: 141N0104-1	002004 006999	1

MISSING ITEM NUMBERS NOT APPLICABLE

- ITEM NOT ILLUSTRATED

32-22-03-01

32-22-03  
FIG. 01  
PAGE 2  
JAN 20/09

BRI



757

PARTS CATALOG (MAINTENANCE)

FIG ITEM	PART NUMBER	1 2 3 4 5 6 7	NOMENCLATURE	EFFECT FROM TO	UNITS PER ASSY
1					
55	141N0104-4	..	FITTING- OPTIONAL PART: 141N0104-6 USED ON: 141N0104-2	002004 006999	1
55	141N0104-6	..	FITTING- OPTIONAL PART: 141N0104-4 USED ON: 141N0104-2	002004 006999	1
76	141N0102-2	.HINGE ASSY-	POSITION DATA: LH SIDE	002004 006999	2
- 77	141N0102-1	.HINGE ASSY-	POSITION DATA: RH SIDE	002004 006999	2
80	BACB28X5C023	..	BUSHING	002004 006999	1
85	BACB28X7M023	..	BUSHING	002004 006999	1
100	141N0102-6	..	FITTING- OPTIONAL PART: 141N0102-10 USED ON: 141N0102-2	002004 006999	1
100	141N0102-10	..	FITTING- OPTIONAL PART: 141N0102-6 USED ON: 141N0102-2	002004 006999	1
- 105	141N0102-5	..	FITTING- OPTIONAL PART: 141N0102-9 USED ON: 141N0102-1	002004 006999	1
- 105	141N0102-9	..	FITTING- OPTIONAL PART: 141N0102-6 USED ON: 141N0102-1	002004 006999	1
110	141N0101-3	.SHIM-	POSITION DATA: LH SIDE	002004 006010 107107 121503 904999	2
110	141N0101-5	.SHIM-	POSITION DATA: LH SIDE	011106 108120 504903	2

MISSING ITEM NUMBERS NOT APPLICABLE

- ITEM NOT ILLUSTRATED

32-22-03-01

32-22-03  
FIG. 01  
PAGE 3  
JAN 20/09

BRI

BOEING PROPRIETARY - Copyright © - Unpublished Work - See title page for details.



757

PARTS CATALOG (MAINTENANCE)

FIG ITEM	PART NUMBER	1 2 3 4 5 6 7	NOMENCLATURE	EFFECT FROM TO	UNITS PER ASSY
1					
- 112	141N0101-3		.SHIM- POSITION DATA: RH SIDE	002004 006009 107107 121503 904949 952999	2
- 112	141N0101-5		.SHIM- POSITION DATA: RH SIDE	010106 108120 504903 950951	2
115	141N0101-4		.SHIM- POSITION DATA: LH SIDE	002004 006010 107107 121503 904999	2
115	141N0101-6		.SHIM- POSITION DATA: LH SIDE	011106 108120 504903	2
- 117	141N0101-4		.SHIM- POSITION DATA: RH SIDE	002004 006009 107107 121503 904949 952999	2
- 117	141N0101-6		.SHIM- POSITION DATA: RH SIDE	010106 108120 504903 950951	2
120	141N0106-2		.PLATE	002004 006999	2
125	141N0106-1		.PLATE	002004 107107 904949 952952	2
125	141N0106-3		.PLATE	006106 108903 950951 953999	2

MISSING ITEM NUMBERS NOT APPLICABLE

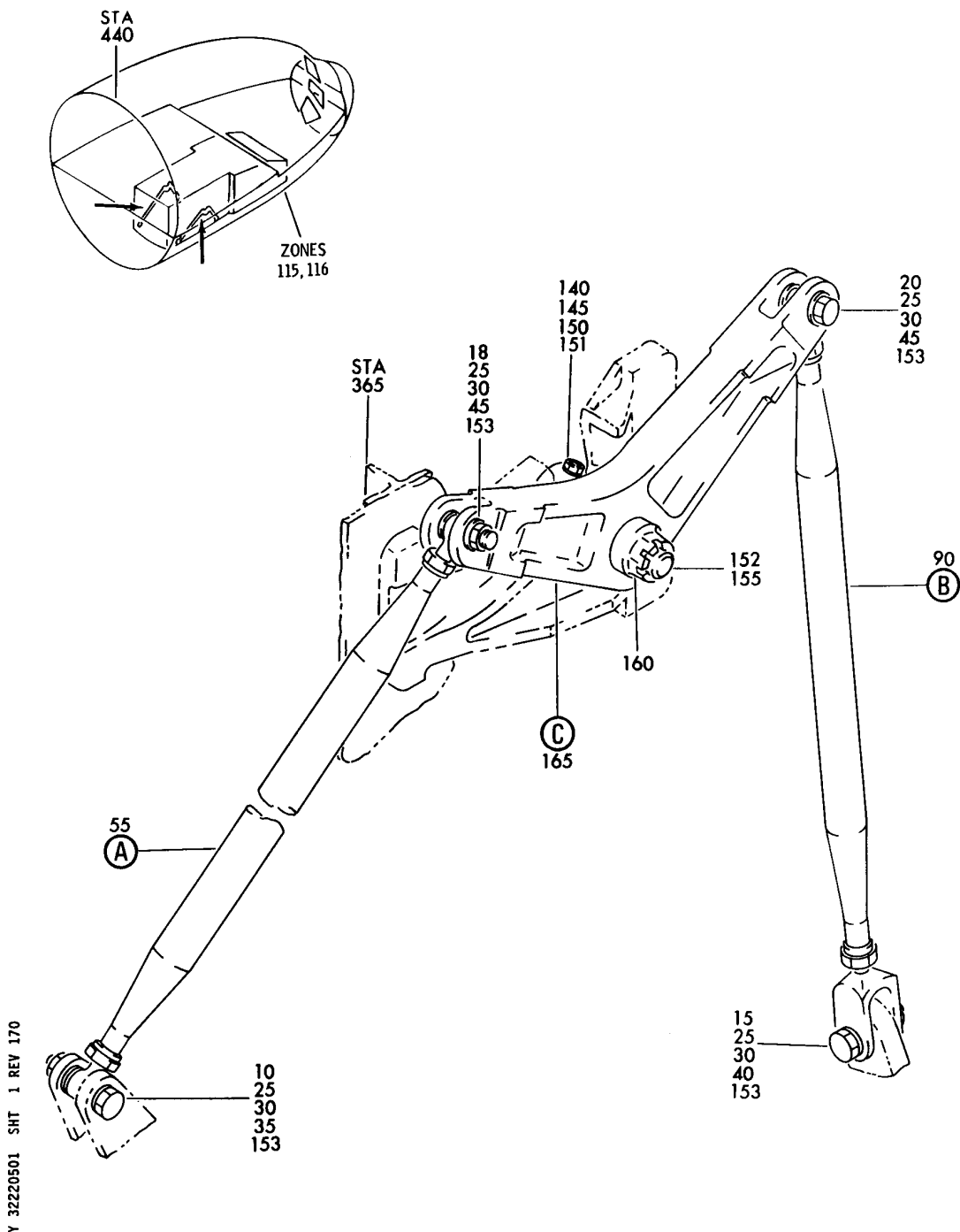
- ITEM NOT ILLUSTRATED

32-22-03-01

32-22-03  
FIG. 01  
PAGE 4  
JAN 20/09

BRI

**BOEING**  
757  
PARTS CATALOG (MAINTENANCE)



Y 32220501 SHT 1 REV 170

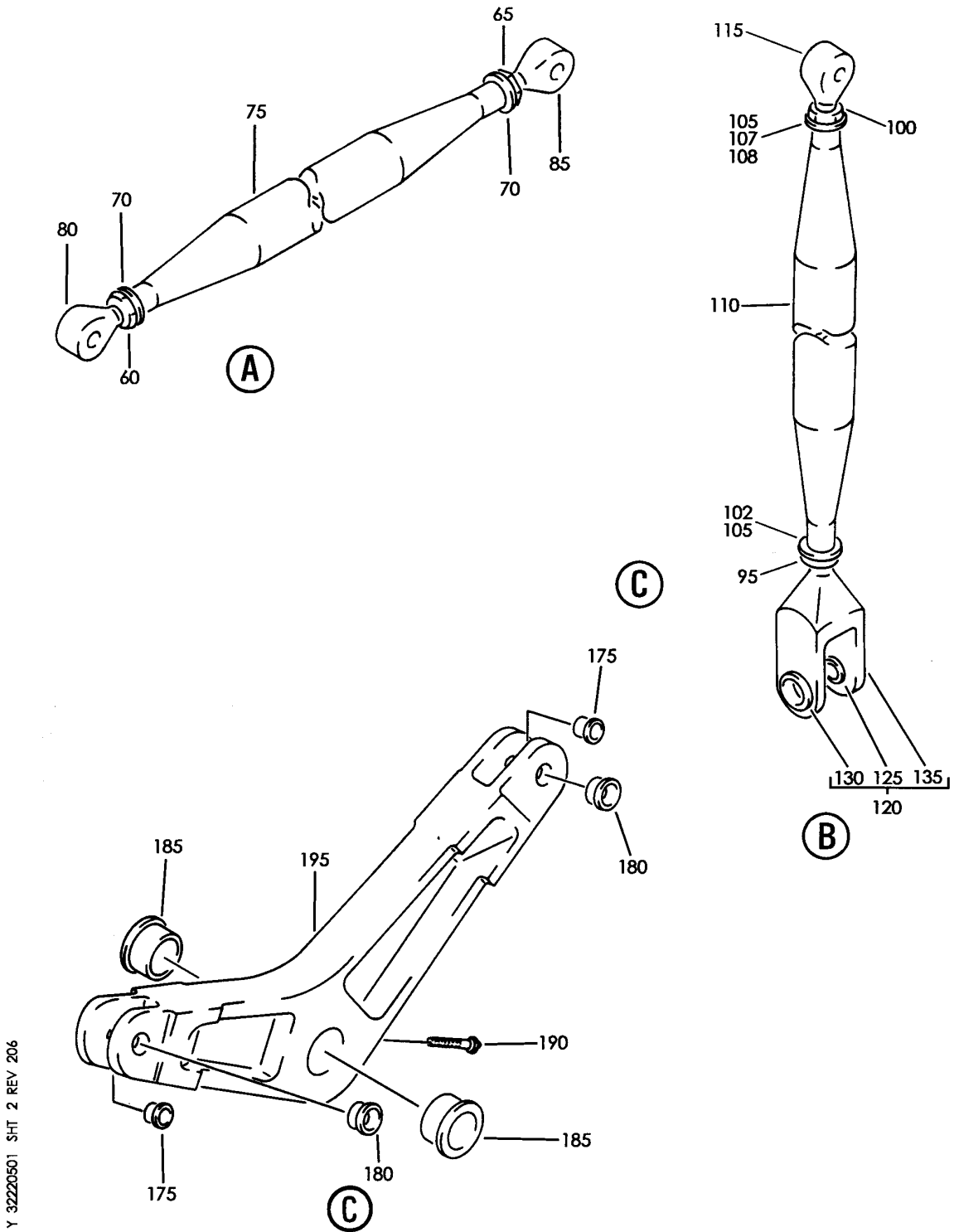
MECHANISM INSTL-NOSE WHL WELL DOOR AFT OPERATING  
FIGURE 1 (SHEET 1)

**32-22-05-01**

BRI  
MAY 28/07

32-22-05-01  
PAGE 0

**BOEING**  
757  
PARTS CATALOG (MAINTENANCE)



MECHANISM INSTL-NOSE WHL WELL DOOR AFT OPERATING  
FIGURE 1 (SHEET 2)

**32-22-05-01**

BRI  
MAY 28/07

32-22-05-01  
PAGE 0A





757

PARTS CATALOG (MAINTENANCE)

FIG ITEM	PART NUMBER	1 2 3 4 5 6 7	NOMENCLATURE	EFFECT FROM TO	UNITS PER ASSY
1			MECHANISM INSTL-NOSE WHL WELL DOOR AFT OPERATING	002004 006999	
- 1	141N0932-1		MECHANISM INSTL-NOSE WHL WELL DOOR OPERATING POSITION DATA: AFT LH FOR NHA SEE: 53-00-00-01	002004 006100 107107 121503 904999	RF
- 1	141N0932-3		MECHANISM INSTL-NOSE WHL WELL DOOR OPERATING POSITION DATA: AFT LH FOR NHA SEE: 53-00-00-01A	101102 108120 504903	RF
- 1	MODREF1954		MECHANISM INSTL-NOSE WHL WELL DOOR OPERATING MODULE NUMBER: 141N0932-3 REV A POSITION DATA: AFT LH	103103	1
- 1	MODREF30050		MECHANISM INSTL-NOSE WHL WELL DOOR OPERATING MODULE NUMBER: 141N0932-3 REV B POSITION DATA: AFT LH	104106	1
- 5	141N0932-2		MECHANISM INSTL-NOSE WHL WELL DOOR OPERATING POSITION DATA: AFT RH FOR NHA SEE: 53-00-00-01	002004 006100 107107 121503 904999	RF
- 5	141N0932-4		MECHANISM INSTL-NOSE WHL WELL DOOR OPERATING POSITION DATA: AFT RH FOR NHA SEE: 53-00-00-01A	101102 108120 504903	RF
- 5	MODREF1955		MECHANISM INSTL-NOSE WHL WELL DOOR OPERATING MODULE NUMBER: 141N0932-4 REV A POSITION DATA: AFT RH	103103	1

MISSING ITEM NUMBERS NOT APPLICABLE

- ITEM NOT ILLUSTRATED

32-22-05-01

32-22-05  
FIG. 01  
PAGE 1  
JAN 20/09

BRI



757

PARTS CATALOG (MAINTENANCE)

FIG ITEM	PART NUMBER	1 2 3 4 5 6 7	NOMENCLATURE	EFFECT FROM TO	UNITS PER ASSY
1					
- 5	MODREF30051		MECHANISM INSTL-NOSE WHL WELL DOOR OPERATING MODULE NUMBER: 141N0932-4 REV B POSITION DATA: AFT RH	104106	1
10	BACB30NR6DK21		.BOLT-	002004 006999	1
15	BACB30NR6DK18		.BOLT-	002004 006999	1
18	BACB30NR6DK19		.BOLT-	002004 006999	1
20	BACB30NR6DK20		.BOLT-	002004 006999	1
25	NAS1149C0663R		.WASHER-	002004 006999	4
30	BACN10JD106CD		.NUT-	002004 006999	4
35	BACB28AK06-045		.BUSHING-	002004 006999	1
40	BACB28AK06-037		.BUSHING-	002004 006999	1
45	BACB28AK06-043		.BUSHING	002004 006999	2
55	141N0936-2		.ROD ASSY-CONT	002004 006999	1
60	NAS1423-6		..NUT	002004 006999	1
65	NAS1423-6LH		..NUT-	002004 006999	1
70	NAS513-6		..WASHER	002004 006999	2
75	141N0935-2		..TUBE	002004 006999	1

MISSING ITEM NUMBERS NOT APPLICABLE

- ITEM NOT ILLUSTRATED

32-22-05-01

32-22-05  
FIG. 01  
PAGE 2  
JAN 20/09

BRI

BOEING PROPRIETARY - Copyright © - Unpublished Work - See title page for details.



757

PARTS CATALOG (MAINTENANCE)

FIG ITEM	PART NUMBER	1 2 3 4 5 6 7	NOMENCLATURE	EFFECT FROM TO	UNITS PER ASSY
1 80	10E6-116		.. BEARING SUPPLIER CODE: V16746 SPECIFICATION NUMBER: BACB10Y6 OPTIONAL PART: BRES6-2001L2 V81376 HB6E212K V02758 KBE6-150AFNW V97613 MSSK6ASFG V73134 51588-061 V09455 ASMK6F1 V56644 AR6E7AFNW VS0352 ARB6E60FNW V15860	002004 006999	1
85	11E6-116		.. BEARING SUPPLIER CODE: V16746 SPECIFICATION NUMBER: BACB10Y6L OPTIONAL PART: BRELHS6-2001L2 V81376 HB6E212KL V02758 KBEL6-150AFNW V97613 MSSKL6ASFG V73134 51588L061 V09455 ASBK6F1 V56644 ARL6E7AFNW VS0352 ARBL6E60FNW V15860	002004 006999	1
90	141N0936-3		. ROD ASSY-CONT	002004 006999	1
90	141N0936-6		. ROD ASSY-CONT	002004 006999	1

MISSING ITEM NUMBERS NOT APPLICABLE

- ITEM NOT ILLUSTRATED

32-22-05-01

32-22-05  
FIG. 01  
PAGE 3  
JAN 20/09

BRI



757

PARTS CATALOG (MAINTENANCE)

FIG ITEM	PART NUMBER	1 2 3 4 5 6 7	NOMENCLATURE	EFFECT FROM TO	UNITS PER ASSY
1					
95	NAS1423-6	..	NUT	002004 006999	1
100	NAS1423-6LH	..	NUT	002004 006999	1
102	NAS513-6	..	WASHER	002004 006106 108903 950999	1
105	NAS513-6	..	WASHER	107107 904949	2
107	NAS1193K6-1	..	WASHER	002004 006106 108903 950999	1
108	NAS1193K6-2	..	WASHER	002004 006106 108903 950999	1
110	141N0935-5	..	TUBE-	002004 006999	1
115	11E6-116	..	BEARING SUPPLIER CODE: V16746 SPECIFICATION NUMBER: BACB10Y6L OPTIONAL PART: BRELHS6-2001L2 V81376 HB6E212KL V02758 KBEL6-150AFNW V97613 MSSKL6ASFG V73134 51588L061 V09455 ASBK6F1 V56644 ARL6E7AFNW VS0352 ARBL6E60FNW V15860	002004 006999	1
120	141N0938-1	..	END ASSY-ROD	002004 006999	1
125	BACB28X6P017	...	BUSHING	002004 006999	1
130	BACB28X9F017	...	BUSHING	002004 006999	1

MISSING ITEM NUMBERS NOT APPLICABLE

- ITEM NOT ILLUSTRATED

32-22-05-01

32-22-05  
FIG. 01  
PAGE 4  
JAN 20/09

BRI

BOEING PROPRIETARY - Copyright © - Unpublished Work - See title page for details.



757

PARTS CATALOG (MAINTENANCE)

FIG ITEM	PART NUMBER	1 2 3 4 5 6 7	NOMENCLATURE	EFFECT FROM TO	UNITS PER ASSY
1					
135	141N0938-2	. . .	FITTING	002004 006999	1
140	BACB30LK3D31	.BOLT-		101106 108120 504903	1
140	BACB30LK3D33	.BOLT-		002004 006100 107107 121503 904999	1
145	NAS1149C0363J	.WASHER-		002004 006999	1
150	BACN10JD103	.NUT		002004 006999	1
151	MS24665-153	.PIN-COTTER		002004 006100 107107 121503 904999	1
151	BACP18BC02A06P	.PIN-COTTER		101106 108120 504903	1
152	MS24665-376	.PIN-COTTER		002004 006100 107107 121503 904999	1
152	BACP18BC04A14P	.PIN-COTTER		101106 108120 504903	1
153	MS24665-304	.PIN-COTTER		002004 006100 107107 121503 904999	4
153	BACP18BC03A10P	.PIN-COTTER		101106 108120 504903	4
155	141N9958-2	.BOLT-		002004 006999	1
160	141N9962-1	.NUT		002004 006999	1
165	141N0944-6	.BELLCRANK ASSY- POSITION DATA: LH SIDE OPTIONAL PART: 141N0951-2		002004 006999	1

MISSING ITEM NUMBERS NOT APPLICABLE

- ITEM NOT ILLUSTRATED

32-22-05-01

32-22-05  
FIG. 01  
PAGE 5  
JAN 20/09

BRI

BOEING PROPRIETARY - Copyright © - Unpublished Work - See title page for details.



757

PARTS CATALOG (MAINTENANCE)

FIG ITEM	PART NUMBER	1 2 3 4 5 6 7	NOMENCLATURE	EFFECT FROM TO	UNITS PER ASSY
1					
165	141N0951-2		.BELLCRANK ASSY- POSITION DATA: LH SIDE	002004 006999	1
165	141N0951-7		.BELLCRANK ASSY- POSITION DATA: LH SIDE	002004 006999	1
165	141N0944-8		.BELLCRANK ASSY- POSITION DATA: LH SIDE OPTIONAL PART: 141N0944-8	002004 006999	1
- 170	141N0944-5		.BELLCRANK ASSY- POSITION DATA: RH SIDE OPTIONAL PART: 141N0951-7	002004 006999	1
- 170	141N0951-1		.BELLCRANK ASSY- POSITION DATA: RH SIDE	002004 006999	1
- 170	141N0951-8		.BELLCRANK ASSY- POSITION DATA: RH SIDE OPTIONAL PART: 141N0944-7	002004 006999	1
- 170	141N0944-7		.BELLCRANK ASSY- POSITION DATA: RH SIDE OPTIONAL PART: 141N0951-8	002004 006106 108999	1
175	BACB28X6N027		..BUSHING	002004 006999	2
180	BACB28X9M023		..BUSHING	002004 006999	2
185	141N0952-1		..BUSHING-	002004 006999	2
185	BACB28W18B059		..BUSHING-	002004 006999	2
190	1728B		..FITTING-LUBE SUPPLIER CODE: VOFKM1	002004 006999	1
195	141N0944-4		..FITTING- POSITION DATA: LH SIDE USED ON: 141N0944-8 USED ON: 141N0944-6	002004 006999	1

MISSING ITEM NUMBERS NOT APPLICABLE

- ITEM NOT ILLUSTRATED

32-22-05-01

32-22-05  
FIG. 01  
PAGE 6  
JAN 20/09

BRI



757

PARTS CATALOG (MAINTENANCE)

FIG ITEM	PART NUMBER	1 2 3 4 5 6 7	NOMENCLATURE	EFFECT FROM TO	UNITS PER ASSY
1 195	141N0951-6		.. FITTING- POSITION DATA: LH SIDE USED ON: 141N0951-7 USED ON: 141N0951-2	002004 006999	1
- 200	141N0944-3		.. FITTING- POSITION DATA: RH SIDE USED ON: 141N0944-7 USED ON: 141N0944-5	002004 006999	1
- 200	141N0951-5		.. FITTING- POSITION DATA: RH SIDE USED ON: 141N0951-8 USED ON: 141N0951-1	002004 006999	1

MISSING ITEM NUMBERS NOT APPLICABLE

- ITEM NOT ILLUSTRATED

BRI

32-22-05-01

BOEING PROPRIETARY - Copyright © - Unpublished Work - See title page for details.

32-22-05  
FIG. 01  
PAGE 7  
JAN 20/09

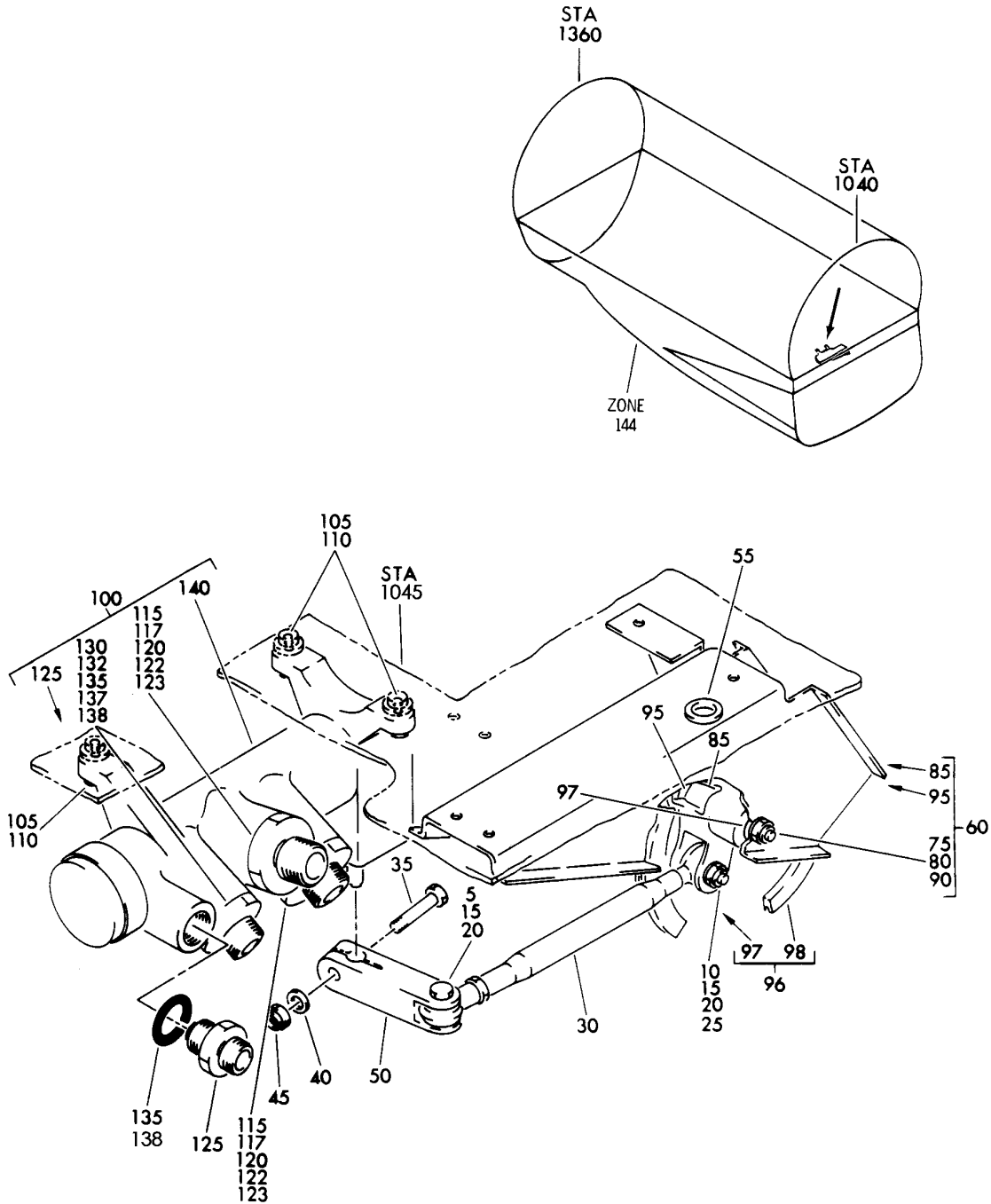
## LANDING GEAR CONTROL SYSTEM

BRI  
MAY 28/07

32-31-00  
SECTION TITLE  
PAGE 1



**BOEING**  
757  
PARTS CATALOG (MAINTENANCE)



Y 32310201 REV 219

VALVE INSTL-LG CONT  
FIGURE 1

**32-31-02-01**

BRI  
MAY 28/07

32-31-02-01  
PAGE 0



757

PARTS CATALOG (MAINTENANCE)

FIG ITEM	PART NUMBER	1 2 3 4 5 6 7	NOMENCLATURE	EFFECT FROM TO	UNITS PER ASSY
1			VALVE INSTL-LG CONT	002004 006999	
- 1	273N3002-1		VALVE INSTL-LG CONT FOR NHA SEE: 32-31-02-02	002004 006100 107107 121503 904999	RF
- 1	273N3002-8		VALVE INSTL-LG CONT FOR NHA SEE: 32-00-00-15	101102 108120 504903	RF
- 1	MODREF8330		VALVE INSTL-LG CONT MODULE NUMBER: 273N3002-8 REV A	103106	1
5	BACB30NF4-12		.BOLT	002004 006999	1
10	BACB30NF4-14		.BOLT	002004 006999	1
15	AN960PD416L		.WASHER	002004 006100 107107 121503 904999	2
15	NAS1149D0416J		.WASHER	101106 108120 504903	2
20	BRH10C4D		.NUT SUPPLIER CODE: V52828 SPECIFICATION NUMBER: BACN10JC4CD OPTIONAL PART: T6C428JCD V11815 NS202486-048 V80539 102LH9075-4W V72962 H51650-4BAC V15653	002004 006999	2
25	BACB28Y4M020		.BUSHING	002004 006999	1
30	250N2004-1115		.ROD ASSY- COMPONENT MAINT MANUAL REF: 27-00-12	002004 006999	1
35	BACB30NR4K13		.BOLT-	002004 006999	1

MISSING ITEM NUMBERS NOT APPLICABLE

- ITEM NOT ILLUSTRATED

32-31-02-01

32-31-02  
FIG. 01  
PAGE 1  
JAN 20/09

BRI



757

PARTS CATALOG (MAINTENANCE)

FIG ITEM	PART NUMBER	1 2 3 4 5 6 7	NOMENCLATURE	EFFECT FROM TO	UNITS PER ASSY
1					
40	AN960PD416L	.	WASHER	002004 006100 107107 121503 904999	1
40	NAS1149D0416J	.	WASHER	101106 108120 504903	1
45	BRH10C4D	.	NUT SUPPLIER CODE: V52828 SPECIFICATION NUMBER: BACN10JC4CD OPTIONAL PART: T6C428JCD V11815 NS202486-048 V80539 102LH9075-4W V72962 H51650-4BAC V15653	002004 006999	1
50	273N3055-2	.	ARM ASSY-	002004 006999	1
55	NAS1368N8A	.	GROMMET	002004 006999	1
60	273N3053-2	.	BRACKET AND QUADRANT ASSY-	002004 006999	1
-	65	BACB30NR4K3	ATTACHING PARTS .BOLT	002004 006999	4
-	70	AN960PD416L	.WASHER	002004 006100 107107 121503 904999	4
-	70	NAS1149D0416J	.WASHER	101106 108120 504903	4
75	BACB30NF4-39	-----*----- ..	BOLT-	002004 006999	1
80	AN960PD416	..	WASHER	002004 006999	1
85	NAS43DD4-96	..	SPACER	002004 006999	1

MISSING ITEM NUMBERS NOT APPLICABLE

- ITEM NOT ILLUSTRATED

32-31-02-01

32-31-02  
FIG. 01  
PAGE 2  
JAN 20/09

BRI



757

PARTS CATALOG (MAINTENANCE)

FIG ITEM	PART NUMBER	1 2 3 4 5 6 7	NOMENCLATURE	EFFECT FROM TO	UNITS PER ASSY
1	90 BRH10C4D		..NUT SUPPLIER CODE: V52828 SPECIFICATION NUMBER: BACN10JC4CD OPTIONAL PART: T6C428JCD V11815 NS202486-048 V80539 102LH9075-4W V72962 H51650-4BAC V15653	002004 006999	1
	95 KP4AFS428		..BEARING SUPPLIER CODE: V06144 SPECIFICATION NUMBER: BACB10BX4 OPTIONAL PART: KP4AFS428 V21335 KP4A2TS V43991 LLKP4A V38443 KP4AG27 V30163 KP4A V38443 KP4ALY196 V40920 KP4ASD610 V83086 CS204E VK8455 KP4A V21760 KP4ANJC V06144	002004 006999	1
	96 273N3050-1		..QUADRANT ASSY	002004 006999	1

MISSING ITEM NUMBERS NOT APPLICABLE

- ITEM NOT ILLUSTRATED

BRI

32-31-02-01

BOEING PROPRIETARY - Copyright © - Unpublished Work - See title page for details.

32-31-02  
FIG. 01  
PAGE 3  
JAN 20/09

 **BOEING**  
757  
**PARTS CATALOG (MAINTENANCE)**

FIG ITEM	PART NUMBER	1 2 3 4 5 6 7	NOMENCLATURE	EFFECT FROM TO	UNITS PER ASSY
1 97	KP4AFS428	...	BEARING SUPPLIER CODE: V06144 SPECIFICATION NUMBER: BACB10BX4 OPTIONAL PART: KP4AFS428 V21335 KP4A2TS V43991 LLKP4A V38443 KP4AG27 V30163 KP4A V38443 KP4ALY196 V40920 KP4ASD610 V83086 CS204E VK8455 KP4A V21760 KP4ANJC V06144	002004 006999	1
98	273N3050-2	...	QUADRANT	002004 006999	1
100	273N3002-7	.	VALVE ASSY-	002004 006999	1
105	BACB30NR4K9		ATTACHING PARTS .BOLT-	002004 006999	3
110	AN960PD416L	.	WASHER-	002004 006100 107107 121503 904999	3
110	NAS1149D0416J	.	WASHER	101106 108120 504903	3
117	BACA14AZ12A16T	-----*	.. ADAPTER-	002004 006999	2
120	NAS1612-16A	..	PACKING-	002004 006999	2
122	NAS1611-212A	..	PACKING-	002004 006999	2

MISSING ITEM NUMBERS NOT APPLICABLE

— ITEM NOT ILLUSTRATED

BRI

# 32-31-02-01

BOEING PROPRIETARY - Copyright © - Unpublished Work - See title page for details.

32-31-02  
FIG. 01  
PAGE 4  
JAN 20/09



757

PARTS CATALOG (MAINTENANCE)

FIG ITEM	PART NUMBER	1 2 3 4 5 6 7	NOMENCLATURE	EFFECT FROM TO	UNITS PER ASSY
1 123	C11236-212B	. .	RING SUPPLIER CODE: V26879 SPECIFICATION NUMBER: BACR12BM212 OPTIONAL PART: RMR12BM212 V94878 STF800-212 V02107 S30294-212-1 V97820 TF450-212A V07128 2100-212 V26303	002004 006999	2
125	MS21902D12	. .	UNION	002004 006999	1
132	BACA14AZ10A12T	. .	ADAPTER-	002004 006999	1
135	NAS1612-12A	. .	PACKING-	002004 006999	2
137	NAS1611-115A	. .	PACKING-	002004 006999	1
138	C11236-115B	. .	RING SUPPLIER CODE: V26879 SPECIFICATION NUMBER: BACR12BM115 OPTIONAL PART: RMR12BM115 V94878 STF800-115 V02107 S30294-115-1 V97820 TF450-115A V07128 2100-115 V26303	002004 006999	2

MISSING ITEM NUMBERS NOT APPLICABLE

- ITEM NOT ILLUSTRATED

BRI

32-31-02-01

BOEING PROPRIETARY - Copyright © - Unpublished Work - See title page for details.

32-31-02  
FIG. 01  
PAGE 5  
SEP 20/08



757

PARTS CATALOG (MAINTENANCE)

FIG ITEM	PART NUMBER	1 2 3 4 5 6 7	NOMENCLATURE	EFFECT FROM TO	UNITS PER ASSY
1 140	40340-10013		. . VALVE ASSY- SUPPLIER CODE: VS4802 SPECIFICATION NUMBER: 60B00216-8 COMPONENT MAINT MANUAL REF: 32-30-01 USED ON: 273N3002-6 273N3002-7	002004 006999	1

MISSING ITEM NUMBERS NOT APPLICABLE

- ITEM NOT ILLUSTRATED

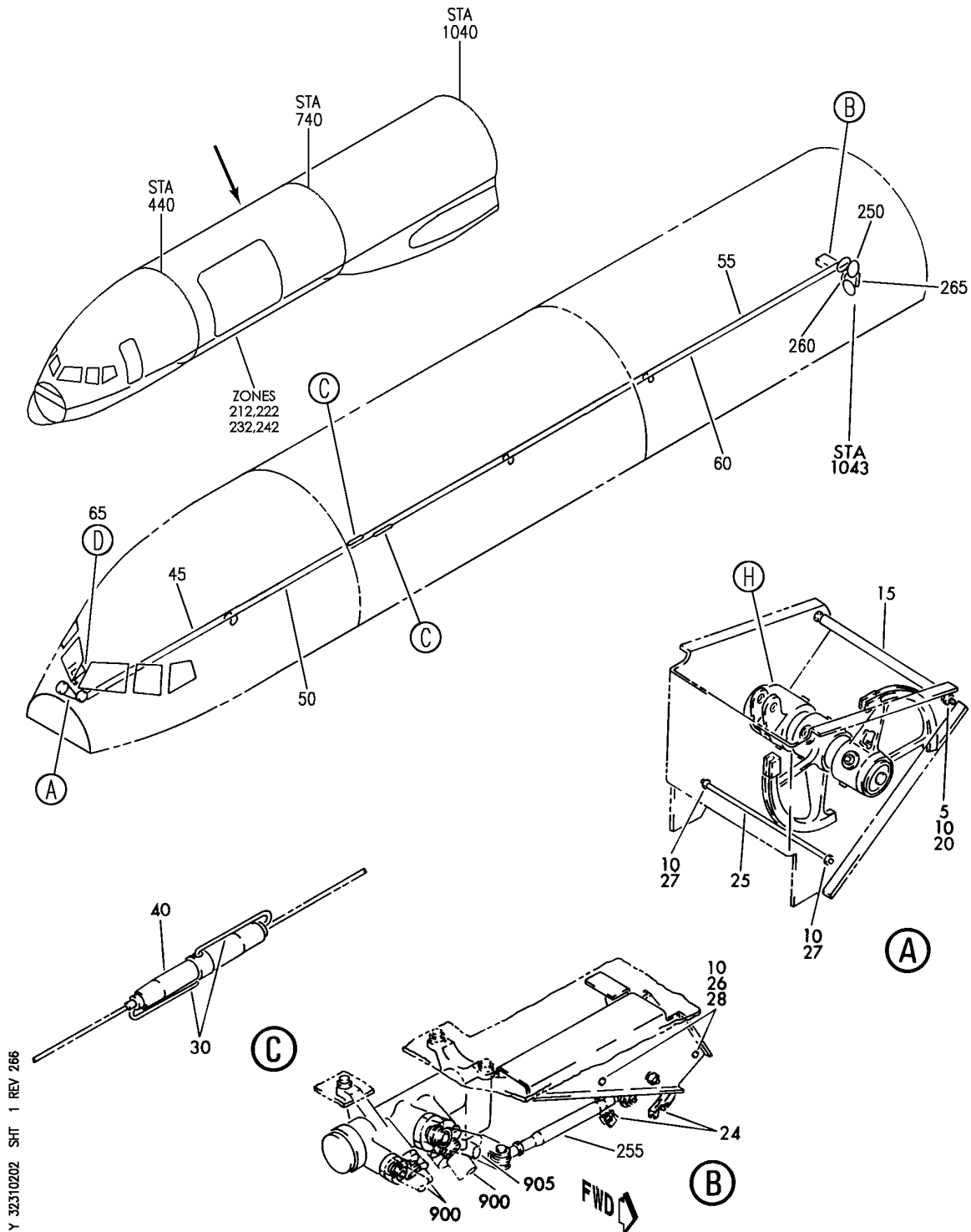
BRI

32-31-02-01

BOEING PROPRIETARY - Copyright © - Unpublished Work - See title page for details.

32-31-02  
FIG. 01  
PAGE 6  
SEP 20/08

**BOEING**  
757  
PARTS CATALOG (MAINTENANCE)



Y 32310202 SHT 1 REV 266

CONTROL INSTL-LG SELECTOR VALVE  
FIGURE 2 (SHEET 1)

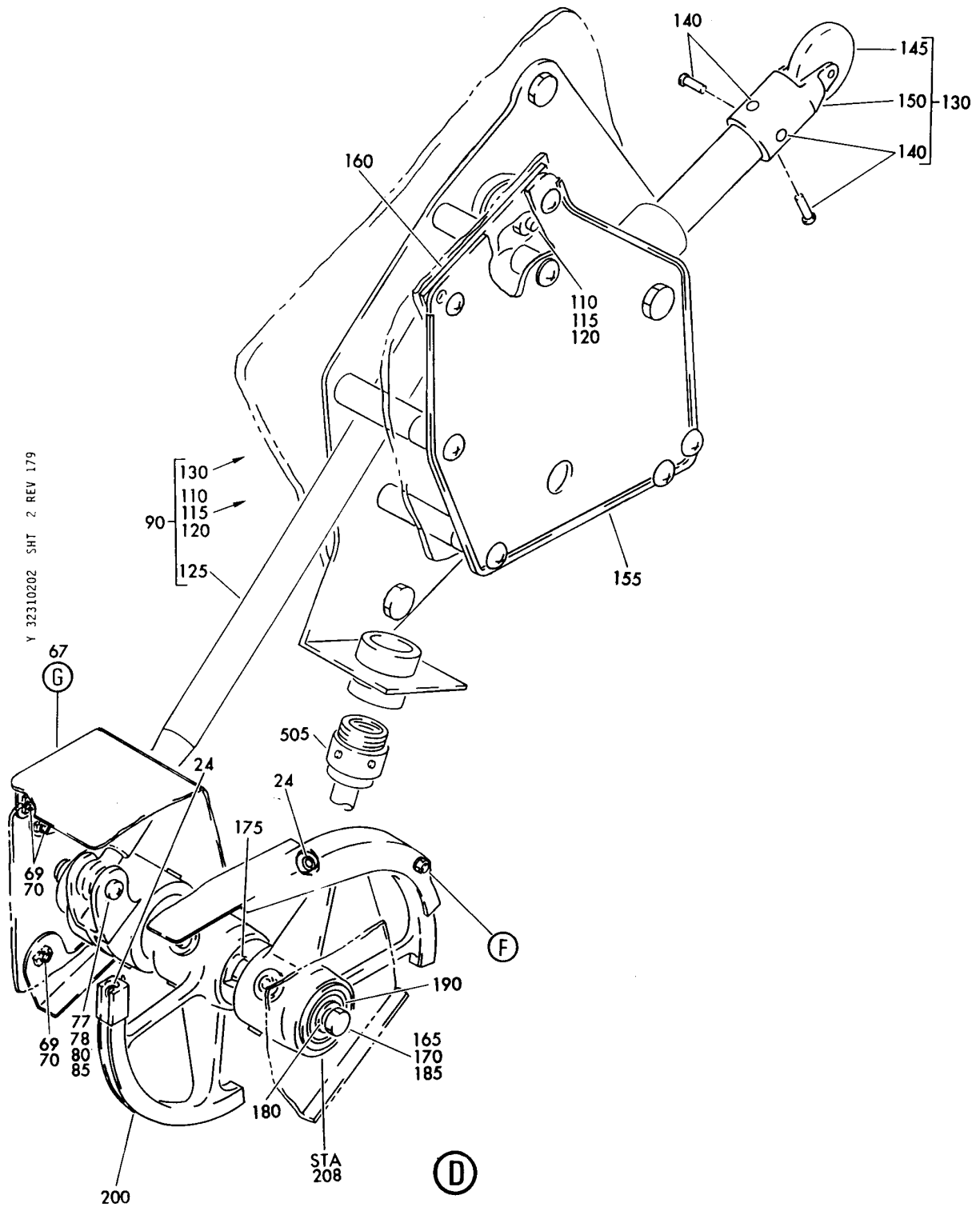
**32-31-02-02**

BRI  
MAY 28/07

32-31-02-02  
PAGE 0



**BOEING**  
757  
PARTS CATALOG (MAINTENANCE)



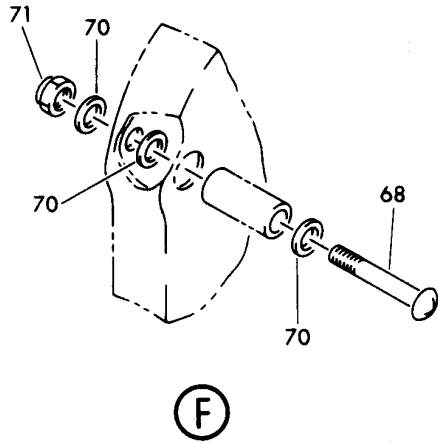
CONTROL INSTL-LG SELECTOR VALVE  
FIGURE 2 (SHEET 2)

**32-31-02-02**

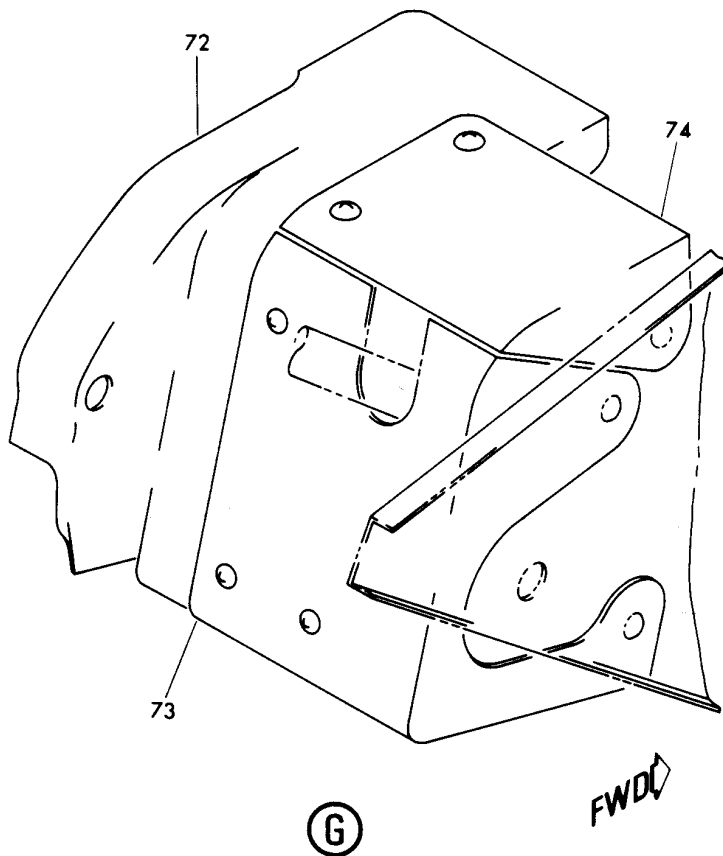
BRI  
MAY 28/07

32-31-02-02  
PAGE 0A

**BOEING**  
757  
PARTS CATALOG (MAINTENANCE)



(F)



(G)

Y 32310202 SHT 3 REV 014

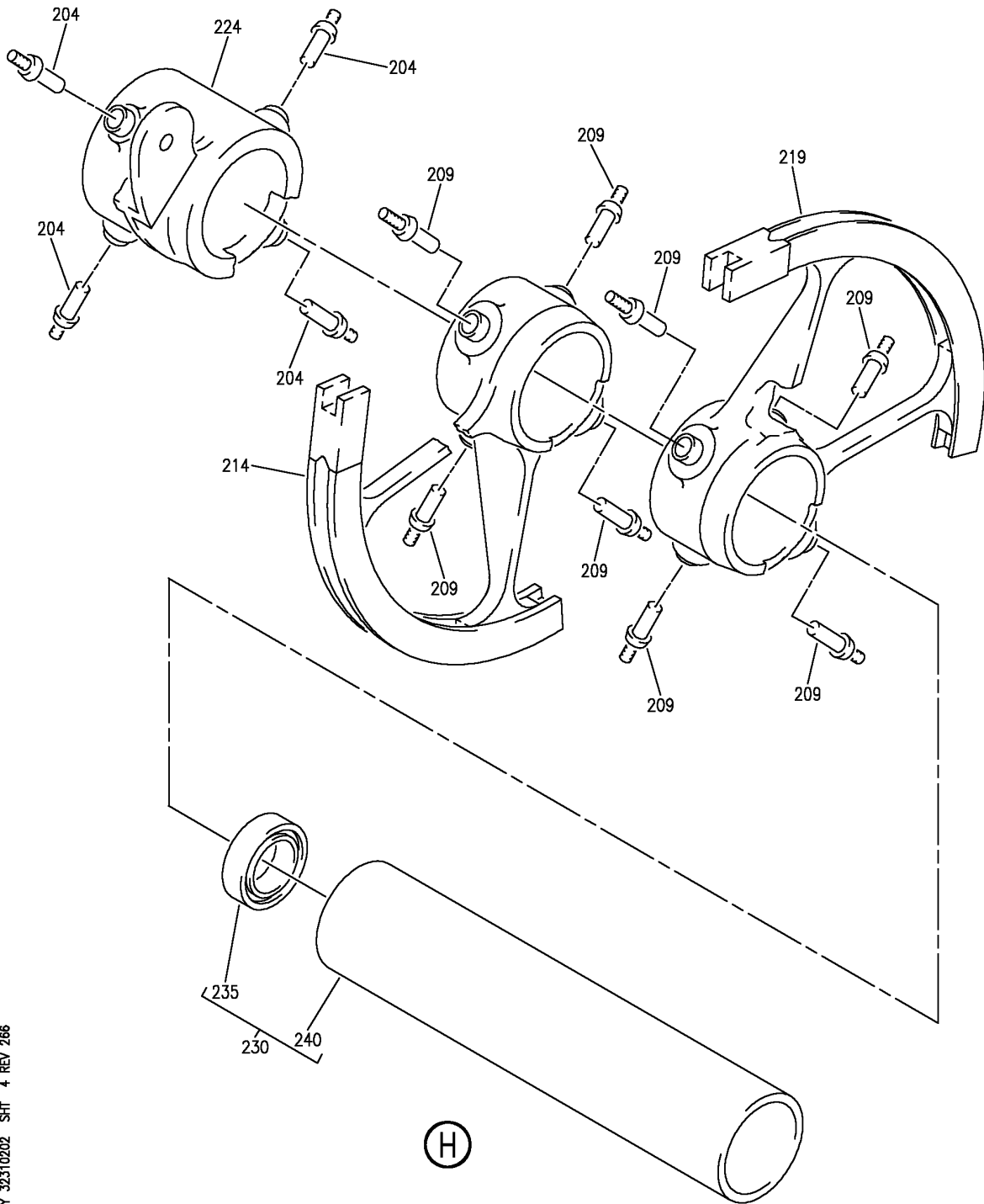
CONTROL INSTL-LG SELECTOR VALVE  
FIGURE 2 (SHEET 3)

**32-31-02-02**

BRI  
MAY 28/07

32-31-02-02  
PAGE 08

**BOEING**  
757  
PARTS CATALOG (MAINTENANCE)



Y 32310202 SH1 4 REV 266

CONTROL INSTL-LG SELECTOR VALVE  
FIGURE 2 (SHEET 4)

**32-31-02-02**

BRI  
MAY 28/07

32-31-02-02  
PAGE 0C



757

PARTS CATALOG (MAINTENANCE)

FIG ITEM	PART NUMBER	1 2 3 4 5 6 7	NOMENCLATURE	EFFECT FROM TO	UNITS PER ASSY
2			CONTROL INSTL-LG SELECTOR VALVE	002004 006100 107107 121503 904999	
- 1	273N3001-10		CONTROL INSTL-LG SELECTOR VALVE	002004 006100 107107 121503 904999	1
5	NAS623-3-43		.SCREW-	002004 006100 107107 121503 904999	1
10	AN960KD10L		.WASHER	002004 006100 107107 121503 904999	5
15	NAS42DD6-165		.SPACER-	002004 006100 107107 121503 904999	1
20	BRH10C3D		.NUT SUPPLIER CODE: V52828 SPECIFICATION NUMBER: BACN10JC3CD OPTIONAL PART: T6C1032JCD V11815 NS202486-02 V80539 102LH9075-3W V72962 H51650-3BAC V15653	002004 006100 107107 121503 904999	1
24	MS24665-132		.PIN	002004 006100 107107 121503 904999	4
25	BACP18C3-660		.PIN-	002004 006100 107107 121503 904999	1

MISSING ITEM NUMBERS NOT APPLICABLE

- ITEM NOT ILLUSTRATED

32-31-02-02

32-31-02  
FIG. 02  
PAGE 1  
JAN 20/09

BRI



757

PARTS CATALOG (MAINTENANCE)

FIG ITEM	PART NUMBER	1 2 3 4 5 6 7	NOMENCLATURE	EFFECT FROM TO	UNITS PER ASSY
2	26	MS20392-2C71	.PIN	002004 006100 107107 121503 904999	2
	27	MS24665-170	.PIN	002004 006100 107107 121503 904999	2
28	MS24665-1012	.PIN		002004 006100 107107 121503 904999	2
	30	BACC15AJ2	.CLIP-	002004 006100 107107 121503 904999	4
40	MS21251B3L	.TURNBUCKLE BODY-		002004 006100 107107 121503 904999	2
	45	BACC2C3A04005FG	.CABLE ASSY- MISCELLANEOUS DATA: ZINC-ONLY AND TIN-OVER-ZINC COATED CABLES ARE INTERCHANGEABLE, AND MAY BE INTERMIXED WITHIN A SYSTEM, PROVIDING OPPOSITE CABLES WITHIN A GIVEN CABLE LOOP ARE REPLACED WITH CABLES OF THE SAME TYPE.	107107 904949	1
45	BACC2C3D04005FG	.CABLE ASSY-		107107 904949	1
45	BACC2C3D04010FG	.CABLE ASSY-		002004 006100 107107 121503 904999	1

MISSING ITEM NUMBERS NOT APPLICABLE

- ITEM NOT ILLUSTRATED

32-31-02-02

32-31-02  
FIG. 02  
PAGE 2  
JAN 20/09

BRI



757

PARTS CATALOG (MAINTENANCE)

FIG ITEM	PART NUMBER	1 2 3 4 5 6 7	NOMENCLATURE	EFFECT FROM TO	UNITS PER ASSY
2					
50	BACC2C3A04201EG		.CABLE ASSY- MISCELLANEOUS DATA: ZINC-ONLY AND TIN-OVER-ZINC COATED CABLES ARE INTERCHANGEABLE, AND MAY BE INTERMIXED WITHIN A SYSTEM, PROVIDING OPPOSITE CABLES WITHIN A GIVEN CABLE LOOP ARE REPLACED WITH CABLES OF THE SAME TYPE. PRE SERVICE LETTER: 20-007	107107 904949	1
50	BACC2C3D04201EG		.CABLE ASSY-	107107 904949	1
50	BACC2C3D04206EG		.CABLE ASSY-	002004 006100 107107 121503 904999	1
55	BACC2C3A04686EG		.CABLE ASSY- MISCELLANEOUS DATA: ZINC-ONLY AND TIN-OVER-ZINC COATED CABLES ARE INTERCHANGEABLE, AND MAY BE INTERMIXED WITHIN A SYSTEM, PROVIDING OPPOSITE CABLES WITHIN A GIVEN CABLE LOOP ARE REPLACED WITH CABLES OF THE SAME TYPE. PRE SERVICE LETTER: 20-007	107107 904949	1
55	BACC2C3D04686EG		.CABLE ASSY-	107107 904949	1
55	BACC2C3D04687EG		.CABLE ASSY-	002004 006100 107107 121503 904999	1

MISSING ITEM NUMBERS NOT APPLICABLE

- ITEM NOT ILLUSTRATED

32-31-02-02

32-31-02  
FIG. 02  
PAGE 3  
JAN 20/09

BRI



757

PARTS CATALOG (MAINTENANCE)

FIG ITEM	PART NUMBER	1 2 3 4 5 6 7	NOMENCLATURE	EFFECT FROM TO	UNITS PER ASSY
2					
60	BACC2C3A04490FG	.CABLE ASSY-	MISCELLANEOUS DATA: ZINC-ONLY AND TIN-OVER-ZINC COATED CABLES ARE INTERCHANGEABLE, AND MAY BE INTERMIXED WITHIN A SYSTEM, PROVIDING OPPOSITE CABLES WITHIN A GIVEN CABLE LOOP ARE REPLACED WITH CABLES OF THE SAME TYPE.	002004 006100 107107 121503 904999	1
60	BACC2C3D04490FG	.CABLE ASSY-		002004 006100 107107 121503 904999	1
65	273N3003-2	.HANDLE INSTL		002004 006100 107107 121503 904999	1
67	273N3079-6	..COVER ASSY-		002004 006100 107107 121503 904999	1
68	NAS623-3-19	..SCREW-	ATTACHING PARTS USED WITH: 273N3079-5	002004 006100 107107 121503 904999	1
70	AN960KD10L	..WASHER		002004 006100 107107 121503 904999	6

MISSING ITEM NUMBERS NOT APPLICABLE

- ITEM NOT ILLUSTRATED

32-31-02-02

32-31-02  
FIG. 02  
PAGE 4  
JAN 20/09

BRI



757

PARTS CATALOG (MAINTENANCE)

FIG ITEM	PART NUMBER	1 2 3 4 5 6 7	NOMENCLATURE	EFFECT FROM TO	UNITS PER ASSY
2	71 BRH10C3D		..NUT SUPPLIER CODE: V52828 SPECIFICATION NUMBER: BACN10JC3D OPTIONAL PART: T6C1032JCD V11815 NS202486-02 V80539 102LH9075-3W V72962 H51650-3BAC V15653 -----*-----	002004 006100 107107 121503 904999	1
	72 273N3079-2		...COVER- USED ON: 273N3079-1 273N3079-5	002004 006100 107107 121503 904999	1
	72 273N3079-7		...COVER- USED ON: 273N3079-6	002004 006100 107107 121503 904999	1
	73 273N3079-3		...COVER- USED ON: 273N3079-1 273N3079-5	002004 006100 107107 121503 904999	1
	73 273N3079-9		...COVER- USED ON: 273N3079-6	002004 006100 107107 121503 904999	1
	74 273N3079-4		...COVER- USED ON: 273N3079-1 273N3079-5	002004 006100 107107 121503 904999	1
	74 273N3079-10		...COVER- USED ON: 273N3079-6	002004 006100 107107 121503 904999	1

MISSING ITEM NUMBERS NOT APPLICABLE

- ITEM NOT ILLUSTRATED

32-31-02-02

32-31-02  
FIG. 02  
PAGE 5  
JAN 20/09

BRI



 **BOEING**  
757  
**PARTS CATALOG (MAINTENANCE)**

FIG ITEM	PART NUMBER	1 2 3 4 5 6 7	NOMENCLATURE	EFFECT FROM TO	UNITS PER ASSY
2			ATTACHING PARTS		
- 75	NAS603-8P	...	SCREW	002004 006100 107107 121503 904999	5
- 76	AN960KD10L	...	WASHER	002004 006100 107107 121503 904999	5
			-----*-----		
77	NAS623-3-13	..	SCREW- OPTIONAL PART: NAS6603-13	002004 006100 107107 121503 904999	1
77	NAS6603-13	..	BOLT- OPTIONAL PART: NAS623-3-13	002004 006100 107107 121503 904999	1
78	AN960PD10	..	WASHER	002004 006100 107107 121503 904999	1
80	BRH10C3D	..	NUT SUPPLIER CODE: V52828 SPECIFICATION NUMBER: BACN10JC3CD OPTIONAL PART: T6C1032JCD V11815 NS202486-02 V80539 102LH9075-3W V72962 H51650-3BAC V15653	002004 006100 107107 121503 904999	1
85	BACB28Y3M017	..	BUSHING	002004 006100 107107 121503 904999	1

MISSING ITEM NUMBERS NOT APPLICABLE

- ITEM NOT ILLUSTRATED

BRI

# 32-31-02-02

32-31-02  
FIG. 02  
PAGE 6  
JAN 20/09



757

PARTS CATALOG (MAINTENANCE)

FIG ITEM	PART NUMBER	1 2 3 4 5 6 7	NOMENCLATURE	EFFECT FROM TO	UNITS PER ASSY
2					
90	257T1103-7		..MODULE ASSY-LEVER SUPPLIER CODE: V89954 MISCELLANEOUS DATA: FOR SPARES PROCURE LOWER COMPONENTS COMPONENT MAINT MANUAL REF: 32-31-20	002004 006100 121503 904999	1
90	257T1103-9		..MODULE ASSY-LEVER SUPPLIER CODE: V89954 MISCELLANEOUS DATA: FOR SPARES PROCURE LOWER COMPONENTS COMPONENT MAINT MANUAL REF: 32-31-20	002004 006100 121503 904999	1
90	257T1103-11		..MODULE ASSY-LEVER SUPPLIER CODE: V89954 MISCELLANEOUS DATA: FOR SPARES PROCURE LOWER COMPONENTS COMPONENT MAINT MANUAL REF: 32-31-20	002004 006100 121503 904999	1
90	257T1103-12		..MODULE ASSY-LEVER SUPPLIER CODE: V89954 MISCELLANEOUS DATA: FOR SPARES PROCURE LOWER COMPONENTS COMPONENT MAINT MANUAL REF: 33-21-20	002004 006100 121503 904999	1
90	257T1103-13		..MODULE ASSY-LEVER SUPPLIER CODE: V89954 MISCELLANEOUS DATA: FOR SPARES PROCURE LOWER COMPONENTS COMPONENT MAINT MANUAL REF: 32-31-20 OPTIONAL PART: 257T1103-14 V89954	002004 006100 121503 904999	1

MISSING ITEM NUMBERS NOT APPLICABLE

- ITEM NOT ILLUSTRATED

32-31-02-02

32-31-02  
FIG. 02  
PAGE 7  
JAN 20/09

BRI



757

PARTS CATALOG (MAINTENANCE)

FIG ITEM	PART NUMBER	1 2 3 4 5 6 7	NOMENCLATURE	EFFECT FROM TO	UNITS PER ASSY
2					
90	257T1103-14		..MODULE ASSY-LEVER SUPPLIER CODE: V89954 MISCELLANEOUS DATA: FOR SPARES PROCURE LOWER COMPONENTS COMPONENT MAINT MANUAL REF: 32-31-20 POST SERVICE BULLETIN: 32-0088 PRE SERVICE BULLETIN: 32-0088 POST COMPONENT SB: 257T1103-32-02 PRE COMPONENT SB: 257T1103-32-03	002004 006100 121503 904999	1
90	257T1103-15		..MODULE ASSY-LEVER SUPPLIER CODE: V89954 MISCELLANEOUS DATA: FOR SPARES PROCURE LOWER COMPONENTS COMPONENT MAINT MANUAL REF: 32-31-20 POST SERVICE BULLETIN: 32-0088 POST COMPONENT SB: 257T1103-32-03	002004 006100 107107 121503 904999	1
90	257T1103-20		..MODULE ASSY-LEVER SUPPLIER CODE: V89954 COMPONENT MAINT MANUAL REF: 32-31-20 ATTACHING PARTS	002004 006100 107107 121503 904999	1
- 95	BACB30NF4-2		..BOLT	002004 006100 107107 121503 904999	4
- 100	AN960PD416L		..WASHER	002004 006100 107107 121503 904999	4

MISSING ITEM NUMBERS NOT APPLICABLE

- ITEM NOT ILLUSTRATED

32-31-02-02

32-31-02  
FIG. 02  
PAGE 8  
JAN 20/09

BRI



757

PARTS CATALOG (MAINTENANCE)

FIG ITEM	PART NUMBER	1 2 3 4 5 6 7	NOMENCLATURE	EFFECT FROM TO	UNITS PER ASSY
2 - 105	BRH10C4D	..	NUT SUPPLIER CODE: V52828 SPECIFICATION NUMBER: BACN10JC4CD OPTIONAL PART: T6C428JCD V11815 NS202486-048 V80539 102LH9075-4W V72962 H51650-4BAC V15653 -----*-----	002004 006100 107107 121503 904999	4
110	NAS623-3-12	...	SCREW	002004 006100 107107 121503 904999	1
115	BRH10A3	...	NUT SUPPLIER CODE: V52828 SPECIFICATION NUMBER: BACN10JC3 OPTIONAL PART: H10-3BAC V15653 NS202101-02 V80539 RMLH9075-3W V72962 VN303A02 V92215 96-02 V80539 T6S1032J V11815	002004 006100 107107 121503 904999	1
120	257T3105-15	...	BUSHING- USED ON: 257T1103-7	002004 006100 121503 904999	1
125	251T0100-131	...	ROD ASSY- COMPONENT MAINT MANUAL REF: 27-00-11 USED ON: 257T1103-7	002004 006100 121503 904999	1

MISSING ITEM NUMBERS NOT APPLICABLE

- ITEM NOT ILLUSTRATED

32-31-02-02

32-31-02  
FIG. 02  
PAGE 9  
JAN 20/09

BRI



757

PARTS CATALOG (MAINTENANCE)

FIG ITEM	PART NUMBER	1 2 3 4 5 6 7	NOMENCLATURE	EFFECT FROM TO	UNITS PER ASSY
2					
130	257T1101-4	...	HANDLE ASSY-	002004 006100 121503 904999	1
130	257T1101-5	...	HANDLE ASSY-	002004 006100 121503 904999	1
130	257T1101-6	...	HANDLE ASSY	002004 006100 121503 904999	1
130	257T1101-7	...	HANDLE ASSY	002004 006100 121503 904999	1
135	BACR15BA5AD16	....	RIVET	002004 006100 107107 121503 904999	1
140	BACR15BB5AD4	....	RIVET	002004 006100 107107 121503 904999	4
145	69B82316-1	....	KNOB	107107	1
145	69B82316-2	....	KNOB	002004 006100 121503 904999	1
150	69B82321-3	....	FORK	002004 006100 107107 121503 904999	1
160	273N3003-3	..	SHIM	002004 006100 107107 121503 904999	1
165	NAS6606-100	..	BOLT	002004 006100 107107 121503 904999	1

MISSING ITEM NUMBERS NOT APPLICABLE

- ITEM NOT ILLUSTRATED

BRI

32-31-02-02

BOEING PROPRIETARY - Copyright © - Unpublished Work - See title page for details.

32-31-02  
FIG. 02  
PAGE 10  
JAN 20/09



757

PARTS CATALOG (MAINTENANCE)

FIG ITEM	PART NUMBER	1 2 3 4 5 6 7	NOMENCLATURE	EFFECT FROM TO	UNITS PER ASSY
2					
170	AN960PD616	..	WASHER	002004 006100 107107 121503 904999	1
175	NAS43DD6-343	..	SPACER	002004 006100 107107 121503 904999	1
180	NAS73-6-003	..	SPACER	002004 006100 107107 121503 904999	1
185	BRH10C6D	..	NUT SUPPLIER CODE: V52828 SPECIFICATION NUMBER: BACN10JC6CD OPTIONAL PART: H51650-6BAC V15653	002004 006100 107107 121503 904999	1
190	KP6AFS428	..	BEARING SUPPLIER CODE: V06144 SPECIFICATION NUMBER: BACB10BX6 OPTIONAL PART: KP6AFS428 V21335 KP6A2TS V43991 LLKP6A V38443 KP6AG27 V30163 KP6A V38443 KP6BLY196 V40920 KP6BSD610 V83086 CS206E VK8455 KP6A V21760 KP6ANJC V06144	002004 006100 107107 121503 904999	1

MISSING ITEM NUMBERS NOT APPLICABLE

- ITEM NOT ILLUSTRATED

32-31-02-02

32-31-02  
FIG. 02  
PAGE 11  
JAN 20/09

BRI



757

PARTS CATALOG (MAINTENANCE)

FIG ITEM	PART NUMBER	1 2 3 4 5 6 7	NOMENCLATURE	EFFECT FROM TO	UNITS PER ASSY
2					
200	273N3064-3		.. QUADRANT ASSY- MISCELLANEOUS DATA: FOR SPARES PROCURE LOWER COMPONENTS COMPONENT MAINT MANUAL REF: 32-31-15	002004 006100 107107 121503 904999	1
204	MS21141U0604P		... FASTENER	002004 006100 107107 121503 904999	8
209	MS21141U0606P		... FASTENER	002004 006100 107107 121503 904999	4
214	273N3074-1		... QUADRANT- POSITION DATA: FWD OPTIONAL PART: 273N3074-3	002004 006100 107107 121503 904999	1
214	273N3074-3		... QUADRANT- POSITION DATA: FWD OPTIONAL PART: 273N3074-1	002004 006100 107107 121503 904999	1
219	273N3074-2		... QUADRANT- POSITION DATA: FWD OPTIONAL PART: 273N3074-4	002004 006100 107107 121503 904999	1
219	273N3074-4		... QUADRANT- POSITION DATA: FWD OPTIONAL PART: 273N3074-2	002004 006100 107107 121503 904999	1
224	273N3075-5		... LEVER- OPTIONAL PART: 273N3075-7	002004 006100 107107 121503 904999	1
230	273N3076-5		... SHAFT ASSY	002004 006100 107107 121503 904999	1

MISSING ITEM NUMBERS NOT APPLICABLE

- ITEM NOT ILLUSTRATED

32-31-02-02

32-31-02  
FIG. 02  
PAGE 12  
JAN 20/09

BRI

BOEING PROPRIETARY - Copyright © - Unpublished Work - See title page for details.



757

PARTS CATALOG (MAINTENANCE)

FIG ITEM	PART NUMBER	1 2 3 4 5 6 7	NOMENCLATURE	EFFECT FROM TO	UNITS PER ASSY
2 235	KP6AFS428	.....	BEARING SUPPLIER CODE: V06144 SPECIFICATION NUMBER: BACB10BX6 OPTIONAL PART: KP6AFS428 V21335 KP6A2TS V43991 LLKP6A V38443 KP6AG27 V30163 KP6A V38443 KP6BLY196 V40920 KP6BSD610 V83086 CS206E VK8455 KP6A V21760 KP6ANJC V06144	002004 006100 107107 121503 904999	1
240	273N3076-6	.....	SHAFT	002004 006100 107107 121503 904999	1
250	251N6026-8	.	BRACKET INSTL-PULLEY FOR DETAILS SEE: 32-31-51-02	002004 006100 107107 121503 904999	1
255	273N3002-1	.	VALVE INSTL- FOR DETAILS SEE: 32-31-02-01	002004 006100 107107 121503 904999	1
260	251N6028-3	.	SEAL INSTL-PRESSURE FOR DETAILS SEE: 27-51-25-10	002004 006100 107107 121503 904999	1

MISSING ITEM NUMBERS NOT APPLICABLE

- ITEM NOT ILLUSTRATED

BRI

32-31-02-02

32-31-02  
FIG. 02  
PAGE 13  
JAN 20/09





757

PARTS CATALOG (MAINTENANCE)

FIG ITEM	PART NUMBER	1 2 3 4 5 6 7	NOMENCLATURE	EFFECT FROM TO	UNITS PER ASSY
2 265	251N6028-7		.SEAL INSTL-PRESSURE FOR DETAILS SEE: 27-51-25-10	002004 006100 107107 121503 904999	1
- 500	286N0003-002		WIRE BUNDLE ASSY- REWORKED BY ALERT SB: 34A0222	121503 904949	RF
- 500	286N0003-003		WIRE BUNDLE ASSY- REWORKED BY ALERT SB: 34A0222	107107	RF
- 500	286N0003-005		WIRE BUNDLE ASSY- REWORKED BY SB: 34-0200 REWORKED BY ALERT SB: 34A0222	002004 006100 950999	RF
505	BACC45FT16D24S		.CONNECTOR- ELECTRICAL EQUIP NUMBER: D02372 WIRING DIAGRAM REF: 323111	002004 006100 107107 121503 904999	1
900			ILLUSTRATION REFERENCE: PLUMBING INSTL-SECT.44 R PRESSURE DECK HYDR (LANDING GEAR CONTROL ONLY) 32-31-51-22	002004 006100 107107 121503 904999	RF
905			ILLUSTRATION REFERENCE: PLUMBING INSTL-SECT. 44 R PRESSURE DECK HYDR (HYDRAULIC POWER ONLY) 29-11-51-35	002004 006100 107107 121503 904999	RF

MISSING ITEM NUMBERS NOT APPLICABLE

- ITEM NOT ILLUSTRATED

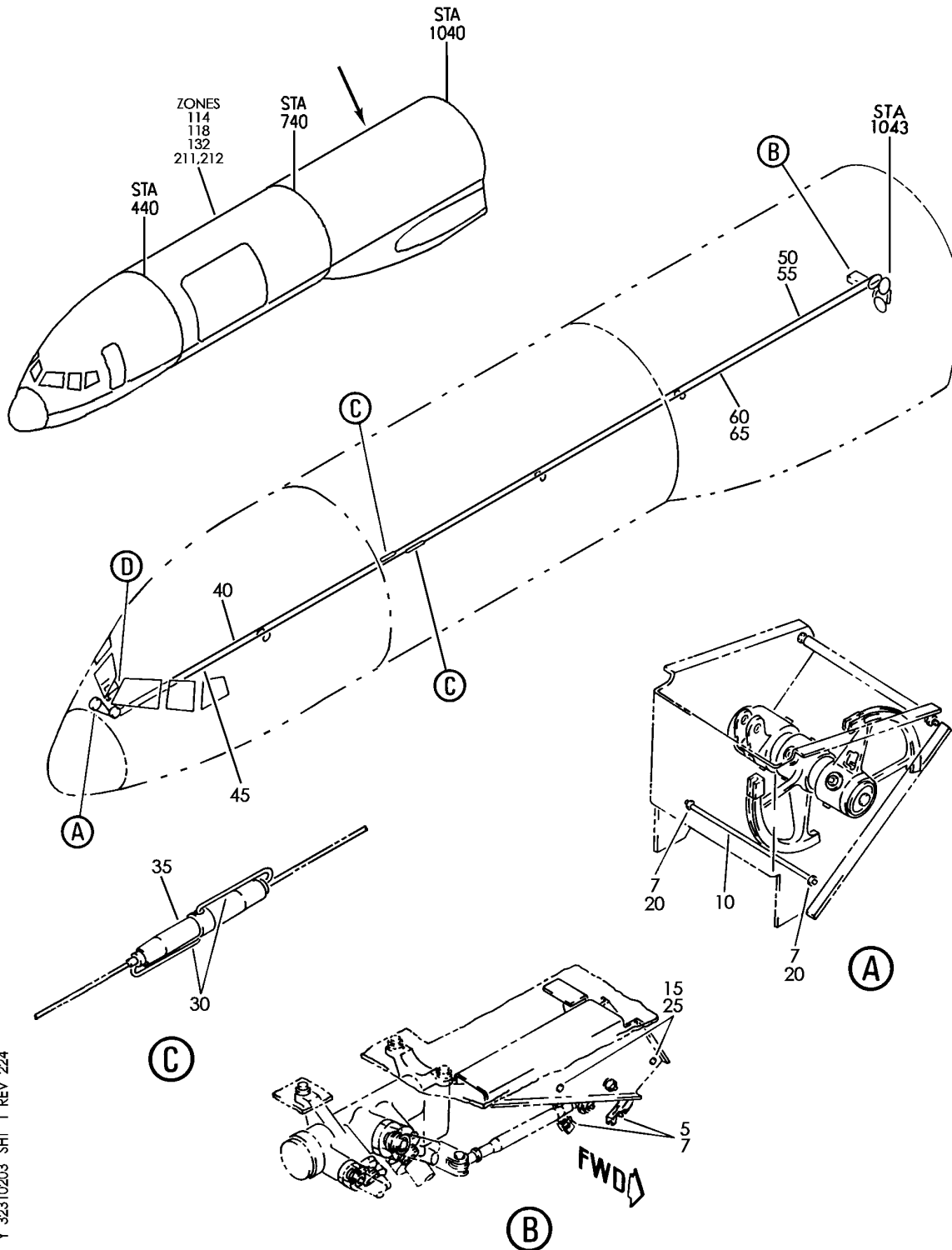
BRI

32-31-02-02

BOEING PROPRIETARY - Copyright © - Unpublished Work - See title page for details.

32-31-02  
FIG. 02  
PAGE 14  
JAN 20/09

**BOEING**  
757  
PARTS CATALOG (MAINTENANCE)



Y 32310203 SHT 1 REV 224

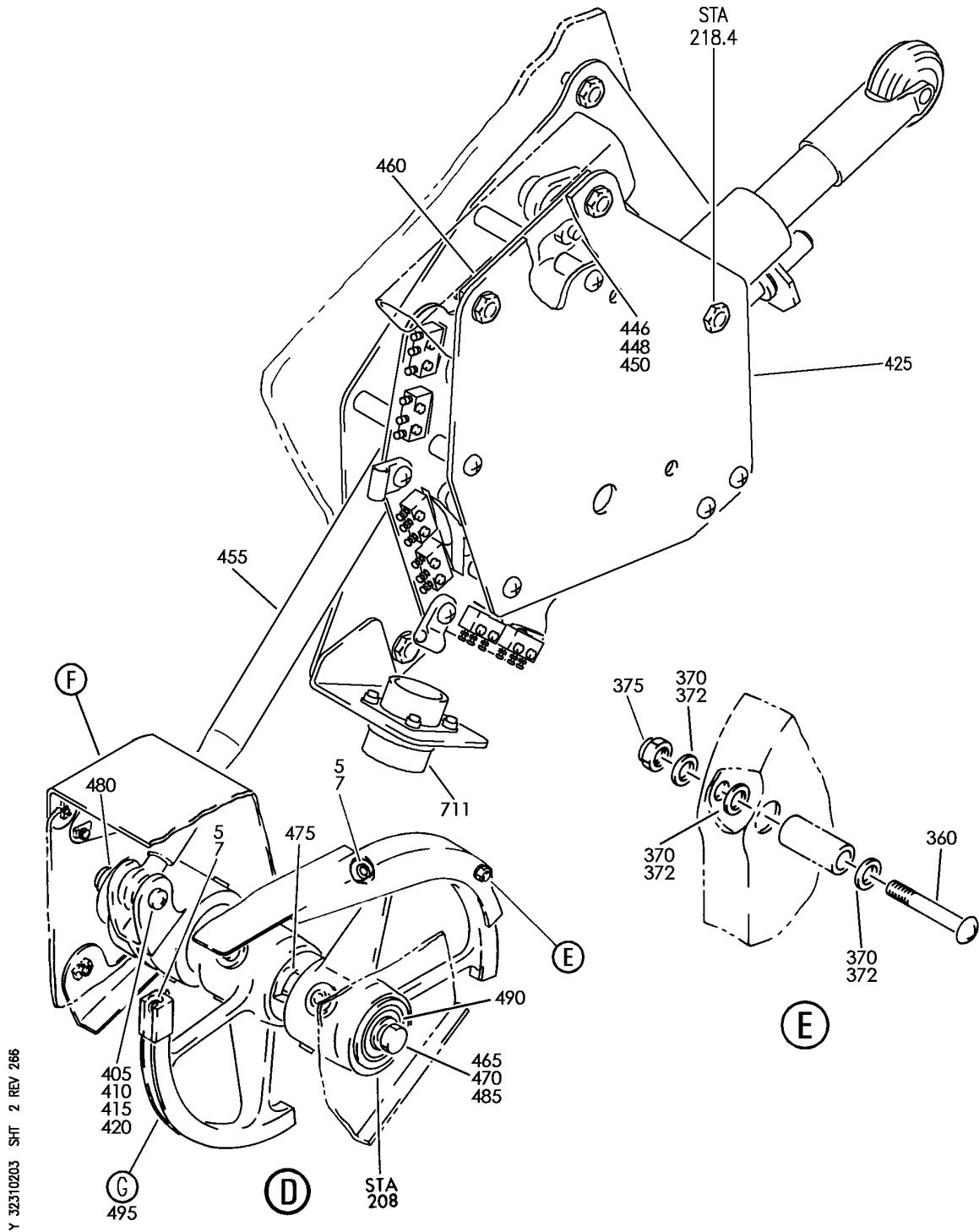
CABLE AND HANDLE INSTL LG CONTROL  
FIGURE 3 (SHEET 1)

**32-31-02-03**

BRI  
MAY 28/07

32-31-02-03  
PAGE 0

**BOEING**  
757  
PARTS CATALOG (MAINTENANCE)



Y 32310203 SHT 2 REV 266

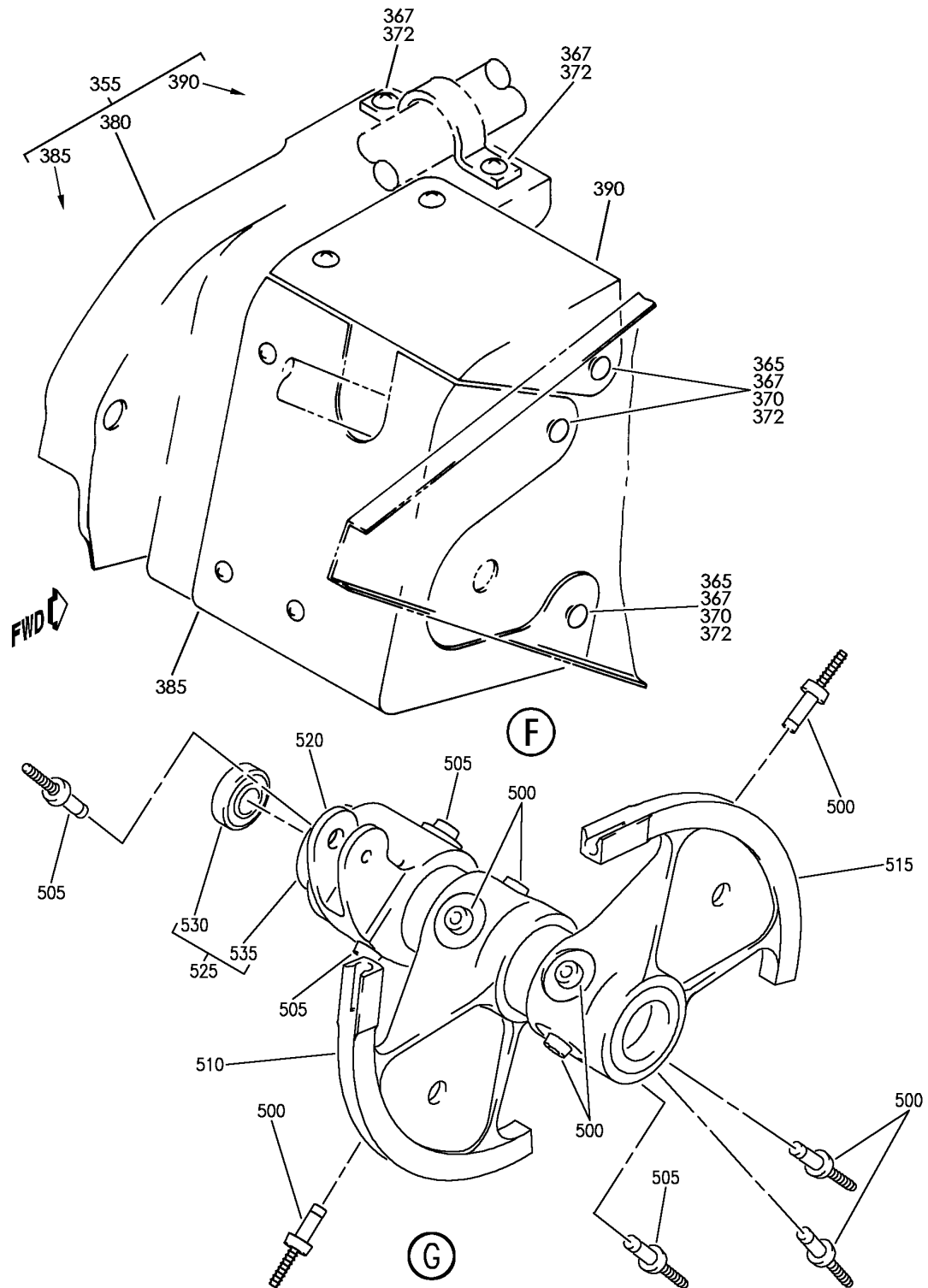
CABLE AND HANDLE INSTL LG CONTROL  
FIGURE 3 (SHEET 2)

**32-31-02-03**

BRI  
MAY 28/07

32-31-02-03  
PAGE 0A

**BOEING**  
757  
PARTS CATALOG (MAINTENANCE)



Y 32310203 SH1 3 REV 266

CABLE AND HANDLE INSTL LG CONTROL  
FIGURE 3 (SHEET 3)

**32-31-02-03**

BRI  
MAY 28/07

32-31-02-03  
PAGE 0B



757

PARTS CATALOG (MAINTENANCE)

FIG ITEM	PART NUMBER	1 2 3 4 5 6 7	NOMENCLATURE	EFFECT FROM TO	UNITS PER ASSY
3			CABLE AND HANDLE INSTL LG CONTROL	101102 108120 504903	
- 1	273N3001-45		CABLE INSTL-LG CONTROL FOR NHA SEE: 32-00-00-15	101102 108120 504903	RF
5	BACP18BC02C04P		.PIN	101102 108120 504903	4
10	BACP18C3-660		.PIN	101102 108120 504903	1
15	MS20392-2C71		.PIN	101102 108120 504903	2
20	BACP18BC02D04P		.PIN	101102 108120 504903	2
25	BACP18BC02A03P		.PIN	101102 108120 504903	2
30	BACC15AJ2		.CLIP	101102 108120 504903	4
35	MS21251B3L		.TURNBUCKLE BODY	101102 108120 504903	2
40	BACC2C3D04010FG		.CABLE ASSY	101102 108120 504903	1
45	BACC2C3D04206EG		.CABLE ASSY	101102 108120 504903	1
50	BACC2C3D04687EG		.CABLE ASSY	101102 108120 504903	1
60	BACC2C3D04490FG		.CABLE ASSY	101102 108120 504903	1
- 350	273N3003-8		HANDLE INSTL-LG CONTROL FOR NHA SEE: 32-00-00-15	101101	RF
- 350	273N3003-10		HANDLE INSTL-LG CONTROL FOR NHA SEE: 32-00-00-15	102102 108120 504903	RF
355	273N3079-6		.COVER ASSY	101102 108120 504903	1

MISSING ITEM NUMBERS NOT APPLICABLE

- ITEM NOT ILLUSTRATED

32-31-02-03

32-31-02  
FIG. 03  
PAGE 1  
JAN 20/09

BRI

BOEING PROPRIETARY - Copyright © - Unpublished Work - See title page for details.



757

PARTS CATALOG (MAINTENANCE)

FIG ITEM	PART NUMBER	1 2 3 4 5 6 7	NOMENCLATURE	EFFECT FROM TO	UNITS PER ASSY
3			ATTACHING PARTS		
360	NAS623-3-19		. SCREW	101102 108120 504903	1
367	NAS603-8P		. SCREW	101102 108120 504903	5
372	NAS1149D0332J		. WASHER	101102 108120 504903	8
375	BRH10C3D		. NUT SUPPLIER CODE: V52828 SPECIFICATION NUMBER: BACN10JC3CD OPTIONAL PART: T6C1032JCD V11815 NS202486-02 V80539 102LH9075-3W V72962 H51650-3BAC V15653 -----*-----	101102 108120 504903	1
380	273N3079-7		.. COVER	101102 108120 504903	1
385	273N3079-9		.. COVER	101102 108120 504903	1
390	273N3079-10		.. COVER	101102 108120 504903	1
- 395	NAS603-8P		ATTACHING PARTS .. SCREW	101102 108120 504903	5
- 400	AN960KD10L		.. WASHER	101102 108120 504903	5
405	NAS623-3-13		. SCREW -----*-----	101102 108120 504903	1
410	NAS1149D0363J		. WASHER	101102 108120 504903	1

MISSING ITEM NUMBERS NOT APPLICABLE

- ITEM NOT ILLUSTRATED

32-31-02-03

32-31-02  
FIG. 03  
PAGE 2  
JAN 20/09

BRI

BOEING PROPRIETARY - Copyright © - Unpublished Work - See title page for details.



757

PARTS CATALOG (MAINTENANCE)

FIG ITEM	PART NUMBER	1 2 3 4 5 6 7	NOMENCLATURE	EFFECT FROM TO	UNITS PER ASSY
3 415	BRH10C3D	.NUT	SUPPLIER CODE: V52828 SPECIFICATION NUMBER: BACN10JC3CD OPTIONAL PART: T6C1032JCD V11815 NS202486-02 V80539 102LH9075-3W V72962 H51650-3BAC V15653	101102 108120 504903	1
420	BACB28Y3M017	.BUSHING		101102 108120 504903	1
425	257T1103-15	.MODULE ASSY-LEVER	SUPPLIER CODE: V89954 MISCELLANEOUS DATA: FOR SPARES PROCURE LOWER COMPONENTS ELECTRICAL EQUIP NUMBER: M00937 COMPONENT MAINT MANUAL REF: 32-31-20 OPTIONAL PART: 257T1103-20 V89954	101102 108120 504903	1
425	257T1103-20	.MODULE ASSY-LEVER	SUPPLIER CODE: V89954 ELECTRICAL EQUIP NUMBER: M00937 COMPONENT MAINT MANUAL REF: 32-31-20 OPTIONAL PART: 257T1103-15 V89954	101102 108120 504903	1
- 430	BACB30NF4-2	.BOLT	ATTACHING PARTS	101102 108120 504903	3
- 435	BACB30NF4-4	.BOLT		101102 108120 504903	2

MISSING ITEM NUMBERS NOT APPLICABLE

- ITEM NOT ILLUSTRATED

32-31-02-03

32-31-02  
FIG. 03  
PAGE 3  
JAN 20/09

BRI



757

PARTS CATALOG (MAINTENANCE)

FIG ITEM	PART NUMBER	1 2 3 4 5 6 7	NOMENCLATURE	EFFECT FROM TO	UNITS PER ASSY
3					
- 440	AN960PD416J	.	WASHER	101102 108120 504903	5
- 445	BRH10C4D	.	NUT SUPPLIER CODE: V52828 SPECIFICATION NUMBER: BACN10JC4CD OPTIONAL PART: T6C428JCD V11815 NS202486-048 V80539 102LH9075-4W V72962 H51650-4BAC V15653 -----*-----	101102 108120 504903	3
446	NAS623-3-12	.	SCREW	102102 108120 504903	1
448	BRH10C3D	.	NUT SUPPLIER CODE: V52828 SPECIFICATION NUMBER: BACN10JC3CD OPTIONAL PART: T6C1032JCD V11815 NS202486-02 V80539 102LH9075-3W V72962 H51650-3BAC V15653	102102 108120 504903	1
450	257T3105-15	.	BUSHING	101102 108120 504903	1
455	251T0100-131	.	ROD ASSY- COMPONENT MAINT MANUAL REF: 27-00-11	101102 108120 504903	1
460	273N3003-3	.	SHIM	101102 108120 504903	1
465	NAS6606-100	.	BOLT	101102 108120 504903	1

MISSING ITEM NUMBERS NOT APPLICABLE

- ITEM NOT ILLUSTRATED

32-31-02-03

32-31-02  
FIG. 03  
PAGE 4  
JAN 20/09

BRI





757

PARTS CATALOG (MAINTENANCE)

FIG ITEM	PART NUMBER	1 2 3 4 5 6 7	NOMENCLATURE	EFFECT FROM TO	UNITS PER ASSY
3					
470	NAS1149D0663J	.	WASHER	101102 108120 504903	1
475	NAS43DD6-343FC	.	SPACER	101102 108120 504903	1
480	NAS73-6-003	.	SPACER	101102 108120 504903	1
485	BRH10C6D	.	NUT SUPPLIER CODE: V52828 SPECIFICATION NUMBER: BACN10JC6CD OPTIONAL PART: H51650-6BAC V15653	101102 108120 504903	1
490	KP6ASD529	.	BEARING SUPPLIER CODE: V50294 SPECIFICATION NUMBER: BACB10BX06J	101102 108120 504903	1
495	273N3064-3	.	QUADRANT ASSY- MISCELLANEOUS DATA: FOR SPARES PROCURE LOWER COMPONENTS COMPONENT MAINT MANUAL REF: 32-31-15	101102 108120 504903	1
500	MS21141U0604P	..	FASTENER	101102 108120 504903	8
505	MS21141U0606P	..	FASTENER	101102 108120 504903	4
510	273N3074-1	..	QUADRANT- POSITION DATA: FWD OPTIONAL PART: 273N3074-3	101102 108120 504903	1
510	273N3074-3	..	QUADRANT- POSITION DATA: FWD OPTIONAL PART: 273N3074-1	101102 108120 504903	1
515	273N3074-2	..	QUADRANT- POSITION DATA: FWD OPTIONAL PART: 273N3074-4	101102 108120 504903	1

MISSING ITEM NUMBERS NOT APPLICABLE

- ITEM NOT ILLUSTRATED

32-31-02-03

32-31-02  
FIG. 03  
PAGE 5  
JAN 20/09

BRI

BOEING PROPRIETARY - Copyright © - Unpublished Work - See title page for details.



757

PARTS CATALOG (MAINTENANCE)

FIG ITEM	PART NUMBER	1 2 3 4 5 6 7	NOMENCLATURE	EFFECT FROM TO	UNITS PER ASSY
3					
515	273N3074-4	..	QUADRANT- POSITION DATA: FWD OPTIONAL PART: 273N3074-2	101102 108120 504903	1
520	273N3075-5	..	LEVER- OPTIONAL PART: 273N3075-7	101102 108120 504903	1
520	273N3075-7	..	LEVER- OPTIONAL PART: 273N3075-5	101102 108120 504903	1
525	273N3076-5	..	SHAFT ASSY	101102 108120 504903	1
530	KP6AFS428	...	BEARING SUPPLIER CODE: V06144 SPECIFICATION NUMBER: BACB10BX6 OPTIONAL PART: KP6AFS428 V21335 KP6A2TS V43991 LLKP6A V38443 KP6AG27 V30163 KP6A V38443 KP6BLY196 V40920 KP6BSD610 V83086 CS206E VK8455 KP6A V21760 KP6ANJC V06144	101102 108120 504903	1
535	273N3076-6	...	SHAFT	101102 108120 504903	1

MISSING ITEM NUMBERS NOT APPLICABLE

- ITEM NOT ILLUSTRATED

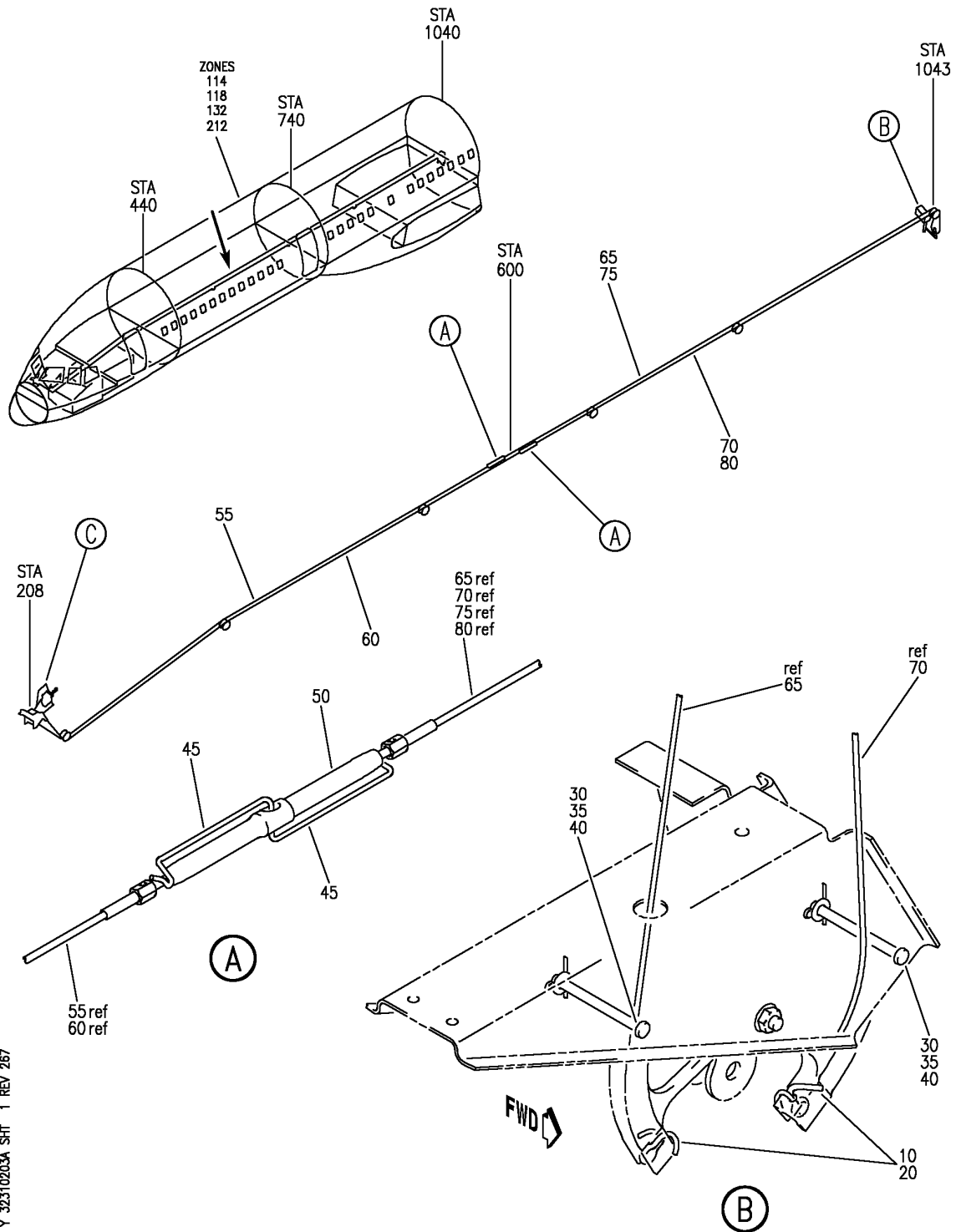
32-31-02-03

32-31-02  
FIG. 03  
PAGE 6  
JAN 20/09

BRI

BOEING PROPRIETARY - Copyright © - Unpublished Work - See title page for details.

**BOEING**  
757  
PARTS CATALOG (MAINTENANCE)



Y 32310203A SHT 1 REV 267

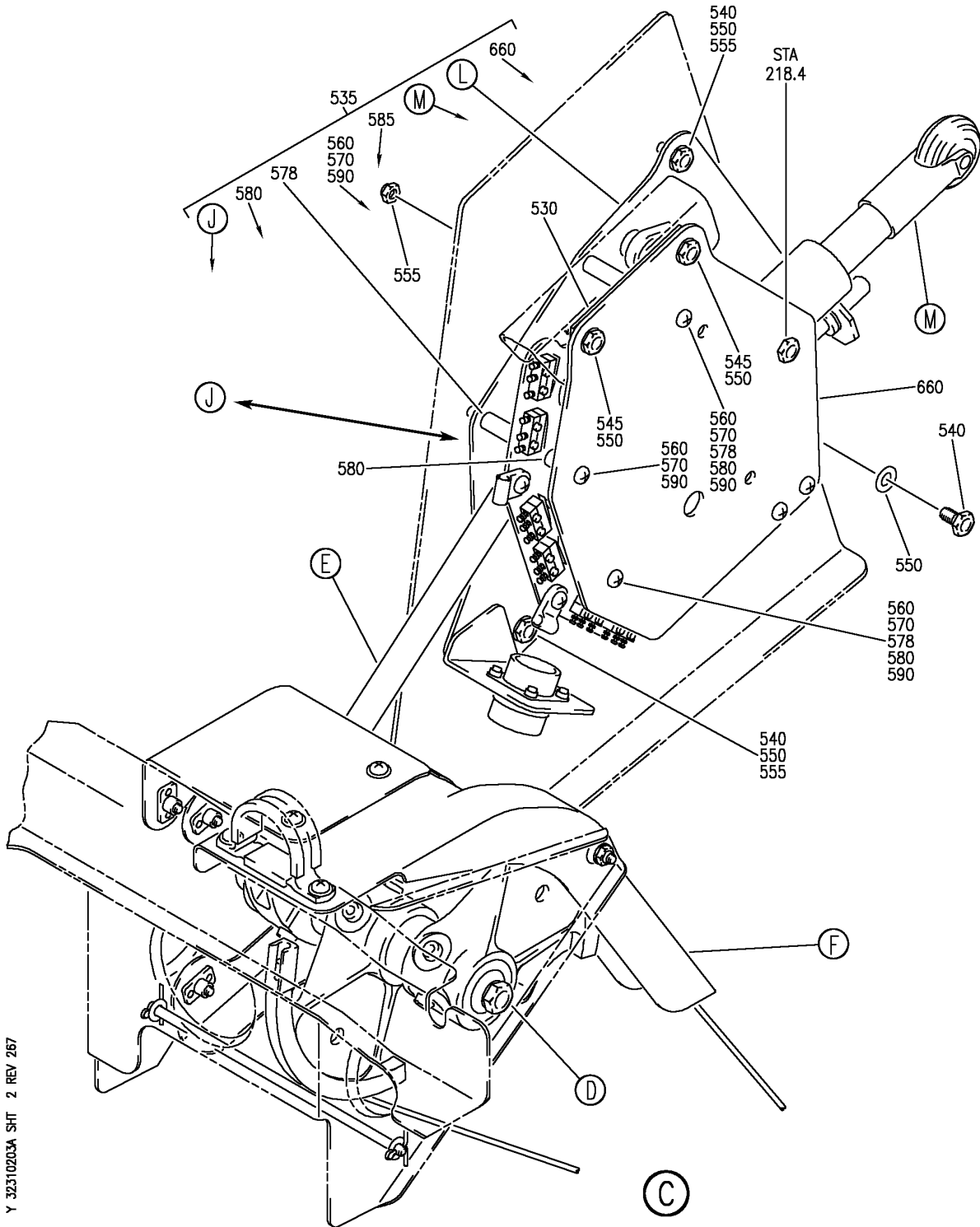
CABLE AND HANDLE INSTL LG CONTROL  
FIGURE 3A (SHEET 1)

**32-31-02-03A**

BRI  
JAN 20/09

32-31-02-03A  
PAGE 0

**BOEING**  
 757  
 PARTS CATALOG (MAINTENANCE)



Y 32310203A SHT 2 REV 267

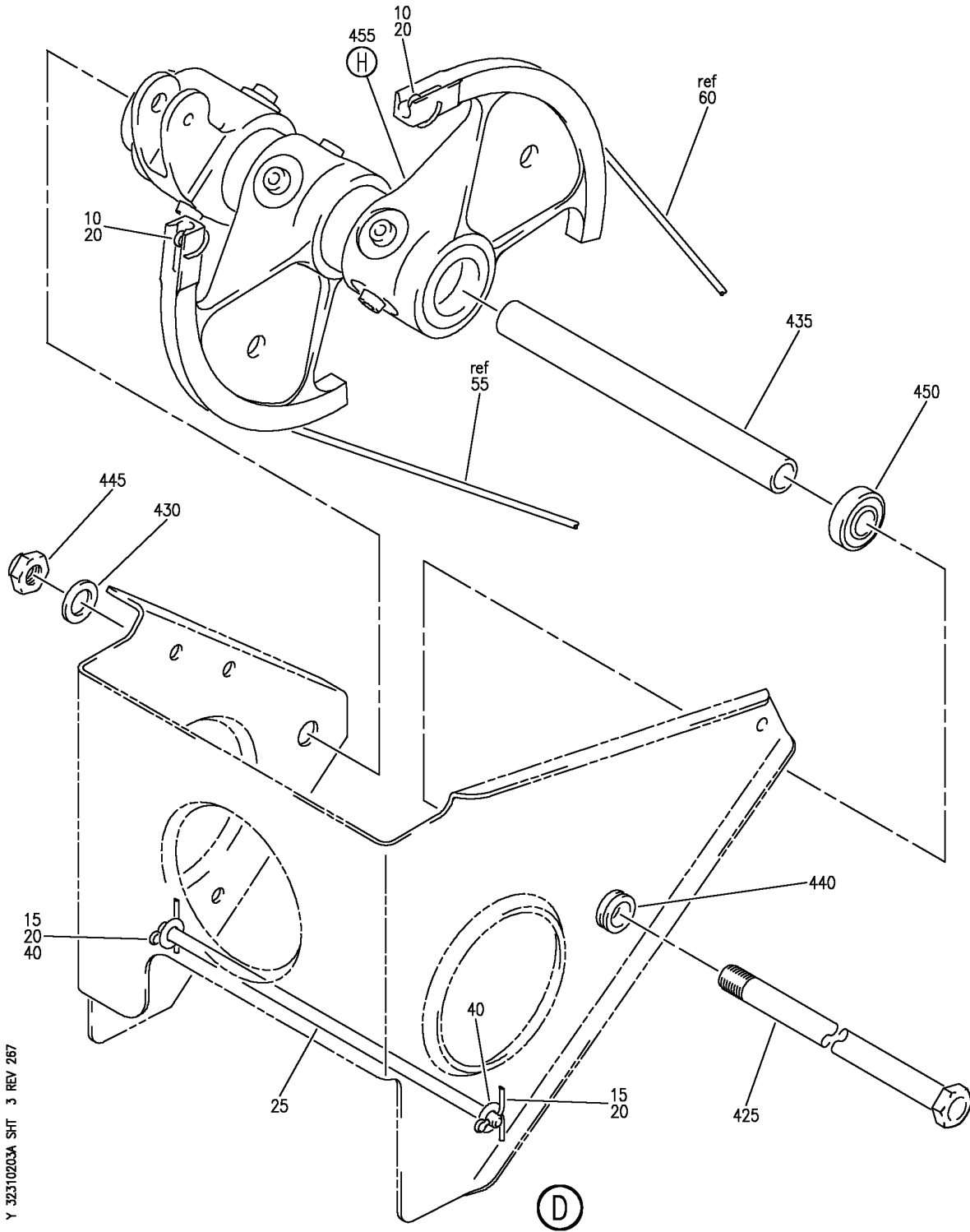
CABLE AND HANDLE INSTL LG CONTROL  
 FIGURE 3A (SHEET 2)

**32-31-02-03A**

BRI  
 JAN 20/09

32-31-02-03A  
 PAGE 0A

**BOEING**  
757  
PARTS CATALOG (MAINTENANCE)



Y 32310203A SHT 3 REV 267

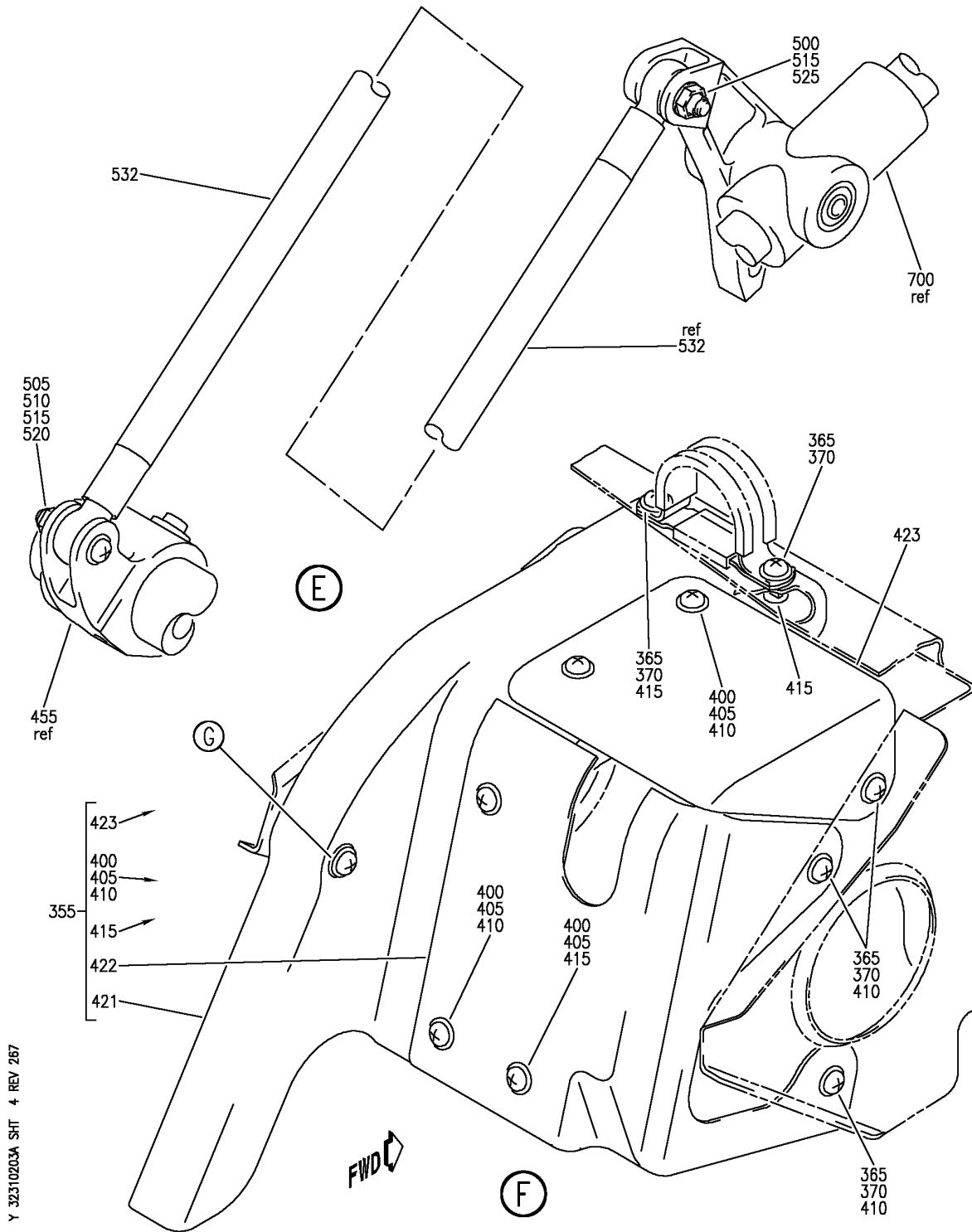
CABLE AND HANDLE INSTL LG CONTROL  
FIGURE 3A (SHEET 3)

**32-31-02-03A**

BRI  
JAN 20/09

32-31-02-03A  
PAGE 0B

**BOEING**  
757  
**PARTS CATALOG (MAINTENANCE)**



Y 32310203A SHT 4 REV 267

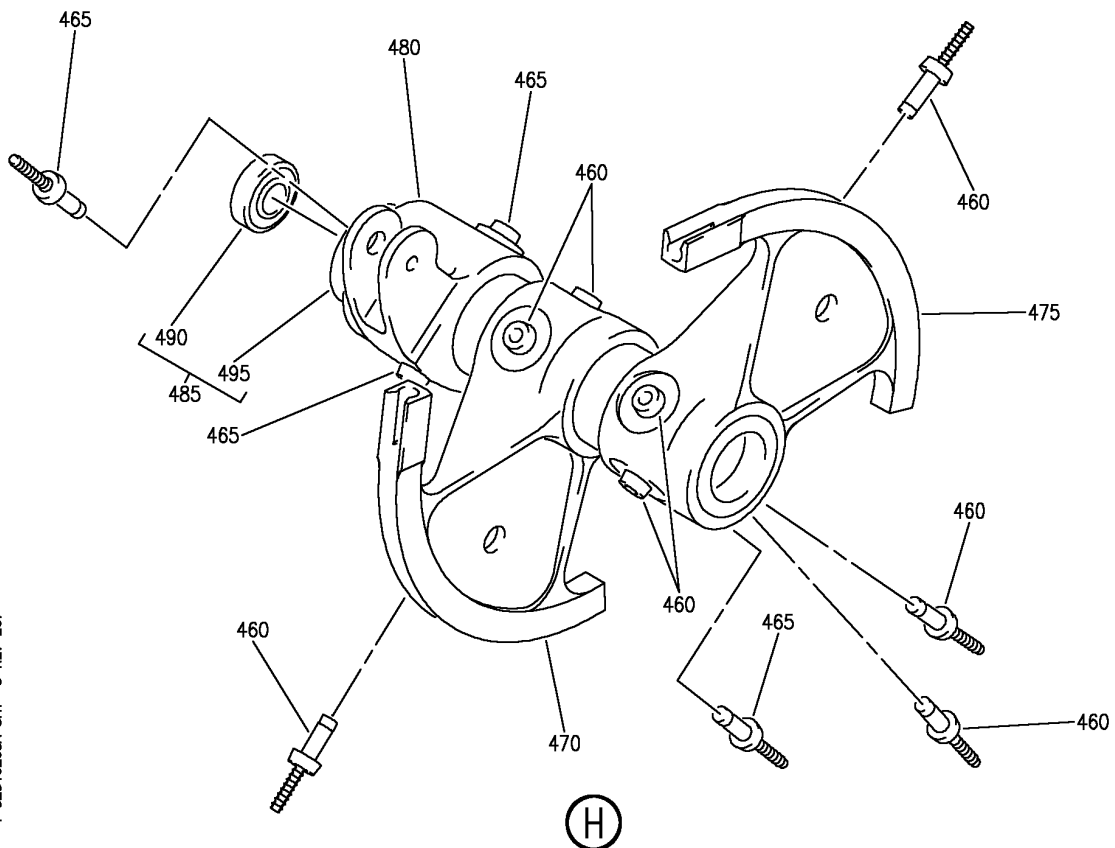
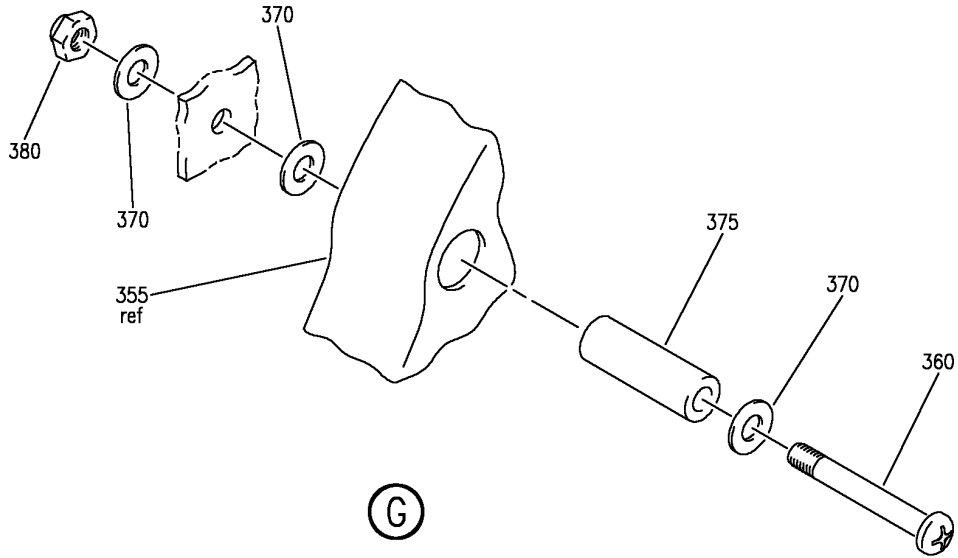
CABLE AND HANDLE INSTL LG CONTROL  
FIGURE 3A (SHEET 4)

**32-31-02-03A**

BRI  
JAN 20/09

32-31-02-03A  
PAGE 0C

**BOEING**  
757  
PARTS CATALOG (MAINTENANCE)



Y 32310203A SHT 5 REV 267

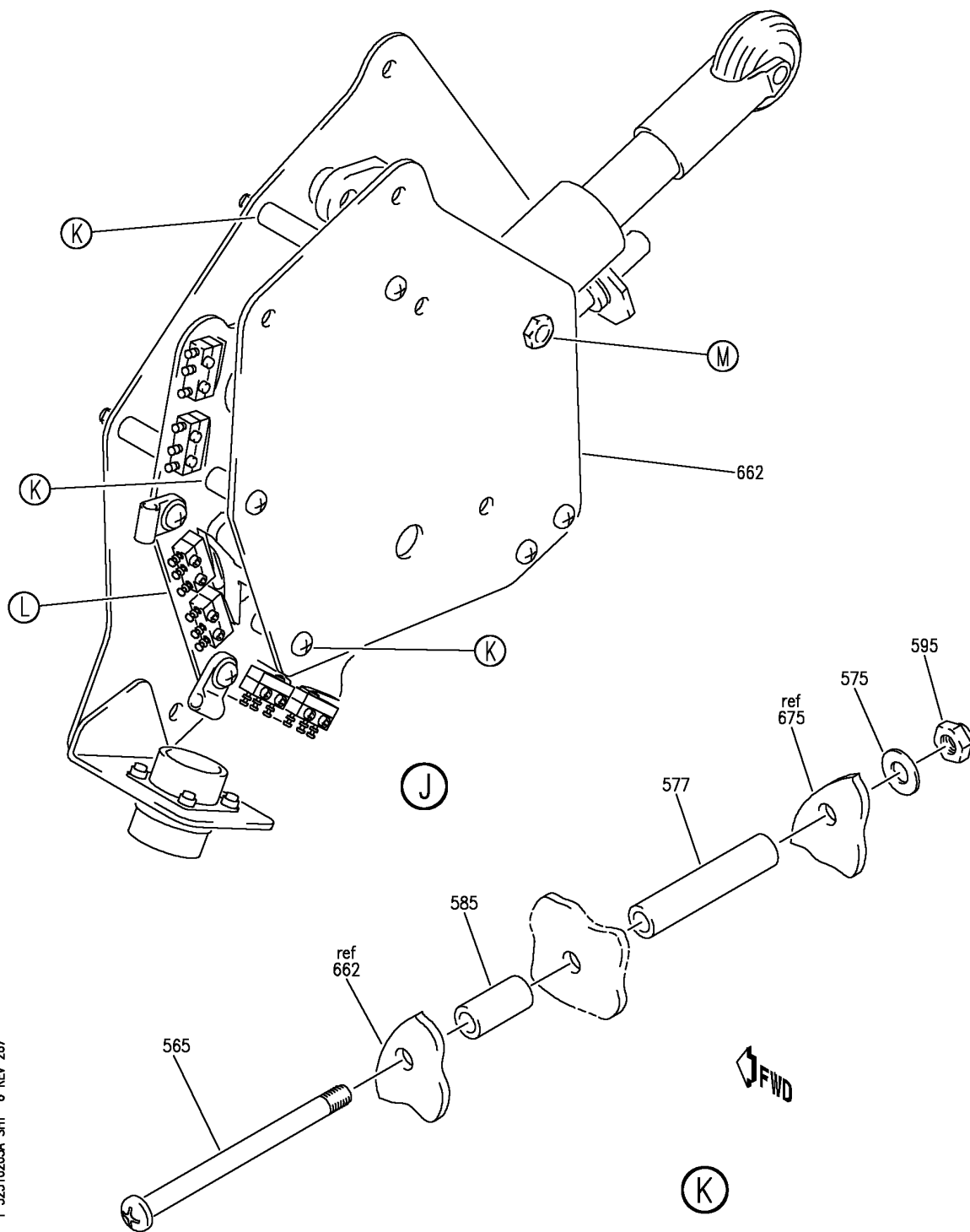
CABLE AND HANDLE INSTL LG CONTROL  
FIGURE 3A (SHEET 5)

**32-31-02-03A**

BRI  
JAN 20/09

32-31-02-03A  
PAGE 0D

**BOEING**  
757  
PARTS CATALOG (MAINTENANCE)



CABLE AND HANDLE INSTL LG CONTROL  
FIGURE 3A (SHEET 6)

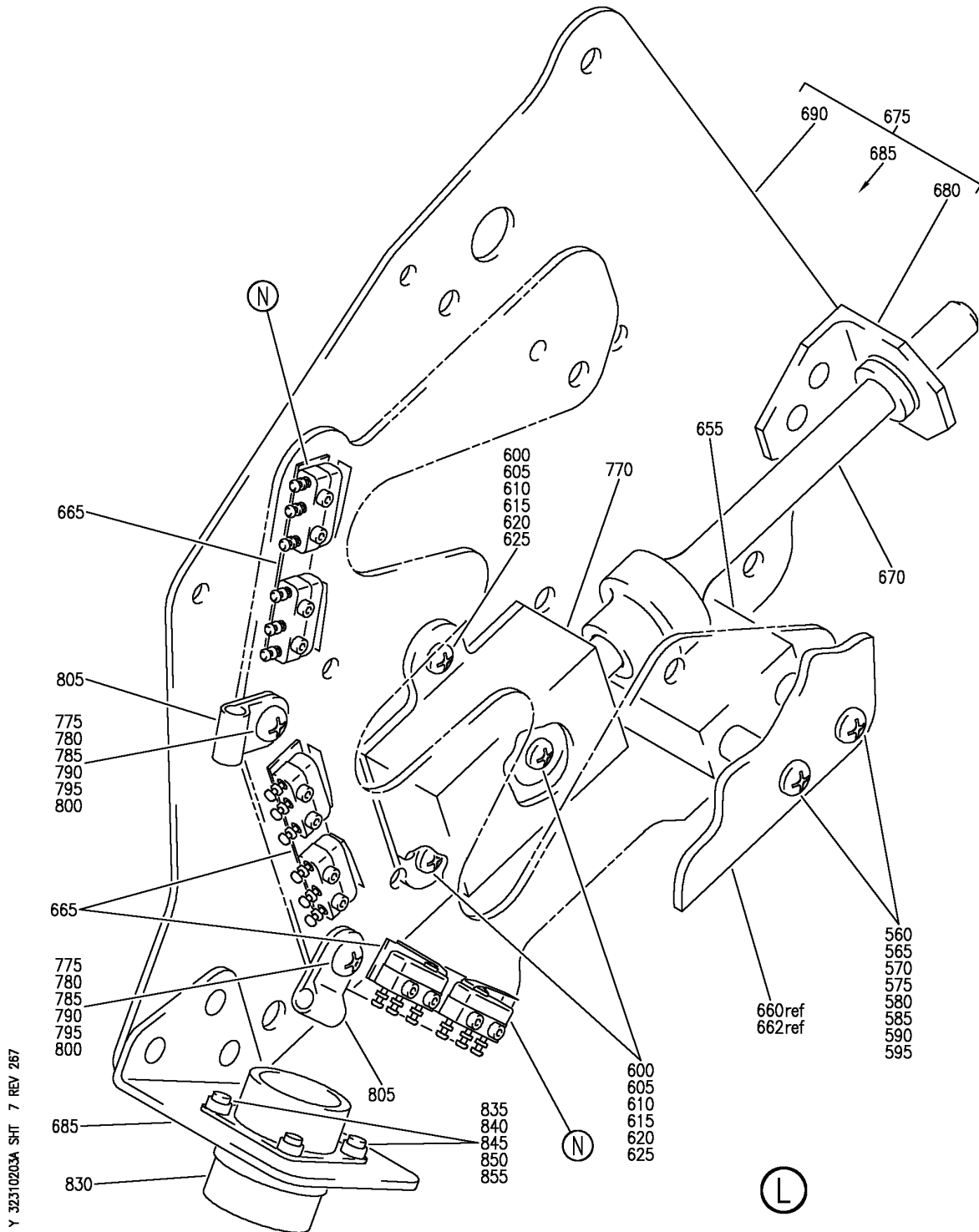
**32-31-02-03A**

BRI  
JAN 20/09

32-31-02-03A  
PAGE 0E



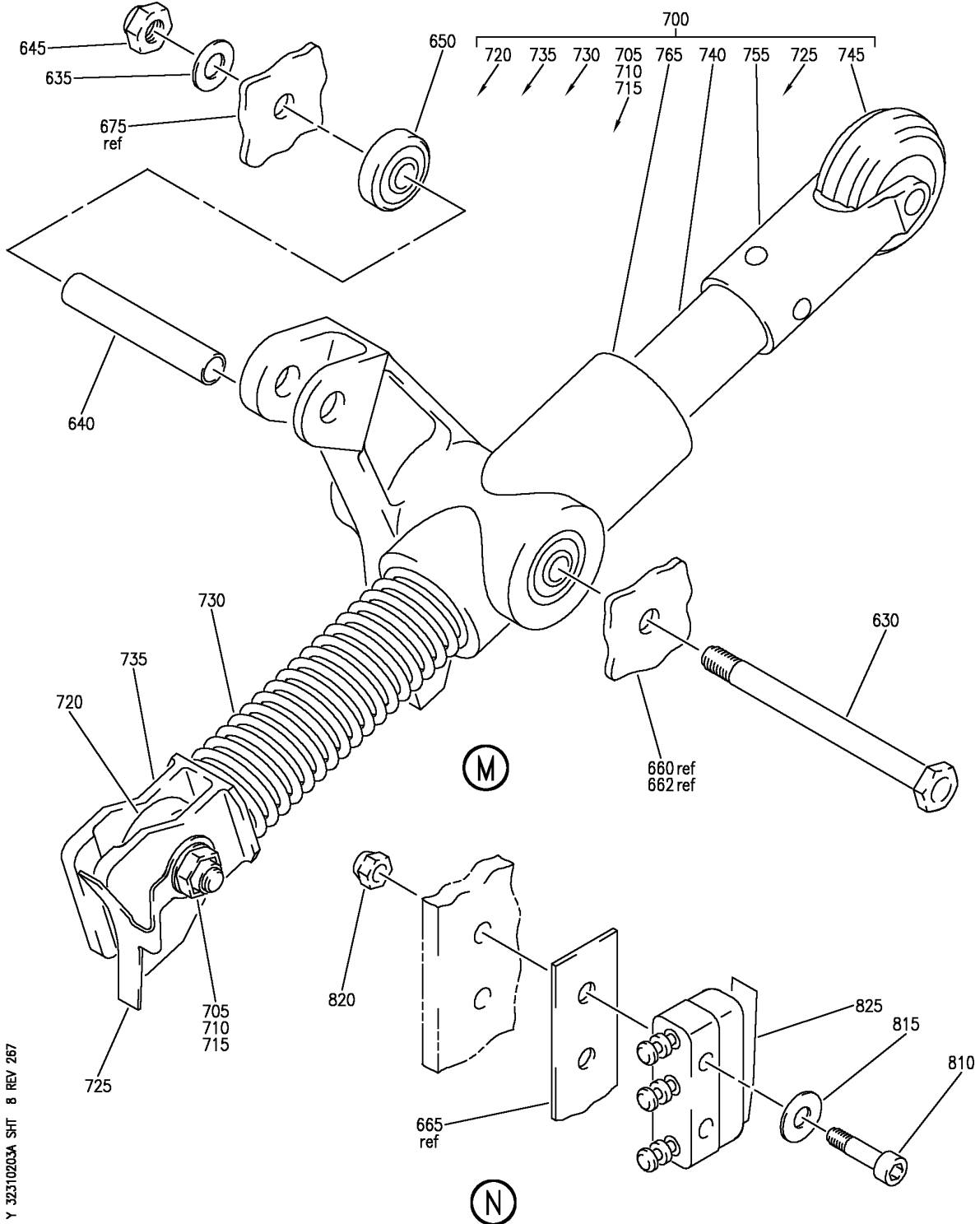
**BOEING**  
757  
PARTS CATALOG (MAINTENANCE)



CABLE AND HANDLE INSTL LG CONTROL  
FIGURE 3A (SHEET 7)

**32-31-02-03A**

**BOEING**  
757  
PARTS CATALOG (MAINTENANCE)



Y 32310203A SHT 8 REV 267

CABLE AND HANDLE INSTL LG CONTROL  
FIGURE 3A (SHEET 8)

**32-31-02-03A**

BRI  
JAN 20/09

32-31-02-03A  
PAGE 08

**BOEING**  
757  
**PARTS CATALOG (MAINTENANCE)**

FIG ITEM	PART NUMBER	1 2 3 4 5 6 7	NOMENCLATURE	EFFECT FROM TO	UNITS PER ASSY
3A			CABLE AND HANDLE INSTL LG CONTROL	103106	
- 1	MODREF8276		CABLE INSTL-LG CONTROL MODULE NUMBER: 273N3001-45 REV A	103106	1
10	BACP18BC02C04P		.PIN	103106	4
15	BACP18BC02D04P		.PIN	103106	2
25	BACP18C3-660		.PIN	103106	1
30	MS20392-2C71		.PIN	103106	2
35	BACP18BC02A03P		.PIN	103106	2
40	NAS1149D0332J		.WASHER	103106	4
45	BACC15AJ2		.CLIP	103106	4
50	MS21251B3L		.TURNBUCKLE BODY	103106	2
55	BACC2C3D04010FG		.CABLE ASSY	103106	1
60	BACC2C3D04206EG		.CABLE ASSY	103106	1
65	BACC2C3D04687EG		.CABLE ASSY	103106	1
70	BACC2C3D04490FG		.CABLE ASSY	103106	1
- 350	MODREF32116		HANDLE INSTL-LG CONTROL MODULE NUMBER: 273N3003-10 REV B	103106	1
355	273N3079-6		.COVER ASSY ATTACHING PARTS	103106	1
360	NAS623-3-19		.SCREW	103106	1
365	NAS603-8P		.SCREW	103106	5
370	NAS1149D0332J		.WASHER	103106	8
375	NAS42DD6-72FC		.SPACER	103106	1
380	BRH10C3D		.NUT	103106	1
			SUPPLIER CODE: V52828 SPECIFICATION NUMBER: BACN10JC3CD OPTIONAL PART: T6C1032JCD V11815 NS202486-02 V80539 102LH9075-3W V72962 H51650-3BAC V15653 -----*-----		
400	NAS603-8P		.. SCREW	103106	5
405	AN960KD10L		.. WASHER	103106	5

MISSING ITEM NUMBERS NOT APPLICABLE

- ITEM NOT ILLUSTRATED

# 32-31-02-03A

32-31-02  
FIG. 03A  
PAGE 1  
JAN 20/09

BRI

BOEING PROPRIETARY - Copyright © - Unpublished Work - See title page for details.

 **BOEING**  
757  
**PARTS CATALOG (MAINTENANCE)**

FIG ITEM	PART NUMBER	1 2 3 4 5 6 7	NOMENCLATURE	EFFECT FROM TO	UNITS PER ASSY
3A 410	MF53050-3CD		..NUTPLATE SUPPLIER CODE: V15653 SPECIFICATION NUMBER: BACN10JN3CD OPTIONAL PART: BRFM20C3D V52828 102F9201M3 V72962 NS202487-02 V80539 MF51637-3 V15653	103106	7
415	F2000-3		..NUTPLATE SUPPLIER CODE: V15653 SPECIFICATION NUMBER: BACN10KB3F OPTIONAL PART: NS103185-02 V80539 RMF9207-3 V72962 T8114S1032S V11815 VN151A1-02 V92215 BRF100A3 V52828 ATTACHING PARTS	103106	3
- 420	BACR15BA3A		..RIVET- SIZE DETERMINED ON INSTL. -----*-----	103106	20
421	273N3079-7		..COVER	103106	1
422	273N3079-9		..COVER	103106	1
423	273N3079-10		..COVER	103106	1
425	NAS6606-100		.BOLT	103106	1
430	NAS1149D0663J		.WASHER	103106	1
435	NAS43DD6-343FC		.SPACER	103106	1
440	NAS73-6-003		.SPACER	103106	1
445	BRH10C6D		.NUT SUPPLIER CODE: V52828 SPECIFICATION NUMBER: BACN10JC6CD OPTIONAL PART: H51650-6BAC V15653	103106	1

MISSING ITEM NUMBERS NOT APPLICABLE

- ITEM NOT ILLUSTRATED

BRI

# 32-31-02-03A

BOEING PROPRIETARY - Copyright © - Unpublished Work - See title page for details.

32-31-02  
FIG. 03A  
PAGE 2  
JAN 20/09



757

PARTS CATALOG (MAINTENANCE)

FIG ITEM	PART NUMBER	1 2 3 4 5 6 7	NOMENCLATURE	EFFECT FROM TO	UNITS PER ASSY
3A					
450	BACB10BX6J	.	BEARING- OPTIONAL PART: BACB10FS06J	103106	1
450	SSMKP6AP	.	BEARING- SUPPLIER CODE: V21760 SPECIFICATION NUMBER: BACB10FS6J OPTIONAL PART: BACB10BX06J	103106	1
455	273N3064-3	.	QUADRANT ASSY- COMPONENT MAINT MANUAL REF: 32-31-15	103106	1
460	MS21141U0604P	..	FASTENER	103106	8
465	MS21141U0606P	..	FASTENER	103106	4
470	273N3074-1	..	QUADRANT- POSITION DATA: FWD OPTIONAL PART: 273N3074-3	103106	1
470	273N3074-3	..	QUADRANT- POSITION DATA: FWD OPTIONAL PART: 273N3074-1	103106	1
475	273N3074-2	..	QUADRANT- POSITION DATA: FWD OPTIONAL PART: 273N3074-4	103106	1
475	273N3074-4	..	QUADRANT- POSITION DATA: FWD OPTIONAL PART: 273N3074-2	103106	1
480	273N3075-5	..	LEVER- OPTIONAL PART: 273N3075-7	103106	1
480	273N3075-7	..	LEVER- OPTIONAL PART: 273N3075-5	103106	1
485	273N3076-5	..	SHAFT ASSY	103106	1

MISSING ITEM NUMBERS NOT APPLICABLE

- ITEM NOT ILLUSTRATED

32-31-02-03A

32-31-02  
FIG. 03A  
PAGE 3  
JAN 20/09

BRI

BOEING PROPRIETARY - Copyright © - Unpublished Work - See title page for details.



757

PARTS CATALOG (MAINTENANCE)

FIG ITEM	PART NUMBER	1 2 3 4 5 6 7	NOMENCLATURE	EFFECT FROM TO	UNITS PER ASSY
3A 490	KP6AFS428	. . .	BEARING SUPPLIER CODE: V06144 SPECIFICATION NUMBER: BACB10BX6 OPTIONAL PART: KP6AFS428 V21335 KP6A2TS V43991 LLKP6A V38443 KP6AG27 V30163 KP6A V38443 KP6BLY196 V40920 KP6BSD610 V83086 CS206E VK8455 KP6A V21760 KP6ANJC V06144	103106	1
495	273N3076-6	. . .	SHAFT	103106	1
500	NAS623-3-12	. .	SCREW	103106	1
505	NAS623-3-13	. .	SCREW	103106	1
510	NAS1149D0363J	. .	WASHER	103106	1
515	BRH10C3D	. .	NUT SUPPLIER CODE: V52828 SPECIFICATION NUMBER: BACN10JC3CD OPTIONAL PART: T6C1032JCD V11815 NS202486-02 V80539 102LH9075-3W V72962 H51650-3BAC V15653	103106	2
520	BACB28Y3M017	. .	BUSHING	103106	1
525	257T3105-15	. .	BUSHING	103106	1
530	273N3003-3	. .	SHIM	103106	1

MISSING ITEM NUMBERS NOT APPLICABLE

- ITEM NOT ILLUSTRATED

32-31-02-03A

32-31-02  
FIG. 03A  
PAGE 4  
JAN 20/09

BRI

BOEING PROPRIETARY - Copyright © - Unpublished Work - See title page for details.



757

PARTS CATALOG (MAINTENANCE)

FIG ITEM	PART NUMBER	1 2 3 4 5 6 7	NOMENCLATURE	EFFECT FROM TO	UNITS PER ASSY
3A 532	251T0100-131	.	ROD ASSY- COMPONENT MAINT MANUAL REF: 27-00-11	103106	1
535	257T1103-20	.	MODULE ASSY-LEVER SUPPLIER CODE: V89954 MISCELLANEOUS DATA: FOR SPARES PROCURE LOWER COMPONENTS ELECTRICAL EQUIP NUMBER: M00937 COMPONENT MAINT MANUAL REF: 32-31-20 OPTIONAL PART: 257T1103-15 V89954	103106	1
535	257T1103-15	.	MODULE ASSY-LEVER SUPPLIER CODE: V89954 MISCELLANEOUS DATA: FOR SPARES PROCURE LOWER COMPONENTS ELECTRICAL EQUIP NUMBER: M00937 COMPONENT MAINT MANUAL REF: 32-31-20 OPTIONAL PART: 257T1103-20 V89954	103106	1
540	BACB30NF4-2	.	BOLT	103106	3
545	BACB30NF4-4	.	BOLT	103106	2
550	AN960PD416J	.	WASHER	103106	5
555	BRH10C4D	.	NUT ATTACHING PARTS SUPPLIER CODE: V52828 SPECIFICATION NUMBER: BACN10JC4CD OPTIONAL PART: T6C428JCD V11815 NS202486-048 V80539 102LH9075-4W V72962 H51650-4BAC V15653 -----*-----	103106	3

MISSING ITEM NUMBERS NOT APPLICABLE

- ITEM NOT ILLUSTRATED

32-31-02-03A

32-31-02  
FIG. 03A  
PAGE 5  
JAN 20/09

BRI



757

PARTS CATALOG (MAINTENANCE)

FIG ITEM	PART NUMBER	1 2 3 4 5 6 7	NOMENCLATURE	EFFECT FROM TO	UNITS PER ASSY
3A					
560	NAS623-3-40	..	SCREW- USED ON: 257T1103-20	103106	5
565	BACB30ZG3-40	..	SCREW- OPTIONAL PART: NAS623-3-40 USED ON: 257T1103-15	103106	5
565	NAS623-3-40	..	SCREW- OPTIONAL PART: BACB30ZG3-40 USED ON: 257T1103-15	103106	5
570	NAS1149D0316J	..	WASHER- OPTIONAL PART: AN960PD10L USED ON: 257T1103-20	103106	5
570	AN960PD10L	..	WASHER- OPTIONAL PART: NAS1149D0316J USED ON: 257T1103-20	103106	5
575	AN960PD10L	..	WASHER- USED ON: 257T1103-15	103106	5
577	NAS43DD3-101	..	SPACER- USED ON: 257T1103-15	103106	3
578	NAS43DD3-101FC	..	SPACER- USED ON: 257T1103-20	103106	3
580	NAS43DD3-43FC	..	SPACER- USED ON: 257T1103-20	103106	5
585	NAS43DD3-43	..	SPACER- OPTIONAL PART: NAS43DD3-43FC USED ON: 257T1103-15	103106	5
585	NAS43DD3-43FC	..	SPACER- OPTIONAL PART: NAS43DD3-43 USED ON: 257T1103-15	103106	5

MISSING ITEM NUMBERS NOT APPLICABLE

- ITEM NOT ILLUSTRATED

32-31-02-03A

32-31-02  
FIG. 03A  
PAGE 6  
JAN 20/09

BRI

BOEING PROPRIETARY - Copyright © - Unpublished Work - See title page for details.





757

PARTS CATALOG (MAINTENANCE)

FIG ITEM	PART NUMBER	1 2 3 4 5 6 7	NOMENCLATURE	EFFECT FROM TO	UNITS PER ASSY
3A 590	BRH10C3D	..	NUT- SUPPLIER CODE: V52828 SPECIFICATION NUMBER: BACN10JC3CD OPTIONAL PART: T6C1032JCD V11815 NS202486-02 V80539 102LH9075-3W V72962 H51650-3BAC V15653 USED ON: 257T1103-20	103106	5
595	PLH53C	..	NUT- SUPPLIER CODE: V62554 SPECIFICATION NUMBER: BACN10YR3C OPTIONAL PART: H52732-3C V15653 BACN10JC3 USED ON: 257T1103-15	103106	5
595	BRH10A3	..	NUT- SUPPLIER CODE: V52828 SPECIFICATION NUMBER: BACN10JC3 OPTIONAL PART: H10-3BAC V15653 NS202101-02 V80539 RMLH9075-3W V72962 VN303A02 V92215 96-02 V80539 T6S1032J V11815 BACN10YR3C USED ON: 257T1103-15	103106	5

MISSING ITEM NUMBERS NOT APPLICABLE

- ITEM NOT ILLUSTRATED

BRI

32-31-02-03A

BOEING PROPRIETARY - Copyright © - Unpublished Work - See title page for details.

32-31-02  
FIG. 03A  
PAGE 7  
JAN 20/09



757

PARTS CATALOG (MAINTENANCE)

FIG ITEM	PART NUMBER	1 2 3 4 5 6 7	NOMENCLATURE	EFFECT FROM TO	UNITS PER ASSY
3A 600	NAS623-2-2	..	SCREW- USED ON: 257T1103-20	103106	3
605	BACB30ZG2-2	..	SCREW- OPTIONAL PART: NAS623-2-2 USED ON: 257T1103-15	103106	3
605	NAS623-2-2	..	SCREW- OPTIONAL PART: BACB30ZG2-2 USED ON: 257T1103-15	103106	3
610	NAS1149DN816J	..	WASHER- USED ON: 257T1103-20	103106	3
615	NAS1149DN816J	..	WASHER- OPTIONAL PART: AN960PD8L USED ON: 257T1103-15	103106	3
615	AN960PD8L	..	WASHER- OPTIONAL PART: NAS1149DN816J USED ON: 257T1103-15	103106	3
620	BRH10C08D	..	NUT- SUPPLIER CODE: V52828 SPECIFICATION NUMBER: BACN10JC08CD OPTIONAL PART: H51650-08BAC V15653 102LH9075-82W V72962 NS202486-82 V80539 T6C832JCD V11815 USED ON: 257T1103-20	103106	3

MISSING ITEM NUMBERS NOT APPLICABLE

- ITEM NOT ILLUSTRATED

32-31-02-03A

32-31-02  
FIG. 03A  
PAGE 8  
JAN 20/09

BRI

BOEING PROPRIETARY - Copyright © - Unpublished Work - See title page for details.



757

PARTS CATALOG (MAINTENANCE)

FIG ITEM	PART NUMBER	1 2 3 4 5 6 7	NOMENCLATURE	EFFECT FROM TO	UNITS PER ASSY
3A 625	PLH508C	..	NUT- SUPPLIER CODE: VF0224 SPECIFICATION NUMBER: BACN10YR08C OPTIONAL PART: H52732-08C V15653 BACN10JC08 USED ON: 257T1103-15	103106	3
625	BRH10A08	..	NUT- SUPPLIER CODE: V52828 SPECIFICATION NUMBER: BACN10JC08 OPTIONAL PART: H10-08BAC V15653 NS202101-82 V80539 RMLH9075-82W V72962 VN303A82 V92215 96-82 V80539 T6S832J V11815 BACN10YR08C USED ON: 257T1103-15	103106	3
630	NAS6604-40	..	BOLT	103106	1
635	NAS1149D0416J	..	WASHER- OPTIONAL PART: AN960PD416L	103106	1
635	AN960PD416L	..	WASHER- OPTIONAL PART: NAS1149D0416J	103106	1
640	257T1119-1	..	SPACER- SUPPLIER CODE: V89954	103106	1

MISSING ITEM NUMBERS NOT APPLICABLE

- ITEM NOT ILLUSTRATED

32-31-02-03A

32-31-02  
FIG. 03A  
PAGE 9  
JAN 20/09

BRI

BOEING PROPRIETARY - Copyright © - Unpublished Work - See title page for details.



757

PARTS CATALOG (MAINTENANCE)

FIG ITEM	PART NUMBER	1 2 3 4 5 6 7	NOMENCLATURE	EFFECT FROM TO	UNITS PER ASSY
3A 645	BRH10C4D		..NUT- SUPPLIER CODE: V52828 SPECIFICATION NUMBER: BACN10JC4CD OPTIONAL PART: T6C428JCD V11815 NS202486-048 V80539 102LH9075-4W V72962 H51650-4BAC V15653 USED ON: 257T1103-20	103106	1
645	BRH10A4		..NUT- SUPPLIER CODE: V52828 SPECIFICATION NUMBER: BACN10JC4 OPTIONAL PART: T6S428J V11815 96-048 V80539 VN303A048 V92215 RMLH9075-4W V72962 NS202101-048 V80539 H10-4BAC V15653 USED ON: 257T1103-15	103106	1
650	KP4ASD529		..BEARING-BALL SUPPLIER CODE: V50294 SPECIFICATION NUMBER: BACB10BX04J OPTIONAL PART: BACB10BX04	103106	1

MISSING ITEM NUMBERS NOT APPLICABLE

- ITEM NOT ILLUSTRATED

32-31-02-03A

32-31-02  
 FIG. 03A  
 PAGE 10  
 JAN 20/09

BRI

**BOEING**  
757  
**PARTS CATALOG (MAINTENANCE)**

FIG ITEM	PART NUMBER	1 2 3 4 5 6 7	NOMENCLATURE	EFFECT FROM TO	UNITS PER ASSY	
R R R R R R R R R R	3A 650	KP04AFS428	.. BEARING-BALL SUPPLIER CODE: V06144 SPECIFICATION NUMBER: BACB10BX04 OPTIONAL PART: KP04ALY196 V40920 KP04AFS428 V21335 KP04A2TS V43991 LLKP04A V38443 KP04A V38443 KP4AE V21760 KP4AP V21760 KP04ASD610 V83086 KP04ANJC V06144 KP4AFS428 V21335 BACB10BX04J	103106	1	
	655	257T1129-2	.. BLOCK-SPRT SUPPLIER CODE: V89954	103106	1	
	660	257T1124-10	.. PLATE- SUPPLIER CODE: V89954 USED ON: 257T1103-20	103106	1	
	662	257T1124-4	.. PLATE- SUPPLIER CODE: V89954 USED ON: 257T1103-15	103106	1	
	665	273N3110-1	.. SPACER- SUPPLIER CODE: V89954	103106	3	
	670	257T1128-5	.. ROD ASSY	103106	1	
	675	257T1124-9	.. PLATE ASSY- SUPPLIER CODE: V89954	103106	1	
	MISSING ITEM NUMBERS NOT APPLICABLE					

- ITEM NOT ILLUSTRATED

# 32-31-02-03A

32-31-02  
FIG. 03A  
PAGE 11  
MAY 20/09

BRI

BOEING PROPRIETARY - Copyright © - Unpublished Work - See title page for details.



757

PARTS CATALOG (MAINTENANCE)

FIG ITEM	PART NUMBER	1 2 3 4 5 6 7	NOMENCLATURE	EFFECT FROM TO	UNITS PER ASSY
3A 680	257T1124-8		...ANGLE ASSY- SUPPLIER CODE: V89954	103106	1
685	257T1124-6		...BRACKET- SUPPLIER CODE: V89954	103106	1
690	257T1124-5		...PLATE- SUPPLIER CODE: V89954	103106	1
- 695	BACR15BA4AD		...RIVET- SIZE DETERMINED ON INSTL. -----*-----	103106	6
700	257T1101-7		..HANDLE ASSY	103106	1
705	NAS6604-8		...BOLT	103106	1
710	NAS1149D0416J		...WASHER- OPTIONAL PART: AN960PD416L	103106	1
710	AN960PD416L		...WASHER- OPTIONAL PART: NAS1149D0416J	103106	1
715	BRH10C4D		...NUT- SUPPLIER CODE: V52828 SPECIFICATION NUMBER: BACN10JC4CD OPTIONAL PART: T6C428JCD V11815 NS202486-048 V80539 102LH9075-4W V72962 H51650-4BAC V15653 BACN10JC4	103106	1

MISSING ITEM NUMBERS NOT APPLICABLE

- ITEM NOT ILLUSTRATED

32-31-02-03A

32-31-02  
FIG. 03A  
PAGE 12  
MAY 20/09

BRI

BOEING PROPRIETARY - Copyright © - Unpublished Work - See title page for details.



757

PARTS CATALOG (MAINTENANCE)

FIG ITEM	PART NUMBER	1 2 3 4 5 6 7	NOMENCLATURE	EFFECT FROM TO	UNITS PER ASSY
3A 715	BRH10A4	...	NUT- SUPPLIER CODE: V52828 SPECIFICATION NUMBER: BACN10JC4 OPTIONAL PART: T6S428J V11815 96-048 V80539 VN303A048 V92215 RMLH9075-4W V72962 NS202101-048 V80539 H10-4BAC V15653 BACN10JC4CD	103106	1
720	KP4R16-2	...	BEARING- SUPPLIER CODE: V21335	103106	1
725	257T1123-2	...	SPRING- SUPPLIER CODE: V89954	103106	1
730	69B84139-1	...	SPRING	103106	1
735	257T1120-1	...	FORK	103106	1
740	257T1118-3	...	LEVER- SUPPLIER CODE: V89954	103106	1
745	69B82316-2	...	KNOB- OPTIONAL PART: 69B82316-3	103106	1
745	69B82316-3	...	KNOB- OPTIONAL PART: 69B82316-2	103106	1
- 750	BACR15BA5A16C	...	ATTACHING PARTS RIVET- OPTIONAL PART: BACR15BA5AD16C BACR15BA5B16C	103106	1
- 750	BACR15BA5AD16C	...	RIVET- OPTIONAL PART: BACR15BA5A16C	103106	1
- 750	BACR15BA5B16C	...	RIVET- OPTIONAL PART: BACR15BA5A16C	103106	1
755	69B82321-3	...	-----*----- FORK	103106	1

MISSING ITEM NUMBERS NOT APPLICABLE

- ITEM NOT ILLUSTRATED

32-31-02-03A

32-31-02  
FIG. 03A  
PAGE 13  
MAY 20/09

BRI

BOEING PROPRIETARY - Copyright © - Unpublished Work - See title page for details.



757

PARTS CATALOG (MAINTENANCE)

FIG ITEM	PART NUMBER	1 2 3 4 5 6 7	NOMENCLATURE	EFFECT FROM TO	UNITS PER ASSY
3A			ATTACHING PARTS		
- 760	BACR15BB5AD4	...	RIVET	103106	4
			-----*-----		
765	257T1111-9	...	TRUNION ASSY-	103106	1
			SUPPLIER CODE:		
			V89954		
770	A420-062894-08	..	SOLENOID ASSY-	103106	1
			SUPPLIER CODE:		
			V73949		
			OPTIONAL PART:		
			60B80061-8		
770	60B80061-8	..	SOLENOID ASSY-	103106	1
			OPTIONAL PART:		
			A420-062894-08		
			V73949		
775	NAS623-3-4	..	SCREW-	103106	2
			USED ON:		
			257T1103-20		
780	BACB30ZG3-4	..	SCREW-	103106	2
			OPTIONAL PART:		
			NAS623-3-4		
			USED ON:		
			257T1103-15		
780	NAS623-3-4	..	SCREW-	103106	2
			OPTIONAL PART:		
			BACB30ZG3-4		
			USED ON:		
			257T1103-15		
785	NAS1149D0316J	..	WASHER-	103106	2
			OPTIONAL PART:		
			AN960PD10L		
			USED ON:		
			257T1103-20		
785	AN960PD10L	..	WASHER-	103106	2
			OPTIONAL PART:		
			NAS1149D0316J		
			USED ON:		
			257T1103-20		
790	AN960PD10L	..	WASHER-	103106	2
			USED ON:		
			257T1103-15		

MISSING ITEM NUMBERS NOT APPLICABLE

- ITEM NOT ILLUSTRATED

32-31-02-03A

32-31-02  
FIG. 03A  
PAGE 14  
MAY 20/09

BRI

BOEING PROPRIETARY - Copyright © - Unpublished Work - See title page for details.





757

PARTS CATALOG (MAINTENANCE)

FIG ITEM	PART NUMBER	1 2 3 4 5 6 7	NOMENCLATURE	EFFECT FROM TO	UNITS PER ASSY
3A 795	BRH10C3D		..NUT- SUPPLIER CODE: V52828 SPECIFICATION NUMBER: BACN10JC3CD OPTIONAL PART: T6C1032JCD V11815 NS202486-02 V80539 102LH9075-3W V72962 H51650-3BAC V15653 USED ON: 257T1103-20	103106	2
800	PLH53C		..NUT- SUPPLIER CODE: V62554 SPECIFICATION NUMBER: BACN10YR3C OPTIONAL PART: H52732-3C V15653 BACN10JC3 USED ON: 257T1103-15	103106	2
800	BRH10A3		..NUT- SUPPLIER CODE: V52828 SPECIFICATION NUMBER: BACN10JC3 OPTIONAL PART: H10-3BAC V15653 NS202101-02 V80539 RMLH9075-3W V72962 VN303A02 V92215 96-02 V80539 T6S1032J V11815 BACN10YR3C USED ON: 257T1103-15	103106	2
805	BACC10DK3		..CLAMP	103106	2

MISSING ITEM NUMBERS NOT APPLICABLE

- ITEM NOT ILLUSTRATED

32-31-02-03A

32-31-02  
FIG. 03A  
PAGE 15  
MAY 20/09

BRI

BOEING PROPRIETARY - Copyright © - Unpublished Work - See title page for details.



757

PARTS CATALOG (MAINTENANCE)

FIG ITEM	PART NUMBER	1 2 3 4 5 6 7	NOMENCLATURE	EFFECT FROM TO	UNITS PER ASSY
3A					
810	NAS1352-02-12	..	SCREW	103106	12
815	NAS1149DN316J	..	WASHER-	103106	12
			OPTIONAL PART: AN960PD3L		
815	AN960PD3L	..	WASHER-	103106	12
			OPTIONAL PART: NAS1149DN316J		
820	92-1660-256	..	NUT	103106	12
			SUPPLIER CODE: V15653		
			SPECIFICATION NUMBER: BACN10DN26		
			OPTIONAL PART: 92-1660-26		
			V72962		
825	BACS30BV2	..	SWITCH	103106	6
			SUPPLIER CODE: V91929		
			SPECIFICATION NUMBER: BACS30BV2		
			OPTIONAL PART: X27341		
			V91929		
			111SM1T2		
			V91929		
830	BACC45FN16-24P	..	CONNECTOR	103106	1
			ATTACHING PARTS		
835	NAS600-6P	..	SCREW	103106	4
840	NAS1149DN416J	..	WASHER-	103106	4
			USED ON: 257T1103-20		
845	NAS1149DN416J	..	WASHER-	103106	4
			OPTIONAL PART: AN960PD4L		
			USED ON: 257T1103-15		
845	AN960PD4L	..	WASHER-	103106	4
			OPTIONAL PART: NAS1149DN416J		
			USED ON: 257T1103-15		

MISSING ITEM NUMBERS NOT APPLICABLE

- ITEM NOT ILLUSTRATED

32-31-02-03A

32-31-02  
FIG. 03A  
PAGE 16  
MAY 20/09

BRI

BOEING PROPRIETARY - Copyright © - Unpublished Work - See title page for details.



757

PARTS CATALOG (MAINTENANCE)

FIG ITEM	PART NUMBER	1 2 3 4 5 6 7	NOMENCLATURE	EFFECT FROM TO	UNITS PER ASSY
3A 850	BRH10C04D		..NUT- SUPPLIER CODE: V52828 SPECIFICATION NUMBER: BACN10JCO4CD OPTIONAL PART: H51650-04BAC V15653 102LH9075-40W V72962 NS202486-40 V80539 T6C440JCD V11815 T6C440JCD V11815 USED ON: 257T1103-20	103106	4
855	BRH10C04D		..NUT- SUPPLIER CODE: V52828 SPECIFICATION NUMBER: BACN10JCO4CD OPTIONAL PART: H51650-04BAC V15653 102LH9075-40W V72962 NS202486-40 V80539 T6C440JCD V11815 T6C440JCD V11815 BACN10JCO4 USED ON: 257T1103-15	103106	4

MISSING ITEM NUMBERS NOT APPLICABLE

- ITEM NOT ILLUSTRATED

BRI

32-31-02-03A

BOEING PROPRIETARY - Copyright © - Unpublished Work - See title page for details.

32-31-02  
 FIG. 03A  
 PAGE 17  
 MAY 20/09

 **BOEING**  
757  
**PARTS CATALOG (MAINTENANCE)**

FIG ITEM	PART NUMBER	1 2 3 4 5 6 7	NOMENCLATURE	EFFECT FROM TO	UNITS PER ASSY
3A 855	BRH10A04		..NUT- SUPPLIER CODE: V52828 SPECIFICATION NUMBER: BACN10JCO4 OPTIONAL PART: NS202101-40 V80539 RMLH9075-40W V72962 VN303A40 V92215 96-40 V80539 T6S440J V11815 H10-04BAC V15653 BACN10JCO4CD USED ON: 257T1103-15 -----*-----	103106	4
- 860	257T1103-23		..SUB KIT ASSY- SUPPLIER CODE: V89954 OPTIONAL PART: 257T1103-21 V89954 257T1103-22 V89954	103106	1
- 860	257T1103-21		..SUB KIT ASSY- SUPPLIER CODE: V89954 OPTIONAL PART: 257T1103-23 V89954	103106	1
- 860	257T1103-22		..SUB KIT ASSY- SUPPLIER CODE: V89954 OPTIONAL PART: 257T1103-23 V89954	103106	1
- 865	257T1103-4		..WIRE BUNDLE ASSY- SUPPLIER CODE: V89954	103106	1

MISSING ITEM NUMBERS NOT APPLICABLE

- ITEM NOT ILLUSTRATED

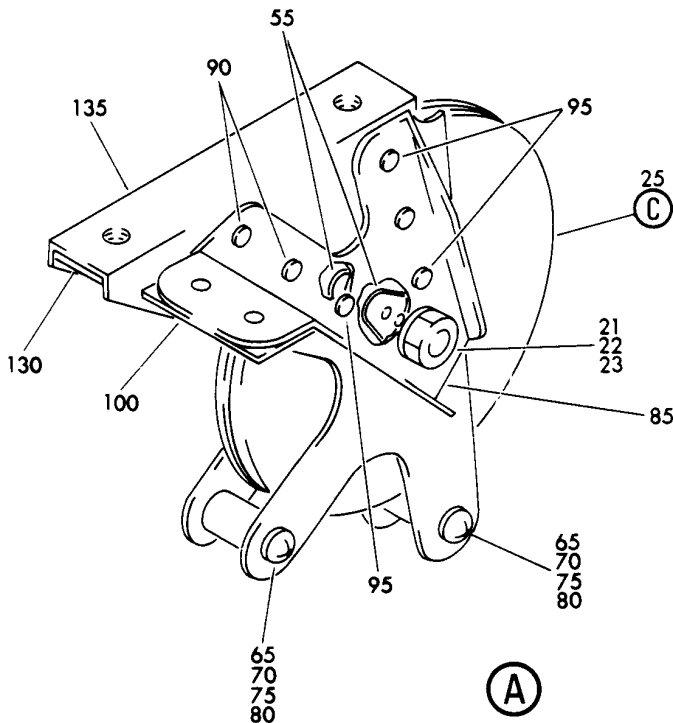
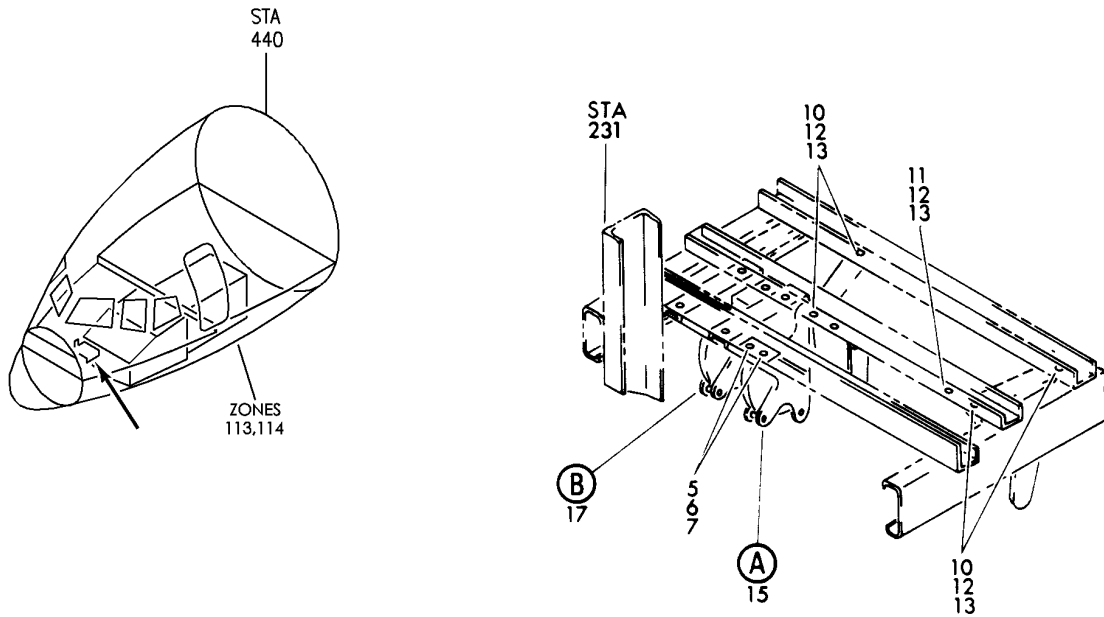
BRI

# 32-31-02-03A

BOEING PROPRIETARY - Copyright © - Unpublished Work - See title page for details.

32-31-02  
FIG. 03A  
PAGE 18  
MAY 20/09

**BOEING**  
757  
PARTS CATALOG (MAINTENANCE)



Y 32315101 SHT 1 REV 229

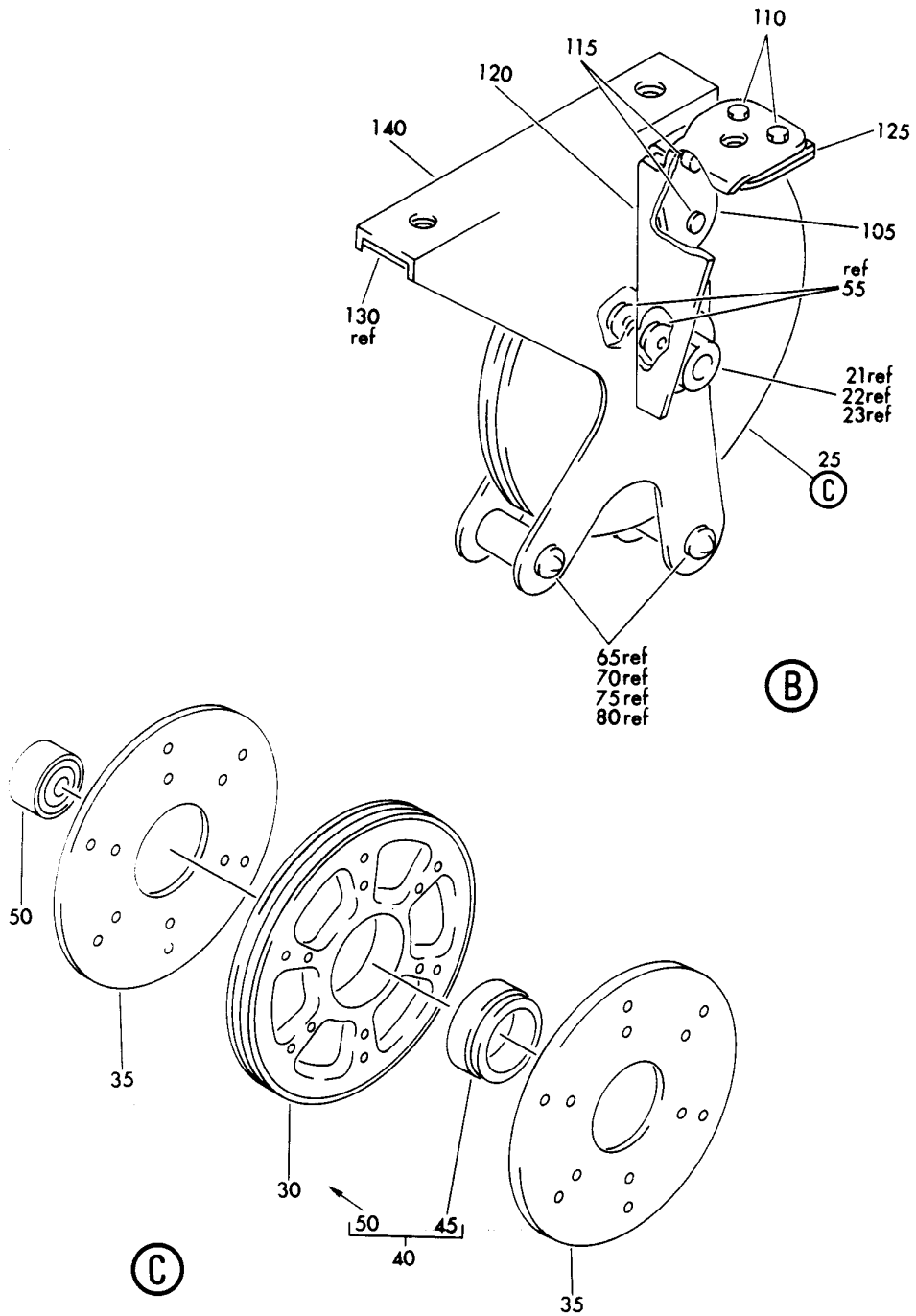
BRACKET INSTL-STA 230 THRU STA 247 PULLEY  
FIGURE 1 (SHEET 1)

**32-31-51-01**

BRI  
MAY 28/07

32-31-51-01  
PAGE 0

**BOEING**  
757  
PARTS CATALOG (MAINTENANCE)



Y 32315101 SHT 2 REV 082

BRACKET INSTL-STA 230 THRU STA 247 PULLEY  
FIGURE 1 (SHEET 2)

**32-31-51-01**

BRI  
MAY 28/07

32-31-51-01  
PAGE 0A



757

PARTS CATALOG (MAINTENANCE)

FIG ITEM	PART NUMBER	1 2 3 4 5 6 7	NOMENCLATURE	EFFECT FROM TO	UNITS PER ASSY
1			BRACKET INSTL-STA 230 THRU STA 247 PULLEY	002004 006999	
- 1	MODREF7872		BRACKET INSTL-PULLEY MODULE NUMBER: 251N6001-12 REV A POSITION DATA: STA 230 THRU STA 247	103106	1
- 1	251N6001-3		BRACKET INSTL-PULLEY POSITION DATA: STA 230 THRU STA 247 VARIABLE DRAWING REF: 251N6001-5 FOR NHA/OTHER SYS DET SEE: 27-31-00-02	107107 904949	RF
- 1	251N6001-8		BRACKET INSTL-PULLEY POSITION DATA: STA 230 THRU STA 247 VARIABLE DRAWING REF: 251N6001-5 FOR NHA/OTHER SYS DET SEE: 27-31-00-02	003004 006100 121503 950999	RF
- 1	251N6001-12		BRACKET INSTL-PULLEY POSITION DATA: STA 230 THRU STA 247 FOR NHA/OTHER SYS DET SEE: 27-50-00-01	101102 108120 504903	RF
5	NAS623-3-3		.SCREW	002004 006999	2
6	AN960PD10		.WASHER	002004 006999	2
7	BRH10A3		.NUT SUPPLIER CODE: V52828 SPECIFICATION NUMBER: BACN10JC3 OPTIONAL PART: H10-3BAC V15653 NS202101-02 V80539 RMLH9075-3W V72962 VN303A02 V92215 96-02 V80539 T6S1032J V11815	002004 006999	2

MISSING ITEM NUMBERS NOT APPLICABLE

- ITEM NOT ILLUSTRATED

32-31-51-01

32-31-51  
FIG. 01  
PAGE 1  
JAN 20/09

BRI



757

PARTS CATALOG (MAINTENANCE)

FIG ITEM	PART NUMBER	1 2 3 4 5 6 7	NOMENCLATURE	EFFECT FROM TO	UNITS PER ASSY
1					
10	BACB30NF4-2	.BOLT		002004 006999	4
11	BACB30NF4-3	.BOLT		002004 006999	1
12	AN960PD416	.WASHER		002004 006999	5
13	BRH10A4	.NUT		002004 006999	5
		SUPPLIER CODE: V52828 SPECIFICATION NUMBER: BACN10JC4 OPTIONAL PART: T6S428J V11815 96-048 V80539 VN303A048 V92215 RMLH9075-4W V72962 NS202101-048 V80539 H10-4BAC V15653			
15	251N6140-1	.BRACKET ASSY-LGVA PULLEY		002004 006999	1
		POSITION DATA: STA 237			
17	251N6141-1	.BRACKET ASSY-LGVB PULLEY		002004 006999	1
		POSITION DATA: STA 237			
21	BACB30NF4-13	..BOLT		002004 006999	1
22	AN960PD416	..WASHER		002004 006999	1

MISSING ITEM NUMBERS NOT APPLICABLE

- ITEM NOT ILLUSTRATED

32-31-51-01

32-31-51  
 FIG. 01  
 PAGE 2  
 JAN 20/09

BRI





757

PARTS CATALOG (MAINTENANCE)

FIG ITEM	PART NUMBER	1 2 3 4 5 6 7	NOMENCLATURE	EFFECT FROM TO	UNITS PER ASSY
1 23	BRH10A4	..	NUT SUPPLIER CODE: V52828 SPECIFICATION NUMBER: BACN10JC4 OPTIONAL PART: T6S428J V11815 96-048 V80539 VN303A048 V92215 RMLH9075-4W V72962 NS202101-048 V80539 H10-4BAC V15653	002004 006999	1
25	65B80977-1	..	PULLEY ASSY-4 IN. DIA 3/32 IN. CABLE FOR SPARES PROCURE: BACP30M4	002004 006999	1
30	JMKP4P25LY196	...	BEARING- SUPPLIER CODE: V40920 SPECIFICATION NUMBER: BACB10AN4 OPTIONAL PART: MKP4FS428 V21335 MKP4G20 V38443 LLMKP4 V38443 MKP4 V38443 MKP4-2TS V43991 MKP4E6531 V21335 MKP4TT V43991 MKP4SD610 V83086	002004 006999	1
35	69B81979-1	...	SHIELD	002004 006999	2
40	65B80978-1	...	SHEAVE ASSY	002004 006999	1

MISSING ITEM NUMBERS NOT APPLICABLE

- ITEM NOT ILLUSTRATED

32-31-51-01

32-31-51  
FIG. 01  
PAGE 3  
JAN 20/09

BRI



757

PARTS CATALOG (MAINTENANCE)

FIG ITEM	PART NUMBER	1 2 3 4 5 6 7	NOMENCLATURE	EFFECT FROM TO	UNITS PER ASSY
1	45 69B81362-2	....	INSERT	002004 006999	1
	50 65B80978-2	....	SHEAVE	002004 006999	1
	55 NAS463TKDD416H	..	SPACER	002004 006999	2
	ATTACHING PARTS				
- 60	BACR15BA3AD	..	RIVET- SIZE DETERMINED ON INSTL. -----*-----	002004 006999	4
	65 BACB30NT3K12	..	BOLT	002004 006999	2
	70 AN960PD10	..	WASHER	002004 006999	2
	75 BRH10C3D	..	NUT SUPPLIER CODE: V52828 SPECIFICATION NUMBER: BACN10JC3CD OPTIONAL PART: T6C1032JCD V11815 NS202486-02 V80539 102LH9075-3W V72962 H51650-3BAC V15653	002004 006999	2
	80 NAS42DD6-42	..	SPACER	002004 006999	2
	85 251N6140-3	..	STIFFENER- USED ON: 251N6140-1	002004 006999	1
	ATTACHING PARTS				
	90 BACR15FT5D	..	RIVET- SIZE DETERMINED ON INSTL.	002004 006999	2
	95 BACR15BA5AD	..	RIVET- SIZE DETERMINED ON INSTL. -----*-----	002004 006999	4
100	50-3361-8566	..	FILLER-RADIUS USED ON: 251N6140-1	002004 006999	1
105	251N6141-4	..	CLIP- USED ON: 251N6141-1	002004 006999	1
	ATTACHING PARTS				
110	BACR15BA4AD	..	RIVET- SIZE DETERMINED ON INSTL.	002004 006999	2

MISSING ITEM NUMBERS NOT APPLICABLE

- ITEM NOT ILLUSTRATED

32-31-51-01

32-31-51  
FIG. 01  
PAGE 4  
JAN 20/09

BRI

BOEING PROPRIETARY - Copyright © - Unpublished Work - See title page for details.



757

PARTS CATALOG (MAINTENANCE)

FIG ITEM	PART NUMBER	1 2 3 4 5 6 7	NOMENCLATURE	EFFECT FROM TO	UNITS PER ASSY
1					
115	BACR15BA5AD		..RIVET- SIZE DETERMINED ON INSTL. -----*-----	002004 006999	2
120	251N6141-3		..SUPPORT- USED ON: 251N6141-1	002004 006999	1
125	50-3361-8524		..FILLER-RADIUS USED ON: 251N6141-1	002004 006999	1
130	50-3361-8558		..FILLER-RADIUS	002004 006999	1
135	251N6140-2		..BRACKET- USED ON: 251N6140-1	002004 006999	1
140	251N6141-2		..BRACKET- USED ON: 251N6141-1	002004 006999	1

MISSING ITEM NUMBERS NOT APPLICABLE

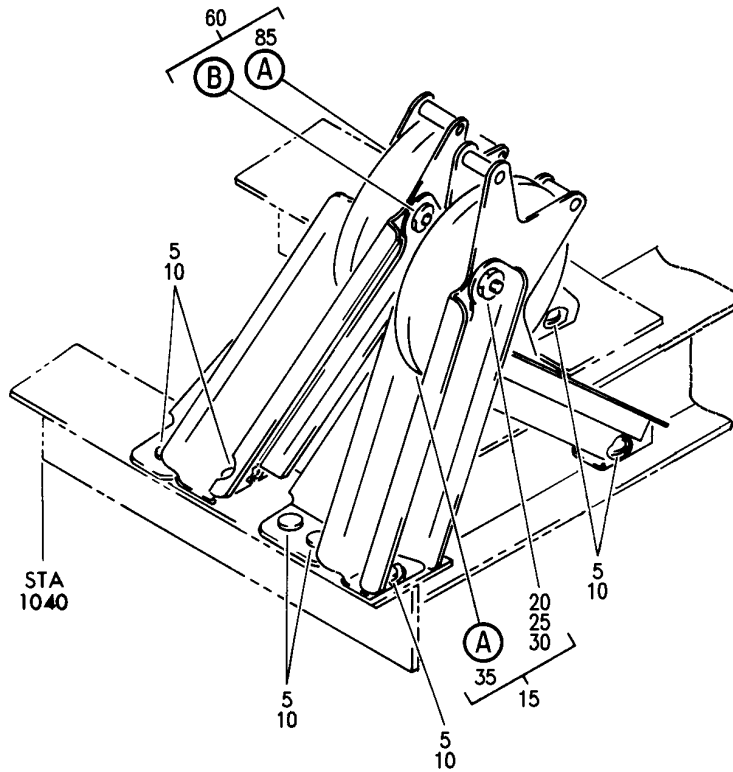
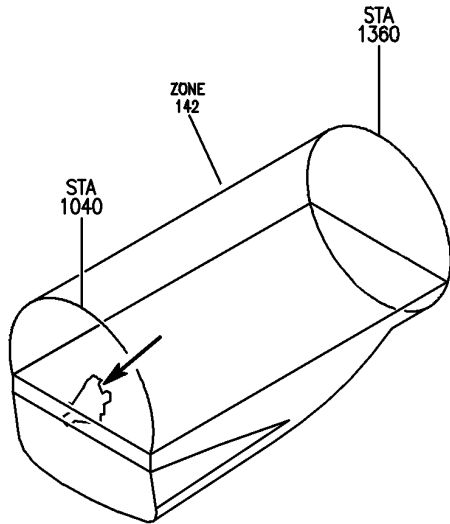
- ITEM NOT ILLUSTRATED

**32-31-51-01**

32-31-51  
FIG. 01  
PAGE 5  
JAN 20/09

BRI

**BOEING**  
757  
PARTS CATALOG (MAINTENANCE)



Y 32315102 SHT 1 REV 236

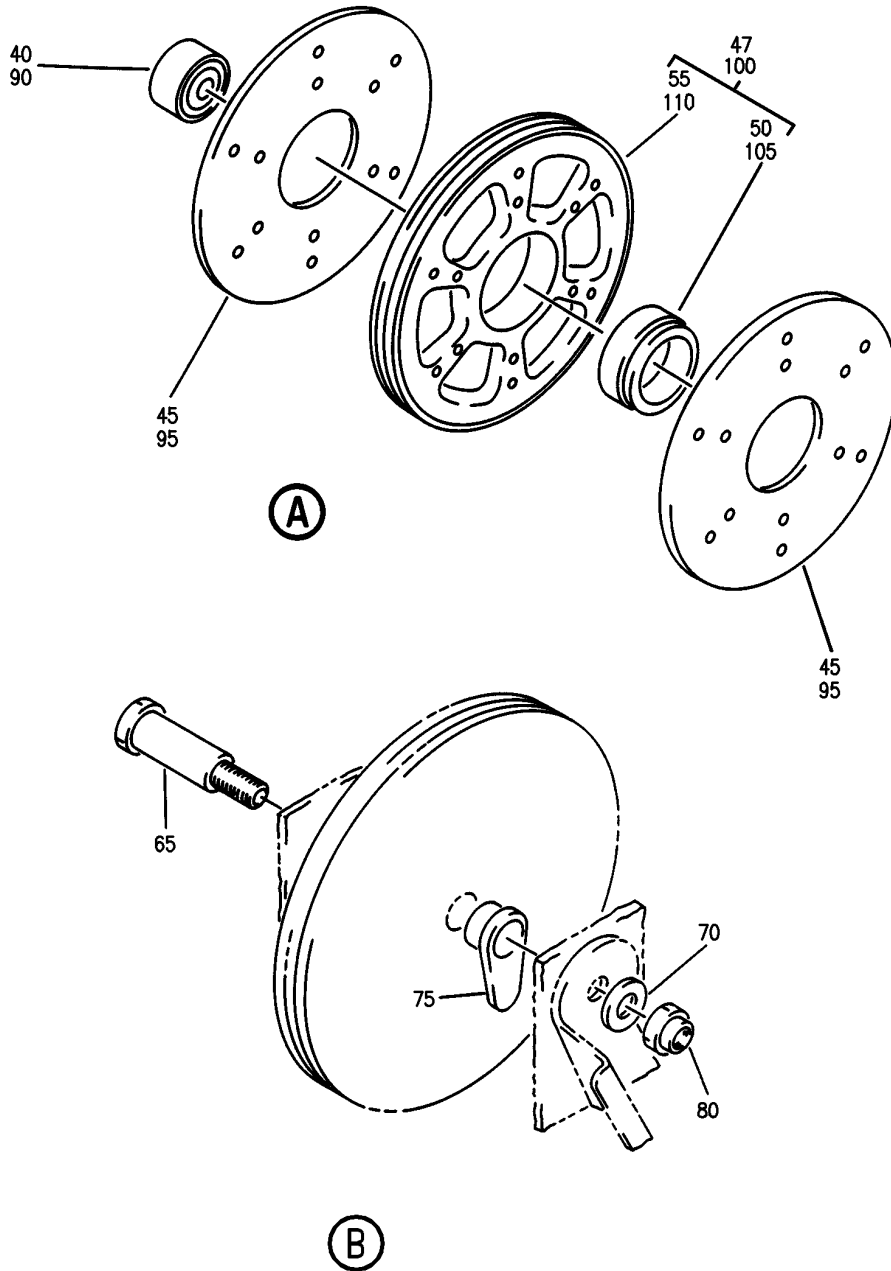
BRACKET INSTL-STA 1045 LG VALVE A AND LG VALVE B CABLES PULLEY  
FIGURE 2 (SHEET 1)

BRI  
MAY 28/07

**32-31-51-02**

32-31-51-02  
PAGE 0

**BOEING**  
757  
PARTS CATALOG (MAINTENANCE)



Y 32315102 SHT 2 REV 236

BRACKET INSTL-STA 1045 LG VALVE A AND LG VALVE B CABLES PULLEY  
FIGURE 2 (SHEET 2)

**32-31-51-02**

BRI  
MAY 28/07

32-31-51-02  
PAGE 0A



757

PARTS CATALOG (MAINTENANCE)

FIG ITEM	PART NUMBER	1 2 3 4 5 6 7	NOMENCLATURE	EFFECT FROM TO	UNITS PER ASSY
2			BRACKET INSTL-STA 1045 LG VALVE A AND LG VALVE B CABLES PULLEY	002004 006999	
- 1	251N6026-8		BRACKET INSTL-LG VALVE A AND LG VALVE B CABLES PULLEY POSITION DATA: STA 1045 FOR NHA SEE: 32-31-02-02 32-00-00-15	002004 006102 107999	RF
- 1	MODREF8195		BRACKET INSTL-LG VALVE A AND LG VALVE B CABLES PULLEY MODULE NUMBER: 251N6026-8 REV A POSITION DATA: STA 1045	103106	1
5	HL1012AZ6-5		.BOLT SUPPLIER CODE: V97928 SPECIFICATION NUMBER: BACB30NX6K5 OPTIONAL PART: HL12VAZ6-5 V73197 HL12VAZ6-5 V92215 HL12VAZ6-5 V97928 L802-6K5 V06725 HL12VAZ6-5 V56878 HL1012AZ6-5 VOPTK6 HL1012AZ6-5 V06725 HL1012AZ6-5 V06950 HL1012AZ6-5 V17446 HL1012AZ6-5 V56878 HL1012AZ6-5 V60516 HL1012AZ6-5 V73197	002004 006999	7

MISSING ITEM NUMBERS NOT APPLICABLE

- ITEM NOT ILLUSTRATED

BRI

32-31-51-02

BOEING PROPRIETARY - Copyright © - Unpublished Work - See title page for details.

32-31-51  
FIG. 02  
PAGE 1  
JAN 20/09



757

PARTS CATALOG (MAINTENANCE)

FIG ITEM	PART NUMBER	1 2 3 4 5 6 7	NOMENCLATURE	EFFECT FROM TO	UNITS PER ASSY
2	10 HL1187-6		.COLLAR SUPPLIER CODE: V5M902 SPECIFICATION NUMBER: BACC30X6 OPTIONAL PART: HL87-6 V92215 HL87-6 V73197 HL1187-6 V56878 HL1187-6 V92215 HL87-6 V56878 HL1187-6 V73197	002004 006999	7
	15 251N6218-10		.BRACKET ASSY-PULLEY	002004 006999	1
	20 BACB30NF4-13		..BOLT	002004 006999	1
	25 AN960PD416L		..WASHER	002004 006999	1
	30 BRH10A4		..NUT SUPPLIER CODE: V52828 SPECIFICATION NUMBER: BACN10JC4 OPTIONAL PART: T6S428J V11815 96-048 V80539 VN303A048 V92215 RMLH9075-4W V72962 NS202101-048 V80539 H10-4BAC V15653	002004 006999	1
	35 65B80977-1		..PULLEY ASSY-4 IN. DIA 3/32 IN. CABLE FOR SPARES PROCURE: BACP30M4	002004 006999	1

MISSING ITEM NUMBERS NOT APPLICABLE

- ITEM NOT ILLUSTRATED

BRI

32-31-51-02

BOEING PROPRIETARY - Copyright © - Unpublished Work - See title page for details.

32-31-51  
FIG. 02  
PAGE 2  
SEP 20/08



757

PARTS CATALOG (MAINTENANCE)

FIG ITEM	PART NUMBER	1 2 3 4 5 6 7	NOMENCLATURE	EFFECT FROM TO	UNITS PER ASSY
2	40	JMKP4P25LY196	... BEARING SUPPLIER CODE: V40920 SPECIFICATION NUMBER: BACB10AN4 OPTIONAL PART: MKP4FS428 V21335 MKP4G20 V38443 LLMKP4 V38443 MKP4 V38443 MKP4-2TS V43991 MKP4E6531 V21335 MKP4TT V43991 MKP4SD610 V83086	002004 006999	1
	45	69B81979-1	... SHIELD	002004 006999	2
	47	65B80978-1	... SHEAVE ASSY	002004 006999	1
	50	69B81362-2	.... INSERT	002004 006999	1
	55	65B80978-2	.... SHEAVE	002004 006999	1
	60	251N6219-10	. BRACKET ASSY-PULLEY	002004 006999	1
	70	AN960PD416L	.. WASHER	002004 006999	1
	75	295928-31B	.. SPACER SUPPLIER CODE: V60119 SPECIFICATION NUMBER: BACS18S31B	002004 006999	1

MISSING ITEM NUMBERS NOT APPLICABLE

- ITEM NOT ILLUSTRATED

BRI

32-31-51-02

BOEING PROPRIETARY - Copyright © - Unpublished Work - See title page for details.

32-31-51  
 FIG. 02  
 PAGE 3  
 SEP 20/08





757

PARTS CATALOG (MAINTENANCE)

FIG ITEM	PART NUMBER	1 2 3 4 5 6 7	NOMENCLATURE	EFFECT FROM TO	UNITS PER ASSY
2 80	BRH10A4	..	NUT SUPPLIER CODE: V52828 SPECIFICATION NUMBER: BACN10JC4 OPTIONAL PART: T6S428J V11815 96-048 V80539 VN303A048 V92215 RMLH9075-4W V72962 NS202101-048 V80539 H10-4BAC V15653	002004 006999	1
85	65B80977-1	..	PULLEY ASSY-4 IN. DIA 3/32 IN. CABLE FOR SPARES PROCURE: BACP30M4	002004 006999	1
90	JMKP4P25LY196	...	BEARING SUPPLIER CODE: V40920 SPECIFICATION NUMBER: BACB10AN4 OPTIONAL PART: MKP4FS428 V21335 MKP4G20 V38443 LLMKP4 V38443 MKP4 V38443 MKP4-2TS V43991 MKP4E6531 V21335 MKP4TT V43991 MKP4SD610 V83086	002004 006999	1
95	69B81979-1	...	SHIELD	002004 006999	2
100	65B80978-1	...	SHEAVE ASSY	002004 006999	1

MISSING ITEM NUMBERS NOT APPLICABLE

- ITEM NOT ILLUSTRATED

32-31-51-02

32-31-51  
FIG. 02  
PAGE 4  
SEP 20/08

BRI



757  
PARTS CATALOG (MAINTENANCE)

FIG ITEM	PART NUMBER	1 2 3 4 5 6 7	NOMENCLATURE	EFFECT FROM TO	UNITS PER ASSY
2					
105	69B81362-2	.....	INSERT	002004 006999	1
110	65B80978-2	.....	SHEAVE	002004 006999	1

MISSING ITEM NUMBERS NOT APPLICABLE

- ITEM NOT ILLUSTRATED

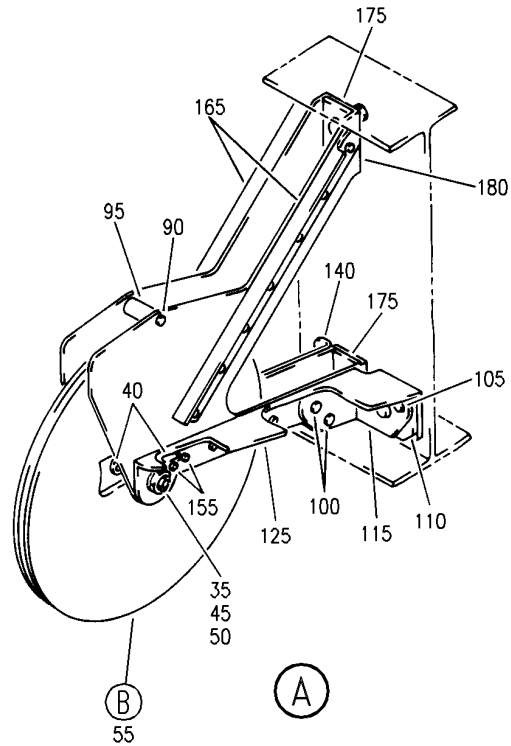
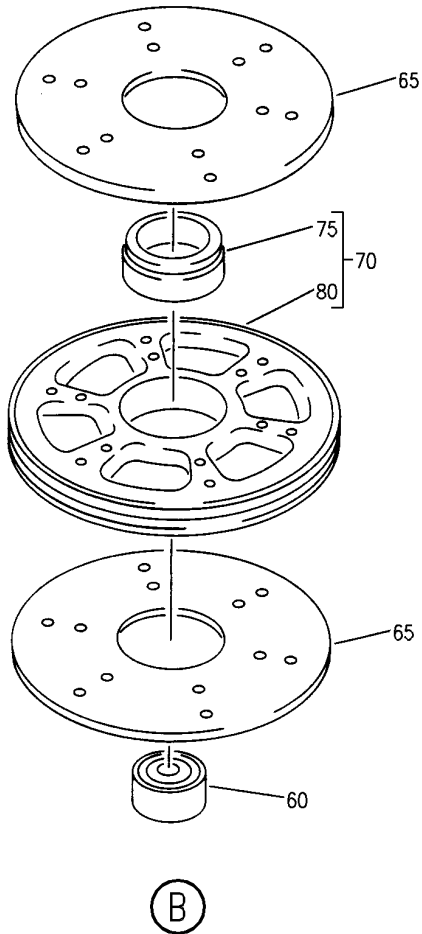
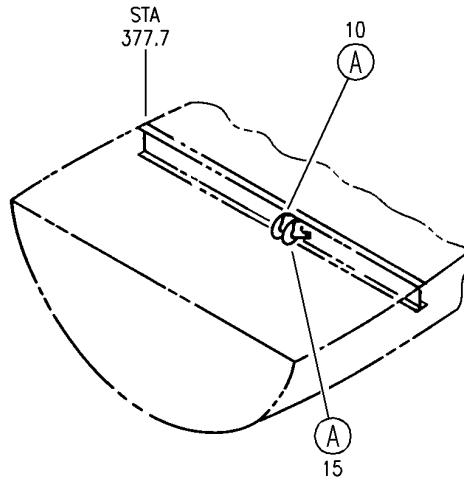
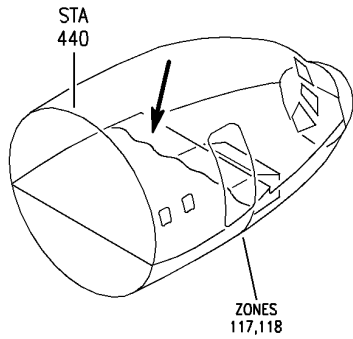
BRI

32-31-51-02

BOEING PROPRIETARY - Copyright © - Unpublished Work - See title page for details.

32-31-51  
FIG. 02  
PAGE 5  
SEP 20/08

**BOEING**  
757  
PARTS CATALOG (MAINTENANCE)



Y 32315103 REV 236

BRACKET INSTL-STA 377.7 LGVA, LGVB PULLEY (LANDING GEAR ONLY)  
FIGURE 3

**32-31-51-03**

BRI  
MAY 28/07

32-31-51-03  
PAGE 0



757

PARTS CATALOG (MAINTENANCE)

FIG ITEM	PART NUMBER	1 2 3 4 5 6 7	NOMENCLATURE	EFFECT FROM TO	UNITS PER ASSY
3			BRACKET INSTL-STA 377.7 LGVA, LGVB PULLEY (LANDING GEAR ONLY)	002004 006999	
- 1	251N6017-2		BRACKET INSTL-LG CONT VALVE A AND LG CONT VALVE B PULLEY (LANDING GEAR ONLY)	107107 904949	RF
- 1	251N6017-6		POSITION DATA: STA 377.7 FOR NHA/OTHER SYS DET SEE: 27-41-00-02		
- 1	251N6017-6		BRACKET INSTL-LG CONT VALVE A AND LG CONT VALVE B PULLEY (LANDING GEAR ONLY)	002004 006100 108503 950999	RF
- 1	MODREF8073		POSITION DATA: STA 377.7 FOR NHA SEE: 27-41-00-02 32-00-00-15		
- 1	MODREF8073		PLUMBING INSTL-LG CONT VALVE A AND LG CONT VALVE B PULLEY (LANDING GEAR ONLY)	103106	RF
			MODULE NUMBER: 251N6017-6 REV A		
10	251N6187-1		POSITION DATA: STA 377.7		
			.BRACKET ASSY	002004 006999	1
15	251N6187-2		.BRACKET ASSY	002004 006999	1

MISSING ITEM NUMBERS NOT APPLICABLE

- ITEM NOT ILLUSTRATED

BRI

32-31-51-03

32-31-51  
FIG. 03  
PAGE 1  
JAN 20/09



757

PARTS CATALOG (MAINTENANCE)

FIG ITEM	PART NUMBER	1 2 3 4 5 6 7	NOMENCLATURE	EFFECT FROM TO	UNITS PER ASSY
3 - 25	HL1012AZ8-4		ATTACHING PARTS .BOLT SUPPLIER CODE: VOPTK6 SPECIFICATION NUMBER: BACB30NX8K4 OPTIONAL PART: HL12VAZ8-4 V73197 HL12VAZ8-4 V92215 HL12VAZ8-4 V97928 L802-8K4 V06725 HL12VAZ8-4 V56878 HL1012AZ8-4 V06725 HL1012AZ8-4 V06950 HL1012AZ8-4 V17446 HL1012AZ8-4 V56878 HL1012AZ8-4 V60516 HL1012AZ8-4 V73197 HL1012AZ8-4 V97928	002004 006999	6

MISSING ITEM NUMBERS NOT APPLICABLE

- ITEM NOT ILLUSTRATED

BRI

32-31-51-03

BOEING PROPRIETARY - Copyright © - Unpublished Work - See title page for details.

32-31-51  
FIG. 03  
PAGE 2  
SEP 20/08



757

PARTS CATALOG (MAINTENANCE)

FIG ITEM	PART NUMBER	1 2 3 4 5 6 7	NOMENCLATURE	EFFECT FROM TO	UNITS PER ASSY
3 - 30	HL1187-8		.. COLLAR SUPPLIER CODE: V5M902 SPECIFICATION NUMBER: BACC30X8 OPTIONAL PART: HL87-8 V92215 HL87-8 V73197 HL1187-8 V56878 HL1187-8 V92215 HL87-8 V56878 HL1187-8 V73197 -----*-----	002004 006999	6
35	BACB30NF4-14		.. BOLT	002004 006999	1
40	NAS463TKDD416H		.. SPACER	002004 006999	2
45	AN960PD416		.. WASHER	002004 006999	1
50	BRH10A4		.. NUT SUPPLIER CODE: V52828 SPECIFICATION NUMBER: BACN10JC4 OPTIONAL PART: T6S428J V11815 96-048 V80539 VN303A048 V92215 RMLH9075-4W V72962 NS202101-048 V80539 H10-4BAC V15653	002004 006999	1
55	65B80973-1		.. PULLEY ASSY-6 IN. DIA 3/32 IN. CABLE	002004 006999	1

MISSING ITEM NUMBERS NOT APPLICABLE

- ITEM NOT ILLUSTRATED

32-31-51-03

32-31-51  
FIG. 03  
PAGE 3  
SEP 20/08

BRI



757

PARTS CATALOG (MAINTENANCE)

FIG ITEM	PART NUMBER	1 2 3 4 5 6 7	NOMENCLATURE	EFFECT FROM TO	UNITS PER ASSY
3					
60	JMKP4P25LY196	...	BEARING SUPPLIER CODE: V40920 SPECIFICATION NUMBER: BACB10AN4 OPTIONAL PART: MKP4FS428 V21335 MKP4G20 V38443 LLMKP4 V38443 MKP4 V38443 MKP4-2TS V43991 MKP4E6531 V21335 MKP4TT V43991 MKP4SD610 V83086	002004 006999	1
65	65B81234-1	...	SHIELD	002004 006999	2
70	65B80974-1	...	SHEAVE ASSY	002004 006999	1
75	69B81362-2	....	INSERT	002004 006999	1
80	65B80974-2	....	SHEAVE	002004 006999	1
90	BACR15FT4D	..	RIVET- SIZE DETERMINED ON INSTL.	002004 006999	1
95	NAS42DD4-42	..	SPACER	002004 006999	1
100	BACR15FT5D	..	RIVET- SIZE DETERMINED ON INSTL.	002004 006999	2
105	BACR15BA5D	..	RIVET- SIZE DETERMINED ON INSTL.	002004 006999	1
110	251N6187-11	..	FILLER-RADIUS	002004 006999	1
115	251N6187-7	..	CLIP- USED ON: 251N6187-1	002004 006999	1
- 120	251N6187-8	..	CLIP- USED ON: 251N6187-2	002004 006999	1
125	251N6187-3	..	SUPPORT- USED ON: 251N6187-1	002004 006999	1

MISSING ITEM NUMBERS NOT APPLICABLE

- ITEM NOT ILLUSTRATED

32-31-51-03

32-31-51  
FIG. 03  
PAGE 4  
SEP 20/08

BRI



757

PARTS CATALOG (MAINTENANCE)

FIG ITEM	PART NUMBER	1 2 3 4 5 6 7	NOMENCLATURE	EFFECT FROM TO	UNITS PER ASSY
3					
- 130	251N6187-4	..	SUPPORT- USED ON: 251N6187-2 ATTACHING PARTS	002004 006999	1
- 135	BACR15FT5D	..	RIVET- SIZE DETERMINED ON INSTL. -----*-----	002004 006999	2
140	251N6187-5	..	SUPPORT- USED ON: 251N6187-1	002004 006999	1
- 145	251N6187-6	..	SUPPORT- USED ON: 251N6187-2 ATTACHING PARTS	002004 006999	1
- 150	BACR15FT5D	..	RIVET- SIZE DETERMINED ON INSTL. -----*-----	002004 006999	3
155	BACR15BA3AD	..	RIVET- SIZE DETERMINED ON INSTL.	002004 006999	4
165	251N6187-10	..	ANGLE  ATTACHING PARTS	002004 006999	2
- 170	BACR15FT5D	..	RIVET- SIZE DETERMINED ON INSTL. -----*-----	002004 006999	14
175	50-3361-8558	..	FILLER-RADIUS	002004 006999	2
180	251N6187-9	..	BRACKET	002004 006999	1

MISSING ITEM NUMBERS NOT APPLICABLE

- ITEM NOT ILLUSTRATED

32-31-51-03

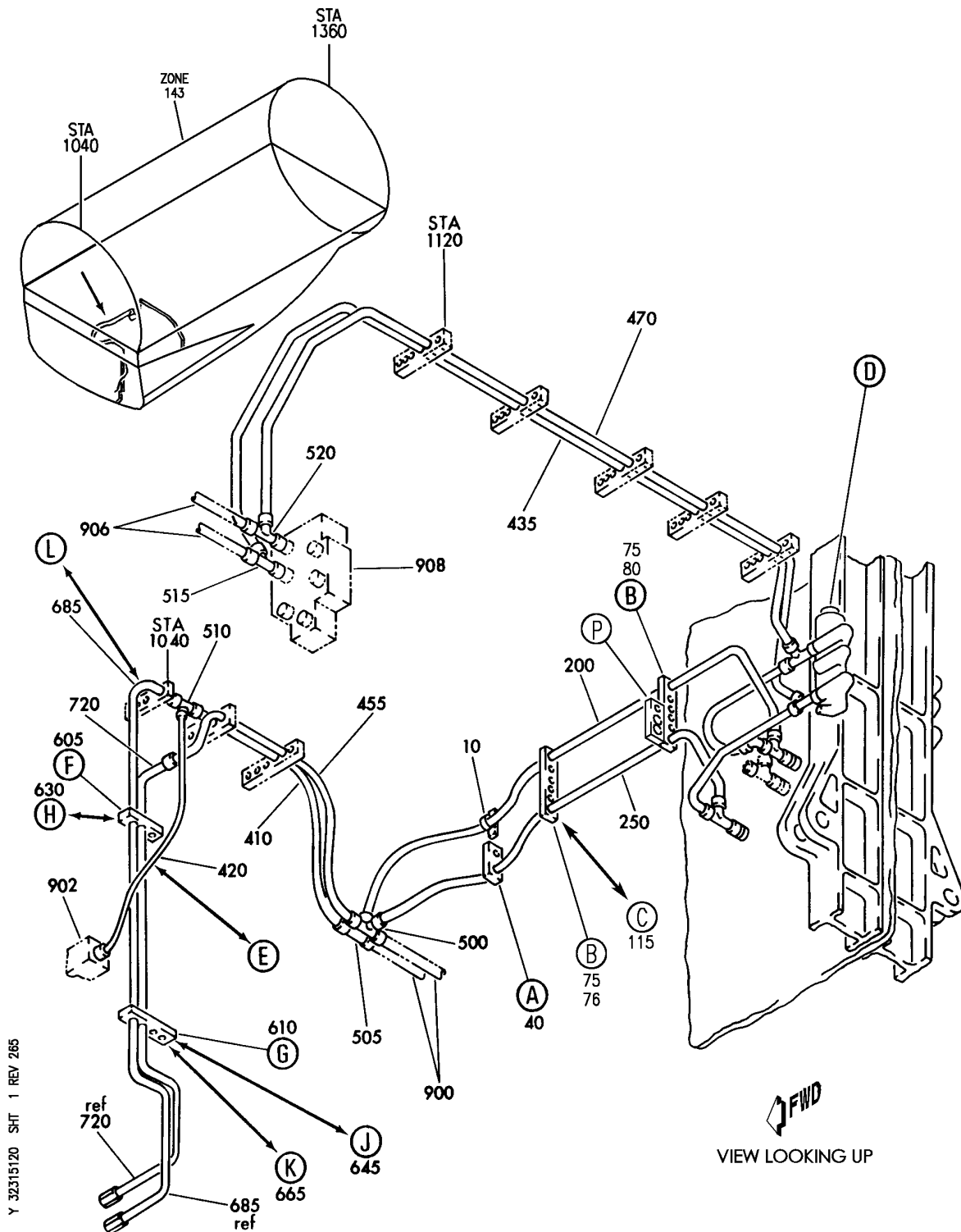
32-31-51  
FIG. 03  
PAGE 5  
SEP 20/08

BRI

BOEING PROPRIETARY - Copyright © - Unpublished Work - See title page for details.




**BOEING**  
 757  
**PARTS CATALOG (MAINTENANCE)**



Y 32315120 SHT 1 REV 265

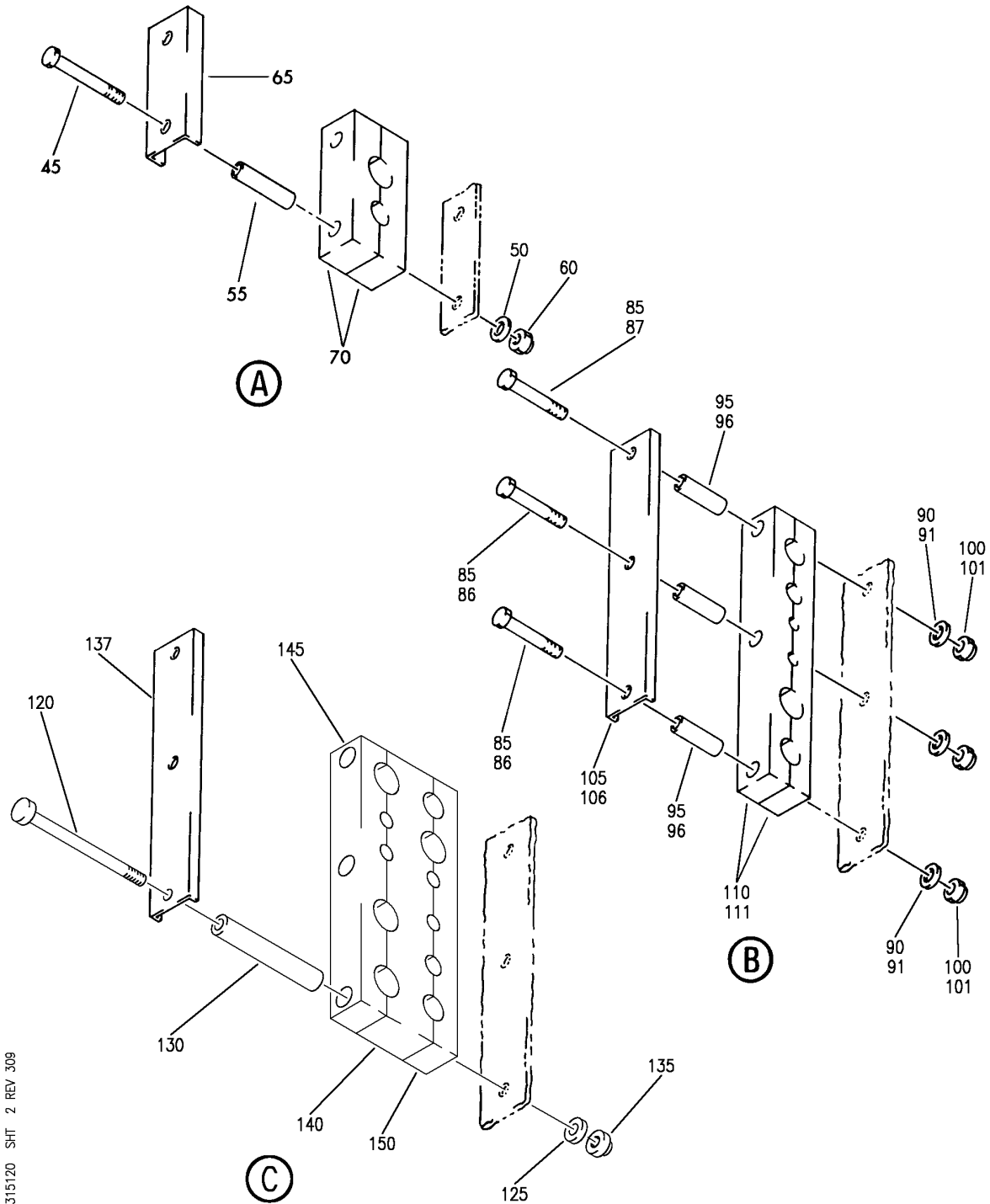
PLUMBING INSTL-SECT. 44 KEEL BEAM MLG WHL WELL HYDR (LANDING GEAR CONTROL ONLY)  
 FIGURE 20 (SHEET 1)

BRI  
 MAY 28/07

**32-31-51-20**

32-31-51-20  
 PAGE 0

**BOEING**  
757  
PARTS CATALOG (MAINTENANCE)



Y 32315120 SHT 2 REV 309

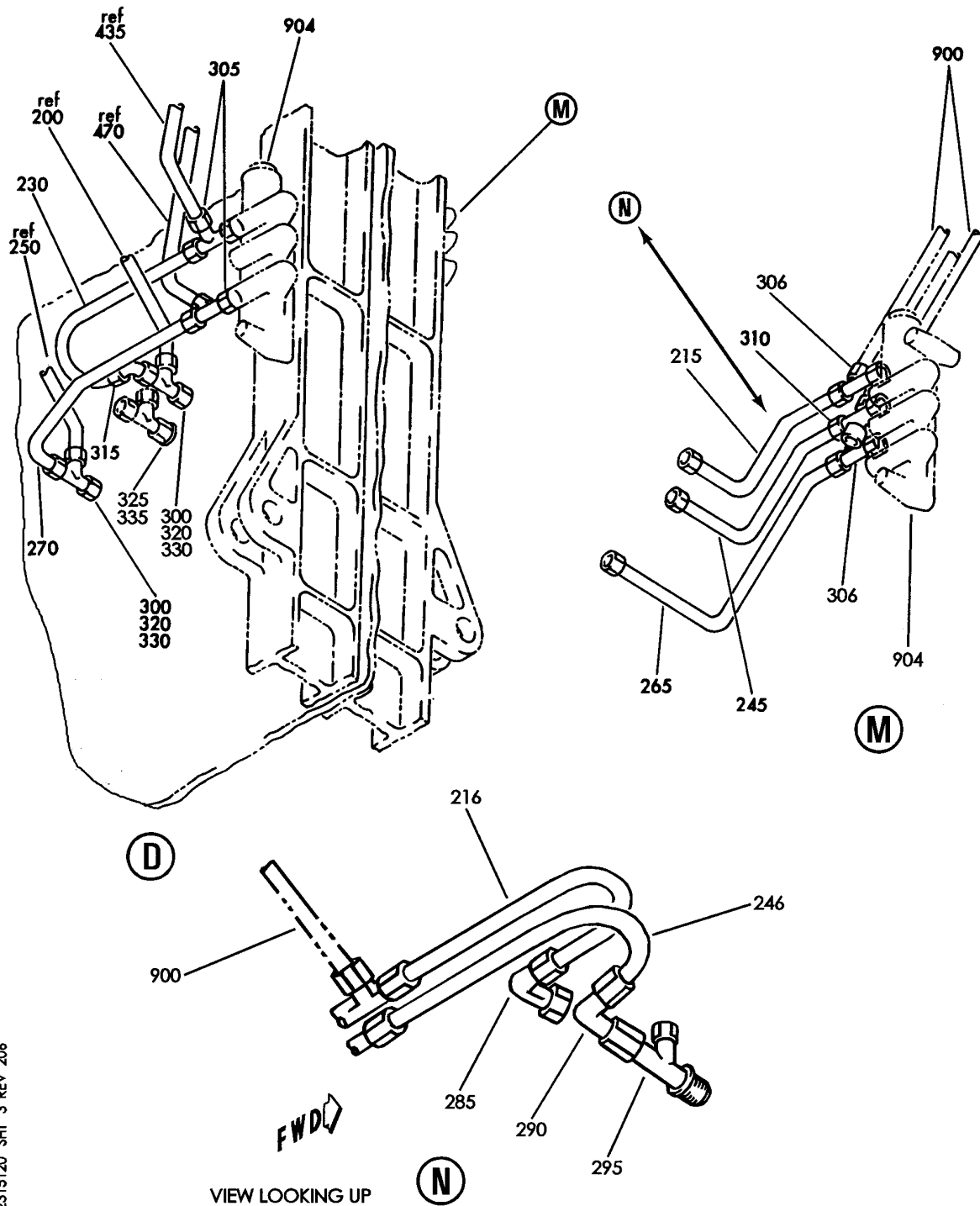
PLUMBING INSTL-SECT. 44 KEEL BEAM MLG WHL WELL HYDR (LANDING GEAR CONTROL ONLY)  
FIGURE 20 (SHEET 2)

**32-31-51-20**

BRI  
MAY 28/07

32-31-51-20  
PAGE 0A

**BOEING**  
757  
PARTS CATALOG (MAINTENANCE)



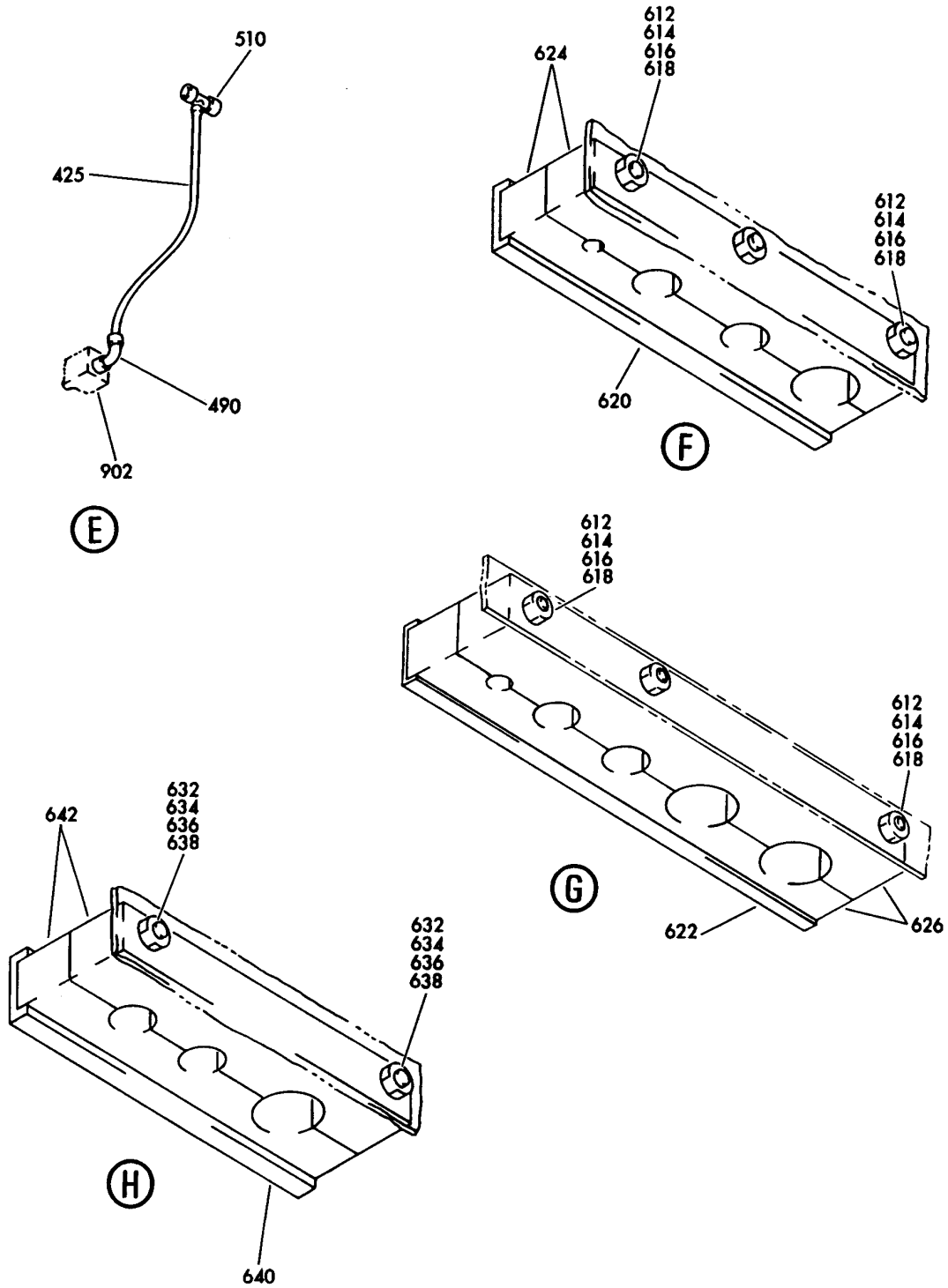
PLUMBING INSTL-SECT. 44 KEEL BEAM MLG WHL WELL HYDR (LANDING GEAR CONTROL ONLY)  
FIGURE 20 (SHEET 3)

BRI  
MAY 28/07

**32-31-51-20**

32-31-51-20  
PAGE 08

**BOEING**  
757  
PARTS CATALOG (MAINTENANCE)



Y 32315120 SHT 4 REV 205

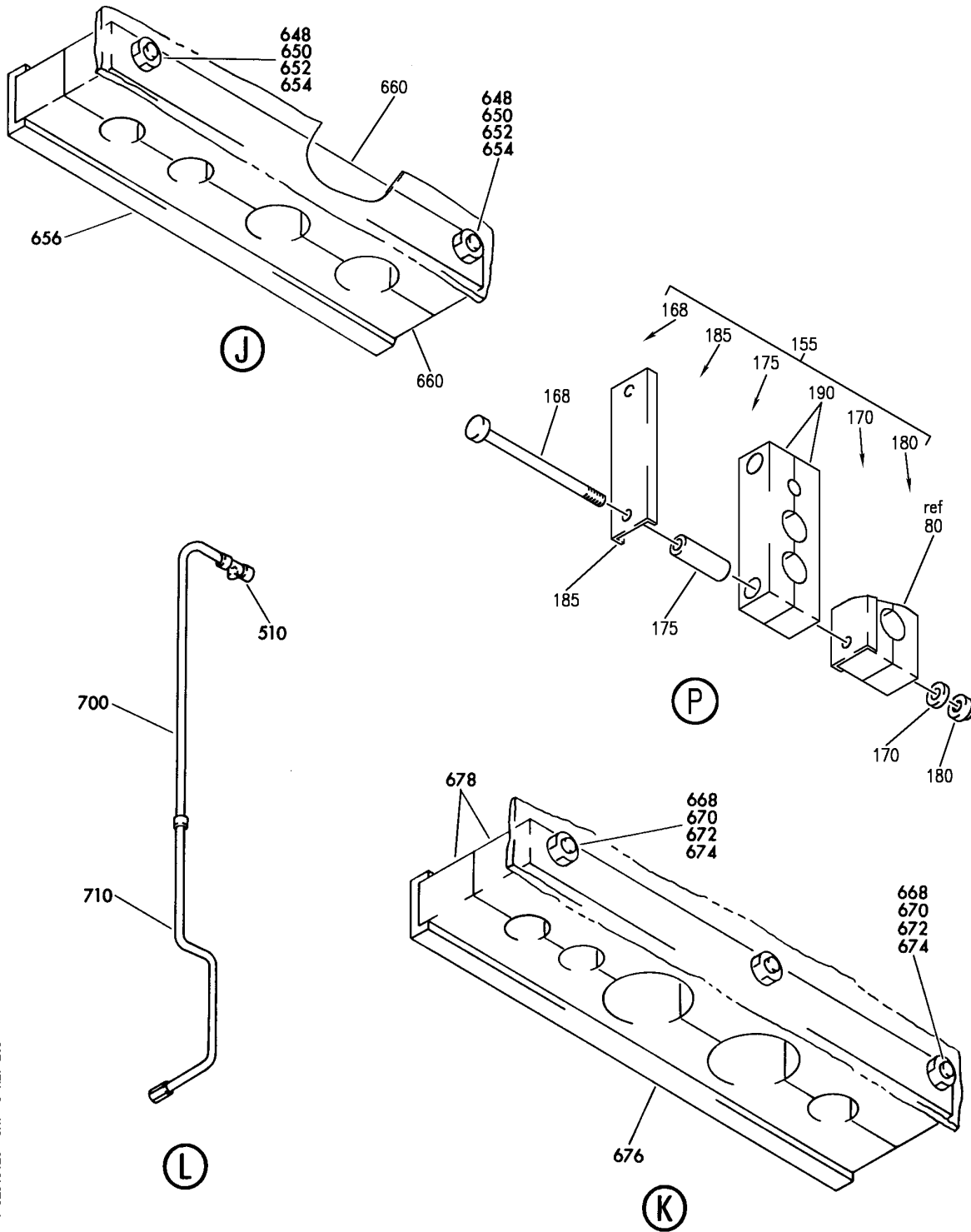
PLUMBING INSTL-SECT. 44 KEEL BEAM MLG WHL WELL HYDR (LANDING GEAR CONTROL ONLY)  
FIGURE 20 (SHEET 4)

BRI  
MAY 28/07

**32-31-51-20**

32-31-51-20  
PAGE 0C

**BOEING**  
757  
PARTS CATALOG (MAINTENANCE)



Y 32315120 SHT 5 REV 265

PLUMBING INSTL-SECT. 44 KEEL BEAM MLG WHL WELL HYDR (LANDING GEAR CONTROL ONLY)  
FIGURE 20 (SHEET 5)

BRI  
MAY 28/07

**32-31-51-20**

32-31-51-20  
PAGE 0D



757

PARTS CATALOG (MAINTENANCE)

FIG ITEM	PART NUMBER	1 2 3 4 5 6 7	NOMENCLATURE	EFFECT FROM TO	UNITS PER ASSY
20			PLUMBING INSTL-SECT. 44 KEEL BEAM MLG WHL WELL HYDR (LANDING GEAR CONTROL ONLY)	002004 006100 107107 121503 904999	
- 1	271N6445-1		PLUMBING INSTL- KEEL BEAM MLG WHL WELL HYDR (LANDING GEAR CONTROL ONLY) POSITION DATA: SECT. 44 VARIABLE DRAWING REF: 271N6445-3 271N6445-6 FOR NHA/OTHER SYS DET SEE: 29-00-51-05	002004 006100 107107 121503 904999	RF
10	TA0910004H110		.CLAMP SUPPLIER CODE: V84971 SPECIFICATION NUMBER: BACC10HB10C ATTACHING PARTS	002004 006100 107107 121503 904999	1
- 15	NAS1801-3		.SCREW- SIZE DETERMINED ON INSTL.	002004 006100 107107 121503 904999	2
- 20	AN960KD10L		.WASHER	002004 006100 107107 121503 904999	2
- 25	MS21042L3		.NUT	002004 006100 107107 121503 904999	2
40	270N2000-73		-----*----- .CLAMP ASSY-BLK	002004 006100 107107 121503 904999	1
45	NAS1801-3-28		..SCREW-	002004 006100 107107 121503 904999	2

MISSING ITEM NUMBERS NOT APPLICABLE

- ITEM NOT ILLUSTRATED

32-31-51-20

32-31-51  
FIG. 20  
PAGE 1  
JAN 20/09

BRI



757

PARTS CATALOG (MAINTENANCE)

FIG ITEM	PART NUMBER	1 2 3 4 5 6 7	NOMENCLATURE	EFFECT FROM TO	UNITS PER ASSY
20					
50	AN960PD10L	..	WASHER	002004 006100 107107 121503 904999	2
55	NAS43DD3-75	..	SPACER	002004 006100 107107 121503 904999	2
60	BRH10A3	..	NUT SUPPLIER CODE: V52828 SPECIFICATION NUMBER: BACN10JC3 OPTIONAL PART: H10-3BAC V15653 NS202101-02 V80539 RMLH9075-3W V72962 VN303A02 V92215 96-02 V80539 T6S1032J V11815	002004 006100 107107 121503 904999	2
65	270N2000-893	..	CHANNEL	002004 006100 107107 121503 904999	1
70	270N2000-574	..	BLOCK	002004 006100 107107 121503 904999	2
75	270N2000-118	.	CLAMP ASSY-BLK	002004 006100 950999	2
80	270N2000-118	.	CLAMP ASSY-BLK	107107	1
85	NAS1801-3-28	..	SCREW-	002004 006100 950999	3
87	NAS1801-3-28	..	SCREW	107107	1

MISSING ITEM NUMBERS NOT APPLICABLE

- ITEM NOT ILLUSTRATED

32-31-51-20

32-31-51  
FIG. 20  
PAGE 2  
JAN 20/09

BRI

BOEING PROPRIETARY - Copyright © - Unpublished Work - See title page for details.



757

PARTS CATALOG (MAINTENANCE)

FIG ITEM	PART NUMBER	1 2 3 4 5 6 7	NOMENCLATURE	EFFECT FROM TO	UNITS PER ASSY
20					
90	AN960PD10L	..	WASHER	002004 006100 107107 950999	3
95	NAS43DD3-75	..	SPACER	002004 006100 107107 950999	3
100	BRH10A3	..	NUT SUPPLIER CODE: V52828 SPECIFICATION NUMBER: BACN10JC3 OPTIONAL PART: H10-3BAC V15653 NS202101-02 V80539 RMLH9075-3W V72962 VN303A02 V92215 96-02 V80539 T6S1032J V11815	002004 006100 107107 950999	3
105	270N2000-874	..	CHANNEL-	002004 006100 107107 950999	1
110	270N2000-552	..	BLOCK-	002004 006100 107107 950999	2
115	270N2000-259	.CLAMP ASSY-BLK ALTERED FROM PART NUMBER: 270N2000-118 POST SERVICE BULLETIN: 24-0048		107107	1
120	NAS1801-3-49	..	SCREW	107107	3
125	AN960PD10L	..	WASHER	107107	3
130	NAS43DD3-165	..	SPACER	107107	3

MISSING ITEM NUMBERS NOT APPLICABLE

- ITEM NOT ILLUSTRATED

32-31-51-20

32-31-51  
FIG. 20  
PAGE 3  
JAN 20/09

BRI

BOEING PROPRIETARY - Copyright © - Unpublished Work - See title page for details.





757

PARTS CATALOG (MAINTENANCE)

FIG ITEM	PART NUMBER	1 2 3 4 5 6 7	NOMENCLATURE	EFFECT FROM TO	UNITS PER ASSY
20 135	BRH10A3	..	NUT SUPPLIER CODE: V52828 SPECIFICATION NUMBER: BACN10JC3 OPTIONAL PART: H10-3BAC V15653 NS202101-02 V80539 RMLH9075-3W V72962 VN303A02 V92215 96-02 V80539 T6S1032J V11815	107107	3
137	270N2000-874	..	CHANNEL	107107	1
140	270N2000-1276	..	BLOCK-CLAMP	107107	1
145	270N2000-1277	..	BLOCK-CLAMP	107107	1
150	270N2000-552	..	BLOCK	107107	1
155	270N2000-263	.CLAMP ASSY- POST SERVICE BULLETIN: 24-0048 24-0083		107107	1
168	NAS1801-3-52	..	SCREW-	107107	2
170	AN960KD10L	..	WASHER	107107	2
175	NAS43DD3-85	..	SPACER	107107	2
180	BRH10A3	..	NUT SUPPLIER CODE: V52828 SPECIFICATION NUMBER: BACN10JC3 OPTIONAL PART: H10-3BAC V15653 NS202101-02 V80539 RMLH9075-3W V72962 VN303A02 V92215 96-02 V80539 T6S1032J V11815	107107	2
185	270N2000-1027	..	CHANNEL	107107	1
190	270N2000-1280	..	BLOCK-CLAMP	107107	2

MISSING ITEM NUMBERS NOT APPLICABLE

- ITEM NOT ILLUSTRATED

32-31-51-20

32-31-51  
FIG. 20  
PAGE 4  
JAN 20/09

BRI

BOEING PROPRIETARY - Copyright © - Unpublished Work - See title page for details.



757

PARTS CATALOG (MAINTENANCE)

FIG ITEM	PART NUMBER	1 2 3 4 5 6 7	NOMENCLATURE	EFFECT FROM TO	UNITS PER ASSY
20					
200	271N6445-1001		.TUBE ASSY-LG UP TUBING MATERIAL: .625 IN. OD .032 IN. WALL 71.0 IN. LG TITANIUM	002004 006100 107107 121503 904999	1
- 205	AS1581T10		..SLEEVE	002004 006100 107107 121503 904999	2
- 210	BACN10YA10		..NUT	002004 006100 107107 121503 904999	2
216	271N6445-1220		.TUBE ASSY-LG UP TUBING MATERIAL: .500 IN. OD .026 IN. WALL 20.00 IN. LG TI	002004 006100 107107 121503 904999	1
- 220	AS1581T08		..SLEEVE	002004 006100 107107 121503 904999	2
- 225	BACN10YA8N		..NUT-	002004 006100 107107 121503 904999	2
230	271N6445-1221		.TUBE ASSY-LG UP TUBING MATERIAL: .500 IN. OD .026 IN. WALL 22.00 IN LG TI	002004 006100 107107 121503 904999	1
- 235	AS1581T08		..SLEEVE	002004 006100 107107 121503 904999	2
- 240	BACN10YA8N		..NUT-	002004 006100 107107 121503 904999	2
246	271N6445-1266		.TUBE ASSY-RETURN SYS POSITION DATA: RH	011100	1

MISSING ITEM NUMBERS NOT APPLICABLE

- ITEM NOT ILLUSTRATED

32-31-51-20

32-31-51  
FIG. 20  
PAGE 5  
JAN 20/09

BRI



757

PARTS CATALOG (MAINTENANCE)

FIG ITEM	PART NUMBER	1 2 3 4 5 6 7	NOMENCLATURE	EFFECT FROM TO	UNITS PER ASSY
20					
246	271N6445-1222		.TUBE ASSY-RETURN SYS POSITION DATA: L TUBING MATERIAL: .625 IN. OD .035 IN. WALL 17.50 IN. LG AL	002004 006010 107107 121503 904999	1
- 247	AP2097HP10		..SLEEVE SUPPLIER CODE: V01673 SPECIFICATION NUMBER: BACS13BX10HP OPTIONAL PART: 2-02903-10HP V11328 35235VN10 V08199 AFP175V10P V30974 DBOS13BX10HP V14798	002004 006100 107107 121503 904999	2
- 248	BACN10YL10		..NUT	002004 006100 107107 121503 904999	2
250	271N6445-1002		.TUBE ASSY-LG DOWN TUBING MATERIAL: .625 IN. OD .032 IN. WALL 58.0 IN. LG TITANIUM	002004 006100 107107 121503 904999	1
- 255	AS1581T10		..SLEEVE	002004 006100 107107 121503 904999	2
- 260	BACN10YA10		..NUT	002004 006100 107107 121503 904999	2
265	271N6445-1225		.TUBE ASSY-LG DOWN TUBING MATERIAL: .500 IN. OD .026 IN. WALL 15.0 IN. LG TI	002004 006100 107107 121503 904999	1

MISSING ITEM NUMBERS NOT APPLICABLE

- ITEM NOT ILLUSTRATED

BRI

32-31-51-20

32-31-51  
FIG. 20  
PAGE 6  
JAN 20/09



757

PARTS CATALOG (MAINTENANCE)

FIG ITEM	PART NUMBER	1 2 3 4 5 6 7	NOMENCLATURE	EFFECT FROM TO	UNITS PER ASSY
20					
270	271N6445-1006	.	TUBE ASSY-LG DOWN TUBING MATERIAL: .500 IN. OD .026 IN. WALL 16.25 IN. LG TI	002004 006100 107107 121503 904999	1
- 275	AS1581T08	..	SLEEVE	002004 006100 107107 121503 904999	2
- 280	BACN10YA8	..	NUT-	002004 006100 107107 121503 904999	2
- 280	BACN10YA8N	..	NUT-	002004 006100 107107 121503 904999	2
285	NAS1762J0808	.	ELBOW	002004 006100 107107 121503 904999	1
290	NAS1762W1010	.	ELBOW- REFERENCE SERVICE BULLETIN: 32-0101	002004 006100 121503 904999	1

MISSING ITEM NUMBERS NOT APPLICABLE

- ITEM NOT ILLUSTRATED

BRI

32-31-51-20

BOEING PROPRIETARY - Copyright © - Unpublished Work - See title page for details.

32-31-51  
FIG. 20  
PAGE 7  
JAN 20/09



757

PARTS CATALOG (MAINTENANCE)

FIG ITEM	PART NUMBER	1 2 3 4 5 6 7	NOMENCLATURE	EFFECT FROM TO	UNITS PER ASSY
20 295	AFP329-101012W	. TEE-	SUPPLIER CODE: V30974 SPECIFICATION NUMBER: BACT16AX101012W OPTIONAL PART: APX804-101012W V01673 DB0T16AX101012W V14798 ER804-101012W V50948 ER804-101012W V88334 FER1551-101012W V14397 LER804A101012W V11328 NAF1844-101012W V52930 US1929-101012W V50808	002004 006100 121503 904999	1
300	BACT16BN080810T	. TEE-		002004 006100 107107 121503 904999	2
300	BACT16BN080810J	. TEE-		002004 006100 107107 121503 904999	2
305	NAS1763T080808	. TEE-		002004 006100 107107 121503 904999	2
305	NAS1763J080808	. TEE-	POSITION DATA: LH STA 1115 WL 180	002004 006100 107107 121503 904999	2
306	NAS1763J080808	. TEE-	POSITION DATA: RH STA 1115 WL 180	002004 006100 107107 121503 904999	2

MISSING ITEM NUMBERS NOT APPLICABLE

- ITEM NOT ILLUSTRATED

32-31-51-20

32-31-51  
FIG. 20  
PAGE 8  
JAN 20/09

BRI



757

PARTS CATALOG (MAINTENANCE)

FIG ITEM	PART NUMBER	1 2 3 4 5 6 7	NOMENCLATURE	EFFECT FROM TO	UNITS PER ASSY
20					
310	BACC27T10061006	.	CROSS-	002004 006100 107107 121503 904999	1
310	BCREF110286	.	TEE- OVERLENGTH PART NUMBER: BACC27AD10061006W	002004 006100 121503 904999	1
315	NAS1762J0808	.	ELBOW	002004 006100 107107 121503 904999	1
320	AN924-8D	.	NUT	002004 006100 107107 121503 904999	2
325	AN924-10D	.	NUT	002004 006100 121503 904999	1
330	AN960KD1216	.	WASHER	002004 006100 107107 121503 904999	2
335	AN960JD1416	.	WASHER	002004 006100 121503 904999	1
- 400	271N6443-1		PLUMBING INSTL- PRESSURE DECK HYDR (LANDING GEAR CONTROL ONLY) POSITION DATA: SECT. 44 L VARIABLE DRAWING REF: 271N6443-4 271N6443-7 271N6443-8 271N6443-11 271N6443-18 FOR NHA/OTHER SYS DET SEE: 29-00-51-05	002004 006100 107107 121503 904999	RF

MISSING ITEM NUMBERS NOT APPLICABLE

- ITEM NOT ILLUSTRATED

BRI

32-31-51-20

BOEING PROPRIETARY - Copyright © - Unpublished Work - See title page for details.

32-31-51  
FIG. 20  
PAGE 9  
JAN 20/09



757

PARTS CATALOG (MAINTENANCE)

FIG ITEM	PART NUMBER	1 2 3 4 5 6 7	NOMENCLATURE	EFFECT FROM TO	UNITS PER ASSY
20 410	271N6443-1015	.	TUBE ASSY-LG UP TUBING MATERIAL: .500 IN. OD .026 IN. WALL 24.10 IN. LG TI BMS 7-234 TI-31L-2.5V COLD WORKED, STRESS RELIEVED TUBING	002004 006100 107107 121503 904999	1
- 417	AS1581T08	..	SLEEVE	002004 006100 107107 121503 904999	2
- 419	BACN10YA8	..	NUT	002004 006100 107107 121503 904999	2
420	271N6443-1117	.	TUBE ASSY-LG UP TUBING MATERIAL: .375 IN. OD .019 IN. WALL 14.90 IN. LG TI BMS 7-234 TI-3AL-2.5V COLD WORKED, STRESS RELIEVED TUBING	107107 904949	1
420	271N6443-1217	.	TUBE ASSY-LG UP TUBING MATERIAL: .375 IN. OD .019 IN. WALL 11.40 IN. LG TI BMS 7-234 TI-3AL-2.5V COLD WORKED, STRESS RELIEVED TUBING	002004 006100 121503 950999	1
- 428	AS1581T06	..	SLEEVE	002004 006100 107107 121503 904999	2
- 430	BACN10YA6	..	NUT-	002004 006100 107107 121503 904999	2
435	271N6443-1206	.	TUBE ASSY-LG UP TUBING MATERIAL: .500 IN. OD .026 IN. WALL 82.90 IN. LG TI BMS 7-234 TI-3AL-2.5V COLD WORKED, STRESS RELIEVED TUBING	002004 006100 107107 121503 904999	1

MISSING ITEM NUMBERS NOT APPLICABLE

- ITEM NOT ILLUSTRATED

BRI

32-31-51-20

32-31-51  
FIG. 20  
PAGE 10  
JAN 20/09



757

PARTS CATALOG (MAINTENANCE)

FIG ITEM	PART NUMBER	1 2 3 4 5 6 7	NOMENCLATURE	EFFECT FROM TO	UNITS PER ASSY
20					
- 440	AS1581T08	..	SLEEVE	002004 006100 107107 121503 904999	2
- 445	BACN10YA8	..	NUT-	002004 006100 107107 121503 904999	2
455	271N6443-1081	.TUBE ASSY-LG DOWN TUBING MATERIAL: .500 IN. OD .026 IN. WALL 35.90 IN. LG TI BMS 7-234 TI-3AL-2.5V COLD WORKED, STRESS RELIEVED TUBING		107107	RF
455	271N6443-1198	.TUBE ASSY-LG DOWN TUBING MATERIAL: .500 IN. OD .026 IN. WALL 35.70 IN. LG TI BMS 7-234 TI-3AL-2.5V COLD WORKED, STRESS RELIEVED TUBING		002004 006100 121503 904999	RF
- 460	AS1581T08	..	SLEEVE	002004 006100 107107 121503 904999	2
- 465	BACN10YA8	..	NUT	002004 006100 107107 121503 904999	2
470	271N6443-1147	.TUBE ASSY-LG DOWN TUBING MATERIAL: .500 IN. OD .026 IN. WALL 84.60 IN. LG TI BMS 7-234 TI-3AL-2.5V COLD WORKED, STRESS RELIEVED TUBING		002004 006100 107107 121503 904999	1
- 475	AS1581T08	..	SLEEVE	002004 006100 107107 121503 904999	2

MISSING ITEM NUMBERS NOT APPLICABLE

- ITEM NOT ILLUSTRATED

32-31-51-20

32-31-51  
FIG. 20  
PAGE 11  
JAN 20/09

BRI

BOEING PROPRIETARY - Copyright © - Unpublished Work - See title page for details.





757

PARTS CATALOG (MAINTENANCE)

FIG ITEM	PART NUMBER	1 2 3 4 5 6 7	NOMENCLATURE	EFFECT FROM TO	UNITS PER ASSY
20 - 480	BACN10YA8	. .	NUT	002004 006100 107107 121503 904999	2
490	NAS1762T0406	. ELBOW-		002004 006100 950999	1
490	NAS1762J0406	. ELBOW-		002004 006100 950999	1
500	BACT16BL120810T	. TEE-		107107	1
500	BACT16BL120810J	. TEE-		002004 006100 107107 121503 904999	1
505	BACT16BL100810T	. TEE-		002004 006100 107107 121503 904999	1
505	BACT16BL100810J	. TEE-		002004 006100 107107 121503 904999	1
510	BACT16BL080806T	. TEE-		002004 006100 107107 121503 904999	1
510	BACT16BL080806J	. TEE-		002004 006100 107107 121503 904999	1
515	NAS1763T080608	. TEE-		002004 006100 107107 121503 904999	1
515	NAS1763J080608	. TEE-		002004 006100 107107 121503 904999	1

MISSING ITEM NUMBERS NOT APPLICABLE

- ITEM NOT ILLUSTRATED

32-31-51-20

32-31-51  
FIG. 20  
PAGE 12  
JAN 20/09

BRI



757

PARTS CATALOG (MAINTENANCE)

FIG ITEM	PART NUMBER	1 2 3 4 5 6 7	NOMENCLATURE	EFFECT FROM TO	UNITS PER ASSY
20 520	NAS1763T080808	.	TEE	002004 006100 107107 121503 904999	1
- 600	271N6441-9		PLUMBING INSTL-MAIN WHL WELL BHD HYDR (LANDING GEAR CONTROL ONLY) POSITION DATA: FWD VARIABLE DRAWING REF: 271N6441-11 271N6441-12 271N6441-14 FOR NHA/OTHER SYS DET SEE: 29-00-51-05	002004 006100 107107 121503 904999	RF
630	270N2000-234	.	CLAMP ASSY-BLK	002004 006100 107107 121503 904999	1
632	NAS1801-3-32	..	SCREW-	002004 006100 107107 121503 904999	2
634	AN960PD10L	..	WASHER	107107 121503 904949	2
636	NAS43DD3-84	..	SPACER	002004 006100 107107 121503 904999	2

MISSING ITEM NUMBERS NOT APPLICABLE

- ITEM NOT ILLUSTRATED

BRI

32-31-51-20

BOEING PROPRIETARY - Copyright © - Unpublished Work - See title page for details.

32-31-51  
FIG. 20  
PAGE 13  
JAN 20/09



757

PARTS CATALOG (MAINTENANCE)

FIG ITEM	PART NUMBER	1 2 3 4 5 6 7	NOMENCLATURE	EFFECT FROM TO	UNITS PER ASSY
20 638	BRH10A3	. .	NUT SUPPLIER CODE: V52828 SPECIFICATION NUMBER: BACN10JC3 OPTIONAL PART: H10-3BAC V15653 NS202101-02 V80539 RMLH9075-3W V72962 VN303A02 V92215 96-02 V80539 T6S1032J V11815	002004 006100 107107 121503 904999	2
640	270N2000-705	. .	CHANNEL-	002004 006100 107107 121503 904999	1
642	270N2000-1254	. .	BLOCK	002004 006100 107107 121503 904999	2
645	270N2000-235	. .	CLAMP ASSY-BLK	002004 006100 107107 121503 904999	1
648	NAS1801-3-32	. .	SCREW-	002004 006100 107107 121503 904999	2
650	AN960PD10L	. .	WASHER-	002004 006100 107107 121503 904999	2
652	NAS43DD3-84	. .	SPACER	002004 006100 107107 121503 904999	2

MISSING ITEM NUMBERS NOT APPLICABLE

- ITEM NOT ILLUSTRATED

32-31-51-20

32-31-51  
FIG. 20  
PAGE 14  
JAN 20/09

BRI



757

PARTS CATALOG (MAINTENANCE)

FIG ITEM	PART NUMBER	1 2 3 4 5 6 7	NOMENCLATURE	EFFECT FROM TO	UNITS PER ASSY
20 654	BRH10A3	..	NUT SUPPLIER CODE: V52828 SPECIFICATION NUMBER: BACN10JC3 OPTIONAL PART: H10-3BAC V15653 NS202101-02 V80539 RMLH9075-3W V72962 VN303A02 V92215 96-02 V80539 T6S1032J V11815	002004 006100 107107 121503 904999	2
656	270N2000-1019	..	CHANNEL	002004 006100 107107 121503 904999	1
660	270N2000-1255	..	BLOCK	002004 006100 107107 121503 904999	2
685	271N6441-1098	.TUBE ASSY-LG UP	TUBING MATERIAL: .500 IN. OD X .026 IN. WALL X 64.20 IN. LG TI BMS 7-234 TI-3AL-2.5V COLD WORKED, STRESS RELIEVED TUBING	002004 006100 107107 121503 904999	1
- 690	AS1581T08	..	SLEEVE	002004 006100 107107 121503 904999	2
- 695	BACN10YA8	..	NUT	002004 006100 107107 121503 904999	2

MISSING ITEM NUMBERS NOT APPLICABLE

- ITEM NOT ILLUSTRATED

32-31-51-20

32-31-51  
FIG. 20  
PAGE 15  
JAN 20/09

BRI

BOEING PROPRIETARY - Copyright © - Unpublished Work - See title page for details.



757

PARTS CATALOG (MAINTENANCE)

FIG ITEM	PART NUMBER	1 2 3 4 5 6 7	NOMENCLATURE	EFFECT FROM TO	UNITS PER ASSY
20					
720	271N6441-1100	.	TUBE ASSY-LG DOWN TUBING MATERIAL: .500 IN. OD X .026 IN. WALL X 45.90 IN. LG TI BMS 7-234 TI-3AL-2.5V COLD WORKED, STRESS RELIEVED TUBING	002004 006100 107107 121503 904999	1
- 725	AS1581T08	..	SLEEVE	002004 006100 107107 121503 904999	1
- 730	BACN10YA8	..	NUT	002004 006100 107107 121503 904999	1
- 735	AS1582T08	..	UNION	002004 006100 107107 121503 904999	1
900			ILLUSTRATION REFERENCE: PLUMBING INSTL-SECT.44 R PRESSURE DECK HYDR (LANDING GEAR CONTROL ONLY) 32-31-51-22	002004 006100 107107 121503 904999	RF
902			ILLUSTRATION REFERENCE: MODULE AND SUPPORT INSTL-LG BRAKE METERING VALVE 32-41-02-05	002004 006100 107107 121503 904999	RF

MISSING ITEM NUMBERS NOT APPLICABLE

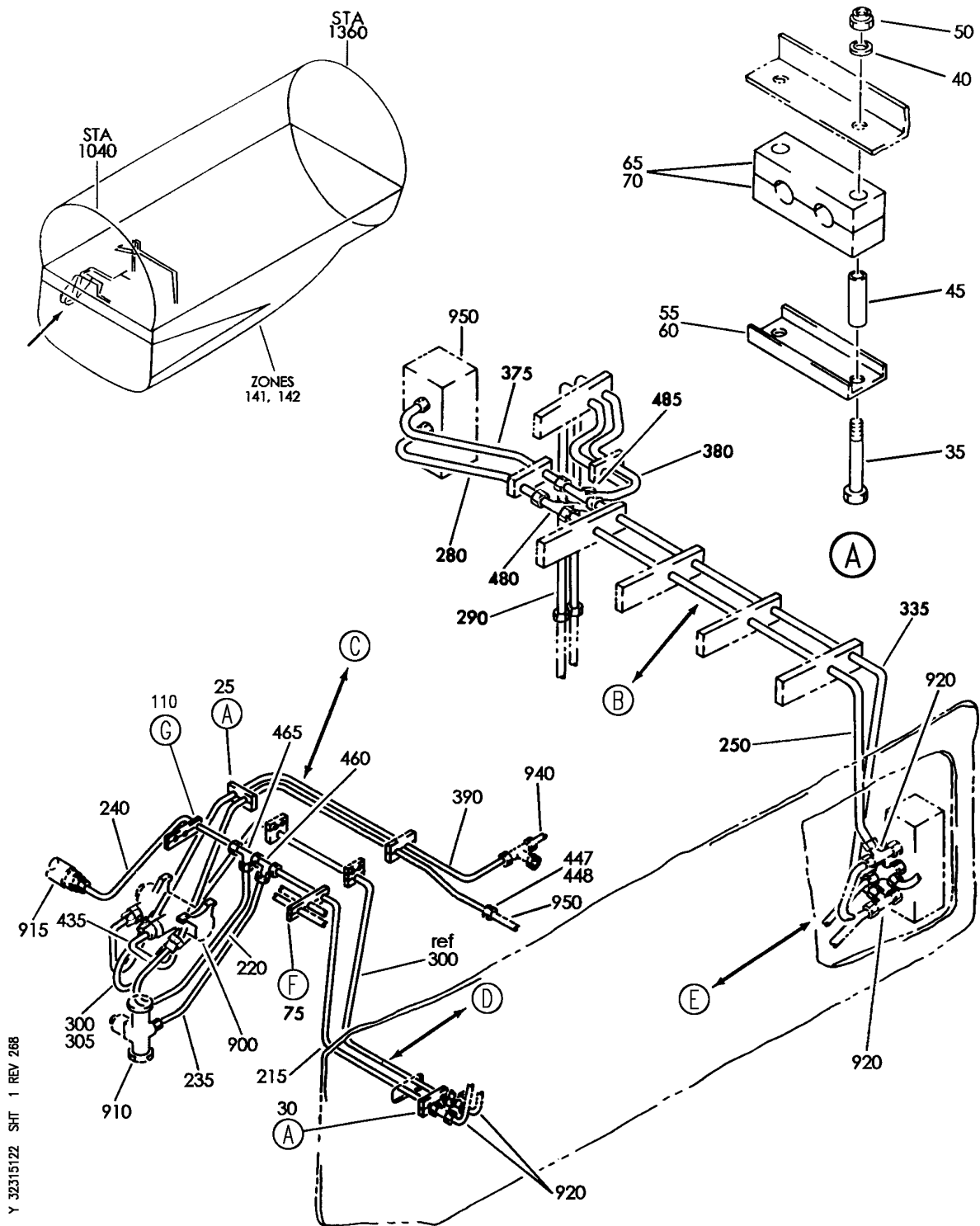
- ITEM NOT ILLUSTRATED

BRI

32-31-51-20

32-31-51  
FIG. 20  
PAGE 16  
JAN 20/09

**BOEING**  
757  
PARTS CATALOG (MAINTENANCE)



Y 32315122 SHT 1 REV 268

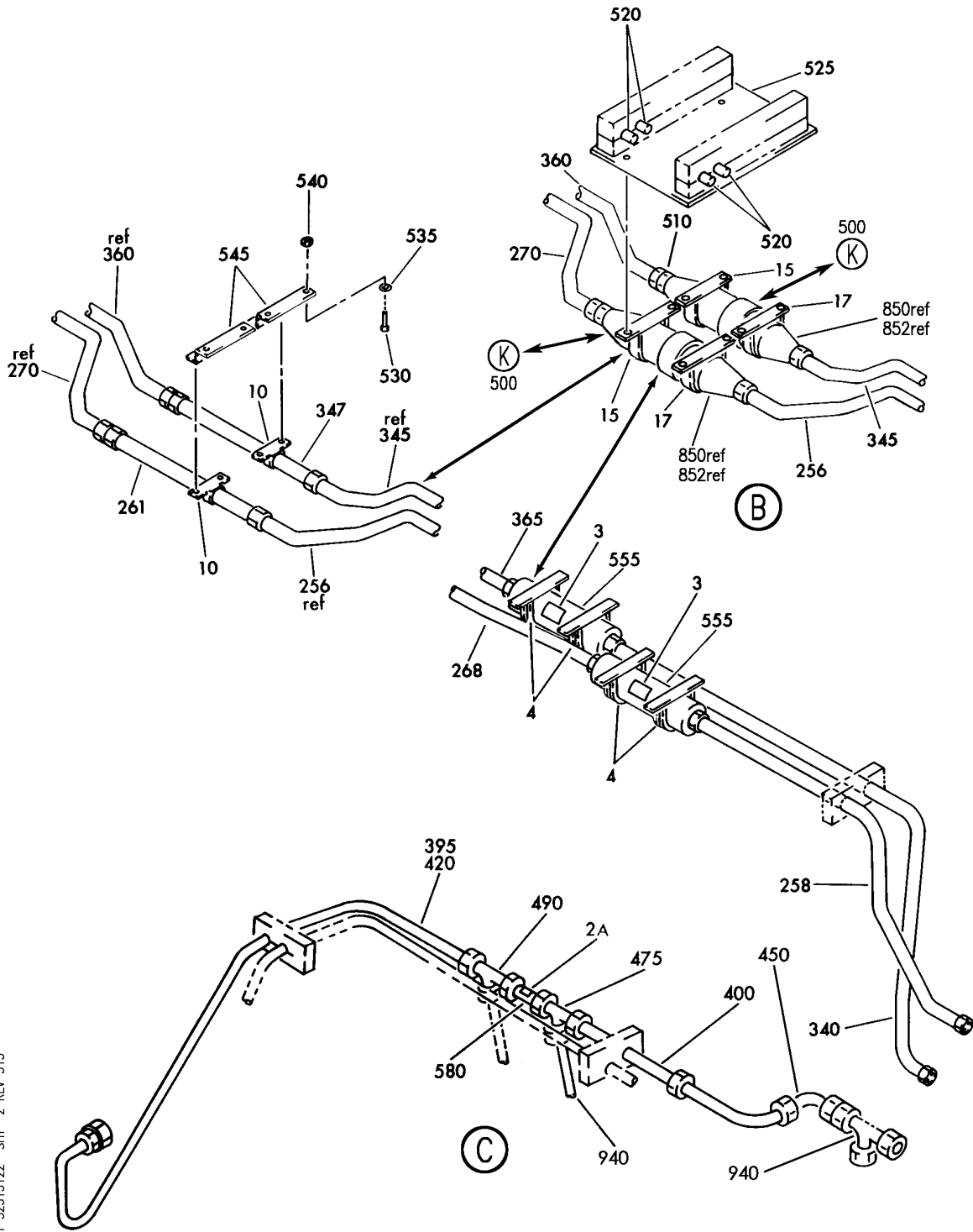
PLUMBING INSTL-SECT.44 R PRESSURE DECK HYDR (LANDING GEAR CONTROL ONLY)  
FIGURE 22 (SHEET 1)

BRI  
MAY 28/07

**32-31-51-22**

32-31-51-22  
PAGE 0


**BOEING**  
 757  
**PARTS CATALOG (MAINTENANCE)**



Y 32315122 SHT 2 REV 315

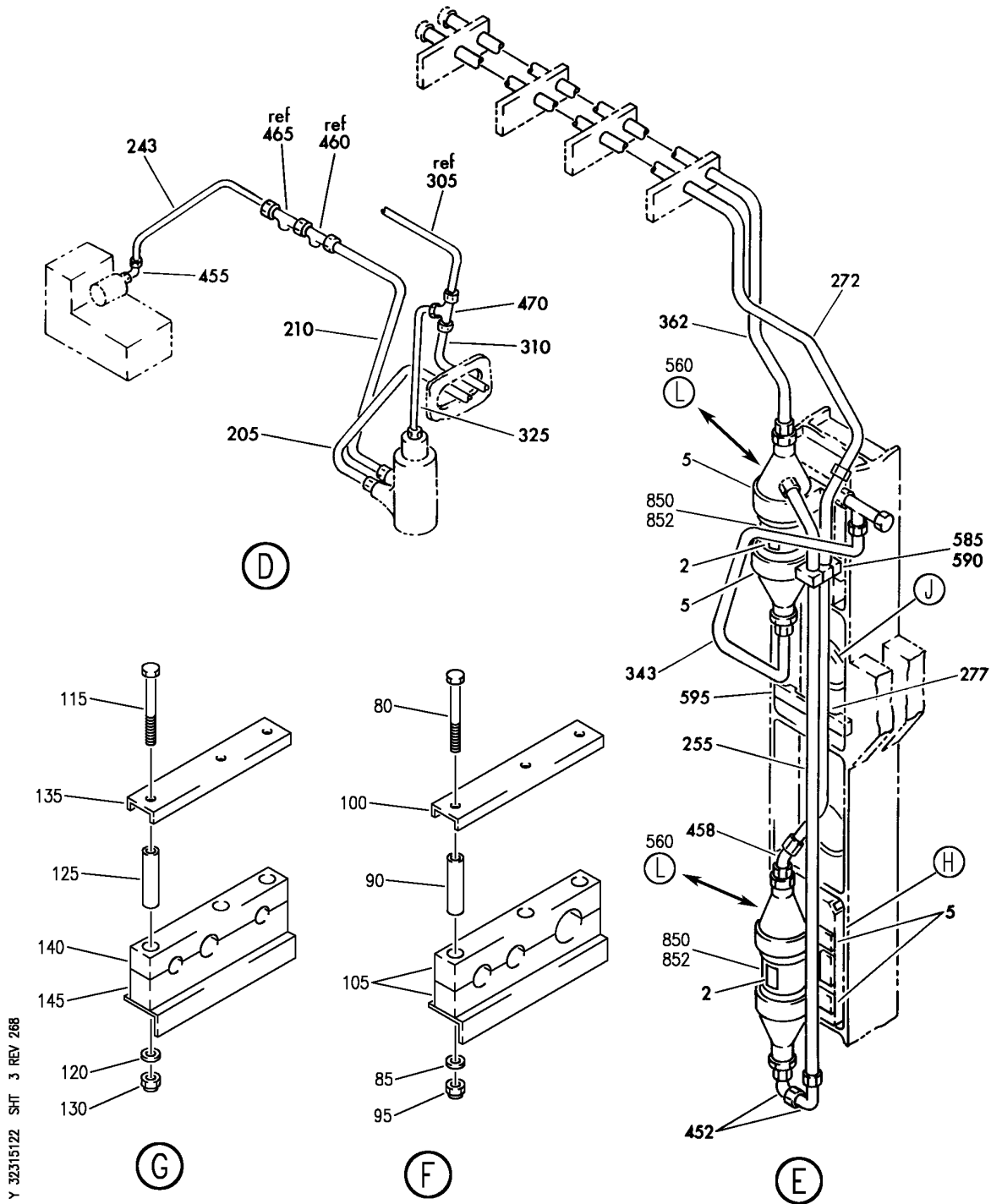
PLUMBING INSTL-SECT.44 R PRESSURE DECK HYDR (LANDING GEAR CONTROL ONLY)  
 FIGURE 22 (SHEET 2)

**32-31-51-22**

BRI  
SEP 28/07

32-31-51-22  
 PAGE 0A

**BOEING**  
757  
**PARTS CATALOG (MAINTENANCE)**



Y 32315122 SHT 3 REV 268

PLUMBING INSTL-SECT.44 R PRESSURE DECK HYDR (LANDING GEAR CONTROL ONLY)  
FIGURE 22 (SHEET 3)

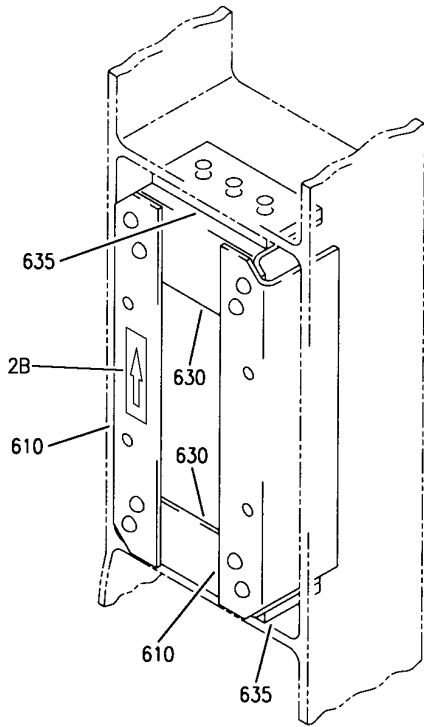
**32-31-51-22**

BRI  
MAY 28/07

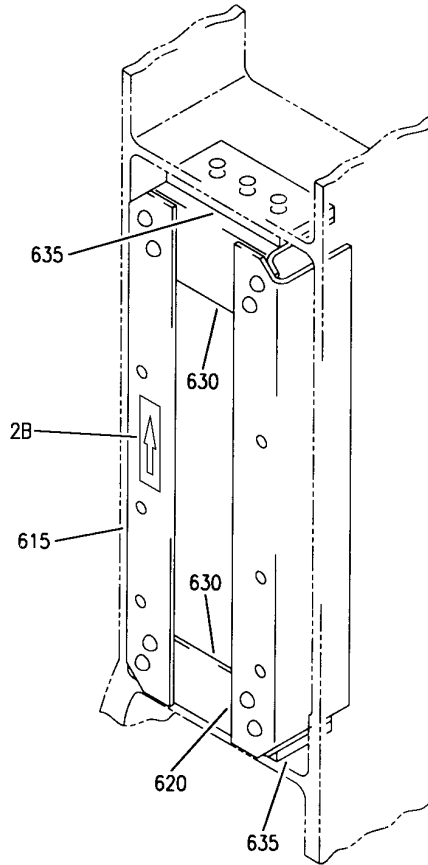
32-31-51-22  
PAGE 0B



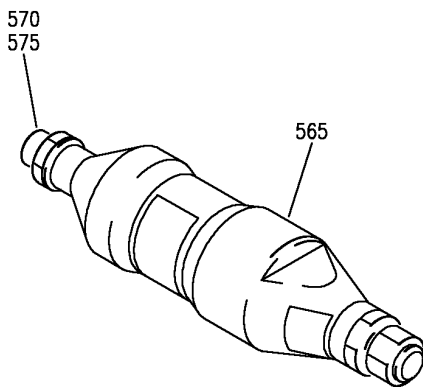

**BOEING**  
 757  
**PARTS CATALOG (MAINTENANCE)**



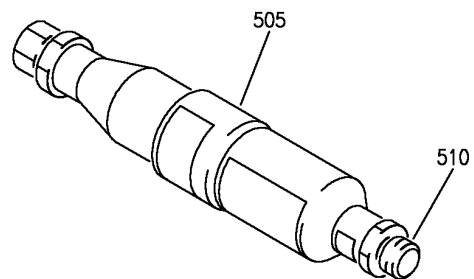
H



J



L



K

Y 32315122 SH1 4 REV 315

PLUMBING INSTL-SECT.44 R PRESSURE DECK HYDR (LANDING GEAR CONTROL ONLY)  
 FIGURE 22 (SHEET 4)

**32-31-51-22**

BRI  
SEP 28/07

32-31-51-22  
PAGE 0C



757

PARTS CATALOG (MAINTENANCE)

FIG ITEM	PART NUMBER	1 2 3 4 5 6 7	NOMENCLATURE	EFFECT FROM TO	UNITS PER ASSY
22			PLUMBING INSTL-SECT.44 R PRESSURE DECK HYDR (LANDING GEAR CONTROL ONLY)	002004 006100 107107 121503 904999	RF
- 1	271N6444-1		PLUMBING INSTL-PRESSURE DECK HYDR (LANDING GEAR CONTROL ONLY) POSITION DATA: SECT.44 R VARIABLE DRAWING REF: 271N6444-5 FOR NHA/OTHER SYS DET SEE: 29-00-51-05	002004 006100 107107 121503 904999	RF
2	BACM10F8DB		.MARKER-ALUMINUM FOIL	107107 904949	2
2A	BAC27DHY0340		.MARKER-ALUMINUM FOIL-	011100	1
5	JM44SC1740H		.CLAMP- SUPPLIER CODE: V22175 SPECIFICATION NUMBER: BACC10GF40H OPTIONAL PART: JM45SC540H V22175 S38640H V18076 S38740H V18076 TA12C3440H V84971 51240H V83930 51340H V83930	107107 904949	4
- 6	NAS1801-3		ATTACHING PARTS .SCREW- SIZE DETERMINED ON INSTL.	002004 006100 121503 950999	16
- 7	AN960PD10L		.WASHER-	002004 006100 121503 950999	16
-----*-----					

MISSING ITEM NUMBERS NOT APPLICABLE

- ITEM NOT ILLUSTRATED

32-31-51-22

32-31-51  
FIG. 22  
PAGE 1  
JAN 20/09

BRI

BOEING PROPRIETARY - Copyright © - Unpublished Work - See title page for details.



757

PARTS CATALOG (MAINTENANCE)

FIG ITEM	PART NUMBER	1 2 3 4 5 6 7	NOMENCLATURE	EFFECT FROM TO	UNITS PER ASSY
22					
10	TA0910004H108		.CLAMP SUPPLIER CODE: V84971 SPECIFICATION NUMBER: BACC10HB08C ATTACHING PARTS	002004 006100 107107 121503 904999	2
- 11	NAS1801-3		.SCREW- SIZE DETERMINED ON INSTL.	002004 006100 107107 121503 904999	4
- 12	AN960PD10L		.WASHER	002004 006100 107107 121503 904999	4
- 13	MS21042L3		.NUT	002004 006100 107107 121503 904999	4
			-----*-----		
25	270N2000-67		.CLAMP ASSY-BLK	002004 006100 107107 121503 904999	1
30	270N2000-116		.CLAMP ASSY-BLK	002004 006100 107107 121503 904999	1
35	NAS1801-3-30		..SCREW-	002004 006100 107107 121503 904999	2
40	AN960PD10L		..WASHER	002004 006100 107107 121503 904999	2
45	NAS43DD3-83		..SPACER	002004 006100 107107 121503 904999	2

MISSING ITEM NUMBERS NOT APPLICABLE

- ITEM NOT ILLUSTRATED

32-31-51-22

32-31-51  
FIG. 22  
PAGE 2  
JAN 20/09

BRI



757

PARTS CATALOG (MAINTENANCE)

FIG ITEM	PART NUMBER	1 2 3 4 5 6 7	NOMENCLATURE	EFFECT FROM TO	UNITS PER ASSY
22					
50	BRH10A3	..	NUT SUPPLIER CODE: V52828 SPECIFICATION NUMBER: BACN10JC3 OPTIONAL PART: H10-3BAC V15653 NS202101-02 V80539 RMLH9075-3W V72962 VN303A02 V92215 96-02 V80539 T6S1032J V11815	002004 006100 107107 121503 904999	2
55	270N2000-841	..	CHANNEL- USED ON: 270N2000-67	002004 006100 107107 121503 904999	1
60	270N2000-872	..	CHANNEL- USED ON: 270N2000-116	002004 006100 107107 121503 904999	1
65	270N2000-468	..	BLOCK- USED ON: 270N2000-67	002004 006100 107107 121503 904999	2
70	270N2000-636	..	BLOCK- USED ON: 270N2000-116	002004 006100 107107 121503 904999	2
75	270N2000-158	.	CLAMP ASSY-BLK	002004 006100 107107 121503 904999	1
80	NAS1801-3-32	..	SCREW-	002004 006100 107107 121503 904999	3

MISSING ITEM NUMBERS NOT APPLICABLE

- ITEM NOT ILLUSTRATED

32-31-51-22

32-31-51  
FIG. 22  
PAGE 3  
JAN 20/09

BRI

BOEING PROPRIETARY - Copyright © - Unpublished Work - See title page for details.



757

PARTS CATALOG (MAINTENANCE)

FIG ITEM	PART NUMBER	1 2 3 4 5 6 7	NOMENCLATURE	EFFECT FROM TO	UNITS PER ASSY
22					
85	AN960PD10L	..	WASHER	002004 006100 107107 121503 904999	3
90	NAS43DD3-94	..	SPACER	002004 006100 107107 121503 904999	3
95	BRH10A3	..	NUT SUPPLIER CODE: V52828 SPECIFICATION NUMBER: BACN10JC3 OPTIONAL PART: H10-3BAC V15653 NS202101-02 V80539 RMLH9075-3W V72962 VN303A02 V92215 96-02 V80539 T6S1032J V11815	002004 006100 107107 121503 904999	3
100	270N2000-1001	..	CHANNEL	002004 006100 107107 121503 904999	1
105	270N2000-618	..	BLOCK	002004 006100 107107 121503 904999	2
110	270N2000-159	.	CLAMP ASSY-BLK	002004 006100 107107 121503 904999	1
115	NAS1801-3-29	..	SCREW-	002004 006100 107107 121503 904999	3

MISSING ITEM NUMBERS NOT APPLICABLE

- ITEM NOT ILLUSTRATED

32-31-51-22

32-31-51  
FIG. 22  
PAGE 4  
JAN 20/09

BRI



757

PARTS CATALOG (MAINTENANCE)

FIG ITEM	PART NUMBER	1 2 3 4 5 6 7	NOMENCLATURE	EFFECT FROM TO	UNITS PER ASSY
22 120	AN960PD10L	. .	WASHER	002004 006100 107107 121503 904999	3
125	NAS43DD3-80	. .	SPACER	002004 006100 107107 121503 904999	3
130	BRH10A3	. .	NUT SUPPLIER CODE: V52828 SPECIFICATION NUMBER: BACN10JC3 OPTIONAL PART: H10-3BAC V15653 NS202101-02 V80539 RMLH9075-3W V72962 VN303A02 V92215 96-02 V80539 T6S1032J V11815	002004 006100 107107 121503 904999	3
135	270N2000-1002	. .	CHANNEL	002004 006100 107107 121503 904999	1
140	270N2000-619	. .	BLOCK	002004 006100 107107 121503 904999	1
145	270N2000-620	. .	BLOCK	002004 006100 107107 121503 904999	1

MISSING ITEM NUMBERS NOT APPLICABLE

- ITEM NOT ILLUSTRATED

32-31-51-22

32-31-51  
FIG. 22  
PAGE 5  
JAN 20/09

BRI



757

PARTS CATALOG (MAINTENANCE)

FIG ITEM	PART NUMBER	1 2 3 4 5 6 7	NOMENCLATURE	EFFECT FROM TO	UNITS PER ASSY
22 205	271N6444-1213	.	TUBE ASSY-LG UP TUBING MATERIAL: .750 IN. OD .039 IN. WALL 27.70 IN. LG TI BMS 7-234 TI-3AL-2.5V COLD WORKED, STRESS RELIEVED TUBING	002004 006100 107107 121503 904999	1
210	271N6444-1214	.	TUBE ASSY-LG UP TUBING MATERIAL: .750 IN. OD .039 IN. WALL 20.40 IN. LG TI BMS 7-234 TI-3AL-2.5V COLD WORKED, STRESS RELIEVED TUBING	002004 006100 107107 121503 904999	1
215	271N6444-1229	.	TUBE ASSY-LG UP TUBING MATERIAL: .750 IN. OD .039 IN. WALL 15.90 IN. LG TI BMS 7-234 TI-3AL-2.5V COLD WORKED, STRESS RELIEVED TUBING	002004 006100 107107 121503 904999	1
- 225	AS1581T12	..	SLEEVE	002004 006100 107107 121503 904999	2
- 230	BACN10YA12	..	NUT	002004 006100 107107 121503 904999	2
235	271N6444-1239	.	TUBE ASSY-LG UP TUBING MATERIAL: .375 IN. OD .019 IN. WALL 11.90 IN. LG TI BMS 7-234 TI-3AL-2.5V COLD WORKED, STRESS RELIEVED TUBING	003004 006100 107107 121503 904999	1
240	271N6444-1133	.	TUBE ASSY-LG UP TUBING MATERIAL: .375 IN. OD .019 IN. WALL 20.60 IN. LG TI BMS 7-234 TI-3AL-2.5V COLD WORKED, STRESS RELIEVED TUBING	107107 904949	1

MISSING ITEM NUMBERS NOT APPLICABLE

- ITEM NOT ILLUSTRATED

32-31-51-22

32-31-51  
FIG. 22  
PAGE 6  
JAN 20/09

BRI



757

PARTS CATALOG (MAINTENANCE)

FIG ITEM	PART NUMBER	1 2 3 4 5 6 7	NOMENCLATURE	EFFECT FROM TO	UNITS PER ASSY
22 243	271N6444-1191		.TUBE ASSY-LG UP TUBING MATERIAL: .375 IN. OD .019 IN. WALL 23.30 IN. LG TI BMS 7-234 TI-3AL-2.5V COLD WORKED, STRESS RELIEVED TUBING	002004 006100 121503 950999	1
- 245	AS1581T06		..SLEEVE	002004 006100 107107 121503 904999	2
- 247	BACN10YA6		..NUT-	002004 006100 107107 121503 904999	2
250	271N6444-1026		.TUBE ASSY-LG UP TUBING MATERIAL: .500 IN. OD .026 IN. WALL 51.50 IN. LG TI BMS 7-234 TI-3AL-2.5V COLD WORKED, STRESS RELIEVED TUBING	002004 006100 107107 121503 904999	1
- 252	AS1581T08		..SLEEVE	002004 006100 107107 121503 904999	2
- 253	BACN10YA8		..NUT	002004 006100 107107 121503 904999	2
255	271N6444-1201		.TUBE ASSY-LG UP TUBING MATERIAL: .500 IN. OD .026 IN. WALL 33.80 IN. LG TI BMS 7-234 TI-3AL-2.5V COLD WORKED, STRESS RELIEVED TUBING	107107 904949	1
258	271N6444-1242		.TUBE ASSY-LG UP TUBING MATERIAL: .500 IN. OD .026 IN. WALL 25.40 IN. LG TI BMS 7-234 TI-3AL-2.5V COLD WORKED, STRESS RELIEVED TUBING	002004 121503 952952	1

MISSING ITEM NUMBERS NOT APPLICABLE

- ITEM NOT ILLUSTRATED

32-31-51-22

32-31-51  
FIG. 22  
PAGE 7  
JAN 20/09

BRI





757

PARTS CATALOG (MAINTENANCE)

FIG ITEM	PART NUMBER	1 2 3 4 5 6 7	NOMENCLATURE	EFFECT FROM TO	UNITS PER ASSY
22 258	271N6444-1259		.TUBE ASSY-LG UP TUBING MATERIAL: .500 IN. OD .026 IN. WALL 25.50 IN. LG TI BMS 7-234 TI-3AL-2.5V COLD WORKED, STRESS RELIEVED TUBING	006100 950951 953999	1
261	271N6350-2		.TUBE ASSY-LG UP	002004 006100 107107 121503 904999	1
- 262	AS1581T08		..SLEEVE	002004 006100 107107 121503 904999	1
- 264	BACN10YA8N		..NUT- USED ON: 271N6350-2	002004 006100 107107 121503 904999	1
- 266	AS1582T08		..UNION	002004 006100 107107 121503 904999	1
272	271N6444-1202		.TUBE ASSY-LG UP TUBING MATERIAL: .500 IN. OD .026 IN. WALL 54.80 IN. LG TI BMS 7-234 TI-3AL-2.5V COLD WORKED, STRESS RELIEVED TUBING	002004 006100 107107 121503 904999	1
- 274	AS1581T08		..SLEEVE	002004 006100 107107 121503 904999	2
- 276	BACN10YA8N		..NUT	002004 006100 107107 121503 904999	2

MISSING ITEM NUMBERS NOT APPLICABLE

- ITEM NOT ILLUSTRATED

32-31-51-22

32-31-51  
FIG. 22  
PAGE 8  
JAN 20/09

BRI



757

PARTS CATALOG (MAINTENANCE)

FIG ITEM	PART NUMBER	1 2 3 4 5 6 7	NOMENCLATURE	EFFECT FROM TO	UNITS PER ASSY
22 277	271N6444-1206		.TUBE ASSY-LG UP TUBING MATERIAL: .500 IN. OD .026 IN. WALL 26.20 IN. LG TI BMS 7-234 TI-3AL-2.5V COLD WORKED, STRESS RELIEVED TUBING	107107 904949	1
-278A	AS1581T08		..SLEEVE-	107107 904949	1
- 279	BACN10YA8N		..NUT-	107107 904949	1
-279A	AS1582T08		..UNION-	107107 904949	1
280	271N6444-1028		.TUBE ASSY-LG UP TUBING MATERIAL: .500 IN. OD .026 IN. WALL 17.20 IN. LG TI BMS 7-234 TI-3AL-2.5V COLD WORKED, STRESS RELIEVED TUBING USED ON: 271N6444-1	002004 006100 107107 121503 904999	1
- 284	AS1581T08		..SLEEVE	002004 006100 107107 121503 904999	2
- 286	BACN10YA8		..NUT	002004 006100 107107 121503 904999	2
290	271N6444-1027		.TUBE ASSY-LG UP TUBING MATERIAL: .375 IN. OD .019 IN. WALL 34.00 IN. LG TI BMS 7-234 TI-3AL-2.5V COLD WORKED, STRESS RELIEVED TUBING USED ON: 271N6444-1	002004 006100 107107 121503 904999	1
- 292	AS1581T06		..SLEEVE	002004 006100 107107 121503 904999	1

MISSING ITEM NUMBERS NOT APPLICABLE

- ITEM NOT ILLUSTRATED

32-31-51-22

32-31-51  
FIG. 22  
PAGE 9  
JAN 20/09

BRI



757

PARTS CATALOG (MAINTENANCE)

FIG ITEM	PART NUMBER	1 2 3 4 5 6 7	NOMENCLATURE	EFFECT FROM TO	UNITS PER ASSY
22 - 294	BACN10YA6	..	NUT	002004 006100 107107 121503 904999	1
- 296	AS1582T06	..	UNION	002004 006100 107107 121503 904999	1
305	271N6444-1176	.TUBE ASSY-LG DOWN TUBING MATERIAL: .625 IN. OD .032 IN. WALL 41.40 IN. LG TI BMS 7-234 TI-3AL-2.5V COLD WORKED, STRESS RELIEVED TUBING		002004 006100 107107 121503 904999	1
310	271N6444-1253	.TUBE ASSY-LG DOWN TUBING MATERIAL: .625 IN. OD .032 IN. WALL 8.30 IN. LG TI BMS 7-234 TI-3AL-2.5V COLD WORKED, STRESS RELIEVED TUBING		002004 006100 121503 950999	1
310	271N6444-1177	.TUBE ASSY-LG DOWN TUBING MATERIAL: .625 IN. OD .032 IN. WALL 8.00 IN. LG TI BMS 7-234 TI-3AL-2.5V COLD WORKED, STRESS RELIEVED TUBING USED ON: 271N6444-1		107107 904949	1
- 315	AS1581T10	..	SLEEVE	002004 006100 107107 121503 904999	2
- 320	BACN10YA10	..	NUT-	002004 006100 107107 121503 904999	2

MISSING ITEM NUMBERS NOT APPLICABLE

- ITEM NOT ILLUSTRATED

32-31-51-22

32-31-51  
FIG. 22  
PAGE 10  
JAN 20/09

BRI



757

PARTS CATALOG (MAINTENANCE)

FIG ITEM	PART NUMBER	1 2 3 4 5 6 7	NOMENCLATURE	EFFECT FROM TO	UNITS PER ASSY
22					
325	271N6444-1230		.TUBE ASSY-LG DOWN TUBING MATERIAL: .375 IN. OD .019 IN. WALL 13.20 IN. LG TI BMS 7-234 TI-3AL-2.5V COLD WORKED, STRESS RELIEVED TUBING	002004 006100 107107 121503 904999	1
- 328	AS1581T06		..SLEEVE	002004 006100 107107 121503 904999	2
- 330	BACN10YA6N		..NUT	002004 006100 107107 121503 904999	2
335	271N6444-1029		.TUBE ASSY-LG DOWN TUBING MATERIAL: .500 IN. OD .026 IN. WALL 52.70 IN. LG TI BMS 7-234 TI-3AL-2.5V COLD WORKED, STRESS RELIEVED TUBING	002004 006100 950999	1
- 337	AS1581T08		..SLEEVE	002004 006100 950999	2
- 338	BACN10YA8		..NUT	002004 006100 950999	2
340	271N6444-1255		.TUBE ASSY-LG DOWN TUBING MATERIAL: .500 IN. OD .026 IN. WALL 38.90 IN. LG TI BMS 7-234 TI-3AL-2.5V COLD WORKED, STRESS RELIEVED TUBING	002004 006100 121503 950999	1
343	271N6444-1203		.TUBE ASSY-LG DOWN TUBING MATERIAL: .500 IN. OD .026 IN. WALL 18.80 IN. LG TI BMS 7-234 TI-3AL-2.5V COLD WORKED, STRESS RELIEVED TUBING	107107 904949	1
347	271N6350-2		.TUBE ASSY-LG DOWN	002004 006100 107107 121503 904999	1

MISSING ITEM NUMBERS NOT APPLICABLE

- ITEM NOT ILLUSTRATED

32-31-51-22

32-31-51  
FIG. 22  
PAGE 11  
JAN 20/09

BRI



757

PARTS CATALOG (MAINTENANCE)

FIG ITEM	PART NUMBER	1 2 3 4 5 6 7	NOMENCLATURE	EFFECT FROM TO	UNITS PER ASSY
22					
- 350	AS1581T08	..	SLEEVE	002004 006100 107107 121503 904999	1
- 353	BACN10YA8N	..	NUT- USED ON: 271N6350-2	002004 006100 107107 121503 904999	1
- 353	BACN10YA8	..	NUT- USED ON: 271N6444-1255 271N6444-1203 271N6444-1154	002004 006100 107107 121503 904999	1
- 355	AS1582T08	..	UNION	002004 006100 107107 121503 904999	1
362	271N6444-1204	.	TUBE ASSY-LG DOWN TUBING MATERIAL: .500 IN. OD .026 IN. WALL 57.30 IN. LG TI BMS 7-234 TI-3AL-2.5V COLD WORKED, STRESS RELIEVED TUBING	002004 006100 107107 121503 904999	1
365	271N6444-1254	.	TUBE ASSY-LG DOWN TUBING MATERIAL: .500 IN. OD .026 IN. WALL 7.00 IN. LG TI BMS 7-234 TI-3AL-2.5V COLD WORKED, STRESS RELIEVED TUBING	002004 006100 121503 950999	1
- 368	AS1581T08	..	SLEEVE	002004 006100 107107 121503 904999	2
- 370	BACN10YA8	..	NUT	002004 006100 107107 121503 904999	2

MISSING ITEM NUMBERS NOT APPLICABLE

- ITEM NOT ILLUSTRATED

32-31-51-22

32-31-51  
FIG. 22  
PAGE 12  
JAN 20/09

BRI



757

PARTS CATALOG (MAINTENANCE)

FIG ITEM	PART NUMBER	1 2 3 4 5 6 7	NOMENCLATURE	EFFECT FROM TO	UNITS PER ASSY
22 375	271N6444-1124		.TUBE ASSY-LG DOWN TUBING MATERIAL: .500 IN. OD .026 IN. WALL 18.20 IN. LG TI BMS 7-234 TI-3AL-2.5V COLD WORKED, STRESS RELIEVED TUBING	002004 006100 107107 121503 904999	1
380	271N6444-1030		.TUBE ASSY-LG DOWN TUBING MATERIAL: .500 IN. OD .026 IN. WALL 32.00 IN. LG TI BMS 7-234 TI-3AL-2.5V COLD WORKED, STRESS RELIEVED TUBING	002004 006100 107107 121503 904999	1
- 383	AS1581T08		..SLEEVE	003004 006100 121503 950951 953999	2
- 385	BACN10YA8		..NUT	003004 006100 121503 950951 953999	2
395	271N6444-1196		.TUBE ASSY-RETURN SYS POSITION DATA: L TUBING MATERIAL: .750 IN. OD .035 IN. WALL 44.20 IN. LG AL AMS 4083 6061 T6 TUBING	002004 006010 107107 121503 904999	1
400	271N6444-1108		.TUBE ASSY-RETURN SYS POSITION DATA: L TUBING MATERIAL: .750 IN. OD .035 IN. WALL 11.90 IN. LG AL AMS 4083 6061 T6 TUBING	002004 006100 107107 121503 904999	1

MISSING ITEM NUMBERS NOT APPLICABLE

- ITEM NOT ILLUSTRATED

32-31-51-22

32-31-51  
FIG. 22  
PAGE 13  
JAN 20/09

BRI



757

PARTS CATALOG (MAINTENANCE)

FIG ITEM	PART NUMBER	1 2 3 4 5 6 7	NOMENCLATURE	EFFECT FROM TO	UNITS PER ASSY
22 - 405	AP2097HP12	..	SLEEVE SUPPLIER CODE: V01673 SPECIFICATION NUMBER: BACS13BX12HP OPTIONAL PART: 2-02903-12HP V11328 35235VN12 V08199 AFP175V12P V30974 DBOS13BX12HP V14798	002004 006100 107107 121503 904999	2
- 410	BACN10YL12	..	NUT	002004 006100 107107 121503 904999	2
420	271N6444-1267	.	TUBE ASSY-RETURN SYS POSITION DATA: L TUBING MATERIAL: .750 IN. OD .035 IN. WALL 38.00 IN. LG AL AMS 4083 6061 T6 TUBING	011100	1
- 425	AP2097HP12	..	SLEEVE SUPPLIER CODE: V01673 SPECIFICATION NUMBER: BACS13BX12HP OPTIONAL PART: 2-02903-12HP V11328 35235VN12 V08199 AFP175V12P V30974 DBOS13BX12HP V14798	011100	2
- 430	BACN10YL12	..	NUT	011100	2

MISSING ITEM NUMBERS NOT APPLICABLE

- ITEM NOT ILLUSTRATED

32-31-51-22

32-31-51  
FIG. 22  
PAGE 14  
JAN 20/09

BRI



757

PARTS CATALOG (MAINTENANCE)

FIG ITEM	PART NUMBER	1 2 3 4 5 6 7	NOMENCLATURE	EFFECT FROM TO	UNITS PER ASSY
22 435	271N6444-1256		.TUBE ASSY-PRESSURE SYS POSITION DATA: L TUBING MATERIAL: .750 IN. OD .039 IN. WALL 62.10 IN. LG TI BMS 7-234 TI-3AL-2.5V COLD WORKED, STRESS RELIEVED TUBING	003004 006100 121503 950951 953999	1
- 440	AS1581T12		..SLEEVE	003004 006100 121503 950951 953999	2
- 445	BACN10YA12		..NUT-	003004 006100 121503 950951 953999	2
447	BACU24L12		.UNION	003004 006100 121503 950951 953999	1
448	AN924-12D		.NUT	003004 006100 121503 950951 953999	1
450	NAS1762D1212		.ELBOW-	002004 006100 107107 121503 904999	1
452	NAS1762J0808		.ELBOW-	107107 904949	2
455	NAS1762T0406		.ELBOW-	002004 006100 107107 121503 904999	1
455	NAS1762J0406		.ELBOW-	002004 006100 107107 121503 904999	1
458	NAS1761J0808		.ELBOW-	107107 904949	1

MISSING ITEM NUMBERS NOT APPLICABLE

- ITEM NOT ILLUSTRATED

32-31-51-22

32-31-51  
FIG. 22  
PAGE 15  
JAN 20/09

BRI

BOEING PROPRIETARY - Copyright © - Unpublished Work - See title page for details.



 **BOEING**  
757  
**PARTS CATALOG (MAINTENANCE)**

FIG ITEM	PART NUMBER	1 2 3 4 5 6 7	NOMENCLATURE	EFFECT FROM TO	UNITS PER ASSY
22 460	BACT16BL121206J	. TEE-		002004 006100 107107 121503 904999	1
460	BACT16BL121206T	. TEE-		002004 006100 107107 121503 904999	1
465	NAS1763J120612	. TEE-		002004 006100 107107 121503 904999	1
465	NAS1763T120612	. TEE-		002004 006100 107107 121503 904999	1
470	BACT16BL101006J	. TEE-		002004 006100 107107 121503 904999	1
470	BACT16BL101006T	. TEE-		002004 006100 107107 121503 904999	1

MISSING ITEM NUMBERS NOT APPLICABLE

— ITEM NOT ILLUSTRATED

BRI

# 32-31-51-22

BOEING PROPRIETARY - Copyright © - Unpublished Work - See title page for details.

32-31-51  
FIG. 22  
PAGE 16  
JAN 20/09



757

PARTS CATALOG (MAINTENANCE)

FIG ITEM	PART NUMBER	1 2 3 4 5 6 7	NOMENCLATURE	EFFECT FROM TO	UNITS PER ASSY
22 475	APX824D121210	. TEE-	SUPPLIER CODE: V01673 SPECIFICATION NUMBER: BACT16AS121210D OPTIONAL PART: APX824-121210D V01673 DB0T16AS121210D V14798 ER824-121210D V50948 FER1571-121210D V14397 LER824-121210D V11328 NAF1824-121210D V52930 US1925-121210D V50808 AFP325-121210D V30974	107107	1
475	BACT16AS121210W	. TEE-		002004 006010 121503 904999	1
475	NAS1763W121210	. TEE-		011100	1
480	BACT16BL080806J	. TEE-		002004 006100 107107 121503 904999	1
480	BACT16BL080806T	. TEE-		002004 006100 107107 121503 904999	1
485	BACT16BL080808J	. TEE-		002004 006100 107107 121503 904999	1
485	BACT16BL080808T	. TEE-		002004 006100 107107 121503 904999	1
490	MS21905W12	. TEE-		011100	1

MISSING ITEM NUMBERS NOT APPLICABLE

- ITEM NOT ILLUSTRATED

32-31-51-22

32-31-51  
FIG. 22  
PAGE 17  
JAN 20/09

BRI



757

PARTS CATALOG (MAINTENANCE)

FIG ITEM	PART NUMBER	1 2 3 4 5 6 7	NOMENCLATURE	EFFECT FROM TO	UNITS PER ASSY
22 520	270N0005-3	.	FILLER-CLAMP BLK	002004 006100 107107 121503 904999	4
525	271N6347-1	.	BRACKET ASSY-SPRT	002004 006100 107107 121503 904999	1
530	NAS1801-3	.	SCREW- SIZE DETERMINED ON INSTL.	002004 006100 107107 121503 904999	4
535	AN960PD10L	.	WASHER	002004 006100 107107 121503 904999	4
540	MS21042L3	.	NUT	002004 006100 107107 121503 904999	4
545	271N6350-1	.	BRACKET-	002004 006100 107107 121503 904999	2

MISSING ITEM NUMBERS NOT APPLICABLE

- ITEM NOT ILLUSTRATED

BRI

32-31-51-22

BOEING PROPRIETARY - Copyright © - Unpublished Work - See title page for details.

32-31-51  
FIG. 22  
PAGE 18  
JAN 20/09



757

PARTS CATALOG (MAINTENANCE)

FIG ITEM	PART NUMBER	1 2 3 4 5 6 7	NOMENCLATURE	EFFECT FROM TO	UNITS PER ASSY
22 555	2-8020-18	.	FUSE ASSY-HYDR SUPPLIER CODE: V97415 SPECIFICATION NUMBER: S273N203-4 MISCELLANEOUS DATA: FOR HYDRAULIC FUSE REPLACEMENT INFORMATION, REFERENCE SERVICE BULLETIN 757-29-0022NSC02 WHICH INTRODUCES SPARES ASSEMBLY 271N6444-7. SPARES ASSEMBLY 271N6444-7 IS APPLICABLE TO AIRPLANES FOR WHICH SERVICE BULLETIN 757-29-0022 IS EFFECTIVE AND ALSO TO AIRPLANES WHICH WERE DELIVERED WITH FUSE INSTALLATION 273N2021-3 (273N2021-3 CONTAINS FUSE P/N 2-7641-2) COMPONENT MAINT MANUAL REF: 32-31-04	002004 006100 121503 950999	2

MISSING ITEM NUMBERS NOT APPLICABLE

- ITEM NOT ILLUSTRATED

BRI

32-31-51-22

BOEING PROPRIETARY - Copyright © - Unpublished Work - See title page for details.

32-31-51  
FIG. 22  
PAGE 19  
JAN 20/09



757

PARTS CATALOG (MAINTENANCE)

FIG ITEM	PART NUMBER	1 2 3 4 5 6 7 NOMENCLATURE	EFFECT FROM TO	UNITS PER ASSY
22 555	2-7756-1	. FUSE ASSY-HYDR SUPPLIER CODE: V97415 SPECIFICATION NUMBER: S273N203-3 MISCELLANEOUS DATA: FOR HYDRAULIC FUSE REPLACEMENT INFORMATION, REFERENCE SERVICE BULLETIN 757-29-0022NSC02 WHICH INTRODUCES SPARES ASSEMBLY 271N6444-7. SPARES ASSEMBLY 271N6444-7 IS APPLICABLE TO AIRPLANES FOR WHICH SERVICE BULLETIN 757-29-0022 IS EFFECTIVE AND ALSO TO AIRPLANES WHICH WERE DELIVERED WITH FUSE INSTALLATION 273N2021-3 (273N2021-3 CONTAINS FUSE P/N 2-7641-2). COMPONENT MAINT MANUAL REF: 32-31-03 QUALIFIED I/W DATA: PN 2-7756-1 SPEC PN S273N203-3) CANNOT REPLACE NOR BE REPLACED BY PN 2-7641-2 (SPEC PN S273N203-2); 2-7756-1 NHA 271N6444-7 CAN REPLACE BUT NOT BE REPLACED BY 2-7641-2 NHA 273N2021-3, WITH INCORPORATION OF SB 757-29-0022	002004 006100 121503 950999	2

MISSING ITEM NUMBERS NOT APPLICABLE

- ITEM NOT ILLUSTRATED

**32-31-51-22**

32-31-51  
FIG. 22  
PAGE 20  
JAN 20/09

BRI



757

PARTS CATALOG (MAINTENANCE)

FIG ITEM	PART NUMBER	1 2 3 4 5 6 7 NOMENCLATURE	EFFECT FROM TO	UNITS PER ASSY
22 560	273N2021-3	<p>. FUSE ASSY-HYDR            MISCELLANEOUS DATA:            FOR SPARES PROCURE LOWER            COMPONENTS            FOR HYDRAULIC FUSE            INFORMATIONS, REFERENCE            SERVICE BULLETIN            757-29-0022NSC02            WHICH INTRODUCES SPARES            ASSEMBLY 271N6444-7 IS            APPLICABLE TO AIRPLANES            FOR WHICH SERVICE            BULLETIN 757-29-0022 IS            EFFECTIVE AND ALSO            ALSO TO AIRPLANES            WHICH WERE DELIVERED            WITH FUSE INSTALLATION            273N2021-3 (273N2021-3            CONTAINS FUSE P/N            2-7641-2).</p> <p>QUALIFIED I/W DATA:            PN 2-7756-1 (SPEC PN            S273N203-3) CANNOT            REPLACE NOR BE            REPLACED BY            PN 2-7641-2            (SPEC PN S273N203-2);            2-7756-1 NHA            271N6444-7 CAN            REPLACE BUT NOT BE            REPLACED BY 2-7641-2            NHA 273N2021-3, WITH            INCORPORATION OF            SB 757-29-0022.            POST AIRLINE MOD:            VBAA</p>	107107 904949	2

MISSING ITEM NUMBERS NOT APPLICABLE

- ITEM NOT ILLUSTRATED

32-31-51-22

32-31-51  
 FIG. 22  
 PAGE 21  
 JAN 20/09

BRI



757

PARTS CATALOG (MAINTENANCE)

FIG ITEM	PART NUMBER	1 2 3 4 5 6 7	NOMENCLATURE	EFFECT FROM TO	UNITS PER ASSY
22 560	273N2021-2		. FUSE ASSY-HYDR MISCELLANEOUS DATA: FOR SPARES PROCURE LOWER COMPONENTS FOR HYDRAULIC FUSE REPLACEMENT INFORMATION, REFERENCE SERVICE BULLETIN 757-29-0022NSC02 WHICH INTRODUCES SPARES ASSEMBLY 271N6444-7. SPARES ASSEMBLY 271N6444-7 IS APPLICABLE TO AIRPLANES FOR WHICH SERVICE BULLETIN 757-29-0022 IS EFFECTIVE AND ALSO TO AIRPLANES WHICH WERE DELIVERED WITH FUSE INSTALLATION 273N2021-3 (273N2021-3 CONTAINS FUSE P/N 2-7641-2).	107107 904949	2

MISSING ITEM NUMBERS NOT APPLICABLE

- ITEM NOT ILLUSTRATED

BRI

32-31-51-22

BOEING PROPRIETARY - Copyright © - Unpublished Work - See title page for details.

32-31-51  
FIG. 22  
PAGE 22  
JAN 20/09



**757  
PARTS CATALOG (MAINTENANCE)**

FIG ITEM	PART NUMBER	1 2 3 4 5 6 7	NOMENCLATURE	EFFECT FROM TO	UNITS PER ASSY
22 565	2-7641-2	..	FUSE- SUPPLIER CODE: V97415 SPECIFICATION NUMBER: S273N203-2 MISCELLANEOUS DATA: DETAIL OF 273N2021-3 CUSTOMER ASSEMBLED SPARE FOR HYDRAULIC FUSE REPLACEMENT INFORMATION, REFERENCE SERVICE BULLETIN 757-29-0022NSCO2 WHICH INTRODUCES SPARES ASSEMBLY 271N6444-7. SPARES ASSEMBLY 271N6444-7 IS APPLICABLE TO AIRPLANES FOR WHICH SERVICE BULLETIN 757-29-0022 IS EFFECTIVE AND ALSO TO AIRPLANES WHICH WERE DELIVERED WITH FUSE INSTALLATION 273N2021-3 (273N2021-3 CONTAINS FUSE P/N 2-7641-2). COMPONENT MAINT MANUAL REF: 32-31-01	107107 904949	1
570	BACU24K8	..	UNION	107107 904949	1
575	NAS1612-8	..	PACKING-	107107 904949	1
580	9R3590	. VALVE-RSTR, RELIEF	SUPPLIER CODE: V99240	011100	1

MISSING ITEM NUMBERS NOT APPLICABLE

— ITEM NOT ILLUSTRATED

# 32-31-51-22

32-31-51  
FIG. 22  
PAGE 23  
JAN 20/09

BRI





757

PARTS CATALOG (MAINTENANCE)

FIG ITEM	PART NUMBER	1 2 3 4 5 6 7	NOMENCLATURE	EFFECT FROM TO	UNITS PER ASSY
22 852	271N6444-7		. FUSE ASSY-HYDR MISCELLANEOUS DATA: FOR HYDRAULIC FUSE REPLACEMENT INFORMATION, REFERENCE SERVICE BULLETIN 757-29-0022NSC02 WHICH INTRODUCES SPARES ASSEMBLY 271N6444-7. SPARES ASSEMBLY 271N6444-7 IS APPLICABLE TO AIRPLANES FOR WHICH SERVICE BULLETIN 757-29-0022 IS EFFECTIVE AND ALSO TO AIRPLANES WITH FUSE INSTALLATION 273N2021-3 (273N2021-3 CONTAINS FUSE P/N 2-7641-2).	107107 904949	2
- 855	TA0910004H124		.. CLAMP-SADDLE SUPPLIER CODE: V84971 SPECIFICATION NUMBER: BACC10HB24C ATTACHING PARTS	107107 904949	2
- 860	NAS1801-3-8		.. SCREW	107107 904949	4
- 865	AN960JD10L		.. WASHER	107107 904949	4
- 870	271N6444-1245		-----*----- .. TUBE ASSY	107107 904949	1

MISSING ITEM NUMBERS NOT APPLICABLE

- ITEM NOT ILLUSTRATED

32-31-51-22

32-31-51  
FIG. 22  
PAGE 24  
JAN 20/09

BRI



757

PARTS CATALOG (MAINTENANCE)

FIG ITEM	PART NUMBER	1 2 3 4 5 6 7 NOMENCLATURE	EFFECT FROM TO	UNITS PER ASSY
22 - 875	2-8020-18	.. FUSE ASSY-HYDR SUPPLIER CODE: V97415 SPECIFICATION NUMBER: S273N203-4 MISCELLANEOUS DATA: FOR HYDRAULIC FUSE REPLACEMENT INFORMATION, REFERENCE SERVICE BULLETIN 757-29-0022NSC02 WHICH INTRODUCES SPARES ASSEMBLY 271N6444-7. SPARES ASSEMBLY 271N6444-7 IS APPLICABLE TO AIRPLANES FOR WHICH SERVICE BULLETIN 757-29-0022 IS EFFECTIVE AND ALSO TO AIRPLANES WHICH WERE DELIVERED WITH FUSE INSTALLATION 273N2021-3 (273N2021-3 CONTAINS FUSE P/N 2-7641-2) COMPONENT MAINT MANUAL REF: 32-31-04 SERVICE BULLETIN OPT DATA: 2-7756-1 V97415	107107 904949	1

MISSING ITEM NUMBERS NOT APPLICABLE

- ITEM NOT ILLUSTRATED

**32-31-51-22**

32-31-51  
FIG. 22  
PAGE 25  
JAN 20/09

BRI



757

PARTS CATALOG (MAINTENANCE)

FIG ITEM	PART NUMBER	1 2 3 4 5 6 7	NOMENCLATURE	EFFECT FROM TO	UNITS PER ASSY
22 - 875	2-7756-1	..	FUSE ASSY-HYDR SUPPLIER CODE: V97415 SPECIFICATION NUMBER: S273N203-3 MISCELLANEOUS DATA: FOR HYDRAULIC FUSE REPLACEMENT INFORMATION, REFERENCE SERVICE BULLETIN WHICH INTRODUCES SPARES ASSEMBLY 271N6444-7. SPARES ASSEMBLY 271N6444-7 IS APPLICABLE TO AIRPLANES FOR WHICH SERVICE BULLETIN 757-29-0022 IS EFFECTIVE AND ALSO WERE DELIVERED WITH FUSE INSTALLATION 273N2021-3 (273N2021-3 CONTAINS FUSE P/N 2-7641-2). COMPONENT MAINT MANUAL REF: 32-31-03 QUALIFIED I/W DATA: PN 2-7756-1 (SPEC PN S273N203-3) CANNOT REPLACE NOR BE REPLACED BY PN 2-7641-2 (SPEC PN S273N203-2); 2-7756-1 NHA 271N6444-7 CAN REPLACE BUT NOT BE REPLACED BY 2-7641-2 NHA 273N2021-3, WITH INCORPORATION OF SB 757-29-0022. SERVICE BULLETIN OPT DATA: 2-8020-18 V97415	107107 904949	1
- 880	271N6036-1	..	BRACKET ASSY	107107 904949	1
- 885	NAS1801-3-11	..	ATTACHING PARTS SCREW	107107 904949	4
- 890	AN960JF10L	..	WASHER	107107 904949	4
-----*-----					

MISSING ITEM NUMBERS NOT APPLICABLE

- ITEM NOT ILLUSTRATED

32-31-51-22

32-31-51  
FIG. 22  
PAGE 26  
JAN 20/09

BRI



757

PARTS CATALOG (MAINTENANCE)

FIG ITEM	PART NUMBER	1 2 3 4 5 6 7	NOMENCLATURE	EFFECT FROM TO	UNITS PER ASSY
22 900			ILLUSTRATION REFERENCE: CONTROL INSTL-LG SELECTOR VALVE 32-31-02-02	002004 006100 107107 121503 904999	RF
905			ILLUSTRATION REFERENCE: VALVE AND BRACKET INSTL-STA 1116 AND 1123 UPLOCK OPERATED SEQUENCE 32-32-09-01	002004 006100 107107 121503 904999	RF
910			ILLUSTRATION REFERENCE: VALVE INSTL-ALTERNATE BRAKE SELECTOR 32-41-04-01	002004 006100 107107 121503 904999	RF
920			ILLUSTRATION REFERENCE: PLUMBING INSTL-SECT. 44 KEEL BEAM MLG WHL WELL HYDR (LANDING GEAR CONTROL ONLY) 32-31-51-20	002004 006100 107107 121503 904999	RF
925			ILLUSTRATION REFERENCE: VALVE INSTL-LG ALTERNATE EXTENSION SHUTTLE 32-35-51-05	002004 006100 107107 121503 904999	RF
930			ILLUSTRATION REFERENCE: MODULE AND SUPPORT INSTL-LG BRAKE METERING VALVE 32-41-02-05	002004 006100 107107 121503 904999	RF
935			ILLUSTRATION REFERENCE: PLUMBING INSTL-SECT. 44 R PRESSURE DECK HYDR (HYDRAULIC POWER ONLY) 29-11-51-35	002004 006100 107107 121503 904999	RF
940			ILLUSTRATION REFERENCE: PLUMBING INSTL-SECT. 44 MLG WHL WELL HYDR (HYDRAULIC BRAKE SYSTEM ONLY) 32-41-51-22	002004 006100 107107 121503 904999	RF

MISSING ITEM NUMBERS NOT APPLICABLE

- ITEM NOT ILLUSTRATED

32-31-51-22

32-31-51  
FIG. 22  
PAGE 27  
JAN 20/09

BRI



757

PARTS CATALOG (MAINTENANCE)

FIG ITEM	PART NUMBER	1 2 3 4 5 6 7	NOMENCLATURE	EFFECT FROM TO	UNITS PER ASSY
22 945			ILLUSTRATION REFERENCE: PLUMBING INSTL-SECT. 12 HYDR R WING INBD (MAIN GEAR EXTENSION AND RETRACTION ONLY) 32-32-51-16	002004 006100 107107 121503 904999	RF
950			ILLUSTRATION REFERENCE: PLUMBING INSTL-SECT. 44 MLG WHL WELL HYDR (TRAILING EDGE FLAP SYSTEM ONLY) 27-51-51-20	003004 006100 121503 950951 953999	RF

MISSING ITEM NUMBERS NOT APPLICABLE

- ITEM NOT ILLUSTRATED

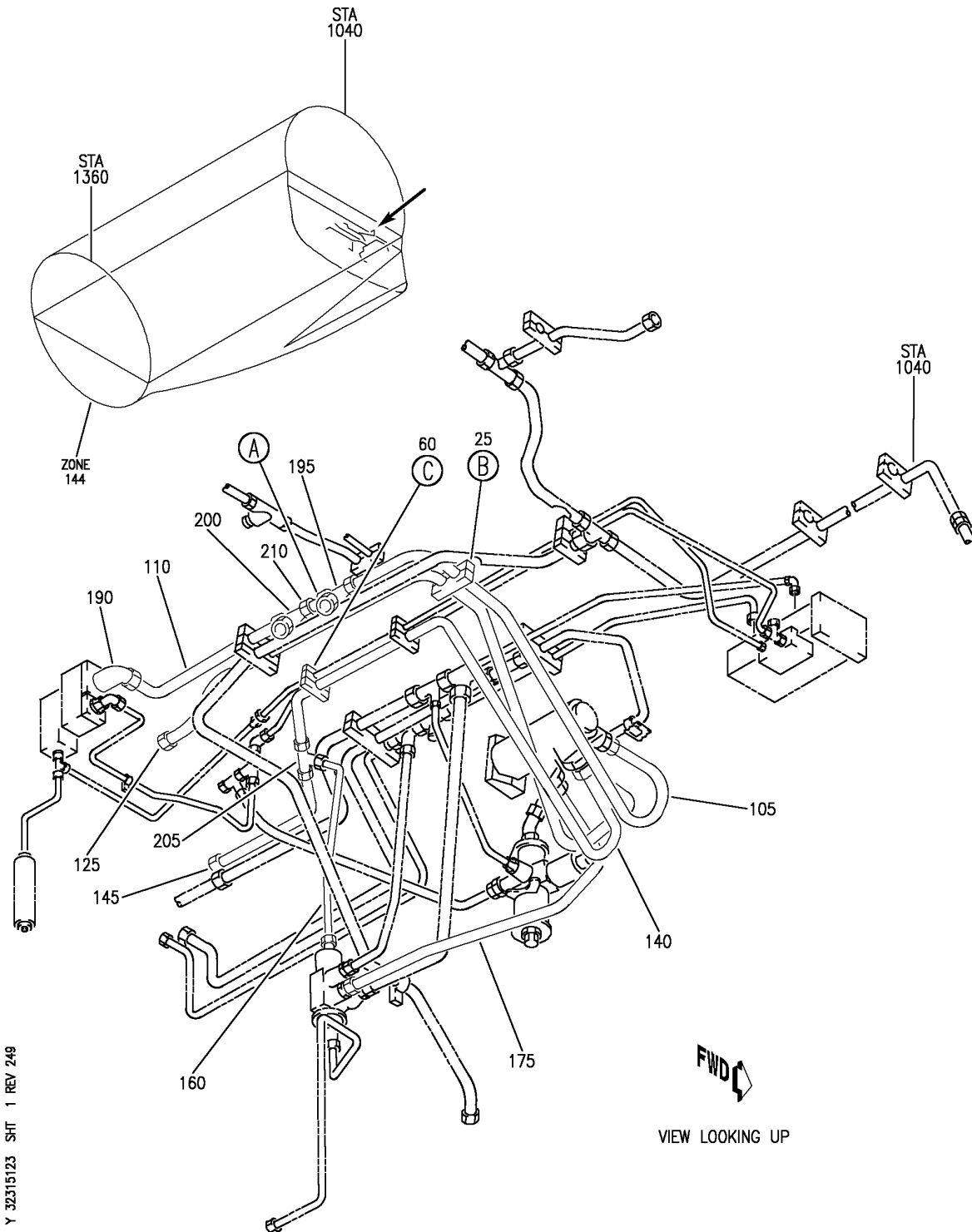
BRI

32-31-51-22

BOEING PROPRIETARY - Copyright © - Unpublished Work - See title page for details.

32-31-51  
FIG. 22  
PAGE 28  
JAN 20/09

**BOEING**  
757  
PARTS CATALOG (MAINTENANCE)



Y 32315123 SHT 1 REV 249

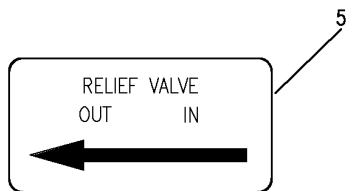
PLUMBING INSTL-SECT.44 R PRESSURE DECK HYDR (LANDING GEAR CONTROL ONLY)  
FIGURE 23 (SHEET 1)

**32-31-51-23**

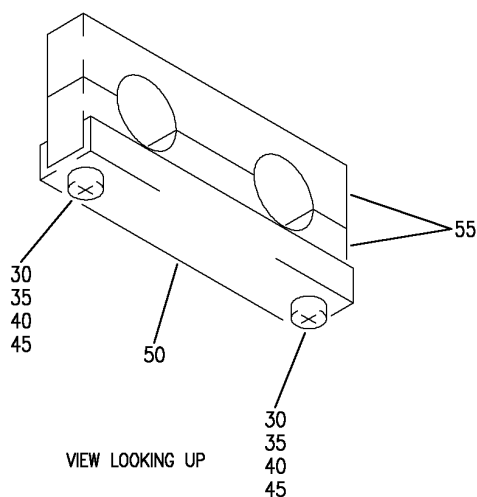
BRI  
JAN 20/09

32-31-51-23  
PAGE 0

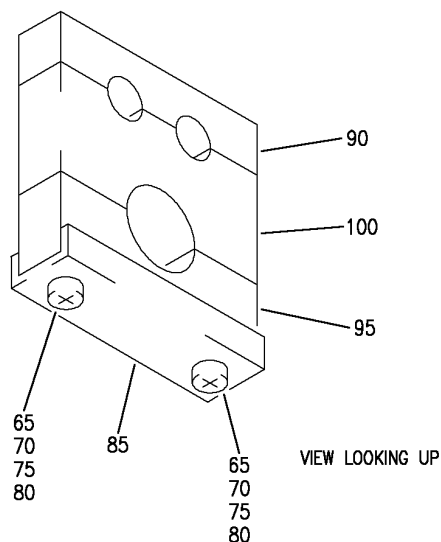
**BOEING**  
757  
PARTS CATALOG (MAINTENANCE)



(A)



(B)



(C)

Y 32315123 SH1 2 REV 249

PLUMBING INSTL-SECT.44 R PRESSURE DECK HYDR (LANDING GEAR CONTROL ONLY)  
FIGURE 23 (SHEET 2)

**32-31-51-23**

BRI  
JAN 20/09

32-31-51-23  
PAGE 0A



757

PARTS CATALOG (MAINTENANCE)

FIG ITEM	PART NUMBER	1 2 3 4 5 6 7	NOMENCLATURE	EFFECT FROM TO	UNITS PER ASSY
23			PLUMBING INSTL-SECT.44 R PRESSURE DECK HYDR (LANDING GEAR CONTROL ONLY)	103106	RF
- 1	MODREF31623		PLUMBING INSTL-PRESSURE DECK HYDR (LANDING GEAR CONTROL ONLY) MODULE NUMBER: 271N6444-24 REV B POSITION DATA: SECT 44 R FOR OTHER SYS DETAILS SEE: 29-11-51-24A 32-32-51-23 32-35-51-31 32-41-51-24 32-42-51-24	103105	1
- 1	MODREF34294		PLUMBING INSTL-PRESSURE DECK HYDR (LANDING GEAR CONTROL ONLY) MODULE NUMBER: 271N6444-24 REV C POSITION DATA: SECT 44 R FOR OTHER SYS DETAILS SEE: 29-11-51-24A 32-32-51-23 32-35-51-31 32-41-51-24 32-42-51-24	106106	1
5	BAC27DHY0340		.MARKER-ALUMINUM FOIL	103106	1
25	270N2000-67		.CLAMP ASSY-BLK	103106	1
30	NAS1801-3-30		..SCREW	103106	2
35	NAS43DD3-83		..SPACER	103106	2
40	AN960PD10L		..WASHER	103106	2

MISSING ITEM NUMBERS NOT APPLICABLE

- ITEM NOT ILLUSTRATED

32-31-51-23

32-31-51  
FIG. 23  
PAGE 1  
JAN 20/09

BRI





757

PARTS CATALOG (MAINTENANCE)

FIG ITEM	PART NUMBER	1 2 3 4 5 6 7	NOMENCLATURE	EFFECT FROM TO	UNITS PER ASSY
23					
45	BRH10A3	..	NUT SUPPLIER CODE: V52828 SPECIFICATION NUMBER: BACN10JC3 OPTIONAL PART: H10-3BAC V15653 NS202101-02 V80539 RMLH9075-3W V72962 VN303A02 V92215 96-02 V80539 T6S1032J V11815	103106	2
50	270N2000-841	..	CHANNEL	103106	1
55	270N2000-468	..	BLOCK	103106	2
60	270N2000-155	.	CLAMP ASSY	103106	2
65	NAS1801-3-38	..	SCREW	103106	2
70	NAS43DD3-115	..	SPACER	103106	2
75	AN960PD10L	..	WASHER	103106	2
80	BRH10A3	..	NUT SUPPLIER CODE: V52828 SPECIFICATION NUMBER: BACN10JC3 OPTIONAL PART: H10-3BAC V15653 NS202101-02 V80539 RMLH9075-3W V72962 VN303A02 V92215 96-02 V80539 T6S1032J V11815	103106	2
85	270N2000-844	..	CHANNEL	103106	1
90	270N2000-502	..	BLOCK	103106	1
95	270N2000-626	..	BLOCK	103106	1
100	270N2000-627	..	BLOCK	103106	1

MISSING ITEM NUMBERS NOT APPLICABLE

- ITEM NOT ILLUSTRATED

32-31-51-23

32-31-51  
FIG. 23  
PAGE 2  
JAN 20/09

BRI



757

PARTS CATALOG (MAINTENANCE)

FIG ITEM	PART NUMBER	1 2 3 4 5 6 7	NOMENCLATURE	EFFECT FROM TO	UNITS PER ASSY
23 105	271N6444-1267		.TUBE ASSY-RETURN SYS POSITION DATA: STA 1045 RBL 30 WL 180 TUBING MATERIAL: .750 IN. OD .035 IN. WALL 38.0 IN. LG AL AMS 4083 6061 T6 TUBING	103106	1
110	271N6444-1108		.TUBE ASSY-RETURN SYS POSITION DATA: STA 1060 RBL 10 TUBING MATERIAL: .750 IN. OD .035 IN. WALL 11.90 IN. LG AL AMS 4083 6061 T6 TUBING	103106	1
- 115	AP2097HP12		..SLEEVE SUPPLIER CODE: V01673 SPECIFICATION NUMBER: BACS13BX12HP OPTIONAL PART: 2-02903-12HP V11328 35235VN12 V08199 AFP175V12P V30974 DBOS13BX12HP V14798	103106	2
- 120	BACN10YL12		..NUT	103106	2
125	271N6444-1256		.TUBE ASSY-PRESSURE SYS TUBING MATERIAL: .750 IN. OD .039 IN. WALL 62.10 IN. LG TI BMS 7-234 TI-3AL-2.5V COLD WORKED, STRESS RELIEVED TUBING	103106	1
- 130	AS1581T12		..SLEEVE	103106	2
- 135	BACN10YA12		..NUT	103106	2
140	271N6444-1176		.TUBE ASSY-LG DOWN TUBING MATERIAL: .625 IN. OD .032 IN. WALL 41.40 IN. LG TI BMS 7-234 TI-3AL-2.5V COLD WORKED, STRESS RELIEVED TUBING	103106	1

MISSING ITEM NUMBERS NOT APPLICABLE

- ITEM NOT ILLUSTRATED

32-31-51-23

32-31-51  
FIG. 23  
PAGE 3  
JAN 20/09

BRI



757

PARTS CATALOG (MAINTENANCE)

FIG ITEM	PART NUMBER	1 2 3 4 5 6 7	NOMENCLATURE	EFFECT FROM TO	UNITS PER ASSY
23					
145	271N6444-1253		.TUBE ASSY-LG DOWN TUBING MATERIAL: .625 IN. OD .032 IN. WALL 8.30 IN. LG TI BMS 7-234 TI-3AL-2.5V COLD WORKED, STRESS RELIEVED TUBING	103106	1
- 150	AS1581T10		..SLEEVE	103106	2
- 155	BACN10YA10		..NUT	103106	2
160	271N6444-1230		.TUBE ASSY-LG DOWN POSITION DATA: STA 1060 WL 180 TUBING MATERIAL: .375 IN. OD .019 IN. WALL 13.20 IN. LG TI BMS 7-234 TI-3AL-2.5V COLD WORKED, STRESS RELIEVED TUBING	103106	1
- 165	AS1581T06		..SLEEVE	103106	2
- 170	BACN10YA6		..NUT	103106	2
175	271N6444-1213		.TUBE ASSY-LG UP TUBING MATERIAL: .750 IN. OD .039 IN. WALL 27.70 IN. LG TI BMS 7-234 TI-3AL-2.5V COLD WORKED, STRESS RELIEVED TUBING	103106	1
- 180	AS1581T12		..SLEEVE	103106	2
- 185	BACN10YA12		..NUT	103106	2
190	NAS1762W1212		.ELBOW	103106	1
195	MS21905W12		.TEE	103106	1
200	NAS1763W121210		.TEE	103106	1
205	BACT16BL101006J		.TEE	103106	1
210	9R3590		.VALVE-RSTR, RELIEF SUPPLIER CODE: V99240	103106	1

MISSING ITEM NUMBERS NOT APPLICABLE

- ITEM NOT ILLUSTRATED

32-31-51-23

32-31-51  
FIG. 23  
PAGE 4  
JAN 20/09

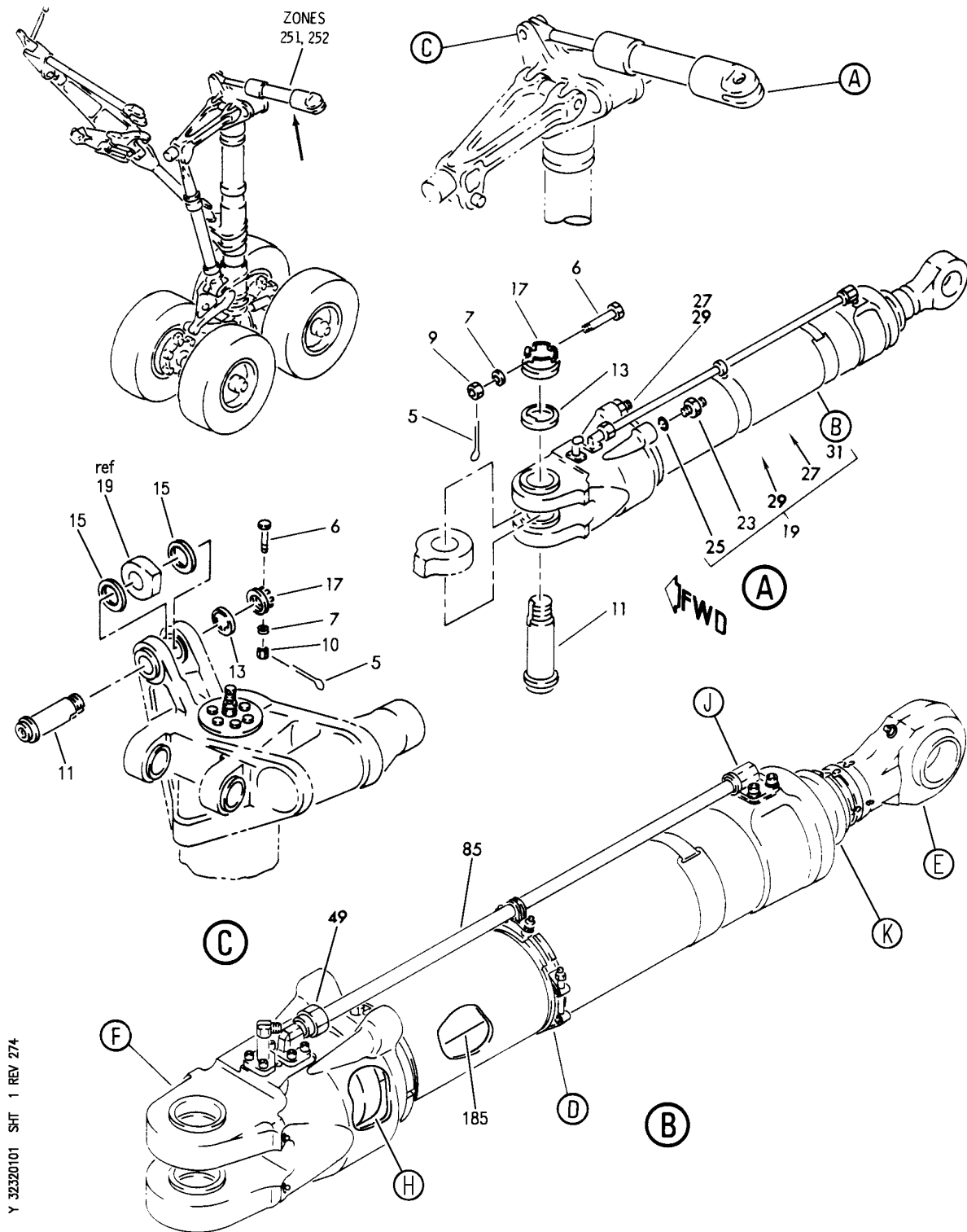
BRI

## MAIN LANDING GEAR EXTENSION AND RETRACTION SYSTEM

BRI  
MAY 28/07

32-32-00  
SECTION TITLE  
PAGE 1

**BOEING**  
757  
PARTS CATALOG (MAINTENANCE)



Y 32320101 SH 1 REV 274

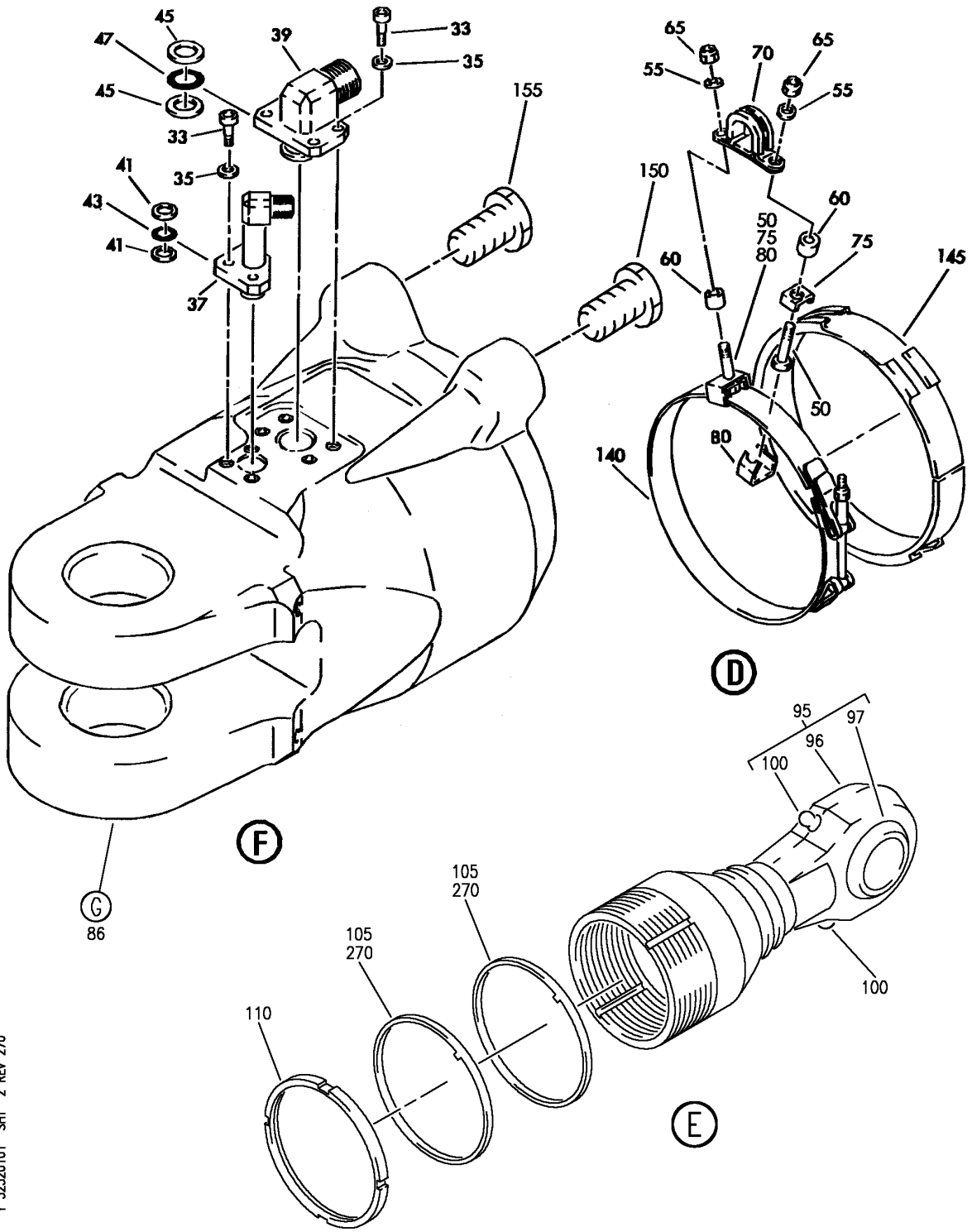
MAIN GEAR INSTL-VAR (MAIN GEAR RETRACT ACTUATOR ONLY)  
FIGURE 1 (SHEET 1)

**32-32-01-01**

BRI  
MAY 28/07

32-32-01-01  
PAGE 0

**BOEING**  
757  
PARTS CATALOG (MAINTENANCE)



Y 32320101 SHT 2 REV 270

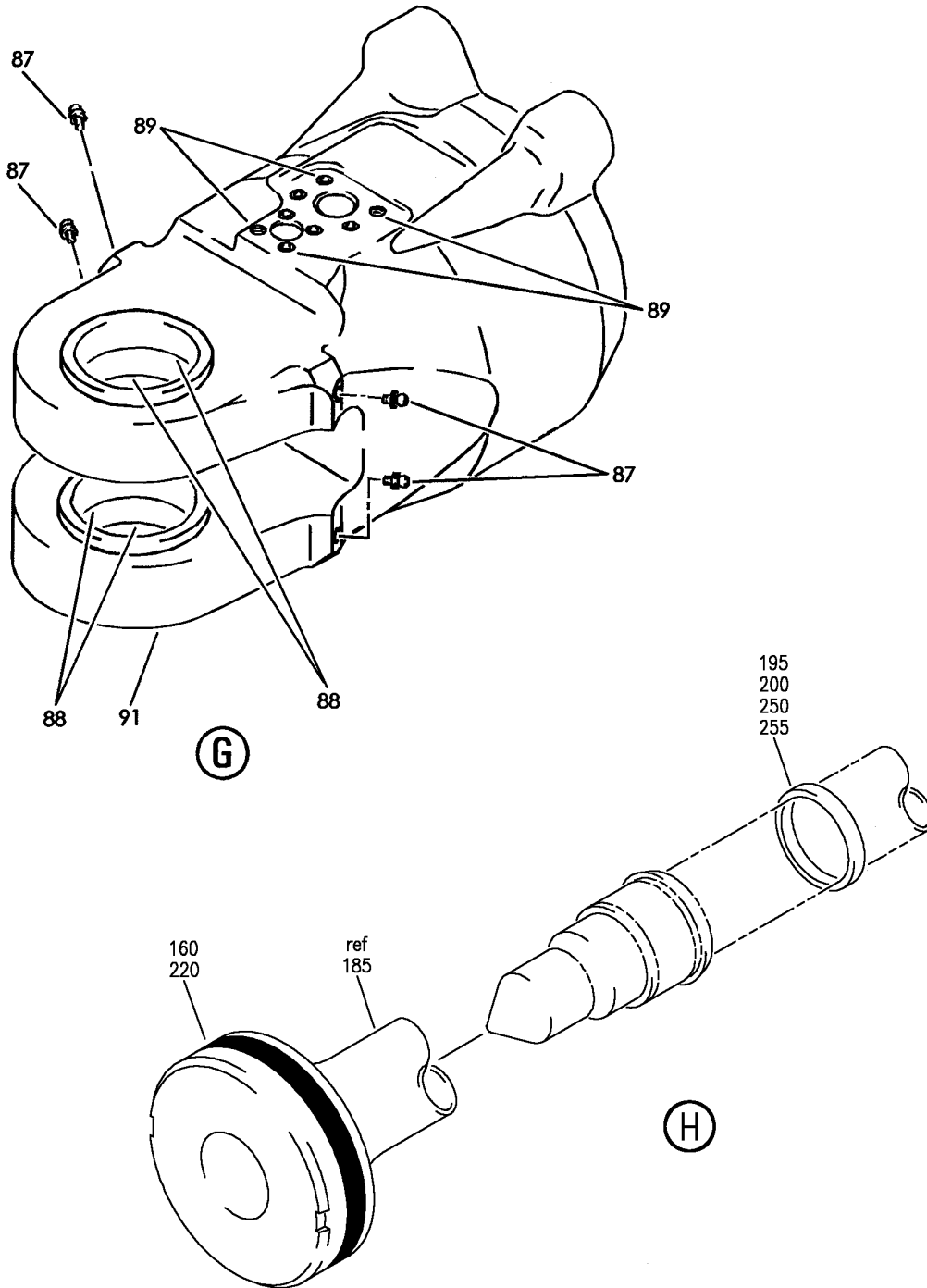
MAIN GEAR INSTL-VAR (MAIN GEAR RETRACT ACTUATOR ONLY)  
FIGURE 1 (SHEET 2)

**32-32-01-01**

BRI  
MAY 28/07

32-32-01-01  
PAGE 0A

**BOEING**  
757  
PARTS CATALOG (MAINTENANCE)



Y 32320101 SH1 3 REV 270

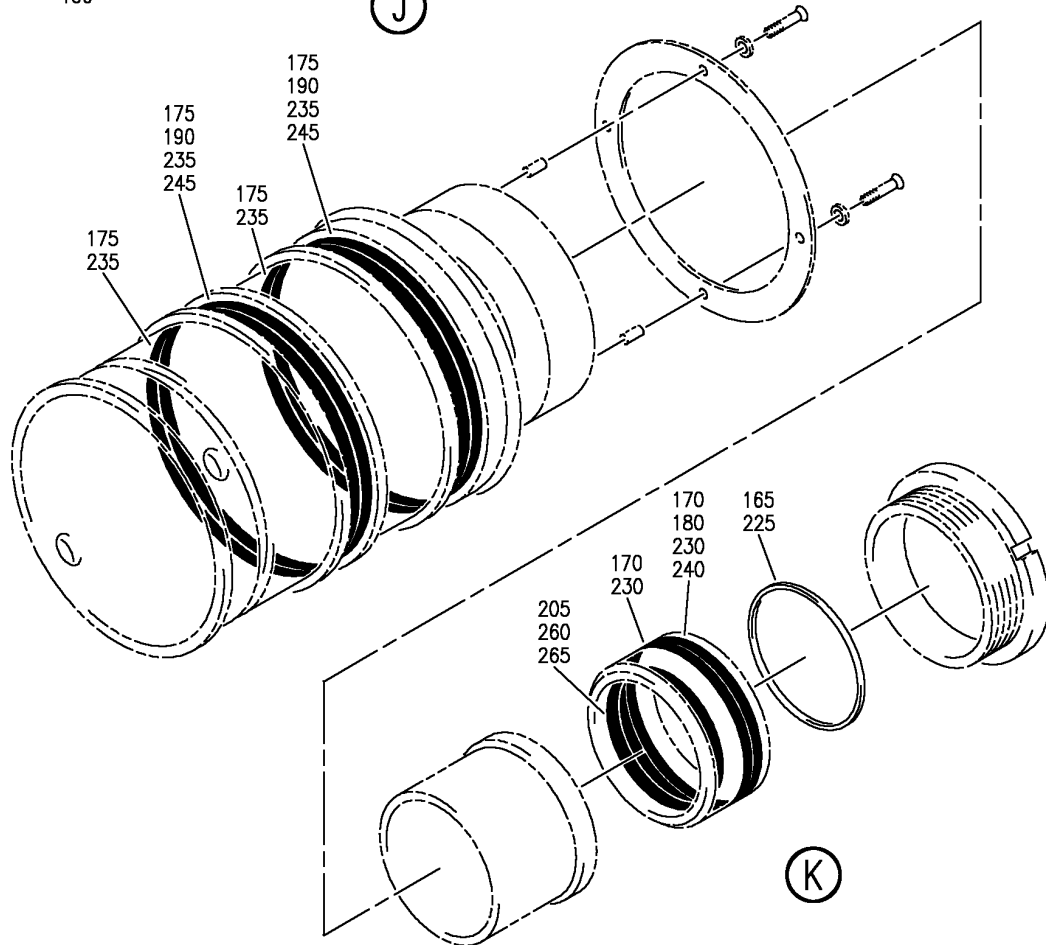
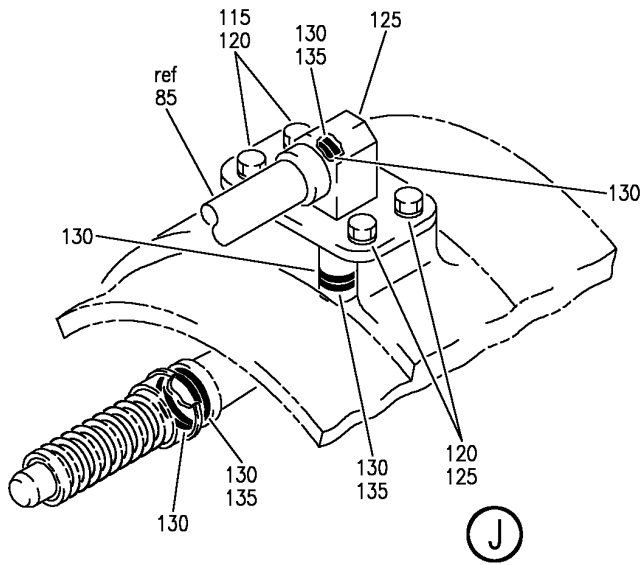
MAIN GEAR INSTL-VAR (MAIN GEAR RETRACT ACTUATOR ONLY)  
FIGURE 1 (SHEET 3)

**32-32-01-01**

BRI  
MAY 28/07

32-32-01-01  
PAGE 0B

**BOEING**  
757  
PARTS CATALOG (MAINTENANCE)



Y 32320101 SH1 4 REV 270

MAIN GEAR INSTL-VAR (MAIN GEAR RETRACT ACTUATOR ONLY)  
FIGURE 1 (SHEET 4)

**32-32-01-01**

BRI  
MAY 28/07

32-32-01-01  
PAGE 0C





757

PARTS CATALOG (MAINTENANCE)

FIG ITEM	PART NUMBER	1 2 3 4 5 6 7	NOMENCLATURE	EFFECT FROM TO	UNITS PER ASSY
1			MAIN GEAR INSTL-VAR (MAIN GEAR RETRACT ACTUATOR ONLY)	002004 006100 107107 121503 904999	
- 1	161N0001-93		MAIN GEAR INSTL-VAR (MAIN GEAR RETRACT ACTUATOR ONLY) POSITION DATA: LH FOR OTHER SYS DETAILS SEE: 32-11-00-01 FOR ADDITIONAL DETAILS SEE: 32-32-02-01 32-32-15-01	107107 904949	RF
- 1	161N0001-133		MAIN GEAR INSTL-VAR (MAIN GEAR RETRACT ACTUATOR ONLY) POSITION DATA: LH FOR OTHER SYS DETAILS SEE: 32-11-00-01 FOR ADDITIONAL DETAILS SEE: 32-32-02-01 32-32-15-01	002004 006100 121503 950999	RF
- 3	161N0001-94		MAIN GEAR INSTL-VAR (MAIN GEAR RETRACT ACTUATOR ONLY) POSITION DATA: RH FOR OTHER SYS DETAILS SEE: 32-11-00-01 FOR ADDITIONAL DETAILS SEE: 32-32-02-01 32-32-15-01	107107 904949	RF
- 3	161N0001-134		MAIN GEAR INSTL-VAR (MAIN GEAR RETRACT ACTUATOR ONLY) POSITION DATA: RH FOR OTHER SYS DETAILS SEE: 32-11-00-01 FOR ADDITIONAL DETAILS SEE: 32-32-01-01 32-32-15-01	002004 006100 121503 950999	RF

MISSING ITEM NUMBERS NOT APPLICABLE

- ITEM NOT ILLUSTRATED

BRI

32-32-01-01

32-32-01  
FIG. 01  
PAGE 1  
JAN 20/09



757

PARTS CATALOG (MAINTENANCE)

FIG ITEM	PART NUMBER	1 2 3 4 5 6 7	NOMENCLATURE	EFFECT FROM TO	UNITS PER ASSY
1	5	MS24665-153	.PIN-	002004 006100 107107 121503 904999	2
	5	BACP18BC02A06P	.PIN-COTTER	002004 006100 107107 121503 904999	2
	6	BACB30LJ4D35	.BOLT-	002004 006100 107107 121503 904999	2
	7	AN960-416L	.WASHER-	002004 006100 107107 121503 904999	2
	9	LCN12-428	.NUT-SELF LOCKING SUPPLIER CODE: V56878	002004 006100 107107 121503 904999	1
	10	LCN12-428	.NUT-SELF LOCKING SUPPLIER CODE: V56878	002004 006100 107107 121503 904999	1
	11	161N4001-1	.PIN-	002004 006100 107107 121503 904999	2
	11	161N4001-2	.PIN-	002004 006100 107107 121503 904999	2
	13	162N3115-17	.WASHER-TANG	002004 006100 107107 121503 904999	2

MISSING ITEM NUMBERS NOT APPLICABLE

- ITEM NOT ILLUSTRATED

32-32-01-01

32-32-01  
FIG. 01  
PAGE 2  
JAN 20/09

BRI

BOEING PROPRIETARY - Copyright © - Unpublished Work - See title page for details.



757

PARTS CATALOG (MAINTENANCE)

FIG ITEM	PART NUMBER	1 2 3 4 5 6 7	NOMENCLATURE	EFFECT FROM TO	UNITS PER ASSY
1	15 161N4002-1	.	SPACER-	002004 006100 107107 121503 904999	2
	17 161N2515-2	.	NUT-	002004 006100 107107 121503 904999	2
	19 161N0001-55	.	ACTUATOR ASSY-RETRACT POSITION DATA: LH SIDE MISCELLANEOUS DATA: FOR SPARES PROCURE LOWER COMPONENTS COMPONENT MAINT MANUAL REF: 32-32-05	002004 006010 107107 121503 904999	1
	19 161N0001-115	.	ACTUATOR ASSY-RETRACT POSITION DATA: LH SIDE COMPONENT MAINT MANUAL REF: 32-32-05	002004 006010 107107 121503 904999	1
	19 161N0001-136	.	ACTUATOR ASSY-RETRACT POSITION DATA: LH SIDE MISCELLANEOUS DATA: FOR SPARES PROCURE LOWER COMPONENTS COMPONENT MAINT MANUAL REF: 32-32-05	002004 006010 107107 121503 904999	1
	19 161N0001-147	.	ACTUATOR ASSY-RETRACT POSITION DATA: LH SIDE	002004 006100 107107 121503 904999	1
-	21 161N0001-54	.	ACTUATOR ASSY-RETRACT POSITION DATA: RH SIDE MISCELLANEOUS DATA: FOR SPARES PROCURE LOWER COMPONENTS COMPONENT MAINT MANUAL REF: 32-32-05	002004 006010 107107 121503 904999	1

MISSING ITEM NUMBERS NOT APPLICABLE

- ITEM NOT ILLUSTRATED

BRI

32-32-01-01

32-32-01  
FIG. 01  
PAGE 3  
JAN 20/09



757

PARTS CATALOG (MAINTENANCE)

FIG ITEM	PART NUMBER	1 2 3 4 5 6 7	NOMENCLATURE	EFFECT FROM TO	UNITS PER ASSY
1					
- 21	161N0001-116		.ACTUATOR ASSY-RETRACT POSITION DATA: RH SIDE MISCELLANEOUS DATA: FOR SPARES PROCURES LOWER COMPONENTS COMPONENT MAINT MANUAL REF: 32-32-05	002004 006010 107107 121503 904999	1
- 21	161N0001-148		.ACTUATOR ASSY-RETRACT POSITION DATA: RH SIDE	002004 006100 107107 121503 904999	1
23	9R3236		..VALVE-FLOW CONT SUPPLIER CODE: V99240	002004 006010 107107 121503 904999	1
23	9R3564		..VALVE-FLOW CONT SUPPLIER CODE: V99240	002004 006100 107107 121503 904999	1
25	NAS1612-10		..PACKING-	002004 006100 107107 121503 904999	1

MISSING ITEM NUMBERS NOT APPLICABLE

- ITEM NOT ILLUSTRATED

BRI

32-32-01-01

BOEING PROPRIETARY - Copyright © - Unpublished Work - See title page for details.

32-32-01  
FIG. 01  
PAGE 4  
JAN 20/09



757

PARTS CATALOG (MAINTENANCE)

FIG ITEM	PART NUMBER	1 2 3 4 5 6 7	NOMENCLATURE	EFFECT FROM TO	UNITS PER ASSY
1 27	AFP23212-10		.. REDUCER SUPPLIER CODE: V30974 SPECIFICATION NUMBER: BACR17E12-10 OPTIONAL PART: AP102712-10 V01673 BC916T12-10 V50948 DBOR17E12-10 V14798 ER21916T12-10 V88334 ER31916-12-10 V88334 F23-12-10 V73197 2-01075T12-10 V11328 31778-12-10 V14397 US2114-12-10 V50808	002004 006100 107107 121503 904999	1
29	NAS1612-12		.. PACKING-	002004 006100 107107 121503 904999	1

MISSING ITEM NUMBERS NOT APPLICABLE

- ITEM NOT ILLUSTRATED

BRI

32-32-01-01

BOEING PROPRIETARY - Copyright © - Unpublished Work - See title page for details.

32-32-01  
 FIG. 01  
 PAGE 5  
 JAN 20/09



757

PARTS CATALOG (MAINTENANCE)

FIG ITEM	PART NUMBER	1 2 3 4 5 6 7 NOMENCLATURE	EFFECT FROM TO	UNITS PER ASSY
1 31	273N2006-1	<p>.. ACTUATOR ASSY-  POSITION DATA:  LH SIDE  MISCELLANEOUS DATA:  FOR LEFT GEAR,  273N2108-1 COMPONENT OF  273N2006-1 IS ROTATED 90  DEG CCW FROM THE RIGHT  GEAR  QUALIFIED I/W DATA:  273N2006-1 AND  273N2006-2 MAIN GEAR  RETRACT ACTUATOR ASSYS  ARE INTERCHANGEABLE  ONLY IF FITTING  273N2108-1 HAS IDENTICAL  ORIENTATION ON BOTH  ASSYS  273N2006-3 CAN REPLACE  OR BE REPLACED BY  273N2006-1 IF THE  273N2108-1 FITTING OF  THE REPLACING PART IS  CLOCKED TO MATCH THE  ORIENTATION OF THE PART  BEING REPLACED  USED ON:  161N0001-55  FUNCTIONAL REFERENCE:  PLACARDS AND MARKINGS  FOR DETAILS SEE  11-22-04-01</p>	002004 006010 107107 121503 904999	1

MISSING ITEM NUMBERS NOT APPLICABLE

- ITEM NOT ILLUSTRATED

BRI

32-32-01-01

BOEING PROPRIETARY - Copyright © - Unpublished Work - See title page for details.

32-32-01  
FIG. 01  
PAGE 6  
JAN 20/09



757

PARTS CATALOG (MAINTENANCE)

FIG ITEM	PART NUMBER	1 2 3 4 5 6 7	NOMENCLATURE	EFFECT FROM TO	UNITS PER ASSY
1 31	273N2006-3		..ACTUATOR ASSY- POSITION DATA: LH SIDE QUALIFIED I/W DATA: 273N2006-3 CAN REPLACE OR BE REPLACED BY 273N2006-2 IF THE 273N2108-1 FITTING OF THE REPLACING PART IS CLOCKED TO MATCH THE ORIENTATION OF THE PART BEING REPLACED. 273N2006-3 CAN REPLACE OR BE REPLACED BY 273N2006-1 IF THE 273N2108-1 FITTING OF THE REPLACING PART IS CLOCKED TO MATCH THE ORIENTATION OF THE PART BEING REPLACED. USED ON: 161N0001-136 161N0001-147 PRE SERVICE BULLETIN: 32-0145 FUNCTIONAL REFERENCE: PLACARDS AND MARKINGS FOR DETAILS SEE 11-22-04-01	002004 006100 107107 121503 904999	1
31	273N2006-5		..ACTUATOR ASSY- POSITION DATA: LH SIDE POST SERVICE BULLETIN: 32-0145 FUNCTIONAL REFERENCE: PLACARDS AND MARKINGS FOR DETAILS SEE 11-22-04-01	002004 006100 904949	1

MISSING ITEM NUMBERS NOT APPLICABLE

- ITEM NOT ILLUSTRATED

BRI

32-32-01-01

BOEING PROPRIETARY - Copyright © - Unpublished Work - See title page for details.

32-32-01  
FIG. 01  
PAGE 7  
JAN 20/09



757

PARTS CATALOG (MAINTENANCE)

FIG ITEM	PART NUMBER	1 2 3 4 5 6 7	NOMENCLATURE	EFFECT FROM TO	UNITS PER ASSY
1 - 32	273N2006-2		<p>.. ACTUATOR ASSY-            POSITION DATA:            RH SIDE            MISCELLANEOUS DATA:            FOR LEFT GEAR 273N2108-1            COMPONENTS OF 273N2006-2            IS ROTATED 90 DEG CCW            FROM THE RIGHT GEAR            QUALIFIED I/W DATA:            273N2006-1 AND            273N2006-2 MAIN GEAR            RETRACT ACTUATOR ASSYS            ARE INTERCHANGEABLE ONLY            IF FITTING 273N2108-1            HAS IDENTICAL            ORIENTATION ON BOTH            ASSYS            273N2006-3 CAN REPLACE            OR BE REPLACED BY            273N2006-2 IF THE            273N2108-1 FITTING OF            THE REPLACING PART IS            CLOCKED TO MATCH THE            ORIENTATION OF THE PART            BEING REPLACED.            USED ON:            161N0001-116            161N0001-148            PRE SERVICE BULLETIN:            32-0145            FUNCTIONAL REFERENCE:            PLACARDS AND MARKINGS            FOR DETAILS SEE            11-22-04-01</p>	002004 006100 107107 121503 904999	1

MISSING ITEM NUMBERS NOT APPLICABLE

- ITEM NOT ILLUSTRATED

**32-32-01-01**

32-32-01  
 FIG. 01  
 PAGE 8  
 JAN 20/09

BRI





757

PARTS CATALOG (MAINTENANCE)

FIG ITEM	PART NUMBER	1 2 3 4 5 6 7	NOMENCLATURE	EFFECT FROM TO	UNITS PER ASSY
1 - 32	273N2006-1		..ACTUATOR ASSY- POSITION DATA: RH SIDE MISCELLANEOUS DATA: FOR LEFT GEAR, 273N2108-1 COMPONENT OF 273N2006-1 IS ROTATED 90 DEG CCW FROM THE RIGHT GEAR QUALIFIED I/W DATA: 273N2006-1 AND 273N2006-2 AND MAIN GEAR RETRACT ACTUATOR ASSYS ARE INTERCHANGEABLE ONLY IF FITTING 273N2108-1 HAS IDENTICAL ORIENTATION ON BOTH ASSYS 273N2006-3 CAN REPLACE OR BE REPLACED BY 273N2006-2 IF THE 273N2108-1 FITTING OF THE REPLACING PART IS CLOCKED TO MATCH THE ORIENTATION OF THE PART BEING REPLACED. USED ON: 161N0001-54 FUNCTIONAL REFERENCE: PLACARDS AND MARKINGS FOR DETAILS SEE 11-22-04-01	002004 006010 107107 121503 904999	1
- 32	273N2006-4		..ACTUATOR ASSY- POSITION DATA: RH SIDE POST SERVICE BULLETIN: 32-0145 FUNCTIONAL REFERENCE: PLACARDS AND MARKINGS FOR DETAILS SEE 11-22-04-01	002004 006100 904949	1
33	BACB30LE4H2		...BOLT	002004 006100 107107 121503 904999	7

MISSING ITEM NUMBERS NOT APPLICABLE

- ITEM NOT ILLUSTRATED

32-32-01-01

32-32-01  
FIG. 01  
PAGE 9  
JAN 20/09

BRI



757

PARTS CATALOG (MAINTENANCE)

FIG ITEM	PART NUMBER	1 2 3 4 5 6 7	NOMENCLATURE	EFFECT FROM TO	UNITS PER ASSY
1	35 AN960-416L		... WASHER- USED ON: 273N2006-1 273N2006-2 273N2006-3	002004 006100 107107 121503 904999	7
	35 NAS1149F0432P		... WASHER- USED ON: 273N2006-4 273N2006-5	002004 006100 904949	7
	37 273N2108-1		... FITTING	002004 006100 107107 121503 904999	1
	39 273N2107-1		... FITTING	002004 006100 107107 121503 904999	1
	41 MS28782-9		... RING	002004 006100 107107 121503 904999	2
	43 NAS1611-111		... SEAL- USED ON: 273N2006-1 273N2006-2 273N2006-3	002004 006100 107107 121503 904999	1
	43 NAS1611-111A		... PACKING- USED ON: 273N2006-4 273N2006-5	002004 006100 904949	1
	45 MS28782-12		... RING	002004 006100 107107 121503 904999	2
	47 NAS1611-114		... PACKING- USED ON: 273N2006-1 273N2006-2 273N2006-3	002004 006100 107107 121503 904999	1
	47 NAS1611-114A		... PACKING- USED ON: 273N2006-4 273N2006-5	002004 006100 904949	1

MISSING ITEM NUMBERS NOT APPLICABLE

- ITEM NOT ILLUSTRATED

32-32-01-01

32-32-01  
FIG. 01  
PAGE 10  
JAN 20/09

BRI



757

PARTS CATALOG (MAINTENANCE)

FIG ITEM	PART NUMBER	1 2 3 4 5 6 7	NOMENCLATURE	EFFECT FROM TO	UNITS PER ASSY
1					
49	MS21921-10J	...	NUT- USED ON: 273N2006-1 273N2006-2 273N2006-3	002004 006100 107107 121503 904999	1
49	BACN10YE10	...	NUT- USED ON: 273N2006-4 273N2006-5	002004 006100 904949	1
50	BACB30LM3U11	...	BOLT	002004 006100 107107 121503 904999	2
55	AN960C10L	...	WASHER- USED ON: 273N2006-1 273N2006-2 273N2006-3	002004 006100 107107 121503 904999	2
55	NAS1149C0332R	...	WASHER- USED ON: 273N2006-4 273N2006-5	002004 006100 904949	2
60	273N2104-1	...	SPACER	002004 006100 107107 121503 904999	2
65	BRH10C3	...	NUT SUPPLIER CODE: V52828 SPECIFICATION NUMBER: BACN10JC3C OPTIONAL PART: T6C1032J V11815 97-02 V80539 101LH9075-3W V72962 VN303B02 V92215 NS202101S02 V80539 H31-3BAC V15653	002004 006100 107107 121503 904999	2

MISSING ITEM NUMBERS NOT APPLICABLE

- ITEM NOT ILLUSTRATED

32-32-01-01

32-32-01  
FIG. 01  
PAGE 11  
JAN 20/09

BRI

 **BOEING**  
757  
**PARTS CATALOG (MAINTENANCE)**

FIG ITEM	PART NUMBER	1 2 3 4 5 6 7	NOMENCLATURE	EFFECT FROM TO	UNITS PER ASSY
1	70 JM44SC17HB10R	...	CLAMP- SUPPLIER CODE: V22175 SPECIFICATION NUMBER: BACC10GF10C1H OPTIONAL PART: S387SSH10 V18076 TA12C34H10-1 V84971 513SS10 V83930 USED ON: 273N2006-1 273N2006-2 273N2006-3	002004 006100 107107 121503 904999	1
	70 BACC10GF10C	...	CLAMP- USED ON: 273N2006-4 273N2006-5	002004 006100 904949	1
	75 BACB19F10S	...	BLOCK	002004 006100 107107 121503 904999	2
	80 BACC15AN10	...	CLIP	002004 006100 107107 121503 904999	2
	85 273N2056-1	...	TUBE ASSY	002004 006100 107107 121503 904999	1
	86 273N2052-1	...	HEAD ASSY-END	002004 006100 107107 121503 904999	1
	87 1728B	....	FITTING-LUBE SUPPLIER CODE: VOFKM1	002004 006100 107107 121503 904999	4

MISSING ITEM NUMBERS NOT APPLICABLE

— ITEM NOT ILLUSTRATED

BRI

# 32-32-01-01

BOEING PROPRIETARY - Copyright © - Unpublished Work - See title page for details.

32-32-01  
FIG. 01  
PAGE 12  
JAN 20/09



757

PARTS CATALOG (MAINTENANCE)

FIG ITEM	PART NUMBER	1 2 3 4 5 6 7	NOMENCLATURE	EFFECT FROM TO	UNITS PER ASSY
1					
88	113N1005-12	....	BUSHING-SPECIAL	002004 006100 107107 121503 904999	4
89	MS21209F4-15P	....	INSERT	002004 006100 107107 121503 904999	8
91	273N2052-2	....	HEAD-END OPTIONAL PART: 273N2052-4 273N2052-6	002004 006100 107107 121503 904999	1
91	273N2052-4	....	HEAD-END OPTIONAL PART: 273N2052-2 273N2052-6	002004 006100 107107 121503 904999	1
91	273N2052-6	....	HEAD-END OPTIONAL PART: 273N2052-2 273N2052-4	002004 006100 107107 121503 904999	1
95	273N2054-1	...	ROD END ASSY	002004 006100 107107 121503 904999	1
100	1728B	....	FITTING-LUBE SUPPLIER CODE: VOFKM1	002004 006100 107107 121503 904999	2
105	273N2073-1	...	LOCKWASHER-CUP USED ON: 273N2006-1 273N2006-2 273N2006-3 PRE SERVICE BULLETIN: 32-0145	002004 006100 107107 121503 904999	2
110	273N2020-1	...	NUT-SPANNER	002004 006100 107107 121503 904999	1

MISSING ITEM NUMBERS NOT APPLICABLE

- ITEM NOT ILLUSTRATED

32-32-01-01

32-32-01  
FIG. 01  
PAGE 13  
JAN 20/09

BRI



757

PARTS CATALOG (MAINTENANCE)

FIG ITEM	PART NUMBER	1 2 3 4 5 6 7	NOMENCLATURE	EFFECT FROM TO	UNITS PER ASSY
1					
115	BACB30LE4HU2	...	BOLT	002004 006100 107107 121503 904999	4
120	AN960C416L	...	WASHER- USED ON: 273N2006-1 273N2006-2 273N2006-3	002004 006100 107107 121503 904999	4
120	NAS1149C0432R	...	WASHER- USED ON: 273N2006-4 273N2006-5	002004 006100 904949	4
125	273N2029-1	...	FITTING	002004 006100 107107 121503 904999	1
130	MS28782-12	...	RING	002004 006100 107107 121503 904999	6
135	NAS1611-114	...	PACKING- USED ON: 273N2006-1 273N2006-2 273N2006-3	002004 006100 107107 121503 904999	3
135	NAS1611-114A	...	PACKING- USED ON: 273N2006-4 273N2006-5	002004 006100 904949	3

MISSING ITEM NUMBERS NOT APPLICABLE

- ITEM NOT ILLUSTRATED

BRI

32-32-01-01

BOEING PROPRIETARY - Copyright © - Unpublished Work - See title page for details.

32-32-01  
FIG. 01  
PAGE 14  
JAN 20/09



757

PARTS CATALOG (MAINTENANCE)

FIG ITEM	PART NUMBER	1 2 3 4 5 6 7	NOMENCLATURE	EFFECT FROM TO	UNITS PER ASSY
1 140	BACC10BN525LM	...	CLAMP- SUPPLIER CODE: V98625 SPECIFICATION NUMBER: BACC10BN525LM OPTIONAL PART: 3078C525LM V94581 BC1080S500LZ V14242 1044525LM V94581 MBC5825525LM V00624 19396N525LM V00624 USED ON: 273N2006-1 273N2006-2 273N2006-3	002004 006100 107107 121503 904999	1
140	BACC10BN525L5ME	...	CLAMP- USED ON: 273N2006-4 273N2006-5	002004 006100 904949	1
145	BACP13B6-153	...	PAD-	002004 006100 107107 121503 904999	1
150	NAS818-10	...	PLUG- OPTIONAL PART: BACP20BF10 USED ON: 273N2006-2 273N2006-3 273N2006-4 273N2006-5	002004 006100 107107 121503 904999	1
150	ASP10GB	...	PLUG- SUPPLIER CODE: V99017 SPECIFICATION NUMBER: BACP20BF10 OPTIONAL PART: NAS818-10	002004 006100 107107 121503 904999	1

MISSING ITEM NUMBERS NOT APPLICABLE

- ITEM NOT ILLUSTRATED

32-32-01-01

32-32-01  
FIG. 01  
PAGE 15  
JAN 20/09

BRI

BOEING PROPRIETARY - Copyright © - Unpublished Work - See title page for details.



757

PARTS CATALOG (MAINTENANCE)

FIG ITEM	PART NUMBER	1 2 3 4 5 6 7	NOMENCLATURE	EFFECT FROM TO	UNITS PER ASSY
1	155 NAS818-12		... PLUG- OPTIONAL PART: BACP20BF12 USED ON: 273N2006-2 273N2006-3 273N2006-4 273N2006-5	002004 006100 107107 121503 904999	1
	155 ASP12GB		... PLUG- SUPPLIER CODE: V99017 SPECIFICATION NUMBER: BACP20BF12 OPTIONAL PART: NAS818-12	002004 006100 107107 121503 904999	1
	160 7348MT952T		... G T RING- SUPPLIER CODE: V5F573 USED ON: 273N2006-1 273N2006-2 273N2006-3 PRE SERVICE BULLETIN: 32-0145	002004 006100 107107 121503 904999	1
	165 CWR76-20B		... SCRAPER- SUPPLIER CODE: V26879 SPECIFICATION NUMBER: BACS34A20A OPTIONAL PART: DW96801-20A V02886 RMS34A20A V94878 TF005-20A V07128 2140-20A V26303 USED ON: 273N2006-1 273N2006-2 273N2006-3 PRE SERVICE BULLETIN: 32-0145	002004 006100 107107 121503 904999	1

MISSING ITEM NUMBERS NOT APPLICABLE

- ITEM NOT ILLUSTRATED

BRI

32-32-01-01

BOEING PROPRIETARY - Copyright © - Unpublished Work - See title page for details.

32-32-01  
FIG. 01  
PAGE 16  
JAN 20/09





757

PARTS CATALOG (MAINTENANCE)

FIG ITEM	PART NUMBER	1 2 3 4 5 6 7	NOMENCLATURE	EFFECT FROM TO	UNITS PER ASSY
1					
170	MS28782-33		...RING- USED ON: 273N2006-1 273N2006-2 273N2006-3 PRE SERVICE BULLETIN: 32-0145	002004 006100 107107 121503 904999	2
175	MS28782-51		...RING- USED ON: 273N2006-1 273N2006-2 273N2006-3 PRE SERVICE BULLETIN: 32-0145	002004 006100 107107 121503 904999	4
180	NAS1611-330		...PACKING- USED ON: 273N2006-1 273N2006-2 273N2006-3 PRE SERVICE BULLETIN: 32-0145	002004 006100 107107 121503 904999	1
185	273N2051-5		...ROD-PISTON USED ON: 273N2006-2 273N2006-3 PRE SERVICE BULLETIN: 32-0145	002004 006100 107107 121503 904999	1
185	273N2051-6		...ROD-PISTON USED ON: 273N2006-2 273N2006-3 273N2006-4 273N2006-5 POST SERVICE BULLETIN: 32-0145	002004 006100 107107 121503 904999	1
185	273N2051-3		...ROD-PISTON USED ON: 273N2006-2 273N2006-3 273N2006-4 273N2006-5	002004 006100 107107 121503 904999	1
185	273N2051-1		...ROD-PISTON USED ON: 273N2006-2 273N2006-3 273N2006-4 273N2006-5	002004 006100 107107 121503 904999	1

R  
R  
R  
R  
R  
R

MISSING ITEM NUMBERS NOT APPLICABLE

- ITEM NOT ILLUSTRATED

32-32-01-01

32-32-01  
FIG. 01  
PAGE 17  
MAY 20/09

BRI



757

PARTS CATALOG (MAINTENANCE)

FIG ITEM	PART NUMBER	1 2 3 4 5 6 7	NOMENCLATURE	EFFECT FROM TO	UNITS PER ASSY
1 190	NAS1611-348		...PACKING- USED ON: 273N2006-1 273N2006-2 273N2006-3 PRE SERVICE BULLETIN: 32-0145	002004 006100 107107 121503 904999	2
195	S30652-220N		...SEAL- SUPPLIER CODE: V09257 USED ON: 273N2006-1 273N2006-2 273N2006-3 PRE SERVICE BULLETIN: 32-0145	002004 006100 107107 121503 904999	1
200	NAS1611-220		...PACKING- USED ON: 273N2006-1 273N2006-2 273N2006-3 PRE SERVICE BULLETIN: 32-0145	002004 006100 107107 121503 904999	1
205	S33555-328H5		...SEAL- SUPPLIER CODE: V09257 USED ON: 273N2006-1 273N2006-2 273N2006-3 PRE SERVICE BULLETIN: 32-0145	002004 006100 107107 121503 904999	1
- 215	273N2006-6		...SUB KIT ASSY- USED ON: 273N2006-4 273N2006-5 POST SERVICE BULLETIN: 32-0145	002004 006100 904949	1
220	7348MT952T		....G T RING- SUPPLIER CODE: V5F573	002004 006100 904949	1

MISSING ITEM NUMBERS NOT APPLICABLE

- ITEM NOT ILLUSTRATED

32-32-01-01

32-32-01  
FIG. 01  
PAGE 18  
JAN 20/09

BRI



757

PARTS CATALOG (MAINTENANCE)

FIG ITEM	PART NUMBER	1 2 3 4 5 6 7	NOMENCLATURE	EFFECT FROM TO	UNITS PER ASSY
1					
225	CWR76-20B	.....	SCRAPER- SUPPLIER CODE: V26879 SPECIFICATION NUMBER: BACS34A20A OPTIONAL PART: DW96801-20A V02886 RMS34A20A V94878 TF005-20A V07128 2140-20A V26303	002004 006100 904949	1
230	MS28782-33	.....	RING-	002004 006100 904949	2
235	MS28782-51	.....	RING-	002004 006100 904949	4
240	NAS1611-330A	.....	PACKING-	002004 006100 904949	1
245	NAS1611-348A	.....	PACKING-	002004 006100 904949	2
250	S30652-220N	.....	SEAL-DBL DELTA SUPPLIER CODE: V09257	002004 006100 904949	1
255	NAS1611-220A	.....	PACKING-	002004 006100 904949	1
260	S33121-328-99	.....	SEAL-FOOT SUPPLIER CODE: V09257	002004 006100 904949	1
265	NAS1611-328A	.....	PACKING-	002004 006100 904949	1
270	273N2073-1	.....	LOCKWASHER-CUP	002004 006100 904949	2

MISSING ITEM NUMBERS NOT APPLICABLE

- ITEM NOT ILLUSTRATED

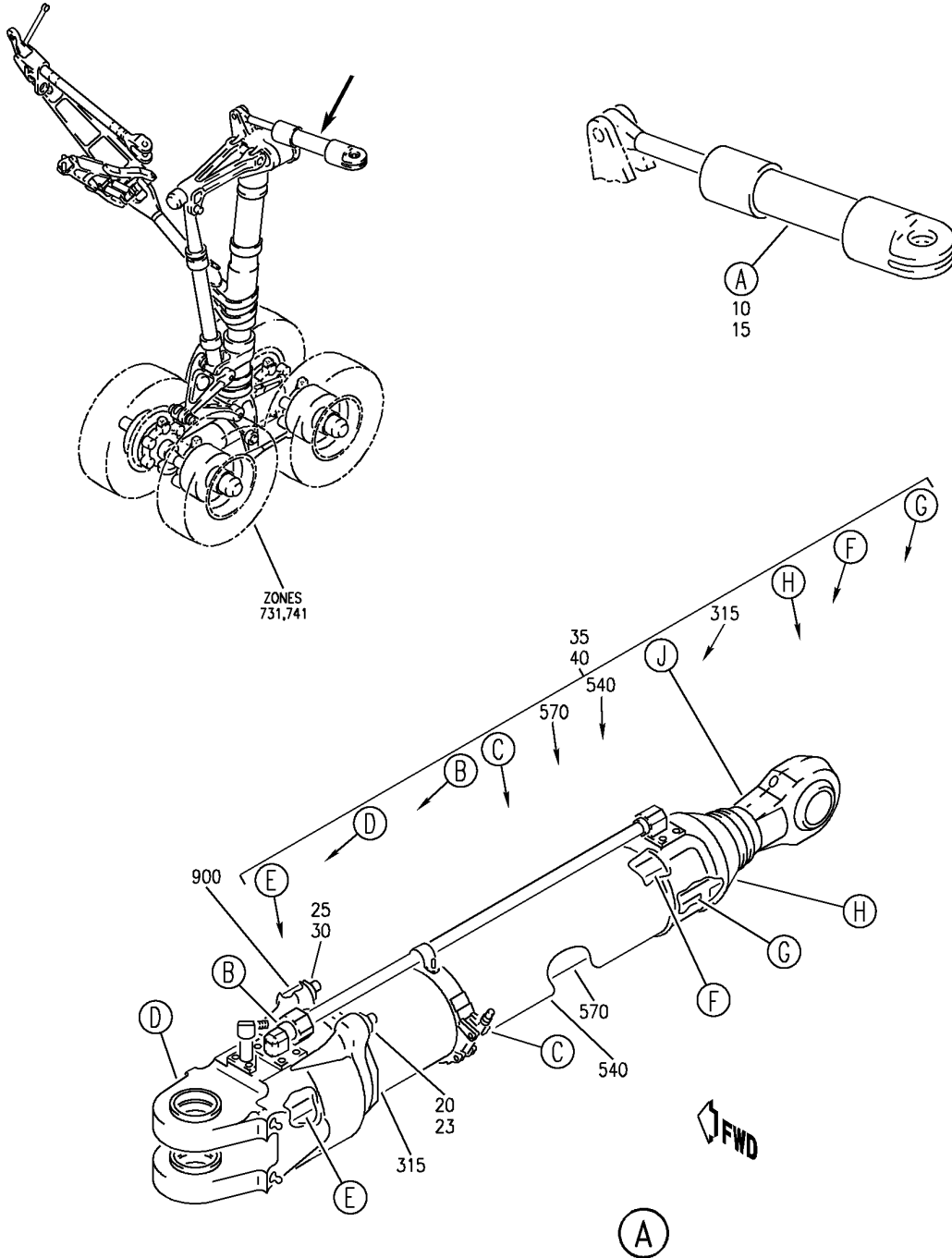
BRI

32-32-01-01

BOEING PROPRIETARY - Copyright © - Unpublished Work - See title page for details.

32-32-01  
FIG. 01  
PAGE 19  
JAN 20/09

**BOEING**  
757  
PARTS CATALOG (MAINTENANCE)



Y 32320102 SH1 1 REV 299

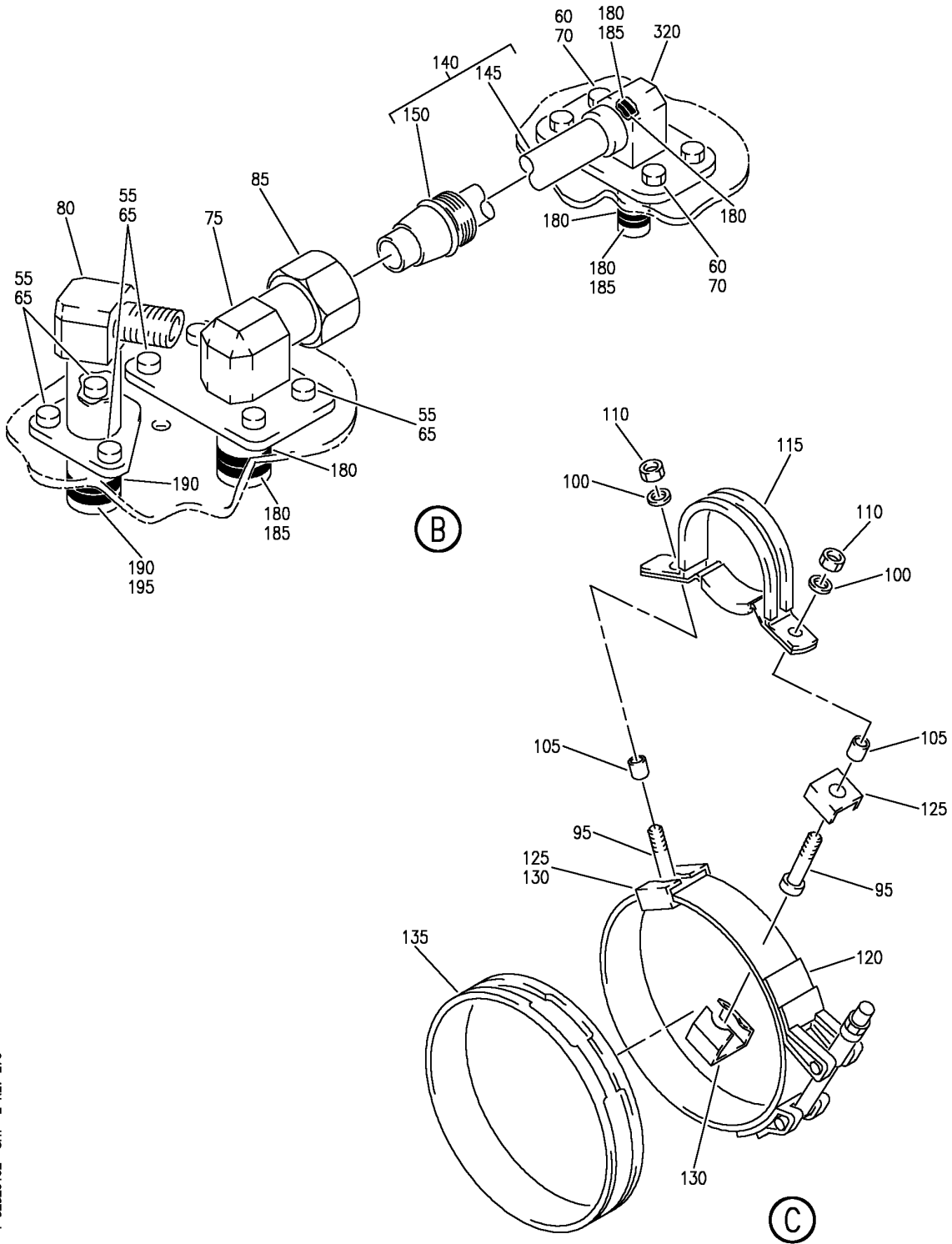
ACTUATOR INSTL-RETRACT MLG  
FIGURE 2 (SHEET 1)

**32-32-01-02**

BRI  
MAY 28/07

32-32-01-02  
PAGE 0

**BOEING**  
757  
PARTS CATALOG (MAINTENANCE)



Y 32320102 SH1 2 REV 270

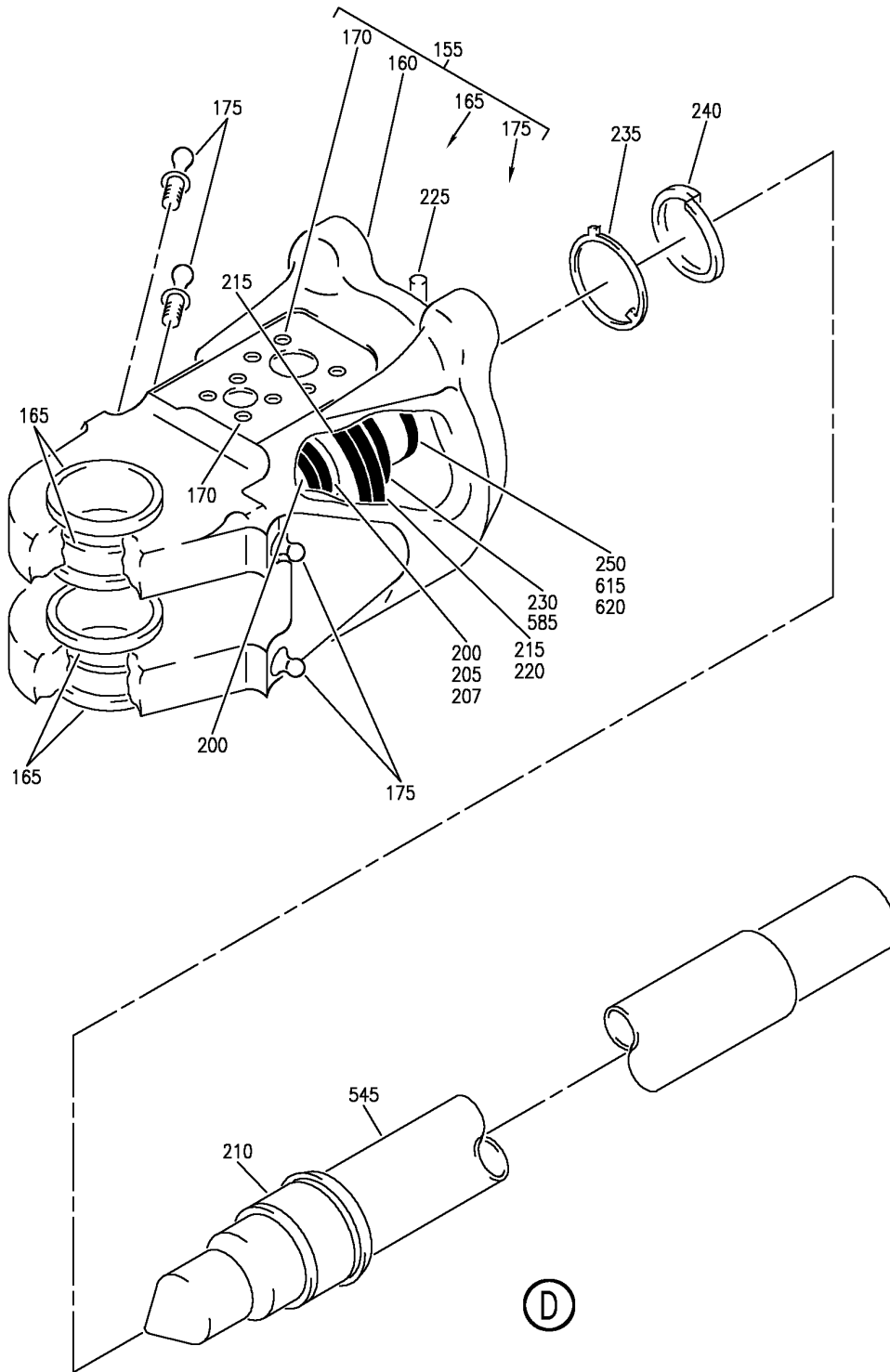
ACTUATOR INSTL-RETRACT MLG  
FIGURE 2 (SHEET 2)

**32-32-01-02**

BRI  
MAY 28/07

32-32-01-02  
PAGE 0A

**BOEING**  
**757**  
**PARTS CATALOG (MAINTENANCE)**



Y 32320102 SH1 3 REV 270

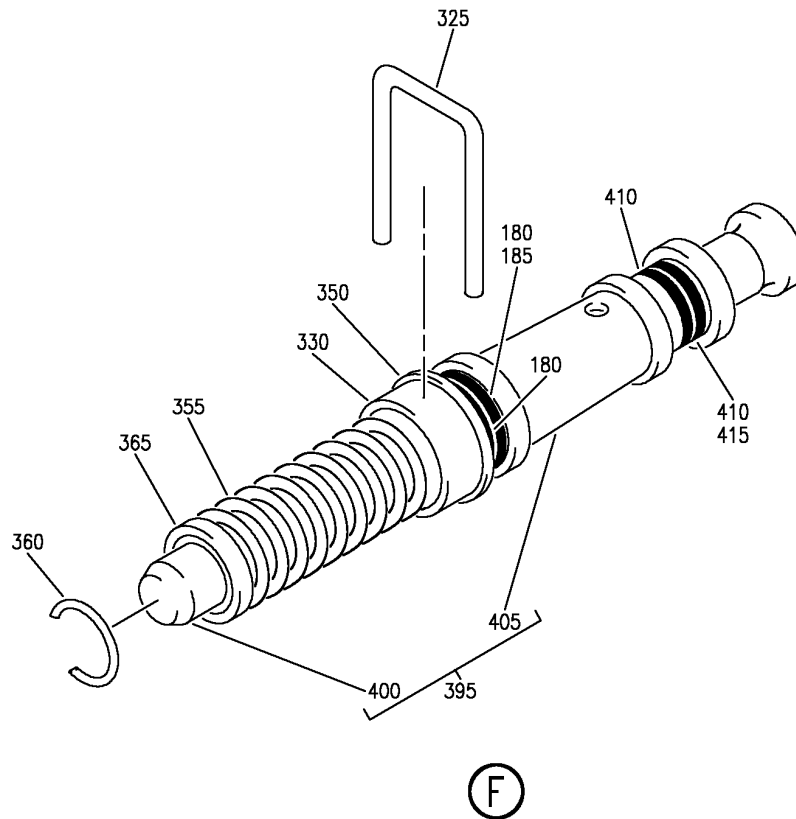
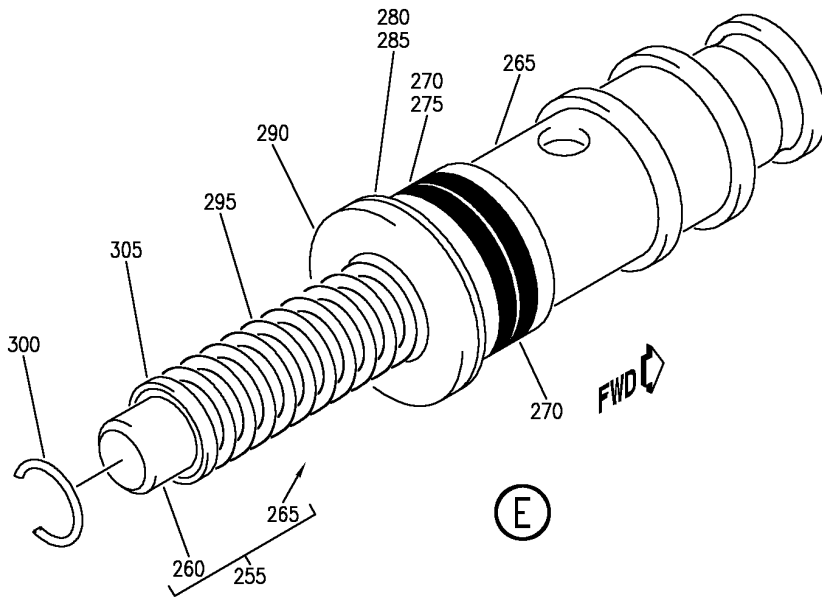
ACTUATOR INSTL-RETRACT MLG  
 FIGURE 2 (SHEET 3)

**32-32-01-02**

BRI  
 MAY 28/07

32-32-01-02  
 PAGE 0B

**BOEING**  
757  
PARTS CATALOG (MAINTENANCE)



Y 32320102 SH1 4 REV 270

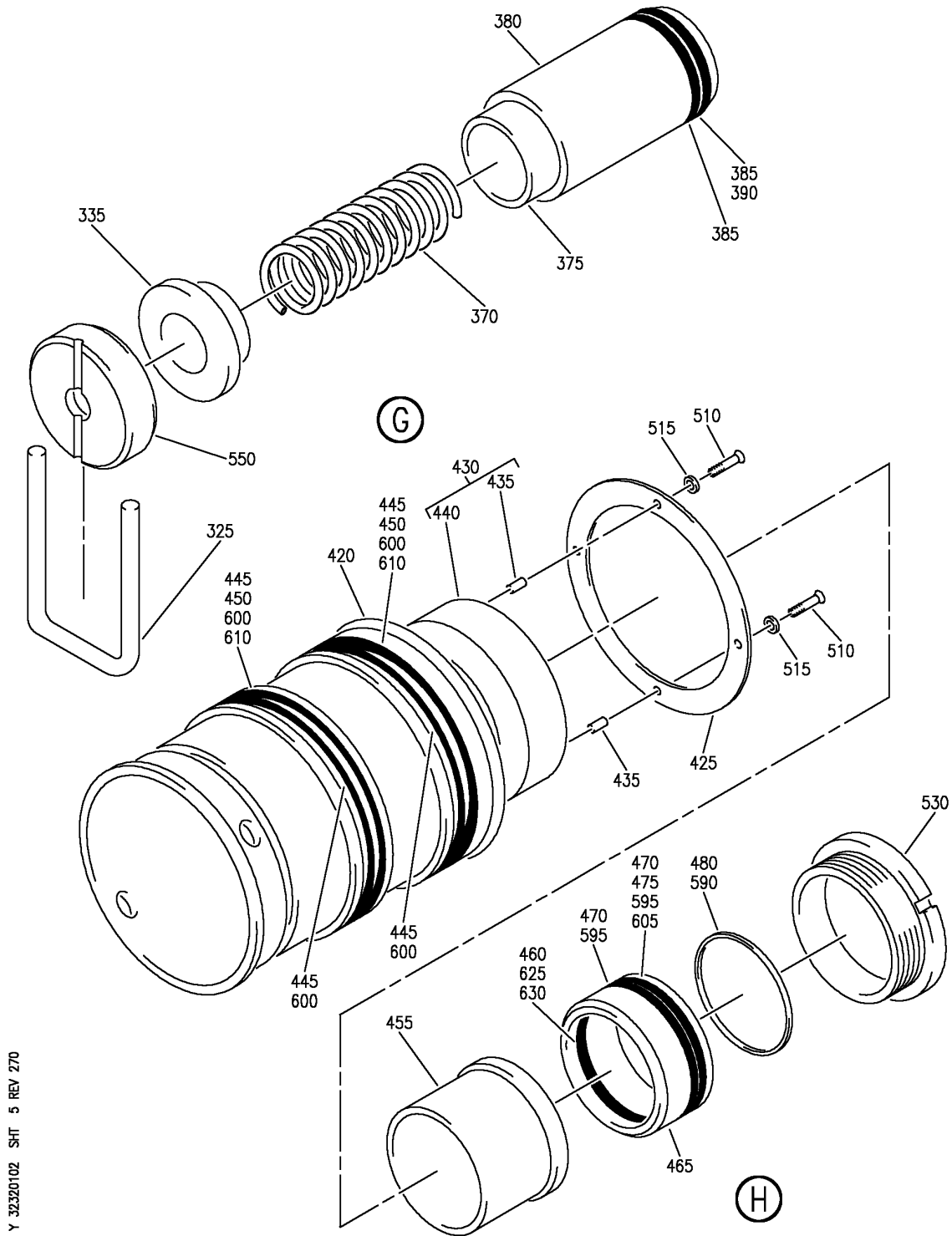
ACTUATOR INSTL-RETRACT MLG  
FIGURE 2 (SHEET 4)

**32-32-01-02**

BRI  
MAY 28/07

32-32-01-02  
PAGE 0C

**BOEING**  
757  
PARTS CATALOG (MAINTENANCE)



Y 32320102 SH1 5 REV 270

ACTUATOR INSTL-RETRACT MLG  
FIGURE 2 (SHEET 5)

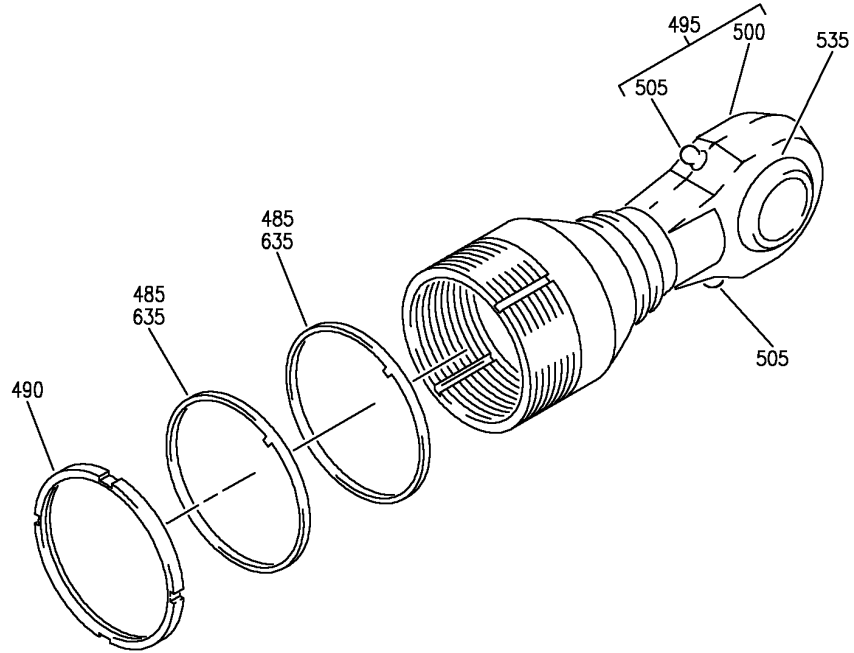
**32-32-01-02**

BRI  
MAY 28/07

32-32-01-02  
PAGE 0D



**BOEING**  
757  
PARTS CATALOG (MAINTENANCE)



J

Y 32320102 SH1 6 REV 270

ACTUATOR INSTL-RETRACT MLG  
FIGURE 2 (SHEET 6)

**32-32-01-02**

BRI  
MAY 28/07

32-32-01-02  
PAGE 0E



757

PARTS CATALOG (MAINTENANCE)

FIG ITEM	PART NUMBER	1 2 3 4 5 6 7	NOMENCLATURE	EFFECT FROM TO	UNITS PER ASSY
2			ACTUATOR INSTL-RETRACT MLG	101102 108120 504903	
- 1	273N2000-1		ACTUATOR INSTL-RETRACT MLG POSITION DATA: LH FOR NHA SEE: 32-00-00-15	101102 108120 504903	RF
- 5	273N2000-2		ACTUATOR INSTL-RETRACT MLG POSITION DATA: RH FOR NHA SEE: 32-00-00-15	101102 108120 504903	RF
10	273N2000-3		.ACTUATOR ASSY- POSITION DATA: LH SIDE	101102 108120 504903	1
15	273N2000-4		.ACTUATOR ASSY- POSITION DATA: RH SIDE	101102 108120 504903	1
20	NAS1612-10		..PACKING- OPTIONAL PART: NAS1612-10A	101102 108120 504903	1
20	NAS1612-10A		..PACKING- OPTIONAL PART: NAS1612-10	101102 108120 504903	1
23	9R3564		..VALVE- SUPPLIER CODE: V99240	101102 108120 504903	1

MISSING ITEM NUMBERS NOT APPLICABLE

- ITEM NOT ILLUSTRATED

BRI

32-32-01-02

BOEING PROPRIETARY - Copyright © - Unpublished Work - See title page for details.

32-32-01  
FIG. 02  
PAGE 1  
JAN 20/09



757

PARTS CATALOG (MAINTENANCE)

FIG ITEM	PART NUMBER	1 2 3 4 5 6 7	NOMENCLATURE	EFFECT FROM TO	UNITS PER ASSY
2					
25	AFP23212-10	..	REDUCER SUPPLIER CODE: V30974 SPECIFICATION NUMBER: BACR17E12-10 OPTIONAL PART: AP102712-10 V01673 BC916T12-10 V50948 DBOR17E12-10 V14798 ER21916T12-10 V88334 ER31916-12-10 V88334 F23-12-10 V73197 2-01075T12-10 V11328 31778-12-10 V14397 US2114-12-10 V50808	101102 108120 504903	1
30	NAS1612-12	..	PACKING- OPTIONAL PART: NAS1612-12A	101102 108120 504903	1
30	NAS1612-12A	..	PACKING- OPTIONAL PART: NAS1612-12	101102 108120 504903	1
35	273N2006-2	..	ACTUATOR ASSY- POSITION DATA: RH SIDE MISCELLANEOUS DATA: FOR LEFT GEAR 273N2108-1 COMPONENTS OF 273N2006-2 IS ROTATED 90 DEG CCW FROM THE RIGHT GEAR PRE SERVICE BULLETIN: 32-0145 FUNCTIONAL REFERENCE: PLACARDS AND MARKINGS FOR DETAILS SEE 11-22-04-01	101102 108120 504903	1

MISSING ITEM NUMBERS NOT APPLICABLE

- ITEM NOT ILLUSTRATED

32-32-01-02

32-32-01  
FIG. 02  
PAGE 2  
JAN 20/09

BRI



757

PARTS CATALOG (MAINTENANCE)

FIG ITEM	PART NUMBER	1 2 3 4 5 6 7	NOMENCLATURE	EFFECT FROM TO	UNITS PER ASSY
2					
35	273N2006-4	..	ACTUATOR ASSY- POSITION DATA: RH SIDE POST SERVICE BULLETIN: 32-0145 FUNCTIONAL REFERENCE: PLACARDS AND MARKINGS FOR DETAILS SEE 11-22-04-01	101102 108120 504903	1
40	273N2006-3	..	ACTUATOR ASSY- POSITION DATA: LH SIDE PRE SERVICE BULLETIN: 32-0145 FUNCTIONAL REFERENCE: PLACARDS AND MARKINGS FOR DETAILS SEE 11-22-04-01	101102 108120 504903	1
40	273N2006-5	..	ACTUATOR ASSY- POSITION DATA: LH SIDE POST SERVICE BULLETIN: 32-0145 FUNCTIONAL REFERENCE: PLACARDS AND MARKINGS FOR DETAILS SEE 11-22-04-01	101102 108120 504903	1
55	BACB30LE4H2	...	BOLT	101102 108120 504903	7
60	BACB30LE4HU2	...	BOLT	101102 108120 504903	4
65	NAS1149F0432P	...	WASHER- USED ON: 273N2006-4 273N2006-5	101102 108120 504903	7
65	AN960-416L	...	WASHER- USED ON: 273N2006-2 273N2006-3	101102 108120 504903	7
70	NAS1149C0432R	...	WASHER- USED ON: 273N2006-4 273N2006-5	101102 108120 504903	4
70	AN960C416L	...	WASHER- USED ON: 273N2006-2 273N2006-3	101102 108120 504903	4

MISSING ITEM NUMBERS NOT APPLICABLE

- ITEM NOT ILLUSTRATED

32-32-01-02

32-32-01  
FIG. 02  
PAGE 3  
JAN 20/09

BRI



757

PARTS CATALOG (MAINTENANCE)

FIG ITEM	PART NUMBER	1 2 3 4 5 6 7	NOMENCLATURE	EFFECT FROM TO	UNITS PER ASSY
2	75	273N2107-1	... FITTING	101102 108120 504903	1
	80	273N2108-1	... FITTING	101102 108120 504903	1
85	BACN10YE10	...	NUT-	101102	1
			USED ON: 273N2006-4 273N2006-5	108120 504903	
85	MS21921-10J	...	NUT-	101102	1
			USED ON: 273N2006-2 273N2006-3	108120 504903	
95	BACB30LM3U11	...	BOLT	101102	2
				108120 504903	
100	NAS1149C0332R	...	WASHER-	101102	2
			USED ON: 273N2006-4 273N2006-5	108120 504903	
100	AN960C10L	...	WASHER-	101102	2
			USED ON: 273N2006-2 273N2006-3	108120 504903	
105	273N2104-1	...	SPACER	101102	2
				108120 504903	
110	BRH10C3	...	NUT	101102	2
			SUPPLIER CODE: V52828 SPECIFICATION NUMBER: BACN10JC3C OPTIONAL PART: T6C1032J V11815 97-02 V80539 101LH9075-3W V72962 VN303B02 V92215 NS202101S02 V80539 H31-3BAC V15653	108120 504903	

MISSING ITEM NUMBERS NOT APPLICABLE

- ITEM NOT ILLUSTRATED

32-32-01-02

32-32-01  
FIG. 02  
PAGE 4  
JAN 20/09

BRI



757

PARTS CATALOG (MAINTENANCE)

FIG ITEM	PART NUMBER	1 2 3 4 5 6 7	NOMENCLATURE	EFFECT FROM TO	UNITS PER ASSY
2					
115	BACC10GF10C	...	CLAMP- USED ON: 273N2006-4 273N2006-5	101102 108120 504903	1
115	JM44SC17HB10R	...	CLAMP- SUPPLIER CODE: V22175 SPECIFICATION NUMBER: BACC10GF10C1H OPTIONAL PART: S387SSH10 V18076 TA12C34H10-1 V84971 513SS10 V83930 USED ON: 273N2006-2 273N2006-3	101102 108120 504903	1
120	BACC10BN525L5ME	...	CLAMP- USED ON: 273N2006-4 273N2006-5	101102 108120 504903	1
120	BACC10BN525LM	...	CLAMP- SUPPLIER CODE: V98625 SPECIFICATION NUMBER: BACC10BN525LM OPTIONAL PART: 3078C525LM V94581 BC1080S500LZ V14242 1044525LM V94581 MBC5825525LM V00624 19396N525LM V00624 USED ON: 273N2006-2 273N2006-3	101102 108120 504903	1
125	BACB19F10S	...	BLOCK	101102 108120 504903	2
130	BACC15AN10	...	CLIP	101102 108120 504903	2

MISSING ITEM NUMBERS NOT APPLICABLE

- ITEM NOT ILLUSTRATED

32-32-01-02

32-32-01  
FIG. 02  
PAGE 5  
JAN 20/09

BRI



757

PARTS CATALOG (MAINTENANCE)

FIG ITEM	PART NUMBER	1 2 3 4 5 6 7	NOMENCLATURE	EFFECT FROM TO	UNITS PER ASSY
2					
135	BACP13B6-153	...	PAD	101102 108120 504903	1
140	273N2056-1	...	TUBE ASSY	101102 108120 504903	1
145	273N2056-2	....	TUBE- TUBING MATERIAL: .625 IN OD X .033 IN WALL	101102 108120 504903	1
150	AP2097H10	....	SLEEVE SUPPLIER CODE: V01673 SPECIFICATION NUMBER: BACS13BX10H OPTIONAL PART: 2-02903-10H V11328 35235V10 V08199 AFP175V10 V30974 DBOS13BX10H V14798	101102 108120 504903	1
155	273N2052-1	...	HEAD ASSY	101102 108120 504903	1
160	273N2052-2	....	HEAD- OPTIONAL PART: 273N2052-4 273N2052-6	101102 108120 504903	1
160	273N2052-4	....	HEAD- OPTIONAL PART: 273N2052-2 273N2052-6	101102 108120 504903	1
160	273N2052-6	....	HEAD- OPTIONAL PART: 273N2052-2 273N2052-4	101102 108120 504903	1
165	113N1005-12	....	BUSHING	101102 108120 504903	4
170	MS21209F4-15P	....	INSERT	101102 108120 504903	8
175	1728B	....	FITTING-LUBE SUPPLIER CODE: VOFKM1	101102 108120 504903	4

MISSING ITEM NUMBERS NOT APPLICABLE

- ITEM NOT ILLUSTRATED

32-32-01-02

32-32-01  
FIG. 02  
PAGE 6  
JAN 20/09

BRI



757

PARTS CATALOG (MAINTENANCE)

FIG ITEM	PART NUMBER	1 2 3 4 5 6 7	NOMENCLATURE	EFFECT FROM TO	UNITS PER ASSY
2					
180	MS28782-12	...	RING	101102 108120 504903	8
185	NAS1611-114A	...	PACKING- USED ON: 273N2006-4 273N2006-5	101102	4
185	NAS1611-114	...	PACKING- USED ON: 273N2006-2 273N2006-3	101102 108120 504903	4
190	MS28782-9	...	RING	101102 108120 504903	2
195	NAS1611-111A	...	PACKING- USED ON: 273N2006-4 273N2006-5	101102 108120 504903	1
195	NAS1611-111	...	SEAL- USED ON: 273N2006-2 273N2006-3	101102 108120 504903	1
200	MS28782-25	...	RING	101102 108120 504903	2
205	NAS1611-220A	...	PACKING- USED ON: 273N2006-4 273N2006-5	101102 108120 504903	1
205	NAS1611-220	...	PACKING- USED ON: 273N2006-2 273N2006-3	101102 108120 504903	1
207	NAS1611-220	...	PACKING- USED ON: 273N2006-2 273N2006-3 PRE SERVICE BULLETIN: 32-0145	101102 108120 504903	1
210	273N2018-1	...	RETAINER	101102 108120 504903	1
215	MS28782-57	...	RING	101102 108120 504903	2
220	NAS1611-430	...	PACKING- USED ON: 273N2006-2 273N2006-3	101102 108120 504903	1

MISSING ITEM NUMBERS NOT APPLICABLE

- ITEM NOT ILLUSTRATED

32-32-01-02

32-32-01  
FIG. 02  
PAGE 7  
JAN 20/09

BRI





757

PARTS CATALOG (MAINTENANCE)

FIG ITEM	PART NUMBER	1 2 3 4 5 6 7	NOMENCLATURE	EFFECT FROM TO	UNITS PER ASSY
2					
220	NAS1611-430A	...	PACKING- USED ON: 273N2006-4 273N2006-5	101102 108120 504903	1
225	69B80034-2	...	KEY	101102 108120 504903	1
230	7348MT952T	...	G T RING- SUPPLIER CODE: V5F573 USED ON: 273N2006-2 273N2006-3 PRE SERVICE BULLETIN: 32-0145	101102 108120 504903	1
235	273N2019-1	...	LOCKPLATE	101102 108120 504903	1
240	66-12156-35	...	LOCKWASHER	101102 108120 504903	1
250	S30652-220N	...	SEAL- SUPPLIER CODE: V09257 USED ON: 273N2006-2 273N2006-3 PRE SERVICE BULLETIN: 32-0145	101102 108120 504903	1
255	273N2060-1	...	SNUBBER ASSY-RETRACT	101102 108120 504903	1
260	273N2061-1	....	SLIDE	101102 108120 504903	1
265	273N2062-1	....	SLEEVE	101102 108120 504903	1
270	MS28782-17	...	PACKING	101102 108120 504903	2
275	NAS1611-212	...	SEAL- USED ON: 273N2006-2 273N2006-3	101102 108120 504903	1
275	NAS1611-212A	...	PACKING- USED ON: 273N2006-4 273N2006-5	101102 108120 504903	1

MISSING ITEM NUMBERS NOT APPLICABLE

- ITEM NOT ILLUSTRATED

32-32-01-02

32-32-01  
FIG. 02  
PAGE 8  
JAN 20/09

BRI



757

PARTS CATALOG (MAINTENANCE)

FIG ITEM	PART NUMBER	1 2 3 4 5 6 7	NOMENCLATURE	EFFECT FROM TO	UNITS PER ASSY
2					
280	273N2110-1	...	SHIM	101102 108120 504903	1
285	273N2110-2	...	SHIM	101102 108120 504903	1
290	273N2105-1	...	RETAINER	101102 108120 504903	1
295	273N2106-1	...	SPRING	101102 108120 504903	1
300	273N2102-1	...	LOCK RING	101102 108120 504903	1
305	273N2075-2	...	RETAINER	101102 108120 504903	1
315	273N2103-1	...	NUT	101102 108120 504903	1
320	273N2029-1	...	FITTING	101102 108120 504903	1
325	273N2109-1	...	PIN	101102 108120 504903	2
330	273N2074-1	...	RETAINER	101102 108120 504903	1
335	273N2065-1	...	RETAINER	101102 108120 504903	1
350	273N2110-3	...	SHIM	101102 108120 504903	1
355	273N2101-1	...	SPRING	101102 108120 504903	1
360	273N2102-1	...	LOCK RING	101102 108120 504903	1
365	273N2075-1	...	RETAINER	101102 108120 504903	1
370	273N2069-1	...	SPRING	101102 108120 504903	1

MISSING ITEM NUMBERS NOT APPLICABLE

- ITEM NOT ILLUSTRATED

32-32-01-02

32-32-01  
FIG. 02  
PAGE 9  
JAN 20/09

BRI

BOEING PROPRIETARY - Copyright © - Unpublished Work - See title page for details.

 **BOEING**  
757  
**PARTS CATALOG (MAINTENANCE)**

FIG ITEM	PART NUMBER	1 2 3 4 5 6 7	NOMENCLATURE	EFFECT FROM TO	UNITS PER ASSY
2					
375	273N2067-1	...	POPPET CHECK VALVE	101102 108120 504903	1
380	273N2066-1	...	BODY CHECK VALVE	101102 108120 504903	1
385	MS28782-10	...	RETAINER	101102 108120 504903	2
390	NAS1611-112	...	PACKING- USED ON: 273N2006-2 273N2006-3	101102 108120 504903	1
390	NAS1611-112A	...	PACKING- USED ON: 273N2006-4 273N2006-5	101102 108120 504903	1
395	273N2057-1	...	SNUBBER ASSY-EXTEND	101102 108120 504903	1
400	273N2058-1	....	SLIDE	101102 108120 504903	1
405	273N2059-1	....	SLEEVE	101102 108120 504903	1
410	MS28782-11	...	RING	101102 108120 504903	2
415	NAS1611-113	...	PACKING- USED ON: 273N2006-2 273N2006-3	101102 108120 504903	1
415	NAS1611-113A	...	PACKING- USED ON: 273N2006-4 273N2006-5	101102 108120 504903	1
420	273N2072-1	...	RING	101102 108120 504903	1
425	273N2071-1	...	RETAINER	101102 108120 504903	1
430	273N2053-1	...	CAP ASSY-END	101102 108120 504903	1
435	MS21209F1-15P	....	INSERT	101102 108120 504903	4

MISSING ITEM NUMBERS NOT APPLICABLE

— ITEM NOT ILLUSTRATED

BRI

# 32-32-01-02

BOEING PROPRIETARY - Copyright © - Unpublished Work - See title page for details.

32-32-01  
FIG. 02  
PAGE 10  
JAN 20/09



757

PARTS CATALOG (MAINTENANCE)

FIG ITEM	PART NUMBER	1 2 3 4 5 6 7	NOMENCLATURE	EFFECT FROM TO	UNITS PER ASSY
2					
440	273N2053-2	.....	CAP	101102 108120 504903	1
445	MS28782-51	...RING-	USED ON: 273N2006-2 273N2006-3 PRE SERVICE BULLETIN: 32-0145	101102 108120 504903	4
450	NAS1611-348	...PACKING-	USED ON: 273N2006-2 273N2006-3 PRE SERVICE BULLETIN: 32-0145	101102 108120 504903	2
455	273N2063-1	...BUSHING		101102 108120 504903	1
460	S33555-328H5	...SEAL-	SUPPLIER CODE: V09257 USED ON: 273N2006-2 273N2006-3 PRE SERVICE BULLETIN: 32-0145	101102 108120 504903	1
465	273N2064-1	...RETAINER		101102 108120 504903	1
470	MS28782-33	...RING-	USED ON: 273N2006-2 273N2006-3 PRE SERVICE BULLETIN: 32-0145	101102 108120 504903	2
475	NAS1611-330	...PACKING-	USED ON: 273N2006-2 273N2006-3 PRE SERVICE BULLETIN: 32-0145	101102 108120 504903	1

MISSING ITEM NUMBERS NOT APPLICABLE

- ITEM NOT ILLUSTRATED

32-32-01-02

32-32-01  
FIG. 02  
PAGE 11  
JAN 20/09

BRI



757

PARTS CATALOG (MAINTENANCE)

FIG ITEM	PART NUMBER	1 2 3 4 5 6 7	NOMENCLATURE	EFFECT FROM TO	UNITS PER ASSY
2 480	CWR76-20B		...SCRAPER- SUPPLIER CODE: V26879 SPECIFICATION NUMBER: BACS34A20A OPTIONAL PART: DW96801-20A V02886 RMS34A20A V94878 TF005-20A V07128 2140-20A V26303 USED ON: 273N2006-2 273N2006-3 PRE SERVICE BULLETIN: 32-0145	101102 108120 504903	1
485	273N2073-1		...LOCKWASHER- USED ON: 273N2006-2 273N2006-3 PRE SERVICE BULLETIN: 32-0145	101102 108120 504903	2
490	273N2020-1		...NUT	101102 108120 504903	1
495	273N2054-1		...ROD END ASSY	101102 108120 504903	1
500	273N2054-2		....ROD END- OPTIONAL PART: 273N2054-4	101102 108120 504903	1
500	273N2054-4		....ROD END- OPTIONAL PART: 273N2054-2	101102 108120 504903	1
505	1728B		....FITTING-LUBE SUPPLIER CODE: VOFKM1	101102 108120 504903	2
510	NAS1351-3H6P		...SCREW	101102 108120 504903	4
515	AN960-10L		...WASHER- USED ON: 273N2006-2 273N2006-3	101102 108120 504903	4

MISSING ITEM NUMBERS NOT APPLICABLE

- ITEM NOT ILLUSTRATED

32-32-01-02

32-32-01  
FIG. 02  
PAGE 12  
JAN 20/09

BRI

BOEING PROPRIETARY - Copyright © - Unpublished Work - See title page for details.



757

PARTS CATALOG (MAINTENANCE)

FIG ITEM	PART NUMBER	1 2 3 4 5 6 7	NOMENCLATURE	EFFECT FROM TO	UNITS PER ASSY
2					
515	NAS1149F0332P	...	WASHER- USED ON: 273N2006-4 273N2006-5	101102 108120 504903	4
530	273N2070-1	...	NUT	101102 108120 504903	1
535	273N1045-10	...	BEARING	101102 108120 504903	1
540	273N2050-1	...	BARREL	101102 108120 504903	1
545	273N2055-1	...	TUBE	101102 108120 504903	1
550	273N2068-1	...	CAP	101102 108120 504903	1
- 560	ASP10GB	...	PLUG- SUPPLIER CODE: V99017 SPECIFICATION NUMBER: BACP20BF10 OPTIONAL PART: NAS818-10	101102 108120 504903	1
- 560	NAS818-10	...	PLUG- OPTIONAL PART: BACP20BF10	101102 108120 504903	1
- 565	ASP12GB	...	PLUG- SUPPLIER CODE: V99017 SPECIFICATION NUMBER: BACP20BF12 OPTIONAL PART: NAS818-12	101102 108120 504903	1
- 565	NAS818-12	...	PLUG- OPTIONAL PART: BACP20BF12	101102 108120 504903	1
570	273N2051-5	...	ROD-PISTON USED ON: 273N2006-2 273N2006-3 273N2006-4 273N2006-5 PRE SERVICE BULLETIN: 32-0145	101102 108120 504903	1

MISSING ITEM NUMBERS NOT APPLICABLE

- ITEM NOT ILLUSTRATED

32-32-01-02

32-32-01  
FIG. 02  
PAGE 13  
JAN 20/09

BRI



757

PARTS CATALOG (MAINTENANCE)

FIG ITEM	PART NUMBER	1 2 3 4 5 6 7	NOMENCLATURE	EFFECT FROM TO	UNITS PER ASSY
2 570	273N2051-6		...ROD-PISTON USED ON: 273N2006-2 273N2006-3 273N2006-4 273N2006-5 POST SERVICE BULLETIN: 32-0145	101102 108120 504903	1
570	273N2051-1		...ROD-PISTON USED ON: 273N2006-2 273N2006-3 273N2006-4 273N2006-5	101102 108120 504903	1
570	273N2051-3		...ROD-PISTON USED ON: 273N2006-2 273N2006-3 273N2006-4 273N2006-5	101102 108120 504903	1
- 580	273N2006-6		...SUB KIT ASSY- USED ON: 273N2006-4 273N2006-5 POST SERVICE BULLETIN: 32-0145	101102 108120 504903	1
585	7348MT952T		....G T RING- SUPPLIER CODE: V5F573 POST SERVICE BULLETIN: 32-0145	101102 108120 504903	1
590	CWR76-20B		....SCRAPER- SUPPLIER CODE: V26879 SPECIFICATION NUMBER: BACS34A20A OPTIONAL PART: DW96801-20A V02886 RMS34A20A V94878 TF005-20A V07128 2140-20A V26303 POST SERVICE BULLETIN: 32-0145	101102 108120 504903	1

MISSING ITEM NUMBERS NOT APPLICABLE

- ITEM NOT ILLUSTRATED

32-32-01-02

32-32-01  
FIG. 02  
PAGE 14  
JAN 20/09

BRI



757

PARTS CATALOG (MAINTENANCE)

FIG ITEM	PART NUMBER	1 2 3 4 5 6 7	NOMENCLATURE	EFFECT FROM TO	UNITS PER ASSY
2					
595	MS28782-33	.....	RING- POST SERVICE BULLETIN: 32-0145	101102 108120 504903	2
600	MS28782-51	.....	RING- POST SERVICE BULLETIN: 32-0145	101102 108120 504903	4
605	NAS1611-330A	.....	PACKING- POST SERVICE BULLETIN: 32-0145	101102 108120 504903	1
610	NAS1611-348A	.....	PACKING- POST SERVICE BULLETIN: 32-0145	101102 108120 504903	2
615	S30652-220N	.....	SEAL-DBL DELTA SUPPLIER CODE: V09257 POST SERVICE BULLETIN: 32-0145	101102 108120 504903	1
620	NAS1611-220A	.....	PACKING- POST SERVICE BULLETIN: 32-0145	101102 108120 504903	1
625	S33121-328-99	.....	SEAL-FOOT SUPPLIER CODE: V09257 POST SERVICE BULLETIN: 32-0145	101102 108120 504903	1
630	NAS1611-328A	.....	PACKING- POST SERVICE BULLETIN: 32-0145	101102 108120 504903	1
635	273N2073-1	.....	LOCKWASHER-CUP POST SERVICE BULLETIN: 32-0145	101102 108120 504903	2

MISSING ITEM NUMBERS NOT APPLICABLE

- ITEM NOT ILLUSTRATED

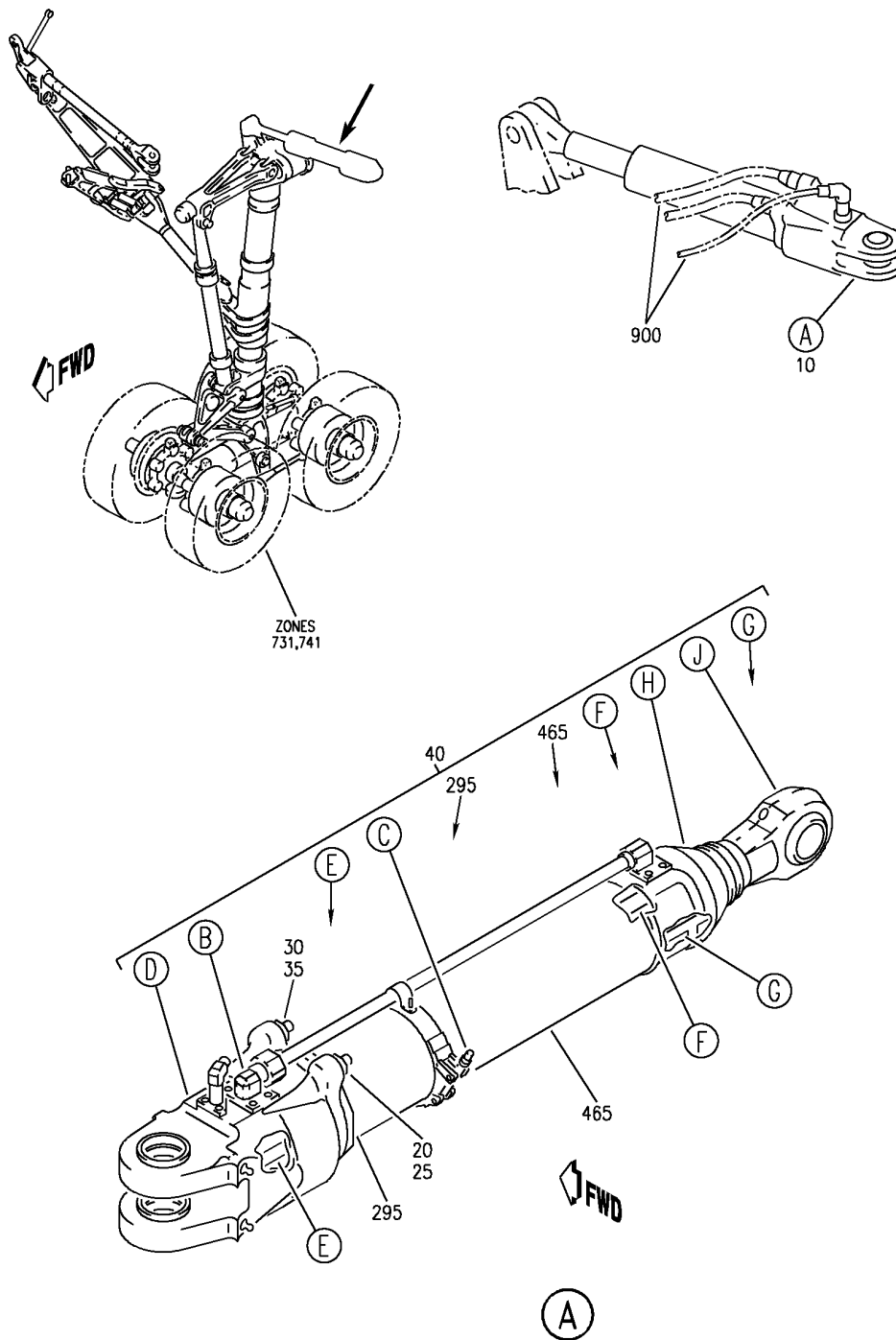
BRI

32-32-01-02

32-32-01  
FIG. 02  
PAGE 15  
JAN 20/09



**BOEING**  
757  
PARTS CATALOG (MAINTENANCE)



Y 32320103A SHT 1 REV 299

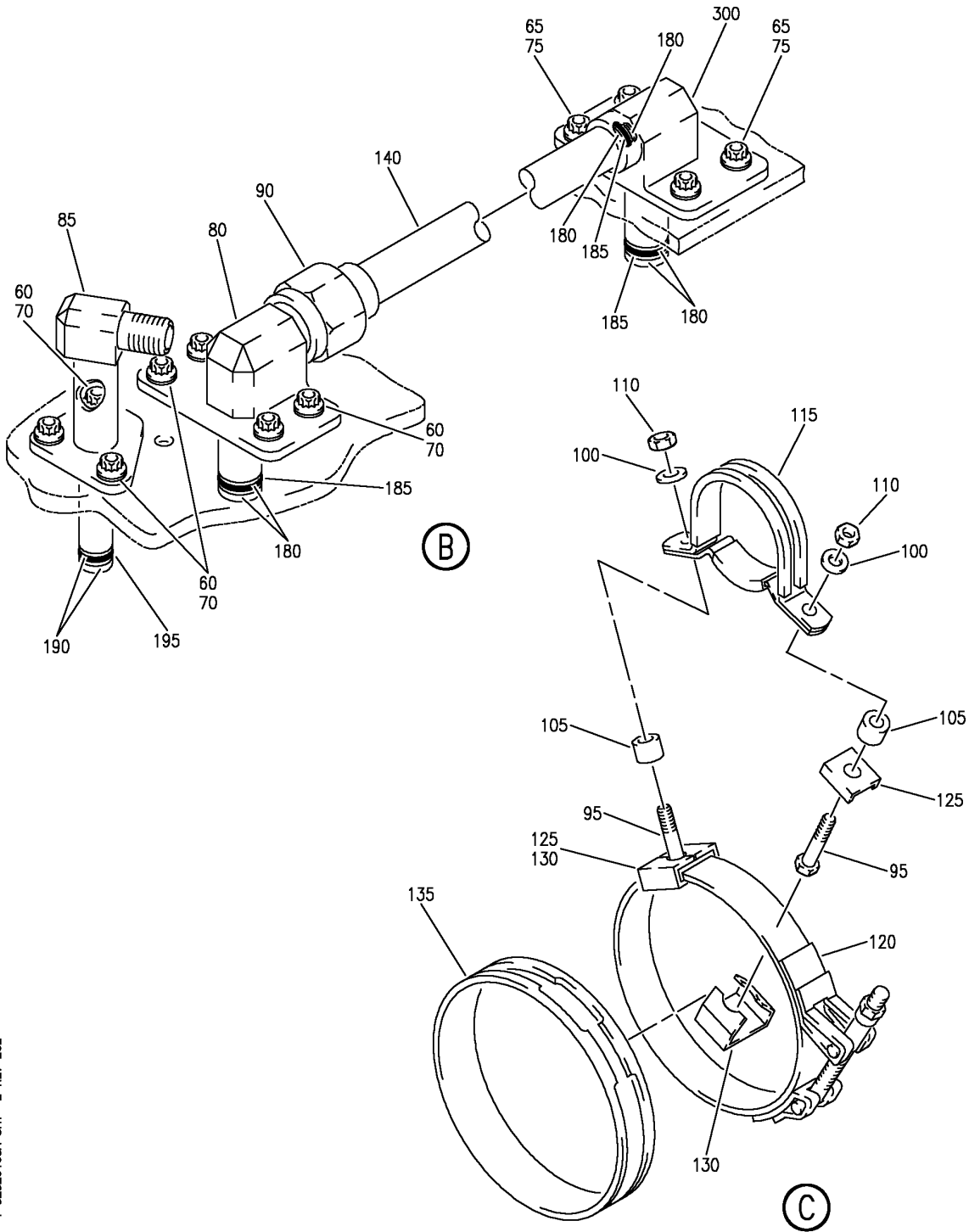
ACTUATOR INSTL-RETRACT MLG  
FIGURE 3A (SHEET 1)

**32-32-01-03A**

BRI  
JAN 20/09

32-32-01-03A  
PAGE 0

**BOEING**  
757  
PARTS CATALOG (MAINTENANCE)



Y 32320103A SHT 2 REV 262

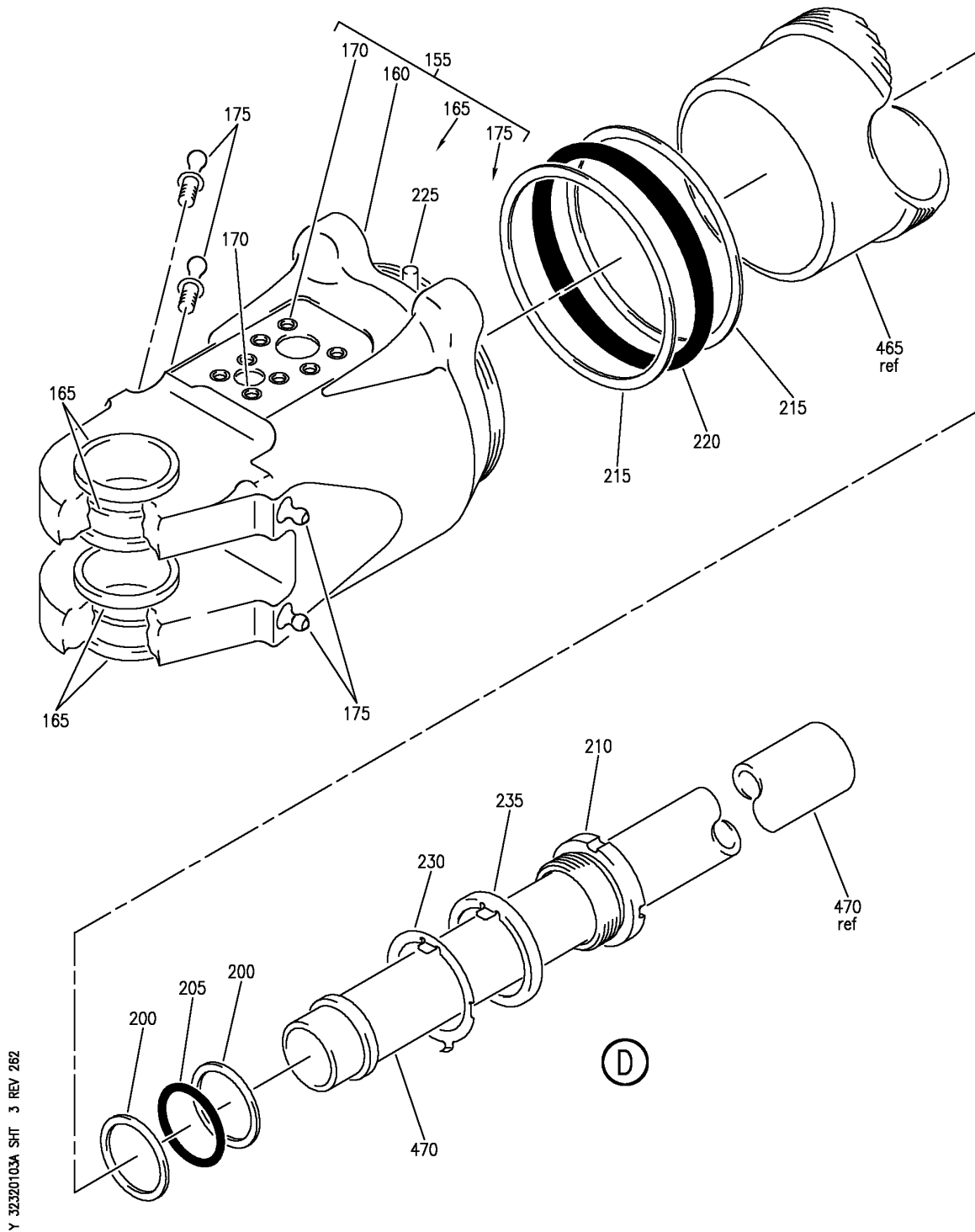
ACTUATOR INSTL-RETRACT MLG  
FIGURE 3A (SHEET 2)

**32-32-01-03A**

BRI  
JAN 20/09

32-32-01-03A  
PAGE 0A

**BOEING**  
757  
PARTS CATALOG (MAINTENANCE)



Y 32320103A SHT. 3 REV 262

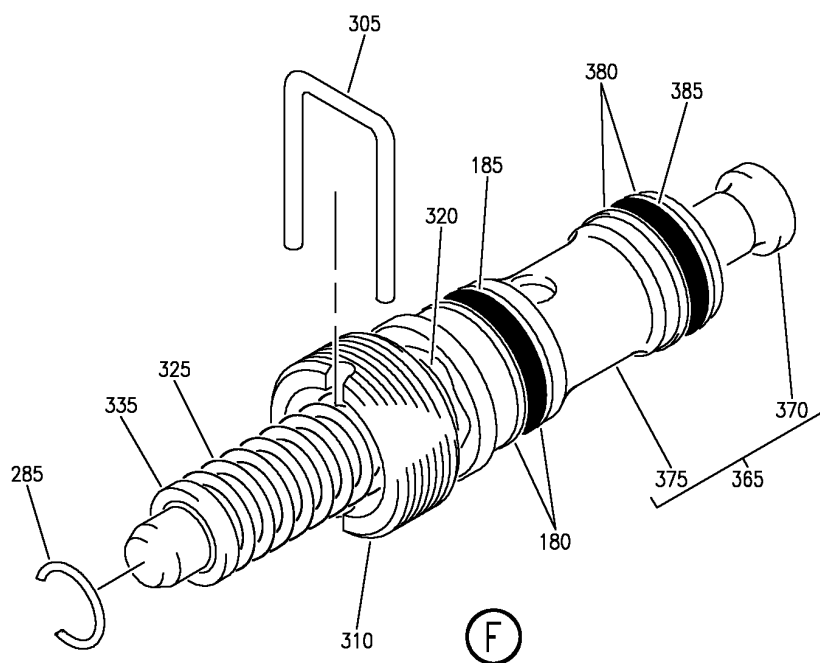
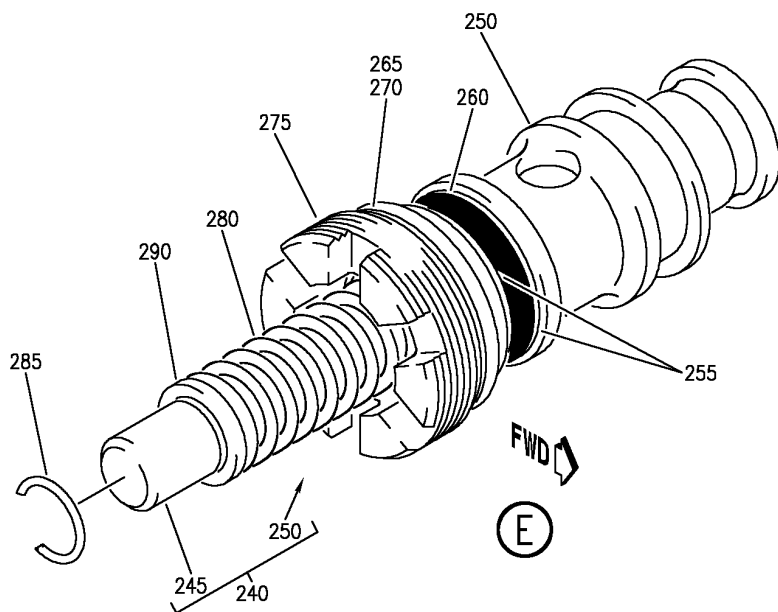
ACTUATOR INSTL-RETRACT MLG  
FIGURE 3A (SHEET 3)

**32-32-01-03A**

BRI  
JAN 20/09

32-32-01-03A  
PAGE 0B

**BOEING**  
757  
PARTS CATALOG (MAINTENANCE)



Y 32320103A SHT 4 REV 262

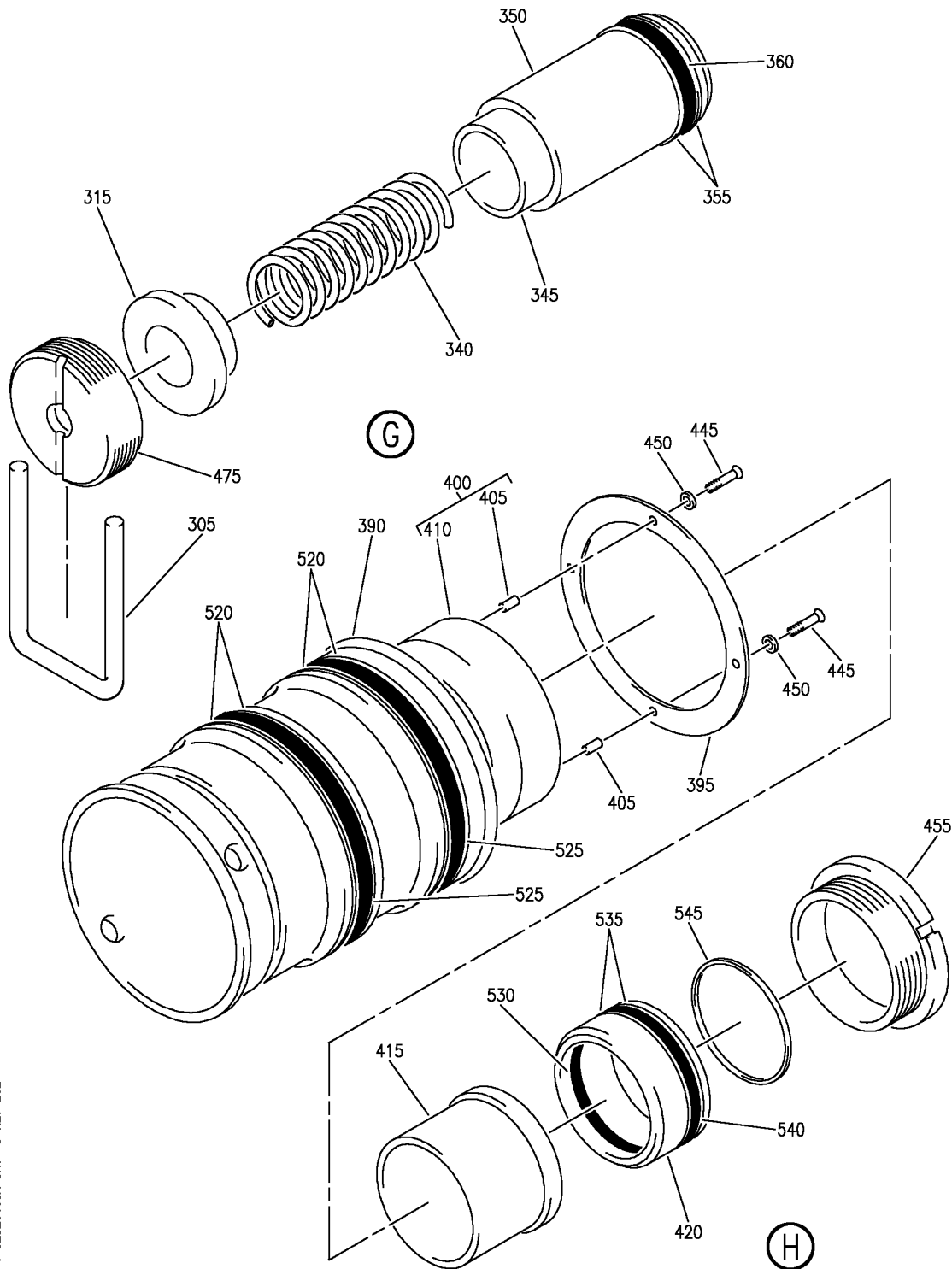
ACTUATOR INSTL-RETRACT MLG  
FIGURE 3A (SHEET 4)

**32-32-01-03A**

BRI  
JAN 20/09

32-32-01-03A  
PAGE 0C

**BOEING**  
**757**  
**PARTS CATALOG (MAINTENANCE)**



Y 32320103A SHT 5 REV 262

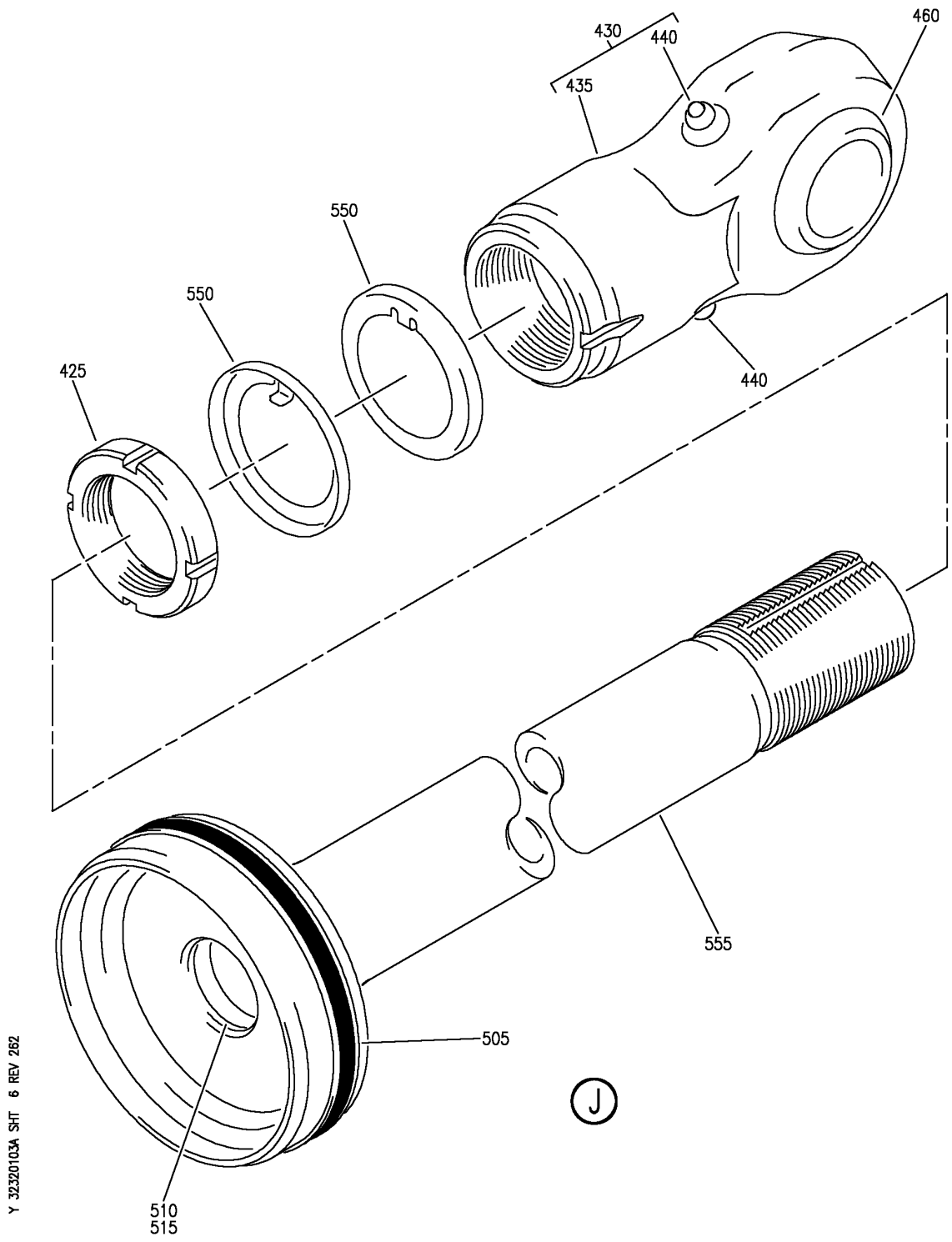
ACTUATOR INSTL-RETRACT MLG  
 FIGURE 3A (SHEET 5)

**32-32-01-03A**

BRI  
 JAN 20/09

32-32-01-03A  
 PAGE 0D

**BOEING**  
757  
PARTS CATALOG (MAINTENANCE)



Y 32320103A SHT 6 REV 262

ACTUATOR INSTL-RETRACT MLG  
FIGURE 3A (SHEET 6)

**32-32-01-03A**

BRI  
JAN 20/09

32-32-01-03A  
PAGE 0E



757

PARTS CATALOG (MAINTENANCE)

FIG ITEM	PART NUMBER	1 2 3 4 5 6 7	NOMENCLATURE	EFFECT FROM TO	UNITS PER ASSY
3A					
- 1	MODREF19395		ACTUATOR INSTL-RETRACT MLG ACTUATOR INSTL-RETRACT MLG MODULE NUMBER: 273N2000-5 REV A POSITION DATA: LH	103106 103103	1
- 1	MODREF27633		ACTUATOR INSTL-RETRACT MLG MODULE NUMBER: 273N2000-5 REV B POSITION DATA: LH	104106	1
- 5	MODREF19396		ACTUATOR INSTL-RETRACT MLG MODULE NUMBER: 273N2000-6 REV A POSITION DATA: RH	103103	1
- 5	MODREF27634		ACTUATOR INSTL-RETRACT MLG MODULE NUMBER: 273N2000-6 REV B POSITION DATA: RH	104106	1
10	273N2000-7		.ACTUATOR ASSY- POSITION DATA: LH SIDE	103106	1
- 15	273N2000-8		.ACTUATOR ASSY- POSITION DATA: RH SIDE	103106	1
20	NAS1612-10A		..PACKING	103106	1
25	9R3564		..VALVE- SUPPLIER CODE: V99240	103106	1

MISSING ITEM NUMBERS NOT APPLICABLE

- ITEM NOT ILLUSTRATED

BRI

32-32-01-03A

BOEING PROPRIETARY - Copyright © - Unpublished Work - See title page for details.

32-32-01  
FIG. 03A  
PAGE 1  
JAN 20/09



757

PARTS CATALOG (MAINTENANCE)

FIG ITEM	PART NUMBER	1 2 3 4 5 6 7	NOMENCLATURE	EFFECT FROM TO	UNITS PER ASSY
3A 30	AFP23212-10		..REDUCER SUPPLIER CODE: V30974 SPECIFICATION NUMBER: BACR17E12-10 OPTIONAL PART: AP102712-10 V01673 BC916T12-10 V50948 DBOR17E12-10 V14798 ER21916T12-10 V88334 ER31916-12-10 V88334 F23-12-10 V73197 2-01075T12-10 V11328 31778-12-10 V14397 US2114-12-10 V50808	103106	1
35	NAS1612-12A		..PACKING	103106	1
40	273N2006-5		..ACTUATOR ASSY- POSITION DATA: LH SIDE FUNCTIONAL REFERENCE: PLACARDS AND MARKINGS FOR DETAILS SEE 11-22-04-01	103106	1
40	273N2006-3		..ACTUATOR ASSY- POSITION DATA: LH SIDE FUNCTIONAL REFERENCE: PLACARDS AND MARKINGS FOR DETAILS SEE 11-22-04-01	103106	1
- 45	273N2006-4		..ACTUATOR ASSY- POSITION DATA: RH SIDE FUNCTIONAL REFERENCE: PLACARDS AND MARKINGS FOR DETAILS SEE 11-22-04-01	103106	1

MISSING ITEM NUMBERS NOT APPLICABLE

- ITEM NOT ILLUSTRATED

32-32-01-03A

32-32-01  
 FIG. 03A  
 PAGE 2  
 JAN 20/09

BRI

BOEING PROPRIETARY - Copyright © - Unpublished Work - See title page for details.





757

PARTS CATALOG (MAINTENANCE)

FIG ITEM	PART NUMBER	1 2 3 4 5 6 7	NOMENCLATURE	EFFECT FROM TO	UNITS PER ASSY
3A - 45	273N2006-2	..	ACTUATOR ASSY- POSITION DATA: RH SIDE MISCELLANEOUS DATA: FOR LEFT GEAR 273N2108-1 COMPONENTS OF 273N2006-2 IS ROTATED 90 DEG CCW FROM THE RIGHT GEAR FUNCTIONAL REFERENCE: PLACARDS AND MARKINGS FOR DETAILS SEE 11-22-04-01	103106	1
60	BACB30LE4H2	...	BOLT	103106	7
65	BACB30LE4HU2	...	BOLT	103106	4
70	NAS1149F0432P	...	WASHER	103106	7
75	NAS1149C0432R	...	WASHER	103106	4
80	273N2107-1	...	FITTING	103106	1
85	273N2108-1	...	FITTING	103106	1
90	BACN10YE10	...	NUT	103106	1
95	BACB30LM3U11	...	BOLT	103106	2
100	NAS1149C0332R	...	WASHER	103106	2
105	273N2104-1	...	SPACER-CLAMP	103106	2
110	BRH10C3	...	NUT	103106	2
			SUPPLIER CODE: V52828 SPECIFICATION NUMBER: BACN10JC3C OPTIONAL PART: T6C1032J V11815 97-02 V80539 101LH9075-3W V72962 VN303B02 V92215 NS202101S02 V80539 H31-3BAC V15653		
115	BACC10GF10C	...	CLAMP	103106	1
120	BACC10BN525L5ME	...	CLAMP	103106	1
125	BACB19F10S	...	BLOCK	103106	2
130	BACC15AN10	...	CLIP	103106	2
135	BACP13B6-153	...	PAD	103106	1
140	273N2056-1	...	TUBE ASSY	103106	1

MISSING ITEM NUMBERS NOT APPLICABLE

- ITEM NOT ILLUSTRATED

32-32-01-03A

32-32-01  
FIG. 03A  
PAGE 3  
JAN 20/09

BRI

BOEING PROPRIETARY - Copyright © - Unpublished Work - See title page for details.



757

PARTS CATALOG (MAINTENANCE)

FIG ITEM	PART NUMBER	1 2 3 4 5 6 7	NOMENCLATURE	EFFECT FROM TO	UNITS PER ASSY
3A					
- 145	273N2056-2	....	TUBE- TUBING MATERIAL: 21-6-9 STEEL TUBING PER BMS7-185. STOCK .625 O.D. X ,033 W.T	103106	1
- 150	AP2097H10	....	SLEEVE SUPPLIER CODE: V01673 SPECIFICATION NUMBER: BACS13BX10H OPTIONAL PART: 2-02903-10H V11328 35235V10 V08199 AFP175V10 V30974 DBOS13BX10H V14798	103106	1
155	273N2052-1	...	HEAD ASSY	103106	1
160	273N2052-2	....	HEAD- OPTIONAL PART: 273N2052-6	103106	1
160	273N2052-4	....	HEAD- OPTIONAL PART: 273N2052-6	103106	1
160	273N2052-6	....	HEAD- OPTIONAL PART: 273N2052-2 273N2052-4	103106	1
165	113N1005-12	....	BUSHING	103106	4
170	MS21209F4-15P	....	INSERT	103106	8
175	1728B	....	FITTING-LUBE SUPPLIER CODE: VOFKM1	103106	4
180	MS28782-12	...	RING	103106	8
185	NAS1611-114A	...	PACKING	103106	4
190	MS28782-9	...	RING	103106	2
195	NAS1611-111A	...	PACKING	103106	1
200	MS28782-25	...	RING	103106	2
205	NAS1611-220A	...	PACKING	103106	1
210	273N2018-1	...	RETAINER	103106	1
215	MS28782-57	...	RING	103106	2
220	NAS1611-430A	...	PACKING	103106	1
225	69B80034-2	...	KEY	103106	1
230	273N2019-1	...	LOCKPLATE	103106	1
235	66-12156-35	...	LOCKWASHER	103106	1
240	273N2060-1	...	SNUBBER ASSY-RETRACT	103106	1
245	273N2061-1	....	SLIDE	103106	1

MISSING ITEM NUMBERS NOT APPLICABLE

- ITEM NOT ILLUSTRATED

32-32-01-03A

32-32-01  
FIG. 03A  
PAGE 4  
JAN 20/09

BRI

BOEING PROPRIETARY - Copyright © - Unpublished Work - See title page for details.



757

PARTS CATALOG (MAINTENANCE)

FIG ITEM	PART NUMBER	1 2 3 4 5 6 7	NOMENCLATURE	EFFECT FROM TO	UNITS PER ASSY
3A					
250	273N2062-1	....	SLEEVE	103106	1
255	MS28782-17	...	PACKING	103106	2
260	NAS1611-212A	...	PACKING	103106	1
265	273N2110-1	...	SHIM	103106	1
270	273N2110-2	...	SHIM	103106	1
275	273N2105-1	...	RETAINER	103106	1
280	273N2106-1	...	SPRING	103106	1
285	273N2102-1	...	LOCK RING	103106	2
290	273N2075-2	...	RETAINER-SPRING	103106	1
295	273N2103-1	...	NUT	103106	1
300	273N2029-1	...	FITTING	103106	1
305	273N2109-1	...	PIN	103106	2
310	273N2074-1	...	RETAINER-EXTEND	103106	1
315	273N2065-1	...	RETAINER-SPRING	103106	1
320	273N2110-3	...	SHIM	103106	1
325	273N2101-1	...	SPRING	103106	1
335	273N2075-1	...	RETAINER	103106	1
340	273N2069-1	...	SPRING	103106	1
345	273N2067-1	...	POPPET CHECK VALVE	103106	1
350	273N2066-1	...	BODY CHECK VALVE	103106	1
355	MS28782-10	...	RETAINER	103106	2
360	NAS1611-112A	...	PACKING	103106	1
365	273N2057-1	...	SNUBBER ASSY-EXTEND	103106	1
370	273N2058-1	....	SLIDE	103106	1
375	273N2059-1	....	SLEEVE	103106	1
380	MS28782-11	...	RING	103106	2
385	NAS1611-113A	...	PACKING	103106	1
390	273N2072-1	...	RING	103106	1
395	273N2071-1	...	RETAINER	103106	1
400	273N2053-1	...	CAP ASSY-END	103106	1
405	MS21209F1-15P	....	INSERT	103106	4
410	273N2053-2	....	CAP	103106	1
415	273N2063-1	...	BUSHING	103106	1
420	273N2064-1	...	RETAINER-SEAL	103106	1
425	273N2020-1	...	NUT-SPANNER	103106	1
430	273N2054-1	...	ROD END ASSY	103106	1
435	273N2054-2	....	ROD END-	103106	1
			OPTIONAL PART: 273N2054-4		
435	273N2054-4	....	ROD END-	103106	1
			OPTIONAL PART: 273N2054-2		
440	1728B	....	FITTING-LUBE	103106	2
			SUPPLIER CODE: VOFKM1		
445	NAS1351-3H6P	...	SCREW	103106	4
450	NAS1149F0332P	...	WASHER	103106	4
455	273N2070-1	...	NUT	103106	1
460	273N1045-10	...	BEARING-BALL	103106	1

MISSING ITEM NUMBERS NOT APPLICABLE

- ITEM NOT ILLUSTRATED

32-32-01-03A

32-32-01  
FIG. 03A  
PAGE 5  
JAN 20/09

BRI

BOEING PROPRIETARY - Copyright © - Unpublished Work - See title page for details.



757

PARTS CATALOG (MAINTENANCE)

FIG ITEM	PART NUMBER	1 2 3 4 5 6 7	NOMENCLATURE	EFFECT FROM TO	UNITS PER ASSY
3A					
465	273N2050-1	...	BARREL	103106	1
470	273N2055-1	...	TUBE-FEED	103106	1
475	273N2068-1	...	CAP	103106	1
- 480	ASP10GB	...	PLUG-	103106	1
			SUPPLIER CODE: V99017		
			SPECIFICATION NUMBER: BACP20BF10		
			OPTIONAL PART: NAS818-10		
- 480	NAS818-10	...	PLUG-	103106	1
			OPTIONAL PART: BACP20BF10		
- 485	NAS1612-10A	...	PACKING	103106	1
- 490	ASP12GB	...	PLUG-	103106	1
			SUPPLIER CODE: V99017		
			SPECIFICATION NUMBER: BACP20BF12		
			OPTIONAL PART: NAS818-12		
- 490	NAS818-12	...	PLUG-	103106	1
			OPTIONAL PART: BACP20BF12		
- 495	NAS1612-12A	...	PACKING	103106	1
- 500	273N2006-6	...	SUB KIT ASSY	103106	1
505	7348MT952T	....	G T RING-	103106	1
			SUPPLIER CODE: V5F573		
510	S30652-220N	....	SEAL-DBL DELTA	103106	1
			SUPPLIER CODE: V09257		
515	NAS1611-220A	....	PACKING	103106	1
520	MS28782-51	....	RING	103106	4
525	NAS1611-348A	....	PACKING	103106	2
530	S33121-328-99	....	SEAL-FOOT	103106	1
			SUPPLIER CODE: V09257		
535	MS28782-33	....	RING	103106	2
540	NAS1611-330A	....	PACKING	103106	1

MISSING ITEM NUMBERS NOT APPLICABLE

- ITEM NOT ILLUSTRATED

32-32-01-03A

32-32-01  
FIG. 03A  
PAGE 6  
JAN 20/09

BRI

BOEING PROPRIETARY - Copyright © - Unpublished Work - See title page for details.



757

PARTS CATALOG (MAINTENANCE)

FIG ITEM	PART NUMBER	1 2 3 4 5 6 7	NOMENCLATURE	EFFECT FROM TO	UNITS PER ASSY
3A 545	CWR76-20B	.....	SCRAPER SUPPLIER CODE: V26879 SPECIFICATION NUMBER: BACS34A20A OPTIONAL PART: DW96801-20A V02886 RMS34A20A V94878 TF005-20A V07128 2140-20A V26303	103106	1
550	273N2073-1	.....	LOCKWASHER-CUP	103106	2
555	NAS1611-328A	.....	PACKING	103106	1
560	273N2051-6	...	ROD-PISTON	103106	1
560	273N2051-5	...	ROD-PISTON	103106	1
560	273N2051-1	...	ROD-PISTON	103106	1
560	273N2051-3	...	ROD-PISTON	103106	1
900			ILLUSTRATION REFERENCE: PLUMBING INSTL-SECT. 12 L TRAILING EDGE CTR SYS (MAIN GEAR RETRACT ACTUATOR ONLY) 32-32-01-04	103106	RF

MISSING ITEM NUMBERS NOT APPLICABLE

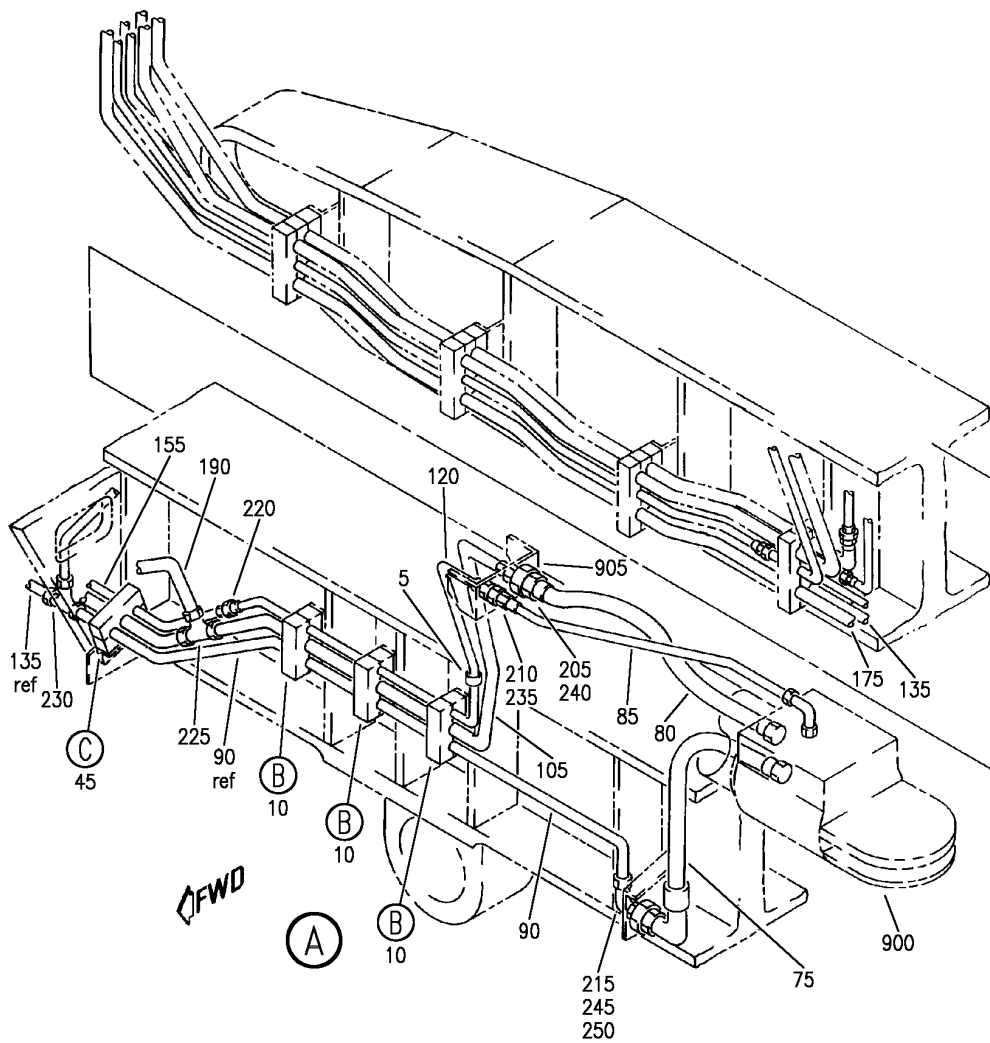
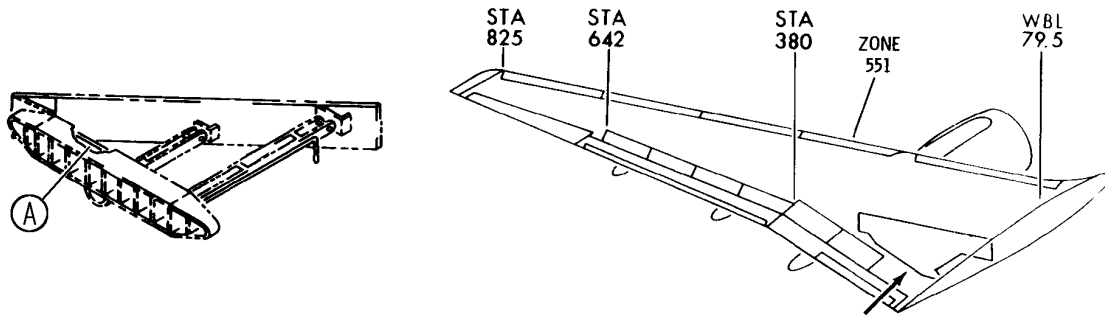
- ITEM NOT ILLUSTRATED

32-32-01-03A

32-32-01  
FIG. 03A  
PAGE 7  
JAN 20/09

BRI

**BOEING**  
757  
PARTS CATALOG (MAINTENANCE)



Y 32320104 SHT 1 REV 247

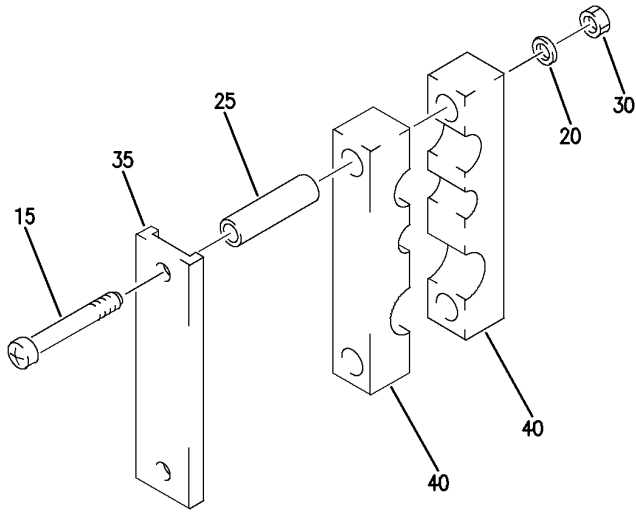
PLUMBING INSTL-SECT. 12 L TRAILING EDGE CTR SYS (MAIN GEAR RETRACT ACTUATOR ONLY)  
FIGURE 4 (SHEET 1)

BRI  
JAN 20/09

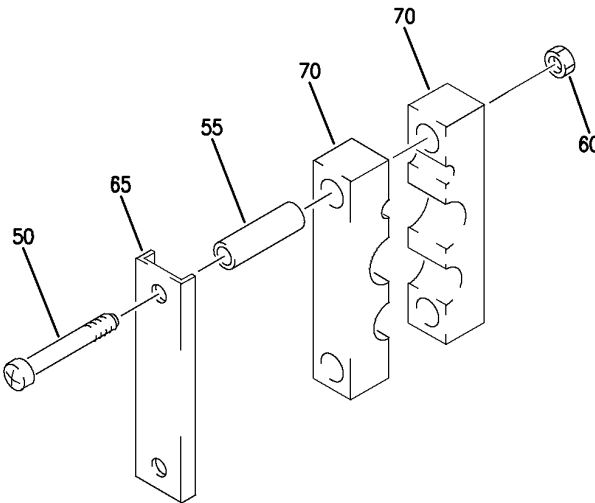
**32-32-01-04**

32-32-01-04  
PAGE 0

**BOEING**  
757  
PARTS CATALOG (MAINTENANCE)



(B)



(C)

Y 32320104 SH1 2 REV 247

PLUMBING INSTL-SECT. 12 L TRAILING EDGE CTR SYS (MAIN GEAR RETRACT ACTUATOR ONLY)  
FIGURE 4 (SHEET 2)

BRI  
JAN 20/09

**32-32-01-04**

32-32-01-04  
PAGE 0A



757

PARTS CATALOG (MAINTENANCE)

FIG ITEM	PART NUMBER	1 2 3 4 5 6 7	NOMENCLATURE	EFFECT FROM TO	UNITS PER ASSY
4			PLUMBING INSTL-SECT. 12 L TRAILING EDGE CTR SYS (MAIN GEAR RETRACT ACTUATOR ONLY)	103106	
- 1	MODREF31342		PLUMBING INSTL-HYDR CTR SYS (MAIN GEAR RETRACT ACTUATOR ONLY) MODULE NUMBER: 271N6122-34 REV B POSITION DATA: SECT. 12 L TRAILING EDGE FOR OTHER SYS DETAILS SEE: 27-61-02-03 29-11-18-03 29-11-26-06 29-11-51-27 FOR ADDITIONAL DETAILS SEE: 32-32-02-03 32-32-07-02 32-32-17-02 32-32-51-01 32-41-51-06	103106	1
5	M85052-2-4		.CLAMP	103106	1
10	270N2000-9		.CLAMP ASSY-BLK	103106	3
15	NAS1801-3-28		..SCREW	103106	2
20	AN960PD10L		..WASHER	103106	2
25	NAS43DD3-75		..SPACER	103106	2
30	BRH10A3		..NUT SUPPLIER CODE: V52828 SPECIFICATION NUMBER: BACN10JC3 OPTIONAL PART: H10-3BAC V15653 NS202101-02 V80539 RMLH9075-3W V72962 VN303A02 V92215 96-02 V80539 T6S1032J V11815	103106	2
35	270N2000-806		..CHANNEL	103106	1
40	270N2000-411		..BLOCK	103106	2

MISSING ITEM NUMBERS NOT APPLICABLE

- ITEM NOT ILLUSTRATED

32-32-01-04

32-32-01  
FIG. 04  
PAGE 1  
JAN 20/09

BRI





757

PARTS CATALOG (MAINTENANCE)

FIG ITEM	PART NUMBER	1 2 3 4 5 6 7	NOMENCLATURE	EFFECT FROM TO	UNITS PER ASSY
4					
45	270N2000-57	.	CLAMP ASSY-BLK	103106	1
50	NAS1801-3-28	..	SCREW	103106	2
55	NAS43DD3-75	..	SPACER	103106	2
60	BRH10A3	..	NUT	103106	2
			SUPPLIER CODE: V52828		
			SPECIFICATION NUMBER: BACN10JC3		
			OPTIONAL PART: H10-3BAC		
			V15653		
			NS202101-02		
			V80539		
			RMLH9075-3W		
			V72962		
			VN303A02		
			V92215		
			96-02		
			V80539		
			T6S1032J		
			V11815		
65	270N2000-866	..	CHANNEL	103106	1
70	270N2000-534	..	BLOCK	103106	2
75	AS116-08K0194	.	HOSE ASSY- AS116-08K0195 CAN BE REPLACED BY BUT NOT REPLACE AS116-08K0194	103106	1
80	AS115-10K0240	.	HOSE ASSY- AS115-10K0241 OR AS115-10D0241 CAN BE REPLACED BY BUT NOT REPLACE AS115-10K0240	103106	1
85	AS154A04EN0302B	.	HOSE ASSY SUPPLIER CODE: V00624 SPECIFICATION NUMBER: BACH8A04EN0302B OPTIONAL PART: B472-4EN0302B V98441 97934A04EN0302B V78570 R291204EN0302B V50599	103106	1
90	271N6122-1090	.	TUBE ASSY-LG UP TUBING MATERIAL: .500 IN. OD .026 IN. WALL 53.00 IN. LG TI	103106	1
- 95	AS1581T08	..	SLEEVE	103106	2

MISSING ITEM NUMBERS NOT APPLICABLE

- ITEM NOT ILLUSTRATED

32-32-01-04

32-32-01  
FIG. 04  
PAGE 2  
JAN 20/09

BRI

BOEING PROPRIETARY - Copyright © - Unpublished Work - See title page for details.



757

PARTS CATALOG (MAINTENANCE)

FIG ITEM	PART NUMBER	1 2 3 4 5 6 7	NOMENCLATURE	EFFECT FROM TO	UNITS PER ASSY
4					
- 100	BACN10YA8	..	NUT	103106	2
105	271N6122-1247	.TUBE ASSY-RETURN SYS		103106	1
			POSITION DATA:		
			L		
			TUBING MATERIAL:		
			.625 IN. OD .035 IN.		
			WALL 43.00 IN. LG AL		
- 110	AP2097HP10	..	SLEEVE	103106	2
			SUPPLIER CODE:		
			V01673		
			SPECIFICATION NUMBER:		
			BACS13BX10HP		
			OPTIONAL PART:		
			2-02903-10HP		
			V11328		
			35235VN10		
			V08199		
			AFP175V10P		
			V30974		
			DBOS13BX10HP		
			V14798		
- 115	BACN10YL10	..	NUT-	103106	2
			OPTIONAL PART:		
			MS21921-10D		
- 115	MS21921-10D	..	NUT-	103106	2
			OPTIONAL PART:		
			BACN10YL10		
120	271N6122-1246	.TUBE ASSY-LG EMER DOWN		103106	1
			TUBING MATERIAL:		
			.250 IN. OD .016 IN.		
			WALL 35.68 IN. LG TI		
- 125	AS1581T04	..	SLEEVE	103106	2
- 130	BACN10YA4N	..	NUT	103106	2
135	271N6122-1299	.TUBE ASSY-LG UP		103106	1
			TUBING MATERIAL:		
			.500 IN. OD .026 IN.		
			WALL 80.00 IN. LG TI		
- 140	AS1581T08	..	SLEEVE	103106	1
- 145	AS1582T08	..	UNION	103106	1
- 150	BACN10YA8N	..	NUT	103106	1
155	271N6122-1087	.TUBE ASSY-LG DOWN		103106	1
			TUBING MATERIAL:		
			.375 IN. OD .019 IN.		
			WALL 88.00 IN. LG TI		
- 160	AS1581T06	..	SLEEVE	103106	1
- 165	AS1582T06	..	UNION	103106	1
- 170	BACN10YA6	..	NUT	103106	1

MISSING ITEM NUMBERS NOT APPLICABLE

- ITEM NOT ILLUSTRATED

32-32-01-04

32-32-01  
FIG. 04  
PAGE 3  
JAN 20/09

BRI



757

PARTS CATALOG (MAINTENANCE)

FIG ITEM	PART NUMBER	1 2 3 4 5 6 7	NOMENCLATURE	EFFECT FROM TO	UNITS PER ASSY
4					
175	271N6122-1234		.TUBE ASSY-RETURN SYS POSITION DATA: L TUBING MATERIAL: .625 IN. OD .032 IN. WALL 92.00 IN. LG TI	103106	1
- 180	AS1581T10		..SLEEVE	103106	2
- 185	BACN10YA10N		..NUT	103106	2
190	271N6122-1263		.TUBE ASSY-RETURN SYS POSITION DATA: L TUBING MATERIAL: .625 IN. OD .035 IN. WALL 58.00 IN. LG AL	103106	1
- 195	AP2097HP10		..SLEEVE SUPPLIER CODE: V01673 SPECIFICATION NUMBER: BACS13BX10HP OPTIONAL PART: 2-02903-10HP V11328 35235VN10 V08199 AFP175V10P V30974 DBOS13BX10HP V14798	103106	2
- 200	BACN10YL10		..NUT- OPTIONAL PART: MS21921-10D	103106	2
- 200	MS21921-10D		..NUT- OPTIONAL PART: BACN10YL10	103106	2
205	MS21924D10		.UNION	103106	1
210	MS21924-4T		.UNION	103106	1
215	BACE21BN0808J		.ELBOW	103106	1
220	MS21916-6-4T		.REDUCER-	103106	1
225	MS21905W10		.TEE	103106	1
230	BACT16BL080804J		.TEE	103106	1
235	AS5178D04		.NUT	103106	1
240	AS5178D10		.NUT	103106	1
245	AS5178D08		.NUT	103106	1
250	NAS1149D1290J		.WASHER	103106	1
900			ILLUSTRATION REFERENCE: VALVE INSTL-MLG DOWNLOCK OPERATED DOOR SEQUENCE 32-32-07-01A	103106	RF

MISSING ITEM NUMBERS NOT APPLICABLE

- ITEM NOT ILLUSTRATED

32-32-01-04

32-32-01  
FIG. 04  
PAGE 4  
JAN 20/09

BRI



757

PARTS CATALOG (MAINTENANCE)

FIG ITEM	PART NUMBER	1 2 3 4 5 6 7	NOMENCLATURE	EFFECT FROM TO	UNITS PER ASSY
4 905			ILLUSTRATION REFERENCE: PLUMBING INSTL-INBD WING SECT. 12 HYDR LH (MAIN GEAR EXTENSION AND RETRACTION ONLY) 32-32-51-01	103106	RF

MISSING ITEM NUMBERS NOT APPLICABLE

- ITEM NOT ILLUSTRATED

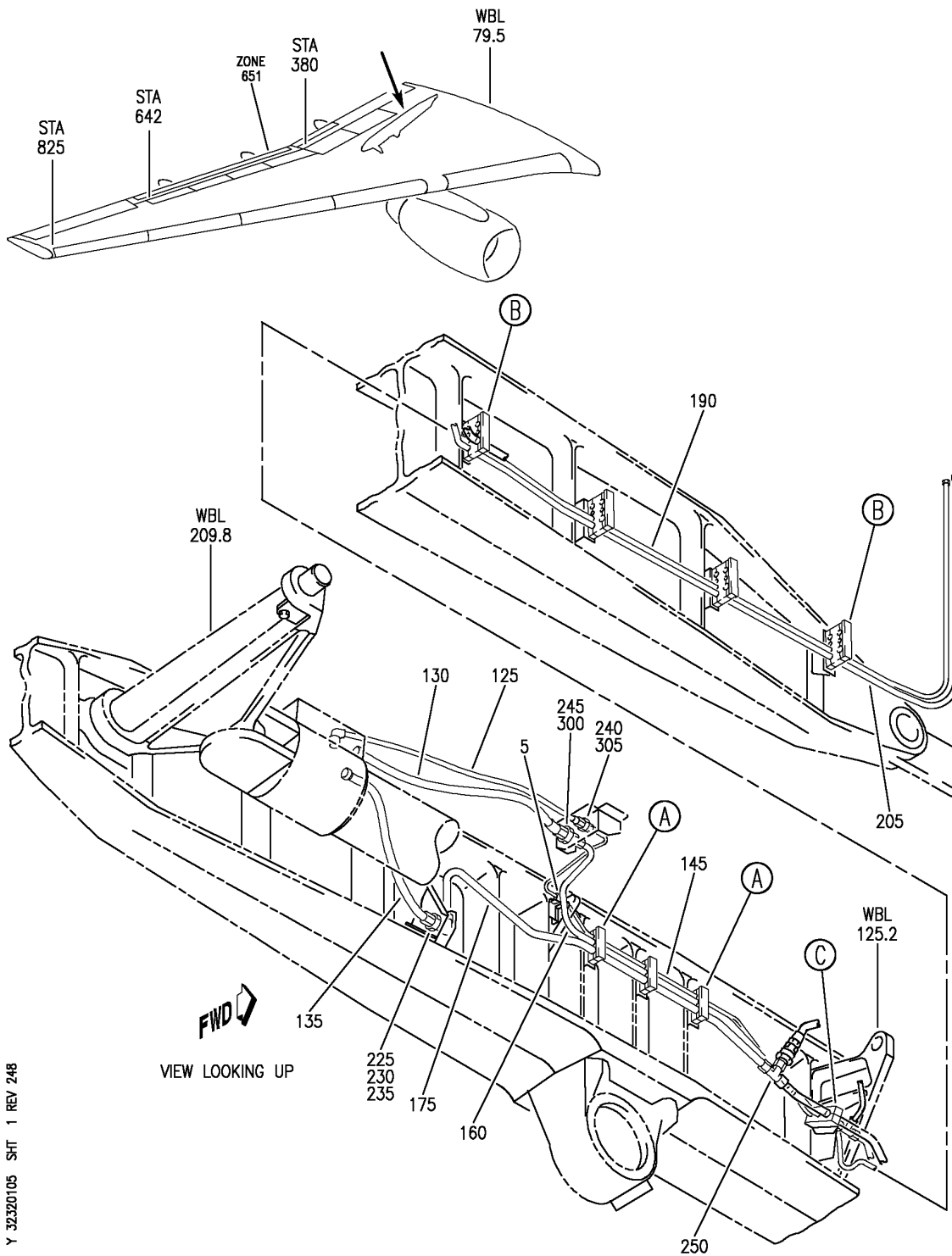
BRI

32-32-01-04

BOEING PROPRIETARY - Copyright © - Unpublished Work - See title page for details.

32-32-01  
FIG. 04  
PAGE 5  
JAN 20/09

**BOEING**  
757  
PARTS CATALOG (MAINTENANCE)



Y 32320105 SHT 1 REV 248

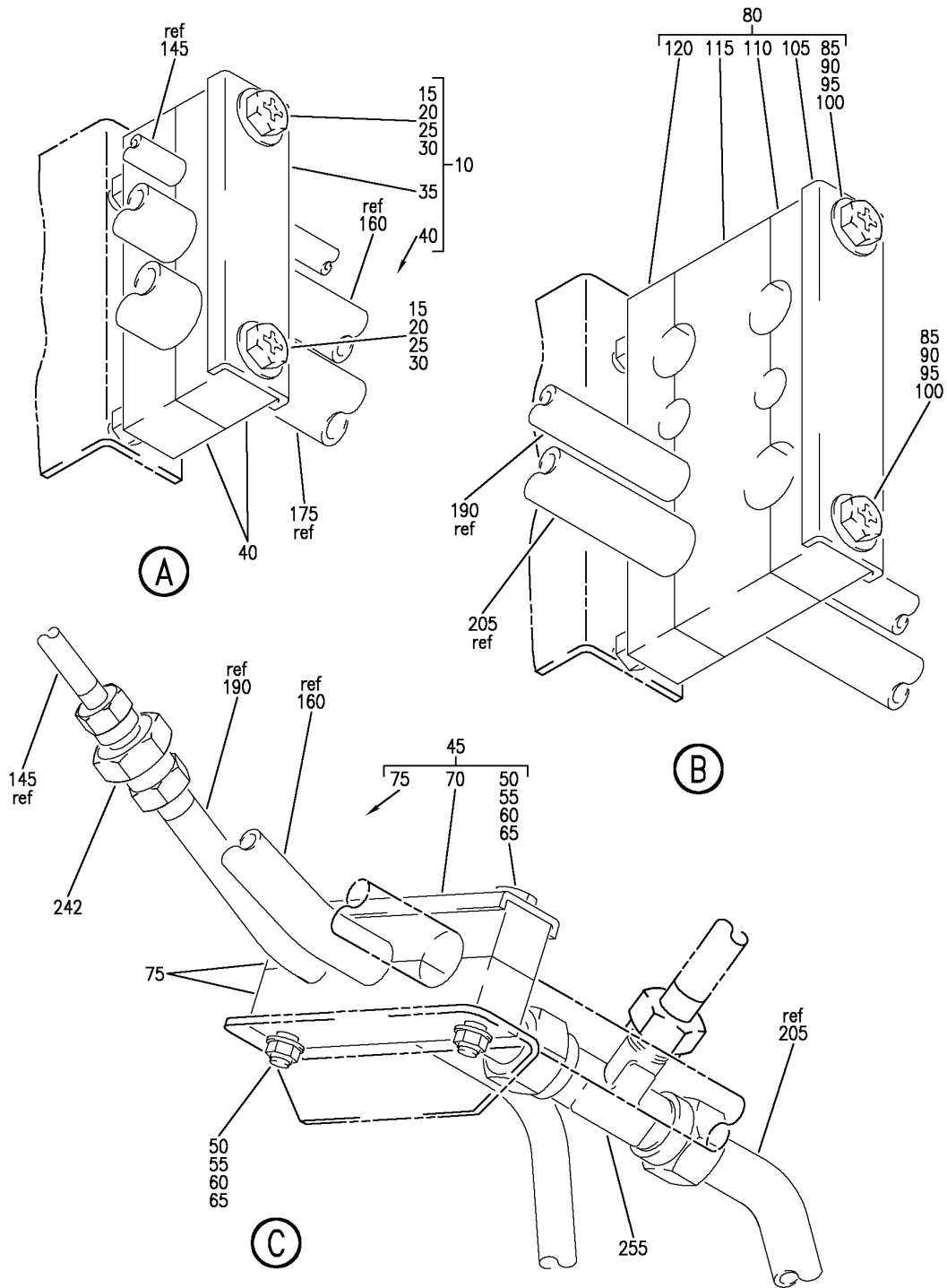
PLUMBING INSTL-SECT. 12 R TRAILING EDGE CTR SYS (MAIN GEAR RETRACT ACTUATOR ONLY)  
FIGURE 5 (SHEET 1)

BRI  
JAN 20/09

**32-32-01-05**

32-32-01-05  
PAGE 0

**BOEING**  
757  
PARTS CATALOG (MAINTENANCE)



Y 32320105 SH1 2 REV 248

PLUMBING INSTL-SECT. 12 R TRAILING EDGE CTR SYS (MAIN GEAR RETRACT ACTUATOR ONLY)  
FIGURE 5 (SHEET 2)

BRI  
JAN 20/09

**32-32-01-05**

32-32-01-05  
PAGE 0A



757

PARTS CATALOG (MAINTENANCE)

FIG ITEM	PART NUMBER	1 2 3 4 5 6 7	NOMENCLATURE	EFFECT FROM TO	UNITS PER ASSY
5			PLUMBING INSTL-SECT. 12 R TRAILING EDGE CTR SYS (MAIN GEAR RETRACT ACTUATOR ONLY)	103106	
- 1	MODREF24143		PLUMBING INSTL-HYDR CTR SYS (MAIN GEAR RETRACT ACTUATOR ONLY) MODULE NUMBER: 271N6123-21 REV B POSITION DATA: SECT. 12 R TRAILING EDGE FOR OTHER SYS DETAILS SEE: 27-61-02-06 29-11-18-04 29-11-26-07 29-11-51-29A FOR ADDITIONAL DETAILS SEE: 32-32-02-04 32-32-07-03 32-32-17-03 32-32-51-02 32-41-51-07	103105	1
- 1	MODREF34199		PLUMBING INSTL-HYDR CTR SYS (MAIN GEAR RETRACT ACTUATOR ONLY) MODULE NUMBER: 271N6123-21 REV C POSITION DATA: SECT. 12 R TRAILING EDGE FOR OTHER SYS DETAILS SEE: 27-61-02-06 29-11-18-04 29-11-26-07 29-11-51-29A FOR ADDITIONAL DETAILS SEE: 32-32-02-04 32-32-07-03 32-32-17-03 32-32-51-02 32-41-51-07	106106	1
5	M85052-2-4		.CLAMP	103106	1
10	270N2000-13		.CLAMP ASSY-	103106	3
15	NAS1801-3-28		..SCREW	103106	2
20	NAS43DD3-75		..SPACER	103106	2
25	AN960PD10L		..WASHER	103106	2

MISSING ITEM NUMBERS NOT APPLICABLE

- ITEM NOT ILLUSTRATED

32-32-01-05

32-32-01  
FIG. 05  
PAGE 1  
JAN 20/09

BRI



757

PARTS CATALOG (MAINTENANCE)

FIG ITEM	PART NUMBER	1 2 3 4 5 6 7	NOMENCLATURE	EFFECT FROM TO	UNITS PER ASSY
5					
30	BRH10A3	..	NUT SUPPLIER CODE: V52828 SPECIFICATION NUMBER: BACN10JC3 OPTIONAL PART: H10-3BAC V15653 NS202101-02 V80539 RMLH9075-3W V72962 VN303A02 V92215 96-02 V80539 T6S1032J V11815	103106	2
35	270N2000-806	..	CHANNEL	103106	1
40	270N2000-420	..	BLOCK	103106	2
45	270N2000-56	.	CLAMP ASSY-BLK	103106	1
50	NAS1801-3-28	..	SCREW	103106	2
55	NAS43DD3-75	..	SPACER	103106	2
60	AN960PD10L	..	WASHER	103106	2
65	BRH10A3	..	NUT SUPPLIER CODE: V52828 SPECIFICATION NUMBER: BACN10JC3 OPTIONAL PART: H10-3BAC V15653 NS202101-02 V80539 RMLH9075-3W V72962 VN303A02 V92215 96-02 V80539 T6S1032J V11815	103106	2
70	270N2000-865	..	CHANNEL	103106	1
75	270N2000-533	..	BLOCK	103106	2
80	270N2000-136	.	CLAMP ASSY-BLK	103106	4
85	NAS1801-3-45	..	SCREW	103106	2
90	NAS43DD3-144	..	SPACER	103106	2
95	AN960PD10L	..	WASHER	103106	2

MISSING ITEM NUMBERS NOT APPLICABLE

- ITEM NOT ILLUSTRATED

32-32-01-05

32-32-01  
FIG. 05  
PAGE 2  
JAN 20/09

BRI





757

PARTS CATALOG (MAINTENANCE)

FIG ITEM	PART NUMBER	1 2 3 4 5 6 7	NOMENCLATURE	EFFECT FROM TO	UNITS PER ASSY
5 100	BRH10A3	..	NUT SUPPLIER CODE: V52828 SPECIFICATION NUMBER: BACN10JC3 OPTIONAL PART: H10-3BAC V15653 NS202101-02 V80539 RMLH9075-3W V72962 VN303A02 V92215 96-02 V80539 T6S1032J V11815	103106	2
105	270N2000-807	..	CHANNEL	103106	1
110	270N2000-412	..	BLOCK	103106	1
115	270N2000-589	..	BLOCK	103106	1
120	270N2000-414	..	BLOCK	103106	1
125	AS154A04EN0302B	.H	HOSE ASSY SUPPLIER CODE: V00624 SPECIFICATION NUMBER: BACH8A04EN0302B OPTIONAL PART: B472-4EN0302B V98441 97934A04EN0302B V78570 R291204EN0302B V50599	103106	1
130	AS115-08K0240	.H	HOSE ASSY- MISCELLANEOUS DATA: SPARES PROVISIONING DATA-NOT FOR BOEING MANUFACTURING USE: AS115-08D0241 OR AS115-08K0241 CAN BE REPLACED BY BUT NOT REPLACE AS115-08K0240.	103106	1

MISSING ITEM NUMBERS NOT APPLICABLE

- ITEM NOT ILLUSTRATED

32-32-01-05

32-32-01  
FIG. 05  
PAGE 3  
JAN 20/09

BRI

BOEING PROPRIETARY - Copyright © - Unpublished Work - See title page for details.



757

PARTS CATALOG (MAINTENANCE)

FIG ITEM	PART NUMBER	1 2 3 4 5 6 7	NOMENCLATURE	EFFECT FROM TO	UNITS PER ASSY
5					
135	AS116-10K0194		.HOSE ASSY- MISCELLANEOUS DATA: SPARES PROVISIONING DATA-NOT FOR BOEING MANUFACTURING USE: AS116-10K0195 CAN BE REPLACED BY BUT NOT REPLACE AS116-10K0194	103106	1
145	271N6123-1252		.TUBE ASSY-LG DN TUBING MATERIAL: .250 IN. OD .016 IN. WALL 42.00 IN. LG TI	103106	1
- 150	AS1581T04		..SLEEVE	103106	2
- 155	BACN10YA4N		..NUT	103106	2
160	271N6123-1289		.TUBE ASSY-LG UP TUBING MATERIAL: .500 IN. OD .026 IN. WALL 53.00 IN. LG TI	103106	1
- 165	AS1581T08		..SLEEVE	103106	2
- 170	BACN10YA8N		..NUT	103106	2
175	271N6123-1201		.TUBE ASSY-RETURN SYS POSITION DATA: L TUBING MATERIAL: .625 IN. OD .035 IN. WALL 40.75 IN. LG AL	103106	1
- 180	AP2097HP10		..SLEEVE SUPPLIER CODE: V01673 SPECIFICATION NUMBER: BACS13BX10HP OPTIONAL PART: 2-02903-10HP V11328 35235VN10 V08199 AFP175V10P V30974 DBOS13BX10HP V14798	103106	2
- 185	BACN10YL10		..NUT- OPTIONAL PART: MS21921-10D	103106	2
- 185	MS21921-10D		..NUT- OPTIONAL PART: BACN10YL10	103106	2

MISSING ITEM NUMBERS NOT APPLICABLE

- ITEM NOT ILLUSTRATED

32-32-01-05

32-32-01  
FIG. 05  
PAGE 4  
JAN 20/09

BRI



757

PARTS CATALOG (MAINTENANCE)

FIG ITEM	PART NUMBER	1 2 3 4 5 6 7	NOMENCLATURE	EFFECT FROM TO	UNITS PER ASSY
5					
190	271N6123-1077		.TUBE ASSY-LG DN TUBING MATERIAL: .375 IN. OD .019 IN. WALL 92.00 IN. LG TI	103106	1
- 195	AS1581T06		..SLEEVE	103106	2
- 200	BACN10YA6		..NUT	103106	2
205	271N6123-1275		.TUBE ASSY-LG UP TUBING MATERIAL: .500 IN. OD .026 IN. WALL 89.00 IN. LG TI	103106	1
- 210	AS1581T08		..SLEEVE	103106	1
- 215	BACN10YA8N		..NUT	103106	1
- 220	AS1582T08		..UNION	103106	1
225	MS21908W10		.ELBOW	103106	1
230	NAS1149D1416J		.WASHER	103106	1
235	AS5178D10		.NUT	103106	1
240	MS21924-4T		.UNION	103106	1
242	MS21916-6-4T		.REDUCER	103106	1
245	MS21924-8T		.UNION	103106	1
250	NAS1764W101010		.TEE-SWIVEL	103106	1
255	BACT16BL080804J		.TEE	103106	1
300	AS5178D08		.NUT	103106	1
305	AS5178D04		.NUT	103106	1

MISSING ITEM NUMBERS NOT APPLICABLE

- ITEM NOT ILLUSTRATED

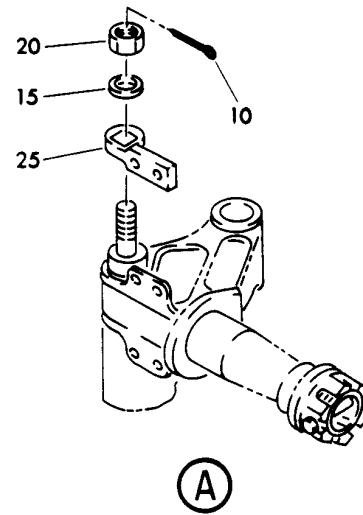
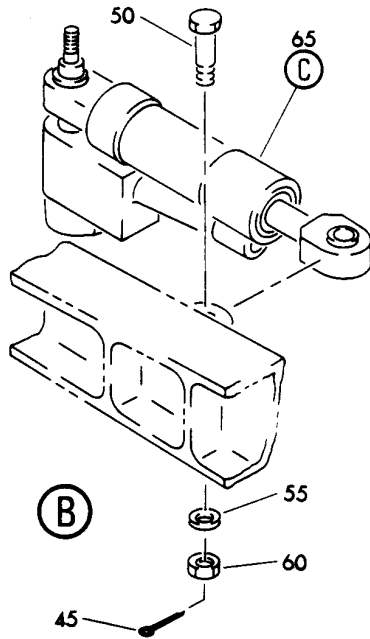
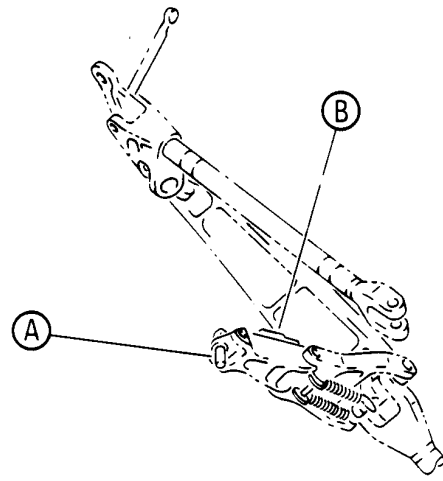
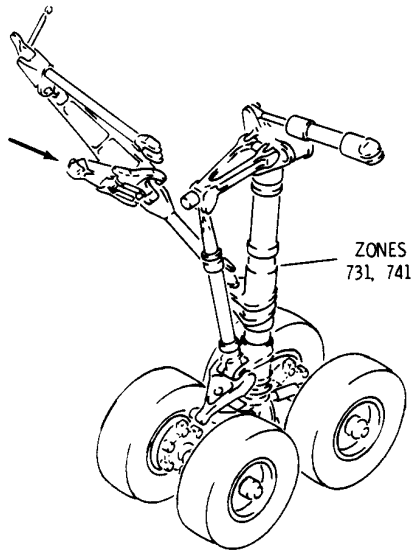
BRI

32-32-01-05

BOEING PROPRIETARY - Copyright © - Unpublished Work - See title page for details.

32-32-01  
FIG. 05  
PAGE 5  
JAN 20/09

**BOEING**  
757  
PARTS CATALOG (MAINTENANCE)



Y 32320201 SHT 1 REV 082

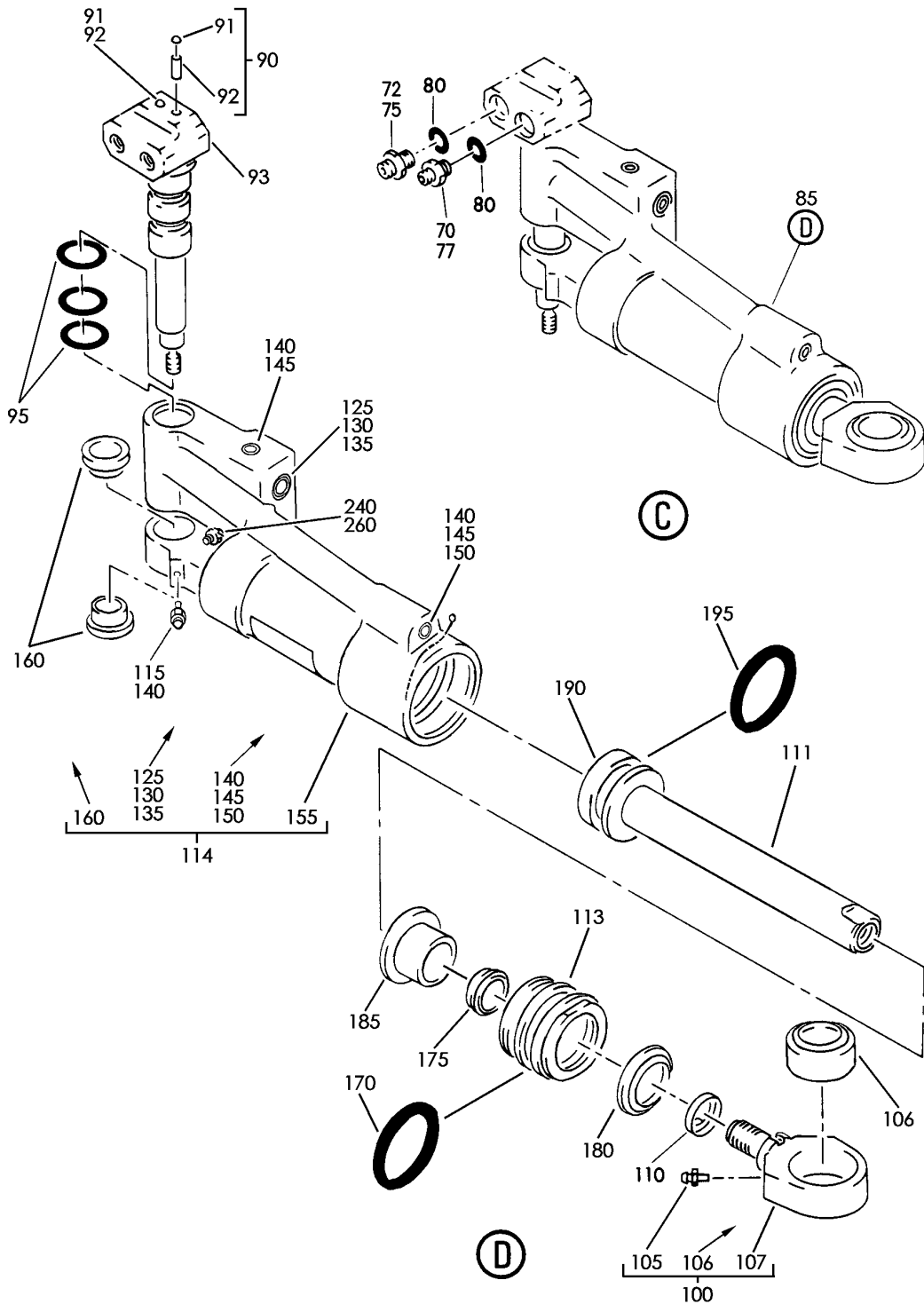
MAIN GEAR INSTL-VAR (MAIN GEAR DOWNLOCK ACTUATOR ONLY)  
FIGURE 1 (SHEET 1)

**32-32-02-01**

BRI  
MAY 28/07

32-32-02-01  
PAGE 0

**BOEING**  
757  
PARTS CATALOG (MAINTENANCE)



Y 32320201 SHT 2 REV 243

MAIN GEAR INSTL-VAR (MAIN GEAR DOWNLOCK ACTUATOR ONLY)  
FIGURE 1 (SHEET 2)

**32-32-02-01**

BRI  
MAY 28/07

32-32-02-01  
PAGE 0A



757

PARTS CATALOG (MAINTENANCE)

FIG ITEM	PART NUMBER	1 2 3 4 5 6 7	NOMENCLATURE	EFFECT FROM TO	UNITS PER ASSY
1			MAIN GEAR INSTL-VAR (MAIN GEAR DOWNLOCK ACTUATOR ONLY)	002004 006100 107107 121503 904999	
- 1	161N0001-93		MAIN GEAR INSTL-VAR (MAIN GEAR DOWNLOCK ACTUATOR ONLY) POSITION DATA: LH FOR OTHER SYS DETAILS SEE: 32-11-00-01 FOR ADDITIONAL DETAILS SEE: 32-32-01-01 32-32-15-01	107107 904949	RF
- 1	161N0001-133		MAIN GEAR INSTL-VAR (MAIN GEAR DOWNLOCK ACTUATOR ONLY) POSITION DATA: LH FOR OTHER SYS DETAILS SEE: 32-11-00-01 FOR ADDITIONAL DETAILS SEE: 32-32-01-01 32-32-15-01	002004 006100 121503 950999	RF
- 5	161N0001-94		MAIN GEAR INSTL-VAR (MAIN GEAR DOWNLOCK ACTUATOR ONLY) POSITION DATA: RH FOR OTHER SYS DETAILS SEE: 32-11-00-01 FOR ADDITIONAL DETAILS SEE: 32-32-01-01 32-32-15-01	107107 904949	RF
- 5	161N0001-134		MAIN GEAR INSTL-VAR (MAIN GEAR DOWNLOCK ACTUATOR ONLY) POSITION DATA: RH FOR OTHER SYS DETAILS SEE: 32-11-00-01 FOR ADDITIONAL DETAILS SEE: 32-32-01-01 32-32-15-01	002004 006100 121503 950999	RF

MISSING ITEM NUMBERS NOT APPLICABLE

- ITEM NOT ILLUSTRATED

32-32-02-01

32-32-02  
FIG. 01  
PAGE 1  
JAN 20/09

BRI



757

PARTS CATALOG (MAINTENANCE)

FIG ITEM	PART NUMBER	1 2 3 4 5 6 7	NOMENCLATURE	EFFECT FROM TO	UNITS PER ASSY
1					
10	MS24665-304	.	PIN-	002004 006100 107107 121503 904999	1
15	AN960-616	.	WASHER-	002004 006100 107107 121503 904999	1
20	LCN12-624	.	NUT-SELF LOCKING SUPPLIER CODE: V56878	002004 006100 107107 121503 904999	1
25	273N2080-1	.	BRACKET-	002004 006100 107107 121503 904999	1
25	273N2080-2	.	BRACKET-	002004 006100 107107 121503 904999	1
- 30	BACB30LJ3-7	.	ATTACHING PARTS BOLT-	002004 006100 107107 121503 904999	2
- 35	AN960-10L	.	WASHER	002004 006100 107107 121503 904999	2

MISSING ITEM NUMBERS NOT APPLICABLE

- ITEM NOT ILLUSTRATED

BRI

32-32-02-01

BOEING PROPRIETARY - Copyright © - Unpublished Work - See title page for details.

32-32-02  
FIG. 01  
PAGE 2  
JAN 20/09



757

PARTS CATALOG (MAINTENANCE)

FIG ITEM	PART NUMBER	1 2 3 4 5 6 7	NOMENCLATURE	EFFECT FROM TO	UNITS PER ASSY
1 - 40	BRH10C3D		.NUT SUPPLIER CODE: V52828 SPECIFICATION NUMBER: BACN10JC3CD OPTIONAL PART: T6C1032JCD V11815 NS202486-02 V80539 102LH9075-3W V72962 H51650-3BAC V15653 -----*-----	002004 006100 107107 121503 904999	2
45	MS24665-374		.PIN-	002004 006100 107107 121503 904999	1
50	BACB30LJ10CD29		.BOLT-	107107 904949 952952	1
50	BACB30LJ10CD28		.BOLT-	002004 006100 121503 950951 953999	1
55	AN960-1016L		.WASHER-	107107 904949 952952	1
55	AN960-1016		.WASHER-	002004 006100 121503 950951 953999	1
60	56287M1018		.NUT-SELF LOCKING SUPPLIER CODE: V56878 OPTIONAL PART: 56287-1018 V56878	002004 006100 107107 121503 904999	1
60	56287-1018		.NUT-SELF LOCKING SUPPLIER CODE: V56878 OPTIONAL PART: 56287M1018 V56878	002004 006100 107107 121503 904999	1

MISSING ITEM NUMBERS NOT APPLICABLE

- ITEM NOT ILLUSTRATED

32-32-02-01

32-32-02  
FIG. 01  
PAGE 3  
JAN 20/09

BRI





757

PARTS CATALOG (MAINTENANCE)

FIG ITEM	PART NUMBER	1 2 3 4 5 6 7	NOMENCLATURE	EFFECT FROM TO	UNITS PER ASSY
1					
65	161N0001-50		.ACTUATOR ASSY-DOWNLOCK POSITION DATA: LH SIDE COMPONENT MAINT MANUAL REF: 32-32-18 OPTIONAL PART: 161N0001-81	002004 006100 107107 121503 904999	1
65	161N0001-81		.ACTUATOR ASSY-DOWNLOCK POSITION DATA: LH SIDE COMPONENT MAINT MANUAL REF: 32-32-18 OPTIONAL PART: 161N0001-50	002004 006100 107107 121503 904999	1
- 67	161N0001-50		.ACTUATOR ASSY-DOWNLOCK POSITION DATA: RH SIDE COMPONENT MAINT MANUAL REF: 32-32-18 OPTIONAL PART: 161N0001-81	002004 006100 107107 121503 904999	1
- 67	161N0001-81		.ACTUATOR ASSY-DOWNLOCK POSITION DATA: RH SIDE COMPONENT MAINT MANUAL REF: 32-32-18 OPTIONAL PART: 161N0001-50	002004 006100 107107 121503 904999	1
70	BACU24K4		..UNION-	002004 006100 107107 121503 904999	1

MISSING ITEM NUMBERS NOT APPLICABLE

- ITEM NOT ILLUSTRATED

BRI

32-32-02-01

BOEING PROPRIETARY - Copyright © - Unpublished Work - See title page for details.

32-32-02  
FIG. 01  
PAGE 4  
JAN 20/09



757

PARTS CATALOG (MAINTENANCE)

FIG ITEM	PART NUMBER	1 2 3 4 5 6 7	NOMENCLATURE	EFFECT FROM TO	UNITS PER ASSY
1 75	AFP2326-4		.. REDUCER- SUPPLIER CODE: V30974 SPECIFICATION NUMBER: BACR17E6-4 OPTIONAL PART: AP10276-4 V01673 BC916T6-4 V50948 DBOR17E6-4 V14798 ER21916T6-4 V88334 ER31916-6-4 V88334 F23-6-4 V73197 2-01075T6-4 V11328 31778-6-4 V14397 US2114-6-4 V50808 AP1027T6-4 V01673 US21146-4 V50808 317786-4 V14397	002004 006100 107107 121503 904999	1
80	NAS1612-4		.. PACKING-	002004 006100 107107 121503 904999	2
85	273N2008-2		.. ACTUATOR ASSY- POSITION DATA: LH SIDE MISCELLANEOUS DATA: FOR SPARES PROCURE LOWER COMPONENTS USED ON: 161N0001-50 FUNCTIONAL REFERENCE: PLACARDS AND MARKINGS FOR DETAILS SEE 11-22-05-01	002004 006100 107107 121503 904999	1

MISSING ITEM NUMBERS NOT APPLICABLE

- ITEM NOT ILLUSTRATED

32-32-02-01

32-32-02  
 FIG. 01  
 PAGE 5  
 JAN 20/09

BRI

 **BOEING**  
757  
**PARTS CATALOG (MAINTENANCE)**

FIG ITEM	PART NUMBER	1 2 3 4 5 6 7	NOMENCLATURE	EFFECT FROM TO	UNITS PER ASSY
1 85	273N2008-3		..ACTUATOR ASSY- POSITION DATA: LH SIDE MISCELLANEOUS DATA: FOR SPARES PROCURE LOWER COMPONENTS USED ON: 161N0001-81 FUNCTIONAL REFERENCE: PLACARDS AND MARKINGS FOR DETAILS SEE 11-22-05-01	002004 006100 107107 121503 904999	1
- 88	273N2008-2		..ACTUATOR ASSY- POSITION DATA: RH SIDE MISCELLANEOUS DATA: FOR SPARES PROCURE LOWER COMPONENTS USED ON: 161N0001-50 FUNCTIONAL REFERENCE: PLACARDS AND MARKINGS FOR DETAILS SEE 11-22-05-01	002004 006100 107107 121503 904999	1
- 88	273N2008-3		..ACTUATOR ASSY- POSITION DATA: RH SIDE MISCELLANEOUS DATA: FOR SPARES PROCURE LOWER COMPONENTS USED ON: 161N0001-81 FUNCTIONAL REFERENCE: PLACARDS AND MARKINGS FOR DETAILS SEE 11-22-05-01	002004 006100 107107 121503 904999	1
90	273N2028-1		...PIN ASSY-CLEVIS	002004 006100 107107 121503 904999	1
91	BACP20AX15		....PLUG	002004 006100 107107 121503 904999	2

MISSING ITEM NUMBERS NOT APPLICABLE

- ITEM NOT ILLUSTRATED

BRI

# 32-32-02-01

BOEING PROPRIETARY - Copyright © - Unpublished Work - See title page for details.

32-32-02  
FIG. 01  
PAGE 6  
JAN 20/09



757

PARTS CATALOG (MAINTENANCE)

FIG ITEM	PART NUMBER	1 2 3 4 5 6 7	NOMENCLATURE	EFFECT FROM TO	UNITS PER ASSY
1	92	BACP20AX15P	.....PIN	002004 006100 107107 121503 904999	2
	93	273N2028-2	...PIN-CLEVIS	002004 006100 107107 121503 904999	
	95	S30775-212H99	...SEAL- SUPPLIER CODE: V97820	002004 006100 107107 121503 904999	3
	100	273N2027-1	...ROD END ASSY	002004 006100 107107 121503 904999	
	105	1728B	.....FITTING-LUBE SUPPLIER CODE: VOFKM1	002004 006100 107107 121503 904999	1
	106	BNG10A111C	.....BEARING- SUPPLIER CODE: V16746 SPECIFICATION NUMBER: BACB10FJ10GC OPTIONAL PART: ASBFJ10VC VS0352 HU10-210VC V02758 JC10G3C V56644 KSB10-61 V97613 LHB10EPGC V73134 AG10V32C V15860 BLN10-2589SC V81376 BACB10EP10GC	002004 006100 107107 121503 904999	

MISSING ITEM NUMBERS NOT APPLICABLE

- ITEM NOT ILLUSTRATED

BRI

32-32-02-01

BOEING PROPRIETARY - Copyright © - Unpublished Work - See title page for details.

32-32-02  
FIG. 01  
PAGE 7  
JAN 20/09

 **BOEING**  
757  
**PARTS CATALOG (MAINTENANCE)**

FIG ITEM	PART NUMBER	1 2 3 4 5 6 7	NOMENCLATURE	EFFECT FROM TO	UNITS PER ASSY
1					
106	BACB10EP10GC	....	BEARING- OPTIONAL PART: BACB10FJ10GC	002004 006100 107107 121503 904999	1
107	273N2027-2	....	ROD END	002004 006100 107107 121503 904999	1
110	66-12156-1	...	WASHER	002004 006100 107107 121503 904999	1
111	273N2024-1	...	PISTON	002004 006100 107107 121503 904999	1
113	273N2026-1	...	RETAINER ASSY	002004 006100 107107 121503 904999	1
114	273N2023-4	...	BODY ASSY- USED ON: 273N2008-2	002004 006100 107107 121503 904999	1
114	273N2023-5	...	BODY ASSY- USED ON: 273N2008-3	002004 006100 107107 121503 904999	1
115	1728B	....	FITTING-LUBE SUPPLIER CODE: VOFKM1 USED ON: 273N2023-4	002004 006100 107107 121503 904999	1
125	BACP20AX31	....	PLUG	002004 006100 107107 121503 904999	1

MISSING ITEM NUMBERS NOT APPLICABLE

— ITEM NOT ILLUSTRATED

BRI

# 32-32-02-01

BOEING PROPRIETARY - Copyright © - Unpublished Work - See title page for details.

32-32-02  
FIG. 01  
PAGE 8  
JAN 20/09



757

PARTS CATALOG (MAINTENANCE)

FIG ITEM	PART NUMBER	1 2 3 4 5 6 7	NOMENCLATURE	EFFECT FROM TO	UNITS PER ASSY
1					
130	BACP20AX31P	.....	PIN	002004 006100 107107 121503 904999	1
135	FCFA2810100D	.....	FLOW CONTROL- SUPPLIER CODE: V92555	002004 006100 107107 121503 904999	1
140	BACP20AX21	.....	PLUG	002004 006100 107107 121503 904999	2
145	BACP20AX21P	.....	PIN	002004 006100 107107 121503 904999	2
150	JEHA1875450L	.....	RESTRICTOR- SUPPLIER CODE: V92555	002004 006100 107107 121503 904999	1
155	273N2023-2	.....	BODY- USED ON: 273N2023-4	002004 006100 107107 121503 904999	1
155	273N2023-6	.....	BODY- USED ON: 273N2023-5	002004 006100 107107 121503 904999	1
160	BACB28W11B29	.....	BUSHING-FLANGED	002004 006100 107107 121503 904999	2
165	NAS1611-223	...	PACKING-	002004 006100 107107 121503 904999	1

MISSING ITEM NUMBERS NOT APPLICABLE

- ITEM NOT ILLUSTRATED

32-32-02-01

32-32-02  
FIG. 01  
PAGE 9  
JAN 20/09

BRI

BOEING PROPRIETARY - Copyright © - Unpublished Work - See title page for details.



757

PARTS CATALOG (MAINTENANCE)

FIG ITEM	PART NUMBER	1 2 3 4 5 6 7	NOMENCLATURE	EFFECT FROM TO	UNITS PER ASSY
1					
170	MS28774-223	...	RETAINER-BACKUP	002004 006100 107107 121503 904999	2
175	S33555-211H5	...	SEAL-HAT SUPPLIER CODE: V09257	002004 006100 107107 121503 904999	1
180	CWR76-6B	...	SCRAPER-ROD SUPPLIER CODE: V26879 SPECIFICATION NUMBER: BACS34A6A OPTIONAL PART: TF005-6A V07128 2140-6A V26303 RMS34A6A V94878 DW9680-6A V02886	002004 006100 107107 121503 904999	1
185	273N2025-1	...	BEARING-ROD	002004 006100 107107 121503 904999	1
190	NAS1611-218	...	PACKING-	002004 006100 107107 121503 904999	1
195	S30662-218-9N	...	SEAL-CHANNEL SUPPLIER CODE: V97820	002004 006100 107107 121503 904999	1
240	1728B	...	FITTING-LUBE SUPPLIER CODE: VOFKM1 USED ON: 273N2008-3	002004 006100 107107 121503 904999	2

MISSING ITEM NUMBERS NOT APPLICABLE

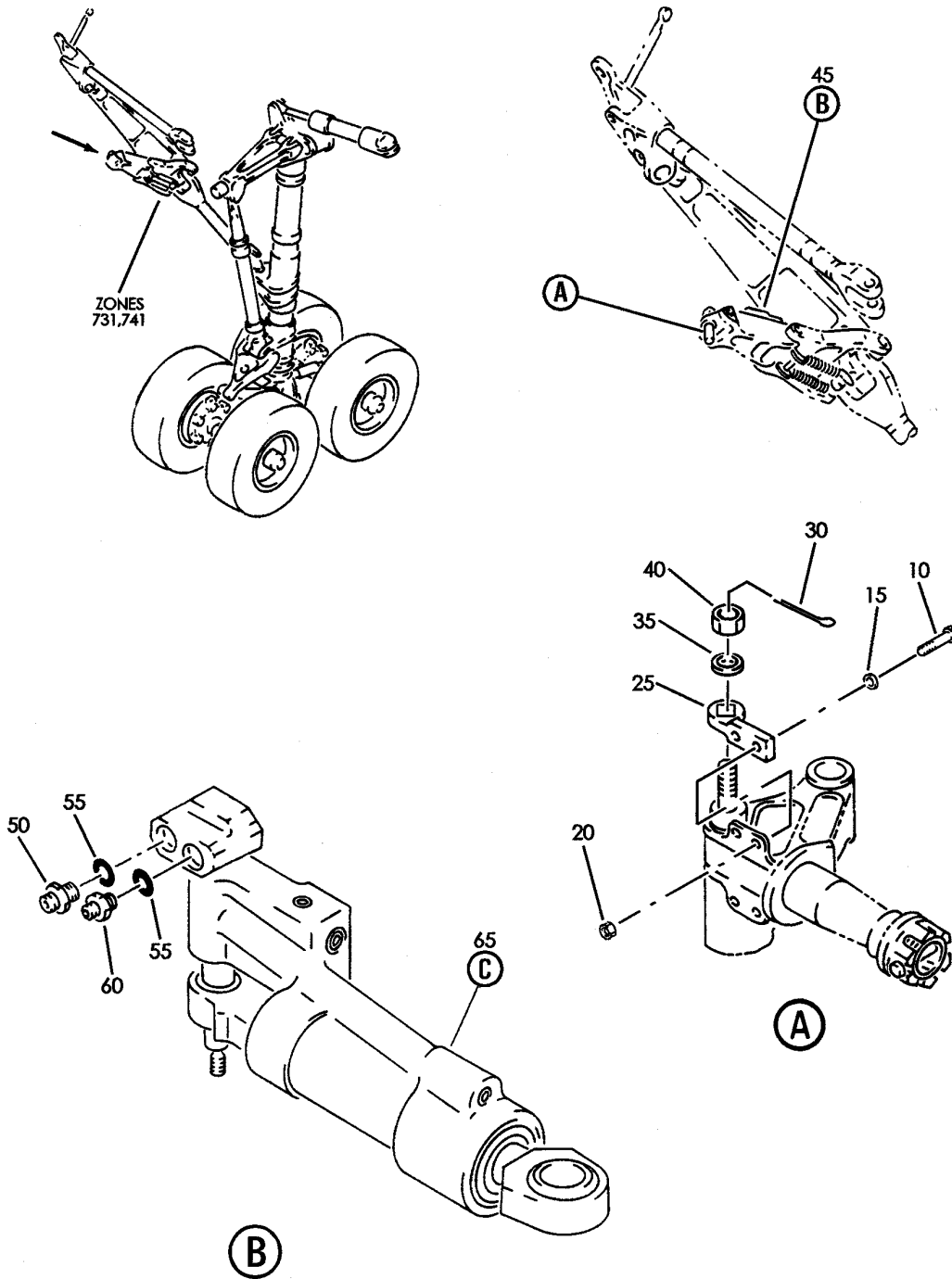
- ITEM NOT ILLUSTRATED

32-32-02-01

32-32-02  
FIG. 01  
PAGE 10  
JAN 20/09

BRI

**BOEING**  
757  
PARTS CATALOG (MAINTENANCE)



Y 32320202 SHT 1 REV 210

ACTUATOR INSTL MLG (DOWNLOCK ONLY)  
FIGURE 2 (SHEET 1)

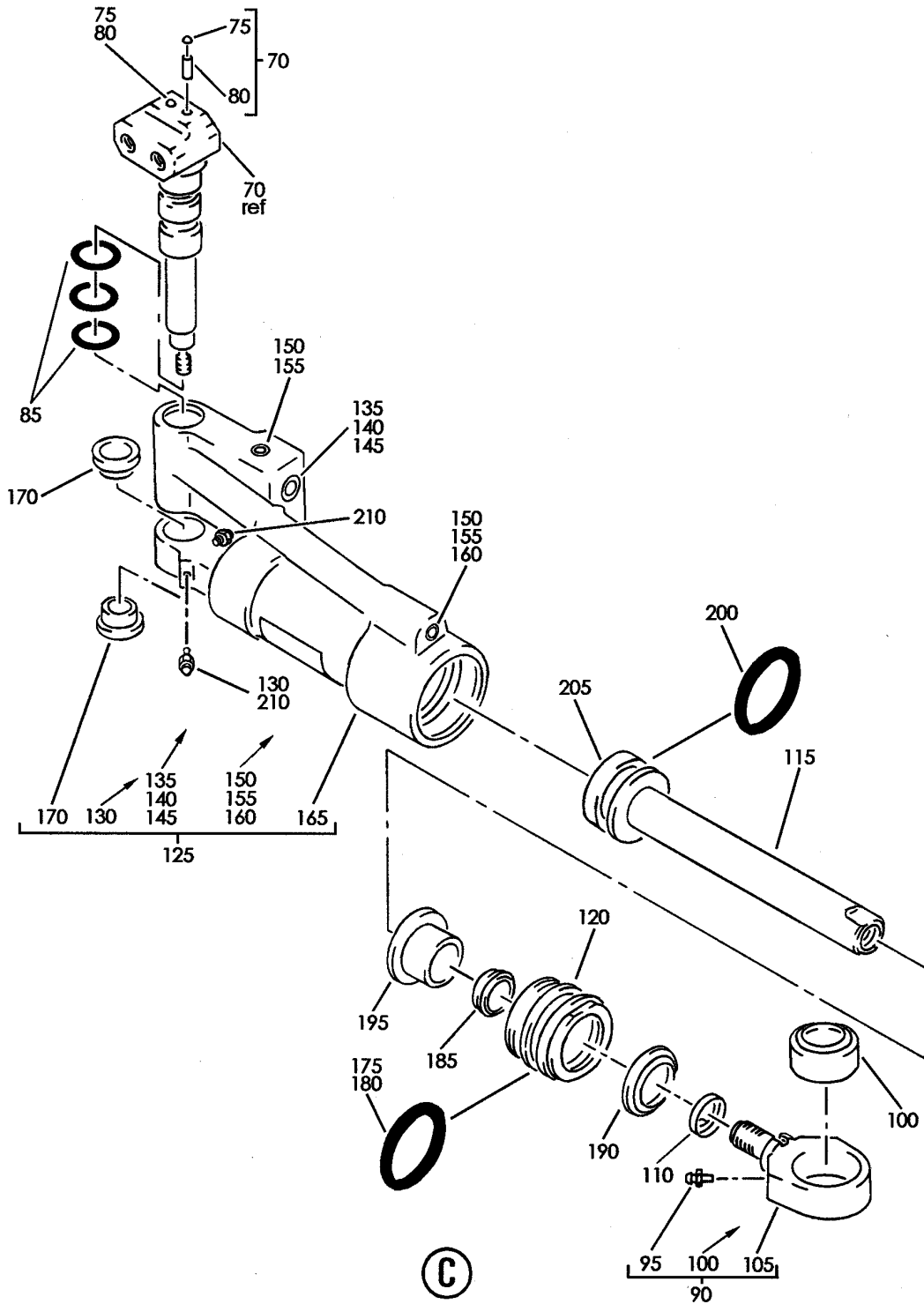
**32-32-02-02**

BRI  
MAY 28/07

32-32-02-02  
PAGE 0



**BOEING**  
757  
PARTS CATALOG (MAINTENANCE)



Y 32320202 SHT 2 REV 210

ACTUATOR INSTL MLG (DOWNLOCK ONLY)  
FIGURE 2 (SHEET 2)

**32-32-02-02**

BRI  
MAY 28/07

32-32-02-02  
PAGE 0A



757

PARTS CATALOG (MAINTENANCE)

FIG ITEM	PART NUMBER	1 2 3 4 5 6 7	NOMENCLATURE	EFFECT FROM TO	UNITS PER ASSY
2			ACTUATOR INSTL MLG (DOWNLOCK ONLY)	101102 108120 504903	
- 1	273N2300-1		ACTUATOR INSTL-MLG (DOWNLOCK ONLY) POSITION DATA: LH FOR NHA SEE: 32-00-00-15	101102 108120 504903	RF
- 5	273N2300-2		ACTUATOR INSTL-MLG (DOWNLOCK ONLY) POSITION DATA: RH FOR NHA SEE: 32-00-00-15	101102 108120 504903	RF
10	NAS6703-7		.BOLT	101102 108120 504903	2
15	NAS1149F0332P		.WASHER	101102 108120 504903	2
20	BRH10C3D		.NUT SUPPLIER CODE: V52828 SPECIFICATION NUMBER: BACN10JC3CD OPTIONAL PART: T6C1032JCD V11815 NS202486-02 V80539 102LH9075-3W V72962 H51650-3BAC V15653	101102 108120 504903	2
25	273N2080-2		.BRACKET	101102 108120 504903	1
30	BACP18BC03A10P		.PIN	101102 108120 504903	1
35	NAS1149F0663P		.WASHER	101102 108120 504903	1
40	LCN12-624		.NUT-CASTELOC SUPPLIER CODE: V56878	101102 108120 504903	1

MISSING ITEM NUMBERS NOT APPLICABLE

- ITEM NOT ILLUSTRATED

BRI

32-32-02-02

32-32-02  
FIG. 02  
PAGE 1  
JAN 20/09



757

PARTS CATALOG (MAINTENANCE)

FIG ITEM	PART NUMBER	1 2 3 4 5 6 7	NOMENCLATURE	EFFECT FROM TO	UNITS PER ASSY
2					
45	273N2300-3	.	ACTUATOR ASSY	101102 108120 504903	1
50	AFP2326-4	..	REDUCER SUPPLIER CODE: V30974 SPECIFICATION NUMBER: BACR17E6-4 OPTIONAL PART: AP10276-4 V01673 BC916T6-4 V50948 DBOR17E6-4 V14798 ER21916T6-4 V88334 ER31916-6-4 V88334 F23-6-4 V73197 2-01075T6-4 V11328 31778-6-4 V14397 US2114-6-4 V50808 AP1027T6-4 V01673 US21146-4 V50808 317786-4 V14397	101102 108120 504903	1
55	NAS1612-4A	..	PACKING- OPTIONAL PART: NAS1612-4	101102 108120 504903	2
55	NAS1612-4	..	PACKING- OPTIONAL PART: NAS1612-4A	101102 108120 504903	2
60	MS21902-4T	..	UNION	101102 108120 504903	1

MISSING ITEM NUMBERS NOT APPLICABLE

- ITEM NOT ILLUSTRATED

32-32-02-02

32-32-02  
FIG. 02  
PAGE 2  
JAN 20/09

BRI

BOEING PROPRIETARY - Copyright © - Unpublished Work - See title page for details.



757

PARTS CATALOG (MAINTENANCE)

FIG ITEM	PART NUMBER	1 2 3 4 5 6 7	NOMENCLATURE	EFFECT FROM TO	UNITS PER ASSY
2					
65	273N2008-3	..	ACTUATOR ASSY- MISCELLANEOUS DATA: FOR SPARES PROCURE LOWER COMPONENTS FUNCTIONAL REFERENCE: PLACARDS AND MARKINGS FOR DETAILS SEE 11-22-05-01	101102 108120 504903	1
70	273N2028-1	...	PIN ASSY-CLEVIS	101102 108120 504903	1
75	BACP20AX15	....	PLUG	101102 108120 504903	2
80	BACP20AX15P	....	PIN	101102 108120 504903	2
85	S30775-212H99	...	SEAL- SUPPLIER CODE: V97820	101102 108120 504903	3
90	273N2027-1	...	ROD END ASSY	101102 108120 504903	1
95	1728B	....	FITTING-LUBE SUPPLIER CODE: VOFKM1	101102 108120 504903	1
100	BNG10A111C	....	BEARING- SUPPLIER CODE: V16746 SPECIFICATION NUMBER: BACB10FJ10GC OPTIONAL PART: ASBFJ10VC VS0352 HU10-210VC V02758 JC10G3C V56644 KSB10-61 V97613 LHB10EPGC V73134 AG10V32C V15860 BLN10-2589SC V81376 BACB10EP10GC	101102 108120 504903	1

MISSING ITEM NUMBERS NOT APPLICABLE

- ITEM NOT ILLUSTRATED

32-32-02-02

32-32-02  
FIG. 02  
PAGE 3  
JAN 20/09

BRI



757

PARTS CATALOG (MAINTENANCE)

FIG ITEM	PART NUMBER	1 2 3 4 5 6 7	NOMENCLATURE	EFFECT FROM TO	UNITS PER ASSY
2					
100	BACB10EP10GC	....	BEARING- OPTIONAL PART: BACB10FJ10GC	101102 108120 504903	1
105	273N2027-2	....	ROD END	101102 108120 504903	1
110	66-12156-1	...	WASHER	101102 108120 504903	1
115	273N2024-1	...	PISTON	101102 108120 504903	1
120	273N2026-1	...	RETAINER ASSY	101102 108120 504903	1
125	273N2023-5	...	BODY ASSY- USED ON: 273N2008-3	101102 108120 504903	1
130	1728B	....	FITTING-LUBE SUPPLIER CODE: VOFKM1	101102 108120 504903	1
135	BACP20AX31	....	PLUG	101102 108120 504903	1
140	BACP20AX31P	....	PIN	101102 108120 504903	1
145	FCFA2810100D	....	FLOW CONTROL- SUPPLIER CODE: V92555	101102 108120 504903	1
150	BACP20AX21	....	PLUG	101102 108120 504903	2
155	BACP20AX21P	....	PIN	101102 108120 504903	2
160	JEHA1875450L	....	RESTRICTOR- SUPPLIER CODE: V92555	101102 108120 504903	1
165	273N2023-6	....	BODY- USED ON: 273N2023-5	101102 108120 504903	1
170	BACB28W11B29	....	BUSHING-FLANGED	101102 108120 504903	2
175	NAS1611-223	...	PACKING-	101102 108120 504903	1

MISSING ITEM NUMBERS NOT APPLICABLE

- ITEM NOT ILLUSTRATED

32-32-02-02

32-32-02  
FIG. 02  
PAGE 4  
JAN 20/09

BRI

BOEING PROPRIETARY - Copyright © - Unpublished Work - See title page for details.



757

PARTS CATALOG (MAINTENANCE)

FIG ITEM	PART NUMBER	1 2 3 4 5 6 7	NOMENCLATURE	EFFECT FROM TO	UNITS PER ASSY
2					
180	MS28774-223	...	RETAINER-BACKUP	101102 108120 504903	1
185	S33555-211H5	...	SEAL-HAT SUPPLIER CODE: V09257	101102 108120 504903	1
190	CWR76-6B	...	SCRAPER-ROD SUPPLIER CODE: V26879 SPECIFICATION NUMBER: BACS34A6A OPTIONAL PART: TF005-6A V07128 2140-6A V26303 RMS34A6A V94878 DW9680-6A V02886	101102 108120 504903	1
195	273N2025-1	...	BEARING-ROD	101102 108120 504903	1
200	NAS1611-218	...	PACKING-	101102 108120 504903	1
205	S30662-218-9N	...	SEAL-CHANNEL SUPPLIER CODE: V97820	101102 108120 504903	1
210	1728B	...	FITTING-LUBE SUPPLIER CODE: VOFKM1	101102 108120 504903	2

MISSING ITEM NUMBERS NOT APPLICABLE

- ITEM NOT ILLUSTRATED

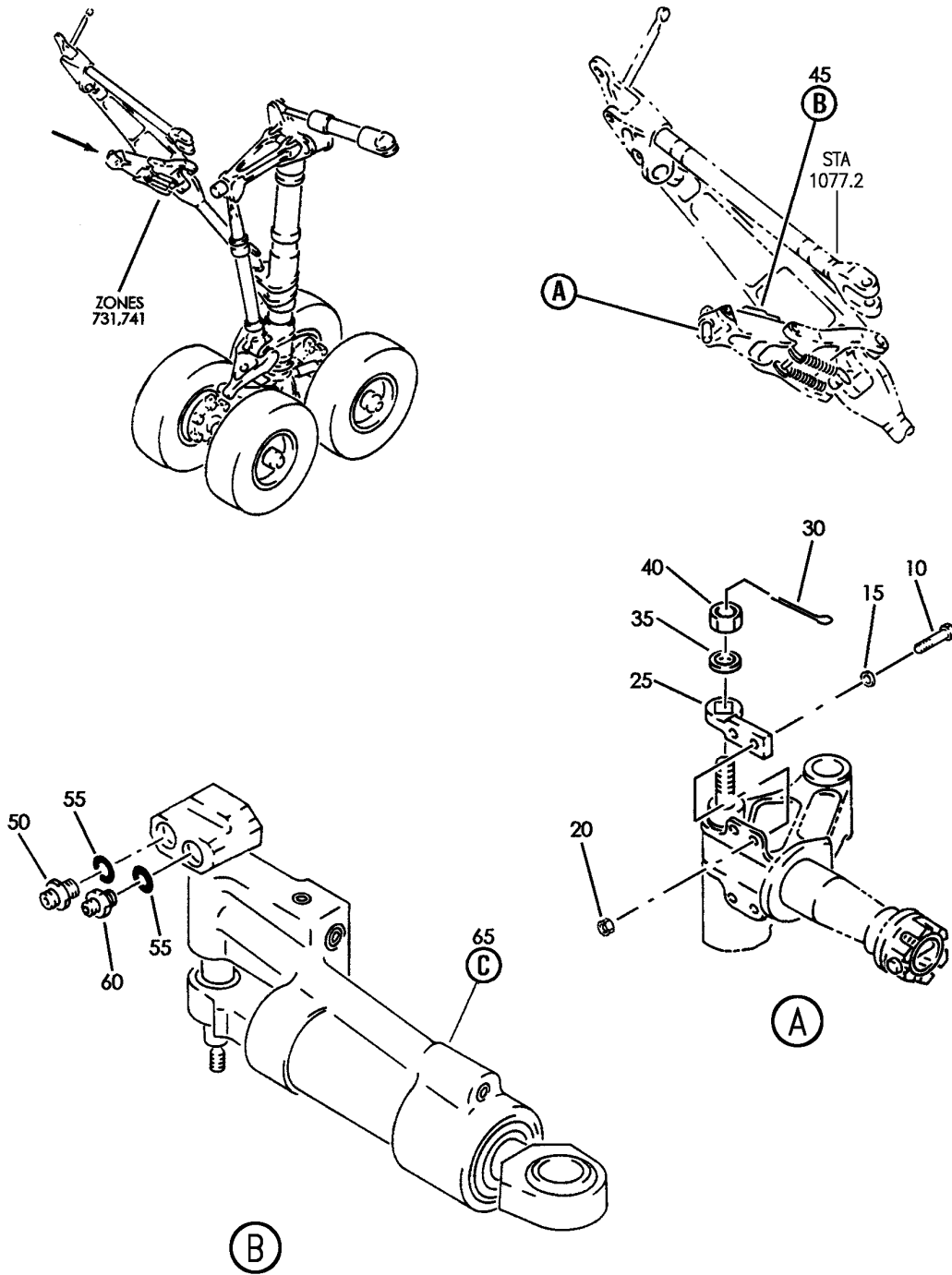
BRI

32-32-02-02

BOEING PROPRIETARY - Copyright © - Unpublished Work - See title page for details.

32-32-02  
FIG. 02  
PAGE 5  
JAN 20/09

**BOEING**  
757  
PARTS CATALOG (MAINTENANCE)



Y 32-32-02-02A SHT 1 REV 265

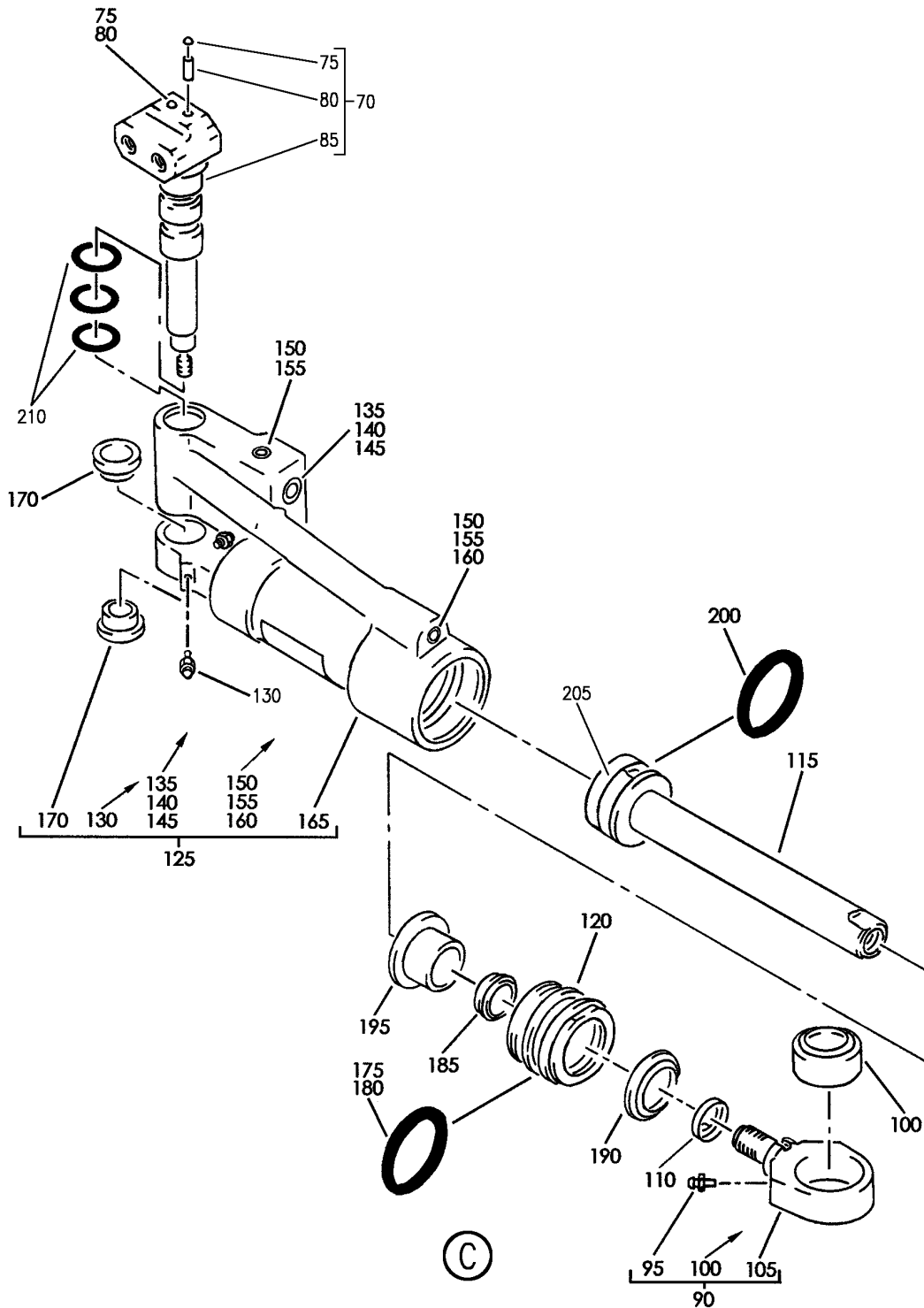
ACTUATOR INSTL-MLG DOWNLOCK  
FIGURE 2A (SHEET 1)

BRI  
JAN 20/09

**32-32-02-02A**

32-32-02-02A  
PAGE 0

**BOEING**  
757  
PARTS CATALOG (MAINTENANCE)



Y 32320202A SHT 2 REV 265

ACTUATOR INSTL-MLG DOWNLOCK  
FIGURE 2A (SHEET 2)

**32-32-02-02A**

BRI  
JAN 20/09

32-32-02-02A  
PAGE 0A





757

PARTS CATALOG (MAINTENANCE)

FIG ITEM	PART NUMBER	1 2 3 4 5 6 7	NOMENCLATURE	EFFECT FROM TO	UNITS PER ASSY
2A			ACTUATOR INSTL-MLG DOWNLOCK	103106	
- 1	MODREF8272		ACTUATOR INSTL-MLG DOWNLOCK MODULE NUMBER: 273N2300-1 REV A POSITION DATA: LH	103106	1
- 5	MODREF8273		ACTUATOR INSTL-MLG DOWNLOCK MODULE NUMBER: 273N2300-2 REV A POSITION DATA: RH	103106	1
10	NAS6703-7		.BOLT	103106	2
15	NAS1149F0332P		.WASHER	103106	2
20	BRH10C3D		.NUT SUPPLIER CODE: V52828 SPECIFICATION NUMBER: BACN10JC3CD OPTIONAL PART: T6C1032JCD V11815 NS202486-02 V80539 102LH9075-3W V72962 H51650-3BAC V15653	103106	2
25	273N2080-2		.BRACKET	103106	1
30	BACP18BC03A10P		.PIN	103106	1
35	NAS1149F0663P		.WASHER	103106	1
40	LCN12-624		.NUT-CASTELOC SUPPLIER CODE: V56878	103106	1
45	273N2300-3		.ACTUATOR ASSY	103106	1

MISSING ITEM NUMBERS NOT APPLICABLE

- ITEM NOT ILLUSTRATED

32-32-02-02A

32-32-02  
FIG. 02A  
PAGE 1  
JAN 20/09

BRI

BOEING PROPRIETARY - Copyright © - Unpublished Work - See title page for details.



757

PARTS CATALOG (MAINTENANCE)

FIG ITEM	PART NUMBER	1 2 3 4 5 6 7	NOMENCLATURE	EFFECT FROM TO	UNITS PER ASSY
2A 50	AFP2326-4		..REDUCER SUPPLIER CODE: V30974 SPECIFICATION NUMBER: BACR17E6-4 OPTIONAL PART: AP10276-4 V01673 BC916T6-4 V50948 DBOR17E6-4 V14798 ER21916T6-4 V88334 ER31916-6-4 V88334 F23-6-4 V73197 2-01075T6-4 V11328 31778-6-4 V14397 US2114-6-4 V50808 AP1027T6-4 V01673 US21146-4 V50808 317786-4 V14397	103106	1
55	NAS1612-4A		..PACKING- OPTIONAL PART: NAS1612-4	103106	2
55	NAS1612-4		..PACKING- OPTIONAL PART: NAS1612-4A	103106	2
60	MS21902-4T		..UNION	103106	1
65	273N2008-3		..ACTUATOR ASSY- MISCELLANEOUS DATA: FOR SPARES PROCURE LOWER COMPONENTS FUNCTIONAL REFERENCE: PLACARDS AND MARKINGS FOR DETAILS SEE 11-22-05-01	103106	1

MISSING ITEM NUMBERS NOT APPLICABLE

- ITEM NOT ILLUSTRATED

32-32-02-02A

32-32-02  
 FIG. 02A  
 PAGE 2  
 JAN 20/09

BRI



757

PARTS CATALOG (MAINTENANCE)

FIG ITEM	PART NUMBER	1 2 3 4 5 6 7	NOMENCLATURE	EFFECT FROM TO	UNITS PER ASSY
2A 65	273N2008-2	..	ACTUATOR ASSY- MISCELLANEOUS DATA: FOR SPARES PROCURE LOWER COMPONENTS FUNCTIONAL REFERENCE: PLACARDS AND MARKINGS FOR DETAILS SEE 11-22-05-01	103106	1
70	273N2028-1	...	PIN ASSY-CLEVIS	103106	1
75	BACP20AX15	....	PLUG	103106	2
80	BACP20AX15P	....	PIN	103106	2
85	273N2028-2	....	PIN-CLEVIS	103106	1
90	273N2027-1	...	ROD END ASSY	103106	1
95	1728B	....	FITTING-LUBE SUPPLIER CODE: VOFKM1	103106	1
100	BNG10A111C	....	BEARING- SUPPLIER CODE: V16746 SPECIFICATION NUMBER: BACB10FJ10GC OPTIONAL PART: ASBFJ10VC VS0352 HU10-210VC V02758 JC10G3C V56644 KSB10-61 V97613 LHB10EPGC V73134 AG10V32C V15860 BLN10-2589SC V81376 BACB10EP10GC	103106	1
100	BACB10EP10GC	....	BEARING- OPTIONAL PART: BACB10FJ10GC	103106	1
105	273N2027-2	....	ROD END	103106	1
110	66-12156-1	...	WASHER	103106	1
115	273N2024-1	...	PISTON	103106	1
120	273N2026-1	...	RETAINER ASSY	103106	1
125	273N2023-5	...	BODY ASSY- USED ON: 273N2008-3	103106	1

MISSING ITEM NUMBERS NOT APPLICABLE

- ITEM NOT ILLUSTRATED

32-32-02-02A

32-32-02  
FIG. 02A  
PAGE 3  
JAN 20/09

BRI

BOEING PROPRIETARY - Copyright © - Unpublished Work - See title page for details.



757

PARTS CATALOG (MAINTENANCE)

FIG ITEM	PART NUMBER	1 2 3 4 5 6 7	NOMENCLATURE	EFFECT FROM TO	UNITS PER ASSY
2A					
130	1728B	....	FITTING-LUBE SUPPLIER CODE: VOFKM1	103106	1
135	BACP20AX31	....	PLUG	103106	1
140	BACP20AX31P	....	PIN	103106	1
145	FCFA2810100D	....	FLOW CONTROL- SUPPLIER CODE: V92555	103106	1
150	BACP20AX21	....	PLUG	103106	2
155	BACP20AX21P	....	PIN	103106	2
160	JEHA1875450L	....	RESTRICTOR- SUPPLIER CODE: V92555	103106	1
165	273N2023-6	....	BODY- USED ON: 273N2023-5	103106	1
170	BACB28W11B29	....	BUSHING-FLANGED	103106	2
175	NAS1611-223	...	PACKING	103106	1
180	MS28774-223	...	RETAINER-BACKUP	103106	1
185	S33555-211H5	...	SEAL-HAT SUPPLIER CODE: V09257	103106	1
190	CWR76-6B	...	SCRAPER-ROD SUPPLIER CODE: V26879 SPECIFICATION NUMBER: BACS34A6A OPTIONAL PART: TF005-6A V07128 2140-6A V26303 RMS34A6A V94878 DW9680-6A V02886	103106	1
195	273N2025-1	...	BEARING-ROD	103106	1
200	NAS1611-218	...	PACKING	103106	1
205	S30662-218-9N	...	SEAL-CHANNEL SUPPLIER CODE: V97820	103106	1
210	S30775-212H99	...	SEAL- SUPPLIER CODE: V97820	103106	3

MISSING ITEM NUMBERS NOT APPLICABLE

- ITEM NOT ILLUSTRATED

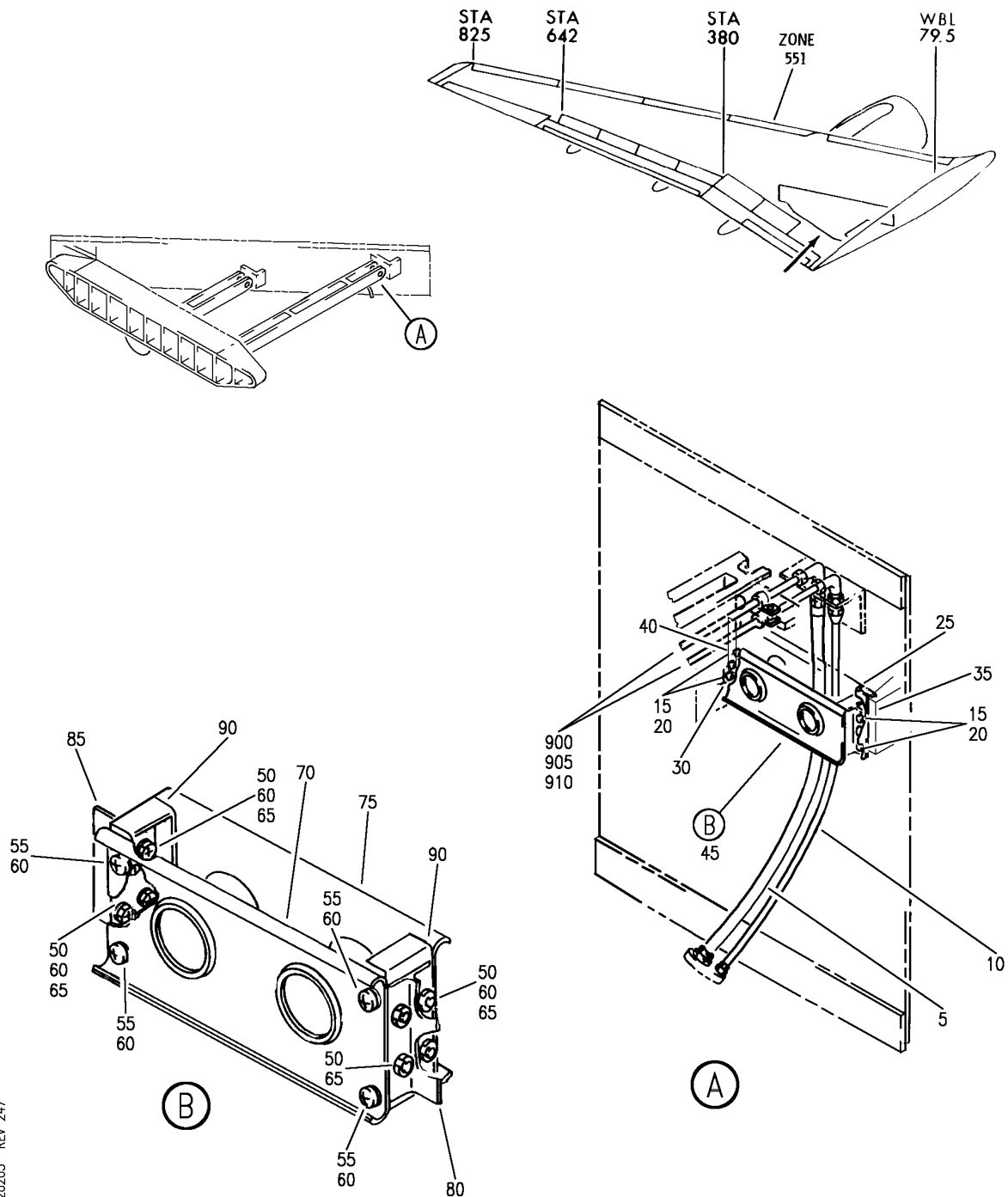
32-32-02-02A

32-32-02  
FIG. 02A  
PAGE 4  
JAN 20/09

BRI

BOEING PROPRIETARY - Copyright © - Unpublished Work - See title page for details.

**BOEING**  
757  
PARTS CATALOG (MAINTENANCE)



Y 32320203 REV 247

PLUMBING INSTL-SECT. 12 L TRAILING EDGE CTR SYS (MAIN GEAR DOWNLOCK ACTUATOR ONLY)  
FIGURE 3

**32-32-02-03**

BRI  
JAN 20/09

32-32-02-03  
PAGE 0



757

PARTS CATALOG (MAINTENANCE)

FIG ITEM	PART NUMBER	1 2 3 4 5 6 7	NOMENCLATURE	EFFECT FROM TO	UNITS PER ASSY
3			PLUMBING INSTL-SECT. 12 L TRAILING EDGE CTR SYS (MAIN GEAR DOWNLOCK ACTUATOR ONLY)	103106	
- 1	MODREF31342		PLUMBING INSTL-HYDR CTR SYS (MAIN GEAR DOWNLOCK ACTUATOR ONLY) MODULE NUMBER: 271N6122-34 REV B POSITION DATA: SECT. 12 L TRAILING EDGE FOR OTHER SYS DETAILS SEE: 27-61-02-03 29-11-18-03 29-11-26-06 29-11-51-27 FOR ADDITIONAL DETAILS SEE: 32-32-01-04 32-32-07-02 32-32-17-02 32-32-51-01 32-41-51-06	103106	1
5	271N6119-1		.HOSE ASSY-LGU TO DNLK ACTUATOR	103106	1
10	271N6119-2		.HOSE ASSY-LGU TO DNLK ACTUATOR	103106	1
15	NAS623-3-4		.SCREW	103106	6
20	BACW10BN3SC		.WASHER	103106	6
25	271N6331-1		.BRACKET	103106	1
30	271N6331-3		.BRACKET	103106	1
35	271N6331-5		.FILLER ASSY	103106	1
40	271N6331-6		.FILLER ASSY	103106	1
45	271N6332-1		.BRACKET ASSY-HYDR HOSE SHIELD	103106	1
50	NAS514P1032-16		..SCREW	103106	8
55	NAS623-3-28		..SCREW	103106	4
60	AN960KD10L		..WASHER	103106	12

MISSING ITEM NUMBERS NOT APPLICABLE

- ITEM NOT ILLUSTRATED

32-32-02-03

32-32-02  
FIG. 03  
PAGE 1  
JAN 20/09

BRI



757

PARTS CATALOG (MAINTENANCE)

FIG ITEM	PART NUMBER	1 2 3 4 5 6 7	NOMENCLATURE	EFFECT FROM TO	UNITS PER ASSY
3					
65	BRH10C3D	..	NUT SUPPLIER CODE: V52828 SPECIFICATION NUMBER: BACN10JC3CD OPTIONAL PART: T6C1032JCD V11815 NS202486-02 V80539 102LH9075-3W V72962 H51650-3BAC V15653	103106	8
70	271N6329-1	..	BRACKET ASSY	103106	1
75	271N6329-2	..	BRACKET	103106	1
80	271N6331-11	..	BRACKET ASSY	103106	1
85	271N6331-9	..	BRACKET ASSY	103106	1
90	271N6330-1	..	CAP-PHENOLIC END	103106	2
900			ILLUSTRATION REFERENCE: ACTUATOR INSTL-MLG DOWNLOCK 32-32-02-02A	103106	RF
905			ILLUSTRATION REFERENCE: PLUMBING INSTL-INBD WING SECT. 12 HYDR LH (MAIN GEAR EXTENSION AND RETRACTION ONLY) 32-32-51-01	103106	RF
910			ILLUSTRATION REFERENCE: PLUMBING INSTL-INBD WING SECT. 12 HYDR LH (MAIN GEAR EXTENSION AND RETRACTION ONLY) 32-32-51-01	103106	RF

MISSING ITEM NUMBERS NOT APPLICABLE

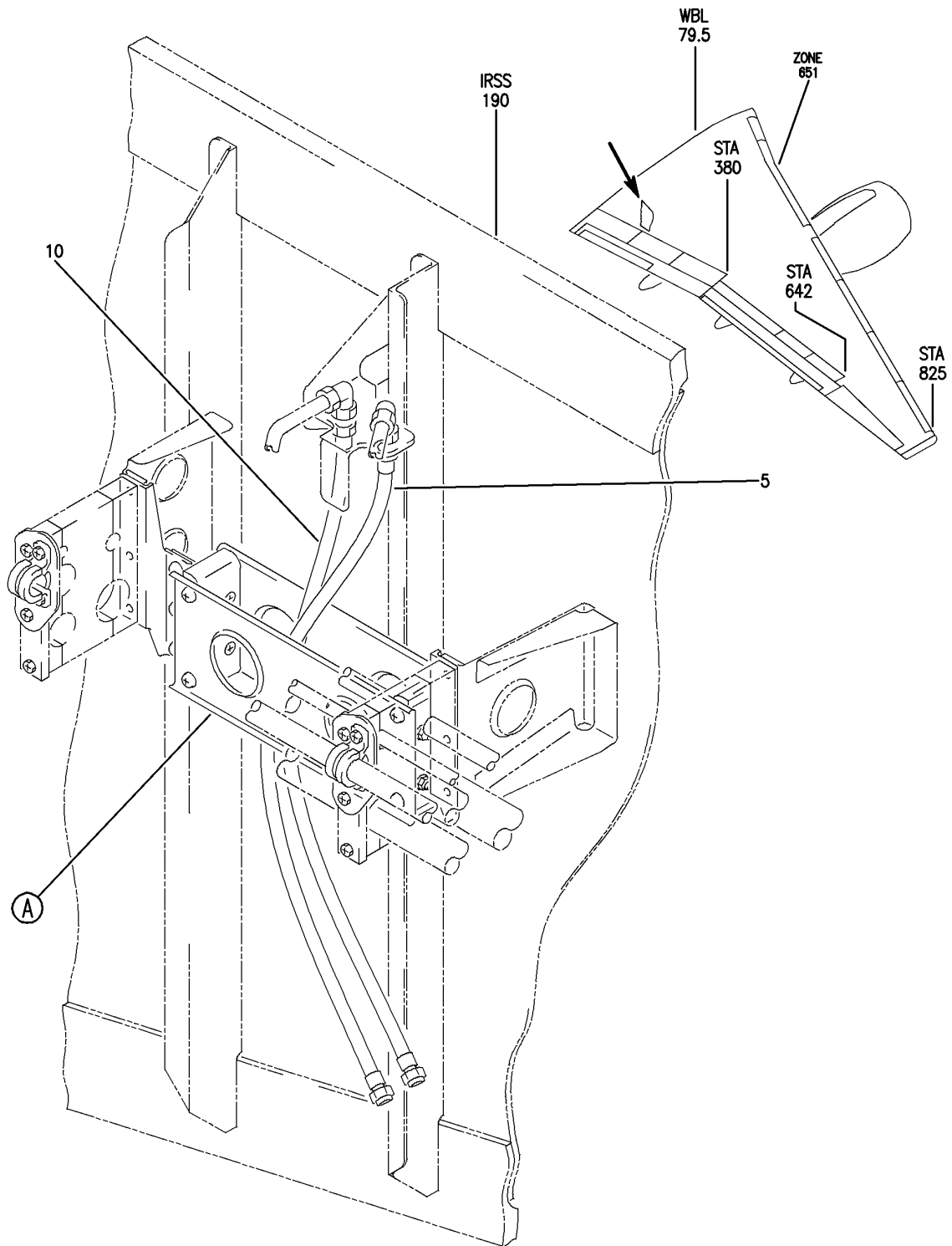
- ITEM NOT ILLUSTRATED

32-32-02-03

32-32-02  
FIG. 03  
PAGE 2  
JAN 20/09

BRI

**BOEING**  
757  
PARTS CATALOG (MAINTENANCE)



Y 32320204 SHT 1 REV 248

PLUMBING INSTL-SECT. 12 R TRAILING EDGE CTR SYS (MAIN GEAR DOWNLOCK ACTUATOR ONLY)  
FIGURE 4 (SHEET 1)

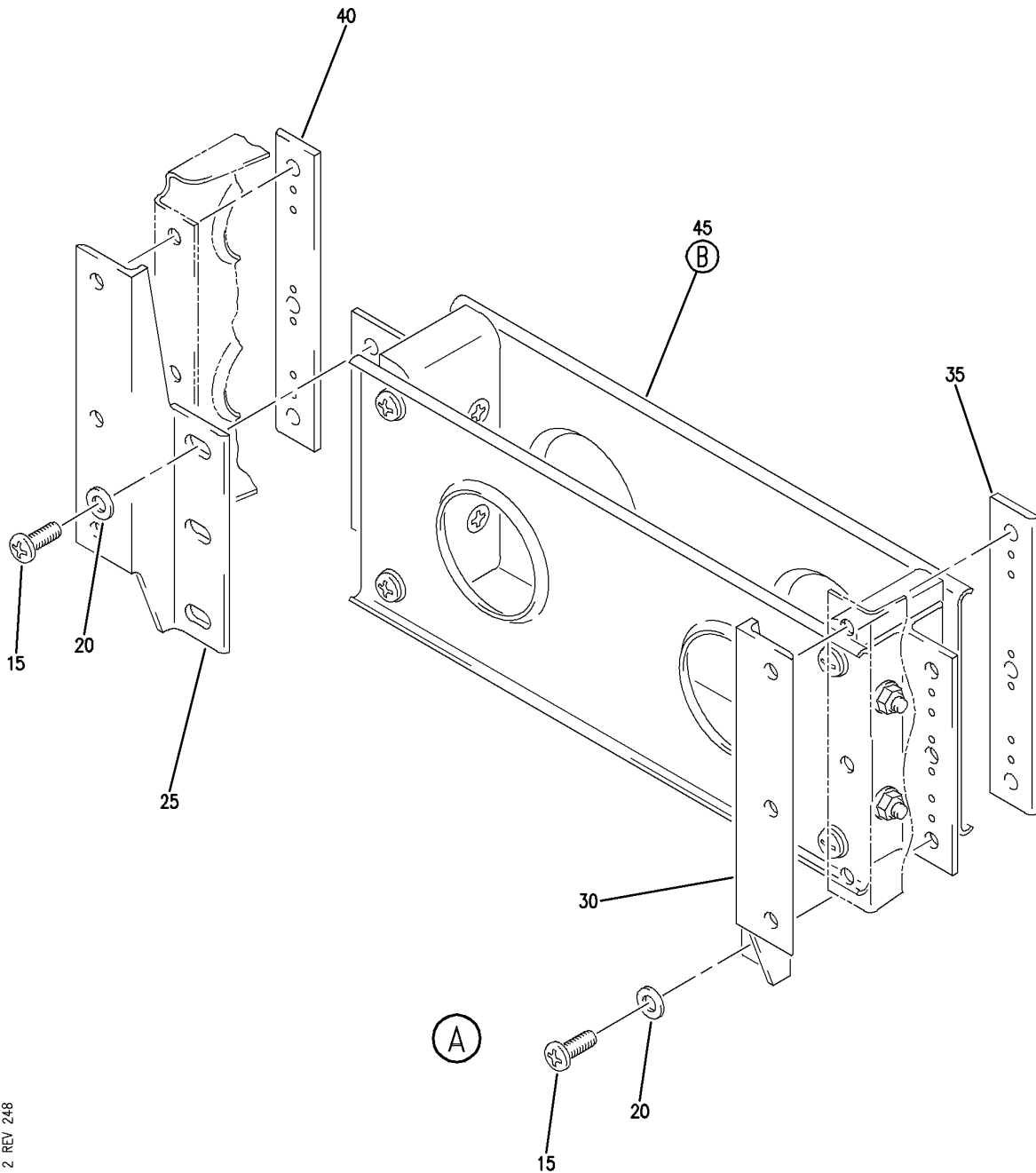
BRI  
JAN 20/09

**32-32-02-04**

32-32-02-04  
PAGE 0



**BOEING**  
757  
PARTS CATALOG (MAINTENANCE)



Y 32320204 SHT 2 REV 248

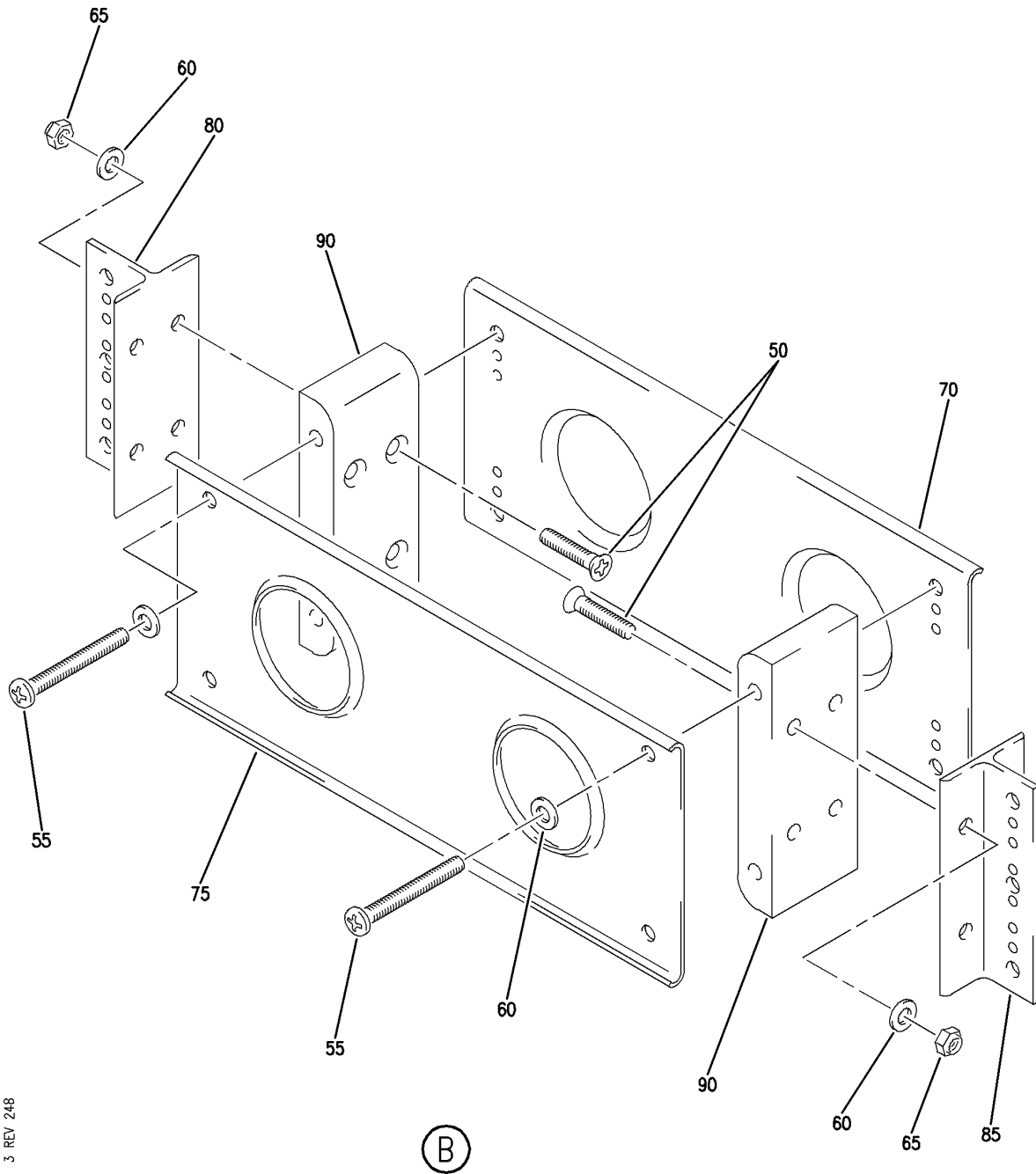
PLUMBING INSTL-SECT. 12 R TRAILING EDGE CTR SYS (MAIN GEAR DOWNLOCK ACTUATOR ONLY)  
FIGURE 4 (SHEET 2)

BRI  
JAN 20/09

**32-32-02-04**

32-32-02-04  
PAGE 0A

**BOEING**  
757  
PARTS CATALOG (MAINTENANCE)



Y 32320204 SHT 3 REV 248

PLUMBING INSTL-SECT. 12 R TRAILING EDGE CTR SYS (MAIN GEAR DOWNLOCK ACTUATOR ONLY)  
FIGURE 4 (SHEET 3)

BRI  
JAN 20/09

**32-32-02-04**

32-32-02-04  
PAGE 0B



757

PARTS CATALOG (MAINTENANCE)

FIG ITEM	PART NUMBER	1 2 3 4 5 6 7	NOMENCLATURE	EFFECT FROM TO	UNITS PER ASSY
4			PLUMBING INSTL-SECT. 12 R TRAILING EDGE CTR SYS (MAIN GEAR DOWNLOCK ACTUATOR ONLY)	103106	
- 1	MODREF24143		PLUMBING INSTL-HYDR CTR SYS (MAIN GEAR DOWNLOCK ACTUATOR ONLY) MODULE NUMBER: 271N6123-21 REV B POSITION DATA: SECT. 12 R TRAILING EDGE FOR OTHER SYS DETAILS SEE: 27-61-02-06 29-11-18-04 29-11-26-07 29-11-51-29A FOR ADDITIONAL DETAILS SEE: 32-32-01-05 32-32-07-03 32-32-17-03 32-32-51-02 32-41-51-07	103105	1
- 1	MODREF34199		PLUMBING INSTL-HYDR CTR SYS (MAIN GEAR DOWNLOCK ACTUATOR ONLY) MODULE NUMBER: 271N6123-21 REV C POSITION DATA: SECT. 12 R TRAILING EDGE FOR OTHER SYS DETAILS SEE: 27-61-02-06 29-11-18-04 29-11-26-07 29-11-51-29A FOR ADDITIONAL DETAILS SEE: 32-32-01-05 32-32-07-03 32-32-17-03 32-32-51-02 32-41-51-07	106106	1
5	271N6119-1		.HOSE ASSY-LGU TO DNLK ACTUATOR	103106	1
10	271N6119-2		.HOSE ASSY-LGU TO DNLK ACTUATOR	103106	1
15	NAS623-3-4		.SCREW	103106	6
20	BACW10BN3SC		.WASHER	103106	6

MISSING ITEM NUMBERS NOT APPLICABLE

- ITEM NOT ILLUSTRATED

32-32-02-04

32-32-02  
FIG. 04  
PAGE 1  
JAN 20/09

BRI



757

PARTS CATALOG (MAINTENANCE)

FIG ITEM	PART NUMBER	1 2 3 4 5 6 7	NOMENCLATURE	EFFECT FROM TO	UNITS PER ASSY
4					
25	271N6331-2	.	BRACKET	103106	1
30	271N6331-4	.	BRACKET	103106	1
35	271N6331-5	.	FILLER ASSY	103106	1
40	271N6331-6	.	FILLER ASSY	103106	1
45	271N6332-1	.	BRACKET ASSY-HYDR HOSE SHIELD	103106	1
50	NAS514P1032-16	..	SCREW	103106	8
55	NAS623-3-28	..	SCREW	103106	4
60	AN960KD10L	..	WASHER	103106	12
65	BRH10C3D	..	NUT	103106	8
			SUPPLIER CODE: V52828		
			SPECIFICATION NUMBER: BACN10JC3CD		
			OPTIONAL PART: T6C1032JCD		
			V11815		
			NS202486-02		
			V80539		
			102LH9075-3W		
			V72962		
			H51650-3BAC		
			V15653		
70	271N6329-1	..	BRACKET ASSY	103106	1
75	271N6329-2	..	BRACKET	103106	1
80	271N6331-11	..	BRACKET ASSY	103106	1
85	271N6331-9	..	BRACKET ASSY	103106	1
90	271N6330-1	..	CAP-PHENOLIC END	103106	2

MISSING ITEM NUMBERS NOT APPLICABLE

- ITEM NOT ILLUSTRATED

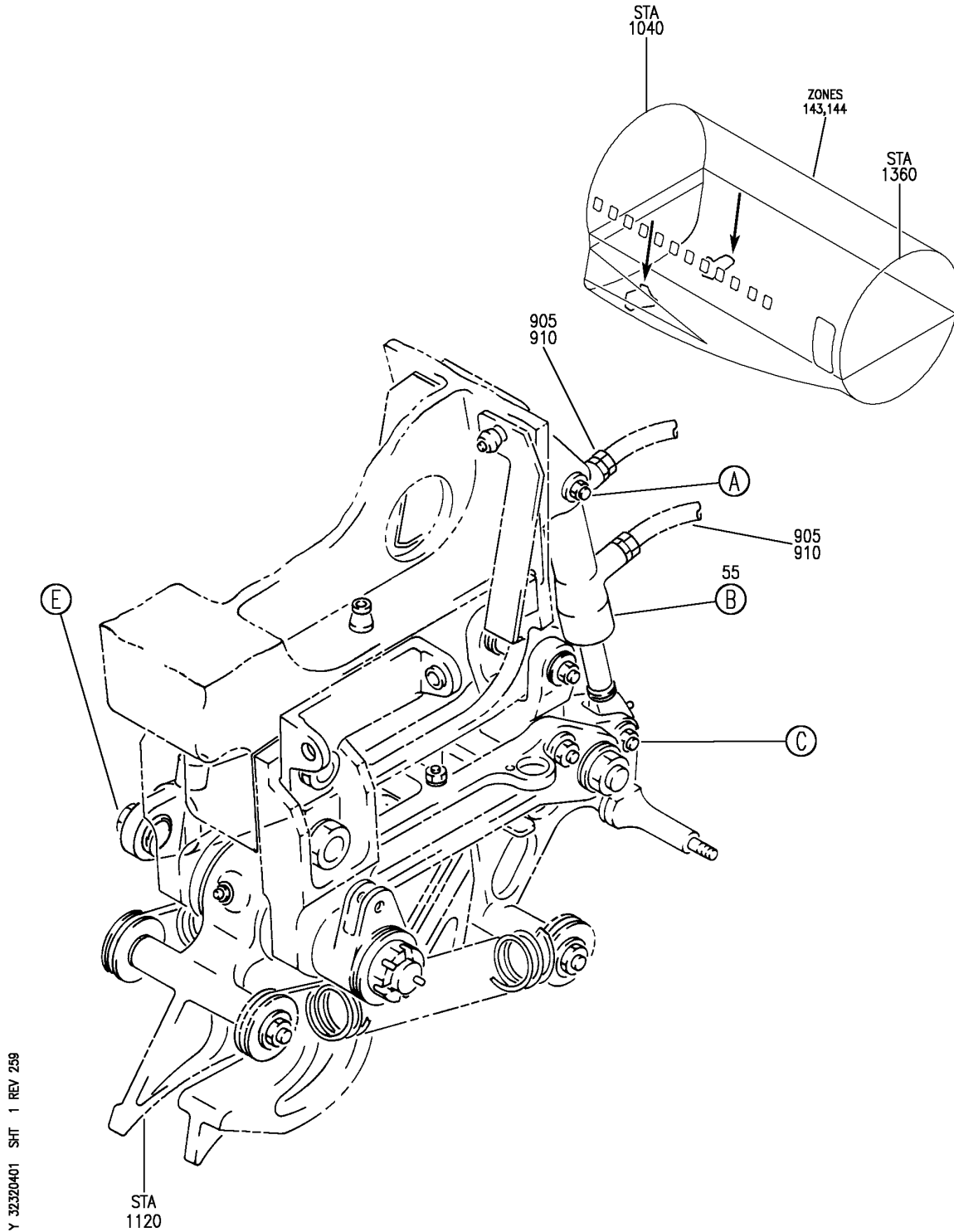
BRI

32-32-02-04

BOEING PROPRIETARY - Copyright © - Unpublished Work - See title page for details.

32-32-02  
FIG. 04  
PAGE 2  
JAN 20/09

**BOEING**  
 757  
 PARTS CATALOG (MAINTENANCE)



Y 32320401 SHT 1 REV 259

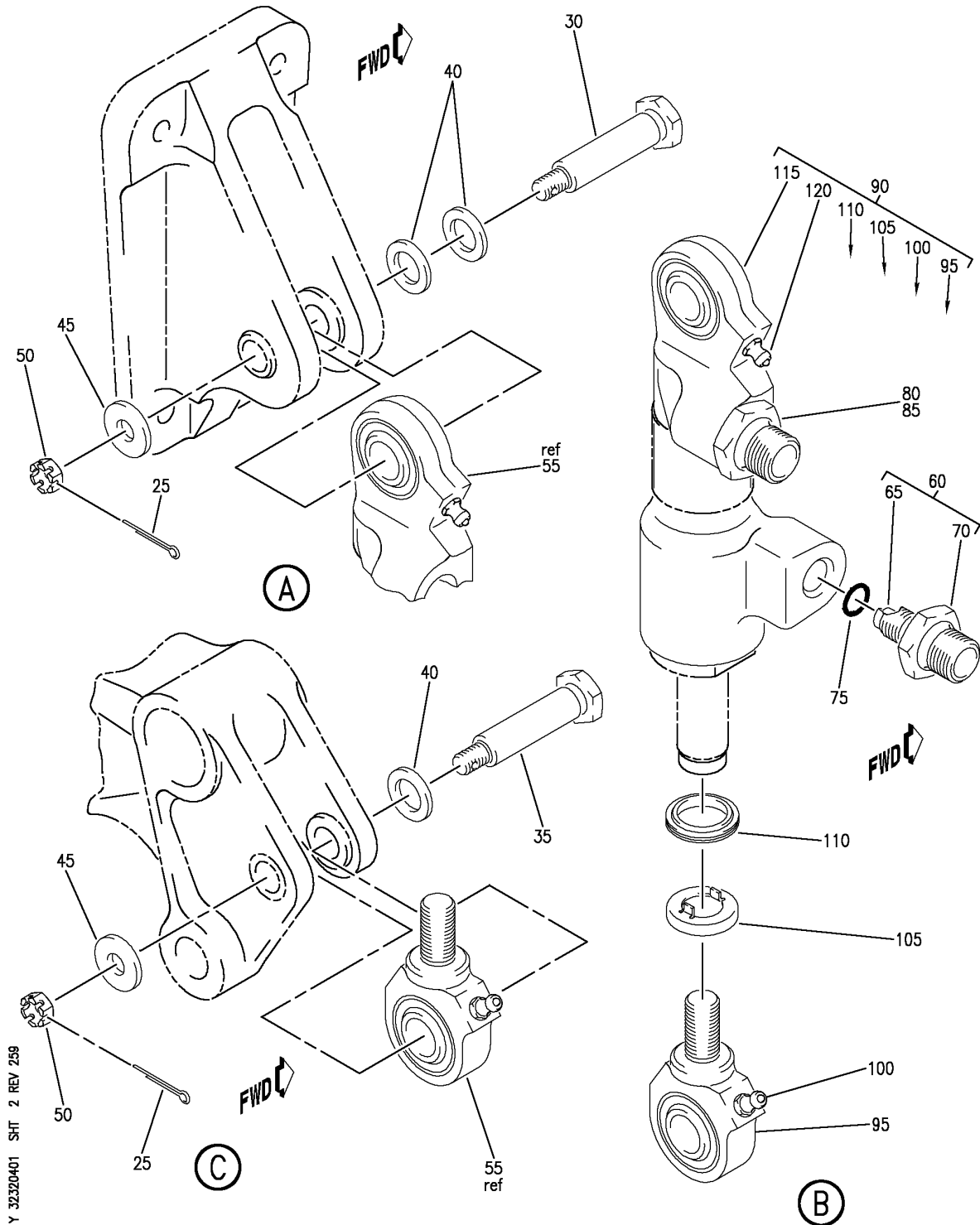
UPLOCK INSTL-MLG (MAIN GEAR UPLOCK ACTUATOR ONLY)  
 FIGURE 1 (SHEET 1)

**32-32-04-01**

BRI  
 JAN 20/09

32-32-04-01  
 PAGE 0

**BOEING**  
757  
PARTS CATALOG (MAINTENANCE)

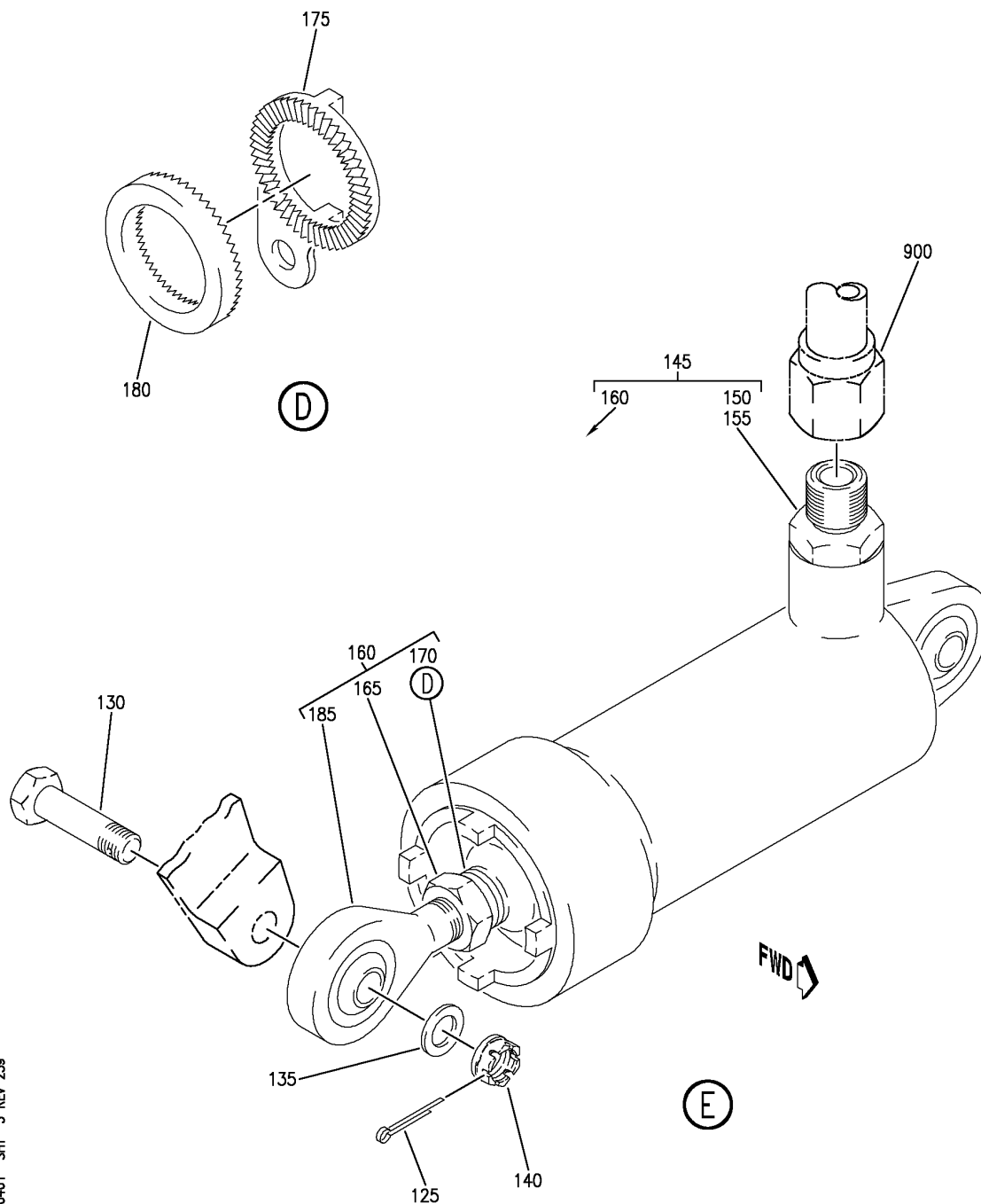


Y 32320401 SHT 2 REV 259

UNLOCK INSTL-MLG (MAIN GEAR UNLOCK ACTUATOR ONLY)  
FIGURE 1 (SHEET 2)

**32-32-04-01**

**BOEING**  
757  
PARTS CATALOG (MAINTENANCE)



Y 32320401 SH1 3 REV 259

UNLOCK INSTL-MLG (MAIN GEAR UNLOCK ACTUATOR ONLY)  
FIGURE 1 (SHEET 3)

**32-32-04-01**

BRI  
JAN 20/09

32-32-04-01  
PAGE 0B



757

PARTS CATALOG (MAINTENANCE)

FIG ITEM	PART NUMBER	1 2 3 4 5 6 7	NOMENCLATURE	EFFECT FROM TO	UNITS PER ASSY
1			UPLOCK INSTL-MLG (MAIN GEAR UPLOCK ACTUATOR ONLY)	103106	
- 1	MODREF27265		UPLOCK INSTL-MLG (MAIN GEAR UPLOCK ACTUATOR ONLY) MODULE NUMBER: 161N5001-401 REV B POSITION DATA: LH FOR ADDITIONAL DETAILS SEE: 32-32-16-01A	103106	RF
- 5	MODREF27266		UPLOCK INSTL-MLG (MAIN GEAR UPLOCK ACTUATOR ONLY) MODULE NUMBER: 161N5001-402 REV B POSITION DATA: RH FOR ADDITIONAL DETAILS SEE: 32-32-16-01A	103106	RF
25	BACP18BC02A06P		.PIN-COTTER	103106	2
30	161N5023-1		.BOLT-ACTR ATTACH SHOULDER	103106	1
35	161N5023-3		.BOLT-ACTR ATTACH SHOULDER	103106	1
40	NAS1149F0663P		.WASHER	103106	3
45	161N5022-5		.WASHER-PLAIN	103106	2
50	LCN12-428		.NUT-CASTELOC SUPPLIER CODE: V56878	103106	2
55	161N5001-5		.ACTUATOR ASSY-UPLOCK REL COMPONENT MAINT MANUAL REF: 32-35-15	103106	1
60	273N2095-1		..UNION ASSY	103106	1
65	JETA1875500D		...JET-HYDR SUPPLIER CODE: V92555	103106	1
70	273N2095-2		...UNION	103106	1
75	NAS1612-3A		..PACKING- OPTIONAL PART: NAS1612-3 V80205	103106	1
75	NAS1612-3		..PACKING- OPTIONAL PART: NAS1612-3A V80205	103106	1

MISSING ITEM NUMBERS NOT APPLICABLE

- ITEM NOT ILLUSTRATED

BRI

32-32-04-01

32-32-04  
FIG. 01  
PAGE 1  
JAN 20/09





757

PARTS CATALOG (MAINTENANCE)

FIG ITEM	PART NUMBER	1 2 3 4 5 6 7	NOMENCLATURE	EFFECT FROM TO	UNITS PER ASSY
1 80	AFP2326-4		.. REDUCER SUPPLIER CODE: V30974 SPECIFICATION NUMBER: BACR17E6-4 OPTIONAL PART: AP10276-4 V01673 BC916T6-4 V50948 DBOR17E6-4 V14798 ER21916T6-4 V88334 ER31916-6-4 V88334 F23-6-4 V73197 2-01075T6-4 V11328 31778-6-4 V14397 US2114-6-4 V50808 AP1027T6-4 V01673 US21146-4 V50808 317786-4 V14397	103106	1
85	NAS1612-4A		.. PACKING- OPTIONAL PART: NAS1612-4 V80205	103106	1
85	NAS1612-4		.. PACKING- OPTIONAL PART: NAS1612-4A V80205	103106	1
90	273N2007-1		.. ACTUATOR ASSY- MISCELLANEOUS DATA: FOR SPARES PROCURE LOWER COMPONENTS FUNCTIONAL REFERENCE: PLACARDS AND MARKINGS FOR DETAILS SEE 11-22-04-01	103106	1
95	273N2014-1		... ROD ASSY-END	103106	1

MISSING ITEM NUMBERS NOT APPLICABLE

- ITEM NOT ILLUSTRATED

32-32-04-01

32-32-04  
 FIG. 01  
 PAGE 2  
 JAN 20/09

BRI



757

PARTS CATALOG (MAINTENANCE)

FIG ITEM	PART NUMBER	1 2 3 4 5 6 7	NOMENCLATURE	EFFECT FROM TO	UNITS PER ASSY
1					
100	1728B	....	FITTING-LUBE SUPPLIER CODE: VOFKM1	103106	1
105	66-12156-19	...	WASHER	103106	1
110	CWR76-2B	...	SCRAPER-ROD SUPPLIER CODE: V26879 SPECIFICATION NUMBER: BACS34A2A OPTIONAL PART: TF005-2A V07128 2140-2A V26303 DW96801-2A V02886 RMS34A2A V94878	103106	1
115	273N2015-1	...	BODY ASSY	103106	1
120	1728B	....	FITTING-LUBE SUPPLIER CODE: VOFKM1	103106	1
125	BACP18BC03A10P	.	PIN-COTTER	103106	1
130	BACB30LJ7DU18	.	BOLT	103106	1
135	161N5022-7	.	WASHER	103106	1
140	LCN6-720	.	NUT-CASTELOC SUPPLIER CODE: V56878	103106	1
145	161N5001-7	.	ACTUATOR ASSY-UPLOCK REL COMPONENT MAINT MANUAL REF: 32-35-11	103106	1

MISSING ITEM NUMBERS NOT APPLICABLE

- ITEM NOT ILLUSTRATED

32-32-04-01

32-32-04  
FIG. 01  
PAGE 3  
JAN 20/09

BRI

BOEING PROPRIETARY - Copyright © - Unpublished Work - See title page for details.



757

PARTS CATALOG (MAINTENANCE)

FIG ITEM	PART NUMBER	1 2 3 4 5 6 7	NOMENCLATURE	EFFECT FROM TO	UNITS PER ASSY
1 150	AFP2326-4		..REDUCER SUPPLIER CODE: V30974 SPECIFICATION NUMBER: BACR17E6-4 OPTIONAL PART: AP10276-4 V01673 BC916T6-4 V50948 DBOR17E6-4 V14798 ER21916T6-4 V88334 ER31916-6-4 V88334 F23-6-4 V73197 2-01075T6-4 V11328 31778-6-4 V14397 US2114-6-4 V50808 AP1027T6-4 V01673 US21146-4 V50808 317786-4 V14397	103106	1
155	NAS1612-4		..PACKING- OPTIONAL PART: NAS1612-4A V80205	103106	1
155	NAS1612-4A		..PACKING- OPTIONAL PART: NAS1612-4 V80205	103106	1
160	273N4004-2		..ACTUATOR ASSY-ALTERNATE RELEASE MISCELLANEOUS DATA: FOR SPARES PROCURE LOWER COMPONENTS FUNCTIONAL REFERENCE: PLACARDS AND MARKINGS FOR DETAILS SEE 11-22-04-01	103106	1
165	NAS509-7		...NUT	103106	1
170	NAS1193K7C		...LOCKING DEVICE	103106	1

MISSING ITEM NUMBERS NOT APPLICABLE

- ITEM NOT ILLUSTRATED

32-32-04-01

32-32-04  
 FIG. 01  
 PAGE 4  
 JAN 20/09

BRI



757

PARTS CATALOG (MAINTENANCE)

FIG ITEM	PART NUMBER	1 2 3 4 5 6 7	NOMENCLATURE	EFFECT FROM TO	UNITS PER ASSY
1					
175	NAS1193K7-1	....	WASHER	103106	1
180	NAS1193K7-2	....	WASHER	103106	1
185	273N4063-1	...	ROD END ASSY	103106	1
900			ILLUSTRATION REFERENCE: PLUMBING INSTL-SECT. 44 KEEL BEAM MLG WHL WELL HYDR 32-35-51-30	103106	RF
905			ILLUSTRATION REFERENCE: PLUMBING AND FITTING INSTL ETOPS ALL 29-11-84-03	103106	RF
910			ILLUSTRATION REFERENCE: PLUMBING INSTL-SECT.44 R PRESSURE DECK HYDR (MAIN GEAR EXTENSION AND RETRACTION ONLY) 32-32-51-23	103106	RF

MISSING ITEM NUMBERS NOT APPLICABLE

- ITEM NOT ILLUSTRATED

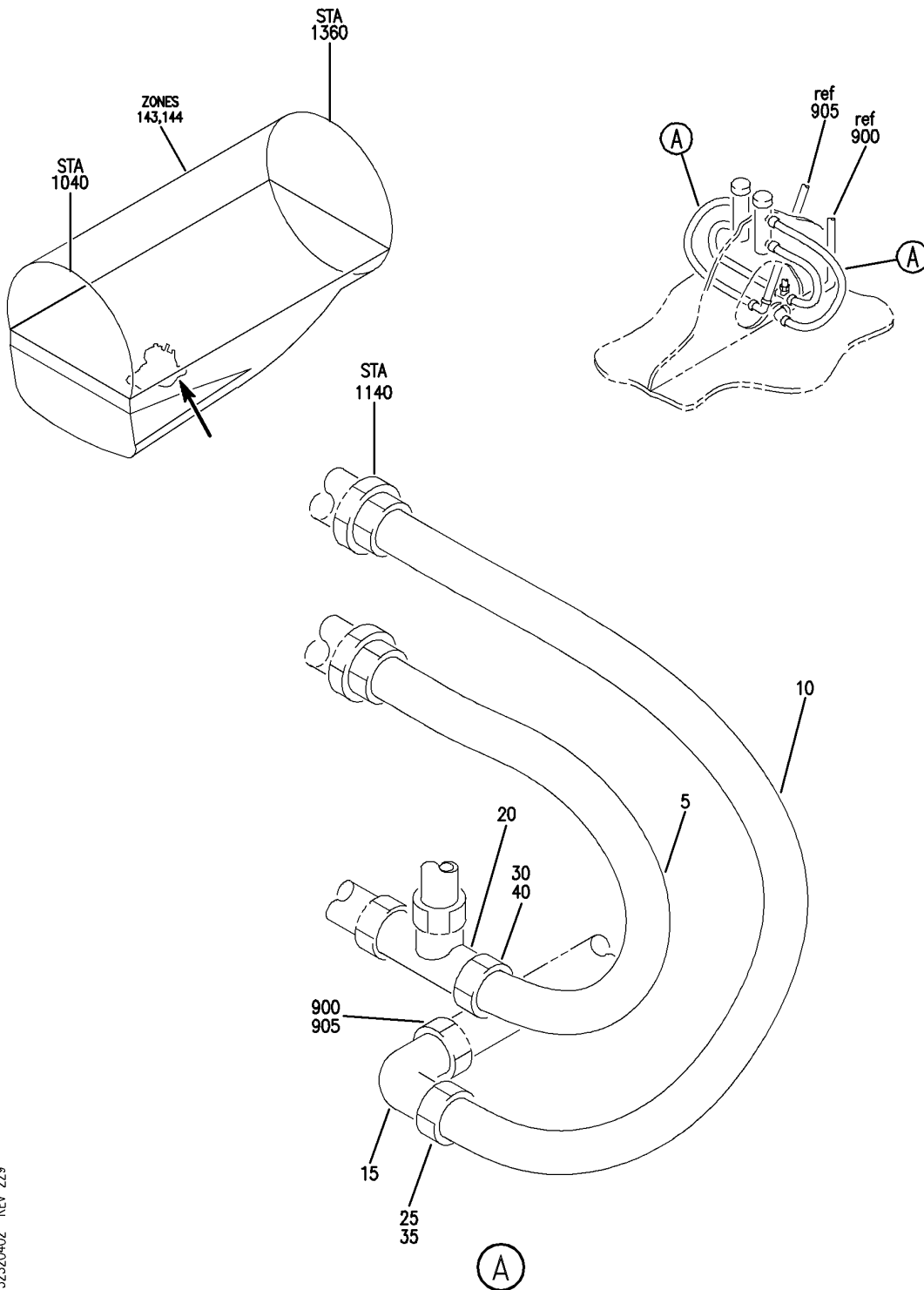
BRI

**32-32-04-01**

BOEING PROPRIETARY - Copyright © - Unpublished Work - See title page for details.

32-32-04  
FIG. 01  
PAGE 5  
JAN 20/09

**BOEING**  
757  
PARTS CATALOG (MAINTENANCE)



Y 32320402 REV 229

PLUMBING INSTL-MLG WHL WELL KEEL BEAM HYDR (MAIN GEAR UP LOCK ACTUATOR)  
FIGURE 2

**32-32-04-02**

BRI  
MAY 28/07

32-32-04-02  
PAGE 0



757

PARTS CATALOG (MAINTENANCE)

FIG ITEM	PART NUMBER	1 2 3 4 5 6 7	NOMENCLATURE	EFFECT FROM TO	UNITS PER ASSY
2			PLUMBING INSTL-MLG WHL WELL KEEL BEAM HYDR (MAIN GEAR UP LOCK ACTUATOR)	101106 108120 504903	
- 1	271N6445-15		PLUMBING INSTL-MLG WHL WELL KEEL BEAM HYDR (MAIN GEAR UP LOCK ACTUATOR)	101102 108120 504903	RF
- 1	MODREF31627		FOR NHA/OTHER SYS DET SEE: 29-00-51-02C PLUMBING INSTL-MLG WHL WELL KEEL BEAM HYDR (MAIN GEAR UP LOCK ACTUATOR)	103106	1
			MODULE NUMBER: 271N6445-21 REV B FOR OTHER SYS DETAILS SEE: 29-11-51-94		
5	AS116-06K0114		.HOSE ASSY	101106 108120 504903	2
10	AS115-04D0162		.HOSE ASSY- OPTIONAL PART: AS115-04K0162	101106 108120 504903	2
10	AS115-04K0162		.HOSE ASSY- OPTIONAL PART: AS115-04D0162	101106 108120 504903	2
15	BACE21BN0406J		.ELBOW	101106 108120 504903	2
20	BACT16BN060606J		.TEE	101106 108120 504903	1
25	AN924-4D		.NUT	101106 108120 504903	2
30	AN924-6D		.NUT	101106 108120 504903	1
35	AN960JD716		.WASHER- OPTIONAL PART: NAS1149D0763J	101106 108120 504903	2
35	NAS1149D0763J		.WASHER- OPTIONAL PART: AN960JD716	101106 108120 504903	2
40	NAS1149D0963J		.WASHER	101106 108120 504903	1

MISSING ITEM NUMBERS NOT APPLICABLE

- ITEM NOT ILLUSTRATED

32-32-04-02

32-32-04  
FIG. 02  
PAGE 1  
JAN 20/09

BRI



757

PARTS CATALOG (MAINTENANCE)

FIG ITEM	PART NUMBER	1 2 3 4 5 6 7	NOMENCLATURE	EFFECT FROM TO	UNITS PER ASSY
2 900			ILLUSTRATION REFERENCE: PLUMBING INSTL-PROVISIONS FOR 10KVA HMG INSTL (ETOPS) (HYD SYSTEMS ONLY) 29-11-51-92	101102 108120	RF
905			ILLUSTRATION REFERENCE: PLUMBING INSTL-HYDR, MLG WHL WELL, KEEL BEAM 29-11-51-94	101106 108120 504903	RF

MISSING ITEM NUMBERS NOT APPLICABLE

- ITEM NOT ILLUSTRATED

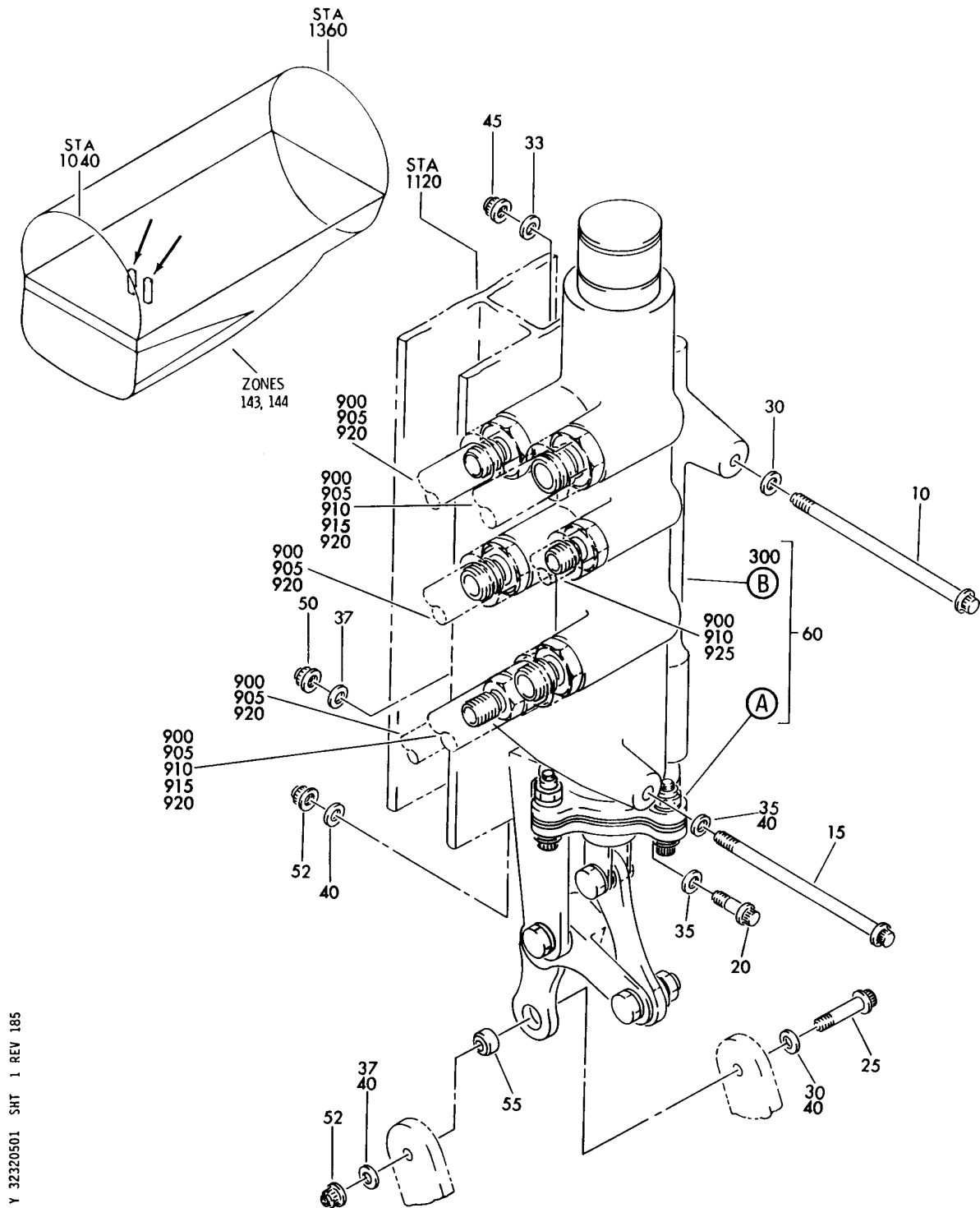
BRI

32-32-04-02

BOEING PROPRIETARY - Copyright © - Unpublished Work - See title page for details.

32-32-04  
FIG. 02  
PAGE 2  
JAN 20/09

**BOEING**  
757  
PARTS CATALOG (MAINTENANCE)



Y 32320501 SHT 1 REV 185

VALVE INSTL-MLG DOOR OPERATED SEQ  
FIGURE 1 (SHEET 1)

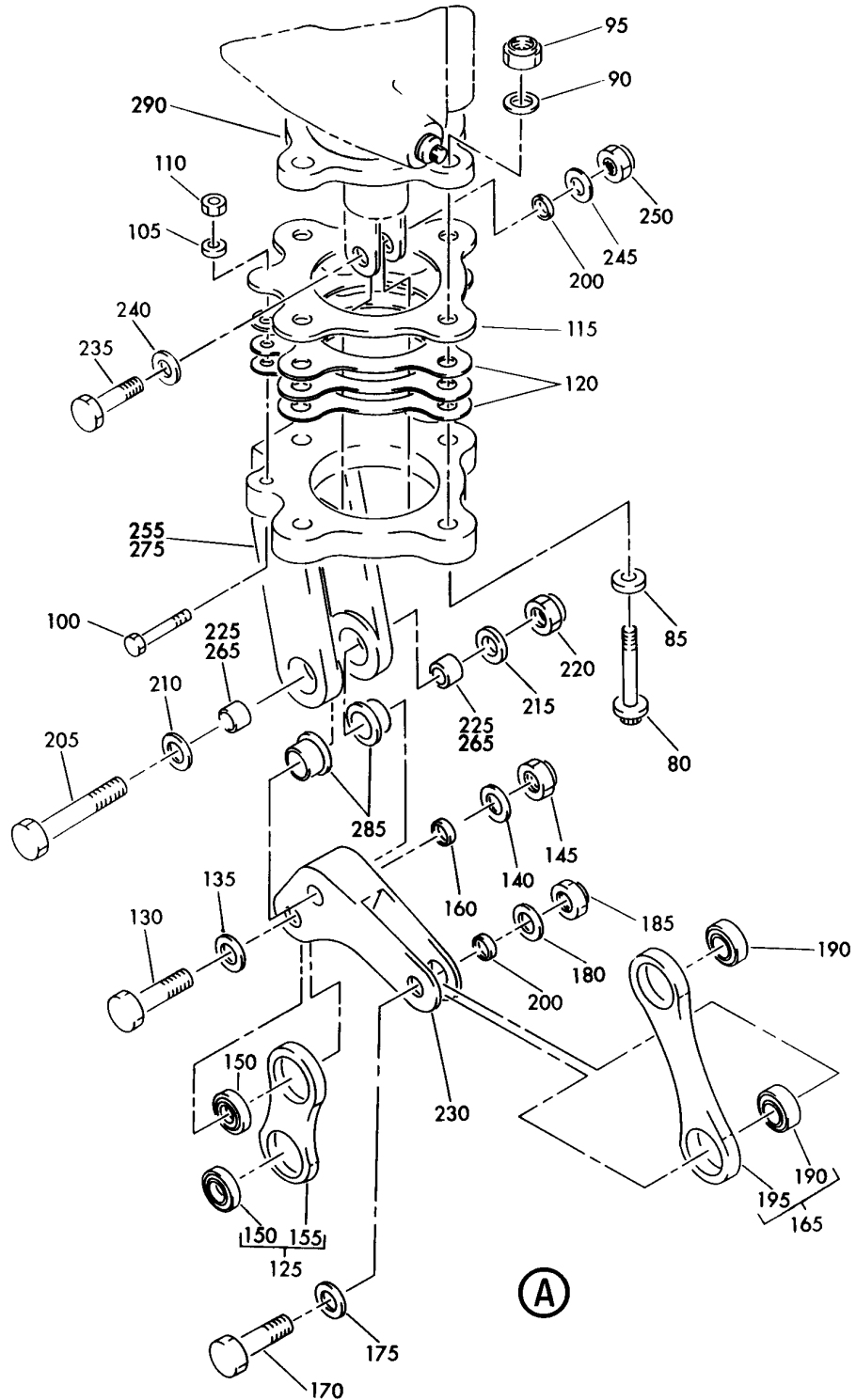
**32-32-05-01**

BRI  
MAY 28/07

32-32-05-01  
PAGE 0



**BOEING**  
757  
**PARTS CATALOG (MAINTENANCE)**



Y 32320501 SHT 2 REV 138

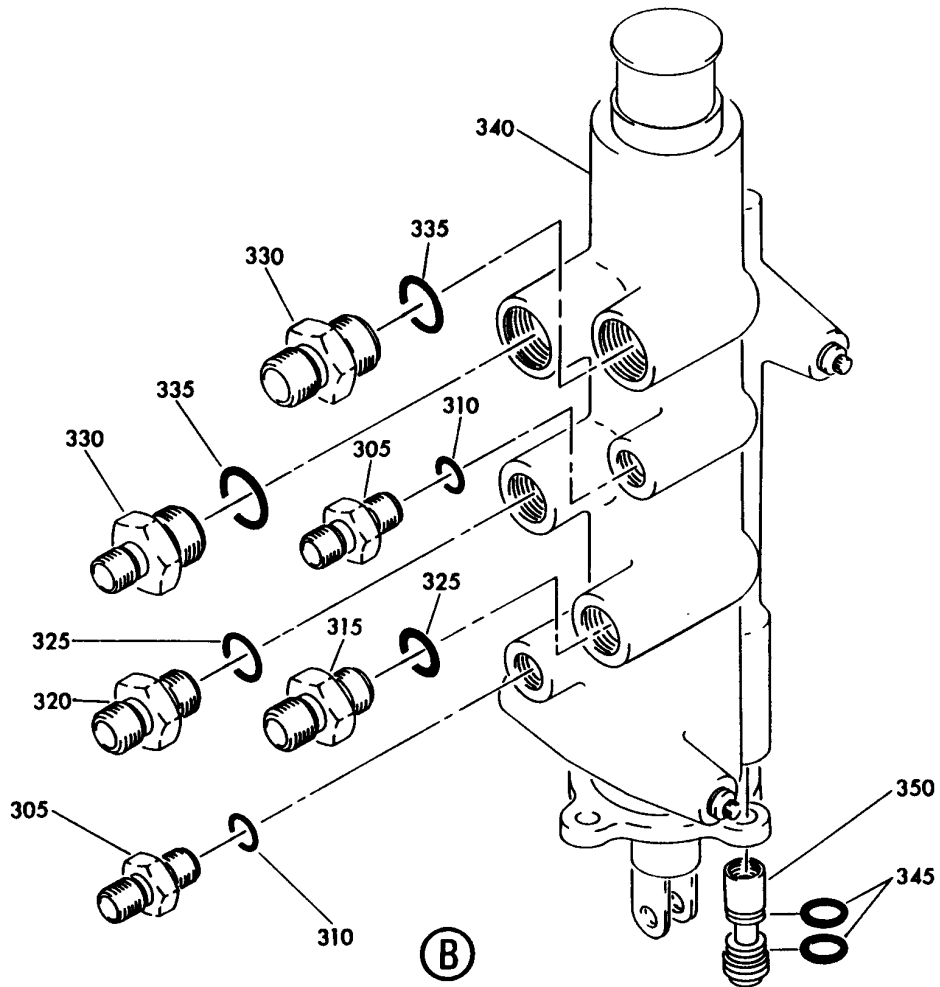
VALVE INSTL-MLG DOOR OPERATED SEQ  
FIGURE 1 (SHEET 2)

**32-32-05-01**

BRI  
MAY 28/07

32-32-05-01  
PAGE 0A

**BOEING**  
757  
PARTS CATALOG (MAINTENANCE)



Y 32320501 SHT 3 REV 126

VALVE INSTL-MLG DOOR OPERATED SEQ  
FIGURE 1 (SHEET 3)

**32-32-05-01**

BRI  
MAY 28/07

32-32-05-01  
PAGE 0B



757

PARTS CATALOG (MAINTENANCE)

FIG ITEM	PART NUMBER	1 2 3 4 5 6 7	NOMENCLATURE	EFFECT FROM TO	UNITS PER ASSY
1			VALVE INSTL-MLG DOOR OPERATED SEQ	002004 006999	
- 1	273N2003-1		VALVE INSTL-MLG DOOR OPERATED SEQ POSITION DATA: LH FOR NHA SEE: 29-00-51-05	002004 006015 107107 121503 904999	RF
- 1	273N2003-3		VALVE INSTL-MLG DOOR OPERATED SEQ POSITION DATA: LH FOR NHA SEE: 29-00-51-05 32-00-00-15	016102 108120 504903	RF
- 1	MODREF8266		VALVE INSTL-MLG DOOR OPERATED SEQ MODULE NUMBER: 273N2003-3 REV A POSITION DATA: LH	103103	1
- 1	MODREF27635		VALVE INSTL-MLG DOOR OPERATED SEQ MODULE NUMBER: 273N2003-3 REV B POSITION DATA: LH	104106	1
- 5	273N2003-2		VALVE INSTL-MLG DOOR OPERATED SEQ POSITION DATA: RH FOR NHA SEE: 29-00-51-05	002004 006015 107107 121503 904999	RF
- 5	273N2003-4		VALVE INSTL-MLG DOOR OPERATED SEQ POSITION DATA: RH FOR NHA SEE: 29-00-51-05 32-00-00-15	016102 108120 504903	RF
- 5	MODREF8267		VALVE INSTL-MLG DOOR OPERATED SEQ MODULE NUMBER: 273N2003-4 REV A POSITION DATA: RH	103103	1

MISSING ITEM NUMBERS NOT APPLICABLE

- ITEM NOT ILLUSTRATED

32-32-05-01

32-32-05  
FIG. 01  
PAGE 1  
JAN 20/09

BRI



757

PARTS CATALOG (MAINTENANCE)

FIG ITEM	PART NUMBER	1 2 3 4 5 6 7	NOMENCLATURE	EFFECT FROM TO	UNITS PER ASSY
1					
- 5	MODREF27636		VALVE INSTL-MLG DOOR OPERATED SEQ MODULE NUMBER: 273N2003-4 REV B POSITION DATA: RH	104106	1
R	10		.BOLT	002004 006999	1
R	15		.BOLT	002004 006999	1
R	20		.BOLT	002004 006999	1
R	25		.BOLT-	002004 006999	1
R	30		.WASHER-	002004 006999	1
R	33		.WASHER	002004 006999	1
R	35		.WASHER-	002004 006999	2
R	37		.WASHER-	002004 006999	2
R	40		.WASHER	002004 006999	3

MISSING ITEM NUMBERS NOT APPLICABLE

- ITEM NOT ILLUSTRATED

32-32-05-01

32-32-05  
FIG. 01  
PAGE 2  
MAY 20/09

BRI



757

PARTS CATALOG (MAINTENANCE)

FIG ITEM	PART NUMBER	1 2 3 4 5 6 7	NOMENCLATURE	EFFECT FROM TO	UNITS PER ASSY
1 45	BH003035	.	NUT SUPPLIER CODE: V27238 SPECIFICATION NUMBER: BACN10HR5CS OPTIONAL PART: H39953-5 V15653 109LH9031-5 V72962 67832AS524 V56878 BH00303-5 V27238 SL7059C524 V11815 BMN5024CPD35 V97928 CR59085 V62554 SL705095 V11815 109LH90315 V72962 67832AS5 V56878 BMN10HRRCPD3-5 V97928	002004 006999	1

MISSING ITEM NUMBERS NOT APPLICABLE

- ITEM NOT ILLUSTRATED

BRI

32-32-05-01

BOEING PROPRIETARY - Copyright © - Unpublished Work - See title page for details.

32-32-05  
FIG. 01  
PAGE 3  
JAN 20/09



757

PARTS CATALOG (MAINTENANCE)

FIG ITEM	PART NUMBER	1 2 3 4 5 6 7	NOMENCLATURE	EFFECT FROM TO	UNITS PER ASSY
1 50	BMM10HRCPD3-4	.NUT-	SUPPLIER CODE: V97928 SPECIFICATION NUMBER: BACN10HR4CS OPTIONAL PART: H39953-4 V15653 109LH9031-4 V72962 67832AS428 V56878 BH00303-4 V27238 SL7059C428 V11815 BH003034 V27238 BMN5024CPD34 V97928 CR59084 V62554 109LH90314 V72962 67832AS4 V56878 BMM10HRCPD3-4 V97928 SL705094 V11815	002004 006999	1
52	BRH10C4D	.NUT-	SUPPLIER CODE: V52828 SPECIFICATION NUMBER: BACN10JC4CD OPTIONAL PART: T6C428JCD V11815 NS202486-048 V80539 102LH9075-4W V72962 H51650-4BAC V15653	002004 006999	2
55	BACB28AK04-035	.BUSHING-		002004 006999	1

MISSING ITEM NUMBERS NOT APPLICABLE

- ITEM NOT ILLUSTRATED

BRI

32-32-05-01

BOEING PROPRIETARY - Copyright © - Unpublished Work - See title page for details.

32-32-05  
FIG. 01  
PAGE 4  
JAN 20/09



757

PARTS CATALOG (MAINTENANCE)

FIG ITEM	PART NUMBER	1 2 3 4 5 6 7	NOMENCLATURE	EFFECT FROM TO	UNITS PER ASSY
1					
60	273N2009-11		.VALVE ASSY- POSITION DATA: LH SIDE COMPONENT MAINT MANUAL REF: 32-32-53	002004 006007 121503 953999	1
60	273N2009-7		.VALVE ASSY- POSITION DATA: LH SIDE MISCELLANEOUS DATA: FOR SPARES PROCURE LOWER COMPONENTS COMPONENT MAINT MANUAL REF: 32-32-53	107107 904949	1
60	273N2009-13		.VALVE ASSY- POSITION DATA: LH SIDE MISCELLANEOUS DATA: FOR SPARES PROCURE LOWER COMPONENTS COMPONENT MAINT MANUAL REF: 32-32-53	008100 950952	1
60	273N2009-17		.VALVE ASSY- POSITION DATA: LH SIDE MISCELLANEOUS DATA: FOR SPARES PROCURE LOWER COMPONENTS COMPONENT MAINT MANUAL REF: 32-32-53	008100 107107 904952	1
- 65	273N2009-10		.VALVE ASSY- POSITION DATA: RH SIDE COMPONENT MAINT MANUAL REF: 32-32-53	002004 006007 121503 953999	1
- 65	273N2009-8		.VALVE ASSY- POSITION DATA: RH SIDE MISCELLANEOUS DATA: FOR SPARES PROCURE LOWER COMPONENTS COMPONENT MAINT MANUAL REF: 32-32-53	107107 904949	1

MISSING ITEM NUMBERS NOT APPLICABLE

- ITEM NOT ILLUSTRATED

32-32-05-01

32-32-05  
FIG. 01  
PAGE 5  
JAN 20/09

BRI



757

PARTS CATALOG (MAINTENANCE)

FIG ITEM	PART NUMBER	1 2 3 4 5 6 7	NOMENCLATURE	EFFECT FROM TO	UNITS PER ASSY
1					
- 65	273N2009-14		. VALVE ASSY- POSITION DATA: RH SIDE MISCELLANEOUS DATA: FOR SPARES PROCURE LOWER COMPONENTS COMPONENT MAINT MANUAL REF: 32-32-53	008100 950952	1
- 65	273N2009-18		. VALVE ASSY- POSITION DATA: RH SIDE MISCELLANEOUS DATA: FOR SPARES PROCURE LOWER COMPONENTS COMPONENT MAINT MANUAL REF: 32-32-53	008100 107107 904952	1
R	80	BACB30NR4K18	.. BOLT	107107 904949	4
R	80	BACB30NR4K16	.. BOLT	002004 006999	4
R	85	BACW10BP4CD	.. WASHER	002004 006999	4
R	90	BACW10BP4DP	.. WASHER	002004 006999	8
R	95	BRH10C4D	.. NUT SUPPLIER CODE: V52828 SPECIFICATION NUMBER: BACN10JC4CD OPTIONAL PART: T6C428JCD V11815 NS202486-048 V80539 102LH9075-4W V72962 H51650-4BAC V15653	002004 006999	4
R	100	NAS514P832-16	.. SCREW	107107 904949	1
R	100	NAS514P832-10	.. SCREW	002004 006999	1
R	105	BACW10BP2NDP	.. WASHER	002004 006999	1

MISSING ITEM NUMBERS NOT APPLICABLE

- ITEM NOT ILLUSTRATED

32-32-05-01

32-32-05  
FIG. 01  
PAGE 6  
MAY 20/09

BRI





757

PARTS CATALOG (MAINTENANCE)

FIG ITEM	PART NUMBER	1 2 3 4 5 6 7	NOMENCLATURE	EFFECT FROM TO	UNITS PER ASSY	
1						
110	BRH10C08D	..	NUT SUPPLIER CODE: V52828 SPECIFICATION NUMBER: BACN10JC08CD OPTIONAL PART: H51650-08BAC V15653 102LH9075-82W V72962 NS202486-82 V80539 T6C832JCD V11815	002004 006999	1	
R	115	273N2099-2	..	GUIDE	107107 904949	1
R	115	273N2099-3	..	GUIDE	002004 006999	1
R	120	273N2111-1	..	SHIM	107107 904949	AR
R	120	273N2111-2	..	SHIM	002004 006999	AR
R	125	273N2012-1	..	LINK ASSY	002004 006999	1
			ATTACHING PARTS			
	130	BACB30LJ4-11	..	BOLT	002004 006999	1
	135	BACW10BP4CD	..	WASHER	002004 006999	1
	140	BACW10BP4DP	..	WASHER	002004 006999	1
	145	BRH10C4D	..	NUT SUPPLIER CODE: V52828 SPECIFICATION NUMBER: BACN10JC4CD OPTIONAL PART: T6C428JCD V11815 NS202486-048 V80539 102LH9075-4W V72962 H51650-4BAC V15653	002004 006999	1
	150	MS14101-4	-----*	BEARING	002004 006999	2

MISSING ITEM NUMBERS NOT APPLICABLE

- ITEM NOT ILLUSTRATED

BRI

32-32-05-01

BOEING PROPRIETARY - Copyright © - Unpublished Work - See title page for details.

32-32-05  
FIG. 01  
PAGE 7  
MAY 20/09



757

PARTS CATALOG (MAINTENANCE)

FIG ITEM	PART NUMBER	1 2 3 4 5 6 7	NOMENCLATURE	EFFECT FROM TO	UNITS PER ASSY	
R R	155	273N2012-3	...LINK	002004 006999	1	
	160	BACB28AK04-018	..BUSHING	002004 006999	1	
	165	273N2012-2	..LINK ASSY	002004 006999	1	
				ATTACHING PARTS		
	170	BACB30LJ4-11	..BOLT	002004 006999	1	
	175	BACW10BP4CD	..WASHER	002004 006999	1	
	180	BACW10BP4DP	..WASHER	002004 006999	1	
	185	BRH10C4D	..NUT	002004 006999	1	
				SUPPLIER CODE: V52828		
				SPECIFICATION NUMBER: BACN10JC4CD		
			OPTIONAL PART: T6C428JCD V11815 NS202486-048 V80539 102LH9075-4W V72962 H51650-4BAC V15653			
			-----*-----			
R R	190	MS14101-4	...BEARING	002004 006999	2	
	195	273N2012-4	...LINK	002004 006999	1	
	200	BACB28AK04-018	..BUSHING	002004 006999	2	
	205	BACB30LJ4-20	..BOLT	002004 006999	1	
	210	BACW10BP4CD	..WASHER	002004 006999	1	
	215	BACW10BP4DP	..WASHER	002004 006999	1	
	MISSING ITEM NUMBERS NOT APPLICABLE					

- ITEM NOT ILLUSTRATED

32-32-05-01

32-32-05  
FIG. 01  
PAGE 8  
MAY 20/09

BRI



**757  
PARTS CATALOG (MAINTENANCE)**

FIG ITEM	PART NUMBER	1 2 3 4 5 6 7	NOMENCLATURE	EFFECT FROM TO	UNITS PER ASSY	
1 220	BRH10C4D	..	NUT SUPPLIER CODE: V52828 SPECIFICATION NUMBER: BACN10JC4CD OPTIONAL PART: T6C428JCD V11815 NS202486-048 V80539 102LH9075-4W V72962 H51650-4BAC V15653	002004 006999	1	
R R R R	225	BACB28AK04-036	..	BUSHING	107107 904949	2
	225	BACB28AK04-032	..	BUSHING	002004 006999	2
	230	273N2011-1	..	BELLCRANK- OPTIONAL PART: 273N2011-4	002004 006999	1
	230	273N2011-4	..	BELLCRANK- OPTIONAL PART: 273N2011-1	002004 006999	1
	235	BACB30LJ4-9	..	BOLT	002004 006999	1
	240	BACW10BP4CD	..	WASHER	002004 006999	1
	245	BACW10BP4DP	..	WASHER	002004 006999	1
	250	BRH10C4D	..	NUT SUPPLIER CODE: V52828 SPECIFICATION NUMBER: BACN10JC4CD OPTIONAL PART: T6C428JCD V11815 NS202486-048 V80539 102LH9075-4W V72962 H51650-4BAC V15653	002004 006999	1

MISSING ITEM NUMBERS NOT APPLICABLE

— ITEM NOT ILLUSTRATED

BRI

# 32-32-05-01

BOEING PROPRIETARY - Copyright © - Unpublished Work - See title page for details.

32-32-05  
FIG. 01  
PAGE 9  
MAY 20/09



757

PARTS CATALOG (MAINTENANCE)

FIG ITEM	PART NUMBER	1 2 3 4 5 6 7	NOMENCLATURE	EFFECT FROM TO	UNITS PER ASSY
1					
255	273N2100-11	..	BRACKET ASSY- POSITION DATA: LH SIDE USED ON: 273N2009-7 273N2009-11	002004 006007 107107 121503 904949 953999	1
- 260	273N2100-12	..	BRACKET ASSY- POSITION DATA: RH SIDE USED ON: 273N2009-8 273N2009-10	002004 006007 107107 121503 904949 953999	1
265	BACB28AR06A025A	...	BUSHING	002004 006999	2
275	273N2009-15	..	BRACKET ASSY- POSITION DATA: LH SIDE USED ON: 273N2009-13 273N2009-17	002004 006100 103106 121503 950999	1
- 280	273N2009-16	..	BRACKET ASSY- POSITION DATA: RH SIDE USED ON: 273N2009-14 273N2009-18	002004 006100 103106 121503 950999	1
285	BACB28AY06A021C	...	BUSHING	002004 006100 103106 121503 950999	2
290	273N2030-1	..	BRACKET- POSITION DATA: LH SIDE	002004 006100 103106 121503 950999	1
- 295	273N2030-2	..	BRACKET- POSITION DATA: RH SIDE	002004 006100 103106 121503 950999	1
300	273N2009-6	..	VALVE ASSY-	002004 006999	1
300	273N2009-9	..	VALVE ASSY-	002004 006999	1
305	BACU24K6	...	UNION	002004 006999	2
310	NAS1612-6	...	PACKING-	002004 006999	2

MISSING ITEM NUMBERS NOT APPLICABLE

- ITEM NOT ILLUSTRATED

32-32-05-01

32-32-05  
FIG. 01  
PAGE 10  
MAY 20/09

BRI



757

PARTS CATALOG (MAINTENANCE)

FIG ITEM	PART NUMBER	1 2 3 4 5 6 7	NOMENCLATURE	EFFECT FROM TO	UNITS PER ASSY
1					
315	BACU24K8	...	UNION	002004 006999	1
320	AFP2328-6	...	REDUCER SUPPLIER CODE: V30974 SPECIFICATION NUMBER: BACR17E8-6 OPTIONAL PART: AP10278-6 V01673 BC916T8-6 V50948 DBOR17E8-6 V14798 ER21916T8-6 V88334 ER31916-8-6 V88334 F23-8-6 V73197 2-01075T8-6 V11328 31778-8-6 V14397 US2114-8-6 V50508 AP1027T8-6 V01673 US21148-6 V50808 317788-6 V14397	002004 006999	1
325	NAS1612-8	...	PACKING-	002004 006999	2

MISSING ITEM NUMBERS NOT APPLICABLE

- ITEM NOT ILLUSTRATED

BRI

32-32-05-01

BOEING PROPRIETARY - Copyright © - Unpublished Work - See title page for details.

32-32-05  
FIG. 01  
PAGE 11  
JAN 20/09

**BOEING**  
757  
**PARTS CATALOG (MAINTENANCE)**

FIG ITEM	PART NUMBER	1 2 3 4 5 6 7	NOMENCLATURE	EFFECT FROM TO	UNITS PER ASSY
1 330	AFP23210-8		...REDUCER SUPPLIER CODE: V30974 SPECIFICATION NUMBER: BACR17E10-8 OPTIONAL PART: AP102710-8 V01673 BC916T10-8 V50948 DBOR17E10-8 V14798 ER21916T10-8 V88334 ER31916-10-8 V88334 F23-10-8 V73197 2-01075T10-8 V11328 31778-10-8 V14397 US2114-10-8 V50808	002004 006999	2
	335		...PACKING-	002004 006999	2
R R R R R R R R R R	340		...VALVE ASSY-DOOR OPERATED GR SEQ SUPPLIER CODE: V92003 FUNCTIONAL DESCRIPTION: CONTROLS HYDRAULIC FLOW TO OPERATE WING LANDING GEAR DOOR. SPECIFICATION NUMBER: 60B00247-6 COMPONENT MAINT MANUAL REF: 32-30-20	002004 006999	1
	340		...VALVE ASSY-DOOR OPERATED GR SEQ SUPPLIER CODE: V92003 SPECIFICATION NUMBER: 60B00247-8 COMPONENT MAINT MANUAL REF: 32-30-20	002004 006999	1
	345		.....PACKING-	002004 006999	2

MISSING ITEM NUMBERS NOT APPLICABLE

— ITEM NOT ILLUSTRATED

BRI

# 32-32-05-01

BOEING PROPRIETARY - Copyright © - Unpublished Work - See title page for details.

32-32-05  
FIG. 01  
PAGE 12  
MAY 20/09



757

PARTS CATALOG (MAINTENANCE)

FIG ITEM	PART NUMBER	1 2 3 4 5 6 7	NOMENCLATURE	EFFECT FROM TO	UNITS PER ASSY
1					
350	2672221		....VALVE ASSY- SUPPLIER CODE: V92003	002004 006999	1
900			ILLUSTRATION REFERENCE: PLUMBING INSTL-SECT. 44 KEEL BEAM MLG WHL WELL HYDR (LANDING GEAR CONTROL ONLY) 32-31-51-20	002004 006100 107107 121503 904999	RF
905			ILLUSTRATION REFERENCE: PLUMBING INSTL-SECT.44 R PRESSURE DECK HYDR (MAIN GEAR EXTENSION AND RETRACTION ONLY) 32-32-51-22	002004 006100 107107 121503 904999	RF
910			ILLUSTRATION REFERENCE: PLUMBING INSTL-SECT 44 MLG WHL WELL HYDR (ANTISKID/AUTOBRAKE SYSTEM ONLY) 32-42-51-22	002004 006100 107107 121503 904999	RF
915			ILLUSTRATION REFERENCE: PLUMBING INSTL-SECT.44 R PRESSURE DECK HYDR (LANDING GEAR CONTROL ONLY) 32-31-51-22	002004 006100 107107 121503 904999	RF
920			ILLUSTRATION REFERENCE: PLUMBING INSTL-SECT.44 L PRESSURE DECK HYDR (MAIN GEAR EXTENSION AND RETRACTION ONLY) 32-32-51-24	002004 006100 107107 121503 904999	RF
925			ILLUSTRATION REFERENCE: PLUMBING INSTL-SECT. 44 KEEL BEAM MLG WHL WELL HYDR 32-35-51-30	002004 006100 107107 121503 904999	RF

MISSING ITEM NUMBERS NOT APPLICABLE

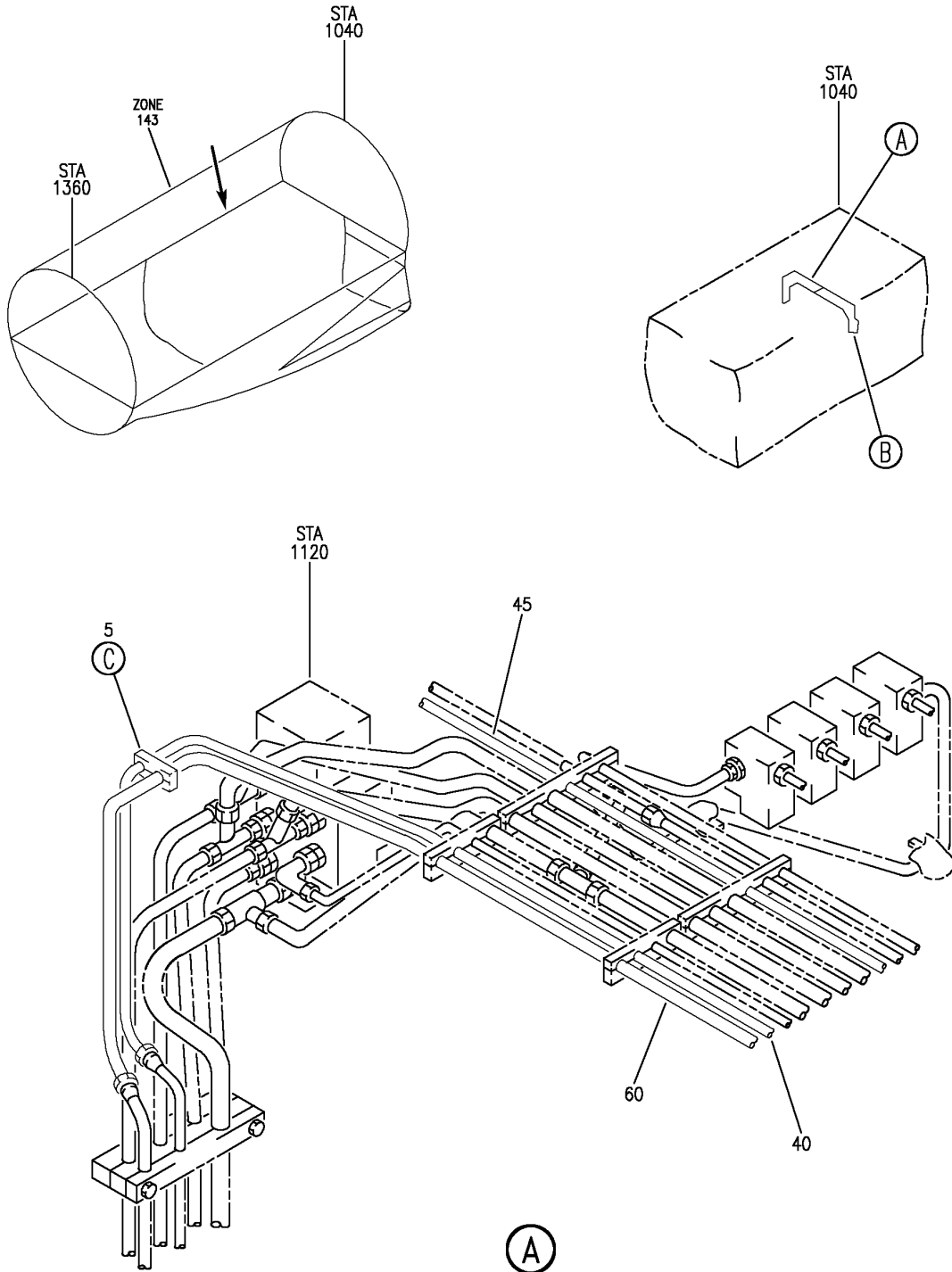
- ITEM NOT ILLUSTRATED

32-32-05-01

32-32-05  
FIG. 01  
PAGE 13  
MAY 20/09

BRI

**BOEING**  
757  
PARTS CATALOG (MAINTENANCE)



Y 32320504 SHT 1 REV 249

PLUMBING INSTL-MAIN WHL WELL BHD HYDR (MAIN GEAR EXTENSION AND RETRACTION ONLY)  
FIGURE 4 (SHEET 1)

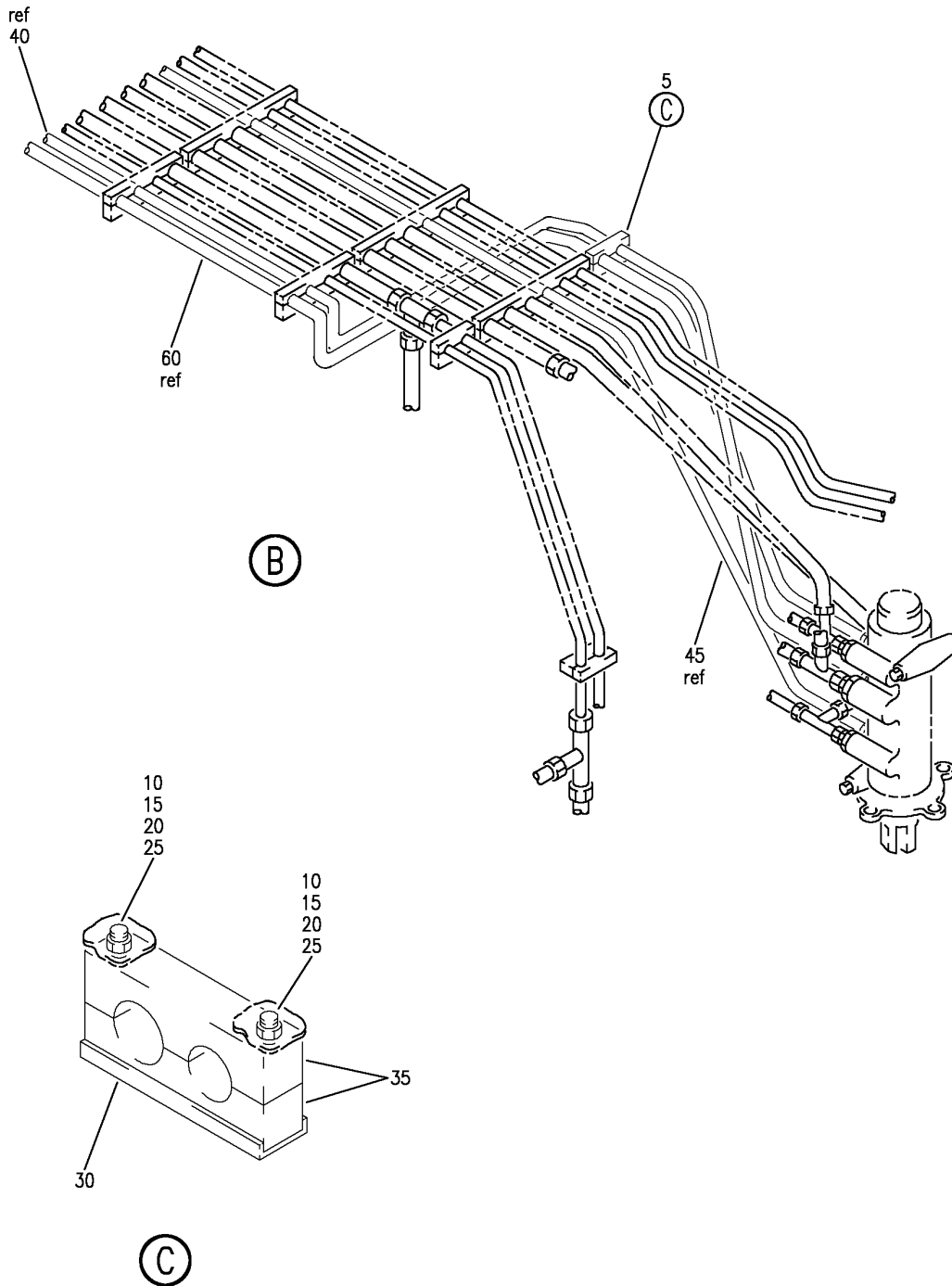
BRI  
JAN 20/09

**32-32-05-04**

32-32-05-04  
PAGE 0



**BOEING**  
757  
PARTS CATALOG (MAINTENANCE)



Y 32320504 SH1 2 REV 249

PLUMBING INSTL-MAIN WHL WELL BHD HYDR (MAIN GEAR EXTENSION AND RETRACTION ONLY)  
FIGURE 4 (SHEET 2)

BRI  
JAN 20/09

**32-32-05-04**

32-32-05-04  
PAGE 0A



757

PARTS CATALOG (MAINTENANCE)

FIG ITEM	PART NUMBER	1 2 3 4 5 6 7	NOMENCLATURE	EFFECT FROM TO	UNITS PER ASSY
4			PLUMBING INSTL-MAIN WHL WELL BHD HYDR (MAIN GEAR EXTENSION AND RETRACTION ONLY)	103106	
- 1	MODREF31807		PLUMBING INSTL-MAIN WHL WELL BHD HYDR (MAIN GEAR EXTENSION AND RETRACTION ONLY) MODULE NUMBER: 271N6443-47 REV B FOR OTHER SYS DETAILS SEE: 11-22-06-02 27-51-26-02 29-11-18-05 29-11-29-03 29-11-51-07 FOR ADDITIONAL DETAILS SEE: 32-41-02-13 32-41-04-03 32-42-02-05 32-42-07-02	103106	1
5	270N2000-123	. .	CLAMP ASSY-BLK	103106	2
10	NAS1801-3-26	..	SCREW	103106	2
15	NAS43DD3-67	..	SPACER	103106	2
20	AN960PD10L	..	WASHER	103106	2
25	BRH10A3	..	NUT SUPPLIER CODE: V52828 SPECIFICATION NUMBER: BACN10JC3 OPTIONAL PART: H10-3BAC V15653 NS202101-02 V80539 RMLH9075-3W V72962 VN303A02 V92215 96-02 V80539 T6S1032J V11815	103106	2
30	270N2000-868	..	CHANNEL	103106	1
35	270N2000-556	..	BLOCK	103106	2

MISSING ITEM NUMBERS NOT APPLICABLE

- ITEM NOT ILLUSTRATED

32-32-05-04

32-32-05  
FIG. 04  
PAGE 1  
JAN 20/09

BRI



757

PARTS CATALOG (MAINTENANCE)

FIG ITEM	PART NUMBER	1 2 3 4 5 6 7	NOMENCLATURE	EFFECT FROM TO	UNITS PER ASSY
4					
40	271N6443-1070		.TUBE ASSY- TUBING MATERIAL: .375 IN. OD X .019 IN. WALL X 106.26 IN. LG TI BMS 7-234 TI-3AL-2.5V COLD WORKED, STRESS RELIEVED TUBING	103106	1
45	271N6443-1202		.TUBE ASSY- TUBING MATERIAL: .375 IN. OD X .019 IN. WALL X 77.6 IN. LG TI BMS 7-234 TI03AL-2.5V COLD WORKED, STRESS RELIEVED TUBING	103106	1
- 50	AS1581T06		..SLEEVE	103106	2
- 55	BACN10YA6		..NUT	103106	2
60	271N6443-1071		.TUBE ASSY- TUBING MATERIAL: .500 IN. OD X .026 IN. WALL X 103.0 IN. LG TI BMS 7-234 TI03AL-2.5V COLD WORKED, STRESS RELIEVED TUBING	103106	1
- 65	AS1581T08		..SLEEVE	103106	2
- 70	BACN10YA8		..NUT	103106	2

MISSING ITEM NUMBERS NOT APPLICABLE

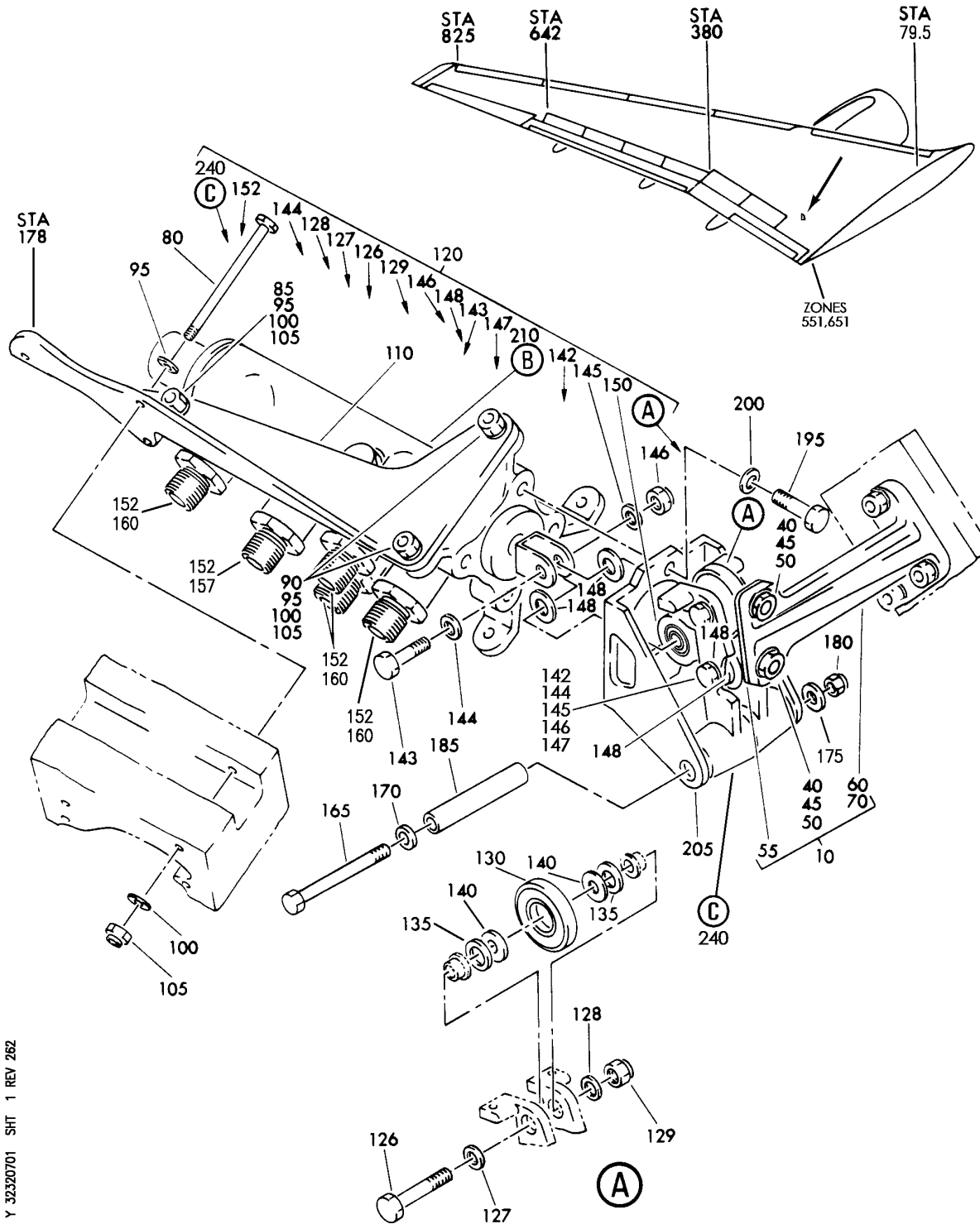
- ITEM NOT ILLUSTRATED

32-32-05-04

32-32-05  
FIG. 04  
PAGE 2  
JAN 20/09

BRI

**BOEING**  
757  
PARTS CATALOG (MAINTENANCE)



Y 32320701 SHT 1 REV 262

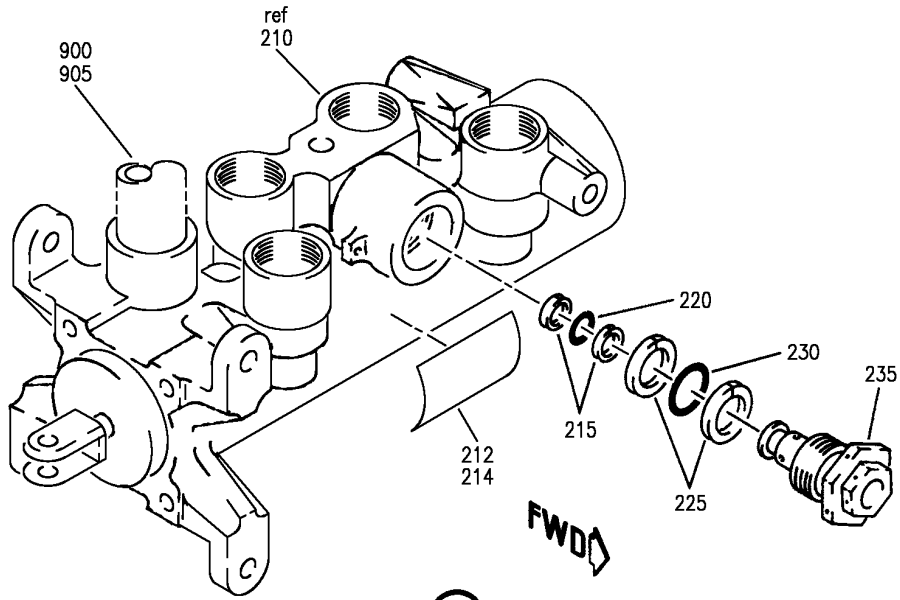
VALVE INSTL-MLG DOWNLOCK OPERATED DOOR SEQUENCE  
FIGURE 1 (SHEET 1)

**32-32-07-01**

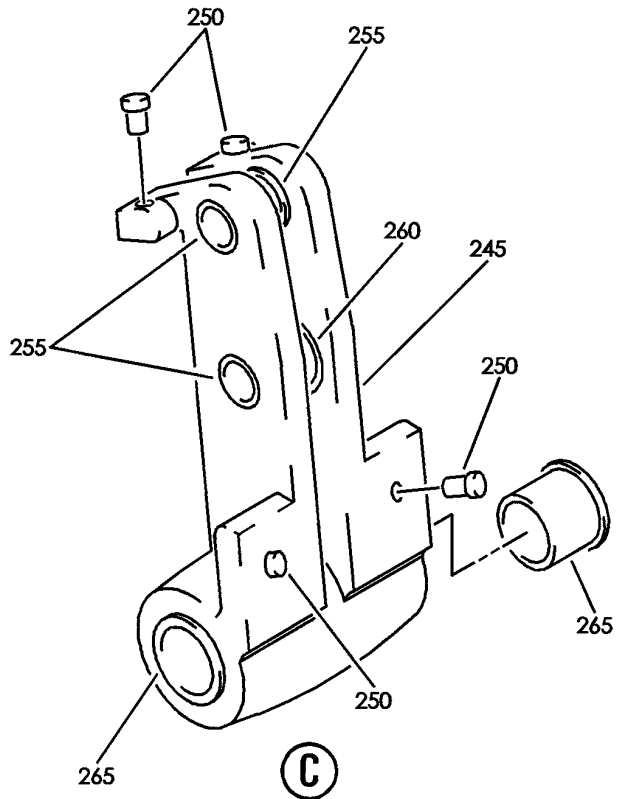
BRI  
MAY 28/07

32-32-07-01  
PAGE 0

**BOEING**  
757  
PARTS CATALOG (MAINTENANCE)



**(B)**



Y 32320701 SH1 2 REV 305

VALVE INSTL-MLG DOWNLOCK OPERATED DOOR SEQUENCE  
FIGURE 1 (SHEET 2)

**32-32-07-01**

BRI  
MAY 28/07

32-32-07-01  
PAGE 0A



757

PARTS CATALOG (MAINTENANCE)

FIG ITEM	PART NUMBER	1 2 3 4 5 6 7	NOMENCLATURE	EFFECT FROM TO	UNITS PER ASSY
1			VALVE INSTL-MLG DOWNLOCK OPERATED DOOR SEQUENCE	002004 006102 107999	
- 1	273N2002-5		VALVE INSTL-MLG DOWNLOCK OPERATED DOOR SEQUENCE POSITION DATA: LH FOR NHA SEE: 29-00-51-05 32-00-00-15	002004 006102 107999	RF
- 5	273N2002-6		VALVE INSTL-MLG DOWNLOCK OPERATED DOOR SEQUENCE POSITION DATA: RH FOR NHA SEE: 29-00-51-05 32-00-00-15	002004 006102 107999	RF
10	273N2078-11		.TARGET ASSY- POSITION DATA: LH SIDE	002004 006102 107999	1
- 15	273N2078-12		.TARGET ASSY- POSITION DATA: RH SIDE	002004 006102 107999	1
- 20	BACB30NR4K9		ATTACHING PARTS .BOLT	002004 006102 107999	3
- 25	BACW10BP4AC		.WASHER	002004 006102 107999	3
- 30	BACW10BP4AP		.WASHER	002004 006102 107999	3
- 35	BRH10C4D		.NUT SUPPLIER CODE: V52828 SPECIFICATION NUMBER: BACN10JC4CD OPTIONAL PART: T6C428JCD V11815 NS202486-048 V80539 102LH9075-4W V72962 H51650-4BAC V15653 -----*-----	002004 006102 107999	3

MISSING ITEM NUMBERS NOT APPLICABLE

- ITEM NOT ILLUSTRATED

32-32-07-01

32-32-07  
FIG. 01  
PAGE 1  
JAN 20/09

BRI



757

PARTS CATALOG (MAINTENANCE)

FIG ITEM	PART NUMBER	1 2 3 4 5 6 7	NOMENCLATURE	EFFECT FROM TO	UNITS PER ASSY
1	40 NAS514P1032-14	..	SCREW	002004 006102 107999	2
	45 BACW10BN3SP	..	WASHER	002004 006102 107999	2
	50 BRH10C3D	..	NUT SUPPLIER CODE: V52828 SPECIFICATION NUMBER: BACN10JC3D OPTIONAL PART: T6C1032JCD V11815 NS202486-02 V80539 102LH9075-3W V72962 H51650-3BAC V15653	002004 006102 107999	2
	55 273N2078-19	..	PLATE	002004 006102 107999	1
	60 273N2078-13	..	TARGET- POSITION DATA: LH SIDE	002004 006102 107999	1
-	65 273N2078-14	..	TARGET- POSITION DATA: RH SIDE	002004 006102 107999	1
	70 273N2078-15	..	TARGET- POSITION DATA: LH SIDE	002004 006102 107999	1
-	75 273N2078-16	..	TARGET- POSITION DATA: RH SIDE	002004 006102 107999	1
	80 BACB30NR4K52	.BOLT-	OPTIONAL PART: BACB30NF4-52	002004 006102 107999	4
	80 BACB30NF4-52	.BOLT-	OPTIONAL PART: BACB30NR4K52	002004 006102 107999	4
	85 BACB30NR4K57	.BOLT-	OPTIONAL PART: BACB30NF4-57	002004 006102 107999	1
	85 BACB30NF4-57	.BOLT-	OPTIONAL PART: BACB30NR4K57	002004 006102 107999	1

MISSING ITEM NUMBERS NOT APPLICABLE

- ITEM NOT ILLUSTRATED

32-32-07-01

32-32-07  
FIG. 01  
PAGE 2  
MAY 20/09

BRI



757

PARTS CATALOG (MAINTENANCE)

FIG ITEM	PART NUMBER	1 2 3 4 5 6 7	NOMENCLATURE	EFFECT FROM TO	UNITS PER ASSY
1	90 BACB30NR4K7	.	BOLT	002004 006102 107999	2
	95 BACW10BP4AC	.	WASHER	002004 006102 107999	7
	100 BACW10BP4AP	.	WASHER	002004 006102 107999	7
	105 BRH10C4D	.	NUT SUPPLIER CODE: V52828 SPECIFICATION NUMBER: BACN10JC4CD OPTIONAL PART: T6C428JCD V11815 NS202486-048 V80539 102LH9075-4W V72962 H51650-4BAC V15653	002004 006102 107999	1
	110 273N2079-7	.	SUPPORT- POSITION DATA: LH SIDE	002004 006102 107999	1
-	115 273N2079-8	.	SUPPORT- POSITION DATA: RH SIDE	002004 006102 107999	1
	120 273N2002-7	.	VALVE AND MECH ASSY- POSITION DATA: LH SIDE MISCELLANEOUS DATA: FOR SPARES PROCURE LOWER COMPONENTS COMPONENT MAINT MANUAL REF: 32-32-45	002004 006102 107999	1
-	125 273N2002-8	.	VALVE AND MECH ASSY- POSITION DATA: RH SIDE MISCELLANEOUS DATA: FOR SPARES PROCURE LOWER COMPONENTS COMPONENT MAINT MANUAL REF: 32-32-45	002004 006102 107999	1
	126 BACB30LJ4U16	..	BOLT	002004 006102 107999	1

MISSING ITEM NUMBERS NOT APPLICABLE

- ITEM NOT ILLUSTRATED

32-32-07-01

32-32-07  
FIG. 01  
PAGE 3  
JAN 20/09

BRI

BOEING PROPRIETARY - Copyright © - Unpublished Work - See title page for details.





757

PARTS CATALOG (MAINTENANCE)

FIG ITEM	PART NUMBER	1 2 3 4 5 6 7	NOMENCLATURE	EFFECT FROM TO	UNITS PER ASSY
1					
127	BACW10BP4AC	..	WASHER	002004 006102 107999	1
128	BACW10BP4AP	..	WASHER	002004 006102 107999	1
129	BRH10C4M	..	NUT SUPPLIER CODE: V52828 SPECIFICATION NUMBER: BACN10JC4CM OPTIONAL PART: T6C428JM V11815 97E48 V80539 109LH9075-4W V72962 VN303D048 V92215 H01-4BAC V15653 NS202101SE048 V80539	002004 006102 107999	1
130	69B80214-3	..	ROLLER ASSY	002004 006102 107999	1
135	69B80460-1	..	WASHER	002004 006102 107999	2
140	69B80460-2	..	WASHER	002004 006102 107999	2
142	BACB30LJ4U16	..	BOLT	002004 006102 107999	1
143	BACB30LJ4U9	..	BOLT	002004 006102 107999	1
144	BACW10BP4AC	..	WASHER	002004 006102 107999	2
145	BACW10BP4AP	..	WASHER	002004 006102 107999	2

MISSING ITEM NUMBERS NOT APPLICABLE

- ITEM NOT ILLUSTRATED

32-32-07-01

32-32-07  
FIG. 01  
PAGE 4  
JAN 20/09

BRI

BOEING PROPRIETARY - Copyright © - Unpublished Work - See title page for details.



757

PARTS CATALOG (MAINTENANCE)

FIG ITEM	PART NUMBER	1 2 3 4 5 6 7	NOMENCLATURE	EFFECT FROM TO	UNITS PER ASSY
1 146	BRH10C4M	..	NUT SUPPLIER CODE: V52828 SPECIFICATION NUMBER: BACN10JC4CM OPTIONAL PART: T6C428JM V11815 97E48 V80539 109LH9075-4W V72962 VN303D048 V92215 H01-4BAC V15653 NS202101SE048 V80539	002004 006102 107999	2
147	BACB28Z4-036	..	BUSHING	002004 006102 107999	1
148	69B80168-15	..	WASHER- MISCELLANEOUS DATA: NOT AN INITIAL PROVISIONING SPARE	002004 006102 107999	4
150	69B80213-1	..	LINK ASSY	002004 006102 107999	1
152	NAS1612-8A	..	PACKING	002004 006102 107999	5
157	BACU24K8	..	UNION- OPTIONAL PART: MS21902-8T	002004 006102 107999	1
157	MS21902-8T	..	UNION- OPTIONAL PART: BACU24K8	002004 006102 107999	1

R  
R  
R

MISSING ITEM NUMBERS NOT APPLICABLE

- ITEM NOT ILLUSTRATED

32-32-07-01

32-32-07  
FIG. 01  
PAGE 5  
MAY 20/09

BRI

BOEING PROPRIETARY - Copyright © - Unpublished Work - See title page for details.



**757  
PARTS CATALOG (MAINTENANCE)**

FIG ITEM	PART NUMBER	1 2 3 4 5 6 7	NOMENCLATURE	EFFECT FROM TO	UNITS PER ASSY
1 160	AFP2328-6		..REDUCER SUPPLIER CODE: V30974 SPECIFICATION NUMBER: BACR17E8-6 OPTIONAL PART: AP10278-6 V01673 BC916T8-6 V50948 DBOR17E8-6 V14798 ER21916T8-6 V88334 ER31916-8-6 V88334 F23-8-6 V73197 2-01075T8-6 V11328 31778-8-6 V14397 US2114-8-6 V50508 AP1027T8-6 V01673 US21148-6 V50808 317788-6 V14397	002004 006102 107999	4
165	BACB30LJ4U48		..BOLT	002004 006102 107999	1
170	BACW10BP4AC		..WASHER- POSITION DATA: UNDER BOLT	002004 006102 107999	1
175	BACW10BP4AP		..WASHER- POSITION DATA: UNDER NUT	002004 006102 107999	1

MISSING ITEM NUMBERS NOT APPLICABLE

- ITEM NOT ILLUSTRATED

# 32-32-07-01

32-32-07  
FIG. 01  
PAGE 6  
JAN 20/09

BRI

BOEING PROPRIETARY - Copyright © - Unpublished Work - See title page for details.



757

PARTS CATALOG (MAINTENANCE)

FIG ITEM	PART NUMBER	1 2 3 4 5 6 7	NOMENCLATURE	EFFECT FROM TO	UNITS PER ASSY
1 180	BRH10C4M	..	NUT SUPPLIER CODE: V52828 SPECIFICATION NUMBER: BACN10JC4CM OPTIONAL PART: T6C428JM V11815 97E48 V80539 109LH9075-4W V72962 VN303D048 V92215 H01-4BAC V15653 NS202101SE048 V80539	002004 006102 107999	1
185	BACB28Z4-238	..	BUSHING	002004 006102 107999	1
195	BACB30NR4HK4	..	BOLT	002004 006102 107999	4
200	NAS1149D0432J	..	WASHER	002004 006102 107999	4
205	273N2077-8	..	CLEVIS ASSY- POSITION DATA: LH SIDE	002004 006102 107999	1
- 207	273N2077-9	..	CLEVIS ASSY- POSITION DATA: RH SIDE	002004 006102 107999	1
210	098C00160	..	VALVE ASSY- SUPPLIER CODE: VS5007 SPECIFICATION NUMBER: 60B00252-2 COMPONENT MAINT MANUAL REF: 32-32-02 OPTIONAL PART: 734-18510-01 VS4096	002004 006102 107999	1

MISSING ITEM NUMBERS NOT APPLICABLE

- ITEM NOT ILLUSTRATED

BRI

32-32-07-01

BOEING PROPRIETARY - Copyright © - Unpublished Work - See title page for details.

32-32-07  
FIG. 01  
PAGE 7  
MAY 20/09



757

PARTS CATALOG (MAINTENANCE)

FIG ITEM	PART NUMBER	1 2 3 4 5 6 7	NOMENCLATURE	EFFECT FROM TO	UNITS PER ASSY
R R R R R R R R R R R R R R R	1 210	734-18510-01	.. VALVE ASSY- SUPPLIER CODE: VS4096 FUNCTIONAL DESCRIPTION: PROVIDES SEQUENCE OF HYDRAULIC PATHWAYS TO POSITIVELY DEPLOY THE LANDING GEAR. SPECIFICATION NUMBER: 60B00252-3 COMPONENT MAINT MANUAL REF: 32-32-05 OPTIONAL PART: 098C00160 VS5007	002004 006102 107999	1
	212	734-18241	... NAMEPLATE- SUPPLIER CODE: VS4096 COMPONENT MAINT MANUAL REF: 32-32-05	002004 006102 107999	1
	214	098C00187	... NAMEPLATE- SUPPLIER CODE: VS5007 COMPONENT MAINT MANUAL REF: 32-32-02	002004 006102 107999	1
	215	S30294-011	... RING-BACKUP SUPPLIER CODE: V97820	002004 006102 107999	2
	220	NAS1611-011	... PACKING-	002004 006102 107999	1
	225	S30294-114	... RING-BACKUP SUPPLIER CODE: V97820	002004 006102 107999	2
	230	NAS1611-114	... PACKING-	002004 006102 107999	1
	235	098C00180	... VALVE ASSY-CHK SUPPLIER CODE: VS5007	002004 006102 107999	1
	240	65B80148-1	.. LEVER ASSY	002004 006102 107999	1
	245	65B80148-2	... LEVER	002004 006102 107999	1
	250	MS21209C0615	... INSERT	002004 006102 107999	4

MISSING ITEM NUMBERS NOT APPLICABLE

- ITEM NOT ILLUSTRATED

32-32-07-01

32-32-07  
FIG. 01  
PAGE 8  
MAY 20/09

BRI



757

PARTS CATALOG (MAINTENANCE)

FIG ITEM	PART NUMBER	1 2 3 4 5 6 7	NOMENCLATURE	EFFECT FROM TO	UNITS PER ASSY
1					
255	BACB28W4C018	...	BUSHING	002004 006102 107999	3
260	BACB28U8C020	...	BUSHING	002004 006102 107999	1
265	AJB8T4	...	BUSHING- SUPPLIER CODE: V56644 SPECIFICATION NUMBER: 10-60516-346 OPTIONAL PART: 90809 V09455 AJF08A113 V50294 DBAF8-279 V81376 FBJW16TF20-16 V21335 FBR08A16BA V73134 NHLF08-204A V15860 YTS769 V77896 KJN8-46 V97613	002004 006102 107999	2

MISSING ITEM NUMBERS NOT APPLICABLE

- ITEM NOT ILLUSTRATED

BRI

32-32-07-01

BOEING PROPRIETARY - Copyright © - Unpublished Work - See title page for details.

32-32-07  
FIG. 01  
PAGE 9  
MAY 20/09



757

PARTS CATALOG (MAINTENANCE)

FIG ITEM	PART NUMBER	1 2 3 4 5 6 7	NOMENCLATURE	EFFECT FROM TO	UNITS PER ASSY
1 265	90809		... BUSHING- SUPPLIER CODE: V09455 SPECIFICATION NUMBER: 10-60516-346 OPTIONAL PART: AJB8T4 V56644 AJF08A113 V50294 DBAF8-279 V81376 FBJW16TF20-16 V21335 FBR08A16BA V73134 NHLF08-204A V15860 YTS769 V77896 KJN8-46 V97613	002004 006102 107999	2
265	AJF08A113		... BUSHING- SUPPLIER CODE: VS0352 SPECIFICATION NUMBER: 10-60516-346 OPTIONAL PART: AJB8T4 V56644 90809 V09455 DBAF8-279 V81376 FBJW16TF20-16 V21335 FBR08A16BA V73134 NHLF08-204A V15860 YTS769 V77896 KJN8-46 V97613	002004 006102 107999	2

MISSING ITEM NUMBERS NOT APPLICABLE

- ITEM NOT ILLUSTRATED

BRI

32-32-07-01

BOEING PROPRIETARY - Copyright © - Unpublished Work - See title page for details.

32-32-07  
FIG. 01  
PAGE 10  
MAY 20/09



757

PARTS CATALOG (MAINTENANCE)

FIG ITEM	PART NUMBER	1 2 3 4 5 6 7	NOMENCLATURE	EFFECT FROM TO	UNITS PER ASSY
1 265	DBAF8-279		...BUSHING- SUPPLIER CODE: V81376 SPECIFICATION NUMBER: 10-60516-346 OPTIONAL PART: AJB8T4 V56644 90809 V09455 AJF08A113 V50294 FBJW16TF20-16 V21335 FBR08A16BA V73134 NHLF08-204A V15860 YTS769 V77896 KJN8-46 V97613	002004 006102 107999	2
265	FBJW16TF20-16		...BUSHING- SUPPLIER CODE: V21335 SPECIFICATION NUMBER: 10-60516-346 OPTIONAL PART: AJB8T4 V56644 90809 V09455 AJF08A113 V50294 DBAF8-279 V81376 FBR08A16BA V73134 NHLF08-204A V15860 YTS769 V77896 KJN8-46 V97613	002004 006102 107999	2

MISSING ITEM NUMBERS NOT APPLICABLE

- ITEM NOT ILLUSTRATED

BRI

32-32-07-01

BOEING PROPRIETARY - Copyright © - Unpublished Work - See title page for details.

32-32-07  
FIG. 01  
PAGE 11  
MAY 20/09





**757  
PARTS CATALOG (MAINTENANCE)**

FIG ITEM	PART NUMBER	1 2 3 4 5 6 7	NOMENCLATURE	EFFECT FROM TO	UNITS PER ASSY
1 265	FBR08A16BA		...BUSHING- SUPPLIER CODE: V73134 SPECIFICATION NUMBER: 10-60516-346 OPTIONAL PART: AJB8T4 V56644 90809 V09455 AJF08A113 V50294 DBAF8-279 V81376 FBJW16TF20-16 V21335 NHLF08-204A V15860 YTS769 V77896 KJN8-46 V97613	002004 006102 107999	2
265	NHLF08-204A		...BUSHING- SUPPLIER CODE: V73134 SPECIFICATION NUMBER: 10-60516-346 OPTIONAL PART: AJB8T4 V56644 90809 V09455 AJF08A113 V50294 DBAF8-279 V81376 FBJW16TF20-16 V21335 FBR08A16BA V73134 YTS769 V77896 KJN8-46 V97613	002004 006102 107999	2

MISSING ITEM NUMBERS NOT APPLICABLE

— ITEM NOT ILLUSTRATED

BRI

# 32-32-07-01

BOEING PROPRIETARY - Copyright © - Unpublished Work - See title page for details.

32-32-07  
FIG. 01  
PAGE 12  
MAY 20/09



757

PARTS CATALOG (MAINTENANCE)

FIG ITEM	PART NUMBER	1 2 3 4 5 6 7	NOMENCLATURE	EFFECT FROM TO	UNITS PER ASSY
1 265	YTS769		...BUSHING- SUPPLIER CODE: V77896 SPECIFICATION NUMBER: 10-60516-346 OPTIONAL PART: AJB8T4 V56644 90809 V09455 AJF08A113 V50294 DBAF8-279 V81376 FBJW16TF20-16 V21335 FBR08A16BA V73134 NHLF08-204A V73134 KJN8-46 V97613	002004 006102 107999	2
265	KJN8-46		...BUSHING- SUPPLIER CODE: V97613 SPECIFICATION NUMBER: 10-60516-346 OPTIONAL PART: AJB8T4 V56644 90809 V09455 AJF08A113 V50294 DBAF8-279 V81376 FBJW16TF20-16 V21335 FBR08A16BA V73134 NHLF08-204A V73134 YTS769 V77896	002004 006102 107999	2
900			ILLUSTRATION REFERENCE: PLUMBING INSTL-FILLET AND TE ROLLS ROYCE RETURN LINES 29-11-51-68	101102 108120 504903	RF

MISSING ITEM NUMBERS NOT APPLICABLE

- ITEM NOT ILLUSTRATED

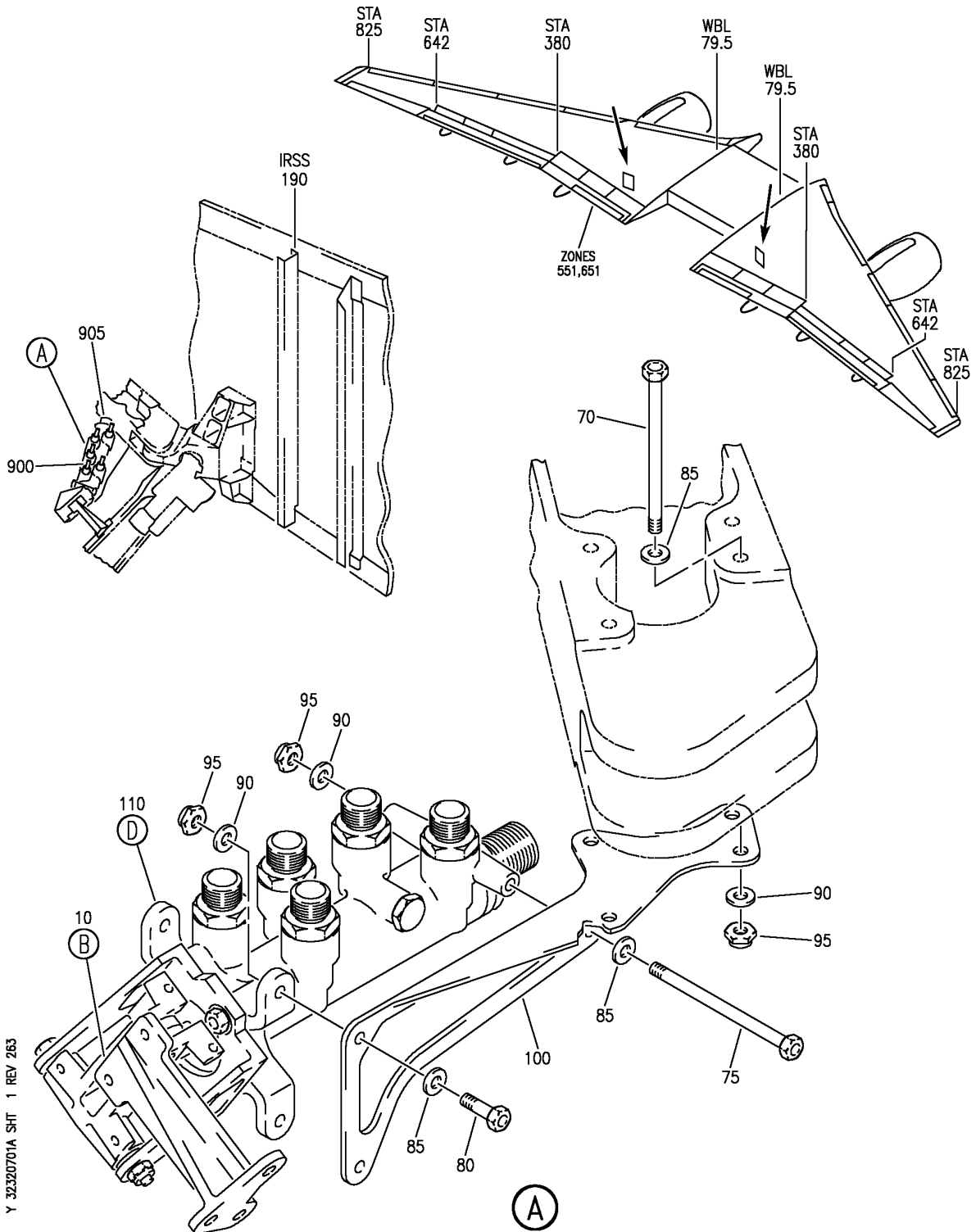
BRI

32-32-07-01

BOEING PROPRIETARY - Copyright © - Unpublished Work - See title page for details.

32-32-07  
FIG. 01  
PAGE 13  
MAY 20/09

**BOEING**  
757  
PARTS CATALOG (MAINTENANCE)



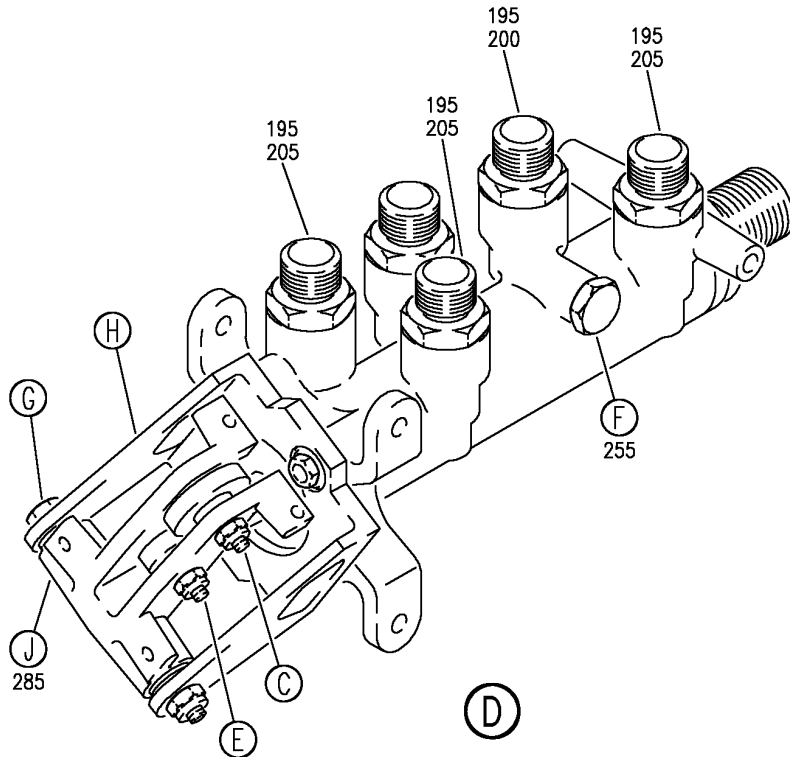
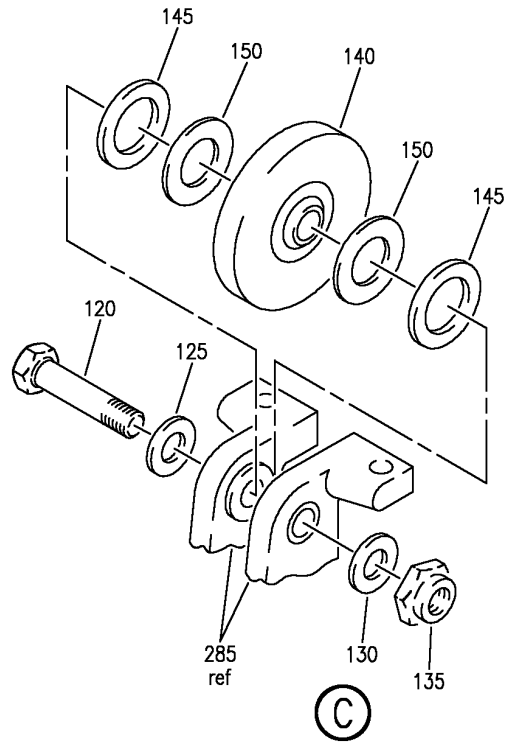
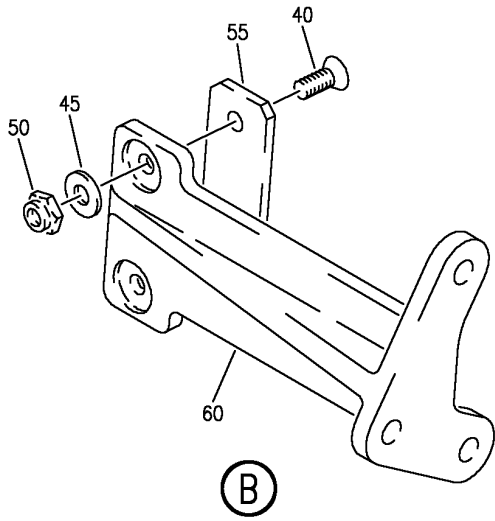
VALVE INSTL-MLG DOWNLOCK OPERATED DOOR SEQUENCE  
FIGURE 1A (SHEET 1)

**32-32-07-01A**

BRI  
JAN 20/09

32-32-07-01A  
PAGE 0

**BOEING**  
757  
PARTS CATALOG (MAINTENANCE)



Y 32320701A SHT 2 REV 263

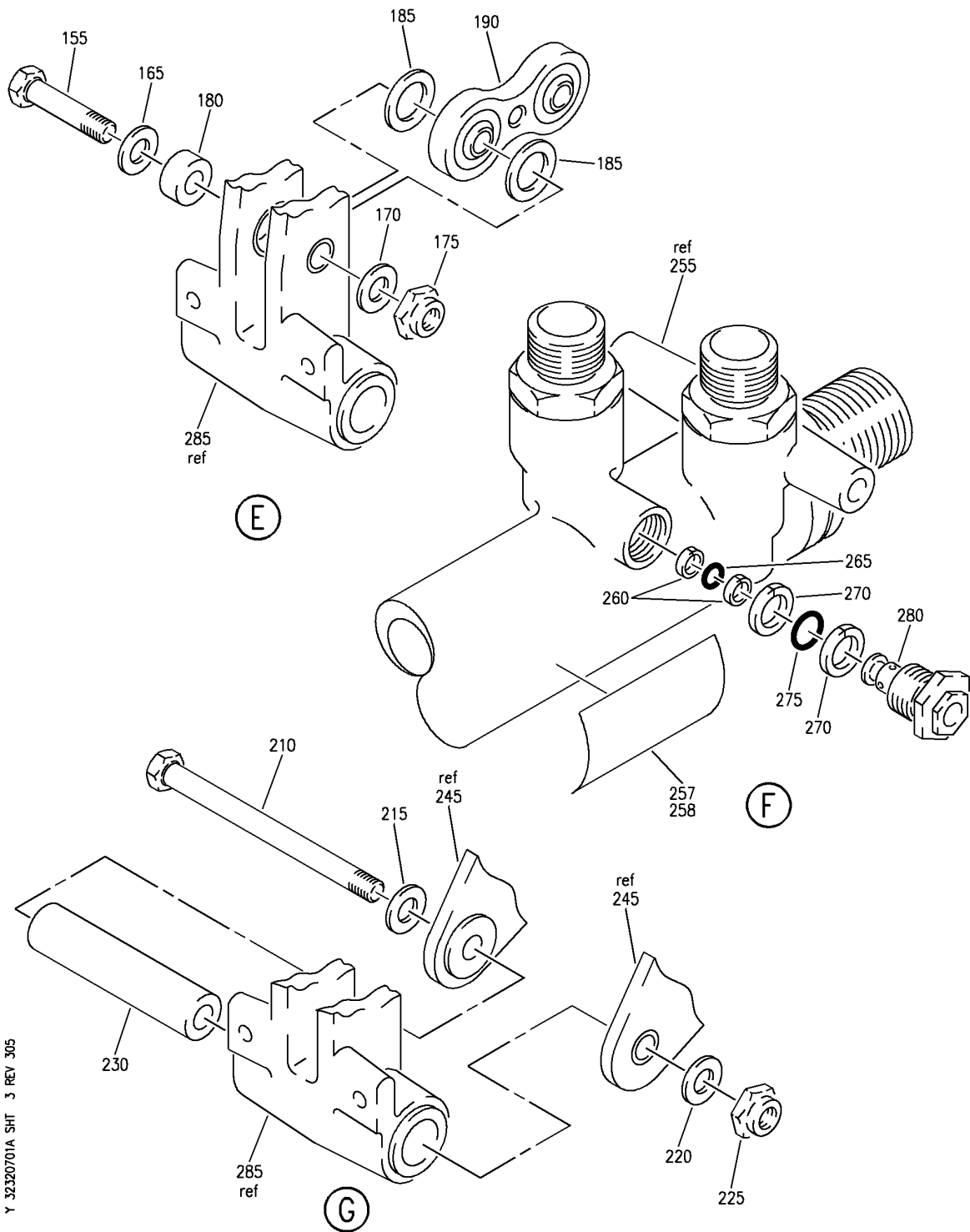
VALVE INSTL-MLG DOWNLOCK OPERATED DOOR SEQUENCE  
FIGURE 1A (SHEET 2)

**32-32-07-01A**

BRI  
JAN 20/09

32-32-07-01A  
PAGE 0A

**BOEING**  
757  
PARTS CATALOG (MAINTENANCE)



Y 32320701A SHT 3 REV 305

VALVE INSTL-MLG DOWNLOCK OPERATED DOOR SEQUENCE  
FIGURE 1A (SHEET 3)

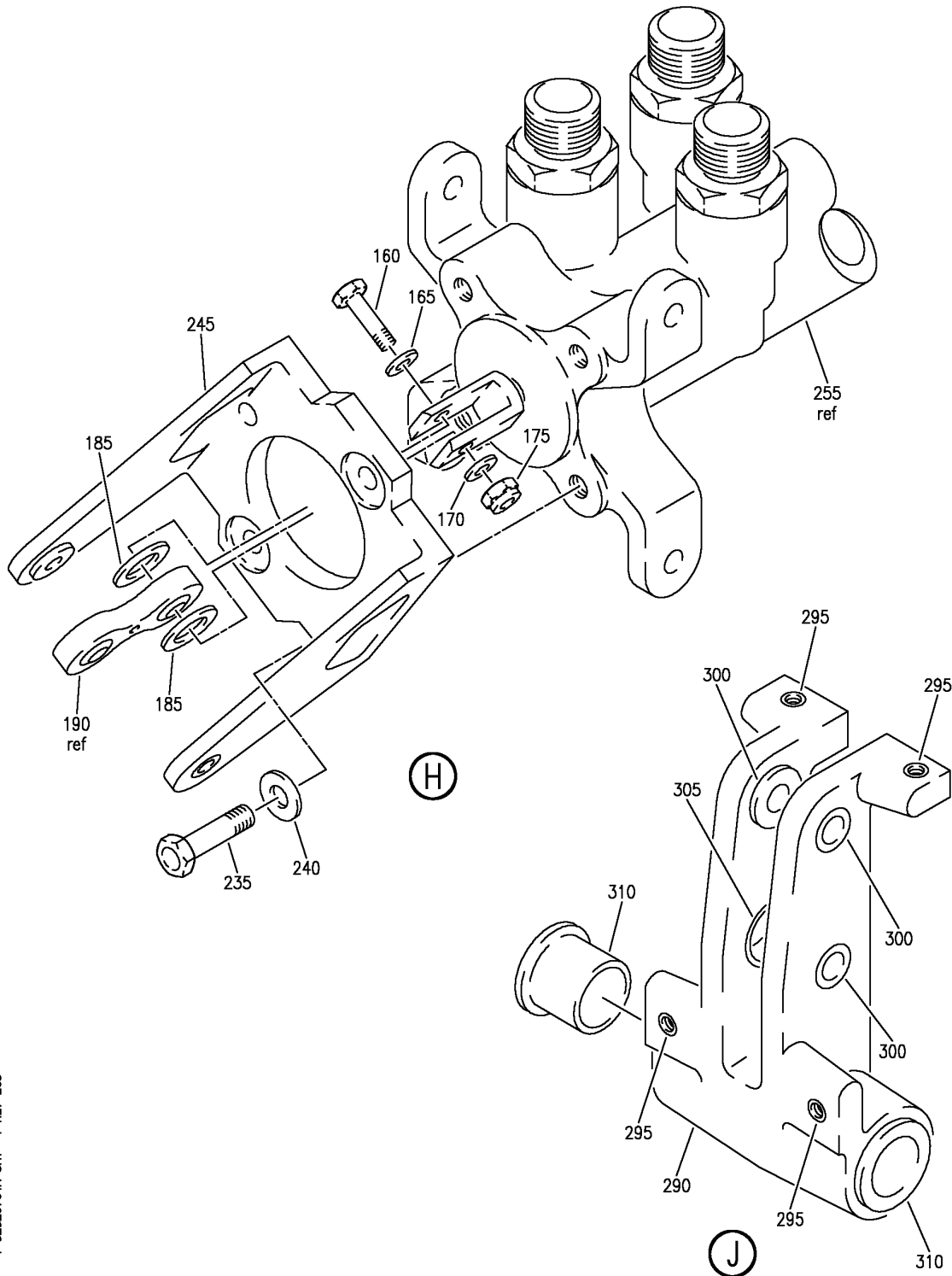
**32-32-07-01A**

BRI  
JAN 20/09

32-32-07-01A  
PAGE 0B

BOEING PROPRIETARY - Copyright © - Unpublished Work - See title page for details.

**BOEING**  
757  
PARTS CATALOG (MAINTENANCE)



Y 32320701A SHT 4 REV 263

VALVE INSTL-MLG DOWNLOCK OPERATED DOOR SEQUENCE  
FIGURE 1A (SHEET 4)

**32-32-07-01A**

BRI  
JAN 20/09

32-32-07-01A  
PAGE 0C



757

PARTS CATALOG (MAINTENANCE)

FIG ITEM	PART NUMBER	1 2 3 4 5 6 7	NOMENCLATURE	EFFECT FROM TO	UNITS PER ASSY
1 A			VALVE INSTL-MLG DOWNLOCK OPERATED DOOR SEQUENCE	103106	
- 1	MODREF8264		VALVE INSTL-MLG DOWNLOCK OPERATED DOOR SEQUENCE MODULE NUMBER: 273N2002-5 REV A POSITION DATA: LH	103106	1
- 5	MODREF8265		VALVE INSTL-MLG DOWNLOCK OPERATED DOOR SEQUENCE MODULE NUMBER: 273N2002-6 REV A POSITION DATA: RH	103106	1
10	273N2078-11		.TARGET ASSY- POSITION DATA: LH SIDE	103106	1
- 15	273N2078-12		.TARGET ASSY- POSITION DATA: RH SIDE	103106	1
- 20	BACB30NR4K9		.BOLT	103106	3
- 25	BACW10BP4AC		.WASHER	103106	3
- 30	BACW10BP4AP		.WASHER	103106	3
- 35	BRH10C4D		.NUT	103106	3
			SUPPLIER CODE: V52828 SPECIFICATION NUMBER: BACN10JC4CD OPTIONAL PART: T6C428JCD V11815 NS202486-048 V80539 102LH9075-4W V72962 H51650-4BAC V15653 -----*-----		
40	NAS514P1032-14		.. SCREW	103106	2
45	BACW10BN3SP		.. WASHER	103106	2

MISSING ITEM NUMBERS NOT APPLICABLE

- ITEM NOT ILLUSTRATED

32-32-07-01A

32-32-07  
FIG. 01A  
PAGE 1  
JAN 20/09

BRI

BOEING PROPRIETARY - Copyright © - Unpublished Work - See title page for details.



757

PARTS CATALOG (MAINTENANCE)

FIG ITEM	PART NUMBER	1 2 3 4 5 6 7	NOMENCLATURE	EFFECT FROM TO	UNITS PER ASSY	
1 A						
50	BRH10C3D	..	NUT SUPPLIER CODE: V52828 SPECIFICATION NUMBER: BACN10JC3D OPTIONAL PART: T6C1032JCD V11815 NS202486-02 V80539 102LH9075-3W V72962 H51650-3BAC V15653	103106	2	
R	50	BRH10C3D	..	NUT SUPPLIER CODE: V52828 SPECIFICATION NUMBER: BACN10JC3D OPTIONAL PART: T6C1032JCD V11815 NS202486-02 V80539 102LH9075-3W V72962 H51650-3BAC V15653	103106	2
R						
R						
R						
R						
R						
R						
R						
R						
R						
R						
	55	273N2078-19	..	PLATE	103106	1
	60	273N2078-13	..	TARGET- POSITION DATA: LH SIDE OPTIONAL PART: 273N2078-15	103106	1
	60	273N2078-15	..	TARGET- POSITION DATA: LH SIDE OPTIONAL PART: 273N2078-13	103106	1
-	65	273N2078-14	..	TARGET- POSITION DATA: RH SIDE OPTIONAL PART: 273N2078-16	103106	1
-	65	273N2078-16	..	TARGET- POSITION DATA: RH SIDE OPTIONAL PART: 273N2078-14	103106	1

MISSING ITEM NUMBERS NOT APPLICABLE

- ITEM NOT ILLUSTRATED

32-32-07-01A

32-32-07  
FIG. 01A  
PAGE 2  
MAY 20/09

BRI

BOEING PROPRIETARY - Copyright © - Unpublished Work - See title page for details.





757

PARTS CATALOG (MAINTENANCE)

FIG ITEM	PART NUMBER	1 2 3 4 5 6 7	NOMENCLATURE	EFFECT FROM TO	UNITS PER ASSY
1A					
70	BACB30NR4K52	.BOLT-	OPTIONAL PART: BACB30NF4-52	103106	4
70	BACB30NF4-52	.BOLT-	OPTIONAL PART: BACB30NR4K52	103106	4
75	BACB30NR4K57	.BOLT-	OPTIONAL PART: BACB30NF4-57	103106	1
75	BACB30NF4-57	.BOLT-	OPTIONAL PART: BACB30NR4K57	103106	1
80	BACB30NR4K7	.BOLT		103106	2
85	BACW10BP4AC	.WASHER		103106	7
90	BACW10BP4AP	.WASHER		103106	7
95	BRH10C4D	.NUT		103106	7
			SUPPLIER CODE: V52828 SPECIFICATION NUMBER: BACN10JC4CD OPTIONAL PART: T6C428JCD V11815 NS202486-048 V80539 102LH9075-4W V72962 H51650-4BAC V15653		
100	273N2079-7	.SUPPORT-	POSITION DATA: LH SIDE	103106	1
- 105	273N2079-8	.SUPPORT-	POSITION DATA: RH SIDE	103106	1
110	273N2002-7	.VALVE AND MECH ASSY-	POSITION DATA: LH SIDE MISCELLANEOUS DATA: FOR SPARES PROCURE LOWER COMPONENTS COMPONENT MAINT MANUAL REF: 32-32-45	103106	1

MISSING ITEM NUMBERS NOT APPLICABLE

- ITEM NOT ILLUSTRATED

32-32-07-01A

32-32-07  
FIG. 01A  
PAGE 3  
JAN 20/09

BRI

BOEING PROPRIETARY - Copyright © - Unpublished Work - See title page for details.



757

PARTS CATALOG (MAINTENANCE)

FIG ITEM	PART NUMBER	1 2 3 4 5 6 7	NOMENCLATURE	EFFECT FROM TO	UNITS PER ASSY
1 A - 115	273N2002-8		. VALVE AND MECH ASSY- POSITION DATA: RH SIDE MISCELLANEOUS DATA: FOR SPARES PROCURE LOWER COMPONENTS COMPONENT MAINT MANUAL REF: 32-32-45	103106	1
120	BACB30LJ4U16		.. BOLT	103106	1
125	BACW10BP4AC		.. WASHER	103106	1
130	BACW10BP4AP		.. WASHER	103106	1
135	BRH10C4M		.. NUT SUPPLIER CODE: V52828 SPECIFICATION NUMBER: BACN10JC4CM OPTIONAL PART: T6C428JM V11815 97E48 V80539 109LH9075-4W V72962 VN303D048 V92215 H01-4BAC V15653 NS202101SE048 V80539	103106	1
140	69B80214-3		.. ROLLER ASSY	103106	1
145	69B80460-1		.. WASHER	103106	2
150	69B80460-2		.. WASHER	103106	2
155	BACB30LJ4U16		.. BOLT	103106	1
160	BACB30LJ4U9		.. BOLT	103106	1
165	BACW10BP4AC		.. WASHER	103106	2
170	BACW10BP4AP		.. WASHER	103106	2

MISSING ITEM NUMBERS NOT APPLICABLE

- ITEM NOT ILLUSTRATED

32-32-07-01A

32-32-07  
FIG. 01A  
PAGE 4  
JAN 20/09

BRI

BOEING PROPRIETARY - Copyright © - Unpublished Work - See title page for details.



757

PARTS CATALOG (MAINTENANCE)

FIG ITEM	PART NUMBER	1 2 3 4 5 6 7	NOMENCLATURE	EFFECT FROM TO	UNITS PER ASSY
1A 175	BRH10C4M	..	NUT SUPPLIER CODE: V52828 SPECIFICATION NUMBER: BACN10JC4CM OPTIONAL PART: T6C428JM V11815 97E48 V80539 109LH9075-4W V72962 VN303D048 V92215 H01-4BAC V15653 NS202101SE048 V80539	103106	2
180	BACB28Z4-036	..	BUSHING	103106	1
185	69B80168-15	..	WASHER- MISCELLANEOUS DATA: NOT AN INITIAL PROVISIONING SPARE	103106	4
190	69B80213-1	..	LINK ASSY	103106	1
195	NAS1612-8A	..	PACKING	103106	5
200	BACU24K8	..	UNION- OPTIONAL PART: MS21902-8T	103106	1
200	MS21902-8T	..	UNION- OPTIONAL PART: BACU24K8	103106	1

MISSING ITEM NUMBERS NOT APPLICABLE

- ITEM NOT ILLUSTRATED

32-32-07-01A

32-32-07  
FIG. 01A  
PAGE 5  
JAN 20/09

BRI

BOEING PROPRIETARY - Copyright © - Unpublished Work - See title page for details.



757

PARTS CATALOG (MAINTENANCE)

FIG ITEM	PART NUMBER	1 2 3 4 5 6 7	NOMENCLATURE	EFFECT FROM TO	UNITS PER ASSY
1 A 205	AFP2328-6		.. REDUCER SUPPLIER CODE: V30974 SPECIFICATION NUMBER: BACR17E8-6 OPTIONAL PART: AP10278-6 V01673 BC916T8-6 V50948 DB0R17E8-6 V14798 ER21916T8-6 V88334 ER31916-8-6 V88334 F23-8-6 V73197 2-01075T8-6 V11328 31778-8-6 V14397 US2114-8-6 V50508 AP1027T8-6 V01673 US21148-6 V50808 317788-6 V14397	103106	4
210	BACB30LJ4U48		.. BOLT	103106	1
215	BACW10BP4AC		.. WASHER- POSITION DATA: UNDER BOLT	103106	1
220	BACW10BP4AP		.. WASHER- POSITION DATA: UNDER NUT	103106	1

MISSING ITEM NUMBERS NOT APPLICABLE

- ITEM NOT ILLUSTRATED

32-32-07-01A

32-32-07  
 FIG. 01A  
 PAGE 6  
 JAN 20/09

BRI

BOEING PROPRIETARY - Copyright © - Unpublished Work - See title page for details.



757

PARTS CATALOG (MAINTENANCE)

FIG ITEM	PART NUMBER	1 2 3 4 5 6 7	NOMENCLATURE	EFFECT FROM TO	UNITS PER ASSY
1 A 225	BRH10C4M	..	NUT SUPPLIER CODE: V52828 SPECIFICATION NUMBER: BACN10JC4CM OPTIONAL PART: T6C428JM V11815 97E48 V80539 109LH9075-4W V72962 VN303D048 V92215 H01-4BAC V15653 NS202101SE048 V80539	103106	1
230	BACB28Z4-238	..	BUSHING	103106	1
235	BACB30NR4HK4	..	BOLT	103106	4
240	NAS1149D0432J	..	WASHER	103106	4
245	273N2077-8	..	CLEVIS ASSY- POSITION DATA: LH SIDE	103106	1
- 250	273N2077-9	..	CLEVIS ASSY- POSITION DATA: RH SIDE	103106	1
255	098C00160	..	VALVE ASSY- SUPPLIER CODE: VS5007 SPECIFICATION NUMBER: 60B00252-2 COMPONENT MAINT MANUAL REF: 32-32-02 OPTIONAL PART: 734-18510-01 VS4096	103106	1

MISSING ITEM NUMBERS NOT APPLICABLE

- ITEM NOT ILLUSTRATED

BRI

32-32-07-01A

BOEING PROPRIETARY - Copyright © - Unpublished Work - See title page for details.

32-32-07  
FIG. 01A  
PAGE 7  
MAY 20/09

 **BOEING**  
757  
**PARTS CATALOG (MAINTENANCE)**

FIG ITEM	PART NUMBER	1 2 3 4 5 6 7	NOMENCLATURE	EFFECT FROM TO	UNITS PER ASSY
R R R R R R R R R R R	1A 255	734-18510-01	.. VALVE ASSY- SUPPLIER CODE: VS4096 FUNCTIONAL DESCRIPTION: PROVIDES SEQUENCE OF HYDRAULIC PATHWAYS TO POSITIVELY DEPLOY THE LANDING GEAR. SPECIFICATION NUMBER: 60B00252-3 COMPONENT MAINT MANUAL REF: 32-32-05 OPTIONAL PART: 098C00160 VS5007	103106	1
	257	098C00187	... NAMEPLATE- SUPPLIER CODE: VS5007 COMPONENT MAINT MANUAL REF: 32-32-02	103106	1
	258	734-18241	... NAMEPLATE- SUPPLIER CODE: VS4096 COMPONENT MAINT MANUAL REF: 32-32-05	103106	1
	260	S30294-011	... RING-BACKUP SUPPLIER CODE: V97820 USED ON: 098C00160	103106	2
	265	NAS1611-011	... PACKING- USED ON: 098C00160	103106	1
	270	S30294-114	... RING-BACKUP SUPPLIER CODE: V97820 USED ON: 098C00160	103106	2
	275	NAS1611-114	... PACKING- USED ON: 098C00160	103106	1
	280	098C00180	... VALVE ASSY-CHK SUPPLIER CODE: VS5007 USED ON: 098C00160	103106	1
	285	65B80148-1	.. LEVER ASSY	103106	1
	290	65B80148-2	... LEVER	103106	1
	295	MS21209C0615	... INSERT	103106	4

MISSING ITEM NUMBERS NOT APPLICABLE

— ITEM NOT ILLUSTRATED

# 32-32-07-01A

32-32-07  
FIG. 01A  
PAGE 8  
MAY 20/09

BRI

BOEING PROPRIETARY - Copyright © - Unpublished Work - See title page for details.



757

PARTS CATALOG (MAINTENANCE)

FIG ITEM	PART NUMBER	1 2 3 4 5 6 7	NOMENCLATURE	EFFECT FROM TO	UNITS PER ASSY
1 A					
300	BACB28W4C018	...	BUSHING	103106	3
305	BACB28U8C020	...	BUSHING	103106	1
310	AJB8T4	...	BUSHING-	103106	2
			SUPPLIER CODE: V56644		
			SPECIFICATION NUMBER: 10-60516-346		
			OPTIONAL PART: 90809		
			V09455		
			AJF08A113		
			V50294		
			DBAF8-279		
			V81376		
			FBJW16TF20-16		
			V21335		
			FBR08A16BA		
			V73134		
			NHLF08-204A		
			V15860		
			YTS769		
			V77896		
			KJN8-46		
			V97613		
310	90809	...	BUSHING-	103106	2
			SUPPLIER CODE: V09455		
			SPECIFICATION NUMBER: 10-60516-346		
			OPTIONAL PART: AJB8T4		
			V56644		
			AJF08A113		
			V50294		
			DBAF8-279		
			V81376		
			FBJW16TF20-16		
			V21335		
			FBR08A16BA		
			V73134		
			NHLF08-204A		
			V15860		
			YTS769		
			V77896		
			KJN8-46		
			V97613		

MISSING ITEM NUMBERS NOT APPLICABLE

- ITEM NOT ILLUSTRATED

BRI

32-32-07-01A

BOEING PROPRIETARY - Copyright © - Unpublished Work - See title page for details.

32-32-07  
FIG. 01A  
PAGE 9  
MAY 20/09



757

PARTS CATALOG (MAINTENANCE)

FIG ITEM	PART NUMBER	1 2 3 4 5 6 7	NOMENCLATURE	EFFECT FROM TO	UNITS PER ASSY
1 A 310	AJF08A113		. . . BUSHING- SUPPLIER CODE: VS0352 SPECIFICATION NUMBER: 10-60516-346 OPTIONAL PART: AJB8T4 V56644 90809 V09455 DBAF8-279 V81376 FBJW16TF20-16 V21335 FBR08A16BA V73134 NHLF08-204A V15860 YTS769 V77896 KJN8-46 V97613	103106	2
310	DBAF8-279		. . . BUSHING- SUPPLIER CODE: V81376 SPECIFICATION NUMBER: 10-60516-346 OPTIONAL PART: AJB8T4 V56644 90809 V09455 AJF08A113 V50294 FBJW16TF20-16 V21335 FBR08A16BA V73134 NHLF08-204A V15860 YTS769 V77896 KJN8-46 V97613	103106	2

MISSING ITEM NUMBERS NOT APPLICABLE

- ITEM NOT ILLUSTRATED

BRI

32-32-07-01A

BOEING PROPRIETARY - Copyright © - Unpublished Work - See title page for details.

32-32-07  
 FIG. 01A  
 PAGE 10  
 JAN 20/09





757

PARTS CATALOG (MAINTENANCE)

FIG ITEM	PART NUMBER	1 2 3 4 5 6 7	NOMENCLATURE	EFFECT FROM TO	UNITS PER ASSY
1 A 310	FBJW16TF20-16	...	BUSHING- SUPPLIER CODE: V21335 SPECIFICATION NUMBER: 10-60516-346 OPTIONAL PART: AJB8T4 V56644 90809 V09455 AJF08A113 V50294 DBAF8-279 V81376 FBR08A16BA V73134 NHLF08-204A V15860 YTS769 V77896 KJN8-46 V97613	103106	2
310	FBR08A16BA	...	BUSHING- SUPPLIER CODE: V73134 SPECIFICATION NUMBER: 10-60516-346 OPTIONAL PART: AJB8T4 V56644 90809 V09455 AJF08A113 V50294 DBAF8-279 V81376 FBJW16TF20-16 V21335 NHLF08-204A V15860 YTS769 V77896 KJN8-46 V97613	103106	2

MISSING ITEM NUMBERS NOT APPLICABLE

- ITEM NOT ILLUSTRATED

BRI

32-32-07-01A

BOEING PROPRIETARY - Copyright © - Unpublished Work - See title page for details.

32-32-07  
FIG. 01A  
PAGE 11  
JAN 20/09



757

PARTS CATALOG (MAINTENANCE)

FIG ITEM	PART NUMBER	1 2 3 4 5 6 7	NOMENCLATURE	EFFECT FROM TO	UNITS PER ASSY
1 A 310	NHLF08-204A		...BUSHING- SUPPLIER CODE: V73134 SPECIFICATION NUMBER: 10-60516-346 OPTIONAL PART: AJB8T4 V56644 90809 V09455 AJF08A113 V50294 DBAF8-279 V81376 FBJW16TF20-16 V21335 FBR08A16BA V73134 YTS769 V77896 KJN8-46 V97613	103106	2
310	YTS769		...BUSHING- SUPPLIER CODE: V77896 SPECIFICATION NUMBER: 10-60516-346 OPTIONAL PART: AJB8T4 V56644 90809 V09455 AJF08A113 V50294 DBAF8-279 V81376 FBJW16TF20-16 V21335 FBR08A16BA V73134 NHLF08-204A V73134 KJN8-46 V97613	103106	2

MISSING ITEM NUMBERS NOT APPLICABLE

- ITEM NOT ILLUSTRATED

BRI

32-32-07-01A

BOEING PROPRIETARY - Copyright © - Unpublished Work - See title page for details.

32-32-07  
 FIG. 01A  
 PAGE 12  
 JAN 20/09



757

PARTS CATALOG (MAINTENANCE)

FIG ITEM	PART NUMBER	1 2 3 4 5 6 7	NOMENCLATURE	EFFECT FROM TO	UNITS PER ASSY
1 A 310	KJN8-46		... BUSHING- SUPPLIER CODE: V97613 SPECIFICATION NUMBER: 10-60516-346 OPTIONAL PART: AJB8T4 V56644 90809 V09455 AJF08A113 V50294 DBAF8-279 V81376 FBJW16TF20-16 V21335 FBR08A16BA V73134 NHLF08-204A V73134 YTS769 V77896	103106	2
900			ILLUSTRATION REFERENCE: PLUMBING INSTL-SECT. 12 R WING INBD SPAR CTR SYS 29-11-51-25A	103106	RF
900			ILLUSTRATION REFERENCE: PLUMBING INSTL-SECT. 12 R TRAILING EDGE CTR SYS (HYDRAULIC POWER ONLY) 29-11-51-26A	103106	RF
905			ILLUSTRATION REFERENCE: PLUMBING INSTL-SECT. 12 L TRAILING EDGE CTR SYS (MLG DOWNLOCK OPERATED DOOR SEQUENCE ONLY) 32-32-07-02	103106	RF

MISSING ITEM NUMBERS NOT APPLICABLE

- ITEM NOT ILLUSTRATED

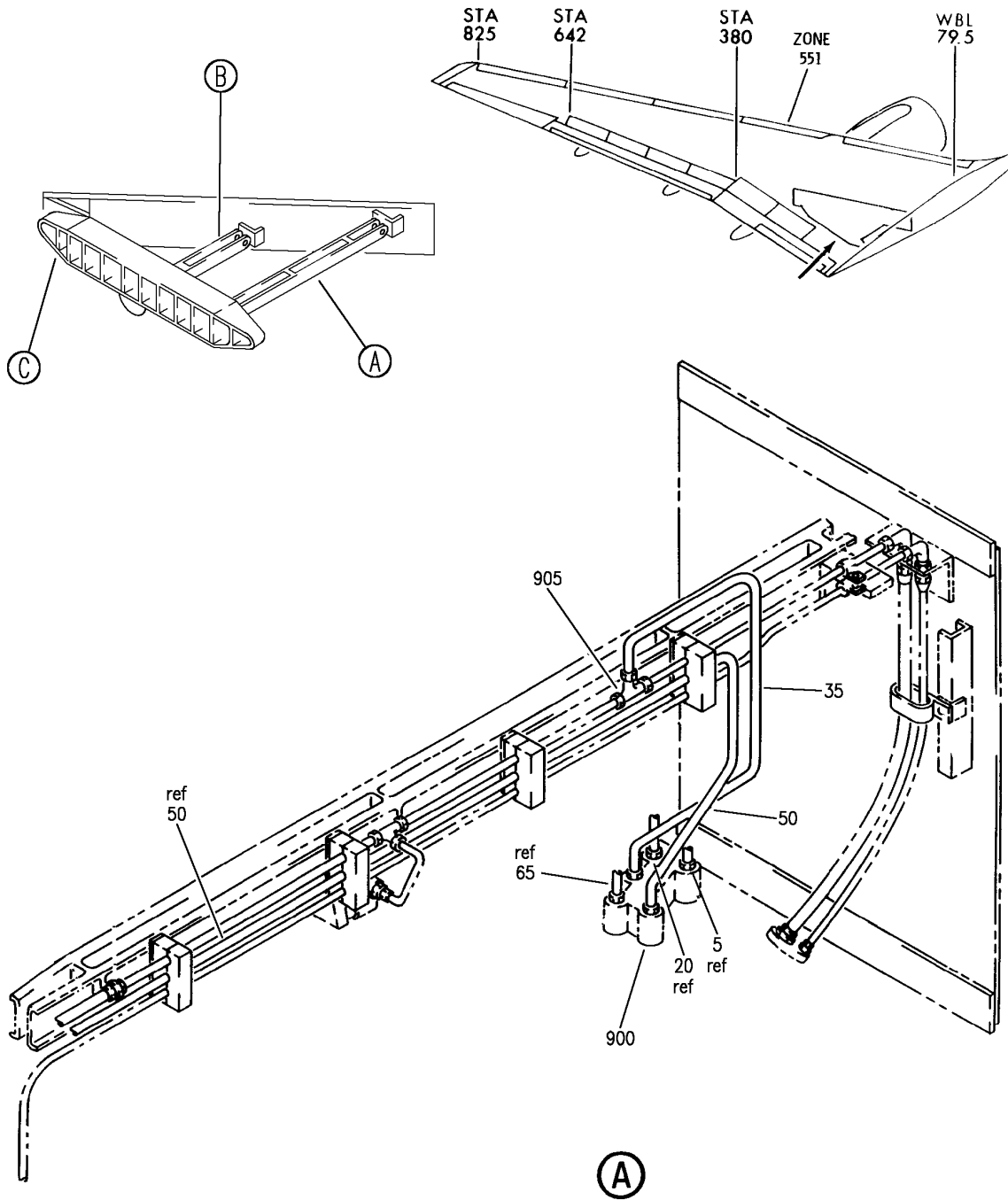
32-32-07-01A

32-32-07  
 FIG. 01A  
 PAGE 13  
 JAN 20/09

BRI

BOEING PROPRIETARY - Copyright © - Unpublished Work - See title page for details.

**BOEING**  
757  
PARTS CATALOG (MAINTENANCE)



Y 32320702 SH1 1 REV 247

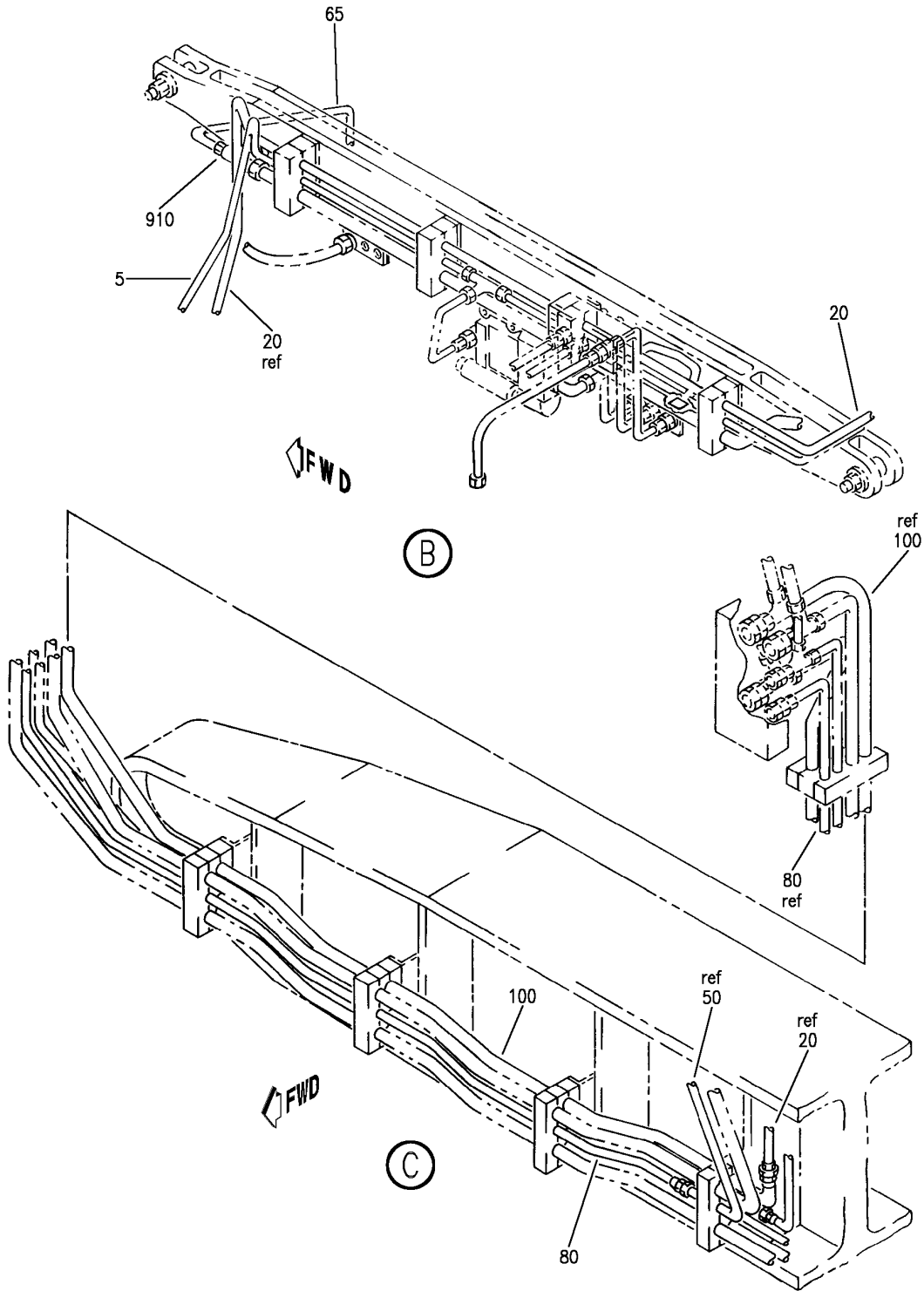
PLUMBING INSTL-SECT. 12 L TRAILING EDGE CTR SYS (MLG DOWNLOCK OPERATED DOOR SEQUENCE ONLY)  
FIGURE 2 (SHEET 1)

BRI  
JAN 20/09

**32-32-07-02**

32-32-07-02  
PAGE 0

**BOEING**  
757  
PARTS CATALOG (MAINTENANCE)



Y 32320702 SHT 2 REV 247

PLUMBING INSTL-SECT. 12 L TRAILING EDGE CTR SYS (MLG DOWNLOCK OPERATED DOOR SEQUENCE ONLY)  
FIGURE 2 (SHEET 2)

BRI  
JAN 20/09

**32-32-07-02**

32-32-07-02  
PAGE 0A



757

PARTS CATALOG (MAINTENANCE)

FIG ITEM	PART NUMBER	1 2 3 4 5 6 7	NOMENCLATURE	EFFECT FROM TO	UNITS PER ASSY
2			PLUMBING INSTL-SECT. 12 L TRAILING EDGE CTR SYS (MLG DOWNLOCK OPERATED DOOR SEQUENCE ONLY)	103106	
- 1	MODREF31342		PLUMBING INSTL-HYDR CTR SYS (MLG DOWNLOCK OPERATED DOOR SEQUENCE ONLY) MODULE NUMBER: 271N6122-34 REV B POSITION DATA: SECT. 12 L TRAILING EDGE FOR OTHER SYS DETAILS SEE: 27-61-02-03 29-11-18-03 29-11-26-06 29-11-51-27 FOR ADDITIONAL DETAILS SEE: 32-32-01-04 32-32-02-03 32-32-17-02 32-32-51-01 32-41-51-06	103106	1
- 5	271N6122-1018		.TUBE ASSY-LG UP	103106	1
- 10	AS1581T06		..SLEEVE	103106	2
- 15	BACN10YA6N		..NUT	103106	2
- 20	271N6122-1291		.TUBE ASSY-DOOR OPEN SYS POSITION DATA: L TUBING MATERIAL: .500 IN. OD .026 IN. WALL 74.00 IN. LG TI	103106	1
- 25	AS1581T08		..SLEEVE	103106	2
- 30	BACN10YA8N		..NUT	103106	2
- 35	271N6122-1278		.TUBE ASSY-LG DOWN TUBING MATERIAL: .375 IN. OD .019 IN. WALL 21.1 IN. LG TITANIUM ALLOY TUBING	103106	1
- 40	AS1581T06		..SLEEVE	103106	2
- 45	BACN10YA6N		..NUT	103106	2
- 50	271N6122-1282		.TUBE ASSY-LG DOWN TUBING MATERIAL: .375 IN. OD .019 IN. WALL 74.00 IN. LG TI	103106	1
- 55	AS1581T06		..SLEEVE	103106	2
- 60	BACN10YA6N		..NUT	103106	2

MISSING ITEM NUMBERS NOT APPLICABLE

- ITEM NOT ILLUSTRATED

32-32-07-02

32-32-07  
FIG. 02  
PAGE 1  
MAY 20/09

BRI



757

PARTS CATALOG (MAINTENANCE)

FIG ITEM	PART NUMBER	1 2 3 4 5 6 7	NOMENCLATURE	EFFECT FROM TO	UNITS PER ASSY
2	65 271N6122-1283		.TUBE ASSY-RETURN SYS POSITION DATA: L TUBING MATERIAL: .375 IN. OD .035 IN. WALL 18.00 IN. LG AL	103106	1
- 70	AP2097HP06		..SLEEVE SUPPLIER CODE: V01673 SPECIFICATION NUMBER: BACS13BX06HP OPTIONAL PART: 2-02903-06HP V11328 35235VN06 V08199 AFP175V06P V30974 DBOS13BX06HP V14798	103106	2
- 75	BACN10YL06		..NUT- OPTIONAL PART: MS21921-6D	103106	2
- 75	MS21921-6D		..NUT- OPTIONAL PART: BACN10YL06	103106	2
	80 271N6122-1147		.TUBE ASSY-PRESSURE SYS POSITION DATA: L TUBING MATERIAL: .375 IN. OD .019 IN. WALL 72.00 IN. LG TITANIUM	103106	1
- 85	AS1581T06		..SLEEVE	103106	1
- 90	BACN10YA6		..NUT	103106	1
- 95	AS1582T06		..UNION	103106	1
	100 271N6122-1083		.TUBE ASSY-DOOR OPEN L SYS TUBING MATERIAL: .500 IN. .026 IN. G WALL 84.00 IN. LG TI	103106	1
- 105	AS1581T08		..SLEEVE	103106	1
- 110	AS1582T08		..UNION	103106	1
- 115	BACN10YA8		..NUT	103106	1
	900		ILLUSTRATION REFERENCE: VALVE INSTL-MLG DOWNLOCK OPERATED DOOR SEQUENCE 32-32-07-01A	103106	RF

MISSING ITEM NUMBERS NOT APPLICABLE

- ITEM NOT ILLUSTRATED

32-32-07-02

32-32-07  
FIG. 02  
PAGE 2  
JAN 20/09

BRI



757

PARTS CATALOG (MAINTENANCE)

FIG ITEM	PART NUMBER	1 2 3 4 5 6 7	NOMENCLATURE	EFFECT FROM TO	UNITS PER ASSY
2 905			ILLUSTRATION REFERENCE: PLUMBING INSTL-INBD WING SECT. 12 HYDR LH (MAIN GEAR EXTENSION AND RETRACTION ONLY) 32-32-51-01	103106	RF
910			ILLUSTRATION REFERENCE: PLUMBING INSTL-INBD WING SECT. 12 HYDR LH (MAIN GEAR EXTENSION AND RETRACTION ONLY) 32-32-51-01	103106	RF

MISSING ITEM NUMBERS NOT APPLICABLE

- ITEM NOT ILLUSTRATED

BRI

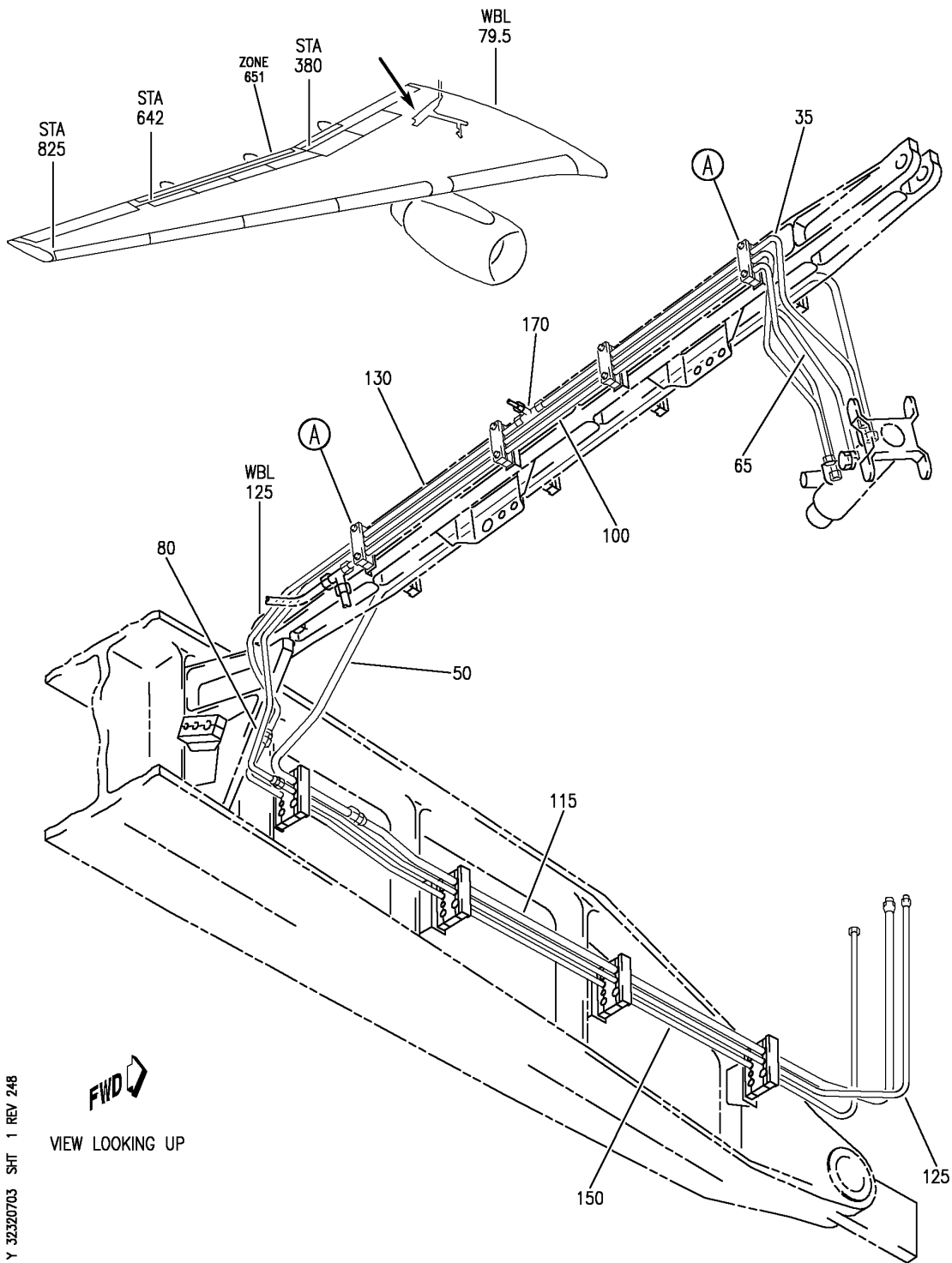
32-32-07-02

BOEING PROPRIETARY - Copyright © - Unpublished Work - See title page for details.

32-32-07  
FIG. 02  
PAGE 3  
JAN 20/09



**BOEING**  
757  
PARTS CATALOG (MAINTENANCE)



Y 32320703 SHT 1 REV 248

**FWD**   
VIEW LOOKING UP

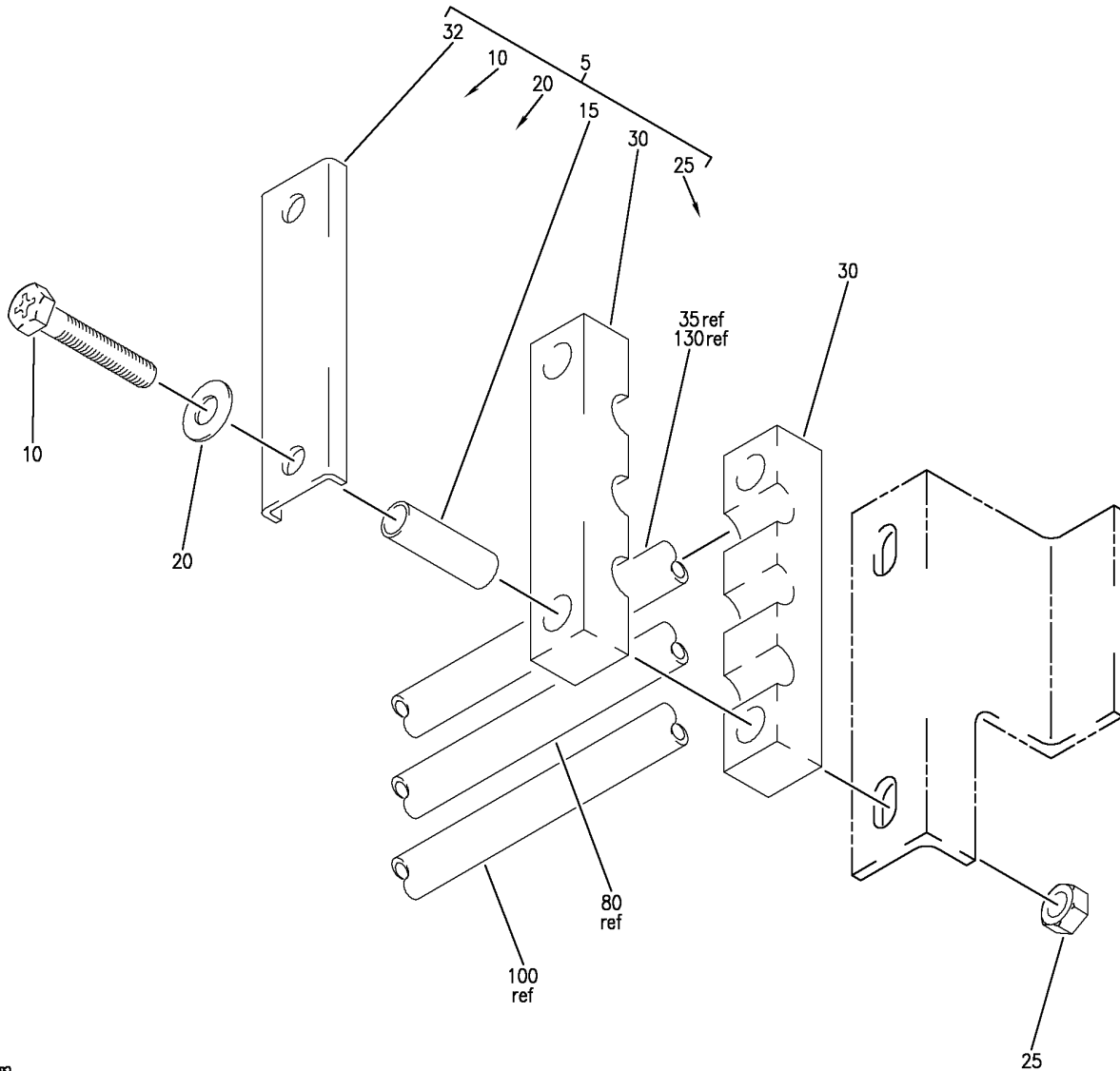
PLUMBING INSTL-SECT. 12 R TRAILING EDGE CTR SYS (MLG DOWNLOCK OPERATED DOOR SEQUENCE ONLY)  
FIGURE 3 (SHEET 1)

BRI  
JAN 20/09

**32-32-07-03**

32-32-07-03  
PAGE 0

**BOEING**  
757  
PARTS CATALOG (MAINTENANCE)



(A)

Y 32320703 SH1 2 REV 248

PLUMBING INSTL-SECT. 12 R TRAILING EDGE CTR SYS (MLG DOWNLOCK OPERATED DOOR SEQUENCE ONLY)  
FIGURE 3 (SHEET 2)

BRI  
JAN 20/09

**32-32-07-03**

32-32-07-03  
PAGE 0A



757

PARTS CATALOG (MAINTENANCE)

FIG ITEM	PART NUMBER	1 2 3 4 5 6 7	NOMENCLATURE	EFFECT FROM TO	UNITS PER ASSY
3			PLUMBING INSTL-SECT. 12 R TRAILING EDGE CTR SYS (MLG DOWNLOCK OPERATED DOOR SEQUENCE ONLY)	103106	
- 1	MODREF24143		PLUMBING INSTL-HYDR CTR SYS (MLG DOWNLOCK OPERATED DOOR SEQUENCE ONLY) MODULE NUMBER: 271N6123-21 REV B POSITION DATA: SECT. 12 R TRAILING EDGE FOR OTHER SYS DETAILS SEE: 27-61-02-06 29-11-18-04 29-11-26-07 29-11-51-29A FOR ADDITIONAL DETAILS SEE: 32-32-01-05 32-32-02-04 32-32-17-03 32-32-51-02 32-41-51-07	103105	1
- 1	MODREF34199		PLUMBING INSTL-HYDR CTR SYS (MLG DOWNLOCK OPERATED DOOR SEQUENCE ONLY) MODULE NUMBER: 271N6123-21 REV C POSITION DATA: SECT. 12 R TRAILING EDGE FOR OTHER SYS DETAILS SEE: 27-61-02-06 29-11-18-04 29-11-26-07 29-11-51-29A FOR ADDITIONAL DETAILS SEE: 32-32-01-05 32-32-02-04 32-32-17-03 32-32-51-02 32-41-51-07	106106	1
5	270N2000-25		.CLAMP ASSY-BLK	103106	4
10	NAS1801-3-25		..SCREW	103106	2
15	NAS43DD3-59		..SPACER	103106	2
20	AN960PD10L		..WASHER	103106	2

MISSING ITEM NUMBERS NOT APPLICABLE

- ITEM NOT ILLUSTRATED

32-32-07-03

32-32-07  
FIG. 03  
PAGE 1  
JAN 20/09

BRI



757

PARTS CATALOG (MAINTENANCE)

FIG ITEM	PART NUMBER	1 2 3 4 5 6 7	NOMENCLATURE	EFFECT FROM TO	UNITS PER ASSY
3					
25	BRH10A3	..	NUT SUPPLIER CODE: V52828 SPECIFICATION NUMBER: BACN10JC3 OPTIONAL PART: H10-3BAC V15653 NS202101-02 V80539 RMLH9075-3W V72962 VN303A02 V92215 96-02 V80539 T6S1032J V11815	103106	2
30	270N2000-440	..	BLOCK- OPTIONAL PART: 270N2000-461	103106	2
30	270N2000-461	..	BLOCK- OPTIONAL PART: 270N2000-440	103106	2
32	270N2000-815	..	CHANNEL	103106	1
35	271N6123-1018	.TUBE	ASSY-LG UP TUBING MATERIAL: .375 IN. OD .019 IN. WALL 32.68 IN. LG TI	103106	1
- 40	AS1581T06	..	SLEEVE	103106	2
- 45	BACN10YA6	..	NUT	103106	2
50	271N6123-1013	.TUBE	ASSY-DOOR OPEN TUBING MATERIAL: .500 IN. OD .026 IN. WALL 77.00 IN. LG TI	103106	1
- 55	AS1581T08	..	SLEEVE	103106	2
- 60	BACN10YA8	..	NUT	103106	2
65	271N6123-1266	.TUBE	ASSY-LG DN TUBING MATERIAL: .375 IN. OD .019 IN. WALL 22.80 IN. LG TI	103106	1
- 70	AS1581T06	..	SLEEVE	103106	2
- 75	BACN10YA6	..	NUT	103106	2
80	271N6123-1296	.TUBE	ASSY-PRESSURE SYS POSITION DATA: L	103106	1
- 85	AS1581T06	..	SLEEVE	103106	1
- 90	BACN10YA6N	..	NUT	103106	1
- 95	AS1582T06	..	UNION	103106	1

MISSING ITEM NUMBERS NOT APPLICABLE

- ITEM NOT ILLUSTRATED

32-32-07-03

32-32-07  
FIG. 03  
PAGE 2  
JAN 20/09

BRI



757

PARTS CATALOG (MAINTENANCE)

FIG ITEM	PART NUMBER	1 2 3 4 5 6 7	NOMENCLATURE	EFFECT FROM TO	UNITS PER ASSY
3					
100	271N6123-1015		.TUBE ASSY-RETURN SYS POSITION DATA: L TUBING MATERIAL: .375 IN. OD .035 IN. WALL 56.00 IN. LG AL	103106	1
- 105	AP2097HP06		..SLEEVE SUPPLIER CODE: V01673 SPECIFICATION NUMBER: BACS13BX06HP OPTIONAL PART: 2-02903-06HP V11328 35235VN06 V08199 AFP175V06P V30974 DBOS13BX06HP V14798	103106	2
- 110	BACN10YL06		..NUT- OPTIONAL PART: MS21921-6D	103106	2
- 110	MS21921-6D		..NUT- OPTIONAL PART: BACN10YL06	103106	2
115	271N6123-1122		.TUBE ASSY-DOOR OPEN TUBING MATERIAL: .500 IN. OD .026 IN. WALL 65.50 IN. LG TI	103106	1
- 120	AS1582T08		..UNION	103106	2
125	271N6123-1123		.TUBE ASSY-PRESSURE SYS POSITION DATA: L TUBING MATERIAL: .375 IN. OD .019 IN. WALL 74.00 IN. LG TITANIUM	103106	1
130	271N6123-1205		.TUBE ASSY-LG UP TUBING MATERIAL: .375 IN. OD .019 IN. WALL 38.00 IN. LG TI	103106	1
- 135	AS1581T06		..SLEEVE	103106	1
- 140	BACN10YA6		..NUT	103106	1
- 145	AS1582T06		..UNION	103106	1
150	271N6123-1026		.TUBE ASSY-LG UP TUBING MATERIAL: .375 IN. OD .019 IN. WALL 73.50 IN. LG TI	103106	1

MISSING ITEM NUMBERS NOT APPLICABLE

- ITEM NOT ILLUSTRATED

32-32-07-03

32-32-07  
FIG. 03  
PAGE 3  
JAN 20/09

BRI



757

PARTS CATALOG (MAINTENANCE)

FIG ITEM	PART NUMBER	1 2 3 4 5 6 7	NOMENCLATURE	EFFECT FROM TO	UNITS PER ASSY
3					
- 155	AS1581T06	. .	SLEEVE	103106	2
- 160	BACN10YA6	. .	NUT	103106	2
170	BACT16BL060604J	. .	TEE	103106	1

MISSING ITEM NUMBERS NOT APPLICABLE

- ITEM NOT ILLUSTRATED

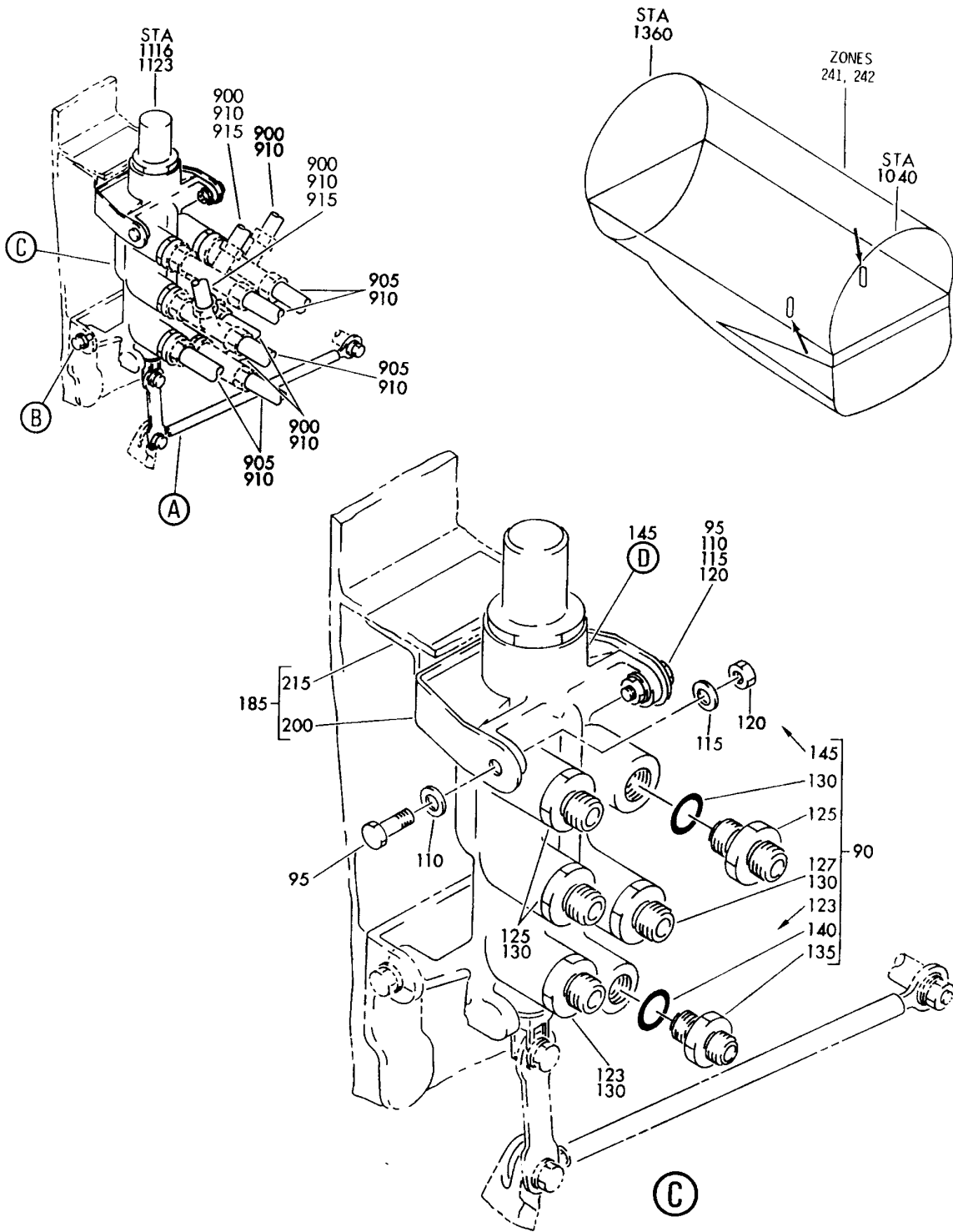
BRI

32-32-07-03

BOEING PROPRIETARY - Copyright © - Unpublished Work - See title page for details.

32-32-07  
FIG. 03  
PAGE 4  
JAN 20/09

**BOEING**  
757  
**PARTS CATALOG (MAINTENANCE)**



Y 32320901 SHT 1 REV 200

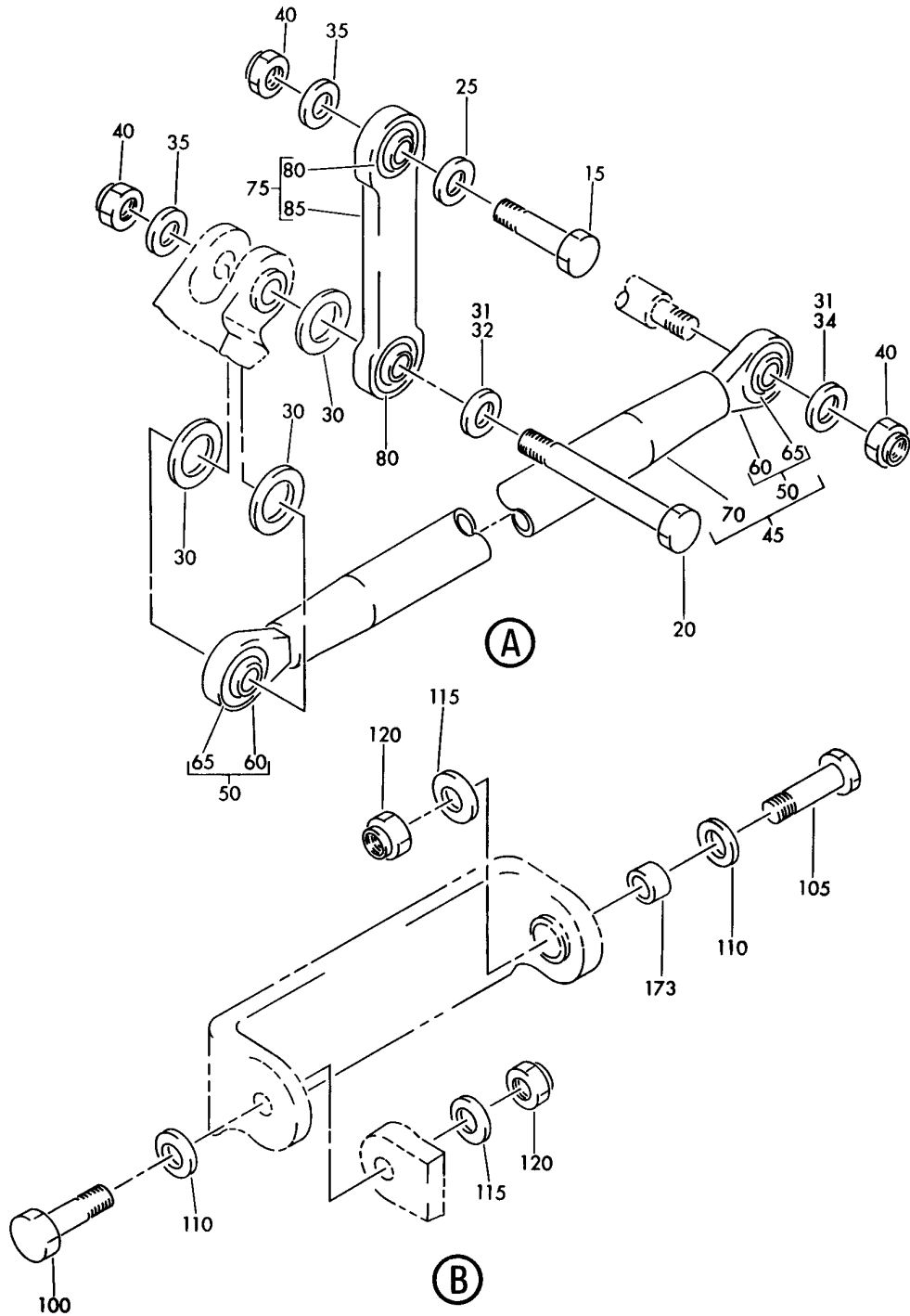
VALVE AND BRACKET INSTL-STA 1116 AND 1123 UPLOCK OPERATED SEQUENCE  
FIGURE 1 (SHEET 1)

**32-32-09-01**

BRI  
MAY 28/07

32-32-09-01  
PAGE 0

**BOEING**  
757  
**PARTS CATALOG (MAINTENANCE)**



Y 32320901 SHT 2 REV 192

VALVE AND BRACKET INSTL-STA 1116 AND 1123 UPLOCK OPERATED SEQUENCE  
FIGURE 1 (SHEET 2)

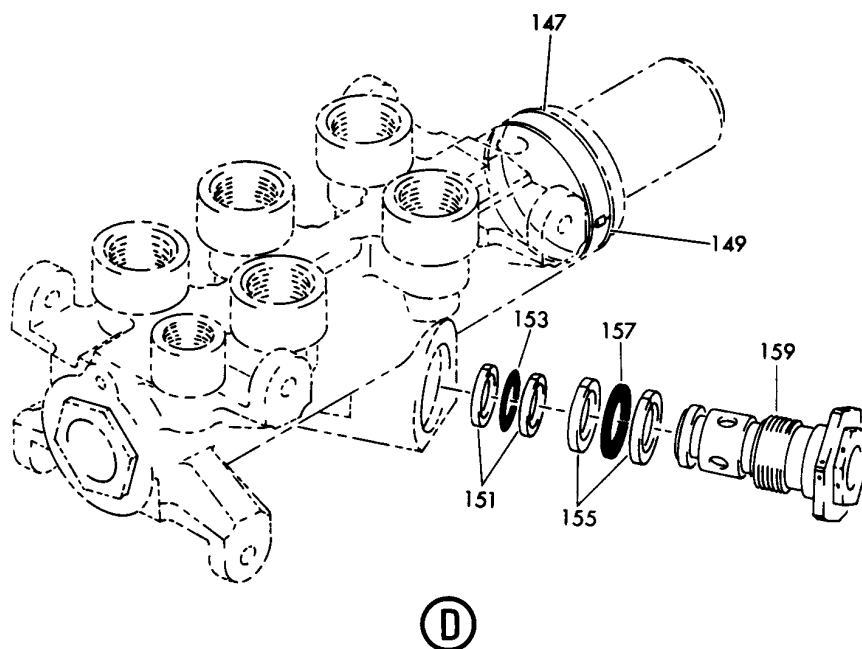
**32-32-09-01**

BRI  
MAY 28/07

32-32-09-01  
PAGE 0A



**BOEING**  
757  
PARTS CATALOG (MAINTENANCE)



Y 32320901 SHT 3 REV 036

VALVE AND BRACKET INSTL-STA 1116 AND 1123 UPLOCK OPERATED SEQUENCE  
FIGURE 1 (SHEET 3)

BRI  
MAY 28/07

**32-32-09-01**

32-32-09-01  
PAGE 08



757

PARTS CATALOG (MAINTENANCE)

FIG ITEM	PART NUMBER	1 2 3 4 5 6 7	NOMENCLATURE	EFFECT FROM TO	UNITS PER ASSY
1			VALVE AND BRACKET INSTL-STA 1116 AND 1123 UPLOCK OPERATED SEQUENCE	002004 006999	
- 1	273N2001-13		VALVE INSTL-UPLOCK OPERATED SEQUENCE POSITION DATA: STA 1123.62 FOR NHA SEE: 32-00-00-15	101102 108120 504903	RF
- 1	273N2001-11		VALVE INSTL-UPLOCK OPERATED SEQUENCE POSITION DATA: STA 1123.62 FOR NHA SEE: 29-00-51-05	002004 006100 107107 121503 904999	RF
- 1	MODREF8260		VALVE INSTL-UPLOCK OPERATED SEQUENCE MODULE NUMBER: 273N2001-13 REV A POSITION DATA: STA 1123.62	103106	1
- 5	273N2001-14		VALVE INSTL-UPLOCK OPERATED SEQUENCE POSITION DATA: STA 1116.38 FOR NHA SEE: 32-00-00-15	101102 108120 504903	RF
- 5	273N2001-10		VALVE INSTL-UPLOCK OPERATED SEQUENCE POSITION DATA: STA 1116.38 FOR NHA SEE: 29-00-51-05	002004 006100 107107 121503 904999	RF
- 5	MODREF8261		VALVE INSTL-UPLOCK OPERATED SEQUENCE MODULE NUMBER: 273N2001-14 REV A POSITION DATA: STA 1116.38	103106	1
15	BACB30NR4K9		.BOLT	002004 006999	1
20	BACB30NR4K16		.BOLT	002004 006999	1
25	BACW10BN4AC		.WASHER	002004 006999	1
30	69B80168-15		.WASHER- MISCELLANEOUS DATA: NOT AN INITIAL PROVISIONING SPARE	002004 006999	3

MISSING ITEM NUMBERS NOT APPLICABLE

- ITEM NOT ILLUSTRATED

32-32-09-01

32-32-09  
FIG. 01  
PAGE 1  
MAY 20/09

BRI



757

PARTS CATALOG (MAINTENANCE)

FIG ITEM	PART NUMBER	1 2 3 4 5 6 7	NOMENCLATURE	EFFECT FROM TO	UNITS PER ASSY
1	31 AN970-4	.	WASHER	101106 108120 504903	2
	32 AN970-4	.	WASHER-	002004 006100 107107 121503 904999	1
	34 AN960-4	.	WASHER-	002004 006100 107107 121503 904999	1
	35 BACW10BN4AP	.	WASHER	002004 006999	1
	40 BRH10C4D	.	NUT SUPPLIER CODE: V52828 SPECIFICATION NUMBER: BACN10JC4CD OPTIONAL PART: T6C428JCD V11815 NS202486-048 V80539 102LH9075-4W V72962 H51650-4BAC V15653	002004 006999	3
	45 273N2081-1	.	ROD ASSY	002004 006999	1
	50 273N2082-1	..	END ASSY	002004 006999	2
-	55 BACR15FT5D	..	RIVET- ATTACHING PARTS SIZE DETERMINED ON INSTL. -----*-----	002004 006999	4

MISSING ITEM NUMBERS NOT APPLICABLE

- ITEM NOT ILLUSTRATED

BRI

32-32-09-01

BOEING PROPRIETARY - Copyright © - Unpublished Work - See title page for details.

32-32-09  
FIG. 01  
PAGE 2  
JAN 20/09



757

PARTS CATALOG (MAINTENANCE)

FIG ITEM	PART NUMBER	1 2 3 4 5 6 7	NOMENCLATURE	EFFECT FROM TO	UNITS PER ASSY
1					
60	NES04B10GC	...	BEARING SUPPLIER CODE: V73134 SPECIFICATION NUMBER: BACB10FC04C OPTIONAL PART: NRRS04B10GC V73134 HT04VSBC VS0352 ADB4VNC V15860 KNDB4-66 V97613 KR4CNGBZC V50632	002004 006999	1
65	273N2082-2	...	END	002004 006999	1
70	250N2005-111	..	TUBE	002004 006999	1
75	273N2083-1	.	LINK ASSY	002004 006999	1
80	NES04B10GC	..	BEARING SUPPLIER CODE: V73134 SPECIFICATION NUMBER: BACB10FC04C OPTIONAL PART: NRRS04B10GC V73134 HT04VSBC VS0352 ADB4VNC V15860 KNDB4-66 V97613 KR4CNGBZC V50632	002004 006999	2
85	273N2083-2	..	LINK- OPTIONAL PART: 273N2083-3	002004 006999	1
85	273N2083-3	..	LINK-SEQ VALVE OPTIONAL PART: 273N2083-2	002004 006999	1
90	273N2001-6	.	VALVE ASSY-	002004 006999	1
90	273N2001-9	.	VALVE ASSY-	002004 006999	1

MISSING ITEM NUMBERS NOT APPLICABLE

- ITEM NOT ILLUSTRATED

32-32-09-01

32-32-09  
FIG. 01  
PAGE 3  
JAN 20/09

BRI

BOEING PROPRIETARY - Copyright © - Unpublished Work - See title page for details.



757

PARTS CATALOG (MAINTENANCE)

FIG ITEM	PART NUMBER	1 2 3 4 5 6 7	NOMENCLATURE	EFFECT FROM TO	UNITS PER ASSY
1			ATTACHING PARTS		
95	BACB30NR4K7	.BOLT		002004 006999	2
100	BACB30NR4K9	.BOLT		002004 006999	1
105	BACB30NR4K11	.BOLT		002004 006999	1
110	BACW10BN4AC	.WASHER		002004 006999	4
115	BACW10BN4AP	.WASHER		002004 006999	4
120	BRH10C4D	.NUT		002004 006999	4
			SUPPLIER CODE: V52828		
			SPECIFICATION NUMBER: BACN10JC4CD		
			OPTIONAL PART: T6C428JCD		
			V11815		
			NS202486-048		
			V80539		
			102LH9075-4W		
			V72962		
			H51650-4BAC		
			V15653		
			-----*-----		
123	0041520100-2	.. VALVE-CHECK		002004 006999	1
			SUPPLIER CODE: V83533		
123	0041520100-5	.. VALVE-CHECK		002004 006999	1
			SUPPLIER CODE: V83533		
125	BACU24K8	.. UNION		002004 006999	3

MISSING ITEM NUMBERS NOT APPLICABLE

- ITEM NOT ILLUSTRATED

32-32-09-01

32-32-09  
FIG. 01  
PAGE 4  
JAN 20/09

BRI

BOEING PROPRIETARY - Copyright © - Unpublished Work - See title page for details.



757

PARTS CATALOG (MAINTENANCE)

FIG ITEM	PART NUMBER	1 2 3 4 5 6 7	NOMENCLATURE	EFFECT FROM TO	UNITS PER ASSY
1 127	AFP2328-6		..REDUCER SUPPLIER CODE: V30974 SPECIFICATION NUMBER: BACR17E8-6 OPTIONAL PART: AP10278-6 V01673 BC916T8-6 V50948 DBOR17E8-6 V14798 ER21916T8-6 V88334 ER31916-8-6 V88334 F23-8-6 V73197 2-01075T8-6 V11328 31778-8-6 V14397 US2114-8-6 V50508 AP1027T8-6 V01673 US21148-6 V50808 317788-6 V14397	002004 006999	1
130	NAS1612-8		..PACKING-	002004 006999	5
135	BACU24K6		..UNION	002004 006999	1
140	NAS1612-6		..PACKING-	002004 006999	1
145	098C00210		..VALVE ASSY- SUPPLIER CODE: VS5007 SPECIFICATION NUMBER: 60B00253-4 COMPONENT MAINT MANUAL REF: 32-32-03 OPTIONAL PART: 734-18520-01 VS4096 USED ON: 273N2001-6	002004 006999	1

MISSING ITEM NUMBERS NOT APPLICABLE

- ITEM NOT ILLUSTRATED

32-32-09-01

32-32-09  
FIG. 01  
PAGE 5  
JAN 20/09

BRI



757

PARTS CATALOG (MAINTENANCE)

FIG ITEM	PART NUMBER	1 2 3 4 5 6 7	NOMENCLATURE	EFFECT FROM TO	UNITS PER ASSY
R R R R R R R R R R	145	734-18520-01	.. VALVE ASSY- SUPPLIER CODE: VS4096 FUNCTIONAL DESCRIPTION: PROVIDES SEQUENCE OF HYDRAULIC PATHWAYS TO POSITIVELY RETRACT THE LANDING GEAR. SPECIFICATION NUMBER: 60B00253-5 OPTIONAL PART: 098C00210 VS5007 USED ON: 273N2001-9	002004 006999	1
	147	098C00238	... NAMEPLATE- SUPPLIER CODE: VS5007 USED ON: 098C00210	002004 006999	1
	147	734-18242	... NAMEPLATE- SUPPLIER CODE: VS5007 USED ON: 734-18520-01	002004 006999	1
	149	098C00226	... STRAP- SUPPLIER CODE: VS5007	002004 006999	1
	151	S30294-113	... RING-BACKUP SUPPLIER CODE: V97820	002004 006999	2
	153	NAS1611-113	... PACKING-	002004 006999	1
	155	S30294-212	... RING-BACKUP SUPPLIER CODE: V97820	002004 006999	2
	157	NAS1611-212	... SEAL-	002004 006999	1
	159	098C00230	... CHECK VALVE ASSY- SUPPLIER CODE: VS5007	002004 006999	1
	173	BACB28AK04-040	. BUSHING	002004 006999	1

MISSING ITEM NUMBERS NOT APPLICABLE

- ITEM NOT ILLUSTRATED

32-32-09-01

32-32-09  
FIG. 01  
PAGE 6  
MAY 20/09

BRI



757

PARTS CATALOG (MAINTENANCE)

FIG ITEM	PART NUMBER	1 2 3 4 5 6 7	NOMENCLATURE	EFFECT FROM TO	UNITS PER ASSY
1					
- 175	273N2001-3		BRACKET INSTL-UPLOCK OPERATED SEQUENCE VALVE POSITION DATA: STA 1123.62 FOR NHA SEE: 29-00-51-05 32-00-00-15	002004 006102 107999	RF
- 175	MODREF8262		BRACKET INSTL-UPLOCK OPERATED SEQUENCE VALVE MODULE NUMBER: 273N2001-3 REV A POSITION DATA: STA 1123.62	103106	1
- 180	273N2001-4		BRACKET INSTL-UPLOCK OPERATED SEQUENCE VALVE POSITION DATA: STA 1116.38 FOR NHA SEE: 29-00-51-05 32-00-00-15	002004 006102 107999	RF
- 180	MODREF8263		BRACKET INSTL-UPLOCK OPERATED SEQUENCE VALVE MODULE NUMBER: 273N2001-4 REV A POSITION DATA: STA 1116.38	103106	1
185	273N2084-1		.BRACKET ASSY	002004 006999	1

MISSING ITEM NUMBERS NOT APPLICABLE

- ITEM NOT ILLUSTRATED

BRI

32-32-09-01

BOEING PROPRIETARY - Copyright © - Unpublished Work - See title page for details.

32-32-09  
FIG. 01  
PAGE 7  
MAY 20/09





757

PARTS CATALOG (MAINTENANCE)

FIG ITEM	PART NUMBER	1 2 3 4 5 6 7	NOMENCLATURE	EFFECT FROM TO	UNITS PER ASSY
1			ATTACHING PARTS		
- 190	HL1012AZ6-7		.BOLT	002004	2
			SUPPLIER CODE: V97928	006999	
			SPECIFICATION NUMBER: BACB30NX6K7		
			OPTIONAL PART: HL12VAZ6-7		
			V73197		
			HL12VAZ6-7		
			V92215		
			HL12VAZ6-7		
			V97928		
			L802-6K7		
			V06725		
			HL12VAZ6-7		
			V56878		
			HL1012AZ6-7		
			V0PTK6		
			HL1012AZ6-7		
			V06725		
			HL1012AZ6-7		
			V06950		
			HL1012AZ6-7		
			V17446		
			HL1012AZ6-7		
			V56878		
			HL1012AZ6-7		
			V60516		
			HL1012AZ6-7		
			V73197		

MISSING ITEM NUMBERS NOT APPLICABLE

- ITEM NOT ILLUSTRATED

BRI

32-32-09-01

BOEING PROPRIETARY - Copyright © - Unpublished Work - See title page for details.

32-32-09  
FIG. 01  
PAGE 8  
JAN 20/09



757

PARTS CATALOG (MAINTENANCE)

FIG ITEM	PART NUMBER	1 2 3 4 5 6 7	NOMENCLATURE	EFFECT FROM TO	UNITS PER ASSY
1 - 195	HL1187-6		. COLLAR SUPPLIER CODE: V5M902 SPECIFICATION NUMBER: BACC30X6 OPTIONAL PART: HL87-6 V92215 HL87-6 V73197 HL1187-6 V56878 HL1187-6 V92215 HL87-6 V56878 HL1187-6 V73197 -----*-----	002004 006999	2
200	273N2085-1		.. BRACKET  ATTACHING PARTS	002004 006999	1
- 205	BACB30UB6K4		.. BOLT	002004 006999	2
- 210	2TCC06		.. COLLAR SUPPLIER CODE: V17446 SPECIFICATION NUMBER: BACC30BF6 OPTIONAL PART: 2TCC06 V92215 -----*-----	002004 006999	2
215	273N2084-2		.. ANGLE	002004 006999	1
900			ILLUSTRATION REFERENCE: PLUMBING INSTL-SECT.44 L PRESSURE DECK HYDR (MAIN GEAR EXTENSION AND RETRACTION ONLY) 32-32-51-24	002004 006100 107107 121503 904999	RF
905			ILLUSTRATION REFERENCE: PLUMBING INSTL-INBD WING SECT. 12 HYDR LH (MAIN GEAR EXTENSION AND RETRACTION ONLY) 32-32-51-15	002004 006102 107999	RF

MISSING ITEM NUMBERS NOT APPLICABLE

- ITEM NOT ILLUSTRATED

32-32-09-01

32-32-09  
FIG. 01  
PAGE 9  
JAN 20/09

BRI



757

PARTS CATALOG (MAINTENANCE)

FIG ITEM	PART NUMBER	1 2 3 4 5 6 7	NOMENCLATURE	EFFECT FROM TO	UNITS PER ASSY
1					
910			ILLUSTRATION REFERENCE: PLUMBING INSTL-SECT.44 R PRESSURE DECK HYDR (MAIN GEAR EXTENSION AND RETRACTION ONLY) 32-32-51-22	002004 006100 107107 121503 904999	RF
915			ILLUSTRATION REFERENCE: PLUMBING INSTL-SECT. 44 KEEL BEAM MLG WHL WELL HYDR (LANDING GEAR CONTROL ONLY) 32-31-51-20	002004 006100 107107 121503 904999	RF

MISSING ITEM NUMBERS NOT APPLICABLE

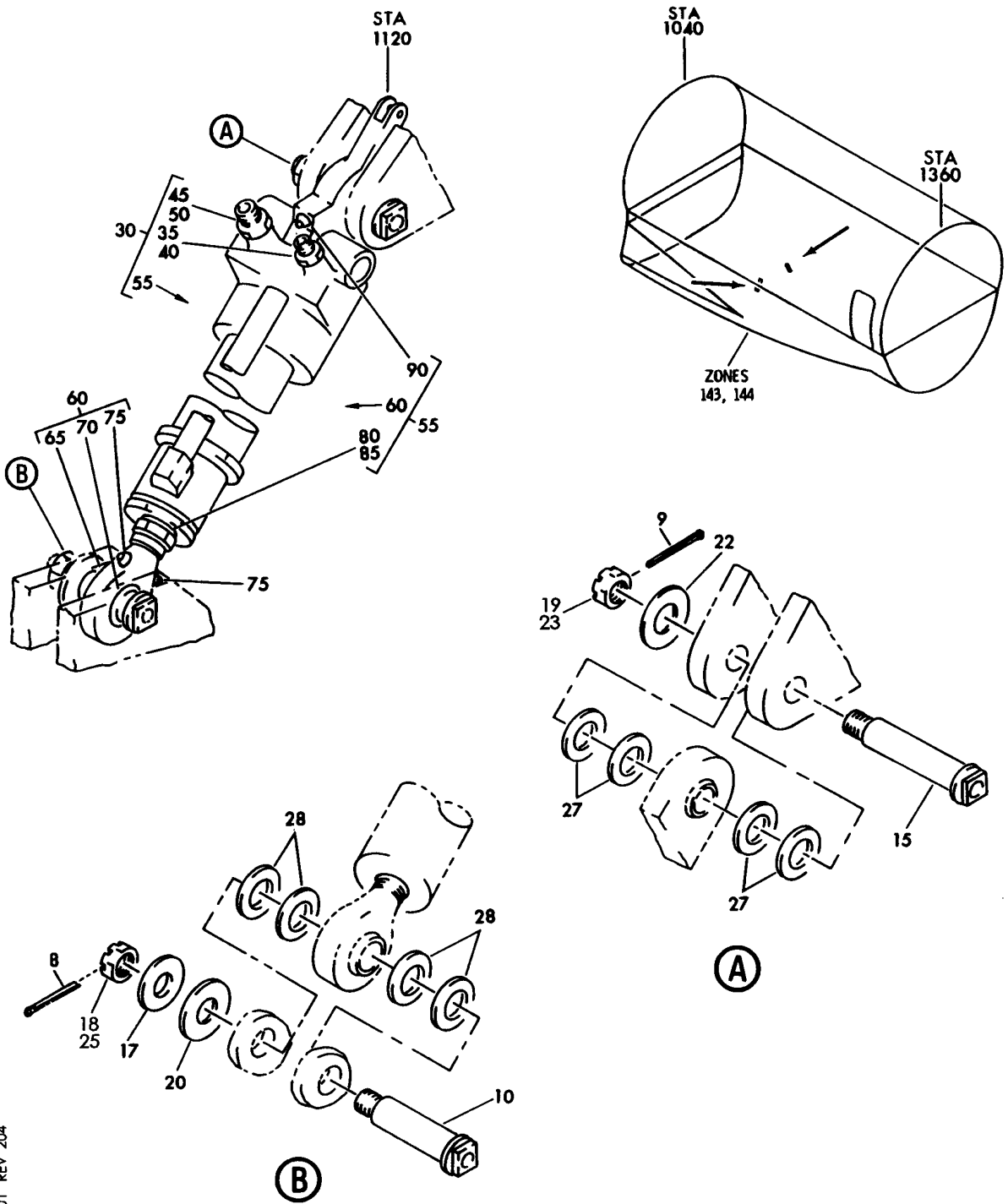
- ITEM NOT ILLUSTRATED

BRI

32-32-09-01

BOEING PROPRIETARY - Copyright © - Unpublished Work - See title page for details.

32-32-09  
FIG. 01  
PAGE 10  
JAN 20/09



Y 32321201 REV 204

ACTUATOR INSTL-MLG DOOR  
FIGURE 1

**32-32-12-01**



757

PARTS CATALOG (MAINTENANCE)

FIG ITEM	PART NUMBER	1 2 3 4 5 6 7	NOMENCLATURE	EFFECT FROM TO	UNITS PER ASSY
1			ACTUATOR INSTL-MLG DOOR	002004 006999	
- 1	273N2005-5		ACTUATOR INSTL-MLG DOOR POSITION DATA: LH FOR NHA SEE: 29-00-51-05	002004 006100 107107 121503 904999	RF
- 1	273N2005-13		ACTUATOR INSTL-MLG DOOR POSITION DATA: LH SIDE FOR NHA SEE: 32-00-00-15	101102 504903	RF
- 1	273N2005-15		ACTUATOR INSTL-MLG DOOR POSITION DATA: LH SIDE FOR NHA SEE: 32-00-00-15	108120	RF
- 1	MODREF8268		ACTUATOR INSTL-MLG DOOR MODULE NUMBER: 273N2005-15 REV A POSITION DATA: LH SIDE	103106	1
- 5	273N2005-6		ACTUATOR INSTL-MLG DOOR POSITION DATA: RH FOR NHA SEE: 29-00-51-05	002004 006100 107107 121503 904999	RF
- 5	273N2005-14		ACTUATOR INSTL-MLG DOOR POSITION DATA: RH SIDE FOR NHA SEE: 32-00-00-15	101102 504903	RF
- 5	273N2005-16		ACTUATOR INSTL-MLG DOOR POSITION DATA: RH SIDE FOR NHA SEE: 32-00-00-15	108120	RF
- 5	MODREF8269		ACTUATOR INSTL-MLG DOOR MODULE NUMBER: 273N2005-16 REV A POSITION DATA: RH SIDE	103106	1
8	BACP18BC05A10P		.PIN	101106 108120 504903	1

MISSING ITEM NUMBERS NOT APPLICABLE

- ITEM NOT ILLUSTRATED

32-32-12-01

32-32-12  
FIG. 01  
PAGE 1  
JAN 20/09

BRI

BOEING PROPRIETARY - Copyright © - Unpublished Work - See title page for details.



757

PARTS CATALOG (MAINTENANCE)

FIG ITEM	PART NUMBER	1 2 3 4 5 6 7	NOMENCLATURE	EFFECT FROM TO	UNITS PER ASSY
1	8	MS24665-439	.PIN-	002004 006100 107107 121503 904999	1
	9	BACP18BC05A12P	.PIN	101106 108120 504903	1
	9	MS24665-441	.PIN-	002004 006100 107107 121503 904999	1
	10	273N2097-1	.PIN-	002004 006999	1
	15	273N2094-2	.PIN- USED ON: 273N2005-1 273N2005-2	002004 006100 107107 121503 904999	1
	15	273N2094-3	.PIN- USED ON: 273N2005-5 273N2005-6 273N2005-13 273N2005-14 273N2005-15 273N2005-16 MODREF8268 MODREF8269	002004 006999	1
	17	BACW10BP121APU	.WASHER	002004 006999	1
	18	THCR512CDBACN	.NUT SUPPLIER CODE: VF0224 SPECIFICATION NUMBER: BACN11N112CD	101106 108120 504903	1
	19	THCR516CDBACH	.NUT SUPPLIER CODE: VF0224 SPECIFICATION NUMBER: BACN11N116CD	101106 108120 504903	1
	20	BACW10BP16APU	.WASHER-	002004 006999	1
	22	BACW10BN20UP	.WASHER-	002004 006999	1

MISSING ITEM NUMBERS NOT APPLICABLE

- ITEM NOT ILLUSTRATED

32-32-12-01

32-32-12  
FIG. 01  
PAGE 2  
JAN 20/09

BRI

BOEING PROPRIETARY - Copyright © - Unpublished Work - See title page for details.



757

PARTS CATALOG (MAINTENANCE)

FIG ITEM	PART NUMBER	1 2 3 4 5 6 7	NOMENCLATURE	EFFECT FROM TO	UNITS PER ASSY
1					
23	MS14145L16	.NUT-	OPTIONAL PART: 73783CD1612 V56878	002004 006100 107107 121503 904999	1
23	73783CD1612	.NUT-	SUPPLIER CODE: V56878 OPTIONAL PART: MS14145L16	002004 006102 107107 121999	1
25	MS14145L12	.NUT-		002004 006100 107107 121503 904999	1
27	273N2130-2	.SPACER-	MANUFACTURED FROM: 3.50 DIA X 0.20 NYLON SH LP410A 6/6	002004 006999	4
28	273N2098-1	.SPACER-		002004 006999	4
30	273N2005-9	.ACTUATOR ASSY-		002004 006999	1
30	273N2005-10	.ACTUATOR ASSY-	OPTIONAL PART: 273N2005-11	002004 006999	1
30	273N2005-11	.ACTUATOR ASSY-	OPTIONAL PART: 273N2005-10	002004 006999	1
30	273N2005-12	.ACTUATOR ASSY-		002004 006999	1
30	273N2005-17	.ACTUATOR ASSY-		002004 006999	1
35	BACU24K6	..UNION		002004 006100 107107 121503 904999	1
35	MS21902-6T	..UNION		002004 006999	1
40	NAS1612-6	..PACKING-		002004 006100 107107 121503 904999	1
40	NAS1612-6A	..PACKING-		002004 006999	1

MISSING ITEM NUMBERS NOT APPLICABLE

- ITEM NOT ILLUSTRATED

32-32-12-01

32-32-12  
FIG. 01  
PAGE 3  
JAN 20/09

BRI



757

PARTS CATALOG (MAINTENANCE)

FIG ITEM	PART NUMBER	1 2 3 4 5 6 7	NOMENCLATURE	EFFECT FROM TO	UNITS PER ASSY
1					
45	MS21902-8T		..UNION-FLOW CONT USED ON: 273N2005-12	002004 006999	1
45	9R3228		..VALVE-FLOW CONT SUPPLIER CODE: V99240 OPTIONAL PART: BACU24K8 USED ON: 273N2005-7 273N2005-8 273N2005-9 273N2005-10 273N2005-11 273N2005-17	002004 006999	1
45	BACU24K8		..UNION-FLOW CONT OPTIONAL PART: 9R3228 V99240 USED ON: 273N2005-9 273N2005-10 273N2005-11	002004 006999	1
50	NAS1612-8		..PACKING-	002004 006100 107107 121503 904999	1
50	NAS1612-8A		..PACKING-	002004 006999	1
55	2-7457-4		..ACTUATOR ASSY- SUPPLIER CODE: V97415 SPECIFICATION NUMBER: S273N201-3 COMPONENT MAINT MANUAL REF: 32-12-01 USED ON: 273N2005-7	002004 006999	1
55	2-7457-5		..ACTUATOR ASSY- SUPPLIER CODE: V97415 SPECIFICATION NUMBER: S273N201-4 COMPONENT MAINT MANUAL REF: 32-12-01 USED ON: 273N2005-8	002004 006999	1

MISSING ITEM NUMBERS NOT APPLICABLE

- ITEM NOT ILLUSTRATED

32-32-12-01

32-32-12  
FIG. 01  
PAGE 4  
JAN 20/09

BRI





757

PARTS CATALOG (MAINTENANCE)

FIG ITEM	PART NUMBER	1 2 3 4 5 6 7	NOMENCLATURE	EFFECT FROM TO	UNITS PER ASSY
1					
55	2-7457-6		..ACTUATOR ASSY- SUPPLIER CODE: V97415 SPECIFICATION NUMBER: S273N201-5 COMPONENT MAINT MANUAL REF: 32-12-01 USED ON: 273N2005-9 QUALIFIED SB I/W DATA: UPS TPCR 5-92-0198)	002004 006999	1
55	2-7457-7		..ACTUATOR ASSY- SUPPLIER CODE: V97415 SPECIFICATION NUMBER: S273N201-6 COMPONENT MAINT MANUAL REF: 32-12-01 OPTIONAL PART: 2-7457-8 V97415 USED ON: 273N2005-10	002004 006999	1
55	2-7457-8		..ACTUATOR ASSY- SUPPLIER CODE: V97415 V97415 SPECIFICATION NUMBER: S273N201-7 COMPONENT MAINT MANUAL REF: 32-12-01 OPTIONAL PART: 2-7457-7 V97415 USED ON: 273N2005-10	002004 006999	1
55	2-7457-10		..ACTUATOR ASSY- SUPPLIER CODE: V97415 SPECIFICATION NUMBER: S273N201-8 COMPONENT MAINT MANUAL REF: 32-12-01 USED ON: 273N2005-11	002004 006999	1

MISSING ITEM NUMBERS NOT APPLICABLE

- ITEM NOT ILLUSTRATED

BRI

32-32-12-01

32-32-12  
FIG. 01  
PAGE 5  
JAN 20/09



757

PARTS CATALOG (MAINTENANCE)

FIG ITEM	PART NUMBER	1 2 3 4 5 6 7	NOMENCLATURE	EFFECT FROM TO	UNITS PER ASSY
1					
55	2-7457-9	..	ACTUATOR ASSY- SUPPLIER CODE: V97415 SPECIFICATION NUMBER: S273N201-9 COMPONENT MAINT MANUAL REF: 32-12-01 OPTIONAL PART: 2-7457-11 V97415 USED ON: 273N2005-12	002004 006999	1
55	2-7457-11	..	ACTUATOR ASSY- SUPPLIER CODE: V97415 SPECIFICATION NUMBER: S273N201-9 COMPONENT MAINT MANUAL REF: 32-12-01 OPTIONAL PART: 2-7457-9 V97415 USED ON: 273N2005-12	002004 006999	1
60	7-0697-1	...	ROD ASSY-END SUPPLIER CODE: V97415	002004 006100 107107 121503 904999	1
65	7-0697-2	....	ROD END- SUPPLIER CODE: V97415	002004 006100 107107 121503 904999	1
70	M81936-1-16	....	BEARING	002004 006100 107107 121503 904999	1
75	1728B	....	FITTING-LUBE SUPPLIER CODE: VOFKM1	002004 006100 107107 121503 904999	2
80	NAS559-5	...	LOCK	002004 006100 107107 121503 904999	1

MISSING ITEM NUMBERS NOT APPLICABLE

- ITEM NOT ILLUSTRATED

32-32-12-01

32-32-12  
FIG. 01  
PAGE 6  
JAN 20/09

BRI

BOEING PROPRIETARY - Copyright © - Unpublished Work - See title page for details.



757

PARTS CATALOG (MAINTENANCE)

FIG ITEM	PART NUMBER	1 2 3 4 5 6 7	NOMENCLATURE	EFFECT FROM TO	UNITS PER ASSY
1 85	7-0723-1		...NUT-JAM SUPPLIER CODE: V97415	002004 006100 107107 121503 904999	1
90	1728B		...FITTING-LUBE SUPPLIER CODE: VOFKM1	002004 006100 107107 121503 904999	1

MISSING ITEM NUMBERS NOT APPLICABLE

- ITEM NOT ILLUSTRATED

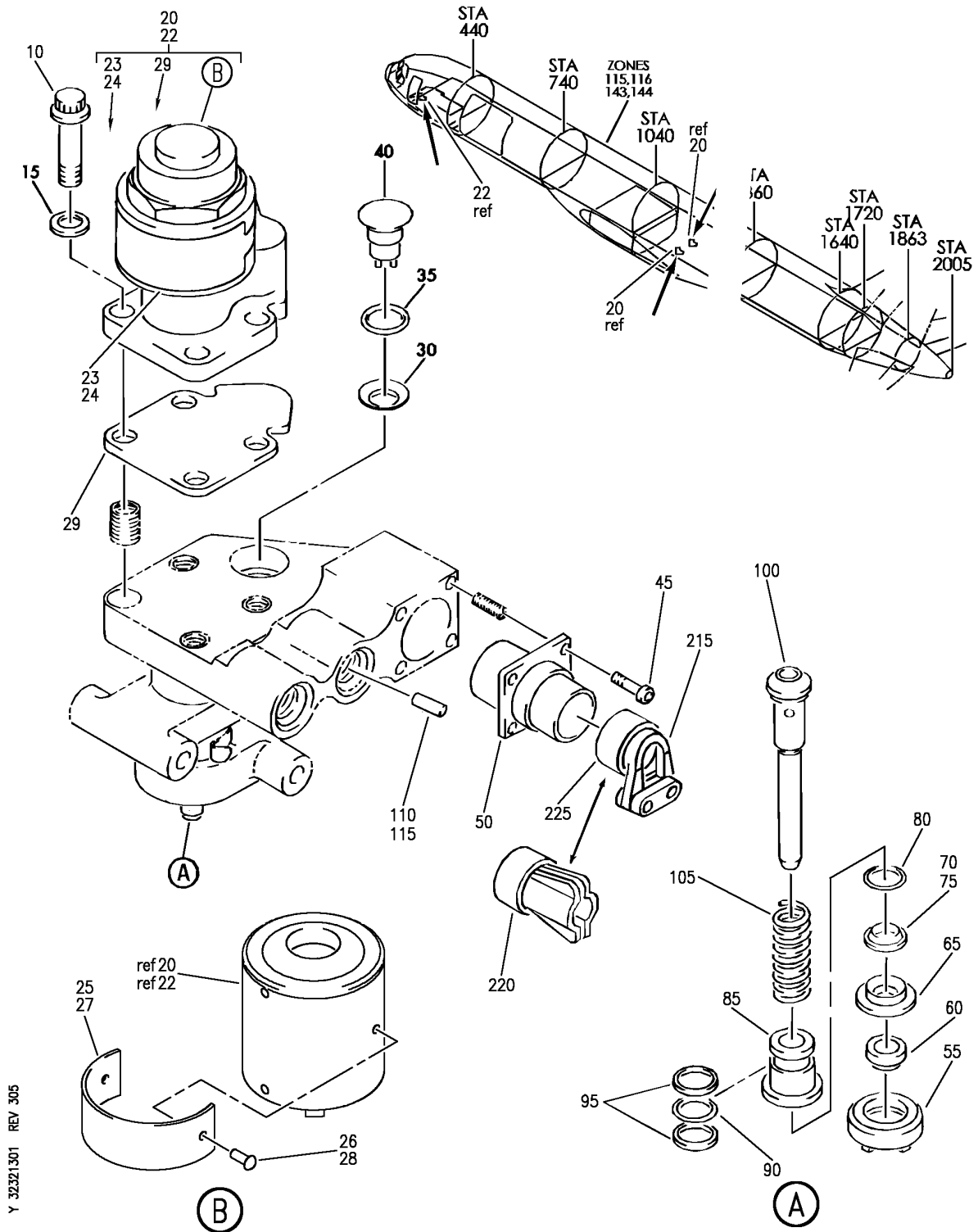
BRI

32-32-12-01

BOEING PROPRIETARY - Copyright © - Unpublished Work - See title page for details.

32-32-12  
FIG. 01  
PAGE 7  
JAN 20/09

**BOEING**  
757  
PARTS CATALOG (MAINTENANCE)



Y 32321301 REV 305

ACTUATOR ASSY-DOOR RELEASE INTERLOCK MLG  
FIGURE 1

**32-32-13-01**

BRI  
MAY 28/07

32-32-13-01  
PAGE 0



757

PARTS CATALOG (MAINTENANCE)

FIG ITEM	PART NUMBER	1 2 3 4 5 6 7	NOMENCLATURE	EFFECT FROM TO	UNITS PER ASSY
1			ACTUATOR ASSY-DOOR RELEASE INTERLOCK MLG	002004 006102 107999	
- 1	273N4171-3		ACTUATOR ASSY-DOOR RELEASE INTERLOCK MLG MISCELLANEOUS DATA: FOR SPARES PROCURE LOWER COMPONENTS ELECTRICAL EQUIP NUMBER: M10279 M10280 COMPONENT MAINT MANUAL REF: 32-32-17 OPTIONAL PART: 273N4171-4 FOR NHA SEE: 32-35-03-01	002004 006102 107999	RF
- 1	273N4171-4		ACTUATOR ASSY-DOOR RELEASE INTERLOCK MLG MISCELLANEOUS DATA: FOR SPARES PROCURE LOWER COMPONENTS ELECTRICAL EQUIP NUMBER: M10279 M10280 COMPONENT MAINT MANUAL REF: 32-32-17 OPTIONAL PART: 273N4171-3 FOR NHA SEE: 32-35-03-01	002004 006102 107999	RF
- 2	273N4171-3		ACTUATOR ASSY-DOOR RELEASE INTERLOCK NLG MISCELLANEOUS DATA: FOR SPARES PROCURE LOWER COMPONENTS ELECTRICAL EQUIP NUMBER: M10281 COMPONENT MAINT MANUAL REF: 32-32-17 OPTIONAL PART: 273N4171-4 FOR NHA SEE: 32-35-51-01	002004 006102 107999	RF

MISSING ITEM NUMBERS NOT APPLICABLE

- ITEM NOT ILLUSTRATED

32-32-13-01

32-32-13  
FIG. 01  
PAGE 1  
JAN 20/09

BRI



757

PARTS CATALOG (MAINTENANCE)

FIG ITEM	PART NUMBER	1 2 3 4 5 6 7	NOMENCLATURE	EFFECT FROM TO	UNITS PER ASSY
1					
- 2	273N4171-4		ACTUATOR ASSY-DOOR RELEASE INTERLOCK NLG MISCELLANEOUS DATA: FOR SPARES PROCURE LOWER COMPONENTS ELECTRICAL EQUIP NUMBER: M10281 COMPONENT MAINT MANUAL REF: 32-32-17 OPTIONAL PART: 273N4171-3 FOR NHA SEE: 32-35-51-01	002004 006102 107999	RF
10	BACB30LE4H4		.BOLT	002004 006102 107999	4
15	BACW10CT8C		.WASHER	002004 006102 107999	4
20	59600-5007		.VALVE ASSY-SOL. SUPPLIER CODE: V92003 POSITION DATA: MLG FUNCTIONAL DESCRIPTION: ELECTRICALLY OPERATED VALVE PROVIDES HYDRAULIC PRESSURE SPECIFICATION NUMBER: 10-60811-3 ELECTRICAL EQUIP NUMBER: M10279 M10280 COMPONENT MAINT MANUAL REF: 29-10-02 OPTIONAL PART: 45080 V99643 OPTIONAL PART: 1FA06101-4 V26437 USED ON: 273N4171-1 273N4171-3 USED ON: 273N4171-3	002004 006102 107999	1

MISSING ITEM NUMBERS NOT APPLICABLE

- ITEM NOT ILLUSTRATED

32-32-13-01

32-32-13  
FIG. 01  
PAGE 2  
JAN 20/09

BRI



757

PARTS CATALOG (MAINTENANCE)

FIG ITEM	PART NUMBER	1 2 3 4 5 6 7	NOMENCLATURE	EFFECT FROM TO	UNITS PER ASSY
1 20	45080		.VALVE ASSY-SOL. SUPPLIER CODE: V99643 POSITION DATA: MLG SPECIFICATION NUMBER: 10-60811-3 MISCELLANEOUS DATA: CHANGED MTBR FROM 154000 TO 250000 PER VENDOR RECOMMENDATION ELECTRICAL EQUIP NUMBER: M10279 M10280 COMPONENT MAINT MANUAL REF: 29-09-05 OPTIONAL PART: 59600-5007 V92003 USED ON: 273N4171-1 273N4171-3 USED ON: 273N4171-3	002004 006102 107999	1
20	1FA06101-4		.VALVE ASSY-SOL. SUPPLIER CODE: V26437 POSITION DATA: MLG SPECIFICATION NUMBER: 10-60811-7 ELECTRICAL EQUIP NUMBER: M10279 M10280 OPTIONAL PART: 1FA06101-7 V26437 OPTIONAL PART: 59600-5007 V92003 USED ON: 273N4171-1 273N4171-3 USED ON: 273N4171-3	002004 006102 107999	1

MISSING ITEM NUMBERS NOT APPLICABLE

- ITEM NOT ILLUSTRATED

BRI

32-32-13-01

BOEING PROPRIETARY - Copyright © - Unpublished Work - See title page for details.

32-32-13  
FIG. 01  
PAGE 3  
JAN 20/09



757

PARTS CATALOG (MAINTENANCE)

FIG ITEM	PART NUMBER	1 2 3 4 5 6 7	NOMENCLATURE	EFFECT FROM TO	UNITS PER ASSY
1	20 1FA06101-11		.VALVE ASSY-SOL. SUPPLIER CODE: V26437 POSITION DATA: MLG SPECIFICATION NUMBER: 10-60811-11 ELECTRICAL EQUIP NUMBER: M10280 M10279 USED ON: 273N4171-4 USED ON: 273N4171-4	002004 006102 107999	1
	20 1FA06101-7		.VALVE ASSY-SOL. SUPPLIER CODE: V26437 POSITION DATA: MLG SPECIFICATION NUMBER: 10-60811-7 ELECTRICAL EQUIP NUMBER: M10279 M10280 OPTIONAL PART: 1FA06101-4 V26437 OPTIONAL PART: 59600-5007 V92003 USED ON: 273N4171-1 273N4171-3 USED ON: 273N4171-3	002004 006102 107999	1

MISSING ITEM NUMBERS NOT APPLICABLE

- ITEM NOT ILLUSTRATED

BRI

32-32-13-01

BOEING PROPRIETARY - Copyright © - Unpublished Work - See title page for details.

32-32-13  
FIG. 01  
PAGE 4  
JAN 20/09





757

PARTS CATALOG (MAINTENANCE)

FIG ITEM	PART NUMBER	1 2 3 4 5 6 7	NOMENCLATURE	EFFECT FROM TO	UNITS PER ASSY
1 22	59600-5007		.VALVE ASSY-SOL. SUPPLIER CODE: V92003 POSITION DATA: NLG FUNCTIONAL DESCRIPTION: ELECTRICALLY OPERATED VALVE PROVIDES HYDRAULIC PRESSURE SPECIFICATION NUMBER: 10-60811-3 ELECTRICAL EQUIP NUMBER: M10281 COMPONENT MAINT MANUAL REF: 29-10-02 OPTIONAL PART: 45080 V99643 OPTIONAL PART: 1FA06101-4 V26437 USED ON: 273N4171-1 273N4171-3 USED ON: 273N4171-3	002004 006102 107999	1
22	45080		.VALVE ASSY-SOL. SUPPLIER CODE: V99643 POSITION DATA: NLG SPECIFICATION NUMBER: 10-60811-3 MISCELLANEOUS DATA: CHANGED MTBR FROM 154000 TO 250000 PER VENDOR RECOMMENDATION ELECTRICAL EQUIP NUMBER: M10281 COMPONENT MAINT MANUAL REF: 29-09-05 OPTIONAL PART: 59600-5007 V92003 USED ON: 273N4171-1 273N4171-3 USED ON: 273N4171-3	002004 006102 107999	1

MISSING ITEM NUMBERS NOT APPLICABLE

- ITEM NOT ILLUSTRATED

32-32-13-01

32-32-13  
FIG. 01  
PAGE 5  
JAN 20/09

BRI



757

PARTS CATALOG (MAINTENANCE)

FIG ITEM	PART NUMBER	1 2 3 4 5 6 7	NOMENCLATURE	EFFECT FROM TO	UNITS PER ASSY
1 22	1FA06101-4		.VALVE ASSY-SOL. SUPPLIER CODE: V26437 POSITION DATA: NLG SPECIFICATION NUMBER: 10-60811-7 ELECTRICAL EQUIP NUMBER: M10281 OPTIONAL PART: 1FA06101-7 V26437 OPTIONAL PART: 59600-5007 V92003 USED ON: 273N4171-1 273N4171-3 USED ON: 273N4171-3	002004 006102 107999	1
22	1FA06101-7		.VALVE ASSY-SOL. SUPPLIER CODE: V26437 POSITION DATA: NLG SPECIFICATION NUMBER: 10-60811-7 ELECTRICAL EQUIP NUMBER: M10281 OPTIONAL PART: 1FA06101-4 V26437 OPTIONAL PART: 59600-5007 V92003 USED ON: 273N4171-1 273N4171-3 USED ON: 273N4171-3	002004 006102 107999	1

MISSING ITEM NUMBERS NOT APPLICABLE

- ITEM NOT ILLUSTRATED

BRI

32-32-13-01

BOEING PROPRIETARY - Copyright © - Unpublished Work - See title page for details.

32-32-13  
FIG. 01  
PAGE 6  
JAN 20/09



757

PARTS CATALOG (MAINTENANCE)

FIG ITEM	PART NUMBER	1 2 3 4 5 6 7	NOMENCLATURE	EFFECT FROM TO	UNITS PER ASSY
1					
22	1FA06101-11	.	VALVE ASSY-SOL. SUPPLIER CODE: V26437 POSITION DATA: NLG SPECIFICATION NUMBER: 10-60811-11 ELECTRICAL EQUIP NUMBER: M10281 USED ON: 273N4171-4 USED ON: 273N4171-4	002004 006102 107999	1
23	25027	..	NAMEPLATE- SUPPLIER CODE: V99643 USED ON: 45080	002004 006102 107999	1
23	59610-3	..	NAMEPLATE- SUPPLIER CODE: V99643 USED ON: 59600-5007	002004 006102 107999	1
24	25027	..	NAMEPLATE- SUPPLIER CODE: V99643 USED ON: 45080	002004 006102 107999	1
24	59610-3	..	NAMEPLATE- SUPPLIER CODE: V99643 USED ON: 59600-5007	002004 006102 107999	1

MISSING ITEM NUMBERS NOT APPLICABLE

- ITEM NOT ILLUSTRATED

BRI

32-32-13-01

BOEING PROPRIETARY - Copyright © - Unpublished Work - See title page for details.

32-32-13  
FIG. 01  
PAGE 7  
JAN 20/09



757

PARTS CATALOG (MAINTENANCE)

FIG ITEM	PART NUMBER	1 2 3 4 5 6 7	NOMENCLATURE	EFFECT FROM TO	UNITS PER ASSY
1 29	069000197-1		.PLATE-GSKT SUPPLIER CODE: V05939 SPECIFICATION NUMBER: 69-20184-1 OPTIONAL PART: 071261 V83259 071261-1 V83259 828108-1 V83259 BA1837 V95272 SERVICE BULLETIN OPT DATA: 071261 V83259 071261-1 V83259 828108-1 V83259 POST AIRLINE MOD: TPCR 5-22-IPC-95-0197 VUPS	002004 006102 107999	2
30	273N4180-1		.RETAINER	002004 006102 107999	1
35	NAS1611-112		.PACKING-	002004 006102 107999	1
40	000100-0113		.CONNECTOR- SUPPLIER CODE: V05574	002004 006102 107999	1
45	NAS1352C04H6P		.SCREW	002004 006102 107999	4
50	R071914-7P		.CONNECTOR SUPPLIER CODE: V41118 SPECIFICATION NUMBER: BACC45FM14-7P OPTIONAL PART: C48-00R14-7P102 V13556 ZZYAC1714-7P V49367 48-00R14-7P300 V02660	002004 006102 107999	1

MISSING ITEM NUMBERS NOT APPLICABLE

- ITEM NOT ILLUSTRATED

32-32-13-01

32-32-13  
FIG. 01  
PAGE 8  
JAN 20/09

BRI



757

PARTS CATALOG (MAINTENANCE)

FIG ITEM	PART NUMBER	1 2 3 4 5 6 7	NOMENCLATURE	EFFECT FROM TO	UNITS PER ASSY
1					
55	273N4176-1	.	RETAINER	002004 006102 107999	1
60	U312	.	RING-WIPER SUPPLIER CODE: V30781 OPTIONAL PART: 070001616 V12599	002004 006102 107999	1
60	070001616	.	RING-WIPER SUPPLIER CODE: V12599 OPTIONAL PART: U312 V30781	002004 006102 107999	1
65	273N4175-1	.	RING-BACKING	002004 006102 107999	1
85	273N4174-1	.	BEARING	002004 006102 107999	1
90	NAS1611-014	.	PACKING-	002004 006102 107999	1
95	MS28774-014	.	RETAINER	002004 006102 107999	2
100	273N4177-1	.	PISTON-ROD	002004 006102 107999	1
105	273N4173-1	.	SPRING	002004 006102 107999	1
110	273N4172-1	.	BODY ASSY	002004 006102 107999	1
115	CKRA1876005A	..	VALVE-CHECK SUPPLIER CODE: V92555 OPTIONAL PART: 1C3538 V99240	002004 006102 107999	1
115	1C3538	..	VALVE-CHECK SUPPLIER CODE: V99240 OPTIONAL PART: CKRA1876005A V92555	002004 006102 107999	1

MISSING ITEM NUMBERS NOT APPLICABLE

- ITEM NOT ILLUSTRATED

32-32-13-01

32-32-13  
FIG. 01  
PAGE 9  
JAN 20/09

BRI

BOEING PROPRIETARY - Copyright © - Unpublished Work - See title page for details.



757

PARTS CATALOG (MAINTENANCE)

FIG ITEM	PART NUMBER	1 2 3 4 5 6 7	NOMENCLATURE	EFFECT FROM TO	UNITS PER ASSY
1					
- 120	273N4171-5	.	SUB KIT ASSY- OPTIONAL PART: 5394-01117B952	002004 006102 107999	1
- 120	273N4171-5	.	SUB KIT ASSY- OPTIONAL PART: 5394-01117B952	002004 006102 107999	1
- 125	BACS11AA011	.	SEAL	002004 006102 107999	1
- 125	BACS11AA011	.	SEAL	002004 006102 107999	1
- 130	NAS1611-011	.	PACKING-	002004 006102 107999	1
- 130	NAS1611-011	.	PACKING-	002004 006102 107999	1
- 200	286N2512-004		WIRE BUNDLE ASSY	002004 006100 950999	RF
- 200	286N2512-005		WIRE BUNDLE ASSY	107107 121503 904949	RF
- 200	286N2512-303		WIRE BUNDLE ASSY	101102	RF
- 200	286N2512-307		WIRE BUNDLE ASSY	504903	RF
- 200	286N2512-309		WIRE BUNDLE ASSY	108120	RF
- 205	286N2414-005		WIRE BUNDLE ASSY	002004 006100 950999	RF
- 205	286N2414-006		WIRE BUNDLE ASSY	107107 121503 904949	RF
- 205	286N2414-303		WIRE BUNDLE ASSY	101102 108120	RF
- 206	286N2414-310		WIRE BUNDLE ASSY	504903	RF
- 210	286N2152-002		WIRE BUNDLE ASSY	107107 121503 904949	RF
- 210	286N2152-004		WIRE BUNDLE ASSY	002004 006010 952999	RF
- 210	286N2152-007		WIRE BUNDLE ASSY	950951	RF
- 210	286N2152-008		WIRE BUNDLE ASSY	011100 504903	RF
- 210	286N2152-306		WIRE BUNDLE ASSY	101102	RF
- 211	286N2152-311		WIRE BUNDLE ASSY	108120	RF

MISSING ITEM NUMBERS NOT APPLICABLE

- ITEM NOT ILLUSTRATED

32-32-13-01

32-32-13  
FIG. 01  
PAGE 10  
JAN 20/09

BRI



757

PARTS CATALOG (MAINTENANCE)

FIG ITEM	PART NUMBER	1 2 3 4 5 6 7	NOMENCLATURE	EFFECT FROM TO	UNITS PER ASSY
1 215	GS3418-14CD	.	CLAMP- SUPPLIER CODE: V06324 SPECIFICATION NUMBER: BACC10HG14 OPTIONAL PART: S2126-14-8 V07418 ELECTRICAL EQUIP NUMBER: D02508T D02454T WIRING DIAGRAM REF: 321212	002004 006102 107999	1
220	GS3418-14CD	.	CLAMP- SUPPLIER CODE: V06324 SPECIFICATION NUMBER: BACC10HG14 OPTIONAL PART: S2126-14-8 V07418 ELECTRICAL EQUIP NUMBER: D02452T WIRING DIAGRAM REF: 321212	002004 006102 107999	1
225	R071014A7SNL	.	CONNECTOR- SUPPLIER CODE: V41118 SPECIFICATION NUMBER: BACC63BP14A7SNL MISCELLANEOUS DATA: OPTIONAL PART NUMBERS: BACC63BP14A7SN (81205) BACC63BP14R7SN (81205) BACC63BP14R7SNL (81205) ELECTRICAL EQUIP NUMBER: D02452 D02454 D02508 WIRING DIAGRAM REF: 321212	002004 006102 107999	1

MISSING ITEM NUMBERS NOT APPLICABLE

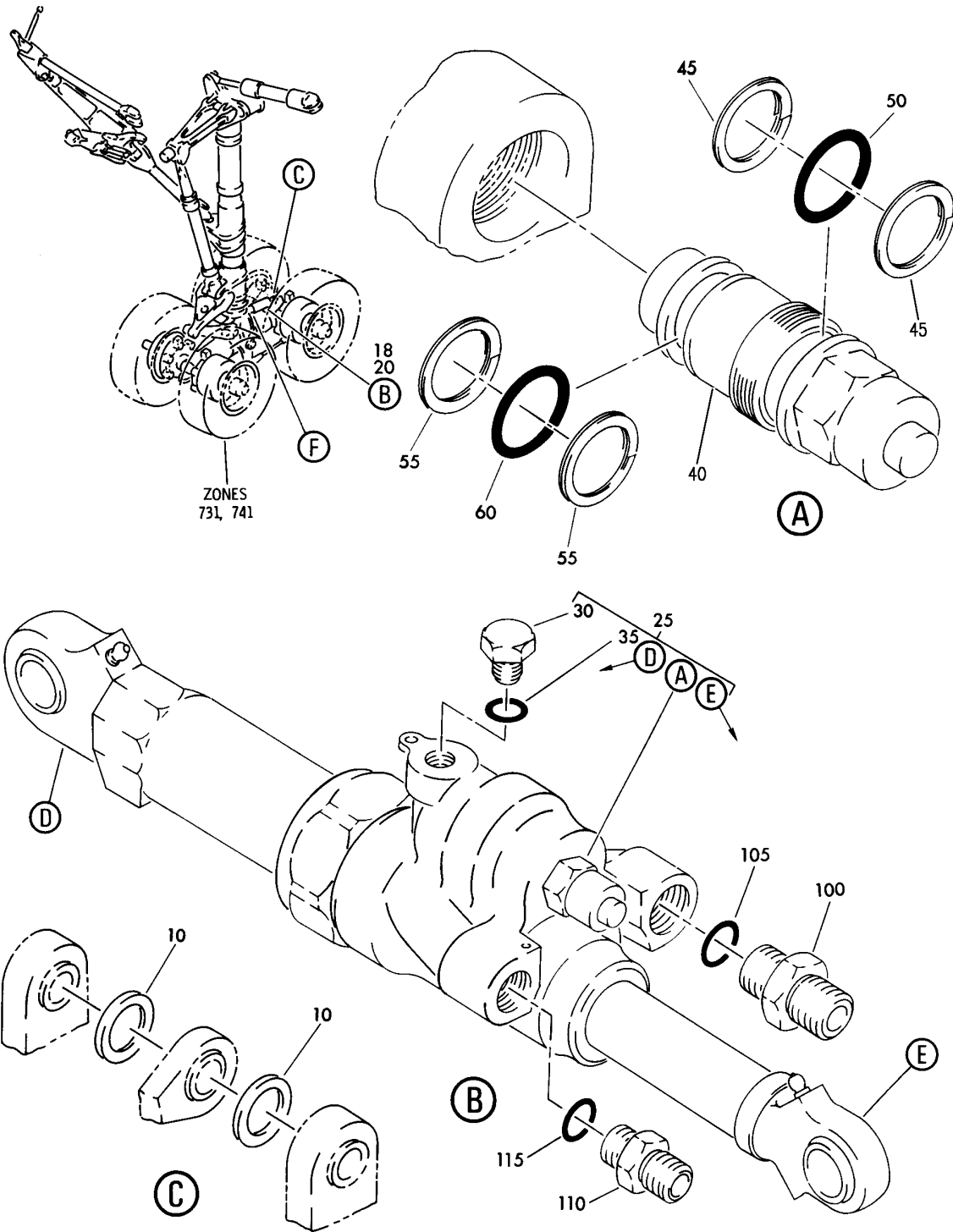
- ITEM NOT ILLUSTRATED

BRI

32-32-13-01

32-32-13  
FIG. 01  
PAGE 11  
JAN 20/09

**BOEING**  
757  
PARTS CATALOG (MAINTENANCE)



Y 32321501 SHT 1 REV 264

MAIN GEAR INSTL-VAR (MAIN GEAR TRUCK POSITIONER ACTUATOR ONLY)  
FIGURE 1 (SHEET 1)

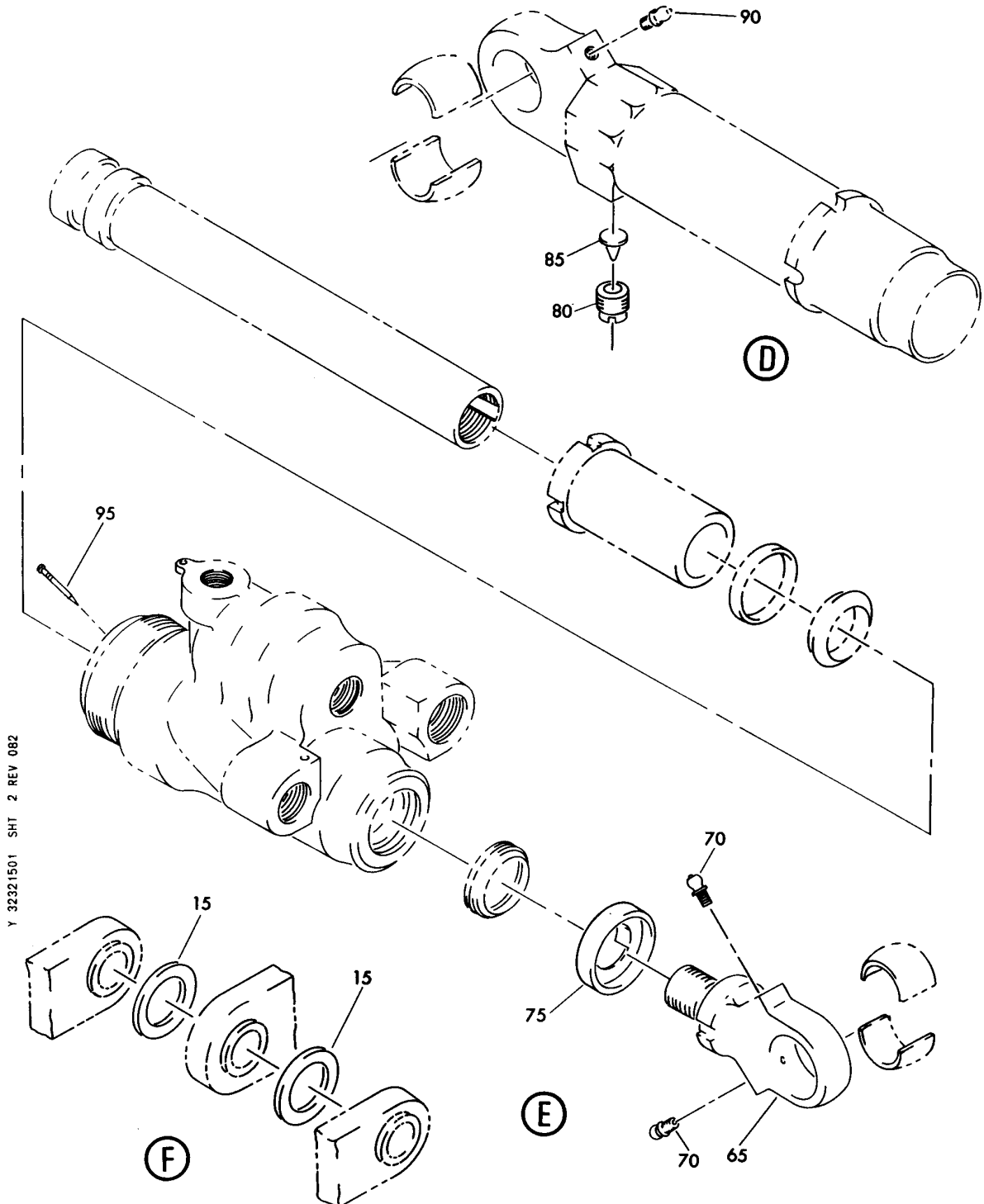
**32-32-15-01**

BRI  
MAY 28/07

32-32-15-01  
PAGE 0



**BOEING**  
757  
PARTS CATALOG (MAINTENANCE)



Y 32321501 SHT 2 REV 082

MAIN GEAR INSTL-VAR (MAIN GEAR TRUCK POSITIONER ACTUATOR ONLY)  
FIGURE 1 (SHEET 2)

**32-32-15-01**

BRI  
MAY 28/07

32-32-15-01  
PAGE 0A



757

PARTS CATALOG (MAINTENANCE)

FIG ITEM	PART NUMBER	1 2 3 4 5 6 7	NOMENCLATURE	EFFECT FROM TO	UNITS PER ASSY
1			MAIN GEAR INSTL-VAR (MAIN GEAR TRUCK POSITIONER ACTUATOR ONLY)	002004 006100 107107 121503 904999	
- 1	161N0001-93		MAIN GEAR INSTL-VAR (MAIN GEAR TRUCK POSITIONER ACTUATOR ONLY) POSITION DATA: LH FOR OTHER SYS DETAILS SEE: 32-11-00-01 FOR ADDITIONAL DETAILS SEE: 32-32-01-01 32-32-02-01	107107 904949	RF
- 1	161N0001-133		MAIN GEAR INSTL-VAR (MAIN GEAR TRUCK POSITIONER ACTUATOR ONLY) POSITION DATA: LH FOR OTHER SYS DETAILS SEE: 32-11-00-01 FOR ADDITIONAL DETAILS SEE: 32-32-01-01 32-32-02-01	002004 006100 121503 950999	RF
- 5	161N0001-94		MAIN GEAR INSTL-VAR (MAIN GEAR TRUCK POSITIONER ACTUATOR ONLY) POSITION DATA: RH FOR OTHER SYS DETAILS SEE: 32-11-00-01 FOR ADDITIONAL DETAILS SEE: 32-32-01-01 32-32-02-01	107107 904949	RF
- 5	161N0001-134		MAIN GEAR INSTL-VAR (MAIN GEAR TRUCK POSITIONER ACTUATOR ONLY) POSITION DATA: RH FOR OTHER SYS DETAILS SEE: 32-11-00-01 FOR ADDITIONAL DETAILS SEE: 32-32-01-01 32-32-02-01	002004 006100 121503 950999	RF

MISSING ITEM NUMBERS NOT APPLICABLE

- ITEM NOT ILLUSTRATED

32-32-15-01

32-32-15  
FIG. 01  
PAGE 1  
JAN 20/09

BRI



757

PARTS CATALOG (MAINTENANCE)

FIG ITEM	PART NUMBER	1 2 3 4 5 6 7	NOMENCLATURE	EFFECT FROM TO	UNITS PER ASSY
1	10	162N5005-6	.WASHER-	002004 006100 107107 121503 904999	RF
	15	162N5005-7	.WASHER-	002004 006100 107107 121503 904999	RF
	18	273N2004-3	.ACTUATOR ASSY-TRUCK POSITIONER MISCELLANEOUS DATA: FOR SPARES PROCURE LOWER COMPONENTS COMPONENT MAINT MANUAL REF: 32-32-56 QUALIFIED I/W DATA: 273N2004-2 ACTUATOR ASSEMBLY TOGETHER WITH 1 EACH BACU24K10 UNION, 1 EACH BACU24K6 UNION, 1 EACH NAS1612-10 PACKING AND 1 EACH NAS1612-6 PACKING CAN REPLACE OR BE REPLACED BY 273N2004-3 OR 273N2004-6 ACTUATOR ASEMBLY.USING 273N2004-2 TO REPLACE 273N2004-3 OR -6 NEGATES EFFECT OF S/B 757-32-0136. PRE SERVICE BULLETIN: 32-0136 FUNCTIONAL REFERENCE: LANDING GEAR FOR DETAILS SEE 32-32-15-05 PLACARDS AND MARKINGS FOR DETAILS SEE 11-22-05-01	002004 006100 107107 121503 904999	1

MISSING ITEM NUMBERS NOT APPLICABLE

- ITEM NOT ILLUSTRATED

BRI

32-32-15-01

32-32-15  
FIG. 01  
PAGE 2  
JAN 20/09



757

PARTS CATALOG (MAINTENANCE)

FIG ITEM	PART NUMBER	1 2 3 4 5 6 7	NOMENCLATURE	EFFECT FROM TO	UNITS PER ASSY
1 18	273N2004-6		.ACTUATOR ASSY-TRUCK POSITIONER MISCELLANEOUS DATA: FOR SPARES PROCURE LOWER COMPONENTS COMPONENT MAINT MANUAL REF: 32-32-56 QUALIFIED I/W DATA: 273N2004-2 ACTUATOR ASSEMBLY TOGETHER WITH 1 EACH BACU24K10 UNION, 1 EACH BACU24K6 UNION, 1 EACH NAS1612-10 PACKING AND 1 EACH NAS1612-6 PACKING CAN REPLACE OR BE REPLACED BY 273N2004-3 OR 273N2004-6 ACTUATOR ASEMBLY.USING 273N2004-2 TO REPLACE 273N2004-3 OR -6 NEGATES EFFECT OF S/B 757-32-0136. POST SERVICE BULLETIN: 32-0136 FUNCTIONAL REFERENCE: LANDING GEAR FOR DETAILS SEE 32-32-15-05 PLACARDS AND MARKINGS FOR DETAILS SEE 11-22-05-01	002004 006100	1
20	161N0001-22		.ACTUATOR ASSY-TRUCK POSITIONER COMPONENT MAINT MANUAL REF: 32-32-56 FUNCTIONAL REFERENCE: PLACARDS AND MARKINGS FOR DETAILS SEE 11-22-05-01	002004 006100 107107 121503 904999	1
20	161N0001-113		.ACTUATOR ASSY-TRUCK POSITIONER COMPONENT MAINT MANUAL REF: 32-32-56 FUNCTIONAL REFERENCE: PLACARDS AND MARKINGS FOR DETAILS SEE 11-22-05-01	002004 006100 107107 121503 904999	1

MISSING ITEM NUMBERS NOT APPLICABLE

- ITEM NOT ILLUSTRATED

32-32-15-01

32-32-15  
FIG. 01  
PAGE 3  
JAN 20/09

BRI



757

PARTS CATALOG (MAINTENANCE)

FIG ITEM	PART NUMBER	1 2 3 4 5 6 7	NOMENCLATURE	EFFECT FROM TO	UNITS PER ASSY
1	25 273N2004-1		..ACTUATOR ASSY- MISCELLANEOUS DATA: FOR SPARES PROCURE LOWER COMPONENTS USED ON: 161N0001-22 161N0001-113	002004 006100 107107 121503 904999	1
	25 273N2004-2		..ACTUATOR ASSY- MISCELLANEOUS DATA: FOR SPARES PROCURE LOWER COMPONENTS QUALIFIED I/W DATA: 273N2004-2 ACTUATOR ASSEMBLY TOGETHER WITH 1 EACH BACU24K10 UNION, 1 EACH BACU24K6 UNION, 1 EACH NAS1612-10 PACKING AND 1 EACH NAS1612-6 PACKING CAN REPLACE OR BE REPLACED BY 273N2004-3 OR 273N2004-6 ACTUATOR ASEMBLY.USING 273N2004-2 TO REPLACE 273N2004-3 OR -6 NEGATES EFFECT OF S/B 757-32-0136. USED ON: 161N0001-22 161N0001-113 PRE SERVICE BULLETIN: 32-0136	002004 006100 107107 121503 904999	1
	30 MS24391W4L		...PLUG- OPTIONAL PART: MS24391T4L USED ON: 273N2004-1	002004 006100 107107 121503 904999	1
	30 MS24391T4L		...PLUG- OPTIONAL PART: MS24391W4L USED ON: 273N2004-1 273N2004-2	002004 006100 107107 121503 904999	1
	35 NAS1612-4		...PACKING-	002004 006100 107107 121503 904999	1

MISSING ITEM NUMBERS NOT APPLICABLE

- ITEM NOT ILLUSTRATED

32-32-15-01

32-32-15  
FIG. 01  
PAGE 4  
JAN 20/09

BRI

BOEING PROPRIETARY - Copyright © - Unpublished Work - See title page for details.



757

PARTS CATALOG (MAINTENANCE)

FIG ITEM	PART NUMBER	1 2 3 4 5 6 7	NOMENCLATURE	EFFECT FROM TO	UNITS PER ASSY
1					
40	62630-1		...VALVE ASSY-RELIEF SUPPLIER CODE: V99643 SPECIFICATION NUMBER: 60B00269-3 COMPONENT MAINT MANUAL REF: 32-32-01	002004 006100 107107 121503 904999	1
45	MS28782-21		...RING	002004 006100 107107 121503 904999	2
50	NAS1611-216		...PACKING-	002004 006100 107107 121503 904999	1
55	MS28782-18		...RETAINER	002004 006100 107107 121503 904999	2
60	NAS1611-213		...PACKING-	002004 006100 107107 121503 904999	1
65	273N2041-1		...END ASSY-ROD	002004 006100 107107 121503 904999	1
70	1728B		....FITTING-LUBE SUPPLIER CODE: VOFKM1	002004 006100 107107 121503 904999	1
75	66-12156-3		...WASHER	002004 006100 107107 121503 904999	1
80	69B80017-1		...RETAINER	002004 006100 107107 121503 904999	1

MISSING ITEM NUMBERS NOT APPLICABLE

- ITEM NOT ILLUSTRATED

BRI

32-32-15-01

BOEING PROPRIETARY - Copyright © - Unpublished Work - See title page for details.

32-32-15  
FIG. 01  
PAGE 5  
JAN 20/09



757

PARTS CATALOG (MAINTENANCE)

FIG ITEM	PART NUMBER	1 2 3 4 5 6 7	NOMENCLATURE	EFFECT FROM TO	UNITS PER ASSY
1					
85	69B80006-1	. . .	VALVE-VENT	002004 006100 107107 121503 904999	1
90	1728B	. . .	FITTING-LUBE SUPPLIER CODE: VOFKM1	002004 006100 107107 121503 904999	1
95	RCRX0400000AA	. . .	RESTRICTOR-CHK SUPPLIER CODE: V92555	002004 006100 107107 121503 904999	1
100	BACU24K10	. .	UNION	002004 006100 107107 121503 904999	1
105	NAS1612-10	. .	PACKING-	002004 006100 107107 121503 904999	1
110	BACU24K6	. .	UNION	002004 006100 107107 121503 904999	1
115	NAS1612-6	. .	PACKING-	002004 006100 107107 121503 904999	1

MISSING ITEM NUMBERS NOT APPLICABLE

- ITEM NOT ILLUSTRATED

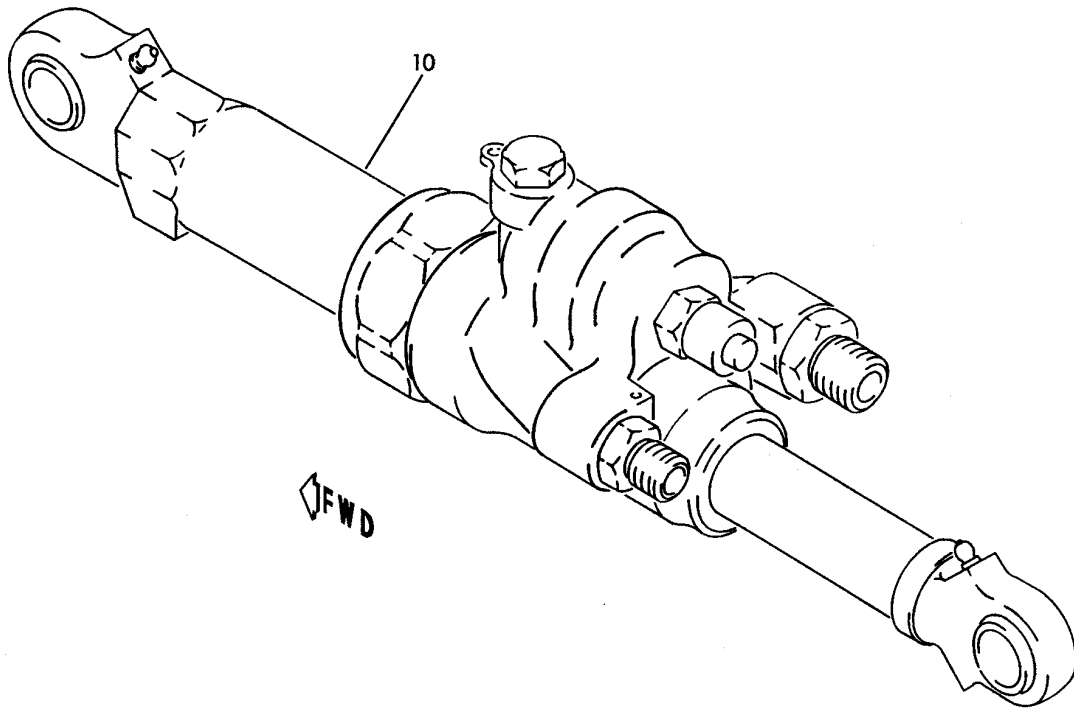
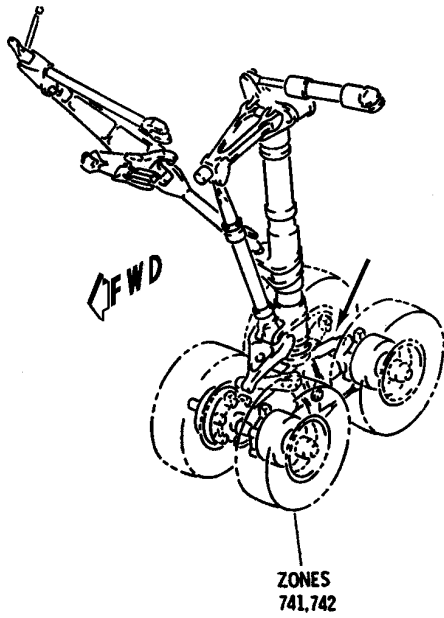
32-32-15-01

32-32-15  
FIG. 01  
PAGE 6  
JAN 20/09

BRI

BOEING PROPRIETARY - Copyright © - Unpublished Work - See title page for details.

**BOEING**  
757  
PARTS CATALOG (MAINTENANCE)



Y 32321502 REV 209

ACTUATOR INSTL-MLG TRUCK  
FIGURE 2

**32-32-15-02**

BRI  
MAY 28/07

32-32-15-02  
PAGE 0





757

PARTS CATALOG (MAINTENANCE)

FIG ITEM	PART NUMBER	1 2 3 4 5 6 7	NOMENCLATURE	EFFECT FROM TO	UNITS PER ASSY
2			ACTUATOR INSTL-MLG TRUCK	101106 108120 504903	
- 1	273N2400-1		ACTUATOR INSTL-MLG TRUCK POSITION DATA: LH FOR NHA SEE: 32-00-00-15	101102 108120 504903	RF
- 1	MODREF8274		ACTUATOR INSTL-MLG TRUCK MODULE NUMBER: 273N2400-3 REV A POSITION DATA: LH	103106	1
- 5	273N2400-2		ACTUATOR INSTL-MLG TRUCK POSITION DATA: RH FOR NHA SEE: 32-00-00-15	101102 108120 504903	RF
- 5	MODREF8275		ACTUATOR INSTL-MLG TRUCK MODULE NUMBER: 273N2400-4 REV A POSITION DATA: RH	103106	1
10	273N2004-3		.ACTUATOR ASSY- MISCELLANEOUS DATA: FOR SPARES PROCURE LOWER COMPONENTS COMPONENT MAINT MANUAL REF: 32-32-56 PRE SERVICE BULLETIN: 32-0136 FUNCTIONAL REFERENCE: LANDING GEAR FOR DETAILS SEE 32-32-15-05 PLACARDS AND MARKINGS FOR DETAILS SEE 11-22-05-01	101106 108120 504903	1

MISSING ITEM NUMBERS NOT APPLICABLE

- ITEM NOT ILLUSTRATED

BRI

32-32-15-02

32-32-15  
FIG. 02  
PAGE 1  
JAN 20/09



757

PARTS CATALOG (MAINTENANCE)

FIG ITEM	PART NUMBER	1 2 3 4 5 6 7 NOMENCLATURE	EFFECT FROM TO	UNITS PER ASSY
2 10	273N2004-6	.ACTUATOR ASSY- MISCELLANEOUS DATA: FOR SPARES PROCURE LOWER COMPONENTS COMPONENT MAINT MANUAL REF: 32-32-56 QUALIFIED I/W DATA: 273N2004-2 ACTUATOR ASSEMBLY TOGETHER WITH 1 EACH BACU24K10 UNION, 1 EACH BACU24K6 UNION, 1 EACH NAS1612-10 PACKING AND 1 EACH NAS1612-6 PACKING CAN REPLACE OR BE REPLACED BY 273N2004-3 OR 273N2004-6 ACTUATOR ASEMBLY.USING 273N2004-2 TO REPLACE 273N2004-3 OR -6 NEGATES EFFECT OF S/B 757-32-0136. POST SERVICE BULLETIN: 32-0136 FUNCTIONAL REFERENCE: PLACARDS AND MARKINGS FOR DETAILS SEE 11-22-05-01 LANDING GEAR FOR DETAILS SEE 32-32-15-05	101106 108120 504903	1

MISSING ITEM NUMBERS NOT APPLICABLE

- ITEM NOT ILLUSTRATED

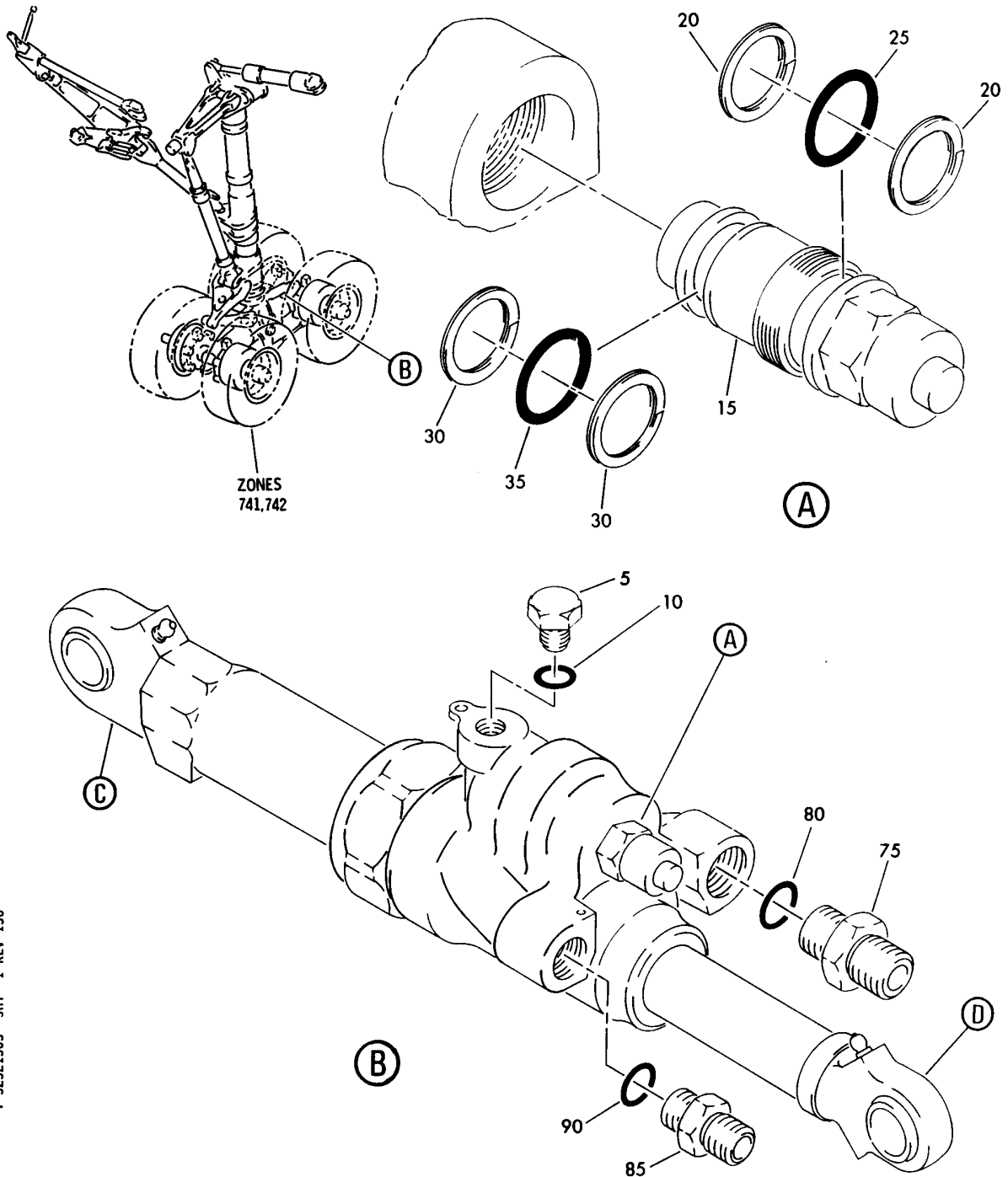
BRI

32-32-15-02

BOEING PROPRIETARY - Copyright © - Unpublished Work - See title page for details.

32-32-15  
FIG. 02  
PAGE 2  
JAN 20/09

**BOEING**  
757  
PARTS CATALOG (MAINTENANCE)



Y 32321505 SHT 1 REV 156

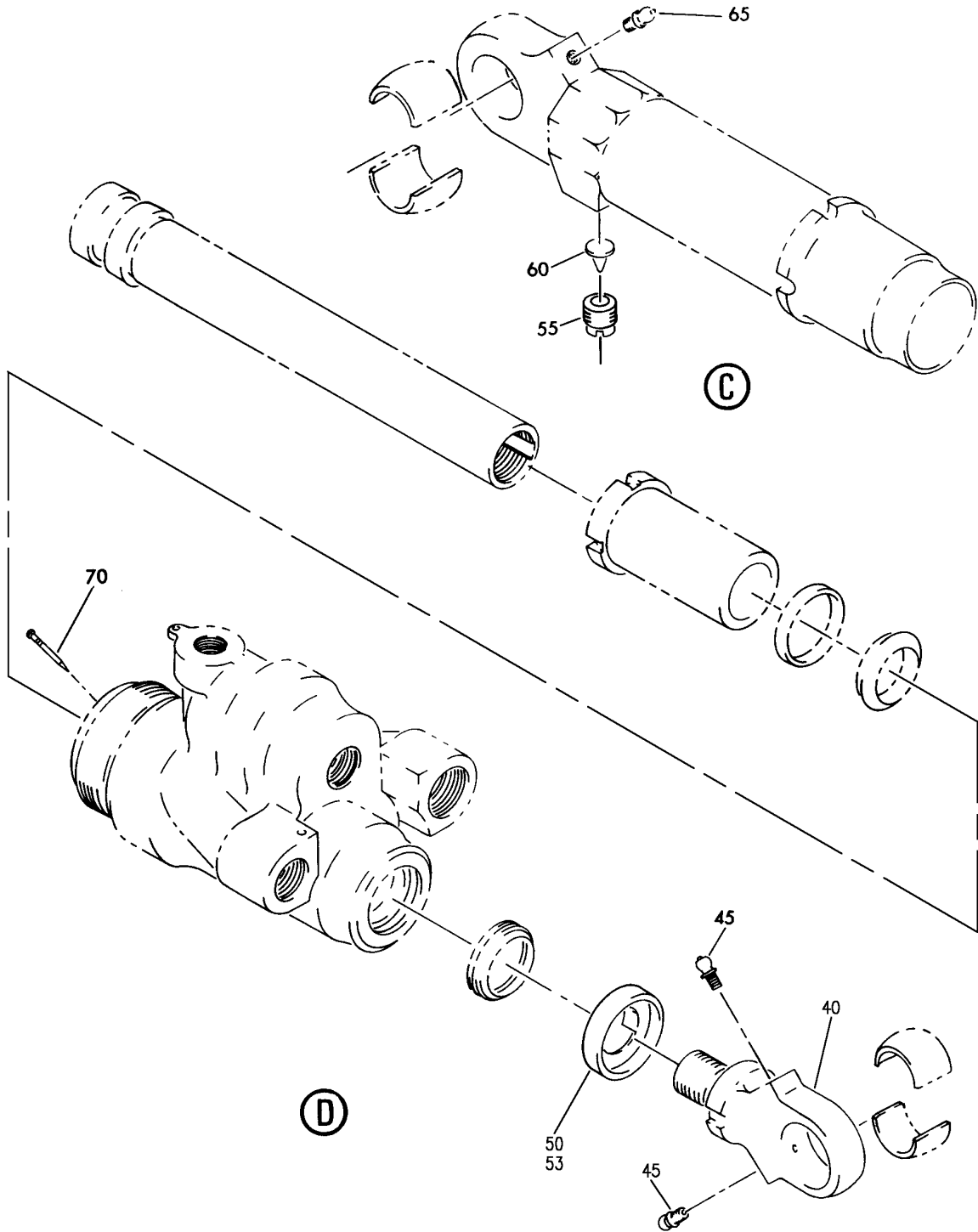
ACTUATOR ASSY-MLG TRUCK POSITIONER (LANDING GEAR ONLY)  
FIGURE 5 (SHEET 1)

**32-32-15-05**

BRI  
MAY 28/07

32-32-15-05  
PAGE 0

**BOEING**  
757  
PARTS CATALOG (MAINTENANCE)



Y 32321505 SH1 2 REV 264

ACTUATOR ASSY-MLG TRUCK POSITIONER (LANDING GEAR ONLY)  
FIGURE 5 (SHEET 2)

**32-32-15-05**

BRI  
MAY 28/07

32-32-15-05  
PAGE 0A



757

PARTS CATALOG (MAINTENANCE)

FIG ITEM	PART NUMBER	1 2 3 4 5 6 7	NOMENCLATURE	EFFECT FROM TO	UNITS PER ASSY
5			ACTUATOR ASSY-MLG TRUCK POSITIONER (LANDING GEAR ONLY)	002004 006999	
- 1	273N2004-3		ACTUATOR ASSY-MLG TRUCK POSITIONER (LANDING GEAR ONLY) MISCELLANEOUS DATA: FOR SPARES PROCURE LOWER COMPONENTS COMPONENT MAINT MANUAL REF: 32-32-56 QUALIFIED I/W DATA: 273N2004-2 ACTUATOR ASSEMBLY TOGETHER WITH 1 EACH BACU24K10 UNION, 1 EACH BACU24K6 UNION, 1 EACH NAS1612-10 PACKING AND 1 EACH NAS1612-6 PACKING CAN REPLACE OR BE REPLACED BY 273N2004-3 OR 273N2004-6 ACTUATOR ASEMBLY.USING 273N2004-2 TO REPLACE 273N2004-3 OR -6 NEGATES EFFECT OF S/B 757-32-0136. PRE SERVICE BULLETIN: 32-0136 FOR NHA/OTHER SYS DET SEE: 32-32-15-01	002004 006100 107107 121503 904999	RF

MISSING ITEM NUMBERS NOT APPLICABLE

- ITEM NOT ILLUSTRATED

BRI

32-32-15-05

BOEING PROPRIETARY - Copyright © - Unpublished Work - See title page for details.

32-32-15  
FIG. 05  
PAGE 1  
JAN 20/09



757

PARTS CATALOG (MAINTENANCE)

FIG ITEM	PART NUMBER	1 2 3 4 5 6 7	NOMENCLATURE	EFFECT FROM TO	UNITS PER ASSY
5 - 1	273N2004-6		ACTUATOR ASSY-MLG TRUCK POSITIONER (LANDING GEAR ONLY) MISCELLANEOUS DATA: FOR SPARES PROCURE LOWER COMPONENTS COMPONENT MAINT MANUAL REF: 32-32-56 QUALIFIED I/W DATA: 273N2004-2 ACTUATOR ASSEMBLY TOGETHER WITH 1 EACH BACU24K10 UNION, 1 EACH BACU24K6 UNION, 1 EACH NAS1612-10 PACKING AND 1 EACH NAS1612-6 PACKING CAN REPLACE OR BE REPLACED BY 273N2004-3 OR 273N2004-6 ACTUATOR ASEMBLY.USING 273N2004-2 TO REPLACE 273N2004-3 OR -6 NEGATES EFFECT OF S/B 757-32-0136. POST SERVICE BULLETIN: 32-0136 FOR NHA/OTHER SYS DET SEE: 32-32-15-01 32-32-15-02	002004 006106 108120 504903	RF
- 1	273N2004-3		ACTUATOR ASSY-MLG TRUCK POSITIONER (LANDING GEAR ONLY) MISCELLANEOUS DATA: FOR SPARES PROCURE LOWER COMPONENTS COMPONENT MAINT MANUAL REF: 32-32-56 PRE SERVICE BULLETIN: 32-0136 FOR NHA/OTHER SYS DET SEE: 32-32-15-02	101106 108120 504903	RF
5	MS24391T4L		.PLUG-	002004 006999	1
10	NAS1612-4		.PACKING- OPTIONAL PART: NAS1612-4A USED ON: 273N2004-1 273N2004-2	002004 006999	1

MISSING ITEM NUMBERS NOT APPLICABLE

- ITEM NOT ILLUSTRATED

32-32-15-05

32-32-15  
FIG. 05  
PAGE 2  
JAN 20/09

BRI



757

PARTS CATALOG (MAINTENANCE)

FIG ITEM	PART NUMBER	1 2 3 4 5 6 7	NOMENCLATURE	EFFECT FROM TO	UNITS PER ASSY
5					
10	NAS1612-4A		.PACKING- OPTIONAL PART: NAS1612-4 USED ON: 273N2004-3	002004 006999	1
15	62630-1		.VALVE ASSY-RELIEF SUPPLIER CODE: V99643 SPECIFICATION NUMBER: 60B00269-3 COMPONENT MAINT MANUAL REF: 32-32-01	002004 006999	1
20	MS28782-21		.RING	002004 006999	2
25	NAS1611-216		.PACKING- OPTIONAL PART: NAS1611-216A USED ON: 273N2004-1 273N2004-2	002004 006999	1
25	NAS1611-216A		.PACKING- OPTIONAL PART: NAS1611-216 USED ON: 273N2004-3	002004 006999	1
30	MS28782-18		.RETAINER	002004 006999	2
35	NAS1611-213		.PACKING- OPTIONAL PART: NAS1611-213A USED ON: 273N2004-1 273N2004-2	002004 006999	1
35	NAS1611-213A		.PACKING- OPTIONAL PART: NAS1611-213 USED ON: 273N2004-3	002004 006999	1
40	273N2041-1		.END ASSY-ROD	002004 006999	1
45	1728B		..FITTING-LUBE SUPPLIER CODE: VOFKM1	002004 006999	1
50	66-12156-3		.WASHER- USED ON: 273N2004-3 273N2004-1 273N2004-2	002004 006999	1

MISSING ITEM NUMBERS NOT APPLICABLE

- ITEM NOT ILLUSTRATED

32-32-15-05

32-32-15  
FIG. 05  
PAGE 3  
JAN 20/09

BRI

BOEING PROPRIETARY - Copyright © - Unpublished Work - See title page for details.



757

PARTS CATALOG (MAINTENANCE)

FIG ITEM	PART NUMBER	1 2 3 4 5 6 7	NOMENCLATURE	EFFECT FROM TO	UNITS PER ASSY
5					
- 52	273N2004-5		.KIT ASSY- USED ON: 273N2004-6	101106 108120 504903	1
53	66-12156-3		..WASHER	101106 108120 504903	1
55	69B80017-1		.RETAINER	002004 006999	1
60	69B80006-1		.VALVE-VENT	002004 006999	1
65	1728B		.FITTING-LUBE SUPPLIER CODE: VOFKM1	002004 006999	1
70	RCRX0400000AA		.RESTRICTOR-CHK SUPPLIER CODE: V92555	002004 006999	1
75	MS21902J10		.UNION- OPTIONAL PART: MS21902-10T USED ON: 273N2004-3 273N2004-6	002004 006999	1
75	MS21902-10T		.UNION- OPTIONAL PART: MS21902J10 USED ON: 273N2004-3 273N2004-6	002004 006999	1
80	NAS1612-10		.PACKING- OPTIONAL PART: NAS1612-10A USED ON: 273N2004-3 273N2004-6	002004 006999	1
80	NAS1612-10A		.PACKING- OPTIONAL PART: NAS1612-10 USED ON: 273N2004-3 273N2004-6	002004 006999	1
85	MS21902J6		.UNION- OPTIONAL PART: MS21902-6T USED ON: 273N2004-3 273N2004-6	002004 006999	1

MISSING ITEM NUMBERS NOT APPLICABLE

- ITEM NOT ILLUSTRATED

32-32-15-05

32-32-15  
FIG. 05  
PAGE 4  
JAN 20/09

BRI





757

PARTS CATALOG (MAINTENANCE)

FIG ITEM	PART NUMBER	1 2 3 4 5 6 7	NOMENCLATURE	EFFECT FROM TO	UNITS PER ASSY
5	85 MS21902-6T		.UNION- OPTIONAL PART: MS21902J6 USED ON: 273N2004-3 273N2004-6	002004 006999	1
	90 NAS1612-6		.PACKING- OPTIONAL PART: NAS1612-6A USED ON: 273N2004-3 273N2004-6	002004 006999	1
	90 NAS1612-6A		.PACKING- OPTIONAL PART: NAS1612-6 USED ON: 273N2004-3 273N2004-6	002004 006999	1

MISSING ITEM NUMBERS NOT APPLICABLE

- ITEM NOT ILLUSTRATED

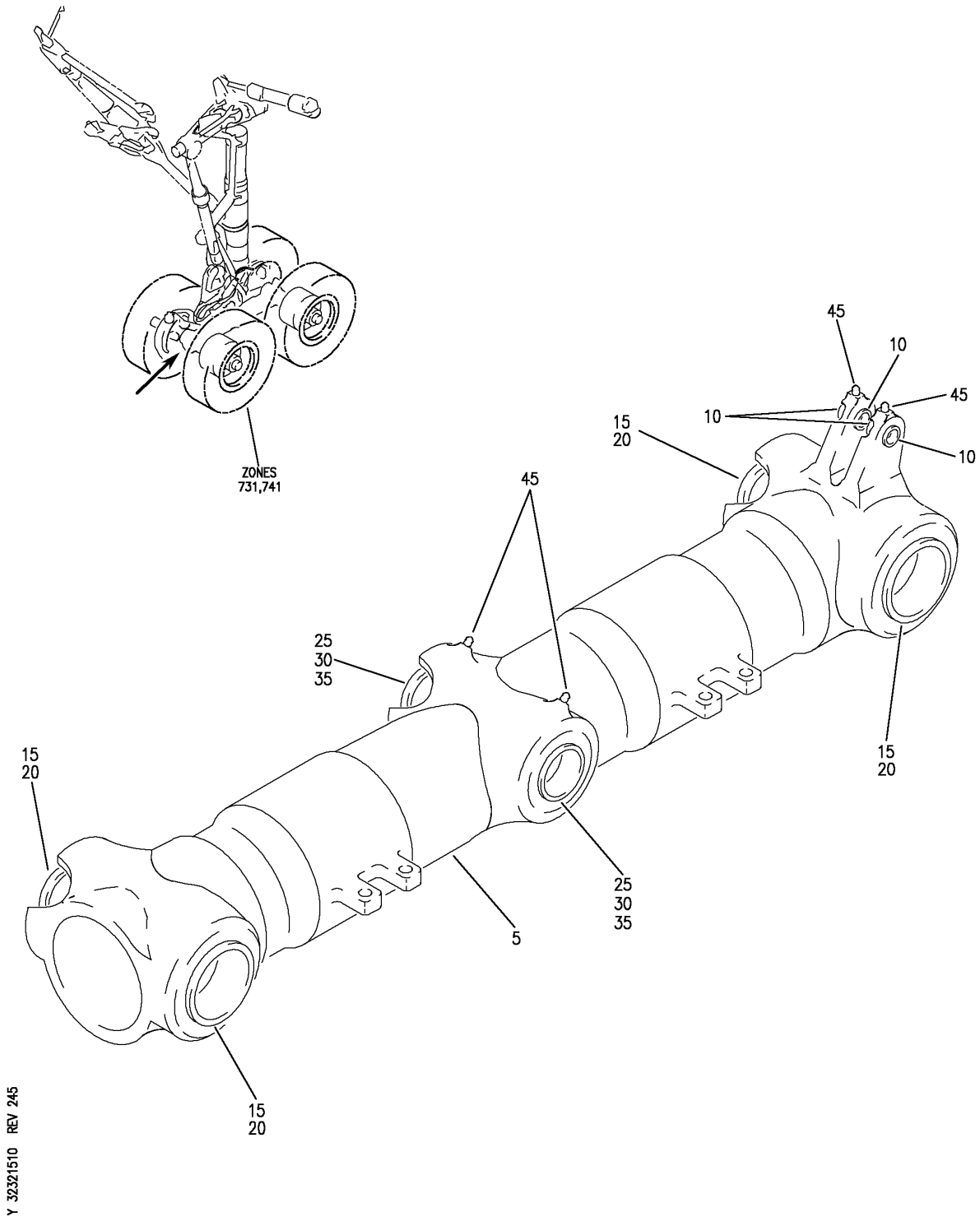
32-32-15-05

32-32-15  
FIG. 05  
PAGE 5  
JAN 20/09

BRI

BOEING PROPRIETARY - Copyright © - Unpublished Work - See title page for details.

**BOEING**  
757  
PARTS CATALOG (MAINTENANCE)



Y 32321510 REV 245

TRUCK BEAM ASSY-MAIN LANDING GEAR  
FIGURE 10

**32-32-15-10**

BRI  
MAY 28/07

32-32-15-10  
PAGE 0



757

PARTS CATALOG (MAINTENANCE)

FIG ITEM	PART NUMBER	1 2 3 4 5 6 7	NOMENCLATURE	EFFECT FROM TO	UNITS PER ASSY
10			TRUCK BEAM ASSY-	002004	
- 1	161N1611-5		MAIN LANDING GEAR BEAM ASSY-	006999	RF
			MAIN LANDING GEAR	002004	
			MISCELLANEOUS DATA:	006999	
			FOR COMPREHENSIVE INTER		
			CHANGEABILITY DATA SEE		
			DRAWING 161N0006 AND		
			SERVICE LETTER		
			SL-757-32-030		
			FOR NHA SEE:		
			32-11-17-01		
- 1	161N1611-7		BEAM ASSY-	002004	RF
			MAIN LANDING GEAR	006999	
			MISCELLANEOUS DATA:		
			FOR COMPREHENSIVE INTER		
			CHANGEABILITY DATA SEE		
			DRAWING 161N0006 AND		
			SERVICE LETTER		
			SL-757-32-030		
			FOR NHA SEE:		
			32-11-17-01		
- 1	161N1611-9		BEAM ASSY-	002004	RF
			MAIN LANDING GEAR	006999	
			MISCELLANEOUS DATA:		
			FOR COMPREHENSIVE INTER		
			CHANGEABILITY DATA SEE		
			DRAWING 161N0006 AND		
			SERVICE LETTER		
			SL-757-32-030		
			FOR NHA SEE:		
			32-11-17-01		
- 1	161N1611-13		BEAM ASSY-	002004	RF
			MAIN LANDING GEAR	006999	
			MISCELLANEOUS DATA:		
			FOR COMPREHENSIVE INTER		
			CHANGEABILITY DATA SEE		
			DRAWING 161N0006 AND		
			SERVICE LETTER		
			SL-757-32-030		
			FOR NHA SEE:		
			32-11-17-01		
5	161N1611-8		.BEAM-	002004	1
			USED ON:	006999	
			161N1611-9		
5	161N1611-6		.BEAM-	002004	1
			USED ON:	006999	
			161N1611-5		
			161N1611-7		

MISSING ITEM NUMBERS NOT APPLICABLE

- ITEM NOT ILLUSTRATED

32-32-15-10

32-32-15  
FIG. 10  
PAGE 1  
SEP 20/08

BRI



757

PARTS CATALOG (MAINTENANCE)

FIG ITEM	PART NUMBER	1 2 3 4 5 6 7	NOMENCLATURE	EFFECT FROM TO	UNITS PER ASSY
10					
5	161N1611-12		.BEAM- USED ON: 161N1611-13	002004 006999	1
10	160N0201-25		.BUSHING- OPTIONAL PART: 160N0201-94 USED ON: 161N1611-13 161N1611-15	002004 006999	4
10	160N0201-94		.BUSHING- OPTIONAL PART: 160N0201-25 USED ON: 161N1611-13 161N1611-15	002004 006999	4
10	160N0201-25		.BUSHING- USED ON: 161N1611-1 161N1611-3 161N1611-5 161N1611-7 161N1611-9 161N1611-11	002004 006999	4
15	160N0201-27		.BUSHING- USED ON: 161N1611-1 161N1611-3 161N1611-5	002004 006999	4
15	160N0201-77		.BUSHING- USED ON: 161N1611-1 161N1611-3 161N1611-5	002004 006999	4
20	160N0201-77		.BUSHING- OPTIONAL PART: 160N0201-102 USED ON: 161N1611-13 161N1611-15	002004 006999	4
20	160N0201-102		.BUSHING- OPTIONAL PART: 160N0201-77 USED ON: 161N1611-13 161N1611-15	002004 006999	4

MISSING ITEM NUMBERS NOT APPLICABLE

- ITEM NOT ILLUSTRATED

32-32-15-10

32-32-15  
FIG. 10  
PAGE 2  
JAN 20/09

BRI



757

PARTS CATALOG (MAINTENANCE)

FIG ITEM	PART NUMBER	1 2 3 4 5 6 7	NOMENCLATURE	EFFECT FROM TO	UNITS PER ASSY
10					
20	160N0201-77		.BUSHING- USED ON: 161N1611-7 161N1611-9 161N1611-11	002004 006999	4
30	161N1821-2		.BUSHING- OPTIONAL PART: 161N1821-3 USED ON: 161N1611-13 PRE ALERT SB: 32A0124R3 32A0124R4	002004 006999	2
30	161N1821-3		.BUSHING- OPTIONAL PART: 161N1821-2 USED ON: 161N1611-13 PRE ALERT SB: 32A0124R3 32A0124R4	002004 006999	2
30	161N1841-2		.BUSHING- SERVICE BULLETIN OPT DATA: 161N1834-6 USED ON: 161N1611-3 161N1611-5 161N1611-7 161N1611-9 161N1611-13 POST ALERT SB: 32A0124R3 32A0124R4	002004 006105 107999	2
30	161N1834-6		.BUSHING- SERVICE BULLETIN OPT DATA: 161N1841-2 USED ON: 161N1611-3 161N1611-5 161N1611-7 161N1611-9 161N1611-13 POST ALERT SB: 32A0124R3 32A0124R4	002004 006105 107999	2

MISSING ITEM NUMBERS NOT APPLICABLE

- ITEM NOT ILLUSTRATED

32-32-15-10

32-32-15  
FIG. 10  
PAGE 3  
JAN 20/09

BRI

BOEING PROPRIETARY - Copyright © - Unpublished Work - See title page for details.



**757  
PARTS CATALOG (MAINTENANCE)**

FIG ITEM	PART NUMBER	1 2 3 4 5 6 7	NOMENCLATURE	EFFECT FROM TO	UNITS PER ASSY
10 30	161N1821-2		.BUSHING- USED ON: 161N1611-3 161N1611-5 161N1611-7 161N1611-9 PRE ALERT SB: 32A0124R3 32A0124R4	002004 006999	2
45	1728B		.FITTING- SUPPLIER CODE: VOFKM1	002004 006999	4

MISSING ITEM NUMBERS NOT APPLICABLE

— ITEM NOT ILLUSTRATED

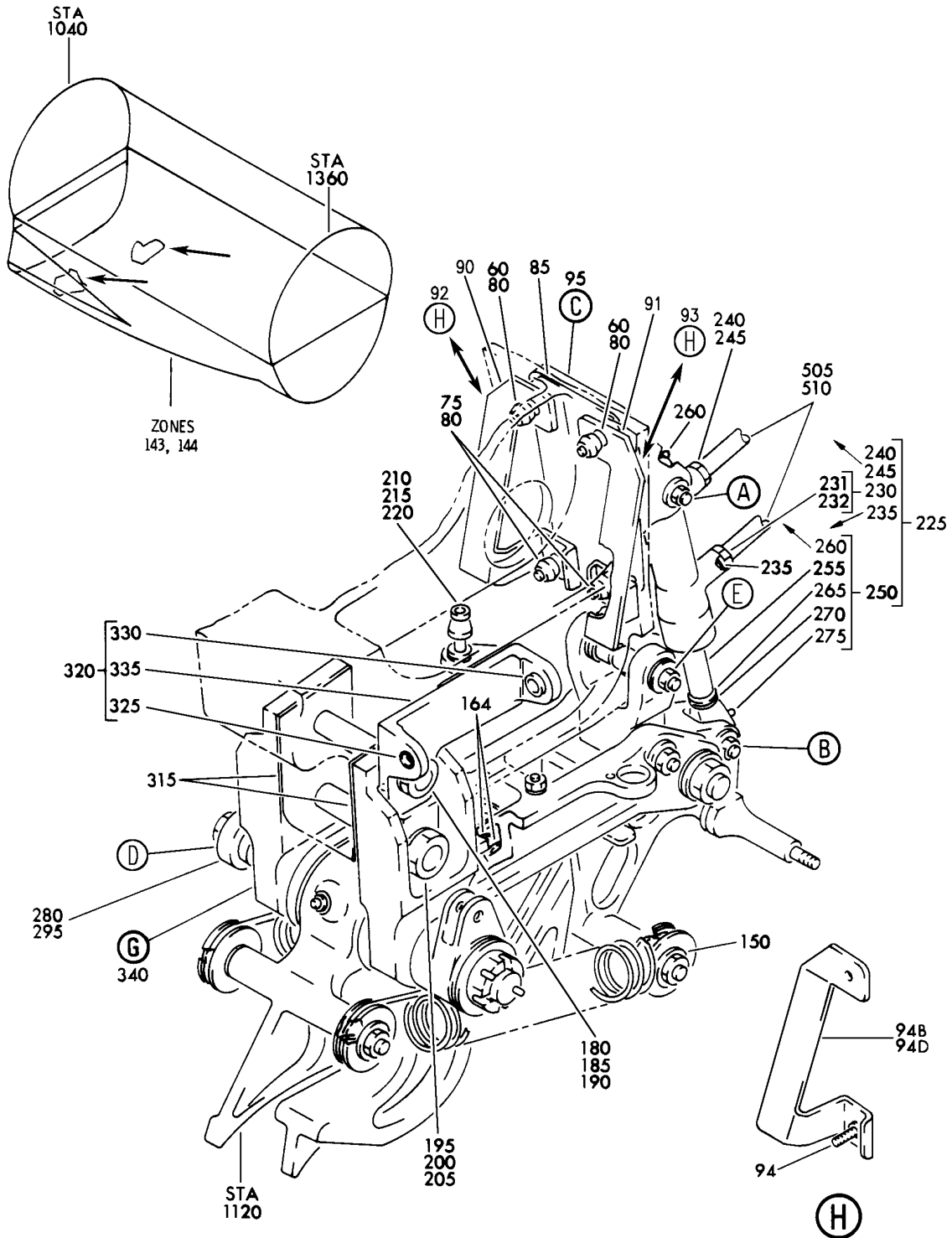
BRI

# 32-32-15-10

BOEING PROPRIETARY - Copyright © - Unpublished Work - See title page for details.

32-32-15  
FIG. 10  
PAGE 4  
JAN 20/09

**BOEING**  
757  
PARTS CATALOG (MAINTENANCE)



Y 32321601 SHT 1 REV 298

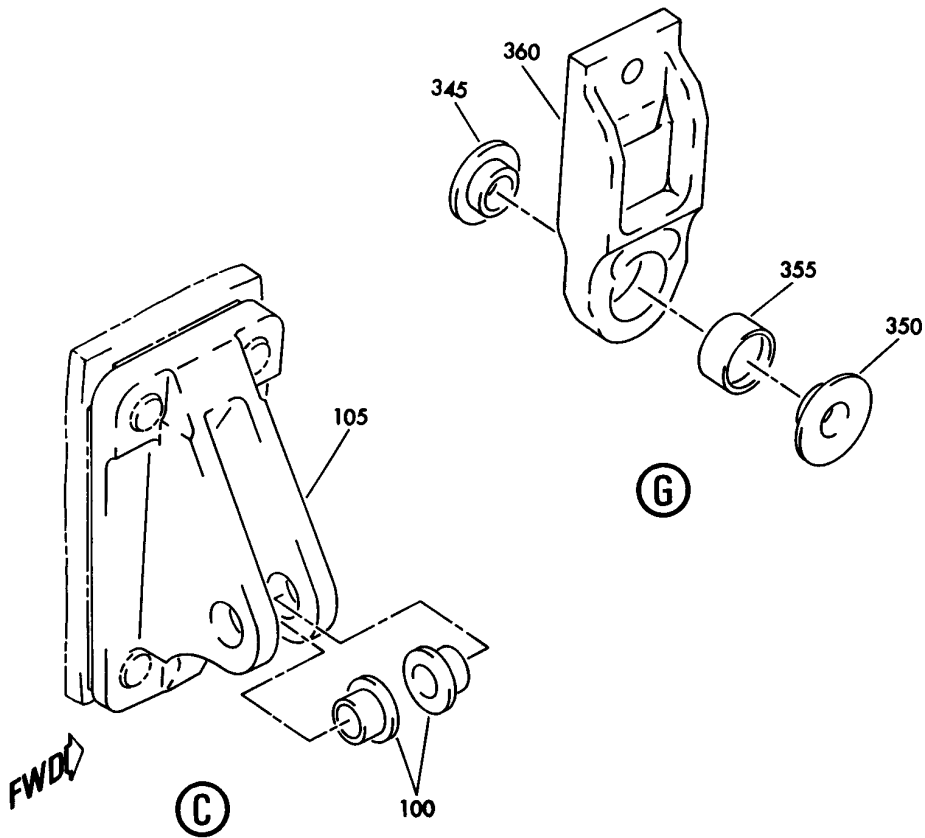
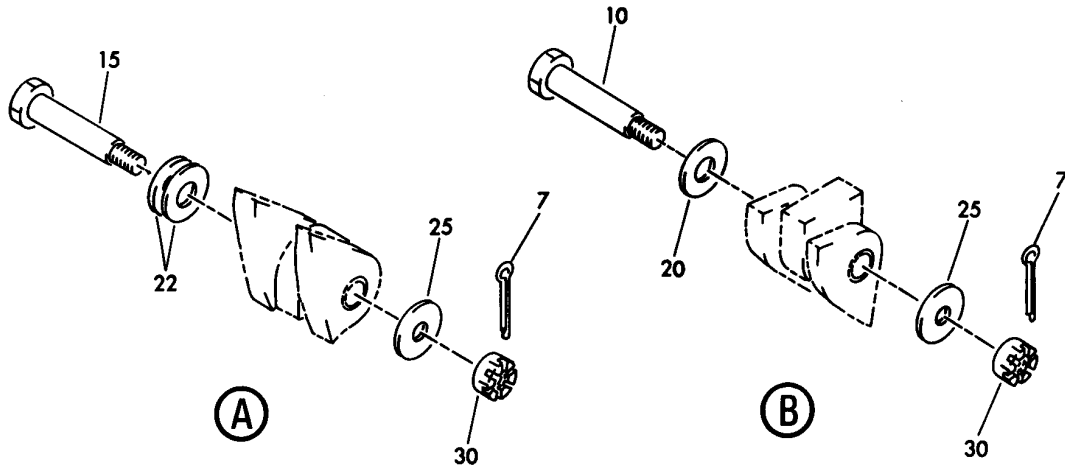
UPLOCK INSTL-MLG  
FIGURE 1 (SHEET 1)

**32-32-16-01**

BRI  
MAY 28/07

32-32-16-01  
PAGE 0

**BOEING**  
757  
PARTS CATALOG (MAINTENANCE)



Y 32321601 SHT 2 REV 174

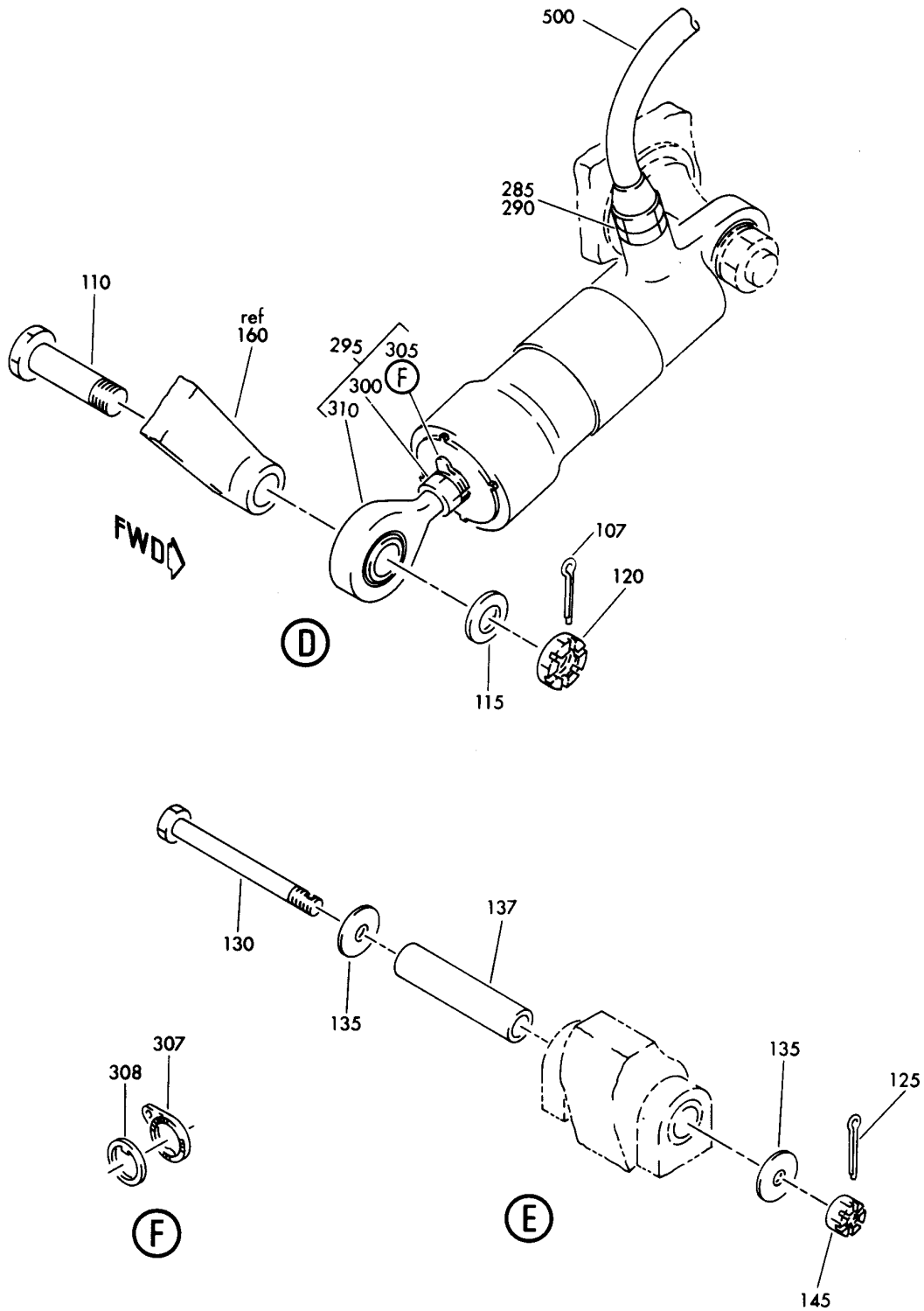
**FWD**

UPLOCK INSTL-MLG  
FIGURE 1 (SHEET 2)

**32-32-16-01**



**BOEING**  
757  
PARTS CATALOG (MAINTENANCE)



Y 32321601 SHT 3 REV 053

UPLOCK INSTL-MLG  
FIGURE 1 (SHEET 3)

**32-32-16-01**

BRI  
MAY 28/07

32-32-16-01  
PAGE 0B



757

PARTS CATALOG (MAINTENANCE)

FIG ITEM	PART NUMBER	1 2 3 4 5 6 7	NOMENCLATURE	EFFECT FROM TO	UNITS PER ASSY
1			UPLOCK INSTL-MLG	002004 006102 107999	
- 1	161N5001-1		UPLOCK INSTL-MLG POSITION DATA: LH FOR NHA SEE: 32-11-00-01	002004 006100 107107 121503 904999	RF
- 1	161N5001-401		UPLOCK INSTL-MLG POSITION DATA: LH FOR NHA SEE: 32-00-00-01	101102 108120 504903	RF
- 5	161N5001-2		UPLOCK INSTL-MLG POSITION DATA: RH FOR NHA SEE: 32-11-00-01	002004 006100 107107 121503 904999	RF
- 5	161N5001-402		UPLOCK INSTL-MLG POSITION DATA: RH FOR NHA SEE: 32-00-00-01	101102 108120 504903	RF
7	BACP18BC02A06P		.PIN-COTTER	002004 006102 107999	2
10	161N5023-1		.BOLT-ACTR ATTACH SHOULDER	002004 006102 107999	1
15	161N5023-3		.BOLT-ACTR ATTACH SHOULDER	002004 006102 107999	1
20	NAS1149F0632P		.WASHER-	002004 006100 107107 121503 904999	1
20	NAS1149F0663P		.WASHER-	101102 108120 504903	1
22	NAS1149F0663P		.WASHER-	002004 006102 107999	2
25	161N5022-5		.WASHER-PLAIN	002004 006102 107999	2
30	LCN12-428		.NUT-CASTELOC SUPPLIER CODE: V56878	002004 006102 107999	2

MISSING ITEM NUMBERS NOT APPLICABLE

- ITEM NOT ILLUSTRATED

32-32-16-01

32-32-16  
FIG. 01  
PAGE 1  
JAN 20/09

BRI



757

PARTS CATALOG (MAINTENANCE)

FIG ITEM	PART NUMBER	1 2 3 4 5 6 7	NOMENCLATURE	EFFECT FROM TO	UNITS PER ASSY
1					
60	L8008K18	.	BOLT- SUPPLIER CODE: V06725 SPECIFICATION NUMBER: BACB30MY8K18	002004 006102 107999	2
75	L8008K12	.	BOLT SUPPLIER CODE: V06725 SPECIFICATION NUMBER: BACB30MY8K12	002004 006102 107999	2
80	HL82-8APBW	.	COLLAR SUPPLIER CODE: V5M902 SPECIFICATION NUMBER: BACC30AG8 OPTIONAL PART: HL82-8APBW V92215 HL82-8APBW V56878 HL82-8APBW V73197	002004 006102 107999	4
85	161N5025-1	.	SHIM-FTG ACTR	002004 006102 107999	1
92	287N6101-5	.	BRACKET ASSY-	002004 006102 107999	1
93	287N6101-6	.	BRACKET ASSY-	002004 006102 107999	1
94	VNS1924CA1-8	..	STUD SUPPLIER CODE: V5M902 SPECIFICATION NUMBER: BACS53B1EA1 OPTIONAL PART: VNS1924CA3-1-8 V92215	002004 006102 107999	1
94B	287N6101-3	..	BRACKET- USED ON: 287N6101-5	002004 006102 107999	1
94D	287N6101-4	..	BRACKET- USED ON: 287N6101-6	002004 006102 107999	1
95	161N5012-1	.	FITTING ASSY-ACTR ATTACH OPTIONAL PART: 161N5029-1	002004 006102 107999	1

MISSING ITEM NUMBERS NOT APPLICABLE

- ITEM NOT ILLUSTRATED

32-32-16-01

32-32-16  
FIG. 01  
PAGE 2  
JAN 20/09

BRI

BOEING PROPRIETARY - Copyright © - Unpublished Work - See title page for details.



757

PARTS CATALOG (MAINTENANCE)

FIG ITEM	PART NUMBER	1 2 3 4 5 6 7	NOMENCLATURE	EFFECT FROM TO	UNITS PER ASSY
1					
95	161N5029-1		.FITTING ASSY- OPTIONAL PART: 161N5012-1	002004 006102 107999	1
100	BCREF5569		..BUSHING- SUPPLIER CODE: V50632 OVERLENGTH PART NUMBER: KJB165000B06-036	002004 006102 107999	4
105	161N5012-2		..FITTING- USED ON: 161N5012-1	002004 006102 107999	1
105	161N5029-2		..FITTING- USED ON: 161N5029-1	002004 006102 107999	1
107	BACP18BC03A10P		.PIN-COTTER	002004 006102 107999	1
110	BACB30LJ7DU18		.BOLT-	002004 006102 107999	1
115	161N5022-7		.WASHER-	002004 006102 107999	1
120	LCN6-720		.NUT-CASTELOC SUPPLIER CODE: V56878	002004 006102 107999	1
125	BACP18BC02A06P		.PIN-COTTER	002004 006102 107999	1
130	BACB30LJ4DU35		.BOLT	002004 006102 107999	1
135	161N5022-4		.WASHER-PLAIN	002004 006102 107999	2
137	161N5016-3		.TUBE-PIVOT	002004 006102 107999	1
145	LCN12-428		.NUT-CASTELOC SUPPLIER CODE: V56878	002004 006102 107999	1
150	161N5002-4		.UPLOCK ASSY- COMPONENT MAINT MANUAL REF: 32-32-16 FOR DETAILS SEE: 32-32-16-05	002004 006102 107999	1

MISSING ITEM NUMBERS NOT APPLICABLE

- ITEM NOT ILLUSTRATED

32-32-16-01

32-32-16  
FIG. 01  
PAGE 3  
JAN 20/09

BRI



757

PARTS CATALOG (MAINTENANCE)

FIG ITEM	PART NUMBER	1 2 3 4 5 6 7	NOMENCLATURE	EFFECT FROM TO	UNITS PER ASSY
1					
150	161N5002-5		.UPLOCK ASSY- COMPONENT MAINT MANUAL REF: 32-32-16 FOR DETAILS SEE: 32-32-16-05	002004 006102 107999	1
150	161N5002-6		.UPLOCK ASSY- COMPONENT MAINT MANUAL REF: 32-32-16 FOR DETAILS SEE: 32-32-16-05	002004 006102 107999	1
150	161N5002-7		.UPLOCK ASSY- COMPONENT MAINT MANUAL REF: 32-32-16 FOR DETAILS SEE: 32-32-16-05	002004 006102 107999	1
180	BACB30NM8K57		.BOLT-	002004 006102 107999	1
185	NAS1149F0832P		.WASHER-	002004 006102 107999	2
190	BMN10HRCPD3-8		.NUT SUPPLIER CODE: V97928 SPECIFICATION NUMBER: BACN10HR8CS OPTIONAL PART: H39953-8 V15653 109LH9031-8 V72962 67832AS820 V56878 BH00303-8 V27238 BH003038 V27238 BMN5024CPD38 V97928 CR59088 V62554 SL705098 V11815 109LH90318 V72962 67832AS8 V56878	002004 006102 107999	1

MISSING ITEM NUMBERS NOT APPLICABLE

- ITEM NOT ILLUSTRATED

32-32-16-01

32-32-16  
FIG. 01  
PAGE 4  
JAN 20/09

BRI



757

PARTS CATALOG (MAINTENANCE)

FIG ITEM	PART NUMBER	1 2 3 4 5 6 7	NOMENCLATURE	EFFECT FROM TO	UNITS PER ASSY
1					
195	BACB30NM10K63	.	BOLT	002004 006102 107999	1
200	NAS1149F1032P	.	WASHER-	002004 006102 107999	2
205	CR590810	.	NUT	002004 006102 107999	1
			SUPPLIER CODE: V62554		
			SPECIFICATION NUMBER: BACN10HR10CS		
			OPTIONAL PART: H39953-10		
			V15653		
			109LH9031-10		
			V72962		
			BH00303-10		
			V27238		
			BMN10HRCPD3-10		
			V97928		
			SL7050910CS		
			V11815		
			67832AS1018		
			V56878		
			BMN5024CPD3-10		
			V08524		
			SL7050910		
			V11815		
			BMN10HRCPD3-10		
			V97928		
			BH0030310		
			V27238		
			BMN5024CPD310		
			V97928		
			109LH903110		
			V72962		
			67832AS10		
			V56878		

MISSING ITEM NUMBERS NOT APPLICABLE

- ITEM NOT ILLUSTRATED

32-32-16-01

32-32-16  
FIG. 01  
PAGE 5  
JAN 20/09

BRI



757

PARTS CATALOG (MAINTENANCE)

FIG ITEM	PART NUMBER	1 2 3 4 5 6 7	NOMENCLATURE	EFFECT FROM TO	UNITS PER ASSY
1 210	HL1012AZ6-10	.BOLT	SUPPLIER CODE: V97928 SPECIFICATION NUMBER: BACB30NX6K10 OPTIONAL PART: HL12VAZ6-10 V73197 HL12VAZ6-10 V92215 HL12VAZ6-10 V97928 L802-6K10 V06725 HL12VAZ6-10 V56878 HL1012AZ6-10 VOPTK6 HL1012AZ6-10 V06725 HL1012AZ6-10 V06950 HL1012AZ6-10 V17446 HL1012AZ6-10 V56878 HL1012AZ6-10 V60516 HL1012AZ6-10 V73197	002004 006102 107999	1
215	HL1187-6	.COLLAR	SUPPLIER CODE: V5M902 SPECIFICATION NUMBER: BACC30X6 OPTIONAL PART: HL87-6 V92215 HL87-6 V73197 HL1187-6 V56878 HL1187-6 V92215 HL87-6 V56878 HL1187-6 V73197	002004 006102 107999	1

MISSING ITEM NUMBERS NOT APPLICABLE

- ITEM NOT ILLUSTRATED

32-32-16-01

32-32-16  
FIG. 01  
PAGE 6  
JAN 20/09

BRI



757

PARTS CATALOG (MAINTENANCE)

FIG ITEM	PART NUMBER	1 2 3 4 5 6 7	NOMENCLATURE	EFFECT FROM TO	UNITS PER ASSY
1					
220	BACS40R007B007F	.	SHIM-	002004 006102 107999	3
225	161N5001-5	.	ACTUATOR ASSY-UPLOCK REL COMPONENT MAINT MANUAL REF: 32-35-15	002004 006102 107999	1
230	273N2095-1	..	UNION ASSY	002004 006102 107999	1
231	273N2095-2	...	UNION	002004 006102 107999	1
232	JETA1875500D	...	JET-HYDR SUPPLIER CODE: V92555	002004 006102 107999	1
235	NAS1612-3	..	PACKING- OPTIONAL PART: NAS1612-3A V80205	002004 006102 107999	1
235	NAS1612-3A	..	PACKING- OPTIONAL PART: NAS1612-3 V80205	002004 006102 107999	1

MISSING ITEM NUMBERS NOT APPLICABLE

- ITEM NOT ILLUSTRATED

BRI

32-32-16-01

BOEING PROPRIETARY - Copyright © - Unpublished Work - See title page for details.

32-32-16  
FIG. 01  
PAGE 7  
JAN 20/09





757

PARTS CATALOG (MAINTENANCE)

FIG ITEM	PART NUMBER	1 2 3 4 5 6 7	NOMENCLATURE	EFFECT FROM TO	UNITS PER ASSY
1 240	AFP2326-4		.. REDUCER SUPPLIER CODE: V30974 SPECIFICATION NUMBER: BACR17E6-4 OPTIONAL PART: AP10276-4 V01673 BC916T6-4 V50948 DBOR17E6-4 V14798 ER21916T6-4 V88334 ER31916-6-4 V88334 F23-6-4 V73197 2-01075T6-4 V11328 31778-6-4 V14397 US2114-6-4 V50808 AP1027T6-4 V01673 US21146-4 V50808 317786-4 V14397	002004 006102 107999	1
245	NAS1612-4		.. PACKING- OPTIONAL PART: NAS1612-4A V80205 USED ON: 161N5001-5	002004 006102 107999	1
245	NAS1612-4A		.. PACKING- OPTIONAL PART: NAS1612-4 V80205 USED ON: 161N5001-5	002004 006102 107999	1

MISSING ITEM NUMBERS NOT APPLICABLE

- ITEM NOT ILLUSTRATED

32-32-16-01

32-32-16  
FIG. 01  
PAGE 8  
JAN 20/09

BRI

BOEING PROPRIETARY - Copyright © - Unpublished Work - See title page for details.



757

PARTS CATALOG (MAINTENANCE)

FIG ITEM	PART NUMBER	1 2 3 4 5 6 7	NOMENCLATURE	EFFECT FROM TO	UNITS PER ASSY
1 250	273N2007-1		..ACTUATOR ASSY-(LANDING GEAR ONLY) MISCELLANEOUS DATA: FOR SPARES PROCURE LOWER COMPONENTS FUNCTIONAL REFERENCE: PLACARDS AND MARKINGS FOR DETAILS SEE 11-22-04-01	002004 006102 107999	1
255	273N2014-1		...ROD ASSY-END	002004 006102 107999	1
260	1728B		....FITTING-LUBE SUPPLIER CODE: VOFKM1	002004 006102 107999	1
265	66-12156-19		...WASHER	002004 006102 107999	1
270	CWR76-2B		...SCRAPER-ROD SUPPLIER CODE: V26879 SPECIFICATION NUMBER: BACS34A2A OPTIONAL PART: TF005-2A V07128 2140-2A V26303 DW96801-2A V02886 RMS34A2A V94878	002004 006102 107999	1
275	1728B		...FITTING-LUBE SUPPLIER CODE: VOFKM1	002004 006102 107999	1
280	161N5001-7		.ACTUATOR ASSY-UPLOCK REL COMPONENT MAINT MANUAL REF: 32-35-11	002004 006102 107999	1

MISSING ITEM NUMBERS NOT APPLICABLE

- ITEM NOT ILLUSTRATED

32-32-16-01

32-32-16  
FIG. 01  
PAGE 9  
JAN 20/09

BRI

BOEING PROPRIETARY - Copyright © - Unpublished Work - See title page for details.



757

PARTS CATALOG (MAINTENANCE)

FIG ITEM	PART NUMBER	1 2 3 4 5 6 7	NOMENCLATURE	EFFECT FROM TO	UNITS PER ASSY
1 285	AFP2326-4		..REDUCER SUPPLIER CODE: V30974 SPECIFICATION NUMBER: BACR17E6-4 OPTIONAL PART: AP10276-4 V01673 BC916T6-4 V50948 DBOR17E6-4 V14798 ER21916T6-4 V88334 ER31916-6-4 V88334 F23-6-4 V73197 2-01075T6-4 V11328 31778-6-4 V14397 US2114-6-4 V50808 AP1027T6-4 V01673 US21146-4 V50808 317786-4 V14397	002004 006102 107999	1
290	NAS1612-4		..PACKING- OPTIONAL PART: NAS1612-4A V80205 USED ON: 161N5001-7	002004 006102 107999	1
290	NAS1612-4A		..PACKING- OPTIONAL PART: NAS1612-4 V80205 USED ON: 161N5001-7	002004 006102 107999	1

MISSING ITEM NUMBERS NOT APPLICABLE

- ITEM NOT ILLUSTRATED

BRI

32-32-16-01

BOEING PROPRIETARY - Copyright © - Unpublished Work - See title page for details.

32-32-16  
FIG. 01  
PAGE 10  
JAN 20/09



757

PARTS CATALOG (MAINTENANCE)

FIG ITEM	PART NUMBER	1 2 3 4 5 6 7	NOMENCLATURE	EFFECT FROM TO	UNITS PER ASSY
1 295	273N4004-2		..ACTUATOR ASSY-ALTERNATE RELEASE (LANDING GEAR ONLY) MISCELLANEOUS DATA: FOR SPARES PROCURE LOWER COMPONENTS FUNCTIONAL REFERENCE: PLACARDS AND MARKINGS FOR DETAILS SEE 11-22-04-01	002004 006102 107999	1
300	NAS509-7		...NUT	002004 006102 107999	1
305	NAS1193K7C		...LOCKING DEVICE	002004 006102 107999	1
307	NAS1193K7-1		....WASHER	002004 006102 107999	1
308	NAS1193K7-2		....WASHER	002004 006102 107999	1
310	273N4063-1		...ROD END ASSY	002004 006102 107999	1
315	BACS40R024B039F		.SHIM-	002004 006102 107999	2
320	273N2086-1		.BRACKET ASSY-SEQUENCE VALVE	002004 006102 107999	1
325	BACB28X4C019		..BUSHING	002004 006102 107999	1
330	BACB28X6C022		..BUSHING-	002004 006102 107999	1
335	273N2086-2		..BRACKET	002004 006102 107999	1
340	161N5013-3		.FITTING ASSY-	002004 006102 107999	2
340	161N5033-5		.FITTING ASSY-	002004 006102 107999	2

MISSING ITEM NUMBERS NOT APPLICABLE

- ITEM NOT ILLUSTRATED

32-32-16-01

32-32-16  
FIG. 01  
PAGE 11  
JAN 20/09

BRI

BOEING PROPRIETARY - Copyright © - Unpublished Work - See title page for details.



757

PARTS CATALOG (MAINTENANCE)

FIG ITEM	PART NUMBER	1 2 3 4 5 6 7	NOMENCLATURE	EFFECT FROM TO	UNITS PER ASSY
1					
345	BCREF5522	..	BUSHING- SUPPLIER CODE: V50632 OVERLENGTH PART NUMBER: KJB165100B16-033	002004 006102 107999	1
350	BCREF6477	..	BUSHING- SUPPLIER CODE: V50632 OVERLENGTH PART NUMBER: KJB165000B16-033	002004 006102 107999	1
355	BACB28U18B069	..	BUSHING	002004 006102 107999	1
360	161N5013-4	..	FITTING- USED ON: 161N5013-3	002004 006102 107999	1
360	161N5033-4	..	FITTING- USED ON: 161N5033-5	002004 006102 107999	1
500			ILLUSTRATION REFERENCE: PLUMBING INSTL-SECT. 44 KEEL BEAM MLG WHL WELL HYDR 32-35-51-30	002004 006100 107107 121503 904999	RF
505			ILLUSTRATION REFERENCE: PLUMBING INSTL-SECT.44 L PRESSURE DECK HYDR (MAIN GEAR EXTENSION AND RETRACTION ONLY) 32-32-51-24	002004 006100 107107 121503 904999	RF
510			ILLUSTRATION REFERENCE: PLUMBING INSTL-SECT.44 R PRESSURE DECK HYDR (MAIN GEAR EXTENSION AND RETRACTION ONLY) 32-32-51-22	002004 006100 107107 121503 904999	RF

MISSING ITEM NUMBERS NOT APPLICABLE

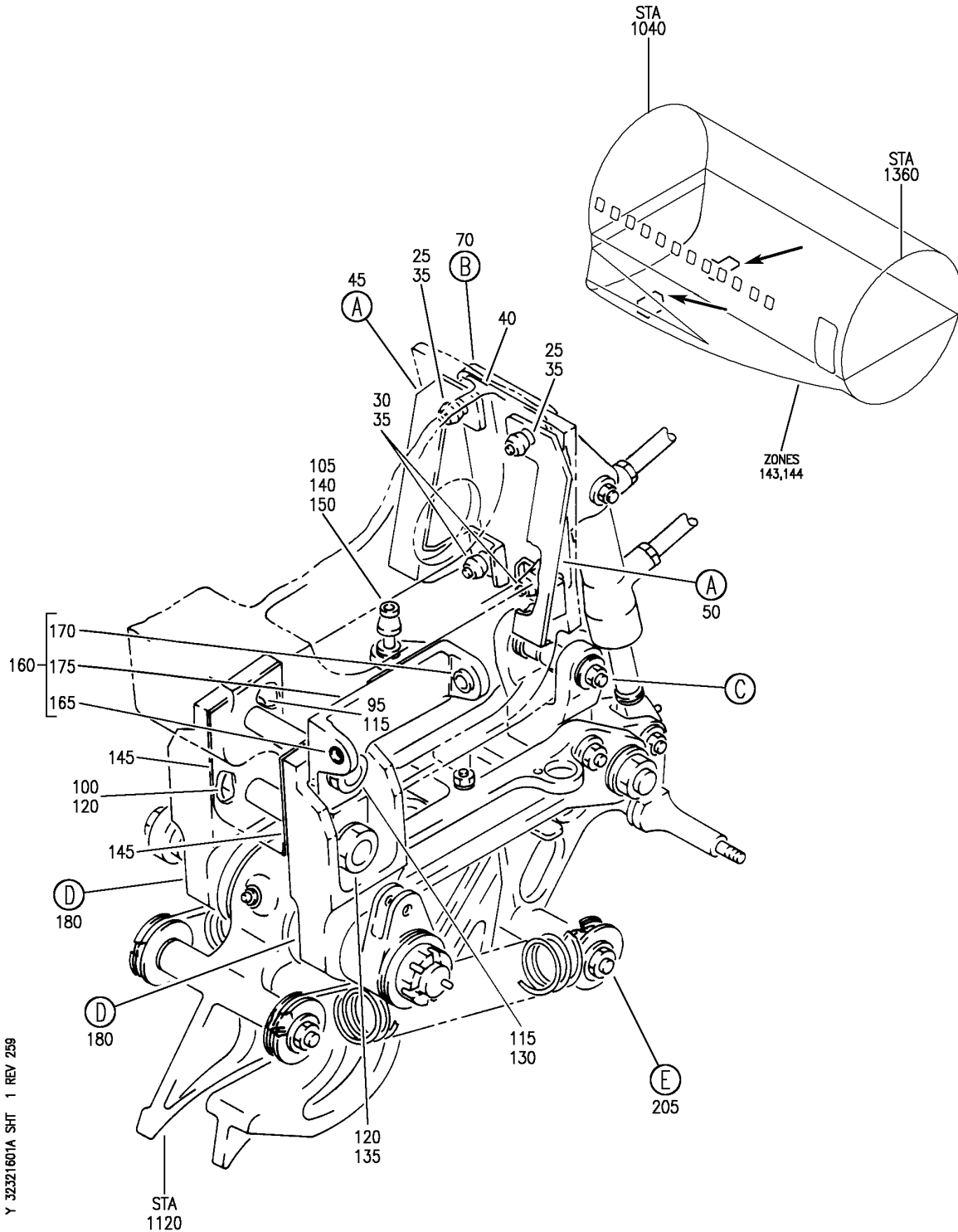
- ITEM NOT ILLUSTRATED

BRI

32-32-16-01

32-32-16  
FIG. 01  
PAGE 12  
JAN 20/09

**BOEING**  
757  
PARTS CATALOG (MAINTENANCE)



Y 32321601A SHT 1 REV 259

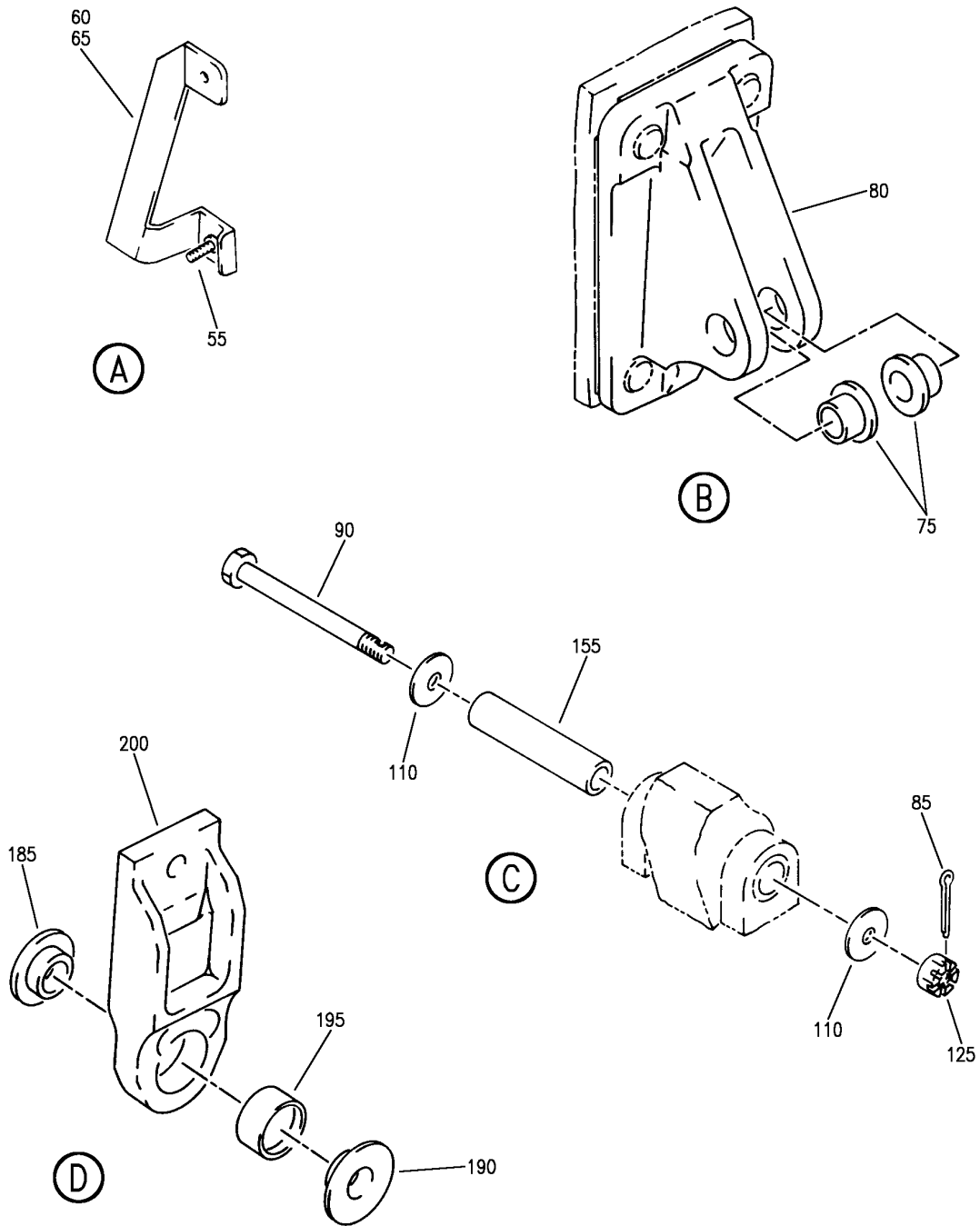
UPLOCK INSTL-MLG (MAIN GEAR UPLOCK ASSEMBLY ONLY)  
FIGURE 1A (SHEET 1)

**32-32-16-01A**

BRI  
JAN 20/09

32-32-16-01A  
PAGE 0

**BOEING**  
757  
PARTS CATALOG (MAINTENANCE)



Y 32321601A SHT 2 REV 259

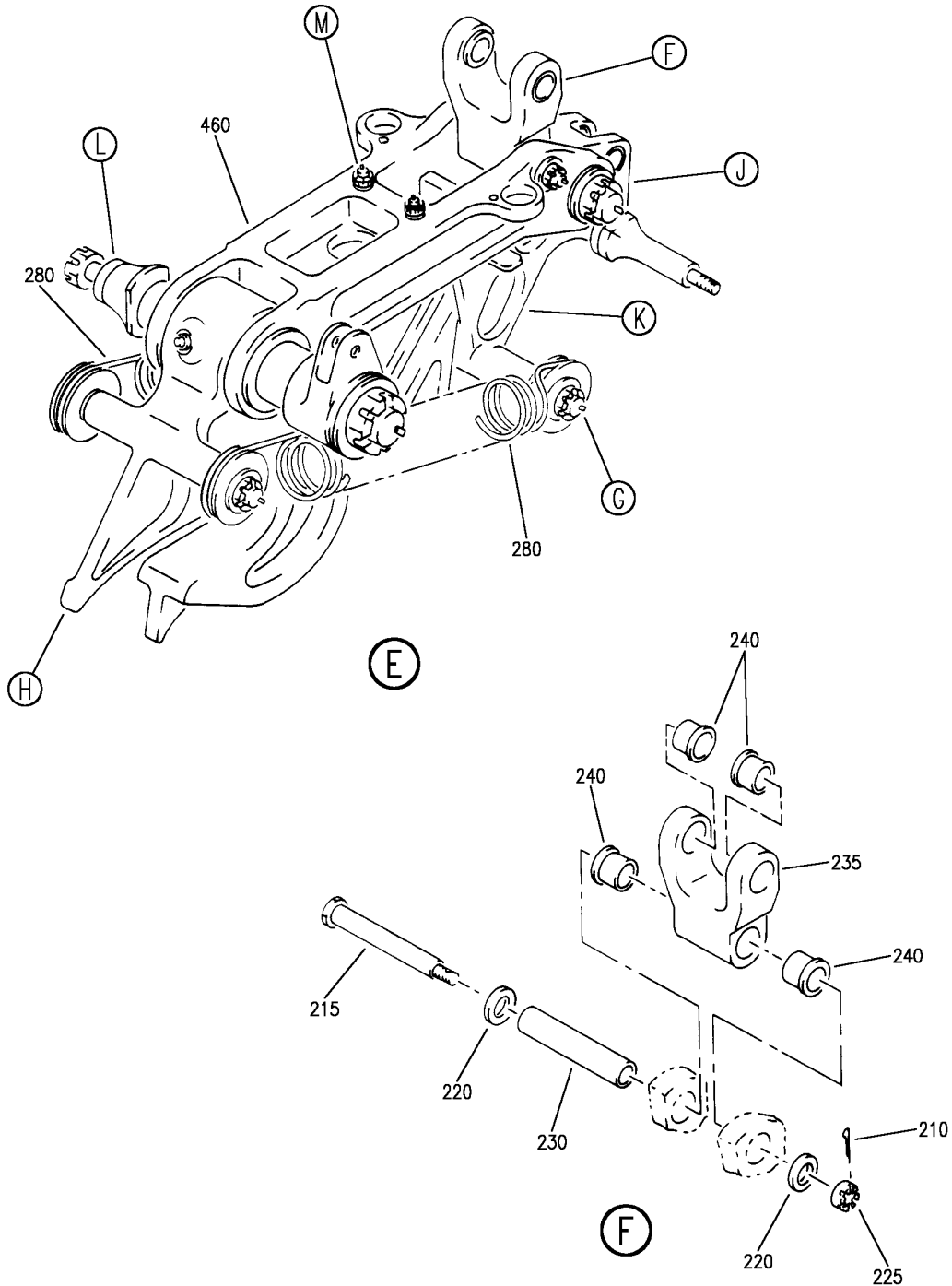
UPLOCK INSTL-MLG (MAIN GEAR UPLOCK ASSEMBLY ONLY)  
FIGURE 1A (SHEET 2)

**32-32-16-01A**

BRI  
JAN 20/09

32-32-16-01A  
PAGE 0A

**BOEING**  
757  
PARTS CATALOG (MAINTENANCE)



Y 32321601A SHT 3 REV 259

UPLOCK INSTL-MLG (MAIN GEAR UPLOCK ASSEMBLY ONLY)  
FIGURE 1A (SHEET 3)

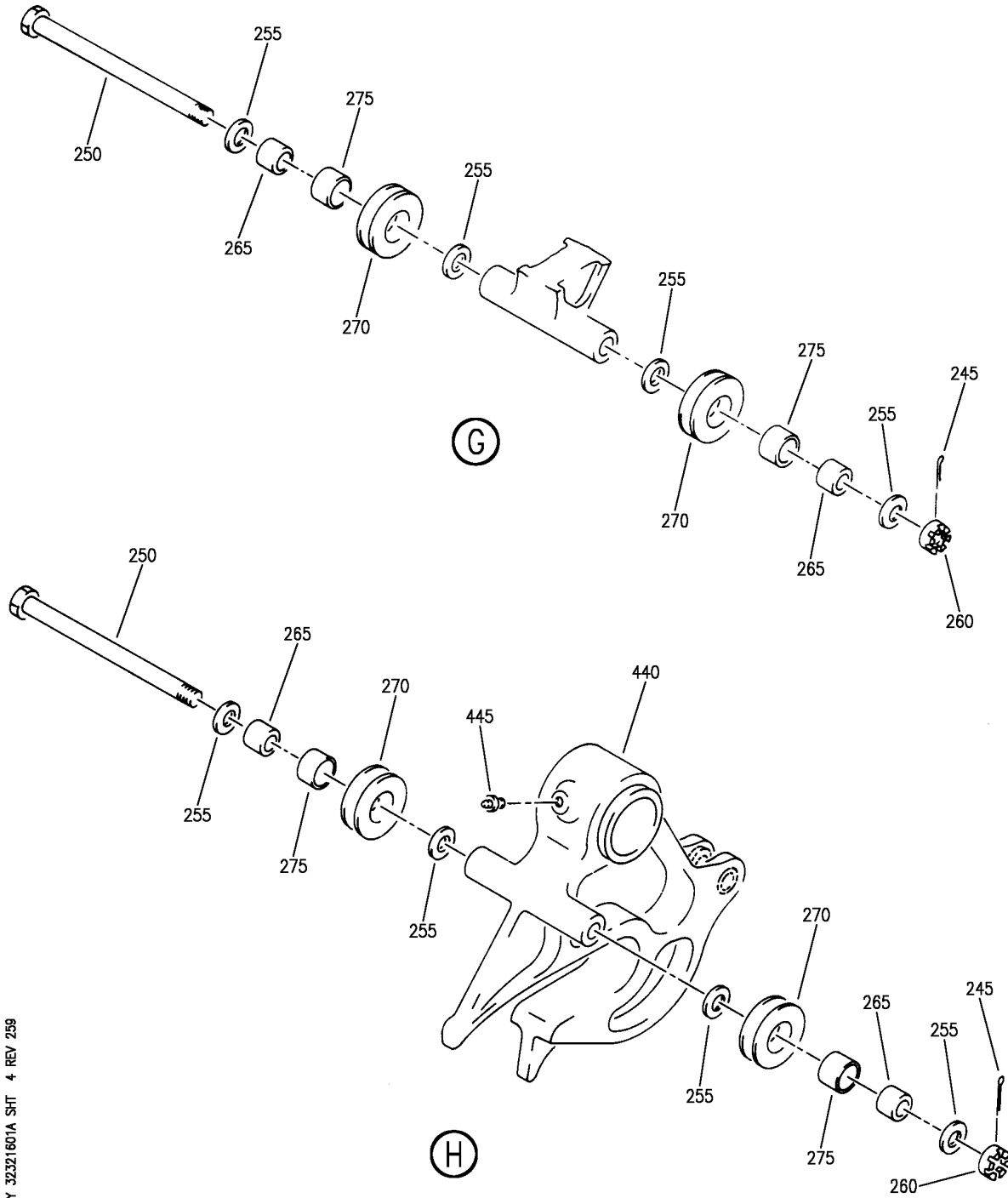
**32-32-16-01A**

BRI  
JAN 20/09

32-32-16-01A  
PAGE 0B



**BOEING**  
757  
PARTS CATALOG (MAINTENANCE)



Y 32321601A SHT 4 REV 259

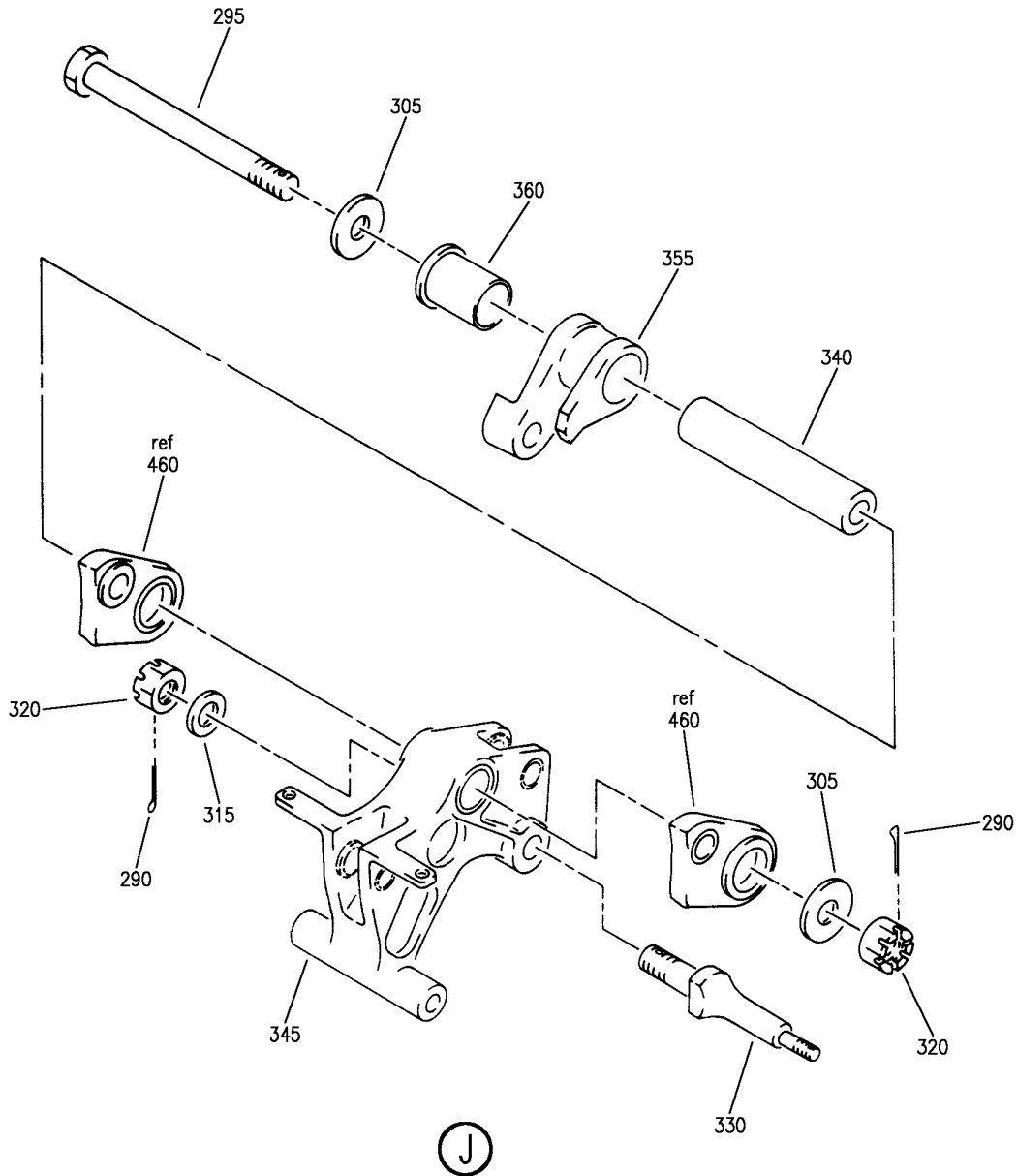
UPLOCK INSTL-MLG (MAIN GEAR UPLOCK ASSEMBLY ONLY)  
FIGURE 1A (SHEET 4)

**32-32-16-01A**

BRI  
JAN 20/09

32-32-16-01A  
PAGE 0C

**BOEING**  
757  
PARTS CATALOG (MAINTENANCE)



Y 32321601A SHT 5 REV 259

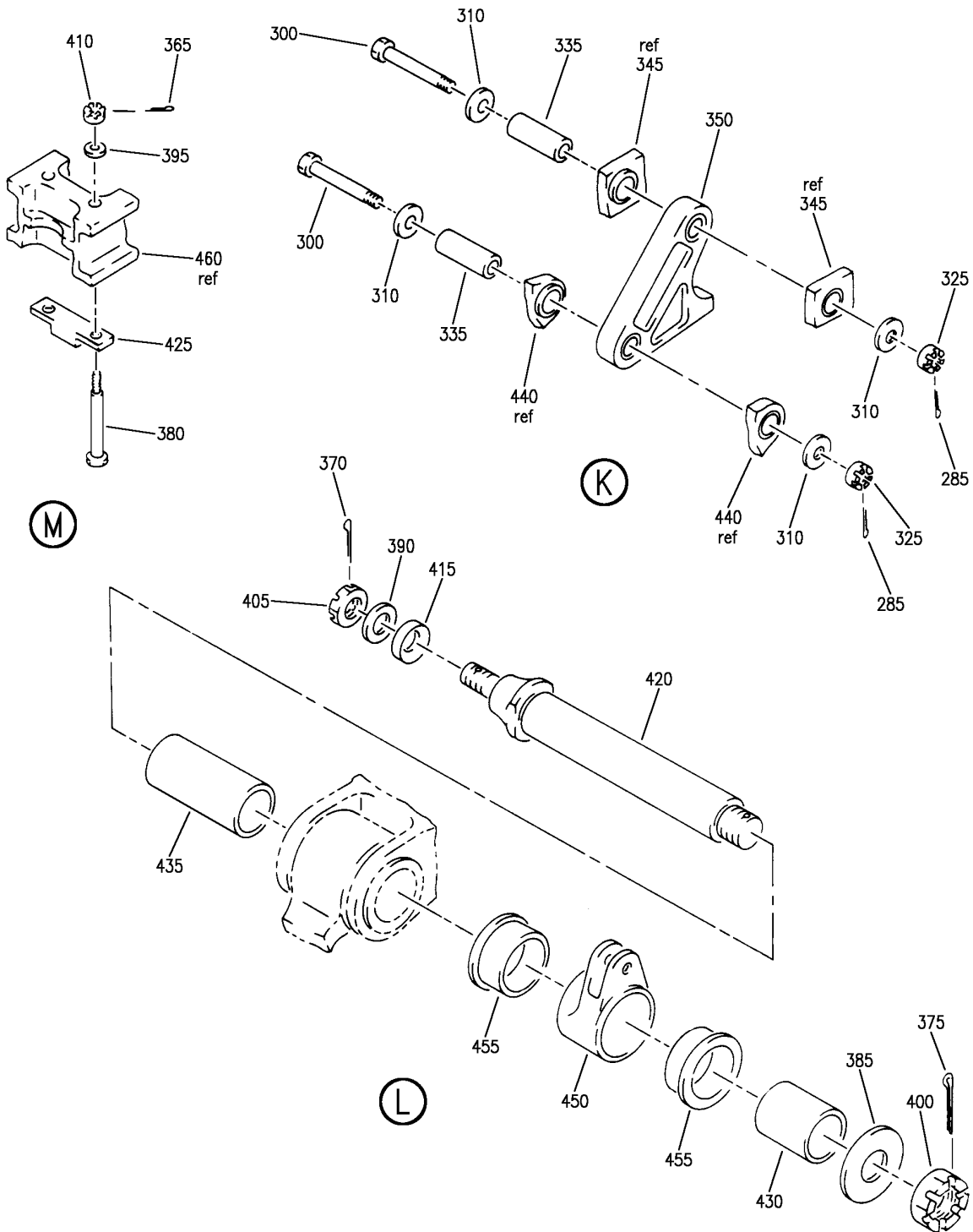
UPLOCK INSTL-MLG (MAIN GEAR UPLOCK ASSEMBLY ONLY)  
FIGURE 1A (SHEET 5)

**32-32-16-01A**

BRI  
JAN 20/09

32-32-16-01A  
PAGE 0D

**BOEING**  
757  
PARTS CATALOG (MAINTENANCE)



Y 32321601A SHT 6 REV 259

UPLOCK INSTL-MLG (MAIN GEAR UPLOCK ASSEMBLY ONLY)  
FIGURE 1A (SHEET 6)

**32-32-16-01A**

BRI  
JAN 20/09

32-32-16-01A  
PAGE 0E



757

PARTS CATALOG (MAINTENANCE)

FIG ITEM	PART NUMBER	1 2 3 4 5 6 7	NOMENCLATURE	EFFECT FROM TO	UNITS PER ASSY
1 A			UPLOCK INSTL-MLG (MAIN GEAR UPLOCK ASSEMBLY ONLY)	103106	
- 1	MODREF27265		UPLOCK INSTL-MLG (MAIN GEAR UPLOCK ASSEMBLY ONLY) MODULE NUMBER: 161N5001-401 REV B POSITION DATA: LH FOR ADDITIONAL DETAILS SEE: 32-32-04-01	103106	1
- 5	MODREF27266		UPLOCK INSTL-MLG (MAIN GEAR UPLOCK ASSEMBLY ONLY) MODULE NUMBER: 161N5001-402 REV B POSITION DATA: RH FOR ADDITIONAL DETAILS SEE: 32-32-04-01	103106	1
25	L8008K18		.BOLT SUPPLIER CODE: V06725 SPECIFICATION NUMBER: BACB30MY8K18	103106	2
30	L8008K12		.BOLT SUPPLIER CODE: V06725 SPECIFICATION NUMBER: BACB30MY8K12	103106	2
35	HL82-8APBW		.COLLAR SUPPLIER CODE: V5M902 SPECIFICATION NUMBER: BACC30AG8 OPTIONAL PART: HL82-8APBW V92215 HL82-8APBW V56878 HL82-8APBW V73197	103106	4
40	161N5025-1		.SHIM-FTG ACTR	103106	1
45	287N6101-5		.BRACKET ASSY	103106	1
50	287N6101-6		.BRACKET ASSY	103106	1

MISSING ITEM NUMBERS NOT APPLICABLE

- ITEM NOT ILLUSTRATED

32-32-16-01A

32-32-16  
FIG. 01A  
PAGE 1  
JAN 20/09

BRI

BOEING PROPRIETARY - Copyright © - Unpublished Work - See title page for details.



757

PARTS CATALOG (MAINTENANCE)

FIG ITEM	PART NUMBER	1 2 3 4 5 6 7	NOMENCLATURE	EFFECT FROM TO	UNITS PER ASSY
1 A					
55	VNS1924CA1-8	..	STUD SUPPLIER CODE: V5M902 SPECIFICATION NUMBER: BACS53B1EA1 OPTIONAL PART: VNS1924CA3-1-8 V92215	103106	1
60	287N6101-3	..	BRACKET- USED ON: 287N6101-5	103106	1
65	287N6101-4	..	BRACKET- USED ON: 287N6101-6	103106	1
70	161N5012-1	.	FITTING ASSY-ACTR ATTACH OPTIONAL PART: 161N5029-1	103106	1
70	161N5029-1	.	FITTING ASSY-ACTR ATTACH OPTIONAL PART: 161N5012-1	103106	1
75	BCREF5569	..	BUSHING- SUPPLIER CODE: V50632 OVERLENGTH PART NUMBER: KJB165000B06-036	103106	4
80	161N5012-2	..	FITTING- USED ON: 161N5012-1	103106	1
80	161N5029-2	..	FITTING- USED ON: 161N5029-1	103106	1
85	BACP18BC02A06P	.	PIN-COTTER	103106	1
90	BACB30LJ4DU35	.	BOLT	103106	1
95	BACB30NM8K57	.	BOLT	103106	1
100	BACB30NM10K63	.	BOLT	103106	1

MISSING ITEM NUMBERS NOT APPLICABLE

- ITEM NOT ILLUSTRATED

32-32-16-01A

32-32-16  
FIG. 01A  
PAGE 2  
JAN 20/09

BRI

BOEING PROPRIETARY - Copyright © - Unpublished Work - See title page for details.



757

PARTS CATALOG (MAINTENANCE)

FIG ITEM	PART NUMBER	1 2 3 4 5 6 7	NOMENCLATURE	EFFECT FROM TO	UNITS PER ASSY
1 A 105	HL1012AZ6-10	.BOLT	SUPPLIER CODE: V97928 SPECIFICATION NUMBER: BACB30NX6K10 OPTIONAL PART: HL12VAZ6-10 V73197 HL12VAZ6-10 V92215 HL12VAZ6-10 V97928 L802-6K10 V06725 HL12VAZ6-10 V56878 HL1012AZ6-10 VOPTK6 HL1012AZ6-10 V06725 HL1012AZ6-10 V06950 HL1012AZ6-10 V17446 HL1012AZ6-10 V56878 HL1012AZ6-10 V60516 HL1012AZ6-10 V73197	103106	1
110	161N5022-4	.WASHER-PLAIN		103106	2
115	NAS1149F0832P	.WASHER		103106	2
120	NAS1149F1032P	.WASHER		103106	2
125	LCN12-428	.NUT-CASTELOC SUPPLIER CODE: V56878		103106	1

MISSING ITEM NUMBERS NOT APPLICABLE

- ITEM NOT ILLUSTRATED

32-32-16-01A

32-32-16  
FIG. 01A  
PAGE 3  
JAN 20/09

BRI

BOEING PROPRIETARY - Copyright © - Unpublished Work - See title page for details.



757

PARTS CATALOG (MAINTENANCE)

FIG ITEM	PART NUMBER	1 2 3 4 5 6 7	NOMENCLATURE	EFFECT FROM TO	UNITS PER ASSY
1 A 130	BMN10HRCPD3-8	.NUT	SUPPLIER CODE: V97928 SPECIFICATION NUMBER: BACN10HR8CS OPTIONAL PART: H39953-8 V15653 109LH9031-8 V72962 67832AS820 V56878 BH00303-8 V27238 BH003038 V27238 BMN5024CPD38 V97928 CR59088 V62554 SL705098 V11815 109LH90318 V72962 67832AS8 V56878	103106	1

MISSING ITEM NUMBERS NOT APPLICABLE

- ITEM NOT ILLUSTRATED

BRI

32-32-16-01A

BOEING PROPRIETARY - Copyright © - Unpublished Work - See title page for details.

32-32-16  
FIG. 01A  
PAGE 4  
JAN 20/09



757

PARTS CATALOG (MAINTENANCE)

FIG ITEM	PART NUMBER	1 2 3 4 5 6 7 NOMENCLATURE	EFFECT FROM TO	UNITS PER ASSY
1 A 135	CR590810	.NUT SUPPLIER CODE: V62554 SPECIFICATION NUMBER: BACN10HR10CS OPTIONAL PART: H39953-10 V15653 109LH9031-10 V72962 BH00303-10 V27238 BMN10HRCPD3-10 V97928 SL7050910CS V11815 67832AS1018 V56878 BMN5024CPD3-10 V08524 SL7050910 V11815 BMN10HRCPD3-10 V97928 BH0030310 V27238 BMN5024CPD310 V97928 109LH903110 V72962 67832AS10 V56878	103106	1

MISSING ITEM NUMBERS NOT APPLICABLE

- ITEM NOT ILLUSTRATED

BRI

**32-32-16-01A**

BOEING PROPRIETARY - Copyright © - Unpublished Work - See title page for details.

32-32-16  
 FIG. 01A  
 PAGE 5  
 JAN 20/09





757

PARTS CATALOG (MAINTENANCE)

FIG ITEM	PART NUMBER	1 2 3 4 5 6 7	NOMENCLATURE	EFFECT FROM TO	UNITS PER ASSY
1 A 140	HL1187-6	.	COLLAR SUPPLIER CODE: V5M902 SPECIFICATION NUMBER: BACC30X6 OPTIONAL PART: HL87-6 V92215 HL87-6 V73197 HL1187-6 V56878 HL1187-6 V92215 HL87-6 V56878 HL1187-6 V73197	103106	1
145	BACS40R024B039F	.	SHIM	103106	2
150	BACS40R007B007F	.	SHIM	103106	3
155	161N5016-3	.	TUBE-PIVOT	103106	1
160	273N2086-1	.	BRACKET ASSY-SEQUENCE VALVE	103106	1
165	BACB28X4C019	..	BUSHING	103106	1
170	BACB28X6C022	..	BUSHING	103106	1
175	273N2086-2	..	BRACKET	103106	1
180	161N5033-5	.	FITTING ASSY-	103106	2
180	161N5013-3	.	FITTING ASSY-	103106	2
185	BCREF5522	..	BUSHING- SUPPLIER CODE: V50632 OVERLENGTH PART NUMBER: KJB165100B16-033	103106	1
190	BCREF6477	..	BUSHING- SUPPLIER CODE: V50632 OVERLENGTH PART NUMBER: KJB165000B16-033	103106	1
195	BACB28U18B069	..	BUSHING	103106	1
200	161N5033-4	..	FITTING- USED ON: 161N5033-5	103106	1
200	161N5013-4	..	FITTING- USED ON: 161N5013-3	103106	1

MISSING ITEM NUMBERS NOT APPLICABLE

- ITEM NOT ILLUSTRATED

32-32-16-01A

32-32-16  
FIG. 01A  
PAGE 6  
JAN 20/09

BRI

BOEING PROPRIETARY - Copyright © - Unpublished Work - See title page for details.



757

PARTS CATALOG (MAINTENANCE)

FIG ITEM	PART NUMBER	1 2 3 4 5 6 7	NOMENCLATURE	EFFECT FROM TO	UNITS PER ASSY
1A 205	161N5002-7	.	UPLOCK ASSY- MISCELLANEOUS DATA: FOR SPARES PROCURE LOWER COMPONENTS COMPONENT MAINT MANUAL REF: 32-32-16	103106	1
205	161N5002-4	.	UPLOCK ASSY- MISCELLANEOUS DATA: FOR SPARES PROCURE LOWER COMPONENTS COMPONENT MAINT MANUAL REF: 32-32-16	103106	1
205	161N5002-5	.	UPLOCK ASSY- COMPONENT MAINT MANUAL REF: 32-32-16	103106	1
205	161N5002-6	.	UPLOCK ASSY- COMPONENT MAINT MANUAL REF: 32-32-16	103106	1
210	MS24665-153	..	PIN-COTTER	103106	1
215	BACB30LJ4D44	..	BOLT	103106	1
220	161N5022-4	..	WASHER	103106	2
225	LCN12-428	..	NUT- SUPPLIER CODE: V56878	103106	1
230	161N5016-2	..	TUBE-PIVOT	103106	1
235	161N5009-1	..	LINK ASSY-STAB.	103106	1
240	BCREF5520	...	BUSHING- SUPPLIER CODE: V50632 OVERLENGTH PART NUMBER: KJB165000B08-043	103106	4
245	MS24665-304	..	PIN	103106	2
250	BACB30LJ6D75	..	BOLT	103106	2
255	161N5022-3	..	WASHER	103106	8
260	LCN6-624	..	NUT- SUPPLIER CODE: V56878	103106	2
265	BACB28AK06-047	..	BUSHING	103106	4
270	161N5019-1	..	SPOOL ASSY-SPRING	103106	4
275	BCREF5523	...	BUSHING- SUPPLIER CODE: V50632 OVERLENGTH PART NUMBER: KJB164500B09-046	103106	1

MISSING ITEM NUMBERS NOT APPLICABLE

- ITEM NOT ILLUSTRATED

32-32-16-01A

32-32-16  
FIG. 01A  
PAGE 7  
JAN 20/09

BRI

BOEING PROPRIETARY - Copyright © - Unpublished Work - See title page for details.



757

PARTS CATALOG (MAINTENANCE)

FIG ITEM	PART NUMBER	1 2 3 4 5 6 7	NOMENCLATURE	EFFECT FROM TO	UNITS PER ASSY
1A 280	161N5021-1	..	SPRING- OPTIONAL PART: 161N5021-2 161N5021-3 USED ON: 161N5002-4 161N5002-5 161N5002-6	103106	2
280	161N5021-2	..	SPRING- OPTIONAL PART: 161N5021-1 161N5021-3 USED ON: 161N5002-5	103106	2
280	161N5021-3	..	SPRING- MISCELLANEOUS DATA: (CHANGED SPRING MATERIAL TO IMPROVE DESIGN) REF SL32-030-A PREFERRED SPARE OPTIONAL PART: 161N5021-1 161N5021-2 USED ON: 161N5002-4 161N5002-5 161N5002-6 161N5002-7	103106	2
285	MS24665-153	..	PIN-COTTER	103106	2
290	MS24665-304	..	PIN	103106	2
295	BACB30LM8D71	..	BOLT	103106	1
300	BACB30LJ4D22	..	BOLT	103106	2
305	161N5022-6	..	WASHER	103106	2
310	161N5022-4	..	WASHER	103106	4
315	AN960C0816	..	WASHER	103106	1
320	LCN12-820	..	NUT- SUPPLIER CODE: V56878	103106	2
325	LCN12-428	..	NUT- SUPPLIER CODE: V56878	103106	2
330	161N5026-1	..	POST	103106	1
335	161N5016-1	..	TUBE-PIVOT	103106	2
340	161N5027-1	..	PIN-LOCK LINK POSITION DATA: UPR	103106	1
345	161N5008-3	..	LOCK LINK ASSY- POSITION DATA: UPR	103106	1

MISSING ITEM NUMBERS NOT APPLICABLE

- ITEM NOT ILLUSTRATED

32-32-16-01A

32-32-16  
FIG. 01A  
PAGE 8  
JAN 20/09

BRI

BOEING PROPRIETARY - Copyright © - Unpublished Work - See title page for details.



757

PARTS CATALOG (MAINTENANCE)

FIG ITEM	PART NUMBER	1 2 3 4 5 6 7	NOMENCLATURE	EFFECT FROM TO	UNITS PER ASSY
1A					
350	161N5007-1	..	LOCK LINK ASSY- POSITION DATA: LWR	103106	1
355	161N5014-3	..	IDLER ASSY-LINK OPTIONAL PART: 161N5032-1 USED ON: 161N5002-5 161N5002-6	103106	1
355	161N5032-1	..	IDLER ASSY-LINK OPTIONAL PART: 161N5014-3	103106	1
360	BCREF5521	...	BUSHING- SUPPLIER CODE: V50632 OVERLENGTH PART NUMBER: KJB165100B12-139	103106	1
365	MS24665-153	..	PIN	103106	2
370	MS24665-304	..	PIN	103106	1
375	MS24665-376	..	PIN	103106	1
380	BACB30LJ4D26	..	BOLT	103106	2
385	161N5022-1	..	WASHER	103106	1
390	AN960-716	..	WASHER	103106	1
395	AN960-416L	..	WASHER	103106	2
400	56287-1414	..	NUT- SUPPLIER CODE: V56878	103106	1
405	LCN6-720	..	NUT- SUPPLIER CODE: V56878	103106	1
410	LCN12-428	..	NUT- SUPPLIER CODE: V56878	103106	2
415	161N5020-1	..	SPACER	103106	1
420	161N5004-3	..	PIN	103106	1
425	161N5018-1	..	PLATE-STOP	103106	1
430	161N5016-6	..	TUBE-PIVOT	103106	1
435	161N5016-4	..	TUBE-PIVOT	103106	1
440	161N5005-3	..	HOOK ASSY	103106	1
445	1728B	...	FITTING-LUBE SUPPLIER CODE: VOFKM1	103106	1
450	161N5028-1	..	CRANK ASSY- OPTIONAL PART: 161N5031-1 USED ON: 161N5002-5 161N5002-6	103106	1

MISSING ITEM NUMBERS NOT APPLICABLE

- ITEM NOT ILLUSTRATED

32-32-16-01A

32-32-16  
FIG. 01A  
PAGE 9  
JAN 20/09

BRI

BOEING PROPRIETARY - Copyright © - Unpublished Work - See title page for details.



757

PARTS CATALOG (MAINTENANCE)

FIG ITEM	PART NUMBER	1 2 3 4 5 6 7	NOMENCLATURE	EFFECT FROM TO	UNITS PER ASSY
1 A					
450	161N5031-1		.. CRANK ASSY- OPTIONAL PART: 161N5028-1	103106	1
455	BCREF5742		... BUSHING- SUPPLIER CODE: V50632 OVERLENGTH PART NUMBER: KJB165100B20-055	103106	2
460	161N5003-3		.. FRAME ASSY- OPTIONAL PART: 161N5030-1 USED ON: 161N5002-5 161N5002-6	103106	1
460	161N5030-1		.. FRAME ASSY- OPTIONAL PART: 161N5003-3	103106	1

MISSING ITEM NUMBERS NOT APPLICABLE

- ITEM NOT ILLUSTRATED

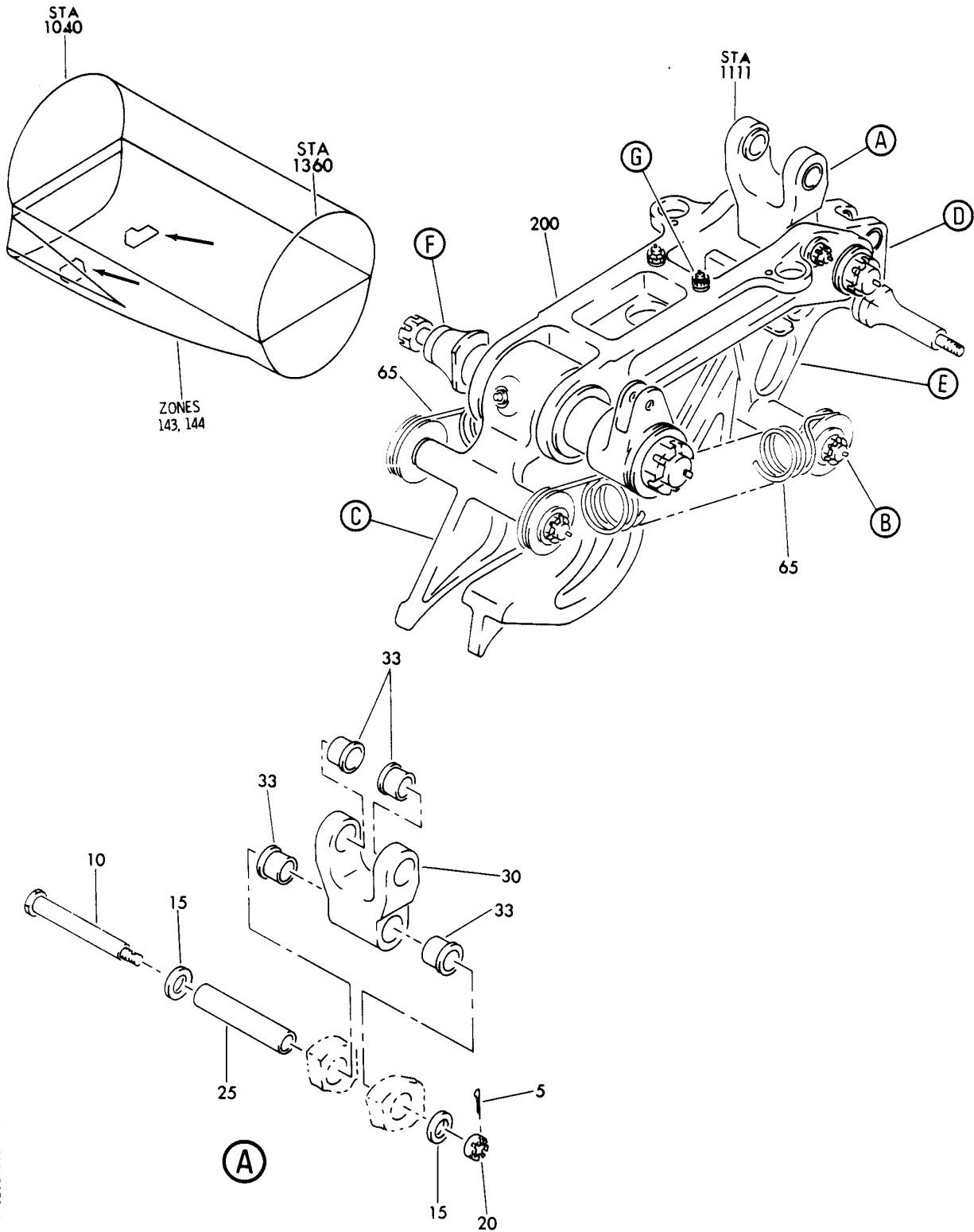
BRI

**32-32-16-01A**

BOEING PROPRIETARY - Copyright © - Unpublished Work - See title page for details.

32-32-16  
FIG. 01A  
PAGE 10  
JAN 20/09

**BOEING**  
757  
PARTS CATALOG (MAINTENANCE)



Y 32321605 SMT 1 REV 026

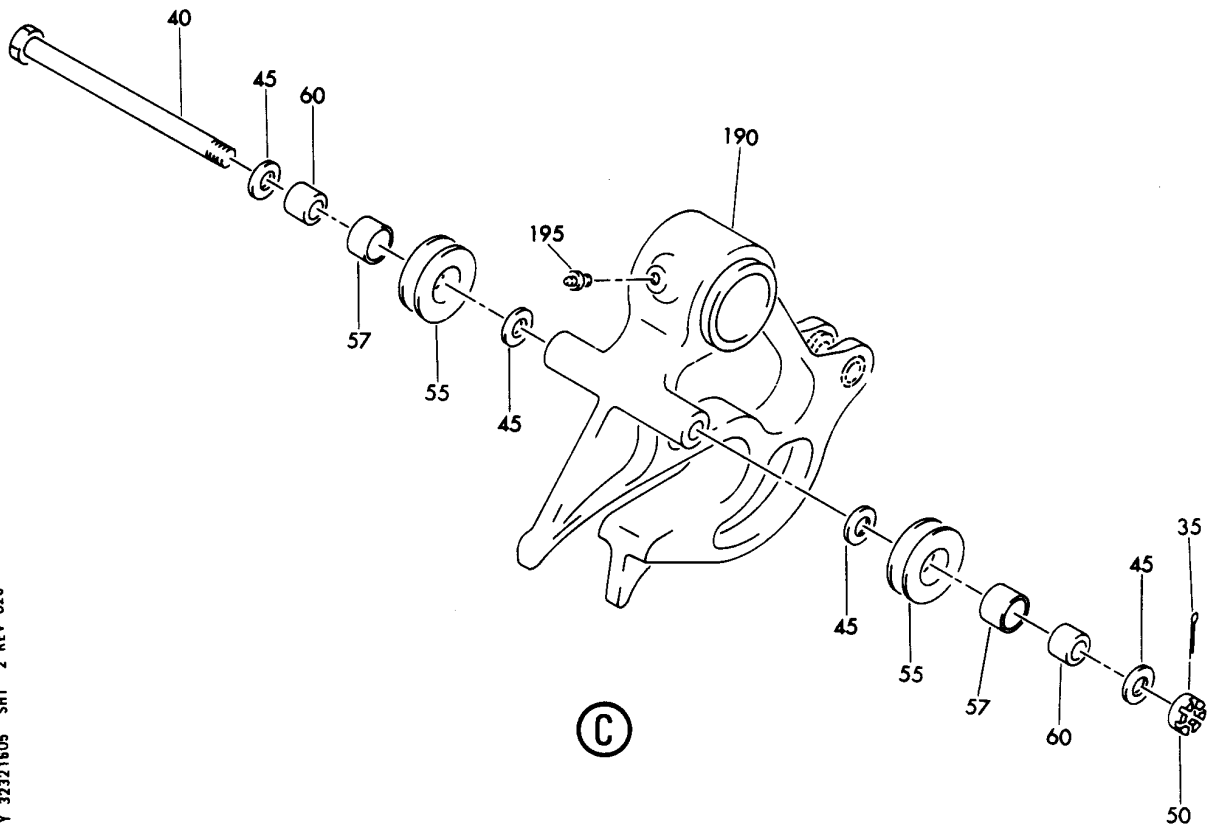
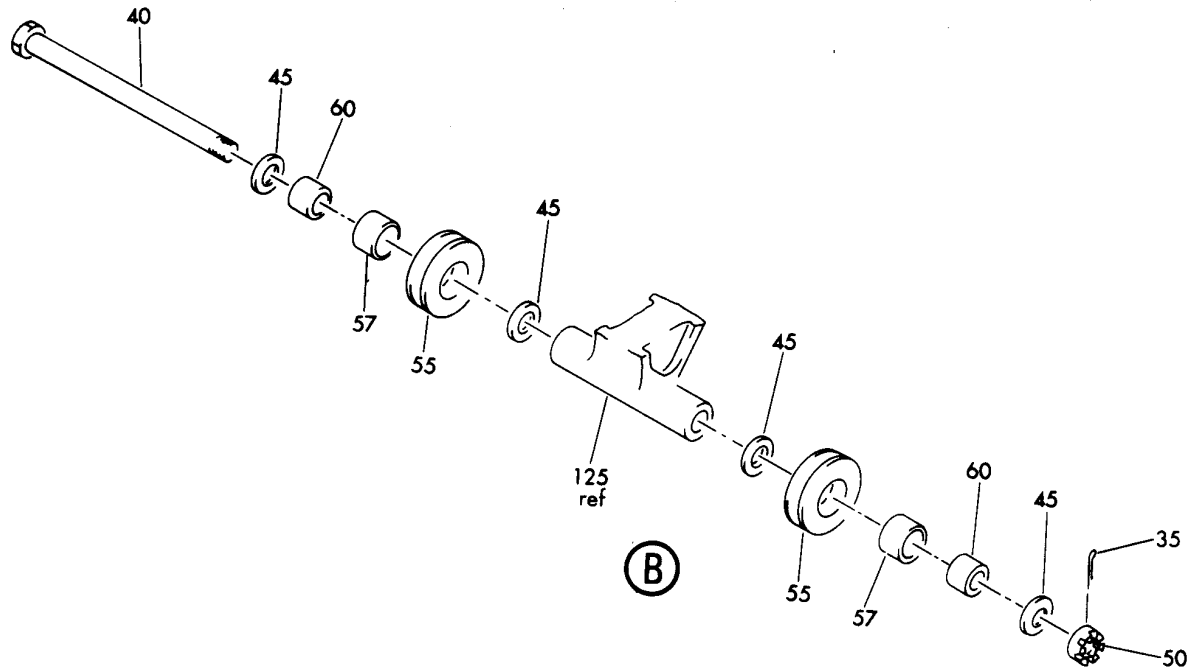
UPLOCK ASSY-MLG  
FIGURE 5 (SHEET 1)

**32-32-16-05**

BRI  
MAY 28/07

32-32-16-05  
PAGE 0

**BOEING**  
757  
PARTS CATALOG (MAINTENANCE)



Y 32321605 SHT 2 REV 026

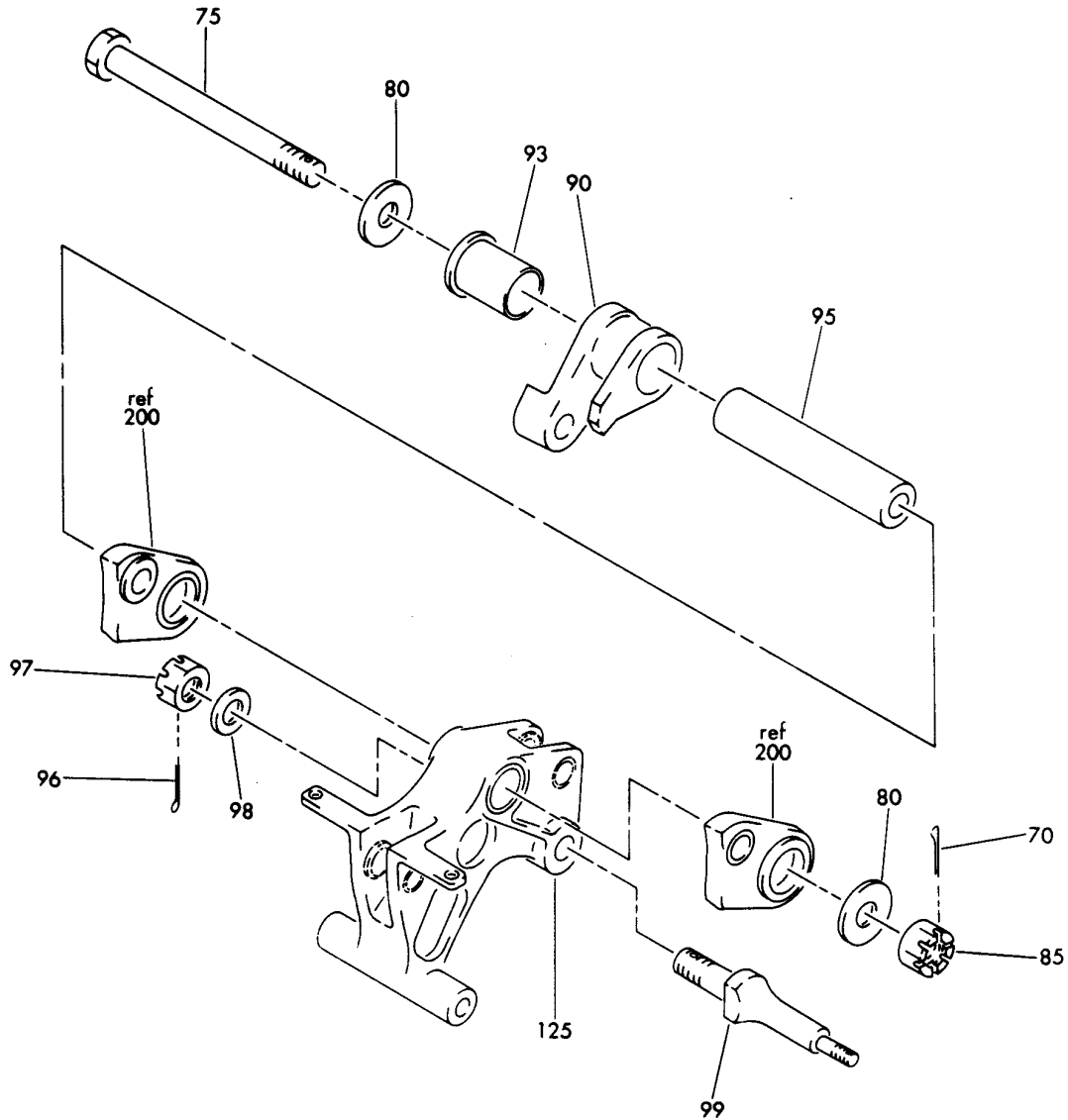
UPLOCK ASSY-MLG  
FIGURE 5 (SHEET 2)

**32-32-16-05**

BRI  
MAY 28/07

32-32-16-05  
PAGE 0A

**BOEING**  
757  
PARTS CATALOG (MAINTENANCE)



ⓓ

Y 32321605 SHT 3 REV 026

UPLOCK ASSY-MLG  
FIGURE 5 (SHEET 3)

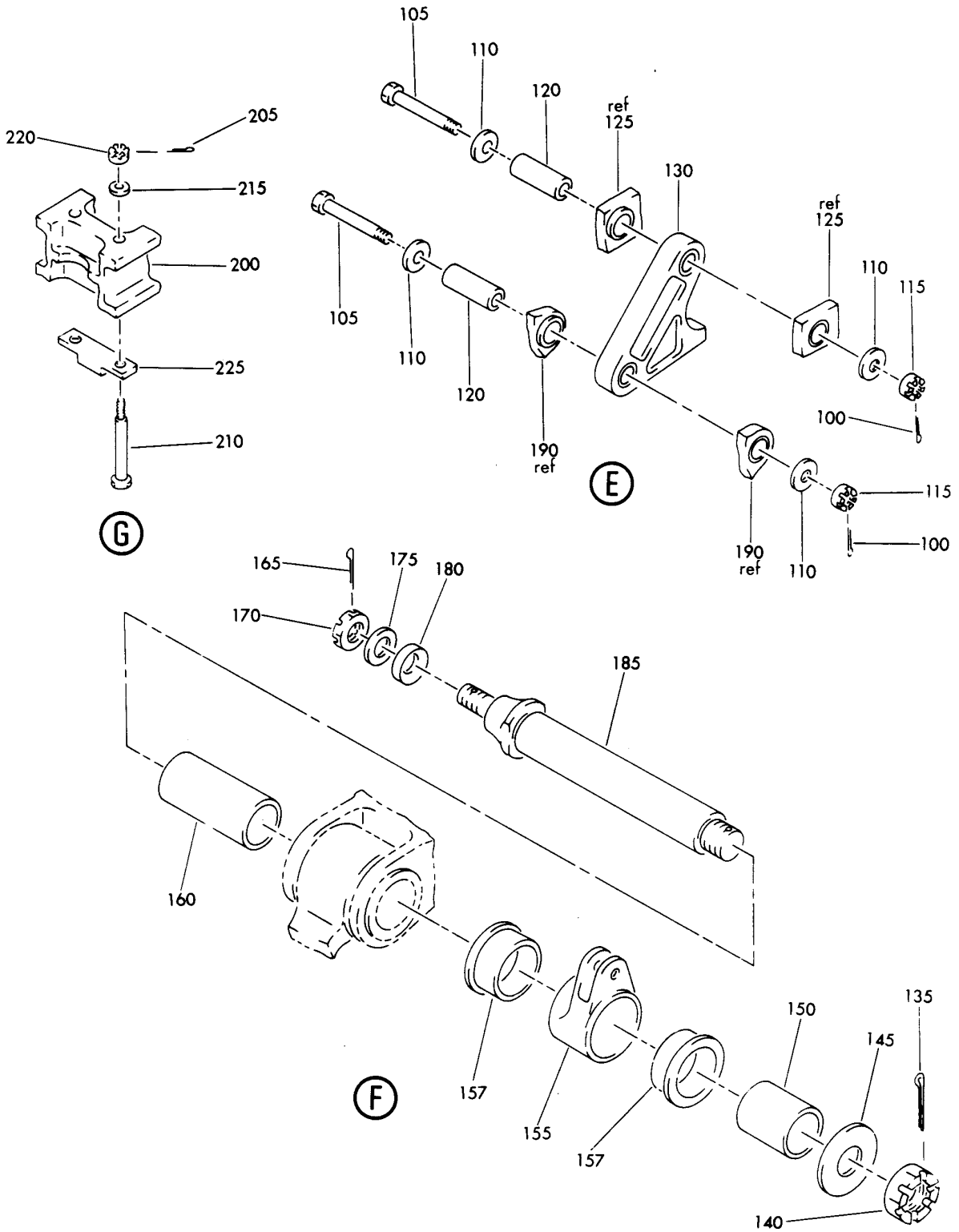
**32-32-16-05**

BRI  
MAY 28/07

32-32-16-05  
PAGE 0B



**BOEING**  
757  
PARTS CATALOG (MAINTENANCE)



Y 32321605 SHT 4 REV 026

UPLOCK ASSY-MLG  
FIGURE 5 (SHEET 4)

**32-32-16-05**

BRI  
MAY 28/07

32-32-16-05  
PAGE 0C



757

PARTS CATALOG (MAINTENANCE)

FIG ITEM	PART NUMBER	1 2 3 4 5 6 7	NOMENCLATURE	EFFECT FROM TO	UNITS PER ASSY
5			UPLOCK ASSY-MLG	002004 006102 107999	
- 1	161N5002-4		UPLOCK ASSY-MLG COMPONENT MAINT MANUAL REF: 32-32-16 FOR NHA SEE: 32-32-16-01	002004 006102 107999	RF
- 1	161N5002-5		UPLOCK ASSY-MLG COMPONENT MAINT MANUAL REF: 32-32-16 FOR NHA SEE: 32-32-16-01	002004 006102 107999	RF
- 1	161N5002-6		UPLOCK ASSY-MLG COMPONENT MAINT MANUAL REF: 32-32-16 FOR NHA SEE: 32-32-16-01	002004 006102 107999	RF
- 1	161N5002-7		UPLOCK ASSY-MLG COMPONENT MAINT MANUAL REF: 32-32-16 FOR NHA SEE: 32-32-16-01	002004 006102 107999	RF
5	MS24665-153		.PIN	002004 006102 107999	1
10	BACB30LJ4D44		.BOLT-	002004 006102 107999	1
15	161N5022-4		.WASHER	002004 006102 107999	2
20	LCN12-428		.NUT- SUPPLIER CODE: V56878	002004 006102 107999	1
25	161N5016-2		.TUBE-PIVOT	002004 006102 107999	1
30	161N5009-1		.LINK ASSY-STAB.	002004 006102 107999	1
33	BCREF5520		..BUSHING- SUPPLIER CODE: V50632 OVERLENGTH PART NUMBER: KJB165000B08-043	002004 006102 107999	4
35	MS24665-304		.PIN	002004 006102 107999	2

MISSING ITEM NUMBERS NOT APPLICABLE

- ITEM NOT ILLUSTRATED

32-32-16-05

32-32-16  
FIG. 05  
PAGE 1  
JAN 20/09

BRI



757

PARTS CATALOG (MAINTENANCE)

FIG ITEM	PART NUMBER	1 2 3 4 5 6 7	NOMENCLATURE	EFFECT FROM TO	UNITS PER ASSY
5	40	BACB30LJ6D75	.BOLT	002004 006102 107999	2
	45	161N5022-3	.WASHER	002004 006102 107999	8
	50	LCN6-624	.NUT- SUPPLIER CODE: V56878	002004 006102 107999	2
	55	161N5019-1	.SPOOL ASSY-SPRING	002004 006102 107999	4
	57	BCREF5523	..BUSHING- SUPPLIER CODE: V50632 OVERLENGTH PART NUMBER: KJB164500B09-046	002004 006102 107999	1
	60	BACB28AK06-047	.BUSHING	002004 006102 107999	4
	65	161N5021-1	.SPRING- OPTIONAL PART: 161N5021-3 USED ON: 161N5002-4 161N5002-5 161N5002-6	002004 006102 107999	2
	65	161N5021-2	.SPRING- USED ON: 161N5002-5	002004 006102 107999	2
	65	161N5021-3	.SPRING- MISCELLANEOUS DATA: (CHANGED SPRING MATERIAL TO IMPROVE DESIGN) OPTIONAL PART: 161N5021-1 USED ON: 161N5002-4 161N5002-5 161N5002-6 161N5002-7	002004 006102 107999	2
	70	MS24665-304	.PIN	002004 006102 107999	1
	75	BACB30LM8D71	.BOLT	002004 006102 107999	1

MISSING ITEM NUMBERS NOT APPLICABLE

- ITEM NOT ILLUSTRATED

32-32-16-05

32-32-16  
FIG. 05  
PAGE 2  
JAN 20/09

BRI

BOEING PROPRIETARY - Copyright © - Unpublished Work - See title page for details.



757

PARTS CATALOG (MAINTENANCE)

FIG ITEM	PART NUMBER	1 2 3 4 5 6 7	NOMENCLATURE	EFFECT FROM TO	UNITS PER ASSY
5					
80	161N5022-6	.	WASHER	002004 006102 107999	2
85	LCN12-820	.	NUT- SUPPLIER CODE: V56878	002004 006102 107999	1
90	161N5014-3	.	IDLER ASSY-LINK USED ON: 161N5002-5 161N5002-6	002004 006102 107999	1
90	161N5032-1	.	IDLER ASSY-LINK	002004 006102 107999	1
93	BCREF5521	..	BUSHING- SUPPLIER CODE: V50632 OVERLENGTH PART NUMBER: KJB165100B12-139	002004 006102 107999	1
95	161N5027-1	.	PIN-LOCK LINK POSITION DATA: UPR	002004 006102 107999	1
96	MS24665-304	.	PIN	002004 006102 107999	1
97	LCN12-820	.	NUT- SUPPLIER CODE: V56878	002004 006102 107999	1
98	AN960C0816	.	WASHER	002004 006102 107999	1
99	161N5026-1	.	POST	002004 006102 107999	1
100	MS24665-153	.	PIN	002004 006102 107999	2
105	BACB30LJ4D22	.	BOLT	002004 006102 107999	2
110	161N5022-4	.	WASHER	002004 006102 107999	4
115	LCN12-428	.	NUT- SUPPLIER CODE: V56878	002004 006102 107999	2
120	161N5016-1	.	TUBE-PIVOT	002004 006102 107999	2

MISSING ITEM NUMBERS NOT APPLICABLE

- ITEM NOT ILLUSTRATED

32-32-16-05

32-32-16  
FIG. 05  
PAGE 3  
JAN 20/09

BRI

BOEING PROPRIETARY - Copyright © - Unpublished Work - See title page for details.



757

PARTS CATALOG (MAINTENANCE)

FIG ITEM	PART NUMBER	1 2 3 4 5 6 7	NOMENCLATURE	EFFECT FROM TO	UNITS PER ASSY
5					
125	161N5008-3		.LOCK LINK ASSY- POSITION DATA: UPR	002004 006102 107999	1
130	161N5007-1		.LOCK LINK ASSY- POSITION DATA: LWR	002004 006102 107999	1
135	MS24665-376		.PIN	002004 006102 107999	1
140	56287-1414		.NUT- SUPPLIER CODE: V56878	002004 006102 107999	1
145	161N5022-1		.WASHER	002004 006102 107999	1
150	161N5016-6		.TUBE-PIVOT	002004 006102 107999	1
155	161N5028-1		.CRANK ASSY- USED ON: 161N5002-5 161N5002-6	002004 006102 107999	1
155	161N5031-1		.CRANK ASSY-	002004 006102 107999	1
157	BCREF5742		..BUSHING- SUPPLIER CODE: V50632 OVERLENGTH PART NUMBER: KJB165100B20-055	002004 006102 107999	2
160	161N5016-4		.TUBE-PIVOT	002004 006102 107999	1
165	MS24665-304		.PIN	002004 006102 107999	1
170	LCN6-720		.NUT- SUPPLIER CODE: V56878	002004 006102 107999	1
175	AN960-716		.WASHER-	002004 006102 107999	1
180	161N5020-1		.SPACER	002004 006102 107999	1
185	161N5004-3		.PIN	002004 006102 107999	1

MISSING ITEM NUMBERS NOT APPLICABLE

- ITEM NOT ILLUSTRATED

32-32-16-05

32-32-16  
FIG. 05  
PAGE 4  
JAN 20/09

BRI



757

PARTS CATALOG (MAINTENANCE)

FIG ITEM	PART NUMBER	1 2 3 4 5 6 7	NOMENCLATURE	EFFECT FROM TO	UNITS PER ASSY
5					
190	161N5005-3	.	H00K ASSY	002004 006102 107999	1
195	1728B	..	FITTING-LUBE SUPPLIER CODE: VOFKM1	002004 006102 107999	1
200	161N5003-3	.	FRAME ASSY- USED ON: 161N5002-5 161N5002-6	002004 006102 107999	1
200	161N5030-1	.	FRAME ASSY-	002004 006102 107999	1
205	MS24665-153	.	PIN	002004 006102 107999	2
210	BACB30LJ4D26	.	BOLT	002004 006102 107999	2
215	AN960-416L	.	WASHER	002004 006102 107999	2
220	LCN12-428	.	NUT- SUPPLIER CODE: V56878	002004 006102 107999	2
225	161N5018-1	.	PLATE-STOP	002004 006102 107999	1

MISSING ITEM NUMBERS NOT APPLICABLE

- ITEM NOT ILLUSTRATED

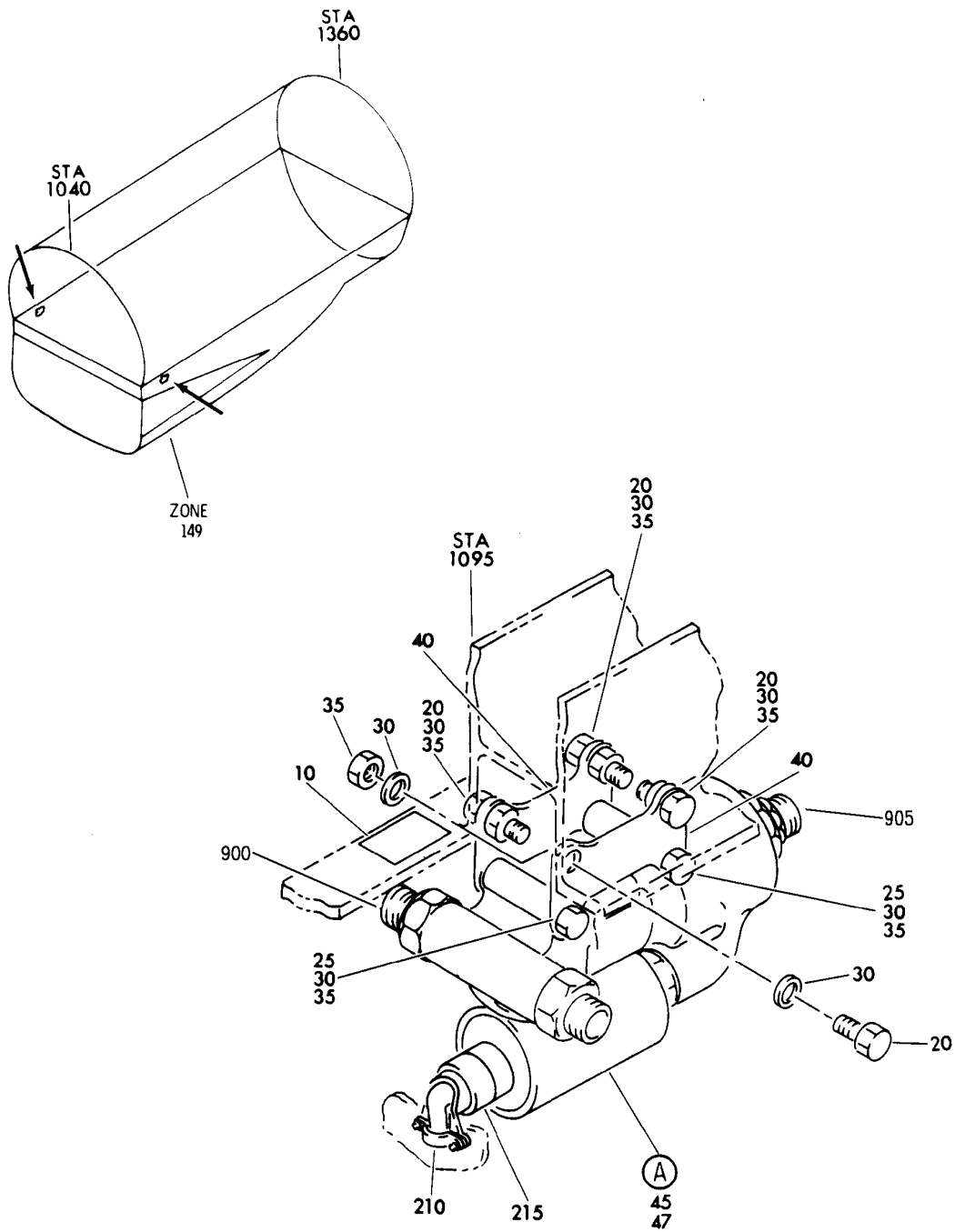
BRI

32-32-16-05

BOEING PROPRIETARY - Copyright © - Unpublished Work - See title page for details.

32-32-16  
FIG. 05  
PAGE 5  
JAN 20/09

**BOEING**  
757  
PARTS CATALOG (MAINTENANCE)



Y 32321701 SHT 1 REV 247

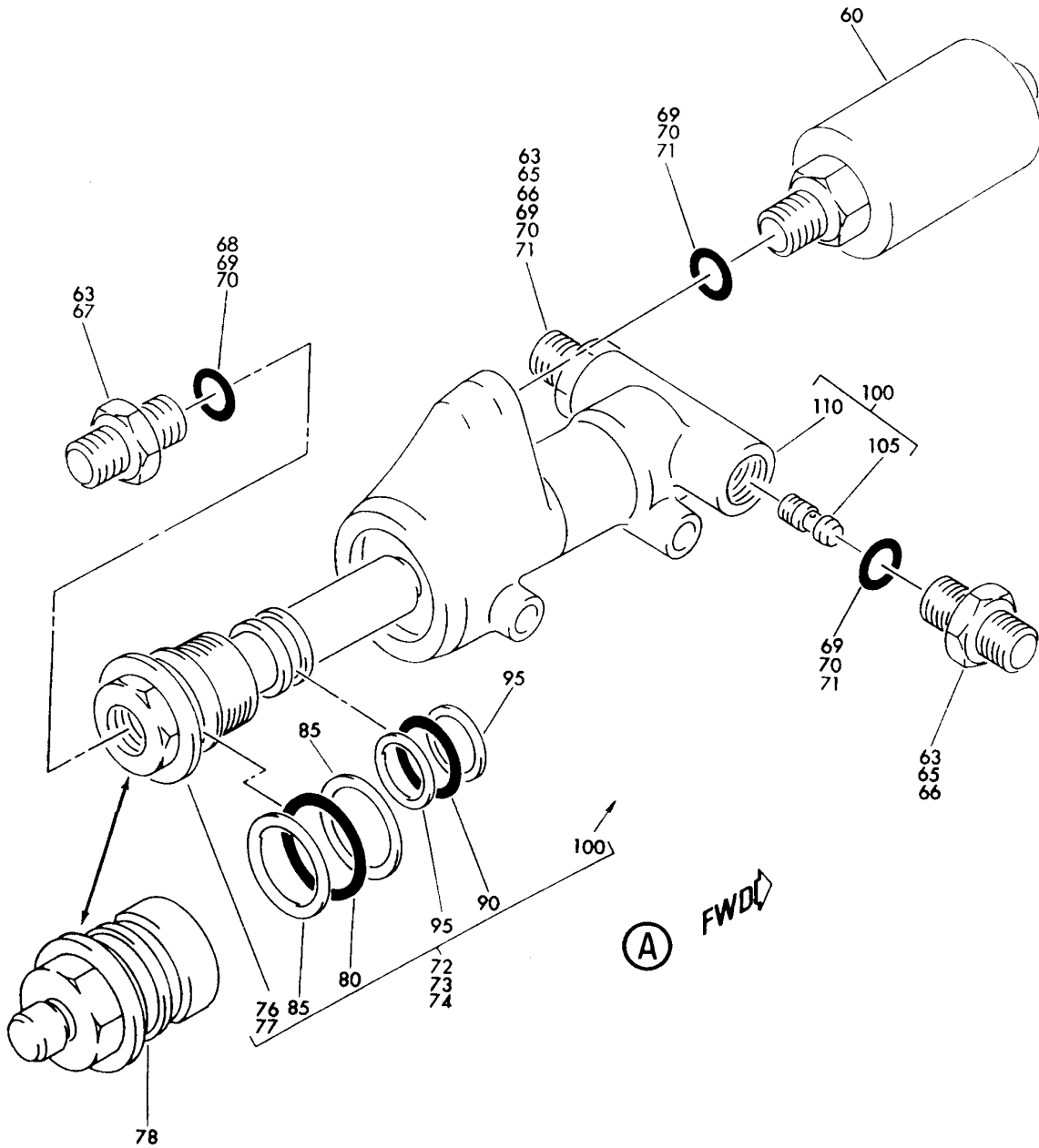
VALVE INSTL-TRUCK POSITIONER SHUTTLE  
FIGURE 1 (SHEET 1)

**32-32-17-01**

BRI  
MAY 28/07

32-32-17-01  
PAGE 0

**BOEING**  
757  
PARTS CATALOG (MAINTENANCE)



Y 32321701 SHT 2 REV 202

VALVE INSTL-TRUCK POSITIONER SHUTTLE  
FIGURE 1 (SHEET 2)

**32-32-17-01**

BRI  
MAY 28/07

32-32-17-01  
PAGE 0A





757

PARTS CATALOG (MAINTENANCE)

FIG ITEM	PART NUMBER	1 2 3 4 5 6 7	NOMENCLATURE	EFFECT FROM TO	UNITS PER ASSY
1			VALVE INSTL-TRUCK POSITIONER SHUTTLE	002004 006999	
- 1	273N2087-1		VALVE INSTL-TRUCK POSITIONER SHUTTLE POSITION DATA: LH SIDE FOR NHA SEE: 29-00-51-01	002004 006100 107107 121503 904999	RF
- 1	273N2087-6		VALVE INSTL-TRUCK POSITIONER SHUTTLE POSITION DATA: LH SIDE FOR NHA SEE: 32-00-00-15	101102 108120 504903	RF
- 1	MODREF8270		VALVE INSTL-TRUCK POSITIONER SHUTTLE MODULE NUMBER: 273N2087-6 REV A POSITION DATA: LH SIDE	103106	1
- 5	273N2087-2		VALVE INSTL-TRUCK POSITIONER SHUTTLE POSITION DATA: RH FOR NHA SEE: 29-00-51-01	002004 006100 107107 121503 904999	RF
- 5	273N2087-7		VALVE INSTL-TRUCK POSITIONER SHUTTLE POSITION DATA: RH SIDE FOR NHA SEE: 32-00-00-15	101102 108120 504903	RF
- 5	MODREF8271		VALVE INSTL-TRUCK POSITIONER SHUTTLE MODULE NUMBER: 273N2087-7 REV A POSITION DATA: RH SIDE	103106	1
10	BAC27NH0099		.NAMEPLATE- POSITION DATA: LH SIDE PLACARD CONTENT: LEFT GEAR TILT PRESSURE SWITCH S452 D3192J	002004 006999	1

MISSING ITEM NUMBERS NOT APPLICABLE

- ITEM NOT ILLUSTRATED

BRI

32-32-17-01

32-32-17  
FIG. 01  
PAGE 1  
JAN 20/09

**BOEING**  
757  
**PARTS CATALOG (MAINTENANCE)**

FIG ITEM	PART NUMBER	1 2 3 4 5 6 7	NOMENCLATURE	EFFECT FROM TO	UNITS PER ASSY
1					
- 15	BAC27NHY0100		.NAMEPLATE- POSITION DATA: RH SIDE PLACARD CONTENT: RIGHT GEAR TILT PRESSURE SWITCH S453 D3208J	002004 006999	1
20	BACB30NR4K5		.BOLT-	002004 006999	4
25	BACB30NR4K21		.BOLT- OPTIONAL PART: BACB30NR4K19 V06710	002004 006999	2
25	BACB30NR4K19		.BOLT- OPTIONAL PART: BACB30NR4K21 V06710	002004 006999	2
30	AN960PD416		.WASHER	002004 006999	12
30	NAS1149D0463J		.WASHER	101106 108120 504903	12
35	BRH10C4D		.NUT SUPPLIER CODE: V52828 SPECIFICATION NUMBER: BACN10JC4CD OPTIONAL PART: T6C428JCD V11815 NS202486-048 V80539 102LH9075-4W V72962 H51650-4BAC V15653	002004 006999	6
40	273N2127-1		.BRACKET-	107107	2
40	273N2127-3		.BRACKET-	002004 006100 103106 121503 904999	2
45	273N2087-3		.VALVE ASSY- POSITION DATA: LH SIDE COMPONENT MAINT MANUAL REF: 32-32-54	002004 006999	1

MISSING ITEM NUMBERS NOT APPLICABLE

- ITEM NOT ILLUSTRATED

BRI

# 32-32-17-01

BOEING PROPRIETARY - Copyright © - Unpublished Work - See title page for details.

32-32-17  
FIG. 01  
PAGE 2  
JAN 20/09



757

PARTS CATALOG (MAINTENANCE)

FIG ITEM	PART NUMBER	1 2 3 4 5 6 7	NOMENCLATURE	EFFECT FROM TO	UNITS PER ASSY
1					
47	273N2087-5		. VALVE ASSY- POSITION DATA: RH SIDE COMPONENT MAINT MANUAL REF: 32-32-54 QUALIFIED I/W DATA: -5 MAY REPLACE -3 FOR R/H ONLY	002004 006100 107107 121503 904999	1
47	273N2087-5		. VALVE ASSY- POSITION DATA: RH SIDE COMPONENT MAINT MANUAL REF: 32-32-54	101106 108120 504903	1
60	211C223-203		.. SWITCH-PRESSURE SUPPLIER CODE: V02750 SPECIFICATION NUMBER: S271T452-7 ELECTRICAL EQUIP NUMBER: S00452 S00453 COMPONENT MAINT MANUAL REF: 29-09-02 OPTIONAL PART: 211C223-320 V02750 211C223-518 V02750	002004 006999	1
60	211C223-320		.. SWITCH-PRESSURE SUPPLIER CODE: V02750 SPECIFICATION NUMBER: S271T452-7 ELECTRICAL EQUIP NUMBER: S00452 S00453 COMPONENT MAINT MANUAL REF: 29-09-02 OPTIONAL PART: 211C223-203 V02750 211C223-518 V02750	002004 006999	1

MISSING ITEM NUMBERS NOT APPLICABLE

- ITEM NOT ILLUSTRATED

BRI

32-32-17-01

BOEING PROPRIETARY - Copyright © - Unpublished Work - See title page for details.

32-32-17  
FIG. 01  
PAGE 3  
JAN 20/09



757

PARTS CATALOG (MAINTENANCE)

FIG ITEM	PART NUMBER	1 2 3 4 5 6 7	NOMENCLATURE	EFFECT FROM TO	UNITS PER ASSY
1 60	211C223-518		.. SWITCH-PRESSURE SUPPLIER CODE: V02750 SPECIFICATION NUMBER: S271T452-7 ELECTRICAL EQUIP NUMBER: S00452 S00453 COMPONENT MAINT MANUAL REF: 29-09-02 OPTIONAL PART: 211C223-203 V02750 211C223-320 V02750	002004 006999	1
63	AFP2326-4		.. REDUCER- SUPPLIER CODE: V30974 SPECIFICATION NUMBER: BACR17E6-4 OPTIONAL PART: AP10276-4 V01673 BC916T6-4 V50948 DBOR17E6-4 V14798 ER21916T6-4 V88334 ER31916-6-4 V88334 F23-6-4 V73197 2-01075T6-4 V11328 31778-6-4 V14397 US2114-6-4 V50808 AP1027T6-4 V01673 US21146-4 V50808 317786-4 V14397 POSITION DATA: LH SIDE	002004 006999	3

MISSING ITEM NUMBERS NOT APPLICABLE

- ITEM NOT ILLUSTRATED

32-32-17-01

32-32-17  
FIG. 01  
PAGE 4  
JAN 20/09

BRI



757

PARTS CATALOG (MAINTENANCE)

FIG ITEM	PART NUMBER	1 2 3 4 5 6 7	NOMENCLATURE	EFFECT FROM TO	UNITS PER ASSY
1 66	AFP2326-4		..REDUCER- SUPPLIER CODE: V30974 SPECIFICATION NUMBER: BACR17E6-4 OPTIONAL PART: AP10276-4 V01673 BC916T6-4 V50948 DBOR17E6-4 V14798 ER21916T6-4 V88334 ER31916-6-4 V88334 F23-6-4 V73197 2-01075T6-4 V11328 31778-6-4 V14397 US2114-6-4 V50808 AP1027T6-4 V01673 US21146-4 V50808 317786-4 V14397 POSITION DATA: RH SIDE	002004 006100 107107 121503 904999	2
70	NAS1612-6		..PACKING- POSITION DATA: LH SIDE	002004 006999	4
70	NAS1612-6A		..PACKING- POSITION DATA: LH SIDE	002004 006999	4
71	NAS1612-6		..PACKING- POSITION DATA: RH SIDE	002004 006100 103107 121503 904999	3
72	273N2088-1		..MODULE ASSY-VALVE POSITION DATA: LH SIDE	002004 006999	1

MISSING ITEM NUMBERS NOT APPLICABLE

- ITEM NOT ILLUSTRATED

32-32-17-01

32-32-17  
 FIG. 01  
 PAGE 5  
 JAN 20/09

BRI



757

PARTS CATALOG (MAINTENANCE)

FIG ITEM	PART NUMBER	1 2 3 4 5 6 7	NOMENCLATURE	EFFECT FROM TO	UNITS PER ASSY
1					
74	273N2088-2		..MODULE ASSY-VALVE POSITION DATA: RH SIDE QUALIFIED I/W DATA: -2 MAY REPLACE -1 FOR R/H SIDE ONLY	002004 006999	1
76	6249		...VALVE-FUSE SUPPLIER CODE: V06177 POSITION DATA: LH SIDE SPECIFICATION NUMBER: 10-61245-9	002004 006999	1
78	273N2132-1		...ADAPTOR- USED ON: 273N2088-2	002004 006999	1
80	NAS1611-122A		...PACKING-	002004 006100 103107 121503 904999	1
85	MS28774-122		...RING- OPTIONAL PART: BACR12BM122	002004 006999	2
85	C11236-122B		...RING- SUPPLIER CODE: V26879 SPECIFICATION NUMBER: BACR12BM122 OPTIONAL PART: RMR12BM122 V94878 STF800-122 V02107 S30294-122-1 V97820 TF450-122A V07128 2100-122 V26303 MS28774-122	002004 006999	2
90	NAS1611-116A		...PACKING- POSITION DATA: LH SIDE	002004 006100 103107 121503 904999	1

MISSING ITEM NUMBERS NOT APPLICABLE

- ITEM NOT ILLUSTRATED

32-32-17-01

32-32-17  
FIG. 01  
PAGE 6  
JAN 20/09

BRI

BOEING PROPRIETARY - Copyright © - Unpublished Work - See title page for details.



757

PARTS CATALOG (MAINTENANCE)

FIG ITEM	PART NUMBER	1 2 3 4 5 6 7	NOMENCLATURE	EFFECT FROM TO	UNITS PER ASSY
1					
95	MS28774-116	...	RETAINER- POSITION DATA: LH SIDE OPTIONAL PART: BACR12BM116	002004 006999	2
95	C11236-116B	...	RING- SUPPLIER CODE: V26879 SPECIFICATION NUMBER: BACR12BM116 OPTIONAL PART: RMR12BM116 V94878 STF800-116 V02107 S30294-116-1 V97820 TF450-116A V07128 2100-116 V26303 POSITION DATA: LH SIDE MS28774-116	002004 006999	2
- 97	MS28774-116	...	RETAINER- POSITION DATA: RH SIDE	002004 006999	2
100	273N2089-1	...	MANIFOLD ASSY	002004 006999	1
105	SVSX0310000A	....	VALVE-SHUTTLE SUPPLIER CODE: V92555	002004 006999	1
110	273N2089-2	....	MANIFOLD	002004 006999	1
- 200	286N2414-005		WIRE BUNDLE ASSY-	002004 006100 950999	RF
- 200	286N2414-006		WIRE BUNDLE ASSY-	107107 121503 904949	RF
- 200	286N2414-303		WIRE BUNDLE ASSY-	101102 108120	RF
- 200	286N2414-310		WIRE BUNDLE ASSY	504903	RF
- 205	286N2510-004		WIRE BUNDLE ASSY-	002004 006100 950999	RF
- 205	286N2510-005		WIRE BUNDLE ASSY-	107107 121503 904949	RF

MISSING ITEM NUMBERS NOT APPLICABLE

- ITEM NOT ILLUSTRATED

32-32-17-01

32-32-17  
FIG. 01  
PAGE 7  
JAN 20/09

BRI

BOEING PROPRIETARY - Copyright © - Unpublished Work - See title page for details.



757

PARTS CATALOG (MAINTENANCE)

FIG ITEM	PART NUMBER	1 2 3 4 5 6 7	NOMENCLATURE	EFFECT FROM TO	UNITS PER ASSY
1					
- 205	286N2510-303		WIRE BUNDLE ASSY-	101102	RF
				108120	
- 205	286N2510-310		WIRE BUNDLE ASSY-	504903	RF
210	GS3418-14CD		.CLAMP-	002004	1
			SUPPLIER CODE:	006999	
			V06324		
			SPECIFICATION NUMBER:		
			BACC10HG14		
			OPTIONAL PART:		
			S2126-14-8		
			V07418		
			ELECTRICAL EQUIP NUMBER:		
			D03192T		
			D03208T		
			WIRING DIAGRAM REF:		
			276211		
215	R071014R7SNL		.CONNECTOR-	002004	1
			SUPPLIER CODE:	006999	
			V41118		
			SPECIFICATION NUMBER:		
			BACC63BP14R7SNL		
			MISCELLANEOUS DATA:		
			OPTIONAL PART NUMBERS:		
			BACC63BP14R7SN (81205)		
			BACC63BP14A7SN (81205)		
			BACC63BP14A7SNL (81205)		
			ELECTRICAL EQUIP NUMBER:		
			D03192		
			D03208		
			WIRING DIAGRAM REF:		
			276211		
900			ILLUSTRATION REFERENCE:		
			PLUMBING INSTL-SECT. 12	103106	RF
			L TRAILING EDGE		
			CTR SYS		
			(TRUCK POSITIONER		
			VALVE ONLY)		
			32-32-17-02		
905			ILLUSTRATION REFERENCE:		
			PLUMBING INSTL-SECT. 12	103106	RF
			L TRAILING EDGE		
			CTR SYS		
			(TRUCK POSITIONER		
			VALVE ONLY)		
			32-32-17-02		

MISSING ITEM NUMBERS NOT APPLICABLE

- ITEM NOT ILLUSTRATED

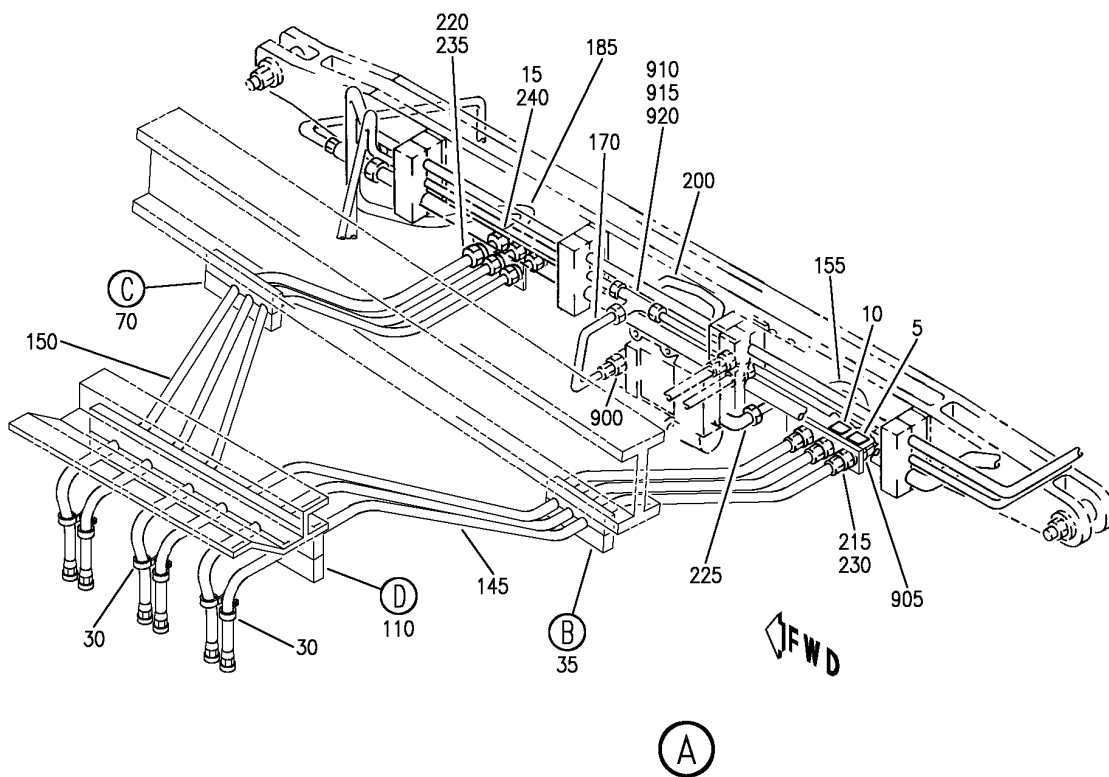
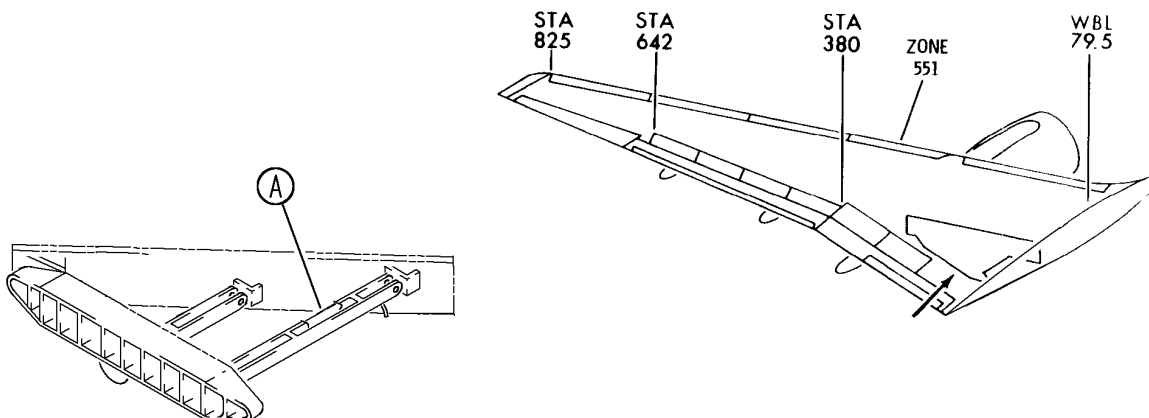
32-32-17-01

32-32-17  
FIG. 01  
PAGE 8  
JAN 20/09

BRI



**BOEING**  
757  
PARTS CATALOG (MAINTENANCE)



Y 32321702 SHT 1 REV 247

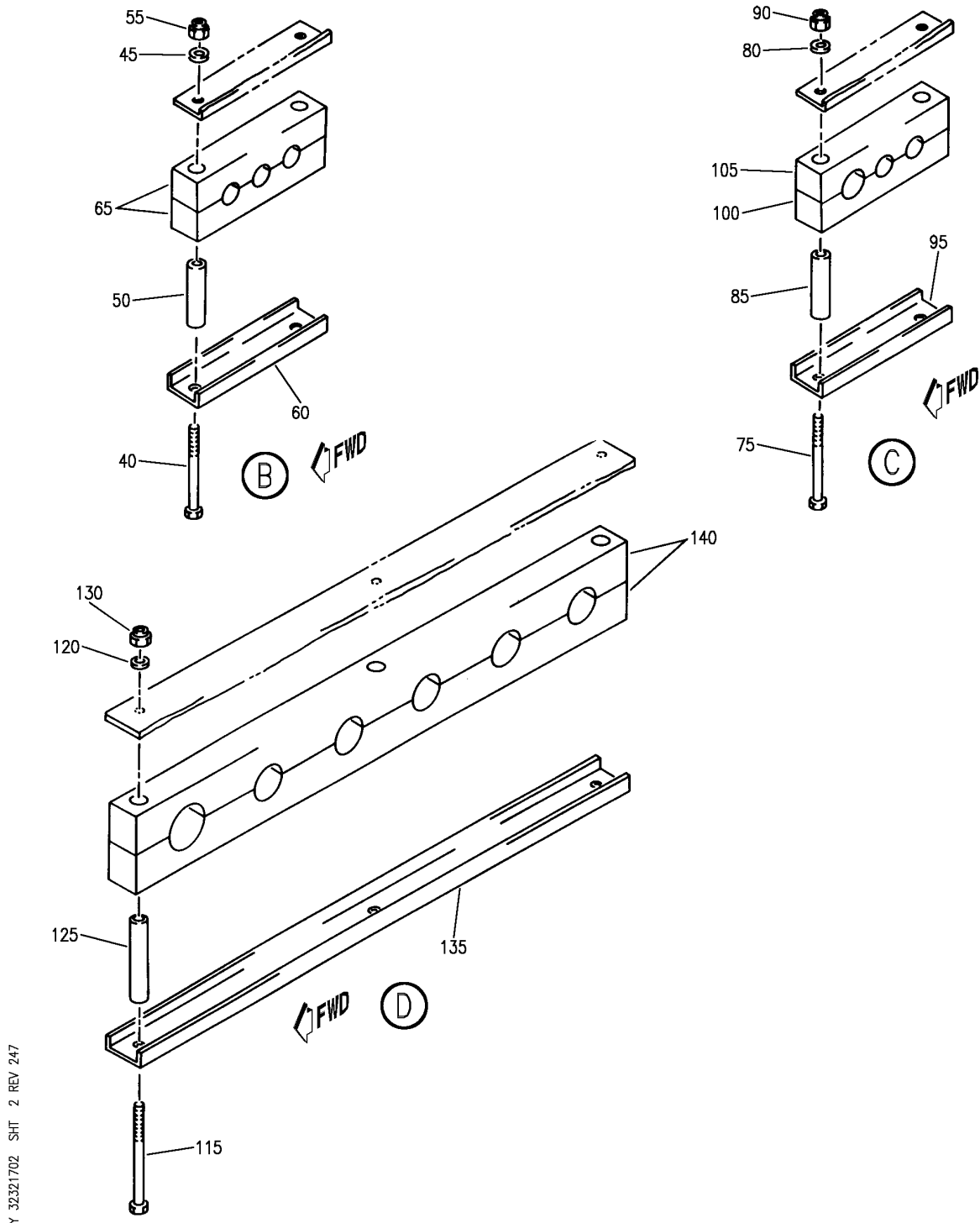
PLUMBING INSTL-SECT. 12 L TRAILING EDGE CTR SYS (TRUCK POSITIONER VALVE ONLY)  
FIGURE 2 (SHEET 1)

BRI  
JAN 20/09

**32-32-17-02**

32-32-17-02  
PAGE 0


**BOEING**  
 757  
**PARTS CATALOG (MAINTENANCE)**



Y 32321702 SHT 2 REV 247

PLUMBING INSTL-SECT. 12 L TRAILING EDGE CTR SYS (TRUCK POSITIONER VALVE ONLY)  
 FIGURE 2 (SHEET 2)

BRI  
JAN 20/09

# 32-32-17-02

32-32-17-02  
 PAGE 0A



757

PARTS CATALOG (MAINTENANCE)

FIG ITEM	PART NUMBER	1 2 3 4 5 6 7	NOMENCLATURE	EFFECT FROM TO	UNITS PER ASSY
2			PLUMBING INSTL-SECT. 12 L TRAILING EDGE CTR SYS (TRUCK POSITIONER VALVE ONLY)	103106	
- 1	MODREF31342		PLUMBING INSTL-HYDR CTR SYS (TRUCK POSITIONER VALVE ONLY) MODULE NUMBER: 271N6122-34 REV B POSITION DATA: SECT. 12 L TRAILING EDGE FOR OTHER SYS DETAILS SEE: 27-61-02-03 29-11-18-03 29-11-26-06 29-11-51-27 FOR ADDITIONAL DETAILS SEE: 32-32-01-04 32-32-02-03 32-32-07-02 32-32-51-01 32-41-51-06	103106	1
5	BAC27NHY0176		.MARKER-ALUMINUM FOIL PLACARD CONTENT: TRUCK POSN PRESS	103106	1
10	BAC27NHY0177		.MARKER-ALUMINUM FOIL PLACARD CONTENT: TRUCK POSN RET	103106	1
15	BACM10V21-2JG		.MARKER-ALUMINUM FOIL	103106	1
30	M85052-2-8		.CLAMP	103106	2
35	270N2000-196		.CLAMP ASSY-BLK	103106	1
40	NAS1801-3-28		..SCREW	103106	2
45	AN960PD10L		..WASHER	103106	2
50	NAS43DD3-75		..SPACER	103106	2

MISSING ITEM NUMBERS NOT APPLICABLE

- ITEM NOT ILLUSTRATED

32-32-17-02

32-32-17  
FIG. 02  
PAGE 1  
JAN 20/09

BRI



757

PARTS CATALOG (MAINTENANCE)

FIG ITEM	PART NUMBER	1 2 3 4 5 6 7	NOMENCLATURE	EFFECT FROM TO	UNITS PER ASSY
2					
55	BRH10A3	..	NUT SUPPLIER CODE: V52828 SPECIFICATION NUMBER: BACN10JC3 OPTIONAL PART: H10-3BAC V15653 NS202101-02 V80539 RMLH9075-3W V72962 VN303A02 V92215 96-02 V80539 T6S1032J V11815	103106	2
60	270N2000-855	..	CHANNEL	103106	1
65	270N2000-680	..	BLOCK	103106	2
70	270N2000-197	.	CLAMP ASSY-BLK	103106	1
75	NAS1801-3-32	..	SCREW	103106	2
80	AN960PD10L	..	WASHER	103106	2
85	NAS43DD3-89	..	SPACER	103106	2
90	BRH10A3	..	NUT SUPPLIER CODE: V52828 SPECIFICATION NUMBER: BACN10JC3 OPTIONAL PART: H10-3BAC V15653 NS202101-02 V80539 RMLH9075-3W V72962 VN303A02 V92215 96-02 V80539 T6S1032J V11815	103106	2
95	270N2000-1008	..	CHANNEL	103106	1
100	270N2000-681	..	BLOCK	103106	1
105	270N2000-682	..	BLOCK	103106	1
110	270N2000-163	.	CLAMP ASSY-BLK	103106	1
115	NAS1801-3-30	..	SCREW	103106	3
120	AN960PD10L	..	WASHER	103106	3
125	NAS43DD3-89	..	SPACER	103106	3

MISSING ITEM NUMBERS NOT APPLICABLE

- ITEM NOT ILLUSTRATED

32-32-17-02

32-32-17  
FIG. 02  
PAGE 2  
JAN 20/09

BRI



757

PARTS CATALOG (MAINTENANCE)

FIG ITEM	PART NUMBER	1 2 3 4 5 6 7	NOMENCLATURE	EFFECT FROM TO	UNITS PER ASSY
2 130	BRH10A3	..	NUT SUPPLIER CODE: V52828 SPECIFICATION NUMBER: BACN10JC3 OPTIONAL PART: H10-3BAC V15653 NS202101-02 V80539 RMLH9075-3W V72962 VN303A02 V92215 96-02 V80539 T6S1032J V11815	103106	3
135	270N2000-1004	..	CHANNEL	103106	1
140	270N2000-633	..	BLOCK	103106	2
145	AS154A04EE0500B	.H	HOSE ASSY SUPPLIER CODE: V00624 SPECIFICATION NUMBER: BACH8A04EE0500B OPTIONAL PART: B472-4EE0500B V98441 97934A04EE0500B V78570 R291204EE0500B V50599	103106	1
150	BACH8A08EE0570B	.H	HOSE ASSY	103106	1
155	271N6122-1025	.T	TUBE ASSY-TRUCK PRESSURE SYS POSITION DATA: L TUBING MATERIAL: .250 IN. OD .016 IN. WALL 10.00 IN. LG TITANIUM	103106	1
- 160	AS1581T04	..	SLEEVE	103106	2
- 165	BACN10YA4	..	NUT	103106	2
170	271N6122-1024	.T	TUBE ASSY-LG UP TUBING MATERIAL: .250 IN. OD .016 IN. WALL 6.43 IN. LG TITANIUM	103106	1
- 175	AS1581T04	..	SLEEVE	103106	2

MISSING ITEM NUMBERS NOT APPLICABLE

- ITEM NOT ILLUSTRATED

32-32-17-02

32-32-17  
FIG. 02  
PAGE 3  
JAN 20/09

BRI



757

PARTS CATALOG (MAINTENANCE)

FIG ITEM	PART NUMBER	1 2 3 4 5 6 7	NOMENCLATURE	EFFECT FROM TO	UNITS PER ASSY
2					
- 180	BACN10YA4	..	NUT	103106	2
185	271N6122-1253	.TUBE ASSY-RETURN SYS		103106	1
			POSITION DATA:		
			L		
			TUBING MATERIAL:		
			.625 IN. OD .035 IN.		
			WALL 27.00 IN. LG AL		
- 190	AP2097HP10	..	SLEEVE	103106	2
			SUPPLIER CODE:		
			V01673		
			SPECIFICATION NUMBER:		
			BACS13BX10HP		
			OPTIONAL PART:		
			2-02903-10HP		
			V11328		
			35235VN10		
			V08199		
			AFP175V10P		
			V30974		
			DBOS13BX10HP		
			V14798		
- 195	BACN10YL10	..	NUT-	103106	2
			OPTIONAL PART:		
			MS21921-10D		
- 195	MS21921-10D	..	NUT-	103106	2
			OPTIONAL PART:		
			BACN10YL10		
200	271N6122-1023	.TUBE ASSY-LG DOWN		103106	1
			TUBING MATERIAL:		
			.250 IN. OD .016 IN.		
			WALL 7.00 IN. LG TI		
- 205	AS1581T04	..	SLEEVE	103106	2
- 210	BACN10YA4	..	NUT	103106	2

MISSING ITEM NUMBERS NOT APPLICABLE

- ITEM NOT ILLUSTRATED

32-32-17-02

32-32-17  
FIG. 02  
PAGE 4  
JAN 20/09

BRI



757

PARTS CATALOG (MAINTENANCE)

FIG ITEM	PART NUMBER	1 2 3 4 5 6 7	NOMENCLATURE	EFFECT FROM TO	UNITS PER ASSY
2 215	APX832T0604	.	UNION SUPPLIER CODE: V01673 SPECIFICATION NUMBER: BACU24AA0604T OPTIONAL PART: ER832-0604T V50948 2-010890604T V11328 AFP238-0604T V30974 APX832-0604T V01673 DBOU24AA0604T V61498 FER1579-0604T V14397 US2113-0604T V50808 2-01089T0604 V11328	103106	1
220	MS21924D10	.	UNION	103106	1
225	AP1042JN0404	.	ELBOW SUPPLIER CODE: V01673 SPECIFICATION NUMBER: BACE21BT0404JN	103106	1
230	AS5178D06	.	NUT	103106	1
235	AS5178D10	.	NUT	103106	1
240	1C3596	.	VALVE SUPPLIER CODE: V99240 SPECIFICATION NUMBER: BACV10CD14 OPTIONAL PART: 0121520900-14 V83533	103106	1
900			ILLUSTRATION REFERENCE: VALVE INSTL-TRUCK POSITIONER SHUTTLE 32-32-17-01	103106	RF
905			ILLUSTRATION REFERENCE: VALVE INSTL-TRUCK POSITIONER SHUTTLE 32-32-17-01	103106	RF

MISSING ITEM NUMBERS NOT APPLICABLE

- ITEM NOT ILLUSTRATED

32-32-17-02

32-32-17  
FIG. 02  
PAGE 5  
JAN 20/09

BRI



757

PARTS CATALOG (MAINTENANCE)

FIG ITEM	PART NUMBER	1 2 3 4 5 6 7	NOMENCLATURE	EFFECT FROM TO	UNITS PER ASSY
2 910			ILLUSTRATION REFERENCE: PLUMBING INSTL-INBD WING SECT. 12 HYDR LH (MAIN GEAR EXTENSION AND RETRACTION ONLY) 32-32-51-01	103106	RF
915			ILLUSTRATION REFERENCE: PLUMBING INSTL-INBD WING SECT. 12 HYDR LH (MAIN GEAR EXTENSION AND RETRACTION ONLY) 32-32-51-01	103106	RF
920			ILLUSTRATION REFERENCE: PLUMBING INSTL-INBD WING SECT. 12 HYDR LH (MAIN GEAR EXTENSION AND RETRACTION ONLY) 32-32-51-01	103106	RF

MISSING ITEM NUMBERS NOT APPLICABLE

- ITEM NOT ILLUSTRATED

BRI

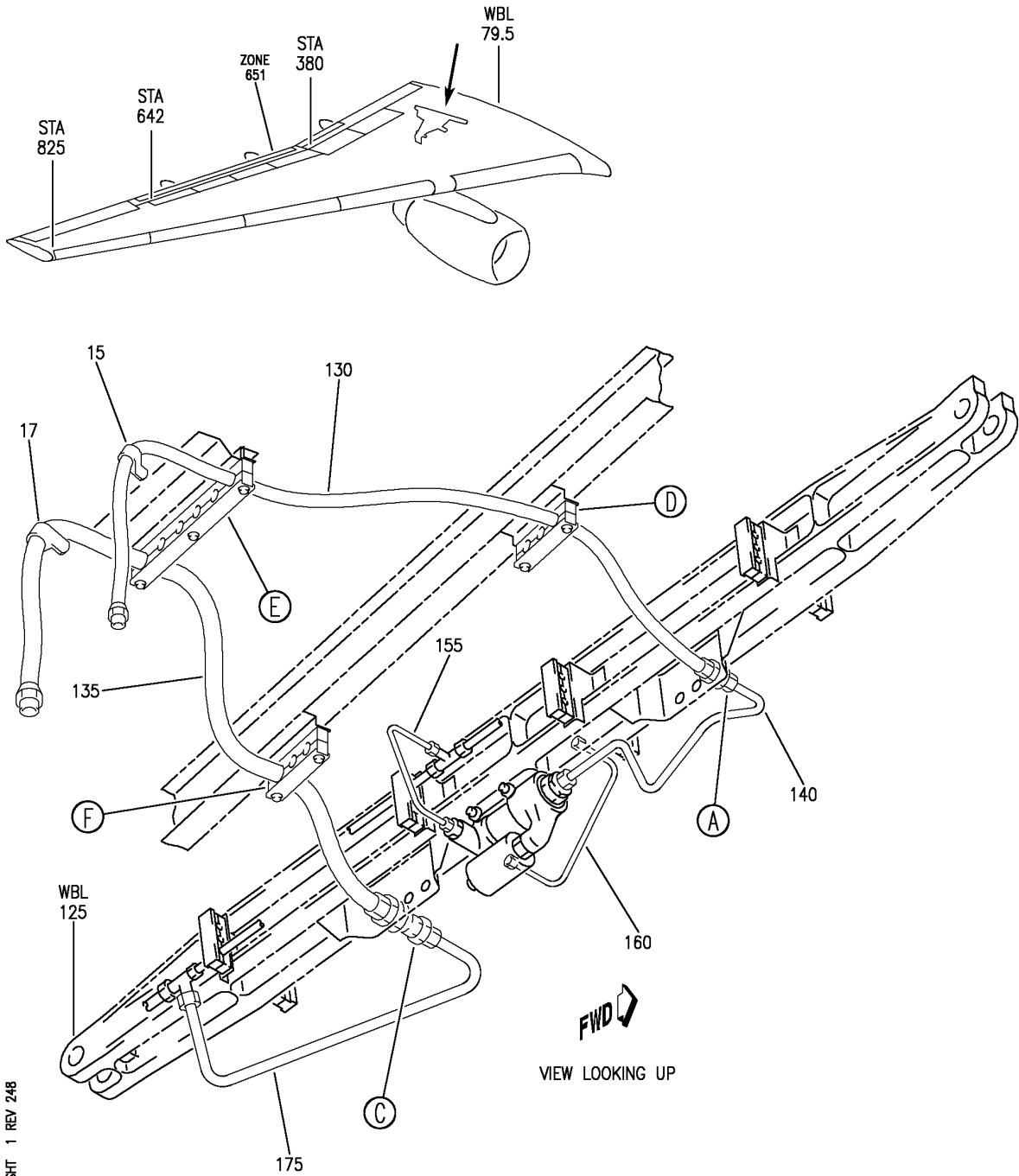
**32-32-17-02**

BOEING PROPRIETARY - Copyright © - Unpublished Work - See title page for details.

32-32-17  
FIG. 02  
PAGE 6  
JAN 20/09



**BOEING**  
757  
PARTS CATALOG (MAINTENANCE)



Y 32321703 SH1 1 REV 248

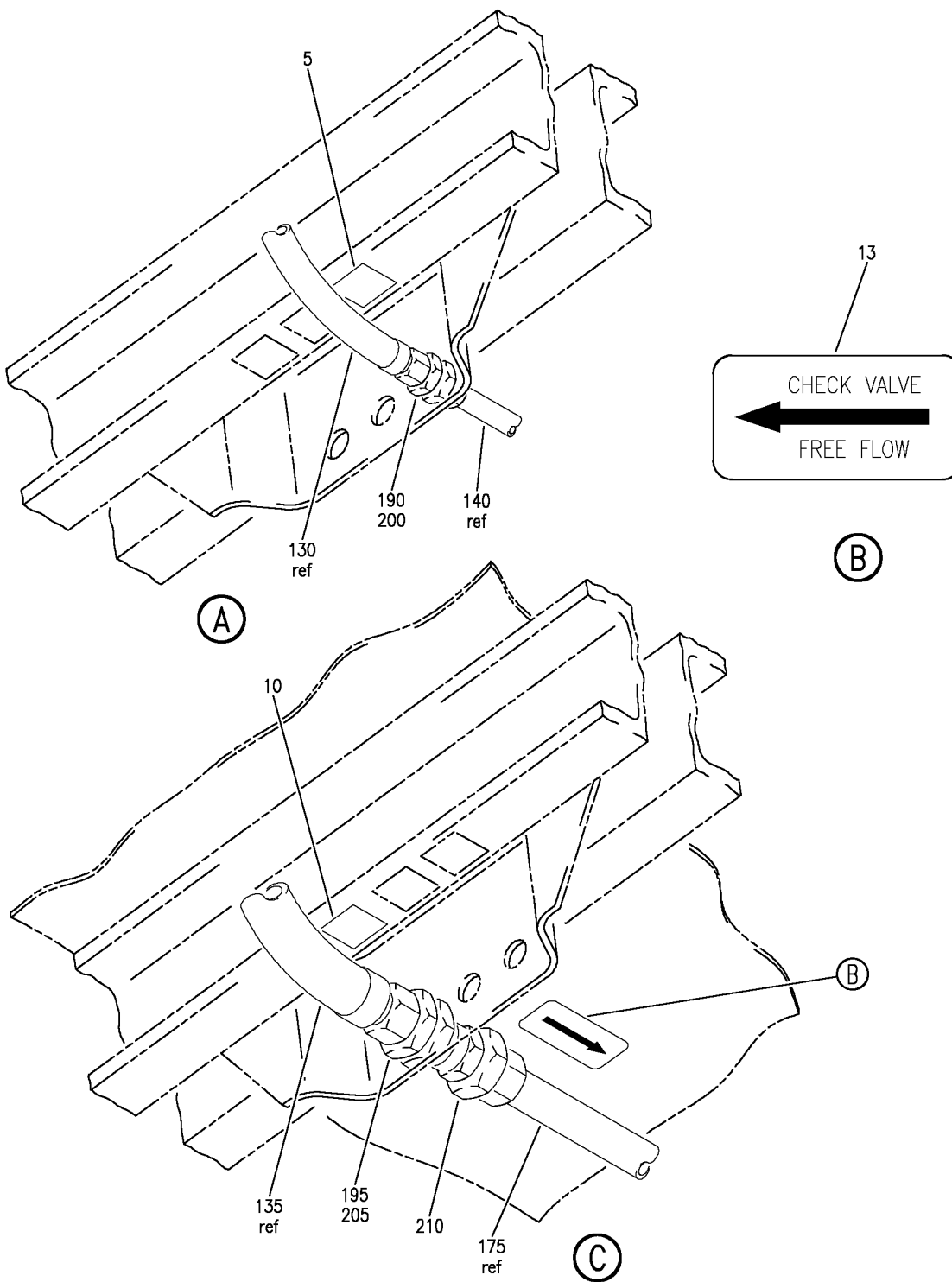
PLUMBING INSTL-SECT. 12 R TRAILING EDGE CTR SYS (TRUCK POSITIONER VALVE ONLY)  
FIGURE 3 (SHEET 1)

BRI  
JAN 20/09

**32-32-17-03**

32-32-17-03  
PAGE 0

**BOEING**  
757  
PARTS CATALOG (MAINTENANCE)



Y 32321703 SH1 2 REV 248

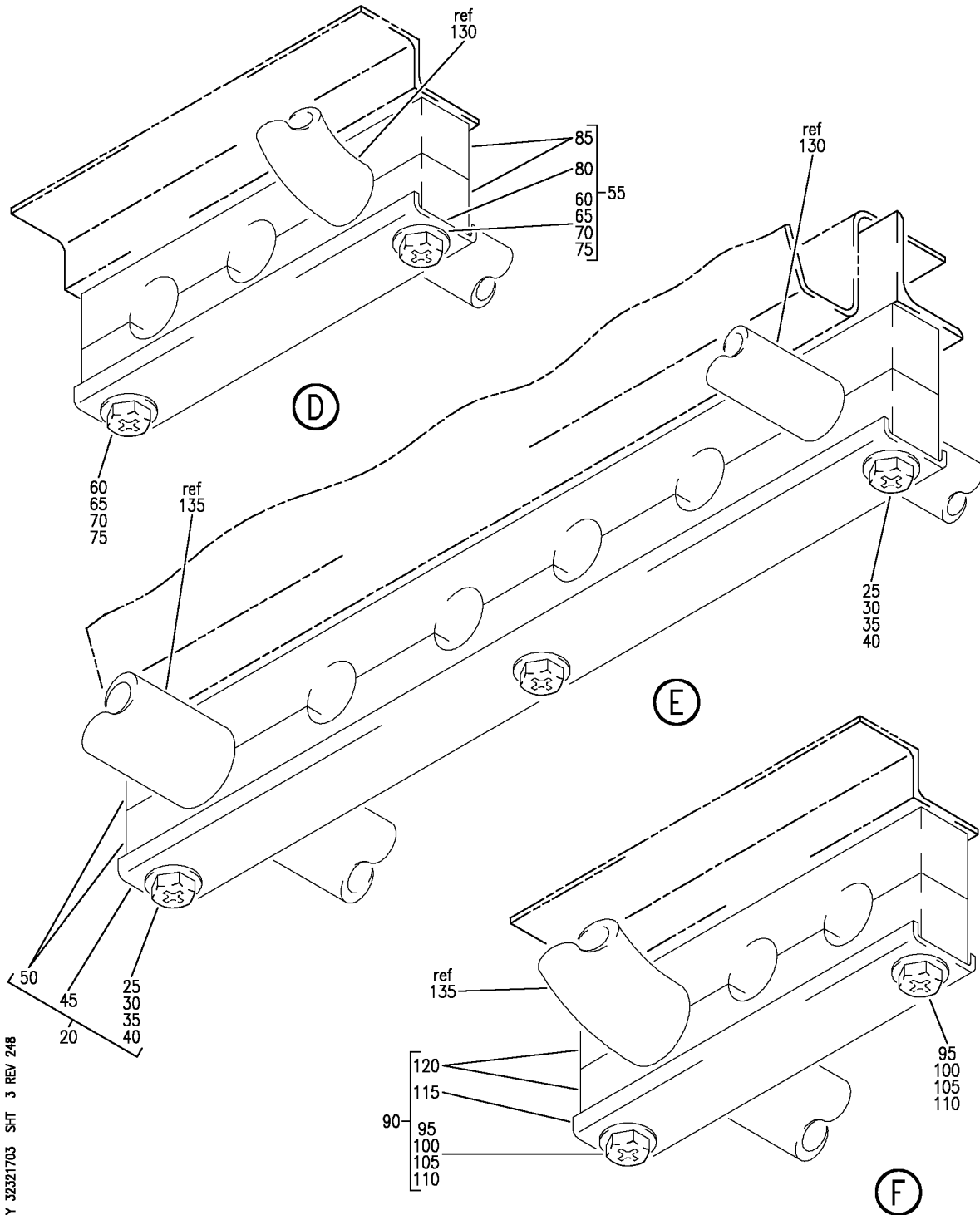
PLUMBING INSTL-SECT. 12 R TRAILING EDGE CTR SYS (TRUCK POSITIONER VALVE ONLY)  
FIGURE 3 (SHEET 2)

BRI  
JAN 20/09

**32-32-17-03**

32-32-17-03  
PAGE 0A

**BOEING**  
757  
PARTS CATALOG (MAINTENANCE)



Y 32321703 SHT 3 REV 248

PLUMBING INSTL-SECT. 12 R TRAILING EDGE CTR SYS (TRUCK POSITIONER VALVE ONLY)  
FIGURE 3 (SHEET 3)

BRI  
JAN 20/09

**32-32-17-03**

32-32-17-03  
PAGE 0B



757

PARTS CATALOG (MAINTENANCE)

FIG ITEM	PART NUMBER	1 2 3 4 5 6 7	NOMENCLATURE	EFFECT FROM TO	UNITS PER ASSY
3			PLUMBING INSTL-SECT. 12 R TRAILING EDGE CTR SYS (TRUCK POSITIONER VALVE ONLY)	103106	
- 1	MODREF24143		PLUMBING INSTL-HYDR CTR SYS (TRUCK POSITIONER VALVE ONLY) MODULE NUMBER: 271N6123-21 REV B POSITION DATA: SECT. 12 R TRAILING EDGE FOR OTHER SYS DETAILS SEE: 27-61-02-06 29-11-18-04 29-11-26-07 29-11-51-29A FOR ADDITIONAL DETAILS SEE: 32-32-01-05 32-32-02-04 32-32-07-03 32-32-51-02 32-41-51-07	103105	1
- 1	MODREF34199		PLUMBING INSTL-HYDR CTR SYS (TRUCK POSITIONER VALVE ONLY) MODULE NUMBER: 271N6123-21 REV C POSITION DATA: SECT. 12 R TRAILING EDGE FOR OTHER SYS DETAILS SEE: 27-61-02-06 29-11-18-04 29-11-26-07 29-11-51-29A FOR ADDITIONAL DETAILS SEE: 32-32-01-05 32-32-02-04 32-32-07-03 32-32-51-02 32-41-51-07	106106	1
5	BAC27NHY0176		.MARKER-ALUMINUM FOIL PLACARD CONTENT: TRUCK POSN PRESS	103106	1
10	BAC27NHY0177		.MARKER-ALUMINUM FOIL PLACARD CONTENT: TRUCK POSN RET	103106	1

MISSING ITEM NUMBERS NOT APPLICABLE

- ITEM NOT ILLUSTRATED

32-32-17-03

32-32-17  
FIG. 03  
PAGE 1  
JAN 20/09

BRI



757

PARTS CATALOG (MAINTENANCE)

FIG ITEM	PART NUMBER	1 2 3 4 5 6 7	NOMENCLATURE	EFFECT FROM TO	UNITS PER ASSY
3					
13	BACM10V21-2JH	.	MARKER-ALUMINUM FOIL	103106	1
15	M85052-2-8	.	CLAMP	103106	1
17	M85052-2-11	.	CLAMP	103106	1
20	270N2000-163	.	CLAMP ASSY-BLK	103106	1
25	NAS1801-3-30	..	SCREW	103106	3
30	AN960PD10L	..	WASHER	103106	3
35	NAS43DD3-89	..	SPACER	103106	3
40	BRH10A3	..	NUT	103106	3
			SUPPLIER CODE: V52828		
			SPECIFICATION NUMBER: BACN10JC3		
			OPTIONAL PART: H10-3BAC		
			V15653		
			NS202101-02		
			V80539		
			RMLH9075-3W		
			V72962		
			VN303A02		
			V92215		
			96-02		
			V80539		
			T6S1032J		
			V11815		
45	270N2000-1004	..	CHANNEL	103106	1
50	270N2000-633	..	BLOCK	103106	2
55	270N2000-196	.	CLAMP ASSY-BLK	103106	1
60	NAS1801-3-28	..	SCREW	103106	2
65	AN960PD10L	..	WASHER	103106	2
70	NAS43DD3-75	..	SPACER	103106	2
75	BRH10A3	..	NUT	103106	2
			SUPPLIER CODE: V52828		
			SPECIFICATION NUMBER: BACN10JC3		
			OPTIONAL PART: H10-3BAC		
			V15653		
			NS202101-02		
			V80539		
			RMLH9075-3W		
			V72962		
			VN303A02		
			V92215		
			96-02		
			V80539		
			T6S1032J		
			V11815		

MISSING ITEM NUMBERS NOT APPLICABLE

- ITEM NOT ILLUSTRATED

BRI

32-32-17-03

BOEING PROPRIETARY - Copyright © - Unpublished Work - See title page for details.

32-32-17  
FIG. 03  
PAGE 2  
JAN 20/09



757

PARTS CATALOG (MAINTENANCE)

FIG ITEM	PART NUMBER	1 2 3 4 5 6 7	NOMENCLATURE	EFFECT FROM TO	UNITS PER ASSY
3					
80	270N2000-855	..	CHANNEL	103106	1
85	270N2000-680	..	BLOCK	103106	2
90	270N2000-195	.CLAMP	ASSY-BLK	103106	1
95	NAS1801-3-32	..	SCREW	103106	2
100	AN960PD10L	..	WASHER	103106	2
105	NAS43DD3-89	..	SPACER	103106	2
110	BRH10A3	..	NUT	103106	2
			SUPPLIER CODE: V52828		
			SPECIFICATION NUMBER: BACN10JC3		
			OPTIONAL PART: H10-3BAC		
			V15653		
			NS202101-02		
			V80539		
			RMLH9075-3W		
			V72962		
			VN303A02		
			V92215		
			96-02		
			V80539		
			T6S1032J		
			V11815		
115	270N2000-855	..	CHANNEL	103106	1
120	270N2000-679	..	BLOCK	103106	2
130	BACH8A04EE0560B	.HOSE	ASSY-	103106	1
			MISCELLANEOUS DATA: SPARES PROVISIONING DATA-NOT FOR BOEING MANUFACTURING USE: BACH8A04EE0557B CAN BE REPLACED BY BUT NOT REPLACE BACH8A04EE0560B		
135	BACH8A08EE0490B	.HOSE	ASSY-	103106	1
			MISCELLANEOUS DATA: SPARES PROVISIONING DATA-NOT FOR BOEING MANUFACTURING USE: BACH8A08EE0487B CAN BE REPLACED BY BUT NOT REPLACE BACH8A08EE0490B		
140	271N6123-1273	.TUBE	ASSY-TRUCK PRESSURE SYS	103106	1
			POSITION DATA: L TUBING MATERIAL: .375 IN. OD .019 IN. WALL 15.50 IN. LG TI		

MISSING ITEM NUMBERS NOT APPLICABLE

- ITEM NOT ILLUSTRATED

32-32-17-03

32-32-17  
FIG. 03  
PAGE 3  
JAN 20/09

BRI



757

PARTS CATALOG (MAINTENANCE)

FIG ITEM	PART NUMBER	1 2 3 4 5 6 7	NOMENCLATURE	EFFECT FROM TO	UNITS PER ASSY
3					
- 145	AS1581T06	..	SLEEVE	103106	2
- 150	BACN10YA6N	..	NUT	103106	2
155	271N6123-1022	.TUBE ASSY-LG UP		103106	1
		TUBING MATERIAL:			
		.250 IN. OD .016 IN.			
		WALL 9.00 IN. LG TI			
160	271N6123-1021	.TUBE ASSY-LG DN		103106	1
		TUBING MATERIAL:			
		.250 IN. OD .016 IN.			
		WALL 12.00 IN. LG TI			
- 165	AS1581T04	..	SLEEVE	103106	2
- 170	BACN10YA4	..	NUT	103106	2
175	271N6123-1189	.TUBE ASSY-RETURN SYS		103106	1
		POSITION DATA:			
		L			
		TUBING MATERIAL:			
		.625 IN. OD .035 IN.			
		WALL 18.10 IN. LG AL			
- 180	AP2097HP10	..	SLEEVE	103106	2
		SUPPLIER CODE:			
		V01673			
		SPECIFICATION NUMBER:			
		BACS13BX10HP			
		OPTIONAL PART:			
		2-02903-10HP			
		V11328			
		35235VN10			
		V08199			
		AFP175V10P			
		V30974			
		DBOS13BX10HP			
		V14798			
- 185	BACN10YL10	..	NUT-	103106	2
		OPTIONAL PART:			
		MS21921-10D			
- 185	MS21921-10D	..	NUT-	103106	2
		OPTIONAL PART:			
		BACN10YL10			
190	MS21924-6T	.UNION		103106	1
195	MS21924D10	.UNION		103106	1
200	AS5178D06	.NUT		103106	1
205	AS5178D10	.NUT		103106	1

MISSING ITEM NUMBERS NOT APPLICABLE

- ITEM NOT ILLUSTRATED

32-32-17-03

32-32-17  
FIG. 03  
PAGE 4  
JAN 20/09

BRI

BOEING PROPRIETARY - Copyright © - Unpublished Work - See title page for details.



757

PARTS CATALOG (MAINTENANCE)

FIG ITEM	PART NUMBER	1 2 3 4 5 6 7	NOMENCLATURE	EFFECT FROM TO	UNITS PER ASSY
3 210	1C3596		. VALVE SUPPLIER CODE: V99240 SPECIFICATION NUMBER: BACV10CD14 OPTIONAL PART: 0121520900-14 V83533	103106	1

MISSING ITEM NUMBERS NOT APPLICABLE

- ITEM NOT ILLUSTRATED

BRI

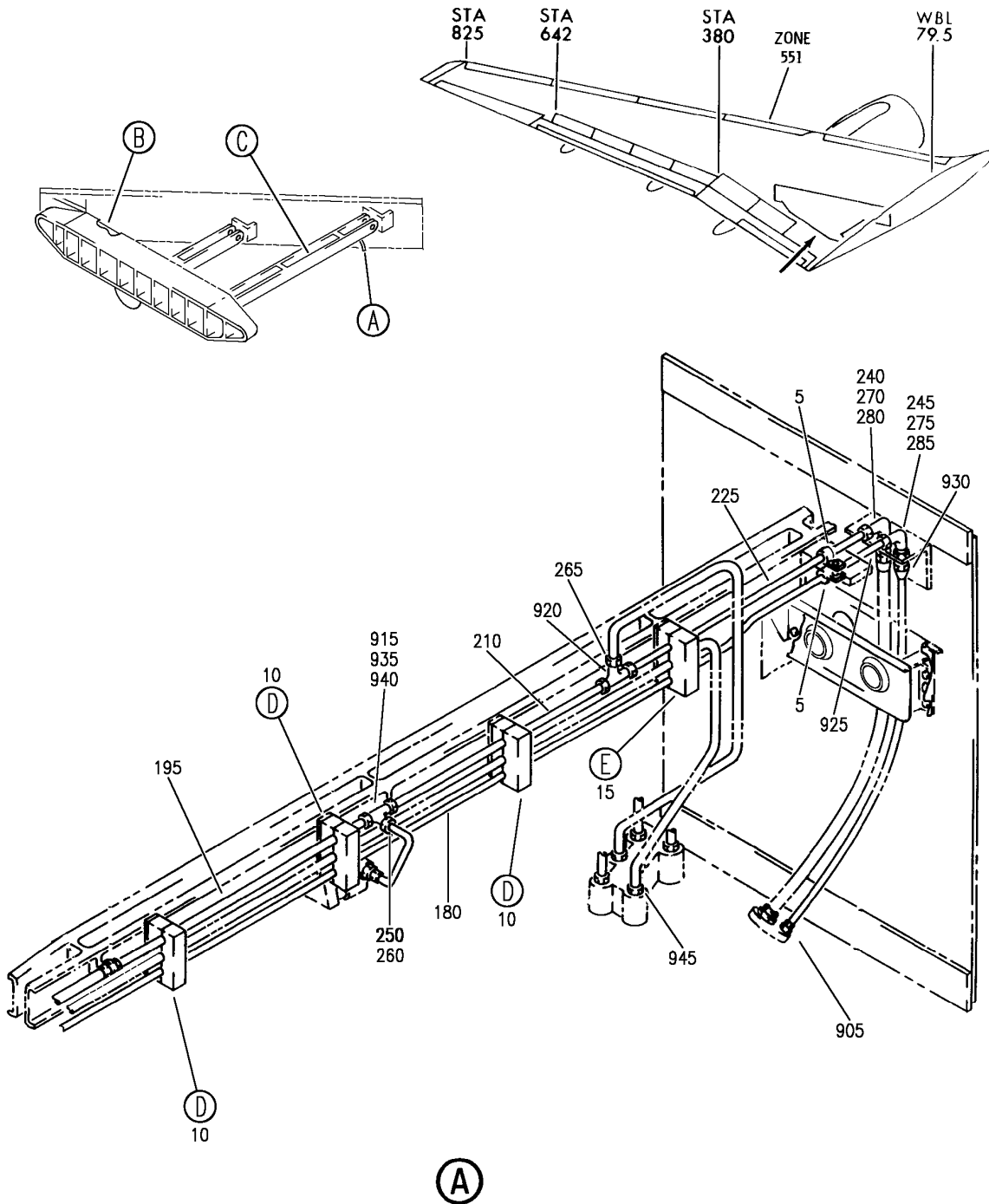
32-32-17-03

BOEING PROPRIETARY - Copyright © - Unpublished Work - See title page for details.

32-32-17  
FIG. 03  
PAGE 5  
JAN 20/09



**BOEING**  
757  
PARTS CATALOG (MAINTENANCE)



Y 32325101 SH1 1 REV 247

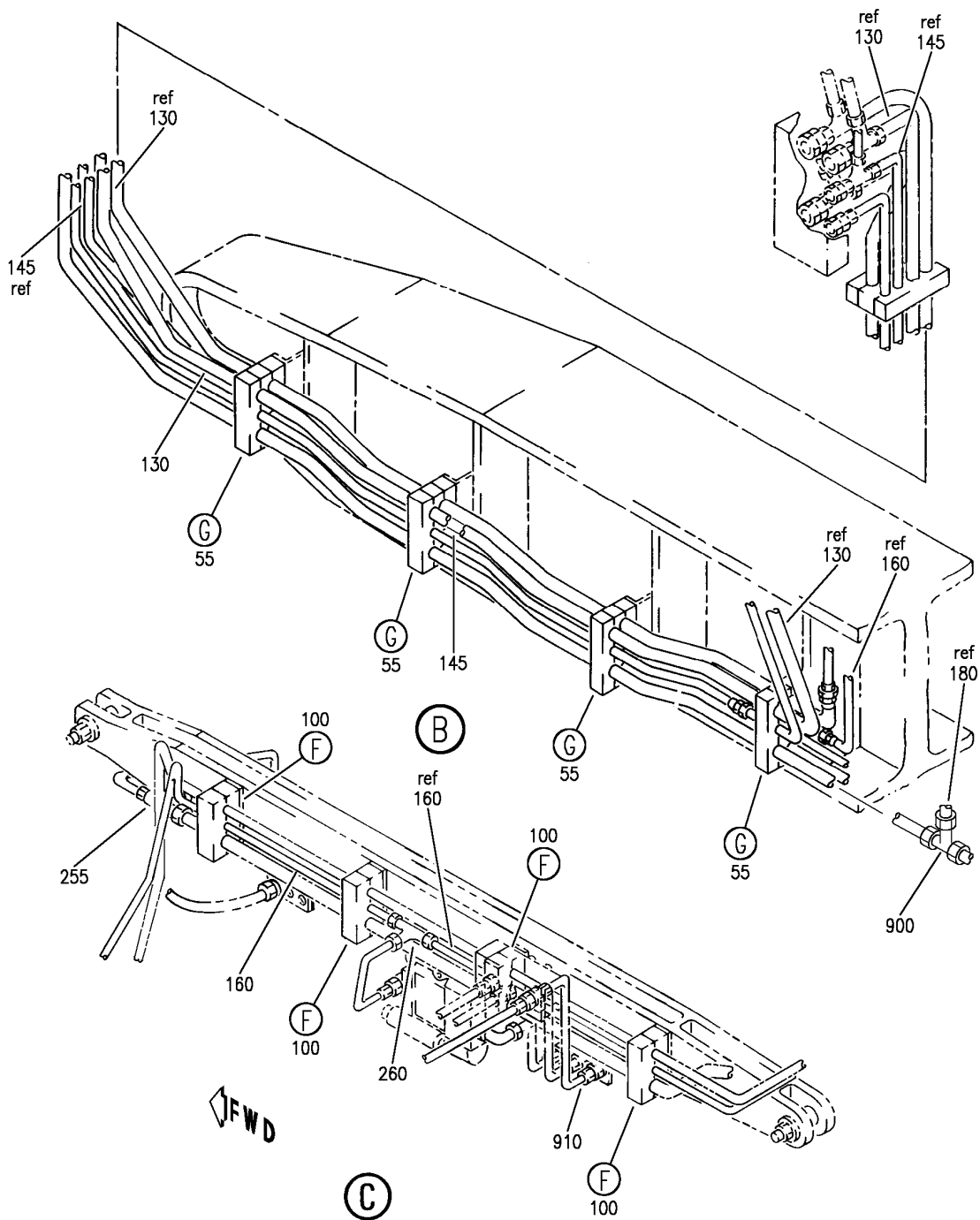
PLUMBING INSTL-INBD WING SECT. 12 HYDR LH (MAIN GEAR EXTENSION AND RETRACTION ONLY)  
FIGURE 1 (SHEET 1)

**32-32-51-01**

BRI  
JAN 20/09

32-32-51-01  
PAGE 0

**BOEING**  
757  
PARTS CATALOG (MAINTENANCE)



Y 32325101 SH1 2 REV 247

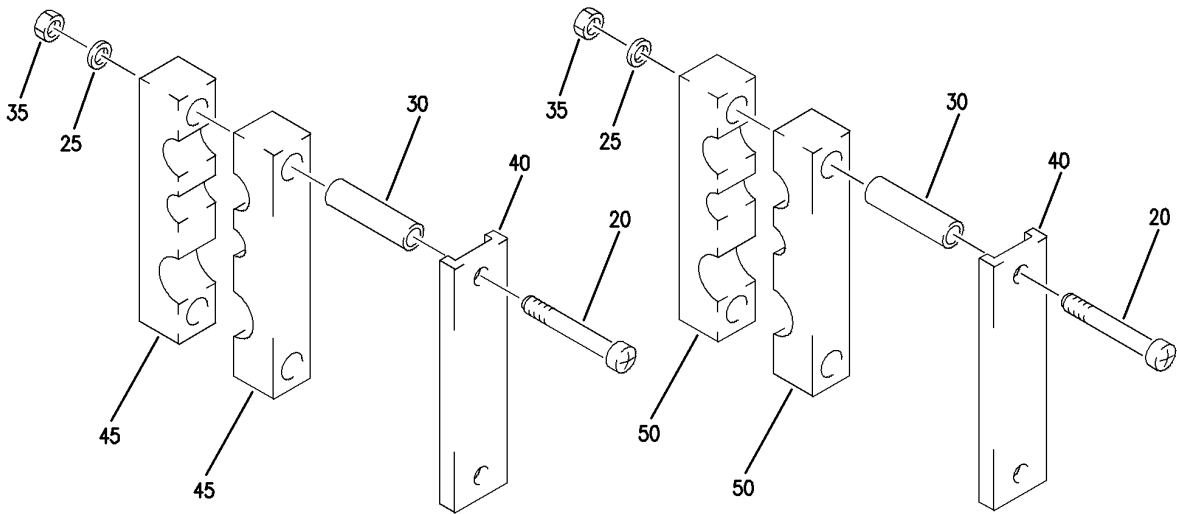
PLUMBING INSTL-INBD WING SECT. 12 HYDR LH (MAIN GEAR EXTENSION AND RETRACTION ONLY)  
FIGURE 1 (SHEET 2)

# 32-32-51-01

BRI  
JAN 20/09

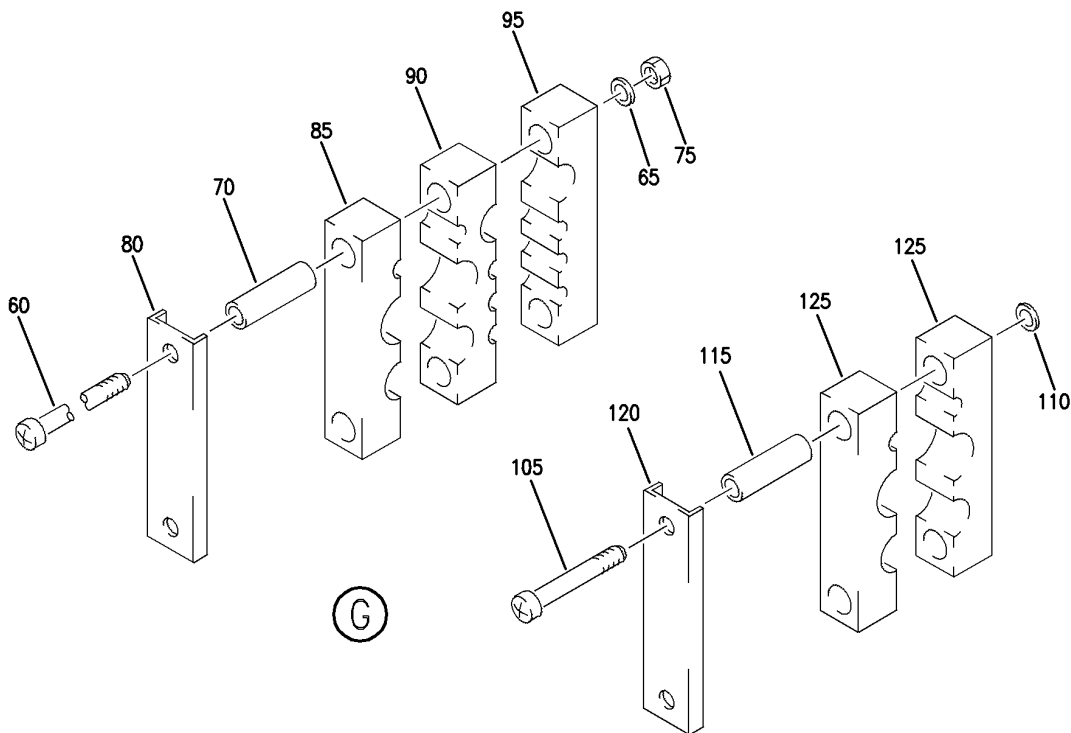
32-32-51-01  
PAGE 0A

**BOEING**  
757  
PARTS CATALOG (MAINTENANCE)



(D)

(E)



(G)

(F)

Y 32325101 SHT 3 REV 247

PLUMBING INSTL-INBD WING SECT. 12 HYDR LH (MAIN GEAR EXTENSION AND RETRACTION ONLY)  
FIGURE 1 (SHEET 3)

BRI  
JAN 20/09

**32-32-51-01**

32-32-51-01  
PAGE 0B



757

PARTS CATALOG (MAINTENANCE)

FIG ITEM	PART NUMBER	1 2 3 4 5 6 7	NOMENCLATURE	EFFECT FROM TO	UNITS PER ASSY
1			PLUMBING INSTL-INBD WING SECT. 12 HYDR LH (MAIN GEAR EXTENSION AND RETRACTION ONLY)	103106	
- 1	MODREF31342		PLUMBING INSTL-HYDR CTR SYS (MAIN GEAR EXTENSION AND RETRACTION ONLY) MODULE NUMBER: 271N6122-34 REV B POSITION DATA: SECT. 12 L TRAILING EDGE FOR OTHER SYS DETAILS SEE: 27-61-02-03 29-11-18-03 29-11-26-06 29-11-51-27 FOR ADDITIONAL DETAILS SEE: 32-32-01-04 32-32-02-03 32-32-07-02 32-32-17-02 32-41-51-06	103106	1
5	M85052-2-4	.	CLAMP	103106	2
10	270N2000-9	.	CLAMP ASSY-BLK	103106	3
15	270N2000-30	.	CLAMP ASSY-BLK	103106	1
20	NAS1801-3-24	..	SCREW	103106	2
25	AN960PD10L	..	WASHER	103106	2
30	NAS43DD3-59	..	SPACER	103106	2
35	BRH10A3	..	NUT	103106	2
			SUPPLIER CODE: V52828 SPECIFICATION NUMBER: BACN10JC3 OPTIONAL PART: H10-3BAC V15653 NS202101-02 V80539 RMLH9075-3W V72962 VN303A02 V92215 96-02 V80539 T6S1032J V11815		
40	270N2000-816	..	CHANNEL	103106	1

MISSING ITEM NUMBERS NOT APPLICABLE

- ITEM NOT ILLUSTRATED

BRI

32-32-51-01

32-32-51  
FIG. 01  
PAGE 1  
JAN 20/09

 **BOEING**  
757  
**PARTS CATALOG (MAINTENANCE)**

FIG ITEM	PART NUMBER	1 2 3 4 5 6 7	NOMENCLATURE	EFFECT FROM TO	UNITS PER ASSY
1					
45	270N2000-441	..	BLOCK- USED ON: 270N2000-9	103106	2
50	270N2000-446	..	BLOCK- USED ON: 270N2000-30	103106	2
55	270N2000-136	.	CLAMP ASSY-BLK	103106	4
60	NAS1801-3-45	..	SCREW	103106	2
65	AN960PD10L	..	WASHER	103106	2
70	NAS43DD3-144	..	SPACER	103106	2
75	BRH10A3	..	NUT  SUPPLIER CODE: V52828 SPECIFICATION NUMBER: BACN10JC3 OPTIONAL PART: H10-3BAC V15653 NS202101-02 V80539 RMLH9075-3W V72962 VN303A02 V92215 96-02 V80539 T6S1032J V11815	103106	2
80	270N2000-807	..	CHANNEL	103106	1
85	270N2000-412	..	BLOCK	103106	1
90	270N2000-414	..	BLOCK	103106	1
95	270N2000-589	..	BLOCK	103106	1
100	270N2000-28	.	CLAMP ASSY-BLK	103106	4
105	NAS1801-3-28	..	SCREW	103106	2
110	AN960PD10L	..	WASHER	103106	2
115	NAS43DD3-75	..	SPACER	103106	2
120	270N2000-814	..	CHANNEL	103106	1
125	270N2000-439	..	BLOCK	103106	2
130	271N6122-1294	.	TUBE ASSY-DOOR OPEN SYS POSITION DATA: L TUBING MATERIAL: .500 IN. OD .026 IN. WALL 91.00 IN. LG TI	103106	1
- 135	AS1581T08	..	SLEEVE	103106	2
- 140	BACN10YA8N	..	NUT	103106	2

MISSING ITEM NUMBERS NOT APPLICABLE

- ITEM NOT ILLUSTRATED

# 32-32-51-01

32-32-51  
FIG. 01  
PAGE 2  
JAN 20/09

BRI

BOEING PROPRIETARY - Copyright © - Unpublished Work - See title page for details.



757

PARTS CATALOG (MAINTENANCE)

FIG ITEM	PART NUMBER	1 2 3 4 5 6 7	NOMENCLATURE	EFFECT FROM TO	UNITS PER ASSY
1					
145	271N6122-1296		.TUBE ASSY-LG UP TUBING MATERIAL: .375 IN. OD .019 IN. WALL 80.00 IN. LG TI	103106	1
- 150	AS1581T06		..SLEEVE	103106	2
- 155	BACN10YA6N		..NUT	103106	2
160	271N6122-1014		.TUBE ASSY-LG UP TUBING MATERIAL: .375 IN. OD .019 IN. WALL 37.50 IN. LG TI	103106	1
- 165	AS1581T06		..SLEEVE	103106	1
- 170	AS1582T06		..UNION	103106	1
- 175	BACN10YA6		..NUT	103106	1
180	271N6122-1309		.TUBE ASSY-LG UP TUBING MATERIAL: .250 IN. OD .016 IN. WALL 75.50 IN. LG TI	103106	1
- 185	AS1581T04		..SLEEVE	103106	2
- 190	BACN10YA4N		..NUT-	103106	2
195	271N6122-1011		.TUBE ASSY-LG DOWN TUBING MATERIAL: .375 IN. OD .019 IN. WALL 21.81 IN. LG TI	103106	1
- 200	AS1581T06		..SLEEVE	103106	2
- 205	BACN10YA6		..NUT	103106	2
210	271N6122-1017		.TUBE ASSY-LG DOWN TUBING MATERIAL: .375 IN. OD .019 IN. WALL 10.56 IN. LG TI	103106	1
- 215	AS1581T06		..SLEEVE	103106	2
- 220	BACN10YA6		..NUT	103106	2
225	271N6122-1196		.TUBE ASSY-LG DOWN TUBING MATERIAL: .250 IN. OD .016 IN. WALL 19.05 IN LG TI	103106	1
- 230	AS1581T04		..SLEEVE	103106	2
- 235	BACN10YA4		..NUT	103106	2
240	BACE21BN0604J		.ELBOW	103106	1
245	BACE21BN0404J		.ELBOW	103106	1
250	MS21916-8-6T		.REDUCER	103106	1
255	BACT16BL100610W		.TEE	103106	1
260	BACT16BL060604J		.TEE	103106	2
265	BACT16BL060406J		.TEE	103106	2
270	AS5178D06		.NUT	103106	1
275	AS5178D04		.NUT	103106	1
280	NAS1149D0963J		.WASHER	103106	1
285	NAS1149D0763J		.WASHER	103106	1

MISSING ITEM NUMBERS NOT APPLICABLE

- ITEM NOT ILLUSTRATED

32-32-51-01

32-32-51  
FIG. 01  
PAGE 3  
JAN 20/09

BRI



757

PARTS CATALOG (MAINTENANCE)

FIG ITEM	PART NUMBER	1 2 3 4 5 6 7	NOMENCLATURE	EFFECT FROM TO	UNITS PER ASSY
1	900		ILLUSTRATION REFERENCE: PLUMBING INSTL-SECT. 12 L TRAILING EDGE CTR SYS (MAIN GEAR RETRACT ACTUATOR ONLY) 32-32-01-04	103106	RF
	905		ILLUSTRATION REFERENCE: PLUMBING INSTL-SECT. 12 L TRAILING EDGE CTR SYS (MAIN GEAR DOWNLOCK ACTUATOR ONLY) 32-32-02-03	103106	RF
	910		ILLUSTRATION REFERENCE: PLUMBING INSTL-SECT. 12 L TRAILING EDGE (HYDR BRAKE SYS ONLY) 32-41-51-06	103106	RF
	915		ILLUSTRATION REFERENCE: PLUMBING INSTL-SECT. 12 L TRAILING EDGE CTR SYS (TRUCK POSITIONER VALVE ONLY) 32-32-17-02	103106	RF
	920		ILLUSTRATION REFERENCE: PLUMBING INSTL-SECT. 12 L TRAILING EDGE CTR SYS (MLG DOWNLOCK OPERATED DOOR SEQUENCE ONLY) 32-32-07-02	103106	RF
	925		ILLUSTRATION REFERENCE: PLUMBING INSTL-SECT. 12 L TRAILING EDGE CTR SYS (MAIN GEAR DOWNLOCK ACTUATOR ONLY) 32-32-02-03	103106	RF
	930		ILLUSTRATION REFERENCE: PLUMBING INSTL-SECT. 12 L TRAILING EDGE CTR SYS (MAIN GEAR DOWNLOCK ACTUATOR ONLY) 32-32-02-03	103106	RF

MISSING ITEM NUMBERS NOT APPLICABLE

- ITEM NOT ILLUSTRATED

# 32-32-51-01

32-32-51  
FIG. 01  
PAGE 4  
JAN 20/09

BRI



757

PARTS CATALOG (MAINTENANCE)

FIG ITEM	PART NUMBER	1 2 3 4 5 6 7	NOMENCLATURE	EFFECT FROM TO	UNITS PER ASSY
1 935			ILLUSTRATION REFERENCE: PLUMBING INSTL-SECT. 12 L TRAILING EDGE CTR SYS (TRUCK POSITIONER VALVE ONLY) 32-32-17-02	103106	RF
940			ILLUSTRATION REFERENCE: PLUMBING INSTL-SECT. 12 L TRAILING EDGE CTR SYS (TRUCK POSITIONER VALVE ONLY) 32-32-17-02	103106	RF
945			ILLUSTRATION REFERENCE: PLUMBING INSTL-SECT. 12 L TRAILING EDGE CTR SYS (MLG DOWNLOCK OPERATED DOOR SEQUENCE ONLY) 32-32-07-02	103106	RF

MISSING ITEM NUMBERS NOT APPLICABLE

- ITEM NOT ILLUSTRATED

BRI

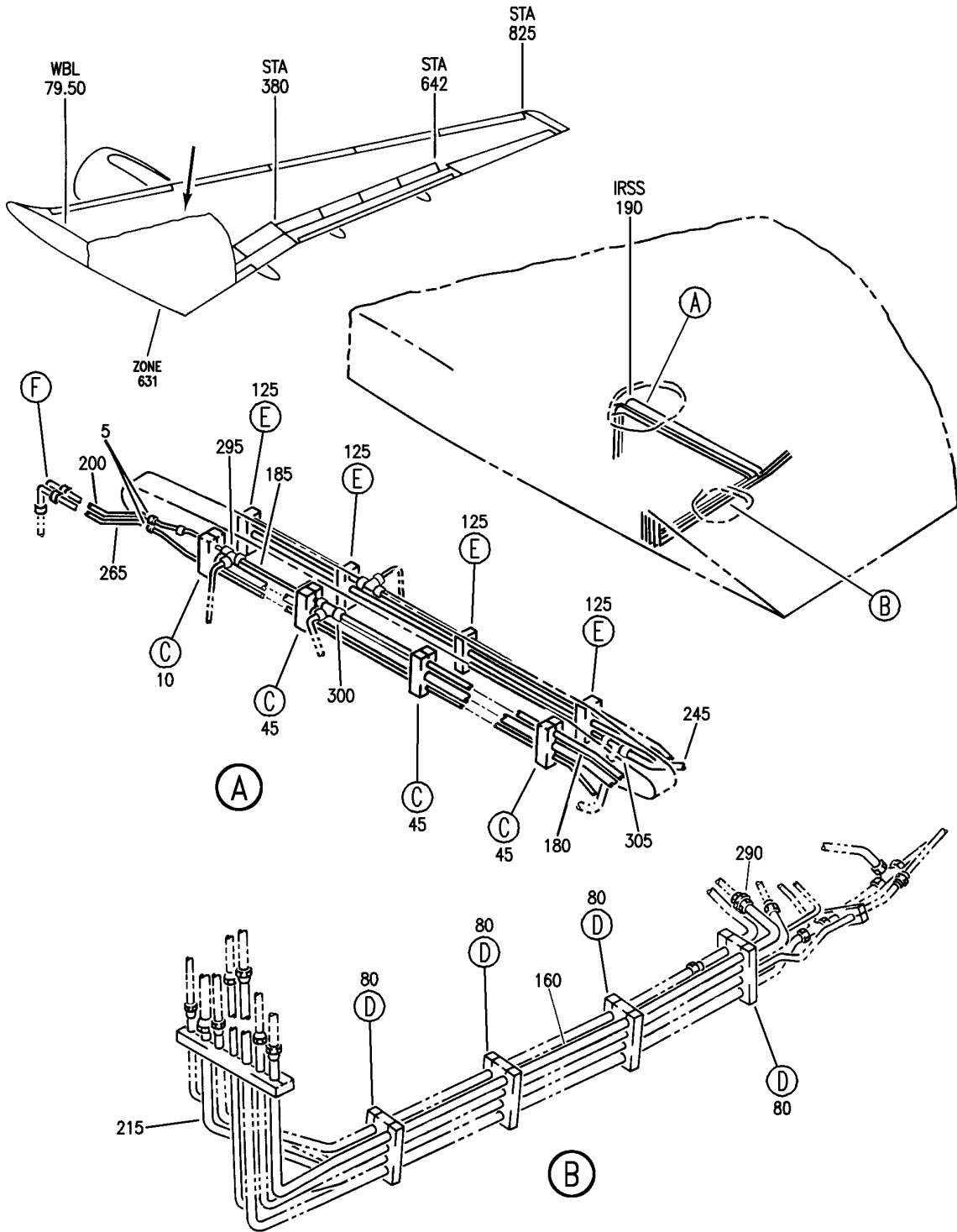
# 32-32-51-01

BOEING PROPRIETARY - Copyright © - Unpublished Work - See title page for details.

32-32-51  
FIG. 01  
PAGE 5  
JAN 20/09




**BOEING**  
 757  
**PARTS CATALOG (MAINTENANCE)**



Y 32325102 SHT 1 REV 248

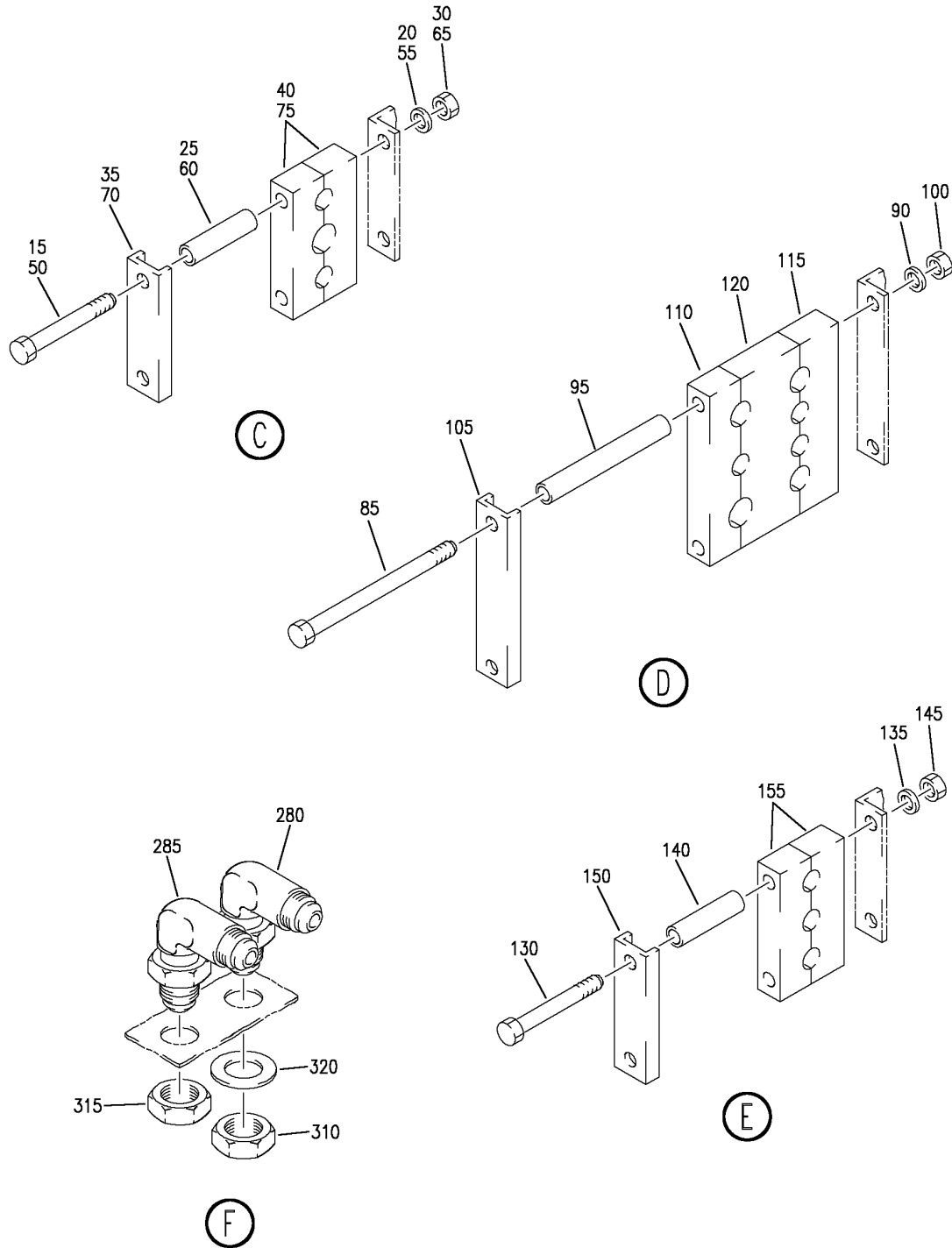
PLUMBING INSTL-SECT 12 R TRAILING EDGE CTR SYS (MAIN GEAR EXTENSION AND RETRACTION ONLY)  
 FIGURE 2 (SHEET 1)

BRI  
JAN 20/09

# 32-32-51-02

32-32-51-02  
 PAGE 0

**BOEING**  
757  
PARTS CATALOG (MAINTENANCE)



Y 32325102 SH1 2 REV 331

PLUMBING INSTL-SECT 12 R TRAILING EDGE CTR SYS (MAIN GEAR EXTENSION AND RETRACTION ONLY)  
FIGURE 2 (SHEET 2)

BRI  
JAN 20/09

**32-32-51-02**

32-32-51-02  
PAGE 0A



757

PARTS CATALOG (MAINTENANCE)

FIG ITEM	PART NUMBER	1 2 3 4 5 6 7	NOMENCLATURE	EFFECT FROM TO	UNITS PER ASSY
2			PLUMBING INSTL-SECT 12 R TRAILING EDGE CTR SYS (MAIN GEAR EXTENSION AND RETRACTION ONLY)	103106	
- 1	MODREF24143		PLUMBING INSTL-HYDR CTR SYS (MAIN GEAR EXTENSION AND RETRACTION ONLY) MODULE NUMBER: 271N6123-21 REV B POSITION DATA: SECT. 12 R TRAILING EDGE FOR OTHER SYS DETAILS SEE: 27-61-02-06 29-11-18-04 29-11-26-07 29-11-51-29A FOR ADDITIONAL DETAILS SEE: 32-32-01-05 32-32-02-04 32-32-07-03 32-32-17-03 32-41-51-07	103105	1
- 1	MODREF34199		PLUMBING INSTL-HYDR CTR SYS (MAIN GEAR EXTENSION AND RETRACTION ONLY) MODULE NUMBER: 271N6123-21 REV C POSITION DATA: SECT. 12 R TRAILING EDGE FOR OTHER SYS DETAILS SEE: 27-61-02-06 29-11-18-04 29-11-26-07 29-11-51-29A FOR ADDITIONAL DETAILS SEE: 32-32-01-05 32-32-02-04 32-32-07-03 32-32-17-03 32-41-51-07	106106	1
5	M85052-2-4		.CLAMP	103106	2
10	270N2000-31		.CLAMP ASSY-BLK	103106	1
15	NAS1801-3-26		..SCREW	103106	2
20	AN960PD10L		..WASHER	103106	2
25	NAS43DD3-67		..SPACER	103106	2

MISSING ITEM NUMBERS NOT APPLICABLE

- ITEM NOT ILLUSTRATED

32-32-51-02

32-32-51  
FIG. 02  
PAGE 1  
JAN 20/09

BRI



757

PARTS CATALOG (MAINTENANCE)

FIG ITEM	PART NUMBER	1 2 3 4 5 6 7	NOMENCLATURE	EFFECT FROM TO	UNITS PER ASSY
2					
30	BRH10A3	..	NUT SUPPLIER CODE: V52828 SPECIFICATION NUMBER: BACN10JC3 OPTIONAL PART: H10-3BAC V15653 NS202101-02 V80539 RMLH9075-3W V72962 VN303A02 V92215 96-02 V80539 T6S1032J V11815	103106	2
35	270N2000-818	..	CHANNEL	103106	1
40	270N2000-445	..	BLOCK	103106	2
45	270N2000-27	.	CLAMP ASSY-BLK	103106	3
50	NAS1801-3-27	..	SCREW	103106	2
55	AN960PD10L	..	WASHER	103106	2
60	NAS43DD3-67	..	SPACER	103106	2
65	BRH10A3	..	NUT SUPPLIER CODE: V52828 SPECIFICATION NUMBER: BACN10JC3 OPTIONAL PART: H10-3BAC V15653 NS202101-02 V80539 RMLH9075-3W V72962 VN303A02 V92215 96-02 V80539 T6S1032J V11815	103106	2
70	270N2000-818	..	CHANNEL	103106	1
75	270N2000-444	..	BLOCK	103106	2
80	270N2000-136	.	CLAMP ASSY-BLK	103106	4
85	NAS1801-3-45	..	SCREW	103106	2
90	AN960PD10L	..	WASHER	103106	2
95	NAS43DD3-144	..	SPACER	103106	2

MISSING ITEM NUMBERS NOT APPLICABLE

- ITEM NOT ILLUSTRATED

32-32-51-02

32-32-51  
FIG. 02  
PAGE 2  
JAN 20/09

BRI



757

PARTS CATALOG (MAINTENANCE)

FIG ITEM	PART NUMBER	1 2 3 4 5 6 7	NOMENCLATURE	EFFECT FROM TO	UNITS PER ASSY
2 100	BRH10A3	..	NUT SUPPLIER CODE: V52828 SPECIFICATION NUMBER: BACN10JC3 OPTIONAL PART: H10-3BAC V15653 NS202101-02 V80539 RMLH9075-3W V72962 VN303A02 V92215 96-02 V80539 T6S1032J V11815	103106	2
105	270N2000-807	..	CHANNEL	103106	1
110	270N2000-412	..	BLOCK	103106	1
115	270N2000-414	..	BLOCK	103106	1
120	270N2000-589	..	BLOCK	103106	1
125	270N2000-25	.	CLAMP ASSY-BLK	103106	4
130	NAS1801-3-25	..	SCREW	103106	2
135	AN960PD10L	..	WASHER	103106	2
140	NAS43DD3-59	..	SPACER	103106	2
145	BRH10A3	..	NUT SUPPLIER CODE: V52828 SPECIFICATION NUMBER: BACN10JC3 OPTIONAL PART: H10-3BAC V15653 NS202101-02 V80539 RMLH9075-3W V72962 VN303A02 V92215 96-02 V80539 T6S1032J V11815	103106	2
150	270N2000-815	..	CHANNEL	103106	1
155	270N2000-440	..	BLOCK- OPTIONAL PART: 270N2000-461	103106	2

MISSING ITEM NUMBERS NOT APPLICABLE

- ITEM NOT ILLUSTRATED

32-32-51-02

32-32-51  
FIG. 02  
PAGE 3  
JAN 20/09

BRI

BOEING PROPRIETARY - Copyright © - Unpublished Work - See title page for details.



757

PARTS CATALOG (MAINTENANCE)

FIG ITEM	PART NUMBER	1 2 3 4 5 6 7	NOMENCLATURE	EFFECT FROM TO	UNITS PER ASSY
2					
155	270N2000-461		..BLOCK- OPTIONAL PART: 270N2000-440	103106	2
160	271N6123-1082		.TUBE ASSY-LG DN TUBING MATERIAL: .500 IN. OD .026 IN. WALL 73.00 IN. LG TI	103106	1
- 165	AS1581T08		..SLEEVE	103106	1
- 170	BACN10YA8		..NUT	103106	1
- 175	AS1582T08		..UNION	103106	1
180	271N6123-1011		.TUBE ASSY-LG DN TUBING MATERIAL: .375 IN. OD .019 IN. WALL 31.81 IN. LG TI	103106	1
185	271N6123-1019		.TUBE ASSY-LG DN TUBING MATERIAL: .375 IN. OD .019 IN. WALL 10.00 IN. LG TI	103106	1
- 190	AS1581T06		..SLEEVE	103106	2
- 195	BACN10YA6		..NUT	103106	2
200	271N6123-1025		.TUBE ASSY-LG DN TUBING MATERIAL: .250 IN. OD .016 IN. WALL 21.00 IN LG TI	103106	1
- 205	AS1581T04		..SLEEVE	103106	2
- 210	BACN10YA4		..NUT	103106	2
215	271N6123-1180		.TUBE ASSY-RETURN SYS POSITION DATA: L TUBING MATERIAL: .625 IN. OD .035 IN. WALL 90.00 IN. LG AL	103106	1
- 220	AP2097HP10		..SLEEVE SUPPLIER CODE: V01673 SPECIFICATION NUMBER: BACS13BX10HP OPTIONAL PART: 2-02903-10HP V11328 35235VN10 V08199 AFP175V10P V30974 DBOS13BX10HP V14798	103106	2
- 230	BACN10YL10		..NUT- OPTIONAL PART: MS21921-10D	103106	2

MISSING ITEM NUMBERS NOT APPLICABLE

- ITEM NOT ILLUSTRATED

32-32-51-02

32-32-51  
FIG. 02  
PAGE 4  
JAN 20/09

BRI



757

PARTS CATALOG (MAINTENANCE)

FIG ITEM	PART NUMBER	1 2 3 4 5 6 7	NOMENCLATURE	EFFECT FROM TO	UNITS PER ASSY
2					
- 230	MS21921-10D	..	NUT- OPTIONAL PART: BACN10YL10	103106	2
245	271N6123-1271	.TUBE ASSY-RETURN SYS POSITION DATA: L TUBING MATERIAL: .625 IN. OD .035 IN. WALL 15.00 IN. LG AL		103106	1
- 250	AP2097HP10	..	SLEEVE SUPPLIER CODE: V01673 SPECIFICATION NUMBER: BACS13BX10HP OPTIONAL PART: 2-02903-10HP V11328 35235VN10 V08199 AFP175V10P V30974 DBOS13BX10HP V14798	103106	1
- 255	BACN10YL10	..	NUT- OPTIONAL PART: MS21921-10D	103106	1
- 255	MS21921-10D	..	NUT- OPTIONAL PART: BACN10YL10	103106	1
- 260	35056GV10	..	UNION SUPPLIER CODE: V08199 SPECIFICATION NUMBER: BACU24AB10W OPTIONAL PART: 4671097W10 V50948 2-01027-10W V11328 31875-10W V14397 AP1004W10 V01673 AFP941W10 V30974 DBOU24AB10W V14798	103106	1

MISSING ITEM NUMBERS NOT APPLICABLE

- ITEM NOT ILLUSTRATED

32-32-51-02

32-32-51  
FIG. 02  
PAGE 5  
JAN 20/09

BRI



757

PARTS CATALOG (MAINTENANCE)

FIG ITEM	PART NUMBER	1 2 3 4 5 6 7	NOMENCLATURE	EFFECT FROM TO	UNITS PER ASSY
2					
265	271N6123-1291		.TUBE ASSY-LG UP TUBING MATERIAL: .250 IN. OD .016 IN. WALL 76.00 IN. LG TI	103106	1
- 270	AS1581T04		..SLEEVE	103106	2
- 275	BACN10YA4N		..NUT	103106	2
280	BACE21BN0604J		.ELBOW	103106	1
285	BACE21BN0404J		.ELBOW	103106	1
290	MS21916-8-6T		.REDUCER	103106	1
295	BACT16BL060406J		.TEE	103106	1
300	BACT16BL060604J		.TEE	103106	1
305	APX824F100610W		.TEE	103106	1
			SUPPLIER CODE: V01673		
			SPECIFICATION NUMBER: BACT16AS100610W		
			OPTIONAL PART: APX824-100610W		
			V01673		
			DBOT16AS100610W		
			V14798		
			ER824-100610W		
			V50948		
			FER1571-100610W		
			V14397		
			LER824-100610W		
			V11328		
			NAF1824-100610W		
			V52930		
			US1925-100610W		
			V50808		
			AFP325-100610W		
			V30974		
310	AS5178D06		.NUT	103106	1
315	AS5178D04		.NUT	103106	1
320	NAS1149D0916J		.WASHER	103106	1

MISSING ITEM NUMBERS NOT APPLICABLE

- ITEM NOT ILLUSTRATED

32-32-51-02

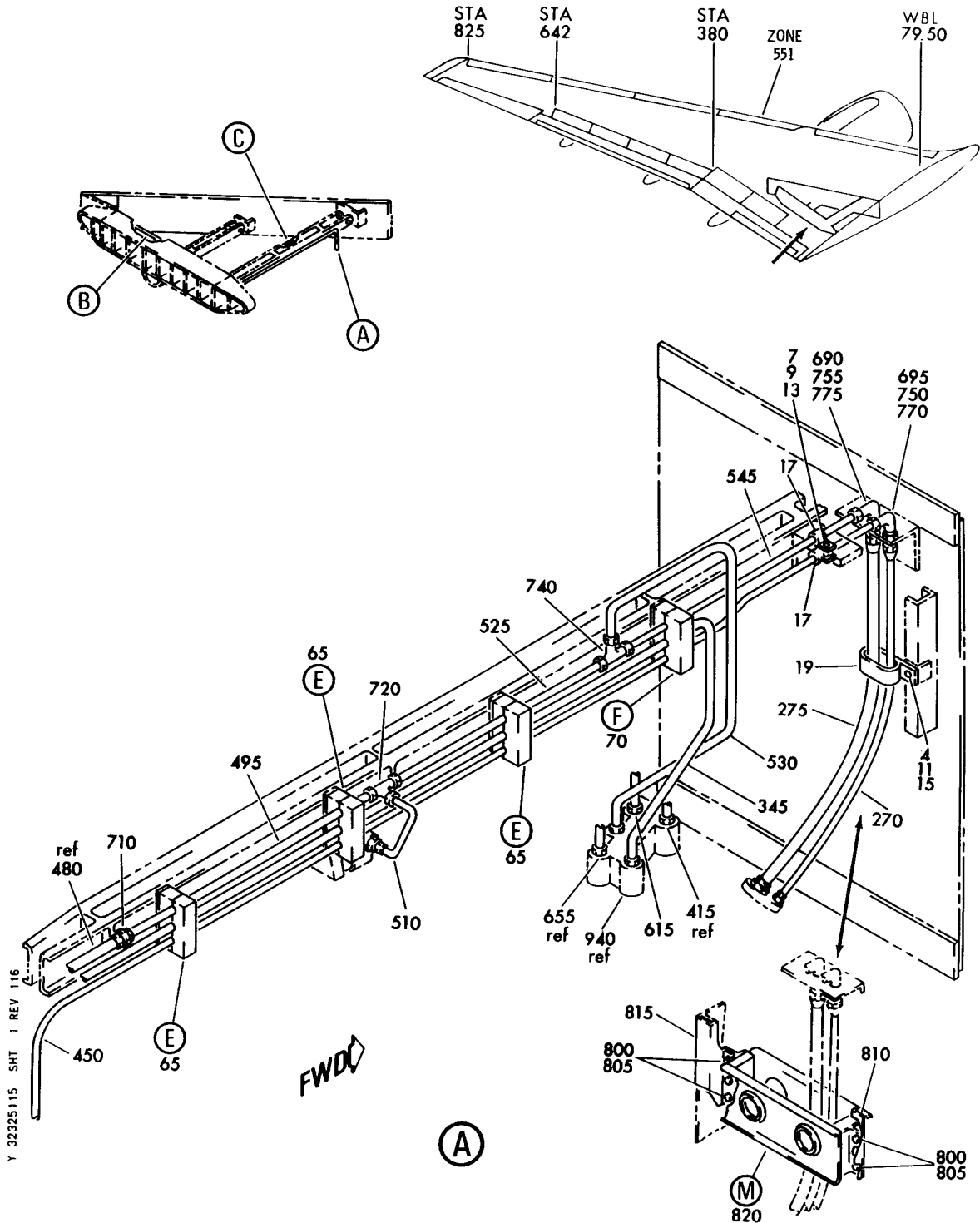
32-32-51  
FIG. 02  
PAGE 6  
JAN 20/09

BRI

BOEING PROPRIETARY - Copyright © - Unpublished Work - See title page for details.



**BOEING**  
757  
PARTS CATALOG (MAINTENANCE)



Y 32325115 SHT 1 REV 116

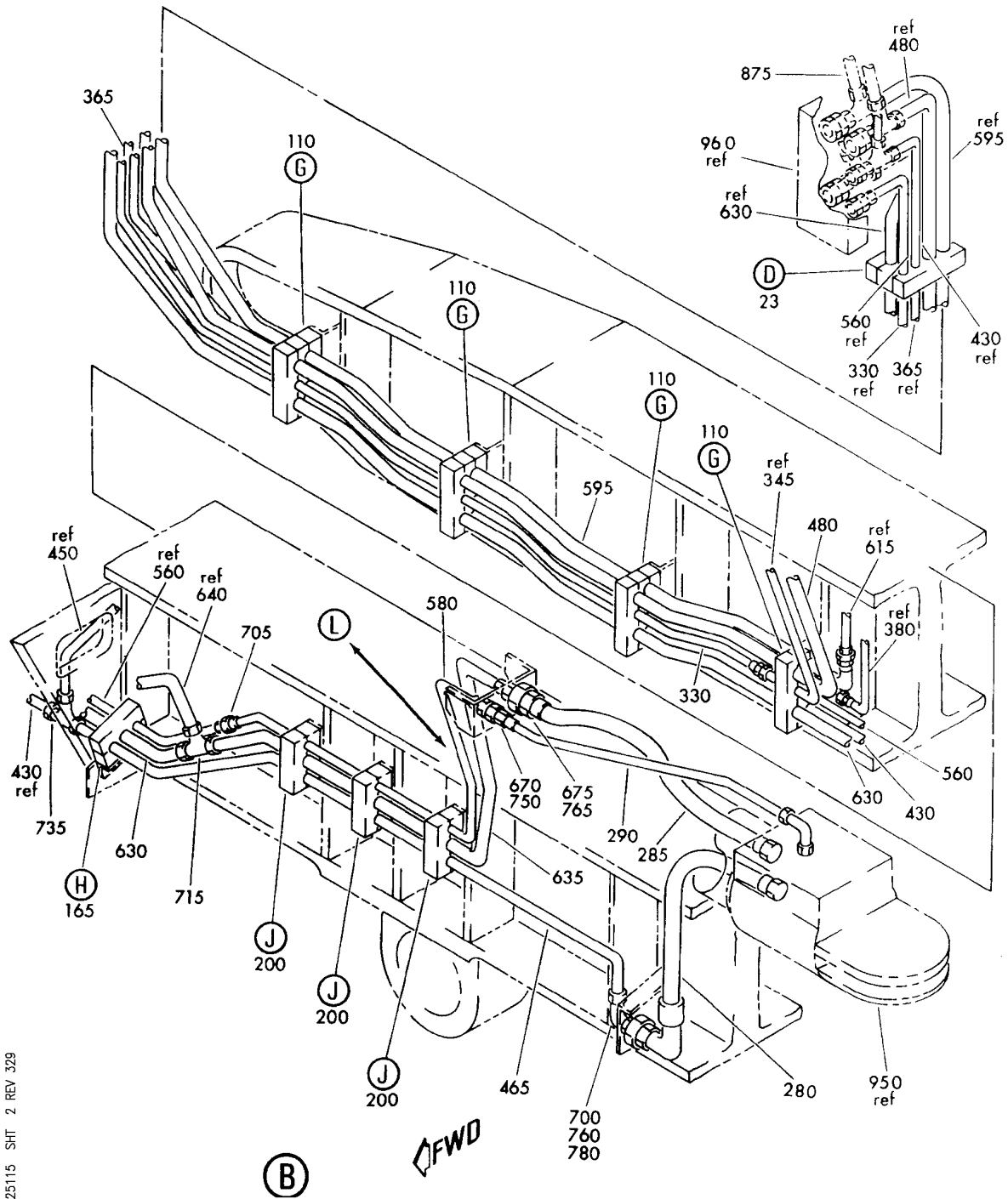
PLUMBING INSTL-INBD WING SECT. 12 HYDR LH (MAIN GEAR EXTENSION AND RETRACTION ONLY)  
FIGURE 15 (SHEET 1)

**32-32-51-15**

BRI  
MAY 28/07

32-32-51-15  
PAGE 0


**BOEING**  
 757  
**PARTS CATALOG (MAINTENANCE)**



Y 32325115 SH1 2 REV 329

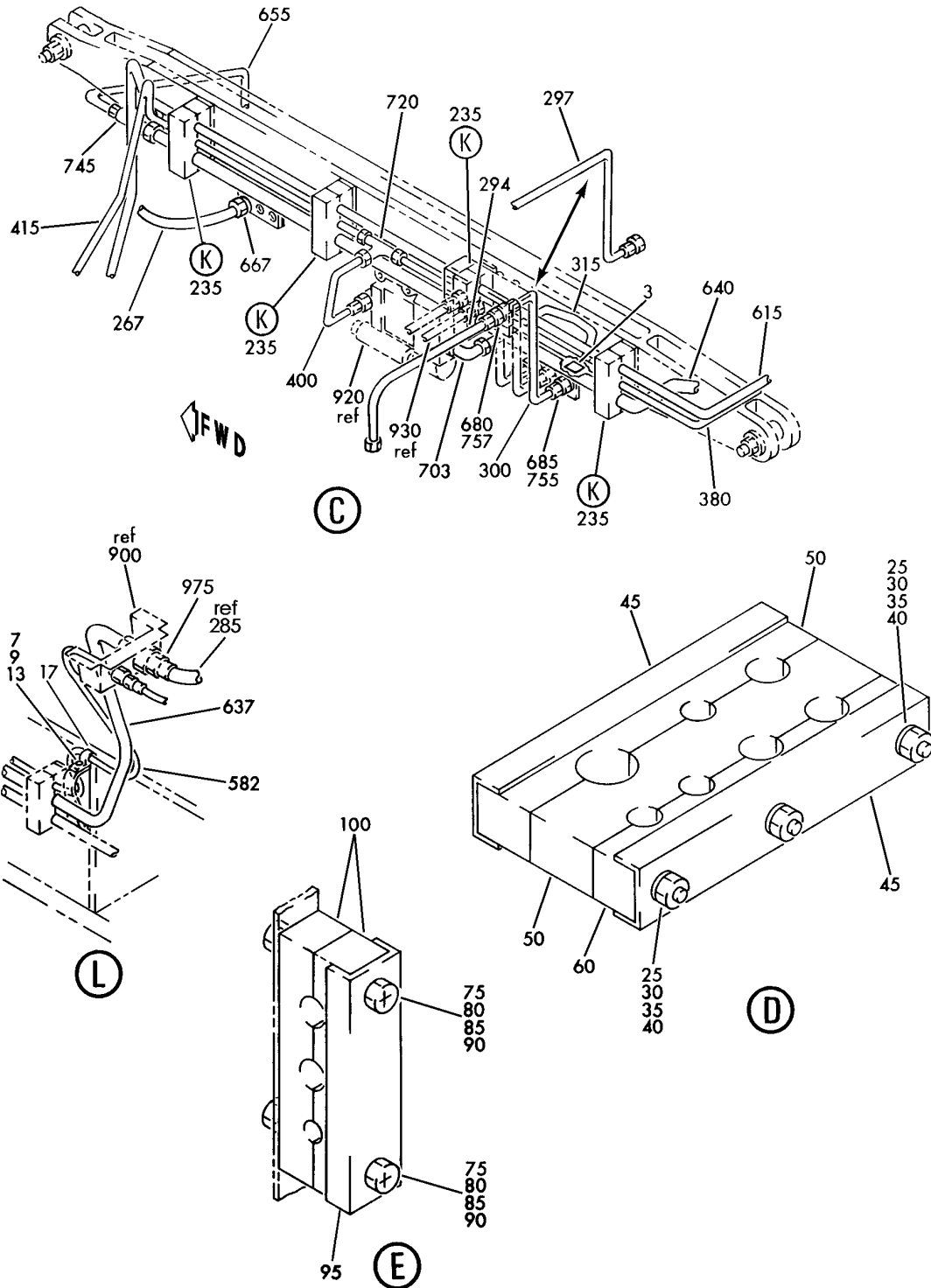
PLUMBING INSTL-INBD WING SECT. 12 HYDR LH (MAIN GEAR EXTENSION AND RETRACTION ONLY)  
 FIGURE 15 (SHEET 2)

BRI  
 JAN 20/09

**32-32-51-15**

32-32-51-15  
 PAGE 0A

**BOEING**  
757  
**PARTS CATALOG (MAINTENANCE)**



Y 32325115 SHT 3 REV 244

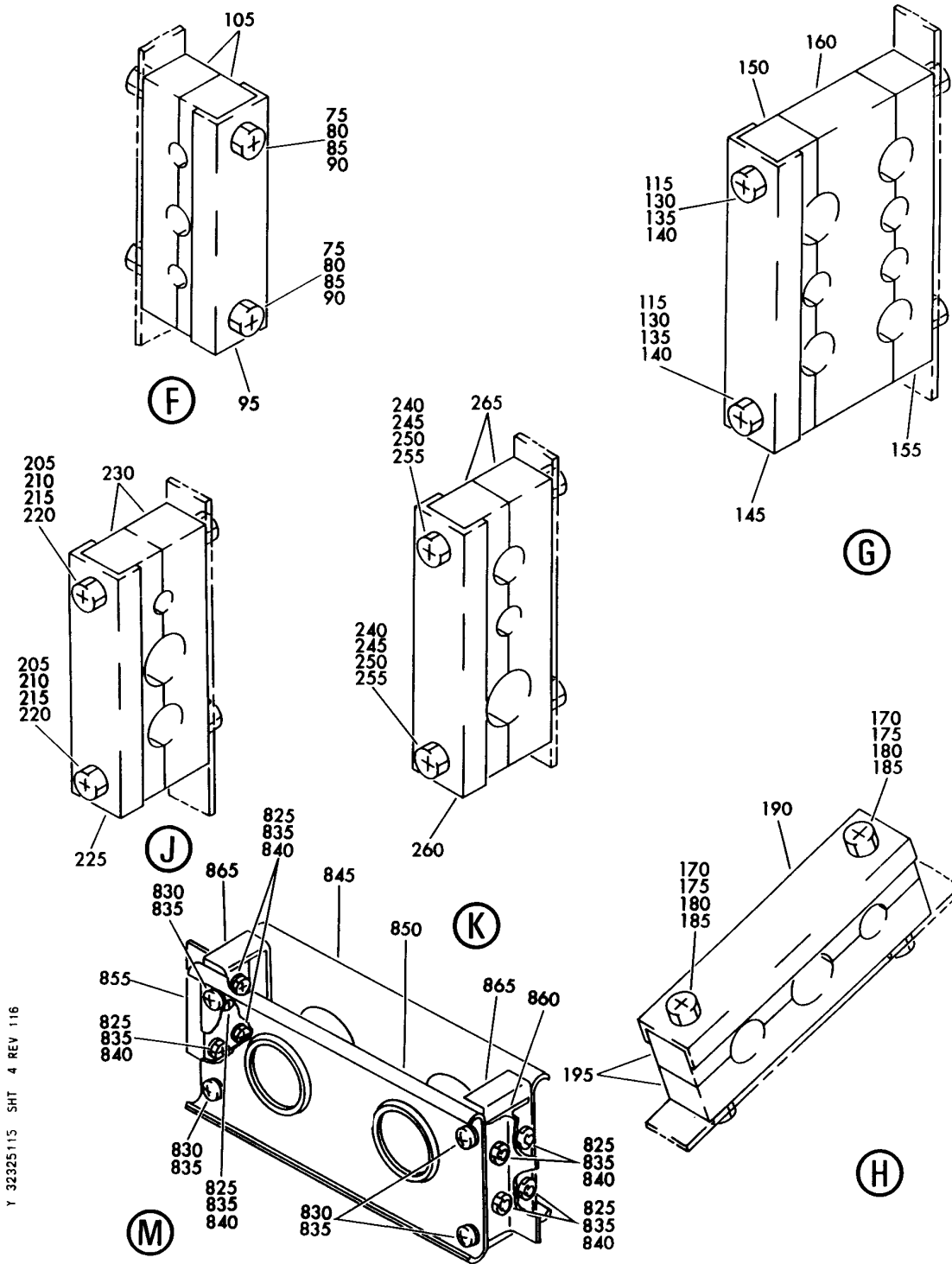
PLUMBING INSTL-INBD WING SECT. 12 HYDR LH (MAIN GEAR EXTENSION AND RETRACTION ONLY)  
FIGURE 15 (SHEET 3)

BRI  
MAY 28/07

# 32-32-51-15

32-32-51-15  
PAGE 0B


**BOEING**  
 757  
**PARTS CATALOG (MAINTENANCE)**



Y 32325115 SHT 4 REV 116

PLUMBING INSTL-INBD WING SECT. 12 HYDR LH (MAIN GEAR EXTENSION AND RETRACTION ONLY)  
 FIGURE 15 (SHEET 4)

BRI  
MAY 28/07

# 32-32-51-15

32-32-51-15  
 PAGE 0C



757

PARTS CATALOG (MAINTENANCE)

FIG ITEM	PART NUMBER	1 2 3 4 5 6 7	NOMENCLATURE	EFFECT FROM TO	UNITS PER ASSY
15			PLUMBING INSTL-INBD WING SECT. 12 HYDR LH (MAIN GEAR EXTENSION AND RETRACTION ONLY)	002004 006102 107999	
- 1	271N6122-1		PLUMBING INSTL-WING HYDR (MAIN GEAR EXTENSION AND RETRACTION ONLY) POSITION DATA: INBD SECT. 12 LH VARIABLE DRAWING REF: 271N6122-4 FOR NHA/OTHER SYS DET SEE: 29-00-51-01	002004 006100 107107 121503 904999	RF
- 1	271N6122-22		PLUMBING INSTL-WING HYDR (MAIN GEAR EXTENSION AND RETRACTION ONLY) POSITION DATA: INBD SECT. 12 LH FOR NHA/OTHER SYS DET SEE: 32-00-00-02	101102 108120 504903	RF
3	BAC27NHY0176		.MARKER-ALUMINUM FOIL PLACARD CONTENT: TRUCK POSN PRESS	002004 006102 107999	1
7	NAS1801-3		.SCREW- SIZE DETERMINED ON INSTL.	002004 006102 107999	2
9	AN960KD10L		.WASHER	002004 006102 107999	2
13	BRH10A3		.NUT SUPPLIER CODE: V52828 SPECIFICATION NUMBER: BACN10JC3 OPTIONAL PART: H10-3BAC V15653 NS202101-02 V80539 RMLH9075-3W V72962 VN303A02 V92215 96-02 V80539 T6S1032J V11815	002004 006102 107999	2

MISSING ITEM NUMBERS NOT APPLICABLE

- ITEM NOT ILLUSTRATED

32-32-51-15

32-32-51  
FIG. 15  
PAGE 1  
JAN 20/09

BRI



757

PARTS CATALOG (MAINTENANCE)

FIG ITEM	PART NUMBER	1 2 3 4 5 6 7	NOMENCLATURE	EFFECT FROM TO	UNITS PER ASSY
15					
- 14	MS21042L3	.	NUT	002004 006102 107999	1
17	M85052-2-4	.	CLAMP	002004 006102 107999	3
20	M85052-2-8	.	CLAMP- POST SERVICE BULLETIN: 32-0079R2	002004 006102 107903 950999	1
21	M85052-2-11	.	CLAMP- POST SERVICE BULLETIN: 32-0079R2	002004 006102 107903 950999	1
23	270N2000-156	.	CLAMP ASSY-BLK	002004 006100 107107 121503 904999	1
25	NAS1801-3-42	..	SCREW-	002004 006100 107107 121503 904999	3
30	AN960PD10L	..	WASHER	002004 006100 107107 121503 904999	3
35	NAS43DD3-130	..	SPACER	002004 006100 107107 121503 904999	3

MISSING ITEM NUMBERS NOT APPLICABLE

- ITEM NOT ILLUSTRATED

32-32-51-15

32-32-51  
FIG. 15  
PAGE 2  
JAN 20/09

BRI



757

PARTS CATALOG (MAINTENANCE)

FIG ITEM	PART NUMBER	1 2 3 4 5 6 7	NOMENCLATURE	EFFECT FROM TO	UNITS PER ASSY
15					
40	BRH10A3	..	NUT SUPPLIER CODE: V52828 SPECIFICATION NUMBER: BACN10JC3 OPTIONAL PART: H10-3BAC V15653 NS202101-02 V80539 RMLH9075-3W V72962 VN303A02 V92215 96-02 V80539 T6S1032J V11815	002004 006100 107107 121503 904999	3
45	270N2000-1003	..	CHANNEL	002004 006100 107107 121503 904999	2
50	270N2000-615	..	BLOCK	002004 006100 107107 121503 904999	1
55	270N2000-616	..	BLOCK	002004 006100 107107 121503 904999	1
60	270N2000-617	..	BLOCK	002004 006100 107107 121503 904999	1
65	270N2000-29	.	CLAMP ASSY-BLK	002004 006102 107999	3
70	270N2000-30	.	CLAMP ASSY-BLK	002004 006102 107999	1
75	NAS1801-3-24	..	SCREW-	002004 006102 107999	2

MISSING ITEM NUMBERS NOT APPLICABLE

- ITEM NOT ILLUSTRATED

32-32-51-15

32-32-51  
FIG. 15  
PAGE 3  
JAN 20/09

BRI



757

PARTS CATALOG (MAINTENANCE)

FIG ITEM	PART NUMBER	1 2 3 4 5 6 7	NOMENCLATURE	EFFECT FROM TO	UNITS PER ASSY
15					
80	AN960PD10L	..	WASHER	002004 006102 107999	2
85	NAS43DD3-59	..	SPACER	002004 006102 107999	2
90	BRH10A3	..	NUT SUPPLIER CODE: V52828 SPECIFICATION NUMBER: BACN10JC3 OPTIONAL PART: H10-3BAC V15653 NS202101-02 V80539 RMLH9075-3W V72962 VN303A02 V92215 96-02 V80539 T6S1032J V11815	002004 006102 107999	2
95	270N2000-816	..	CHANNEL	002004 006102 107999	1
100	270N2000-441	..	BLOCK- USED ON: 270N2000-29	002004 006102 107999	2
105	270N2000-446	..	BLOCK- USED ON: 270N2000-30	002004 006102 107999	2
110	270N2000-136	.	CLAMP ASSY-BLK	002004 006102 107999	4
115	NAS1801-3-45	..	SCREW-	002004 006102 107999	2
130	AN960PD10L	..	WASHER	002004 006102 107999	2
135	NAS43DD3-144	..	SPACER	002004 006102 107999	2

MISSING ITEM NUMBERS NOT APPLICABLE

- ITEM NOT ILLUSTRATED

32-32-51-15

32-32-51  
FIG. 15  
PAGE 4  
JAN 20/09

BRI

BOEING PROPRIETARY - Copyright © - Unpublished Work - See title page for details.





757

PARTS CATALOG (MAINTENANCE)

FIG ITEM	PART NUMBER	1 2 3 4 5 6 7	NOMENCLATURE	EFFECT FROM TO	UNITS PER ASSY
15 140	BRH10A3	..	NUT SUPPLIER CODE: V52828 SPECIFICATION NUMBER: BACN10JC3 OPTIONAL PART: H10-3BAC V15653 NS202101-02 V80539 RMLH9075-3W V72962 VN303A02 V92215 96-02 V80539 T6S1032J V11815	002004 006102 107999	2
145	270N2000-807	..	CHANNEL	002004 006102 107999	1
150	270N2000-412	..	BLOCK	002004 006102 107999	1
155	270N2000-414	..	BLOCK	002004 006102 107999	1
160	270N2000-589	..	BLOCK	002004 006102 107999	1
165	270N2000-57	.	CLAMP ASSY-BLK	002004 006102 107999	1
170	NAS1801-3-28	..	SCREW-	002004 006102 107999	2
175	AN960PD10L	..	WASHER	002004 006102 107999	2
180	NAS43DD3-75	..	SPACER	002004 006102 107999	2

MISSING ITEM NUMBERS NOT APPLICABLE

- ITEM NOT ILLUSTRATED

32-32-51-15

32-32-51  
FIG. 15  
PAGE 5  
JAN 20/09

BRI

BOEING PROPRIETARY - Copyright © - Unpublished Work - See title page for details.



757

PARTS CATALOG (MAINTENANCE)

FIG ITEM	PART NUMBER	1 2 3 4 5 6 7	NOMENCLATURE	EFFECT FROM TO	UNITS PER ASSY
15 185	BRH10A3	..	NUT SUPPLIER CODE: V52828 SPECIFICATION NUMBER: BACN10JC3 OPTIONAL PART: H10-3BAC V15653 NS202101-02 V80539 RMLH9075-3W V72962 VN303A02 V92215 96-02 V80539 T6S1032J V11815	002004 006102 107999	2
190	270N2000-866	..	CHANNEL	002004 006102 107999	1
195	270N2000-534	..	BLOCK	002004 006102 107999	2
200	270N2000-9	.	CLAMP ASSY-BLK	002004 006102 107999	3
205	NAS1801-3-28	..	SCREW-	002004 006102 107999	2
210	AN960PD10L	..	WASHER	002004 006102 107999	2
215	NAS43DD3-75	..	SPACER	002004 006102 107999	2

MISSING ITEM NUMBERS NOT APPLICABLE

- ITEM NOT ILLUSTRATED

BRI

32-32-51-15

BOEING PROPRIETARY - Copyright © - Unpublished Work - See title page for details.

32-32-51  
FIG. 15  
PAGE 6  
JAN 20/09



757

PARTS CATALOG (MAINTENANCE)

FIG ITEM	PART NUMBER	1 2 3 4 5 6 7	NOMENCLATURE	EFFECT FROM TO	UNITS PER ASSY
15 220	BRH10A3	..	NUT SUPPLIER CODE: V52828 SPECIFICATION NUMBER: BACN10JC3 OPTIONAL PART: H10-3BAC V15653 NS202101-02 V80539 RMLH9075-3W V72962 VN303A02 V92215 96-02 V80539 T6S1032J V11815	002004 006102 107999	2
225	270N2000-806	..	CHANNEL	002004 006102 107999	1
230	270N2000-411	..	BLOCK	002004 006102 107999	2
235	270N2000-28	.	CLAMP ASSY-BLK	002004 006102 107999	4
240	NAS1801-3-28	..	SCREW-	002004 006102 107999	2
245	AN960PD10L	..	WASHER	002004 006102 107999	2
250	NAS43DD3-75	..	SPACER	002004 006102 107999	2

MISSING ITEM NUMBERS NOT APPLICABLE

- ITEM NOT ILLUSTRATED

32-32-51-15

32-32-51  
FIG. 15  
PAGE 7  
JAN 20/09

BRI



757

PARTS CATALOG (MAINTENANCE)

FIG ITEM	PART NUMBER	1 2 3 4 5 6 7	NOMENCLATURE	EFFECT FROM TO	UNITS PER ASSY
15 255	BRH10A3	. .	NUT SUPPLIER CODE: V52828 SPECIFICATION NUMBER: BACN10JC3 OPTIONAL PART: H10-3BAC V15653 NS202101-02 V80539 RMLH9075-3W V72962 VN303A02 V92215 96-02 V80539 T6S1032J V11815	002004 006100 107107 121503 904999	2
260	270N2000-814	. .	CHANNEL	002004 006102 107999	1
265	270N2000-439	. .	BLOCK	002004 006102 107999	2
267	AS154A08EE0574B	. HOSE ASSY-	SUPPLIER CODE: V00624 SPECIFICATION NUMBER: BACH8A08EE0574B OPTIONAL PART: B472-8EE0574B V98441 97934A8EE0574B V78570 R291208EE0574B V50599 POST SERVICE BULLETIN: 32-0079R1 32-0079R2	002004 006102 107999	1
267	BACH8A08EE0570B	. HOSE ASSY-	OPTIONAL PART: BACH8A08EE0574B	101102 108120 504903	1

MISSING ITEM NUMBERS NOT APPLICABLE

- ITEM NOT ILLUSTRATED

32-32-51-15

32-32-51  
FIG. 15  
PAGE 8  
JAN 20/09

BRI

BOEING PROPRIETARY - Copyright © - Unpublished Work - See title page for details.



757

PARTS CATALOG (MAINTENANCE)

FIG ITEM	PART NUMBER	1 2 3 4 5 6 7	NOMENCLATURE	EFFECT FROM TO	UNITS PER ASSY
15 270	AS115-04K0232	.HOSE ASSY-	271N6119-2 CAN REPLACE BUT NOT BE REPLACED BY EITHER AS115-04D0232 OR AS115-04K0232 PRE SERVICE BULLETIN: 29-0056 PRE SERVICE LETTER: 29-028	002004 006016 904949 952952	1
270	271N6119-2	.HOSE ASSY-	271N6119-2 CAN REPLACE BUT NOT BE REPLACED BY EITHER AS115-04D0232 OR AS115-04K0232 POST SERVICE BULLETIN: 29-0056 POST SERVICE LETTER: 29-028	002004 006102 107999	1
275	AS154A04EE0232K	.HOSE ASSY-	SUPPLIER CODE: V00624 SPECIFICATION NUMBER: BACH8A04EE0232K OPTIONAL PART: 97934A04EE0232K V78570 B472-4EE0232K V98441 R291204EE0232K V50599 271N6119-1 CAN REPLACE BUT NOT BE REPLACED BY EITHER AS115-06D0232 OR AS115-06K0232 OR BACH8A04EE0232K NOT APPROVED FOR ETOPS. PRE SERVICE BULLETIN: 29-0056 PRE SERVICE LETTER: 29-028	002004 006016 904949 952952	1

MISSING ITEM NUMBERS NOT APPLICABLE

- ITEM NOT ILLUSTRATED

32-32-51-15

32-32-51  
FIG. 15  
PAGE 9  
JAN 20/09

BRI



757

PARTS CATALOG (MAINTENANCE)

FIG ITEM	PART NUMBER	1 2 3 4 5 6 7	NOMENCLATURE	EFFECT FROM TO	UNITS PER ASSY
15 275	271N6119-1		.HOSE ASSY- 271N6119-1 CAN REPLACE BUT NOT BE REPLACED BY EITHER AS115-06D0232 OR AS115-06K232 OR BACH8A04EE0232K POST SERVICE BULLETIN: 29-0056 POST SERVICE LETTER: 29-028	002004 006102 107999	1
280	AS116-08K0195		.HOSE ASSY- AS116-08K0195 CAN BE REPLACED BY BUT NOT REPLACE AS116-08K0194	002004 006102 107999	1
280	AS116-08K0194		.HOSE ASSY- AS116-08K0195 CAN BE REPLACED BY BUT NOT REPLACE AS116-08K0194	002004 006102 107999	1
285	AS115-10K0241		.HOSE ASSY- AS115-10K0241 OR AS115-10D0241 CAN BE REPLACED BY BUT NOT REPLACE AS115-10K0240	002004 006102 107999	1
285	AS115-10K0240		.HOSE ASSY- AS115-10K0241 OR AS115-10D0241 CAN BE REPLACED BY BUT NOT REPLACE AS115-10K0240	002004 006102 107999	1
290	AS154A04EN0302D		.HOSE ASSY- SUPPLIER CODE: V00624 SPECIFICATION NUMBER: BACH8A04EN0302D OPTIONAL PART: B472-4EN0302D V98441 97934A04EN0302D V78570 R291204EN0302D V50599	002004 006100 107107 121503 904999	1

MISSING ITEM NUMBERS NOT APPLICABLE

- ITEM NOT ILLUSTRATED

32-32-51-15

32-32-51  
FIG. 15  
PAGE 10  
JAN 20/09

BRI

BOEING PROPRIETARY - Copyright © - Unpublished Work - See title page for details.



757

PARTS CATALOG (MAINTENANCE)

FIG ITEM	PART NUMBER	1 2 3 4 5 6 7	NOMENCLATURE	EFFECT FROM TO	UNITS PER ASSY
15 290	AS154A04EN0302B		.HOSE ASSY- SUPPLIER CODE: V00624 SPECIFICATION NUMBER: BACH8A04EN0302B OPTIONAL PART: B472-4EN0302B V98441 97934A04EN0302B V78570 R291204EN0302B V50599	002004 006102 107999	1
297	AS154A04EE0500B		.HOSE ASSY- SUPPLIER CODE: V00624 SPECIFICATION NUMBER: BACH8A04EE0500B OPTIONAL PART: B472-4EE0500B V98441 97934A04EE0500B V78570 R291204EE0500B V50599 POST SERVICE BULLETIN: 32-0079R1 32-0079R2	002004 006102 107999	1
297	AS115-06K0450		.HOSE ASSY- AS115-06K0451 CAN BE REPLACED BY BUT NOT REPLACE AS115-06K0450 QUALIFIED I/W DATA: P/N 116414-1 CAN REPLACE BUT NOT BE REPLACED BY AS115-06K0451 OR AS115-06K0450 AS A SET WITH OTHER HOSES USING SAME OUTER COVERINGS. DO NOT MIX HOSES WITH DIFFERENT OUTER COVERINGS; 116414-1 MUST BE USED IN CONJUNCTION 116416-2 QUANTITY W, 116416-1 QUANTITY 2, AND 116415-2 QUANTITY 1.	107107 904949	1

MISSING ITEM NUMBERS NOT APPLICABLE

- ITEM NOT ILLUSTRATED

BRI

32-32-51-15

BOEING PROPRIETARY - Copyright © - Unpublished Work - See title page for details.

32-32-51  
FIG. 15  
PAGE 11  
JAN 20/09



757

PARTS CATALOG (MAINTENANCE)

FIG ITEM	PART NUMBER	1 2 3 4 5 6 7	NOMENCLATURE	EFFECT FROM TO	UNITS PER ASSY
15 315	271N6122-1025		.TUBE ASSY-TRUCK PRESSURE SYS POSITION DATA: L TUBING MATERIAL: .250 IN. OD .016 IN. WALL 10.00 IN. LG TITANIUM	002004 006100 107107 121503 904999	1
- 320	AS1581T04		..SLEEVE	002004 006100 107107 121503 904999	2
- 325	BACN10YA4		..NUT	002004 006100 107107 121503 904999	2
330	271N6122-1147		.TUBE ASSY-PRESSURE SYS POSITION DATA: L TUBING MATERIAL: .375 IN. OD .019 IN. WALL 72.00 IN. LG TITANIUM	002004 006102 107999	1
- 335	AS1581T06		..SLEEVE	002004 006102 107999	1
- 340	BACN10YA6		..NUT	002004 006102 107999	1
- 343	AS1582T06		..UNION	002004 006102 107999	1
345	271N6122-1141		.TUBE ASSY-PRESSURE SYS POSITION DATA: L TUBING MATERIAL: .375 IN. OD .019 IN. WALL 76.00 IN. LG TITANIUM	101102 108120 504903	1
- 355	AS1581T06		..SLEEVE	101102 108120 504903	1
- 357	AS1582T06		..UNION	101102 108120 504903	1

MISSING ITEM NUMBERS NOT APPLICABLE

- ITEM NOT ILLUSTRATED

32-32-51-15

32-32-51  
FIG. 15  
PAGE 12  
JAN 20/09

BRI





757

PARTS CATALOG (MAINTENANCE)

FIG ITEM	PART NUMBER	1 2 3 4 5 6 7	NOMENCLATURE	EFFECT FROM TO	UNITS PER ASSY
15					
- 363	BACN10YA6	..	NUT	101102 108120 504903	1
365	271N6122-1296	.	TUBE ASSY-LG UP TUBING MATERIAL: .375 IN. OD .019 IN. WALL 80.00 IN. LG TI	002004 006102 107999	1
- 370	AS1581T06	..	SLEEVE	002004 006102 107999	2
- 375	BACN10YA6	..	NUT	002004 006102 107999	2
380	271N6122-1014	.	TUBE ASSY-LG UP TUBING MATERIAL: .375 IN. OD .019 IN. WALL 37.50 IN. LG TI	002004 006102 107999	1
- 385	AS1581T06	..	SLEEVE	002004 006102 107999	1
- 390	AS1582T06	..	UNION	002004 006102 107999	1
- 395	BACN10YA6	..	NUT	002004 006102 107999	1
400	271N6122-1024	.	TUBE ASSY-LG UP TUBING MATERIAL: .250 IN. OD .016 IN. WALL 6.43 IN. LG TITANIUM	002004 006102 107999	1
- 405	AS1581T04	..	SLEEVE	002004 006102 107999	2
- 410	BACN10YA4	..	NUT	002004 006102 107999	2
415	271N6122-1018	.	TUBE ASSY-LG UP	002004 006102 107999	1
- 420	AS1581T06	..	SLEEVE	002004 006102 107999	2
R R R - 425	BACN10YA6N	..	NUT	002004 006102 107999	2

MISSING ITEM NUMBERS NOT APPLICABLE

- ITEM NOT ILLUSTRATED

32-32-51-15

32-32-51  
FIG. 15  
PAGE 13  
MAY 20/09

BRI



757

PARTS CATALOG (MAINTENANCE)

FIG ITEM	PART NUMBER	1 2 3 4 5 6 7	NOMENCLATURE	EFFECT FROM TO	UNITS PER ASSY
15 430	271N6122-1299		.TUBE ASSY-LG UP TUBING MATERIAL: .500 IN. OD .026 IN. WALL 80.00 IN. LG TI	002004 006102 107999	1
- 435	AS1581T08		..SLEEVE	002004 006102 107999	1
- 440	AS1582T08		..UNION	002004 006102 107999	1
- 445	BACN10YA8		..NUT	002004 006102 107999	1
450	271N6122-1013		.TUBE ASSY-LG UP TUBING MATERIAL: .250 IN. OD .016 IN. WALL 74.00 IN. LG TI	107107 904949 952952	1
450	271N6122-1309		.TUBE ASSY-LG UP TUBING MATERIAL: .250 IN. OD .016 IN. WALL 75.50 IN. LG TI	002004 006102 108903 950951 953999	1
- 455	AS1581T04		..SLEEVE	002004 006102 107999	2
- 460	BACN10YA4		..NUT	002004 006102 107999	2
465	271N6122-1090		.TUBE ASSY-LG UP TUBING MATERIAL: .500 IN. OD .026 IN. WALL 53.00 IN. LG TI	002004 006102 107999	1
- 470	AS1581T08		..SLEEVE	002004 006102 107999	2
- 475	BACN10YA8		..NUT	002004 006102 107999	2
480	271N6122-1294		.TUBE ASSY-LG DOWN POSITION DATA: L TUBING MATERIAL: .500 IN. OD .026 IN. WALL 91.00 IN. LG TI	002004 006102 107999	1
- 485	AS1581T08		..SLEEVE	002004 006102 107999	2

MISSING ITEM NUMBERS NOT APPLICABLE

- ITEM NOT ILLUSTRATED

32-32-51-15

32-32-51  
FIG. 15  
PAGE 14  
JAN 20/09

BRI



757

PARTS CATALOG (MAINTENANCE)

FIG ITEM	PART NUMBER	1 2 3 4 5 6 7	NOMENCLATURE	EFFECT FROM TO	UNITS PER ASSY
15					
- 490	BACN10YA8	..	NUT	002004 006102 107999	2
495	271N6122-1011	.TUBE ASSY-LG DOWN TUBING MATERIAL: .375 IN. OD .019 IN. WALL 21.81 IN. LG TI		002004 006102 107999	1
- 500	AS1581T06	..	SLEEVE	002004 006102 107999	2
- 505	BACN10YA6	..	NUT	002004 006102 107999	2
510	271N6122-1023	.TUBE ASSY-LG DOWN TUBING MATERIAL: .250 IN. OD .016 IN. WALL 7.00 IN. LG TI		002004 006102 107999	1
- 515	AS1581T04	..	SLEEVE	002004 006102 107999	2
- 520	BACN10YA4	..	NUT	002004 006102 107999	2
525	271N6122-1017	.TUBE ASSY-LG DOWN TUBING MATERIAL: .375 IN. OD .019 IN. WALL 10.56 IN. LG TI		002004 006102 107999	1
- 527	AS1581T06	..	SLEEVE	002004 006102 107999	2
- 528	BACN10YA6	..	NUT	002004 006102 107999	2
530	271N6122-1278	.TUBE ASSY-LG DOWN TUBING MATERIAL: .375 IN. OD .019 IN. WALL 21.1 IN. LG TITANIUM ALLOY TUBING		002004 006102 107999	1
530	271N6122-1282	.TUBE ASSY-LG DOWN TUBING MATERIAL: .375 IN. OD .019 IN. WALL 74.00 IN. LG TI		002004 006102 107999	1
- 535	AS1581T06	..	SLEEVE	002004 006102 107999	2
- 540	BACN10YA6	..	NUT	002004 006102 107999	2

MISSING ITEM NUMBERS NOT APPLICABLE

- ITEM NOT ILLUSTRATED

32-32-51-15

32-32-51  
FIG. 15  
PAGE 15  
JAN 20/09

BRI



757

PARTS CATALOG (MAINTENANCE)

FIG ITEM	PART NUMBER	1 2 3 4 5 6 7	NOMENCLATURE	EFFECT FROM TO	UNITS PER ASSY
15					
545	271N6122-1196		.TUBE ASSY-LG DOWN TUBING MATERIAL: .250 IN. OD .016 IN. WALL 19.05 IN LG TI	002004 006102 107999	1
- 550	AS1581T04		..SLEEVE	002004 006102 107999	2
- 555	BACN10YA4		..NUT	002004 006102 107999	2
560	271N6122-1087		.TUBE ASSY-LG DOWN TUBING MATERIAL: .375 IN. OD .019 IN. WALL 88.00 IN. LG TI	002004 006102 107999	1
- 565	AS1581T06		..SLEEVE	002004 006102 107999	1
- 570	AS1582T06		..UNION	002004 006102 107999	1
- 575	BACN10YA6		..NUT	002004 006102 107999	1
582	271N6122-1246		.TUBE ASSY-LG EMER DOWN TUBING MATERIAL: .250 IN. OD .016 IN. WALL 35.68 IN. LG TI	002004 006102 107999	1
- 585	AS1581T04		..SLEEVE	002004 006102 107999	2
- 590	BACN10YA4		..NUT	002004 006102 107999	2
595	271N6122-1083		.TUBE ASSY-DOOR OPEN L SYS TUBING MATERIAL: .500 IN. .026 IN. G WALL 84.00 IN. LG TI	002004 006102 107999	1
- 600	AS1581T08		..SLEEVE	002004 006102 107999	1
- 605	AS1582T08		..UNION	002004 006102 107999	1
- 610	BACN10YA8		..NUT	002004 006102 107999	1

MISSING ITEM NUMBERS NOT APPLICABLE

- ITEM NOT ILLUSTRATED

32-32-51-15

32-32-51  
FIG. 15  
PAGE 16  
JAN 20/09

BRI



757

PARTS CATALOG (MAINTENANCE)

FIG ITEM	PART NUMBER	1 2 3 4 5 6 7	NOMENCLATURE	EFFECT FROM TO	UNITS PER ASSY
15 615	271N6122-1291	.	TUBE ASSY-DOOR OPEN SYS POSITION DATA: L TUBING MATERIAL: .500 IN. OD .026 IN. WALL 74.00 IN. LG TI	002004 006102 107999	1
- 620	AS1581T08	..	SLEEVE	002004 006102 107999	2
- 625	BACN10YA8	..	NUT	002004 006102 107999	2
630	271N6122-1297	.	TUBE ASSY-RETURN SYS POSITION DATA: L TUBING MATERIAL: .625 IN. OD .035 IN. WALL 96.00 IN. LG AL	002004 006100 107107 121503 904999	1
- 632	AP2097HP10	..	SLEEVE SUPPLIER CODE: V01673 SPECIFICATION NUMBER: BACS13BX10HP OPTIONAL PART: 2-02903-10HP V11328 35235VN10 V08199 AFP175V10P V30974 DBOS13BX10HP V14798	002004 006100 107107 121503 904999	2
- 634	BACN10YL10	..	NUT	002004 006100 107107 121503 904999	2
637	271N6122-1247	.	TUBE ASSY-RETURN SYS POSITION DATA: L TUBING MATERIAL: .625 IN. OD .035 IN. WALL 43.00 IN. LG AL	002004 006100 107503 904999	1

MISSING ITEM NUMBERS NOT APPLICABLE

- ITEM NOT ILLUSTRATED

BRI

32-32-51-15

32-32-51  
FIG. 15  
PAGE 17  
JAN 20/09



757

PARTS CATALOG (MAINTENANCE)

FIG ITEM	PART NUMBER	1 2 3 4 5 6 7	NOMENCLATURE	EFFECT FROM TO	UNITS PER ASSY
15 - 638	AP2097HP10	..	SLEEVE SUPPLIER CODE: V01673 SPECIFICATION NUMBER: BACS13BX10HP OPTIONAL PART: 2-02903-10HP V11328 35235VN10 V08199 AFP175V10P V30974 DBOS13BX10HP V14798	002004 006102 107999	2
- 639	BACN10YL10	..	NUT-	002004 006102 107999	2
640	271N6122-1263	.TUBE ASSY-RETURN SYS POSITION DATA: L TUBING MATERIAL: .625 IN. OD .035 IN. WALL 58.00 IN. LG AL		002004 006100 107107 121503 904999	1
- 645	AP2097HP10	..	SLEEVE- SUPPLIER CODE: V01673 SPECIFICATION NUMBER: BACS13BX10HP OPTIONAL PART: 2-02903-10HP V11328 35235VN10 V08199 AFP175V10P V30974 DBOS13BX10HP V14798	002004 006100 107107 121503 904999	2
- 645	AS1581T10	..	SLEEVE-	002004 006100 107107 121503 904999	2
- 650	MS21921-10D	..	NUT- OPTIONAL PART: BACN10YL10	002004 006100 107107 121503 904999	2

MISSING ITEM NUMBERS NOT APPLICABLE

- ITEM NOT ILLUSTRATED

32-32-51-15

32-32-51  
FIG. 15  
PAGE 18  
JAN 20/09

BRI

BOEING PROPRIETARY - Copyright © - Unpublished Work - See title page for details.



757

PARTS CATALOG (MAINTENANCE)

FIG ITEM	PART NUMBER	1 2 3 4 5 6 7	NOMENCLATURE	EFFECT FROM TO	UNITS PER ASSY
15					
- 650	BACN10YL10	..	NUT- OPTIONAL PART: MS21921-10D	002004 006100 107107 121503 904999	2
655	271N6122-1283	.TUBE	ASSY-RETURN SYS POSITION DATA: L TUBING MATERIAL: .375 IN. OD .035 IN. WALL 18.00 IN. LG AL	002004 006100 107107 121503 904999	1
- 660	AP2097HP06	..	SLEEVE- SUPPLIER CODE: V01673 SPECIFICATION NUMBER: BACS13BX06HP OPTIONAL PART: 2-02903-06HP V11328 35235VN06 V08199 AFP175V06P V30974 DBOS13BX06HP V14798	002004 006100 107107 121503 904999	2
- 660	AS1581T06	..	SLEEVE-	002004 006100 107107 121503 904999	2
- 665	MS21921-6D	..	NUT- OPTIONAL PART: BACN10YL06	002004 006100 107107 121503 904999	2
- 665	BACN10YL06	..	NUT- OPTIONAL PART: MS21921-6D	002004 006100 107107 121503 904999	2
670	BACU24L4	.UNION		002004 006100 107107 121503 904999	1

MISSING ITEM NUMBERS NOT APPLICABLE

- ITEM NOT ILLUSTRATED

32-32-51-15

32-32-51  
FIG. 15  
PAGE 19  
JAN 20/09

BRI

BOEING PROPRIETARY - Copyright © - Unpublished Work - See title page for details.



757

PARTS CATALOG (MAINTENANCE)

FIG ITEM	PART NUMBER	1 2 3 4 5 6 7	NOMENCLATURE	EFFECT FROM TO	UNITS PER ASSY
15 677	MS21924D10	.	UNION	002004 006100 107107 121503 904999	1
685	APX832T0604	.	UNION SUPPLIER CODE: V01673 SPECIFICATION NUMBER: BACU24AA0604T OPTIONAL PART: ER832-0604T V50948 2-010890604T V11328 AFP238-0604T V30974 APX832-0604T V01673 DBOU24AA0604T V61498 FER1579-0604T V14397 US2113-0604T V50808 2-01089T0604 V11328	002004 006100 107107 121503 904999	1
690	BACE21BN0604T	.	ELBOW- OPTIONAL PART: BACE21AS0604S	002004 006100 107107 121503 904999	1

MISSING ITEM NUMBERS NOT APPLICABLE

- ITEM NOT ILLUSTRATED

32-32-51-15

32-32-51  
FIG. 15  
PAGE 20  
JAN 20/09

BRI





757

PARTS CATALOG (MAINTENANCE)

FIG ITEM	PART NUMBER	1 2 3 4 5 6 7	NOMENCLATURE	EFFECT FROM TO	UNITS PER ASSY
15 690	APX833S0604	.ELBOW-	SUPPLIER CODE: V01673 SPECIFICATION NUMBER: BACE21AS0604S OPTIONAL PART: DB0E21AS0604S V14798 ER833-0604S V45681 ER833-0604S V88334 ER8330604S V50948 FER15800604S V14397 LER833-0604S V11328 APX8330604S V01673 NAF18330604S V52930 US1924-0604S V50808 AFP3160604S V30974 BACE21BN0604T	107107	1
690	BACE21BN0604J	.ELBOW-		002004 006102 107999	1
695	BACE21BN0404T	.ELBOW-		002004 006100 107107 121503 904999	1
695	BACE21BN0404J	.ELBOW-		002004 006102 107999	1
700	BACE21BN0808T	.ELBOW-		002004 006100 107107 121503 904999	1
700	BACE21BN0808J	.ELBOW-		002004 006102 107999	1

MISSING ITEM NUMBERS NOT APPLICABLE

- ITEM NOT ILLUSTRATED

32-32-51-15

32-32-51  
FIG. 15  
PAGE 21  
JAN 20/09

BRI



757

PARTS CATALOG (MAINTENANCE)

FIG ITEM	PART NUMBER	1 2 3 4 5 6 7	NOMENCLATURE	EFFECT FROM TO	UNITS PER ASSY
15 703	NAS1762T0404	.	ELBOW-	002004 006100 107107 121503 904999	1
703	NAS1762J0404	.	ELBOW-	002004 006100 107107 121503 904999	1
705	AFP2326-4	.	REDUCER- SUPPLIER CODE: V30974 SPECIFICATION NUMBER: BACR17E6-4 OPTIONAL PART: AP10276-4 V01673 BC916T6-4 V50948 DB0R17E6-4 V14798 ER21916T6-4 V88334 ER31916-6-4 V88334 F23-6-4 V73197 2-01075T6-4 V11328 31778-6-4 V14397 US2114-6-4 V50808 AP1027T6-4 V01673 US21146-4 V50808 317786-4 V14397	002004 006102 107999	1
- 708	MS21916-6-4T	.	REDUCER-	002004 006100 107107 121503 904999	1

MISSING ITEM NUMBERS NOT APPLICABLE

- ITEM NOT ILLUSTRATED

32-32-51-15

32-32-51  
FIG. 15  
PAGE 22  
JAN 20/09

BRI



757

PARTS CATALOG (MAINTENANCE)

FIG ITEM	PART NUMBER	1 2 3 4 5 6 7	NOMENCLATURE	EFFECT FROM TO	UNITS PER ASSY
15 710	AFP2328-6	.	REDUCER- SUPPLIER CODE: V30974 SPECIFICATION NUMBER: BACR17E8-6 OPTIONAL PART: AP10278-6 V01673 BC916T8-6 V50948 DB0R17E8-6 V14798 ER21916T8-6 V88334 ER31916-8-6 V88334 F23-8-6 V73197 2-01075T8-6 V11328 31778-8-6 V14397 US2114-8-6 V50508 AP1027T8-6 V01673 US21148-6 V50808 317788-6 V14397	002004 006102 107999	1
- 711	MS21916-8-6T	.	REDUCER-	002004 006100 107107 121503 904999	1
715	MS21905D10	.	TEE-	107107	1
715	MS21905W10	.	TEE-	101102 108120 504903	1
720	BACT16BL060604T	.	TEE-	002004 006100 107107 121503 904999	2
720	BACT16BL060604J	.	TEE-	002004 006102 107999	2

MISSING ITEM NUMBERS NOT APPLICABLE

- ITEM NOT ILLUSTRATED

32-32-51-15

32-32-51  
FIG. 15  
PAGE 23  
JAN 20/09

BRI



757

PARTS CATALOG (MAINTENANCE)

FIG ITEM	PART NUMBER	1 2 3 4 5 6 7	NOMENCLATURE	EFFECT FROM TO	UNITS PER ASSY
15					
735	BACT16BL080804T	. TEE-		002004 006100 107107 121503 904999	1
735	BACT16BL080804J	. TEE-		002004 006102 107999	1
740	BACT16BL060406J	. TEE-		002004 006102 107999	1
740	BACT16BL060406T	. TEE-		002004 006100 107107 121503 904999	1
745	APX824D100610	. TEE-	SUPPLIER CODE: V01673 SPECIFICATION NUMBER: BACT16AS100610D OPTIONAL PART: APX824-100610D V01673 DBOT16AS100610D V14798 ER824-100610D V50948 FER1571-100610D V14397 LER824-100610D V11328 NAF1824-100610D V52930 US1925-100610D V50808 AFP325-100610D V30974	002004 006100 107107 121503 904999	1
750	AN924-4D	. NUT		002004 006100 107107 121503 904999	2
752	AN924-6D	. NUT		002004 006100 107107 121503 904999	1

MISSING ITEM NUMBERS NOT APPLICABLE

- ITEM NOT ILLUSTRATED

32-32-51-15

32-32-51  
FIG. 15  
PAGE 24  
JAN 20/09

BRI

BOEING PROPRIETARY - Copyright © - Unpublished Work - See title page for details.



757

PARTS CATALOG (MAINTENANCE)

FIG ITEM	PART NUMBER	1 2 3 4 5 6 7	NOMENCLATURE	EFFECT FROM TO	UNITS PER ASSY
15					
755	AN924-6D	.	NUT	002004 006102 107999	2
760	AN924-8D	.	NUT	002004 006102 107999	1
765	AN924-10D	.	NUT	002004 006102 107999	1
770	AN960KD716	.	WASHER	002004 006102 107999	1
775	AN960KD916	.	WASHER	002004 006102 107999	1
780	AN960KD1216	.	WASHER	002004 006102 107999	1
800	NAS623-3-4	.	SCREW-	002004 006102 107999	6
805	BACW10BN3SC	.	WASHER	002004 006102 107999	6
810	271N6331-1	.	BRACKET-	002004 006102 107999	1
815	271N6331-3	.	BRACKET-	002004 006102 107999	1
817	271N6331-5	.	FILLER ASSY	002004 006102 107999	1
820	271N6332-1	.	BRACKET ASSY-HYDR HOSE SHIELD POSITION DATA: SECT.12	002004 006102 107999	1
825	NAS514P1032-16	..	SCREW	002004 006102 107999	8
830	NAS623-3-28	..	SCREW-	002004 006102 107999	4
835	AN960KD10L	..	WASHER	002004 006102 107999	12

MISSING ITEM NUMBERS NOT APPLICABLE

- ITEM NOT ILLUSTRATED

BRI

32-32-51-15

32-32-51  
FIG. 15  
PAGE 25  
JAN 20/09



757

PARTS CATALOG (MAINTENANCE)

FIG ITEM	PART NUMBER	1 2 3 4 5 6 7	NOMENCLATURE	EFFECT FROM TO	UNITS PER ASSY
15 840	BRH10C3D	..	NUT SUPPLIER CODE: V52828 SPECIFICATION NUMBER: BACN10JC3CD OPTIONAL PART: T6C1032JCD V11815 NS202486-02 V80539 102LH9075-3W V72962 H51650-3BAC V15653	002004 006102 107999	8
845	271N6329-1	..	BRACKET ASSY	002004 006102 107999	1
850	271N6329-2	..	BRACKET	002004 006102 107999	1
855	271N6331-11	..	BRACKET ASSY	002004 006102 107999	1
860	271N6331-9	..	BRACKET ASSY	002004 006102 107999	1
865	271N6330-1	..	CAP-PHENOLIC END	002004 006102 107999	2
875			ILLUSTRATION REFERENCE: PLUMBING INSTL-SECT.44 L PRESSURE DECK HYDR (MAIN GEAR EXTENSION AND RETRACTION ONLY) 32-32-51-24	002004 006100 107107 121503 904999	RF
900			ILLUSTRATION REFERENCE: BRACKET INSTL-UPR TE PNL HYDR TUBE SPRT 29-11-58-01	002004 006102 107999	RF
920			ILLUSTRATION REFERENCE: VALVE INSTL-TRUCK POSITIONER SHUTTLE 32-32-17-01	002004 006102 107999	RF
930			ILLUSTRATION REFERENCE: PLUMBING INSTL-MLG SECT. 61 HYDR 32-41-51-25	002004 006100 107107 121503 904999	RF

MISSING ITEM NUMBERS NOT APPLICABLE

- ITEM NOT ILLUSTRATED

32-32-51-15

32-32-51  
FIG. 15  
PAGE 26  
JAN 20/09

BRI



757

PARTS CATALOG (MAINTENANCE)

FIG ITEM	PART NUMBER	1 2 3 4 5 6 7	NOMENCLATURE	EFFECT FROM TO	UNITS PER ASSY
15 935			ILLUSTRATION REFERENCE: PLUMBING INSTL-MLG SECT. 61 HYDR 32-41-51-25	002004 006100 107107 121503 904999	RF
940			ILLUSTRATION REFERENCE: VALVE INSTL-MLG DOWNLOCK OPERATED DOOR SEQUENCE 32-32-07-01	002004 006102 107999	RF
950			ILLUSTRATION REFERENCE: MAIN GEAR INSTL-VAR (MAIN GEAR ONLY) 32-11-00-01	002004 006100 107107 121503 904999	RF
960			ILLUSTRATION REFERENCE: VALVE AND BRACKET INSTL-STA 1116 AND 1123 UPLOCK OPERATED SEQUENCE 32-32-09-01	002004 006102 107999	RF
965			ILLUSTRATION REFERENCE: PLUMBING INSTL-SECT. 12 L WING INBD HYDR (HYDR BRAKE SYS ONLY) 32-41-51-15	002004 006102 107999	RF

MISSING ITEM NUMBERS NOT APPLICABLE

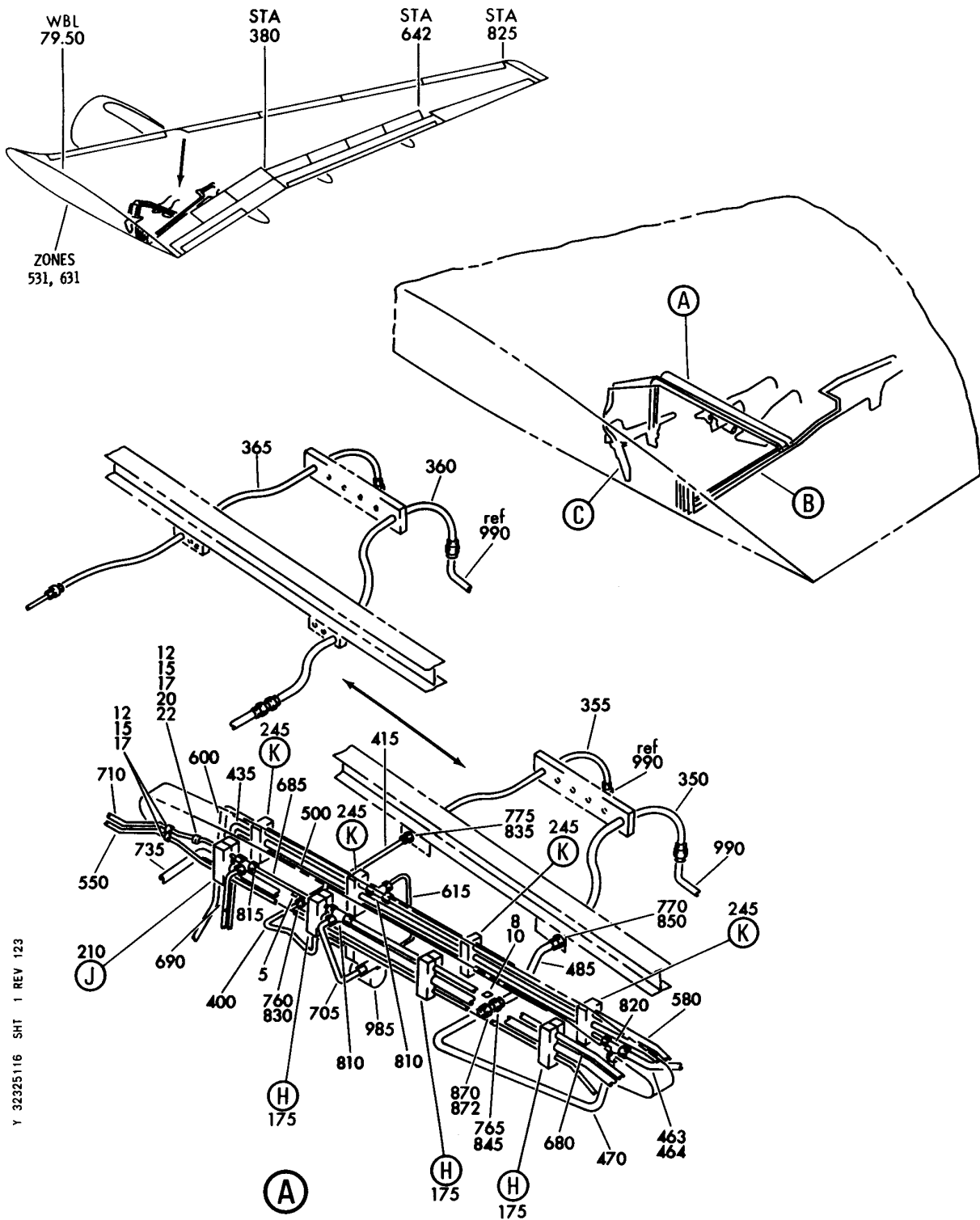
- ITEM NOT ILLUSTRATED

**32-32-51-15**

32-32-51  
FIG. 15  
PAGE 27  
JAN 20/09

BRI


**BOEING**  
 757  
**PARTS CATALOG (MAINTENANCE)**



Y 32325116 SHT 1 REV 123

PLUMBING INSTL-SECT. 12 HYDR R WING INBD (MAIN GEAR EXTENSION AND RETRACTION ONLY)  
 FIGURE 16 (SHEET 1)

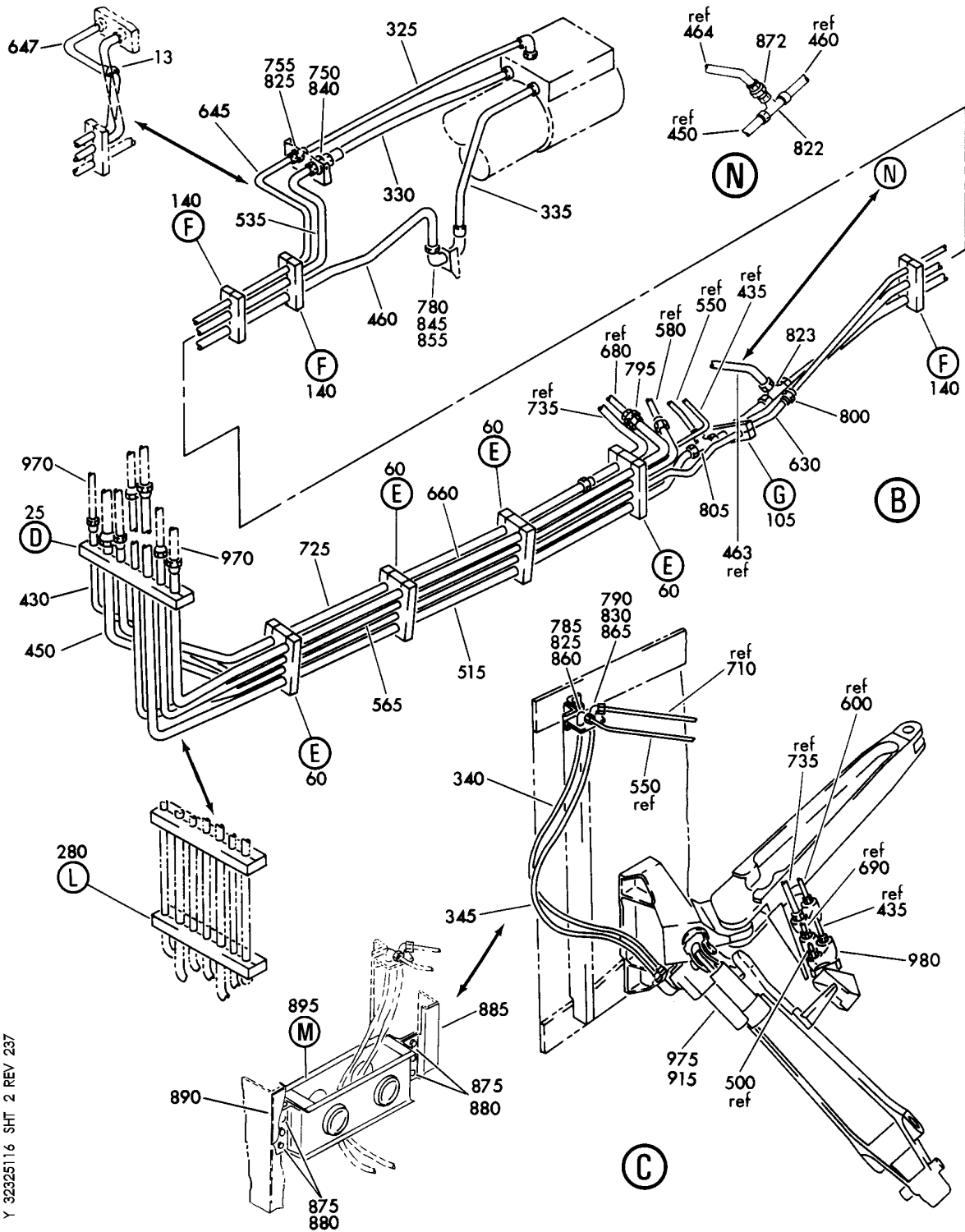
BRI  
MAY 28/07

# 32-32-51-16

32-32-51-16  
 PAGE 0



**BOEING**  
757  
PARTS CATALOG (MAINTENANCE)



Y 32325116 SHT 2 REV 237

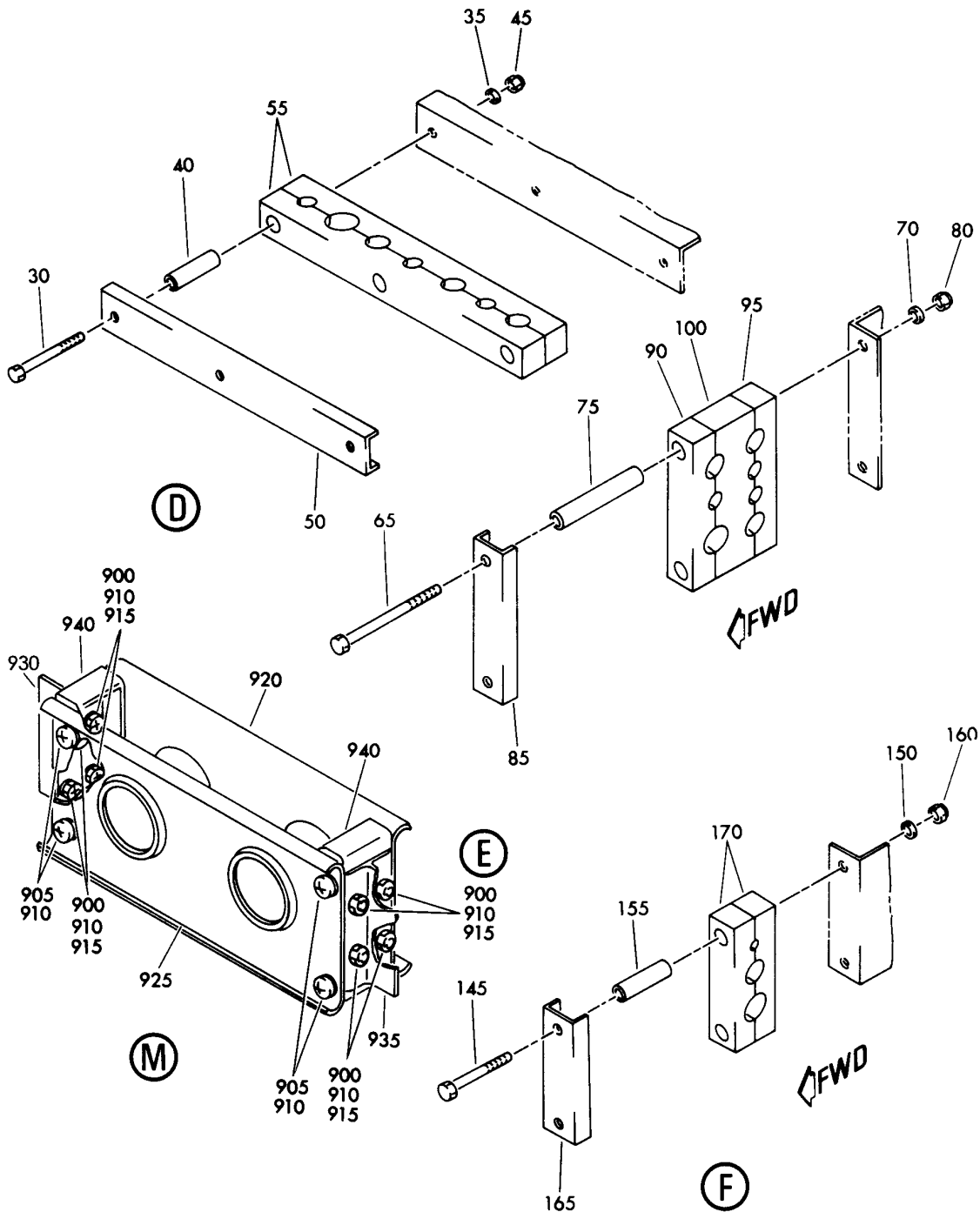
PLUMBING INSTL-SECT. 12 HYDR R WING INBD (MAIN GEAR EXTENSION AND RETRACTION ONLY)  
FIGURE 16 (SHEET 2)

**32-32-51-16**

BRI  
MAY 28/07

32-32-51-16  
PAGE 0A

**BOEING**  
757  
PARTS CATALOG (MAINTENANCE)



Y 32325116 SH1 3 REV 224

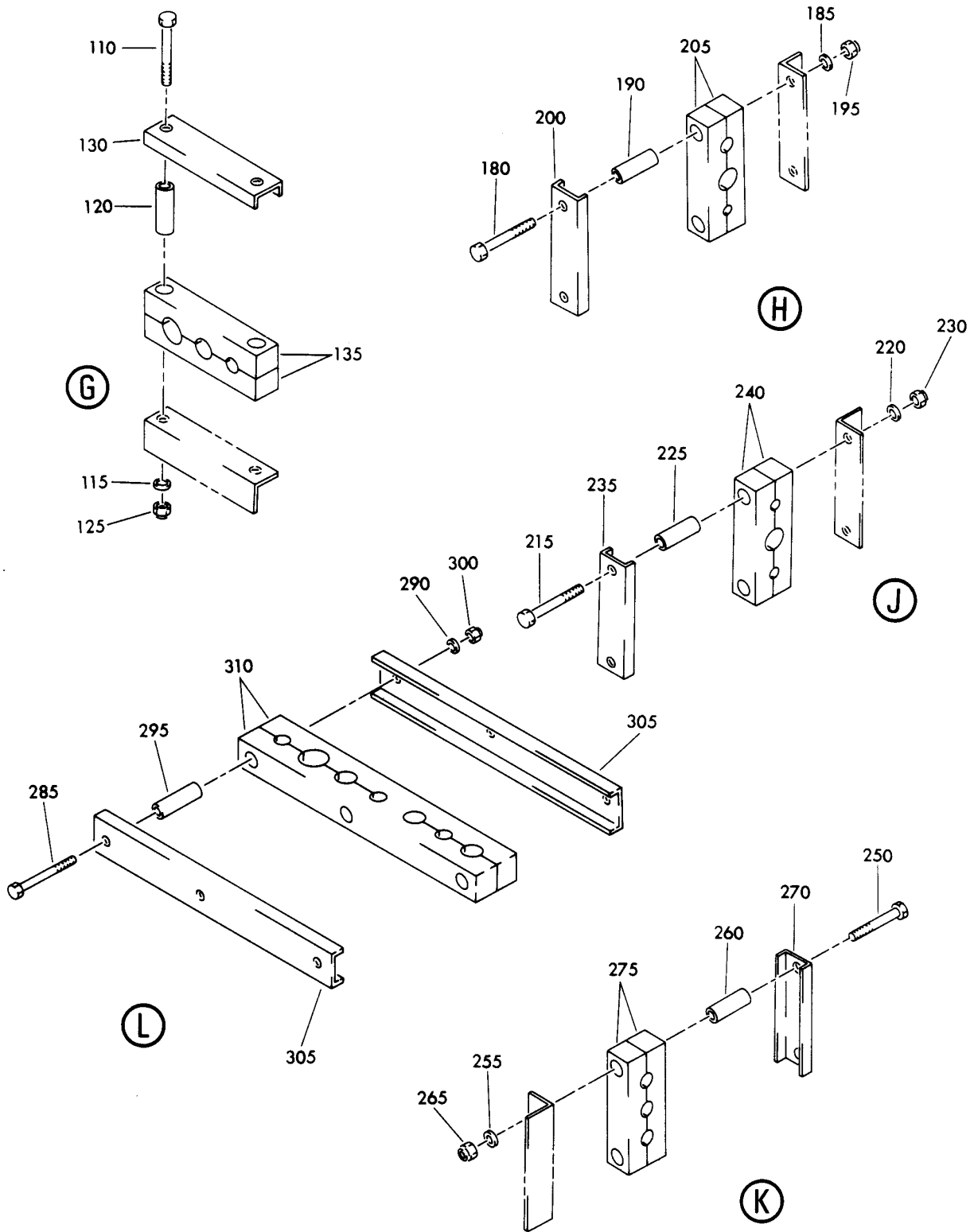
PLUMBING INSTL-SECT. 12 HYDR R WING INBD (MAIN GEAR EXTENSION AND RETRACTION ONLY)  
FIGURE 16 (SHEET 3)

BRI  
MAY 28/07

**32-32-51-16**

32-32-51-16  
PAGE 0B


**BOEING**  
 757  
**PARTS CATALOG (MAINTENANCE)**



Y 32325116 SMT 4 REV 022

PLUMBING INSTL-SECT. 12 HYDR R WING INBD (MAIN GEAR EXTENSION AND RETRACTION ONLY)  
 FIGURE 16 (SHEET 4)

BRI  
MAY 28/07

# 32-32-51-16

32-32-51-16  
 PAGE 0C



757

PARTS CATALOG (MAINTENANCE)

FIG ITEM	PART NUMBER	1 2 3 4 5 6 7	NOMENCLATURE	EFFECT FROM TO	UNITS PER ASSY
16			PLUMBING INSTL-SECT. 12 HYDR R WING INBD (MAIN GEAR EXTENSION AND RETRACTION ONLY)	002004 006100 107107 121503 904999	
- 1	271N6123-1		PLUMBING INSTL-HYDR WING (MAIN GEAR EXTENSION AND RETRACTION ONLY) POSITION DATA: SECT.12 R INBD VARIABLE DRAWING REF: 271N6123-4 FOR NHA/OTHER SYS DET SEE: 29-00-51-01	002004 006100 107107 121503 904999	RF
5	BAC27NHY0176		.MARKER-ALUMINUM FOIL PLACARD CONTENT: TRUCK POSN PRESS	002004 006100 107107 121503 904999	1
8	BAC27NHY0177		.MARKER-ALUMINUM FOIL PLACARD CONTENT: TRUCK POSN RET	002004 006100 107107 121503 904999	1
10	NAS1801-3		.SCREW- SIZE DETERMINED ON INSTL.	002004 006100 107107 121503 904999	3
12	AN960KD10L		.WASHER	002004 006100 107107 121503 904999	3
15	MS21042L3		.NUT-	002004 006100 107107 121503 904999	3
17	M85052-2-4		.CLAMP	002004 006100 107107 121503 904999	3
20	M85052-2-8		.CLAMP-	002004 006100 107107 121503 904999	1

MISSING ITEM NUMBERS NOT APPLICABLE

- ITEM NOT ILLUSTRATED

32-32-51-16

32-32-51  
FIG. 16  
PAGE 1  
JAN 20/09

BRI

BOEING PROPRIETARY - Copyright © - Unpublished Work - See title page for details.



757

PARTS CATALOG (MAINTENANCE)

FIG ITEM	PART NUMBER	1 2 3 4 5 6 7	NOMENCLATURE	EFFECT FROM TO	UNITS PER ASSY
16					
22	M85052-2-12	.	CLAMP	002004 006100 107107 121503 904999	1
25	270N2000-133	.	CLAMP ASSY-BLK	002004 006100 107107 121503 904999	1
30	NAS1801-3-28	..	SCREW-	002004 006100 107107 121503 904999	3
35	AN960PD10L	..	WASHER	002004 006100 107107 121503 904999	3
40	NAS43DD3-75	..	SPACER	002004 006100 107107 121503 904999	3
45	BRH10A3	..	NUT SUPPLIER CODE: V52828 SPECIFICATION NUMBER: BACN10JC3 OPTIONAL PART: H10-3BAC V15653 NS202101-02 V80539 RMLH9075-3W V72962 VN303A02 V92215 96-02 V80539 T6S1032J V11815	002004 006100 107107 121503 904999	3
50	270N2000-889	..	CHANNEL	002004 006100 107107 121503 904999	1

MISSING ITEM NUMBERS NOT APPLICABLE

- ITEM NOT ILLUSTRATED

BRI

32-32-51-16

32-32-51  
FIG. 16  
PAGE 2  
JAN 20/09



757

PARTS CATALOG (MAINTENANCE)

FIG ITEM	PART NUMBER	1 2 3 4 5 6 7	NOMENCLATURE	EFFECT FROM TO	UNITS PER ASSY
16					
55	270N2000-568	..	BLOCK	002004 006100 107107 121503 904999	2
60	270N2000-136	.CLAMP	ASSY-BLK	002004 006100 107107 121503 904999	4
65	NAS1801-3-45	..	SCREW-	002004 006100 107107 121503 904999	2
70	AN960PD10L	..	WASHER	002004 006100 107107 121503 904999	2
75	NAS43DD3-144	..	SPACER	002004 006100 107107 121503 904999	2
80	BRH10A3	..	NUT SUPPLIER CODE: V52828 SPECIFICATION NUMBER: BACN10JC3 OPTIONAL PART: H10-3BAC V15653 NS202101-02 V80539 RMLH9075-3W V72962 VN303A02 V92215 96-02 V80539 T6S1032J V11815	002004 006100 107107 121503 904999	2
85	270N2000-807	..	CHANNEL	002004 006100 107107 121503 904999	1

MISSING ITEM NUMBERS NOT APPLICABLE

- ITEM NOT ILLUSTRATED

32-32-51-16

32-32-51  
FIG. 16  
PAGE 3  
JAN 20/09

BRI

BOEING PROPRIETARY - Copyright © - Unpublished Work - See title page for details.



757

PARTS CATALOG (MAINTENANCE)

FIG ITEM	PART NUMBER	1 2 3 4 5 6 7	NOMENCLATURE	EFFECT FROM TO	UNITS PER ASSY
16					
90	270N2000-412	..	BLOCK	002004 006100 107107 121503 904999	1
95	270N2000-414	..	BLOCK	002004 006100 107107 121503 904999	1
100	270N2000-589	..	BLOCK	002004 006100 107107 121503 904999	1
105	270N2000-56	.C	CLAMP ASSY-BLK	002004 006100 107107 121503 904999	1
110	NAS1801-3-28	..	SCREW-	002004 006100 107107 121503 904999	2
115	AN960PD10L	..	WASHER	002004 006100 107107 121503 904999	2
120	NAS43DD3-75	..	SPACER	002004 006100 107107 121503 904999	2

MISSING ITEM NUMBERS NOT APPLICABLE

- ITEM NOT ILLUSTRATED

BRI

32-32-51-16

BOEING PROPRIETARY - Copyright © - Unpublished Work - See title page for details.

32-32-51  
FIG. 16  
PAGE 4  
JAN 20/09



757

PARTS CATALOG (MAINTENANCE)

FIG ITEM	PART NUMBER	1 2 3 4 5 6 7	NOMENCLATURE	EFFECT FROM TO	UNITS PER ASSY
16 125	BRH10A3	..	NUT SUPPLIER CODE: V52828 SPECIFICATION NUMBER: BACN10JC3 OPTIONAL PART: H10-3BAC V15653 NS202101-02 V80539 RMLH9075-3W V72962 VN303A02 V92215 96-02 V80539 T6S1032J V11815	002004 006100 107107 121503 904999	2
130	270N2000-865	..	CHANNEL	002004 006100 107107 121503 904999	1
135	270N2000-533	..	BLOCK	002004 006100 107107 121503 904999	2
140	270N2000-13	.	CLAMP ASSY-BLK	002004 006100 107107 121503 904999	3
145	NAS1801-3-28	..	SCREW-	002004 006100 107107 121503 904999	2
150	AN960PD10L	..	WASHER	002004 006100 107107 121503 904999	2
155	NAS43DD3-75	..	SPACER	002004 006100 107107 121503 904999	2

MISSING ITEM NUMBERS NOT APPLICABLE

- ITEM NOT ILLUSTRATED

32-32-51-16

32-32-51  
FIG. 16  
PAGE 5  
JAN 20/09

BRI

BOEING PROPRIETARY - Copyright © - Unpublished Work - See title page for details.





757

PARTS CATALOG (MAINTENANCE)

FIG ITEM	PART NUMBER	1 2 3 4 5 6 7	NOMENCLATURE	EFFECT FROM TO	UNITS PER ASSY
16 160	BRH10A3	..	NUT SUPPLIER CODE: V52828 SPECIFICATION NUMBER: BACN10JC3 OPTIONAL PART: H10-3BAC V15653 NS202101-02 V80539 RMLH9075-3W V72962 VN303A02 V92215 96-02 V80539 T6S1032J V11815	002004 006100 107107 121503 904999	2
165	270N2000-806	..	CHANNEL	002004 006100 107107 121503 904999	1
170	270N2000-420	..	BLOCK	002004 006100 107107 121503 904999	2
175	270N2000-27	.	CLAMP ASSY-BLK	002004 006100 107107 121503 904999	3
180	NAS1801-3-27	..	SCREW-	002004 006100 107107 121503 904999	2
185	AN960PD10L	..	WASHER	002004 006100 107107 121503 904999	2
190	NAS43DD3-67	..	SPACER	002004 006100 107107 121503 904999	2

MISSING ITEM NUMBERS NOT APPLICABLE

- ITEM NOT ILLUSTRATED

32-32-51-16

32-32-51  
FIG. 16  
PAGE 6  
JAN 20/09

BRI

BOEING PROPRIETARY - Copyright © - Unpublished Work - See title page for details.



757

PARTS CATALOG (MAINTENANCE)

FIG ITEM	PART NUMBER	1 2 3 4 5 6 7	NOMENCLATURE	EFFECT FROM TO	UNITS PER ASSY
16 195	BRH10A3	..	NUT SUPPLIER CODE: V52828 SPECIFICATION NUMBER: BACN10JC3 OPTIONAL PART: H10-3BAC V15653 NS202101-02 V80539 RMLH9075-3W V72962 VN303A02 V92215 96-02 V80539 T6S1032J V11815	002004 006100 107107 121503 904999	2
200	270N2000-818	..	CHANNEL	002004 006100 107107 121503 904999	1
205	270N2000-444	..	BLOCK	002004 006100 107107 121503 904999	2
210	270N2000-31	.	CLAMP ASSY-BLK	002004 006100 107107 121503 904999	1
215	NAS1801-3-26	..	SCREW-	002004 006100 107107 121503 904999	2
220	AN960PD10L	..	WASHER	002004 006100 107107 121503 904999	2
225	NAS43DD3-67	..	SPACER	002004 006100 107107 121503 904999	2

MISSING ITEM NUMBERS NOT APPLICABLE

- ITEM NOT ILLUSTRATED

32-32-51-16

32-32-51  
FIG. 16  
PAGE 7  
JAN 20/09

BRI

BOEING PROPRIETARY - Copyright © - Unpublished Work - See title page for details.



757

PARTS CATALOG (MAINTENANCE)

FIG ITEM	PART NUMBER	1 2 3 4 5 6 7	NOMENCLATURE	EFFECT FROM TO	UNITS PER ASSY
16 230	BRH10A3	..	NUT SUPPLIER CODE: V52828 SPECIFICATION NUMBER: BACN10JC3 OPTIONAL PART: H10-3BAC V15653 NS202101-02 V80539 RMLH9075-3W V72962 VN303A02 V92215 96-02 V80539 T6S1032J V11815	002004 006100 107107 121503 904999	2
235	270N2000-818	..	CHANNEL	002004 006100 107107 121503 904999	1
240	270N2000-445	..	BLOCK	002004 006100 107107 121503 904999	2
245	270N2000-25	.	CLAMP ASSY-BLK	002004 006100 107107 121503 904999	4
250	NAS1801-3-25	..	SCREW-	002004 006100 107107 121503 904999	2
255	AN960PD10L	..	WASHER	002004 006100 107107 121503 904999	2
260	NAS43DD3-59	..	SPACER	002004 006100 107107 121503 904999	2

MISSING ITEM NUMBERS NOT APPLICABLE

- ITEM NOT ILLUSTRATED

32-32-51-16

32-32-51  
FIG. 16  
PAGE 8  
JAN 20/09

BRI

BOEING PROPRIETARY - Copyright © - Unpublished Work - See title page for details.



757

PARTS CATALOG (MAINTENANCE)

FIG ITEM	PART NUMBER	1 2 3 4 5 6 7	NOMENCLATURE	EFFECT FROM TO	UNITS PER ASSY
16 265	BRH10A3	..	NUT SUPPLIER CODE: V52828 SPECIFICATION NUMBER: BACN10JC3 OPTIONAL PART: H10-3BAC V15653 NS202101-02 V80539 RMLH9075-3W V72962 VN303A02 V92215 96-02 V80539 T6S1032J V11815	002004 006100 107107 121503 904999	2
270	270N2000-815	..	CHANNEL	002004 006100 107107 121503 904999	1
275	270N2000-440	..	BLOCK- OPTIONAL PART: 270N2000-461	002004 006100 107107 121503 904999	2
275	270N2000-461	..	BLOCK- OPTIONAL PART: 270N2000-440	002004 006100 107107 121503 904999	2
280	270N2000-203	.	CLAMP ASSY-BLK	002004 006100 107107 121503 904999	1
285	NAS1801-3-30	..	SCREW-	002004 006100 107107 121503 904999	3
290	AN960KD10L	..	WASHER	002004 006100 107107 121503 904999	3

MISSING ITEM NUMBERS NOT APPLICABLE

- ITEM NOT ILLUSTRATED

32-32-51-16

32-32-51  
FIG. 16  
PAGE 9  
JAN 20/09

BRI

BOEING PROPRIETARY - Copyright © - Unpublished Work - See title page for details.



757

PARTS CATALOG (MAINTENANCE)

FIG ITEM	PART NUMBER	1 2 3 4 5 6 7	NOMENCLATURE	EFFECT FROM TO	UNITS PER ASSY
16 295	NAS43DD3-75	..	SPACER	002004 006100 107107 121503 904999	3
300	BRH10A3	..	NUT SUPPLIER CODE: V52828 SPECIFICATION NUMBER: BACN10JC3 OPTIONAL PART: H10-3BAC V15653 NS202101-02 V80539 RMLH9075-3W V72962 VN303A02 V92215 96-02 V80539 T6S1032J V11815	002004 006100 107107 121503 904999	3
305	270N2000-889	..	CHANNEL	002004 006100 107107 121503 904999	2
310	270N2000-568	..	BLOCK	002004 006100 107107 121503 904999	2
325	AS154A04EN0302B	.HOSE ASSY-	SUPPLIER CODE: V00624 SPECIFICATION NUMBER: BACH8A04EN0302B OPTIONAL PART: B472-4EN0302B V98441 97934A04EN0302B V78570 R291204EN0302B V50599	002004 006100 107107 121503 904999	1

MISSING ITEM NUMBERS NOT APPLICABLE

- ITEM NOT ILLUSTRATED

BRI

32-32-51-16

32-32-51  
FIG. 16  
PAGE 10  
JAN 20/09



757

PARTS CATALOG (MAINTENANCE)

FIG ITEM	PART NUMBER	1 2 3 4 5 6 7	NOMENCLATURE	EFFECT FROM TO	UNITS PER ASSY
16 330	AS115-08D0241		.HOSE ASSY- MISCELLANEOUS DATA: SPARES PROVISIONING DATA - NOT FOR BOEING MANUFACTURING USE: AS115-08D0241 OR AS115-08K0241 CAN BE REPLACED BY BUT NOT REPLACE AS115-08K0240.	002004 006100 107107 121503 904999	1
330	AS115-08K0241		.HOSE ASSY- MISCELLANEOUS DATA: SPARES PROVISIONING DATA-NOT FOR BOEING MANUFACTURING USE: AS115-08D0241 OR AS115-08K0241 CAN BE REPLACED BY BUT NOT REPLACE AS115-08K0240	002004 006100 107107 121503 904999	1
335	AS116-10K0195		.HOSE ASSY- MISCELLANEOUS DATA: SPARES PROVISIONING DATA-NOT FOR BOEING MANUFACTURING USE: AS116-10K0195 CAN BE REPLACED BY BUT NOT REPLACE AS116-10K0194	002004 006100 107107 121503 904999	1
340	AS115-04K0232		.HOSE ASSY- 271N6119-2 CAN REPLACE BUT NOT BE REPLACED BY EITHER AS115-04D0232 OR AS115-04K0232 PRE SERVICE BULLETIN: 29-0056 PRE SERVICE LETTER: 29-028	002004 006016 904949 952952	1
340	271N6119-2		.HOSE ASSY- 271N6119-2 CAN REPLACE BUT NOT BE REPLACED BY EITHER AS115-04D0232 OR AS115-04K0232 POST SERVICE BULLETIN: 29-0056 POST SERVICE LETTER: 29-28	002004 006100 107107 121503 904999	1

MISSING ITEM NUMBERS NOT APPLICABLE

- ITEM NOT ILLUSTRATED

32-32-51-16

32-32-51  
FIG. 16  
PAGE 11  
JAN 20/09

BRI



757

PARTS CATALOG (MAINTENANCE)

FIG ITEM	PART NUMBER	1 2 3 4 5 6 7	NOMENCLATURE	EFFECT FROM TO	UNITS PER ASSY
16 345	AS154A04EE0232K		.HOSE ASSY- SUPPLIER CODE: V00624 SPECIFICATION NUMBER: BACH8A04EE0232K OPTIONAL PART: 97934A04EE0232K V78570 B472-4EE0232K V98441 R291204EE0232K V50599 271N6119-1 CAN REPLACE BUT NOT BE REPLACED BY EITHER AS115-06D0232 OR AS115-06K0232 OR BACH8A04EE0232K NOT APPROVED FOR ETOPS. PRE SERVICE LETTER: 29-028	002004 006016 904949 952952	1
345	271N6119-1		.HOSE ASSY- 271N6119-1 CAN REPLACE BUT NOT BE REPLACED BY EITHER AS115-06D0232 OR AS115-06K0232 OR BACH8A04EE0232K POST SERVICE BULLETIN: 32-0078 29-0056 POST SERVICE LETTER: 29-028	002004 006100 107107 121503 904999	1

MISSING ITEM NUMBERS NOT APPLICABLE

- ITEM NOT ILLUSTRATED

BRI

32-32-51-16

BOEING PROPRIETARY - Copyright © - Unpublished Work - See title page for details.

32-32-51  
FIG. 16  
PAGE 12  
JAN 20/09



757

PARTS CATALOG (MAINTENANCE)

FIG ITEM	PART NUMBER	1 2 3 4 5 6 7	NOMENCLATURE	EFFECT FROM TO	UNITS PER ASSY
16 360	AS154A08EE0487B	.	HOSE ASSY- SUPPLIER CODE: V00624 SPECIFICATION NUMBER: BACH8A08EE0487B OPTIONAL PART: B472-8EE0487B V98441 97934A08EE0487B V78570 R291208EE0487B V50599 MISCELLANEOUS DATA: SPARES PROVISIONING DATA-NOT FOR BOEING MANUFACTURING USE: BACH8A08EE0487B CAN BE REPLACED BY BUT NOT REPLACE BACH8A08EE0490B POST SERVICE BULLETIN: 32-0079R1 32-0079R2	002004 006100 107107 121503 904999	1
365	AS154A04EE0557B	.	HOSE ASSY- SUPPLIER CODE: V00624 SPECIFICATION NUMBER: BACH8A04EE0557B OPTIONAL PART: B472-4EE0557B V98441 97934A04EE0557B V78570 R291204EE0557B V50599 MISCELLANEOUS DATA: SPARES PROVISIONING DATA-NOT FOR BOEING MANUFACTURING USE: BACH8A04EE0557B CAN BE REPLACED BY BUT NOT REPLACE BACH8A04EE0560B POST SERVICE BULLETIN: 32-0079R1 32-0079R2	002004 006100 107107 121503 904999	1

MISSING ITEM NUMBERS NOT APPLICABLE

- ITEM NOT ILLUSTRATED

32-32-51-16

32-32-51  
FIG. 16  
PAGE 13  
JAN 20/09

BRI





757

PARTS CATALOG (MAINTENANCE)

FIG ITEM	PART NUMBER	1 2 3 4 5 6 7	NOMENCLATURE	EFFECT FROM TO	UNITS PER ASSY
16 400	271N6123-1273		.TUBE ASSY-TRUCK PRESSURE SYS POSITION DATA: L TUBING MATERIAL: .375 IN. OD .019 IN. WALL 15.50 IN. LG TI	002004 006100 107107 121503 904999	1
- 405	AS1581T04		..SLEEVE-	002004 006100 107107 121503 904999	2
- 410	BACN10YA4		..NUT-	002004 006100 107107 121503 904999	2
430	271N6123-1123		.TUBE ASSY-PRESSURE SYS POSITION DATA: L TUBING MATERIAL: .375 IN. OD .019 IN. WALL 74.00 IN. LG TITANIUM	002004 006100 107107 121503 904999	1
435	271N6123-1206		.TUBE ASSY-PRESSURE SYS POSITION DATA: L MANUFACTURED FROM: TUBING LIST DTD 3/9/93 TUBING MATERIAL: .375 IN. OD .019 IN. WALL 75.00 IN. LG TI	002004 006010 107107 121503 904950 952999	1
435	271N6123-1295		.TUBE ASSY-PRESSURE SYS POSITION DATA: L	951951	1
435	271N6123-1296		.TUBE ASSY-PRESSURE SYS POSITION DATA: L	011100	1
- 440	AS1581T06		..SLEEVE	002004 006100 107107 121503 904999	1
- 442	BACN10YA6		..NUT-	002004 006010 107107 121503 904950 952999	1

MISSING ITEM NUMBERS NOT APPLICABLE

- ITEM NOT ILLUSTRATED

32-32-51-16

32-32-51  
FIG. 16  
PAGE 14  
JAN 20/09

BRI



757

PARTS CATALOG (MAINTENANCE)

FIG ITEM	PART NUMBER	1 2 3 4 5 6 7	NOMENCLATURE	EFFECT FROM TO	UNITS PER ASSY
16					
- 442	BACN10YA6N	..	NUT-	011100 951951	1
- 443	AS1582T06	..	UNION	002004 006100 107107 121503 904999	1
450	271N6123-1180	.TUBE ASSY-RETURN SYS POSITION DATA: L TUBING MATERIAL: .625 IN. OD .035 IN. WALL 90.00 IN. LG AL		002004 006100 107107 121503 904999	1
- 452	AP2097HP10	..SLEEVE SUPPLIER CODE: V01673 SPECIFICATION NUMBER: BACS13BX10HP OPTIONAL PART: 2-02903-10HP V11328 35235VN10 V08199 AFP175V10P V30974 DBOS13BX10HP V14798		002004 006100 107107 121503 904999	2
- 455	BACN10YL10	..NUT- OPTIONAL PART: MS21921-10D		002004 006100 107107 121503 904999	2
- 455	MS21921-10D	..NUT- OPTIONAL PART: BACN10YL10		002004 006100 107107 121503 904999	2
460	271N6123-1201	.TUBE ASSY-RETURN SYS POSITION DATA: L TUBING MATERIAL: .625 IN. OD .035 IN. WALL 40.75 IN. LG AL		002004 006100 107107 121503 904999	1

MISSING ITEM NUMBERS NOT APPLICABLE

- ITEM NOT ILLUSTRATED

32-32-51-16

32-32-51  
FIG. 16  
PAGE 15  
JAN 20/09

BRI



757

PARTS CATALOG (MAINTENANCE)

FIG ITEM	PART NUMBER	1 2 3 4 5 6 7	NOMENCLATURE	EFFECT FROM TO	UNITS PER ASSY
16					
- 461	AP2097HP10	..	SLEEVE SUPPLIER CODE: V01673 SPECIFICATION NUMBER: BACS13BX10HP OPTIONAL PART: 2-02903-10HP V11328 35235VN10 V08199 AFP175V10P V30974 DBOS13BX10HP V14798	002004 006100 107107 121503 904999	2
- 462	MS21921-10D	..	NUT- OPTIONAL PART: BACN10YL10	002004 006100 107107 121503 904999	2
- 462	BACN10YL10	..	NUT- OPTIONAL PART: MS21921-10D	002004 006100 107107 121503 904999	2
464	271N6123-1271	.TUBE ASSY-RETURN SYS POSITION DATA: L TUBING MATERIAL: .625 IN. OD .035 IN. WALL 15.00 IN. LG AL		002004 006100 107107 121503 904999	1
- 466	AP2097HP10	..	SLEEVE- SUPPLIER CODE: V01673 SPECIFICATION NUMBER: BACS13BX10HP OPTIONAL PART: 2-02903-10HP V11328 35235VN10 V08199 AFP175V10P V30974 DBOS13BX10HP V14798	002004 006100 107107 121503 904999	1
- 468	MS21921-10D	..	NUT- OPTIONAL PART: BACN10YL10	002004 006100 107107 121503 904999	1

MISSING ITEM NUMBERS NOT APPLICABLE

- ITEM NOT ILLUSTRATED

32-32-51-16

32-32-51  
FIG. 16  
PAGE 16  
JAN 20/09

BRI



757

PARTS CATALOG (MAINTENANCE)

FIG ITEM	PART NUMBER	1 2 3 4 5 6 7	NOMENCLATURE	EFFECT FROM TO	UNITS PER ASSY
16 - 468	BACN10YL10		..NUT- OPTIONAL PART: MS21921-10D	002004 006100 107107 121503 904999	1
- 469	35056GV10		..UNION SUPPLIER CODE: V08199 SPECIFICATION NUMBER: BACU24AB10W OPTIONAL PART: 4671097W10 V50948 2-01027-10W V11328 31875-10W V14397 AP1004W10 V01673 AFP941W10 V30974 DBOU24AB10W V14798	002004 006100 107107 121503 904999	1
470	271N6123-1189		.TUBE ASSY-RETURN SYS POSITION DATA: L TUBING MATERIAL: .625 IN. OD .035 IN. WALL 18.10 IN. LG AL	002004 006100 107107 121503 904999	1
- 475	AP2097HP10		..SLEEVE- SUPPLIER CODE: V01673 SPECIFICATION NUMBER: BACS13BX10HP OPTIONAL PART: 2-02903-10HP V11328 35235VN10 V08199 AFP175V10P V30974 DBOS13BX10HP V14798	002004 006100 107107 121503 904999	2
- 475	AS1581T10		..SLEEVE-	002004 006100 107107 121503 904999	2

MISSING ITEM NUMBERS NOT APPLICABLE

- ITEM NOT ILLUSTRATED

32-32-51-16

32-32-51  
FIG. 16  
PAGE 17  
JAN 20/09

BRI



757

PARTS CATALOG (MAINTENANCE)

FIG ITEM	PART NUMBER	1 2 3 4 5 6 7	NOMENCLATURE	EFFECT FROM TO	UNITS PER ASSY
16					
- 480	MS21921-10D	..	NUT- OPTIONAL PART: BACN10YL10	002004 006100 107107 121503 904999	2
- 480	BACN10YL10	..	NUT- OPTIONAL PART: MS21921-10D	002004 006100 107107 121503 904999	2
500	271N6123-1015	.	TUBE ASSY-RETURN SYS POSITION DATA: L TUBING MATERIAL: .375 IN. OD .035 IN. WALL 56.00 IN. LG AL	002004 006100 107107 121503 904999	1
- 505	AP2097HP06	..	SLEEVE- SUPPLIER CODE: V01673 SPECIFICATION NUMBER: BACS13BX06HP OPTIONAL PART: 2-02903-06HP V11328 35235VN06 V08199 AFP175V06P V30974 DBOS13BX06HP V14798	002004 006100 107107 121503 904999	2
- 505	AS1581T06	..	SLEEVE-	002004 006100 107107 121503 904999	2
- 510	MS21921-6D	..	NUT- OPTIONAL PART: BACN10YL06	002004 006100 107107 121503 904999	2
- 510	BACN10YL06	..	NUT- OPTIONAL PART: MS21921-6D	002004 006100 107107 121503 904999	2

MISSING ITEM NUMBERS NOT APPLICABLE

- ITEM NOT ILLUSTRATED

32-32-51-16

32-32-51  
FIG. 16  
PAGE 18  
JAN 20/09

BRI



757

PARTS CATALOG (MAINTENANCE)

FIG ITEM	PART NUMBER	1 2 3 4 5 6 7	NOMENCLATURE	EFFECT FROM TO	UNITS PER ASSY
16 515	271N6123-1275	.	TUBE ASSY-LG UP TUBING MATERIAL: .500 IN. OD .026 IN. WALL 89.00 IN. LG TI	002004 006100 107107 121503 904999	1
- 520	AS1581T08	..	SLEEVE	002004 006100 107107 121503 904999	1
- 525	BACN10YA8	..	NUT-	002004 006100 107107 121503 904999	1
- 525	BACN10YA8N	..	NUT-	002004 006100 107107 121503 904999	1
- 530	AS1582T08	..	UNION	002004 006100 107107 121503 904999	1
535	271N6123-1274	.	TUBE ASSY-LG UP TUBING MATERIAL: .500 IN. OD .026 IN. WALL 52.00 IN. LG TI	107107	1
535	271N6123-1289	.	TUBE ASSY-LG UP TUBING MATERIAL: .500 IN. OD .026 IN. WALL 53.00 IN. LG TI	002004 006100 121503 904999	1
- 540	AS1581T08	..	SLEEVE	002004 006100 107107 121503 904999	2
- 545	BACN10YA8	..	NUT-	002004 006100 107107 121503 904999	2
- 545	BACN10YA8N	..	NUT-	002004 006100 107107 121503 904999	2

MISSING ITEM NUMBERS NOT APPLICABLE

- ITEM NOT ILLUSTRATED

32-32-51-16

32-32-51  
FIG. 16  
PAGE 19  
JAN 20/09

BRI



757

PARTS CATALOG (MAINTENANCE)

FIG ITEM	PART NUMBER	1 2 3 4 5 6 7	NOMENCLATURE	EFFECT FROM TO	UNITS PER ASSY
16					
550	271N6123-1012		.TUBE ASSY-LG UP TUBING MATERIAL: .250 IN. OD .016 IN. WALL 73.50 IN. LG TI	107107	1
550	271N6123-1291		.TUBE ASSY-LG UP TUBING MATERIAL: .250 IN. OD .016 IN. WALL 76.00 IN. LG TI	002004 006100 121503 904999	1
- 555	AS1581T04		..SLEEVE	002004 006100 107107 121503 904999	2
- 560	BACN10YA4		..NUT-	107107	2
- 560	BACN10YA4N		..NUT-	002004 006100 121503 904999	2
565	271N6123-1026		.TUBE ASSY-LG UP TUBING MATERIAL: .375 IN. OD .019 IN. WALL 73.50 IN. LG TI	002004 006100 107107 121503 904999	1
- 570	AS1581T06		..SLEEVE	002004 006100 107107 121503 904999	2
- 575	BACN10YA6		..NUT	002004 006100 107107 121503 904999	2
580	271N6123-1205		.TUBE ASSY-LG UP TUBING MATERIAL: .375 IN. OD .019 IN. WALL 38.00 IN. LG TI	002004 006100 107107 121503 904999	1
- 585	AS1581T06		..SLEEVE	002004 006100 107107 121503 904999	1
- 590	BACN10YA6		..NUT	002004 006100 107107 121503 904999	1

MISSING ITEM NUMBERS NOT APPLICABLE

- ITEM NOT ILLUSTRATED

32-32-51-16

32-32-51  
FIG. 16  
PAGE 20  
JAN 20/09

BRI



757

PARTS CATALOG (MAINTENANCE)

FIG ITEM	PART NUMBER	1 2 3 4 5 6 7	NOMENCLATURE	EFFECT FROM TO	UNITS PER ASSY
16					
- 595	AS1582T06	..	UNION	002004 006100 107107 121503 904999	1
600	271N6123-1018	.	TUBE ASSY-LG UP TUBING MATERIAL: .375 IN. OD .019 IN. WALL 32.68 IN. LG TI	002004 006100 107107 121503 904999	1
- 605	AS1581T06	..	SLEEVE	002004 006100 107107 121503 904999	2
- 610	BACN10YA6	..	NUT	002004 006100 107107 121503 904999	2
615	271N6123-1022	.	TUBE ASSY-LG UP TUBING MATERIAL: .250 IN. OD .016 IN. WALL 9.00 IN. LG TI	002004 006100 107107 121503 904999	1
- 620	AS1581T04	..	SLEEVE	002004 006100 107107 121503 904999	2
- 625	BACN10YA4	..	NUT	002004 006100 107107 121503 904999	2
630	271N6123-1077	.	TUBE ASSY-LG DN TUBING MATERIAL: .375 IN. OD .019 IN. WALL 92.00 IN. LG TI	002004 006100 107107 121503 904999	1
- 635	AS1581T06	..	SLEEVE	002004 006100 107107 121503 904999	2

MISSING ITEM NUMBERS NOT APPLICABLE

- ITEM NOT ILLUSTRATED

32-32-51-16

32-32-51  
FIG. 16  
PAGE 21  
JAN 20/09

BRI

BOEING PROPRIETARY - Copyright © - Unpublished Work - See title page for details.





757

PARTS CATALOG (MAINTENANCE)

FIG ITEM	PART NUMBER	1 2 3 4 5 6 7	NOMENCLATURE	EFFECT FROM TO	UNITS PER ASSY
16					
- 640	BACN10YA6	..	NUT	002004 006100 107107 121503 904999	2
647	271N6123-1252	.	TUBE ASSY-LG DN TUBING MATERIAL: .250 IN. OD .016 IN. WALL 42.00 IN. LG TI	002004 006100 107107 121503 904999	1
- 650	AS1581T04	..	SLEEVE	002004 006100 107107 121503 904999	2
- 655	BACN10YA4	..	NUT-	002004 006100 107107 121503 904999	2
- 655	BACN10YA4N	..	NUT-	002004 006100 107107 121503 904999	2
660	271N6123-1082	.	TUBE ASSY-LG DN TUBING MATERIAL: .500 IN. OD .026 IN. WALL 73.00 IN. LG TI	002004 006100 107107 121503 904999	1
- 665	AS1581T08	..	SLEEVE	002004 006100 107107 121503 904999	1
- 670	BACN10YA8	..	NUT	002004 006100 107107 121503 904999	1
- 675	AS1582T08	..	UNION	002004 006100 107107 121503 904999	1

MISSING ITEM NUMBERS NOT APPLICABLE

- ITEM NOT ILLUSTRATED

32-32-51-16

32-32-51  
FIG. 16  
PAGE 22  
JAN 20/09

BRI



757

PARTS CATALOG (MAINTENANCE)

FIG ITEM	PART NUMBER	1 2 3 4 5 6 7	NOMENCLATURE	EFFECT FROM TO	UNITS PER ASSY
16 680	271N6123-1011		.TUBE ASSY-LG DN TUBING MATERIAL: .375 IN. OD .019 IN. WALL 31.81 IN. LG TI	002004 006100 107107 121503 904999	1
685	271N6123-1019		.TUBE ASSY-LG DN TUBING MATERIAL: .375 IN. OD .019 IN. WALL 10.00 IN. LG TI	002004 006100 107107 121503 904999	1
690	271N6123-1266		.TUBE ASSY-LG DN TUBING MATERIAL: .375 IN. OD .019 IN. WALL 22.80 IN. LG TI	002004 006100 107107 121503 904999	1
- 695	AS1581T06		..SLEEVE	002004 006100 107107 121503 904999	2
- 700	BACN10YA6		..NUT-	002004 006100 107107 121503 904999	2
- 700	BACN10YA6N		..NUT-	002004 006100 107107 121503 904999	2
705	271N6123-1021		.TUBE ASSY-LG DN TUBING MATERIAL: .250 IN. OD .016 IN. WALL 12.00 IN. LG TI	002004 006100 107107 121503 904999	1
710	271N6123-1025		.TUBE ASSY-LG DN TUBING MATERIAL: .250 IN. OD .016 IN. WALL 21.00 IN LG TI	002004 006100 107107 121503 904999	1
- 715	AS1581T04		..SLEEVE	002004 006100 107107 121503 904999	2

MISSING ITEM NUMBERS NOT APPLICABLE

- ITEM NOT ILLUSTRATED

BRI

32-32-51-16

BOEING PROPRIETARY - Copyright © - Unpublished Work - See title page for details.

32-32-51  
FIG. 16  
PAGE 23  
JAN 20/09



757

PARTS CATALOG (MAINTENANCE)

FIG ITEM	PART NUMBER	1 2 3 4 5 6 7	NOMENCLATURE	EFFECT FROM TO	UNITS PER ASSY
16					
- 720	BACN10YA4	..	NUT	002004 006100 107107 121503 904999	2
725	271N6123-1122	.TUBE	ASSY-DOOR OPEN TUBING MATERIAL: .500 IN. OD .026 IN. WALL 65.50 IN. LG TI	002004 006100 107107 121503 904999	1
- 730	AS1582T08	..	UNION	002004 006100 107107 121503 904999	2
735	271N6123-1013	.TUBE	ASSY-DOOR OPEN TUBING MATERIAL: .500 IN. OD .026 IN. WALL 77.00 IN. LG TI	002004 006100 107107 121503 904999	1
- 740	AS1581T08	..	SLEEVE	002004 006100 107107 121503 904999	2
- 745	BACN10YA8	..	NUT	002004 006100 107107 121503 904999	2
750	BACU24L8	.UNION		002004 006100 107107 121503 904999	1
755	BACU24L4	.UNION		002004 006100 107107 121503 904999	1

MISSING ITEM NUMBERS NOT APPLICABLE

- ITEM NOT ILLUSTRATED

32-32-51-16

32-32-51  
FIG. 16  
PAGE 24  
JAN 20/09

BRI



757

PARTS CATALOG (MAINTENANCE)

FIG ITEM	PART NUMBER	1 2 3 4 5 6 7	NOMENCLATURE	EFFECT FROM TO	UNITS PER ASSY
16 760	APX832T0604	.UNION-	SUPPLIER CODE: V01673 SPECIFICATION NUMBER: BACU24AA0604T OPTIONAL PART: ER832-0604T V50948 2-010890604T V11328 AFP238-0604T V30974 APX832-0604T V01673 DBOU24AA0604T V61498 FER1579-0604T V14397 US2113-0604T V50808 2-01089T0604 V11328	002004 006100 107107 121503 904999	1
765	MS21924D10	.UNION-		002004 006100 107107 121503 904999	1
765	BACU24L10	.UNION-		002004 006100 107107 121503 904999	1
780	MS21908D10	.ELBOW-		002004 006100 107107 121503 904999	1
785	BACE21BN0404T	.ELBOW-		002004 006100 107107 121503 904999	1
785	BACE21BN0404J	.ELBOW-		002004 006100 107107 121503 904999	1

MISSING ITEM NUMBERS NOT APPLICABLE

- ITEM NOT ILLUSTRATED

32-32-51-16

32-32-51  
FIG. 16  
PAGE 25  
JAN 20/09

BRI

BOEING PROPRIETARY - Copyright © - Unpublished Work - See title page for details.



757

PARTS CATALOG (MAINTENANCE)

FIG ITEM	PART NUMBER	1 2 3 4 5 6 7	NOMENCLATURE	EFFECT FROM TO	UNITS PER ASSY
16 790	BACE21BN0604T	.ELBOW-	OPTIONAL PART: BACE21AS0604T	002004 006100 107107 121503 904999	1
790	BACE21BN0604J	.ELBOW-		002004 006100 107107 121503 904999	1
790	APX833T0604	.ELBOW-	SUPPLIER CODE: V01673 SPECIFICATION NUMBER: BACE21AS0604T OPTIONAL PART: DB0E21AS0604T V14798 ER833-0604T V45681 ER833-0604T V88334 ER8330604T V50948 FER15800604T V14397 2-01582-0604T V11328 APX8330604T V01673 NAF1833-0604T V52930 US1924-0604T V50808 AFP3160604T V30974 BACE21BN0604T	107107	1

MISSING ITEM NUMBERS NOT APPLICABLE

- ITEM NOT ILLUSTRATED

32-32-51-16

32-32-51  
FIG. 16  
PAGE 26  
JAN 20/09

BRI



757

PARTS CATALOG (MAINTENANCE)

FIG ITEM	PART NUMBER	1 2 3 4 5 6 7	NOMENCLATURE	EFFECT FROM TO	UNITS PER ASSY
16 795	AFP2328-6	.	REDUCER SUPPLIER CODE: V30974 SPECIFICATION NUMBER: BACR17E8-6 OPTIONAL PART: AP10278-6 V01673 BC916T8-6 V50948 DB0R17E8-6 V14798 ER21916T8-6 V88334 ER31916-8-6 V88334 F23-8-6 V73197 2-01075T8-6 V11328 31778-8-6 V14397 US2114-8-6 V50508 AP1027T8-6 V01673 US21148-6 V50808 317788-6 V14397	002004 006100 107107 121503 904999	1

MISSING ITEM NUMBERS NOT APPLICABLE

- ITEM NOT ILLUSTRATED

BRI

32-32-51-16

BOEING PROPRIETARY - Copyright © - Unpublished Work - See title page for details.

32-32-51  
FIG. 16  
PAGE 27  
JAN 20/09



757

PARTS CATALOG (MAINTENANCE)

FIG ITEM	PART NUMBER	1 2 3 4 5 6 7	NOMENCLATURE	EFFECT FROM TO	UNITS PER ASSY
16 800	AFP2326-4		.REDUCER- SUPPLIER CODE: V30974 SPECIFICATION NUMBER: BACR17E6-4 OPTIONAL PART: AP10276-4 V01673 BC916T6-4 V50948 DB0R17E6-4 V14798 ER21916T6-4 V88334 ER31916-6-4 V88334 F23-6-4 V73197 2-01075T6-4 V11328 31778-6-4 V14397 US2114-6-4 V50808 AP1027T6-4 V01673 US21146-4 V50808 317786-4 V14397	002004 006100 107107 121503 904999	1
805	BACT16BL080804T		.TEE-	002004 006100 107107 121503 904999	1
805	BACT16BL080804J		.TEE-	002004 006100 107107 121503 904999	1
810	BACT16BL060604T		.TEE-	002004 006100 107107 121503 904999	2

MISSING ITEM NUMBERS NOT APPLICABLE

- ITEM NOT ILLUSTRATED

32-32-51-16

32-32-51  
FIG. 16  
PAGE 28  
JAN 20/09

BRI



757

PARTS CATALOG (MAINTENANCE)

FIG ITEM	PART NUMBER	1 2 3 4 5 6 7	NOMENCLATURE	EFFECT FROM TO	UNITS PER ASSY
16 810	BACT16BL060604J	. TEE-		002004 006100 107107 121503 904999	2
815	BACT16BL060406T	. TEE-		002004 006100 107107 121503 904999	1
815	BACT16BL060406J	. TEE-		002004 006100 107107 121503 904999	1
820	APX824D100610	. TEE-	SUPPLIER CODE: V01673 SPECIFICATION NUMBER: BACT16AS100610D OPTIONAL PART: APX824-100610D V01673 DB0T16AS100610D V14798 ER824-100610D V50948 FER1571-100610D V14397 LER824-100610D V11328 NAF1824-100610D V52930 US1925-100610D V50808 AFP325-100610D V30974	002004 006100 107107 121503 904999	1
820	BACT16BL100610T	. TEE-		002004 006100 107107 121503 904999	1
822	NAS1764D101010	. TEE-		002004 006100 107107 121503 904999	1

MISSING ITEM NUMBERS NOT APPLICABLE

- ITEM NOT ILLUSTRATED

BRI

32-32-51-16

BOEING PROPRIETARY - Copyright © - Unpublished Work - See title page for details.

32-32-51  
FIG. 16  
PAGE 29  
JAN 20/09





757

PARTS CATALOG (MAINTENANCE)

FIG ITEM	PART NUMBER	1 2 3 4 5 6 7	NOMENCLATURE	EFFECT FROM TO	UNITS PER ASSY
16 825	AN924-4D	.	NUT	002004 006100 107107 121503 904999	2
830	AN924-6D	.	NUT	002004 006100 107107 121503 904999	2
840	AN924-8D	.	NUT	002004 006100 107107 121503 904999	1
845	AN924-10D	.	NUT	002004 006100 107107 121503 904999	2
855	AN960KD1416	.	WASHER-	002004 006100 107107 121503 904999	1
860	AN960KD716	.	WASHER	002004 006100 107107 121503 904999	1
865	AN960KD916	.	WASHER	002004 006100 107107 121503 904999	1
872	0121520900-4	.	VALVE-CHK SUPPLIER CODE: V83533 SPECIFICATION NUMBER: BACV10CD4 OPTIONAL PART: 1C1350 V99240	002004 006100 107107 121503 904999	2
875	NAS623-3-4	.	SCREW-	002004 006100 107107 121503 904999	6

MISSING ITEM NUMBERS NOT APPLICABLE

- ITEM NOT ILLUSTRATED

32-32-51-16

32-32-51  
FIG. 16  
PAGE 30  
JAN 20/09

BRI



757

PARTS CATALOG (MAINTENANCE)

FIG ITEM	PART NUMBER	1 2 3 4 5 6 7	NOMENCLATURE	EFFECT FROM TO	UNITS PER ASSY
16 880	BACW10BN3SC	.	WASHER	002004 006100 107107 121503 904999	6
885	271N6331-2	.	BRACKET-	002004 006100 107107 121503 904999	1
890	271N6331-4	.	BRACKET-	002004 006100 107107 121503 904999	1
895	271N6332-1	.	BRACKET ASSY-HYDR HOSE SHIELD POSITION DATA: SECT.12	002004 006100 107107 121503 904999	1
900	NAS514P1032-16	..	SCREW	002004 006100 107107 121503 904999	8
905	NAS623-3-28	..	SCREW-	002004 006100 107107 121503 904999	4
910	AN960KD10L	..	WASHER	002004 006100 107107 121503 904999	12
915	BRH10C3D	..	NUT SUPPLIER CODE: V52828 SPECIFICATION NUMBER: BACN10JC3CD OPTIONAL PART: T6C1032JCD V11815 NS202486-02 V80539 102LH9075-3W V72962 H51650-3BAC V15653	002004 006100 107107 121503 904999	8

MISSING ITEM NUMBERS NOT APPLICABLE

- ITEM NOT ILLUSTRATED

32-32-51-16

32-32-51  
FIG. 16  
PAGE 31  
JAN 20/09

BRI



757

PARTS CATALOG (MAINTENANCE)

FIG ITEM	PART NUMBER	1 2 3 4 5 6 7	NOMENCLATURE	EFFECT FROM TO	UNITS PER ASSY
16 920	271N6329-1		..BRACKET ASSY	002004 006100 107107 121503 904999	1
925	271N6329-2		..BRACKET	002004 006100 107107 121503 904999	1
930	271N6331-11		..BRACKET ASSY	002004 006100 107107 121503 904999	1
935	271N6331-9		..BRACKET ASSY	002004 006100 107107 121503 904999	1
940	271N6330-1		..CAP-PHENOLIC END	002004 006100 107107 121503 904999	2
970			ILLUSTRATION REFERENCE: PLUMBING INSTL-SECT.44 R PRESSURE DECK HYDR (MAIN GEAR EXTENSION AND RETRACTION ONLY) 32-32-51-22	002004 006100 107107 121503 904999	RF
975			ILLUSTRATION REFERENCE: MAIN GEAR INSTL-VAR (MAIN GEAR ONLY) 32-11-00-01	002004 006100 107107 121503 904999	RF
980			ILLUSTRATION REFERENCE: VALVE INSTL-MLG DOWNLOCK OPERATED DOOR SEQUENCE 32-32-07-01	002004 006100 107107 121503 904999	RF
985			ILLUSTRATION REFERENCE: VALVE INSTL-TRUCK POSITIONER SHUTTLE 32-32-17-01	002004 006100 107107 121503 904999	RF

MISSING ITEM NUMBERS NOT APPLICABLE

- ITEM NOT ILLUSTRATED

32-32-51-16

32-32-51  
FIG. 16  
PAGE 32  
JAN 20/09

BRI



757  
PARTS CATALOG (MAINTENANCE)

FIG ITEM	PART NUMBER	1 2 3 4 5 6 7	NOMENCLATURE	EFFECT FROM TO	UNITS PER ASSY
16 990			ILLUSTRATION REFERENCE: PLUMBING INSTL-MLG SECT. 61 HYDR 32-41-51-25	002004 006100 107107 121503 904999	RF

MISSING ITEM NUMBERS NOT APPLICABLE

- ITEM NOT ILLUSTRATED

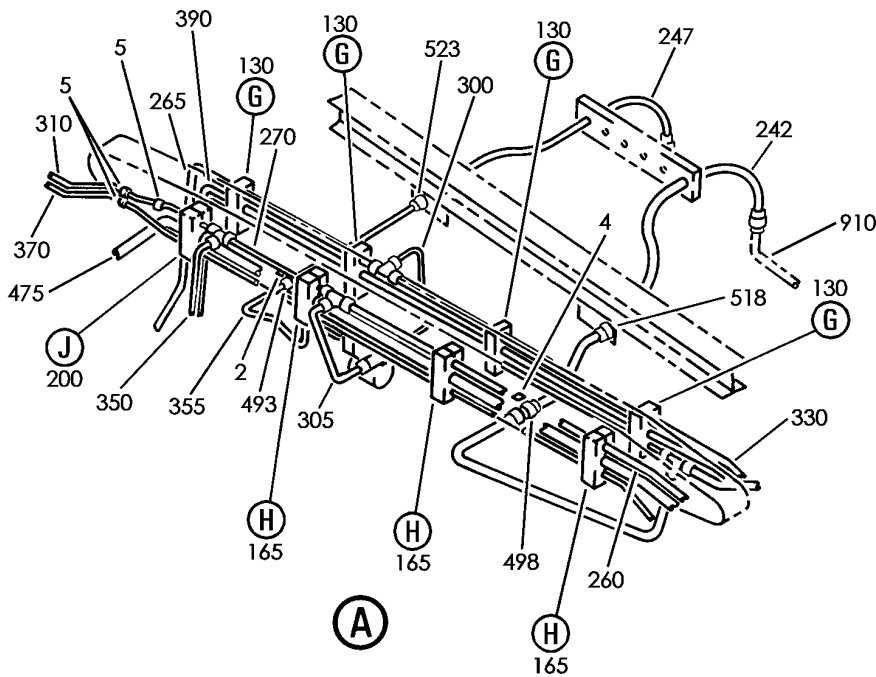
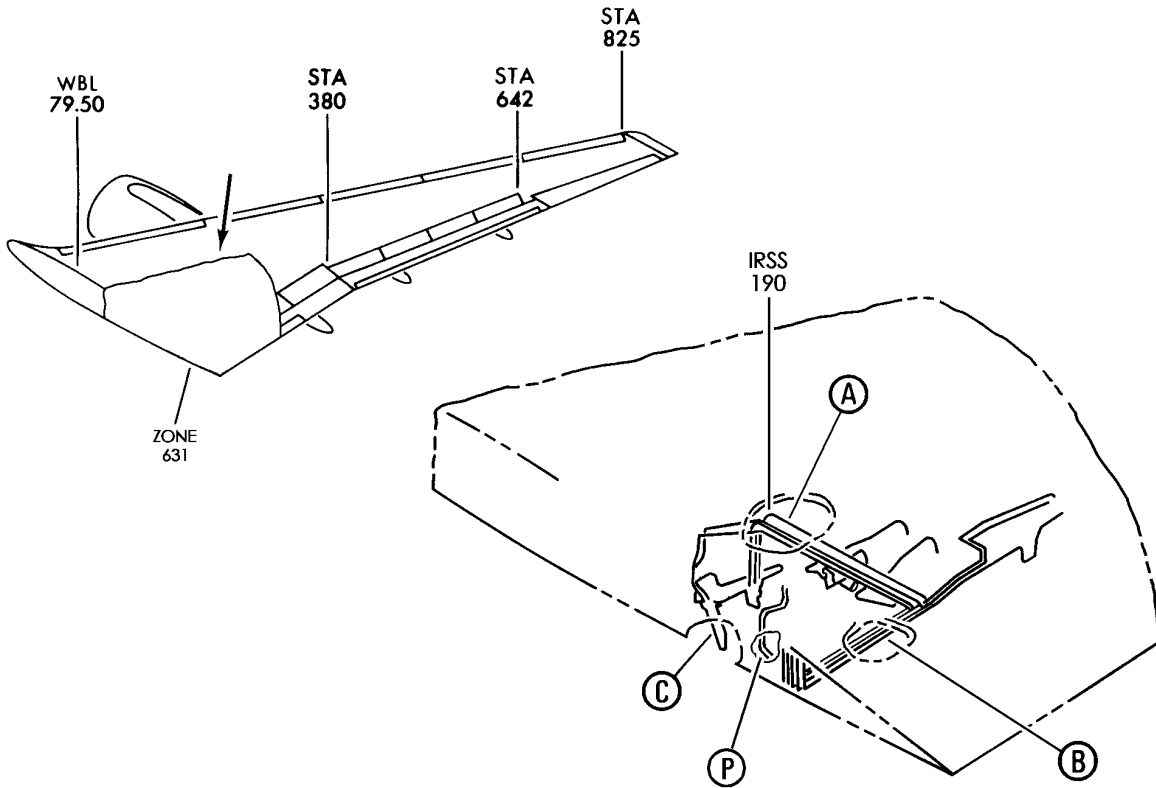
BRI

**32-32-51-16**

BOEING PROPRIETARY - Copyright © - Unpublished Work - See title page for details.

32-32-51  
FIG. 16  
PAGE 33  
JAN 20/09

**BOEING**  
757  
PARTS CATALOG (MAINTENANCE)



Y 32325116A SHT 1 REV 212

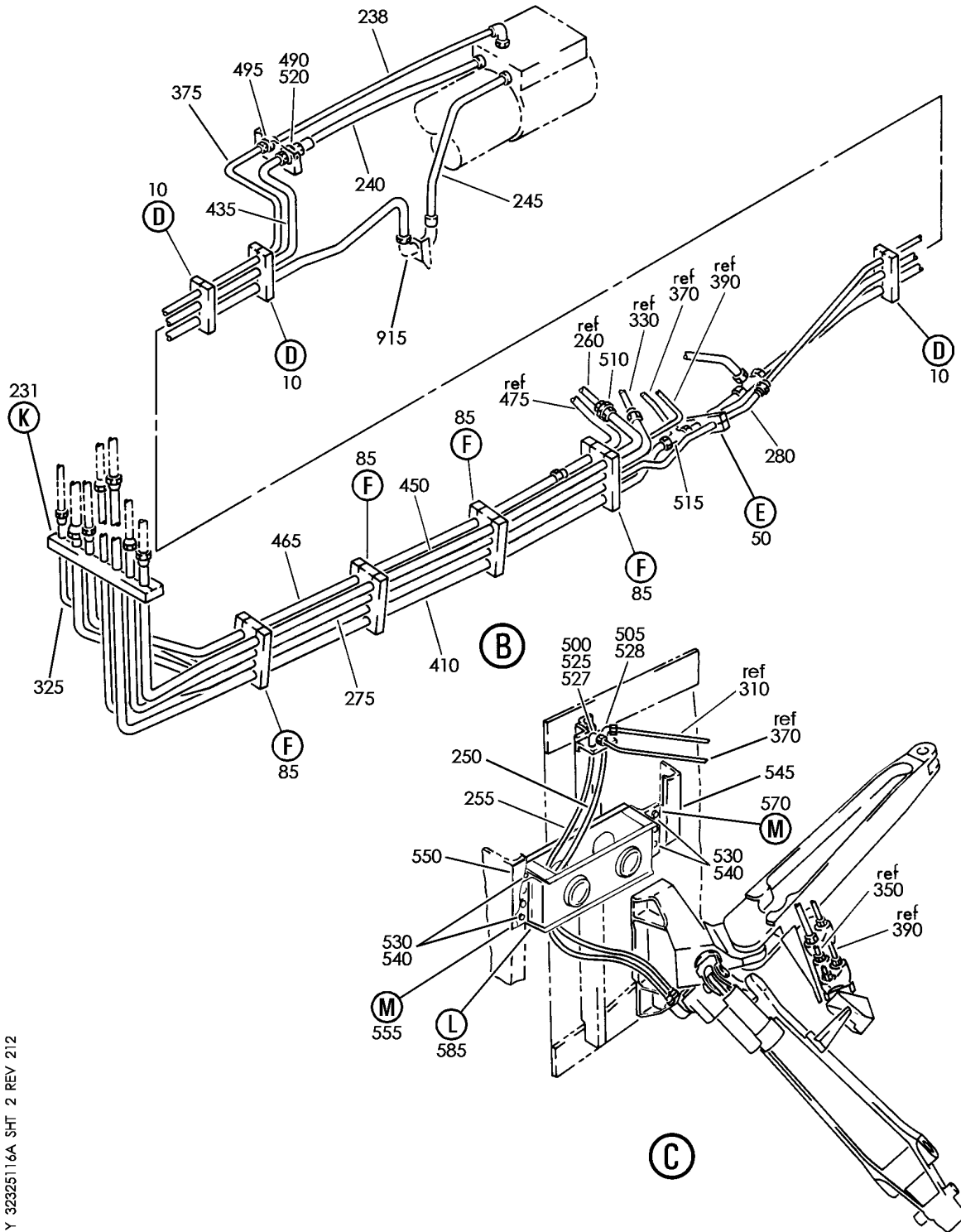
PLUMBING INSTL-SECT. 12 HYDR R WING INBD (MAIN GEAR EXTENSION AND RETRACTION ONLY)  
FIGURE 16A (SHEET 1)

BRI  
MAY 28/07

**32-32-51-16A**

32-32-51-16A  
PAGE 0


**BOEING**  
 757  
**PARTS CATALOG (MAINTENANCE)**



Y 32325116A SHT 2 REV 212

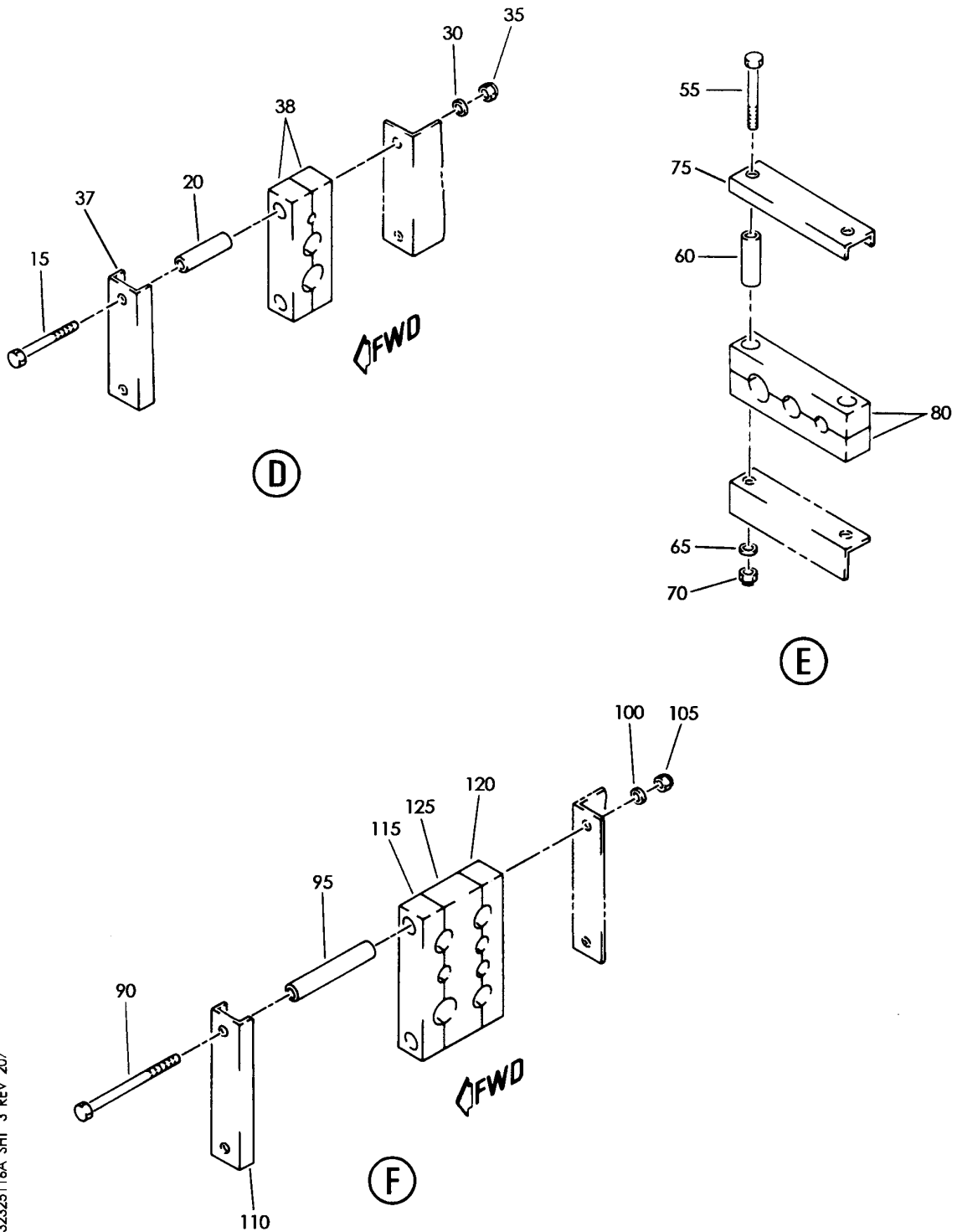
PLUMBING INSTL-SECT. 12 HYDR R WING INBD (MAIN GEAR EXTENSION AND RETRACTION ONLY)  
 FIGURE 16A (SHEET 2)

**32-32-51-16A**

BRI  
 MAY 28/07

32-32-51-16A  
 PAGE 0A

**BOEING**  
757  
PARTS CATALOG (MAINTENANCE)



Y 32325116A SHT 3 REV 207

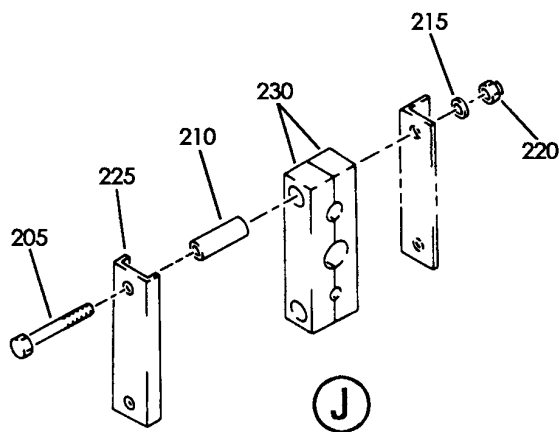
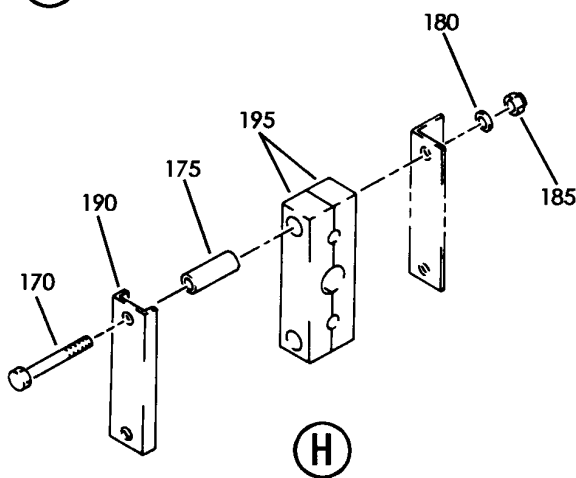
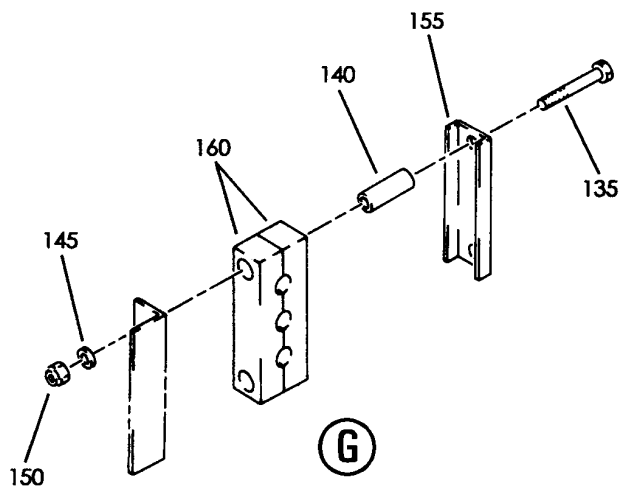
PLUMBING INSTL-SECT. 12 HYDR R WING INBD (MAIN GEAR EXTENSION AND RETRACTION ONLY)  
FIGURE 16A (SHEET 3)

BRI  
MAY 28/07

**32-32-51-16A**

32-32-51-16A  
PAGE 0B

**BOEING**  
757  
PARTS CATALOG (MAINTENANCE)



Y 32325116A SHT 4 REV 198

PLUMBING INSTL-SECT. 12 HYDR R WING INBD (MAIN GEAR EXTENSION AND RETRACTION ONLY)  
FIGURE 16A (SHEET 4)

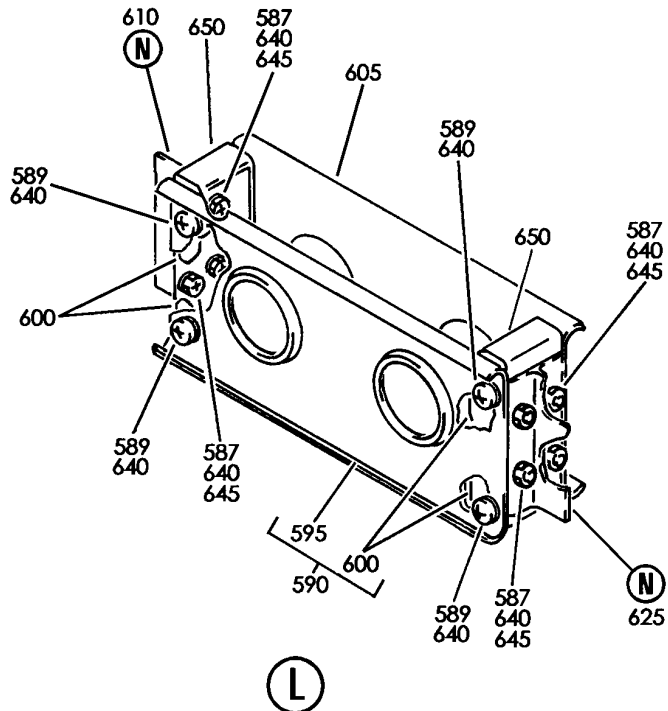
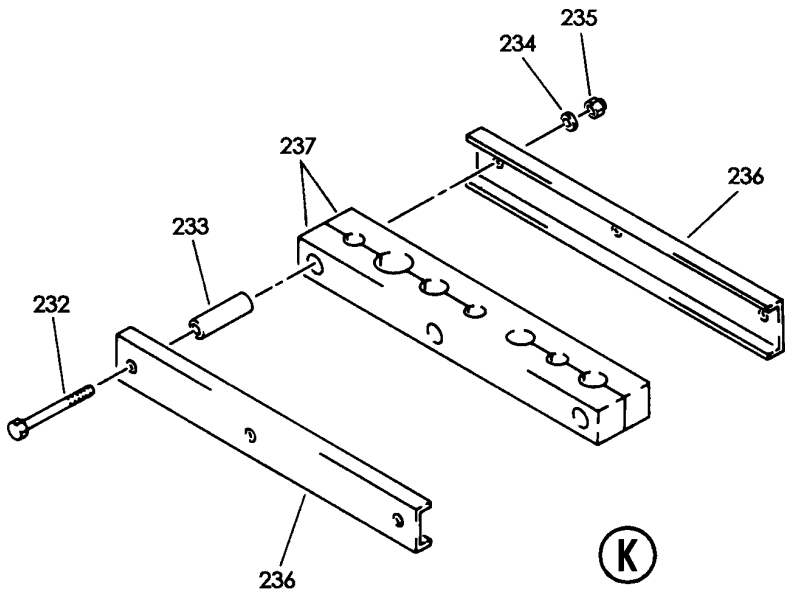
BRI  
MAY 28/07

**32-32-51-16A**

32-32-51-16A  
PAGE 0C



**BOEING**  
757  
PARTS CATALOG (MAINTENANCE)



Y 32325116A SHT 5 REV 198

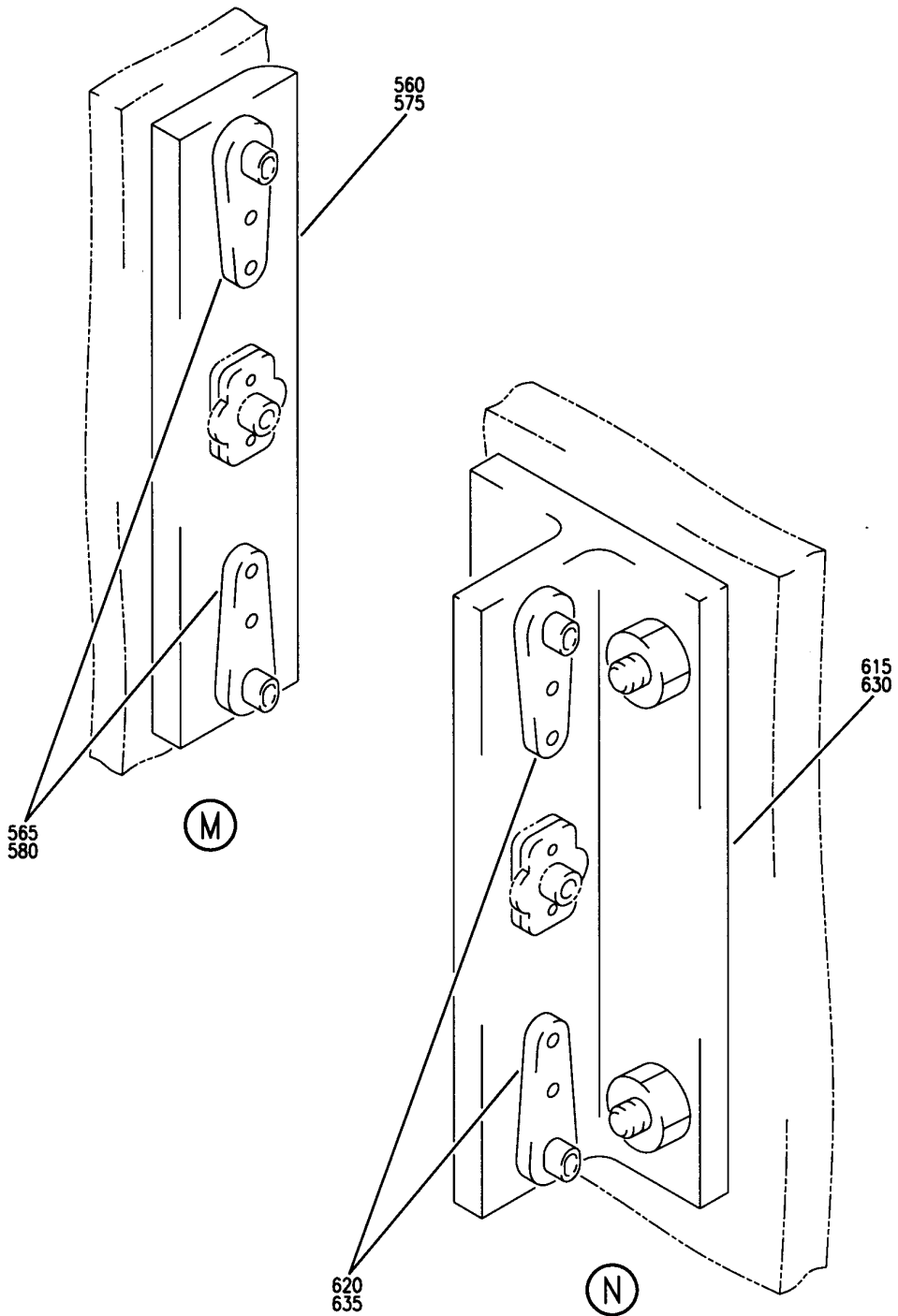
PLUMBING INSTL-SECT. 12 HYDR R WING INBD (MAIN GEAR EXTENSION AND RETRACTION ONLY)  
FIGURE 16A (SHEET 5)

BRI  
MAY 28/07

**32-32-51-16A**

32-32-51-16A  
PAGE 0D

**BOEING**  
757  
PARTS CATALOG (MAINTENANCE)



Y 32325116A SHT 6 REV 198

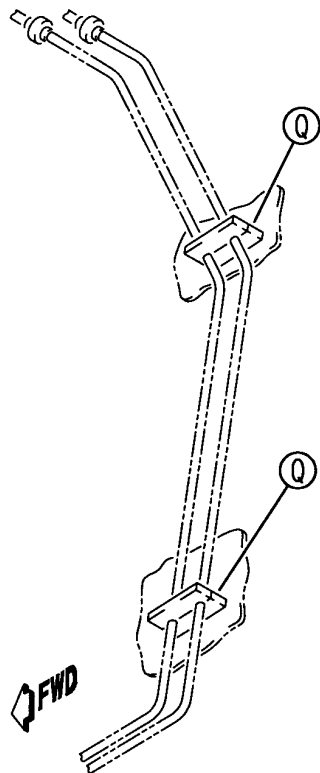
PLUMBING INSTL-SECT. 12 HYDR R WING INBD (MAIN GEAR EXTENSION AND RETRACTION ONLY)  
FIGURE 16A (SHEET 6)

BRI  
MAY 28/07

**32-32-51-16A**

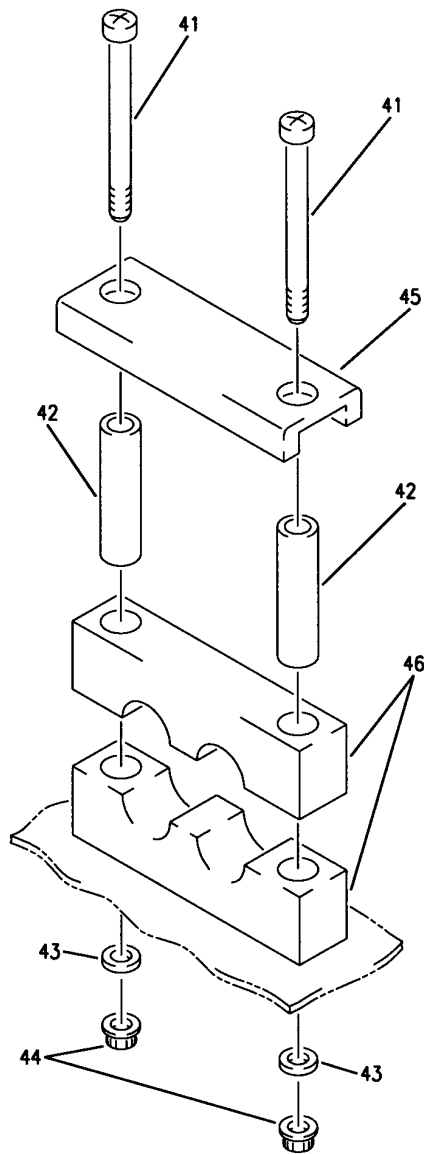
32-32-51-16A  
PAGE 0E

**BOEING**  
757  
PARTS CATALOG (MAINTENANCE)



VIEW LOOKING UP

(P)



(Q)

Y 32325116A SHT 7 REV 207

PLUMBING INSTL-SECT. 12 HYDR R WING INBD (MAIN GEAR EXTENSION AND RETRACTION ONLY)  
FIGURE 16A (SHEET 7)

BRI  
MAY 28/07

**32-32-51-16A**

32-32-51-16A  
PAGE OF



757

PARTS CATALOG (MAINTENANCE)

FIG ITEM	PART NUMBER	1 2 3 4 5 6 7	NOMENCLATURE	EFFECT FROM TO	UNITS PER ASSY
16A			PLUMBING INSTL-SECT. 12 HYDR R WING INBD (MAIN GEAR EXTENSION AND RETRACTION ONLY)	101102 108120 504903	
- 1	271N6123-13		PLUMBING INSTL-HYDR WING (MAIN GEAR EXTENSION AND RETRACTION ONLY) POSITION DATA: SECT.12 R INBD FOR NHA/OTHER SYS DET SEE: 29-00-51-02C	101102 108120 504903	RF
- 1	271N6123-17		PLUMBING INSTL-HYDR WING (MAIN GEAR EXTENSION AND RETRACTION ONLY) POSITION DATA: SECT. 12 R INBD FOR NHA/OTHER SYS DET SEE: 29-00-51-02C	108120	RF
2	BAC27NHY0176		.MARKER-ALUMINUM FOIL PLACARD CONTENT: TRUCK POSN PRESS	101102 108120 504903	1
4	BAC27NHY0177		.MARKER-ALUMINUM FOIL PLACARD CONTENT: TRUCK POSN RET	101102 108120 504903	1
5	M85052-2-4		.CLAMP	101102 108120 504903	3
10	270N2000-13		.CLAMP ASSY	101102 108120 504903	3
15	NAS1801-3-28		..SCREW	101102 108120 504903	2
20	NAS43DD3-75		..SPACER	101102 108120 504903	2
30	AN960PD10L		..WASHER	101102 108120 504903	2

MISSING ITEM NUMBERS NOT APPLICABLE

- ITEM NOT ILLUSTRATED

32-32-51-16A

32-32-51  
FIG. 16A  
PAGE 1  
JAN 20/09

BRI



757

PARTS CATALOG (MAINTENANCE)

FIG ITEM	PART NUMBER	1 2 3 4 5 6 7	NOMENCLATURE	EFFECT FROM TO	UNITS PER ASSY
16A 35	BRH10A3	..	NUT SUPPLIER CODE: V52828 SPECIFICATION NUMBER: BACN10JC3 OPTIONAL PART: H10-3BAC V15653 NS202101-02 V80539 RMLH9075-3W V72962 VN303A02 V92215 96-02 V80539 T6S1032J V11815	101102 108120 504903	2
37	270N2000-806	..	CHANNEL	101102 108120 504903	1
38	270N2000-420	..	BLOCK	101102 108120 504903	2
40	270N2000-157	.	CLAMP ASSY	101102 108120 504903	2
41	NAS1801-3-26	..	SCREW	101102 108120 504903	2
42	NAS43DD3-67	..	SPACER	101102 108120 504903	2
43	AN960PD10L	..	WASHER	101102 108120 504903	2

MISSING ITEM NUMBERS NOT APPLICABLE

- ITEM NOT ILLUSTRATED

32-32-51-16A

32-32-51  
FIG. 16A  
PAGE 2  
JAN 20/09

BRI

BOEING PROPRIETARY - Copyright © - Unpublished Work - See title page for details.



757

PARTS CATALOG (MAINTENANCE)

FIG ITEM	PART NUMBER	1 2 3 4 5 6 7	NOMENCLATURE	EFFECT FROM TO	UNITS PER ASSY
16A 44	BRH10A3	..	NUT SUPPLIER CODE: V52828 SPECIFICATION NUMBER: BACN10JC3 OPTIONAL PART: H10-3BAC V15653 NS202101-02 V80539 RMLH9075-3W V72962 VN303A02 V92215 96-02 V80539 T6S1032J V11815	101102 108120 504903	2
45	270N2000-868	..	CHANNEL	101102 108120 504903	1
46	270N2000-631	..	BLOCK	101102 108120 504903	2
50	270N2000-56	.	CLAMP ASSY-BLK	101102 108120 504903	1
55	NAS1801-3-28	..	SCREW	101102 108120 504903	2
60	NAS43DD3-75	..	SPACER	101102 108120 504903	2
65	AN960PD10L	..	WASHER	101102 108120 504903	2

MISSING ITEM NUMBERS NOT APPLICABLE

- ITEM NOT ILLUSTRATED

32-32-51-16A

32-32-51  
FIG. 16A  
PAGE 3  
JAN 20/09

BRI

BOEING PROPRIETARY - Copyright © - Unpublished Work - See title page for details.



757

PARTS CATALOG (MAINTENANCE)

FIG ITEM	PART NUMBER	1 2 3 4 5 6 7	NOMENCLATURE	EFFECT FROM TO	UNITS PER ASSY
16A 70	BRH10A3	..	NUT SUPPLIER CODE: V52828 SPECIFICATION NUMBER: BACN10JC3 OPTIONAL PART: H10-3BAC V15653 NS202101-02 V80539 RMLH9075-3W V72962 VN303A02 V92215 96-02 V80539 T6S1032J V11815	101102 108120 504903	2
75	270N2000-865	..	CHANNEL	101102 108120 504903	1
80	270N2000-533	..	BLOCK	101102 108120 504903	2
85	270N2000-136	.	CLAMP ASSY-BLK	101102 108120 504903	4
90	NAS1801-3-45	..	SCREW	101102 108120 504903	2
95	NAS43DD3-144	..	SPACER	101102 108120 504903	2
100	AN960PD10L	..	WASHER	101102 108120 504903	2

MISSING ITEM NUMBERS NOT APPLICABLE

- ITEM NOT ILLUSTRATED

32-32-51-16A

32-32-51  
FIG. 16A  
PAGE 4  
JAN 20/09

BRI

BOEING PROPRIETARY - Copyright © - Unpublished Work - See title page for details.



757

PARTS CATALOG (MAINTENANCE)

FIG ITEM	PART NUMBER	1 2 3 4 5 6 7	NOMENCLATURE	EFFECT FROM TO	UNITS PER ASSY
16A 105	BRH10A3	..	NUT SUPPLIER CODE: V52828 SPECIFICATION NUMBER: BACN10JC3 OPTIONAL PART: H10-3BAC V15653 NS202101-02 V80539 RMLH9075-3W V72962 VN303A02 V92215 96-02 V80539 T6S1032J V11815	101102 108120 504903	2
110	270N2000-807	..	CHANNEL	101102 108120 504903	1
115	270N2000-412	..	BLOCK	101102 108120 504903	1
120	270N2000-414	..	BLOCK	101102 108120 504903	1
125	270N2000-589	..	BLOCK	101102 108120 504903	1
130	270N2000-25	.	CLAMP ASSY-BLK	101102 108120 504903	4
135	NAS1801-3-25	..	SCREW	101102 108120 504903	2
140	NAS43DD3-59	..	SPACER	101102 108120 504903	2
145	AN960PD10L	..	WASHER	101102 108120 504903	2

MISSING ITEM NUMBERS NOT APPLICABLE

- ITEM NOT ILLUSTRATED

32-32-51-16A

32-32-51  
FIG. 16A  
PAGE 5  
JAN 20/09

BRI

BOEING PROPRIETARY - Copyright © - Unpublished Work - See title page for details.





757

PARTS CATALOG (MAINTENANCE)

FIG ITEM	PART NUMBER	1 2 3 4 5 6 7	NOMENCLATURE	EFFECT FROM TO	UNITS PER ASSY
16A 150	BRH10A3	..	NUT SUPPLIER CODE: V52828 SPECIFICATION NUMBER: BACN10JC3 OPTIONAL PART: H10-3BAC V15653 NS202101-02 V80539 RMLH9075-3W V72962 VN303A02 V92215 96-02 V80539 T6S1032J V11815	101102 108120 504903	2
155	270N2000-815	..	CHANNEL	101102 108120 504903	1
160	270N2000-440	..	BLOCK- OPTIONAL PART: 270N2000-461	101102 108120 504903	2
160	270N2000-461	..	BLOCK- OPTIONAL PART: 270N2000-440	101102 108120 504903	2
165	270N2000-27	.	CLAMP ASSY-BLK	101102 108120 504903	3
170	NAS1801-3-27	..	SCREW	101102 108120 504903	2
175	NAS43DD3-67	..	SPACER	101102 108120 504903	2
180	AN960PD10L	..	WASHER	101102 108120 504903	2

MISSING ITEM NUMBERS NOT APPLICABLE

- ITEM NOT ILLUSTRATED

32-32-51-16A

32-32-51  
FIG. 16A  
PAGE 6  
JAN 20/09

BRI

BOEING PROPRIETARY - Copyright © - Unpublished Work - See title page for details.



757

PARTS CATALOG (MAINTENANCE)

FIG ITEM	PART NUMBER	1 2 3 4 5 6 7	NOMENCLATURE	EFFECT FROM TO	UNITS PER ASSY
16A 185	BRH10A3	..	NUT SUPPLIER CODE: V52828 SPECIFICATION NUMBER: BACN10JC3 OPTIONAL PART: H10-3BAC V15653 NS202101-02 V80539 RMLH9075-3W V72962 VN303A02 V92215 96-02 V80539 T6S1032J V11815	101102 108120 504903	2
190	270N2000-818	..	CHANNEL	101102 108120 504903	1
195	270N2000-444	..	BLOCK	101102 108120 504903	2
200	270N2000-31	.	CLAMP ASSY-BLK	101102 108120 504903	1
205	NAS1801-3-26	..	SCREW	101102 108120 504903	2
210	NAS43DD3-67	..	SPACER	101102 108120 504903	2
215	AN960PD10L	..	WASHER	101102 108120 504903	2

MISSING ITEM NUMBERS NOT APPLICABLE

- ITEM NOT ILLUSTRATED

32-32-51-16A

32-32-51  
FIG. 16A  
PAGE 7  
JAN 20/09

BRI

BOEING PROPRIETARY - Copyright © - Unpublished Work - See title page for details.



757

PARTS CATALOG (MAINTENANCE)

FIG ITEM	PART NUMBER	1 2 3 4 5 6 7	NOMENCLATURE	EFFECT FROM TO	UNITS PER ASSY
16A 220	BRH10A3	. .	NUT SUPPLIER CODE: V52828 SPECIFICATION NUMBER: BACN10JC3 OPTIONAL PART: H10-3BAC V15653 NS202101-02 V80539 RMLH9075-3W V72962 VN303A02 V92215 96-02 V80539 T6S1032J V11815	101102 108120 504903	2
225	270N2000-818	. .	CHANNEL	101102 108120 504903	1
230	270N2000-445	. .	BLOCK	101102 108120 504903	2
231	270N2000-203	. .	CLAMP ASSY-BLK	101102 108120 504903	1
232	NAS1801-3-30	. .	SCREW	101102 108120 504903	3
233	NAS43DD3-75	. .	SPACER	101102 108120 504903	3
234	AN960KD10L	. .	WASHER	101102 108120 504903	3

MISSING ITEM NUMBERS NOT APPLICABLE

- ITEM NOT ILLUSTRATED

32-32-51-16A

32-32-51  
FIG. 16A  
PAGE 8  
JAN 20/09

BRI

BOEING PROPRIETARY - Copyright © - Unpublished Work - See title page for details.



757

PARTS CATALOG (MAINTENANCE)

FIG ITEM	PART NUMBER	1 2 3 4 5 6 7	NOMENCLATURE	EFFECT FROM TO	UNITS PER ASSY
16A 235	BRH10A3	. .	NUT SUPPLIER CODE: V52828 SPECIFICATION NUMBER: BACN10JC3 OPTIONAL PART: H10-3BAC V15653 NS202101-02 V80539 RMLH9075-3W V72962 VN303A02 V92215 96-02 V80539 T6S1032J V11815	101102 108120 504903	3
236	270N2000-889	. .	CHANNEL	101102 108120 504903	2
237	270N2000-568	. .	BLOCK	101102 108120 504903	2
238	AS154A04EN0302B	. HOSE ASSY	SUPPLIER CODE: V00624 SPECIFICATION NUMBER: BACH8A04EN0302B OPTIONAL PART: B472-4EN0302B V98441 97934A04EN0302B V78570 R291204EN0302B V50599	101102 108120 504903	1
240	AS115-08K0241	. HOSE ASSY-	MISCELLANEOUS DATA: SPARES PROVISIONING DATA-NOT FOR BOEING MANUFACTURING USE: AS115-08D0241 OR AS115-08K0241 CAN BE REPLACED BY BUT NOT REPLACE AS115-08K0240. OPTIONAL PART: AS115-08K0240	101102 108120 504903	1

MISSING ITEM NUMBERS NOT APPLICABLE

- ITEM NOT ILLUSTRATED

32-32-51-16A

32-32-51  
FIG. 16A  
PAGE 9  
JAN 20/09

BRI

BOEING PROPRIETARY - Copyright © - Unpublished Work - See title page for details.



757

PARTS CATALOG (MAINTENANCE)

FIG ITEM	PART NUMBER	1 2 3 4 5 6 7	NOMENCLATURE	EFFECT FROM TO	UNITS PER ASSY
16A 240	AS115-08K0240		.HOSE ASSY- MISCELLANEOUS DATA: SPARES PROVISIONING DATA-NOT FOR BOEING MANUFACTURING USE: AS115-08D0241 OR AS115-08K0241 CAN BE REPLACED BY BUT NOT REPLACE AS115-08K0240. OPTIONAL PART: AS115-08K0241	101102 108120 504903	1
242	AS154A08EE0487B		.HOSE ASSY- SUPPLIER CODE: V00624 SPECIFICATION NUMBER: BACH8A08EE0487B OPTIONAL PART: B472-8EE0487B V98441 97934A08EE0487B V78570 R291208EE0487B V50599 MISCELLANEOUS DATA: SPARES PROVISIONING DATA-NOT FOR BOEING MANUFACTURING USE: BACH8A08EE0487B CAN BE REPLACED BY BUT NOT REPLACE BACH8A08EE0490B BACH8A08EE0490B	101102 108120 504903	1
242	BACH8A08EE0490B		.HOSE ASSY- MISCELLANEOUS DATA: SPARES PROVISIONING DATA-NOT FOR BOEING MANUFACTURING USE: BACH8A08EE0487B CAN BE REPLACED BY BUT NOT REPLACE BACH8A08EE0490B OPTIONAL PART: BACH8A08EE0487B	101102 108120 504903	1

MISSING ITEM NUMBERS NOT APPLICABLE

- ITEM NOT ILLUSTRATED

32-32-51-16A

32-32-51  
FIG. 16A  
PAGE 10  
JAN 20/09

BRI



757

PARTS CATALOG (MAINTENANCE)

FIG ITEM	PART NUMBER	1 2 3 4 5 6 7	NOMENCLATURE	EFFECT FROM TO	UNITS PER ASSY
16A 245	AS116-10K0195		.HOSE ASSY- MISCELLANEOUS DATA: SPARES PROVISIONING DATA-NOT FOR BOEING MANUFACTURING USE: AS116-10K0195 CAN BE REPLACED BY BUT NOT REPLACE AS116-10K0194 OPTIONAL PART: AS116-10K0194	101102 108120 504903	1
245	AS116-10K0194		.HOSE ASSY- MISCELLANEOUS DATA: SPARES PROVISIONING DATA-NOT FOR BOEING MANUFACTURING USE: AS116-10K0195 CAN BE REPLACED BY BUT NOT REPLACE AS116-10K0194 OPTIONAL PART: AS116-10K0195	101102 108120 504903	1
247	AS154A04EE0557B		.HOSE ASSY- SUPPLIER CODE: V00624 SPECIFICATION NUMBER: BACH8A04EE0557B OPTIONAL PART: B472-4EE0557B V98441 97934A04EE0557B V78570 R291204EE0557B V50599 MISCELLANEOUS DATA: SPARES PROVISIONING DATA-NOT FOR BOEING MANUFACTURING USE: BACH8A04EE0557B CAN BE REPLACED BY BUT NOT REPLACE BACH8A04EE0560B BACH8A04EE0560B	101102 108120 504903	1

MISSING ITEM NUMBERS NOT APPLICABLE

- ITEM NOT ILLUSTRATED

32-32-51-16A

32-32-51  
FIG. 16A  
PAGE 11  
JAN 20/09

BRI



757

PARTS CATALOG (MAINTENANCE)

FIG ITEM	PART NUMBER	1 2 3 4 5 6 7	NOMENCLATURE	EFFECT FROM TO	UNITS PER ASSY
16A 247	BACH8A04EE0560B		.HOSE ASSY- MISCELLANEOUS DATA: SPARES PROVISIONING DATA-NOT FOR BOEING MANUFACTURING USE: BACH8A04EE0557B CAN BE REPLACED BY BUT NOT REPLACE BACH8A04EE0560B OPTIONAL PART: BACH8A04EE0557B	101102 108120 504903	1
250	271N6119-1		.HOSE ASSY-	101102 108120 504903	1
255	271N6119-2		.HOSE ASSY-	101102 108120 504903	1
260	271N6123-1011		.TUBE ASSY-LG DN TUBING MATERIAL: .375 IN. OD .019 IN. WALL 31.81 IN. LG TI	101102 108120 504903	1
265	271N6123-1018		.TUBE ASSY-LG UP TUBING MATERIAL: .375 IN. OD .019 IN. WALL 32.68 IN. LG TI	101102 108120 504903	1
270	271N6123-1019		.TUBE ASSY-LG DN TUBING MATERIAL: .375 IN. OD .019 IN. WALL 10.00 IN. LG TI	101102 108120 504903	1
275	271N6123-1026		.TUBE ASSY-LG UP TUBING MATERIAL: .375 IN. OD .019 IN. WALL 73.50 IN. LG TI	101102 108120 504903	1
280	271N6123-1077		.TUBE ASSY-LG DN TUBING MATERIAL: .375 IN. OD .019 IN. WALL 92.00 IN. LG TI	101102 108120 504903	1
- 285	AS1581T06		..SLEEVE	101102 108120 504903	2
- 290	BACN10YA6		..NUT	101102 108120 504903	2
300	271N6123-1022		.TUBE ASSY-LG UP TUBING MATERIAL: .250 IN. OD .016 IN. WALL 9.00 IN. LG TI	101102 108120 504903	1

MISSING ITEM NUMBERS NOT APPLICABLE

- ITEM NOT ILLUSTRATED

32-32-51-16A

32-32-51  
FIG. 16A  
PAGE 12  
JAN 20/09

BRI

BOEING PROPRIETARY - Copyright © - Unpublished Work - See title page for details.



757

PARTS CATALOG (MAINTENANCE)

FIG ITEM	PART NUMBER	1 2 3 4 5 6 7	NOMENCLATURE	EFFECT FROM TO	UNITS PER ASSY
16A 305	271N6123-1021		.TUBE ASSY-LG DN TUBING MATERIAL: .250 IN. OD .016 IN. WALL 12.00 IN. LG TI	101102 108120 504903	1
310	271N6123-1025		.TUBE ASSY-LG DN TUBING MATERIAL: .250 IN. OD .016 IN. WALL 21.00 IN LG TI	101102 108120 504903	1
- 315	AS1581T04		..SLEEVE	101102 108120 504903	2
- 320	BACN10YA4		..NUT	101102 108120 504903	2
325	271N6123-1123		.TUBE ASSY-PRESSURE SYS POSITION DATA: L TUBING MATERIAL: .375 IN. OD .019 IN. WALL 74.00 IN. LG TITANIUM	101102 108120 504903	1
330	271N6123-1205		.TUBE ASSY-LG UP TUBING MATERIAL: .375 IN. OD .019 IN. WALL 38.00 IN. LG TI	101102 108120 504903	1
- 335	AS1581T06		..SLEEVE	101102 108120 504903	1
- 340	BACN10YA6		..NUT	101102 108120 504903	1
- 345	AS1582T06		..UNION	101102 108120 504903	1
350	271N6123-1266		.TUBE ASSY-LG DN TUBING MATERIAL: .375 IN. OD .019 IN. WALL 22.80 IN. LG TI	101102 108120 504903	1
355	271N6123-1273		.TUBE ASSY-TRUCK PRESSURE SYS POSITION DATA: L TUBING MATERIAL: .375 IN. OD .019 IN. WALL 15.50 IN. LG TI	101102 108120 504903	1
- 360	AS1581T06		..SLEEVE	101102 108120 504903	2

MISSING ITEM NUMBERS NOT APPLICABLE

- ITEM NOT ILLUSTRATED

32-32-51-16A

32-32-51  
FIG. 16A  
PAGE 13  
JAN 20/09

BRI

BOEING PROPRIETARY - Copyright © - Unpublished Work - See title page for details.





757

PARTS CATALOG (MAINTENANCE)

FIG ITEM	PART NUMBER	1 2 3 4 5 6 7	NOMENCLATURE	EFFECT FROM TO	UNITS PER ASSY
16A					
- 365	BACN10YA6N	..	NUT	101102 108120 504903	2
370	271N6123-1291	.	TUBE ASSY-LG UP TUBING MATERIAL: .250 IN. OD .016 IN. WALL 76.00 IN. LG TI	101102 108120 504903	1
375	271N6123-1252	.	TUBE ASSY-LG DN TUBING MATERIAL: .250 IN. OD .016 IN. WALL 42.00 IN. LG TI	101102 108120 504903	1
- 380	AS1581T04	..	SLEEVE	101102 108120 504903	2
- 385	BACN10YA4N	..	NUT	101102 108120 504903	2
390	271N6123-1296	.	TUBE ASSY-PRESSURE SYS POSITION DATA: L	101102 108120 504903	1
- 395	AS1581T06	..	SLEEVE	101102 108120 504903	1
- 400	BACN10YA6N	..	NUT	101102 108120 504903	1
- 405	AS1582T06	..	UNION	101102 108120 504903	1
410	271N6123-1275	.	TUBE ASSY-LG UP TUBING MATERIAL: .500 IN. OD .026 IN. WALL 89.00 IN. LG TI	101102 108120 504903	1
- 415	AS1581T08	..	SLEEVE	101102 108120 504903	1
- 420	BACN10YA8N	..	NUT	101102 108120 504903	1
- 425	AS1582T08	..	UNION	101102 108120 504903	1
435	271N6123-1289	.	TUBE ASSY-LG UP TUBING MATERIAL: .500 IN. OD .026 IN. WALL 53.00 IN. LG TI	101102 108120 504903	1
- 440	AS1581T08	..	SLEEVE	101102 108120 504903	2

MISSING ITEM NUMBERS NOT APPLICABLE

- ITEM NOT ILLUSTRATED

32-32-51-16A

32-32-51  
FIG. 16A  
PAGE 14  
JAN 20/09

BRI

BOEING PROPRIETARY - Copyright © - Unpublished Work - See title page for details.



757

PARTS CATALOG (MAINTENANCE)

FIG ITEM	PART NUMBER	1 2 3 4 5 6 7	NOMENCLATURE	EFFECT FROM TO	UNITS PER ASSY
16A					
- 445	BACN10YA8N	..	NUT	101102 108120 504903	2
450	271N6123-1082	.	TUBE ASSY-LG DN TUBING MATERIAL: .500 IN. OD .026 IN. WALL 73.00 IN. LG TI	101102 108120 504903	1
- 455	AS1581T08	..	SLEEVE	101102 108120 504903	1
- 460	BACN10YA8	..	NUT	101102 108120 504903	1
465	271N6123-1122	.	TUBE ASSY-DOOR OPEN TUBING MATERIAL: .500 IN. OD .026 IN. WALL 65.50 IN. LG TI	101102 108120 504903	1
- 470	AS1582T08	..	UNION	101102 108120 504903	2
475	271N6123-1013	.	TUBE ASSY-DOOR OPEN TUBING MATERIAL: .500 IN. OD .026 IN. WALL 77.00 IN. LG TI	101102 108120 504903	1
- 480	AS1581T08	..	SLEEVE	101102 108120 504903	2
- 485	BACN10YA8	..	NUT	101102 108120 504903	2
490	MS21924-8T	.	UNION-	101102 108120 504903	1
493	MS21924-6T	.	UNION-	101102 108120 504903	1
500	BACE21BN0404J	.	ELBOW	101102 108120 504903	1
505	BACE21BN0604J	.	ELBOW	101102 108120 504903	1
510	MS21916-8-6T	.	REDUCER-	101102 108120 504903	1
513	BACT16BL060406J	.	TEE	101102 108120 504903	1

MISSING ITEM NUMBERS NOT APPLICABLE

- ITEM NOT ILLUSTRATED

32-32-51-16A

32-32-51  
FIG. 16A  
PAGE 15  
JAN 20/09

BRI

BOEING PROPRIETARY - Copyright © - Unpublished Work - See title page for details.



757

PARTS CATALOG (MAINTENANCE)

FIG ITEM	PART NUMBER	1 2 3 4 5 6 7	NOMENCLATURE	EFFECT FROM TO	UNITS PER ASSY
16A					
515	BACT16BL080804J	.	TEE	101102 108120 504903	1
518	AN924-10D	.	NUT	101102 108120 504903	1
520	AN924-8D	.	NUT	101102 108120 504903	1
523	AN924-6D	.	NUT	101102 108120 504903	1
525	AN924-4D	.	NUT	101102 108120 504903	1
527	AN960JD716	.	WASHER	101102 108120 504903	1
528	AN960JD916	.	WASHER	101102 108120 504903	1
530	NAS623-4	.	SCREW	101102 108120 504903	6
540	BACW10BN3SC	.	WASHER	101102 108120 504903	6
545	271N6331-2	.	BRACKET	101102 108120 504903	1
550	271N6331-4	.	BRACKET	101102 108120 504903	1
555	271N6331-5	.	FILLER ASSY	101102 108120 504903	1
560	271N6331-7	..	FILLER	101102 108120 504903	1

MISSING ITEM NUMBERS NOT APPLICABLE

- ITEM NOT ILLUSTRATED

BRI

32-32-51-16A

BOEING PROPRIETARY - Copyright © - Unpublished Work - See title page for details.

32-32-51  
FIG. 16A  
PAGE 16  
JAN 20/09



757

PARTS CATALOG (MAINTENANCE)

FIG ITEM	PART NUMBER	1 2 3 4 5 6 7	NOMENCLATURE	EFFECT FROM TO	UNITS PER ASSY
16A 565	F2031-3		..NUTPLATE SUPPLIER CODE: V15653 SPECIFICATION NUMBER: BACN10KB3CF OPTIONAL PART: NS103185S02 V80539 T8112C1032C V11815 VN151B1-02 V92215 101F9207-3 V72962 BRF100C3 V52828	101102 108120 504903	2
570	271N6331-6		.FILLER ASSY	101102 108120 504903	1
575	271N6331-8		..FILLER	101102 108120 504903	1
580	F2031-3		..NUTPLATE SUPPLIER CODE: V15653 SPECIFICATION NUMBER: BACN10KB3CF OPTIONAL PART: NS103185S02 V80539 T8112C1032C V11815 VN151B1-02 V92215 101F9207-3 V72962 BRF100C3 V52828	101102 108120 504903	2
585	271N6332-1		.BRACKET ASSY	101102 108120 504903	1
587	NAS514P1032-16		..SCREW	101102 108120 504903	8
589	NAS623-3-28		..SCREW	101102 108120 504903	4

MISSING ITEM NUMBERS NOT APPLICABLE

- ITEM NOT ILLUSTRATED

32-32-51-16A

32-32-51  
FIG. 16A  
PAGE 17  
JAN 20/09

BRI

BOEING PROPRIETARY - Copyright © - Unpublished Work - See title page for details.



757

PARTS CATALOG (MAINTENANCE)

FIG ITEM	PART NUMBER	1 2 3 4 5 6 7	NOMENCLATURE	EFFECT FROM TO	UNITS PER ASSY
16A 590	271N6329-1	..	BRACKET ASSY	101102 108120 504903	1
595	271N6329-2	...	BRACKET	101102 108120 504903	1
600	F2031-3	...	NUTPLATE SUPPLIER CODE: V15653 SPECIFICATION NUMBER: BACN10KB3CF OPTIONAL PART: NS103185S02 V80539 T8112C1032C V11815 VN151B1-02 V92215 101F9207-3 V72962 BRF100C3 V52828	101102 108120 504903	4
605	271N6329-2	..	BRACKET	101102 108120 504903	1
610	271N6331-11	..	BRACKET ASSY-ASSY	101102 108120 504903	1
615	271N6329-12	...	BRACKET	101102 108120 504903	1
620	F2031-3	...	NUTPLATE SUPPLIER CODE: V15653 SPECIFICATION NUMBER: BACN10KB3CF OPTIONAL PART: NS103185S02 V80539 T8112C1032C V11815 VN151B1-02 V92215 101F9207-3 V72962 BRF100C3 V52828	101102 108120 504903	2

MISSING ITEM NUMBERS NOT APPLICABLE

- ITEM NOT ILLUSTRATED

32-32-51-16A

32-32-51  
FIG. 16A  
PAGE 18  
JAN 20/09

BRI

BOEING PROPRIETARY - Copyright © - Unpublished Work - See title page for details.



757

PARTS CATALOG (MAINTENANCE)

FIG ITEM	PART NUMBER	1 2 3 4 5 6 7	NOMENCLATURE	EFFECT FROM TO	UNITS PER ASSY
16A 625	271N6331-9	..	BRACKET ASSY	101102 108120 504903	1
630	271N6331-12	...	BRACKET	101102 108120 504903	1
635	F2031-3	...	NUTPLATE SUPPLIER CODE: V15653 SPECIFICATION NUMBER: BACN10KB3CF OPTIONAL PART: NS103185S02 V80539 T8112C1032C V11815 VN151B1-02 V92215 101F9207-3 V72962 BRF100C3 V52828	101102 108120 504903	2
640	AN960KD10L	..	WASHER	101102 108120 504903	12
645	BRH10C3D	..	NUT SUPPLIER CODE: V52828 SPECIFICATION NUMBER: BACN10JC3CD OPTIONAL PART: T6C1032JCD V11815 NS202486-02 V80539 102LH9075-3W V72962 H51650-3BAC V15653	101102 108120 504903	8
650	271N6330-1	..	CAP-PHENOLIC END	101102 108120 504903	2

MISSING ITEM NUMBERS NOT APPLICABLE

- ITEM NOT ILLUSTRATED

32-32-51-16A

32-32-51  
FIG. 16A  
PAGE 19  
JAN 20/09

BRI

BOEING PROPRIETARY - Copyright © - Unpublished Work - See title page for details.



757

PARTS CATALOG (MAINTENANCE)

FIG ITEM	PART NUMBER	1 2 3 4 5 6 7	NOMENCLATURE	EFFECT FROM TO	UNITS PER ASSY
16A 655	1C3596		. VALVE- SUPPLIER CODE: V99240 SPECIFICATION NUMBER: BACV10CD14 OPTIONAL PART: 0121520900-14 V83533	101102 108120 504903	1
900			ILLUSTRATION REFERENCE: PLUMBING INSTL-SECT. 12 R WING INBD HYDR (HYDRAULIC POWER ONLY) (R SYS) 29-11-51-17A	101102 108120 504903	RF
905			ILLUSTRATION REFERENCE: PLUMBING INSTL- SECT. 12 INBD WING HYDR R (HYDRAULIC POWER ONLY) 29-11-51-18A	101102 108120 504903	RF
910			ILLUSTRATION REFERENCE: PLUMBING INSTL-FILLET AND TE ROLLS ROYCE RETURN LINES 29-11-51-68	101102 108120 504903	RF
915			ILLUSTRATION REFERENCE: PLUMBING INSTL-FILLET AND TE ROLLS ROYCE RETURN LINES 29-11-51-68	101102 108120 504903	RF

MISSING ITEM NUMBERS NOT APPLICABLE

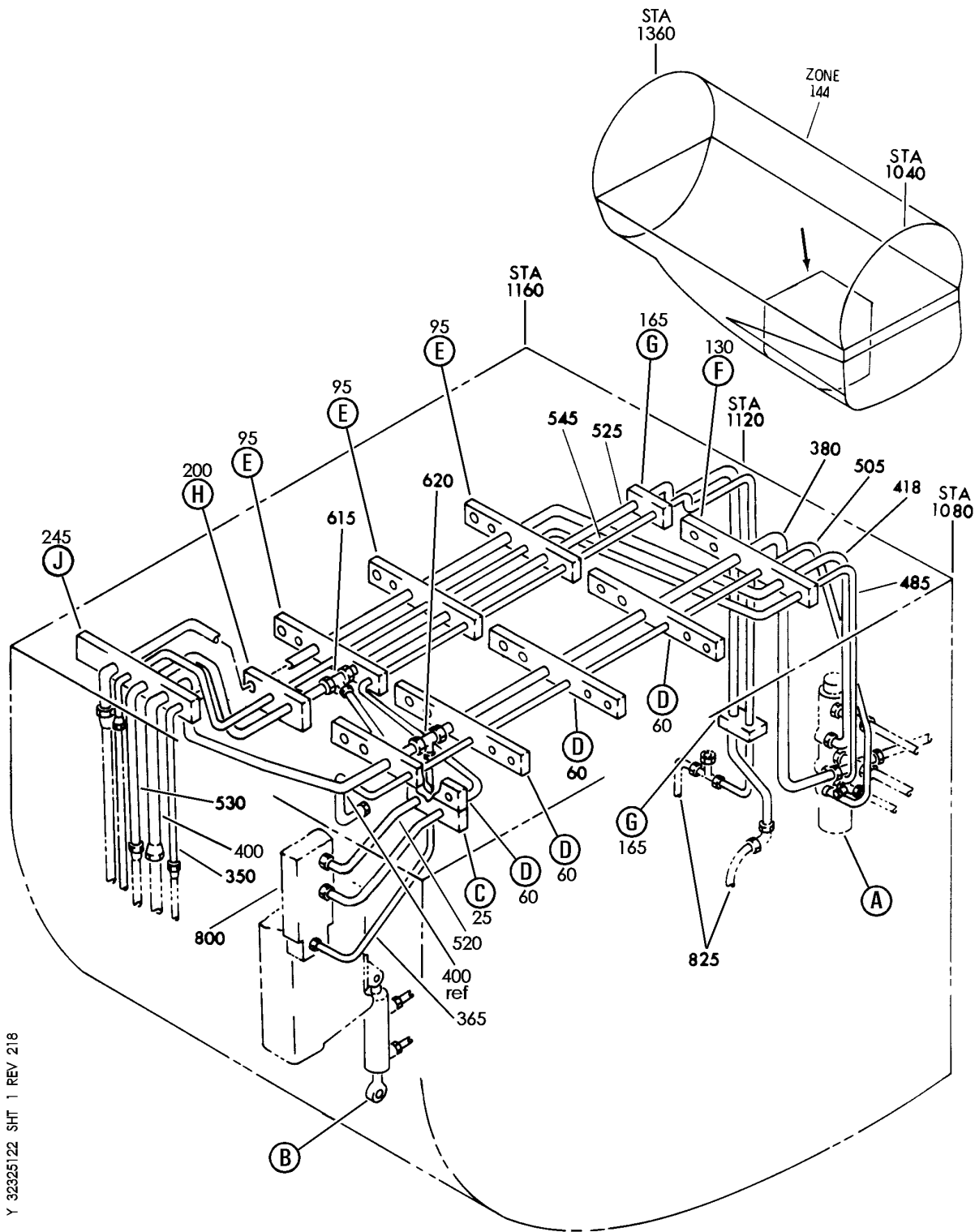
- ITEM NOT ILLUSTRATED

**32-32-51-16A**

32-32-51  
FIG. 16A  
PAGE 20  
JAN 20/09

BRI

**BOEING**  
757  
PARTS CATALOG (MAINTENANCE)



Y 32325122 SHT 1 REV 218

PLUMBING INSTL-SECT.44 R PRESSURE DECK HYDR (MAIN GEAR EXTENSION AND RETRACTION ONLY)  
FIGURE 22 (SHEET 1)

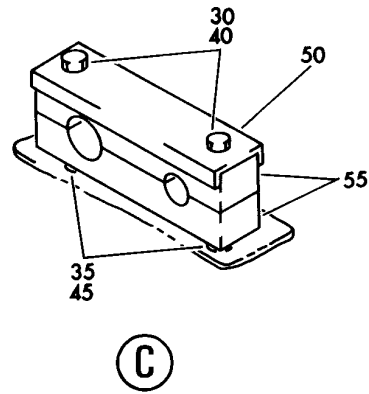
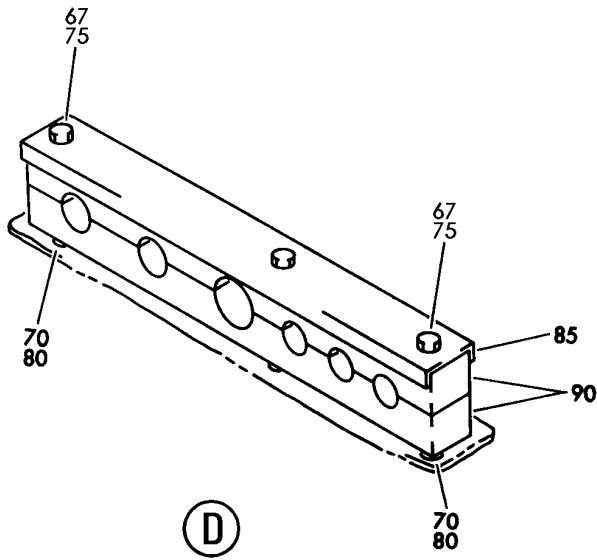
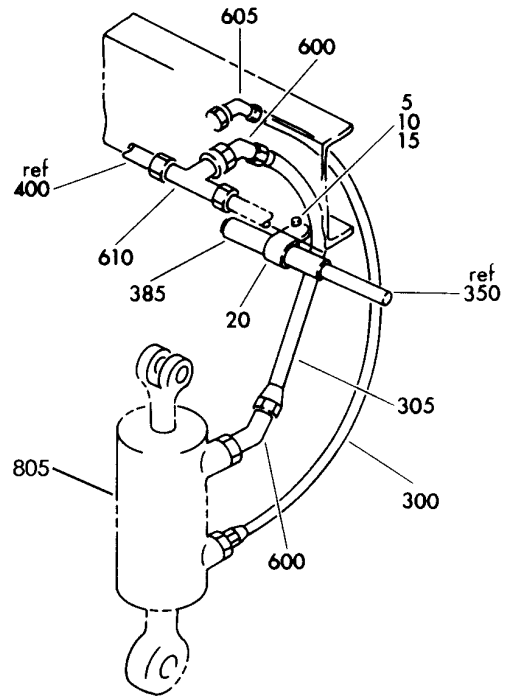
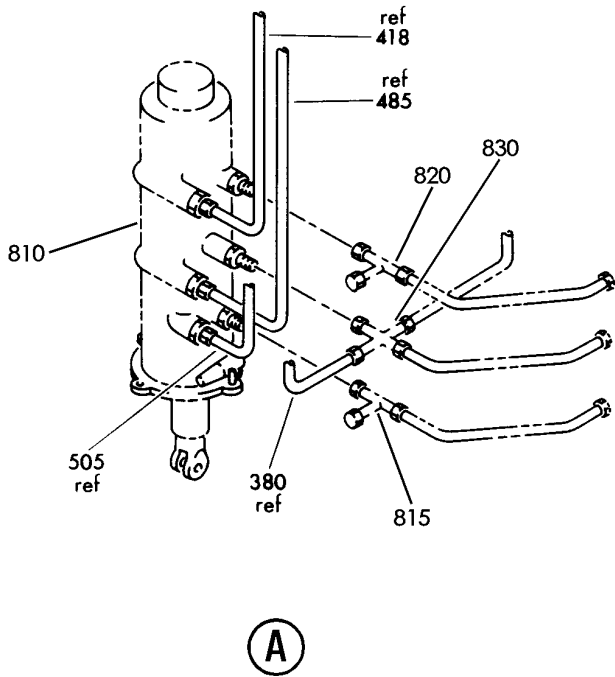
BRI  
MAY 28/07

**32-32-51-22**

32-32-51-22  
PAGE 0




**BOEING**  
 757  
**PARTS CATALOG (MAINTENANCE)**



Y 32325122 SHT 2 REV 218

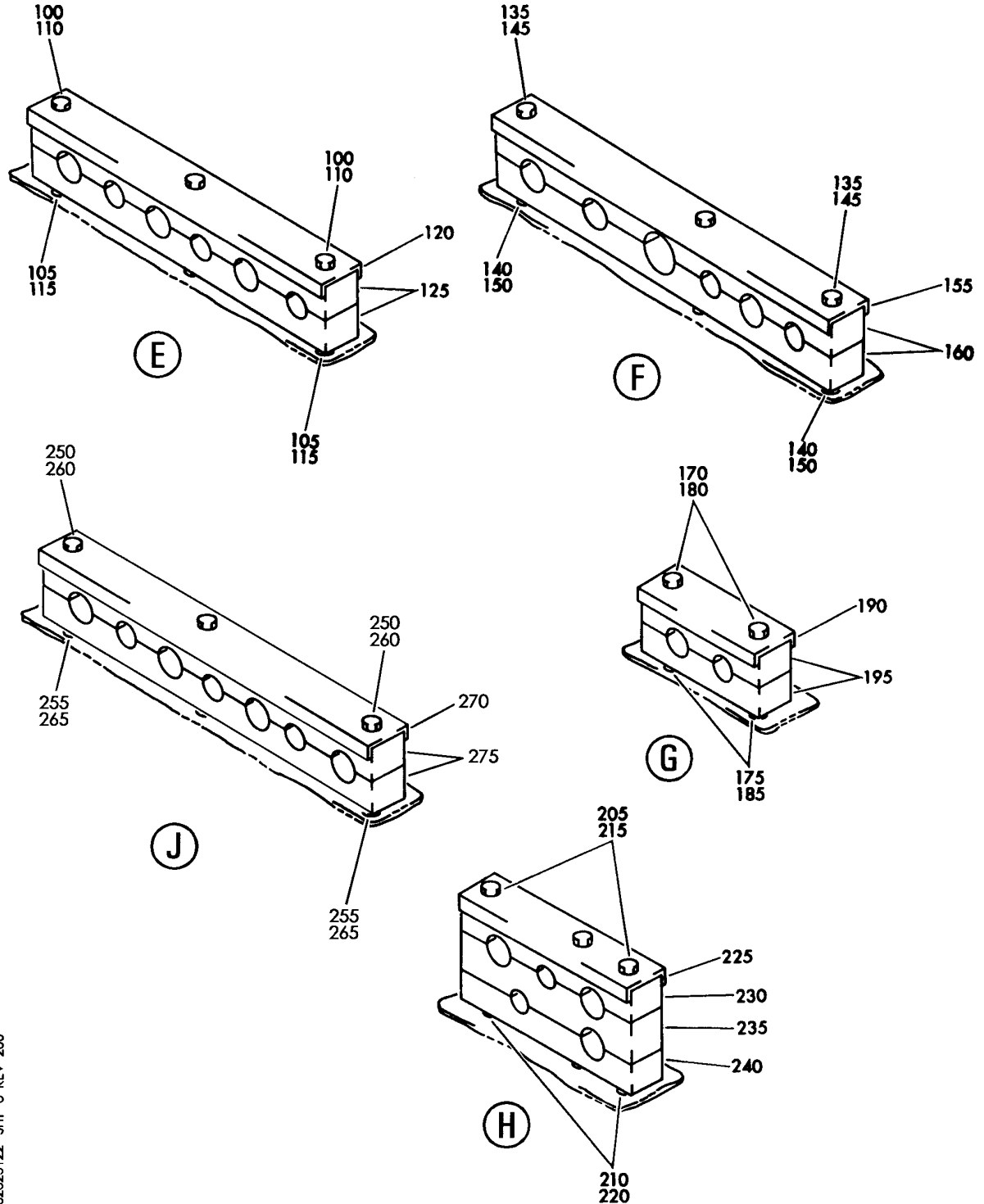
PLUMBING INSTL-SECT.44 R PRESSURE DECK HYDR (MAIN GEAR EXTENSION AND RETRACTION ONLY)  
 FIGURE 22 (SHEET 2)

BRI  
 MAY 28/07

**32-32-51-22**

32-32-51-22  
 PAGE 0A


**BOEING**  
 757  
**PARTS CATALOG (MAINTENANCE)**



Y 32325122 SHT 3 REV 206

PLUMBING INSTL-SECT.44 R PRESSURE DECK HYDR (MAIN GEAR EXTENSION AND RETRACTION ONLY)  
 FIGURE 22 (SHEET 3)

**32-32-51-22**

BRI  
 MAY 28/07

32-32-51-22  
 PAGE 0B



757

PARTS CATALOG (MAINTENANCE)

FIG ITEM	PART NUMBER	1 2 3 4 5 6 7	NOMENCLATURE	EFFECT FROM TO	UNITS PER ASSY
22			PLUMBING INSTL-SECT.44 R PRESSURE DECK HYDR (MAIN GEAR EXTENSION AND RETRACTION ONLY)	002004 006100 107107 121503 904999	RF
- 1	271N6444-1		PLUMBING INSTL-PRESSURE DECK HYDR (MAIN GEAR EXTENSION AND RETRACTION ONLY) POSITION DATA: SECT.44 R VARIABLE DRAWING REF: 271N6444-5 FOR NHA/OTHER SYS DET SEE: 29-00-51-05	002004 006100 107107 121503 904999	RF
5	NAS1801-3		.SCREW- SIZE DETERMINED ON INSTL.	002004 006100 107107 121503 904999	1
10	AN960KD10L		.WASHER	002004 006100 107107 121503 904999	1
15	MS21042L3		.NUT-	002004 006100 107107 121503 904999	1
20	M85052-2-6		.CLAMP	002004 006100 107107 121503 904999	1
25	270N2000-86		.CLAMP ASSY-BLK	002004 006100 107107 121503 904999	1
30	NAS1801-3-45		..SCREW-	002004 006100 107107 121503 904999	2

MISSING ITEM NUMBERS NOT APPLICABLE

- ITEM NOT ILLUSTRATED

32-32-51-22

32-32-51  
FIG. 22  
PAGE 1  
JAN 20/09

BRI



757

PARTS CATALOG (MAINTENANCE)

FIG ITEM	PART NUMBER	1 2 3 4 5 6 7	NOMENCLATURE	EFFECT FROM TO	UNITS PER ASSY
22					
35	AN960PD10L	..	WASHER	002004 006100 107107 121503 904999	2
40	NAS43DD3-144	..	SPACER	002004 006100 107107 121503 904999	2
45	BRH10A3	..	NUT SUPPLIER CODE: V52828 SPECIFICATION NUMBER: BACN10JC3 OPTIONAL PART: H10-3BAC V15653 NS202101-02 V80539 RMLH9075-3W V72962 VN303A02 V92215 96-02 V80539 T6S1032J V11815	002004 006100 107107 121503 904999	2
50	270N2000-815	..	CHANNEL	002004 006100 107107 121503 904999	1
55	270N2000-509	..	BLOCK	002004 006100 107107 121503 904999	2
60	270N2000-82	.CLAMP ASSY-BLK POSITION DATA: STA 1120 RBL 30 AND 40		002004 006100 107107 121503 904999	2
67	NAS1801-3-28	..	SCREW-	002004 006100 107107 121503 904999	3

MISSING ITEM NUMBERS NOT APPLICABLE

- ITEM NOT ILLUSTRATED

32-32-51-22

32-32-51  
FIG. 22  
PAGE 2  
JAN 20/09

BRI



757

PARTS CATALOG (MAINTENANCE)

FIG ITEM	PART NUMBER	1 2 3 4 5 6 7	NOMENCLATURE	EFFECT FROM TO	UNITS PER ASSY
22					
70	AN960PD10L	..	WASHER	002004 006100 107107 121503 904999	3
75	NAS43DD3-76	..	SPACER	002004 006100 107107 121503 904999	3
80	BRH10A3	..	NUT SUPPLIER CODE: V52828 SPECIFICATION NUMBER: BACN10JC3 OPTIONAL PART: H10-3BAC V15653 NS202101-02 V80539 RMLH9075-3W V72962 VN303A02 V92215 96-02 V80539 T6S1032J V11815	002004 006100 107107 121503 904999	3
85	270N2000-847	..	CHANNEL	002004 006100 107107 121503 904999	1
90	270N2000-505	..	BLOCK	002004 006100 107107 121503 904999	2
95	270N2000-83	.	CLAMP ASSY-BLK	002004 006100 107107 121503 904999	3
100	NAS1801-3-26	..	SCREW-	002004 006100 107107 121503 904999	3

MISSING ITEM NUMBERS NOT APPLICABLE

- ITEM NOT ILLUSTRATED

32-32-51-22

32-32-51  
FIG. 22  
PAGE 3  
JAN 20/09

BRI



757

PARTS CATALOG (MAINTENANCE)

FIG ITEM	PART NUMBER	1 2 3 4 5 6 7	NOMENCLATURE	EFFECT FROM TO	UNITS PER ASSY
22 105	AN960PD10L	..	WASHER	002004 006100 107107 121503 904999	3
110	NAS43DD3-67	..	SPACER	002004 006100 107107 121503 904999	3
115	BRH10A3	..	NUT SUPPLIER CODE: V52828 SPECIFICATION NUMBER: BACN10JC3 OPTIONAL PART: H10-3BAC V15653 NS202101-02 V80539 RMLH9075-3W V72962 VN303A02 V92215 96-02 V80539 T6S1032J V11815	002004 006100 107107 121503 904999	3
120	270N2000-848	..	CHANNEL	002004 006100 107107 121503 904999	1
125	270N2000-506	..	BLOCK	002004 006100 107107 121503 904999	2
130	270N2000-81	.CLAMP ASSY-BLK POSITION DATA: STA 1120 RBL 20		002004 006100 107107 121503 904999	1
135	NAS1801-3-29	..	SCREW-	002004 006100 107107 121503 904999	3

MISSING ITEM NUMBERS NOT APPLICABLE

- ITEM NOT ILLUSTRATED

32-32-51-22

32-32-51  
FIG. 22  
PAGE 4  
JAN 20/09

BRI



757

PARTS CATALOG (MAINTENANCE)

FIG ITEM	PART NUMBER	1 2 3 4 5 6 7	NOMENCLATURE	EFFECT FROM TO	UNITS PER ASSY
22 140	AN960PD10L	. .	WASHER	002004 006100 107107 121503 904999	3
145	NAS43DD3-75	. .	SPACER	002004 006100 107107 121503 904999	3
150	BRH10A3	. .	NUT SUPPLIER CODE: V52828 SPECIFICATION NUMBER: BACN10JC3 OPTIONAL PART: H10-3BAC V15653 NS202101-02 V80539 RMLH9075-3W V72962 VN303A02 V92215 96-02 V80539 T6S1032J V11815	002004 006100 107107 121503 904999	3
155	270N2000-846	. .	CHANNEL	002004 006100 107107 121503 904999	1
160	270N2000-504	. .	BLOCK	002004 006100 107107 121503 904999	2
165	270N2000-123	. .	CLAMP ASSY-BLK	002004 006100 107107 121503 904999	2
170	NAS1801-3-26	. .	SCREW-	002004 006100 107107 121503 904999	2

MISSING ITEM NUMBERS NOT APPLICABLE

- ITEM NOT ILLUSTRATED

32-32-51-22

32-32-51  
FIG. 22  
PAGE 5  
JAN 20/09

BRI



757

PARTS CATALOG (MAINTENANCE)

FIG ITEM	PART NUMBER	1 2 3 4 5 6 7	NOMENCLATURE	EFFECT FROM TO	UNITS PER ASSY
22 175	AN960PD10L	. .	WASHER	002004 006100 107107 121503 904999	2
180	NAS43DD3-67	. .	SPACER	002004 006100 107107 121503 904999	2
185	BRH10A3	. .	NUT SUPPLIER CODE: V52828 SPECIFICATION NUMBER: BACN10JC3 OPTIONAL PART: H10-3BAC V15653 NS202101-02 V80539 RMLH9075-3W V72962 VN303A02 V92215 96-02 V80539 T6S1032J V11815	002004 006100 107107 121503 904999	2
190	270N2000-868	. .	CHANNEL	002004 006100 107107 121503 904999	1
195	270N2000-556	. .	BLOCK	002004 006100 107107 121503 904999	2
200	270N2000-132	. .	CLAMP ASSY-BLK	002004 006100 107107 121503 904999	1
205	NAS1801-3-38	. .	SCREW-	002004 006100 107107 121503 904999	3

MISSING ITEM NUMBERS NOT APPLICABLE

- ITEM NOT ILLUSTRATED

32-32-51-22

32-32-51  
FIG. 22  
PAGE 6  
JAN 20/09

BRI





757

PARTS CATALOG (MAINTENANCE)

FIG ITEM	PART NUMBER	1 2 3 4 5 6 7	NOMENCLATURE	EFFECT FROM TO	UNITS PER ASSY
22 210	AN960PD10L	..	WASHER	002004 006100 107107 121503 904999	3
215	NAS43DD3-116	..	SPACER	002004 006100 107107 121503 904999	3
220	BRH10A3	..	NUT SUPPLIER CODE: V52828 SPECIFICATION NUMBER: BACN10JC3 OPTIONAL PART: H10-3BAC V15653 NS202101-02 V80539 RMLH9075-3W V72962 VN303A02 V92215 96-02 V80539 T6S1032J V11815	002004 006100 107107 121503 904999	3
225	270N2000-890	..	CHANNEL	002004 006100 107107 121503 904999	1
230	270N2000-569	..	BLOCK	002004 006100 107107 121503 904999	1
235	270N2000-570	..	BLOCK	002004 006100 107107 121503 904999	1
240	270N2000-571	..	BLOCK	002004 006100 107107 121503 904999	1

MISSING ITEM NUMBERS NOT APPLICABLE

- ITEM NOT ILLUSTRATED

32-32-51-22

32-32-51  
FIG. 22  
PAGE 7  
JAN 20/09

BRI



757

PARTS CATALOG (MAINTENANCE)

FIG ITEM	PART NUMBER	1 2 3 4 5 6 7	NOMENCLATURE	EFFECT FROM TO	UNITS PER ASSY
22					
245	270N2000-133	.	CLAMP ASSY-BLK	002004 006100 107107 121503 904999	1
250	NAS1801-3-28	..	SCREW-	002004 006100 107107 121503 904999	3
255	AN960PD10L	..	WASHER	002004 006100 107107 121503 904999	3
260	NAS43DD3-75	..	SPACER	002004 006100 107107 121503 904999	3
265	BRH10A3	..	NUT SUPPLIER CODE: V52828 SPECIFICATION NUMBER: BACN10JC3 OPTIONAL PART: H10-3BAC V15653 NS202101-02 V80539 RMLH9075-3W V72962 VN303A02 V92215 96-02 V80539 T6S1032J V11815	002004 006100 107107 121503 904999	3
270	270N2000-889	..	CHANNEL	002004 006100 107107 121503 904999	1
275	270N2000-568	..	BLOCK	002004 006100 107107 121503 904999	2

MISSING ITEM NUMBERS NOT APPLICABLE

- ITEM NOT ILLUSTRATED

BRI

32-32-51-22

BOEING PROPRIETARY - Copyright © - Unpublished Work - See title page for details.

32-32-51  
FIG. 22  
PAGE 8  
JAN 20/09



757

PARTS CATALOG (MAINTENANCE)

FIG ITEM	PART NUMBER	1 2 3 4 5 6 7	NOMENCLATURE	EFFECT FROM TO	UNITS PER ASSY
22 300	AS116-04D0134	.HOSE	ASSY-	002004 006100 107107 121503 904999	1
300	AS116-04K0134	.HOSE	ASSY-	002004 006100 107107 121503 904999	1
305	AS116-06D0094	.HOSE	ASSY-	002004 006100 107107 121503 904999	1
305	AS116-06K0094	.HOSE	ASSY-	002004 006100 107107 121503 904999	1
350	271N6444-1147	.TUBE	ASSY-PRESSURE SYS POSITION DATA: R TUBING MATERIAL: .375 IN. OD .019 IN. WALL 37.30 IN LG TI BMS 7-234 TI03AL-2.5V COLD WORKED, STRESS RELIEVED TUBING	002004 006100 107107 121503 904999	1
- 355	AS1581T06	..SLEEVE		002004 006100 107107 121503 904999	2
- 360	BACN10YA6	..NUT		002004 006100 107107 121503 904999	2
365	271N6444-1118	.TUBE	ASSY-RETURN SYS POSITION DATA: R TUBING MATERIAL: .375 IN. OD .035 IN. WALL 19.30 IN. LG AL AMS 4083 6061 T6 TUBING	002004 006100 107107 121503 904999	1

MISSING ITEM NUMBERS NOT APPLICABLE

- ITEM NOT ILLUSTRATED

32-32-51-22

32-32-51  
FIG. 22  
PAGE 9  
JAN 20/09

BRI



757

PARTS CATALOG (MAINTENANCE)

FIG ITEM	PART NUMBER	1 2 3 4 5 6 7	NOMENCLATURE	EFFECT FROM TO	UNITS PER ASSY
22 - 370	AP2097HP06	..	SLEEVE SUPPLIER CODE: V01673 SPECIFICATION NUMBER: BACS13BX06HP OPTIONAL PART: 2-02903-06HP V11328 35235VN06 V08199 AFP175V06P V30974 DBOS13BX06HP V14798	002004 006100 107107 121503 904999	2
- 375	BACN10YL06	..	NUT	002004 006100 107107 121503 904999	2
380	271N6444-1225	.TUBE ASSY-RETURN SYS POSITION DATA: R TUBING MATERIAL: .625 IN. OD .035 IN. WALL 53.00 IN. LG AL AMS 4083 6061 T6 TUBING		002004 006100 107107 121503 904999	1
- 382	AP2097HP10	..	SLEEVE SUPPLIER CODE: V01673 SPECIFICATION NUMBER: BACS13BX10HP OPTIONAL PART: 2-02903-10HP V11328 35235VN10 V08199 AFP175V10P V30974 DBOS13BX10HP V14798	002004 006100 107107 121503 904999	2
- 384	BACN10YL10	..	NUT	002004 006100 107107 121503 904999	2

MISSING ITEM NUMBERS NOT APPLICABLE

- ITEM NOT ILLUSTRATED

32-32-51-22

32-32-51  
FIG. 22  
PAGE 10  
JAN 20/09

BRI



757

PARTS CATALOG (MAINTENANCE)

FIG ITEM	PART NUMBER	1 2 3 4 5 6 7	NOMENCLATURE	EFFECT FROM TO	UNITS PER ASSY
22 385	271N6444-1119		.TUBE ASSY-RETURN SYS POSITION DATA: R TUBING MATERIAL: .625 IN. OD .035 IN. WALL 8.60 IN. LG AL AMS 4083 6061 T6 TUBING	107107 904949	1
385	271N6444-1251		.TUBE ASSY-RETURN SYS POSITION DATA: R TUBING MATERIAL: .625 IN. OD .035 IN. WALL 9.00 IN. LG AL AMS 4083 6061 T6 TUBING	002004 006100 121503 950999	1
- 390	AP2097HP10		..SLEEVE SUPPLIER CODE: V01673 SPECIFICATION NUMBER: BACS13BX10HP OPTIONAL PART: 2-02903-10HP V11328 35235VN10 V08199 AFP175V10P V30974 DBOS13BX10HP V14798	002004 006100 107107 121503 904999	2
- 395	BACN10YL10		..NUT	002004 006100 107107 121503 904999	2
400	271N6444-1228		.TUBE ASSY-ETURN SYS POSITION DATA: R TUBING MATERIAL: .625 IN. OD .035 IN. WALL 21.40 IN. LG AL AMS 4083 6061 T6 TUBING	002004 006100 107107 121503 904999	1

MISSING ITEM NUMBERS NOT APPLICABLE

- ITEM NOT ILLUSTRATED

BRI

32-32-51-22

32-32-51  
FIG. 22  
PAGE 11  
JAN 20/09



757

PARTS CATALOG (MAINTENANCE)

FIG ITEM	PART NUMBER	1 2 3 4 5 6 7	NOMENCLATURE	EFFECT FROM TO	UNITS PER ASSY
22 - 405	AP2097HP10	..	SLEEVE SUPPLIER CODE: V01673 SPECIFICATION NUMBER: BACS13BX10HP OPTIONAL PART: 2-02903-10HP V11328 35235VN10 V08199 AFP175V10P V30974 DBOS13BX10HP V14798	002004 006100 107107 121503 904999	1
- 410	BACN10YL10	..	NUT	002004 006100 107107 121503 904999	1
- 415	35056GV10	..	UNION SUPPLIER CODE: V08199 SPECIFICATION NUMBER: BACU24AB10W OPTIONAL PART: 4671097W10 V50948 2-01027-10W V11328 31875-10W V14397 AP1004W10 V01673 AFP941W10 V30974 DBOU24AB10W V14798	002004 006100 107107 121503 904999	1
418	271N6444-1219	.	TUBE ASSY-LG UP TUBING MATERIAL: .500 IN. OD .026 IN. WALL 80.60 IN. LG TI BMS 7-234 TI-3AL-2.5V COLD WORKED, STRESS RELIEVED TUBING	003004 006100 107107 121503 904999	1
- 430	AS1581T08	..	SLEEVE	002004 006100 107107 121503 904999	2

MISSING ITEM NUMBERS NOT APPLICABLE

- ITEM NOT ILLUSTRATED

BRI

32-32-51-22

32-32-51  
FIG. 22  
PAGE 12  
JAN 20/09



757

PARTS CATALOG (MAINTENANCE)

FIG ITEM	PART NUMBER	1 2 3 4 5 6 7	NOMENCLATURE	EFFECT FROM TO	UNITS PER ASSY
22					
- 435	BACN10YA8	..	NUT	002004 006100 107107 121503 904999	2
485	271N6444-1227	.TUBE	ASSY-LG DOWN TUBING MATERIAL: .375 IN. OD .019 IN. WALL 84.70 IN. LG TI BMS 7-234 TI-3AL-2.5V COLD WORKED, STRESS RELIEVED TUBING	002004 006100 107107 121503 904999	1
- 490	AS1581T06	..	SLEEVE	002004 006100 107107 121503 904999	1
- 495	BACN10YA6	..	NUT	002004 006100 107107 121503 904999	1
- 500	AS1582T06	..	UNION	002004 006100 107107 121503 904999	1
505	271N6444-1216	.TUBE	ASSY-UNLOCK TUBING MATERIAL: .375 IN. OD .019 IN. WALL 67.80 IN. LG TI BMS 7-234 TI-3AL-2.5V COLD ORKED, STRESS RELIEVED TUBING	107107 904949	1
505	271N6444-1250	.TUBE	ASSY-UNLOCK TUBING MATERIAL: .375 IN. OD .019 IN. WALL 67.90 IN. LG TI BMS 7-234 TI-3AL-2.5V COLD WORKED, STRESS RELIEVED TUBING	003004 006100 121503 950999	1
- 510	AS1581T06	..	SLEEVE	002004 006100 107107 121503 904999	2

MISSING ITEM NUMBERS NOT APPLICABLE

- ITEM NOT ILLUSTRATED

BRI

32-32-51-22

32-32-51  
FIG. 22  
PAGE 13  
JAN 20/09



757

PARTS CATALOG (MAINTENANCE)

FIG ITEM	PART NUMBER	1 2 3 4 5 6 7	NOMENCLATURE	EFFECT FROM TO	UNITS PER ASSY
22 - 515	BACN10YA6	. .	NUT	002004 006100 107107 121503 904999	2
520	271N6444-1083	. TUBE	ASSY-DOOR OPEN TUBING MATERIAL: .500 IN. OD .026 IN. WALL 24.00 IN. LG TI BMS 7-234 TI-3AL-2.5V COLD WORKED, STRESS RELIEVED TUBING	003004 006100 107107 121503 904999	1
525	271N6444-1217	. TUBE	ASSY-DOOR OPEN TUBING MATERIAL: .500 IN. OD .026 IN. WALL 63.60 IN. LG TI BMS 7-234 TI-3AL-2.5V COLD WORKED, STRESS RELIEVED TUBING	003004 006100 107107 121503 904999	1
530	271N6444-1218	. TUBE	ASSY-DOOR OPEN TUBING MATERIAL: .500 IN. OD .026 IN. WALL 26.30 IN. LG TI BMS 7-234 TI-3AL-2.5V COLD WORKED, STRESS RELIEVED TUBING	002004 006100 107107 121503 904999	1
- 535	AS1581T08	. .	SLEEVE	002004 006100 107107 121503 904999	2
- 540	BACN10YA8	. .	NUT	002004 006100 107107 121503 904999	2
545	271N6444-1032	. TUBE	ASSY-DOOR CLOSED TUBING MATERIAL: .375 IN. OD .019 IN. WALL 92.50 IN. LG TI BMS 7-234 TI-3AL-2.5V COLD WORKED, STRESS RELIEVED TUBING	002004 006100 107107 121503 904999	1
- 550	AS1581T06	. .	SLEEVE	002004 006100 107107 121503 904999	2

MISSING ITEM NUMBERS NOT APPLICABLE

- ITEM NOT ILLUSTRATED

32-32-51-22

32-32-51  
FIG. 22  
PAGE 14  
JAN 20/09

BRI





757

PARTS CATALOG (MAINTENANCE)

FIG ITEM	PART NUMBER	1 2 3 4 5 6 7	NOMENCLATURE	EFFECT FROM TO	UNITS PER ASSY
22 - 555	BACN10YA6	. .	NUT	002004 006100 107107 121503 904999	2
600	NAS1761T0606	. ELBOW-		002004 006100 107107 121503 904999	2
600	NAS1761J0606	. ELBOW-	MISCELLANEOUS DATA: REPLACED BY BACE21BR0606JN	002004 006100 107107 121503 904999	2
605	BACE21BN0606T	. ELBOW-		002004 006100 107107 121503 904999	1
605	BACE21BN0606J	. ELBOW-		002004 006100 107107 121503 904999	1
610	APX834D101006	. TEE-	SUPPLIER CODE: V01673 SPECIFICATION NUMBER: BACT16AW101006D OPTIONAL PART: APX834-101006D V01673 DBOT16AW101006D V14798 ER834-101006D V50948 ER834-101006D V88334 FER1581-101006D V14397 LER834-101006D V11328 NAF1834-101006D V52930 US1928-101006D V50808 AFP328-101006D V30974	002004 006100 107107 121503 904999	1

MISSING ITEM NUMBERS NOT APPLICABLE

- ITEM NOT ILLUSTRATED

32-32-51-22

32-32-51  
FIG. 22  
PAGE 15  
JAN 20/09

BRI



757

PARTS CATALOG (MAINTENANCE)

FIG ITEM	PART NUMBER	1 2 3 4 5 6 7	NOMENCLATURE	EFFECT FROM TO	UNITS PER ASSY
22 615	BACT16BL080808T	. TEE-		002004 006100 107107 121503 904999	1
615	BACT16BL080808J	. TEE-		002004 006100 107107 121503 904999	1
620	APX824D101006	. TEE-	SUPPLIER CODE: V01673 SPECIFICATION NUMBER: BACT16AS101006D OPTIONAL PART: APX824-101006D V01673 DB0T16AS101006D V14798 ER824-101006D V50948 FER1571-101006D V14397 LER824-101006D V11328 NAF1824-101006D V52930 US1925-101006D V50808 AFP325-101006D V30974	002004 006100 107107 121503 904999	1
800			ILLUSTRATION REFERENCE: VALVE AND BRACKET INSTL-STA 1116 AND 1123 UPLOCK OPERATED SEQUENCE 32-32-09-01	002004 006100 107107 121503 904999	RF
805			ILLUSTRATION REFERENCE: UPLOCK INSTL-MLG 32-32-16-01	002004 006100 107107 121503 904999	RF

MISSING ITEM NUMBERS NOT APPLICABLE

- ITEM NOT ILLUSTRATED

32-32-51-22

32-32-51  
FIG. 22  
PAGE 16  
JAN 20/09

BRI



757

PARTS CATALOG (MAINTENANCE)

FIG ITEM	PART NUMBER	1 2 3 4 5 6 7	NOMENCLATURE	EFFECT FROM TO	UNITS PER ASSY
22 810			ILLUSTRATION REFERENCE: VALVE INSTL-MLG DOOR OPERATED SEQ 32-32-05-01	002004 006100 107107 121503 904999	RF
815			ILLUSTRATION REFERENCE: PLUMBING INSTL-SECT. 12 HYDR R WING INBD (MAIN GEAR EXTENSION AND RETRACTION ONLY) 32-32-51-16	002004 006100 107107 121503 904999	RF
820			ILLUSTRATION REFERENCE: PLUMBING INSTL-SECT. 44 KEEL BEAM MLG WHL WELL HYDR (LANDING GEAR CONTROL ONLY) 32-31-51-20	002004 006100 107107 121503 904999	RF
825			ILLUSTRATION REFERENCE: PLUMBING INSTL-SECT. 44 KEEL BEAM MLG WHL WELL HYDR 32-35-51-30	002004 006100 107107 121503 904999	RF
830			ILLUSTRATION REFERENCE: PLUMBING INSTL-SECT. 44 KEEL BEAM MLG WHL WELL HYDR (LANDING GEAR CONTROL ONLY) 32-31-51-20	002004 006100 107107 121503 904999	

MISSING ITEM NUMBERS NOT APPLICABLE

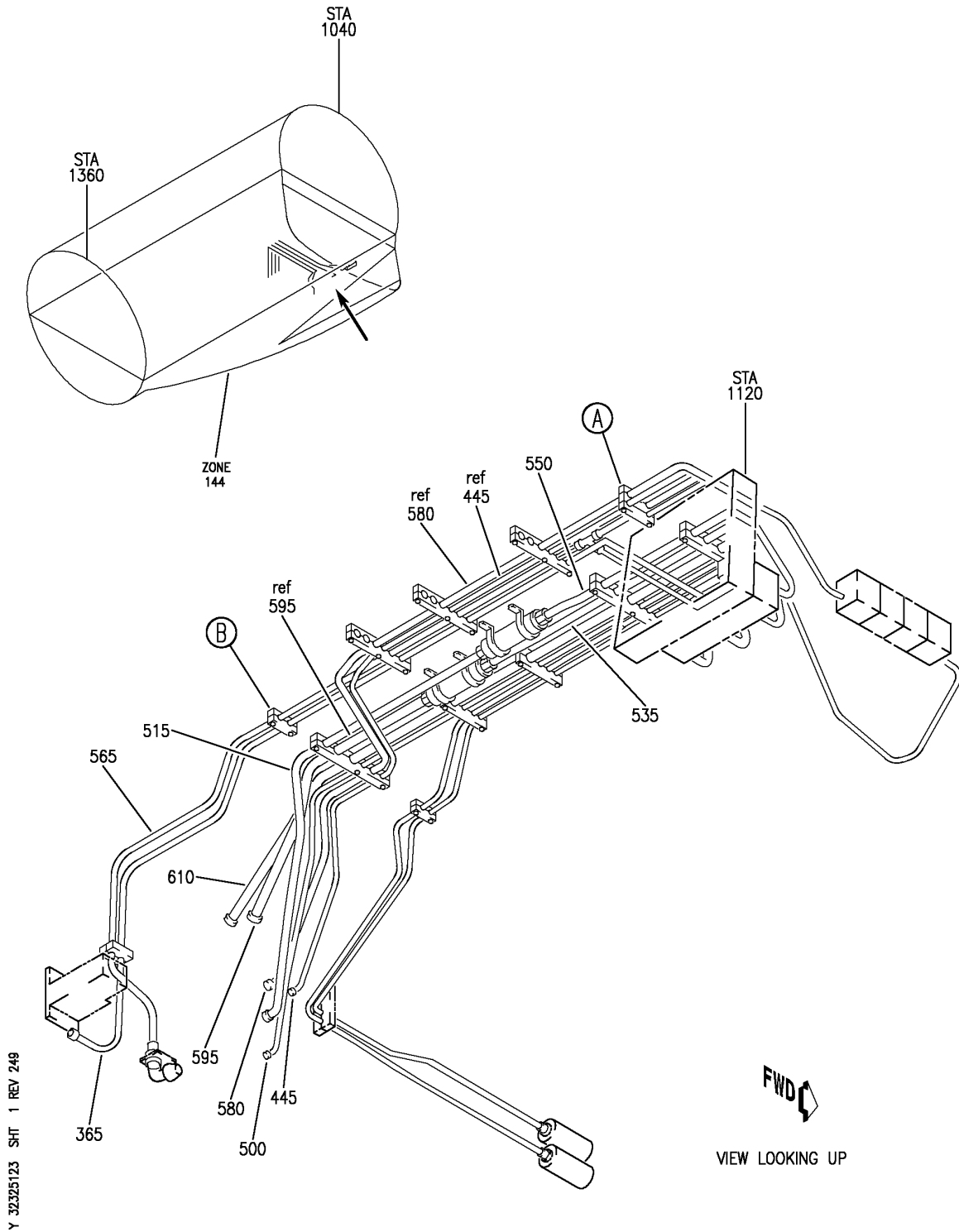
- ITEM NOT ILLUSTRATED

**32-32-51-22**

32-32-51  
FIG. 22  
PAGE 17  
JAN 20/09

BRI

**BOEING**  
757  
PARTS CATALOG (MAINTENANCE)



Y 32325123 SHT 1 REV 249

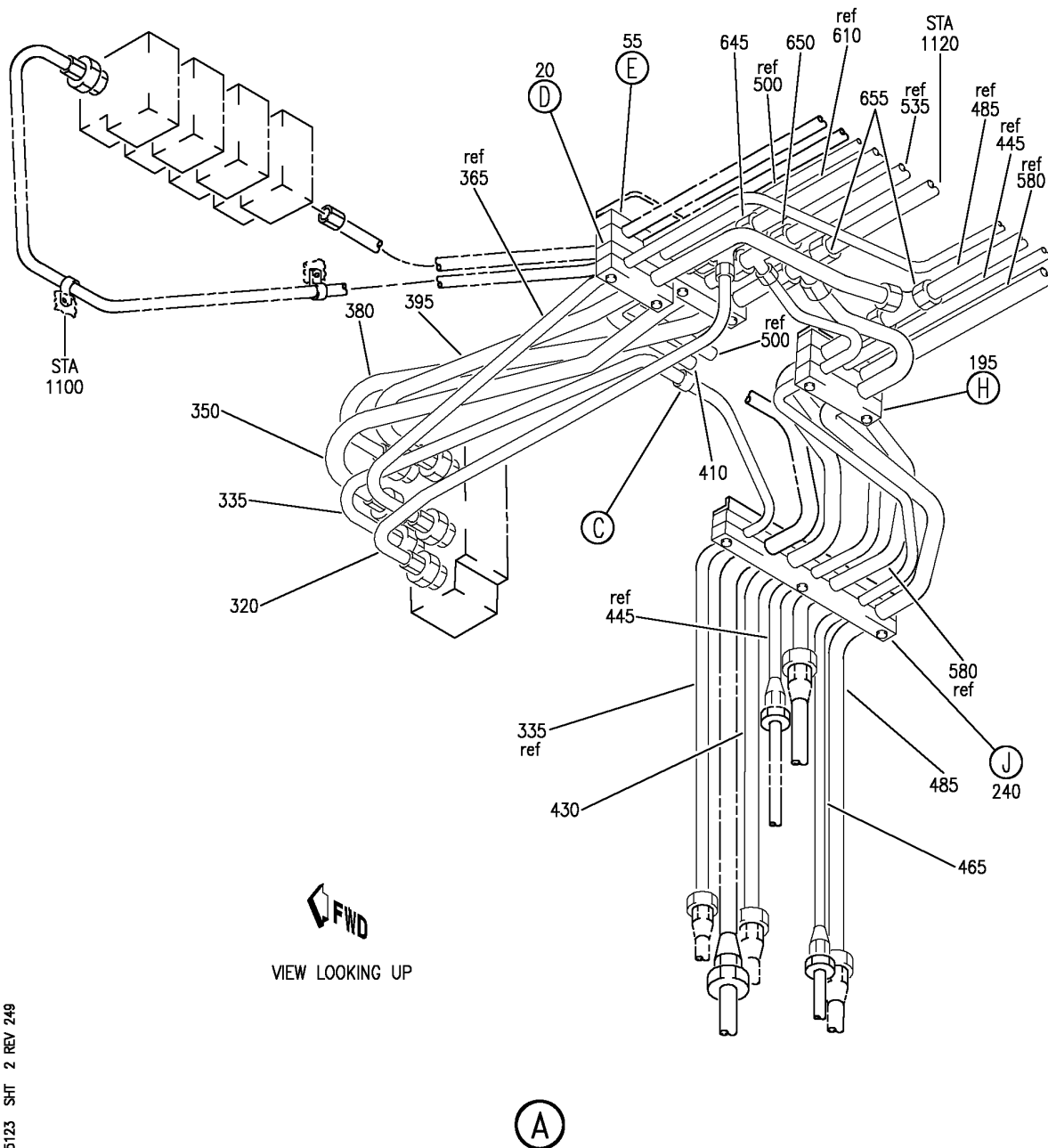
PLUMBING INSTL-SECT.44 R PRESSURE DECK HYDR (MAIN GEAR EXTENSION AND RETRACTION ONLY)  
FIGURE 23 (SHEET 1)

BRI  
JAN 20/09

**32-32-51-23**

32-32-51-23  
PAGE 0

**BOEING**  
757  
PARTS CATALOG (MAINTENANCE)



Y 32325123 SHT 2 REV 249

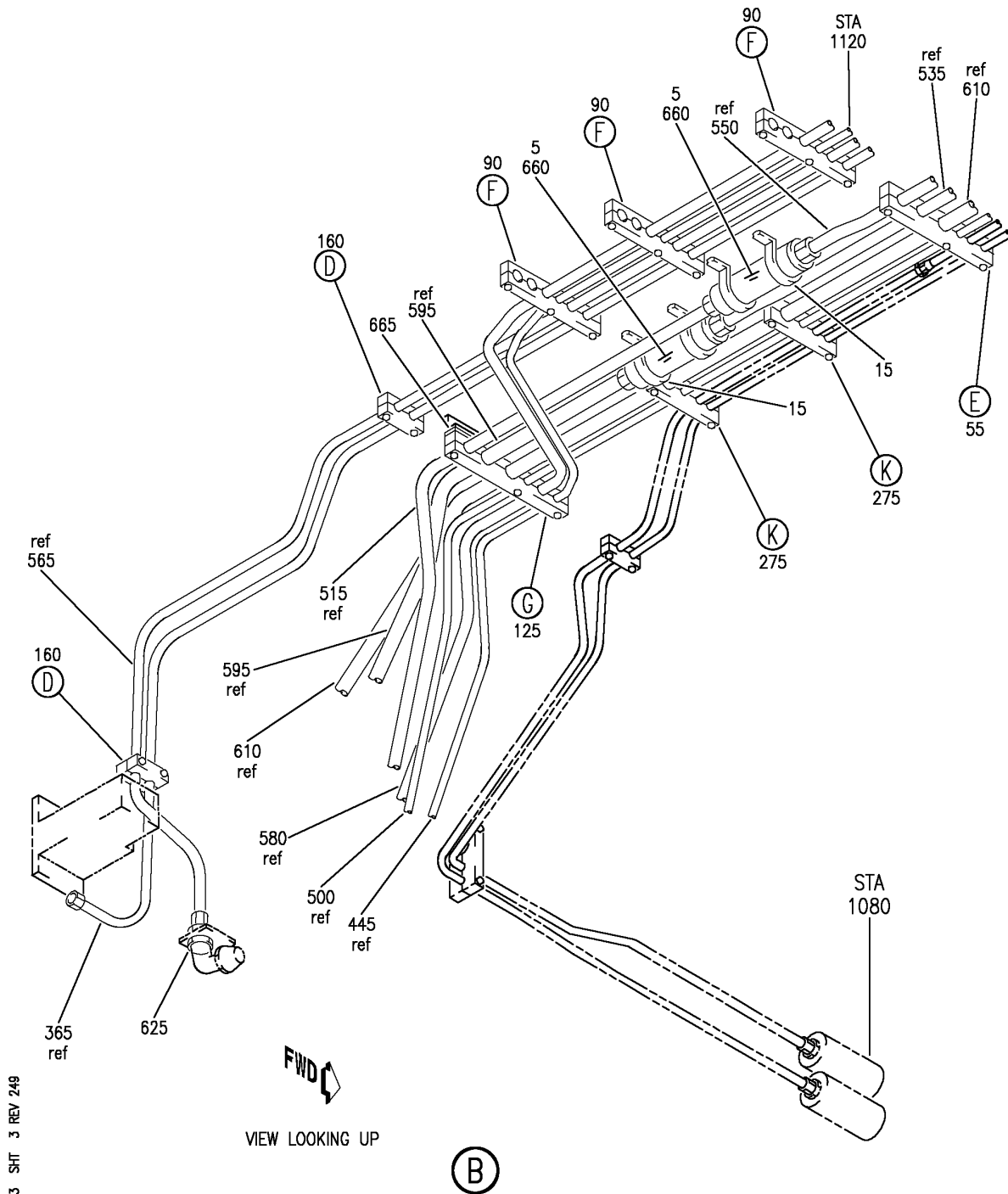
PLUMBING INSTL-SECT.44 R PRESSURE DECK HYDR (MAIN GEAR EXTENSION AND RETRACTION ONLY)  
FIGURE 23 (SHEET 2)

BRI  
JAN 20/09

**32-32-51-23**

32-32-51-23  
PAGE 0A

**BOEING**  
757  
PARTS CATALOG (MAINTENANCE)



Y 32325123 SHT 3 REV 249

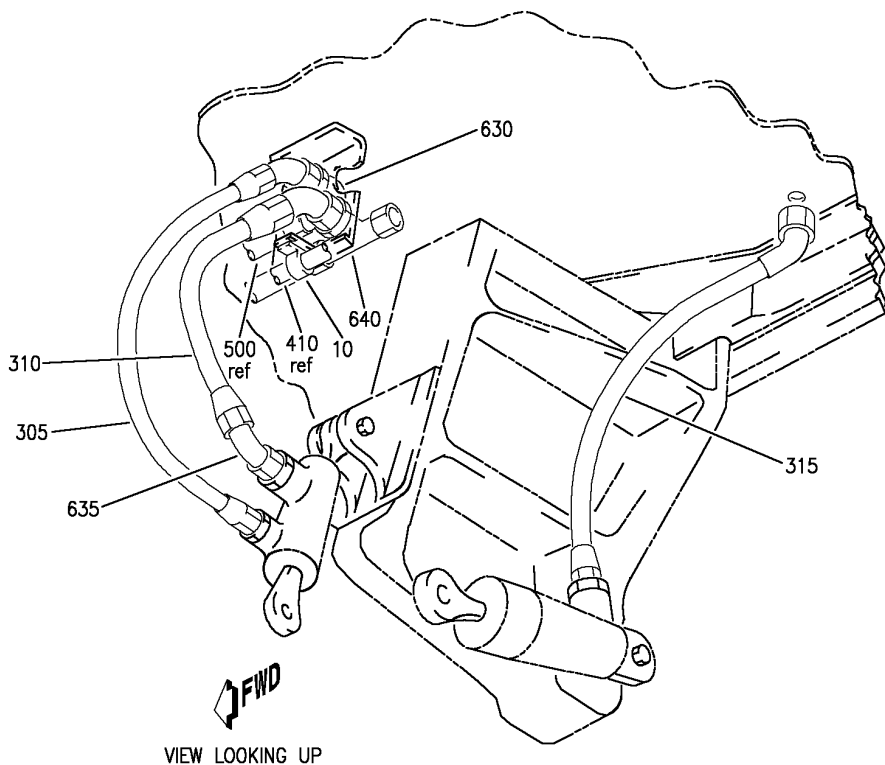
PLUMBING INSTL-SECT.44 R PRESSURE DECK HYDR (MAIN GEAR EXTENSION AND RETRACTION ONLY)  
FIGURE 23 (SHEET 3)

BRI  
JAN 20/09

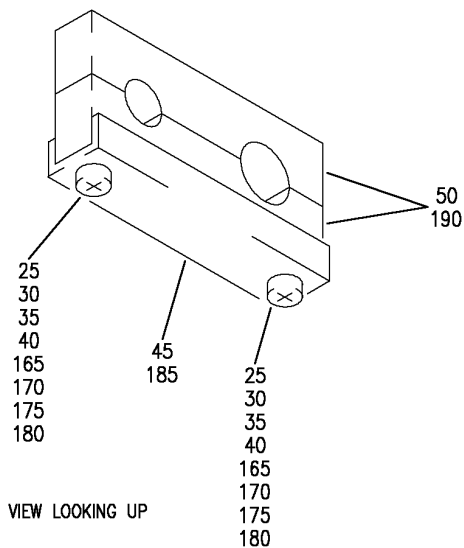
**32-32-51-23**

32-32-51-23  
PAGE 0B

**BOEING**  
757  
PARTS CATALOG (MAINTENANCE)



(C)



(D)

Y 32325123 SHT 4 REV 249

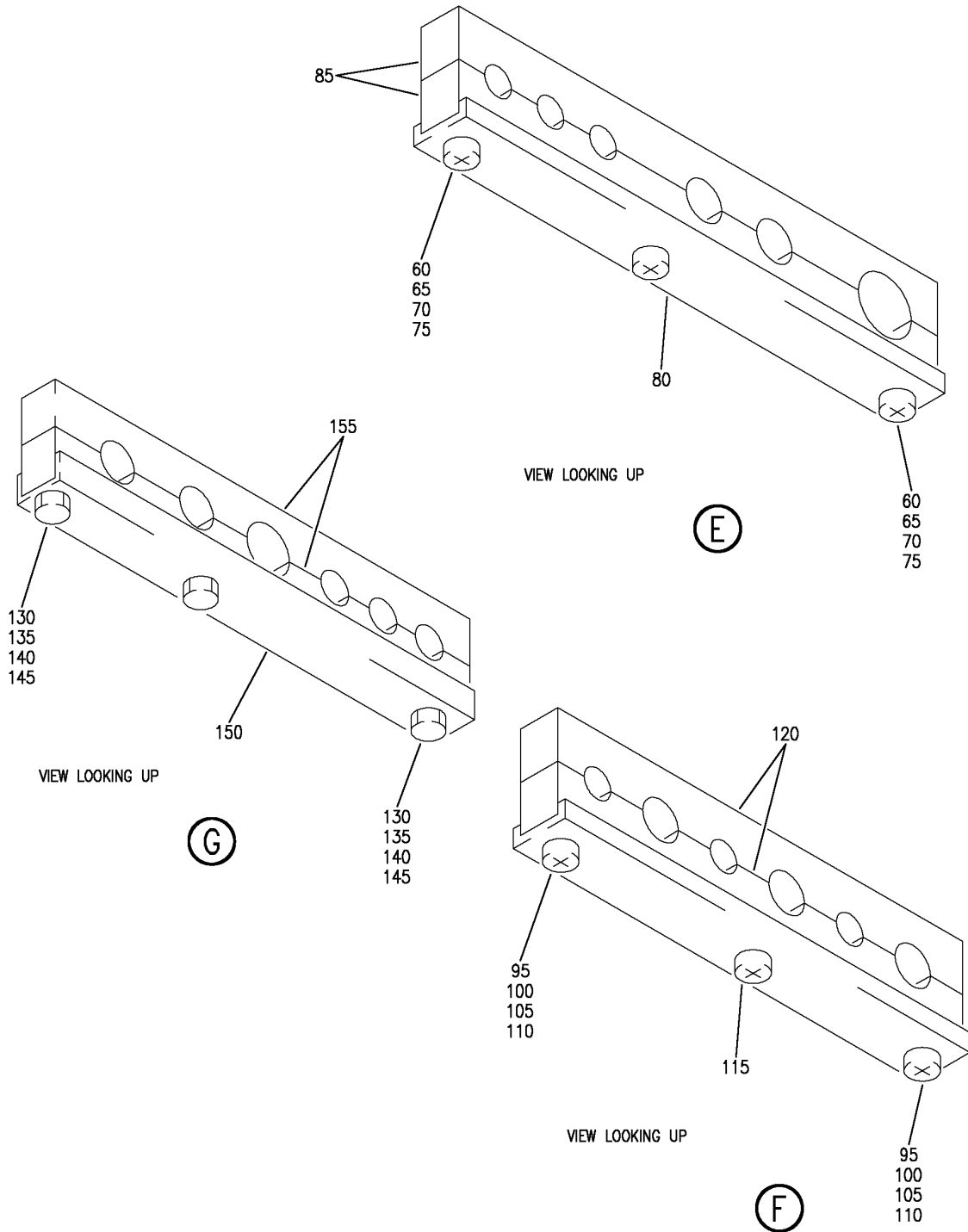
PLUMBING INSTL-SECT.44 R PRESSURE DECK HYDR (MAIN GEAR EXTENSION AND RETRACTION ONLY)  
FIGURE 23 (SHEET 4)

BRI  
JAN 20/09

**32-32-51-23**

32-32-51-23  
PAGE 0C

**BOEING**  
757  
PARTS CATALOG (MAINTENANCE)



Y 32325123 SH1 5 REV 249

PLUMBING INSTL-SECT.44 R PRESSURE DECK HYDR (MAIN GEAR EXTENSION AND RETRACTION ONLY)  
FIGURE 23 (SHEET 5)

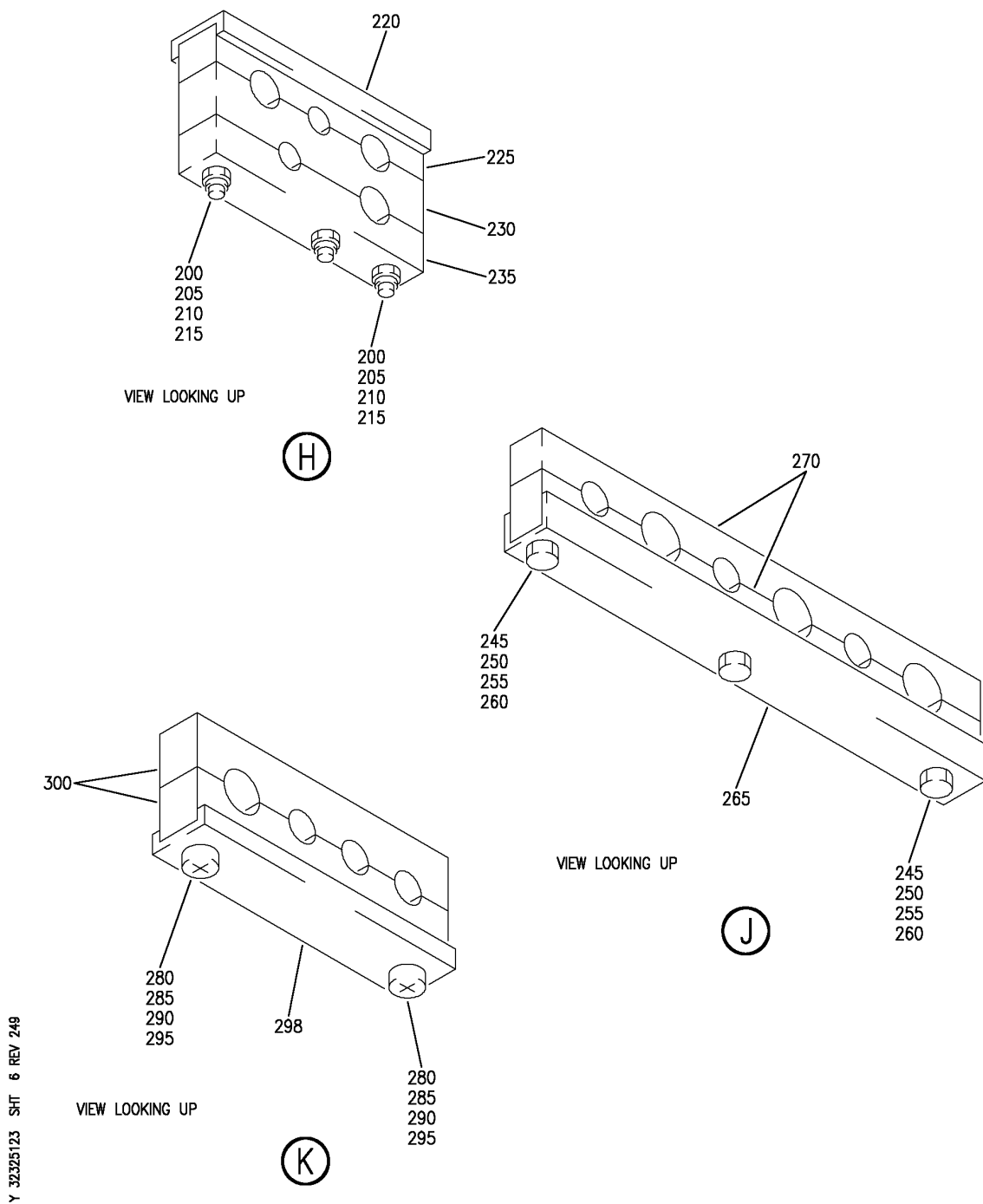
BRI  
JAN 20/09

**32-32-51-23**

32-32-51-23  
PAGE 0D



**BOEING**  
757  
PARTS CATALOG (MAINTENANCE)



Y 32325123 SH1 6 REV 249

PLUMBING INSTL-SECT.44 R PRESSURE DECK HYDR (MAIN GEAR EXTENSION AND RETRACTION ONLY)  
FIGURE 23 (SHEET 6)

**32-32-51-23**

BRI  
JAN 20/09

32-32-51-23  
PAGE 0E



757

PARTS CATALOG (MAINTENANCE)

FIG ITEM	PART NUMBER	1 2 3 4 5 6 7	NOMENCLATURE	EFFECT FROM TO	UNITS PER ASSY
23			PLUMBING INSTL-SECT.44 R PRESSURE DECK HYDR (MAIN GEAR EXTENSION AND RETRACTION ONLY)	103106	RF
- 1	MODREF31623		PLUMBING INSTL-PRESSURE DECK HYDR (MAIN GEAR EXTENSION AND RETRACTION ONLY) MODULE NUMBER: 271N6444-24 REV B POSITION DATA: SECT 44 R FOR OTHER SYS DETAILS SEE: 29-11-51-24A 32-31-51-23 32-35-51-31 32-41-51-24 32-42-51-24	103105	1
- 1	MODREF34294		PLUMBING INSTL-PRESSURE DECK HYDR (MAIN GEAR EXTENSION AND RETRACTION ONLY) MODULE NUMBER: 271N6444-24 REV C POSITION DATA: SECT 44 R FOR OTHER SYS DETAILS SEE: 29-11-51-24A 32-31-51-23 32-35-51-31 32-41-51-24 32-42-51-24	106106	1
5	BACM10F8DB		.MARKER-ALUMINUM FOIL	103106	2
10	M85052-2-6		.CLAMP	103106	1
15	TA0910004H124		.CLAMP SUPPLIER CODE: V84971 SPECIFICATION NUMBER: BACC10HB24C	103106	4
20	270N2000-86		.CLAMP ASSY-BLK	103106	1
25	NAS1801-3-45		..SCREW	103106	2
30	AN960PD10L		..WASHER	103106	2
35	NAS43DD3-67		..SPACER	103106	2

MISSING ITEM NUMBERS NOT APPLICABLE

- ITEM NOT ILLUSTRATED

32-32-51-23

32-32-51  
FIG. 23  
PAGE 1  
JAN 20/09

BRI



757

PARTS CATALOG (MAINTENANCE)

FIG ITEM	PART NUMBER	1 2 3 4 5 6 7	NOMENCLATURE	EFFECT FROM TO	UNITS PER ASSY
23					
40	BRH10A3	..	NUT SUPPLIER CODE: V52828 SPECIFICATION NUMBER: BACN10JC3 OPTIONAL PART: H10-3BAC V15653 NS202101-02 V80539 RMLH9075-3W V72962 VN303A02 V92215 96-02 V80539 T6S1032J V11815	103106	2
45	270N2000-815	..	CHANNEL	103106	1
50	270N2000-509	..	BLOCK	103106	2
55	270N2000-82	.	CLAMP ASSY-BLK	103106	2
60	NAS1801-3-28	..	SCREW	103106	3
65	AN960PD10L	..	WASHER	103106	3
70	NAS43DD3-76	..	SPACER	103106	3
75	BRH10A3	..	NUT SUPPLIER CODE: V52828 SPECIFICATION NUMBER: BACN10JC3 OPTIONAL PART: H10-3BAC V15653 NS202101-02 V80539 RMLH9075-3W V72962 VN303A02 V92215 96-02 V80539 T6S1032J V11815	103106	3
80	270N2000-847	..	CHANNEL	103106	1
85	270N2000-505	..	BLOCK	103106	2
90	270N2000-83	.	CLAMP ASSY-BLK	103106	3
95	NAS1801-3-26	..	SCREW	103106	3
100	AN960PD10L	..	WASHER	103106	3
105	NAS43DD3-67	..	SPACER	103106	3

MISSING ITEM NUMBERS NOT APPLICABLE

- ITEM NOT ILLUSTRATED

32-32-51-23

32-32-51  
FIG. 23  
PAGE 2  
JAN 20/09

BRI



757

PARTS CATALOG (MAINTENANCE)

FIG ITEM	PART NUMBER	1 2 3 4 5 6 7	NOMENCLATURE	EFFECT FROM TO	UNITS PER ASSY
23 110	BRH10A3	..	NUT SUPPLIER CODE: V52828 SPECIFICATION NUMBER: BACN10JC3 OPTIONAL PART: H10-3BAC V15653 NS202101-02 V80539 RMLH9075-3W V72962 VN303A02 V92215 96-02 V80539 T6S1032J V11815	103106	3
115	270N2000-848	..	CHANNEL	103106	1
120	270N2000-506	..	BLOCK	103106	2
125	270N2000-81	.	CLAMP ASSY-BLK	103106	1
130	NAS1801-3-29	..	SCREW	103106	3
135	AN960PD10L	..	WASHER	103106	3
140	NAS43DD3-75	..	SPACER	103106	3
145	BRH10A3	..	NUT SUPPLIER CODE: V52828 SPECIFICATION NUMBER: BACN10JC3 OPTIONAL PART: H10-3BAC V15653 NS202101-02 V80539 RMLH9075-3W V72962 VN303A02 V92215 96-02 V80539 T6S1032J V11815	103106	3
150	270N2000-846	..	CHANNEL	103106	1
155	270N2000-504	..	BLOCK	103106	2
160	270N2000-123	.	CLAMP ASSY-BLK	103106	2
165	NAS1801-3-26	..	SCREW	103106	2
170	AN960PD10L	..	WASHER	103106	2
175	NAS43DD3-67	..	SPACER	103106	2

MISSING ITEM NUMBERS NOT APPLICABLE

- ITEM NOT ILLUSTRATED

32-32-51-23

32-32-51  
FIG. 23  
PAGE 3  
JAN 20/09

BRI



757

PARTS CATALOG (MAINTENANCE)

FIG ITEM	PART NUMBER	1 2 3 4 5 6 7	NOMENCLATURE	EFFECT FROM TO	UNITS PER ASSY
23 180	BRH10A3	..	NUT SUPPLIER CODE: V52828 SPECIFICATION NUMBER: BACN10JC3 OPTIONAL PART: H10-3BAC V15653 NS202101-02 V80539 RMLH9075-3W V72962 VN303A02 V92215 96-02 V80539 T6S1032J V11815	103106	2
185	270N2000-868	..	CHANNEL	103106	1
190	270N2000-556	..	BLOCK	103106	2
195	270N2000-132	.	CLAMP ASSY-BLK	103106	1
200	NAS1801-3-38	..	SCREW	103106	3
205	AN960PD10L	..	WASHER	103106	3
210	NAS43DD3-116	..	SPACER	103106	3
215	BRH10A3	..	NUT SUPPLIER CODE: V52828 SPECIFICATION NUMBER: BACN10JC3 OPTIONAL PART: H10-3BAC V15653 NS202101-02 V80539 RMLH9075-3W V72962 VN303A02 V92215 96-02 V80539 T6S1032J V11815	103106	3
220	270N2000-890	..	CHANNEL	103106	1
225	270N2000-569	..	BLOCK	103106	1
230	270N2000-570	..	BLOCK	103106	1
235	270N2000-571	..	BLOCK	103106	1
240	270N2000-133	.	CLAMP ASSY-BLK	103106	1
245	NAS1801-3-28	..	SCREW	103106	3
250	AN960PD10L	..	WASHER	103106	3

MISSING ITEM NUMBERS NOT APPLICABLE

- ITEM NOT ILLUSTRATED

32-32-51-23

32-32-51  
FIG. 23  
PAGE 4  
JAN 20/09

BRI



757

PARTS CATALOG (MAINTENANCE)

FIG ITEM	PART NUMBER	1 2 3 4 5 6 7	NOMENCLATURE	EFFECT FROM TO	UNITS PER ASSY
23					
255	NAS43DD3-75	..	SPACER	103106	3
260	BRH10A3	..	NUT	103106	3
			SUPPLIER CODE: V52828		
			SPECIFICATION NUMBER: BACN10JC3		
			OPTIONAL PART: H10-3BAC		
			V15653		
			NS202101-02		
			V80539		
			RMLH9075-3W		
			V72962		
			VN303A02		
			V92215		
			96-02		
			V80539		
			T6S1032J		
			V11815		
265	270N2000-889	..	CHANNEL	103106	1
270	270N2000-568	..	BLOCK	103106	2
275	270N2000-279	.	CLAMP ASSY-BLK	103106	2
280	NAS1801-3-32	..	SCREW	103106	2
285	NAS43DD3-94	..	SPACER	103106	2
290	AN960KD10L	..	WASHER	103106	2
295	BRH10A3	..	NUT	103106	2
			SUPPLIER CODE: V52828		
			SPECIFICATION NUMBER: BACN10JC3		
			OPTIONAL PART: H10-3BAC		
			V15653		
			NS202101-02		
			V80539		
			RMLH9075-3W		
			V72962		
			VN303A02		
			V92215		
			96-02		
			V80539		
			T6S1032J		
			V11815		
300	270N2000-1294	..	CHANNEL	103106	2
305	AS116-04K0134	.	HOSE ASSY	103106	1
310	AS116-06K0094	.	HOSE ASSY	103106	1
315	AS117-06K0160	.	HOSE ASSY	103106	1

MISSING ITEM NUMBERS NOT APPLICABLE

- ITEM NOT ILLUSTRATED

32-32-51-23

32-32-51  
FIG. 23  
PAGE 5  
JAN 20/09

BRI



757

PARTS CATALOG (MAINTENANCE)

FIG ITEM	PART NUMBER	1 2 3 4 5 6 7	NOMENCLATURE	EFFECT FROM TO	UNITS PER ASSY
23 320	271N6444-1118		.TUBE ASSY-RETURN SYS POSITION DATA: L TUBING MATERIAL: .375 IN. OD .035 IN. WALL 19.30 IN. LG AL AMS 4083 6061 T6 TUBING	103106	1
- 325	AP2097HP06		..SLEEVE SUPPLIER CODE: V01673 SPECIFICATION NUMBER: BACS13BX06HP OPTIONAL PART: 2-02903-06HP V11328 35235VN06 V08199 AFP175V06P V30974 DBOS13BX06HP V14798	103106	2
- 330	BACN10YL06		..NUT	103106	2
335	271N6444-1147		.TUBE ASSY-PRESSURE SYS POSITION DATA: L TUBING MATERIAL: .375 IN. OD .019 IN. WALL 37.30 IN LG TI BMS 7-234 TI03AL-2.5V COLD WORKED, STRESS RELIEVED TUBING	103106	1
- 340	AS1581T06		..SLEEVE	103106	2
- 345	BACN10YA6		..NUT	103106	2
350	271N6444-1028		.TUBE ASSY-LG UP TUBING MATERIAL: .500 IN. OD .026 IN. WALL 17.20 IN. LG TI BMS 7-234 TI-3AL-2.5V COLD WORKED, STRESS RELIEVED TUBING	103106	1
- 355	AS1581T08		..SLEEVE	103106	2
- 360	BACN10YA8		..NUT	103106	2

MISSING ITEM NUMBERS NOT APPLICABLE

- ITEM NOT ILLUSTRATED

32-32-51-23

32-32-51  
FIG. 23  
PAGE 6  
JAN 20/09

BRI



757

PARTS CATALOG (MAINTENANCE)

FIG ITEM	PART NUMBER	1 2 3 4 5 6 7	NOMENCLATURE	EFFECT FROM TO	UNITS PER ASSY
23 365	271N6444-1032		.TUBE ASSY-DOOR CLOSED TUBING MATERIAL: .375 IN. OD .019 IN. WALL 92.50 IN. LG TI BMS 7-234 TI-3AL-2.5V COLD WORKED, STRESS RELIEVED TUBING	103106	1
- 370	AS1581T06		..SLEEVE	103106	2
- 375	BACN10YA6		..NUT	103106	2
380	271N6444-1124		.TUBE ASSY-LG DOWN TUBING MATERIAL: .500 IN. OD .026 IN. WALL 18.20 IN. LG TI BMS 7-234 TI-3AL-2.5V COLD WORKED, STRESS RELIEVED TUBING	103106	1
- 385	AS1581T08		..SLEEVE	103106	2
- 390	BACN10YA8		..NUT	103106	2
395	271N6444-1083		.TUBE ASSY-DOOR OPEN TUBING MATERIAL: .500 IN. OD .026 IN. WALL 24.00 IN. LG TI BMS 7-234 TI-3AL-2.5V COLD WORKED, STRESS RELIEVED TUBING	103106	1
- 400	AS1581T08		..SLEEVE	103106	2
- 405	BACN10YA8		..NUT	103106	2
410	271N6444-1251		.TUBE ASSY-RETURN SYS POSITION DATA: L TUBING MATERIAL: .625 IN. OD .035 IN. WALL 9.00 IN. LG AL AMS 4083 6061 T6 TUBING	103106	1
- 415	AP2097HP10		..SLEEVE SUPPLIER CODE: V01673 SPECIFICATION NUMBER: BACS13BX10HP OPTIONAL PART: 2-02903-10HP V11328 35235VN10 V08199 AFP175V10P V30974 DBOS13BX10HP V14798	103106	2

MISSING ITEM NUMBERS NOT APPLICABLE

- ITEM NOT ILLUSTRATED

32-32-51-23

32-32-51  
FIG. 23  
PAGE 7  
JAN 20/09

BRI





757

PARTS CATALOG (MAINTENANCE)

FIG ITEM	PART NUMBER	1 2 3 4 5 6 7	NOMENCLATURE	EFFECT FROM TO	UNITS PER ASSY
23					
- 420	BACN10YL10	..	NUT	103106	2
430	271N6444-1218	.TUBE ASSY-DOOR OPEN		103106	1
		TUBING MATERIAL:			
		.500 IN. OD .026 IN.			
		WALL 26.30 IN. LG TI			
		BMS 7-234 TI-3AL-2.5V			
		COLD WORKED, STRESS			
		RELIEVED TUBING			
- 435	AS1581T08	..	SLEEVE	103106	2
- 440	BACN10YA8	..	NUT	103106	2
445	271N6444-1227	.TUBE ASSY-LG DOWN		103106	1
		TUBING MATERIAL:			
		.375 IN. OD .019 IN.			
		WALL 84.70 IN. LG TI			
		BMS 7-234 TI-3AL-2.5V			
		COLD WORKED, STRESS			
		RELIEVED TUBING			
- 450	AS1581T06	..	SLEEVE	103106	1
- 455	BACN10YA6	..	NUT	103106	1
- 460	AS1582T06	..	UNION	103106	1
465	271N6444-1027	.TUBE ASSY-LG UP		103106	1
		TUBING MATERIAL:			
		.375 IN. OD .019 IN.			
		WALL 34.00 IN. LG TI			
		BMS 7-234 TI-3AL-2.5V			
		COLD WORKED, STRESS			
		RELIEVED TUBING			
- 470	AS1581T06	..	SLEEVE	103106	1
- 475	BACN10YA6	..	NUT	103106	1
- 480	AS1582T06	..	UNION	103106	1
485	271N6444-1271	.TUBE ASSY-LG DOWN		103106	1
		POSITION DATA:			
		STA 1130 RBL 60			
		TUBING MATERIAL:			
		.500 IN. OD .026 IN.			
		WALL 31.80 IN. LG TI			
		BMS 7-234 TI-3AL-2.5V			
		COLD WORKED, STRESS			
		RELIEVED TUBING			
- 490	AS1581T08	..	SLEEVE	103106	2
- 495	BACN10YA8	..	NUT	103106	2
500	271N6444-1250	.TUBE ASSY-UNLOCK		103106	1
		TUBING MATERIAL:			
		.375 IN. OD .019 IN.			
		WALL 67.90 IN. LG TI			
		BMS 7-234 TI-3AL-2.5V			
		COLD WORKED, STRESS			
		RELIEVED TUBING			
- 505	AS1581T06	..	SLEEVE	103106	2

MISSING ITEM NUMBERS NOT APPLICABLE

- ITEM NOT ILLUSTRATED

32-32-51-23

32-32-51  
FIG. 23  
PAGE 8  
JAN 20/09

BRI



757

PARTS CATALOG (MAINTENANCE)

FIG ITEM	PART NUMBER	1 2 3 4 5 6 7	NOMENCLATURE	EFFECT FROM TO	UNITS PER ASSY
23					
- 510	BACN10YA6	..	NUT	103106	2
515	271N6444-1255	.TUBE ASSY-LG DOWN		103106	1
		TUBING MATERIAL:			
		.500 IN. OD .026 IN.			
		WALL 38.90 IN. LG TI			
		BMS 7-234 TI-3AL-2.5V			
		COLD WORKED, STRESS			
		RELIEVED TUBING			
- 520	AS1581T08	..	SLEEVE	103106	1
- 525	BACN10YA8	..	NUT	103106	1
- 530	AS1582T08	..	UNION	103106	1
535	271N6444-1241	.TUBE ASSY-LG UP		103106	1
		TUBING MATERIAL:			
		.500 IN. OD .026 IN.			
		WALL 15.30 IN. LG TI			
		BMS 7-234 TI-3AL-2.5V			
		COLD WORKED, STRESS			
		RELIEVED TUBING			
- 540	AS1581T08	..	SLEEVE	103106	2
- 545	BACN10YA8N	..	NUT	103106	2
550	271N6444-1254	.TUBE ASSY-LG DOWN		103106	1
		TUBING MATERIAL:			
		.500 IN. OD .026 IN.			
		WALL 7.00 IN. LG TI			
		BMS 7-234 TI-3AL-2.5V			
		COLD WORKED, STRESS			
		RELIEVED TUBING			
- 555	AS1581T08	..	SLEEVE	103106	2
- 560	BACN10YA8	..	NUT	103106	2
565	271N6444-1217	.TUBE ASSY-DOOR OPEN		103106	1
		TUBING MATERIAL:			
		.500 IN. OD .026 IN.			
		WALL 63.60 IN. LG TI			
		BMS 7-234 TI-3AL-2.5V			
		COLD WORKED, STRESS			
		RELIEVED TUBING			
- 570	AS1581T08	..	SLEEVE	103106	2
- 575	BACN10YA8	..	NUT	103106	2
580	271N6444-1219	.TUBE ASSY-LG UP		103106	1
		TUBING MATERIAL:			
		.500 IN. OD .026 IN.			
		WALL 80.60 IN. LG TI			
		BMS 7-234 TI-3AL-2.5V			
		COLD WORKED, STRESS			
		RELIEVED TUBING			
- 585	AS1581T08	..	SLEEVE	103106	2
- 590	BACN10YA8	..	NUT	103106	2

MISSING ITEM NUMBERS NOT APPLICABLE

- ITEM NOT ILLUSTRATED

32-32-51-23

32-32-51  
FIG. 23  
PAGE 9  
JAN 20/09

BRI



757

PARTS CATALOG (MAINTENANCE)

FIG ITEM	PART NUMBER	1 2 3 4 5 6 7	NOMENCLATURE	EFFECT FROM TO	UNITS PER ASSY
23 595	271N6444-1272		.TUBE ASSY-LG UP TUBING MATERIAL: .500 IN. OD .026 IN. WALL 25.30 IN. LG TI BMS 7-234 TI-3AL-2.5V COLD WORKED, STRESS RELIEVED TUBING	103106	1
- 600	AS1581T08		..SLEEVE	103106	1
- 605	BACN10YA8		..NUT	103106	1
610	271N6444-1225		.TUBE ASSY-RETURN SYS TUBING MATERIAL: .625 IN. OD .035 IN. WALL 53.00 IN. LG AL AMS 4083 6061 T6 TUBING	103106	1
- 615	AP2097HP10		..SLEEVE SUPPLIER CODE: V01673 SPECIFICATION NUMBER: BACS13BX10HP OPTIONAL PART: 2-02903-10HP V11328 35235VN10 V08199 AFP175V10P V30974 DBOS13BX10HP V14798	103106	2
- 620	BACN10YL10		..NUT	103106	2
625	MS21924-8T		.UNION	103106	1
630	BACE21BN0606J		.ELBOW	103106	1
635	BACE21BR0606JN		.ELBOW	103106	1
640	BACT16AW101006W		.TEE	103106	1

MISSING ITEM NUMBERS NOT APPLICABLE

- ITEM NOT ILLUSTRATED

32-32-51-23

32-32-51  
FIG. 23  
PAGE 10  
JAN 20/09

BRI



757

PARTS CATALOG (MAINTENANCE)

FIG ITEM	PART NUMBER	1 2 3 4 5 6 7	NOMENCLATURE	EFFECT FROM TO	UNITS PER ASSY
23 645	APX824F101006W	. TEE	SUPPLIER CODE: V01673 SPECIFICATION NUMBER: BACT16AS101006W OPTIONAL PART: APX824-101006W V01673 DB0T16AS101006W V14798 ER824-101006W V50948 FER1571-101006W V14397 LER824-101006W V11328 NAF1824-101006W V52930 US1925-101006W V50808 AFP325-101006W V30974	103106	2
650	BACT16BL080806J	. TEE		103106	1
655	BACT16BL080808J	. TEE		103106	2

MISSING ITEM NUMBERS NOT APPLICABLE

- ITEM NOT ILLUSTRATED

BRI

32-32-51-23

BOEING PROPRIETARY - Copyright © - Unpublished Work - See title page for details.

32-32-51  
FIG. 23  
PAGE 11  
JAN 20/09



757

PARTS CATALOG (MAINTENANCE)

FIG ITEM	PART NUMBER	1 2 3 4 5 6 7	NOMENCLATURE	EFFECT FROM TO	UNITS PER ASSY
23 660	2-8020-18		. FUSE ASSY-HYDR SUPPLIER CODE: V97415 SPECIFICATION NUMBER: S273N203-4 MISCELLANEOUS DATA: FOR HYDRAULIC FUSE REPLACEMENT INFORMATION, REFERENCE SERVICE BULLETIN 757-29-0022NSC02 WHICH INTRODUCES SPARES ASSEMBLY 271N6444-7. SPARES ASSEMBLY 271N6444-7 IS APPLICABLE TO AIRPLANES FOR WHICH SERVICE BULLETIN 757-29-0022 IS EFFECTIVE AND ALSO TO AIRPLANES WHICH WERE DELIVERED WITH FUSE INSTALLATION 273N2021-3 (273N2021-3 CONTAINS FUSE P/N 2-7641-2) COMPONENT MAINT MANUAL REF: 32-31-04	103106	2
665	271N6214-2		. SHIM	103106	AR

MISSING ITEM NUMBERS NOT APPLICABLE

- ITEM NOT ILLUSTRATED

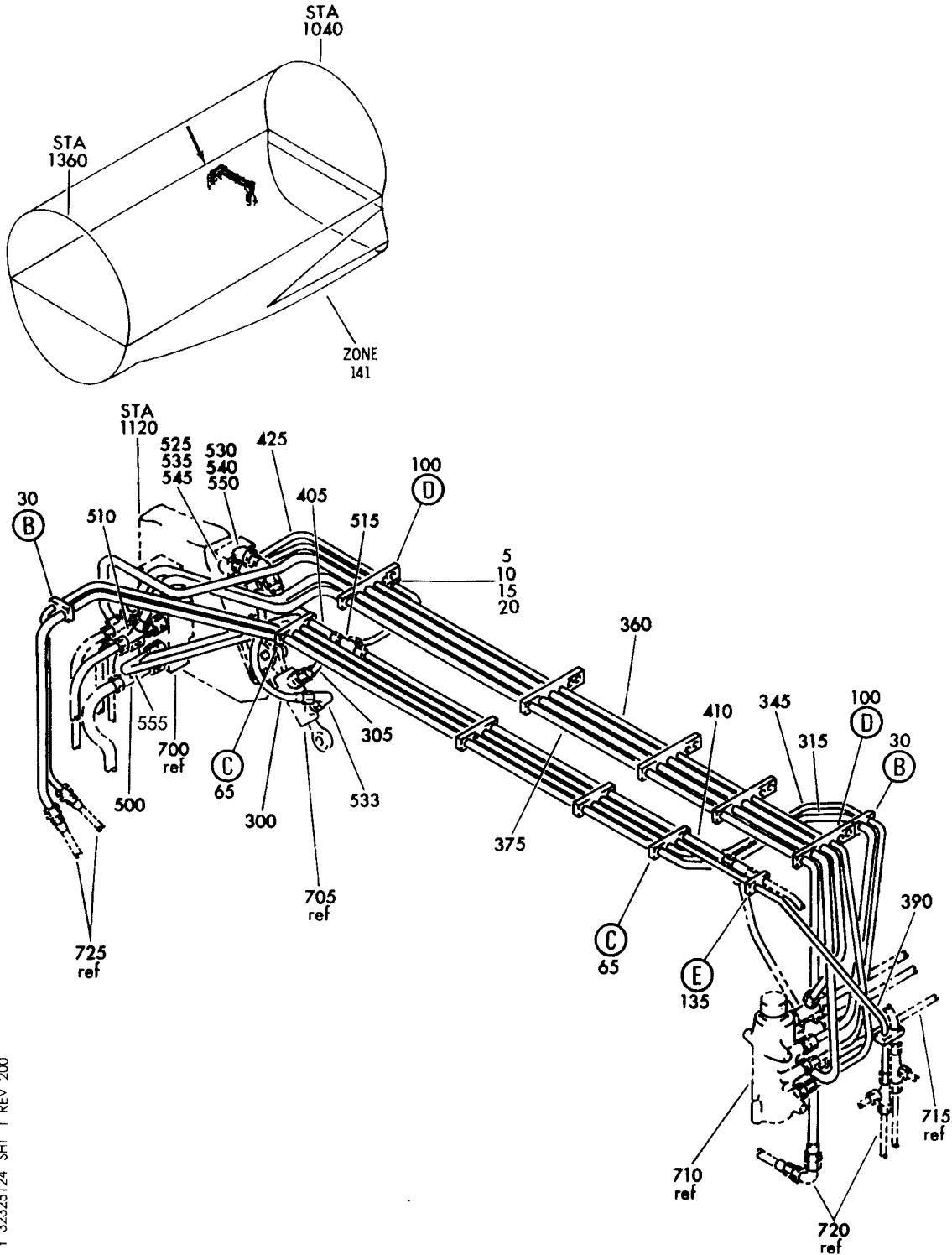
BRI

32-32-51-23

BOEING PROPRIETARY - Copyright © - Unpublished Work - See title page for details.

32-32-51  
FIG. 23  
PAGE 12  
JAN 20/09

**BOEING**  
757  
PARTS CATALOG (MAINTENANCE)



Y 32325124 SHT 1 REV 200

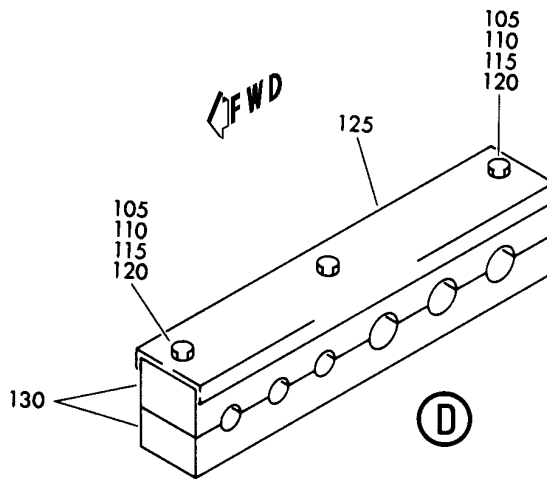
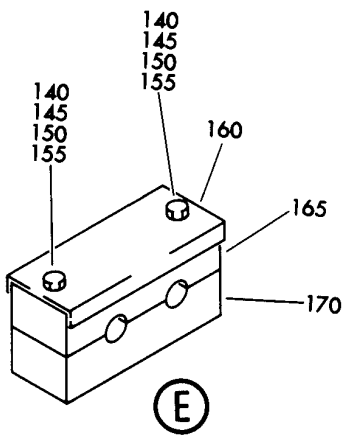
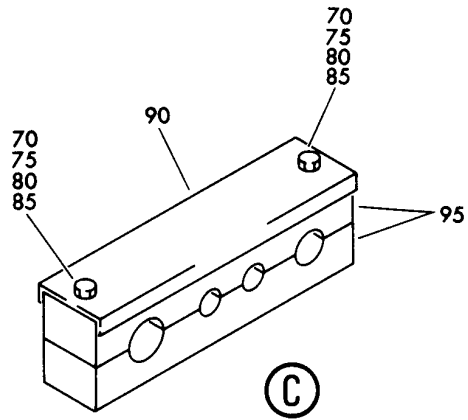
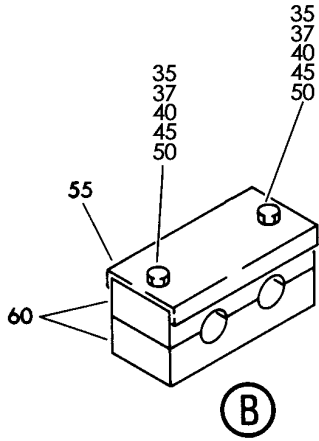
PLUMBING INSTL-SECT.44 L PRESSURE DECK HYDR (MAIN GEAR EXTENSION AND RETRACTION ONLY)  
FIGURE 24 (SHEET 1)

**32-32-51-24**

BRI  
MAY 28/07

32-32-51-24  
PAGE 0

**BOEING**  
757  
PARTS CATALOG (MAINTENANCE)



Y 32325124 SH1 2 REV 244

PLUMBING INSTL-SECT.44 L PRESSURE DECK HYDR (MAIN GEAR EXTENSION AND RETRACTION ONLY)  
FIGURE 24 (SHEET 2)

BRI  
MAY 28/07

**32-32-51-24**

32-32-51-24  
PAGE 0A



757

PARTS CATALOG (MAINTENANCE)

FIG ITEM	PART NUMBER	1 2 3 4 5 6 7	NOMENCLATURE	EFFECT FROM TO	UNITS PER ASSY
24			PLUMBING INSTL-SECT.44 L PRESSURE DECK HYDR (MAIN GEAR EXTENSION AND RETRACTION ONLY)	002004 006100 107107 121503 904999	RF
- 1	271N6443-1		PLUMBING INSTL-PRESSURE DECK HYDR (MAIN GEAR EXTENSION AND RETRACTION ONLY) POSITION DATA: SECT.44 L VARIABLE DRAWING REF: 271N6443-4 271N6443-7 271N6443-8 271N6443-11 271N6443-18 FOR NHA/OTHER SYS DET SEE: 29-00-51-05	002004 006100 107107 121503 904999	RF
5	NAS1801-3		.SCREW- SIZE DETERMINED ON INSTL.	002004 006100 107107 121503 904999	1
10	AN960KD10L		.WASHER-	002004 006100 107107 121503 904999	AR
15	MS21042L3		.NUT-	002004 006100 107107 121503 904999	1
20	M85052-2-6		.CLAMP	002004 006100 107107 121503 904999	1
30	270N2000-123		.CLAMP ASSY-BLK	002004 006100 107107 121503 904999	2
35	270N2000-156		.CLAMP ASSY-BLK	002004 006100 107107 121503 904999	1

MISSING ITEM NUMBERS NOT APPLICABLE

- ITEM NOT ILLUSTRATED

32-32-51-24

32-32-51  
FIG. 24  
PAGE 1  
JAN 20/09

BRI





757

PARTS CATALOG (MAINTENANCE)

FIG ITEM	PART NUMBER	1 2 3 4 5 6 7	NOMENCLATURE	EFFECT FROM TO	UNITS PER ASSY
24					
37	NAS1801-3-26	..	SCREW-	002004 006100 107107 121503 904999	2
40	AN960PD10L	..	WASHER	002004 006100 107107 121503 904999	2
45	NAS43DD3-67	..	SPACER	002004 006100 107107 121503 904999	2
50	BRH10A3	..	NUT SUPPLIER CODE: V52828 SPECIFICATION NUMBER: BACN10JC3 OPTIONAL PART: H10-3BAC V15653 NS202101-02 V80539 RMLH9075-3W V72962 VN303A02 V92215 96-02 V80539 T6S1032J V11815	002004 006100 107107 121503 904999	2
55	270N2000-868	..	CHANNEL	002004 006100 107107 121503 904999	1
60	270N2000-556	..	BLOCK	002004 006100 107107 121503 904999	2
65	270N2000-107	.	CLAMP ASSY-BLK	002004 006100 107107 121503 904999	4

MISSING ITEM NUMBERS NOT APPLICABLE

- ITEM NOT ILLUSTRATED

32-32-51-24

32-32-51  
FIG. 24  
PAGE 2  
JAN 20/09

BRI



757

PARTS CATALOG (MAINTENANCE)

FIG ITEM	PART NUMBER	1 2 3 4 5 6 7	NOMENCLATURE	EFFECT FROM TO	UNITS PER ASSY
24					
70	NAS1801-3-28	..	SCREW-	002004 006100 107107 121503 904999	2
75	AN960PD10L	..	WASHER	002004 006100 107107 121503 904999	2
80	NAS43DD3-75	..	SPACER	002004 006100 107107 121503 904999	2
85	BRH10A3	..	NUT SUPPLIER CODE: V52828 SPECIFICATION NUMBER: BACN10JC3 OPTIONAL PART: H10-3BAC V15653 NS202101-02 V80539 RMLH9075-3W V72962 VN303A02 V92215 96-02 V80539 T6S1032J V11815	002004 006100 107107 121503 904999	2
90	270N2000-855	..	CHANNEL	002004 006100 107107 121503 904999	1
95	270N2000-540	..	BLOCK	002004 006100 107107 121503 904999	2
100	270N2000-105	.	CLAMP ASSY-BLK	002004 006100 107107 121503 904999	5

MISSING ITEM NUMBERS NOT APPLICABLE

- ITEM NOT ILLUSTRATED

32-32-51-24

32-32-51  
FIG. 24  
PAGE 3  
JAN 20/09

BRI

BOEING PROPRIETARY - Copyright © - Unpublished Work - See title page for details.



757

PARTS CATALOG (MAINTENANCE)

FIG ITEM	PART NUMBER	1 2 3 4 5 6 7	NOMENCLATURE	EFFECT FROM TO	UNITS PER ASSY
24 105	NAS1801-3-26	..	SCREW-	002004 006100 107107 121503 904999	3
110	AN960PD10L	..	WASHER	002004 006100 107107 121503 904999	3
115	NAS43DD3-67	..	SPACER	002004 006100 107107 121503 904999	3
120	BRH10A3	..	NUT SUPPLIER CODE: V52828 SPECIFICATION NUMBER: BACN10JC3 OPTIONAL PART: H10-3BAC V15653 NS202101-02 V80539 RMLH9075-3W V72962 VN303A02 V92215 96-02 V80539 T6S1032J V11815	002004 006100 107107 121503 904999	3
125	270N2000-852	..	CHANNEL	002004 006100 107107 121503 904999	1
130	270N2000-539	..	BLOCK	002004 006100 107107 121503 904999	2
135	270N2000-108	.	CLAMP ASSY-BLK	002004 006100 107107 121503 904999	1

MISSING ITEM NUMBERS NOT APPLICABLE

- ITEM NOT ILLUSTRATED

32-32-51-24

32-32-51  
FIG. 24  
PAGE 4  
JAN 20/09

BRI



757

PARTS CATALOG (MAINTENANCE)

FIG ITEM	PART NUMBER	1 2 3 4 5 6 7	NOMENCLATURE	EFFECT FROM TO	UNITS PER ASSY
24 140	NAS1801-3-26	..	SCREW-	002004 006100 107107 121503 904999	2
145	AN960PD10L	..	WASHER	002004 006100 107107 121503 904999	2
150	NAS43DD3-68	..	SPACER	002004 006100 107107 121503 904999	2
155	BRH10A3	..	NUT SUPPLIER CODE: V52828 SPECIFICATION NUMBER: BACN10JC3 OPTIONAL PART: H10-3BAC V15653 NS202101-02 V80539 RMLH9075-3W V72962 VN303A02 V92215 96-02 V80539 T6S1032J V11815	002004 006100 107107 121503 904999	2
160	270N2000-861	..	CHANNEL	002004 006100 107107 121503 904999	1
165	270N2000-541	..	BLOCK	002004 006100 107107 121503 904999	1
170	270N2000-542	..	BLOCK	002004 006100 107107 121503 904999	1

MISSING ITEM NUMBERS NOT APPLICABLE

- ITEM NOT ILLUSTRATED

32-32-51-24

32-32-51  
FIG. 24  
PAGE 5  
JAN 20/09

BRI



757

PARTS CATALOG (MAINTENANCE)

FIG ITEM	PART NUMBER	1 2 3 4 5 6 7	NOMENCLATURE	EFFECT FROM TO	UNITS PER ASSY
24 300	AS118E120K000	.HOSE	ASSY-	002004 006100 107107 121503 904999	1
305	AS118G107K000	.HOSE	ASSY-	002004 006100 107107 121503 904999	1
315	271N6443-1071	.TUBE	ASSY-LG UP TUBING MATERIAL: .500 IN. OD .026 IN. WALL 103.00 IN. LG TI BMS 7-234 TI-3AL-2.5V COLD WORKED, STRESS RELIEVED TUBING	002004 006100 107107 121503 904999	1
- 320	AS1581T08	..SLEEVE		002004 006100 107107 121503 904999	2
- 325	BACN10YA8	..NUT		002004 006100 107107 121503 904999	2
345	271N6443-1070	.TUBE	ASSY-LG DOWN TUBING MATERIAL: .375 IN. OD .019 IN. WALL 106.20 IN. LG TI BMS 7-234 TI-3AL-2.5V COLD WORKED, STRESS RELIEVED TUBING	002004 006100 107107 121503 904999	1
- 350	AS1581T06	..SLEEVE		002004 006100 107107 121503 904999	2
- 355	BACN10YA6	..NUT		002004 006100 107107 121503 904999	2

MISSING ITEM NUMBERS NOT APPLICABLE

- ITEM NOT ILLUSTRATED

32-32-51-24

32-32-51  
FIG. 24  
PAGE 6  
JAN 20/09

BRI

BOEING PROPRIETARY - Copyright © - Unpublished Work - See title page for details.



757

PARTS CATALOG (MAINTENANCE)

FIG ITEM	PART NUMBER	1 2 3 4 5 6 7	NOMENCLATURE	EFFECT FROM TO	UNITS PER ASSY
R R R R R R R R R R	24 360	271N6443-1202	.TUBE ASSY-UNLOCK TUBING MATERIAL: .375 IN. OD .019 IN. WALL 77.60 IN. LG TI BMS 7-234 TI-3AL-2.5V COLD WORKED, STRESS RELIEVED TUBING	002004 006100 107107 121503 904999	1
	- 365	AS1581T06	..SLEEVE	002004 006100 107107 121503 904999	2
	- 370	BACN10YA6	..NUT	002004 006100 107107 121503 904999	2
	375	271N6443-1203	.TUBE ASSY-DOOR OPEN TUBING MATERIAL: .500 IN. OD .026 IN. WALL 82.50 IN. LG TI BMS 7-234 TI-3AL-2.5V COLD WORKED, STRESS RELIEVED TUBING	002004 006100 107107 121503 904999	1
	- 380	AS1581T08	..SLEEVE	002004 006100 107107 121503 904999	2
	- 385	BACN10YA8	..NUT	002004 006100 107107 121503 904999	2
	390	271N6443-1089	.TUBE ASSY-DOOR CLOSED TUBING MATERIAL: .375 IN. OD .019 IN. WALL 78.00 IN LG TI BMS 7-234 TI-3AL-2.5V COLD WORKED, STRESS RELIEVED TUBING	002004 006100 107107 121503 904999	1
	- 395	AS1581T06	..SLEEVE	002004 006100 107107 121503 904999	2

MISSING ITEM NUMBERS NOT APPLICABLE

- ITEM NOT ILLUSTRATED

32-32-51-24

32-32-51  
FIG. 24  
PAGE 7  
MAY 20/09

BRI



757

PARTS CATALOG (MAINTENANCE)

FIG ITEM	PART NUMBER	1 2 3 4 5 6 7	NOMENCLATURE	EFFECT FROM TO	UNITS PER ASSY
R R R R R	24 - 400	BACN10YA6N	..NUT	002004 006100 107107 121503 904999	2
	405	271N6443-1088	.TUBE ASSY-RETURN SYS POSITION DATA: L TUBING MATERIAL: .625 IN. OD .035 IN. WALL 18.40 IN. LG AL AMS 4083 601 T6 TUBING	002004 006100 107107 121503 904999	1
	410	271N6443-1029	.TUBE ASSY-RETURN SYS POSITION DATA: L TUBING MATERIAL: .625 IN. OD .035 IN. WALL 34.50 IN. LG AL AMS 4083 6061 T6 TUBING	002004 006100 107107 121503 904999	1
	- 415	AP2097HP10	..SLEEVE SUPPLIER CODE: V01673 SPECIFICATION NUMBER: BACS13BX10HP OPTIONAL PART: 2-02903-10HP V11328 35235VN10 V08199 AFP175V10P V30974 DBOS13BX10HP V14798	002004 006100 107107 121503 904999	2
	- 420	BACN10YL10	..NUT	002004 006100 107107 121503 904999	2
	425	271N6443-1031	.TUBE ASSY-RETURN SYS POSITION DATA: L TUBING MATERIAL: .375 IN. OD .035 IN. WALL 19.00 IN. LG AL AMS 4083 6061 T6 TUBING	002004 006100 107107 121503 904999	1
	MISSING ITEM NUMBERS NOT APPLICABLE				

- ITEM NOT ILLUSTRATED

32-32-51-24

32-32-51  
FIG. 24  
PAGE 8  
MAY 20/09

BRI



757

PARTS CATALOG (MAINTENANCE)

FIG ITEM	PART NUMBER	1 2 3 4 5 6 7	NOMENCLATURE	EFFECT FROM TO	UNITS PER ASSY
24 - 430	AP2097HP06	..	SLEEVE SUPPLIER CODE: V01673 SPECIFICATION NUMBER: BACS13BX06HP OPTIONAL PART: 2-02903-06HP V11328 35235VN06 V08199 AFP175V06P V30974 DBOS13BX06HP V14798	002004 006100 107107 121503 904999	2
- 435	BACN10YL06	..	NUT	002004 006100 107107 121503 904999	2
500	NAS1763D061010	.TEE-		002004 006100 107107 121503 904999	1
510	NAS1763T080808	.TEE-		002004 006100 107107 121503 904999	1
510	NAS1763J080808	.TEE-		002004 006100 107107 121503 904999	1

MISSING ITEM NUMBERS NOT APPLICABLE

- ITEM NOT ILLUSTRATED

BRI

32-32-51-24

BOEING PROPRIETARY - Copyright © - Unpublished Work - See title page for details.

32-32-51  
FIG. 24  
PAGE 9  
JAN 20/09





757

PARTS CATALOG (MAINTENANCE)

FIG ITEM	PART NUMBER	1 2 3 4 5 6 7	NOMENCLATURE	EFFECT FROM TO	UNITS PER ASSY
24 515	APX824D101006	. TEE-	SUPPLIER CODE: V01673 SPECIFICATION NUMBER: BACT16AS101006D OPTIONAL PART: APX824-101006D V01673 DBOT16AS101006D V14798 ER824-101006D V50948 FER1571-101006D V14397 LER824-101006D V11328 NAF1824-101006D V52930 US1925-101006D V50808 AFP325-101006D V30974	002004 006100 107107 121503 904999	1
515	APX824F101006W	. TEE	SUPPLIER CODE: V01673 SPECIFICATION NUMBER: BACT16AS101006W OPTIONAL PART: APX824-101006W V01673 DBOT16AS101006W V14798 ER824-101006W V50948 FER1571-101006W V14397 LER824-101006W V11328 NAF1824-101006W V52930 US1925-101006W V50808 AFP325-101006W V30974	002004 006100 107107 121503 904999	1
525	BACE21BN0406T	. ELBOW-		002004 006100 107107 121503 904999	1

MISSING ITEM NUMBERS NOT APPLICABLE

- ITEM NOT ILLUSTRATED

32-32-51-24

32-32-51  
FIG. 24  
PAGE 10  
JAN 20/09

BRI



757

PARTS CATALOG (MAINTENANCE)

FIG ITEM	PART NUMBER	1 2 3 4 5 6 7	NOMENCLATURE	EFFECT FROM TO	UNITS PER ASSY
24					
525	BACE21BN0406J	.	ELBOW-	002004 006100 107107 121503 904999	1
530	MS21908D6	.	ELBOW-	002004 006100 107107 121503 904999	1
533	NAS1761T0404	.	ELBOW-	002004 006100 107107 121503 904999	1
533	NAS1761J0404	.	ELBOW-	002004 006100 107107 121503 904999	1
535	AN924-4D	.	NUT	002004 006100 107107 121503 904999	1
540	AN924-6D	.	NUT	002004 006100 107107 121503 904999	1
545	AN960KD716	.	WASHER	002004 006100 107107 121503 904999	1
550	AN960KD916	.	WASHER	002004 006100 107107 121503 904999	1
555	NAS1762J0606	.	ELBOW- MISCELLANEOUS DATA: OPTIONAL PART NUMBER: BAC21BT0606JN (81205)	002004 006100 107107 121503 904999	1

MISSING ITEM NUMBERS NOT APPLICABLE

- ITEM NOT ILLUSTRATED

32-32-51-24

32-32-51  
FIG. 24  
PAGE 11  
JAN 20/09

BRI



757

PARTS CATALOG (MAINTENANCE)

FIG ITEM	PART NUMBER	1 2 3 4 5 6 7	NOMENCLATURE	EFFECT FROM TO	UNITS PER ASSY
24 700			ILLUSTRATION REFERENCE: VALVE AND BRACKET INSTL-STA 1116 AND 1123 UPLOCK OPERATED SEQUENCE 32-32-09-01	002004 006100 107107 121503 904999	RF
705			ILLUSTRATION REFERENCE: UPLOCK INSTL-MLG 32-32-16-01	002004 006100 107107 121503 904999	RF
710			ILLUSTRATION REFERENCE: VALVE INSTL-MLG DOOR OPERATED SEQ 32-32-05-01	002004 006100 107107 121503 904999	RF
715			ILLUSTRATION REFERENCE: PLUMBING INSTL-SECT. 44 KEEL BEAM MLG WHL WELL HYDR (LANDING GEAR CONTROL ONLY) 32-31-51-20	002004 006100 107107 121503 904999	RF
720			ILLUSTRATION REFERENCE: PLUMBING INSTL-SECT. 44 KEEL BEAM MLG WHL WELL HYDR 32-35-51-30	002004 006100 107107 121503 904999	RF
725			ILLUSTRATION REFERENCE: PLUMBING INSTL-INBD WING SECT. 12 HYDR LH (MAIN GEAR EXTENSION AND RETRACTION ONLY) 32-32-51-15	002004 006100 107107 121503 904999	RF

MISSING ITEM NUMBERS NOT APPLICABLE

- ITEM NOT ILLUSTRATED

32-32-51-24

32-32-51  
FIG. 24  
PAGE 12  
JAN 20/09

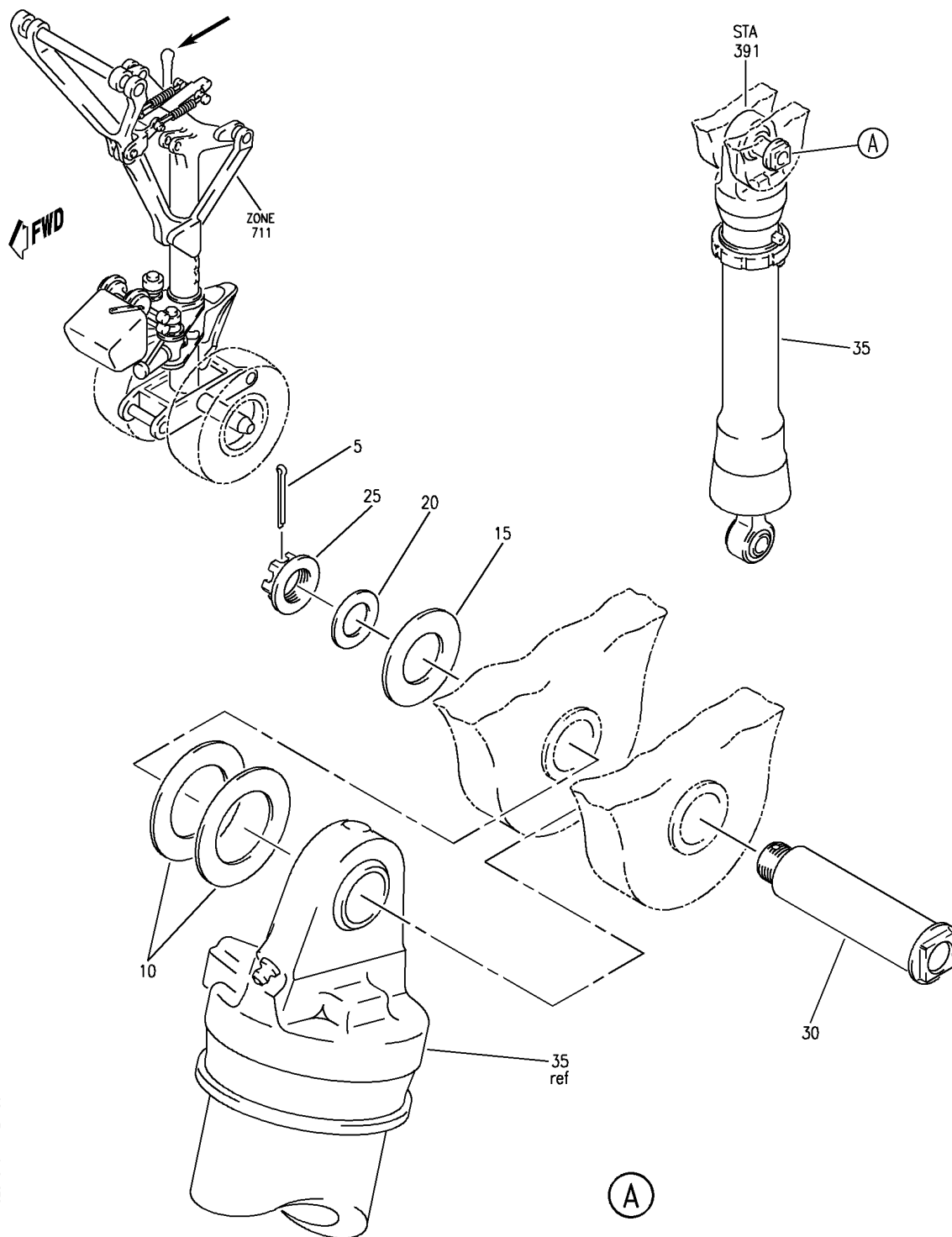
BRI

## NOSE LANDING GEAR EXTENSION AND RETRACTION SYSTEM

BRI  
MAY 28/07

32-34-00  
SECTION TITLE  
PAGE 1

**BOEING**  
757  
PARTS CATALOG (MAINTENANCE)



Y 32340101 REV 301

RETRACT ACTUATOR INSTL NOSE ACTUATOR INSTL NLG  
FIGURE 1

**32-34-01-01**

BRI  
MAY 28/07

32-34-01-01  
PAGE 0



757

PARTS CATALOG (MAINTENANCE)

FIG ITEM	PART NUMBER	1 2 3 4 5 6 7	NOMENCLATURE	EFFECT FROM TO	UNITS PER ASSY
1			RETRACT ACTUATOR INSTL NOSE ACTUATOR INSTL NLG	101102 108120 504903	
- 1	273N1000-1		RETRACT ACTUATOR INSTL- NOSE LANDING GEAR NLG FOR NHA SEE: 32-00-00-15	101102 108120 504903	RF
	5 BACP18BC05A16P		.PIN	101102 108120 504903	1
	10 162N5005-8		.WASHER	101102 108120 504903	2
	15 BACW10BP28APU		.WASHER	101102 108120 504903	1
	20 NAS1149C2090R		.WASHER	101102 108120 504903	1
	25 73783CD2012		.NUT SUPPLIER CODE: V56878 SPECIFICATION NUMBER: BACN11N120CD	101102 108120 504903	1
	25 73783CD2012		.NUT- SUPPLIER CODE: V56878 OPTIONAL PART: BACN11N120CD	101102 108120 504903	1
	30 273N1059-1		.PIN	101102 108120 504903	1
	35 273N1004-5		.ACTUATOR ASSY- COMPONENT MAINT MANUAL REF: 32-34-09 FOR DETAILS SEE: 32-34-01-02	101102 108120 504903	1

MISSING ITEM NUMBERS NOT APPLICABLE

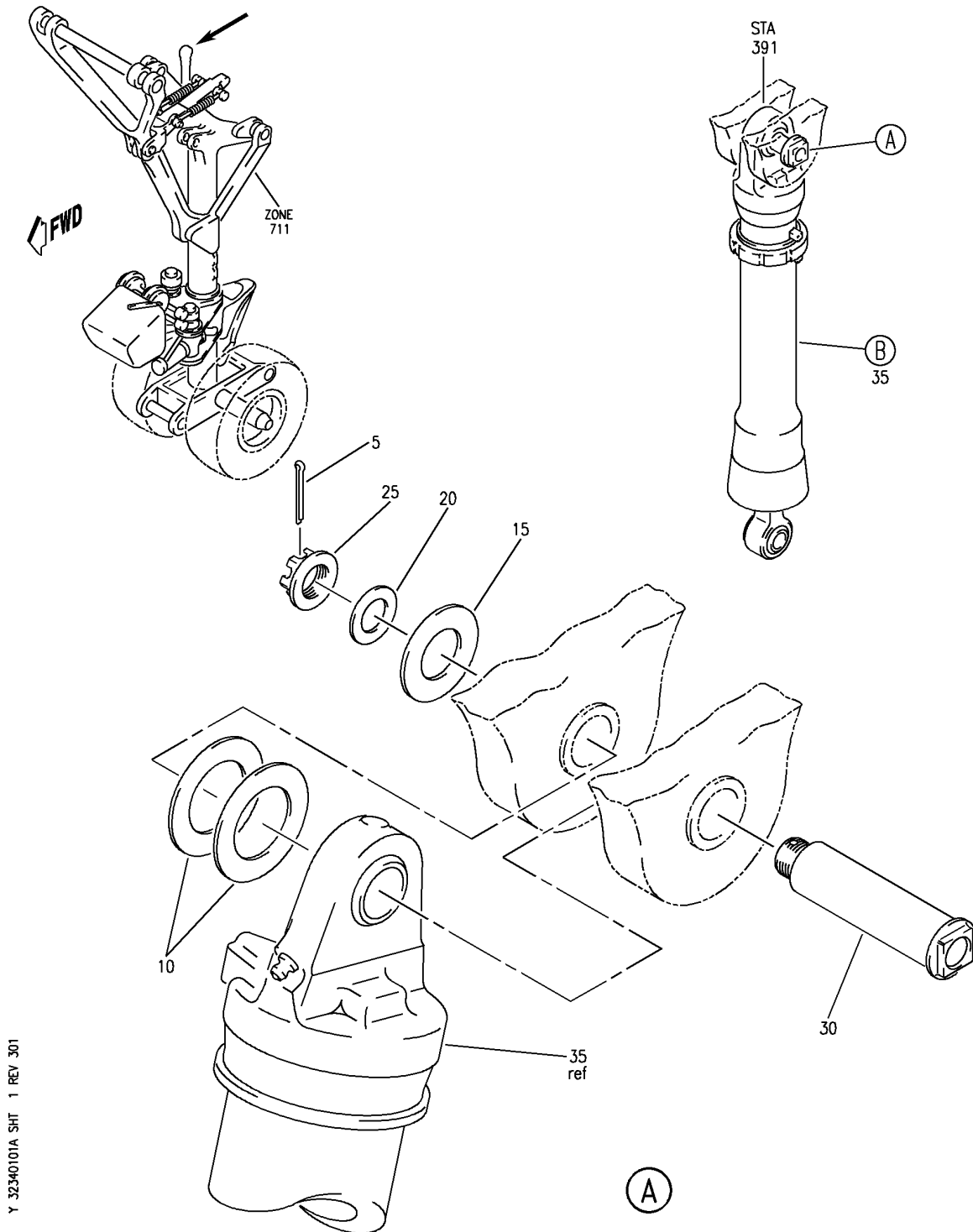
- ITEM NOT ILLUSTRATED

32-34-01-01

32-34-01  
FIG. 01  
PAGE 1  
JAN 20/09

BRI

**BOEING**  
757  
PARTS CATALOG (MAINTENANCE)



Y 32340101A SHT 1 REV 301

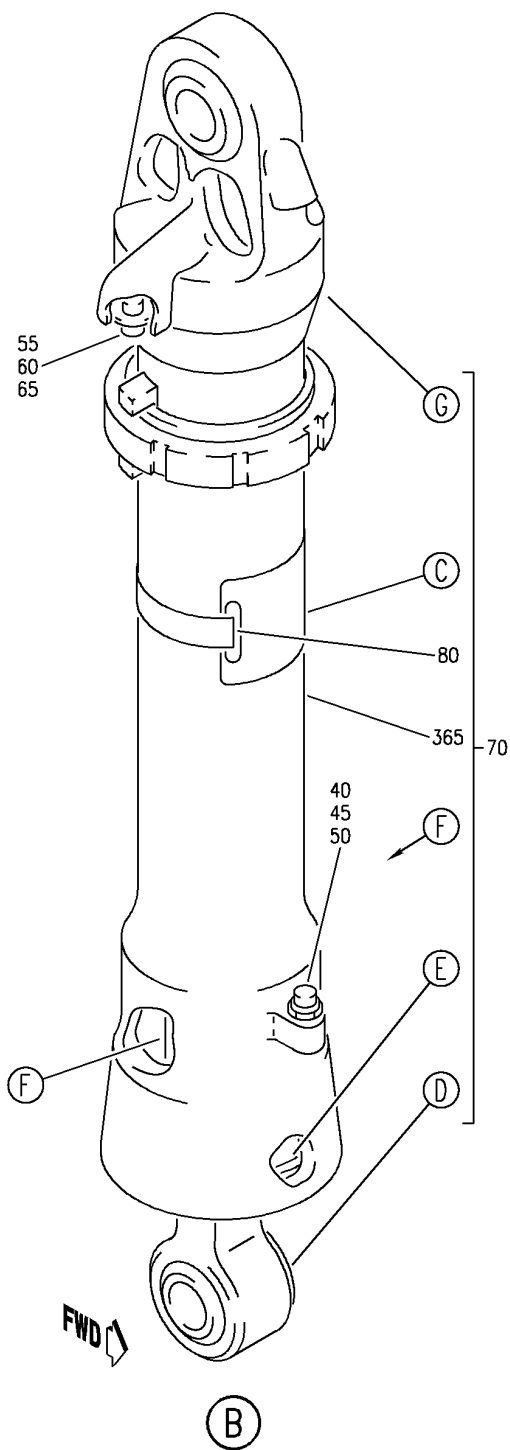
RETRACT ACTUATOR INSTL NOSE LANDING GEAR  
FIGURE 1A (SHEET 1)

**32-34-01-01A**

BRI  
JAN 20/09

32-34-01-01A  
PAGE 0

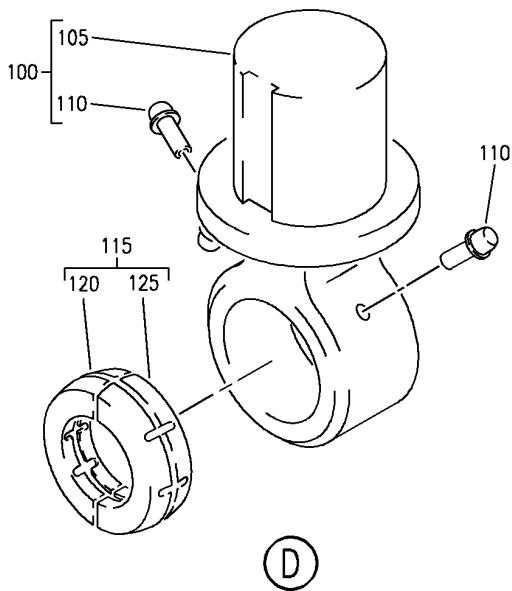
**BOEING**  
757  
PARTS CATALOG (MAINTENANCE)



75

The Boeing Company  
ACTUATOR ASSY-  
NOSE GEAR RETRACT  
BOEING PART NO.273N1004-  
SERIAL NO.   
MFG DATE   
FOR USE WITH BMS 3-11 FLUID ONLY  
MFG BY

(C)



Y 32340101A SHT 2 REV 301

RETRACT ACTUATOR INSTL NOSE LANDING GEAR  
FIGURE 1A (SHEET 2)

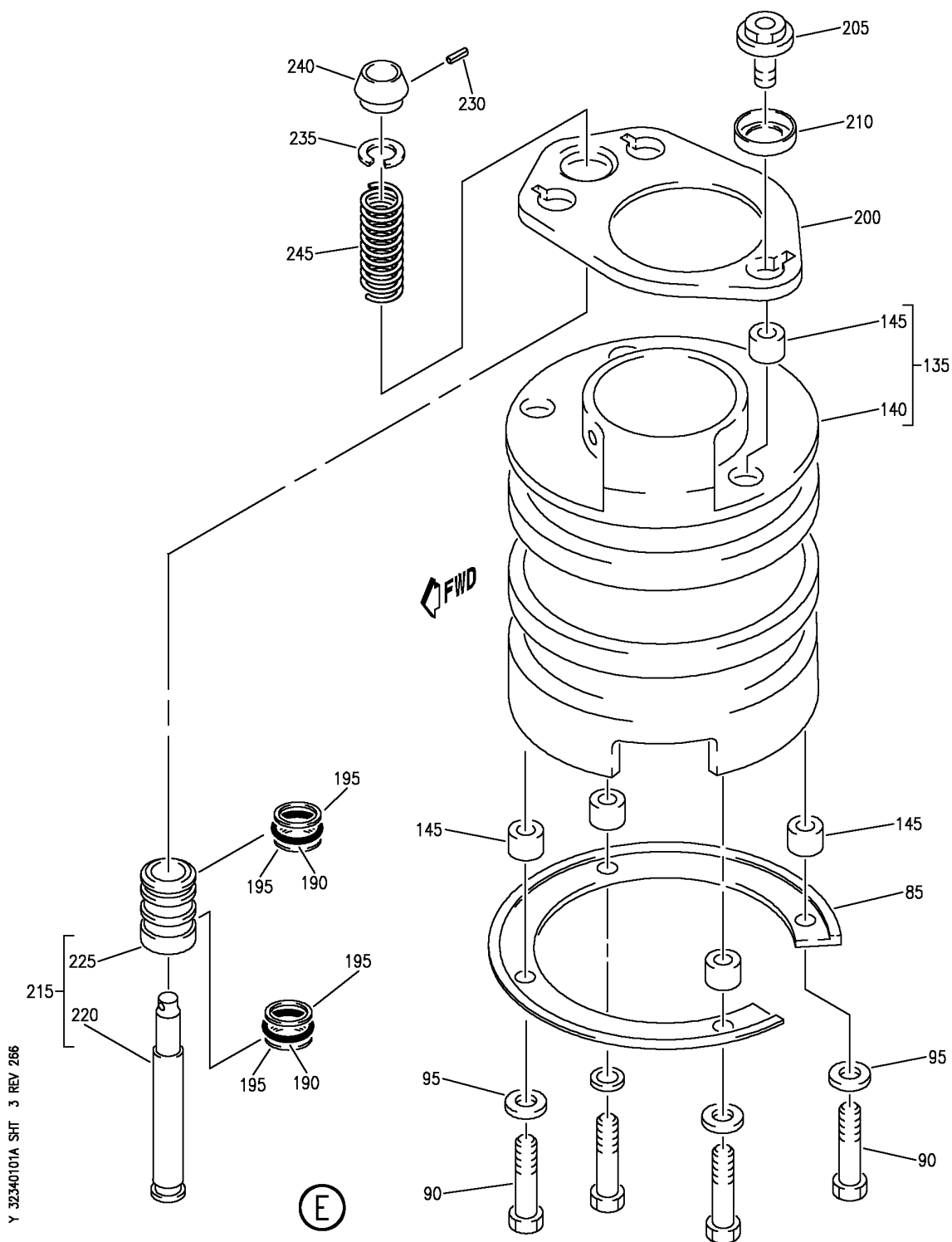
**32-34-01-01A**

BRI  
JAN 20/09

32-34-01-01A  
PAGE 0A



**BOEING**  
757  
PARTS CATALOG (MAINTENANCE)



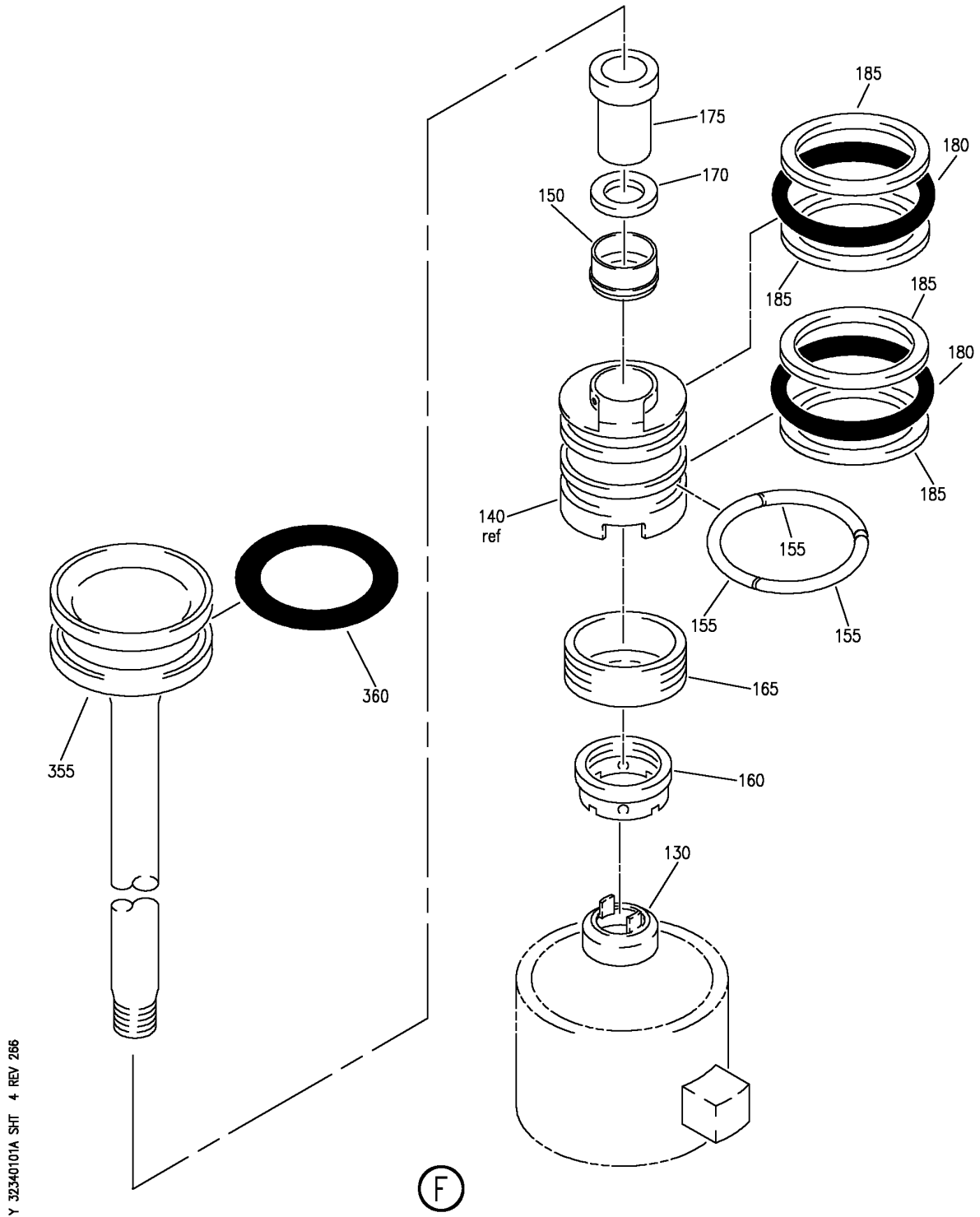
RETRACT ACTUATOR INSTL NOSE LANDING GEAR  
FIGURE 1A (SHEET 3)

**32-34-01-01A**

BRI  
JAN 20/09

32-34-01-01A  
PAGE 0B

**BOEING**  
757  
PARTS CATALOG (MAINTENANCE)



Y 32340101A SHT 4 REV 266

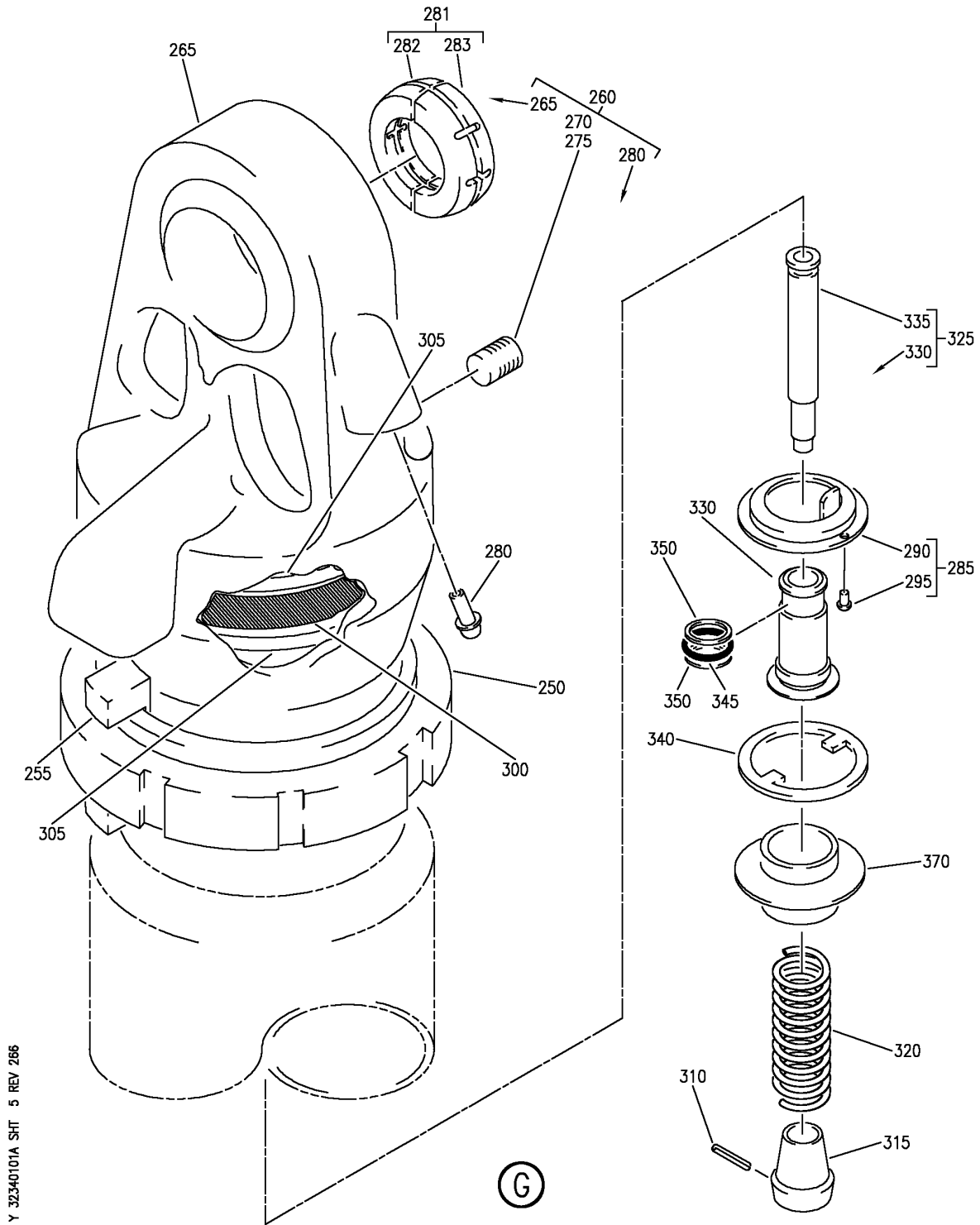
RETRACT ACTUATOR INSTL NOSE LANDING GEAR  
FIGURE 1A (SHEET 4)

**32-34-01-01A**

BRI  
JAN 20/09

32-34-01-01A  
PAGE 0C

**BOEING**  
757  
PARTS CATALOG (MAINTENANCE)



Y 32340101A SHT 5 REV 266

RETRACT ACTUATOR INSTL NOSE LANDING GEAR  
FIGURE 1A (SHEET 5)

**32-34-01-01A**

BRI  
JAN 20/09

32-34-01-01A  
PAGE 0D



757

PARTS CATALOG (MAINTENANCE)

FIG ITEM	PART NUMBER	1 2 3 4 5 6 7	NOMENCLATURE	EFFECT FROM TO	UNITS PER ASSY
1 A			RETRACT ACTUATOR INSTL NOSE LANDING GEAR	103106	
- 1	MODREF30380		RETRACT ACTUATOR INSTL- NOSE LANDING GEAR NLG MODULE NUMBER: 273N1000-1 REV B	103106	1
5	BACP18BC05A16P		.PIN	103106	1
10	162N5005-8		.WASHER	103106	2
15	BACW10BP28APU		.WASHER	103106	1
20	NAS1149C2090R		.WASHER	103106	1
25	73783CD2012		.NUT	103106	1
			SUPPLIER CODE: V56878 SPECIFICATION NUMBER: BACN11N120CD		
25	73783CD2012		.NUT-	103106	1
			SUPPLIER CODE: V56878 OPTIONAL PART: BACN11N120CD		
30	273N1059-1		.PIN	103106	1
35	273N1004-5		.ACTUATOR ASSY- COMPONENT MAINT MANUAL REF: 32-34-09	103106	1
40	ASC6DB		..CAP-	103106	1
			SUPPLIER CODE: V95760		
45	9R3562		..UNION-	103106	1
			SUPPLIER CODE: V99240		
50	NAS1612-6A		..PACKING	103106	1
55	ASC8D8		..CAP	103106	1
60	MS21902D8		..UNION	103106	1
65	NAS1612-8A		..PACKING	103106	1
70	273N1004-4		..ACTUATOR ASSY-RETRACT MISCELLANEOUS DATA: FOR SPARES PROCURE LOWER COMPONENTS	103106	1
75	BAC27NHY0023		...MARKER-ALUMINUM	103106	1
80	69B80300-1		...STRAP	103106	1
85	273N1011-1		...RETAINER-NOSE GEAR RETRACT ACTUATOR ATTACHING PARTS	103106	1
90	BACB30NM4HK2		...BOLT-	103106	4
			OPTIONAL PART: NAS6604H2		
90	NAS6604H2		...BOLT-	103106	4
			OPTIONAL PART: BACB30NM4HK2		

MISSING ITEM NUMBERS NOT APPLICABLE

- ITEM NOT ILLUSTRATED

32-34-01-01A

32-34-01  
FIG. 01A  
PAGE 1  
JAN 20/09

BRI

BOEING PROPRIETARY - Copyright © - Unpublished Work - See title page for details.



757

PARTS CATALOG (MAINTENANCE)

FIG ITEM	PART NUMBER	1 2 3 4 5 6 7	NOMENCLATURE	EFFECT FROM TO	UNITS PER ASSY
1 A					
95	NAS1149D0463H	...	WASHER -----*-----	103106	4
100	273N1006-1	...	ROD END ASSY	103106	1
105	273N1006-2	....	ROD END	103106	1
110	1728B	....	FITTING- SUPPLIER CODE: VOFKM1	103106	2
115	273N1045-1	...	BEARING-SPHERICAL SPLIT BALL	103106	1
120	273N1045-2	....	BEARING-HALF	103106	1
125	273N1045-3	....	BEARING-HALF	103106	1
130	66-12156-7	...	CUP-LOCKWASHER	103106	1
135	273N1014-3	...	GLAND ASSY-	103106	1
135	273N1014-1	...	GLAND ASSY-	103106	1
140	273N1014-4	....	GLAND	103106	1
145	MS21209F4-15P	....	INSERT	103106	7
150	273N1081-1	...	GLAND FOLLOWER	103106	1
155	273N1012-1	...	RING-SHEAR	103106	3
160	273N1010-1	...	NUT-SEAL	103106	1
165	CWR76-20B	...	SCRAPER SUPPLIER CODE: V26879 SPECIFICATION NUMBER: BACS34A20A OPTIONAL PART: DW96801-20A V02886 RMS34A20A V94878 TF005-20A V07128 2140-20A V26303	103106	1
170	S33555-328H5	...	SEAL-HAT SUPPLIER CODE: V09257	103106	1
175	273N1013-1	...	BUSHING	103106	1
180	NAS1611-245A	...	PACKING	103106	2

MISSING ITEM NUMBERS NOT APPLICABLE

- ITEM NOT ILLUSTRATED

32-34-01-01A

32-34-01  
FIG. 01A  
PAGE 2  
JAN 20/09

BRI

BOEING PROPRIETARY - Copyright © - Unpublished Work - See title page for details.

 **BOEING**  
757  
**PARTS CATALOG (MAINTENANCE)**

FIG ITEM	PART NUMBER	1 2 3 4 5 6 7	NOMENCLATURE	EFFECT FROM TO	UNITS PER ASSY
1A 185	S30310-245	...	RING SUPPLIER CODE: V09257 SPECIFICATION NUMBER: BACR12BP245 OPTIONAL PART: DW969516-245 V02886 RM9157BU245 V94878 STS900-245 V02107 TF456-245 V07128 2150-245 V26303 C11237-245 V26879	103106	4
190	NAS1611-114A	...	PACKING	103106	2
195	MS28782-12	...	RING	103106	4
200	273N1082-1	...	RETAINER-BUSHING ATTACHING PARTS	103106	1
205	273N1083-1	...	BOLT	103106	3
210	66-12156-13	...	CUP-LOCKWASHER -----*-----	103106	3
215	273N1016-2	...	SLEEVE ASSY-AND SLIDE	103106	1
220	273N1084-2	....	SLIDE	103106	1
225	273N1085-1	....	SLEEVE	103106	1
230	MS16562-203	...	PIN	103106	1
235	273N1109-1	...	RING-SHEAR	103106	1
240	273N1018-2	...	RETAINER-SPRING	103106	1
245	273N1017-2	...	SPRING	103106	1
250	273N1019-1	...	LOCK NUT	103106	1
255	273N1020-1	...	KEY	103106	1
260	273N1009-1	...	HEAD END ASSY	103106	1
265	273N1009-2	....	HEAD END- ALTERED FROM PART NUMBER: 273N1009-3 OPTIONAL PART: 273N1009-4	103106	1
265	273N1009-4	....	HEAD END-HOGOUT OPTIONAL PART: 273N1009-2	103106	1
270	BACP20AX37P	....	PIN	103106	1
275	BACP20AX37	....	PLUG	103106	1
280	1728B	....	FITTING-LUBE SUPPLIER CODE: VOFKM1	103106	1

MISSING ITEM NUMBERS NOT APPLICABLE

— ITEM NOT ILLUSTRATED

# 32-34-01-01A

32-34-01  
FIG. 01A  
PAGE 3  
JAN 20/09

BRI

BOEING PROPRIETARY - Copyright © - Unpublished Work - See title page for details.



757

PARTS CATALOG (MAINTENANCE)

FIG ITEM	PART NUMBER	1 2 3 4 5 6 7	NOMENCLATURE	EFFECT FROM TO	UNITS PER ASSY
1 A					
281	273N1045-1	...	BEARING-SPHERICAL SPLIT BALL	103106	1
282	273N1045-2	....	BEARING-HALF	103106	1
283	273N1045-3	....	BEARING-HALF	103106	1
285	273N1105-1	...	RING ASSY-LOCK	103106	1
290	273N1105-2	....	RING-LOCK	103106	1
295	273N1107-1	....	PIN	103106	1
300	NAS1611-428A	...	PACKING	103106	1
305	MS28782-55	...	RING	103106	2
310	MS16562-207	...	PIN	103106	1
315	273N1024-1	...	RETAINER-SPRING	103106	1
320	273N1023-1	...	SPRING	103106	1
325	273N1022-1	...	SLEEVE ASSY-AND SLIDE	103106	1
330	273N1087-1	....	SLEEVE	103106	1
335	273N1086-1	....	SLIDE	103106	1
340	273N1106-1	...	WASHER-TAB	103106	1
345	NAS1611-212A	...	PACKING	103106	1
350	MS28782-17	...	PACKING	103106	2
355	273N1007-1	...	ROD-PISTON	103106	1
			OPTIONAL PART: 273N1007-3		
355	273N1007-3	...	ROD-PISTON	103106	1
			OPTIONAL PART: 273N1007-1		
360	7347MT952T	...	RING-G.T.	103106	1
			SUPPLIER CODE: V5F573		
365	273N1008-1	...	CYLINDER	103106	1
370	273N1104-1	...	RETAINER-SPRING	103106	1

MISSING ITEM NUMBERS NOT APPLICABLE

- ITEM NOT ILLUSTRATED

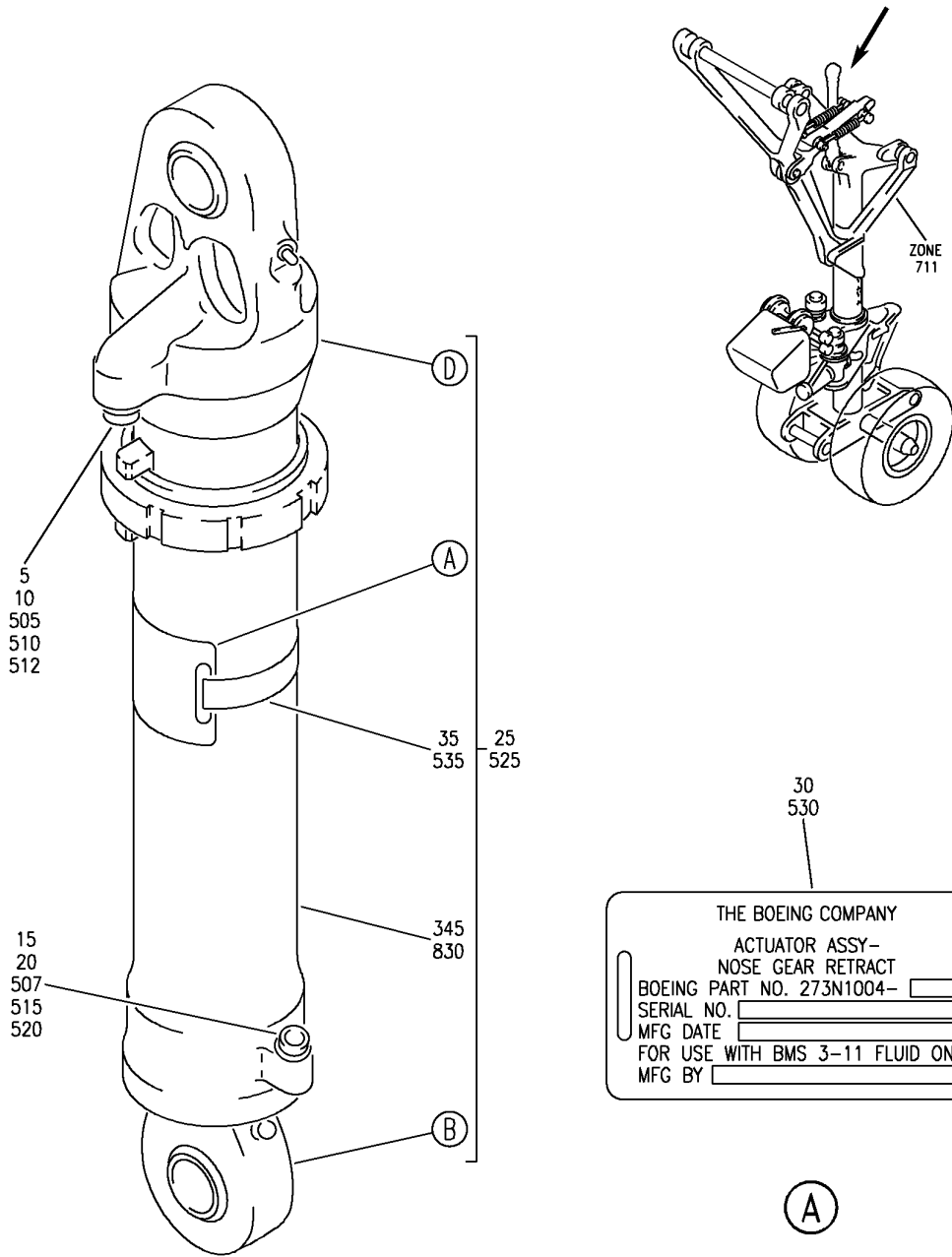
BRI

32-34-01-01A

BOEING PROPRIETARY - Copyright © - Unpublished Work - See title page for details.

32-34-01  
FIG. 01A  
PAGE 4  
JAN 20/09

**BOEING**  
757  
PARTS CATALOG (MAINTENANCE)



30  
530

THE BOEING COMPANY	
ACTUATOR ASSY- NOSE GEAR RETRACT	
BOEING PART NO. 273N1004-	<input type="text"/>
SERIAL NO.	<input type="text"/>
MFG DATE	<input type="text"/>
FOR USE WITH BMS 3-11 FLUID ONLY	
MFG BY	<input type="text"/>

(A)

Y 32340102 SHT 1 REV 281

ACTUATOR ASSY-RETRACT NLG  
FIGURE 2 (SHEET 1)

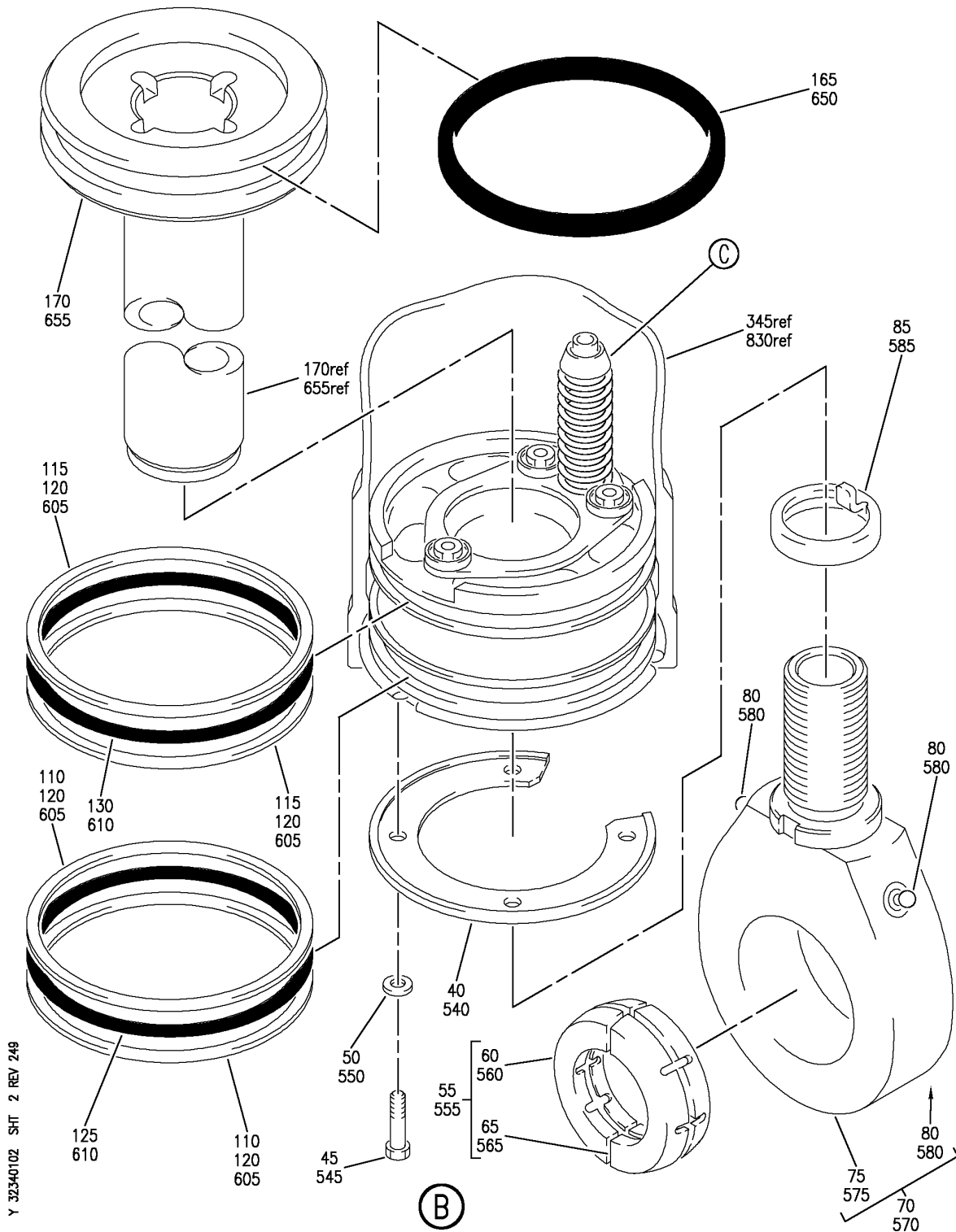
**32-34-01-02**

BRI  
MAY 28/07

32-34-01-02  
PAGE 0



**BOEING**  
757  
PARTS CATALOG (MAINTENANCE)



Y 32340102 SHT 2 REV 249

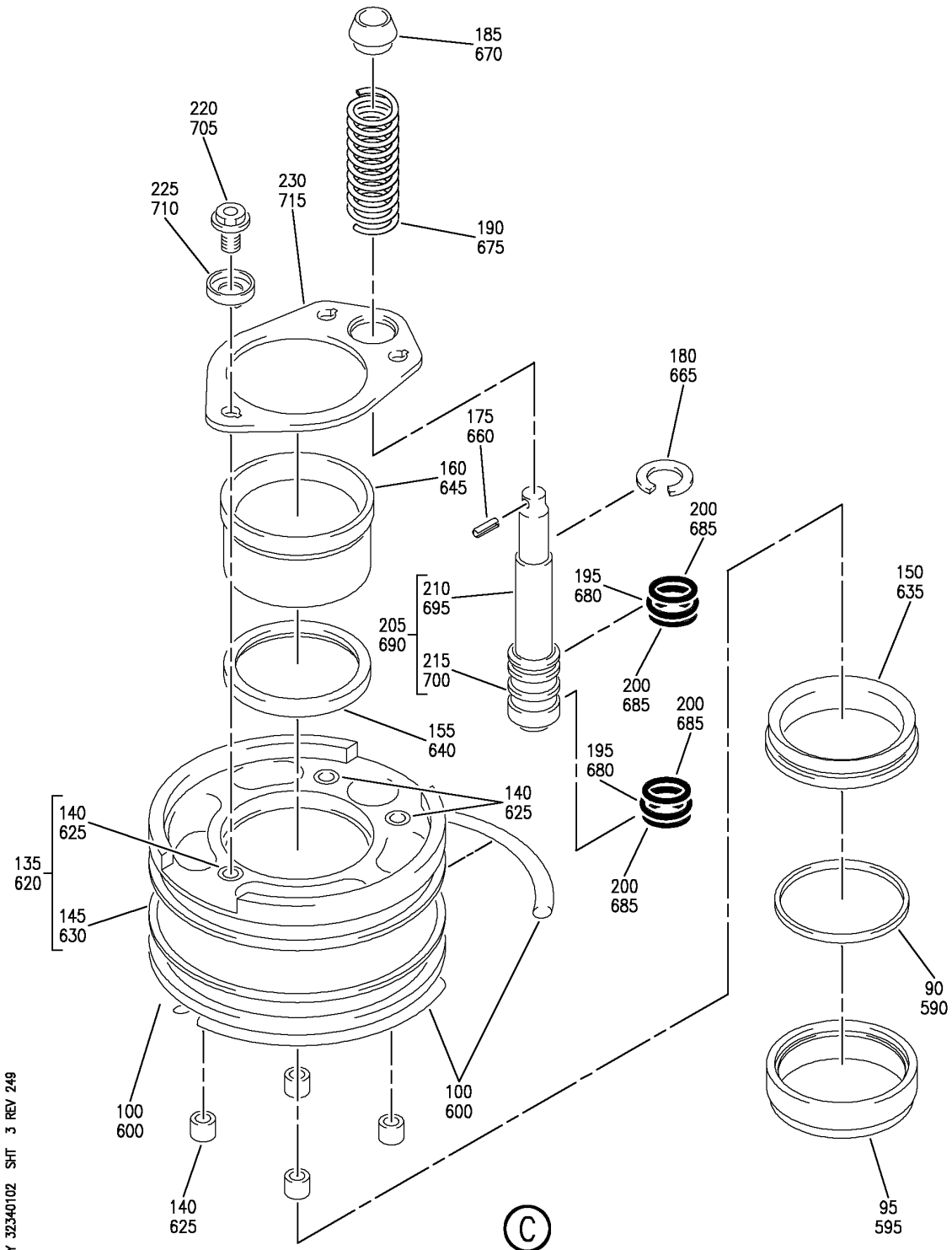
ACTUATOR ASSY-RETRACT NLG  
FIGURE 2 (SHEET 2)

**32-34-01-02**

BRI  
MAY 28/07

32-34-01-02  
PAGE 0A

**BOEING**  
757  
PARTS CATALOG (MAINTENANCE)



Y 32340102 SHT 3 REV 249

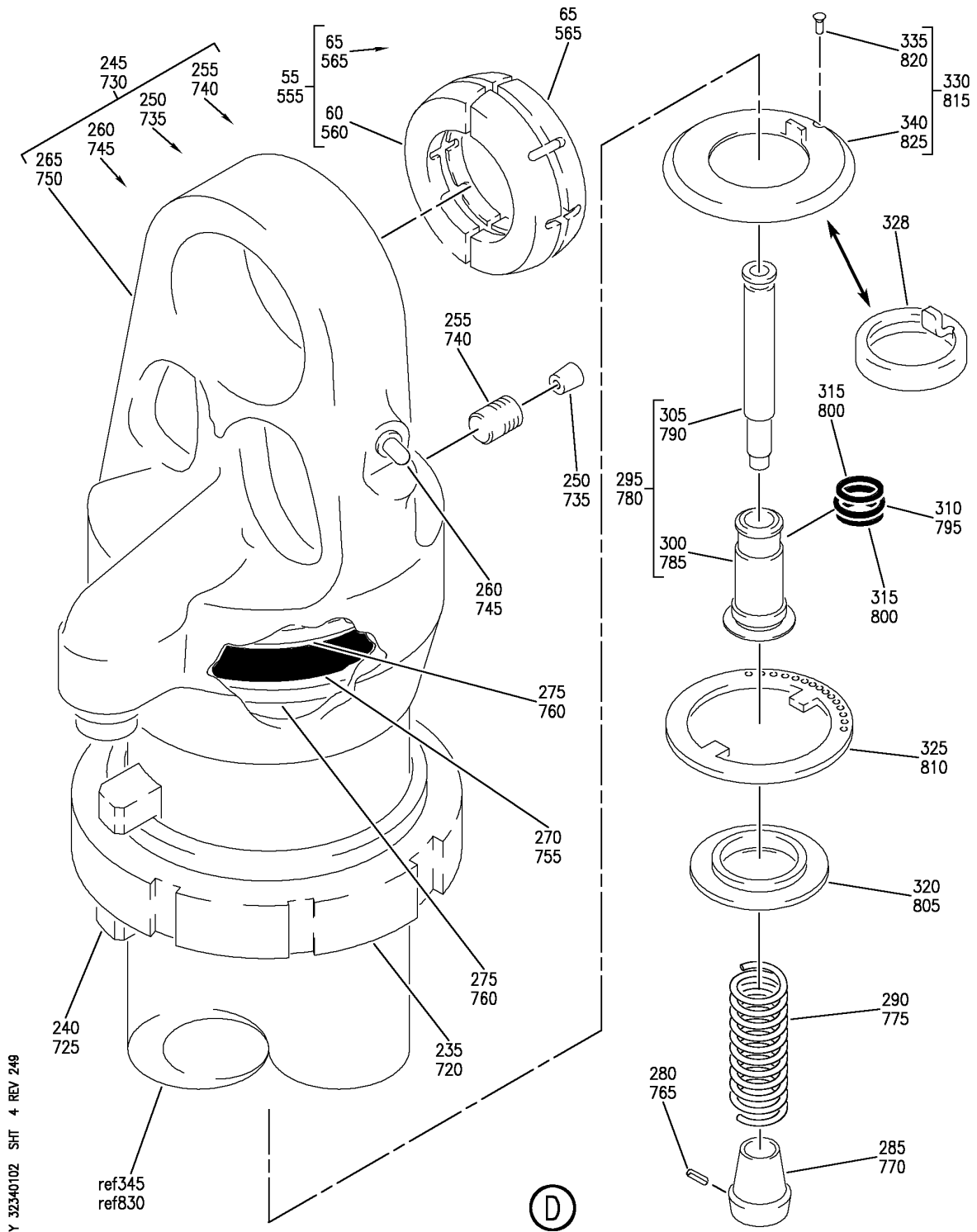
ACTUATOR ASSY-RETRACT NLG  
FIGURE 2 (SHEET 3)

**32-34-01-02**

BRI  
MAY 28/07

32-34-01-02  
PAGE 0B

**BOEING**  
757  
**PARTS CATALOG (MAINTENANCE)**



Y 32340102 SHT 4 REV 249

ACTUATOR ASSY-RETRACT NLG  
FIGURE 2 (SHEET 4)

**32-34-01-02**

BRI  
MAY 28/07

32-34-01-02  
PAGE 0C



757

PARTS CATALOG (MAINTENANCE)

FIG ITEM	PART NUMBER	1 2 3 4 5 6 7	NOMENCLATURE	EFFECT FROM TO	UNITS PER ASSY
2			ACTUATOR ASSY-RETRACT NLG	002004 006102 107999	
- 1	162N0001-17		ACTUATOR ASSY-RETRACT NLG COMPONENT MAINT MANUAL REF: 32-34-09 FOR NHA SEE: 32-21-00-01B	002004 006010 107107 121503 904999	RF
- 1	162N0001-35		ACTUATOR ASSY-RETRACT NLG COMPONENT MAINT MANUAL REF: 32-34-09 FOR NHA SEE: 32-21-00-01B	002004 006010 107107 121503 904999	RF
- 1	162N0001-110		ACTUATOR ASSY-RETRACT NLG COMPONENT MAINT MANUAL REF: 32-34-09 FOR NHA SEE: 32-21-00-01B	002004 006100 107107 121503 904999	RF
5	MS21902D8		.UNION	002004 006100 107107 121503 904999	1
10	NAS1612-8		.PACKING- OPTIONAL PART: NAS1612-8A	002004 006100 107107 121503 904999	1
10	NAS1612-8A		.PACKING- OPTIONAL PART: NAS1612-8	002004 006100 107107 121503 904999	1
15	BACU24K6		.UNION- USED ON: 162N0001-17 162N0001-35 USED ON: 162N0001-17 162N0001-35	002004 006010 107107 121503 904999	1
15	9R3562		.UNION- SUPPLIER CODE: V99240 USED ON: 162N0001-110 271N6113-2 USED ON: 162N0001-110 271N6113-2	002004 006100 107107 121503 904999	1

MISSING ITEM NUMBERS NOT APPLICABLE

- ITEM NOT ILLUSTRATED

32-34-01-02

32-34-01  
FIG. 02  
PAGE 1  
JAN 20/09

BRI



757

PARTS CATALOG (MAINTENANCE)

FIG ITEM	PART NUMBER	1 2 3 4 5 6 7	NOMENCLATURE	EFFECT FROM TO	UNITS PER ASSY
2	20 NAS1612-6		.PACKING- OPTIONAL PART: NAS1612-6A USED ON: 162N0001-110 271N6113-2 USED ON: 162N0001-110 271N6113-2	002004 006100 107107 121503 904999	1
	20 NAS1612-6A		.PACKING- OPTIONAL PART: NAS1612-6 USED ON: 162N0001-110	002004 006100 107107 121503 904999	1
	25 273N1004-2		.ACTUATOR ASSY- MISCELLANEOUS DATA: FOR SPARES PROCURE LOWER COMPONENTS USED ON: 162N0001-17	002004 006100 107107 121503 904999	1
	25 273N1004-3		.ACTUATOR ASSY- MISCELLANEOUS DATA: FOR SPARES PROCURE LOWER COMPONENTS USED ON: 162N0001-110 162N0001-35	002004 006100 107107 121503 904999	1
	30 BAC27NHY0023		..MARKER-ALUMINUM	002004 006100 107107 121503 904999	1
	35 69B80300-1		..STRAP	002004 006100 107107 121503 904999	1
	40 273N1011-1		..RETAINER	002004 006100 107107 121503 904999	1
	45 BACB30NM4HK2		ATTACHING PARTS ..BOLT- OPTIONAL PART: NAS6604H2	002004 006100 107107 121503 904999	4

MISSING ITEM NUMBERS NOT APPLICABLE

- ITEM NOT ILLUSTRATED

32-34-01-02

32-34-01  
FIG. 02  
PAGE 2  
JAN 20/09

BRI

BOEING PROPRIETARY - Copyright © - Unpublished Work - See title page for details.

 **BOEING**  
757  
**PARTS CATALOG (MAINTENANCE)**

FIG ITEM	PART NUMBER	1 2 3 4 5 6 7	NOMENCLATURE	EFFECT FROM TO	UNITS PER ASSY
2					
45	NAS6604H2	..	BOLT- OPTIONAL PART: BACB30NM4HK2	002004 006100 107107 121503 904999	4
50	AN960D416	..	WASHER	002004 006100 107107 121503 904999	4
50	NAS1149D0463H	..	WASHER	002004 006100 107107 121503 904999	4
55	273N1045-1	-----*	.. BEARING-SPHERICAL SPLIT BALL	002004 006100 107107 121503 904999	2
60	273N1045-2	...	BEARING-HALF	002004 006100 107107 121503 904999	1
65	273N1045-3	...	BEARING-HALF	002004 006100 107107 121503 904999	1
70	273N1006-1	..	ROD END ASSY	002004 006100 107107 121503 904999	1
75	273N1006-2	...	ROD END	002004 006100 107107 121503 904999	1
80	1728B	...	FITTING- SUPPLIER CODE: VOFKM1	002004 006100 107107 121503 904999	2

MISSING ITEM NUMBERS NOT APPLICABLE

— ITEM NOT ILLUSTRATED

BRI

# 32-34-01-02

BOEING PROPRIETARY - Copyright © - Unpublished Work - See title page for details.

32-34-01  
FIG. 02  
PAGE 3  
JAN 20/09



757

PARTS CATALOG (MAINTENANCE)

FIG ITEM	PART NUMBER	1 2 3 4 5 6 7	NOMENCLATURE	EFFECT FROM TO	UNITS PER ASSY
2					
85	66-12156-7	..	CUP-LOCKWASHER	002004 006100 107107 121503 904999	1
90	CWR76-20B	..	SCRAPER SUPPLIER CODE: V26879 SPECIFICATION NUMBER: BACS34A20A OPTIONAL PART: DW96801-20A V02886 RMS34A20A V94878 TF005-20A V07128 2140-20A V26303	002004 006100 107107 121503 904999	1
95	273N1010-1	..	NUT-SEAL	002004 006100 107107 121503 904999	1
100	273N1012-1	..	RING-SHEAR	002004 006100 107107 121503 904999	3
110	MS28782-50	..	RING- USED ON: 273N1004-2	002004 006100 107107 121503 904999	2

MISSING ITEM NUMBERS NOT APPLICABLE

- ITEM NOT ILLUSTRATED

BRI

32-34-01-02

BOEING PROPRIETARY - Copyright © - Unpublished Work - See title page for details.

32-34-01  
FIG. 02  
PAGE 4  
JAN 20/09



757

PARTS CATALOG (MAINTENANCE)

FIG ITEM	PART NUMBER	1 2 3 4 5 6 7	NOMENCLATURE	EFFECT FROM TO	UNITS PER ASSY
2 115	S30310-245		..RING- SUPPLIER CODE: V09257 SPECIFICATION NUMBER: BACR12BP245 OPTIONAL PART: DW969516-245 V02886 RM9157BU245 V94878 STS900-245 V02107 TF456-245 V07128 2150-245 V26303 C11237-245 V26879 USED ON: 273N1004-2 USED ON: 273N1004-2	002004 006100 107107 121503 904999	2
120	S30310-245		..RING- SUPPLIER CODE: V09257 SPECIFICATION NUMBER: BACR12BP245 OPTIONAL PART: DW969516-245 V02886 RM9157BU245 V94878 STS900-245 V02107 TF456-245 V07128 2150-245 V26303 C11237-245 V26879 USED ON: 273N1004-3 USED ON: 273N1004-3	002004 006100 107107 121503 904999	4
125	NAS1611-347		..PACKING- USED ON: 273N1004-2 USED ON: 273N1004-2	002004 006100 107107 121503 904999	1

MISSING ITEM NUMBERS NOT APPLICABLE

- ITEM NOT ILLUSTRATED

32-34-01-02

32-34-01  
 FIG. 02  
 PAGE 5  
 JAN 20/09

BRI





757

PARTS CATALOG (MAINTENANCE)

FIG ITEM	PART NUMBER	1 2 3 4 5 6 7	NOMENCLATURE	EFFECT FROM TO	UNITS PER ASSY
2					
125	NAS1611-245		.. PACKING- USED ON: 273N1004-3	002004 006100 107107	1
130	NAS1611-245		.. PACKING- USED ON: 273N1004-3	121503 904999	1
135	273N1014-1		.. GLAND ASSY- USED ON: 273N1004-2	002004 006100 107107	1
135	273N1014-3		.. GLAND ASSY- USED ON: 273N1004-2	121503 904999	1
140	MS21209F4-15P		... INSERT USED ON: 273N1004-3	002004 006100 107107	7
145	273N1014-2		... GLAND- USED ON: 273N1014-1	121503 904999	1
145	273N1014-4		... GLAND- USED ON: 273N1014-3	002004 006100 107107	1
150	273N1081-1		.. GLAND FOLLOWER USED ON: 273N1004-3	121503 904999	1
155	S33555-328H5		.. SEAL-HAT SUPPLIER CODE: V09257	002004 006100 107107	1
				121503 904999	

MISSING ITEM NUMBERS NOT APPLICABLE

- ITEM NOT ILLUSTRATED

32-34-01-02

32-34-01  
FIG. 02  
PAGE 6  
JAN 20/09

BRI

BOEING PROPRIETARY - Copyright © - Unpublished Work - See title page for details.



757

PARTS CATALOG (MAINTENANCE)

FIG ITEM	PART NUMBER	1 2 3 4 5 6 7	NOMENCLATURE	EFFECT FROM TO	UNITS PER ASSY
2					
160	273N1013-1	..	BUSHING	002004 006100 107107 121503 904999	1
165	7347MT952T	..	RING-G.T. SUPPLIER CODE: V5F573	002004 006100 107107 121503 904999	1
170	273N1007-1	..	ROD-PISTON OPTIONAL PART: 273N1007-3	002004 006100 107107 121503 904999	1
170	273N1007-3	..	ROD-PISTON OPTIONAL PART: 273N1007-1	002004 006100 107107 121503 904999	1
175	MS16562-203	..	PIN	002004 006100 107107 121503 904999	1
180	273N1109-1	..	RING-SHEAR	002004 006100 107107 121503 904999	1
185	273N1018-2	..	RETAINER-SPR	002004 006100 107107 121503 904999	1
190	273N1017-2	..	SPRING	002004 006100 107107 121503 904999	1
195	NAS1611-114	..	PACKING-	002004 006100 107107 121503 904999	2

MISSING ITEM NUMBERS NOT APPLICABLE

- ITEM NOT ILLUSTRATED

32-34-01-02

32-34-01  
FIG. 02  
PAGE 7  
JAN 20/09

BRI

BOEING PROPRIETARY - Copyright © - Unpublished Work - See title page for details.



757

PARTS CATALOG (MAINTENANCE)

FIG ITEM	PART NUMBER	1 2 3 4 5 6 7	NOMENCLATURE	EFFECT FROM TO	UNITS PER ASSY
2					
200	MS28782-12	. .	RING	002004 006100 107107 121503 904999	4
205	273N1016-2	. .	SLEEVE ASSY-AND SLIDE	002004 006100 107107 121503 904999	1
210	273N1084-2	. . .	SLIDE	002004 006100 107107 121503 904999	1
215	273N1085-1	. . .	SLEEVE	002004 006100 107107 121503 904999	1
220	273N1083-1	. .	BOLT	002004 006100 107107 121503 904999	3
225	66-12156-13	. .	CUP-LOCKWASHER	002004 006100 107107 121503 904999	3
230	273N1082-1	. .	RETAINER-BUSHING	002004 006100 107107 121503 904999	1
235	273N1019-1	. .	LOCK NUT	002004 006100 107107 121503 904999	1
240	273N1020-1	. .	KEY	002004 006100 107107 121503 904999	1

MISSING ITEM NUMBERS NOT APPLICABLE

- ITEM NOT ILLUSTRATED

32-34-01-02

32-34-01  
FIG. 02  
PAGE 8  
JAN 20/09

BRI

BOEING PROPRIETARY - Copyright © - Unpublished Work - See title page for details.



757

PARTS CATALOG (MAINTENANCE)

FIG ITEM	PART NUMBER	1 2 3 4 5 6 7	NOMENCLATURE	EFFECT FROM TO	UNITS PER ASSY
2					
245	273N1009-1	..	HEAD END ASSY	002004 006100 107107 121503 904999	1
250	BACP20AX37P	...	PIN	002004 006100 107107 121503 904999	1
255	BACP20AX37	...	PLUG	002004 006100 107107 121503 904999	1
260	1728B	...	FITTING-LUBE SUPPLIER CODE: VOFKM1	002004 006100 107107 121503 904999	1
265	273N1009-2	...	HEAD END- ALTERED FROM PART NUMBER: 273N1009-3 OPTIONAL PART: 273N1009-4	002004 006100 107107 121503 904999	1
265	273N1009-4	...	HEAD END-HOGOUT OPTIONAL PART: 273N1009-2	002004 006100 107107 121503 904999	1
270	NAS1611-428	..	PACKING- PRE SERVICE LETTER: 20-031	002004 006100 107107 121503 904999	1
275	MS28782-55	..	RING	002004 006100 107107 121503 904999	2
280	MS16562-207	..	PIN	002004 006100 107107 121503 904999	1

MISSING ITEM NUMBERS NOT APPLICABLE

- ITEM NOT ILLUSTRATED

32-34-01-02

32-34-01  
FIG. 02  
PAGE 9  
JAN 20/09

BRI

BOEING PROPRIETARY - Copyright © - Unpublished Work - See title page for details.



757

PARTS CATALOG (MAINTENANCE)

FIG ITEM	PART NUMBER	1 2 3 4 5 6 7	NOMENCLATURE	EFFECT FROM TO	UNITS PER ASSY
2					
285	273N1024-1	..	RETAINER-SPR	002004 006100 107107 121503 904999	1
290	273N1023-1	..	SPRING	002004 006100 107107 121503 904999	1
295	273N1022-1	..	SLEEVE ASSY-AND SLIDE	002004 006100 107107 121503 904999	1
300	273N1087-1	...	SLEEVE	002004 006100 107107 121503 904999	1
305	273N1086-1	...	SLIDE	002004 006100 107107 121503 904999	1
310	NAS1611-212	..	SEAL-	002004 006100 107107 121503 904999	1
315	MS28782-17	..	PACKING	002004 006100 107107 121503 904999	2
320	273N1104-1	..	RETAINER-SPR	002004 006100 107107 121503 904999	1
325	66-12156-7	..	CUP-LOCKWASHER	002004 006100 107107 121503 904999	1

MISSING ITEM NUMBERS NOT APPLICABLE

- ITEM NOT ILLUSTRATED

32-34-01-02

32-34-01  
FIG. 02  
PAGE 10  
JAN 20/09

BRI

BOEING PROPRIETARY - Copyright © - Unpublished Work - See title page for details.



757

PARTS CATALOG (MAINTENANCE)

FIG ITEM	PART NUMBER	1 2 3 4 5 6 7	NOMENCLATURE	EFFECT FROM TO	UNITS PER ASSY
2					
325	273N1106-1	..	WASHER-TAB	002004 006100 107107 121503 904999	1
330	273N1105-1	..	RING ASSY-LOCK	002004 006100 107107 121503 904999	1
335	273N1107-1	...	PIN	002004 006100 107107 121503 904999	1
340	273N1105-2	...	RING-LOCK	002004 006100 107107 121503 904999	2
345	273N1008-1	..	CYLINDER	002004 006100 107107 121503 904999	1
- 500	273N1004-5		ACTUATOR ASSY-RETRACT COMPONENT MAINT MANUAL REF: 32-34-09 FOR NHA SEE: 32-21-00-01B	002004 006100 107107 121503 904999	RF
- 500	273N1004-5		ACTUATOR ASSY-RETRACT COMPONENT MAINT MANUAL REF: 32-34-09 FOR NHA SEE: 32-34-01-01	101102 108120 504903	RF
505	MS21902D8	.	UNION	002004 006102 107999	1
507	ASC6DB	.CAP-	SUPPLIER CODE: V95760	002004 006102 107999	1
510	NAS1612-8A	.PACKING		002004 006102 107999	1
512	ASC8D8	.CAP		002004 006102 107999	1

MISSING ITEM NUMBERS NOT APPLICABLE

- ITEM NOT ILLUSTRATED

32-34-01-02

32-34-01  
FIG. 02  
PAGE 11  
JAN 20/09

BRI



757

PARTS CATALOG (MAINTENANCE)

FIG ITEM	PART NUMBER	1 2 3 4 5 6 7	NOMENCLATURE	EFFECT FROM TO	UNITS PER ASSY
2					
515	9R3562	.	UNION- SUPPLIER CODE: V99240	002004 006102 107999	1
520	NAS1612-6A	.	PACKING	002004 006102 107999	1
525	273N1004-4	.	ACTUATOR ASSY- MISCELLANEOUS DATA: FOR SPARES PROCURE LOWER COMPONENTS	002004 006102 107999	1
530	BAC27NHY0023	..	MARKER-ALUMINUM	002004 006102 107999	1
535	69B80300-1	..	STRAP	002004 006102 107999	1
540	273N1011-1	..	RETAINER	002004 006102 107999	1
			ATTACHING PARTS		
545	BACB30NM4HK2	..	BOLT- OPTIONAL PART: NAS6604H2	002004 006102 107999	4
545	NAS6604H2	..	BOLT- OPTIONAL PART: BACB30NM4HK2	002004 006102 107999	4
550	NAS1149D0463H	..	WASHER	002004 006102 107999	4
			-----*-----		
555	273N1045-1	..	BEARING-SPHERICAL SPLIT BALL	002004 006102 107999	2
560	273N1045-2	...	BEARING-HALF	002004 006102 107999	1
565	273N1045-3	...	BEARING-HALF	002004 006102 107999	1
570	273N1006-1	..	ROD END ASSY	002004 006102 107999	1
575	273N1006-2	...	ROD END	002004 006102 107999	1
580	1728B	...	FITTING- SUPPLIER CODE: VOFKM1	002004 006102 107999	2

MISSING ITEM NUMBERS NOT APPLICABLE

- ITEM NOT ILLUSTRATED

BRI

32-34-01-02

32-34-01  
FIG. 02  
PAGE 12  
JAN 20/09



757

PARTS CATALOG (MAINTENANCE)

FIG ITEM	PART NUMBER	1 2 3 4 5 6 7	NOMENCLATURE	EFFECT FROM TO	UNITS PER ASSY
2					
585	66-12156-7	..	CUP-LOCKWASHER	002004 006102 107999	1
590	CWR76-20B	..	SCRAPER SUPPLIER CODE: V26879 SPECIFICATION NUMBER: BACS34A20A OPTIONAL PART: DW96801-20A V02886 RMS34A20A V94878 TF005-20A V07128 2140-20A V26303	002004 006102 107999	1
595	273N1010-1	..	NUT-SEAL	002004 006102 107999	1
600	273N1012-1	..	RING-SHEAR	002004 006102 107999	3
605	S30310-245	..	RING SUPPLIER CODE: V09257 SPECIFICATION NUMBER: BACR12BP245 OPTIONAL PART: DW969516-245 V02886 RM9157BU245 V94878 STS900-245 V02107 TF456-245 V07128 2150-245 V26303 C11237-245 V26879	002004 006102 107999	4
610	NAS1611-245A	..	PACKING	002004 006102 107999	2
620	273N1014-3	..	GLAND ASSY-	002004 006102 107999	1

MISSING ITEM NUMBERS NOT APPLICABLE

- ITEM NOT ILLUSTRATED

32-34-01-02

32-34-01  
FIG. 02  
PAGE 13  
JAN 20/09

BRI





757

PARTS CATALOG (MAINTENANCE)

FIG ITEM	PART NUMBER	1 2 3 4 5 6 7	NOMENCLATURE	EFFECT FROM TO	UNITS PER ASSY
2					
620	273N1014-1	..	GLAND ASSY-	002004 006102 107999	1
625	MS21209F4-15P	...	INSERT	002004 006102 107999	7
630	273N1014-4	...	GLAND	002004 006102 107999	1
635	273N1081-1	..	GLAND FOLLOWER	002004 006102 107999	1
640	S33555-328H5	..	SEAL-HAT SUPPLIER CODE: V09257	002004 006102 107999	1
645	273N1013-1	..	BUSHING	002004 006102 107999	1
650	7347MT952T	..	RING-G.T. SUPPLIER CODE: V5F573	002004 006102 107999	1
655	273N1007-1	..	ROD-PISTON OPTIONAL PART: 273N1007-3	002004 006102 107999	1
655	273N1007-3	..	ROD-PISTON OPTIONAL PART: 273N1007-1	002004 006102 107999	1
660	MS16562-203	..	PIN	002004 006102 107999	1
665	273N1109-1	..	RING-SHEAR	002004 006102 107999	1
670	273N1018-2	..	RETAINER-SPR	002004 006102 107999	1
675	273N1017-2	..	SPRING	002004 006102 107999	1
680	NAS1611-114A	..	PACKING	002004 006102 107999	2
685	MS28782-12	..	RING	002004 006102 107999	4
690	273N1016-2	..	SLEEVE ASSY-AND SLIDE	002004 006102 107999	1

MISSING ITEM NUMBERS NOT APPLICABLE

- ITEM NOT ILLUSTRATED

BRI

32-34-01-02

32-34-01  
FIG. 02  
PAGE 14  
JAN 20/09



757

PARTS CATALOG (MAINTENANCE)

FIG ITEM	PART NUMBER	1 2 3 4 5 6 7	NOMENCLATURE	EFFECT FROM TO	UNITS PER ASSY
2					
695	273N1084-2	...	SLIDE	002004 006102 107999	1
700	273N1085-1	...	SLEEVE	002004 006102 107999	1
705	273N1083-1	..	BOLT	002004 006102 107999	3
710	66-12156-13	..	CUP-LOCKWASHER	002004 006102 107999	3
715	273N1082-1	..	RETAINER-BUSHING	002004 006102 107999	1
720	273N1019-1	..	LOCK NUT	002004 006102 107999	1
725	273N1020-1	..	KEY	002004 006102 107999	1
730	273N1009-1	..	HEAD END ASSY	002004 006102 107999	1
735	BACP20AX37P	...	PIN	002004 006102 107999	1
740	BACP20AX37	...	PLUG	002004 006102 107999	1
745	1728B	...	FITTING-LUBE SUPPLIER CODE: VOFKM1	002004 006102 107999	1
750	273N1009-2	...	HEAD END- ALTERED FROM PART NUMBER: 273N1009-3	002004 006102 107999	1
750	273N1009-4	...	HEAD END-HOGOUT OPTIONAL PART: 273N1009-4	002004 006102 107999	1
755	NAS1611-428A	..	PACKING	002004 006102 107999	1
760	MS28782-55	..	RING	002004 006102 107999	2

MISSING ITEM NUMBERS NOT APPLICABLE

- ITEM NOT ILLUSTRATED

32-34-01-02

32-34-01  
FIG. 02  
PAGE 15  
JAN 20/09

BRI

BOEING PROPRIETARY - Copyright © - Unpublished Work - See title page for details.



757

PARTS CATALOG (MAINTENANCE)

FIG ITEM	PART NUMBER	1 2 3 4 5 6 7	NOMENCLATURE	EFFECT FROM TO	UNITS PER ASSY
2					
765	MS16562-207	..	PIN	002004 006102 107999	1
770	273N1024-1	..	RETAINER-SPR	002004 006102 107999	1
775	273N1023-1	..	SPRING	002004 006102 107999	1
780	273N1022-1	..	SLEEVE ASSY-AND SLIDE	002004 006102 107999	1
785	273N1087-1	...	SLEEVE	002004 006102 107999	1
790	273N1086-1	...	SLIDE	002004 006102 107999	1
795	NAS1611-212A	..	PACKING	002004 006102 107999	1
800	MS28782-17	..	PACKING	002004 006102 107999	2
805	273N1104-1	..	RETAINER-SPR	002004 006102 107999	1
810	273N1106-1	..	WASHER-TAB	002004 006102 107999	1
815	273N1105-1	..	RING ASSY-LOCK	002004 006102 107999	1
820	273N1107-1	...	PIN	002004 006102 107999	1
825	273N1105-2	...	RING-LOCK	002004 006102 107999	2
830	273N1008-1	..	CYLINDER	002004 006102 107999	1

MISSING ITEM NUMBERS NOT APPLICABLE

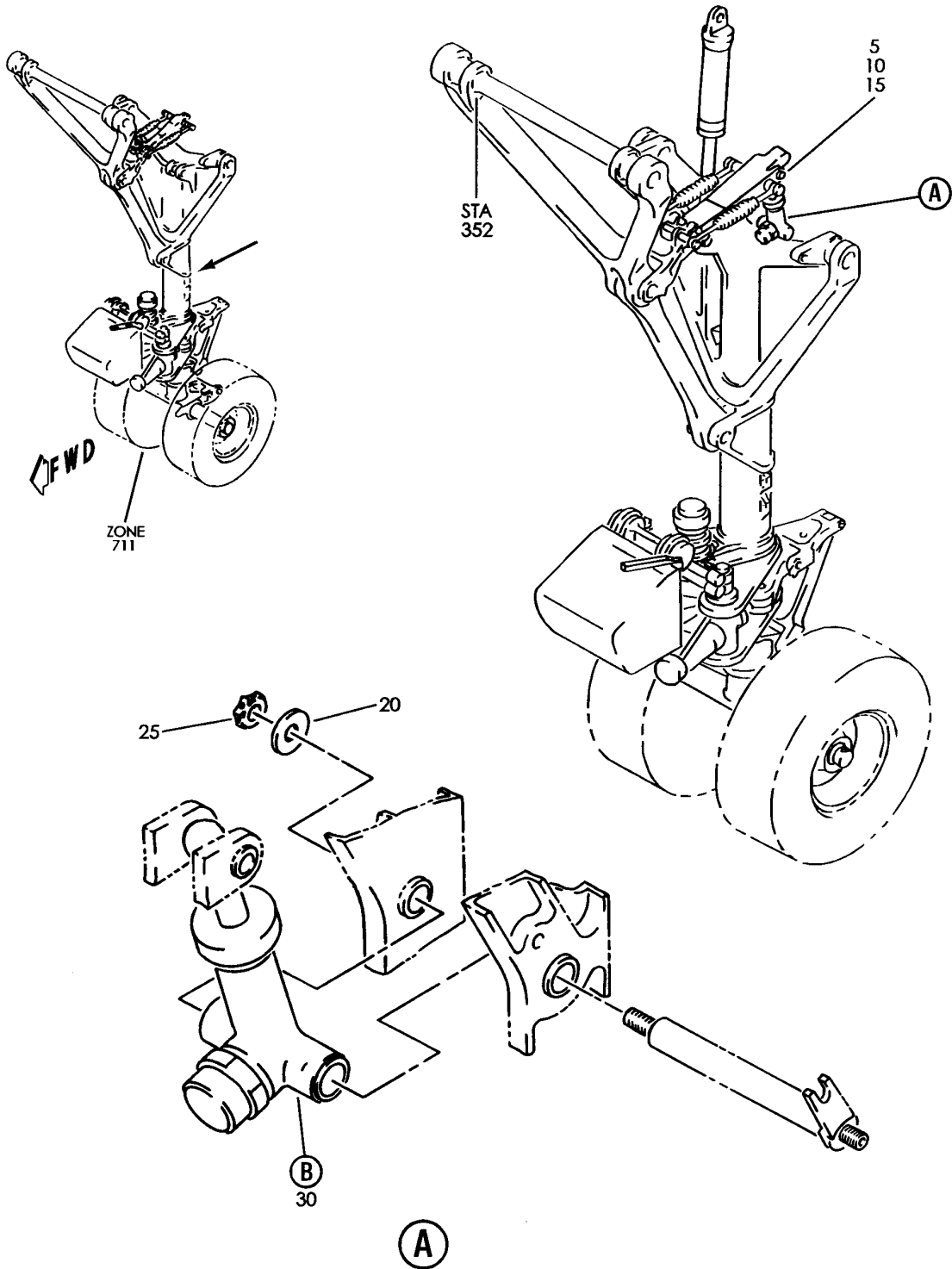
- ITEM NOT ILLUSTRATED

BRI

32-34-01-02

32-34-01  
FIG. 02  
PAGE 16  
JAN 20/09

**BOEING**  
757  
PARTS CATALOG (MAINTENANCE)



Y 32340201 SHT 1 REV 209

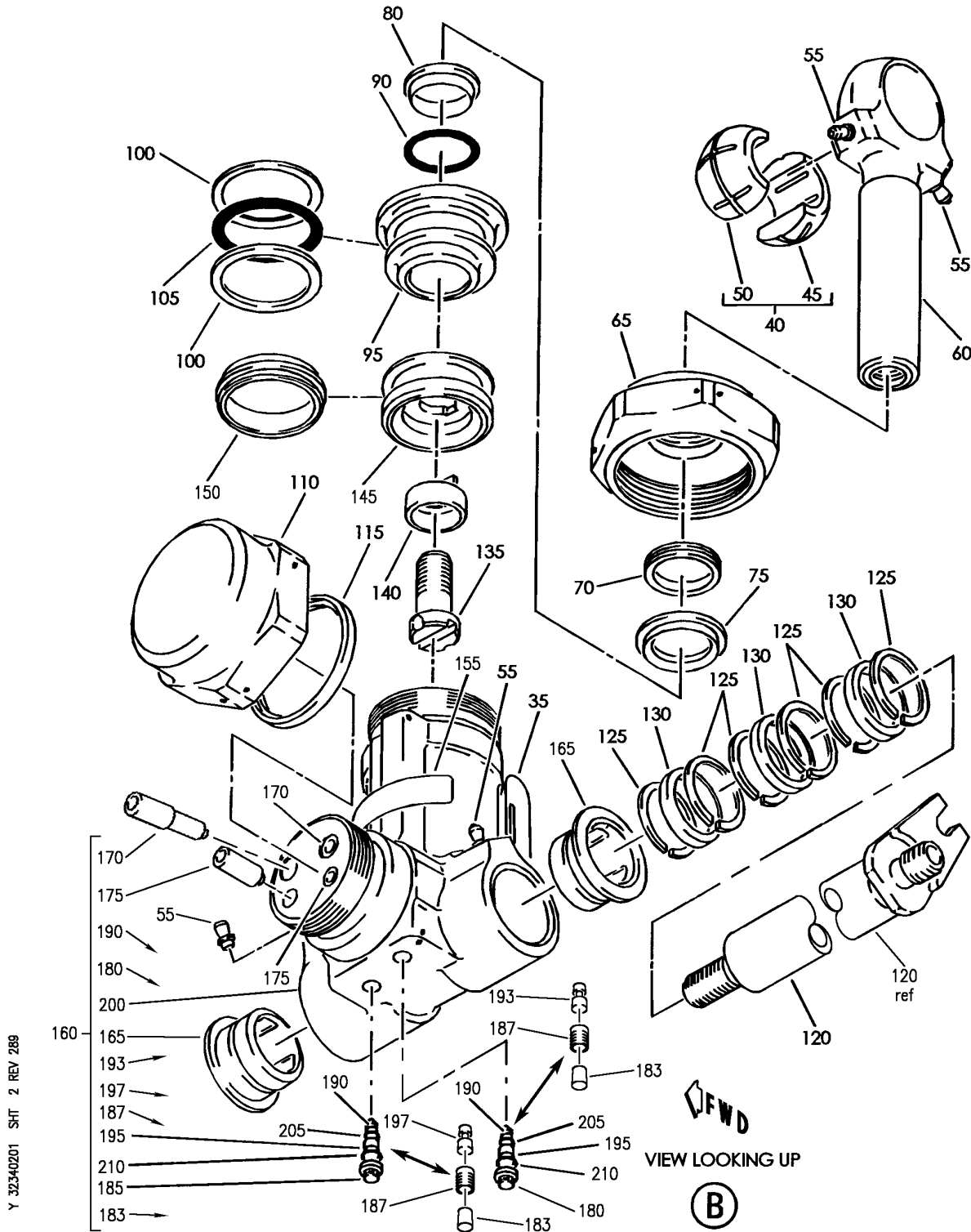
LOCK ACTUATOR INSTL NOSE LANDING GEAR  
FIGURE 1 (SHEET 1)

**32-34-02-01**

BRI  
MAY 28/07

32-34-02-01  
PAGE 0

**BOEING**  
757  
PARTS CATALOG (MAINTENANCE)



LOCK ACTUATOR INSTL NOSE LANDING GEAR  
FIGURE 1 (SHEET 2)

**32-34-02-01**

BRI  
MAY 28/07

32-34-02-01  
PAGE 0A



757

PARTS CATALOG (MAINTENANCE)

FIG ITEM	PART NUMBER	1 2 3 4 5 6 7	NOMENCLATURE	EFFECT FROM TO	UNITS PER ASSY
1			LOCK ACTUATOR INSTL NOSE LANDING GEAR	101106 108120 504903	
- 1	273N1200-1		LOCK ACTUATOR INSTL- NOSE LANDING GEAR FOR NHA SEE: 32-00-00-15	101102 108120 504903	RF
- 1	MODREF8257		LOCK ACTUATOR INSTL- NOSE LANDING GEAR MODULE NUMBER: 273N1200-1 REV A	103106	1
5	273N1093-1		.PIN-ANTI-ROTATION	101106 108120 504903	1
10	BACS12BP3AP9		.SCREW	101106 108120 504903	1
15	BACW10BP31ACU		.WASHER	101106 108120 504903	1
20	BACW10P74S		.WASHER-	101106 108120 504903	1
25	NAS509-7		.NUT	101106 108120 504903	1
30	273N1005-2		.ACTUATOR ASSY-LOCK COMPONENT MAINT MANUAL REF: 32-34-32	101106 108120 504903	1
30	273N1005-1		.ACTUATOR ASSY-LOCK COMPONENT MAINT MANUAL REF: 32-34-32	101106 108120 504903	1
35	BAC27NHY0024		..NAMEPLATE	101106 108120 504903	1
40	273N1045-7		..BEARING ASSY-BALL	101106 108120 504903	1
45	273N1045-8		...BEARING HALF	101106 108120 504903	1
50	273N1045-9		...BEARING HALF	101106 108120 504903	1
55	1728B		..FITTING-LUBE SUPPLIER CODE: VOFKM1	101106 108120 504903	4

MISSING ITEM NUMBERS NOT APPLICABLE

- ITEM NOT ILLUSTRATED

32-34-02-01

32-34-02  
FIG. 01  
PAGE 1  
JAN 20/09

BRI



757

PARTS CATALOG (MAINTENANCE)

FIG ITEM	PART NUMBER	1 2 3 4 5 6 7	NOMENCLATURE	EFFECT FROM TO	UNITS PER ASSY
1					
60	273N1033-1	..	ROD-PISTON	101106 108120 504903	1
65	273N1035-1	..	NUT	101106 108120 504903	1
70	CWR76-5B	..	SCRAPER SUPPLIER CODE: V26879 SPECIFICATION NUMBER: BACS34A5A OPTIONAL PART: TF005-5A V07128 2140-5A V26303 DW96801-5A V02886 RMS34A5A V94878	101106 108120 504903	1
75	273N1038-1	..	RING-RETAINING	101106 108120 504903	1
80	S12095-210-9	..	SEAL- SUPPLIER CODE: V09257	101106 108120 504903	1
- 85	S33555-210H5	..	SEAL-HAT SUPPLIER CODE: V09257	101106 108120 504903	1
90	NAS1611-210	..	PACKING-	101106 108120 504903	1
95	273N1034-1	..	BEARING	101106 108120 504903	1
100	MS27595-217	..	RING	101106 108120 504903	2
105	NAS1611-217	..	SEAL-	101106 108120 504903	1
110	273N1037-1	..	CAP-VALVE CAVITY	101106 108120 504903	1
115	7129FS952T	..	SEAL- SUPPLIER CODE: V5F573	101106 108120 504903	1

MISSING ITEM NUMBERS NOT APPLICABLE

- ITEM NOT ILLUSTRATED

32-34-02-01

32-34-02  
FIG. 01  
PAGE 2  
JAN 20/09

BRI

 **BOEING**  
757  
**PARTS CATALOG (MAINTENANCE)**

FIG ITEM	PART NUMBER	1 2 3 4 5 6 7	NOMENCLATURE	EFFECT FROM TO	UNITS PER ASSY
1					
120	273N1039-1	..	PIN-SWIVEL	101106 108120 504903	1
125	S33157-211-19	..	RING-BACKUP SUPPLIER CODE: V09257	101106 108120 504903	6
130	S30775-211H99	..	SEAL- SUPPLIER CODE: V09257	101106 108120 504903	3
135	273N1041-1	..	BOLT- OPTIONAL PART: 273N1036-1	101106 108120 504903	1
135	273N1036-1	..	BOLT- OPTIONAL PART: 273N1041-1	101106 108120 504903	1
140	273N1042-1	..	WASHER-CUP OPTIONAL PART: 66-12156-36	101106 108120 504903	1
140	66-12156-36	..	WASHER-CUP OPTIONAL PART: 273N1042-1	101106 108120 504903	1
145	273N1032-1	..	HEAD-PISTON	101106 108120 504903	1
150	7216MT952T	..	SEAL- SUPPLIER CODE: V5F573	101106 108120 504903	1
155	69B80300-10	..	STRAP	101106 108120 504903	1
160	273N1030-2	..	BODY SUBASSY- USED ON: 273N1005-2	101106 108120 504903	1
160	273N1030-1	..	BODY SUBASSY- USED ON: 273N1005-1	101106 108120 504903	1
165	273N1040-1	...	BUSHING	101106 108120 504903	2
170	PRRX0527400B	...	PRI- SUPPLIER CODE: V92555 USED ON: 273N1030-2	101106 108120 504903	2
170	PRRX0508350A	...	PRI- SUPPLIER CODE: V92555 USED ON: 273N1030-1	101106 108120 504903	2

MISSING ITEM NUMBERS NOT APPLICABLE

— ITEM NOT ILLUSTRATED

# 32-34-02-01

32-34-02  
FIG. 01  
PAGE 3  
JAN 20/09

BRI

BOEING PROPRIETARY - Copyright © - Unpublished Work - See title page for details.





757

PARTS CATALOG (MAINTENANCE)

FIG ITEM	PART NUMBER	1 2 3 4 5 6 7	NOMENCLATURE	EFFECT FROM TO	UNITS PER ASSY
1					
175	CKFA2506005A	...	VALVE- SUPPLIER CODE: V92555	101106 108120 504903	2
180	AARX0500550B	...	BOSS ACCESS-RESTRICTOR SUPPLIER CODE: V92555 USED ON: 273N1030-2	101106 108120 504903	1
183	BACP20AX18P	...	PLUG- USED ON: 273N1030-1	101106 108120 504903	2
185	AARX0500600B	...	BOSS ACCESS-RESTRICTOR SUPPLIER CODE: V92555 USED ON: 273N1030-2	101106 108120 504903	1
187	BACP20AX18	...	PLUG- USED ON: 273N1030-1	101106 108120 504903	2
190	NAS1611-006	...	PACKING- USED ON: 273N1030-2	101106 108120 504903	2
193	JETA1872500D	...	JET- SUPPLIER CODE: V92555 USED ON: 273N1030-1	101106 108120 504903	1
195	NAS1611-009	...	PACKING- USED ON: 273N1030-2	101106 108120 504903	2
197	JETA1875850D	...	JET- SUPPLIER CODE: V92555 USED ON: 273N1030-1	101106 108120 504903	1
200	273N1029-3	...	BODY- USED ON: 273N1030-2	101106 108120 504903	1
200	273N1029-1	...	BODY- USED ON: 273N1030-1	101106 108120 504903	1

MISSING ITEM NUMBERS NOT APPLICABLE

- ITEM NOT ILLUSTRATED

32-34-02-01

32-34-02  
FIG. 01  
PAGE 4  
JAN 20/09

BRI

BOEING PROPRIETARY - Copyright © - Unpublished Work - See title page for details.



757

PARTS CATALOG (MAINTENANCE)

FIG ITEM	PART NUMBER	1 2 3 4 5 6 7	NOMENCLATURE	EFFECT FROM TO	UNITS PER ASSY
1 205	C11236-006B		...RING- SUPPLIER CODE: V26879 SPECIFICATION NUMBER: BACR12BM006 OPTIONAL PART: RMR12BM006 V94878 STF800-006 V02107 S30294-006-1 V97820 TF450-006A V07128 2100-006 V26303 USED ON: 273N1030-2	101106 108120 504903	4
210	C11236-009B		...RING- SUPPLIER CODE: V26879 SPECIFICATION NUMBER: BACR12BM009 OPTIONAL PART: RMR12BM009 V94878 STF800-009 V02107 S30294-009-1 V97820 TF450-009A V07128 2100-009 V26303 USED ON: 273N1030-2	101106 108120 504903	4

MISSING ITEM NUMBERS NOT APPLICABLE

- ITEM NOT ILLUSTRATED

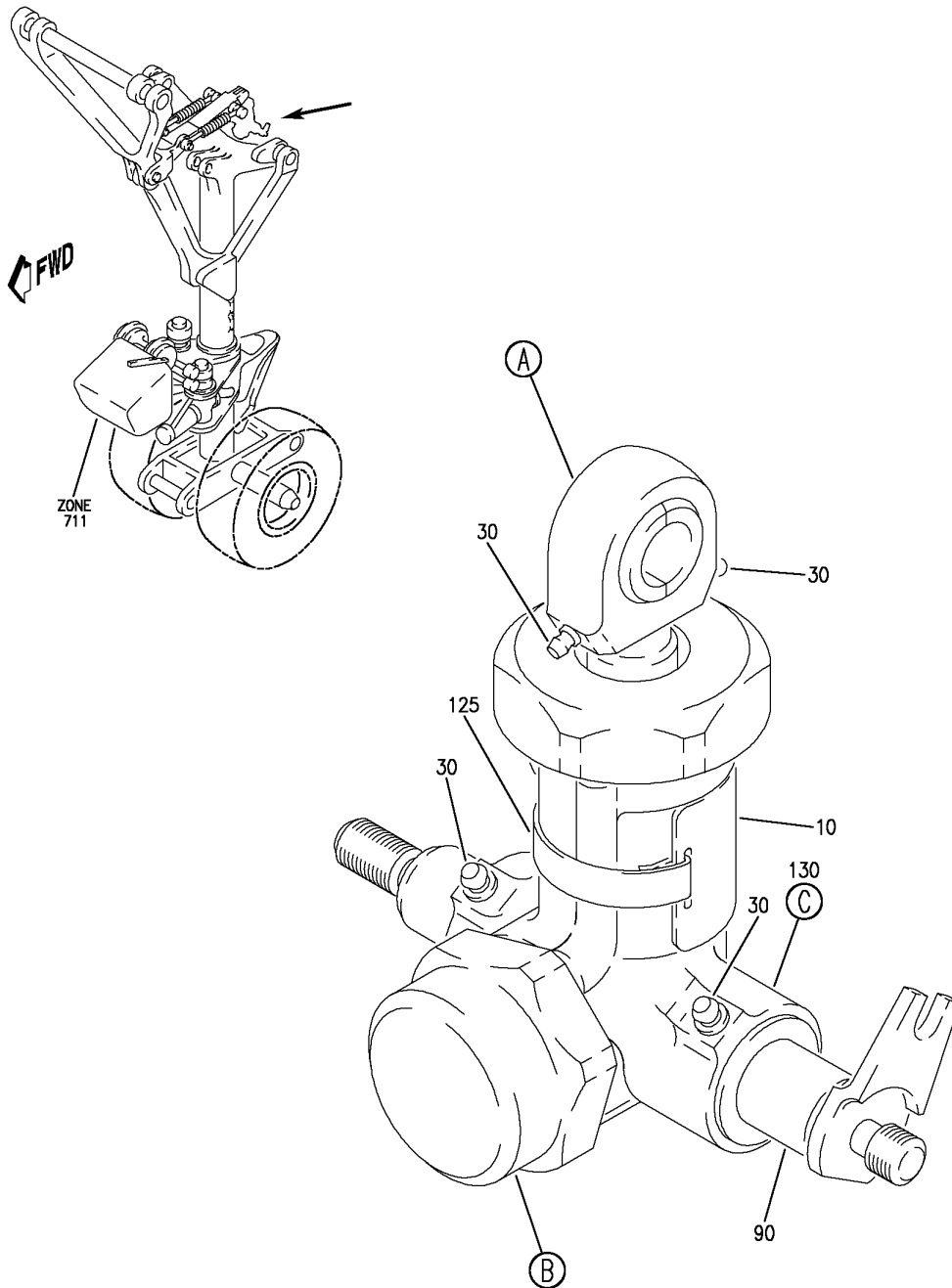
BRI

32-34-02-01

BOEING PROPRIETARY - Copyright © - Unpublished Work - See title page for details.

32-34-02  
FIG. 01  
PAGE 5  
JAN 20/09

**BOEING**  
757  
PARTS CATALOG (MAINTENANCE)



Y 32340202 SH1 1 REV 249

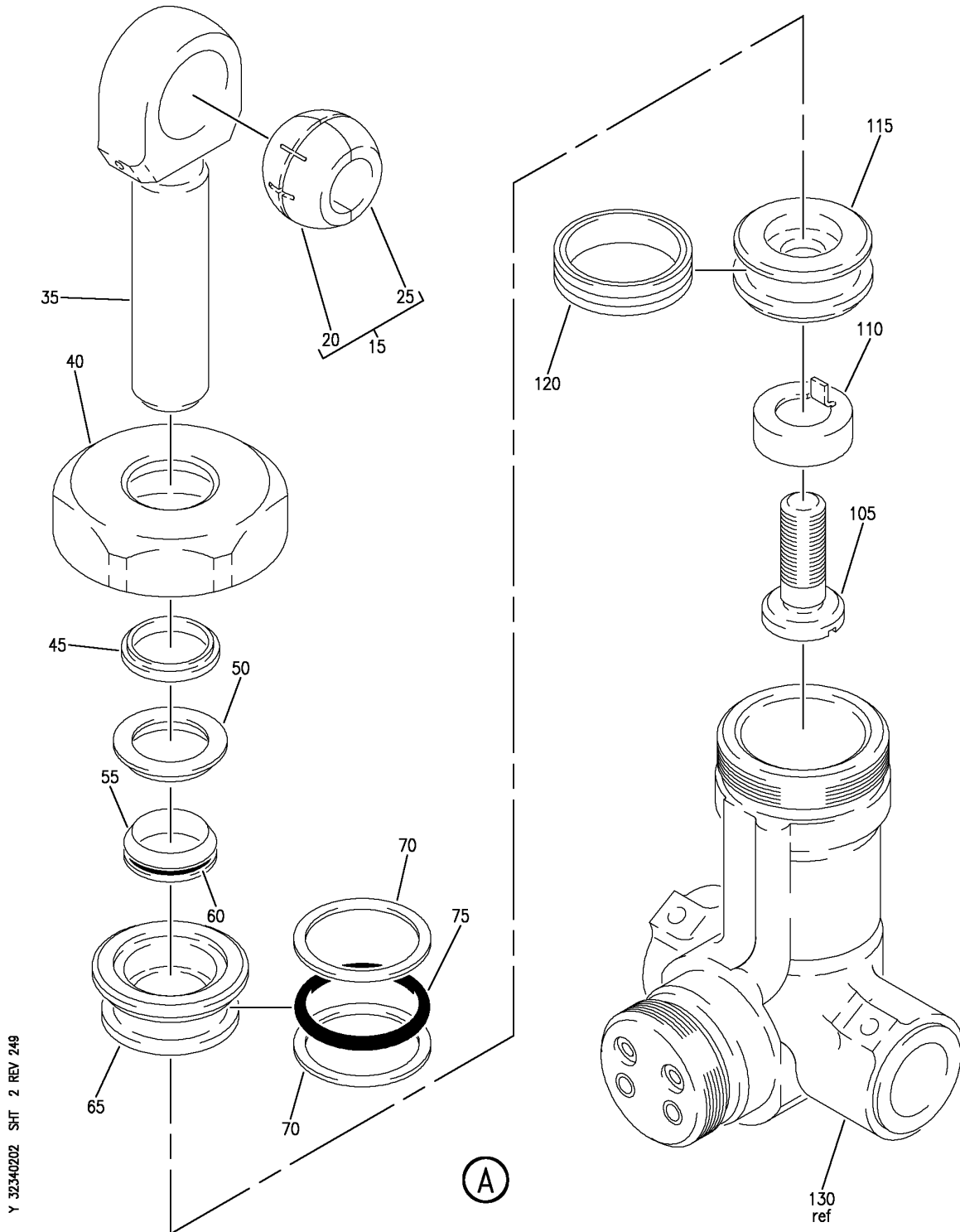
ACTUATOR ASSY-LOCK NLG  
FIGURE 2 (SHEET 1)

**32-34-02-02**

BRI  
MAY 28/07

32-34-02-02  
PAGE 0

**BOEING**  
757  
PARTS CATALOG (MAINTENANCE)



Y 32340202 SHT 2 REV 249

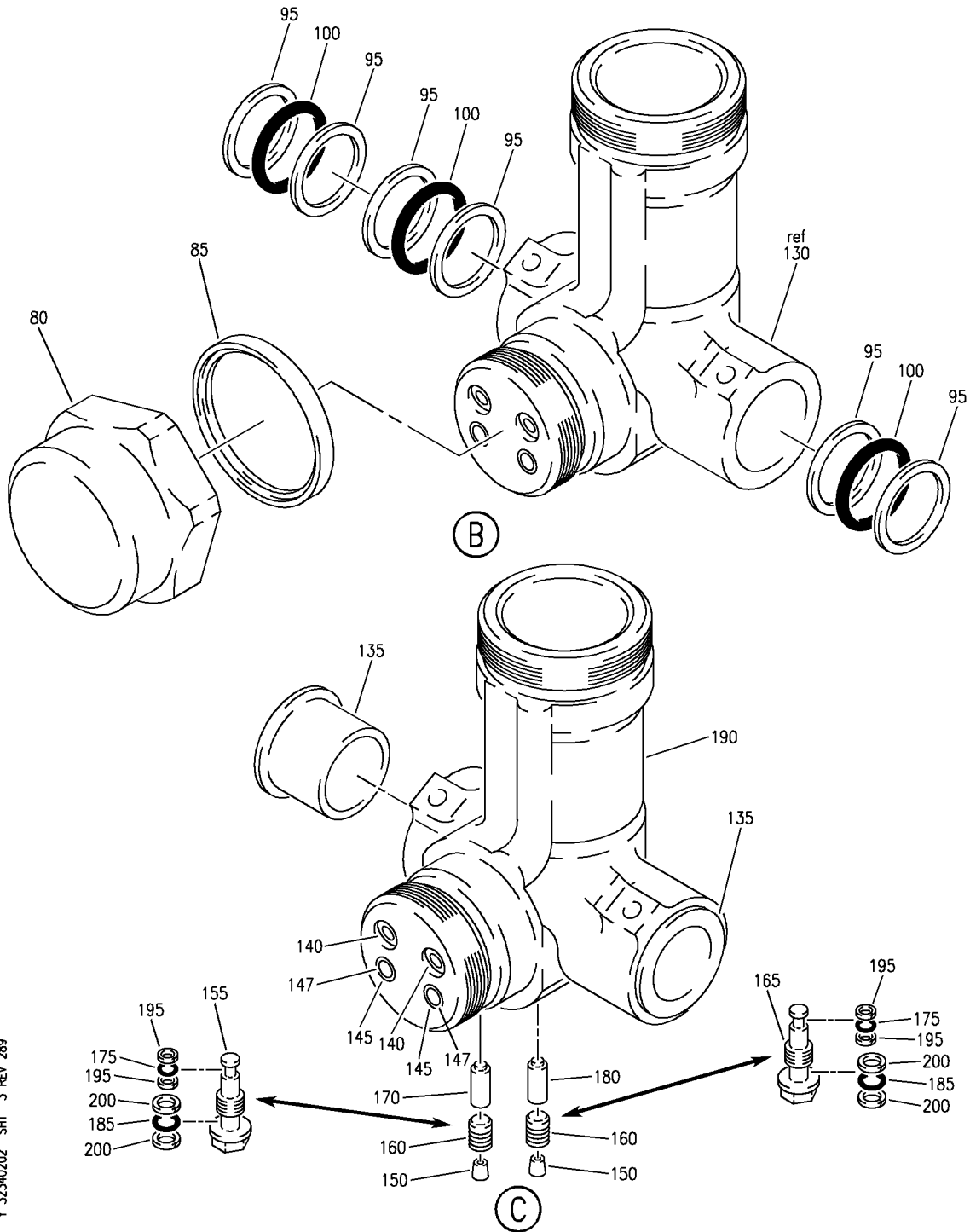
ACTUATOR ASSY-LOCK NLG  
FIGURE 2 (SHEET 2)

**32-34-02-02**

BRI  
MAY 28/07

32-34-02-02  
PAGE 0A

**BOEING**  
757  
PARTS CATALOG (MAINTENANCE)



Y 32340202 SHT 3 REV 289

ACTUATOR ASSY-LOCK NLG  
FIGURE 2 (SHEET 3)

**32-34-02-02**

BRI  
MAY 28/07

32-34-02-02  
PAGE 0B



757

PARTS CATALOG (MAINTENANCE)

FIG ITEM	PART NUMBER	1 2 3 4 5 6 7	NOMENCLATURE	EFFECT FROM TO	UNITS PER ASSY
2			ACTUATOR ASSY-LOCK NLG	002004 006100 107107 121503 904999	
- 1	273N1005-1		ACTUATOR ASSY-LOCK NLG COMPONENT MAINT MANUAL REF: 32-34-32 FOR NHA SEE: 32-21-00-01B	002004 006100 107107 121503 904999	RF
- 1	273N1005-2		ACTUATOR ASSY-LOCK NLG COMPONENT MAINT MANUAL REF: 32-34-32 FOR NHA SEE: 32-21-00-01B	002004 006100 107107 121503 904999	RF
10	BAC27NHY0024		.NAMEPLATE	002004 006100 107107 121503 904999	1
15	273N1045-7		.BEARING ASSY-BALL	002004 006100 107107 121503 904999	1
20	273N1045-8		..BEARING HALF	002004 006100 107107 121503 904999	1
25	273N1045-9		..BEARING HALF	002004 006100 107107 121503 904999	1
30	1728B		.FITTING-LUBE SUPPLIER CODE: VOFKM1	002004 006100 107107 121503 904999	4
35	273N1033-1		.ROD-PISTON	002004 006100 107107 121503 904999	1

MISSING ITEM NUMBERS NOT APPLICABLE

- ITEM NOT ILLUSTRATED

BRI

32-34-02-02

32-34-02  
FIG. 02  
PAGE 1  
JAN 20/09



757

PARTS CATALOG (MAINTENANCE)

FIG ITEM	PART NUMBER	1 2 3 4 5 6 7	NOMENCLATURE	EFFECT FROM TO	UNITS PER ASSY
2					
40	273N1035-1	.	NUT	002004 006100 107107 121503 904999	1
45	CWR76-5B	.	SCRAPER- SUPPLIER CODE: V26879 SPECIFICATION NUMBER: BACS34A5A OPTIONAL PART: TF005-5A V07128 2140-5A V26303 DW96801-5A V02886 RMS34A5A V94878	002004 006100 107107 121503 904999	1
50	273N1038-1	.	RING-RETAINING	002004 006100 107107 121503 904999	1
55	S12095-210-9	.	SEAL- SUPPLIER CODE: V09257	002004 006100 107107 121503 904999	1
55	S33555-210H5	.	SEAL-HAT SUPPLIER CODE: V09257	002004 006100 107107 121503 904999	1
60	NAS1611-210	.	PACKING-	002004 006100 107107 121503 904999	1
65	273N1034-1	.	BEARING	002004 006100 107107 121503 904999	1
70	MS27595-217	.	RING	002004 006100 107107 121503 904999	2

MISSING ITEM NUMBERS NOT APPLICABLE

- ITEM NOT ILLUSTRATED

32-34-02-02

32-34-02  
FIG. 02  
PAGE 2  
JAN 20/09

BRI

BOEING PROPRIETARY - Copyright © - Unpublished Work - See title page for details.



757

PARTS CATALOG (MAINTENANCE)

FIG ITEM	PART NUMBER	1 2 3 4 5 6 7	NOMENCLATURE	EFFECT FROM TO	UNITS PER ASSY
2					
75	NAS1611-217	.	SEAL-	002004 006100 107107 121503 904999	1
80	273N1037-1	.	CAP-VALVE CAVITY	002004 006100 107107 121503 904999	1
85	7129FS952T	.	SEAL- SUPPLIER CODE: V5F573	002004 006100 107107 121503 904999	1
90	273N1039-1	.	PIN-SWIVEL	002004 006100 107107 121503 904999	1
95	S33157-211-19	.	RING-BACKUP SUPPLIER CODE: V09257	002004 006100 107107 121503 904999	6
100	S30775-211H99	.	SEAL- SUPPLIER CODE: V09257	002004 006100 107107 121503 904999	3
105	273N1041-1	.	BOLT- OPTIONAL PART: 273N1036-1	002004 006100 107107 121503 904999	1
105	273N1036-1	.	BOLT- OPTIONAL PART: 273N1041-1	002004 006100 107107 121503 904999	1
110	273N1042-1	.	WASHER-CUP OPTIONAL PART: 66-12156-36	002004 006100 107107 121503 904999	1

MISSING ITEM NUMBERS NOT APPLICABLE

- ITEM NOT ILLUSTRATED

32-34-02-02

32-34-02  
FIG. 02  
PAGE 3  
JAN 20/09

BRI





757

PARTS CATALOG (MAINTENANCE)

FIG ITEM	PART NUMBER	1 2 3 4 5 6 7	NOMENCLATURE	EFFECT FROM TO	UNITS PER ASSY
2					
110	66-12156-36		.WASHER-CUP OPTIONAL PART: 273N1042-1	002004 006100 107107 121503 904999	1
115	273N1032-1		.HEAD-PISTON	002004 006100 107107 121503 904999	1
120	7216MT952T		.SEAL- SUPPLIER CODE: V5F573	002004 006100 107107 121503 904999	1
125	69B80300-10		.STRAP	002004 006100 107107 121503 904999	1
130	273N1030-1		.BODY SUBASSY- USED ON: 273N1005-1 USED ON: 273N1005-1	002004 006100 107107 121503 904999	1
130	273N1030-2		.BODY SUBASSY- USED ON: 273N1005-2 USED ON: 273N1005-2	002004 006100 107107 121503 904999	1
135	273N1040-1		..BUSHING	002004 006100 107107 121503 904999	2
140	PRRX0508350A		..PRI- SUPPLIER CODE: V92555 USED ON: 273N1030-1	002004 006100 107107 121503 904999	2
140	PRRX0527400B		..PRI- SUPPLIER CODE: V92555 USED ON: 273N1030-2	002004 006100 107107 121503 904999	2

MISSING ITEM NUMBERS NOT APPLICABLE

- ITEM NOT ILLUSTRATED

32-34-02-02

32-34-02  
FIG. 02  
PAGE 4  
JAN 20/09

BRI



757

PARTS CATALOG (MAINTENANCE)

FIG ITEM	PART NUMBER	1 2 3 4 5 6 7	NOMENCLATURE	EFFECT FROM TO	UNITS PER ASSY
2					
145	CKFA2506005A	..	VALVE- SUPPLIER CODE: V92555	002004 006100 107107 121503 904999	2
150	BACP20AX18P	..	PLUG- USED ON: 273N1030-1	002004 006100 107107 121503 904999	2
155	AARX0500550B	..	BOSS ACCESS-RESTRICTOR SUPPLIER CODE: V92555 USED ON: 273N1030-2	002004 006100 107107 121503 904999	1
160	BACP20AX18	..	PLUG- USED ON: 273N1030-1	002004 006100 107107 121503 904999	2
165	AARX0500600B	..	BOSS ACCESS-RESTRICTOR SUPPLIER CODE: V92555 USED ON: 273N1030-2	002004 006100 107107 121503 904999	1
170	JETA1872500D	..	JET- SUPPLIER CODE: V92555 USED ON: 273N1030-1	002004 006100 107107 121503 904999	1
175	NAS1611-006	..	PACKING- USED ON: 273N1030-2	002004 006100 107107 121503 904999	2
180	JETA1875850D	..	JET- SUPPLIER CODE: V92555 USED ON: 273N1030-1	002004 006100 107107 121503 904999	1
185	NAS1611-009	..	PACKING- USED ON: 273N1030-2	002004 006100 107107 121503 904999	2

MISSING ITEM NUMBERS NOT APPLICABLE

- ITEM NOT ILLUSTRATED

32-34-02-02

32-34-02  
FIG. 02  
PAGE 5  
JAN 20/09

BRI

BOEING PROPRIETARY - Copyright © - Unpublished Work - See title page for details.



757

PARTS CATALOG (MAINTENANCE)

FIG ITEM	PART NUMBER	1 2 3 4 5 6 7	NOMENCLATURE	EFFECT FROM TO	UNITS PER ASSY
2 190	273N1029-1		.. BODY- USED ON: 273N1030-1	002004 006100 107107 121503 904999	1
190	273N1029-3		.. BODY- USED ON: 273N1030-2	002004 006100 107107 121503 904999	1
195	C11236-006B		.. RING- SUPPLIER CODE: V26879 SPECIFICATION NUMBER: BACR12BM006 OPTIONAL PART: RMR12BM006 V94878 STF800-006 V02107 S30294-006-1 V97820 TF450-006A V07128 2100-006 V26303 USED ON: 273N1030-2	002004 006100 107107 121503 904999	4
200	C11236-009B		.. RING- SUPPLIER CODE: V26879 SPECIFICATION NUMBER: BACR12BM009 OPTIONAL PART: RMR12BM009 V94878 STF800-009 V02107 S30294-009-1 V97820 TF450-009A V07128 2100-009 V26303 USED ON: 273N1030-2	002004 006100 107107 121503 904999	4

MISSING ITEM NUMBERS NOT APPLICABLE

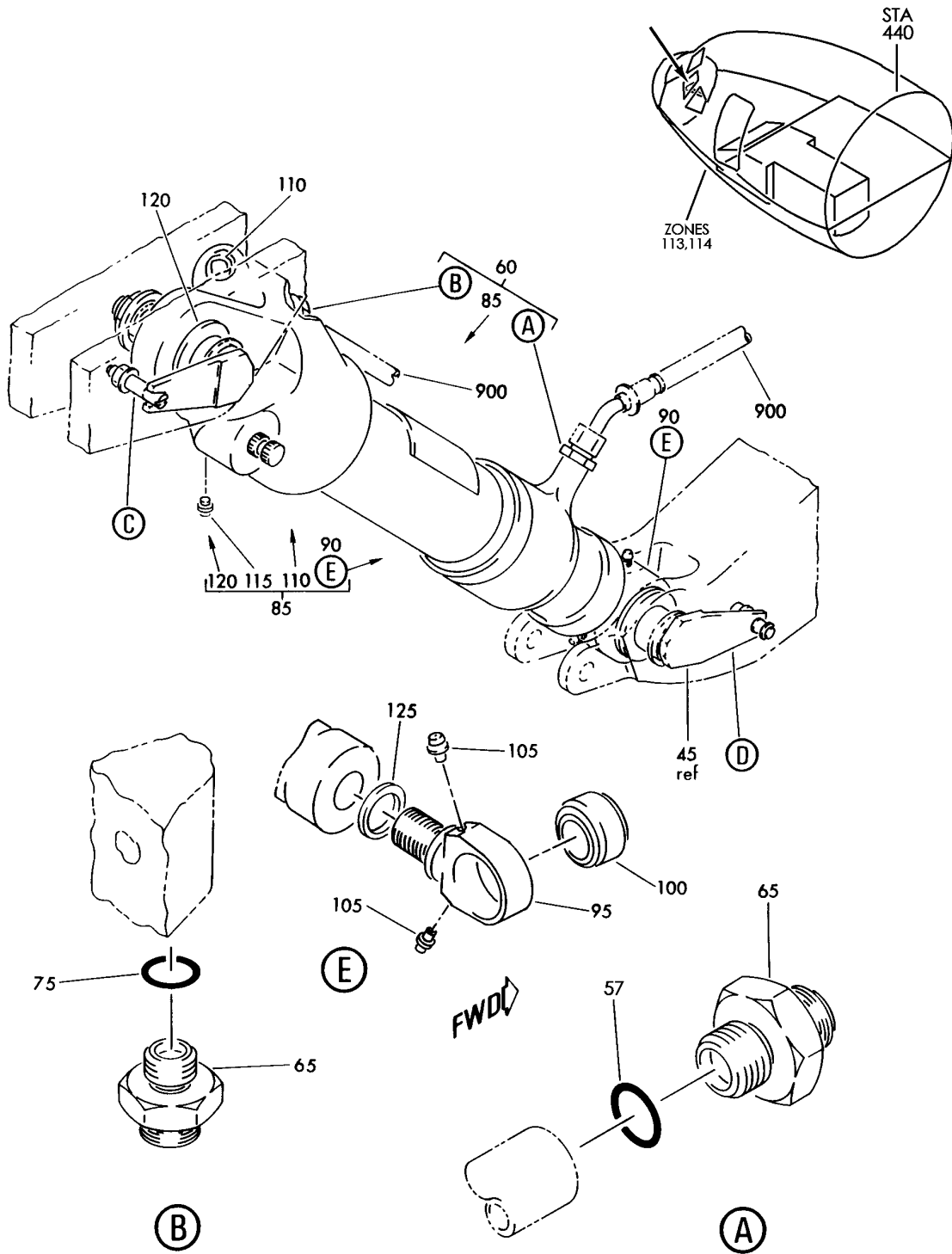
- ITEM NOT ILLUSTRATED

32-34-02-02

32-34-02  
FIG. 02  
PAGE 6  
JAN 20/09

BRI

**BOEING**  
757  
PARTS CATALOG (MAINTENANCE)



Y 32340301 SHT 1 REV 229

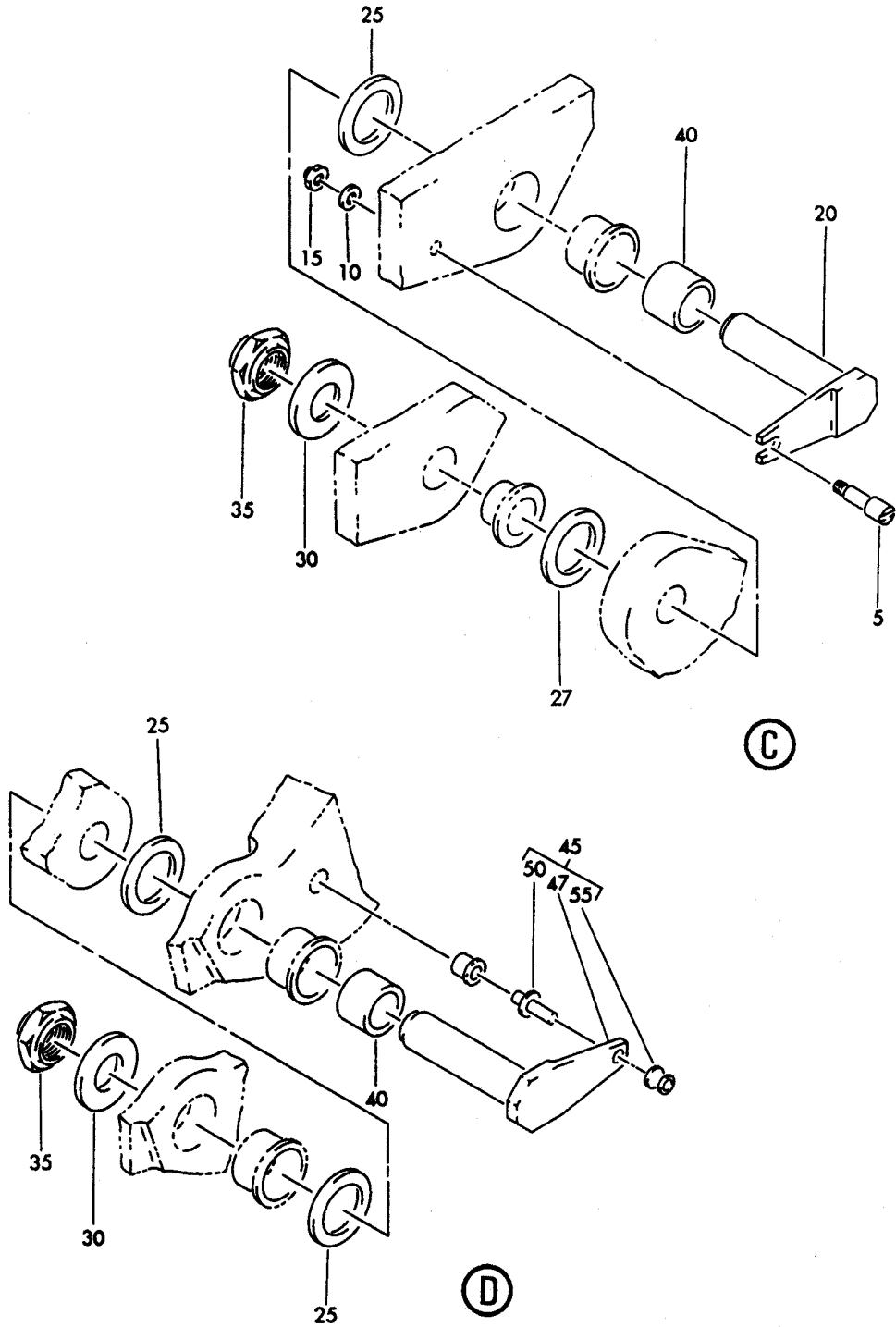
ACTUATOR INSTL-NLG DOOR  
FIGURE 1 (SHEET 1)

**32-34-03-01**

BRI  
MAY 28/07

32-34-03-01  
PAGE 0

**BOEING**  
757  
PARTS CATALOG (MAINTENANCE)



Y 32340301 SHT 2 REV 219

ACTUATOR INSTL-NLG DOOR  
FIGURE 1 (SHEET 2)

**32-34-03-01**

BRI  
MAY 28/07

32-34-03-01  
PAGE 0A



757

PARTS CATALOG (MAINTENANCE)

FIG ITEM	PART NUMBER	1 2 3 4 5 6 7	NOMENCLATURE	EFFECT FROM TO	UNITS PER ASSY
1			ACTUATOR INSTL-NLG DOOR	002004 006999	
- 1	273N1001-1		ACTUATOR INSTL-NLG DOOR FOR NHA SEE: 29-00-51-03	002004 006100 107107 121503 904999	RF
- 1	273N1001-9		ACTUATOR INSTL-NLG DOOR FOR NHA SEE: 32-00-00-15	101102 504903	RF
- 1	273N1001-11		ACTUATOR INSTL-NLG DOOR FOR NHA SEE: 32-00-00-15	108120	RF
- 1	MODREF8252		ACTUATOR INSTL-NLG DOOR MODULE NUMBER: 273N1001-11 REV A	103106	1
5	273N1048-1		.PIN-	002004 006999	1
10	BACW10BP4DP		.WASHER-	002004 006999	1
15	BRH10C4D		.NUT- SUPPLIER CODE: V52828 SPECIFICATION NUMBER: BACN10JC4CD OPTIONAL PART: T6C428JCD V11815 NS202486-048 V80539 102LH9075-4W V72962 H51650-4BAC V15653	002004 006999	1
20	273N1046-1		.BOLT-	002004 006999	1
25	273N4076-1		.WASHER-	002004 006999	3
27	273N4076-1		.WASHER	002004 006102 107107 121999	1
27	273N4076-4		.WASHER	103106 108120	1
30	BACW10BP12DP		.WASHER-	002004 006999	2

MISSING ITEM NUMBERS NOT APPLICABLE

- ITEM NOT ILLUSTRATED

32-34-03-01

32-34-03  
FIG. 01  
PAGE 1  
JAN 20/09

BRI



757

PARTS CATALOG (MAINTENANCE)

FIG ITEM	PART NUMBER	1 2 3 4 5 6 7	NOMENCLATURE	EFFECT FROM TO	UNITS PER ASSY
1					
35	69235-1216CD	.	NUT- SUPPLIER CODE: V92215 SPECIFICATION NUMBER: BACN10JC12CD OPTIONAL PART: 102LH9074-12 V72962 BMN4122CPD8-12 V97928 H51650-12BAC V15653	002004 006999	2
40	273N1056-1	.	BUSHING-	002004 006999	2
45	273N1047-1	.	BOLT ASSY-	002004 006999	1
47	273N1047-2	..	BOLT-	002004 006999	1
50	273N1055-1	..	PIN-	002004 006999	1
55	HL1187-8	..	COLLAR- SUPPLIER CODE: V5M902 SPECIFICATION NUMBER: BACC30X8 OPTIONAL PART: HL87-8 V92215 HL87-8 V73197 HL1187-8 V56878 HL1187-8 V92215 HL87-8 V56878 HL1187-8 V73197	002004 006999	1
57	NAS1612-6	.	PACKING-	002004 006100 107107 121503 904999	1
57	NAS1612-6A	.	PACKING-	101106 108120 504903	1

MISSING ITEM NUMBERS NOT APPLICABLE

- ITEM NOT ILLUSTRATED

32-34-03-01

32-34-03  
FIG. 01  
PAGE 2  
JAN 20/09

BRI

BOEING PROPRIETARY - Copyright © - Unpublished Work - See title page for details.



757

PARTS CATALOG (MAINTENANCE)

FIG ITEM	PART NUMBER	1 2 3 4 5 6 7	NOMENCLATURE	EFFECT FROM TO	UNITS PER ASSY
1					
60	273N1001-4	.ACTUATOR ASSY-	MISCELLANEOUS DATA: USE OF THIS PART NEGATES THE INTENT OF SB 32-0077 AND DECOTO SB 2-7464-32-111	002004 006949 952999	1
60	273N1001-5	.ACTUATOR ASSY-	POST SERVICE BULLETIN: 32-0077 POST SERVICE BULLETIN: 2-7464-32-111 V97415	002004 006949 952999	1
60	273N1001-6	.ACTUATOR ASSY-		002004 006999	1
60	273N1001-7	.ACTUATOR ASSY-		002004 006999	1
60	273N1001-8	.ACTUATOR ASSY-		002004 006999	1
60	273N1001-10	.ACTUATOR ASSY-		002004 006999	1
65	BACU24K6	..UNION-		002004 006100 107107 121503 904999	2
70	MS21902-6T	..UNION		101106 108120 504903	2
75	NAS1612-6	..PACKING-		002004 006100 107107 121503 904999	1
75	NAS1612-6A	..PACKING-		101106 108120 504903	1
85	2-7464-7	..ACTUATOR ASSY-	SUPPLIER CODE: V97415 SPECIFICATION NUMBER: S273N101-7 COMPONENT MAINT MANUAL REF: 32-22-01	002004 006999	1

MISSING ITEM NUMBERS NOT APPLICABLE

- ITEM NOT ILLUSTRATED

BRI

32-34-03-01

BOEING PROPRIETARY - Copyright © - Unpublished Work - See title page for details.

32-34-03  
FIG. 01  
PAGE 3  
JAN 20/09





757

PARTS CATALOG (MAINTENANCE)

FIG ITEM	PART NUMBER	1 2 3 4 5 6 7	NOMENCLATURE	EFFECT FROM TO	UNITS PER ASSY
1					
85	2-7464-3	..	ACTUATOR ASSY- SUPPLIER CODE: V97415 SPECIFICATION NUMBER: S273N101-3 COMPONENT MAINT MANUAL REF: 32-22-01	002004 006102 107949 952999	1
85	2-7464-4	..	ACTUATOR ASSY- SUPPLIER CODE: V97415 SPECIFICATION NUMBER: S273N101-4 COMPONENT MAINT MANUAL REF: 32-22-01	002004 006102 107949 952999	1
85	2-7464-5	..	ACTUATOR ASSY- SUPPLIER CODE: V97415 SPECIFICATION NUMBER: S273N101-5 COMPONENT MAINT MANUAL REF: 32-22-01	002004 006102 107949 952999	1
85	2-7464-6	..	ACTUATOR ASSY- SUPPLIER CODE: V97415 SPECIFICATION NUMBER: S273N101-6 COMPONENT MAINT MANUAL REF: 32-22-01	002004 006102 107949 952999	1
90	7-0737-1	...	ROD END ASSY- SUPPLIER CODE: V97415	002004 006999	1
95	7-0737-2	....	ROD END- SUPPLIER CODE: V97415	002004 006999	1

MISSING ITEM NUMBERS NOT APPLICABLE

- ITEM NOT ILLUSTRATED

32-34-03-01

32-34-03  
FIG. 01  
PAGE 4  
JAN 20/09

BRI



757

PARTS CATALOG (MAINTENANCE)

FIG ITEM	PART NUMBER	1 2 3 4 5 6 7	NOMENCLATURE	EFFECT FROM TO	UNITS PER ASSY
1 100	BLR12-2588SC	.....	BEARING SUPPLIER CODE: V81376 SPECIFICATION NUMBER: BACB10FH12GC OPTIONAL PART: AG12V31C V15860 ASBFH12VC VS0352 BWG12A110C V16746 HU12-204VC V02758 KWB12-61 V97613 WC12G3C V56644 LHB12ENGC V73134	002004 006999	1
105	1728B	.....	FITTING-LUBE SUPPLIER CODE: VOFKM1	002004 006999	2
110	FCRX0502400AA	...	CONTROL-FLOW SUPPLIER CODE: V92555	002004 006999	1
115	1992B1	...	FITTING-LUBE SUPPLIER CODE: VOFKM1	002004 006999	1
120	BLR12-2588SC	...	BEARING SUPPLIER CODE: V81376 SPECIFICATION NUMBER: BACB10FH12GC OPTIONAL PART: AG12V31C V15860 ASBFH12VC VS0352 BWG12A110C V16746 HU12-204VC V02758 KWB12-61 V97613 WC12G3C V56644 LHB12ENGC V73134	002004 006999	1

MISSING ITEM NUMBERS NOT APPLICABLE

- ITEM NOT ILLUSTRATED

32-34-03-01

32-34-03  
FIG. 01  
PAGE 5  
JAN 20/09

BRI



757

PARTS CATALOG (MAINTENANCE)

FIG ITEM	PART NUMBER	1 2 3 4 5 6 7	NOMENCLATURE	EFFECT FROM TO	UNITS PER ASSY
1					
125	NAS1611-223		...PACKING-	002004 006999	1
900			ILLUSTRATION REFERENCE: PLUMBING INSTL-SECT. 41 NOSE WHLWELL HYDR (NOSE GEAR EXTENSION AND RETRACTION ONLY) 32-34-51-15	002004 006100 107107 121503 904999	RF

MISSING ITEM NUMBERS NOT APPLICABLE

- ITEM NOT ILLUSTRATED

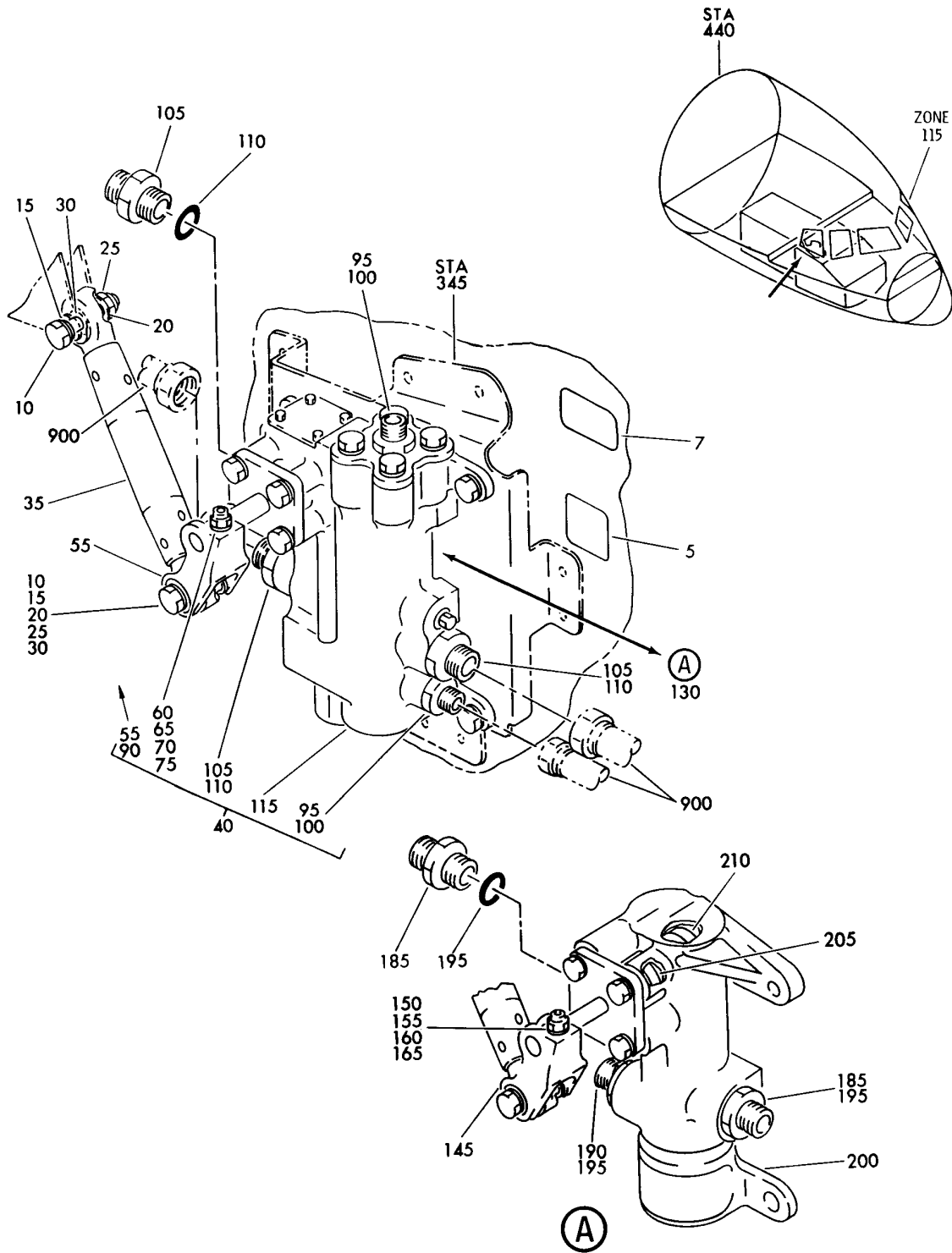
BRI

32-34-03-01

BOEING PROPRIETARY - Copyright © - Unpublished Work - See title page for details.

32-34-03  
FIG. 01  
PAGE 6  
JAN 20/09

**BOEING**  
757  
PARTS CATALOG (MAINTENANCE)



Y 32340401 REV 185

MODULE INSTL-NLG LOCK UNLOAD VALVE/NLG GEAR SEQUENCE VALVE BYPASS VALVE  
FIGURE 1

**32-34-04-01**

BRI  
MAY 28/07

32-34-04-01  
PAGE 0



757

PARTS CATALOG (MAINTENANCE)

FIG ITEM	PART NUMBER	1 2 3 4 5 6 7	NOMENCLATURE	EFFECT FROM TO	UNITS PER ASSY
1			MODULE INSTL-NLG LOCK UNLOAD VALVE/NLG GEAR SEQUENCE VALVE BYPASS VALVE	002004 006999	
- 1	273N1080-3		MODULE INSTL-NLG LOCK UNLOAD VALVE FOR NHA SEE: 29-00-51-03	002004 006100 107107 121503 904999	RF
- 1	273N1080-6		MODULE INSTL-NLG LOCK UNLOAD VALVE FOR NHA SEE: 32-00-00-15	101102 108120 504903	RF
- 1	MODREF8256		MODULE INSTL-NLG LOCK UNLOAD VALVE MODULE NUMBER: 273N1080-6 REV A	103106	1
7	BAC27NHY0151		.MARKER-ALUMINUM FOIL- PLACARD CONTENT: VALVE ASSY-GEAR SEQUENCE VALVE BYPASS N.LG.	002004 006999	1
10	BACB30LJ4SU18		.BOLT	002004 006999	2
15	BACW10BN4AC		.WASHER	002004 006999	2
20	AN960KD416L		.WASHER	002004 006100 107107 121503 904999	2
20	NAS1149D0416J		.WASHER	101106 108120 504903	2
25	BRH10C4D		.NUT SUPPLIER CODE: V52828 SPECIFICATION NUMBER: BACN10JC4CD OPTIONAL PART: T6C428JCD V11815 NS202486-048 V80539 102LH9075-4W V72962 H51650-4BAC V15653	002004 006999	2
30	BACB28AK04-030		.BUSHING	002004 006999	2

MISSING ITEM NUMBERS NOT APPLICABLE

- ITEM NOT ILLUSTRATED

BRI

32-34-04-01

32-34-04  
FIG. 01  
PAGE 1  
JAN 20/09

 **BOEING**  
757  
**PARTS CATALOG (MAINTENANCE)**

FIG ITEM	PART NUMBER	1 2 3 4 5 6 7	NOMENCLATURE	EFFECT FROM TO	UNITS PER ASSY
1					
35	250N2004-110	.ROD ASSY-	MISCELLANEOUS DATA: FOR SPARES PROCURE LOWER COMPONENTS COMPONENT MAINT MANUAL REF: 27-00-12	002004 006999	1
35	250N2004-1110	.ROD ASSY-	COMPONENT MAINT MANUAL REF: 27-00-12	002004 006999	1
40	273N1080-2	.VALVE ASSY-NLG LOCK UNLOAD/RETRACTION	MISCELLANEOUS DATA: FOR SPARES PROCURE LOWER COMPONENTS COMPONENT MAINT MANUAL REF: 32-34-33	002004 006999	1
130	273N1080-4	.VALVE ASSY-NLG GEAR SEQUENCE VALVE BYPASS	COMPONENT MAINT MANUAL REF: 32-34-33	002004 006999	1
130	273N1080-5	.VALVE ASSY-	COMPONENT MAINT MANUAL REF: 32-34-33	002004 006999	1
- 135	BACB30NR4K8	.BOLT	ATTACHING PARTS	002004 006999	3
- 140	BACW10BN4AC	.WASHER		002004 006999	3
		-----*-----			
145	273N1091-1	..ARM ASSY-	MISCELLANEOUS DATA: FOR SPARES PROCURE LOWER COMPONENTS ATTACHING PARTS	002004 006999	1
150	BACB30MR4K11	..BOLT		002004 006999	1
155	BACW10BN4AC	..WASHER		002004 006999	1
160	AN960KD416L	..WASHER-	USED ON: 273N1080-4	002004 006999	1
160	NAS1149D0416J	..WASHER-	USED ON: 273N1080-5	002004 006999	1

MISSING ITEM NUMBERS NOT APPLICABLE

- ITEM NOT ILLUSTRATED

BRI

# 32-34-04-01

32-34-04  
FIG. 01  
PAGE 2  
JAN 20/09

 **BOEING**  
757  
**PARTS CATALOG (MAINTENANCE)**

FIG ITEM	PART NUMBER	1 2 3 4 5 6 7	NOMENCLATURE	EFFECT FROM TO	UNITS PER ASSY
1 165	BRH10C4D		..NUT SUPPLIER CODE: V52828 SPECIFICATION NUMBER: BACN10JC4CD OPTIONAL PART: T6C428JCD V11815 NS202486-048 V80539 102LH9075-4W V72962 H51650-4BAC V15653 -----*-----	002004 006999	1
185	BACU24K6		..UNION- USED ON: 273N1080-4	002004 006999	2
185	MS21902-6T		..UNION- USED ON: 273N1080-5	002004 006999	2

MISSING ITEM NUMBERS NOT APPLICABLE

- ITEM NOT ILLUSTRATED

BRI

# 32-34-04-01

BOEING PROPRIETARY - Copyright © - Unpublished Work - See title page for details.

32-34-04  
FIG. 01  
PAGE 3  
JAN 20/09



757

PARTS CATALOG (MAINTENANCE)

FIG ITEM	PART NUMBER	1 2 3 4 5 6 7	NOMENCLATURE	EFFECT FROM TO	UNITS PER ASSY
1 190	AFP2326-4		..REDUCER SUPPLIER CODE: V30974 SPECIFICATION NUMBER: BACR17E6-4 OPTIONAL PART: AP10276-4 V01673 BC916T6-4 V50948 DBOR17E6-4 V14798 ER21916T6-4 V88334 ER31916-6-4 V88334 F23-6-4 V73197 2-01075T6-4 V11328 31778-6-4 V14397 US2114-6-4 V50808 AP1027T6-4 V01673 US21146-4 V50808 317786-4 V14397	002004 006999	1
195	NAS1612-6		..PACKING- USED ON: 273N1080-4	002004 006999	3
195	NAS1612-6A		..PACKING- USED ON: 273N1080-5	002004 006999	3
200	273N1095-1		..VALVE ASSY- MISCELLANEOUS DATA: FOR SPARES PROCURE LOWER COMPONENTS COMPONENT MAINT MANUAL REF: 32-34-33 USED ON: 273N1080-4	002004 006999	1
200	273N1095-2		..VALVE ASSY- COMPONENT MAINT MANUAL REF: 32-34-33 USED ON: 273N1080-5	002004 006999	1

MISSING ITEM NUMBERS NOT APPLICABLE

- ITEM NOT ILLUSTRATED

32-34-04-01

32-34-04  
FIG. 01  
PAGE 4  
JAN 20/09

BRI

BOEING PROPRIETARY - Copyright © - Unpublished Work - See title page for details.





757

PARTS CATALOG (MAINTENANCE)

FIG ITEM	PART NUMBER	1 2 3 4 5 6 7	NOMENCLATURE	EFFECT FROM TO	UNITS PER ASSY
1 205	101B3	...	BEARING- SUPPLIER CODE: V83086 OPTIONAL PART: MER101FA7P48L02 V83086	002004 006999	1
205	MER101FA7P48L02	...	BEARING- SUPPLIER CODE: V83086 OPTIONAL PART: 101B3 V83086	002004 006999	1
210	R9301KA4298	...	BEARING- SUPPLIER CODE: V21335 SPECIFICATION NUMBER: BACB10BB12 OPTIONAL PART: 1901S V38443 9301K V21335 PKT001P1 V78118 C001MCPD V40920 C001R1P17LY331 V40920 R9301KA4298 V9V013 1901-1B1-01 V21760 M9301KMBR V21335 1901S V38443	002004 006999	1
210	M9301KMBR	...	BEARING- SUPPLIER CODE: V21335 OPTIONAL PART: BACB10BB12	002004 006999	1
210	1901S	...	BEARING- SUPPLIER CODE: V38443 OPTIONAL PART: BACB10BB12	002004 006999	1

MISSING ITEM NUMBERS NOT APPLICABLE

- ITEM NOT ILLUSTRATED

32-34-04-01

32-34-04  
FIG. 01  
PAGE 5  
JAN 20/09

BRI



757

PARTS CATALOG (MAINTENANCE)

FIG ITEM	PART NUMBER	1 2 3 4 5 6 7	NOMENCLATURE	EFFECT FROM TO	UNITS PER ASSY
1 900			ILLUSTRATION REFERENCE: PLUMBING INSTL-SECT. 41 NOSE WHLWELL HYDR (NOSE GEAR EXTENSION AND RETRACTION ONLY) 32-34-51-15	002004 006100 107107 121503 904999	RF

MISSING ITEM NUMBERS NOT APPLICABLE

- ITEM NOT ILLUSTRATED

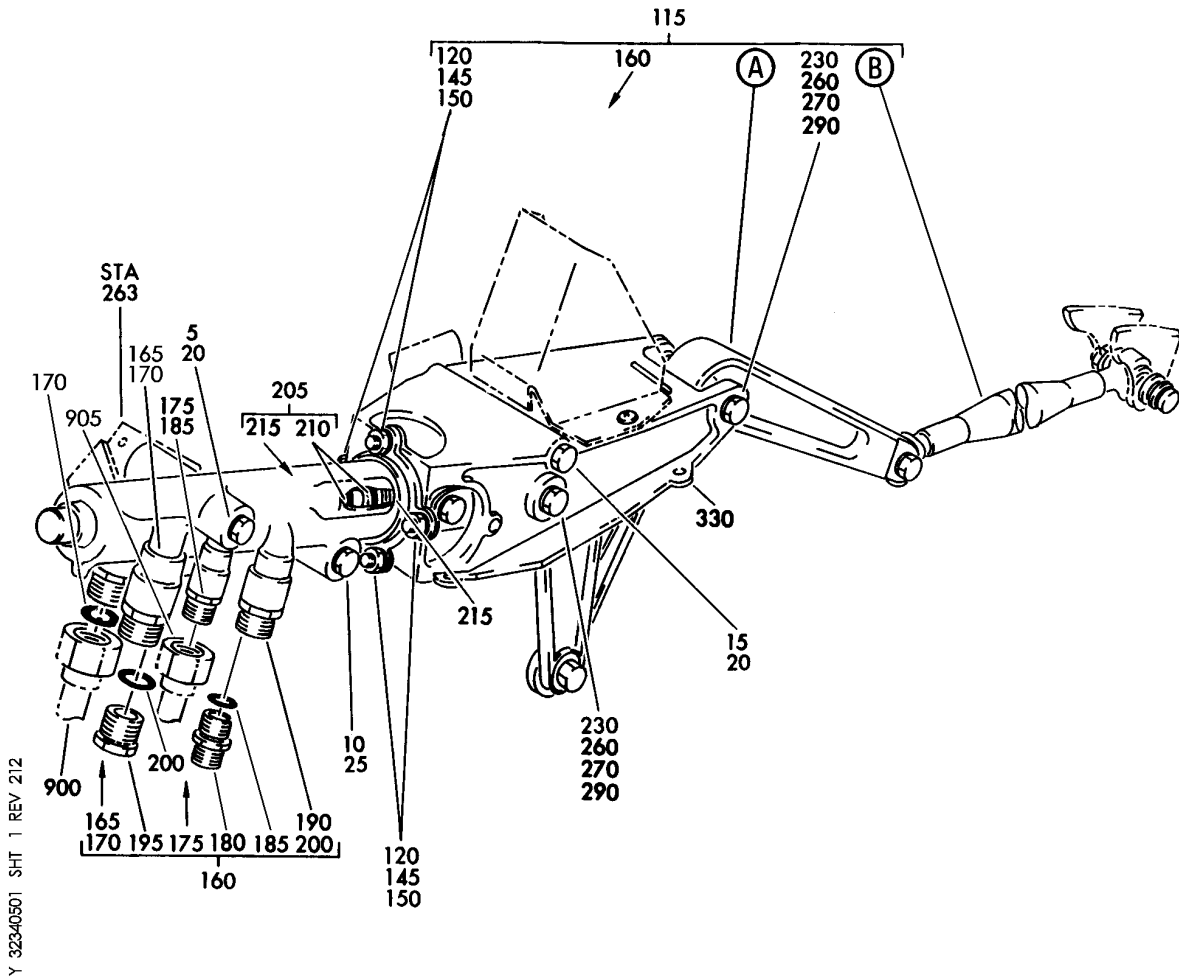
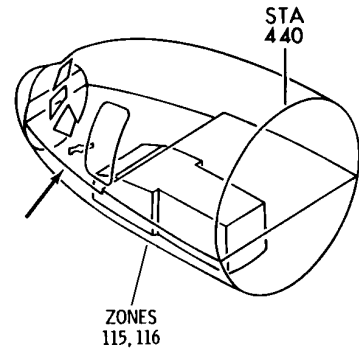
BRI

32-34-04-01

BOEING PROPRIETARY - Copyright © - Unpublished Work - See title page for details.

32-34-04  
FIG. 01  
PAGE 6  
JAN 20/09

**BOEING**  
757  
**PARTS CATALOG (MAINTENANCE)**



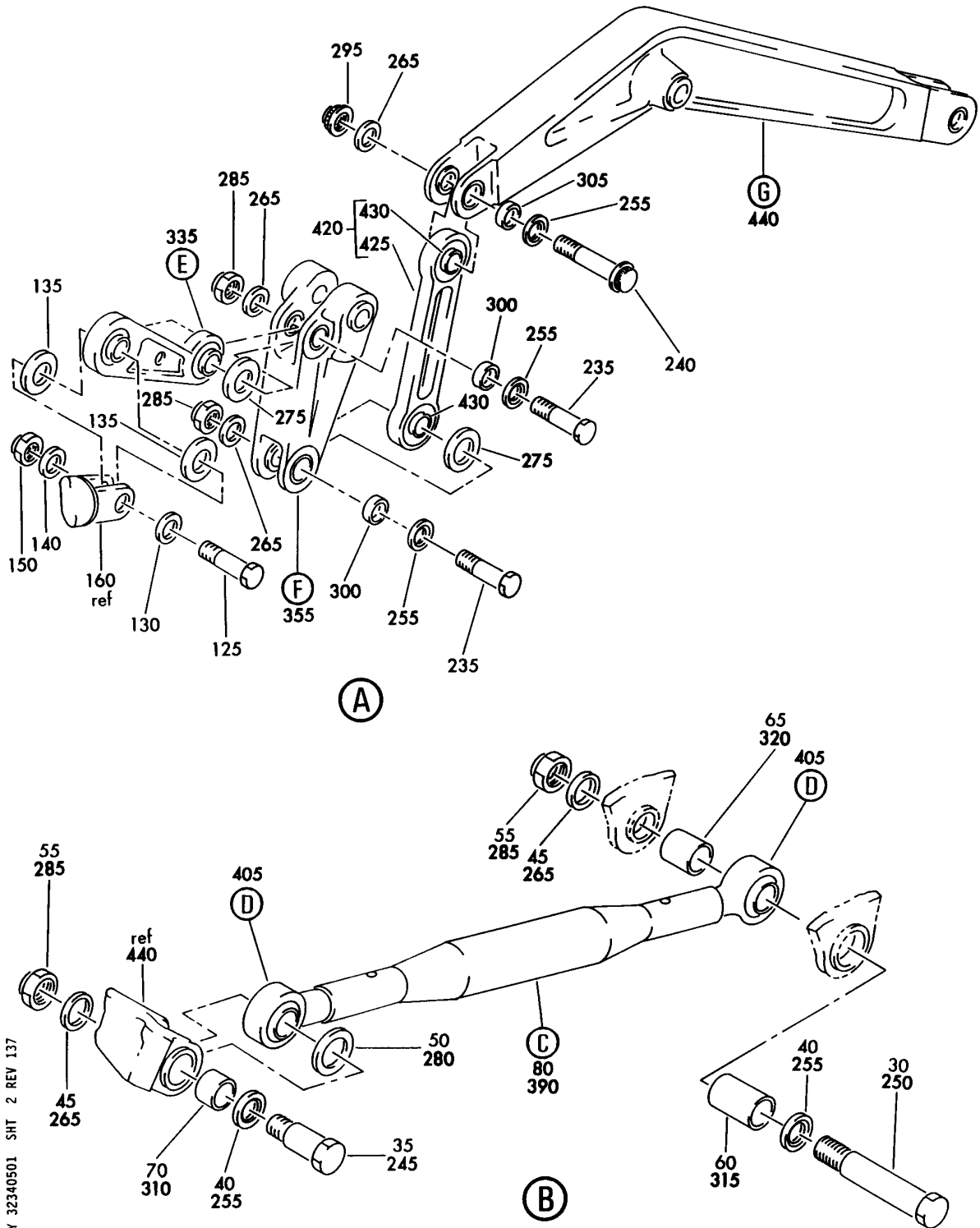
VALVE INSTL-NLG DOOR OPERATED SEQ  
FIGURE 1 (SHEET 1)

**32-34-05-01**

BRI  
MAY 28/07

32-34-05-01  
PAGE 0

**BOEING**  
757  
PARTS CATALOG (MAINTENANCE)



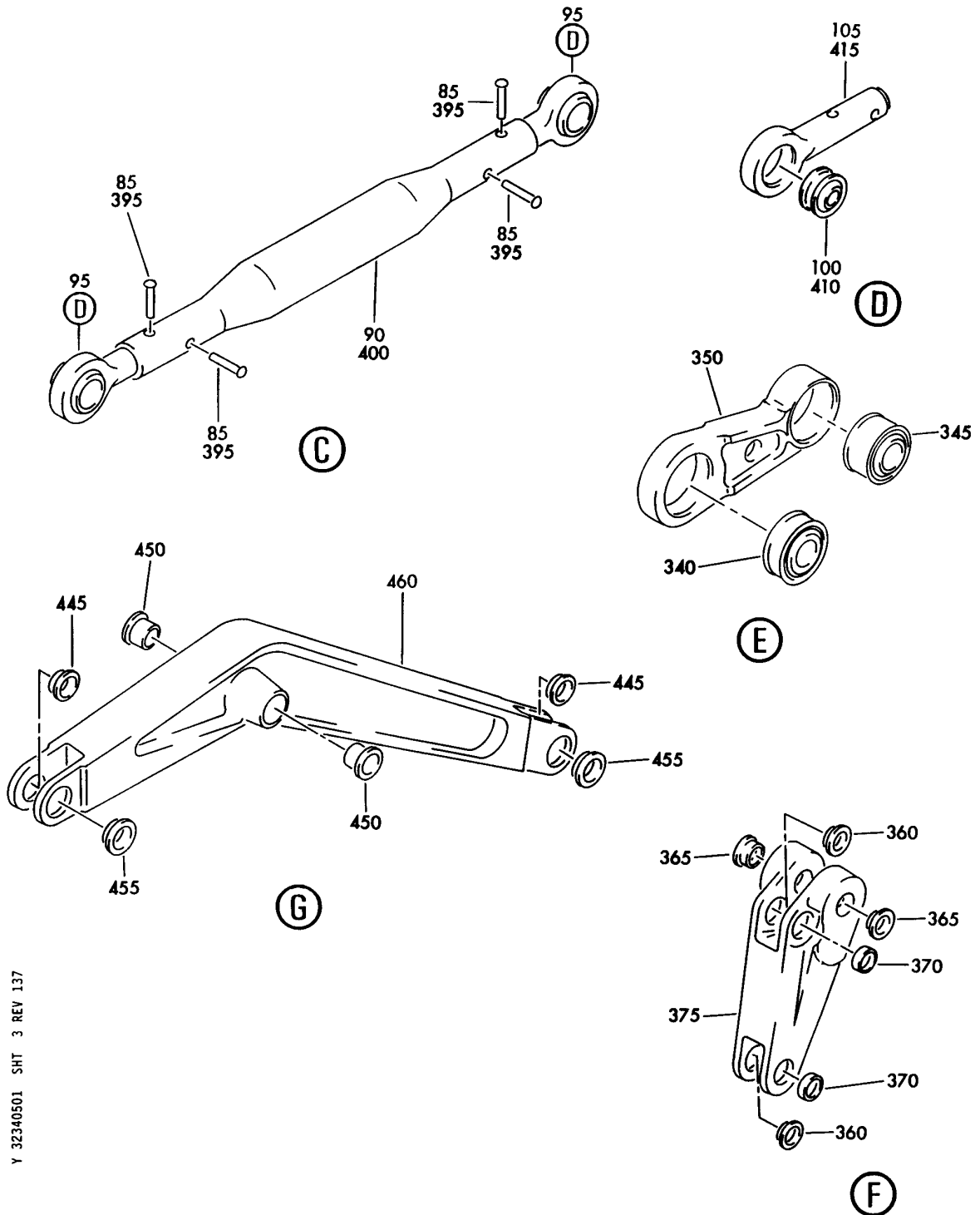
VALVE INSTL-NLG DOOR OPERATED SEQ  
FIGURE 1 (SHEET 2)

**32-34-05-01**

BRI  
MAY 28/07

32-34-05-01  
PAGE 0A

**BOEING**  
757  
PARTS CATALOG (MAINTENANCE)



Y 32340501 SHT 3 REV 137

VALVE INSTL-NLG DOOR OPERATED SEQ  
FIGURE 1 (SHEET 3)

**32-34-05-01**

BRI  
MAY 28/07

32-34-05-01  
PAGE 0B

 **BOEING**  
757  
**PARTS CATALOG (MAINTENANCE)**

FIG ITEM	PART NUMBER	1 2 3 4 5 6 7	NOMENCLATURE	EFFECT FROM TO	UNITS PER ASSY
1			VALVE INSTL-NLG DOOR OPERATED SEQ	002004 006999	
- 1	273N1003-9		VALVE INSTL-NLG DOOR OPERATED SEQ FOR NHA SEE: 29-00-51-03 32-00-00-15	002004 006102 108903 950951 953999	RF
- 1	273N1003-1		VALVE INSTL-NLG DOOR OPERATED SEQ FOR NHA SEE: 29-00-51-03	107107 904949 952952	RF
- 1	MODREF8255		VALVE INSTL-NLG DOOR OPERATED SEQ MODULE NUMBER: 273N1003-9 REV A	103106	1
5	BACB30NR4K52		.BOLT	002004 006999	1
10	BACB30NR5K52		.BOLT	002004 006999	1
15	BACB30NR4K64		.BOLT-	002004 006999	1
20	BACW10BN4AC		.WASHER	002004 006999	2
25	BACW10BN5AC		.WASHER	002004 006999	1
30	BACB30LJ4U27		.BOLT- USED ON: 273N1003-9 MODREF8255	002004 006106 108903 950951 953999	1
35	BACB30LJ4U14		.BOLT- USED ON: 273N1003-9 MODREF8255	002004 006106 108903 950951 953999	1
40	BACW10BP4CD		.WASHER- USED ON: 273N1003-9 MODREF8255	002004 006106 108903 950951 953999	2
45	BACW10BP4DP		.WASHER- USED ON: 273N1003-9 MODREF8255	002004 006106 108903 950951 953999	2

MISSING ITEM NUMBERS NOT APPLICABLE

- ITEM NOT ILLUSTRATED

BRI

# 32-34-05-01

BOEING PROPRIETARY - Copyright © - Unpublished Work - See title page for details.

32-34-05  
FIG. 01  
PAGE 1  
JAN 20/09



757

PARTS CATALOG (MAINTENANCE)

FIG ITEM	PART NUMBER	1 2 3 4 5 6 7	NOMENCLATURE	EFFECT FROM TO	UNITS PER ASSY
1					
50	69B80168-16		.WASHER- USED ON: 273N1003-9 MODREF8255	002004 006106 108903 950951 953999	1
55	BRH10C4D		.NUT- SUPPLIER CODE: V52828 SPECIFICATION NUMBER: BACN10JC4CD OPTIONAL PART: T6C428JCD V11815 NS202486-048 V80539 102LH9075-4W V72962 H51650-4BAC V15653 USED ON: 273N1003-9 MODREF8255	002004 006106 108903 950951 953999	2
60	BACB28AK04-072		.BUSHING- USED ON: 273N1003-9 MODREF8255	002004 006106 108903 950951 953999	1
65	BACB28AK04-033		.BUSHING- USED ON: 273N1003-9 MODREF8255	002004 006106 108903 950951 953999	1
70	BACB28AK04-032		.BUSHING- USED ON: 273N1003-9 MODREF8255	002004 006106 108903 950951 953999	1
80	273N1050-3		.ROD ASSY- USED ON: 273N1003-9 MODREF8255	002004 006106 108903 950951 953999	1
85	BACR15FT5D		..RIVET- SIZE DETERMINED ON INSTL.	002004 006106 108903 950951 953999	4

MISSING ITEM NUMBERS NOT APPLICABLE

- ITEM NOT ILLUSTRATED

32-34-05-01

32-34-05  
FIG. 01  
PAGE 2  
JAN 20/09

BRI

BOEING PROPRIETARY - Copyright © - Unpublished Work - See title page for details.



757

PARTS CATALOG (MAINTENANCE)

FIG ITEM	PART NUMBER	1 2 3 4 5 6 7	NOMENCLATURE	EFFECT FROM TO	UNITS PER ASSY
1	90 273N1050-2	. .	ROD	002004 006106 108903 950951 953999	1
	95 273N1049-3	. .	END ASSY	002004 006106 108903 950951 953999	2
	100 ADB04V301NC	. . .	BEARING SUPPLIER CODE: V15860 SPECIFICATION NUMBER: BACB10FB04GC OPTIONAL PART: KNDB04-70 V97613 KSC145700BZ04GC V50632 NES04FBGC V73134 HTFB04GC VS0352	002004 006106 108903 950951 953999	1
	105 273N1049-4	. . .	END	002004 006106 108903 950951 953999	1
	115 273N1003-6	. .	SUPPORT ASSY-VALVE MISCELLANEOUS DATA: FOR SPARES PROCURE LOWER COMPONENTS COMPONENT MAINT MANUAL REF: 32-34-14	002004 006999	1
	115 273N1003-10	. .	SUPPORT ASSY-VALVE MISCELLANEOUS DATA: FOR SPARES PROCURE LOWER COMPONENTS COMPONENT MAINT MANUAL REF: 32-34-14	002004 006999	1
	120 BACB30NR4K7	. .	BOLT-	002004 006999	4
	125 BACB30LJ4U9	. .	BOLT	002004 006999	1
	130 BACW10BP4CD	. .	WASHER	002004 006999	1

MISSING ITEM NUMBERS NOT APPLICABLE

- ITEM NOT ILLUSTRATED

32-34-05-01

32-34-05  
FIG. 01  
PAGE 3  
JAN 20/09

BRI

BOEING PROPRIETARY - Copyright © - Unpublished Work - See title page for details.





757

PARTS CATALOG (MAINTENANCE)

FIG ITEM	PART NUMBER	1 2 3 4 5 6 7	NOMENCLATURE	EFFECT FROM TO	UNITS PER ASSY
1					
135	69B80168-15	..	WASHER- MISCELLANEOUS DATA: NOT AN INITIAL PROVISIONING SPARE	002004 006999	2
140	BACW10BP4DP	..	WASHER	002004 006999	1
145	AN960416L	..	WASHER	002004 006999	8
147	NAS1149D0416L	..	WASHER	002004 006999	8
150	BRH10C4D	..	NUT SUPPLIER CODE: V52828 SPECIFICATION NUMBER: BACN10JC4CD OPTIONAL PART: T6C428JCD V11815 NS202486-048 V80539 102LH9075-4W V72962 H51650-4BAC V15653	002004 006999	5
160	273N1003-5	..	VALVE ASSY- MISCELLANEOUS DATA: FOR SPARES PROCURE LOWER COMPONENTS	002004 006999	1
160	273N1003-7	..	VALVE ASSY-	002004 006999	1
160	273N1003-8	..	VALVE ASSY-	002004 006999	1

MISSING ITEM NUMBERS NOT APPLICABLE

- ITEM NOT ILLUSTRATED

32-34-05-01

32-34-05  
FIG. 01  
PAGE 4  
JAN 20/09

BRI

BOEING PROPRIETARY - Copyright © - Unpublished Work - See title page for details.



757

PARTS CATALOG (MAINTENANCE)

FIG ITEM	PART NUMBER	1 2 3 4 5 6 7	NOMENCLATURE	EFFECT FROM TO	UNITS PER ASSY
1 165	AFP23210-6	...	REDUCER SUPPLIER CODE: V30974 SPECIFICATION NUMBER: BACR17E10-6 OPTIONAL PART: AP102710-6 V01673 BC916T10-6 V50948 DBOR17E10-6 V14798 ER21916T10-6 V88334 ER31916-10-6 V88334 F23-10-6 V73197 2-01075T10-6 V11328 31778-10-6 V14397 US2114-10-6 V50808	002004 006999	1
170	NAS1612-10	...	PACKING-	002004 006999	2
170	NAS1612-10A	...	PACKING-	002004 006999	2
175	MS21902D6	...	UNION	002004 006999	1

MISSING ITEM NUMBERS NOT APPLICABLE

- ITEM NOT ILLUSTRATED

BRI

32-34-05-01

BOEING PROPRIETARY - Copyright © - Unpublished Work - See title page for details.

32-34-05  
FIG. 01  
PAGE 5  
JAN 20/09



757

PARTS CATALOG (MAINTENANCE)

FIG ITEM	PART NUMBER	1 2 3 4 5 6 7	NOMENCLATURE	EFFECT FROM TO	UNITS PER ASSY
1 180	AFP2326-4		...REDUCER SUPPLIER CODE: V30974 SPECIFICATION NUMBER: BACR17E6-4 OPTIONAL PART: AP10276-4 V01673 BC916T6-4 V50948 DBOR17E6-4 V14798 ER21916T6-4 V88334 ER31916-6-4 V88334 F23-6-4 V73197 2-01075T6-4 V11328 31778-6-4 V14397 US2114-6-4 V50808 AP1027T6-4 V01673 US21146-4 V50808 317786-4 V14397	002004 006999	1
185	NAS1612-6A		...PACKING	002004 006999	2

MISSING ITEM NUMBERS NOT APPLICABLE

- ITEM NOT ILLUSTRATED

BRI

32-34-05-01

BOEING PROPRIETARY - Copyright © - Unpublished Work - See title page for details.

32-34-05  
FIG. 01  
PAGE 6  
JAN 20/09



757

PARTS CATALOG (MAINTENANCE)

FIG ITEM	PART NUMBER	1 2 3 4 5 6 7	NOMENCLATURE	EFFECT FROM TO	UNITS PER ASSY
1 190	AFP2328-6		...REDUCER SUPPLIER CODE: V30974 SPECIFICATION NUMBER: BACR17E8-6 OPTIONAL PART: AP10278-6 V01673 BC916T8-6 V50948 DBOR17E8-6 V14798 ER21916T8-6 V88334 ER31916-8-6 V88334 F23-8-6 V73197 2-01075T8-6 V11328 31778-8-6 V14397 US2114-8-6 V50508 AP1027T8-6 V01673 US21148-6 V50808 317788-6 V14397	002004 006999	1

MISSING ITEM NUMBERS NOT APPLICABLE

- ITEM NOT ILLUSTRATED

BRI

32-34-05-01

BOEING PROPRIETARY - Copyright © - Unpublished Work - See title page for details.

32-34-05  
FIG. 01  
PAGE 7  
JAN 20/09

 **BOEING**  
757  
**PARTS CATALOG (MAINTENANCE)**

FIG ITEM	PART NUMBER	1 2 3 4 5 6 7	NOMENCLATURE	EFFECT FROM TO	UNITS PER ASSY
1 195	AP1016J8	...	PLUG SUPPLIER CODE: V01673 SPECIFICATION NUMBER: BACP20AU8J OPTIONAL PART: ER0806-8J V88334 2-02700-8J V11328 AP10168J V01673 4120-587208J V50948 31794-8J V14397 AFP952-08J V30974 AP1016-08J V01673 DBOP20AU8J V14798 AP1016J08 V01673	002004 006999	1
195	AN814-8JL	...	PLUG	002004 006999	1
200	NAS1612-8A	...	PACKING	002004 006999	2
205	2670288-7	...	VALVE ASSY-DOOR OPERATED GR SEQ SUPPLIER CODE: V92003 FUNCTIONAL DESCRIPTION: SUPPLIES HYDRAULIC FLUID TO OPERATE THE AIRPLANE LANDING GEAR SPECIFICATION NUMBER: 60B00247-7 COMPONENT MAINT MANUAL REF: 32-30-20	002004 006999	1
205	2670288-9	...	VALVE ASSY-DOOR OPERATED GR SEQ SUPPLIER CODE: V92003 SPECIFICATION NUMBER: 60B00247-9 COMPONENT MAINT MANUAL REF: 32-30-20	002004 006999	1

MISSING ITEM NUMBERS NOT APPLICABLE

— ITEM NOT ILLUSTRATED

BRI

# 32-34-05-01

BOEING PROPRIETARY - Copyright © - Unpublished Work - See title page for details.

32-34-05  
FIG. 01  
PAGE 8  
JAN 20/09



757

PARTS CATALOG (MAINTENANCE)

FIG ITEM	PART NUMBER	1 2 3 4 5 6 7	NOMENCLATURE	EFFECT FROM TO	UNITS PER ASSY
1					
210	NAS1611-010	....	PACKING-	002004 006999	2
215	2672221	....	VALVE ASSY-CHECK SUPPLIER CODE: V92003	002004 006999	1
230	BACB30LJ4U42	..	BOLT	002004 006999	2
235	BACB30LJ4U13	..	BOLT	002004 006999	2
240	BACB30MR4K16	..	BOLT	002004 006999	1
245	BACB30LJ4U14	..	BOLT- USED ON: 273N1003-6	107107 904949 952952	1
250	BACB30LJ4U27	..	BOLT- USED ON: 273N1003-6	107107 904949 952952	1
255	BACW10BP4CD	..	WASHER	002004 006999	5
260	BACW10BP4CD	..	WASHER- USED ON: 273N1003-6	107107 904949 952952	2
265	BACW10BP4DP	..	WASHER	002004 006999	5
270	BACW10BP4DP	..	WASHER- USED ON: 273N1003-6	107107 904949 952952	2
275	69B80168-16	..	WASHER	002004 006999	2
280	69B80168-16	..	WASHER- USED ON: 273N1003-6	107107 904949 952952	1
285	BRH10C4D	..	NUT SUPPLIER CODE: V52828 SPECIFICATION NUMBER: BACN10JC4CD OPTIONAL PART: T6C428JCD V11815 NS202486-048 V80539 102LH9075-4W V72962 H51650-4BAC V15653	002004 006999	4

MISSING ITEM NUMBERS NOT APPLICABLE

- ITEM NOT ILLUSTRATED

32-34-05-01

32-34-05  
FIG. 01  
PAGE 9  
JAN 20/09

BRI



757

PARTS CATALOG (MAINTENANCE)

FIG ITEM	PART NUMBER	1 2 3 4 5 6 7	NOMENCLATURE	EFFECT FROM TO	UNITS PER ASSY
1 290	BRH10C4D		. . NUT- SUPPLIER CODE: V52828 SPECIFICATION NUMBER: BACN10JC4CD OPTIONAL PART: T6C428JCD V11815 NS202486-048 V80539 102LH9075-4W V72962 H51650-4BAC V15653 USED ON: 273N1003-6	107107 904949 952952	2

MISSING ITEM NUMBERS NOT APPLICABLE

- ITEM NOT ILLUSTRATED

BRI

32-34-05-01

BOEING PROPRIETARY - Copyright © - Unpublished Work - See title page for details.

32-34-05  
FIG. 01  
PAGE 10  
JAN 20/09



757

PARTS CATALOG (MAINTENANCE)

FIG ITEM	PART NUMBER	1 2 3 4 5 6 7	NOMENCLATURE	EFFECT FROM TO	UNITS PER ASSY
1 295	BMN5024CWD34	. .	NUT SUPPLIER CODE: V97928 SPECIFICATION NUMBER: BACN10HR4CD OPTIONAL PART: H51560-4 V15653 102CH9031-4 V72962 SL7108C428 V11815 67832CD428 V56878 BMN5024CWD3-4 V97928 BH00303CM4 V27238 SL7108C4 V11815 VCU0005D4 V06710 102LH90314 V72962 67832CD4 V56878 H964CD V15653 RMLH224CD V72962 VAL280094CD V06710 678324CD V56878 CR6030-4 VF0224 RMLH224CD V72962 VAL280094CD V06710 678324CD V56878 BMN5024CWD34 V97928	002004 006999	1
300	BACB28AK04-017	. .	BUSHING	002004 006999	2
305	BACB28AK04-030	. .	BUSHING	002004 006999	1

MISSING ITEM NUMBERS NOT APPLICABLE

- ITEM NOT ILLUSTRATED

32-34-05-01

32-34-05  
 FIG. 01  
 PAGE 11  
 JAN 20/09

BRI





757

PARTS CATALOG (MAINTENANCE)

FIG ITEM	PART NUMBER	1 2 3 4 5 6 7	NOMENCLATURE	EFFECT FROM TO	UNITS PER ASSY
1					
310	BACB28AK04-032	..	BUSHING- USED ON: 273N1003-6	107107 904949 952952	1
315	BACB28AK04-072	..	BUSHING- USED ON: 273N1003-6	107107 904949 952952	1
320	BACB28AK04-033	..	BUSHING- USED ON: 273N1003-6	107107 904949 952952	1
330	65B80103-6	..	CARRIER-LINK	002004 006999	1
335	273N1052-1	..	LINK ASSY	002004 006999	1
340	NES04B10GC	...	BEARING SUPPLIER CODE: V73134 SPECIFICATION NUMBER: BACB10FC04C OPTIONAL PART: NRRS04B10GC V73134 HT04VSBC VS0352 ADB4VNC V15860 KNDB4-66 V97613 KR4CNGBZC V50632	002004 006999	1
345	WES04B10GC	...	BEARING SUPPLIER CODE: V73134 SPECIFICATION NUMBER: BACB10FE04C OPTIONAL PART: ADW4VNC V15860 KR4CWGBZC V50632 KWDB4-39 V97613 WRRS04B10GC V73134 WHT04VSBC VS0352	002004 006999	1
350	273N1052-2	...	LINK	002004 006999	1
355	65B80101-1	..	LINK ASSY	002004 006999	1

MISSING ITEM NUMBERS NOT APPLICABLE

- ITEM NOT ILLUSTRATED

32-34-05-01

32-34-05  
FIG. 01  
PAGE 12  
JAN 20/09

BRI

BOEING PROPRIETARY - Copyright © - Unpublished Work - See title page for details.



757

PARTS CATALOG (MAINTENANCE)

FIG ITEM	PART NUMBER	1 2 3 4 5 6 7	NOMENCLATURE	EFFECT FROM TO	UNITS PER ASSY
1					
360	BACB28W4C009	...	BUSHING	002004 006999	2
365	BACB28W4C025	...	BUSHING	002004 006999	2
370	BACB28Y5B009	...	BUSHING	002004 006999	2
375	65B80101-2	...	LINK- OPTIONAL PART: 65B80101-6 65B80101-7	002004 006999	1
375	65B80101-6	...	LINK- OPTIONAL PART: 65B80101-2 65B80101-7	002004 006999	1
375	65B80101-7	...	LINK- OPTIONAL PART: 65B80101-2 65B80101-6	002004 006999	1
390	273N1050-3	..	ROD ASSY- USED ON: 273N1003-6	107107 904949 952952	1
395	BACR15FT5D	...	RIVET- SIZE DETERMINED ON INSTL.	107107 904949 952952	4
400	273N1050-2	...	ROD	107107 904949 952952	1
405	273N1049-3	...	END ASSY	107107 904949 952952	2
410	ADB04V301NC	....	BEARING SUPPLIER CODE: V15860 SPECIFICATION NUMBER: BACB10FB04GC OPTIONAL PART: KNDB04-70 V97613 KSC145700BZ04GC V50632 NES04FBGC V73134 HTFB04GC VS0352	107107 904949 952952	1
415	273N1049-4	....	END	107107 904949 952952	1
420	65B01598-4	..	LINK ASSY	002004 006999	1

MISSING ITEM NUMBERS NOT APPLICABLE

- ITEM NOT ILLUSTRATED

32-34-05-01

32-34-05  
FIG. 01  
PAGE 13  
JAN 20/09

BRI



757

PARTS CATALOG (MAINTENANCE)

FIG ITEM	PART NUMBER	1 2 3 4 5 6 7	NOMENCLATURE	EFFECT FROM TO	UNITS PER ASSY
1					
425	65B01598-2	...	LINK	002004 006999	1
430	LDS04E143S	...	BEARING- SUPPLIER CODE: V16746 SPECIFICATION NUMBER: 10-60545-143S OPTIONAL PART: BLFR4-384 V81376 KSBN4-37 V97613 NHSB4V8 V15860 SBSH8ATC21 V21335 SBSH8AT21 V21335 YTA286 V77896 176158 V09455 WRG4BACH V73134 OPTIONAL PART: 10-60545-166S	002004 006999	2
430	10-60545-166S	...	BEARING- OPTIONAL PART: LDS04E143S V16746	002004 006999	2
440	273N1051-1	..	CRANK ASSY	002004 006999	1
445	BACB28W4C011	...	BUSHING	002004 006999	2
450	BACB28W4C025	...	BUSHING	002004 006999	2
455	BACB28X5M011	...	BUSHING	002004 006999	2
460	273N1051-2	...	CRANK	002004 006999	1
900			ILLUSTRATION REFERENCE: PLUMBING INSTL-SECT. 41 NOSE WHLWELL HYDR (NOSE GEAR EXTENSION AND RETRACTION ONLY) 32-34-51-15	002004 006100 107107 121503 904999	RF

MISSING ITEM NUMBERS NOT APPLICABLE

- ITEM NOT ILLUSTRATED

32-34-05-01

32-34-05  
FIG. 01  
PAGE 14  
JAN 20/09

BRI

BOEING PROPRIETARY - Copyright © - Unpublished Work - See title page for details.



757

PARTS CATALOG (MAINTENANCE)

FIG ITEM	PART NUMBER	1 2 3 4 5 6 7	NOMENCLATURE	EFFECT FROM TO	UNITS PER ASSY
1 905			ILLUSTRATION REFERENCE: PLUMBING INSTL-HYDR BAY AND NOSE WHLWELL (NOSE GEAR EXTENSION AND RETRACTION ONLY) SECT. 41 32-34-51-15A	101106 108120 504903	RF

MISSING ITEM NUMBERS NOT APPLICABLE

- ITEM NOT ILLUSTRATED

BRI

32-34-05-01

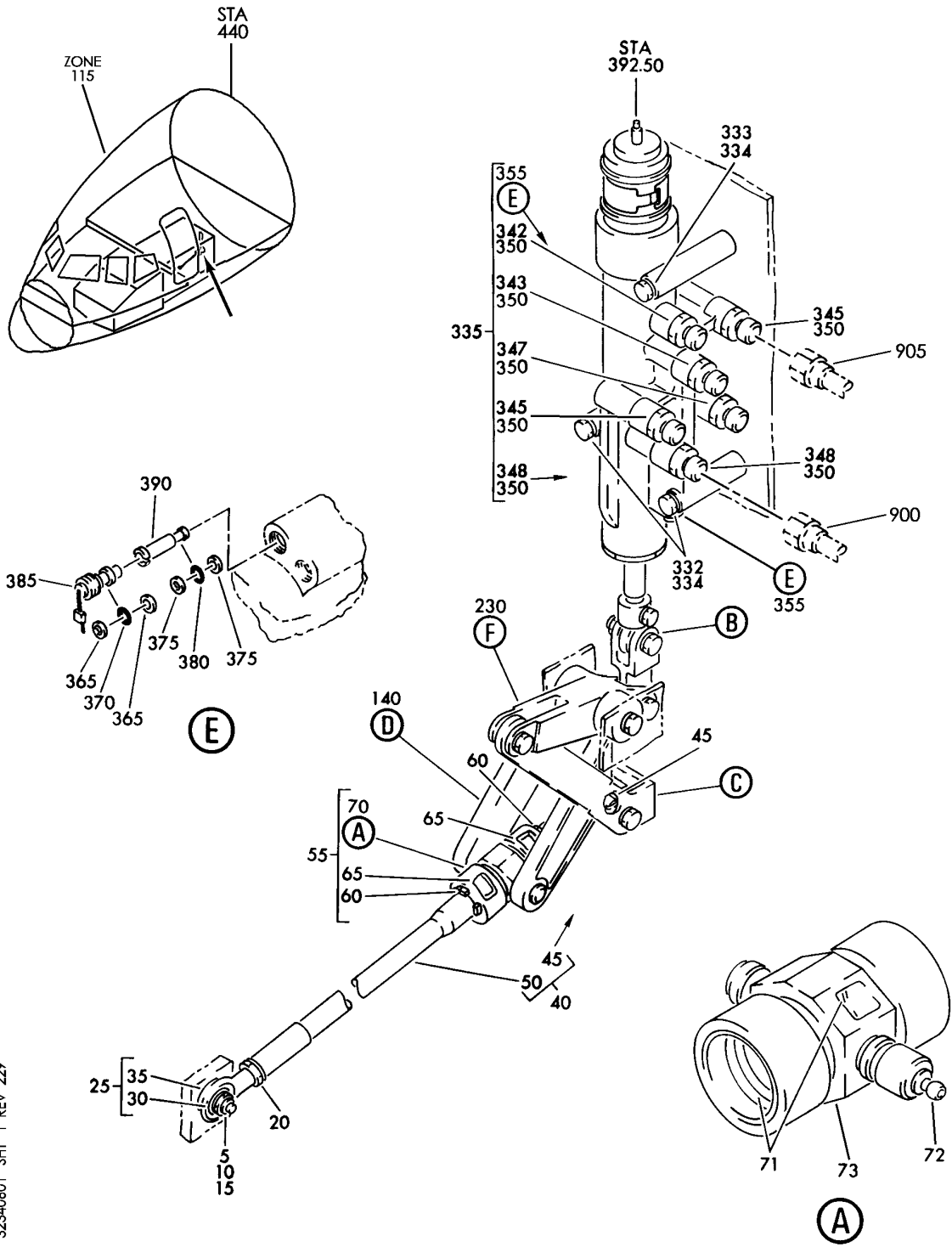
BOEING PROPRIETARY - Copyright © - Unpublished Work - See title page for details.

32-34-05  
FIG. 01  
PAGE 15  
JAN 20/09

# BOEING

## 757

### PARTS CATALOG (MAINTENANCE)



Y 32340601 SHT 1 REV 229

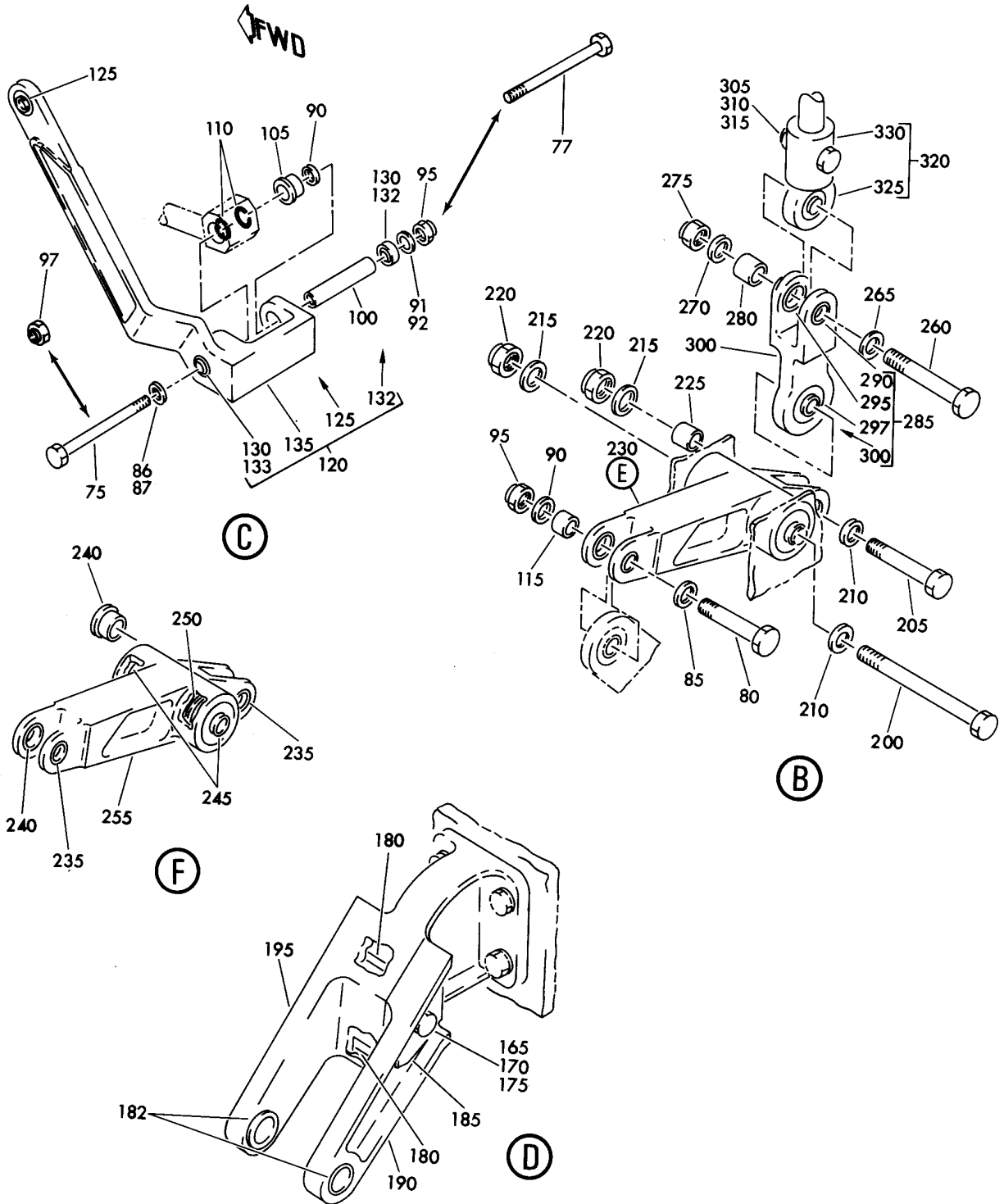
VALVE INSTL-NLG GR OPERATED SEQ  
FIGURE 1 (SHEET 1)

# 32-34-06-01

BRI  
MAY 28/07

32-34-06-01  
PAGE 0

**BOEING**  
757  
PARTS CATALOG (MAINTENANCE)



Y 32340601 'SHT 2 REV 095

VALVE INSTL-NLG GR OPERATED SEQ  
FIGURE 1 (SHEET 2)

**32-34-06-01**

BRI  
MAY 28/07

32-34-06-01  
PAGE 0A



757

PARTS CATALOG (MAINTENANCE)

FIG ITEM	PART NUMBER	1 2 3 4 5 6 7	NOMENCLATURE	EFFECT FROM TO	UNITS PER ASSY
1			VALVE INSTL-NLG GR OPERATED SEQ	002004 006102 107999	
- 1	273N1002-3		VALVE INSTL-NLG GR OPERATED SEQ FOR NHA SEE: 29-00-51-03	002004 006100 107107 121503 904999	RF
- 1	273N1002-12		VALVE INSTL-NLG GR OPERATED SEQ FOR NHA SEE: 32-00-00-15	101102 108120 504903	RF
5	BACB30LH6U18		.BOLT	002004 006102 107999	1
10	BACW10BP6DP		.WASHER	002004 006102 107999	1
12	BACW10BP6NDP		.WASHER	002004 006102 107999	1
15	BRH10C6D		.NUT SUPPLIER CODE: V52828 SPECIFICATION NUMBER: BACN10JC6CD OPTIONAL PART: H51650-6BAC V15653	002004 006102 107999	1
20	NAS509-7		.NUT	002004 006102 107999	1
25	273N1064-1		.END ASSY-ROD	002004 006102 107999	1

MISSING ITEM NUMBERS NOT APPLICABLE

- ITEM NOT ILLUSTRATED

BRI

32-34-06-01

BOEING PROPRIETARY - Copyright © - Unpublished Work - See title page for details.

32-34-06  
FIG. 01  
PAGE 1  
JAN 20/09



757

PARTS CATALOG (MAINTENANCE)

FIG ITEM	PART NUMBER	1 2 3 4 5 6 7	NOMENCLATURE	EFFECT FROM TO	UNITS PER ASSY
1	30 WES06B10GC		.. BEARING SUPPLIER CODE: V73134 SPECIFICATION NUMBER: BACB10FE06C OPTIONAL PART: ADW6VNC V15860 KR6CWGBZC V50632 KWDB6-39 V97613 WRRS06B10GC V73134 WHT06VSBC VS0352	002004 006102 107999	1
	35 273N1064-2		.. ROD END	002004 006102 107999	1
	40 273N1065-3		. ROD ASSY- MISCELLANEOUS DATA: USE OF THIS PART NEGATES THE INTENT OF SB 32-0072	002004 006102 107999	1
	40 273N1065-5		. ROD ASSY-	002004 006102 107999	1
	40 273N1065-7		. ROD ASSY-	002004 006102 107999	1
	40 273N1065-9		. ROD ASSY- USED ON: MODREF33496	002004 006102 107999	1
	45 BJ12TH20M		.. BUSHING- SUPPLIER CODE: V21335 OPTIONAL PART: M81934-1-06C020 USED ON: 273N1065-3 273N1065-5 273N1065-7	002004 006102 107999	1
	45 M81934-1-06C020		.. BUSHING- OPTIONAL PART: BJ12TH20M V21335 USED ON: 273N1065-3 273N1065-5 273N1065-7	002004 006102 107999	1

MISSING ITEM NUMBERS NOT APPLICABLE

- ITEM NOT ILLUSTRATED

32-34-06-01

32-34-06  
FIG. 01  
PAGE 2  
JAN 20/09

BRI

BOEING PROPRIETARY - Copyright © - Unpublished Work - See title page for details.





757

PARTS CATALOG (MAINTENANCE)

FIG ITEM	PART NUMBER	1 2 3 4 5 6 7	NOMENCLATURE	EFFECT FROM TO	UNITS PER ASSY
1					
45	M81934-1-06C020	..	BUSHING- OPTIONAL PART: BACB28BC06A063B USED ON: 273N1065-9	002004 006102 107999	1
45	BACB28BC06A063B	..	BUSHING- OPTIONAL PART: M81934-1-06C020 USED ON: 273N1065-9	002004 006102 107999	1
50	273N1065-4	..	ROD- USED ON: 273N1065-3	002004 006102 107999	1
50	273N1065-6	..	ROD- USED ON: 273N1065-5	002004 006102 107999	1
50	273N1065-8	..	ROD- USED ON: 273N1065-7	002004 006102 107999	1
55	273N1060-1	.	TRUNNION ASSY	002004 006102 107999	1
60	273N1061-1	..	RETAINER	002004 006102 107999	2
65	MS28776M2-3	..	SCRAPER	002004 006102 107999	2
70	273N1062-1	..	HOUSING ASSY	002004 006102 107999	1
71	BACB28W10B056	...	BUSHING	002004 006102 107999	2
72	1728B	...	FITTING-LUBE SUPPLIER CODE: VOFKM1	002004 006102 107999	1
73	273N1062-2	...	HOUSING	002004 006102 107999	1
75	BACB30LJ4U47	.	BOLT	002004 006100 107107 121503 904999	1
77	BACB30LJ4U47	.	BOLT	101102 108120 504903	1

MISSING ITEM NUMBERS NOT APPLICABLE

- ITEM NOT ILLUSTRATED

32-34-06-01

32-34-06  
FIG. 01  
PAGE 3  
JAN 20/09

BRI

BOEING PROPRIETARY - Copyright © - Unpublished Work - See title page for details.



757

PARTS CATALOG (MAINTENANCE)

FIG ITEM	PART NUMBER	1 2 3 4 5 6 7	NOMENCLATURE	EFFECT FROM TO	UNITS PER ASSY
1	80	BACB30LJ4U13	.BOLT-	002004 006102 107999	1
	85	BACW10BP4CD	.WASHER-	002004 006102 107999	1
	87	BACW10BP4CD	.WASHER-	002004 006102 107999	1
	90	BACW10BP4DP	.WASHER-	002004 006100 107107 121503 904999	2
	92	BACW10BP4DP	.WASHER-	101102 108120 504903	2
	95	BRH10C4D	.NUT- SUPPLIER CODE: V52828 SPECIFICATION NUMBER: BACN10JC4CD OPTIONAL PART: T6C428JCD V11815 NS202486-048 V80539 102LH9075-4W V72962 H51650-4BAC V15653	002004 006102 107999	1
	96	BRH10C4D	.NUT- SUPPLIER CODE: V52828 SPECIFICATION NUMBER: BACN10JC4CD OPTIONAL PART: T6C428JCD V11815 NS202486-048 V80539 102LH9075-4W V72962 H51650-4BAC V15653	002004 006100 107107 121503 904999	1

MISSING ITEM NUMBERS NOT APPLICABLE

- ITEM NOT ILLUSTRATED

BRI

32-34-06-01

BOEING PROPRIETARY - Copyright © - Unpublished Work - See title page for details.

32-34-06  
FIG. 01  
PAGE 4  
JAN 20/09



757

PARTS CATALOG (MAINTENANCE)

FIG ITEM	PART NUMBER	1 2 3 4 5 6 7	NOMENCLATURE	EFFECT FROM TO	UNITS PER ASSY
1	97 BRH10C4D		.NUT- SUPPLIER CODE: V52828 SPECIFICATION NUMBER: BACN10JC4CD OPTIONAL PART: T6C428JCD V11815 NS202486-048 V80539 102LH9075-4W V72962 H51650-4BAC V15653	101102 108120 504903	1
	100 BACB28AK04-194		.BUSHING	002004 006102 107999	1
	105 BACB28X6M033		.BUSHING- USED ON: 273N1002-10 273N1002-3	002004 006100 107107 121503 904999	1
	105 BACB28AK06-039		.BUSHING- USED ON: 273N1002-11 273N1002-12	101102 108120 504903	1
	110 NAS1611-110		.PACKING-	002004 006102 107999	2
	115 BACB28AK04-030		.BUSHING-	002004 006102 107999	1
	120 273N1069-6		.CRANK ASSY- QUALIFIED I/W DATA: 273N1069-6 TOGETHER WITH BACB10FE04C CAN REPLACE OR BE REPLACED BY 273N1069-4.	002004 006102 107999	1

MISSING ITEM NUMBERS NOT APPLICABLE

- ITEM NOT ILLUSTRATED

BRI

32-34-06-01

BOEING PROPRIETARY - Copyright © - Unpublished Work - See title page for details.

32-34-06  
FIG. 01  
PAGE 5  
JAN 20/09



757

PARTS CATALOG (MAINTENANCE)

FIG ITEM	PART NUMBER	1 2 3 4 5 6 7	NOMENCLATURE	EFFECT FROM TO	UNITS PER ASSY
1 125	KSP4AFS428		.. BEARING- SUPPLIER CODE: V21335 SPECIFICATION NUMBER: BACB10AC4A OPTIONAL PART: HHKSP4A V38443 KSP4AE9440A V21335 KSP4A2TS V43991 KSP4AG27 V30163	002004 006102 107999	1
133	WHT04SBC		.. BEARING- SUPPLIER CODE: VS0352 SPECIFICATION NUMBER: BACB10FD04C OPTIONAL PART: KR4CWBZC V50632 KWDB4-41 V97613 WRRS04B10C V73134 WES04B10C V73134 ADW4NC V15860 MS14102-4C USED ON: 273N1069-6 USED ON: 273N1069-4	002004 006102 107999	1
133	MS14102-4C		.. BEARING- OPTIONAL PART: BACB10FD04C USED ON: 273N1069-4 273N1069-6	002004 006102 107999	1
135	273N1069-2		.. CRANK- USED ON: 273N1069-1	002004 006102 107999	1
135	273N1069-5		.. CRANK- OPTIONAL PART: 273N1069-11 USED ON: 273N1069-4	002004 006102 107999	1

MISSING ITEM NUMBERS NOT APPLICABLE

- ITEM NOT ILLUSTRATED

32-34-06-01

32-34-06  
FIG. 01  
PAGE 6  
JAN 20/09

BRI



757

PARTS CATALOG (MAINTENANCE)

FIG ITEM	PART NUMBER	1 2 3 4 5 6 7	NOMENCLATURE	EFFECT FROM TO	UNITS PER ASSY
1					
135	273N1069-11		.. CRANK- OPTIONAL PART: 273N1069-5	002004 006102 107999	1
140	273N1066-7		. SUPPORT ASSY-  ATTACHING PARTS	002004 006102 107999	1
- 145	BACB30NR4K8		. BOLT-	002004 006102 107999	4
- 150	BACW10BN4AC		. WASHER- POSITION DATA: UNDER HEAD	002004 006102 107999	4
- 155	BACW10BN4AP		. WASHER- POSITION DATA: UNDER NUT	002004 006102 107999	4
- 160	BRH10C4D		. NUT- SUPPLIER CODE: V52828 SPECIFICATION NUMBER: BACN10JC4CD OPTIONAL PART: T6C428JCD V11815 NS202486-048 V80539 102LH9075-4W V72962 H51650-4BAC V15653 -----*-----	002004 006102 107999	4
165	BACB30NR4K22		.. BOLT	002004 006102 107999	1
170	BACW10BN4AP		.. WASHER	002004 006102 107999	1

MISSING ITEM NUMBERS NOT APPLICABLE

- ITEM NOT ILLUSTRATED

32-34-06-01

32-34-06  
FIG. 01  
PAGE 7  
JAN 20/09

BRI

BOEING PROPRIETARY - Copyright © - Unpublished Work - See title page for details.



757

PARTS CATALOG (MAINTENANCE)

FIG ITEM	PART NUMBER	1 2 3 4 5 6 7	NOMENCLATURE	EFFECT FROM TO	UNITS PER ASSY
1					
175	BRH10C4D	..	NUT SUPPLIER CODE: V52828 SPECIFICATION NUMBER: BACN10JC4CD OPTIONAL PART: T6C428JCD V11815 NS202486-048 V80539 102LH9075-4W V72962 H51650-4BAC V15653	002004 006102 107999	1
180	NAS607-4-8P	..	PIN	002004 006102 107999	2
182	BACB28W8B038	..	BUSHING	002004 006102 107999	2
185	273N1066-5	..	PLATE	002004 006102 107999	1
190	273N1066-6	..	ARM- USED ON: 273N1066-7 USED WITH: 273N1066-2	002004 006102 107999	1
195	273N1066-2	..	SUPPORT- USED WITH: 273N1066-4 273N1066-6	002004 006102 107999	1
200	BACB30LJ4U35	.	BOLT	002004 006102 107999	1
205	BACB30LJ4U13	.	BOLT	002004 006102 107999	1
210	BACW10BP4CD	.	WASHER	002004 006102 107999	2
215	BACW10BP4DP	.	WASHER	002004 006102 107999	2

MISSING ITEM NUMBERS NOT APPLICABLE

- ITEM NOT ILLUSTRATED

32-34-06-01

32-34-06  
FIG. 01  
PAGE 8  
JAN 20/09

BRI

BOEING PROPRIETARY - Copyright © - Unpublished Work - See title page for details.



757

PARTS CATALOG (MAINTENANCE)

FIG ITEM	PART NUMBER	1 2 3 4 5 6 7	NOMENCLATURE	EFFECT FROM TO	UNITS PER ASSY
1 220	BRH10C4D	.	NUT SUPPLIER CODE: V52828 SPECIFICATION NUMBER: BACN10JC4CD OPTIONAL PART: T6C428JCD V11815 NS202486-048 V80539 102LH9075-4W V72962 H51650-4BAC V15653	002004 006102 107999	2
225	BACB28AK04-030	.	BUSHING	002004 006102 107999	1
230	273N1068-4	.	CRANK ASSY-	002004 006102 107999	1
235	BACB28X4C010	..	BUSHING	002004 006102 107999	2
240	BACB28X5M010	..	BUSHING	002004 006102 107999	2
245	KSP4AFS428	..	BEARING- SUPPLIER CODE: V21335 SPECIFICATION NUMBER: BACB10AC4A OPTIONAL PART: HHKSP4A V38443 KSP4AE9440A V21335 KSP4A2TS V43991 KSP4AG27 V30163	002004 006102 107999	2
250	273N1070-1	..	SPACER	002004 006102 107999	1
255	273N1068-5	..	CRANK-	002004 006102 107999	1
260	BACB30LJ4U14	.	BOLT	002004 006102 107999	1

MISSING ITEM NUMBERS NOT APPLICABLE

- ITEM NOT ILLUSTRATED

32-34-06-01

32-34-06  
FIG. 01  
PAGE 9  
JAN 20/09

BRI



757

PARTS CATALOG (MAINTENANCE)

FIG ITEM	PART NUMBER	1 2 3 4 5 6 7	NOMENCLATURE	EFFECT FROM TO	UNITS PER ASSY
1					
265	BACW10BP4CD	.	WASHER	002004 006102 107999	1
270	BACW10BP4DP	.	WASHER	002004 006102 107999	1
275	BRH10C4D	.	NUT SUPPLIER CODE: V52828 SPECIFICATION NUMBER: BACN10JC4CD OPTIONAL PART: T6C428JCD V11815 NS202486-048 V80539 102LH9075-4W V72962 H51650-4BAC V15653	002004 006102 107999	1
280	BACB28AK04-030	.	BUSHING	002004 006102 107999	1
285	273N1071-1	.	LINK ASSY	002004 006102 107999	1
290	BACB28W4C010	..	BUSHING	002004 006102 107999	1
295	BACB28X5M010	..	BUSHING	002004 006102 107999	1
297	KSP4AFS428	..	BEARING- SUPPLIER CODE: V21335 SPECIFICATION NUMBER: BACB10AC4A OPTIONAL PART: HHKSP4A V38443 KSP4AE9440A V21335 KSP4A2TS V43991 KSP4AG27 V30163	002004 006102 107999	1
300	273N1071-2	..	LINK	002004 006102 107999	1

MISSING ITEM NUMBERS NOT APPLICABLE

- ITEM NOT ILLUSTRATED

32-34-06-01

32-34-06  
FIG. 01  
PAGE 10  
JAN 20/09

BRI

BOEING PROPRIETARY - Copyright © - Unpublished Work - See title page for details.





757

PARTS CATALOG (MAINTENANCE)

FIG ITEM	PART NUMBER	1 2 3 4 5 6 7	NOMENCLATURE	EFFECT FROM TO	UNITS PER ASSY
1	305	BACB30LJ4U11	.BOLT	002004 006102 107999	1
	310	BACW10BP4DP	.WASHER	002004 006102 107999	1
	315	BRH10C4D	.NUT SUPPLIER CODE: V52828 SPECIFICATION NUMBER: BACN10JC4CD OPTIONAL PART: T6C428JCD V11815 NS202486-048 V80539 102LH9075-4W V72962 H51650-4BAC V15653	002004 006102 107999	1
	320	273N1072-1	.FITTING ASSY- MISCELLANEOUS DATA: FOR SPARES PROCURE LOWER COMPONENTS	002004 006102 107999	1
	325	NES04B10GC	..BEARING SUPPLIER CODE: V73134 SPECIFICATION NUMBER: BACB10FC04C OPTIONAL PART: NRRS04B10GC V73134 HT04VSBC VS0352 ADB4VNC V15860 KNDB4-66 V97613 KR4CNGBZC V50632	002004 006102 107999	1
	330	273N1072-2	..FITTING	002004 006102 107999	1
	332	BACB30NR4K39	.BOLT	002004 006102 107999	2
	333	BACB30NR4K44	.BOLT-	002004 006102 107999	1

MISSING ITEM NUMBERS NOT APPLICABLE

- ITEM NOT ILLUSTRATED

32-34-06-01

32-34-06  
FIG. 01  
PAGE 11  
JAN 20/09

BRI



757

PARTS CATALOG (MAINTENANCE)

FIG ITEM	PART NUMBER	1 2 3 4 5 6 7	NOMENCLATURE	EFFECT FROM TO	UNITS PER ASSY
1					
334	BACW10BN4AC	.	WASHER	002004 006102 107999	3
335	273N1002-6	.	VALVE ASSY- COMPONENT MAINT MANUAL REF: 32-34-15	002004 006102 107999	1
335	273N1002-5	.	VALVE ASSY- COMPONENT MAINT MANUAL REF: 32-34-15	002004 006102 107999	1
342	MS21902D6	..	UNION-	002004 006102 107999	1
343	AFP2328-6	..	REDUCER- SUPPLIER CODE: V30974 SPECIFICATION NUMBER: BACR17E8-6 OPTIONAL PART: AP10278-6 V01673 BC916T8-6 V50948 DBOR17E8-6 V14798 ER21916T8-6 V88334 ER31916-8-6 V88334 F23-8-6 V73197 2-01075T8-6 V11328 31778-8-6 V14397 US2114-8-6 V50508 AP1027T8-6 V01673 US21148-6 V50808 317788-6 V14397	002004 006102 107999	1
345	BACU24K6	..	UNION-	107107	2
345	MS21902-6T	..	UNION-	002004 006102 108999	2

MISSING ITEM NUMBERS NOT APPLICABLE

- ITEM NOT ILLUSTRATED

BRI

32-34-06-01

BOEING PROPRIETARY - Copyright © - Unpublished Work - See title page for details.

32-34-06  
FIG. 01  
PAGE 12  
JAN 20/09



757

PARTS CATALOG (MAINTENANCE)

FIG ITEM	PART NUMBER	1 2 3 4 5 6 7	NOMENCLATURE	EFFECT FROM TO	UNITS PER ASSY
1 347	AFP2328-6		. . REDUCER- SUPPLIER CODE: V30974 SPECIFICATION NUMBER: BACR17E8-6 OPTIONAL PART: AP10278-6 V01673 BC916T8-6 V50948 DBOR17E8-6 V14798 ER21916T8-6 V88334 ER31916-8-6 V88334 F23-8-6 V73197 2-01075T8-6 V11328 31778-8-6 V14397 US2114-8-6 V50508 AP1027T8-6 V01673 US21148-6 V50808 317788-6 V14397 USED ON: 273N1002-5	002004 006102 107999	1

MISSING ITEM NUMBERS NOT APPLICABLE

- ITEM NOT ILLUSTRATED

BRI

32-34-06-01

BOEING PROPRIETARY - Copyright © - Unpublished Work - See title page for details.

32-34-06  
FIG. 01  
PAGE 13  
JAN 20/09



757

PARTS CATALOG (MAINTENANCE)

FIG ITEM	PART NUMBER	1 2 3 4 5 6 7	NOMENCLATURE	EFFECT FROM TO	UNITS PER ASSY
1 348	AFP2326-4		..REDUCER- SUPPLIER CODE: V30974 SPECIFICATION NUMBER: BACR17E6-4 OPTIONAL PART: AP10276-4 V01673 BC916T6-4 V50948 DBOR17E6-4 V14798 ER21916T6-4 V88334 ER31916-6-4 V88334 F23-6-4 V73197 2-01075T6-4 V11328 31778-6-4 V14397 US2114-6-4 V50808 AP1027T6-4 V01673 US21146-4 V50808 317786-4 V14397 USED ON: 273N1002-5	002004 006102 107999	1
350	NAS1612-6A		..PACKING-	002004 006102 107999	6
355	2670296		..VALVE ASSY- SUPPLIER CODE: V92003 SPECIFICATION NUMBER: 60B00220-1 COMPONENT MAINT MANUAL REF: 32-30-27	002004 006102 107999	1
355	2670296M1		..VALVE ASSY- SUPPLIER CODE: V92003 SPECIFICATION NUMBER: 60B00220-2 COMPONENT MAINT MANUAL REF: 32-30-27	002004 006102 107999	1

MISSING ITEM NUMBERS NOT APPLICABLE

- ITEM NOT ILLUSTRATED

32-34-06-01

32-34-06  
FIG. 01  
PAGE 14  
JAN 20/09

BRI



757

PARTS CATALOG (MAINTENANCE)

FIG ITEM	PART NUMBER	1 2 3 4 5 6 7	NOMENCLATURE	EFFECT FROM TO	UNITS PER ASSY
1					
365	MS28782-6	. . .	RING	002004 006102 107999	4
370	NAS1611-011	. . .	PACKING-	002004 006102 107999	2
375	MS28782-5	. . .	RING	002004 006102 107999	4
380	NAS1611-010	. . .	PACKING-	002004 006102 107999	2
385	2672240	. . .	PLUG- SUPPLIER CODE: V92003	002004 006102 107999	2
390	2672234	. . .	VALVE ASSY-CHECK SUPPLIER CODE: V92003	002004 006102 107999	2
900			ILLUSTRATION REFERENCE: PLUMBING INSTL-SECT. 41 NOSE WHLWELL HYDR (NOSE GEAR EXTENSION AND RETRACTION ONLY) 32-34-51-15	002004 006100 107107 121503 904999	RF
905			ILLUSTRATION REFERENCE: PLUMBING INSTL-HYDR BAY AND NOSE WHLWELL (NOSE GEAR EXTENSION AND RETRACTION ONLY) SECT. 41 32-34-51-15A	101102 108120 504903	RF

MISSING ITEM NUMBERS NOT APPLICABLE

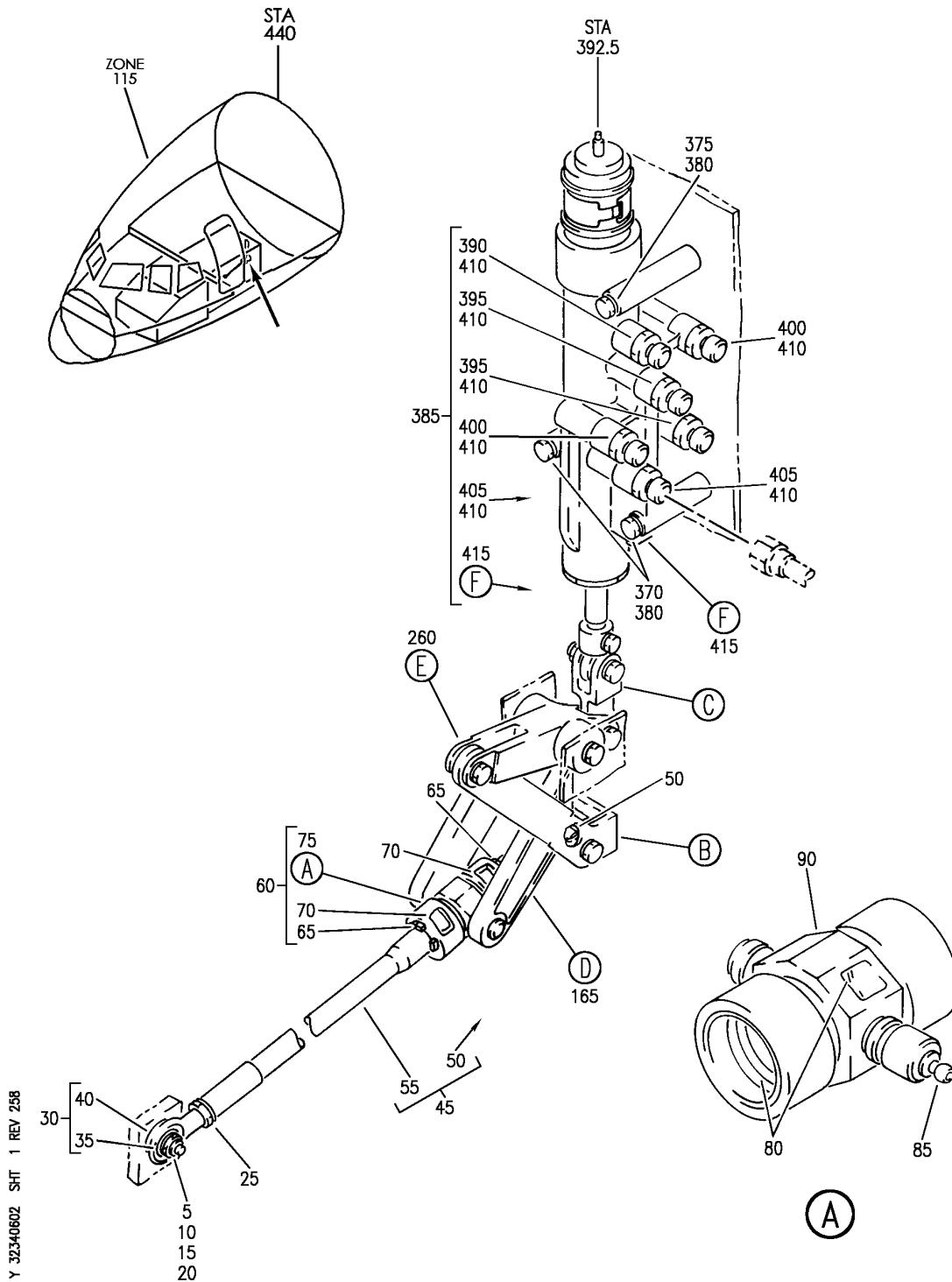
- ITEM NOT ILLUSTRATED

32-34-06-01

32-34-06  
FIG. 01  
PAGE 15  
JAN 20/09

BRI

**BOEING**  
757  
**PARTS CATALOG (MAINTENANCE)**



Y 32340602 SHT 1 REV 258

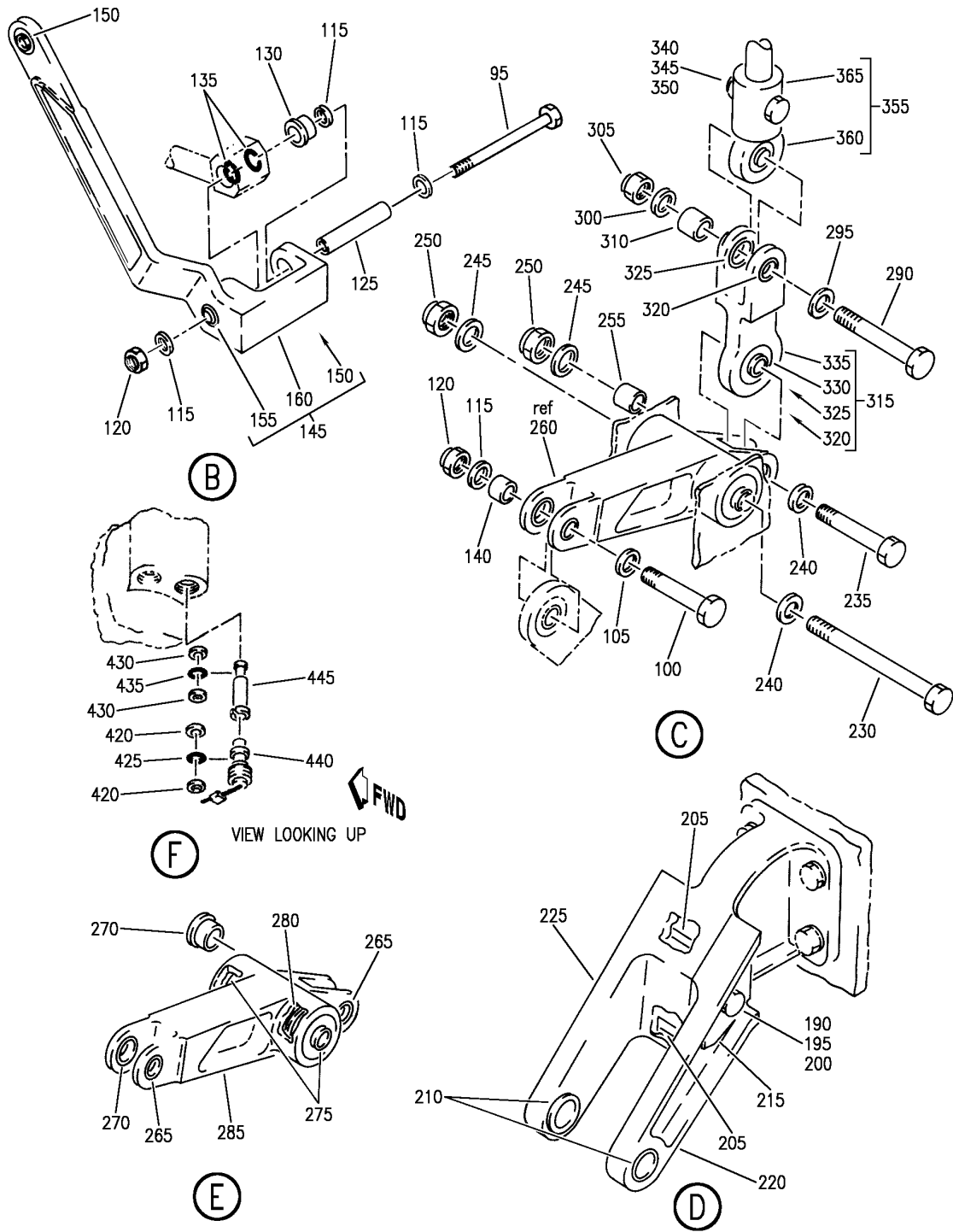
VALVE INSTL-NLG GR OPERATED SEQ  
FIGURE 2 (SHEET 1)

**32-34-06-02**

BRI  
JAN 20/09

32-34-06-02  
PAGE 0

**BOEING**  
757  
PARTS CATALOG (MAINTENANCE)



Y 32340602 SHT 2 REV 258

VALVE INSTL-NLG GR OPERATED SEQ  
FIGURE 2 (SHEET 2)

**32-34-06-02**

BRI  
JAN 20/09

32-34-06-02  
PAGE 0A



757

PARTS CATALOG (MAINTENANCE)

FIG ITEM	PART NUMBER	1 2 3 4 5 6 7	NOMENCLATURE	EFFECT FROM TO	UNITS PER ASSY
2			VALVE INSTL-NLG GR OPERATED SEQ	103106	
- 1	MODREF8254		VALVE INSTL-NLG GR OPERATED SEQ	103105	1
- 1	MODREF33496		MODULE NUMBER: 273N1002-12 REV A VALVE INSTL-NLG GR OPERATED SEQ	106106	1
5	BACB30LH6U18		.BOLT	103106	1
10	BACW10BP6DP		.WASHER	103106	1
15	BACW10BP6NDP		.WASHER	103106	1
20	BRH10C6D		.NUT	103106	1
			SUPPLIER CODE: V52828 SPECIFICATION NUMBER: BACN10JC6CD OPTIONAL PART: H51650-6BAC V15653		
25	NAS509-7		.NUT	103106	1
30	273N1064-1		.END ASSY-ROD	103106	1
35	WES06B10GC		..BEARING	103106	1
			SUPPLIER CODE: V73134 SPECIFICATION NUMBER: BACB10FE06C OPTIONAL PART: ADW6VNC V15860 KR6CWGBZC V50632 KWDB6-39 V97613 WRRS06B10GC V73134 WHT06VSBC VS0352		
40	273N1064-2		..ROD END	103106	1
45	273N1065-3		.ROD ASSY-	103106	1
45	273N1065-5		.ROD ASSY-	103106	1
45	273N1065-7		.ROD ASSY-	103106	1
			USED ON: MODREF8254		
45	273N1065-9		.ROD ASSY-	103106	1
			USED ON: MODREF33496		

MISSING ITEM NUMBERS NOT APPLICABLE

- ITEM NOT ILLUSTRATED

32-34-06-02

32-34-06  
FIG. 02  
PAGE 1  
JAN 20/09

BRI





757

PARTS CATALOG (MAINTENANCE)

FIG ITEM	PART NUMBER	1 2 3 4 5 6 7	NOMENCLATURE	EFFECT FROM TO	UNITS PER ASSY
2					
50	BJ12TH20M	..	BUSHING- SUPPLIER CODE: V21335 OPTIONAL PART: M81934-1-06C020 USED ON: 273N1065-3 273N1065-5 273N1065-7	103106	1
50	M81934-1-06C020	..	BUSHING- OPTIONAL PART: BJ12TH20M V21335 USED ON: 273N1065-3 273N1065-5 273N1065-7	103106	1
50	M81934-1-06C020	..	BUSHING- OPTIONAL PART: BACB28BC06A063B USED ON: 273N1065-9	103106	1
50	BACB28BC06A063B	..	BUSHING- OPTIONAL PART: M81934-1-06C020 USED ON: 273N1065-9	103106	1
55	273N1065-4	..	ROD- USED ON: 273N1065-3	103106	1
55	273N1065-6	..	ROD- USED ON: 273N1065-5	103106	1
55	273N1065-8	..	ROD- USED ON: 273N1065-7	103106	1
55	273N1065-10	..	ROD- USED ON: 273N1065-9	103106	1
60	273N1060-1	.	TRUNNION ASSY	103106	1
65	273N1061-1	..	RETAINER	103106	2
70	MS28776M2-3	..	SCRAPER	103106	2
75	273N1062-1	..	HOUSING ASSY	103106	1
80	BACB28W10B056	...	BUSHING	103106	2
85	1728B	...	FITTING-LUBE SUPPLIER CODE: VOFKM1	103106	1
90	273N1062-2	...	HOUSING	103106	1
95	BACB30LJ4U47	.	BOLT	103106	1

MISSING ITEM NUMBERS NOT APPLICABLE

- ITEM NOT ILLUSTRATED

32-34-06-02

32-34-06  
FIG. 02  
PAGE 2  
JAN 20/09

BRI

BOEING PROPRIETARY - Copyright © - Unpublished Work - See title page for details.



757

PARTS CATALOG (MAINTENANCE)

FIG ITEM	PART NUMBER	1 2 3 4 5 6 7	NOMENCLATURE	EFFECT FROM TO	UNITS PER ASSY
2					
100	BACB30LJ4U13	.	BOLT-	103106	1
105	BACW10BP4CD	.	WASHER-	103106	1
115	BACW10BP4DP	.	WASHER-	103106	4
120	BRH10C4D	.	NUT-	103106	2
			SUPPLIER CODE: V52828		
			SPECIFICATION NUMBER: BACN10JC4CD		
			OPTIONAL PART: T6C428JCD		
			V11815		
			NS202486-048		
			V80539		
			102LH9075-4W		
			V72962		
			H51650-4BAC		
			V15653		
125	BACB28AK04-194	.	BUSHING	103106	1
130	BACB28AK06-039	.	BUSHING	103106	1
135	NAS1611-110	.	PACKING	103106	2
140	BACB28AK04-030	.	BUSHING-	103106	1
145	273N1069-6	.	CRANK ASSY-	103106	1
150	KSP4AFS428	..	BEARING	103106	1
			SUPPLIER CODE: V21335		
			SPECIFICATION NUMBER: BACB10AC4A		
			OPTIONAL PART: HHKSP4A		
			V38443		
			KSP4AE9440A		
			V21335		
			KSP4A2TS		
			V43991		
			KSP4AG27		
			V30163		

MISSING ITEM NUMBERS NOT APPLICABLE

- ITEM NOT ILLUSTRATED

BRI

32-34-06-02

BOEING PROPRIETARY - Copyright © - Unpublished Work - See title page for details.

32-34-06  
FIG. 02  
PAGE 3  
JAN 20/09



757

PARTS CATALOG (MAINTENANCE)

FIG ITEM	PART NUMBER	1 2 3 4 5 6 7	NOMENCLATURE	EFFECT FROM TO	UNITS PER ASSY
2 155	WHT04SBC		.. BEARING- SUPPLIER CODE: VS0352 SPECIFICATION NUMBER: BACB10FD04C OPTIONAL PART: KR4CWBZC V50632 KWDB4-41 V97613 WRRS04B10C V73134 WES04B10C V73134 ADW4NC V15860 MS14102-4C	103106	1
155	MS14102-4C		.. BEARING- OPTIONAL PART: BACB10FD04C	103106	1
160	273N1069-5		.. CRANK- OPTIONAL PART: 273N1069-11	103106	1
160	273N1069-11		.. CRANK- OPTIONAL PART: 273N1069-5	103106	1
165	273N1066-7		. SUPPORT ASSY- ATTACHING PARTS	103106	1
- 170	BACB30NR4K8		. BOLT-	103106	4
- 175	BACW10BN4AC		. WASHER- POSITION DATA: UNDER HEAD	103106	4
- 180	BACW10BN4AP		. WASHER- POSITION DATA: UNDER NUT	103106	4

MISSING ITEM NUMBERS NOT APPLICABLE

- ITEM NOT ILLUSTRATED

32-34-06-02

32-34-06  
FIG. 02  
PAGE 4  
JAN 20/09

BRI



757

PARTS CATALOG (MAINTENANCE)

FIG ITEM	PART NUMBER	1 2 3 4 5 6 7	NOMENCLATURE	EFFECT FROM TO	UNITS PER ASSY
2 - 185	BRH10C4D	.NUT-	SUPPLIER CODE: V52828 SPECIFICATION NUMBER: BACN10JC4CD OPTIONAL PART: T6C428JCD V11815 NS202486-048 V80539 102LH9075-4W V72962 H51650-4BAC V15653	103106	4
190	BACB30NR4K22	..BOLT		103106	1
195	BACW10BN4AP	..WASHER		103106	1
200	BRH10C4D	..NUT	SUPPLIER CODE: V52828 SPECIFICATION NUMBER: BACN10JC4CD OPTIONAL PART: T6C428JCD V11815 NS202486-048 V80539 102LH9075-4W V72962 H51650-4BAC V15653	103106	1
205	NAS607-4-8P	..PIN		103106	2
210	BACB28W8B038	..BUSHING		103106	2
215	273N1066-5	..PLATE		103106	1
220	273N1066-6	..ARM-	USED WITH: 273N1066-2	103106	1
225	273N1066-2	..SUPPORT-	USED WITH: 273N1066-6	103106	1
230	BACB30LJ4U35	.BOLT		103106	1
235	BACB30LJ4U13	.BOLT		103106	1
240	BACW10BP4CD	.WASHER		103106	2
245	BACW10BP4DP	.WASHER		103106	2

MISSING ITEM NUMBERS NOT APPLICABLE

- ITEM NOT ILLUSTRATED

32-34-06-02

32-34-06  
FIG. 02  
PAGE 5  
JAN 20/09

BRI



757

PARTS CATALOG (MAINTENANCE)

FIG ITEM	PART NUMBER	1 2 3 4 5 6 7	NOMENCLATURE	EFFECT FROM TO	UNITS PER ASSY
2 250	BRH10C4D	.NUT	SUPPLIER CODE: V52828 SPECIFICATION NUMBER: BACN10JC4CD OPTIONAL PART: T6C428JCD V11815 NS202486-048 V80539 102LH9075-4W V72962 H51650-4BAC V15653	103106	2
255	BACB28AK04-030	.BUSHING		103106	1
260	273N1068-4	.CRANK ASSY		103106	1
265	BACB28X4C010	..BUSHING		103106	2
270	BACB28X5M010	..BUSHING		103106	2
275	KSP4AFS428	..BEARING	SUPPLIER CODE: V21335 SPECIFICATION NUMBER: BACB10AC4A OPTIONAL PART: HHKSP4A V38443 KSP4AE9440A V21335 KSP4A2TS V43991 KSP4AG27 V30163	103106	2
280	273N1070-1	..SPACER		103106	1
285	273N1068-5	..CRANK		103106	1
290	BACB30LJ4U14	.BOLT		103106	1
295	BACW10BP4CD	.WASHER		103106	1
300	BACW10BP4DP	.WASHER		103106	1

MISSING ITEM NUMBERS NOT APPLICABLE

- ITEM NOT ILLUSTRATED

BRI

32-34-06-02

BOEING PROPRIETARY - Copyright © - Unpublished Work - See title page for details.

32-34-06  
FIG. 02  
PAGE 6  
JAN 20/09



757

PARTS CATALOG (MAINTENANCE)

FIG ITEM	PART NUMBER	1 2 3 4 5 6 7	NOMENCLATURE	EFFECT FROM TO	UNITS PER ASSY
2 305	BRH10C4D	.NUT	SUPPLIER CODE: V52828 SPECIFICATION NUMBER: BACN10JC4CD OPTIONAL PART: T6C428JCD V11815 NS202486-048 V80539 102LH9075-4W V72962 H51650-4BAC V15653	103106	1
310	BACB28AK04-030	.BUSHING		103106	1
315	273N1071-1	.LINK ASSY		103106	1
320	BACB28W4C010	..BUSHING		103106	1
325	BACB28X5M010	..BUSHING		103106	1
330	KSP4AFS428	..BEARING	SUPPLIER CODE: V21335 SPECIFICATION NUMBER: BACB10AC4A OPTIONAL PART: HHKSP4A V38443 KSP4AE9440A V21335 KSP4A2TS V43991 KSP4AG27 V30163	103106	1
335	273N1071-2	..LINK		103106	1
340	BACB30LJ4U11	.BOLT		103106	1
345	BACW10BP4DP	.WASHER		103106	1
350	BRH10C4D	.NUT	SUPPLIER CODE: V52828 SPECIFICATION NUMBER: BACN10JC4CD OPTIONAL PART: T6C428JCD V11815 NS202486-048 V80539 102LH9075-4W V72962 H51650-4BAC V15653	103106	1

MISSING ITEM NUMBERS NOT APPLICABLE

- ITEM NOT ILLUSTRATED

32-34-06-02

32-34-06  
FIG. 02  
PAGE 7  
JAN 20/09

BRI



757

PARTS CATALOG (MAINTENANCE)

FIG ITEM	PART NUMBER	1 2 3 4 5 6 7	NOMENCLATURE	EFFECT FROM TO	UNITS PER ASSY
2					
355	273N1072-1	.	FITTING ASSY- MISCELLANEOUS DATA: FOR SPARES PROCURE LOWER COMPONENTS	103106	1
360	NES04B10GC	..	BEARING SUPPLIER CODE: V73134 SPECIFICATION NUMBER: BACB10FC04C OPTIONAL PART: NRRS04B10GC V73134 HT04VSBC VS0352 ADB4VNC V15860 KNDB4-66 V97613 KR4CNGBZC V50632	103106	1
365	273N1072-2	..	FITTING	103106	1
370	BACB30NR4K39	.	BOLT	103106	2
375	BACB30NR4K44	.	BOLT	103106	1
380	BACW10BN4AC	.	WASHER	103106	3
385	273N1002-6	.	VALVE ASSY- COMPONENT MAINT MANUAL REF: 32-34-15	103106	1
385	273N1002-5	.	VALVE ASSY- COMPONENT MAINT MANUAL REF: 32-34-15	103106	1
390	MS21902D6	..	UNION	103106	1

MISSING ITEM NUMBERS NOT APPLICABLE

- ITEM NOT ILLUSTRATED

32-34-06-02

32-34-06  
FIG. 02  
PAGE 8  
JAN 20/09

BRI

BOEING PROPRIETARY - Copyright © - Unpublished Work - See title page for details.



757

PARTS CATALOG (MAINTENANCE)

FIG ITEM	PART NUMBER	1 2 3 4 5 6 7	NOMENCLATURE	EFFECT FROM TO	UNITS PER ASSY
2 395	AFP2328-6		..REDUCER SUPPLIER CODE: V30974 SPECIFICATION NUMBER: BACR17E8-6 OPTIONAL PART: AP10278-6 V01673 BC916T8-6 V50948 DBOR17E8-6 V14798 ER21916T8-6 V88334 ER31916-8-6 V88334 F23-8-6 V73197 2-01075T8-6 V11328 31778-8-6 V14397 US2114-8-6 V50508 AP1027T8-6 V01673 US21148-6 V50808 317788-6 V14397	103106	2
400	BACU24K6		..UNION- USED ON: 273N1002-5	103106	2
400	MS21902-6T		..UNION- USED ON: 273N1002-6	103106	2

MISSING ITEM NUMBERS NOT APPLICABLE

- ITEM NOT ILLUSTRATED

32-34-06-02

32-34-06  
FIG. 02  
PAGE 9  
JAN 20/09

BRI





757

PARTS CATALOG (MAINTENANCE)

FIG ITEM	PART NUMBER	1 2 3 4 5 6 7	NOMENCLATURE	EFFECT FROM TO	UNITS PER ASSY
2 405	AFP2326-4	..	REDUCER SUPPLIER CODE: V30974 SPECIFICATION NUMBER: BACR17E6-4 OPTIONAL PART: AP10276-4 V01673 BC916T6-4 V50948 DBOR17E6-4 V14798 ER21916T6-4 V88334 ER31916-6-4 V88334 F23-6-4 V73197 2-01075T6-4 V11328 31778-6-4 V14397 US2114-6-4 V50808 AP1027T6-4 V01673 US21146-4 V50808 317786-4 V14397	103106	1
410	NAS1612-6A	..	PACKING	103106	6
415	2670296	..	VALVE ASSY- SUPPLIER CODE: V92003 SPECIFICATION NUMBER: 60B00220-1 COMPONENT MAINT MANUAL REF: 32-30-27	103106	1
415	2670296M1	..	VALVE ASSY- SUPPLIER CODE: V92003 SPECIFICATION NUMBER: 60B00220-2 COMPONENT MAINT MANUAL REF: 32-30-27	103106	1
420	MS28782-6	...	RING	103106	4
425	NAS1611-011	...	PACKING	103106	2
430	MS28782-5	...	RING	103106	4
435	NAS1611-010	...	PACKING	103106	2

MISSING ITEM NUMBERS NOT APPLICABLE

- ITEM NOT ILLUSTRATED

32-34-06-02

32-34-06  
FIG. 02  
PAGE 10  
JAN 20/09

BRI

BOEING PROPRIETARY - Copyright © - Unpublished Work - See title page for details.



757

PARTS CATALOG (MAINTENANCE)

FIG ITEM	PART NUMBER	1 2 3 4 5 6 7	NOMENCLATURE	EFFECT FROM TO	UNITS PER ASSY
2					
440	2672240		... PLUG- SUPPLIER CODE: V92003	103106	2
445	2672234		... VALVE ASSY-CHECK SUPPLIER CODE: V92003	103106	2
900			ILLUSTRATION REFERENCE: PLUMBING INSTL-HYDR BAY AND NOSE WHLWELL (NOSE GEAR EXTENSION AND RETRACTION ONLY) SECT. 41 32-34-51-15A	103106	RF

MISSING ITEM NUMBERS NOT APPLICABLE

- ITEM NOT ILLUSTRATED

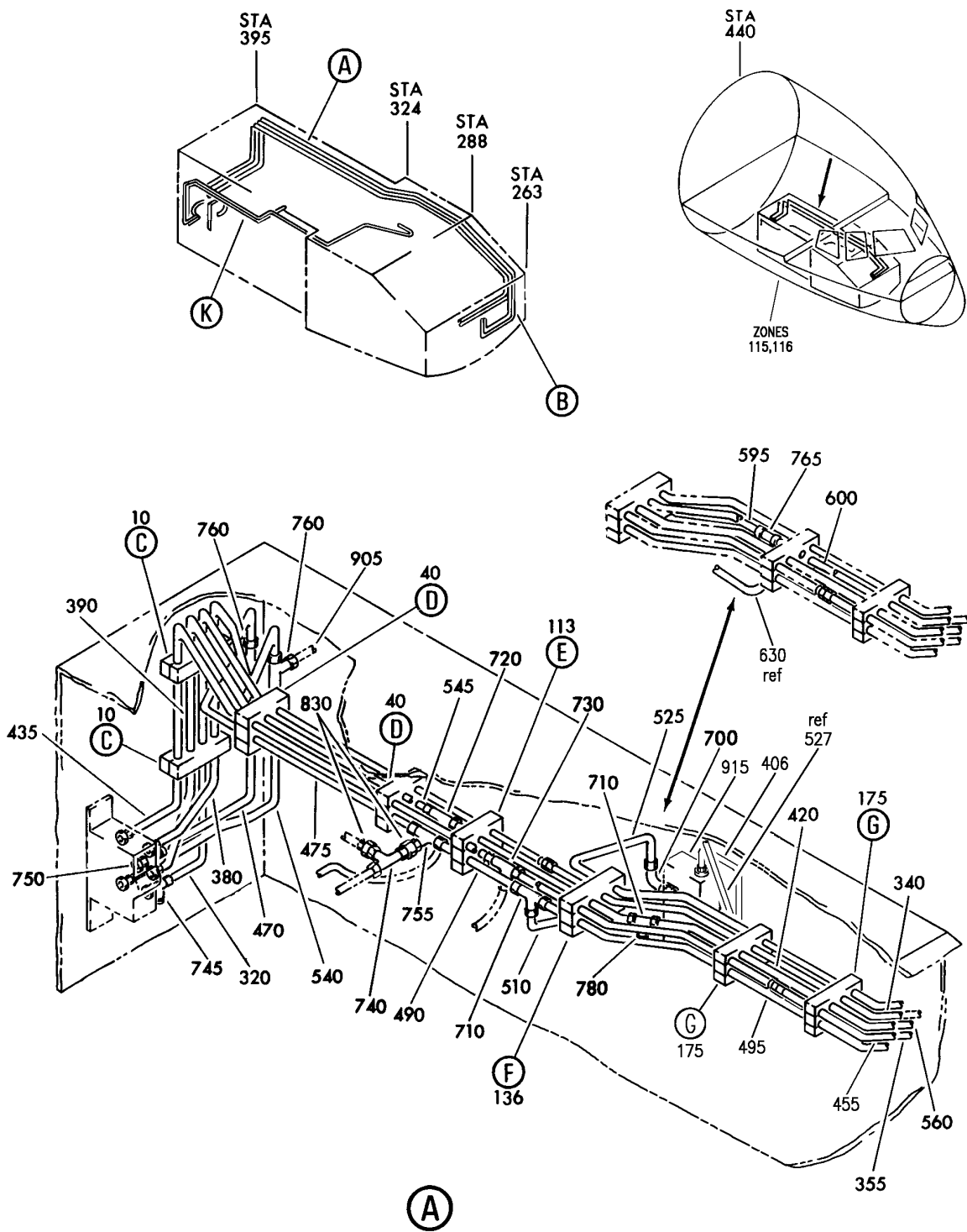
BRI

32-34-06-02

BOEING PROPRIETARY - Copyright © - Unpublished Work - See title page for details.

32-34-06  
FIG. 02  
PAGE 11  
JAN 20/09

757  
PARTS CATALOG (MAINTENANCE)



Y 32345115 SHT 1 REV 259

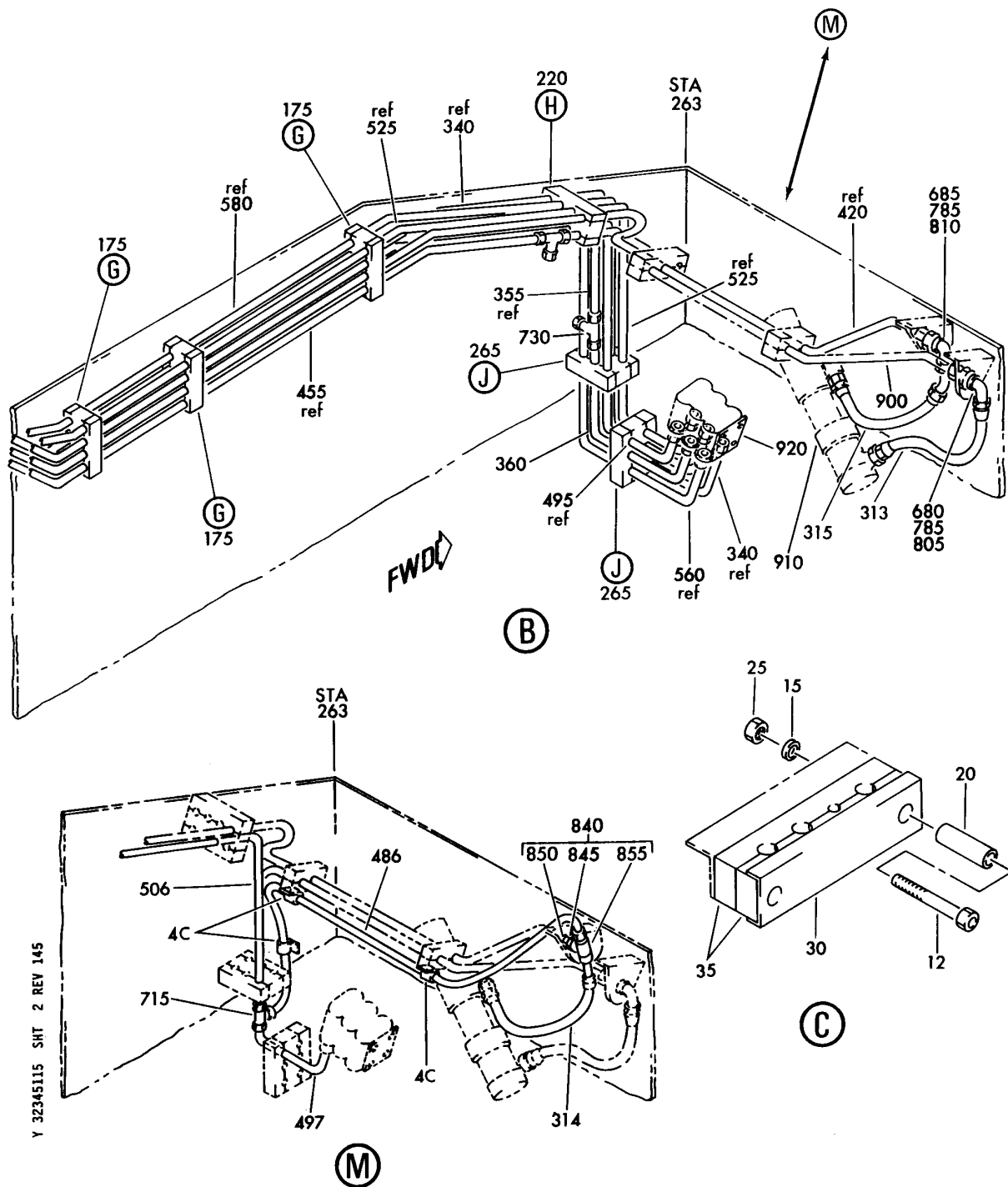
PLUMBING INSTL-SECT. 41 NOSE WHLWELL HYDR (NOSE GEAR EXTENSION AND RETRACTION ONLY)  
FIGURE 15 (SHEET 1)

32-34-51-15

BRI  
MAY 28/07

32-34-51-15  
PAGE 0

**BOEING**  
757  
PARTS CATALOG (MAINTENANCE)



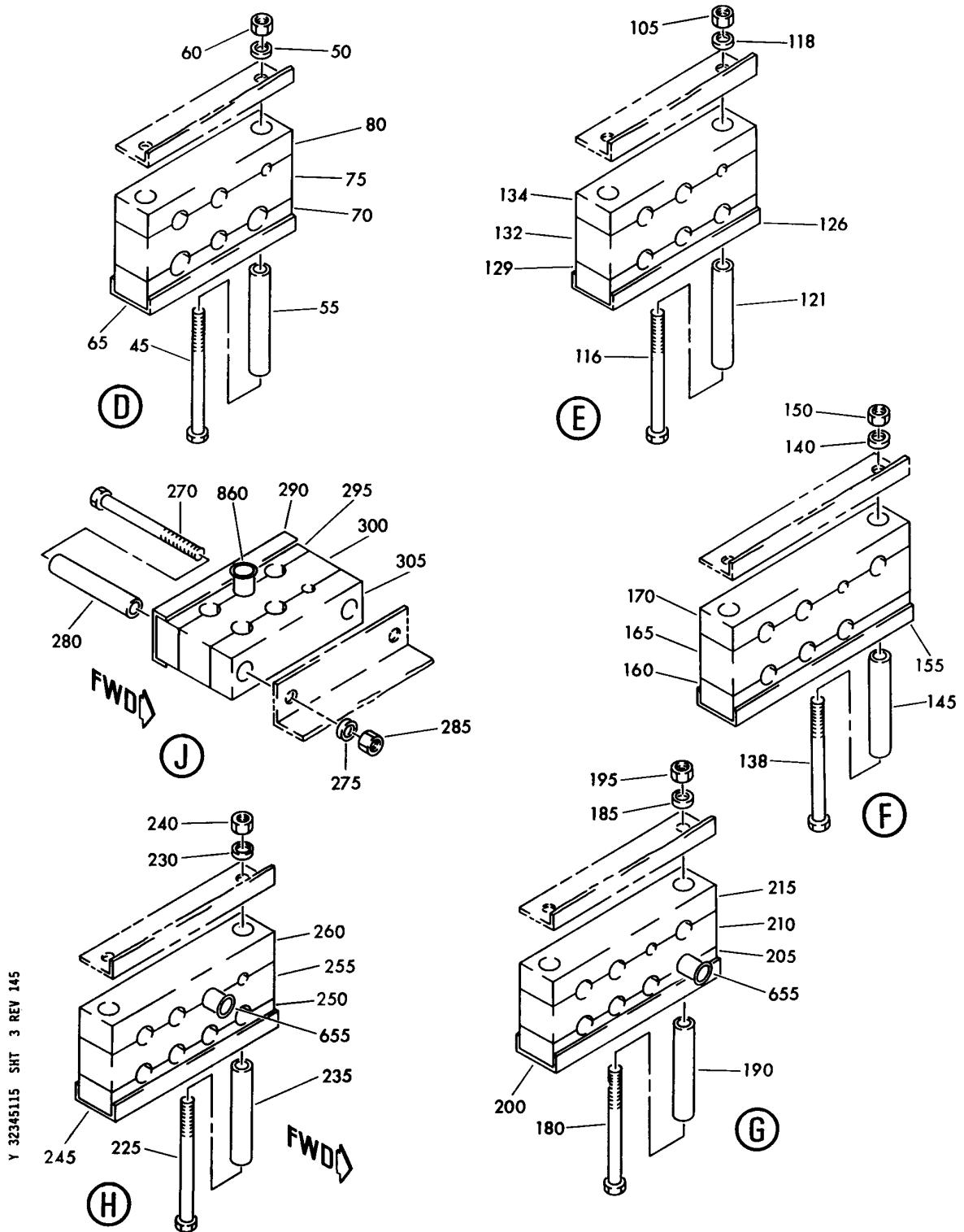
PLUMBING INSTL-SECT. 41 NOSE WHLWELL HYDR (NOSE GEAR EXTENSION AND RETRACTION ONLY)  
FIGURE 15 (SHEET 2)

BRI  
MAY 28/07

**32-34-51-15**

32-34-51-15  
PAGE 0A


**BOEING**  
 757  
**PARTS CATALOG (MAINTENANCE)**



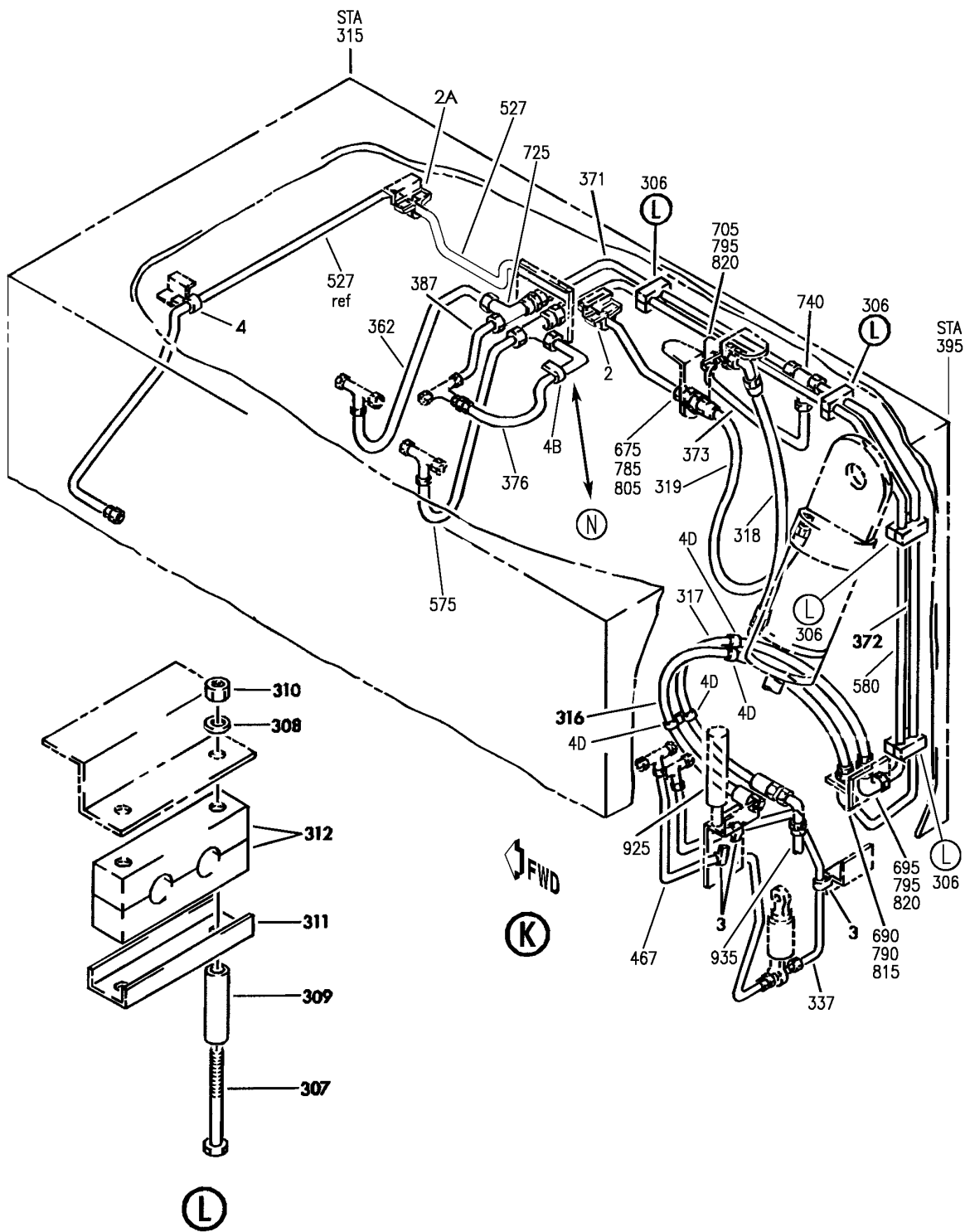
PLUMBING INSTL-SECT. 41 NOSE WHLWELL HYDR (NOSE GEAR EXTENSION AND RETRACTION ONLY)  
 FIGURE 15 (SHEET 3)

BRI  
MAY 28/07

# 32-34-51-15

32-34-51-15  
 PAGE 0B

**BOEING**  
757  
PARTS CATALOG (MAINTENANCE)



Y 32345115 SH1 4 REV 314

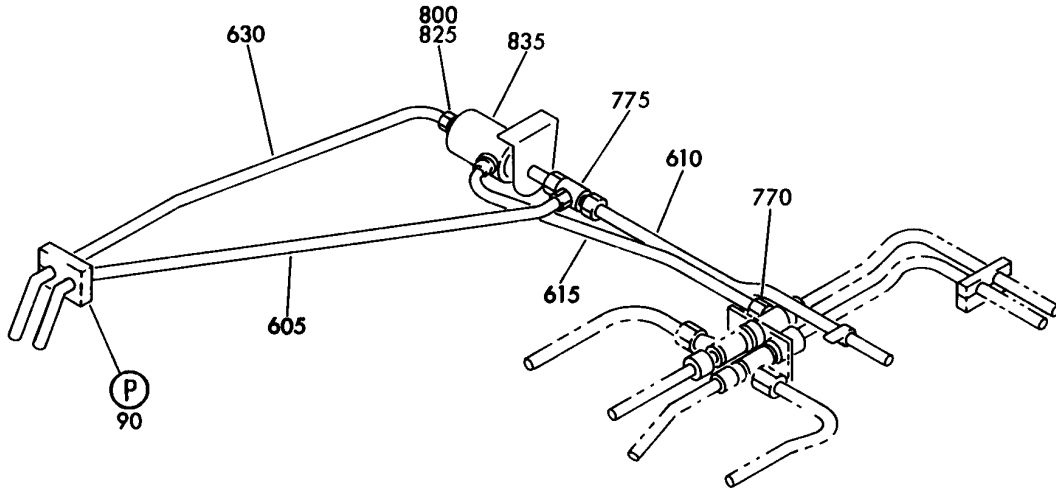
PLUMBING INSTL-SECT. 41 NOSE WHLWELL HYDR (NOSE GEAR EXTENSION AND RETRACTION ONLY)  
FIGURE 15 (SHEET 4)

**32-34-51-15**

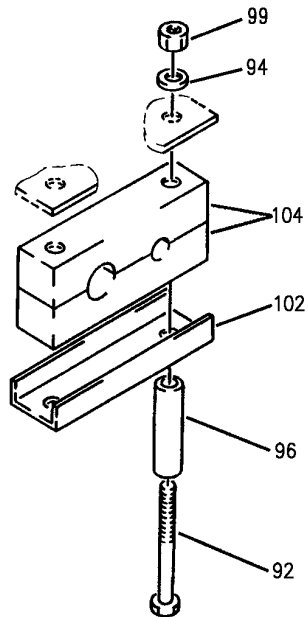
BRI  
SEP 28/07

32-34-51-15  
PAGE 0C

**BOEING**  
757  
PARTS CATALOG (MAINTENANCE)



(N)



(P)

Y 32345115 SHT 5 REV 307

PLUMBING INSTL-SECT. 41 NOSE WHLWELL HYDR (NOSE GEAR EXTENSION AND RETRACTION ONLY)  
FIGURE 15 (SHEET 5)

BRI  
MAY 28/07

**32-34-51-15**

32-34-51-15  
PAGE 0D



757

PARTS CATALOG (MAINTENANCE)

FIG ITEM	PART NUMBER	1 2 3 4 5 6 7	NOMENCLATURE	EFFECT FROM TO	UNITS PER ASSY
15			PLUMBING INSTL-SECT. 41 NOSE WHLWELL HYDR (NOSE GEAR EXTENSION AND RETRACTION ONLY)	002004 006100 107107 121503 904999	
- 1	271N6411-1		PLUMBING INSTL-NOSE WHLWELL HYDR (NOSE GEAR EXTENSION AND RETRACTION ONLY) POSITION DATA: SECT. 41 FOR NHA/OTHER SYS DET SEE: 29-00-51-03	002004 006100 107107 121503 904999	RF
2	TA0910004H106		.CLAMP SUPPLIER CODE: V84971 SPECIFICATION NUMBER: BACC10HB06C	002004 006100 107107 121503 904999	1
2A	TA0910004H106		.CLAMP- SUPPLIER CODE: V84971 SPECIFICATION NUMBER: BACC10HB06C	002004 006100 107107 121503 904999	1
- 2B	NAS1801-3		ATTACHING PARTS .SCREW- SIZE DETERMINED ON INSTL.	002004 006100 107107 121503 904999	2
- 2C	NAS1801-3		.SCREW- SIZE DETERMINED ON INSTL.	002004 006100 107107 121503 904999	2
- 2D	AN960KD10		.WASHER	002004 006100 107107 121503 904999	2
- 2E	AN960KD10		.WASHER-	002004 006100 107107 121503 904999	2

MISSING ITEM NUMBERS NOT APPLICABLE

- ITEM NOT ILLUSTRATED

32-34-51-15

32-34-51  
FIG. 15  
PAGE 1  
JAN 20/09

BRI





757

PARTS CATALOG (MAINTENANCE)

FIG ITEM	PART NUMBER	1 2 3 4 5 6 7	NOMENCLATURE	EFFECT FROM TO	UNITS PER ASSY
15 - 2F	BRH10A3	.NUT	SUPPLIER CODE: V52828 SPECIFICATION NUMBER: BACN10JC3 OPTIONAL PART: H10-3BAC V15653 NS202101-02 V80539 RMLH9075-3W V72962 VN303A02 V92215 96-02 V80539 T6S1032J V11815	002004 006100 107107 121503 904999	2
- 2G	BRH10A3	.NUT-	SUPPLIER CODE: V52828 SPECIFICATION NUMBER: BACN10JC3 OPTIONAL PART: H10-3BAC V15653 NS202101-02 V80539 RMLH9075-3W V72962 VN303A02 V92215 96-02 V80539 T6S1032J V11815	002004 006100 107107 121503 904999	2
3	M85052-2-4	-----*----- .CLAMP		002004 006100 107107 121503 904999	3
4	M85052-2-6	.CLAMP-		002004 006100 107107 121503 904999	1

MISSING ITEM NUMBERS NOT APPLICABLE

- ITEM NOT ILLUSTRATED

32-34-51-15

32-34-51  
FIG. 15  
PAGE 2  
JAN 20/09

BRI



757

PARTS CATALOG (MAINTENANCE)

FIG ITEM	PART NUMBER	1 2 3 4 5 6 7	NOMENCLATURE	EFFECT FROM TO	UNITS PER ASSY
15					
4B	M85052-2-8	.	CLAMP	002004 006100 107107 121503 904999	1
4D	M85052-2-11	.	CLAMP	002004 006100 107107 121503 904999	4
- 5B	NAS1801-3	.	ATTACHING PARTS SCREW- SIZE DETERMINED ON INSTL.	002004 006100 107107 121503 904999	9
- 5C	NAS1801-3	.	SCREW- SIZE DETERMINED ON INSTL.	002004 006100 107107 121503 904999	1
- 6	AN960KD10	.	WASHER-	002004 006100 107107 121503 904999	1
- 6C	AN960KD10	.	WASHER	002004 006100 107107 121503 904999	9
- 7B	BRH10A3	.	NUT SUPPLIER CODE: V52828 SPECIFICATION NUMBER: BACN10JC3 OPTIONAL PART: H10-3BAC V15653 NS202101-02 V80539 RMLH9075-3W V72962 VN303A02 V92215 96-02 V80539 T6S1032J V11815	002004 006100 107107 121503 904999	9

MISSING ITEM NUMBERS NOT APPLICABLE

- ITEM NOT ILLUSTRATED

32-34-51-15

32-34-51  
FIG. 15  
PAGE 3  
JAN 20/09

BRI



757

PARTS CATALOG (MAINTENANCE)

FIG ITEM	PART NUMBER	1 2 3 4 5 6 7	NOMENCLATURE	EFFECT FROM TO	UNITS PER ASSY
15 - 7D	BRH10A3	.NUT-	SUPPLIER CODE: V52828 SPECIFICATION NUMBER: BACN10JC3 OPTIONAL PART: H10-3BAC V15653 NS202101-02 V80539 RMLH9075-3W V72962 VN303A02 V92215 96-02 V80539 T6S1032J V11815	002004 006100 107107 121503 904999	1
10	270N2000-41	-----*----- .CLAMP ASSY-BLOCK		002004 006100 107107 121503 904999	2
12	NAS1801-3-24	..SCREW-		002004 006100 107107 121503 904999	2
15	AN960PD10L	..WASHER		002004 006100 107107 121503 904999	2
20	NAS43DD3-59	..SPACER		002004 006100 107107 121503 904999	2

MISSING ITEM NUMBERS NOT APPLICABLE

- ITEM NOT ILLUSTRATED

32-34-51-15

32-34-51  
FIG. 15  
PAGE 4  
JAN 20/09

BRI



757

PARTS CATALOG (MAINTENANCE)

FIG ITEM	PART NUMBER	1 2 3 4 5 6 7	NOMENCLATURE	EFFECT FROM TO	UNITS PER ASSY
15					
25	BRH10A3	..	NUT SUPPLIER CODE: V52828 SPECIFICATION NUMBER: BACN10JC3 OPTIONAL PART: H10-3BAC V15653 NS202101-02 V80539 RMLH9075-3W V72962 VN303A02 V92215 96-02 V80539 T6S1032J V11815	002004 006100 107107 121503 904999	2
30	270N2000-828	..	CHANNEL- OPTIONAL PART: 270N2000-703	002004 006100 107107 121503 904999	1
30	270N2000-703	..	CHANNEL- OPTIONAL PART: 270N2000-828	002004 006100 107107 121503 904999	1
35	270N2000-464	..	BLOCK	002004 006100 107107 121503 904999	2
40	270N2000-47	.	CLAMP ASSY-BLOCK	002004 006100 107107 121503 904999	2
45	NAS1801-3-39	..	SCREW-	002004 006100 107107 121503 904999	2
50	AN960PD10L	..	WASHER	002004 006100 107107 121503 904999	2

MISSING ITEM NUMBERS NOT APPLICABLE

- ITEM NOT ILLUSTRATED

32-34-51-15

32-34-51  
FIG. 15  
PAGE 5  
JAN 20/09

BRI

BOEING PROPRIETARY - Copyright © - Unpublished Work - See title page for details.



757

PARTS CATALOG (MAINTENANCE)

FIG ITEM	PART NUMBER	1 2 3 4 5 6 7	NOMENCLATURE	EFFECT FROM TO	UNITS PER ASSY
15					
55	NAS43DD3-121	..	SPACER	002004 006100 107107 121503 904999	2
60	BRH10A3	..	NUT SUPPLIER CODE: V52828 SPECIFICATION NUMBER: BACN10JC3 OPTIONAL PART: H10-3BAC V15653 NS202101-02 V80539 RMLH9075-3W V72962 VN303A02 V92215 96-02 V80539 T6S1032J V11815	002004 006100 107107 121503 904999	2
65	270N2000-831	..	CHANNEL	002004 006100 107107 121503 904999	1
70	270N2000-476	..	BLOCK	002004 006100 107107 121503 904999	1
75	270N2000-477	..	BLOCK	002004 006100 107107 121503 904999	1
80	270N2000-471	..	BLOCK	002004 006100 107107 121503 904999	1
90	270N2000-288	.	CLAMP ASSY-BLOCK	011100	1
92	NAS1801-3-22	..	SCREW-	011100	2
94	AN960PD10L	..	WASHER-	011100	2
96	NAS43DD3-59	..	SPACER-	011100	2

MISSING ITEM NUMBERS NOT APPLICABLE

- ITEM NOT ILLUSTRATED

32-34-51-15

32-34-51  
FIG. 15  
PAGE 6  
JAN 20/09

BRI



757

PARTS CATALOG (MAINTENANCE)

FIG ITEM	PART NUMBER	1 2 3 4 5 6 7	NOMENCLATURE	EFFECT FROM TO	UNITS PER ASSY
15 99	BRH10A3	..	NUT- SUPPLIER CODE: V52828 SPECIFICATION NUMBER: BACN10JC3 OPTIONAL PART: H10-3BAC V15653 NS202101-02 V80539 RMLH9075-3W V72962 VN303A02 V92215 96-02 V80539 T6S1032J V11815	011100	2
102	270N2000-704	..	CHANNEL-	011100	1
104	270N2000-597	..	BLOCK-	011100	2
113	270N2000-44	.	CLAMP ASSY-BLOCK	002004 006100 107107 121503 904999	1
116	NAS1801-3-38	..	SCREW-	002004 006100 107107 121503 904999	2
118	AN960PD10L	..	WASHER	002004 006100 107107 121503 904999	2
121	NAS43DD3-117	..	SPACER	002004 006100 107107 121503 904999	2

MISSING ITEM NUMBERS NOT APPLICABLE

- ITEM NOT ILLUSTRATED

BRI

32-34-51-15

BOEING PROPRIETARY - Copyright © - Unpublished Work - See title page for details.

32-34-51  
FIG. 15  
PAGE 7  
JAN 20/09



757

PARTS CATALOG (MAINTENANCE)

FIG ITEM	PART NUMBER	1 2 3 4 5 6 7	NOMENCLATURE	EFFECT FROM TO	UNITS PER ASSY
15 123	BRH10A3	..	NUT SUPPLIER CODE: V52828 SPECIFICATION NUMBER: BACN10JC3 OPTIONAL PART: H10-3BAC V15653 NS202101-02 V80539 RMLH9075-3W V72962 VN303A02 V92215 96-02 V80539 T6S1032J V11815	002004 006100 107107 121503 904999	2
126	270N2000-831	..	CHANNEL	002004 006100 107107 121503 904999	1
129	270N2000-469	..	BLOCK	002004 006100 107107 121503 904999	1
132	270N2000-470	..	BLOCK	002004 006100 107107 121503 904999	1
134	270N2000-471	..	BLOCK	002004 006100 107107 121503 904999	1
136	270N2000-49	.	CLAMP ASSY-BLOCK	002004 006100 107107 121503 904999	1
138	NAS1801-3-38	..	SCREW-	002004 006100 107107 121503 904999	2

MISSING ITEM NUMBERS NOT APPLICABLE

- ITEM NOT ILLUSTRATED

32-34-51-15

32-34-51  
FIG. 15  
PAGE 8  
JAN 20/09

BRI



757

PARTS CATALOG (MAINTENANCE)

FIG ITEM	PART NUMBER	1 2 3 4 5 6 7	NOMENCLATURE	EFFECT FROM TO	UNITS PER ASSY
15					
140	AN960PD10L	..	WASHER	002004 006100 107107 121503 904999	2
145	NAS43DD3-117	..	SPACER	002004 006100 107107 121503 904999	2
150	BRH10A3	..	NUT SUPPLIER CODE: V52828 SPECIFICATION NUMBER: BACN10JC3 OPTIONAL PART: H10-3BAC V15653 NS202101-02 V80539 RMLH9075-3W V72962 VN303A02 V92215 96-02 V80539 T6S1032J V11815	002004 006100 107107 121503 904999	2
155	270N2000-832	..	CHANNEL	002004 006100 107107 121503 904999	1
160	270N2000-480	..	BLOCK	002004 006100 107107 121503 904999	1
165	270N2000-481	..	BLOCK	002004 006100 107107 121503 904999	1
170	270N2000-482	..	BLOCK	002004 006100 107107 121503 904999	1

MISSING ITEM NUMBERS NOT APPLICABLE

- ITEM NOT ILLUSTRATED

32-34-51-15

32-34-51  
FIG. 15  
PAGE 9  
JAN 20/09

BRI

BOEING PROPRIETARY - Copyright © - Unpublished Work - See title page for details.





757

PARTS CATALOG (MAINTENANCE)

FIG ITEM	PART NUMBER	1 2 3 4 5 6 7	NOMENCLATURE	EFFECT FROM TO	UNITS PER ASSY
15					
175	270N2000-42	.	CLAMP ASSY-BLOCK	002004 006100 107107 121503 904999	5
180	NAS1801-3-36	..	SCREW-	002004 006100 107107 121503 904999	2
185	AN960PD10L	..	WASHER	002004 006100 107107 121503 904999	2
190	NAS43DD3-109	..	SPACER	002004 006100 107107 121503 904999	2
195	BRH10A3	..	NUT SUPPLIER CODE: V52828 SPECIFICATION NUMBER: BACN10JC3 OPTIONAL PART: H10-3BAC V15653 NS202101-02 V80539 RMLH9075-3W V72962 VN303A02 V92215 96-02 V80539 T6S1032J V11815	002004 006100 107107 121503 904999	2
200	270N2000-829	..	CHANNEL- OPTIONAL PART: 270N2000-854	002004 006100 107107 121503 904999	1
200	270N2000-854	..	CHANNEL- OPTIONAL PART: 270N2000-829	002004 006100 107107 121503 904999	1

MISSING ITEM NUMBERS NOT APPLICABLE

- ITEM NOT ILLUSTRATED

32-34-51-15

32-34-51  
FIG. 15  
PAGE 10  
JAN 20/09

BRI



757

PARTS CATALOG (MAINTENANCE)

FIG ITEM	PART NUMBER	1 2 3 4 5 6 7	NOMENCLATURE	EFFECT FROM TO	UNITS PER ASSY
15 205	270N2000-473	..	BLOCK- OPTIONAL PART: 270N2000-512	002004 006100 107107 121503 904999	1
205	270N2000-512	..	BLOCK- OPTIONAL PART: 270N20000-473	002004 006100 107107 121503 904999	1
210	270N2000-466	..	BLOCK	002004 006100 107107 121503 904999	1
215	270N2000-467	..	BLOCK	002004 006100 107107 121503 904999	1
220	270N2000-46	.	CLAMP ASSY-BLOCK	002004 006100 107107 121503 904999	1
225	NAS1801-3-36	..	SCREW-	002004 006100 107107 121503 904999	2
230	AN960PD10L	..	WASHER	002004 006100 107107 121503 904999	2
235	NAS43DD3-109	..	SPACER	002004 006100 107107 121503 904999	2

MISSING ITEM NUMBERS NOT APPLICABLE

- ITEM NOT ILLUSTRATED

32-34-51-15

32-34-51  
FIG. 15  
PAGE 11  
JAN 20/09

BRI



757

PARTS CATALOG (MAINTENANCE)

FIG ITEM	PART NUMBER	1 2 3 4 5 6 7	NOMENCLATURE	EFFECT FROM TO	UNITS PER ASSY
15 240	BRH10A3		..NUT SUPPLIER CODE: V52828 SPECIFICATION NUMBER: BACN10JC3 OPTIONAL PART: H10-3BAC V15653 NS202101-02 V80539 RMLH9075-3W V72962 VN303A02 V92215 96-02 V80539 T6S1032J V11815	002004 006100 107107 121503 904999	2
245	270N2000-829		..CHANNEL	002004 006100 107107 121503 904999	1
250	270N2000-473		..BLOCK- OPTIONAL PART: 270N2000-512	002004 006100 107107 121503 904999	1
250	270N2000-512		..BLOCK- OPTIONAL PART: 270N2000-473	002004 006100 107107 121503 904999	1
255	270N2000-474		..BLOCK	002004 006100 107107 121503 904999	1
260	270N2000-475		..BLOCK	002004 006100 107107 121503 904999	1
265	270N2000-40		.CLAMP ASSY-BLOCK	002004 006100 107107 121503 904999	2

MISSING ITEM NUMBERS NOT APPLICABLE

- ITEM NOT ILLUSTRATED

32-34-51-15

32-34-51  
FIG. 15  
PAGE 12  
JAN 20/09

BRI



757

PARTS CATALOG (MAINTENANCE)

FIG ITEM	PART NUMBER	1 2 3 4 5 6 7	NOMENCLATURE	EFFECT FROM TO	UNITS PER ASSY
15 270	NAS1801-3-36	..	SCREW-	002004 006100 107107 121503 904999	2
275	AN960PD10L	..	WASHER	002004 006100 107107 121503 904999	2
280	NAS43DD3-109	..	SPACER	002004 006100 107107 121503 904999	2
285	BRH10A3	..	NUT SUPPLIER CODE: V52828 SPECIFICATION NUMBER: BACN10JC3 OPTIONAL PART: H10-3BAC V15653 NS202101-02 V80539 RMLH9075-3W V72962 VN303A02 V92215 96-02 V80539 T6S1032J V11815	002004 006100 107107 121503 904999	2
290	270N2000-827	..	CHANNEL	002004 006100 107107 121503 904999	1
295	270N2000-461	..	BLOCK	002004 006100 107107 121503 904999	1
300	270N2000-462	..	BLOCK	002004 006100 107107 121503 904999	1

MISSING ITEM NUMBERS NOT APPLICABLE

- ITEM NOT ILLUSTRATED

BRI

32-34-51-15

32-34-51  
FIG. 15  
PAGE 13  
JAN 20/09



757

PARTS CATALOG (MAINTENANCE)

FIG ITEM	PART NUMBER	1 2 3 4 5 6 7	NOMENCLATURE	EFFECT FROM TO	UNITS PER ASSY
15					
305	270N2000-463	. .	BLOCK	002004 006100 107107 121503 904999	1
306	270N2000-32	. .	CLAMP ASSY-BLK	002004 006100 107107 121503 904999	4
307	NAS1801-3-26	. .	SCREW-	002004 006100 107107 121503 904999	2
308	AN960PD10L	. .	WASHER	002004 006100 107107 121503 904999	2
309	NAS43DD3-67	. .	SPACER	002004 006100 107107 121503 904999	2
310	BRH10A3	. .	NUT SUPPLIER CODE: V52828 SPECIFICATION NUMBER: BACN10JC3 OPTIONAL PART: H10-3BAC V15653 NS202101-02 V80539 RMLH9075-3W V72962 VN303A02 V92215 96-02 V80539 T6S1032J V11815	002004 006100 107107 121503 904999	2
311	270N2000-821	. .	CHANNEL	002004 006100 107107 121503 904999	1

MISSING ITEM NUMBERS NOT APPLICABLE

- ITEM NOT ILLUSTRATED

32-34-51-15

32-34-51  
FIG. 15  
PAGE 14  
JAN 20/09

BRI

BOEING PROPRIETARY - Copyright © - Unpublished Work - See title page for details.



757

PARTS CATALOG (MAINTENANCE)

FIG ITEM	PART NUMBER	1 2 3 4 5 6 7	NOMENCLATURE	EFFECT FROM TO	UNITS PER ASSY
15					
312	270N2000-447	. .	BLOCK	002004 006100 107107 121503 904999	2
313	AS115-06-0172	.HOSE	ASSY	002004 006100 107107 121503 904999	1
314	AS116-06-0176	.HOSE ASSY-	OPTIONAL PART: AS116-06K0175	002004 006100 107107 121503 904999	1
314	AS116-06K0175	.HOSE ASSY-	OPTIONAL PART: AS116-06-0176	002004 006100 107107 121503 904999	1
316	AS154A08EE0322B	.HOSE ASSY-	SUPPLIER CODE: V00624 SPECIFICATION NUMBER: BACH8A08EE0322B OPTIONAL PART: B472-8EE0322B V98441 97934A08EE0322B V78570 R2912A8EE0322B V50599 QUALIFIED I/W DATA: P/N 271N6119-3 I/W P/N BACH8A08EE0322B ONLY FOR NA201-NA399	002004 006100 107107 121503 904999	1
317	AS115-08K0322	.HOSE ASSY-	QUALIFIED I/W DATA: P/N 271N6119-4 I/W P/N AS115-08K0322 ONLY FOR NA201-NA399.	002004 006100 107107 121503 904999	1
318	AS115-06K0204	.HOSE	ASSY	002004 006100 107107 121503 904999	1

MISSING ITEM NUMBERS NOT APPLICABLE

- ITEM NOT ILLUSTRATED

BRI

32-34-51-15

32-34-51  
FIG. 15  
PAGE 15  
JAN 20/09



757

PARTS CATALOG (MAINTENANCE)

FIG ITEM	PART NUMBER	1 2 3 4 5 6 7	NOMENCLATURE	EFFECT FROM TO	UNITS PER ASSY
15 319	AS116-08K0230	.	HOSE ASSY	002004 006100 107107 121503 904999	1
320	271N6411-1076	.	TUBE ASSY-UNLOCK TUBING MATERIAL: .250 IN. OD .016 IN. WALL 64.70 IN. LG TI BMS 7-234 TI-3AL-2.5V COLD WORKED, STRESS RELIEVED TUBING	002004 006100 107107 121503 904999	1
- 325	AS1581T04	..	SLEEVE	002004 006100 107107 121503 904999	1
- 330	BACN10YA4	..	NUT	002004 006100 107107 121503 904999	1
- 335	AS1582T04	..	UNION	002004 006100 107107 121503 904999	1
337	271N6411-1077	.	TUBE ASSY-UNLOCK TUBING MATERIAL: .250 IN. OD .016 IN. WALL 30.90 IN. LG TI BMS 7-234 TI-3AL-2.5V COLD WORKED, STRESS RELIEVED TUBING	002004 006100 107107 121503 904999	1
- 338	AS1581T04	..	SLEEVE	002004 006100 107107 121503 904999	2
- 339	BACN10YA4	..	NUT	002004 006100 107107 121503 904999	2

MISSING ITEM NUMBERS NOT APPLICABLE

- ITEM NOT ILLUSTRATED

32-34-51-15

32-34-51  
FIG. 15  
PAGE 16  
JAN 20/09

BRI

BOEING PROPRIETARY - Copyright © - Unpublished Work - See title page for details.



757

PARTS CATALOG (MAINTENANCE)

FIG ITEM	PART NUMBER	1 2 3 4 5 6 7	NOMENCLATURE	EFFECT FROM TO	UNITS PER ASSY
15 340	271N6411-1075		.TUBE ASSY-UNLOCK TUBING MATERIAL: .250 IN. OD .016 IN. WALL 129.20 IN. LG TI BMS 7-234 TI-3AL-2.5V COLD WORKED, STRESS RELIEVED TUBING	107107 904949	1
340	271N6411-1089		.TUBE ASSY-UNLOCK TUBING MATERIAL: .250 IN. OD .016 IN. WALL 129.80 IN. LG TI BMS 7-234 TI-3AL-2.5V COLD WORKED, STRESS RELIEVED TUBING	002004 006100 121503 950999	1
- 345	AS1581T04		..SLEEVE	002004 006100 107107 121503 904999	2
- 350	BACN10YA4		..NUT	002004 006100 107107 121503 904999	2
355	271N6411-1017		.TUBE ASSY-LOCK TUBING MATERIAL: .375 IN. OD .035 IN. WALL 104.7 IN. LG AL AMS 4083 6061 T6 TUBING	002004 006100 107107 121503 904999	1
355	271N6411-1092		.TUBE ASSY-LOCK TUBING MATERIAL: .375 IN. OD .035 IN. WALL 105.60 IN. LG AL AMS 4083 6061 T6 TUBING	002004 006100 107107 121503 904999	1
360	271N6411-1016		.TUBE ASSY-LOCK MANUFACTURED FROM: TUBING AL TUBING MATERIAL: .375 IN. OD .035 IN. WALL 21.60 IN. LG AL AMS 4083 6061 T6 TUBING	002004 006100 107107 121503 904999	1

MISSING ITEM NUMBERS NOT APPLICABLE

- ITEM NOT ILLUSTRATED

32-34-51-15

32-34-51  
FIG. 15  
PAGE 17  
JAN 20/09

BRI





757

PARTS CATALOG (MAINTENANCE)

FIG ITEM	PART NUMBER	1 2 3 4 5 6 7	NOMENCLATURE	EFFECT FROM TO	UNITS PER ASSY
15 362	271N6411-1020		.TUBE ASSY-LOCK TUBING MATERIAL: .375 IN. OD .035 IN. WALL 18.40 IN. LG AL AMS 4083 6061 T6 TUBING	002004 006100 107107 121503 904999	1
- 365	AP2097HP06		..SLEEVE SUPPLIER CODE: V01673 SPECIFICATION NUMBER: BACS13BX06HP OPTIONAL PART: 2-02903-06HP V11328 35235VN06 V08199 AFP175V06P V30974 DBOS13BX06HP V14798	002004 006100 107107 121503 904999	2
- 370	BACN10YLO6		..NUT	002004 006100 107107 121503 904999	2
371	271N6411-1022		.TUBE ASSY-LOCK TUBING MATERIAL: .500 IN. OD .035 IN. WALL 25.00 IN. LG AL AMS 4083 6061 T6 TUBING	002004 006010 107107 121503 904952	1
371	271N6411-1085		.TUBE ASSY-LOCK TUBING MATERIAL: .500 IN. OD .035 IN. WALL 22.70 IN. LG AL AMS 4083 6061 T6 TUBING	011100 953999	1
372	271N6411-1033		.TUBE ASSY-LOCK TUBING MATERIAL: .500 IN. OD .035 IN. WALL 51.20 IN. LG AL AMS 4083 6061 T6 TUBING	002004 006100 107107 121503 904999	1
373	271N6411-1028		.TUBE ASSY-LOCK TUBING MATERIAL: .500 IN. OD .035 IN. WALL 8.80 IN. LG AL AMS 4083 6061 T6 TUBING	002004 006100 107107 121503 904999	1

MISSING ITEM NUMBERS NOT APPLICABLE

- ITEM NOT ILLUSTRATED

32-34-51-15

32-34-51  
FIG. 15  
PAGE 18  
JAN 20/09

BRI



757

PARTS CATALOG (MAINTENANCE)

FIG ITEM	PART NUMBER	1 2 3 4 5 6 7	NOMENCLATURE	EFFECT FROM TO	UNITS PER ASSY
15 - 374	AP2097HP08	..	SLEEVE SUPPLIER CODE: V01673 SPECIFICATION NUMBER: BACS13BX08HP OPTIONAL PART: 2-02903-08HP V11328 35235VN08 V08199 AFP175V08P V30974 DBOS13BX08HP V14798	002004 006100 107107 121503 904999	2
- 375	BACN10YLO8	..	NUT	002004 006100 107107 121503 904999	2
376	271N6411-1009	.TUBE ASSY-	TUBING MATERIAL: .500 IN. OD .026 IN. WALL 15.40 IN. LG TI BMS 7-234 TI-3AL-2.5V COLD WORKED, STRESS RELIEVED TUBING	002004 006100 107107 121503 904999	1
- 377	AS1581T08	..	SLEEVE	002004 006100 107107 121503 904999	2
- 378	BACN10YA8	..	NUT	002004 006100 107107 121503 904999	2
380	271N6411-1050	.TUBE ASSY-RETURN	TUBING MATERIAL: .375 IN. OD .035 IN. WALL 59.30 IN. LG AL AMS 4083 6061 T6 TUBING	002004 006100 107107 121503 904999	1

MISSING ITEM NUMBERS NOT APPLICABLE

- ITEM NOT ILLUSTRATED

BRI

32-34-51-15

32-34-51  
FIG. 15  
PAGE 19  
JAN 20/09



757

PARTS CATALOG (MAINTENANCE)

FIG ITEM	PART NUMBER	1 2 3 4 5 6 7	NOMENCLATURE	EFFECT FROM TO	UNITS PER ASSY
15 - 382	AP2097HP06	..	SLEEVE SUPPLIER CODE: V01673 SPECIFICATION NUMBER: BACS13BX06HP OPTIONAL PART: 2-02903-06HP V11328 35235VN06 V08199 AFP175V06P V30974 DBOS13BX06HP V14798	002004 006100 107107 121503 904999	2
- 385	BACN10YLO6	..	NUT	002004 006100 107107 121503 904999	2
387	271N6411-1094	.TUBE ASSY-RETURN TUBING MATERIAL: .500 IN. OD .035 IN. WALL 9.00 IN. LG AL AMS 4083 6061 T6 TUBING		006100 950951 953999	1
387	271N6411-1021	.TUBE ASSY-RETURN TUBING MATERIAL: .500 IN. OD .035 IN. WALL 8.90 IN. LG AL AMS 4083 6061 T6 TUBING		002004 107107 121503 904949 952952	1
-388A	AP2097HP08	..	SLEEVE SUPPLIER CODE: V01673 SPECIFICATION NUMBER: BACS13BX08HP OPTIONAL PART: 2-02903-08HP V11328 35235VN08 V08199 AFP175V08P V30974 DBOS13BX08HP V14798	002004 006100 107107 121503 904999	2

MISSING ITEM NUMBERS NOT APPLICABLE

- ITEM NOT ILLUSTRATED

32-34-51-15

32-34-51  
FIG. 15  
PAGE 20  
JAN 20/09

BRI



757

PARTS CATALOG (MAINTENANCE)

FIG ITEM	PART NUMBER	1 2 3 4 5 6 7	NOMENCLATURE	EFFECT FROM TO	UNITS PER ASSY
15					
- 389	BACN10YL08	..	NUT	002004 006100 107107 121503 904999	2
390	271N6411-1053	.TUBE	ASSY-DOOR OPEN TUBING MATERIAL: .375 IN. OD .019 IN. WALL 71.30 IN. LG TI BMS 7-234 TI-3AL-2.5V COLD WORKED, STRESS RELIEVED TUBING	002004 006100 107107 121503 904999	1
- 397	AS1581T06	..	SLEEVE	002004 006100 107107 121503 904999	1
- 402	BACN10YA6	..	NUT	002004 006100 107107 121503 904999	1
- 404	AS1582T06	..	UNION	002004 006100 107107 121503 904999	1
420	271N6411-1057	.TUBE	ASSY-DOOR OPEN TUBING MATERIAL: .375 IN. OD .019 IN. WALL 119.60 IN. LG TI BMS 7-234 TI-3AL-2.5V COLD WORKED, STRESS RELIEVED TUBING	002004 006100 107107 121503 904999	1
- 425	AS1581T06	..	SLEEVE	002004 006100 107107 121503 904999	2
- 430	BACN10YA6	..	NUT	002004 006100 107107 121503 904999	2

MISSING ITEM NUMBERS NOT APPLICABLE

- ITEM NOT ILLUSTRATED

32-34-51-15

32-34-51  
FIG. 15  
PAGE 21  
JAN 20/09

BRI

BOEING PROPRIETARY - Copyright © - Unpublished Work - See title page for details.



757

PARTS CATALOG (MAINTENANCE)

FIG ITEM	PART NUMBER	1 2 3 4 5 6 7	NOMENCLATURE	EFFECT FROM TO	UNITS PER ASSY
15 435	271N6411-1052		.TUBE ASSY-DOOR CLOSE TUBING MATERIAL: .375 IN. OD .019 IN. WALL 80.40 IN. LG TI BMS 7-234 TI-3AL-2.5V COLD WORKED, STRESS RELIEVED TUBING	002004 006100 107107 121503 904999	1
- 440	AS1581T06		..SLEEVE	002004 006100 107107 121503 904999	1
- 445	BACN10YA6		..NUT	002004 006100 107107 121503 904999	1
- 450	AS1582T06		..UNION	002004 006100 107107 121503 904999	1
455	271N6411-1035		.TUBE ASSY-DOOR CLOSE TUBING MATERIAL: .375 IN. OD .019 IN. WALL 64.80 IN. LG TI BMS 7-234 TI-3AL-2.5V COLD WORKED, STRESS RELIEVED TUBING	002004 006100 107107 121503 904999	1
- 460	AS1581T06		..SLEEVE	002004 006100 107107 121503 904999	2
- 465	BACN10YA6		..NUT	002004 006100 107107 121503 904999	2
467	271N6411-1015		.TUBE ASSY-LDG GR UP TUBING MATERIAL: .250 IN. OD .016 IN. WALL 30.30 IN. LG TI BMS 7-234 TI-3AL-2.5V COLD WORKED, STRESS RELIEVED TUBING	002004 006100 107107 121503 904999	1

MISSING ITEM NUMBERS NOT APPLICABLE

- ITEM NOT ILLUSTRATED

32-34-51-15

32-34-51  
FIG. 15  
PAGE 22  
JAN 20/09

BRI



757

PARTS CATALOG (MAINTENANCE)

FIG ITEM	PART NUMBER	1 2 3 4 5 6 7	NOMENCLATURE	EFFECT FROM TO	UNITS PER ASSY
15					
- 468	AS1581T04	..	SLEEVE	002004 006100 107107 121503 904999	2
- 469	BACN10YA4	..	NUT	002004 006100 107107 121503 904999	2
470	271N6411-1013	.TUBE ASSY-LDG GR UP TUBING MATERIAL: .500 IN. OD .026 IN. WALL 12.60 IN. LG TI BMS 7-234 TI-3AL-2.5V COLD WORKED, STRESS RELIEVED TUBING		002004 006100 107107 121503 904999	1
475	271N6411-1012	.TUBE ASSY-LDG GR UP TUBING MATERIAL: .032 IN. OD .026 IN. WALL 35.40 IN. LG TI BMS 7-234 TI-3AL-2.5V COLD WORKED, STRESS RELIEVED TUBING		107107	1
475	271N6411-1079	.TUBE ASSY-LDG GR UP TUBING MATERIAL: .500 IN. OD .026 IN. WALL 35.50 IN. LG TI BMS 7-234 TI-3AL-2.5V COLD WORKED, STRESS RELIEVED TUBING		002004 121503 904949 952952	1
475	271N6411-1095	.TUBE ASSY-LDG GR UP TUBING MATERIAL: .500 IN. OD .026 IN. WALL 35.70 IN. LG TI BSM 7-234 TI-3AL-2.5V COLD WORKED, STRESS RELIEVED TUBING		006100 950951 953999	1
- 480	AS1581T08	..	SLEEVE	002004 006100 107107 121503 904999	2
- 485	BACN10YA8	..	NUT	002004 006100 107107 121503 904999	2

MISSING ITEM NUMBERS NOT APPLICABLE

- ITEM NOT ILLUSTRATED

32-34-51-15

32-34-51  
FIG. 15  
PAGE 23  
JAN 20/09

BRI



757

PARTS CATALOG (MAINTENANCE)

FIG ITEM	PART NUMBER	1 2 3 4 5 6 7	NOMENCLATURE	EFFECT FROM TO	UNITS PER ASSY
15 486	271N6411-1060		.TUBE ASSY-LDG GR UP TUBING MATERIAL: .250 IN. OD .016 IN. WALL 53.20 IN. LG TI BMS 7-234 TI-3AL-2.5V COLD WORKED, STRESS RELIEVED TUBING	002004 006100 107107 121503 904999	1
- 487	AS1581T04		..SLEEVE	002004 006100 107107 121503 904999	2
- 488	BACN10YA4		..NUT	002004 006100 107107 121503 904999	2
490	271N6411-1011		.TUBE ASSY-LDG GR UP TUBING MATERIAL: .375 IN. OD .019 IN. WALL 7.30 IN. LG TI BMS 7-234 TI-3AL-2.5V COLD WORKED, STRESS RELIEVED TUBING	002004 006100 107107 121503 904999	1
497	271N6411-1058		.TUBE ASSY-LDG GR UP TUBING MATERIAL: .375 IN. OD .019 IN. WALL 10.00 IN. LG TI BMS 7-234 TI-3AL-2.5V COLD WORKED, STRESS RELIEVED TUBING	002004 006100 107107 121503 904999	1
- 500	AS1581T06		..SLEEVE	002004 006100 107107 121503 904999	2
- 505	BACN10YA6		..NUT	002004 006100 107107 121503 904999	2
506	271N6411-1059		.TUBE ASSY-LDG GR UP TUBING MATERIAL: .375 IN. OD .019 IN. WALL 108.00 IN. LG TI BMS 7-234 TI-3AL-2.5V COLD WORKED, STRESS RELIEVED TUBING	107107 904949	1

MISSING ITEM NUMBERS NOT APPLICABLE

- ITEM NOT ILLUSTRATED

32-34-51-15

32-34-51  
FIG. 15  
PAGE 24  
JAN 20/09

BRI



757

PARTS CATALOG (MAINTENANCE)

FIG ITEM	PART NUMBER	1 2 3 4 5 6 7	NOMENCLATURE	EFFECT FROM TO	UNITS PER ASSY
15 506	271N6411-1091		.TUBE ASSY-LDG GR UP TUBING MATERIAL: .375 IN. OD .019 IN. WALL 108.20 IN. LG TI BMS 7-234 TI-3AL-2.5V COLD WORKED, STRESS RELIEVED TUBING	002004 006100 121503 950999	1
- 507	AS1581T06		..SLEEVE	002004 006100 107107 121503 904999	2
- 508	BACN10YA6		..NUT-	002004 006100 107107 121503 904999	2
510	271N6411-1063		.TUBE ASSY-LDG GR UP TUBING MATERIAL: .250 IN. OD .016 IN. WALL 15.20 IN. LG TI BMS 7-234 TI-3AL-2.5V COLD WORKED, STRESS RELIEVED TUBING	002004 006100 107107 121503 904999	1
- 515	AS1581T04		..SLEEVE	002004 006100 107107 121503 904999	2
- 520	BACN10YA4		..NUT	002004 006100 107107 121503 904999	2
525	271N6411-1029		.TUBE ASSY-LDG GR UP TUBING MATERIAL: .375 IN. OD .019 IN. WALL 130.40 IN. LG TI BMS 7-234 TI-3AL-2.5V COLD WORKED, STRESS RELIEVED TUBING	107107 904949	1
525	271N6411-1090		.TUBE ASSY-LDG GR UP TUBING MATERIAL: .375 IN. OD .019 IN. WALL 131.10 IN. LG TI BMS 7-234 TI-3AL-2.5V COLD WORKED, STRESS RELIEVED TUBING	002004 006100 121503 950999	1

MISSING ITEM NUMBERS NOT APPLICABLE

- ITEM NOT ILLUSTRATED

BRI

32-34-51-15

32-34-51  
FIG. 15  
PAGE 25  
JAN 20/09





757

PARTS CATALOG (MAINTENANCE)

FIG ITEM	PART NUMBER	1 2 3 4 5 6 7	NOMENCLATURE	EFFECT FROM TO	UNITS PER ASSY
15 527	271N6411-1061		.TUBE ASSY-LDG GR UP TUBING MATERIAL: .375 IN. OD .019 IN. WALL 67.80 IN. LG TI BMS 7-234 TI-3AL-2.5V COLD WORKED, STRESS RELIEVED TUBING	002004 006010 107107 121503 904999	1
- 530	AS1581T06		..SLEEVE	002004 006100 107107 121503 904999	2
- 535	BACN10YA6		..NUT	002004 006100 107107 121503 904999	2
540	271N6411-1056		.TUBE ASSY-LDG GR DOWN TUBING MATERIAL: .500 IN. OD .026 IN. WALL 15.60 IN. LG TITANIUM ALLOY TUBING	002004 006100 107107 121503 904999	1
545	271N6411-1003		.TUBE ASSY-LDG GR DOWN TUBING MATERIAL: .500 IN. OD .026 IN. WALL 32.60 IN. LG TI BMS 7-234 TI-3AL-2.5V COLD WORKED, STRESS RELIEVED TUBING	002004 006100 107107 121503 904999	1
- 550	AS1581T08		..SLEEVE	002004 006100 107107 121503 904999	2
- 555	BACN10YA8		..NUT- USED ON: 271N6411-1003	002004 006100 107107 121503 904999	2
- 555	BACN10YA8L		..NUT- USED ON: 271N6411-1056	002004 006100 107107 121503 904999	2

MISSING ITEM NUMBERS NOT APPLICABLE

- ITEM NOT ILLUSTRATED

32-34-51-15

32-34-51  
FIG. 15  
PAGE 26  
JAN 20/09

BRI



757

PARTS CATALOG (MAINTENANCE)

FIG ITEM	PART NUMBER	1 2 3 4 5 6 7	NOMENCLATURE	EFFECT FROM TO	UNITS PER ASSY
15 560	271N6411-1001		.TUBE ASSY-LDG GR DOWN TUBING MATERIAL: .375 IN. OD .019 IN. WALL 136.80 IN. LG TI BMS 7-234 TI-3AL-2.5V COLD WORKED, STRESS RELIEVED TUBING	107107 904949	1
560	271N6411-1088		.TUBE ASSY-LDG GR DOWN TUBING MATERIAL: .375 IN. OD .019 IN. WALL 137.30 IN. LG TI BMS 7-234 TI-3AL-2.5V COLD WORKED, STRESS RELIEVED TUBING	002004 006010 121503 950999	1
- 565	AS1581T06		..SLEEVE	002004 006010 107107 121503 904999	2
- 570	BACN10YA6		..NUT-	002004 006010 107107 121503 904999	2
575	271N6411-1006		.TUBE ASSY-LDG GR DOWN TUBING MATERIAL: .500 IN. OD .026 IN. WALL 15.00 IN. LG TI BMS 7-234 TI-3AL-2.5V COLD WORKED, STRESS RELIEVED TUBING	002004 006100 107107 121503 904999	1
580	271N6411-1007		.TUBE ASSY-LDG GR DOWN TUBING MATERIAL: .500 IN. OD .026 IN. WALL 67.90 IN. LG TI BMS 7-234 TI-3AL-2.5V COLD WORKED, STRESS RELIEVED TUBING	002004 006100 107107 121503 904999	1
- 585	AS1581T08		..SLEEVE	002004 006100 107107 121503 904999	2
- 590	BACN10YA8		..NUT	002004 006100 107107 121503 904999	2

MISSING ITEM NUMBERS NOT APPLICABLE

- ITEM NOT ILLUSTRATED

32-34-51-15

32-34-51  
FIG. 15  
PAGE 27  
JAN 20/09

BRI



757

PARTS CATALOG (MAINTENANCE)

FIG ITEM	PART NUMBER	1 2 3 4 5 6 7	NOMENCLATURE	EFFECT FROM TO	UNITS PER ASSY
15 595	271N6411-1081	.	TUBE ASSY- TUBING MATERIAL: .375 IN. OD .019 IN. WALL 20.80 IN. LG TI BMS 7-234 TI-3AL-2.5V COLD WORKED, STRESS RELIEVED TUBING	011100	1
600	271N6411-1096	.	TUBE ASSY- TUBING MATERIAL: .375 IN. OD .019 IN. WALL 113.40 IN. LG TI BMS 7-234 TI-3AL-2.5V COLD WORKED, STRESS RELIEVD TUBING	011100	1
605	271N6411-1097	.	TUBE ASSY- TUBING MATERIAL: .375 IN. OD .019 IN. WALL 38.40 IN. LG TI BMS 7-234 TI-3AL-2.5V COLD WORKED, STRESS RELIEVED TUBING	011017	1
605	271N6411-1107	.	TUBE ASSY- TUBING MATERIAL: .375 IN. OD .019 IN. WALL 36.90 IN. LG TI BMS 7-234 TI-3AL-2.5V COLD WORKED, STRESS RELIEVED TUBING	018100	1
610	271N6411-1104	.	TUBE ASSY- TUBING MATERIAL: .375 IN. OD .019 IN. WALL 24.60 IN. LG TI BMS 7-234 TI-3AL-2.5V COLD WORKED, STRESS RELIEVED TUBING	011100	1
615	271N6411-1100	.	TUBE ASSY- TUBING MATERIAL: .375 IN. OD .035 IN. WALL 17.50 IN. LG AL AMS 4083 6061 T6 TUBING	011100 953999	1
- 620	AS1581T06	..	SLEEVE- USED ON: 271N6411-1081 271N6411-1096 271N6411-1097 271N6411-1104 271N6411-1107	011100	2

MISSING ITEM NUMBERS NOT APPLICABLE

- ITEM NOT ILLUSTRATED

32-34-51-15

32-34-51  
FIG. 15  
PAGE 28  
JAN 20/09

BRI

BOEING PROPRIETARY - Copyright © - Unpublished Work - See title page for details.



757

PARTS CATALOG (MAINTENANCE)

FIG ITEM	PART NUMBER	1 2 3 4 5 6 7	NOMENCLATURE	EFFECT FROM TO	UNITS PER ASSY
15 - 620	AP2097HP06		.. SLEEVE- SUPPLIER CODE: V01673 SPECIFICATION NUMBER: BACS13BX06HP OPTIONAL PART: 2-02903-06HP V11328 35235VN06 V08199 AFP175V06P V30974 DBOS13BX06HP V14798 USED ON: 271N6411-1100	011100 953999	2
- 625	BACN10YA6		.. NUT- USED ON: 271N6411-1081 271N6411-1096 271N6411-1097 271N6411-1104 271N6411-1107	011100	2
- 625	BACN10YL06		.. NUT- USED ON: 271N6411-1100	011100 953999	2
630	271N6411-1108		. TUBE ASSY- TUBING MATERIAL: .250 IN. OD .016 IN. WALL 27.50 IN. LG TI BMS 7-234 TI-3AL-2.5V COLD WORKED, STRESS RELIEVED TUBING	018100	1
630	271N6411-1098		. TUBE ASSY- TUBING MATERIAL: .250 IN. OD .016 IN. WALL 27.20 IN. LG TI BMS 7-234 TI-3AL-2.5V COLD WORKED, STRESS RELIEVED TUBING	011017	1
- 635	AS1581T04		.. SLEEVE	011100	2
- 640	BACN10YA4		.. NUT	011100	2
675	BACU24L6		. UNION	002004 006100 107107 121503 904999	1

MISSING ITEM NUMBERS NOT APPLICABLE

- ITEM NOT ILLUSTRATED

32-34-51-15

32-34-51  
FIG. 15  
PAGE 29  
JAN 20/09

BRI

BOEING PROPRIETARY - Copyright © - Unpublished Work - See title page for details.



757

PARTS CATALOG (MAINTENANCE)

FIG ITEM	PART NUMBER	1 2 3 4 5 6 7	NOMENCLATURE	EFFECT FROM TO	UNITS PER ASSY
15 680	BACE21BN0606T	.ELBOW-		002004 006100 107107 121503 904999	1
680	BACE21BN0606J	.ELBOW-		002004 006100 107107 121503 904999	1
690	APX837D1008	.ELBOW-	SUPPLIER CODE: V01673 SPECIFICATION NUMBER: BACE21AT1008D OPTIONAL PART: DBOE21AT1008D V14798 ER837-1008D V50948 ER837-1008D V88334 FER1584-1008D V14397 LER837-1008D V11328 APX837-1008D V01673 NAF1783-1008D V52930 US1944-1008D V50808 AFP317-1008D V30974	002004 006100 107107 121503 904999	1
690	BACE21BM1008T	.ELBOW-	OPTIONAL PART: BACE21AT1008T	002004 006100 107107 121503 904999	1

MISSING ITEM NUMBERS NOT APPLICABLE

- ITEM NOT ILLUSTRATED

32-34-51-15

32-34-51  
FIG. 15  
PAGE 30  
JAN 20/09

BRI



757

PARTS CATALOG (MAINTENANCE)

FIG ITEM	PART NUMBER	1 2 3 4 5 6 7	NOMENCLATURE	EFFECT FROM TO	UNITS PER ASSY
15 690	APX837T1008	.ELBOW-	SUPPLIER CODE: V01673 SPECIFICATION NUMBER: BACE21AT1008T OPTIONAL PART: DB0E21AT1008T V14798 ER837-1008T V50948 ER837-1008T V88334 FER1584-10087 V14397 2-01581-1008T V11328 APX837-1008T V01673 NAF1783-1008T V52930 US1944-1008T V50808 AFP317-1008T V30974	002004 006100 107107 121503 904999	1
695	BACE21BN0808T	.ELBOW-		002004 006100 107107 121503 904999	1
695	BACE21BN0808J	.ELBOW-		002004 006100 107107 121503 904999	1
700	NAS1762T0606	.ELBOW-		002004 006100 107107 121503 904999	1
700	NAS1762J0606	.ELBOW-	MISCELLANEOUS DATA: OPTIONAL PART NUMBER: BAC21BT0606JN (81205)	002004 006100 107107 121503 904999	1
705	MS21908D8	.ELBOW-		002004 006100 107107 121503 904999	1

MISSING ITEM NUMBERS NOT APPLICABLE

- ITEM NOT ILLUSTRATED

32-34-51-15

32-34-51  
FIG. 15  
PAGE 31  
JAN 20/09

BRI



757

PARTS CATALOG (MAINTENANCE)

FIG ITEM	PART NUMBER	1 2 3 4 5 6 7	NOMENCLATURE	EFFECT FROM TO	UNITS PER ASSY
15 705	BACE21BN0808T	.	ELBOW-	002004 006100 107107 121503 904999	1
710	BACT16BL060604T	.	TEE-	002004 006100 107107 121503 904999	2
710	BACT16BL060604J	.	TEE-	002004 006100 107107 121503 904999	2
715	BACT16BL060604T	.	TEE-	002004 006100 107107 121503 904999	1
715	BACT16BL060604J	.	TEE-	002004 006100 107107 121503 904999	1
720	BACT16BL080608T	.	TEE-	002004 006100 107107 121503 904999	1
720	BACT16BL080608J	.	TEE-	002004 006100 107107 121503 904999	1

MISSING ITEM NUMBERS NOT APPLICABLE

- ITEM NOT ILLUSTRATED

BRI

32-34-51-15

32-34-51  
FIG. 15  
PAGE 32  
JAN 20/09



757

PARTS CATALOG (MAINTENANCE)

FIG ITEM	PART NUMBER	1 2 3 4 5 6 7	NOMENCLATURE	EFFECT FROM TO	UNITS PER ASSY
15 725	APX804D080806	. TEE-	SUPPLIER CODE: V01673 SPECIFICATION NUMBER: BACT16AX080806D OPTIONAL PART: APX804-080806D V01673 DB0T16AX080806D V14798 ER804-080806D V50948 ER804-080806D V88334 FER1551-080806D V14397 NAF1844-080806D V52930 US1929-080806D V50808 LER804A080806D V11328 AFP329-080806D V30974	002004 006100 107107 121503 904999	1
725	BACT16BN080806T	. TEE-	OPTIONAL PART: BACT16AX080806T	002004 006100 107107 121503 904999	1

MISSING ITEM NUMBERS NOT APPLICABLE

- ITEM NOT ILLUSTRATED

BRI

32-34-51-15

BOEING PROPRIETARY - Copyright © - Unpublished Work - See title page for details.

32-34-51  
FIG. 15  
PAGE 33  
JAN 20/09





757

PARTS CATALOG (MAINTENANCE)

FIG ITEM	PART NUMBER	1 2 3 4 5 6 7	NOMENCLATURE	EFFECT FROM TO	UNITS PER ASSY
15 725	APX804T080806	. TEE-	SUPPLIER CODE: V01673 SPECIFICATION NUMBER: BACT16AX080806T OPTIONAL PART: APX804-080806T V01673 DBOT16AX080806T V14798 ER804-080806T V50948 ER804-080806T V88334 FER1551-080806T V14397 NAF1844-080806T V52930 US1929-080806T V50808 2-02027-080806T V11328 AFP329-080806T V30974	002004 006100 107107 121503 904999	1
730	MS21905D6	. TEE-		002004 006100 107107 121503 904999	2
730	BACT16BL060606T	. TEE-		002004 006100 107107 121503 904999	2
735	BACT16BN080808T	. TEE-		002004 006100 107107 121503 904999	1
735	BACT16BN080808J	. TEE-		002004 006100 107107 121503 904999	1
740	MS21905D8	. TEE-		002004 006100 107107 121503 904999	2

MISSING ITEM NUMBERS NOT APPLICABLE

- ITEM NOT ILLUSTRATED

32-34-51-15

32-34-51  
FIG. 15  
PAGE 34  
JAN 20/09

BRI



757

PARTS CATALOG (MAINTENANCE)

FIG ITEM	PART NUMBER	1 2 3 4 5 6 7	NOMENCLATURE	EFFECT FROM TO	UNITS PER ASSY
15					
740	BACT16BL080808T	. TEE-		002004 006100 107107 121503 904999	2
745	NAS1763T040404	. TEE-		002004 006100 107107 121503 904999	1
745	NAS1763J040404	. TEE-		002004 006100 107107 121503 904999	1
750	NAS1763T080804	. TEE-		002004 006100 107107 121503 904999	1
750	NAS1763J080804	. TEE-		002004 006100 107107 121503 904999	1
755	NAS1764T080608	. TEE-		002004 006100 107107 121503 904999	1
755	NAS1764J080608	. TEE-		002004 006100 107107 121503 904999	1
760	NAS1764T080808	. TEE-		002004 006100 107107 121503 904999	2
760	NAS1764J080808	. TEE-		002004 006100 107107 121503 904999	2
765	BACT16BL060604J	. TEE-		011100	1
770	NAS1763W080806	. TEE-		011100 953999	1
775	NAS1763J060606	. TEE		011100	1

MISSING ITEM NUMBERS NOT APPLICABLE

- ITEM NOT ILLUSTRATED

32-34-51-15

32-34-51  
FIG. 15  
PAGE 35  
JAN 20/09

BRI

BOEING PROPRIETARY - Copyright © - Unpublished Work - See title page for details.

 **BOEING**  
757  
**PARTS CATALOG (MAINTENANCE)**

FIG ITEM	PART NUMBER	1 2 3 4 5 6 7	NOMENCLATURE	EFFECT FROM TO	UNITS PER ASSY
15 785	AN924-6D	.	NUT	002004 006100 107107 121503 904999	3
790	AN924-10D	.	NUT	002004 006100 107107 121503 904999	1
795	AN924-8D	.	NUT	002004 006100 107107 121503 904999	2
800	AN924-12D	.	NUT-	011100	1
805	AN960PD916	.	WASHER	002004 006100 107107 121503 904999	2
815	AN960KD1416	.	WASHER	002004 006100 107107 121503 904999	1
820	AN960KD1216	.	WASHER	002004 006100 107107 121503 904999	2
825	AN960JD1716	.	WASHER	011100	1
830	1C1348	.	VALVE- SUPPLIER CODE: V99240 SPECIFICATION NUMBER: BACV10CD3	002004 006100 107107 121503 904999	2
835	3900009-101	.	VALVE-BYPASS SUPPLIER CODE: V59211 COMPONENT MAINT MANUAL REF: 32-30-24	011100	1
840	271N6411-11	.	VALVE ASSY-DOOR ACTR FLOW CONT	002004 006100 107107 121503 904999	1

MISSING ITEM NUMBERS NOT APPLICABLE

— ITEM NOT ILLUSTRATED

BRI

# 32-34-51-15

BOEING PROPRIETARY - Copyright © - Unpublished Work - See title page for details.

32-34-51  
FIG. 15  
PAGE 36  
JAN 20/09



757

PARTS CATALOG (MAINTENANCE)

FIG ITEM	PART NUMBER	1 2 3 4 5 6 7	NOMENCLATURE	EFFECT FROM TO	UNITS PER ASSY
15 845	NAS1612-6		.. PACKING-	002004 006100 107107 121503 904999	1
850	BACU24L6		.. UNION	002004 006100 107107 121503 904999	1
855	2830036-101		.. VALVE-FLOW CONT SUPPLIER CODE: V92003 COMPONENT MAINT MANUAL REF: 32-34-01	002004 006100 107107 121503 904999	1
860	270N0005-2		. FILLER	002004 006100 107107 121503 904999	8
900			ILLUSTRATION REFERENCE: PLUMBING INSTL-NOSE WHL WELL SECT. 41 HYDR (NOSE GEAR ALTERNATE EXTEND SYSTEM ONLY) 32-35-51-15	002004 006100 107107 121503 904999	RF
905			ILLUSTRATION REFERENCE: PLUMBING INSTL-SECT. 41 BODY HYDR 32-34-51-16	002004 006100 107107 121503 904999	RF
910			ILLUSTRATION REFERENCE: ACTUATOR INSTL-NLG DOOR 32-34-03-01	002004 006100 107107 121503 904999	RF
915			ILLUSTRATION REFERENCE: MODULE INSTL-NLG LOCK UNLOAD VALVE/NLG GEAR SEQUENCE VALVE BYPASS VALVE 32-34-04-01	002004 006100 107107 121503 904999	RF

MISSING ITEM NUMBERS NOT APPLICABLE

- ITEM NOT ILLUSTRATED

**32-34-51-15**

32-34-51  
FIG. 15  
PAGE 37  
JAN 20/09

BRI



757

PARTS CATALOG (MAINTENANCE)

FIG ITEM	PART NUMBER	1 2 3 4 5 6 7	NOMENCLATURE	EFFECT FROM TO	UNITS PER ASSY
15 920			ILLUSTRATION REFERENCE: VALVE INSTL-NLG DOOR OPERATED SEQ 32-34-05-01	002004 006100 107107 121503 904999	RF
925			ILLUSTRATION REFERENCE: VALVE INSTL-NLG GR OPERATED SEQ 32-34-06-01	002004 006100 107107 121503 904999	RF
935			ILLUSTRATION REFERENCE: PLUMBING INSTL-SECT. 62 NOSE GR 32-51-51-15	002004 006100 107107 121503 904999	RF

MISSING ITEM NUMBERS NOT APPLICABLE

- ITEM NOT ILLUSTRATED

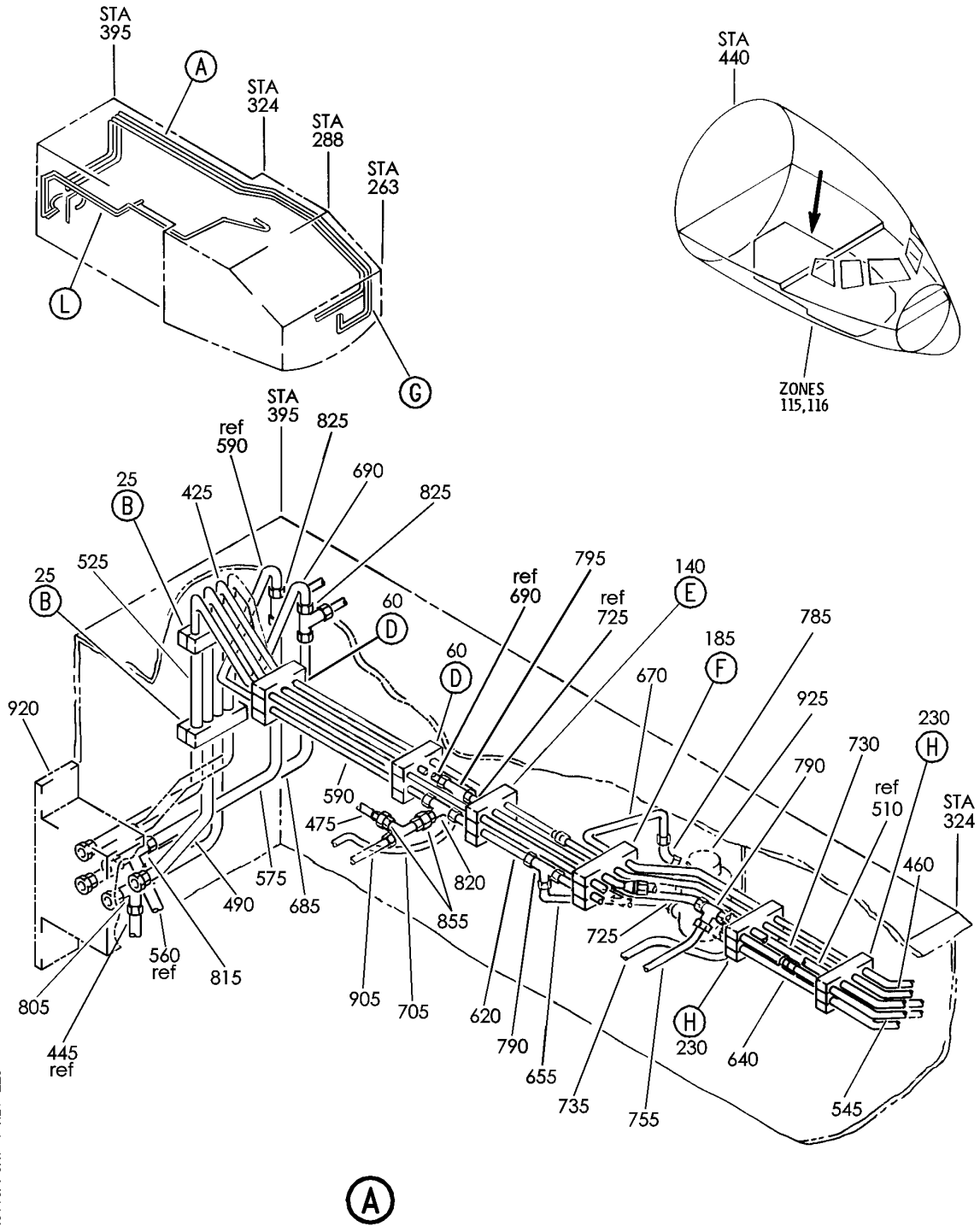
BRI

# 32-34-51-15

BOEING PROPRIETARY - Copyright © - Unpublished Work - See title page for details.

32-34-51  
FIG. 15  
PAGE 38  
JAN 20/09

**BOEING**  
757  
PARTS CATALOG (MAINTENANCE)



Y 32345115A SHT 1 REV 225

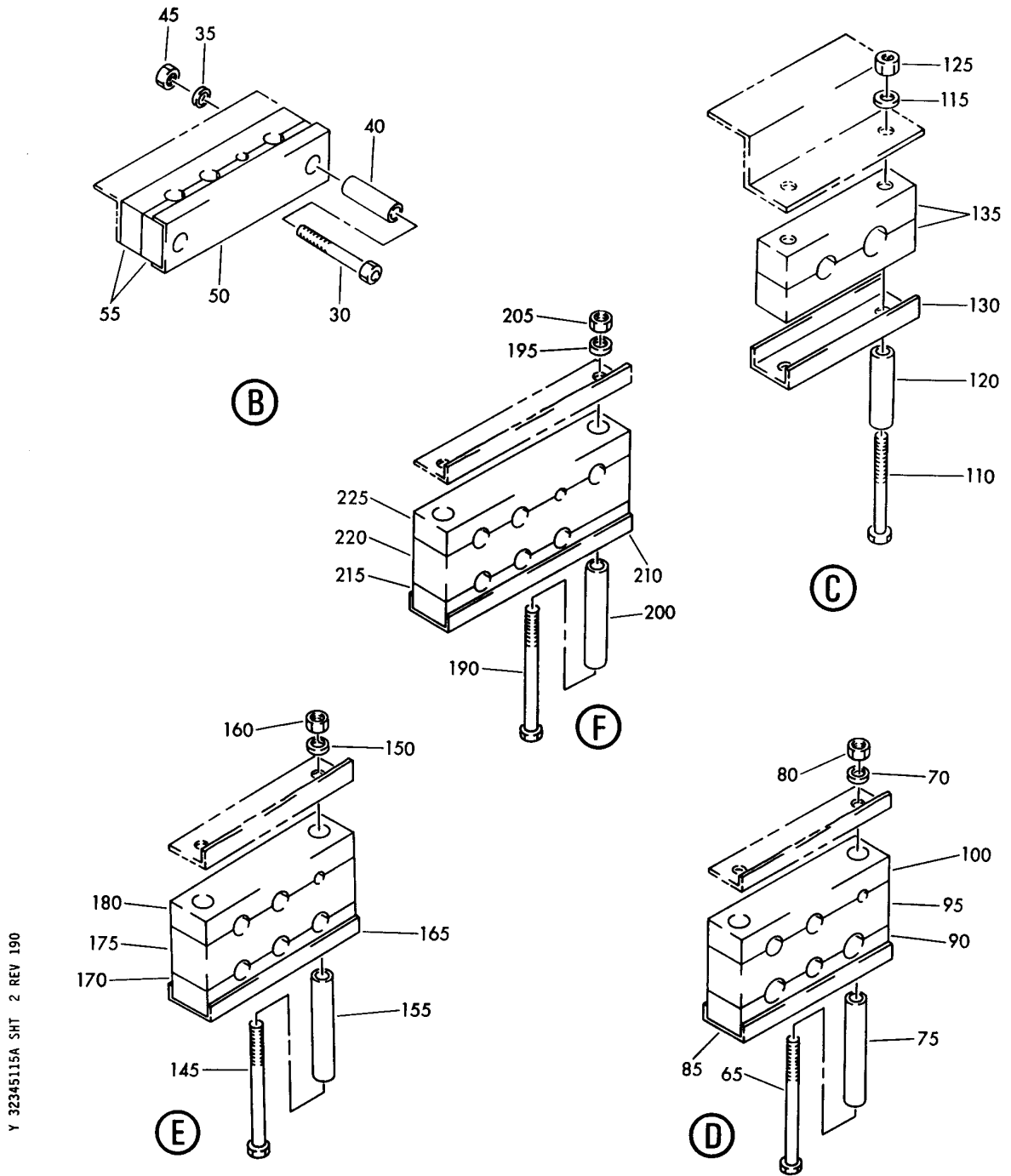
PLUMBING INSTL-HYDR BAY AND NOSE WHLWELL (NOSE GEAR EXTENSION AND RETRACTION ONLY) SECT. 41  
FIGURE 15A (SHEET 1)

BRI  
MAY 28/07

**32-34-51-15A**

32-34-51-15A  
PAGE 0

**BOEING**  
757  
PARTS CATALOG (MAINTENANCE)



Y 32345115A SHT 2 REV 190

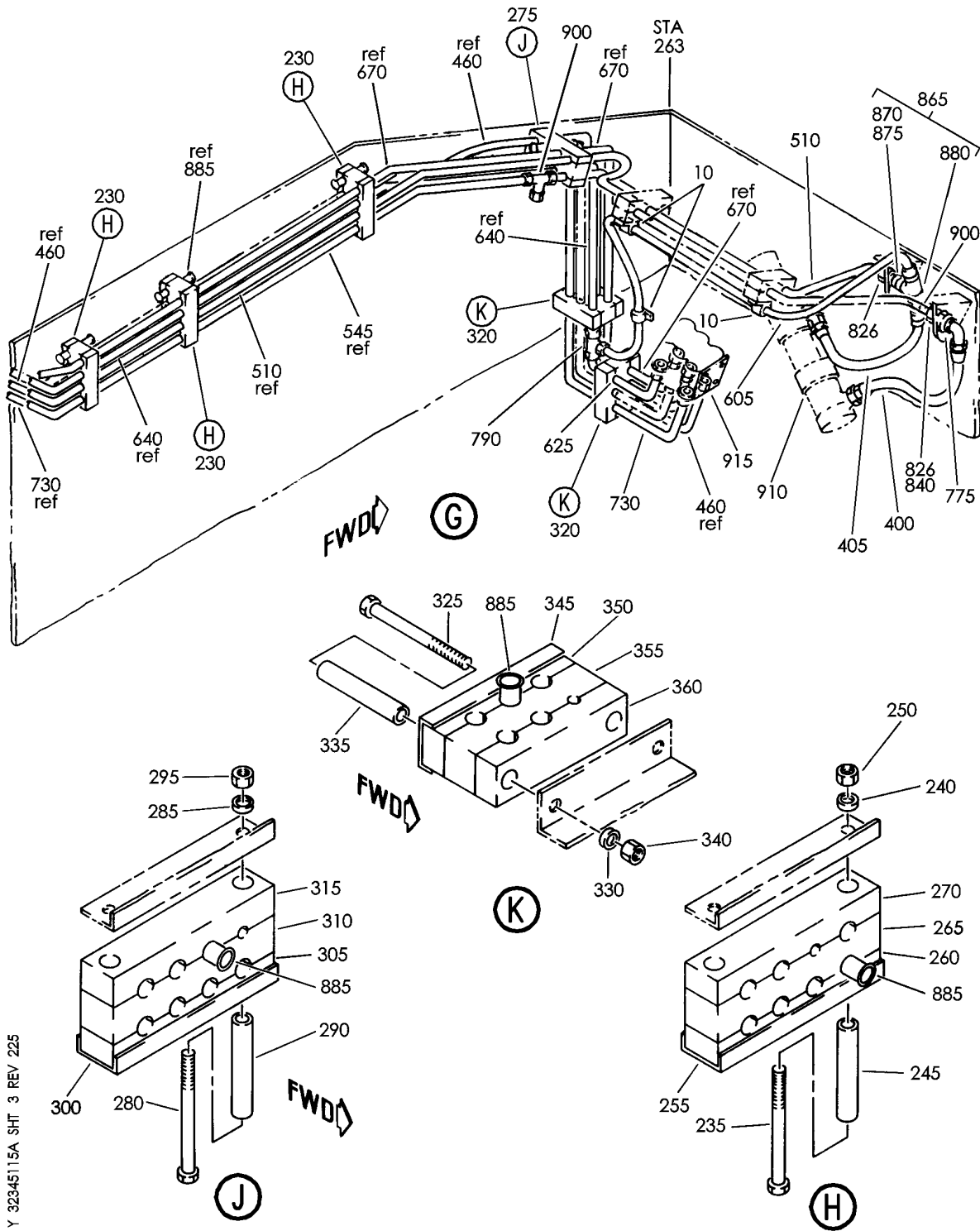
PLUMBING INSTL-HYDR BAY AND NOSE WHLWELL (NOSE GEAR EXTENSION AND RETRACTION ONLY) SECT. 41  
FIGURE 15A (SHEET 2)

BRI  
MAY 28/07

# 32-34-51-15A

32-34-51-15A  
PAGE 0A


**BOEING**  
 757  
**PARTS CATALOG (MAINTENANCE)**



Y 32345115A SH1 3 REV 225

PLUMBING INSTL-HYDR BAY AND NOSE WHLWELL (NOSE GEAR EXTENSION AND RETRACTION ONLY) SECT. 41  
 FIGURE 15A (SHEET 3)

BRI  
 MAY 28/07

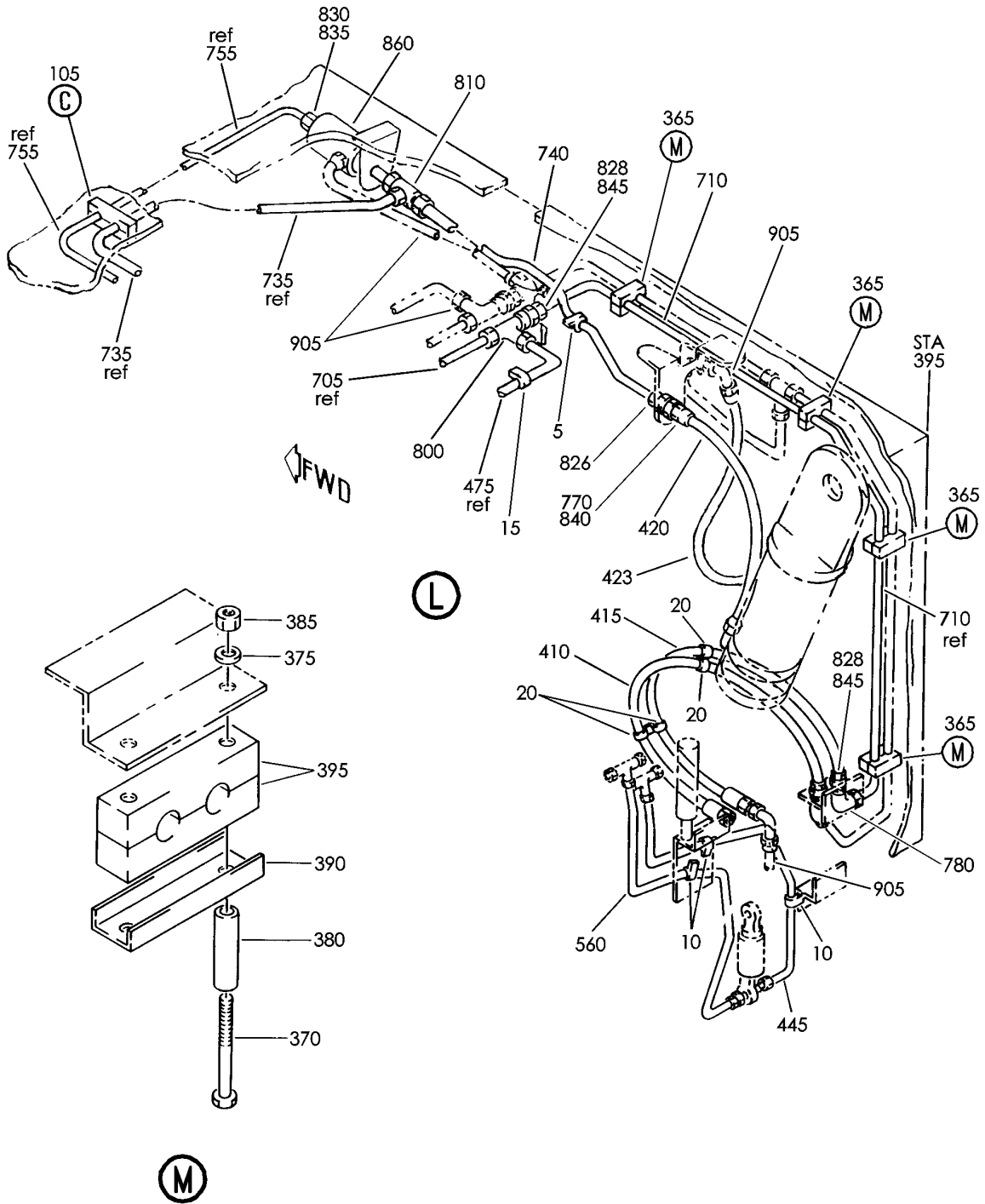
**32-34-51-15A**

32-34-51-15A  
 PAGE 0B

BOEING PROPRIETARY - Copyright © - Unpublished Work - See title page for details.




**BOEING**  
 757  
**PARTS CATALOG (MAINTENANCE)**



Y 32345115A SH1 4 REV 225

PLUMBING INSTL-HYDR BAY AND NOSE WHLWELL (NOSE GEAR EXTENSION AND RETRACTION ONLY) SECT. 41  
 FIGURE 15A (SHEET 4)

BRI  
MAY 28/07

# 32-34-51-15A

32-34-51-15A  
 PAGE 0C



757

PARTS CATALOG (MAINTENANCE)

FIG ITEM	PART NUMBER	1 2 3 4 5 6 7	NOMENCLATURE	EFFECT FROM TO	UNITS PER ASSY
15A			PLUMBING INSTL-HYDR BAY AND NOSE WHLWELL (NOSE GEAR EXTENSION AND RETRACTION ONLY) SECT. 41	101106 108120 504903	
- 1	271N6411-20		PLUMBING INSTL-HYDR BAY AND NOSE WHLWELL (NOSE GEAR EXTENSION AND RETRACTION ONLY) POSITION DATA: SECT. 41 FOR NHA/OTHER SYS DET SEE: 32-00-00-02	101102 108120 504903	RF
- 1	MODREF31401		PLUMBING INSTL-HYDR BAY AND NOSE WHLWELL (NOSE GEAR EXTENSION AND RETRACTION ONLY) MODULE NUMBER: 271N6411-20 REV B POSITION DATA: SECT. 41 FOR OTHER SYS DETAILS SEE: 11-22-56-01B 32-35-51-15A	103106	1
5	TA0910004H106		.CLAMP SUPPLIER CODE: V84971 SPECIFICATION NUMBER: BACC10HB06C	101106 108120 504903	1
10	M85052-2-4		.CLAMP	101106 108120 504903	6
15	M85052-2-8		.CLAMP	101106 108120 504903	1
20	M85052-2-11		.CLAMP	101106 108120 504903	4
25	270N2000-41		.CLAMP ASSY-BLOCK	101106 108120 504903	2
30	NAS1801-3-24		..SCREW	101106 108120 504903	2
35	AN960PD10L		..WASHER	101106 108120 504903	2

MISSING ITEM NUMBERS NOT APPLICABLE

- ITEM NOT ILLUSTRATED

32-34-51-15A

32-34-51  
FIG. 15A  
PAGE 1  
JAN 20/09

BRI

BOEING PROPRIETARY - Copyright © - Unpublished Work - See title page for details.



757

PARTS CATALOG (MAINTENANCE)

FIG ITEM	PART NUMBER	1 2 3 4 5 6 7	NOMENCLATURE	EFFECT FROM TO	UNITS PER ASSY
15A					
40	NAS43DD3-59	..	SPACER	101106 108120 504903	2
45	BRH10A3	..	NUT SUPPLIER CODE: V52828 SPECIFICATION NUMBER: BACN10JC3 OPTIONAL PART: H10-3BAC V15653 NS202101-02 V80539 RMLH9075-3W V72962 VN303A02 V92215 96-02 V80539 T6S1032J V11815	101106 108120 504903	2
50	270N2000-828	..	CHANNEL- OPTIONAL PART: 270N2000-703	101106 108120 504903	1
50	270N2000-703	..	CHANNEL- OPTIONAL PART: 270N2000-828	101106 108120 504903	1
55	270N2000-464	..	BLOCK	101106 108120 504903	2
60	270N2000-47	.	CLAMP ASSY-BLOCK	101106 108120 504903	2
65	NAS1801-3-39	..	SCREW	101106 108120 504903	2
70	AN960PD10L	..	WASHER	101106 108120 504903	2
75	NAS43DD3-121	..	SPACER	101106 108120 504903	2

MISSING ITEM NUMBERS NOT APPLICABLE

- ITEM NOT ILLUSTRATED

32-34-51-15A

32-34-51  
FIG. 15A  
PAGE 2  
JAN 20/09

BRI

BOEING PROPRIETARY - Copyright © - Unpublished Work - See title page for details.



757

PARTS CATALOG (MAINTENANCE)

FIG ITEM	PART NUMBER	1 2 3 4 5 6 7	NOMENCLATURE	EFFECT FROM TO	UNITS PER ASSY
15A 80	BRH10A3	..	NUT SUPPLIER CODE: V52828 SPECIFICATION NUMBER: BACN10JC3 OPTIONAL PART: H10-3BAC V15653 NS202101-02 V80539 RMLH9075-3W V72962 VN303A02 V92215 96-02 V80539 T6S1032J V11815	101106 108120 504903	2
85	270N2000-831	..	CHANNEL	101106 108120 504903	1
90	270N2000-476	..	BLOCK	101106 108120 504903	1
95	270N2000-477	..	BLOCK	101106 108120 504903	1
100	270N2000-471	..	BLOCK	101106 108120 504903	1
105	270N2000-288	.	CLAMP ASSY-BLOCK	101106 108120 504903	1
110	NAS1801-3-22	..	SCREW	101106 108120 504903	2
115	AN960PD10L	..	WASHER	101106 108120 504903	2
120	NAS43DD3-59	..	SPACER	101106 108120 504903	2

MISSING ITEM NUMBERS NOT APPLICABLE

- ITEM NOT ILLUSTRATED

32-34-51-15A

32-34-51  
FIG. 15A  
PAGE 3  
JAN 20/09

BRI

BOEING PROPRIETARY - Copyright © - Unpublished Work - See title page for details.



757

PARTS CATALOG (MAINTENANCE)

FIG ITEM	PART NUMBER	1 2 3 4 5 6 7	NOMENCLATURE	EFFECT FROM TO	UNITS PER ASSY
15A 125	BRH10A3	..	NUT SUPPLIER CODE: V52828 SPECIFICATION NUMBER: BACN10JC3 OPTIONAL PART: H10-3BAC V15653 NS202101-02 V80539 RMLH9075-3W V72962 VN303A02 V92215 96-02 V80539 T6S1032J V11815	101106 108120 504903	2
130	270N2000-704	..	CHANNEL	101106 108120 504903	1
135	270N2000-597	..	BLOCK	101106 108120 504903	2
140	270N2000-44	.	CLAMP ASSY-BLOCK	101106 108120 504903	1
145	NAS1801-3-38	..	SCREW	101106 108120 504903	2
150	AN960PD10L	..	WASHER	101106 108120 504903	2
155	NAS43DD3-117	..	SPACER	101106 108120 504903	2

MISSING ITEM NUMBERS NOT APPLICABLE

- ITEM NOT ILLUSTRATED

32-34-51-15A

32-34-51  
FIG. 15A  
PAGE 4  
JAN 20/09

BRI

BOEING PROPRIETARY - Copyright © - Unpublished Work - See title page for details.



757

PARTS CATALOG (MAINTENANCE)

FIG ITEM	PART NUMBER	1 2 3 4 5 6 7	NOMENCLATURE	EFFECT FROM TO	UNITS PER ASSY
15A 160	BRH10A3	..	NUT SUPPLIER CODE: V52828 SPECIFICATION NUMBER: BACN10JC3 OPTIONAL PART: H10-3BAC V15653 NS202101-02 V80539 RMLH9075-3W V72962 VN303A02 V92215 96-02 V80539 T6S1032J V11815	101106 108120 504903	2
165	270N2000-831	..	CHANNEL	101106 108120 504903	1
170	270N2000-469	..	BLOCK	101106 108120 504903	1
175	270N2000-470	..	BLOCK	101106 108120 504903	1
180	270N2000-471	..	BLOCK	101106 108120 504903	1
185	270N2000-49	.	CLAMP ASSY-BLOCK	101106 108120 504903	1
190	NAS1801-3-38	..	SCREW	101106 108120 504903	2
195	AN960PD10L	..	WASHER	101106 108120 504903	2
200	NAS43DD3-117	..	SPACER	101106 108120 504903	2

MISSING ITEM NUMBERS NOT APPLICABLE

- ITEM NOT ILLUSTRATED

32-34-51-15A

32-34-51  
FIG. 15A  
PAGE 5  
JAN 20/09

BRI

BOEING PROPRIETARY - Copyright © - Unpublished Work - See title page for details.



757

PARTS CATALOG (MAINTENANCE)

FIG ITEM	PART NUMBER	1 2 3 4 5 6 7	NOMENCLATURE	EFFECT FROM TO	UNITS PER ASSY
15A 205	BRH10A3	..	NUT SUPPLIER CODE: V52828 SPECIFICATION NUMBER: BACN10JC3 OPTIONAL PART: H10-3BAC V15653 NS202101-02 V80539 RMLH9075-3W V72962 VN303A02 V92215 96-02 V80539 T6S1032J V11815	101106 108120 504903	2
210	270N2000-832	..	CHANNEL	101106 108120 504903	1
215	270N2000-480	..	BLOCK	101106 108120 504903	1
220	270N2000-481	..	BLOCK	101106 108120 504903	1
225	270N2000-482	..	BLOCK	101106 108120 504903	1
230	270N2000-42	.	CLAMP ASSY-BLOCK	101106 108120 504903	5
235	NAS1801-3-36	..	SCREW	101106 108120 504903	2
240	AN960PD10L	..	WASHER	101106 108120 504903	2
245	NAS43DD3-109	..	SPACER	101106 108120 504903	2

MISSING ITEM NUMBERS NOT APPLICABLE

- ITEM NOT ILLUSTRATED

32-34-51-15A

32-34-51  
FIG. 15A  
PAGE 6  
JAN 20/09

BRI

BOEING PROPRIETARY - Copyright © - Unpublished Work - See title page for details.



757

PARTS CATALOG (MAINTENANCE)

FIG ITEM	PART NUMBER	1 2 3 4 5 6 7	NOMENCLATURE	EFFECT FROM TO	UNITS PER ASSY
15A 250	BRH10A3	..	NUT SUPPLIER CODE: V52828 SPECIFICATION NUMBER: BACN10JC3 OPTIONAL PART: H10-3BAC V15653 NS202101-02 V80539 RMLH9075-3W V72962 VN303A02 V92215 96-02 V80539 T6S1032J V11815	101106 108120 504903	2
255	270N2000-829	..	CHANNEL- OPTIONAL PART: 270N2000-854	101106 108120 504903	1
255	270N2000-854	..	CHANNEL- OPTIONAL PART: 270N2000-829	101106 108120 504903	1
260	270N2000-473	..	BLOCK- OPTIONAL PART: 270N2000-512	101106 108120 504903	1
260	270N2000-512	..	BLOCK- OPTIONAL PART: 270N2000-473	101106 108120 504903	1
265	270N2000-466	..	BLOCK	101106 108120 504903	1
270	270N2000-467	..	BLOCK	101106 108120 504903	1
275	270N2000-46	.	CLAMP ASSY-BLOCK	101106 108120 504903	1
280	NAS1801-3-36	..	SCREW	101106 108120 504903	2
285	AN960PD10L	..	WASHER	101106 108120 504903	2
290	NAS43DD3-109	..	SPACER	101106 108120 504903	2

MISSING ITEM NUMBERS NOT APPLICABLE

- ITEM NOT ILLUSTRATED

32-34-51-15A

32-34-51  
FIG. 15A  
PAGE 7  
JAN 20/09

BRI

BOEING PROPRIETARY - Copyright © - Unpublished Work - See title page for details.





757

PARTS CATALOG (MAINTENANCE)

FIG ITEM	PART NUMBER	1 2 3 4 5 6 7	NOMENCLATURE	EFFECT FROM TO	UNITS PER ASSY
15A 295	BRH10A3	..	NUT SUPPLIER CODE: V52828 SPECIFICATION NUMBER: BACN10JC3 OPTIONAL PART: H10-3BAC V15653 NS202101-02 V80539 RMLH9075-3W V72962 VN303A02 V92215 96-02 V80539 T6S1032J V11815	101106 108120 504903	2
300	270N2000-829	..	CHANNEL	101106 108120 504903	1
305	270N2000-473	..	BLOCK- OPTIONAL PART: 270N2000-512	101106 108120 504903	1
305	270N2000-512	..	BLOCK- OPTIONAL PART: 270N2000-473	101106 108120 504903	1
310	270N2000-474	..	BLOCK	101106 108120 504903	1
315	270N2000-475	..	BLOCK	101106 108120 504903	1
320	270N2000-40	.	CLAMP ASSY-BLOCK	101106 108120 504903	2
325	NAS1801-3-36	..	SCREW	101106 108120 504903	2
330	AN960PD10L	..	WASHER	101106 108120 504903	2
335	NAS43DD3-109	..	SPACER	101106 108120 504903	2

MISSING ITEM NUMBERS NOT APPLICABLE

- ITEM NOT ILLUSTRATED

32-34-51-15A

32-34-51  
FIG. 15A  
PAGE 8  
JAN 20/09

BRI

BOEING PROPRIETARY - Copyright © - Unpublished Work - See title page for details.



757

PARTS CATALOG (MAINTENANCE)

FIG ITEM	PART NUMBER	1 2 3 4 5 6 7	NOMENCLATURE	EFFECT FROM TO	UNITS PER ASSY
15A 340	BRH10A3	..	NUT SUPPLIER CODE: V52828 SPECIFICATION NUMBER: BACN10JC3 OPTIONAL PART: H10-3BAC V15653 NS202101-02 V80539 RMLH9075-3W V72962 VN303A02 V92215 96-02 V80539 T6S1032J V11815	101106 108120 504903	2
345	270N2000-827	..	CHANNEL	101106 108120 504903	1
350	270N2000-461	..	BLOCK	101106 108120 504903	1
355	270N2000-462	..	BLOCK	101106 108120 504903	1
360	270N2000-463	..	BLOCK	101106 108120 504903	1
365	270N2000-32	.	CLAMP ASSY-BLK	101106 108120 504903	4
370	NAS1801-3-24	..	SCREW	101106 108120 504903	2
375	AN960PD10L	..	WASHER	101106 108120 504903	2
380	NAS43DD3-67	..	SPACER	101106 108120 504903	2

MISSING ITEM NUMBERS NOT APPLICABLE

- ITEM NOT ILLUSTRATED

32-34-51-15A

32-34-51  
FIG. 15A  
PAGE 9  
JAN 20/09

BRI

BOEING PROPRIETARY - Copyright © - Unpublished Work - See title page for details.



757

PARTS CATALOG (MAINTENANCE)

FIG ITEM	PART NUMBER	1 2 3 4 5 6 7	NOMENCLATURE	EFFECT FROM TO	UNITS PER ASSY
15A 385	BRH10A3	..	NUT SUPPLIER CODE: V52828 SPECIFICATION NUMBER: BACN10JC3 OPTIONAL PART: H10-3BAC V15653 NS202101-02 V80539 RMLH9075-3W V72962 VN303A02 V92215 96-02 V80539 T6S1032J V11815	101106 108120 504903	2
390	270N2000-821	..	CHANNEL	101106 108120 504903	1
395	270N2000-447	..	BLOCK	101106 108120 504903	2
400	AS115-06-0172	.	HOSE ASSY	101106 108120 504903	1
405	AS116-06-0176	.	HOSE ASSY- OPTIONAL PART: AS116-06K0175	101106 108120 504903	1
405	AS116-06K0175	.	HOSE ASSY- OPTIONAL PART: AS116-06-0176	101106 108120 504903	1
420	AS115-06K0204	.	HOSE ASSY	101106 108120 504903	1
423	AS116-08K0230	.	HOSE ASSY	101106 108120 504903	1
425	271N6411-1076	.	TUBE ASSY-UNLOCK TUBING MATERIAL: .250 IN. OD .016 IN. WALL 64.70 IN. LG TI BMS 7-234 TI-3AL-2.5V COLD WORKED, STRESS RELIEVED TUBING	101106 108120 504903	1
- 430	AS1581T04	..	SLEEVE	101106 108120 504903	1

MISSING ITEM NUMBERS NOT APPLICABLE

- ITEM NOT ILLUSTRATED

32-34-51-15A

32-34-51  
FIG. 15A  
PAGE 10  
JAN 20/09

BRI

BOEING PROPRIETARY - Copyright © - Unpublished Work - See title page for details.



757

PARTS CATALOG (MAINTENANCE)

FIG ITEM	PART NUMBER	1 2 3 4 5 6 7	NOMENCLATURE	EFFECT FROM TO	UNITS PER ASSY
15A					
- 435	BACN10YA4	..	NUT-	101106 108120 504903	1
- 440	AS1582T04	..	UNION	101106 108120 504903	1
445	271N6411-1077	.TUBE ASSY-UNLOCK TUBING MATERIAL: .250 IN. OD .016 IN. WALL 30.90 IN. LG TI BMS 7-234 TI-3AL-2.5V COLD WORKED, STRESS RELIEVED TUBING		101106 108120 504903	1
- 450	AS1581T04	..	SLEEVE	101106 108120 504903	2
- 455	BACN10YA4	..	NUT-	101106 108120 504903	2
460	271N6411-1089	.TUBE ASSY-UNLOCK TUBING MATERIAL: .250 IN. OD .016 IN. WALL 129.80 IN. LG TI BMS 7-234 TI-3AL-2.5V COLD WORKED. STRESS RELIEVED TUBING		101106 108120 504903	1
- 465	AS1581T04	..	SLEEVE	101106 108120 504903	2
- 470	BACN10YA4	..	NUT-	101106 108120 504903	2
475	271N6411-1009	.TUBE ASSY- TUBING MATERIAL: .500 IN. OD .026 IN. WALL 15.40 IN. LG TI BMS 7-234 TI-3AL-2.5V COLD WORKED, STRESS RELIEVED TUBING		101106 108120 504903	1
- 480	AS1581T08	..	SLEEVE	101106 108120 504903	2
- 485	BACN10YA8	..	NUT	101106 108120 504903	2

MISSING ITEM NUMBERS NOT APPLICABLE

- ITEM NOT ILLUSTRATED

32-34-51-15A

32-34-51  
FIG. 15A  
PAGE 11  
JAN 20/09

BRI

BOEING PROPRIETARY - Copyright © - Unpublished Work - See title page for details.



757

PARTS CATALOG (MAINTENANCE)

FIG ITEM	PART NUMBER	1 2 3 4 5 6 7	NOMENCLATURE	EFFECT FROM TO	UNITS PER ASSY
15A 510	271N6411-1057		.TUBE ASSY-DOOR OPEN TUBING MATERIAL: .375 IN. OD .019 IN. WALL 119.60 IN. LG TI BMS 7-234 TI-3AL-2.5V COLD WORKED, STRESS RELIEVED TUBING	101106 108120 504903	1
- 515	AS1581T06		..SLEEVE	101106 108120 504903	2
- 520	BACN10YA6		..NUT	101106 108120 504903	2
525	271N6411-1052		.TUBE ASSY-DOOR CLOSE TUBING MATERIAL: .375 IN. OD .019 IN. WALL 80.4 IN. LG BMS 7-234 TI-3AL-2.5V COLD WORKED, STRESS RELIEVED TUBING	101106 108120 504903	1
- 530	AS1581T06		..SLEEVE	101106 108120 504903	1
- 535	BACN10YA6		..NUT	101106 108120 504903	1
- 540	AS1582T06		..UNION	101106 108120 504903	1
545	271N6411-1035		.TUBE ASSY-DOOR CLOSE TUBING MATERIAL: .375 IN. OD .019 IN. WALL 64.80 IN. LG TI BMS 7-234 TI-3AL-2.5V COLD WORKED, STRESS RELIEVED TUBING	101106 108120 504903	1
- 550	AS1581T06		..SLEEVE	101106 108120 504903	2
- 555	BACN10YA6		..NUT	101106 108120 504903	2
560	271N6411-1015		.TUBE ASSY-LDG GR UP TUBING MATERIAL: .250 IN. OD .016 IN. WALL 30.30 IN. LG TI BMS 70234 TI-3AL-2.5V COLD WORKED, STRESS RELIEVED TUBING	101106 108120 504903	1

MISSING ITEM NUMBERS NOT APPLICABLE

- ITEM NOT ILLUSTRATED

32-34-51-15A

32-34-51  
FIG. 15A  
PAGE 12  
JAN 20/09

BRI

BOEING PROPRIETARY - Copyright © - Unpublished Work - See title page for details.



757

PARTS CATALOG (MAINTENANCE)

FIG ITEM	PART NUMBER	1 2 3 4 5 6 7	NOMENCLATURE	EFFECT FROM TO	UNITS PER ASSY
15A					
- 565	AS1581T04	..	SLEEVE	101106 108120 504903	2
- 570	BACN10YA4	..	NUT	101106 108120 504903	2
575	271N6411-1112	.	TUBE ASSY-LDG GR UP POSITION DATA: L TUBING MATERIAL: 8, TITANIUM	101106 108120 504903	1
- 580	AS1581T08	..	SLEEVE	101106 108120 504903	2
- 585	BACN10YA8	..	NUT	101106 108120 504903	2
590	271N6411-1095	.	TUBE ASSY-LDG GR UP TUBING MATERIAL: .500 IN. OD .026 IN. WALL 35.70 IN. LG TI BMS 7-234 TI-3AL-2.5V COLD WORKED, STRESS RELIEVED TUBING	101106 108120 504903	1
- 595	AS1581T08	..	SLEEVE	101106 108120 504903	2
- 600	BACN10YA8	..	NUT-	101106 108120 504903	2
605	271N6411-1060	.	TUBE ASSY-LDG GR UP TUBING MATERIAL: .250 IN. OD .016 IN. WALL 53.20 IN. LG TI MS 70234 TI-3AL-2.5V COLD WORKED, STRESS RELIEVED TUBING	101106 108120 504903	1
- 610	AS1581T04	..	SLEEVE	101106 108120 504903	2
- 615	BACN10YA4	..	NUT	101106 108120 504903	2

MISSING ITEM NUMBERS NOT APPLICABLE

- ITEM NOT ILLUSTRATED

32-34-51-15A

32-34-51  
FIG. 15A  
PAGE 13  
JAN 20/09

BRI

BOEING PROPRIETARY - Copyright © - Unpublished Work - See title page for details.



757

PARTS CATALOG (MAINTENANCE)

FIG ITEM	PART NUMBER	1 2 3 4 5 6 7	NOMENCLATURE	EFFECT FROM TO	UNITS PER ASSY
15A 620	271N6411-1011		.TUBE ASSY-LDG GR UP TUBING MATERIAL: .375 IN. OD .019 IN. WALL 7.30 IN. LG TI BMS 7-234 TI-3AL-2.5V COLD WORKED, STRESS RELIEVED TUBING	101106 108120 504903	1
625	271N6411-1058		.TUBE ASSY-LDG GR UP TUBING MATERIAL: .375 IN. OD .019 IN. WALL 10.00 IN. LG TI BMS 7-234 TI-3AL-2.5V COLD WORKED, STRESS RELIEVED TUBING	101106 108120 504903	1
- 630	AS1581T06		..SLEEVE	101106 108120 504903	2
- 635	BACN10YA6		..NUT	101106 108120 504903	2
640	271N6411-1091		.TUBE ASSY-LDG GR UP TUBING MATERIAL: .375 IN. OD .019 IN. WALL 108.20 IN. LG TI BMS 7-234 TI-3AL-2.5V COLD WORKED, STRESS RELIEVED TUBING	101106 108120 504903	1
- 645	AS1581T06		..SLEEVE	101106 108120 504903	2
- 650	BACN10YA6		..NUT-	101106 108120 504903	2
655	271N6411-1063		.TUBE ASSY-LDG GR UP TUBING MATERIAL: .250 IN. OD .016 IN. WALL 15.20 IN. LG TI BMS 7-234 TI-3AL-2.5V COLD WORKED, STRESS RELIEVED TUBING	101106 108120 504903	1
- 660	AS1581T04		..SLEEVE	101106 108120 504903	2
- 665	BACN10YA4		..NUT	101106 108120 504903	2

MISSING ITEM NUMBERS NOT APPLICABLE

- ITEM NOT ILLUSTRATED

32-34-51-15A

32-34-51  
FIG. 15A  
PAGE 14  
JAN 20/09

BRI

BOEING PROPRIETARY - Copyright © - Unpublished Work - See title page for details.



757

PARTS CATALOG (MAINTENANCE)

FIG ITEM	PART NUMBER	1 2 3 4 5 6 7	NOMENCLATURE	EFFECT FROM TO	UNITS PER ASSY
15A 670	271N6411-1090		.TUBE ASSY-LDG GR UP TUBING MATERIAL: .375 IN. OD .019 IN. WALL 131.10 IN. LG TI BMS 70234 TI-3AL-2.5V COLD WORKED, STRESS RELIEVED TUBING	101106 108120 504903	1
- 675	AS1581T06		..SLEEVE	101106 108120 504903	2
- 680	BACN10YA6		..NUT-	101106 108120 504903	2
685	271N6411-1056		.TUBE ASSY-LDG GR DOWN TUBING MATERIAL: .500 IN. OD .026 IN. WALL 15.60 IN. LG TITANIUM ALLOY TUBING	101106 108120 504903	1
690	271N6411-1003		.TUBE ASSY-LDG GR DOWN TUBING MATERIAL: .500 IN. OD .026 IN. WALL 32.60 IN. LG TI BMS 7-234 TI-3AL-2.5V COLD WORKED. STRESS RELIEVED TUBING	101106 108120 504903	1
- 695	AS1581T08		..SLEEVE	101106 108120 504903	2
- 700	BACN10YA8		..NUT- USED ON: 271N6411-1003	101106 108120 504903	2
- 700	BACN10YA8L		..NUT- USED ON: 271N6411-1056	101106 108120 504903	2
705	271N6411-1006		.TUBE ASSY-LDG GR DOWN TUBING MATERIAL: .500 IN. OD .026 IN. WALL 15.00 IN. LG TI BMS 7-234 TI-3AL-2.5V COLD WORKED, STRESS RELIEVED TUBING	101106 108120 504903	1
725	271N6411-1081		.TUBE ASSY- TUBING MATERIAL: .375 IN. OD .019 IN. WALL 20.80 IN. LG TI BMS 7-234 TI-3AL-2.5V COLD WORKED, STRESS RELIEVED TUBING	101106 108120 504903	1

MISSING ITEM NUMBERS NOT APPLICABLE

- ITEM NOT ILLUSTRATED

32-34-51-15A

32-34-51  
FIG. 15A  
PAGE 15  
JAN 20/09

BRI

BOEING PROPRIETARY - Copyright © - Unpublished Work - See title page for details.





757

PARTS CATALOG (MAINTENANCE)

FIG ITEM	PART NUMBER	1 2 3 4 5 6 7	NOMENCLATURE	EFFECT FROM TO	UNITS PER ASSY
15A 730	271N6411-1096		.TUBE ASSY- TUBING MATERIAL: .375 IN. OD .019 IN. WALL 113.40 IN. LG TI BMS 7-234 TI-3AL-2.5V COLD WORKED, STRESS RELIEVED TUBING	101106 108120 504903	1
735	271N6411-1107		.TUBE ASSY- TUBING MATERIAL: .375 IN. OD .019 IN. WALL 36.9 IN. LG TI BMS 7-234 TI-3AL-2.5V COLD WORKED, STRESS RELIEVED TUBING	101106 108120 504903	1
740	271N6411-1104		.TUBE ASSY- TUBING MATERIAL: .375 IN. OD .019 IN. WALL 24.6 IN LG TI BMS 7-234 TI-3AL-2.5V COLD WORKED, STRESS RELIEVED TUBING	101106 108120 504903	1
- 745	AS1581T06		..SLEEVE	101106 108120 504903	2
- 750	BACN10YA6		..NUT-	101106 108120 504903	2
755	271N6411-1108		.TUBE ASSY- TUBING MATERIAL: .250 IN. OD .016 IN. WALL 27.50 IN. LG TI BMS 7-234 TI-3AL-2.5V COLD WORKED, STRESS RELIVED TUBING	101106 108120 504903	1
- 760	AS1581T04		..SLEEVE	101106 108120 504903	2
- 765	BACN10YA4		..NUT-	101106 108120 504903	2
770	MS21924-6T		.UNION	101106 108120 504903	1
775	BACE21BN0606J		.ELBOW	101106 108120 504903	1
780	BACE21BN0808J		.ELBOW	101106 108120 504903	1

MISSING ITEM NUMBERS NOT APPLICABLE

- ITEM NOT ILLUSTRATED

32-34-51-15A

32-34-51  
FIG. 15A  
PAGE 16  
JAN 20/09

BRI

BOEING PROPRIETARY - Copyright © - Unpublished Work - See title page for details.



757

PARTS CATALOG (MAINTENANCE)

FIG ITEM	PART NUMBER	1 2 3 4 5 6 7	NOMENCLATURE	EFFECT FROM TO	UNITS PER ASSY
15A 785	AP1042JN0606	.	ELBOW SUPPLIER CODE: V01673 SPECIFICATION NUMBER: BACE21BT0606JN	101106 108120 504903	1
790	BACT16BL060604J	.	TEE	101106 108120 504903	3
795	BACT16BL080608J	.	TEE	101106 108120 504903	1
800	BACT16BN080808J	.	TEE	101106 108120 504903	1
805	BCREF124629	.	TEE- OVERLENGTH PART NUMBER: BACT16BR040404JN	101106 108120 504903	1
810	BCREF116854	.	TEE- OVERLENGTH PART NUMBER: BACT16BR060606JN	101106 108120 504903	1
815	BCREF116857	.	TEE- OVERLENGTH PART NUMBER: BACT16BR080804JN	101106 108120 504903	1
820	BCREF116716	.	TEE- OVERLENGTH PART NUMBER: BACT16BT080608JN	101106 108120 504903	1
825	BCREF116873	.	TEE- OVERLENGTH PART NUMBER: BACT16BT080808JN	101106 108120 504903	2
826	AN924-6D	.	NUT	101106 108120 504903	3
828	AN924-8D	.	NUT	101106 108120 504903	2
830	AN924-12D	.	NUT	101106 108120 504903	1
835	NAS1149D1790J	.	WASHER	101106 108120 504903	1
- 840	NAS1149D0963J	.	WASHER	101106 108120 504903	2
845	NAS1149D1290J	.	WASHER	101106 108120 504903	2

MISSING ITEM NUMBERS NOT APPLICABLE

- ITEM NOT ILLUSTRATED

32-34-51-15A

32-34-51  
FIG. 15A  
PAGE 17  
JAN 20/09

BRI

BOEING PROPRIETARY - Copyright © - Unpublished Work - See title page for details.



757

PARTS CATALOG (MAINTENANCE)

FIG ITEM	PART NUMBER	1 2 3 4 5 6 7	NOMENCLATURE	EFFECT FROM TO	UNITS PER ASSY
15A - 850	NAS1149D1490J	.	WASHER	101106 108120 504903	1
855	1C3510	.	VALVE SUPPLIER CODE: V99240 SPECIFICATION NUMBER: BACV10CD13 OPTIONAL PART: 0121520900-13 V83533	101106 108120 504903	2
860	3900009-101	.	VALVE-BYPASS SUPPLIER CODE: V59211 COMPONENT MAINT MANUAL REF: 32-30-24	101106 108120 504903	1
865	271N6411-11	.	VALVE ASSY-DOOR ACTR FLOW CONT	101106 108120 504903	1
870	NAS1612-6	..	PACKING-	103106	1
875	BACU24L6	..	UNION	101106 108120 504903	1
880	2830036-101	..	VALVE-FLOW CONT SUPPLIER CODE: V92003 COMPONENT MAINT MANUAL REF: 32-34-01	101106 108120 504903	1
885	270N0005-2	.	FILLER	101106 108120 504903	8
900			ILLUSTRATION REFERENCE: PLUMBING INSTL-HYDR BAY AND NOSE WHLWELL (NOSE GEAR ALTERNATE EXTEND SYSTEM ONLY) SECT. 41 32-35-51-15A	101106 108120 504903	RF
905			ILLUSTRATION REFERENCE: PLUMBING INSTL-HYD SECT. 41 NOSE WHEELWELL (NOSE GEAR EXTENSION AND RETRACTION ONLY) 32-34-51-17	101106 108120 504903	RF
910			ILLUSTRATION REFERENCE: ACTUATOR INSTL-NLG DOOR 32-34-03-01	101106 108120 504903	RF

MISSING ITEM NUMBERS NOT APPLICABLE

- ITEM NOT ILLUSTRATED

# 32-34-51-15A

32-34-51  
FIG. 15A  
PAGE 18  
JAN 20/09

BRI

BOEING PROPRIETARY - Copyright © - Unpublished Work - See title page for details.



757

PARTS CATALOG (MAINTENANCE)

FIG ITEM	PART NUMBER	1 2 3 4 5 6 7	NOMENCLATURE	EFFECT FROM TO	UNITS PER ASSY
15A 915			ILLUSTRATION REFERENCE: VALVE INSTL-NLG DOOR OPERATED SEQ 32-34-05-01	101106 108120 504903	RF
920			ILLUSTRATION REFERENCE: VALVE INSTL-NLG GR OPERATED SEQ 32-34-06-01	101102 108120 504903	RF
925			ILLUSTRATION REFERENCE: MODULE INSTL-NLG LOCK UNLOAD VALVE/NLG GEAR SEQUENCE VALVE BYPASS VALVE 32-34-04-01	101106 108120 504903	RF

MISSING ITEM NUMBERS NOT APPLICABLE

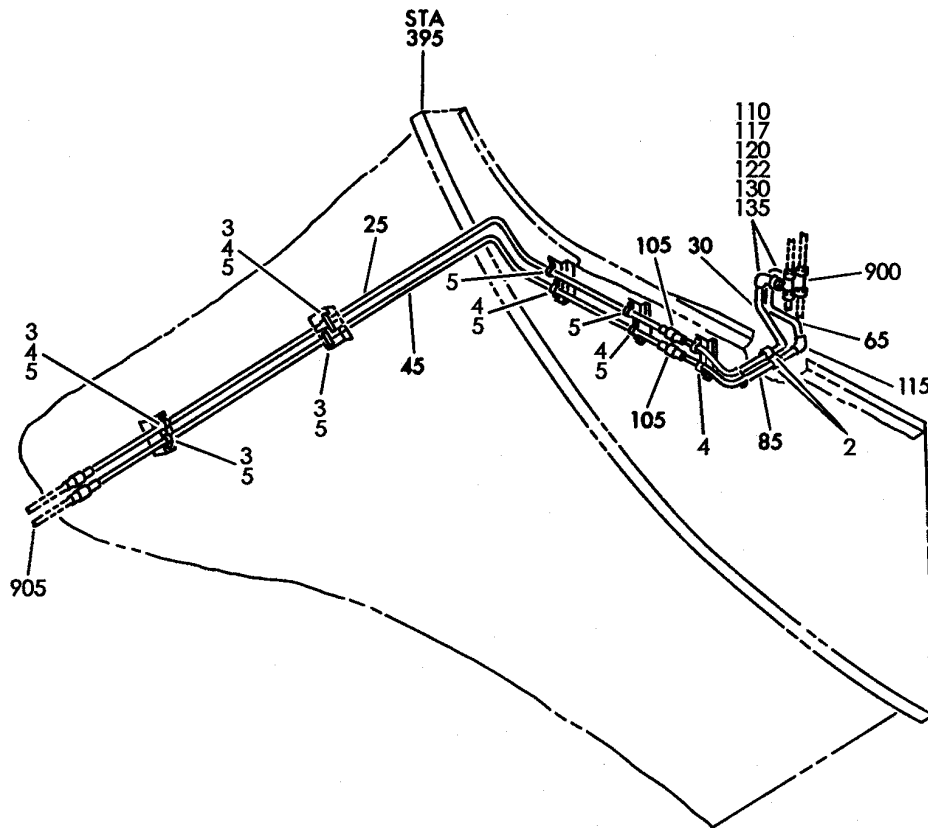
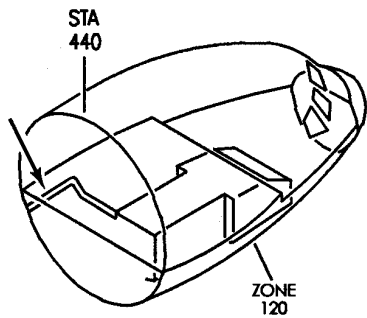
- ITEM NOT ILLUSTRATED

**32-34-51-15A**

32-34-51  
FIG. 15A  
PAGE 19  
JAN 20/09

BRI

**BOEING**  
757  
PARTS CATALOG (MAINTENANCE)



Y 32345116 REV 219

PLUMBING INSTL-SECT. 41 BODY HYDR  
FIGURE 16

**32-34-51-16**

BRI  
MAY 28/07

32-34-51-16  
PAGE 0

 **BOEING**  
757  
**PARTS CATALOG (MAINTENANCE)**

FIG ITEM	PART NUMBER	1 2 3 4 5 6 7	NOMENCLATURE	EFFECT FROM TO	UNITS PER ASSY
16			PLUMBING INSTL-SECT. 41 BODY HYDR	002004 006999	
- 1	271N6412-1		PLUMBING INSTL-BODY HYDR POSITION DATA: SECT. 41 FOR NHA/OTHER SYS DET SEE: 29-00-51-03	002004 006100 107107 121503 904999	RF
- 1	271N6412-4		PLUMBING INSTL-BODY HYDR POSITION DATA: SECT. 41 FOR NHA/OTHER SYS DET SEE: 32-00-00-02	101102 504903	RF
- 1	271N6412-5		PLUMBING INSTL-BODY HYDR POSITION DATA: SECT. 41 FOR NHA/OTHER SYS DET SEE: 32-00-00-02	108120	RF
- 1	MODREF31403		PLUMBING INSTL-BODY HYDR MODULE NUMBER: 271N6412-5 REV B POSITION DATA: SECT. 41	103106	1
2	M85052-2-8		.CLAMP	103106 108120	2
3	TA0630003-08		.CLAMP ASSY- SUPPLIER CODE: V84971	002004 006100 107107 121503 904999	4
4	TA0630003-08		.CLAMP ASSY- SUPPLIER CODE: V84971 POSITION DATA: STA 418/S-21L STA 440/S-21L USED ON: 271N6412-4	101106 108120 504903	5
- 8	NAS1801-3		ATTACHING PARTS .SCREW- SIZE DETERMINED ON INSTL.	002004 006100 107107 121503 904999	8
- 9	NAS1801-3		.SCREW- SIZE DETERMINED ON INSTL.	101106 108120 504903	10

MISSING ITEM NUMBERS NOT APPLICABLE

- ITEM NOT ILLUSTRATED

BRI

# 32-34-51-16

BOEING PROPRIETARY - Copyright © - Unpublished Work - See title page for details.

32-34-51  
FIG. 16  
PAGE 1  
JAN 20/09



757

PARTS CATALOG (MAINTENANCE)

FIG ITEM	PART NUMBER	1 2 3 4 5 6 7	NOMENCLATURE	EFFECT FROM TO	UNITS PER ASSY
16					
- 12	AN960KD10L	.	WASHER	002004 006100 107107 121503 904999	8
- 13	AN960KD10L	.	WASHER- SIZE DETERMINED ON INSTL.	101106 108120 504903	10
- 20	BRH10A3	.	NUT- SUPPLIER CODE: V52828 SPECIFICATION NUMBER: BACN10JC3 OPTIONAL PART: H10-3BAC V15653 NS202101-02 V80539 RMLH9075-3W V72962 VN303A02 V92215 96-02 V80539 T6S1032J V11815	002004 006100 107107 121503 904999	8
- 21	BRH10A3	.	NUT- SUPPLIER CODE: V52828 SPECIFICATION NUMBER: BACN10JC3 OPTIONAL PART: H10-3BAC V15653 NS202101-02 V80539 RMLH9075-3W V72962 VN303A02 V92215 96-02 V80539 T6S1032J V11815 SIZE DETERMINED ON INSTL. -----*-----	101106 108120 504903	10

MISSING ITEM NUMBERS NOT APPLICABLE

- ITEM NOT ILLUSTRATED

32-34-51-16

32-34-51  
FIG. 16  
PAGE 2  
JAN 20/09

BRI



757

PARTS CATALOG (MAINTENANCE)

FIG ITEM	PART NUMBER	1 2 3 4 5 6 7	NOMENCLATURE	EFFECT FROM TO	UNITS PER ASSY
16					
25	271N6412-1002		.TUBE ASSY-NOSE LDG UP TUBING MATERIAL: .500 IN. OD .026 IN. WALL 71.50 IN. LG TI BMS 7-234 TI-3AL-2.5V COLD WORKED, STRESS RELIEVED TUBING	002004 006999	1
30	271N6412-1009		.TUBE ASSY-NOSE LDG UP TUBING MATERIAL: .500 IN. OD .026 IN. WALL 28.50 IN. LG TI BMS 7-234 TI-3AL-2.5V COLD WORKED, STRESS RELIEVED TUBING	002004 006999	1
45	271N6412-1001		.TUBE ASSY-NOSE LDG UP TUBING MATERIAL: .500 IN. OD .026 IN. WALL 72.70 IN. LG TI BMS 7-234 TI-3AL-2.5V COLD WORKED, STRESS RELIEVED TUBING	002004 006999	1
65	271N6412-1016		.TUBE ASSY-NOSE LDG DOWN TUBING MATERIAL: .500 IN. OD .026 IN. WALL 13.70 IN. LG TI BMS 7-234 TI-3AL-2.5V COLD WORKED, STRESS RELIEVED TUBING	002004 107107 121503 904949 952952	1
65	271N6412-1018		.TUBE ASSY-NOSE LDG DOWN TUBING MATERIAL: .500 IN. OD .026 IN. WALL 13.6 IN. LG TI BMS 7-234 TI-3AL-2.5V COLD WORKED, STRESS RELIEVED TUBING	006106 108120 504903 950951 953999	1
85	271N6412-1017		.TUBE ASSY-NOSE LDG DOWN TUBING MATERIAL: .500 IN. OD .026 IN. WALL 14.80 IN. LG TI BMS 7-234 TI-3AL-2.5V COLD WORKED, STRESS RELIEVED TUBING	002004 006999	1
105	D10036-08		.UNION- SUPPLIER CODE: V14798 OPTIONAL PART: D10282-08 V14798	002004 006999	2

MISSING ITEM NUMBERS NOT APPLICABLE

- ITEM NOT ILLUSTRATED

32-34-51-16

32-34-51  
FIG. 16  
PAGE 3  
JAN 20/09

BRI





757

PARTS CATALOG (MAINTENANCE)

FIG ITEM	PART NUMBER	1 2 3 4 5 6 7	NOMENCLATURE	EFFECT FROM TO	UNITS PER ASSY
16 105	D10282-08		.UNION- SUPPLIER CODE: V14798 OPTIONAL PART: D10036-08 V14798	002004 006999	2
115	D9856-08		.UNION- SUPPLIER CODE: V14798 OPTIONAL PART: D10299-08 V14798	002004 006999	1
115	D10299-08		.UNION- SUPPLIER CODE: V14798 OPTIONAL PART: D9856-08 V14798	002004 006999	1
117	AN924-8		.NUT	002004 006999	2
- 125	271N6412-3		FITTING INSTL- FOR NHA/OTHER SYS DET SEE: 32-00-00-02	101102 108120 504903	RF
- 125	MODREF31416		FITTING INSTL- MODULE NUMBER: 271N6412-3 REV B	103106	1
130	D10271-08		.UNION- SUPPLIER CODE: V14798	101106 108120 504903	2
135	AN924-8		.NUT	101106 108120 504903	2
900			ILLUSTRATION REFERENCE: PLUMBING INSTL-SECT. 41 NOSE WHLWELL HYDR (NOSE GEAR EXTENSION AND RETRACTION ONLY) 32-34-51-15	002004 006100 107107 121503 904999	RF
900			ILLUSTRATION REFERENCE: PLUMBING INSTL-HYDR BAY AND NOSE WHLWELL (NOSE GEAR EXTENSION AND RETRACTION ONLY) SECT. 41 32-34-51-15A	101106 108120 504903	RF

MISSING ITEM NUMBERS NOT APPLICABLE

- ITEM NOT ILLUSTRATED

**32-34-51-16**

32-34-51  
FIG. 16  
PAGE 4  
JAN 20/09

BRI



757

PARTS CATALOG (MAINTENANCE)

FIG ITEM	PART NUMBER	1 2 3 4 5 6 7	NOMENCLATURE	EFFECT FROM TO	UNITS PER ASSY
16 905			ILLUSTRATION REFERENCE: PLUMBING INSTL-SECT. 43 HYDR (NOSE GEAR EXTENSION AND RETRACTION ONLY) 32-34-51-20	002004 006100 107107 121503 904999	RF

MISSING ITEM NUMBERS NOT APPLICABLE

- ITEM NOT ILLUSTRATED

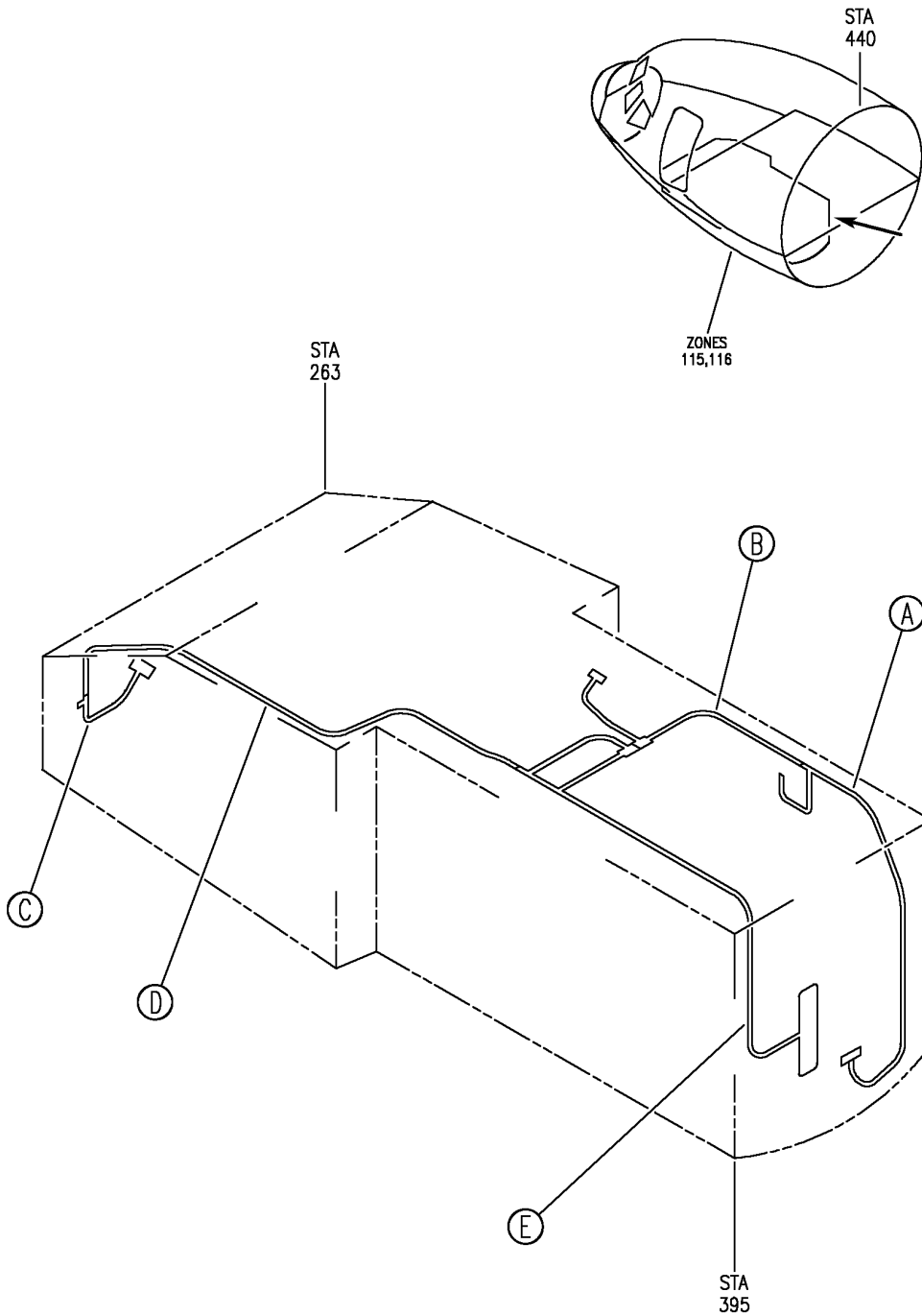
BRI

**32-34-51-16**

BOEING PROPRIETARY - Copyright © - Unpublished Work - See title page for details.

32-34-51  
FIG. 16  
PAGE 5  
JAN 20/09

**BOEING**  
757  
PARTS CATALOG (MAINTENANCE)



Y 3234517 SH1 1 REV 261

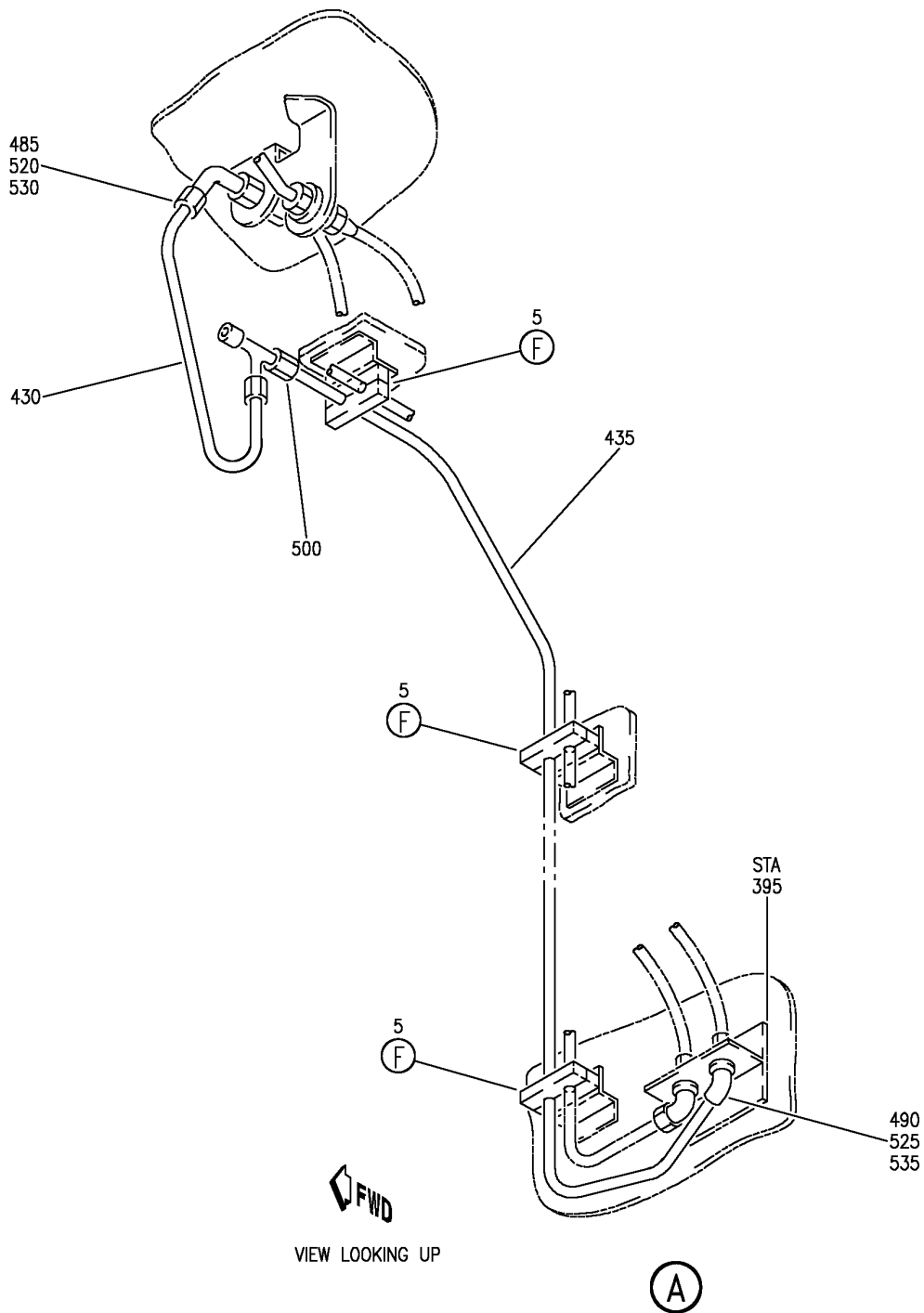
PLUMBING INSTL-HYD SECT. 41 NOSE WHEELWELL (NOSE GEAR EXTENSION AND RETRACTION ONLY)  
FIGURE 17 (SHEET 1)

BRI  
MAY 28/07

**32-34-51-17**

32-34-51-17  
PAGE 0

**BOEING**  
757  
PARTS CATALOG (MAINTENANCE)



Y 32345117 SH1 2 REV 261

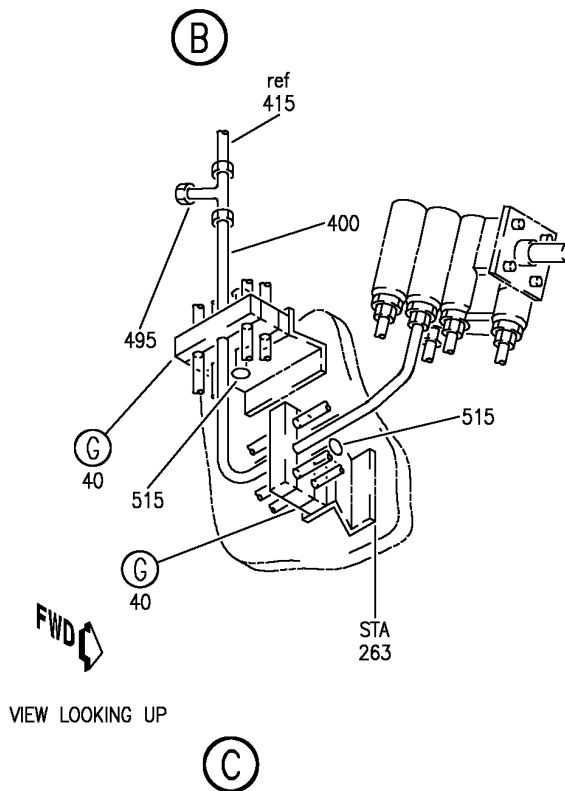
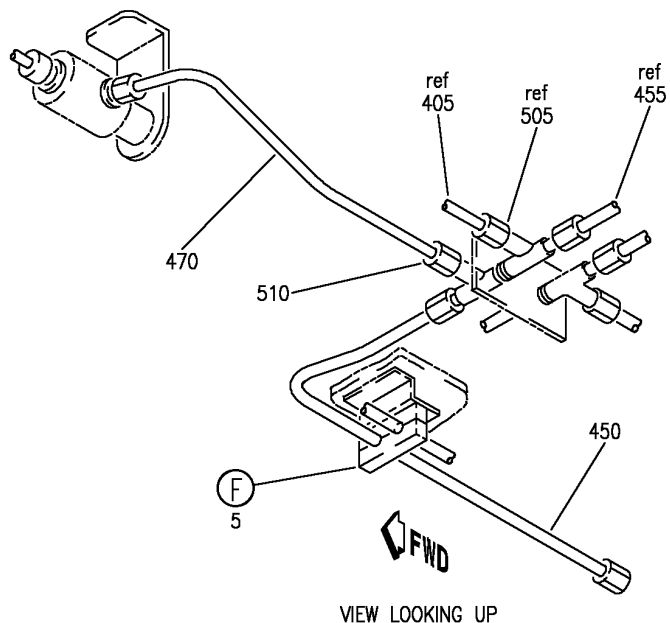
PLUMBING INSTL-HYD SECT. 41 NOSE WHEELWELL (NOSE GEAR EXTENSION AND RETRACTION ONLY)  
FIGURE 17 (SHEET 2)

BRI  
MAY 28/07

**32-34-51-17**

32-34-51-17  
PAGE 0A

**BOEING**  
757  
PARTS CATALOG (MAINTENANCE)



Y 32345117 SHT 3 REV 261

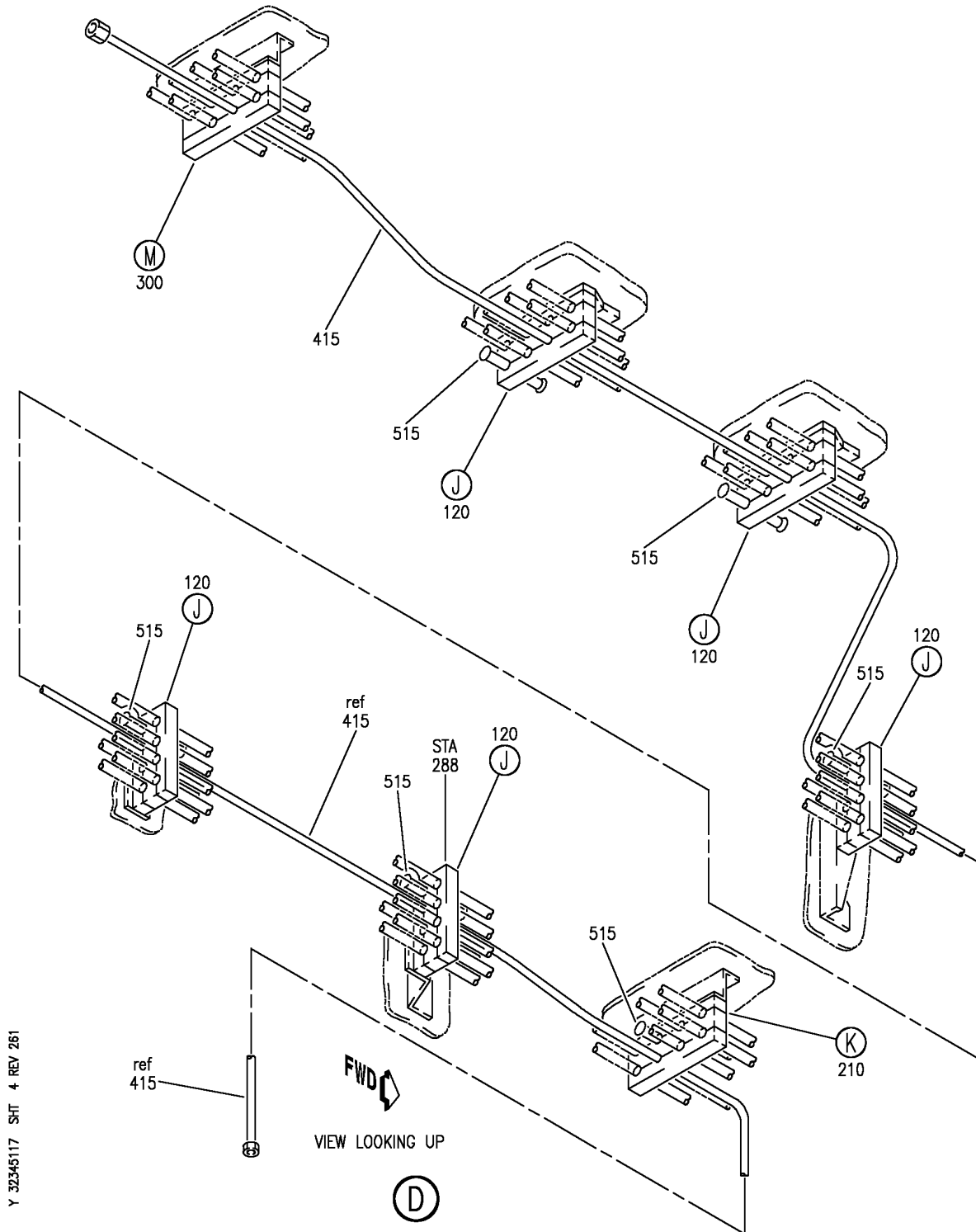
PLUMBING INSTL-HYD SECT. 41 NOSE WHEELWELL (NOSE GEAR EXTENSION AND RETRACTION ONLY)  
FIGURE 17 (SHEET 3)

**32-34-51-17**

BRI  
MAY 28/07

32-34-51-17  
PAGE 0B

**BOEING**  
757  
PARTS CATALOG (MAINTENANCE)



Y 32345117 SH 4 REV 261

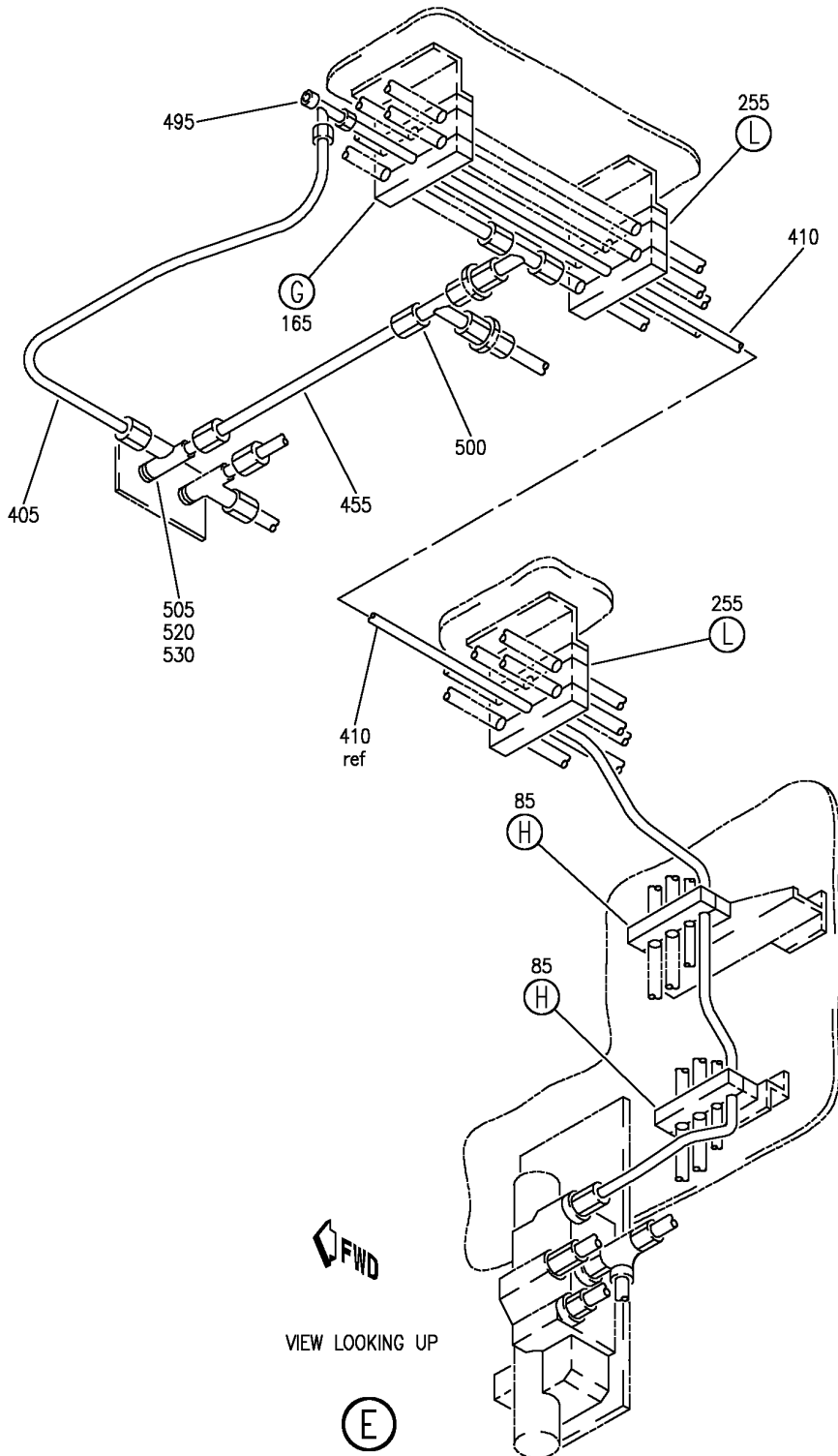
PLUMBING INSTL-HYD SECT. 41 NOSE WHEELWELL (NOSE GEAR EXTENSION AND RETRACTION ONLY)  
FIGURE 17 (SHEET 4)

BRI  
MAY 28/07

**32-34-51-17**

32-34-51-17  
PAGE 0C

**BOEING**  
757  
PARTS CATALOG (MAINTENANCE)



Y 32345117 SHT 5 REV 261

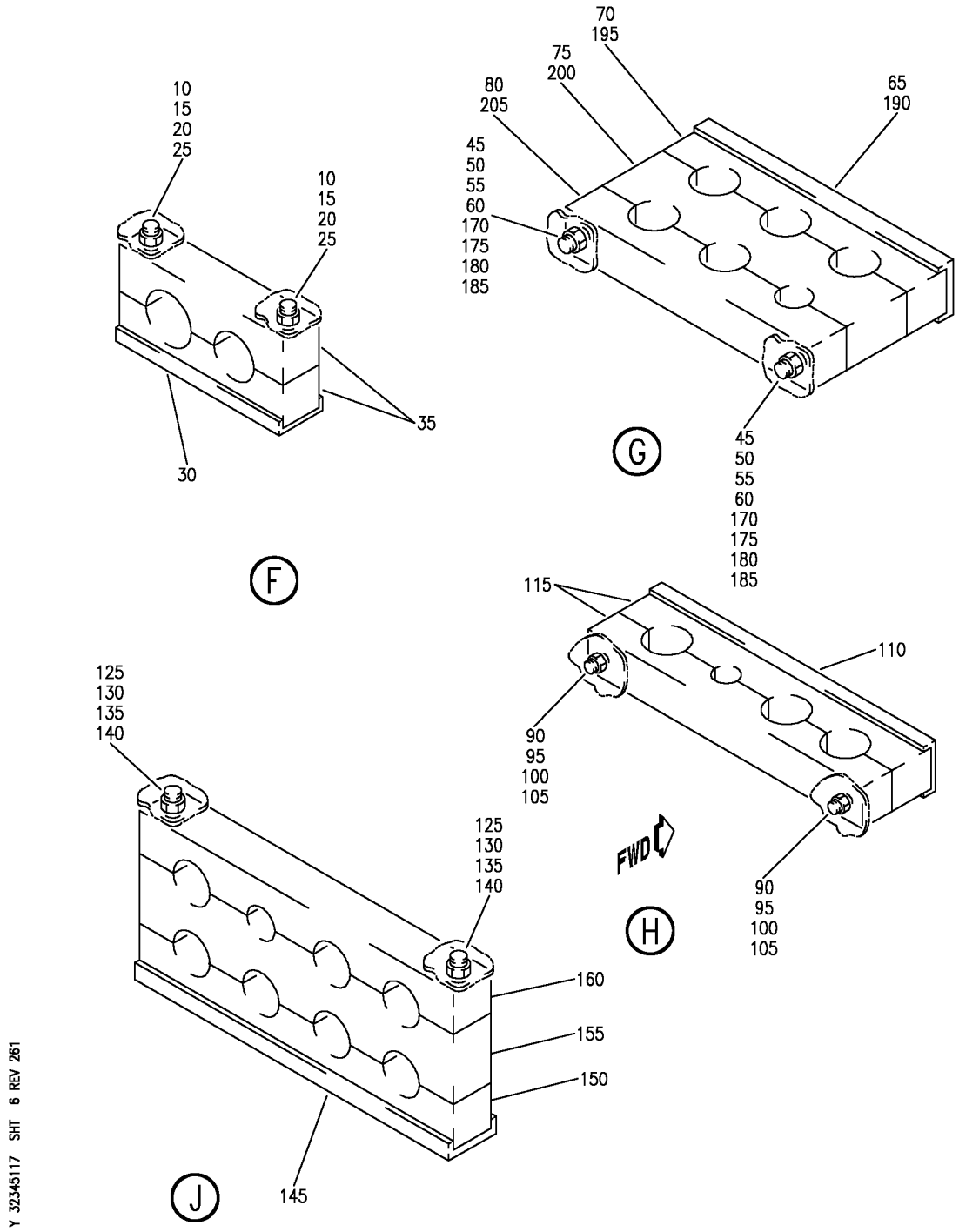
PLUMBING INSTL-HYD SECT. 41 NOSE WHEELWELL (NOSE GEAR EXTENSION AND RETRACTION ONLY)  
FIGURE 17 (SHEET 5)

BRI  
MAY 28/07

**32-34-51-17**

32-34-51-17  
PAGE 0D

**BOEING**  
757  
PARTS CATALOG (MAINTENANCE)



Y 32345117 SH 6 REV 251

PLUMBING INSTL-HYD SECT. 41 NOSE WHEELWELL (NOSE GEAR EXTENSION AND RETRACTION ONLY)  
FIGURE 17 (SHEET 6)

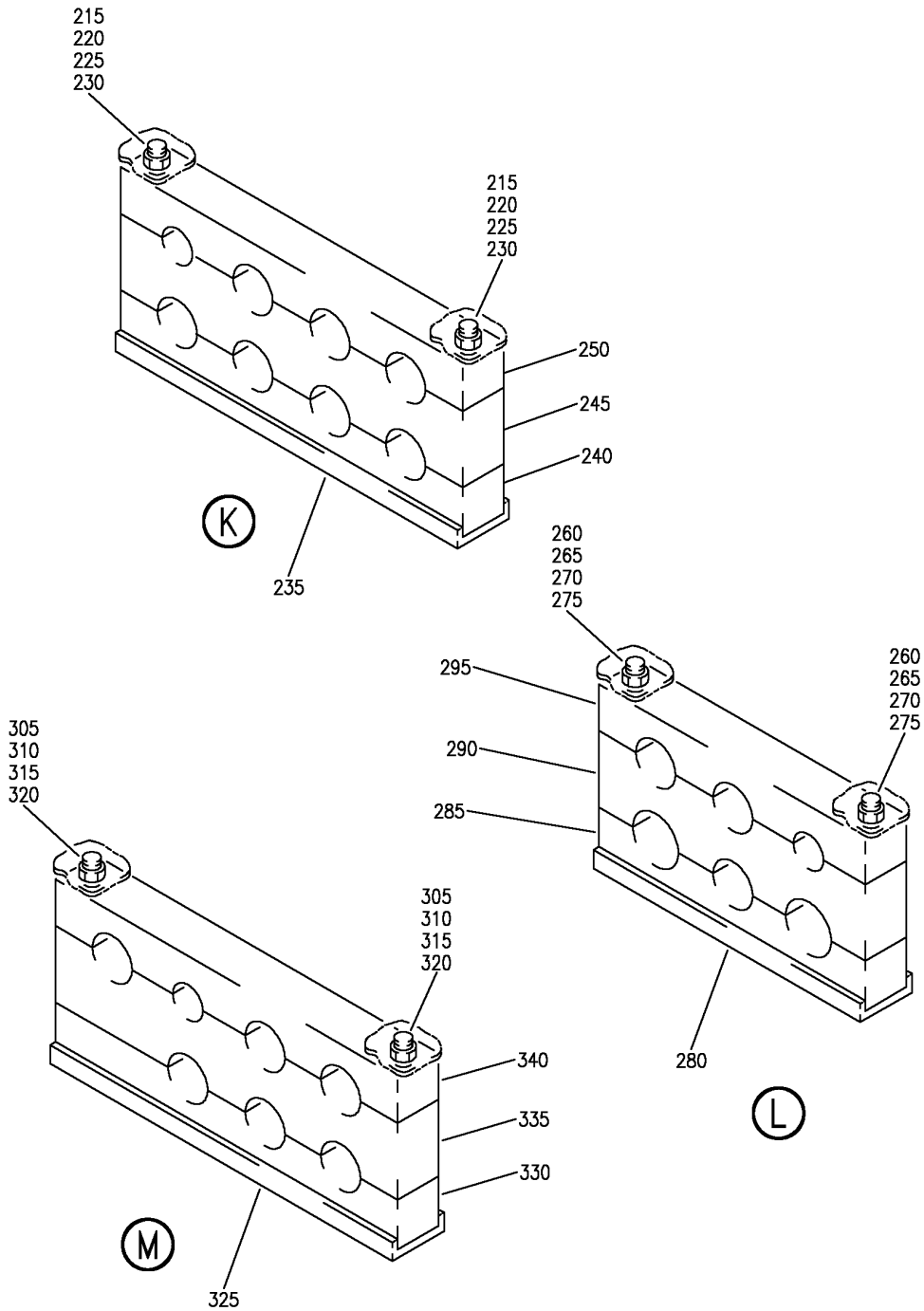
# 32-34-51-17

BRI  
MAY 28/07

32-34-51-17  
PAGE 0E




**BOEING**  
 757  
**PARTS CATALOG (MAINTENANCE)**



Y 32345117 SHT 7 REV 261

PLUMBING INSTL-HYD SECT. 41 NOSE WHEELWELL (NOSE GEAR EXTENSION AND RETRACTION ONLY)  
 FIGURE 17 (SHEET 7)

32-34-51-17

BRI  
 MAY 28/07

32-34-51-17  
 PAGE OF



757

PARTS CATALOG (MAINTENANCE)

FIG ITEM	PART NUMBER	1 2 3 4 5 6 7	NOMENCLATURE	EFFECT FROM TO	UNITS PER ASSY
17			PLUMBING INSTL-HYD SECT. 41 NOSE WHEELWELL (NOSE GEAR EXTENSION AND RETRACTION ONLY)	101106 108120 504903	
- 1	271N6411-14		PLUMBING INSTL-HYD SECT. 41 NOSE WHEELWELL (NOSE GEAR EXTENSION AND RETRACTION ONLY)	101102 108120 504903	RF
- 1	MODREF31400		FOR NHA SEE: 29-00-51-02B PLUMBING INSTL-HYD SECT. 41 NOSE WHEELWELL (NOSE GEAR EXTENSION AND RETRACTION ONLY)	103106	1
5	270N2000-32		MODULE NUMBER: 271N6411-14 REV B FOR ADDITIONAL DETAILS SEE: 32-35-51-15A .CLAMP ASSY	101106 108120 504903	4
10	NAS1801-3-24		.. SCREW	101106 108120 504903	2
15	NAS43DD3-67		.. SPACER	101106 108120 504903	2
20	AN960PD10L		.. WASHER	101106 108120 504903	2
25	BRH10A3		.. NUT SUPPLIER CODE: V52828 SPECIFICATION NUMBER: BACN10JC3 OPTIONAL PART: H10-3BAC V15653 NS202101-02 V80539 RMLH9075-3W V72962 VN303A02 V92215 96-02 V80539 T6S1032J V11815	101106 108120 504903	2

MISSING ITEM NUMBERS NOT APPLICABLE

- ITEM NOT ILLUSTRATED

BRI

32-34-51-17

32-34-51  
FIG. 17  
PAGE 1  
JAN 20/09



757

PARTS CATALOG (MAINTENANCE)

FIG ITEM	PART NUMBER	1 2 3 4 5 6 7	NOMENCLATURE	EFFECT FROM TO	UNITS PER ASSY
17					
30	270N2000-821	..	CHANNEL	101106 108120 504903	1
35	270N2000-447	..	BLOCK	101106 108120 504903	2
40	270N2000-40	.	CLAMP ASSY	101106 108120 504903	2
45	NAS1801-3-36	..	SCREW	101106 108120 504903	2
50	NAS43DD3-109	..	SPACER	101106 108120 504903	2
55	AN960PD10L	..	WASHER	101106 108120 504903	2
60	BRH10A3	..	NUT	101106 108120 504903	2
			SUPPLIER CODE: V52828		
			SPECIFICATION NUMBER: BACN10JC3		
			OPTIONAL PART: H10-3BAC		
			V15653		
			NS202101-02		
			V80539		
			RMLH9075-3W		
			V72962		
			VN303A02		
			V92215		
			96-02		
			V80539		
			T6S1032J		
			V11815		
65	270N2000-827	..	CHANNEL	101106 108120 504903	1
70	270N2000-461	..	BLOCK	101106 108120 504903	1
75	270N2000-462	..	BLOCK	101106 108120 504903	1
80	270N2000-463	..	BLOCK	101106 108120 504903	1

MISSING ITEM NUMBERS NOT APPLICABLE

- ITEM NOT ILLUSTRATED

32-34-51-17

32-34-51  
FIG. 17  
PAGE 2  
JAN 20/09

BRI

BOEING PROPRIETARY - Copyright © - Unpublished Work - See title page for details.



757

PARTS CATALOG (MAINTENANCE)

FIG ITEM	PART NUMBER	1 2 3 4 5 6 7	NOMENCLATURE	EFFECT FROM TO	UNITS PER ASSY
17					
85	270N2000-41	.	CLAMP ASSY	101106 108120 504903	2
90	NAS1801-3-24	..	SCREW	101106 108120 504903	2
95	NAS43DD3-59	..	SPACER	101106 108120 504903	2
100	AN960PD10L	..	WASHER	101106 108120 504903	2
105	BRH10A3	..	NUT SUPPLIER CODE: V52828 SPECIFICATION NUMBER: BACN10JC3 OPTIONAL PART: H10-3BAC V15653 NS202101-02 V80539 RMLH9075-3W V72962 VN303A02 V92215 96-02 V80539 T6S1032J V11815	101106 108120 504903	2
110	270N2000-828	..	CHANNEL- OPTIONAL PART: 270N2000-703	101106 108120 504903	1
110	270N2000-703	..	CHANNEL- OPTIONAL PART: 270N2000-828	101106 108120 504903	1
115	270N2000-464	..	BLOCK	101106 108120 504903	2
120	270N2000-42	.	CLAMP ASSY	101106 108120 504903	5
125	NAS1801-3-36	..	SCREW	101106 108120 504903	2
130	NAS43DD3-109	..	SPACER	101106 108120 504903	2

MISSING ITEM NUMBERS NOT APPLICABLE

- ITEM NOT ILLUSTRATED

32-34-51-17

32-34-51  
FIG. 17  
PAGE 3  
JAN 20/09

BRI

BOEING PROPRIETARY - Copyright © - Unpublished Work - See title page for details.



757

PARTS CATALOG (MAINTENANCE)

FIG ITEM	PART NUMBER	1 2 3 4 5 6 7	NOMENCLATURE	EFFECT FROM TO	UNITS PER ASSY
17					
135	AN960PD10L	..	WASHER	101106 108120 504903	2
140	BRH10A3	..	NUT SUPPLIER CODE: V52828 SPECIFICATION NUMBER: BACN10JC3 OPTIONAL PART: H10-3BAC V15653 NS202101-02 V80539 RMLH9075-3W V72962 VN303A02 V92215 96-02 V80539 T6S1032J V11815	101106 108120 504903	2
145	270N2000-829	..	CHANNEL- OPTIONAL PART: 270N2000-854	101106 108120 504903	1
145	270N2000-854	..	CHANNEL- OPTIONAL PART: 270N2000-829	101106 108120 504903	1
150	270N2000-473	..	BLOCK	101106 108120 504903	1
155	270N2000-466	..	BLOCK	101106 108120 504903	1
160	270N2000-467	..	BLOCK	101106 108120 504903	1
165	270N2000-44	.	CLAMP ASSY	101106 108120 504903	1
170	NAS1801-3-38	..	SCREW	101106 108120 504903	2
175	NAS43DD3-117	..	SPACER	101106 108120 504903	2
180	AN960PD10L	..	WASHER	101106 108120 504903	2

MISSING ITEM NUMBERS NOT APPLICABLE

- ITEM NOT ILLUSTRATED

32-34-51-17

32-34-51  
FIG. 17  
PAGE 4  
JAN 20/09

BRI

BOEING PROPRIETARY - Copyright © - Unpublished Work - See title page for details.



757

PARTS CATALOG (MAINTENANCE)

FIG ITEM	PART NUMBER	1 2 3 4 5 6 7	NOMENCLATURE	EFFECT FROM TO	UNITS PER ASSY
17 185	BRH10A3	..	NUT SUPPLIER CODE: V52828 SPECIFICATION NUMBER: BACN10JC3 OPTIONAL PART: H10-3BAC V15653 NS202101-02 V80539 RMLH9075-3W V72962 VN303A02 V92215 96-02 V80539 T6S1032J V11815	101106 108120 504903	2
190	270N2000-831	..	CHANNEL	101106 108120 504903	1
195	270N2000-469	..	BLOCK	101106 108120 504903	1
200	270N2000-470	..	BLOCK	101106 108120 504903	1
205	270N2000-471	..	BLOCK	101106 108120 504903	1
210	270N2000-46	.	CLAMP ASSY	101106 108120 504903	1
215	NAS1801-3-36	..	SCREW	101106 108120 504903	2
220	NAS43DD3-109	..	SPACER	101106 108120 504903	2
225	AN960PD10L	..	WASHER	101106 108120 504903	2

MISSING ITEM NUMBERS NOT APPLICABLE

- ITEM NOT ILLUSTRATED

32-34-51-17

32-34-51  
FIG. 17  
PAGE 5  
JAN 20/09

BRI

BOEING PROPRIETARY - Copyright © - Unpublished Work - See title page for details.



757

PARTS CATALOG (MAINTENANCE)

FIG ITEM	PART NUMBER	1 2 3 4 5 6 7	NOMENCLATURE	EFFECT FROM TO	UNITS PER ASSY
17 230	BRH10A3	..	NUT SUPPLIER CODE: V52828 SPECIFICATION NUMBER: BACN10JC3 OPTIONAL PART: H10-3BAC V15653 NS202101-02 V80539 RMLH9075-3W V72962 VN303A02 V92215 96-02 V80539 T6S1032J V11815	101106 108120 504903	2
235	270N2000-829	..	CHANNEL	101106 108120 504903	1
240	270N2000-473	..	BLOCK- OPTIONAL PART: 270N2000-512	101106 108120 504903	1
240	270N2000-512	..	BLOCK- OPTIONAL PART: 270N2000-473	101106 108120 504903	1
245	270N2000-474	..	BLOCK	101106 108120 504903	1
250	270N2000-475	..	BLOCK	101106 108120 504903	1
255	270N2000-47	.	CLAMP ASSY	101106 108120 504903	2
260	NAS1801-3-39	..	SCREW	101106 108120 504903	2
265	NAS43DD3-121	..	SPACER	101106 108120 504903	2
270	AN960PD10L	..	WASHER	101106 108120 504903	2

MISSING ITEM NUMBERS NOT APPLICABLE

- ITEM NOT ILLUSTRATED

32-34-51-17

32-34-51  
FIG. 17  
PAGE 6  
JAN 20/09

BRI

BOEING PROPRIETARY - Copyright © - Unpublished Work - See title page for details.



757

PARTS CATALOG (MAINTENANCE)

FIG ITEM	PART NUMBER	1 2 3 4 5 6 7	NOMENCLATURE	EFFECT FROM TO	UNITS PER ASSY
17 275	BRH10A3	..	NUT SUPPLIER CODE: V52828 SPECIFICATION NUMBER: BACN10JC3 OPTIONAL PART: H10-3BAC V15653 NS202101-02 V80539 RMLH9075-3W V72962 VN303A02 V92215 96-02 V80539 T6S1032J V11815	101106 108120 504903	2
280	270N2000-831	..	CHANNEL	101106 108120 504903	1
285	270N2000-476	..	BLOCK	101106 108120 504903	1
290	270N2000-477	..	BLOCK	101106 108120 504903	1
295	270N2000-471	..	BLOCK	101106 108120 504903	1
300	270N2000-49	.	CLAMP ASSY	101106 108120 504903	1
305	NAS1801-3-38	..	SCREW	101106 108120 504903	2
310	NAS43DD3-117	..	SPACER	101106 108120 504903	2
315	AN960PD10L	..	WASHER	101106 108120 504903	2

MISSING ITEM NUMBERS NOT APPLICABLE

- ITEM NOT ILLUSTRATED

32-34-51-17

32-34-51  
FIG. 17  
PAGE 7  
JAN 20/09

BRI

BOEING PROPRIETARY - Copyright © - Unpublished Work - See title page for details.





757

PARTS CATALOG (MAINTENANCE)

FIG ITEM	PART NUMBER	1 2 3 4 5 6 7	NOMENCLATURE	EFFECT FROM TO	UNITS PER ASSY
17 320	BRH10A3	..	NUT SUPPLIER CODE: V52828 SPECIFICATION NUMBER: BACN10JC3 OPTIONAL PART: H10-3BAC V15653 NS202101-02 V80539 RMLH9075-3W V72962 VN303A02 V92215 96-02 V80539 T6S1032J V11815	101106 108120 504903	2
325	270N2000-832	..	CHANNEL	101106 108120 504903	1
330	270N2000-480	..	BLOCK	101106 108120 504903	1
335	270N2000-481	..	BLOCK	101106 108120 504903	1
340	270N2000-482	..	BLOCK	101106 108120 504903	1
400	271N6411-1016	.TUBE ASSY-RETURN MANUFACTURED FROM: TUBING AL TUBING MATERIAL: .375 IN. OD .035 IN. WALL 21.60 IN. LG AL	101106 108120 504903	1	
405	271N6411-1020	.TUBE ASSY-RETURN TUBING MATERIAL: .375 IN. OD .035 IN. WALL 18.40 IN. LG AL 6061-T6 ALUMINUM	101106 108120 504903	1	
410	271N6411-1050	.TUBE ASSY-RETURN TUBING MATERIAL: .375 IN. OD .035 IN. WALL 59.30 IN. LG AL 6061-T6 ALUMINUM	101106 108120 504903	1	

MISSING ITEM NUMBERS NOT APPLICABLE

- ITEM NOT ILLUSTRATED

BRI

32-34-51-17

32-34-51  
FIG. 17  
PAGE 8  
JAN 20/09



757

PARTS CATALOG (MAINTENANCE)

FIG ITEM	PART NUMBER	1 2 3 4 5 6 7	NOMENCLATURE	EFFECT FROM TO	UNITS PER ASSY
17 415	271N6411-1092	.	TUBE ASSY-RETURN TUBING MATERIAL: .375 IN. OD .035 IN. WALL 105.60 IN. LG AL 6061-T6 ALUMINUM	101106 108120 504903	1
415	271N6411-1017	.	TUBE ASSY-RETURN TUBING MATERIAL: .375 IN. OD .035 IN. WALL 104.7 IN. LG AL AMS 4083 6061 T6 TUBING	101106 108120 504903	1
- 420	AP2097HP06	..	SLEEVE SUPPLIER CODE: V01673 SPECIFICATION NUMBER: BACS13BX06HP OPTIONAL PART: 2-02903-06HP V11328 35235VN06 V08199 AFP175V06P V30974 DBOS13BX06HP V14798	101106 108120 504903	2
- 425	BACN10YL06	..	NUT- OPTIONAL PART: MS21921-6D	101106 108120 504903	2
- 425	MS21921-6D	..	NUT- OPTIONAL PART: BACN10YL06	101106 108120 504903	2
430	271N6411-1028	.	TUBE ASSY-RETURN TUBING MATERIAL: .50 OD X .035 WALL 8.80 IN. LG ALUMINUM TUBING PER MIL-T-7081	101106 108120 504903	1
435	271N6411-1033	.	TUBE ASSY-RETURN TUBING MATERIAL: .500 IN. OD .035 IN. WALL 51.2 IN. LG AL 6061-T6 SEAMLESS ALUMINUM PER MIL-T-7081	101106 108120 504903	1

MISSING ITEM NUMBERS NOT APPLICABLE

- ITEM NOT ILLUSTRATED

BRI

32-34-51-17

32-34-51  
FIG. 17  
PAGE 9  
JAN 20/09



757

PARTS CATALOG (MAINTENANCE)

FIG ITEM	PART NUMBER	1 2 3 4 5 6 7	NOMENCLATURE	EFFECT FROM TO	UNITS PER ASSY
17					
- 440	AP2097HP08	..	SLEEVE SUPPLIER CODE: V01673 SPECIFICATION NUMBER: BACS13BX08HP OPTIONAL PART: 2-02903-08HP V11328 35235VN08 V08199 AFP175V08P V30974 DBOS13BX08HP V14798	101106 108120 504903	2
- 445	BACN10YL08	..	NUT- OPTIONAL PART: MS21921-8D	101106 108120 504903	2
- 445	MS21921-8D	..	NUT- OPTIONAL PART: BACN10YL08	101106 108120 504903	2
450	271N6411-1085	.TUBE ASSY-L SYS RETURN TUBING MATERIAL: .500 IN. OD .035 IN. WALL 22.70 IN. LG AL 6061-T6 ALUMINUM PER MIL-T-7081		101106 108120 504903	1
455	271N6411-1094	.TUBE ASSY-RETURN TUBING MATERIAL: .500 IN. OD .035 IN. WALL 9.00 IN. LG AL 6061-T6 SEAMLESS ALUMINUM PER MIL-T-7081		101106 108120 504903	1
- 460	AP2097HP08	..	SLEEVE SUPPLIER CODE: V01673 SPECIFICATION NUMBER: BACS13BX08HP OPTIONAL PART: 2-02903-08HP V11328 35235VN08 V08199 AFP175V08P V30974 DBOS13BX08HP V14798	101106 108120 504903	2
- 465	BACN10YL08	..	NUT	101106 108120 504903	2

MISSING ITEM NUMBERS NOT APPLICABLE

- ITEM NOT ILLUSTRATED

32-34-51-17

32-34-51  
FIG. 17  
PAGE 10  
JAN 20/09

BRI

BOEING PROPRIETARY - Copyright © - Unpublished Work - See title page for details.



757

PARTS CATALOG (MAINTENANCE)

FIG ITEM	PART NUMBER	1 2 3 4 5 6 7	NOMENCLATURE	EFFECT FROM TO	UNITS PER ASSY
17 470	271N6411-1100		.TUBE ASSY-L SYS RETURN TUBING MATERIAL: .375 IN. OD .035 IN. WALL 17.50 IN. LG AL 6061-T6 SEAMLESS ALUMINUM PER MIL-T-7081	101106 108120 504903	1
- 475	AP2097HP06		..SLEEVE SUPPLIER CODE: V01673 SPECIFICATION NUMBER: BACS13BX06HP OPTIONAL PART: 2-02903-06HP V11328 35235VN06 V08199 AFP175V06P V30974 DBOS13BX06HP V14798	101106 108120 504903	2
- 480	BACN10YLO6		..NUT	101106 108120 504903	2
485	MS21908W8		.ELBOW	101106 108120 504903	1
490	BACE21AT1008W		.ELBOW	101106 108120 504903	1
495	MS21905W6		.TEE	101106 108120 504903	2
500	MS21905W8		.TEE	101106 108120 504903	2
505	BACT16AX080806W		.TEE	101106 108120 504903	1
510	NAS1763W080806		.TEE	101106 108120 504903	1
515	270N0005-2		.FILLER	101106 108120 504903	8
520	NAS1149D1290J		.WASHER	101106 108120 504903	2

MISSING ITEM NUMBERS NOT APPLICABLE

- ITEM NOT ILLUSTRATED

32-34-51-17

32-34-51  
FIG. 17  
PAGE 11  
JAN 20/09

BRI



757

PARTS CATALOG (MAINTENANCE)

FIG ITEM	PART NUMBER	1 2 3 4 5 6 7	NOMENCLATURE	EFFECT FROM TO	UNITS PER ASSY
17 525	NAS1149D1490J	.	WASHER	101106 108120 504903	1
530	AN924-8D	.	NUT	101106 108120 504903	2
535	AN924-10D	.	NUT	101106 108120 504903	1

MISSING ITEM NUMBERS NOT APPLICABLE

- ITEM NOT ILLUSTRATED

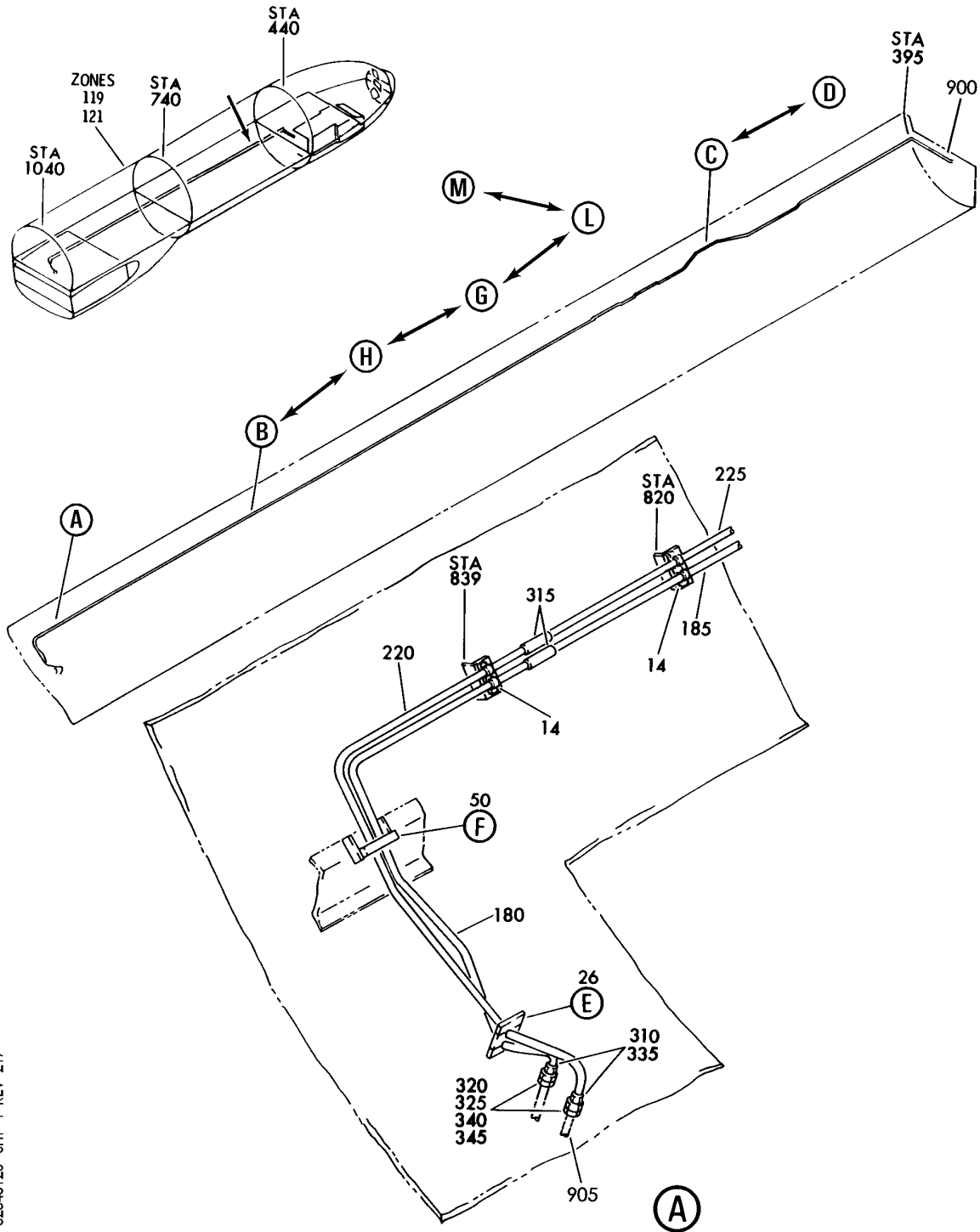
BRI

32-34-51-17

BOEING PROPRIETARY - Copyright © - Unpublished Work - See title page for details.

32-34-51  
FIG. 17  
PAGE 12  
JAN 20/09


**BOEING**  
 757  
**PARTS CATALOG (MAINTENANCE)**



Y 32345120 SHT 1 REV 217

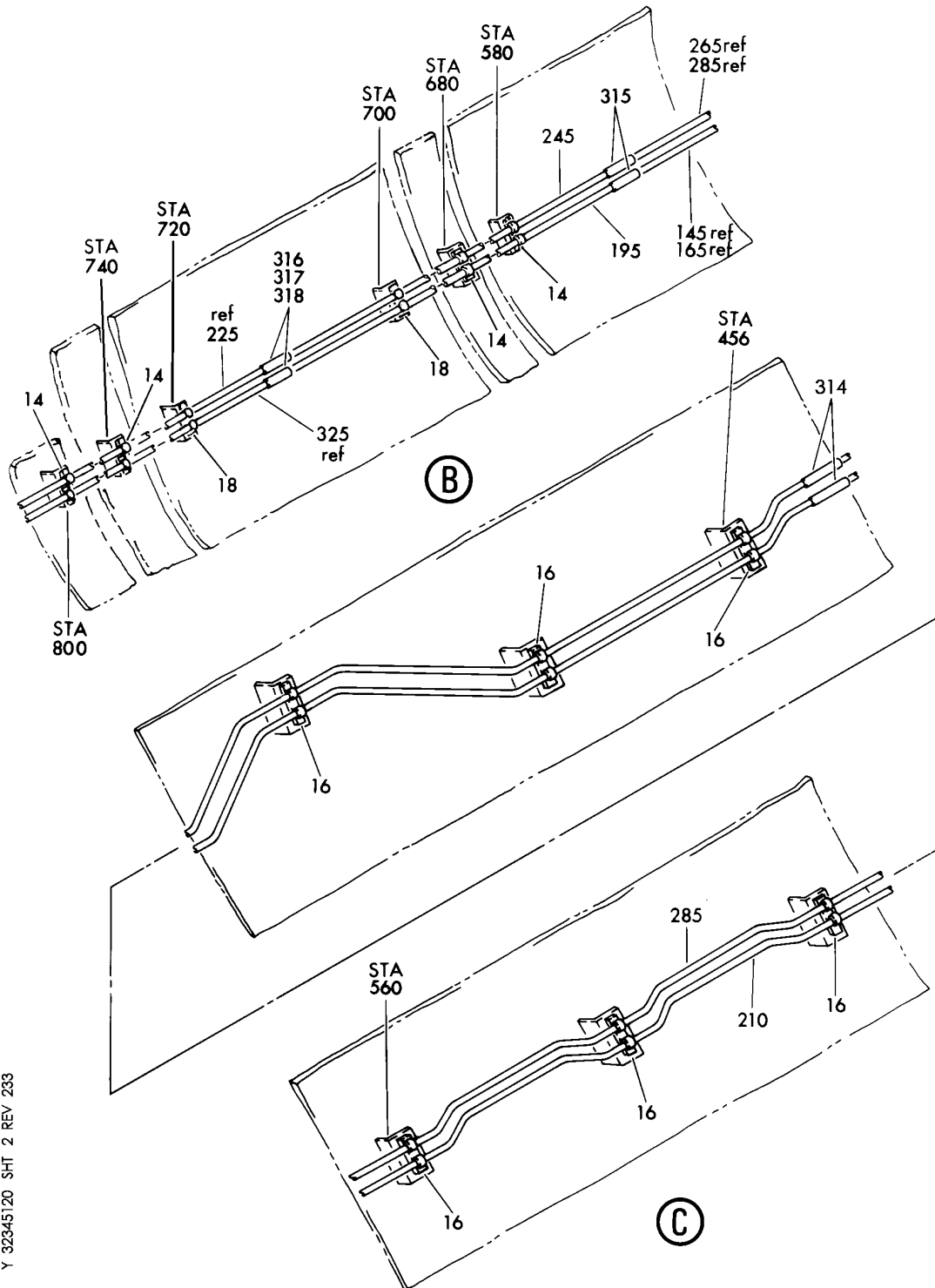
PLUMBING INSTL-SECT. 43 HYDR (NOSE GEAR EXTENSION AND RETRACTION ONLY)  
 FIGURE 20 (SHEET 1)

# 32-34-51-20

BRI  
MAY 28/07

32-34-51-20  
 PAGE 0


**BOEING**  
 757  
**PARTS CATALOG (MAINTENANCE)**



Y 32345120 SHT 2 REV 233

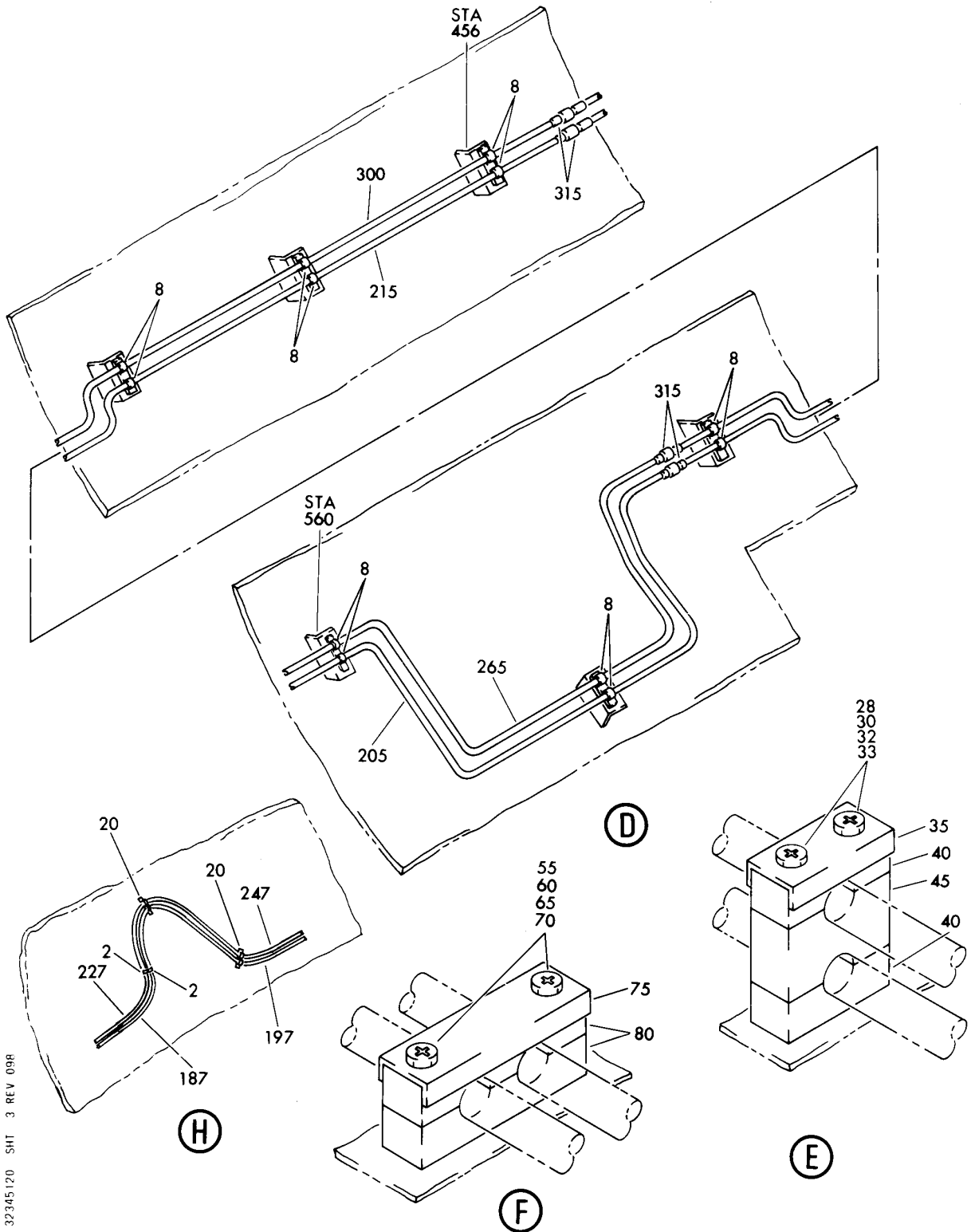
PLUMBING INSTL-SECT. 43 HYDR (NOSE GEAR EXTENSION AND RETRACTION ONLY)  
 FIGURE 20 (SHEET 2)

**32-34-51-20**

BRI  
 MAY 28/07

32-34-51-20  
 PAGE 0A

**BOEING**  
757  
PARTS CATALOG (MAINTENANCE)



32345120 SH1 3 REV 09R

PLUMBING INSTL-SECT. 43 HYDR (NOSE GEAR EXTENSION AND RETRACTION ONLY)  
FIGURE 20 (SHEET 3)

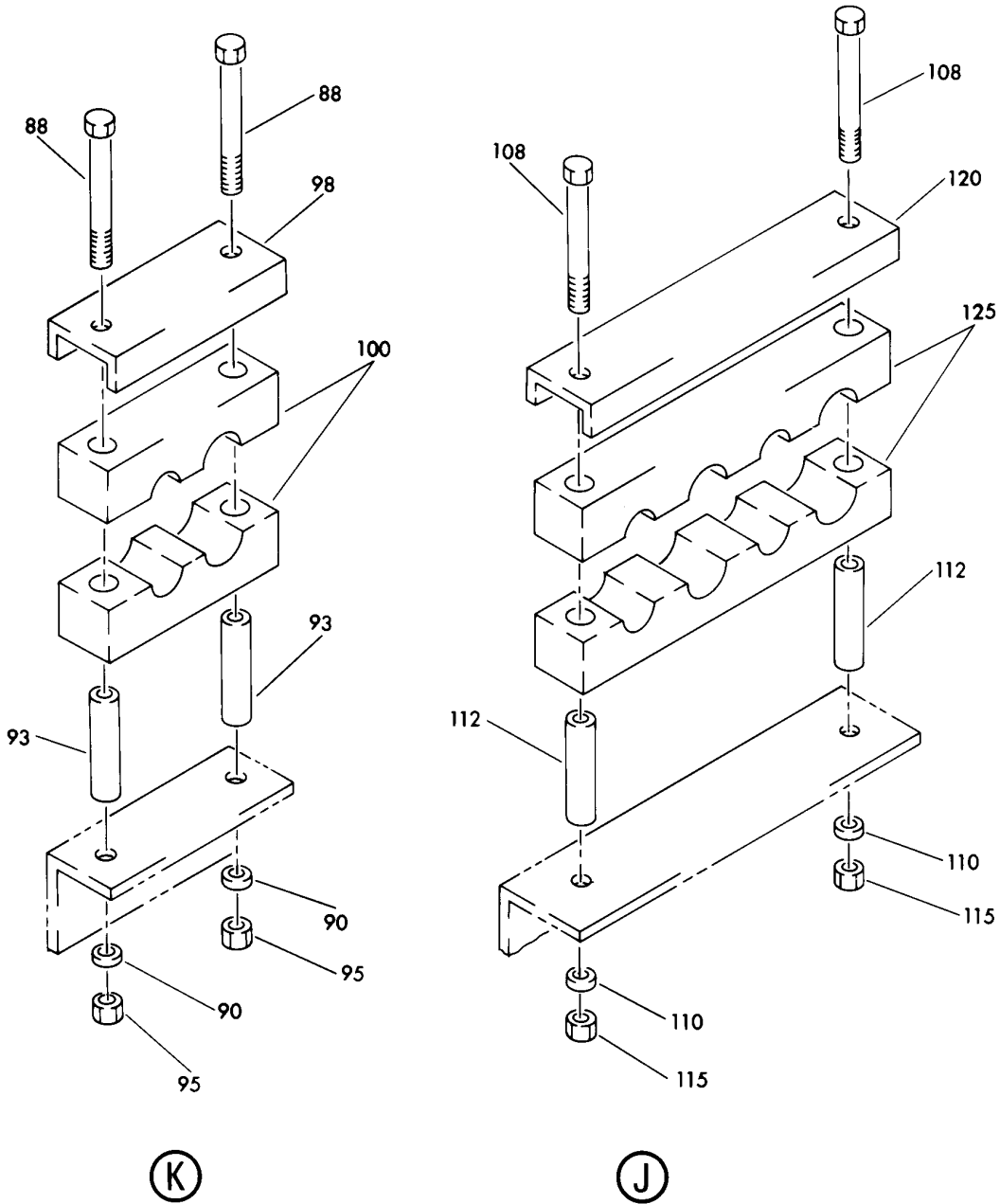
**32-34-51-20**

BRI  
MAY 28/07

32-34-51-20  
PAGE 0B




**BOEING**  
 757  
**PARTS CATALOG (MAINTENANCE)**



32345120 SH1 4 R1 V 098

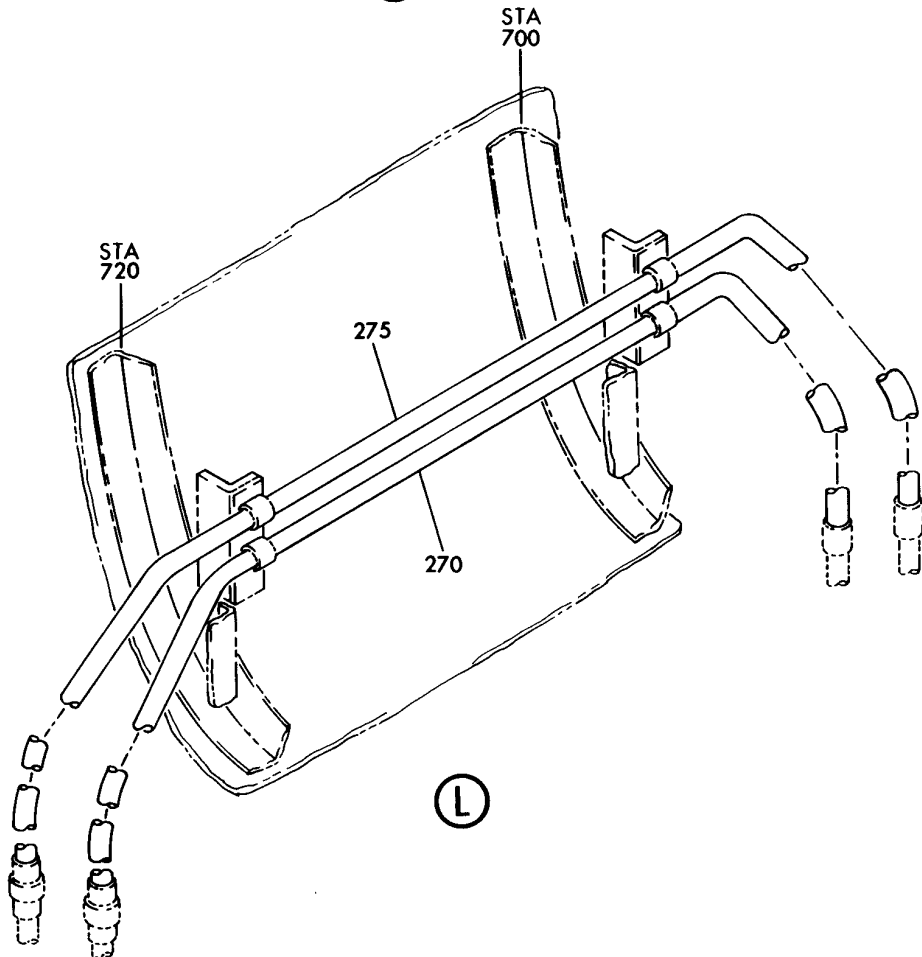
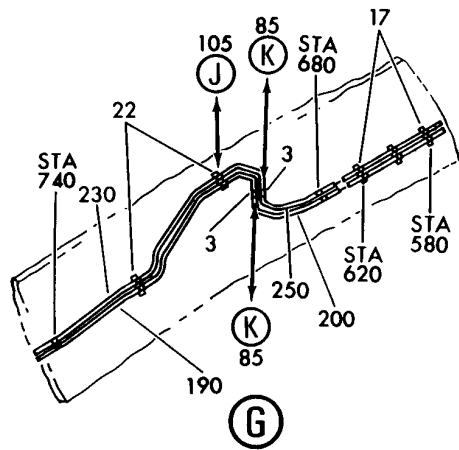
PLUMBING INSTL-SECT. 43 HYDR (NOSE GEAR EXTENSION AND RETRACTION ONLY)  
 FIGURE 20 (SHEET 4)

**32-34-51-20**

BRI  
MAY 28/07

32-34-51-20  
 PAGE 0C

**BOEING**  
757  
PARTS CATALOG (MAINTENANCE)



Y 32345120 SHT 5 REV 113

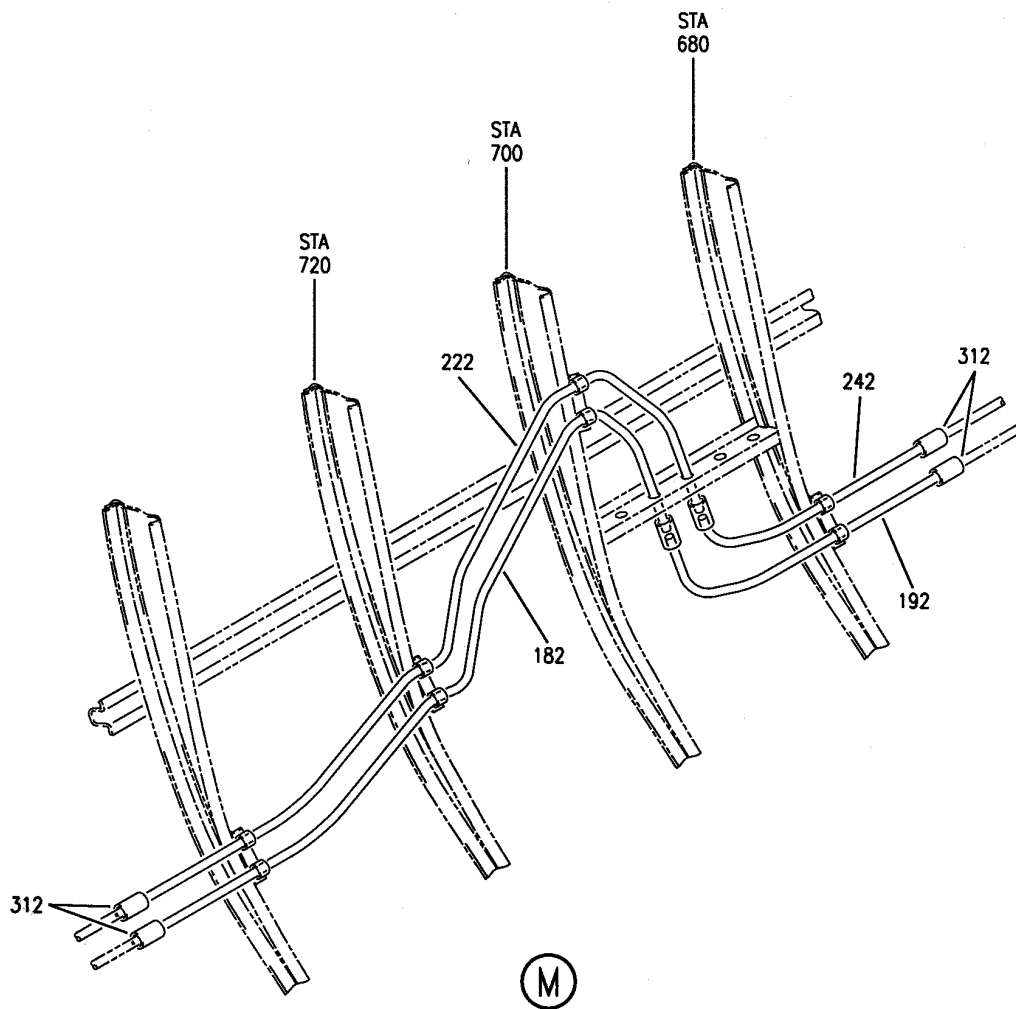
PLUMBING INSTL-SECT. 43 HYDR (NOSE GEAR EXTENSION AND RETRACTION ONLY)  
FIGURE 20 (SHEET 5)

**32-34-51-20**

BRI  
MAY 28/07

32-34-51-20  
PAGE 0D

**BOEING**  
757  
PARTS CATALOG (MAINTENANCE)



Y 32345120 SHT 6 REV 215

PLUMBING INSTL-SECT. 43 HYDR (NOSE GEAR EXTENSION AND RETRACTION ONLY)  
FIGURE 20 (SHEET 6)

BRI  
MAY 28/07

**32-34-51-20**

32-34-51-20  
PAGE 0E



757

PARTS CATALOG (MAINTENANCE)

FIG ITEM	PART NUMBER	1 2 3 4 5 6 7	NOMENCLATURE	EFFECT FROM TO	UNITS PER ASSY
20			PLUMBING INSTL-SECT. 43 HYDR (NOSE GEAR EXTENSION AND RETRACTION ONLY)	002004 006100 107107 121503 904999	
- 1	271N6431-1		PLUMBING INSTL-HYDR (NOSE GEAR EXTENSION AND RETRACTION ONLY) POSITION DATA: SECT. 43 VARIABLE DRAWING REF: 271N6431-3 FOR NHA SEE: 29-00-51-04	002004 006100 107107 121503 904999	RF
3	TA0910004H108		.CLAMP- SUPPLIER CODE: V84971 SPECIFICATION NUMBER: BACC10HB08C ATTACHING PARTS	950999	2
- 4	NAS1801-3		.SCREW- SIZE DETERMINED ON INSTL.	950999	4
- 6	AN960KD10		.WASHER	950999	4
- 7	MS21042L3		.NUT	950999	4
			-----*-----		
14	TA0630003-08		.CLAMP ASSY- SUPPLIER CODE: V84971 USED ON: 271N6431-1	002004 006100 107107 121503 904999	12
16	TA0630003-08		.CLAMP ASSY- SUPPLIER CODE: V84971 USED ON: 271N6431-1 271N6431-8	002004 006100 107107 121503 904999	6
18	TA0630003-08		.CLAMP ASSY- SUPPLIER CODE: V84971	002004 006100 107107 121503 904999	2
22	TA0630003-08		.CLAMP ASSY- SUPPLIER CODE: V84971	950999	2
26	270N2000-26		.CLAMP ASSY-BLK USED ON: 271N6431-8	002004 006100 107107 121503 904999	1

MISSING ITEM NUMBERS NOT APPLICABLE

- ITEM NOT ILLUSTRATED

32-34-51-20

32-34-51  
FIG. 20  
PAGE 1  
JAN 20/09

BRI



757

PARTS CATALOG (MAINTENANCE)

FIG ITEM	PART NUMBER	1 2 3 4 5 6 7	NOMENCLATURE	EFFECT FROM TO	UNITS PER ASSY
20					
28	NAS1801-3-42	..	SCREW-	002004 006100 107107 121503 904999	2
30	AN960PD10L	..	WASHER	002004 006100 107107 121503 904999	2
32	NAS43DD3-130	..	SPACER	002004 006100 107107 121503 904999	2
33	BRH10A3	..	NUT SUPPLIER CODE: V52828 SPECIFICATION NUMBER: BACN10JC3 OPTIONAL PART: H10-3BAC V15653 NS202101-02 V80539 RMLH9075-3W V72962 VN303A02 V92215 96-02 V80539 T6S1032J V11815	002004 006100 107107 121503 904999	2
35	270N2000-817	..	CHANNEL	002004 006100 107107 121503 904999	1
40	270N2000-443	..	BLOCK- OPTIONAL PART: 270N2000-611	002004 006100 107107 121503 904999	2
40	270N2000-611	..	BLOCK- OPTIONAL PART: 270N2000-443	002004 006100 107107 121503 904999	2

MISSING ITEM NUMBERS NOT APPLICABLE

- ITEM NOT ILLUSTRATED

32-34-51-20

32-34-51  
FIG. 20  
PAGE 2  
JAN 20/09

BRI



757

PARTS CATALOG (MAINTENANCE)

FIG ITEM	PART NUMBER	1 2 3 4 5 6 7	NOMENCLATURE	EFFECT FROM TO	UNITS PER ASSY
20					
45	270N2000-442	..	BLOCK	002004 006100 107107 121503 904999	2
50	270N2000-32	.CLAMP ASSY-BLK USED ON: 271N6431-1		002004 006100 107107 121503 904999	1
55	NAS1801-3-24	..	SCREW	002004 006100 107107 121503 904999	2
60	AN960PD10L	..	WASHER	002004 006100 107107 121503 904999	2
65	NAS43DD3-67	..	SPACER	002004 006100 107107 121503 904999	2
70	BRH10A3	.. NUT SUPPLIER CODE: V52828 SPECIFICATION NUMBER: BACN10JC3 OPTIONAL PART: H10-3BAC V15653 NS202101-02 V80539 RMLH9075-3W V72962 VN303A02 V92215 96-02 V80539 T6S1032J V11815		002004 006100 107107 121503 904999	2
75	270N2000-821	..	CHANNEL	002004 006100 107107 121503 904999	1

MISSING ITEM NUMBERS NOT APPLICABLE

- ITEM NOT ILLUSTRATED

BRI

32-34-51-20

BOEING PROPRIETARY - Copyright © - Unpublished Work - See title page for details.

32-34-51  
FIG. 20  
PAGE 3  
JAN 20/09



757

PARTS CATALOG (MAINTENANCE)

FIG ITEM	PART NUMBER	1 2 3 4 5 6 7	NOMENCLATURE	EFFECT FROM TO	UNITS PER ASSY
20					
80	270N2000-447	..	BLOCK-	002004 006100 107107 121503 904999	2
180	271N6431-1029	.TUBE ASSY-NLG DOWN TUBING MATERIAL: .500 IN. OD .026 IN. WALL 40.9 IN. LG TITANIUM BMS 7-234 TI-3AL-2.5V COLD WORKED, STRESS RELIEVED TUBING USED ON: 271N6431-1 271N6431-8		002004 006100 107107 121503 904999	1
185	271N6431-1034	.TUBE ASSY-NLG DOWN TUBING MATERIAL: .500 IN. OD .026 IN. WALL 123.9 IN. LG TITANIUM BMS 7-234 TI-3AL-2.5V COLD WORKED, STRESS RELIEVED TUBING USED ON: 271N6431-1		002004 006100 107107 121503 904999	1
195	271N6431-1014	.TUBE ASSY-NLG DOWN TUBING MATERIAL: .500 IN. OD .026 IN. WALL 144.7 IN. LG TITANIUM BMS 7-234 TI-3AL-2.5V COLD WORKED, STRESS RELIEVED TUBING USED ON: 271N6431-1		002004 006100 107107 121503 904999	1
210	271N6431-1033	.TUBE ASSY-NLG DOWN TUBING MATERIAL: .500 IN. OD .026 IN. WALL 121.9 IN. LG TITANIUM BMS 7-234 TI-3AL-2.5V COLD WORKED, STRESS RELIEVED TUBING USED ON: 271N6431-1 271N6431-8		107107 904949	1

MISSING ITEM NUMBERS NOT APPLICABLE

- ITEM NOT ILLUSTRATED

32-34-51-20

32-34-51  
FIG. 20  
PAGE 4  
JAN 20/09

BRI



757

PARTS CATALOG (MAINTENANCE)

FIG ITEM	PART NUMBER	1 2 3 4 5 6 7	NOMENCLATURE	EFFECT FROM TO	UNITS PER ASSY
20 210	271N6431-1100		.TUBE ASSY-NLG DOWN TUBING MATERIAL: .500 IN. OD .026 IN. WALL 123.6 IN. LG TITANIUM BMS 7-234 TI-3AL-2.5V COLD WORKED, STRESS RELIEVED TUBING USED ON: 271N6431-1 271N6431-8	002004 006100 121503 950999	1
220	271N6431-1028		.TUBE ASSY-NLG UP TUBING MATERIAL: .500 IN. OD .026 IN. WALL 46.5 IN. LG TITANIUM BMS 7-234 TI-3AL-2.5V COLD WORKED, STRESS RELIEVED TUBING USED ON: 271N6431-1 271N6431-8	002004 006100 107107 121503 904999	1
225	271N6431-1035		.TUBE ASSY-NLG UP TUBING MATERIAL: .500 IN. OD .026 IN. WALL 125.9 IN. LG TITANIUM BMS 7-234 TI-3AL-2.5V COLD WORKED, STRESS RELIEVED TUBING USED ON: 271N6431-1	002004 006100 107107 121503 904999	1
245	271N6431-1015		.TUBE ASSY-NLG UP TUBING MATERIAL: .500 IN. OD .026 IN. WALL 139.9 IN. LG TITANIUM BMS 7-234 TI-3AL-2.5V COLD WORKED, STRESS RELIEVED TUBING USED ON: 271N6431-1	002004 006100 107107 121503 904999	1
285	271N6431-1032		.TUBE ASSY-NLG UP TUBING MATERIAL: .500 IN. OD .026 IN. WALL 126.0 IN. LG TITANIUM BMS 7-234 TI-3AL-2.5V COLD WORKED, STRESS RELIEVED TUBING	107107 904949	1

MISSING ITEM NUMBERS NOT APPLICABLE

- ITEM NOT ILLUSTRATED

32-34-51-20

32-34-51  
FIG. 20  
PAGE 5  
JAN 20/09

BRI

BOEING PROPRIETARY - Copyright © - Unpublished Work - See title page for details.





757

PARTS CATALOG (MAINTENANCE)

FIG ITEM	PART NUMBER	1 2 3 4 5 6 7	NOMENCLATURE	EFFECT FROM TO	UNITS PER ASSY
20 285	271N6431-1099		.TUBE ASSY-NLG UP TUBING MATERIAL: .500 IN. OD .026 IN. WALL 127.7 IN. LG TITANIUM BMS 7-234 TI-3AL-2.5V COLD WORKED, STRESS RELIEVED TUBING USED ON: 271N6431-1 271N6431-8	002004 006100 121503 950999	1
314	D10036-08		.UNION- SUPPLIER CODE: V14798 OPTIONAL PART: D10282-08 V14798 USED ON: 271N6431-1	002004 006100 107107 121503 904999	2
314	D10282-08		.UNION- SUPPLIER CODE: V14798 OPTIONAL PART: D10036-08 V14798 USED ON: 271N6431-1	002004 006100 107107 121503 904999	2
315	D10036-08		.UNION- SUPPLIER CODE: V14798 OPTIONAL PART: D10282-08 V14798 USED ON: 271N6431-1	002004 006100 107107 121503 904999	8
315	D10282-08		.UNION- SUPPLIER CODE: V14798 OPTIONAL PART: D10036-08 V14798 USED ON: 271N6431-1	002004 006100 107107 121503 904999	8
316	D10036-08		.UNION- SUPPLIER CODE: V14798 OPTIONAL PART: D10282-08 V14798 USED ON: 271N6431-1	002004 006100 107107 121503 904949	2

MISSING ITEM NUMBERS NOT APPLICABLE

- ITEM NOT ILLUSTRATED

32-34-51-20

32-34-51  
FIG. 20  
PAGE 6  
JAN 20/09

BRI



757

PARTS CATALOG (MAINTENANCE)

FIG ITEM	PART NUMBER	1 2 3 4 5 6 7	NOMENCLATURE	EFFECT FROM TO	UNITS PER ASSY
20 316	D10282-08		.UNION- SUPPLIER CODE: V14798 OPTIONAL PART: D10036-08 V14798	002004 006100 107107 121503 904999	2
317	D10036-08		.UNION- SUPPLIER CODE: V14798 OPTIONAL PART: D10282-08 V14798	950999	2
317	D10282-08		.UNION- SUPPLIER CODE: V14798 OPTIONAL PART: D10036-08 V14798	950999	2
- 330	271N6431-4		.FITTING INSTL- USED ON: 271N6431-1 271N6431-8	002004 006100 107107 121503 904999	1
335	D10270-08		..UNION- SUPPLIER CODE: V14798 POSITION DATA: LH	002004 006100 107107 121503 904999	2
340	AN924-8D		..NUT	002004 006100 107107 121503 904999	2
345	AN960JD916		..WASHER	002004 006100 107107 121503 904999	2
900			ILLUSTRATION REFERENCE: PLUMBING INSTL-SECT. 41 BODY HYDR 32-34-51-16	002004 006100 107107 121503 904999	RF

MISSING ITEM NUMBERS NOT APPLICABLE

- ITEM NOT ILLUSTRATED

32-34-51-20

32-34-51  
FIG. 20  
PAGE 7  
JAN 20/09

BRI

BOEING PROPRIETARY - Copyright © - Unpublished Work - See title page for details.



757

PARTS CATALOG (MAINTENANCE)

FIG ITEM	PART NUMBER	1 2 3 4 5 6 7	NOMENCLATURE	EFFECT FROM TO	UNITS PER ASSY
20 905			ILLUSTRATION REFERENCE: PLUMBING INSTL-SECT. 49 AC BAY HYDR (NOSE GEAR EXTENSION AND RETRACTION ONLY) 32-34-51-40	002004 006100 107107 121503 904999	RF

MISSING ITEM NUMBERS NOT APPLICABLE

- ITEM NOT ILLUSTRATED

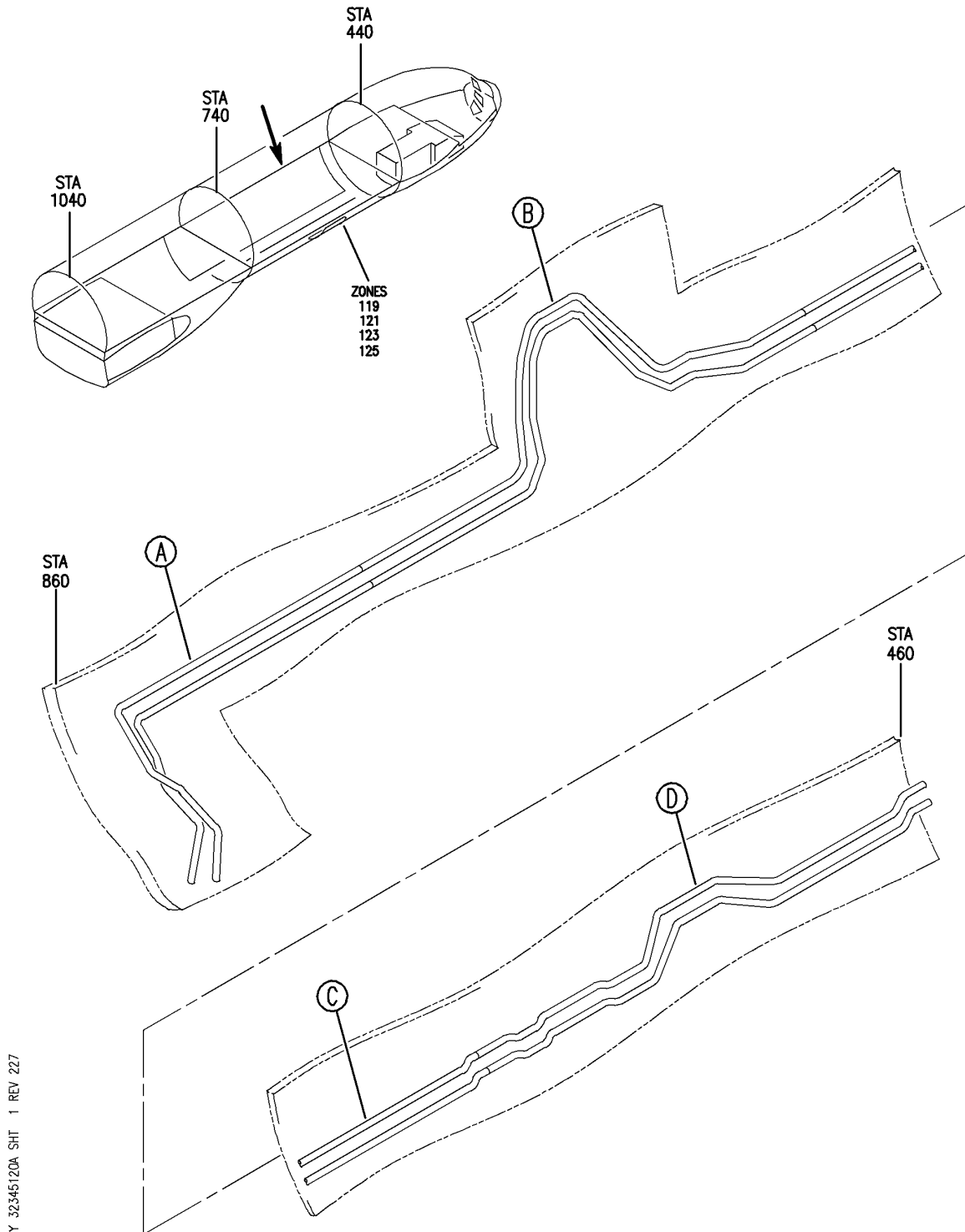
BRI

**32-34-51-20**

BOEING PROPRIETARY - Copyright © - Unpublished Work - See title page for details.

32-34-51  
FIG. 20  
PAGE 8  
JAN 20/09

**BOEING**  
757  
PARTS CATALOG (MAINTENANCE)



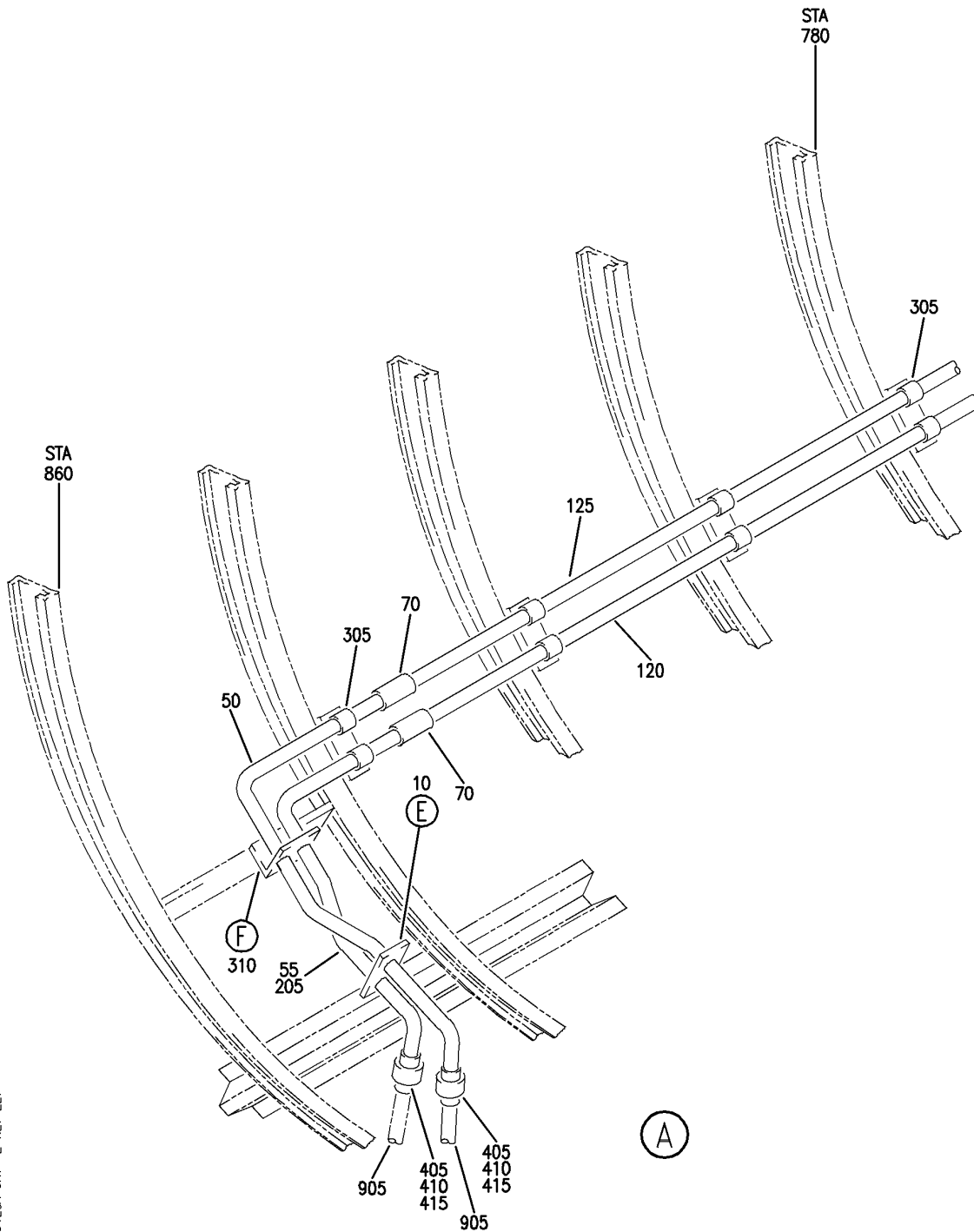
PLUMBING INSTL-SECT. 43 HYDR (NOSE GEAR ALTERNATE EXTEND SYSTEM ONLY)  
FIGURE 20A (SHEET 1)

BRI  
MAY 28/07

**32-34-51-20A**

32-34-51-20A  
PAGE 0

**BOEING**  
757  
PARTS CATALOG (MAINTENANCE)



Y 32345120A SHT 2 REV 227

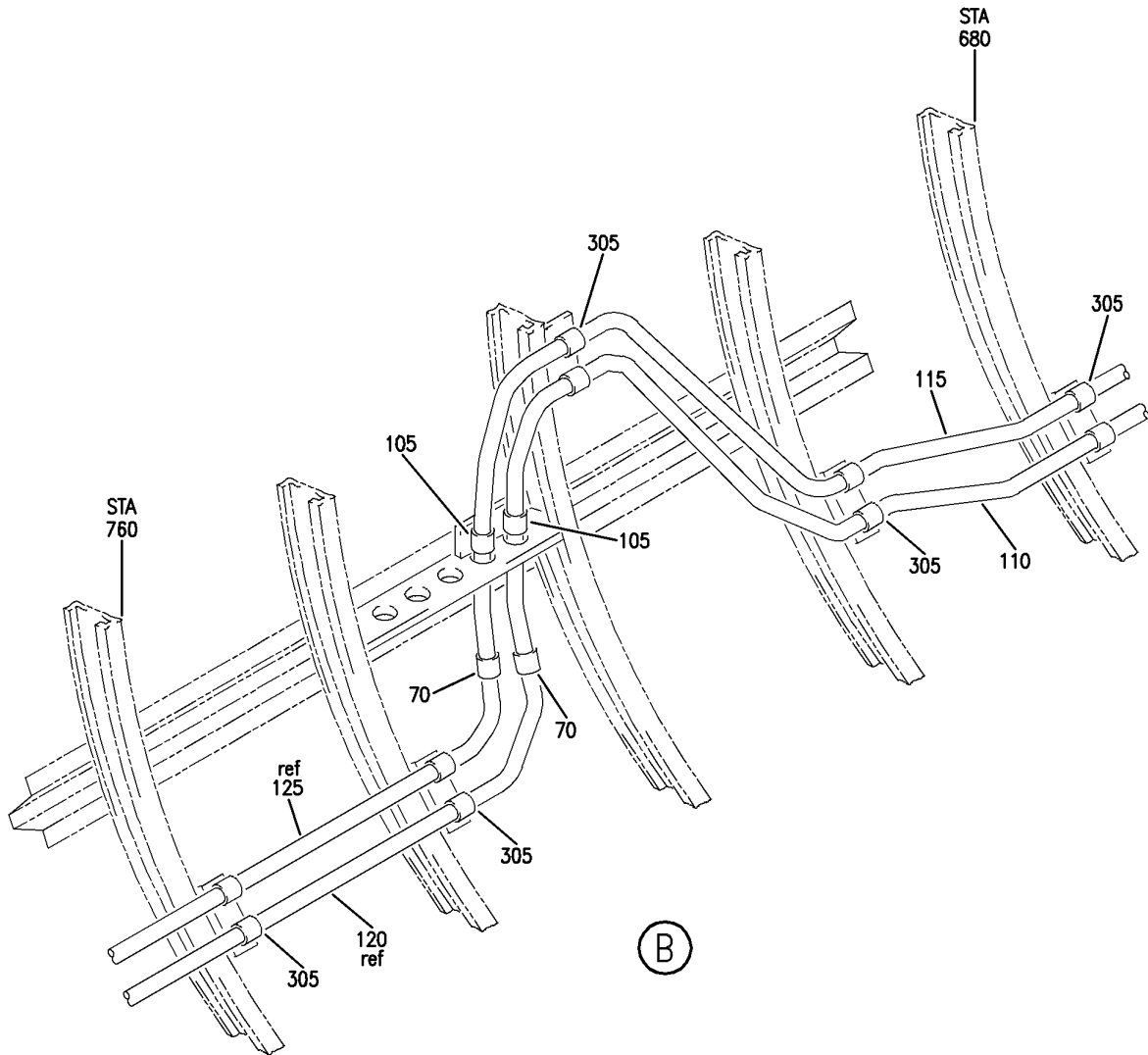
PLUMBING INSTL-SECT. 43 HYDR (NOSE GEAR ALTERNATE EXTEND SYSTEM ONLY)  
FIGURE 20A (SHEET 2)

**32-34-51-20A**

BRI  
MAY 28/07

32-34-51-20A  
PAGE 0A

**BOEING**  
757  
PARTS CATALOG (MAINTENANCE)



Y 32345120A SH1 3 REV 227

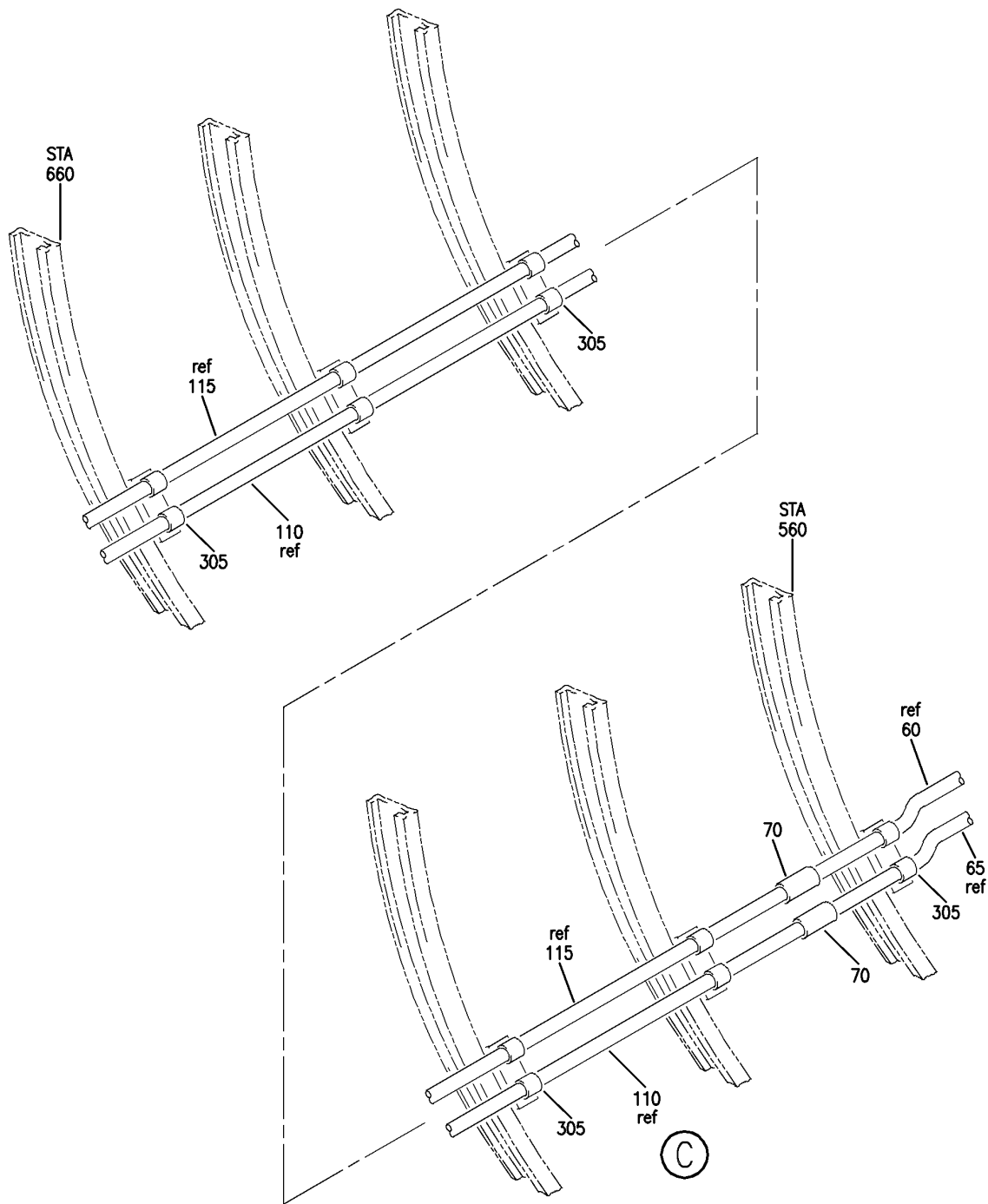
PLUMBING INSTL-SECT. 43 HYDR (NOSE GEAR ALTERNATE EXTEND SYSTEM ONLY)  
FIGURE 20A (SHEET 3)

**32-34-51-20A**

BRI  
MAY 28/07

32-34-51-20A  
PAGE 0B

**BOEING**  
757  
PARTS CATALOG (MAINTENANCE)



Y 32345120A SHT 4 REV 227

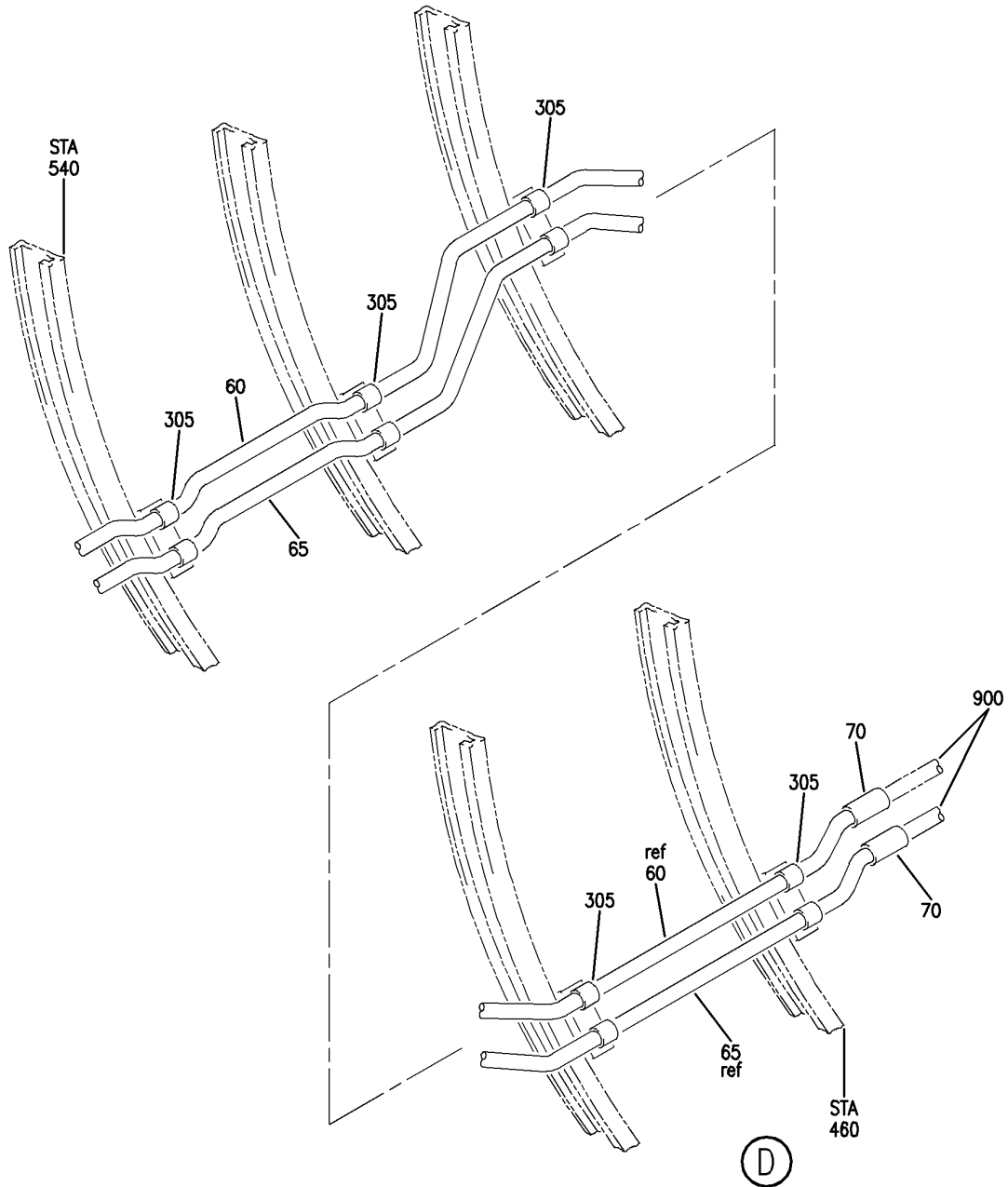
PLUMBING INSTL-SECT. 43 HYDR (NOSE GEAR ALTERNATE EXTEND SYSTEM ONLY)  
FIGURE 20A (SHEET 4)

**32-34-51-20A**

BRI  
MAY 28/07

32-34-51-20A  
PAGE 0C

**BOEING**  
757  
PARTS CATALOG (MAINTENANCE)



Y 32345120A SH1 5 REV 227

PLUMBING INSTL-SECT. 43 HYDR (NOSE GEAR ALTERNATE EXTEND SYSTEM ONLY)  
FIGURE 20A (SHEET 5)

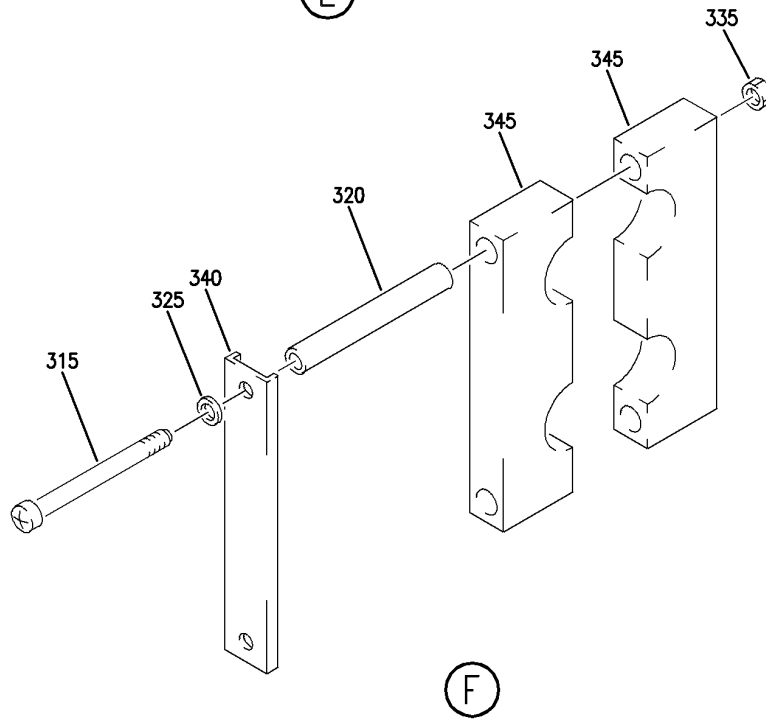
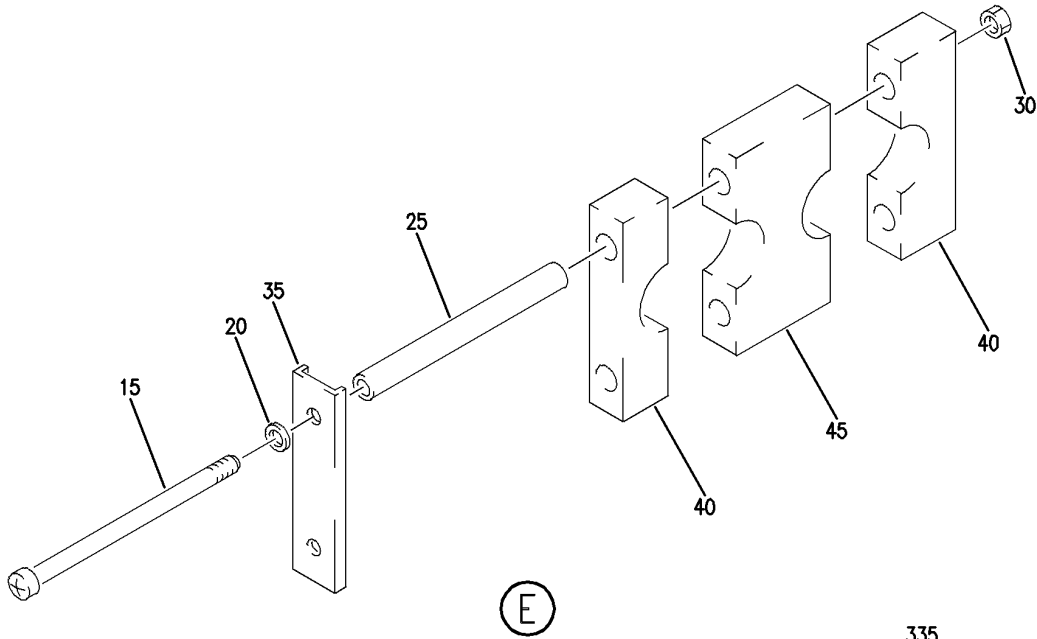
**32-34-51-20A**

BRI  
MAY 28/07

32-34-51-20A  
PAGE 0D



**BOEING**  
757  
PARTS CATALOG (MAINTENANCE)



Y 32345120A SHT 6 REV 227

PLUMBING INSTL-SECT. 43 HYDR (NOSE GEAR ALTERNATE EXTEND SYSTEM ONLY)  
FIGURE 20A (SHEET 6)

**32-34-51-20A**

BRI  
MAY 28/07

32-34-51-20A  
PAGE 0E



757

PARTS CATALOG (MAINTENANCE)

FIG ITEM	PART NUMBER	1 2 3 4 5 6 7	NOMENCLATURE	EFFECT FROM TO	UNITS PER ASSY
20A			PLUMBING INSTL-SECT. 43 HYDR (NOSE GEAR ALTERNATE EXTEND SYSTEM ONLY)	101106 108120 504903	
- 1	271N6431-17		PLUMBING INSTL-HYDR (NOSE GEAR ALTERNATE EXTEND SYSTEM ONLY)	101102 108120 504903	RF
- 1	MODREF31419		POSITION DATA: SECT. 43 L FOR NHA/OTHER SYS DET SEE: 32-00-00-02		
			PLUMBING INSTL-HYDR (NOSE GEAR ALTERNATE EXTEND SYSTEM ONLY)	103106	1
			MODULE NUMBER: 271N6431-17 REV B		
			POSITION DATA: SECT. 43 L		
10	270N2000-26		.CLAMP ASSY-BLOCK	101106 108120 504903	1
15	NAS1801-3-42		.. SCREW	101106 108120 504903	2
20	AN960PD10L		.. WASHER	101106 108120 504903	2
25	NAS43DD3-130		.. SPACER	101106 108120 504903	2
30	BRH10A3		.. NUT	101106 108120 504903	2
			SUPPLIER CODE: V52828		
			SPECIFICATION NUMBER: BACN10JC3		
			OPTIONAL PART: H10-3BAC		
			V15653		
			NS202101-02		
			V80539		
			RMLH9075-3W		
			V72962		
			VN303A02		
			V92215		
			96-02		
			V80539		
			T6S1032J		
			V11815		

MISSING ITEM NUMBERS NOT APPLICABLE

- ITEM NOT ILLUSTRATED

32-34-51-20A

32-34-51  
FIG. 20A  
PAGE 1  
JAN 20/09

BRI



757

PARTS CATALOG (MAINTENANCE)

FIG ITEM	PART NUMBER	1 2 3 4 5 6 7	NOMENCLATURE	EFFECT FROM TO	UNITS PER ASSY
20A 35	270N2000-817	..	CHANNEL	101106 108120 504903	1
40	270N2000-443	..	BLOCK- OPTIONAL PART: 270N2000-611	101106 108120 504903	2
40	270N2000-611	..	BLOCK- OPTIONAL PART: 270N2000-443	101106 108120 504903	2
45	270N2000-442	..	BLOCK	101106 108120 504903	1
50	271N6431-1028	.	TUBE ASSY-NLG UP TUBING MATERIAL: .500 IN. OD .026 IN. WALL 46.5 IN. LG TITANIUM BMS 7-234 TI-3AL-2.5V COLD WORKED, STRESS RELIEVED TUBING	101106 108120 504903	1
60	271N6431-1099	.	TUBE ASSY-NLG UP TUBING MATERIAL: .500 IN. OD .026 IN. WALL 127.7 IN. LG TITANIUM BMS 7-234 TI-3AL-2.5V COLD WORKED, STRESS RELIEVED TUBING	101106 108120 504903	1
65	271N6431-1100	.	TUBE ASSY-NLG DWN TUBING MATERIAL: .500 IN. OD .026 IN. WALL 123.6 IN. LG TITANIUM BMS 7-234 TI-3AL-2.5V COLD WORKED, STRESS RELIEVED TUBING	101106 108120 504903	1
70	D10282-08	.	UNION- SUPPLIER CODE: V14798	101106 108120 504903	8
- 200	271N6431-18		PLUMBING INSTL-HYDR (NOSE GEAR ALTERNATE EXTEND SYSTEM ONLY) POSITION DATA: SECT. 43 L FOR NHA SEE: 32-00-00-03	101102 108120 504903	RF

MISSING ITEM NUMBERS NOT APPLICABLE

- ITEM NOT ILLUSTRATED

32-34-51-20A

32-34-51  
FIG. 20A  
PAGE 2  
JAN 20/09

BRI

BOEING PROPRIETARY - Copyright © - Unpublished Work - See title page for details.



757

PARTS CATALOG (MAINTENANCE)

FIG ITEM	PART NUMBER	1 2 3 4 5 6 7	NOMENCLATURE	EFFECT FROM TO	UNITS PER ASSY
20A - 200	MODREF31420		PLUMBING INSTL-HYDR (NOSE GEAR ALTERNATE EXTEND SYSTEM ONLY) MODULE NUMBER: 271N6431-18 REV B POSITION DATA: SECT. 43 L	103106	1
205	271N6431-1029		.TUBE ASSY-NLG DWN TUBING MATERIAL: .500 IN. OD .026 IN. WALL 40.9 IN. LG TITANIUM BMS 7-234 TI-3AL-2.5V COLD WORKED, STRESS RELIEVED TUBING	101106 108120 504903	1
- 300	271N6431-11		PLUMBING INSTL-HYDR (NOSE GEAR ALTERNATE EXTEND SYSTEM ONLY) POSITION DATA: SECT. 43 L FOR NHA SEE: 32-00-00-03	101102 108120 504903	RF
- 300	MODREF31417		PLUMBING INSTL-HYDR (NOSE GEAR ALTERNATE EXTEND SYSTEM ONLY) MODULE NUMBER: 271N6431-11 REV B POSITION DATA: SECT. 43 L	103106	1
305	TA0630003-08		.CLAMP ASSY- SUPPLIER CODE: V84971	101106 108120 504903	20
310	270N2000-32		.CLAMP ASSY-BLOCK	101106 108120 504903	1
315	NAS1801-3-24		.. SCREW	101106 108120 504903	2
320	NAS43DD3-67		.. SPACER	101106 108120 504903	2
325	AN960PD10L		.. WASHER	101106 108120 504903	2

MISSING ITEM NUMBERS NOT APPLICABLE

- ITEM NOT ILLUSTRATED

32-34-51-20A

32-34-51  
FIG. 20A  
PAGE 3  
JAN 20/09

BRI

BOEING PROPRIETARY - Copyright © - Unpublished Work - See title page for details.



757

PARTS CATALOG (MAINTENANCE)

FIG ITEM	PART NUMBER	1 2 3 4 5 6 7	NOMENCLATURE	EFFECT FROM TO	UNITS PER ASSY
20A 335	BRH10A3	. .	NUT SUPPLIER CODE: V52828 SPECIFICATION NUMBER: BACN10JC3 OPTIONAL PART: H10-3BAC V15653 NS202101-02 V80539 RMLH9075-3W V72962 VN303A02 V92215 96-02 V80539 T6S1032J V11815	101106 108120 504903	2
340	270N2000-821	. .	CHANNEL	101106 108120 504903	1
345	270N2000-447	. .	BLOCK	101106 108120 504903	2
- 400	271N6431-4		FITTING INSTL-MIX BAY BH POSITION DATA: SECT. 43 FOR NHA/OTHER SYS DET SEE: 32-00-00-02	101102 108120 504903	RF
- 400	MODREF31371		FITTING INSTL-MIX BAY BH MODULE NUMBER: 271N6431-4 REV B POSITION DATA: SECT. 43	103106	1
405	D10270-08	. UNION-	SUPPLIER CODE: V14798 POSITION DATA: LH	101106 108120 504903	2
410	AN924-8D	. NUT		101106 108120 504903	2
415	AN960KD916	. WASHER		101106 108120 504903	2
900			ILLUSTRATION REFERENCE: PLUMBING INSTL-SECT. 41 BODY HYDR 32-34-51-16	101106 108120 504903	RF

MISSING ITEM NUMBERS NOT APPLICABLE

- ITEM NOT ILLUSTRATED

32-34-51-20A

32-34-51  
FIG. 20A  
PAGE 4  
JAN 20/09

BRI

BOEING PROPRIETARY - Copyright © - Unpublished Work - See title page for details.



757

PARTS CATALOG (MAINTENANCE)

FIG ITEM	PART NUMBER	1 2 3 4 5 6 7 NOMENCLATURE	EFFECT FROM TO	UNITS PER ASSY
20A 905		ILLUSTRATION REFERENCE: PLUMBING INSTL-SECT. 49 AC BAY HYDR 32-34-51-40A	103106 108120	RF

MISSING ITEM NUMBERS NOT APPLICABLE

- ITEM NOT ILLUSTRATED

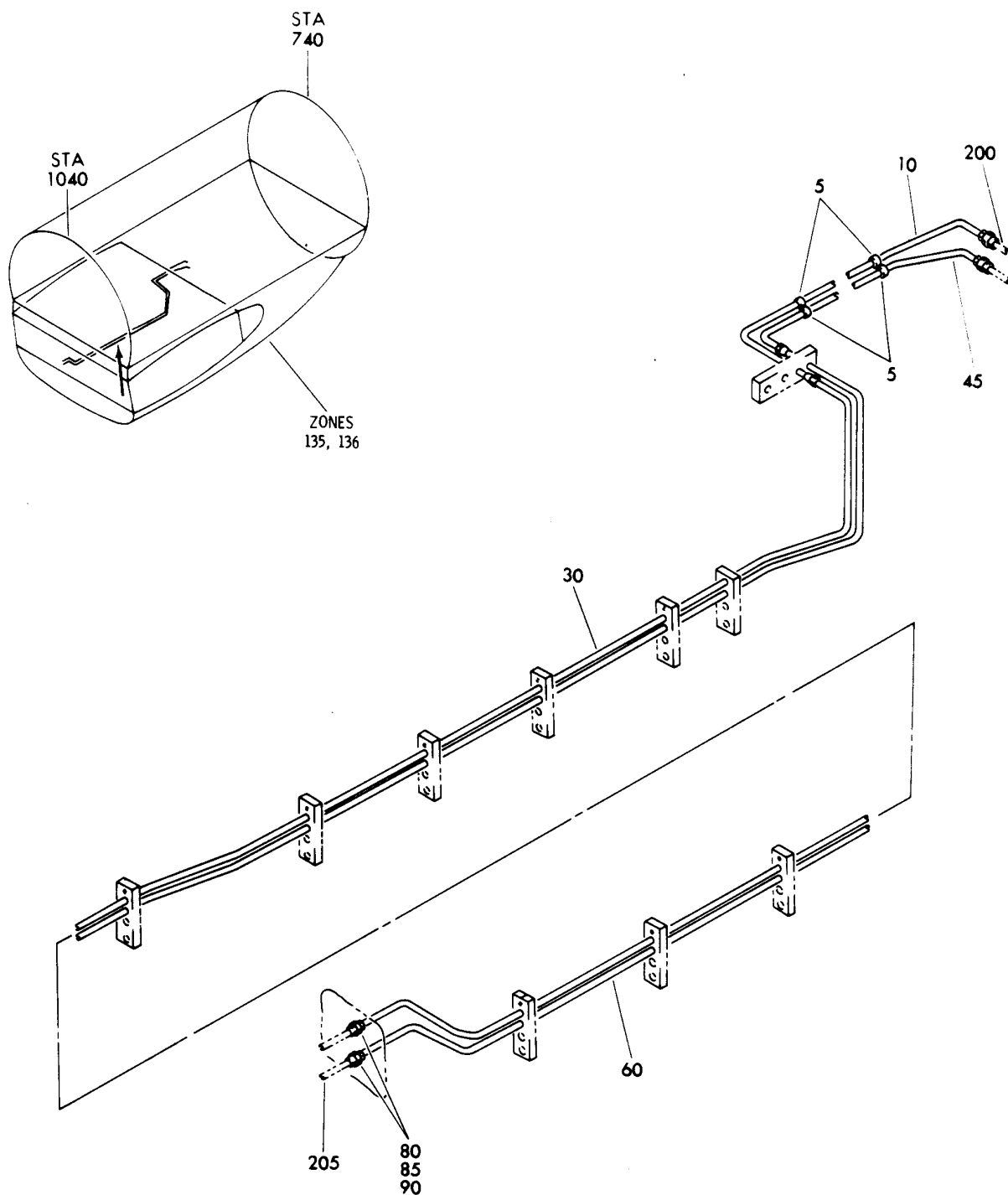
BRI

# 32-34-51-20A

BOEING PROPRIETARY - Copyright © - Unpublished Work - See title page for details.

32-34-51  
FIG. 20A  
PAGE 5  
JAN 20/09

**BOEING**  
757  
PARTS CATALOG (MAINTENANCE)



Y 32345140 SHT 1 REV 018

PLUMBING INSTL-SECT. 49 AC BAY HYDR (NOSE GEAR EXTENSION AND RETRACTION ONLY)  
FIGURE 40

BRI  
MAY 28/07

**32-34-51-40**

32-34-51-40  
PAGE 0



757

PARTS CATALOG (MAINTENANCE)

FIG ITEM	PART NUMBER	1 2 3 4 5 6 7	NOMENCLATURE	EFFECT FROM TO	UNITS PER ASSY
40			PLUMBING INSTL-SECT. 49 AC BAY HYDR (NOSE GEAR EXTENSION AND RETRACTION ONLY)	002004 006100 107107 121503 904999	
- 1	271N6491-1		PLUMBING INSTL-AC BAY HYDR (NOSE GEAR EXTENSION AND RETRACTION ONLY) POSITION DATA: SECT. 49 FOR NHA/OTHER SYS DET SEE: 29-00-51-07	002004 006100 107107 121503 904999	RF
5	TA0910004H108		.CLAMP- SUPPLIER CODE: V84971 SPECIFICATION NUMBER: BACC10HB08C ATTACHING PARTS	002004 006100 107107 121503 904999	4
- 7	NAS1801-3		.SCREW- SIZE DETERMINED ON INSTL.	002004 006100 107107 121503 904999	8
- 8	AN960KD10L		.WASHER	002004 006100 107107 121503 904999	8
- 9	MS21042L3		.NUT	002004 006100 107107 121503 904999	8
10	271N6491-1013		-----*----- .TUBE ASSY-LDG DOWN TUBING MATERIAL: .500 IN. OD X .026 IN. WALL X 53.10 IN. LG TI BMS 7-234 TI-3AL-2.5V COLD WORKED, STRESS RELIEVED TUBING	002004 006100 107107 121503 904999	1
- 15	AS1581T08		..SLEEVE	002004 006100 107107 121503 904999	1

MISSING ITEM NUMBERS NOT APPLICABLE

- ITEM NOT ILLUSTRATED

32-34-51-40

32-34-51  
FIG. 40  
PAGE 1  
JAN 20/09

BRI

BOEING PROPRIETARY - Copyright © - Unpublished Work - See title page for details.





757

PARTS CATALOG (MAINTENANCE)

FIG ITEM	PART NUMBER	1 2 3 4 5 6 7	NOMENCLATURE	EFFECT FROM TO	UNITS PER ASSY
40					
- 20	BACN10YA8	..	NUT	002004 006100 107107 121503 904999	1
- 25	AS1582T08	..	UNION	002004 006100 107107 121503 904999	1
30	271N6491-1004	.TUBE ASSY-LDG DOWN	TUBING MATERIAL: .500 IN. OD X .026 IN. WALL X 179.90 IN. LG TI BMS 7-234 TI-3AL-2.5V COLD WORKED, STRESS RELIEVED TUBING	002004 006100 107107 121503 904999	1
- 35	AS1581T08	..	SLEEVE	002004 006100 107107 121503 904999	2
- 40	BACN10YA8	..	NUT	002004 006100 107107 121503 904999	2
45	271N6491-1014	.TUBE ASSY-LDG UP	TUBING MATERIAL: .500 IN. OD X .026 IN. WALL X 46.70 IN. LG TI BMS 7-234 TI-3AL-2.5V COLD WORKED, STRESS RELIEVED TUBING	002004 006100 107107 121503 904999	1
- 50	AS1581T08	..	SLEEVE	002004 006100 107107 121503 904999	2
- 55	BACN10YA8	..	NUT	002004 006100 107107 121503 904999	2

MISSING ITEM NUMBERS NOT APPLICABLE

- ITEM NOT ILLUSTRATED

32-34-51-40

32-34-51  
FIG. 40  
PAGE 2  
JAN 20/09

BRI

BOEING PROPRIETARY - Copyright © - Unpublished Work - See title page for details.



757

PARTS CATALOG (MAINTENANCE)

FIG ITEM	PART NUMBER	1 2 3 4 5 6 7	NOMENCLATURE	EFFECT FROM TO	UNITS PER ASSY
40					
60	271N6491-1003	.	TUBE ASSY-LDG UP TUBING MATERIAL: .500 IN. OD X .026 IN. WALL X 185.60 IN. LG TI BMS 7-234 TI-3AL-2.5V COLD WORKED, STRESS RELIEVED TUBING	002004 006100 107107 121503 904999	1
- 65	AS1581T08	..	SLEEVE	002004 006100 107107 121503 904999	1
- 70	BACN10YA8	..	NUT	002004 006100 107107 121503 904999	1
- 75	AS1582T08	..	UNION	002004 006100 107107 121503 904999	1
80	BACU24L8	.	UNION	002004 006100 107107 121503 904999	2
85	AN924-8D	.	NUT	002004 006100 107107 121503 904999	2
90	AN960PD1216	.	WASHER	002004 006100 107107 121503 904999	2
200			ILLUSTRATION REFERENCE: PLUMBING INSTL-SECT. 43 HYDR (NOSE GEAR EXTENSION AND RETRACTION ONLY) 32-34-51-20	002004 006100 107107 121503 904999	RF
205			ILLUSTRATION REFERENCE: PLUMBING INSTL-SECT.44 R PRESSURE DECK HYDR (LANDING GEAR CONTROL ONLY) 32-31-51-22	002004 006100 107107 121503 904999	RF

MISSING ITEM NUMBERS NOT APPLICABLE

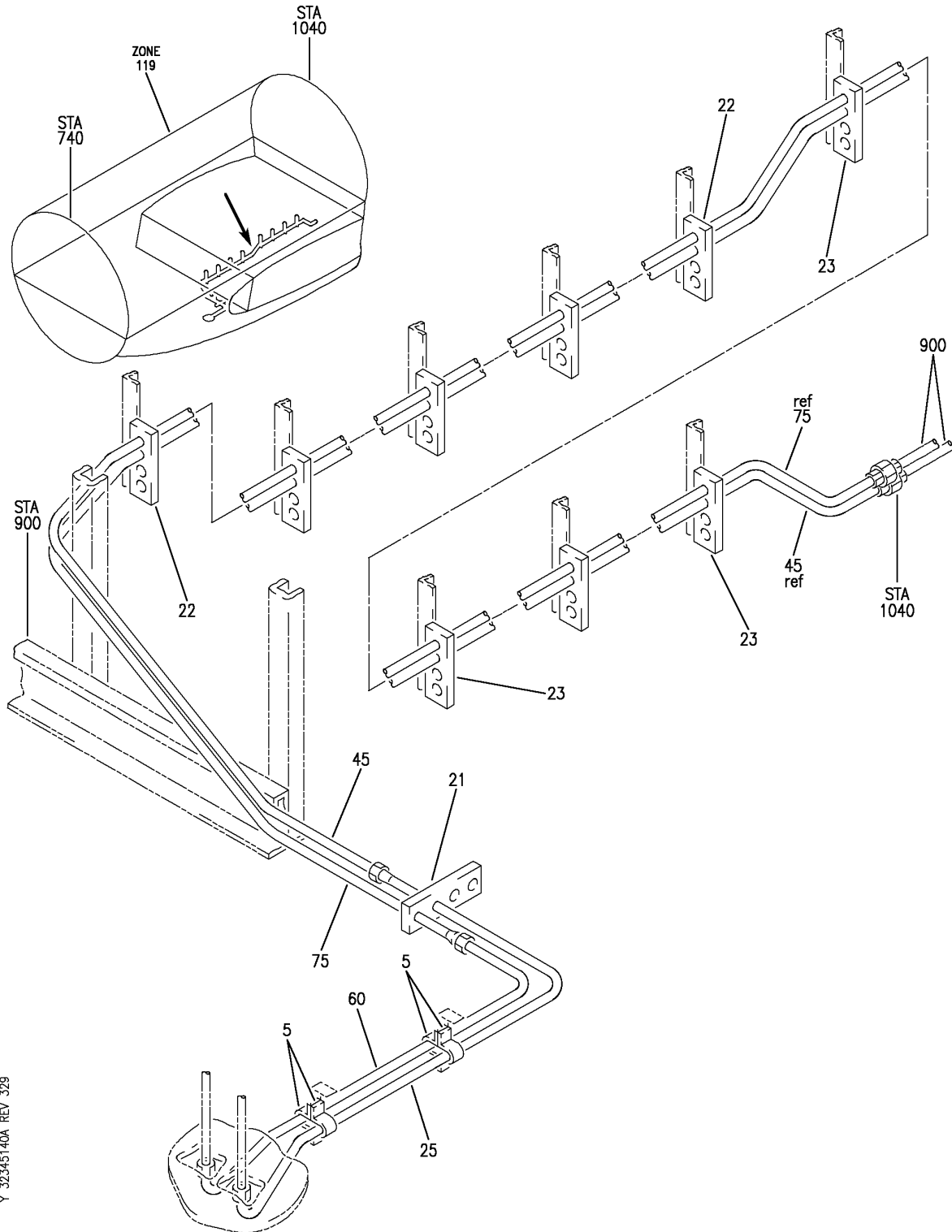
- ITEM NOT ILLUSTRATED

32-34-51-40

32-34-51  
FIG. 40  
PAGE 3  
JAN 20/09

BRI

**BOEING**  
757  
PARTS CATALOG (MAINTENANCE)



Y 32345140A REV 329

PLUMBING INSTL-SECT. 49 AC BAY HYDR  
FIGURE 40A

**32-34-51-40A**

BRI  
JAN 20/09

32-34-51-40A  
PAGE 0



**757  
PARTS CATALOG (MAINTENANCE)**

FIG ITEM	PART NUMBER	1 2 3 4 5 6 7	NOMENCLATURE	EFFECT FROM TO	UNITS PER ASSY
40A			PLUMBING INSTL-SECT. 49 AC BAY HYDR	101106 108120 504903	
- 1	271N6491-7		PLUMBING INSTL-AC BAY HYDR (LANDING GEAR ONLY) POSITION DATA: SECT. 49 FOR NHA/OTHER SYS DET SEE: 29-00-51-02C	101102 504903	RF
- 1	271N6491-9		PLUMBING INSTL-AC BAY HYDR (LANDING GEAR ONLY) POSITION DATA: SECT. 49 FOR NHA/OTHER SYS DET SEE: 29-00-51-02C	108120	RF
- 1	MODREF30329		PLUMBING INSTL-AC BAY HYDR (LANDING GEAR ONLY) MODULE NUMBER: 271N6491-9 REV B POSITION DATA: SECT. 49 FOR OTHER SYS DETAILS SEE: 27-81-51-40A 29-11-51-23A 32-35-51-40A	103106	1
5	TA0910004H108		.CLAMP SUPPLIER CODE: V84971 SPECIFICATION NUMBER: BACC10HB08C ATTACHING PARTS	101106 108120 504903	2
- 10	NAS1801-3		.SCREW	101106 108120 504903	4
- 15	AN960JD10L		.WASHER	101106 108120 504903	4
- 20	MS21042L3		.NUT	101106 108120 504903	4
21	270N2000-181		-----*----- .CLAMP ASSY-BLK FOR BREAKDOWN SEE: 27-81-51-40A	101106 108120 504903	RF
22	270N2000-182		.CLAMP ASSY-BLK FOR BREAKDOWN SEE: 27-81-51-40A	101106 108120 504903	RF

MISSING ITEM NUMBERS NOT APPLICABLE

- ITEM NOT ILLUSTRATED

# 32-34-51-40A

32-34-51  
FIG. 40A  
PAGE 1  
JAN 20/09

BRI

BOEING PROPRIETARY - Copyright © - Unpublished Work - See title page for details.



757

PARTS CATALOG (MAINTENANCE)

FIG ITEM	PART NUMBER	1 2 3 4 5 6 7	NOMENCLATURE	EFFECT FROM TO	UNITS PER ASSY
40A					
23	270N2000-180		.CLAMP ASSY-BLK FOR BREAKDOWN SEE: 27-81-51-40A	101106 108120 504903	RF
25	271N6491-1013		.TUBE ASSY-LDG DOWN TUBING MATERIAL: .500 IN. OD X .026 IN. WALL X 53.10 IN LG TI BMS 7-234 TI-3AL-2.5V COLD WORKED, STRESS RELIEVED TUBING	101102 504903	1
25	271N6491-1081		.TUBE ASSY-LDG DOWN TUBING MATERIAL: .5 IN. OD X .026 IN. WALL X 52.7 IN. LG BMS 7-234 TI-3AL-2.5V COLD WORKED, STRESS RELIEVED TUBING	103106 108120	1
- 30	AS1581T08		..SLEEVE	101102 504903	1
- 35	BACN10YA8		..NUT	101102 504903	1
- 40	AS1582T08		..UNION	101102 504903	1
45	271N6491-1004		.TUBE ASSY-LDG DOWN TUBING MATERIAL: .500 IN. OD X .026 IN. WALL X 179.80 IN. LG TI BMS 7-234 TI-3AL-2.5V COLD WORKED, STRESS RELIEVED TUBING	101106 108120 504903	1
- 50	AS1581T08		..SLEEVE	101106 108120 504903	2
- 55	BACN10YA8		..NUT	101106 108120 504903	2
60	271N6491-1014		.TUBE ASSY-LDG UP TUBING MATERIAL: .500 IN. OD X .026 IN. WALL X 46.70 IN. LG TI BMS 7-234 TI-3AL-2.5V COLD WORKED, STRESS RELIEVED TUBING	101102 504903	1

MISSING ITEM NUMBERS NOT APPLICABLE

- ITEM NOT ILLUSTRATED

32-34-51-40A

32-34-51  
FIG. 40A  
PAGE 2  
JAN 20/09

BRI

BOEING PROPRIETARY - Copyright © - Unpublished Work - See title page for details.



757

PARTS CATALOG (MAINTENANCE)

FIG ITEM	PART NUMBER	1 2 3 4 5 6 7	NOMENCLATURE	EFFECT FROM TO	UNITS PER ASSY
40A 60	271N6491-1082	.	TUBE ASSY-LDG UP TUBING MATERIAL: .5 IN. OD X .026 IN. WALL X 46.6 IN. LG BMS 7-234 TI-3AL-2.5V COLD WORKED, STRESS RELIEVED TUBING	103106 108120	1
- 65	AS1581T08	..	SLEEVE	101102 504903	2
- 70	BACN10YA8	..	NUT	101102 504903	2
75	271N6491-1003	.	TUBE ASSY-LDG UP TUBING MATERIAL: .500 IN. OD X .026 IN. WALL X 185060 IN. LG TI BMS 7-234 TI-3AL-2.5V COLD WORKED, STRESS RELIEVED TUBING	101106 108120 504903	1
- 80	AS1581T08	..	SLEEVE	101106 108120 504903	1
- 85	BACN10YA8	..	NUT	101106 108120 504903	1
- 90	AS1582T08	..	UNION	101106 108120 504903	1
95	MS21905W12	.	TEE	101106 108120 504903	1
900			ILLUSTRATION REFERENCE: PLUMBING INSTL-MAIN WHL WELL FWD BHD HYDR 29-11-51-78	101102 108120 504903	RF

MISSING ITEM NUMBERS NOT APPLICABLE

- ITEM NOT ILLUSTRATED

32-34-51-40A

32-34-51  
FIG. 40A  
PAGE 3  
JAN 20/09

BRI

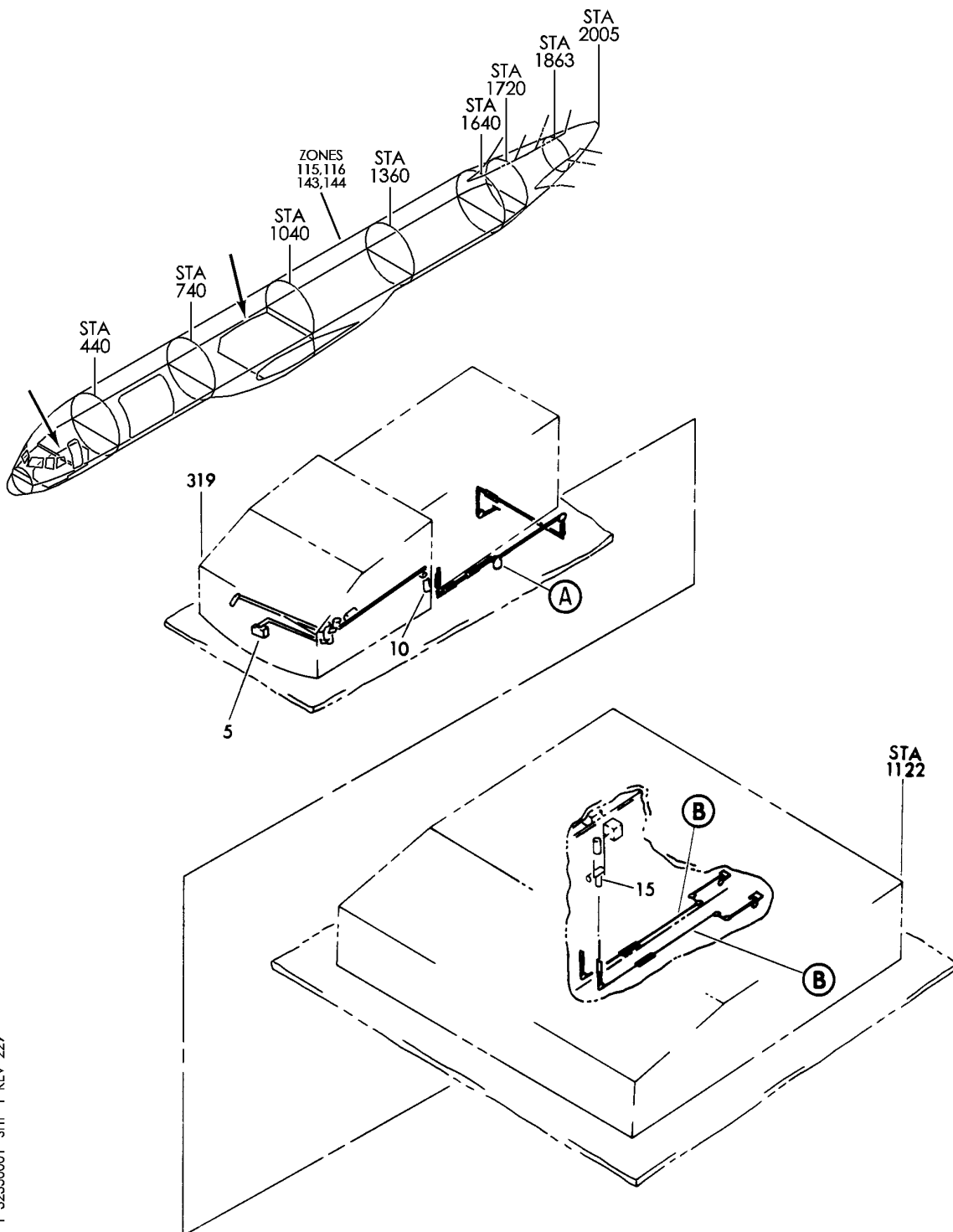
BOEING PROPRIETARY - Copyright © - Unpublished Work - See title page for details.

## LANDING GEAR ALTERNATE EXTENSION SYSTEM

BRI  
MAY 28/07

32-35-00  
SECTION TITLE  
PAGE 1

**BOEING**  
757  
PARTS CATALOG (MAINTENANCE)



Y 32350001 SHT 1 REV 229

SYSTEM INSTL-LG DOOR ACTR LOCK RELEASE  
FIGURE 1 (SHEET 1)

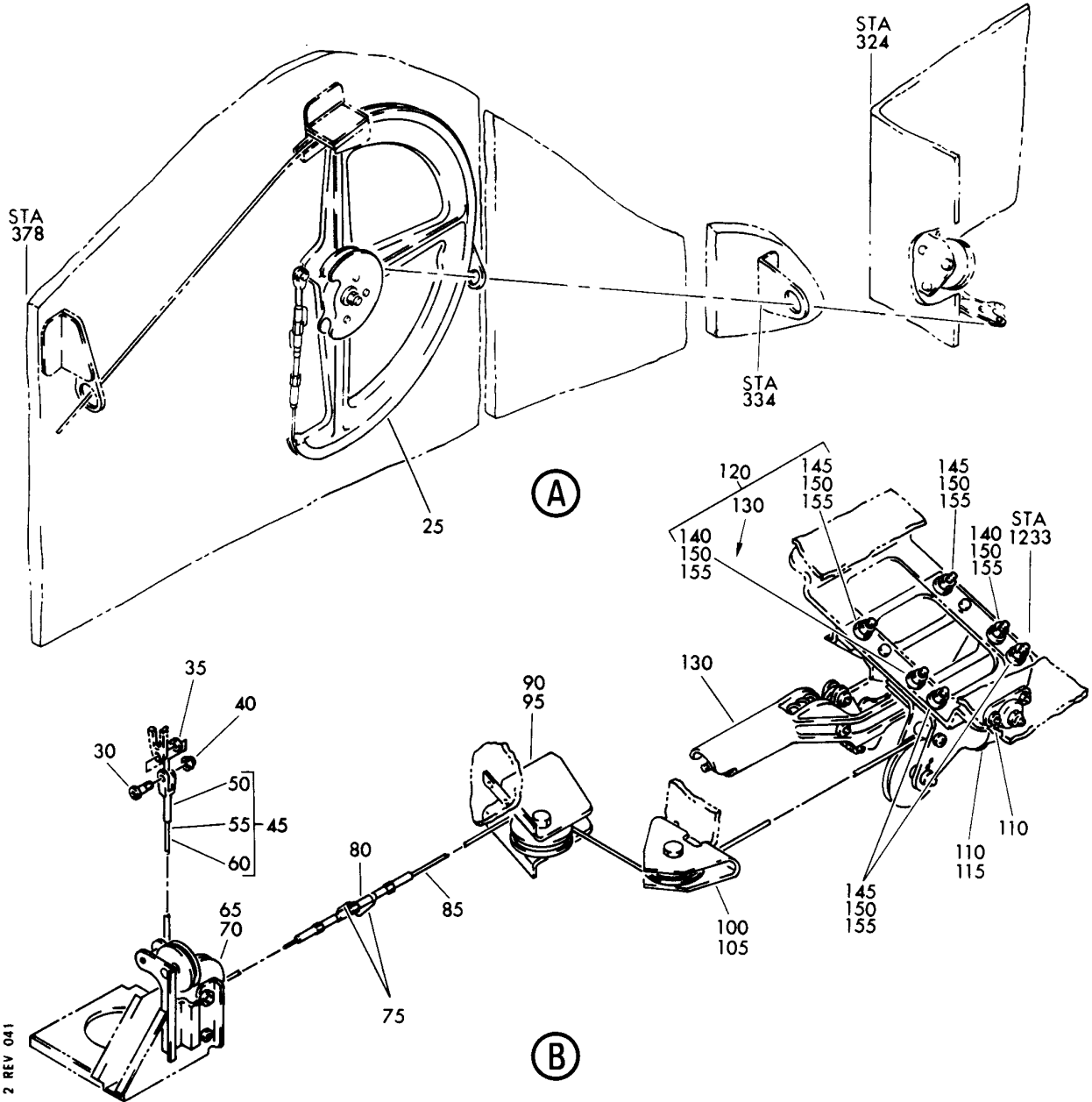
**32-35-00-01**

BRI  
MAY 28/07

32-35-00-01  
PAGE 0



**BOEING**  
757  
PARTS CATALOG (MAINTENANCE)



Y 32350001 SHT 2 REV 041

SYSTEM INSTL-LG DOOR ACTR LOCK RELEASE  
FIGURE 1 (SHEET 2)

**32-35-00-01**

BRI  
MAY 28/07

32-35-00-01  
PAGE 0A



757

PARTS CATALOG (MAINTENANCE)

FIG ITEM	PART NUMBER	1 2 3 4 5 6 7	NOMENCLATURE	EFFECT FROM TO	UNITS PER ASSY
1			SYSTEM INSTL-LG DOOR ACTR LOCK RELEASE	002004 006100 107107 121503 904999	
- 1	273N4001-10		SYSTEM INSTL-LG DOOR ACTR LOCK RELEASE	002004 006100 107107 121503 904999	RF
5	273N4034-6		.LOCK RELEASE INSTL-NLG FOR DETAILS SEE: 32-35-51-01	002004 006100 107107 121503 904999	1
10	273N4031-1		.RELEASE INSTL-NLG DOOR FUNCTIONAL REFERENCE: LANDING GEAR FOR DETAILS SEE 32-35-22-01 PLACARDS AND MARKINGS FOR DETAILS SEE 11-22-55-03	002004 006100 107107 121503 904999	1
15	273N4041-13		.LOCK RELEASE INSTL-MLG POSITION DATA: LH FUNCTIONAL REFERENCE: LANDING GEAR FOR DETAILS SEE 32-35-03-01 PLACARDS AND MARKINGS FOR DETAILS SEE 11-22-55-03	002004 006100 107107 121503 904999	1
- 20	273N4041-14		.LOCK RELEASE INSTL-MLG POSITION DATA: RH FUNCTIONAL REFERENCE: LANDING GEAR FOR DETAILS SEE 32-35-03-01 PLACARDS AND MARKINGS FOR DETAILS SEE 11-22-55-03	002004 006100 107107 121503 904999	1

MISSING ITEM NUMBERS NOT APPLICABLE

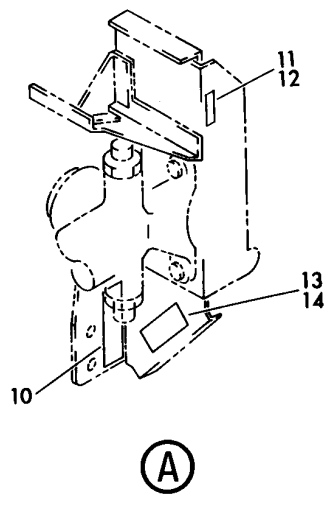
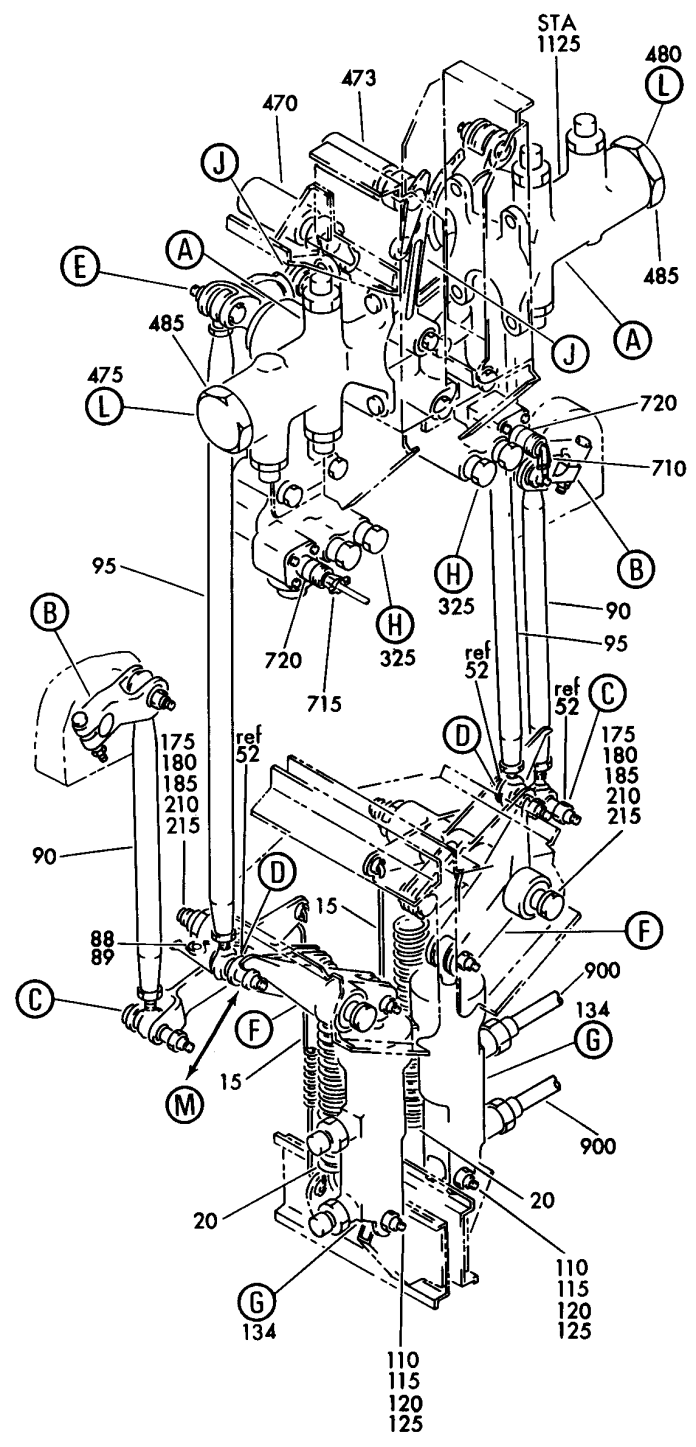
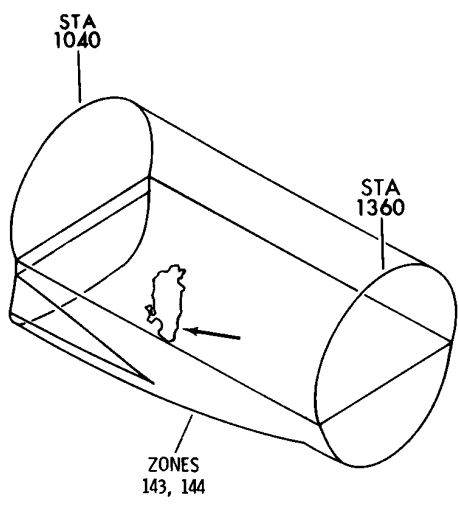
- ITEM NOT ILLUSTRATED

**32-35-00-01**

32-35-00  
FIG. 01  
PAGE 1  
JAN 20/09

BRI

**BOEING**  
757  
PARTS CATALOG (MAINTENANCE)



Y 32350301 SHT 1 REV 187

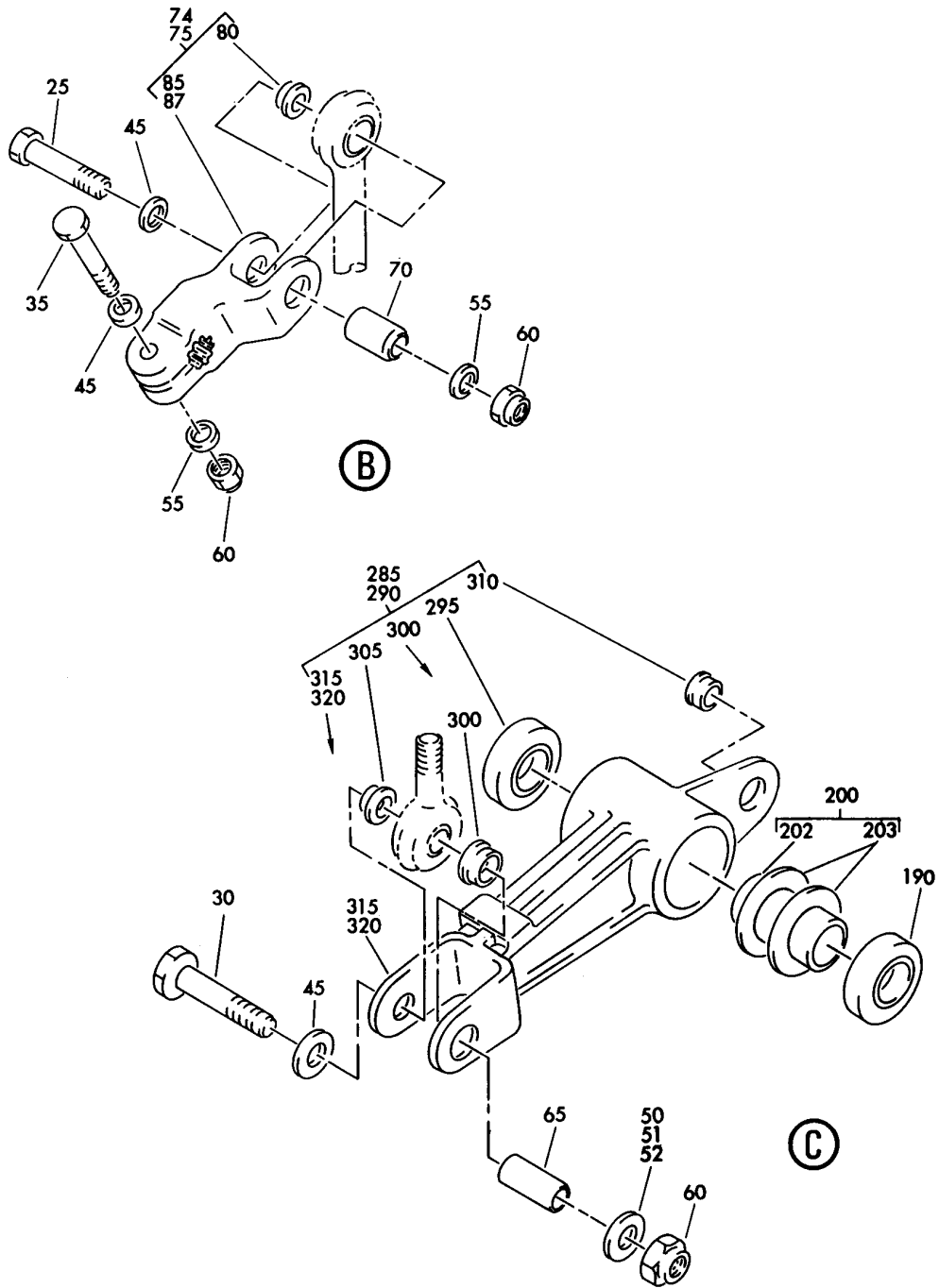
LOCK RELEASE INSTL-MLG DOOR ACTR (LANDING GEAR ONLY)  
FIGURE 1 (SHEET 1)

**32-35-03-01**

BRI  
MAY 28/07

32-35-03-01  
PAGE 0

**BOEING**  
757  
PARTS CATALOG (MAINTENANCE)



Y 32350301 SHT 2 REV 187

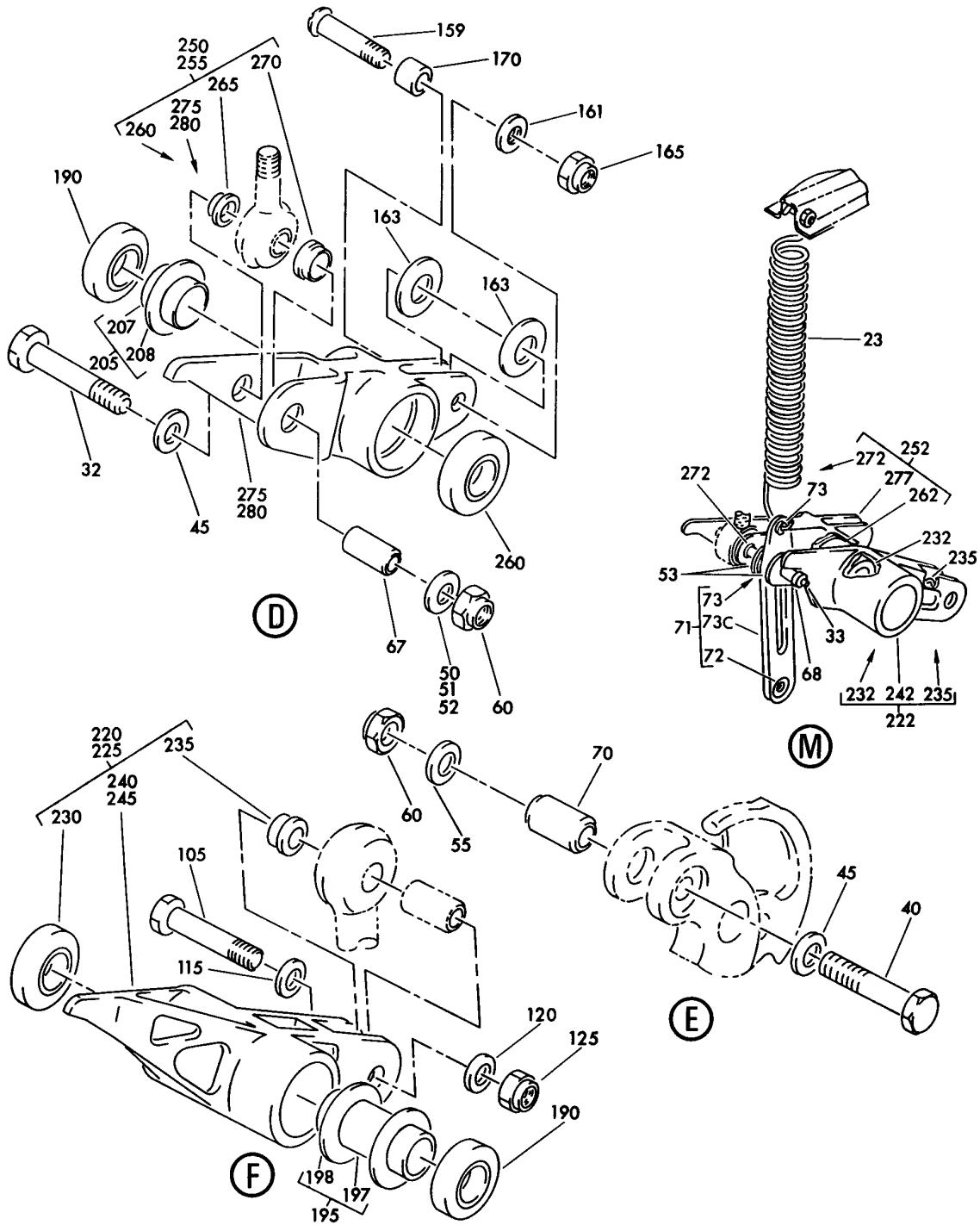
LOCK RELEASE INSTL-MLG DOOR ACTR (LANDING GEAR ONLY)  
FIGURE 1 (SHEET 2)

**32-35-03-01**

BRI  
MAY 28/07

32-35-03-01  
PAGE 0A


**BOEING**  
 757  
**PARTS CATALOG (MAINTENANCE)**



Y 32350301 SHT 3 REV 229

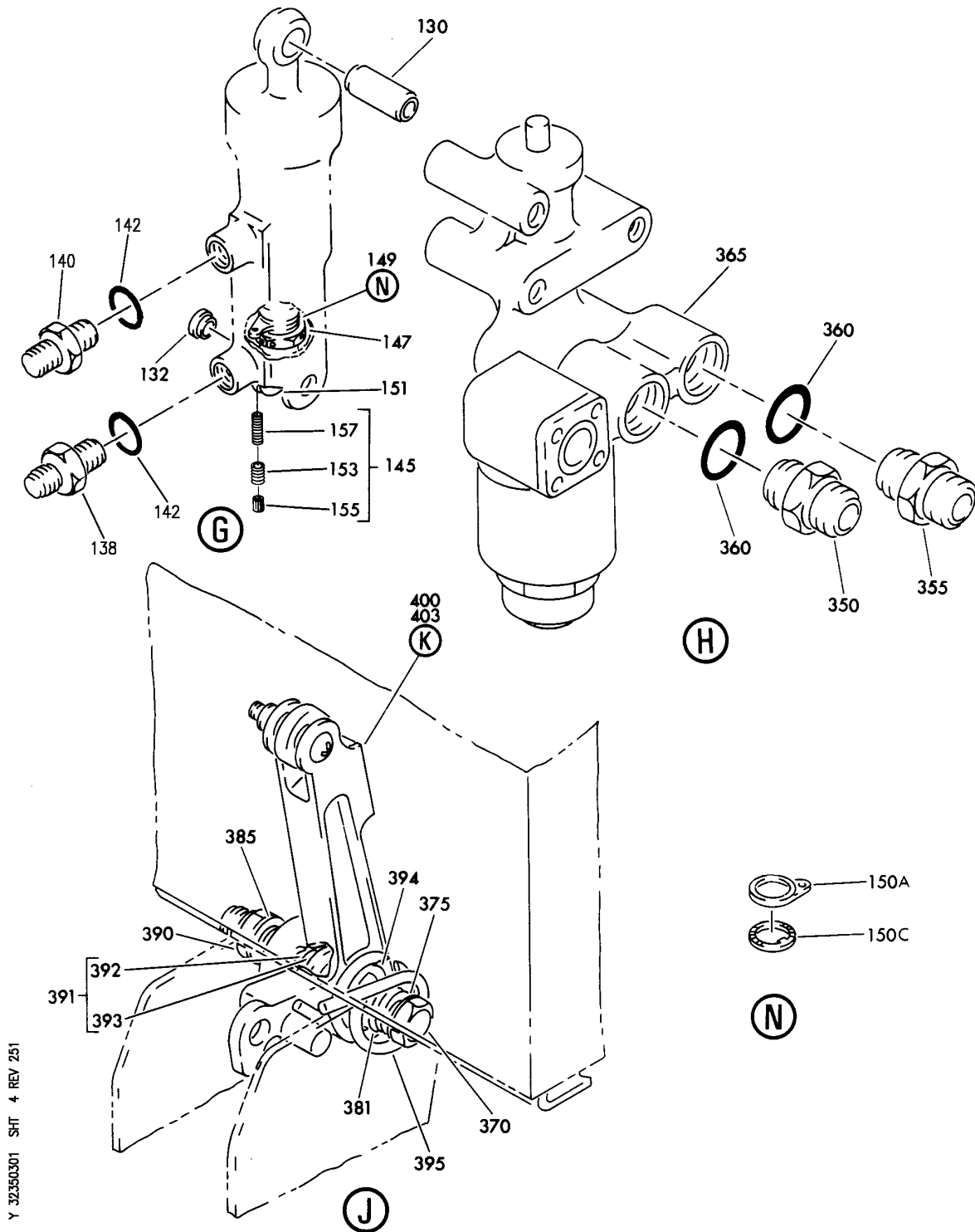
LOCK RELEASE INSTL-MLG DOOR ACTR (LANDING-MLG ONLY)  
 FIGURE 1 (SHEET 3)

**32-35-03-01**

BRI  
 MAY 28/07

32-35-03-01  
 PAGE 0B

**BOEING**  
757  
PARTS CATALOG (MAINTENANCE)



Y 32350301 SH1 4 REV 251

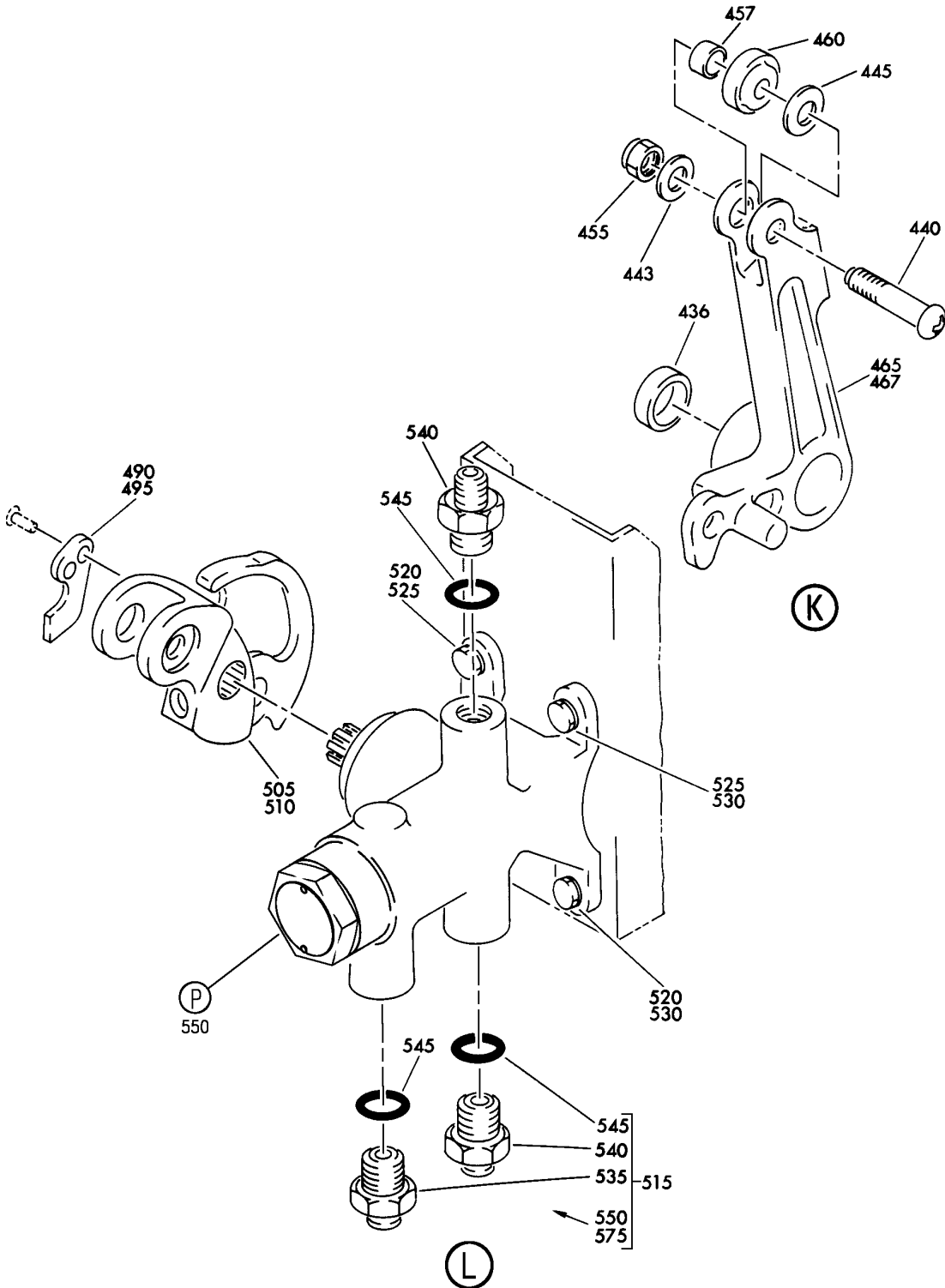
LOCK RELEASE INSTL-MLG DOOR ACTR (LANDING GEAR ONLY)  
FIGURE 1 (SHEET 4)

**32-35-03-01**

BRI  
MAY 28/07

32-35-03-01  
PAGE 0C

**BOEING**  
757  
PARTS CATALOG (MAINTENANCE)



Y 32350301 SHIT 5 REV 305

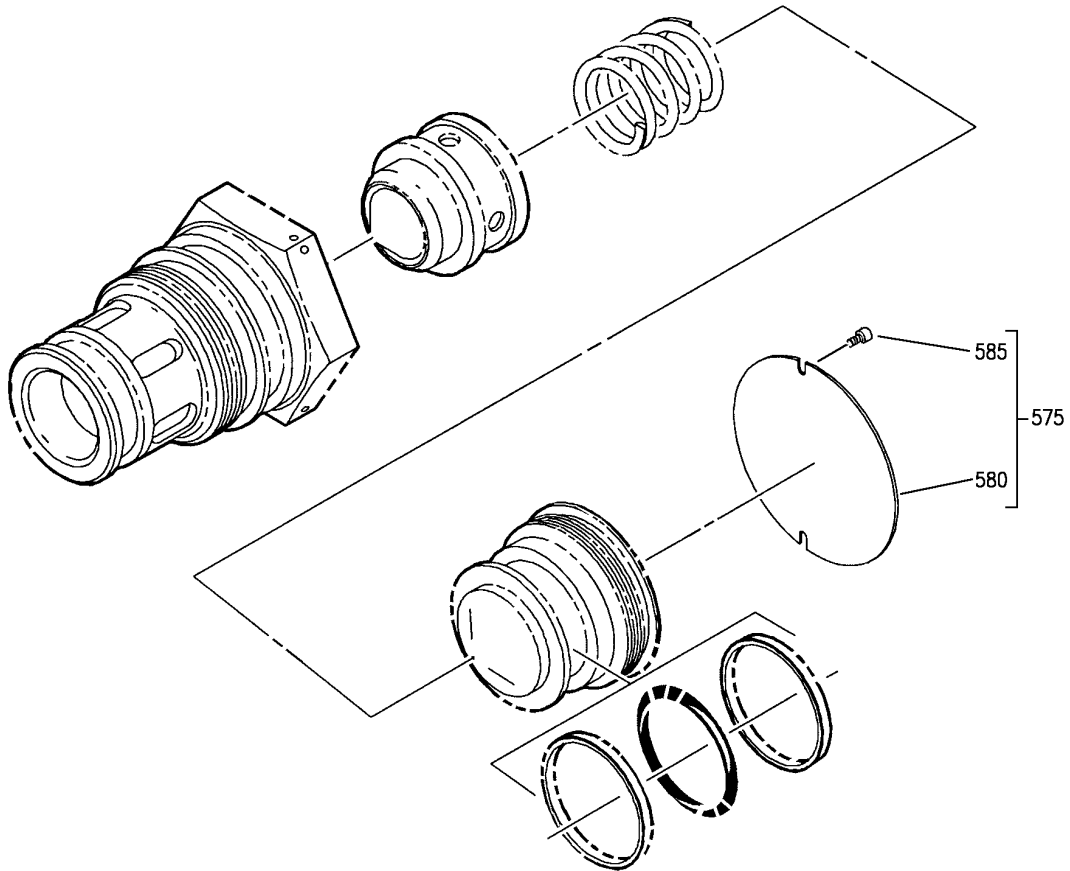
LOCK RELEASE INSTL-MLG DOOR ACTR (LANDING GEAR ONLY)  
FIGURE 1 (SHEET 5)

**32-35-03-01**

BRI  
MAY 28/07

32-35-03-01  
PAGE 0D

**BOEING**  
757  
PARTS CATALOG (MAINTENANCE)



(P)

Y 32-35-03-01 SH-6 REV 305

LOCK RELEASE INSTL-MLG DOOR ACTR (LANDING GEAR ONLY)  
FIGURE 1 (SHEET 6)

**32-35-03-01**

BRI  
MAY 28/07

32-35-03-01  
PAGE 0E

BOEING PROPRIETARY - Copyright © - Unpublished Work - See title page for details.





757

PARTS CATALOG (MAINTENANCE)

FIG ITEM	PART NUMBER	1 2 3 4 5 6 7	NOMENCLATURE	EFFECT FROM TO	UNITS PER ASSY
1			LOCK RELEASE INSTL-MLG DOOR ACTR (LANDING GEAR ONLY)	002004 006999	
- 1	273N4041-23		LOCK RELEASE INSTL-MLG DOOR ACTR (LANDING GEAR ONLY) POSITION DATA: LH SIDE FOR NHA/OTHER SYS DET SEE: 32-00-00-15	101106 108120 504903	RF
- 1	273N4041-13		LOCK RELEASE INSTL-MLG DOOR ACTR (LANDING GEAR ONLY) POSITION DATA: LH SIDE FOR NHA/OTHER SYS DET SEE: 32-35-00-01	002004 006100 107107 121503 904999	RF
- 3	273N4041-25		LOCK RELEASE INSTL-MLG DOOR ACTR (LANDING GEAR ONLY) POSITION DATA: LH SIDE FOR NHA SEE: 32-00-00-15	101102 108120 504903	RF
- 3	MODREF8351		LOCK RELEASE INSTL-MLG DOOR ACTR (LANDING GEAR ONLY) MODULE NUMBER: 273N4041-25 REV A POSITION DATA: LH SIDE	103106	1
- 5	273N4041-24		LOCK RELEASE INSTL-MLG DOOR ACTR (LANDING GEAR ONLY) POSITION DATA: RH SIDE FOR NHA/OTHER SYS DET SEE: 32-00-00-15	101106 108120 504903	RF
- 5	273N4041-14		LOCK RELEASE INSTL-MLG DOOR ACTR (LANDING GEAR ONLY) POSITION DATA: RH SIDE FOR NHA/OTHER SYS DET SEE: 32-35-00-01	002004 006100 107107 121503 904999	RF
- 7	273N4041-26		LOCK RELEASE INSTL-MLG DOOR ACTR (LANDING GEAR ONLY) POSITION DATA: RH SIDE FOR NHA SEE: 32-00-00-15	101102 108120 504903	RF

MISSING ITEM NUMBERS NOT APPLICABLE

- ITEM NOT ILLUSTRATED

32-35-03-01

32-35-03  
FIG. 01  
PAGE 1  
JAN 20/09

BRI



757

PARTS CATALOG (MAINTENANCE)

FIG ITEM	PART NUMBER	1 2 3 4 5 6 7	NOMENCLATURE	EFFECT FROM TO	UNITS PER ASSY
1 -	7 MODREF8352		LOCK RELEASE INSTL-MLG DOOR ACTR (LANDING GEAR ONLY) MODULE NUMBER: 273N4041-26 REV A POSITION DATA: RH SIDE	103106	1
	10 BAC27NCT0016		.MARKER-ALUMINUM FOIL PLACARD CONTENT: GROUND SAFETY PIN .309 TO .311 DTA.	107107 904949	1
	10 BAC27NCT0283		.MARKER-ALUMINUM FOIL PLACARD CONTENT: GROUND SAFETY PIN .309 TO .311 DTA.	002004 006999	1
	11 BAC27NCT0031		.MARKER-ALUMINUM FOIL POSITION DATA: LH SIDE PLACARD CONTENT: VALVE SW S10364 USED ON: 273N4041-23 273N4041-24	002004 006999	1
	12 BAC27NCT0032		.MARKER-ALUMINUM FOIL POSITION DATA: RH SIDE PLACARD CONTENT: VALVE SW S10363 USED ON: 273N4041-14 273N4041-24	002004 006999	1
	13 BAC27NCT0033		.MARKER-ALUMINUM FOIL POSITION DATA: LH SIDE PLACARD CONTENT: INTERLOCK ACTUATOR M10280 USED ON: 273N4041-13 273N4041-23	002004 006999	1

MISSING ITEM NUMBERS NOT APPLICABLE

- ITEM NOT ILLUSTRATED

32-35-03-01

32-35-03  
FIG. 01  
PAGE 2  
JAN 20/09

BRI



757

PARTS CATALOG (MAINTENANCE)

FIG ITEM	PART NUMBER	1 2 3 4 5 6 7	NOMENCLATURE	EFFECT FROM TO	UNITS PER ASSY
1	14 BAC27NCT0030		.MARKER-ALUMINUM FOIL POSITION DATA: RH SIDE PLACARD CONTENT: INTERLOCK ACTUATOR M10279 USED ON: 273N4041-14 273N4041-24	002004 006999	1
	15 273N4119-1		.SPRING- USED ON: 273N4041-23 273N4041-24 273N4041-13 273N4041-14	002004 006999	1
	20 273N4131-2		.SPRING- USED ON: 273N4041-23 273N4041-24 273N4041-13 273N4041-14	002004 006999	1
	25 BACB30NF4-16		.BOLT- USED ON: 273N4041-23 273N4041-24	101106 108120 504903	1
	30 BACB30NF4-24		.BOLT- USED ON: 273N4041-13 273N4041-14	002004 006100 107107 121503 904999	2
	32 BACB30NF4-24		.BOLT- USED ON: 273N4041-23 273N4041-24 273N4041-25 273N4041-26 MODREF8351 MODREF8352	101106 108120 504903	1
	35 BACB30NR4K16		.BOLT- USED ON: 273N4041-13 273N4041-14 273N4041-23 273N4041-24	002004 006999	1

MISSING ITEM NUMBERS NOT APPLICABLE

- ITEM NOT ILLUSTRATED

32-35-03-01

32-35-03  
FIG. 01  
PAGE 3  
JAN 20/09

BRI

BOEING PROPRIETARY - Copyright © - Unpublished Work - See title page for details.



757

PARTS CATALOG (MAINTENANCE)

FIG ITEM	PART NUMBER	1 2 3 4 5 6 7	NOMENCLATURE	EFFECT FROM TO	UNITS PER ASSY
1					
40	BACB30NF4-14		.BOLT- USED ON: 273N4041-23 273N4041-24 273N4041-13 273N4041-14	002004 006999	1
45	BACW10BN4AC		.WASHER- USED ON: 273N4041-23 273N4041-24 273N4041-13 273N4041-14	002004 006999	5
50	AN960PD416		.WASHER	002004 006100 107107 121503 904999	2
50	NAS1149D0463J		.WASHER- USED ON: 273N4041-23 273N4041-24	101106 108120 504903	2
51	NAS1149D0463J		.WASHER- USED ON: 273N4041-25 273N4041-26 MODREF8351 MODREF8352	101106 108120 504903	4
55	AN960PD416L		.WASHER	002004 006100 107107 121503 904999	3
55	NAS1149D0416J		.WASHER- USED ON: 273N4041-23 273N4041-24	101106 108120 504903	3

MISSING ITEM NUMBERS NOT APPLICABLE

- ITEM NOT ILLUSTRATED

32-35-03-01

32-35-03  
FIG. 01  
PAGE 4  
JAN 20/09

BRI



757

PARTS CATALOG (MAINTENANCE)

FIG ITEM	PART NUMBER	1 2 3 4 5 6 7	NOMENCLATURE	EFFECT FROM TO	UNITS PER ASSY
1 60	BRH10C4D	.NUT-	SUPPLIER CODE: V52828 SPECIFICATION NUMBER: BACN10JC4CD OPTIONAL PART: T6C428JCD V11815 NS202486-048 V80539 102LH9075-4W V72962 H51650-4BAC V15653 USED ON: 273N4041-23 273N4041-24	101106 108120 504903	5
65	BACB28AK04-070	.BUSHING-	USED ON: 273N4041-13 273N4041-14	002004 006100 107107 121503 904999	2
67	BACB28AK04-070	.BUSHING-	USED ON: 273N4041-23 273N4041-24 273N4041-25 273N4041-26 MODREF8351 MODREF8352	101106 108120 504903	1
70	NAS73-4-003	.BUSHING-	USED ON: 273N4041-23 273N4041-24 273N4041-13 273N4041-14	002004 006999	2
74	273N4268-1	.LEVER ASSY-UNLOCK	POSITION DATA: LH SIDE USED ON: 273N4041-23 273N4041-13	002004 006999	1
75	273N4268-2	.LEVER ASSY-UNLOCK	POSITION DATA: RH SIDE USED ON: 273N4041-24 273N4041-14	002004 006999	1

MISSING ITEM NUMBERS NOT APPLICABLE

- ITEM NOT ILLUSTRATED

32-35-03-01

32-35-03  
FIG. 01  
PAGE 5  
JAN 20/09

BRI

BOEING PROPRIETARY - Copyright © - Unpublished Work - See title page for details.



757

PARTS CATALOG (MAINTENANCE)

FIG ITEM	PART NUMBER	1 2 3 4 5 6 7	NOMENCLATURE	EFFECT FROM TO	UNITS PER ASSY
1					
80	BACB28X4C009	..	BUSHING	002004 006999	1
85	273N4268-3	..	LEVER- POSITION DATA: LH SIDE	002004 006999	1
87	273N4268-4	..	LEVER- POSITION DATA: RH SIDE	002004 006999	1
88	NAS428-3-11	.BOLT-	OPTIONAL PART: NAS428K3-11	002004 006100 107107 121503 904999	1
88	NAS428K3-11	.BOLT-	OPTIONAL PART: NAS428-3-11	002004 006100 107107 121503 904999	1
88	NAS428-3A11	.BOLT-	OPTIONAL PART: NAS428K3A11 USED ON: 273N4041-23 273N4041-24	101106 108120 504903	1
88	NAS428K3A11	.BOLT-	OPTIONAL PART: NAS428-3A11 USED ON: 273N4041-23 273N4041-24	101106 108120 504903	1
89	NAS509-3	.NUT-	USED ON: 273N4041-23 273N4041-24 273N4041-13 273N4041-14	002004 006999	2
90	250N2004-205	.ROD ASSY-	MISCELLANEOUS DATA: FOR SPARES PROCURE LOWER COMPONENTS COMPONENT MAINT MANUAL REF: 27-00-12	002004 006100 107107 121503 904999	1

MISSING ITEM NUMBERS NOT APPLICABLE

- ITEM NOT ILLUSTRATED

32-35-03-01

32-35-03  
FIG. 01  
PAGE 6  
JAN 20/09

BRI

BOEING PROPRIETARY - Copyright © - Unpublished Work - See title page for details.



757

PARTS CATALOG (MAINTENANCE)

FIG ITEM	PART NUMBER	1 2 3 4 5 6 7	NOMENCLATURE	EFFECT FROM TO	UNITS PER ASSY
1	90 250N2004-1205		.ROD ASSY- COMPONENT MAINT MANUAL REF: 27-00-12 USED ON: 273N4041-23 273N4041-24 273N4041-13 273N4041-14	002004 006999	1
	95 250N2004-206		.ROD ASSY- MISCELLANEOUS DATA: FOR SPARES PROCURE LOWER COMPONENTS COMPONENT MAINT MANUAL REF: 27-00-12 USED ON: 273N4041-13 273N4041-14	002004 006100 107107 121503 904999	1
	95 250N2004-1206		.ROD ASSY- COMPONENT MAINT MANUAL REF: 27-00-12 USED ON: 273N4041-23 273N4041-24 273N4041-13 273N4041-14	002004 006999	1
	105 BACB30NF5-14		.BOLT- USED ON: 273N4041-13 273N4041-14	002004 006100 107107 121503 904999	1
	105 BACB30NR5K16		.BOLT- USED ON: 273N4041-23 273N4041-24 273N4041-13 273N4041-14	002004 006999	1
	110 BACB30NF5-12		.BOLT- USED ON: 273N4041-23 273N4041-24	101106 108120 504903	1
	115 BACW10BN5AC		.WASHER- POSITION DATA: UNDER HEAD USED ON: 273N4041-23 273N4041-24	101106 108120 504903	2

MISSING ITEM NUMBERS NOT APPLICABLE

- ITEM NOT ILLUSTRATED

32-35-03-01

32-35-03  
FIG. 01  
PAGE 7  
JAN 20/09

BRI

BOEING PROPRIETARY - Copyright © - Unpublished Work - See title page for details.



757

PARTS CATALOG (MAINTENANCE)

FIG ITEM	PART NUMBER	1 2 3 4 5 6 7	NOMENCLATURE	EFFECT FROM TO	UNITS PER ASSY
1					
120	AN960PD516	.	WASHER	002004 006100 107107 121503 904999	2
120	NAS1149D0563J	.	WASHER- USED ON: 273N4041-23 273N4041-24	101106 108120 504903	2
125	BRH10C5D	.	NUT- SUPPLIER CODE: V52828 SPECIFICATION NUMBER: BACN10JC5CD OPTIONAL PART: T6C524JCD V11815 102LH9075-5W V72962 H51650-5BAC V15653 USED ON: 273N4041-23 273N4041-24 273N4041-13 273N4041-14	002004 006999	2
130	NAS73-5-004	.	BUSHING- USED ON: 273N4041-23 273N4041-24 273N4041-13 273N4041-14	002004 006999	1
132	BACB28Y5M016	.	BUSHING- USED ON: 273N4041-23 273N4041-24 273N4041-13 273N4041-14	002004 006999	1
134	273N4041-10	.	ACTUATOR ASSY- COMPONENT MAINT MANUAL REF: 32-35-25	002004 006100 107107 121503 904999	1

MISSING ITEM NUMBERS NOT APPLICABLE

- ITEM NOT ILLUSTRATED

32-35-03-01

32-35-03  
FIG. 01  
PAGE 8  
JAN 20/09

BRI





757

PARTS CATALOG (MAINTENANCE)

FIG ITEM	PART NUMBER	1 2 3 4 5 6 7	NOMENCLATURE	EFFECT FROM TO	UNITS PER ASSY
1 134	273N4041-17		.ACTUATOR ASSY- MISCELLANEOUS DATA: FOR SPARES PROCURE LOWER COMPONENTS COMPONENT MAINT MANUAL REF: 32-35-21 USED ON: 273N4041-23 273N4041-24 273N4041-13 273N4041-14	002004 006999	1
138	AFP2326-4		..REDUCER SUPPLIER CODE: V30974 SPECIFICATION NUMBER: BACR17E6-4 OPTIONAL PART: AP10276-4 V01673 BC916T6-4 V50948 DBOR17E6-4 V14798 ER21916T6-4 V88334 ER31916-6-4 V88334 F23-6-4 V73197 2-01075T6-4 V11328 31778-6-4 V14397 US2114-6-4 V50808 AP1027T6-4 V01673 US21146-4 V50808 317786-4 V14397	002004 006999	1
140	BACU24K4		..UNION	002004 006999	1
142	NAS1612-4		..PACKING-	002004 006999	2

MISSING ITEM NUMBERS NOT APPLICABLE

- ITEM NOT ILLUSTRATED

32-35-03-01

32-35-03  
FIG. 01  
PAGE 9  
JAN 20/09

BRI

BOEING PROPRIETARY - Copyright © - Unpublished Work - See title page for details.



757

PARTS CATALOG (MAINTENANCE)

FIG ITEM	PART NUMBER	1 2 3 4 5 6 7	NOMENCLATURE	EFFECT FROM TO	UNITS PER ASSY
1					
145	273N4006-2	..	ACTUATOR ASSY- COMPONENT MAINT MANUAL REF: 32-35-25 USED ON: 273N4041-10	002004 006100 107107 121503 904999	1
145	273N4006-3	..	ACTUATOR ASSY- COMPONENT MAINT MANUAL REF: 32-35-25 USED ON: 273N4041-17	002004 006999	1
147	NAS509-5	...	NUT	002004 006999	1
149	NAS1193K5C	...	LOCKING DEVICE	002004 006999	1
150A	NAS1193K5-1	....	WASHER	002004 006999	1
150C	NAS1193K5-2	....	WASHER	002004 006999	1
151	273N4062-1	...	END ASSY-ROD	002004 006999	1
153	BACP20AX21D	...	PLUG	002004 006999	1
155	BACP20AX21DP	...	PIN	002004 006999	1
157	CKRA1876005A	...	VALVE-CHK SUPPLIER CODE: V92555	002004 006999	1
159	BACB30NT3K8	.BOLT-	USED ON: 273N4041-23 273N4041-24 273N4041-13 273N4041-14	002004 006999	1
161	AN960PD10L	.WASHER		002004 006100 107107 121503 904999	1
161	NAS1149D0332J	.WASHER-	USED ON: 273N4041-23 273N4041-24	101106 108120 504903	1
163	BACW10P124S	.WASHER-	USED ON: 273N4041-23 273N4041-24 273N4041-13 273N4041-14	002004 006999	2

MISSING ITEM NUMBERS NOT APPLICABLE

- ITEM NOT ILLUSTRATED

32-35-03-01

32-35-03  
FIG. 01  
PAGE 10  
JAN 20/09

BRI

BOEING PROPRIETARY - Copyright © - Unpublished Work - See title page for details.



757

PARTS CATALOG (MAINTENANCE)

FIG ITEM	PART NUMBER	1 2 3 4 5 6 7	NOMENCLATURE	EFFECT FROM TO	UNITS PER ASSY
1 165	BRH10C3D		.NUT- SUPPLIER CODE: V52828 SPECIFICATION NUMBER: BACN10JC3CD OPTIONAL PART: T6C1032JCD V11815 NS202486-02 V80539 102LH9075-3W V72962 H51650-3BAC V15653 USED ON: 273N4041-23 273N4041-24 273N4041-13 273N4041-14	002004 006999	1
170	NAS73-3E006		.BUSHING- USED ON: 273N4041-23 273N4041-24 273N4041-13 273N4041-14	002004 006999	1
175	BACB30NF8-93		.BOLT- USED ON: 273N4041-25 273N4041-26 273N4041-27 273N4041-28 273N4041-13 273N4041-14 MODREF8351 MODREF8352	002004 006999	1
180	BACB28Y8M020		.BUSHING- USED ON: 273N4041-25 273N4041-26 273N4041-27 273N4041-28 273N4041-13 273N4041-14 MODREF8351 MODREF8352	002004 006999	1

MISSING ITEM NUMBERS NOT APPLICABLE

- ITEM NOT ILLUSTRATED

32-35-03-01

32-35-03  
FIG. 01  
PAGE 11  
JAN 20/09

BRI



757

PARTS CATALOG (MAINTENANCE)

FIG ITEM	PART NUMBER	1 2 3 4 5 6 7	NOMENCLATURE	EFFECT FROM TO	UNITS PER ASSY
1					
185	AN960PD816	.	WASHER	002004 006100 107107 121503 904999	1
185	NAS1149D0863J	.	WASHER- USED ON: 273N4041-25 273N4041-26 273N4041-27 273N4041-28 MODREF8351 MODREF8352	101106 108120 504903	1
190	KP8AFS428	.	BEARING- SUPPLIER CODE: V06144 SPECIFICATION NUMBER: BACB10BX8 OPTIONAL PART: KP8AFS428 V21335 KP8A2TS V43991 LLKP8A V38443 KP8AG27 V30163 KP8A V38443 KP8BSD610 V83086 CS208E VK8455 KP8A V21760 KP8ANJC V06144 KP8ALY196 V40920	002004 006100 107107 121503 904999	3

R  
R  
R  
R  
R  
R  
R  
R  
R  
R  
R  
R  
R  
R  
R  
R  
R  
R  
R  
R  
R  
R  
R  
R

MISSING ITEM NUMBERS NOT APPLICABLE

- ITEM NOT ILLUSTRATED

**32-35-03-01**

32-35-03  
FIG. 01  
PAGE 12  
MAY 20/09

BRI



757

PARTS CATALOG (MAINTENANCE)

FIG ITEM	PART NUMBER	1 2 3 4 5 6 7	NOMENCLATURE	EFFECT FROM TO	UNITS PER ASSY
1 190	SSMKP8ASD705		. BEARING- SUPPLIER CODE: V83086 SPECIFICATION NUMBER: BACB10FS8 OPTIONAL PART: PACMKP8AA3908 V21335 ACMKP8AP510LY19 V40920 PACMKP8AFS428 V21335 SSMKP8AP V21760 USED ON: 273N4041-25 273N4041-26 273N4041-27 273N4041-28 273N4041-13 273N4041-14 MODREF8351 MODREF8352	002004 006100 103107 121503 904999	3
195	273N4108-14		. RING ASSY-BRG SPACER CENTERING USED ON: 273N4041-25 273N4041-26 273N4041-13 273N4041-14 MODREF8351 MODREF8352	002004 006999	1
197	NAS43DD8-114		.. SPACER	002004 006999	1
198	273N4108-17		.. RING-	002004 006999	2
200	273N4108-15		. RING ASSY-BRG SPACER CENTERING USED ON: 273N4041-25 273N4041-26 273N4041-27 273N4041-28 273N4041-13 273N4041-14 MODREF8351 MODREF8352	002004 006999	1
202	NAS43DD8-61		.. SPACER-	002004 006999	1

MISSING ITEM NUMBERS NOT APPLICABLE

- ITEM NOT ILLUSTRATED

32-35-03-01

32-35-03  
FIG. 01  
PAGE 13  
JAN 20/09

BRI



757

PARTS CATALOG (MAINTENANCE)

FIG ITEM	PART NUMBER	1 2 3 4 5 6 7	NOMENCLATURE	EFFECT FROM TO	UNITS PER ASSY
1					
203	273N4108-17	. .	RING-	002004 006999	2
205	273N4108-16	. RING ASSY-BRG SPACER CENTERING USED ON: 273N4041-25 273N4041-26 273N4041-13 273N4041-14 MODREF8351 MODREF8352		002004 006999	1
207	NAS43DD8-28FC	. .	SPACER-	002004 006999	1
208	273N4108-17	. .	RING-	002004 006999	2
210	BACW10BN8AC	. WASHER- POSITION DATA: UNDER HEAD USED ON: 273N4041-25 273N4041-26 273N4041-27 273N4041-28 273N4041-13 273N4041-14 MODREF8351 MODREF8352		002004 006999	1
215	69235-820CD	. NUT- SUPPLIER CODE: V92215 SPECIFICATION NUMBER: BACN10JC8CD OPTIONAL PART: 102LH9074-8 V72962 BMN4122CPD8-8 V97928 H51650-8BAC V15653 USED ON: 273N4041-25 273N4041-26 273N4041-27 273N4041-28 273N4041-13 273N4041-14 MODREF8351 MODREF8352		002004 006999	1

MISSING ITEM NUMBERS NOT APPLICABLE

- ITEM NOT ILLUSTRATED

32-35-03-01

32-35-03  
FIG. 01  
PAGE 14  
JAN 20/09

BRI

BOEING PROPRIETARY - Copyright © - Unpublished Work - See title page for details.


**BOEING**  
 757  
**PARTS CATALOG (MAINTENANCE)**

FIG ITEM	PART NUMBER	1 2 3 4 5 6 7	NOMENCLATURE	EFFECT FROM TO	UNITS PER ASSY
1 220	273N4121-1		.CRANK ASSY- POSITION DATA: LH SIDE	002004 006100 107107 121503 904999	1
220	273N4121-9		.CRANK ASSY- POSITION DATA: LH SIDE USED ON: 273N4041-25 MODREF8351	002004 006999	1
- 225	273N4121-2		.CRANK ASSY- POSITION DATA: RH SIDE	002004 006100 107107 121503 904999	1
- 225	273N4121-10		.CRANK ASSY- POSITION DATA: RH SIDE USED ON: 273N4041-26 MODREF8352	002004 006999	1
230	KP8AFS428		..BEARING- SUPPLIER CODE: V06144 SPECIFICATION NUMBER: BACB10BX8 OPTIONAL PART: KP8AFS428 V21335 KP8A2TS V43991 LLKP8A V38443 KP8AG27 V30163 KP8A V38443 KP8BSD610 V83086 CS208E VK8455 KP8A V21760 KP8ANJC V06144 KP8ALY196 V40920	002004 006100 107107 121503 904999	1

R  
R  
R  
R  
R  
R  
R  
R  
R  
R  
R  
R  
R  
R  
R  
R  
R  
R  
R  
R  
R  
R  
R

MISSING ITEM NUMBERS NOT APPLICABLE

- ITEM NOT ILLUSTRATED

# 32-35-03-01

32-35-03  
 FIG. 01  
 PAGE 15  
 MAY 20/09

BRI

BOEING PROPRIETARY - Copyright © - Unpublished Work - See title page for details.



757

PARTS CATALOG (MAINTENANCE)

FIG ITEM	PART NUMBER	1 2 3 4 5 6 7	NOMENCLATURE	EFFECT FROM TO	UNITS PER ASSY
1 230	SSMKP8ASD705	..	BEARING- SUPPLIER CODE: V83086 SPECIFICATION NUMBER: BACB10FS8 OPTIONAL PART: PACMKP8AA3908 V21335 ACMKP8AP510LY19 V40920 PACMKP8AFS428 V21335 SSMKP8AP V21760	002004 006100 103107 121503 904999	1
235	BACB28X5C017	..	BUSHING	002004 006999	1
240	273N4121-3	..	CRANK- POSITION DATA: LH SIDE OPTIONAL PART: 273N4121-5	002004 006999	1
240	273N4121-5	..	CRANK- POSITION DATA: LH SIDE OPTIONAL PART: 273N4121-3	002004 006999	1
- 245	273N4121-4	..	CRANK- POSITION DATA: RH SIDE OPTIONAL PART: 273N4121-6	002004 006999	1
- 245	273N4121-6	..	CRANK- POSITION DATA: RH SIDE OPTIONAL PART: 273N4121-4	002004 006999	1
250	273N4122-11	.CRANK ASSY-	POSITION DATA: LH SIDE	002004 006100 107107 121503 904999	1
250	273N4122-17	.CRANK ASSY-	POSITION DATA: LH SIDE USED ON: 273N4041-25 273N4041-13 MODREF8351	002004 006100 103107 121503 904999	1

MISSING ITEM NUMBERS NOT APPLICABLE

- ITEM NOT ILLUSTRATED

32-35-03-01

32-35-03  
FIG. 01  
PAGE 16  
JAN 20/09

BRI

BOEING PROPRIETARY - Copyright © - Unpublished Work - See title page for details.





757  
PARTS CATALOG (MAINTENANCE)

FIG ITEM	PART NUMBER	1 2 3 4 5 6 7	NOMENCLATURE	EFFECT FROM TO	UNITS PER ASSY
1 255	273N4122-12		. CRANK ASSY- POSITION DATA: RH SIDE	002004 006100 107107 121503 904999	1
255	273N4122-18		. CRANK ASSY- POSITION DATA: RH SIDE USED ON: 273N4041-26 273N4041-14 MODREF8352	002004 006100 103107 121503 904999	1
R R R R R R R R R R R R R R R R R R R R R R R	260 KP8AFS428		.. BEARING- SUPPLIER CODE: V06144 SPECIFICATION NUMBER: BACB10BX8 OPTIONAL PART: KP8AFS428 V21335 KP8A2TS V43991 LLKP8A V38443 KP8AG27 V30163 KP8A V38443 KP8BSD610 V83086 CS208E VK8455 KP8A V21760 KP8ANJC V06144 KP8ALY196 V40920	002004 006100 107107 121503 904999	1

MISSING ITEM NUMBERS NOT APPLICABLE

- ITEM NOT ILLUSTRATED

# 32-35-03-01

32-35-03  
FIG. 01  
PAGE 17  
MAY 20/09

BRI



757

PARTS CATALOG (MAINTENANCE)

FIG ITEM	PART NUMBER	1 2 3 4 5 6 7	NOMENCLATURE	EFFECT FROM TO	UNITS PER ASSY
1 260	SSMKP8ASD705		.. BEARING- SUPPLIER CODE: V83086 SPECIFICATION NUMBER: BACB10FS8 OPTIONAL PART: PACMKP8AA3908 V21335 ACMKP8AP510LY19 V40920 PACMKP8AFS428 V21335 SSMKP8AP V21760	101106 108120 504903	1
265	BACB28X6C017		.. BUSHING	002004 006999	1
270	BACB28X4C014		.. BUSHING	002004 006999	1
275	273N4122-13		.. CRANK- POSITION DATA: LH SIDE OPTIONAL PART: 273N4122-15	002004 006999	1
275	273N4122-15		.. CRANK- POSITION DATA: LH SIDE OPTIONAL PART: 273N4122-13	101106 108120 504903	1
280	273N4122-14		.. CRANK- POSITION DATA: RH SIDE OPTIONAL PART: 273N4122-16	101106 108120 504903	1
280	273N4122-16		.. CRANK- POSITION DATA: RH SIDE OPTIONAL PART: 273N4122-14	002004 006999	1
285	273N4222-1		. CRANK ASSY- POSITION DATA: LH SIDE	002004 006100 107107 121503 904999	1

MISSING ITEM NUMBERS NOT APPLICABLE

- ITEM NOT ILLUSTRATED

32-35-03-01

32-35-03  
FIG. 01  
PAGE 18  
JAN 20/09

BRI

BOEING PROPRIETARY - Copyright © - Unpublished Work - See title page for details.



**BOEING**  
757  
**PARTS CATALOG (MAINTENANCE)**

FIG ITEM	PART NUMBER	1 2 3 4 5 6 7 NOMENCLATURE	EFFECT FROM TO	UNITS PER ASSY	
1	285	273N4222-9	. CRANK ASSY- POSITION DATA: LH SIDE USED ON: 273N4041-25 273N4041-27 273N4041-13 MODREF8351	002004 006100 103107 121503 904999	1
	290	273N4222-2	. CRANK ASSY- POSITION DATA: RH SIDE	002004 006100 107107 121503 904999	1
	290	273N4222-10	. CRANK ASSY- POSITION DATA: RH SIDE USED ON: 273N4041-26 273N4041-28 273N4041-14 MODREF8352	002004 006100 103107 121503 904999	1
R R R R R R R R R R R R R R R R R R R R R	295	KP8AFS428	.. BEARING- SUPPLIER CODE: V06144 SPECIFICATION NUMBER: BACB10BX8 OPTIONAL PART: KP8AFS428 V21335 KP8A2TS V43991 LLKP8A V38443 KP8AG27 V30163 KP8A V38443 KP8BSD610 V83086 CS208E VK8455 KP8A V21760 KP8ANJC V06144 KP8ALY196 V40920	002004 006100 107107 121503 904999	1

MISSING ITEM NUMBERS NOT APPLICABLE

- ITEM NOT ILLUSTRATED

BRI

# 32-35-03-01

32-35-03  
FIG. 01  
PAGE 19  
MAY 20/09



757

PARTS CATALOG (MAINTENANCE)

FIG ITEM	PART NUMBER	1 2 3 4 5 6 7	NOMENCLATURE	EFFECT FROM TO	UNITS PER ASSY
1					
295	SSMKP8ASD705		.. BEARING- SUPPLIER CODE: V83086 SPECIFICATION NUMBER: BACB10FS8 OPTIONAL PART: PACMKP8AA3908 V21335 ACMKP8AP510LY19 V40920 PACMKP8AFS428 V21335 SSMKP8AP V21760	002004 006100 103107 121503 904999	1
300	BACB28X6C017		.. BUSHING	002004 006999	1
305	BACB28X4C014		.. BUSHING	002004 006999	1
310	BACB28B4-255P		.. BUSHING	002004 006999	1
315	273N4222-3		.. CRANK- POSITION DATA: LH SIDE OPTIONAL PART: 273N4222-5	002004 006999	1
315	273N4222-5		.. CRANK- POSITION DATA: LH SIDE OPTIONAL PART: 273N4222-3	002004 006999	1
320	273N4222-4		.. CRANK- POSITION DATA: RH SIDE OPTIONAL PART: 273N4222-6	002004 006999	1
320	273N4222-6		.. CRANK- POSITION DATA: RH SIDE OPTIONAL PART: 273N4222-4	002004 006999	1
325	273N4041-6		. ACTUATOR ASSY-	002004 006999	1
325	273N4034-3		. ACTUATOR ASSY- MISCELLANEOUS DATA: FOR SPARES PROCURE LOWER COMPONENTS	002004 006999	1

MISSING ITEM NUMBERS NOT APPLICABLE

- ITEM NOT ILLUSTRATED

32-35-03-01

32-35-03  
FIG. 01  
PAGE 20  
MAY 20/09

BRI



757

PARTS CATALOG (MAINTENANCE)

FIG ITEM	PART NUMBER	1 2 3 4 5 6 7	NOMENCLATURE	EFFECT FROM TO	UNITS PER ASSY
1	325 273N4041-22		.ACTUATOR ASSY- USED ON: 273N4041-23 273N4041-24 273N4041-13 273N4041-14 ATTACHING PARTS	002004 006999	1
- 330	BACB30NR4K32		.BOLT- USED WITH: 273N4041-6 273N4041-22	002004 006999	3
- 330	BACB30NR4K56		.BOLT- USED WITH: 273N4034-3	002004 006100 107107 121503 904999	3
- 335	BACW10BN4AC		.WASHER-	002004 006999	3
- 340	AN960PD416L		.WASHER- USED WITH: 273N4041-6	002004 006100 107107 121503 904999	3
- 340	NAS43DD4-107		.SPACER- USED WITH: 273N4034-3	002004 006100 107107 121503 904999	3
- 340	NAS1149D0416J		.WASHER- USED WITH: 273N4041-22	101106 108120 504903	3
- 345	BRH10C4D		.NUT- SUPPLIER CODE: V52828 SPECIFICATION NUMBER: BACN10JC4CD OPTIONAL PART: T6C428JCD V11815 NS202486-048 V80539 102LH9075-4W V72962 H51650-4BAC V15653 USED WITH: 273N4041-6 273N4041-22 -----*-----	002004 006999	3

MISSING ITEM NUMBERS NOT APPLICABLE

- ITEM NOT ILLUSTRATED

32-35-03-01

32-35-03  
FIG. 01  
PAGE 21  
JAN 20/09

BRI



757

PARTS CATALOG (MAINTENANCE)

FIG ITEM	PART NUMBER	1 2 3 4 5 6 7	NOMENCLATURE	EFFECT FROM TO	UNITS PER ASSY
1					
350	MS21902D6	..	UNION	002004 006999	1
355	BACU24K6	..	UNION	002004 006999	1
360	NAS1612-6	..	PACKING-	002004 006999	2
365	273N4171-1	..	ACTUATOR ASSY- ELECTRICAL EQUIP NUMBER: M10281 COMPONENT MAINT MANUAL REF: 32-32-17 USED ON: 273N4034-3 273N4041-6 FOR DETAILS SEE: 32-32-13-01	002004 006999	1
365	273N4171-3	..	ACTUATOR ASSY- MISCELLANEOUS DATA: FOR SPARES PROCURE LOWER COMPONENTS COMPONENT MAINT MANUAL REF: 32-32-17 OPTIONAL PART: 273N4171-4 FOR DETAILS SEE: 32-32-13-01	002004 006999	1
365	273N4171-4	..	ACTUATOR ASSY- MISCELLANEOUS DATA: FOR SPARES PROCURE LOWER COMPONENTS COMPONENT MAINT MANUAL REF: 32-32-17 OPTIONAL PART: 273N4171-3 FOR DETAILS SEE: 32-32-13-01	002004 006100 107107 121503 904999	1
370	BACB30NF4-32	.BOLT-	USED ON: 273N4041-23 273N4041-24 273N4041-13 273N4041-14	002004 006999	1

MISSING ITEM NUMBERS NOT APPLICABLE

- ITEM NOT ILLUSTRATED

32-35-03-01

32-35-03  
FIG. 01  
PAGE 22  
JAN 20/09

BRI

BOEING PROPRIETARY - Copyright © - Unpublished Work - See title page for details.



757

PARTS CATALOG (MAINTENANCE)

FIG ITEM	PART NUMBER	1 2 3 4 5 6 7	NOMENCLATURE	EFFECT FROM TO	UNITS PER ASSY
1					
375	BACW10BN4AC		.WASHER- POSITION DATA: UNDER HEAD USED ON: 273N4041-23 273N4041-24 273N4041-13 273N4041-14	002004 006999	1
381	273N4225-1		.SPACER- USED ON: 273N4041-23 273N4041-24 273N4041-13 273N4041-14	002004 006999	1
385	AN960PD416L		.WASHER	002004 006100 107107 121503 904999	1
385	NAS1149D0416J		.WASHER- USED ON: 273N4041-23 273N4041-24	101106 108120 504903	1
390	BRH10C4D		.NUT- SUPPLIER CODE: V52828 SPECIFICATION NUMBER: BACN10JC4CD OPTIONAL PART: T6C428JCD V11815 NS202486-048 V80539 102LH9075-4W V72962 H51650-4BAC V15653 USED ON: 273N4041-23 273N4041-24	101106 108120 504903	1
391	273N4108-11		.RING ASSY- USED ON: 273N4041-23 273N4041-24	101106 108120 504903	1
392	NAS43DD4-41		..SPACER	101106 108120 504903	1

MISSING ITEM NUMBERS NOT APPLICABLE

- ITEM NOT ILLUSTRATED

32-35-03-01

32-35-03  
FIG. 01  
PAGE 23  
JAN 20/09

BRI

BOEING PROPRIETARY - Copyright © - Unpublished Work - See title page for details.



757

PARTS CATALOG (MAINTENANCE)

FIG ITEM	PART NUMBER	1 2 3 4 5 6 7	NOMENCLATURE	EFFECT FROM TO	UNITS PER ASSY
1 393	273N4108-6	. .	RING	101106 108120	1
394	SSMKP4ASD705	. BEARING-	SUPPLIER CODE: V83086 SPECIFICATION NUMBER: BACB10FS4 OPTIONAL PART: PACMKP4AA3908 V21335 PACMKP4AFS428 V21335 SSMKP4AP V21760 SSMKP4AP V21760 USED ON: 273N4041-23 273N4041-24 273N4041-13 273N4041-14	002004 006100 103107 121503 904999	1
394	KP4AFS428	. BEARING-	SUPPLIER CODE: V06144 SPECIFICATION NUMBER: BACB10BX4 OPTIONAL PART: KP4AFS428 V21335 KP4A2TS V43991 LLKP4A V38443 KP4AG27 V30163 KP4A V38443 KP4ALY196 V40920 KP4ASD610 V83086 CS204E VK8455 KP4A V21760 KP4ANJC V06144	002004 006100 107107 121503 904999	1

MISSING ITEM NUMBERS NOT APPLICABLE

- ITEM NOT ILLUSTRATED

32-35-03-01

32-35-03  
FIG. 01  
PAGE 24  
JAN 20/09

BRI





757

PARTS CATALOG (MAINTENANCE)

FIG ITEM	PART NUMBER	1 2 3 4 5 6 7	NOMENCLATURE	EFFECT FROM TO	UNITS PER ASSY
1 395	273N4125-1		.SPRING- USED ON: 273N4041-23 273N4041-24 273N4041-13 273N4041-14	002004 006999	1
400	273N4224-9		.LATCH ASSY- POSITION DATA: LH SIDE USED ON: 273N4041-23 273N4041-13	002004 006100 103107 121503 904999	1
400	273N4224-1		.LATCH ASSY- POSITION DATA: LH SIDE	002004 006100 107107 121503 904999	1
403	273N4224-2		.LATCH ASSY- POSITION DATA: RH SIDE	002004 006100 107107 121503 904999	1
403	273N4224-10		.LATCH ASSY- POSITION DATA: RH SIDE USED ON: 273N4041-24 273N4041-14	002004 006100 103107 121503 904999	1

MISSING ITEM NUMBERS NOT APPLICABLE

- ITEM NOT ILLUSTRATED

BRI

32-35-03-01

BOEING PROPRIETARY - Copyright © - Unpublished Work - See title page for details.

32-35-03  
FIG. 01  
PAGE 25  
JAN 20/09



757

PARTS CATALOG (MAINTENANCE)

FIG ITEM	PART NUMBER	1 2 3 4 5 6 7	NOMENCLATURE	EFFECT FROM TO	UNITS PER ASSY
1 436	KP4AFS428		.. BEARING- SUPPLIER CODE: V06144 SPECIFICATION NUMBER: BACB10BX4 OPTIONAL PART: KP4AFS428 V21335 KP4A2TS V43991 LLKP4A V38443 KP4AG27 V30163 KP4A V38443 KP4ALY196 V40920 KP4ASD610 V83086 CS204E VK8455 KP4A V21760 KP4ANJC V06144	002004 006100 107107 121503 904999	1
436	SSMKP4ASD705		.. BEARING- SUPPLIER CODE: V83086 SPECIFICATION NUMBER: BACB10FS4 OPTIONAL PART: PACMKP4AA3908 V21335 PACMKP4AFS428 V21335 SSMKP4AP V21760 SSMKP4AP V21760	002004 006100 103107 121503 904999	1
440	NAS623-3-9		.. SCREW-	002004 006999	1
443	AN960C10L		.. WASHER	002004 006999	1
445	AN960PD10L		.. WASHER	002004 006999	1

MISSING ITEM NUMBERS NOT APPLICABLE

- ITEM NOT ILLUSTRATED

32-35-03-01

32-35-03  
FIG. 01  
PAGE 26  
JAN 20/09

BRI



757

PARTS CATALOG (MAINTENANCE)

FIG ITEM	PART NUMBER	1 2 3 4 5 6 7	NOMENCLATURE	EFFECT FROM TO	UNITS PER ASSY
1 455	BRH10A3	..	NUT SUPPLIER CODE: V52828 SPECIFICATION NUMBER: BACN10JC3 OPTIONAL PART: H10-3BAC V15653 NS202101-02 V80539 RMLH9075-3W V72962 VN303A02 V92215 96-02 V80539 T6S1032J V11815	002004 006999	1
457	BACB28AK03-017	..	BUSHING	002004 006999	1
460	ATF3	..	BEARING- SUPPLIER CODE: V60380 SPECIFICATION NUMBER: BACB10ET03 OPTIONAL PART: 3AFC512 V92563 YAF03B V07484	002004 006100 103107 121503 904999	1
465	273N4224-3	..	LATCH- POSITION DATA: LH SIDE OPTIONAL PART: 273N4224-5	002004 006999	1
465	273N4224-5	..	LATCH- POSITION DATA: LH SIDE OPTIONAL PART: 273N4224-3	002004 006999	1
467	273N4224-4	..	LATCH- POSITION DATA: RH SIDE OPTIONAL PART: 273N4224-6	002004 006999	1

MISSING ITEM NUMBERS NOT APPLICABLE

- ITEM NOT ILLUSTRATED

32-35-03-01

32-35-03  
FIG. 01  
PAGE 27  
JAN 20/09

BRI

 **BOEING**  
757  
**PARTS CATALOG (MAINTENANCE)**

FIG ITEM	PART NUMBER	1 2 3 4 5 6 7	NOMENCLATURE	EFFECT FROM TO	UNITS PER ASSY
1					
467	273N4224-6		.. LATCH- POSITION DATA: RH SIDE OPTIONAL PART: 273N4224-4	002004 006999	1
470	31EN1-6		. SWITCH- SUPPLIER CODE: V91929 POSITION DATA: LH SIDE USED ON: 273N4041-23 273N4041-13	002004 006999	1
473	31EN11-6		. SWITCH- SUPPLIER CODE: V91929 POSITION DATA: RH SIDE	002004 006100 107107 121503 904999	1
473	31EN94-6		. SWITCH- SUPPLIER CODE: V91929 POSITION DATA: RH SIDE USED ON: 273N4041-24	002004 006999	1
475	273N4041-7		. VALVE ASSY-SAFETY POSITION DATA: LH SIDE	002004 006100 107107 121503 904999	1
475	273N4041-29		. VALVE ASSY-SAFETY POSITION DATA: LH SIDE USED ON: 273N4041-23	101106 108120 504903	1
480	273N4041-8		. VALVE ASSY-SAFETY POSITION DATA: RH SIDE	002004 006100 107107 121503 904999	1
480	273N4041-30		. VALVE ASSY-SAFETY POSITION DATA: RH SIDE USED ON: 273N4041-24	101106 108120 504903	1
485	BACB30LH4K17		ATTACHING PARTS . BOLT-  -----*-----	002004 006999	1

MISSING ITEM NUMBERS NOT APPLICABLE

— ITEM NOT ILLUSTRATED

BRI

# 32-35-03-01

BOEING PROPRIETARY - Copyright © - Unpublished Work - See title page for details.

32-35-03  
FIG. 01  
PAGE 28  
JAN 20/09

**BOEING**  
757  
**PARTS CATALOG (MAINTENANCE)**

FIG ITEM	PART NUMBER	1 2 3 4 5 6 7	NOMENCLATURE	EFFECT FROM TO	UNITS PER ASSY	
1						
490	273N4134-5	..	BRACKET- POSITION DATA: LH SIDE	002004 006999	1	
495	273N4134-6	..	BRACKET- POSITION DATA: RH SIDE	002004 006999	1	
- 500	AF5140-3C3	..	RIVET SUPPLIER CODE: V53551 SPECIFICATION NUMBER: BACR15DR3PAC3 OPTIONAL PART: CCR274CS3-3IT V11815 RV540A3C3 V98996 -----*-----	002004 006999	2	
R						
R						
R						
R						
R						
R						
R						
	505	273N4179-9	..	LEVER ASSY- POSITION DATA: LH SIDE OPTIONAL PART: 273N4179-1	002004 006999	1
	505	273N4179-1	..	LEVER ASSY- POSITION DATA: LH SIDE OPTIONAL PART: 273N4179-9	002004 006999	1
	510	273N4179-10	..	LEVER ASSY- POSITION DATA: RH SIDE OPTIONAL PART: 273N4179-2	002004 006999	1
	510	273N4179-2	..	LEVER ASSY- POSITION DATA: RH SIDE OPTIONAL PART: 273N4179-10	002004 006999	1
R	515	273N4041-3	..	VALVE ASSY-	002004 006100 107107 121503 904999	1
R						
R						
R						
R						
R						
R						
R						
R						
	515	273N4034-2	..	VALVE ASSY-	002004 006100 107107 121503 904999	1

MISSING ITEM NUMBERS NOT APPLICABLE

- ITEM NOT ILLUSTRATED

BRI

# 32-35-03-01

32-35-03  
FIG. 01  
PAGE 29  
MAY 20/09



757

PARTS CATALOG (MAINTENANCE)

FIG ITEM	PART NUMBER	1 2 3 4 5 6 7	NOMENCLATURE	EFFECT FROM TO	UNITS PER ASSY
1 515	2670112		..MODULAR ASSY- SUPPLIER CODE: V92003 SPECIFICATION NUMBER: 60B00239-2 COMPONENT MAINT MANUAL REF: 32-30-28 ATTACHING PARTS	101106 108120 504903	1
520	BACB30NR4K7		..BOLT- USED WITH: 273N4041-3	002004 006999	2
525	BACB30NR4K6		..BOLT- USED WITH: 273N4041-3	002004 006999	2
- 527	BACB30NR4K5		..BOLT- USED WITH: 273N4034-2	002004 006100 107107 121503 904999	4
530	BACW10BN4AC		..WASHER	002004 006999	4
535	MS21916D8-6		-----*----- ...REDUCER	002004 006999	1

MISSING ITEM NUMBERS NOT APPLICABLE

- ITEM NOT ILLUSTRATED

BRI

32-35-03-01

BOEING PROPRIETARY - Copyright © - Unpublished Work - See title page for details.

32-35-03  
FIG. 01  
PAGE 30  
JAN 20/09



757

PARTS CATALOG (MAINTENANCE)

FIG ITEM	PART NUMBER	1 2 3 4 5 6 7	NOMENCLATURE	EFFECT FROM TO	UNITS PER ASSY
1 540	AFP2328-6		...REDUCER SUPPLIER CODE: V30974 SPECIFICATION NUMBER: BACR17E8-6 OPTIONAL PART: AP10278-6 V01673 BC916T8-6 V50948 DBOR17E8-6 V14798 ER21916T8-6 V88334 ER31916-8-6 V88334 F23-8-6 V73197 2-01075T8-6 V11328 31778-8-6 V14397 US2114-8-6 V50508 AP1027T8-6 V01673 US21148-6 V50808 317788-6 V14397	002004 006999	2
545	NAS1612-8		...PACKING-	002004 006999	3
550	2670112		...MODULAR ASSY- SUPPLIER CODE: V92003 SPECIFICATION NUMBER: 60B00239-2 COMPONENT MAINT MANUAL REF: 32-30-28	002004 006999	1
575	2660591-1		....VALVE-CHK SUPPLIER CODE: V92003 FUNCTIONAL DESCRIPTION: TO PREVENT BACKFLOW OF HYDRAULIC FLUID. COMPONENT MAINT MANUAL REF: 29-10-08	002004 006999	1

R  
R  
R  
R  
R  
R  
R

MISSING ITEM NUMBERS NOT APPLICABLE

- ITEM NOT ILLUSTRATED

32-35-03-01

32-35-03  
FIG. 01  
PAGE 31  
MAY 20/09

BRI



757

PARTS CATALOG (MAINTENANCE)

FIG ITEM	PART NUMBER	1 2 3 4 5 6 7	NOMENCLATURE	EFFECT FROM TO	UNITS PER ASSY
1					
580	2671081	.....	NAMEPLATE- SUPPLIER CODE: V92003 ATTACHING PARTS	002004 006999	1
585	AN500AD3-3	.....	SCREW	002004 006999	2
			-----*-----		
R -	700	286N2512-303	WIRE BUNDLE ASSY	101102	RF
R -	700	286N2512-307	WIRE BUNDLE ASSY	504903	RF
R -	700	286N2512-309	WIRE BUNDLE ASSY	108120	RF
R -	705	286N2414-303	WIRE BUNDLE ASSY	101102	RF
R -	705	286N2414-310	WIRE BUNDLE ASSY	108120	RF
	710	GS3418-14CD	.CLAMP- SUPPLIER CODE: V06324 SPECIFICATION NUMBER: BACC10HG14 OPTIONAL PART: S2126-14-8 V07418 ELECTRICAL EQUIP NUMBER: D02452T WIRING DIAGRAM REF: 321212 USED ON: 286N2512-003 286N2512-004 286N2512-005 286N2512-301 286N2512-302 286N2512-303 286N2512-304 286N2512-305 286N2512-306 286N2512-307 286N2512-308 286N2512-309 286N2512-501	101102 108120 504903	1

MISSING ITEM NUMBERS NOT APPLICABLE

- ITEM NOT ILLUSTRATED

32-35-03-01

32-35-03  
FIG. 01  
PAGE 32  
MAY 20/09

BRI





757

PARTS CATALOG (MAINTENANCE)

FIG ITEM	PART NUMBER	1 2 3 4 5 6 7	NOMENCLATURE	EFFECT FROM TO	UNITS PER ASSY
1 715	GS3418-14CD		.CLAMP- SUPPLIER CODE: V06324 SPECIFICATION NUMBER: BACC10HG14 OPTIONAL PART: S2126-14-8 V07418 ELECTRICAL EQUIP NUMBER: D02508T WIRING DIAGRAM REF: 321212 USED ON: 286N2414-002 286N2414-003 286N2414-005 286N2414-006 286N2414-301 286N2414-302 286N2414-303 286N2414-304 286N2414-305 286N2414-306 286N2414-307 286N2414-308 286N2414-310 286N2414-311 286N2414-501	101102 108120 504903	1

MISSING ITEM NUMBERS NOT APPLICABLE

- ITEM NOT ILLUSTRATED

BRI

32-35-03-01

BOEING PROPRIETARY - Copyright © - Unpublished Work - See title page for details.

32-35-03  
FIG. 01  
PAGE 33  
JAN 20/09



757

PARTS CATALOG (MAINTENANCE)

FIG ITEM	PART NUMBER	1 2 3 4 5 6 7 NOMENCLATURE	EFFECT FROM TO	UNITS PER ASSY
1 720	R071014A7SNL	.CONNECTOR- SUPPLIER CODE: V41118 SPECIFICATION NUMBER: BACC63BP14A7SNL MISCELLANEOUS DATA: OPTIONAL PART NUMBERS: BACC63BP14A7SN (81205) BACC63BP14R7SN (81205) BACC63BP14R7SNL (81205) ELECTRICAL EQUIP NUMBER: D02508 WIRING DIAGRAM REF: 321212 USED ON: 286N2414-002 286N2414-003 286N2414-005 286N2414-006 286N2414-301 286N2414-302 286N2414-303 286N2414-304 286N2414-305 286N2414-306 286N2414-307 286N2414-308 286N2414-310 286N2414-311 286N2414-501	101102 108120 504903	1

MISSING ITEM NUMBERS NOT APPLICABLE

- ITEM NOT ILLUSTRATED

**32-35-03-01**

32-35-03  
FIG. 01  
PAGE 34  
JAN 20/09

BRI



757

PARTS CATALOG (MAINTENANCE)

FIG ITEM	PART NUMBER	1 2 3 4 5 6 7	NOMENCLATURE	EFFECT FROM TO	UNITS PER ASSY
1 725	R071014A7SNL		.CONNECTOR- SUPPLIER CODE: V41118 SPECIFICATION NUMBER: BACC63BP14A7SNL MISCELLANEOUS DATA: OPTIONAL PART NUMBERS: BACC63BP14A7SN (81205) BACC63BP14R7SN (81205) BACC63BP14R7SNL (81205) ELECTRICAL EQUIP NUMBER: D02452 WIRING DIAGRAM REF: 321212 USED ON: 286N2512-002 286N2512-003 286N2512-004 286N2512-005 286N2512-301 286N2512-302 286N2512-303 286N2512-304 286N2512-305 286N2512-306 286N2512-307 286N2512-308 286N2512-309 286N2512-501	101102 108120 504903	1
900			ILLUSTRATION REFERENCE: PLUMBING INSTL-SECT. 44 KEEL BEAM MLG WHL WELL HYDR 32-35-51-30	002004 006100 107107 121503 904999	RF

MISSING ITEM NUMBERS NOT APPLICABLE

- ITEM NOT ILLUSTRATED

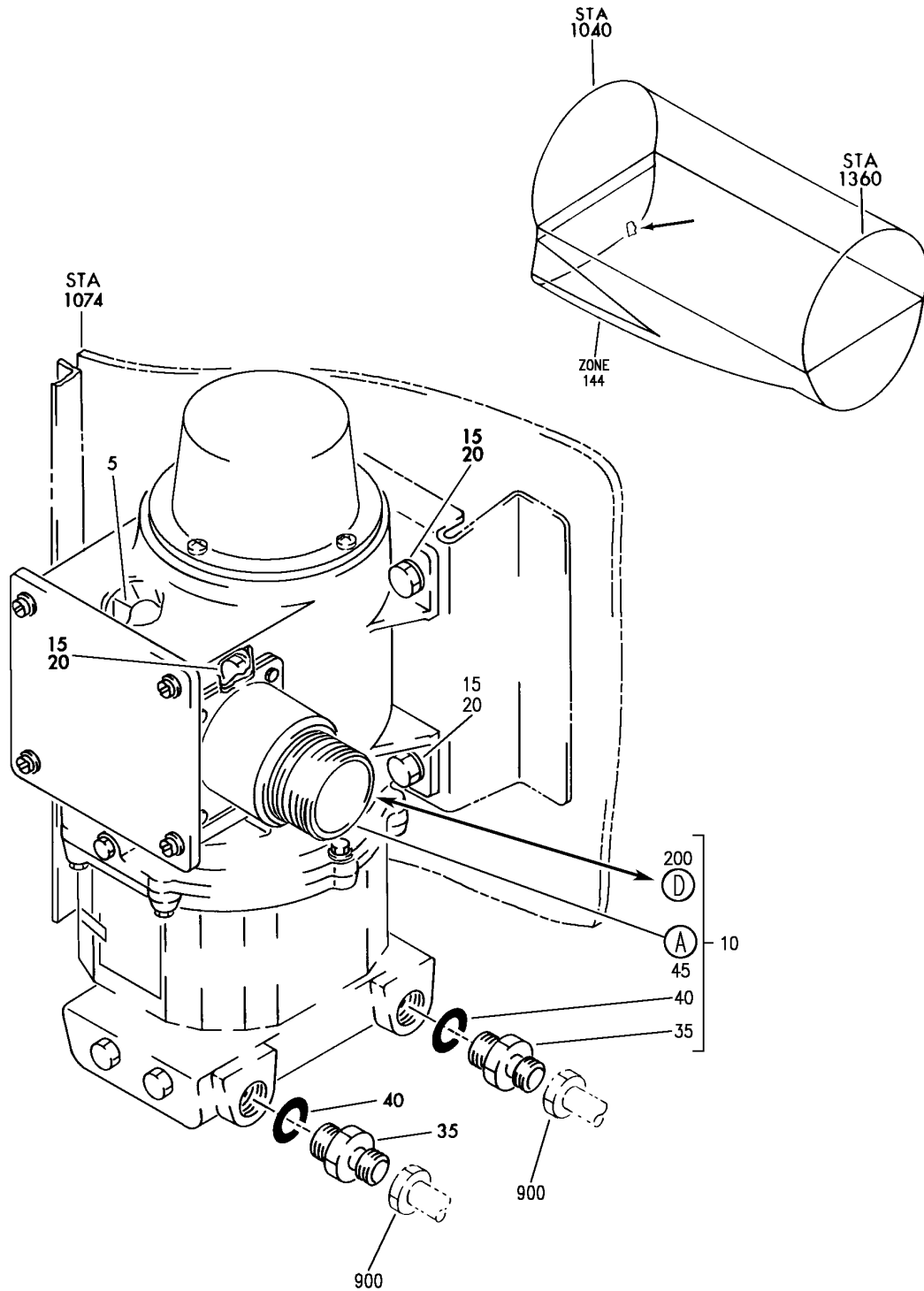
BRI

32-35-03-01

BOEING PROPRIETARY - Copyright © - Unpublished Work - See title page for details.

32-35-03  
FIG. 01  
PAGE 35  
JAN 20/09

**BOEING**  
757  
PARTS CATALOG (MAINTENANCE)



Y 32351001 SHT 1 REV 305

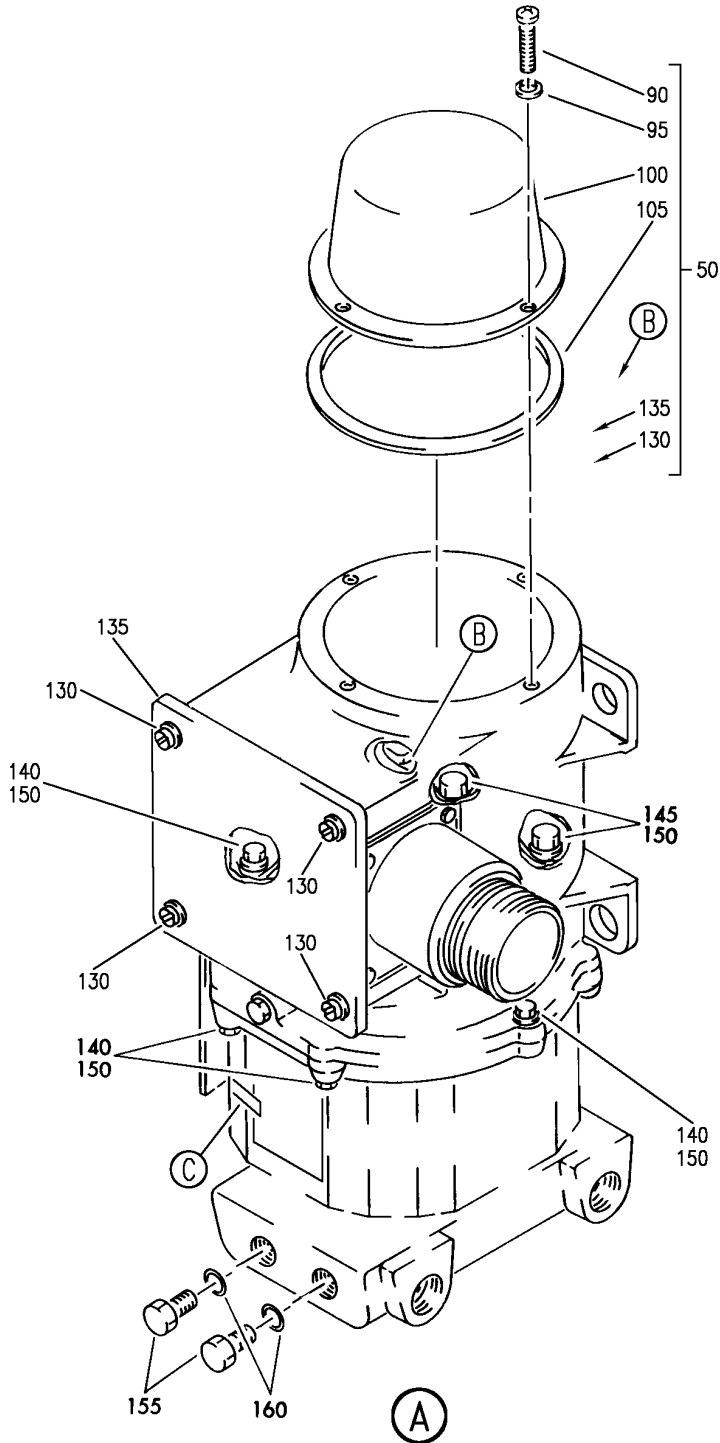
POWER PACK INSTL- ALTERNATE EXTENSION SYS  
FIGURE 1 (SHEET 1)

**32-35-10-01**

BRI  
MAY 28/07

32-35-10-01  
PAGE 0

**BOEING**  
757  
PARTS CATALOG (MAINTENANCE)



Y 32351001 SH1 2 REV 277

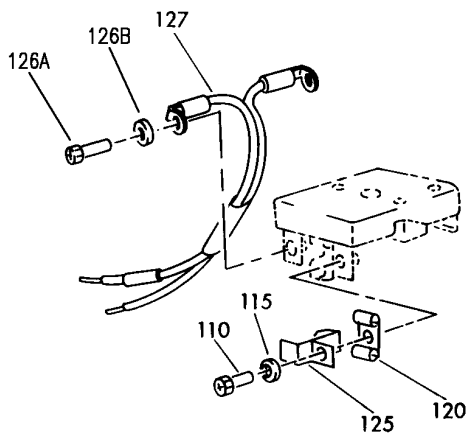
POWER PACK INSTL- ALTERNATE EXTENSION SYS  
FIGURE 1 (SHEET 2)

**32-35-10-01**

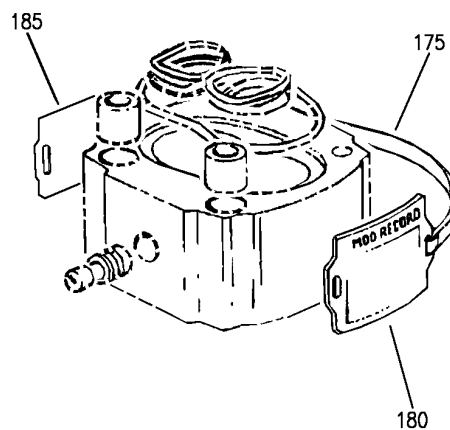
BRI  
MAY 28/07

32-35-10-01  
PAGE 0A

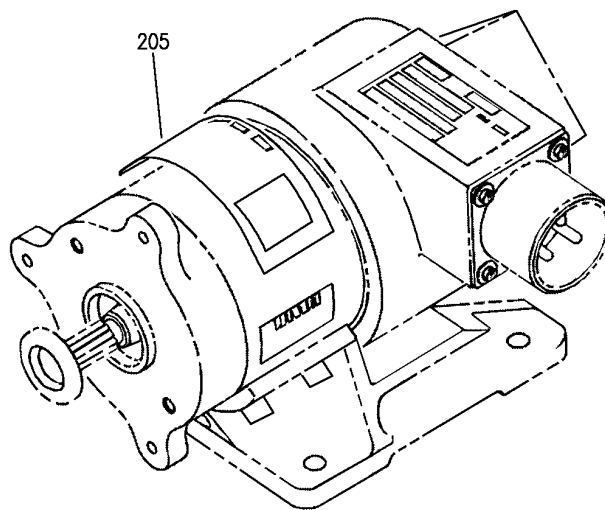
**BOEING**  
757  
PARTS CATALOG (MAINTENANCE)



(B)



(C)



(D)

Y 32351001 SHT 3 REV 305

POWER PACK INSTL- ALTERNATE EXTENSION SYS  
FIGURE 1 (SHEET 3)

**32-35-10-01**

BRI  
MAY 28/07

32-35-10-01  
PAGE 0B



757

PARTS CATALOG (MAINTENANCE)

FIG ITEM	PART NUMBER	1 2 3 4 5 6 7	NOMENCLATURE	EFFECT FROM TO	UNITS PER ASSY
1			POWER PACK INSTL- ALTERNATE EXTENSION SYS	002004 006999	
- 1	273N4010-1		POWER PACK INSTL-ALTERNATE EXTENSION SYS FOR NHA SEE: 29-00-51-05	002004 006100 107107 121503 904999	RF
- 1	273N4010-6		POWER PACK INSTL-ALTERNATE EXTENSION SYS FOR NHA SEE: 32-00-00-15	101102 108120 504903	RF
- 1	MODREF8340		POWER PACK INSTL-ALTERNATE EXTENSION SYS MODULE NUMBER: 273N4010-6 REV A	103105	1
- 1	MODREF19397		POWER PACK INSTL-ALTERNATE EXTENSION SYS MODULE NUMBER: 273N4010-9 REV A	106106	1
5	BAC27NHY0122		.MARKER-ALUMINUM FOIL PLACARD CONTENT: ALT. EXTENSION POWER PACK M10231 D3352	002004 006999	1
10	273N4010-2		.PACK ASSY-	002004 006105 107999	1
10	273N4010-3		.PACK ASSY-	002004 006105 107999	1
10	273N4010-4		.PACK ASSY-	002004 006105 107999	1
10	273N4010-5		.PACK ASSY-	002004 006105 107999	1
10	273N4010-7		.PACK ASSY-	002004 006105 107999	1
10	273N4010-8		.PACK ASSY ATTACHING PARTS	106106	1
- 15	BACB30NR4K7		.BOLT-	002004 006999	3
- 20	AN960C416L		.WASHER-	002004 006100 107107 121503 904999	3

MISSING ITEM NUMBERS NOT APPLICABLE

- ITEM NOT ILLUSTRATED

32-35-10-01

32-35-10  
FIG. 01  
PAGE 1  
JAN 20/09

BRI



757

PARTS CATALOG (MAINTENANCE)

FIG ITEM	PART NUMBER	1 2 3 4 5 6 7	NOMENCLATURE	EFFECT FROM TO	UNITS PER ASSY
1 - 20	NAS1149C0432R		.WASHER- USED WITH: 273N4010-7	101106 108120 504903	3
35	AFP2326-4		-----*----- ..REDUCER SUPPLIER CODE: V30974 SPECIFICATION NUMBER: BACR17E6-4 OPTIONAL PART: AP10276-4 V01673 BC916T6-4 V50948 DBOR17E6-4 V14798 ER21916T6-4 V88334 ER31916-6-4 V88334 F23-6-4 V73197 2-01075T6-4 V11328 31778-6-4 V14397 US2114-6-4 V50808 AP1027T6-4 V01673 US21146-4 V50808 317786-4 V14397	002004 006999	2
40	NAS1612-4		..PACKING- USED WITH: 273N4010-2 273N4010-3 273N4010-4 273N4010-5 PRE SERVICE BULLETIN: 32-0142	002004 006105 107999	2
40	NAS1612-4A		..PACKING- USED WITH: 273N4010-7	002004 006105 107999	2

MISSING ITEM NUMBERS NOT APPLICABLE

- ITEM NOT ILLUSTRATED

32-35-10-01

32-35-10  
FIG. 01  
PAGE 2  
JAN 20/09

BRI





757

PARTS CATALOG (MAINTENANCE)

FIG ITEM	PART NUMBER	1 2 3 4 5 6 7	NOMENCLATURE	EFFECT FROM TO	UNITS PER ASSY
1	40 NAS1612-4A		..PACKING- USED WITH: 273N4010-2 273N4010-3 273N4010-4 273N4010-5 POST SERVICE BULLETIN: 32-0142	002004 006100 904949	2
	40 NAS1612-4A		..PACKING- USED WITH: 273N4010-8	106106	2
	45 638004002		..POWER PACK ASSY- SUPPLIER CODE: VK0654 SPECIFICATION NUMBER: S273N401-1 S273N401-2 SB DATA FROM A CMM: PRE 757-32-1 CONFIG CHG DATA FROM A CMM: DELETED BY S/B COMPONENT MAINT MANUAL REF: 32-35-01	002004 006999	1
	45 638004002-3		..POWER PACK ASSY- SUPPLIER CODE: VK0654 SPECIFICATION NUMBER: S273N401-3 SB DATA FROM A CMM: POST 757-32-1 PRE 638004002-3-32-2 PRE 638004002-4-32-2 COMPONENT MAINT MANUAL REF: 32-35-01	002004 006999	1
	45 638004002-4		..POWER PACK ASSY- SUPPLIER CODE: VK0654 SPECIFICATION NUMBER: S273N401-4 SB DATA FROM A CMM: POST 757-32-1 PRE 638004002-3-32-2 PRE 638004002-4-32-2 COMPONENT MAINT MANUAL REF: 32-35-01 OPTIONAL PART: 638004002-3 VK0654	002004 006999	1

MISSING ITEM NUMBERS NOT APPLICABLE

- ITEM NOT ILLUSTRATED

32-35-10-01

32-35-10  
FIG. 01  
PAGE 3  
JAN 20/09

BRI



757

PARTS CATALOG (MAINTENANCE)

FIG ITEM	PART NUMBER	1 2 3 4 5 6 7	NOMENCLATURE	EFFECT FROM TO	UNITS PER ASSY
1	45 638004002-5		..POWER PACK ASSY- SUPPLIER CODE: VK0654 SPECIFICATION NUMBER: S273N401-5 SB DATA FROM A CMM: POST MOD. PM49 REV. 1 POST 638004002-3-32-2 POST 638004002-4-32-2 COMPONENT MAINT MANUAL REF: 32-35-01 OPTIONAL PART: 638004002-6 VK0654	002004 006999	1
	45 638004002-6		..POWER PACK ASSY- SUPPLIER CODE: VK0654 SPECIFICATION NUMBER: S273N401-6 SB DATA FROM A CMM: POST MOD. PM49 REV. 1 POST 638004002-3-32-2 POST 638004002-4-32-2 COMPONENT MAINT MANUAL REF: 32-35-01 OPTIONAL PART: 638004002-5 VK0654	002004 006999	1
	50 638004206-2		...MOTOR ASSY-ELEC SUPPLIER CODE: VK0654 SB DATA FROM A CMM: POST 757-32-1 PRE 638004002-3-32-2 PRE 638004002-4-32-2 USED ON: 638004002-3	002004 006999	1
	50 638004208-2		...MOTOR ASSY-ELEC SUPPLIER CODE: VK0654 SB DATA FROM A CMM: PRE 638004002-3-32-2 PRE 638004002-4-32-2 USED ON: 638004002-4	002004 006999	1

MISSING ITEM NUMBERS NOT APPLICABLE

- ITEM NOT ILLUSTRATED

BRI

32-35-10-01

32-35-10  
FIG. 01  
PAGE 4  
SEP 20/08



757

PARTS CATALOG (MAINTENANCE)

FIG ITEM	PART NUMBER	1 2 3 4 5 6 7	NOMENCLATURE	EFFECT FROM TO	UNITS PER ASSY
1					
50	638004206-3	...	MOTOR ASSY-ELEC SUPPLIER CODE: VK0654 SB DATA FROM A CMM: POST 638004002-3-32-2 POST 638004002-4-32-2 USED ON: 638004002-5	002004 006999	1
50	638004208-3	...	MOTOR ASSY-ELEC SUPPLIER CODE: VK0654 SB DATA FROM A CMM: POST 638004002-3-32-2 POST 638004002-4-32-2 USED ON: 638004002-6	002004 006999	1
90	SSM040RP010CP	....	SCREW- SUPPLIER CODE: VK0654	002004 006999	4
95	ZWM040PONNXCP	....	WASHER- SUPPLIER CODE: VK0654	002004 006999	4
100	92-38454	....	COVER-END COMMUTATOR SUPPLIER CODE: VK0654	002004 006999	1
105	750070528	....	PACKING-SEALING SUPPLIER CODE: VK0654 SB DATA FROM A CMM: POST 757-32-1 POST SERVICE BULLETIN: 32-0001	002004 006999	1
110	SSM030RP008CP	....	SCREW- SUPPLIER CODE: VK0654	002004 006999	2
110	S109501	....	SCREW- SUPPLIER CODE: VK0654	002004 006999	2
115	SWM030ITFXCP	....	WASHER-LOCK SUPPLIER CODE: VK0654	002004 006999	2
120	72-41129	....	BRUSH ASSY- SUPPLIER CODE: VK0654 SB DATA FROM A CMM: POST 757-32-1 POST SERVICE BULLETIN: 32-0001	002004 006999	2

MISSING ITEM NUMBERS NOT APPLICABLE

- ITEM NOT ILLUSTRATED

32-35-10-01

32-35-10  
FIG. 01  
PAGE 5  
SEP 20/08

BRI

BOEING PROPRIETARY - Copyright © - Unpublished Work - See title page for details.



757

PARTS CATALOG (MAINTENANCE)

FIG ITEM	PART NUMBER	1 2 3 4 5 6 7	NOMENCLATURE	EFFECT FROM TO	UNITS PER ASSY
1					
125	1C38452	....	BRUSH ASSY-SPRING AND BACKPLATE SUPPLIER CODE: VK0654	002004 006999	2
126A	SSM030RP008CP	....	SCREW-PAN HEAD SUPPLIER CODE: VK0654	002004 006999	2
126B	SWM030ITFXCP	....	WASHER-LOCK SUPPLIER CODE: VK0654	002004 006999	2
127	15-39043	....	LEAD ASSY-BRUSH SUPPLIER CODE: VK0654	002004 006999	2
130	SSM040RC010CP	....	SCREW- SUPPLIER CODE: VK0654	002004 006999	4
135	92-38488	....	COVER-TERM. BOX SUPPLIER CODE: VK0654	002004 006999	1
140	MS21134-03006	...	BOLT	002004 006999	4
145	MS21134-03018	...	BOLT	002004 006999	2
150	SP122DY	...	WASHER- SUPPLIER CODE: VK7766	002004 006999	6
155	100092701	...	PLUG-BLANKING SUPPLIER CODE: VK0654	002004 006999	2
160	750470703	...	PACKING-SEALING SUPPLIER CODE: VK0654	002004 006999	2
- 165	AGS3804-7	...	CAP-PROTECTION TRANSPORT AND STORAGE ITEM SUPPLIER CODE: VU1653	002004 006999	2
- 170	SP33026	...	CAP-PROTECTION TRANSPORT AND STORAGE ITEM	002004 006999	1
175	2000Y15	...	STRAP- SUPPLIER CODE: VK0654	002004 006999	AR
180	638004617	...	PLATE-MOD SUPPLIER CODE: VK0654	002004 006999	1
185	638004614	...	NAMEPLATE- SUPPLIER CODE: VK0654	002004 006999	1

MISSING ITEM NUMBERS NOT APPLICABLE

- ITEM NOT ILLUSTRATED

32-35-10-01

32-35-10  
FIG. 01  
PAGE 6  
SEP 20/08

BRI

BOEING PROPRIETARY - Copyright © - Unpublished Work - See title page for details.



757

PARTS CATALOG (MAINTENANCE)

FIG ITEM	PART NUMBER	1 2 3 4 5 6 7	NOMENCLATURE	EFFECT FROM TO	UNITS PER ASSY
1 200	1FA13017-1		..PACK ASSY-PWR SUPPLIER CODE: V26437 FUNCTIONAL DESCRIPTION: PROVIDES HYDRAULIC PRESSURE TO THE LANDING GEAR ALTERNATE EXTEND SYSTEM, TO EXTEND THE DOOR RELEASE AND UPLOCK RELEASE ACTUATORS SPECIFICATION NUMBER: S273N401-7 MISCELLANEOUS DATA: 1FA13017-1 HAS A RECOMMEND OPERATIONAL LIMITATION PER SERVICE LETTER 757-32-068 ELECTRICAL EQUIP NUMBER: M10231 WIRING DIAGRAM REF: 323511 PRE SERVICE BULLETIN: 32-0142	002004 006999	1
200	1FA13050-3		..PACK ASSY-PWR SUPPLIER CODE: V26437 FUNCTIONAL DESCRIPTION: PROVIDES HYDRAULIC PRESSURE TO THE LANDING GEAR ALTERNATE EXTEND SYSTEM, TO EXTEND THE DOOR RELEASE AND UPLOCK RELEASE ACTUATORS SPECIFICATION NUMBER: S273N401-7 SERVICE BULLETIN OPT DATA: 1FA13050-5 V26437 POST SERVICE BULLETIN: 32-0142	002004 006999	1

MISSING ITEM NUMBERS NOT APPLICABLE

- ITEM NOT ILLUSTRATED

32-35-10-01

32-35-10  
FIG. 01  
PAGE 7  
SEP 20/08

BRI



757

PARTS CATALOG (MAINTENANCE)

FIG ITEM	PART NUMBER	1 2 3 4 5 6 7	NOMENCLATURE	EFFECT FROM TO	UNITS PER ASSY
1 200	1FA13050-5	..	PACK ASSY-PWR SUPPLIER CODE: V26437 FUNCTIONAL DESCRIPTION: PROVIDES HYDRAULIC PRESSURE TO THE LANDING GEAR ALTERNATE EXTEND SYSTEM, TO EXTEND THE DOOR RELEASE AND UPLOCK RELEASE ACTUATORS SPECIFICATION NUMBER: S293W520-5 MISCELLANEOUS DATA: PREFERRED 1FA13017-1 HAS A RECOMMENDED OPERATIONAL LIMITATION PER BOEING SERVICE LETTER 757-SL-32-068. 1FA13050-3 SPARES INTERCHANGEABLE WITH 1FA13017-1 OR FIELD MODIFIED (NON-PRODUCTION) PART 1FA13050-5. SERVICE BULLETIN OPT DATA: 1FA13050-3 V26437 POST SERVICE BULLETIN: 32-0142	002004 006999	1
205	1FA1301729	...	NAMEPLATE- SUPPLIER CODE: V26437 CONFIG CHG DATA FROM A CMM: REPLACED BY 1FA1305034	002004 006999	1
205	1FA1305034	...	NAMEPLATE- SUPPLIER CODE: V26437 CONFIG CHG DATA FROM A CMM: REPLACES 1FA1301729	002004 006999	1
900			ILLUSTRATION REFERENCE: PLUMBING INSTL-SECT. 44 KEEL BEAM MLG WHL WELL HYDR 32-35-51-30	002004 006100 107107 121503 904999	RF

MISSING ITEM NUMBERS NOT APPLICABLE

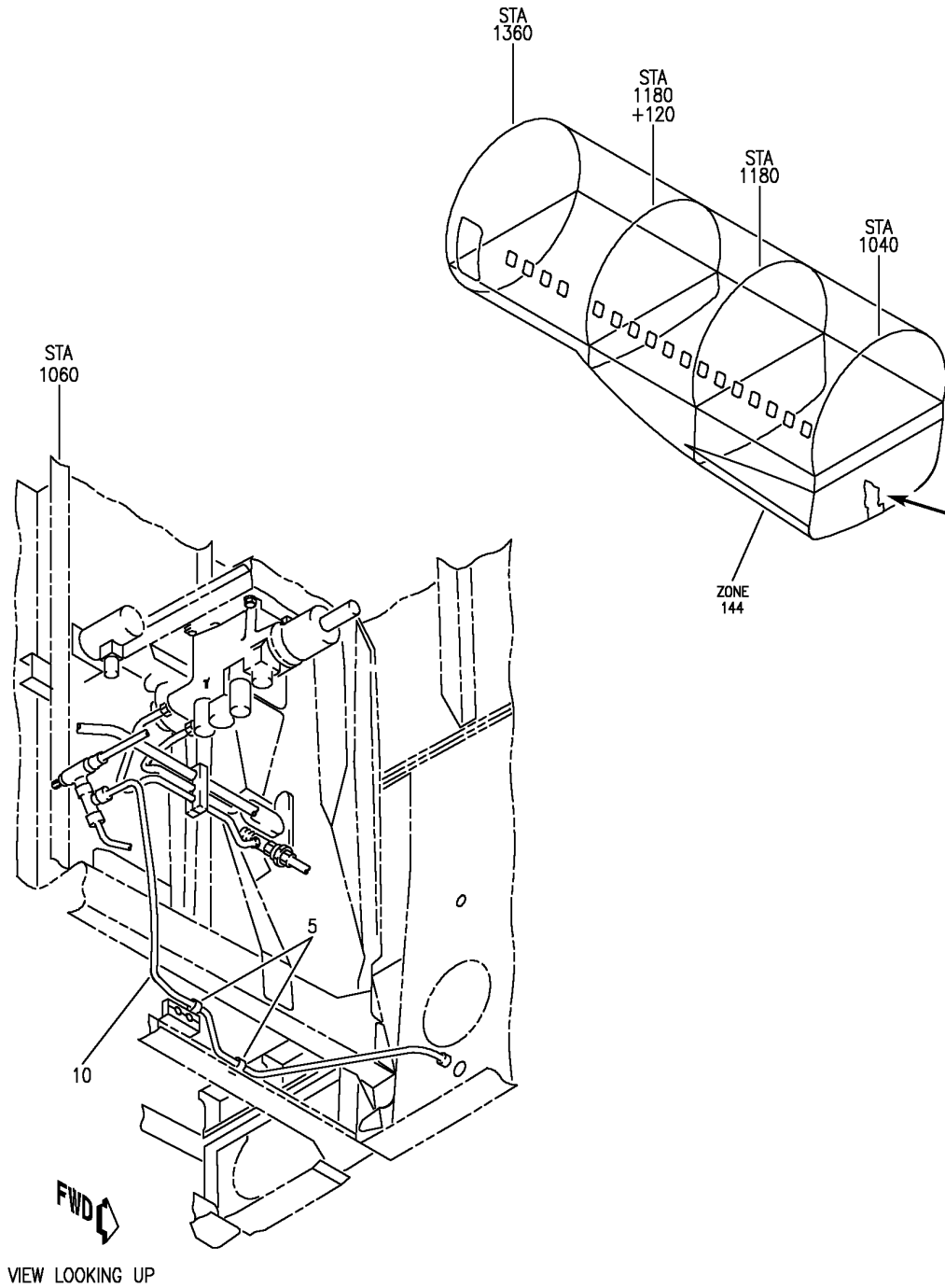
- ITEM NOT ILLUSTRATED

32-35-10-01

32-35-10  
FIG. 01  
PAGE 8  
JAN 20/09

BRI

**BOEING**  
757  
PARTS CATALOG (MAINTENANCE)



Y 32351002 REV 249

PLUMBING INSTL-MAIN WHL WELL BHD HYDR (LANDING GEAR ALTERNATE EXTENSION ONLY)  
FIGURE 2

**32-35-10-02**

BRI  
JAN 20/09

32-35-10-02  
PAGE 0



757

PARTS CATALOG (MAINTENANCE)

FIG ITEM	PART NUMBER	1 2 3 4 5 6 7	NOMENCLATURE	EFFECT FROM TO	UNITS PER ASSY
2			PLUMBING INSTL-MAIN WHL WELL BHD HYDR (LANDING GEAR ALTERNATE EXTENSION ONLY)	103106	
- 1	MODREF31486		PLUMBING INSTL-MAIN WHL WELL BHD HYDR (LANDING GEAR ALTERNATE EXTENSION ONLY) MODULE NUMBER: 271N6441-41 REV B POSITION DATA: FWD FOR OTHER SYS DETAILS SEE: 11-22-06-05 27-11-14-12 29-11-27-02 29-11-51-39D 29-11-51-39E 29-22-01-02 32-41-02-11 32-41-02-12 32-41-04-02 32-42-02-03 32-42-02-04 32-42-09-02 32-42-10-02 32-44-03-03 32-44-06-02	103106	1
5	M85052-2-6		.CLAMP	103106	2
10	271N6441-1431		.TUBE ASSY-RETURN SYS TUBING MATERIAL: .375 IN. OD .019 IN. WALL 42.50 IN. LG TI BMS 7-234 TI-3AL-2.5V COLD WORKED, STRESS RELIEVED TUBING	103106	1
- 15	AS1581T06		..SLEEVE	103106	2
- 20	BACN10YA6		..NUT	103106	2

MISSING ITEM NUMBERS NOT APPLICABLE

- ITEM NOT ILLUSTRATED

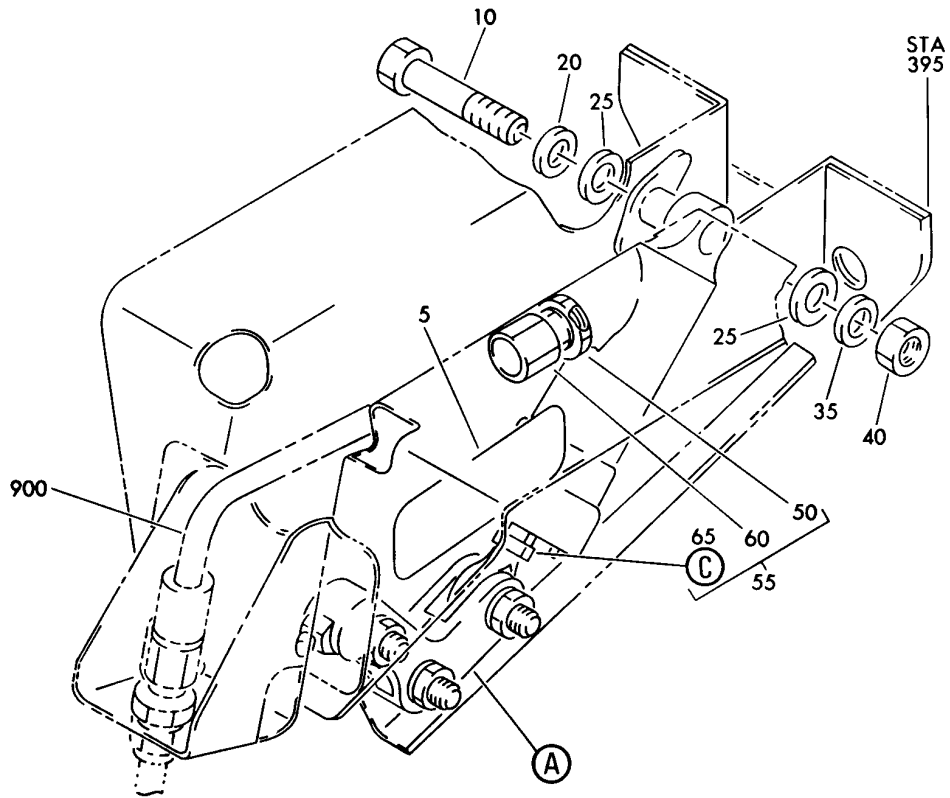
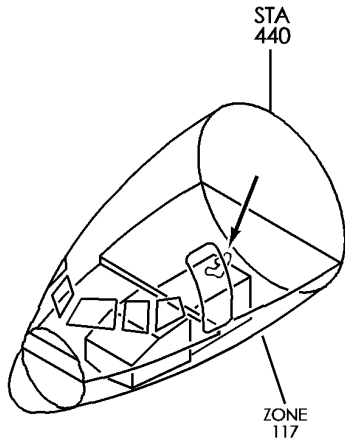
32-35-10-02

32-35-10  
FIG. 02  
PAGE 1  
JAN 20/09

BRI



**BOEING**  
757  
PARTS CATALOG (MAINTENANCE)



Y 32352101 SHT 1 REV 229

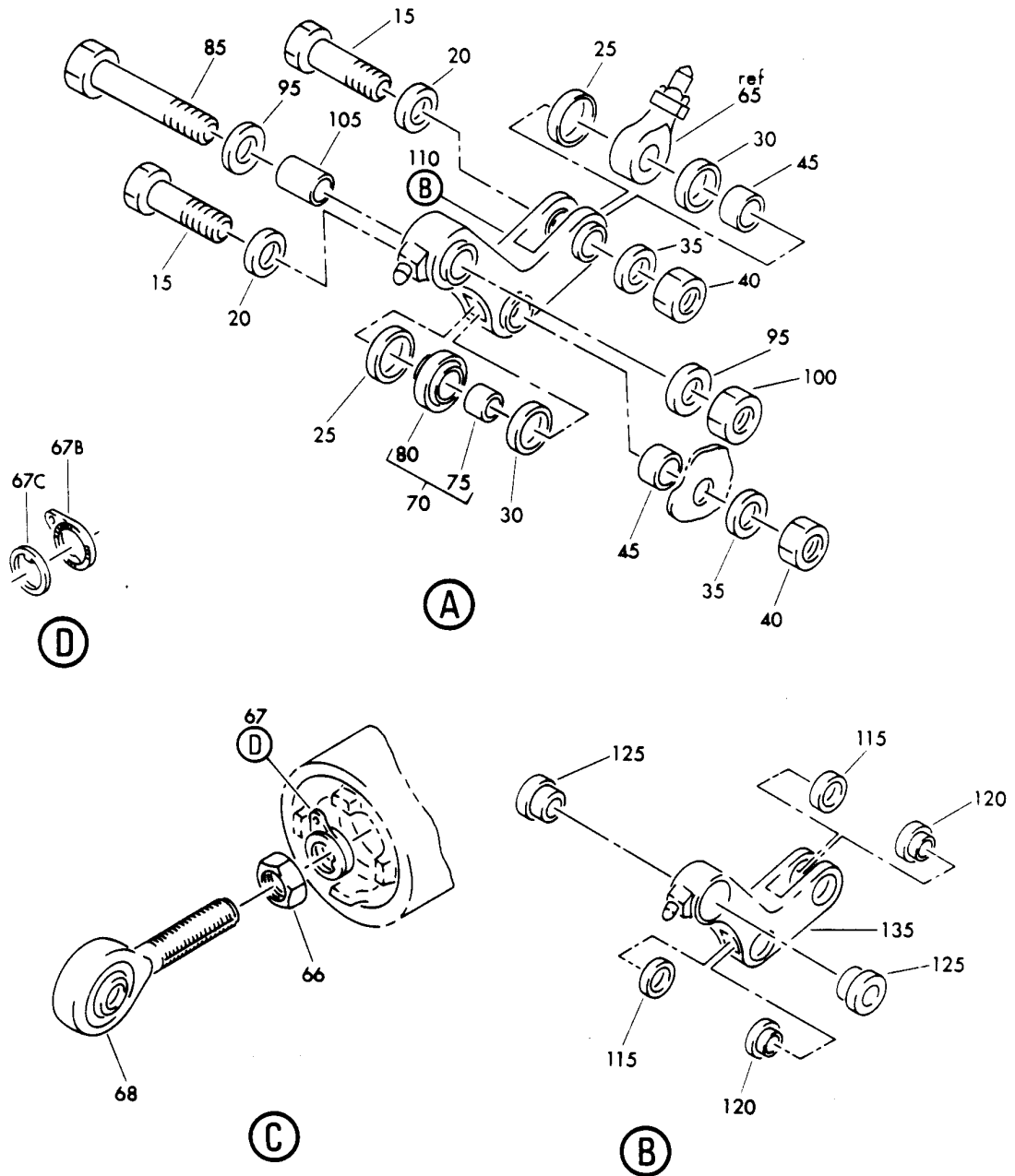
ACTUATOR INSTL-NLG  
FIGURE 1 (SHEET 1)

**32-35-21-01**

BRI  
MAY 28/07

32-35-21-01  
PAGE 0

**BOEING**  
757  
PARTS CATALOG (MAINTENANCE)



Y 32352101 SHT 2 REV 083

ACTUATOR INSTL-NLG  
FIGURE 1 (SHEET 2)

**32-35-21-01**

BRI  
MAY 28/07

32-35-21-01  
PAGE 0A



757

PARTS CATALOG (MAINTENANCE)

FIG ITEM	PART NUMBER	1 2 3 4 5 6 7	NOMENCLATURE	EFFECT FROM TO	UNITS PER ASSY
1			ACTUATOR INSTL-NLG	002004 006999	
- 1	273N4003-1		ACTUATOR INSTL-NLG ALTERNATE UPLOCK RLSE SYS FOR NHA SEE: 29-00-51-03	002004 006100 107107 121503 904999	RF
- 1	273N4003-4		ACTUATOR INSTL-NLG ALTERNATE UPLOCK RLSE SYS FOR NHA SEE: 32-00-00-15	101102 108120 504903	RF
- 1	MODREF8333		ACTUATOR INSTL-NLG ALTERNATE UPLOCK RLSE SYS MODULE NUMBER: 273N4003-4 REV A	103106	1
5	BAC27NHY0120		.MARKER-ALUMINUM FOIL- PLACARD CONTENT: ALTERNATE UPLOCK RELEASE ACTUATOR NOSE LANDING GEAR	002004 006999	1
10	BACB30LJ5U30		.BOLT	002004 006999	1
15	BACB30LJ5U13		.BOLT	002004 006999	2
20	BACW10BP5CD		.WASHER	002004 006999	3
25	273N4076-2		.WASHER	002004 006999	4
30	273N4076-3		.WASHER	002004 006999	2
35	AN960C516L		.WASHER- POSITION DATA: UNDER NUT	002004 006100 107107 121503 904999	3
35	NAS1149C0532R		.WASHER- POSITION DATA: UNDER NUT	101106 108120 504903	3

MISSING ITEM NUMBERS NOT APPLICABLE

- ITEM NOT ILLUSTRATED

32-35-21-01

32-35-21  
FIG. 01  
PAGE 1  
JAN 20/09

BRI



757

PARTS CATALOG (MAINTENANCE)

FIG ITEM	PART NUMBER	1 2 3 4 5 6 7	NOMENCLATURE	EFFECT FROM TO	UNITS PER ASSY
1					
40	BRH10C5D	.	NUT SUPPLIER CODE: V52828 SPECIFICATION NUMBER: BACN10JC5CD OPTIONAL PART: T6C524JCD V11815 102LH9075-5W V72962 H51650-5BAC V15653	002004 006999	3
45	BACB28AK05-025	.	BUSHING	002004 006999	2
50	273N4003-3	.	ACTUATOR ASSY- COMPONENT MAINT MANUAL REF: 32-36-25	002004 006999	1
55	MS21902-4T	..	UNION-	002004 006999	1
60	NAS1612-4A	..	PACKING-	002004 006999	1
65	273N4005-2	..	ACTUATOR ASSY-	002004 006999	1
66	NAS509-5	...	NUT	002004 006999	1
67	NAS1193K5C	...	LOCKING DEVICE	002004 006999	1
67B	NAS1193K5-1	....	WASHER	002004 006999	1
67C	NAS1193K5-2	....	WASHER	002004 006999	1
68	273N4062-1	...	END ASSY-ROD	002004 006999	1
70	273N4078-1	.	ROLLER ASSY	002004 006999	1

MISSING ITEM NUMBERS NOT APPLICABLE

- ITEM NOT ILLUSTRATED

BRI

32-35-21-01

BOEING PROPRIETARY - Copyright © - Unpublished Work - See title page for details.

32-35-21  
FIG. 01  
PAGE 2  
JAN 20/09



757

PARTS CATALOG (MAINTENANCE)

FIG ITEM	PART NUMBER	1 2 3 4 5 6 7	NOMENCLATURE	EFFECT FROM TO	UNITS PER ASSY
1	75 WES05B10GC		.. BEARING SUPPLIER CODE: V73134 SPECIFICATION NUMBER: BACB10FE05C OPTIONAL PART: ADW5VNC V15860 KR5CWGBZC V50632 KWDB5-39 V97613 WRRS05B10GC V73134 WHT05VSBC VS0352	002004 006999	1
	80 273N4078-2		.. ROLLER	002004 006999	1
	85 BACB30LJ6U30		. BOLT	002004 006999	1
	90 BACW10BP6CD		. WASHER	002004 006999	1
	95 AN960C616L		. WASHER- POSITION DATA: UNDER NUT	002004 006100 107107 121503 904999	1
	95 NAS1149C0632R		. WASHER- POSITION DATA: UNDER NUT	101106 108120 504903	1
	100 BRH10C6D		. NUT SUPPLIER CODE: V52828 SPECIFICATION NUMBER: BACN10JC6CD OPTIONAL PART: H51650-6BAC V15653	002004 006999	1
	105 BACB28AK06-096		. BUSHING	002004 006999	1
	110 273N4077-3		. CRANK ASSY- POST SERVICE BULLETIN: 32-0092	002004 006999	1
	115 BACB28U7B011		.. BUSHING	002004 006999	2
	120 BACB28W5C011		.. BUSHING	002004 006999	2
	125 BACB28W9B034		.. BUSHING	002004 006999	2

MISSING ITEM NUMBERS NOT APPLICABLE

- ITEM NOT ILLUSTRATED

32-35-21-01

32-35-21  
FIG. 01  
PAGE 3  
JAN 20/09

BRI

BOEING PROPRIETARY - Copyright © - Unpublished Work - See title page for details.



757

PARTS CATALOG (MAINTENANCE)

FIG ITEM	PART NUMBER	1 2 3 4 5 6 7	NOMENCLATURE	EFFECT FROM TO	UNITS PER ASSY
1					
130	1728B		.. FITTING-LUBE SUPPLIER CODE: VOFKM1	002004 006999	1
135	273N4077-4		.. CRANK- POST SERVICE BULLETIN: 32-0092	002004 006999	1
900			ILLUSTRATION REFERENCE: PLUMBING INSTL-NOSE WHL WELL SECT. 41 HYDR (NOSE GEAR ALTERNATE EXTEND SYSTEM ONLY) 32-35-51-15	002004 006100 107107 121503 904999	RF

MISSING ITEM NUMBERS NOT APPLICABLE

- ITEM NOT ILLUSTRATED

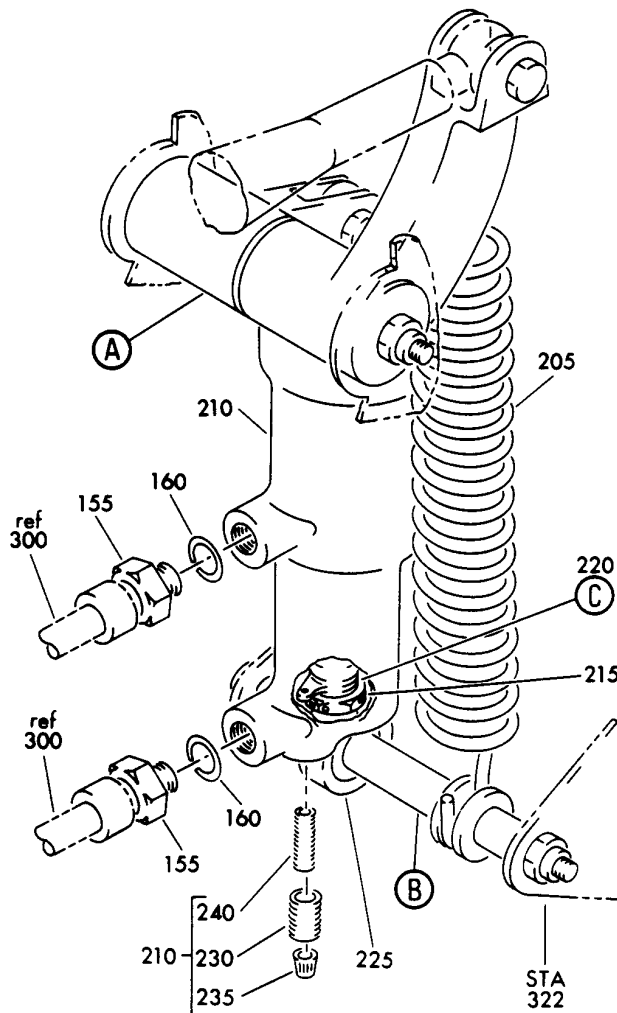
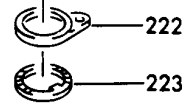
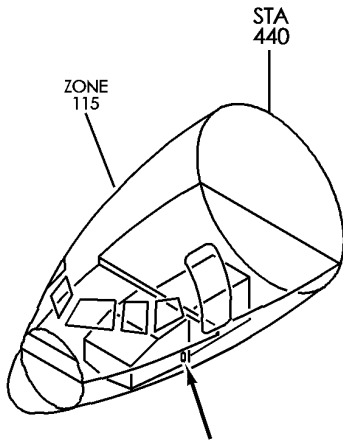
BRI

32-35-21-01

BOEING PROPRIETARY - Copyright © - Unpublished Work - See title page for details.

32-35-21  
FIG. 01  
PAGE 4  
JAN 20/09

**BOEING**  
757  
PARTS CATALOG (MAINTENANCE)



Y 32352201 SHT 1 REV 229

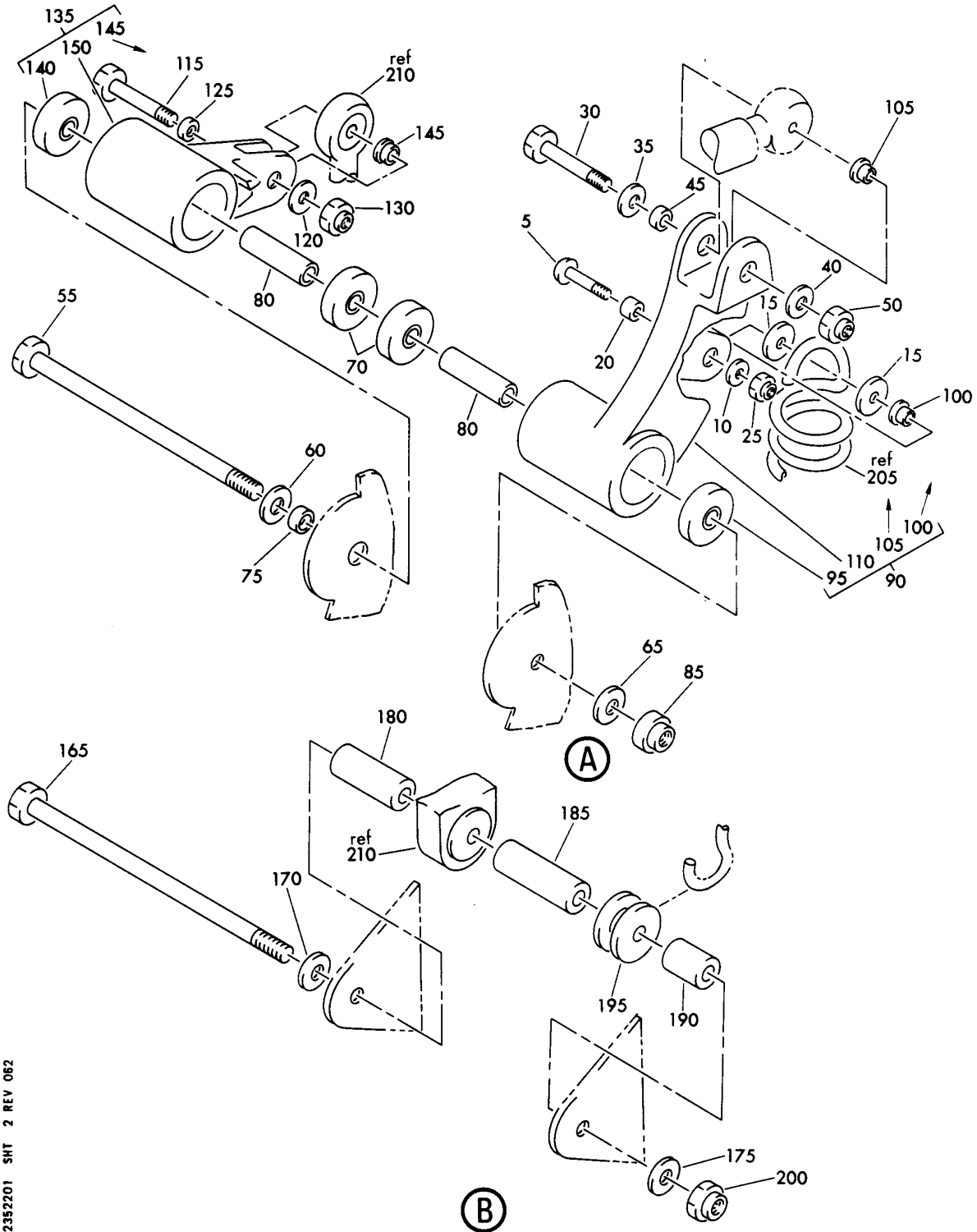
RELEASE INSTL-NLG DOOR (LANDING GEAR ONLY)  
FIGURE 1 (SHEET 1)

**32-35-22-01**

BRI  
MAY 28/07

32-35-22-01  
PAGE 0


**BOEING**  
 757  
**PARTS CATALOG (MAINTENANCE)**



Y 32352201 SHT 2 REV 062

RELEASE INSTL-NLG DOOR (LANDING GEAR ONLY)  
 FIGURE 1 (SHEET 2)

**32-35-22-01**

BRI  
 MAY 28/07

32-35-22-01  
 PAGE 0A





757

PARTS CATALOG (MAINTENANCE)

FIG ITEM	PART NUMBER	1 2 3 4 5 6 7	NOMENCLATURE	EFFECT FROM TO	UNITS PER ASSY
1			RELEASE INSTL-NLG DOOR (LANDING GEAR ONLY)	002004 006999	
- 1	273N4031-1		RELEASE INSTL-NLG DOOR (LANDING GEAR ONLY) FOR NHA/OTHER SYS DET SEE: 32-35-00-01	002004 006100 107107 121503 904999	RF
- 1	273N4031-4		RELEASE INSTL-NLG DOOR (LANDING GEAR ONLY) FOR NHA SEE: 32-00-00-15	101102 108120 504903	RF
- 1	MODREF8346		RELEASE INSTL-NLG DOOR (LANDING GEAR ONLY) MODULE NUMBER: 273N4031-4 REV A	103106	1
- 3	273N4031-3		RELEASE INSTL-NLG DOOR (LANDING GEAR ONLY) FOR NHA/OTHER SYS DET SEE: 32-00-00-15	101102 108120 504903	RF
- 3	MODREF8345		RELEASE INSTL-NLG DOOR (LANDING GEAR ONLY) MODULE NUMBER: 273N4031-3 REV A	103106	1
5	BACB30NT3K11		.BOLT- USED ON: 273N4031-1 273N4031-3 MODREF8345	002004 006999	1
10	NAS1149D0363J		.WASHER- USED ON: 273N4031-1 273N4031-3 MODREF8345	002004 006999	1
15	BACW10P124S		.WASHER- USED ON: 273N4031-1 273N4031-3 MODREF8345	002004 006999	2
20	NAS73-3E007		.SPACER- USED ON: 273N4031-1 273N4031-3 MODREF8345	002004 006999	1

MISSING ITEM NUMBERS NOT APPLICABLE

- ITEM NOT ILLUSTRATED

32-35-22-01

32-35-22  
FIG. 01  
PAGE 1  
JAN 20/09

BRI



757

PARTS CATALOG (MAINTENANCE)

FIG ITEM	PART NUMBER	1 2 3 4 5 6 7	NOMENCLATURE	EFFECT FROM TO	UNITS PER ASSY
1	25 BRH10C3D		.NUT- SUPPLIER CODE: V52828 SPECIFICATION NUMBER: BACN10JC3CD OPTIONAL PART: T6C1032JCD V11815 NS202486-02 V80539 102LH9075-3W V72962 H51650-3BAC V15653 USED ON: 273N4031-1 273N4031-3 MODREF8345	002004 006999	1
	30 BACB30NF4-18		.BOLT- USED ON: 273N4031-1 273N4031-3 MODREF8345	002004 006999	1
	35 NAS1149D0463J		.WASHER- USED ON: 273N4031-1 273N4031-3 MODREF8345	002004 006999	1
	40 BACW10BN4AC		.WASHER- USED ON: 273N4031-1 273N4031-3 MODREF8345	002004 006999	1
	45 NAS73-4E006		.SPACER- USED ON: 273N4031-1 273N4031-3 MODREF8345	002004 006999	1

MISSING ITEM NUMBERS NOT APPLICABLE

- ITEM NOT ILLUSTRATED

32-35-22-01

32-35-22  
FIG. 01  
PAGE 2  
SEP 20/08

BRI



757

PARTS CATALOG (MAINTENANCE)

FIG ITEM	PART NUMBER	1 2 3 4 5 6 7	NOMENCLATURE	EFFECT FROM TO	UNITS PER ASSY
1 50	BRH10C4D		.NUT- SUPPLIER CODE: V52828 SPECIFICATION NUMBER: BACN10JC4CD OPTIONAL PART: T6C428JCD V11815 NS202486-048 V80539 102LH9075-4W V72962 H51650-4BAC V15653 USED ON: 273N4031-1 273N4031-3 MODREF8345	002004 006999	1
55	BACB30NF6-70		.BOLT- USED ON: 273N4031-1 273N4031-3 MODREF8345	002004 006999	1
60	BACW10BN6AC		.WASHER- USED ON: 273N4031-1 273N4031-3 MODREF8345	002004 006999	1
65	NAS1149D0663J		.WASHER- USED ON: 273N4031-1 273N4031-3 MODREF8345	002004 006999	1

MISSING ITEM NUMBERS NOT APPLICABLE

- ITEM NOT ILLUSTRATED

BRI

32-35-22-01

BOEING PROPRIETARY - Copyright © - Unpublished Work - See title page for details.

32-35-22  
FIG. 01  
PAGE 3  
SEP 20/08



757

PARTS CATALOG (MAINTENANCE)

FIG ITEM	PART NUMBER	1 2 3 4 5 6 7	NOMENCLATURE	EFFECT FROM TO	UNITS PER ASSY
1 70	KP6AFS428		.BEARING- SUPPLIER CODE: V06144 SPECIFICATION NUMBER: BACB10BX6 OPTIONAL PART: KP6AFS428 V21335 KP6A2TS V43991 LLKP6A V38443 KP6AG27 V30163 KP6A V38443 KP6BLY196 V40920 KP6BSD610 V83086 CS206E VK8455 KP6A V21760 KP6ANJC V06144	002004 006100 107107 121503 904999	2
70	PACMKP6AFS428		.BEARING- SUPPLIER CODE: V21335 SPECIFICATION NUMBER: BACB10FS6 OPTIONAL PART: ACMKP6AP510LY19 V40920 SSMKP6ASD705 V83086 PACMKP6AA3908 V21335 SSMKP6AP V21760 BACB10FS06J USED ON: 273N4031-1 273N4031-3 MODREF8345	101106 108120 504903	2

MISSING ITEM NUMBERS NOT APPLICABLE

- ITEM NOT ILLUSTRATED

32-35-22-01

32-35-22  
FIG. 01  
PAGE 4  
JAN 20/09

BRI



757

PARTS CATALOG (MAINTENANCE)

FIG ITEM	PART NUMBER	1 2 3 4 5 6 7	NOMENCLATURE	EFFECT FROM TO	UNITS PER ASSY
1 70	SSMKP6ASD524		.BEARING- SUPPLIER CODE: V50294 SPECIFICATION NUMBER: BACB10FS06J OPTIONAL PART: PACMKP06JAA3908 V21335 SSMKP06JASD705 V83086 PACMKP6AFS428 V21335 ACMKP06JAP510LY V40920 PACMKP06JAFS428 V21335 SSMKP06JAP V21760 SSMKP06AP V21760 BACB10FS6 USED ON: 273N4031-3 MODREF8345	101106 108120 504903	2
75	BACB28AK06-026		.SPACER- USED ON: 273N4031-1 273N4031-3 MODREF8345	002004 006100 121503 904999	1
75 80	NAS73-6E004 273N4108-1		.SPACER- .RING ASSY-BRG SPACER CENTERING USED ON: 273N4031-1 273N4031-3 MODREF8345	107107 002004 006999	1 2
85	BRH10C6D		.NUT- SUPPLIER CODE: V52828 SPECIFICATION NUMBER: BACN10JC6CD OPTIONAL PART: H51650-6BAC V15653 USED ON: 273N4031-1 273N4031-3 MODREF8345	002004 006999	1

MISSING ITEM NUMBERS NOT APPLICABLE

- ITEM NOT ILLUSTRATED

32-35-22-01

32-35-22  
FIG. 01  
PAGE 5  
JAN 20/09

BRI



757

PARTS CATALOG (MAINTENANCE)

FIG ITEM	PART NUMBER	1 2 3 4 5 6 7	NOMENCLATURE	EFFECT FROM TO	UNITS PER ASSY
1					
90	273N4113-6	.	LEVER ASSY-	002004 006999	1
90	273N4113-8	.	LEVER ASSY-	002004 006999	1
90	273N4113-9	.	LEVER ASSY- USED ON: 273N4031-1 273N4031-4 MODREF8346	002004 006999	1
95	KP6AFS428	..	BEARING- SUPPLIER CODE: V06144 SPECIFICATION NUMBER: BACB10BX6 OPTIONAL PART: KP6AFS428 V21335 KP6A2TS V43991 LLKP6A V38443 KP6AG27 V30163 KP6A V38443 KP6BLY196 V40920 KP6BSD610 V83086 CS206E VK8455 KP6A V21760 KP6ANJC V06144 USED ON: 273N4113-6 273N4113-8	002004 006999	1

MISSING ITEM NUMBERS NOT APPLICABLE

- ITEM NOT ILLUSTRATED

BRI

32-35-22-01

BOEING PROPRIETARY - Copyright © - Unpublished Work - See title page for details.

32-35-22  
FIG. 01  
PAGE 6  
JAN 20/09



757

PARTS CATALOG (MAINTENANCE)

FIG ITEM	PART NUMBER	1 2 3 4 5 6 7	NOMENCLATURE	EFFECT FROM TO	UNITS PER ASSY
1	95 PACMKP6AFS428		.. BEARING- SUPPLIER CODE: V21335 SPECIFICATION NUMBER: BACB10FS6 OPTIONAL PART: ACMKP6AP510LY19 V40920 SSMKP6ASD705 V83086 PACMKP6AA3908 V21335 SSMKP6AP V21760 USED ON: 273N4113-9	002004 006999	1
100	BACB28X3C010		.. BUSHING	002004 006999	1
105	BACB28X4C010		.. BUSHING	002004 006999	1
110	273N4113-4		.. LEVER- USED ON: 273N4113-6	002004 006999	1
110	273N4113-7		.. LEVER- USED ON: 273N4113-8 273N4113-9	002004 006999	1
115	BACB30NF5-15		. BOLT- USED ON: 273N4031-1 273N4031-3 MODREF8345	002004 006999	1
120	BACW10BN5AC		. WASHER- USED ON: 273N4031-1 273N4031-3 MODREF8345	002004 006999	1
125	NAS73-5-003		. BUSHING- USED ON: 273N4031-3 MODREF8345	101106 108120 504903	1
125	NAS73-5E003		. BUSHING-	002004 006100 107107 121503 904999	1

MISSING ITEM NUMBERS NOT APPLICABLE

- ITEM NOT ILLUSTRATED

32-35-22-01

32-35-22  
FIG. 01  
PAGE 7  
JAN 20/09

BRI

BOEING PROPRIETARY - Copyright © - Unpublished Work - See title page for details.



757

PARTS CATALOG (MAINTENANCE)

FIG ITEM	PART NUMBER	1 2 3 4 5 6 7	NOMENCLATURE	EFFECT FROM TO	UNITS PER ASSY
1 130	BRH10C5D		.NUT- SUPPLIER CODE: V52828 SPECIFICATION NUMBER: BACN10JC5CD OPTIONAL PART: T6C524JCD V11815 102LH9075-5W V72962 H51650-5BAC V15653 USED ON: 273N4031-1 273N4031-3 MODREF8345	002004 006999	1
135	273N4112-10		.LEVER ASSY- OPTIONAL PART: 273N4112-9	002004 006100 107107 950999	1
135	273N4112-9		.LEVER ASSY- OPTIONAL PART: 273N4112-10	002004 006100 107107 950999	1
135	273N4112-11		.LEVER ASSY- OPTIONAL PART: 273N4112-9	002004 006100 107107 950999	1
135	273N4112-14		.LEVER ASSY- OPTIONAL PART: 273N4112-15 USED ON: 273N4031-1 273N4031-3 MODREF8345	002004 006100 107107 950999	1
135	273N4112-15		.LEVER ASSY- OPTIONAL PART: 273N4112-14 USED ON: 273N4031-1 273N4031-3 MODREF8345	002004 006100 107107 950999	1

MISSING ITEM NUMBERS NOT APPLICABLE

- ITEM NOT ILLUSTRATED

BRI

32-35-22-01

BOEING PROPRIETARY - Copyright © - Unpublished Work - See title page for details.

32-35-22  
FIG. 01  
PAGE 8  
JAN 20/09





757

PARTS CATALOG (MAINTENANCE)

FIG ITEM	PART NUMBER	1 2 3 4 5 6 7	NOMENCLATURE	EFFECT FROM TO	UNITS PER ASSY
1 140	KP6AFS428		.. BEARING- SUPPLIER CODE: V06144 SPECIFICATION NUMBER: BACB10BX6 OPTIONAL PART: KP6AFS428 V21335 KP6A2TS V43991 LLKP6A V38443 KP6AG27 V30163 KP6A V38443 KP6BLY196 V40920 KP6BSD610 V83086 CS206E VK8455 KP6A V21760 KP6ANJC V06144 USED ON: 273N4112-9 273N4112-10 273N4112-11	002004 006100 107107 950999	1
140	PACMKP6AFS428		.. BEARING- SUPPLIER CODE: V21335 SPECIFICATION NUMBER: BACB10FS6 OPTIONAL PART: ACMKP6AP510LY19 V40920 SSMKP6ASD705 V83086 PACMKP6AA3908 V21335 SSMKP6AP V21760 USED ON: 273N4112-14 273N4112-15	002004 006100 107107 950999	1

MISSING ITEM NUMBERS NOT APPLICABLE

- ITEM NOT ILLUSTRATED

32-35-22-01

32-35-22  
 FIG. 01  
 PAGE 9  
 JAN 20/09

BRI



757

PARTS CATALOG (MAINTENANCE)

FIG ITEM	PART NUMBER	1 2 3 4 5 6 7	NOMENCLATURE	EFFECT FROM TO	UNITS PER ASSY
1					
145	BACB28X5C010	..	BUSHING	002004 006100 107107 950999	1
150	273N4112-7	..	LEVER- USED ON: 273N4112-9 273N4112-14	002004 006100 107107 950999	1
150	273N4112-8	..	LEVER- USED ON: 273N4112-10 273N4112-15	002004 006100 107107 950999	1
150	273N4112-12	..	LEVER- USED ON: 273N4112-11	002004 006100 107107 950999	1

MISSING ITEM NUMBERS NOT APPLICABLE

- ITEM NOT ILLUSTRATED

BRI

32-35-22-01

BOEING PROPRIETARY - Copyright © - Unpublished Work - See title page for details.

32-35-22  
FIG. 01  
PAGE 10  
JAN 20/09



757

PARTS CATALOG (MAINTENANCE)

FIG ITEM	PART NUMBER	1 2 3 4 5 6 7	NOMENCLATURE	EFFECT FROM TO	UNITS PER ASSY
1 155	AFP2326-4		.REDUCER- SUPPLIER CODE: V30974 SPECIFICATION NUMBER: BACR17E6-4 OPTIONAL PART: AP10276-4 V01673 BC916T6-4 V50948 DB0R17E6-4 V14798 ER21916T6-4 V88334 ER31916-6-4 V88334 F23-6-4 V73197 2-01075T6-4 V11328 31778-6-4 V14397 US2114-6-4 V50808 AP1027T6-4 V01673 US21146-4 V50808 317786-4 V14397 USED ON: 273N4031-1 273N4031-3 MODREF8345	002004 006999	2
160	NAS1612-4		.PACKING- OPTIONAL PART: NAS1612-4A USED ON: 273N4031-1 273N4031-3 MODREF8345	002004 006999	2
160	NAS1612-4A		.PACKING- OPTIONAL PART: NAS1612-4 USED ON: 273N4031-3 MODREF8345	101106 108120 504903	2

MISSING ITEM NUMBERS NOT APPLICABLE

- ITEM NOT ILLUSTRATED

32-35-22-01

32-35-22  
FIG. 01  
PAGE 11  
JAN 20/09

BRI



757

PARTS CATALOG (MAINTENANCE)

FIG ITEM	PART NUMBER	1 2 3 4 5 6 7	NOMENCLATURE	EFFECT FROM TO	UNITS PER ASSY
1					
165	BACB30NF5-69		.BOLT- USED ON: 273N4031-1 273N4031-3 MODREF8345	002004 006999	1
170	NAS1149D0563J		.WASHER- USED ON: 273N4031-1 273N4031-3 MODREF8345	002004 006999	1
175	BACW10BN5AC		.WASHER- USED ON: 273N4031-1 273N4031-3 MODREF8345	002004 006999	1
180	NAS73-5E102		.SPACER- USED ON: 273N4031-1 273N4031-3 MODREF8345	002004 006999	1
185	NAS73-5E108		.SPACER- USED ON: 273N4031-1 273N4031-4 MODREF8346	002004 006999	1
190	NAS73-5E011		.SPACER- USED ON: 273N4031-1 273N4031-3 MODREF8345	002004 006999	1
195	273N4104-1		.RETAINER-SPR USED ON: 273N4031-1 273N4031-3 MODREF8345	002004 006999	1

MISSING ITEM NUMBERS NOT APPLICABLE

- ITEM NOT ILLUSTRATED

32-35-22-01

32-35-22  
FIG. 01  
PAGE 12  
JAN 20/09

BRI

BOEING PROPRIETARY - Copyright © - Unpublished Work - See title page for details.



757

PARTS CATALOG (MAINTENANCE)

FIG ITEM	PART NUMBER	1 2 3 4 5 6 7	NOMENCLATURE	EFFECT FROM TO	UNITS PER ASSY
1 200	BRH10C5D	.NUT-	SUPPLIER CODE: V52828 SPECIFICATION NUMBER: BACN10JC5CD OPTIONAL PART: T6C524JCD V11815 102LH9075-5W V72962 H51650-5BAC V15653 USED ON: 273N4031-1 273N4031-3 MODREF8345	002004 006999	1
205	273N4109-1	.SPRING-HELICAL EXTENSION	USED ON: 273N4031-1 273N4031-3 MODREF8345	002004 006999	1
210	273N4006-2	.ACTUATOR ASSY-	COMPONENT MAINT MANUAL REF: 32-35-25	002004 006100 107107 121503 904999	1
210	273N4006-3	.ACTUATOR ASSY-	COMPONENT MAINT MANUAL REF: 32-35-25 USED ON: 273N4031-1 273N4031-3 MODREF8345	002004 006100 107107 121503 904999	1
215	NAS509-5	..NUT		002004 006100 107107 121503 904999	1
220	NAS1193K5C	..LOCKING DEVICE		002004 006100 107107 121503 904999	1
222	NAS1193K5-1	...WASHER		002004 006100 107107 121503 904999	1

MISSING ITEM NUMBERS NOT APPLICABLE

- ITEM NOT ILLUSTRATED

32-35-22-01

32-35-22  
FIG. 01  
PAGE 13  
JAN 20/09

BRI



757

PARTS CATALOG (MAINTENANCE)

FIG ITEM	PART NUMBER	1 2 3 4 5 6 7	NOMENCLATURE	EFFECT FROM TO	UNITS PER ASSY
1					
223	NAS1193K5-2	. . .	WASHER	002004 006100 107107 121503 904999	1
225	273N4062-1	. .	END ASSY-ROD	002004 006100 107107 121503 904999	1
230	BACP20AX21D	. .	PLUG	002004 006100 107107 121503 904999	1
235	BACP20AX21DP	. .	PIN	002004 006100 107107 121503 904999	1
240	CKRA1876005A	. .	VALVE-CHK SUPPLIER CODE: V92555	002004 006100 107107 121503 904999	1
300			ILLUSTRATION REFERENCE: PLUMBING INSTL-NOSE WHL WELL SECT. 41 HYDR (NOSE GEAR ALTERNATE EXTEND SYSTEM ONLY) 32-35-51-15	002004 006100 107107 121503 904999	RF

MISSING ITEM NUMBERS NOT APPLICABLE

- ITEM NOT ILLUSTRATED

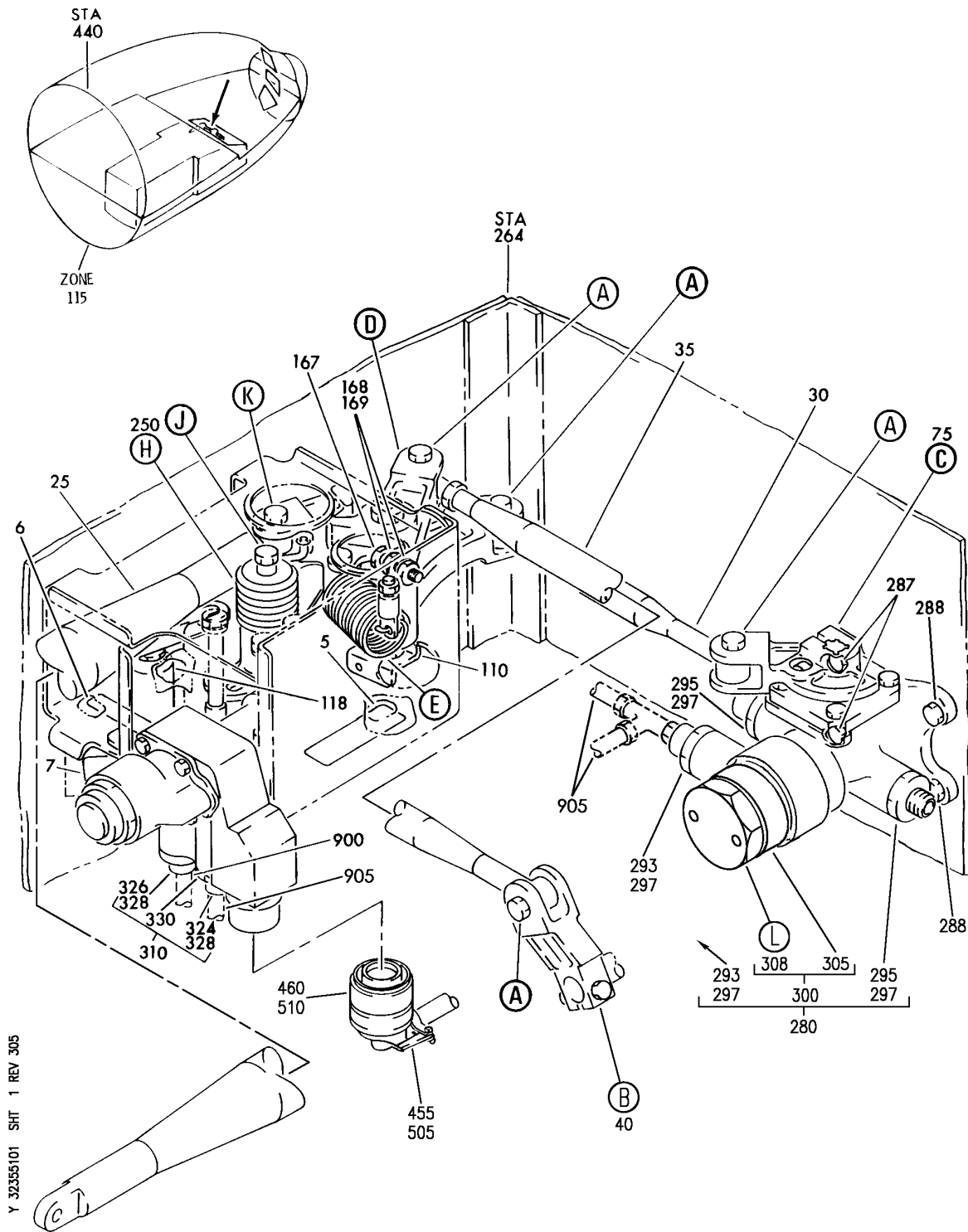
BRI

32-35-22-01

BOEING PROPRIETARY - Copyright © - Unpublished Work - See title page for details.

32-35-22  
FIG. 01  
PAGE 14  
JAN 20/09

**BOEING**  
757  
PARTS CATALOG (MAINTENANCE)



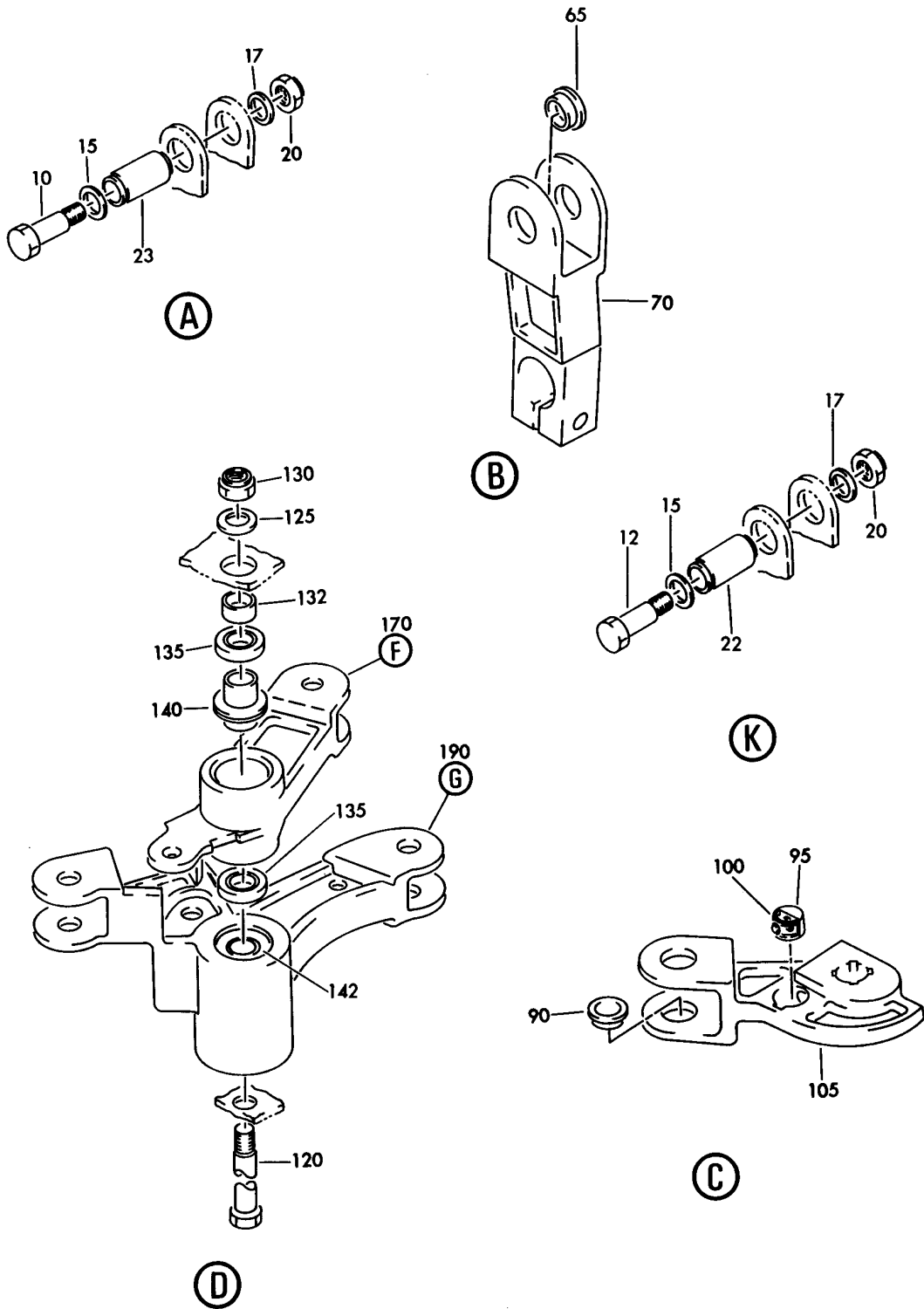
LOCK RELEASE INSTL-NOSE GR DOOR ACTR  
FIGURE 1 (SHEET 1)

**32-35-51-01**

BRI  
MAY 28/07

32-35-51-01  
PAGE 0


**BOEING**  
 757  
**PARTS CATALOG (MAINTENANCE)**



Y 32355101 SHT 2 REV 165

LOCK RELEASE INSTL-NOSE GR DOOR ACTR  
 FIGURE 1 (SHEET 2)

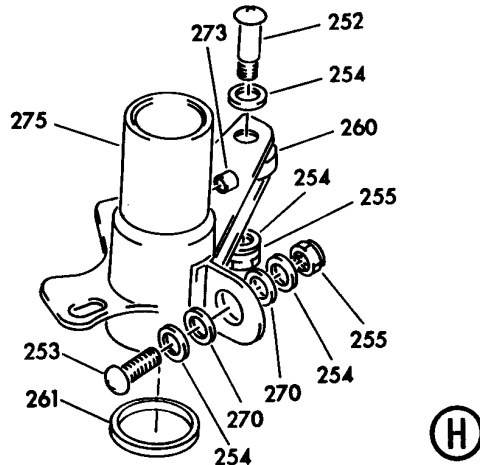
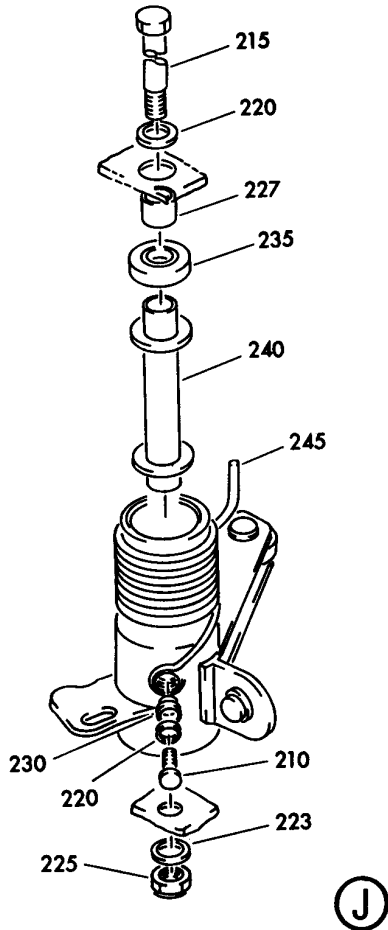
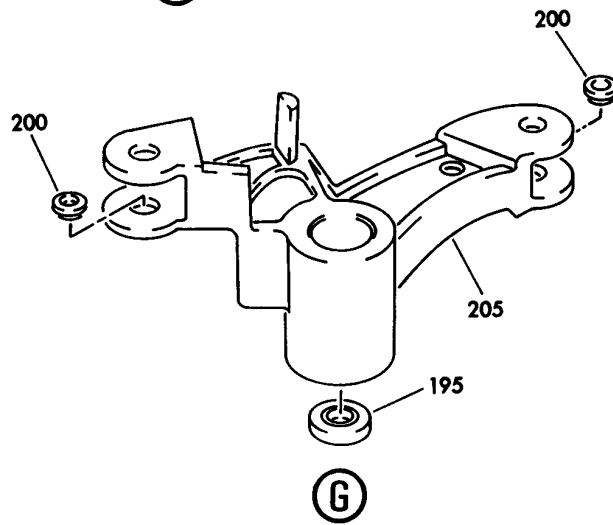
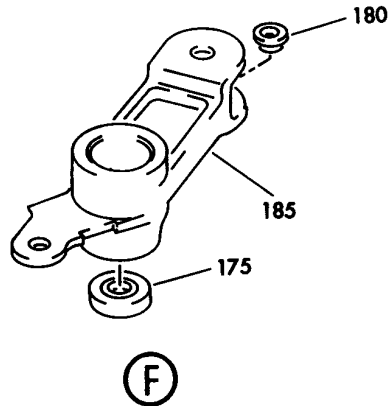
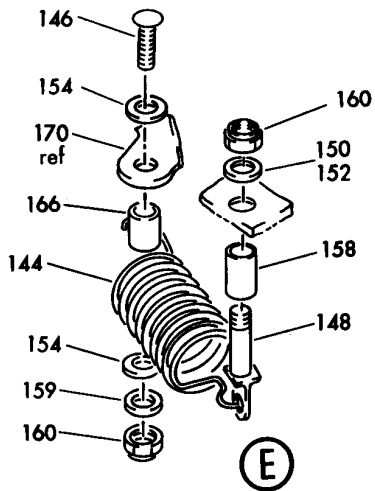
**32-35-51-01**

BRI  
MAY 28/07

32-35-51-01  
 PAGE 0A




**BOEING**  
 757  
**PARTS CATALOG (MAINTENANCE)**



Y 32355101 SHT 3 REV 165

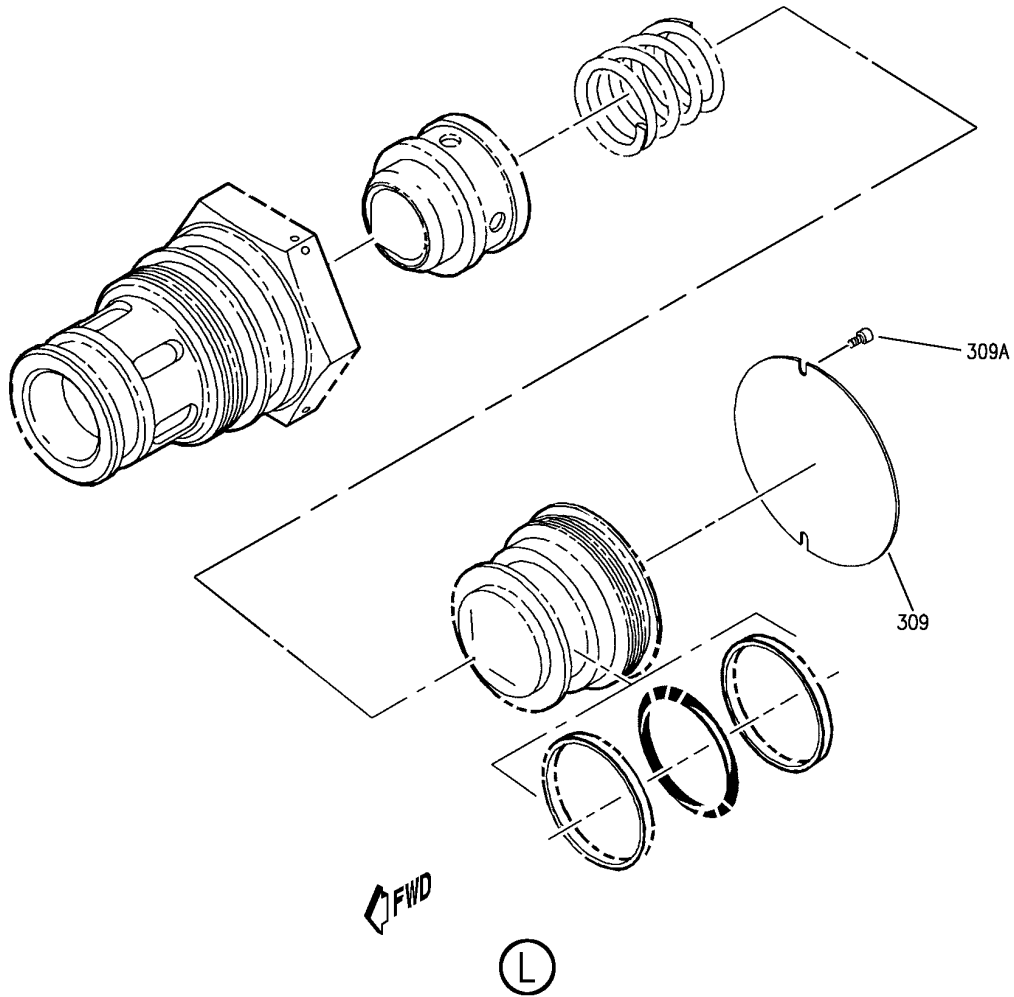
LOCK RELEASE INSTL-NOSE GR DOOR ACTR  
 FIGURE 1 (SHEET 3)

**32-35-51-01**

BRI  
MAY 28/07

32-35-51-01  
 PAGE 0B

**BOEING**  
757  
PARTS CATALOG (MAINTENANCE)



Y 32355101 SH1 4 REV 305

LOCK RELEASE INSTL-NOSE GR DOOR ACTR  
FIGURE 1 (SHEET 4)

**32-35-51-01**

BRI  
MAY 28/07

32-35-51-01  
PAGE 0C



757

PARTS CATALOG (MAINTENANCE)

FIG ITEM	PART NUMBER	1 2 3 4 5 6 7	NOMENCLATURE	EFFECT FROM TO	UNITS PER ASSY
1			LOCK RELEASE INSTL-NOSE GR DOOR ACTR	002004 006999	
- 1	273N4034-7		LOCK RELEASE INSTL-NOSE GR DOOR ACTR FOR NHA SEE: 32-00-00-15	101102 108120 504903	RF
- 1	273N4034-6		LOCK RELEASE INSTL-NOSE GR DOOR ACTR FOR NHA SEE: 32-35-00-01	002004 006100 107107 121503 904999	RF
- 1	MODREF8348		LOCK RELEASE INSTL-NOSE GR DOOR ACTR MODULE NUMBER: 273N4034-7 REV A	103106	1
5	BAC27NCT0016		.MARKER-ALUMINUM FOIL PLACARD CONTENT: GROUND SAFETY PIN .309 TO .311 DIA	107107 904949	1
5	BAC27NCT0283		.MARKER-ALUMINUM FOIL PLACARD CONTENT: GROUND SAFETY PIN .309 TO .311 DIA	006106 108120 504903 950951 953999	1
5	BAC27NCT0282		.DECAL-ALUMINUM FOIL PLACARD CONTENT: DOOR LOCK PIN .309 TO .311 DIA.	002004 121503 952952	1
6	BAC27NCT0028		.MARKER-ALUMINUM FOIL PLACARD CONTENT: S10362 VALVE SW	002004 006999	1
7	BAC27NCT0029		.MARKER-ALUMINUM FOIL PLACARD CONTENT: M10281 INTERLOCK ACTR	002004 006999	1
10	BACB30NF4-16		.BOLT-	002004 006999	4
12	BACB30NF4-18		.BOLT	002004 006999	1
15	BACW10BN4AC		.WASHER	002004 006999	5
17	NAS1149D0463J		.WASHER-	002004 006999	5

MISSING ITEM NUMBERS NOT APPLICABLE

- ITEM NOT ILLUSTRATED

32-35-51-01

32-35-51  
FIG. 01  
PAGE 1  
JAN 20/09

BRI



757

PARTS CATALOG (MAINTENANCE)

FIG ITEM	PART NUMBER	1 2 3 4 5 6 7	NOMENCLATURE	EFFECT FROM TO	UNITS PER ASSY
1	20 BRH10C4D	.	NUT SUPPLIER CODE: V52828 SPECIFICATION NUMBER: BACN10JC4CD OPTIONAL PART: T6C428JCD V11815 NS202486-048 V80539 102LH9075-4W V72962 H51650-4BAC V15653	002004 006999	5
	22 NAS73-4E006	.	SPACER	002004 006100 103107 121503 904999	1
	23 NAS73-4-003	.	BUSHING	002004 006999	4
	25 250N2004-1119	.	ROD ASSY- COMPONENT MAINT MANUAL REF: 27-00-12	101106 108120 504903	1
	25 250N2004-1119	.	ROD ASSY- COMPONENT MAINT MANUAL REF: 27-00-12 QUALIFIED I/W DATA: CONTROL ROD ASSEMBLY 250N2004-1119 TOGETHER WITH QUANTITY TWO (2) NAS73-4E006 BUSHINGS CAN REPLACE OR BE REPLACED BY CONTROL ROD ASSEMBLY 250N2004-1118 TOGETHER WITH QUANTITY ONE (1) NAS73-4-003 BUSHING (FORE) AND QUANTITY ONE (1) NAS73-4E003 BUSHING (AFT).	002004 006100 107107 121503 904999	1
	30 250N2004-1202	.	ROD ASSY- COMPONENT MAINT MANUAL REF: 27-00-12	002004 006017 107107 121503 904999	1

MISSING ITEM NUMBERS NOT APPLICABLE

- ITEM NOT ILLUSTRATED

32-35-51-01

32-35-51  
FIG. 01  
PAGE 2  
JAN 20/09

BRI

BOEING PROPRIETARY - Copyright © - Unpublished Work - See title page for details.



757

PARTS CATALOG (MAINTENANCE)

FIG ITEM	PART NUMBER	1 2 3 4 5 6 7	NOMENCLATURE	EFFECT FROM TO	UNITS PER ASSY
1					
30	250N2004-221	.ROD ASSY-	MISCELLANEOUS DATA: FOR SPARES PROCURE LOWER COMPONENTS COMPONENT MAINT MANUAL REF: 27-00-12 OPTIONAL PART: 250N2004-1202	002004 006100 107107 121503 904999	1
30	250N2004-337	.ROD ASSY-	COMPONENT MAINT MANUAL REF: 27-00-12	018106 108120 504903	1
35	250N2004-1207	.ROD ASSY-	COMPONENT MAINT MANUAL REF: 27-00-12	002004 006999	1
40	273N4170-11	.LEVER ASSY-UNLOCK	OPTIONAL PART: 273N4170-12	002004 006999	1
40	273N4170-12	.LEVER ASSY-UNLOCK		002004 006999	1
			ATTACHING PARTS		
- 45	BACB30NR4K16	.BOLT		002004 006999	1
- 50	BACW10BN4AC	.WASHER		002004 006999	1
- 55	NAS1149D0463J	.WASHER-		002004 006999	1
- 60	BRH10C4D	.NUT	SUPPLIER CODE: V52828 SPECIFICATION NUMBER: BACN10JC4CD OPTIONAL PART: T6C428JCD V11815 NS202486-048 V80539 102LH9075-4W V72962 H51650-4BAC V15653	002004 006999	1
			-----*-----		
65	BAC28X4C010	..BUSHING		002004 006999	1
70	273N4170-9	..LEVER-	OPTIONAL PART: 273N4170-10 USED ON: 273N4170-11	002004 006999	1

MISSING ITEM NUMBERS NOT APPLICABLE

- ITEM NOT ILLUSTRATED

BRI

32-35-51-01

32-35-51  
FIG. 01  
PAGE 3  
JAN 20/09



757

PARTS CATALOG (MAINTENANCE)

FIG ITEM	PART NUMBER	1 2 3 4 5 6 7	NOMENCLATURE	EFFECT FROM TO	UNITS PER ASSY
1	70 273N4170-10		.. LEVER- OPTIONAL PART: 273N4170-9 USED ON: 273N4170-12	002004 006999	1
	75 273N4092-1		. LEVER ASSY-SAFETY VALVE	002004 006999	1
	75 273N4092-6		. LEVER ASSY-SAFETY VALVE OPTIONAL PART: 273N4092-1 ATTACHING PARTS	101106 108120 504903	1
-	80 BACB30NR4K16		. BOLT	002004 006999	1
-	85 BACW10BN4AC		. WASHER	002004 006999	1
	90 BACB28X4C010		-----*----- .. BUSHING	002004 006999	1
	95 LH8065-048		.. NUT- SUPPLIER CODE: V72962 SPECIFICATION NUMBER: BACN10HC4 OPTIONAL PART: SL414-4 V97393 94263-428 V56878	002004 006999	1
	100 SLR4027-4		.. RETAINER- SUPPLIER CODE: V97393 SPECIFICATION NUMBER: BACR10V4 OPTIONAL PART: 2452-048RET V72962	002004 006999	1
	105 273N4092-2		.. LEVER- USED ON: 273N4092-1	002004 006999	1
	105 273N4092-5		.. BLOCK- USED ON: 273N4092-6	101106 108120 504903	1
	110 273N4169-8		. RETAINER-  ATTACHING PARTS	002004 006999	1
-	115 NAS603-6P		. SCREW	101106 108120 504903	2

MISSING ITEM NUMBERS NOT APPLICABLE

- ITEM NOT ILLUSTRATED

32-35-51-01

32-35-51  
FIG. 01  
PAGE 4  
JAN 20/09

BRI



757

PARTS CATALOG (MAINTENANCE)

FIG ITEM	PART NUMBER	1 2 3 4 5 6 7	NOMENCLATURE	EFFECT FROM TO	UNITS PER ASSY
1					
- 115	NAS603-6	.	SCREW-	002004 006100 107107 121503 904999	2
- 116	NAS1149D0332J	.	WASHER-	002004 006999	2
			-----*-----		
118	31EN1-6	.	SWITCH- SUPPLIER CODE: V91929 ELECTRICAL EQUIP NUMBER: S10362	002004 006999	1
120	BACB30NF6-58	.	BOLT	002004 006999	1
125	BACW10BN6AC	.	WASHER	002004 006999	1
130	BRH10C6D	.	NUT- SUPPLIER CODE: V52828 SPECIFICATION NUMBER: BACN10JC6CD OPTIONAL PART: H51650-6BAC V15653	002004 006999	1
132	NAS73-6-005	.	BUSHING	002004 006999	1

MISSING ITEM NUMBERS NOT APPLICABLE

- ITEM NOT ILLUSTRATED

BRI

32-35-51-01

BOEING PROPRIETARY - Copyright © - Unpublished Work - See title page for details.

32-35-51  
FIG. 01  
PAGE 5  
JAN 20/09



757

PARTS CATALOG (MAINTENANCE)

FIG ITEM	PART NUMBER	1 2 3 4 5 6 7	NOMENCLATURE	EFFECT FROM TO	UNITS PER ASSY
1 135	KP6AFS428		.BEARING- SUPPLIER CODE: V06144 SPECIFICATION NUMBER: BACB10BX6 OPTIONAL PART: KP6AFS428 V21335 KP6A2TS V43991 LLKP6A V38443 KP6AG27 V30163 KP6A V38443 KP6BLY196 V40920 KP6BSD610 V83086 CS206E VK8455 KP6A V21760 KP6ANJC V06144	002004 006100 107107 121503 904999	2
135	SSMKP6ASD524		.BEARING- SUPPLIER CODE: V50294 SPECIFICATION NUMBER: BACB10FS06J OPTIONAL PART: PACMKP06JAA3908 V21335 SSMKP06JASD705 V83086 PACMKP6AFS428 V21335 ACMKP06JAP510LY V40920 PACMKP06JAFS428 V21335 SSMKP06JAP V21760 SSMKP06AP V21760	101106 108120 504903	2
140	273N4108-3		.RING ASSY-BRG SPACER CENTERING	002004 006999	1

MISSING ITEM NUMBERS NOT APPLICABLE

- ITEM NOT ILLUSTRATED

32-35-51-01

32-35-51  
FIG. 01  
PAGE 6  
JAN 20/09

BRI





757

PARTS CATALOG (MAINTENANCE)

FIG ITEM	PART NUMBER	1 2 3 4 5 6 7	NOMENCLATURE	EFFECT FROM TO	UNITS PER ASSY
1					
142	273N4108-2	.	RING ASSY-BRG SPACER CENTERING	002004 006999	1
144	273N4106-1	.	SPRING	002004 006999	1
146	BACB30NT3K6	.	BOLT-	002004 006999	1
148	AN42BC10A	.	BOLT	002004 006999	1
150	NAS1149D0332J	.	WASHER-	101106 108120 504903	1
152	BACW10P44AL	.	WASHER-	002004 006999	1
154	AN960KD10L	.	WASHER-	002004 006100 107107 121503 904999	1
158	NAS43DD3-35FC	.	SPACER-	002004 006999	1
159	AN960KD10	.	WASHER	002004 006100 107107 121503 904999	1
160	BRH10C3D	.	NUT- SUPPLIER CODE: V52828 SPECIFICATION NUMBER: BACN10JC3CD OPTIONAL PART: T6C1032JCD V11815 NS202486-02 V80539 102LH9075-3W V72962 H51650-3BAC V15653	002004 006999	2
166	BACB28Y3M017	.	BUSHING-	002004 006999	1
167	NAS428K4A10	.	BOLT-	002004 006999	1
168	AN960C416	.	WASHER-	002004 006999	2
168	NAS1149C0463R	.	WASHER-	002004 006999	2
169	NAS509-4C	.	NUT	002004 006999	2

MISSING ITEM NUMBERS NOT APPLICABLE

- ITEM NOT ILLUSTRATED

32-35-51-01

32-35-51  
FIG. 01  
PAGE 7  
JAN 20/09

BRI



757

PARTS CATALOG (MAINTENANCE)

FIG ITEM	PART NUMBER	1 2 3 4 5 6 7	NOMENCLATURE	EFFECT FROM TO	UNITS PER ASSY
1					
170	273N4105-11		. LEVER ASSY- OPTIONAL PART: 273N4105-12	002004 006999	1
170	273N4105-12		. LEVER ASSY- OPTIONAL PART: 273N4105-11	002004 006999	1
170	273N4105-7		. LEVER ASSY- OPTIONAL PART: 273N4105-8	002004 006999	1
170	273N4105-8		. LEVER ASSY- OPTIONAL PART: 273N4105-7	002004 006999	1
175	PACMKP6AFS428		.. BEARING- SUPPLIER CODE: V21335 SPECIFICATION NUMBER: BACB10FS6 OPTIONAL PART: ACMKP6AP510LY19 V40920 SSMKP6ASD705 V83086 PACMKP6AA3908 V21335 SSMKP6AP V21760 USED ON: 273N4105-11 273N4105-12	002004 006999	1

MISSING ITEM NUMBERS NOT APPLICABLE

- ITEM NOT ILLUSTRATED

32-35-51-01

32-35-51  
FIG. 01  
PAGE 8  
JAN 20/09

BRI

BOEING PROPRIETARY - Copyright © - Unpublished Work - See title page for details.



757

PARTS CATALOG (MAINTENANCE)

FIG ITEM	PART NUMBER	1 2 3 4 5 6 7	NOMENCLATURE	EFFECT FROM TO	UNITS PER ASSY
1 175	KP6AFS428		.. BEARING- SUPPLIER CODE: V06144 SPECIFICATION NUMBER: BACB10BX6 OPTIONAL PART: KP6AFS428 V21335 KP6A2TS V43991 LLKP6A V38443 KP6AG27 V30163 KP6A V38443 KP6BLY196 V40920 KP6BSD610 V83086 CS206E VK8455 KP6A V21760 KP6ANJC V06144 USED ON: 273N4105-7 273N4105-8	002004 006999	1
180	BACB28X4C010		.. BUSHING	002004 006999	1
185	273N4105-10		.. LEVER- USED ON: 273N4105-12 USED ON: 273N4105-8	002004 006999	1
185	273N4105-9		.. LEVER- USED ON: 273N4105-11 USED ON: 273N4105-7	002004 006999	1
190	273N4118-9		. LEVER ASSY-	002004 006999	1
190	273N4118-6		. LEVER ASSY-	002004 006999	1

MISSING ITEM NUMBERS NOT APPLICABLE

- ITEM NOT ILLUSTRATED

32-35-51-01

32-35-51  
FIG. 01  
PAGE 9  
JAN 20/09

BRI

BOEING PROPRIETARY - Copyright © - Unpublished Work - See title page for details.



757

PARTS CATALOG (MAINTENANCE)

FIG ITEM	PART NUMBER	1 2 3 4 5 6 7	NOMENCLATURE	EFFECT FROM TO	UNITS PER ASSY
1					
195	PACMKP6AFS428	..	BEARING- SUPPLIER CODE: V21335 SPECIFICATION NUMBER: BACB10FS6 OPTIONAL PART: ACMKP6AP510LY19 V40920 SSMKP6ASD705 V83086 PACMKP6AA3908 V21335 SSMKP6AP V21760 USED ON: 273N4118-9	002004 006999	1
195	KP6AFS428	..	BEARING- SUPPLIER CODE: V06144 SPECIFICATION NUMBER: BACB10BX6 OPTIONAL PART: KP6AFS428 V21335 KP6A2TS V43991 LLKP6A V38443 KP6AG27 V30163 KP6A V38443 KP6BLY196 V40920 KP6BSD610 V83086 CS206E VK8455 KP6A V21760 KP6ANJC V06144 USED ON: 273N4118-6	002004 006999	1
200	BACB28X4C010	..	BUSHING	002004 006999	2
205	273N4118-7	..	LEVER- OPTIONAL PART: 273B4118-8	002004 006999	1

MISSING ITEM NUMBERS NOT APPLICABLE

- ITEM NOT ILLUSTRATED

32-35-51-01

32-35-51  
FIG. 01  
PAGE 10  
JAN 20/09

BRI



757

PARTS CATALOG (MAINTENANCE)

FIG ITEM	PART NUMBER	1 2 3 4 5 6 7	NOMENCLATURE	EFFECT FROM TO	UNITS PER ASSY
1					
205	273N4118-8	. .	LEVER- OPTIONAL PART: 273N4118-7	002004 006999	1
210	BACB30NR4K5	.BOLT		002004 006999	1
215	BACB30NF4-60	.BOLT		002004 006999	1
220	BACW10BN4AC	.WASHER		002004 006999	2
223	NAS1149D0463J	.WASHER-		002004 006999	1
225	BRH10C4D	.NUT	SUPPLIER CODE: V52828 SPECIFICATION NUMBER: BACN10JC4CD OPTIONAL PART: T6C428JCD V11815 NS202486-048 V80539 102LH9075-4W V72962 H51650-4BAC V15653	002004 006999	1
227	NAS73-4-004	.BUSHING		002004 006999	1
230	273N4095-1	.BUSHING		002004 006999	1

MISSING ITEM NUMBERS NOT APPLICABLE

- ITEM NOT ILLUSTRATED

BRI

32-35-51-01

BOEING PROPRIETARY - Copyright © - Unpublished Work - See title page for details.

32-35-51  
FIG. 01  
PAGE 11  
JAN 20/09



757

PARTS CATALOG (MAINTENANCE)

FIG ITEM	PART NUMBER	1 2 3 4 5 6 7	NOMENCLATURE	EFFECT FROM TO	UNITS PER ASSY
1 235	KP4AFS428		.BEARING- SUPPLIER CODE: V06144 SPECIFICATION NUMBER: BACB10BX4 OPTIONAL PART: KP4AFS428 V21335 KP4A2TS V43991 LLKP4A V38443 KP4AG27 V30163 KP4A V38443 KP4ALY196 V40920 KP4ASD610 V83086 CS204E VK8455 KP4A V21760 KP4ANJC V06144	002004 006100 107107 121503 904999	1
235	PACMKP4AFS428		.BEARING- SUPPLIER CODE: V21335 SPECIFICATION NUMBER: BACB10FS04J OPTIONAL PART: SSMKP4ASD524 V50294 SSMKP04AP V21760 SSMKP4ASD524 V50294 SSMKP04AP V21760 PACMKP04JAFS428 V21335 ACMKP04JAP510LY V40920	101106 108120 504903	1
240	273N4108-4		.RING ASSY	002004 006999	1
245	273N4098-1		.SPRING-TORSION	002004 006999	1

MISSING ITEM NUMBERS NOT APPLICABLE

- ITEM NOT ILLUSTRATED

32-35-51-01

32-35-51  
FIG. 01  
PAGE 12  
JAN 20/09

BRI



757

PARTS CATALOG (MAINTENANCE)

FIG ITEM	PART NUMBER	1 2 3 4 5 6 7	NOMENCLATURE	EFFECT FROM TO	UNITS PER ASSY
1					
250	273N4269-7	. LEVER ASSY-		002004	1
		OPTIONAL PART:		006999	
		273N4269-8			
250	273N4269-8	. LEVER ASSY-		002004	1
		OPTIONAL PART:		006999	
		273N4269-7			
250	273N4269-1	. LEVER ASSY-		002004	1
		OPTIONAL PART:		006999	
		273N4269-4			
250	273N4269-4	. LEVER ASSY-		002004	1
		OPTIONAL PART:		006999	
		273N4269-1			
252	NAS623-3-9	.. SCREW		002004	1
				006999	
253	NAS428-3-7	.. BOLT-		002004	1
		OPTIONAL PART:		006999	
		273N4107-1			
253	273N4107-1	.. BUTTON-STRIKE		002004	1
		OPTIONAL PART:		006999	
		NAS428-3-7			
254	AN960PD10L	.. WASHER		002004	4
				006999	
255	BRH10A3	.. NUT		002004	2
		SUPPLIER CODE:		006999	
		V52828			
		SPECIFICATION NUMBER:			
		BACN10JC3			
		OPTIONAL PART:			
		H10-3BAC			
		V15653			
		NS202101-02			
		V80539			
		RMLH9075-3W			
		V72962			
		VN303A02			
		V92215			
		96-02			
		V80539			
		T6S1032J			
		V11815			
260	KRP172803VTZ	.. BEARING-		101106	1
		SUPPLIER CODE:		108120	
		V50632		504903	

MISSING ITEM NUMBERS NOT APPLICABLE

- ITEM NOT ILLUSTRATED

32-35-51-01

32-35-51  
FIG. 01  
PAGE 13  
JAN 20/09

BRI

BOEING PROPRIETARY - Copyright © - Unpublished Work - See title page for details.



757

PARTS CATALOG (MAINTENANCE)

FIG ITEM	PART NUMBER	1 2 3 4 5 6 7	NOMENCLATURE	EFFECT FROM TO	UNITS PER ASSY
1 260	ATF3		.. BEARING- SUPPLIER CODE: V60380 SPECIFICATION NUMBER: BACB10ET03 OPTIONAL PART: 3AFC512 V92563 YAF03B V07484	002004 006100 107107 121503 904999	1
261	KP4AFS428		.. BEARING- SUPPLIER CODE: V06144 SPECIFICATION NUMBER: BACB10BX4 OPTIONAL PART: KP4AFS428 V21335 KP4A2TS V43991 LLKP4A V38443 KP4AG27 V30163 KP4A V38443 KP4ALY196 V40920 KP4ASD610 V83086 CS204E VK8455 KP4A V21760 KP4ANJC V06144 USED ON: 273N4269-1 273N4269-4	002004 006999	1

MISSING ITEM NUMBERS NOT APPLICABLE

- ITEM NOT ILLUSTRATED

BRI

32-35-51-01

BOEING PROPRIETARY - Copyright © - Unpublished Work - See title page for details.

32-35-51  
FIG. 01  
PAGE 14  
JAN 20/09



**BOEING**  
757  
**PARTS CATALOG (MAINTENANCE)**

FIG ITEM	PART NUMBER	1 2 3 4 5 6 7	NOMENCLATURE	EFFECT FROM TO	UNITS PER ASSY
1					
R R R R R R R R R R R R	261		.. BEARING- SUPPLIER CODE: V83086 SPECIFICATION NUMBER: BACB10FS4 OPTIONAL PART: PACMKP4AA3908 V21335 PACMKP4AFS428 V21335 SSMKP4AP V21760 USED ON: 273N4269-7 273N4269-8	002004 006999	1
	270		.. SHIM	002004 006999	2
	273		.. INSERT	002004 006999	1
	275		.. LEVER- USED ON: 273N4269-1	002004 006999	1
	275		.. LEVER- USED ON: 273N4269-4	002004 006999	1
R R R R R R	280		. VALVE ASSY-SAFETY	002004 006999	1
	280		. VALVE ASSY-SAFETY	002004 006100 107107 121503 904999	1
			ATTACHING PARTS		
-	285		. BOLT- USED WITH: 273N4034-2	002004 006999	4
	287		. BOLT- USED WITH: 273N4041-3	002004 006100 107107 121503 904999	2
	288		. BOLT- USED WITH: 273N4041-3	002004 006100 107107 121503 904999	2
-	290		. WASHER	002004 006999	4
			-----*-----		

MISSING ITEM NUMBERS NOT APPLICABLE

- ITEM NOT ILLUSTRATED

BRI

# 32-35-51-01

BOEING PROPRIETARY - Copyright © - Unpublished Work - See title page for details.

32-35-51  
FIG. 01  
PAGE 15  
MAY 20/09



757

PARTS CATALOG (MAINTENANCE)

FIG ITEM	PART NUMBER	1 2 3 4 5 6 7	NOMENCLATURE	EFFECT FROM TO	UNITS PER ASSY
1					
293	MS21916D8-6	. .	REDUCER	002004 006999	1
295	AFP2328-6	. .	REDUCER SUPPLIER CODE: V30974 SPECIFICATION NUMBER: BACR17E8-6 OPTIONAL PART: AP10278-6 V01673 BC916T8-6 V50948 DBOR17E8-6 V14798 ER21916T8-6 V88334 ER31916-8-6 V88334 F23-8-6 V73197 2-01075T8-6 V11328 31778-8-6 V14397 US2114-8-6 V50508 AP1027T8-6 V01673 US21148-6 V50808 317788-6 V14397	002004 006999	2
297	NAS1612-8	. .	PACKING-	002004 006999	3
300	2670112	. .	MODULAR ASSY-SAFETY SUPPLIER CODE: V92003 SPECIFICATION NUMBER: 60B00239-2 COMPONENT MAINT MANUAL REF: 32-30-28	002004 006999	1
305	2671795	. . .	NAMEPLATE- SUPPLIER CODE: V92003	002004 006999	1

R  
R  
R  
R  
R  
R  
R  
R  
R  
R  
R  
R  
R  
R  
R  
R  
R  
R  
R  
R  
R  
R  
R

MISSING ITEM NUMBERS NOT APPLICABLE

- ITEM NOT ILLUSTRATED

32-35-51-01

32-35-51  
FIG. 01  
PAGE 16  
MAY 20/09

BRI

**BOEING**  
757  
**PARTS CATALOG (MAINTENANCE)**

FIG ITEM	PART NUMBER	1 2 3 4 5 6 7	NOMENCLATURE	EFFECT FROM TO	UNITS PER ASSY
R R R R R R R	1 308	2660591-1	... VALVE-CHK SUPPLIER CODE: V92003 FUNCTIONAL DESCRIPTION: TO PREVENT BACKFLOW OF HYDRAULIC FLUID. COMPONENT MAINT MANUAL REF: 29-10-08	002004 006999	1
	309	2671081	.... NAMEPLATE- SUPPLIER CODE: V92003 ATTACHING PARTS	002004 006999	1
	309A	AN500AD3-3	.... SCREW  -----*-----	002004 006999	2
R R R R R	310	273N4034-3	. ACTUATOR ASSY-LOCKOUT MISCELLANEOUS DATA: FOR SPARES PROCURE LOWER COMPONENTS	002004 006999	1
	310	273N4041-6	. ACTUATOR ASSY-LOCKOUT	002004 006999	1
- - - - - - -	310	273N4041-22	. ACTUATOR ASSY-LOCKOUT  ATTACHING PARTS	002004 006999	1
	312	BACB30NR4K56	. BOLT- USED WITH: 273N4034-3	002004 006999	3
	312	BACB30NR4K32	. BOLT- USED WITH: 273N4041-6	002004 006100 107107 121503 904999	3
	315	BACW10BN4AC	. WASHER-	002004 006999	3
	320	NAS43DD4-107FC	. SPACER- USED WITH: 273N4034-3	002004 006999	3
	320	AN960PD416L	. WASHER- USED WITH: 273N4041-6	002004 006100 107107 121503 904999	3

MISSING ITEM NUMBERS NOT APPLICABLE

- ITEM NOT ILLUSTRATED

# 32-35-51-01

32-35-51  
FIG. 01  
PAGE 17  
MAY 20/09

BRI

BOEING PROPRIETARY - Copyright © - Unpublished Work - See title page for details.



**757  
PARTS CATALOG (MAINTENANCE)**

FIG ITEM	PART NUMBER	1 2 3 4 5 6 7	NOMENCLATURE	EFFECT FROM TO	UNITS PER ASSY
1 - 322	BRH10C4D	.	NUT- SUPPLIER CODE: V52828 SPECIFICATION NUMBER: BACN10JC4CD OPTIONAL PART: T6C428JCD V11815 NS202486-048 V80539 102LH9075-4W V72962 H51650-4BAC V15653 USED WITH: 273N4041-6 -----*-----	002004 006999	3
324	MS21902D6	..	UNION	002004 006999	1
326	BACU24K6	..	UNION	002004 006999	1
328	NAS1612-6	..	PACKING-	002004 006999	2
330	273N4171-3	..	ACTUATOR ASSY- MISCELLANEOUS DATA: FOR SPARES PROCURE LOWER COMPONENTS COMPONENT MAINT MANUAL REF: 32-32-17 OPTIONAL PART: 273N4171-4 FOR DETAILS SEE: 32-32-13-01	002004 006999	1
330	273N4171-4	..	ACTUATOR ASSY- MISCELLANEOUS DATA: FOR SPARES PROCURE LOWER COMPONENTS COMPONENT MAINT MANUAL REF: 32-32-17 OPTIONAL PART: 273N4171-3 FOR DETAILS SEE: 32-32-13-01	002004 006999	1
- 450	286N2152-002		WIRE BUNDLE ASSY	107107 121503 904949	RF
- 450	286N2152-004		WIRE BUNDLE ASSY	002004 006010 952999	RF

MISSING ITEM NUMBERS NOT APPLICABLE

- ITEM NOT ILLUSTRATED

# 32-35-51-01

32-35-51  
FIG. 01  
PAGE 18  
JAN 20/09

BRI



757

PARTS CATALOG (MAINTENANCE)

FIG ITEM	PART NUMBER	1 2 3 4 5 6 7	NOMENCLATURE	EFFECT FROM TO	UNITS PER ASSY
1					
- 450	286N2152-007		WIRE BUNDLE ASSY	950951	RF
- 450	286N2152-008		WIRE BUNDLE ASSY	011100	RF
				504903	
R - 451	286N2152-306		WIRE BUNDLE ASSY	101102	RF
- 451	286N2152-311		WIRE BUNDLE ASSY	108120	RF
455	GS3418-14CD		.CLAMP-	002004	1
			SUPPLIER CODE:	006102	
			V06324	107999	
			SPECIFICATION NUMBER:		
			BACC10HG14		
			OPTIONAL PART:		
			S2126-14-8		
			V07418		
			ELECTRICAL EQUIP NUMBER:		
			D02454T		
			WIRING DIAGRAM REF:		
			321212		
460	R071014A7SNL		.CONNECTOR-	002004	1
			SUPPLIER CODE:	006102	
			V41118	107999	
			SPECIFICATION NUMBER:		
			BACC63BP14A7SNL		
			MISCELLANEOUS DATA:		
			OPTIONAL PART NUMBERS:		
			BACC63BP14A7SN (81205)		
			BACC63BP14R7SN (81205)		
			BACC63BP14R7SNL (81205)		
			ELECTRICAL EQUIP NUMBER:		
			D02454		
			WIRING DIAGRAM REF:		
			321212		
- 500	286N2132-701		WIRE BUNDLE ASSY	103106	RF
505	GS3418-14CD		.CLAMP-	103106	1
			SUPPLIER CODE:		
			V06324		
			SPECIFICATION NUMBER:		
			BACC10HG14		
			OPTIONAL PART:		
			S2126-14-8		
			V07418		
			ELECTRICAL EQUIP NUMBER:		
			D02454T		
			WIRING DIAGRAM REF:		
			321212		

MISSING ITEM NUMBERS NOT APPLICABLE

- ITEM NOT ILLUSTRATED

BRI

32-35-51-01

32-35-51  
FIG. 01  
PAGE 19  
MAY 20/09



757

PARTS CATALOG (MAINTENANCE)

FIG ITEM	PART NUMBER	1 2 3 4 5 6 7	NOMENCLATURE	EFFECT FROM TO	UNITS PER ASSY
1 510	R071014A7SNL		.CONNECTOR- SUPPLIER CODE: V41118 SPECIFICATION NUMBER: BACC63BP14A7SNL MISCELLANEOUS DATA: OPTIONAL PART NUMBERS: BACC63BP14A7SN (81205) BACC63BP14R7SN (81205) BACC63BP14R7SNL (81205) ELECTRICAL EQUIP NUMBER: D02454 WIRING DIAGRAM REF: 321212	103106	1
900			ILLUSTRATION REFERENCE: PLUMBING INSTL-NOSE WHL WELL SECT. 41 HYDR (NOSE GEAR ALTERNATE EXTEND SYSTEM ONLY) 32-35-51-15	002004 006100 107107 121503 904999	RF
905			ILLUSTRATION REFERENCE: PLUMBING INSTL-HYDR BAY AND NOSE WHLWELL (NOSE GEAR ALTERNATE EXTEND SYSTEM ONLY) SECT. 41 32-35-51-15A	101106 108120 504903	RF

MISSING ITEM NUMBERS NOT APPLICABLE

- ITEM NOT ILLUSTRATED

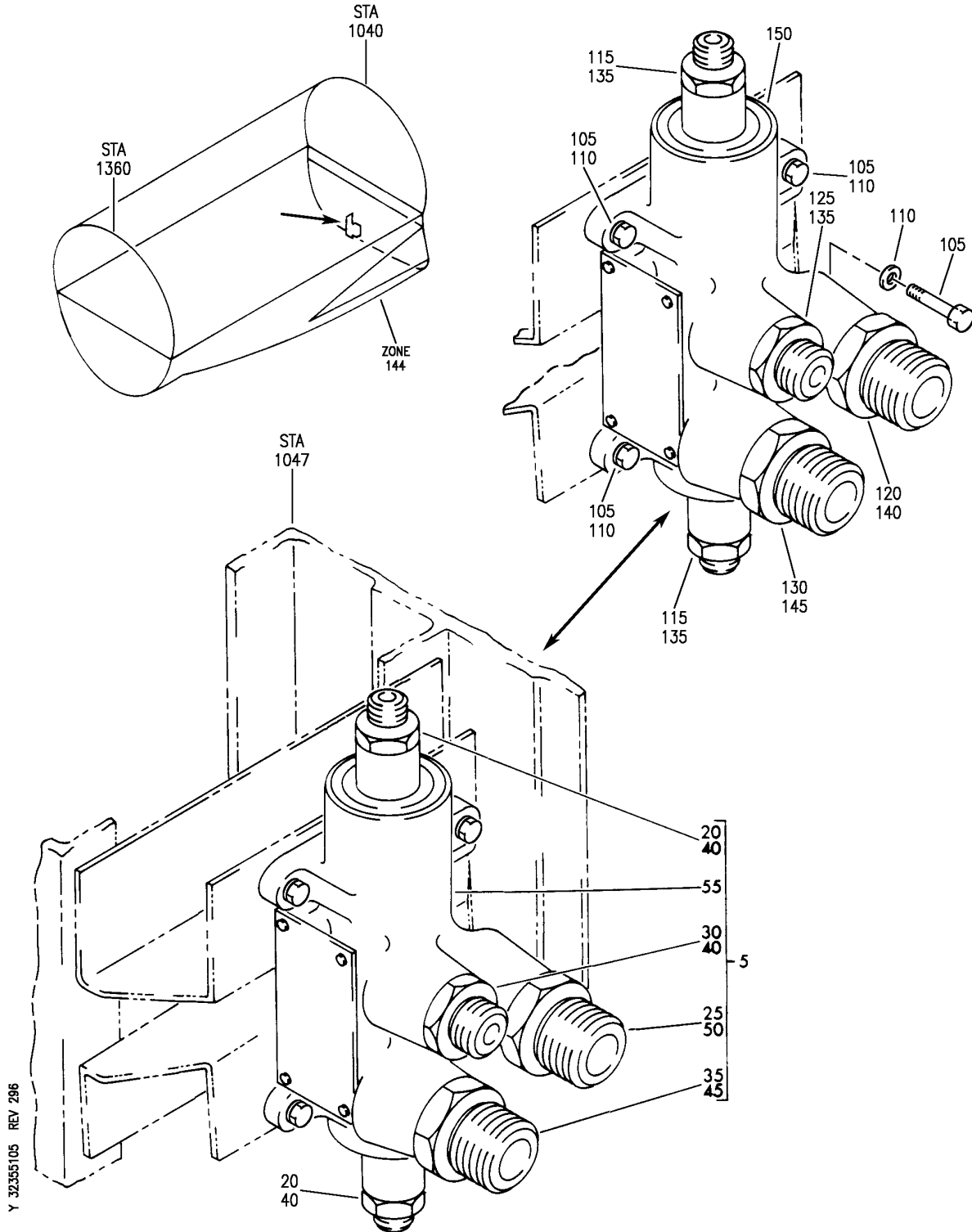
BRI

**32-35-51-01**

BOEING PROPRIETARY - Copyright © - Unpublished Work - See title page for details.

32-35-51  
FIG. 01  
PAGE 20  
JAN 20/09

**BOEING**  
757  
**PARTS CATALOG (MAINTENANCE)**



VALVE INSTL-LG ALTERNATE EXTENSION SHUTTLE  
FIGURE 5

**32-35-51-05**

BRI  
MAY 28/07

32-35-51-05  
PAGE 0



757

PARTS CATALOG (MAINTENANCE)

FIG ITEM	PART NUMBER	1 2 3 4 5 6 7	NOMENCLATURE	EFFECT FROM TO	UNITS PER ASSY
5			VALVE INSTL-LG ALTERNATE EXTENSION SHUTTLE	002004 006999	
- 1	273N4500-1		VALVE INSTL-LG ALTERNATE EXTENSION SHUTTLE FOR NHA SEE: 29-00-51-05	002004 006100 107107 121503 904999	RF
- 1	273N4500-4		VALVE INSTL-LG ALTERNATE EXTENSION SHUTTLE FOR NHA SEE: 32-00-00-15	101102 108120 504903	RF
- 1	MODREF8445		VALVE INSTL-LG ALTERNATE EXTENSION SHUTTLE MODULE NUMBER: 273N4500-4 REV A	103106	1
5	273N4500-2		.VALVE ASSY-	002004 006016 107107 121503 904999	1
5	273N4500-3		.VALVE ASSY-	017106 108120 504903	1
- 10	BACB30NR4K10		ATTACHING PARTS .BOLT	002004 006999	4
- 12	NAS1149D0463J		.WASHER	002004 006999	4
20	BACU24K6		-----*----- ..UNION-	002004 006016 107107 121503 904999	2
20	MS21902-6T		..UNION-	017106 108120 504903	2
25	BACU24K12		..UNION-	002004 006016 107107 121503 904999	1
25	MS21902-12T		..UNION-	017106 108120 504903	1

MISSING ITEM NUMBERS NOT APPLICABLE

- ITEM NOT ILLUSTRATED

32-35-51-05

32-35-51  
FIG. 05  
PAGE 1  
JAN 20/09

BRI





757

PARTS CATALOG (MAINTENANCE)

FIG ITEM	PART NUMBER	1 2 3 4 5 6 7	NOMENCLATURE	EFFECT FROM TO	UNITS PER ASSY
5 30	AFP2328-6		. . REDUCER SUPPLIER CODE: V30974 SPECIFICATION NUMBER: BACR17E8-6 OPTIONAL PART: AP10278-6 V01673 BC916T8-6 V50948 DBOR17E8-6 V14798 ER21916T8-6 V88334 ER31916-8-6 V88334 F23-8-6 V73197 2-01075T8-6 V11328 31778-8-6 V14397 US2114-8-6 V50508 AP1027T8-6 V01673 US21148-6 V50808 317788-6 V14397	002004 006999	1

MISSING ITEM NUMBERS NOT APPLICABLE

- ITEM NOT ILLUSTRATED

BRI

32-35-51-05

BOEING PROPRIETARY - Copyright © - Unpublished Work - See title page for details.

32-35-51  
FIG. 05  
PAGE 2  
JAN 20/09



757

PARTS CATALOG (MAINTENANCE)

FIG ITEM	PART NUMBER	1 2 3 4 5 6 7	NOMENCLATURE	EFFECT FROM TO	UNITS PER ASSY
5 35	AFP23212-10		.. REDUCER SUPPLIER CODE: V30974 SPECIFICATION NUMBER: BACR17E12-10 OPTIONAL PART: AP102712-10 V01673 BC916T12-10 V50948 DBOR17E12-10 V14798 ER21916T12-10 V88334 ER31916-12-10 V88334 F23-12-10 V73197 2-01075T12-10 V11328 31778-12-10 V14397 US2114-12-10 V50808	002004 006999	1
40	NAS1612-6		.. PACKING-	002004 006999	3
45	NAS1612-10		.. PACKING-	002004 006999	1
50	NAS1612-12		.. PACKING-	002004 006999	1
55	3850125-103		.. VALVE- SUPPLIER CODE: V92003 SPECIFICATION NUMBER: S273N402-2 COMPONENT MAINT MANUAL REF: 32-30-21	002004 006999	1
55	3850125-102		.. VALVE- SUPPLIER CODE: V92003 SPECIFICATION NUMBER: S273N402-1 COMPONENT MAINT MANUAL REF: 32-30-21 OPTIONAL PART: 3850125-101 V92003	002004 006999	1

MISSING ITEM NUMBERS NOT APPLICABLE

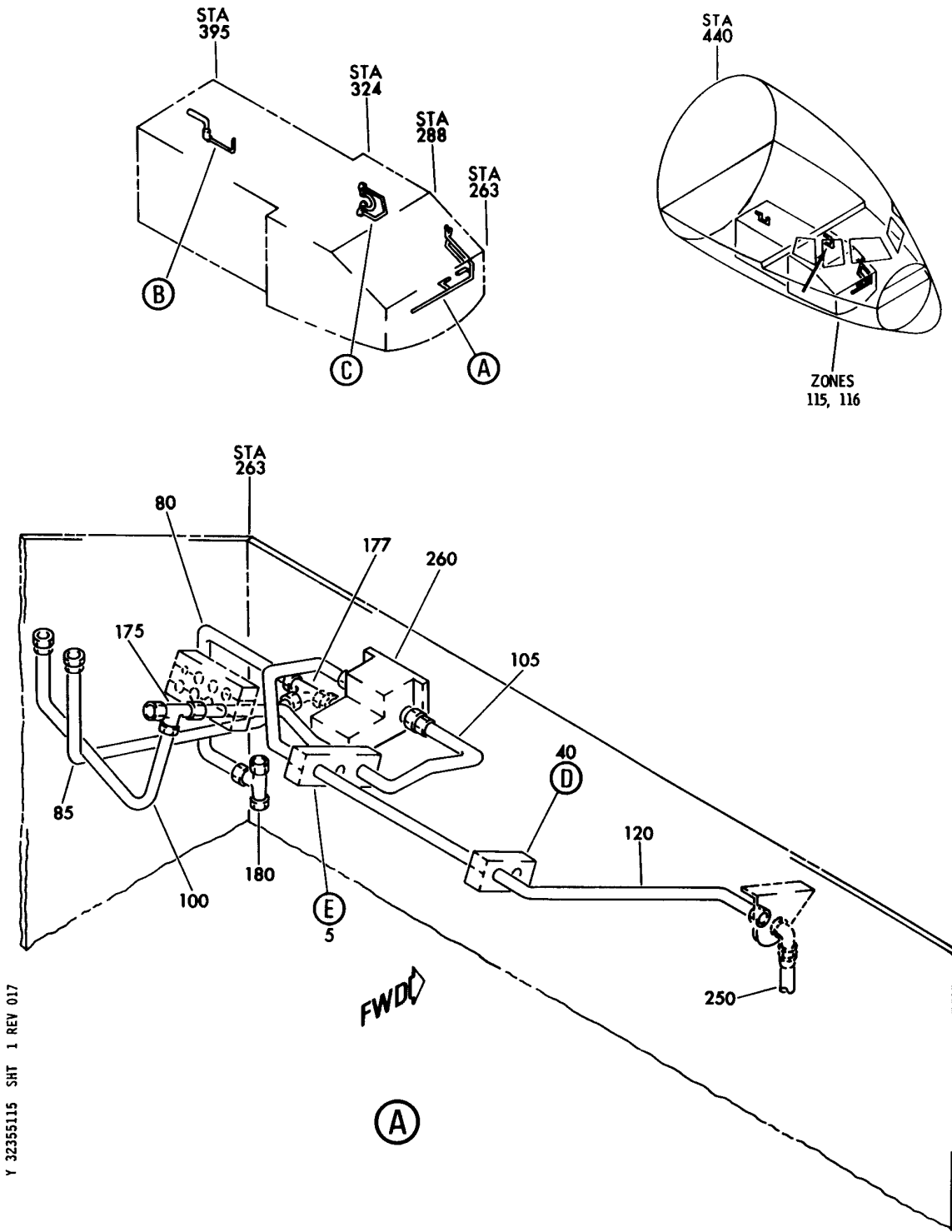
- ITEM NOT ILLUSTRATED

32-35-51-05

32-35-51  
FIG. 05  
PAGE 3  
JAN 20/09

BRI

**BOEING**  
757  
PARTS CATALOG (MAINTENANCE)



Y 32355115 SHT 1 REV 017

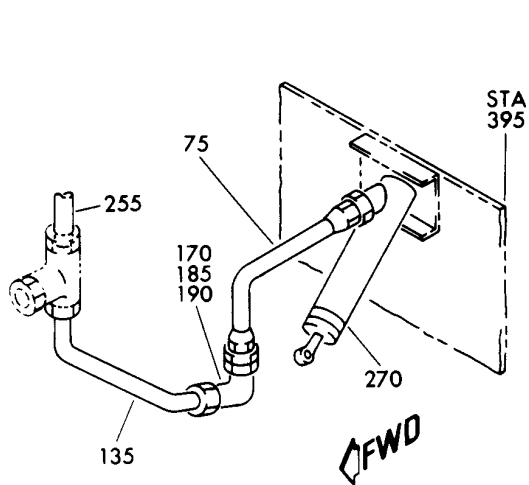
PLUMBING INSTL-NOSE WHL WELL SECT. 41 HYDR (NOSE GEAR ALTERNATE EXTEND SYSTEM ONLY)  
FIGURE 15 (SHEET 1)

**32-35-51-15**

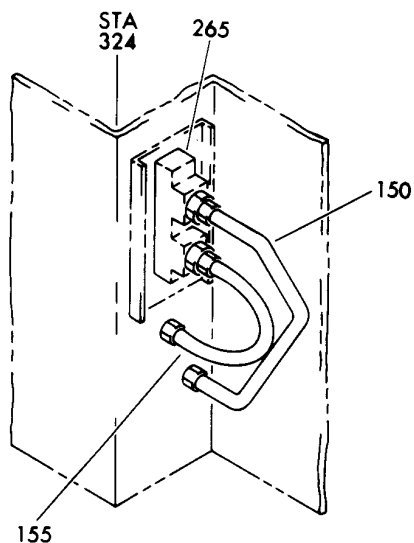
BRI  
MAY 28/07

32-35-51-15  
PAGE 0

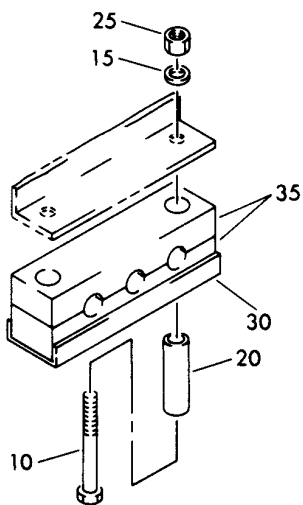
**BOEING**  
757  
PARTS CATALOG (MAINTENANCE)



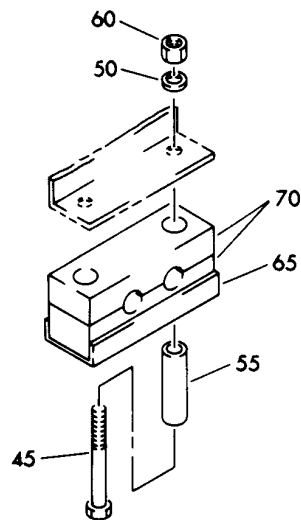
(B)



(C)



(E)



(D)

Y 32355115 SHT 2 REV 083

PLUMBING INSTL-NOSE WHL WELL SECT. 41 HYDR (NOSE GEAR ALTERNATE EXTEND SYSTEM ONLY)  
FIGURE 15 (SHEET 2)

BRI  
MAY 28/07

**32-35-51-15**

32-35-51-15  
PAGE 0A



757

PARTS CATALOG (MAINTENANCE)

FIG ITEM	PART NUMBER	1 2 3 4 5 6 7	NOMENCLATURE	EFFECT FROM TO	UNITS PER ASSY
15			PLUMBING INSTL-NOSE WHL WELL SECT. 41 HYDR (NOSE GEAR ALTERNATE EXTEND SYSTEM ONLY)	002004 006100 107107 121503 904999	
- 1	271N6411-1		PLUMBING INSTL-NOSE WHL WELL HYDR (NOSE GEAR ALTERNATE EXTEND SYSTEM ONLY) POSITION DATA: SECT. 41 FOR NHA/OTHER SYS DET SEE: 29-00-51-03	002004 006100 107107 121503 904999	RF
5	270N2000-25		.CLAMP ASSY-BLOCK	002004 006100 107107 121503 904999	1
10	NAS1801-3-25		..SCREW-	002004 006100 107107 121503 904999	2
15	AN960PD10L		..WASHER	002004 006100 107107 121503 904999	2
20	NAS43DD3-59		..SPACER	002004 006100 107107 121503 904999	2

MISSING ITEM NUMBERS NOT APPLICABLE

- ITEM NOT ILLUSTRATED

BRI

32-35-51-15

BOEING PROPRIETARY - Copyright © - Unpublished Work - See title page for details.

32-35-51  
FIG. 15  
PAGE 1  
JAN 20/09



757

PARTS CATALOG (MAINTENANCE)

FIG ITEM	PART NUMBER	1 2 3 4 5 6 7	NOMENCLATURE	EFFECT FROM TO	UNITS PER ASSY
15					
25	BRH10A3	..	NUT SUPPLIER CODE: V52828 SPECIFICATION NUMBER: BACN10JC3 OPTIONAL PART: H10-3BAC V15653 NS202101-02 V80539 RMLH9075-3W V72962 VN303A02 V92215 96-02 V80539 T6S1032J V11815	002004 006100 107107 121503 904999	2
30	270N2000-815	..	CHANNEL	002004 006100 107107 121503 904999	1
35	270N2000-440	..	BLOCK- OPTIONAL PART: 270N2000-461	002004 006100 107107 121503 904999	2
35	270N2000-461	..	BLOCK- OPTIONAL PART: 270N2000-440	002004 006100 107107 121503 904999	2
40	270N2000-78	.	CLAMP ASSY-BLOCK	002004 006100 107107 121503 904999	1
45	NAS1801-3-24	..	SCREW-	002004 006100 107107 121503 904999	2
50	AN960PD10L	..	WASHER	002004 006100 107107 121503 904999	2

MISSING ITEM NUMBERS NOT APPLICABLE

- ITEM NOT ILLUSTRATED

32-35-51-15

32-35-51  
FIG. 15  
PAGE 2  
JAN 20/09

BRI



757

PARTS CATALOG (MAINTENANCE)

FIG ITEM	PART NUMBER	1 2 3 4 5 6 7	NOMENCLATURE	EFFECT FROM TO	UNITS PER ASSY
15					
55	NAS43DD3-59	..	SPACER	002004 006100 107107 121503 904999	2
60	BRH10A3	..	NUT SUPPLIER CODE: V52828 SPECIFICATION NUMBER: BACN10JC3 OPTIONAL PART: H10-3BAC V15653 NS202101-02 V80539 RMLH9075-3W V72962 VN303A02 V92215 96-02 V80539 T6S1032J V11815	002004 006100 107107 121503 904999	2
65	270N2000-844	..	CHANNEL	002004 006100 107107 121503 904999	1
70	270N2000-502	..	BLOCK	002004 006100 107107 121503 904999	2
75	AS115-04-0085	.	HOSE ASSY	002004 006100 107107 121503 904999	1
80	271N6411-1019	.	TUBE ASSY-RETURN SYS POSITION DATA: L TUBING MATERIAL: .375 IN. OD .035 IN. WALL 7.50 IN. LG AL AMS 4083 6061 T6 TUBING	002004 006100 107107 121503 904999	1

MISSING ITEM NUMBERS NOT APPLICABLE

- ITEM NOT ILLUSTRATED

32-35-51-15

32-35-51  
FIG. 15  
PAGE 3  
JAN 20/09

BRI



757

PARTS CATALOG (MAINTENANCE)

FIG ITEM	PART NUMBER	1 2 3 4 5 6 7	NOMENCLATURE	EFFECT FROM TO	UNITS PER ASSY
15					
- 82	AP2097HP06	..	SLEEVE SUPPLIER CODE: V01673 SPECIFICATION NUMBER: BACS13BX06HP OPTIONAL PART: 2-02903-06HP V11328 35235VN06 V08199 AFP175V06P V30974 DBOS13BX06HP V14798	002004 006100 107107 121503 904999	2
- 83	BACN10YL06	..	NUT	002004 006100 107107 121503 904999	2
85	271N6411-1014	.TUBE	ASSY-RETURN TUBING MATERIAL: .375 IN. OD .035 IN. WALL 12.90 IN. LG AL AMS 4083 6061 T6 TUBING	002004 006100 107107 121503 904999	1
- 90	AP2097HP06	..	SLEEVE SUPPLIER CODE: V01673 SPECIFICATION NUMBER: BACS13BX06HP OPTIONAL PART: 2-02903-06HP V11328 35235VN06 V08199 AFP175V06P V30974 DBOS13BX06HP V14798	002004 006100 107107 121503 904999	2
- 95	BACN10YL06	..	NUT	002004 006100 107107 121503 904999	2

MISSING ITEM NUMBERS NOT APPLICABLE

- ITEM NOT ILLUSTRATED

32-35-51-15

32-35-51  
FIG. 15  
PAGE 4  
JAN 20/09

BRI

BOEING PROPRIETARY - Copyright © - Unpublished Work - See title page for details.





757

PARTS CATALOG (MAINTENANCE)

FIG ITEM	PART NUMBER	1 2 3 4 5 6 7	NOMENCLATURE	EFFECT FROM TO	UNITS PER ASSY
15 100	271N6411-1008		.TUBE ASSY-DOOR CLOSE MANUFACTURED FROM: TUBING TI TUBING MATERIAL: .375 IN. OD .019 IN. WALL 15.80 IN. LG TI BMS 7-234 TI-3AL-2.5V COLD WORKED, STRESS RELIEVED TUBING	002004 006100 107107 121503 904999	1
105	271N6411-1023		.TUBE ASSY-DOOR CLOSE MANUFACTURED FROM: TUBING TI TUBING MATERIAL: .375 IN. OD .019 IN. WALL 25.60 IN. LG TI BMS 7-234 TI-3AL-2.5V COLD WORKED, STRESS RELIEVED TUBING	002004 006100 107107 121503 904999	1
- 110	AS1581T06		..SLEEVE	002004 006100 107107 121503 904999	2
- 115	BACN10YA6		..NUT	002004 006100 107107 121503 904999	2
120	271N6411-1074		.TUBE ASSY-DOOR CLOSE MANUFACTURED FROM: TUBING TI TUBING MATERIAL: .375 IN. OD .019 IN. WALL 52.00 IN. LG TI BMS 7-234 TI-3AL-2.5V COLD WORKED, STRESS RELIEVED TUBING	002004 006100 107107 121503 904999	1
- 125	AS1581T06		..SLEEVE	002004 006100 107107 121503 904999	2
- 130	BACN10YA6N		..NUT	002004 006100 107107 121503 904999	2

R  
R  
R  
R  
R

MISSING ITEM NUMBERS NOT APPLICABLE

- ITEM NOT ILLUSTRATED

32-35-51-15

32-35-51  
FIG. 15  
PAGE 5  
MAY 20/09

BRI



757

PARTS CATALOG (MAINTENANCE)

FIG ITEM	PART NUMBER	1 2 3 4 5 6 7	NOMENCLATURE	EFFECT FROM TO	UNITS PER ASSY
15 135	271N6411-1046		.TUBE ASSY-ALTERNATE MANUFACTURED FROM: TUBING TUBING MATERIAL: .250 IN. OD .016 IN. WALL 8.10 IN. LG TI BMS 7-234 TI-3AL-2.5V COLD WORKED, STRESS RELIEVED TUBING	002004 006100 107107 121503 904999	1
- 140	AS1581T04		..SLEEVE	002004 006100 107107 121503 904999	2
- 145	BACN10YA4		..NUT	002004 006100 107107 121503 904999	2
150	271N6411-1038		.TUBE ASSY-ALTERNATE EXTEND PRESSURE MANUFACTURED FROM: TUBING TI TUBING MATERIAL: .375 IN. OD .019 IN. WALL 15.30 IN. LG TI BMS 7-234 TI-3AL-2.5V COLD WORKED, STRESS RELIEVED TUBING	002004 006100 107107 121503 904999	1
155	271N6411-1105		.TUBE ASSY-ALTERNATE EXTEND PRESSURE MANUFACTURED FROM: TUBING TI TUBING MATERIAL: .375 IN. OD .019 IN. WALL 9.70 IN. LG TI BMS 7-234 TI-3AL-2.5V COLD WORKED, STRESS RELIEVED TUBING	011100	1
155	271N6411-1048		.TUBE ASSY-ALTERNATE EXTEND PRESSURE TUBING MATERIAL: .375 IN. OD .019 IN. WALL 10.00 IN. LG TI BMS 7-234 TI-3AL-2.5V COLD WORKED, STRESS RELIEVED TUBING	002004 006010 107107 121503 904999	1
- 160	AS1581T06		..SLEEVE	011100	2

MISSING ITEM NUMBERS NOT APPLICABLE

- ITEM NOT ILLUSTRATED

32-35-51-15

32-35-51  
FIG. 15  
PAGE 6  
JAN 20/09

BRI



757

PARTS CATALOG (MAINTENANCE)

FIG ITEM	PART NUMBER	1 2 3 4 5 6 7	NOMENCLATURE	EFFECT FROM TO	UNITS PER ASSY
15					
- 160	AS1581T06	. .	SLEEVE	002004 006010 107107 121503 904999	2
- 165	BACN10YA6	. .	NUT-	002004 006010 107107 121503 904999	2
- 165	BACN10YA6	. .	NUT	011100	2
170	BACE21BN0404T	. .	ELBOW-	002004 006100 107107 121503 904999	1
170	BACE21BN0404J	. .	ELBOW-	002004 006100 107107 121503 904999	1
175	BACT16BL060606T	. .	TEE-	002004 006100 107107 121503 904999	1
175	BACT16BL060606J	. .	TEE-	002004 006100 107107 121503 904999	1
177	NAS1763D060606	. .	TEE-	002004 006100 107107 121503 904999	1

MISSING ITEM NUMBERS NOT APPLICABLE

- ITEM NOT ILLUSTRATED

32-35-51-15

32-35-51  
FIG. 15  
PAGE 7  
JAN 20/09

BRI



757

PARTS CATALOG (MAINTENANCE)

FIG ITEM	PART NUMBER	1 2 3 4 5 6 7	NOMENCLATURE	EFFECT FROM TO	UNITS PER ASSY
15 177	AP1013M060606	. TEE-	SUPPLIER CODE: V01673 SPECIFICATION NUMBER: BACT16AY060606M OPTIONAL PART: AP1013-060606M V01673 DBOT16AY060606M V14798 ER10604M060606 V88334 FER1573-060606M V14397 W30804M060606 V11328 4671113-060606M V50948 US1930-060606M V50808 AFP310-060606M V30974	002004 006100 107107 121503 904999	1
180	MS21905D6	. TEE-		002004 006100 107107 121503 904999	1
185	AN924-4D	. NUT		002004 006100 107107 121503 904999	1
190	AN960PD716	. WASHER		002004 006100 107107 121503 904999	1
250		ILLUSTRATION REFERENCE: PLUMBING INSTL-SECT. 41 NOSE WHLWELL HYDR (NOSE GEAR EXTENSION AND RETRACTION ONLY) 32-34-51-15		002004 006100 107107 121503 904999	RF
255		ILLUSTRATION REFERENCE: PLUMBING INSTL-SECT. 41 BODY HYDR 32-35-51-16		002004 006100 107107 121503 904999	RF

MISSING ITEM NUMBERS NOT APPLICABLE

- ITEM NOT ILLUSTRATED

32-35-51-15

32-35-51  
FIG. 15  
PAGE 8  
JAN 20/09

BRI



757

PARTS CATALOG (MAINTENANCE)

FIG ITEM	PART NUMBER	1 2 3 4 5 6 7	NOMENCLATURE	EFFECT FROM TO	UNITS PER ASSY
15 260			ILLUSTRATION REFERENCE: LOCK RELEASE INSTL-NOSE GR DOOR ACTR 32-35-51-01	002004 006100 107107 121503 904999	RF
265			ILLUSTRATION REFERENCE: RELEASE INSTL-NLG DOOR (LANDING GEAR ONLY) 32-35-22-01	002004 006100 107107 121503 904999	RF
270			ILLUSTRATION REFERENCE: ACTUATOR INSTL-NLG 32-35-21-01	002004 006100 107107 121503 904999	RF

MISSING ITEM NUMBERS NOT APPLICABLE

- ITEM NOT ILLUSTRATED

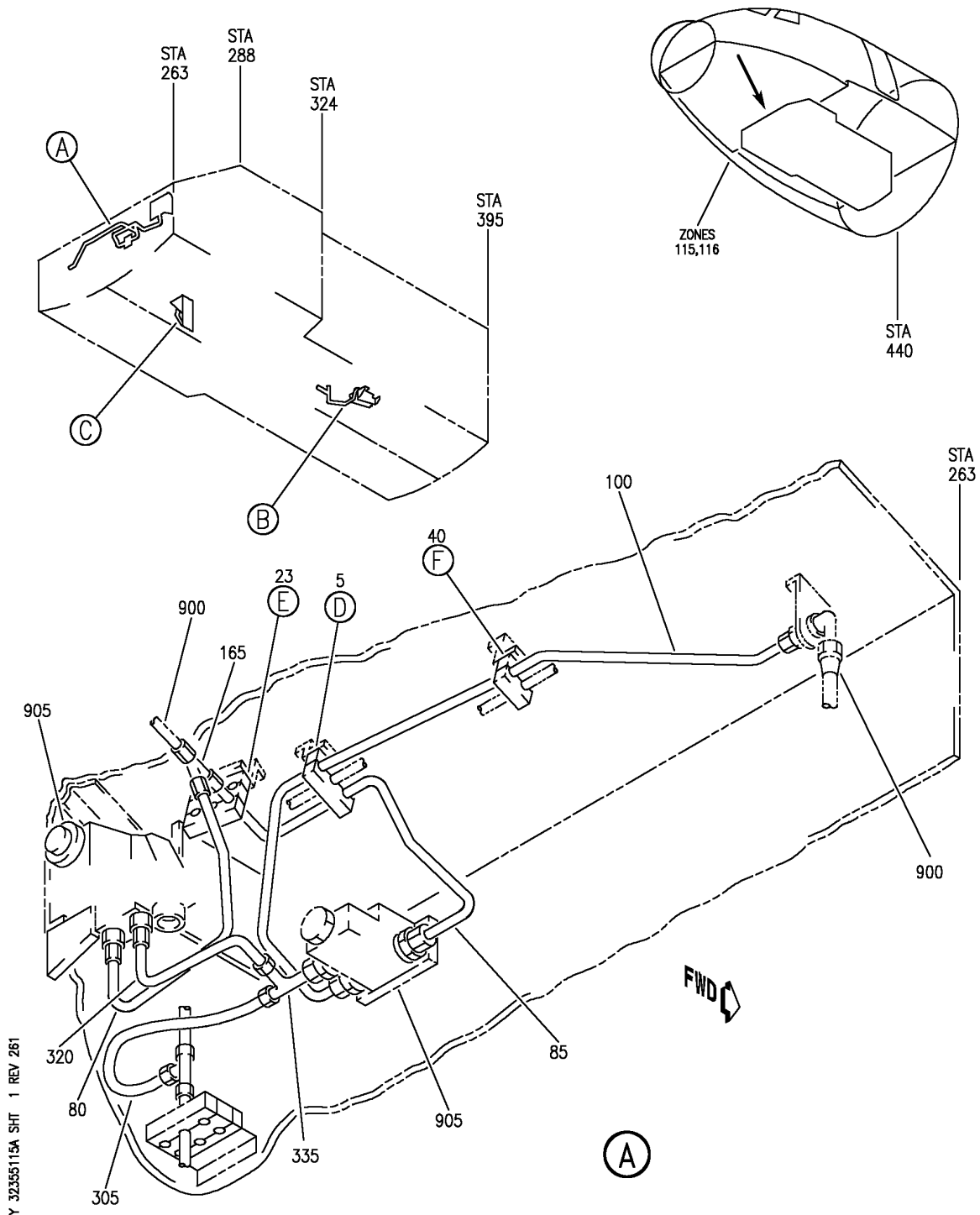
BRI

32-35-51-15

BOEING PROPRIETARY - Copyright © - Unpublished Work - See title page for details.

32-35-51  
FIG. 15  
PAGE 9  
JAN 20/09

**BOEING**  
757  
PARTS CATALOG (MAINTENANCE)



Y 32355115A SHT 1 REV 261

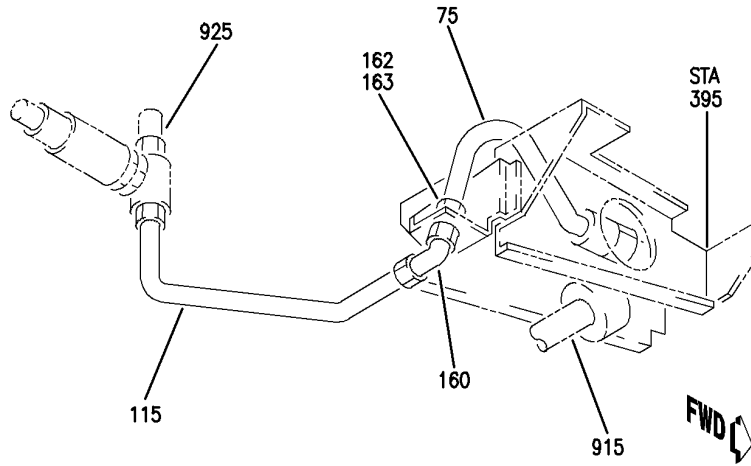
PLUMBING INSTL-HYDR BAY AND NOSE WHLWELL (NOSE GEAR ALTERNATE EXTEND SYSTEM ONLY) SECT. 41  
FIGURE 15A (SHEET 1)

BRI  
MAY 28/07

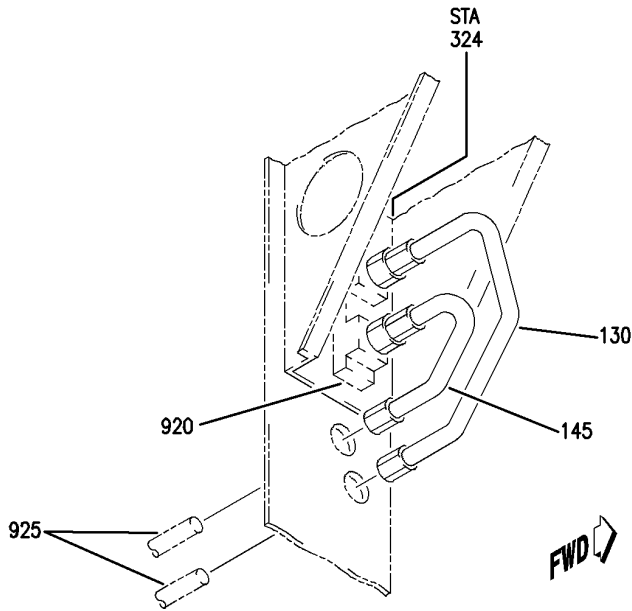
**32-35-51-15A**

32-35-51-15A  
PAGE 0

**BOEING**  
757  
PARTS CATALOG (MAINTENANCE)



(B)



(C)

Y 32355115A SH1 2 REV 225

PLUMBING INSTL-HYDR BAY AND NOSE WHLWELL (NOSE GEAR ALTERNATE EXTEND SYSTEM ONLY) SECT. 41  
FIGURE 15A (SHEET 2)

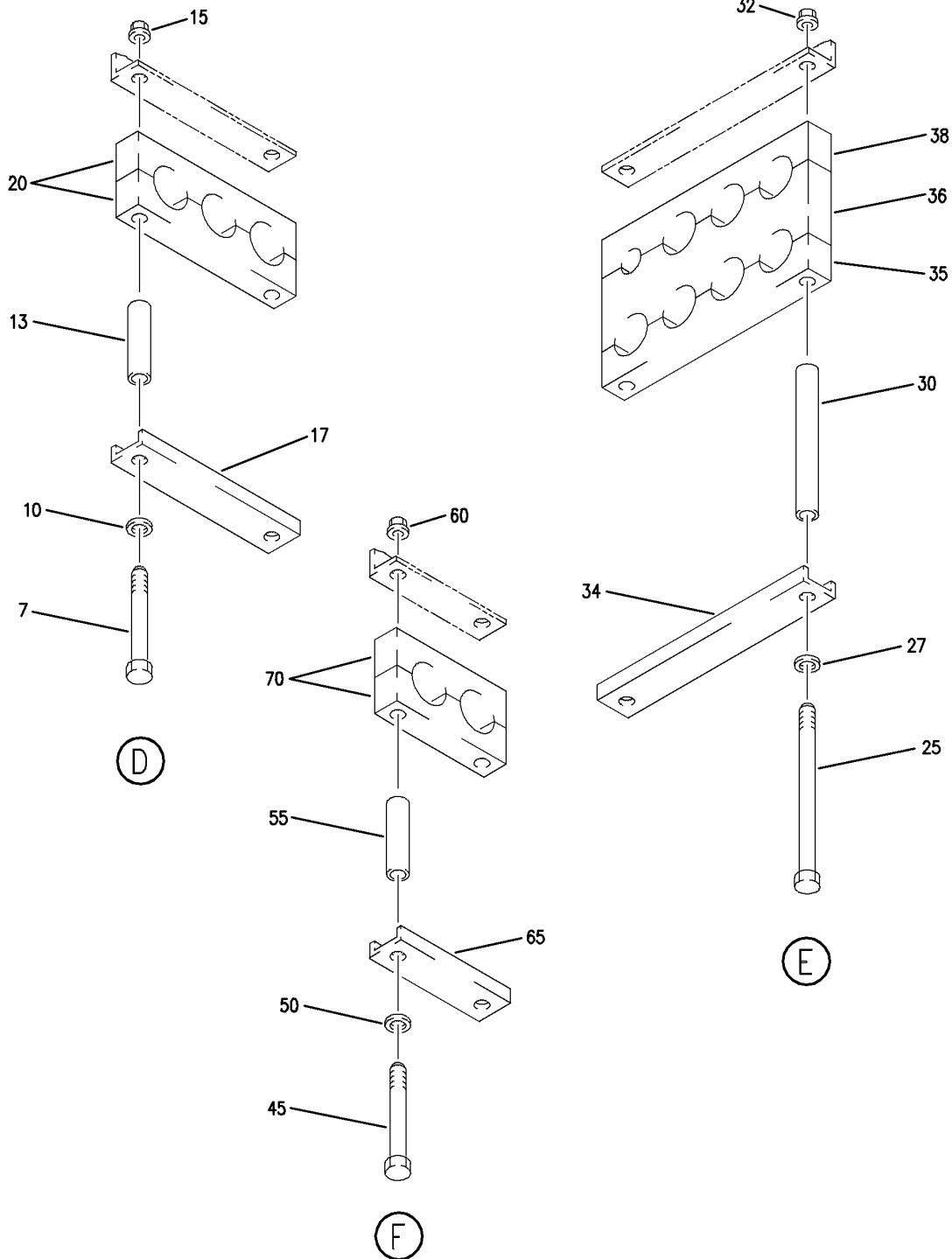
BRI  
MAY 28/07

**32-35-51-15A**

32-35-51-15A  
PAGE 0A

BOEING PROPRIETARY - Copyright © - Unpublished Work - See title page for details.


**BOEING**  
 757  
**PARTS CATALOG (MAINTENANCE)**



Y 32355115A SHT 3 REV 225

PLUMBING INSTL-HYDR BAY AND NOSE WHLWELL (NOSE GEAR ALTERNATE EXTEND SYSTEM ONLY) SECT. 41  
 FIGURE 15A (SHEET 3)

BRI  
 MAY 28/07

# 32-35-51-15A

32-35-51-15A  
 PAGE 0B





757

PARTS CATALOG (MAINTENANCE)

FIG ITEM	PART NUMBER	1 2 3 4 5 6 7	NOMENCLATURE	EFFECT FROM TO	UNITS PER ASSY
15A			PLUMBING INSTL-HYDR BAY AND NOSE WHLWELL (NOSE GEAR ALTERNATE EXTEND SYSTEM ONLY) SECT. 41	101106 108120 504903	
- 1	271N6411-20		PLUMBING INSTL-HYDR BAY AND NOSE WHLWELL (NOSE GEAR ALTERNATE EXTEND SYSTEM ONLY) POSITION DATA: SECT. 41 FOR NHA/OTHER SYS DET SEE: 32-00-00-02	101102 108120 504903	RF
- 1	MODREF31401		PLUMBING INSTL-HYDR BAY AND NOSE WHLWELL (NOSE GEAR ALTERNATE EXTEND SYSTEM ONLY) MODULE NUMBER: 271N6411-20 REV B POSITION DATA: SECT. 41 FOR OTHER SYS DETAILS SEE: 11-22-56-01B 32-34-51-15A	103106	1
5	270N2000-25		.CLAMP ASSY-BLOCK	101106 108120 504903	RF
7	NAS1801-3-25		..SCREW	101106 108120 504903	RF
10	AN960PD10L		..WASHER	101106 108120 504903	RF
13	NAS43DD3-59		..SPACER	101106 108120 504903	RF

MISSING ITEM NUMBERS NOT APPLICABLE

- ITEM NOT ILLUSTRATED

**32-35-51-15A**

32-35-51  
FIG. 15A  
PAGE 1  
JAN 20/09

BRI



757

PARTS CATALOG (MAINTENANCE)

FIG ITEM	PART NUMBER	1 2 3 4 5 6 7	NOMENCLATURE	EFFECT FROM TO	UNITS PER ASSY
15A 15	BRH10A3	..	NUT SUPPLIER CODE: V52828 SPECIFICATION NUMBER: BACN10JC3 OPTIONAL PART: H10-3BAC V15653 NS202101-02 V80539 RMLH9075-3W V72962 VN303A02 V92215 96-02 V80539 T6S1032J V11815	101106 108120 504903	RF
17	270N2000-815	..	CHANNEL	101106 108120 504903	RF
20	270N2000-440	..	BLOCK- OPTIONAL PART: 270N2000-461	101106 108120 504903	RF
20	270N2000-461	..	BLOCK- OPTIONAL PART: 270N2000-440	101106 108120 504903	RF
23	270N2000-46	.	CLAMP ASSY-BLOCK	101106 108120 504903	RF
25	NAS1801-3-36	..	SCREW	101106 108120 504903	RF
27	AN960PD10L	..	WASHER	101106 108120 504903	RF
30	NAS43DD3-109	..	SPACER	101106 108120 504903	RF

MISSING ITEM NUMBERS NOT APPLICABLE

- ITEM NOT ILLUSTRATED

32-35-51-15A

32-35-51  
FIG. 15A  
PAGE 2  
JAN 20/09

BRI

BOEING PROPRIETARY - Copyright © - Unpublished Work - See title page for details.



757

PARTS CATALOG (MAINTENANCE)

FIG ITEM	PART NUMBER	1 2 3 4 5 6 7	NOMENCLATURE	EFFECT FROM TO	UNITS PER ASSY
15A 32	BRH10A3	..	NUT SUPPLIER CODE: V52828 SPECIFICATION NUMBER: BACN10JC3 OPTIONAL PART: H10-3BAC V15653 NS202101-02 V80539 RMLH9075-3W V72962 VN303A02 V92215 96-02 V80539 T6S1032J V11815	101106 108120 504903	RF
34	270N2000-829	..	CHANNEL	101106 108120 504903	RF
35	270N2000-473	..	BLOCK- OPTIONAL PART: 270N2000-512	101106 108120 504903	RF
35	270N2000-512	..	BLOCK- OPTIONAL PART: 270N2000-473	101106 108120 504903	RF
36	270N2000-474	..	BLOCK	101106 108120 504903	RF
38	270N2000-475	..	BLOCK	101106 108120 504903	RF
40	270N2000-78	.	CLAMP ASSY-BLOCK	101106 108120 504903	RF
45	NAS1801-3-24	..	SCREW	101106 108120 504903	RF
50	AN960PD10L	..	WASHER	101106 108120 504903	RF
55	NAS43DD3-59	..	SPACER	101106 108120 504903	RF

MISSING ITEM NUMBERS NOT APPLICABLE

- ITEM NOT ILLUSTRATED

32-35-51-15A

32-35-51  
FIG. 15A  
PAGE 3  
JAN 20/09

BRI

BOEING PROPRIETARY - Copyright © - Unpublished Work - See title page for details.



757

PARTS CATALOG (MAINTENANCE)

FIG ITEM	PART NUMBER	1 2 3 4 5 6 7	NOMENCLATURE	EFFECT FROM TO	UNITS PER ASSY
15A 60	BRH10A3	..	NUT SUPPLIER CODE: V52828 SPECIFICATION NUMBER: BACN10JC3 OPTIONAL PART: H10-3BAC V15653 NS202101-02 V80539 RMLH9075-3W V72962 VN303A02 V92215 96-02 V80539 T6S1032J V11815	101106 108120 504903	RF
65	270N2000-844	..	CHANNEL	101106 108120 504903	RF
70	270N2000-502	..	BLOCK	101106 108120 504903	RF
75	AS115-04-0085	.	HOSE ASSY	101106 108120 504903	1
80	271N6411-1008	.	TUBE ASSY-DOOR CLOSE MANUFACTURED FROM: TUBING TI TUBING MATERIAL: .375 IN. OD .019 IN. WALL 15.80 IN. LG TI BMS 7-234 TI-3AL-2.5V COLD WORKED, STRESS RELIEVED TUBING	101106 108120 504903	1
85	271N6411-1023	.	TUBE ASSY-DOOR CLOSE MANUFACTURED FROM: TUBING TI TUBING MATERIAL: .375 IN. OD .019 IN. WALL 25.60 IN. LG TI MS 7-234 TI-3AL-2.5V COLD WORKED, STRESS RELIEVED TUBING	101106 108120 504903	1
- 90	AS1581T06	..	SLEEVE	101106 108120 504903	2

MISSING ITEM NUMBERS NOT APPLICABLE

- ITEM NOT ILLUSTRATED

32-35-51-15A

32-35-51  
FIG. 15A  
PAGE 4  
JAN 20/09

BRI

BOEING PROPRIETARY - Copyright © - Unpublished Work - See title page for details.



757

PARTS CATALOG (MAINTENANCE)

FIG ITEM	PART NUMBER	1 2 3 4 5 6 7	NOMENCLATURE	EFFECT FROM TO	UNITS PER ASSY
15A - 95	BACN10YA6	..	NUT	101106 108120 504903	2
100	271N6411-1074	.	TUBE ASSY-DOOR CLOSE MANUFACTURED FROM: TUBING TI TUBING MATERIAL: .375 IN. OD .019 IN. WALL 52.00 IN. LG TI BMS 7-234 TI-3AL-2.5V COLD WORKED, STRESS RELIEVED TUBING	101106 108120 504903	1
- 105	AS1581T06	..	SLEEVE	101106 108120 504903	2
- 110	BACN10YA6	..	NUT-	101106 108120 504903	2
115	271N6411-1046	.	TUBE ASSY-ALTERNATE MANUFACTURED FROM: TUBING TUBING MATERIAL: .250 IN. OD .016 IN. WALL 8.10 IN. LG TI BMS 7-234 TI-3AL-2.5V COLD WORKED, STRESS RELIEVED TUBING	101106 108120 504903	1
- 120	AS1581T04	..	SLEEVE	101106 108120 504903	2
- 125	BACN10YA4	..	NUT	101106 108120 504903	2
130	271N6411-1038	.	TUBE ASSY-ALTERNATE EXTEND PRESSURE MANUFACTURED FROM: TUBING TI TUBING MATERIAL: .375 IN. OD .019 IN. WALL 15.30 IN. LG TI BMS 7-234 TI-3AL-2.5V COLD WORKED, STRESS RELIEVED TUBING	101106 108120 504903	1
- 135	AS1581T06	..	SLEEVE	101106 108120 504903	2
- 140	BACN10YA6	..	NUT	101106 108120 504903	2

MISSING ITEM NUMBERS NOT APPLICABLE

- ITEM NOT ILLUSTRATED

32-35-51-15A

32-35-51  
FIG. 15A  
PAGE 5  
JAN 20/09

BRI

BOEING PROPRIETARY - Copyright © - Unpublished Work - See title page for details.



757

PARTS CATALOG (MAINTENANCE)

FIG ITEM	PART NUMBER	1 2 3 4 5 6 7	NOMENCLATURE	EFFECT FROM TO	UNITS PER ASSY
15A 145	271N6411-1105		.TUBE ASSY-ALTERNATE EXTEND PRESSURE MANUFACTURED FROM: TUBING TI TUBING MATERIAL: .375 IN. OD .019 IN. WALL 9.70 IN. LG TI BMS 7-234 TI-3AL-2.5V COLD WORKED, STRESS RELIEVED TUBING	101106 108120 504903	1
- 150	AS1581T06		..SLEEVE	101106 108120 504903	2
- 155	BACN10YA6		..NUT-	101106 108120 504903	2
160	BACE21BN0404J		.ELBOW	101106 108120 504903	1
162	NAS1149D0763J		.WASHER	101106 108120 504903	1
163	AN924-4D		.NUT	101106 108120 504903	1
165	BACT16BL060606J		.TEE	101106 108120 504903	1
- 300	271N6411-14		PLUMBING INSTL-HYD SECT. 41 NOSE WHEELWELL (NOSE GEAR ALTERNATE EXTEND SYSTEM ONLY) FOR NHA SEE: 29-00-51-02B	101102 108120 504903	RF
- 300	MODREF31400		PLUMBING INSTL-HYD SECT. 41 NOSE WHEELWELL (NOSE GEAR ALTERNATE EXTEND SYSTEM ONLY) MODULE NUMBER: 271N6411-14 REV B FOR ADDITIONAL DETAILS SEE: 32-34-51-17	103106	1
305	271N6411-1019		.TUBE ASSY-RETURN SYS TUBING MATERIAL: .375 IN. OD .035 IN. WALL 7.50 IN. LG AL	101106 108120 504903	1

MISSING ITEM NUMBERS NOT APPLICABLE

- ITEM NOT ILLUSTRATED

32-35-51-15A

32-35-51  
FIG. 15A  
PAGE 6  
JAN 20/09

BRI

BOEING PROPRIETARY - Copyright © - Unpublished Work - See title page for details.



757

PARTS CATALOG (MAINTENANCE)

FIG ITEM	PART NUMBER	1 2 3 4 5 6 7	NOMENCLATURE	EFFECT FROM TO	UNITS PER ASSY
15A - 310	AP2097HP06	..	SLEEVE SUPPLIER CODE: V01673 SPECIFICATION NUMBER: BACS13BX06HP OPTIONAL PART: 2-02903-06HP V11328 35235VN06 V08199 AFP175V06P V30974 DBOS13BX06HP V14798	101106 108120 504903	2
- 315	BACN10YL06	..	NUT- OPTIONAL PART: MS21921-6D	101106 108120 504903	2
- 315	MS21921-6D	..	NUT- OPTIONAL PART: BACN10YL06	101106 108120 504903	2
320	271N6411-1106	.TUBE ASSY-RETURN TUBING MATERIAL: .375 IN. OD X .035 IN. WALL X 13.0 IN LG 6061-T6 ALUMINUM		101106 108120 504903	1
- 325	AP2097HP06	..	SLEEVE SUPPLIER CODE: V01673 SPECIFICATION NUMBER: BACS13BX06HP OPTIONAL PART: 2-02903-06HP V11328 35235VN06 V08199 AFP175V06P V30974 DBOS13BX06HP V14798	101106 108120 504903	2
- 330	BACN10YL06N	..	NUT	101106 108120 504903	2
335	NAS1763W060606	.TEE		101106 108120 504903	1

MISSING ITEM NUMBERS NOT APPLICABLE

- ITEM NOT ILLUSTRATED

32-35-51-15A

32-35-51  
FIG. 15A  
PAGE 7  
JAN 20/09

BRI

BOEING PROPRIETARY - Copyright © - Unpublished Work - See title page for details.



757

PARTS CATALOG (MAINTENANCE)

FIG ITEM	PART NUMBER	1 2 3 4 5 6 7	NOMENCLATURE	EFFECT FROM TO	UNITS PER ASSY
15A 900			ILLUSTRATION REFERENCE: PLUMBING INSTL-HYDR BAY AND NOSE WHLWELL (NOSE GEAR EXTENSION AND RETRACTION ONLY) SECT. 41 32-34-51-15A	101106 108120 504903	RF
905			ILLUSTRATION REFERENCE: LOCK RELEASE INSTL-NOSE GR DOOR ACTR 32-35-51-01	101106 108120 504903	RF
915			ILLUSTRATION REFERENCE: ACTUATOR INSTL-NLG 32-35-21-01	101106 108120 504903	RF
920			ILLUSTRATION REFERENCE: RELEASE INSTL-NLG DOOR (LANDING GEAR ONLY) 32-35-22-01	101106 108120 504903	RF
925			ILLUSTRATION REFERENCE: PLUMBING INSTL-SECT. 41 BODY HYDR 32-35-51-16	101106 108120 504903	RF

MISSING ITEM NUMBERS NOT APPLICABLE

- ITEM NOT ILLUSTRATED

BRI

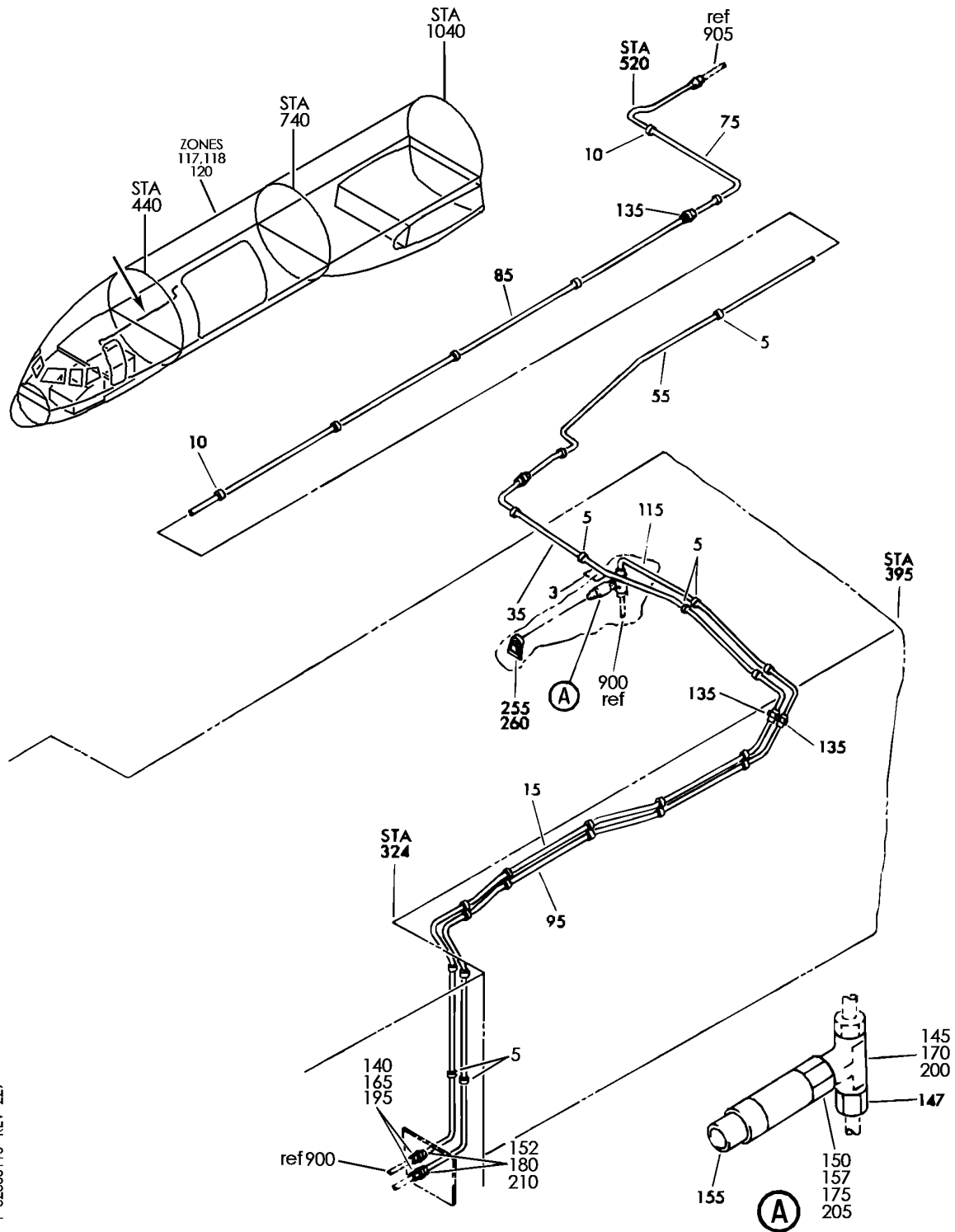
# 32-35-51-15A

BOEING PROPRIETARY - Copyright © - Unpublished Work - See title page for details.

32-35-51  
FIG. 15A  
PAGE 8  
JAN 20/09



**BOEING**  
757  
PARTS CATALOG (MAINTENANCE)



Y 32355116 REV 229

PLUMBING INSTL-SECT. 41 BODY HYDR  
FIGURE 16

**32-35-51-16**

BRI  
MAY 28/07

32-35-51-16  
PAGE 0



757

PARTS CATALOG (MAINTENANCE)

FIG ITEM	PART NUMBER	1 2 3 4 5 6 7	NOMENCLATURE	EFFECT FROM TO	UNITS PER ASSY
16			PLUMBING INSTL-SECT. 41 BODY HYDR	002004 006999	
- 1	271N6412-1		PLUMBING INSTL-BODY HYDR POSITION DATA: SECT. 41 FOR NHA/OTHER SYS DET SEE: 29-00-51-03	002004 006100 107107 121503 904999	RF
- 1	271N6412-4		PLUMBING INSTL-BODY HYDR POSITION DATA: SECT. 41 FOR NHA/OTHER SYS DET SEE: 32-00-00-02	101102 504903	RF
- 1	271N6412-5		PLUMBING INSTL-BODY HYDR POSITION DATA: SECT. 41 FOR NHA/OTHER SYS DET SEE: 32-00-00-02	108120	RF
- 1	MODREF31403		PLUMBING INSTL-BODY HYDR MODULE NUMBER: 271N6412-5 REV B POSITION DATA: SECT. 41	103106	1
3	BAC27NHY0213		.MARKER- POSITION DATA: D4360 PRESSURE SWITCH ALTERNATE GEAR EXTENSION S10366	002004 006999	1
5	M85052-2-4		.CLAMP-  ATTACHING PARTS	002004 006999	22
- 7	NAS1801-3		.SCREW- SIZE DETERMINED ON INSTL.	002004 006999	22
- 8	AN960KD10		.WASHER	002004 006999	AR
- 9	MS21042L3		.NUT	002004 006999	22
10	TA0910005H108		-----*----- .CLAMP SUPPLIER CODE: V84971 SPECIFICATION NUMBER: BACC10HC08C ATTACHING PARTS	002004 006100 107107 121503 904999	6
- 12	NAS1801-3		.SCREW- SIZE DETERMINED ON INSTL.	002004 006100 107107 121503 904999	12

MISSING ITEM NUMBERS NOT APPLICABLE

- ITEM NOT ILLUSTRATED

32-35-51-16

32-35-51  
FIG. 16  
PAGE 1  
JAN 20/09

BRI



757

PARTS CATALOG (MAINTENANCE)

FIG ITEM	PART NUMBER	1 2 3 4 5 6 7	NOMENCLATURE	EFFECT FROM TO	UNITS PER ASSY
16					
- 13	AN960KD10	.	WASHER	002004 006100 107107 121503 904999	AR
- 14	MS21042L3	.	NUT	002004 006100 107107 121503 904999	12
			-----*-----		
15	271N6412-1007	.	TUBE ASSY-ALTERNATE EXTEND PRESSURE TUBING MATERIAL: .250 IN OD .016 IN. WALL 85.30 IN. LG TITANIUM	002004 006999	1
35	271N6412-1015	.	TUBE ASSY-ALTERNATE EXTEND PRESSURE TUBING MATERIAL: .250 IN. OD .016 IN. WALL 65.70 IN. LG TITANIUM	002004 006999	1
85	271N6412-1012	.	TUBE ASSY-ALTERNATE EXTEND PRESSURE TUBING MATERIAL: .250 IN. OD .016 IN. WALL 98.10 IN. LG TITANIUM	002004 006999	1
95	271N6412-1003	.	TUBE ASSY-ALTERNATE EXTEND PRESSURE TUBING MATERIAL: .250 IN. OD .016 IN. WALL 87.00 IN. LG TITANIUM	002004 006999	1
115	271N6412-1014	.	TUBE ASSY-ALTERNATE EXTEND PRESSURE TUBING MATERIAL: .250 IN. OD .016 IN. WALL 31.30 IN. LG TITANIUM	002004 006999	1
135	D10036-04	.	UNION- SUPPLIER CODE: V14798 OPTIONAL PART: D10282-04 V14798	002004 006999	3

MISSING ITEM NUMBERS NOT APPLICABLE

- ITEM NOT ILLUSTRATED

32-35-51-16

32-35-51  
FIG. 16  
PAGE 2  
JAN 20/09

BRI



757

PARTS CATALOG (MAINTENANCE)

FIG ITEM	PART NUMBER	1 2 3 4 5 6 7	NOMENCLATURE	EFFECT FROM TO	UNITS PER ASSY
16 135	D10282-04		.UNION- SUPPLIER CODE: V14798 OPTIONAL PART: D10036-04 V14798	002004 006999	3
150	AN924-4		.NUT	002004 006999	1
152	AN924-6		.NUT	002004 006999	2
155	211C223-522		.SWITCH-PRESSURE SUPPLIER CODE: V02750 SPECIFICATION NUMBER: S271T452-11 ELECTRICAL EQUIP NUMBER: S10366 COMPONENT MAINT MANUAL REF: 29-09-05 OPTIONAL PART: 211C223-321 V02750 211C223-208 V02750	002004 006999	1
155	211C223-321		.SWITCH-PRESSURE SUPPLIER CODE: V02750 SPECIFICATION NUMBER: S271T452-11 ELECTRICAL EQUIP NUMBER: S10366 COMPONENT MAINT MANUAL REF: 29-09-02 OPTIONAL PART: 211C223-522 V02750 211C223-208 V02750	002004 006999	1

MISSING ITEM NUMBERS NOT APPLICABLE

- ITEM NOT ILLUSTRATED

32-35-51-16

32-35-51  
FIG. 16  
PAGE 3  
JAN 20/09

BRI



757

PARTS CATALOG (MAINTENANCE)

FIG ITEM	PART NUMBER	1 2 3 4 5 6 7	NOMENCLATURE	EFFECT FROM TO	UNITS PER ASSY
16 155	211C223-208	.	SWITCH-PRESSURE SUPPLIER CODE: V02750 SPECIFICATION NUMBER: S271T452-11 ELECTRICAL EQUIP NUMBER: S10366 OPTIONAL PART: 211C223-321 V02750 211C223-522 V02750	002004 006999	1
157	NAS1612-6	.	PACKING-	002004 006999	1
160	271N6412-3	.	FITTING INSTL	002004 006100 107107 121503 904999	1
165	D10199-0604	..	UNION- SUPPLIER CODE: V14798	002004 006100 107107 121503 904999	2
170	D10302-040406	..	TEE- SUPPLIER CODE: V14798	002004 006100 107107 121503 904999	1
175	AN924-4	..	NUT	002004 006100 107107 121503 904999	1
180	AN924-6	..	NUT	002004 006100 107107 121503 904999	2
- 190	271N6412-3		FITTING INSTL- FOR NHA/OTHER SYS DET SEE: 32-00-00-02	101102 108120 504903	RF
- 190	MODREF31416		FITTING INSTL- MODULE NUMBER: 271N6412-3 REV B	103106	1
195	D10199-0604	.	UNION- SUPPLIER CODE: V14798	101106 108120 504903	2

MISSING ITEM NUMBERS NOT APPLICABLE

- ITEM NOT ILLUSTRATED

32-35-51-16

32-35-51  
FIG. 16  
PAGE 4  
JAN 20/09

BRI

BOEING PROPRIETARY - Copyright © - Unpublished Work - See title page for details.



757

PARTS CATALOG (MAINTENANCE)

FIG ITEM	PART NUMBER	1 2 3 4 5 6 7	NOMENCLATURE	EFFECT FROM TO	UNITS PER ASSY
16 200	D10302-040406		.TEE- SUPPLIER CODE: V14798	101106 108120 504903	1
205	AN924-4		.NUT	101106 108120 504903	1
210	AN924-6		.NUT	101106 108120 504903	2
- 250	286N2150-002		WIRE BUNDLE ASSY- NOSE GEAR ALTERNATE EXTEND SYSTEM	121503 904949	RF
- 250	286N2150-003		WIRE BUNDLE ASSY- NOSE GEAR ALTERNATE EXTEND SYSTEM	107107	RF
- 250	286N2150-004		WIRE BUNDLE ASSY- NOSE GEAR ALTERNATE EXTEND SYSTEM	002004 006100 950999	RF
- 250	286N2152-308		WIRE BUNDLE ASSY- NOSE GEAR ALTERNATE EXTEND SYSTEM	101102 108120	RF
- 250	286N2152-309		WIRE BUNDLE ASSY- NOSE GEAR ALTERNATE EXTEND SYSTEM	504903	RF
255	GS3417-14C		.CLAMP- SUPPLIER CODE: V06324 SPECIFICATION NUMBER: BACC10HF14 OPTIONAL PART: S2125-14-8 V07418 ELECTRICAL EQUIP NUMBER: D04360T WIRING DIAGRAM REF: 323511	002004 006102 107999	1
260	R071014A7S6L		.CONNECTOR- SUPPLIER CODE: V41118 SPECIFICATION NUMBER: BACC63BP14A7S6L ELECTRICAL EQUIP NUMBER: D04360 WIRING DIAGRAM REF: 323511	002004 006102 107999	1

MISSING ITEM NUMBERS NOT APPLICABLE

- ITEM NOT ILLUSTRATED

32-35-51-16

32-35-51  
FIG. 16  
PAGE 5  
JAN 20/09

BRI



757

PARTS CATALOG (MAINTENANCE)

FIG ITEM	PART NUMBER	1 2 3 4 5 6 7	NOMENCLATURE	EFFECT FROM TO	UNITS PER ASSY
16 900			ILLUSTRATION REFERENCE: PLUMBING INSTL-NOSE WHL WELL SECT. 41 HYDR (NOSE GEAR ALTERNATE EXTEND SYSTEM ONLY) 32-35-51-15	002004 006100 107107 121503 904999	RF
900			ILLUSTRATION REFERENCE: PLUMBING INSTL-HYDR BAY AND NOSE WHLWELL (NOSE GEAR ALTERNATE EXTEND SYSTEM ONLY) SECT. 41 32-35-51-15A	101106 108120 504903	RF
905			ILLUSTRATION REFERENCE: PLUMBING INSTL-SECT. 43 HYDR (NOSE GEAR ALTERNATE EXTEND SYSTEM ONLY) 32-35-51-20	002004 006100 107107 121503 904999	RF

MISSING ITEM NUMBERS NOT APPLICABLE

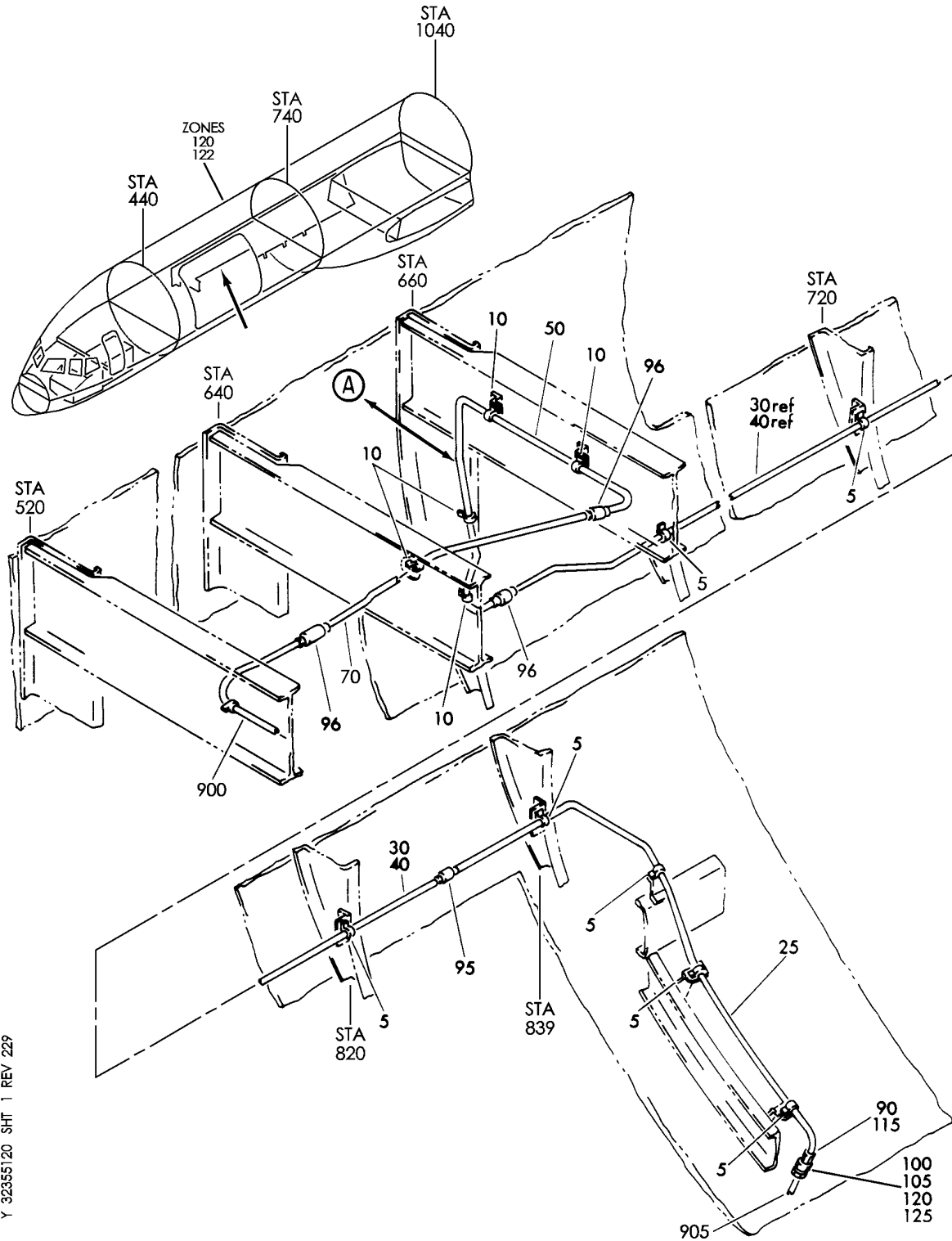
- ITEM NOT ILLUSTRATED

**32-35-51-16**

32-35-51  
FIG. 16  
PAGE 6  
JAN 20/09

BRI

**BOEING**  
757  
PARTS CATALOG (MAINTENANCE)



Y 32355120 SHT 1 REV 229

PLUMBING INSTL-SECT. 43 HYDR (NOSE GEAR ALTERNATE EXTEND SYSTEM ONLY)  
FIGURE 20 (SHEET 1)

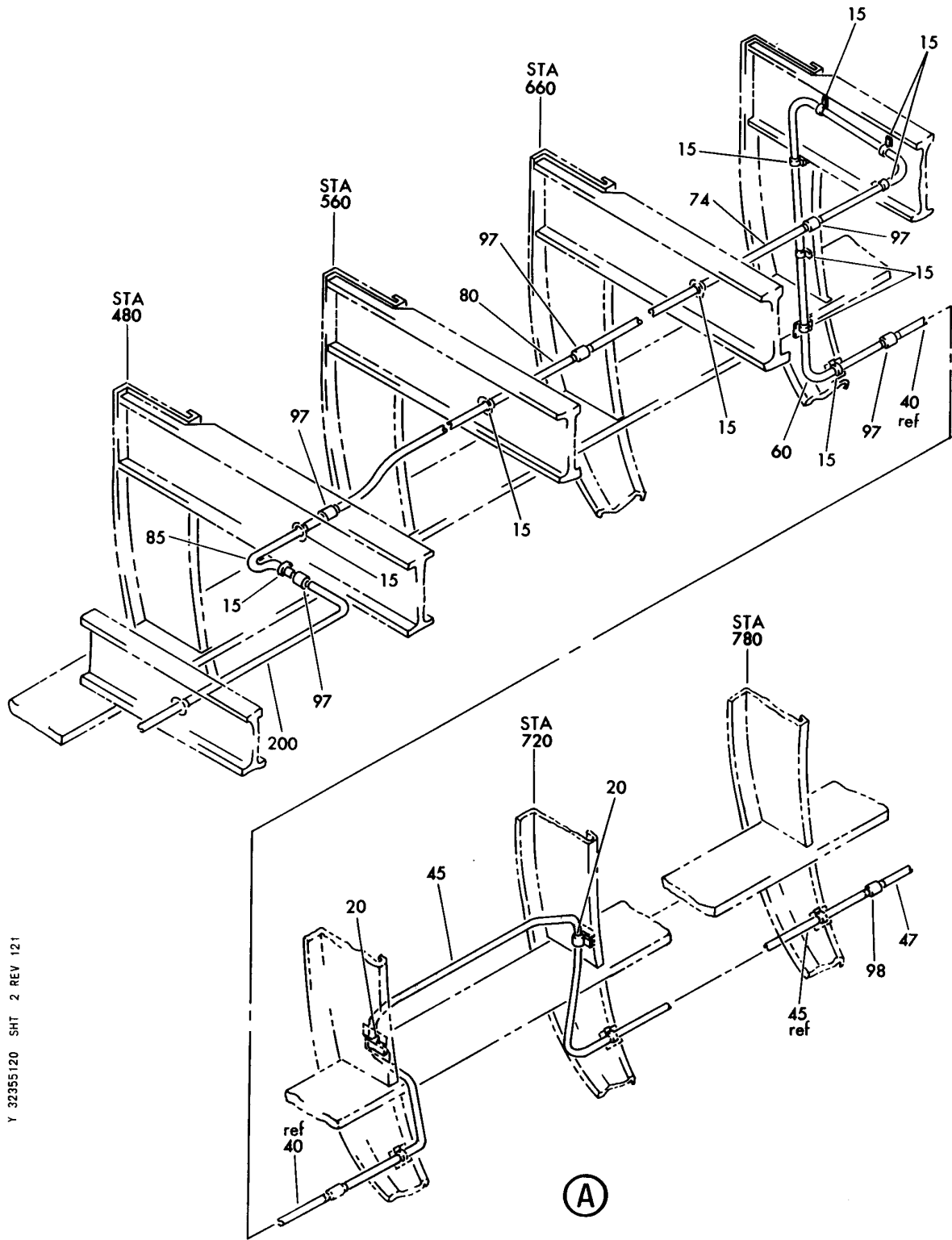
**32-35-51-20**

BRI  
MAY 28/07

32-35-51-20  
PAGE 0



**BOEING**  
757  
PARTS CATALOG (MAINTENANCE)



Y 32355120 SHT 2 REV 121

PLUMBING INSTL-SECT. 43 HYDR (NOSE GEAR ALTERNATE EXTEND SYSTEM ONLY)  
FIGURE 20 (SHEET 2)

**32-35-51-20**

BRI  
MAY 28/07

32-35-51-20  
PAGE 0A



757

PARTS CATALOG (MAINTENANCE)

FIG ITEM	PART NUMBER	1 2 3 4 5 6 7	NOMENCLATURE	EFFECT FROM TO	UNITS PER ASSY
20			PLUMBING INSTL-SECT. 43 HYDR (NOSE GEAR ALTERNATE EXTEND SYSTEM ONLY)	002004 006999	RF
- 1	271N6431-1		PLUMBING INSTL-HYDR (NOSE GEAR ALTERNATE EXTEND SYSTEM ONLY) POSITION DATA: SECT. 43 VARIABLE DRAWING REF: 271N6431-3 FOR NHA/OTHER SYS DET SEE: 29-00-51-04	002004 006100 107107 121503 904999	RF
- 1	271N6431-17		PLUMBING INSTL-HYDR POSITION DATA: SECT 43 FOR NHA/OTHER SYS DET SEE: 32-00-00-02	101102 108120 504903	RF
- 1	MODREF31419		PLUMBING INSTL-HYDR MODULE NUMBER: 271N6431-17 REV B POSITION DATA: SECT 43	103106	1
5	BACC10DK4		.CLAMP	002004 006999	9
- 7	NAS1801-3		ATTACHING PARTS .SCREW-	002004 006999	18
- 8	AN960KD10L		SIZE DETERMINED ON INSTL. .WASHER	002004 006999	AR
- 9	BRH10A3		.NUT SUPPLIER CODE: V52828 SPECIFICATION NUMBER: BACN10JC3 OPTIONAL PART: H10-3BAC V15653 NS202101-02 V80539 RMLH9075-3W V72962 VN303A02 V92215 96-02 V80539 T6S1032J V11815 -----*-----	002004 006999	18

MISSING ITEM NUMBERS NOT APPLICABLE

- ITEM NOT ILLUSTRATED

32-35-51-20

32-35-51  
FIG. 20  
PAGE 1  
JAN 20/09

BRI



757

PARTS CATALOG (MAINTENANCE)

FIG ITEM	PART NUMBER	1 2 3 4 5 6 7	NOMENCLATURE	EFFECT FROM TO	UNITS PER ASSY
20					
15	BACC10DK4	.	CLAMP	002004 006999	18
			ATTACHING PARTS		
- 17	NAS1801-3	.	SCREW-	002004 006999	36
			SIZE DETERMINED ON INSTL.		
- 18	AN960KD10L	.	WASHER	002004 006999	AR
- 19	BRH10A3	.	NUT	002004 006999	36
			SUPPLIER CODE: V52828		
			SPECIFICATION NUMBER: BACN10JC3		
			OPTIONAL PART: H10-3BAC		
			V15653		
			NS202101-02		
			V80539		
			RMLH9075-3W		
			V72962		
			VN303A02		
			V92215		
			96-02		
			V80539		
			T6S1032J		
			V11815		
			-----*-----		
20	BACC10DK4	.	CLAMP	002004 006999	2
			ATTACHING PARTS		
- 22	NAS1801-3	.	SCREW-	002004 006999	4
			SIZE DETERMINED ON INSTL.		
- 23	AN960KD10L	.	WASHER	002004 006999	AR

MISSING ITEM NUMBERS NOT APPLICABLE

- ITEM NOT ILLUSTRATED

BRI

32-35-51-20

32-35-51  
FIG. 20  
PAGE 2  
JAN 20/09



757

PARTS CATALOG (MAINTENANCE)

FIG ITEM	PART NUMBER	1 2 3 4 5 6 7	NOMENCLATURE	EFFECT FROM TO	UNITS PER ASSY
20 - 24	BRH10A3		.NUT SUPPLIER CODE: V52828 SPECIFICATION NUMBER: BACN10JC3 OPTIONAL PART: H10-3BAC V15653 NS202101-02 V80539 RMLH9075-3W V72962 VN303A02 V92215 96-02 V80539 T6S1032J V11815	002004 006999	4
25	271N6431-1011		-----*----- .TUBE ASSY-ALTERNATE EXTEND PRESSURE TUBING MATERIAL: .250 IN. OD .016 IN. WALL 47.1 IN. LG TITANIUM BMS 7-234 TI-3AL-2.5V WORKED, STRESS RELIEVED TUBING	002004 107107 121503 904949 952952	1
25	271N6431-1105		.TUBE ASSY-ALTERNATE EXTEND PRESSURE TUBING MATERIAL: .250 IN. OD .016 IN. WALL 47.4 IN. LG BMS 7-234 TI-3AL-2.5V COLD WORKED, STRESS RELIEVED TUBING	006106 108120 504903 950951 953999	1
45	271N6431-1043		.TUBE ASSY-ALTERNATE EXTEND PRESSURE TUBING MATERIAL: .250 IN. OD .016 IN. WALL 118.6 IN. LG TITANIUM BMS 7-234 TI-3AL-2.5V COLD WORKED, STRESS RELIEVED TUBING	002004 006999	1

MISSING ITEM NUMBERS NOT APPLICABLE

- ITEM NOT ILLUSTRATED

32-35-51-20

32-35-51  
FIG. 20  
PAGE 3  
JAN 20/09

BRI



757

PARTS CATALOG (MAINTENANCE)

FIG ITEM	PART NUMBER	1 2 3 4 5 6 7	NOMENCLATURE	EFFECT FROM TO	UNITS PER ASSY
20 47	271N6431-1044		.TUBE ASSY-ALTERNATE EXTEND PRESSURE TUBING MATERIAL: .250 IN. OD .016 IN. WALL 50.7 IN. LG TITANIUM BMS 7-234 TI-3AL-2.5V COLD WORKED, STRESS RELIEVED TUBING	002004 006999	1
60	271N6431-1050		.TUBE ASSY-ALTERNATE EXTEND PRESSURE TUBING MATERIAL: .250 IN. OD .016 IN. WALL 55.3 IN. LG TITANIUM BMS 7-234 TI-3AL-2.5V COLD WORKED, STRESS RELIEVED TUBING	002004 006999	1
74	271N6431-1022		.TUBE ASSY-ALTERNATE EXTEND PRESSURE TUBING MATERIAL: .250 IN. OD .016 IN. WALL 100.3 IN. LG TITANIUM BMS 7-234 TI-3AL-2.5V COLD WORKED, STRESS RELIEVED TUBING	002004 006999	1
80	271N6431-1019		.TUBE ASSY-ALTERNATE EXTEND PRESSURE TUBING MATERIAL: .250 IN. OD .016 IN. WALL 79.3 IN. LG TITANIUM BMS 7-234 TI-3AL-2.5V COLD WORKED, STRESS RELIEVED TUBING	002004 006999	1
85	271N6431-1018		.TUBE ASSY-ALTERNATE EXTEND PRESSURE TUBING MATERIAL: .250 IN. OD .016 IN. WALL 28.2 IN. LG TITANIUM BMS 7-234 TI-3AL-2.5V COLD WORKED, STRESS RELIEVED TUBING	002004 006999	1

MISSING ITEM NUMBERS NOT APPLICABLE

- ITEM NOT ILLUSTRATED

32-35-51-20

32-35-51  
FIG. 20  
PAGE 4  
JAN 20/09

BRI



757

PARTS CATALOG (MAINTENANCE)

FIG ITEM	PART NUMBER	1 2 3 4 5 6 7	NOMENCLATURE	EFFECT FROM TO	UNITS PER ASSY
20					
95	D10036-04		.UNION- SUPPLIER CODE: V14798 OPTIONAL PART: D10282-04 V14798	002004 006100 107107 121503 904999	1
95	D10282-04		.UNION- SUPPLIER CODE: V14798 OPTIONAL PART: D10036-04 V14798	002004 006100 107107 121503 904999	1
97	D10036-04		.UNION- SUPPLIER CODE: V14798 OPTIONAL PART: D10282-04 V14798	002004 006999	5
97	D10282-04		.UNION- SUPPLIER CODE: V14798 OPTIONAL PART: D10036-04 V14798	002004 006999	5
98	D10036-04		.UNION- SUPPLIER CODE: V14798 OPTIONAL PART: D10282-04 V14798	002004 006999	1
98	D10282-04		.UNION- SUPPLIER CODE: V14798 OPTIONAL PART: D10036-04 V14798	002004 006999	1
105	AN960KD716		.WASHER-	002004 006100 107107 121503 904999	1
- 110	271N6431-4		.FITTING INSTL- FOR DETAILS SEE: 32-34-51-20A	002004 006102 106999	RF
900			ILLUSTRATION REFERENCE: PLUMBING INSTL-SECT. 41 BODY HYDR 32-35-51-16	002004 006999	RF

MISSING ITEM NUMBERS NOT APPLICABLE

- ITEM NOT ILLUSTRATED

32-35-51-20

32-35-51  
FIG. 20  
PAGE 5  
JAN 20/09

BRI



757

PARTS CATALOG (MAINTENANCE)

FIG ITEM	PART NUMBER	1 2 3 4 5 6 7	NOMENCLATURE	EFFECT FROM TO	UNITS PER ASSY
20 905			ILLUSTRATION REFERENCE: PLUMBING INSTL-SECT. 49 AC BAY HYDR (NOSE GEAR ALTERNATE EXTEND SYSTEM ONLY) 32-35-51-40	002004 006100 107107 121503 904999	RF

MISSING ITEM NUMBERS NOT APPLICABLE

- ITEM NOT ILLUSTRATED

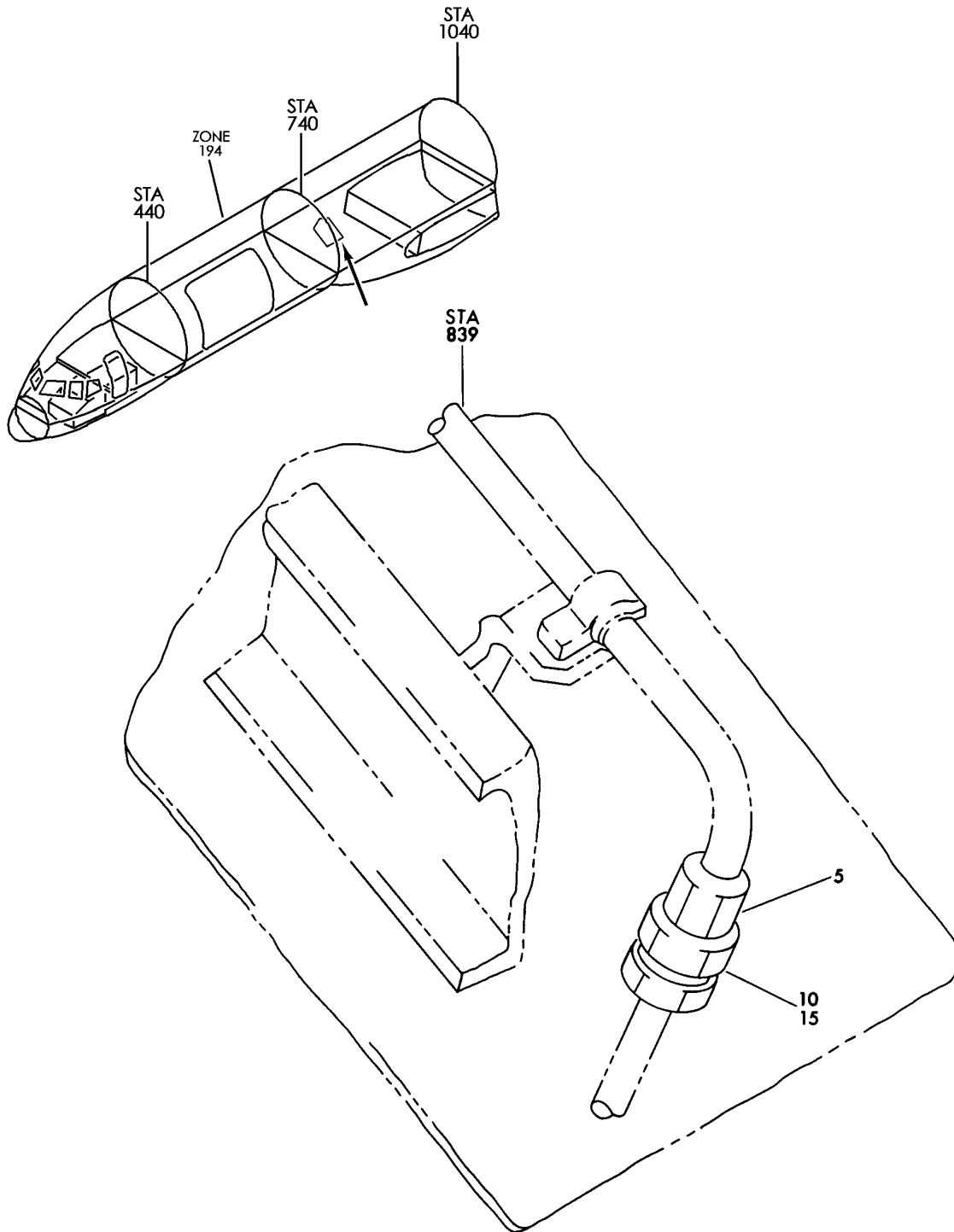
BRI

32-35-51-20

BOEING PROPRIETARY - Copyright © - Unpublished Work - See title page for details.

32-35-51  
FIG. 20  
PAGE 6  
JAN 20/09

**BOEING**  
757  
PARTS CATALOG (MAINTENANCE)



Y 32355120A REV 229

FITTING INSTL  
FIGURE 20A

BRI  
MAY 28/07

**32-35-51-20A**

32-35-51-20A  
PAGE 0





757

PARTS CATALOG (MAINTENANCE)

FIG ITEM	PART NUMBER	1 2 3 4 5 6 7	NOMENCLATURE	EFFECT FROM TO	UNITS PER ASSY
20A			FITTING INSTL	101106 108120 504903	
- 1	271N6431-4		FITTING INSTL- FOR NHA SEE: 32-35-51-20	101102 108120 504903	RF
- 1	MODREF31371		FITTING INSTL- MODULE NUMBER: 271N6431-4 REV B	103106	1
5	D10203-04		.UNION- SUPPLIER CODE: V14798	101106 108120 504903	1
10	AN924D4		.NUT	101106 108120 504903	1
15	AN960KD716		.WASHER	101106 108120 504903	1

MISSING ITEM NUMBERS NOT APPLICABLE

- ITEM NOT ILLUSTRATED

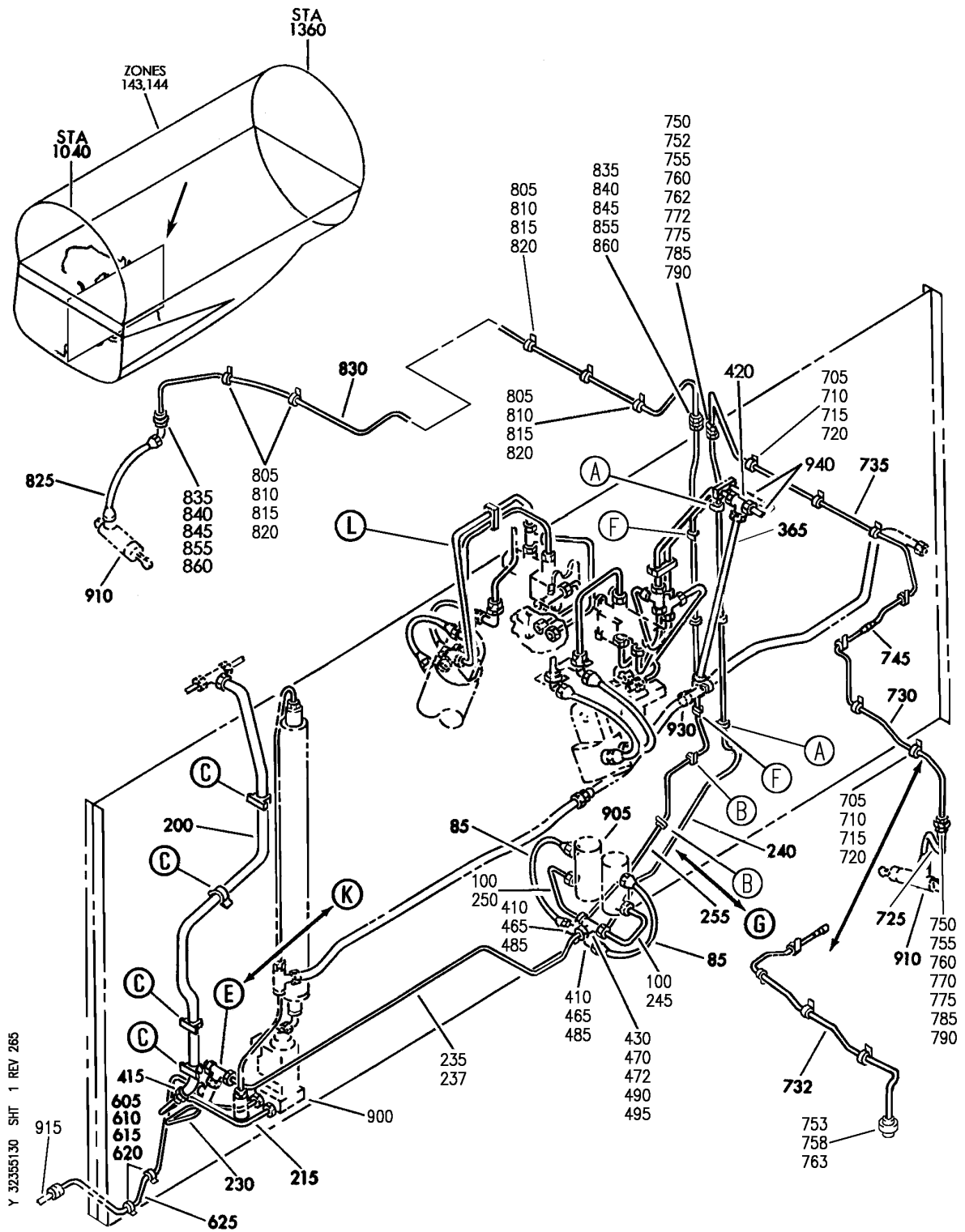
BRI

**32-35-51-20A**

BOEING PROPRIETARY - Copyright © - Unpublished Work - See title page for details.

32-35-51  
FIG. 20A  
PAGE 1  
JAN 20/09

**BOEING**  
757  
**PARTS CATALOG (MAINTENANCE)**



PLUMBING INSTL-SECT. 44 KEEL BEAM MLG WHL WELL HYDR  
FIGURE 30 (SHEET 1)

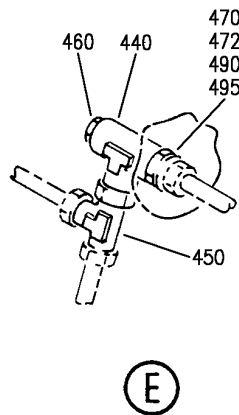
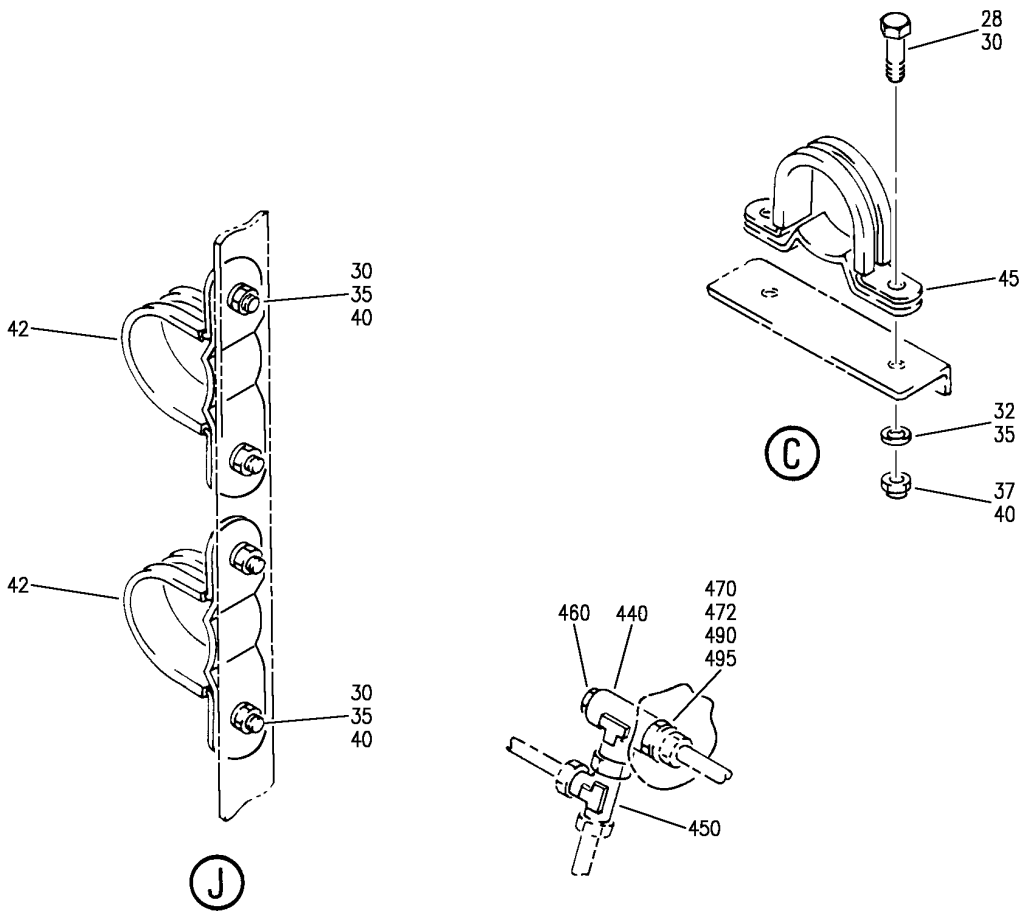
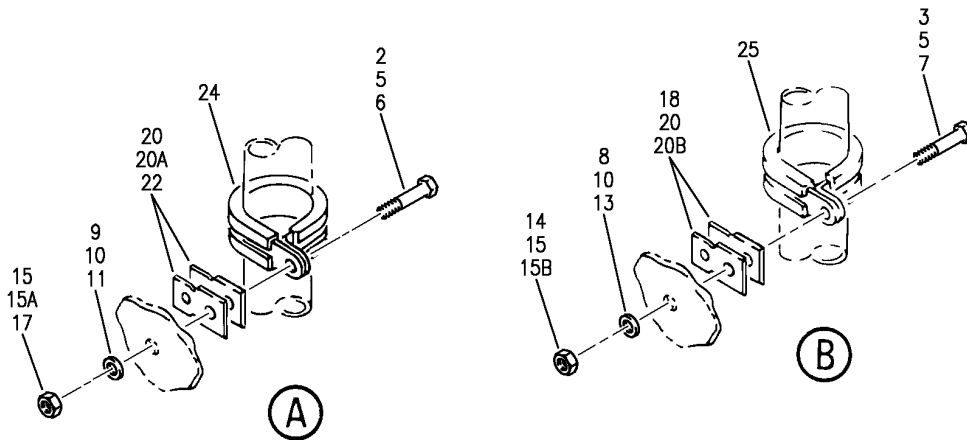
**32-35-51-30**

BRI  
MAY 28/07

32-35-51-30  
PAGE 0

BOEING PROPRIETARY - Copyright © - Unpublished Work - See title page for details.

**BOEING**  
757  
**PARTS CATALOG (MAINTENANCE)**



Y 32355130 SH1 2 REV 290

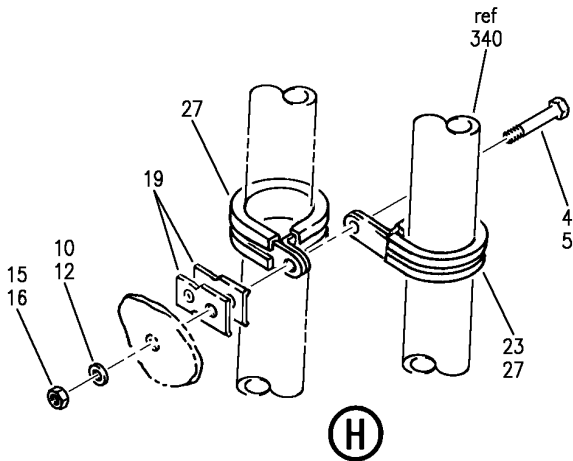
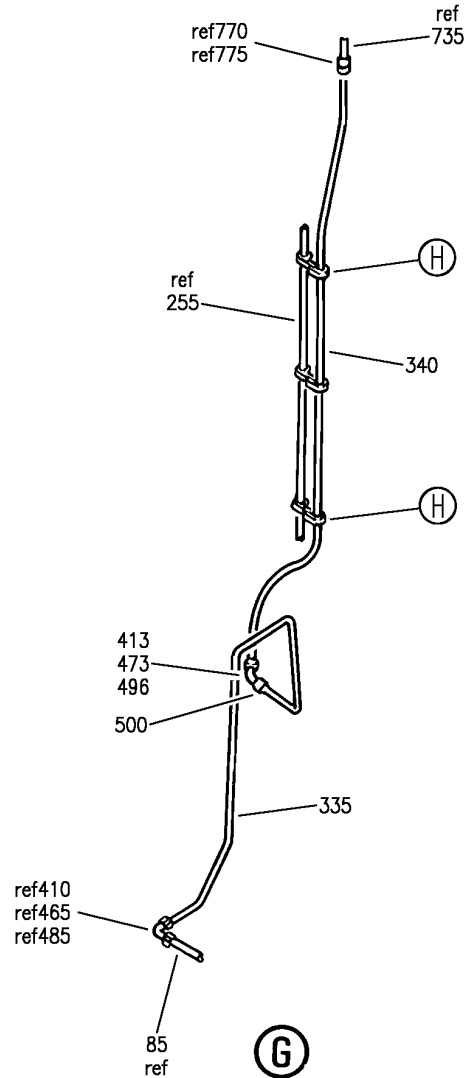
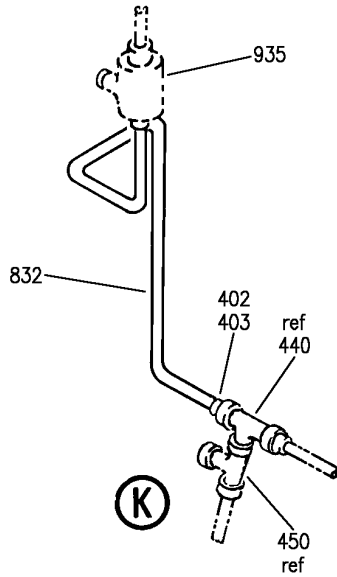
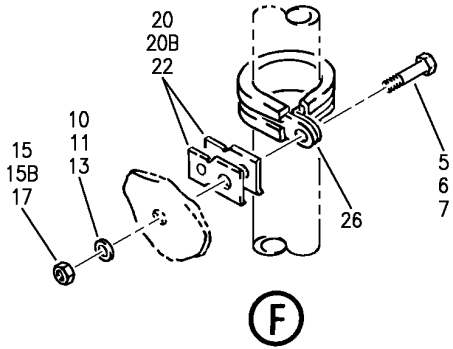
PLUMBING INSTL-SECT. 44 KEEL BEAM MLG WHL WELL HYDR  
FIGURE 30 (SHEET 2)

**32-35-51-30**

BRI  
MAY 28/07

32-35-51-30  
PAGE 0A


**BOEING**  
 757  
**PARTS CATALOG (MAINTENANCE)**



Y 32355130 SHT 3 REV 309

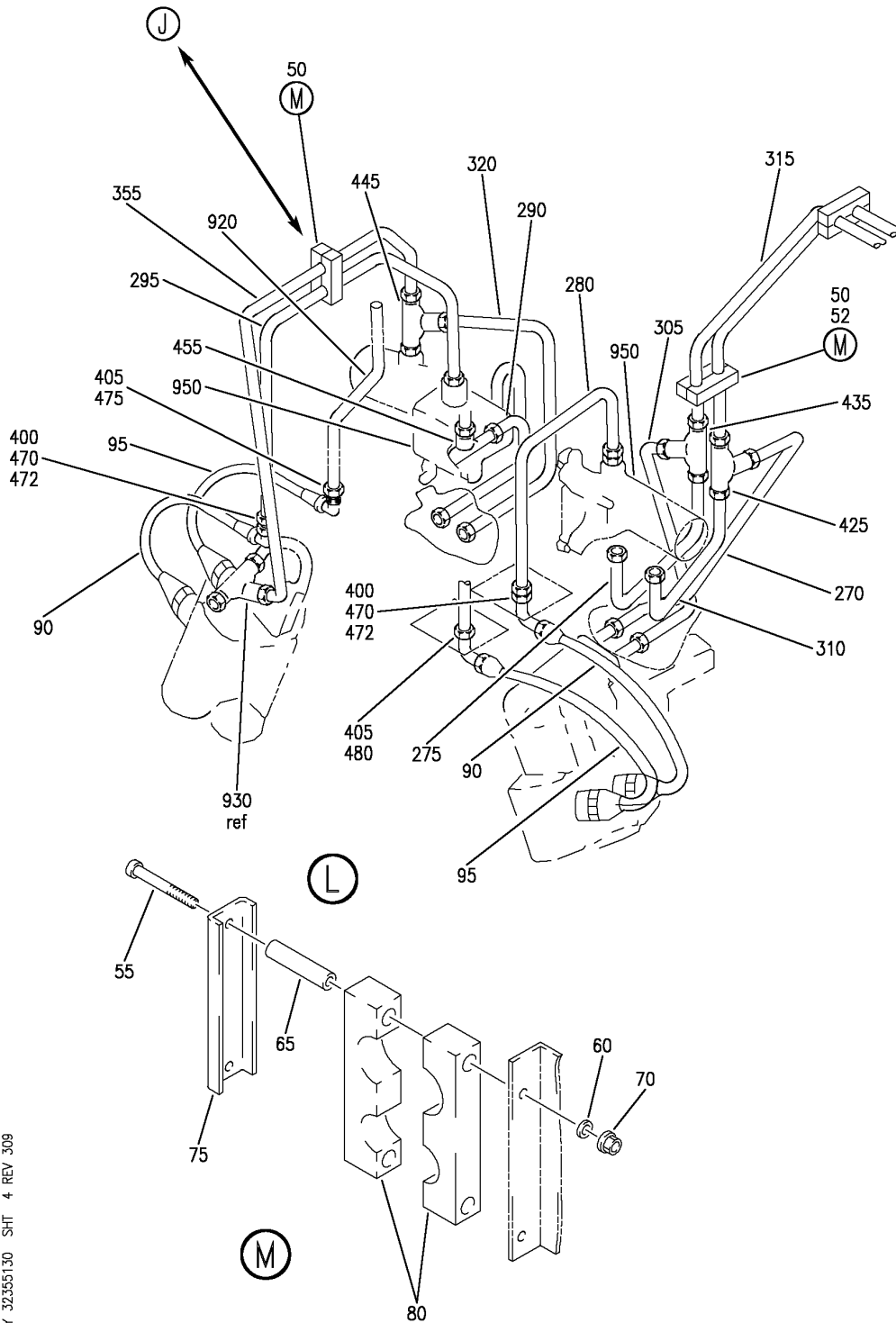
PLUMBING INSTL-SECT. 44 KEEL BEAM MLG WHL WELL HYDR  
 FIGURE 30 (SHEET 3)

**32-35-51-30**

BRI  
 MAY 28/07

32-35-51-30  
 PAGE 0B

**BOEING**  
757  
PARTS CATALOG (MAINTENANCE)



Y 32355130 SH1 4 REV 309

PLUMBING INSTL-SECT. 44 KEEL BEAM MLG WHL WELL HYDR  
FIGURE 30 (SHEET 4)

**32-35-51-30**

BRI  
MAY 28/07

32-35-51-30  
PAGE 0C



757

PARTS CATALOG (MAINTENANCE)

FIG ITEM	PART NUMBER	1 2 3 4 5 6 7	NOMENCLATURE	EFFECT FROM TO	UNITS PER ASSY
30			PLUMBING INSTL-SECT. 44 KEEL BEAM MLG WHL WELL HYDR	002004 006999	
- 1	271N6445-1		PLUMBING INSTL-KEEL BEAM MLG WHL WELL HYDR (LANDING GEAR ALTERNATE EXTENSION SYSTEM ONLY) POSITION DATA: SECT. 44 VARIABLE DRAWING REF: 271N6445-3 271N6445-6 FOR NHA/OTHER SYS DET SEE: 29-00-51-05	002004 006100 107107 121503 904999	RF
5	NAS1801-3		.SCREW- SIZE DETERMINED ON INSTL.	002004 006100 107107 121503 904999	8
10	AN960PD10		.WASHER	002004 006100 107107 121503 904999	AR
15	BRH10A3		.NUT SUPPLIER CODE: V52828 SPECIFICATION NUMBER: BACN10JC3 OPTIONAL PART: H10-3BAC V15653 NS202101-02 V80539 RMLH9075-3W V72962 VN303A02 V92215 96-02 V80539 T6S1032J V11815	002004 006100 107107 121503 904999	8
20	BACS18AF3		.SPACER	002004 006100 107107 121503 904999	16

MISSING ITEM NUMBERS NOT APPLICABLE

- ITEM NOT ILLUSTRATED

BRI

32-35-51-30

32-35-51  
FIG. 30  
PAGE 1  
JAN 20/09



757

PARTS CATALOG (MAINTENANCE)

FIG ITEM	PART NUMBER	1 2 3 4 5 6 7	NOMENCLATURE	EFFECT FROM TO	UNITS PER ASSY
30					
24	M85052-2-6	.	CLAMP-	002004 006100 107107 121503 904999	3
25	M85052-2-6	.	CLAMP	002004 006100 107107 121503 904999	2
26	M85052-2-6	.	CLAMP-	107107 121503 904951	3
27	M85052-2-6	.	CLAMP-	002004 006100 121503 904949 952999	6
30	NAS1801-3	.	SCREW- SIZE DETERMINED ON INSTL.	002004 006100 107107 121503 904999	12
35	AN960PD10	.	WASHER	002004 006100 107107 121503 904999	AR
40	BRH10A3	.	NUT SUPPLIER CODE: V52828 SPECIFICATION NUMBER: BACN10JC3 OPTIONAL PART: H10-3BAC V15653 NS202101-02 V80539 RMLH9075-3W V72962 VN303A02 V92215 96-02 V80539 T6S1032J V11815	002004 006100 107107 121503 904999	12

MISSING ITEM NUMBERS NOT APPLICABLE

- ITEM NOT ILLUSTRATED

BRI

32-35-51-30

32-35-51  
FIG. 30  
PAGE 2  
JAN 20/09



757

PARTS CATALOG (MAINTENANCE)

FIG ITEM	PART NUMBER	1 2 3 4 5 6 7	NOMENCLATURE	EFFECT FROM TO	UNITS PER ASSY
30					
42	TA0910004H106	.CLAMP	SUPPLIER CODE: V84971 SPECIFICATION NUMBER: BACC10HB06C	002004 006100 107107 121503 904999	2
45	TA0910004H116	.CLAMP	SUPPLIER CODE: V84971 SPECIFICATION NUMBER: BACC10HB16C	002004 006100 107107 121503 904999	4
52	270N2000-78	.CLAMP ASSY-BLK	POSITION DATA: LH STA 1130 WL 185	002004 006100 107107 121503 904999	1
55	NAS1801-3-24	..SCREW-		002004 006100 107107 121503 904999	2
60	AN960PD10L	..WASHER		002004 006100 107107 121503 904999	2
65	NAS43DD3-59	..SPACER		002004 006100 107107 121503 904999	2
70	BRH10A3	..NUT	SUPPLIER CODE: V52828 SPECIFICATION NUMBER: BACN10JC3 OPTIONAL PART: H10-3BAC V15653 NS202101-02 V80539 RMLH9075-3W V72962 VN303A02 V92215 96-02 V80539 T6S1032J V11815	002004 006100 107107 121503 904999	2

MISSING ITEM NUMBERS NOT APPLICABLE

- ITEM NOT ILLUSTRATED

32-35-51-30

32-35-51  
FIG. 30  
PAGE 3  
JAN 20/09

BRI





757

PARTS CATALOG (MAINTENANCE)

FIG ITEM	PART NUMBER	1 2 3 4 5 6 7	NOMENCLATURE	EFFECT FROM TO	UNITS PER ASSY
30					
75	270N2000-844	. .	CHANNEL	002004 006100 107107 121503 904999	1
80	270N2000-502	. .	BLOCK	002004 006100 107107 121503 904999	2
85	AS115-04D0162	. HOSE ASSY- OPTIONAL PART: AS115-04K0162		002004 006100 107107 121503 904999	2
85	AS115-04K0162	. HOSE ASSY- OPTIONAL PART: AS115-04D0162		002004 006100 107107 121503 904999	2
90	AS117-06-0180	. HOSE ASSY		002004 006100 107107 121503 904999	2
95	AS117-08-0180	. HOSE ASSY		002004 006100 107107 121503 904999	2
100	AS116-06K0114	. HOSE ASSY-		002004 006100 107107 121503 904999	2
200	271N6445-1097	. TUBE ASSY-SUPPLY SYS POSITION DATA: L TUBING MATERIAL: 1.00 IN. OD .035 IN. WALL 70.0 IN. LG AL		002004 006100 107107 121503 904999	1

MISSING ITEM NUMBERS NOT APPLICABLE

- ITEM NOT ILLUSTRATED

32-35-51-30

32-35-51  
FIG. 30  
PAGE 4  
JAN 20/09

BRI



757

PARTS CATALOG (MAINTENANCE)

FIG ITEM	PART NUMBER	1 2 3 4 5 6 7	NOMENCLATURE	EFFECT FROM TO	UNITS PER ASSY
30 - 205	AP2097HP16	..	SLEEVE SUPPLIER CODE: V01673 SPECIFICATION NUMBER: BACS13BX16HP OPTIONAL PART: 2-02903-16HP V11328 35235VN16 V08199 AFP175V16P V30974 DBOS13BX16HP V14798	002004 006100 107107 121503 904999	2
- 210	BACN10YL16	..	NUT- OPTIONAL PART: MS21921-16D	002004 006100 107107 121503 904999	2
215	271N6445-1096	.TUBE ASSY-SUPPLY SYS POSITION DATA: L TUBING MATERIAL: .375 IN. OD .035 IN. WALL 18.00 IN. LG AL		002004 006100 107107 121503 904999	1
- 220	AP2097HP06	..	SLEEVE- SUPPLIER CODE: V01673 SPECIFICATION NUMBER: BACS13BX06HP OPTIONAL PART: 2-02903-06HP V11328 35235VN06 V08199 AFP175V06P V30974 DBOS13BX06HP V14798	002004 006100 107107 121503 904999	2
- 225	BACN10YL06	..	NUT- OPTIONAL PART: MS21921-6D	002004 006100 107107 121503 904999	2
230	271N6445-1071	.TUBE ASSY-ALT EXTEND PRESSURE TUBING MATERIAL: .375 IN. OD .019 IN. WALL 20.00 IN. LG TI		002004 006100 107107 121503 904999	1

MISSING ITEM NUMBERS NOT APPLICABLE

- ITEM NOT ILLUSTRATED

32-35-51-30

32-35-51  
FIG. 30  
PAGE 5  
JAN 20/09

BRI



757

PARTS CATALOG (MAINTENANCE)

FIG ITEM	PART NUMBER	1 2 3 4 5 6 7	NOMENCLATURE	EFFECT FROM TO	UNITS PER ASSY
30					
237	271N6445-1141	.	TUBE ASSY-ALT EXTEND PRESSURE TUBING MATERIAL: .375 IN. OD .019 IN. WALL 89.0 IN. LG TITANIUM	002004 006100 107107 121503 904999	1
240	271N6445-1109	.	TUBE ASSY-ALT EXTEND PRESSURE TUBING MATERIAL: .375 IN. OD .019 IN. WALL 72.90 IN. LG TI	121503 904951	1
255	271N6445-1110	.	TUBE ASSY-ALT EXTEND PRESSURE TUBING MATERIAL: .375 IN. OD .019 IN. WALL 67.50 IN. LG TITANIUM	002004 006100 107107 121503 904999	1
- 260	AS1581T06	..	SLEEVE	107107 121503 904951	2
- 261	AS1581T06	..	SLEEVE	002004 006100 107107 121503 904999	2
- 265	BACN10YA6	..	NUT-	107107 121503 904951	2
- 266	BACN10YA6	..	NUT	002004 006100 107107 121503 904999	2
270	271N6445-1217	.	TUBE ASSY-DOOR CLOSE TUBING MATERIAL: .375 IN. OD .019 IN. WALL 15.50 IN. LG TI	002004 006100 107107 121503 904999	1
- 272	AS1581T06	..	SLEEVE	002004 006100 107107 121503 904999	2
- 273	BACN10YA6	..	NUT-	002004 006100 107107 121503 904999	2

MISSING ITEM NUMBERS NOT APPLICABLE

- ITEM NOT ILLUSTRATED

32-35-51-30

32-35-51  
FIG. 30  
PAGE 6  
JAN 20/09

BRI

 **BOEING**  
757  
**PARTS CATALOG (MAINTENANCE)**

FIG ITEM	PART NUMBER	1 2 3 4 5 6 7	NOMENCLATURE	EFFECT FROM TO	UNITS PER ASSY
30					
- 273	BACN10YA6N	..	NUT-	002004 006100 107107 121503 904999	2
275	271N6445-1166	.TUBE ASSY-DOOR CLOSE TUBING MATERIAL: .375 IN. OD .019 IN. WALL 10.00 IN. LG TI		002004 006100 107107 121503 904999	1
- 277	AS1581T06	..	SLEEVE	002004 006100 107107 121503 904999	2
- 278	BACN10YA6N	..	NUT	002004 006100 107107 121503 904999	2
280	271N6445-1119	.TUBE ASSY-DOOR CLOSE TUBING MATERIAL: .375 IN. OD .019 IN. WALL 16.0 IN. LG TITANIUM		002004 006100 107107 121503 904999	1
290	271N6445-1047	.TUBE ASSY-DOOR CLOSE TUBING MATERIAL: .375 IN. OD .019 IN. WALL 13.00 IN. LG TI		002004 006100 107107 121503 904999	1
- 292	AS1581T06	..	SLEEVE	002004 006100 107107 121503 904999	2
- 293	BACN10YA6N	..	NUT	002004 006100 107107 121503 904999	2
295	271N6445-1159	.TUBE ASSY-DOOR CLOSE TUBING MATERIAL: .375 IN. OD .019 IN. WALL 23.50 IN. LG TI		002004 006100 107107 121503 904999	1

R  
R  
R  
R  
R

MISSING ITEM NUMBERS NOT APPLICABLE

- ITEM NOT ILLUSTRATED

32-35-51-30

32-35-51  
FIG. 30  
PAGE 7  
MAY 20/09

BRI



757

PARTS CATALOG (MAINTENANCE)

FIG ITEM	PART NUMBER	1 2 3 4 5 6 7	NOMENCLATURE	EFFECT FROM TO	UNITS PER ASSY
30					
- 297	AS1581T06	..	SLEEVE	002004 006100 107107 121503 904999	2
- 298	BACN10YA6	..	NUT-	002004 006100 107107 121503 904999	2
- 298	BACN10YA6N	..	NUT-	002004 006100 107107 121503 904999	2
305	271N6445-1010	.	TUBE ASSY-RETURN SYS POSITION DATA: L TUBING MATERIAL: .375 IN. OD .035 IN. WALL 16.0 IN. LG AL	002004 006100 107107 121503 904999	1
310	271N6445-1009	.	TUBE ASSY-RETURN SYS POSITION DATA: L TUBING MATERIAL: .375 IN. OD .035 IN. WALL 13.50 IN. LG AL	002004 006100 107107 121503 904999	1
315	271N6445-1084	.	TUBE ASSY-RETURN SYS POSITION DATA: L TUBING MATERIAL: .375 IN. OD .035 IN. WALL 23.00 IN. LG AL	002004 006100 107107 121503 904999	1
320	271N6445-1125	.	TUBE ASSY-RETURN SYS POSITION DATA: L TUBING MATERIAL: .375 IN. OD .035 IN. WALL 20.0 IN. LG AL	002004 006100 107107 121503 904999	1

MISSING ITEM NUMBERS NOT APPLICABLE

- ITEM NOT ILLUSTRATED

32-35-51-30

32-35-51  
FIG. 30  
PAGE 8  
JAN 20/09

BRI



757

PARTS CATALOG (MAINTENANCE)

FIG ITEM	PART NUMBER	1 2 3 4 5 6 7	NOMENCLATURE	EFFECT FROM TO	UNITS PER ASSY
30					
- 325	AP2097HP06	..	SLEEVE SUPPLIER CODE: V01673 SPECIFICATION NUMBER: BACS13BX06HP OPTIONAL PART: 2-02903-06HP V11328 35235VN06 V08199 AFP175V06P V30974 DBOS13BX06HP V14798	002004 006100 107107 121503 904999	2
- 330	BACN10YLO6	..	NUT- OPTIONAL PART: MS21921-6D	002004 006100 107107 121503 904999	2
335	271N6445-1196	.TUBE	ASSY-ALT EXTEND PRESSURE TUBING MATERIAL: .375 IN. OD .019 IN. WALL 31.00 IN. LG TI POST SERVICE BULLETIN: 24-0048	002004 006100 107107 121503 904949 952999	1
340	271N6445-1209	.TUBE	ASSY-ALT EXTEND PRESSURE TUBING MATERIAL: .375 IN. OD .019 IN. WALL 53.50 IN. LG TI POST SERVICE BULLETIN: 24-0048	002004 006100 107107 121503 904949 952999	1
- 343	AS1581T06	..	SLEEVE	002004 006100 107107 121503 904949 952999	2
- 345	BACN10YA6N	..	NUT-	002004 006100 107107 121503 904949 952999	2

MISSING ITEM NUMBERS NOT APPLICABLE

- ITEM NOT ILLUSTRATED

32-35-51-30

32-35-51  
FIG. 30  
PAGE 9  
JAN 20/09

BRI



757

PARTS CATALOG (MAINTENANCE)

FIG ITEM	PART NUMBER	1 2 3 4 5 6 7	NOMENCLATURE	EFFECT FROM TO	UNITS PER ASSY
30					
355	271N6445-1158		.TUBE ASSY-RETURN SYS POSITION DATA: L TUBING MATERIAL: .375 IN. OD .035 IN. WALL 23.00 IN. LG AL	002004 006100 107107 121503 904999	1
- 357	AP2097HP06		..SLEEVE SUPPLIER CODE: V01673 SPECIFICATION NUMBER: BACS13BX06HP OPTIONAL PART: 2-02903-06HP V11328 35235VN06 V08199 AFP175V06P V30974 DBOS13BX06HP V14798	002004 006100 107107 121503 904999	2
- 360	MS21921-6D		..NUT-	002004 006100 107107 121503 904999	2
- 360	BACN10YL06		..NUT-	002004 006100 107107 121503 904999	2
365	271N6445-1168		.TUBE ASSY-RETURN SYS POSITION DATA: L TUBING MATERIAL: .625 IN. OD .035 IN. WALL 15.00 IN. LG AL	002004 006100 107107 121503 904999	1

MISSING ITEM NUMBERS NOT APPLICABLE

- ITEM NOT ILLUSTRATED

32-35-51-30

32-35-51  
FIG. 30  
PAGE 10  
JAN 20/09

BRI



757

PARTS CATALOG (MAINTENANCE)

FIG ITEM	PART NUMBER	1 2 3 4 5 6 7	NOMENCLATURE	EFFECT FROM TO	UNITS PER ASSY
30					
- 367	AP2097HP10	..	SLEEVE SUPPLIER CODE: V01673 SPECIFICATION NUMBER: BACS13BX10HP OPTIONAL PART: 2-02903-10HP V11328 35235VN10 V08199 AFP175V10P V30974 DBOS13BX10HP V14798	002004 006100 107107 121503 904999	2
- 370	BACN10YL10	..	NUT- OPTIONAL PART: MS21921-10D	002004 006100 107107 121503 904999	2
400	BACU24L6	.	UNION	002004 006100 107107 121503 904999	2
405	BACU24L8	.	UNION	002004 006100 107107 121503 904999	2
410	BACE21BN0406T	.	ELBOW-	002004 006100 107107 121503 904999	2
410	BACE21BN0406J	.	ELBOW-	002004 006100 107107 121503 904999	2
413	MS21970J6	.	ELBOW-	002004 006100 121503 904949 952999	1

MISSING ITEM NUMBERS NOT APPLICABLE

- ITEM NOT ILLUSTRATED

32-35-51-30

32-35-51  
FIG. 30  
PAGE 11  
JAN 20/09

BRI

BOEING PROPRIETARY - Copyright © - Unpublished Work - See title page for details.





757

PARTS CATALOG (MAINTENANCE)

FIG ITEM	PART NUMBER	1 2 3 4 5 6 7	NOMENCLATURE	EFFECT FROM TO	UNITS PER ASSY
30 415	AP1026D1606	.	REDUCER SUPPLIER CODE: V01673 SPECIFICATION NUMBER: BACR17H16-6 OPTIONAL PART: DBOR17H16-6 V14798 ER10466-16-6 V88334 2-01022D16-6 V11328 31777-16-6 V14397 463-8162-16-6 V50948 DBOR17H16-6D V14798 AFP846-16-6 V30974	002004 006100 107107 121503 904999	1
420	APX824D100610	.	TEE- SUPPLIER CODE: V01673 SPECIFICATION NUMBER: BACT16AS100610D OPTIONAL PART: APX824-100610D V01673 DBOT16AS100610D V14798 ER824-100610D V50948 FER1571-100610D V14397 LER824-100610D V11328 NAF1824-100610D V52930 US1925-100610D V50808 AFP325-100610D V30974	002004 006100 107107 121503 904999	1

MISSING ITEM NUMBERS NOT APPLICABLE

- ITEM NOT ILLUSTRATED

BRI

32-35-51-30

BOEING PROPRIETARY - Copyright © - Unpublished Work - See title page for details.

32-35-51  
FIG. 30  
PAGE 12  
JAN 20/09



757

PARTS CATALOG (MAINTENANCE)

FIG ITEM	PART NUMBER	1 2 3 4 5 6 7	NOMENCLATURE	EFFECT FROM TO	UNITS PER ASSY
30 420	APX824F100610W	. TEE	SUPPLIER CODE: V01673 SPECIFICATION NUMBER: BACT16AS100610W OPTIONAL PART: APX824-100610W V01673 DBOT16AS100610W V14798 ER824-100610W V50948 FER1571-100610W V14397 LER824-100610W V11328 NAF1824-100610W V52930 US1925-100610W V50808 AFP325-100610W V30974	002004 006100 107107 121503 904999	1
425	BACT16BL060606T	. TEE-		002004 006100 107107 121503 904999	1
425	BACT16BL060606J	. TEE-		002004 006100 107107 121503 904999	1
430	BACT16BN060606T	. TEE-		002004 006100 107107 121503 904999	1
430	BACT16BN060606J	. TEE-		002004 006100 107107 121503 904999	1
435	MS21905D6	. TEE-		002004 006100 107107 121503 904999	1

MISSING ITEM NUMBERS NOT APPLICABLE

- ITEM NOT ILLUSTRATED

32-35-51-30

32-35-51  
FIG. 30  
PAGE 13  
JAN 20/09

BRI



757

PARTS CATALOG (MAINTENANCE)

FIG ITEM	PART NUMBER	1 2 3 4 5 6 7	NOMENCLATURE	EFFECT FROM TO	UNITS PER ASSY
30					
440	MS21911-6	. TEE		002004 006100 107107 121503 904999	1
445	NAS1763D060606	. TEE-		002004 006100 107107 121503 904999	1
450	NAS1763T060606	. TEE-		002004 006100 107107 121503 904999	1
450	NAS1763J060606	. TEE-		002004 006100 121503 904999	1
455	NAS1764T060606	. TEE-	OPTIONAL PART: BACT16BT060606T	002004 006100 107107 121503 904999	1
455	BACT16BT060606T	. TEE-	OPTIONAL PART: NAS1764T060606	002004 006100 107107 121503 904999	1
465	AN924-4D	. NUT		002004 006100 107107 121503 904999	2
470	AN924-6D	. NUT		107107 121503 904951	4
472	AN924-6D	. NUT		002004 006100 121503 904949 952999	4
473	AN924-6D	. NUT-		002004 006100 107107 121503 904949 952999	1

MISSING ITEM NUMBERS NOT APPLICABLE

- ITEM NOT ILLUSTRATED

32-35-51-30

32-35-51  
FIG. 30  
PAGE 14  
JAN 20/09

BRI



757

PARTS CATALOG (MAINTENANCE)

FIG ITEM	PART NUMBER	1 2 3 4 5 6 7	NOMENCLATURE	EFFECT FROM TO	UNITS PER ASSY
30					
475	AN924-8D	.	NUT	002004 006100 107107 121503 904999	1
480	AN924-10D	.	NUT	002004 006100 107107 121503 904999	1
485	AN960KD716	.	WASHER	002004 006100 107107 121503 904999	2
490	AN960KD916	.	WASHER	107107 121503 904951	2
495	AN960KD916	.	WASHER	002004 006100 121503 904949 952999	2
496	AN960KD916	.	WASHER-	002004 006100 107107 121503 904949 952999	1
- 600	271N6441-9		PLUMBING INSTL-BHD MLG WHL WELL HYDR (LANDING GEAR ALTERNATE EXTENSION SYSTEM ONLY) POSITION DATA: SECT. 44 FWD VARIABLE DRAWING REF: 271N6441-11 271N6441-12 271N6441-14 FOR NHA/OTHER SYS DET SEE: 29-00-51-05	002004 006100 107107 121503 904999	RF
605	NAS1801-3	.	SCREW- SIZE DETERMINED ON INSTL.	002004 006100 107107 121503 904999	2

MISSING ITEM NUMBERS NOT APPLICABLE

- ITEM NOT ILLUSTRATED

32-35-51-30

32-35-51  
FIG. 30  
PAGE 15  
JAN 20/09

BRI



757

PARTS CATALOG (MAINTENANCE)

FIG ITEM	PART NUMBER	1 2 3 4 5 6 7	NOMENCLATURE	EFFECT FROM TO	UNITS PER ASSY
30					
610	AN960PD10	.	WASHER	002004 006100 107107 121503 904999	AR
615	BRH10A3	.	NUT SUPPLIER CODE: V52828 SPECIFICATION NUMBER: BACN10JC3 OPTIONAL PART: H10-3BAC V15653 NS202101-02 V80539 RMLH9075-3W V72962 VN303A02 V92215 96-02 V80539 T6S1032J V11815	002004 006100 107107 121503 904999	2
620	M85052-2-6	.	CLAMP	002004 006100 107107 121503 904999	2
625	271N6441-1042	.	TUBE ASSY-ALTERNATE EXTEND PRESSURE TUBING MATERIAL: .375 IN. OD .019 IN. WALL 42.60 IN. LG TI BMS 7-234 TI-3AL-2.5V COLD WORKED, STRESS RELIEVED TUBING	002004 006100 107107 121503 904999	1
- 630	AS1581T06	..	SLEEVE	002004 006100 107107 121503 904999	2
- 635	BACN10YA6	..	NUT-	002004 006100 107107 121503 904999	2

MISSING ITEM NUMBERS NOT APPLICABLE

- ITEM NOT ILLUSTRATED

32-35-51-30

32-35-51  
FIG. 30  
PAGE 16  
JAN 20/09

BRI



757

PARTS CATALOG (MAINTENANCE)

FIG ITEM	PART NUMBER	1 2 3 4 5 6 7	NOMENCLATURE	EFFECT FROM TO	UNITS PER ASSY
30 - 700	271N6443-1		PLUMBING INSTL-PRESSURE DECK HYDR (LANDING GEAR ALTERNATE EXTENSION SYSTEM ONLY) POSITION DATA: SECT. 44 L VARIABLE DRAWING REF: 271N6443-4 271N6443-7 271N6443-8 271N6443-11 271N6443-18 FOR NHA/OTHER SYS DET SEE: 29-00-51-05	002004 006100 107107 121503 904999	RF
705	NAS1801-3		.SCREW- SIZE DETERMINED ON INSTL.	002004 006100 107107 121503 904999	7
710	AN960PD10		.WASHER-	002004 006100 107107 121503 904999	AR
715	BRH10A3		.NUT- SUPPLIER CODE: V52828 SPECIFICATION NUMBER: BACN10JC3 OPTIONAL PART: H10-3BAC V15653 NS202101-02 V80539 RMLH9075-3W V72962 VN303A02 V92215 96-02 V80539 T6S1032J V11815	002004 006100 107107 121503 904999	7
720	M85052-2-4		.CLAMP-	002004 006100 107107 121503 904999	7

MISSING ITEM NUMBERS NOT APPLICABLE

- ITEM NOT ILLUSTRATED

32-35-51-30

32-35-51  
FIG. 30  
PAGE 17  
JAN 20/09

BRI



757

PARTS CATALOG (MAINTENANCE)

FIG ITEM	PART NUMBER	1 2 3 4 5 6 7	NOMENCLATURE	EFFECT FROM TO	UNITS PER ASSY
30					
725	AS115-06D0140	.HOSE	ASSY	002004 006100 107107 121503 904999	1
730	271N6443-1036	.TUBE	ASSY-ALTERNATE EXTEND PRESSURE TUBING MATERIAL: .250 IN. OD .016 IN. WALL 39.4 IN. LG TI BMS 7-234 TI-3AL-2.5V COLD WORKED, STRESS RELIEVED TUBING	002004 006100 107107 121503 904999	1
735	271N6443-1035	.TUBE	ASSY-ALTERNATE EXTEND PRESSURE TUBING MATERIAL: .250 IN. OD .016 IN. WALL 55.30 IN. LG TI BMS 7-234 TI-3AL-2.5V COLD WORKED, STRESS RELIEVED TUBING	121503 904951	1
735	271N6443-1169	.TUBE	ASSY-ALTERNATE EXTEND PRESSURE TUBING MATERIAL: .250 IN. OD .016 IN. WALL 62.00 IN. LG TI BMS 7-234 TI-3AL-2.5V COLD WORKED, STRESS RELIEVED TUBING POST SERVICE BULLETIN: 24-0048	002004 006100 107107 121503 904949 952999	1
745	D10036-04	.UNION-	SUPPLIER CODE: V14798	002004 006100 107107 121503 904999	1
770	D10199-0604	.UNION-	SUPPLIER CODE: V14798	002004 006100 107107 121503 904999	1
772	D10199-0604	.UNION-	SUPPLIER CODE: V14798	002004 006100 107107 121503 904999	1

MISSING ITEM NUMBERS NOT APPLICABLE

- ITEM NOT ILLUSTRATED

32-35-51-30

32-35-51  
FIG. 30  
PAGE 18  
JAN 20/09

BRI

BOEING PROPRIETARY - Copyright © - Unpublished Work - See title page for details.



757

PARTS CATALOG (MAINTENANCE)

FIG ITEM	PART NUMBER	1 2 3 4 5 6 7	NOMENCLATURE	EFFECT FROM TO	UNITS PER ASSY
30					
775	AN924-6D		.NUT-	002004 006100 107107 121503 904999	2
- 780	271N6443-6		PLUMBING INSTL- FOR NHA SEE: 32-00-00-02	101102 108120 504903	RF
- 780	MODREF31813		PLUMBING INSTL- MODULE NUMBER: 271N6443-6 REV B	103106	1
785	D10199-0604		.UNION- SUPPLIER CODE: V14798	101106 108120 504903	2
790	AN924-6D		.NUT	101106 108120 504903	2
- 800	271N6444-1		PLUMBING INSTL-PRESSURE DECK HYDR (LANDING GEAR ALTERNATE EXTENSION SYSTEM ONLY) POSITION DATA: SECT. 44 R VARIABLE DRAWING REF: 271N6444-5 FOR NHA/OTHER SYS DET SEE: 29-00-51-05	002004 006100 107107 121503 904999	RF
805	NAS1801-3		.SCREW- SIZE DETERMINED ON INSTL.	002004 006100 107107 121503 904999	5
810	AN960PD10		.WASHER	002004 006100 107107 121503 904999	AR

MISSING ITEM NUMBERS NOT APPLICABLE

- ITEM NOT ILLUSTRATED

32-35-51-30

32-35-51  
FIG. 30  
PAGE 19  
JAN 20/09

BRI





757

PARTS CATALOG (MAINTENANCE)

FIG ITEM	PART NUMBER	1 2 3 4 5 6 7	NOMENCLATURE	EFFECT FROM TO	UNITS PER ASSY
30 815	BRH10A3	.NUT	SUPPLIER CODE: V52828 SPECIFICATION NUMBER: BACN10JC3 OPTIONAL PART: H10-3BAC V15653 NS202101-02 V80539 RMLH9075-3W V72962 VN303A02 V92215 96-02 V80539 T6S1032J V11815	002004 006100 107107 121503 904999	5
820	M85052-2-4	.CLAMP		002004 006100 107107 121503 904999	5
825	AS117-06D0160	.HOSE ASSY-		002004 006100 107107 121503 904999	1
825	AS117-06K0160	.HOSE ASSY-		002004 006100 107107 121503 904999	1
830	271N6444-1008	.TUBE ASSY-ALTERNATE EXTEND PRESSURE TUBING MATERIAL: .250 IN. OD .016 IN. WALL 78.70 IN. LG TI BMS 7-234 TI-3AL-2.5V COLD WORKED, STRESS RELIEVED TUBING		002004 006100 107107 121503 904999	1
832	271N6444-1184	.TUBE ASSY-ALTERNATE EXTEND PRESSURE TUBING MATERIAL: .375 IN. OD .019 IN. WALL 29.80 IN. LG TI BMS 7-234 TI-3AL-2.5V COLD WORKED, STRESS RELIEVED TUBING		002004 006100 107107 121503 904999	1

MISSING ITEM NUMBERS NOT APPLICABLE

- ITEM NOT ILLUSTRATED

32-35-51-30

32-35-51  
FIG. 30  
PAGE 20  
JAN 20/09

BRI



757

PARTS CATALOG (MAINTENANCE)

FIG ITEM	PART NUMBER	1 2 3 4 5 6 7	NOMENCLATURE	EFFECT FROM TO	UNITS PER ASSY
30					
- 833	AS1581T06		.. SLEEVE	002004 006100 107107 121503 904999	2
- 834	BACN10YA6		.. NUT-	002004 006100 107107 121503 904999	2
- 850	271N6444-4		. FITTING INSTL	002004 006100 107107 121503 904999	1
855	D10199-0604		.. UNION- SUPPLIER CODE: V14798	002004 006100 107107 121503 904999	2
860	AN924-6D		.. NUT	002004 006100 107107 121503 904999	2
900			ILLUSTRATION REFERENCE: POWER PACK INSTL- ALTERNATE EXTENSION SYS 32-35-10-01	002004 006100 107107 121503 904999	RF
905			ILLUSTRATION REFERENCE: LOCK RELEASE INSTL-MLG DOOR ACTR (LANDING GEAR ONLY) 32-35-03-01	002004 006100 107107 121503 904999	RF
910			ILLUSTRATION REFERENCE: UPLOCK INSTL-MLG 32-32-16-01	002004 006100 107107 121503 904999	RF
915			ILLUSTRATION REFERENCE: PLUMBING INSTL-SECT. 49 AC BAY HYDR (NOSE GEAR ALTERNATE EXTEND SYSTEM ONLY) 32-35-51-40	002004 006100 107107 121503 904999	RF

MISSING ITEM NUMBERS NOT APPLICABLE

- ITEM NOT ILLUSTRATED

**32-35-51-30**

32-35-51  
FIG. 30  
PAGE 21  
JAN 20/09

BRI



757

PARTS CATALOG (MAINTENANCE)

FIG ITEM	PART NUMBER	1 2 3 4 5 6 7	NOMENCLATURE	EFFECT FROM TO	UNITS PER ASSY
30					
920			ILLUSTRATION REFERENCE: PLUMBING INSTL-SECT.44 R PRESSURE DECK HYDR (MAIN GEAR EXTENSION AND RETRACTION ONLY) 32-32-51-22	002004 006100 107107 121503 904999	RF
930			ILLUSTRATION REFERENCE: PLUMBING INSTL-SECT. 44 KEEL BEAM MLG WHL WELL HYDR (LANDING GEAR CONTROL ONLY) 32-31-51-20	002004 006100 107107 121503 904999	RF
935			ILLUSTRATION REFERENCE: VALVE INSTL-LG ALTERNATE EXTENSION SHUTTLE 32-35-51-05	002004 006100 107107 121503 904999	RF
940			ILLUSTRATION REFERENCE: PLUMBING INSTL-SECT.44 L PRESSURE DECK HYDR (MAIN GEAR EXTENSION AND RETRACTION ONLY) 32-32-51-24	002004 006100 107107 121503 904999	RF
950			ILLUSTRATION REFERENCE: SYSTEM INSTL-LG DOOR ACTR LOCK RELEASE 32-35-00-01	002004 006100 107107 121503 904999	RF

MISSING ITEM NUMBERS NOT APPLICABLE

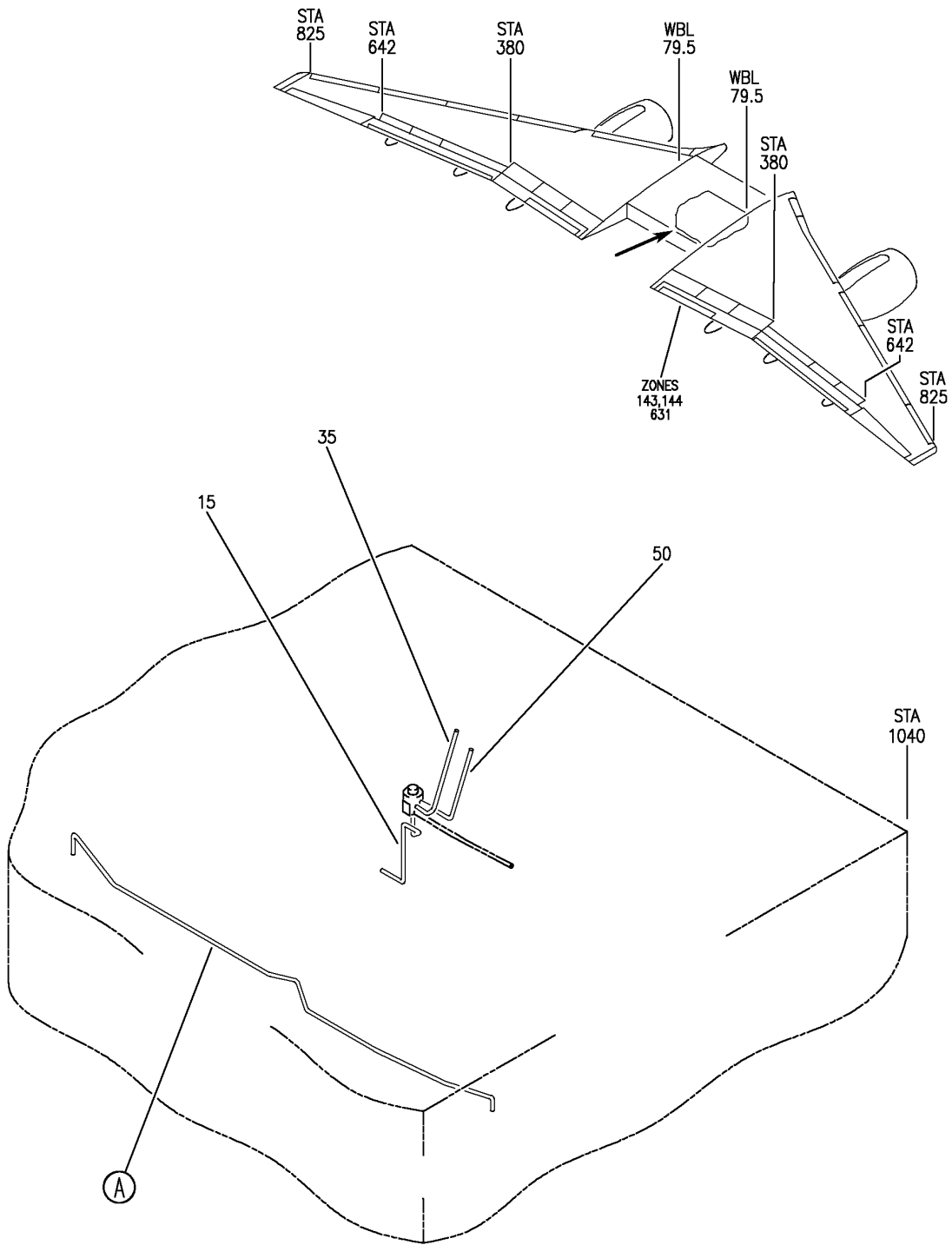
- ITEM NOT ILLUSTRATED

**32-35-51-30**

32-35-51  
FIG. 30  
PAGE 22  
JAN 20/09

BRI

**BOEING**  
757  
PARTS CATALOG (MAINTENANCE)



Y 32355131 SHT 1 REV 249

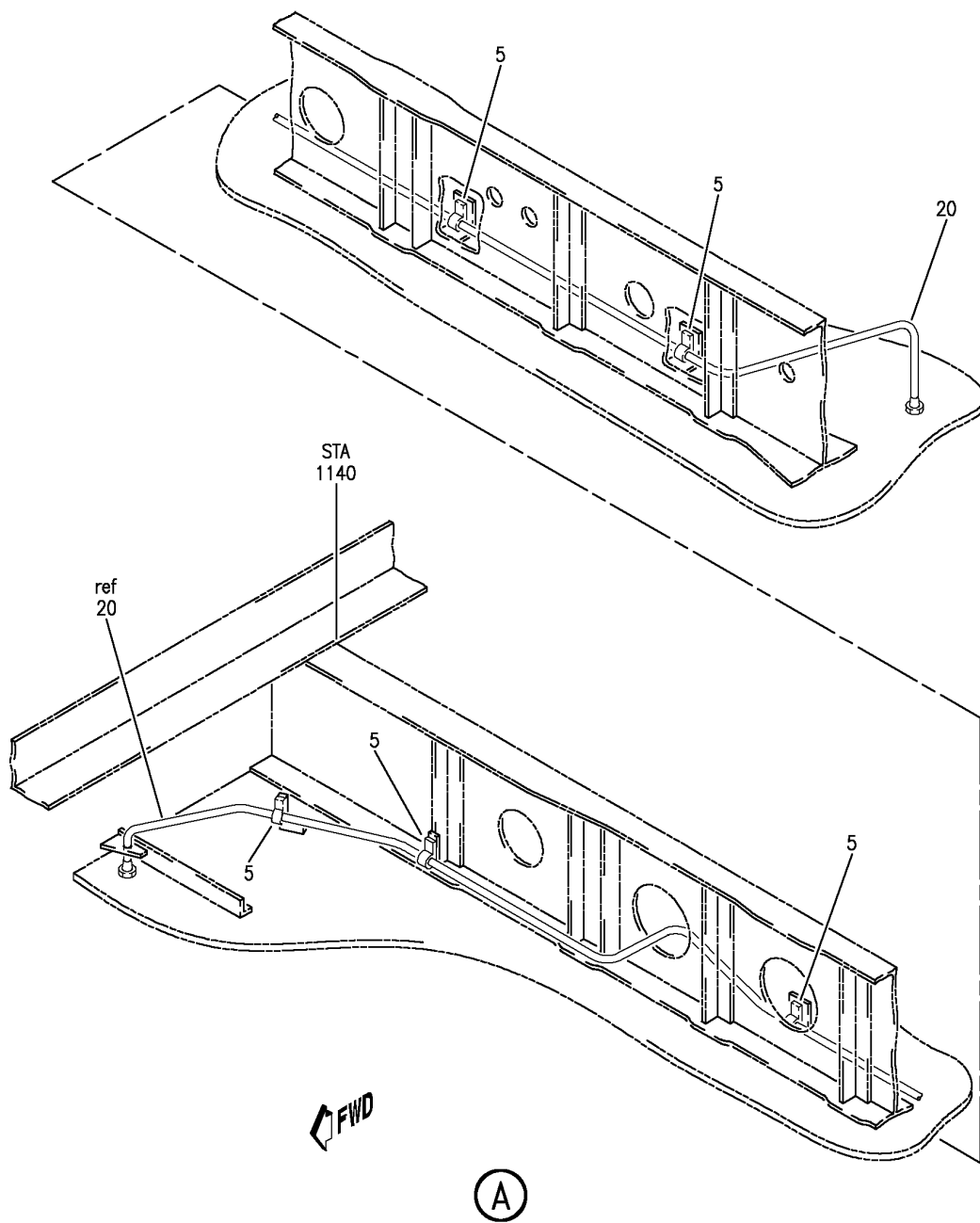
PLUMBING INSTL-PRESSURE DECK HYDR (LANDING GEAR ALTERNATE EXTENSION SYSTEM ONLY)  
FIGURE 31 (SHEET 1)

**32-35-51-31**

BRI  
JAN 20/09

32-35-51-31  
PAGE 0

**BOEING**  
757  
PARTS CATALOG (MAINTENANCE)



Y 32355131 SH1 2 REV 249

PLUMBING INSTL-PRESSURE DECK HYDR (LANDING GEAR ALTERNATE EXTENSION SYSTEM ONLY)  
FIGURE 31 (SHEET 2)

**32-35-51-31**

BRI  
JAN 20/09

32-35-51-31  
PAGE 0A



757

PARTS CATALOG (MAINTENANCE)

FIG ITEM	PART NUMBER	1 2 3 4 5 6 7	NOMENCLATURE	EFFECT FROM TO	UNITS PER ASSY
31			PLUMBING INSTL-PRESSURE DECK HYDR (LANDING GEAR ALTERNATE EXTENSION SYSTEM ONLY)	103106	
- 1	MODREF31623		PLUMBING INSTL-PRESSURE DECK HYDR (LANDING GEAR ALTERNATE EXTENSION SYSTEM ONLY) MODULE NUMBER: 271N6444-24 REV B POSITION DATA: SECT 44 R FOR OTHER SYS DETAILS SEE: 29-11-51-24A 32-31-51-23 32-32-51-23 32-41-51-24 32-42-51-24	103105	1
- 1	MODREF34294		PLUMBING INSTL-PRESSURE DECK HYDR (LANDING GEAR ALTERNATE EXTENSION SYSTEM ONLY) MODULE NUMBER: 271N6444-24 REV C POSITION DATA: SECT 44 R FOR OTHER SYS DETAILS SEE: 29-11-51-24A 32-31-51-23 32-32-51-23 32-41-51-24 32-42-51-24	106106	1
5	M85052-2-4		.CLAMP	103106	5
15	271N6444-1184		.TUBE ASSY-ALTERNATE EXTEND PRESSURE TUBING MATERIAL: .375 IN. OD .019 IN. WALL 29.80 IN. LG TI BMS 7-234 TI-3AL-2.5V COLD WORKED, STRESS RELIEVED TUBING	103106	1

MISSING ITEM NUMBERS NOT APPLICABLE

- ITEM NOT ILLUSTRATED

32-35-51-31

32-35-51  
FIG. 31  
PAGE 1  
JAN 20/09

BRI



757

PARTS CATALOG (MAINTENANCE)

FIG ITEM	PART NUMBER	1 2 3 4 5 6 7	NOMENCLATURE	EFFECT FROM TO	UNITS PER ASSY
31					
20	271N6444-1008		.TUBE ASSY-ALTERNATE EXTEND PRESSURE TUBING MATERIAL: .250 IN. OD .016 IN. WALL 78.70 IN. LG TI BMS 7-234 TI-3AL-2.5V COLD WORKED, STRESS RELIEVED TUBING	103106	1
- 25	AS1581T06		..SLEEVE	103106	2
- 30	BACN10YA6		..NUT	103106	2
35	271N6444-1246		.TUBE ASSY-RETURN SYS PRESSURE TUBING MATERIAL: .500 IN. OD .035 IN. WALL 18.70 IN. LG TI BMS 7-234 TI-3AL-2.5V COLD WORKED, STRESS RELIEVED TUBING	103106	1
- 40	AP2097HP08		..SLEEVE SUPPLIER CODE: V01673 SPECIFICATION NUMBER: BACS13BX08HP OPTIONAL PART: 2-02903-08HP V11328 35235VN08 V08199 AFP175V08P V30974 DBOS13BX08HP V14798	103106	2
- 45	BACN10YL08		..NUT	103106	2
50	271N6444-1214		.TUBE ASSY-RETURN SYS PRESSURE TUBING MATERIAL: .750 IN. OD .039 IN. WALL 20.40 IN. LG TI BMS 7-234 TI-3AL-2.5V COLD WORKED, STRESS RELIEVED TUBING	103106	1
- 55	AS1581T12		..SLEEVE	103106	2
- 60	BACN10YA12		..NUT	103106	2

MISSING ITEM NUMBERS NOT APPLICABLE

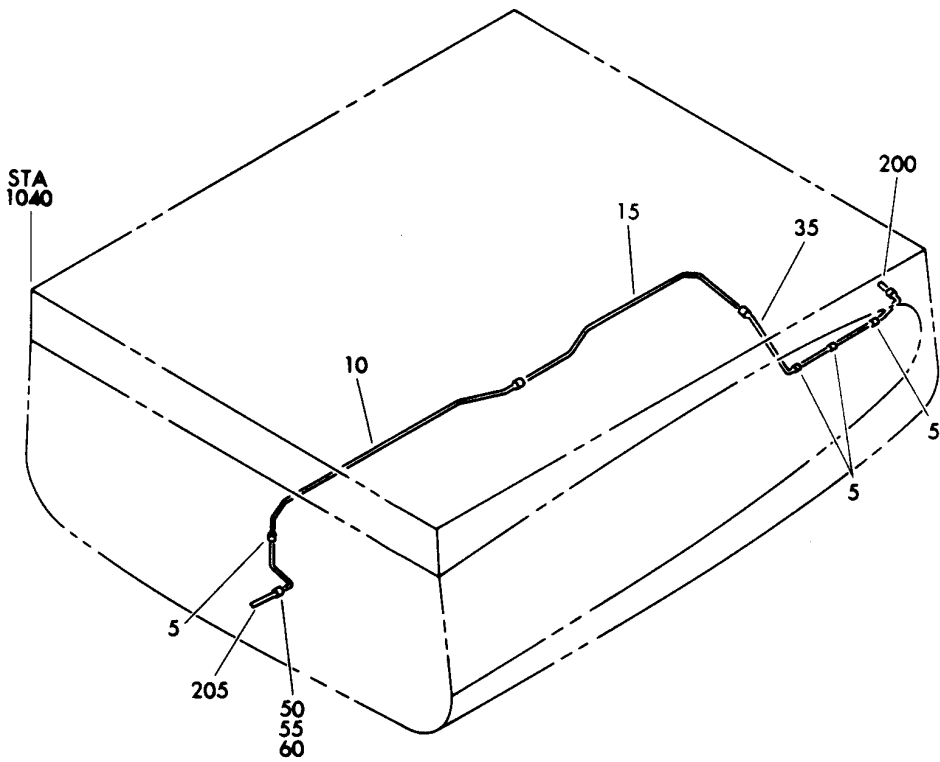
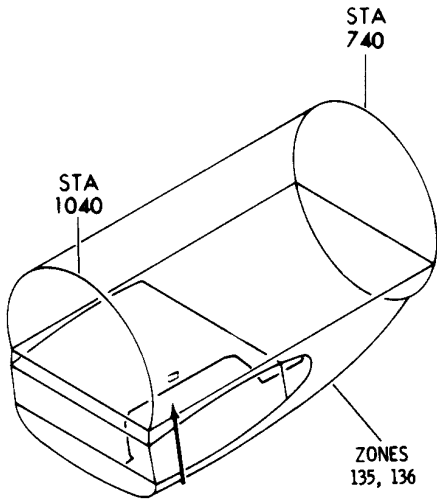
- ITEM NOT ILLUSTRATED

32-35-51-31

32-35-51  
FIG. 31  
PAGE 2  
JAN 20/09

BRI

**BOEING**  
757  
PARTS CATALOG (MAINTENANCE)



Y 32355140 SHT 1 REV 018

PLUMBING INSTL-SECT. 49 AC BAY HYDR (NOSE GEAR ALTERNATE EXTEND SYSTEM ONLY)  
FIGURE 40

BRI  
MAY 28/07

**32-35-51-40**

32-35-51-40  
PAGE 0





757

PARTS CATALOG (MAINTENANCE)

FIG ITEM	PART NUMBER	1 2 3 4 5 6 7	NOMENCLATURE	EFFECT FROM TO	UNITS PER ASSY
40			PLUMBING INSTL-SECT. 49 AC BAY HYDR (NOSE GEAR ALTERNATE EXTEND SYSTEM ONLY)	002004 006100 107107 121503 904999	
- 1	271N6491-1		PLUMBING INSTL-AC BAY HYDR (NOSE GEAR ALTERNATE EXTEND SYSTEM ONLY) POSITION DATA: SECT. 49 FOR NHA/OTHER SYS DET SEE: 29-00-51-07	002004 006100 107107 121503 904999	RF
5	M85052-2-4		.CLAMP	002004 006100 107107 121503 904999	4
- 7	NAS1801-3		ATTACHING PARTS .SCREW- SIZE DETERMINED ON INSTL.	002004 006100 107107 121503 904999	8
- 8	AN960KD10L		.WASHER	002004 006100 107107 121503 904999	8
- 9	MS21042L3		.NUT	002004 006100 107107 121503 904999	8
10	271N6491-1010		-----*----- .TUBE ASSY-ALTERNATE EXTEND PRESSURE TUBING MATERIAL: .250 IN. OD X .016 IN. WALL X 96.30 IN LG TI BMS 7-234 TI-3AL-2.5V COLD WORKED, STRESS RELIEVED TUBING	002004 006100 107107 121503 904999	1

MISSING ITEM NUMBERS NOT APPLICABLE

- ITEM NOT ILLUSTRATED

BRI

32-35-51-40

32-35-51  
FIG. 40  
PAGE 1  
JAN 20/09



757

PARTS CATALOG (MAINTENANCE)

FIG ITEM	PART NUMBER	1 2 3 4 5 6 7	NOMENCLATURE	EFFECT FROM TO	UNITS PER ASSY
40					
15	271N6491-1062		.TUBE ASSY-ALTERNATE EXTEND PRESSURE TUBING MATERIAL: .250 IN. OD X .016 IN. WALL X 73.00 IN. LG TI BMS 7-234 TI-3AL-2.5V COLD WORKED, STRESS RELIEVED TUBING	002004 006100 107107 121503 904999	1
- 20	AS1581T04		..SLEEVE	002004 006100 107107 121503 904999	1
- 25	BACN10YA4		..NUT	002004 006100 107107 121503 904999	1
- 30	AS1582T04		..UNION	002004 006100 107107 121503 904999	1
35	271N6491-1011		.TUBE ASSY-ALTERNATE EXTEND PRESSURE TUBING MATERIAL: .250 IN. OD X .016 IN. WALL X 67.00 IN. LG TI BMS 7-234 TI-3AL-2.5V COLD WORKED, STRESS RELIEVED TUBING	002004 006100 107107 121503 904999	1
- 40	AS1581T04		..SLEEVE	002004 006100 107107 121503 904999	2
- 45	BACN10YA4		..NUT	002004 006100 107107 121503 904999	2

MISSING ITEM NUMBERS NOT APPLICABLE

- ITEM NOT ILLUSTRATED

32-35-51-40

32-35-51  
FIG. 40  
PAGE 2  
JAN 20/09

BRI



757

PARTS CATALOG (MAINTENANCE)

FIG ITEM	PART NUMBER	1 2 3 4 5 6 7	NOMENCLATURE	EFFECT FROM TO	UNITS PER ASSY
40	APX832T0406	.	UNION	002004	1
50			SUPPLIER CODE: V01673	006100	
			SPECIFICATION NUMBER: BACU24AA0406T	107107	
			OPTIONAL PART: ER832-0406T	121503	
			V50948	904999	
		2-010890406T			
		V11328			
		AFP238-0406T			
		V30974			
		APX832-0406T			
		V01673			
		DBOU24AA0406T			
		V61498			
		FER1579-0406T			
		V14397			
		US2113-0406T			
		V50808			
		2-01089T0406			
		V11328			
55	AN924-4D	.	NUT	002004	1
				006100	
				107107	
				121503	
				904999	
60	AN960-716	.	WASHER	002004	1
				006100	
				107107	
				121503	
				904999	
200			ILLUSTRATION REFERENCE: PLUMBING INSTL-SECT. 43 HYDR (NOSE GEAR ALTERNATE EXTEND SYSTEM ONLY) 32-35-51-20	002004	RF
				006100	
				107107	
				121503	
				904999	
205			ILLUSTRATION REFERENCE: PLUMBING INSTL-SECT. 44 KEEL BEAM MLG WHL WELL HYDR 32-35-51-30	002004	RF
				006100	
				107107	
				121503	
				904999	

MISSING ITEM NUMBERS NOT APPLICABLE

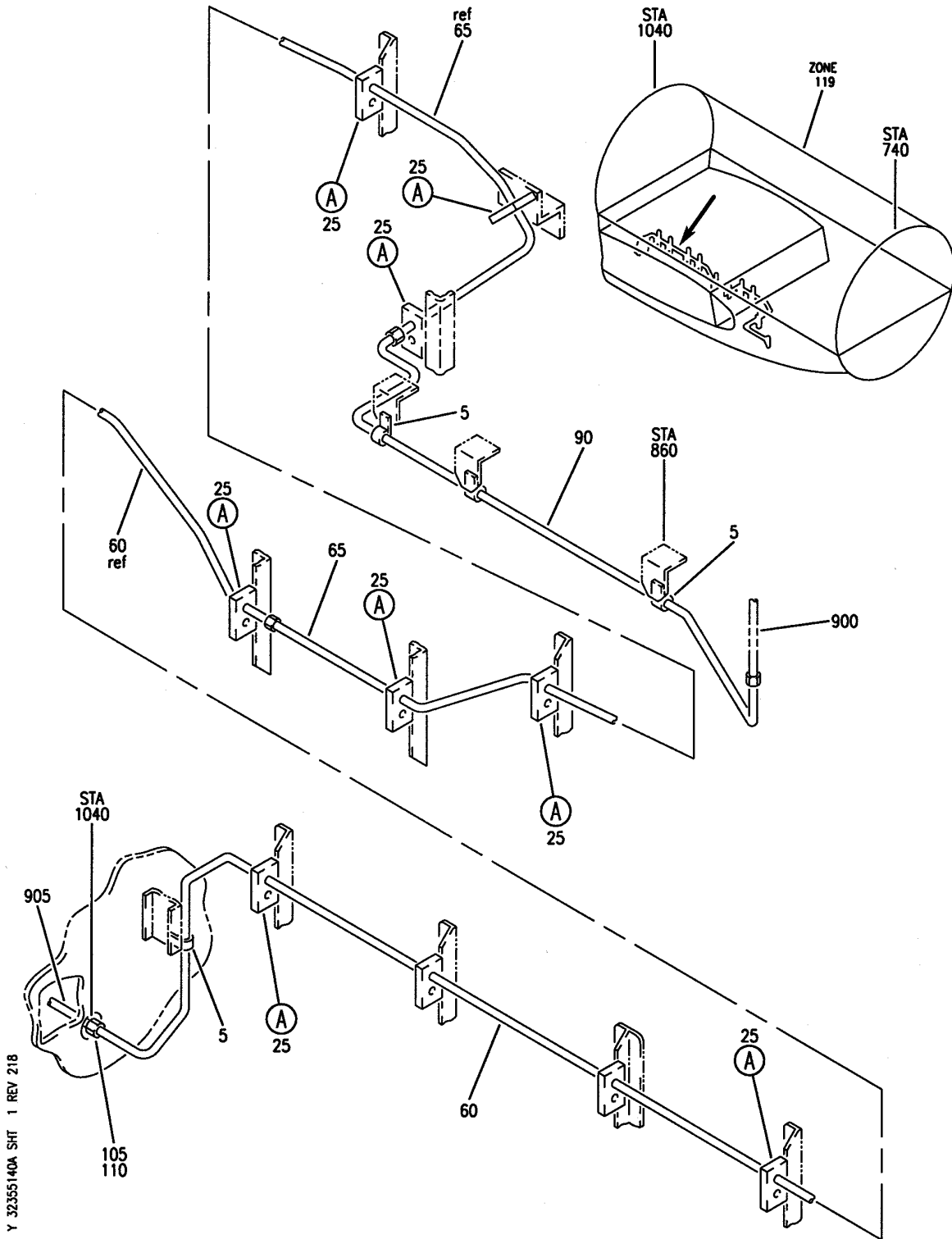
- ITEM NOT ILLUSTRATED

32-35-51-40

32-35-51  
FIG. 40  
PAGE 3  
JAN 20/09

BRI

**BOEING**  
757  
PARTS CATALOG (MAINTENANCE)



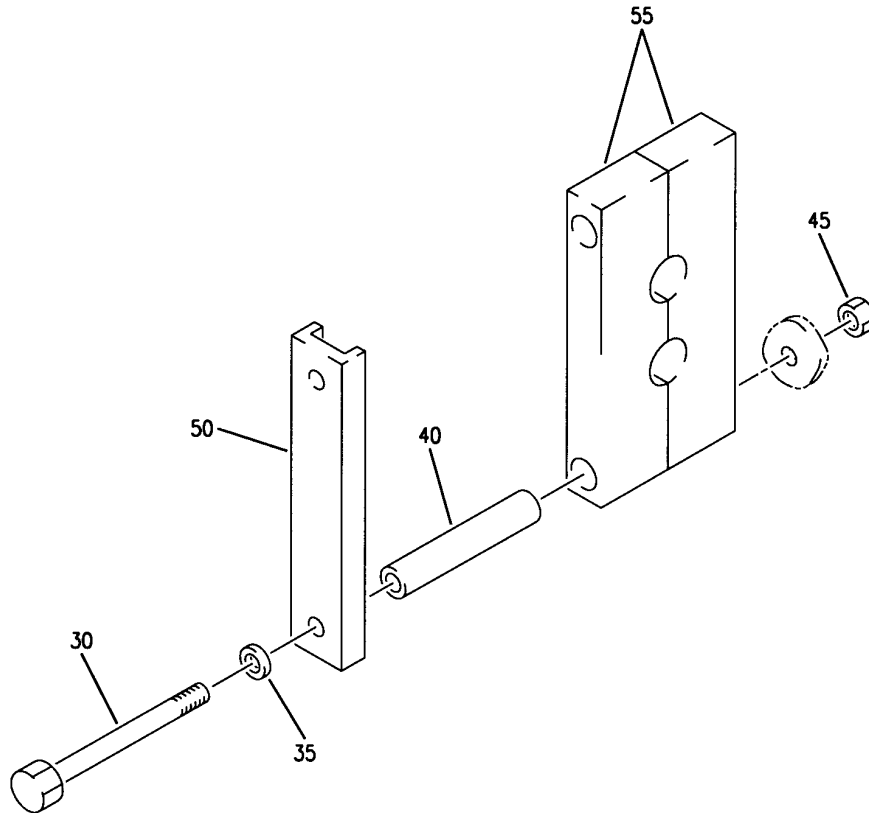
PLUMBING INSTL-SECT. 49 AND SECT. 44 AC BAY HYDR  
FIGURE 40A (SHEET 1)

**32-35-51-40A**

BRI  
MAY 28/07

32-35-51-40A  
PAGE 0

**BOEING**  
757  
PARTS CATALOG (MAINTENANCE)



(A)

Y 32355140A SHT 2 REV 194

PLUMBING INSTL-SECT. 49 AND SECT. 44 AC BAY HYDR  
FIGURE 40A (SHEET 2)

**32-35-51-40A**

BRI  
MAY 28/07

32-35-51-40A  
PAGE 0A



757

PARTS CATALOG (MAINTENANCE)

FIG ITEM	PART NUMBER	1 2 3 4 5 6 7	NOMENCLATURE	EFFECT FROM TO	UNITS PER ASSY
40A			PLUMBING INSTL-SECT. 49 AND SECT. 44 AC BAY HYDR	101106 108120 504903	
- 1	271N6491-7		PLUMBING INSTL-AC BAY HYDR (LANDING GEAR ONLY) POSITION DATA: SECT. 49 AND SECT. 44 FOR NHA/OTHER SYS DET SEE: 29-00-51-02C	101102 504903	RF
- 1	271N6491-9		PLUMBING INSTL-AC BAY HYDR (LANDING GEAR ONLY) POSITION DATA: SECT. 49 AND SECT. 44 FOR NHA/OTHER SYS DET SEE: 29-00-51-02C	108120	RF
- 1	MODREF30329		PLUMBING INSTL-AC BAY HYDR (LANDING GEAR ONLY) MODULE NUMBER: 271N6491-9 REV B POSITION DATA: SECT. 49 AND SECT. 44 FOR OTHER SYS DETAILS SEE: 27-81-51-40A 29-11-51-23A 32-34-51-40A	103106	1
5	M85052-2-4		.CLAMP	101106 108120 504903	4
- 10	NAS1801-3		ATTACHING PARTS .SCREW	101106 108120 504903	1
- 15	AN960JD10L		.WASHER	101106 108120 504903	AR
- 20	MS21042L3		.NUT	101106 108120 504903	1
25	270N2000-128		-----*----- .CLAMP ASSY-BLK	101106 108120 504903	10
30	NAS1801-3-22		..SCREW	101106 108120 504903	2
35	AN960PD10L		..WASHER	101106 108120 504903	2

MISSING ITEM NUMBERS NOT APPLICABLE

- ITEM NOT ILLUSTRATED

32-35-51-40A

32-35-51  
FIG. 40A  
PAGE 1  
JAN 20/09

BRI

BOEING PROPRIETARY - Copyright © - Unpublished Work - See title page for details.



757

PARTS CATALOG (MAINTENANCE)

FIG ITEM	PART NUMBER	1 2 3 4 5 6 7	NOMENCLATURE	EFFECT FROM TO	UNITS PER ASSY
40A					
40	NAS43DD3-51	..	SPACER	101106 108120 504903	2
45	BRH10A3	..	NUT SUPPLIER CODE: V52828 SPECIFICATION NUMBER: BACN10JC3 OPTIONAL PART: H10-3BAC V15653 NS202101-02 V80539 RMLH9075-3W V72962 VN303A02 V92215 96-02 V80539 T6S1032J V11815	101106 108120 504903	2
50	270N2000-700	..	CHANNEL	101106 108120 504903	1
55	270N2000-586	..	BLOCK	101106 108120 504903	2
60	271N6491-1010	.TUBE ASSY-ALTERNATE EXTEND PRESSURE TUBING MATERIAL: .250 IN. OD X .016 IN. WALL X 96.30 IN LG TI BMS 7-234 TI-3AL-2.5V COLD WORKED, STRESS RELIEVED TUBING		101106 108120 504903	1
65	271N6491-1062	.TUBE ASSY-ALTERNATE EXTEND PRESSURE TUBING MATERIAL: .250 IN. OD X .016 IN. WALL X 73.00 IN. LG TI BMS 7-234 TI-3AL-2.5V COLD WORKED, STRESS RELIEVED TUBING		101106 108120 504903	1
- 70	AS1581T04	..	SLEEVE	101106 108120 504903	1

MISSING ITEM NUMBERS NOT APPLICABLE

- ITEM NOT ILLUSTRATED

32-35-51-40A

32-35-51  
FIG. 40A  
PAGE 2  
JAN 20/09

BRI

BOEING PROPRIETARY - Copyright © - Unpublished Work - See title page for details.



757

PARTS CATALOG (MAINTENANCE)

FIG ITEM	PART NUMBER	1 2 3 4 5 6 7	NOMENCLATURE	EFFECT FROM TO	UNITS PER ASSY
40A - 75	BACN10YA4	. .	NUT	101106 108120	1
- 85	AS1582T04	. .	UNION	504903 101106 108120	1
90	271N6491-1086	. TUBE ASSY-ALTERNATE EXTEND PRESSURE TUBING MATERIAL: .25 IN. OD X .016 IN. WALL X 66.6 IN. LG BMS 7-234 TI-3AL-2.5V COLD WORKED, STRESS RELIEVED TUBING		103106 108120	1
105	MS21902D6	. UNION		101106 108120	1
110	R1131-906	. PACKING SUPPLIER CODE: V57268 SPECIFICATION NUMBER: BACP11K6 OPTIONAL PART: 3-906S383-70 V02697 1090-06 V95272 150701-06 V95272 AS568-906S32 V11314		101106 108120 504903	1
900		ILLUSTRATION REFERENCE: PLUMBING INSTL-SECT. 43 HYDR (NOSE GEAR ALTERNATE EXTEND SYSTEM ONLY) 32-35-51-20		101106 108120 504903	RF
905		ILLUSTRATION REFERENCE: PLUMBING INSTL-SECT. 44 KEEL BEAM MLG WHL WELL HYDR 32-35-51-30		101106 108120 504903	RF

MISSING ITEM NUMBERS NOT APPLICABLE

- ITEM NOT ILLUSTRATED

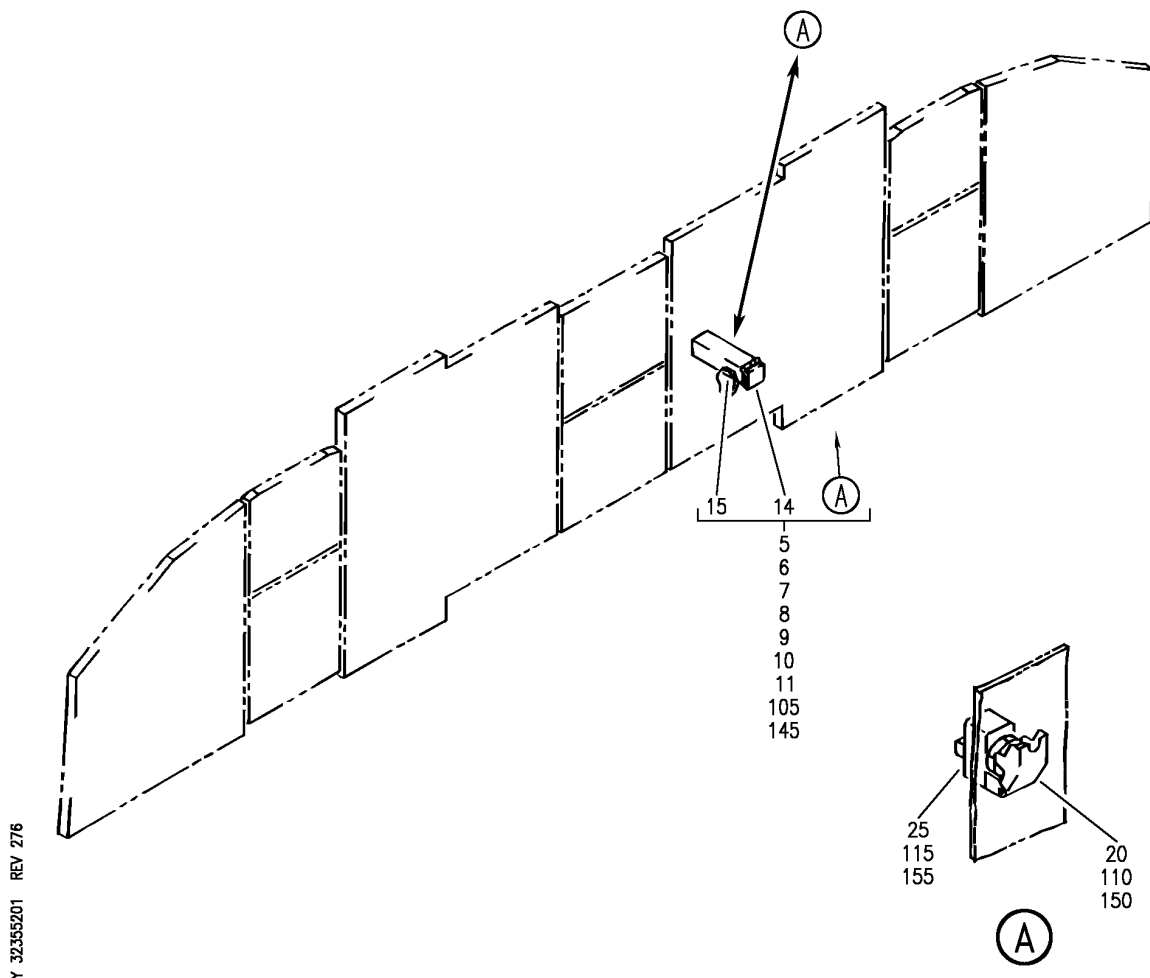
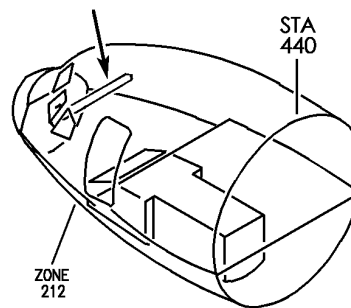
32-35-51-40A

32-35-51  
FIG. 40A  
PAGE 3  
JAN 20/09

BRI



**BOEING**  
757  
PARTS CATALOG (MAINTENANCE)



Y 32355201 REV 276

PANEL INSTL-CAPT AND FIRST OFFICER FWD (MAIN AND NOSE GEAR ALTERNATE EXTEND SYSTEM ONLY)

FIGURE 1

**32-35-52-01**

BRI  
MAY 28/07

32-35-52-01  
PAGE 0



757

PARTS CATALOG (MAINTENANCE)

FIG ITEM	PART NUMBER	1 2 3 4 5 6 7	NOMENCLATURE	EFFECT FROM TO	UNITS PER ASSY
1			PANEL INSTL-CAPT AND FIRST OFFICER FWD (MAIN AND NOSE GEAR ALTERNATE EXTEND SYSTEM ONLY)	002004 006010 107107 121503 904999	
- 1	233N2101-1		PANEL INSTL-CAPT AND FIRST OFFICER (MAIN AND NOSE GEAR ALTERNATE EXTEND SYSTEM ONLY) POSITION DATA: FWD VARIABLE DRAWING REF: 233N2101-5003 233N2101-5004 233N2101-5037 233N2101-5039 233N2101-5041 FOR NHA/OTHER SYS DET SEE: 25-10-00-05A	002004 006010 107107 121503 904999	RF
5	233N2222-53		.MODULE ASSY-P3-1 PRE ALERT SB: 33A0044	107107	RF
7	233N2222-77		.MODULE ASSY-P3-1 PRE SERVICE BULLETIN: 34-0200 PRE ALERT SB: 33A0044	002004 006010 950999	RF
7	233N2222-1077		.MODULE ASSY-P3-1 POST ALERT SB: 33A0044	002004 006010 950951 953999	RF
7	233N2222-85		.MODULE ASSY-P3-1 PRE ALERT SB: 33A0044R1	121503 904949	RF
10	233N2222-1053		.MODULE ASSY-P3-1 POST ALERT SB: 33A0044	107107	RF
11	233N2222-1085		.MODULE ASSY-P3-1 POST ALERT SB: 33A0044R1	121503 904949	RF
14	433-100-002		.. GUARD-SWITCH SUPPLIER CODE: V81590 SPECIFICATION NUMBER: S231T290-821	107107 121503 904949	1

MISSING ITEM NUMBERS NOT APPLICABLE

- ITEM NOT ILLUSTRATED

32-35-52-01

32-35-52  
FIG. 01  
PAGE 1  
JAN 20/09

BRI



757

PARTS CATALOG (MAINTENANCE)

FIG ITEM	PART NUMBER	1 2 3 4 5 6 7	NOMENCLATURE	EFFECT FROM TO	UNITS PER ASSY
1 15	BCREF7683		<p>..SWITCH ASSY-LIGHTED PUSH BUTTON IND ALTN SUPPLIER CODE: V81590 OVERLENGTH PART NUMBER: 433-673-1001-1076 SPECIFICATION NUMBER: S231T290-1076 MISCELLANEOUS DATA: WHEN REPLACING THE PUSHBUTTON SWITCH ASSY OR THE MASTER MODULE WITHIN, VERIFY THAT A CONFIG D MASTER MODULE P/N 13202-001 IS INSTALLED IN LIEU OF ANY EARLIER CONFIGURATION MASTER MODULES. ELECTRICAL EQUIP NUMBER: S10260 REFERENCE SERVICE BULLETIN: 33A0044 REWORKED BY SB: 433-33-05 V81590 FOR DETAILS SEE: 33-13-00-14</p>	107107	1

MISSING ITEM NUMBERS NOT APPLICABLE

- ITEM NOT ILLUSTRATED

BRI

# 32-35-52-01

BOEING PROPRIETARY - Copyright © - Unpublished Work - See title page for details.

32-35-52  
FIG. 01  
PAGE 2  
JAN 20/09



757

PARTS CATALOG (MAINTENANCE)

FIG ITEM	PART NUMBER	1 2 3 4 5 6 7	NOMENCLATURE	EFFECT FROM TO	UNITS PER ASSY
1 15	BCREFA0534		.. SWITCH ASSY-LIGHTED PUSH BUTTON IND SUPPLIER CODE: V81590 OVERLENGTH PART NUMBER: 433-673-1004-4076 SPECIFICATION NUMBER: S231T290-4076 MISCELLANEOUS DATA: WHEN REPLACING THE PUSHBUTTON SWITCH ASSY OR THE MASTER MODULE WITHIN, VERIFY THAT A CONFIG D MASTER MODULE P/N 13202-001 IS INSTALLED IN LIEU OF ANY EARLIER CONFIGURATION MASTER MODULES. ELECTRICAL EQUIP NUMBER: S10260 REFERENCE SERVICE BULLETIN: 33A0044 REWORKED BY SB: 433-33-05 V81590 FOR DETAILS SEE: 33-13-00-44	107107 121503 904949	1
15	851-30768-2076		.. SWITCH ASSY-LIGHTED PUSH BUTTON IND ALTN SUPPLIER CODE: V96182 SPECIFICATION NUMBER: S231T290-2076 ELECTRICAL EQUIP NUMBER: S10260 QUALIFIED I/W DATA: 851-30768-2076 TOGETHER WITH 851-30768-801 OR -811 OR 433-100-002 SWITCHGUARD I/W BCREFA0534 OR 851-30768-3076 BCREFA0534 OR S231T290-5076 TOGETHER WITH 433-100-002 SWITCHGUARD FOR DETAILS SEE: 33-13-00-24	107107	1

MISSING ITEM NUMBERS NOT APPLICABLE

- ITEM NOT ILLUSTRATED

32-35-52-01

32-35-52  
 FIG. 01  
 PAGE 3  
 JAN 20/09

BRI



757

PARTS CATALOG (MAINTENANCE)

FIG ITEM	PART NUMBER	1 2 3 4 5 6 7	NOMENCLATURE	EFFECT FROM TO	UNITS PER ASSY
1					
15	851-30768-3076		..SWITCH ASSY-LIGHTED PUSH BUTTON IND ALTN SUPPLIER CODE: V96182 SPECIFICATION NUMBER: S231T290-3076 ELECTRICAL EQUIP NUMBER: S10260 QUALIFIED I/W DATA: 851-30768-2076 TOGETHER WITH 851-30768-801 OR -811 OR 433-100-002 SWITCHGUARD I/W BCREF7683 OR 851-30768-3076 S231T290-4076 OR -5076 TOGETHER WITH 433-100-002 SWITCHGUARD OPTIONAL PART: S231T290-5076 FOR DETAILS SEE: 33-13-00-34	107107 121503 904949	1
15	S231T290-5076		..SWITCH ASSY-LIGHTED PUSH BUTTON IND ELECTRICAL EQUIP NUMBER: S10260 QUALIFIED I/W DATA: 851-30768-2076 TOGETHER WITH 851-30768-801 OR -811 433-100-002 SWITCHGUARD I/W BCRE7683 OR 851-30768-3076 S231T290-4076 OR -5076 TOGETHER WITH 433-100-002 SWITCHGUARD OPTIONAL PART: 851-30768-3076 V96182	107107 121503 904949	1
15	4336731004-4276		..SWITCH ASSY-LIGHTED PUSH BUTTON IND SUPPLIER CODE: V81590 SPECIFICATION NUMBER: S231T290-4276 ELECTRICAL EQUIP NUMBER: S10260	107107 121503 904949	1

MISSING ITEM NUMBERS NOT APPLICABLE

- ITEM NOT ILLUSTRATED

32-35-52-01

32-35-52  
FIG. 01  
PAGE 4  
JAN 20/09

BRI



757

PARTS CATALOG (MAINTENANCE)

FIG ITEM	PART NUMBER	1 2 3 4 5 6 7	NOMENCLATURE	EFFECT FROM TO	UNITS PER ASSY
1					
20	400-122		.. GUARD-SWITCH SUPPLIER CODE: V33463	002004 006010 950999	1
25	MS24524-26		.. SWITCH- ELECTRICAL EQUIP NUMBER: S10260	002004 006010 950999	1
- 100	233N2222-329		.MODULE ASSY-P3-1 COMPONENT MAINT MANUAL REF: 31-11-49 POST SERVICE BULLETIN: 34-0200 PRE ALERT SB: 33A0044	952952	RF
- 100	233N2222-1329		.MODULE ASSY-P3-1 COMPONENT MAINT MANUAL REF: 31-11-49 POST ALERT SB: 33A0044	952952	RF
105	233N2222-111		..MODULE ASSY- PRE ALERT SB: 33A0044	952952	RF
105	233N2222-1111		..MODULE ASSY- POST ALERT SB: 33A0044	952952	RF
110	400-122		... GUARD-SWITCH SUPPLIER CODE: V33463	952952	1
115	MS24524-26		... SWITCH- ELECTRICAL EQUIP NUMBER: S10260	952952	1

MISSING ITEM NUMBERS NOT APPLICABLE

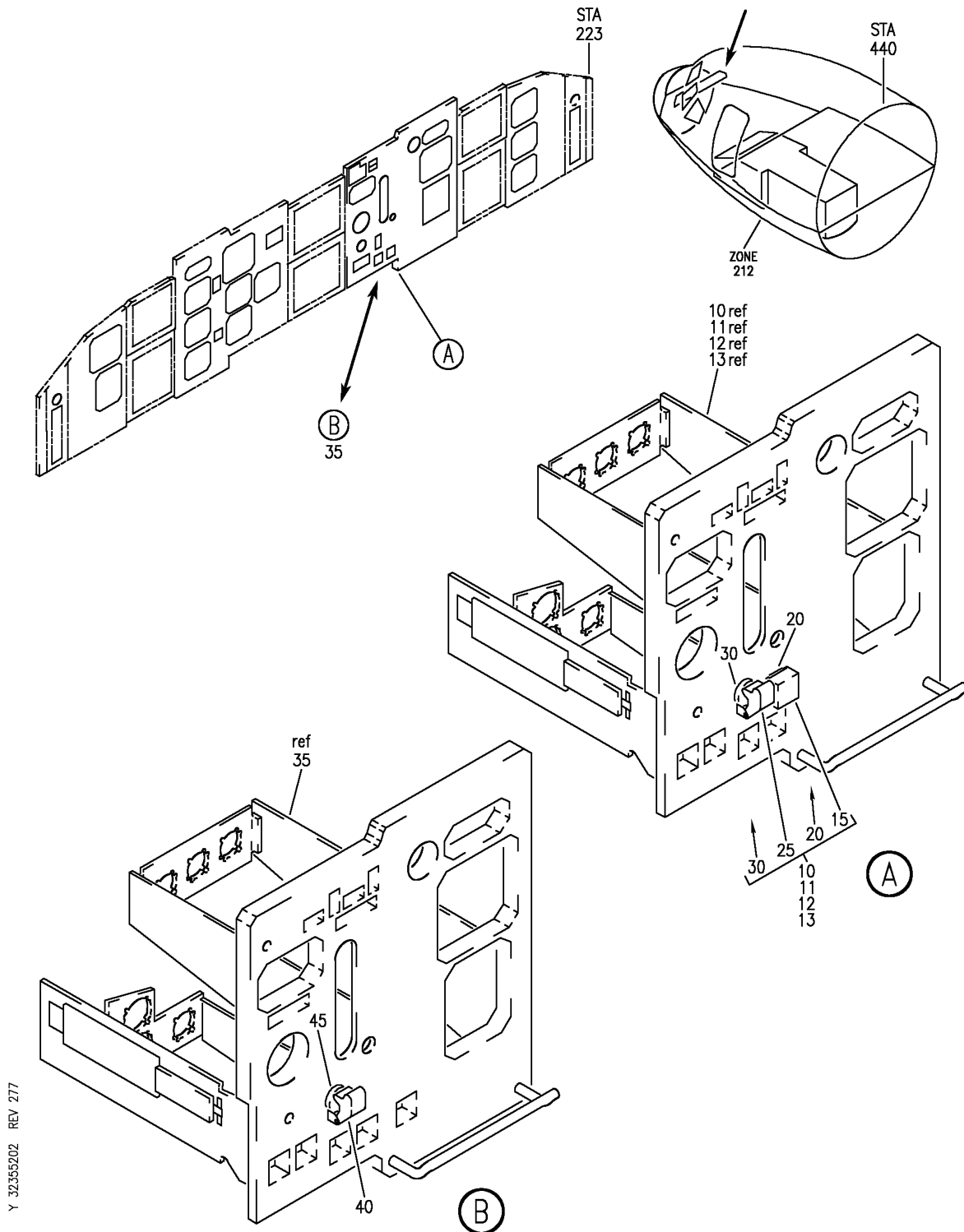
- ITEM NOT ILLUSTRATED

32-35-52-01

32-35-52  
FIG. 01  
PAGE 5  
JAN 20/09

BRI

**BOEING**  
757  
PARTS CATALOG (MAINTENANCE)



PANEL INSTL-CAPT AND FIRST OFFICER FWD (MAIN AND NOSE GEAR ALTERNATE EXTEND SYSTEM ONLY)  
FIGURE 2

**32-35-52-02**

BRI  
MAY 28/07

32-35-52-02  
PAGE 0



757

PARTS CATALOG (MAINTENANCE)

FIG ITEM	PART NUMBER	1 2 3 4 5 6 7	NOMENCLATURE	EFFECT FROM TO	UNITS PER ASSY
2			PANEL INSTL-CAPT AND FIRST OFFICER FWD (MAIN AND NOSE GEAR ALTERNATE EXTEND SYSTEM ONLY)	011100	
- 1	233N2101-1		PANEL INSTL-CAPT AND FIRST OFFICER (MAIN AND NOSE GEAR ALTERNATE EXTEND SYSTEM ONLY) POSITION DATA: FWD VARIABLE DRAWING REF: 233N2101-5039 FOR NHA/OTHER SYS DET SEE: 25-10-00-05A	011100	RF
- 5	233N2222-301		.MODULE ASSY-P3-1 COMPONENT MAINT MANUAL REF: 31-11-49 PRE ALERT SB: 33A0044	011100	RF
- 5	233N2222-1301		.MODULE ASSY-P3-1 COMPONENT MAINT MANUAL REF: 31-11-49 POST ALERT SB: 33A0044	011100	RF
10	233N2222-77		..MODULE ASSY- PRE ALERT SB: 33A0044	011100	RF
10	233N2222-1077		..MODULE ASSY- POST ALERT SB: 33A0044	011100	RF
15	433-100-002		...GUARD-SWITCH SUPPLIER CODE: V81590 SPECIFICATION NUMBER: S231T290-821	011100	1
25	400-122		...GUARD-SWITCH SUPPLIER CODE: V33463	011100	1
30	MS24524-26		...SWITCH- ELECTRICAL EQUIP NUMBER: S10260 WIRING DIAGRAM REF: 323511	011100	1

MISSING ITEM NUMBERS NOT APPLICABLE

- ITEM NOT ILLUSTRATED

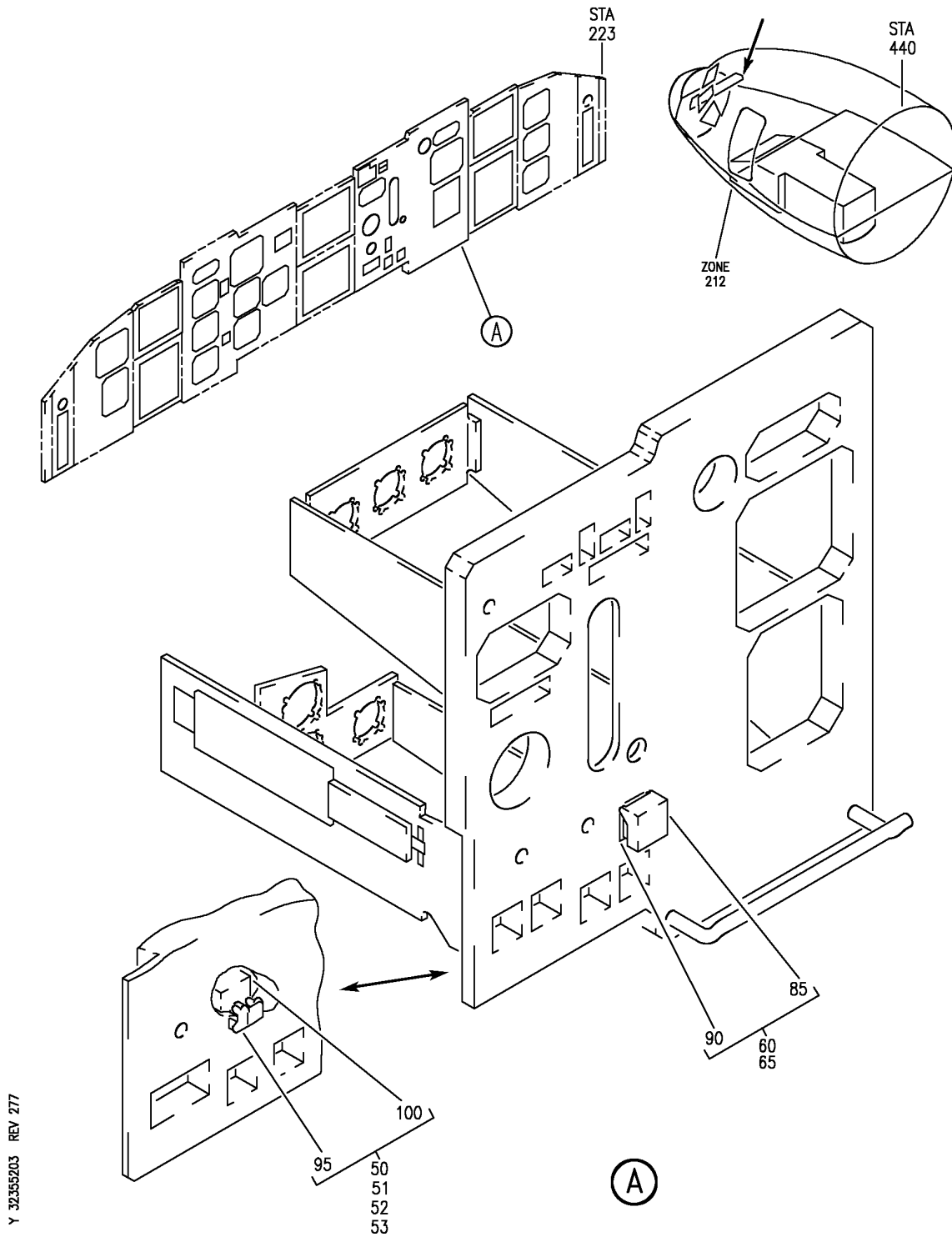
32-35-52-02

32-35-52  
FIG. 02  
PAGE 1  
JAN 20/09

BRI



**BOEING**  
757  
PARTS CATALOG (MAINTENANCE)



Y 32355203 REV 277

PANEL INSTL-P3-1 (LANDING GEAR ALTERNATE EXTENSION ONLY)  
FIGURE 3

**32-35-52-03**

BRI  
MAY 28/07

32-35-52-03  
PAGE 0



757

PARTS CATALOG (MAINTENANCE)

FIG ITEM	PART NUMBER	1 2 3 4 5 6 7	NOMENCLATURE	EFFECT FROM TO	UNITS PER ASSY
3			PANEL INSTL-P3-1 (LANDING GEAR ALTERNATE EXTENSION ONLY)	101106 108120 504903	
- 1	233N2103-17		PANEL INSTL-P3-1 (LANDING GEAR ALTERNATE EXTENSION ONLY) FOR NHA/OTHER SYS DET SEE: 25-10-00-15B	101101	RF
- 1	233N2103-217		PANEL INSTL-P3-1 (LANDING GEAR ALTERNATE EXTENSION ONLY) FOR NHA/OTHER SYS DET SEE: 25-10-00-15B	102102	RF
- 2	233N2103-371		PANEL INSTL-P3-1 (LANDING GEAR ALTERNATE EXTENSION ONLY) FOR NHA/OTHER SYS DET SEE: 25-10-00-15B	108120	RF
- 2	233N2103-254		PANEL INSTL-P3-1 (LANDING GEAR ALTERNATE EXTENSION ONLY) FOR NHA/OTHER SYS DET SEE: 25-10-00-15B	504903	RF

MISSING ITEM NUMBERS NOT APPLICABLE

- ITEM NOT ILLUSTRATED

32-35-52-03

32-35-52  
FIG. 03  
PAGE 1  
JAN 20/09

BRI



757

PARTS CATALOG (MAINTENANCE)

FIG ITEM	PART NUMBER	1 2 3 4 5 6 7	NOMENCLATURE	EFFECT FROM TO	UNITS PER ASSY
3 - 5	MODREF31741		PANEL INSTL-P3-1 (LANDING GEAR ALTERNATE EXTENSION ONLY) MODULE NUMBER: 233N2103-425 REV A FOR OTHER SYS DETAILS SEE: 11-31-01-38 22-11-02-03 22-14-01-03 22-31-02-01 22-34-51-02 26-17-51-05 27-58-00-02 27-81-00-01 29-21-55-02 31-11-11-19 31-11-16-01 31-11-26-38 31-25-01-03 31-41-52-02 31-51-52-02 32-41-52-02 32-42-55-03 32-46-00-01 32-61-51-03 33-13-57-01 A 33-16-52-03 34-12-01-03 34-13-01-03 34-13-02-01 34-13-05-01 34-13-06-01 34-16-51-03 34-21-02-02 34-22-02-02 34-22-05-01 A 34-22-06-01 34-24-01-03 34-32-00-02 34-46-51-02 34-51-02-02 34-57-00-01 34-61-01-07 34-61-02-02 77-41-01-01 79-33-51-05	103105	1

MISSING ITEM NUMBERS NOT APPLICABLE

- ITEM NOT ILLUSTRATED

# 32-35-52-03

32-35-52  
FIG. 03  
PAGE 2  
JAN 20/09

BRI



757

PARTS CATALOG (MAINTENANCE)

FIG ITEM	PART NUMBER	1 2 3 4 5 6 7	NOMENCLATURE	EFFECT FROM TO	UNITS PER ASSY
3 - 5	MODREF104335		PANEL INSTL-P3-1 (LANDING GEAR ALTERNATE EXTENSION ONLY) MODULE NUMBER: 233N2103-425 REV B FOR OTHER SYS DETAILS SEE: 11-31-01-38 22-11-02-03 22-14-01-03 22-31-02-01 22-34-51-02 26-17-51-05 27-51-57-03 27-58-00-02 27-81-00-01 29-21-55-02 31-11-11-19 31-11-16-01 31-11-26-38 31-25-01-03 31-41-52-02 31-51-52-02 32-41-52-02 32-42-55-03 32-46-00-01 32-61-51-03 33-13-57-01A 33-16-52-03 34-12-01-03 34-13-01-03 34-13-02-01 34-13-05-01 34-13-06-01 34-16-51-03 34-21-02-02 34-22-02-02 34-22-05-01A 34-22-06-01 34-24-01-03 34-32-00-02 34-46-51-02 34-51-02-02 34-57-00-01 34-61-01-07 34-61-02-02 77-41-01-01 79-33-51-05	106106	1

MISSING ITEM NUMBERS NOT APPLICABLE

- ITEM NOT ILLUSTRATED

BRI

32-35-52-03

BOEING PROPRIETARY - Copyright © - Unpublished Work - See title page for details.

32-35-52  
FIG. 03  
PAGE 3  
JAN 20/09



757

PARTS CATALOG (MAINTENANCE)

FIG ITEM	PART NUMBER	1 2 3 4 5 6 7	NOMENCLATURE	EFFECT FROM TO	UNITS PER ASSY
3					
- 30	233N2222-301		.MODULE ASSY- COMPONENT MAINT MANUAL REF: 31-11-49 PRE ALERT SB: 33A0044	101101	RF
- 30	233N2222-321		.MODULE ASSY- COMPONENT MAINT MANUAL REF: 31-11-49 PRE ALERT SB: 33A0044	102102	RF
- 30	233N2222-326		.MODULE ASSY- COMPONENT MAINT MANUAL REF: 31-11-49 PRE ALERT SB: 33A0044	504903	RF
- 30	233N2222-329		.MODULE ASSY- COMPONENT MAINT MANUAL REF: 31-11-49 PRE ALERT SB: 33A0044	102102	RF
- 31	233N2222-334		.MODULE ASSY- COMPONENT MAINT MANUAL REF: 31-11-49 PRE ALERT SB: 33A0044	504903	RF
- 31	233N2222-342		.MODULE ASSY- COMPONENT MAINT MANUAL REF: 31-11-49 PRE ALERT SB: 33A0044	102102 108120	RF
- 31	233N2222-1342		.MODULE ASSY- COMPONENT MAINT MANUAL REF: 31-11-49 POST ALERT SB: 33A0044	102102 108120	RF
- 31	233N2222-347		.MODULE ASSY- COMPONENT MAINT MANUAL REF: 31-11-49 PRE ALERT SB: 33A0044	504903	RF
- 33	233N2222-379		.MODULE ASSY- COMPONENT MAINT MANUAL REF: 31-11-49	103106	RF
- 33	233N2222-1301		.MODULE ASSY- COMPONENT MAINT MANUAL REF: 31-11-49 POST ALERT SB: 33A0044	101101	RF

MISSING ITEM NUMBERS NOT APPLICABLE

- ITEM NOT ILLUSTRATED

32-35-52-03

32-35-52  
FIG. 03  
PAGE 4  
JAN 20/09

BRI



757

PARTS CATALOG (MAINTENANCE)

FIG ITEM	PART NUMBER	1 2 3 4 5 6 7	NOMENCLATURE	EFFECT FROM TO	UNITS PER ASSY
3					
- 33	233N2222-1321		.MODULE ASSY- COMPONENT MAINT MANUAL REF: 31-11-49 POST ALERT SB: 33A0044	102102	RF
- 33	233N2222-1329		.MODULE ASSY- COMPONENT MAINT MANUAL REF: 31-11-49 POST ALERT SB: 33A0044	102102	RF
- 34	233N2222-1326		.MODULE ASSY- COMPONENT MAINT MANUAL REF: 31-11-49 POST ALERT SB: 33A0044	504903	RF
- 34	233N2222-1334		.MODULE ASSY- COMPONENT MAINT MANUAL REF: 31-11-49 POST ALERT SB: 33A0044	504903	RF
- 34	233N2222-1347		.MODULE ASSY- COMPONENT MAINT MANUAL REF: 31-11-49 POST ALERT SB: 33A0044	504903	RF
50	233N2222-77		..MODULE ASSY- PRE ALERT SB: 33A0044	101101	RF
50	233N2222-100		..MODULE ASSY- USED ON: 233N2222-321 PRE ALERT SB: 33A0044	102102	RF
50	233N2222-111		..MODULE ASSY- USED ON: 233N2222-329 PRE ALERT SB: 33A0044	102102	RF
51	233N2222-122		..MODULE ASSY- USED ON: 233N2222-342 PRE ALERT SB: 33A0044	102102 108120	RF
52	233N2222-153		..MODULE ASSY-	103106	RF
52	233N2222-1077		..MODULE ASSY- POST ALERT SB: 33A0044	101101	RF

MISSING ITEM NUMBERS NOT APPLICABLE

- ITEM NOT ILLUSTRATED

32-35-52-03

32-35-52  
FIG. 03  
PAGE 5  
JAN 20/09

BRI



757

PARTS CATALOG (MAINTENANCE)

FIG ITEM	PART NUMBER	1 2 3 4 5 6 7	NOMENCLATURE	EFFECT FROM TO	UNITS PER ASSY
3					
52	233N2222-1100	..	MODULE ASSY- USED ON: 233N2222-1321 POST ALERT SB: 33A0044	102102	RF
52	233N2222-1111	..	MODULE ASSY- USED ON: 233N2222-1329 POST ALERT SB: 33A0044	102102	RF
52	233N2222-1122	..	MODULE ASSY- USED ON: 233N2222-1342 POST ALERT SB: 33A0044	102102 108120	RF
60	233N2222-105	..	MODULE ASSY- USED ON: 233N2222-326 PRE ALERT SB: 33A0044	504903	RF
60	233N2222-116	..	MODULE ASSY- USED ON: 233N2222-334 PRE ALERT SB: 33A0044	504903	RF
60	233N2222-127	..	MODULE ASSY- USED ON: 233N2222-347 PRE ALERT SB: 33A0044	504903	RF
60	233N2222-1105	..	MODULE ASSY- USED ON: 233N2222-1326 POST ALERT SB: 33A0044	504903	RF
60	233N2222-1116	..	MODULE ASSY- USED ON: 233N2222-1334 POST ALERT SB: 33A0044	504903	RF
60	233N2222-1127	..	MODULE ASSY- USED ON: 233N2222-1347 POST ALERT SB: 33A0044	504903	RF

MISSING ITEM NUMBERS NOT APPLICABLE

- ITEM NOT ILLUSTRATED

32-35-52-03

32-35-52  
FIG. 03  
PAGE 6  
JAN 20/09

BRI

BOEING PROPRIETARY - Copyright © - Unpublished Work - See title page for details.



757

PARTS CATALOG (MAINTENANCE)

FIG ITEM	PART NUMBER	1 2 3 4 5 6 7	NOMENCLATURE	EFFECT FROM TO	UNITS PER ASSY
3 85	433-100-002		...GUARD-SWITCH SUPPLIER CODE: V81590 SPECIFICATION NUMBER: S231T290-821 QUALIFIED I/W DATA: 851-30768-801 OR -811 OR 433-100-002 TOGETHER WITH S231T290-2XXX PUSHBUTTON SWITCH I/W 433-100-002 TOGETHER WITH S231T290-1XXX OR -3XXX OR -4XXX OR -5XXX	504903	1
90	BCREFA0534		...SWITCH ASSY-LIGHTED PUSH BUTTON IND SUPPLIER CODE: V81590 OVERLENGTH PART NUMBER: 433-673-1004-4076 SPECIFICATION NUMBER: S231T290-4076 MISCELLANEOUS DATA: WHEN REPLACING THE PUSHBUTTON SWITCH ASSY OR THE MASTER MODULE WITHIN, VERIFY THAT A CONFIG D MASTER MODULE P/N 13202-001 IS INSTALLED IN LIEU OF ANY EARLIER CONFIGURATION MASTER MODULES. ELECTRICAL EQUIP NUMBER: S10260 REFERENCE SERVICE BULLETIN: 33A0044 REWORKED BY SB: 433-33-05 V81590 FOR DETAILS SEE: 33-13-00-44	504903	1
90	4336731004-4276		...SWITCH ASSY-LIGHTED PUSH BUTTON IND SUPPLIER CODE: V81590 SPECIFICATION NUMBER: S231T290-4276 ELECTRICAL EQUIP NUMBER: S10260	504903	1

MISSING ITEM NUMBERS NOT APPLICABLE

- ITEM NOT ILLUSTRATED

32-35-52-03

32-35-52  
FIG. 03  
PAGE 7  
JAN 20/09

BRI





757

PARTS CATALOG (MAINTENANCE)

FIG ITEM	PART NUMBER	1 2 3 4 5 6 7	NOMENCLATURE	EFFECT FROM TO	UNITS PER ASSY
3					
95	400-122		... GUARD-SWITCH SUPPLIER CODE: V33463	101106 108120	1
100	MS24524-26		... SWITCH- ELECTRICAL EQUIP NUMBER: S10260 WIRING DIAGRAM REF: 323511	101106 108120	1

MISSING ITEM NUMBERS NOT APPLICABLE

- ITEM NOT ILLUSTRATED

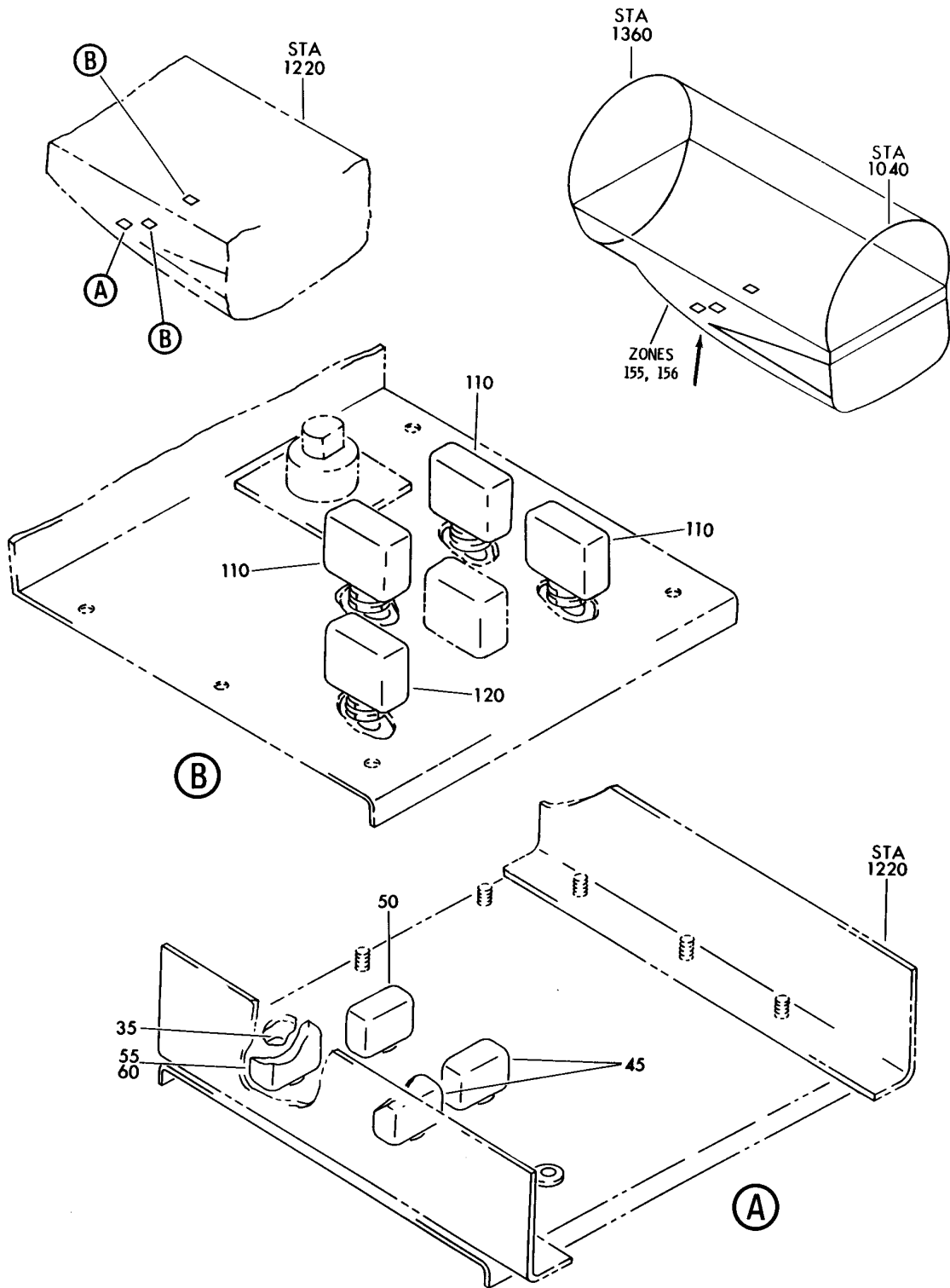
BRI

32-35-52-03

BOEING PROPRIETARY - Copyright © - Unpublished Work - See title page for details.

32-35-52  
FIG. 03  
PAGE 8  
JAN 20/09

**BOEING**  
757  
PARTS CATALOG (MAINTENANCE)



Y 32355301 REV 038

PANEL ASSY-MAIN WHL WELL ELEC SVCE (LANDING GEAR ONLY)  
FIGURE 1

**32-35-53-01**

BRI  
MAY 28/07

32-35-53-01  
PAGE 0



757

PARTS CATALOG (MAINTENANCE)

FIG ITEM	PART NUMBER	1 2 3 4 5 6 7	NOMENCLATURE	EFFECT FROM TO	UNITS PER ASSY
1			PANEL ASSY-MAIN WHL WELL ELEC SVCE (LANDING GEAR ONLY)	002004 006999	
- 1	284N1745-2		PANEL ASSY-MAIN WHL WELL ELEC SVCE (LANDING GEAR ONLY)	002004 006999	RF
- 1	284N1745-5		FOR NHA/OTHER SYS DET SEE: 23-41-53-01 PANEL ASSY-MAIN WHL WELL ELEC SVCE (LANDING GEAR ONLY)	002004 006999	RF
	35 BAC27NEX1086		.MARKER-ALUMINUM FOIL- PLACARD CONTENT: S10365	002004 006999	1
	45 MS24658-26F		.SWITCH	002004 006999	2
	50 MS24659-26F		.SWITCH- ELECTRICAL EQUIP NUMBER: S10192	002004 006999	1
	55 702PB1		.SWITCH-PUSH BUTTON SUPPLIER CODE: V91929 ELECTRICAL EQUIP NUMBER: S10365	002004 006999	1
	60 MS24524-30		USED ON: 284N1745-1 284N1745-2 .SWITCH- ELECTRICAL EQUIP NUMBER: S10365 USED ON: 284N1745-5	002004 006999	1

MISSING ITEM NUMBERS NOT APPLICABLE

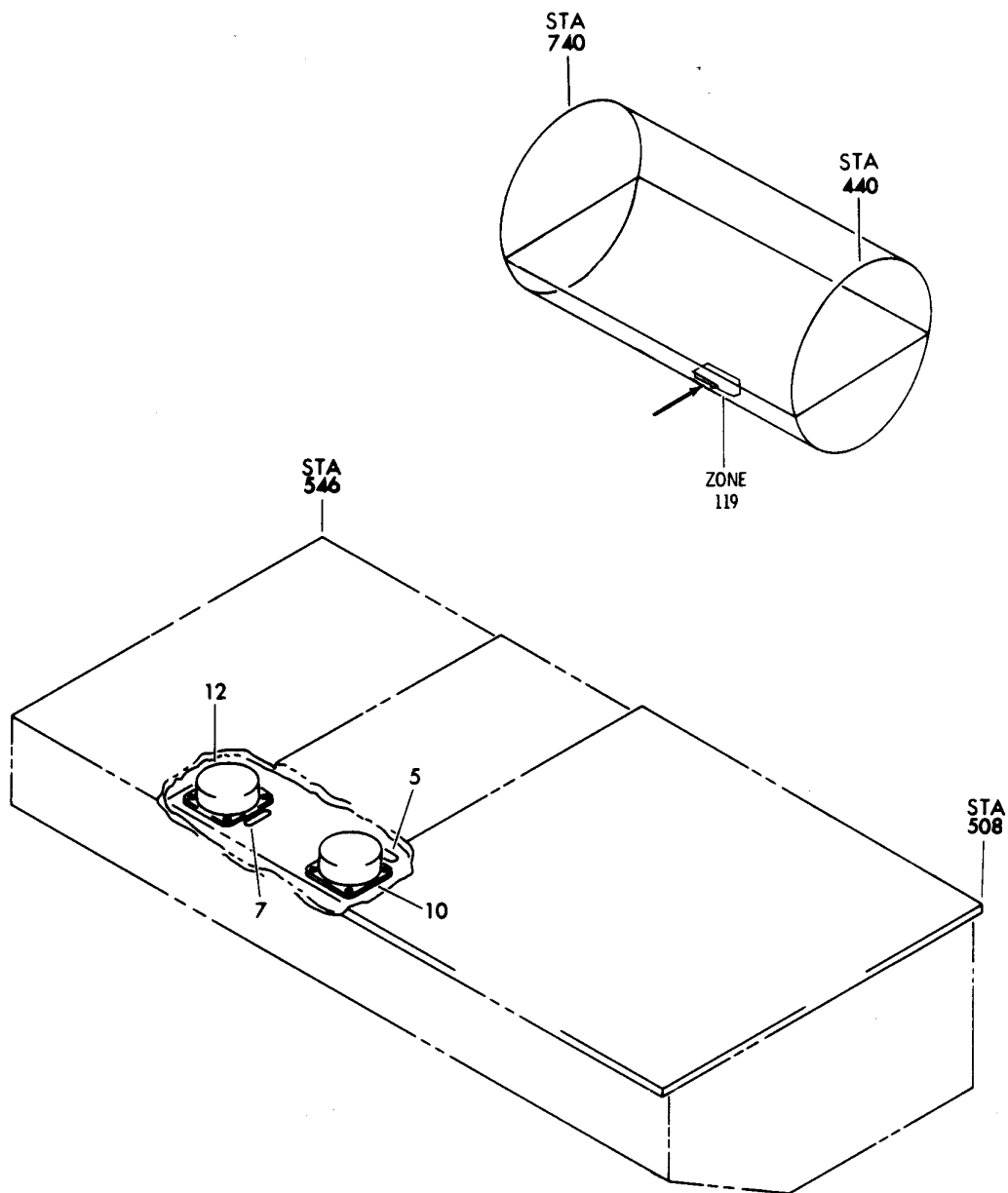
- ITEM NOT ILLUSTRATED

BRI

32-35-53-01

32-35-53  
FIG. 01  
PAGE 1  
SEP 20/08

**BOEING**  
757  
PARTS CATALOG (MAINTENANCE)



Y 32357101 SH1 1 REV 028

PANEL ASSY-P36 MISC RELAY L (MAIN AND NOSE GEAR ALTERNATE EXTEND SYSTEM ONLY)

FIGURE 1

**32-35-71-01**

BRI  
MAY 28/07

32-35-71-01  
PAGE 0



757

PARTS CATALOG (MAINTENANCE)

FIG ITEM	PART NUMBER	1 2 3 4 5 6 7	NOMENCLATURE	EFFECT FROM TO	UNITS PER ASSY
1			PANEL ASSY-P36 MISC RELAY L (MAIN AND NOSE GEAR ALTERNATE EXTEND SYSTEM ONLY)	002004 006100 107107 121503 904999	
- 1	284N1125-1		PANEL ASSY-P36 MISC RELAY (MAIN AND NOSE GEAR ALTERNATE EXTEND SYSTEM ONLY) POSITION DATA: L VARIABLE DRAWING REF: 284N1125-5023 284N1125-5030 284N1125-5049 284N1125-5050 284N1125-5054 REWORKED BY SB: 34-0200 REWORKED BY ALERT SB: 27A0130 FOR NHA/OTHER SYS DET SEE: 31-01-36-01B	002004 006100 107107 121503 904999	RF
5	BAC27NEX0901		.DECAL- PLACARD CONTENT: K10369	107107 121503 904949	1
7	BAC27NEX2513		.DECAL- PLACARD CONTENT: K10369	002004 006100 950999	1
10	D7AC		.RELAY- SUPPLIER CODE: V74063 ELECTRICAL EQUIP NUMBER: K10369	107107 121503 904949	1
12	D7AC		.RELAY- SUPPLIER CODE: V74063 ELECTRICAL EQUIP NUMBER: K10369	002004 006100 950999	1
- 15	NAS1801-06-6		ATTACHING PARTS .SCREW	002004 006100 107107 121503 904999	4
-----*-----					

MISSING ITEM NUMBERS NOT APPLICABLE

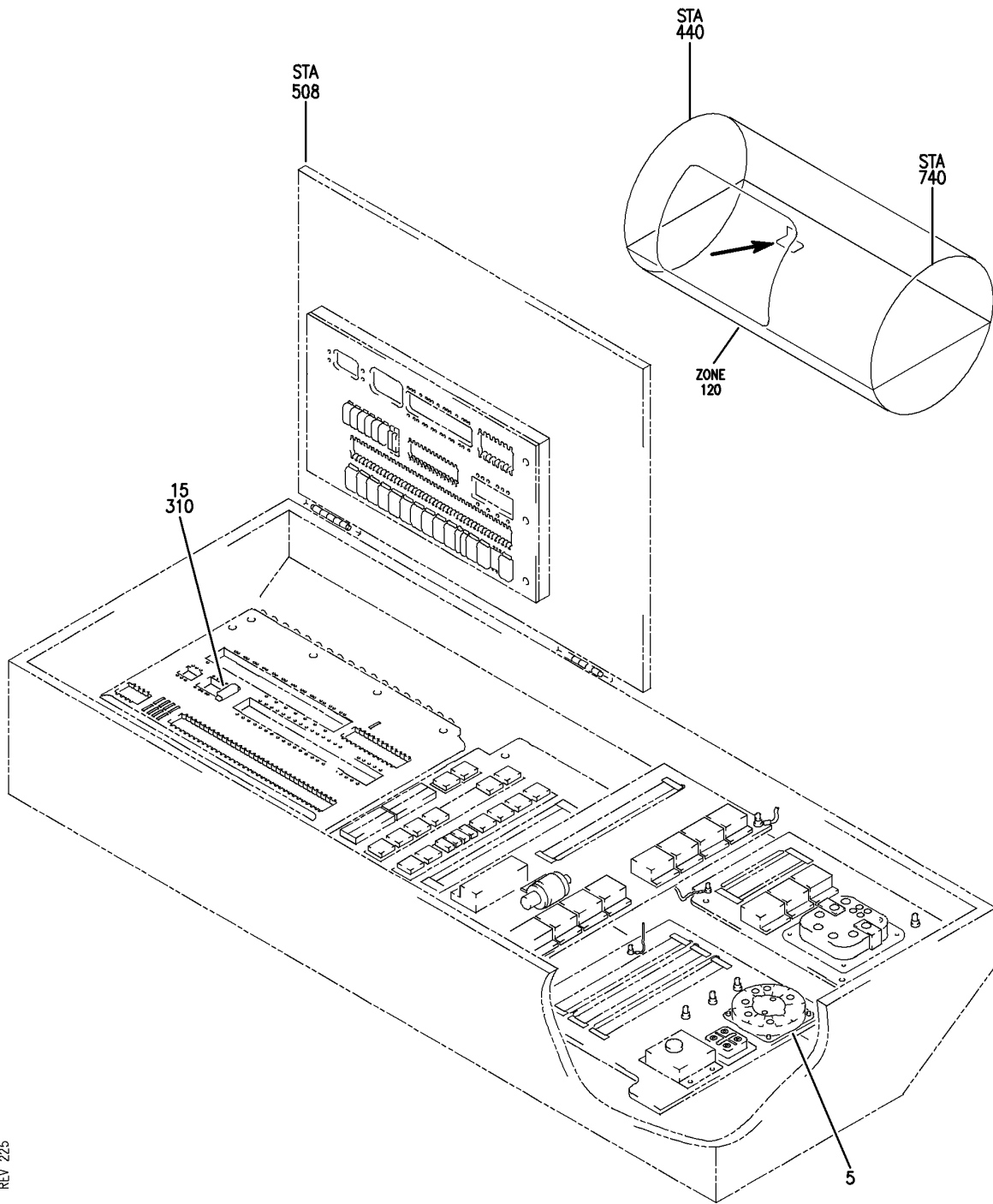
- ITEM NOT ILLUSTRATED

BRI

32-35-71-01

32-35-71  
FIG. 01  
PAGE 1  
JAN 20/09

**BOEING**  
757  
PARTS CATALOG (MAINTENANCE)



Y 32357101A REV 225

OPTION PACKAGE ASSY-P36 MISC RELAY LH (MAIN AND NOSE GEAR ALTERNATE EXTEND SYSTEM ONLY)  
FIGURE 1A

BRI  
MAY 28/07

**32-35-71-01A**

32-35-71-01A  
PAGE 0



757

PARTS CATALOG (MAINTENANCE)

FIG ITEM	PART NUMBER	1 2 3 4 5 6 7	NOMENCLATURE	EFFECT FROM TO	UNITS PER ASSY
1 A			OPTION PACKAGE ASSY-P36 MISC RELAY LH (MAIN AND NOSE GEAR ALTERNATE EXTEND SYSTEM ONLY)	101102 504903	
- 1	284N1125-1018		OPTION PACKAGE ASSY-P36 MISC RELAY OPTION (MAIN AND NOSE GEAR ALTERNATE EXTEND SYSTEM ONLY) POSITION DATA: LH REWORKED BY ALERT SB: 27A0130 FOR NHA/OTHER SYS DET SEE: 31-01-36-05	101102 504903	RF
5	D7AC		.RELAY- SUPPLIER CODE: V74063 ELECTRICAL EQUIP NUMBER: K10369	101102 504903	1
- 10	NAS1801-06-6		ATTACHING PARTS .SCREW	101102 504903	4
15	W460F1A		-----*----- .RELAY- SUPPLIER CODE: VF0219 SPECIFICATION NUMBER: BACR13CE2 OPTIONAL PART: 3SAH5-13-4K1 V01526 3SAH1326A2 V01526 ELECTRICAL EQUIP NUMBER: K10370	101102 504903	1
- 301	286N1260-358		WIRE BUNDLE ASSY- REWORKED BY ALERT SB: 27A0130	101102	RF
- 301	286N1260-364		WIRE BUNDLE ASSY- REWORKED BY ALERT SB: 27A0130	504903	RF

MISSING ITEM NUMBERS NOT APPLICABLE

- ITEM NOT ILLUSTRATED

32-35-71-01A

32-35-71  
FIG. 01A  
PAGE 1  
JAN 20/09

BRI



757

PARTS CATALOG (MAINTENANCE)

FIG ITEM	PART NUMBER	1 2 3 4 5 6 7	NOMENCLATURE	EFFECT FROM TO	UNITS PER ASSY
1 A 310	RSE120027		. SOCKET- SUPPLIER CODE: V58982 SPECIFICATION NUMBER: BACS16AF1 OPTIONAL PART: 451120-027 V58982 ELECTRICAL EQUIP NUMBER: D04354 WIRING DIAGRAM REF: 323511	101102 504903	1

MISSING ITEM NUMBERS NOT APPLICABLE

- ITEM NOT ILLUSTRATED

BRI

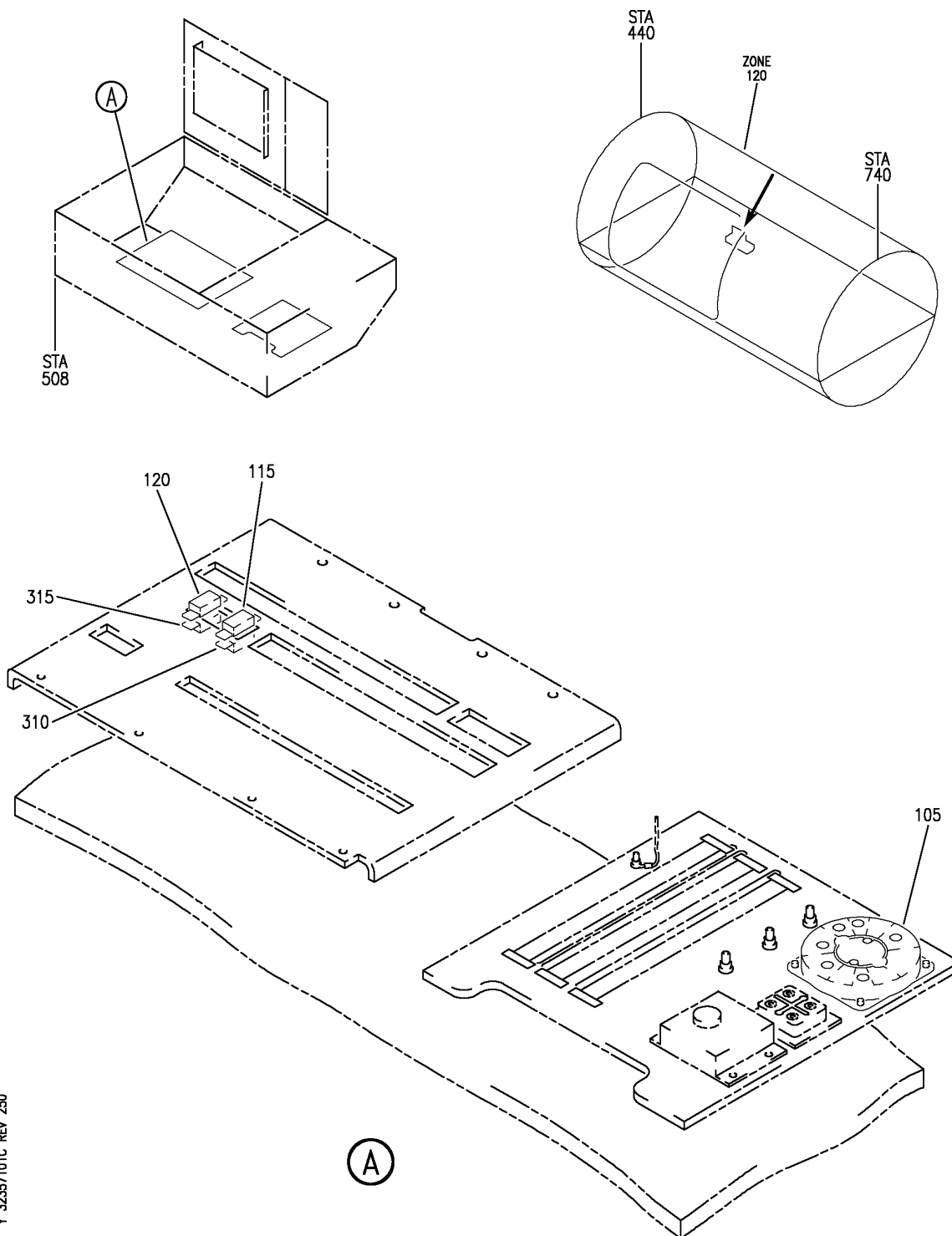
32-35-71-01A

BOEING PROPRIETARY - Copyright © - Unpublished Work - See title page for details.

32-35-71  
FIG. 01A  
PAGE 2  
JAN 20/09



**BOEING**  
757  
PARTS CATALOG (MAINTENANCE)



Y 32357101C REV 250

PANEL INSTL-P36 L MISC RELAY (LANDING GEAR ALTERNATE EXTENSION ONLY)  
FIGURE 1C

**32-35-71-01C**

BRI  
JAN 20/09

32-35-71-01C  
PAGE 0



757

PARTS CATALOG (MAINTENANCE)

FIG ITEM	PART NUMBER	1 2 3 4 5 6 7	NOMENCLATURE	EFFECT FROM TO	UNITS PER ASSY
1 C			PANEL INSTL-P36 L MISC RELAY (LANDING GEAR ALTERNATE EXTENSION ONLY)	103106 108120	
- 3	284N1125-94		PANEL INSTL-P36 L MISC RELAY (LANDING GEAR ALTERNATE EXTENSION ONLY) FOR NHA/OTHER SYS DET SEE: 24-00-58-05C	108120	RF

MISSING ITEM NUMBERS NOT APPLICABLE

- ITEM NOT ILLUSTRATED

BRI

32-35-71-01C

BOEING PROPRIETARY - Copyright © - Unpublished Work - See title page for details.

32-35-71  
FIG. 01C  
PAGE 1  
JAN 20/09



757

PARTS CATALOG (MAINTENANCE)

FIG ITEM	PART NUMBER	1 2 3 4 5 6 7	NOMENCLATURE	EFFECT FROM TO	UNITS PER ASSY
1C - 7	MODREF31944		PANEL INSTL-P36 L MISC RELAY (LANDING GEAR ALTERNATE EXTENSION ONLY) MODULE NUMBER: 284N1125-123 REV A FOR OTHER SYS DETAILS SEE: 11-36-08-03C 21-25-71-02C 21-33-71-02C 21-51-56-01C 21-58-71-02C 23-12-00-05 23-31-54-01C 23-34-52-01C 24-21-51-01A 26-15-71-02C 26-16-71-01C 26-22-71-01C 27-48-52-03C 27-51-71-03C 27-58-71-02C 27-62-71-03C 29-11-71-03C 29-21-71-01C 30-21-71-03C 30-34-51-01C 31-01-36-01 32-09-02-03C 32-42-71-02C 32-44-71-02C 32-61-71-02C 34-12-71-02C 34-21-71-02C 34-22-52-01C 34-61-52-01C 36-11-71-02C 73-21-55-01C 74-31-71-02C 76-11-71-02C 77-12-71-01C 78-34-71-02C 78-36-71-02C 80-11-71-02C	103106	1
105	D7AC		.RELAY- SUPPLIER CODE: V74063 ELECTRICAL EQUIP NUMBER: K10369	103106 108120	1

MISSING ITEM NUMBERS NOT APPLICABLE

- ITEM NOT ILLUSTRATED

BRI

**32-35-71-01C**

BOEING PROPRIETARY - Copyright © - Unpublished Work - See title page for details.

32-35-71  
FIG. 01C  
PAGE 2  
JAN 20/09



757

PARTS CATALOG (MAINTENANCE)

FIG ITEM	PART NUMBER	1 2 3 4 5 6 7	NOMENCLATURE	EFFECT FROM TO	UNITS PER ASSY
1C			ATTACHING PARTS		
- 110	NAS1801-06-6	.	SCREW-	108120	4
- 110	BACS12HN06-6	.	SCREW-	103106	4
		-----*	-----		
115	W460F1A	.	RELAY-	103106	1
			SUPPLIER CODE: VF0219	108120	
			SPECIFICATION NUMBER: BACR13CE2		
			OPTIONAL PART: 3SAH5-13-4K1		
			V01526		
			3SAH1326A2		
			V01526		
			ELECTRICAL EQUIP NUMBER: K10370		
120	W460F1A	.	RELAY-	108120	1
			SUPPLIER CODE: VF0219		
			SPECIFICATION NUMBER: BACR13CE2		
			OPTIONAL PART: 3SAH5-13-4K1		
			V01526		
			3SAH1326A2		
			V01526		
			ELECTRICAL EQUIP NUMBER: K10370		
- 300	286N1260-357		WIRE BUNDLE ASSY	108120	RF
- 302	286N1260-601		WIRE BUNDLE ASSY	103106	RF
310	RSE120027	.	SOCKET-	103106	1
			SUPPLIER CODE: V58982	108120	
			SPECIFICATION NUMBER: BACS16AF1		
			OPTIONAL PART: 451120-027		
			V58982		
			ELECTRICAL EQUIP NUMBER: D04354		
			WIRING DIAGRAM REF: 323511		

MISSING ITEM NUMBERS NOT APPLICABLE

- ITEM NOT ILLUSTRATED

32-35-71-01C

32-35-71  
FIG. 01C  
PAGE 3  
JAN 20/09

BRI

BOEING PROPRIETARY - Copyright © - Unpublished Work - See title page for details.



757

PARTS CATALOG (MAINTENANCE)

FIG ITEM	PART NUMBER	1 2 3 4 5 6 7	NOMENCLATURE	EFFECT FROM TO	UNITS PER ASSY
1C 315	RSE120027		. SOCKET- SUPPLIER CODE: V58982 SPECIFICATION NUMBER: BACS16AF1 OPTIONAL PART: 451120-027 V58982 ELECTRICAL EQUIP NUMBER: D04354 WIRING DIAGRAM REF: 323511	108120	1

MISSING ITEM NUMBERS NOT APPLICABLE

- ITEM NOT ILLUSTRATED

BRI

32-35-71-01C

BOEING PROPRIETARY - Copyright © - Unpublished Work - See title page for details.

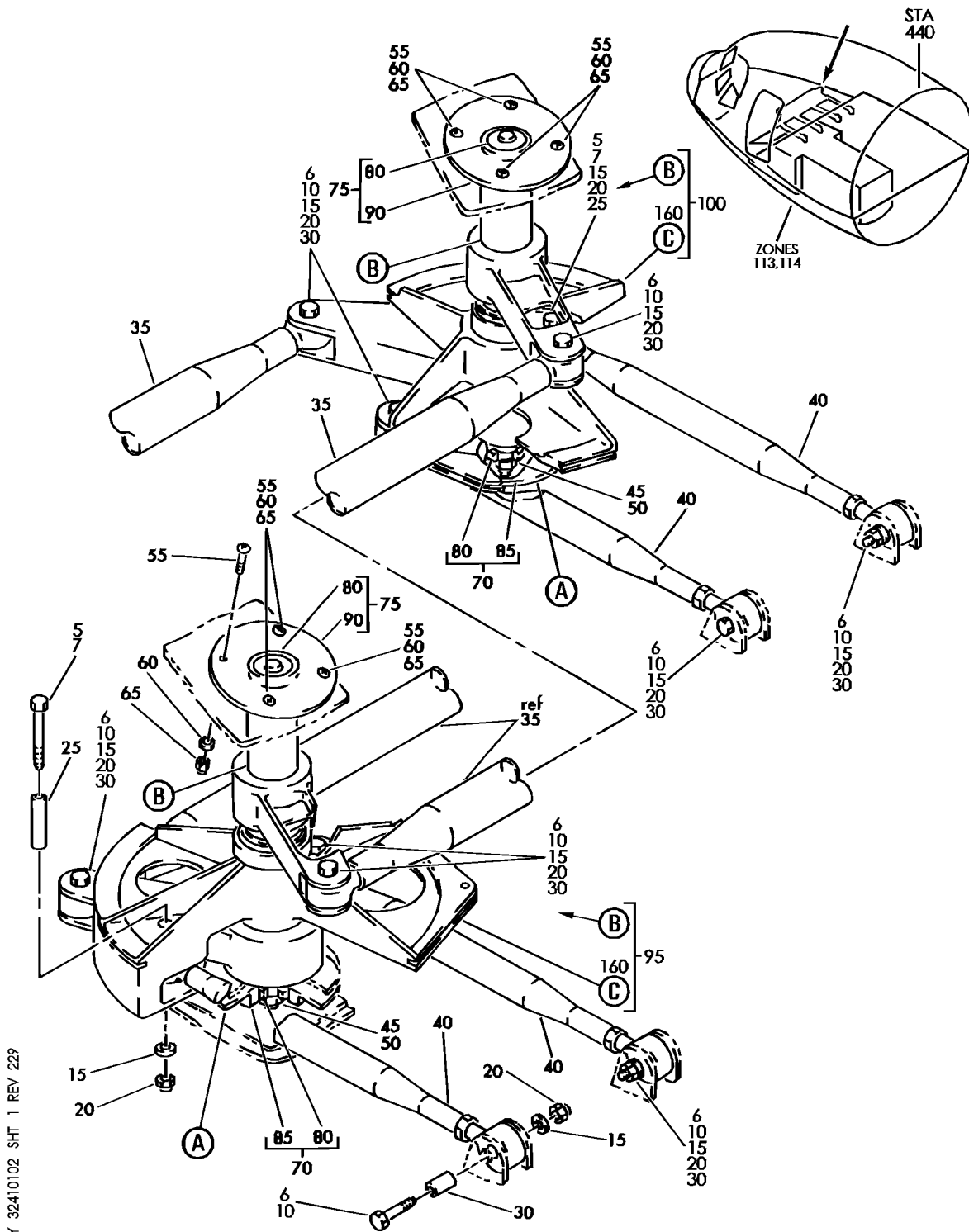
32-35-71  
FIG. 01C  
PAGE 4  
JAN 20/09

## HYDRAULIC BRAKE SYSTEM

BRI  
MAY 28/07

32-41-00  
SECTION TITLE  
PAGE 1

**BOEING**  
757  
PARTS CATALOG (MAINTENANCE)



Y 32410102 SHT 1 REV 229

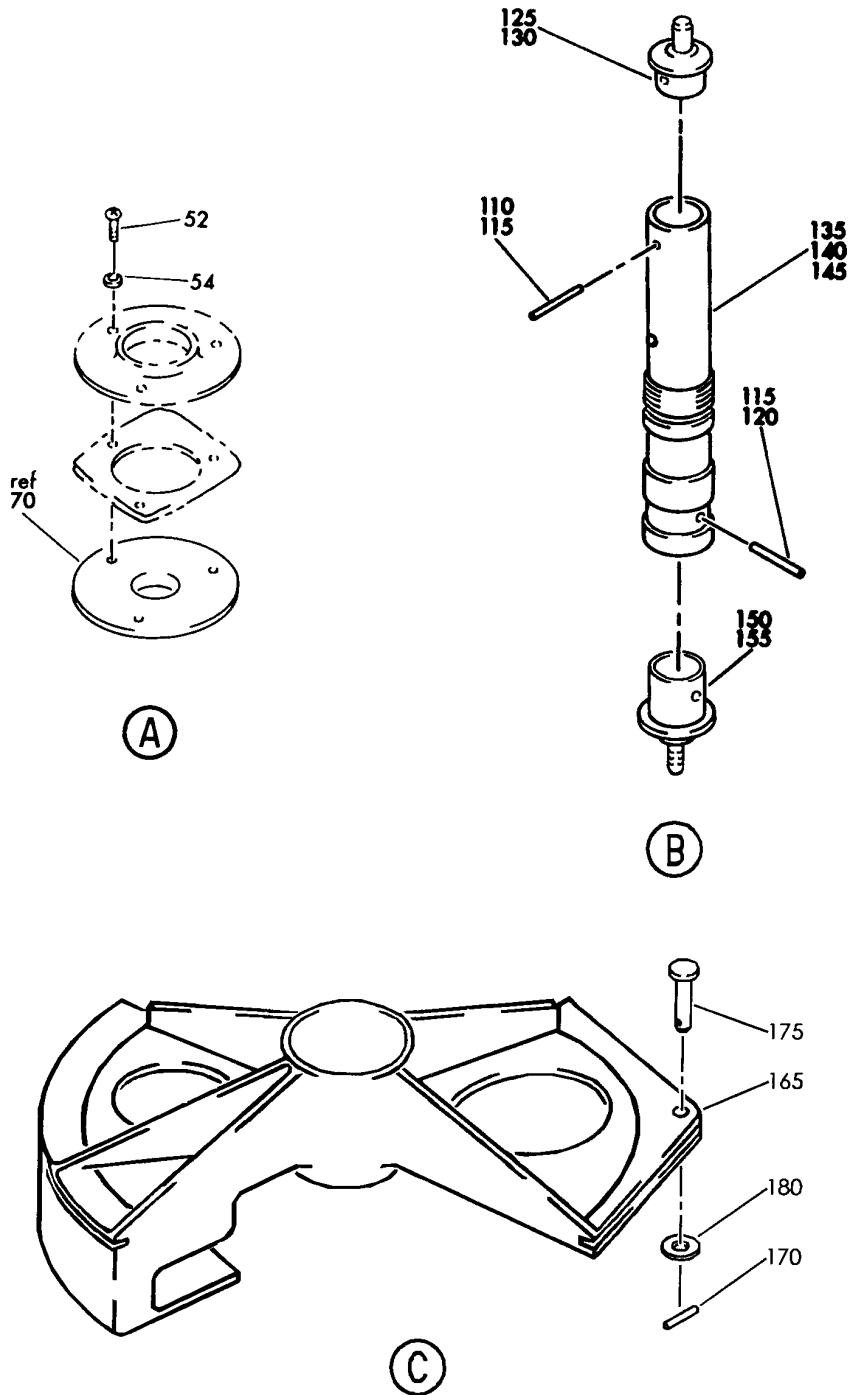
BUS INSTL-BRAKE PEDAL  
FIGURE 2 (SHEET 1)

**32-41-01-02**

BRI  
MAY 28/07

32-41-01-02  
PAGE 0

**BOEING**  
757  
PARTS CATALOG (MAINTENANCE)



Y 32410102 SHT 2 REV 201

BUS INSTL-BRAKE PEDAL  
FIGURE 2 (SHEET 2)

**32-41-01-02**

BRI  
MAY 28/07

32-41-01-02  
PAGE 0A





757

PARTS CATALOG (MAINTENANCE)

FIG ITEM	PART NUMBER	1 2 3 4 5 6 7	NOMENCLATURE	EFFECT FROM TO	UNITS PER ASSY
2			BUS INSTL-BRAKE PEDAL	002004 006999	
- 1	274N2020-1		BUS INSTL-BRAKE PEDAL VARIABLE DRAWING REF: 274N2020-2 FOR NHA SEE: 32-00-00-23	002004 006100 107107 121503 904999	RF
- 1	274N2020-5		BUS INSTL-BRAKE PEDAL FOR NHA SEE: 32-00-00-10	101102 108120 504903	RF
- 1	MODREF8653		BUS INSTL-BRAKE PEDAL MODULE NUMBER: 274N2020-5 REV A	103106	1
5	BACB30NF4-23		.BOLT-	107107	2
5	BACB30NF4-24		.BOLT-	002004 006106 108999	2
6	BACB30NR4K14		.BOLT	101106 108120 504903	10
7	BACB30NR4K24		.BOLT	101106 108120 504903	2
10	BACB30NF4-14		.BOLT	002004 006999	10
15	AN960KD416		.WASHER-	002004 006100 107107 121503 904999	12
15	NAS1149D0463J		.WASHER	101106 108120 504903	12
20	BRH10C4D		.NUT SUPPLIER CODE: V52828 SPECIFICATION NUMBER: BACN10JC4CD OPTIONAL PART: T6C428JCD V11815 NS202486-048 V80539 102LH9075-4W V72962 H51650-4BAC V15653	002004 006999	12

MISSING ITEM NUMBERS NOT APPLICABLE

- ITEM NOT ILLUSTRATED

32-41-01-02

32-41-01  
FIG. 02  
PAGE 1  
JAN 20/09

BRI



757

PARTS CATALOG (MAINTENANCE)

FIG ITEM	PART NUMBER	1 2 3 4 5 6 7	NOMENCLATURE	EFFECT FROM TO	UNITS PER ASSY
2					
20	PLH54CD	.NUT	SUPPLIER CODE: VF0224 SPECIFICATION NUMBER: BACN10YR4CD OPTIONAL PART: H52732-4CD V15653	101106 108120 504903	12
25	BACB28Y4M026	.BUSHING-		107107	2
25	BACB28Y4M079	.BUSHING-		002004 006100 121503 904999	2
30	BACB28Y4M016	.BUSHING		002004 006999	10
35	251T0100-102	.ROD ASSY-	COMPONENT MAINT MANUAL REF: 27-00-11	002004 006999	2
40	250N2004-1201	.ROD ASSY-	COMPONENT MAINT MANUAL REF: 27-00-12	002004 006999	4
45	BRH10C5D	.NUT	SUPPLIER CODE: V52828 SPECIFICATION NUMBER: BACN10JC5CD OPTIONAL PART: T6C524JCD V11815 102LH9075-5W V72962 H51650-5BAC V15653	002004 006999	2
45	PLH55CD	.NUT	SUPPLIER CODE: VF0224 SPECIFICATION NUMBER: BACN10YR5CD OPTIONAL PART: H52732-5CD V15653	101106 108120 504903	2
50	AN960-516	.WASHER		002004 006999	2
52	BACB30NT3K5	.BOLT		002004 006100 107107 121503 904999	6

MISSING ITEM NUMBERS NOT APPLICABLE

- ITEM NOT ILLUSTRATED

32-41-01-02

32-41-01  
FIG. 02  
PAGE 2  
JAN 20/09

BRI



757

PARTS CATALOG (MAINTENANCE)

FIG ITEM	PART NUMBER	1 2 3 4 5 6 7	NOMENCLATURE	EFFECT FROM TO	UNITS PER ASSY
2					
54	AN960-516	.	WASHER	002004 006999	6
55	BACB30NT3K5	.	BOLT	002004 006999	8
60	AN960PD10L	.	WASHER-	002004 006100 107107 121503 904999	8
60	AN960KD10L	.	WASHER-	002004 006100 107107 121503 904999	8
60	NAS1149D0332J	.	WASHER	101106 108120 504903	8
65	BRH10C3D	.	NUT SUPPLIER CODE: V52828 SPECIFICATION NUMBER: BACN10JC3CD OPTIONAL PART: T6C1032JCD V11815 NS202486-02 V80539 102LH9075-3W V72962 H51650-3BAC V15653	002004 006999	8
65	PLH53CD	.	NUT SUPPLIER CODE: VF0224 SPECIFICATION NUMBER: BACN10YR3CD OPTIONAL PART: H52732-3CD V15653	101106 108120 504903	8
70	274N2066-1	.	HOUSING ASSY-BRG POSITION DATA: LWR	002004 006100 107107 121503 904999	2
75	274N2067-1	.	HOUSING ASSY-BRG POSITION DATA: UPR	002004 006999	2

MISSING ITEM NUMBERS NOT APPLICABLE

- ITEM NOT ILLUSTRATED

32-41-01-02

32-41-01  
FIG. 02  
PAGE 3  
JAN 20/09

BRI



757

PARTS CATALOG (MAINTENANCE)

FIG ITEM	PART NUMBER	1 2 3 4 5 6 7	NOMENCLATURE	EFFECT FROM TO	UNITS PER ASSY
2	80 KSP6AFS428		.. BEARING SUPPLIER CODE: V21335 SPECIFICATION NUMBER: BACB10AC6A OPTIONAL PART: HHKSP6A V38443 KSP6AE9440A V21335 KSP6A2TS V43991 KSP6AG27 V30163 KSP6ASD610 V83086	002004 006100 107107 121503 904999	1
	85 274N2066-2		.. HOUSING- USED ON: 274N2066-1	002004 006100 107107 121503 904999	1
	90 274N2067-2		.. HOUSING- USED ON: 274N2067-1	002004 006100 107107 121503 904999	1
	95 274N2008-4		. CRANK ASSY-BRAKE CONT SYS POSITION DATA: LH COMPONENT MAINT MANUAL REF: 32-41-06	002004 006106 108903 950999	1
	95 274N2008-5		. CRANK ASSY-BRAKE CONT SYS VARIABLE POSITION DATA: LH COMPONENT MAINT MANUAL REF: 32-41-06	101120 504949	1
	100 274N2023-1		. CRANK ASSY-BRAKE CONT SYS POSITION DATA: RH COMPONENT MAINT MANUAL REF: 32-41-07	002004 006106 108903 950999	1
	100 274N2023-3		. CRANK ASSY-BRAKE CONT SYS POSITION DATA: RH COMPONENT MAINT MANUAL REF: 32-41-07	101120 504949	1

MISSING ITEM NUMBERS NOT APPLICABLE

- ITEM NOT ILLUSTRATED

32-41-01-02

32-41-01  
FIG. 02  
PAGE 4  
JAN 20/09

BRI

**BOEING**  
757  
**PARTS CATALOG (MAINTENANCE)**

FIG ITEM	PART NUMBER	1 2 3 4 5 6 7	NOMENCLATURE	EFFECT FROM TO	UNITS PER ASSY
2					
110	MS39086-154	..	PIN-	002004 006106 108903 950999	1
115	MS39086-246	..	PIN-	107107 904949	2
120	MS39086-163	..	PIN-	002004 006106 108903 950999	1
125	274N2030-1	..	SHAFT- POSITION DATA: UPR	002004 006106 108903 950999	1
130	274N2091-1	..	SHAFT- POSITION DATA: UPR	107107 904949	1
135	274N2087-1	..	SHAFT-INNER	107107 904949	1
140	274N2029-1	..	SHAFT-INNER	002004 006106 108903 950999	1
145	274N2089-1	..	SHAFT-OUTER	107107 904949	1
150	274N2031-1	..	SHAFT- POSITION DATA: LWR	002004 006106 108903 950999	1
155	274N2090-1	..	SHAFT- POSITION DATA: LWR	107107 904949	1
160	274N2024-3	..	QUADRANT ASSY-LH	002004 006100 107107 121503 904999	1
160	274N2024-5	..	QUADRANT ASSY	101106 108120 504903	1
165	274N2024-4	...	QUADRANT- USED ON: 274N2024-3	002004 006100 107107 121503 904999	1
165	274N2024-6	...	QUADRANT- USED ON: 274N2024-5	101106 108120 504903	1

MISSING ITEM NUMBERS NOT APPLICABLE

— ITEM NOT ILLUSTRATED

BRI

# 32-41-01-02

BOEING PROPRIETARY - Copyright © - Unpublished Work - See title page for details.

32-41-01  
FIG. 02  
PAGE 5  
JAN 20/09



757

PARTS CATALOG (MAINTENANCE)

FIG ITEM	PART NUMBER	1 2 3 4 5 6 7	NOMENCLATURE	EFFECT FROM TO	UNITS PER ASSY
2					
170	BACP18BC02C04P	. . .	PIN	002004 006999	1
175	MS20392-1C11	. . .	PIN	002004 006999	1
180	NAS1149DN616J	. . .	WASHER	002004 006999	1

MISSING ITEM NUMBERS NOT APPLICABLE

- ITEM NOT ILLUSTRATED

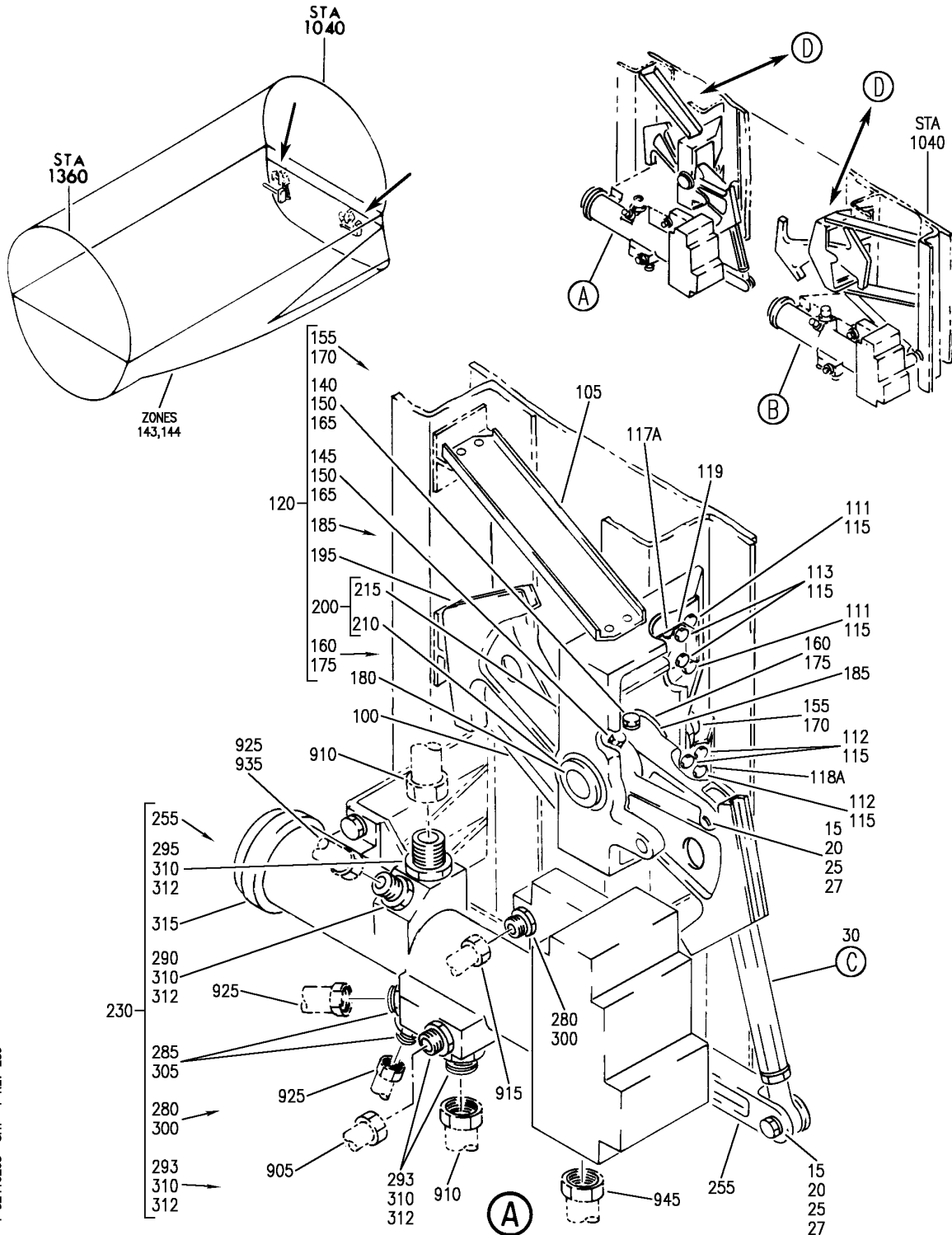
BRI

32-41-01-02

BOEING PROPRIETARY - Copyright © - Unpublished Work - See title page for details.

32-41-01  
FIG. 02  
PAGE 6  
JAN 20/09

**BOEING**  
757  
PARTS CATALOG (MAINTENANCE)



Y 32410205 SHT 1 REV 259

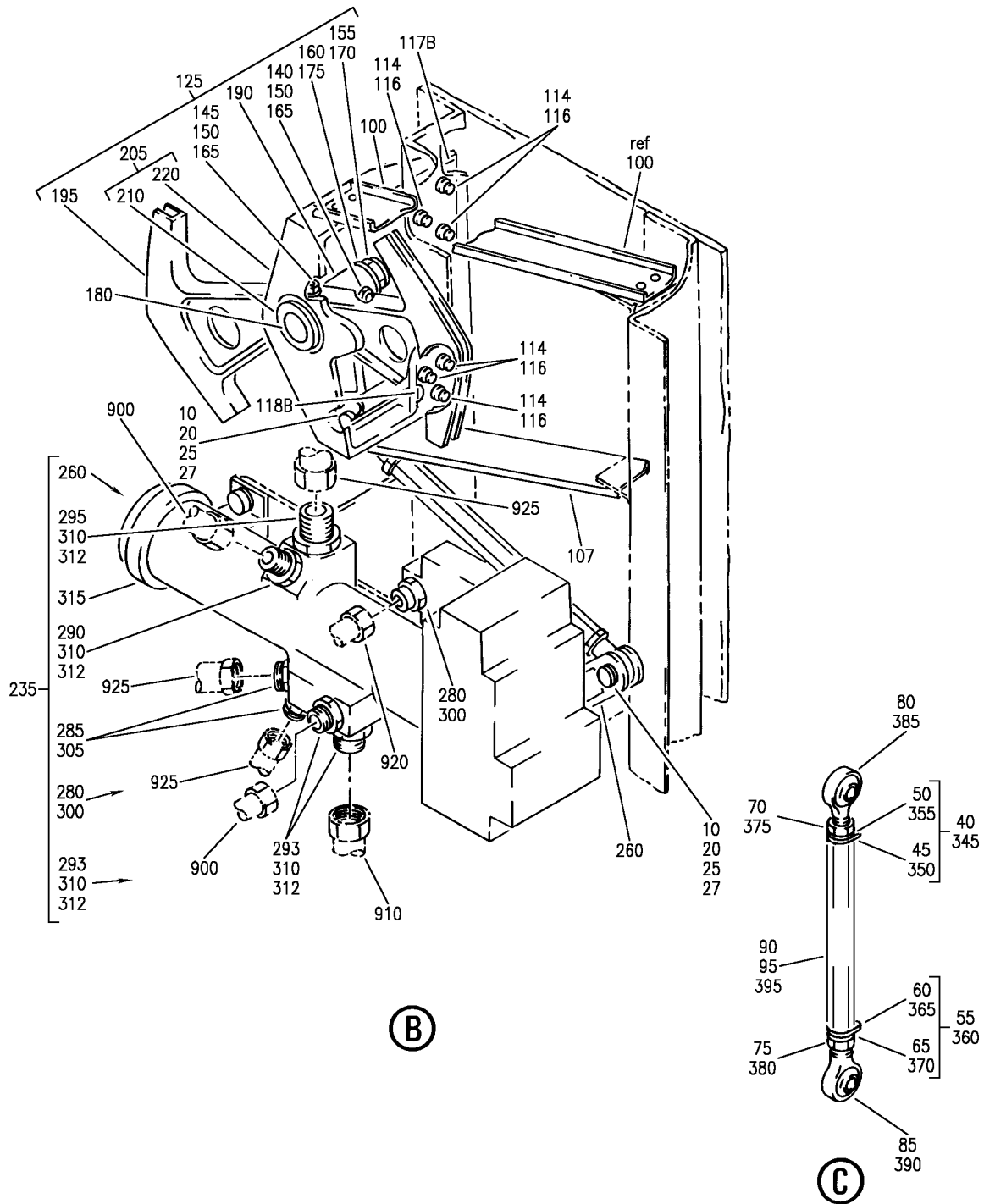
MODULE AND SUPPORT INSTL-LG BRAKE METERING VALVE  
FIGURE 5 (SHEET 1)

**32-41-02-05**

BRI  
MAY 28/07

32-41-02-05  
PAGE 0

**BOEING**  
757  
**PARTS CATALOG (MAINTENANCE)**



Y 32410205 SH1 2 REV 259

MODULE AND SUPPORT INSTL-LG BRAKE METERING VALVE  
FIGURE 5 (SHEET 2)

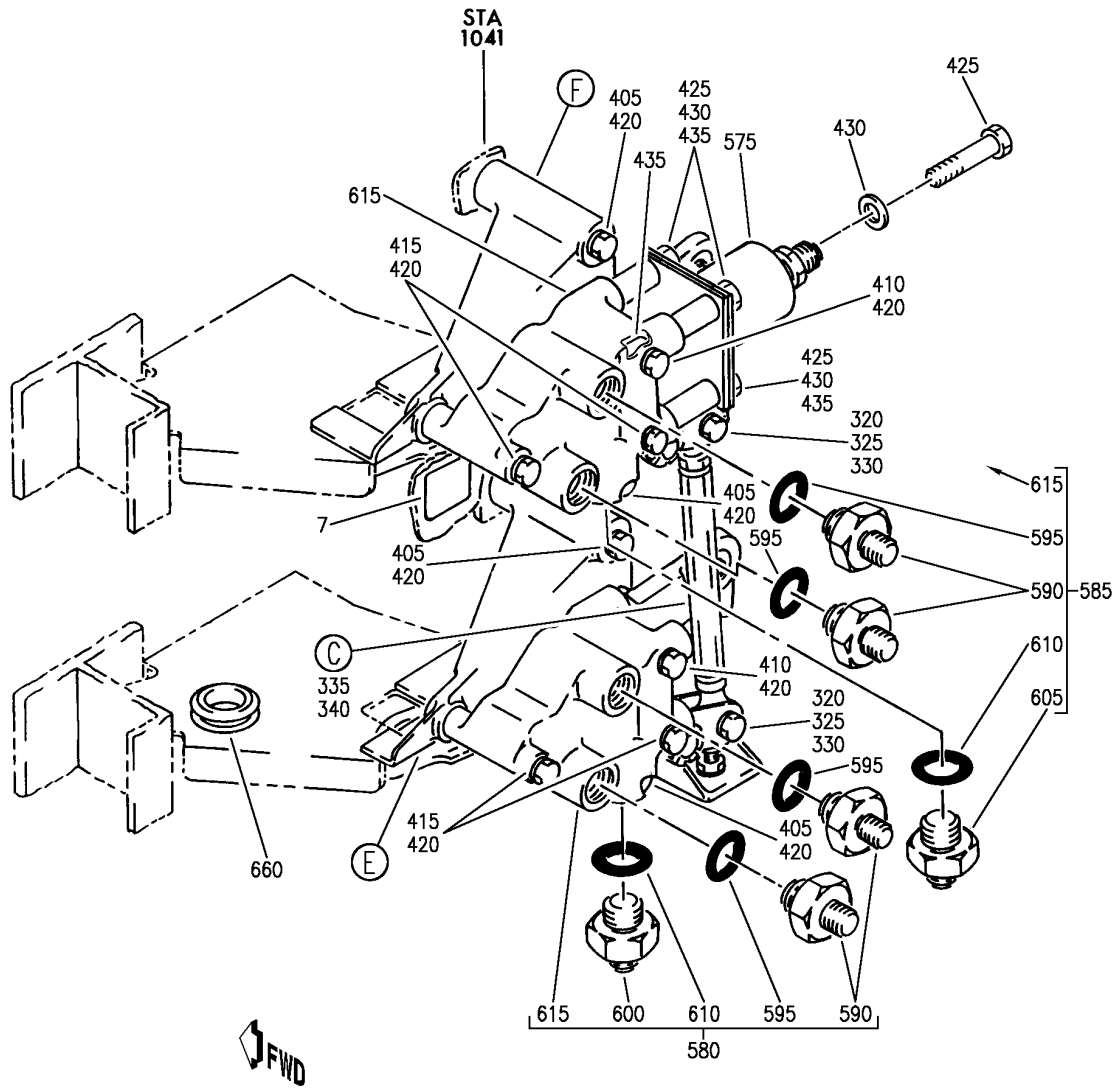
**32-41-02-05**

BRI  
MAY 28/07

32-41-02-05  
PAGE 0A



**BOEING**  
757  
PARTS CATALOG (MAINTENANCE)



Y 32-41-02-05 SH-T 3 REV 259

(D)

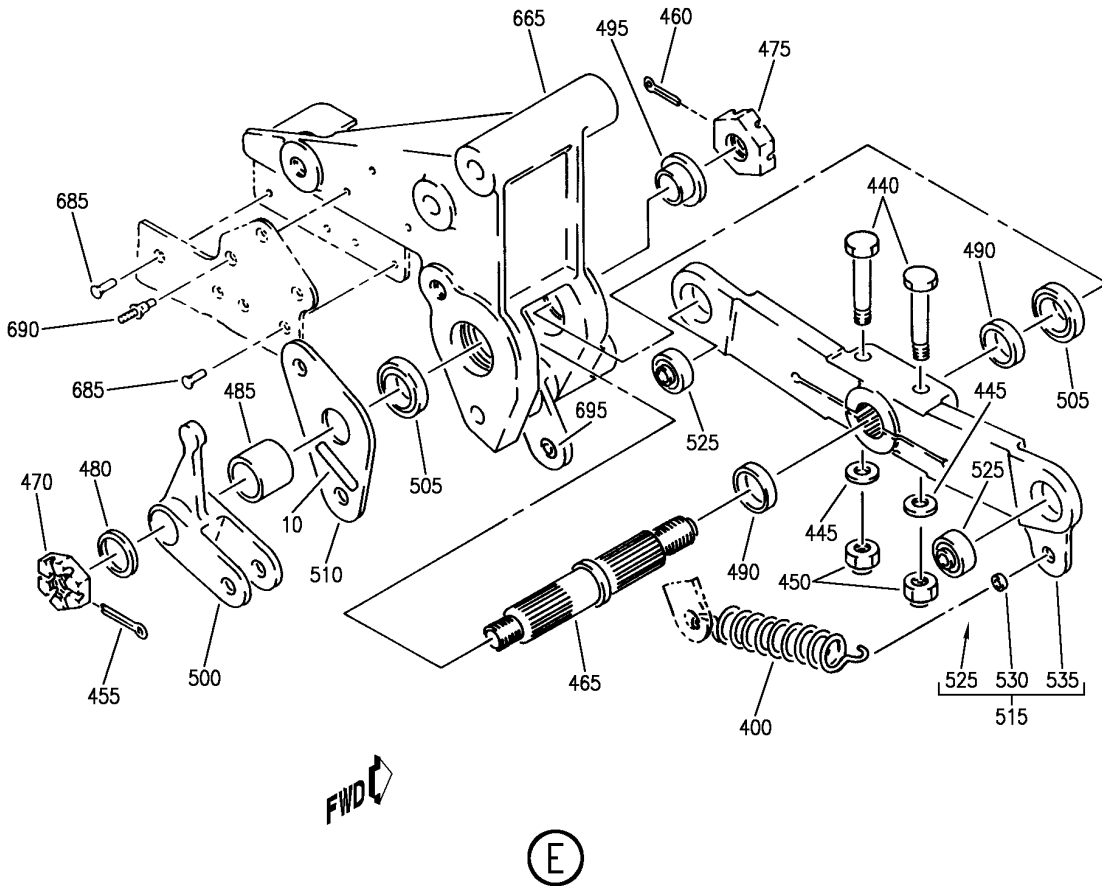
MODULE AND SUPPORT INSTL-LG BRAKE METERING VALVE  
FIGURE 5 (SHEET 3)

**32-41-02-05**

BRI  
MAY 28/07

32-41-02-05  
PAGE 0B

**BOEING**  
757  
PARTS CATALOG (MAINTENANCE)



Y 32410205 SH-T 4 REV 259

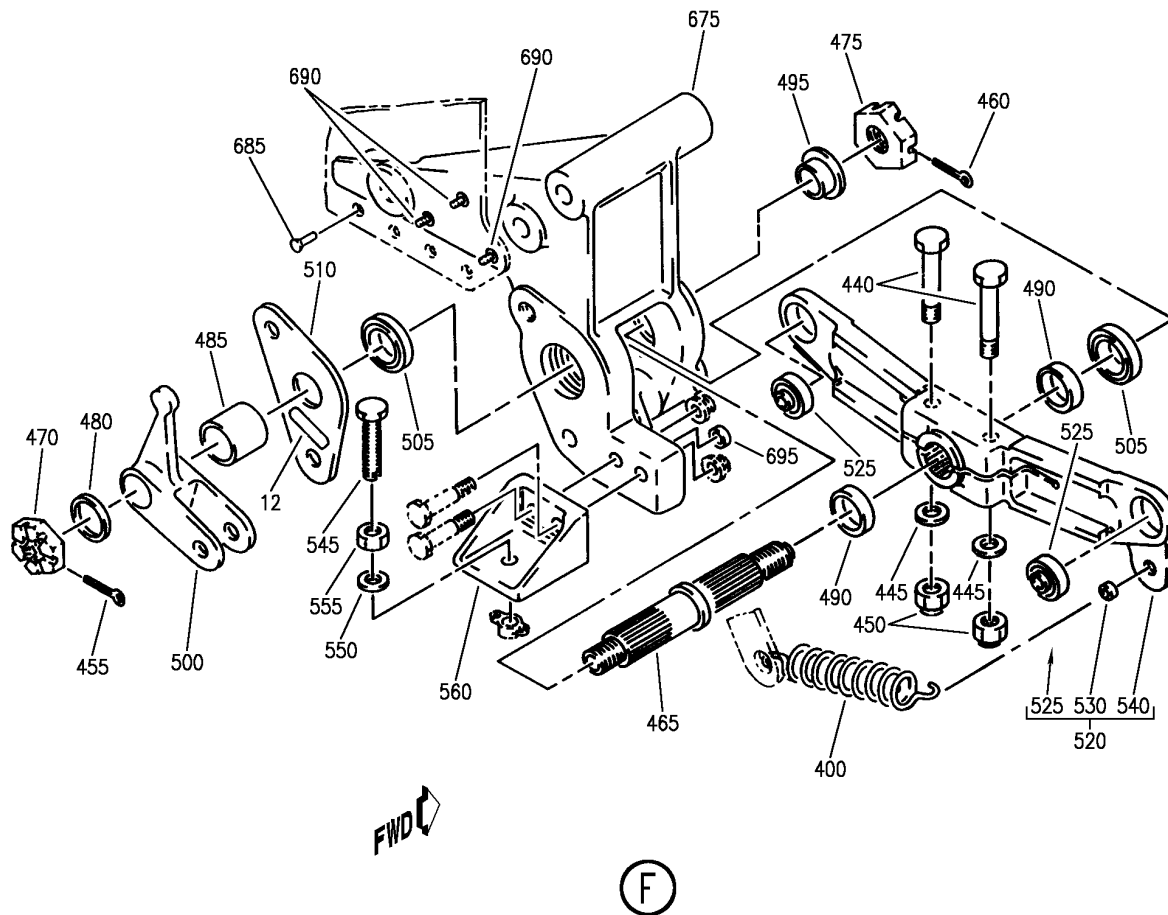
MODULE AND SUPPORT INSTL-LG BRAKE METERING VALVE  
FIGURE 5 (SHEET 4)

**32-41-02-05**

BRI  
MAY 28/07

32-41-02-05  
PAGE 0C

**BOEING**  
757  
PARTS CATALOG (MAINTENANCE)



Y 32-41-02-05 SH-5 REV 259

MODULE AND SUPPORT INSTL-LG BRAKE METERING VALVE  
FIGURE 5 (SHEET 5)

**32-41-02-05**

BRI  
MAY 28/07

32-41-02-05  
PAGE 0D



757

PARTS CATALOG (MAINTENANCE)

FIG ITEM	PART NUMBER	1 2 3 4 5 6 7	NOMENCLATURE	EFFECT FROM TO	UNITS PER ASSY
5			MODULE AND SUPPORT INSTL-LG BRAKE METERING VALVE	002004 006102 107999	
- 1	274N2006-1		MODULE INSTL-LG BRAKE METERING VALVE POSITION DATA: LH FOR NHA SEE: 32-00-00-23	002004 006100 121503 950999	RF
- 1	274N2006-36		MODULE INSTL-LG BRAKE METERING VALVE POSITION DATA: LH FOR NHA SEE: 32-00-00-10	101102 108120 504903	RF
- 1	274N2006-1		MODULE INSTL-LG BRAKE METERING VALVE POSITION DATA: LH VARIABLE DRAWING REF: 274N2006-29 POST SERVICE BULLETIN: 32-0083 FOR NHA SEE: 32-00-00-23	107107 904949	RF
- 5	274N2006-2		MODULE INSTL-LG BRAKE METERING VALVE POSITION DATA: RH FOR NHA SEE: 32-00-00-23	002004 006100 121503 950999	RF
- 5	274N2006-37		MODULE INSTL-LG BRAKE METERING VALVE POSITION DATA: RH FOR NHA SEE: 32-00-00-10	101102 108120 504903	RF
- 5	274N2006-2		MODULE INSTL-AG BRAKE METERING VALVE POSITION DATA: RH VARIABLE DRAWING REF: 274N2006-30 POST SERVICE BULLETIN: 32-0083	107107 904949	RF
7	BAC27NCT0180		.MARKER- PLACARD CONTENT: BRAKE METERING VALVE	107107 904949	1

MISSING ITEM NUMBERS NOT APPLICABLE

- ITEM NOT ILLUSTRATED

32-41-02-05

32-41-02  
FIG. 05  
PAGE 1  
JAN 20/09

BRI

BOEING PROPRIETARY - Copyright © - Unpublished Work - See title page for details.



757

PARTS CATALOG (MAINTENANCE)

FIG ITEM	PART NUMBER	1 2 3 4 5 6 7	NOMENCLATURE	EFFECT FROM TO	UNITS PER ASSY
5					
10	BAC27ECT44	.	DECAL	107107 904949	1
12	BAC27ECT43	.	DECAL	107107 904949	1
15	BACB30NF4-14	.	BOLT	002004 006102 108903 950999	2
20	AN960KD416	.	WASHER	002004 006100 121503 950999	2
20	NAS1149D0463J	.	WASHER	101102 108120 504903 002004 006102 108903 950999	2
25	MS21042L4	.	NUT	002004 006102 108903 950999	2
27	BACB28Y4M016	.	BUSHING	002004 006102 108903 950999	2
30	274N2098-3	.	ROD ASSY-CONNECTING POSITION DATA: LH SIDE OPTIONAL PART: BACR24N6B075	002004 006102 108903 950999	1
30	BACR24N6B075	.	ROD ASSY-CONNECTING POSITION DATA: LH SIDE OPTIONAL PART: 274N2098-3	002004 006102 108903 950999	1
35	274N2098-5	.	ROD ASSY-CONNECTING POSITION DATA: RH SIDE OPTIONAL PART: BACR24N6B089	002004 006102 108903 950999	1
35	BACR24N6B089	.	ROD ASSY-CONNECTING POSITION DATA: RH SIDE OPTIONAL PART: 274N2098-5	101102 108120 504903	1
40	NAS1193K6CP	..	LOCKING DEVICE	002004 006102 108903 950999	1

MISSING ITEM NUMBERS NOT APPLICABLE

- ITEM NOT ILLUSTRATED

32-41-02-05

32-41-02  
FIG. 05  
PAGE 2  
JAN 20/09

BRI

BOEING PROPRIETARY - Copyright © - Unpublished Work - See title page for details.



757

PARTS CATALOG (MAINTENANCE)

FIG ITEM	PART NUMBER	1 2 3 4 5 6 7	NOMENCLATURE	EFFECT FROM TO	UNITS PER ASSY
5					
45	NAS1193K6-1P	...	WASHER	002004 006102 108903 950999	1
50	NAS1193K6-2P	...	WASHER	002004 006102 108903 950999	1
55	NAS1193K7CP	..	LOCKING DEVICE	002004 006102 108903 950999	1
60	NAS1193K7-1P	...	WASHER	002004 006102 108903 950999	1
65	NAS1193K7-2P	...	WASHER	002004 006102 108903 950999	1
70	NAS509-6	..	NUT	002004 006102 108903 950999	1
75	NAS509-7	..	NUT	002004 006102 108903 950999	1

MISSING ITEM NUMBERS NOT APPLICABLE

- ITEM NOT ILLUSTRATED

BRI

32-41-02-05

BOEING PROPRIETARY - Copyright © - Unpublished Work - See title page for details.

32-41-02  
FIG. 05  
PAGE 3  
JAN 20/09

**BOEING**  
757  
**PARTS CATALOG (MAINTENANCE)**

FIG ITEM	PART NUMBER	1 2 3 4 5 6 7	NOMENCLATURE	EFFECT FROM TO	UNITS PER ASSY
5 80	REP4MK6-4FS428	..	BEARING SUPPLIER CODE: V73134 SPECIFICATION NUMBER: BACB10AD5K OPTIONAL PART: HHRE4MS6-1 V38443 REP4M6-4E9171B V21335 ABR4M8WG VS0352 ABR4M120 VS0352 REB4MK6-18 V92563 DBM4-6A1-502 V77896 ABR4M8WB V15860 REP4MK6-8J V73134	002004 006102 108903 950999	1
R R R R R R R R R R R R R R R R R R R R R	85	REP4MS7-2FS428	.. BEARING- SUPPLIER CODE: V73134 SPECIFICATION NUMBER: BACB10AD13K OPTIONAL PART: ABR4M106 VS0352 REP4MS7-2FS428 V21335 REB4MK7-21 V92563 DBM4-7A1-502 V77896 ABR4M106B V15860 REP4MK7-0313J V73134 SM4-7A1-501 V77896	002004 006102 108903 950999	1
	85	SM4-7A1-501	.. BEARING- SUPPLIER CODE: V77896 OPTIONAL PART: BACB10AD13K	002004 006102 108903 950999	1

MISSING ITEM NUMBERS NOT APPLICABLE

— ITEM NOT ILLUSTRATED

BRI

# 32-41-02-05

BOEING PROPRIETARY - Copyright © - Unpublished Work - See title page for details.

32-41-02  
FIG. 05  
PAGE 4  
MAY 20/09



757

PARTS CATALOG (MAINTENANCE)

FIG ITEM	PART NUMBER	1 2 3 4 5 6 7	NOMENCLATURE	EFFECT FROM TO	UNITS PER ASSY
5					
90	274N2098-4	. .	ROD- POSITION DATA: LH SIDE	002004 006102 108903 950999	1
95	274N2098-6	. .	ROD- POSITION DATA: RH SIDE	002004 006102 108903 950999	1
100	274N2005-1	. BRACE-SPRT		002004 006102 108903 950999	1
105	274N2005-2	. BRACE-SPRT	POSITION DATA: LH SIDE	002004 006102 108903 950999	1
107	274N2005-4	. BRACE-SPRT	POSITION DATA: RH SIDE	002004 006102 108903 950999	1
- 109	BACR15BB5D	. RIVET-	ATTACHING PARTS SIZE DETERMINED ON INSTL.	002004 006102 108903 950999	8
111	HL13VAZ5-4	. BOLT-	-----*----- SUPPLIER CODE: V56878 SPECIFICATION NUMBER: BACB30NY5K4 OPTIONAL PART: HL13VAZ5-4 V73197 HL13VAZ5-4 V92215 HL13VAZ5-4 V97928 L801-5K4 V06725 HL13VAZ5-4 V60516 L801-5K4 VOPTK6 HL13VAZ5-4 V17446 POSITION DATA: LH	101102 108120 504903	2

MISSING ITEM NUMBERS NOT APPLICABLE

- ITEM NOT ILLUSTRATED

32-41-02-05

32-41-02  
FIG. 05  
PAGE 5  
MAY 20/09

BRI





757

PARTS CATALOG (MAINTENANCE)

FIG ITEM	PART NUMBER	1 2 3 4 5 6 7	NOMENCLATURE	EFFECT FROM TO	UNITS PER ASSY
5					
111	BACB30NY5K		.BOLT- POSITION DATA: LH SIZE DETERMINED ON INSTL.	002004 006100 121503 950999	2
112	HL1012AZ5-4		.BOLT- SUPPLIER CODE: V97928 SPECIFICATION NUMBER: BACB30NX5K4 OPTIONAL PART: HL12VAZ5-4 V73197 HL12VAZ5-4 V92215 HL12VAZ5-4 V97928 L802-5K4 V06725 HL12VAZ5-4 V56878 HL1012AZ5-4 VOPTK6 HL1012AZ5-4 V06725 HL1012AZ5-4 V06950 HL1012AZ5-4 V17446 HL1012AZ5-4 V56878 HL1012AZ5-4 V60516 HL1012AZ5-4 V73197 POSITION DATA: LH	101102 108120 504903	3
112	BACB30NX5K		.BOLT- POSITION DATA: LH SIZE DETERMINED ON INSTL.	002004 006100 121503 950999	3

MISSING ITEM NUMBERS NOT APPLICABLE

- ITEM NOT ILLUSTRATED

32-41-02-05

32-41-02  
FIG. 05  
PAGE 6  
MAY 20/09

BRI



757

PARTS CATALOG (MAINTENANCE)

FIG ITEM	PART NUMBER	1 2 3 4 5 6 7	NOMENCLATURE	EFFECT FROM TO	UNITS PER ASSY
5 113	HL1012AZ5-6	.BOLT-	SUPPLIER CODE: V97928 SPECIFICATION NUMBER: BACB30NX5K OPTIONAL PART: HL12VAZ5-6 V73197 HL12VAZ5-6 V92215 HL12VAZ5-6 V97928 L802-5K6 V06725 HL12VAZ5-6 V56878 HL1012AZ5-6 VOPTK6 HL1012AZ5-6 V06725 HL1012AZ5-6 V06950 HL1012AZ5-6 V17446 HL1012AZ5-6 V56878 HL1012AZ5-6 V60516 HL1012AZ5-6 V73197 POSITION DATA: LH	101102 108120 504903	2
113	BACB30NX5K	.BOLT-	POSITION DATA: LH SIZE DETERMINED ON INSTL.	002004 006100 121503 950999	2

MISSING ITEM NUMBERS NOT APPLICABLE

- ITEM NOT ILLUSTRATED

32-41-02-05

32-41-02  
FIG. 05  
PAGE 7  
JAN 20/09

BRI



757

PARTS CATALOG (MAINTENANCE)

FIG ITEM	PART NUMBER	1 2 3 4 5 6 7	NOMENCLATURE	EFFECT FROM TO	UNITS PER ASSY
5 114	HL1012AZ5-4		.BOLT- SUPPLIER CODE: V97928 SPECIFICATION NUMBER: BACB30NX5K4 OPTIONAL PART: HL12VAZ5-4 V73197 HL12VAZ5-4 V92215 HL12VAZ5-4 V97928 L802-5K4 V06725 HL12VAZ5-4 V56878 HL1012AZ5-4 VOPTK6 HL1012AZ5-4 V06725 HL1012AZ5-4 V06950 HL1012AZ5-4 V17446 HL1012AZ5-4 V56878 HL1012AZ5-4 V60516 HL1012AZ5-4 V73197 POSITION DATA: RH	101102 108120 504903	6
114	BACB30NX5K		.BOLT- POSITION DATA: RH SIZE DETERMINED ON INSTL.	002004 006100 121503 950999	6

MISSING ITEM NUMBERS NOT APPLICABLE

- ITEM NOT ILLUSTRATED

BRI

32-41-02-05

BOEING PROPRIETARY - Copyright © - Unpublished Work - See title page for details.

32-41-02  
FIG. 05  
PAGE 8  
JAN 20/09



757

PARTS CATALOG (MAINTENANCE)

FIG ITEM	PART NUMBER	1 2 3 4 5 6 7	NOMENCLATURE	EFFECT FROM TO	UNITS PER ASSY
5 115	HL1087-5		.COLLAR- SUPPLIER CODE: V73197 SPECIFICATION NUMBER: BACC30BH5 OPTIONAL PART: HL1087-5 V56878 HL1087-5 V9N513 HL1087-5 V5M902 POSITION DATA: LH	101102 108120 504903	7
115	HL1187-5		.COLLAR- SUPPLIER CODE: V5M902 SPECIFICATION NUMBER: BACC30X5 OPTIONAL PART: HL86PB5 V73197 HL86PB5 V92215 HL86PB5 V56878 HL1187-5 V56878 HL1187-5 V92215 HL1187-5 V73197 HL1187-5 V92215 HL87-5 V56878 HL1187-5 V73197 POSITION DATA: LH	002004 006100 121503 950999	7

MISSING ITEM NUMBERS NOT APPLICABLE

- ITEM NOT ILLUSTRATED

32-41-02-05

32-41-02  
FIG. 05  
PAGE 9  
JAN 20/09

BRI



757

PARTS CATALOG (MAINTENANCE)

FIG ITEM	PART NUMBER	1 2 3 4 5 6 7	NOMENCLATURE	EFFECT FROM TO	UNITS PER ASSY
5 116	HL1087-5		.COLLAR- SUPPLIER CODE: V73197 SPECIFICATION NUMBER: BACC30BH5 OPTIONAL PART: HL1087-5 V56878 HL1087-5 V9N513 HL1087-5 V5M902 POSITION DATA: RH	101102 108120 504903	6
116	HL1187-5		.COLLAR- SUPPLIER CODE: V5M902 SPECIFICATION NUMBER: BACC30X5 OPTIONAL PART: HL86PB5 V73197 HL86PB5 V92215 HL86PB5 V56878 HL1187-5 V56878 HL1187-5 V92215 HL1187-5 V73197 HL1187-5 V92215 HL87-5 V56878 HL1187-5 V73197 POSITION DATA: RH	002004 006100 121503 950999	6
117A	BACS40R014F026F		.SHIM- POSITION DATA: LH	002004 006102 108903 950999	AR
117B	BACS40R014F022F		.SHIM- POSITION DATA: RH	002004 006102 108903 950999	AR

MISSING ITEM NUMBERS NOT APPLICABLE

- ITEM NOT ILLUSTRATED

32-41-02-05

32-41-02  
FIG. 05  
PAGE 10  
JAN 20/09

BRI



757

PARTS CATALOG (MAINTENANCE)

FIG ITEM	PART NUMBER	1 2 3 4 5 6 7	NOMENCLATURE	EFFECT FROM TO	UNITS PER ASSY
5					
118A	BACS40R015F015F	.SHIM-	POSITION DATA: LH	002004 006102 108903 950999	AR
118B	BACS40R016F018F	.SHIM-	POSITION DATA: RH	002004 006102 108903 950999	AR
119	BACB2C014D2K0TW	.BRACKET-	POSITION DATA: LH SIDE	002004 006100 121503 950999	1
119	BACB2C014D2J0TW	.BRACKET-	POSITION DATA: LH SIDE	101102 108120 504903 952952	1
120	274N2006-23	.SUPPORT ASSY-	POSITION DATA: LH SIDE	002004 006102 108903 950951 953999	1
120	274N2006-35	.SUPPORT ASSY-	POSITION DATA: LH SIDE	002004 006102 108903 950951 953999	1
125	274N2006-6	.QUADRANT ASSY-	POSITION DATA: RH SIDE	002004 006102 108903 950951 953999	1
125	274N2006-34	.QUADRANT ASSY-	POSITION DATA: RH SIDE	002004 006102 108903 950951 953999	1
140	BACB30NR4K18	..BOLT		002004 006102 108903 950999	1
145	BACB30NR4K21	..BOLT		002004 006102 108903 950999	1
150	AN960KD416	..WASHER		002004 006100 121503 950999	2
150	NAS1149D0463J	..WASHER		101102 108120 504903	2

MISSING ITEM NUMBERS NOT APPLICABLE

- ITEM NOT ILLUSTRATED

32-41-02-05

32-41-02  
FIG. 05  
PAGE 11  
JAN 20/09

BRI

BOEING PROPRIETARY - Copyright © - Unpublished Work - See title page for details.



757

PARTS CATALOG (MAINTENANCE)

FIG ITEM	PART NUMBER	1 2 3 4 5 6 7	NOMENCLATURE	EFFECT FROM TO	UNITS PER ASSY
5					
155	AN960KD816L	..	WASHER	002004 006100 121503 950999	2
155	NAS1149D0816J	..	WASHER	101102 108120 504903	2
160	AN960KD1016	..	WASHER	002004 006100 121503 950999	2
160	NAS1149D1063J	..	WASHER	101102 108120 504903	2
165	MS21042L4	..	NUT	002004 006102 108903 950999	2
170	69235-820CD	..	NUT SUPPLIER CODE: V92215 SPECIFICATION NUMBER: BACN10JC8CD OPTIONAL PART: 102LH9074-8 V72962 BMN4122CPD8-8 V97928 H51650-8BAC V15653	002004 006102 108903 950999	1
175	MS27646-38G	..	BEARING	002004 006102 108903 950999	1
180	274N2015-2	..	SHAFT-	002004 006102 108903 950999	1
185	274N2009-1	..	CRANK- POSITION DATA: LH SIDE	002004 006102 108903 950999	1
190	274N2009-2	..	CRANK- POSITION DATA: RH SIDE	002004 006102 108903 950999	1

MISSING ITEM NUMBERS NOT APPLICABLE

- ITEM NOT ILLUSTRATED

32-41-02-05

32-41-02  
FIG. 05  
PAGE 12  
JAN 20/09

BRI



757

PARTS CATALOG (MAINTENANCE)

FIG ITEM	PART NUMBER	1 2 3 4 5 6 7	NOMENCLATURE	EFFECT FROM TO	UNITS PER ASSY
5					
195	274N2014-1	..	QUADRANT-	002004 006102 108903 950999	1
200	274N2010-9	..	SUPPORT ASSY- POSITION DATA: RH SIDE	002004 006102 108903 950951 953999	1
200	274N2017-7	..	SUPPORT ASSY- POSITION DATA: LH SIDE	952952	1
200	274N2017-9	..	SUPPORT ASSY- POSITION DATA: LH SIDE	002004 006102 108903 950951 953999	1
205	274N2010-3	..	SUPPORT ASSY- POSITION DATA: RH SIDE	952952	1
210	MS27646-40G	...	BEARING-	002004 006102 108903 950999	1
215	274N2017-8	...	SUPPORT- POSITION DATA: LH SIDE	952952	1
215	274N2017-10	...	SUPPORT- POSITION DATA: LH SIDE	002004 006102 108903 950951 953999	1
220	274N2010-4	...	SUPPORT- POSITION DATA: RH SIDE	952952	1
220	274N2010-10	...	SUPPORT- POSITION DATA: RH SIDE	002004 006102 108903 950951 953999	1
230	274N2006-25	.VALVE ASSY-	POSITION DATA: LH SIDE	002004 006102 108903 950999	1
230	274N2006-31	.VALVE ASSY-	POSITION DATA: LH SIDE	002004 006102 108903 950999	1

MISSING ITEM NUMBERS NOT APPLICABLE

- ITEM NOT ILLUSTRATED

32-41-02-05

32-41-02  
FIG. 05  
PAGE 13  
JAN 20/09

BRI





**757  
PARTS CATALOG (MAINTENANCE)**

FIG ITEM	PART NUMBER	1 2 3 4 5 6 7	NOMENCLATURE	EFFECT FROM TO	UNITS PER ASSY
5					
230	274N2006-41	.	VALVE ASSY- POSITION DATA: LH SIDE	002004 006102 108903 950999	1
235	274N2006-26	.	VALVE ASSY- POSITION DATA: RH SIDE	002004 006102 108903 950999	1
235	274N2006-32	.	VALVE ASSY- POSITION DATA: RH SIDE	002004 006102 108903 950999	1
235	274N2006-42	.	VALVE ASSY- POSITION DATA: RH SIDE	002004 006102 108903 950999	1
- 240	BACB30NR4K10	.	ATTACHING PARTS BOLT	002004 006102 108903 950999	4
- 245	AN960KD416	.	WASHER-	002004 006100 121503 950999	4
- 245	NAS1149D0463J	.	WASHER-	101102 108120 504903 950999	4
- 250	MS21042L4	.	NUT	002004 006102 108903 950999	4
255	274N2018-1	..	-----*----- CRANK- POSITION DATA: LH SIDE	002004 006102 108903 950999	1
260	274N2018-2	..	CRANK- POSITION DATA: RH SIDE	002004 006102 108903 950999	1
- 265	BACB30NF4-14	..	ATTACHING PARTS BOLT	002004 006102 108903 950999	1

MISSING ITEM NUMBERS NOT APPLICABLE

- ITEM NOT ILLUSTRATED

BRI

# 32-41-02-05

BOEING PROPRIETARY - Copyright © - Unpublished Work - See title page for details.

32-41-02  
FIG. 05  
PAGE 14  
JAN 20/09



757

PARTS CATALOG (MAINTENANCE)

FIG ITEM	PART NUMBER	1 2 3 4 5 6 7	NOMENCLATURE	EFFECT FROM TO	UNITS PER ASSY
5					
- 270	AN960KD416		.. WASHER- USED ON: 274N2006-21 274N2006-22 274N2006-25 274N2006-26 274N2006-31 274N2006-32	002004 006102 108903 950999	1
- 272	NAS1149D0463J		.. WASHER- USED ON: 274N2006-41 274N2006-42	002004 006102 108903 950999	2
- 275	MS21042L4		.. NUT	002004 006102 108903 950999	1
			-----*-----		
280	BACU24K4		.. UNION- USED ON: 274N2006-21 274N2006-22 274N2006-25 274N2006-26	002004 006102 108903 950999	1
280	MS21902-4T		.. UNION- USED ON: 274N2006-41 274N2006-42 274N2006-31 274N2006-32	002004 006102 108903 950999	1

MISSING ITEM NUMBERS NOT APPLICABLE

- ITEM NOT ILLUSTRATED

BRI

32-41-02-05

BOEING PROPRIETARY - Copyright © - Unpublished Work - See title page for details.

32-41-02  
FIG. 05  
PAGE 15  
JAN 20/09



757

PARTS CATALOG (MAINTENANCE)

FIG ITEM	PART NUMBER	1 2 3 4 5 6 7	NOMENCLATURE	EFFECT FROM TO	UNITS PER ASSY
5 285	AFP2328-6		..REDUCER- SUPPLIER CODE: V30974 SPECIFICATION NUMBER: BACR17E8-6 OPTIONAL PART: AP10278-6 V01673 BC916T8-6 V50948 DBOR17E8-6 V14798 ER21916T8-6 V88334 ER31916-8-6 V88334 F23-8-6 V73197 2-01075T8-6 V11328 31778-8-6 V14397 US2114-8-6 V50508 AP1027T8-6 V01673 US21148-6 V50808 317788-6 V14397	002004 006102 108903 950999	2
290	1C2596		..VALVE-CHK SUPPLIER CODE: V99240	002004 006102 108903 950999	1
293	28028		..REDUCER-FILTERED SUPPLIER CODE: V10989	002004 006102 108903 950999	2
295	BACV10CE4		..VALVE- USED ON: 274N2006-21 274N2006-22 274N2006-25 274N2006-26 274N2006-31 274N2006-32	002004 006102 108903 950999	1

MISSING ITEM NUMBERS NOT APPLICABLE

- ITEM NOT ILLUSTRATED

32-41-02-05

32-41-02  
 FIG. 05  
 PAGE 16  
 JAN 20/09

BRI



757

PARTS CATALOG (MAINTENANCE)

FIG ITEM	PART NUMBER	1 2 3 4 5 6 7	NOMENCLATURE	EFFECT FROM TO	UNITS PER ASSY
5					
295	BACV10CE14		.. VALVE- USED ON: 274N2006-41 274N2006-42	002004 006102 108903 950999	1
300	NAS1612-4		.. PACKING- USED ON: 274N2006-21 274N2006-22 274N2006-25 274N2006-26 274N2006-31 274N2006-32	002004 006102 108903 950999	1
300	NAS1612-4A		.. PACKING- OPTIONAL PART: NAS1612-4 USED ON: 274N2006-41 274N2006-42	002004 006102 108903 950999	1
300	NAS1612-4		.. PACKING- OPTIONAL PART: NAS1612-4A USED ON: 274N2006-41 274N2006-42	002004 006102 108903 950999	1
305	NAS1612-8		.. PACKING- USED ON: 274N2006-21 274N2006-22 274N2006-25 274N2006-26 274N2006-31 274N2006-32	002004 006102 108903 950999	2
305	NAS1612-8A		.. PACKING- OPTIONAL PART: NAS1612-8 USED ON: 274N2006-41 274N2006-42	002004 006102 108903 950999	2
305	NAS1612-8		.. PACKING- OPTIONAL PART: NAS1612-8A USED ON: 274N2006-41 274N2006-42	002004 006102 108903 950999	2

MISSING ITEM NUMBERS NOT APPLICABLE

- ITEM NOT ILLUSTRATED

32-41-02-05

32-41-02  
FIG. 05  
PAGE 17  
JAN 20/09

BRI

BOEING PROPRIETARY - Copyright © - Unpublished Work - See title page for details.



757

PARTS CATALOG (MAINTENANCE)

FIG ITEM	PART NUMBER	1 2 3 4 5 6 7	NOMENCLATURE	EFFECT FROM TO	UNITS PER ASSY
5 310	NAS1612-10		.. PACKING- USED ON: 274N2006-21 274N2006-22 274N2006-25 274N2006-26 274N2006-31 274N2006-32	002004 006102 108903 950999	4
312	NAS1612-10A		.. PACKING- OPTIONAL PART: NAS1612-10 USED ON: 274N2006-41 274N2006-42	002004 006102 108903 950999	4
312	NAS1612-10		.. PACKING- OPTIONAL PART: NAS1612-10A USED ON: 274N2006-41 274N2006-42	002004 006102 108903 950999	4
315	70507-2		.. VALVE ASSY- SUPPLIER CODE: V99643 SPECIFICATION NUMBER: S274T402-3 COMPONENT MAINT MANUAL REF: 32-41-01 USED ON: 274N2006-21 274N2006-22 274N2006-25 274N2006-26 FOR DETAILS SEE: 32-41-02-10A	002004 006102 108903 950999	1
315	71404		.. VALVE ASSY- SUPPLIER CODE: V99643 SPECIFICATION NUMBER: S274T402-5 COMPONENT MAINT MANUAL REF: 32-41-04 USED ON: 274N2006-31 274N2006-32 FOR DETAILS SEE: 32-41-02-10A	002004 006102 108903 950999	1

MISSING ITEM NUMBERS NOT APPLICABLE

- ITEM NOT ILLUSTRATED

32-41-02-05

32-41-02  
FIG. 05  
PAGE 18  
JAN 20/09

BRI



757

PARTS CATALOG (MAINTENANCE)

FIG ITEM	PART NUMBER	1 2 3 4 5 6 7	NOMENCLATURE	EFFECT FROM TO	UNITS PER ASSY
5 R R R R R R R R R	315	71404-2	.. VALVE ASSY- SUPPLIER CODE: V99643 FUNCTIONAL DESCRIPTION: DUAL BRAKE METERING VALVE CONTORLS THE BRAKE HYDRAULIC ACTUATION PRESSURE SPECIFICATION NUMBER: S274T402-30 FOR DETAILS SEE: 32-41-02-10A	002004 006102 108903 950999	1
	315	71404-1	.. VALVE ASSY- SUPPLIER CODE: V99643 FUNCTIONAL DESCRIPTION: DUAL BRAKE METERING VALVE CONTORLS THE BRAKE HYDRAULIC ACTUATION PRESSURE SPECIFICATION NUMBER: S274T402-20 COMPONENT MAINT MANUAL REF: 32-41-04 USED ON: 274N2006-41 274N2006-42 FOR DETAILS SEE: 32-41-02-10A	002004 006102 108903 950999	1
	315	70507-3	.. VALVE ASSY- SUPPLIER CODE: V99643 SPECIFICATION NUMBER: S274T402-10 COMPONENT MAINT MANUAL REF: 32-41-01 POST SERVICE BULLETIN: 70507-32-02 V99643 FOR DETAILS SEE: 32-41-02-10A	002004 006102 108903 950999	1
	320	BACB30NF4-14	.BOLT	107107 904949	2
	325	AN960KD416	.WASHER	107107 904949	2
	330	MS21042L4	.NUT	107107 904949	2

MISSING ITEM NUMBERS NOT APPLICABLE

- ITEM NOT ILLUSTRATED

32-41-02-05

32-41-02  
FIG. 05  
PAGE 19  
MAY 20/09

BRI



757

PARTS CATALOG (MAINTENANCE)

FIG ITEM	PART NUMBER	1 2 3 4 5 6 7	NOMENCLATURE	EFFECT FROM TO	UNITS PER ASSY
5					
335	274N2098-7	.ROD	ASSY-CONNECTING POSITION DATA: LH SIDE	107107 904949	1
340	274N2098-8	.ROD	ASSY-CONNECTING POSITION DATA: RH SIDE	107107 904949	1
345	NAS1193K6CP	..	LOCKING DEVICE	107107 904949	1
350	NAS1193K6-1P	...	WASHER	107107 904949	1
355	NAS1193K6-2P	...	WASHER	107107 904949	1
360	NAS1193K7CP	..	LOCKING DEVICE	107107 904949	1
365	NAS1193K7-1P	...	WASHER	107107 904949	1
370	NAS1193K7-2P	...	WASHER	107107 904949	1
375	NAS509-6	..	NUT	107107 904949	1
380	NAS509-7	..	NUT	107107 904949	1
385	REP4MK6-4FS428	..	BEARING SUPPLIER CODE: V73134 SPECIFICATION NUMBER: BACB10AD5K OPTIONAL PART: HHRE4MS6-1 V38443 REP4M6-4E9171B V21335 ABR4M8WG VS0352 ABR4M120 VS0352 REB4MK6-18 V92563 DBM4-6A1-502 V77896 ABR4M8WB V15860 REP4MK6-8J V73134	107107 904949	1

MISSING ITEM NUMBERS NOT APPLICABLE

- ITEM NOT ILLUSTRATED

BRI

32-41-02-05

BOEING PROPRIETARY - Copyright © - Unpublished Work - See title page for details.

32-41-02  
FIG. 05  
PAGE 20  
MAY 20/09

 **BOEING**  
757  
**PARTS CATALOG (MAINTENANCE)**

FIG ITEM	PART NUMBER	1 2 3 4 5 6 7	NOMENCLATURE	EFFECT FROM TO	UNITS PER ASSY
R R R R R R R R R R R R R R R R R R R R	5 390	REP4MS7-2FS428	.. BEARING SUPPLIER CODE: V73134 SPECIFICATION NUMBER: BACB10AD13K OPTIONAL PART: ABR4M106 VS0352 REP4MS7-2FS428 V21335 REB4MK7-21 V92563 DBM4-7A1-502 V77896 ABR4M106B V15860 REP4MK7-0313J V73134	107107 904949	1
	395	274N2098-2	.. ROD	107107 904949	1
	400	274N2117-1	. SPRING	107107 904949	2
	405	BACB30NR4K51	. BOLT	107107 904949	4
	410	BACB30NR4K43	. BOLT	107107 904949	2
	415	BACB30NR4HK37	. BOLT	107107 904949	4
	420	AN960KD416	. WASHER	107107 904949	10
	425	BACB30NR4HK22	. BOLT	107107 904949	4
	430	AN960KD416	. WASHER	107107 904949	4
	435	69B82378-1	. SPACER	107107 904949	4
	440	BACB30NR4K16	. BOLT	107107 904949	4
	445	AN960KD416L	. WASHER	107107 904949	4
	450	MS21042L4	. NUT	107107 904949	4
	455	MS24665-304	. PIN	107107 904949	2
	460	MS24665-372	. PIN	107107 904949	2

MISSING ITEM NUMBERS NOT APPLICABLE

— ITEM NOT ILLUSTRATED

# 32-41-02-05

32-41-02  
FIG. 05  
PAGE 21  
MAY 20/09

BRI

BOEING PROPRIETARY - Copyright © - Unpublished Work - See title page for details.





757

PARTS CATALOG (MAINTENANCE)

FIG ITEM	PART NUMBER	1 2 3 4 5 6 7	NOMENCLATURE	EFFECT FROM TO	UNITS PER ASSY
5					
465	65B81896-7		. SHAFT- SERVICE BULLETIN OPT DATA: 65B81896-1 POST SERVICE BULLETIN: 32-0083	107107 904949	2
465	65B81896-1		. SHAFT- SERVICE BULLETIN OPT DATA: 65B81896-7 POST SERVICE BULLETIN: 32-0083	107107 904949	2
470	BACN10JD108		. NUT	107107 904949	2
475	BACN10JD110		. NUT	107107 904949	2
480	AN960KD816		. WASHER	107107 904949	2
485	NAS43DD12-46		. SPACER	107107 904949	2
490	NAS43DD12-13		. SPACER	107107 904949	2
495	69B81792-1		. BUSHING	107107 904949	2
500	274N2101-1		. LEVER	107107 904949	2

MISSING ITEM NUMBERS NOT APPLICABLE

- ITEM NOT ILLUSTRATED

BRI

32-41-02-05

BOEING PROPRIETARY - Copyright © - Unpublished Work - See title page for details.

32-41-02  
FIG. 05  
PAGE 22  
MAY 20/09



757

PARTS CATALOG (MAINTENANCE)

FIG ITEM	PART NUMBER	1 2 3 4 5 6 7	NOMENCLATURE	EFFECT FROM TO	UNITS PER ASSY	
R R R R R R R R R R R	505	MB539DDFS428	.BEARING SUPPLIER CODE: V06144 SPECIFICATION NUMBER: BACB10AS12 OPTIONAL PART: LLMB539 V38443 MB539-2TS V43991 MB539DDFS428 V21335 MB539TT V43991 MB539DDG20 V38443 MT339E VK8455 MB539DDL196 V40920 MB539DD V06144 MB539DDNJC V06144 NB539DDSD610 V83086	107107 904949	4	
	510	274N2095-1	.BEARING	107107 904949	2	
	515	274N2102-1	.LEVER ASSY- OPTIONAL PART: 274N2102-15	107107 904949	1	
	515	274N2102-15	.LEVER ASSY- OPTIONAL PART: 274N2102-1	107107 904949	1	
	520	274N2102-8	.LEVER ASSY- OPTIONAL PART: 274N2102-16	107107 904949	1	
	520	274N2102-16	.LEVER ASSY- OPTIONAL PART: 274N2102-8	107107 904949	1	
	MISSING ITEM NUMBERS NOT APPLICABLE					

- ITEM NOT ILLUSTRATED

32-41-02-05

32-41-02  
FIG. 05  
PAGE 23  
MAY 20/09

BRI



757

PARTS CATALOG (MAINTENANCE)

FIG ITEM	PART NUMBER	1 2 3 4 5 6 7	NOMENCLATURE	EFFECT FROM TO	UNITS PER ASSY
5					
525	KSP4AFS428	..	BEARING SUPPLIER CODE: V21335 SPECIFICATION NUMBER: BACB10AC4A OPTIONAL PART: HHKSP4A V38443 KSP4AE9440A V21335 KSP4A2TS V43991 KSP4AG27 V30163	107107 904949	2
530	BACB28Y3M10	..	BUSHING	107107 904949	1
535	274N2102-9	..	LEVER- USED ON: 274N2102-1	107107 904949	1
535	274N2102-17	..	LEVER- USED ON: 274N2102-15	107107 904949	1
540	274N2102-10	..	LEVER- USED ON: 274N2102-8	107107 904949	1
540	274N2102-18	..	LEVER- USED ON: 274N2102-16	107107 904949	1
545	NAS428K4-13	.	BOLT	107107 904949	1
550	AN960KD416L	.	WASHER	107107 904949	1
555	NAS509-4	.	NUT	107107 904949	1
560	274N2106-1	.	BRACKET ASSY-STOP	107107 904949	1

MISSING ITEM NUMBERS NOT APPLICABLE

- ITEM NOT ILLUSTRATED

32-41-02-05

32-41-02  
FIG. 05  
PAGE 24  
MAY 20/09

BRI

BOEING PROPRIETARY - Copyright © - Unpublished Work - See title page for details.



**757**  
**PARTS CATALOG (MAINTENANCE)**

FIG ITEM	PART NUMBER	1 2 3 4 5 6 7	NOMENCLATURE	EFFECT FROM TO	UNITS PER ASSY
5 - 565	HL1012AZ5-13		ATTACHING PARTS .BOLT SUPPLIER CODE: V97928 SPECIFICATION NUMBER: BACB30NX5K13 OPTIONAL PART: HL12VAZ5-13 V73197 HL12VAZ5-13 V92215 HL12VAZ5-13 V97928 L802-5K13 V06725 HL12VAZ5-13 V56878 HL1012AZ5-13 V0PTK6 HL1012AZ5-13 V06725 HL1012AZ5-13 V06950 HL1012AZ5-13 V17446 HL1012AZ5-13 V56878 HL1012AZ5-13 V60516 HL1012AZ5-13 V73197	107107 904949	2

MISSING ITEM NUMBERS NOT APPLICABLE

- ITEM NOT ILLUSTRATED

BRI

# 32-41-02-05

BOEING PROPRIETARY - Copyright © - Unpublished Work - See title page for details.

32-41-02  
FIG. 05  
PAGE 25  
MAY 20/09



757

PARTS CATALOG (MAINTENANCE)

FIG ITEM	PART NUMBER	1 2 3 4 5 6 7	NOMENCLATURE	EFFECT FROM TO	UNITS PER ASSY
5 - 570	HL1187-5		. COLLAR SUPPLIER CODE: V5M902 SPECIFICATION NUMBER: BACC30X5 OPTIONAL PART: HL86PB5 V73197 HL86PB5 V92215 HL86PB5 V56878 HL1187-5 V56878 HL1187-5 V92215 HL1187-5 V73197 HL1187-5 V92215 HL87-5 V56878 HL1187-5 V73197	107107 904949	2
575	65B01557-11		-----*----- . ACTUATOR ASSY- COMPONENT MAINT MANUAL REF: 32-41-26	107107 904949	1
580	274N2022-11		. VALVE ASSY-NORMAL	107107 904949	1
585	274N2022-21		. VALVE ASSY-ALTERNATE POST ALERT SB: 32A0081	107107 904949	1

MISSING ITEM NUMBERS NOT APPLICABLE

- ITEM NOT ILLUSTRATED

32-41-02-05

32-41-02  
FIG. 05  
PAGE 26  
MAY 20/09

BRI



757

PARTS CATALOG (MAINTENANCE)

FIG ITEM	PART NUMBER	1 2 3 4 5 6 7	NOMENCLATURE	EFFECT FROM TO	UNITS PER ASSY
5 590	AFP2328-6		.. REDUCER SUPPLIER CODE: V30974 SPECIFICATION NUMBER: BACR17E8-6 OPTIONAL PART: AP10278-6 V01673 BC916T8-6 V50948 DBOR17E8-6 V14798 ER21916T8-6 V88334 ER31916-8-6 V88334 F23-8-6 V73197 2-01075T8-6 V11328 31778-8-6 V14397 US2114-8-6 V50508 AP1027T8-6 V01673 US21148-6 V50808 317788-6 V14397	107107 904949	2
595	NAS1612-8		.. PACKING-	107107 904949	2
600	BACV10CE4		.. VALVE-	107107 904949	1
605	1C2596		.. VALVE- SUPPLIER CODE: V99240 USED ON: 274N2022-21 POST ALERT SB: 32A0081	107107 904949	1
610	NAS1612-10		.. PACKING-	107107 904949	1

MISSING ITEM NUMBERS NOT APPLICABLE

- ITEM NOT ILLUSTRATED

32-41-02-05

32-41-02  
FIG. 05  
PAGE 27  
MAY 20/09

BRI



757

PARTS CATALOG (MAINTENANCE)

FIG ITEM	PART NUMBER	1 2 3 4 5 6 7	NOMENCLATURE	EFFECT FROM TO	UNITS PER ASSY
5 615	40250-10033		.. VALVE ASSY- SUPPLIER CODE: VS4802 SPECIFICATION NUMBER: S274N102-1 COMPONENT MAINT MANUAL REF: 32-40-01	107107 904949	1
- 650	274N2006-3		SUPPORT INSTL-LG BRAKE METERING VALVE POSITION DATA: LH VARIABLE DRAWING REF: 274N2006-11 FOR NHA SEE: 32-00-00-23	107107 904949	RF
- 655	274N2006-4		SUPPORT INSTL-LG BRAKE METERING VALVE POSITION DATA: RH VARIABLE DRAWING REF: 274N2006-12 FOR NHA SEE: 32-00-00-23	107107 904949	RF
660	BACG20ZB351		.GROMMET	107107 904949	1
665	274N2096-11		.SUPPORT ASSY- POSITION DATA: LH SIDE	107107 904949	1
- 670	274N2096-12		.SUPPORT ASSY- POSITION DATA: RH SIDE	107107 904949	1
675	274N2096-13		.SUPPORT ASSY- POSITION DATA: LH SIDE	107107 904949	1
- 680	274N2096-14		.SUPPORT ASSY- POSITION DATA: RH SIDE ATTACHING PARTS	107107 904949	1
685	BACR15BA5D		.RIVET- SIZE DETERMINED ON INSTL.	107107 904949	8
690	NAS1399C5		.RIVET- SIZE DETERMINED ON INSTL. -----*-----	107107 904949	6
695	BACB28Y3M12		..BUSHING	107107 904949	1

MISSING ITEM NUMBERS NOT APPLICABLE

- ITEM NOT ILLUSTRATED

32-41-02-05

32-41-02  
FIG. 05  
PAGE 28  
MAY 20/09

BRI



757

PARTS CATALOG (MAINTENANCE)

FIG ITEM	PART NUMBER	1 2 3 4 5 6 7	NOMENCLATURE	EFFECT FROM TO	UNITS PER ASSY
5 900			ILLUSTRATION REFERENCE: PLUMBING INSTL-SECT. 44 R PRESSURE DECK HYDR (HYDRAULIC POWER ONLY) 29-11-51-35	002004 006100 107107 121503 904999	RF
905			ILLUSTRATION REFERENCE: PLUMBING INSTL-SECT. 44 MAIN WHL WELL HYDR (HYDRAULIC POWER ONLY) 29-11-51-36	002004 006100 107107 121503 904999	RF
910			ILLUSTRATION REFERENCE: PLUMBING INSTL-MAIN WHL WELL FWD BHD HYDR (HYDRAULIC POWER ONLY) 29-11-51-39	002004 006100 107107 121503 904999	RF
915			ILLUSTRATION REFERENCE: PLUMBING INSTL-SECT. 44 KEEL BEAM MLG WHL WELL HYDR (LANDING GEAR CONTROL ONLY) 32-31-51-20	002004 006100 107107 121503 904999	RF
920			ILLUSTRATION REFERENCE: PLUMBING INSTL-SECT.44 R PRESSURE DECK HYDR (LANDING GEAR CONTROL ONLY) 32-31-51-22	002004 006100 107107 121503 904999	RF
925			ILLUSTRATION REFERENCE: PLUMBING INSTL-SECT. 44 MLG WHL WELL HYDR (HYDRAULIC BRAKE SYSTEM ONLY) 32-41-51-22	002004 006102 108903 950999	RF
935			ILLUSTRATION REFERENCE: PLUMBING INSTL-PRESSURE DECK SECT. 44 L (MAIN HYDR SYS ONLY) 29-11-84-06A	101102 108120 504903	RF

MISSING ITEM NUMBERS NOT APPLICABLE

- ITEM NOT ILLUSTRATED

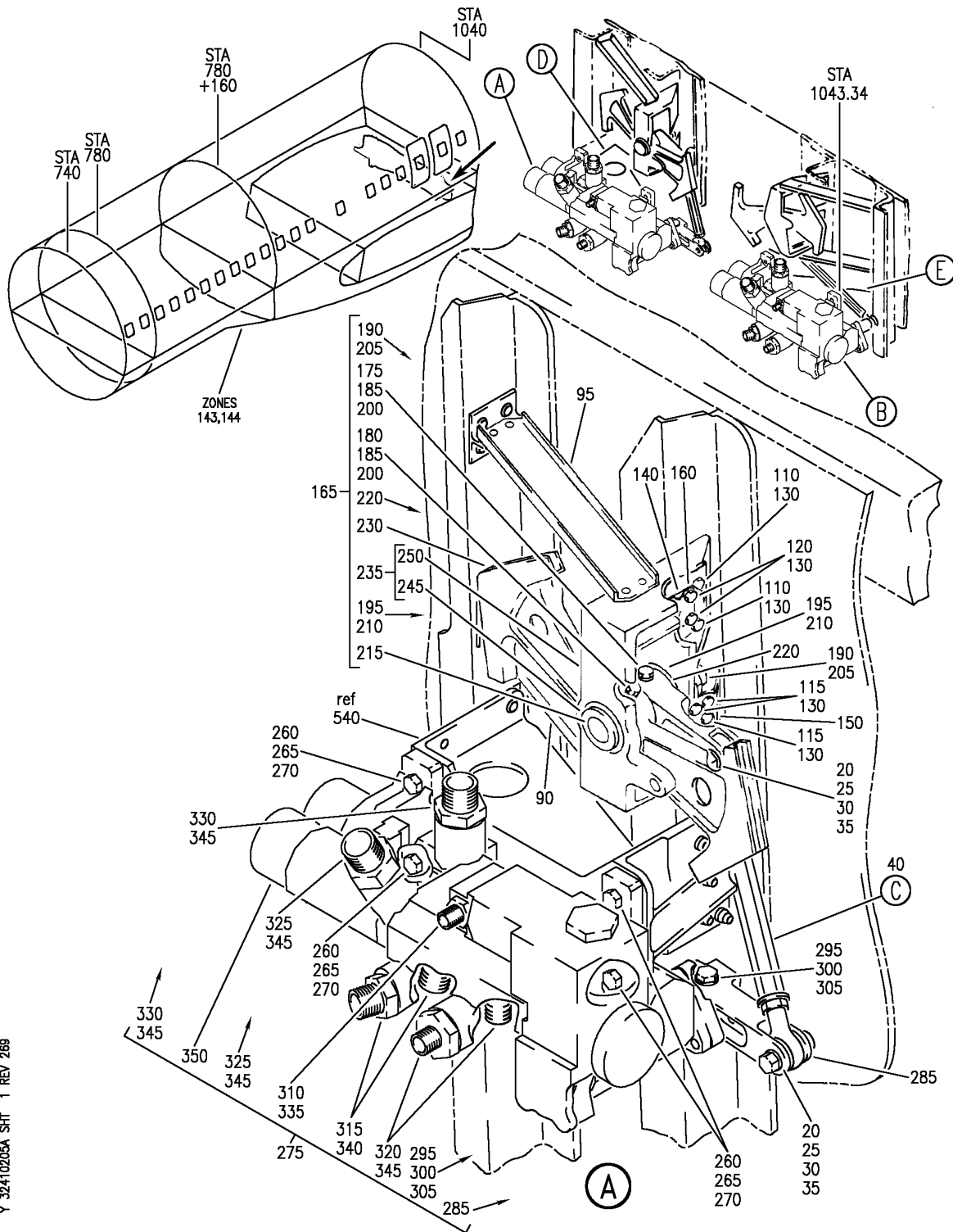
BRI

32-41-02-05

32-41-02  
FIG. 05  
PAGE 29  
MAY 20/09



**BOEING**  
757  
PARTS CATALOG (MAINTENANCE)



Y 32-41-02-05A SHT 1 REV 269

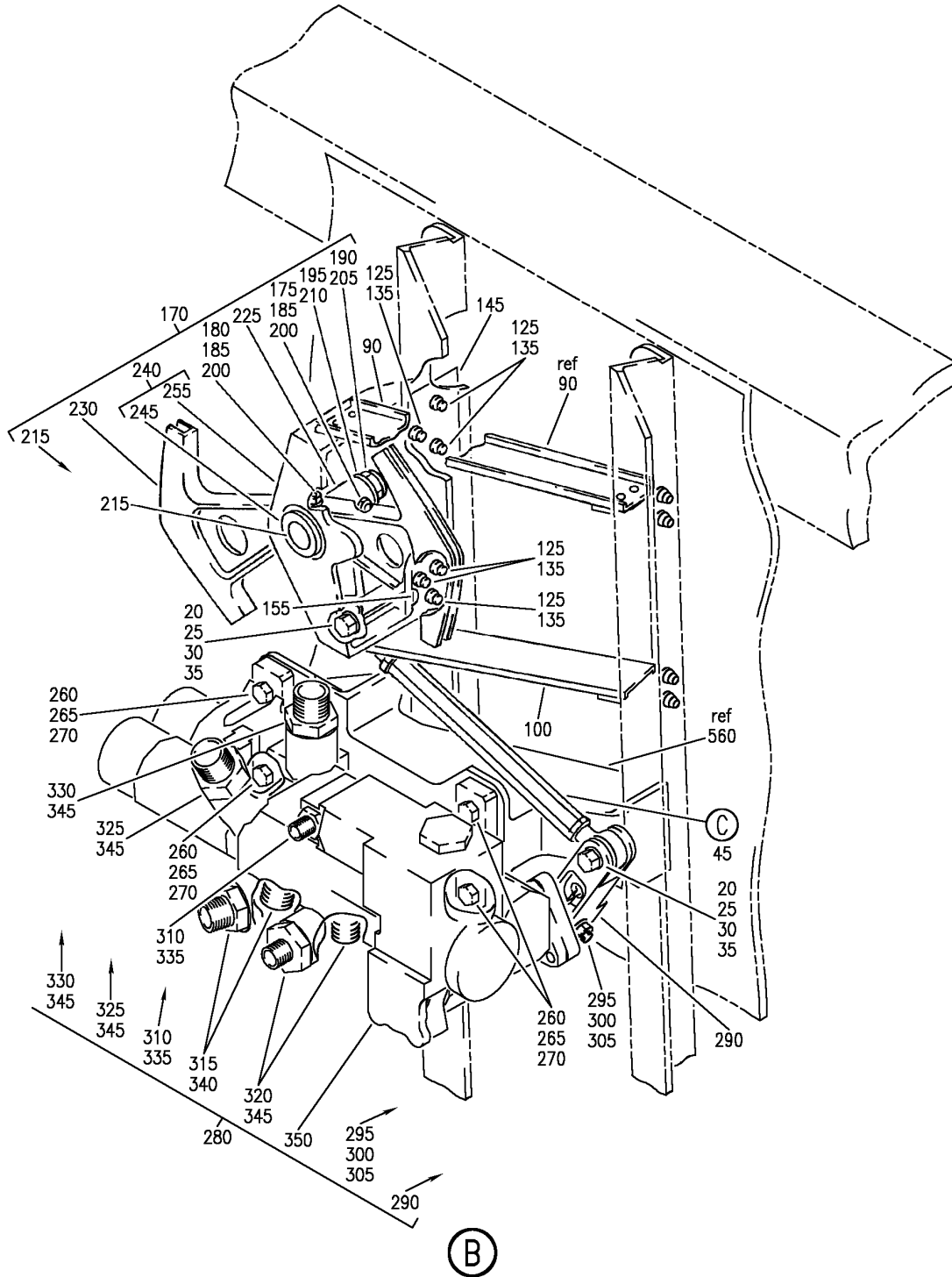
MODULE AND SUPPORT INSTL-LG BRAKE METERING VALVE  
FIGURE 5A (SHEET 1)

**32-41-02-05A**

BRI  
JAN 20/09

32-41-02-05A  
PAGE 0

**BOEING**  
757  
PARTS CATALOG (MAINTENANCE)



Y 32-41-02-05A SHT 2 REV 269

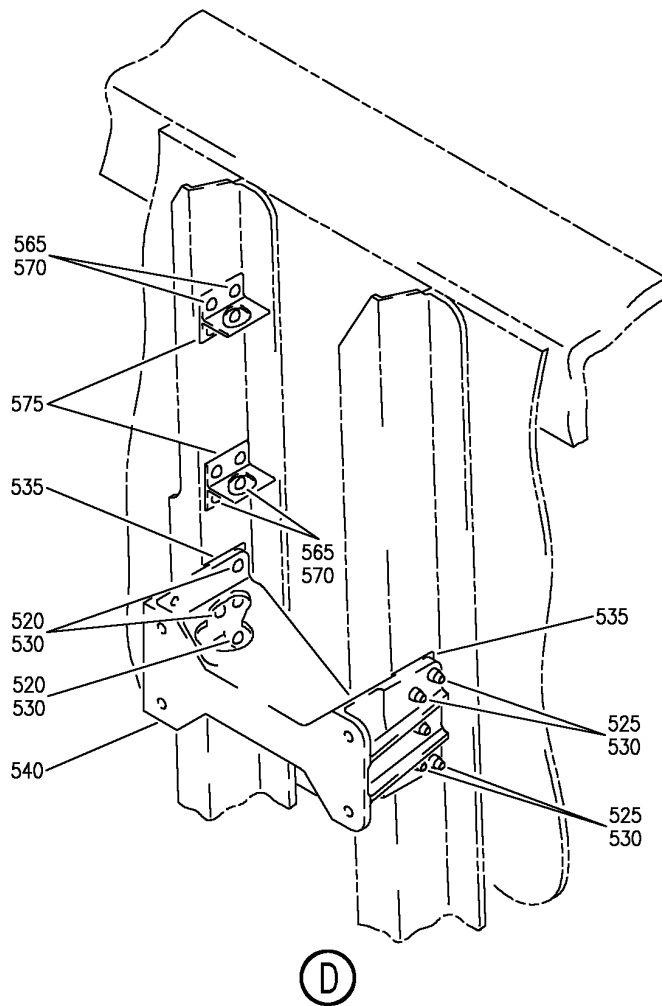
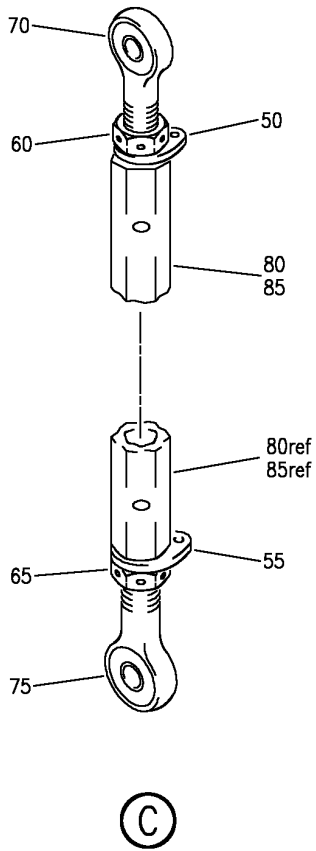
MODULE AND SUPPORT INSTL-LG BRAKE METERING VALVE  
FIGURE 5A (SHEET 2)

**32-41-02-05A**

BRI  
JAN 20/09

32-41-02-05A  
PAGE 0A

**BOEING**  
757  
PARTS CATALOG (MAINTENANCE)



Y 32410205A SHT 3 REV 269

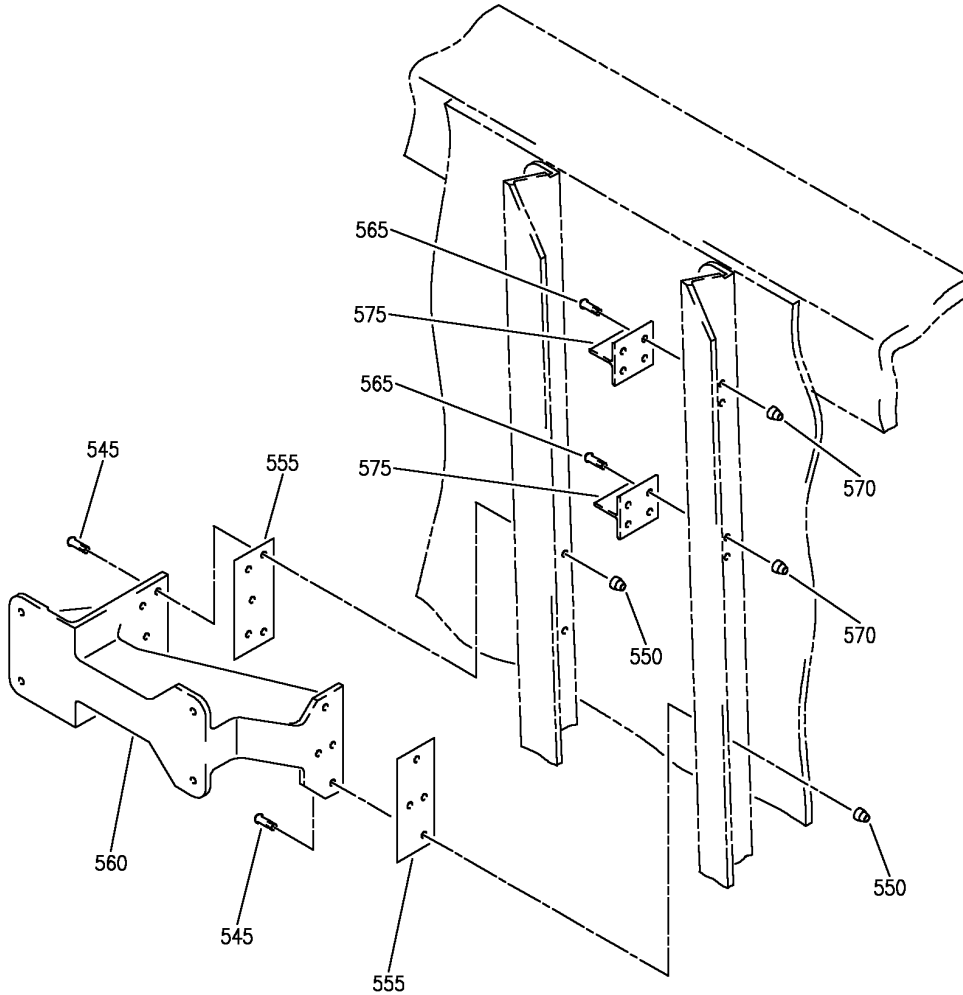
MODULE AND SUPPORT INSTL-LG BRAKE METERING VALVE  
FIGURE 5A (SHEET 3)

**32-41-02-05A**

BRI  
JAN 20/09

32-41-02-05A  
PAGE 0B

**BOEING**  
757  
PARTS CATALOG (MAINTENANCE)



(E)

Y 32410205A SHT 4 REV 269

MODULE AND SUPPORT INSTL-LG BRAKE METERING VALVE  
FIGURE 5A (SHEET 4)

**32-41-02-05A**

BRI  
JAN 20/09

32-41-02-05A  
PAGE 0C



757

PARTS CATALOG (MAINTENANCE)

FIG ITEM	PART NUMBER	1 2 3 4 5 6 7	NOMENCLATURE	EFFECT FROM TO	UNITS PER ASSY
5A			MODULE AND SUPPORT INSTL-LG BRAKE METERING VALVE	103106	
- 1	MODREF8646		MODULE INSTL-LG BRAKE METERING VALVE MODULE NUMBER: 274N2006-36 REV A POSITION DATA: LH	103106	1
- 5	MODREF8647		MODULE INSTL-LG BRAKE METERING VALVE MODULE NUMBER: 274N2006-37 REV A POSITION DATA: RH	103106	1
20	BACB30NF4-14		.BOLT	103106	2
25	NAS1149D0463J		.WASHER	103106	2
30	MS21042L4		.NUT	103106	2
35	BACB28Y4M016		.BUSHING	103106	2
40	274N2098-3		.ROD ASSY-CONNECTING POSITION DATA: LH SIDE OPTIONAL PART: BACR24N6B075	103106	1
40	BACR24N6B075		.ROD ASSY-CONNECTING POSITION DATA: LH SIDE	103106	1
45	274N2098-5		.ROD ASSY-CONNECTING POSITION DATA: RH SIDE OPTIONAL PART: BACR24N6B089	103106	1
45	BACR24N6B089		.ROD ASSY-CONNECTING POSITION DATA: RH SIDE OPTIONAL PART: 274N2098-5	103106	1
50	NAS1193K6CP		..LOCKING DEVICE	103106	1
55	NAS1193K7CP		..LOCKING DEVICE	103106	1
60	NAS509-6		..NUT	103106	1
65	NAS509-7		..NUT	103106	1

MISSING ITEM NUMBERS NOT APPLICABLE

- ITEM NOT ILLUSTRATED

32-41-02-05A

32-41-02  
FIG. 05A  
PAGE 1  
JAN 20/09

BRI

BOEING PROPRIETARY - Copyright © - Unpublished Work - See title page for details.



**757  
PARTS CATALOG (MAINTENANCE)**

FIG ITEM	PART NUMBER	1 2 3 4 5 6 7	NOMENCLATURE	EFFECT FROM TO	UNITS PER ASSY
5A 70	REP4MK6-4FS428	..	BEARING SUPPLIER CODE: V73134 SPECIFICATION NUMBER: BACB10AD5K OPTIONAL PART: HHRE4MS6-1 V38443 REP4M6-4E9171B V21335 ABR4M8WG VS0352 ABR4M120 VS0352 REB4MK6-18 V92563 DBM4-6A1-502 V77896 ABR4M8WB V15860 REP4MK6-8J V73134	103106	1
R R R R R R R R R R R R R R R R R R R R R	75	REP4MS7-2FS428	.. BEARING- SUPPLIER CODE: V73134 SPECIFICATION NUMBER: BACB10AD13K OPTIONAL PART: ABR4M106 VS0352 REP4MS7-2FS428 V21335 REB4MK7-21 V92563 DBM4-7A1-502 V77896 ABR4M106B V15860 REP4MK7-0313J V73134 SM4-7A1-501 V77896	103106	1
	75	SM4-7A1-501	.. BEARING- SUPPLIER CODE: V77896 OPTIONAL PART: BACB10AD13K	103106	1

MISSING ITEM NUMBERS NOT APPLICABLE

— ITEM NOT ILLUSTRATED

# 32-41-02-05A

32-41-02  
FIG. 05A  
PAGE 2  
MAY 20/09

BRI



757

PARTS CATALOG (MAINTENANCE)

FIG ITEM	PART NUMBER	1 2 3 4 5 6 7	NOMENCLATURE	EFFECT FROM TO	UNITS PER ASSY
5A					
80	274N2098-4	..	ROD- POSITION DATA: LH SIDE	103106	1
85	274N2098-6	..	ROD- POSITION DATA: RH SIDE	103106	1
90	274N2005-1	.	BRACE-SPRT	103106	1
95	274N2005-2	.	BRACE-SPRT POSITION DATA: LH SIDE	103106	1
100	274N2005-4	.	BRACE-SPRT POSITION DATA: RH SIDE	103106	1
- 105	BACR15BB5D	.	RIVET- SIZE DETERMINED ON INSTL. -----*-----	103106	8
110	HL13VAZ5-4	.	BOLT- SUPPLIER CODE: V56878 SPECIFICATION NUMBER: BACB30NY5K4 OPTIONAL PART: HL13VAZ5-4 V73197 HL13VAZ5-4 V92215 HL13VAZ5-4 V97928 L801-5K4 V06725 HL13VAZ5-4 V60516 L801-5K4 VOPTK6 HL13VAZ5-4 V17446 POSITION DATA: LH	103106	2

MISSING ITEM NUMBERS NOT APPLICABLE

- ITEM NOT ILLUSTRATED

32-41-02-05A

32-41-02  
FIG. 05A  
PAGE 3  
MAY 20/09

BRI

BOEING PROPRIETARY - Copyright © - Unpublished Work - See title page for details.



757

PARTS CATALOG (MAINTENANCE)

FIG ITEM	PART NUMBER	1 2 3 4 5 6 7 NOMENCLATURE	EFFECT FROM TO	UNITS PER ASSY
5A 115	HL1012AZ5-4	.BOLT- SUPPLIER CODE: V97928 SPECIFICATION NUMBER: BACB30NX5K4 OPTIONAL PART: HL12VAZ5-4 V73197 HL12VAZ5-4 V92215 HL12VAZ5-4 V97928 L802-5K4 V06725 HL12VAZ5-4 V56878 HL1012AZ5-4 VOPTK6 HL1012AZ5-4 V06725 HL1012AZ5-4 V06950 HL1012AZ5-4 V17446 HL1012AZ5-4 V56878 HL1012AZ5-4 V60516 HL1012AZ5-4 V73197 POSITION DATA: LH	103106	3

MISSING ITEM NUMBERS NOT APPLICABLE

- ITEM NOT ILLUSTRATED

BRI

32-41-02-05A

BOEING PROPRIETARY - Copyright © - Unpublished Work - See title page for details.

32-41-02  
FIG. 05A  
PAGE 4  
JAN 20/09





757

PARTS CATALOG (MAINTENANCE)

FIG ITEM	PART NUMBER	1 2 3 4 5 6 7 NOMENCLATURE	EFFECT FROM TO	UNITS PER ASSY
5A 120	HL1012AZ5-6	.BOLT- SUPPLIER CODE: V97928 SPECIFICATION NUMBER: BACB30NX5K6 OPTIONAL PART: HL12VAZ5-6 V73197 HL12VAZ5-6 V92215 HL12VAZ5-6 V97928 L802-5K6 V06725 HL12VAZ5-6 V56878 HL1012AZ5-6 VOPTK6 HL1012AZ5-6 V06725 HL1012AZ5-6 V06950 HL1012AZ5-6 V17446 HL1012AZ5-6 V56878 HL1012AZ5-6 V60516 HL1012AZ5-6 V73197 POSITION DATA: LH	103106	2

MISSING ITEM NUMBERS NOT APPLICABLE

- ITEM NOT ILLUSTRATED

BRI

32-41-02-05A

BOEING PROPRIETARY - Copyright © - Unpublished Work - See title page for details.

32-41-02  
FIG. 05A  
PAGE 5  
JAN 20/09



757

PARTS CATALOG (MAINTENANCE)

FIG ITEM	PART NUMBER	1 2 3 4 5 6 7	NOMENCLATURE	EFFECT FROM TO	UNITS PER ASSY
5A 125	HL1012AZ5-4	.	BOLT- SUPPLIER CODE: V97928 SPECIFICATION NUMBER: BACB30NX5K4 OPTIONAL PART: HL12VAZ5-4 V73197 HL12VAZ5-4 V92215 HL12VAZ5-4 V97928 L802-5K4 V06725 HL12VAZ5-4 V56878 HL1012AZ5-4 VOPTK6 HL1012AZ5-4 V06725 HL1012AZ5-4 V06950 HL1012AZ5-4 V17446 HL1012AZ5-4 V56878 HL1012AZ5-4 V60516 HL1012AZ5-4 V73197 POSITION DATA: RH	103106	6
130	HL1087-5	.	COLLAR- SUPPLIER CODE: V73197 SPECIFICATION NUMBER: BACC30BH5 OPTIONAL PART: HL1087-5 V56878 HL1087-5 V9N513 HL1087-5 V5M902 POSITION DATA: LH	103106	7

MISSING ITEM NUMBERS NOT APPLICABLE

- ITEM NOT ILLUSTRATED

32-41-02-05A

32-41-02  
FIG. 05A  
PAGE 6  
JAN 20/09

BRI

BOEING PROPRIETARY - Copyright © - Unpublished Work - See title page for details.



757

PARTS CATALOG (MAINTENANCE)

FIG ITEM	PART NUMBER	1 2 3 4 5 6 7	NOMENCLATURE	EFFECT FROM TO	UNITS PER ASSY
5A 135	HL1087-5		.COLLAR- SUPPLIER CODE: V73197 SPECIFICATION NUMBER: BACC30BH5 OPTIONAL PART: HL1087-5 V56878 HL1087-5 V9N513 HL1087-5 V5M902 POSITION DATA: RH	103106	6
140	BACS40R014F026F		.SHIM- POSITION DATA: LH	103106	AR
145	BACS40R014F022F		.SHIM- POSITION DATA: RH	103106	AR
150	BACS40R015F015F		.SHIM- POSITION DATA: LH	103106	AR
155	BACS40R016F018F		.SHIM- POSITION DATA: RH	103106	AR
160	BACB2C014D2J0TW		.BRACKET- POSITION DATA: LH SIDE	103106	1
165	274N2006-35		.SUPPORT ASSY- POSITION DATA: LH SIDE	103106	1
170	274N2006-34		.QUADRANT ASSY- POSITION DATA: RH SIDE	103106	1
175	BACB30NR4K18		..BOLT	103106	1
180	BACB30NR4K21		..BOLT	103106	1
185	NAS1149D0463J		..WASHER	103106	2
190	NAS1149D0816J		..WASHER	103106	2
195	NAS1149D1063J		..WASHER	103106	2
200	MS21042L4		..NUT	103106	2

MISSING ITEM NUMBERS NOT APPLICABLE

- ITEM NOT ILLUSTRATED

32-41-02-05A

32-41-02  
FIG. 05A  
PAGE 7  
JAN 20/09

BRI

BOEING PROPRIETARY - Copyright © - Unpublished Work - See title page for details.



757

PARTS CATALOG (MAINTENANCE)

FIG ITEM	PART NUMBER	1 2 3 4 5 6 7	NOMENCLATURE	EFFECT FROM TO	UNITS PER ASSY
5A 205	69235-820CD	..	NUT SUPPLIER CODE: V92215 SPECIFICATION NUMBER: BACN10JC8CD OPTIONAL PART: 102LH9074-8 V72962 BMN4122CPD8-8 V97928 H51650-8BAC V15653	103106	1
210	MS27646-38G	..	BEARING	103106	1
215	274N2015-2	..	SHAFT	103106	1
220	274N2009-1	..	CRANK- POSITION DATA: LH SIDE	103106	1
225	274N2009-2	..	CRANK- POSITION DATA: RH SIDE	103106	1
230	274N2014-1	..	QUADRANT	103106	1
235	274N2017-9	..	SUPPORT ASSY- POSITION DATA: LH SIDE	103106	1
240	274N2010-9	..	SUPPORT ASSY- POSITION DATA: RH SIDE	103106	1
245	MS27646-40G	...	BEARING	103106	1
250	274N2017-10	...	SUPPORT- POSITION DATA: LH SIDE	103106	1
255	274N2010-10	...	SUPPORT- POSITION DATA: RH SIDE	103106	1
260	BACB30NR4K10	.	BOLT	103106	4
265	NAS1149D0463J	.	WASHER	103106	4
270	MS21042L4	.	NUT	103106	4
275	274N2006-41	.	VALVE ASSY- POSITION DATA: LH SIDE	103106	1
275	274N2006-25	.	VALVE ASSY- POSITION DATA: LH SIDE	103106	1
275	274N2006-31	.	VALVE ASSY- POSITION DATA: LH SIDE	103106	1
280	274N2006-42	.	VALVE ASSY- POSITION DATA: RH SIDE	103106	1

MISSING ITEM NUMBERS NOT APPLICABLE

- ITEM NOT ILLUSTRATED

32-41-02-05A

32-41-02  
FIG. 05A  
PAGE 8  
JAN 20/09

BRI

BOEING PROPRIETARY - Copyright © - Unpublished Work - See title page for details.



757

PARTS CATALOG (MAINTENANCE)

FIG ITEM	PART NUMBER	1 2 3 4 5 6 7	NOMENCLATURE	EFFECT FROM TO	UNITS PER ASSY
5A					
280	274N2006-26	. VALVE ASSY-	POSITION DATA:	103106	1
			RH SIDE		
280	274N2006-32	. VALVE ASSY-	POSITION DATA:	103106	1
			RH SIDE		
285	274N2018-1	.. CRANK-	POSITION DATA:	103106	1
			LH SIDE		
290	274N2018-2	.. CRANK-	POSITION DATA:	103106	1
			RH SIDE		
			ATTACHING PARTS		
295	BACB30NF4-14	.. BOLT		103106	1
300	NAS1149D0463J	.. WASHER		103106	2
305	MS21042L4	.. NUT		103106	1
			-----*-----		
310	MS21902-4T	.. UNION		103106	1
315	AFP2328-6	.. REDUCER		103106	2
			SUPPLIER CODE:		
			V30974		
			SPECIFICATION NUMBER:		
			BACR17E8-6		
			OPTIONAL PART:		
			AP10278-6		
			V01673		
			BC916T8-6		
			V50948		
			DB0R17E8-6		
			V14798		
			ER21916T8-6		
			V88334		
			ER31916-8-6		
			V88334		
			F23-8-6		
			V73197		
			2-01075T8-6		
			V11328		
			31778-8-6		
			V14397		
			US2114-8-6		
			V50508		
			AP1027T8-6		
			V01673		
			US21148-6		
			V50808		
			317788-6		
			V14397		

MISSING ITEM NUMBERS NOT APPLICABLE

- ITEM NOT ILLUSTRATED

32-41-02-05A

32-41-02  
FIG. 05A  
PAGE 9  
JAN 20/09

BRI

BOEING PROPRIETARY - Copyright © - Unpublished Work - See title page for details.



757

PARTS CATALOG (MAINTENANCE)

FIG ITEM	PART NUMBER	1 2 3 4 5 6 7	NOMENCLATURE	EFFECT FROM TO	UNITS PER ASSY
5A					
320	28028	..	REDUCER-FILTERED SUPPLIER CODE: V10989	103106	2
325	1C2596	..	VALVE-CHK SUPPLIER CODE: V99240	103106	1
330	BACV10CE14	..	VALVE	103106	1
335	NAS1612-4A	..	PACKING- OPTIONAL PART: NAS1612-4	103106	1
335	NAS1612-4	..	PACKING- OPTIONAL PART: NAS1612-4A	103106	1
340	NAS1612-8A	..	PACKING- OPTIONAL PART: NAS1612-8	103106	2
340	NAS1612-8	..	PACKING- OPTIONAL PART: NAS1612-8A	103106	2
345	NAS1612-10A	..	PACKING- OPTIONAL PART: NAS1612-10	103106	4
345	NAS1612-10	..	PACKING- OPTIONAL PART: NAS1612-10A	103106	4
350	71404-1	..	VALVE ASSY-BRAKE METERING DUAL SUPPLIER CODE: V99643 FUNCTIONAL DESCRIPTION: DUAL BRAKE METERING VALVE CONTORLS THE BRAKE HYDRAULIC ACTUATION PRESSURE SPECIFICATION NUMBER: S274T402-20 COMPONENT MAINT MANUAL REF: 32-41-04 FOR DETAILS SEE: 32-41-02-10A	103106	1

MISSING ITEM NUMBERS NOT APPLICABLE

- ITEM NOT ILLUSTRATED

32-41-02-05A

32-41-02  
FIG. 05A  
PAGE 10  
JAN 20/09

BRI



757

PARTS CATALOG (MAINTENANCE)

FIG ITEM	PART NUMBER	1 2 3 4 5 6 7	NOMENCLATURE	EFFECT FROM TO	UNITS PER ASSY
5A 350	71404		.. VALVE ASSY-BRAKE METERING DUAL SUPPLIER CODE: V99643 SPECIFICATION NUMBER: S274T402-5 COMPONENT MAINT MANUAL REF: 32-41-04 FOR DETAILS SEE: 32-41-02-10A	103106	1
350	70507-2		.. VALVE ASSY-BRAKE METERING DUAL SUPPLIER CODE: V99643 SPECIFICATION NUMBER: S274T402-3 COMPONENT MAINT MANUAL REF: 32-41-01 FOR DETAILS SEE: 32-41-02-10A	103106	1
350	70507-3		.. VALVE ASSY-BRAKE METERING DUAL SUPPLIER CODE: V99643 SPECIFICATION NUMBER: S274T402-10 COMPONENT MAINT MANUAL REF: 32-41-01 FOR DETAILS SEE: 32-41-02-10A	103106	1
350	71404-2		.. VALVE ASSY-BRAKE METERING DUAL SUPPLIER CODE: V99643 FUNCTIONAL DESCRIPTION: DUAL BRAKE METERING VALVE CONTORLS THE BRAKE HYDRAULIC ACTUATION PRESSURE SPECIFICATION NUMBER: S274T402-30 FOR DETAILS SEE: 32-41-02-10A	103106	1
- 500	MODREF8648		SUPPORT INSTL-LG BRAKE METERING VALVE MODULE NUMBER: 274N2006-45 REV A POSITION DATA: LH	103106	1

R  
R  
R  
R  
R  
R  
R  
R  
R  
R  
R

MISSING ITEM NUMBERS NOT APPLICABLE

- ITEM NOT ILLUSTRATED

**32-41-02-05A**

32-41-02  
FIG. 05A  
PAGE 11  
MAY 20/09

BRI



757

PARTS CATALOG (MAINTENANCE)

FIG ITEM	PART NUMBER	1 2 3 4 5 6 7	NOMENCLATURE	EFFECT FROM TO	UNITS PER ASSY
5A - 505	MODREF8649		SUPPORT INSTL-LG BRAKE METERING VALVE MODULE NUMBER: 274N2006-46 REV A POSITION DATA: RH	103106	1
520	HL1012AZ6-6		.BOLT SUPPLIER CODE: V97928 SPECIFICATION NUMBER: BACB30NX6K6 OPTIONAL PART: HL12VAZ6-6 V73197 HL12VAZ6-6 V92215 HL12VAZ6-6 V97928 L802-6K6 V06725 HL12VAZ6-6 V56878 HL1012AZ6-6 VOPTK6 HL1012AZ6-6 V06725 HL1012AZ6-6 V06950 HL1012AZ6-6 V17446 HL1012AZ6-6 V56878 HL1012AZ6-6 V60516 HL1012AZ6-6 V73197	103106	4

MISSING ITEM NUMBERS NOT APPLICABLE

- ITEM NOT ILLUSTRATED

BRI

32-41-02-05A

BOEING PROPRIETARY - Copyright © - Unpublished Work - See title page for details.

32-41-02  
FIG. 05A  
PAGE 12  
MAY 20/09





757

PARTS CATALOG (MAINTENANCE)

FIG ITEM	PART NUMBER	1 2 3 4 5 6 7	NOMENCLATURE	EFFECT FROM TO	UNITS PER ASSY
5A 525	HL1012AZ6-7	.BOLT	SUPPLIER CODE: V97928 SPECIFICATION NUMBER: BACB30NX6K7 OPTIONAL PART: HL12VAZ6-7 V73197 HL12VAZ6-7 V92215 HL12VAZ6-7 V97928 L802-6K7 V06725 HL12VAZ6-7 V56878 HL1012AZ6-7 VOPTK6 HL1012AZ6-7 V06725 HL1012AZ6-7 V06950 HL1012AZ6-7 V17446 HL1012AZ6-7 V56878 HL1012AZ6-7 V60516 HL1012AZ6-7 V73197	103106	5
530	HL1087-6	.COLLAR	SUPPLIER CODE: V73197 SPECIFICATION NUMBER: BACC30BH6 OPTIONAL PART: HL1087-6 V56878 HL1087-6 V92215 HL1087-6 V9N513	103106	9
535	BACS40R014F034F	.SHIM		103106	2
540	274N2041-9	.SUPPORT-HOGOUT	POSITION DATA: LH SIDE OPTIONAL PART: 274N2041-8	103106	1

MISSING ITEM NUMBERS NOT APPLICABLE

- ITEM NOT ILLUSTRATED

32-41-02-05A

32-41-02  
FIG. 05A  
PAGE 13  
JAN 20/09

BRI

BOEING PROPRIETARY - Copyright © - Unpublished Work - See title page for details.



757

PARTS CATALOG (MAINTENANCE)

FIG ITEM	PART NUMBER	1 2 3 4 5 6 7	NOMENCLATURE	EFFECT FROM TO	UNITS PER ASSY
5A 540	274N2041-8	.	SUPPORT- POSITION DATA: LH SIDE OPTIONAL PART: 274N2041-9	103106	1
545	HL1012AZ6-6	.	BOLT SUPPLIER CODE: V97928 SPECIFICATION NUMBER: BACB30NX6K6 OPTIONAL PART: HL12VAZ6-6 V73197 HL12VAZ6-6 V92215 HL12VAZ6-6 V97928 L802-6K6 V06725 HL12VAZ6-6 V56878 HL1012AZ6-6 V0PTK6 HL1012AZ6-6 V06725 HL1012AZ6-6 V06950 HL1012AZ6-6 V17446 HL1012AZ6-6 V56878 HL1012AZ6-6 V60516 HL1012AZ6-6 V73197	103106	9
550	HL1087-6	.	COLLAR SUPPLIER CODE: V73197 SPECIFICATION NUMBER: BACC30BH6 OPTIONAL PART: HL1087-6 V56878 HL1087-6 V92215 HL1087-6 V9N513	103106	9
555	BACS40R014F034F	.	SHIM	103106	2

MISSING ITEM NUMBERS NOT APPLICABLE

- ITEM NOT ILLUSTRATED

32-41-02-05A

32-41-02  
FIG. 05A  
PAGE 14  
JAN 20/09

BRI

BOEING PROPRIETARY - Copyright © - Unpublished Work - See title page for details.



757

PARTS CATALOG (MAINTENANCE)

FIG ITEM	PART NUMBER	1 2 3 4 5 6 7	NOMENCLATURE	EFFECT FROM TO	UNITS PER ASSY
5A 560	274N2040-7	.	SUPPORT-HOGOUT POSITION DATA: RH SIDE OPTIONAL PART: 274N2040-6	103106	1
560	274N2040-6	.	SUPPORT- POSITION DATA: RH SIDE OPTIONAL PART: 274N2040-7	103106	1
565	HL1012AZ5-3	.	BOLT SUPPLIER CODE: V60516 SPECIFICATION NUMBER: BACB30NX5HK3	103106	8
570	HL1087-5	.	COLLAR SUPPLIER CODE: V73197 SPECIFICATION NUMBER: BACC30BH5 OPTIONAL PART: HL1087-5 V56878 HL1087-5 V9N513 HL1087-5 V5M902	103106	8
575	274N2036-3	.	SUPPORT-TEE	103106	2

MISSING ITEM NUMBERS NOT APPLICABLE

- ITEM NOT ILLUSTRATED

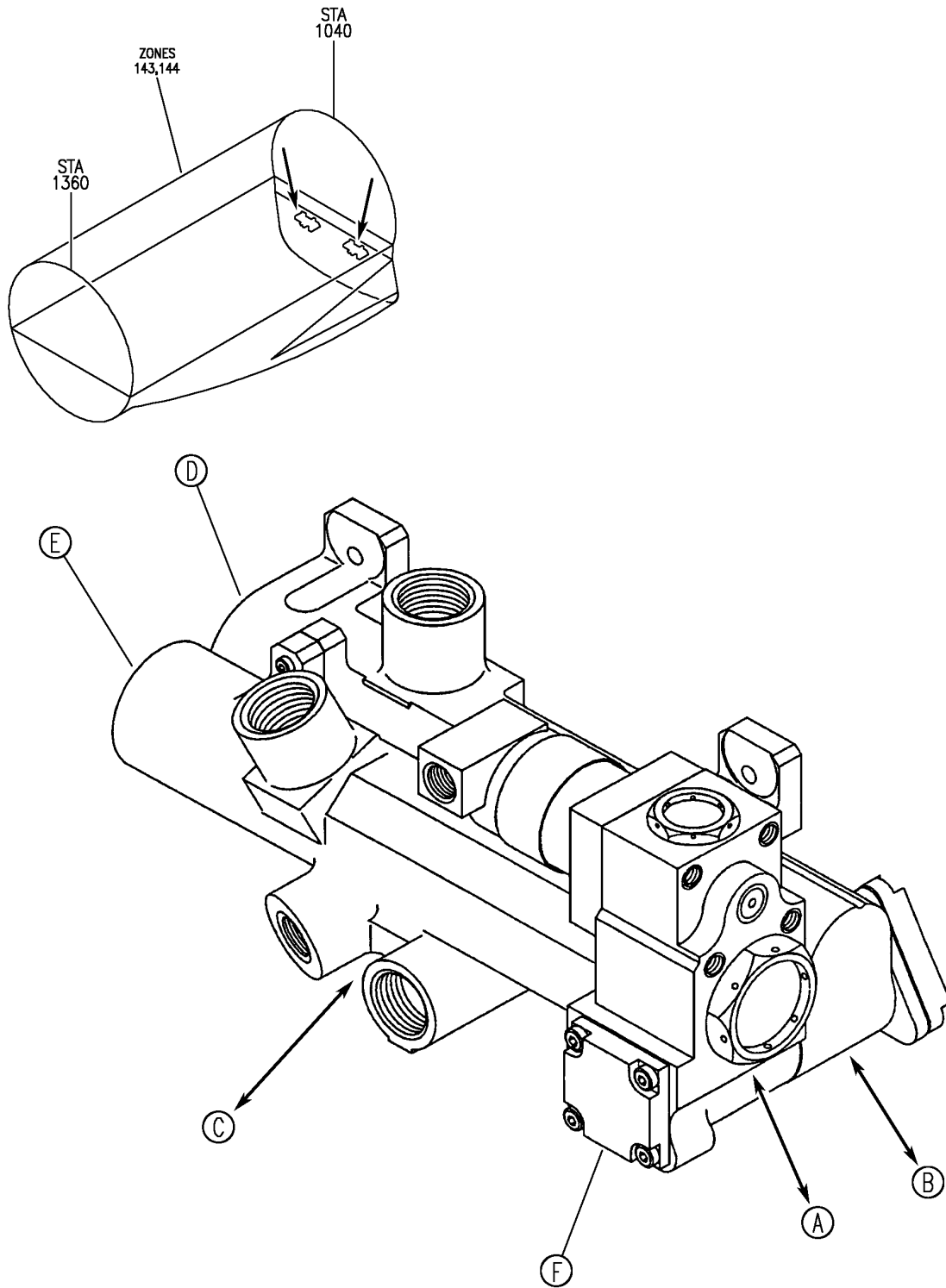
BRI

32-41-02-05A

BOEING PROPRIETARY - Copyright © - Unpublished Work - See title page for details.

32-41-02  
FIG. 05A  
PAGE 15  
JAN 20/09

**BOEING**  
757  
PARTS CATALOG (MAINTENANCE)



Y 32410210A SHT 1 REV 269

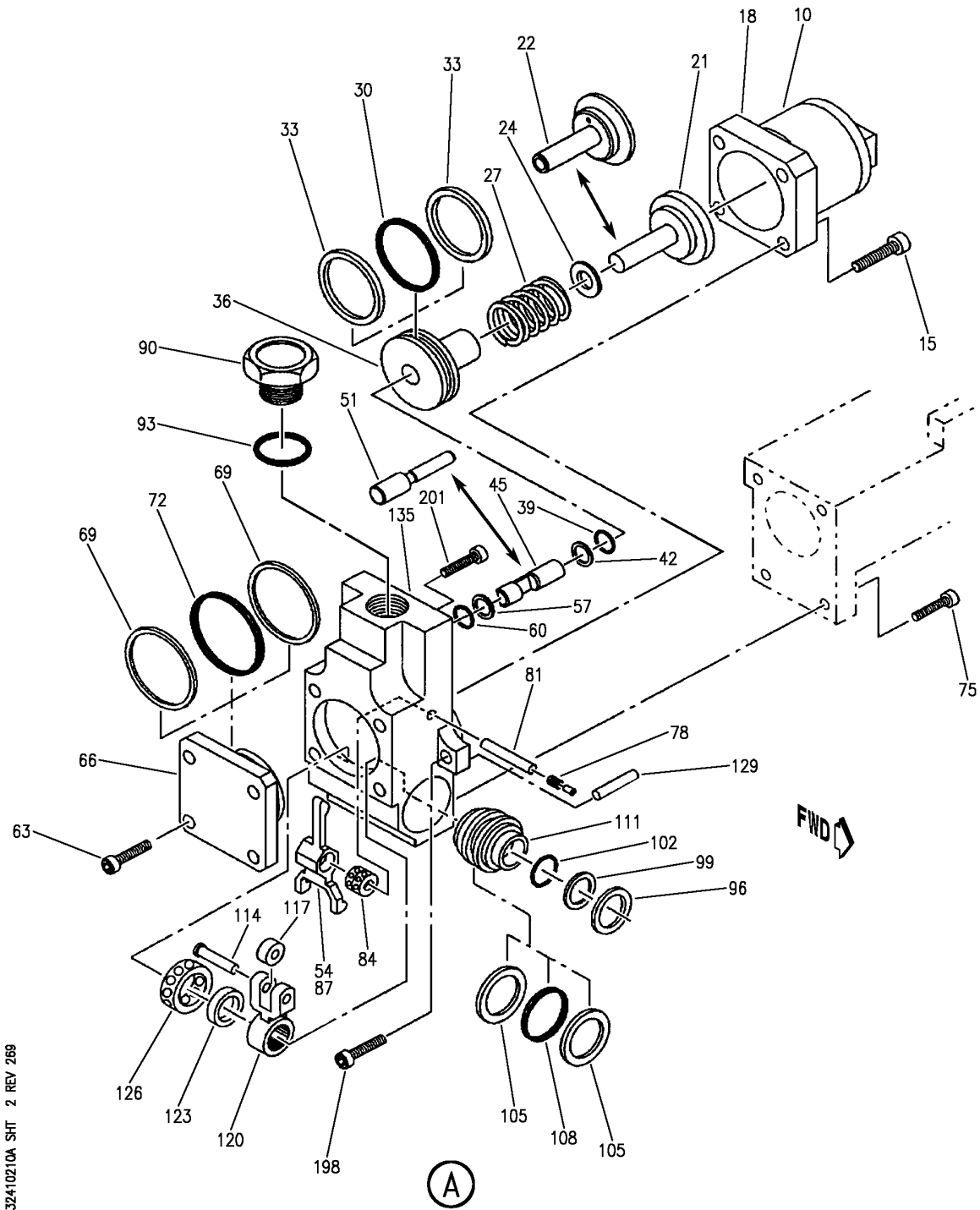
VALVE ASSY-BRAKE METERING DUAL  
FIGURE 10A (SHEET 1)

**32-41-02-10A**

BRI  
MAY 28/07

32-41-02-10A  
PAGE 0

**BOEING**  
757  
PARTS CATALOG (MAINTENANCE)



Y 32410210A SHT 2 REV 269

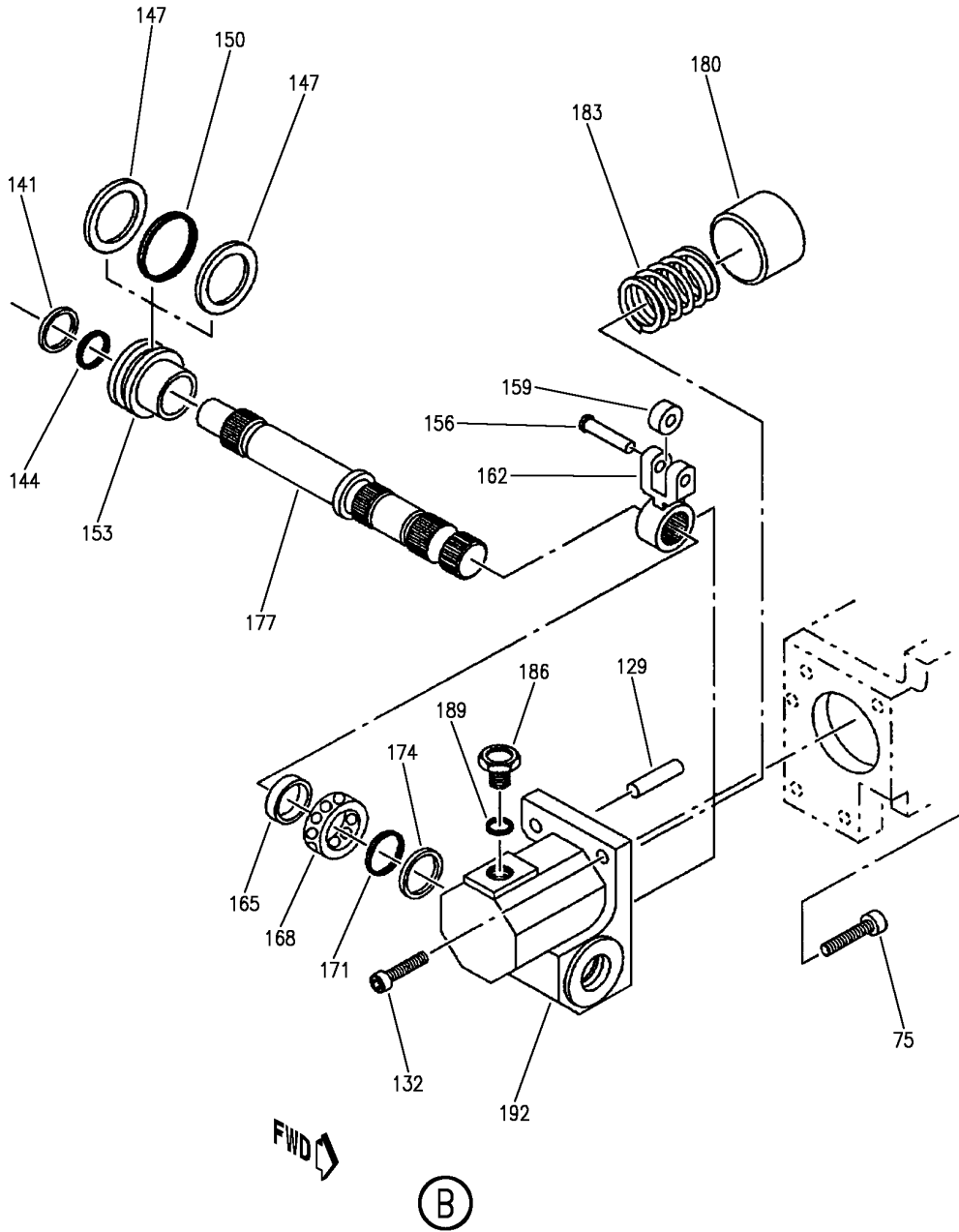
VALVE ASSY-BRAKE METERING DUAL  
FIGURE 10A (SHEET 2)

**32-41-02-10A**

BRI  
MAY 28/07

32-41-02-10A  
PAGE 0A

**BOEING**  
757  
PARTS CATALOG (MAINTENANCE)



Y 32410210A SHT 3 REV 269

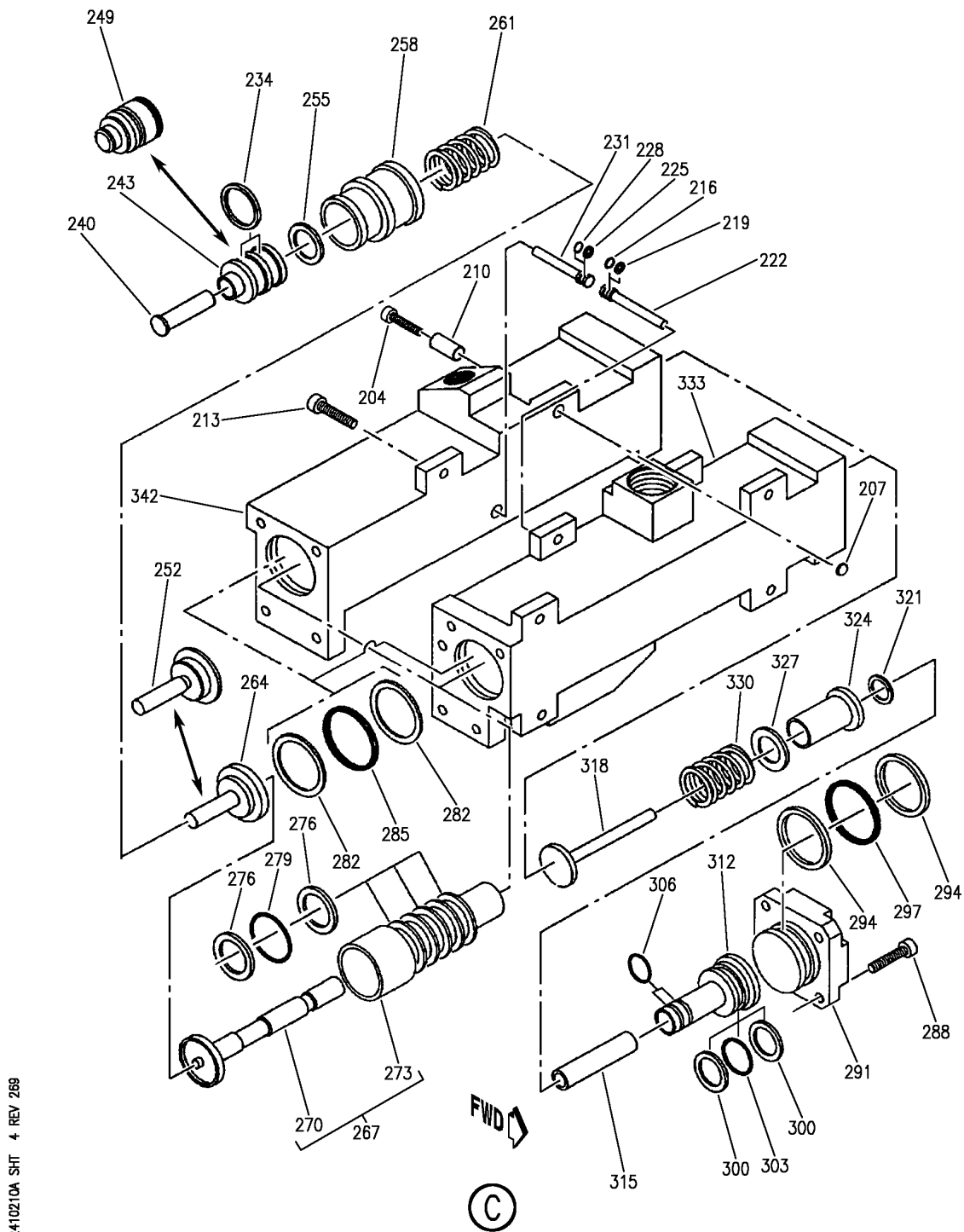
VALVE ASSY-BRAKE METERING DUAL  
FIGURE 10A (SHEET 3)

**32-41-02-10A**

BRI  
MAY 28/07

32-41-02-10A  
PAGE 0B

**BOEING**  
757  
PARTS CATALOG (MAINTENANCE)



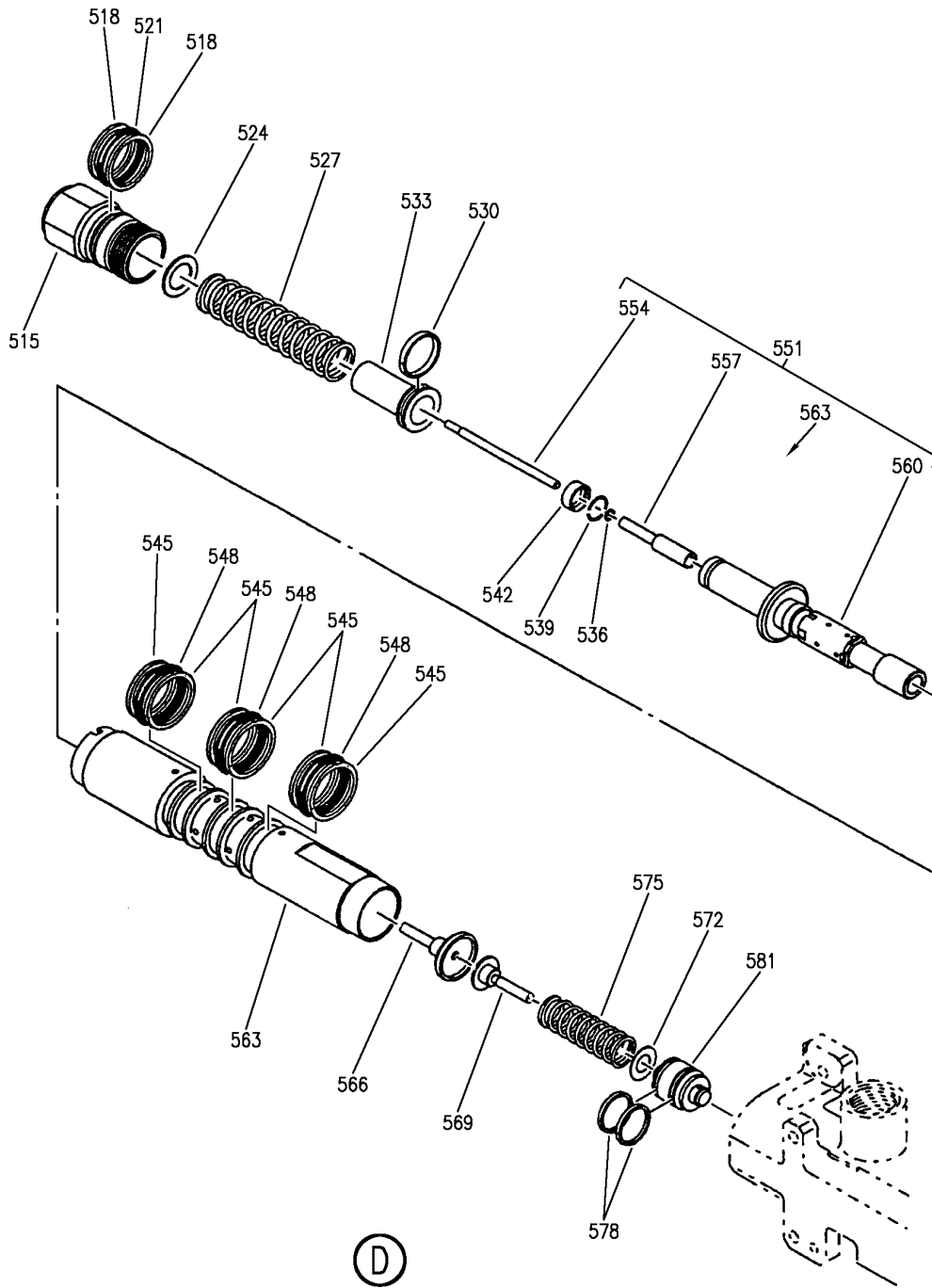
VALVE ASSY-BRAKE METERING DUAL  
FIGURE 10A (SHEET 4)

**32-41-02-10A**

BRI  
MAY 28/07

32-41-02-10A  
PAGE 0C

**BOEING**  
757  
PARTS CATALOG (MAINTENANCE)



Y 32410210A SHT 5 REV 269

VALVE ASSY-BRAKE METERING DUAL  
FIGURE 10A (SHEET 5)

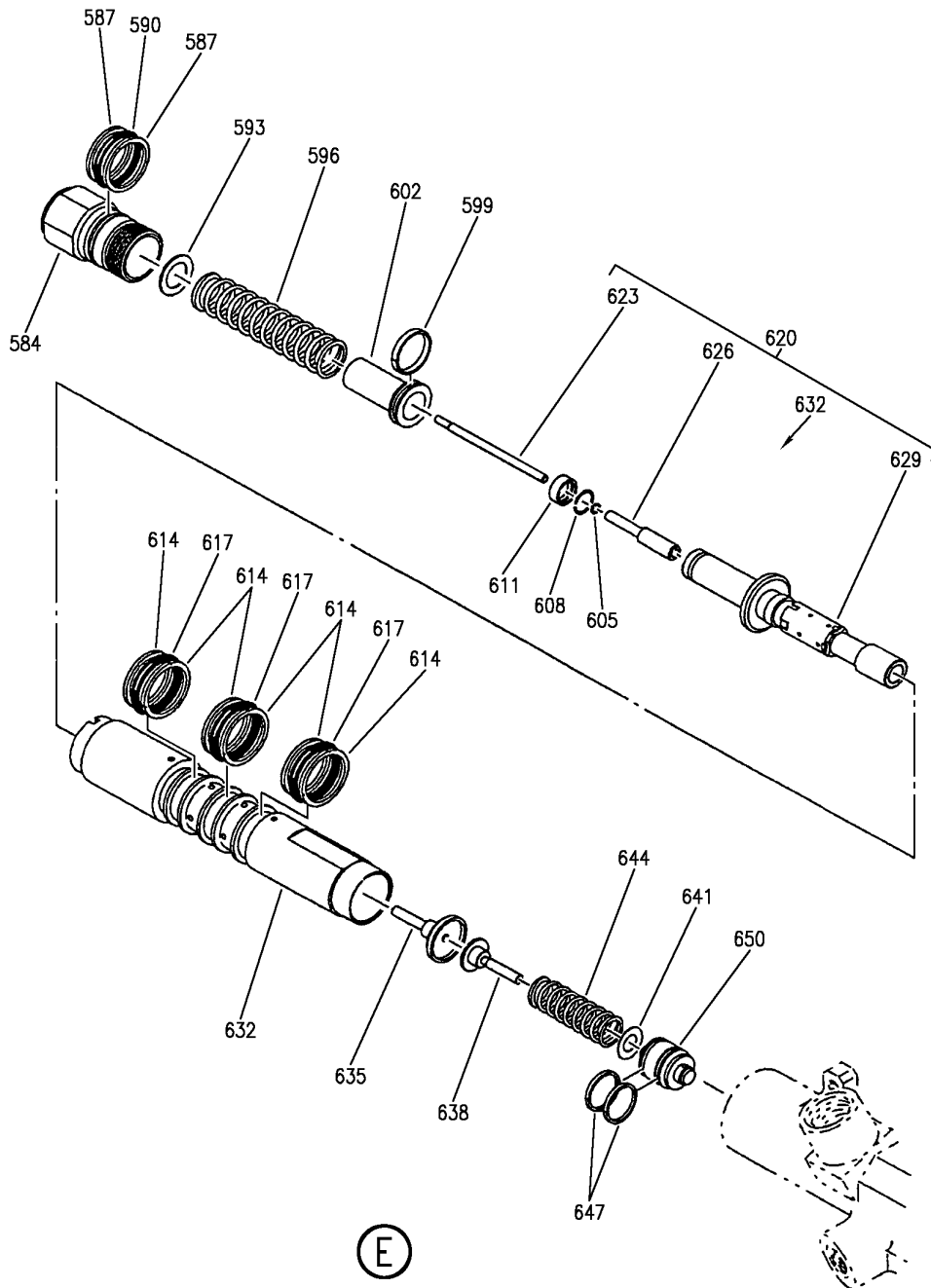
**32-41-02-10A**

BRI  
MAY 28/07

32-41-02-10A  
PAGE 0D



**BOEING**  
757  
PARTS CATALOG (MAINTENANCE)



Y 32410210A SHT 6 REV 269

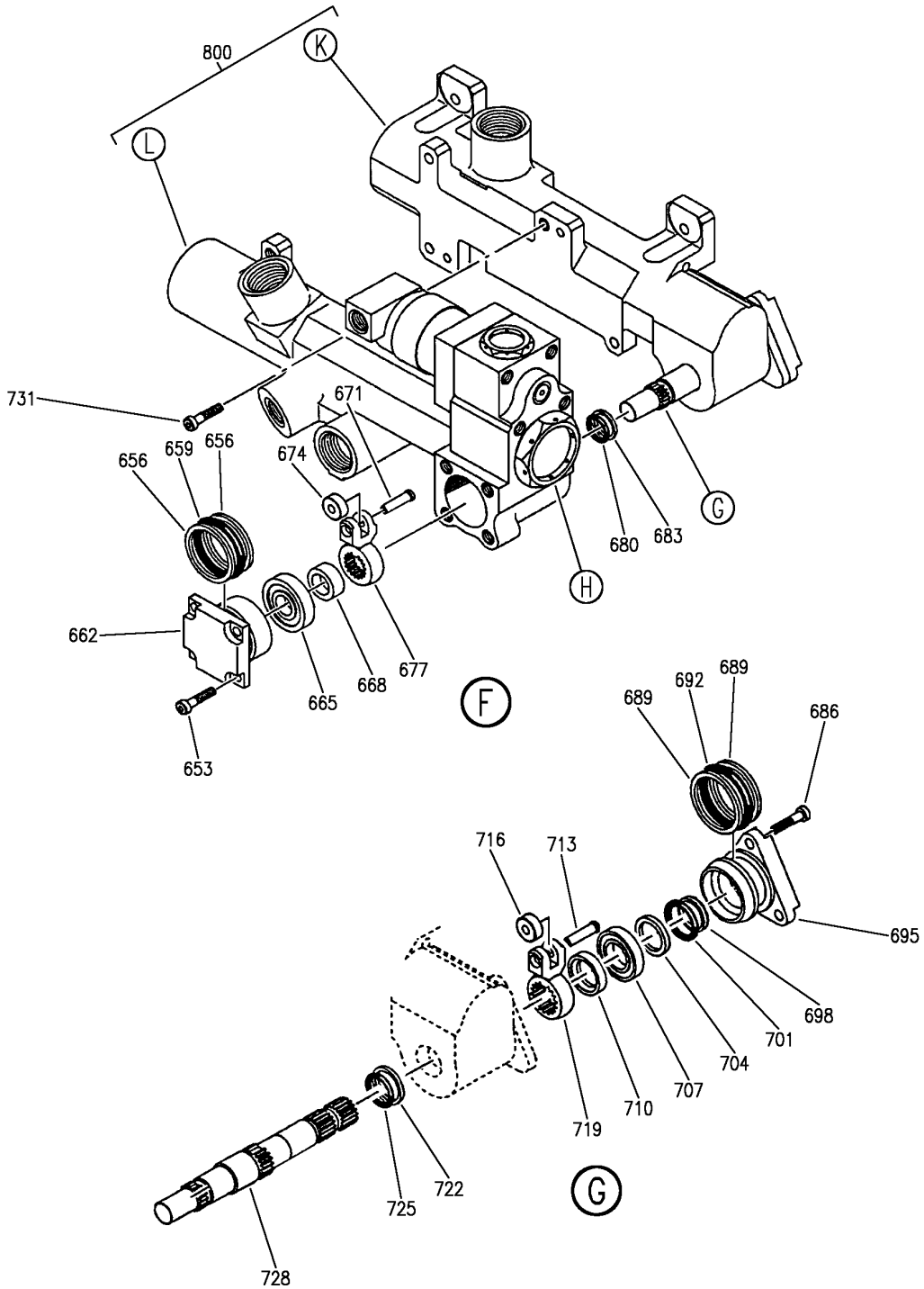
VALVE ASSY-BRAKE METERING DUAL  
FIGURE 10A (SHEET 6)

**32-41-02-10A**

BRI  
MAY 28/07

32-41-02-10A  
PAGE 0E

**BOEING**  
757  
PARTS CATALOG (MAINTENANCE)



Y 32410210A SHT 7 REV 269

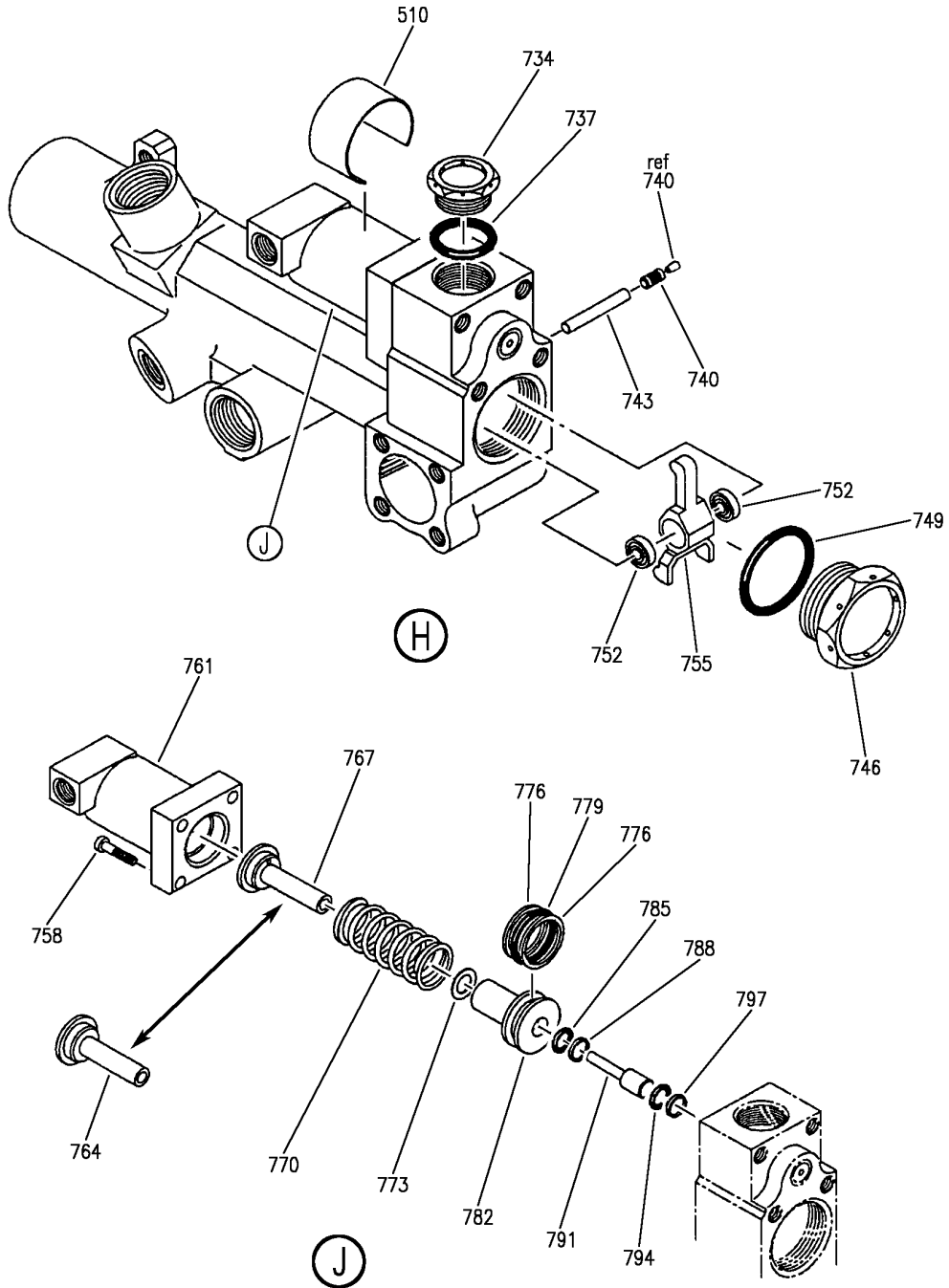
VALVE ASSY-BRAKE METERING DUAL  
FIGURE 10A (SHEET 7)

**32-41-02-10A**

BRI  
MAY 28/07

32-41-02-10A  
PAGE OF

**BOEING**  
757  
PARTS CATALOG (MAINTENANCE)



Y 32410210A SHT 8 REV 269

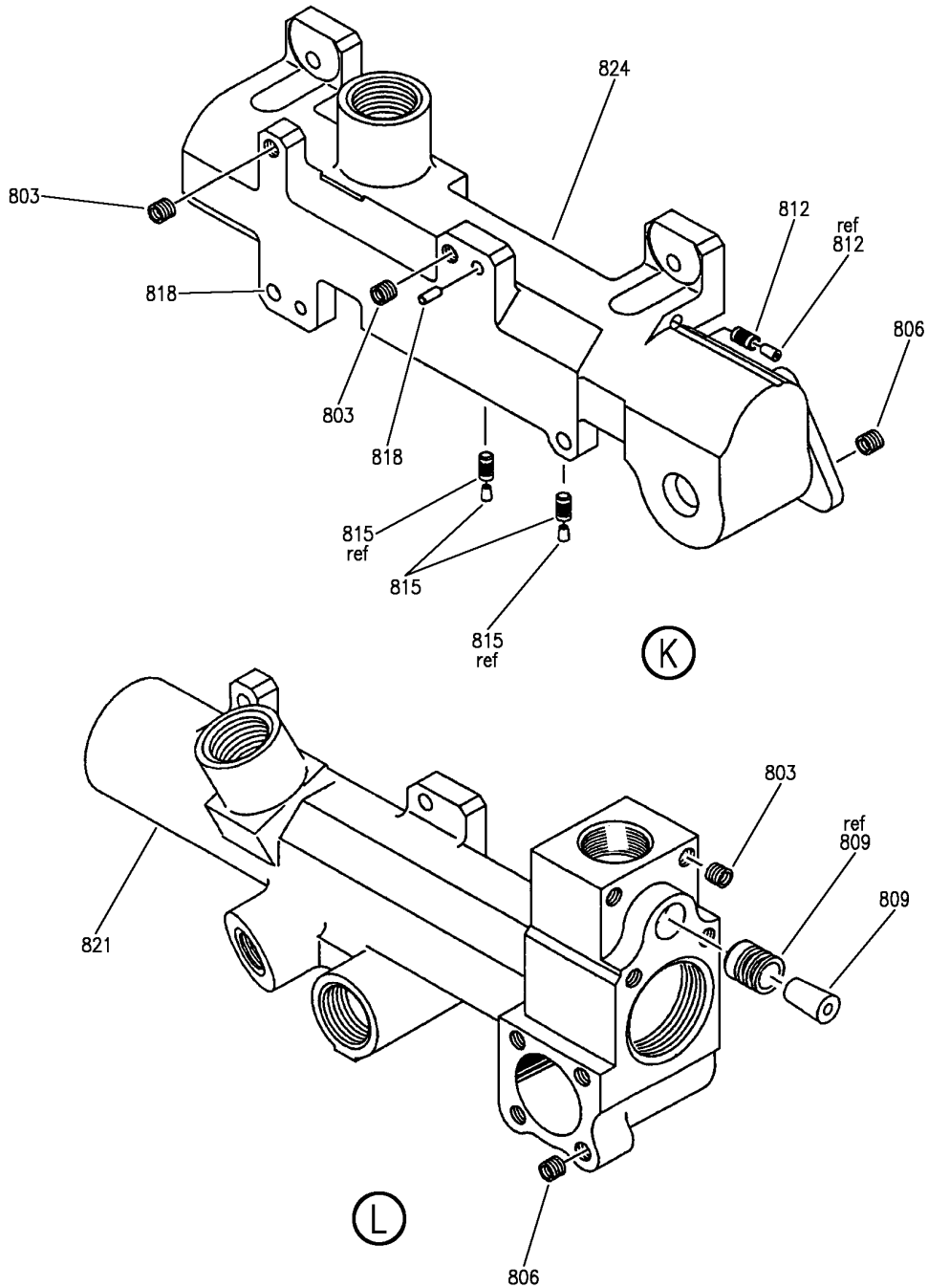
VALVE ASSY-BRAKE METERING DUAL  
FIGURE 10A (SHEET 8)

**32-41-02-10A**

BRI  
MAY 28/07

32-41-02-10A  
PAGE 08

**BOEING**  
757  
PARTS CATALOG (MAINTENANCE)



Y 32410210A SHT 9 REV 269

VALVE ASSY-BRAKE METERING DUAL  
FIGURE 10A (SHEET 9)

**32-41-02-10A**

BRI  
MAY 28/07

32-41-02-10A  
PAGE 0H



757

PARTS CATALOG (MAINTENANCE)

FIG ITEM	PART NUMBER	1 2 3 4 5 6 7	NOMENCLATURE	EFFECT FROM TO	UNITS PER ASSY
10A			VALVE ASSY-BRAKE METERING DUAL	002004 006106 108903 950999	
- 1	70507-2		VALVE ASSY-BRAKE METERING DUAL SUPPLIER CODE: V99643 SPECIFICATION NUMBER: S274T402-3 COMPONENT MAINT MANUAL REF: 32-41-01 FOR NHA SEE: 32-41-02-05 32-41-02-05A	002004 006106 108903 950999	RF
- 1	70507-3		VALVE ASSY- SUPPLIER CODE: V99643 SPECIFICATION NUMBER: S274T402-10 COMPONENT MAINT MANUAL REF: 32-41-01 FOR NHA SEE: 32-41-02-05 32-41-02-05A	002004 006106 108903 950999	1
10	43743		.NAMEPLATE- SUPPLIER CODE: V99643	002004 006106 108903 950999	1
15	NAS1351-4H14P		.SCREW	002004 006106 108903 950999	4
18	43736		.HOUSING- SUPPLIER CODE: V99643	002004 006106 108903 950999	1
21	43734		.PISTON- SUPPLIER CODE: V99643 CONFIG CHG DATA FROM A CMM: SUPSD BY 43734-1	002004 006106 108903 950999	1
22	43734-1		.PISTON- SUPPLIER CODE: V99643 CONFIG CHG DATA FROM A CMM: SUPSDS 43734	002004 006106 108903 950999	1

MISSING ITEM NUMBERS NOT APPLICABLE

- ITEM NOT ILLUSTRATED

32-41-02-10A

32-41-02  
FIG. 10A  
PAGE 1  
JAN 20/09

BRI



757

PARTS CATALOG (MAINTENANCE)

FIG ITEM	PART NUMBER	1 2 3 4 5 6 7	NOMENCLATURE	EFFECT FROM TO	UNITS PER ASSY
10A 24	18216		.SHIM-.004 IN. THICK SUPPLIER CODE: V99643 CONFIG CHG DATA FROM A CMM: SUPERSEDES 17618	002004 006106 108903 950999	AR
24	18216-1		.SHIM-.010 IN. THICK SUPPLIER CODE: V99643 CONFIG CHG DATA FROM A CMM: SUPERSEDES 17618	002004 006106 108903 950999	AR
24	17618		.SHIM- SUPPLIER CODE: V99643 CONFIG CHG DATA FROM A CMM: SUPSD BY 18216 SUPSD BY 18216-1	002004 006106 108903 950999	AR
27	43735		.SPRING- SUPPLIER CODE: V99643	002004 006106 108903 950999	1
30	NAS1611-127		.PACKING-	002004 006106 108903 950999	1
33	MS28774-127		.RETAINER	002004 006106 108903 950999	2
36	43733		.GUIDE- SUPPLIER CODE: V99643	002004 006106 108903 950999	1
39	NAS1611-012		.PACKING-	002004 006106 108903 950999	1
42	S12562-012N		.SEAL-CHANNEL SUPPLIER CODE: V97820 OPTIONAL PART: TF426-012N V07128	002004 006106 108903 950999	1
42	TF426-012N		.SEAL-ROD SUPPLIER CODE: V07128 OPTIONAL PART: S12562-012N V97820	002004 006106 108903 950999	1

MISSING ITEM NUMBERS NOT APPLICABLE

- ITEM NOT ILLUSTRATED

32-41-02-10A

32-41-02  
FIG. 10A  
PAGE 2  
JAN 20/09

BRI

BOEING PROPRIETARY - Copyright © - Unpublished Work - See title page for details.



757

PARTS CATALOG (MAINTENANCE)

FIG ITEM	PART NUMBER	1 2 3 4 5 6 7	NOMENCLATURE	EFFECT FROM TO	UNITS PER ASSY
10A 45	43737		.PISTON- SUPPLIER CODE: V99643 CONFIG CHG DATA FROM A CMM: REPLD BY 51888	002004 006106 108903 950999	1
- 48	51888		.PISTON-ASSY SUPPLIER CODE: V99643 CONFIG CHG DATA FROM A CMM: REPLS 43737 REPLS 43738	002004 006106 108903 950999	1
51	48815		..PISTON- SUPPLIER CODE: V99643	002004 006106 108903 950999	2
54	51887		..LEVER- SUPPLIER CODE: V99643	002004 006106 108903 950999	2
57	S12562-012N		.SEAL-CHANNEL SUPPLIER CODE: V97820 OPTIONAL PART: TF426-012N V07128	002004 006106 108903 950999	1
57	TF426-012N		.SEAL-ROD SUPPLIER CODE: V07128 OPTIONAL PART: S12562-012N V97820	002004 006106 108903 950999	1
60	NAS1611-012		.PACKING-	002004 006106 108903 950999	1
63	NAS1351-4H10P		.SCREW	002004 006106 108903 950999	4
66	43723		.CLOSURE- SUPPLIER CODE: V99643	002004 006106 108903 950999	1
69	MS28774-131		.RETAINER	002004 006106 108903 950999	2

MISSING ITEM NUMBERS NOT APPLICABLE

- ITEM NOT ILLUSTRATED

32-41-02-10A

32-41-02  
FIG. 10A  
PAGE 3  
JAN 20/09

BRI

BOEING PROPRIETARY - Copyright © - Unpublished Work - See title page for details.



757

PARTS CATALOG (MAINTENANCE)

FIG ITEM	PART NUMBER	1 2 3 4 5 6 7	NOMENCLATURE	EFFECT FROM TO	UNITS PER ASSY
10A					
72	NAS1611-131	.	PACKING-	002004 006106 108903 950999	1
75	NAS1351-4H14P	.	SCREW	002004 006106 108903 950999	4
78	PLGA2181010	.	PLUG-PIN SUPPLIER CODE: V92555	002004 006106 108903 950999	1
81	43739	.	PIN- SUPPLIER CODE: V99643	002004 006106 108903 950999	1
84	KP3AL	.	BEARING-BALL SUPPLIER CODE: V86174	002004 006106 108903 950999	2
87	43738	.	LEVER- SUPPLIER CODE: V99643 CONFIG CHG DATA FROM A CMM: REPLD BY 51888	002004 006106 108903 950999	1
90	AN814-10DL	.	PLUG	002004 006106 108903 950999	1
93	NAS1612-10	.	PACKING-	002004 006106 108903 950999	1
96	20898	.	SHIM-.005 IN. THICK SUPPLIER CODE: V99643 SELECT FROM ITEM.	002004 006106 108903 950999	AR
96	20898-1	.	SHIM-.010 IN. THICK SUPPLIER CODE: V99643 SELECT FROM ITEM.	002004 006106 108903 950999	AR
96	20898-2	.	SHIM-.020 IN. THICK SUPPLIER CODE: V99643 SELECT FROM ITEM.	002004 006106 108903 950999	AR
96	20898-3	.	SHIM-.002 IN. THICK SUPPLIER CODE: V99643 SELECT FROM ITEM.	002004 006106 108903 950999	AR

MISSING ITEM NUMBERS NOT APPLICABLE

- ITEM NOT ILLUSTRATED

32-41-02-10A

32-41-02  
FIG. 10A  
PAGE 4  
JAN 20/09

BRI

BOEING PROPRIETARY - Copyright © - Unpublished Work - See title page for details.





757

PARTS CATALOG (MAINTENANCE)

FIG ITEM	PART NUMBER	1 2 3 4 5 6 7	NOMENCLATURE	EFFECT FROM TO	UNITS PER ASSY
10A 99	S12562-114N	.	SEAL-CHANNEL SUPPLIER CODE: V97820 OPTIONAL PART: TF462-114N V07128	002004 006106 108903 950999	1
99	TF462-114N	.	SEAL-ROD SUPPLIER CODE: V07128 OPTIONAL PART: S12562-114N V97820	002004 006106 108903 950999	1
102	NAS1611-114	.	PACKING-	002004 006106 108903 950999	1
105	MS28774-213	.	RETAINER	002004 006106 108903 950999	2
108	NAS1611-213	.	PACKING-	002004 006106 108903 950999	1
111	43728	.	SLEEVE- SUPPLIER CODE: V99643	002004 006106 108903 950999	1
114	43718	.	PIN- SUPPLIER CODE: V99643	002004 006106 108903 950999	1
117	43732	.	ROLLER- SUPPLIER CODE: V99643	002004 006106 108903 950999	1
120	43722-3	.	CRANK- SUPPLIER CODE: V99643	002004 006106 108903 950999	1
123	43727	.	SPACER- SUPPLIER CODE: V99643	002004 006106 108903 950999	1
126	MS27641-8	.	BEARING	002004 006106 108903 950999	1

MISSING ITEM NUMBERS NOT APPLICABLE

- ITEM NOT ILLUSTRATED

32-41-02-10A

32-41-02  
FIG. 10A  
PAGE 5  
JAN 20/09

BRI



757

PARTS CATALOG (MAINTENANCE)

FIG ITEM	PART NUMBER	1 2 3 4 5 6 7	NOMENCLATURE	EFFECT FROM TO	UNITS PER ASSY
10A 129	43717	.PIN-	SUPPLIER CODE: V99643	002004 006106 108903 950999	2
132	NAS1351-4H10P	.SCREW		002004 006106 108903 950999	2
135	43725	.COVER ASSY-	SUPPLIER CODE: V99643	002004 006106 108903 950999	1
- 138	MS21209F4-15	..INSERT		002004 006106 108903 950999	11
141	S12562-114N	.SEAL-CHANNEL	SUPPLIER CODE: V97820 OPTIONAL PART: TF426-114N V07128	002004 006106 108903 950999	1
141	TF426-114N	.SEAL-ROD	SUPPLIER CODE: V07128 OPTIONAL PART: S12562-114N V97820	002004 006106 108903 950999	1
144	NAS1611-114	.PACKING-		002004 006106 108903 950999	1
147	MS28774-213	.RETAINER		002004 006106 108903 950999	2
150	NAS1611-213	.PACKING-		002004 006106 108903 950999	1
153	43729	.SLEEVE-	SUPPLIER CODE: V99643	002004 006106 108903 950999	1
156	43718	.PIN-	SUPPLIER CODE: V99643	002004 006106 108903 950999	1

MISSING ITEM NUMBERS NOT APPLICABLE

- ITEM NOT ILLUSTRATED

32-41-02-10A

32-41-02  
FIG. 10A  
PAGE 6  
JAN 20/09

BRI

BOEING PROPRIETARY - Copyright © - Unpublished Work - See title page for details.



757

PARTS CATALOG (MAINTENANCE)

FIG ITEM	PART NUMBER	1 2 3 4 5 6 7	NOMENCLATURE	EFFECT FROM TO	UNITS PER ASSY
10A 159	43732	.	ROLLER- SUPPLIER CODE: V99643	002004 006106 108903 950999	1
162	43721-3	.	CRANK- SUPPLIER CODE: V99643	002004 006106 108903 950999	1
165	43731	.	SPACER- SUPPLIER CODE: V99643	002004 006106 108903 950999	1
168	MS21428-38	.	BEARING	002004 006106 108903 950999	1
171	NAS1611-114	.	PACKING-	002004 006106 108903 950999	1
174	S12562-114N	.	SEAL-CHAN SUPPLIER CODE: V97820 OPTIONAL PART: TF462-114N V07128	002004 006106 108903 950999	1
174	TF462-114N	.	SEAL-ROD SUPPLIER CODE: V07128 OPTIONAL PART: S12562-114N V97820	002004 006106 108903 950999	1
177	43716	.	SHAFT- SUPPLIER CODE: V99643	002004 006106 108903 950999	1
180	44101	.	PISTON-SNUBBING SUPPLIER CODE: V99643	002004 006106 108903 950999	1
183	44106	.	SPRING- SUPPLIER CODE: V99643	002004 006106 108903 950999	1
186	AN814-2DL	.	PLUG AND BLEEDER	002004 006106 108903 950999	1

MISSING ITEM NUMBERS NOT APPLICABLE

- ITEM NOT ILLUSTRATED

32-41-02-10A

32-41-02  
FIG. 10A  
PAGE 7  
JAN 20/09

BRI

BOEING PROPRIETARY - Copyright © - Unpublished Work - See title page for details.



757

PARTS CATALOG (MAINTENANCE)

FIG ITEM	PART NUMBER	1 2 3 4 5 6 7	NOMENCLATURE	EFFECT FROM TO	UNITS PER ASSY
10A 189	NAS1612-2	.	PACKING-	002004 006106 108903 950999	1
192	43726	.	COVER ASSY- SUPPLIER CODE: V99643	002004 006106 108903 950999	1
- 195	MS21209F4-15	..	INSERT	002004 006106 108903 950999	11
198	NAS1351N4H12P	.	SCREW- CONFIG CHG DATA FROM A CMM: SUPSDS NAS1351-4H12P	002004 006106 108903 950999	1
198	NAS1351-4H12P	.	SCREW- CONFIG CHG DATA FROM A CMM: SUPSD BY NAS1351N4H12P	002004 006106 108903 950999	1
201	NAS1351-4H14P	.	SCREW	002004 006106 108903 950999	1
204	NAS1351-4H18P	.	SCREW	002004 006106 108903 950999	1
207	NAS1021A4	.	NUT	002004 006106 108903 950999	1
210	NAS75-4-015	.	BUSHING	002004 006106 108903 950999	1
213	NAS1351N4H12P	.	SCREW- CONFIG CHG DATA FROM A CMM: SUPSDS NAS1351-4H12P	002004 006106 108903 950999	3
213	NAS1351-4H12P	.	SCREW- CONFIG CHG DATA FROM A CMM: SUPSD BY NAS1351N4H12P	002004 006106 108903 950999	3
216	NAS1611-005	.	PACKING-	002004 006106 108903 950999	1

MISSING ITEM NUMBERS NOT APPLICABLE

- ITEM NOT ILLUSTRATED

32-41-02-10A

32-41-02  
FIG. 10A  
PAGE 8  
JAN 20/09

BRI

BOEING PROPRIETARY - Copyright © - Unpublished Work - See title page for details.



757

PARTS CATALOG (MAINTENANCE)

FIG ITEM	PART NUMBER	1 2 3 4 5 6 7	NOMENCLATURE	EFFECT FROM TO	UNITS PER ASSY
10A 219	S30640-006N	.	SEAL-CHANNEL SUPPLIER CODE: V97820 OPTIONAL PART: 2201-006N V23606	002004 006106 108903 950999	1
219	2201-006N	.	SEAL-PISTON SUPPLIER CODE: V23606 OPTIONAL PART: S30640-006N V97820	002004 006106 108903 950999	1
222	44112-1	.	PIN- SUPPLIER CODE: V99643	002004 006106 108903 950999	1
225	NAS1611-005	.	PACKING-	002004 006106 108903 950999	1
228	S30640-006N	.	SEAL-CHANNEL SUPPLIER CODE: V97820 OPTIONAL PART: 2201-006N V23606	002004 006106 108903 950999	1
228	2201-006N	.	SEAL-PISTON SUPPLIER CODE: V23606 OPTIONAL PART: S30640-006N V97820	002004 006106 108903 950999	1
231	44112-2	.	PIN- SUPPLIER CODE: V99643	002004 006106 108903 950999	1
234	44438	.	RING-BEARING SUPPLIER CODE: V99643	002004 006106 108903 950999	4
- 237	43586-3	.	INPUT ASSY-PISTON SUPPLIER CODE: V99643 CONFIG CHG DATA FROM A CMM: REPLD BY 51889	002004 006106 108903 950999	2
240	43918	..	GUIDE- SUPPLIER CODE: V99643	002004 006106 108903 950999	1

MISSING ITEM NUMBERS NOT APPLICABLE

- ITEM NOT ILLUSTRATED

32-41-02-10A

32-41-02  
FIG. 10A  
PAGE 9  
JAN 20/09

BRI

BOEING PROPRIETARY - Copyright © - Unpublished Work - See title page for details.



757

PARTS CATALOG (MAINTENANCE)

FIG ITEM	PART NUMBER	1 2 3 4 5 6 7	NOMENCLATURE	EFFECT FROM TO	UNITS PER ASSY
10A 243	43919-1		.. PISTON- SUPPLIER CODE: V99643	002004 006106 108903 950999	1
- 246	51889		. INPUT PISTON GUIDE ASSY- SUPPLIER CODE: V99643 CONFIG CHG DATA FROM A CMM: REPLS 43586-3 REPLS 43584-1	002004 006106 108903 950999	2
249	48595		.. GUIDE- SUPPLIER CODE: V99643	002004 006106 108903 950999	1
252	48591		.. PISTON ASSY-INPUT SUPPLIER CODE: V99643	002004 006106 108903 950999	1
255	16981		. SHIM- SUPPLIER CODE: V99643	002004 006106 108903 950999	AR
258	43742-1		. SLEEVE- SUPPLIER CODE: V99643	002004 006106 108903 950999	2
261	43559-1		. SPRING- SUPPLIER CODE: V99643	002004 006106 108903 950999	2
264	43584-1		. PISTON- SUPPLIER CODE: V99643 CONFIG CHG DATA FROM A CMM: REPLD BY 51889	002004 006106 108903 950999	2
267	43543-3		. MATCH ASSY- SUPPLIER CODE: V99643	002004 006106 108903 950999	2
270	43542-2		.. SPOOL-43542-2 AND 43541-3 ARE A MATCHED SET SUPPLIER CODE: V99643	002004 006106 108903 950999	1
273	43541-3		.. SLEEVE-43542-2 AND 43541-3 ARE A MATCHED SET SUPPLIER CODE: V99643	002004 006106 108903 950999	1

MISSING ITEM NUMBERS NOT APPLICABLE

- ITEM NOT ILLUSTRATED

32-41-02-10A

32-41-02  
FIG. 10A  
PAGE 10  
JAN 20/09

BRI

BOEING PROPRIETARY - Copyright © - Unpublished Work - See title page for details.



757

PARTS CATALOG (MAINTENANCE)

FIG ITEM	PART NUMBER	1 2 3 4 5 6 7	NOMENCLATURE	EFFECT FROM TO	UNITS PER ASSY
10A 276	MS28774-214	.	RETAINER	002004 006106 108903 950999	12
279	NAS1611-214	.	PACKING-	002004 006106 108903 950999	6
282	MS28774-127	.	RETAINER	002004 006106 108903 950999	4
285	NAS1611-127	.	PACKING-	002004 006106 108903 950999	2
288	NAS1351N4H12P	.	SCREW- CONFIG CHG DATA FROM A CMM: SUPSDS NAS1351-4H12P	002004 006106 108903 950999	8
288	NAS1351-4H12P	.	SCREW- CONFIG CHG DATA FROM A CMM: SUPSD BY NAS1351N4H12P	002004 006106 108903 950999	8
291	43724	.	CLOSURE- SUPPLIER CODE: V99643	002004 006106 108903 950999	2
294	MS28774-219	.	RETAINER	002004 006106 108903 950999	4
297	NAS1611-219	.	PACKING-	002004 006106 108903 950999	2
300	MS28774-211	.	RETAINER	002004 006106 108903 950999	4
303	NAS1611-211	.	PACKING-	002004 006106 108903 950999	2
306	44437	.	BEARING-RING SUPPLIER CODE: V99643	002004 006106 108903 950999	4

MISSING ITEM NUMBERS NOT APPLICABLE

- ITEM NOT ILLUSTRATED

32-41-02-10A

32-41-02  
FIG. 10A  
PAGE 11  
JAN 20/09

BRI

BOEING PROPRIETARY - Copyright © - Unpublished Work - See title page for details.



757

PARTS CATALOG (MAINTENANCE)

FIG ITEM	PART NUMBER	1 2 3 4 5 6 7	NOMENCLATURE	EFFECT FROM TO	UNITS PER ASSY
10A - 309	43565-3		.MATCH ASSY- SUPPLIER CODE: V99643	002004 006106 108903 950999	2
312	43561-1		..SEAT-43563-2, 43562-2 AND 43561-1 ARE A MATCHED SET SUPPLIER CODE: V99643	002004 006106 108903 950999	1
315	43562-2		..POPPET-43563-2, 43562-2 AND 43561-1 ARE A MATCHED SET SUPPLIER CODE: V99643	002004 006106 108903 950999	1
318	43563-2		..PISTON-43563-2, 43562-2 AND 43561-1 ARE A MATCHED SET SUPPLIER CODE: V99643	002004 006106 108903 950999	1
321	29842		.SHIM- SUPPLIER CODE: V99643	002004 006106 108903 950999	AR
324	43564-1		.GUIDE-SPR SUPPLIER CODE: V99643	002004 006106 108903 950999	2
327	35916-1		.SHIM-.005 IN. THICK SUPPLIER CODE: V99643	002004 006106 108903 950999	AR
327	35916-2		.SHIM-.010 IN. THICK SUPPLIER CODE: V99643	002004 006106 108903 950999	AR
330	43558		.SPRING- SUPPLIER CODE: V99643	002004 006106 108903 950999	2
333	43566-2		.MANIFOLD ASSY- SUPPLIER CODE: V99643	002004 006106 108903 950999	1
- 336	MS21209F4-15		..INSERT	002004 006106 108903 950999	10

MISSING ITEM NUMBERS NOT APPLICABLE

- ITEM NOT ILLUSTRATED

32-41-02-10A

32-41-02  
FIG. 10A  
PAGE 12  
JAN 20/09

BRI

BOEING PROPRIETARY - Copyright © - Unpublished Work - See title page for details.





757

PARTS CATALOG (MAINTENANCE)

FIG ITEM	PART NUMBER	1 2 3 4 5 6 7	NOMENCLATURE	EFFECT FROM TO	UNITS PER ASSY
10A - 339	PLGA1870010	..	PLUG-PIN SUPPLIER CODE: V92555	002004 006106 108903 950999	3
342	43566-3	.M	MANIFOLD ASSY- SUPPLIER CODE: V99643	002004 006106 108903 950999	1
- 345	MS21209F4-15	..	INSERT	002004 006106 108903 950999	4
- 348	PLGA1870010	..	PLUG-PIN SUPPLIER CODE: V92555	002004 006106 108903 950999	3
- 500	71404		VALVE ASSY-BRAKE METERING DUAL SUPPLIER CODE: V99643 SPECIFICATION NUMBER: S274T402-5 COMPONENT MAINT MANUAL REF: 32-41-04 FOR NHA SEE: 32-41-02-05 32-41-02-05A	002004 006106 108903 950999	RF
- 500	71404-1		VALVE ASSY- SUPPLIER CODE: V99643 FUNCTIONAL DESCRIPTION: DUAL BRAKE METERING VALVE CONTORLS THE BRAKE HYDRAULIC ACTUATION PRESSURE SPECIFICATION NUMBER: S274T402-20 COMPONENT MAINT MANUAL REF: 32-41-04 FOR NHA SEE: 32-41-02-05 32-41-02-05A	002004 006106 108903 950999	1

MISSING ITEM NUMBERS NOT APPLICABLE

- ITEM NOT ILLUSTRATED

32-41-02-10A

32-41-02  
FIG. 10A  
PAGE 13  
MAY 20/09

BRI



757

PARTS CATALOG (MAINTENANCE)

FIG ITEM	PART NUMBER	1 2 3 4 5 6 7	NOMENCLATURE	EFFECT FROM TO	UNITS PER ASSY	
R R R R R R R R R R	10A - 500	71404-2	VALVE ASSY- SUPPLIER CODE: V99643 FUNCTIONAL DESCRIPTION: DUAL BRAKE METERING VALVE CONTORLS THE BRAKE HYDRAULIC ACTUATION PRESSURE SPECIFICATION NUMBER: S274T402-30 FOR NHA SEE: 32-41-02-05 32-41-02-05A	002004 006106 108903 950999	1	
	510	48611	.NAMEPLATE- SUPPLIER CODE: V99643	002004 006106 108903 950999	1	
	515	48572	.CLOSURE- SUPPLIER CODE: V99643	002004 006106 108903 950999	1	
	518	C11236-220B	.RING-BACKUP SUPPLIER CODE: V26879 SPECIFICATION NUMBER: BACR12BM220 OPTIONAL PART: RMR12BM220 V94878 STF800-220 V02107 S30294-220-1 V97820 TF450-220A V07128 2100-220 V26303	002004 006106 108903 950999	2	
	521	NAS1601-220	.PACKING- CONFIG CHG DATA FROM A CMM: REPLD BY NAS1611-220	002004 006106 108903 950999	1	
	521	NAS1611-220	.PACKING- CONFIG CHG DATA FROM A CMM: REPLCS NAS1601-220	002004 006106 108903 950999	1	
	524	48678-2	.SHIM-0.003 IN. THICK SUPPLIER CODE: V99643 SELECT FROM ITEM.	002004 006106 108903 950999	AR	
	MISSING ITEM NUMBERS NOT APPLICABLE					

- ITEM NOT ILLUSTRATED

32-41-02-10A

32-41-02  
FIG. 10A  
PAGE 14  
MAY 20/09

BRI



757

PARTS CATALOG (MAINTENANCE)

FIG ITEM	PART NUMBER	1 2 3 4 5 6 7	NOMENCLATURE	EFFECT FROM TO	UNITS PER ASSY
10A 524	48678-3		.SHIM-0.005 IN. THICK SUPPLIER CODE: V99643 SELECT FROM ITEM.	002004 006106 108903 950999	AR
524	48678-4		.SHIM-0.025 IN. THICK SUPPLIER CODE: V99643 SELECT FROM ITEM.	002004 006106 108903 950999	AR
527	48613		.SPRING-CPRSN SUPPLIER CODE: V99643	002004 006106 108903 950999	1
530	48668		.RING-BRG SUPPLIER CODE: V99643	002004 006106 108903 950999	1
533	48574		.GUIDE-SPR SUPPLIER CODE: V99643	002004 006106 108903 950999	1
536	48685-2		.SHIM-0.003 IN. THICK SUPPLIER CODE: V99643 SELECT FROM ITEM.	002004 006106 108903 950999	AR
536	48685-3		.SHIM-0.005 IN. THICK SUPPLIER CODE: V99643 SELECT FROM ITEM.	002004 006106 108903 950999	AR
536	48685-4		.SHIM-0.010 IN. THICK SUPPLIER CODE: V99643 SELECT FROM ITEM.	002004 006106 108903 950999	AR
539	44556-4		.WIRE-RTNR SUPPLIER CODE: V99643	002004 006106 108903 950999	1
542	48667-1		.STOP- SUPPLIER CODE: V99643	002004 006106 108903 950999	1

MISSING ITEM NUMBERS NOT APPLICABLE

- ITEM NOT ILLUSTRATED

32-41-02-10A

32-41-02  
FIG. 10A  
PAGE 15  
MAY 20/09

BRI



757

PARTS CATALOG (MAINTENANCE)

FIG ITEM	PART NUMBER	1 2 3 4 5 6 7	NOMENCLATURE	EFFECT FROM TO	UNITS PER ASSY
10A 545	C11236-214B	.	RING-BACKUP SUPPLIER CODE: V26879 SPECIFICATION NUMBER: BACR12BM214 OPTIONAL PART: RMR12BM214 V94878 STF800-214 V02107 S30294-214-1 V97820 TF450-214A V07128 2100-214 V26303	002004 006106 108903 950999	6
548	NAS1601-214	.	PACKING- CONFIG CHG DATA FROM A CMM: REPLD BY NAS1611-214	002004 006106 108903 950999	3
548	NAS1611-214	.	PACKING-PREFORMED CONFIG CHG DATA FROM A CMM: REPLCS NAS1601-214	002004 006106 108903 950999	3
551	48559	.	LAP ASSY- SUPPLIER CODE: V99643	002004 006106 108903 950999	1
554	48559-4	..	PISTON-INNER 48559-4, 48559-3 AND 48559-2 AND 48559-1 ARE A MATCHED SET SUPPLIER CODE: V99643	002004 006106 108903 950999	1
557	48559-3	..	PISTON-OUTER 48559-4, 48559-3 AND 48559-2 AND 48559-1 ARE A MATCHED SET SUPPLIER CODE: V99643	002004 006106 108903 950999	1
560	48559-1	..	SPOOL-48559-4, 48559-3 AND 48559-2 AND 48559-1 ARE A MATCHED SET SUPPLIER CODE: V99643	002004 006106 108903 950999	1

MISSING ITEM NUMBERS NOT APPLICABLE

- ITEM NOT ILLUSTRATED

32-41-02-10A

32-41-02  
FIG. 10A  
PAGE 16  
MAY 20/09

BRI

BOEING PROPRIETARY - Copyright © - Unpublished Work - See title page for details.



757

PARTS CATALOG (MAINTENANCE)

FIG ITEM	PART NUMBER	1 2 3 4 5 6 7	NOMENCLATURE	EFFECT FROM TO	UNITS PER ASSY
10A 563	48559-2		. . SLEEVE-48559-4, 48559-3 AND 48559-2 AND 48559-1 ARE A MATCHED SET SUPPLIER CODE: V99643	002004 006106 108903 950999	1
566	48573		. POT-DASH SUPPLIER CODE: V99643	002004 006106 108903 950999	1
569	48595		. GUIDE- SUPPLIER CODE: V99643	002004 006106 108903 950999	1
572	48686-2		. SHIM-0.003 IN. THICK SUPPLIER CODE: V99643 SELECT FROM ITEM.	002004 006106 108903 950999	AR
572	48686-3		. SHIM-0.005 IN. THICK SUPPLIER CODE: V99643 SELECT FROM ITEM.	002004 006106 108903 950999	AR
572	48686-4		. SHIM-0.015 IN. THICK SUPPLIER CODE: V99643 SELECT FROM ITEM.	002004 006106 108903 950999	AR
575	43559-1		. SPRING-CPRSN SUPPLIER CODE: V99643	002004 006106 108903 950999	1
578	44438		. RING-BRG SUPPLIER CODE: V99643	002004 006106 108903 950999	2
581	48591		. PISTON ASSY-INPUT SUPPLIER CODE: V99643	002004 006106 108903 950999	1
584	48572		. CLOSURE- SUPPLIER CODE: V99643	002004 006106 108903 950999	1

MISSING ITEM NUMBERS NOT APPLICABLE

- ITEM NOT ILLUSTRATED

32-41-02-10A

32-41-02  
FIG. 10A  
PAGE 17  
MAY 20/09

BRI

BOEING PROPRIETARY - Copyright © - Unpublished Work - See title page for details.



757

PARTS CATALOG (MAINTENANCE)

FIG ITEM	PART NUMBER	1 2 3 4 5 6 7	NOMENCLATURE	EFFECT FROM TO	UNITS PER ASSY
10A 587	C11236-220B	.	RING-BACKUP SUPPLIER CODE: V26879 SPECIFICATION NUMBER: BACR12BM220 OPTIONAL PART: RMR12BM220 V94878 STF800-220 V02107 S30294-220-1 V97820 TF450-220A V07128 2100-220 V26303	002004 006106 108903 950999	2
590	NAS1601-220	.	PACKING- CONFIG CHG DATA FROM A CMM: REPLD BY NAS1611-220	002004 006106 108903 950999	1
590	NAS1611-220	.	PACKING- CONFIG CHG DATA FROM A CMM: REPLD BY NAS1601-220	002004 006106 108903 950999	1
593	48678-2	.	SHIM-0.003 IN. THICK SUPPLIER CODE: V99643 SELECT FROM ITEM.	002004 006106 108903 950999	AR
593	48678-3	.	SHIM-0.005 IN. THICK SUPPLIER CODE: V99643 SELECT FROM ITEM.	002004 006106 108903 950999	AR
593	48678-4	.	SHIM-0.025 IN. THICK SUPPLIER CODE: V99643 SELECT FROM ITEM.	002004 006106 108903 950999	AR
596	48613	.	SPRING-CPRSN SUPPLIER CODE: V99643	002004 006106 108903 950999	1
599	48668	.	RING-BRG SUPPLIER CODE: V99643	002004 006106 108903 950999	1
602	48574	.	GUIDE-SPR SUPPLIER CODE: V99643	002004 006106 108903 950999	1

MISSING ITEM NUMBERS NOT APPLICABLE

- ITEM NOT ILLUSTRATED

32-41-02-10A

32-41-02  
FIG. 10A  
PAGE 18  
MAY 20/09

BRI

BOEING PROPRIETARY - Copyright © - Unpublished Work - See title page for details.



757

PARTS CATALOG (MAINTENANCE)

FIG ITEM	PART NUMBER	1 2 3 4 5 6 7	NOMENCLATURE	EFFECT FROM TO	UNITS PER ASSY
10A 605	48685-2		.SHIM-0.003 IN. THICK SUPPLIER CODE: V99643 SELECT FROM ITEM.	002004 006106 108903 950999	AR
605	48685-3		.SHIM-0.005 IN. THICK SUPPLIER CODE: V99643 SELECT FROM ITEM.	002004 006106 108903 950999	AR
605	48685-4		.SHIM-0.010 IN. THICK SUPPLIER CODE: V99643 SELECT FROM ITEM.	002004 006106 108903 950999	AR
608	44556-4		.WIRE-RTNR SUPPLIER CODE: V99643	002004 006106 108903 950999	1
611	48667-1		.STOP- SUPPLIER CODE: V99643	002004 006106 108903 950999	1
614	C11236-214B		.RING-BACKUP SUPPLIER CODE: V26879 SPECIFICATION NUMBER: BACR12BM214 OPTIONAL PART: RMR12BM214 V94878 STF800-214 V02107 S30294-214-1 V97820 TF450-214A V07128 2100-214 V26303	002004 006106 108903 950999	6
617	NAS1601-214		.PACKING- CONFIG CHG DATA FROM A CMM: REPLD BY NAS1611-214	002004 006106 108903 950999	3
617	NAS1611-214		.PACKING- CONFIG CHG DATA FROM A CMM: REPLD BY NAS1601-214	002004 006106 108903 950999	3
620	48559		.LAP ASSY- SUPPLIER CODE: V99643	002004 006106 108903 950999	1

MISSING ITEM NUMBERS NOT APPLICABLE

- ITEM NOT ILLUSTRATED

32-41-02-10A

32-41-02  
FIG. 10A  
PAGE 19  
MAY 20/09

BRI



757

PARTS CATALOG (MAINTENANCE)

FIG ITEM	PART NUMBER	1 2 3 4 5 6 7	NOMENCLATURE	EFFECT FROM TO	UNITS PER ASSY
10A 623	48559-4		.. PISTON-INNER 48559-4, 48559-3 AND 48559-2 AND 48559-1 ARE A MATCHED SET SUPPLIER CODE: V99643	002004 006106 108903 950999	1
626	48559-3		.. PISTON-OUTER 48559-4, 48559-3 AND 48559-2 AND 48559-1 ARE A MATCHED SET SUPPLIER CODE: V99643	002004 006106 108903 950999	1
629	48559-1		.. SPOOL-48559-4, 48559-3 AND 48559-2 AND 48559-1 ARE A MATCHED SET SUPPLIER CODE: V99643	002004 006106 108903 950999	1
632	48559-2		.. SLEEVE-48559-4, 48559-3 AND 48559-2 AND 48559-1 ARE A MATCHED SET SUPPLIER CODE: V99643	002004 006106 108903 950999	1
635	48573		. POT-DASH SUPPLIER CODE: V99643	002004 006106 108903 950999	1
638	48595		. GUIDE- SUPPLIER CODE: V99643	002004 006106 108903 950999	1
641	48686-2		. SHIM-0.003 IN. THICK SUPPLIER CODE: V99643 SELECT FROM ITEM.	002004 006106 108903 950999	AR
641	48686-3		. SHIM-0.005 IN. THICK SUPPLIER CODE: V99643 SELECT FROM ITEM.	002004 006106 108903 950999	AR
641	48686-4		. SHIM-0.015 IN. THICK SUPPLIER CODE: V99643 SELECT FROM ITEM.	002004 006106 108903 950999	AR
644	43559-1		. SPRING-CPRSN SUPPLIER CODE: V99643	002004 006106 108903 950999	1

MISSING ITEM NUMBERS NOT APPLICABLE

- ITEM NOT ILLUSTRATED

32-41-02-10A

32-41-02  
FIG. 10A  
PAGE 20  
MAY 20/09

BRI

BOEING PROPRIETARY - Copyright © - Unpublished Work - See title page for details.





757

PARTS CATALOG (MAINTENANCE)

FIG ITEM	PART NUMBER	1 2 3 4 5 6 7	NOMENCLATURE	EFFECT FROM TO	UNITS PER ASSY
10A 647	44438	.	RING-BRG SUPPLIER CODE: V99643	002004 006106 108903 950999	2
650	48591	.	PISTON ASSY-INPUT SUPPLIER CODE: V99643	002004 006106 108903 950999	1
653	NAS1351N3H8P	.	SCREW	002004 006106 108903 950999	4
656	C11236-216B	.	RING-BACKUP SUPPLIER CODE: V26879 SPECIFICATION NUMBER: BACR12BM216 OPTIONAL PART: RMR12BM216 V94878 STF800-216 V02107 S30294-216-1 V97820 TF450-216A V07128 2100-216 V26303	002004 006106 108903 950999	2
659	NAS1601-216	.	PACKING- CONFIG CHG DATA FROM A CMM: REPLD BY NAS1611-216	002004 006106 108903 950999	1
659	NAS1611-216	.	PACKING- CONFIG CHG DATA FROM A CMM: REPLCS NAS1601-216	002004 006106 108903 950999	1
662	48597	.	CLOSURE- SUPPLIER CODE: V99643	002004 006106 108903 950999	1
665	MS27641-8R	.	BEARING-INTERMEDIATE DUTY BALL	002004 006106 108903 950999	1
668	43727-2	.	SPACER- SUPPLIER CODE: V99643	002004 006106 108903 950999	1

MISSING ITEM NUMBERS NOT APPLICABLE

- ITEM NOT ILLUSTRATED

32-41-02-10A

32-41-02  
FIG. 10A  
PAGE 21  
MAY 20/09

BRI

BOEING PROPRIETARY - Copyright © - Unpublished Work - See title page for details.



757

PARTS CATALOG (MAINTENANCE)

FIG ITEM	PART NUMBER	1 2 3 4 5 6 7	NOMENCLATURE	EFFECT FROM TO	UNITS PER ASSY
10A 671	43718	.PIN-	SUPPLIER CODE: V99643	002004 006106 108903 950999	1
674	43732-1	.ROLLER-	SUPPLIER CODE: V99643	002004 006106 108903 950999	1
677	43722-3	.CRANK-	SUPPLIER CODE: V99643	002004 006106 108903 950999	1
680	NAS1601-016	.PACKING-	CONFIG CHG DATA FROM A CMM: REPLD BY NAS1611-016	002004 006106 108903 950999	1
680	NAS1611-016	.PACKING-	CONFIG CHG DATA FROM A CMM: REPLCS NAS1601-016	002004 006106 108903 950999	1
683	S12562-016N	.SEAL-DBLR DELTA CHAN	SUPPLIER CODE: V97820	002004 006106 108903 950999	1
686	NAS1351N3H8P	.SCREW-	CONFIG CHG DATA FROM A CMM: REPLD BY NAS1351N3-8P	002004 006106 108903 950999	3
686	NAS1351N3-8P	.SCREW-	CONFIG CHG DATA FROM A CMM: REPLCS NAS1351N3H8P	002004 006106 108903 950999	3
689	C11236-216B	.RING-BACKUP	SUPPLIER CODE: V26879 SPECIFICATION NUMBER: BACR12BM216 OPTIONAL PART: RMR12BM216 V94878 STF800-216 V02107 S30294-216-1 V97820 TF450-216A V07128 2100-216 V26303	002004 006106 108903 950999	2

MISSING ITEM NUMBERS NOT APPLICABLE

- ITEM NOT ILLUSTRATED

32-41-02-10A

32-41-02  
FIG. 10A  
PAGE 22  
MAY 20/09

BRI



757

PARTS CATALOG (MAINTENANCE)

FIG ITEM	PART NUMBER	1 2 3 4 5 6 7	NOMENCLATURE	EFFECT FROM TO	UNITS PER ASSY
10A 692	NAS1601-216		.PACKING- CONFIG CHG DATA FROM A CMM: REPLD BY NAS1611-216	002004 006106 108903 950999	1
692	NAS1611-216		.PACKING- CONFIG CHG DATA FROM A CMM: REPLD BY NAS1601-216	002004 006106 108903 950999	1
695	48598		.CLOSURE- SUPPLIER CODE: V99643	002004 006106 108903 950999	1
698	S12562-114N		.SEAL-DBLR DELTA CHAN SUPPLIER CODE: V97820	002004 006106 108903 950999	1
701	NAS1601-114		.PACKING- CONFIG CHG DATA FROM A CMM: REPLD BY NAS1611-114	002004 006106 108903 950999	1
701	NAS1611-114		.PACKING- CONFIG CHG DATA FROM A CMM: REPLD BY NAS1601-114	002004 006106 108903 950999	1
704	48669		.SPACER- SUPPLIER CODE: V99643	002004 006106 108903 950999	1
707	MS21428-38		.BEARING-EXTRA LT DUTY DUTY BALL	002004 006106 108903 950999	1
710	43731-1		.SPACER- SUPPLIER CODE: V99643	002004 006106 108903 950999	1
713	43718		.PIN- SUPPLIER CODE: V99643	002004 006106 108903 950999	1
716	43732-1		.ROLLER- SUPPLIER CODE: V99643	002004 006106 108903 950999	1
719	43721-3		.CRANK- SUPPLIER CODE: V99643	002004 006106 108903 950999	1

MISSING ITEM NUMBERS NOT APPLICABLE

- ITEM NOT ILLUSTRATED

32-41-02-10A

32-41-02  
FIG. 10A  
PAGE 23  
MAY 20/09

BRI

BOEING PROPRIETARY - Copyright © - Unpublished Work - See title page for details.



757

PARTS CATALOG (MAINTENANCE)

FIG ITEM	PART NUMBER	1 2 3 4 5 6 7	NOMENCLATURE	EFFECT FROM TO	UNITS PER ASSY
10A 722	S12562-018N		.SEAL-DBLR DELTA CHAN SUPPLIER CODE: V97820	002004 006106 108903 950999	1
725	NAS1601-018		.PACKING- CONFIG CHG DATA FROM A CMM: REPLD BY NAS1611-018	002004 006106 108903 950999	1
725	NAS1611-018		.PACKING- CONFIG CHG DATA FROM A CMM: REPLCS NAS1601-018	002004 006106 108903 950999	1
728	48569		.SHAFT- SUPPLIER CODE: V99643	002004 006106 108903 950999	1
731	NAS1351N4H12P		.SCREW	002004 006106 108903 950999	4
734	AN814-10DL		.PLUG	002004 006106 108903 950999	1
737	NAS1602-910		.PACKING- CONFIG CHG DATA FROM A CMM: REPLD BY NAS1612-10	002004 006106 108903 950999	1
737	NAS1612-10		.PACKING- CONFIG CHG DATA FROM A CMM: REPLCS NAS1602-910	002004 006106 108903 950999	1
740	PLGA2181010A		.PLUG-PIN SUPPLIER CODE: V92555 OPTIONAL PART: PLGA2281010A V92555	002004 006106 108903 950999	1
740	PLGA2281010A		.PLUG-PIN SUPPLIER CODE: V92555 OPTIONAL PART: PLGA2181010A V92555	002004 006106 108903 950999	1
743	43739		.PIN- SUPPLIER CODE: V99643	002004 006106 108903 950999	1

MISSING ITEM NUMBERS NOT APPLICABLE

- ITEM NOT ILLUSTRATED

32-41-02-10A

32-41-02  
FIG. 10A  
PAGE 24  
MAY 20/09

BRI

BOEING PROPRIETARY - Copyright © - Unpublished Work - See title page for details.



757

PARTS CATALOG (MAINTENANCE)

FIG ITEM	PART NUMBER	1 2 3 4 5 6 7	NOMENCLATURE	EFFECT FROM TO	UNITS PER ASSY
10A 746	48612		.CAP- SUPPLIER CODE: V99643	002004 006106 108903 950999	1
749	BCREF49218		.GASKET- SUPPLIER CODE: V26303 OVERLENGTH PART NUMBER: AS568-918NAS1613	002004 006106 108903 950999	1
752	KP3AL		.BEARING-BALL SUPPLIER CODE: V21335	002004 006106 108903 950999	2
755	48814		.LEVER- SUPPLIER CODE: V99643	002004 006106 108903 950999	1
758	NAS1351N4H16P		.SCREW	002004 006106 108903 950999	4
761	48816		.HOUSING- SUPPLIER CODE: V99643	002004 006106 108903 950999	1
764	48818		.PISTON- SUPPLIER CODE: V99643 SB DATA FROM A CMM: PRE 71404-32-01	002004 006106 108903 950999	1
767	48818-1		.PISTON- SUPPLIER CODE: V99643 SB DATA FROM A CMM: POST 71404-32-01	002004 006106 108903 950999	1
770	48817		.SPRING-CPRSN SUPPLIER CODE: V99643	002004 006106 108903 950999	1
773	48826-1		.SHIM-0.010 IN. THICK SUPPLIER CODE: V99643 SELECT FROM ITEM.	002004 006106 108903 950999	AR
773	48826-2		.SHIM-0.004 IN. THICK SUPPLIER CODE: V99643 SELECT FROM ITEM.	002004 006106 108903 950999	AR

MISSING ITEM NUMBERS NOT APPLICABLE

- ITEM NOT ILLUSTRATED

32-41-02-10A

32-41-02  
FIG. 10A  
PAGE 25  
MAY 20/09

BRI

 **BOEING**  
757  
**PARTS CATALOG (MAINTENANCE)**

FIG ITEM	PART NUMBER	1 2 3 4 5 6 7	NOMENCLATURE	EFFECT FROM TO	UNITS PER ASSY
10A 773	48826-3		.SHIM-0.002 IN. THICK SUPPLIER CODE: V99643 SELECT FROM ITEM.	002004 006106 108903 950999	AR
776	C11236-119B		.RETAINER-BACKUP SUPPLIER CODE: V26879 SPECIFICATION NUMBER: BACR12BM119 OPTIONAL PART: RMR12BM119 V94878 STF800-119 V02107 S30294-119-1 V97820 TF450-119A V07128 2100-119 V26303	002004 006106 108903 950999	2
779	NAS1601-119		.PACKING- CONFIG CHG DATA FROM A CMM: REPLD BY NAS1611-119	002004 006106 108903 950999	1
779	NAS1611-119		.PACKING- CONFIG CHG DATA FROM A CMM: REPLD BY NAS1601-119	002004 006106 108903 950999	1
782	48819		.GUIDE- SUPPLIER CODE: V99643	002004 006106 108903 950999	1
785	NAS1601-012		.PACKING- CONFIG CHG DATA FROM A CMM: REPLD BY NAS1611-012	002004 006106 108903 950999	1
785	NAS1611-012		.PACKING- CONFIG CHG DATA FROM A CMM: REPLD BY NAS1601-012	002004 006106 108903 950999	1
788	S30650-012N		.SEAL-DBLR DELTA II SUPPLIER CODE: V97820	002004 006106 108903 950999	1
791	48815		.PISTON- SUPPLIER CODE: V99643	002004 006106 108903 950999	1

MISSING ITEM NUMBERS NOT APPLICABLE

— ITEM NOT ILLUSTRATED

BRI

# 32-41-02-10A

BOEING PROPRIETARY - Copyright © - Unpublished Work - See title page for details.

32-41-02  
FIG. 10A  
PAGE 26  
MAY 20/09



757

PARTS CATALOG (MAINTENANCE)

FIG ITEM	PART NUMBER	1 2 3 4 5 6 7	NOMENCLATURE	EFFECT FROM TO	UNITS PER ASSY
10A 794	NAS1601-012	.	PACKING- CONFIG CHG DATA FROM A CMM: REPLD BY NAS1611-012	002004 006106 108903 950999	1
794	NAS1611-012	.	PACKING- CONFIG CHG DATA FROM A CMM: REPLD BY NAS1601-012	002004 006106 108903 950999	1
797	S30650-012N	.	SEAL-DBLR DELTA II SUPPLIER CODE: V97820	002004 006106 108903 950999	1
800	48599	.	MANIFOLD ASSY- SUPPLIER CODE: V99643	002004 006106 108903 950999	1
803	MS21209F4-15P	..	INSERT	002004 006106 108903 950999	8
806	MS21209F1-15P	..	INSERT	002004 006106 108903 950999	7
809	PLGA5310010A	..	PLUG-PIN SUPPLIER CODE: V92555 OPTIONAL PART: PLGA5410010A V92555	002004 006106 108903 950999	1
809	PLGA5410010A	..	PLUG-PIN SUPPLIER CODE: V92555 OPTIONAL PART: PLGA5310010A V92555	002004 006106 108903 950999	1
812	PLGA1870010A	..	PLUG-PIN SUPPLIER CODE: V92555 OPTIONAL PART: PLGA1970010A V92555	002004 006106 108903 950999	1
812	PLGA1970010A	..	PLUG-PIN SUPPLIER CODE: V92555 OPTIONAL PART: PLGA1870010A V92555	002004 006106 108903 950999	1

MISSING ITEM NUMBERS NOT APPLICABLE

- ITEM NOT ILLUSTRATED

32-41-02-10A

32-41-02  
FIG. 10A  
PAGE 27  
MAY 20/09

BRI

BOEING PROPRIETARY - Copyright © - Unpublished Work - See title page for details.



757

PARTS CATALOG (MAINTENANCE)

FIG ITEM	PART NUMBER	1 2 3 4 5 6 7	NOMENCLATURE	EFFECT FROM TO	UNITS PER ASSY
10A 815	PLGA2811010A	..	PLUG-PIN SUPPLIER CODE: V92555 OPTIONAL PART: PLGA2911010A V92555	002004 006106 108903 950999	2
815	PLGA2911010A	..	PLUG-PIN SUPPLIER CODE: V92555 OPTIONAL PART: PLGA2811010A V92555	002004 006106 108903 950999	2
818	MS16555-640	..	PIN	002004 006106 108903 950999	2
821	48599-1	..	MANIFOLD- SUPPLIER CODE: V99643	002004 006106 108903 950999	1
824	48599-2	..	MANIFOLD- SUPPLIER CODE: V99643	002004 006106 108903 950999	1

MISSING ITEM NUMBERS NOT APPLICABLE

- ITEM NOT ILLUSTRATED

BRI

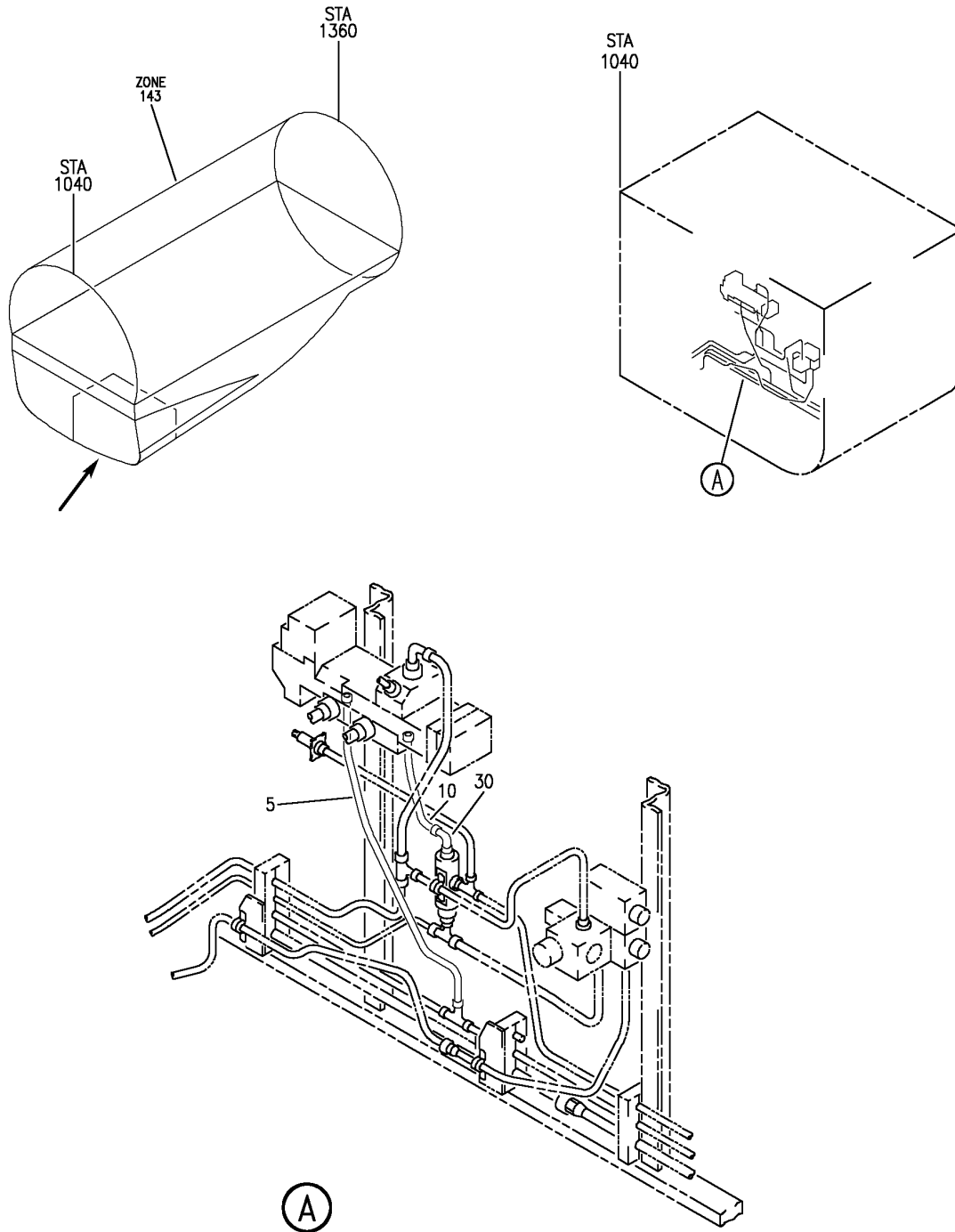
32-41-02-10A

BOEING PROPRIETARY - Copyright © - Unpublished Work - See title page for details.

32-41-02  
FIG. 10A  
PAGE 28  
JAN 20/09



**BOEING**  
757  
PARTS CATALOG (MAINTENANCE)



Y 32410211 REV 249

PLUMBING INSTL-MAIN WHL WELL BHD HYDR (BRAKE METERING VALVE MODULE ONLY)  
FIGURE 11

BRI  
JAN 20/09

**32-41-02-11**

32-41-02-11  
PAGE 0



757

PARTS CATALOG (MAINTENANCE)

FIG ITEM	PART NUMBER	1 2 3 4 5 6 7	NOMENCLATURE	EFFECT FROM TO	UNITS PER ASSY
11			PLUMBING INSTL-MAIN WHL WELL BHD HYDR (BRAKE METERING VALVE MODULE ONLY)	103106	
- 1	MODREF31486		PLUMBING INSTL-MAIN WHL WELL BHD HYDR (BRAKE METERING VALVE MODULE ONLY) MODULE NUMBER: 271N6441-41 REV B POSITION DATA: FWD FOR OTHER SYS DETAILS SEE: 11-22-06-05 27-11-14-12 29-11-27-02 29-11-51-39D 29-11-51-39E 29-22-01-02 32-35-10-02 32-42-02-03 32-42-02-04 32-42-09-02 32-42-10-02 32-44-03-03 32-44-06-02 FOR ADDITIONAL DETAILS SEE: 32-41-02-12 32-41-04-02	103106	1
5	271N6441-1378		.TUBE ASSY-RETURN SYS TUBING MATERIAL: .375 IN. OD .019 IN. WALL 19.40 IN. LG TI BMS 7-234 TI-3AL-2.5V COLD WORKED, STRESS RELIEVED TUBING	103106	1
10	271N6441-1412		.TUBE ASSY-RETURN SYS TUBING MATERIAL: .375 IN. OD .019 IN. WALL 7.0 IN. LG TI BMS 7-234 TI-3AL-2.5V COLD WORKED, STRESS RELIEVED TUBING	103106	1
- 15	AS1581T06		..SLEEVE	103106	2
- 20	BACN10YA6N		..NUT- USED ON: 271N6441-1378	103106	2

MISSING ITEM NUMBERS NOT APPLICABLE

- ITEM NOT ILLUSTRATED

32-41-02-11

32-41-02  
FIG. 11  
PAGE 1  
JAN 20/09

BRI



757

PARTS CATALOG (MAINTENANCE)

FIG ITEM	PART NUMBER	1 2 3 4 5 6 7	NOMENCLATURE	EFFECT FROM TO	UNITS PER ASSY
11					
- 20	BACN10YA6L	. .	NUT- USED ON: 271N6441-1412	103106	2
30	AP1042JN0606	. ELBOW	SUPPLIER CODE: V01673 SPECIFICATION NUMBER: BACE21BT0606JN	103106	1

MISSING ITEM NUMBERS NOT APPLICABLE

- ITEM NOT ILLUSTRATED

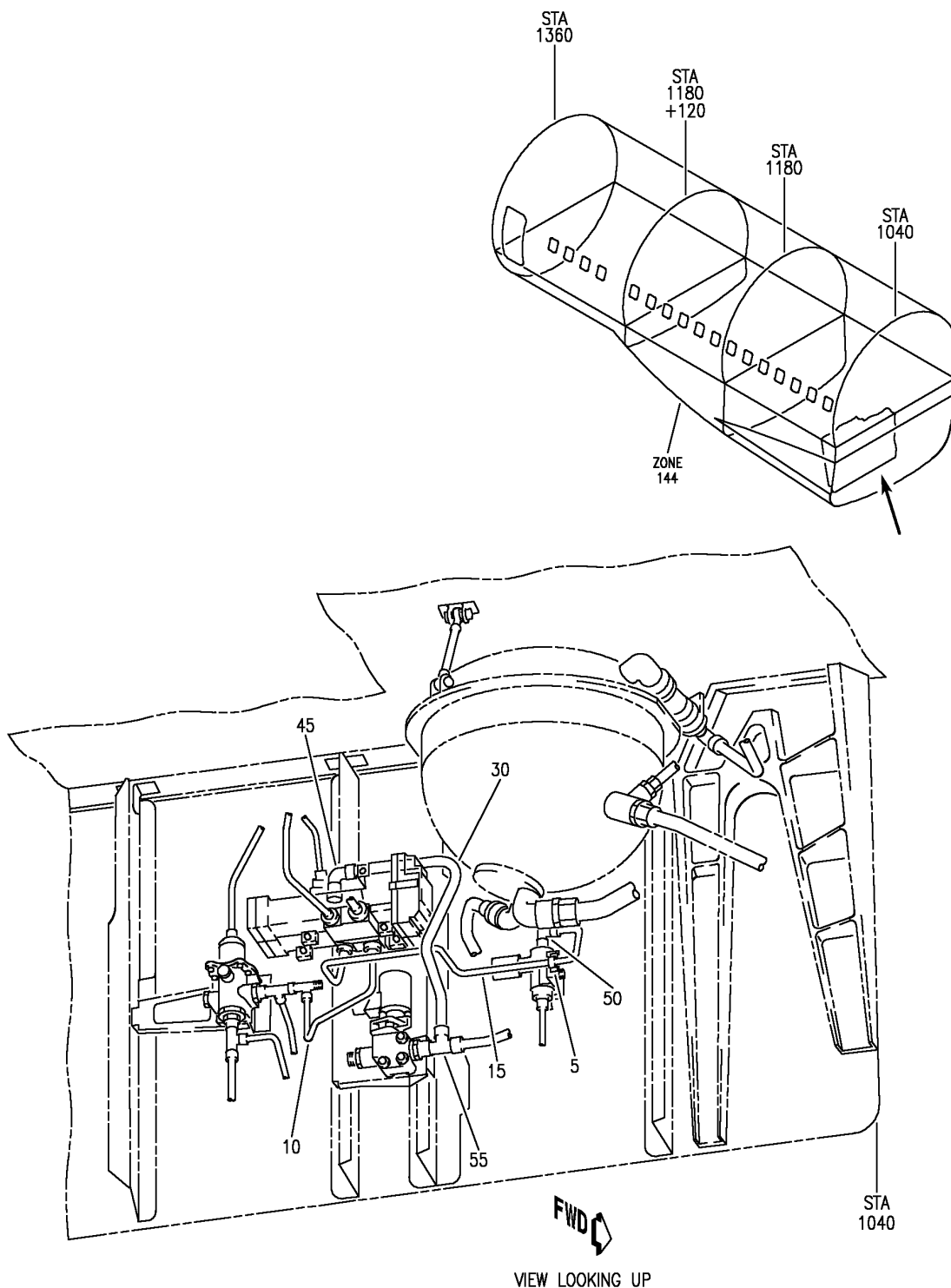
BRI

32-41-02-11

BOEING PROPRIETARY - Copyright © - Unpublished Work - See title page for details.

32-41-02  
FIG. 11  
PAGE 2  
JAN 20/09

**BOEING**  
757  
PARTS CATALOG (MAINTENANCE)



Y 32410212 REV 249

PLUMBING INSTL-MAIN WHL WELL BHD HYDR (BRAKE METERING VALVE MODULE ONLY)  
FIGURE 12

**32-41-02-12**

BRI  
JAN 20/09

32-41-02-12  
PAGE 0



757

PARTS CATALOG (MAINTENANCE)

FIG ITEM	PART NUMBER	1 2 3 4 5 6 7	NOMENCLATURE	EFFECT FROM TO	UNITS PER ASSY
12			PLUMBING INSTL-MAIN WHL WELL BHD HYDR (BRAKE METERING VALVE MODULE ONLY)	103106	
- 1	MODREF31486		PLUMBING INSTL-MAIN WHL WELL BHD HYDR (BRAKE METERING VALVE MODULE ONLY) MODULE NUMBER: 271N6441-41 REV B POSITION DATA: FWD FOR OTHER SYS DETAILS SEE: 11-22-06-05 27-11-14-12 29-11-27-02 29-11-51-39D 29-11-51-39E 29-22-01-02 32-35-10-02 32-42-02-03 32-42-02-04 32-42-09-02 32-42-10-02 32-44-03-03 32-44-06-02 FOR ADDITIONAL DETAILS SEE: 32-41-02-11 32-41-04-02	103106	1
5	TA0910004H106		.CLAMP SUPPLIER CODE: V84971 SPECIFICATION NUMBER: BACC10HB06C	103106	1
10	271N6441-1326		.TUBE ASSY-RETURN SYS TUBING MATERIAL: .375 IN. OD .019 IN. WALL 11.90 IN. LG TI BMS 7-234 TI-3AL-2.5V COLD WORKED, STRESS RELIEVED TUBING	103106	1
15	271N6441-1328		.TUBE ASSY-RETURN SYS TUBING MATERIAL: .375 IN. OD .019 IN. WALL 33.70 IN. LG TI BMS 7-234 TI-3AL-2.5V COLD WORKED, STRESS RELIEVED TUBING	103106	1
- 20	AS1581T06		..SLEEVE	103106	2

MISSING ITEM NUMBERS NOT APPLICABLE

- ITEM NOT ILLUSTRATED

32-41-02-12

32-41-02  
FIG. 12  
PAGE 1  
JAN 20/09

BRI



757

PARTS CATALOG (MAINTENANCE)

FIG ITEM	PART NUMBER	1 2 3 4 5 6 7	NOMENCLATURE	EFFECT FROM TO	UNITS PER ASSY
12					
- 25	BACN10YA6N		. . NUT	103106	2
30	271N6441-1373		. TUBE ASSY-RETURN SYS TUBING MATERIAL: .625 IN. OD .035 IN. WALL 23.80 IN. LG AL AMS 4083 6061 T6 TUBING	103106	1
- 35	AP2097HP10		. . SLEEVE SUPPLIER CODE: V01673 SPECIFICATION NUMBER: BACS13BX10HP OPTIONAL PART: 2-02903-10HP V11328 35235VN10 V08199 AFP175V10P V30974 DBOS13BX10HP V14798	103106	2
- 40	BACN10YL10		. . NUT	103106	2
45	NAS1762W1010		. ELBOW	103106	1
50	AP1042T0606		. ELBOW SUPPLIER CODE: V01673 SPECIFICATION NUMBER: BACE21BT0606T	103106	1
55	NAS1763W101010		. TEE	103106	1

MISSING ITEM NUMBERS NOT APPLICABLE

- ITEM NOT ILLUSTRATED

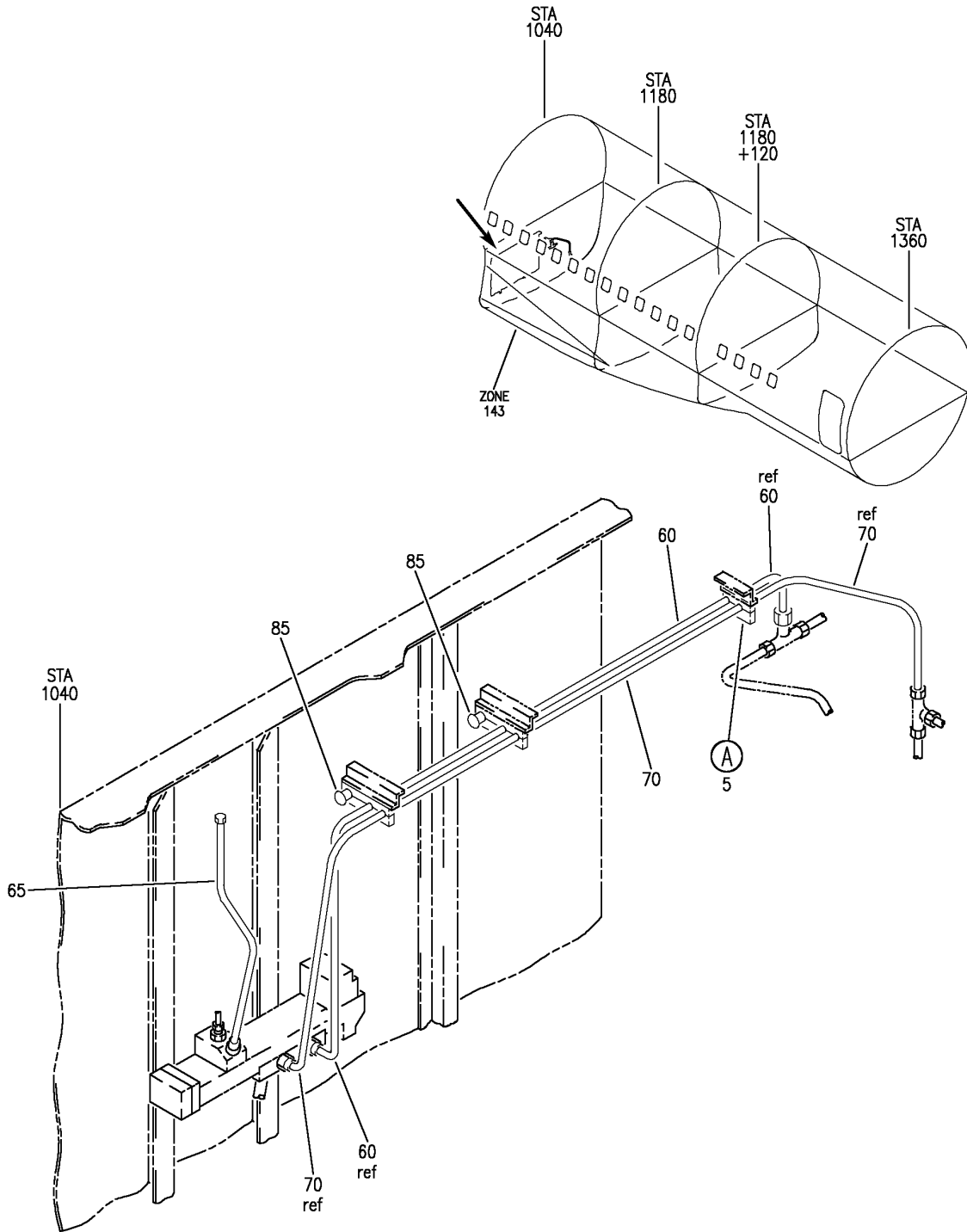
BRI

32-41-02-12

BOEING PROPRIETARY - Copyright © - Unpublished Work - See title page for details.

32-41-02  
FIG. 12  
PAGE 2  
JAN 20/09

**BOEING**  
757  
PARTS CATALOG (MAINTENANCE)



Y 32410213 SH1 1 REV 249

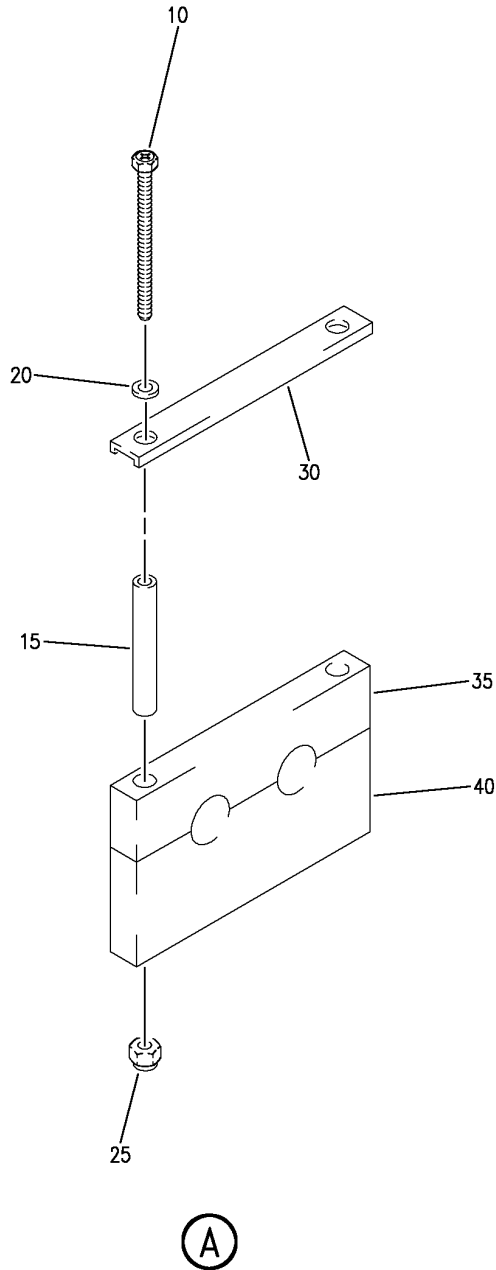
PLUMBING INSTL-MAIN WHL WELL BHD HYDR (BRAKE METERING VALVE MODULE ONLY)  
FIGURE 13 (SHEET 1)

BRI  
JAN 20/09

**32-41-02-13**

32-41-02-13  
PAGE 0

**BOEING**  
757  
PARTS CATALOG (MAINTENANCE)



Y 32410213 SH1 2 REV 249

PLUMBING INSTL-MAIN WHL WELL BHD HYDR (BRAKE METERING VALVE MODULE ONLY)  
FIGURE 13 (SHEET 2)

BRI  
JAN 20/09

**32-41-02-13**

32-41-02-13  
PAGE 0A





757

PARTS CATALOG (MAINTENANCE)

FIG ITEM	PART NUMBER	1 2 3 4 5 6 7	NOMENCLATURE	EFFECT FROM TO	UNITS PER ASSY
13			PLUMBING INSTL-MAIN WHL WELL BHD HYDR (BRAKE METERING VALVE MODULE ONLY)	103106	
- 1	MODREF31807		PLUMBING INSTL-MAIN WHL WELL BHD HYDR (BRAKE METERING VALVE MODULE ONLY) MODULE NUMBER: 271N6443-47 REV B FOR OTHER SYS DETAILS SEE: 11-22-06-02 27-51-26-02 29-11-18-05 29-11-29-03 29-11-51-07 FOR ADDITIONAL DETAILS SEE: 32-32-05-04 32-41-04-03 32-42-02-05 32-42-07-02	103106	1
5	270N2000-104		.CLAMP ASSY-BLK	103106	1
10	NAS1801-3-29		..SCREW	103106	2
15	NAS43DD3-79		..SPACER	103106	2
20	AN960PD10L		..WASHER	103106	2
25	BRH10A3		..NUT SUPPLIER CODE: V52828 SPECIFICATION NUMBER: BACN10JC3 OPTIONAL PART: H10-3BAC V15653 NS202101-02 V80539 RMLH9075-3W V72962 VN303A02 V92215 96-02 V80539 T6S1032J V11815	103106	2
30	270N2000-844		..CHANNEL	103106	1
35	270N2000-502		..BLOCK	103106	1
40	270N2000-538		..BLOCK	103106	1

MISSING ITEM NUMBERS NOT APPLICABLE

- ITEM NOT ILLUSTRATED

32-41-02-13

32-41-02  
FIG. 13  
PAGE 1  
JAN 20/09

BRI



757

PARTS CATALOG (MAINTENANCE)

FIG ITEM	PART NUMBER	1 2 3 4 5 6 7	NOMENCLATURE	EFFECT FROM TO	UNITS PER ASSY
13					
60	271N6443-1184	.	TUBE ASSY- TUBING MATERIAL: .375 IN. OD .019 IN. WALL 51.50 IN. LG TI BMS 7-234 TI03AL-2.5V COLD WORKED, STRESS RELIEVED TUBING	103106	1
65	271N6443-1218	.	TUBE ASSY- TUBING MATERIAL: .375 IN. OD .019 IN. WALL 10.70 IN. LG TI BMS 7-234 TI-3AL-2.5V COLD WORKED, STRESS RELIEVED TUBING	103106	1
70	271N6443-1220	.	TUBE ASSY- TUBING MATERIAL: .375 IN. OD .019 IN. WALL 60.70 IN. LG TI BMS 7-234 TI-3AL-2.5V COLD WORKED, STRESS RELIEVED TUBING	103106	1
- 75	AS1581T06	..	SLEEVE	103106	2
- 80	BACN10YA6	..	NUT	103106	2
85	270N0005-6	.	FILLER	103106	2

MISSING ITEM NUMBERS NOT APPLICABLE

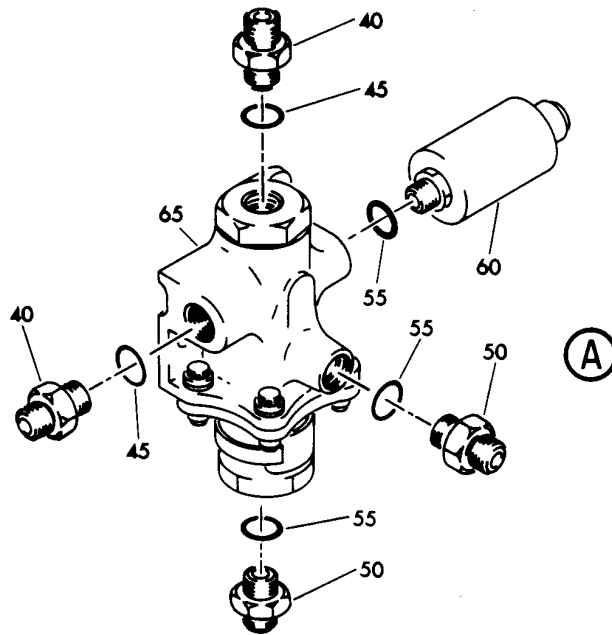
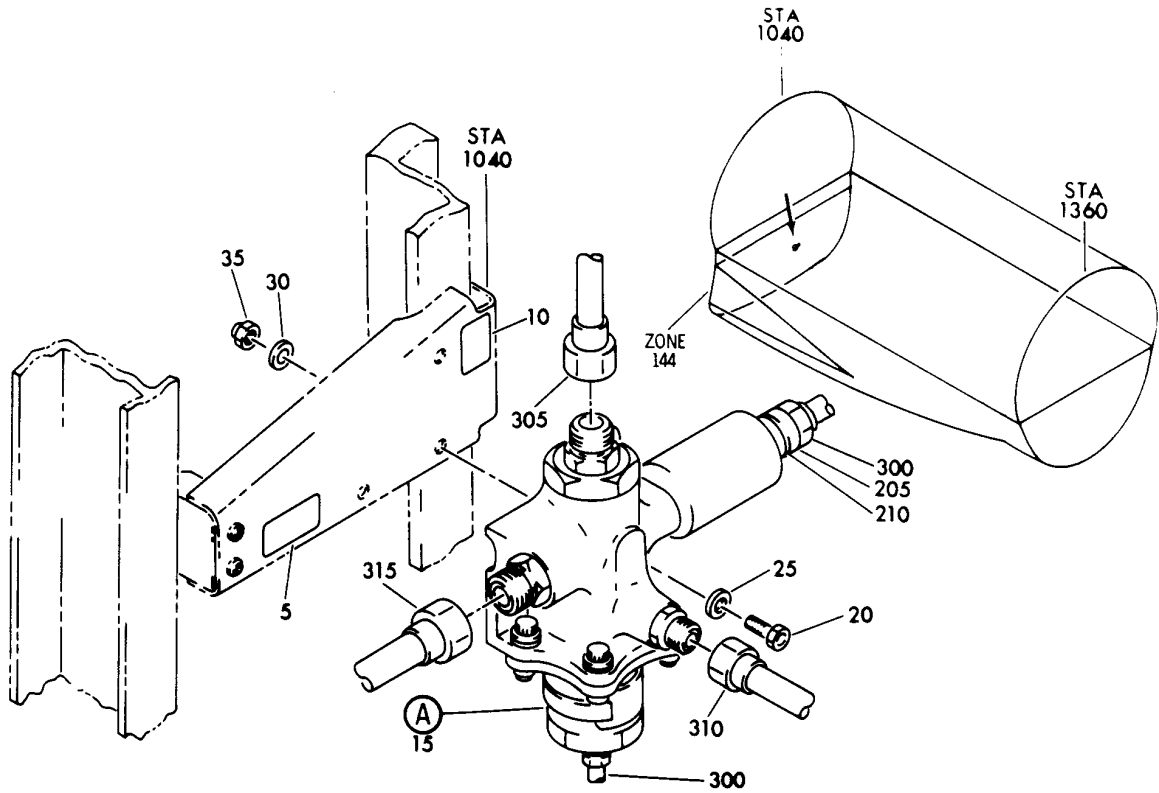
- ITEM NOT ILLUSTRATED

32-41-02-13

32-41-02  
FIG. 13  
PAGE 2  
JAN 20/09

BRI

**BOEING**  
757  
PARTS CATALOG (MAINTENANCE)



Y 32410401 SHT 1 REV 030

VALVE INSTL-ALTERNATE BRAKE SELECTOR  
FIGURE 1

**32-41-04-01**

BRI  
MAY 28/07

32-41-04-01  
PAGE 0



757

PARTS CATALOG (MAINTENANCE)

FIG ITEM	PART NUMBER	1 2 3 4 5 6 7	NOMENCLATURE	EFFECT FROM TO	UNITS PER ASSY
1			VALVE INSTL-ALTERNATE BRAKE SELECTOR	002004 006999	
- 1	274N1003-1		VALVE INSTL-ALTERNATE BRAKE SELECTOR FOR NHA SEE: 29-00-51-05	107107 904949	RF
- 1	274N1003-11		VALVE INSTL-ALTERNATE BRAKE SELECTOR FOR NHA SEE: 29-00-51-05	002004 006100	RF
- 1	274N1003-16		VALVE INSTL-ALTERNATE BRAKE SELECTOR FOR NHA SEE: 57-00-00-20	121503 950999	RF
- 1	274N1003-18		VALVE INSTL-ALTERNATE BRAKE SELECTOR FOR NHA SEE: 57-00-00-20	101102 504505	RF
- 1	MODREF8455		VALVE INSTL-ALTERNATE BRAKE SELECTOR MODULE NUMBER: 274N1003-18 REV A	108120 506903	RF
- 1	MODREF8455		VALVE INSTL-ALTERNATE BRAKE SELECTOR MODULE NUMBER: 274N1003-17 REV A	103106	1
- 2	274N1003-17		VALVE INSTL-ALTERNATE BRAKE SELECTOR FOR NHA SEE: 32-00-00-10	101102 108120 504903	RF
- 2	MODREF8454		VALVE INSTL-ALTERNATE BRAKE SELECTOR MODULE NUMBER: 274N1003-17 REV A	103106	1
5	BAC27NHY0021		.MARKER-ALUMINUM FOIL PLACARD CONTENT: ALTN BRAKE SELECTOR VALVE USED ON: 274N1003-1 274N1003-11 274N1003-16 274N1003-18 MODREF8455	002004 006999	1
10	BAC27NHY0149		.MARKER-ALUMINUM FOIL PLACARD CONTENT: S415 D2760J USED ON: 274N1003-1 274N1003-11 274N1003-16 274N1003-18 MODREF8455	002004 006999	1

MISSING ITEM NUMBERS NOT APPLICABLE

- ITEM NOT ILLUSTRATED

32-41-04-01

32-41-04  
FIG. 01  
PAGE 1  
JAN 20/09

BRI



757

PARTS CATALOG (MAINTENANCE)

FIG ITEM	PART NUMBER	1 2 3 4 5 6 7	NOMENCLATURE	EFFECT FROM TO	UNITS PER ASSY
1					
15	274N1003-6		.VALVE ASSY- COMPONENT MAINT MANUAL REF: 32-41-12	107107 904949	1
15	274N1003-7		.VALVE ASSY- COMPONENT MAINT MANUAL REF: 32-41-12	107107 904949	1
15	274N1003-8		.VALVE ASSY- COMPONENT MAINT MANUAL REF: 32-41-12	002004 006106 108903 950999	1
15	274N1003-10		.VALVE ASSY- USED ON: 274N1003-11 274N1003-17 MODREF8454	002004 006106 108903 950999	1
15	274N1003-13		.VALVE ASSY-	107107 904949	1
15	274N1003-15		.VALVE ASSY- USED ON: 274N1003-14 ATTACHING PARTS	107107 904949	1
20	BACB30NR4K6		.BOLT	002004 006999	3
25	BACW10BN4AC		.WASHER	002004 006999	3
30	BACW10BN4AP		.WASHER	002004 006999	3
35	BRH10C4D		.NUT SUPPLIER CODE: V52828 SPECIFICATION NUMBER: BACN10JC4CD OPTIONAL PART: T6C428JCD V11815 NS202486-048 V80539 102LH9075-4W V72962 H51650-4BAC V15653 -----*-----	002004 006999	3
40	BACU24K8		..UNION	002004 006999	2
40	MS21902-8T		..UNION	002004 006999	2
45	NAS1612-8		..PACKING- OPTIONAL PART: NAS1612-8A	002004 006999	2

MISSING ITEM NUMBERS NOT APPLICABLE

- ITEM NOT ILLUSTRATED

32-41-04-01

32-41-04  
FIG. 01  
PAGE 2  
JAN 20/09

BRI

BOEING PROPRIETARY - Copyright © - Unpublished Work - See title page for details.



757

PARTS CATALOG (MAINTENANCE)

FIG ITEM	PART NUMBER	1 2 3 4 5 6 7	NOMENCLATURE	EFFECT FROM TO	UNITS PER ASSY
1					
45	NAS1612-8A	..	PACKING- OPTIONAL PART: NAS1612-8	002004 006999	2
50	BACU24K6	..	UNION	002004 006999	2
50	MS21902-6T	..	UNION	002004 006999	2
55	NAS1612-6	..	PACKING- OPTIONAL PART: NAS1612-6A	002004 006999	3
55	NAS1612-6A	..	PACKING- OPTIONAL PART: NAS1612-6	002004 006999	3
60	211C223-296	..	SWITCH-PRESSURE HYDR SUPPLIER CODE: V02750 SPECIFICATION NUMBER: S271T452-8 ELECTRICAL EQUIP NUMBER: S00415 COMPONENT MAINT MANUAL REF: 29-09-02 OPTIONAL PART: 211C223-209 V02750 211C223-519 V02750	107107 904949	1
60	211C223-209	..	SWITCH-PRESSURE HYDR SUPPLIER CODE: V02750 SPECIFICATION NUMBER: S271T452-8 ELECTRICAL EQUIP NUMBER: S00415 COMPONENT MAINT MANUAL REF: 29-09-02 OPTIONAL PART: 211C223-296 V02750 211C223-519 V02750	107107 904949	1

MISSING ITEM NUMBERS NOT APPLICABLE

- ITEM NOT ILLUSTRATED

32-41-04-01

32-41-04  
FIG. 01  
PAGE 3  
JAN 20/09

BRI



757

PARTS CATALOG (MAINTENANCE)

FIG ITEM	PART NUMBER	1 2 3 4 5 6 7	NOMENCLATURE	EFFECT FROM TO	UNITS PER ASSY
1 60	211C223-327	..	SWITCH-PRESSURE SUPPLIER CODE: V02750 SPECIFICATION NUMBER: S271T452-15 ELECTRICAL EQUIP NUMBER: S00415 COMPONENT MAINT MANUAL REF: 29-09-03 OPTIONAL PART: 211C223-525 V02750	002004 006106 108903 950999	1
60	211C223-519	..	SWITCH-PRESSURE SUPPLIER CODE: V02750 SPECIFICATION NUMBER: S271T452-8 ELECTRICAL EQUIP NUMBER: S00415 COMPONENT MAINT MANUAL REF: 29-09-02 OPTIONAL PART: 211C223-296 V02750 211C223-209 V02750	107107 904949	1
60	211C223-525	..	SWITCH-PRESSURE SUPPLIER CODE: V02750 SPECIFICATION NUMBER: S271T452-15 ELECTRICAL EQUIP NUMBER: S00415 COMPONENT MAINT MANUAL REF: 29-09-06 OPTIONAL PART: 211C223-327 V02750	002004 006106 108903 950999	1
65	274N1051-2	..	VALVE ASSY- MISCELLANEOUS DATA: NOT AN INITIAL PROVISIONING SPARE COMPONENT MAINT MANUAL REF: 32-41-12 OPTIONAL PART: 274N1051-3 FOR DETAILS SEE: 32-41-12-01	002004 006999	1

MISSING ITEM NUMBERS NOT APPLICABLE

- ITEM NOT ILLUSTRATED

32-41-04-01

32-41-04  
FIG. 01  
PAGE 4  
JAN 20/09

BRI



757

PARTS CATALOG (MAINTENANCE)

FIG ITEM	PART NUMBER	1 2 3 4 5 6 7	NOMENCLATURE	EFFECT FROM TO	UNITS PER ASSY
1 65	274N1051-1		..VALVE ASSY- MISCELLANEOUS DATA: NOT AN INITIAL PROVISIONING SPARE COMPONENT MAINT MANUAL REF: 32-41-12 FOR DETAILS SEE: 32-41-12-01	002004 006999	1
65	274N1051-3		..VALVE ASSY- FUNCTIONAL DESCRIPTION: AUTOMATICALLY SELECTS THE SOURCE OF HYDRAULIC PRESSURE TO THE ALTERNATE BRAKE METERING VALVES IF THERE IS A LOSS OF PRESSURE IN HYDRAULICS MISCELLANEOUS DATA: NOT AN INITIAL PROVISIONING SPARE COMPONENT MAINT MANUAL REF: 32-41-12 FOR DETAILS SEE: 32-41-12-01	002004 006999	1
- 200	286N2514-004		WIRE BUNDLE ASSY	002004 006100 950999	RF
- 200	286N2514-005		WIRE BUNDLE ASSY-	107107 121503 904949	RF
205	GS3418-12CD		.CLAMP- SUPPLIER CODE: V06324 SPECIFICATION NUMBER: BACC10HG12 OPTIONAL PART: S2126-12-8 V07418 ELECTRICAL EQUIP NUMBER: D02760T WIRING DIAGRAM REF: 324212	002004 006100 107107 121503 904999	1

MISSING ITEM NUMBERS NOT APPLICABLE

- ITEM NOT ILLUSTRATED

32-41-04-01

32-41-04  
FIG. 01  
PAGE 5  
JAN 20/09

BRI





757

PARTS CATALOG (MAINTENANCE)

FIG ITEM	PART NUMBER	1 2 3 4 5 6 7	NOMENCLATURE	EFFECT FROM TO	UNITS PER ASSY
1	R071012R3S7L		.CONNECTOR-	002004	1
210			SUPPLIER CODE:	006100	
			V41118	107107	
			SPECIFICATION NUMBER:	121503	
			BACC63BP12R3S7L	904999	
			ELECTRICAL EQUIP NUMBER:		
		D02760			
			WIRING DIAGRAM REF:		
			324212		
300			ILLUSTRATION REFERENCE:		
			PLUMBING INSTL-MAIN WHL	002004	RF
			WELL FWD BHD HYDR	006100	
			(HYDRAULIC POWER ONLY)	107107	
			29-11-51-39	121503	
				904999	
305			ILLUSTRATION REFERENCE:		
			PLUMBING INSTL-SECT. 44	002004	RF
			R PRESSURE DECK HYDR	006100	
			(HYDRAULIC POWER ONLY)	107107	
			29-11-51-35	121503	
				904999	
310			ILLUSTRATION REFERENCE:		
			PLUMBING INSTL-SECT.44	002004	RF
			R PRESSURE DECK HYDR	006100	
			(LANDING GEAR CONTROL ONLY)	107107	
			32-31-51-22	121503	
				904999	
315			ILLUSTRATION REFERENCE:		
			PLUMBING INSTL-SECT. 44	002004	RF
			MLG WHL WELL HYDR	006100	
			(HYDRAULIC BRAKE SYSTEM ONLY)	107107	
			32-41-51-22	121503	
				904999	

MISSING ITEM NUMBERS NOT APPLICABLE

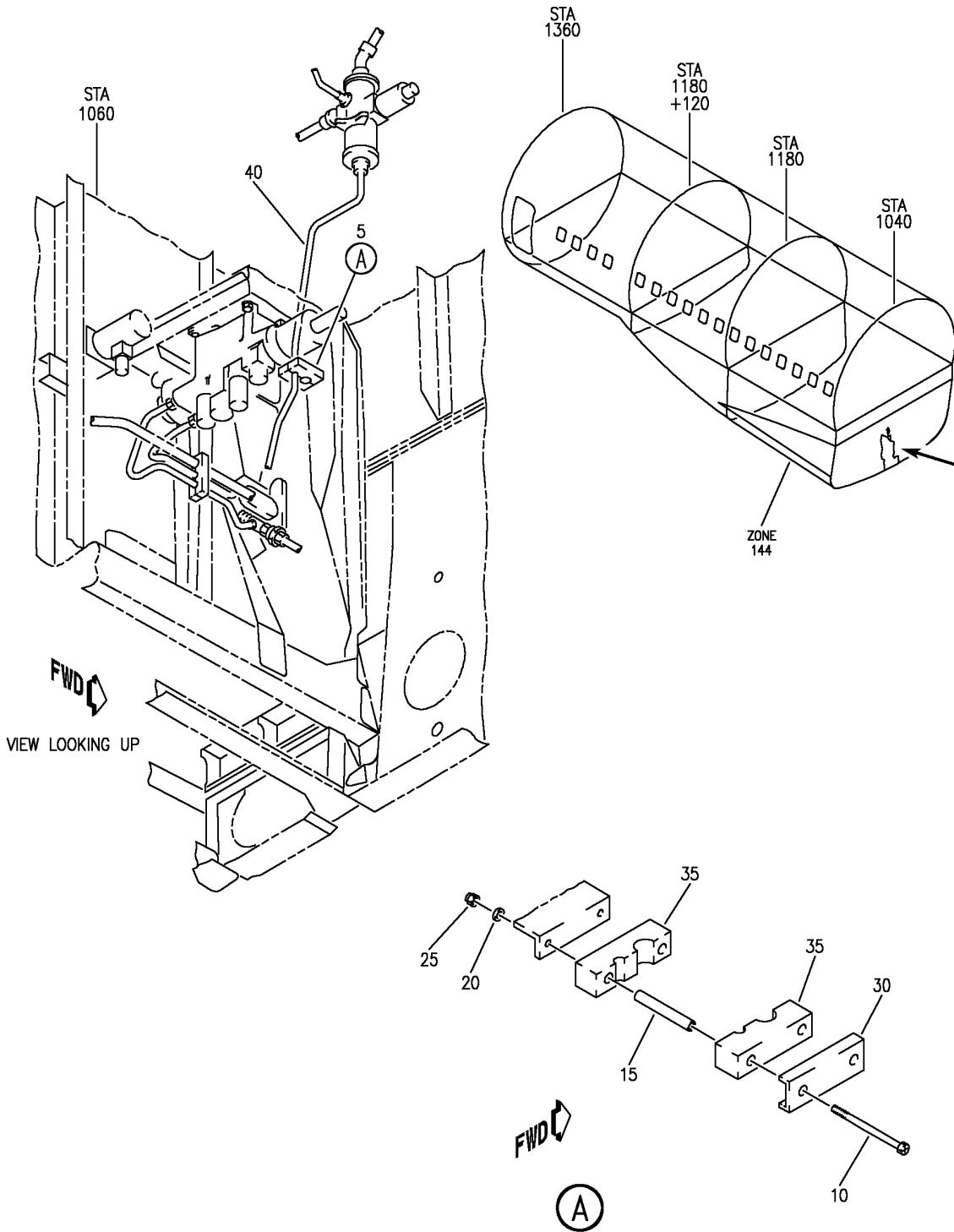
- ITEM NOT ILLUSTRATED

32-41-04-01

32-41-04  
FIG. 01  
PAGE 6  
JAN 20/09

BRI

**BOEING**  
757  
PARTS CATALOG (MAINTENANCE)



Y 32410402 REV 249

PLUMBING INSTL-MAIN WHL WELL BHD HYDR (ALTERNATE BRAKE SELECTOR VALVE ONLY)  
FIGURE 2

**32-41-04-02**

BRI  
JAN 20/09

32-41-04-02  
PAGE 0



757

PARTS CATALOG (MAINTENANCE)

FIG ITEM	PART NUMBER	1 2 3 4 5 6 7	NOMENCLATURE	EFFECT FROM TO	UNITS PER ASSY
2			PLUMBING INSTL-MAIN WHL WELL BHD HYDR (ALTERNATE BRAKE SELECTOR VALVE ONLY)	103106	
- 1	MODREF31486		PLUMBING INSTL-MAIN WHL WELL BHD HYDR (ALTERNATE BRAKE SELECTOR VALVE ONLY) MODULE NUMBER: 271N6441-41 REV B POSITION DATA: FWD FOR OTHER SYS DETAILS SEE: 11-22-06-05 27-11-14-12 29-11-27-02 29-11-51-39D 29-11-51-39E 29-22-01-02 32-35-10-02 32-42-02-03 32-42-02-04 32-42-09-02 32-42-10-02 32-44-03-03 32-44-06-02 FOR ADDITIONAL DETAILS SEE: 32-41-02-11 32-41-02-12	103106	1
5	270N2000-98		.CLAMP ASSY	103106	1
10	NAS1801-3-30		..SCREW	103106	2
15	NAS43DD3-83		..SPACER	103106	2
20	AN960PD10L		..WASHER	103106	2

MISSING ITEM NUMBERS NOT APPLICABLE

- ITEM NOT ILLUSTRATED

32-41-04-02

32-41-04  
FIG. 02  
PAGE 1  
JAN 20/09

BRI



757

PARTS CATALOG (MAINTENANCE)

FIG ITEM	PART NUMBER	1 2 3 4 5 6 7	NOMENCLATURE	EFFECT FROM TO	UNITS PER ASSY
2 25	BRH10A3	..	NUT SUPPLIER CODE: V52828 SPECIFICATION NUMBER: BACN10JC3 OPTIONAL PART: H10-3BAC V15653 NS202101-02 V80539 RMLH9075-3W V72962 VN303A02 V92215 96-02 V80539 T6S1032J V11815	103106	2
30	270N2000-887	..	CHANNEL	103106	1
35	270N2000-566	..	BLOCK	103106	2
40	271N6441-1082	.TUBE ASSY-RETURN SYS TUBING MATERIAL: .375 IN. OD .019 IN. WALL 32.90 IN. LG TI BMS 7-234 TI-3AL-2.5V COLD WORKED, STRESS RELIEVED TUBING	103106	1	
- 45	AS1581T06	..	SLEEVE	103106	2
- 50	BACN10YA6	..	NUT	103106	2

MISSING ITEM NUMBERS NOT APPLICABLE

- ITEM NOT ILLUSTRATED

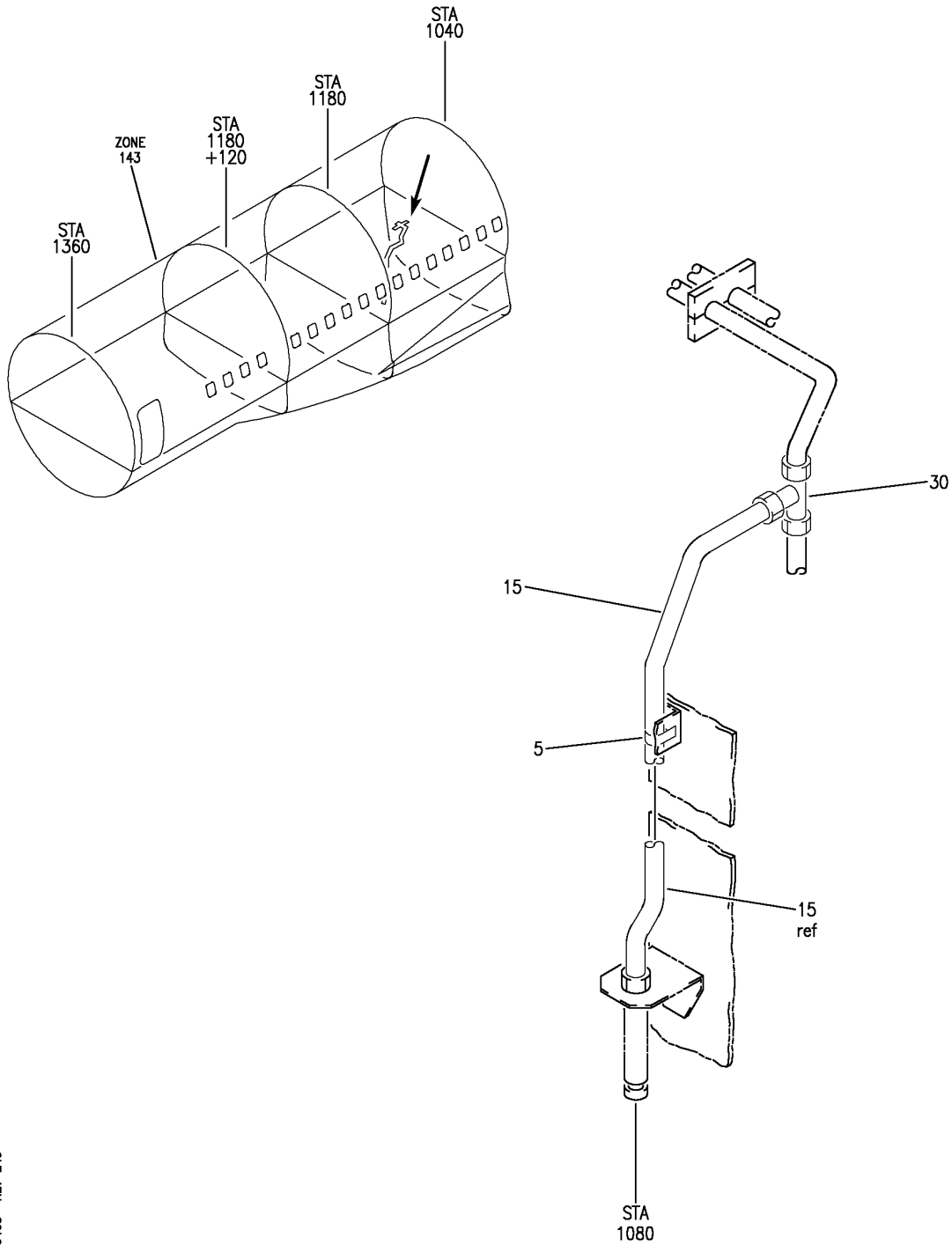
32-41-04-02

32-41-04  
FIG. 02  
PAGE 2  
JAN 20/09

BRI

BOEING PROPRIETARY - Copyright © - Unpublished Work - See title page for details.

**BOEING**  
757  
PARTS CATALOG (MAINTENANCE)



Y 32410403 REV 249

PLUMBING INSTL-MAIN WHL WELL BHD HYDR (ALTERNATE BRAKE SELECTOR VALVE ONLY)  
FIGURE 3

**32-41-04-03**

BRI  
JAN 20/09

32-41-04-03  
PAGE 0



757

PARTS CATALOG (MAINTENANCE)

FIG ITEM	PART NUMBER	1 2 3 4 5 6 7	NOMENCLATURE	EFFECT FROM TO	UNITS PER ASSY
3			PLUMBING INSTL-MAIN WHL WELL BHD HYDR (ALTERNATE BRAKE SELECTOR VALVE ONLY)	103106	
- 1	MODREF31807		PLUMBING INSTL-MAIN WHL WELL BHD HYDR (ALTERNATE BRAKE SELECTOR VALVE ONLY) MODULE NUMBER: 271N6443-47 REV B FOR OTHER SYS DETAILS SEE: 11-22-06-02 27-51-26-02 29-11-18-05 29-11-29-03 29-11-51-07 FOR ADDITIONAL DETAILS SEE: 32-32-05-04 32-41-02-13 32-42-02-05 32-42-07-02 ATTACHING PARTS	103106	1
5	M85052-2-6		.CLAMP -----*-----	103106	1
15	271N6443-1221		.TUBE ASSY- TUBING MATERIAL: .375 IN. OD .019 IN. WALL 24.50 IN. LG TI BMS 7-234 TI-3AL-2.5V COLD WORKED, STRESS RELIEVED TUBING	103106	1
- 20	AS1581T06		..SLEEVE	103106	2
- 25	BACN10YA6		..NUT	103106	2
30	BCREF116871		.TEE- OVERLENGTH PART NUMBER: BACT16BT060606JN	103106	1

MISSING ITEM NUMBERS NOT APPLICABLE

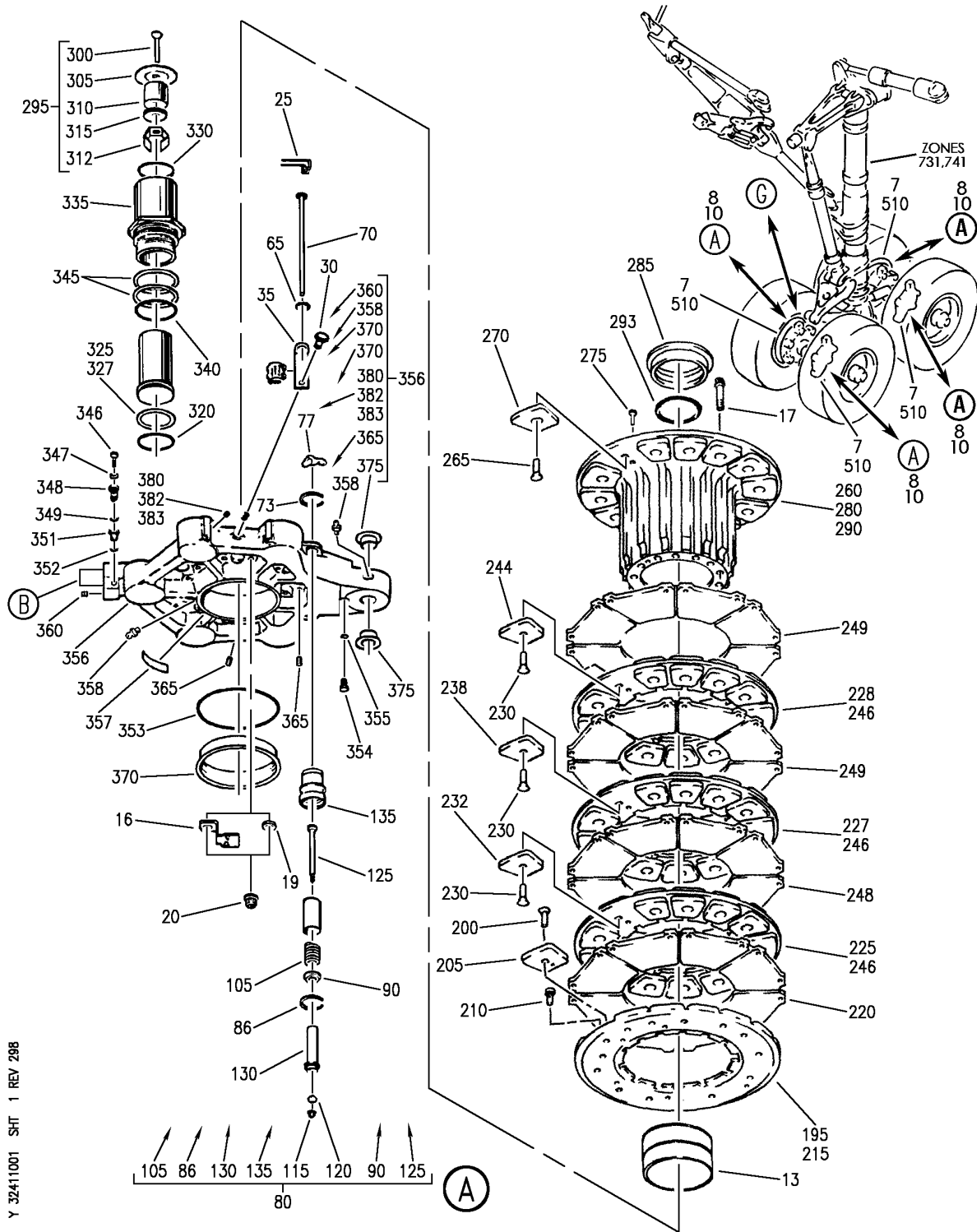
- ITEM NOT ILLUSTRATED

32-41-04-03

32-41-04  
FIG. 03  
PAGE 1  
JAN 20/09

BRI

**BOEING**  
757  
**PARTS CATALOG (MAINTENANCE)**



Y 32411001 SHT 1 REV 298

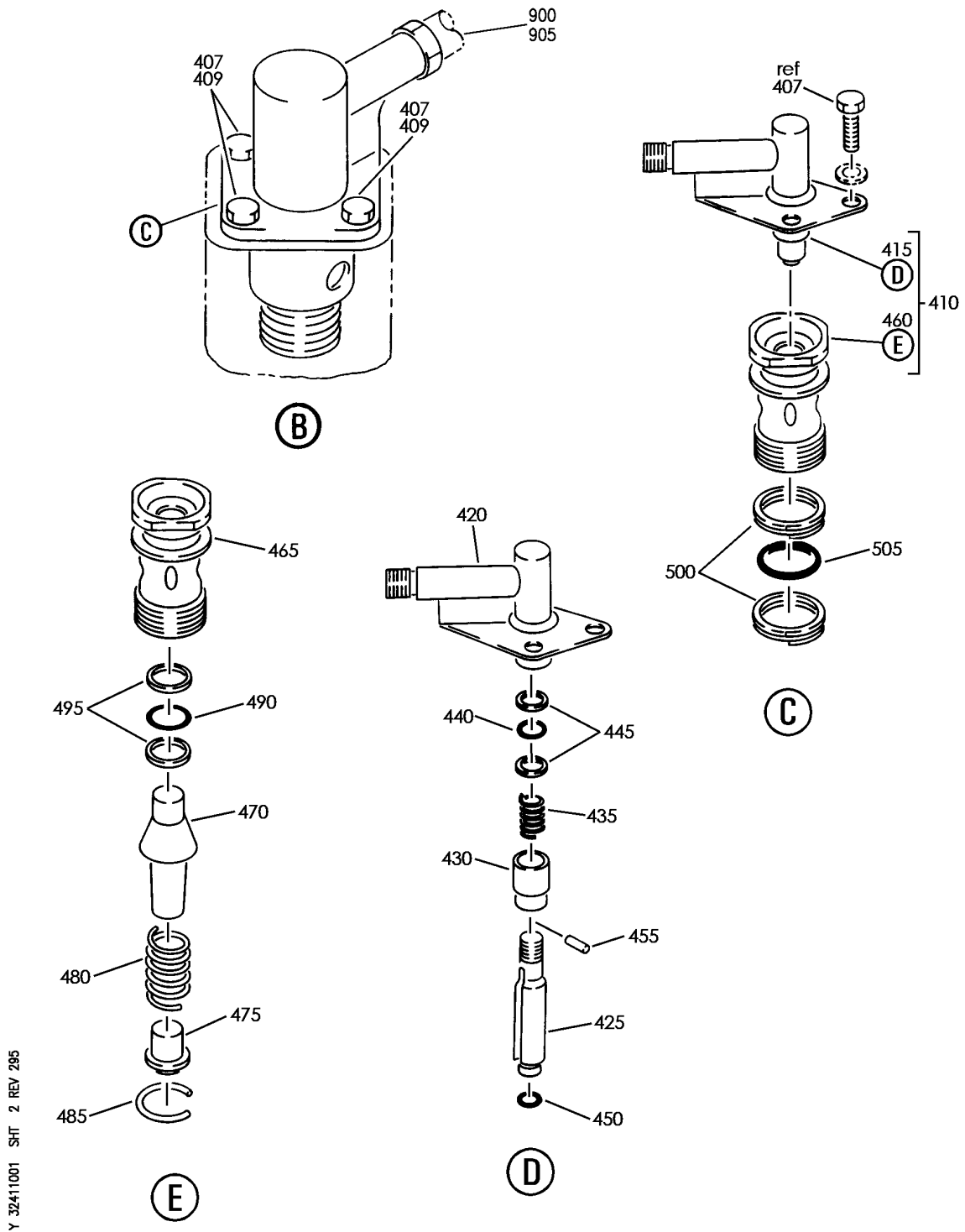
WHEEL AND BRAKE INSTL-MLG (HYDRAULIC BRAKE SYSTEM ONLY)  
FIGURE 1 (SHEET 1)

# 32-41-10-01

BRI  
MAY 28/07

32-41-10-01  
PAGE 0

**BOEING**  
757  
PARTS CATALOG (MAINTENANCE)



Y 32411001 SHT 2 REV 295

WHEEL AND BRAKE INSTL-MLG (HYDRAULIC BRAKE SYSTEM ONLY)  
FIGURE 1 (SHEET 2)

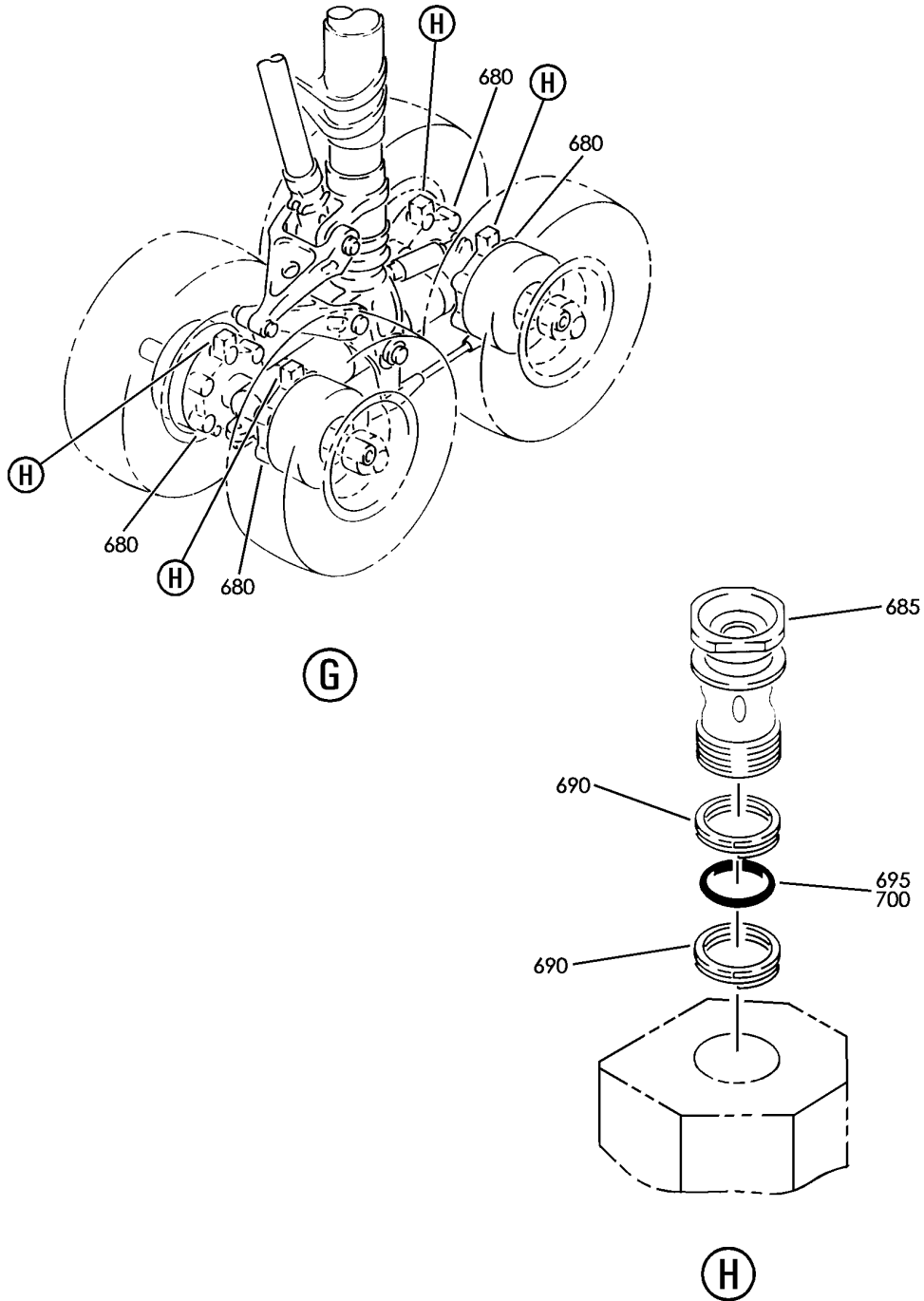
**32-41-10-01**

BRI  
MAY 28/07

32-41-10-01  
PAGE 0A



**BOEING**  
757  
PARTS CATALOG (MAINTENANCE)



Y 32411001 SHT 3 REV 220

WHEEL AND BRAKE INSTL-MLG (HYDRAULIC BRAKE SYSTEM ONLY)  
FIGURE 1 (SHEET 3)

**32-41-10-01**

BRI  
MAY 28/07

32-41-10-01  
PAGE 0B



757

PARTS CATALOG (MAINTENANCE)

FIG ITEM	PART NUMBER	1 2 3 4 5 6 7	NOMENCLATURE	EFFECT FROM TO	UNITS PER ASSY
1			WHEEL AND BRAKE INSTL-MLG (HYDRAULIC BRAKE SYSTEM ONLY)	002004 006102 107999	
- 1	160N0001-1		WHEEL AND BRAKE INSTL-MLG (HYDRAULIC BRAKE SYSTEM ONLY) POSITION DATA: LH FOR OTHER SYS DETAILS SEE: 32-42-06-01 32-45-01-01	002004 006100 107107 121503 904999	1
- 5	160N0001-2		WHEEL AND BRAKE INSTL-MLG (HYDRUALIC BRAKE SYSTEM ONLY) POSITION DATA: RH FOR OTHER SYS DETAILS SEE: 32-42-06-01 32-45-01-01	002004 006100 107107 121503 904999	1
7	AHA1301		.BRAKE ASSY- SUPPLIER CODE: VK1037 SPECIFICATION NUMBER: S160N020-1 COMPONENT MAINT MANUAL REF: 32-42-53 FOR DETAILS SEE: 32-41-10-50	002004 006100	4
7	AHA1637		.BRAKE ASSY- SUPPLIER CODE: VK1037 SPECIFICATION NUMBER: S160N020-5 COMPONENT MAINT MANUAL REF: 32-42-53 FOR DETAILS SEE: 32-41-10-50	002004 006100	4
7	AHA1676		.BRAKE ASSY- SUPPLIER CODE: VK1037 SPECIFICATION NUMBER: S160N020-7 COMPONENT MAINT MANUAL REF: 32-42-53 FOR DETAILS SEE: 32-41-10-50	002004 006100	4

MISSING ITEM NUMBERS NOT APPLICABLE

- ITEM NOT ILLUSTRATED

32-41-10-01

32-41-10  
FIG. 01  
PAGE 1  
JAN 20/09

BRI



757

PARTS CATALOG (MAINTENANCE)

FIG ITEM	PART NUMBER	1 2 3 4 5 6 7	NOMENCLATURE	EFFECT FROM TO	UNITS PER ASSY
1	7 AHA1693		.BRAKE ASSY- SUPPLIER CODE: VK1037 SPECIFICATION NUMBER: S160N020-8 COMPONENT MAINT MANUAL REF: 32-42-84 FOR DETAILS SEE: 32-41-10-50	002004 006100	4
	7 AHA1884		.BRAKE ASSY- SUPPLIER CODE: VK1037 SPECIFICATION NUMBER: S160N020-14 COMPONENT MAINT MANUAL REF: 32-42-98 FOR DETAILS SEE: 32-41-10-50	002004 006100	4
	10 2-1457		.BRAKE ASSY- SUPPLIER CODE: V97153 SPECIFICATION NUMBER: S160N010-43 COMPONENT MAINT MANUAL REF: 32-40-26 OPTIONAL PART: 2-1457-1 V97153 REWORKED BY SB: 2-1457-32-13 V97153	107107 121503 904952	4

MISSING ITEM NUMBERS NOT APPLICABLE

- ITEM NOT ILLUSTRATED

32-41-10-01

32-41-10  
FIG. 01  
PAGE 2  
JAN 20/09

BRI



757

PARTS CATALOG (MAINTENANCE)

FIG ITEM	PART NUMBER	1 2 3 4 5 6 7	NOMENCLATURE	EFFECT FROM TO	UNITS PER ASSY
1 10	2-1457-1		.BRAKE ASSY- SUPPLIER CODE: V97153 SPECIFICATION NUMBER: S160N010-45 COMPONENT MAINT MANUAL REF: 32-40-26 OPTIONAL PART: 2-1457 V97153 2-1457-2 V97153 SERVICE BULLETIN OPT DATA: 2-1457-2 V97153 POST SERVICE BULLETIN: 32-0126 32-0157R1 REWORKED BY SB: 2-1457-32-13 V97153	107107 121503 904999	4
10	2-1457-2		.BRAKE ASSY- SUPPLIER CODE: V97153 SPECIFICATION NUMBER: S160N010-46 COMPONENT MAINT MANUAL REF: 32-40-26 OPTIONAL PART: 2-1457-1 V97153 SERVICE BULLETIN OPT DATA: 2-1457-1 V97153 POST SERVICE BULLETIN: 32-0126 32-0157R1	107107 121503 904999	4
16	444-41		..BRACKET ASSY- SUPPLIER CODE: V97153	107107 121503 904999	2
17	MS21250-07016		..BOLT	107107 121503 904999	12
19	MS20002C7		..WASHER	107107 121503 904999	10

MISSING ITEM NUMBERS NOT APPLICABLE

- ITEM NOT ILLUSTRATED

32-41-10-01

32-41-10  
FIG. 01  
PAGE 3  
JAN 20/09

BRI

 **BOEING**  
757  
**PARTS CATALOG (MAINTENANCE)**

FIG ITEM	PART NUMBER	1 2 3 4 5 6 7	NOMENCLATURE	EFFECT FROM TO	UNITS PER ASSY
1					
20	42FLW720		..NUT-EXTERNAL WRENCHING SELF LOCKING SUPPLIER CODE: V97153 OPTIONAL PART: H20-7 V97153 ZEB1845-070 V97153	107107 121503 904999	12
20	ZEB1845-070		..NUT-SELF LOCKING SUPPLIER CODE: V72962 OPTIONAL PART: 42FLW720 V97153 H20-7 V97153	107107 121503 904999	12
20	H20-7		..NUT-SELF LOCKING SUPPLIER CODE: V72962 OPTIONAL PART: 42FLW720 V97153 ZEB1845-070 V97153	107107 121503 904999	12
25	53-224		..CLIP- SUPPLIER CODE: V97153	107107 121503 904999	2
30	AN4H3A		..BOLT- SUPPLIER CODE: V97153	953999	2
35	148-500		..BRACKET- SUPPLIER CODE: V97153	953999	2
- 57	89-13		..IDENTIFICATION TAG- SUPPLIER CODE: V97153 PLACARD CONTENT: "ALT WORN BRAKE RTO COMPLIANCE"	952952	1
65	MS35489-4		..GROMMET- CONFIG CHG DATA FROM A CMM: REPLD BY MS35489-4X	107107 121503 904999	2
65	MS35489-4X		..GROMMET- CONFIG CHG DATA FROM A CMM: REPLS MS35489-4	107107 121503 904999	2
70	20-520		..PIN-INDICATOR SUPPLIER CODE: V97153	953999	2

MISSING ITEM NUMBERS NOT APPLICABLE

- ITEM NOT ILLUSTRATED

BRI

# 32-41-10-01

32-41-10  
FIG. 01  
PAGE 4  
JAN 20/09

BOEING PROPRIETARY - Copyright © - Unpublished Work - See title page for details.



757

PARTS CATALOG (MAINTENANCE)

FIG ITEM	PART NUMBER	1 2 3 4 5 6 7	NOMENCLATURE	EFFECT FROM TO	UNITS PER ASSY
1					
73	5100-137	..	RING-RETAINING SUPPLIER CODE: V79136	953999	6
77	53-260	..	CLIP- SUPPLIER CODE: V97153 OPTIONAL PART: 53-227 V97153	107107 121503 904999	6
77	53-227	..	CLIP- SUPPLIER CODE: V97153 OPTIONAL PART: 53-260 V97153	107107 121503 904999	6
80	107-329	..	ADJUSTER ASSY- SUPPLIER CODE: V97153	107107 121503 904999	6
86	N5000-137	...	RING-RETAINING SUPPLIER CODE: V79136	107107 121503 904999	1
90	56-805	...	RETAINER- SUPPLIER CODE: V97153 SB DATA FROM A CMM: POST S.B. 412	107107 121503 904999	1
90	56-779	...	RETAINER- SUPPLIER CODE: V97153 SB DATA FROM A CMM: PRE S.B. 412	107107 121503 904999	1
- 100	113-133	...	GUIDE-SPR SUPPLIER CODE: V97153 SB DATA FROM A CMM: POST SB 32-5 BFG NO. 424	107107 121503 904999	6
105	40-611	...	SPRING- SUPPLIER CODE: V97153	107107 121503 904999	1
- 110	45-178	...	TUBE AND BALL ASSY- SUPPLIER CODE: V97153 CONFIG CHG DATA FROM A CMM: SUPSD BY 45-191	107107 121503 904999	1

MISSING ITEM NUMBERS NOT APPLICABLE

- ITEM NOT ILLUSTRATED

BRI

32-41-10-01

32-41-10  
FIG. 01  
PAGE 5  
JAN 20/09



757

PARTS CATALOG (MAINTENANCE)

FIG ITEM	PART NUMBER	1 2 3 4 5 6 7	NOMENCLATURE	EFFECT FROM TO	UNITS PER ASSY
1					
- 110	45-191		...TUBE AND BALL ASSY- SUPPLIER CODE: V97153 CONFIG CHG DATA FROM A CMM: SUPSDS 45-178	107107 121503 904999	1
115	FN12M02		....NUT- SUPPLIER CODE: V56878	107107 121503 904999	1
120	130-18		....BALL- SUPPLIER CODE: V97153	107107 121503 904999	1
125	20-531		....PIN-ADJUSTER SUPPLIER CODE: V97153 CONFIG CHG DATA FROM A CMM: REPLD BY 20-531-1	107107 121503 904999	1
125	20-531-1		....PIN-ADJUSTER SUPPLIER CODE: V97153 CONFIG CHG DATA FROM A CMM: REPLS 20-531	107107 121503 904999	1
130	45-172		....TUBE- SUPPLIER CODE: V97153 SB DATA FROM A CMM: PRE SB 412	107107 121503 904999	1
130	45-192		....TUBE- SUPPLIER CODE: V97153 SB DATA FROM A CMM: POST SB 412	107107 121503 904999	1
135	260-747		...HOUSING- SUPPLIER CODE: V97153	107107 121503 904999	1
195	262-68		..LINING ASSY-PRESSURE PLATE SUPPLIER CODE: V97153 SB DATA FROM A CMM: PRE SB 32-10, BFG NO. 471	107107 121503 904999	1

MISSING ITEM NUMBERS NOT APPLICABLE

- ITEM NOT ILLUSTRATED

32-41-10-01

32-41-10  
FIG. 01  
PAGE 6  
JAN 20/09

BRI



757

PARTS CATALOG (MAINTENANCE)

FIG ITEM	PART NUMBER	1 2 3 4 5 6 7	NOMENCLATURE	EFFECT FROM TO	UNITS PER ASSY
1 195	262-68-1		..LINING ASSY-PRESSURE PLATE SUPPLIER CODE: V97153 SB DATA FROM A CMM: POST SB 32-10, BFG NO. 471 USED ON: 2-1457-1	107107 121503 904999	1
195	262-74		..LINING ASSY-PRESSURE PLATE SUPPLIER CODE: V97153 CONFIG CHG DATA FROM A CMM: REPLD BY 262-96 USED ON: 2-1457-1	107107 121503 904952	1
195	262-96		..LINING ASSY-PRESSURE PLATE SUPPLIER CODE: V97153 CONFIG CHG DATA FROM A CMM: REPLS 262-74 USED ON: 2-1457-2 USED ON: 2-1457-1 2-1457-2	107107 121503 904952	1
200	78-206		...RIVET- SUPPLIER CODE: V97153 SB DATA FROM A CMM: PRE SB 32-4 BFG NO. 423	107107 121503 904999	13
200	78-205		...RIVET- SUPPLIER CODE: V97153 SB DATA FROM A CMM: POST SB 32-4 BFG NO. 423 PRE SB 32-10, BFG NO. 471 OPTIONAL PART: 78-268 V97153	107107 121503 904999	13

MISSING ITEM NUMBERS NOT APPLICABLE

- ITEM NOT ILLUSTRATED

32-41-10-01

32-41-10  
FIG. 01  
PAGE 7  
JAN 20/09

BRI





757

PARTS CATALOG (MAINTENANCE)

FIG ITEM	PART NUMBER	1 2 3 4 5 6 7	NOMENCLATURE	EFFECT FROM TO	UNITS PER ASSY
1 200	78-268		...RIVET- SUPPLIER CODE: V97153 OPTIONAL PART: 78-205 V97153 USED ON: 262-68	107107 121503 904999	13
200	78-94		...RIVET- SUPPLIER CODE: V97153 SB DATA FROM A CMM: POST SB 32-10 BFG NO. 471 OPTIONAL PART: 78-123 V97153	107107 121503 904952	13
200	78-123		...RIVET-SEMI-TUBULAR SUPPLIER CODE: V97153 OPTIONAL PART: 78-94 V97153	107107 121503 904952	13
205	342-114		...LINING- SUPPLIER CODE: V97153 SB DATA FROM A CMM: PRE SB 32-13, BGF NO. 560 CONFIG CHG DATA FROM A CMM: REPLD BY 342-114-1 SUPERSEDES 342-96 USED ON: 262-68-1	107107 121503 904999	13
205	342-118		...LINING- SUPPLIER CODE: V97153 SB DATA FROM A CMM: POST SB 32-13, BGF NO. 560 CONFIG CHG DATA FROM A CMM: REPLD BY 342-118-1 OPTIONAL PART: 342-118-1 V97153 342-119-1 V97153	107107 121503 904999	13

MISSING ITEM NUMBERS NOT APPLICABLE

- ITEM NOT ILLUSTRATED

32-41-10-01

32-41-10  
FIG. 01  
PAGE 8  
JAN 20/09

BRI



757

PARTS CATALOG (MAINTENANCE)

FIG ITEM	PART NUMBER	1 2 3 4 5 6 7	NOMENCLATURE	EFFECT FROM TO	UNITS PER ASSY
1 205	342-114-1		...LINING- SUPPLIER CODE: V97153 SB DATA FROM A CMM: PRE SB 32-13, BGF NO. 560 CONFIG CHG DATA FROM A CMM: REPLS 342-114 USED ON: 262-68-1	107107 121503 904999	13
205	342-118-1		...LINING- SUPPLIER CODE: V97153 CONFIG CHG DATA FROM A CMM: REPLS 342-118 OPTIONAL PART: 342-119-1 V97153 342-119 V97153	107107 121503 904999	13
205	342-119		...LINING- SUPPLIER CODE: V97153 CONFIG CHG DATA FROM A CMM: REPLD BY 342-119-1 OPTIONAL PART: 342-118-1 V97153	107107 121503 904999	13
205	342-119-1		...LINING- SUPPLIER CODE: V97153 CONFIG CHG DATA FROM A CMM: REPLS 342-119 OPTIONAL PART: 342-118-1 V97153	107107 121503 904999	13
210	170-202		...INSERT- SUPPLIER CODE: V97153	107107 121503 904999	2
215	93-801		...PLATE-PRESSURE SUPPLIER CODE: V97153 USED ON: 262-68 USED ON: 2-1457	107107 121503 904952	1
215	93-801-1		...PLATE-PRESSURE SUPPLIER CODE: V97153	107107 121503 904999	1

MISSING ITEM NUMBERS NOT APPLICABLE

- ITEM NOT ILLUSTRATED

32-41-10-01

32-41-10  
FIG. 01  
PAGE 9  
JAN 20/09

BRI



757

PARTS CATALOG (MAINTENANCE)

FIG ITEM	PART NUMBER	1 2 3 4 5 6 7	NOMENCLATURE	EFFECT FROM TO	UNITS PER ASSY
1 220	134-164		.. ROTOR- SUPPLIER CODE: V97153 CONFIG CHG DATA FROM A CMM: REPLD BY 134-241 OPTIONAL PART: 134-241 V97153	107107 121503 904999	1
220	134-165		.. ROTOR- SUPPLIER CODE: V97153 OPTIONAL PART: 134-366 V97153	107107 121503 904952	1
220	134-241		.. ROTOR- SUPPLIER CODE: V97153 CONFIG CHG DATA FROM A CMM: REPLS 134-164 REPLD BY 134-241-1 OPTIONAL PART: 134-164 V97153	107107 121503 904999	1
220	134-366		.. ROTOR- SUPPLIER CODE: V97153 OPTIONAL PART: 134-165 V97153	107107 121503 904952	1
220	134-241-1		.. ROTOR- SUPPLIER CODE: V97153 CONFIG CHG DATA FROM A CMM: REPLS 134-241	107107 121503 904999	1
225	244-565		.. CARRIER ASSY-LINING SEGMENTED SUPPLIER CODE: V97153 SB DATA FROM A CMM: PRE SB 32-10, BFG NO. 471	107107 121503 904999	1
225	244-565-1		.. CARRIER ASSY-LINING SEGMENTED SUPPLIER CODE: V97153 SB DATA FROM A CMM: POST SB 32-10, BFG NO. 471	107107 121503 904999	1

MISSING ITEM NUMBERS NOT APPLICABLE

- ITEM NOT ILLUSTRATED

32-41-10-01

32-41-10  
FIG. 01  
PAGE 10  
JAN 20/09

BRI



757

PARTS CATALOG (MAINTENANCE)

FIG ITEM	PART NUMBER	1 2 3 4 5 6 7	NOMENCLATURE	EFFECT FROM TO	UNITS PER ASSY
1					
225	244-591	..	CARRIER ASSY-LINING SEGMENTED SUPPLIER CODE: V97153 SB DATA FROM A CMM: POST SB 32-13, BFG NO. 560	107107 121503 904952	1
225	244-655	..	CARRIER ASSY-LINING SEGMENTED SUPPLIER CODE: V97153 SB DATA FROM A CMM: PRE SB 32-13, BFG NO. 560	107107 121503 904952	1
225	244-661	..	CARRIER ASSY-LINING SEGMENTED SUPPLIER CODE: V97153 SB DATA FROM A CMM: POST SB 32-13, BFG NO. 560	107107 121503 904952	1
227	244-565	..	CARRIER ASSY-LINING SEGMENTED SUPPLIER CODE: V97153 SB DATA FROM A CMM: PRE SB 32-10, BFG NO. 471	107107 121503 904999	1
227	244-565-1	..	CARRIER ASSY-LINING SEGMENTED SUPPLIER CODE: V97153 SB DATA FROM A CMM: POST SB 32-10, BFG NO. 471	107107 121503 904999	1
227	244-591	..	CARRIER ASSY-LINING SEGMENTED SUPPLIER CODE: V97153 SB DATA FROM A CMM: PRE SB 32-13, BFG NO. 560	107107 121503 904952	1
227	244-662	..	CARRIER ASSY-LINING SEGMENTED SUPPLIER CODE: V97153 SB DATA FROM A CMM: POST SB 32-10, BFG NO. 471	107107 121503 904952	1

MISSING ITEM NUMBERS NOT APPLICABLE

- ITEM NOT ILLUSTRATED

32-41-10-01

32-41-10  
FIG. 01  
PAGE 11  
JAN 20/09

BRI



757

PARTS CATALOG (MAINTENANCE)

FIG ITEM	PART NUMBER	1 2 3 4 5 6 7	NOMENCLATURE	EFFECT FROM TO	UNITS PER ASSY
1					
228	244-565		..CARRIER ASSY-LINING SEGMENTED SUPPLIER CODE: V97153 SB DATA FROM A CMM: PRE SB 32-10, BFG NO. 471	107107 121503 904999	1
228	244-565-1		..CARRIER ASSY-LINING SEGMENTED SUPPLIER CODE: V97153 SB DATA FROM A CMM: POST SB 32-10, BFG NO. 471	107107 121503 904999	1
228	244-591		..CARRIER ASSY-LINING SEGMENTED SUPPLIER CODE: V97153 CONFIG CHG DATA FROM A CMM: SUPSD BY 244-656	107107 121503 904952	1
228	244-656		..CARRIER ASSY-LINING SEGMENTED SUPPLIER CODE: V97153 SB DATA FROM A CMM: PRE SB 32-13, BFG NO. 560 CONFIG CHG DATA FROM A CMM: SUPERSEDES 244-591	107107 121503 904952	1
228	244-664		..CARRIER ASSY-LINING SEGMENTED SUPPLIER CODE: V97153 SB DATA FROM A CMM: POST SB 32-13, BFG NO. 560	107107 121503 904952	1
230	78-205		...RIVET- SUPPLIER CODE: V97153 SB DATA FROM A CMM: PRE SB 32-4 BFG NO. 423	107107 121503 904999	39
230	78-260		...RIVET- SUPPLIER CODE: V97153 OPTIONAL PART: 78-236 USED ON: 244-565	107107 121503 904999	39

MISSING ITEM NUMBERS NOT APPLICABLE

- ITEM NOT ILLUSTRATED

32-41-10-01

32-41-10  
FIG. 01  
PAGE 12  
JAN 20/09

BRI



757

PARTS CATALOG (MAINTENANCE)

FIG ITEM	PART NUMBER	1 2 3 4 5 6 7	NOMENCLATURE	EFFECT FROM TO	UNITS PER ASSY
1 230	78-107		...RIVET- SUPPLIER CODE: V97153 OPTIONAL PART: 78-129 V97153 USED ON: 244-565-1 244-591 244-655	107107 121503 904952	39
230	78-236		...RIVET- SUPPLIER CODE: V97153 SB DATA FROM A CMM: POST SB 32-4 BFG NO. 423 OPTIONAL PART: 78-260 USED ON: 244-591 244-655 244-656 244-661 244-662 244-664	107107 121503 904999	39
230	78-129		...RIVET-SEMI-TUBULAR SUPPLIER CODE: V97153 OPTIONAL PART: 78-107 V97153	107107 121503 904952	39
232	342-114		...LINING- SUPPLIER CODE: V97153 CONFIG CHG DATA FROM A CMM: REPLD BY 342-114-1 SUPERSEDES 342-96 USED ON: 244-565	107107 121503 904999	26
232	342-114-1		...LINING- SUPPLIER CODE: V97153 SB DATA FROM A CMM: PRE SB 32-13 BFG NO. 560 CONFIG CHG DATA FROM A CMM: REPLS 342-114 USED ON: 244-565	107107 121503 904999	26

MISSING ITEM NUMBERS NOT APPLICABLE

- ITEM NOT ILLUSTRATED

32-41-10-01

32-41-10  
FIG. 01  
PAGE 13  
JAN 20/09

BRI



757

PARTS CATALOG (MAINTENANCE)

FIG ITEM	PART NUMBER	1 2 3 4 5 6 7	NOMENCLATURE	EFFECT FROM TO	UNITS PER ASSY
1					
- 234	342-117	...	LINING- SUPPLIER CODE: V97153 SB DATA FROM A CMM: POST SB 32-13 BFG NO. 560 CONFIG CHG DATA FROM A CMM: REPLD BY 342-117-1	107107 121503 904999	13
- 234	342-117-1	...	LINING- SUPPLIER CODE: V97153 CONFIG CHG DATA FROM A CMM: REPLS 342-117	107107 121503 904999	13
- 236	342-118	...	LINING- SUPPLIER CODE: V97153 SB DATA FROM A CMM: POST SB 32-13 BFG NO. 560 CONFIG CHG DATA FROM A CMM: REPLD BY 342-118-1	107107 121503 904999	13
- 236	342-118-1	...	LINING- SUPPLIER CODE: V97153 CONFIG CHG DATA FROM A CMM: REPLS 342-118	107107 121503 904999	13
238	342-114	...	LINING- SUPPLIER CODE: V97153 SB DATA FROM A CMM: PRE SB 32-13 BFG NO. 560 CONFIG CHG DATA FROM A CMM: REPLD BY 342-114-1 USED ON: 244-565	107107 121503 904999	26
238	342-114-1	...	LINING- SUPPLIER CODE: V97153 CONFIG CHG DATA FROM A CMM: REPLS 342-114 USED ON: 244-565	107107 121503 904999	26

MISSING ITEM NUMBERS NOT APPLICABLE

- ITEM NOT ILLUSTRATED

32-41-10-01

32-41-10  
FIG. 01  
PAGE 14  
JAN 20/09

BRI



757

PARTS CATALOG (MAINTENANCE)

FIG ITEM	PART NUMBER	1 2 3 4 5 6 7	NOMENCLATURE	EFFECT FROM TO	UNITS PER ASSY
1					
- 240	342-116	...	LINING- SUPPLIER CODE: V97153 SB DATA FROM A CMM: POST SB 32-13, BFG NO. 560 CONFIG CHG DATA FROM A CMM: REPLD BY 342-116-1	107107 121503 904999	13
- 240	342-116-1	...	LINING- SUPPLIER CODE: V97153 CONFIG CHG DATA FROM A CMM: REPLS 342-116	107107 121503 904999	13
- 242	342-117	...	LINING- SUPPLIER CODE: V97153 SB DATA FROM A CMM: POST SB 32-13, BFG NO. 560 CONFIG CHG DATA FROM A CMM: REPLD BY 342-117-1	107107 121503 904999	13
- 242	342-117-1	...	LINING- SUPPLIER CODE: V97153 CONFIG CHG DATA FROM A CMM: REPLS 342-117 SUPERSEDES 342-96	107107 121503 904999	13
244	342-114	...	LINING- SUPPLIER CODE: V97153 SB DATA FROM A CMM: PRE SB 32-13, BFG NO. 560 CONFIG CHG DATA FROM A CMM: REPLD BY 342-114-1 USED ON: 244-565	107107 121503 904999	26
244	342-114-1	...	LINING- SUPPLIER CODE: V97153 CONFIG CHG DATA FROM A CMM: REPLS 342-114 USED ON: 244-565	107107 121503 904999	26

MISSING ITEM NUMBERS NOT APPLICABLE

- ITEM NOT ILLUSTRATED

32-41-10-01

32-41-10  
FIG. 01  
PAGE 15  
JAN 20/09

BRI





757

PARTS CATALOG (MAINTENANCE)

FIG ITEM	PART NUMBER	1 2 3 4 5 6 7	NOMENCLATURE	EFFECT FROM TO	UNITS PER ASSY
1 244	342-116		...LINING- SUPPLIER CODE: V97153 SB DATA FROM A CMM: POST SB 32-13, BFG NO. 560 CONFIG CHG DATA FROM A CMM: REPLD BY 342-116-1 SUPERSEDES 342-96	107107 121503 904999	26
244	342-116-1		...LINING- SUPPLIER CODE: V97153 CONFIG CHG DATA FROM A CMM: REPLS 342-116	107107 121503 904999	26
246	261-505		...CARRIER- SUPPLIER CODE: V97153 SB DATA FROM A CMM: PRE SB 32-10 BFG NO. 471 CONFIG CHG DATA FROM A CMM: SUPSD BY 261-505-2	107107 121503 904999	3
246	261-505-2		...CARRIER- SUPPLIER CODE: V97153 SB DATA FROM A CMM: POST SB 32-10 BFG NO. 471 CONFIG CHG DATA FROM A CMM: SUPERSEDES 261-505	107107 121503 904999	3
248	134-163		..ROTOR- SUPPLIER CODE: V97153 CONFIG CHG DATA FROM A CMM: REPLD BY 134-242 OPTIONAL PART: 134-242 V97153	107107 121503 904999	1
248	134-164		..ROTOR- SUPPLIER CODE: V97153 OPTIONAL PART: 134-241 V97153	107107 121503 904952	1

MISSING ITEM NUMBERS NOT APPLICABLE

- ITEM NOT ILLUSTRATED

32-41-10-01

32-41-10  
FIG. 01  
PAGE 16  
JAN 20/09

BRI



757

PARTS CATALOG (MAINTENANCE)

FIG ITEM	PART NUMBER	1 2 3 4 5 6 7	NOMENCLATURE	EFFECT FROM TO	UNITS PER ASSY
1 248	134-242		.. ROTOR- SUPPLIER CODE: V97153 CONFIG CHG DATA FROM A CMM: REPLS 134-163 REPLD BY 134-242-1 OPTIONAL PART: 134-163 V97153	107107 121503 904951 953999	1
248	134-241		.. ROTOR- SUPPLIER CODE: V97153 OPTIONAL PART: 134-164 V97153	107107 121503 904952	1
248	134-242-1		.. ROTOR-ALTERNATING LINK SUPPLIER CODE: V97153 CONFIG CHG DATA FROM A CMM: REPLS 134-242	107107 121503 904951 953999	1
249	134-163		.. ROTOR- SUPPLIER CODE: V97153 CONFIG CHG DATA FROM A CMM: REPLD BY 134-242-1 OPTIONAL PART: 134-242 V97153	107107 121503 904999	2
249	134-242		.. ROTOR- SUPPLIER CODE: V97153 OPTIONAL PART: 134-163 V97153 PRE SERVICE BULLETIN: 1792 V97153	107107 121503 904952	2
249	134-242-1		.. ROTOR- SUPPLIER CODE: V97153 CONFIG CHG DATA FROM A CMM: REPLS 134-163	107107 121503 904999	2

MISSING ITEM NUMBERS NOT APPLICABLE

- ITEM NOT ILLUSTRATED

BRI

32-41-10-01

BOEING PROPRIETARY - Copyright © - Unpublished Work - See title page for details.

32-41-10  
FIG. 01  
PAGE 17  
JAN 20/09



757

PARTS CATALOG (MAINTENANCE)

FIG ITEM	PART NUMBER	1 2 3 4 5 6 7	NOMENCLATURE	EFFECT FROM TO	UNITS PER ASSY
1 260	264-39		..LINING ASSY-TORQUE PLATE 4140 STEEL SUPPLIER CODE: V97153 SB DATA FROM A CMM: PRE SB 32-10, BFG NO. 471 USED ON: 2-1457 USED ON: 2-1475	107107 121503 904952	1
260	264-39-2		..LINING ASSY-TORQUE PLATE 17-22 STEEL SUPPLIER CODE: V97153 SB DATA FROM A CMM: PRE SB 32-10, BFG NO. 471 USED ON: 2-1457-1	107107 121503 904999	1
260	264-39-3		..LINING ASSY-TORQUE PLATE 17-22 STEEL SUPPLIER CODE: V97153 SB DATA FROM A CMM: POST SB 32-10, BFG NO. 471 CONFIG CHG DATA FROM A CMM: REPLD BY 264-39-4 REPLS 264-39-1 USED ON: 2-1457-1	107107 121503 904999	1
260	264-39-1		..LINING ASSY-TORQUE PLATE 4140 STEEL SUPPLIER CODE: V97153 SB DATA FROM A CMM: POST SB 32-10, BFG NO. 471 CONFIG CHG DATA FROM A CMM: REPLD BY 264-39-3 USED ON: 2-1457-1	107107 121503 904999	1

MISSING ITEM NUMBERS NOT APPLICABLE

- ITEM NOT ILLUSTRATED

32-41-10-01

32-41-10  
FIG. 01  
PAGE 18  
JAN 20/09

BRI



757

PARTS CATALOG (MAINTENANCE)

FIG ITEM	PART NUMBER	1 2 3 4 5 6 7	NOMENCLATURE	EFFECT FROM TO	UNITS PER ASSY
1 260	264-43		..LINING ASSY-TORQUE PLATE 17-22 STEEL SUPPLIER CODE: V97153 SB DATA FROM A CMM: POST SB 32-10, BFG NO. 560 CONFIG CHG DATA FROM A CMM: REPLD BY 264-43-1 USED ON: 2-1457-1	107107 121503 904952	1
260	264-63		..LINING ASSY-TORQUE PLATE 17-22 STEEL SUPPLIER CODE: V97153 SB DATA FROM A CMM: POST SB 471 CONFIG CHG DATA FROM A CMM: REPLS 264-66 OPTIONAL PART: 264-43-1 V97153 264-66 V97153 USED ON: 2-1457-2 USED ON: 2-1457-1	107107 121503 904999	1
260	264-39-4		..LINING ASSY-TORQUE PLATE 17-22 STEEL SUPPLIER CODE: V97153 SB DATA FROM A CMM: PRE SB 32-10, BFG NO. 471 CONFIG CHG DATA FROM A CMM: REPLS 264-39-3 USED ON: 2-1457-1	107107 121503 904999	1

MISSING ITEM NUMBERS NOT APPLICABLE

- ITEM NOT ILLUSTRATED

32-41-10-01

32-41-10  
FIG. 01  
PAGE 19  
JAN 20/09

BRI



757

PARTS CATALOG (MAINTENANCE)

FIG ITEM	PART NUMBER	1 2 3 4 5 6 7	NOMENCLATURE	EFFECT FROM TO	UNITS PER ASSY
1 260	264-43-1		..LINING ASSY-TORQUE PLATE 17-22 STEEL SUPPLIER CODE: V97153 CONFIG CHG DATA FROM A CMM: REPLS 264-43 OPTIONAL PART: 264-63 V97153 USED ON: 2-1457-2 USED ON: 2-1457-1	107107 121503 904999	1
260	264-66		..LINING ASSY-TORQUE PLATE 17-22 STEEL SUPPLIER CODE: V97153 SB DATA FROM A CMM: POST SB 32-10, BFG NO. 560 CONFIG CHG DATA FROM A CMM: REPLD BY 264-63 OPTIONAL PART: 264-63 V97153 USED ON: 2-1457-2 USED ON: 2-1457-1	107107 121503 904999	1
265	78-206		...RIVET- SUPPLIER CODE: V97153 SB DATA FROM A CMM: PRE SB 32-4 BFG NO. 423 OPTIONAL PART: 78-268 V97153	107107 121503 904999	13
265	78-205		...RIVET- SUPPLIER CODE: V97153 SB DATA FROM A CMM: POST SB 32-4 BFG NO. 423 OPTIONAL PART: 78-268 V97153	107107 121503 904999	13

MISSING ITEM NUMBERS NOT APPLICABLE

- ITEM NOT ILLUSTRATED

32-41-10-01

32-41-10  
 FIG. 01  
 PAGE 20  
 JAN 20/09

BRI



757

PARTS CATALOG (MAINTENANCE)

FIG ITEM	PART NUMBER	1 2 3 4 5 6 7	NOMENCLATURE	EFFECT FROM TO	UNITS PER ASSY
1 265	78-268		...RIVET- SUPPLIER CODE: V97153 SB DATA FROM A CMM: PRE SB 32-10 BFG NO. 471 OPTIONAL PART: 78-206 V97153 78-205 V97153 MS20427F6-7 USED ON: 264-39	107107 121503 904999	13
265	MS20427F6-7		...RIVET- OPTIONAL PART: 78-268 V97153	107107 121503 904999	13
265	78-94		...RIVET- SUPPLIER CODE: V97153 SB DATA FROM A CMM: POST SB 32-10 BFG NO. 471 OPTIONAL PART: 78-132 V97153 USED ON: 264-39-1 264-39-2 264-39-3 264-39-4 264-43 264-63 264-66	107107 121503 904999	13
265	78-132		...RIVET-SEMI-TUBULAR SUPPLIER CODE: V97153 OPTIONAL PART: 78-94 V97153	107107 121503 904999	AR

MISSING ITEM NUMBERS NOT APPLICABLE

- ITEM NOT ILLUSTRATED

BRI

32-41-10-01

BOEING PROPRIETARY - Copyright © - Unpublished Work - See title page for details.

32-41-10  
FIG. 01  
PAGE 21  
JAN 20/09



757

PARTS CATALOG (MAINTENANCE)

FIG ITEM	PART NUMBER	1 2 3 4 5 6 7	NOMENCLATURE	EFFECT FROM TO	UNITS PER ASSY
1 270	342-116	...	LINING- SUPPLIER CODE: V97153 CONFIG CHG DATA FROM A CMM: REPLD BY 342-116-1 USED ON: 264-43 264-63 264-66	107107 121503 904952	13
270	342-114	...	LINING- SUPPLIER CODE: V97153 CONFIG CHG DATA FROM A CMM: REPLD BY 342-114-1 USED ON: 264-39-1 264-39-3 264-39-4 264-43-1 264-63 264-66	107107 121503 904952	13
270	342-116-1	...	LINING- SUPPLIER CODE: V97153 SB DATA FROM A CMM: POST SB 32-13 BFG NO. 560 CONFIG CHG DATA FROM A CMM: REPLS 342-116	107107 121503 904999	13
270	342-114-1	...	LINING- SUPPLIER CODE: V97153 SB DATA FROM A CMM: PRE SB 32-13 BFG NO. 560 CONFIG CHG DATA FROM A CMM: REPLS 342-114	107107 121503 904951 953999	13

MISSING ITEM NUMBERS NOT APPLICABLE

- ITEM NOT ILLUSTRATED

32-41-10-01

32-41-10  
FIG. 01  
PAGE 22  
JAN 20/09

BRI



757

PARTS CATALOG (MAINTENANCE)

FIG ITEM	PART NUMBER	1 2 3 4 5 6 7	NOMENCLATURE	EFFECT FROM TO	UNITS PER ASSY
1 270	342-117		...LINING- SUPPLIER CODE: V97153 CONFIG CHG DATA FROM A CMM: REPLD BY 342-117-1 USED ON: 264-39-1 264-39-2 264-39-3 264-39-4 264-43 264-63 264-66	107107 121503 904951 953999	13
270	342-117-1		...LINING- SUPPLIER CODE: V97153 CONFIG CHG DATA FROM A CMM: REPLS 342-117 USED ON: 264-39-1 264-39-2 264-39-3 264-39-4 264-43 264-63 264-66	107107 121503 904999	13
275	MS15001-1		...FITTING	953999	1
280	4-270		...PLATE-TORQUE 4140 STEEL SUPPLIER CODE: V97153 SB DATA FROM A CMM: PRE SB 32-10, BFG NO. 471	107107 121503 904999	1
280	4-270-1		...PLATE-TORQUE 4140 STEEL STEEL SUPPLIER CODE: V97153 SB DATA FROM A CMM: POST SB 32-10, BFG NO. 471 USED ON: 264-39-1	107107 121503 904999	1

MISSING ITEM NUMBERS NOT APPLICABLE

- ITEM NOT ILLUSTRATED

32-41-10-01

32-41-10  
FIG. 01  
PAGE 23  
JAN 20/09

BRI





757

PARTS CATALOG (MAINTENANCE)

FIG ITEM	PART NUMBER	1 2 3 4 5 6 7	NOMENCLATURE	EFFECT FROM TO	UNITS PER ASSY
1 280	4-270-2		...PLATE-TORQUE 17-22 STEEL SUPPLIER CODE: V97153 SB DATA FROM A CMM: PRE SB 32-10, BFG NO. 471 USED ON: 264-39-2	107107 121503 904999	1
280	4-270-3		...PLATE-TORQUE 17-22 STEEL SUPPLIER CODE: V97153 SB DATA FROM A CMM: PRE SB 32-10, BFG NO. 471 CONFIG CHG DATA FROM A CMM: REPLD BY 4-270-4 USED ON: 264-39-1 264-39-2 264-39-3 264-39-4 264-43 264-63 264-66	107107 121503 904999	1
280	4-270-4		...PLATE-TORQUE SUPPLIER CODE: V97153 CONFIG CHG DATA FROM A CMM: REPLS 4-270-3 USED ON: 264-39-1 264-39-2 264-39-3 264-39-4 264-43 264-63 264-66	107107 121503 904999	1
285	26-308		....BUSHING- SUPPLIER CODE: V97153 CONFIG CHG DATA FROM A CMM: REPLD BY 26-343	107107 121503 904999	1
285	26-343		....BUSHING- SUPPLIER CODE: V97153 CONFIG CHG DATA FROM A CMM: REPLS 26-308	107107 121503 904999	1

MISSING ITEM NUMBERS NOT APPLICABLE

- ITEM NOT ILLUSTRATED

32-41-10-01

32-41-10  
FIG. 01  
PAGE 24  
JAN 20/09

BRI



757

PARTS CATALOG (MAINTENANCE)

FIG ITEM	PART NUMBER	1 2 3 4 5 6 7	NOMENCLATURE	EFFECT FROM TO	UNITS PER ASSY
1					
293	68-1120		.. PACKING-PREFORMED SUPPLIER CODE: V97153	002004 006100 107107 121503 904999	1
295	437-28		.. SPACER ASSY-INSULATOR SUPPLIER CODE: V97153 CONFIG CHG DATA FROM A CMM: REPLD BY 437-28-3	107107 121503 904999	6
295	437-28-3		.. SPACER ASSY-INSULATOR NON-ASBESTOS SUPPLIER CODE: V97153 CONFIG CHG DATA FROM A CMM: REPLS 437-28	107107 121503 904951 953999	6
300	78-191		... RIVET- SUPPLIER CODE: V97153	107107 121503 904999	1
305	60-676		... SPACER- SUPPLIER CODE: V97153 CONFIG CHG DATA FROM A CMM: REPLD BY 60-676-1	107107 121503 904999	1
305	60-676-1		... SPACER- SUPPLIER CODE: V97153 CONFIG CHG DATA FROM A CMM: REPLS 60-676	107107 121503 904999	1
310	115-267		... INSULATOR- SUPPLIER CODE: V97153 CONFIG CHG DATA FROM A CMM: REPLD BY 115-267-3	107107 121503 904999	1
310	115-267-3		... INSULATOR-NON-ASBESTOS SUPPLIER CODE: V97153 CONFIG CHG DATA FROM A CMM: REPLS 115-267	107107 121503 904999	1
312	53-254		... CLIP-RETAINING SUPPLIER CODE: V97153 SB DATA FROM A CMM: POST SB 32-6, BFG NO. 426	107107 121503 904999	1
315	60-675		... SPACER- SUPPLIER CODE: V97153	107107 121503 904999	1

MISSING ITEM NUMBERS NOT APPLICABLE

- ITEM NOT ILLUSTRATED

32-41-10-01

32-41-10  
FIG. 01  
PAGE 25  
JAN 20/09

BRI

BOEING PROPRIETARY - Copyright © - Unpublished Work - See title page for details.



757

PARTS CATALOG (MAINTENANCE)

FIG ITEM	PART NUMBER	1 2 3 4 5 6 7	NOMENCLATURE	EFFECT FROM TO	UNITS PER ASSY
1 320	68-1118		.. PACKING-PREFORMED SUPPLIER CODE: V97153 SB DATA FROM A CMM: PRE SB 436 CONFIG CHG DATA FROM A CMM: SUPSD BY 68-1239	107107 121503 904999	6
320	68-1239		.. PACKING-PREFORMED SUPPLIER CODE: V97153 SB DATA FROM A CMM: POST SB 436 PRE SB 864 CONFIG CHG DATA FROM A CMM: SUPERSEDES 68-1118 REPLD BY 68-1520	107107 121503 904999	6
320	68-1520		.. PACKING-PREFORMED SUPPLIER CODE: V97153 SB DATA FROM A CMM: POST SB 864 CONFIG CHG DATA FROM A CMM: REPLS 68-1239	107107 121503 904999	6
325	245-203		.. RING-BACKUP SUPPLIER CODE: V97153 SB DATA FROM A CMM: PRE SB 436 CONFIG CHG DATA FROM A CMM: SUPSD BY 68-1234	107107 121503 904999	12
325	245-203-1		.. RING-BACKUP SCARF-CUT SUPPLIER CODE: V97153 SB DATA FROM A CMM: PRE SB 436 CONFIG CHG DATA FROM A CMM: SUPSD BY 68-1234	107107 121503 904999	12
327	68-1232		.. PACKING-BACKUP SCARF-CUT SUPPLIER CODE: V97153 SB DATA FROM A CMM: POST SB 436 OPTIONAL PART: 68-1234 V97153	107107 121503 904999	6

MISSING ITEM NUMBERS NOT APPLICABLE

- ITEM NOT ILLUSTRATED

32-41-10-01

32-41-10  
FIG. 01  
PAGE 26  
JAN 20/09

BRI



757

PARTS CATALOG (MAINTENANCE)

FIG ITEM	PART NUMBER	1 2 3 4 5 6 7	NOMENCLATURE	EFFECT FROM TO	UNITS PER ASSY
1 327	68-1234		.. PACKING-BACKING SUPPLIER CODE: V97153 SB DATA FROM A CMM: POST SB 436 CONFIG CHG DATA FROM A CMM: SUPERSEDES 245-203 SUPERSEDES 245-203-1 OPTIONAL PART: 68-1232 V97153	107107 121503 904999	6
330	S11065-17-1		.. RING-SCRAPER SUPPLIER CODE: V09257 SB DATA FROM A CMM: PRE SB 436 CONFIG CHG DATA FROM A CMM: REPLD BY S33865-17H10	107107 121503 904999	6
330	S33865-17H10		.. RING-SCRAPER SUPPLIER CODE: V09257 SB DATA FROM A CMM: POST SB 436 CONFIG CHG DATA FROM A CMM: REPLS S11065-17-1 REPLD BY S38586-5 OPTIONAL PART: 4186A17K0410 V72902	107107 121503 904999	6
330	4186A17K0410		.. RING-SCRAPER SUPPLIER CODE: V72902 CONFIG CHG DATA FROM A CMM: REPLD BY S38586-5 OPTIONAL PART: S33865-17H10 V09257	107107 121503 904999	6
330	S38586-5		.. RING-SCRAPER SUPPLIER CODE: V97153 CONFIG CHG DATA FROM A CMM: REPLS S33865-17H10 REPLS 4186A17K0410	107107 121503 904999	6
335	54-387		.. SLEEVE-PISTON SUPPLIER CODE: V97153 CONFIG CHG DATA FROM A CMM: REPLD BY 54-394	107107 121503 904999	6

MISSING ITEM NUMBERS NOT APPLICABLE

- ITEM NOT ILLUSTRATED

32-41-10-01

32-41-10  
FIG. 01  
PAGE 27  
JAN 20/09

BRI



757

PARTS CATALOG (MAINTENANCE)

FIG ITEM	PART NUMBER	1 2 3 4 5 6 7	NOMENCLATURE	EFFECT FROM TO	UNITS PER ASSY
1					
335	54-394		.. SLEEVE-PISTON SUPPLIER CODE: V97153 CONFIG CHG DATA FROM A CMM: REPLS 54-387 REPLD BY 54-433	107107 121503 904999	6
335	54-433		.. SLEEVE-PISTON SUPPLIER CODE: V97153 CONFIG CHG DATA FROM A CMM: REPLS 54-394	107107 121503 904999	6
340	68-1117		.. PACKING-PREFORMED SUPPLIER CODE: V97153 SB DATA FROM A CMM: PRE SB 864 CONFIG CHG DATA FROM A CMM: REPLD BY 68-1523	107107 121503 904999	6
340	68-1523		.. PACKING-PREFORMED SUPPLIER CODE: V97153 SB DATA FROM A CMM: POST SB 864 CONFIG CHG DATA FROM A CMM: REPLS 68-1117	107107 121503 904999	6
345	245-202		.. RING-BACKUP SUPPLIER CODE: V97153	107107 121503 904999	12
346	MS35207-260		.. SCREW- OPTIONAL PART: MS35266-60 ATTACHING PARTS	953999	1
346	MS35266-60		.. SCREW- OPTIONAL PART: MS35207-260 -----*-----	953999	1
347	MS35338-43		.. WASHER	953999	1
348	MS27611		.. VALVE	953999	1
349	68-1125		.. PACKING-PREFORMED SUPPLIER CODE: V97153	953999	1
351	95-524		.. ADAPTER-HYDR BLEEDER SUPPLIER CODE: V97153 OPTIONAL PART: MS27612-7	953999	1

MISSING ITEM NUMBERS NOT APPLICABLE

- ITEM NOT ILLUSTRATED

32-41-10-01

32-41-10  
FIG. 01  
PAGE 28  
JAN 20/09

BRI



757

PARTS CATALOG (MAINTENANCE)

FIG ITEM	PART NUMBER	1 2 3 4 5 6 7	NOMENCLATURE	EFFECT FROM TO	UNITS PER ASSY
1					
351	MS27612-7		.. ADAPTER-HYDR BLEEDER OPTIONAL PART: 95-524 V97153	953999	1
352	68-269		.. PACKING-PREFORMED SUPPLIER CODE: V97153	953999	1
353	68-1119		.. PACKING-PREFORMED SUPPLIER CODE: V97153	002004 006100 107107 121503 904999	1
354	MS9015-04		.. PLUG	953999	1
355	68-404		.. PACKING-PREFORMED SUPPLIER CODE: V97153	953999	1
356	266-188		.. HOUSING ASSY-PISTON SUPPLIER CODE: V97153 USED ON: 2-1455 USED ON: 2-1457	107107 121503 904999	1
356	266-210		.. HOUSING ASSY-PISTON SUPPLIER CODE: V97153 USED ON: 2-1457-1	107107 121503 904999	1
357	50-498		... PLATE- SUPPLIER CODE: V97153	107107 121503 904999	1
358	MS15001-1		... FITTING- OPTIONAL PART: 328224 VOFKM1	107107 121503 904999	3
- 359	328224		... FITTING-PLUG SUPPLIER CODE: VOFKM1 OPTIONAL PART: MS15001-1	107107 121503 904999	1
360	3591-4CN0500		... INSERT-HELICOIL SUPPLIER CODE: V01556	107107 121503 904999	1
365	3591-4CN0250		... INSERT-HELICOIL SUPPLIER CODE: V01556	107107 121503 904999	6

MISSING ITEM NUMBERS NOT APPLICABLE

- ITEM NOT ILLUSTRATED

32-41-10-01

32-41-10  
FIG. 01  
PAGE 29  
JAN 20/09

BRI



757

PARTS CATALOG (MAINTENANCE)

FIG ITEM	PART NUMBER	1 2 3 4 5 6 7	NOMENCLATURE	EFFECT FROM TO	UNITS PER ASSY
1					
370	26-307		...BUSHING- SUPPLIER CODE: V97153 OPTIONAL PART: 26-430 V97153 USED ON: 2-1455 2-1457	107107 121503 904999	1
370	26-430		...BUSHING-SERVICE PART SUPPLIER CODE: V97153 OPTIONAL PART: 36-307 V97153	953999	AR
375	26-306-1		...BUSHING- SUPPLIER CODE: V97153 SB DATA FROM A CMM: POST SB 32-3 BFG NO. 417 OPTIONAL PART: 26-431 V97153	107107 121503 904999	2
375	26-431		...BUSHING-SERVICE PART SUPPLIER CODE: V97153 OPTIONAL PART: 26-306-1 V97153	107107 121503 904999	AR
382	PLGA2811010		...PLUG-LEE SUPPLIER CODE: V92555	107107 121503 904999	8
383	PLGA2911010		...PLUG-LEE SUPPLIER CODE: V92555 CONFIG CHG DATA FROM A CMM: ALT FACTORY OVERSIZE	107107 121503 904999	AR
383	PLGM0750010		...PLUG-LEE SUPPLIER CODE: V92555 CONFIG CHG DATA FROM A CMM: ALT FACTORY OVERSIZE	107107 121503 904999	AR
383	PLGM0800010		...PLUG-LEE SUPPLIER CODE: V92555 CONFIG CHG DATA FROM A CMM: ALT FACTORY OVERSIZE	107107 121503 904999	AR

MISSING ITEM NUMBERS NOT APPLICABLE

- ITEM NOT ILLUSTRATED

32-41-10-01

32-41-10  
FIG. 01  
PAGE 30  
JAN 20/09

BRI

BOEING PROPRIETARY - Copyright © - Unpublished Work - See title page for details.



757

PARTS CATALOG (MAINTENANCE)

FIG ITEM	PART NUMBER	1 2 3 4 5 6 7	NOMENCLATURE	EFFECT FROM TO	UNITS PER ASSY
1 383	PLGA3430010	...	PLUG-LEE SUPPLIER CODE: V92555 CONFIG CHG DATA FROM A CMM: SERVICE PART	107107 121503 904999	AR
- 385	134-243-1	..	ROTOR-(0.600) SERVICE PART SUPPLIER CODE: V97153 SELECT FROM ITEM.	953999	AR
- 385	134-293-1	..	ROTOR-(0.472) SERVICE PART SUPPLIER CODE: V97153 SELECT FROM ITEM.	953999	AR
- 385	134-305-1	..	ROTOR-(0.650) SERVICE PART SUPPLIER CODE: V97153 SELECT FROM ITEM.	953999	AR
407	NAS1801-4D11	.SCREW-	QUALIFIED OPTIONAL DATA: (NAS1801-4D11 OPT TO BACB30NM4HK3 PLUS BACW10BP4ACU)	002004 006100 107107 121503 904999	12
407	BACB30NM4HK3	.BOLT-	QUALIFIED OPTIONAL DATA: (NAS1801-4D11 OPT TO BACB30NM4HK3 PLUS BACW10BP4ACU)	002004 006100 107107 121503 904999	12
409	BACW10BP4ACU	.WASHER-	QUALIFIED OPTIONAL DATA: (NAS1801-4D11 OPT TO BACB30NM4HK3 PLUS BACW10BP4ACU)	002004 006100 107107 121503 904999	12
410	591305-1	.DISCONNECT ASSY-	SUPPLIER CODE: V11362 SPECIFICATION NUMBER: S274N101-1 COMPONENT MAINT MANUAL REF: 32-41-03	002004 006100 107107 121503 904999	4
410	591305-7	.DISCONNECT ASSY-	SUPPLIER CODE: V11362 SPECIFICATION NUMBER: S274N101-7 COMPONENT MAINT MANUAL REF: 32-41-03	002004 006100 107107 121503 904999	4

MISSING ITEM NUMBERS NOT APPLICABLE

- ITEM NOT ILLUSTRATED

32-41-10-01

32-41-10  
FIG. 01  
PAGE 31  
JAN 20/09

BRI





757

PARTS CATALOG (MAINTENANCE)

FIG ITEM	PART NUMBER	1 2 3 4 5 6 7	NOMENCLATURE	EFFECT FROM TO	UNITS PER ASSY
1					
410	591305-17	.	DISCONNECT ASSY- SUPPLIER CODE: V11362 SPECIFICATION NUMBER: S274N101-17 COMPONENT MAINT MANUAL REF: 32-41-03	002004 006100 107107 121503 904999	4
415	591305-2	..	COUPLING- SUPPLIER CODE: V11362 SPECIFICATION NUMBER: S274N101-2 USED ON: 591305-1	002004 006100 107107 121503 904999	1
415	591305-8	..	COUPLING- SUPPLIER CODE: V11362 SPECIFICATION NUMBER: S274N101-8 USED ON: 591305-7	002004 006100 107107 121503 904999	1
420	591341	...	HOUSING- SUPPLIER CODE: V11362 CONFIG CHG DATA FROM A CMM: REPLD BY 591351 USED ON: 591305-2	002004 006100 107107 121503 904999	1
420	591351	...	HOUSING- SUPPLIER CODE: V11362 CONFIG CHG DATA FROM A CMM: REPLS 591341 USED ON: 591305-2	002004 006100 107107 121503 904999	1
420	591361	...	HOUSING- SUPPLIER CODE: V11362 USED ON: 591305-8	002004 006100 107107 121503 904999	1
425	591342	...	STOP- SUPPLIER CODE: V11362	002004 006100 107107 121503 904999	1

MISSING ITEM NUMBERS NOT APPLICABLE

- ITEM NOT ILLUSTRATED

32-41-10-01

32-41-10  
FIG. 01  
PAGE 32  
JAN 20/09

BRI



757

PARTS CATALOG (MAINTENANCE)

FIG ITEM	PART NUMBER	1 2 3 4 5 6 7	NOMENCLATURE	EFFECT FROM TO	UNITS PER ASSY
1					
430	591343	...	SLEEVE- SUPPLIER CODE: V11362	002004 006100 107107 121503 904999	1
435	591344	...	SPRING- SUPPLIER CODE: V11362	002004 006100 107107 121503 904999	1
440	NAS1611-014	...	PACKING-	002004 006100 107107 121503 904999	1
445	MS27595-014	...	RING	002004 006100 107107 121503 904999	2
450	5-151	...	PACKING- SUPPLIER CODE: V97820	002004 006100 107107 121503 904999	1
455	591348	...	PLUG- SUPPLIER CODE: V11362	002004 006100 107107 121503 904999	1
460	591305-3	..	COUPLING- SUPPLIER CODE: V11362 SPECIFICATION NUMBER: S274N101-3	002004 006100 107107 121503 904999	1
465	591331	...	HOUSING- SUPPLIER CODE: V11362	002004 006100 107107 121503 904999	1
470	591332	...	POPPET- SUPPLIER CODE: V11362	002004 006100 107107 121503 904999	1

MISSING ITEM NUMBERS NOT APPLICABLE

- ITEM NOT ILLUSTRATED

32-41-10-01

32-41-10  
FIG. 01  
PAGE 33  
JAN 20/09

BRI



757

PARTS CATALOG (MAINTENANCE)

FIG ITEM	PART NUMBER	1 2 3 4 5 6 7	NOMENCLATURE	EFFECT FROM TO	UNITS PER ASSY
1					
475	591333	...	SPACER- SUPPLIER CODE: V11362	002004 006100 107107 121503 904999	1
480	591334	...	SPRING- SUPPLIER CODE: V11362	002004 006100 107107 121503 904999	1
485	591335	...	RETAINER- SUPPLIER CODE: V11362	002004 006100 107107 121503 904999	1
490	NAS1611-013	...	PACKING-	002004 006100 107107 121503 904999	1
495	MS27595-013	...	RING	002004 006100 107107 121503 904999	2
500	MS28782-16	.	RING- OPTIONAL PART: BACR12BM211	002004 006100 107107 121503 904999	8
500	C11236-211B	.	RING- SUPPLIER CODE: V26879 SPECIFICATION NUMBER: BACR12BM211 OPTIONAL PART: RMR12BM211 V94878 STF800-211 V02107 S30294-211-1 V97820 TF450-211A V07128 2100-211 V26303 MS28782-16	002004 006100 107107 121503 904999	8

MISSING ITEM NUMBERS NOT APPLICABLE

- ITEM NOT ILLUSTRATED

32-41-10-01

32-41-10  
FIG. 01  
PAGE 34  
JAN 20/09

BRI



757

PARTS CATALOG (MAINTENANCE)

FIG ITEM	PART NUMBER	1 2 3 4 5 6 7	NOMENCLATURE	EFFECT FROM TO	UNITS PER ASSY
1 505	NAS1611-211	.	PACKING-	002004 006100 107107 121503 904999 101102	4
- 655	277N1100-105		BRAKE INSTL-DUNLOP CARBON BRAKE POSITION DATA: LH FOR NHA SEE: 32-00-00-18	108120 504903	RF
- 655	277N1100-207		BRAKE INSTL-BF GOODRICH STEEL BRAKE POSITION DATA: LH FOR NHA SEE: 32-00-00-18	108120 504903	RF
- 660	277N1100-106		BRAKE INSTL-DUNLOP CARBON BRAKE POSITION DATA: RH FOR NHA SEE: 32-00-00-18	101102	RF
- 660	277N1100-208		BRAKE INSTL-BF GOODRICH STEEL BRAKE POSITION DATA: RH FOR NHA SEE: 32-00-00-18	108120 504903	RF
670	277N1100-302	.	BRAKE ASSY- USED ON: 277N1100-207 277N1100-208	108120 504903	4
670	277N1100-401	.	BRAKE ASSY- USED ON: 277N1100-105 277N1100-106	101102	4
680	AHA1884	..	BRAKE ASSY- SUPPLIER CODE: VK1037 SPECIFICATION NUMBER: S160N020-14 COMPONENT MAINT MANUAL REF: 32-42-98 USED ON: 277N1100-400 277N1100-401 FOR DETAILS SEE: 32-41-10-50	101102	4

MISSING ITEM NUMBERS NOT APPLICABLE

- ITEM NOT ILLUSTRATED

BRI

# 32-41-10-01

32-41-10  
FIG. 01  
PAGE 35  
JAN 20/09



757

PARTS CATALOG (MAINTENANCE)

FIG ITEM	PART NUMBER	1 2 3 4 5 6 7	NOMENCLATURE	EFFECT FROM TO	UNITS PER ASSY
1 680	2-1457-2		..BRAKE ASSY- SUPPLIER CODE: V97153 SPECIFICATION NUMBER: S160N010-46 COMPONENT MAINT MANUAL REF: 32-40-26 USED ON: 277N1100-300 277N1100-302	108120 504903	4
685	591305-3		..COUPLING-WHEEL HALF SUPPLIER CODE: V11362 SPECIFICATION NUMBER: S274N101-3	101102 108120 504903	1
685	591305-13		..COUPLING-WHEEL HALF SUPPLIER CODE: V11362 SPECIFICATION NUMBER: S274N101-13 USED ON: 277N1100-302 277N1100-303 277N1100-401	101102 108120 504903	1
690	MS28782-16		..RING-BACK-UP OPTIONAL PART: BACR12BM211 USED ON: 277N1100-300 277N1100-301 277N1100-302 277N1100-303 277N1100-400 277N1100-401	101102 108120 504903	2

MISSING ITEM NUMBERS NOT APPLICABLE

- ITEM NOT ILLUSTRATED

BRI

32-41-10-01

BOEING PROPRIETARY - Copyright © - Unpublished Work - See title page for details.

32-41-10  
FIG. 01  
PAGE 36  
JAN 20/09



757

PARTS CATALOG (MAINTENANCE)

FIG ITEM	PART NUMBER	1 2 3 4 5 6 7	NOMENCLATURE	EFFECT FROM TO	UNITS PER ASSY
1 690	C11236-211B		..RING-BACK-UP SUPPLIER CODE: V26879 SPECIFICATION NUMBER: BACR12BM211 OPTIONAL PART: RMR12BM211 V94878 STF800-211 V02107 S30294-211-1 V97820 TF450-211A V07128 2100-211 V26303 MS28782-16 USED ON: 277N1100-302 277N1100-303 277N1100-401	101102 108120 504903	2
700	NAS1611-211A		..PACKING- OPTIONAL PART: NAS1611-211 USED ON: 277N1100-302 277N1100-303 277N1100-401	101102 108120 504903	1
700	NAS1611-211		..PACKING- OPTIONAL PART: NAS1611-211A USED ON: 277N1100-302 277N1100-303 277N1100-401	101102 108120 504903	1
905			ILLUSTRATION REFERENCE: PLUMBING INSTL-MLG SECT. 61 HYDR 32-41-51-25	002004 006100 107107 121503 904999	RF

MISSING ITEM NUMBERS NOT APPLICABLE

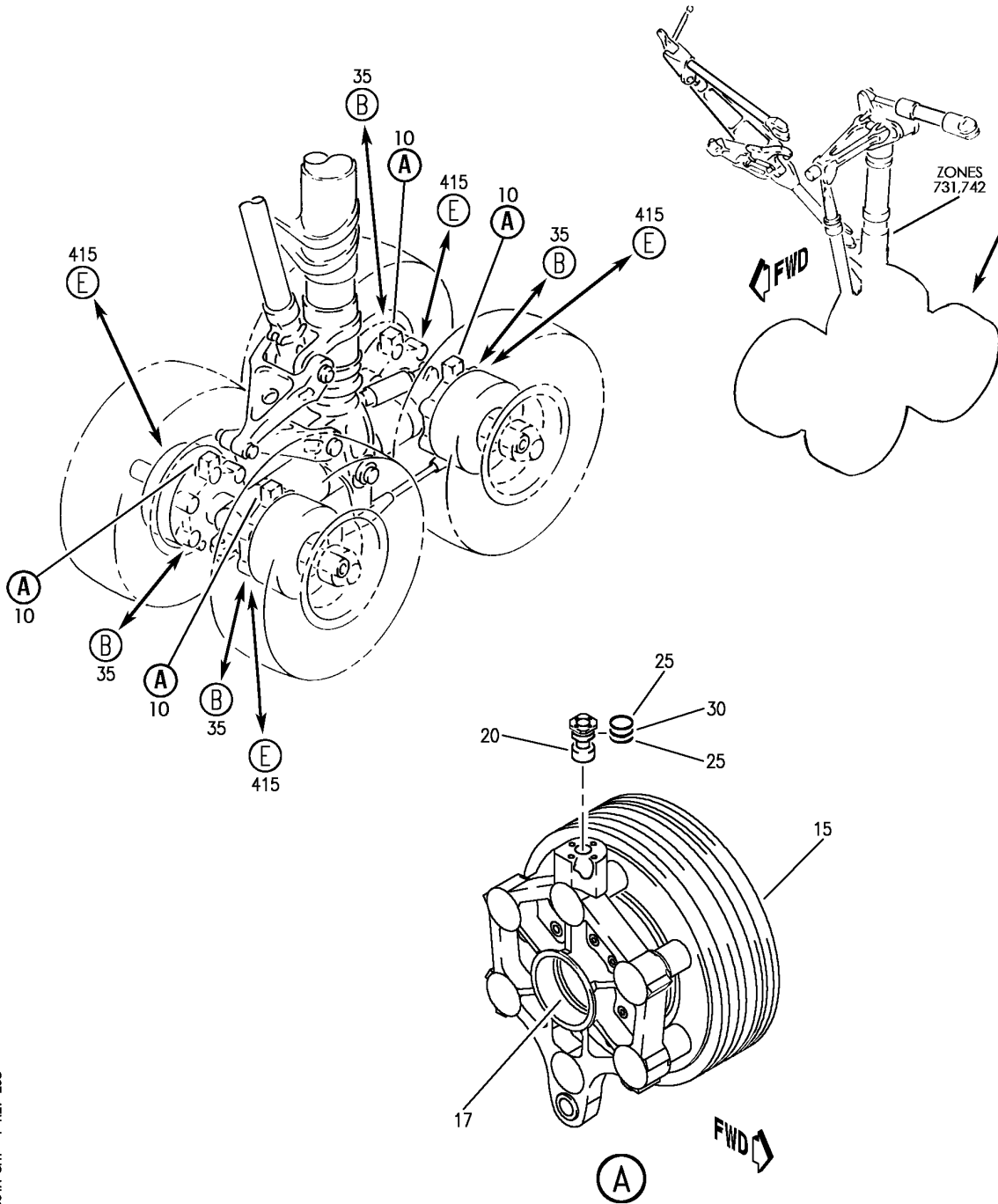
- ITEM NOT ILLUSTRATED

32-41-10-01

32-41-10  
FIG. 01  
PAGE 37  
JAN 20/09

BRI

**BOEING**  
757  
PARTS CATALOG (MAINTENANCE)



Y 32411001A SHT 1 REV 298

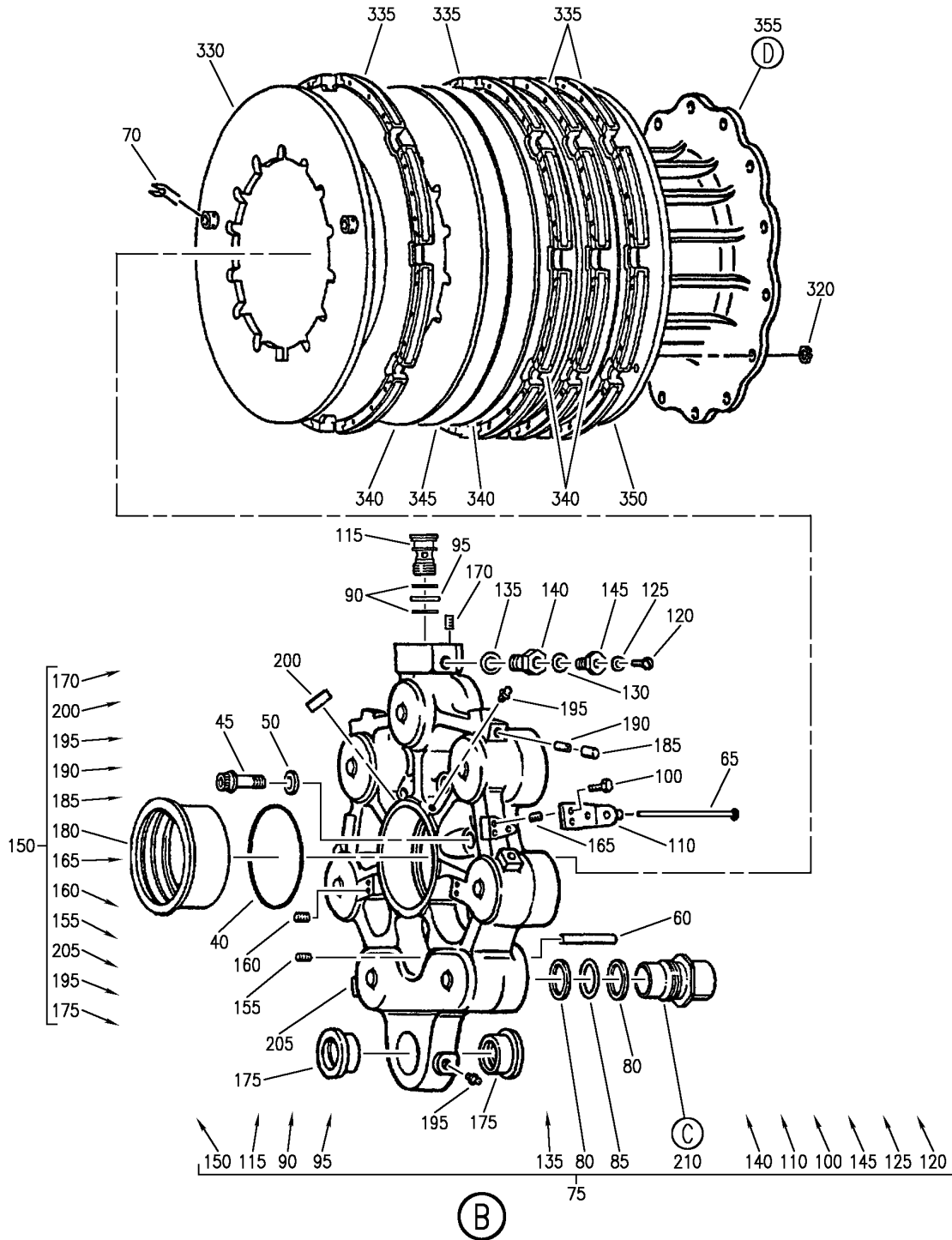
BRAKE INSTL-MLG DUNLOP AND BF GOODRICH CARBON AND STEEL BRAKE  
FIGURE 1A (SHEET 1)

**32-41-10-01A**

BRI  
JAN 20/09

32-41-10-01A  
PAGE 0

**BOEING**  
757  
PARTS CATALOG (MAINTENANCE)



Y 32411001A SHT 2 REV 264

BRAKE INSTL-MLG DUNLOP AND BF GOODRICH CARBON AND STEEL BRAKE  
FIGURE 1A (SHEET 2)

**32-41-10-01A**

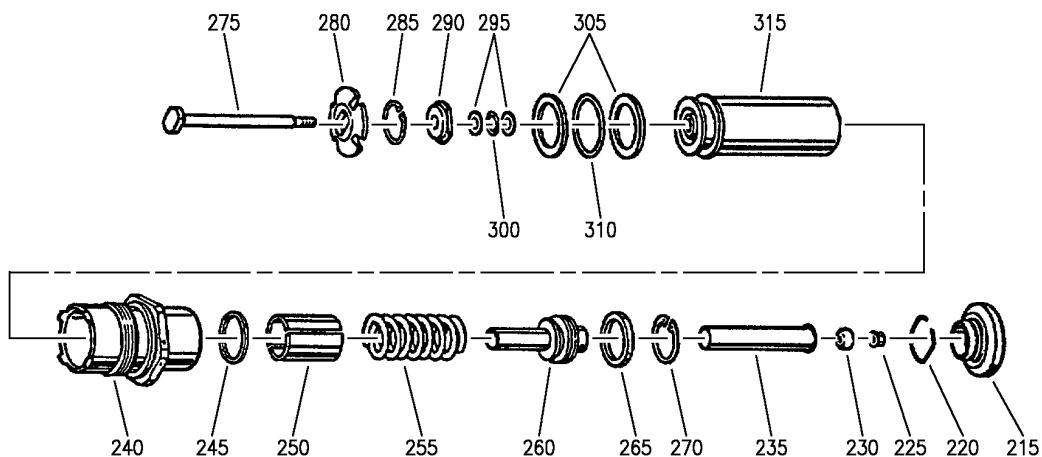
BRI  
JAN 20/09

32-41-10-01A  
PAGE 0A

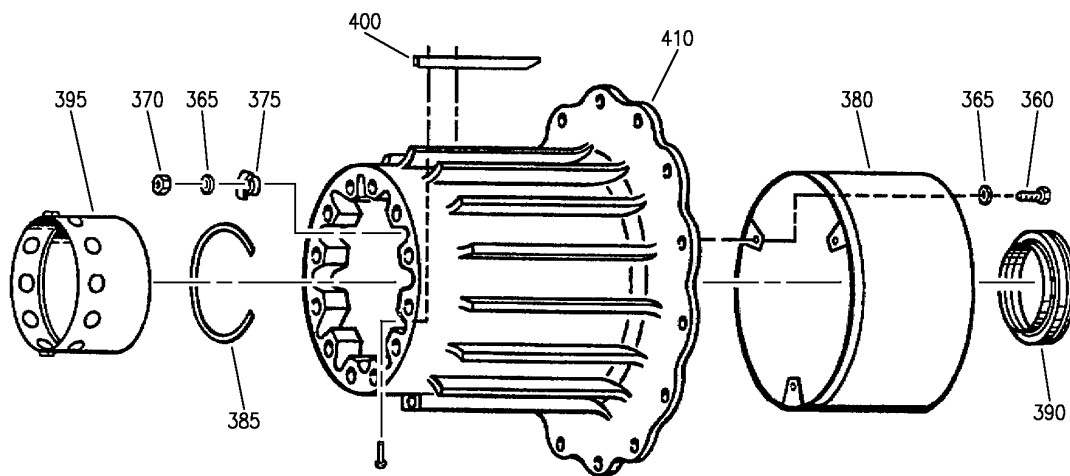
BOEING PROPRIETARY - Copyright © - Unpublished Work - See title page for details.



**BOEING**  
757  
PARTS CATALOG (MAINTENANCE)



(C)



(D)

Y 32411001A SHT 3 REV 264

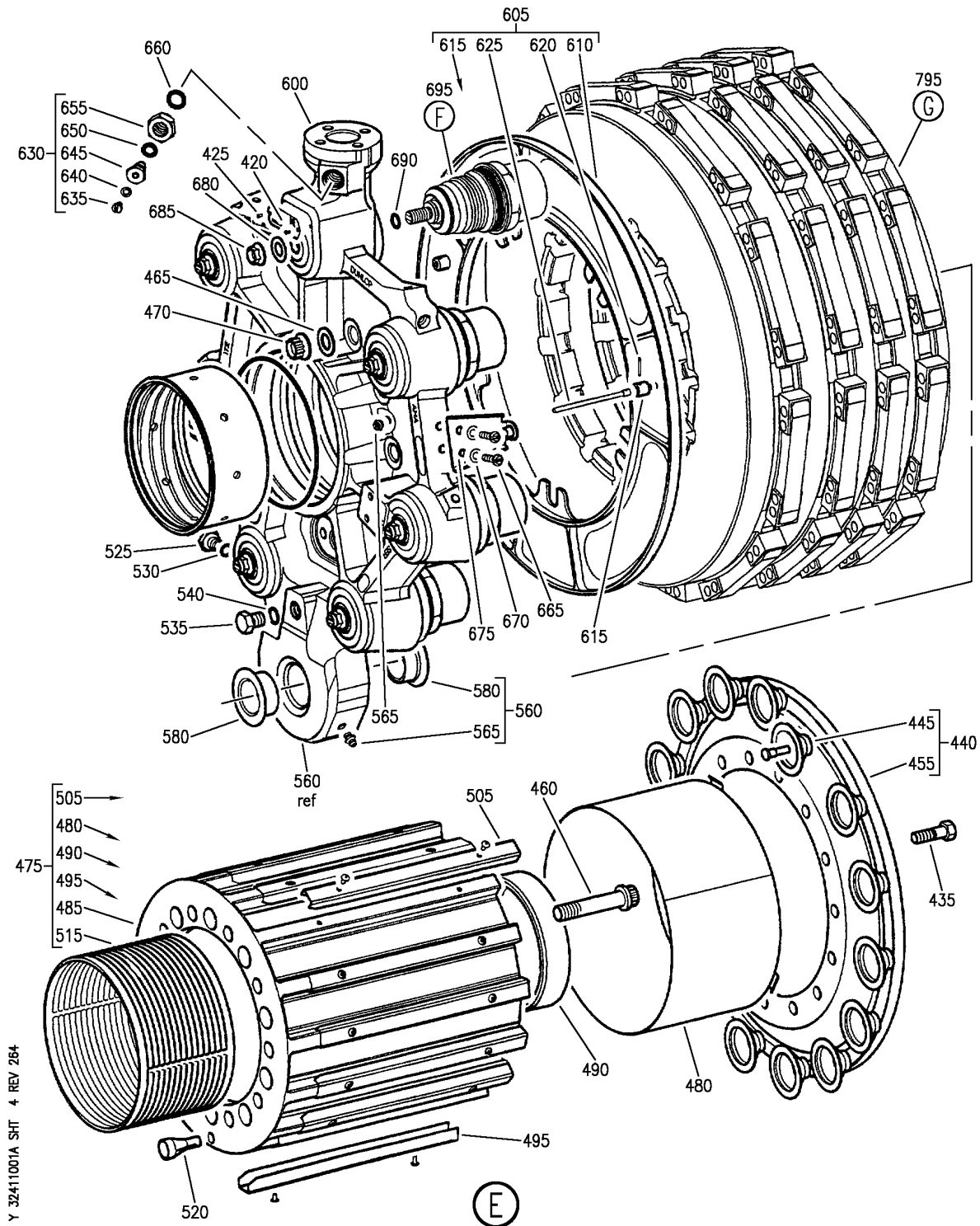
BRAKE INSTL-MLG DUNLOP AND BF GOODRICH CARBON AND STEEL BRAKE  
FIGURE 1A (SHEET 3)

**32-41-10-01A**

BRI  
JAN 20/09

32-41-10-01A  
PAGE 0B

**BOEING**  
757  
PARTS CATALOG (MAINTENANCE)



Y 32411001A SHT 4 REV 264

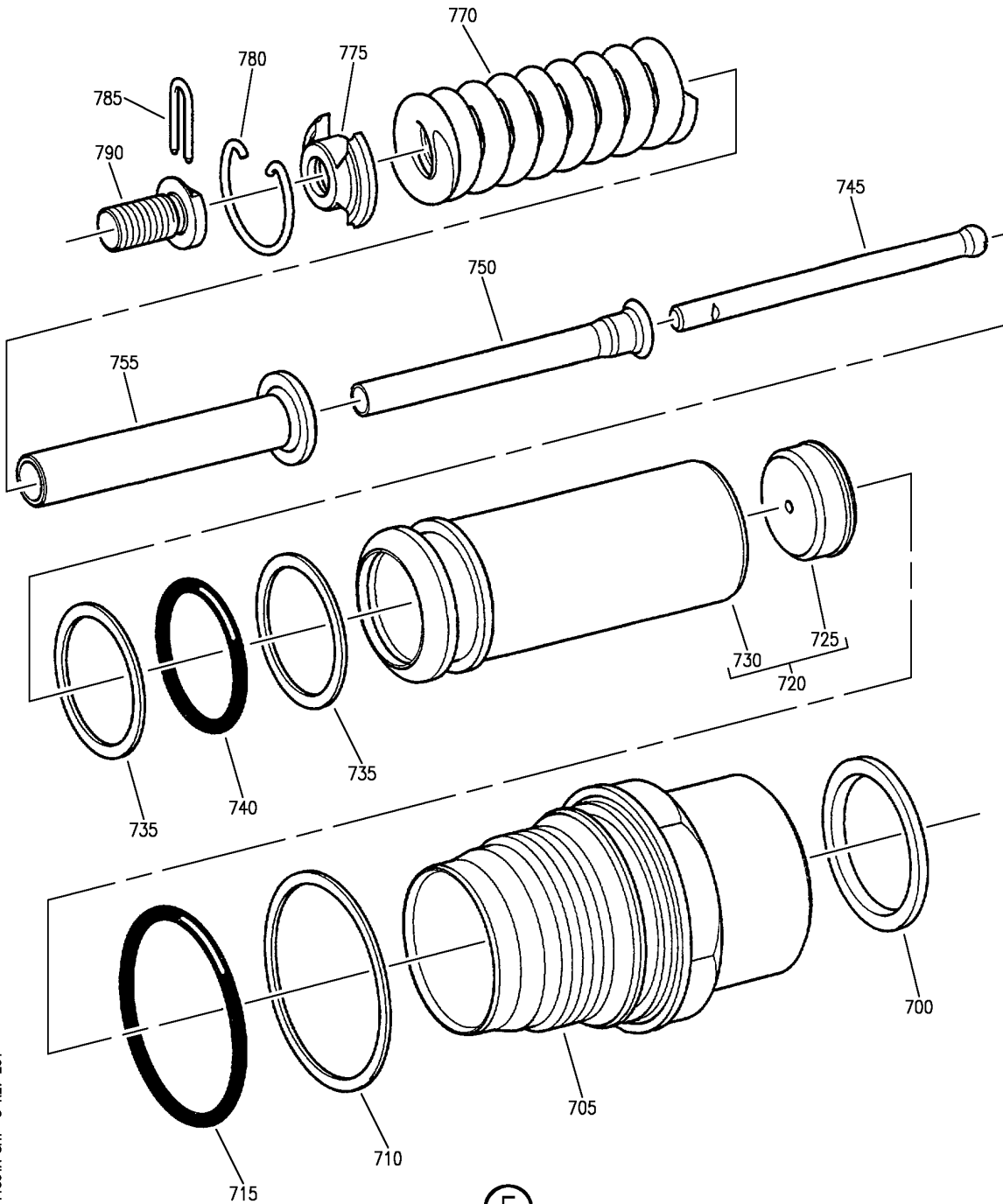
BRAKE INSTL-MLG DUNLOP AND BF GOODRICH CARBON AND STEEL BRAKE  
FIGURE 1A (SHEET 4)

**32-41-10-01A**

BRI  
JAN 20/09

32-41-10-01A  
PAGE 0C

**BOEING**  
757  
PARTS CATALOG (MAINTENANCE)



Y 32411001A SHT 5 REV 264

(F)

BRAKE INSTL-MLG DUNLOP AND BF GOODRICH CARBON AND STEEL BRAKE  
FIGURE 1A (SHEET 5)

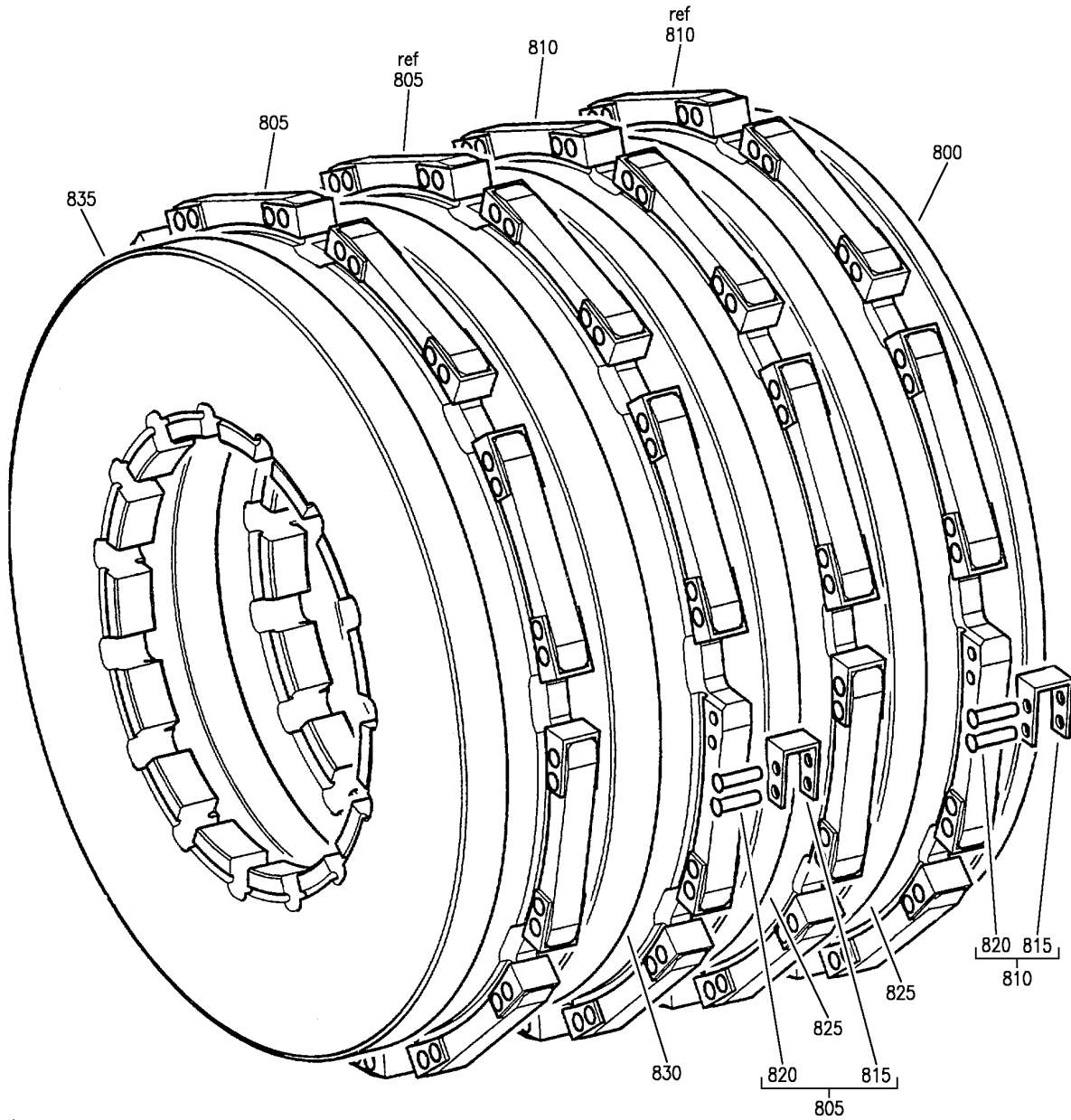
**32-41-10-01A**

BRI  
JAN 20/09

32-41-10-01A  
PAGE 0D

BOEING PROPRIETARY - Copyright © - Unpublished Work - See title page for details.

**BOEING**  
 757  
 PARTS CATALOG (MAINTENANCE)



G

Y 32411001A SHT 6 REV 264

BRAKE INSTL-MLG DUNLOP AND BF GOODRICH CARBON AND STEEL BRAKE  
 FIGURE 1A (SHEET 6)

**32-41-10-01A**

BRI  
 JAN 20/09

32-41-10-01A  
 PAGE 0E



757

PARTS CATALOG (MAINTENANCE)

FIG ITEM	PART NUMBER	1 2 3 4 5 6 7	NOMENCLATURE	EFFECT FROM TO	UNITS PER ASSY
1 A			BRAKE INSTL-MLG DUNLOP AND BF GOODRICH CARBON AND STEEL BRAKE	103106	
- 1	MODREF8869		BRAKE INSTL-MLG DUNLOP CARBON BRAKE MODULE NUMBER: 277N1100-105 REV A POSITION DATA: LH	103103	1
- 1	MODREF27672		BRAKE INSTL-MLG DUNLOP CARBON BRAKE MODULE NUMBER: 277N1100-105 REV B POSITION DATA: LH	104105	1
- 1	MODREF27674		BRAKE INSTL-MLG BF GOODRICH CARBON BRAKE MODULE NUMBER: 277N1100-207 REV B POSITION DATA: LH	106106	1
- 5	MODREF8870		BRAKE INSTL-MLG DUNLOP CARBON BRAKE MODULE NUMBER: 277N1100-106 REV A POSITION DATA: RH	103103	1
- 5	MODREF27673		BRAKE INSTL-MLG DUNLOP CARBON BRAKE MODULE NUMBER: 277N1100-106 REV B POSITION DATA: RH	104105	1
- 5	MODREF27675		BRAKE INSTL-MLG BF GOODRICH CARBON BRAKE MODULE NUMBER: 277N1100-208 REV B POSITION DATA: RH	106106	1
10	277N1100-302		.BRAKE ASSY-	106106	4
10	277N1100-401		.BRAKE ASSY-	103105	4

MISSING ITEM NUMBERS NOT APPLICABLE

- ITEM NOT ILLUSTRATED

32-41-10-01A

32-41-10  
FIG. 01A  
PAGE 1  
JAN 20/09

BRI

BOEING PROPRIETARY - Copyright © - Unpublished Work - See title page for details.



757

PARTS CATALOG (MAINTENANCE)

FIG ITEM	PART NUMBER	1 2 3 4 5 6 7	NOMENCLATURE	EFFECT FROM TO	UNITS PER ASSY
1A 15	2-1457-2		..BRAKE ASSY- SUPPLIER CODE: V97153 SPECIFICATION NUMBER: S160N010-46 COMPONENT MAINT MANUAL REF: 32-40-26 FOR DETAILS SEE: 32-41-10-02A	106106	1
15	2-1457-2		..BRAKE ASSY- SUPPLIER CODE: V97153 SPECIFICATION NUMBER: S160N010-46 COMPONENT MAINT MANUAL REF: 32-40-26 SERVICE BULLETIN OPT DATA: 2-1457-1 V97153 POST SERVICE BULLETIN: 32-0157	103105	1
15	2-1457-1		..BRAKE ASSY- SUPPLIER CODE: V97153 SPECIFICATION NUMBER: S160N010-45 COMPONENT MAINT MANUAL REF: 32-40-26 SERVICE BULLETIN OPT DATA: 2-1457-2 V97153 POST SERVICE BULLETIN: 32-0157	103105	1
20	591305-13		..COUPLING-WHEEL HALF SUPPLIER CODE: V11362 SPECIFICATION NUMBER: S274N101-13	103106	1
20	591305-3		..COUPLING-WHEEL HALF SUPPLIER CODE: V11362 SPECIFICATION NUMBER: S274N101-3	103106	1

MISSING ITEM NUMBERS NOT APPLICABLE

- ITEM NOT ILLUSTRATED

**32-41-10-01A**

32-41-10  
FIG. 01A  
PAGE 2  
JAN 20/09

BRI



757

PARTS CATALOG (MAINTENANCE)

FIG ITEM	PART NUMBER	1 2 3 4 5 6 7	NOMENCLATURE	EFFECT FROM TO	UNITS PER ASSY
1 A					
25	C11236-211B	..	RING-BACK-UP SUPPLIER CODE: V26879 SPECIFICATION NUMBER: BACR12BM211 OPTIONAL PART: RMR12BM211 V94878 STF800-211 V02107 S30294-211-1 V97820 TF450-211A V07128 2100-211 V26303 MS28782-16	103106	2
25	MS28782-16	..	RING-BACK-UP OPTIONAL PART: BACR12BM211	103106	2
30	NAS1611-211A	..	PACKING- OPTIONAL PART: NAS1611-211	103106	1
30	NAS1611-211	..	PACKING- OPTIONAL PART: NAS1611-211A	103106	1

MISSING ITEM NUMBERS NOT APPLICABLE

- ITEM NOT ILLUSTRATED

32-41-10-01A

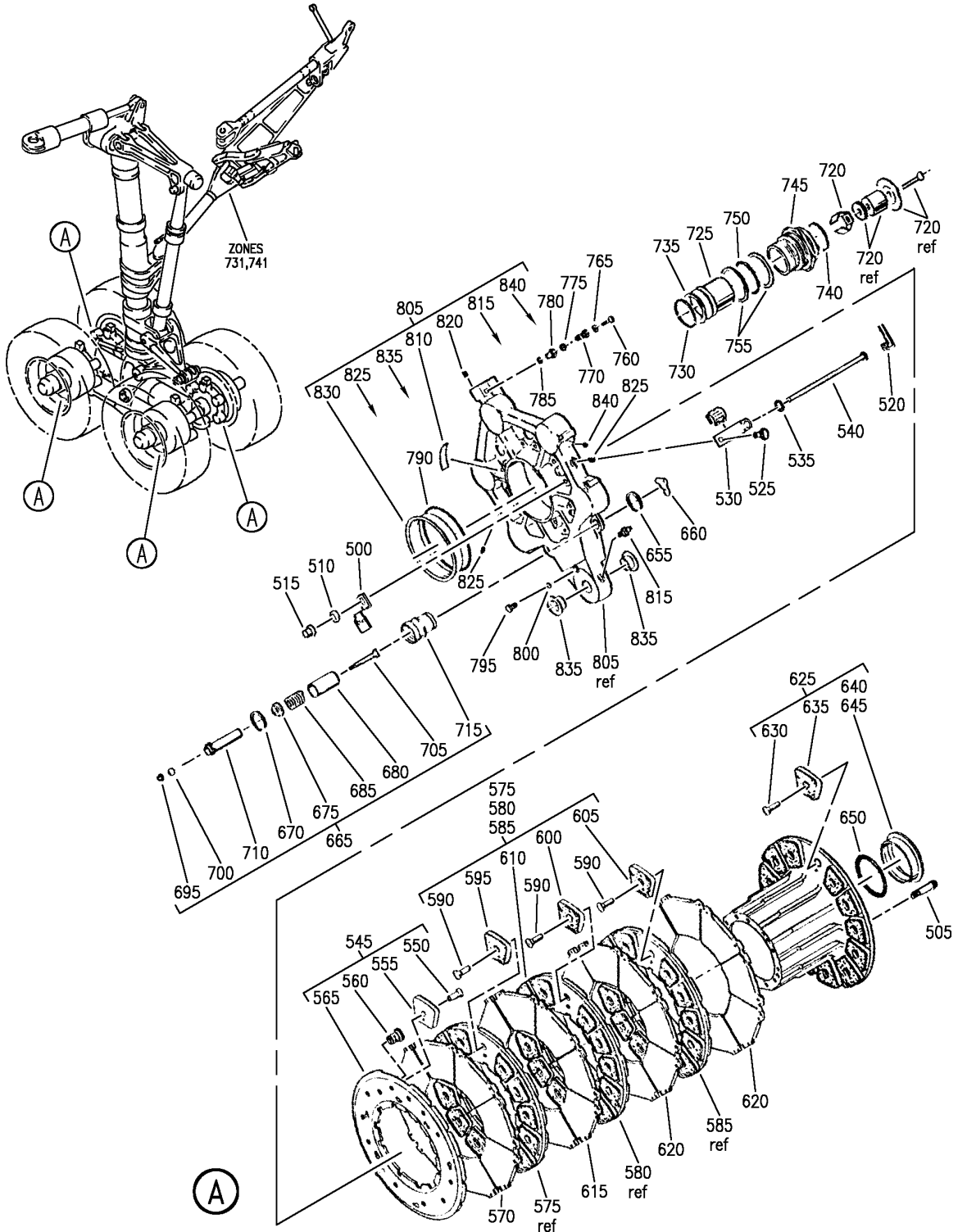
32-41-10  
FIG. 01A  
PAGE 3  
JAN 20/09

BRI

BOEING PROPRIETARY - Copyright © - Unpublished Work - See title page for details.

# **BOEING**

757  
PARTS CATALOG (MAINTENANCE)



Y 32411002A REV 279

BRAKE ASSY-MLG  
FIGURE 2A

# 32-41-10-02A

BRI  
JAN 20/09

32-41-10-02A  
PAGE 0





757

PARTS CATALOG (MAINTENANCE)

FIG ITEM	PART NUMBER	1 2 3 4 5 6 7	NOMENCLATURE	EFFECT FROM TO	UNITS PER ASSY
2A					
- 490	2-1457-2		BRAKE ASSY-MLG BRAKE ASSY- SUPPLIER CODE: V97153 SPECIFICATION NUMBER: S160N010-46 COMPONENT MAINT MANUAL REF: 32-40-26 FOR NHA SEE: 32-41-10-01A	106106 106106	RF
- 495	89-13		. IDENTIFICATION TAG- SUPPLIER CODE: V97153 PLACARD CONTENT: "ALT WORN BRAKE RTO COMPLIANCE"	106106	2
500	444-41		. BRACKET ASSY- SUPPLIER CODE: V97153	106106	2
505	MS21250-07016		. BOLT	106106	12
510	MS20002C7		. WASHER	106106	10
515	42FLW720		. NUT-EXTERNAL WRENCHING SELF LOCKING SUPPLIER CODE: V97153 OPTIONAL PART: H20-7 V97153 ZEB1845-070 V97153	106106	12
515	H20-7		. NUT-SELF LOCKING SUPPLIER CODE: V72962 OPTIONAL PART: 42FLW720 V97153 ZEB1845-070 V97153	106106	12
515	ZEB1845-070		. NUT-SELF LOCKING SUPPLIER CODE: V72962 OPTIONAL PART: 42FLW720 V97153 H20-7 V97153	106106	12
520	53-224		. CLIP- SUPPLIER CODE: V97153	106106	2

MISSING ITEM NUMBERS NOT APPLICABLE

- ITEM NOT ILLUSTRATED

32-41-10-02A

32-41-10  
FIG. 02A  
PAGE 1  
JAN 20/09

BRI



757

PARTS CATALOG (MAINTENANCE)

FIG ITEM	PART NUMBER	1 2 3 4 5 6 7	NOMENCLATURE	EFFECT FROM TO	UNITS PER ASSY
2A					
525	AN4H3A	.	BOLT- SUPPLIER CODE: V97153	106106	2
530	148-500	.	BRACKET- SUPPLIER CODE: V97153	106106	2
535	MS35489-4X	.	GROMMET- CONFIG CHG DATA FROM A CMM: REPLS MS35489-4	106106	2
535	MS35489-4	.	GROMMET- CONFIG CHG DATA FROM A CMM: REPLD BY MS35489-4X	106106	2
540	20-520	.	PIN-INDICATOR SUPPLIER CODE: V97153	106106	2
545	262-96	.	LINING ASSY-PRESSURE PLATE SUPPLIER CODE: V97153	106106	1
550	78-94	..	RIVET- SUPPLIER CODE: V97153 SB DATA FROM A CMM: POST SB 32-10 BFG NO. 471 OPTIONAL PART: 78-123 V97153	106106	13
550	78-123	..	RIVET-SEMI-TUBULAR SUPPLIER CODE: V97153 OPTIONAL PART: 78-94 V97153	106106	13
550	78-205	..	RIVET- SUPPLIER CODE: V97153 SB DATA FROM A CMM: POST SB 32-4 BFG NO. 423 PRE SB 32-10, BFG NO. 471	106106	13
550	78-206	..	RIVET- SUPPLIER CODE: V97153 SB DATA FROM A CMM: PRE SB 32-4 BFG NO. 423	106106	13

MISSING ITEM NUMBERS NOT APPLICABLE

- ITEM NOT ILLUSTRATED

32-41-10-02A

32-41-10  
FIG. 02A  
PAGE 2  
JAN 20/09

BRI

BOEING PROPRIETARY - Copyright © - Unpublished Work - See title page for details.



757

PARTS CATALOG (MAINTENANCE)

FIG ITEM	PART NUMBER	1 2 3 4 5 6 7	NOMENCLATURE	EFFECT FROM TO	UNITS PER ASSY
2A 555	342-118		..LINING- SUPPLIER CODE: V97153 SB DATA FROM A CMM: POST SB 32-13, BGF NO. 560 CONFIG CHG DATA FROM A CMM: REPLD BY 342-118-1 OPTIONAL PART: 342-118-1 V97153 342-119-1 V97153	106106	13
555	342-114		..LINING- SUPPLIER CODE: V97153 SB DATA FROM A CMM: PRE SB 32-13, BGF NO. 560 CONFIG CHG DATA FROM A CMM: REPLD BY 342-114-1	106106	13
555	342-114-1		..LINING- SUPPLIER CODE: V97153 SB DATA FROM A CMM: PRE SB 32-13, BGF NO. 560 CONFIG CHG DATA FROM A CMM: REPLS 342-114	106106	13
555	342-118-1		..LINING- SUPPLIER CODE: V97153 CONFIG CHG DATA FROM A CMM: REPLS 342-118 OPTIONAL PART: 342-119-1 V97153	106106	13
555	342-119		..LINING- SUPPLIER CODE: V97153 CONFIG CHG DATA FROM A CMM: REPLD BY 342-119-1 OPTIONAL PART: 342-118-1 V97153 342-119-1 V97153	106106	13

MISSING ITEM NUMBERS NOT APPLICABLE

- ITEM NOT ILLUSTRATED

32-41-10-02A

32-41-10  
 FIG. 02A  
 PAGE 3  
 JAN 20/09

BRI

BOEING PROPRIETARY - Copyright © - Unpublished Work - See title page for details.



757

PARTS CATALOG (MAINTENANCE)

FIG ITEM	PART NUMBER	1 2 3 4 5 6 7	NOMENCLATURE	EFFECT FROM TO	UNITS PER ASSY
2A 555	342-119-1		.. LINING- SUPPLIER CODE: V97153 CONFIG CHG DATA FROM A CMM: REPLS 342-119 OPTIONAL PART: 342-118-1 V97153	106106	13
560	170-202		.. INSERT- SUPPLIER CODE: V97153	106106	2
565	93-801-1		.. PLATE-PRESSURE SUPPLIER CODE: V97153	106106	1
570	134-165		. ROTOR- SUPPLIER CODE: V97153 OPTIONAL PART: 134-366 V97153	106106	1
570	134-366		. ROTOR- SUPPLIER CODE: V97153 OPTIONAL PART: 134-165 V97153	106106	1
575	244-661		. CARRIER ASSY-LINING SEGMENTED SUPPLIER CODE: V97153	106106	1
580	244-662		. CARRIER ASSY-LINING SEGMENTED SUPPLIER CODE: V97153	106106	1
585	244-664		. CARRIER ASSY-LINING SEGMENTED SUPPLIER CODE: V97153	106106	1
590	78-107		.. RIVET- SUPPLIER CODE: V97153 OPTIONAL PART: 78-129 V97153	106106	39

MISSING ITEM NUMBERS NOT APPLICABLE

- ITEM NOT ILLUSTRATED

32-41-10-02A

32-41-10  
FIG. 02A  
PAGE 4  
JAN 20/09

BRI

BOEING PROPRIETARY - Copyright © - Unpublished Work - See title page for details.



757

PARTS CATALOG (MAINTENANCE)

FIG ITEM	PART NUMBER	1 2 3 4 5 6 7	NOMENCLATURE	EFFECT FROM TO	UNITS PER ASSY
2A 590	78-129		..RIVET-SEMI-TUBULAR SUPPLIER CODE: V97153 OPTIONAL PART: 78-107 V97153	106106	39
595	342-117-1		..LINING- SUPPLIER CODE: V97153 CONFIG CHG DATA FROM A CMM: REPLS 342-117	106106	13
595	342-117		..LINING- SUPPLIER CODE: V97153 SB DATA FROM A CMM: POST SB 32-13 BFG NO. 560 CONFIG CHG DATA FROM A CMM: REPLD BY 342-117-1	106106	13
595	342-118-1		..LINING- SUPPLIER CODE: V97153 CONFIG CHG DATA FROM A CMM: REPLS 342-118	106106	13
595	342-118		..LINING- SUPPLIER CODE: V97153 SB DATA FROM A CMM: POST SB 32-13 BFG NO. 560 CONFIG CHG DATA FROM A CMM: REPLD BY 342-118-1	106106	13
600	342-117-1		..LINING- SUPPLIER CODE: V97153 CONFIG CHG DATA FROM A CMM: REPLS 342-117	106106	13
600	342-117		..LINING- SUPPLIER CODE: V97153 SB DATA FROM A CMM: POST SB 32-13, BFG NO. 560 CONFIG CHG DATA FROM A CMM: REPLD BY 342-117-1	106106	13

MISSING ITEM NUMBERS NOT APPLICABLE

- ITEM NOT ILLUSTRATED

32-41-10-02A

32-41-10  
FIG. 02A  
PAGE 5  
JAN 20/09

BRI

BOEING PROPRIETARY - Copyright © - Unpublished Work - See title page for details.



757

PARTS CATALOG (MAINTENANCE)

FIG ITEM	PART NUMBER	1 2 3 4 5 6 7	NOMENCLATURE	EFFECT FROM TO	UNITS PER ASSY
2A 600	342-116-1	..	LINING- SUPPLIER CODE: V97153 CONFIG CHG DATA FROM A CMM: REPLS 342-116	106106	13
600	342-116	..	LINING- SUPPLIER CODE: V97153 SB DATA FROM A CMM: POST SB 32-13, BFG NO. 560 CONFIG CHG DATA FROM A CMM: REPLD BY 342-116-1	106106	13
605	342-116-1	..	LINING- SUPPLIER CODE: V97153 CONFIG CHG DATA FROM A CMM: REPLS 342-116	106106	26
605	342-116	..	LINING- SUPPLIER CODE: V97153 SB DATA FROM A CMM: POST SB 32-13, BFG NO. 560 CONFIG CHG DATA FROM A CMM: REPLD BY 342-116-1	106106	26
610	261-505-2	..	CARRIER- SUPPLIER CODE: V97153 SB DATA FROM A CMM: POST SB 32-10 BFG NO. 471	106106	3
615	134-164	.R	ROTOR- SUPPLIER CODE: V97153 OPTIONAL PART: 134-241 V97153	106106	1
615	134-241	.R	ROTOR- SUPPLIER CODE: V97153 OPTIONAL PART: 134-164 V97153	106106	1

MISSING ITEM NUMBERS NOT APPLICABLE

- ITEM NOT ILLUSTRATED

32-41-10-02A

32-41-10  
FIG. 02A  
PAGE 6  
JAN 20/09

BRI

BOEING PROPRIETARY - Copyright © - Unpublished Work - See title page for details.



757

PARTS CATALOG (MAINTENANCE)

FIG ITEM	PART NUMBER	1 2 3 4 5 6 7	NOMENCLATURE	EFFECT FROM TO	UNITS PER ASSY
2A 620	134-163	.	ROTOR- SUPPLIER CODE: V97153 OPTIONAL PART: 134-242 V97153	106106	2
620	134-242	.	ROTOR- SUPPLIER CODE: V97153 OPTIONAL PART: 134-163 V97153	106106	2
625	264-63	.	LINING ASSY-TORQUE PLATE 17-22 STEEL SUPPLIER CODE: V97153 CONFIG CHG DATA FROM A CMM: REPLS 264-66 OPTIONAL PART: 264-43-1 V97153 264-66 V97153	106106	1
625	264-43-1	.	LINING ASSY-TORQUE PLATE 17-22 STEEL SUPPLIER CODE: V97153 OPTIONAL PART: 264-63 V97153	106106	1
625	264-66	.	LINING ASSY-TORQUE PLATE 17-22 STEEL SUPPLIER CODE: V97153 SB DATA FROM A CMM: POST SB 32-10, BFG NO. 560 OPTIONAL PART: 264-63 V97153	106106	1
630	78-94	..	RIVET- SUPPLIER CODE: V97153 SB DATA FROM A CMM: POST SB 32-10 BFG NO. 471 OPTIONAL PART: 78-132 V97153	106106	13

MISSING ITEM NUMBERS NOT APPLICABLE

- ITEM NOT ILLUSTRATED

32-41-10-02A

32-41-10  
FIG. 02A  
PAGE 7  
JAN 20/09

BRI



757

PARTS CATALOG (MAINTENANCE)

FIG ITEM	PART NUMBER	1 2 3 4 5 6 7	NOMENCLATURE	EFFECT FROM TO	UNITS PER ASSY
2A 630	78-132		..RIVET-SEMI-TUBULAR SUPPLIER CODE: V97153 OPTIONAL PART: 78-94 V97153	106106	13
635	342-116-1		..LINING- SUPPLIER CODE: V97153 SB DATA FROM A CMM: POST SB 32-13 BFG NO. 560 CONFIG CHG DATA FROM A CMM: REPLS 342-116 REPLD BY 342-117 OPTIONAL PART: 342-117-1 V97153	106106	13
635	342-117-1		..LINING- SUPPLIER CODE: V97153 CONFIG CHG DATA FROM A CMM: REPLS 342-117	106106	13
635	342-116		..LINING- SUPPLIER CODE: V97153 CONFIG CHG DATA FROM A CMM: REPLD BY 342-116-1	106106	13
635	342-117		..LINING- SUPPLIER CODE: V97153 CONFIG CHG DATA FROM A CMM: REPLS 342-116-1 REPLD BY 342-117-1	106106	13
635	342-114-1		..LINING- SUPPLIER CODE: V97153 SB DATA FROM A CMM: PRE S.B. 32-13 BFG NO. 560 CONFIG CHG DATA FROM A CMM: REPLS 342-114	106106	13
635	342-114		..LINING- SUPPLIER CODE: V97153 CONFIG CHG DATA FROM A CMM: REPLD BY 342-114-1	106106	13

MISSING ITEM NUMBERS NOT APPLICABLE

- ITEM NOT ILLUSTRATED

32-41-10-02A

32-41-10  
FIG. 02A  
PAGE 8  
JAN 20/09

BRI

BOEING PROPRIETARY - Copyright © - Unpublished Work - See title page for details.



 **BOEING**  
757  
**PARTS CATALOG (MAINTENANCE)**

FIG ITEM	PART NUMBER	1 2 3 4 5 6 7	NOMENCLATURE	EFFECT FROM TO	UNITS PER ASSY
2A 640	4-270-4	..	PLATE-TORQUE SUPPLIER CODE: V97153 CONFIG CHG DATA FROM A CMM: REPLS 4-270-3	106106	1
640	4-270-3	..	PLATE-TORQUE SUPPLIER CODE: V97153 SB DATA FROM A CMM: POST SB 32-10, BFG NO. 471	106106	1
645	26-343	...	BUSHING- SUPPLIER CODE: V97153	106106	1
650	68-1120	.P	PACKING-PREFORMED SUPPLIER CODE: V97153	106106	1
655	5100-137	.R	RING-RETAINING SUPPLIER CODE: V79136	106106	6
660	53-260	.C	CLIP- SUPPLIER CODE: V97153 OPTIONAL PART: 53-227 V97153	106106	6
660	53-227	.C	CLIP- SUPPLIER CODE: V97153 OPTIONAL PART: 53-260 V97153	106106	6
665	107-329	.A	ADJUSTER ASSY- SUPPLIER CODE: V97153	106106	6
670	N5000-137	..	RING-RETAINING SUPPLIER CODE: V79136	106106	1
675	56-805	..	RETAINER- SUPPLIER CODE: V97153 SB DATA FROM A CMM: POST S.B. 412	106106	1
675	56-779	..	RETAINER- SUPPLIER CODE: V97153 SB DATA FROM A CMM: PRE S.B. 412	106106	1

MISSING ITEM NUMBERS NOT APPLICABLE

— ITEM NOT ILLUSTRATED

BRI

# 32-41-10-02A

BOEING PROPRIETARY - Copyright © - Unpublished Work - See title page for details.

32-41-10  
FIG. 02A  
PAGE 9  
JAN 20/09



757

PARTS CATALOG (MAINTENANCE)

FIG ITEM	PART NUMBER	1 2 3 4 5 6 7	NOMENCLATURE	EFFECT FROM TO	UNITS PER ASSY
2A 680	113-133		..GUIDE-SPR SUPPLIER CODE: V97153 SB DATA FROM A CMM: POST SB 32-5 BFG NO. 424	106106	1
685	40-611		..SPRING- SUPPLIER CODE: V97153	106106	1
- 690	45-191		..TUBE AND BALL ASSY- SUPPLIER CODE: V97153 CONFIG CHG DATA FROM A CMM: SUPSDS 45-178	106106	1
- 690	45-178		..TUBE AND BALL ASSY- SUPPLIER CODE: V97153 CONFIG CHG DATA FROM A CMM: SUPSD BY 45-191	106106	1
695	FN12M02		...NUT- SUPPLIER CODE: V56878	106106	1
700	130-18		...BALL- SUPPLIER CODE: V97153	106106	1
705	20-531		...PIN-ADJUSTER SUPPLIER CODE: V97153	106106	1
710	45-192		...TUBE- SUPPLIER CODE: V97153 SB DATA FROM A CMM: POST SB 412	106106	1
715	260-747		..HOUSING-ADJUSTER SUPPLIER CODE: V97153	106106	1
720	437-28		.SPACER ASSY-INSULATOR SUPPLIER CODE: V97153 CONFIG CHG DATA FROM A CMM: REPLD BY 437-28-3	106106	6
725	74-882		.PISTON- SUPPLIER CODE: V97153 OPTIONAL PART: 74-793-1 V97153	106106	6

MISSING ITEM NUMBERS NOT APPLICABLE

- ITEM NOT ILLUSTRATED

32-41-10-02A

32-41-10  
FIG. 02A  
PAGE 10  
JAN 20/09

BRI

BOEING PROPRIETARY - Copyright © - Unpublished Work - See title page for details.



757

PARTS CATALOG (MAINTENANCE)

FIG ITEM	PART NUMBER	1 2 3 4 5 6 7	NOMENCLATURE	EFFECT FROM TO	UNITS PER ASSY
2A 725	74-793-1		.PISTON- SUPPLIER CODE: V97153 SB DATA FROM A CMM: POST S.B. 436 OPTIONAL PART: 74-882 V97153	106106	6
730	68-1118		.PACKING-PREFORMED SUPPLIER CODE: V97153 SB DATA FROM A CMM: PRE SB 436	106106	6
730	68-1239		.PACKING-PREFORMED SUPPLIER CODE: V97153 SB DATA FROM A CMM: POST SB 436	106106	6
735	68-1232		.PACKING-BACKUP SCARF-CUT SUPPLIER CODE: V97153 SB DATA FROM A CMM: POST SB 436 OPTIONAL PART: 68-1234 V97153	106106	6
735	68-1234		.PACKING-BACKING SUPPLIER CODE: V97153 SB DATA FROM A CMM: POST SB 436 OPTIONAL PART: 68-1232 V97153	106106	6
740	S11065-17-1		.RING-SCRAPER SUPPLIER CODE: V09257 SB DATA FROM A CMM: PRE SB 436 CONFIG CHG DATA FROM A CMM: REPLD BY S33865-17H10	106106	6

MISSING ITEM NUMBERS NOT APPLICABLE

- ITEM NOT ILLUSTRATED

32-41-10-02A

32-41-10  
FIG. 02A  
PAGE 11  
JAN 20/09

BRI



757

PARTS CATALOG (MAINTENANCE)

FIG ITEM	PART NUMBER	1 2 3 4 5 6 7	NOMENCLATURE	EFFECT FROM TO	UNITS PER ASSY
2A 740	S33865-17H10	.	RING-SCRAPER SUPPLIER CODE: V09257 SB DATA FROM A CMM: POST SB 436 CONFIG CHG DATA FROM A CMM: REPLS S11065-17-1 OPTIONAL PART: 4186A17K0410 V72902	106106	6
740	4186A17K0410	.	RING-SCRAPER SUPPLIER CODE: V72902 OPTIONAL PART: S33865-17H10 V09257	106106	6
745	54-387	.	SLEEVE-PISTON SUPPLIER CODE: V97153 CONFIG CHG DATA FROM A CMM: REPLD BY 54-394	106106	6
745	54-394	.	SLEEVE-PISTON SUPPLIER CODE: V97153 CONFIG CHG DATA FROM A CMM: REPLS 54-387 REPLD BY 54-433	106106	6
745	54-433	.	SLEEVE-PISTON SUPPLIER CODE: V97153 CONFIG CHG DATA FROM A CMM: REPLS 54-394	106106	6
750	68-1117	.	PACKING-PREFORMED SUPPLIER CODE: V97153	106106	6
755	245-202	.	RING-BACKUP SUPPLIER CODE: V97153 OPTIONAL PART: 245-202-1 V97153	106106	12
755	245-202-1	.	RING-BACKUP SUPPLIER CODE: V97153 OPTIONAL PART: 245-202 V97153	106106	12

MISSING ITEM NUMBERS NOT APPLICABLE

- ITEM NOT ILLUSTRATED

32-41-10-02A

32-41-10  
FIG. 02A  
PAGE 12  
JAN 20/09

BRI

 **BOEING**  
757  
**PARTS CATALOG (MAINTENANCE)**

FIG ITEM	PART NUMBER	1 2 3 4 5 6 7	NOMENCLATURE	EFFECT FROM TO	UNITS PER ASSY
2A			ATTACHING PARTS		
760	MS35207-260		.SCREW -----*-----	106106	1
765	MS35338-43		.WASHER	106106	1
770	MS27611		.VALVE	106106	1
775	68-1125		.PACKING-PREFORMED SUPPLIER CODE: V97153	106106	1
780	95-524		.ADAPTER- SUPPLIER CODE: V97153 OPTIONAL PART: MS27612-7	106106	1
780	MS27612-7		.ADAPTER- OPTIONAL PART: 95-524 V97153	106106	1
785	68-269		.PACKING-PREFORMED SUPPLIER CODE: V97153	106106	1
790	68-1119		.PACKING-PREFORMED SUPPLIER CODE: V97153	106106	1
795	MS9015-04		.PLUG	106106	1
800	68-404		.PACKING-PREFORMED SUPPLIER CODE: V97153	106106	1
805	266-210		.HOUSING ASSY-PISTON SUPPLIER CODE: V97153	106106	1
810	50-498		..PLATE- SUPPLIER CODE: V97153	106106	1
815	MS15001-1		..FITTING	106106	3
820	3591-4CN0500		..INSERT-HELICOIL SUPPLIER CODE: V01556	106106	6
825	3591-4CN0250		..INSERT-HELICOIL SUPPLIER CODE: V01556	106106	2
830	26-307		..BUSHING- SUPPLIER CODE: V97153	106106	1
835	26-306-1		..BUSHING- SUPPLIER CODE: V97153 SB DATA FROM A CMM: POST SB 32-3 BFG NO. 417	106106	2

MISSING ITEM NUMBERS NOT APPLICABLE

— ITEM NOT ILLUSTRATED

BRI

# 32-41-10-02A

BOEING PROPRIETARY - Copyright © - Unpublished Work - See title page for details.

32-41-10  
FIG. 02A  
PAGE 13  
JAN 20/09



757

PARTS CATALOG (MAINTENANCE)

FIG ITEM	PART NUMBER	1 2 3 4 5 6 7	NOMENCLATURE	EFFECT FROM TO	UNITS PER ASSY
2A					
840	PLGA2811010	..	PLUG-LEE SUPPLIER CODE: V92555	106106	8
840	PLGA2911010	..	PLUG-LEE SUPPLIER CODE: V92555 CONFIG CHG DATA FROM A CMM: ALT FACTORY OVERSIZE	106106	8
840	PLGM0750010	..	PLUG-LEE SUPPLIER CODE: V92555 CONFIG CHG DATA FROM A CMM: ALT FACTORY OVERSIZE	106106	8
840	PLGM0800010	..	PLUG-LEE SUPPLIER CODE: V92555 CONFIG CHG DATA FROM A CMM: ALT FACTORY OVERSIZE	106106	8
840	PLGA3430010	..	PLUG-LEE SUPPLIER CODE: V92555 CONFIG CHG DATA FROM A CMM: ALT FACTORY OVERSIZE	106106	8
- 845	134-165	.ROTOR-	SUPPLIER CODE: V97153	106106	AR
- 845	134-366	.ROTOR-	SUPPLIER CODE: V97153 CONFIG CHG DATA FROM A CMM: ALTERNATING LINK	106106	AR
- 850	342-117	.LINING-	SUPPLIER CODE: V97153 SB DATA FROM A CMM: POST SB 32-10 BFG NO. 471 CONFIG CHG DATA FROM A CMM: REPLD BY 342-117-1	106106	AR
- 850	342-117-1	.LINING-	SUPPLIER CODE: V97153 CONFIG CHG DATA FROM A CMM: REPLS 342-117	106106	AR

MISSING ITEM NUMBERS NOT APPLICABLE

- ITEM NOT ILLUSTRATED

32-41-10-02A

32-41-10  
FIG. 02A  
PAGE 14  
JAN 20/09

BRI

BOEING PROPRIETARY - Copyright © - Unpublished Work - See title page for details.



757

PARTS CATALOG (MAINTENANCE)

FIG ITEM	PART NUMBER	1 2 3 4 5 6 7	NOMENCLATURE	EFFECT FROM TO	UNITS PER ASSY
2A - 850	342-116		.LINING- SUPPLIER CODE: V97153 SB DATA FROM A CMM: POST SB 32-10 BFG NO. 471 CONFIG CHG DATA FROM A CMM: REPLD BY 342-116-1	106106	AR
- 850	342-116-1		.LINING- SUPPLIER CODE: V97153 CONFIG CHG DATA FROM A CMM: REPLS 342-116	106106	AR
- 850	342-119		.LINING- SUPPLIER CODE: V97153 SB DATA FROM A CMM: POST SB 32-10, BFG NO. 471 CONFIG CHG DATA FROM A CMM: REPLD BY 342-119-1	106106	AR
- 850	342-119-1		.LINING- SUPPLIER CODE: V97153 CONFIG CHG DATA FROM A CMM: REPLS 342-119	106106	AR
- 850	342-118		.LINING- SUPPLIER CODE: V97153 SB DATA FROM A CMM: POST SB 32-10, BFG NO. 471 CONFIG CHG DATA FROM A CMM: REPLD BY 342-118-1	106106	AR
- 850	342-118-1		.LINING- SUPPLIER CODE: V97153 CONFIG CHG DATA FROM A CMM: REPLS 342-118	106106	AR
- 850	342-115		.LINING- SUPPLIER CODE: V97153 SB DATA FROM A CMM: POST SB 32-10, BFG NO. 471 CONFIG CHG DATA FROM A CMM: REPLD BY 342-115-1	106106	AR

MISSING ITEM NUMBERS NOT APPLICABLE

- ITEM NOT ILLUSTRATED

32-41-10-02A

32-41-10  
FIG. 02A  
PAGE 15  
JAN 20/09

BRI



757

PARTS CATALOG (MAINTENANCE)

FIG ITEM	PART NUMBER	1 2 3 4 5 6 7	NOMENCLATURE	EFFECT FROM TO	UNITS PER ASSY
2A - 850	342-115-1		.LINING- SUPPLIER CODE: V97153 CONFIG CHG DATA FROM A CMM: REPLS 342-115	106106	AR
- 850	342-114		.LINING- SUPPLIER CODE: V97153 SB DATA FROM A CMM: POST SB 32-10, BFG NO. 471 CONFIG CHG DATA FROM A CMM: REPLD BY 342-114-1	106106	AR
- 850	342-114-1		.LINING- SUPPLIER CODE: V97153 CONFIG CHG DATA FROM A CMM: REPLS 342-114	106106	AR
- 855	MS20427-6C8		.RIVET	106106	AR

MISSING ITEM NUMBERS NOT APPLICABLE

- ITEM NOT ILLUSTRATED

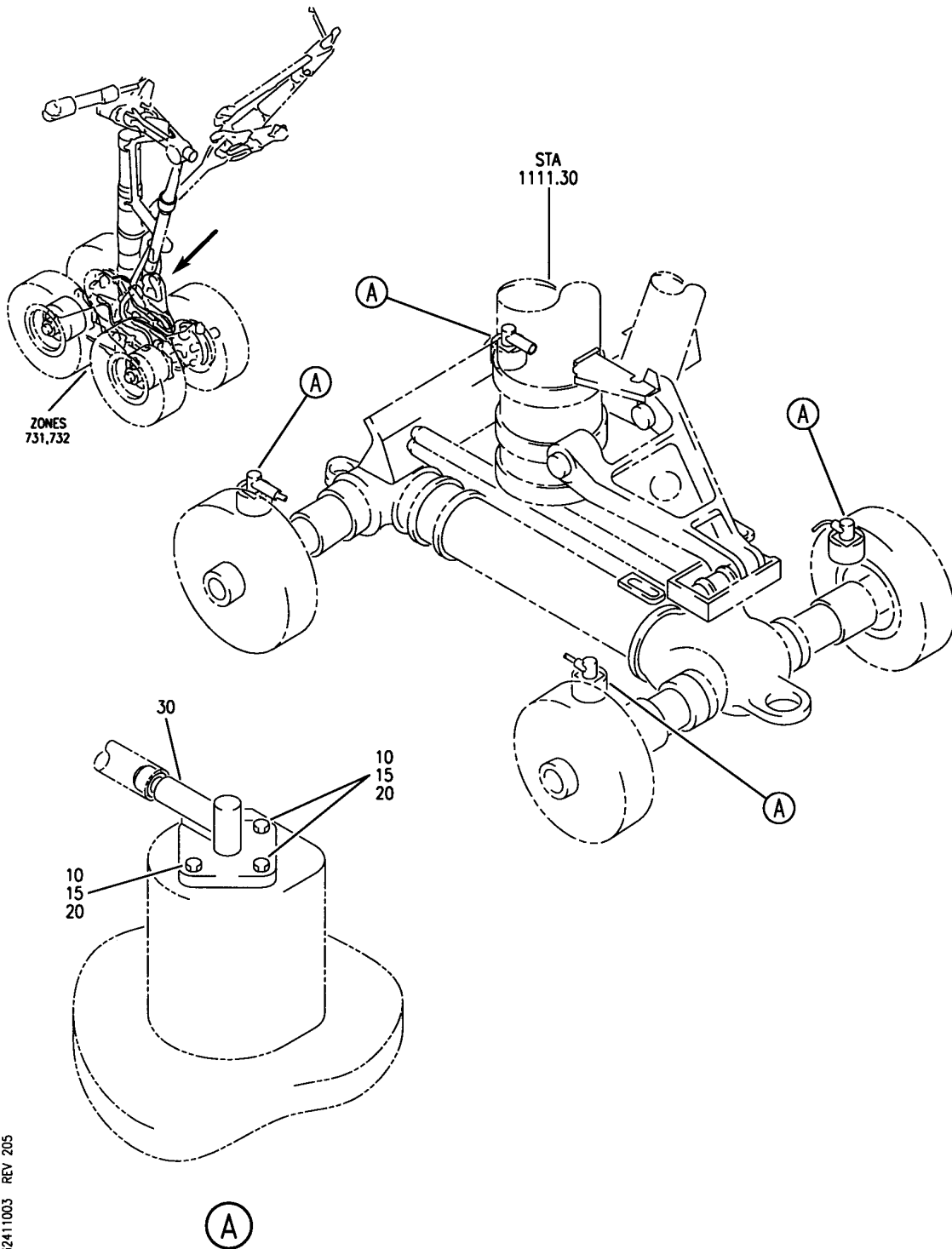
**32-41-10-02A**

32-41-10  
FIG. 02A  
PAGE 16  
JAN 20/09

BRI



**BOEING**  
757  
PARTS CATALOG (MAINTENANCE)



Y 32411003 REV 205

DISCONNECT INSTL HYDR INTERFACE - MLG  
FIGURE 3

**32-41-10-03**

BRI  
MAY 28/07

32-41-10-03  
PAGE 0



757

PARTS CATALOG (MAINTENANCE)

FIG ITEM	PART NUMBER	1 2 3 4 5 6 7	NOMENCLATURE	EFFECT FROM TO	UNITS PER ASSY
3			DISCONNECT INSTL HYDR INTERFACE - MLG	101106 108120 504903	
- 1	277N1100-605		BRAKE INSTL-MAIN LANDING GEAR POSITION DATA: LH SIDE FOR NHA SEE: 32-00-00-18	101102 108120 504903	RF
- 1	MODREF27678		BRAKE INSTL-MAIN LANDING GEAR MODULE NUMBER: 277N1100-605 REV B POSITION DATA: LH SIDE	103106	1
- 5	277N1100-606		BRAKE INSTL-MAIN LANDING GEAR POSITION DATA: RH SIDE FOR NHA SEE: 32-00-00-18	101102 108120 504903	RF
- 5	MODREF27679		BRAKE INSTL-MAIN LANDING GEAR MODULE NUMBER: 277N1100-606 REV B POSITION DATA: RH SIDE	103106	1
15	BACB30NM4HK3		.BOLT	101106 108120 504903	12
20	BACW10BP4ACU		.WASHER	101106 108120 504903	12
30	591305-2		.COUPLING- SUPPLIER CODE: V11362 SPECIFICATION NUMBER: S274N101-2	101106 108120 504903	4
30	591305-18		.DISCONNECT-HYDR HOSE HALF SELF SEALING SUPPLIER CODE: V11362 SPECIFICATION NUMBER: S274N101-18	101106 108120 504903	4

MISSING ITEM NUMBERS NOT APPLICABLE

- ITEM NOT ILLUSTRATED

32-41-10-03

32-41-10  
FIG. 03  
PAGE 1  
JAN 20/09

BRI



757

PARTS CATALOG (MAINTENANCE)

FIG ITEM	PART NUMBER	1 2 3 4 5 6 7	NOMENCLATURE	EFFECT FROM TO	UNITS PER ASSY
3 30	591305-8		. COUPLING- SUPPLIER CODE: V11362 SPECIFICATION NUMBER: S274N101-8	101106 108120 504903	4

MISSING ITEM NUMBERS NOT APPLICABLE

- ITEM NOT ILLUSTRATED

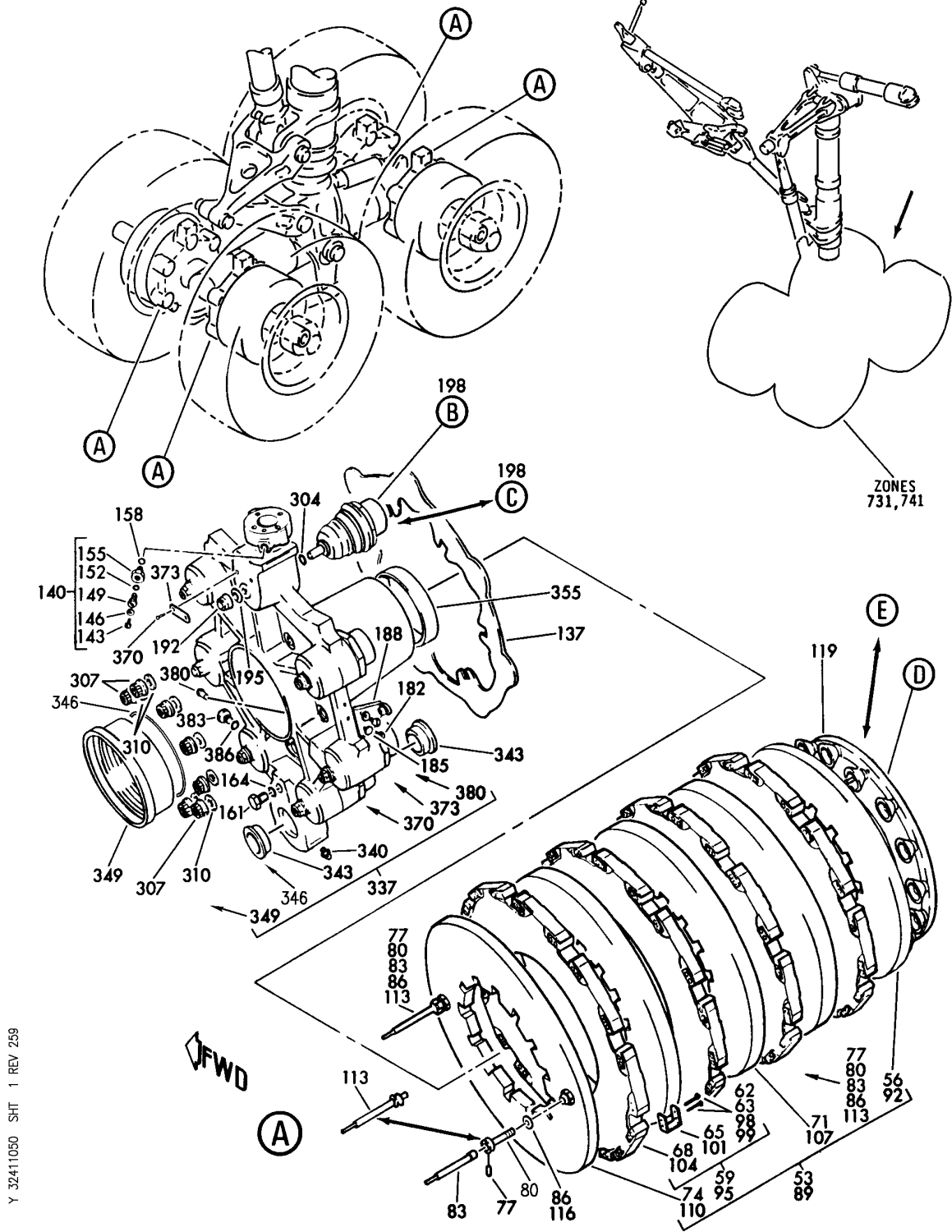
BRI

32-41-10-03

BOEING PROPRIETARY - Copyright © - Unpublished Work - See title page for details.

32-41-10  
FIG. 03  
PAGE 2  
JAN 20/09

**BOEING**  
757  
PARTS CATALOG (MAINTENANCE)



Y 32411050 SHT 1 REV 259

BRAKE ASSY  
FIGURE 50 (SHEET 1)

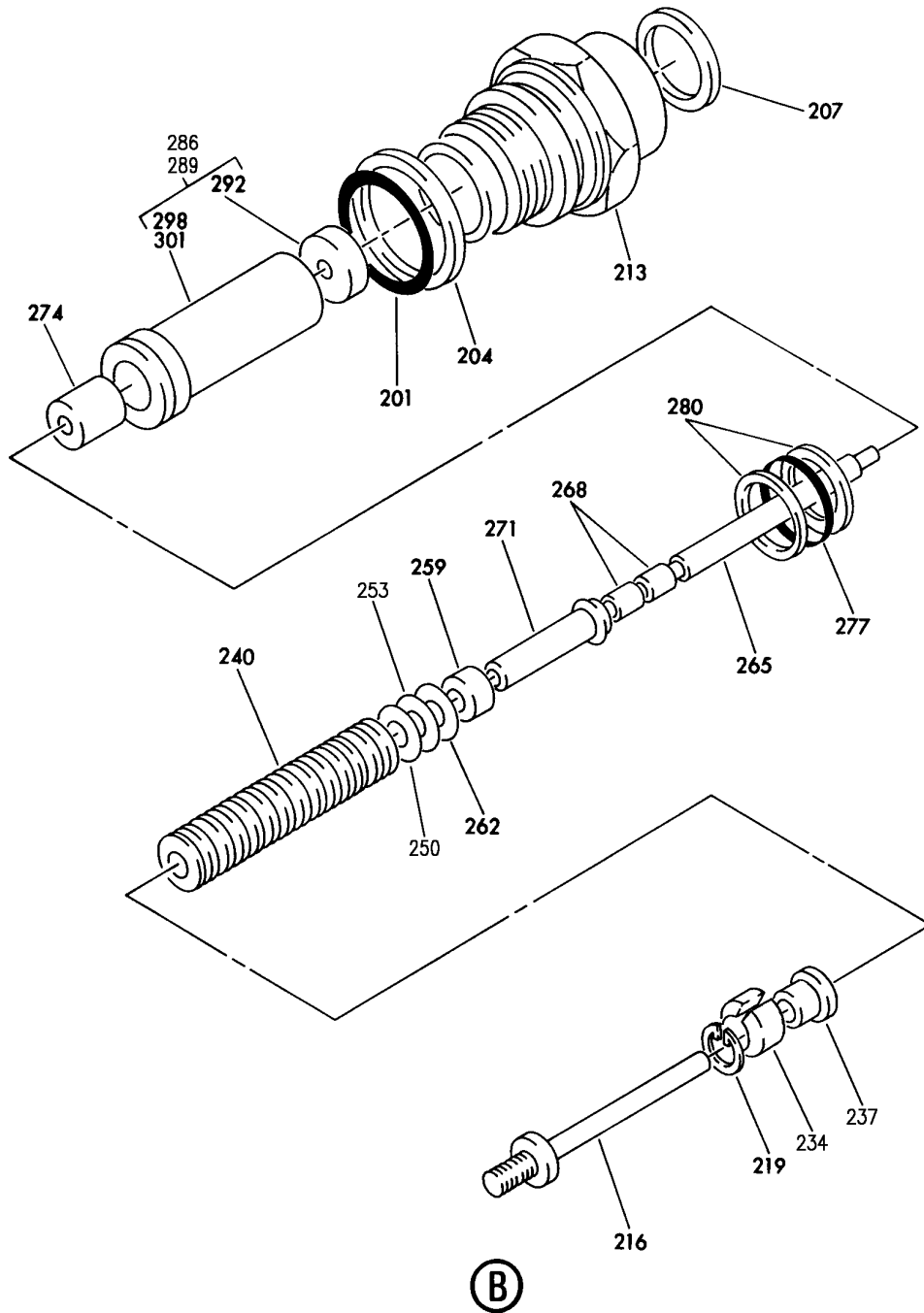
**32-41-10-50**

BRI  
MAY 28/07

32-41-10-50  
PAGE 0

BOEING PROPRIETARY - Copyright © - Unpublished Work - See title page for details.

**BOEING**  
757  
PARTS CATALOG (MAINTENANCE)



Y 32411050 SH1 2 REV 259

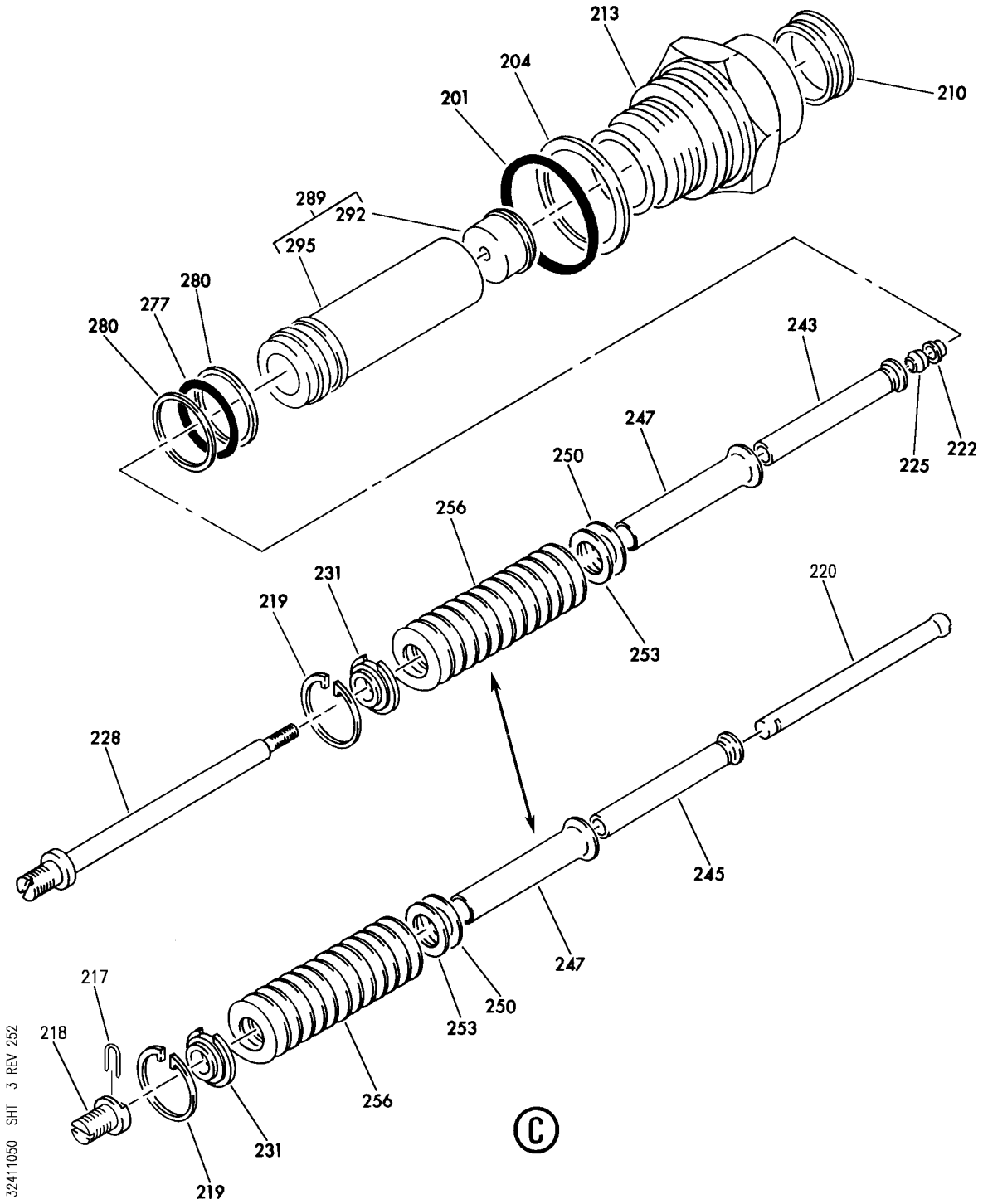
BRAKE ASSY  
FIGURE 50 (SHEET 2)

**32-41-10-50**

BRI  
MAY 28/07

32-41-10-50  
PAGE 0A

**BOEING**  
757  
PARTS CATALOG (MAINTENANCE)



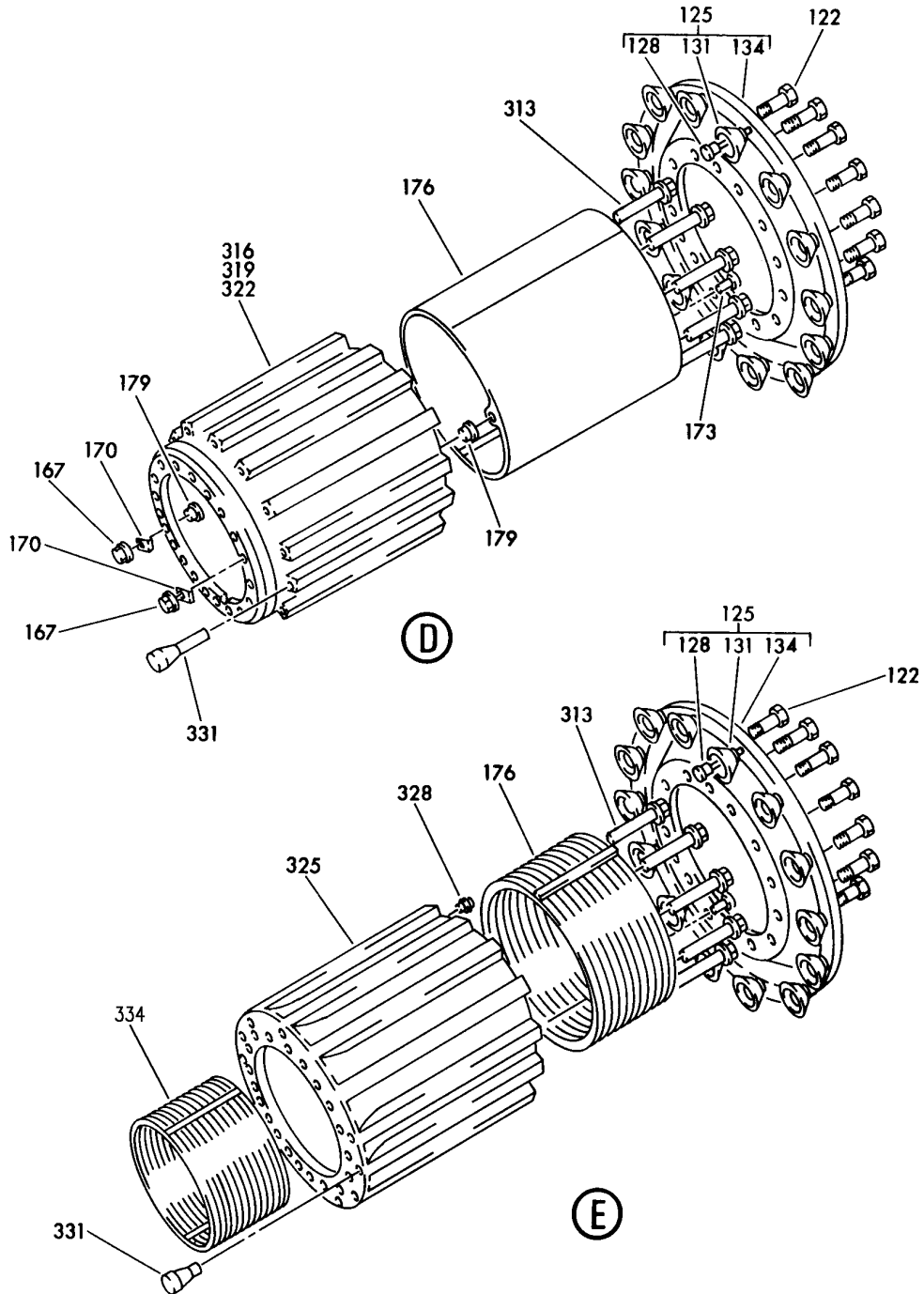
BRAKE ASSY  
FIGURE 50 (SHEET 3)

**32-41-10-50**

BRI  
MAY 28/07

32-41-10-50  
PAGE 0B

**BOEING**  
757  
PARTS CATALOG (MAINTENANCE)



Y 32411050 SHT 4 REV 259

BRAKE ASSY  
FIGURE 50 (SHEET 4)

**32-41-10-50**

BRI  
MAY 28/07

32-41-10-50  
PAGE 0C



757

PARTS CATALOG (MAINTENANCE)

FIG ITEM	PART NUMBER	1 2 3 4 5 6 7	NOMENCLATURE	EFFECT FROM TO	UNITS PER ASSY
50			BRAKE ASSY	002004 006102 952952	
- 1	AHA1301		BRAKE ASSY- SUPPLIER CODE: VK1037 SPECIFICATION NUMBER: S160N020-1 COMPONENT MAINT MANUAL REF: 32-42-53 FOR NHA SEE: 32-41-10-01	002004 006100 952952	RF
- 1	AHA1637		BRAKE ASSY- SUPPLIER CODE: VK1037 SPECIFICATION NUMBER: S160N020-5 COMPONENT MAINT MANUAL REF: 32-42-53 FOR NHA SEE: 32-41-10-01	002004 006100 952952	RF
- 1	AHA1676		BRAKE ASSY- SUPPLIER CODE: VK1037 SPECIFICATION NUMBER: S160N020-7 COMPONENT MAINT MANUAL REF: 32-42-53 FOR NHA SEE: 32-41-10-01	002004 006100 952952	RF
- 1	AHA1693		BRAKE ASSY- SUPPLIER CODE: VK1037 SPECIFICATION NUMBER: S160N020-8 COMPONENT MAINT MANUAL REF: 32-42-84 FOR NHA SEE: 32-41-10-01	002004 006100 952952	RF
- 1	AHA1884		BRAKE ASSY- SUPPLIER CODE: VK1037 SPECIFICATION NUMBER: S160N020-14 COMPONENT MAINT MANUAL REF: 32-42-98 FOR NHA SEE: 32-41-10-01	002004 006100 952952	RF

MISSING ITEM NUMBERS NOT APPLICABLE

- ITEM NOT ILLUSTRATED

32-41-10-50

32-41-10  
FIG. 50  
PAGE 1  
JAN 20/09

BRI





757

PARTS CATALOG (MAINTENANCE)

FIG ITEM	PART NUMBER	1 2 3 4 5 6 7	NOMENCLATURE	EFFECT FROM TO	UNITS PER ASSY
50					
- 1	AHA1884		BRAKE ASSY- SUPPLIER CODE: VK1037 SPECIFICATION NUMBER: S160N020-14 COMPONENT MAINT MANUAL REF: 32-42-98 FOR NHA SEE: 32-41-10-01	101102	RF
- 50	AH089970		.HEAT PACK ASSY- SUPPLIER CODE: VK1037 USED ON: AHA1693 AHA1884	002004 006102 952952	RF
53	AH089903		..HEAT PACK ASSY- SUPPLIER CODE: VK1037 QUALIFIED OPTIONAL DATA: AH089903 IS OPTIONAL TO AH089889 FOR NHA AHA1693 ONLY	002004 006102 952952	RF
53	AH089889		..HEAT PACK ASSY- SUPPLIER CODE: VK1037 QUALIFIED OPTIONAL DATA: AH089903 IS OPTIONAL TO AH089889 FOR NHA AHA1693 ONLY	002004 006102 952952	RF
56	AHM9100		...STATOR-THRUST SUPPLIER CODE: VK1037 QUALIFIED OPTIONAL DATA: AHM9100 IS OPTIONAL TO AHM9097 FOR NHA AHA1693 ONLY	002004 006102 952952	1
56	AHM9097		...STATOR-THRUST SUPPLIER CODE: VK1037 QUALIFIED OPTIONAL DATA: AHM9100 IS OPTIONAL TO AHM9097 FOR NHA AHA1693 ONLY	002004 006102 952952	1

MISSING ITEM NUMBERS NOT APPLICABLE

- ITEM NOT ILLUSTRATED

32-41-10-50

32-41-10  
FIG. 50  
PAGE 2  
JAN 20/09

BRI



757

PARTS CATALOG (MAINTENANCE)

FIG ITEM	PART NUMBER	1 2 3 4 5 6 7	NOMENCLATURE	EFFECT FROM TO	UNITS PER ASSY
50					
59	AHM9086	...	ROTOR ASSY- SUPPLIER CODE: VK1037 QUALIFIED OPTIONAL DATA: AHM9086 IS OPTIONAL TO AHM9084 FOR NHA AHA1693 ONLY	002004 006102 952952	4
59	AHM9084	...	ROTOR ASSY- SUPPLIER CODE: VK1037 QUALIFIED OPTIONAL DATA: AHM9086 IS OPTIONAL TO AHM9084 FOR NHA AHA1693 ONLY	002004 006102 952952	4
62	AH089992	....	RIVET- SUPPLIER CODE: VK1037	002004 006102 952952	36
63	AH089992	....	RIVET- SUPPLIER CODE: VK1037	002004 006102 952952	36
65	AH089991	....	CLIP- SUPPLIER CODE: VK1037	002004 006102 952952	18
68	AHM9085	....	ROTOR- SUPPLIER CODE: VK1037 QUALIFIED OPTIONAL DATA: AHM9085 IS OPTIONAL TO AHM9083 FOR NHA AHA1693 ONLY	002004 006102 952952	1
68	AHM9083	....	ROTOR- SUPPLIER CODE: VK1037 QUALIFIED OPTIONAL DATA: AHM9085 IS OPTIONAL TO AHM9083 FOR NHA AHA1693 ONLY	002004 006102 952952	1
71	AHM9099	...	STATOR-DBL SUPPLIER CODE: VK1037 QUALIFIED OPTIONAL DATA: AHM9099 IS OPTIONAL TO AHM9096 FOR NHA AHA1693 ONLY	002004 006102 952952	3

MISSING ITEM NUMBERS NOT APPLICABLE

- ITEM NOT ILLUSTRATED

32-41-10-50

32-41-10  
FIG. 50  
PAGE 3  
JAN 20/09

BRI

BOEING PROPRIETARY - Copyright © - Unpublished Work - See title page for details.



757

PARTS CATALOG (MAINTENANCE)

FIG ITEM	PART NUMBER	1 2 3 4 5 6 7	NOMENCLATURE	EFFECT FROM TO	UNITS PER ASSY
50					
71	AHM9096	...	STATOR-DBL SUPPLIER CODE: VK1037 QUALIFIED OPTIONAL DATA: AHM9099 IS OPTIONAL TO AHM9096 FOR NHA AHA1693 ONLY	002004 006102 952952	3
74	AH089901	...	STATOR ASSY-PRESSURE SUPPLIER CODE: VK1037 QUALIFIED OPTIONAL DATA: AH089901 IS OPTIONAL TO AH089900 FOR NHA AHA1693 ONLY	002004 006102 952952	1
74	AH089900	...	STATOR ASSY-PRESSURE SUPPLIER CODE: VK1037 QUALIFIED OPTIONAL DATA: AH089901 IS OPTIONAL TO AH089900 FOR NHA AHA1693 ONLY	002004 006102 952952	1
77	MS24665-153	...	PIN	002004 006102 952952	2
80	AH089813	...	PIN-RTNR SUPPLIER CODE: VK1037	002004 006102 952952	2
83	AH089812	...	PIN-IND SUPPLIER CODE: VK1037	002004 006102 952952	2
86	AH087056	...	WASHER-TAB SUPPLIER CODE: VK1037	002004 006102 952952	2
89	AH089060	.	HEAT PACK ASSY- SUPPLIER CODE: VK1037 SB DATA FROM A CMM: MOD. C. 2314 USED ON: AHA1301 AHA1637 AHA1676	002004 006100 952952	1
92	AHM8650	..	STATOR-THRUST SUPPLIER CODE: VK1037 SB DATA FROM A CMM: MOD. C. 2314	002004 006100 952952	1

MISSING ITEM NUMBERS NOT APPLICABLE

- ITEM NOT ILLUSTRATED

32-41-10-50

32-41-10  
FIG. 50  
PAGE 4  
JAN 20/09

BRI



757

PARTS CATALOG (MAINTENANCE)

FIG ITEM	PART NUMBER	1 2 3 4 5 6 7	NOMENCLATURE	EFFECT FROM TO	UNITS PER ASSY
50					
95	AHM8530	..	ROTOR ASSY- SUPPLIER CODE: VK1037 SB DATA FROM A CMM: MOD. C. 2269	002004 006100 952952	4
98	AH088720	...	RIVET- SUPPLIER CODE: VK1037	002004 006100 952952	36
99	AH088720	...	RIVET- SUPPLIER CODE: VK1037	002004 006100 952952	36
101	AH088692	...	CLIP- SUPPLIER CODE: VK1037	002004 006100 952952	18
104	AHM8529	...	ROTOR- SUPPLIER CODE: VK1037 SB DATA FROM A CMM: MOD. C. 2269	002004 006100 952952	1
107	AHM8649	..	STATOR-DBL SUPPLIER CODE: VK1037 SB DATA FROM A CMM: MOD. C. 2314	002004 006100 952952	3
110	AH089059	..	STATOR ASSY-PRESSURE SUPPLIER CODE: VK1037 SB DATA FROM A CMM: MOD. C. 2314	002004 006100 952952	1
113	AH088854	..	PIN-IND SUPPLIER CODE: VK1037 SB DATA FROM A CMM: MOD. C. 2269	002004 006100 952952	2
116	AH087056	..	WASHER-TAB SUPPLIER CODE: VK1037	002004 006100 952952	2
119	AHA1461	.	CHASSIS ASSY- SUPPLIER CODE: VK1037 SB DATA FROM A CMM: PRE MOD. C. 2401 USED ON: AHA1301	002004 006100 952952	1

MISSING ITEM NUMBERS NOT APPLICABLE

- ITEM NOT ILLUSTRATED

32-41-10-50

32-41-10  
FIG. 50  
PAGE 5  
JAN 20/09

BRI

BOEING PROPRIETARY - Copyright © - Unpublished Work - See title page for details.



757

PARTS CATALOG (MAINTENANCE)

FIG ITEM	PART NUMBER	1 2 3 4 5 6 7	NOMENCLATURE	EFFECT FROM TO	UNITS PER ASSY
50					
119	AHA1639	.	CHASSIS ASSY- SUPPLIER CODE: VK1037 SB DATA FROM A CMM: MOD. C. 2401 SB. 32-975 USED ON: AHA1637	002004 006100 952952	1
119	AHA1678	.	CHASSIS ASSY- SUPPLIER CODE: VK1037 SB DATA FROM A CMM: MOD. C. 2442 SB. 32-988 USED ON: AHA1676	002004 006100 952952	1
119	AHA1887	.	CHASSIS ASSY- SUPPLIER CODE: VK1037 USED ON: AHA1884	002004 006102 952952	1
119	AHA1695	.	CHASSIS ASSY- SUPPLIER CODE: VK1037 USED ON: AHA1693	002004 006100 952952	1
122	AH089192	..	BOLT- SUPPLIER CODE: VK1037 USED ON: AHA1678	002004 006102 952952	15
122	AH088048	..	BOLT- SUPPLIER CODE: VK1037 USED ON: AHA1461 AHA1639	002004 006100 952952	15
125	AH088859	..	RING ASSY-THRUST SUPPLIER CODE: VK1037 ATTACHING PARTS	002004 006102 952952	1
128	AH088861	...	RIVET- SUPPLIER CODE: VK1037 -----*-----	002004 006102 952952	15
131	AH088858	...	CONE- SUPPLIER CODE: VK1037 SB DATA FROM A CMM: PRE MOD C11001(0)	002004 006102 952952	15

MISSING ITEM NUMBERS NOT APPLICABLE

- ITEM NOT ILLUSTRATED

32-41-10-50

32-41-10  
FIG. 50  
PAGE 6  
JAN 20/09

BRI



757

PARTS CATALOG (MAINTENANCE)

FIG ITEM	PART NUMBER	1 2 3 4 5 6 7	NOMENCLATURE	EFFECT FROM TO	UNITS PER ASSY
50					
131	AH090117	...	CONE- SUPPLIER CODE: VK1037 SB DATA FROM A CMM: POST MOD C11001(0)	002004 006102 952952	15
134	AH43996	...	RING- SUPPLIER CODE: VK1037	002004 006102 952952	1
137	AHM8531	..	PLATE-SPREADER SUPPLIER CODE: VK1037	002004 006102 952952	1
140	AH088518	..	VALVE ASSY-BLEED SUPPLIER CODE: VK1037	002004 006102 952952	1
143	MS35276-260	...	SCREW	002004 006102 952952	1
146	MS35338-43	...	WASHER	002004 006102 952952	1
149	MS27611	...	VALVE	002004 006102 952952	1
152	NAS1611-011	...	PACKING	002004 006102 952952	1
155	MS27612-7	...	ADAPTER	002004 006102 952952	1
158	NAS1612-6	..	PACKING	002004 006102 952952	1
161	AH088517	..	PLUG-BLANKING SUPPLIER CODE: VK1037	002004 006102 952952	1
164	NAS1612-4	..	PACKING	002004 006102 952952	1
167	NAS1291-3	..	NUT- USED ON: AHA1461 AHA1639 AHA1678	002004 006100 952952	2

MISSING ITEM NUMBERS NOT APPLICABLE

- ITEM NOT ILLUSTRATED

32-41-10-50

32-41-10  
FIG. 50  
PAGE 7  
JAN 20/09

BRI

BOEING PROPRIETARY - Copyright © - Unpublished Work - See title page for details.



757

PARTS CATALOG (MAINTENANCE)

FIG ITEM	PART NUMBER	1 2 3 4 5 6 7	NOMENCLATURE	EFFECT FROM TO	UNITS PER ASSY
50 170	AH089077		.. PLATE-RETAINING PRE MOD. C. 2403 SUPPLIER CODE: VK1037 USED ON: AHA1461 AHA1639 AHA1678	002004 006100 952952	2
173	DSR4214-1308		.. SCREW-CAP HD SKT SIZE 10 0.875 IN. LG SUPPLIER CODE: VK1037 SB DATA FROM A CMM: MOD. C. 2315 USED ON: AHA1461 AHA1639 AHA1678	002004 006100 952952	2
176	AH44057		.. SHIELD-HEAT SUPPLIER CODE: VK1037 SB DATA FROM A CMM: MOD. C. 10753(0) USED ON: AHA1461 AHA1639 AHA1678	002004 006100 952952	1
176	AH44088		.. SHIELD-OUTER HEAT SUPPLIER CODE: VK1037 SB DATA FROM A CMM: PRE-MOD MCLB30373 CONFIG CHG DATA FROM A CMM: SUPSD BY AH55096 USED ON: AHA1887 AHA1695 AHA1678	002004 006102 952952	1
176	AH55096		.. SHIELD-OUTER HEAT SUPPLIER CODE: VK1037 SB DATA FROM A CMM: POST-MOD MCLB30373 CONFIG CHG DATA FROM A CMM: SUPSDS AH44088 USED ON: AHA1678	002004 006102 952952	1

MISSING ITEM NUMBERS NOT APPLICABLE

- ITEM NOT ILLUSTRATED

BRI

32-41-10-50

BOEING PROPRIETARY - Copyright © - Unpublished Work - See title page for details.

32-41-10  
FIG. 50  
PAGE 8  
JAN 20/09



757

PARTS CATALOG (MAINTENANCE)

FIG ITEM	PART NUMBER	1 2 3 4 5 6 7	NOMENCLATURE	EFFECT FROM TO	UNITS PER ASSY
50 179	AH089340	..	BUSH- SUPPLIER CODE: VK1037 SB DATA FROM A CMM: MOD. C. 2401 SB. 32-975 USED ON: AHA1639	002004 006100 952952	2
182	A217D16	..	SCREW- SUPPLIER CODE: VK7766	002004 006102 952952	4
185	AN960C10L	..	WASHER	002004 006102 952952	4
188	AH088647	..	BRACKET-IND SUPPLIER CODE: VK1037	002004 006102 952952	2
192	NAS1291-7	..	NUT	002004 006102 952952	7
195	SP10L	..	WASHER- SUPPLIER CODE: VK7766	002004 006102 952952	7
198	AHM8651	..	LINER ASSY-CYL SUPPLIER CODE: VK1037 SB DATA FROM A CMM: PRE MOD. C. 2401 USED ON: AHA1461	002004 006100 952952	7
198	AHM8839	..	LINER ASSY-CYL SUPPLIER CODE: VK1037 SB DATA FROM A CMM: MOD. C. 2401 SB. 32-975 USED ON: AHA1639 AHA1695	002004 006100 952952	7
198	AHM9129	..	LINER ASSY-CYL SUPPLIER CODE: VK1037 SB DATA FROM A CMM: PRE MOD C2741 32-1092 USED ON: AHA1887 AHA1678	002004 006102 952952	7
201	NAS1611-225	...	PACKING	002004 006102 952952	1

MISSING ITEM NUMBERS NOT APPLICABLE

- ITEM NOT ILLUSTRATED

32-41-10-50

32-41-10  
FIG. 50  
PAGE 9  
JAN 20/09

BRI

BOEING PROPRIETARY - Copyright © - Unpublished Work - See title page for details.





757

PARTS CATALOG (MAINTENANCE)

FIG ITEM	PART NUMBER	1 2 3 4 5 6 7	NOMENCLATURE	EFFECT FROM TO	UNITS PER ASSY
50					
204	MS27595-225	...	RING	002004 006102 952952	1
207	S11065-14-5	...	RING-SCRAPER DSR4519-1014 SUPPLIER CODE: VK1037 SB DATA FROM A CMM: MOD. C. 2303 USED ON: AHM8651 AHM8839	002004 006100 952952	1
210	AH090023	...	SCRAPER-ROD SUPPLIER CODE: VK1037 USED ON: AHM9129	002004 006102 952952	1
213	AHM8652	...	LINER-CYLINDER SUPPLIER CODE: VK1037 SB DATA FROM A CMM: MOD. C. 2316 USED ON: AHM8651 AHM8839	002004 006100 952952	1
213	AHM9119	...	LINER- SUPPLIER CODE: VK1037 USED ON: AHM9129	002004 006102 952952	1
216	AH088851	...	PIN-RETRACTION SUPPLIER CODE: VK1037 SB DATA FROM A CMM: MOD. C. 2269 USED ON: AHM8651 AHM8839	002004 006100 952952	1
219	AH088887	...	CIRCLIP-WIRE SUPPLIER CODE: VK1037 SB DATA FROM A CMM: MOD. C. 2303 USED ON: AHM8651 AHM8839	002004 006100 952952	1

MISSING ITEM NUMBERS NOT APPLICABLE

- ITEM NOT ILLUSTRATED

32-41-10-50

32-41-10  
FIG. 50  
PAGE 10  
JAN 20/09

BRI



757

PARTS CATALOG (MAINTENANCE)

FIG ITEM	PART NUMBER	1 2 3 4 5 6 7	NOMENCLATURE	EFFECT FROM TO	UNITS PER ASSY
50 219	AH090009	...	CIRCLIP- SUPPLIER CODE: VK1037 USED ON: AHM9129	002004 006102 952952	1
222	MS21042L08	...	NUT- SB DATA FROM A CMM: PRE MOD C2741 32-1092 USED ON: AHM9129	002004 006102 952952	1
225	AH089821	...	COLLAR- SUPPLIER CODE: VK1037 SB DATA FROM A CMM: PRE MOD C2741 32-1092 USED ON: AHM9129	002004 006102 952952	1
228	AH089986	...	PIN-RETRACTION SUPPLIER CODE: VK1037 SB DATA FROM A CMM: PRE MOD C2741 32-1092 USED ON: AHM9129	002004 006102 952952	1
228	AH090716	...	PIN-RETRACTION SUPPLIER CODE: VK1037 SB DATA FROM A CMM: POST MOD C2741 32-1092 USED ON: AHM9129	002004 006102 952952	1
231	AH090008	...	WASHER-RETAINING SUPPLIER CODE: VK1037 USED ON: AHM9129	002004 006102 952952	1
234	AH088955	...	TUBE-RETAINING SUPPLIER CODE: VK1037 SB DATA FROM A CMM: MOD. C. 2303 USED ON: AHM8651 AHM8839	002004 006100 952952	1

MISSING ITEM NUMBERS NOT APPLICABLE

- ITEM NOT ILLUSTRATED

32-41-10-50

32-41-10  
FIG. 50  
PAGE 11  
JAN 20/09

BRI



757

PARTS CATALOG (MAINTENANCE)

FIG ITEM	PART NUMBER	1 2 3 4 5 6 7	NOMENCLATURE	EFFECT FROM TO	UNITS PER ASSY
50 237	AH088664	...	TUBE-ABUTMENT SUPPLIER CODE: VK1037 USED ON: AHM8651 AHM8839	002004 006100 952952	1
240	AH088980	...	STACK-DISC SPR SUPPLIER CODE: VK1037 SB DATA FROM A CMM: MOD. C. 10695 USED ON: AHM8651 AHM8839	002004 006100 952952	1
243	AH090003	...	TUBE-RETRACTION SUPPLIER CODE: VK1037 SB DATA FROM A CMM: PRE MOD C2741 32-1092 USED ON: AHM9129	002004 006102 952952	1
243	AH090646	...	TUBE-RETRACTION SUPPLIER CODE: VK1037 SB DATA FROM A CMM: POST MOD C2741 32-1092 USED ON: AHM9129	002004 006102 952952	1
247	AH090006	...	TUBE-THRUST SUPPLIER CODE: VK1037 USED ON: AHM9129	002004 006102 952952	1
250	AH090005-1	...	SHIM-0.020 IN THICK SUPPLIER CODE: VK1037 USED ON: AHM9129	002004 006102 952952	AR
250	AH088685	...	SHIM-0.002 IN. LAMINATIONS SUPPLIER CODE: VK1037 USED ON: AHM8651 AHM8839	002004 006100 952952	AR

MISSING ITEM NUMBERS NOT APPLICABLE

- ITEM NOT ILLUSTRATED

32-41-10-50

32-41-10  
FIG. 50  
PAGE 12  
JAN 20/09

BRI



757

PARTS CATALOG (MAINTENANCE)

FIG ITEM	PART NUMBER	1 2 3 4 5 6 7	NOMENCLATURE	EFFECT FROM TO	UNITS PER ASSY
50					
253	AH090005-2	...	SHIM-0.010 IN THICK SUPPLIER CODE: VK1037 USED ON: AHM9129	002004 006102 952952	AR
253	AH088685	...	SHIM-0.28 IN. THICK NOMINAL SUPPLIER CODE: VK1037 USED ON: AHM8651 AHM8839	002004 006100 952952	AR
253	AH088683	...	SHIM-0.28 IN. THICK LAMINATIONS SUPPLIER CODE: VK1037 USED ON: AHM8839	002004 006100 952952	AR
256	AH090004	...	SPRING- SUPPLIER CODE: VK1037 USED ON: AHM9129	002004 006102 952952	1
259	AH088959	...	PIECE-DISTANCE SUPPLIER CODE: VK1037 USED ON: AHM8651 AHM8839	002004 006100 952952	1
262	AH088684	...	SHIM-0.010 IN. THICK NOMINAL SUPPLIER CODE: VK1037 USED ON: AHM8651 AHM8839	002004 006100 952952	1
265	AH088956	...	SPACER- SUPPLIER CODE: VK1037 SB DATA FROM A CMM: MOD. C. 2303 USED ON: AHM8651 AHM8839	002004 006100 952952	1

MISSING ITEM NUMBERS NOT APPLICABLE

- ITEM NOT ILLUSTRATED

32-41-10-50

32-41-10  
FIG. 50  
PAGE 13  
JAN 20/09

BRI

BOEING PROPRIETARY - Copyright © - Unpublished Work - See title page for details.



757

PARTS CATALOG (MAINTENANCE)

FIG ITEM	PART NUMBER	1 2 3 4 5 6 7	NOMENCLATURE	EFFECT FROM TO	UNITS PER ASSY
50 268	AH089089	...	BUSH-FRICTION SUPPLIER CODE: VK1037 SB DATA FROM A CMM: MOD. C. 10740 USED ON: AHM8651 AHM8839	002004 006100 952952	2
271	AH088736	...	GUIDE- SUPPLIER CODE: VK1037 USED ON: AHM8651 AHM8839	002004 006100 952952	1
274	AH089333	...	INSERT-PISTON SUPPLIER CODE: VK1037 SB DATA FROM A CMM: REPLD BY AHM8838 USED ON: AHM8651 AHM8839	002004 006100 952952	1
277	NAS1611-218	...	PACKING	002004 006102 952952	1
280	MS27595-218	...	RING	002004 006102 952952	2
- 283	AH088957	...	PISTON ASSY- SUPPLIER CODE: VK1037 SB DATA FROM A CMM: MOD. C. 2303 USED ON: AHM8651 AHM8839	002004 006100 952952	1
286	AH089334	...	PISTON ASSY- SUPPLIER CODE: VK1037 SB DATA FROM A CMM: MOD. C. 10758 USED ON: AHM8651 AHM8839	002004 006100 952952	1
289	AH090007	...	PISTON ASSY- SUPPLIER CODE: VK1037 USED ON: AHM9129	002004 006102 952952	1

MISSING ITEM NUMBERS NOT APPLICABLE

- ITEM NOT ILLUSTRATED

32-41-10-50

32-41-10  
FIG. 50  
PAGE 14  
JAN 20/09

BRI

BOEING PROPRIETARY - Copyright © - Unpublished Work - See title page for details.



757

PARTS CATALOG (MAINTENANCE)

FIG ITEM	PART NUMBER	1 2 3 4 5 6 7	NOMENCLATURE	EFFECT FROM TO	UNITS PER ASSY
50					
292	AH088958	....	INSULATOR- SUPPLIER CODE: VK1037 SB DATA FROM A CMM: MOD. C. 2303	002004 006102 952952	1
295	AHM9130	....	PISTON- SUPPLIER CODE: VK1037 USED ON: AH090007	002004 006102 952952	1
298	AHM8603	....	PISTON- SUPPLIER CODE: VK1037 SB DATA FROM A CMM: MOD. C. 2303 REPLD BY AHM8838 USED ON: AH088957 AH089334	002004 006100 952952	1
298	AHM8838	....	PISTON- SUPPLIER CODE: VK1037 SB DATA FROM A CMM: MOD. C. 10758 REPLS AH089333 REPLS AHM8603 USED ON: AH088957 AH089334	002004 006100 952952	1
301	AHM8603	....	PISTON- SUPPLIER CODE: VK1037 SB DATA FROM A CMM: MOD. C. 10758 USED ON: AH088957	002004 006100 952952	1
304	NAS1612-4	..	PACKING	002004 006102 952952	7
307	FN922-820	..	NUT-DSR04513-1006 SUPPLIER CODE: VK1037	002004 006102 952952	10
310	AH088783	..	WASHER- SUPPLIER CODE: VK1037	002004 006102 952952	10
313	LWB922-8-28	..	BOLT-DSR04512-1513 SUPPLIER CODE: VK1037	002004 006102 952952	10

MISSING ITEM NUMBERS NOT APPLICABLE

- ITEM NOT ILLUSTRATED

32-41-10-50

32-41-10  
FIG. 50  
PAGE 15  
JAN 20/09

BRI

BOEING PROPRIETARY - Copyright © - Unpublished Work - See title page for details.



757

PARTS CATALOG (MAINTENANCE)

FIG ITEM	PART NUMBER	1 2 3 4 5 6 7	NOMENCLATURE	EFFECT FROM TO	UNITS PER ASSY
50 316	AHA1484	..	TUBE-TORQUE SUPPLIER CODE: VK1037 SB DATA FROM A CMM: MOD. C. 2401 USED ON: AHA1461	002004 006100 952952	1
319	AHA1632	..	TUBE-TORQUE SUPPLIER CODE: VK1037 SB DATA FROM A CMM: MOD. C. 2401 SB.32-975 USED ON: AHA1639 AHA1678	002004 006100 952952	1
322	AHA1631	..	TUBE-TORQUE SUPPLIER CODE: VK1037 SB DATA FROM A CMM: MOD. C. 2403 USED ON: AHA1639 AHA1678	002004 006100 952952	1
325	AHM8895	..	TUBE ASSY-TORQUE SUPPLIER CODE: VK1037 SB DATA FROM A CMM: PRE MOD C2682 32-1057 USED ON: AHA1695 AHA1887	002004 006102 952952	1
328	MS15001-1	...	FITTING- SB DATA FROM A CMM: PRE MOD C2802 32-1139	002004 006102 952952	1
328	AH090994	...	FITTING- SUPPLIER CODE: VK1037 SB DATA FROM A CMM: POST MOD C2802 32-1139	002004 006102 952952	1
331	AH089506	..	SENSOR-TEMP GUIDE SUPPLIER CODE: VK1037 USED ON: AHA1695 AHA1887	002004 006102 952952	1

MISSING ITEM NUMBERS NOT APPLICABLE

- ITEM NOT ILLUSTRATED

32-41-10-50

32-41-10  
FIG. 50  
PAGE 16  
JAN 20/09

BRI



757

PARTS CATALOG (MAINTENANCE)

FIG ITEM	PART NUMBER	1 2 3 4 5 6 7	NOMENCLATURE	EFFECT FROM TO	UNITS PER ASSY
50 331	AH088853		..GUIDE-TEMP SENSOR SUPPLIER CODE: VK1037 SB DATA FROM A CMM: MOD. C. 2269 USED ON: AHA1461 AHA1639 AHA1678	002004 006100 952952	1
334	AH44089		..SHIELD-INNER HEAT SUPPLIER CODE: VK1037 USED ON: AHA1695 AHA1887	002004 006102 952952	1
337	AHA1551		..PLATE ASSY-TORQUE SUPPLIER CODE: VK1037 SB DATA FROM A CMM: PRE MOD.C.2401 USED ON: AHA1461	002004 006100 952952	1
337	AHA1633		..PLATE ASSY-TORQUE SUPPLIER CODE: VK1037 SB DATA FROM A CMM: MOD. C.2401 SB. 32-975 USED ON: AHA1639	002004 006100 952952	1
337	AHA1775		..PLATE ASSY-TORQUE RETROFIT UNITS SUPPLIER CODE: VK1037 OPTIONAL PART: AHA1767 VK1037 USED ON: AHA1695 AHA1887	002004 006102 952952	1
337	AHA1679		..PLATE ASSY-TORQUE SUPPLIER CODE: VK1037 SB DATA FROM A CMM: MOD. C.2442 SB. 32-988 USED ON: AHA1678	002004 006100 952952	1

MISSING ITEM NUMBERS NOT APPLICABLE

- ITEM NOT ILLUSTRATED

32-41-10-50

32-41-10  
FIG. 50  
PAGE 17  
JAN 20/09

BRI





757

PARTS CATALOG (MAINTENANCE)

FIG ITEM	PART NUMBER	1 2 3 4 5 6 7	NOMENCLATURE	EFFECT FROM TO	UNITS PER ASSY
50 337	AHA1767		..PLATE ASSY-TORQUE RETROFIT UNITS SUPPLIER CODE: VK1037 OPTIONAL PART: AHA1775 VK1037 USED ON: AHA1695 AHA1887	002004 006102 952952	1
- 338	AHA1774		..PLATE ASSY-TORQUE PRODUCTION UNITS SUPPLIER CODE: VK1037 USED ON: AHA1695 AHA1887	002004 006102 952952	1
340	MS15001-1		...FITTING	002004 006102 952952	1
343	AH088733		...BUSHING-FLANGED SUPPLIER CODE: VK1037	002004 006102 952952	2
346	MS29513-248		...PACKING- USED ON: AHA1775	002004 006102 952952	1
349	AHM8964		...BUSHING-INNER UNFLANGED RETROFIT UNITS SUPPLIER CODE: VK1037 USED ON: AHA1775	002004 006102 952952	1
349	AHM8340		...BUSH- SUPPLIER CODE: VK1037 USED ON: AHA1551 AHA1633 AHA1679	002004 006100 952952	1
- 352	AHM8975		...BUSHING-INNER FLANGED PRODUCTION UNITS SUPPLIER CODE: VK1037 USED ON: AHA1774	002004 006102 952952	1

MISSING ITEM NUMBERS NOT APPLICABLE

- ITEM NOT ILLUSTRATED

32-41-10-50

32-41-10  
FIG. 50  
PAGE 18  
JAN 20/09

BRI



757

PARTS CATALOG (MAINTENANCE)

FIG ITEM	PART NUMBER	1 2 3 4 5 6 7	NOMENCLATURE	EFFECT FROM TO	UNITS PER ASSY
50					
355	AHM8339	...	BUSH- SUPPLIER CODE: VK1037 USED ON: AHA1551 AHA1633 AHA1679	002004 006100 952952	1
- 358	MS21208F4-20	...	INSERT	002004 006102 952952	4
- 361	MS21209F1-25	...	INSERT	002004 006102 952952	8
- 364	MS21209F4-20	...	INSERT	002004 006102 952952	2
- 367	AH089332	...	RESTRICTOR- SUPPLIER CODE: VK1037	002004 006102 952952	6
370	4530-46	...	SCREW-TYPE RD HD 0.187 IN. LG DSR895-2 SUPPLIER CODE: VK1037	002004 006102 952952	2
373	DAS2133-20	...	LABEL- SUPPLIER CODE: VK1037	002004 006102 952952	1
380	TAPD514BH	...	RIVET-DSR3976-3016 SUPPLIER CODE: VK1037	002004 006102 952952	1
383	DAS2462-1002	..	PLUG-BLANKING SUPPLIER CODE: VK1037	002004 006102 952952	1
386	NAS1612-3	..	PACKING	002004 006102 952952	1
- 390	AH088538	.	PLUG- SUPPLIER CODE: VK1037	002004 006102 952952	1
- 393	NAS1611-211	.	PACKING	002004 006102 952952	1

MISSING ITEM NUMBERS NOT APPLICABLE

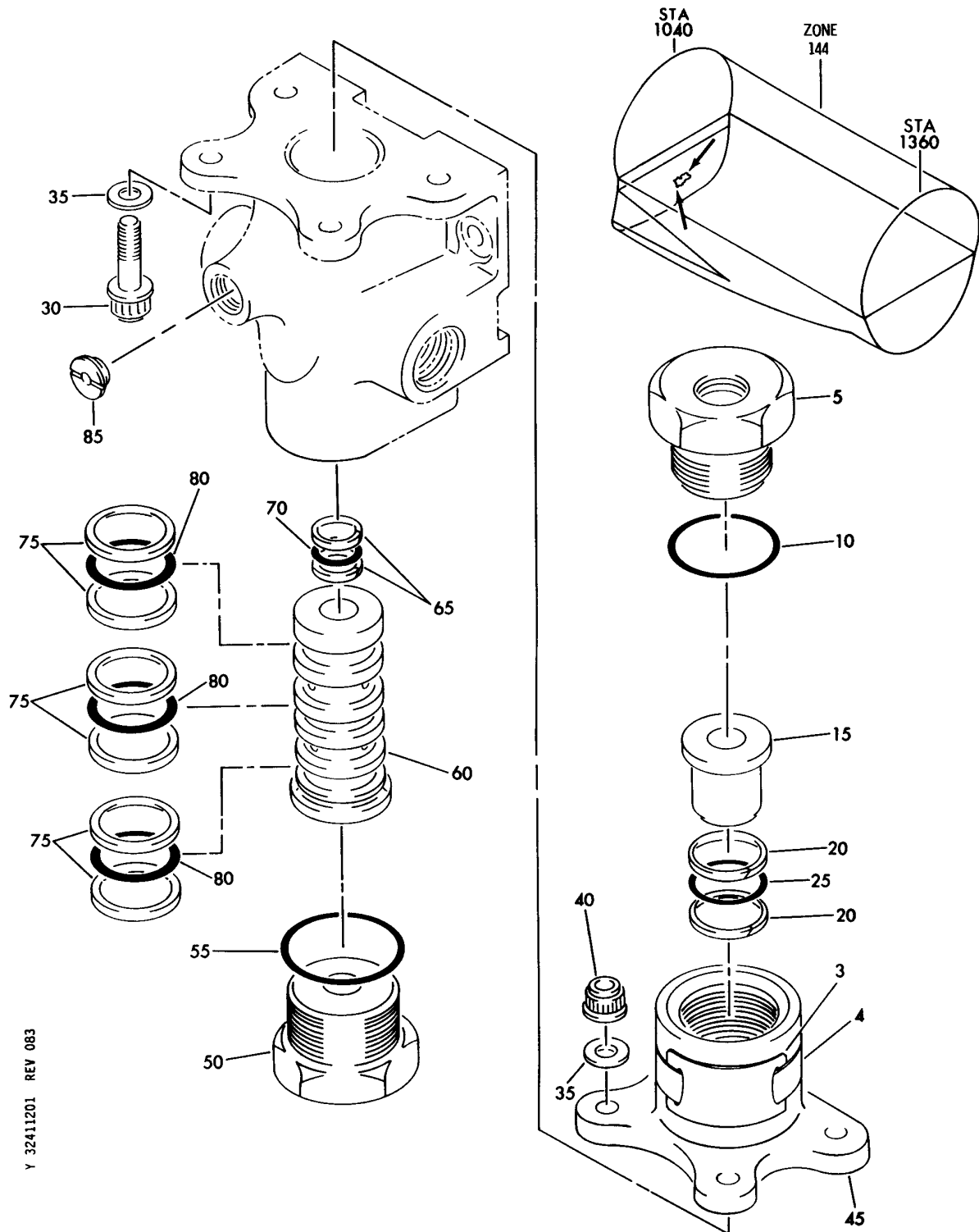
- ITEM NOT ILLUSTRATED

32-41-10-50

32-41-10  
FIG. 50  
PAGE 19  
JAN 20/09

BRI

**BOEING**  
757  
PARTS CATALOG (MAINTENANCE)



Y 32411201 REV 083

VALVE ASSY-ALTERNATE BRAKE SELECTOR  
FIGURE 1

**32-41-12-01**

BRI  
MAY 28/07

32-41-12-01  
PAGE 0



757

PARTS CATALOG (MAINTENANCE)

FIG ITEM	PART NUMBER	1 2 3 4 5 6 7	NOMENCLATURE	EFFECT FROM TO	UNITS PER ASSY
1			VALVE ASSY-ALTERNATE BRAKE SELECTOR	002004 006999	
- 1	274N1051-1		VALVE ASSY-ALTERNATE BRAKE SELECTOR MISCELLANEOUS DATA: NOT AN INITIAL PROVISIONING SPARE COMPONENT MAINT MANUAL REF: 32-41-12 FOR NHA SEE: 32-41-04-01 32-44-06-01	002004 006999	RF
- 1	274N1051-2		VALVE ASSY-ALTERNATE BRAKE SELECTOR MISCELLANEOUS DATA: NOT AN INITIAL PROVISIONING SPARE COMPONENT MAINT MANUAL REF: 32-41-12 OPTIONAL PART: 274N1051-3 FOR NHA SEE: 32-41-04-01 32-44-06-01	002004 006999	RF
- 1	274N1051-3		VALVE ASSY-ALTERNATE BRAKE SELECTOR FUNCTIONAL DESCRIPTION: AUTOMATICALLY SELECTS THE SOURCE OF HYDRAULIC PRESSURE TO THE ALTERNATE BRAKE METERING VALVES IF THERE IS A LOSS OF PRESSURE IN HYDRAULICS MISCELLANEOUS DATA: NOT AN INITIAL PROVISIONING SPARE COMPONENT MAINT MANUAL REF: 32-41-12 FOR NHA SEE: 32-41-04-01 32-44-06-01	002004 006999	RF
3	BAC27NHY0156		.NAMEPLATE	002004 006999	1
4	69B80300-18		.STRAP-NAMEPLATE OPTIONAL PART: RNF100TYP2 V06090	002004 006999	1

MISSING ITEM NUMBERS NOT APPLICABLE

- ITEM NOT ILLUSTRATED

32-41-12-01

32-41-12  
FIG. 01  
PAGE 1  
SEP 20/08

BRI



757

PARTS CATALOG (MAINTENANCE)

FIG ITEM	PART NUMBER	1 2 3 4 5 6 7	NOMENCLATURE	EFFECT FROM TO	UNITS PER ASSY
1					
4	RNF100TYP2		.STRAP-NAMEPLATE SUPPLIER CODE: V06090 OPTIONAL PART: 69B80300-18	002004 006999	1
5	274T4629-4		.PLUG-	002004 006999	1
10	3-914E515-80		.PACKING- USED ON: 274N1051-3 USED ON: 271N1051-3	002004 006999	1
15	274T4628-1		.PISTON	002004 006999	1
20	MS28774-114		.RETAINER	002004 006999	2
25	NAS1611-114		.PACKING-	002004 006999	1
30	BACB30MR4K8		.BOLT-	002004 006999	4
35	AN960D416L		.WASHER	002004 006999	8
40	NAS1804-4		.NUT	002004 006999	4
45	274T4627-1		.CAP	002004 006999	1
50	274T4626-1		.PLUG-	002004 006999	1
55	NAS1612-16		.PACKING-	002004 006999	1
60	274N1098-1		.SLIDE ASSY- USED ON: 274N1051-3	002004 006999	1
70	S30775-111H5		.SEAL ASSY- SUPPLIER CODE: V09257 USED ON: 274N1051-3	002004 006999	1
75	MS28774-211		.RETAINER	002004 006999	6
80	NAS1611-211		.PACKING-	002004 006999	3
85	274T0001-1		.ORFICE	002004 006999	1

MISSING ITEM NUMBERS NOT APPLICABLE

- ITEM NOT ILLUSTRATED

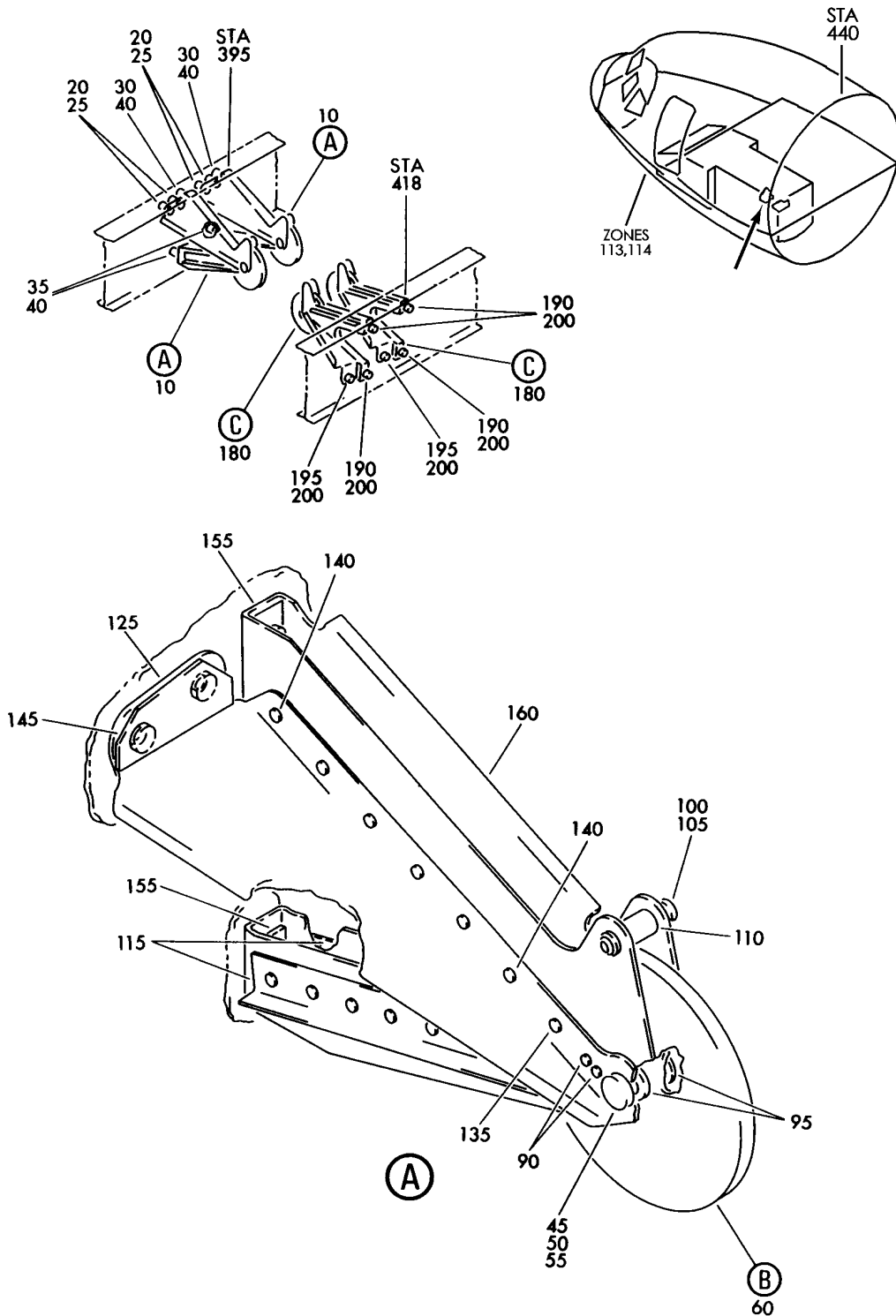
32-41-12-01

32-41-12  
FIG. 01  
PAGE 2  
SEP 20/08

BRI

BOEING PROPRIETARY - Copyright © - Unpublished Work - See title page for details.

**BOEING**  
757  
PARTS CATALOG (MAINTENANCE)



Y 32415101 SHT 1 REV 229

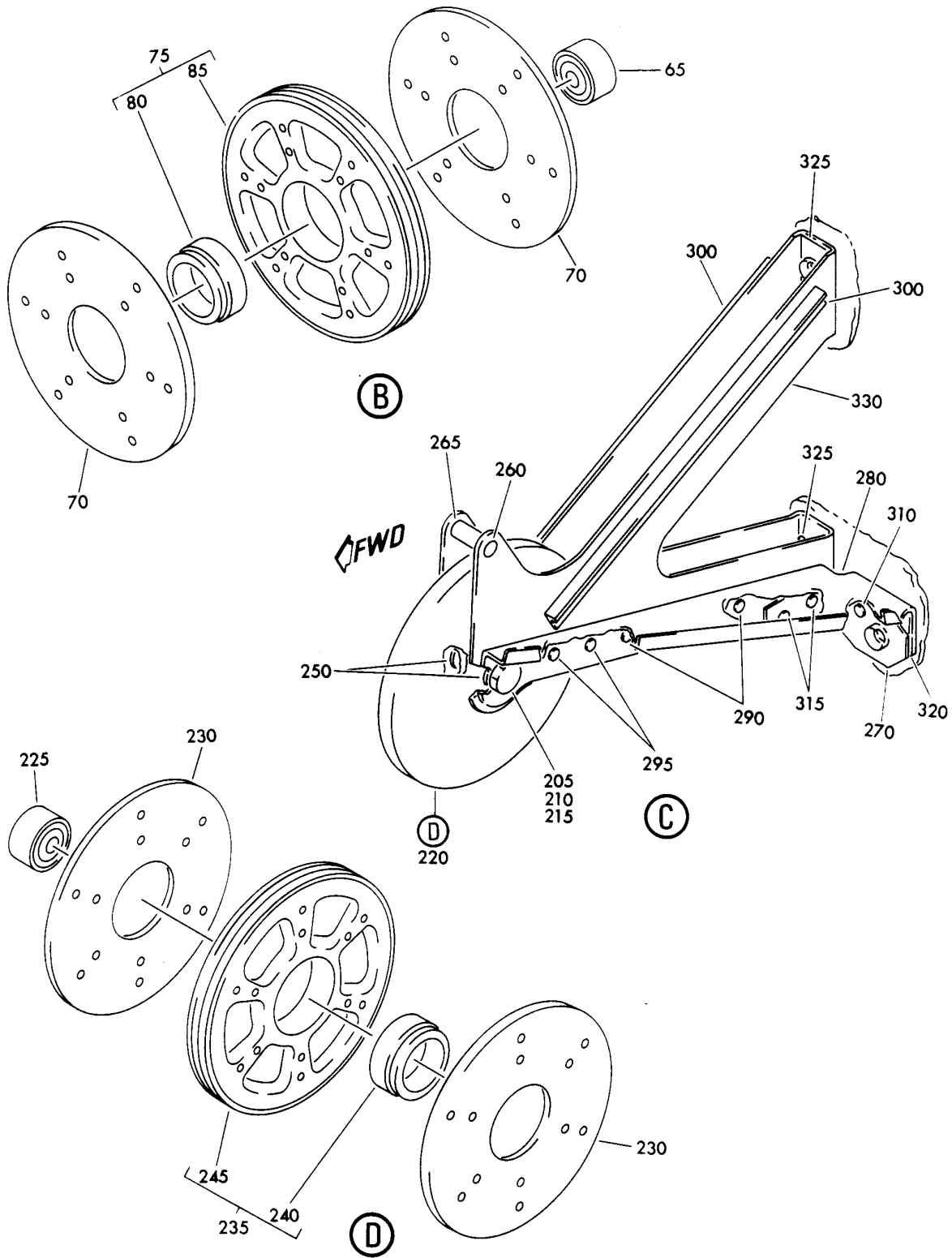
BRACKET INSTL-STA 395 AND STA 418 LG BRAKES PULLEY  
FIGURE 1 (SHEET 1)

**32-41-51-01**

BRI  
MAY 28/07

32-41-51-01  
PAGE 0

**BOEING**  
757  
PARTS CATALOG (MAINTENANCE)



Y 32415101 SHT 2 REV 007

BRACKET INSTL-STA 395 AND STA 418 LG BRAKES PULLEY  
FIGURE 1 (SHEET 2)

**32-41-51-01**

BRI  
MAY 28/07

32-41-51-01  
PAGE 0A



757

PARTS CATALOG (MAINTENANCE)

FIG ITEM	PART NUMBER	1 2 3 4 5 6 7	NOMENCLATURE	EFFECT FROM TO	UNITS PER ASSY
1			BRACKET INSTL-STA 395 AND STA 418 LG BRAKES PULLEY	002004 006999	
- 1	251N6012-11		BRACKET INSTL-LG BRAKES PULLEY POSITION DATA: STA 395 LH VARIABLE DRAWING REF: 251N6012-17 FOR NHA SEE: 32-00-00-23 32-00-00-10	002004 006102 107999	RF
- 1	MODREF7978		BRACKET INSTL-LG BRAKES PULLEY MODULE NUMBER: 251N6012-11 REV A POSITION DATA: STA 395 LH VARIABLE DRAWING REF: 251N6012-17	103103	1
- 1	MODREF27552		BRACKET INSTL-LG BRAKES PULLEY MODULE NUMBER: 251N6012-11 REV B POSITION DATA: STA 395 LH VARIABLE DRAWING REF: 251N6012-17	104106	1
- 5	251N6012-12		BRACKET INSTL-LG BRAKES PULLEY POSITION DATA: STA 395 RH VARIABLE DRAWING REF: 251N6012-18 FOR NHA SEE: 32-00-00-23 32-00-00-10	002004 006102 107999	RF
- 5	MODREF7979		BRACKET INSTL-LG BRAKES PULLEY MODULE NUMBER: 251N6012-12 REV A POSITION DATA: STA 395 RH VARIABLE DRAWING REF: 251N6012-18	103103	1
- 5	MODREF27553		BRACKET INSTL-LG BRAKES PULLEY MODULE NUMBER: 251N6012-12 REV B POSITION DATA: STA 395 RH	104106	1

MISSING ITEM NUMBERS NOT APPLICABLE

- ITEM NOT ILLUSTRATED

32-41-51-01

32-41-51  
FIG. 01  
PAGE 1  
JAN 20/09

BRI





757

PARTS CATALOG (MAINTENANCE)

FIG ITEM	PART NUMBER	1 2 3 4 5 6 7	NOMENCLATURE	EFFECT FROM TO	UNITS PER ASSY
1					
10	251N6169-21		.BRACKET ASSY- POSITION DATA: LH SIDE	002004 006106 108903 950999	2
10	251N6169-23		.BRACKET ASSY-VARIABLE POSITION DATA: LH SIDE	107107 904949	2
- 15	251N6169-22		.BRACKET ASSY- POSITION DATA: RH SIDE	002004 006106 108903 950999	2
- 15	251N6169-24		.BRACKET ASSY-VARIABLE POSITION DATA: RH SIDE	107107 904949	2
20	HL1012AZ6-4		.BOLT SUPPLIER CODE: V97928 SPECIFICATION NUMBER: BACB30NX6K4 OPTIONAL PART: HL12VAZ6-4 V73197 HL12VAZ6-4 V92215 HL12VAZ6-4 V97928 L802-6K4 V06725 HL12VAZ6-4 V56878 HL1012AZ6-4 VOPTK6 HL1012AZ6-4 V06725 HL1012AZ6-4 V06950 HL1012AZ6-4 V17446 HL1012AZ6-4 V56878 HL1012AZ6-4 V60516 HL1012AZ6-4 V73197	002004 006999	4

MISSING ITEM NUMBERS NOT APPLICABLE

- ITEM NOT ILLUSTRATED

32-41-51-01

32-41-51  
FIG. 01  
PAGE 2  
JAN 20/09

BRI



757

PARTS CATALOG (MAINTENANCE)

FIG ITEM	PART NUMBER	1 2 3 4 5 6 7	NOMENCLATURE	EFFECT FROM TO	UNITS PER ASSY
1 25	HL1187-6		.COLLAR SUPPLIER CODE: V5M902 SPECIFICATION NUMBER: BACC30X6 OPTIONAL PART: HL87-6 V92215 HL87-6 V73197 HL1187-6 V56878 HL1187-6 V92215 HL87-6 V56878 HL1187-6 V73197	002004 006999	4
30	HL1012AZ8-3		.BOLT SUPPLIER CODE: VOPTK6 SPECIFICATION NUMBER: BACB30NX8K3 OPTIONAL PART: HL12VAZ8-3 V73197 HL12VAZ8-3 V92215 HL12VAZ8-3 V97928 L802-8K3 V06725 HL12VAZ8-3 V56878 HL1012AZ8-3 V06725 HL1012AZ8-3 V06950 HL1012AZ8-3 V17446 HL1012AZ8-3 V56878 HL1012AZ8-3 V60516 HL1012AZ8-3 V73197 HL1012AZ8-3 V97928	002004 006999	2

MISSING ITEM NUMBERS NOT APPLICABLE

- ITEM NOT ILLUSTRATED

32-41-51-01

32-41-51  
FIG. 01  
PAGE 3  
JAN 20/09

BRI



757

PARTS CATALOG (MAINTENANCE)

FIG ITEM	PART NUMBER	1 2 3 4 5 6 7	NOMENCLATURE	EFFECT FROM TO	UNITS PER ASSY
1 35	HL1012AZ8-2	.BOLT	SUPPLIER CODE: VOPTK6 SPECIFICATION NUMBER: BACB30NX8K2 OPTIONAL PART: HL12VAZ8-2 V73197 HL12VAZ8-2 V92215 HL12VAZ8-2 V97928 L802-8K2 V06725 HL12VAZ8-2 V56878 HL1012AZ8-2 V06725 HL1012AZ8-2 V06950 HL1012AZ8-2 V17446 HL1012AZ8-2 V56878 HL1012AZ8-2 V60516 HL1012AZ8-2 V73197 HL1012AZ8-2 V97928	002004 006999	2
40	HL1187-8	.COLLAR	SUPPLIER CODE: V5M902 SPECIFICATION NUMBER: BACC30X8 OPTIONAL PART: HL87-8 V92215 HL87-8 V73197 HL1187-8 V56878 HL1187-8 V92215 HL87-8 V56878 HL1187-8 V73197 -----*	002004 006999	4

MISSING ITEM NUMBERS NOT APPLICABLE

- ITEM NOT ILLUSTRATED

32-41-51-01

32-41-51  
FIG. 01  
PAGE 4  
SEP 20/08

BRI



757

PARTS CATALOG (MAINTENANCE)

FIG ITEM	PART NUMBER	1 2 3 4 5 6 7	NOMENCLATURE	EFFECT FROM TO	UNITS PER ASSY
1					
45	BACB30NF4-13	..	BOLT	002004 006999	1
50	AN960PD416	..	WASHER	002004 006999	1
55	BRH10A4	..	NUT	002004 006999	1
			SUPPLIER CODE: V52828		
			SPECIFICATION NUMBER: BACN10JC4		
			OPTIONAL PART: T6S428J		
			V11815		
			96-048		
			V80539		
			VN303A048		
			V92215		
			RMLH9075-4W		
			V72962		
			NS202101-048		
			V80539		
			H10-4BAC		
			V15653		
60	65B80977-1	..	PULLEY ASSY-4 IN. DIA 3/32 IN. CABLE	002004 006999	1
			FOR SPARES PROCURE: BACP30M4		
60	65B80977-2	..	PULLEY ASSY-4 IN. DIA 3/32 IN. CABLE	002004 006999	1
60	65B80977-3	..	PULLEY ASSY-4 IN. DIA 3/32 IN. CABLE	002004 006999	1

MISSING ITEM NUMBERS NOT APPLICABLE

- ITEM NOT ILLUSTRATED

32-41-51-01

32-41-51  
FIG. 01  
PAGE 5  
SEP 20/08

BRI



757

PARTS CATALOG (MAINTENANCE)

FIG ITEM	PART NUMBER	1 2 3 4 5 6 7	NOMENCLATURE	EFFECT FROM TO	UNITS PER ASSY
1	65 JMKP4P25LY196		... BEARING- SUPPLIER CODE: V40920 SPECIFICATION NUMBER: BACB10AN4 OPTIONAL PART: MKP4FS428 V21335 MKP4G20 V38443 LLMKP4 V38443 MKP4 V38443 MKP4-2TS V43991 MKP4E6531 V21335 MKP4TT V43991 MKP4SD610 V83086	002004 006999	1
	70 69B81979-1		... SHIELD	002004 006999	2
	75 65B80978-1		... SHEAVE ASSY- USED ON: 65B80977-1	002004 006999	1
	75 65B80978-3		... SHEAVE ASSY- USED ON: 65B80977-2	002004 006999	1
	75 65B80978-5		... SHEAVE ASSY- USED ON: 65B80977-3	002004 006999	1
	80 69B81362-2		.... INSERT	002004 006999	1
	85 65B80978-2		.... SHEAVE- USED ON: 65B80978-1 65B80978-5	002004 006999	1
	85 65B80978-4		.... SHEAVE- USED ON: 65B80978-3	002004 006999	1
	90 BACR15BA3AD		.. RIVET- SIZE DETERMINED ON INSTL.	002004 006999	4
	95 NAS463TKDD416H		.. SPACER	002004 006999	2
	100 BACB30GZ6-12		.. BOLT- OPTIONAL PART: BACB30MY6-12	002004 006999	1

MISSING ITEM NUMBERS NOT APPLICABLE

- ITEM NOT ILLUSTRATED

32-41-51-01

32-41-51  
FIG. 01  
PAGE 6  
SEP 20/08

BRI

BOEING PROPRIETARY - Copyright © - Unpublished Work - See title page for details.



757

PARTS CATALOG (MAINTENANCE)

FIG ITEM	PART NUMBER	1 2 3 4 5 6 7	NOMENCLATURE	EFFECT FROM TO	UNITS PER ASSY
1 100	L8006K12		..BOLT- SUPPLIER CODE: V06725 SPECIFICATION NUMBER: BACB30MY6K12 OPTIONAL PART: BACB30GZ6-12	002004 006999	1
105	HL79-6		..COLLAR SUPPLIER CODE: V5M902 SPECIFICATION NUMBER: BACC30M6 OPTIONAL PART: HL79-6 V73197 HL79-6 V92215 66014-6 V56878 HL79-6 V56878	002004 006999	1
110	NAS42DD6-42		..SPACER- USED ON: 251N6169-1 251N6169-2 251N6169-11 251N6169-16 251N6169-21 251N6169-22	002004 006999	1
115	251N6169-7		..STIFFENER	002004 006999	2
- 120	BACR15BB5AD		ATTACHING PARTS ..RIVET- SIZE DETERMINED ON INSTL. -----*-----	002004 006999	16
125	251N6169-5		..SUPPORT- POSITION DATA: LH SIDE	002004 006999	1
- 130	251N6169-6		..SUPPORT- POSITION DATA: RH SIDE ATTACHING PARTS	002004 006999	1
135	BACR15BA5D		..RIVET- SIZE DETERMINED ON INSTL.	002004 006999	1
140	BACR15FT5D		..RIVET- SIZE DETERMINED ON INSTL. -----*-----	002004 006999	6

MISSING ITEM NUMBERS NOT APPLICABLE

- ITEM NOT ILLUSTRATED

32-41-51-01

32-41-51  
FIG. 01  
PAGE 7  
SEP 20/08

BRI



757

PARTS CATALOG (MAINTENANCE)

FIG ITEM	PART NUMBER	1 2 3 4 5 6 7	NOMENCLATURE	EFFECT FROM TO	UNITS PER ASSY
1					
145	251N6169-8	..	FILLER-RADIUS POSITION DATA: LH SIDE	002004 006999	1
- 150	251N6169-9	..	FILLER-RADIUS POSITION DATA: RH SIDE	002004 006999	1
155	50-3361-8558	..	FILLER-RADIUS	002004 006999	2
160	251N6169-13	..	BRACKET- POSITION DATA: LH SIDE USED ON: 251N6169-23 USED ON: 251N6169-11 251N6169-21	002004 006999	1
- 165	251N6169-18	..	BRACKET- POSITION DATA: RH SIDE USED ON: 251N6169-24 USED ON: 251N6169-16 251N6169-22	002004 006999	1
- 170	251N6012-19		BRACKET INSTL-LG BRAKES PULLEY POSITION DATA: STA 418 LH FOR NHA SEE: 32-00-00-23	107107 904949	RF
- 175	251N6012-20		BRACKET INSTL-LG BRAKES PULLEY POSITION DATA: STA 418 RH FOR NHA SEE: 32-00-00-23	107107 904949	RF
180	251N6168-11	.	BRACKET ASSY- POSITION DATA: LH SIDE	107107 904949	2
- 185	251N6168-12	.	BRACKET ASSY- POSITION DATA: RH SIDE	107107 904949	2

MISSING ITEM NUMBERS NOT APPLICABLE

- ITEM NOT ILLUSTRATED

BRI

32-41-51-01

32-41-51  
FIG. 01  
PAGE 8  
JAN 20/09



757

PARTS CATALOG (MAINTENANCE)

FIG ITEM	PART NUMBER	1 2 3 4 5 6 7	NOMENCLATURE	EFFECT FROM TO	UNITS PER ASSY
1  190	HL1012AZ8-3		ATTACHING PARTS .BOLT SUPPLIER CODE: VOPTK6 SPECIFICATION NUMBER: BACB30NX8K3 OPTIONAL PART: HL12VAZ8-3 V73197 HL12VAZ8-3 V92215 HL12VAZ8-3 V97928 L802-8K3 V06725 HL12VAZ8-3 V56878 HL1012AZ8-3 V06725 HL1012AZ8-3 V06950 HL1012AZ8-3 V17446 HL1012AZ8-3 V56878 HL1012AZ8-3 V60516 HL1012AZ8-3 V73197 HL1012AZ8-3 V97928	107107 121503 904949	4

MISSING ITEM NUMBERS NOT APPLICABLE

- ITEM NOT ILLUSTRATED

BRI

32-41-51-01

BOEING PROPRIETARY - Copyright © - Unpublished Work - See title page for details.

32-41-51  
 FIG. 01  
 PAGE 9  
 JAN 20/09





757

PARTS CATALOG (MAINTENANCE)

FIG ITEM	PART NUMBER	1 2 3 4 5 6 7	NOMENCLATURE	EFFECT FROM TO	UNITS PER ASSY
1 195	HL1012AZ8-5		.BOLT SUPPLIER CODE: VOPTK6 SPECIFICATION NUMBER: BACB30NX8K5 OPTIONAL PART: HL12VAZ8-5 V73197 HL12VAZ8-5 V92215 HL12VAZ8-5 V97928 L802-8K5 V06725 HL12VAZ8-5 V56878 HL1012AZ8-5 V06725 HL1012AZ8-5 V06950 HL1012AZ8-5 V17446 HL1012AZ8-5 V56878 HL1012AZ8-5 V60516 HL1012AZ8-5 V73197 HL1012AZ8-5 V97928	107107 121503 904949	2
200	HL1187-8		.COLLAR SUPPLIER CODE: V5M902 SPECIFICATION NUMBER: BACC30X8 OPTIONAL PART: HL87-8 V92215 HL87-8 V73197 HL1187-8 V56878 HL1187-8 V92215 HL87-8 V56878 HL1187-8 V73197 -----*-----	107107 121503 904949	6

MISSING ITEM NUMBERS NOT APPLICABLE

- ITEM NOT ILLUSTRATED

BRI

32-41-51-01

BOEING PROPRIETARY - Copyright © - Unpublished Work - See title page for details.

32-41-51  
FIG. 01  
PAGE 10  
JAN 20/09



757

PARTS CATALOG (MAINTENANCE)

FIG ITEM	PART NUMBER	1 2 3 4 5 6 7	NOMENCLATURE	EFFECT FROM TO	UNITS PER ASSY
1					
205	BACB30NF4-13	..	BOLT	107107 121503 904949	1
210	AN960PD416	..	WASHER	107107 121503 904949	1
215	BRH10A4	..	NUT SUPPLIER CODE: V52828 SPECIFICATION NUMBER: BACN10JC4 OPTIONAL PART: T6S428J V11815 96-048 V80539 VN303A048 V92215 RMLH9075-4W V72962 NS202101-048 V80539 H10-4BAC V15653	107107 121503 904949	1
220	65B80977-1	..	PULLEY ASSY-4 IN. DIA 3/32 IN. CABLE FOR SPARES PROCURE: BACP30M4	107107 121503 904949	1
220	65B80977-2	..	PULLEY ASSY-4 IN. DIA 3/32 IN. CABLE	107107 121503 904949	1

MISSING ITEM NUMBERS NOT APPLICABLE

- ITEM NOT ILLUSTRATED

BRI

32-41-51-01

BOEING PROPRIETARY - Copyright © - Unpublished Work - See title page for details.

32-41-51  
FIG. 01  
PAGE 11  
JAN 20/09

**BOEING**  
757  
PARTS CATALOG (MAINTENANCE)

FIG ITEM	PART NUMBER	1 2 3 4 5 6 7	NOMENCLATURE	EFFECT FROM TO	UNITS PER ASSY
1 225	JMKP4P25LY196		... BEARING- SUPPLIER CODE: V40920 SPECIFICATION NUMBER: BACB10AN4 OPTIONAL PART: MKP4FS428 V21335 MKP4G20 V38443 LLMKP4 V38443 MKP4 V38443 MKP4-2TS V43991 MKP4E6531 V21335 MKP4TT V43991 MKP4SD610 V83086	107107 121503 904949	1
230	69B81979-1		... SHIELD	107107 121503 904949	2
235	65B80978-1		... SHEAVE ASSY- USED ON: 65B80977-1	107107 121503 904949	1
235	65B80978-3		... SHEAVE ASSY- USED ON: 65B80977-2	107107 121503 904949	1
240	69B81362-2		.... INSERT	107107 121503 904949	1
245	65B80978-2		.... SHEAVE- USED ON: 65B80978-1 65B80978-5	107107 121503 904949	1
245	65B80978-4		.... SHEAVE- USED ON: 65B80978-3	107107 121503 904949	1
250	NAS463TKDD416H		.. SPACER	107107 121503 904949	2
- 255	BACR15BA3AD		ATTACHING PARTS .. RIVET- SIZE DETERMINED ON INSTL.  -----*-----	107107 121503 904949	4

MISSING ITEM NUMBERS NOT APPLICABLE

- ITEM NOT ILLUSTRATED

BRI

# 32-41-51-01

BOEING PROPRIETARY - Copyright © - Unpublished Work - See title page for details.

32-41-51  
FIG. 01  
PAGE 12  
JAN 20/09



757

PARTS CATALOG (MAINTENANCE)

FIG ITEM	PART NUMBER	1 2 3 4 5 6 7	NOMENCLATURE	EFFECT FROM TO	UNITS PER ASSY
1					
260	BACR15BB4AD	..	RIVET- SIZE DETERMINED ON INSTL.	107107 121503 904949	1
265	NAS42DD4-42	..	SPACER	107107 121503 904949	1
270	251N6168-7	..	CLIP- POSITION DATA: LH SIDE	107107 121503 904949	1
- 275	251N6168-8	..	CLIP- POSITION DATA: RH SIDE	107107 121503 904949	1
280	251N6168-5	..	BRACE-SIDE POSITION DATA: LH SIDE	107107 121503 904949	1
- 285	251N6168-6	..	BRACE-SIDE POSITION DATA: RH SIDE	107107 121503 904949	1
290	BACR15FT5D	..	RIVET- SIZE DETERMINED ON INSTL.	107107 121503 904949	3
295	BACR15BA5D	..	RIVET- SIZE DETERMINED ON INSTL.	107107 121503 904949	2
300	251N6168-10	..	-----*----- STIFFENER	107107 121503 904949	2
- 305	BACR15FT5D	..	RIVET- SIZE DETERMINED ON INSTL.	107107 121503 904949	14
310	BACR15BA5D	..	RIVET- SIZE DETERMINED ON INSTL.	107107 121503 904949	1
315	BACR15FT5D	..	RIVET- SIZE DETERMINED ON INSTL.	107107 121503 904949	2
320	251N6168-9	..	FILLER-RADIUS	107107 121503 904949	1
325	50-3361-8558	..	FILLER-RADIUS	107107 121503 904949	2
330	251N6168-3	..	BRACKET- POSITION DATA: LH SIDE	107107 121503 904949	1

MISSING ITEM NUMBERS NOT APPLICABLE

- ITEM NOT ILLUSTRATED

32-41-51-01

32-41-51  
FIG. 01  
PAGE 13  
JAN 20/09

BRI



757

PARTS CATALOG (MAINTENANCE)

FIG ITEM	PART NUMBER	1 2 3 4 5 6 7	NOMENCLATURE	EFFECT FROM TO	UNITS PER ASSY
1 - 335	251N6168-4		. . BRACKET- POSITION DATA: RH SIDE	107107 121503 904949	1

MISSING ITEM NUMBERS NOT APPLICABLE

- ITEM NOT ILLUSTRATED

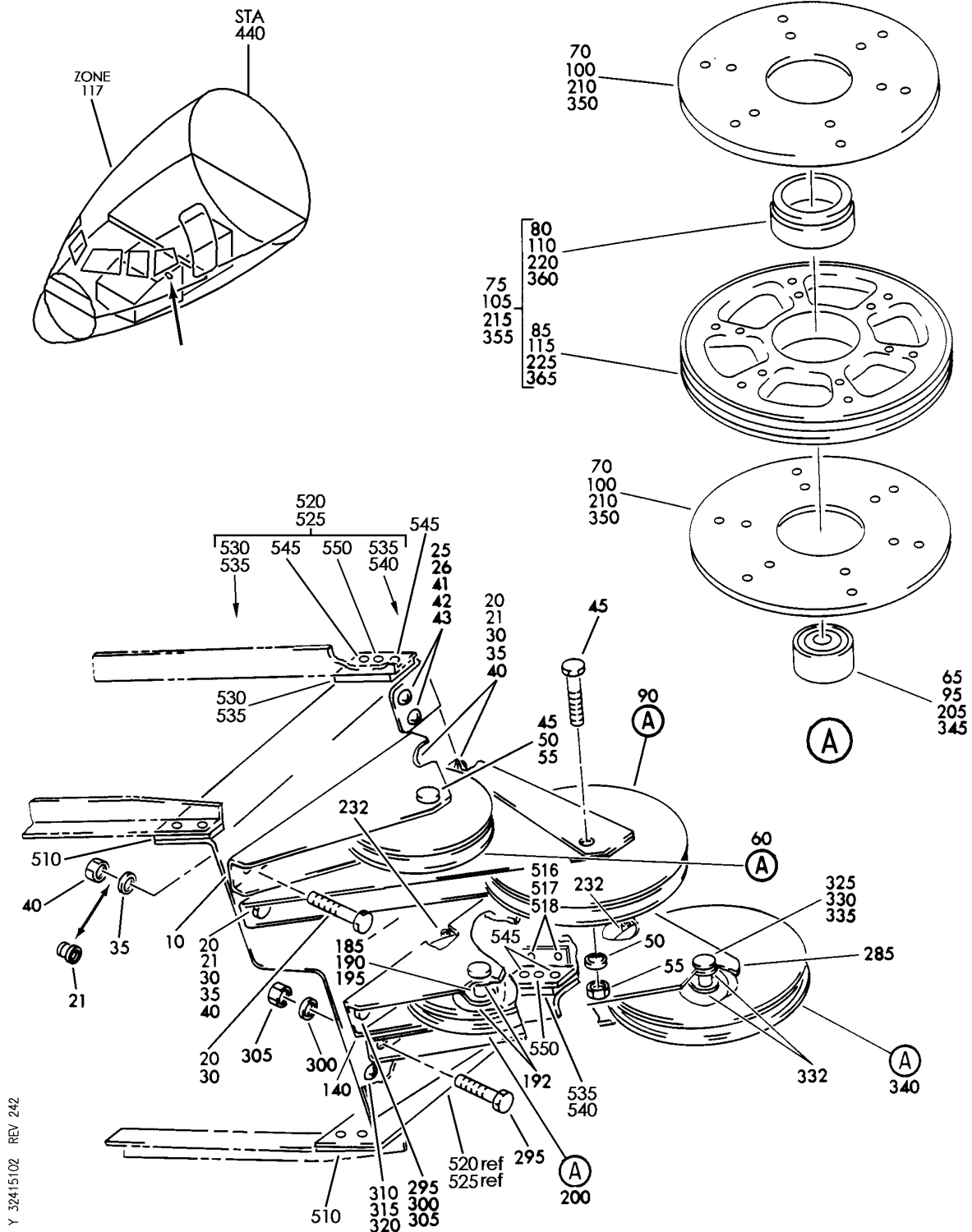
BRI

32-41-51-01

BOEING PROPRIETARY - Copyright © - Unpublished Work - See title page for details.

32-41-51  
FIG. 01  
PAGE 14  
JAN 20/09

**BOEING**  
757  
PARTS CATALOG (MAINTENANCE)



Y 32415102 REV 242

BRACKET INSTL-STA 266 LGB AND NGPP BRAKE PULLEY (HYDRAULIC BRAKE SYSTEM ONLY)  
FIGURE 2

**32-41-51-02**

BRI  
MAY 28/07

32-41-51-02  
PAGE 0



757

PARTS CATALOG (MAINTENANCE)

FIG ITEM	PART NUMBER	1 2 3 4 5 6 7	NOMENCLATURE	EFFECT FROM TO	UNITS PER ASSY
2			BRACKET INSTL-STA 266 LGB AND NGPP BRAKE PULLEY (HYDRAULIC BRAKE SYSTEM ONLY)	002004 006999	
- 1	251N6002-21		BRACKET INSTL-LGB AND NGPP BRAKE PULLEY (HYDRAULIC BRAKE SYSTEM ONLY) POSITION DATA: STA 266 LH VARIABLE DRAWING REF: 251N6002-25 FOR NHA/OTHER SYS DET SEE: 32-00-00-23	002004 006100 107107 121503 904999	RF
- 2	251N6002-31		BRACKET INSTL-LGB AND NGPP BRAKE PULLEY (HYDRAULIC BRAKE SYSTEM ONLY) POSITION DATA: STA 266 LH FOR NHA/OTHER SYS DET SEE: 32-00-00-10	101102 108120 504903	RF
- 2	MODREF7876		BRACKET INSTL-LGB AND NGPP BRAKE PULLEY (HYDRAULIC BRAKE SYSTEM ONLY) MODULE NUMBER: 251N6002-31 REV A POSITION DATA: STA 266 LH	103103	1
- 2	MODREF27551		BRACKET INSTL-LGB AND NGPP BRAKE PULLEY (HYDRAULIC BRAKE SYSTEM ONLY) MODULE NUMBER: 251N6002-31 REV B POSITION DATA: STA 266 LH FOR OTHER SYS DETAILS SEE: 32-51-52-01	104106	1
- 5	251N6002-22		BRACKET INSTL-LGB AND NGPP BRAKE PULLEY POSITION DATA: STA 266 RH VARIABLE DRAWING REF: 251N6002-26 FOR NHA SEE: 32-00-00-23	002004 006100 107107 121503 904999	RF

MISSING ITEM NUMBERS NOT APPLICABLE

- ITEM NOT ILLUSTRATED

32-41-51-02

32-41-51  
FIG. 02  
PAGE 1  
JAN 20/09

BRI



757

PARTS CATALOG (MAINTENANCE)

FIG ITEM	PART NUMBER	1 2 3 4 5 6 7	NOMENCLATURE	EFFECT FROM TO	UNITS PER ASSY
2					
- 5	251N6002-32		BRACKET INSTL-LGB AND NGPP BRAKE PULLEY POSITION DATA: STA 266 RH FOR NHA/OTHER SYS DET SEE: 32-00-00-10	101102 108120 504903	RF
- 5	MODREF7877		BRACKET INSTL-LGB AND NGPP BRAKE PULLEY MODULE NUMBER: 251N6002-32 REV A POSITION DATA: STA 266 RH	103103	1
- 5	MODREF30109		BRACKET INSTL-LGB AND NGPP BRAKE PULLEY MODULE NUMBER: 251N6002-32 REV B POSITION DATA: STA 266 RH	104106	1
10	251N6002-27		.BRACKET ASSY- POSITION DATA: LH SIDE	107107 904949	1
- 15	251N6002-28		.BRACKET ASSY- POSITION DATA: RH SIDE	107107 904949	1
20	BACB30NX8K		ATTACHING PARTS .BOLT- SIZE DETERMINED ON INSTL.	002004 006100 107107 121503 904999	4
21	HL1187-8		.COLLAR- SUPPLIER CODE: V5M902 SPECIFICATION NUMBER: BACC30X8 OPTIONAL PART: HL87-8 V92215 HL87-8 V73197 HL1187-8 V56878 HL1187-8 V92215 HL87-8 V56878 HL1187-8 V73197 SIZE DETERMINED ON INSTL.	002004 006100 107107 121503 904999	4

MISSING ITEM NUMBERS NOT APPLICABLE

- ITEM NOT ILLUSTRATED

32-41-51-02

32-41-51  
FIG. 02  
PAGE 2  
JAN 20/09

BRI





757

PARTS CATALOG (MAINTENANCE)

FIG ITEM	PART NUMBER	1 2 3 4 5 6 7	NOMENCLATURE	EFFECT FROM TO	UNITS PER ASSY
2	25	BACB30NX6K	.BOLT- SIZE DETERMINED ON INSTL.	002004 006100 107107 121503 904999	2
	26	HL1187-6	.COLLAR- SUPPLIER CODE: V5M902 SPECIFICATION NUMBER: BACC30X6 OPTIONAL PART: HL87-6 V92215 HL87-6 V73197 HL1187-6 V56878 HL1187-6 V92215 HL87-6 V56878 HL1187-6 V73197 SIZE DETERMINED ON INSTL. -----*-----	002004 006100 107107 121503 904999	2
	45	BACB30NF4-12	..BOLT	107107 904949	2
	50	AN960KD416	..WASHER-	107107 904949	2
	55	BRH10A4	..NUT SUPPLIER CODE: V52828 SPECIFICATION NUMBER: BACN10JC4 OPTIONAL PART: T6S428J V11815 96-048 V80539 VN303A048 V92215 RMLH9075-4W V72962 NS202101-048 V80539 H10-4BAC V15653	107107 904949	1

MISSING ITEM NUMBERS NOT APPLICABLE

- ITEM NOT ILLUSTRATED

32-41-51-02

32-41-51  
FIG. 02  
PAGE 3  
JAN 20/09

BRI



757

PARTS CATALOG (MAINTENANCE)

FIG ITEM	PART NUMBER	1 2 3 4 5 6 7	NOMENCLATURE	EFFECT FROM TO	UNITS PER ASSY
2					
60	65B80977-1	..	PULLEY ASSY-4 IN. DIA 3/32 IN. CABLE FOR SPARES PROCURE: BACP30M4	107107 904949	1
60	65B80977-2	..	PULLEY ASSY-4 IN. DIA 3/32 IN. CABLE	107107 904949	1
65	JMKP4P25LY196	...	BEARING- SUPPLIER CODE: V40920 SPECIFICATION NUMBER: BACB10AN4 OPTIONAL PART: MKP4FS428 V21335 MKP4G20 V38443 LLMKP4 V38443 MKP4 V38443 MKP4-2TS V43991 MKP4E6531 V21335 MKP4TT V43991 MKP4SD610 V83086	107107 904949	1
70	69B81979-1	...	SHIELD	107107 904949	2
75	65B80978-1	...	SHEAVE ASSY- USED ON: 65B80977-1	107107 904949	1
75	65B80978-3	...	SHEAVE ASSY- USED ON: 65B80977-2	107107 904949	1
80	69B81362-2	....	INSERT	107107 904949	1
85	65B80978-2	....	SHEAVE- USED ON: 65B80978-1	107107 904949	1
85	65B80978-4	....	SHEAVE- USED ON: 65B80978-3	107107 904949	1
90	65B80973-1	..	PULLEY ASSY-6 IN. DIA 3/32 IN. CABLE	107107 904949	1
90	65B80973-2	..	PULLEY ASSY-6 IN. DIA 3/32 IN. CABLE	107107 904949	1

MISSING ITEM NUMBERS NOT APPLICABLE

- ITEM NOT ILLUSTRATED

32-41-51-02

32-41-51  
FIG. 02  
PAGE 4  
JAN 20/09

BRI

BOEING PROPRIETARY - Copyright © - Unpublished Work - See title page for details.



757

PARTS CATALOG (MAINTENANCE)

FIG ITEM	PART NUMBER	1 2 3 4 5 6 7	NOMENCLATURE	EFFECT FROM TO	UNITS PER ASSY
2 95	JMKP4P25LY196	...	BEARING- SUPPLIER CODE: V40920 SPECIFICATION NUMBER: BACB10AN4 OPTIONAL PART: MKP4FS428 V21335 MKP4G20 V38443 LLMKP4 V38443 MKP4 V38443 MKP4-2TS V43991 MKP4E6531 V21335 MKP4TT V43991 MKP4SD610 V83086	107107 904949	1
100	65B81234-1	...	SHIELD	107107 904949	2
105	65B80974-1	...	SHEAVE ASSY- USED ON: 65B80973-1	107107 904949	1
105	65B80974-3	...	SHEAVE ASSY- USED ON: 65B80973-2	107107 904949	1
110	69B81362-2	....	INSERT	107107 904949	1
115	65B80974-2	....	SHEAVE- USED ON: 65B80974-1	107107 904949	1
115	65B80974-4	....	SHEAVE- USED ON: 65B80974-3	107107 904949	1
140	251N6117-5	.BRACKET ASSY- POSITION DATA: LH SIDE		002004 006106 108903 950999	1
140	251N6117-7	.BRACKET ASSY- POSITION DATA: LH SIDE		107107 904949	1
- 145	251N6117-8	.BRACKET ASSY- POSITION DATA: RH SIDE		107107 904949	1

MISSING ITEM NUMBERS NOT APPLICABLE

- ITEM NOT ILLUSTRATED

32-41-51-02

32-41-51  
FIG. 02  
PAGE 5  
JAN 20/09

BRI



757

PARTS CATALOG (MAINTENANCE)

FIG ITEM	PART NUMBER	1 2 3 4 5 6 7	NOMENCLATURE	EFFECT FROM TO	UNITS PER ASSY
2			ATTACHING PARTS		
- 155	BACB30NF4-4	.	BOLT	002004 006999	2
- 160	AN960PD10	.	WASHER-	002004 006999	2
- 160	AN960JD10	.	WASHER-	002004 006999	2
- 165	BRH10A4	.	NUT	002004 006999	2
			SUPPLIER CODE: V52828		
			SPECIFICATION NUMBER: BACN10JC4		
			OPTIONAL PART: T6S428J		
			V11815		
			96-048		
			V80539		
			VN303A048		
			V92215		
			RMLH9075-4W		
			V72962		
			NS202101-048		
			V80539		
			H10-4BAC		
			V15653		
			-----*-----		
185	BACB30NF4-12	..	BOLT	002004 006999	1
190	AN960PD416	..	WASHER	002004 006999	1
192	NAS463TKDD416H	..	SPACER	002004 006999	2

MISSING ITEM NUMBERS NOT APPLICABLE

- ITEM NOT ILLUSTRATED

32-41-51-02

32-41-51  
FIG. 02  
PAGE 6  
JAN 20/09

BRI

BOEING PROPRIETARY - Copyright © - Unpublished Work - See title page for details.



757

PARTS CATALOG (MAINTENANCE)

FIG ITEM	PART NUMBER	1 2 3 4 5 6 7	NOMENCLATURE	EFFECT FROM TO	UNITS PER ASSY
2 195	BRH10A4	..	NUT SUPPLIER CODE: V52828 SPECIFICATION NUMBER: BACN10JC4 OPTIONAL PART: T6S428J V11815 96-048 V80539 VN303A048 V92215 RMLH9075-4W V72962 NS202101-048 V80539 H10-4BAC V15653	002004 006999	1
200	65B80977-1	..	PULLEY ASSY-4 IN. DIA 3/32 IN. CABLE FOR SPARES PROCURE: BACP30M4	002004 006999	1
200	65B80977-2	..	PULLEY ASSY-4 IN. DIA 3/32 IN. CABLE	002004 006999	1
200	65B80977-3	..	PULLEY ASSY-4 IN. DIA 3/32 IN. CABLE	002004 006999	1
205	JMKP4P25LY196	...	BEARING SUPPLIER CODE: V40920 SPECIFICATION NUMBER: BACB10AN4 OPTIONAL PART: MKP4FS428 V21335 MKP4G20 V38443 LLMKP4 V38443 MKP4 V38443 MKP4-2TS V43991 MKP4E6531 V21335 MKP4TT V43991 MKP4SD610 V83086	002004 006999	1

MISSING ITEM NUMBERS NOT APPLICABLE

- ITEM NOT ILLUSTRATED

32-41-51-02

32-41-51  
FIG. 02  
PAGE 7  
JAN 20/09

BRI



757

PARTS CATALOG (MAINTENANCE)

FIG ITEM	PART NUMBER	1 2 3 4 5 6 7	NOMENCLATURE	EFFECT FROM TO	UNITS PER ASSY
2					
210	69B81979-1	...	SHIELD	002004 006999	2
215	65B80978-1	...	SHEAVE ASSY- USED ON: 65B80977-1	002004 006999	1
215	65B80978-3	...	SHEAVE ASSY- USED ON: 65B80977-2	002004 006999	1
215	65B80978-5	...	SHEAVE ASSY- USED ON: 65B80977-3	002004 006999	1
220	69B81362-1	....	INSERT	002004 006999	1
225	65B80978-2	....	SHEAVE- USED ON: 65B80978-1 65B80978-5	002004 006999	1
225	65B80978-4	....	SHEAVE- USED ON: 65B80978-3	002004 006999	1
232	NAS42DD4-42	..	SPACER	002004 006999	2
285	251N6118-33	.BRACKET ASSY- POSITION DATA: LH SIDE		006106 108120 504903 950951 953999	1
285	251N6118-29	.BRACKET ASSY- POSITION DATA: LH SIDE		002004 101106 108903 952952	1
285	251N6118-31	.BRACKET ASSY- POSITION DATA: LH SIDE		107107 904949	1
- 290	251N6118-34	.BRACKET ASSY- POSITION DATA: RH SIDE		006106 108120 504903 950951 953999	1
- 290	251N6118-30	.BRACKET ASSY- POSITION DATA: RH SIDE		002004 101106 108903 952952	1
- 290	251N6118-32	.BRACKET ASSY- POSITION DATA: RH SIDE		107107 904949	1
295	BACB30NF4-4	.ATTACHING PARTS .BOLT		002004 006999	2

MISSING ITEM NUMBERS NOT APPLICABLE

- ITEM NOT ILLUSTRATED

32-41-51-02

32-41-51  
FIG. 02  
PAGE 8  
JAN 20/09

BRI



757

PARTS CATALOG (MAINTENANCE)

FIG ITEM	PART NUMBER	1 2 3 4 5 6 7	NOMENCLATURE	EFFECT FROM TO	UNITS PER ASSY
2					
300	AN960PD10	.	WASHER-	002004 006999	2
300	AN960JD10	.	WASHER-	002004 006999	2
305	BRH10A4	.	NUT SUPPLIER CODE: V52828 SPECIFICATION NUMBER: BACN10JC4 OPTIONAL PART: T6S428J V11815 96-048 V80539 VN303A048 V92215 RMLH9075-4W V72962 NS202101-048 V80539 H10-4BAC V15653	002004 006999	2
310	NAS623-3-4	.	SCREW	002004 006999	1
315	AN960PD10	.	WASHER-	002004 006999	1
315	AN960JD10	.	WASHER-	002004 006999	1
320	BRH10A3	.	NUT SUPPLIER CODE: V52828 SPECIFICATION NUMBER: BACN10JC3 OPTIONAL PART: H10-3BAC V15653 NS202101-02 V80539 RMLH9075-3W V72962 VN303A02 V92215 96-02 V80539 T6S1032J V11815	002004 006999	1
325	BACB30NF4-13	..	BOLT -----*-----	002004 006999	1

MISSING ITEM NUMBERS NOT APPLICABLE

- ITEM NOT ILLUSTRATED

32-41-51-02

32-41-51  
FIG. 02  
PAGE 9  
JAN 20/09

BRI



757

PARTS CATALOG (MAINTENANCE)

FIG ITEM	PART NUMBER	1 2 3 4 5 6 7	NOMENCLATURE	EFFECT FROM TO	UNITS PER ASSY
2					
330	AN960KD416	..	WASHER-	002004 006999	1
332	NAS463TKDD416H	..	SPACER	002004 006999	2
335	BRH10A4	..	NUT SUPPLIER CODE: V52828 SPECIFICATION NUMBER: BACN10JC4 OPTIONAL PART: T6S428J V11815 96-048 V80539 VN303A048 V92215 RMLH9075-4W V72962 NS202101-048 V80539 H10-4BAC V15653	002004 006999	1
340	65B80973-1	..	PULLEY ASSY-6 IN. DIA 3/32 IN. CABLE	002004 006100 107107 121503 904999	1
340	65B80973-2	..	PULLEY ASSY-6 IN. DIA 3/32 IN. CABLE	002004 006999	1
340	65B80973-3	..	PULLEY ASSY-6 IN. DIA 3/32 IN. CABLE	002004 006999	1

MISSING ITEM NUMBERS NOT APPLICABLE

- ITEM NOT ILLUSTRATED

32-41-51-02

32-41-51  
FIG. 02  
PAGE 10  
JAN 20/09

BRI





757

PARTS CATALOG (MAINTENANCE)

FIG ITEM	PART NUMBER	1 2 3 4 5 6 7	NOMENCLATURE	EFFECT FROM TO	UNITS PER ASSY
2 345	JMKP4P25LY196		... BEARING- SUPPLIER CODE: V40920 SPECIFICATION NUMBER: BACB10AN4 OPTIONAL PART: MKP4FS428 V21335 MKP4G20 V38443 LLMKP4 V38443 MKP4 V38443 MKP4-2TS V43991 MKP4E6531 V21335 MKP4TT V43991 MKP4SD610 V83086	002004 006999	1
350	65B81234-1		... SHIELD	002004 006999	2
355	65B80974-1		... SHEAVE ASSY- USED ON: 65B80973-1	002004 006100 107107 121503 904999	1
355	65B80974-3		... SHEAVE ASSY- USED ON: 65B80973-2	002004 006999	1
355	65B80974-5		... SHEAVE ASSY- USED ON: 65B80973-3	002004 006100 107107 121503 904999	1
360	69B81362-2		.... INSERT	002004 006999	1
365	65B80974-2		.... SHEAVE- USED ON: 65B80974-1 65B80974-5	002004 006100 107107 121503 904999	1
365	65B80974-4		.... SHEAVE- USED ON: 65B80974-3	002004 006999	1

MISSING ITEM NUMBERS NOT APPLICABLE

- ITEM NOT ILLUSTRATED

32-41-51-02

32-41-51  
FIG. 02  
PAGE 11  
JAN 20/09

BRI



757

PARTS CATALOG (MAINTENANCE)

FIG ITEM	PART NUMBER	1 2 3 4 5 6 7	NOMENCLATURE	EFFECT FROM TO	UNITS PER ASSY
2					
- 500	251N6002-33		SUPPORT INSTL- POSITION DATA: STA 266 FOR NHA SEE: 32-00-00-10	101102 108120 504903	RF
- 500	MODREF7878		SUPPORT INSTL- MODULE NUMBER: 251N6002-33 REV A POSITION DATA: STA 266	103106	1
- 505	251N6002-34		SUPPORT INSTL- POSITION DATA: STA 266 FOR NHA SEE: 32-00-00-10	101102 108120 504903	RF
- 505	MODREF7879		SUPPORT INSTL- MODULE NUMBER: 251N6002-34 REV A POSITION DATA: STA 266	103106	1
510	251N6120-17		.INSULATOR	101106 108120 504903	2
- 515	BACR15FT6D		ATTACHING PARTS .RIVET- SIZE DETERMINED ON INSTL.	101106 108120 504903	4
			-----*-----		
520	251N6120-43		.SUPPORT ASSY- USED ON: 251N6002-33 MODREF7878	101106 108120 504903	1
525	251N6120-44		.SUPPORT ASSY- USED ON: 251N6002-34 MODREF7879	101106 108120 504903	1
530	251N6120-12		..INSULATOR- USED ON: 251N6120-43	101106 108120 504903	1
535	251N6120-17		..INSULATOR- USED ON: 251N6120-44	101106 108120 504903	2
540	251N6120-17		..INSULATOR- USED ON: 251N6120-43	101106 108120 504903	1
545	BACR15FT6D		ATTACHING PARTS ..RIVET- SIZE DETERMINED ON INSTL.	101106 108120 504903	4

MISSING ITEM NUMBERS NOT APPLICABLE

- ITEM NOT ILLUSTRATED

32-41-51-02

32-41-51  
FIG. 02  
PAGE 12  
JAN 20/09

BRI



757  
PARTS CATALOG (MAINTENANCE)

FIG ITEM	PART NUMBER	1 2 3 4 5 6 7	NOMENCLATURE	EFFECT FROM TO	UNITS PER ASSY
2 550	BACR15BA4B		. . RIVET- SIZE DETERMINED ON INSTL.  -----*-----	101106 108120 504903	2

MISSING ITEM NUMBERS NOT APPLICABLE

- ITEM NOT ILLUSTRATED

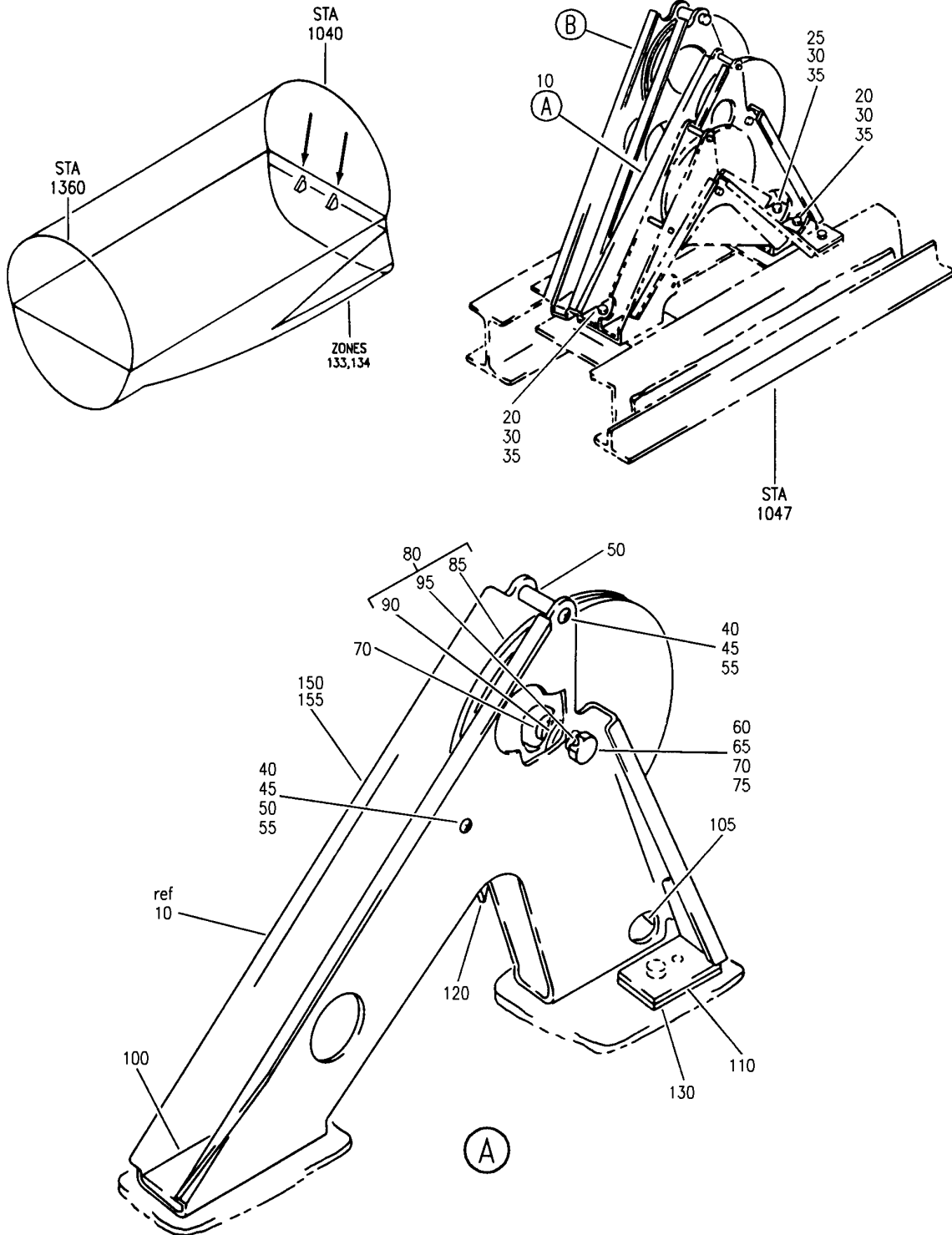
BRI

32-41-51-02

BOEING PROPRIETARY - Copyright © - Unpublished Work - See title page for details.

32-41-51  
FIG. 02  
PAGE 13  
JAN 20/09

**BOEING**  
757  
PARTS CATALOG (MAINTENANCE)



Y 32415103 SHT 1 REV 236

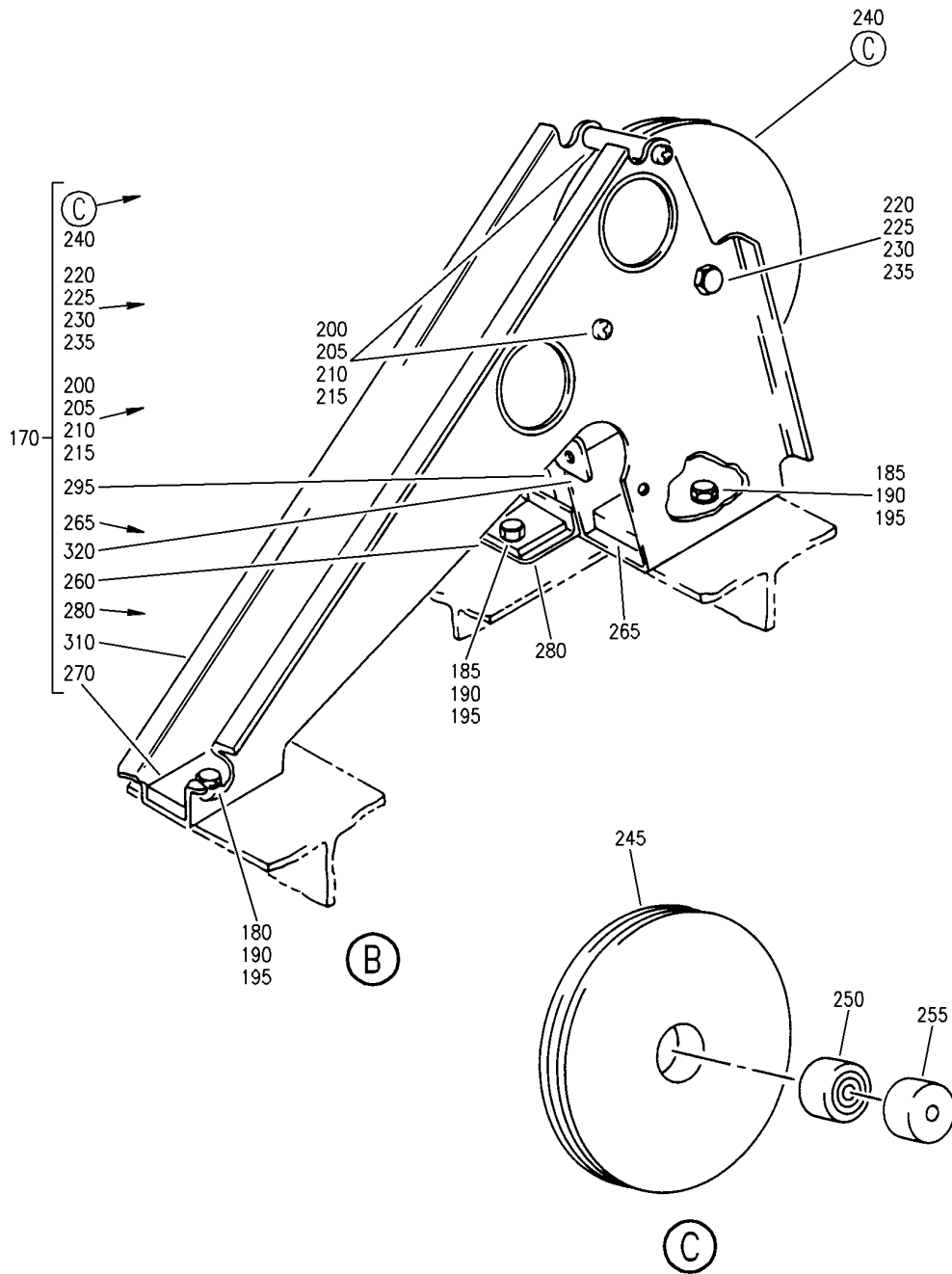
BRACKET INSTL-STA 1040-1063 L.G.B. CABLES PULLEY  
FIGURE 3 (SHEET 1)

**32-41-51-03**

BRI  
MAY 28/07

32-41-51-03  
PAGE 0

**BOEING**  
757  
PARTS CATALOG (MAINTENANCE)



Y 32415103 SH1 2 REV 236

BRACKET INSTL-STA 1040-1063 L.G.B. CABLES PULLEY  
FIGURE 3 (SHEET 2)

**32-41-51-03**

BRI  
MAY 28/07

32-41-51-03  
PAGE 0A



757

PARTS CATALOG (MAINTENANCE)

FIG ITEM	PART NUMBER	1 2 3 4 5 6 7	NOMENCLATURE	EFFECT FROM TO	UNITS PER ASSY
3			BRACKET INSTL-STA 1040-1063 L.G.B. CABLES PULLEY	002004 006102 107107 121505 904999	
- 1	251N6025-1		BRACKET INSTL-L.G.B. CABLES PULLEY POSITION DATA: STA 1040-1063 LH VARIABLE DRAWING REF: 251N6025-5 FOR NHA SEE: 32-00-00-23	002004 006008 107107 121503 904949 952999	RF
- 1	251N6025-11		BRACKET INSTL-L.G.B. CABLES PULLEY POSITION DATA: STA 1040-1063 LH FOR NHA SEE: 32-00-00-23	009100 950951	RF
- 1	251N6025-13		BRACKET INSTL-L.G.B. CABLES PULLEY POSITION DATA: STA 1040-1063 LH FOR NHA SEE: 32-00-00-13	101102 504505	RF
- 5	251N6025-2		BRACKET INSTL-L.G.B. CABLES PULLEY POSITION DATA: STA 1040-1063 RH VARIABLE DRAWING REF: 251N6025-6 FOR NHA SEE: 32-00-00-23	002004 006008 107107 121503 904949 952999	RF
- 5	251N6025-12		BRACKET INSTL-L.G.B. CABLES PULLEY POSITION DATA: STA 1040-1063 RH FOR NHA SEE: 32-00-00-23	009100 950951	RF
- 5	251N6025-14		BRACKET INSTL-L.G.B. CABLES PULLEY POSITION DATA: STA 1040-1063 RH FOR NHA SEE: 32-00-00-13	101102 504505	RF
10	251N6387-11		.BRACKET ASSY-LGB2B POSITION DATA: LH SIDE	011102 504505	1

MISSING ITEM NUMBERS NOT APPLICABLE

- ITEM NOT ILLUSTRATED

32-41-51-03

32-41-51  
FIG. 03  
PAGE 1  
JAN 20/09

BRI

**BOEING**  
757  
**PARTS CATALOG (MAINTENANCE)**

FIG ITEM	PART NUMBER	1 2 3 4 5 6 7	NOMENCLATURE	EFFECT FROM TO	UNITS PER ASSY
3					
10	251N6387-7		.BRACKET ASSY-LGB2B POSITION DATA: LH SIDE	002004 006008 107107 121503 904949 952999	1
10	251N6387-9		.BRACKET ASSY-LGB2B POSITION DATA: LH SIDE	009010 950951	1
- 15	251N6387-8		.BRACKET ASSY-LGB4B POSITION DATA: RH SIDE	002004 006008 107107 121503 904949 952999	1
- 15	251N6387-10		.BRACKET ASSY-LGB4B POSITION DATA: RH SIDE	009010 950951	1
- 15	251N6387-12		.BRACKET ASSY-LGB4B POSITION DATA: RH SIDE ATTACHING PARTS	011102 504505	1
20	BACB30NF4-6		.BOLT	002004 006102 107107 121505 904999	2
25	BACB30NF4-5		.BOLT	002004 006102 107107 121505 904999	1
30	AN960KD416		.WASHER	002004 006008 107107 121503 904949 952999	3
30	NAS1149D0463J		.WASHER	011102 504505	3
35	MS21042L4		.NUT	002004 006102 107107 121505 904999	3
			-----*		

MISSING ITEM NUMBERS NOT APPLICABLE

- ITEM NOT ILLUSTRATED

BRI

# 32-41-51-03

BOEING PROPRIETARY - Copyright © - Unpublished Work - See title page for details.

32-41-51  
FIG. 03  
PAGE 2  
JAN 20/09



757

PARTS CATALOG (MAINTENANCE)

FIG ITEM	PART NUMBER	1 2 3 4 5 6 7	NOMENCLATURE	EFFECT FROM TO	UNITS PER ASSY
3	40	NAS623-3-17	.. SCREW	002004 006102 107107 121505 904999	2
	45	AN960KD10	.. WASHER	002004 006102 107107 121505 904999	2
	50	NAS42DD6-59	.. SPACER	002004 006102 107107 121505 904999	2
	55	MS21042L3	.. NUT	002004 006102 107107 121505 904999	2
	60	BACB30NF4-17	.. BOLT	002004 006102 107107 121505 904999	1
	65	AN960KD416	.. WASHER	002004 006102 107107 121505 904999	1
	70	BACS18G22B	.. SPACER	002004 006102 107107 121505 904999	2
	75	MS21042L4	.. NUT	002004 006102 107107 121505 904999	1
	80	251N6378-1	.. PULLEY ASSY	002004 006102 107107 121505 904999	1

MISSING ITEM NUMBERS NOT APPLICABLE

- ITEM NOT ILLUSTRATED

32-41-51-03

32-41-51  
FIG. 03  
PAGE 3  
JAN 20/09

BRI





757

PARTS CATALOG (MAINTENANCE)

FIG ITEM	PART NUMBER	1 2 3 4 5 6 7	NOMENCLATURE	EFFECT FROM TO	UNITS PER ASSY
3	85	251N6379-1	... SHEAVE	002004 006102 107107 121505 904999	1
	90	251N6380-1	... SLEEVE	002004 006102 107107 121505 904999	1
	95	JMKP4P25LY196	... BEARING SUPPLIER CODE: V40920 SPECIFICATION NUMBER: BACB10AN4 OPTIONAL PART: MKP4FS428 V21335 MKP4G20 V38443 LLMKP4 V38443 MKP4 V38443 MKP4-2TS V43991 MKP4E6531 V21335 MKP4TT V43991 MKP4SD610 V83086	002004 006102 107107 121505 904999	1
100	50-3361-8650	.. FILLER	002004 006102 107107 121505 904999	1	
105	50-3361-8643	.. FILLER	002004 006102 107107 121505 904999	1	
110	50-3361-8649	.. FILLER	002004 006102 107107 121505 904999	1	

MISSING ITEM NUMBERS NOT APPLICABLE

- ITEM NOT ILLUSTRATED

32-41-51-03

32-41-51  
FIG. 03  
PAGE 4  
JAN 20/09

BRI

BOEING PROPRIETARY - Copyright © - Unpublished Work - See title page for details.



757

PARTS CATALOG (MAINTENANCE)

FIG ITEM	PART NUMBER	1 2 3 4 5 6 7	NOMENCLATURE	EFFECT FROM TO	UNITS PER ASSY
3			ATTACHING PARTS		
- 115	BACR15CE3D		..RIVET- SIZE DETERMINED ON INSTL.	002004 006102 107107 121505 904999	3
			-----*-----		
120	251N6383-11		..BRACKET	002004 006102 107107 121505 904999	1
			ATTACHING PARTS		
- 125	BACR15BB5D		..RIVET- SIZE DETERMINED ON INSTL.	002004 006102 107107 121505 904999	2
			-----*-----		
130	251N6383-7		..BRACKET- POSITION DATA: LH SIDE	002004 006010 107107 121503 904999	1
			-----*-----		
130	251N6383-15		..BRACKET- POSITION DATA: LH SIDE	011102 504505	1
- 140	251N6383-8		..BRACKET- POSITION DATA: RH SIDE	002004 006010 107107 121503 904999	1
			-----*-----		
- 140	251N6383-16		..BRACKET- POSITION DATA: RH SIDE	011102 504505	1
			ATTACHING PARTS		
- 145	BACR15BB5D		..RIVET- SIZE DETERMINED ON INSTL.	002004 006102 107107 121505 904999	3
			-----*-----		
150	251N6383-13		..BRACKET- POSITION DATA: LH SIDE	003004 006010 107107 121503 904999	1

MISSING ITEM NUMBERS NOT APPLICABLE

- ITEM NOT ILLUSTRATED

32-41-51-03

32-41-51  
FIG. 03  
PAGE 5  
JAN 20/09

BRI

BOEING PROPRIETARY - Copyright © - Unpublished Work - See title page for details.

 **BOEING**  
757  
**PARTS CATALOG (MAINTENANCE)**

FIG ITEM	PART NUMBER	1 2 3 4 5 6 7	NOMENCLATURE	EFFECT FROM TO	UNITS PER ASSY
3					
150	251N6383-17	..	BRACKET- POSITION DATA: LH SIDE	011102 504505	1
- 155	251N6383-14	..	BRACKET- POSITION DATA: RH SIDE	003004 006010 107107 121503 904999	1
- 155	251N6383-18	..	BRACKET- POSITION DATA: RH SIDE	011102 504505	1
170	251N6388-5	.BRACKET ASSY-LGB1B	POSITION DATA: LH SIDE	107107 904949	1
- 175	251N6388-6	.BRACKET ASSY-LGB3B	POSITION DATA: RH SIDE ATTACHING PARTS	107107 904949	1
180	BACB30NF4-6	.BOLT		107107 904949	1
185	BACB30NF4-5	.BOLT		107107 904949	2
190	AN960KD416	.WASHER		107107 904949	3
195	MS21042L4	.NUT		107107 904949	3
		-----*-----			
200	NAS623-3-17	..	SCREW	107107 904949	2
205	AN960KD10	..	WASHER	107107 904949	2
210	NAS42DD6-59	..	SPACER	107107 904949	2
215	MS21042L3	..	NUT	107107 904949	2
220	BACB30NF4-17	..	BOLT	107107 904949	1
225	AN960KD416	..	WASHER	107107 904949	1
230	BACS18G22B	..	SPACER	107107 904949	2
235	MS21042L4	..	NUT	107107 904949	1
240	251N6378-1	..	PULLEY ASSY	107107 904949	1
245	251N6379-1	...	SHEAVE	107107 904949	1
250	251N6380-1	...	SLEEVE	107107 904949	1

MISSING ITEM NUMBERS NOT APPLICABLE

- ITEM NOT ILLUSTRATED

BRI

# 32-41-51-03

32-41-51  
FIG. 03  
PAGE 6  
JAN 20/09



757

PARTS CATALOG (MAINTENANCE)

FIG ITEM	PART NUMBER	1 2 3 4 5 6 7	NOMENCLATURE	EFFECT FROM TO	UNITS PER ASSY
3 255	JMKP4P25LY196		... BEARING SUPPLIER CODE: V40920 SPECIFICATION NUMBER: BACB10AN4 OPTIONAL PART: MKP4FS428 V21335 MKP4G20 V38443 LLMKP4 V38443 MKP4 V38443 MKP4-2TS V43991 MKP4E6531 V21335 MKP4TT V43991 MKP4SD610 V83086	107107 904949	1
260	50-3361-8654		.. FILLER	107107 904949	1
265	50-3361-8652		.. FILLER	107107 904949	1
270	50-3361-8653		.. FILLER	107107 904949	1
- 275	BACR15CE3D		ATTACHING PARTS .. RIVET- SIZE DETERMINED ON INSTL. -----*-----	107107 904949	3
280	251N6389-7		.. CLIP- POSITION DATA: LH SIDE	107107 904949	1
- 285	251N6389-8		.. CLIP- POSITION DATA: RH SIDE	107107 904949	1
- 290	BACR15BB5D		ATTACHING PARTS .. RIVET- SIZE DETERMINED ON INSTL. -----*-----	107107 904949	3
295	251N6389-5		.. BRACE-SIDE POSITION DATA: LH SIDE	107107 904949	1
- 300	251N6389-6		.. BRACE-SIDE POSITION DATA: RH SIDE	107107 904949	1

MISSING ITEM NUMBERS NOT APPLICABLE

- ITEM NOT ILLUSTRATED

32-41-51-03

32-41-51  
FIG. 03  
PAGE 7  
JAN 20/09

BRI

BOEING PROPRIETARY - Copyright © - Unpublished Work - See title page for details.



757

PARTS CATALOG (MAINTENANCE)

FIG ITEM	PART NUMBER	1 2 3 4 5 6 7	NOMENCLATURE	EFFECT FROM TO	UNITS PER ASSY
3			ATTACHING PARTS		
- 305	BACR15BB5D		..RIVET-	107107	7
			SIZE DETERMINED ON INSTL.	904949	
			-----*-----		
310	251N6389-9		..BRACKET-PULLEY	107107	1
			POSITION DATA:	904949	
			LH SIDE		
- 315	251N6389-10		..BRACKET-PULLEY	107107	1
			POSITION DATA:	904949	
			RH SIDE		
320	251N6389-11		..CLIP	107107	1
				904949	

MISSING ITEM NUMBERS NOT APPLICABLE

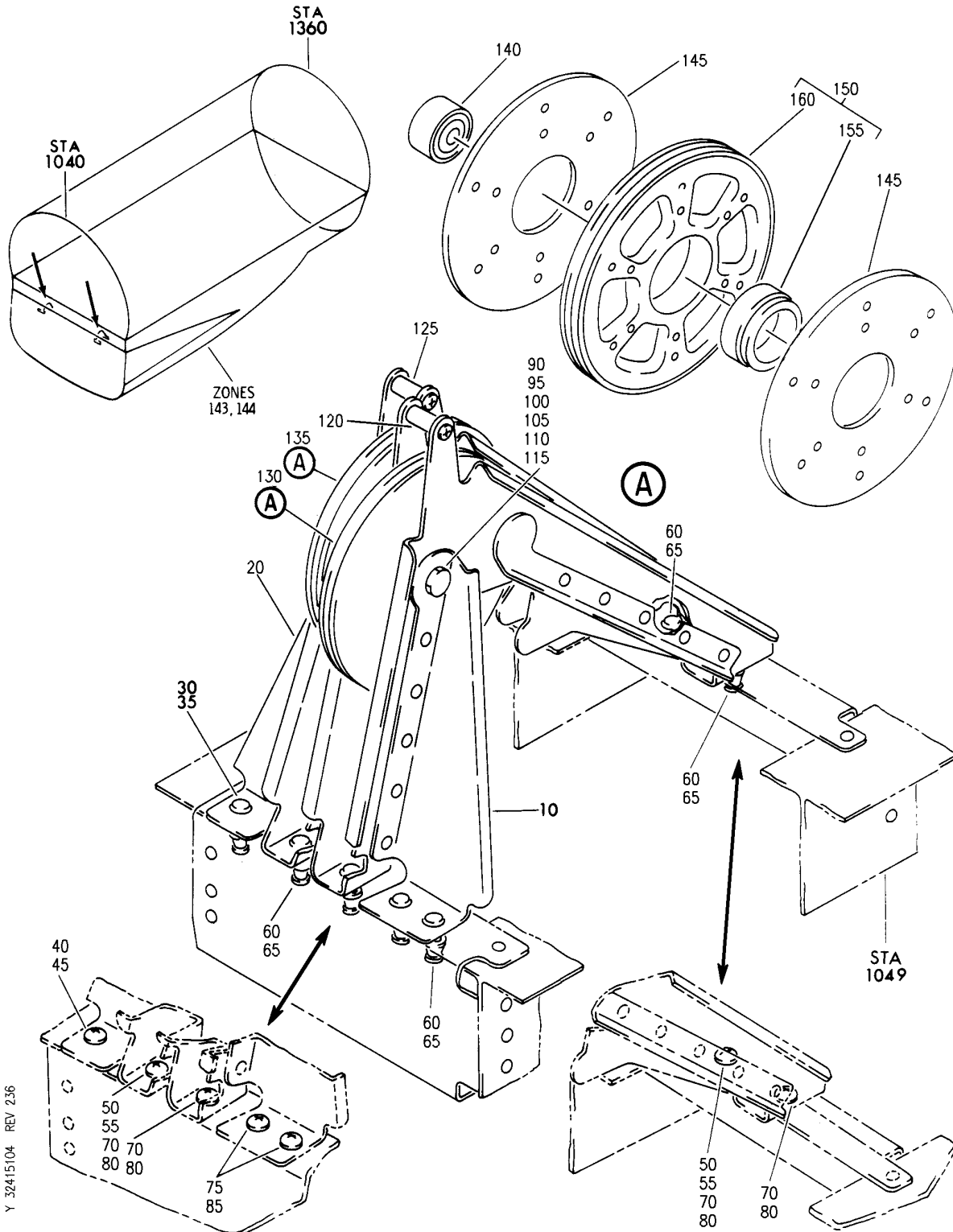
- ITEM NOT ILLUSTRATED

32-41-51-03

32-41-51  
FIG. 03  
PAGE 8  
JAN 20/09

BRI

**BOEING**  
 757  
 PARTS CATALOG (MAINTENANCE)



Y 32415104 REV 236

BRACKET INSTL-STA 1041.55 AND 1040.75 LG BRAKE CABLES PULLEY  
 FIGURE 4

**32-41-51-04**

BRI  
 MAY 28/07

32-41-51-04  
 PAGE 0



757

PARTS CATALOG (MAINTENANCE)

FIG ITEM	PART NUMBER	1 2 3 4 5 6 7	NOMENCLATURE	EFFECT FROM TO	UNITS PER ASSY
4			BRACKET INSTL-STA 1041.55 AND 1040.75 LG BRAKE CABLES PULLEY	002004 006999	
- 1	251N6023-11		BRACKET INSTL-LG BRAKE CABLES PULLEY POSITION DATA: STA 1041.55 AND 1040.75 LH VARIABLE DRAWING REF: 251N6023-21 FOR NHA SEE: 32-00-00-23	002004 006100 107107 121503 904999	RF
- 1	251N6023-23		BRACKET INSTL-LG BRAKE CABLES PULLEY POSITION DATA: STA 1041.55 AND 1040.75 LH FOR NHA SEE: 32-00-00-10	101102 108120 504903	RF
- 1	MODREF27564		BRACKET INSTL-LG BRAKE CABLES PULLEY MODULE NUMBER: 251N6023-23 REV B POSITION DATA: STA 1041.55 AND 1040.75 LH	103106	1
- 5	251N6023-12		BRACKET INSTL-LG BRAKE CABLES PULLEY POSITION DATA: STA 1041.55 AND 1040.75 RH VARIABLE DRAWING REF: 251N6023-22 FOR NHA SEE: 32-00-00-23	002004 006100 107107 121503 904999	RF
- 5	251N6023-24		BRACKET INSTL-LG BRAKE CABLES PULLEY POSITION DATA: STA 1041.55 AND 1040.75 RH FOR NHA SEE: 32-00-00-10	101102 108120 504903	RF
- 5	MODREF27565		BRACKET INSTL-LG BRAKE CABLES PULLEY MODULE NUMBER: 251N6023-24 REV B POSITION DATA: STA 1041.55 AND 1040.75 RH	103106	1

MISSING ITEM NUMBERS NOT APPLICABLE

- ITEM NOT ILLUSTRATED

32-41-51-04

32-41-51  
FIG. 04  
PAGE 1  
JAN 20/09

BRI



757

PARTS CATALOG (MAINTENANCE)

FIG ITEM	PART NUMBER	1 2 3 4 5 6 7	NOMENCLATURE	EFFECT FROM TO	UNITS PER ASSY
4	10 251N6203-25		.BRACKET ASSY- POSITION DATA: LH SIDE	107107 904949	1
-	15 251N6203-26		.BRACKET ASSY- POSITION DATA: RH SIDE	107107 904949	1
	20 251N6204-21		.BRACKET ASSY- POSITION DATA: LH SIDE	002004 006102 108903 950999	1
	20 251N6204-13		.BRACKET ASSY- POSITION DATA: LH SIDE	002004 006106 108903 950999	1
	20 251N6204-29		.BRACKET ASSY- POSITION DATA: LH SIDE	002004 006106 108903 950999	1
	20 251N6204-31		.BRACKET ASSY- POSITION DATA: LH SIDE	107107 904949	1
-	25 251N6204-14		.BRACKET ASSY- POSITION DATA: RH SIDE	002004 006106 108903 950999	1
-	25 251N6204-30		.BRACKET ASSY- POSITION DATA: RH SIDE	002004 006106 108903 950999	1
-	25 251N6204-32		.BRACKET ASSY- POSITION DATA: RH SIDE	107107 904949	1
-	25 251N6204-22		.BRACKET ASSY- POSITION DATA: RH SIDE	002004 006102 108903 950999	1
	40 NAS623-3-3		ATTACHING PARTS .SCREW	002004 006120 504999	1
	45 AN960KD10		.WASHER	002004 006120 504999	1
	50 NAS623-4-4		.SCREW	002004 006106 108903 950999	2

MISSING ITEM NUMBERS NOT APPLICABLE

- ITEM NOT ILLUSTRATED

32-41-51-04

32-41-51  
FIG. 04  
PAGE 2  
JAN 20/09

BRI

BOEING PROPRIETARY - Copyright © - Unpublished Work - See title page for details.





757

PARTS CATALOG (MAINTENANCE)

FIG ITEM	PART NUMBER	1 2 3 4 5 6 7	NOMENCLATURE	EFFECT FROM TO	UNITS PER ASSY
4	55		. WASHER	002004 006106 108903 950999	2
	70		. SCREW	107107 904949	4
	75		. SCREW	107107 904949	2
	80		. WASHER	107107 904949	4
	85		. WASHER	107107 121503 904949	2
	90	BACB30NF4-13	-----*----- .. BOLT- USED ON: 251N6203-1 251N6203-2 251N6203-11 251N6203-12 251N6203-19 251N6203-20 251N6203-21 251N6203-22 251N6203-25 251N6203-26	107107 904949	1
	95	BACB30NF4-13	.. BOLT- USED ON: 251N6204-13 251N6204-14 251N6204-21 251N6203-22 251N6204-29 251N6204-30 251N6204-31 251N6204-32	002004 006120 504999	1
	100	AN960PD416	.. WASHER- USED ON: 251N6203-11 251N6203-12 251N6203-19 251N6203-20 251N6203-21 251N6203-22 251N6203-25 251N6203-26	107107 121503 904949	1

MISSING ITEM NUMBERS NOT APPLICABLE

- ITEM NOT ILLUSTRATED

32-41-51-04

32-41-51  
FIG. 04  
PAGE 3  
JAN 20/09

BRI

BOEING PROPRIETARY - Copyright © - Unpublished Work - See title page for details.



757

PARTS CATALOG (MAINTENANCE)

FIG ITEM	PART NUMBER	1 2 3 4 5 6 7	NOMENCLATURE	EFFECT FROM TO	UNITS PER ASSY
4					
105	AN960KD416L		.. WASHER- USED ON: 251N6204-21 251N6203-22	002004 006102 108903 950999	1
105	AN960KD416		.. WASHER- USED ON: 251N6204-13 251N6204-14 251N6204-29 251N6204-30 251N6204-31 251N6204-32	002004 006999	1
110	BRH10A4		.. NUT- SUPPLIER CODE: V52828 SPECIFICATION NUMBER: BACN10JC4 OPTIONAL PART: T6S428J V11815 96-048 V80539 VN303A048 V92215 RMLH9075-4W V72962 NS202101-048 V80539 H10-4BAC V15653 USED ON: 251N6203-1 251N6203-2 251N6203-11 251N6203-12 251N6203-19 251N6203-20 251N6203-21 251N6203-22 251N6203-25 251N6203-26	107107 904949	1

MISSING ITEM NUMBERS NOT APPLICABLE

- ITEM NOT ILLUSTRATED

32-41-51-04

32-41-51  
FIG. 04  
PAGE 4  
JAN 20/09

BRI



757

PARTS CATALOG (MAINTENANCE)

FIG ITEM	PART NUMBER	1 2 3 4 5 6 7	NOMENCLATURE	EFFECT FROM TO	UNITS PER ASSY
4 115	BRH10A4		..NUT- SUPPLIER CODE: V52828 SPECIFICATION NUMBER: BACN10JC4 OPTIONAL PART: T6S428J V11815 96-048 V80539 VN303A048 V92215 RMLH9075-4W V72962 NS202101-048 V80539 H10-4BAC V15653 USED ON: 251N6204-21 251N6203-22 251N6204-29 251N6204-30	101120 504949	1
115	MS21042L4		..NUT- USED ON: 251N6204-13 251N6204-14 251N6204-29 251N6204-30	002004 006106 108903 950999	1
120	NAS463TKDD416		..SPACER- USED ON: 251N6203-1 251N6203-2 251N6203-11 251N6203-12 251N6203-19 251N6203-20 251N6203-21 251N6203-22 251N6203-25 251N6203-26	107107 904949	2

MISSING ITEM NUMBERS NOT APPLICABLE

- ITEM NOT ILLUSTRATED

32-41-51-04

32-41-51  
FIG. 04  
PAGE 5  
JAN 20/09

BRI



757

PARTS CATALOG (MAINTENANCE)

FIG ITEM	PART NUMBER	1 2 3 4 5 6 7	NOMENCLATURE	EFFECT FROM TO	UNITS PER ASSY
4 125	NAS463TKDD416		.. SPACER- USED ON: 251N6204-13 251N6204-14 251N6204-21 251N6203-22 251N6204-29 251N6204-30 251N6204-31 251N6204-32	002004 006120 504999	2
130	65B80977-2		.. PULLEY ASSY- USED ON: 251N6203-21 251N6203-22 251N6203-25 251N6203-26	107107 904949	1
135	65B80977-2		.. PULLEY ASSY- USED ON: 251N6204-29 251N6204-30	002004 006106 108903 950999	1
135	65B80977-3		.. PULLEY ASSY- USED ON: 251N6204-31 251N6204-32	107107 904949	1

MISSING ITEM NUMBERS NOT APPLICABLE

- ITEM NOT ILLUSTRATED

32-41-51-04

32-41-51  
FIG. 04  
PAGE 6  
JAN 20/09

BRI

BOEING PROPRIETARY - Copyright © - Unpublished Work - See title page for details.



757

PARTS CATALOG (MAINTENANCE)

FIG ITEM	PART NUMBER	1 2 3 4 5 6 7	NOMENCLATURE	EFFECT FROM TO	UNITS PER ASSY
4 140	JMKP4P25LY196		... BEARING- SUPPLIER CODE: V40920 SPECIFICATION NUMBER: BACB10AN4 OPTIONAL PART: MKP4FS428 V21335 MKP4G20 V38443 LLMKP4 V38443 MKP4 V38443 MKP4-2TS V43991 MKP4E6531 V21335 MKP4TT V43991 MKP4SD610 V83086 USED ON: 65B80977-1 65B80977-2 65B80977-3	107107 904949	1

MISSING ITEM NUMBERS NOT APPLICABLE

- ITEM NOT ILLUSTRATED

BRI

32-41-51-04

BOEING PROPRIETARY - Copyright © - Unpublished Work - See title page for details.

32-41-51  
FIG. 04  
PAGE 7  
JAN 20/09



757

PARTS CATALOG (MAINTENANCE)

FIG ITEM	PART NUMBER	1 2 3 4 5 6 7	NOMENCLATURE	EFFECT FROM TO	UNITS PER ASSY
4 140	JMKP4P25LY196		... BEARING- SUPPLIER CODE: V40920 SPECIFICATION NUMBER: BACB10AN4 OPTIONAL PART: MKP4FS428 V21335 MKP4G20 V38443 LLMKP4 V38443 MKP4 V38443 MKP4-2TS V43991 MKP4E6531 V21335 MKP4TT V43991 MKP4SD610 V83086 USED ON: 65B80977-2	002004 006106 108903 950999	1
145	69B81979-1		... SHIELD- USED ON: 65B80977-1 65B80977-2 65B80977-3	107107 904949	2
145	69B81979-1		... SHIELD- USED ON: 65B80977-2	002004 006106 108903 950999	2
150	65B80978-3		... SHEAVE ASSY- USED ON: 65B80977-2	002004 006999	1
150	65B80978-5		... SHEAVE ASSY- USED ON: 65B80977-3	107107 904949	1
155	69B81362-2		.... INSERT- USED ON: 65B80978-1 65B80978-3 65B80978-5	107107 904949	1
155	69B81362-2		.... INSERT- USED ON: 65B80978-3	002004 006106 108903 950999	1

MISSING ITEM NUMBERS NOT APPLICABLE

- ITEM NOT ILLUSTRATED

32-41-51-04

32-41-51  
FIG. 04  
PAGE 8  
JAN 20/09

BRI



757

PARTS CATALOG (MAINTENANCE)

FIG ITEM	PART NUMBER	1 2 3 4 5 6 7	NOMENCLATURE	EFFECT FROM TO	UNITS PER ASSY
4 160	65B80978-2	.....	SHEAVE- USED ON: 65B80978-1 65B80978-3 65B80978-5	107107 904949	1
160	65B80978-4	.....	SHEAVE- USED ON: 65B80978-3	002004 006106 108903 950999	1

MISSING ITEM NUMBERS NOT APPLICABLE

- ITEM NOT ILLUSTRATED

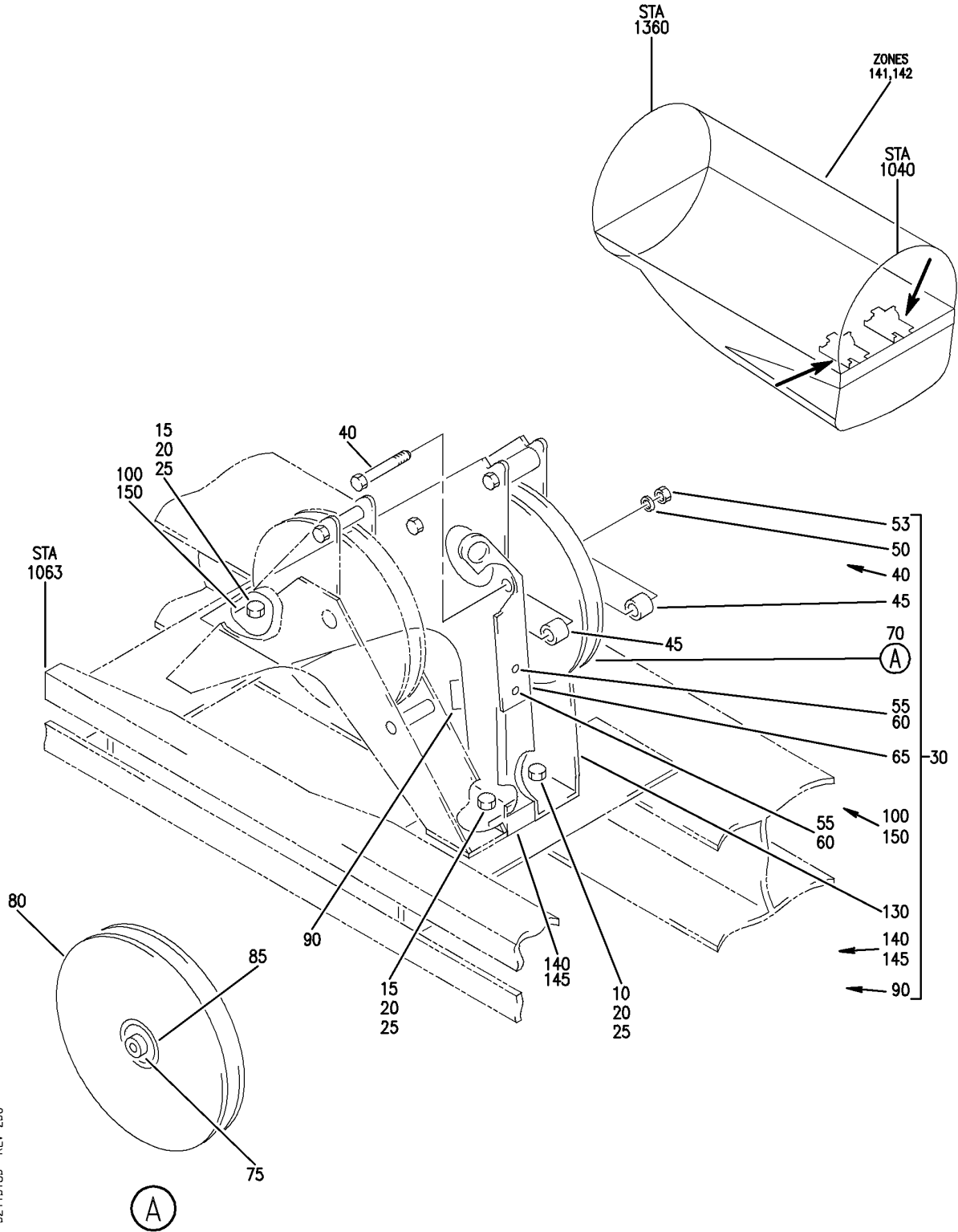
BRI

32-41-51-04

BOEING PROPRIETARY - Copyright © - Unpublished Work - See title page for details.

32-41-51  
FIG. 04  
PAGE 9  
JAN 20/09

**BOEING**  
757  
PARTS CATALOG (MAINTENANCE)



Y 32415105 REV 236

BRACKET INSTL-STA 1040-1063 L.G.B CABLES PULLEY  
FIGURE 5

**32-41-51-05**

BRI  
JAN 20/09

32-41-51-05  
PAGE 0





757

PARTS CATALOG (MAINTENANCE)

FIG ITEM	PART NUMBER	1 2 3 4 5 6 7	NOMENCLATURE	EFFECT FROM TO	UNITS PER ASSY
5			BRACKET INSTL-STA 1040-1063 L.G.B CABLES PULLEY	103106 108120 506903	
- 1	251N6025-17		BRACKET INSTL-L.G.B CABLES PULLEY POSITION DATA: STA 1040-1063 LH FOR NHA SEE: 32-00-00-10	108120 506903	RF
- 1	MODREF8191		BRACKET INSTL-L.G.B. CABLES PULLEY MODULE NUMBER: 251N6025-19 REV A POSITION DATA: STA 1040-1063 LH	103103	1
- 2	MODREF27568		BRACKET INSTL-L.G.B. CABLES PULLEY MODULE NUMBER: 251N6025-19 REV B POSITION DATA: STA 1040-1063 LH	104106	1
- 5	251N6025-18		BRACKET INSTL-L.G.B. CABLES PULLEY POSITION DATA: STA 1040-1063 RH FOR NHA SEE: 32-00-00-10	108120 506903	RF
- 5	MODREF8192		BRACKET INSTL-L.G.B. CABLES PULLEY MODULE NUMBER: 251N6025-20 REV A POSITION DATA: RH SIDE	103103	1
- 6	MODREF27569		BRACKET INSTL-L.G.B. CABLES PULLEY MODULE NUMBER: 251N6025-20 REV B POSITION DATA: STA 1040-1063 RH	104106	1
10	BACB30NF4-5		.BOLT	103106 108120 506903	1
15	BACB30NF4-6		.BOLT	103106 108120 506903	2
20	NAS1149D0463J		.WASHER	103106 108120 506903	3

MISSING ITEM NUMBERS NOT APPLICABLE

- ITEM NOT ILLUSTRATED

32-41-51-05

32-41-51  
FIG. 05  
PAGE 1  
JAN 20/09

BRI



757

PARTS CATALOG (MAINTENANCE)

FIG ITEM	PART NUMBER	1 2 3 4 5 6 7	NOMENCLATURE	EFFECT FROM TO	UNITS PER ASSY
5					
25	MS21042L4	.	NUT	103106 108120 506903	3
30	251N6387-13	.	BRACKET ASSY-PULLEY USED ON: 251N6025-17	108120 506903	1
30	251N6387-17	.	BRACKET ASSY-PULLEY USED ON: 251N6025-19 MODREF8191 MODREF27568	103106	1
- 35	251N6387-14	.	BRACKET ASSY-PULLEY USED ON: 251N6025-18	108120 506903	1
- 35	251N6387-18	.	BRACKET ASSY-PULLEY USED ON: 251N6025-20 MODREF8192 MODREF27569	103106	1
40	BACB30NF4-17	..	BOLT	103106 108120 506903	1
45	BACS18G22B	..	SPACER	103106 108120 506903	2
50	NAS1149D0463J	..	WASHER	103106 108120 506903	1
53	MS21042L4	..	NUT	103106 108120 506903	1
55	VL310AG5-3	..	BOLT-HEX DRIVE SUPPLIER CODE: V06950 SPECIFICATION NUMBER: BACB30VT5HK3 OPTIONAL PART: VL310AG5-3 V9N513 VL310AG5-3 V97928 WC10K5-3 V60516	103106 108120 506903	2

MISSING ITEM NUMBERS NOT APPLICABLE

- ITEM NOT ILLUSTRATED

32-41-51-05

32-41-51  
FIG. 05  
PAGE 2  
JAN 20/09

BRI



757

PARTS CATALOG (MAINTENANCE)

FIG ITEM	PART NUMBER	1 2 3 4 5 6 7	NOMENCLATURE	EFFECT FROM TO	UNITS PER ASSY
5	60 BACC30BL5	..	COLLAR SUPPLIER CODE: V73197 SPECIFICATION NUMBER: BACC30BL5 OPTIONAL PART: HST79-5 V92215 HST79CY5 V56878 HST79CY5 V5M902	103106 108120 506903	2
	65 250N2007-77	..	FAIRLEAD- OPTIONAL PART: 250N2007-79	108120 506903	1
	65 250N2007-79	..	FAIRLEAD- OPTIONAL PART: 250N2007-77	108120 506903	1
	65 250N2007-80	..	FAIRLEAD	103106	1
	70 251N6378-1	..	PULLEY ASSY	103106 108120 506903	1
	75 JMKP4P25LY196	...	BEARING SUPPLIER CODE: V40920 SPECIFICATION NUMBER: BACB10AN4 OPTIONAL PART: MKP4FS428 V21335 MKP4G20 V38443 LLMKP4 V38443 MKP4 V38443 MKP4-2TS V43991 MKP4E6531 V21335 MKP4TT V43991 MKP4SD610 V83086	103106 108120 506903	1
	80 251N6379-1	...	SHEAVE	103106 108120 506903	1

MISSING ITEM NUMBERS NOT APPLICABLE

- ITEM NOT ILLUSTRATED

32-41-51-05

32-41-51  
FIG. 05  
PAGE 3  
JAN 20/09

BRI

BOEING PROPRIETARY - Copyright © - Unpublished Work - See title page for details.



757

PARTS CATALOG (MAINTENANCE)

FIG ITEM	PART NUMBER	1 2 3 4 5 6 7	NOMENCLATURE	EFFECT FROM TO	UNITS PER ASSY
5					
85	251N6380-1	. . .	SLEEVE	103106 108120 506903	1
90	251N6383-11	. .	BRACKET	103106 108120 506903	1
- 95	BACR15BB5D		ATTACHING PARTS . . RIVET- SIZE DETERMINED ON INSTL.	103106 108120 506903	2
			-----*-----		
100	251N6383-17	. .	BRACKET- USED ON: 251N6387-13 251N6387-17	103106 108120 506903	1
- 105	251N6383-18	. .	BRACKET- USED ON: 251N6387-14 251N6387-18	103106 108120 506903	1
- 110	NAS623-3-17	. .	ATTACHING PARTS SCREW	103106 108120 506903	2
- 115	NAS42DD6-59FC	. .	SPACER	103106 108120 506903	2
- 120	NAS1149D0363J	. .	WASHER	103106 108120 506903	2
- 125	MS21042L3	. .	NUT	103106 108120 506903	2
			-----*-----		
130	251N6383-15	. .	BRACKET- USED ON: 251N6387-13 251N6387-17	103106 108120 506903	1
- 135	251N6383-16	. .	BRACKET- USED ON: 251N6387-14 251N6387-18	103106 108120 506903	1
140	50-3361-8649	. .	FILLER	103106 108120 506903	1
145	50-3361-8710	. .	FILLER-RADIUS	103106 108120 506903	1

MISSING ITEM NUMBERS NOT APPLICABLE

- ITEM NOT ILLUSTRATED

32-41-51-05

32-41-51  
FIG. 05  
PAGE 4  
JAN 20/09

BRI

BOEING PROPRIETARY - Copyright © - Unpublished Work - See title page for details.



757

PARTS CATALOG (MAINTENANCE)

FIG ITEM	PART NUMBER	1 2 3 4 5 6 7	NOMENCLATURE	EFFECT FROM TO	UNITS PER ASSY
5 150	50-3361-8711		. . FILLER-RADIUS	103106 108120 506903	1

MISSING ITEM NUMBERS NOT APPLICABLE

- ITEM NOT ILLUSTRATED

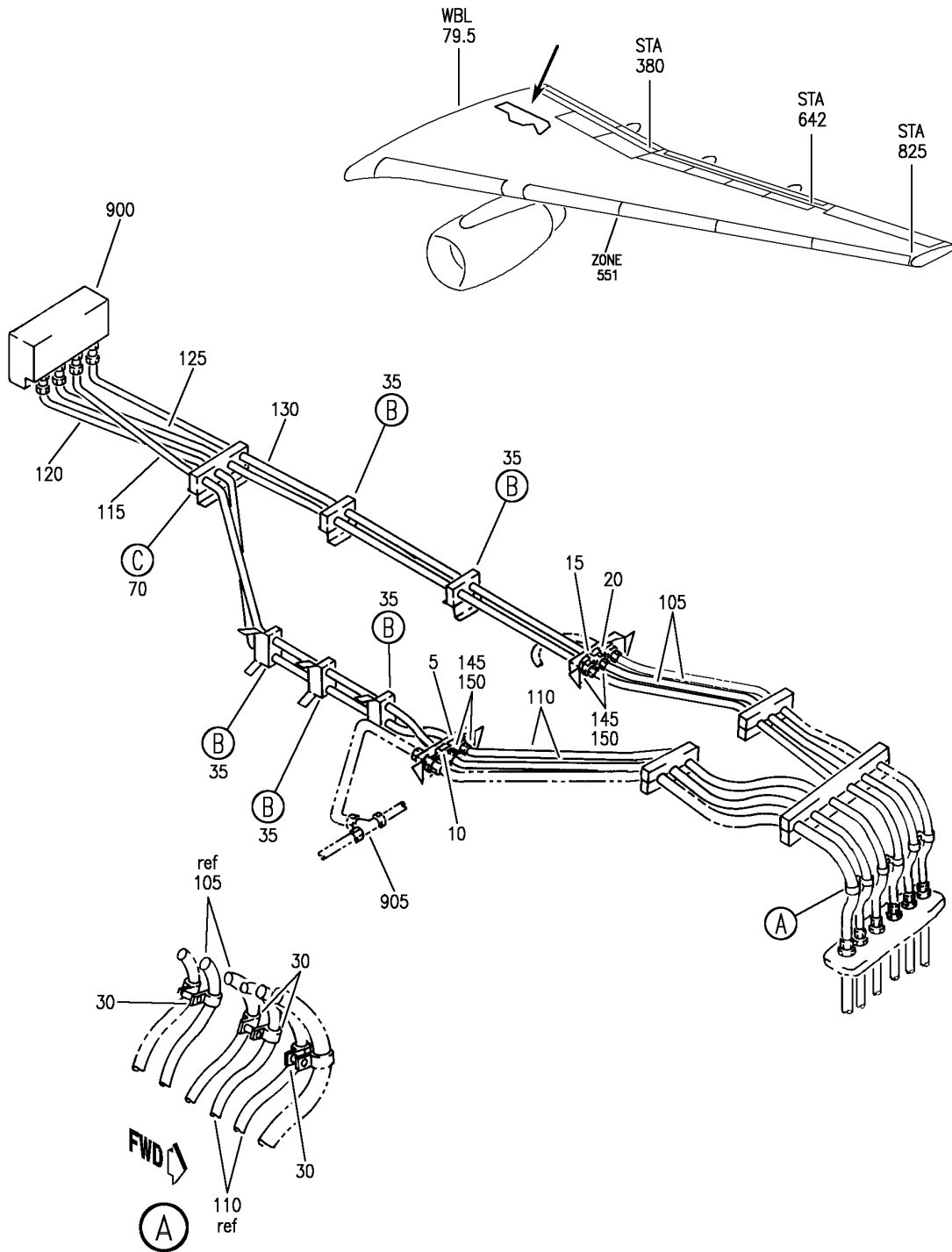
BRI

32-41-51-05

BOEING PROPRIETARY - Copyright © - Unpublished Work - See title page for details.

32-41-51  
FIG. 05  
PAGE 5  
JAN 20/09

**BOEING**  
757  
PARTS CATALOG (MAINTENANCE)



Y 32415106 SH1 1 REV 247

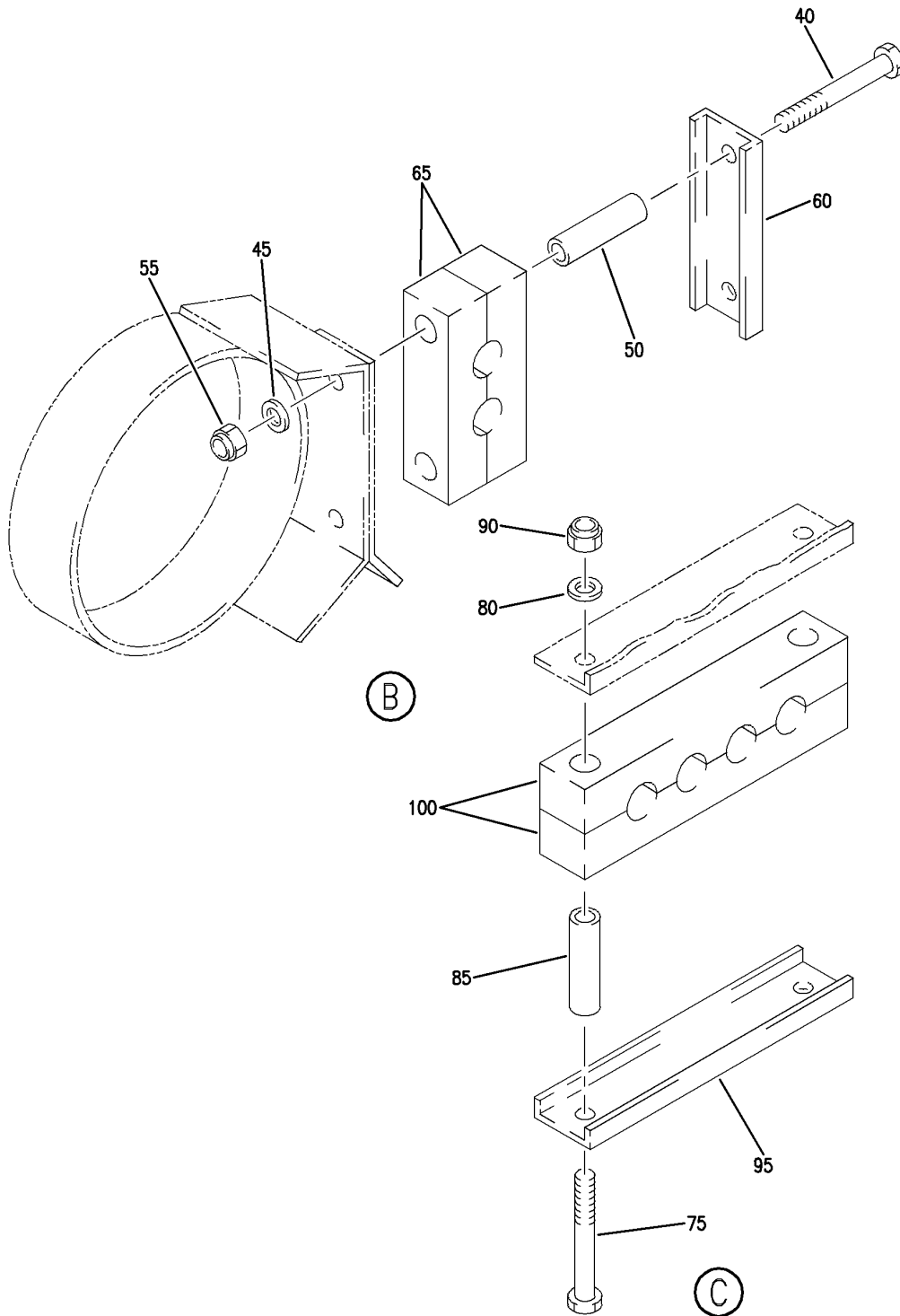
PLUMBING INSTL-SECT. 12 L TRAILING EDGE (HYDR BRAKE SYS ONLY)  
FIGURE 6 (SHEET 1)

BRI  
JAN 20/09

**32-41-51-06**

32-41-51-06  
PAGE 0

**BOEING**  
757  
PARTS CATALOG (MAINTENANCE)



Y 32415106 SHIT 2 REV 247

PLUMBING INSTL-SECT. 12 L TRAILING EDGE (HYDR BRAKE SYS ONLY)  
FIGURE 6 (SHEET 2)

**32-41-51-06**

BRI  
JAN 20/09

32-41-51-06  
PAGE 0A



757

PARTS CATALOG (MAINTENANCE)

FIG ITEM	PART NUMBER	1 2 3 4 5 6 7	NOMENCLATURE	EFFECT FROM TO	UNITS PER ASSY
6			PLUMBING INSTL-SECT. 12 L TRAILING EDGE (HYDR BRAKE SYS ONLY)	103106	
- 1	MODREF31342		PLUMBING INSTL-HYDR CTR SYS (HYDR BRAKE SYS ONLY) MODULE NUMBER: 271N6122-34 REV B POSITION DATA: SECT. 12 L TRAILING EDGE FOR OTHER SYS DETAILS SEE: 27-61-02-03 29-11-18-03 29-11-26-06 29-11-51-27 FOR ADDITIONAL DETAILS SEE: 32-32-01-04 32-32-02-03 32-32-07-02 32-32-17-02 32-32-51-01	103106	1
5	BAC27NHY0173		.MARKER-ALUMINUM FOIL PLACARD CONTENT: BRK OUTBD FWD	103106	1
10	BAC27NHY0175		.MARKER-ALUMINUM FOIL PLACARD CONTENT: BRK OUTBD AFT	103106	1
15	BAC27NHY0172		.MARKER-ALUMINUM FOIL PLACARD CONTENT: BRK INBD FWD	103106	1
20	BAC27NHY0174		.MARKER-ALUMINUM FOIL PLACARD CONTENT: BRK INBD AFT	103106	1
25	M85052-2-4		.CLAMP	103106	1
30	M85052-2-8		.CLAMP	103106	4
35	270N2000-3		.CLAMP ASSY-BLOCK	103106	5
40	NAS1801-3-24		..SCREW	103106	2
45	AN960PD10L		..WASHER	103106	2
50	NAS43DD3-59		..SPACER	103106	2

MISSING ITEM NUMBERS NOT APPLICABLE

- ITEM NOT ILLUSTRATED

32-41-51-06

32-41-51  
FIG. 06  
PAGE 1  
JAN 20/09

BRI





757

PARTS CATALOG (MAINTENANCE)

FIG ITEM	PART NUMBER	1 2 3 4 5 6 7	NOMENCLATURE	EFFECT FROM TO	UNITS PER ASSY
6 55	BRH10A3	..	NUT SUPPLIER CODE: V52828 SPECIFICATION NUMBER: BACN10JC3 OPTIONAL PART: H10-3BAC V15653 NS202101-02 V80539 RMLH9075-3W V72962 VN303A02 V92215 96-02 V80539 T6S1032J V11815	103106	2
60	270N2000-801	..	CHANNEL	103106	1
65	270N2000-401	..	BLOCK	103106	2
70	270N2000-1	.	CLAMP ASSY-BLK	103106	1
75	NAS1801-3-24	..	SCREW	103106	2
80	AN960PD10L	..	WASHER	103106	2
85	NAS43DD3-59	..	SPACER	103106	2
90	BRH10A3	..	NUT SUPPLIER CODE: V52828 SPECIFICATION NUMBER: BACN10JC3 OPTIONAL PART: H10-3BAC V15653 NS202101-02 V80539 RMLH9075-3W V72962 VN303A02 V92215 96-02 V80539 T6S1032J V11815	103106	2
95	270N2000-894	..	CHANNEL	103106	1
100	270N2000-400	..	BLOCK	103106	1

MISSING ITEM NUMBERS NOT APPLICABLE

- ITEM NOT ILLUSTRATED

32-41-51-06

32-41-51  
FIG. 06  
PAGE 2  
JAN 20/09

BRI

BOEING PROPRIETARY - Copyright © - Unpublished Work - See title page for details.



757

PARTS CATALOG (MAINTENANCE)

FIG ITEM	PART NUMBER	1 2 3 4 5 6 7	NOMENCLATURE	EFFECT FROM TO	UNITS PER ASSY
6 105	AS115-06K0500		.HOSE ASSY- AS115-06K0503 CAN BE REPLACED BY BUT NOT REPLACE AS115-06K0500 QUALIFIED I/W DATA: P/N 116416-1 CAN REPLACE BUT NOT BE REPLACED BY AS115-06K0503 OR AS115-06K0500 AS A SET WITH OTHER HOSES USING SAME OUTER COVERINGS. DO NOT MIX HOSES WITH DIFFERENT OUTER COVERINGS; 116416-1 MUST BE USED IN CONJUNCTION WITH ANOTHER 116416-1, 116416-2 QUANTITY 2, 116414-1 QUANTITY 1, AND 116415-2 QUANTITY 1.	103106	2
110	AS115-06K0580		.HOSE ASSY- AS115-06K0575 CAN BE REPLACED BY BUT NOT REPLACE AS115-06K0580 QUALIFIED I/W DATA: P/N 116416-2 CAN REPLACE BUT NOT BE REPLACED BY AS115-06K0580 OR AS115-06K0575 AS A SET WITH OTHER HOSES USING SAME OUTER COVERINGS. DO NOT MIX HOSES WITH DIFFERENT OUTER COVERINGS; 116416-2 MUST BE USED IN CONJUNCTION WITH ANOTHER 116416-2, 116416-1 QUANTITY 2, 116414-1 QUANTITY 1, AND 116415-2 QUANTITY 1.	103106	2
115	271N6122-1302		.TUBE ASSY-BRAKE PRESSURE SYS POSITION DATA: R TUBING MATERIAL: .375 IN. OD .019 IN. WALL 65.00 IN. LG TI	103106	1

MISSING ITEM NUMBERS NOT APPLICABLE

- ITEM NOT ILLUSTRATED

32-41-51-06

32-41-51  
FIG. 06  
PAGE 3  
JAN 20/09

BRI



757

PARTS CATALOG (MAINTENANCE)

FIG ITEM	PART NUMBER	1 2 3 4 5 6 7	NOMENCLATURE	EFFECT FROM TO	UNITS PER ASSY
6					
120	271N6122-1301		.TUBE ASSY-BRAKE PRESSURE SYS POSITION DATA: R TUBING MATERIAL: .375 IN OD .019 IN. WALL 65.00 IN. LG TITANIUM	103106	1
125	271N6122-1249		.TUBE ASSY-BRAKE PRESSURE SYS POSITION DATA: R TUBING MATERIAL: .375 IN. OD .019 IN. WALL 72.50 IN. LG	103106	1
130	271N6122-1248		.TUBE ASSY-BRAKE PRESSURE SYS POSITION DATA: R TUBING MATERIAL: .375 IN. OD .019 IN. WALL 67.7 IN. LG TITANIUM ALLOY TUBING	103106	1
- 135	AS1581T06		..SLEEVE	103106	2
- 140	BACN10YA6N		..NUT- USED ON: 271N6122-1249 271N6122-1301 271N6122-1302	103106	2
- 140	BACN10YA6L		..NUT- USED ON: 271N6122-1248	103106	2
145	MS21924-6T		.UNION	103106	4
150	AS5178D06		.NUT	103106	4
905			ILLUSTRATION REFERENCE: PLUMBING INSTL-INBD WING SECT. 12 HYDR LH (MAIN GEAR EXTENSION AND RETRACTION ONLY) 32-32-51-01	103106	RF

MISSING ITEM NUMBERS NOT APPLICABLE

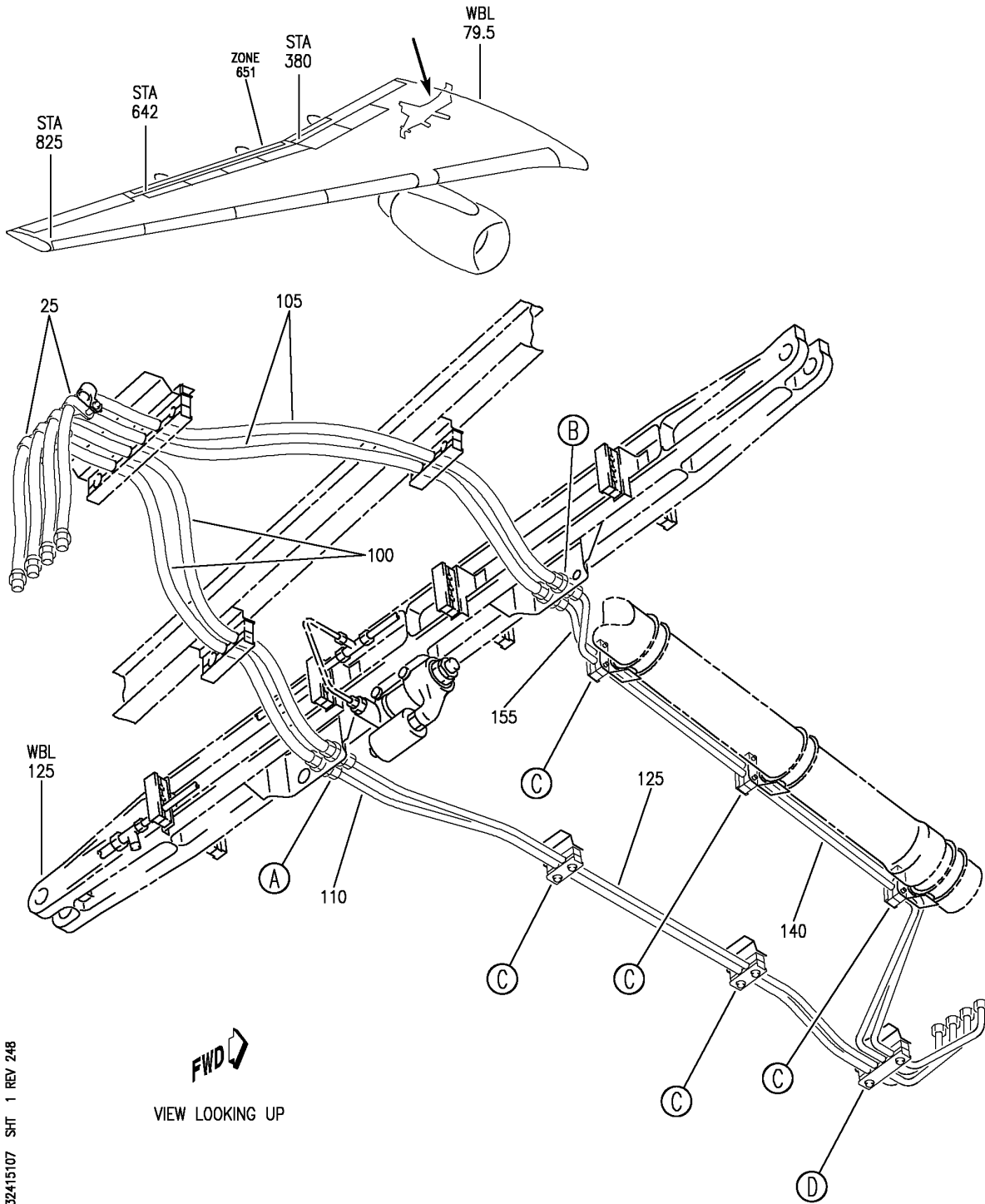
- ITEM NOT ILLUSTRATED

32-41-51-06

32-41-51  
FIG. 06  
PAGE 4  
JAN 20/09

BRI

**BOEING**  
757  
PARTS CATALOG (MAINTENANCE)



Y 32415107 SHT 1 REV 248

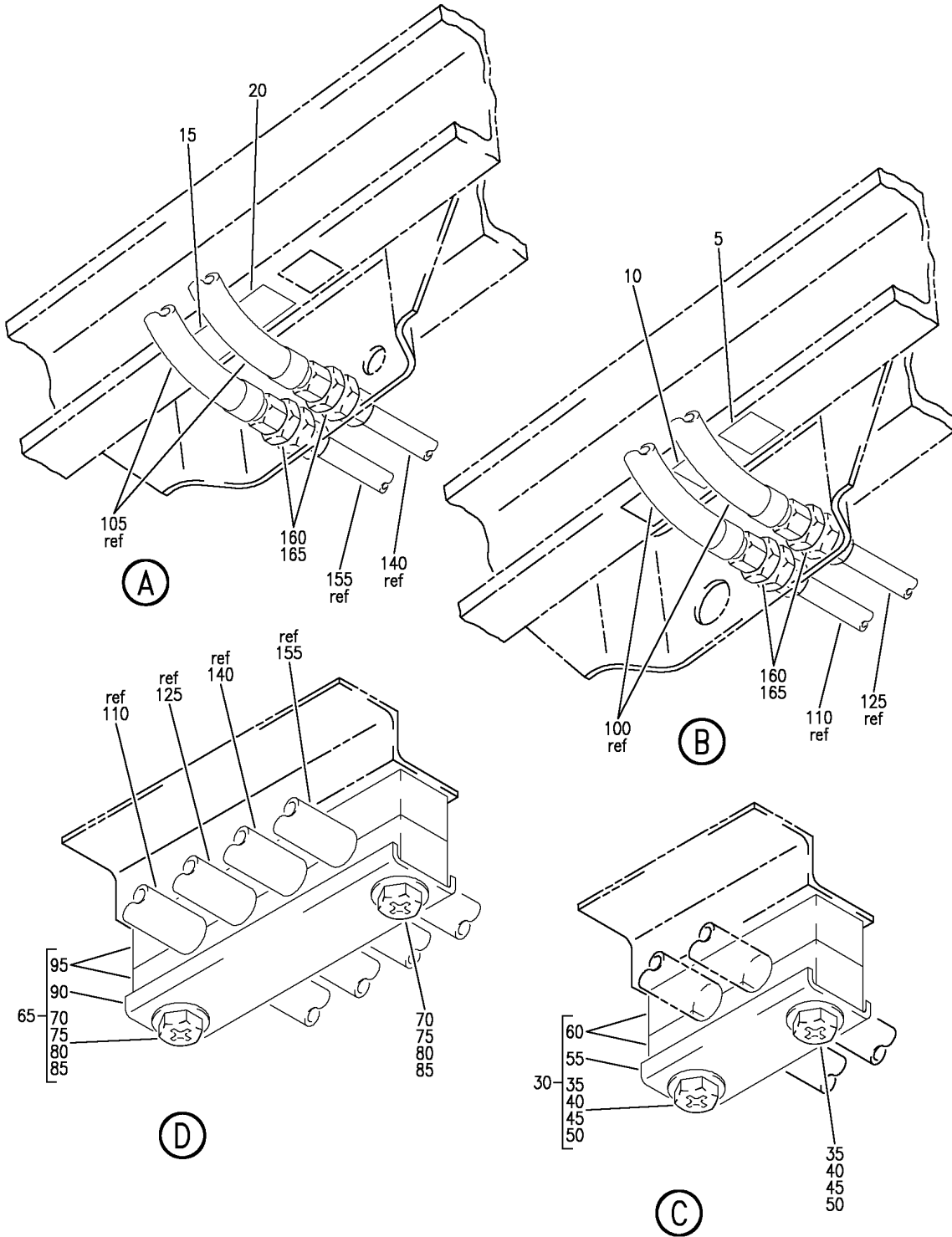
PLUMBING INSTL-SECT. 12 R TRAILING EDGE (HYDR BRAKE SYS ONLY)  
FIGURE 7 (SHEET 1)

**32-41-51-07**

BRI  
JAN 20/09

32-41-51-07  
PAGE 0

**BOEING**  
757  
PARTS CATALOG (MAINTENANCE)



PLUMBING INSTL-SECT. 12 R TRAILING EDGE (HYDR BRAKE SYS ONLY)  
FIGURE 7 (SHEET 2)

BRI  
JAN 20/09

**32-41-51-07**

32-41-51-07  
PAGE 0A



757

PARTS CATALOG (MAINTENANCE)

FIG ITEM	PART NUMBER	1 2 3 4 5 6 7	NOMENCLATURE	EFFECT FROM TO	UNITS PER ASSY
7			PLUMBING INSTL-SECT. 12 R TRAILING EDGE (HYDR BRAKE SYS ONLY)	103106	
- 1	MODREF24143		PLUMBING INSTL-HYDR CTR SYS (HYDR BRAKE SYS ONLY) MODULE NUMBER: 271N6123-21 REV B POSITION DATA: SECT. 12 R TRAILING EDGE FOR OTHER SYS DETAILS SEE: 27-61-02-06 29-11-18-04 29-11-26-07 29-11-51-29A FOR ADDITIONAL DETAILS SEE: 32-32-01-05 32-32-02-04 32-32-07-03 32-32-17-03 32-32-51-02	103105	1
- 1	MODREF34199		PLUMBING INSTL-HYDR CTR SYS (HYDR BRAKE SYS ONLY) MODULE NUMBER: 271N6123-21 REV C POSITION DATA: SECT. 12 R TRAILING EDGE FOR OTHER SYS DETAILS SEE: 27-61-02-06 29-11-18-04 29-11-26-07 29-11-51-29A FOR ADDITIONAL DETAILS SEE: 32-32-01-05 32-32-02-04 32-32-07-03 32-32-17-03 32-32-51-02	106106	1
5	BAC27NHY0173		.MARKER-ALUMINUM FOIL PLACARD CONTENT: BRK OUTBD FWD	103106	1
10	BAC27NHY0175		.MARKER-ALUMINUM FOIL PLACARD CONTENT: BRK OUTBD AFT	103106	1
15	BAC27NHY0172		.MARKER-ALUMINUM FOIL PLACARD CONTENT: BRK INBD FWD	103106	1

MISSING ITEM NUMBERS NOT APPLICABLE

- ITEM NOT ILLUSTRATED

32-41-51-07

32-41-51  
FIG. 07  
PAGE 1  
JAN 20/09

BRI



757

PARTS CATALOG (MAINTENANCE)

FIG ITEM	PART NUMBER	1 2 3 4 5 6 7	NOMENCLATURE	EFFECT FROM TO	UNITS PER ASSY
7					
20	BAC27NHY0174	.	MARKER-ALUMINUM FOIL PLACARD CONTENT: BRK INBD AFT	103106	1
25	M85052-2-8	.	CLAMP	103106	4
30	270N2000-3	.	CLAMP ASSY-BLOCK	103106	5
35	NAS1801-3-24	..	SCREW	103106	2
40	AN960PD10L	..	WASHER	103106	2
45	NAS43DD3-59	..	SPACER	103106	2
50	BRH10A3	..	NUT SUPPLIER CODE: V52828 SPECIFICATION NUMBER: BACN10JC3 OPTIONAL PART: H10-3BAC V15653 NS202101-02 V80539 RMLH9075-3W V72962 VN303A02 V92215 96-02 V80539 T6S1032J V11815	103106	2
55	270N2000-801	..	CHANNEL	103106	1
60	270N2000-401	..	BLOCK	103106	2
65	270N2000-1	.	CLAMP ASSY-BLK	103106	1
70	NAS1801-3-24	..	SCREW	103106	2
75	AN960PD10L	..	WASHER	103106	2
80	NAS43DD3-59	..	SPACER	103106	2

MISSING ITEM NUMBERS NOT APPLICABLE

- ITEM NOT ILLUSTRATED

32-41-51-07

32-41-51  
FIG. 07  
PAGE 2  
JAN 20/09

BRI

BOEING PROPRIETARY - Copyright © - Unpublished Work - See title page for details.



757

PARTS CATALOG (MAINTENANCE)

FIG ITEM	PART NUMBER	1 2 3 4 5 6 7	NOMENCLATURE	EFFECT FROM TO	UNITS PER ASSY
7 85	BRH10A3	..	NUT SUPPLIER CODE: V52828 SPECIFICATION NUMBER: BACN10JC3 OPTIONAL PART: H10-3BAC V15653 NS202101-02 V80539 RMLH9075-3W V72962 VN303A02 V92215 96-02 V80539 T6S1032J V11815	103106	2
90	270N2000-894	..	CHANNEL	103106	1
95	270N2000-400	..	BLOCK	103106	1
100	AS115-06K0490	.HOSE ASSY-	MISCELLANEOUS DATA: SPARES PROVISIONING DATA-NOT FOR BOEING MANUFACTURING USE: AS115-06K0492 CAN BE REPLACED BY BUT NOT REPLACE AS115-06K0490.	103106	2
105	AS115-06K0560	.HOSE ASSY-	MISCELLANEOUS DATA: SPARES PROVISIONING DATA-NOT FOR BOEING MANUFACTURING USE: AS115-06K0563 CAN BE REPLACED BY BUT NOT REPLACE AS115-06K0560.	103106	2
110	271N6123-1207	.TUBE ASSY-BRAKE PRESSURE SYS	POSITION DATA: R TUBING MATERIAL: .024 IN. OD .019 IN. WALL 64.00 IN. LG TI	103106	1
- 115	AS1581T06	..	SLEEVE	103106	2
- 120	BACN10YA6	..	NUT	103106	2

MISSING ITEM NUMBERS NOT APPLICABLE

- ITEM NOT ILLUSTRATED

32-41-51-07

32-41-51  
FIG. 07  
PAGE 3  
JAN 20/09

BRI

BOEING PROPRIETARY - Copyright © - Unpublished Work - See title page for details.





757

PARTS CATALOG (MAINTENANCE)

FIG ITEM	PART NUMBER	1 2 3 4 5 6 7	NOMENCLATURE	EFFECT FROM TO	UNITS PER ASSY
7 125	271N6123-1209		.TUBE ASSY-BRAKE PRESSURE SYS POSITION DATA: R TUBING MATERIAL: .024 IN. OD .019 IN. WALL 65.00 IN. LG TITANIUM	103106	1
- 130	AS1581T06		..SLEEVE	103106	2
- 135	BACN10YA6		..NUT	103106	2
140	271N6123-1208		.TUBE ASSY-BRAKE PRESSURE SYS POSITION DATA: R TUBING MATERIAL: .024 IN. OD .019 IN. WALL 70.00 IN. LG TI	103106	1
- 145	AS1581T06		..SLEEVE	103106	2
- 150	BACN10YA6		..NUT	103106	2
155	271N6123-1210		.TUBE ASSY-BRAKE PRESSURE SYS POSITION DATA: R TUBING MATERIAL: .024 IN. OD .019 IN. WALL 71.00 IN. LG TITANIUM	103106	1
160	MS21924-6T		.UNION	103106	4
165	AS5178D06		.NUT	103106	4

MISSING ITEM NUMBERS NOT APPLICABLE

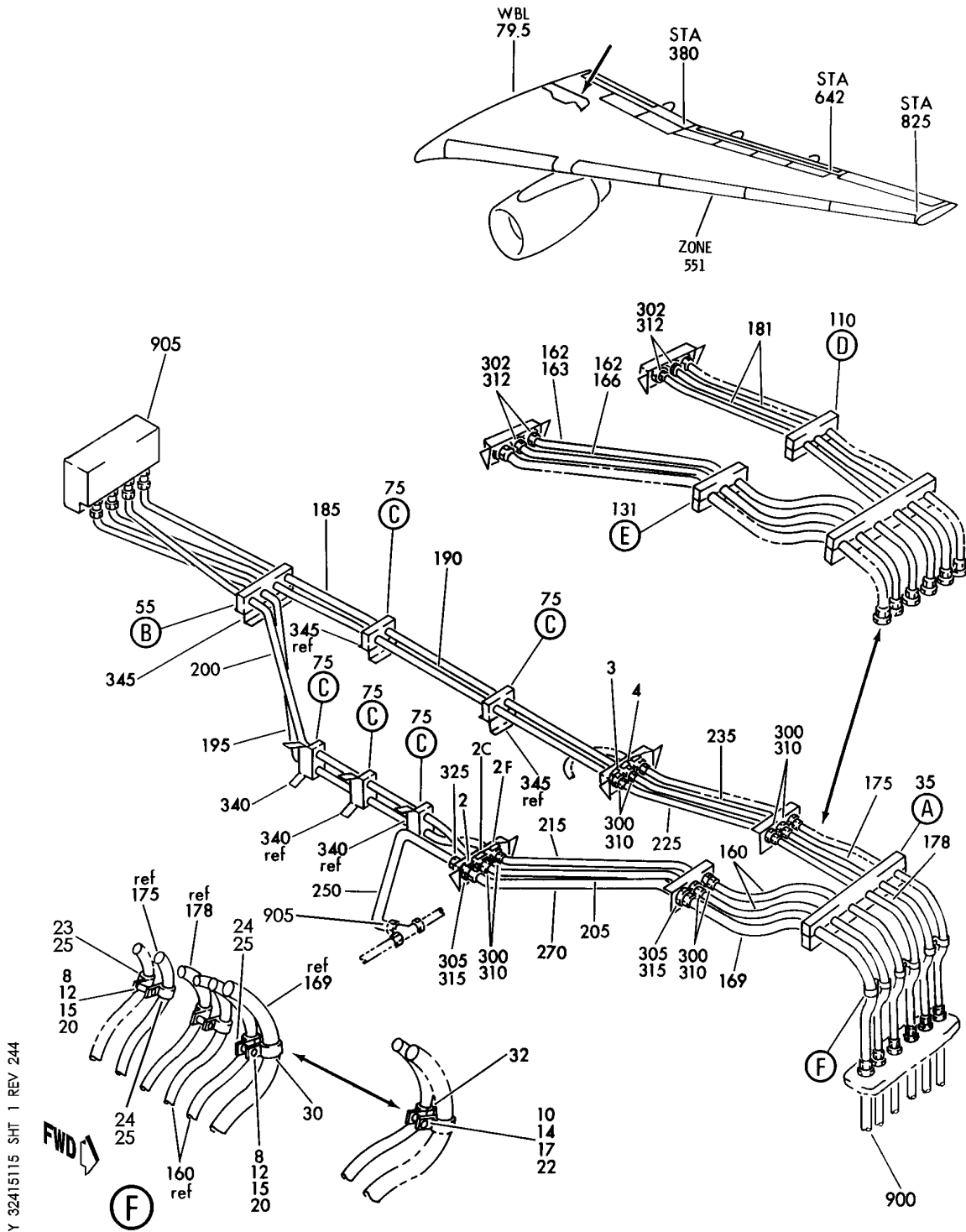
- ITEM NOT ILLUSTRATED

32-41-51-07

32-41-51  
FIG. 07  
PAGE 4  
JAN 20/09

BRI


**BOEING**  
 757  
**PARTS CATALOG (MAINTENANCE)**



Y 32415115 SHT 1 REV 244

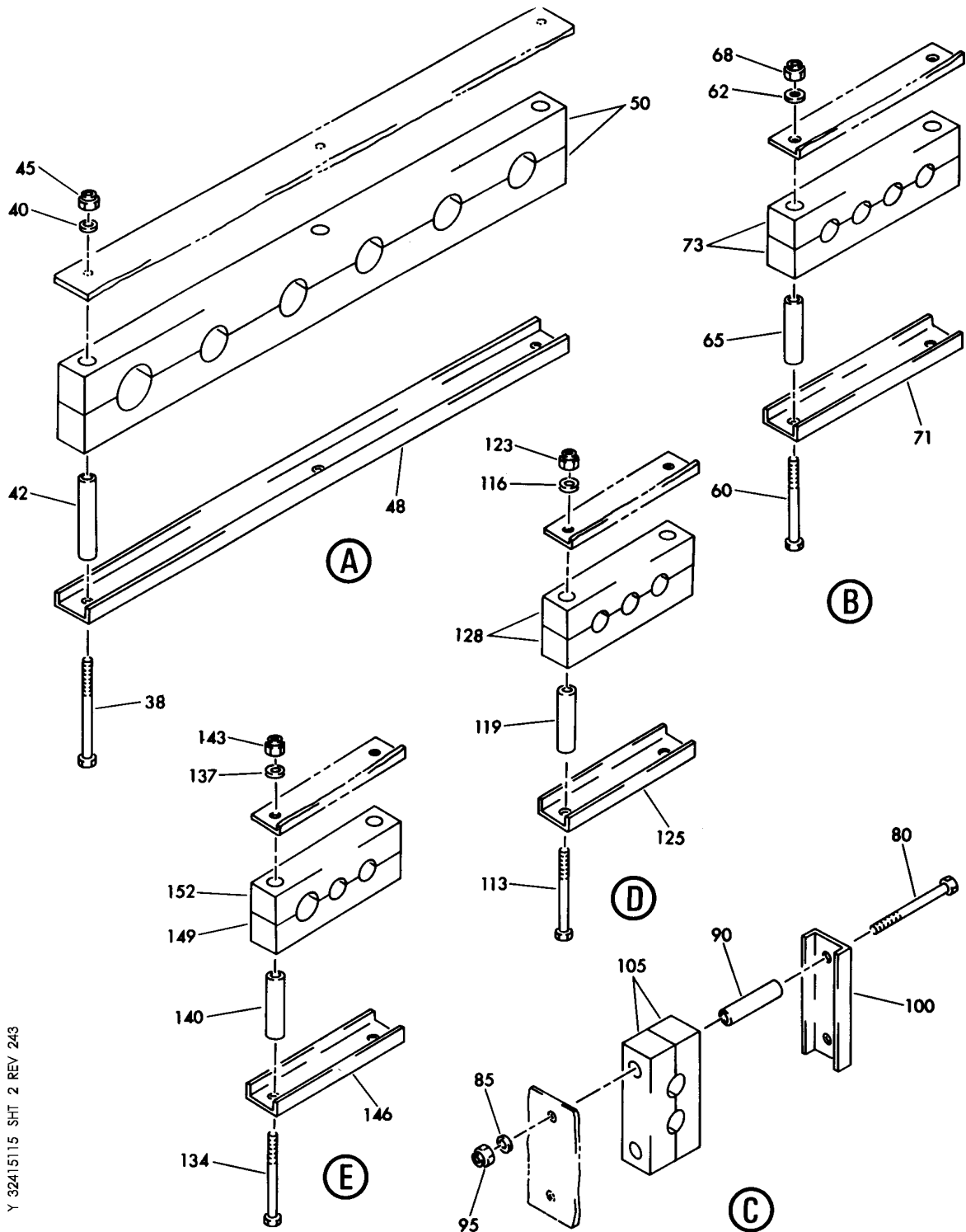
PLUMBING INSTL-SECT. 12 L WING INBD HYDR (HYDR BRAKE SYS ONLY)  
 FIGURE 15 (SHEET 1)

# 32-41-51-15

BRI  
MAY 28/07

32-41-51-15  
 PAGE 0

**BOEING**  
757  
PARTS CATALOG (MAINTENANCE)



Y 32415115 SHT 2 REV 243

PLUMBING INSTL-SECT. 12 L WING INBD HYDR (HYDR BRAKE SYS ONLY)  
FIGURE 15 (SHEET 2)

**32-41-51-15**

BRI  
MAY 28/07

32-41-51-15  
PAGE 0A



757

PARTS CATALOG (MAINTENANCE)

FIG ITEM	PART NUMBER	1 2 3 4 5 6 7	NOMENCLATURE	EFFECT FROM TO	UNITS PER ASSY
15			PLUMBING INSTL-SECT. 12 L WING INBD HYDR (HYDR BRAKE SYS ONLY)		
- 1	271N6122-1		PLUMBING INSTL-WING HYDR (HYDRAULIC BRAKE SYSTEM ONLY)	002004 006100 107107 121503 904999	RF
- 1	271N6122-22		POSITION DATA: SECT. 12 L INBD VARIABLE DRAWING REF: 271N6122-4 FOR NHA/OTHER SYS DET SEE: 29-00-51-01		
			PLUMBING INSTL-WING HYDR (HYDRAULIC BRAKE SYSTEM ONLY)	101102 108120 504903	RF
			POSITION DATA: SECT. 12 L INBD FOR NHA/OTHER SYS DET SEE: 32-00-00-02		
2	BAC27NHY0177		.MARKER-ALUMINUM FOIL PLACARD CONTENT: TRUCK POSN RET		1
2C	BAC27NHY0175		.MARKER-ALUMINUM FOIL PLACARD CONTENT: BRK OUTBD AFT		1
2F	BAC27NHY0173		.MARKER-ALUMINUM FOIL PLACARD CONTENT: BRK OUTBD FWD		1
3	BAC27NHY0172		.MARKER-ALUMINUM FOIL PLACARD CONTENT: BRK INBD FWD		1
4	BAC27NHY0174		.MARKER-ALUMINUM FOIL PLACARD CONTENT: BRK INBD AFT		1
8	NAS1801-3		.SCREW- SIZE DETERMINED ON INSTL.	002004 006100 121503 950999	3
8	NAS1801-3-17		.SCREW- POST SERVICE BULLETIN: 32-0079R1 32-0079R2	107107 904949	3
10	NAS1801-3		.SCREW- SIZE DETERMINED ON INSTL. PRE AIRLINE MOD: CIC B757/IPC/IPC/98-0345 VBAA	101102 108120 504903	1

MISSING ITEM NUMBERS NOT APPLICABLE

- ITEM NOT ILLUSTRATED

32-41-51-15

32-41-51  
FIG. 15  
PAGE 1  
JAN 20/09

BRI



757

PARTS CATALOG (MAINTENANCE)

FIG ITEM	PART NUMBER	1 2 3 4 5 6 7	NOMENCLATURE	EFFECT FROM TO	UNITS PER ASSY
15					
10	NAS1801-3-12	.	SCREW- SIZE DETERMINED ON INSTL. PRE AIRLINE MOD: CIC B757/IPC/IPC/98-0345 VBAA	504903	1
12	AN960JD10L	.	WASHER	002004 006100 121503 950999	3
14	AN960JD10L	.	WASHER-	101102 108120 504903	1
15	MS21042L3	.	NUT- POST SERVICE BULLETIN: 32-0079R1 32-0079R2	002004 006100 107107 121503 904999	3
17	MS21042L3	.	NUT-	101102 108120 504903	1
20	NAS43DD3-24	.	SPACER	002004 006100 121503 950999	3
20	NAS42DD6-24	.	SPACER- POST SERVICE BULLETIN: 32-0079R1 32-0079R2	107107 904949	3
22	NAS43DD3-24	.	SPACER-	101102 108120 504903	1
25	M85052-2-8	.	CLAMP- POST SERVICE BULLETIN: 32-0079R2	002004 006100 107107 121503 904999	5
30	M85052-2-11	.	CLAMP- POST SERVICE BULLETIN: 32-0079R2	107107 904949	1
32	BACC10DK	.	CLAMP-	101102 108120 504903	1
35	270N2000-163	.	CLAMP ASSY-BLK		1
38	NAS1801-3-30	..	SCREW-		3
40	AN960PD10L	..	WASHER		3
42	NAS43DD3-89	..	SPACER		3

MISSING ITEM NUMBERS NOT APPLICABLE

- ITEM NOT ILLUSTRATED

32-41-51-15

32-41-51  
FIG. 15  
PAGE 2  
JAN 20/09

BRI



757

PARTS CATALOG (MAINTENANCE)

FIG ITEM	PART NUMBER	1 2 3 4 5 6 7	NOMENCLATURE	EFFECT FROM TO	UNITS PER ASSY
15					
45	BRH10A3	..	NUT- SUPPLIER CODE: V52828 SPECIFICATION NUMBER: BACN10JC3 OPTIONAL PART: H10-3BAC V15653 NS202101-02 V80539 RMLH9075-3W V72962 VN303A02 V92215 96-02 V80539 T6S1032J V11815		3
48	270N2000-1004	..	CHANNEL		1
50	270N2000-633	..	BLOCK		2
55	270N2000-1	.	CLAMP ASSY-BLK		1
60	NAS1801-3-24	..	SCREW-		2
62	AN960PD10L	..	WASHER		2
65	NAS43DD3-59	..	SPACER		2
68	BRH10A3	..	NUT SUPPLIER CODE: V52828 SPECIFICATION NUMBER: BACN10JC3 OPTIONAL PART: H10-3BAC V15653 NS202101-02 V80539 RMLH9075-3W V72962 VN303A02 V92215 96-02 V80539 T6S1032J V11815		2
71	270N2000-800	..	CHANNEL		1
71	270N2000-894	..	CHANNEL		1
73	270N2000-400	..	BLOCK		1
75	270N2000-3	.	CLAMP ASSY-BLOCK		5
80	NAS1801-3-24	..	SCREW-		2
85	AN960PD10L	..	WASHER		2
90	NAS43DD3-59	..	SPACER		2

MISSING ITEM NUMBERS NOT APPLICABLE

- ITEM NOT ILLUSTRATED

32-41-51-15

32-41-51  
FIG. 15  
PAGE 3  
JAN 20/09

BRI

BOEING PROPRIETARY - Copyright © - Unpublished Work - See title page for details.



**757  
PARTS CATALOG (MAINTENANCE)**

FIG ITEM	PART NUMBER	1 2 3 4 5 6 7	NOMENCLATURE	EFFECT FROM TO	UNITS PER ASSY
15					
95	BRH10A3	..	NUT SUPPLIER CODE: V52828 SPECIFICATION NUMBER: BACN10JC3 OPTIONAL PART: H10-3BAC V15653 NS202101-02 V80539 RMLH9075-3W V72962 VN303A02 V92215 96-02 V80539 T6S1032J V11815		2
100	270N2000-801	..	CHANNEL		1
105	270N2000-401	..	BLOCK		2
110	270N2000-196	.	CLAMP ASSY-BLK	002004 006102 107999	1
113	NAS1801-3-28	..	SCREW-	002004 006102 107999	2
116	AN960PD10L	..	WASHER	002004 006102 107999	2
119	NAS43DD3-75	..	SPACER	002004 006102 107999	2

MISSING ITEM NUMBERS NOT APPLICABLE

— ITEM NOT ILLUSTRATED

BRI

# 32-41-51-15

BOEING PROPRIETARY - Copyright © - Unpublished Work - See title page for details.

32-41-51  
FIG. 15  
PAGE 4  
JAN 20/09



757

PARTS CATALOG (MAINTENANCE)

FIG ITEM	PART NUMBER	1 2 3 4 5 6 7	NOMENCLATURE	EFFECT FROM TO	UNITS PER ASSY
15 123	BRH10A3	..	NUT SUPPLIER CODE: V52828 SPECIFICATION NUMBER: BACN10JC3 OPTIONAL PART: H10-3BAC V15653 NS202101-02 V80539 RMLH9075-3W V72962 VN303A02 V92215 96-02 V80539 T6S1032J V11815	002004 006102 107999	2
125	270N2000-855	..	CHANNEL	002004 006102 107999	1
128	270N2000-680	..	BLOCK	002004 006102 107999	2
131	270N2000-197	.	CLAMP ASSY-BLK	002004 006102 107999	1
134	NAS1801-3-32	..	SCREW-	002004 006102 107999	2
137	AN960PD10L	..	WASHER	002004 006102 107999	2
140	NAS43DD3-89	..	SPACER	002004 006102 107999	2

MISSING ITEM NUMBERS NOT APPLICABLE

- ITEM NOT ILLUSTRATED

BRI

32-41-51-15

BOEING PROPRIETARY - Copyright © - Unpublished Work - See title page for details.

32-41-51  
FIG. 15  
PAGE 5  
JAN 20/09





757

PARTS CATALOG (MAINTENANCE)

FIG ITEM	PART NUMBER	1 2 3 4 5 6 7	NOMENCLATURE	EFFECT FROM TO	UNITS PER ASSY
15 143	BRH10A3	..	NUT SUPPLIER CODE: V52828 SPECIFICATION NUMBER: BACN10JC3 OPTIONAL PART: H10-3BAC V15653 NS202101-02 V80539 RMLH9075-3W V72962 VN303A02 V92215 96-02 V80539 T6S1032J V11815	002004 006102 107999	2
146	270N2000-1008	..	CHANNEL	002004 006102 107999	1
149	270N2000-681	..	BLOCK	002004 006102 107999	1
152	270N2000-682	..	BLOCK	002004 006102 107999	1

MISSING ITEM NUMBERS NOT APPLICABLE

- ITEM NOT ILLUSTRATED

BRI

32-41-51-15

BOEING PROPRIETARY - Copyright © - Unpublished Work - See title page for details.

32-41-51  
FIG. 15  
PAGE 6  
JAN 20/09



757

PARTS CATALOG (MAINTENANCE)

FIG ITEM	PART NUMBER	1 2 3 4 5 6 7	NOMENCLATURE	EFFECT FROM TO	UNITS PER ASSY
15 162	AS115-06K0575		.HOSE ASSY- AS115-06K0575 CAN BE REPLACED BY BUT NOT REPLACE AS115-06K0580 QUALIFIED I/W DATA: P/N 116416-2 CAN REPLACE BUT NOT BE REPLACED BY AS115-06K0580 OR AS115-06K0575 AS A SET WITH OTHER HOSES USING SAME OUTER COVERINGS. DO NOT MIX HOSES WITH DIFFERENT OUTER COVERINGS; 116416-2 MUST BE USED IN CONJUNCTION WITH ANOTHER 116416-2, 116416-1 QUANTITY 2, 116414-1 QUANTITY 1, AND 116415-2 QUANTITY 1. OPTIONAL PART: AS115-06K0580 POST SERVICE BULLETIN: 32-0079R1 32-0079R2	002004 006102 108999	2
162	AS115-06K0580		.HOSE ASSY- AS115-06K0575 CAN BE REPLACED BY BUT NOT REPLACE AS115-06K0580 QUALIFIED I/W DATA: P/N 116416-2 CAN REPLACE BUT NOT BE REPLACED BY AS115-06K0580 OR AS115-06K0575 AS A SET WITH OTHER HOSES USING SAME OUTER COVERINGS. DO NOT MIX HOSES WITH DIFFERENT OUTER COVERINGS; 116416-2 MUST BE USED IN CONJUNCTION WITH ANOTHER 116416-2, 116416-1 QUANTITY 2, 116414-1 QUANTITY 1, AND 116415-2 QUANTITY 1. OPTIONAL PART: AS115-06K0575	002004 006102 108999	2

MISSING ITEM NUMBERS NOT APPLICABLE

- ITEM NOT ILLUSTRATED

32-41-51-15

32-41-51  
FIG. 15  
PAGE 7  
JAN 20/09

BRI



757

PARTS CATALOG (MAINTENANCE)

FIG ITEM	PART NUMBER	1 2 3 4 5 6 7	NOMENCLATURE	EFFECT FROM TO	UNITS PER ASSY
15 169	AS154A08EE0574B		.HOSE ASSY- SUPPLIER CODE: V00624 SPECIFICATION NUMBER: BACH8A08EE0574B OPTIONAL PART: B472-8EE0574B V98441 97934A8EE0574B V78570 R291208EE0574B V50599 BACH8A08EE0570B POST SERVICE BULLETIN: 32-0079R1	002004 006102 108903 950999	1
169	BACH8A08EE0570B		.HOSE ASSY- OPTIONAL PART: BACH8A08EE0574B	101102 108120 504903	1
181	AS115-06K0503		.HOSE ASSY- AS115-06K0503 CAN BE REPLACED BY BUT NOT REPLACE AS115-06K0500 QUALIFIED I/W DATA: P/N 116416-1 CAN REPLACE BUT NOT BE REPLACED BY AS115-06K0503 OR AS115-06K0500 AS A SET WITH OTHER HOSES USING SAME OUTER COVERINGS. DO NOT MIX HOSES WITH DIFFERENT OUTER COVERINGS; 116416-1 MUST BE USED IN CONJUNCTION WITH ANOTHER 116416-1, 116416-2 QUANTITY 2, 116414-1 QUANTITY 1, AND 116415-2 QUANTITY 1. POST SERVICE BULLETIN: 32-0079R1 32-0079R2	002004 006102 108999	2

MISSING ITEM NUMBERS NOT APPLICABLE

- ITEM NOT ILLUSTRATED

32-41-51-15

32-41-51  
FIG. 15  
PAGE 8  
JAN 20/09

BRI



757

PARTS CATALOG (MAINTENANCE)

FIG ITEM	PART NUMBER	1 2 3 4 5 6 7	NOMENCLATURE	EFFECT FROM TO	UNITS PER ASSY
15 181	AS115-06K0500		.HOSE ASSY- AS115-06K0503 CAN BE REPLACED BY BUT NOT REPLACE AS115-060K500 QUALIFIED I/W DATA: P/N 116416-1 CAN REPLACE BUT NOT BE REPLACED BY AS115-06K0503 OR AS115-06K0500 AS A SET WITH OTHER HOSES USING SAME OUTER COVERINGS. DO NOT MIX HOSES WITH DIFFERENT OUTER COVERINGS; 116416-1 MUST BE USED IN CONJUNCTION WITH ANOTHER 116416-1, 116416-2 QUANTITY 2, 116414-1 QUANTITY 1, AND 116415-2 QUANTITY 1. POST SERVICE BULLETIN: 32-0079R1	002004 006102 108999	2
185	271N6122-1302		.TUBE ASSY-BRAKE PRESSURE SYS POSITION DATA: R TUBING MATERIAL: .375 IN. OD .019 IN. WALL 65.00 IN. LG TI	002004 006102 107999	1
190	271N6122-1301		.TUBE ASSY-BRAKE PRESSURE SYS POSITION DATA: R TUBING MATERIAL: .375 IN OD .019 IN. WALL 65.00 IN. LG TITANIUM	002004 006102 107999	1
195	271N6122-1249		.TUBE ASSY-BRAKE PRESSURE SYS POSITION DATA: R TUBING MATERIAL: .375 IN. OD .019 IN. WALL 72.50 IN. LG	002004 006102 107999	1

MISSING ITEM NUMBERS NOT APPLICABLE

- ITEM NOT ILLUSTRATED

BRI

32-41-51-15

BOEING PROPRIETARY - Copyright © - Unpublished Work - See title page for details.

32-41-51  
FIG. 15  
PAGE 9  
JAN 20/09



757

PARTS CATALOG (MAINTENANCE)

FIG ITEM	PART NUMBER	1 2 3 4 5 6 7	NOMENCLATURE	EFFECT FROM TO	UNITS PER ASSY
15 200	271N6122-1248		.TUBE ASSY-BRAKE PRESSURE SYS POSITION DATA: R TUBING MATERIAL: .375 IN. OD .019 IN. WALL 67.7 IN. LG TITANIUM ALLOY TUBING	002004 006102 107999	1
- 202	AS1581T06		..SLEEVE		2
- 203	BACN10YA6N		..NUT- USED ON: 271N6122-1249 271N6122-1250 271N6122-1251 271N6122-1301 271N6122-1302	002004 006102 107999	2
- 203	BACN10YA6L		..NUT- USED ON: 271N6122-1248	002004 006102 107999	2
250	271N6122-1253		.TUBE ASSY-RETURN SYS POSITION DATA: L TUBING MATERIAL: .625 IN. OD .035 IN. WALL 27.00 IN. LG AL	002004 006100 107107 121503 904999	1
- 260	AP2097HP10		..SLEEVE- SUPPLIER CODE: V01673 SPECIFICATION NUMBER: BACS13BX10HP OPTIONAL PART: 2-02903-10HP V11328 35235VN10 V08199 AFP175V10P V30974 DBOS13BX10HP V14798	002004 006100 107107 121503 904999	2
- 260	AS1581T10		..SLEEVE-	002004 006100 107107 121503 904999	2
- 265	BACN10YL10		..NUT- OPTIONAL PART: MS21921-10D	002004 006100 107107 121503 904999	2

MISSING ITEM NUMBERS NOT APPLICABLE

- ITEM NOT ILLUSTRATED

32-41-51-15

32-41-51  
FIG. 15  
PAGE 10  
JAN 20/09

BRI



757

PARTS CATALOG (MAINTENANCE)

FIG ITEM	PART NUMBER	1 2 3 4 5 6 7	NOMENCLATURE	EFFECT FROM TO	UNITS PER ASSY
15 - 265	MS21921-10D	. .	NUT- OPTIONAL PART: BACN10YL10	002004 006100 107107 121503 904999	2
302	BACU24L6	.UNION		002004 006102 107999	4
312	AN924-6D	.NUT		002004 006102 107999	4
325	0121520900-4	.VALVE-CHK SUPPLIER CODE: V83533 SPECIFICATION NUMBER: BACV10CD4 OPTIONAL PART: 1C1350 V99240 PRE SERVICE LETTER: 29-032			1
325	1C3596	.VALVE-CHK SUPPLIER CODE: V99240 SPECIFICATION NUMBER: BACV10CD14 OPTIONAL PART: 0121520900-14 V83533 POST SERVICE LETTER: 29-032		101102 108120 504903	1
340	271N6156-1	.BRACKET INSTL-MLG REACTION LINK TUBE SPRT FOR DETAILS SEE: 32-11-51-01		002004 006100 107107 121503 904999	1
345	271N6157-1	.BRACKET INSTL-TE PNL TUBE SPRT POSITION DATA: UPR FOR DETAILS SEE: 29-11-58-01		002004 006100 107107 121503 904999	1

MISSING ITEM NUMBERS NOT APPLICABLE

- ITEM NOT ILLUSTRATED

32-41-51-15

32-41-51  
FIG. 15  
PAGE 11  
JAN 20/09

BRI



757

PARTS CATALOG (MAINTENANCE)

FIG ITEM	PART NUMBER	1 2 3 4 5 6 7	NOMENCLATURE	EFFECT FROM TO	UNITS PER ASSY
15 370	0121520900-4		. VALVE- SUPPLIER CODE: V83533 SPECIFICATION NUMBER: BACV10CD4 OPTIONAL PART: 1C1350 V99240	101102 108120 504903	1
900			ILLUSTRATION REFERENCE: PLUMBING INSTL-MLG SECT. 61 HYDR 32-41-51-25	002004 006100 121503 950999	RF
905			ILLUSTRATION REFERENCE: VALVE INSTL-ANTISKID SHUTTLE 32-42-07-01	002004 006100 107107 121503 904999	RF

MISSING ITEM NUMBERS NOT APPLICABLE

- ITEM NOT ILLUSTRATED

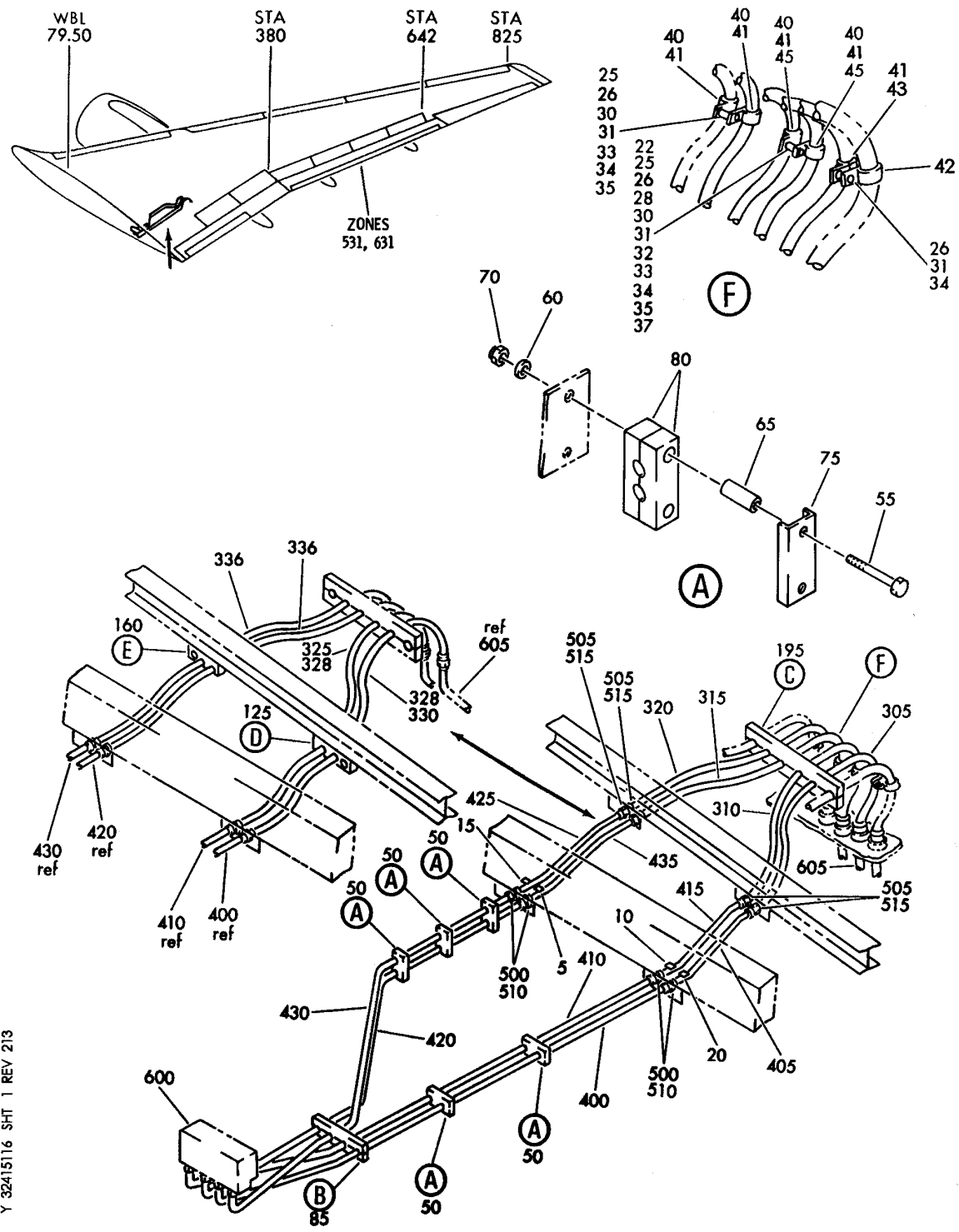
BRI

**32-41-51-15**

BOEING PROPRIETARY - Copyright © - Unpublished Work - See title page for details.

32-41-51  
FIG. 15  
PAGE 12  
JAN 20/09

**BOEING**  
757  
**PARTS CATALOG (MAINTENANCE)**



Y 32415116 SHT 1 REV 213

PLUMBING INSTL- SECT. 12 HYDR R WING INBD (HYDRAULIC BRAKE SYSTEM ONLY)  
FIGURE 16 (SHEET 1)

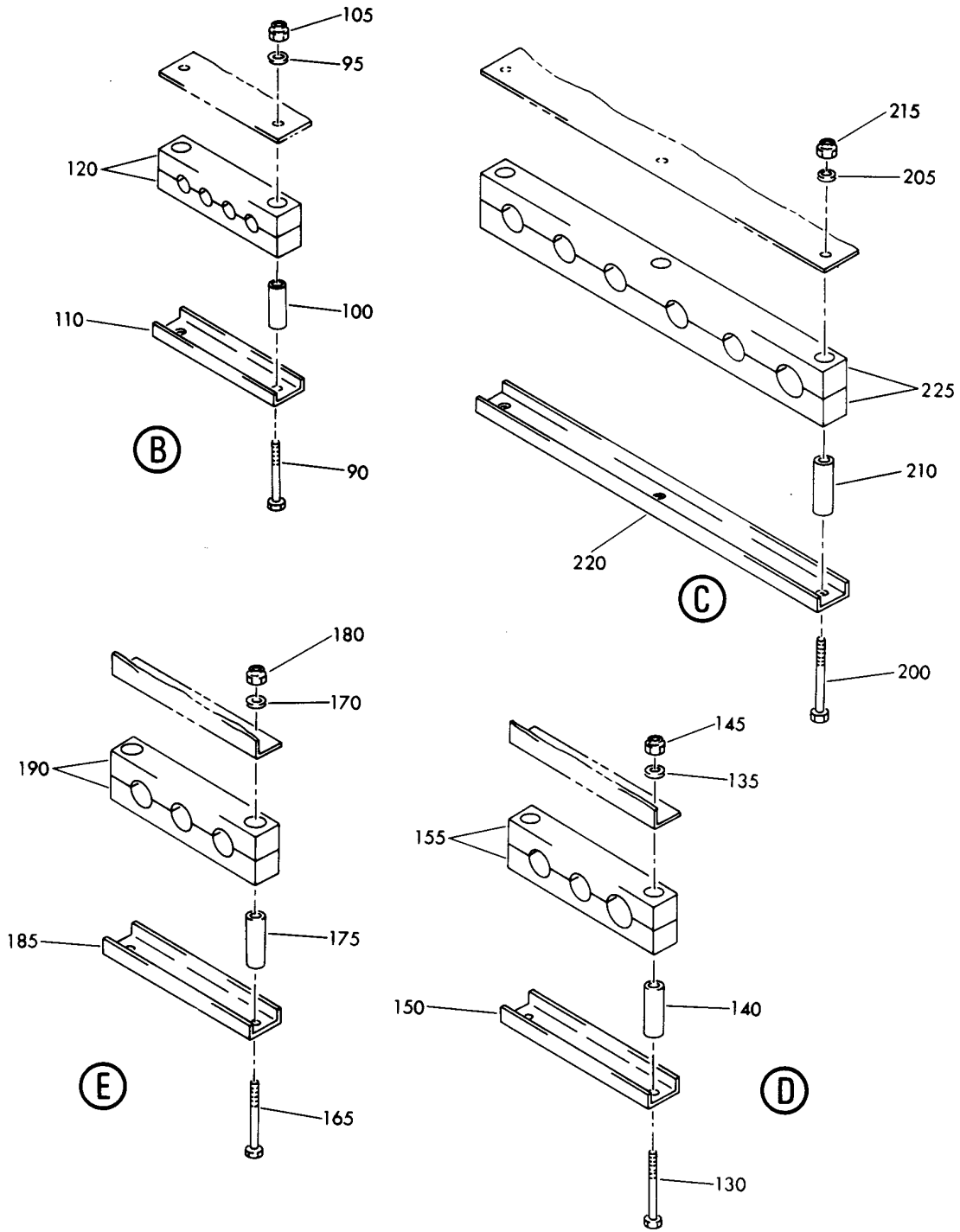
32-41-51-16

BRI  
MAY 28/07

32-41-51-16  
PAGE 0




**BOEING**  
 757  
**PARTS CATALOG (MAINTENANCE)**



Y 32415116 SHT 2 REV 021

PLUMBING INSTL- SECT. 12 HYDR R WING INBD (HYDRAULIC BRAKE SYSTEM ONLY)  
 FIGURE 16 (SHEET 2)

# 32-41-51-16

BRI  
MAY 28/07

32-41-51-16  
 PAGE 0A



757

PARTS CATALOG (MAINTENANCE)

FIG ITEM	PART NUMBER	1 2 3 4 5 6 7	NOMENCLATURE	EFFECT FROM TO	UNITS PER ASSY
16			PLUMBING INSTL- SECT. 12 HYDR R WING INBD (HYDRAULIC BRAKE SYSTEM ONLY)	002004 006102 107999	
- 1	271N6123-1		PLUMBING INSTL-HYDR WING (HYDRAULIC BRAKE SYSTEM ONLY) POSITION DATA: SECT. 12 R INBD VARIABLE DRAWING REF: 271N6123-4 FOR NHA/OTHER SYS DET SEE: 29-00-51-01	002004 006100 107107 121503 904999	RF
- 1	271N6123-13		PLUMBING INSTL-HYDR WING (HYDRAULIC BRAKE SYSTEM ONLY) POSITION DATA: SECT. 12 R INBD FOR NHA/OTHER SYS DET SEE: 29-00-51-02C	101102 504903	RF
- 1	271N6123-17		PLUMBING INSTL-HYDR WING (HYDRAULIC BRAKE SYSTEM ONLY) POSITION DATA: SECT. 12 R INBD FOR NHA/OTHER SYS DET SEE: 29-00-51-02C	108120	RF
5	BAC27NHY0172		.MARKER-ALUMINUM FOIL PLACARD CONTENT: BRK INBD FWD	002004 006102 107999	1
10	BAC27NHY0173		.MARKER-ALUMINUM FOIL PLACARD CONTENT: BRK OUTBD FWD	002004 006102 107999	1
15	BAC27NHY0174		.MARKER-ALUMINUM FOIL PLACARD CONTENT: BRK INBD AFT	002004 006102 107999	1
20	BAC27NHY0175		.MARKER-ALUMINUM FOIL PLACARD CONTENT: BRK OUTBD AFT	002004 006102 107999	1
25	NAS1801-3		.SCREW- SIZE DETERMINED ON INSTL.	002004 006100 121503 950999	2
26	NAS1801-3-17		.SCREW- POST SERVICE BULLETIN: 32-0079R1 32-0079R2	107107 904949	3

MISSING ITEM NUMBERS NOT APPLICABLE

- ITEM NOT ILLUSTRATED

32-41-51-16

32-41-51  
FIG. 16  
PAGE 1  
JAN 20/09

BRI



757

PARTS CATALOG (MAINTENANCE)

FIG ITEM	PART NUMBER	1 2 3 4 5 6 7	NOMENCLATURE	EFFECT FROM TO	UNITS PER ASSY
16					
30	AN960JD10L	.	WASHER-	002004 006100 121503 950999	2
31	NAS42DD6-24	.	SPACER- POST SERVICE BULLETIN: 32-0079R1 32-0079R2	107107 904949	3
33	NAS42DD6-24	.	SPACER	002004 006100 121503 950999	2
34	MS21042L3	.	NUT- POST SERVICE BULLETIN: 32-0079R1 32-0079R2	107107 904949	3
35	MS21042L3	.	NUT	002004 006100 121503 950999	2
40	M85052-2-8	.	CLAMP	002004 006100 121503 950999	4
41	M85052-2-8	.	CLAMP- POST SERVICE BULLETIN: 32-0079R2	101102 108120 504903	5
42	M85052-2-11	.	CLAMP- POST SERVICE BULLETIN: 32-0079R2	107120	1
43	M85052-2-8	.	CLAMP- POST SERVICE BULLETIN: 32-0079R2	107107	1
50	270N2000-3	.	CLAMP ASSY-BLK	002004 006102 107999	5
55	NAS1801-3-24	..	SCREW-	002004 006102 107999	2
60	AN960PD10L	..	WASHER	002004 006102 107999	2
65	NAS43DD3-59	..	SPACER	002004 006102 107999	2

MISSING ITEM NUMBERS NOT APPLICABLE

- ITEM NOT ILLUSTRATED

32-41-51-16

32-41-51  
FIG. 16  
PAGE 2  
JAN 20/09

BRI

BOEING PROPRIETARY - Copyright © - Unpublished Work - See title page for details.



757

PARTS CATALOG (MAINTENANCE)

FIG ITEM	PART NUMBER	1 2 3 4 5 6 7	NOMENCLATURE	EFFECT FROM TO	UNITS PER ASSY
16					
70	BRH10A3	..	NUT SUPPLIER CODE: V52828 SPECIFICATION NUMBER: BACN10JC3 OPTIONAL PART: H10-3BAC V15653 NS202101-02 V80539 RMLH9075-3W V72962 VN303A02 V92215 96-02 V80539 T6S1032J V11815	002004 006102 107999	2
75	270N2000-801	..	CHANNEL	002004 006102 107999	1
80	270N2000-401	..	BLOCK	002004 006102 107999	2
85	270N2000-1	.	CLAMP ASSY-BLK	002004 006102 107999	1
90	NAS1801-3-24	..	SCREW-	002004 006102 107999	2
95	AN960PD10L	..	WASHER	002004 006102 107999	2
100	NAS43DD3-59	..	SPACER	002004 006102 107999	2

MISSING ITEM NUMBERS NOT APPLICABLE

- ITEM NOT ILLUSTRATED

32-41-51-16

32-41-51  
FIG. 16  
PAGE 3  
JAN 20/09

BRI

BOEING PROPRIETARY - Copyright © - Unpublished Work - See title page for details.



757

PARTS CATALOG (MAINTENANCE)

FIG ITEM	PART NUMBER	1 2 3 4 5 6 7	NOMENCLATURE	EFFECT FROM TO	UNITS PER ASSY
16 105	BRH10A3	..	NUT SUPPLIER CODE: V52828 SPECIFICATION NUMBER: BACN10JC3 OPTIONAL PART: H10-3BAC V15653 NS202101-02 V80539 RMLH9075-3W V72962 VN303A02 V92215 96-02 V80539 T6S1032J V11815	002004 006102 107999	2
110	270N2000-800	..	CHANNEL- OPTIONAL PART: 270N2000-894	002004 006102 107999	1
110	270N2000-894	..	CHANNEL- OPTIONAL PART: 270N2000-800	002004 006102 107999	1
120	270N2000-400	..	BLOCK	002004 006102 107999	2
125	270N2000-195	.	CLAMP ASSY-BLK	002004 006102 107107 121999	1
130	NAS1801-3-32	..	SCREW-	002004 006102 107107 121999	2
135	AN960PD10L	..	WASHER	002004 006102 107107 121999	2
140	NAS43DD3-89	..	SPACER	002004 006102 107107 121999	2

MISSING ITEM NUMBERS NOT APPLICABLE

- ITEM NOT ILLUSTRATED

32-41-51-16

32-41-51  
FIG. 16  
PAGE 4  
JAN 20/09

BRI

BOEING PROPRIETARY - Copyright © - Unpublished Work - See title page for details.



757

PARTS CATALOG (MAINTENANCE)

FIG ITEM	PART NUMBER	1 2 3 4 5 6 7	NOMENCLATURE	EFFECT FROM TO	UNITS PER ASSY
16 145	BRH10A3	..	NUT SUPPLIER CODE: V52828 SPECIFICATION NUMBER: BACN10JC3 OPTIONAL PART: H10-3BAC V15653 NS202101-02 V80539 RMLH9075-3W V72962 VN303A02 V92215 96-02 V80539 T6S1032J V11815	002004 006102 107107 121999	2
150	270N2000-855	..	CHANNEL	002004 006102 107107 121999	1
155	270N2000-679	..	BLOCK	002004 006102 107107 121999	2
160	270N2000-196	.	CLAMP ASSY-BLK	002004 006102 107107 121999	1
165	NAS1801-3-28	..	SCREW-	002004 006102 107107 121999	2
170	AN960PD10L	..	WASHER	002004 006102 107107 121999	2
175	NAS43DD3-75	..	SPACER	002004 006102 107107 121999	2

MISSING ITEM NUMBERS NOT APPLICABLE

- ITEM NOT ILLUSTRATED

32-41-51-16

32-41-51  
FIG. 16  
PAGE 5  
JAN 20/09

BRI

BOEING PROPRIETARY - Copyright © - Unpublished Work - See title page for details.



757

PARTS CATALOG (MAINTENANCE)

FIG ITEM	PART NUMBER	1 2 3 4 5 6 7	NOMENCLATURE	EFFECT FROM TO	UNITS PER ASSY
16 180	BRH10A3	. .	NUT SUPPLIER CODE: V52828 SPECIFICATION NUMBER: BACN10JC3 OPTIONAL PART: H10-3BAC V15653 NS202101-02 V80539 RMLH9075-3W V72962 VN303A02 V92215 96-02 V80539 T6S1032J V11815	002004 006102 107107 121999	2
185	270N2000-855	. .	CHANNEL	002004 006102 107107 121999	1
190	270N2000-680	. .	BLOCK	002004 006102 107107 121999	2
195	270N2000-163	. .	CLAMP ASSY-BLK	002004 006102 107999	1
200	NAS1801-3-30	. .	SCREW-	002004 006102 107999	3
205	AN960PD10L	. .	WASHER	002004 006102 107999	3
210	NAS43DD3-89	. .	SPACER	002004 006102 107999	3

MISSING ITEM NUMBERS NOT APPLICABLE

- ITEM NOT ILLUSTRATED

32-41-51-16

32-41-51  
FIG. 16  
PAGE 6  
JAN 20/09

BRI

BOEING PROPRIETARY - Copyright © - Unpublished Work - See title page for details.



757

PARTS CATALOG (MAINTENANCE)

FIG ITEM	PART NUMBER	1 2 3 4 5 6 7	NOMENCLATURE	EFFECT FROM TO	UNITS PER ASSY
16 215	BRH10A3	..	NUT SUPPLIER CODE: V52828 SPECIFICATION NUMBER: BACN10JC3 OPTIONAL PART: H10-3BAC V15653 NS202101-02 V80539 RMLH9075-3W V72962 VN303A02 V92215 96-02 V80539 T6S1032J V11815	002004 006102 107999	3
220	270N2000-1004	..	CHANNEL	002004 006102 107999	1
225	270N2000-633	..	BLOCK	002004 006102 107999	2
328	AS115-06K0492	.HOSE ASSY-	MISCELLANEOUS DATA: SPARES PROVISIONING DATA-NOT FOR BOEING MANUFACTURING USE: AS115-06K0492 CAN BE REPLACED BY BUT NOT REPLACE AS115-06K0490. OPTIONAL PART: AS115-06K0490 POST SERVICE BULLETIN: 32-0079R1 32-0079R2	002004 006102 107999	2
328	AS115-06K0490	.HOSE ASSY-	MISCELLANEOUS DATA: SPARES PROVISIONING DATA-NOT FOR BOEING MANUFACTURING USE: AS115-06K0492 CAN BE REPLACED BY BUT NOT REPLACE AS115-06K0490. OPTIONAL PART: AS115-06K0492	101102 108120 504903	2

MISSING ITEM NUMBERS NOT APPLICABLE

- ITEM NOT ILLUSTRATED

32-41-51-16

32-41-51  
FIG. 16  
PAGE 7  
JAN 20/09

BRI





757

PARTS CATALOG (MAINTENANCE)

FIG ITEM	PART NUMBER	1 2 3 4 5 6 7	NOMENCLATURE	EFFECT FROM TO	UNITS PER ASSY
16 336	AS115-06K0563		.HOSE ASSY- MISCELLANEOUS DATA: SPARES PROVISIONING DATA-NOT FOR BOEING MANUFACTURING USE: AS115-06K0563 CAN BE REPLACED BY BUT NOT REPLACE AS115-06K0560. OPTIONAL PART: AS115-06K0560 POST SERVICE BULLETIN: 32-0079R1 32-0079R2	002004 006102 107999	2
336	AS115-06K0560		.HOSE ASSY- MISCELLANEOUS DATA: SPARES PROVISIONING DATA-NOT FOR BOEING MANUFACTURING USE: AS115-06K0563 CAN BE REPLACED BY BUT NOT REPLACE AS115-06K0560. OPTIONAL PART: AS115-06K0563	002004 006102 108903 950999	2
400	271N6123-1207		.TUBE ASSY-BRAKE PRESSURE SYS POSITION DATA: R TUBING MATERIAL: .024 IN. OD .019 IN. WALL 64.00 IN. LG TI	002004 006102 107999	1
- 402	AS1581T06		..SLEEVE	002004 006102 107999	2
- 403	BACN10YA6		..NUT	002004 006102 107999	2
410	271N6123-1209		.TUBE ASSY-BRAKE PRESSURE SYS POSITION DATA: R TUBING MATERIAL: .024 IN. OD .019 IN. WALL 65.00 IN. LG TITANIUM	002004 006102 107999	1
- 412	AS1581T06		..SLEEVE	002004 006102 107999	2

MISSING ITEM NUMBERS NOT APPLICABLE

- ITEM NOT ILLUSTRATED

32-41-51-16

32-41-51  
FIG. 16  
PAGE 8  
JAN 20/09

BRI



757

PARTS CATALOG (MAINTENANCE)

FIG ITEM	PART NUMBER	1 2 3 4 5 6 7	NOMENCLATURE	EFFECT FROM TO	UNITS PER ASSY
16					
- 413	BACN10YA6	..	NUT	002004 006102 107999	2
420	271N6123-1210	.TUBE ASSY-BRAKE PRESSURE SYS POSITION DATA: R TUBING MATERIAL: .024 IN. OD .019 IN. WALL 71.00 IN. LG TITANIUM		002004 006102 107999	1
- 422	AS1581T06	..	SLEEVE	002004 006102 107999	2
- 423	BACN10YA6N	..	NUT	002004 006102 107999	2
430	271N6123-1208	.TUBE ASSY-BRAKE PRESSURE SYS POSITION DATA: R TUBING MATERIAL: .024 IN. OD .019 IN. WALL 70.00 IN. LG TI		002004 006102 107999	1
- 432	AS1581T06	..	SLEEVE	002004 006102 107999	2
- 433	BACN10YA6	..	NUT	002004 006102 107999	2
500	BACU24L6	.UNION-		002004 006100 107107 121503 904999	4
505	BACU24L6	.UNION-		101102 108120 504903	4
505	MS21924-6T	.UNION		101102 108120 504903	4
510	AN924-6D	.NUT		002004 006100 107107 121503 904999	4
515	AN924-6D	.NUT		101102 108120 504903	4

MISSING ITEM NUMBERS NOT APPLICABLE

- ITEM NOT ILLUSTRATED

32-41-51-16

32-41-51  
FIG. 16  
PAGE 9  
MAY 20/09

BRI



757

PARTS CATALOG (MAINTENANCE)

FIG ITEM	PART NUMBER	1 2 3 4 5 6 7	NOMENCLATURE	EFFECT FROM TO	UNITS PER ASSY
16 600			ILLUSTRATION REFERENCE: VALVE INSTL-ANTISKID SHUTTLE 32-42-07-01	002004 006100 107107 121503 904999	RF
605			ILLUSTRATION REFERENCE: PLUMBING INSTL-MLG SECT. 61 HYDR 32-41-51-25	002004 006100 107107 121503 904999	RF

MISSING ITEM NUMBERS NOT APPLICABLE

- ITEM NOT ILLUSTRATED

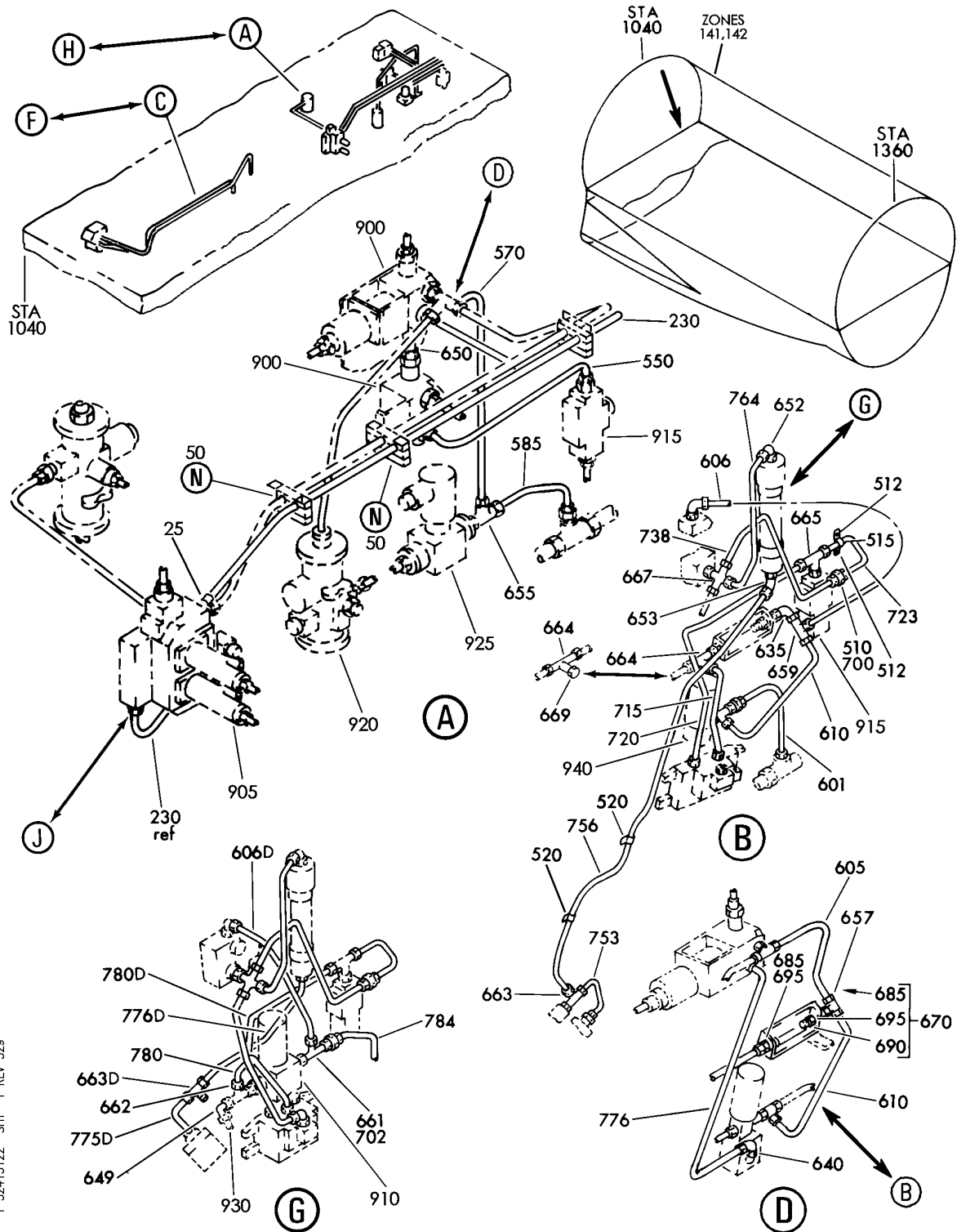
BRI

32-41-51-16

BOEING PROPRIETARY - Copyright © - Unpublished Work - See title page for details.

32-41-51  
FIG. 16  
PAGE 10  
JAN 20/09

**BOEING**  
757  
PARTS CATALOG (MAINTENANCE)



Y 32415122 SHT 1 REV 329

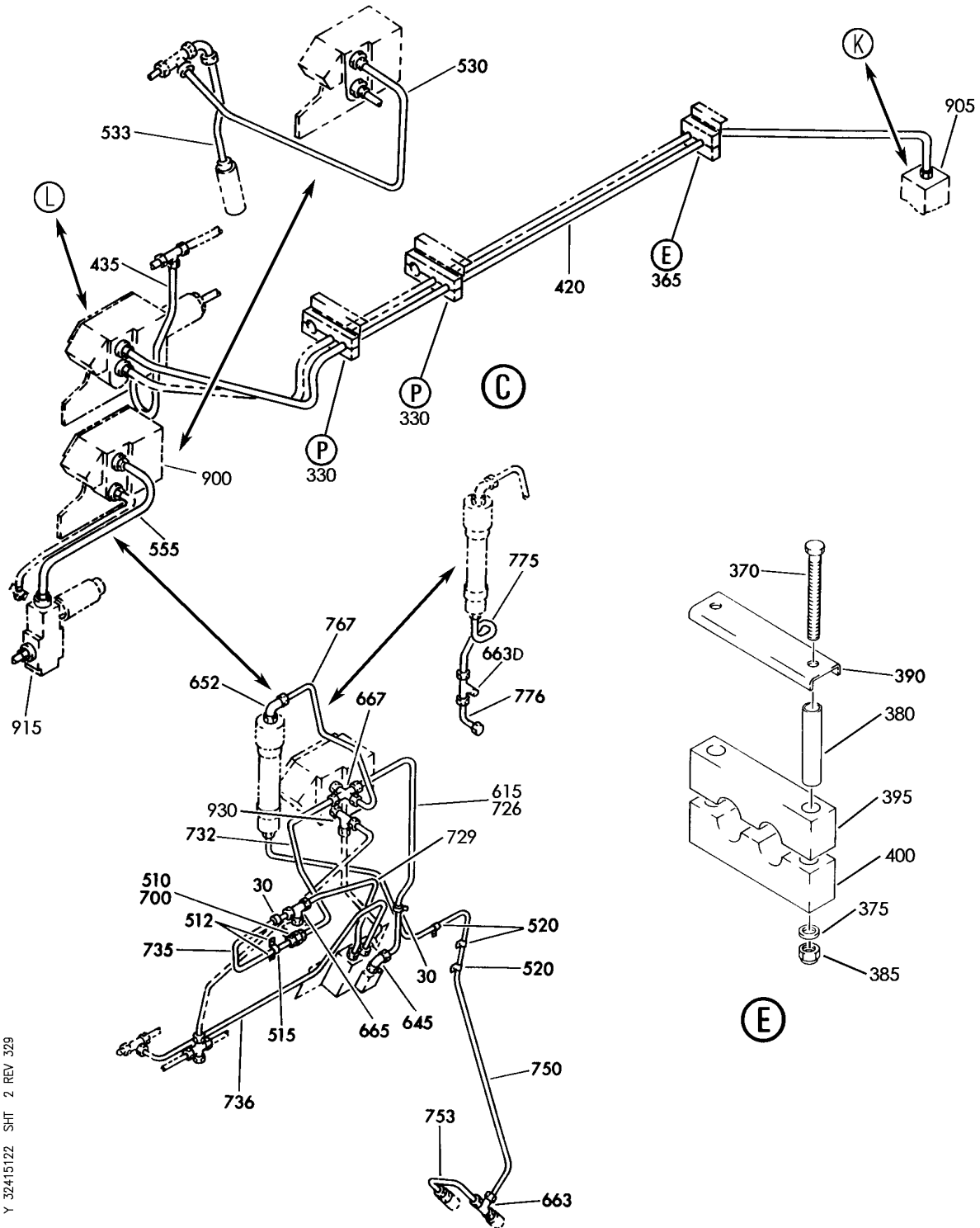
PLUMBING INSTL-SECT. 44 MLG WHL WELL HYDR (HYDRAULIC BRAKE SYSTEM ONLY)  
FIGURE 22 (SHEET 1)

**32-41-51-22**

BRI  
JAN 20/09

32-41-51-22  
PAGE 0

**BOEING**  
757  
PARTS CATALOG (MAINTENANCE)



Y 32415122 SHT 2 REV 329

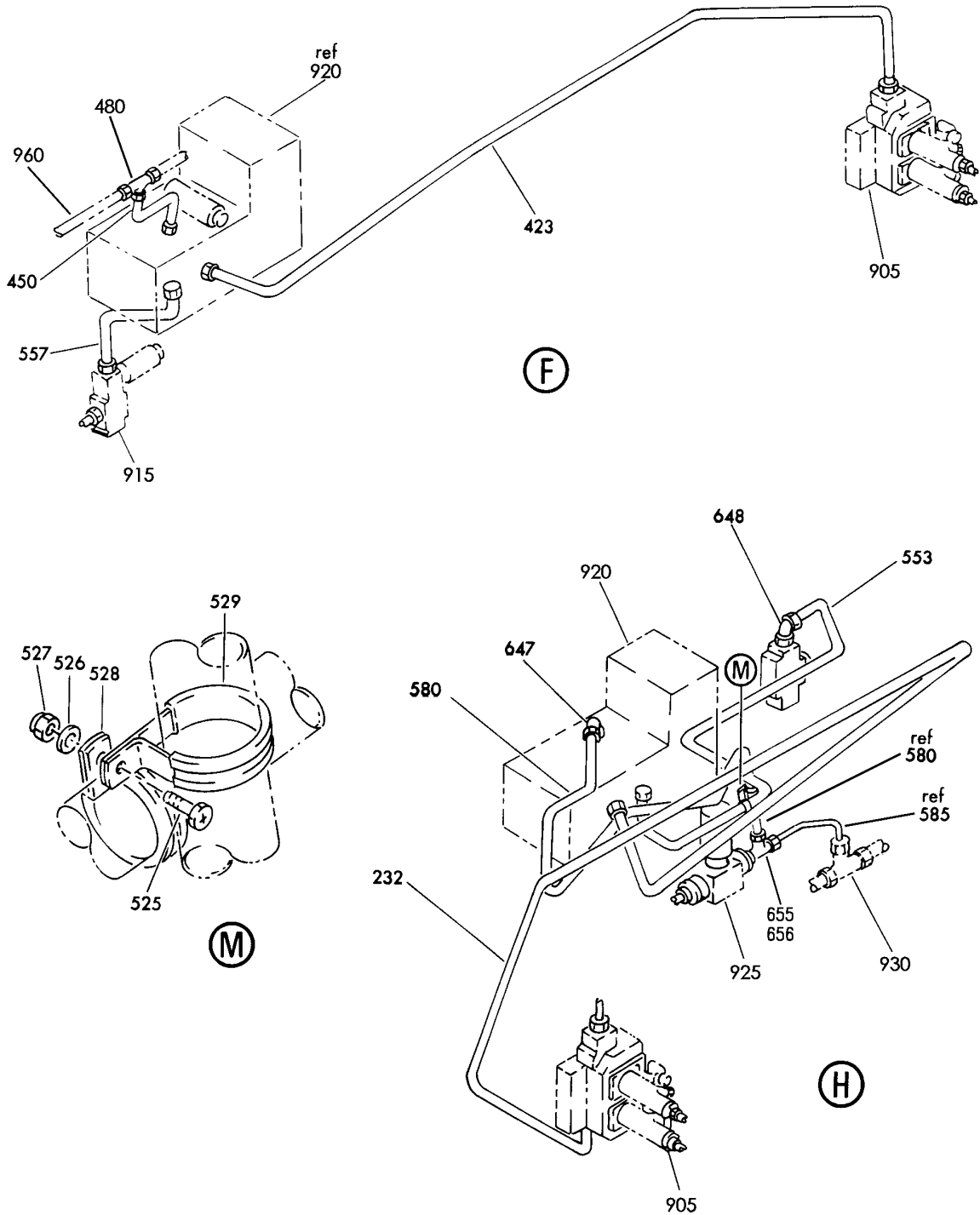
PLUMBING INSTL-SECT. 44 MLG WHL WELL HYDR (HYDRAULIC BRAKE SYSTEM ONLY)  
FIGURE 22 (SHEET 2)

**32-41-51-22**

BRI  
JAN 20/09

32-41-51-22  
PAGE 0A

**BOEING**  
757  
PARTS CATALOG (MAINTENANCE)



Y 32415122 SH1 3 REV 311

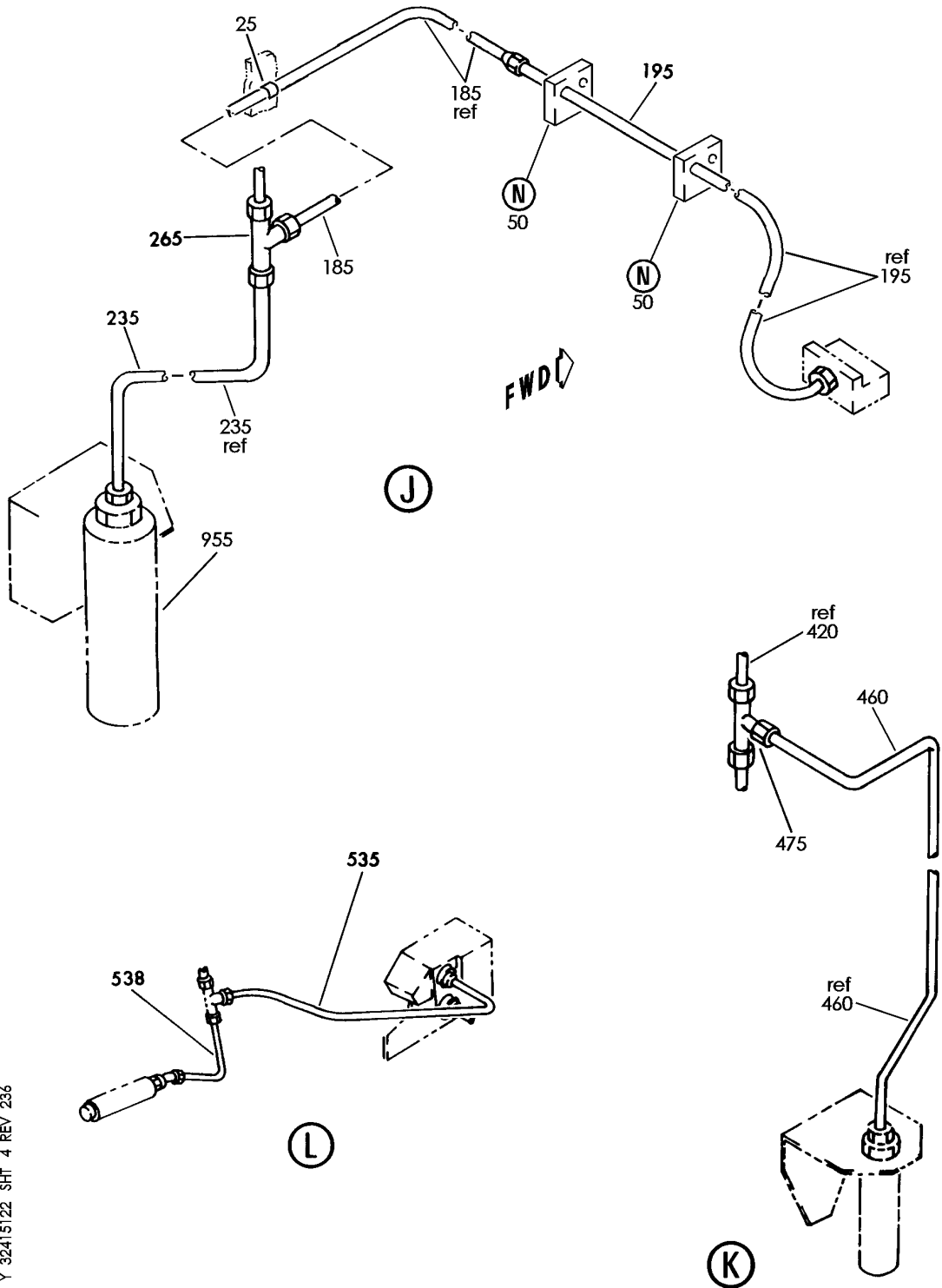
PLUMBING INSTL-SECT. 44 MLG WHL WELL HYDR (HYDRAULIC BRAKE SYSTEM ONLY)  
FIGURE 22 (SHEET 3)

BRI  
MAY 28/07

**32-41-51-22**

32-41-51-22  
PAGE 0B


**BOEING**  
 757  
**PARTS CATALOG (MAINTENANCE)**



Y 32415122 SHT 4 REV 236

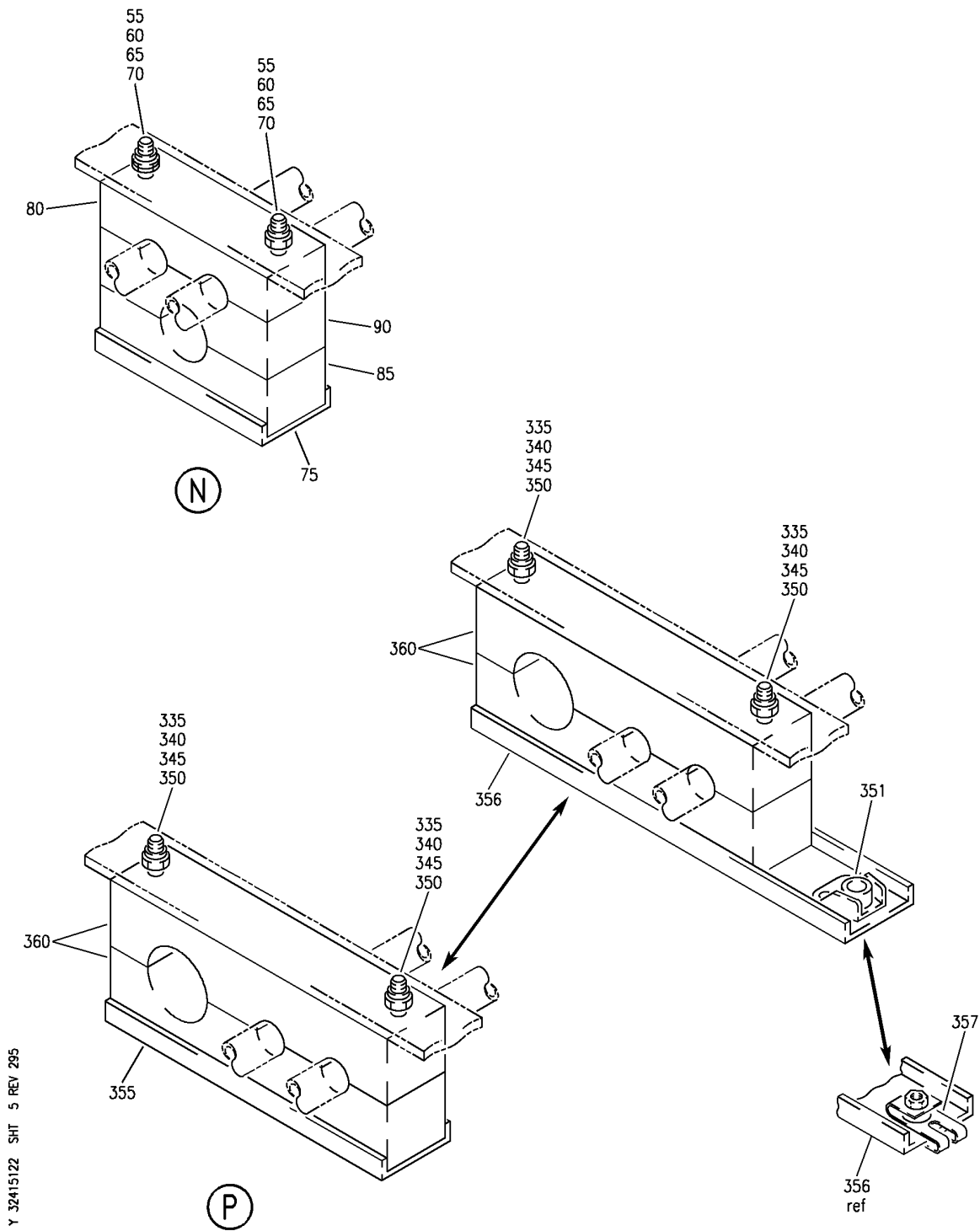
PLUMBING INSTL-SECT. 44 MLG WHL WELL HYDR (HYDRAULIC BRAKE SYSTEM ONLY)  
 FIGURE 22 (SHEET 4)

**32-41-51-22**

BRI  
MAY 28/07

32-41-51-22  
 PAGE 0C

**BOEING**  
757  
PARTS CATALOG (MAINTENANCE)



Y 32415122 SH1 5 REV 295

PLUMBING INSTL-SECT. 44 MLG WHL WELL HYDR (HYDRAULIC BRAKE SYSTEM ONLY)  
FIGURE 22 (SHEET 5)

BRI  
MAY 28/07

**32-41-51-22**

32-41-51-22  
PAGE 0D





757

PARTS CATALOG (MAINTENANCE)

FIG ITEM	PART NUMBER	1 2 3 4 5 6 7	NOMENCLATURE	EFFECT FROM TO	UNITS PER ASSY
22			PLUMBING INSTL-SECT. 44 MLG WHL WELL HYDR (HYDRAULIC BRAKE SYSTEM ONLY)	002004 006102 107999	RF
- 1	271N6444-1		PLUMBING INSTL-PRESSURE DECK HYDR (HYDRAULIC BRAKE SYSTEM ONLY) POSITION DATA: SECT. 44 R VARIABLE DRAWING REF: 271N6444-5 FOR NHA/OTHER SYS DET SEE: 29-00-51-05	002004 006100 107107 121503 904999	RF
25	M85052-2-6		.CLAMP	002004 006100 107107 121503 904999	1
50	270N2000-155		.CLAMP ASSY-BLK	002004 006100 107107 121503 904999	2
55	NAS1801-3-38		..SCREW-	002004 006100 107107 121503 904999	2
60	AN960PD10L		..WASHER	002004 006100 107107 121503 904999	2
65	NAS43DD3-115		..SPACER	002004 006100 107107 121503 904999	2

MISSING ITEM NUMBERS NOT APPLICABLE

- ITEM NOT ILLUSTRATED

BRI

32-41-51-22

BOEING PROPRIETARY - Copyright © - Unpublished Work - See title page for details.

32-41-51  
FIG. 22  
PAGE 1  
JAN 20/09



757

PARTS CATALOG (MAINTENANCE)

FIG ITEM	PART NUMBER	1 2 3 4 5 6 7	NOMENCLATURE	EFFECT FROM TO	UNITS PER ASSY
22 70	BRH10A3	..	NUT SUPPLIER CODE: V52828 SPECIFICATION NUMBER: BACN10JC3 OPTIONAL PART: H10-3BAC V15653 NS202101-02 V80539 RMLH9075-3W V72962 VN303A02 V92215 96-02 V80539 T6S1032J V11815	002004 006100 107107 121503 904999	2
75	270N2000-844	..	CHANNEL	002004 006100 107107 121503 904999	1
80	270N2000-502	..	BLOCK	002004 006100 107107 121503 904999	1
85	270N2000-626	..	BLOCK	002004 006100 107107 121503 904999	1
90	270N2000-627	..	BLOCK	002004 006100 107107 121503 904999	1
185	271N6444-1238	.TUBE ASSY-BRAKE PRESSURE SYS POSITION DATA: L TUBING MATERIAL: .375 IN. OD .019 IN. WALL 21.00 IN. LG TI BMS 7-234 TI-3AL-2.5V COLD WORKED, STRESS RELIEVED TUBING	002004 006100 107107 121503 904999	1	

MISSING ITEM NUMBERS NOT APPLICABLE

- ITEM NOT ILLUSTRATED

32-41-51-22

32-41-51  
FIG. 22  
PAGE 2  
JAN 20/09

BRI



757

PARTS CATALOG (MAINTENANCE)

FIG ITEM	PART NUMBER	1 2 3 4 5 6 7	NOMENCLATURE	EFFECT FROM TO	UNITS PER ASSY
22 195	271N6444-1195		.TUBE ASSY-BRAKE PRESSURE SYS POSITION DATA: L TUBING MATERIAL: .375 IN. OD .019 IN. WALL 53.90 IN. LG TI BMS 7-234 TI-3AL-2.5V COLD WORKED, STRESS RELIEVED TUBING	002004 006100 121503 904999	1
- 200	AS1581T06		..SLEEVE- USED ON: 271N6444-1195	002004 006100 121503 904999	2
- 205	AS1581T06		..SLEEVE- USED ON: 271N6444-1194 271N6444-1238	002004 006100 107107 121503 904999	1
- 210	AS1582T06		..UNION- USED ON: 271N6444-1194 271N6444-1238	002004 006100 107107 121503 904999	1
- 215	BACN10YA6		..NUT- USED ON: 271N6444-1195	002004 006100 121503 904999	2
- 220	BACN10YA6		..NUT- USED ON: 271N6444-1194 271N6444-1238	002004 006100 107107 121503 904999	1
230	271N6444-1103		.TUBE ASSY-BRAKE PRESSURE SYS POSITION DATA: L TUBING MATERIAL: .375 IN. OD .019 IN. WALL 71.20 IN. LG TI BMS 7-234 TI-3AL-2.5V COLD WORKED, STRESS RELIEVED TUBING	107107 904949	1

MISSING ITEM NUMBERS NOT APPLICABLE

- ITEM NOT ILLUSTRATED

BRI

32-41-51-22

32-41-51  
FIG. 22  
PAGE 3  
JAN 20/09



757

PARTS CATALOG (MAINTENANCE)

FIG ITEM	PART NUMBER	1 2 3 4 5 6 7	NOMENCLATURE	EFFECT FROM TO	UNITS PER ASSY
22 235	271N6444-1240		.TUBE ASSY-BRAKE PRESSURE SYS POSITION DATA: L TUBING MATERIAL: .375 IN. OD .019 IN. WALL 8.90 IN. LG TI BMS 7-234 TI-3AL-2.5V COLD WORKED, STRESS RELIEVED TUBING	002004 006100 121503 950999	1
- 245	AS1581T06		..SLEEVE	002004 006100 107107 121503 904999	2
- 250	BACN10YA6		..NUT- USED ON: 271N6444-1018 271N6444-1097 271N6444-1103	107107 904949	2
- 255	BACN10YA6		..NUT- USED ON: 271N6444-1185 271N6444-1240	002004 006100 121503 950999	2
265	NAS1763J060606		.TEE	002004 006100 121503 950999	1
- 300	271N6443-1		PLUMBING INSTL-PRESSURE DECK HYDR (HYDRAULIC BRAKE SYSTEM ONLY) POSITION DATA: SECT. 44 L VARIABLE DRAWING REF: 271N6443-4 271N6443-7 271N6443-8 271N6443-11 271N6443-18 FOR NHA/OTHER SYS DET SEE: 29-00-51-05	002004 006100 107107 121503 904999	RF
330	270N2000-103		.CLAMP ASSY-BLK	002004 006100 121503 904999	2

MISSING ITEM NUMBERS NOT APPLICABLE

- ITEM NOT ILLUSTRATED

32-41-51-22

32-41-51  
FIG. 22  
PAGE 4  
JAN 20/09

BRI



757

PARTS CATALOG (MAINTENANCE)

FIG ITEM	PART NUMBER	1 2 3 4 5 6 7	NOMENCLATURE	EFFECT FROM TO	UNITS PER ASSY
22 330	270N2000-260	.	CLAMP ASSY-BLK ALTERED FROM PART NUMBER: 270N2000-103 POST SERVICE BULLETIN: 24-0048	107107	2
335	NAS1801-3-34	..	SCREW-	002004 006100 121503 904999	2
335	NAS1801-3-32	..	SCREW- POST SERVICE BULLETIN: 24-0048 24-0056	107107	2
340	AN960PD10L	..	WASHER	002004 006100 107107 121503 904999	2
345	NAS43DD3-99	..	SPACER	002004 006100 107107 121503 904999	2
350	BRH10A3	..	NUT SUPPLIER CODE: V52828 SPECIFICATION NUMBER: BACN10JC3 OPTIONAL PART: H10-3BAC V15653 NS202101-02 V80539 RMLH9075-3W V72962 VN303A02 V92215 96-02 V80539 T6S1032J V11815	002004 006100 107107 121503 904999	2

MISSING ITEM NUMBERS NOT APPLICABLE

- ITEM NOT ILLUSTRATED

BRI

32-41-51-22

32-41-51  
FIG. 22  
PAGE 5  
JAN 20/09



757

PARTS CATALOG (MAINTENANCE)

FIG ITEM	PART NUMBER	1 2 3 4 5 6 7	NOMENCLATURE	EFFECT FROM TO	UNITS PER ASSY
22 351	FS1651-3		..NUTPLATE- SUPPLIER CODE: V15653 SPECIFICATION NUMBER: BACN10KH3CD OPTIONAL PART: 102F9209M3 V72962 NS202496-02 V80539 POST SERVICE BULLETIN: 24-0048 24-0056 ATTACHING PARTS	107107	1
- 352	BACR15BA3CD		..RIVET- SIZE DETERMINED ON INSTL. -----*-----	107107	2
355	270N2000-851		..CHANNEL-	002004 006100 121503 904999	1
356	270N2000-1030		..CHANNEL- POST SERVICE BULLETIN: 24-0048 24-0056	107107	1
360	270N2000-537		..BLOCK	002004 006100 107107 121503 904999	1
365	270N2000-104		.CLAMP ASSY-BLK	002004 006100 107107 121503 904999	1
370	NAS1801-3-29		..SCREW-	002004 006100 107107 121503 904999	2
375	AN960PD10L		..WASHER	002004 006100 107107 121503 904999	2

MISSING ITEM NUMBERS NOT APPLICABLE

- ITEM NOT ILLUSTRATED

32-41-51-22

32-41-51  
FIG. 22  
PAGE 6  
JAN 20/09

BRI



757

PARTS CATALOG (MAINTENANCE)

FIG ITEM	PART NUMBER	1 2 3 4 5 6 7	NOMENCLATURE	EFFECT FROM TO	UNITS PER ASSY
22 380	NAS43DD3-78	..	SPACER	002004 006100 107107 121503 904999	2
385	BRH10A3	..	NUT SUPPLIER CODE: V52828 SPECIFICATION NUMBER: BACN10JC3 OPTIONAL PART: H10-3BAC V15653 NS202101-02 V80539 RMLH9075-3W V72962 VN303A02 V92215 96-02 V80539 T6S1032J V11815	002004 006100 107107 121503 904999	2
390	270N2000-844	..	CHANNEL	002004 006100 107107 121503 904999	1
395	270N2000-502	..	BLOCK	002004 006100 107107 121503 904999	1
400	270N2000-538	..	BLOCK	002004 006100 107107 121503 904999	1
420	271N6443-1091	.	TUBE ASSY-BRAKE PRESSURE SYS POSITION DATA: L TUBING MATERIAL: .375 IN. OD .019 IN. WALL 54.60 IN. LG TI BMS 7-234 TI-3AL-2.5V COLD WORKED, STRESS RELIEVED TUBING	107107	1

MISSING ITEM NUMBERS NOT APPLICABLE

- ITEM NOT ILLUSTRATED

BRI

32-41-51-22

32-41-51  
FIG. 22  
PAGE 7  
JAN 20/09



757

PARTS CATALOG (MAINTENANCE)

FIG ITEM	PART NUMBER	1 2 3 4 5 6 7	NOMENCLATURE	EFFECT FROM TO	UNITS PER ASSY
22 423	271N6443-1181		.TUBE ASSY-BRAKE PRESSURE SYS POSITION DATA: L TUBING MATERIAL: .375 IN. OD .019 IN. WALL 60.80 IN. LG TI BMS 7-234 TI-3AL-2.5V COLD WORKED, STRESS RELIEVED TUBING	002004 006100 121503 950999	1
- 425	AS1581T06		..SLEEVE	002004 006100 107107 121503 904999	2
- 430	BACN10YA6		..NUT	002004 006100 107107 121503 904999	2
435	271N6443-1132		.TUBE ASSY-RETURN SYS POSITION DATA: L TUBING MATERIAL: .375 IN. OD .035 IN. WALL 16.70 IN. LG AL AMS 4083 6061 T6 TUBING	107107 121503 904949	1
- 440	AP2097HP06		..SLEEVE SUPPLIER CODE: V01673 SPECIFICATION NUMBER: BACS13BX06HP OPTIONAL PART: 2-02903-06HP V11328 35235VN06 V08199 AFP175V06P V30974 DBOS13BX06HP V14798	107107 121503 904949	2
- 445	BACN10YL06		..NUT	107107 121503 904949	2

MISSING ITEM NUMBERS NOT APPLICABLE

- ITEM NOT ILLUSTRATED

32-41-51-22

32-41-51  
FIG. 22  
PAGE 8  
JAN 20/09

BRI





757

PARTS CATALOG (MAINTENANCE)

FIG ITEM	PART NUMBER	1 2 3 4 5 6 7	NOMENCLATURE	EFFECT FROM TO	UNITS PER ASSY
22 460	271N6443-1221		.TUBE ASSY-RETURN SYS POSITION DATA: L TUBING MATERIAL: .375 IN. OD .019 IN. WALL 24.50 IN. LG TI BMS 7-234 TI-3AL-2.5V COLD WORKED, STRESS RELIEVED TUBING	002004 006100 121503 950999	1
- 465	AS1581T06		..SLEEVE	002004 006100 121503 950999	2
- 470	BACN10YA6		..NUT-	002004 006100 121503 950999	2
475	NAS1763J060606		.TEE	002004 006100 121503 950999	1
480	NAS1763D080806		.TEE- MISCELLANEOUS DATA: REPLACED ONE-WAY FORWARD I/W BY NAS1763W080806	002004 006100 121503 950999 107107	1
480	NAS1763W080806		.TEE	002004 006100 121503 904999	1
- 500	271N6441-9		PLUMBING INSTL-MAIN WHL WELL BHD HYDR (HYDRAULIC BRAKE SYSTEM ONLY) POSITION DATA: FWD VARIABLE DRAWING REF: 271N6441-11 271N6441-12 271N6441-14 FOR NHA/OTHER SYS DET SEE: 29-00-51-05	002004 006100 107107 121503 904999	RF
- 500	271N6441-30		PLUMBING INSTL-MAIN WHL WELL BHD HYDR (HYDRAULIC BRAKE SYSTEM ONLY) POSITION DATA: FWD FOR NHA/OTHER SYS DET SEE: 29-00-51-02C	101102 504903	RF

MISSING ITEM NUMBERS NOT APPLICABLE

- ITEM NOT ILLUSTRATED

32-41-51-22

32-41-51  
FIG. 22  
PAGE 9  
JAN 20/09

BRI



757

PARTS CATALOG (MAINTENANCE)

FIG ITEM	PART NUMBER	1 2 3 4 5 6 7	NOMENCLATURE	EFFECT FROM TO	UNITS PER ASSY
22 - 500	271N6441-35		PLUMBING INSTL-MAIN WHL WELL BHD HYDR (HYDRAULIC BRAKE SYSTEM ONLY) POSITION DATA: FWD FOR NHA/OTHER SYS DET SEE: 29-00-51-02C	108120	RF
530	271N6441-1412		.TUBE ASSY-BRAKE PRESSURE SYS POSITION DATA: R TUBING MATERIAL: .375 IN. OD .019 IN. WALL 7.00 IN. LG TI BMS 7-234 TI-3AL-2.5V COLD WORKED, STRESS RELIEVED TUBING	108120	1
533	271N6441-1407		.TUBE ASSY-BRAKE PRESSURE SYS POSITION DATA: R TUBING MATERIAL: .375 IN. OD .019 IN. WALL 3.80 IN. LG TI BMS 7-234 TI-3AL-2.5V COLD WORKED, STRESS RELIEVED TUBING	002004 006100 121503 950999	1
538	271N6441-1411		.TUBE ASSY-BRAKE PRESSURE SYS POSITION DATA: R TUBING MATERIAL: .375 IN. OD .019 IN. WALL 5.80 IN. LG TI BMS 7-234 TI-3AL-2.5V COLD WORKED, STRESS RELIEVED TUBING	002004 006100 121503 950999	1
- 542	AS1581T06		..SLEEVE- USED ON: 271N6441-1407	108120	2
- 542	AS1581T06		..SLEEVE	002004 006100 121503 950999	2
- 545	BACN10YA6		..NUT	002004 006100 121503 950999	2

MISSING ITEM NUMBERS NOT APPLICABLE

- ITEM NOT ILLUSTRATED

32-41-51-22

32-41-51  
FIG. 22  
PAGE 10  
JAN 20/09

BRI



757

PARTS CATALOG (MAINTENANCE)

FIG ITEM	PART NUMBER	1 2 3 4 5 6 7	NOMENCLATURE	EFFECT FROM TO	UNITS PER ASSY
22 - 545	BACN10YA6L	..NUT-	USED ON: 271N6441-1412	108120	2
550	271N6441-1164	.TUBE ASSY-BRAKE PRESSURE SYS POSITION DATA: R TUBING MATERIAL: .375 IN. OD .019 IN. WALL 20.40 IN. LG TI BMS 7-234 TI-3AL-2.5V COLD WORKED, STRESS RELIEVED TUBING		107107 121503 904949	1
553	271N6441-1328	.TUBE ASSY-BRAKE PRESSURE SYS POSITION DATA: R TUBING MATERIAL: .375 IN. OD .019 IN. WALL 33.70 IN. LG TI BMS 7-234 TI-3AL-2.5V COLD WORKED, STRESS RELIEVED TUBING		002004 006102 108999	1
555	271N6441-1107	.TUBE ASSY-BRAKE PRESSURE SYS POSITION DATA: R TUBING MATERIAL: .375 IN. OD .019 IN. WALL 18.20 IN. LG TI BMS 7-234 TI-3AL-2.5V COLD WORKED, STRESS RELIEVED TUBING		107107 121503 904949	1
557	271N6441-1418	.TUBE ASSY-BRAKE PRESSURE SYS POSITION DATA: R TUBING MATERIAL: .375 IN. OD .019 IN. WALL 8.40 IN. LG TI BMS 7-234 TI-3AL-2.5V COLD WORKED, STRESS RELIEVED TUBING		107107 904949	1
- 560	AS1581T06	..SLEEVE-		002004 006102 107999	2
- 565	BACN10YA6	..NUT-		002004 006102 107999	2

MISSING ITEM NUMBERS NOT APPLICABLE

- ITEM NOT ILLUSTRATED

32-41-51-22

32-41-51  
FIG. 22  
PAGE 11  
JAN 20/09

BRI



757

PARTS CATALOG (MAINTENANCE)

FIG ITEM	PART NUMBER	1 2 3 4 5 6 7	NOMENCLATURE	EFFECT FROM TO	UNITS PER ASSY
22 570	271N6441-1104		.TUBE ASSY-RETURN SYS POSITION DATA: R TUBING MATERIAL: .375 IN. OD .035 IN. WALL 20.40 IN. LG AL AMS 4083 6061 T6 TUBING	107107 121503 904949	1
- 575	AP2097HP06		..SLEEVE SUPPLIER CODE: V01673 SPECIFICATION NUMBER: BACS13BX06HP OPTIONAL PART: 2-02903-06HP V11328 35235VN06 V08199 AFP175V06P V30974 DBOS13BX06HP V14798	107107 121503 904949	2
- 576	BACN10YL06		..NUT	107107 121503 904949	2
580	271N6441-1373		.TUBE ASSY-RETURN SYS POSITION DATA: R TUBING MATERIAL: .625 IN. OD .035 IN. WALL 23.80 IN. LG AL AMS 4083 6061 T6 TUBING	002004 006102 107999	1
- 581	AP2097HP10		..SLEEVE SUPPLIER CODE: V01673 SPECIFICATION NUMBER: BACS13BX10HP OPTIONAL PART: 2-02903-10HP V11328 35235VN10 V08199 AFP175V10P V30974 DBOS13BX10HP V14798	002004 006102 107999	2

MISSING ITEM NUMBERS NOT APPLICABLE

- ITEM NOT ILLUSTRATED

32-41-51-22

32-41-51  
FIG. 22  
PAGE 12  
JAN 20/09

BRI



757

PARTS CATALOG (MAINTENANCE)

FIG ITEM	PART NUMBER	1 2 3 4 5 6 7	NOMENCLATURE	EFFECT FROM TO	UNITS PER ASSY
22 - 584	BACN10YL10	. .	NUT	002004 006102 107999	2
585	271N6441-1097	. TUBE ASSY-RETURN SYS POSITION DATA: R TUBING MATERIAL: .625 IN. OD .035 IN. WALL 11.20 IN. LG AL AMS 4083 6061 T6 TUBING		002004 006102 107999	1
- 590	AP2097HP10	. . SLEEVE- SUPPLIER CODE: V01673 SPECIFICATION NUMBER: BACS13BX10HP OPTIONAL PART: 2-02903-10HP V11328 35235VN10 V08199 AFP175V10P V30974 DBOS13BX10HP V14798		002004 006102 107999	1
- 595	BACN10YL10	. .	NUT-	002004 006102 107999	1
- 600	35056GV10	. . UNION SUPPLIER CODE: V08199 SPECIFICATION NUMBER: BACU24AB10W OPTIONAL PART: 4671097W10 V50948 2-01027-10W V11328 31875-10W V14397 AP1004W10 V01673 AFP941W10 V30974 DBOU24AB10W V14798		002004 006102 107999	1

MISSING ITEM NUMBERS NOT APPLICABLE

- ITEM NOT ILLUSTRATED

BRI

32-41-51-22

32-41-51  
FIG. 22  
PAGE 13  
JAN 20/09



757

PARTS CATALOG (MAINTENANCE)

FIG ITEM	PART NUMBER	1 2 3 4 5 6 7	NOMENCLATURE	EFFECT FROM TO	UNITS PER ASSY
22					
647	NAS1762T0406	.	ELBOW-	002004 006100 108503 904999	1
648	AP1042T0606	.	ELBOW- SUPPLIER CODE: V01673 SPECIFICATION NUMBER: BACE21BT0606T	002004 006100 108503 904999	1
648	AP1042J0606	.	ELBOW- SUPPLIER CODE: V01673 SPECIFICATION NUMBER: BACE21BT0606J	002004 006102 108999	1
650	NAS1762D1006	.	ELBOW-	002004 006100 107107 121503 904999	1
650	NAS1762W1010	.	ELBOW-	002004 006102 108999	1
656	NAS1763W101010	.	TEE-	002004 006102 108999	1
656	NAS1763D101010	.	TEE	107107	1
665	BACT16BT060606T	.	TEE- PRE SERVICE BULLETIN: 32-0055	108120	2
905			ILLUSTRATION REFERENCE: VALVE INSTL-ALTERNATE ANTISKID (LANDING GEAR ONLY) 32-42-02-02	002004 006102 107999	RF
915			ILLUSTRATION REFERENCE: VALVE INSTL-AUTOBRAKE SHUTTLE 32-42-10-01	002004 006102 107999	RF
920			ILLUSTRATION REFERENCE: MODULE AND SUPPORT INSTL-LG BRAKE METERING VALVE 32-41-02-05	101102 107120 504903	RF
925			ILLUSTRATION REFERENCE: MODULE AND BRACKET INSTL- PARKING BRAKE 32-44-03-01	002004 006102 107999	RF

MISSING ITEM NUMBERS NOT APPLICABLE

- ITEM NOT ILLUSTRATED

32-41-51-22

32-41-51  
FIG. 22  
PAGE 14  
JAN 20/09

BRI



757

PARTS CATALOG (MAINTENANCE)

FIG ITEM	PART NUMBER	1 2 3 4 5 6 7	NOMENCLATURE	EFFECT FROM TO	UNITS PER ASSY
22 930			ILLUSTRATION REFERENCE: PLUMBING INSTL-MAIN WHL WELL FWD BHD HYDR (HYDRAULIC POWER ONLY) 29-11-51-39	002004 006100 107107 121503 904999	RF
940			ILLUSTRATION REFERENCE: BRACKET INSTL-STA 395 AND STA 418 LG BRAKES PULLEY 32-41-51-01	002004 006102 107999	RF
955			ILLUSTRATION REFERENCE: TRANSMITTER INSTL-ALTERNATE BRAKE PRESSURE (LH) 31-31-13-01	002004 006102 108903 950999	RF

MISSING ITEM NUMBERS NOT APPLICABLE

- ITEM NOT ILLUSTRATED

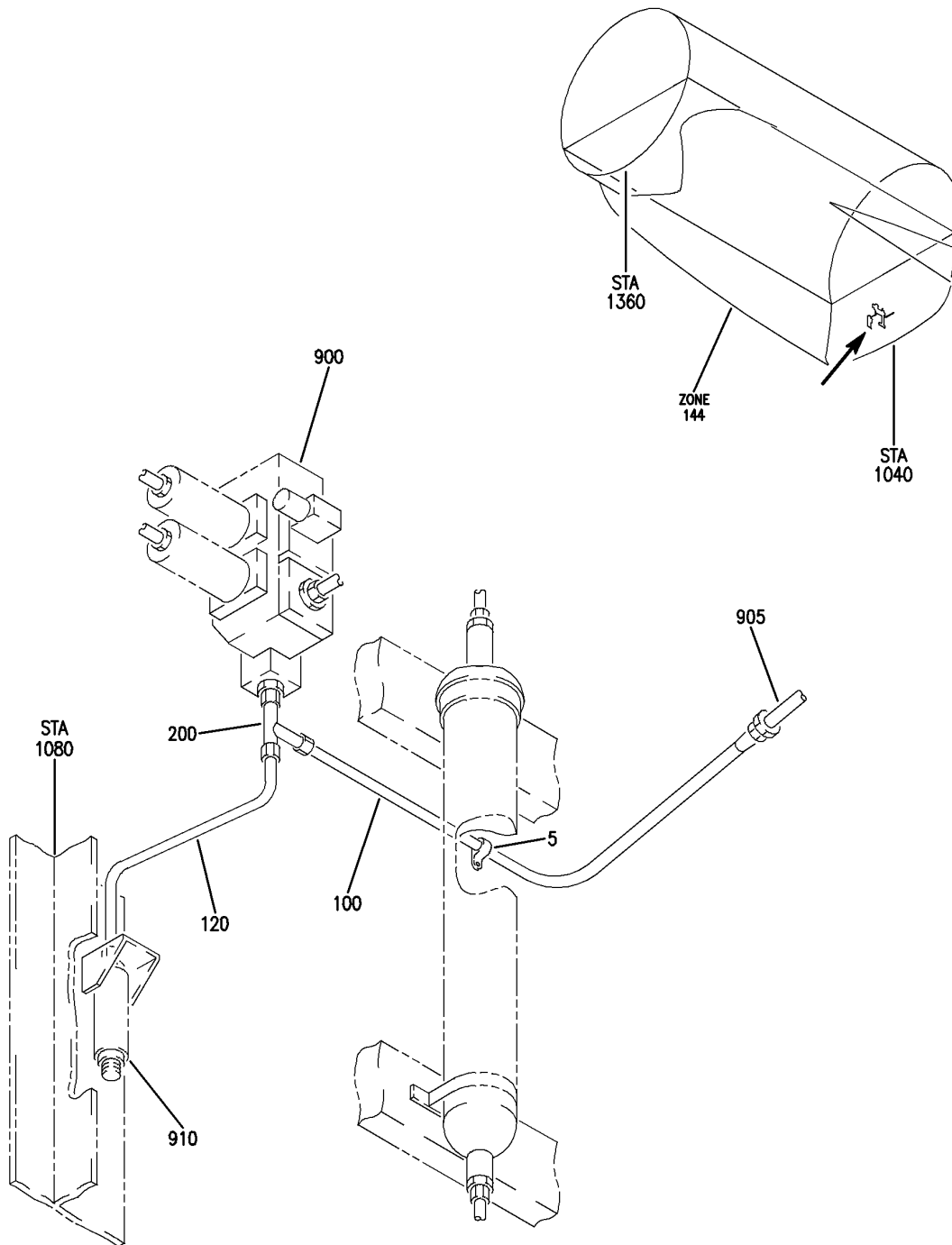
BRI

32-41-51-22

BOEING PROPRIETARY - Copyright © - Unpublished Work - See title page for details.

32-41-51  
FIG. 22  
PAGE 15  
JAN 20/09

**BOEING**  
757  
PARTS CATALOG (MAINTENANCE)



Y 32415123 REV 256

VIEW LOOKING UP

PLUMBING INSTL-SECT. 44 DFDAU BRAKE PRESSURE TRANSMITTER PROV.  
FIGURE 23

**32-41-51-23**

BRI  
MAY 28/07

32-41-51-23  
PAGE 0





757

PARTS CATALOG (MAINTENANCE)

FIG ITEM	PART NUMBER	1 2 3 4 5 6 7	NOMENCLATURE	EFFECT FROM TO	UNITS PER ASSY
23			PLUMBING INSTL-SECT. 44 DFDAU BRAKE PRESSURE TRANSMITTER PROV.	101102 504903	RF
- 1	271N6444-14		PLUMBING INSTL-DFDAU BRAKE PRESSURE TRANSMITTER PROV. POSITION DATA: SECT. 44 R FOR NHA SEE: 29-00-51-02B	101102 504903	RF
5	M85052-2-6		.CLAMP- POSITION DATA: STA 1070 WL 180	101102 504903	RF
100	271N6444-1238		.TUBE ASSY-BRAKE PRESSURE SYS POSITION DATA: STA 1080 RBL 0 WL 180 TUBING MATERIAL: .375 IN. OD .019 IN. WALL 21.00 IN. LG TI BMS 7-234 TI-3AL-2.5V COLD WORKED, STRESS RELIEVED TUBING	101102 504903	1
- 105	AS1581T06		..SLEEVE	101102 504903	1
- 110	BACN10YA6		..NUT	101102 504903	1
- 115	AS1582T06		..UNION	101102 504903	1
120	271N6444-1240		.TUBE ASSY-BRAKE PRESSURE SYS POSITION DATA: STA 1080 RBL 0 WL 170 TUBING MATERIAL: .375 IN. OD .019 IN. WALL 8.90 IN. LG TI BMS 7-234 TI-3AL-2.5V COLD WORKED, STRESS RELIEVED TUBING	101102 504903	1
- 125	AS1581T06		..SLEEVE	101102 504903	2
- 130	BACN10YA6		..NUT	101102 504903	2
200	BCREF116854		.TEE- POSITION DATA: STA 1080 RBL 0 WL 170 OVERLENGTH PART NUMBER: BACT16BR060606JN	101102 504903	1

MISSING ITEM NUMBERS NOT APPLICABLE

- ITEM NOT ILLUSTRATED

32-41-51-23

32-41-51  
FIG. 23  
PAGE 1  
JAN 20/09

BRI



757

PARTS CATALOG (MAINTENANCE)

FIG ITEM	PART NUMBER	1 2 3 4 5 6 7	NOMENCLATURE	EFFECT FROM TO	UNITS PER ASSY
23 900			ILLUSTRATION REFERENCE: VALVE INSTL-ALTERNATE ANTISKID (LANDING GEAR ONLY) 32-42-02-02	101102 504903	RF
905			ILLUSTRATION REFERENCE: PLUMBING INSTL BASIC AND STABLE 29-11-51-48	101102 504903	RF
910			ILLUSTRATION REFERENCE: TRANSMITTER INSTL-ALTERNATE BRAKE PRESSURE (LH) 31-31-13-01	101102 504903	RF

MISSING ITEM NUMBERS NOT APPLICABLE

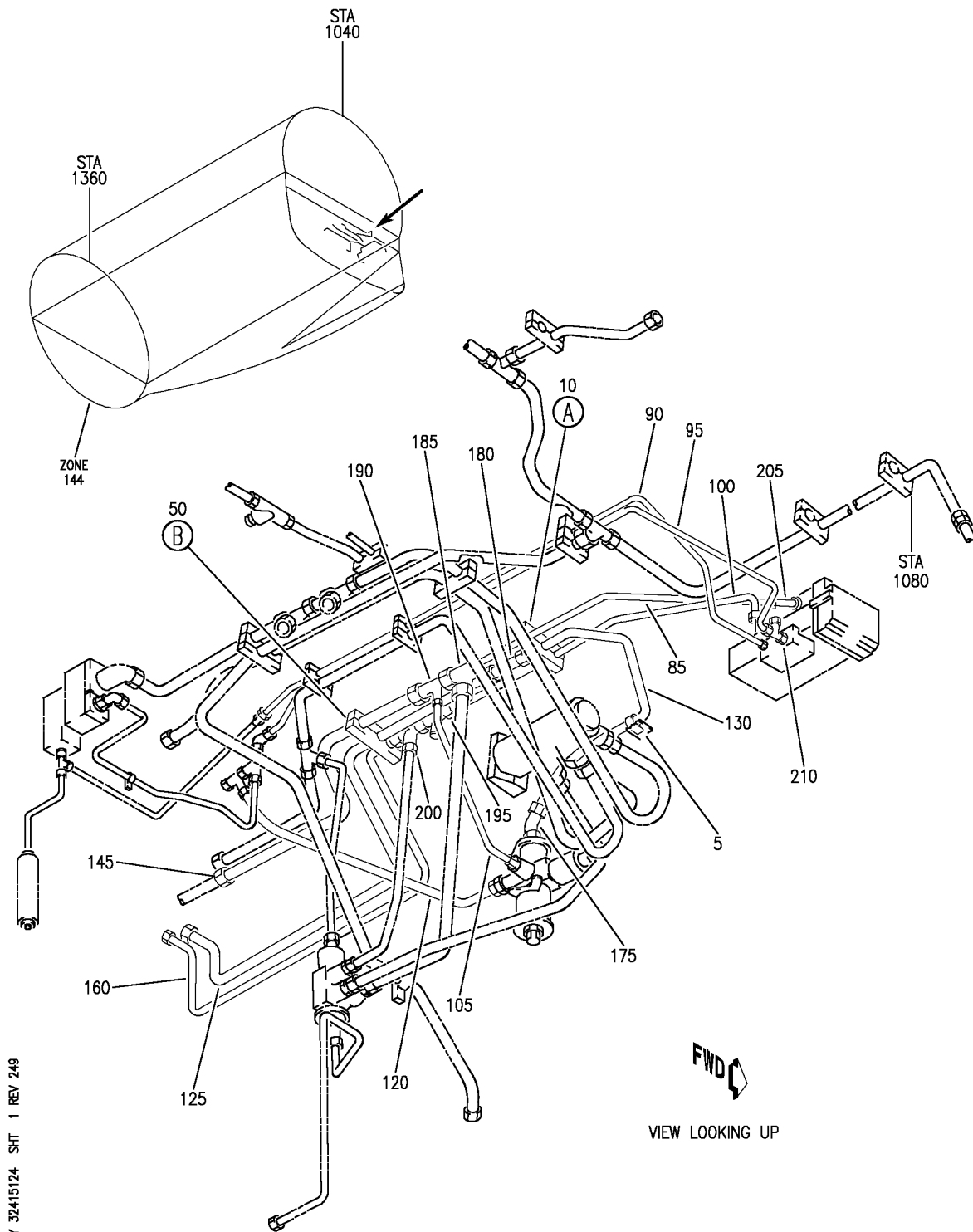
- ITEM NOT ILLUSTRATED

32-41-51-23

32-41-51  
FIG. 23  
PAGE 2  
JAN 20/09

BRI

**BOEING**  
757  
PARTS CATALOG (MAINTENANCE)



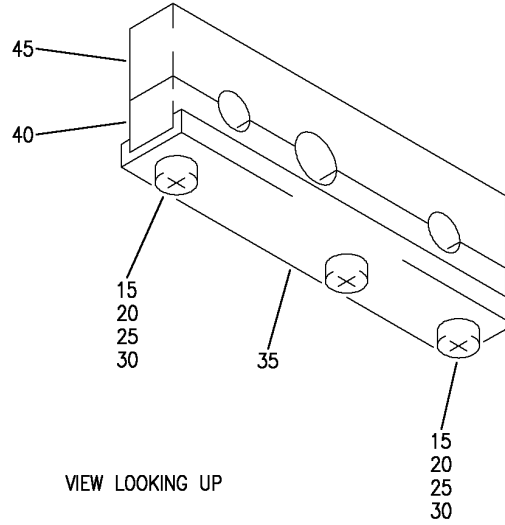
PLUMBING INSTL-SECT.44 R PRESSURE DECK HYDR (HYDRAULIC BRAKE SYSTEM ONLY)  
FIGURE 24 (SHEET 1)

BRI  
JAN 20/09

**32-41-51-24**

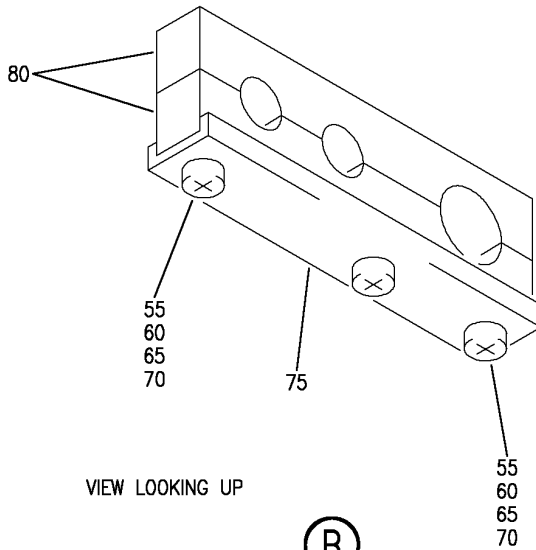
32-41-51-24  
PAGE 0

**BOEING**  
757  
PARTS CATALOG (MAINTENANCE)



VIEW LOOKING UP

(A)



VIEW LOOKING UP

(B)

Y 32415124 SH1 2 REV 249

PLUMBING INSTL-SECT.44 R PRESSURE DECK HYDR (HYDRAULIC BRAKE SYSTEM ONLY)  
FIGURE 24 (SHEET 2)

**32-41-51-24**

BRI  
JAN 20/09

32-41-51-24  
PAGE 0A



757

PARTS CATALOG (MAINTENANCE)

FIG ITEM	PART NUMBER	1 2 3 4 5 6 7	NOMENCLATURE	EFFECT FROM TO	UNITS PER ASSY
24			PLUMBING INSTL-SECT.44 R PRESSURE DECK HYDR (HYDRAULIC BRAKE SYSTEM ONLY)	103106	RF
- 1	MODREF31623		PLUMBING INSTL-PRESSURE DECK HYDR (HYDRAULIC BRAKE SYSTEM ONLY) MODULE NUMBER: 271N6444-24 REV B POSITION DATA: SECT 44 R FOR OTHER SYS DETAILS SEE: 29-11-51-24A 32-31-51-23 32-32-51-23 32-35-51-31 32-42-51-24	103105	1
- 1	MODREF34294		PLUMBING INSTL-PRESSURE DECK HYDR (HYDRAULIC BRAKE SYSTEM ONLY) MODULE NUMBER: 271N6444-24 REV C POSITION DATA: SECT 44 R FOR OTHER SYS DETAILS SEE: 29-11-51-24A 32-31-51-23 32-32-51-23 32-35-51-31 32-42-51-24	106106	1
5	TA0910004H108		.CLAMP SUPPLIER CODE: V84971 SPECIFICATION NUMBER: BACC10HB08C	103106	1
10	270N2000-159		.CLAMP ASSY	103106	1
15	NAS1801-3-29		..SCREW	103106	3
20	AN960PD10L		..WASHER	103106	3
25	NAS43DD3-80		..SPACER	103106	3

MISSING ITEM NUMBERS NOT APPLICABLE

- ITEM NOT ILLUSTRATED

BRI

32-41-51-24

32-41-51  
FIG. 24  
PAGE 1  
JAN 20/09



757

PARTS CATALOG (MAINTENANCE)

FIG ITEM	PART NUMBER	1 2 3 4 5 6 7	NOMENCLATURE	EFFECT FROM TO	UNITS PER ASSY
24 30	BRH10A3	..	NUT SUPPLIER CODE: V52828 SPECIFICATION NUMBER: BACN10JC3 OPTIONAL PART: H10-3BAC V15653 NS202101-02 V80539 RMLH9075-3W V72962 VN303A02 V92215 96-02 V80539 T6S1032J V11815	103106	3
35	270N2000-1002	..	CHANNEL	103106	1
40	270N2000-619	..	BLOCK	103106	1
45	270N2000-620	..	BLOCK	103106	1
50	270N2000-158	.	CLAMP ASSY-BLK	103106	1
55	NAS1801-3-32	..	SCREW	103106	3
60	AN960PD10L	..	WASHER	103106	3
65	NAS43DD3-94	..	SPACER	103106	3
70	BRH10A3	..	NUT SUPPLIER CODE: V52828 SPECIFICATION NUMBER: BACN10JC3 OPTIONAL PART: H10-3BAC V15653 NS202101-02 V80539 RMLH9075-3W V72962 VN303A02 V92215 96-02 V80539 T6S1032J V11815	103106	3
75	270N2000-1001	..	CHANNEL	103106	1
80	270N2000-618	..	BLOCK	103106	2

MISSING ITEM NUMBERS NOT APPLICABLE

- ITEM NOT ILLUSTRATED

32-41-51-24

32-41-51  
FIG. 24  
PAGE 2  
JAN 20/09

BRI



757

PARTS CATALOG (MAINTENANCE)

FIG ITEM	PART NUMBER	1 2 3 4 5 6 7	NOMENCLATURE	EFFECT FROM TO	UNITS PER ASSY
24 85	271N6444-1191		.TUBE ASSY-LG UP TUBING MATERIAL: .375 IN. OD .019 IN. WALL 23.10 IN. LG TI BMS 7-234 TI-3AL-2.5V COLD WORKED, STRESS RELIEVED TUBING	103106	1
90	271N6444-1195		.TUBE ASSY-BRAKE PRESSURE SYS TUBING MATERIAL: .375 IN. OD .019 IN. WALL 54.00 IN. LG TI BMS 7-234 TI-3AL-2.5V COLD WORKED, STRESS RELIEVED TUBING	103106	1
95	271N6444-1210		.TUBE ASSY-PRESSURE SYS TUBING MATERIAL: .375 IN. OD .019 IN. WALL 51.60 IN. LG TI BMS 7-234 TI-3AL-2.5V COLD WORKED, STRESS RELIEVED TUBING	103106	1
100	271N6444-1223		.TUBE ASSY-RETURN SYS TUBING MATERIAL: .375 IN. OD .019 IN. WALL 23.60 IN. LG TI BMS 7-234 TI-3AL-2.5V COLD WORKED, STRESS RELIEVED TUBING	103106	1
105	271N6444-1239		.TUBE ASSY-LG UP TUBING MATERIAL: .375 IN. OD .019 IN. WALL 12.10 IN. LG TI BMS 7-234 TI-3AL-2.5V COLD WORKED, STRESS RELIEVED TUBING	103106	1
- 110	AS1581T06		..SLEEVE	103106	2
- 115	BACN10YA6		..NUT	103106	2
120	271N6444-1236		.TUBE ASSY-LG UP TUBING MATERIAL: .500 IN. OD .026 IN. WALL 19.90 IN. LG TI BMS 7-234 TI-3AL-2.5V COLD WORKED, STRESS RELIEVED TUBING	103106	1

MISSING ITEM NUMBERS NOT APPLICABLE

- ITEM NOT ILLUSTRATED

32-41-51-24

32-41-51  
FIG. 24  
PAGE 3  
JAN 20/09

BRI



757

PARTS CATALOG (MAINTENANCE)

FIG ITEM	PART NUMBER	1 2 3 4 5 6 7	NOMENCLATURE	EFFECT FROM TO	UNITS PER ASSY
24 125	271N6444-1001	.	TUBE ASSY-LG UP TUBING MATERIAL: .500 IN. OD .026 IN. WALL 42.40 IN. LG TI BMS 7-234 TI-3AL-2.5V COLD WORKED, STRESS RELIEVED TUBING	103106	1
130	271N6444-1003	.	TUBE ASSY-LG UP TUBING MATERIAL: .500 IN. OD .026 IN. WALL 29.60 IN. LG TI BMS 7-234 TI-3AL-2.5V COLD WORKED, STRESS RELIEVED TUBING	103106	1
- 135	AS1581T08	..	SLEEVE-WELDED	103106	2
- 140	BACN10YA8	..	NUT	103106	2
145	271N6444-1229	.	TUBE ASSY-LG UP TUBING MATERIAL: .750 IN. OD .039 IN. WALL 15.90 IN. LG TI BMS 7-234 TI-3AL-2.5V COLD WORKED, STRESS RELIEVED TUBING	103106	1
- 150	AS1581T12	..	SLEEVE	103106	2
- 155	BACN10YA12	..	NUT	103106	2
160	271N6444-1175	.	TUBE ASSY-RETURN SYS TUBING MATERIAL: .500 IN. OD .035 IN. WALL 34.30 IN. LG TI BMS 7-234 TI-3AL-2.5V COLD WORKED, STRESS RELIEVED TUBING	103106	1
- 165	AP2097HP08	..	SLEEVE SUPPLIER CODE: V01673 SPECIFICATION NUMBER: BACS13BX08HP OPTIONAL PART: 2-02903-08HP V11328 35235VN08 V08199 AFP175V08P V30974 DBOS13BX08HP V14798	103106	2
- 170	BACN10YL08	..	NUT	103106	2
175	BACE21BR0808JN	.	ELBOW	103106	1
180	BACT16BL080806J	.	TEE	103106	1

MISSING ITEM NUMBERS NOT APPLICABLE

- ITEM NOT ILLUSTRATED

32-41-51-24

32-41-51  
FIG. 24  
PAGE 4  
JAN 20/09

BRI





**757  
PARTS CATALOG (MAINTENANCE)**

FIG ITEM	PART NUMBER	1 2 3 4 5 6 7	NOMENCLATURE	EFFECT FROM TO	UNITS PER ASSY
24 185	BCTREF116863	. TEE-	OVERLENGTH PART NUMBER: BACT16BR120612JN	103106	1
190	BACT16BL121206J	. TEE		103106	1
195	NAS1763W080608	. TEE		103106	1
200	MS21905W8	. TEE		103106	1
205	AP1042JN0406	. ELBOW	SUPPLIER CODE: V01673 SPECIFICATION NUMBER: BACE21BT0406JN	103106	1
210	BACT16BR060606P	. TEE		103106	1

MISSING ITEM NUMBERS NOT APPLICABLE

— ITEM NOT ILLUSTRATED

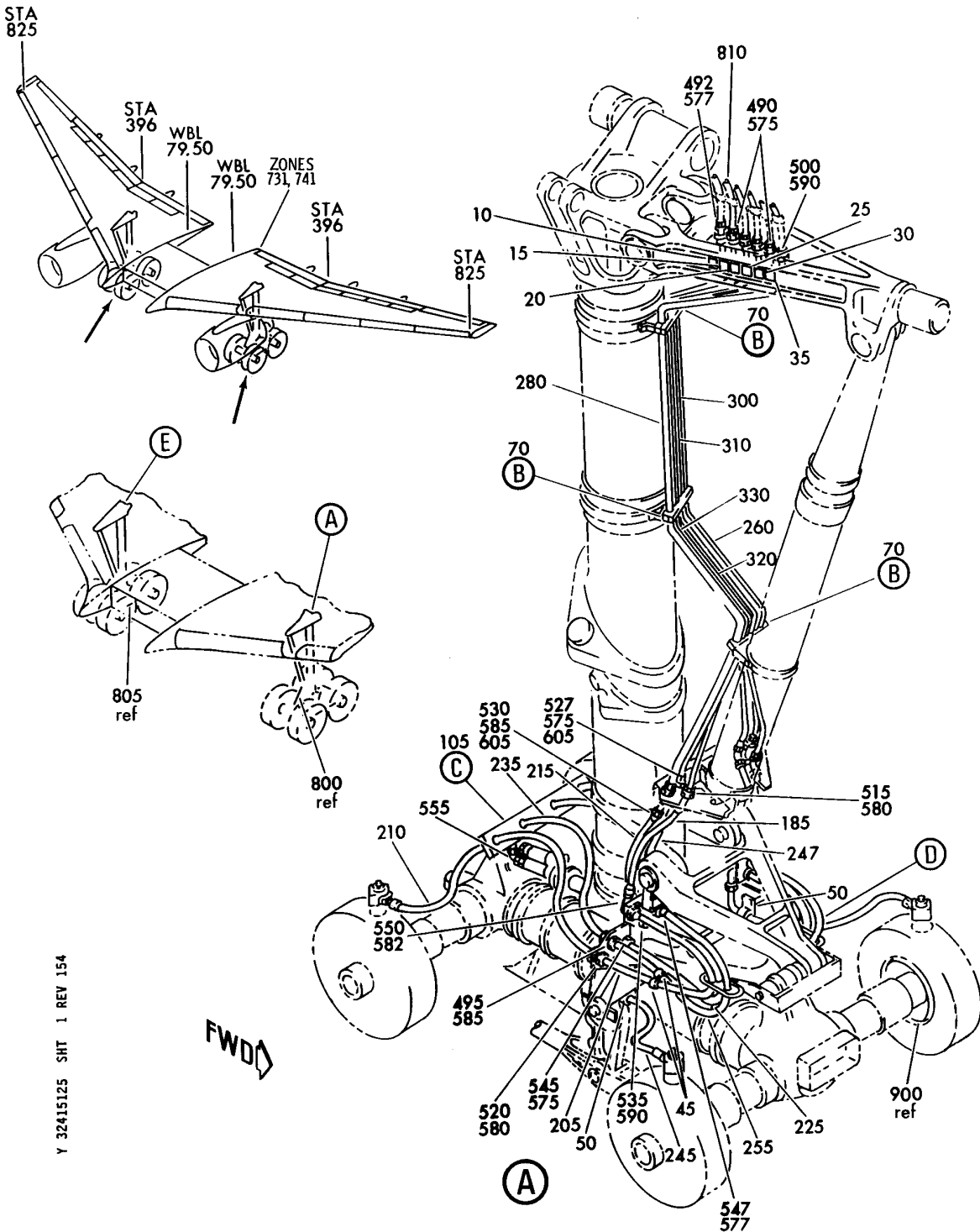
BRI

# 32-41-51-24

BOEING PROPRIETARY - Copyright © - Unpublished Work - See title page for details.

32-41-51  
FIG. 24  
PAGE 5  
JAN 20/09

**BOEING**  
757  
PARTS CATALOG (MAINTENANCE)



Y 32415125 SHT 1 REV 154

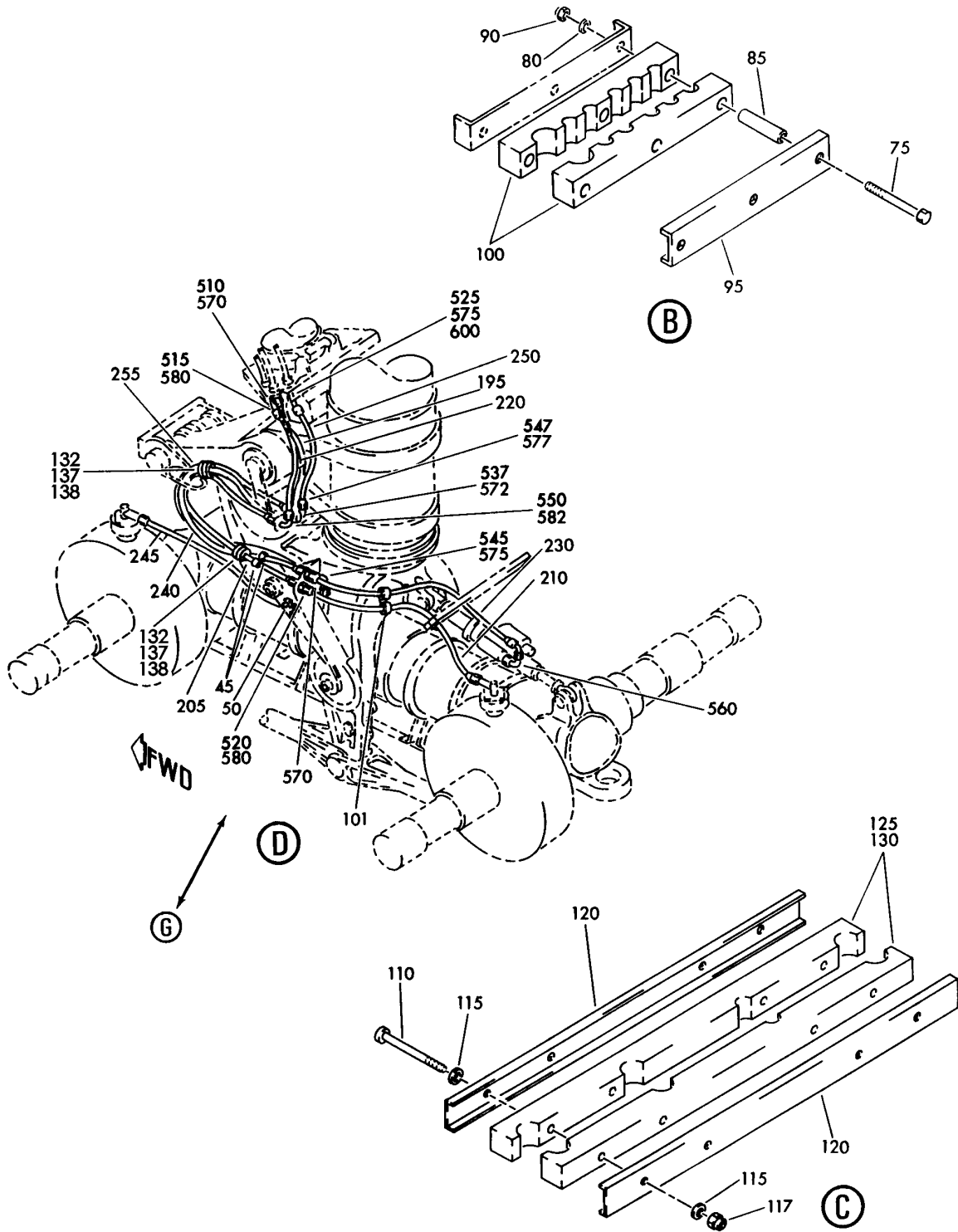
PLUMBING INSTL-MLG SECT. 61 HYDR  
FIGURE 25 (SHEET 1)

**32-41-51-25**

BRI  
MAY 28/07

32-41-51-25  
PAGE 0

**BOEING**  
757  
PARTS CATALOG (MAINTENANCE)



Y 32415125 SHT 2 REV 240

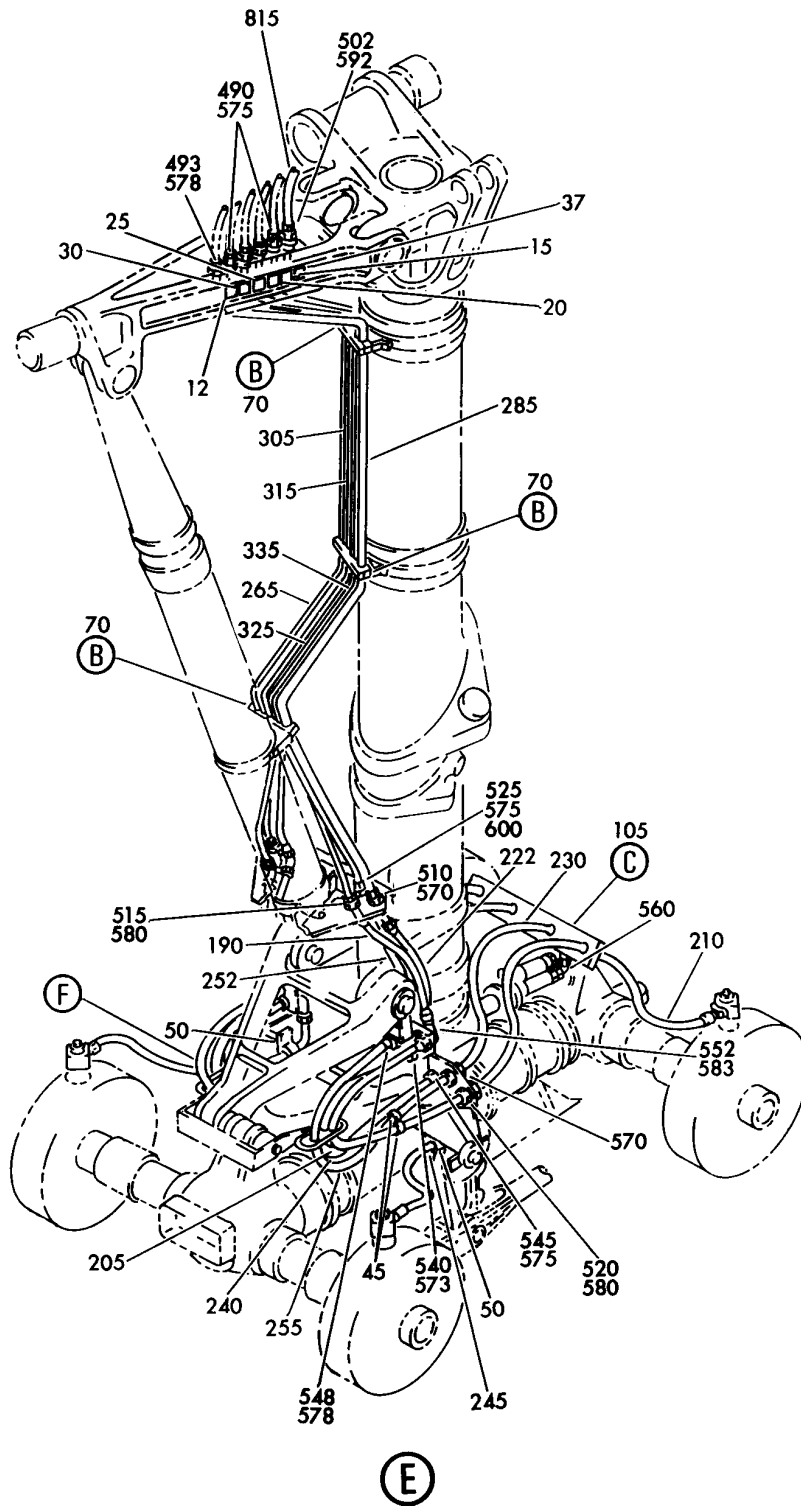
PLUMBING INSTL-MLG SECT. 61 HYDR  
FIGURE 25 (SHEET 2)

**32-41-51-25**

BRI  
MAY 28/07

32-41-51-25  
PAGE 0A

**BOEING**  
757  
PARTS CATALOG (MAINTENANCE)



Y 32415125 SH1 3 REV 154

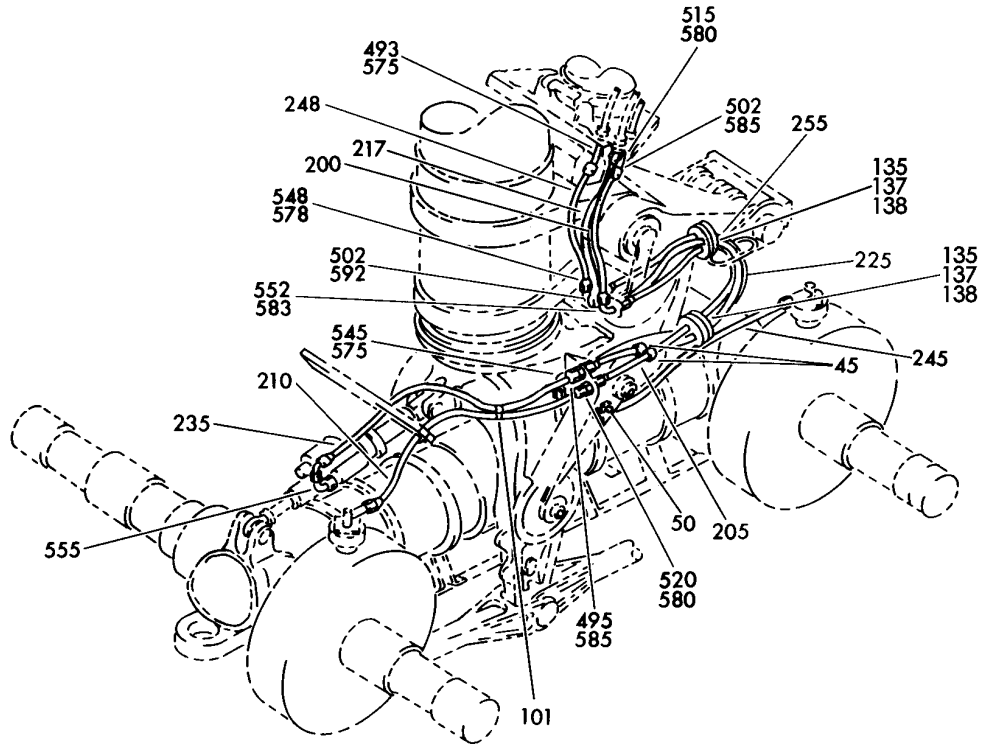
PLUMBING INSTL-MLG SECT. 61 HYDR  
FIGURE 25 (SHEET 3)

**32-41-51-25**

BRI  
MAY 28/07

32-41-51-25  
PAGE 0B

**BOEING**  
757  
PARTS CATALOG (MAINTENANCE)



(F)

Y 32415125 SHT 4 REV 240

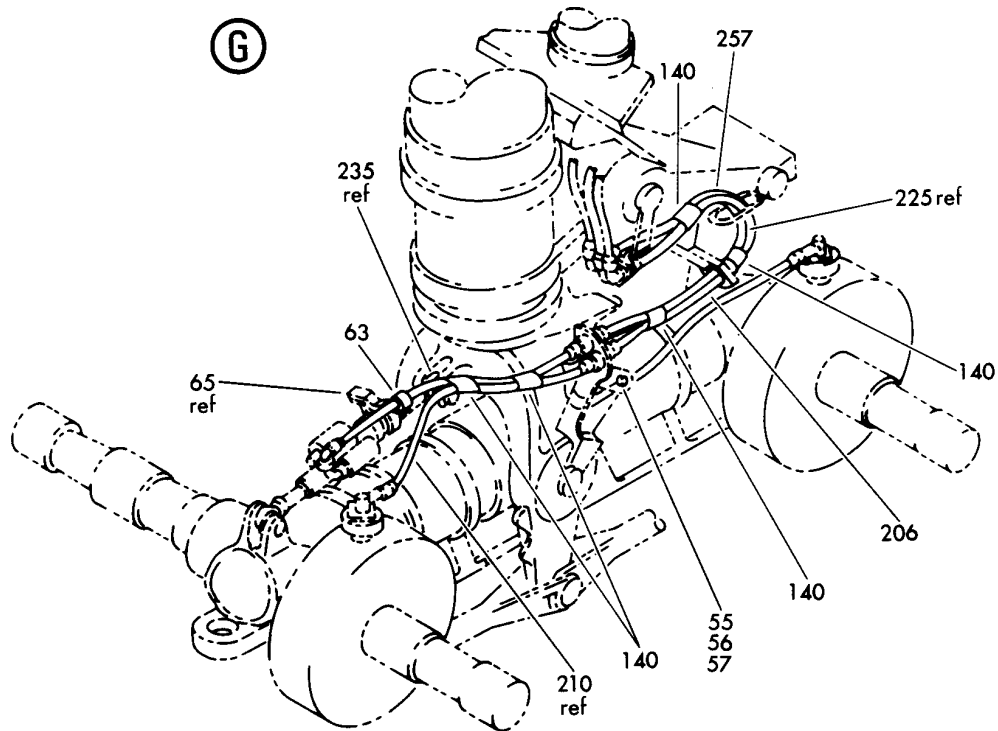
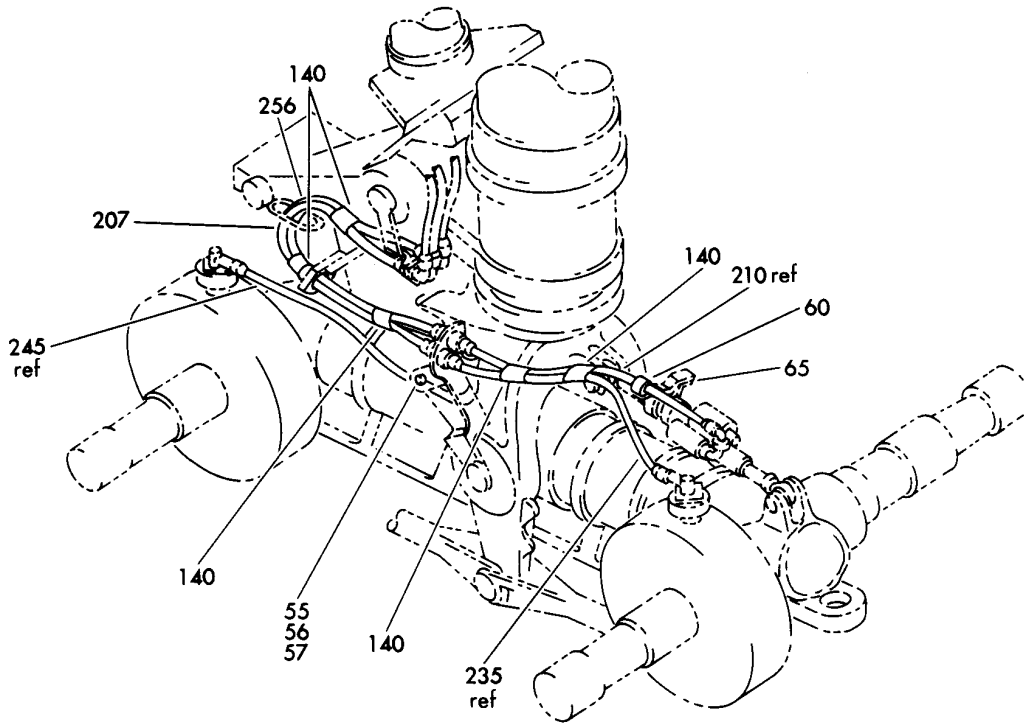
PLUMBING INSTL-MLG SECT. 61 HYDR  
FIGURE 25 (SHEET 4)

**32-41-51-25**

BRI  
MAY 28/07

32-41-51-25  
PAGE 0C

**BOEING**  
757  
PARTS CATALOG (MAINTENANCE)



Y 32415125 SHT 5 REV 061

PLUMBING INSTL-MLG SECT. 61 HYDR  
FIGURE 25 (SHEET 5)

**32-41-51-25**

BRI  
MAY 28/07

32-41-51-25  
PAGE 0D



757

PARTS CATALOG (MAINTENANCE)

FIG ITEM	PART NUMBER	1 2 3 4 5 6 7	NOMENCLATURE	EFFECT FROM TO	UNITS PER ASSY
25			PLUMBING INSTL-MLG SECT. 61 HYDR	002004 006100 107107 121503 904999	
- 1	271N6611-1		PLUMBING INSTL-MLG HYDR POSITION DATA: SECT. 61 LH FOR NHA SEE: 29-00-51-04	002004 006100 107107 121503 904999	RF
- 5	271N6611-2		PLUMBING INSTL-MLG HYDR POSITION DATA: SECT. 61 RH FOR NHA SEE: 29-00-51-04	002004 006100 107107 121503 904999	RF
10	BAC27NHY0176		.MARKER-ALUMINUM FOIL POSITION DATA: LH SIDE PLACARD CONTENT: TRUCK POSN PRESS	002004 006100 107107 121503 904999	1
12	BAC27NHY0176		.MARKER-ALUMINUM FOIL POSITION DATA: RH SIDE PLACARD CONTENT: TRUCK POSN PRESS	002004 006100 107107 121503 904999	1
15	BAC27NHY0175		.MARKER-ALUMINUM FOIL PLACARD CONTENT: BRK OUTBD AFT	002004 006100 107107 121503 904999	1
20	BAC27NHY0173		.MARKER-ALUMINUM FOIL PLACARD CONTENT: BRK OUTBD FWD	002004 006100 107107 121503 904999	1
25	BAC27NHY0172		.MARKER-ALUMINUM FOIL PLACARD CONTENT: BRK INBD FWD	002004 006100 107107 121503 904999	1
30	BAC27NHY0174		.MARKER-ALUMINUM FOIL PLACARD CONTENT: BRK INBD AFT	002004 006100 107107 121503 904999	1

MISSING ITEM NUMBERS NOT APPLICABLE

- ITEM NOT ILLUSTRATED

32-41-51-25

32-41-51  
FIG. 25  
PAGE 1  
JAN 20/09

BRI

 **BOEING**  
757  
**PARTS CATALOG (MAINTENANCE)**

FIG ITEM	PART NUMBER	1 2 3 4 5 6 7	NOMENCLATURE	EFFECT FROM TO	UNITS PER ASSY
25					
35	BAC27NHY0177		.MARKER-ALUMINUM FOIL POSITION DATA: LH SIDE PLACARD CONTENT: TRUCK POSN RET	002004 006100 107107 121503 904999	1
37	BAC27NHY0177		.MARKER-ALUMINUM FOIL POSITION DATA: RH SIDE PLACARD CONTENT: TRUCK POSN RET	002004 006100 107107 121503 904999	1
50	M85052-2-8		.CLAMP-	002004 006100 107107 121503 904999	2
55	NAS1801-3		.SCREW- SIZE DETERMINED ON INSTL.	002004 006100 107107 121503 904999	2
56	AN960KD10L		.WASHER	002004 006100 107107 121503 904999	AR
57	MS21042L3		.NUT	002004 006100 107107 121503 904999	2
60	M85052-2-8		.CLAMP-	002004 006100 107107 121503 904999	1
63	M85052-2-12		.CLAMP-	002004 006100 107107 121503 904999	1
65	TA0910004H128		.CLAMP- SUPPLIER CODE: V84971 SPECIFICATION NUMBER: BACC10HB28C	002004 006100 107107 121503 904999	1

MISSING ITEM NUMBERS NOT APPLICABLE

— ITEM NOT ILLUSTRATED

BRI

# 32-41-51-25

BOEING PROPRIETARY - Copyright © - Unpublished Work - See title page for details.

32-41-51  
FIG. 25  
PAGE 2  
JAN 20/09





757

PARTS CATALOG (MAINTENANCE)

FIG ITEM	PART NUMBER	1 2 3 4 5 6 7	NOMENCLATURE	EFFECT FROM TO	UNITS PER ASSY
25					
70	270N2000-38	.	CLAMP ASSY-BLK	002004 006100 107107 121503 904999	3
75	NAS1801-3-28	..	SCREW-	002004 006100 107107 121503 904999	3
80	AN960PD10L	..	WASHER	002004 006100 107107 121503 904999	3
85	NAS43DD3-75	..	SPACER	002004 006100 107107 121503 904999	3
90	BRH10A3	..	NUT SUPPLIER CODE: V52828 SPECIFICATION NUMBER: BACN10JC3 OPTIONAL PART: H10-3BAC V15653 NS202101-02 V80539 RMLH9075-3W V72962 VN303A02 V92215 96-02 V80539 T6S1032J V11815	002004 006100 107107 121503 904999	3
95	270N2000-826	..	CHANNEL	002004 006100 107107 121503 904999	1
100	270N2000-459	..	BLOCK	002004 006100 107107 121503 904999	2

MISSING ITEM NUMBERS NOT APPLICABLE

- ITEM NOT ILLUSTRATED

32-41-51-25

32-41-51  
FIG. 25  
PAGE 3  
JAN 20/09

BRI

BOEING PROPRIETARY - Copyright © - Unpublished Work - See title page for details.



757

PARTS CATALOG (MAINTENANCE)

FIG ITEM	PART NUMBER	1 2 3 4 5 6 7	NOMENCLATURE	EFFECT FROM TO	UNITS PER ASSY
25					
101	M85052-2-8		.CLAMP- POST SERVICE BULLETIN: 32-0082	107107	3
102	M85052-2-12		.CLAMP- POST SERVICE BULLETIN: 32-0082	107107	1
- 103	NAS1801-3-8		.SCREW	107107	2
- 104	MS21042L3		.NUT	107107	2
			-----*-----		
132	270N2000-1292		.CLAMP ASSY-BLOCK POST SERVICE BULLETIN: 32-0082	002004 006100 107107 121503 904999	2
135	270N2000-1293		.CLAMP ASSY-BLOCK POST SERVICE BULLETIN: 32-0082	002004 006100 107107 121503 904999	2
137	900591B5C		.CLAMP ASSY-BAND OPTIONAL PART: NAS1922-0175-3H POST SERVICE BULLETIN: 32-0082	002004 006100 107107 121503 904999	4
138	NAS1922-0175-3H		.CLAMP- OPTIONAL PART: 900591B5C	002004 006100 121503 904999	4
185	AS154B06EE0135B		.HOSE ASSY- SUPPLIER CODE: V00624 SPECIFICATION NUMBER: BACH8B06EE0135B OPTIONAL PART: B473-6EE0135B V98441 97934B06EE0135B V78570 R291216EE0135B V50599 POSITION DATA: LH SIDE	002004 006100 107107 121503 904999	1

MISSING ITEM NUMBERS NOT APPLICABLE

- ITEM NOT ILLUSTRATED

32-41-51-25

32-41-51  
FIG. 25  
PAGE 4  
JAN 20/09

BRI



757

PARTS CATALOG (MAINTENANCE)

FIG ITEM	PART NUMBER	1 2 3 4 5 6 7	NOMENCLATURE	EFFECT FROM TO	UNITS PER ASSY
25 190	AS154B06EE0135B	.HOSE ASSY-	SUPPLIER CODE: V00624 SPECIFICATION NUMBER: BACH8B06EE0135B OPTIONAL PART: B473-6EE0135B V98441 97934B06EE0135B V78570 R291216EE0135B V50599 POSITION DATA: RH SIDE	002004 006100 107107 121503 904999	1
195	AS154B06EE0124B	.HOSE ASSY-	SUPPLIER CODE: V00624 SPECIFICATION NUMBER: BACH8B06EE0124B OPTIONAL PART: B473-6EE0124B V98441 97934B06EE0124B V78570 R291216EE0124B V50599 POSITION DATA: LH SIDE	002004 006100 107107 121503 904999	1
200	AS154B06EE0124B	.HOSE ASSY-	SUPPLIER CODE: V00624 SPECIFICATION NUMBER: BACH8B06EE0124B OPTIONAL PART: B473-6EE0124B V98441 97934B06EE0124B V78570 R291216EE0124B V50599 POSITION DATA: RH SIDE	002004 006100 107107 121503 904999	1

MISSING ITEM NUMBERS NOT APPLICABLE

- ITEM NOT ILLUSTRATED

32-41-51-25

32-41-51  
FIG. 25  
PAGE 5  
JAN 20/09

BRI



757

PARTS CATALOG (MAINTENANCE)

FIG ITEM	PART NUMBER	1 2 3 4 5 6 7	NOMENCLATURE	EFFECT FROM TO	UNITS PER ASSY
25 206	AS154A06EE0344B	.HOSE ASSY SUPPLIER CODE: V00624 SPECIFICATION NUMBER: BACH8A06EE0344B OPTIONAL PART: B472-6EE0344B V98441 97934A06EE0344B V78570 R291206EE0344B V50599		002004 006100 107107 121503 904999	1
207	AS154A06EE354B	.HOSE ASSY- SUPPLIER CODE: V00624 SPECIFICATION NUMBER: BACH8A06EE0354B OPTIONAL PART: B472-6EE0354B V98441 9793406EE0354B V78570 R29106EE0354B V50599		002004 006100 107107 121503 904999	1
210	AS154B06EN0242B	.HOSE ASSY- SUPPLIER CODE: V00624 SPECIFICATION NUMBER: BACH8B06EN0242B OPTIONAL PART: B473-6EN0242B V98441 97934B06EN0242B V78570 R291216EN0242B V50599		002004 006100 107107 121503 904999	2
215	AS115-10K0140	.HOSE ASSY- POSITION DATA: LH SIDE		002004 006100 107107 121503 904999	1
217	AS119J144K180	.HOSE ASSY- POSITION DATA: RH SIDE		002004 006100 107107 121503 904999	1

MISSING ITEM NUMBERS NOT APPLICABLE

- ITEM NOT ILLUSTRATED

32-41-51-25

32-41-51  
FIG. 25  
PAGE 6  
JAN 20/09

BRI

BOEING PROPRIETARY - Copyright © - Unpublished Work - See title page for details.



757

PARTS CATALOG (MAINTENANCE)

FIG ITEM	PART NUMBER	1 2 3 4 5 6 7	NOMENCLATURE	EFFECT FROM TO	UNITS PER ASSY
25 220	AS154A06RR0130B	.HOSE ASSY- SUPPLIER CODE: V00624 SPECIFICATION NUMBER: BACH8A06RR0130B OPTIONAL PART: B472-6RR0130B V98441 97934A06RR0130B V78570 R291206RR0130B V50599 POSITION DATA: LH SIDE		002004 006100 107107 121503 904999	1
222	AS154B06RR0144B	.HOSE ASSY- SUPPLIER CODE: V00624 SPECIFICATION NUMBER: BACH8B06RR0144B OPTIONAL PART: B473-6RR0144B V98441 97934B06RR0144B V78570 R291216RR0144B V50599 POSITION DATA: RH SIDE		002004 006100 107107 121503 904999	1
225	AS115-10K0330	.HOSE ASSY		002004 006100 107107 121503 904999	1
230	AS154C06RN0244B	.HOSE ASSY SUPPLIER CODE: V00624 SPECIFICATION NUMBER: BACH8C06RN0244B OPTIONAL PART: B474-6RN0244B V98441 97934C06RN0244B V78570 R29121226RN0244 V50599		002004 006100 107107 121503 904999	1

MISSING ITEM NUMBERS NOT APPLICABLE

- ITEM NOT ILLUSTRATED

32-41-51-25

32-41-51  
FIG. 25  
PAGE 7  
JAN 20/09

BRI



757

PARTS CATALOG (MAINTENANCE)

FIG ITEM	PART NUMBER	1 2 3 4 5 6 7	NOMENCLATURE	EFFECT FROM TO	UNITS PER ASSY
25 235	AS117-10K0244	.HOSE	ASSY-	002004 006100 107107 121503 904999	1
240	AS154A06RR0334B	.HOSE	ASSY- SUPPLIER CODE: V00624 SPECIFICATION NUMBER: BACH8A06RR0334B OPTIONAL PART: B472-6RR0334B V98441 97934A06RR0334B V78570 R291206RR0334B V50599	002004 006100 107107 121503 904999	1
245	AS116-06K0274	.HOSE	ASSY-	002004 006100 107107 121503 904999	2
247	AS115-06K0136	.HOSE	ASSY- POSITION DATA: LH SIDE	002004 006100 107107 121503 904999	1
248	AS115-06K0122	.HOSE	ASSY- POSITION DATA: RH SIDE	002004 006100 107107 121503 904999	1
250	AS115-06K0134	.HOSE	ASSY- POSITION DATA: LH SIDE	002004 006100 107107 121503 904999	1
252	AS115-06K0136	.HOSE	ASSY- POSITION DATA: RH SIDE	002004 006100 107107 121503 904999	1
256	AS115-06K0344	.HOSE	ASSY-	002004 006100 107107 121503 904999	1

MISSING ITEM NUMBERS NOT APPLICABLE

- ITEM NOT ILLUSTRATED

32-41-51-25

32-41-51  
FIG. 25  
PAGE 8  
JAN 20/09

BRI

BOEING PROPRIETARY - Copyright © - Unpublished Work - See title page for details.



757

PARTS CATALOG (MAINTENANCE)

FIG ITEM	PART NUMBER	1 2 3 4 5 6 7	NOMENCLATURE	EFFECT FROM TO	UNITS PER ASSY
25 257	AS115-06K0354	.HOSE	ASSY-	002004 006100 107107 121503 904999	1
260	271N6611-1056	.TUBE	ASSY-PRESSURE POSITION DATA: L SYS LH SIDE TUBING MATERIAL: .375 IN. OD .019 IN. WALL 74.5 IN. LG BMS 7-234 TI-3AL-2.5V COLD WORKED, STRESS RELIEVED TUBING	002004 006100 107107 121503 904999	1
- 265	271N6611-1020	.TUBE	ASSY-PRESSURE POSITION DATA: L SYS RH SIDE TUBING MATERIAL: .375 IN. OD .019 IN. WALL 82.3 IN. LG BMS 7-234 TI-3AL-2.5V COLD WORKED, STRESS RELIEVED TUBING	002004 006100 107107 121503 904999	1
- 270	AS1581T06	..SLEEVE		002004 006100 107107 121503 904999	2
- 275	BACN10YA6	..NUT		002004 006100 107107 121503 904999	2
280	271N6611-1027	.TUBE	ASSY-RETURN POSITION DATA: L SYS LH SIDE TUBING MATERIAL: .625 IN. OD .032 IN. WALL 81.6 IN. LG TI BMS 7-234 TI-3AL-2.5V COLD WORKED, STRESS RELIEVED TUBING	002004 006100 107107 121503 904999	1

MISSING ITEM NUMBERS NOT APPLICABLE

- ITEM NOT ILLUSTRATED

32-41-51-25

32-41-51  
FIG. 25  
PAGE 9  
JAN 20/09

BRI



757

PARTS CATALOG (MAINTENANCE)

FIG ITEM	PART NUMBER	1 2 3 4 5 6 7	NOMENCLATURE	EFFECT FROM TO	UNITS PER ASSY
25 - 285	271N6611-1055		.TUBE ASSY-RETURN POSITION DATA: L SYS RH SIDE TUBING MATERIAL: .625 IN. OD .032 IN. WALL 75.6 IN. LG BMS 7-234 TI-3AL-2.5V COLD WORKED, STRESS RELIEVED TUBING	002004 006100 107107 121503 904999	1
- 290	AS1581T10		..SLEEVE	002004 006100 107107 121503 904999	2
- 295	BACN10YA10		..NUT	002004 006100 107107 121503 904999	2
300	271N6611-1016		.TUBE ASSY-BRAKE PRESSURE POSITION DATA: L SYS LH SIDE TUBING MATERIAL: .375 IN. OD .019 IN. WALL 76.2 IN. LG BMS 7-234 TI-3AL-2.5V COLD WORKED, STRESS RELIEVED TUBING	002004 006100 107107 121503 904999	1
- 305	271N6611-1022		.TUBE ASSY-BRAKE PRESSURE POSITION DATA: L SYS RH SIDE TUBING MATERIAL: .375 IN. OD .019 IN. WALL 80.7 IN. LG BMS 7-234 TI-3AL-2.5V COLD WORKED, STRESS RELIEVED TUBING	002004 006100 107107 121503 904999	1
310	271N6611-1026		.TUBE ASSY-BRAKE PRESSURE POSITION DATA: L SYS LH SIDE TUBING MATERIAL: .375 IN. OD .019 IN. WALL 77.0 IN. LG TI BMS 7-234 TI-3AL-2.5V COLD WORKED, STRESS RELIEVED TUBING	002004 006100 107107 121503 904999	1

MISSING ITEM NUMBERS NOT APPLICABLE

- ITEM NOT ILLUSTRATED

32-41-51-25

32-41-51  
FIG. 25  
PAGE 10  
JAN 20/09

BRI





757

PARTS CATALOG (MAINTENANCE)

FIG ITEM	PART NUMBER	1 2 3 4 5 6 7	NOMENCLATURE	EFFECT FROM TO	UNITS PER ASSY
25 - 315	271N6611-1019		.TUBE ASSY-BRAKE PRESSURE POSITION DATA: L SYS RH SIDE TUBING MATERIAL: .375 IN. OD .019 IN. WALL 78.8 IN. LG TI BMS 7-234 TI-3AL-2.5V COLD WORKED, STRESS RELIEVED TUBING	002004 006100 107107 121503 904999	1
320	271N6611-1028		.TUBE ASSY-BRAKE PRESSURE POSITION DATA: L SYS LH SIDE TUBING MATERIAL: .375 IN. OD .019 IN. WALL 78.8 IN. LG BMS 7-234 TI-3AL-2.5V COLD WORKED, STRESS RELIEVED TUBING	002004 006100 107107 121503 904999	1
- 325	271N6611-1024		.TUBE ASSY-BRAKE PRESSURE POSITION DATA: L SYS RH SIDE TUBING MATERIAL: .375 IN. OD .019 IN. WALL 77.1 IN. LG BMS 7-234 TI-3AL-2.5V COLD WORKED, STRESS RELIEVED TUBING	002004 006100 107107 121503 904999	1
330	271N6611-1017		.TUBE ASSY-BRAKE PRESSURE POSITION DATA: L SYS LH SIDE TUBING MATERIAL: .375 IN. OD .019 IN. WALL 80.8 IN. LG BMS 7-234 TI-3AL-2.5V COLD WORKED, STRESS RELIEVED TUBING	002004 006100 107107 121503 904999	1
- 335	271N6611-1023		.TUBE ASSY-BRAKE PRESSURE POSITION DATA: L SYS RH SIDE TUBING MATERIAL: .375 IN. OD .019 IN. WALL 76.00 IN. LG BMS 7-234 TI-3AL-2.5V COLD WORKED, STRESS RELIEVED TUBING	002004 006100 107107 121503 904999	1

MISSING ITEM NUMBERS NOT APPLICABLE

- ITEM NOT ILLUSTRATED

32-41-51-25

32-41-51  
FIG. 25  
PAGE 11  
JAN 20/09

BRI



757

PARTS CATALOG (MAINTENANCE)

FIG ITEM	PART NUMBER	1 2 3 4 5 6 7	NOMENCLATURE	EFFECT FROM TO	UNITS PER ASSY
25					
- 340	AS1581T06	. .	SLEEVE	002004 006100 107107 121503 904999	2
- 345	BACN10YA6	. .	NUT	002004 006100 107107 121503 904999	2
490	BACU24L6	.UNION		002004 006100 107107 121503 904999	4
492	BACU24L6	.UNION-	POSITION DATA: LH SIDE	002004 006100 107107 121503 904999	1
493	BACU24L6	.UNION-	POSITION DATA: RH SIDE	002004 006100 107107 121503 904999	2
495	BACU24L10	.UNION		002004 006100 107107 121503 904999	1
500	BACU24L10	.UNION-	POSITION DATA: LH SIDE	002004 006100 107107 121503 904999	1
502	BACU24L10	.UNION-	POSITION DATA: RH SIDE	002004 006100 107107 121503 904999	3
- 505	BACU24L4	.UNION		002004 006100 107107 121503 904999	1

MISSING ITEM NUMBERS NOT APPLICABLE

- ITEM NOT ILLUSTRATED

32-41-51-25

32-41-51  
FIG. 25  
PAGE 12  
JAN 20/09

BRI

BOEING PROPRIETARY - Copyright © - Unpublished Work - See title page for details.



757

PARTS CATALOG (MAINTENANCE)

FIG ITEM	PART NUMBER	1 2 3 4 5 6 7	NOMENCLATURE	EFFECT FROM TO	UNITS PER ASSY
25 510	APX832T0406	.UNION	SUPPLIER CODE: V01673 SPECIFICATION NUMBER: BACU24AA0406T OPTIONAL PART: ER832-0406T V50948 2-010890406T V11328 AFP238-0406T V30974 APX832-0406T V01673 DB0U24AA0406T V61498 FER1579-0406T V14397 US2113-0406T V50808 2-01089T0406 V11328	002004 006100 107107 121503 904999	1
515	APX832T0806	.UNION	SUPPLIER CODE: V01673 SPECIFICATION NUMBER: BACU24AA0806T OPTIONAL PART: ER832-0806T V50948 LER832-0806T V11328 2-010890806T V11328 AFP238-0806T V30974 APX832-0806T V01673 DB0U24AA0806T V61498 FER1579-0806T V14397 US2113-0806T V50808 2-01089T0806 V11328 APX832F0806T V01673	002004 006100 107107 121503 904999	2

MISSING ITEM NUMBERS NOT APPLICABLE

- ITEM NOT ILLUSTRATED

32-41-51-25

32-41-51  
FIG. 25  
PAGE 13  
JAN 20/09

BRI



757

PARTS CATALOG (MAINTENANCE)

FIG ITEM	PART NUMBER	1 2 3 4 5 6 7	NOMENCLATURE	EFFECT FROM TO	UNITS PER ASSY
25					
520	BACU24L8	.	UNION	002004 006100 107107 121503 904999	2
525	BACE21BM0606T	.	ELBOW-	002004 006100 107107 121503 904999	1
525	BACE21BM0606J	.	ELBOW-	002004 006100 107107 121503 904999	1
527	BACE21BM0606T	.	ELBOW- POSITION DATA: LH SIDE	002004 006100 107107 121503 904999	1
527	BACE21BM0606J	.	ELBOW- POSITION DATA: LH SIDE	002004 006100 107107 121503 904999	1
530	BACE21BM1010T	.	ELBOW- POSITION DATA: LH SIDE	002004 006100 107107 121503 904999	1
530	BACE21BM1010J	.	ELBOW- POSITION DATA: LH SIDE	002004 006100 107107 121503 904999	1
535	BACE21BN1010T	.	ELBOW- POSITION DATA: LH SIDE	002004 006100 107107 121503 904999	1
535	BACE21BN1010J	.	ELBOW- POSITION DATA: LH SIDE	002004 006100 107107 121503 904999	1

MISSING ITEM NUMBERS NOT APPLICABLE

- ITEM NOT ILLUSTRATED

32-41-51-25

32-41-51  
FIG. 25  
PAGE 14  
JAN 20/09

BRI

BOEING PROPRIETARY - Copyright © - Unpublished Work - See title page for details.



757

PARTS CATALOG (MAINTENANCE)

FIG ITEM	PART NUMBER	1 2 3 4 5 6 7	NOMENCLATURE	EFFECT FROM TO	UNITS PER ASSY
25					
537	BACE21BN0404T	.ELBOW-	POSITION DATA: LH SIDE	002004 006100 107107 121503 904999	1
537	BACE21BN0404J	.ELBOW-	POSITION DATA: LH SIDE	002004 006100 107107 121503 904999	1
540	BACE21BN0404T	.ELBOW-	POSITION DATA: RH SIDE	002004 006100 107107 121503 904999	1
540	BACE21BN0404J	.ELBOW-	POSITION DATA: RH SIDE	002004 006100 107107 121503 904999	1
545	BACE21BN0606T	.ELBOW-		002004 006100 107107 121503 904999	2
545	BACE21BN0606J	.ELBOW-		002004 006100 107107 121503 904999	2
547	BACE21BN0606T	.ELBOW-	POSITION DATA: LH SIDE	002004 006100 107107 121503 904999	2
547	BACE21BN0606J	.ELBOW-	POSITION DATA: LH SIDE	002004 006100 107107 121503 904999	2
548	BACE21BN0606T	.ELBOW-	POSITION DATA: RH SIDE	002004 006100 107107 121503 904999	2

MISSING ITEM NUMBERS NOT APPLICABLE

- ITEM NOT ILLUSTRATED

32-41-51-25

32-41-51  
FIG. 25  
PAGE 15  
JAN 20/09

BRI

BOEING PROPRIETARY - Copyright © - Unpublished Work - See title page for details.



757

PARTS CATALOG (MAINTENANCE)

FIG ITEM	PART NUMBER	1 2 3 4 5 6 7	NOMENCLATURE	EFFECT FROM TO	UNITS PER ASSY
25 548	BACE21BN0606J	.ELBOW-	POSITION DATA: RH SIDE	002004 006100 107107 121503 904999	2
550	BACE21BN0808T	.ELBOW-	POSITION DATA: LH SIDE	002004 006100 107107 121503 904999	2
550	BACE21BN0808J	.ELBOW-	POSITION DATA: LH SIDE	002004 006100 107107 121503 904999	2
552	BACE21BN0808T	.ELBOW-	POSITION DATA: RH SIDE	002004 006100 107107 121503 904999	2
552	BACE21BN0808J	.ELBOW-	POSITION DATA: RH SIDE	002004 006100 107107 121503 904999	2
555	NAS1762T1010	.ELBOW-	OPTIONAL PART: BACE21AW1010T	002004 006100 107107 121503 904999	1

MISSING ITEM NUMBERS NOT APPLICABLE

- ITEM NOT ILLUSTRATED

32-41-51-25

32-41-51  
FIG. 25  
PAGE 16  
JAN 20/09

BRI



757

PARTS CATALOG (MAINTENANCE)

FIG ITEM	PART NUMBER	1 2 3 4 5 6 7	NOMENCLATURE	EFFECT FROM TO	UNITS PER ASSY
25 555	AP1010T1010	.ELBOW	SUPPLIER CODE: V01673 SPECIFICATION NUMBER: BACE21AW1010 OPTIONAL PART: AP1010-1010 V01673 DB0E21AW1010 V14798 FER1569-1010 V14397 W30833T1010 V11328 4671114-1010 V50948 AFP334-1010 V30974 DB0E21AW1010 V61498 US2109-1010 V50808 W30833-1010 V11328 AFP344-1010 V30974	107107	1
555	NAS1762J1010	.ELBOW-		002004 006100 107107 121503 904999	1
560	NAS1762T0606	.ELBOW-		002004 006100 107107 121503 904999	1
560	NAS1762J0606	.ELBOW-	MISCELLANEOUS DATA: OPTIONAL PART NUMBER: BAC21BT0606JN (81205)	002004 006100 107107 121503 904999	1
570	AN924-4D	.NUT		002004 006100 107107 121503 904999	2

MISSING ITEM NUMBERS NOT APPLICABLE

- ITEM NOT ILLUSTRATED

32-41-51-25

32-41-51  
FIG. 25  
PAGE 17  
JAN 20/09

BRI



757

PARTS CATALOG (MAINTENANCE)

FIG ITEM	PART NUMBER	1 2 3 4 5 6 7	NOMENCLATURE	EFFECT FROM TO	UNITS PER ASSY
25 572	AN924-4D	.NUT-	POSITION DATA: LH SIDE	002004 006100 107107 121503 904999	1
573	AN924-4D	.NUT-	POSITION DATA: RH SIDE	002004 006100 107107 121503 904999	1
575	AN924-6D	.NUT		002004 006100 107107 121503 904999	8
577	AN924-6D	.NUT-	POSITION DATA: LH SIDE	002004 006100 107107 121503 904999	3
578	AN924-6D	.NUT-	POSITION DATA: RH SIDE	002004 006100 107107 121503 904999	3
580	AN924-8D	.NUT		002004 006100 107107 121503 904999	4
582	AN924-8D	.NUT-	POSITION DATA: LH SIDE	002004 006100 107107 121503 904999	2
583	AN924-8D	.NUT-	POSITION DATA: RH SIDE	002004 006100 107107 121503 904999	2
585	AN924-10D	.NUT		002004 006100 107107 121503 904999	2

MISSING ITEM NUMBERS NOT APPLICABLE

- ITEM NOT ILLUSTRATED

32-41-51-25

32-41-51  
FIG. 25  
PAGE 18  
JAN 20/09

BRI

BOEING PROPRIETARY - Copyright © - Unpublished Work - See title page for details.





757

PARTS CATALOG (MAINTENANCE)

FIG ITEM	PART NUMBER	1 2 3 4 5 6 7	NOMENCLATURE	EFFECT FROM TO	UNITS PER ASSY
25 590	AN924-10D	.NUT-	POSITION DATA: LH SIDE	002004 006100 107107 121503 904999	2
592	AN924-10D	.NUT-	POSITION DATA: RH SIDE	002004 006100 107107 121503 904999	2
600	AN960KD916	.WASHER		002004 006100 107107 121503 904999	1
602	AN960KD916	.WASHER-	POSITION DATA: LH SIDE	002004 006100 107107 121503 904999	1
605	AN960KD1416	.WASHER-	POSITION DATA: LH SIDE	002004 006100 107107 121503 904999	1
- 625	271N6179-3	.BRACKET INSTL-TUBE SPRT LG	POSITION DATA: L FOR DETAILS SEE: 32-11-11-02	002004 006100 107107 121503 904999	1
- 630	271N6179-4	.BRACKET INSTL-TUBE SPRT LG	POSITION DATA: R FOR DETAILS SEE: 32-11-11-02	002004 006100 107107 121503 904999	1
800			ILLUSTRATION REFERENCE: PLUMBING INSTL-SECT. 12 L WING INBD HYDR (HYDR BRAKE SYS ONLY) 32-41-51-15	002004 006100 107107 121503 904999	RF
805			ILLUSTRATION REFERENCE: PLUMBING INSTL- SECT. 12 HYDR R WING INBD (HYDRAULIC BRAKE SYSTEM ONLY) 32-41-51-16	002004 006100 107107 121503 904999	RF

MISSING ITEM NUMBERS NOT APPLICABLE

- ITEM NOT ILLUSTRATED

BRI

# 32-41-51-25

32-41-51  
FIG. 25  
PAGE 19  
JAN 20/09



757

PARTS CATALOG (MAINTENANCE)

FIG ITEM	PART NUMBER	1 2 3 4 5 6 7	NOMENCLATURE	EFFECT FROM TO	UNITS PER ASSY
25 810			ILLUSTRATION REFERENCE: PLUMBING INSTL-INBD WING SECT. 12 HYDR LH (MAIN GEAR EXTENSION AND RETRACTION ONLY) 32-32-51-15	002004 006100 107107 121503 904999	RF
815			ILLUSTRATION REFERENCE: PLUMBING INSTL-SECT. 12 HYDR R WING INBD (MAIN GEAR EXTENSION AND RETRACTION ONLY) 32-32-51-16	002004 006100 107107 121503 904999	RF
900			ILLUSTRATION REFERENCE: WHEEL AND BRAKE INSTL-MLG (HYDRAULIC BRAKE SYSTEM ONLY) 32-41-10-01	002004 006100 107107 121503 904999	RF

MISSING ITEM NUMBERS NOT APPLICABLE

- ITEM NOT ILLUSTRATED

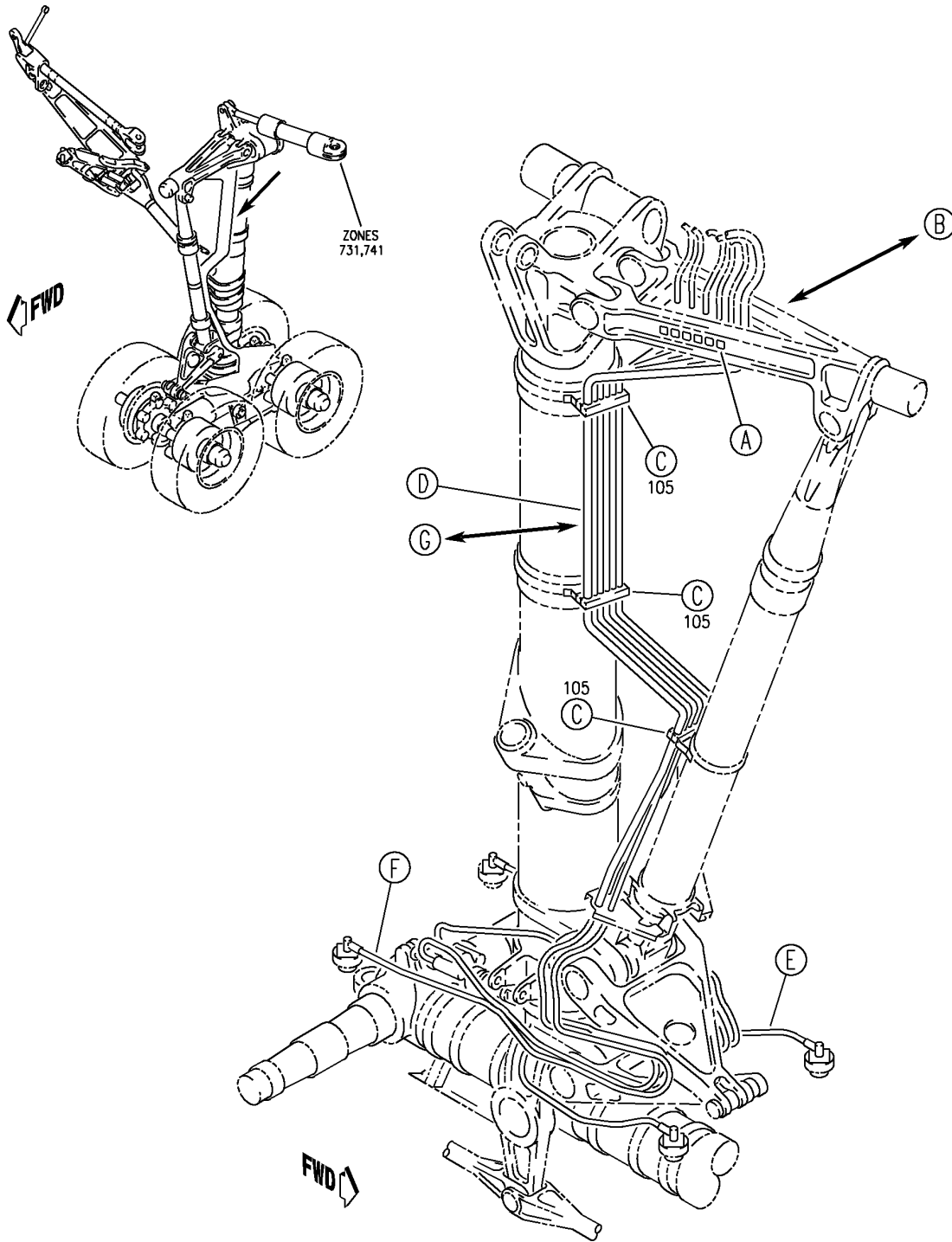
BRI

# 32-41-51-25

BOEING PROPRIETARY - Copyright © - Unpublished Work - See title page for details.

32-41-51  
FIG. 25  
PAGE 20  
JAN 20/09

**BOEING**  
757  
PARTS CATALOG (MAINTENANCE)



Y 32415125A SHT 1 REV 296

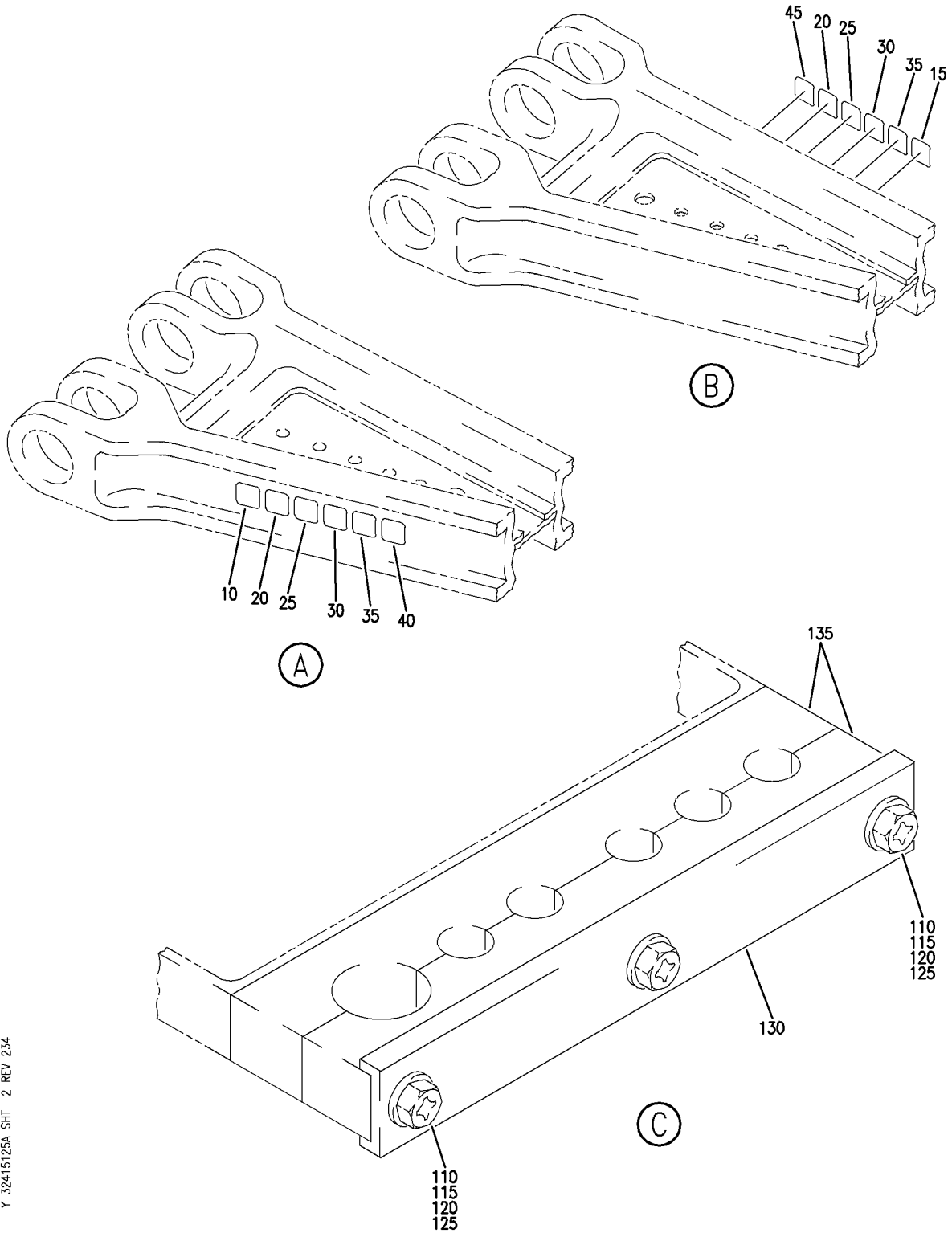
PLUMBING INSTL-MLG SECT. 61 HYDR  
FIGURE 25A (SHEET 1)

BRI  
MAY 28/07

**32-41-51-25A**

32-41-51-25A  
PAGE 0

**BOEING**  
757  
PARTS CATALOG (MAINTENANCE)



Y 32415125A SH1 2 REV 234

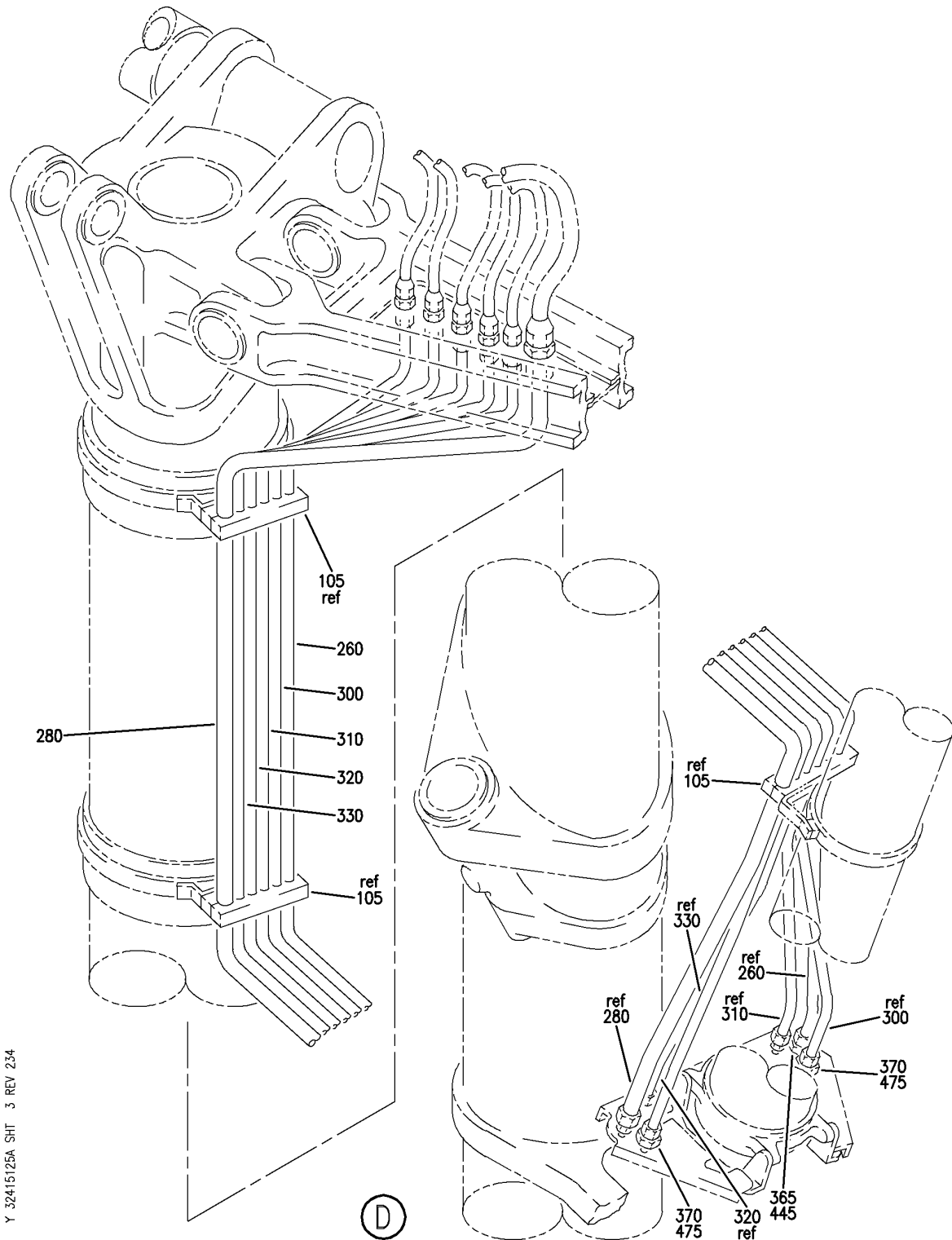
PLUMBING INSTL-MLG SECT. 61 HYDR  
FIGURE 25A (SHEET 2)

**32-41-51-25A**

BRI  
MAY 28/07

32-41-51-25A  
PAGE 0A

**BOEING**  
757  
PARTS CATALOG (MAINTENANCE)



Y 32415125A SH1 3 REV 234

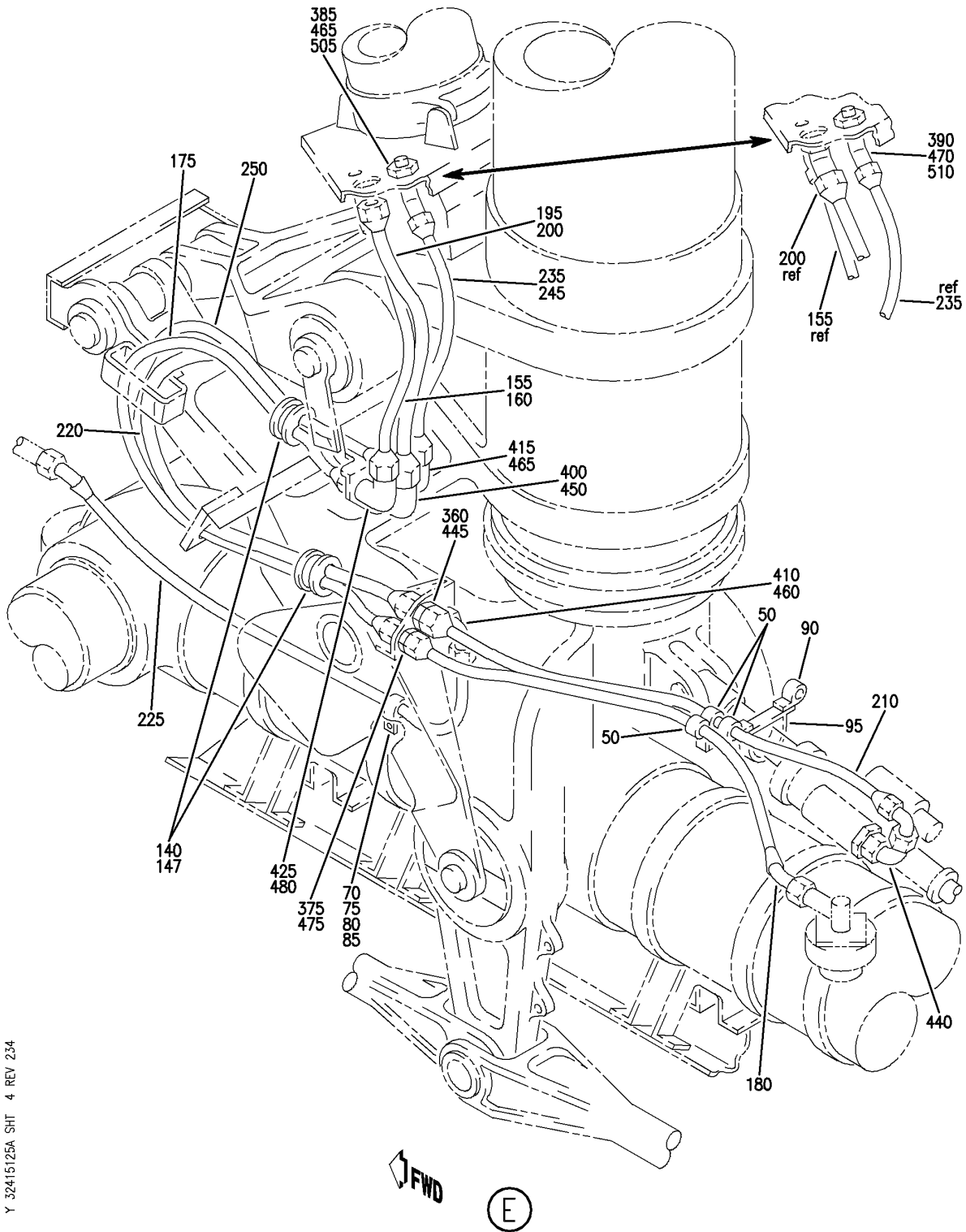
PLUMBING INSTL-MLG SECT. 61 HYDR  
FIGURE 25A (SHEET 3)

**32-41-51-25A**

BRI  
MAY 28/07

32-41-51-25A  
PAGE 0B

**BOEING**  
757  
PARTS CATALOG (MAINTENANCE)



Y 32415125A SH1 4 REV 234

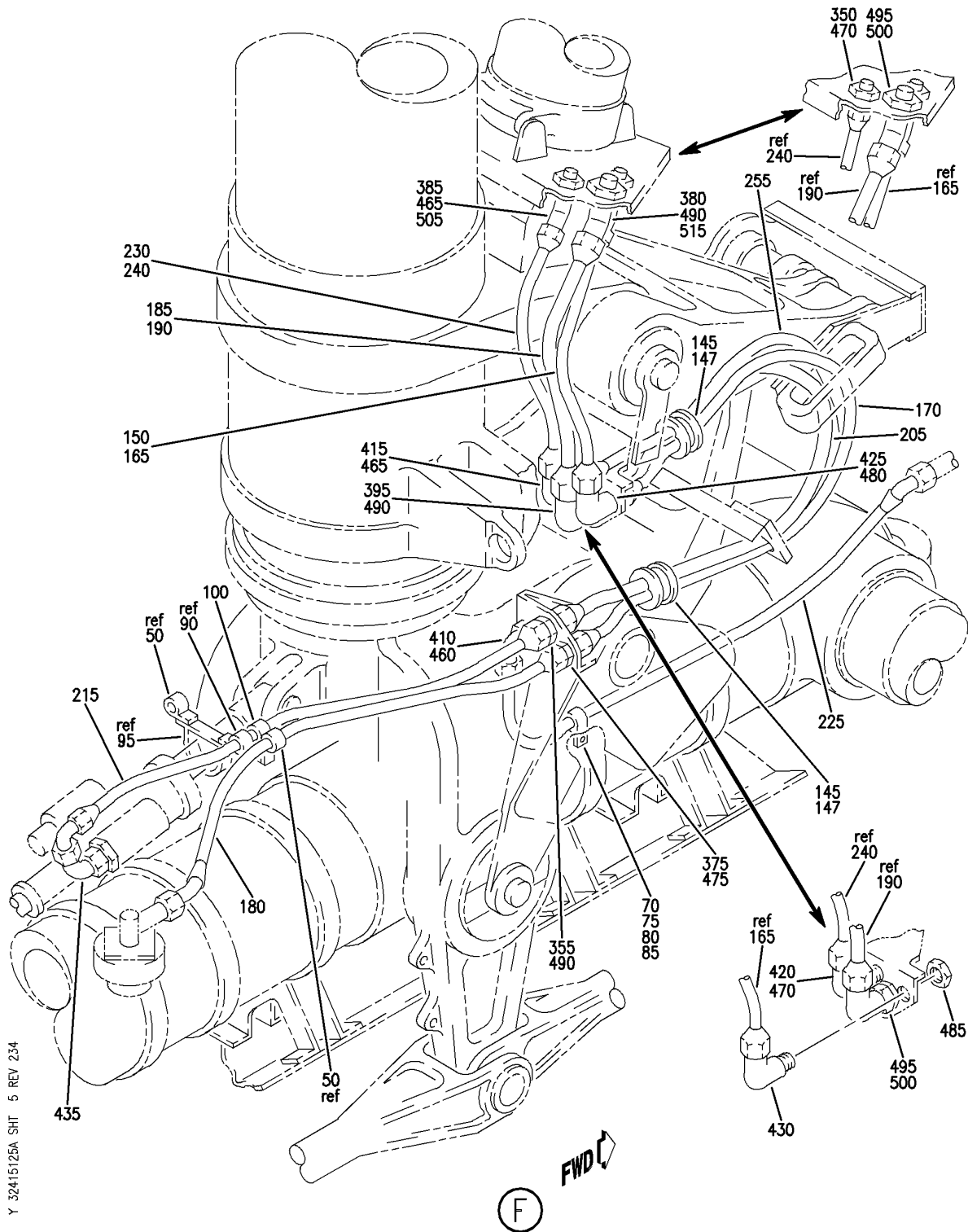
PLUMBING INSTL-MLG SECT. 61 HYDR  
FIGURE 25A (SHEET 4)

**32-41-51-25A**

BRI  
MAY 28/07

32-41-51-25A  
PAGE 0C

**BOEING**  
757  
PARTS CATALOG (MAINTENANCE)



Y 32415125A SH1 5 REV 234

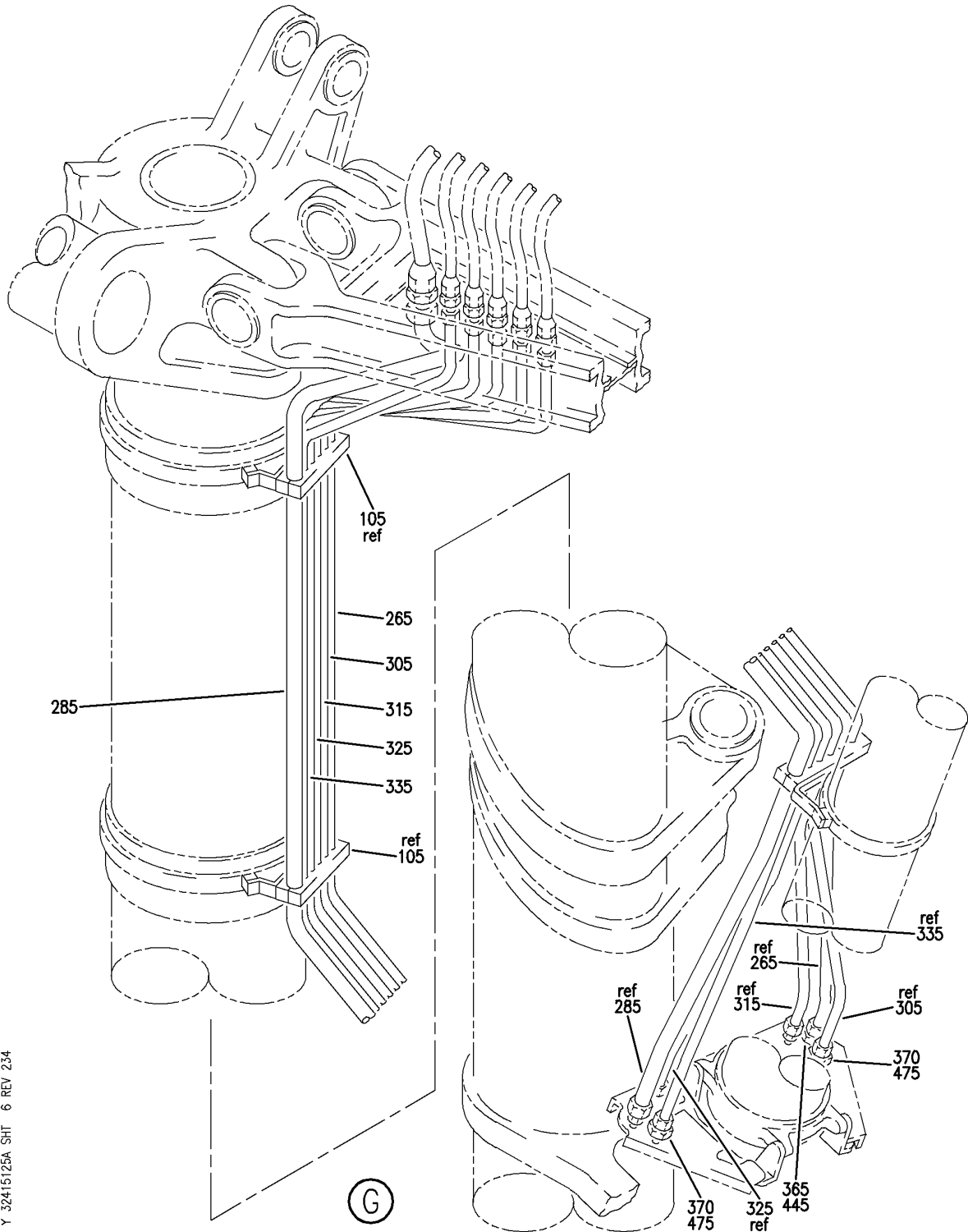
PLUMBING INSTL-MLG SECT. 61 HYDR  
FIGURE 25A (SHEET 5)

**32-41-51-25A**

BRI  
MAY 28/07

32-41-51-25A  
PAGE 0D

**BOEING**  
757  
PARTS CATALOG (MAINTENANCE)



Y 32415125A SH1 6 REV 234

PLUMBING INSTL-MLG SECT. 61 HYDR  
FIGURE 25A (SHEET 6)

**32-41-51-25A**

BRI  
MAY 28/07

32-41-51-25A  
PAGE 0E





757

PARTS CATALOG (MAINTENANCE)

FIG ITEM	PART NUMBER	1 2 3 4 5 6 7	NOMENCLATURE	EFFECT FROM TO	UNITS PER ASSY
25A			PLUMBING INSTL-MLG SECT. 61 HYDR	101106 108120 504903	
- 1	271N6611-3		PLUMBING INSTL-MLG HYDR POSITION DATA: SECT. 61 LH FOR NHA SEE: 32-00-00-02	101102 108120 504903	RF
- 1	MODREF31789		PLUMBING INSTL-MLG HYDR MODULE NUMBER: 271N6611-3 REV B POSITION DATA: SECT. 61 LH	103106	1
- 5	271N6611-4		PLUMBING INSTL-MLG HYDR POSITION DATA: SECT. 61 RH FOR NHA SEE: 32-00-00-02	101102 108120 504903	RF
- 5	MODREF31718		PLUMBING INSTL-MLG HYDR MODULE NUMBER: 271N6611-4 REV B POSITION DATA: SECT. 61 RH	103106	1
10	BAC27NHY0176		.MARKER-ALUMINUM FOIL POSITION DATA: LH SIDE PLACARD CONTENT: TRUCK POSN PRESS	101106 108120 504903	1
15	BAC27NHY0176		.MARKER-ALUMINUM FOIL POSITION DATA: RH SIDE PLACARD CONTENT: TRUCK POSN PRESS	101106 108120 504903	1
20	BAC27NHY0175		.MARKER-ALUMINUM FOIL PLACARD CONTENT: BRK OUTBD AFT	101106 108120 504903	1
25	BAC27NHY0173		.MARKER-ALUMINUM FOIL PLACARD CONTENT: BRK OUTBD FWD	101106 108120 504903	1
30	BAC27NHY0172		.MARKER-ALUMINUM FOIL PLACARD CONTENT: BRK INBD FWD	101106 108120 504903	1
35	BAC27NHY0174		.MARKER-ALUMINUM FOIL PLACARD CONTENT: BRK INBD AFT	101106 108120 504903	1

MISSING ITEM NUMBERS NOT APPLICABLE

- ITEM NOT ILLUSTRATED

32-41-51-25A

32-41-51  
FIG. 25A  
PAGE 1  
JAN 20/09

BRI

BOEING PROPRIETARY - Copyright © - Unpublished Work - See title page for details.



757

PARTS CATALOG (MAINTENANCE)

FIG ITEM	PART NUMBER	1 2 3 4 5 6 7	NOMENCLATURE	EFFECT FROM TO	UNITS PER ASSY
25A					
40	BAC27NHY0177		.MARKER-ALUMINUM FOIL POSITION DATA: LH SIDE PLACARD CONTENT: TRUCK POSN RET	101106 108120 504903	1
45	BAC27NHY0177		.MARKER-ALUMINUM FOIL POSITION DATA: RH SIDE PLACARD CONTENT: TRUCK POSN RET	101106 108120 504903	1
50	M85052-2-8		.CLAMP	101106 108120 504903	5
			ATTACHING PARTS		
- 55	NAS1801-3		.SCREW	101106 108120 504903	5
- 60	AN960YD10L		.WASHER	101106 108120 504903	AR
- 65	MS21042L3		.NUT	101106 108120 504903	5
			-----*-----		
70	M85052-2-8		.CLAMP	101106 108120 504903	2
75	NAS1801-3		.SCREW	101106 108120 504903	2
80	AN960YD10L		.WASHER	101106 108120 504903	AR
85	MS21042L3		.NUT	101106 108120 504903	2
90	M85052-2-12		.CLAMP	101106 108120 504903	2
95	TA0910004H128		.CLAMP SUPPLIER CODE: V84971 SPECIFICATION NUMBER: BACC10HB28C	101106 108120 504903	2
100	M85052-2-11		.CLAMP	101106 108120 504903	1

MISSING ITEM NUMBERS NOT APPLICABLE

- ITEM NOT ILLUSTRATED

32-41-51-25A

32-41-51  
FIG. 25A  
PAGE 2  
JAN 20/09

BRI

BOEING PROPRIETARY - Copyright © - Unpublished Work - See title page for details.



757

PARTS CATALOG (MAINTENANCE)

FIG ITEM	PART NUMBER	1 2 3 4 5 6 7	NOMENCLATURE	EFFECT FROM TO	UNITS PER ASSY
25A 105	270N2000-38	.	CLAMP ASSY-BLK	101106 108120 504903	3
110	NAS1801-3-28	..	SCREW	101106 108120 504903	3
115	AN960PD10L	..	WASHER	101106 108120 504903	3
120	NAS43DD3-75	..	SPACER	101106 108120 504903	3
125	BRH10A3	..	NUT SUPPLIER CODE: V52828 SPECIFICATION NUMBER: BACN10JC3 OPTIONAL PART: H10-3BAC V15653 NS202101-02 V80539 RMLH9075-3W V72962 VN303A02 V92215 96-02 V80539 T6S1032J V11815	101106 108120 504903	3
130	270N2000-826	..	CHANNEL	101106 108120 504903	1
135	270N2000-459	..	BLOCK	101106 108120 504903	2
140	270N2000-1292	.	CLAMP ASSY-BLOCK	101106 108120 504903	2
145	270N2000-1293	.	CLAMP ASSY-BLOCK	101106 108120 504903	2
147	900591B5C	.	CLAMP ASSY-BAND OPTIONAL PART: NAS1922-0175-3H	101106 108120 504903	4
147	NAS1922-0175-3H	.	CLAMP- OPTIONAL PART: 900591B5C	101106 108120 504903	4

MISSING ITEM NUMBERS NOT APPLICABLE

- ITEM NOT ILLUSTRATED

32-41-51-25A

32-41-51  
FIG. 25A  
PAGE 3  
JAN 20/09

BRI

BOEING PROPRIETARY - Copyright © - Unpublished Work - See title page for details.



757

PARTS CATALOG (MAINTENANCE)

FIG ITEM	PART NUMBER	1 2 3 4 5 6 7	NOMENCLATURE	EFFECT FROM TO	UNITS PER ASSY
25A 150	AS154B06EE0135B	.HOSE ASSY-	SUPPLIER CODE: V00624 SPECIFICATION NUMBER: BACH8B06EE0135B OPTIONAL PART: B473-6EE0135B V98441 97934B06EE0135B V78570 R291216EE0135B V50599 POSITION DATA: LH SIDE	101106 108120 504903	1
155	AS154B06EE0135B	.HOSE ASSY-	SUPPLIER CODE: V00624 SPECIFICATION NUMBER: BACH8B06EE0135B OPTIONAL PART: B473-6EE0135B V98441 97934B06EE0135B V78570 R291216EE0135B V50599 POSITION DATA: RH SIDE	101106 108120 504903	1
160	AS154B06EE0124B	.HOSE ASSY-	SUPPLIER CODE: V00624 SPECIFICATION NUMBER: BACH8B06EE0124B OPTIONAL PART: B473-6EE0124B V98441 97934B06EE0124B V78570 R291216EE0124B V50599 POSITION DATA: LH SIDE	101106 108120 504903	1

MISSING ITEM NUMBERS NOT APPLICABLE

- ITEM NOT ILLUSTRATED

32-41-51-25A

32-41-51  
FIG. 25A  
PAGE 4  
JAN 20/09

BRI



757

PARTS CATALOG (MAINTENANCE)

FIG ITEM	PART NUMBER	1 2 3 4 5 6 7	NOMENCLATURE	EFFECT FROM TO	UNITS PER ASSY
25A 165	AS154B06EE0124B	.HOSE ASSY-	SUPPLIER CODE: V00624 SPECIFICATION NUMBER: BACH8B06EE0124B OPTIONAL PART: B473-6EE0124B V98441 97934B06EE0124B V78570 R291216EE0124B V50599 POSITION DATA: RH SIDE	101106 108120 504903	1
170	AS154A06EE0344B	.HOSE ASSY	SUPPLIER CODE: V00624 SPECIFICATION NUMBER: BACH8A06EE0344B OPTIONAL PART: B472-6EE0344B V98441 97934A06EE0344B V78570 R291206EE0344B V50599	101106 108120 504903	1
175	AS154A06EE354B	.HOSE ASSY	SUPPLIER CODE: V00624 SPECIFICATION NUMBER: BACH8A06EE0354B OPTIONAL PART: B472-6EE0354B V98441 9793406EE0354B V78570 R29106EE0354B V50599	101106 108120 504903	1

MISSING ITEM NUMBERS NOT APPLICABLE

- ITEM NOT ILLUSTRATED

32-41-51-25A

32-41-51  
FIG. 25A  
PAGE 5  
JAN 20/09

BRI

BOEING PROPRIETARY - Copyright © - Unpublished Work - See title page for details.



757

PARTS CATALOG (MAINTENANCE)

FIG ITEM	PART NUMBER	1 2 3 4 5 6 7	NOMENCLATURE	EFFECT FROM TO	UNITS PER ASSY
25A 180	AS154B06EN0242B	.HOSE ASSY	SUPPLIER CODE: V00624 SPECIFICATION NUMBER: BACH8B06EN0242B OPTIONAL PART: B473-6EN0242B V98441 97934B06EN0242B V78570 R291216EN0242B V50599	101106 108120 504903	2
185	AS115-10K0140	.HOSE ASSY-	POSITION DATA: LH SIDE	101106 108120 504903	1
190	AS119J144K180	.HOSE ASSY-	POSITION DATA: RH SIDE	101106 108120 504903	1
195	AS154A06RR0130B	.HOSE ASSY-	SUPPLIER CODE: V00624 SPECIFICATION NUMBER: BACH8A06RR0130B OPTIONAL PART: B472-6RR0130B V98441 97934A06RR0130B V78570 R291206RR0130B V50599 POSITION DATA: LH SIDE	101106 108120 504903	1
200	AS154B06RR0144B	.HOSE ASSY-	SUPPLIER CODE: V00624 SPECIFICATION NUMBER: BACH8B06RR0144B OPTIONAL PART: B473-6RR0144B V98441 97934B06RR0144B V78570 R291216RR0144B V50599 POSITION DATA: RH SIDE	101106 108120 504903	1
205	AS115-10K0330	.HOSE ASSY		101106 108120 504903	1

MISSING ITEM NUMBERS NOT APPLICABLE

- ITEM NOT ILLUSTRATED

32-41-51-25A

32-41-51  
FIG. 25A  
PAGE 6  
JAN 20/09

BRI

BOEING PROPRIETARY - Copyright © - Unpublished Work - See title page for details.



757

PARTS CATALOG (MAINTENANCE)

FIG ITEM	PART NUMBER	1 2 3 4 5 6 7	NOMENCLATURE	EFFECT FROM TO	UNITS PER ASSY
25A 210	AS154C06RN0244B	.HOSE ASSY SUPPLIER CODE: V00624 SPECIFICATION NUMBER: BACH8C06RN0244B OPTIONAL PART: B474-6RN0244B V98441 97934C06RN0244B V78570 R29121226RN0244 V50599		101106 108120 504903	1
215	AS117-10K0244	.HOSE ASSY		101106 108120 504903	1
220	AS154A06RR0334B	.HOSE ASSY SUPPLIER CODE: V00624 SPECIFICATION NUMBER: BACH8A06RR0334B OPTIONAL PART: B472-6RR0334B V98441 97934A06RR0334B V78570 R291206RR0334B V50599		101106 108120 504903	1
225	AS116-06K0274	.HOSE ASSY		101106 108120 504903	2
230	AS115-06K0136	.HOSE ASSY- POSITION DATA: LH SIDE		101106 108120 504903	1
235	AS115-06K0136	.HOSE ASSY- POSITION DATA: RH SIDE		101106 108120 504903	1
240	AS115-06K0122	.HOSE ASSY- POSITION DATA: RH SIDE		101106 108120 504903	1
245	AS115-06K0134	.HOSE ASSY- POSITION DATA: LH SIDE		101106 108120 504903	1
250	AS115-06K0344	.HOSE ASSY		101106 108120 504903	1
255	AS115-06K0354	.HOSE ASSY		101106 108120 504903	1

MISSING ITEM NUMBERS NOT APPLICABLE

- ITEM NOT ILLUSTRATED

32-41-51-25A

32-41-51  
FIG. 25A  
PAGE 7  
JAN 20/09

BRI

BOEING PROPRIETARY - Copyright © - Unpublished Work - See title page for details.



757

PARTS CATALOG (MAINTENANCE)

FIG ITEM	PART NUMBER	1 2 3 4 5 6 7	NOMENCLATURE	EFFECT FROM TO	UNITS PER ASSY
25A 260	271N6611-1056		.TUBE ASSY-PRESSURE POSITION DATA: L SYS LH SIDE TUBING MATERIAL: .375 IN. OD .019 IN. WALL 74.5 IN. LG BMS 7-234 TI-3AL-2.5V COLD WORKED, STRESS RELIEVED TUBING	101106 108120 504903	1
265	271N6611-1020		.TUBE ASSY-PRESSURE POSITION DATA: L SYS RH SIDE TUBING MATERIAL: .375 IN. OD .019 IN. WALL 82.3 IN. LG BMS 7-234 TI-3AL-2.5V COLD WORKED, STRESS RELIEVED TUBING	101106 108120 504903	1
- 270	AS1581T06		..SLEEVE	101106 108120 504903	2
- 275	BACN10YA6		..NUT-	101106 108120 504903	2
280	271N6611-1027		.TUBE ASSY-RETURN POSITION DATA: L SYS LH SIDE TUBING MATERIAL: .625 IN. OD .032 IN. WALL 81.6 IN. LG BMS 7-234 TI-3AL-2.5V COLD WORKED, STRESS RELIEVED TUBING	101106 108120 504903	1
285	271N6611-1055		.TUBE ASSY-RETURN POSITION DATA: L SYS RH SIDE TUBING MATERIAL: .625 IN. OD .032 IN. WALL 75.6 IN. LG BMS 7-234 TI-3AL-2.5V COLD WORKED, STRESS RELIEVED TUBING	101106 108120 504903	1
- 290	AS1581T10		..SLEEVE	101106 108120 504903	2
- 295	BACN10YA10		..NUT-	101106 108120 504903	2

MISSING ITEM NUMBERS NOT APPLICABLE

- ITEM NOT ILLUSTRATED

32-41-51-25A

32-41-51  
FIG. 25A  
PAGE 8  
JAN 20/09

BRI

BOEING PROPRIETARY - Copyright © - Unpublished Work - See title page for details.





757

PARTS CATALOG (MAINTENANCE)

FIG ITEM	PART NUMBER	1 2 3 4 5 6 7	NOMENCLATURE	EFFECT FROM TO	UNITS PER ASSY
25A 300	271N6611-1016		.TUBE ASSY-BRAKE PRESSURE POSITION DATA: L SYS LH SIDE TUBING MATERIAL: .375 IN. OD .019 IN. WALL 76.2 IN. LG BMS 7-234 TI-3AL-2.5V COLD WORKED, STRESS RELIEVED TUBING	101106 108120 504903	1
305	271N6611-1022		.TUBE ASSY-BRAKE PRESSURE POSITION DATA: L SYS RH SIDE TUBING MATERIAL: .375 IN. OD .019 IN. WALL 80.7 IN. LG BMS 7-234 TI-3AL-2.5V COLD WORKED, STRESS RELIEVED TUBING	101106 108120 504903	1
310	271N6611-1026		.TUBE ASSY-BRAKE PRESSURE POSITION DATA: L SYS LH SIDE TUBING MATERIAL: .375 IN. OD .019 IN. WALL 77.0 IN. LG TI BMS 7-234 TI-3AL-2.5V COLD WORKED, STRESS RELIEVED TUBING	101106 108120 504903	1
315	271N6611-1019		.TUBE ASSY-BRAKE PRESSURE POSITION DATA: L SYS RH SIDE TUBING MATERIAL: .375 IN. OD .019 IN. WALL 78.8 IN. LG TI BMS 7-234 TI-3AL-2.5V COLD WORKED, STRESS RELIEVED TUBING	101106 108120 504903	1
320	271N6611-1028		.TUBE ASSY-BRAKE PRESSURE POSITION DATA: L SYS LH SIDE TUBING MATERIAL: .375 IN. OD .019 IN. WALL 78.8 IN. LG BMS 7-234 TI-3AL-2.5V COLD WORKED, STRESS RELIEVED TUBING	101106 108120 504903	1

MISSING ITEM NUMBERS NOT APPLICABLE

- ITEM NOT ILLUSTRATED

32-41-51-25A

32-41-51  
FIG. 25A  
PAGE 9  
JAN 20/09

BRI



757

PARTS CATALOG (MAINTENANCE)

FIG ITEM	PART NUMBER	1 2 3 4 5 6 7	NOMENCLATURE	EFFECT FROM TO	UNITS PER ASSY
25A 325	271N6611-1024		.TUBE ASSY-BRAKE PRESSURE POSITION DATA: L SYS RH SIDE TUBING MATERIAL: .375 IN. OD .019 IN. WALL 77.1 IN. LG BMS 7-234 TI-3AL-2.5V COLD WORKED, STRESS RELIEVED TUBING	101106 108120 504903	1
330	271N6611-1017		.TUBE ASSY-BRAKE PRESSURE POSITION DATA: L SYS LH SIDE TUBING MATERIAL: .375 IN. OD .019 IN. WALL 80.8 IN. LG BMS 7-234 TI-3AL-2.5V COLD WORKED, STRESS RELIEVED TUBING	101106 108120 504903	1
335	271N6611-1023		.TUBE ASSY-BRAKE PRESSURE POSITION DATA: L SYS RH SIDE TUBING MATERIAL: .375 IN. OD .019 IN. WALL 76.00 IN. LG BMS 7-234 TI-3AL-2.5V COLD WORKED, STRESS RELIEVED TUBING	101106 108120 504903	1
- 340	AS1581T06		..SLEEVE	101106 108120 504903	2
- 345	BACN10YA6		..NUT-	101106 108120 504903	2
350	BACU24L6		.UNION	101106 108120 504903	5
355	BACU24L10		.UNION	101106 108120 504903	1
360	BACU24L4		.UNION	101106 108120 504903	1

MISSING ITEM NUMBERS NOT APPLICABLE

- ITEM NOT ILLUSTRATED

32-41-51-25A

32-41-51  
FIG. 25A  
PAGE 10  
JAN 20/09

BRI

BOEING PROPRIETARY - Copyright © - Unpublished Work - See title page for details.



757

PARTS CATALOG (MAINTENANCE)

FIG ITEM	PART NUMBER	1 2 3 4 5 6 7	NOMENCLATURE	EFFECT FROM TO	UNITS PER ASSY
25A 365	APX832T0406	.UNION	SUPPLIER CODE: V01673 SPECIFICATION NUMBER: BACU24AA0406T OPTIONAL PART: ER832-0406T V50948 2-010890406T V11328 AFP238-0406T V30974 APX832-0406T V01673 DBOU24AA0406T V61498 FER1579-0406T V14397 US2113-0406T V50808 2-01089T0406 V11328	101106 108120 504903	1
370	APX832T0806	.UNION	SUPPLIER CODE: V01673 SPECIFICATION NUMBER: BACU24AA0806T OPTIONAL PART: ER832-0806T V50948 LER832-0806T V11328 2-010890806T V11328 AFP238-0806T V30974 APX832-0806T V01673 DBOU24AA0806T V61498 FER1579-0806T V14397 US2113-0806T V50808 2-01089T0806 V11328 APX832F0806T V01673	101106 108120 504903	2

MISSING ITEM NUMBERS NOT APPLICABLE

- ITEM NOT ILLUSTRATED

32-41-51-25A

32-41-51  
FIG. 25A  
PAGE 11  
JAN 20/09

BRI

 **BOEING**  
757  
**PARTS CATALOG (MAINTENANCE)**

FIG ITEM	PART NUMBER	1 2 3 4 5 6 7	NOMENCLATURE	EFFECT FROM TO	UNITS PER ASSY
25A 375	BACU24L8	.	UNION	101106 108120 504903	2
380	BACE21BM1010J	.	ELBOW- POSITION DATA: LH SIDE	101106 108120 504903	1
385	BACE21BM0606J	.	ELBOW- POSITION DATA: LH SIDE	101106 108120 504903	2
390	BACE21BM0606J	.	ELBOW- POSITION DATA: RH SIDE	101106 108120 504903	1
395	BACE21BN1010J	.	ELBOW- POSITION DATA: LH SIDE	101106 108120 504903	1
400	BACE21BN0404J	.	ELBOW- POSITION DATA: LH SIDE	101106 108120 504903	1
405	BACE21BN0404J	.	ELBOW- POSITION DATA: RH SIDE	101106 108120 504903	1
410	BACE21BN0606J	.	ELBOW	101106 108120 504903	2
415	BACE21BN0606J	.	ELBOW- POSITION DATA: LH SIDE	101106 108120 504903	2
420	BACE21BN0606J	.	ELBOW- POSITION DATA: RH SIDE	101106 108120 504903	2
425	BACE21BN0808J	.	ELBOW- POSITION DATA: LH SIDE	101106 108120 504903	2
430	BACE21BN0808J	.	ELBOW- POSITION DATA: RH SIDE	101106 108120 504903	2
435	NAS1762J1010	.	ELBOW	101106 108120 504903	1
440	NAS1762J0606	.	ELBOW- MISCELLANEOUS DATA: OPTIONAL PART NUMBER: BAC21BT0606JN (81205)	101106 108120 504903	1
445	AN924-4D	.	NUT	101106 108120 504903	2
450	AN924-4D	.	NUT- POSITION DATA: LH SIDE	101106 108120 504903	1

MISSING ITEM NUMBERS NOT APPLICABLE

— ITEM NOT ILLUSTRATED

BRI

# 32-41-51-25A

BOEING PROPRIETARY - Copyright © - Unpublished Work - See title page for details.

32-41-51  
FIG. 25A  
PAGE 12  
JAN 20/09



757

PARTS CATALOG (MAINTENANCE)

FIG ITEM	PART NUMBER	1 2 3 4 5 6 7	NOMENCLATURE	EFFECT FROM TO	UNITS PER ASSY
25A					
455	AN924-4D	.NUT-	POSITION DATA:	101106	1
			RH SIDE	108120	
				504903	
460	AN924-6D	.NUT		101106	8
				108120	
				504903	
465	AN924-6D	.NUT-	POSITION DATA:	101106	2
			LH SIDE	108120	
				504903	
470	AN924-6D	.NUT-	POSITION DATA:	101106	2
			RH SIDE	108120	
				504903	
475	AN924-8D	.NUT		101106	4
				108120	
				504903	
480	AN924-8D	.NUT-	POSITION DATA:	101106	2
			LH SIDE	108120	
				504903	
485	AN924-8D	.NUT-	POSITION DATA:	101106	2
			RH SIDE	108120	
				504903	
490	AN924-10D	.NUT		101106	2
				108120	
				504903	
495	BACU24L10	.UNION		101106	1
				108120	
				504903	
500	AN924-10D	.NUT-	POSITION DATA:	101106	2
			RH SIDE	108120	
				504903	
505	AN960JD916	.WASHER		101106	1
				108120	
				504903	
510	AN960JD916	.WASHER		101106	1
				108120	
				504903	
515	AN960JD1416	.WASHER-	POSITION DATA:	101106	1
			LH SIDE	108120	
				504903	

MISSING ITEM NUMBERS NOT APPLICABLE

- ITEM NOT ILLUSTRATED

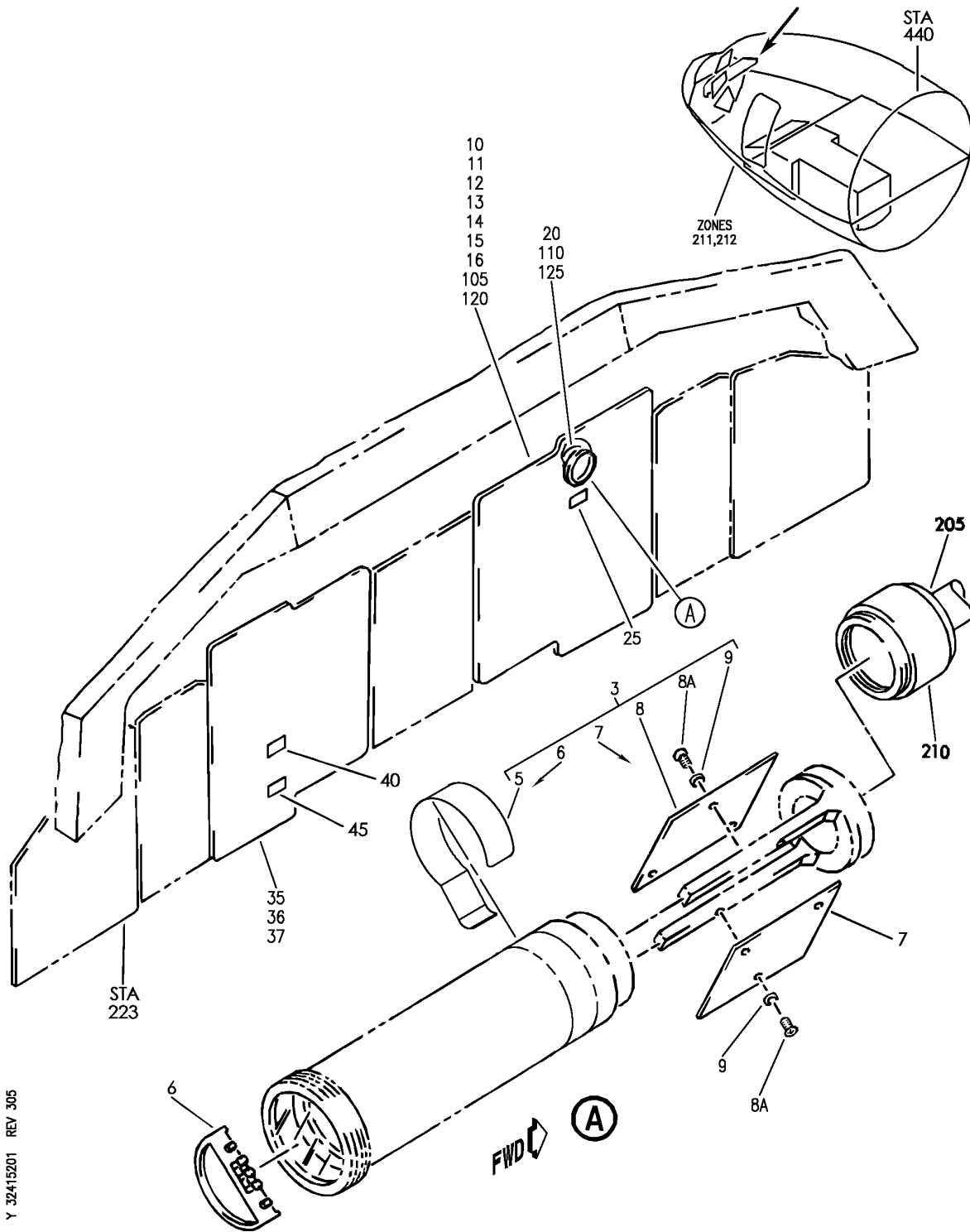
32-41-51-25A

32-41-51  
FIG. 25A  
PAGE 13  
JAN 20/09

BRI

BOEING PROPRIETARY - Copyright © - Unpublished Work - See title page for details.

**BOEING**  
757  
PARTS CATALOG (MAINTENANCE)



Y 32415201 REV 305

PANEL INSTL-CAPT AND FIRST OFFICER FWD (HYDRAULIC BRAKE SYSTEM ONLY)  
FIGURE 1

**32-41-52-01**

BRI  
MAY 28/07

32-41-52-01  
PAGE 0



757

PARTS CATALOG (MAINTENANCE)

FIG ITEM	PART NUMBER	1 2 3 4 5 6 7	NOMENCLATURE	EFFECT FROM TO	UNITS PER ASSY
1			PANEL INSTL-CAPT AND FIRST OFFICER FWD (HYDRAULIC BRAKE SYSTEM ONLY)	002004 006010 107107 121503 904999	
- 1	233N2101-1		PANEL INSTL-CAPT AND FIRST OFFICER (HYDRAULIC BRAKE SYSTEM ONLY) POSITION DATA: FWD VARIABLE DRAWING REF: 233N2101-5003 233N2101-5004 233N2101-5037 233N2101-5039 233N2101-5041 FOR NHA/OTHER SYS DET SEE: 25-10-00-05A	002004 006010 107107 121503 904999	RF
3	115-099-7		.INDICATOR ASSY-PRESSURE SUPPLIER CODE: V34830 SPECIFICATION NUMBER: S231T231-5 ELECTRICAL EQUIP NUMBER: N00010 COMPONENT MAINT MANUAL REF: 29-31-01	002004 006010 107107 121503 904999	1
3	115-099-9		.INDICATOR ASSY-PRESSURE SUPPLIER CODE: V34830 SPECIFICATION NUMBER: S231T231-9 ELECTRICAL EQUIP NUMBER: N00010 COMPONENT MAINT MANUAL REF: 29-31-01 OPTIONAL PART: S231N212-9	002004 006010 107107 121503 904999	1

MISSING ITEM NUMBERS NOT APPLICABLE

- ITEM NOT ILLUSTRATED

BRI

32-41-52-01

32-41-52  
FIG. 01  
PAGE 1  
JAN 20/09



757

PARTS CATALOG (MAINTENANCE)

FIG ITEM	PART NUMBER	1 2 3 4 5 6 7	NOMENCLATURE	EFFECT FROM TO	UNITS PER ASSY
1	3 163LCP77		.INDICATOR ASSY-BRAKE PRESSURE SUPPLIER CODE: V35918 SPECIFICATION NUMBER: S231N212-9 ELECTRICAL EQUIP NUMBER: N00010 COMPONENT MAINT MANUAL REF: 32-41-69 OPTIONAL PART: 115-099-9 V34830	002004 006010 107107 121503 904999	1
	5 N501B33-1		..NAMEPLATE- SUPPLIER CODE: V35918 USED ON: 163LCP77 V34830	002004 006010 107107 121503 904999	1
	6 0312-0469		..HOUSING ASSY-LAMP SUPPLIER CODE: V34830	002004 006010 107107 121503 904999	1
	7 0307-0502		..BOARD ASSY-PRINTED CKT SUPPLIER CODE: V34830	002004 006010 107107 121503 904999	1
	8 0307-0501		..BOARD ASSY-PRINTED CKT SUPPLIER CODE: V34830	002004 006010 107107 121503 904999	1
	8A MS51958-3		ATTACHING PARTS ..SCREW	002004 006010 107107 121503 904999	6
	9 MS35338-134		..WASHER	002004 006010 107107 121503 904999	6
	10 233N2222-53		-----*----- .MODULE ASSY-P3-1 PRE ALERT SB: 33A0044	107107	RF

MISSING ITEM NUMBERS NOT APPLICABLE

- ITEM NOT ILLUSTRATED

32-41-52-01

32-41-52  
FIG. 01  
PAGE 2  
JAN 20/09

BRI

BOEING PROPRIETARY - Copyright © - Unpublished Work - See title page for details.





757

PARTS CATALOG (MAINTENANCE)

FIG ITEM	PART NUMBER	1 2 3 4 5 6 7	NOMENCLATURE	EFFECT FROM TO	UNITS PER ASSY
1					
11	233N2222-1077	.	MODULE ASSY-P3-1 POST ALERT SB: 33A0044	002004 006010 950951 953999	RF
12	233N2222-77	.	MODULE ASSY-P3-1 PRE SERVICE BULLETIN: 34-0200 PRE ALERT SB: 33A0044	002004 006010 950999	RF
12	233N2222-85	.	MODULE ASSY-P3-1 PRE ALERT SB: 33A0044R1	121503 904949	RF
15	233N2222-1053	.	MODULE ASSY-P3-1 POST ALERT SB: 33A0044	107107	RF
16	233N2222-1085	.	MODULE ASSY-P3-1 POST ALERT SB: 33A0044R1	121503 904949	RF
20	123-29D	..	CLAMP- SUPPLIER CODE: V33463	002004 006010 107107 121503 904999	1
36	233N2221-51	.	MODULE ASSY-P1-3	002004 006010 950999	RF
37	233N2221-59	.	MODULE ASSY-P1-3	107107	RF
37	233N2221-62	.	MODULE ASSY-P1-3	121503 904949	RF

MISSING ITEM NUMBERS NOT APPLICABLE

- ITEM NOT ILLUSTRATED

32-41-52-01

32-41-52  
FIG. 01  
PAGE 3  
JAN 20/09

BRI



**757  
PARTS CATALOG (MAINTENANCE)**

FIG ITEM	PART NUMBER	1 2 3 4 5 6 7	NOMENCLATURE	EFFECT FROM TO	UNITS PER ASSY
1 40	BCREF6232		..LIGHT ASSY-SOURCE IND SUPPLIER CODE: V81590 OVERLENGTH PART NUMBER: 434-674-1005-1257 SPECIFICATION NUMBER: S231T300-1257 OPTIONAL PART: BCREf8578 V81590 USED ON: 233N2221-17 233N2221-24 233N2221-27 233N2221-31 233N2221-43 233N2221-58 233N2221-62 233N2221-63 233N2221-65 FOR DETAILS SEE: 33-14-70-03	121503 904949	1
40	BCREF8578		..LIGHT ASSY-SOURCE IND SUPPLIER CODE: V81590 OVERLENGTH PART NUMBER: 434-674-1031-2257 SPECIFICATION NUMBER: S231T300-2257 OPTIONAL PART: BCREf6232 V81590 USED ON: 233N2221-17 233N2221-24 233N2221-27 233N2221-31 233N2221-43 233N2221-58 233N2221-62 233N2221-63 233N2221-65 FOR DETAILS SEE: 33-14-70-03	121503 904949	1

MISSING ITEM NUMBERS NOT APPLICABLE

— ITEM NOT ILLUSTRATED

BRI

# 32-41-52-01

BOEING PROPRIETARY - Copyright © - Unpublished Work - See title page for details.

32-41-52  
FIG. 01  
PAGE 4  
JAN 20/09



757

PARTS CATALOG (MAINTENANCE)

FIG ITEM	PART NUMBER	1 2 3 4 5 6 7	NOMENCLATURE	EFFECT FROM TO	UNITS PER ASSY
1 45	BCREF6232		..LIGHT ASSY-SOURCE IND SUPPLIER CODE: V81590 OVERLENGTH PART NUMBER: 434-674-1005-1257 SPECIFICATION NUMBER: S231T300-1257 OPTIONAL PART: BCREf8578 V81590 USED ON: 233N2221-16 233N2221-23 233N2221-25 233N2221-26 233N2221-28 233N2221-29 233N2221-30 233N2221-32 233N2221-33 233N2221-34 233N2221-35 233N2221-36 233N2221-37 233N2221-39 233N2221-40 233N2221-41 233N2221-43 233N2221-44 233N2221-45 233N2221-46 233N2221-48 233N2221-49 233N2221-51 233N2221-52 233N2221-54 233N2221-55 233N2221-56 233N2221-59 233N2221-61 233N2221-64 233N2221-66 FOR DETAILS SEE: 33-14-70-03	002004 006010 107107 950999	1

MISSING ITEM NUMBERS NOT APPLICABLE

- ITEM NOT ILLUSTRATED

32-41-52-01

32-41-52  
FIG. 01  
PAGE 5  
JAN 20/09

BRI



757

PARTS CATALOG (MAINTENANCE)

FIG ITEM	PART NUMBER	1 2 3 4 5 6 7	NOMENCLATURE	EFFECT FROM TO	UNITS PER ASSY
1 45	BCREF8578		..LIGHT ASSY-SOURCE IND SUPPLIER CODE: V81590 OVERLENGTH PART NUMBER: 434-674-1031-2257 SPECIFICATION NUMBER: S231T300-2257 OPTIONAL PART: BCREf6232 V81590 USED ON: 233N2221-16 233N2221-23 233N2221-25 233N2221-26 233N2221-28 233N2221-29 233N2221-30 233N2221-32 233N2221-33 233N2221-34 233N2221-35 233N2221-36 233N2221-37 233N2221-39 233N2221-40 233N2221-41 233N2221-43 233N2221-44 233N2221-45 233N2221-46 233N2221-48 233N2221-49 233N2221-51 233N2221-52 233N2221-54 233N2221-55 233N2221-56 233N2221-59 233N2221-61 233N2221-64 233N2221-66 FOR DETAILS SEE: 33-14-70-03	002004 006010 107107 950999	1

MISSING ITEM NUMBERS NOT APPLICABLE

- ITEM NOT ILLUSTRATED

32-41-52-01

32-41-52  
FIG. 01  
PAGE 6  
JAN 20/09

BRI



757

PARTS CATALOG (MAINTENANCE)

FIG ITEM	PART NUMBER	1 2 3 4 5 6 7	NOMENCLATURE	EFFECT FROM TO	UNITS PER ASSY
1					
- 100	233N2222-329		.MODULE ASSY- COMPONENT MAINT MANUAL REF: 31-11-49 POST SERVICE BULLETIN: 34-0200 PRE ALERT SB: 33A0044	952952	RF
- 100	233N2222-1329		.MODULE ASSY- COMPONENT MAINT MANUAL REF: 31-11-49 POST ALERT SB: 33A0044	952952	RF
105	233N2222-111		..MODULE ASSY- PRE ALERT SB: 33A0044	952952	RF
105	233N2222-1111		..MODULE ASSY- POST ALERT SB: 33A0044	952952	RF
110	123-29D		...CLAMP- SUPPLIER CODE: V33463	952952	1
- 200	286N0003-002		WIRE BUNDLE ASSY- REWORKED BY ALERT SB: 34A0222	121503 904949	RF
- 200	286N0003-003		WIRE BUNDLE ASSY- REWORKED BY ALERT SB: 34A0222	107107	RF
- 200	286N0003-005		WIRE BUNDLE ASSY- REWORKED BY SB: 34-0200 REWORKED BY ALERT SB: 34A0222	002004 006010 950999	RF
205	BACC10GH12		.CLAMP- ELECTRICAL EQUIP NUMBER: D00534T WIRING DIAGRAM REF: 324111	002004 006010 107107 121503 904999	1
210	BACC45FT12-12S7		.CONNECTOR- ELECTRICAL EQUIP NUMBER: D00534 WIRING DIAGRAM REF: 324111	002004 006010 107107 121503 904999	1

MISSING ITEM NUMBERS NOT APPLICABLE

- ITEM NOT ILLUSTRATED

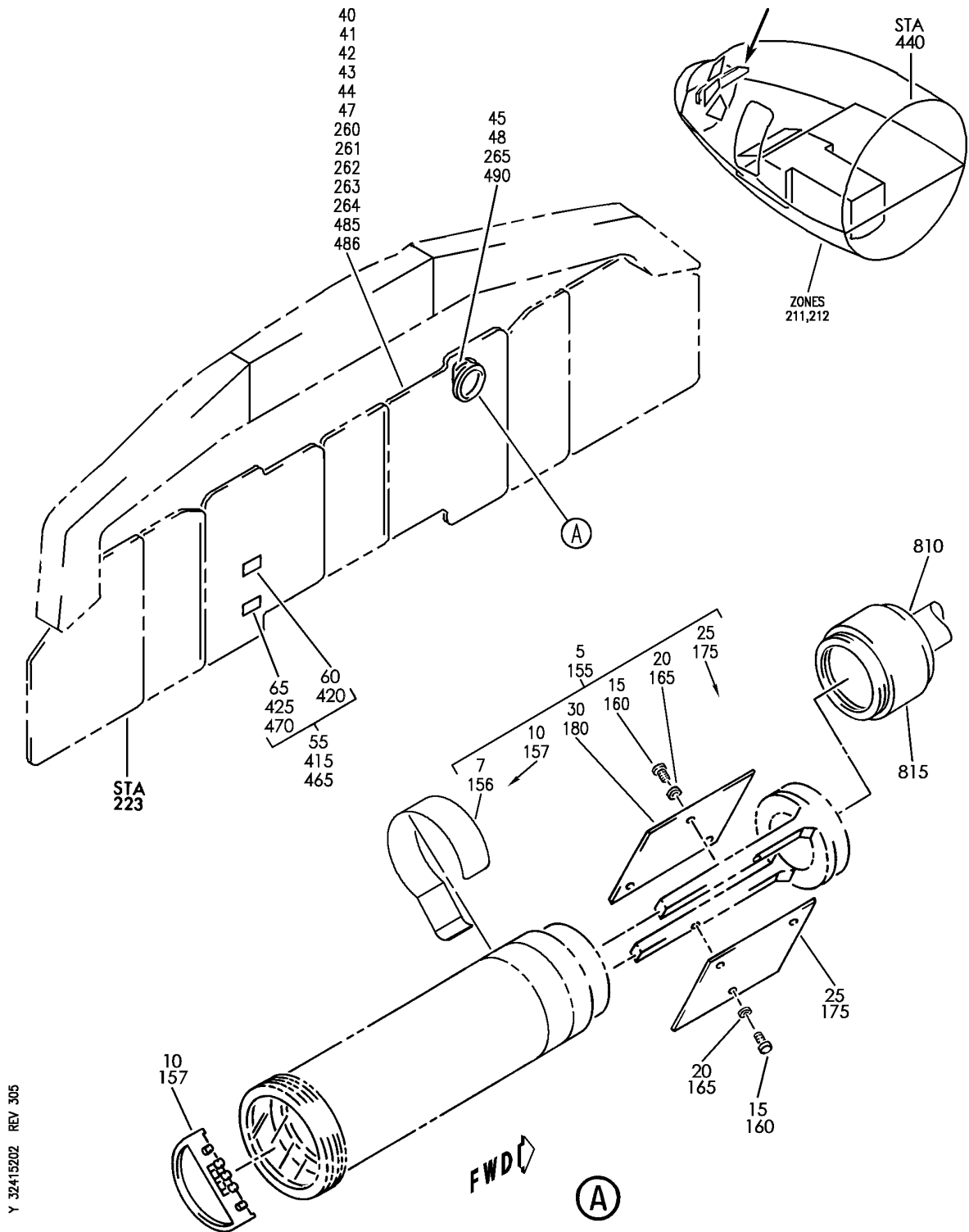
32-41-52-01

32-41-52  
FIG. 01  
PAGE 7  
JAN 20/09

BRI

BOEING PROPRIETARY - Copyright © - Unpublished Work - See title page for details.

**BOEING**  
757  
PARTS CATALOG (MAINTENANCE)



Y 32415202 REV 305

PANEL INSTL-CAPT AND FIRST OFFICER FWD AND P1-3 AND P3-1 (HYDRAULIC BRAKE SYSTEM ONLY)  
FIGURE 2

**32-41-52-02**

BRI  
MAY 28/07

32-41-52-02  
PAGE 0



757

PARTS CATALOG (MAINTENANCE)

FIG ITEM	PART NUMBER	1 2 3 4 5 6 7	NOMENCLATURE	EFFECT FROM TO	UNITS PER ASSY
2			PANEL INSTL-CAPT AND FIRST OFFICER FWD AND P1-3 AND P3-1 (HYDRAULIC BRAKE SYSTEM ONLY)	011106 108120 504903	
- 1	233N2101-1		PANEL INSTL-CAPT AND FIRST OFFICER (HYDRAULIC BRAKE SYSTEM ONLY) POSITION DATA: FWD VARIABLE DRAWING REF: 233N2101-5039 FOR NHA/OTHER SYS DET SEE: 25-10-00-05A	011100	RF
5	115-099-7		.INDICATOR ASSY-PRESSURE SUPPLIER CODE: V34830 SPECIFICATION NUMBER: S231T231-5 ELECTRICAL EQUIP NUMBER: N00010 COMPONENT MAINT MANUAL REF: 29-31-01	011100	1
5	115-099-9		.INDICATOR ASSY-PRESSURE SUPPLIER CODE: V34830 SPECIFICATION NUMBER: S231T231-9 ELECTRICAL EQUIP NUMBER: N00010 COMPONENT MAINT MANUAL REF: 29-31-01	011100	1
5	163LCP77		OPTIONAL PART: S231N212-9 .INDICATOR ASSY-BRAKE PRESSURE SUPPLIER CODE: V35918 SPECIFICATION NUMBER: S231N212-9 ELECTRICAL EQUIP NUMBER: N00010 COMPONENT MAINT MANUAL REF: 32-41-69 OPTIONAL PART: 115-099-9 V34830	011100	1

MISSING ITEM NUMBERS NOT APPLICABLE

- ITEM NOT ILLUSTRATED

BRI

32-41-52-02

BOEING PROPRIETARY - Copyright © - Unpublished Work - See title page for details.

32-41-52  
FIG. 02  
PAGE 1  
JAN 20/09



757

PARTS CATALOG (MAINTENANCE)

FIG ITEM	PART NUMBER	1 2 3 4 5 6 7	NOMENCLATURE	EFFECT FROM TO	UNITS PER ASSY
2					
7	N501B33-1		..NAMEPLATE- SUPPLIER CODE: V35918 USED ON: 163LCP77	011100	1
10	0312-0469		..HOUSING ASSY-LAMP SUPPLIER CODE: V34830	011100	1
15	MS51958-3		..SCREW	011100	6
20	MS35338-134		..WASHER	011100	6
25	0307-0502		..BOARD ASSY-PRINTED CKT SUPPLIER CODE: V34830	011100	1
30	0307-0501		..BOARD ASSY-PRINTED CKT SUPPLIER CODE: V34830	011100	1
- 35	233N2222-301		.MODULE ASSY-P3-1 COMPONENT MAINT MANUAL REF: 31-11-49 PRE ALERT SB: 33A0044	011100	RF
- 36	233N2222-1301		.MODULE ASSY-P3-1 COMPONENT MAINT MANUAL REF: 31-11-49 POST ALERT SB: 33A0044	011100	RF
40	233N2222-77		..MODULE ASSY- PRE ALERT SB: 33A0044	011100	RF
41	233N2222-1077		..MODULE ASSY- POST ALERT SB: 33A0044	011100	RF
45	123-29D		...CLAMP- SUPPLIER CODE: V33463	011100	1
- 50	233N2221-301		.MODULE ASSY-P1-3 COMPONENT MAINT MANUAL REF: 31-11-48	011100	RF
55	233N2221-51		..MODULE ASSY-	011100	RF

MISSING ITEM NUMBERS NOT APPLICABLE

- ITEM NOT ILLUSTRATED

32-41-52-02

32-41-52  
FIG. 02  
PAGE 2  
JAN 20/09

BRI

BOEING PROPRIETARY - Copyright © - Unpublished Work - See title page for details.





757

PARTS CATALOG (MAINTENANCE)

FIG ITEM	PART NUMBER	1 2 3 4 5 6 7	NOMENCLATURE	EFFECT FROM TO	UNITS PER ASSY
2	65 BCREf6232		...LIGHT ASSY-SOURCE IND SUPPLIER CODE: V81590 OVERLENGTH PART NUMBER: 434-674-1005-1257 SPECIFICATION NUMBER: S231T300-1257 OPTIONAL PART: BCREF8578 V81590 FOR DETAILS SEE: 33-14-70-03	011100	1
	65 BCREf8578		...LIGHT ASSY-SOURCE IND SUPPLIER CODE: V81590 OVERLENGTH PART NUMBER: 434-674-1031-2257 SPECIFICATION NUMBER: S231T300-2257 OPTIONAL PART: BCREF6232 V81590 FOR DETAILS SEE: 33-14-70-03	011100	1
- 150	233N2103-1		PANEL INSTL-CAPT AND FIRST OFFICER (HYDRAULIC BRAKE SYSTEM ONLY) POSITION DATA: FWD FOR NHA/OTHER SYS DET SEE: 25-10-00-15	101102 108120 504903	RF
- 150	MODREF33340		PANEL INSTL-CAPT AND FIRST OFFICER (HYDRAULIC BRAKE SYSTEM ONLY) MODULE NUMBER: 233N2103-100 REV A POSITION DATA: FWD FOR OTHER SYS DETAILS SEE: 27-58-00-02 31-11-11-01 31-11-26-01 31-41-01-01 33-11-51-13 33-13-51-01 33-14-51-01 34-13-05-01 34-22-03-01 34-22-04-01	103106	1

MISSING ITEM NUMBERS NOT APPLICABLE

- ITEM NOT ILLUSTRATED

32-41-52-02

32-41-52  
FIG. 02  
PAGE 3  
JAN 20/09

BRI



757

PARTS CATALOG (MAINTENANCE)

FIG ITEM	PART NUMBER	1 2 3 4 5 6 7	NOMENCLATURE	EFFECT FROM TO	UNITS PER ASSY
2 155	115-099-9	.	INDICATOR ASSY-BRAKE PRESSURE SUPPLIER CODE: V34830 SPECIFICATION NUMBER: S231T231-9 SB DATA FROM A CMM: POST SB 115-099-29-03 ELECTRICAL EQUIP NUMBER: N00010 COMPONENT MAINT MANUAL REF: 29-31-01 OPTIONAL PART: 163LCP77 V35918	101106 108120 504903	1
155	163LCP77	.	INDICATOR ASSY-BRAKE PRESSURE SUPPLIER CODE: V35918 SPECIFICATION NUMBER: S231N212-9 ELECTRICAL EQUIP NUMBER: N00010 COMPONENT MAINT MANUAL REF: 32-41-69 OPTIONAL PART: 115-099-9 V34830	101106 108120 504903	1
156	N501B33-1	..	NAMEPLATE- SUPPLIER CODE: V35918 USED ON: 163LCP77	101106 108120 504903	1
157	0312-0469	..	HOUSING ASSY-LAMP SUPPLIER CODE: V34830 SB DATA FROM A CMM: PRE SB115-099-29-03	101106 108120 504903	1
157	0312-0700	..	HOUSING ASSY-LAMP SUPPLIER CODE: V34830 SB DATA FROM A CMM: PRE SB115-099-29-03	101106 108120 504903	1
160	MS51958-3	..	SCREW	101106 108120 504903	6
165	MS35338-134	..	WASHER	101106 108120 504903	6

MISSING ITEM NUMBERS NOT APPLICABLE

- ITEM NOT ILLUSTRATED

32-41-52-02

32-41-52  
FIG. 02  
PAGE 4  
JAN 20/09

BRI



757

PARTS CATALOG (MAINTENANCE)

FIG ITEM	PART NUMBER	1 2 3 4 5 6 7	NOMENCLATURE	EFFECT FROM TO	UNITS PER ASSY
2					
175	0307-0502		..BOARD ASSY-PRINTED CKT SUPPLIER CODE: V34830	101106 108120 504903	1
180	0307-0501		..BOARD ASSY-PRINTED CKT SUPPLIER CODE: V34830	101106 108120 504903	1
- 215	233N2103-17		PANEL INSTL-P3-1 (HYDRAULIC BRAKE SYSTEM ONLY) FOR NHA/OTHER SYS DET SEE: 25-10-00-15B	101101	RF
- 216	233N2103-217		PANEL INSTL-P3-1 (HYDRAULIC BRAKE SYSTEM ONLY) FOR NHA/OTHER SYS DET SEE: 25-10-00-15B	102102	RF
- 216	233N2103-254		PANEL INSTL-P3-1 (HYDRAULIC BRAKE SYSTEM ONLY) FOR NHA/OTHER SYS DET SEE: 25-10-00-15B	504903	RF
- 216	233N2103-371		PANEL INSTL-P3-1 (HYDRAULIC BRAKE SYSTEM ONLY) FOR NHA/OTHER SYS DET SEE: 25-10-00-15B	108120	RF
- 250	233N2222-301		.MODULE ASSY- COMPONENT MAINT MANUAL REF: 31-11-49 PRE ALERT SB: 33A0044	101101	RF
- 250	233N2222-321		.MODULE ASSY- COMPONENT MAINT MANUAL REF: 31-11-49 PRE ALERT SB: 33A0044	102102	RF
- 251	233N2222-326		.MODULE ASSY- COMPONENT MAINT MANUAL REF: 31-11-49 PRE ALERT SB: 33A0044	504903	RF
- 251	233N2222-334		.MODULE ASSY- COMPONENT MAINT MANUAL REF: 31-11-49 PRE ALERT SB: 33A0044	504903	RF

MISSING ITEM NUMBERS NOT APPLICABLE

- ITEM NOT ILLUSTRATED

32-41-52-02

32-41-52  
FIG. 02  
PAGE 5  
JAN 20/09

BRI

BOEING PROPRIETARY - Copyright © - Unpublished Work - See title page for details.



757

PARTS CATALOG (MAINTENANCE)

FIG ITEM	PART NUMBER	1 2 3 4 5 6 7	NOMENCLATURE	EFFECT FROM TO	UNITS PER ASSY
2					
- 251	233N2222-329		.MODULE ASSY- COMPONENT MAINT MANUAL REF: 31-11-49 PRE ALERT SB: 33A0044	102102	RF
- 251	233N2222-1342		.MODULE ASSY- COMPONENT MAINT MANUAL REF: 31-11-49 POST ALERT SB: 33A0044	102102 108120	RF
- 251	233N2222-342		.MODULE ASSY- COMPONENT MAINT MANUAL REF: 31-11-49 PRE ALERT SB: 33A0044	102102 108120	RF
- 252	233N2222-347		.MODULE ASSY- COMPONENT MAINT MANUAL REF: 31-11-49 PRE ALERT SB: 33A0044	504903	RF
- 252	233N2222-1301		.MODULE ASSY- COMPONENT MAINT MANUAL REF: 31-11-49 POST ALERT SB: 33A0044	101101	RF
- 252	233N2222-1321		.MODULE ASSY- COMPONENT MAINT MANUAL REF: 31-11-49 POST ALERT SB: 33A0044	102102	RF
- 252	233N2222-1329		.MODULE ASSY- COMPONENT MAINT MANUAL REF: 31-11-49 POST ALERT SB: 33A0044	102102	RF
- 253	233N2222-1326		.MODULE ASSY- COMPONENT MAINT MANUAL REF: 31-11-49 POST ALERT SB: 33A0044	504903	RF
- 253	233N2222-1334		.MODULE ASSY- COMPONENT MAINT MANUAL REF: 31-11-49 POST ALERT SB: 33A0044	504903	RF

MISSING ITEM NUMBERS NOT APPLICABLE

- ITEM NOT ILLUSTRATED

32-41-52-02

32-41-52  
FIG. 02  
PAGE 6  
JAN 20/09

BRI



757

PARTS CATALOG (MAINTENANCE)

FIG ITEM	PART NUMBER	1 2 3 4 5 6 7	NOMENCLATURE	EFFECT FROM TO	UNITS PER ASSY
2					
- 253	233N2222-1347		.MODULE ASSY- COMPONENT MAINT MANUAL REF: 31-11-49 POST ALERT SB: 33A0044	504903	RF
260	233N2222-77		..MODULE ASSY- PRE ALERT SB: 33A0044	101101	RF
260	233N2222-100		..MODULE ASSY- USED ON: 233N2222-321 PRE ALERT SB: 33A0044	102102	RF
261	233N2222-105		..MODULE ASSY- USED ON: 233N2222-326 PRE ALERT SB: 33A0044	504903	RF
261	233N2222-111		..MODULE ASSY- USED ON: 233N2222-329 PRE ALERT SB: 33A0044	102102	RF
261	233N2222-116		..MODULE ASSY- USED ON: 233N2222-334 PRE ALERT SB: 33A0044	504903	RF
261	233N2222-122		..MODULE ASSY- USED ON: 233N2222-342 PRE ALERT SB: 33A0044	102102 108120	RF
262	233N2222-127		..MODULE ASSY- USED ON: 233N2222-347 PRE ALERT SB: 33A0044	504903	RF
262	233N2222-1077		..MODULE ASSY- POST ALERT SB: 33A0044	101101	RF
262	233N2222-1100		..MODULE ASSY- USED ON: 233N2222-1321 POST ALERT SB: 33A0044	102102	RF

MISSING ITEM NUMBERS NOT APPLICABLE

- ITEM NOT ILLUSTRATED

32-41-52-02

32-41-52  
FIG. 02  
PAGE 7  
JAN 20/09

BRI

BOEING PROPRIETARY - Copyright © - Unpublished Work - See title page for details.



757

PARTS CATALOG (MAINTENANCE)

FIG ITEM	PART NUMBER	1 2 3 4 5 6 7	NOMENCLATURE	EFFECT FROM TO	UNITS PER ASSY
2					
262	233N2222-1111	..	MODULE ASSY- USED ON: 233N2222-1329 POST ALERT SB: 33A0044	102102	RF
262	233N2222-1122	..	MODULE ASSY- USED ON: 233N2222-1342 POST ALERT SB: 33A0044	102102 108120	RF
263	233N2222-1105	..	MODULE ASSY- USED ON: 233N2222-1326 POST ALERT SB: 33A0044	504903	RF
263	233N2222-1116	..	MODULE ASSY- USED ON: 233N2222-1334 POST ALERT SB: 33A0044	504903	RF
263	233N2222-1127	..	MODULE ASSY- USED ON: 233N2222-1347 POST ALERT SB: 33A0044	504903	RF
265	123-29D	...	CLAMP- SUPPLIER CODE: V33463 USED ON: 233N2222-77 233N2222-78 233N2222-82 233N2222-89 233N2222-90 233N2222-95 233N2222-96 233N2222-97 233N2222-98 233N2222-99 233N2222-100 233N2222-103 233N2222-105 233N2222-111 233N2222-113 233N2222-114 233N2222-116 233N2222-117 233N2222-118 233N2222-119	101102 108120 504903	1

MISSING ITEM NUMBERS NOT APPLICABLE

- ITEM NOT ILLUSTRATED

32-41-52-02

32-41-52  
FIG. 02  
PAGE 8  
JAN 20/09

BRI

BOEING PROPRIETARY - Copyright © - Unpublished Work - See title page for details.



757

PARTS CATALOG (MAINTENANCE)

FIG ITEM	PART NUMBER	1 2 3 4 5 6 7	NOMENCLATURE	EFFECT FROM TO	UNITS PER ASSY
2			233N2222-120 233N2222-121 233N2222-122 233N2222-123 233N2222-124 233N2222-125 233N2222-126 233N2222-127 233N2222-128 233N2222-129 233N2222-130 233N2222-131 233N2222-134 233N2222-135 233N2222-146 233N2222-150 233N2222-151 233N2222-1077 233N2222-1078 233N2222-1082 233N2222-1089 233N2222-1090 233N2222-1096 233N2222-1098 233N2222-1099 233N2222-1100 233N2222-1103 233N2222-1105 233N2222-1111 233N2222-1113 233N2222-1114 233N2222-1116 233N2222-1117 233N2222-1118 233N2222-1119 233N2222-1120 233N2222-1121 233N2222-1122 233N2222-1123 233N2222-1124 233N2222-1125 233N2222-1127 233N2222-1128 233N2222-1130 233N2222-1131 233N2222-1502 823N0001-2		

MISSING ITEM NUMBERS NOT APPLICABLE

- ITEM NOT ILLUSTRATED

BRI

32-41-52-02

BOEING PROPRIETARY - Copyright © - Unpublished Work - See title page for details.

32-41-52  
FIG. 02  
PAGE 9  
JAN 20/09



757

PARTS CATALOG (MAINTENANCE)

FIG ITEM	PART NUMBER	1 2 3 4 5 6 7	NOMENCLATURE	EFFECT FROM TO	UNITS PER ASSY
2					
- 400	233N2103-10		PANEL INSTL-P1-3 (HYDRAULIC BRAKE SYSTEM ONLY) FOR NHA/OTHER SYS DET SEE: 25-10-00-15B	108120	RF
- 400	233N2103-72		PANEL INSTL-P1-3 (HYDRAULIC BRAKE SYSTEM ONLY) FOR NHA/OTHER SYS DET SEE: 25-10-00-15B	101102	RF
- 400	233N2103-280		PANEL INSTL-P1-3 (HYDRAULIC BRAKE SYSTEM ONLY) FOR NHA/OTHER SYS DET SEE: 25-10-00-15B	504903	RF
- 410	233N2221-301		.MODULE ASSY- COMPONENT MAINT MANUAL REF: 31-11-48	101102 108120	RF
- 410	233N2221-317		.MODULE ASSY- COMPONENT MAINT MANUAL REF: 31-11-48	505505 507903	RF
- 410	RR92002-134A101		.MODULE ASSY- POST RAPID REVISION: RR92002-134A	504504 506506	RF
- 410	233N2221-326		.MODULE ASSY- COMPONENT MAINT MANUAL REF: 31-11-48	101102 108120	RF
- 410	233N2221-320		.MODULE ASSY- COMPONENT MAINT MANUAL REF: 31-11-48	101102 108120	RF
- 410	233N2221-328		.MODULE ASSY- COMPONENT MAINT MANUAL REF: 31-11-48	101102 108120	RF
415	233N2221-51		..MODULE ASSY- USED ON: 233N2221-301	101102 108120	RF
415	233N2221-74		..MODULE ASSY	504903	RF
415	233N2221-81		..MODULE ASSY- USED ON: 233N2221-320 233N2221-326 233N2221-328	101102 108120	RF

MISSING ITEM NUMBERS NOT APPLICABLE

- ITEM NOT ILLUSTRATED

BRI

32-41-52-02

BOEING PROPRIETARY - Copyright © - Unpublished Work - See title page for details.

32-41-52  
FIG. 02  
PAGE 10  
JAN 20/09





757

PARTS CATALOG (MAINTENANCE)

FIG ITEM	PART NUMBER	1 2 3 4 5 6 7	NOMENCLATURE	EFFECT FROM TO	UNITS PER ASSY
2 420	BCREF6232		...LIGHT ASSY-SOURCE IND SUPPLIER CODE: V81590 OVERLENGTH PART NUMBER: 434-674-1005-1257 SPECIFICATION NUMBER: S231T300-1257 OPTIONAL PART: BCREF8578 V81590 FOR DETAILS SEE: 33-14-70-03	504903	1
420	BCREF8578		...LIGHT ASSY-SOURCE IND SUPPLIER CODE: V81590 OVERLENGTH PART NUMBER: 434-674-1031-2257 SPECIFICATION NUMBER: S231T300-2257 OPTIONAL PART: BCREF6232 V81590 FOR DETAILS SEE: 33-14-70-03	504903	1
425	BCREF6232		...LIGHT ASSY-SOURCE IND SUPPLIER CODE: V81590 OVERLENGTH PART NUMBER: 434-674-1005-1257 SPECIFICATION NUMBER: S231T300-1257 OPTIONAL PART: BCREF8578 V81590 FOR DETAILS SEE: 33-14-70-03	101102 108120	1
425	BCREF8578		...LIGHT ASSY-SOURCE IND SUPPLIER CODE: V81590 OVERLENGTH PART NUMBER: 434-674-1031-2257 SPECIFICATION NUMBER: S231T300-2257 OPTIONAL PART: BCREF6232 V81590 FOR DETAILS SEE: 33-14-70-03	101102 108120	1

MISSING ITEM NUMBERS NOT APPLICABLE

- ITEM NOT ILLUSTRATED

BRI

32-41-52-02

BOEING PROPRIETARY - Copyright © - Unpublished Work - See title page for details.

32-41-52  
FIG. 02  
PAGE 11  
JAN 20/09



757

PARTS CATALOG (MAINTENANCE)

FIG ITEM	PART NUMBER	1 2 3 4 5 6 7	NOMENCLATURE	EFFECT FROM TO	UNITS PER ASSY
2 - 452	MODREF31741		PANEL INSTL-P1-3 AND P3-1 (HYDRAULIC BRAKE SYSTEM ONLY) MODULE NUMBER: 233N2103-425 REV A FOR OTHER SYS DETAILS SEE: 11-31-01-38 22-11-02-03 22-14-01-03 22-31-02-01 22-34-51-02 26-17-51-05 27-51-57-03 27-58-00-02 27-81-00-01 29-21-55-02 31-11-11-19 31-11-16-01 31-11-26-38 31-25-01-03 31-41-52-02 31-51-52-02 32-35-52-03 32-42-55-03 32-46-00-01 32-61-51-03 33-13-57-01A 33-16-52-03 34-12-01-03 34-13-01-03 34-13-02-01 34-13-05-01 34-13-06-01 34-16-51-03 34-21-02-02 34-22-02-02 34-22-05-01A 34-22-06-01 34-24-01-03 34-32-00-02 34-46-51-02 34-51-02-02 34-57-00-01 34-61-01-07 34-61-02-02 77-41-01-01 79-33-51-05	103105	1

MISSING ITEM NUMBERS NOT APPLICABLE

- ITEM NOT ILLUSTRATED

BRI

# 32-41-52-02

BOEING PROPRIETARY - Copyright © - Unpublished Work - See title page for details.

32-41-52  
FIG. 02  
PAGE 12  
JAN 20/09



757  
PARTS CATALOG (MAINTENANCE)

FIG ITEM	PART NUMBER	1 2 3 4 5 6 7	NOMENCLATURE	EFFECT FROM TO	UNITS PER ASSY
2 - 452	MODREF104335		PANEL INSTL-P1-3 AND P3-1 (HYDRAULIC BRAKE SYSTEM ONLY) MODULE NUMBER: 233N2103-425 REV B FOR OTHER SYS DETAILS SEE: 11-31-01-38 22-11-02-03 22-14-01-03 22-31-02-01 22-34-51-02 26-17-51-05 27-51-57-03 27-58-00-02 27-81-00-01 29-21-55-02 31-11-11-19 31-11-16-01 31-11-26-38 31-25-01-03 31-41-52-02 31-51-52-02 32-35-52-03 32-42-55-03 32-46-00-01 32-61-51-03 33-13-57-01A 33-16-52-03 34-12-01-03 34-13-01-03 34-13-02-01 34-13-05-01 34-13-06-01 34-16-51-03 34-21-02-02 34-22-02-02 34-22-05-01A 34-22-06-01 34-24-01-03 34-32-00-02 34-46-51-02 34-51-02-02 34-57-00-01 34-61-01-07 34-61-02-02 77-41-01-01 79-33-51-05	106106	1

MISSING ITEM NUMBERS NOT APPLICABLE

- ITEM NOT ILLUSTRATED

BRI

# 32-41-52-02

BOEING PROPRIETARY - Copyright © - Unpublished Work - See title page for details.

32-41-52  
FIG. 02  
PAGE 13  
JAN 20/09



757

PARTS CATALOG (MAINTENANCE)

FIG ITEM	PART NUMBER	1 2 3 4 5 6 7	NOMENCLATURE	EFFECT FROM TO	UNITS PER ASSY
2					
- 460	233N2221-325		.MODULE ASSY-P1-3 COMPONENT MAINT MANUAL REF: 31-11-48	103106	RF
465	233N2221-81		..MODULE ASSY- USED ON: 233N2221-320 233N2221-326 233N2221-328	103106	RF
470	BCREF8578		...LIGHT ASSY-SOURCE IND SUPPLIER CODE: V81590 OVERLENGTH PART NUMBER: 434-674-1031-2257 SPECIFICATION NUMBER: S231T300-2257 OPTIONAL PART: BCREF6232 V81590 USED ON: 233N2221-51 233N2221-70 233N2221-72 233N2221-81 233N2221-83 FOR DETAILS SEE: 33-14-70-03	103106	1
470	BCREF6232		...LIGHT ASSY-SOURCE IND SUPPLIER CODE: V81590 OVERLENGTH PART NUMBER: 434-674-1005-1257 SPECIFICATION NUMBER: S231T300-1257 OPTIONAL PART: BCREF8578 V81590 USED ON: 233N2221-51 233N2221-70 233N2221-72 233N2221-81 FOR DETAILS SEE: 33-14-70-03	103106	1
- 481	233N2222-379		.MODULE ASSY-P3-1 COMPONENT MAINT MANUAL REF: 31-11-49	103106	RF
485	233N2222-153		..MODULE ASSY-	103106	RF

MISSING ITEM NUMBERS NOT APPLICABLE

- ITEM NOT ILLUSTRATED

32-41-52-02

32-41-52  
FIG. 02  
PAGE 14  
JAN 20/09

BRI



757

PARTS CATALOG (MAINTENANCE)

FIG ITEM	PART NUMBER	1 2 3 4 5 6 7	NOMENCLATURE	EFFECT FROM TO	UNITS PER ASSY
2 490	123-29D		...CLAMP- SUPPLIER CODE: V33463 OPTIONAL PART: 123-1500D V28277 USED ON: 233N2222-128 233N2222-1128 233N2222-131 233N2222-133 233N2222-135 233N2222-136 233N2222-146 233N2222-151 233N2222-152 233N2222-153 233N2222-157	103106	1
490	123-1500D		...CLAMP- SUPPLIER CODE: V28277 OPTIONAL PART: 123-29D V28277 USED ON: 233N2222-135 233N2222-136 233N2222-146 233N2222-151 233N2222-152 233N2222-153 233N2222-157	103106	1
- 800	286N0003-005		WIRE BUNDLE ASSY- REWORKED BY ALERT SB: 34A022	011100	RF
- 801	286N0003-323		WIRE BUNDLE ASSY- REWORKED BY ALERT SB: 34A022	101101	RF
- 803	286N0003-355		WIRE BUNDLE ASSY- REWORKED BY ALERT SB: 34A022	504903	RF
- 803	286N0003-359		WIRE BUNDLE ASSY- REWORKED BY ALERT SB: 34A022	102102	RF
- 806	286N0003-384		WIRE BUNDLE ASSY- REWORKED BY ALERT SB: 34A022	108120	RF
- 807	286N0003-601		WIRE BUNDLE ASSY	103106	RF

MISSING ITEM NUMBERS NOT APPLICABLE

- ITEM NOT ILLUSTRATED

32-41-52-02

32-41-52  
FIG. 02  
PAGE 15  
JAN 20/09

BRI



757

PARTS CATALOG (MAINTENANCE)

FIG ITEM	PART NUMBER	1 2 3 4 5 6 7	NOMENCLATURE	EFFECT FROM TO	UNITS PER ASSY
2 810	BACC10GH12		.CLAMP- ELECTRICAL EQUIP NUMBER: D00534T WIRING DIAGRAM REF: 324111	011100 103106 108120 504903	1
815	BACC45FT12-12S7		.CONNECTOR- ELECTRICAL EQUIP NUMBER: D00534 WIRING DIAGRAM REF: 324111	011100 103106 108120 504903	1
815	BACC45FT12A12S7		.CONNECTOR- ELECTRICAL EQUIP NUMBER: D00534 WIRING DIAGRAM REF: 324111	101102	1

MISSING ITEM NUMBERS NOT APPLICABLE

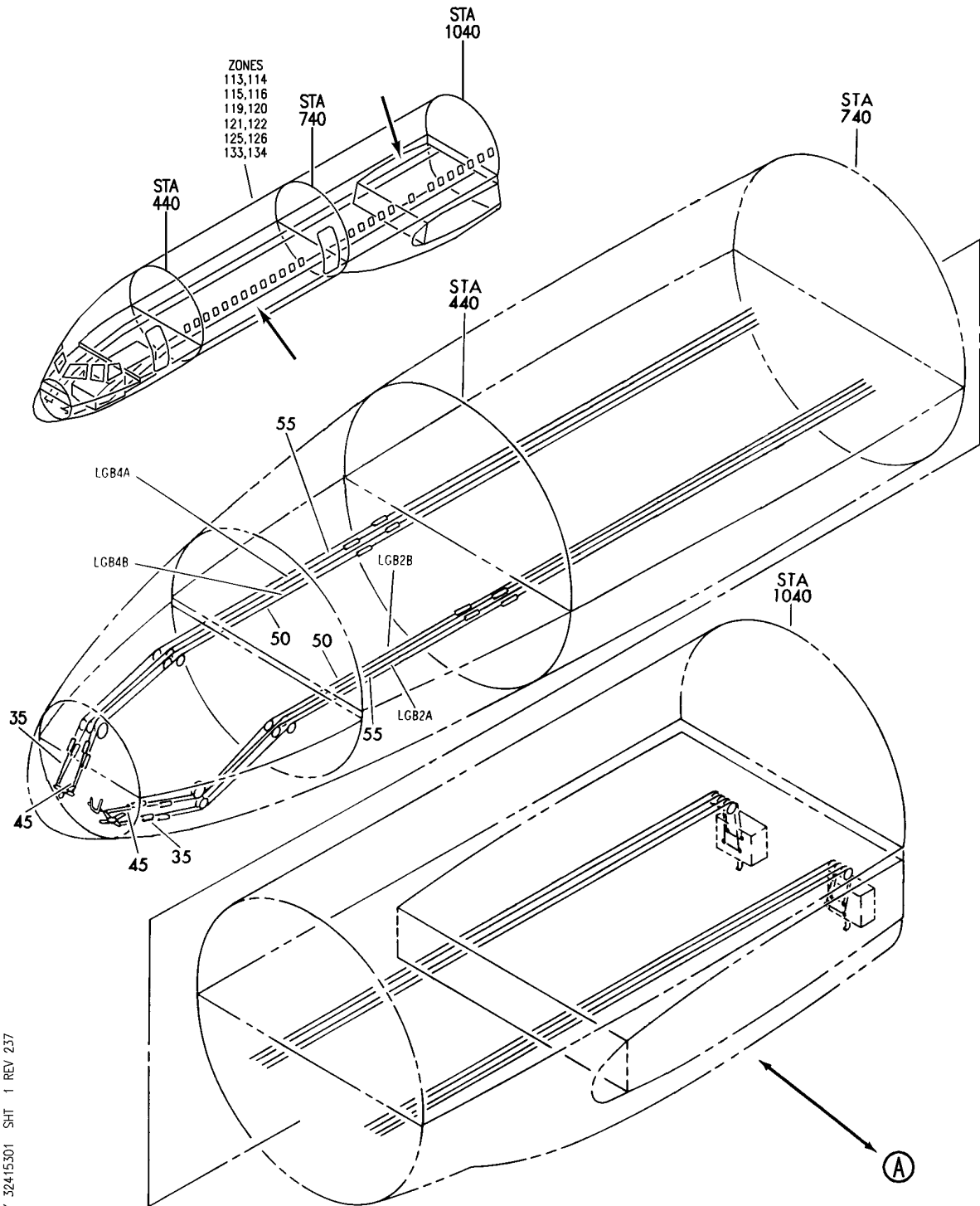
- ITEM NOT ILLUSTRATED

32-41-52-02

32-41-52  
FIG. 02  
PAGE 16  
JAN 20/09

BRI

**BOEING**  
757  
PARTS CATALOG (MAINTENANCE)



Y 32415301 SHT 1 REV 237

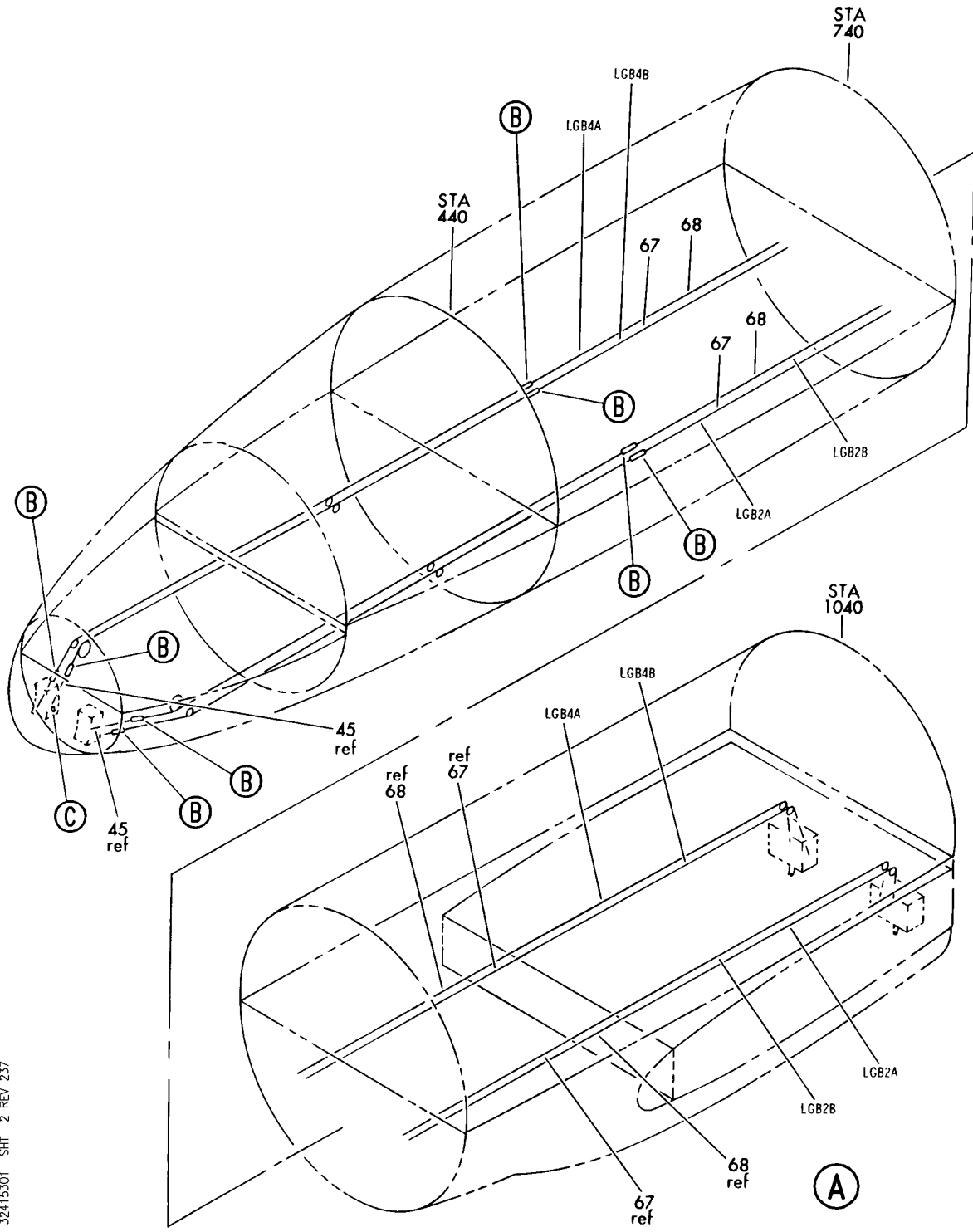
CONTROL INSTL- LG BRAKE  
FIGURE 1 (SHEET 1)

**32-41-53-01**

BRI  
MAY 28/07

32-41-53-01  
PAGE 0

**BOEING**  
757  
PARTS CATALOG (MAINTENANCE)



Y 32415301 SH1 2 REV 237

CONTROL INSTL- LG BRAKE  
FIGURE 1 (SHEET 2)

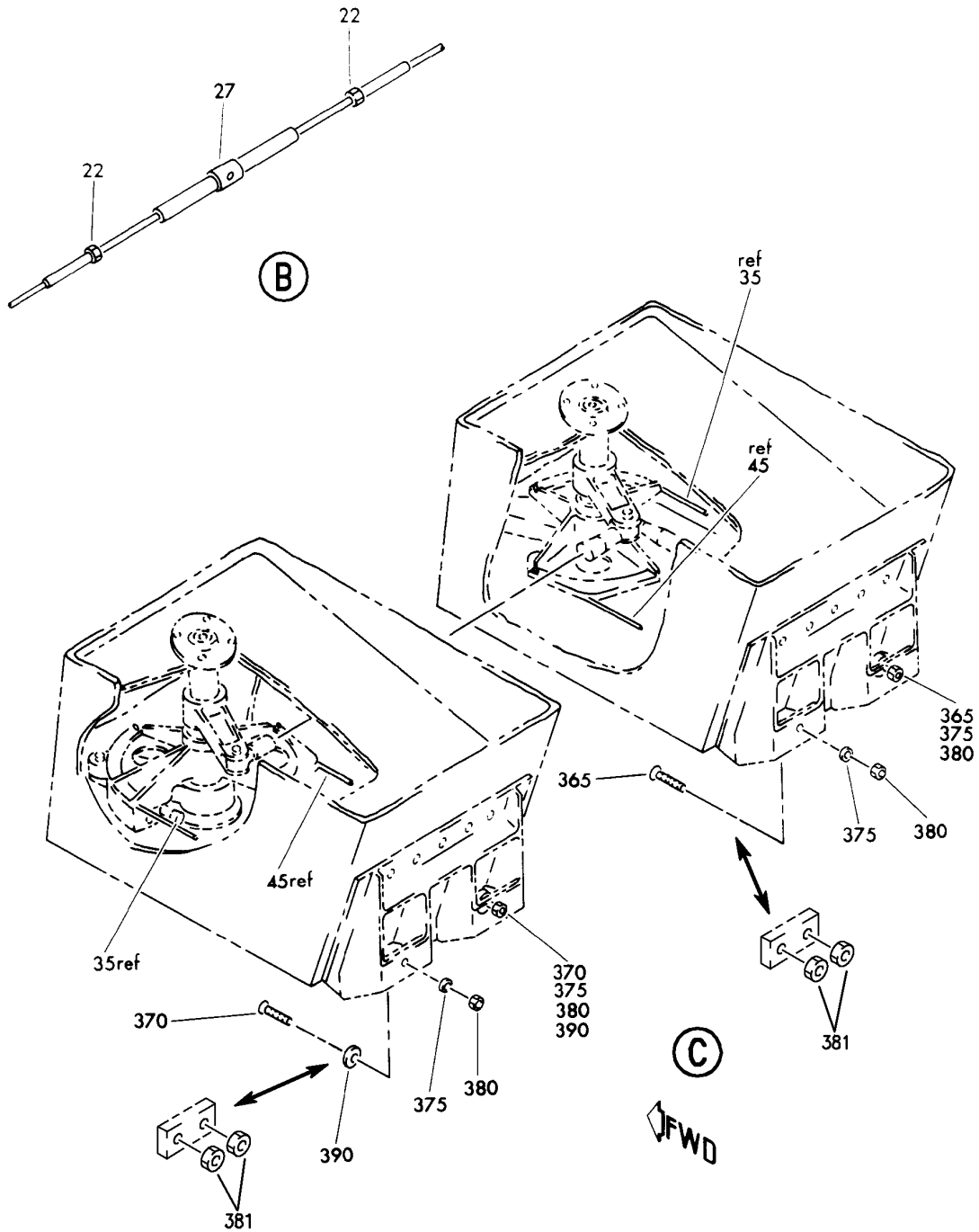
**32-41-53-01**

BRI  
MAY 28/07

32-41-53-01  
PAGE 0A



**BOEING**  
757  
PARTS CATALOG (MAINTENANCE)



Y 32415301 SHT 3 REV 237

CONTROL INSTL- LG BRAKE  
FIGURE 1 (SHEET 3)

**32-41-53-01**

BRI  
MAY 28/07

32-41-53-01  
PAGE 0B



757

PARTS CATALOG (MAINTENANCE)

FIG ITEM	PART NUMBER	1 2 3 4 5 6 7	NOMENCLATURE	EFFECT FROM TO	UNITS PER ASSY
1			CONTROL INSTL- LG BRAKE	101106 108120 504903	
- 1	274N2001-12		CONTROL INSTL-LG BRAKE FOR NHA SEE: 32-00-00-13	101102 108120 504903	1
- 1	MODREF8644		CONTROL INSTL-LG BRAKE MODULE NUMBER: 274N2001-12 REV A	103106	1
22	BACC15AJ2		.CLIP-	101106 108120 504903	16
27	MS21251B3L		.TURNBUCKLE BODY-	101106 108120 504903	8
35	BACC2C3D00262FG		.CABLE ASSY-LGB2A, LGB4A	101106 108120 504903	2
45	BACC2C3D00349FG		.CABLE ASSY-LGB2B, LGB4B	101106 108120 504903	2
50	BACC2C3D03447EE		.CABLE ASSY-LGB2B, LGB4B	101106 108120 504903	2
55	BACC2C3D03580EE		.CABLE ASSY-LGB2A, LGB4A	101106 108120 504903	2
67	BACC2C3D04706FG		.CABLE ASSY-LGB2A, LGB4A MISCELLANEOUS DATA: ZINC-ONLY AND TIN-OVER-ZINC COATED CABLES ARE INTERCHANGEABLE, AND MAY BE INTERMIXED WITHIN A SYSTEM, PROVIDING OPPOSITE CABLES WITHIN A GIVEN CABLE LOOP ARE REPLACED WITH CABLES OF THE SAME TYPE.	101106 108120 504903	2

MISSING ITEM NUMBERS NOT APPLICABLE

- ITEM NOT ILLUSTRATED

BRI

32-41-53-01

BOEING PROPRIETARY - Copyright © - Unpublished Work - See title page for details.

32-41-53  
FIG. 01  
PAGE 1  
JAN 20/09



757

PARTS CATALOG (MAINTENANCE)

FIG ITEM	PART NUMBER	1 2 3 4 5 6 7	NOMENCLATURE	EFFECT FROM TO	UNITS PER ASSY
1 68	BACC2C3D04743FG		.CABLE ASSY-LGB2B, LGB4B MISCELLANEOUS DATA: ZINC-ONLY AND TIN-OVER-ZINC COATED CABLES ARE INTERCHANGEABLE, AND MAY BE INTERMIXED WITHIN A SYSTEM, PROVIDING OPPOSITE CABLES WITHIN A GIVEN CABLE LOOP ARE REPLACED SAME TYPE.	101106 108120 504903	2
365	NAS514P1032-8		.SCREW	101106 108120 504903	2
370	NAS514P1032-10		.SCREW	101106 108120 504903	2
375	AN960KD10		.WASHER	101106 108120 504903	4
375	NAS1149D0363J		.WASHER	101106 108120 504903	4
380	MS21042L3		.NUT	101106 108120 504903	4
381	MS21042L3		.NUT	101106 108120 504903	8
390	274N2038-2		.SHIM	101106 108120 504903	2

MISSING ITEM NUMBERS NOT APPLICABLE

- ITEM NOT ILLUSTRATED

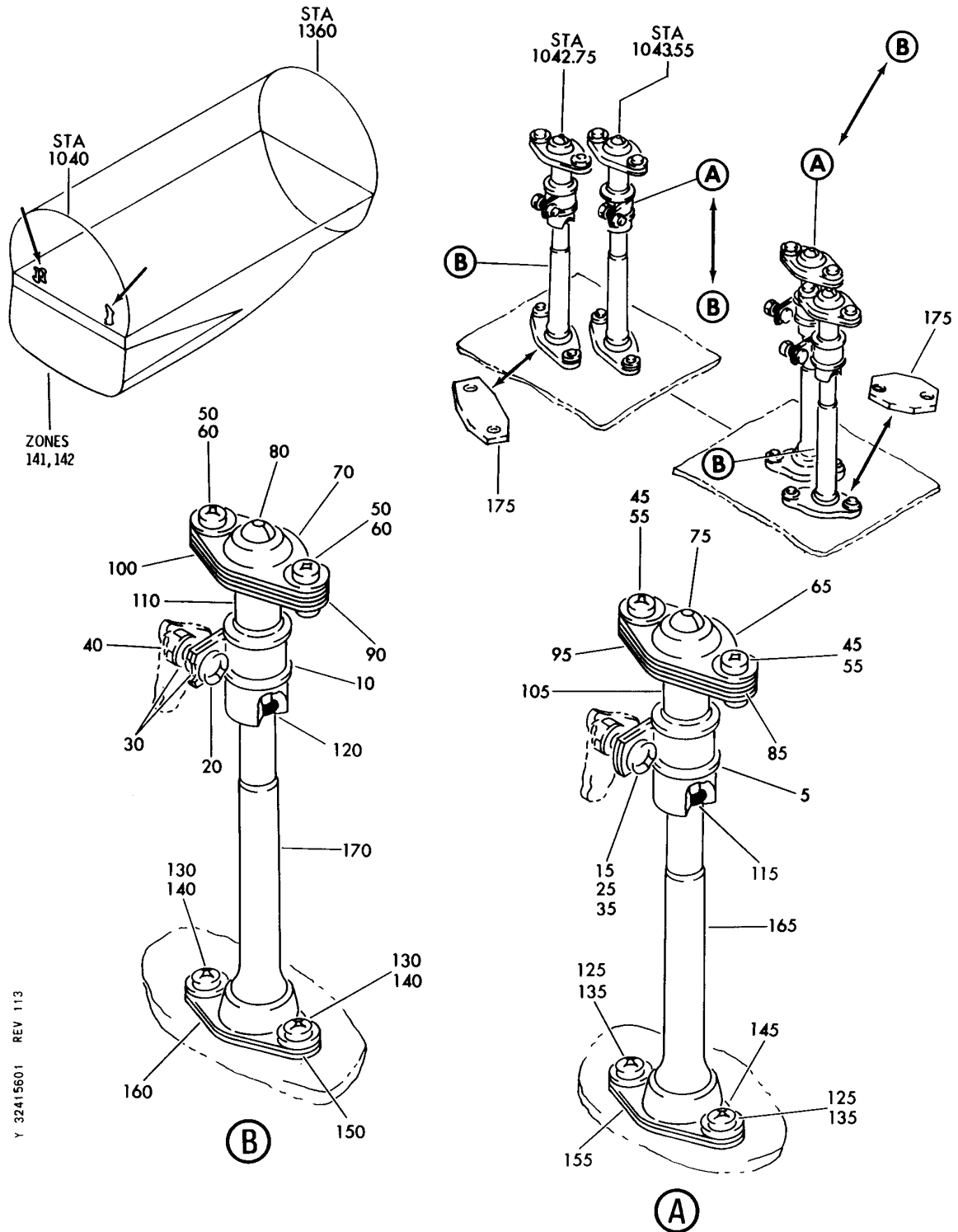
32-41-53-01

32-41-53  
FIG. 01  
PAGE 2  
JAN 20/09

BRI

BOEING PROPRIETARY - Copyright © - Unpublished Work - See title page for details.

**BOEING**  
757  
PARTS CATALOG (MAINTENANCE)



Y 32415601 REV 113

SEAL INSTL-STA 1040 TO 1060 SLOPING PRESSURE DECK  
FIGURE 1

**32-41-56-01**

BRI  
MAY 28/07

32-41-56-01  
PAGE 0



757

PARTS CATALOG (MAINTENANCE)

FIG ITEM	PART NUMBER	1 2 3 4 5 6 7	NOMENCLATURE	EFFECT FROM TO	UNITS PER ASSY
1			SEAL INSTL-STA 1040 TO 1060 SLOPING PRESSURE DECK	002004 006999	
- 1	251N6028-9		SEAL INSTL-SLOPING PRESSURE DECK PRESSURE POSITION DATA: STA 1040 TO 1060 VARIABLE DRAWING REF: 251N6028-13 FOR NHA SEE: 32-00-00-23 32-00-00-10	002004 006102 107999	RF
- 1	MODREF8284		SEAL INSTL-SLOPING PRESSURE DECK PRESSURE MODULE NUMBER: 251N6028-9 REV A POSITION DATA: STA 1040 TO 1060	103106	1
5	S3929F		.CLAMP SUPPLIER CODE: V18076 SPECIFICATION NUMBER: BACC10BU9F OPTIONAL PART: 393CS9AF V83930 JM44LC24S9YN V22175 TA04C44S9NB V84971	002004 006106 108903 950999	2
10	S3929F		.CLAMP SUPPLIER CODE: V18076 SPECIFICATION NUMBER: BACC10BU9F OPTIONAL PART: 393CS9AF V83930 JM44LC24S9YN V22175 TA04C44S9NB V84971	107107 904949	4
15	NAS623-3-2		ATTACHING PARTS .SCREW	002004 006999	2
20	NAS1801-3-2		.SCREW	107107 904949	2

MISSING ITEM NUMBERS NOT APPLICABLE

- ITEM NOT ILLUSTRATED

32-41-56-01

32-41-56  
FIG. 01  
PAGE 1  
JAN 20/09

BRI



757

PARTS CATALOG (MAINTENANCE)

FIG ITEM	PART NUMBER	1 2 3 4 5 6 7	NOMENCLATURE	EFFECT FROM TO	UNITS PER ASSY
1					
25	AN960KD10L	.	WASHER	002004 006106 108903 950999	4
30	AN960KD10L	.	WASHER	107107 904949	8
35	MS21042L3	.	NUT	002004 006106 108903 950999	2
40	MS21042L3	.	NUT	107107 904949	4
45	NAS623-3-5	-----*	.SCREW	002004 006106 108903 950999	4
50	NAS623-3-5	.	SCREW	107107 904949	8
55	BACW10P43AL	.	WASHER	002004 006106 108903 950999	4
60	BACW10P43AL	.	WASHER	107107 904949	8
65	65-28173-4	.	COVER	002004 006106 108903 950999	2
70	65-28173-4	.	COVER	107107 904949	4
75	69-73455-1	.	SEAL-EYEBALL QUALIFIED I/W DATA: 2 EACH OF 69-73455-1 CAN REPLACE OR BE REPLACED BY 2 EACH OF 66-20193-1	002004 006106 108903 950999	2
80	69-73455-1	.	SEAL-EYEBALL QUALIFIED I/W DATA: 2 EACH OF 69-73455-1 CAN REPLACE OR BE REPLACED BY 2 EACH OF 66-20193-1	107107 904949	4
85	65-28173-3	.	PLATE	002004 006106 108903 950999	2
90	65-28173-3	.	PLATE	107107 904949	4

MISSING ITEM NUMBERS NOT APPLICABLE

- ITEM NOT ILLUSTRATED

32-41-56-01

32-41-56  
FIG. 01  
PAGE 2  
JAN 20/09

BRI

BOEING PROPRIETARY - Copyright © - Unpublished Work - See title page for details.



757

PARTS CATALOG (MAINTENANCE)

FIG ITEM	PART NUMBER	1 2 3 4 5 6 7	NOMENCLATURE	EFFECT FROM TO	UNITS PER ASSY
1					
95	251N6225-1	.	PLATE ASSY-RTNR	002004 006106 108903 950999	2
100	251N6225-1	.	PLATE ASSY-RTNR	107107 904949	4
105	251N6225-14	.	SLEEVE	002004 006106 108903 950999	2
110	251N6225-14	.	SLEEVE	107107 904949	4
115	NAS1611-013	.	PACKING-	002004 006106 108903 950999	2
120	NAS1611-013	.	PACKING-	107107 904949	4
125	NAS1801-3-9	.	SCREW	002004 006106 108903 950999	4
130	NAS1801-3-9	.	SCREW	107107 904949	8
135	BACW10P43AL	.	WASHER	002004 006106 108903 950999	4
140	BACW10P43AL	.	WASHER	107107 904949	8
145	65-28174-4	.	COVER	002004 006106 108903 950999	2
150	65-28174-4	.	COVER	107107 904949	4
155	65-28174-3	.	PLATE-SEAL	002004 006106 108903 950999	2
160	65-28174-3	.	PLATE-SEAL	107107 904949	4
165	251N6225-13	.	TUBE	002004 006106 108903 950999	2
170	251N6225-13	.	TUBE	107107 904949	4

MISSING ITEM NUMBERS NOT APPLICABLE

- ITEM NOT ILLUSTRATED

32-41-56-01

32-41-56  
FIG. 01  
PAGE 3  
JAN 20/09

BRI

BOEING PROPRIETARY - Copyright © - Unpublished Work - See title page for details.



757

PARTS CATALOG (MAINTENANCE)

FIG ITEM	PART NUMBER	1 2 3 4 5 6 7	NOMENCLATURE	EFFECT FROM TO	UNITS PER ASSY
1 175	251N6364-7		. TUBE-SEAL	002004 006106 108903 950999	2
- 180	NAS623-3-6		ATTACHING PARTS . SCREW	002004 006106 108903 950999	4
- 195	AN960KD10		. WASHER  -----*	002004 006106 108903 950999	4

MISSING ITEM NUMBERS NOT APPLICABLE

- ITEM NOT ILLUSTRATED

BRI

32-41-56-01

BOEING PROPRIETARY - Copyright © - Unpublished Work - See title page for details.

32-41-56  
FIG. 01  
PAGE 4  
JAN 20/09

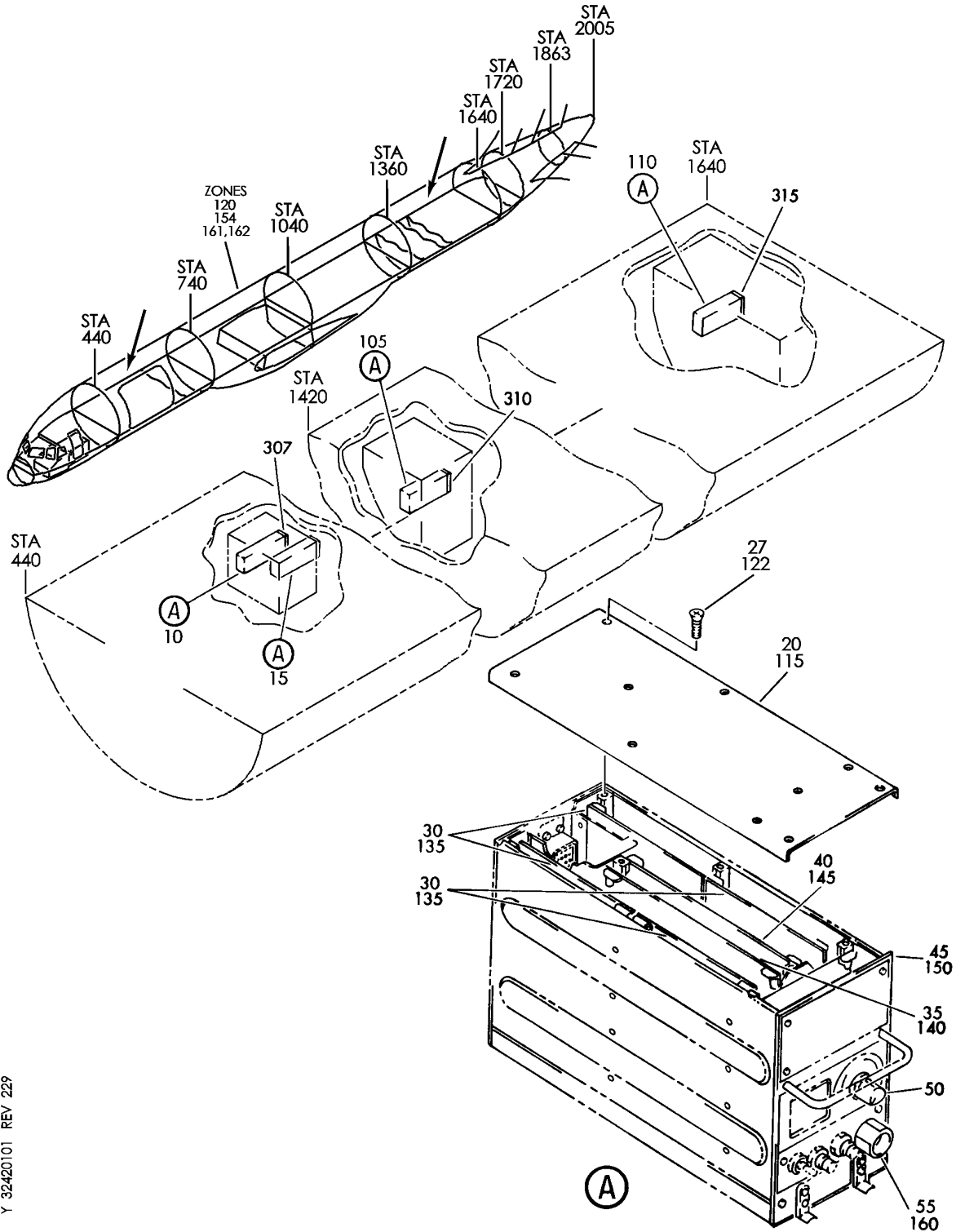


## ANTISKID/AUTOBRAKE SYSTEM

BRI  
MAY 28/07

32-42-00  
SECTION TITLE  
PAGE 1

**BOEING**  
757  
PARTS CATALOG (MAINTENANCE)



Y 32420101 REV 229

EQUIPMENT INSTL-MAIN ELECTRONICS AND E6 AFT EQPT CTR (ANTISKID/AUTOBRAKE SYSTEM ONLY)  
FIGURE 1

BRI  
MAY 28/07

**32-42-01-01**

32-42-01-01  
PAGE 0



757

PARTS CATALOG (MAINTENANCE)

FIG ITEM	PART NUMBER	1 2 3 4 5 6 7	NOMENCLATURE	EFFECT FROM TO	UNITS PER ASSY
1			EQUIPMENT INSTL-MAIN ELECTRONICS AND E6 AFT EQPT CTR (ANTISKID/AUTOBRAKE SYSTEM ONLY)	002004 006100 107107 121999	
- 1	284N1307-33		EQUIPMENT INSTL-MAIN ELECTRONICS EQPT CTR (ANTISKID/AUTOBRAKE SYSTEM ONLY) FOR NHA/OTHER SYS DET SEE: 24-00-58-01	107107	RF
- 3	284N1800-32		EQUIPMENT INSTL-MAIN ELECTRONICS EQPT CTR (ANTISKID/AUTOBRAKE SYSTEM ONLY) FOR NHA/OTHER SYS DET SEE: 24-00-58-01	952999	RF
- 4	284N1800-34		EQUIPMENT INSTL-MAIN ELECTRONICS EQPT CTR (ANTISKID/AUTOBRAKE SYSTEM ONLY) FOR NHA/OTHER SYS DET SEE: 24-00-58-01	002004 006100	RF
- 4	284N1800-38		EQUIPMENT INSTL-MAIN ELECTRONICS EQPT CTR (ANTISKID/AUTOBRAKE SYSTEM ONLY) FOR NHA/OTHER SYS DET SEE: 24-00-58-01	950951	RF
- 5	284N1800-190		EQUIPMENT INSTL-MAIN ELECTRONICS EQPT CTR (ANTISKID/AUTOBRAKE SYSTEM ONLY) FOR NHA/OTHER SYS DET SEE: 24-00-58-05E	504504 506903	RF
- 7	284N1800-88		EQUIPMENT INSTL-MAIN ELECTRONICS EQPT CTR (ANTISKID/AUTOBRAKE SYSTEM ONLY) FOR NHA/OTHER SYS DET SEE: 24-00-58-05E	505505	RF

MISSING ITEM NUMBERS NOT APPLICABLE

- ITEM NOT ILLUSTRATED

BRI

32-42-01-01

BOEING PROPRIETARY - Copyright © - Unpublished Work - See title page for details.

32-42-01  
FIG. 01  
PAGE 1  
JAN 20/09



757

PARTS CATALOG (MAINTENANCE)

FIG ITEM	PART NUMBER	1 2 3 4 5 6 7	NOMENCLATURE	EFFECT FROM TO	UNITS PER ASSY
1					
10	42-641-1		.CONTROL UNIT ASSY-ANTISKID AUTOBRAKE SUPPLIER CODE: V81982 SPECIFICATION NUMBER: S283T001-12 ELECTRICAL EQUIP NUMBER: M00102 COMPONENT MAINT MANUAL REF: 32-42-59	107107	1
10	42-757-1		.CONTROL UNIT ASSY-ANTISKID AUTOBRAKE SUPPLIER CODE: V81982 SPECIFICATION NUMBER: S283T001-20 ELECTRICAL EQUIP NUMBER: M00102 WIRING DIAGRAM REF: 324211 COMPONENT MAINT MANUAL REF: 32-42-91	002004 006100	1
10	42-641-2		.CONTROL UNIT ASSY-ANTISKID AUTOBRAKE SUPPLIER CODE: V81982 SPECIFICATION NUMBER: S283T001-18 ELECTRICAL EQUIP NUMBER: M00102 WIRING DIAGRAM REF: 324211 COMPONENT MAINT MANUAL REF: 32-42-59 POST SERVICE BULLETIN: 32-0126 32-0157R1	107107 504903 950999	1
20	42-62929		..COVER- SUPPLIER CODE: V81982 POSITION DATA: UPR ATTACHING PARTS	002004 006100 107107 504903 950999	1
- 25	CA2023-15		..STUD NUT- SUPPLIER CODE: V81982 CONFIG CHG DATA FROM A CMM: SUPSD BY MS24693C5	107107 950951	10

MISSING ITEM NUMBERS NOT APPLICABLE

- ITEM NOT ILLUSTRATED

32-42-01-01

32-42-01  
FIG. 01  
PAGE 2  
JAN 20/09

BRI



757

PARTS CATALOG (MAINTENANCE)

FIG ITEM	PART NUMBER	1 2 3 4 5 6 7	NOMENCLATURE	EFFECT FROM TO	UNITS PER ASSY
1					
27	MS24693C5		.. SCREW- CONFIG CHG DATA FROM A CMM: SUPERSEDES CA2023-15	002004 006100 107107 504903 950999	10
30	42-75717		-----*----- .. PRINTED WIRING ASSY-MAIN WHEEL A1 THRU A4 SUPPLIER CODE: V81982 USED ON: 42-757-1	002004 006100	4
30	42-64117		.. PRINTED WIRING ASSY-MAIN WHEEL A1 THRU A4 SUPPLIER CODE: V81982 SB DATA FROM A CMM: SB 32-130 USED ON: 42-641-1	107107 504903 950952	4
35	42-641191		.. PRINTED WIRING ASSY-BITE A5 SUPPLIER CODE: V81982 SB DATA FROM A CMM: SB 32-126 USED ON: 42-641-1	107107 504903 950952	1
35	42-75719		.. PRINTED WIRING ASSY-BITE A5 SUPPLIER CODE: V81982 USED ON: 42-757-1	002004 006100	1
40	42-641231		.. PRINTED WIRING ASSY- AUTOBRAKE A6 SUPPLIER CODE: V81982 USED ON: 42-641-1	107107	1
40	42-641232		.. PRINTED WIRING ASSY- AUTOBRAKE A6 SUPPLIER CODE: V81982 USED ON: 42-641-2	107107 504903 950999	1

R  
R  
R  
R  
R  
R  
R  
R  
R  
R  
R  
R  
R  
R  
R

MISSING ITEM NUMBERS NOT APPLICABLE

- ITEM NOT ILLUSTRATED

32-42-01-01

32-42-01  
FIG. 01  
PAGE 3  
MAY 20/09

BRI



757

PARTS CATALOG (MAINTENANCE)

FIG ITEM	PART NUMBER	1 2 3 4 5 6 7	NOMENCLATURE	EFFECT FROM TO	UNITS PER ASSY
1 40	42-757231		..PRINTED WIRING ASSY- AUTOBRAKE A6 SUPPLIER CODE: V81982 USED ON: 42-757-1	002004 006100	1
45	42-64125		..PRINTED WIRING ASSY- DISPLAY BITE INTERFACE A7 SUPPLIER CODE: V81982	002004 006100 107107 504903 950999	1
50	TT154-101		..KNOB- SUPPLIER CODE: V81590	002004 006100 107107 504903 950999	1
55	42-62943		..GUARD- SUPPLIER CODE: V81982	002004 006100 107107 504903 950999	1
- 100	284N1686-3		EQUIPMENT INSTL-E6 EQPT CTR (ANTISKID/AUTOBRAKE SYSTEM ONLY) POSITION DATA: AFT FOR NHA/OTHER SYS DET SEE: 24-00-58-01	121503 904949	RF
110	42-641-1		.CONTROL UNIT ASSY- ANTISKID/AUTOBRAKE SUPPLIER CODE: V81982 SPECIFICATION NUMBER: S283T001-12 ELECTRICAL EQUIP NUMBER: M00102 COMPONENT MAINT MANUAL REF: 32-42-59	121503 904949	1
110	42-641-2		.CONTROL UNIT ASSY-ANTISKID AUTOBRAKE SUPPLIER CODE: V81982 SPECIFICATION NUMBER: S283T001-18 ELECTRICAL EQUIP NUMBER: M00102 COMPONENT MAINT MANUAL REF: 32-42-59	121503 904949	1

MISSING ITEM NUMBERS NOT APPLICABLE

- ITEM NOT ILLUSTRATED

32-42-01-01

32-42-01  
FIG. 01  
PAGE 4  
JAN 20/09

BRI



757

PARTS CATALOG (MAINTENANCE)

FIG ITEM	PART NUMBER	1 2 3 4 5 6 7	NOMENCLATURE	EFFECT FROM TO	UNITS PER ASSY
1 115	42-62929		..COVER- SUPPLIER CODE: V81982 POSITION DATA: UPR ATTACHING PARTS	121503 904949	1
- 120	CA2023-15		..STUD NUT- SUPPLIER CODE: V81982 CONFIG CHG DATA FROM A CMM: SUPSD BY MS24693C5	121503 904949	10
122	MS24693C5		..SCREW- CONFIG CHG DATA FROM A CMM: SUPERSEDES CA2023-15 -----*-----	121503 904949	10
135	42-64117		..PRINTED WIRING ASSY-MAIN WHEEL A1 THRU A4 SUPPLIER CODE: V81982 SB DATA FROM A CMM: SB 32-130 USED ON: 42-641-1 42-641-2	121503 904949	4
140	42-641191		..PRINTED WIRING ASSY-BITE A5 SUPPLIER CODE: V81982 USED ON: 42-641-1 42-641-2	121503 904949	1
145	42-641231		..PRINTED WIRING ASSY- AUTOBRAKE A6 SUPPLIER CODE: V81982 USED ON: 42-641-1	121503 904949	1
145	42-641232		..PRINTED WIRING ASSY- AUTOBRAKE A6 SUPPLIER CODE: V81982 USED ON: 42-641-2	121503 904949	1
150	42-64125		..PRINTED WIRING ASSY- DISPLAY BITE INTERFACE A7 SUPPLIER CODE: V81982	121503 904949	1

MISSING ITEM NUMBERS NOT APPLICABLE

- ITEM NOT ILLUSTRATED

32-42-01-01

32-42-01  
FIG. 01  
PAGE 5  
JAN 20/09

BRI



757

PARTS CATALOG (MAINTENANCE)

FIG ITEM	PART NUMBER	1 2 3 4 5 6 7	NOMENCLATURE	EFFECT FROM TO	UNITS PER ASSY
1 160	42-62943		.. GUARD- SUPPLIER CODE: V81982	121503 904949	1
- 300	286N1032-001		WIRE BUNDLE ASSY	121503 904949	RF
- 300	286N1284-003		WIRE BUNDLE ASSY-	107107	RF
- 300	286N1284-004		WIRE BUNDLE ASSY- REWORKED BY SB: 34-0200	002004 006100 950999	RF
- 301 307	286N1284-352 NIC66F11C01		WIRE BUNDLE ASSY .CONNECTOR- SUPPLIER CODE: V00779 SPECIFICATION NUMBER: BACC66F11C01 ELECTRICAL EQUIP NUMBER: D02744 WIRING DIAGRAM REF: 324211 POST SERVICE BULLETIN: 32-0157R1	504903 121503 904951 953999	RF 1
307	BKA11C54		.CONNECTOR- SUPPLIER CODE: V71468 SPECIFICATION NUMBER: BACC66F11C54 OPTIONAL PART: S611C54 V59610 NIC66F11C54 V00779 ELECTRICAL EQUIP NUMBER: D02744 WIRING DIAGRAM REF: 324211 324213	002004 006100 504903 952952	1
310	NIC66F11C01		.CONNECTOR- SUPPLIER CODE: V00779 SPECIFICATION NUMBER: BACC66F11C01 ELECTRICAL EQUIP NUMBER: D02744 WIRING DIAGRAM REF: 324211	121503 904949	1

MISSING ITEM NUMBERS NOT APPLICABLE

- ITEM NOT ILLUSTRATED

BRI

32-42-01-01

32-42-01  
FIG. 01  
PAGE 6  
JAN 20/09





757

PARTS CATALOG (MAINTENANCE)

FIG ITEM	PART NUMBER	1 2 3 4 5 6 7	NOMENCLATURE	EFFECT FROM TO	UNITS PER ASSY
1 315	NIC66F11C01		.CONNECTOR- SUPPLIER CODE: V00779 SPECIFICATION NUMBER: BACC66F11C01 ELECTRICAL EQUIP NUMBER: D02744 WIRING DIAGRAM REF: 324211	121503 904949	1

MISSING ITEM NUMBERS NOT APPLICABLE

- ITEM NOT ILLUSTRATED

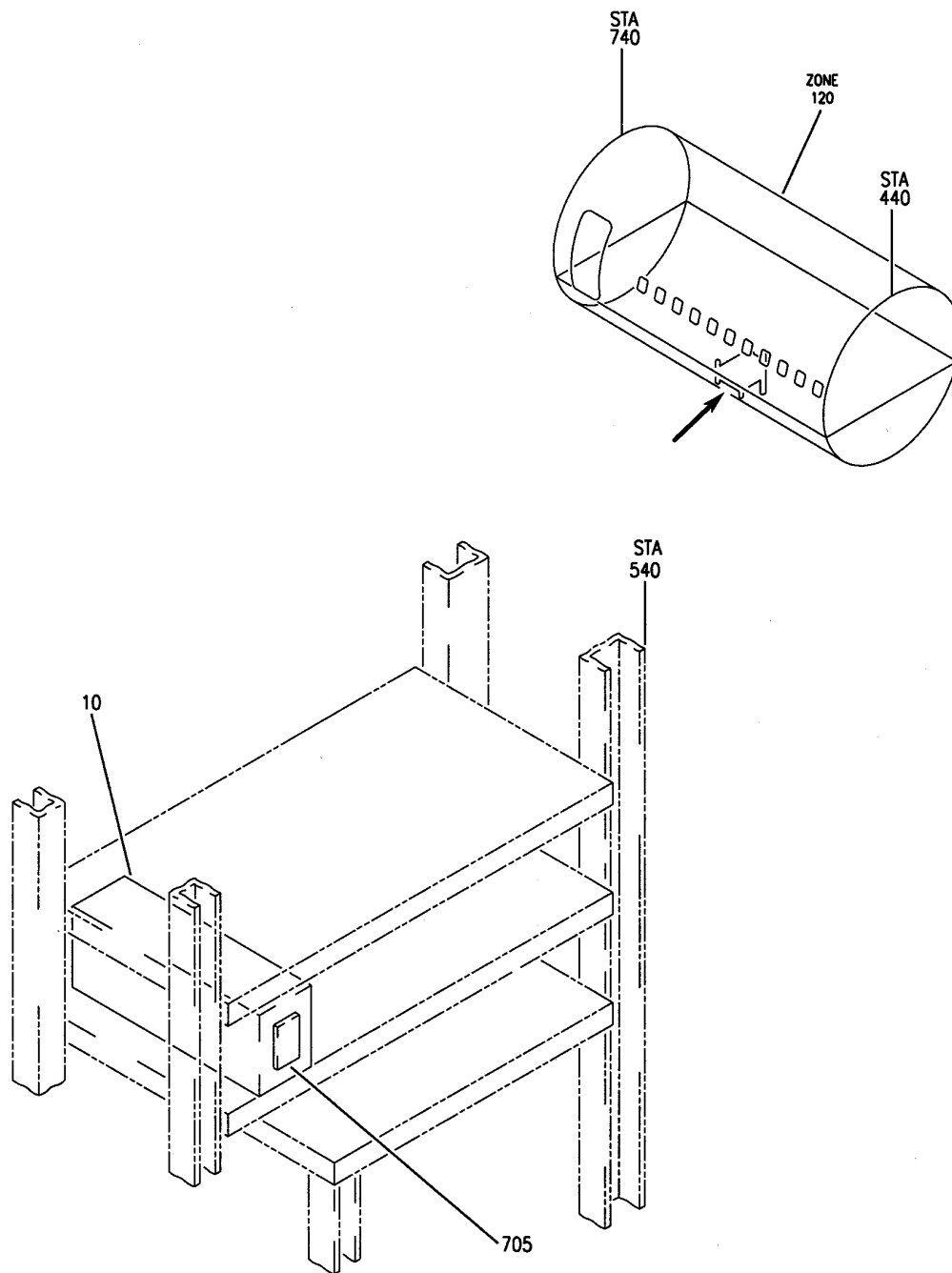
BRI

32-42-01-01

BOEING PROPRIETARY - Copyright © - Unpublished Work - See title page for details.

32-42-01  
FIG. 01  
PAGE 7  
JAN 20/09

**BOEING**  
757  
PARTS CATALOG (MAINTENANCE)



Y 32420101B REV 212

EQUIPMENT INSTL-MAIN ELECTRONICS EQPT CTR (ANTISKID/AUTOBRAKE SYSTEM ONLY)  
FIGURE 1B

BRI  
MAY 28/07

**32-42-01-01B**

32-42-01-01B  
PAGE 0



757

PARTS CATALOG (MAINTENANCE)

FIG ITEM	PART NUMBER	1 2 3 4 5 6 7	NOMENCLATURE	EFFECT FROM TO	UNITS PER ASSY
1B			EQUIPMENT INSTL-MAIN ELECTRONICS EQPT CTR (ANTISKID/AUTOBRAKE SYSTEM ONLY)	101102	
- 2	284N1800-140		EQUIPMENT INSTL-MAIN ELECTRONICS EQPT CTR (ANTISKID/AUTOBRAKE SYSTEM ONLY)	101101	RF
- 2	284N1800-141		FOR NHA/OTHER SYS DET SEE: 24-00-58-05E EQUIPMENT INSTL-MAIN ELECTRONICS EQPT CTR (ANTISKID/AUTOBRAKE SYSTEM ONLY)	102102	RF
10	42-757-1		FOR NHA/OTHER SYS DET SEE: 24-00-58-05E .CONTROL UNIT ASSY- SUPPLIER CODE: V81982 SPECIFICATION NUMBER: S283T001-20 ELECTRICAL EQUIP NUMBER: M00102 COMPONENT MAINT MANUAL REF: 32-42-91	101102	1
- 700 705	286N1284-324 BKA11C54		WIRE BUNDLE ASSY .CONNECTOR- SUPPLIER CODE: V71468 SPECIFICATION NUMBER: BACC66F11C54 OPTIONAL PART: S611C54 V59610 NIC66F11C54 V00779 ELECTRICAL EQUIP NUMBER: D02744 WIRING DIAGRAM REF: 324211	101102 101102	RF 1

MISSING ITEM NUMBERS NOT APPLICABLE

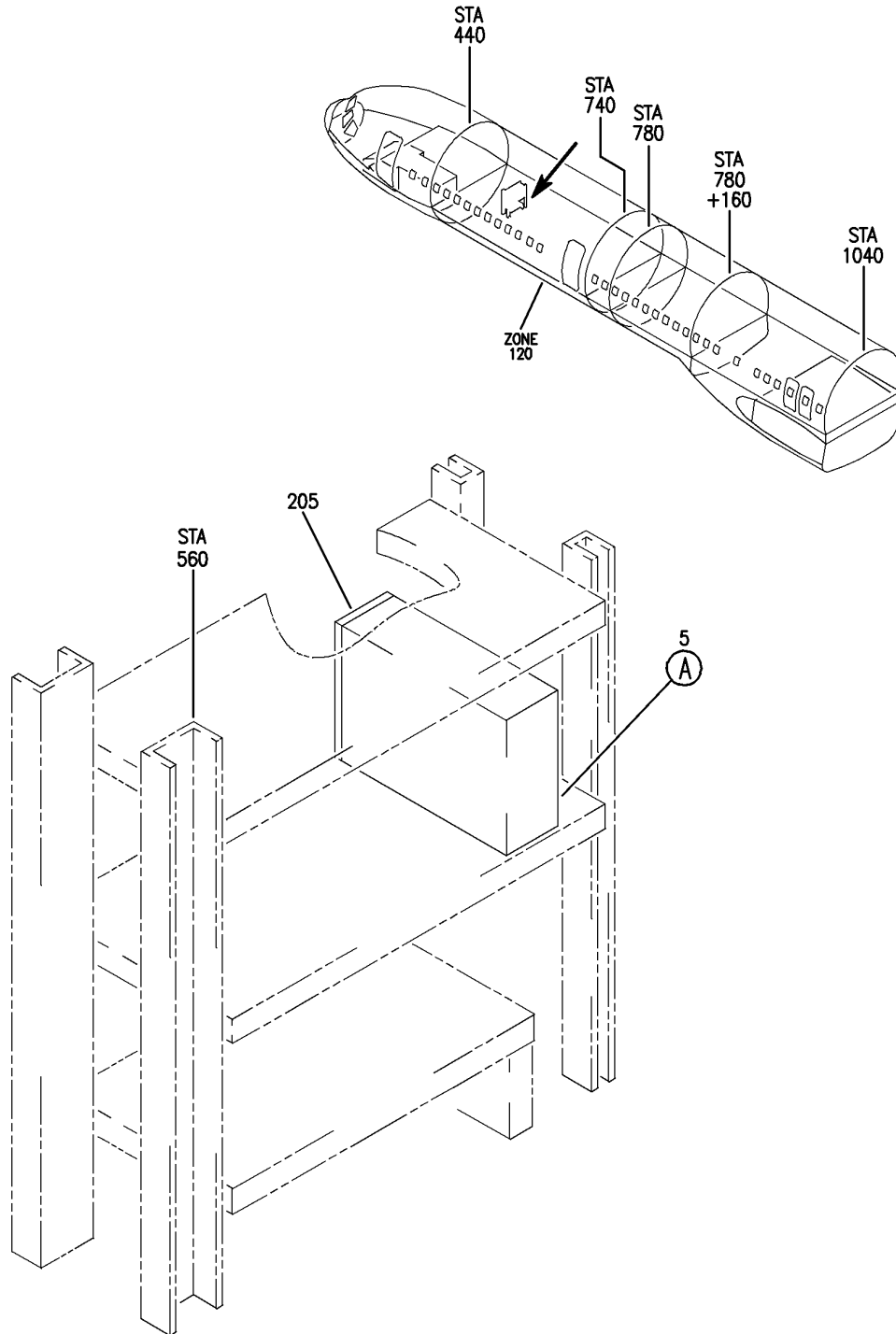
- ITEM NOT ILLUSTRATED

32-42-01-01B

32-42-01  
FIG. 01B  
PAGE 1  
JAN 20/09

BRI

**BOEING**  
757  
PARTS CATALOG (MAINTENANCE)



Y 32420108 SHT 1 REV 222

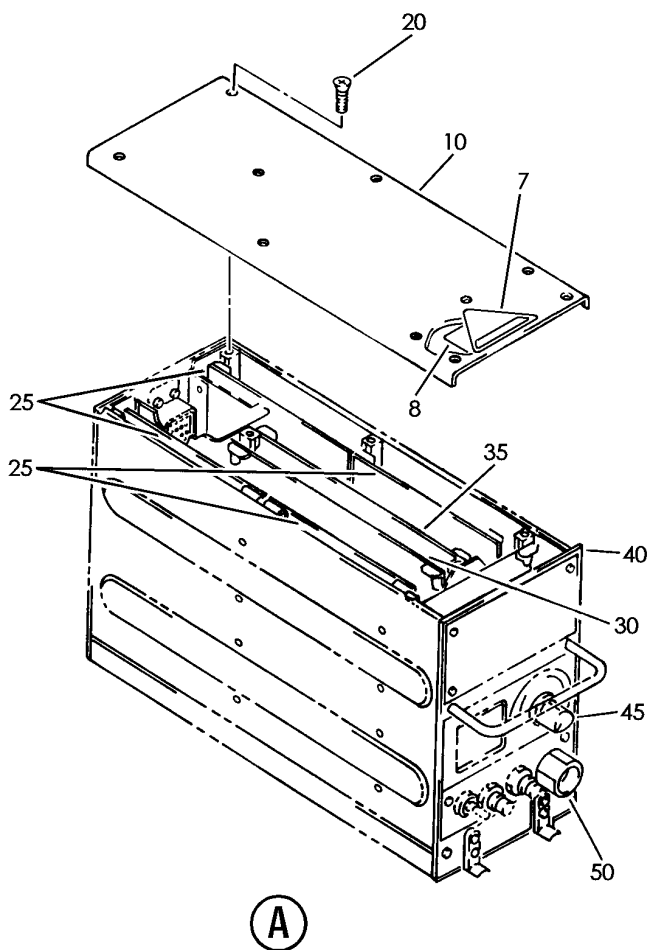
EQUIPMENT INSTL-MAIN ELECTRONICS EQPT CTR ANTISKID AUTOBRAKE  
FIGURE 8 (SHEET 1)

**32-42-01-08**

BRI  
JAN 20/09

32-42-01-08  
PAGE 0

**BOEING**  
757  
PARTS CATALOG (MAINTENANCE)



Y 32420108 SHT 2 REV 243

EQUIPMENT INSTL-MAIN ELECTRONICS EQPT CTR ANTISKID AUTOBRAKE  
FIGURE 8 (SHEET 2)

**32-42-01-08**

BRI  
JAN 20/09

32-42-01-08  
PAGE 0A



757

PARTS CATALOG (MAINTENANCE)

FIG ITEM	PART NUMBER	1 2 3 4 5 6 7	NOMENCLATURE	EFFECT FROM TO	UNITS PER ASSY
8			EQUIPMENT INSTL-MAIN ELECTRONICS EQPT CTR ANTISKID AUTOBRAKE	103106 108120	
- 1	284N4000-320003		EQUIPMENT INSTL-MAIN ELECTRONICS EQPT CTR ANTISKID AUTOBRAKE	108120	RF
- 1	MODREF10150		FOR NHA SEE: 24-00-58-05F EQUIPMENT INSTL-MAIN ELECTRONICS EQPT CTR ANTISKID AUTOBRAKE	103105	1
- 1	MODREF10232		MODULE NUMBER: 284N4000-320000 REV A EQUIPMENT INSTL-MAIN ELECTRONICS EQPT CTR ANTISKID AUTOBRAKE	106106	1
5	42-641-2		MODULE NUMBER: 284N4000-320003 REV A .CONTROL UNIT ASSY- SUPPLIER CODE: V81982	106106 108120	1
			SPECIFICATION NUMBER: S283T001-18 ELECTRICAL EQUIP NUMBER: M00102 COMPONENT MAINT MANUAL REF: 32-42-59		
7	42-62964		..PLATE-CAUTION SUPPLIER CODE: V81982	103106 108120	1
8	42-62944		..PLATE-PW BOARD LOCATION SUPPLIER CODE: V81982	103106 108120	1
10	42-62929		..COVER- SUPPLIER CODE: V81982	103106 108120	1
			POSITION DATA: UPR ATTACHING PARTS		
- 15	CA2023-15		..STUD NUT- SUPPLIER CODE: V81982	103106 108120	10
			CONFIG CHG DATA FROM A CMM: SUPSD BY MS24693C5		
20	MS24693C5		..SCREW- CONFIG CHG DATA FROM A CMM: SUPERSEDES CA2023-15 -----*-----	103106 108120	10

MISSING ITEM NUMBERS NOT APPLICABLE

- ITEM NOT ILLUSTRATED

32-42-01-08

32-42-01  
FIG. 08  
PAGE 1  
JAN 20/09

BRI



757

PARTS CATALOG (MAINTENANCE)

FIG ITEM	PART NUMBER	1 2 3 4 5 6 7	NOMENCLATURE	EFFECT FROM TO	UNITS PER ASSY
8					
25	42-75717		..PRINTED WIRING ASSY-MAIN WHEEL A1 THRU A4 SUPPLIER CODE: V81982	108120	4
30	42-75719		..PRINTED WIRING ASSY-BITE A5 SUPPLIER CODE: V81982	108120	1
35	42-75731		..PRINTED WIRING ASSY- AUTOBRAKE A6 SUPPLIER CODE: V81982	103106 108120	1
35	42-641232		..PRINTED WIRING ASSY- AUTOBRAKE A6 SUPPLIER CODE: V81982	106106 108120	1
40	42-64125		..PRINTED WIRING ASSY- DISPLAY BITE INTERFACE A7 SUPPLIER CODE: V81982	103106 108120	1
45	TT154-101		..KNOB- SUPPLIER CODE: V81590	103106 108120	1
50	42-62943		..GUARD- SUPPLIER CODE: V81982	103106 108120	1
- 202	286N1284-363		WIRE BUNDLE ASSY-	108120	RF
- 203	286N1284-601		WIRE BUNDLE ASSY-	103105	RF
- 203	286N1284-602		WIRE BUNDLE ASSY-	106106	RF
205	NIC66F11C01		.CONNECTOR- SUPPLIER CODE: V00779 SPECIFICATION NUMBER: BACC66F11C01 ELECTRICAL EQUIP NUMBER: D02744 WIRING DIAGRAM REF: 324211 POST SERVICE BULLETIN: 32-0157R1	103105 108120	1

MISSING ITEM NUMBERS NOT APPLICABLE

- ITEM NOT ILLUSTRATED

32-42-01-08

32-42-01  
FIG. 08  
PAGE 2  
JAN 20/09

BRI



757

PARTS CATALOG (MAINTENANCE)

FIG ITEM	PART NUMBER	1 2 3 4 5 6 7	NOMENCLATURE	EFFECT FROM TO	UNITS PER ASSY
8 205	BKA11C54		.CONNECTOR- SUPPLIER CODE: V71468 SPECIFICATION NUMBER: BACC66F11C54 OPTIONAL PART: S611C54 V59610 NIC66F11C54 V00779 ELECTRICAL EQUIP NUMBER: D02744 WIRING DIAGRAM REF: 324211	106106	1

MISSING ITEM NUMBERS NOT APPLICABLE

- ITEM NOT ILLUSTRATED

BRI

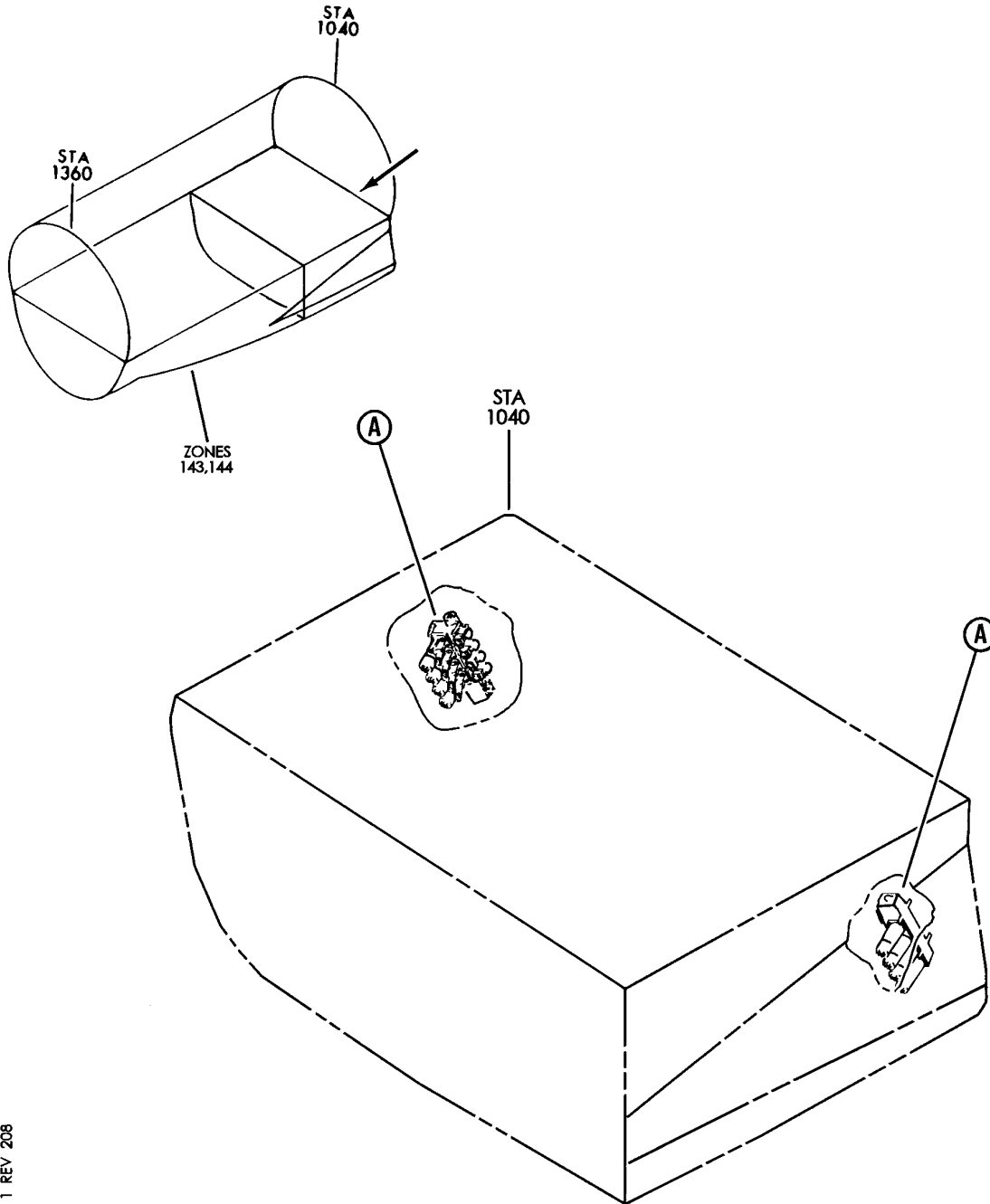
32-42-01-08

BOEING PROPRIETARY - Copyright © - Unpublished Work - See title page for details.

32-42-01  
FIG. 08  
PAGE 3  
JAN 20/09



**BOEING**  
757  
PARTS CATALOG (MAINTENANCE)



Y 32420201 SHT 1 REV 208

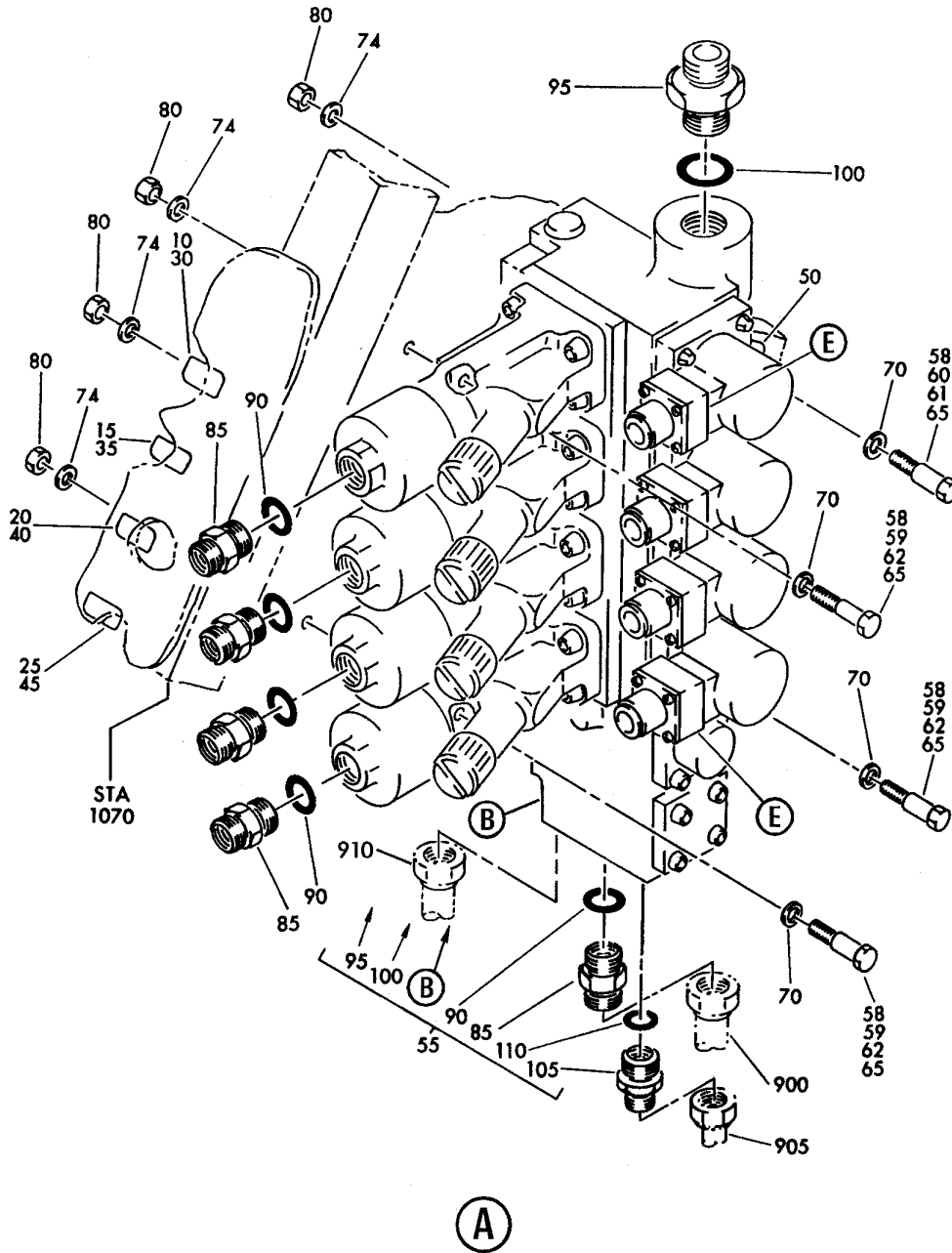
VALVE INSTL-NORMAL BRAKES ANTISKID  
FIGURE 1 (SHEET 1)

**32-42-02-01**

BRI  
MAY 28/07

32-42-02-01  
PAGE 0

**BOEING**  
757  
PARTS CATALOG (MAINTENANCE)



Y 32420201 SH1 2 REV 214

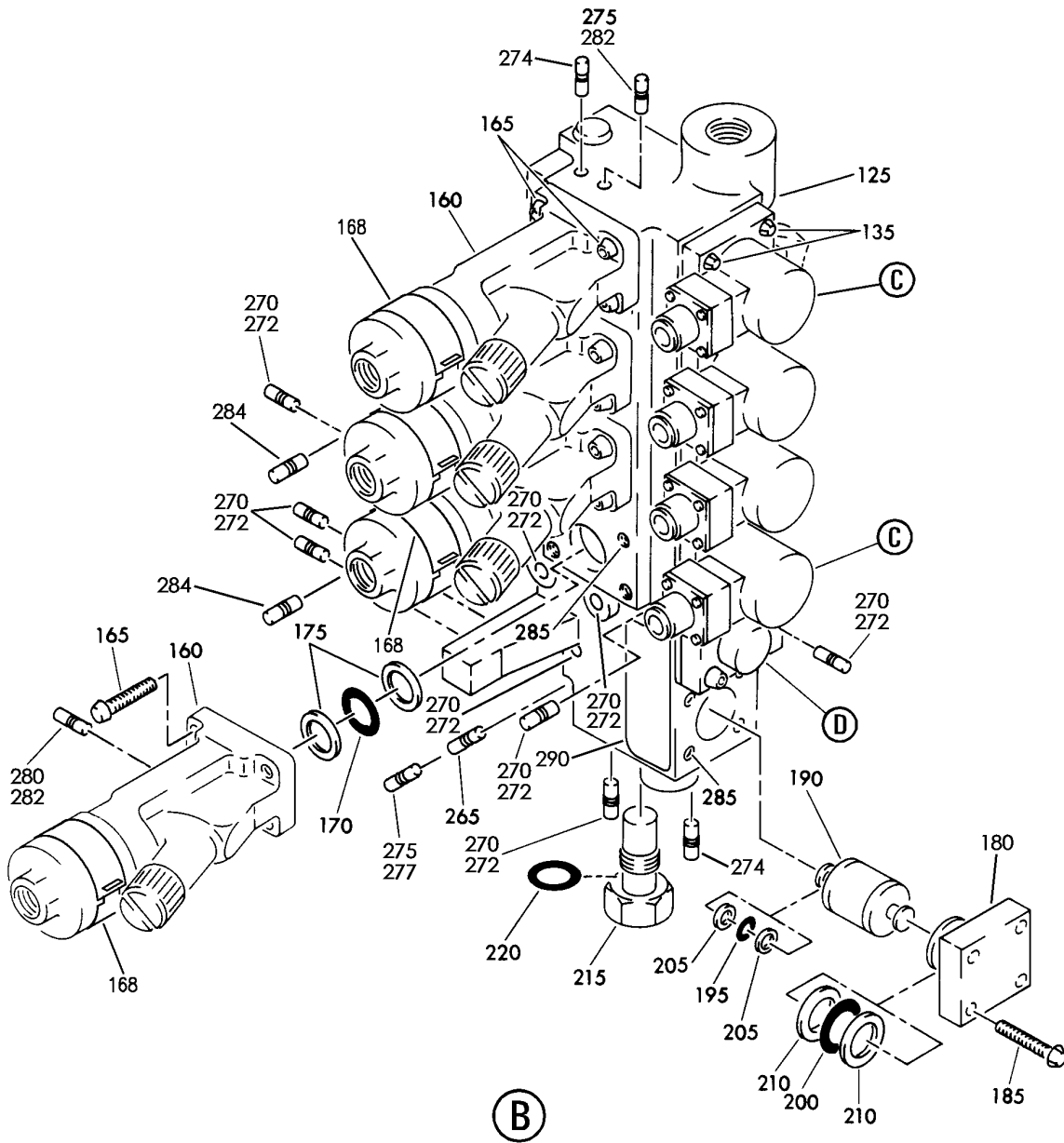
VALVE INSTL-NORMAL BRAKES ANTISKID  
FIGURE 1 (SHEET 2)

**32-42-02-01**

BRI  
MAY 28/07

32-42-02-01  
PAGE 0A

**BOEING**  
757  
PARTS CATALOG (MAINTENANCE)



Y 32420201 SH-T 3 REV 304

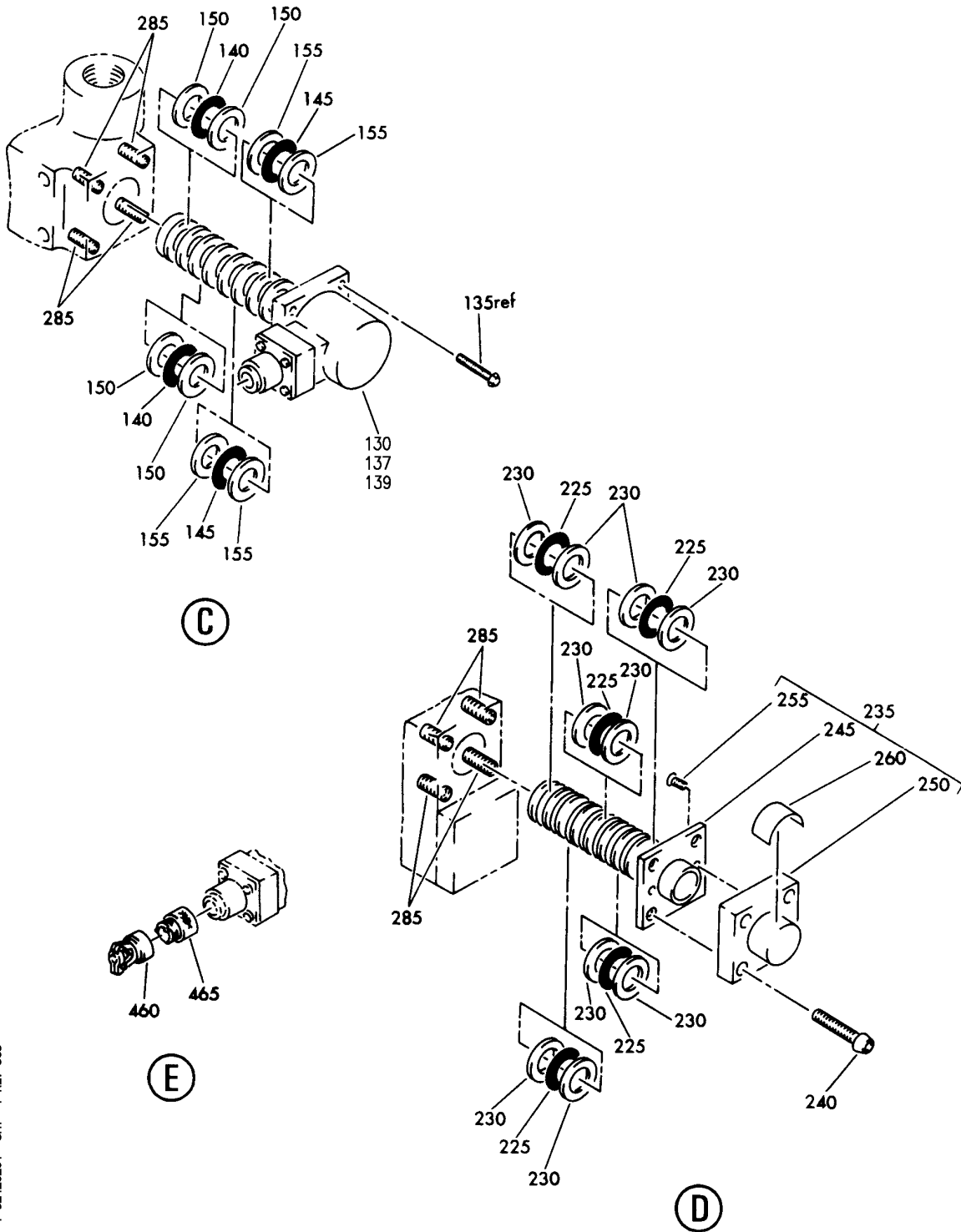
VALVE INSTL-NORMAL BRAKES ANTISKID  
FIGURE 1 (SHEET 3)

**32-42-02-01**

BRI  
MAY 28/07

32-42-02-01  
PAGE 0B


**BOEING**  
 757  
**PARTS CATALOG (MAINTENANCE)**



Y 32420201 SHT 4 REV 305

VALVE INSTL-NORMAL BRAKES ANTISKID  
FIGURE 1 (SHEET 4)

**32-42-02-01**

BRI  
MAY 28/07

32-42-02-01  
PAGE 0C

**BOEING**  
757  
**PARTS CATALOG (MAINTENANCE)**

FIG ITEM	PART NUMBER	1 2 3 4 5 6 7	NOMENCLATURE	EFFECT FROM TO	UNITS PER ASSY
1			VALVE INSTL-NORMAL BRAKES ANTISKID	002004 006999	
- 1	274N1007-4		VALVE INSTL-NORMAL BRAKES ANTISKID POSITION DATA: LH FOR NHA SEE: 29-00-51-07	002004 006100 107107 121503 904999	RF
- 1	274N1007-11		VALVE INSTL-NORMAL BRAKES ANTISKID POSITION DATA: LH FOR NHA SEE: 32-00-00-10	101102 108120 504903	RF
- 1	MODREF8544		VALVE INSTL-NORMAL BRAKES ANTISKID MODULE NUMBER: 274N1007-11 REV A POSITION DATA: LH	103106	1
- 5	274N1007-5		VALVE INSTL-NORMAL BRAKES ANTISKID POSITION DATA: RH FOR NHA SEE: 29-00-51-07	002004 006100 107107 121503 904999	RF
- 5	274N1007-12		VALVE INSTL-NORMAL BRAKES ANTISKID POSITION DATA: RH FOR NHA SEE: 32-00-00-10	101102 108120 504903	RF
- 5	MODREF8545		VALVE INSTL-NORMAL BRAKES ANTISKID MODULE NUMBER: 274N1007-12 REV A POSITION DATA: RH	103106	1
10	BAC27NHY0108		.MARKER-ALUMINUM FOIL PLACARD CONTENT: V29 D2032J USED ON: 274N1007-4 274N1007-8 274N1007-11 MODREF8544	002004 006999	1

MISSING ITEM NUMBERS NOT APPLICABLE

- ITEM NOT ILLUSTRATED

BRI

# 32-42-02-01

BOEING PROPRIETARY - Copyright © - Unpublished Work - See title page for details.

32-42-02  
FIG. 01  
PAGE 1  
JAN 20/09



757

PARTS CATALOG (MAINTENANCE)

FIG ITEM	PART NUMBER	1 2 3 4 5 6 7	NOMENCLATURE	EFFECT FROM TO	UNITS PER ASSY
1					
15	BAC27NHY0109		.MARKER-ALUMINUM FOIL PLACARD CONTENT: V30 D2034J USED ON: 274N1007-4 274N1007-8 274N1007-11 MODREF8544	002004 006999	1
20	BAC27NHY0110		.MARKER-ALUMINUM FOIL PLACARD CONTENT: V31 D2036J USED ON: 274N1007-4 274N1007-8 274N1007-11 MODREF8544	002004 006999	1
25	BAC27NHY0111		.MARKER-ALUMINUM FOIL PLACARD CONTENT: V32 D2038J USED ON: 274N1007-4 274N1007-8 274N1007-11 MODREF8544	002004 006999	1
30	BAC27NHY0112		.MARKER-ALUMINUM FOIL PLACARD CONTENT: V33 D1688J USED ON: 274N1007-5 274N1007-9 274N1007-12 MODREF8545	002004 006999	1
35	BAC27NHY0113		.MARKER-ALUMINUM FOIL PLACARD CONTENT: V34 D1690J USED ON: 274N1007-5 274N1007-9 274N1007-12 MODREF8545	002004 006999	1
40	BAC27NHY0114		.MARKER-ALUMINUM FOIL PLACARD CONTENT: V35 D1692J USED ON: 274N1007-5 274N1007-9 274N1007-12 MODREF8545	002004 006999	1

MISSING ITEM NUMBERS NOT APPLICABLE

- ITEM NOT ILLUSTRATED

32-42-02-01

32-42-02  
FIG. 01  
PAGE 2  
JAN 20/09

BRI

 **BOEING**  
757  
**PARTS CATALOG (MAINTENANCE)**

FIG ITEM	PART NUMBER	1 2 3 4 5 6 7	NOMENCLATURE	EFFECT FROM TO	UNITS PER ASSY
1					
45	BAC27NHY0115		.MARKER-ALUMINUM FOIL PLACARD CONTENT: V36 D1694J FUNCTIONAL DESCRIPTION: PROVIDES INDIVIDUAL WHEEL CONTROL TO EACH MAIN GEAR USED ON: 274N1007-5 274N1007-9 274N1007-12 MODREF8545	002004 006999	1
50	BAC27NHY0121		.MARKER-ALUMINUM FOIL PLACARD CONTENT: NORMAL BRAKE ANTISKID MODULE	002004 006999	1
55	274N1007-10		.VALVE ASSY	101106 108120 504903	1
55	274N1007-7		.VALVE ASSY	002004 006100 107107 121503 904999	1
65	NAS6604-12		.BOLT	002004 006999	4
70	BACW10BN4AC		ATTACHING PARTS .WASHER- POSITION DATA: UNDER BOLT HEAD -----*-----	002004 006999	4
85	BACU24K6		..UNION	002004 006999	5
90	NAS1612-6		..PACKING-	002004 006999	5
95	BACU24K10		..UNION	002004 006999	1
100	NAS1612-10		..PACKING-	002004 006999	1

R  
R  
R  
R  
R  
R  
R  
R  
R

MISSING ITEM NUMBERS NOT APPLICABLE

- ITEM NOT ILLUSTRATED

BRI

# 32-42-02-01

BOEING PROPRIETARY - Copyright © - Unpublished Work - See title page for details.

32-42-02  
FIG. 01  
PAGE 3  
MAY 20/09



757

PARTS CATALOG (MAINTENANCE)

FIG ITEM	PART NUMBER	1 2 3 4 5 6 7	NOMENCLATURE	EFFECT FROM TO	UNITS PER ASSY
1 105	AFP2326-4		..REDUCER SUPPLIER CODE: V30974 SPECIFICATION NUMBER: BACR17E6-4 OPTIONAL PART: AP10276-4 V01673 BC916T6-4 V50948 DBOR17E6-4 V14798 ER21916T6-4 V88334 ER31916-6-4 V88334 F23-6-4 V73197 2-01075T6-4 V11328 31778-6-4 V14397 US2114-6-4 V50808 AP1027T6-4 V01673 US21146-4 V50808 317786-4 V14397	002004 006999	1
110	NAS1612-4		..PACKING-	002004 006999	1
125	33-065-1		..VALVE ASSY- SUPPLIER CODE: V81982 SPECIFICATION NUMBER: S283T001-8 COMPONENT MAINT MANUAL REF: 32-42-51	002004 006999	1

MISSING ITEM NUMBERS NOT APPLICABLE

- ITEM NOT ILLUSTRATED

BRI

32-42-02-01

BOEING PROPRIETARY - Copyright © - Unpublished Work - See title page for details.

32-42-02  
FIG. 01  
PAGE 4  
JAN 20/09





757

PARTS CATALOG (MAINTENANCE)

FIG ITEM	PART NUMBER	1 2 3 4 5 6 7	NOMENCLATURE	EFFECT FROM TO	UNITS PER ASSY
1 125	33-065-2		.. VALVE ASSY- SUPPLIER CODE: V81982 FUNCTIONAL DESCRIPTION: PROVIDES INDIVIDUAL WHEEL CONTROL TO EACH MAIN GEAR SPECIFICATION NUMBER: S283T001-24 COMPONENT MAINT MANUAL REF: 32-42-51	002004 006999	1
130	39-617		... VALVE ASSY-CONT SUPPLIER CODE: V81982 SPECIFICATION NUMBER: S283T001-2 ELECTRICAL EQUIP NUMBER: V00029 V00030 V00031 V00032 V00033 V00034 V00035 V00036 COMPONENT MAINT MANUAL REF: 32-42-53 ATTACHING PARTS	002004 006999	4
135	MS20004-6		... BOLT-	002004 006999	16
137	37-309		-----*----- .... VALVE ASSY-SERVO SUPPLIER CODE: V81982 COMPONENT MAINT MANUAL REF: 32-42-53 ATTACHING PARTS	002004 006999	1
- 138	39-61715		.... NUT- SUPPLIER CODE: V81982 CONFIG CHG DATA FROM A CMM: SUPSD BY 39-77715	002004 006999	1
- 138	39-77715		.... NUT- SUPPLIER CODE: V81982 CONFIG CHG DATA FROM A CMM: SUPERSEDES 39-61715 -----*-----	002004 006999	1

MISSING ITEM NUMBERS NOT APPLICABLE

- ITEM NOT ILLUSTRATED

32-42-02-01

32-42-02  
FIG. 01  
PAGE 5  
JAN 20/09

BRI



757

PARTS CATALOG (MAINTENANCE)

FIG ITEM	PART NUMBER	1 2 3 4 5 6 7	NOMENCLATURE	EFFECT FROM TO	UNITS PER ASSY
1 139	33-617		...VALVE ASSY-CONT SUPPLIER CODE: V81982 SPECIFICATION NUMBER: S283T001-2 ELECTRICAL EQUIP NUMBER: V00029 V00030 V00031 V00032 V00033 V00034 V00035 V00036 OPTIONAL PART: 39-617 V81982	002004 006999	4
140	NAS1611-116		...PACKING-	002004 006999	8
145	NAS1611-210		...PACKING-	002004 006999	8
150	MS28782-14		...RETAINER-	002004 006999	16
155	MS28782-15		...RETAINER-	002004 006999	16
160	V6-4360		...VALVE-SELF RESETTING FUSE SUPPLIER CODE: V91816 FUNCTIONAL DESCRIPTION: HYDRAULIC LINE MOUNTED FUSE CARTRIDGE TO PREVENT CATASTROPHIC LOSS OF FLUID PRESSURE TO THE ALTERNATE ANTISKID BRAKE SYSTEM. SPECIFICATION NUMBER: S274T111-2 COMPONENT MAINT MANUAL REF: 29-10-01 OPTIONAL PART: V6-4360-1 V91816 V6-4360-2 V91816	002004 006999	4

R  
R  
R  
R  
R  
R  
R  
R  
R  
R  
R  
R  
R  
R  
R  
R  
R  
R  
R  
R  
R  
R

MISSING ITEM NUMBERS NOT APPLICABLE

- ITEM NOT ILLUSTRATED

32-42-02-01

32-42-02  
FIG. 01  
PAGE 6  
MAY 20/09

BRI

 **BOEING**  
757  
**PARTS CATALOG (MAINTENANCE)**

FIG ITEM	PART NUMBER	1 2 3 4 5 6 7	NOMENCLATURE	EFFECT FROM TO	UNITS PER ASSY
1 160	V6-4360-1		...VALVE-SELF RESETTING FUSE SUPPLIER CODE: V91816 SPECIFICATION NUMBER: S274T111-2 COMPONENT MAINT MANUAL REF: 29-10-01 OPTIONAL PART: V6-4360 V91816 V6-4360-2 V91816	002004 006999	4
160	V6-4360-2		...VALVE-SELF RESETTING FUSE SUPPLIER CODE: V91816 SPECIFICATION NUMBER: S274T111-2 COMPONENT MAINT MANUAL REF: 29-10-01 OPTIONAL PART: V6-4360 V91816 V6-4360-1 V91816	002004 006999	4
165	MS20004-6		ATTACHING PARTS ...BOLT-	002004 006999	16
168	2618		-----*----- ...NAMEPLATE- SUPPLIER CODE: V91816	002004 006999	1
170	NAS1611-112		...PACKING-	002004 006999	4
175	MS28782-10		...RETAINER-	002004 006999	8
180	33-06514		...COVER- SUPPLIER CODE: V81982	002004 006999	1
185	MS20004-6		ATTACHING PARTS ...BOLT-  -----*-----	002004 006999	4

MISSING ITEM NUMBERS NOT APPLICABLE

— ITEM NOT ILLUSTRATED

BRI

# 32-42-02-01

BOEING PROPRIETARY - Copyright © - Unpublished Work - See title page for details.

32-42-02  
FIG. 01  
PAGE 7  
SEP 20/08



757

PARTS CATALOG (MAINTENANCE)

FIG ITEM	PART NUMBER	1 2 3 4 5 6 7	NOMENCLATURE	EFFECT FROM TO	UNITS PER ASSY
1 190	11-10106		... FILTER-ELEM SUPPLIER CODE: V14818 SPECIFICATION NUMBER: 60B80034-1 OPTIONAL PART: 4228-634 V21550 AC8818E1 V18350 7553574 V05228	002004 006999	1
195	NAS1611-012		... PACKING-	002004 006999	1
200	NAS1611-213		... PACKING-	002004 006999	1
205	MS28782-7		... RETAINER-	002004 006999	2
210	MS28782-18		... RETAINER-	002004 006999	2
215	39-353500		... FILTER- SUPPLIER CODE: V81982	002004 006999	1
220	NAS1612-8		... PACKING-	002004 006999	1
225	NAS1611-116		... PACKING-	002004 006999	5
230	MS28782-14		... RETAINER-	002004 006999	10
235	38-669		... VALVE ASSY-SHUTOFF SUPPLIER CODE: V81982	002004 006999	1
235	38-775-1		... VALVE ASSY-SHUTOFF SUPPLIER CODE: V81982	002004 006999	1
240	MS20004-6		ATTACHING PARTS ... BOLT-	002004 006999	4
245	38-66922		-----*----- .... PLATE- SUPPLIER CODE: V81982 USED ON: 38-669	002004 006999	1
245	38-77522		.... PLATE- SUPPLIER CODE: V81982 USED ON: 38-775-1	002004 006999	1

MISSING ITEM NUMBERS NOT APPLICABLE

- ITEM NOT ILLUSTRATED

32-42-02-01

32-42-02  
FIG. 01  
PAGE 8  
SEP 20/08

BRI

BOEING PROPRIETARY - Copyright © - Unpublished Work - See title page for details.



757

PARTS CATALOG (MAINTENANCE)

FIG ITEM	PART NUMBER	1 2 3 4 5 6 7	NOMENCLATURE	EFFECT FROM TO	UNITS PER ASSY
1					
250	38-66914	.....	COVER- SUPPLIER CODE: V81982 USED ON: 38-669	002004 006999	1
250	38-77514	.....	COVER- SUPPLIER CODE: V81982 USED ON: 38-775-1	002004 006999	1
255	MS51959-5	.....	ATTACHING PARTS SCREW	002004 006999	2
			-----*-----		
260	38-66921	.....	PLATE- SUPPLIER CODE: V81982 USED ON: 38-669	002004 006999	1
260	38-77526	.....	PLATE- SUPPLIER CODE: V81982 USED ON: 38-775-1	002004 006999	1
265	JEHA1875200L	...	RESTRICTOR- SUPPLIER CODE: V92555	002004 006999	1
270	PLGA1561010A	...	PLUG- SUPPLIER CODE: V92555 USED ON: 33-065-1	002004 006999	8
272	PLGA1561010A	...	PLUG- SUPPLIER CODE: V92555 USED ON: 33-065-2	002004 006999	9
274	PLGA1871010A	...	PLUG- SUPPLIER CODE: V92555 USED ON: 33-065-2	002004 006999	2
275	PLGA2181010A	...	PLUG- SUPPLIER CODE: V92555 USED ON: 33-065-1	002004 006999	2

MISSING ITEM NUMBERS NOT APPLICABLE

- ITEM NOT ILLUSTRATED

32-42-02-01

32-42-02  
FIG. 01  
PAGE 9  
SEP 20/08

BRI

BOEING PROPRIETARY - Copyright © - Unpublished Work - See title page for details.



757

PARTS CATALOG (MAINTENANCE)

FIG ITEM	PART NUMBER	1 2 3 4 5 6 7	NOMENCLATURE	EFFECT FROM TO	UNITS PER ASSY
1					
277	PLGA2181010A	...	PLUG- SUPPLIER CODE: V92555 USED ON: 33-065-2	002004 006999	1
280	PLGA2811010A	...	PLUG- SUPPLIER CODE: V92555 USED ON: 33-065-1	002004 006999	1
282	PLGA2811010A	...	PLUG- SUPPLIER CODE: V92555 USED ON: 33-065-2	002004 006999	2
284	PLGA3121010A	...	PLUG- SUPPLIER CODE: V92555 USED ON: 33-065-2	002004 006999	2
285	MS21209F4-15P	...	INSERT- USED ON: 33-065-1	002004 006999	40
285	NAS1130-4FL15P	...	INSERT- USED ON: 33-065-2	002004 006999	40
290	33-06519	...	PLATE-IDENT SUPPLIER CODE: V81982	002004 006999	1
- 295	33-06518-11	...	PLATE-IDENT RETURN SUPPLIER CODE: V81982	002004 006999	1
- 300	33-06518-12	...	PLATE-IDENT OUT A SUPPLIER CODE: V81982	002004 006999	1
- 305	33-06518-13	...	PLATE-IDENT OUT B SUPPLIER CODE: V81982	002004 006999	1
- 310	33-06518-14	...	PLATE-IDENT SYS PRESS SUPPLIER CODE: V81982	002004 006999	1
- 315	33-06518-15	...	PLATE-IDENT FILTER SUPPLIER CODE: V81982	002004 006999	1
- 320	33-06518-16	...	PLATE-IDENT MTR PRESS SUPPLIER CODE: V81982	002004 006999	1

MISSING ITEM NUMBERS NOT APPLICABLE

- ITEM NOT ILLUSTRATED

32-42-02-01

32-42-02  
FIG. 01  
PAGE 10  
SEP 20/08

BRI



757

PARTS CATALOG (MAINTENANCE)

FIG ITEM	PART NUMBER	1 2 3 4 5 6 7	NOMENCLATURE	EFFECT FROM TO	UNITS PER ASSY
1					
- 325	33-06518-17		...PLATE-IDENT OUT C SUPPLIER CODE: V81982	002004 006999	1
- 330	33-06518-18		...PLATE-IDENT OUT D SUPPLIER CODE: V81982	002004 006999	1
- 450	286N2512-004		WIRE BUNDLE ASSY-	002004 006100 950999	RF
- 450	286N2512-005		WIRE BUNDLE ASSY-	107107 121503 904949	RF
- 450	286N2512-306		WIRE BUNDLE ASSY-	108120	RF
- 455	286N2412-004		WIRE BUNDLE ASSY-	002004 006100 950999	RF
- 455	286N2412-005		WIRE BUNDLE ASSY-	107107 121503 904949	RF
- 455	286N2412-307		WIRE BUNDLE ASSY-	108120	RF
460	GS3417-12C		.CLAMP- SUPPLIER CODE: V06324 SPECIFICATION NUMBER: BACC10HF12 OPTIONAL PART: S2125-12-8 V07418 ELECTRICAL EQUIP NUMBER: D01688T D01690T D01692T D01694T D02032T D02034T D02036T D02038T WIRING DIAGRAM REF: 324211	002004 006100 107107 121503 904999	4

MISSING ITEM NUMBERS NOT APPLICABLE

- ITEM NOT ILLUSTRATED

BRI

32-42-02-01

BOEING PROPRIETARY - Copyright © - Unpublished Work - See title page for details.

32-42-02  
FIG. 01  
PAGE 11  
JAN 20/09



757

PARTS CATALOG (MAINTENANCE)

FIG ITEM	PART NUMBER	1 2 3 4 5 6 7	NOMENCLATURE	EFFECT FROM TO	UNITS PER ASSY
1 465	R071012R3SNL		.CONNECTOR- SUPPLIER CODE: V41118 SPECIFICATION NUMBER: BACC63BP12R3SNL OPTIONAL PART: CN0966-12A03S V13556 ZZYA0-12D12-03S V49367 48-06R12-3SN266 V02660 ELECTRICAL EQUIP NUMBER: D01688 D01690 D01692 D01694 D02032 D02034 D02036 D02038 WIRING DIAGRAM REF: 324211	002004 006100 107107 121503 904999	4
900			ILLUSTRATION REFERENCE: PLUMBING INSTL-MAIN WHL WELL FWD BHD HYDR (HYDRAULIC POWER ONLY) 29-11-51-39	002004 006100 107107 121503 904999	RF
905			ILLUSTRATION REFERENCE: PLUMBING INSTL-SECT 44 MLG WHL WELL HYDR (ANTISKID/AUTOBRAKE SYSTEM ONLY) 32-42-51-22	002004 006100 107107 121503 904999	RF

MISSING ITEM NUMBERS NOT APPLICABLE

- ITEM NOT ILLUSTRATED

BRI

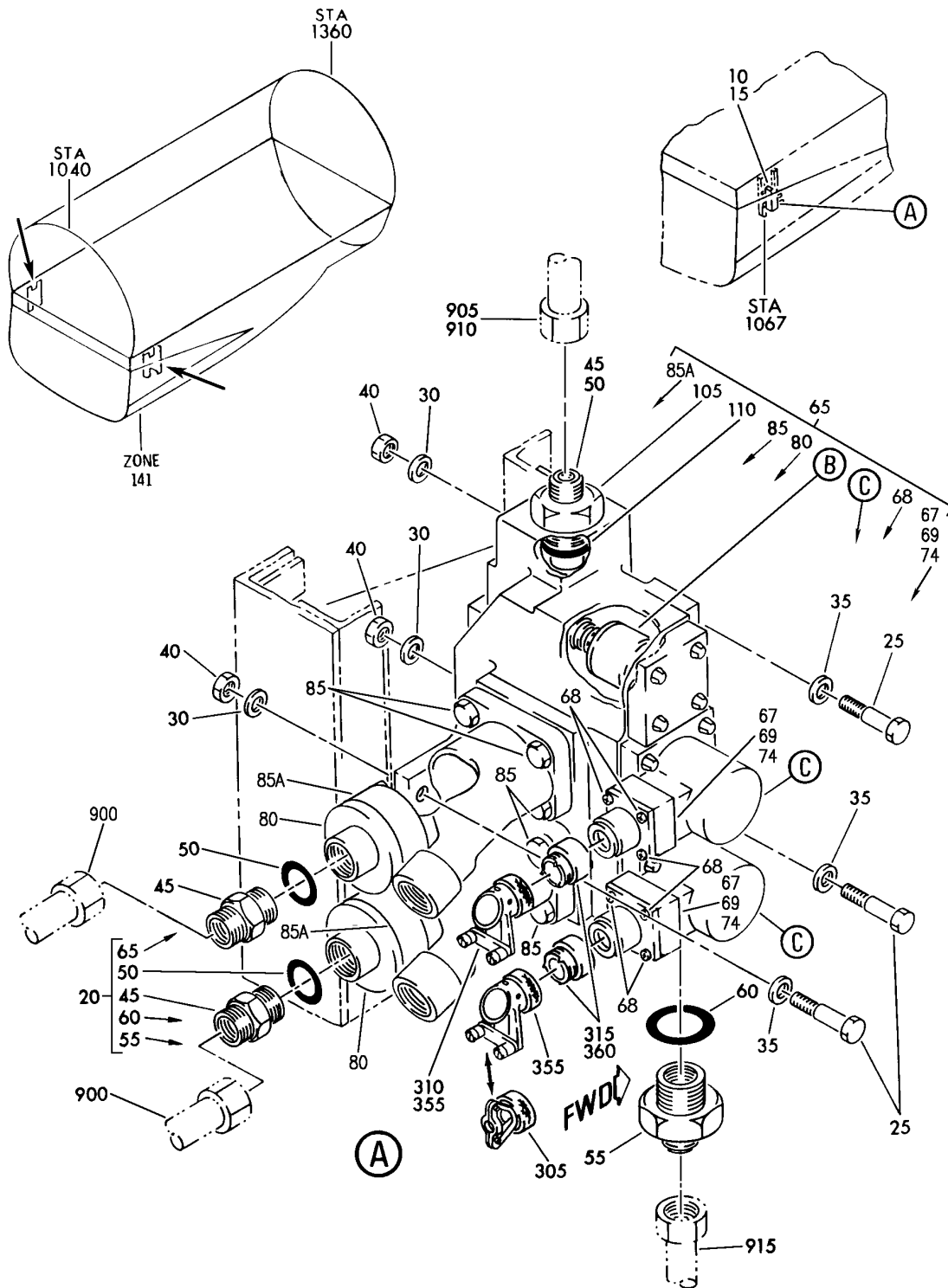
32-42-02-01

BOEING PROPRIETARY - Copyright © - Unpublished Work - See title page for details.

32-42-02  
FIG. 01  
PAGE 12  
JAN 20/09



**BOEING**  
757  
**PARTS CATALOG (MAINTENANCE)**



Y 32-42-02-02 SHT 1 REV 305

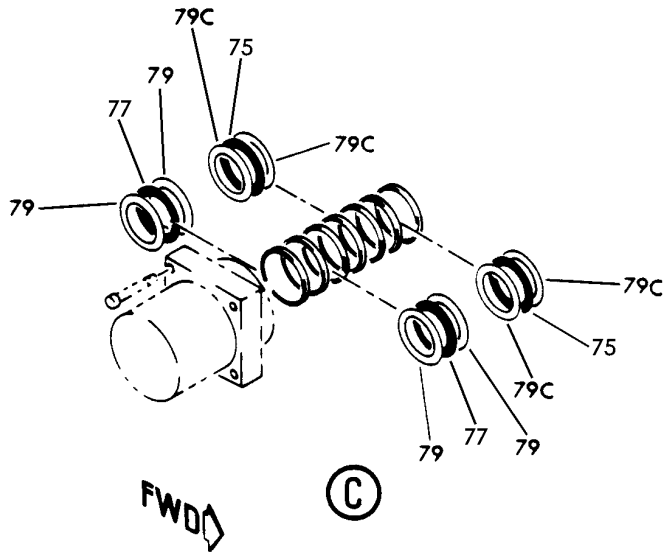
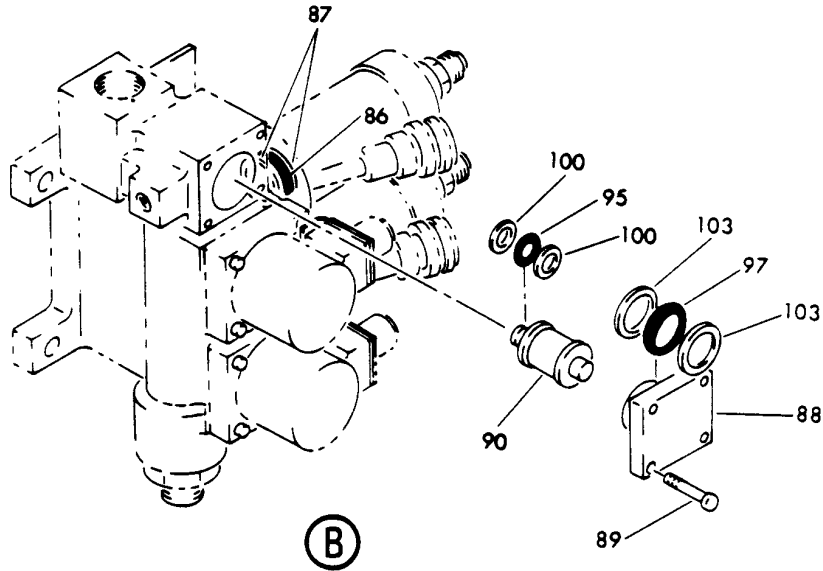
VALVE INSTL-ALTERNATE ANTISKID (LANDING GEAR ONLY)  
FIGURE 2 (SHEET 1)

**32-42-02-02**

BRI  
MAY 28/07

32-42-02-02  
PAGE 0

**BOEING**  
757  
PARTS CATALOG (MAINTENANCE)



Y 32420202 SHT 2 REV 228

VALVE INSTL-ALTERNATE ANTISKID (LANDING GEAR ONLY)  
FIGURE 2 (SHEET 2)

**32-42-02-02**

BRI  
MAY 28/07

32-42-02-02  
PAGE 0A



757

PARTS CATALOG (MAINTENANCE)

FIG ITEM	PART NUMBER	1 2 3 4 5 6 7	NOMENCLATURE	EFFECT FROM TO	UNITS PER ASSY
2			VALVE INSTL-ALTERNATE ANTISKID (LANDING GEAR ONLY)	002004 006999	
- 1	274N1008-14		VALVE INSTL-ALTERNATE ANTISKID (LANDING GEAR ONLY) POSITION DATA: LH FOR NHA/OTHER SYS DET SEE: 32-00-00-10	101102 108120 504903	RF
- 1	274N1008-4		VALVE INSTL-ALTERNATE ANTISKID (LANDING GEAR ONLY) POSITION DATA: LH VARIABLE DRAWING REF: 274N1008-8 FOR NHA/OTHER SYS DET SEE: 29-00-51-05	002004 006100 107107 121503 904999	RF
- 1	MODREF8546		VALVE INSTL-ALTERNATE ANTISKID (LANDING GEAR ONLY) MODULE NUMBER: 274N1008-14 REV A POSITION DATA: LH	103106	1
- 5	274N1008-15		VALVE INSTL-ALTERNATE ANTISKID (LANDING GEAR ONLY) POSITION DATA: RH FOR NHA/OTHER SYS DET SEE: 32-00-00-10	101102 108120 504903	RF
- 5	274N1008-7		VALVE INSTL-ALTERNATE ANTISKID (LANDING GEAR ONLY) POSITION DATA: RH VARIABLE DRAWING REF: 274N1008-9 FOR NHA/OTHER SYS DET SEE: 29-00-51-05	002004 006100 107107 121503 904999	RF
- 5	MODREF8547		VALVE INSTL-ALTERNATE ANTISKID (LANDING GEAR ONLY) MODULE NUMBER: 274N1008-15 REV A POSITION DATA: RH	103106	1

MISSING ITEM NUMBERS NOT APPLICABLE

- ITEM NOT ILLUSTRATED

32-42-02-02

32-42-02  
FIG. 02  
PAGE 1  
JAN 20/09

BRI



757

PARTS CATALOG (MAINTENANCE)

FIG ITEM	PART NUMBER	1 2 3 4 5 6 7	NOMENCLATURE	EFFECT FROM TO	UNITS PER ASSY
2					
10	BAC27NHY0014		.MARKER-ALUMINUM FOIL- POSITION DATA: LH SIDE PLACARD CONTENT: V37 D2028J L.H. ALTN. ANTI SKID V38 D2030J	002004 006999	1
15	BAC27NHY0194		.MARKER-ALUMINUM FOIL- POSITION DATA: RH SIDE PLACARD CONTENT: V39 D1696J R.H. ALTN ANTI-SKID V40 D1698J	002004 006999	1
20	274N1008-12		.VALVE ASSY-	002004 006999	1
20	274N1008-13		.VALVE ASSY-VARIABLE	107107 904949	1
25	BACB30NR4K10		ATTACHING PARTS .BOLT	002004 006999	3
30	BACW10BN4AP		.WASHER- POSITION DATA: RH SIDE	002004 006102 107999	3
35	BACW10BN4AC		.WASHER	002004 006999	3
40	BRH10C4D		.NUT- SUPPLIER CODE: V52828 SPECIFICATION NUMBER: BACN10JC4CD OPTIONAL PART: T6C428JCD V11815 NS202486-048 V80539 102LH9075-4W V72962 H51650-4BAC V15653 POSITION DATA: RH SIDE -----*-----	002004 006102 107999	3
45	BACU24K6		..UNION	002004 006999	3
50	NAS1612-6		..PACKING-	002004 006999	3

MISSING ITEM NUMBERS NOT APPLICABLE

- ITEM NOT ILLUSTRATED

32-42-02-02

32-42-02  
FIG. 02  
PAGE 2  
JAN 20/09

BRI

BOEING PROPRIETARY - Copyright © - Unpublished Work - See title page for details.



757

PARTS CATALOG (MAINTENANCE)

FIG ITEM	PART NUMBER	1 2 3 4 5 6 7	NOMENCLATURE	EFFECT FROM TO	UNITS PER ASSY
2					
55	BACV10CE4	..	VALVE- SERVICE BULLETIN OPT DATA: 1C1362 V99240 POST ALERT SB: 32A0081	002004 006999	1
55	1C1362	..	VALVE-CHK SUPPLIER CODE: V99240 SERVICE BULLETIN OPT DATA: BACV10CE4 POST ALERT SB: 32A0081	101120 504903	1
60	NAS1612-10	..	PACKING-	002004 006999	1
65	33-067-2	..	VALVE ASSY- SUPPLIER CODE: V81982 FUNCTIONAL DESCRIPTION: PROVIDES LATERALLY PAIRED WHEEL CONTROL TO EACH MAIN GEAR SPECIFICATION NUMBER: S283T001-17 COMPONENT MAINT MANUAL REF: 32-42-51	002004 006106 108903 950999	1
65	33-067-1	..	VALVE ASSY- SUPPLIER CODE: V81982 SPECIFICATION NUMBER: S283T001-9 COMPONENT MAINT MANUAL REF: 32-42-51	107107 904949	1
67	39-617	...	VALVE ASSY-CONT SUPPLIER CODE: V81982 SPECIFICATION NUMBER: S283T001-2 MISCELLANEOUS DATA: ELEC EQMT NO. ELECTRICAL EQUIP NUMBER: V00037 V00038 V00039 V00040 COMPONENT MAINT MANUAL REF: 32-42-51	002004 006999	2

MISSING ITEM NUMBERS NOT APPLICABLE

- ITEM NOT ILLUSTRATED

32-42-02-02

32-42-02  
FIG. 02  
PAGE 3  
JAN 20/09

BRI



757

PARTS CATALOG (MAINTENANCE)

FIG ITEM	PART NUMBER	1 2 3 4 5 6 7	NOMENCLATURE	EFFECT FROM TO	UNITS PER ASSY
2			ATTACHING PARTS		
68	MS20004-6	...	BOLT	002004 006999	8
69	37-309	.....	VALVE ASSY-SERVO SUPPLIER CODE: V81982 COMPONENT MAINT MANUAL REF: 32-42-53	002004 006999	1
- 71	39-61715	.....	NUT- SUPPLIER CODE: V81982 CONFIG CHG DATA FROM A CMM: SUPSD BY 39-77715	002004 006999	1
- 73	39-77715	.....	NUT- SUPPLIER CODE: V81982 CONFIG CHG DATA FROM A CMM: SUPERSEDES 39-61715	002004 006999	1
74	33-617	...	VALVE ASSY-CONT SUPPLIER CODE: V81982 SPECIFICATION NUMBER: S283T001-2 ELECTRICAL EQUIP NUMBER: V00037 V00038 V00039 V00040 OPTIONAL PART: 39-617 V81982	002004 006999	2
75	NAS1611-116	...	PACKING-	002004 006999	4
77	NAS1611-210	...	PACKING-	002004 006999	4
79	MS28782-14	...	RETAINER-	002004 006999	8
79C	MS28782-15	...	RETAINER-	002004 006999	8

MISSING ITEM NUMBERS NOT APPLICABLE

- ITEM NOT ILLUSTRATED

32-42-02-02

32-42-02  
FIG. 02  
PAGE 4  
JAN 20/09

BRI

**BOEING**  
757  
**PARTS CATALOG (MAINTENANCE)**

FIG ITEM	PART NUMBER	1 2 3 4 5 6 7	NOMENCLATURE	EFFECT FROM TO	UNITS PER ASSY
R R R R R R R R R R R R R R R R R R R R R R	2 80	V6-4360	...VALVE-SELF RESETTING FUSE SUPPLIER CODE: V91816 FUNCTIONAL DESCRIPTION: HYDRAULIC LINE MOUNTED FUSE CARTRIDGE TO PREVENT CATASTROPHIC LOSS OF FLUID PRESSURE TO THE ALTERNATE ANTISKID BRAKE SYSTEM. SPECIFICATION NUMBER: S274T111-2 COMPONENT MAINT MANUAL REF: 29-10-01 OPTIONAL PART: V6-4360-1 V91816 V6-4360-2 V91816	002004 006999	2
	80	V6-4360-1	...VALVE-SELF RESETTING FUSE SUPPLIER CODE: V91816 SPECIFICATION NUMBER: S274T111-2 COMPONENT MAINT MANUAL REF: 29-10-01 OPTIONAL PART: V6-4360 V91816 V6-4360-2 V91816	002004 006999	2
	80	V6-4360-2	...VALVE-SELF RESETTING FUSE SUPPLIER CODE: V91816 SPECIFICATION NUMBER: S274T111-2 COMPONENT MAINT MANUAL REF: 29-10-01 OPTIONAL PART: V6-4360 V91816 V6-4360-1 V91816	002004 006999	2

MISSING ITEM NUMBERS NOT APPLICABLE

— ITEM NOT ILLUSTRATED

BRI

# 32-42-02-02

BOEING PROPRIETARY - Copyright © - Unpublished Work - See title page for details.

32-42-02  
FIG. 02  
PAGE 5  
MAY 20/09



757

PARTS CATALOG (MAINTENANCE)

FIG ITEM	PART NUMBER	1 2 3 4 5 6 7	NOMENCLATURE	EFFECT FROM TO	UNITS PER ASSY
2			ATTACHING PARTS		
85	MS20004-6	...	BOLT-	002004 006999	8
			-----*-----		
85A	2618	....	NAMEPLATE- SUPPLIER CODE: V91816	002004 006999	1
86	NAS1611-112	...	PACKING-	002004 006999	2
87	MS28782-10	...	RETAINER-	002004 006999	4
88	33-06514	...	COVER- SUPPLIER CODE: V81982 USED ON: 33-067-1	107107 904949	1
88A	33-06719	...	COVER- SUPPLIER CODE: V81982 USED ON: 33-067-2	002004 006106 108903 950999	1
			ATTACHING PARTS		
89	MS20004-6	...	BOLT-	002004 006999	4
			-----*-----		
90	11-10106	...	FILTER-ELEM SUPPLIER CODE: V14818 SPECIFICATION NUMBER: 60B80034-1 OPTIONAL PART: AC8818E1 V18350 4228-634 V21550 7553574 V05228	002004 006999	1
95	NAS1611-012	...	PACKING-	002004 006999	1
97	NAS1611-213	...	PACKING-	002004 006999	1
100	MS28782-7	...	RETAINER-	002004 006999	2
103	MS28782-18	...	RETAINER-	002004 006999	2
105	39-353500	...	FILTER- SUPPLIER CODE: V81982	002004 006999	1

MISSING ITEM NUMBERS NOT APPLICABLE

- ITEM NOT ILLUSTRATED

32-42-02-02

32-42-02  
FIG. 02  
PAGE 6  
MAY 20/09

BRI





757

PARTS CATALOG (MAINTENANCE)

FIG ITEM	PART NUMBER	1 2 3 4 5 6 7	NOMENCLATURE	EFFECT FROM TO	UNITS PER ASSY
2					
110	NAS1612-8		...PACKING-	002004 006999	1
- 300	286N2512-004		WIRE BUNDLE ASSY- (LANDING GEAR ONLY) POSITION DATA: RH	002004 006100 103106 950999	RF
- 300	286N2512-005		WIRE BUNDLE ASSY- (LANDING GEAR ONLY) POSITION DATA: RH	107107 121503 904949	RF
- 300	286N2512-306		WIRE BUNDLE ASSY- (LANDING GEAR ONLY) POSITION DATA: RH	108120	RF
305	GS3417-12C		.CLAMP- SUPPLIER CODE: V06324 SPECIFICATION NUMBER: BACC10HF12 OPTIONAL PART: S2125-12-8 V07418 POSITION DATA: RH SIDE ELECTRICAL EQUIP NUMBER: D01696T WIRING DIAGRAM REF: 324211	002004 006100 103107 121503 904999	1
310	GS3418-12CD		.CLAMP- SUPPLIER CODE: V06324 SPECIFICATION NUMBER: BACC10HG12 OPTIONAL PART: S2126-12-8 V07418 POSITION DATA: RH SIDE ELECTRICAL EQUIP NUMBER: D01698T WIRING DIAGRAM REF: 324211	002004 006100 103107 121503 904999	1

MISSING ITEM NUMBERS NOT APPLICABLE

- ITEM NOT ILLUSTRATED

BRI

32-42-02-02

BOEING PROPRIETARY - Copyright © - Unpublished Work - See title page for details.

32-42-02  
FIG. 02  
PAGE 7  
MAY 20/09



757

PARTS CATALOG (MAINTENANCE)

FIG ITEM	PART NUMBER	1 2 3 4 5 6 7	NOMENCLATURE	EFFECT FROM TO	UNITS PER ASSY
2 315	R071012R3SNL		.CONNECTOR- SUPPLIER CODE: V41118 SPECIFICATION NUMBER: BACC63BP12R3SNL OPTIONAL PART: CN0966-12A03S V13556 ZZYA0-12D12-03S V49367 48-06R12-3SN266 V02660 POSITION DATA: RH SIDE ELECTRICAL EQUIP NUMBER: D01696 D01698 WIRING DIAGRAM REF: 324211	002004 006100 103107 121503 904999	2
- 350	286N2412-004		WIRE BUNDLE ASSY- (LANDING GEAR ONLY) POSITION DATA: LH	002004 006100 103106 950999	RF
- 350	286N2412-005		WIRE BUNDLE ASSY- (LANDING GEAR ONLY) POSITION DATA: LH	107107 121503 904949	RF
- 350	286N2412-307		WIRE BUNDLE ASSY- (LANDING GEAR ONLY) POSITION DATA: LH	108120	RF
355	GS3418-12CD		.CLAMP- SUPPLIER CODE: V06324 SPECIFICATION NUMBER: BACC10HG12 OPTIONAL PART: S2126-12-8 V07418 POSITION DATA: LH SIDE ELECTRICAL EQUIP NUMBER: D02028T D02030T WIRING DIAGRAM REF: 324211	002004 006100 103107 121503 904999	2

MISSING ITEM NUMBERS NOT APPLICABLE

- ITEM NOT ILLUSTRATED

32-42-02-02

32-42-02  
FIG. 02  
PAGE 8  
JAN 20/09

BRI



757

PARTS CATALOG (MAINTENANCE)

FIG ITEM	PART NUMBER	1 2 3 4 5 6 7	NOMENCLATURE	EFFECT FROM TO	UNITS PER ASSY
2 360	R071012R3SNL		.CONNECTOR- SUPPLIER CODE: V41118 SPECIFICATION NUMBER: BACC63BP12R3SNL OPTIONAL PART: CN0966-12A03S V13556 ZZYA0-12D12-03S V49367 48-06R12-3SN266 V02660 POSITION DATA: LH SIDE ELECTRICAL EQUIP NUMBER: D02028 D02030 WIRING DIAGRAM REF: 324211	002004 006100 103107 121503 904999	2
900			ILLUSTRATION REFERENCE: PLUMBING INSTL BASIC AND STABLE 29-11-51-48A	101102 108120 504903	RF
900			ILLUSTRATION REFERENCE: PLUMBING INSTL-SECT 44 MLG WHL WELL HYDR (ANTISKID/AUTOBRAKE SYSTEM ONLY) 32-42-51-22	002004 006100 107107 121503 904999	RF
900			ILLUSTRATION REFERENCE: PLUMBING INSTL-BASIC AND STABLE 29-11-84-06	101102 108120 504903	RF
905			ILLUSTRATION REFERENCE: PLUMBING INSTL-SECT. 44 MLG WHL WELL HYDR (TRAILING EDGE FLAP SYSTEM ONLY) 27-51-51-20	002004 006100 107107 121503 904999	RF
910			ILLUSTRATION REFERENCE: PLUMBING INSTL-SECT.44 R PRESSURE DECK HYDR (LANDING GEAR CONTROL ONLY) 32-31-51-22	002004 006100 107107 121503 904999	RF

MISSING ITEM NUMBERS NOT APPLICABLE

- ITEM NOT ILLUSTRATED

32-42-02-02

32-42-02  
FIG. 02  
PAGE 9  
JAN 20/09

BRI



757

PARTS CATALOG (MAINTENANCE)

FIG ITEM	PART NUMBER	1 2 3 4 5 6 7	NOMENCLATURE	EFFECT FROM TO	UNITS PER ASSY
2 910			ILLUSTRATION REFERENCE: PLUMBING INSTL-SECT. 44 DFDAU BRAKE PRESSURE TRANSMITTER PROV. 32-41-51-23	101102 504903	RF
915			ILLUSTRATION REFERENCE: PLUMBING INSTL-SECT. 44 MLG WHL WELL HYDR (HYDRAULIC BRAKE SYSTEM ONLY) 32-41-51-22	002004 006100 107107 121503 904999	RF

MISSING ITEM NUMBERS NOT APPLICABLE

- ITEM NOT ILLUSTRATED

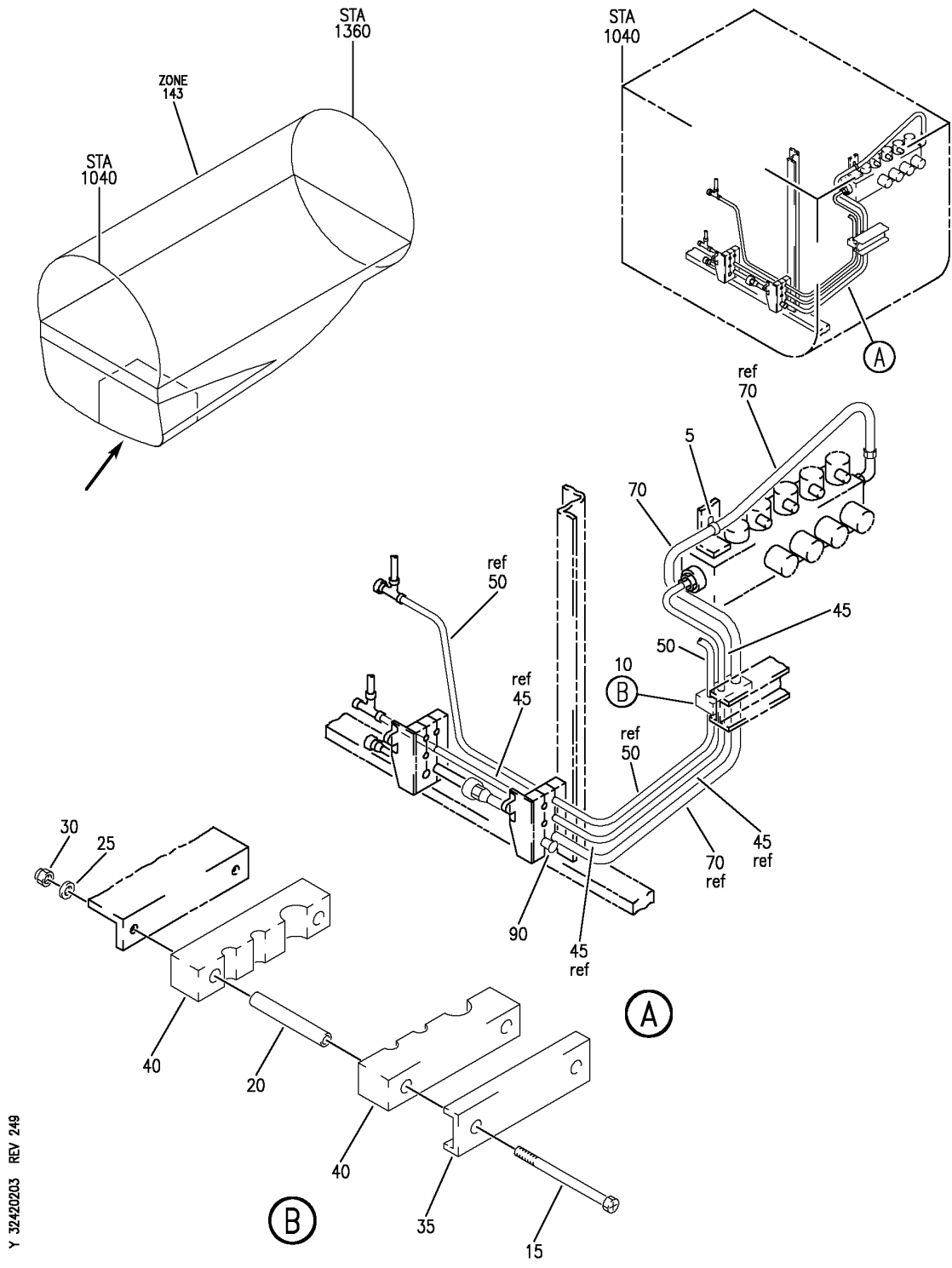
BRI

32-42-02-02

BOEING PROPRIETARY - Copyright © - Unpublished Work - See title page for details.

32-42-02  
FIG. 02  
PAGE 10  
JAN 20/09

**BOEING**  
757  
PARTS CATALOG (MAINTENANCE)



Y 32420203 REV 249

PLUMBING INSTL-MAIN WHL WELL BHD HYDR (ANTISKID MODULE (NORMAL AND ALTERNATE) ONLY)  
FIGURE 3

**32-42-02-03**

BRI  
JAN 20/09

32-42-02-03  
PAGE 0



757

PARTS CATALOG (MAINTENANCE)

FIG ITEM	PART NUMBER	1 2 3 4 5 6 7	NOMENCLATURE	EFFECT FROM TO	UNITS PER ASSY
3			PLUMBING INSTL-MAIN WHL WELL BHD HYDR (ANTISKID MODULE (NORMAL AND ALTERNATE) ONLY)	103106	
- 1	MODREF31486		PLUMBING INSTL-MAIN WHL WELL BHD HYDR (ANTISKID MODULE (NORMAL AND ALTERNATE) ONLY) MODULE NUMBER: 271N6441-41 REV B POSITION DATA: FWD FOR OTHER SYS DETAILS SEE: 11-22-06-05 27-11-14-12 29-11-27-02 29-11-51-39D 29-11-51-39E 29-22-01-02 32-35-10-02 32-41-02-11 32-41-02-12 32-41-04-02 32-44-03-03 32-44-06-02 FOR ADDITIONAL DETAILS SEE: 32-42-02-04 32-42-09-02 32-42-10-02	103106	1
5	TA0910004H110		.CLAMP SUPPLIER CODE: V84971 SPECIFICATION NUMBER: BACC10HB10C	103106	1
10	270N2000-95		.CLAMP ASSY-BLOCK	103106	1
15	NAS1801-3-28		..SCREW	103106	2
20	NAS43DD3-75		..SPACER	103106	2
25	AN960PD10L		..WASHER	103106	2

MISSING ITEM NUMBERS NOT APPLICABLE

- ITEM NOT ILLUSTRATED

32-42-02-03

32-42-02  
FIG. 03  
PAGE 1  
JAN 20/09

BRI



757

PARTS CATALOG (MAINTENANCE)

FIG ITEM	PART NUMBER	1 2 3 4 5 6 7	NOMENCLATURE	EFFECT FROM TO	UNITS PER ASSY
3					
30	BRH10A3	..	NUT SUPPLIER CODE: V52828 SPECIFICATION NUMBER: BACN10JC3 OPTIONAL PART: H10-3BAC V15653 NS202101-02 V80539 RMLH9075-3W V72962 VN303A02 V92215 96-02 V80539 T6S1032J V11815	103106	2
35	270N2000-884	..	CHANNEL	103106	1
40	270N2000-563	..	BLOCK	103106	2
45	271N6441-1005	.TUBE ASSY-RETURN SYS	TUBING MATERIAL: .375 IN. OD .019 IN. WALL 49.90 IN. LG TI BMS 7-234 TI-3AL-2.5V COLD WORKED, STRESS RELIEVED TUBING	103106	1
50	271N6441-1433	.TUBE ASSY-RETURN SYS	TUBING MATERIAL: .375 IN OD .019 IN WALL 53.20 IN LG TI	103106	1
- 60	AS1581T06	..	SLEEVE	103106	2
- 65	BACN10YA6	..	NUT	103106	2
70	271N6441-1278	.TUBE ASSY-RETURN SYS	TUBING MATERIAL: .625 IN. OD .032 IN. WALL 64.90 IN. LG TI BMS 7-234 TI-3AL-2.5V COLD WORKED, STRESS RELIEVED TUBING	103106	1
- 75	AS1581T10	..	SLEEVE	103106	1
- 80	AS1582T10	..	UNION	103106	1
- 85	BACN10YA10	..	NUT	103106	1
90	270N0005-3	.	FILLER	103106	1

MISSING ITEM NUMBERS NOT APPLICABLE

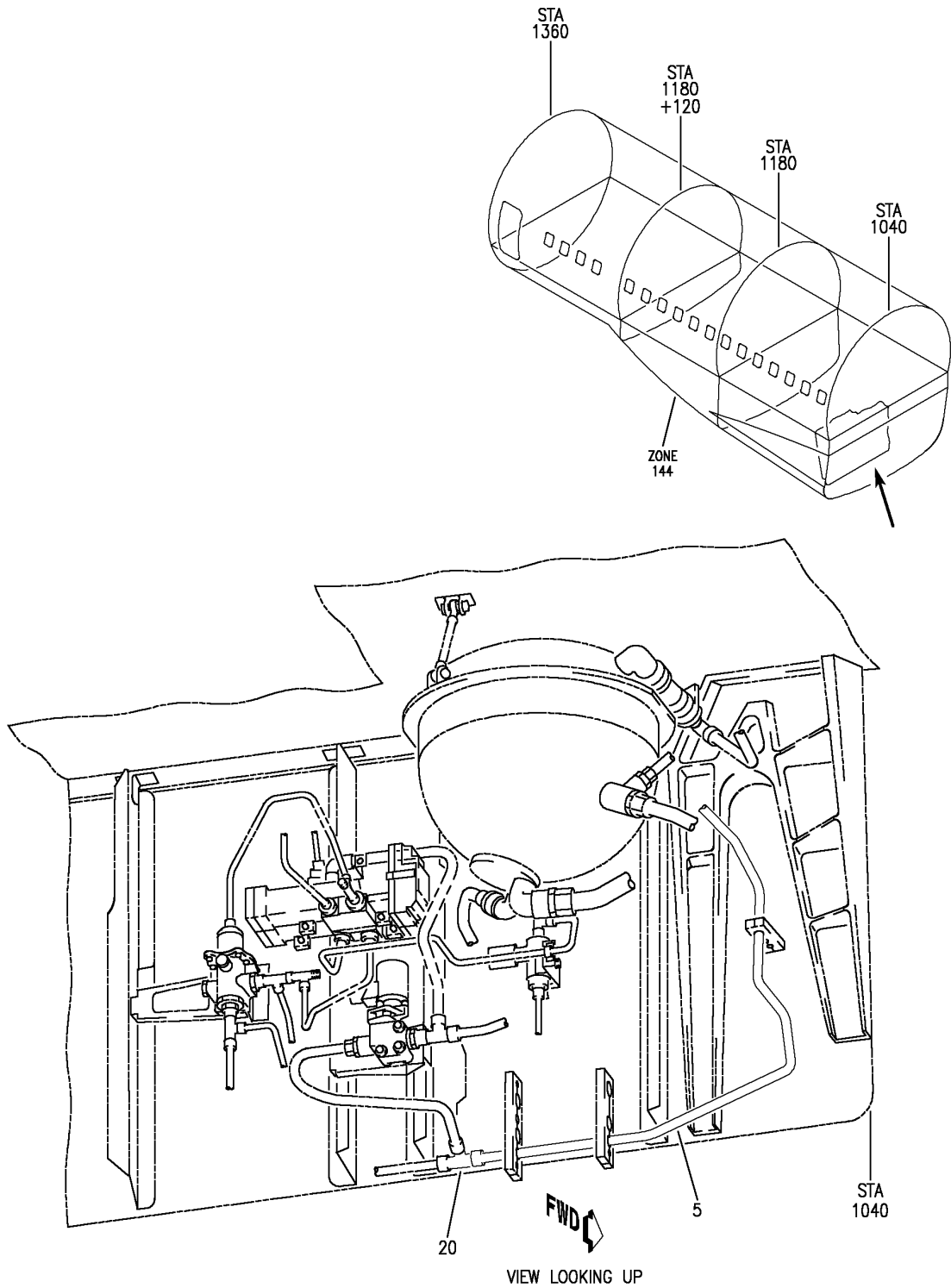
- ITEM NOT ILLUSTRATED

32-42-02-03

32-42-02  
FIG. 03  
PAGE 2  
JAN 20/09

BRI

**BOEING**  
757  
PARTS CATALOG (MAINTENANCE)



Y 32420204 REV 249

PLUMBING INSTL-MAIN WHL WELL BHD HYDR (ANTISKID MODULE (NORMAL AND ALTERNATE) ONLY)  
FIGURE 4

**32-42-02-04**

BRI  
JAN 20/09

32-42-02-04  
PAGE 0





757

PARTS CATALOG (MAINTENANCE)

FIG ITEM	PART NUMBER	1 2 3 4 5 6 7	NOMENCLATURE	EFFECT FROM TO	UNITS PER ASSY
4			PLUMBING INSTL-MAIN WHL WELL BHD HYDR (ANTISKID MODULE (NORMAL AND ALTERNATE) ONLY)	103106	
- 1	MODREF31486		PLUMBING INSTL-MAIN WHL WELL BHD HYDR (ANTISKID MODULE (NORMAL AND ALTERNATE) ONLY) MODULE NUMBER: 271N6441-41 REV B POSITION DATA: FWD FOR OTHER SYS DETAILS SEE: 11-22-06-05 27-11-14-12 29-11-27-02 29-11-51-39D 29-11-51-39E 29-22-01-02 32-35-10-02 32-41-02-11 32-41-02-12 32-41-04-02 32-44-03-03 32-44-06-02 FOR ADDITIONAL DETAILS SEE: 32-42-02-03 32-42-09-02 32-42-10-02	103106	1
5	271N6441-1405		.TUBE ASSY-RETURN SYS TUBING MATERIAL: .625 IN. OD .032 IN. WALL 55.60 IN. LG TI BMS 7-234 TI-3AL-2.5V COLD WORKED, STRESS RELIEVED TUBING	103106	1
- 10	AS1581T10		..SLEEVE	103106	2
- 15	BACN10YA10N		..NUT	103106	2
20	BACT16BL101010J		.TEE	103106	1

MISSING ITEM NUMBERS NOT APPLICABLE

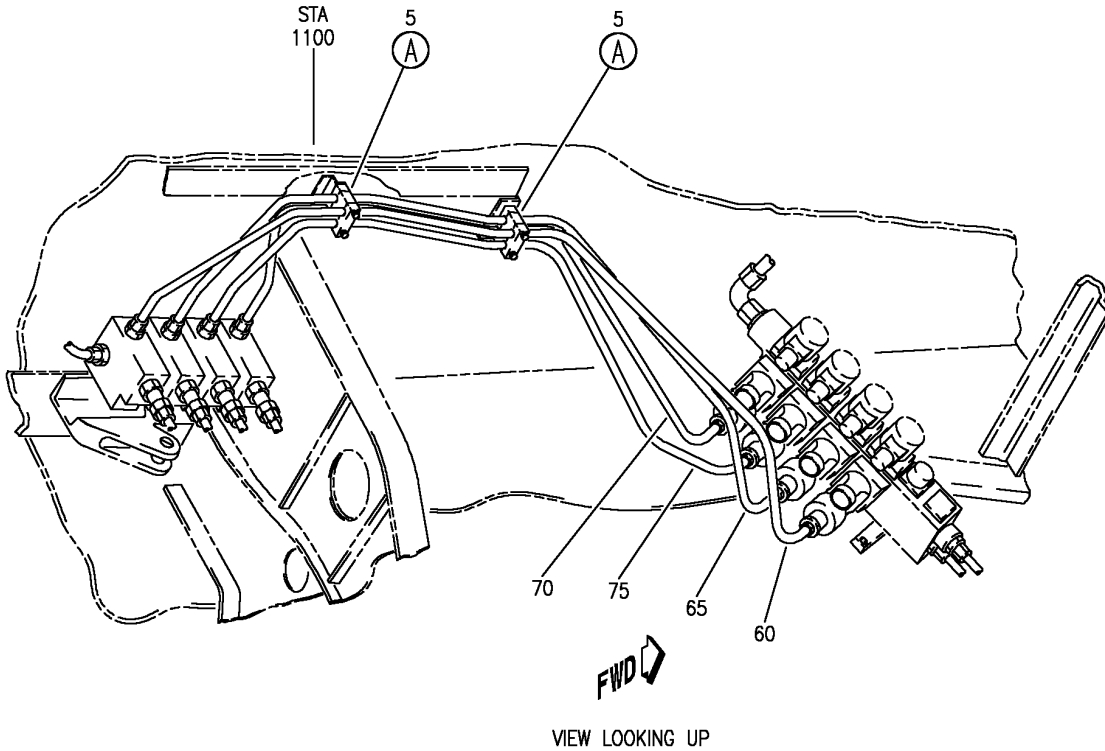
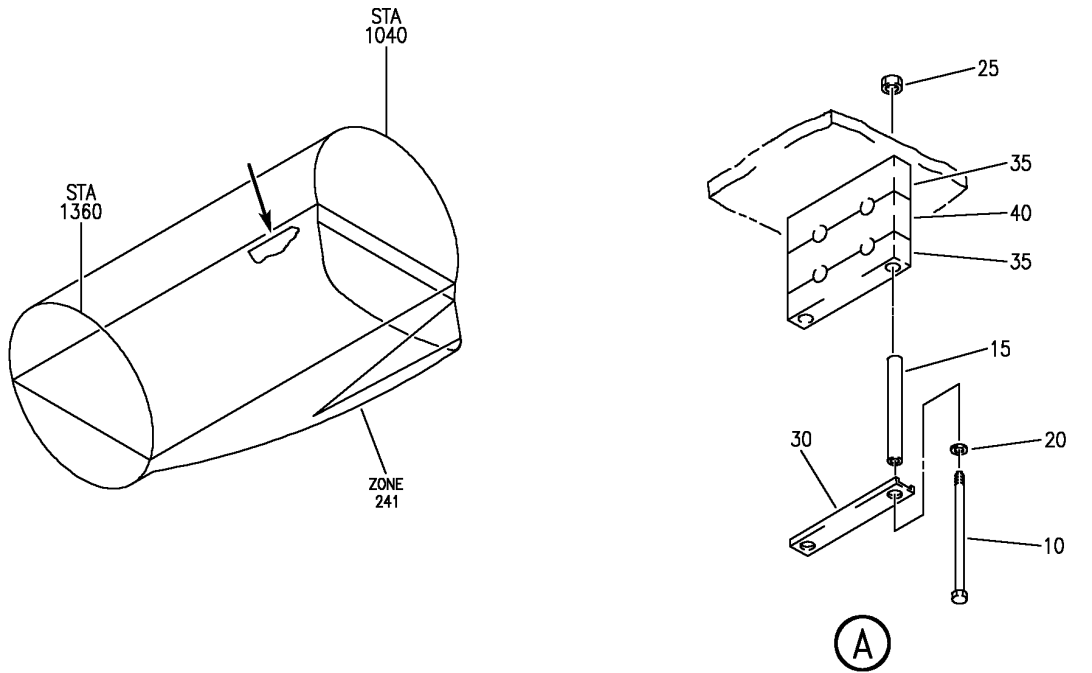
- ITEM NOT ILLUSTRATED

32-42-02-04

32-42-02  
FIG. 04  
PAGE 1  
JAN 20/09

BRI

**BOEING**  
757  
PARTS CATALOG (MAINTENANCE)



Y 32420205 REV 249

PLUMBING INSTL-MAIN WHL WELL BHD HYDR (ANTISKID MODULE (NORMAL AND ALTERNATE) ONLY)  
FIGURE 5

**32-42-02-05**

BRI  
JAN 20/09

32-42-02-05  
PAGE 0



757

PARTS CATALOG (MAINTENANCE)

FIG ITEM	PART NUMBER	1 2 3 4 5 6 7	NOMENCLATURE	EFFECT FROM TO	UNITS PER ASSY
5			PLUMBING INSTL-MAIN WHL WELL BHD HYDR (ANTISKID MODULE (NORMAL AND ALTERNATE) ONLY)	103106	
- 1	MODREF31807		PLUMBING INSTL-MAIN WHL WELL BHD HYDR (ANTISKID MODULE (NORMAL AND ALTERNATE) ONLY) MODULE NUMBER: 271N6443-47 REV B FOR OTHER SYS DETAILS SEE: 11-22-06-02 27-51-26-02 29-11-18-05 29-11-29-03 29-11-51-07 FOR ADDITIONAL DETAILS SEE: 32-32-05-04 32-41-02-13 32-41-04-03 32-42-07-02	103106	1
5	270N2000-2		.CLAMP ASSY-BLK	103106	2
10	NAS1801-3-34		..SCREW	103106	2
15	NAS43DD3-100		..SPACER	103106	2
20	AN960PD10L		..WASHER	103106	2
25	BRH10A3		..NUT	103106	2
			SUPPLIER CODE: V52828 SPECIFICATION NUMBER: BACN10JC3 OPTIONAL PART: H10-3BAC V15653 NS202101-02 V80539 RMLH9075-3W V72962 VN303A02 V92215 96-02 V80539 T6S1032J V11815		
30	270N2000-801		..CHANNEL	103106	1
35	270N2000-401		..BLOCK	103106	2
40	270N2000-402		..BLOCK	103106	1

MISSING ITEM NUMBERS NOT APPLICABLE

- ITEM NOT ILLUSTRATED

32-42-02-05

32-42-02  
FIG. 05  
PAGE 1  
JAN 20/09

BRI



757

PARTS CATALOG (MAINTENANCE)

FIG ITEM	PART NUMBER	1 2 3 4 5 6 7	NOMENCLATURE	EFFECT FROM TO	UNITS PER ASSY
5					
60	271N6443-1150	.TUBE ASSY-	TUBING MATERIAL: .375 IN. OD X .019 IN. WALL X 45.6 IN. LG TI BMS 7-234 TI-3AL-2.5V COLD WORKED, STRESS RELIEVED TUBING	103106	1
65	271N6443-1151	.TUBE ASSY-	TUBING MATERIAL: .375 IN. OD X .019 IN. WALL X 42.4 IN. LG TI BMS 7-234 TI-3AL-2.5V COLD WORKED, STRESS RELIEVED TUBING	103106	1
70	271N6443-1152	.TUBE ASSY-	TUBING MATERIAL: .375 IN. OD X .019 IN. WALL X 36.6 IN. LG TI BMS 7-234 TI-3AL-2.5V COLD WORKED, STRESS RELIEVED TUBING	103106	1
75	271N6443-1153	.TUBE ASSY-	TUBING MATERIAL: .375 IN. OD X .019 IN. WALL X 37.9 IN. LG TI BMS 7-234 TI-3AL-2.5V COLD WORKED, STRESS RELIEVED TUBING	103106	1
- 80	AS1581T06	..SLEEVE		103106	2
- 85	BACN10YA6	..NUT		103106	2

MISSING ITEM NUMBERS NOT APPLICABLE

- ITEM NOT ILLUSTRATED

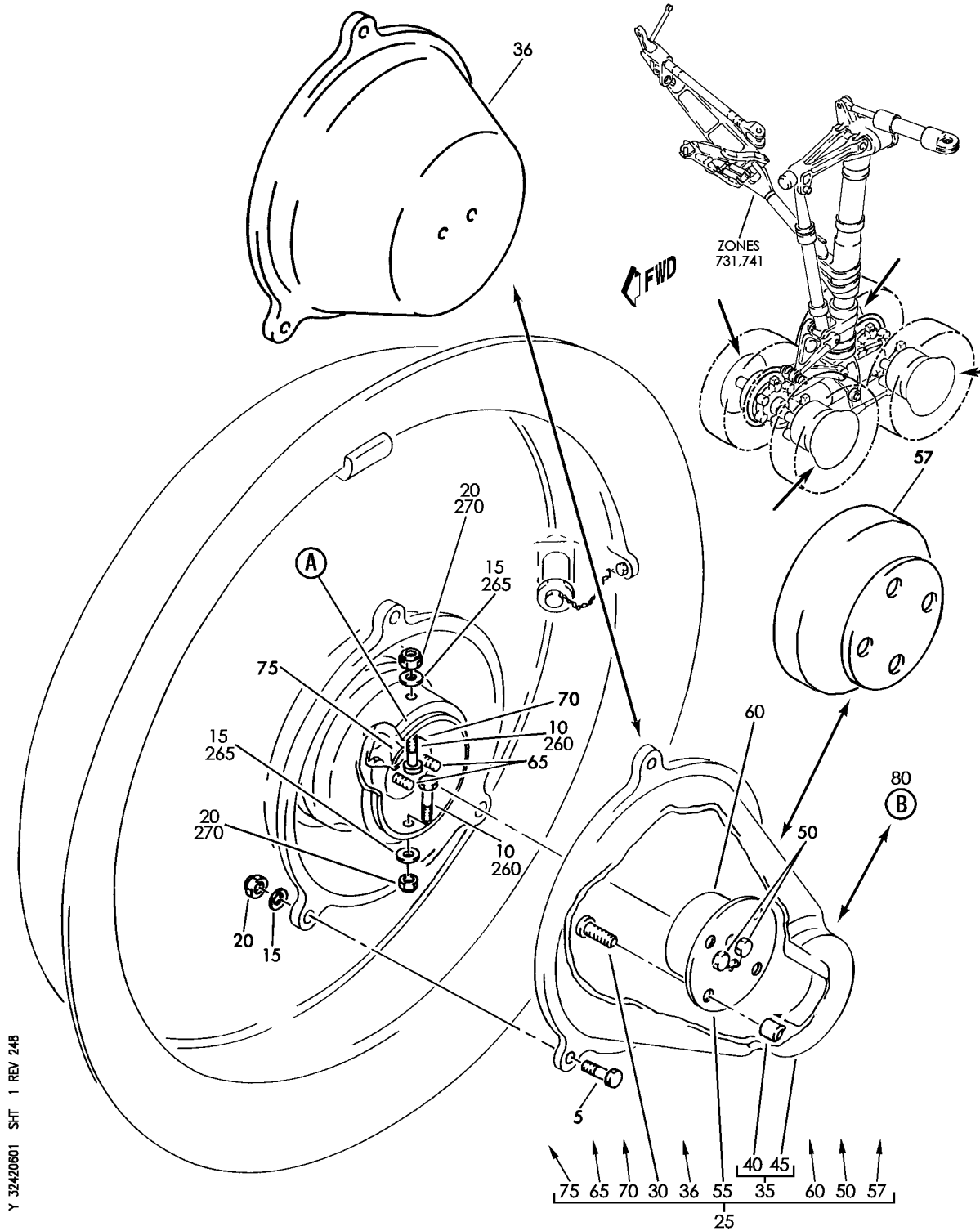
32-42-02-05

32-42-02  
FIG. 05  
PAGE 2  
JAN 20/09

BRI

BOEING PROPRIETARY - Copyright © - Unpublished Work - See title page for details.

**BOEING**  
757  
PARTS CATALOG (MAINTENANCE)



Y 32420601 SH1 1 REV 248

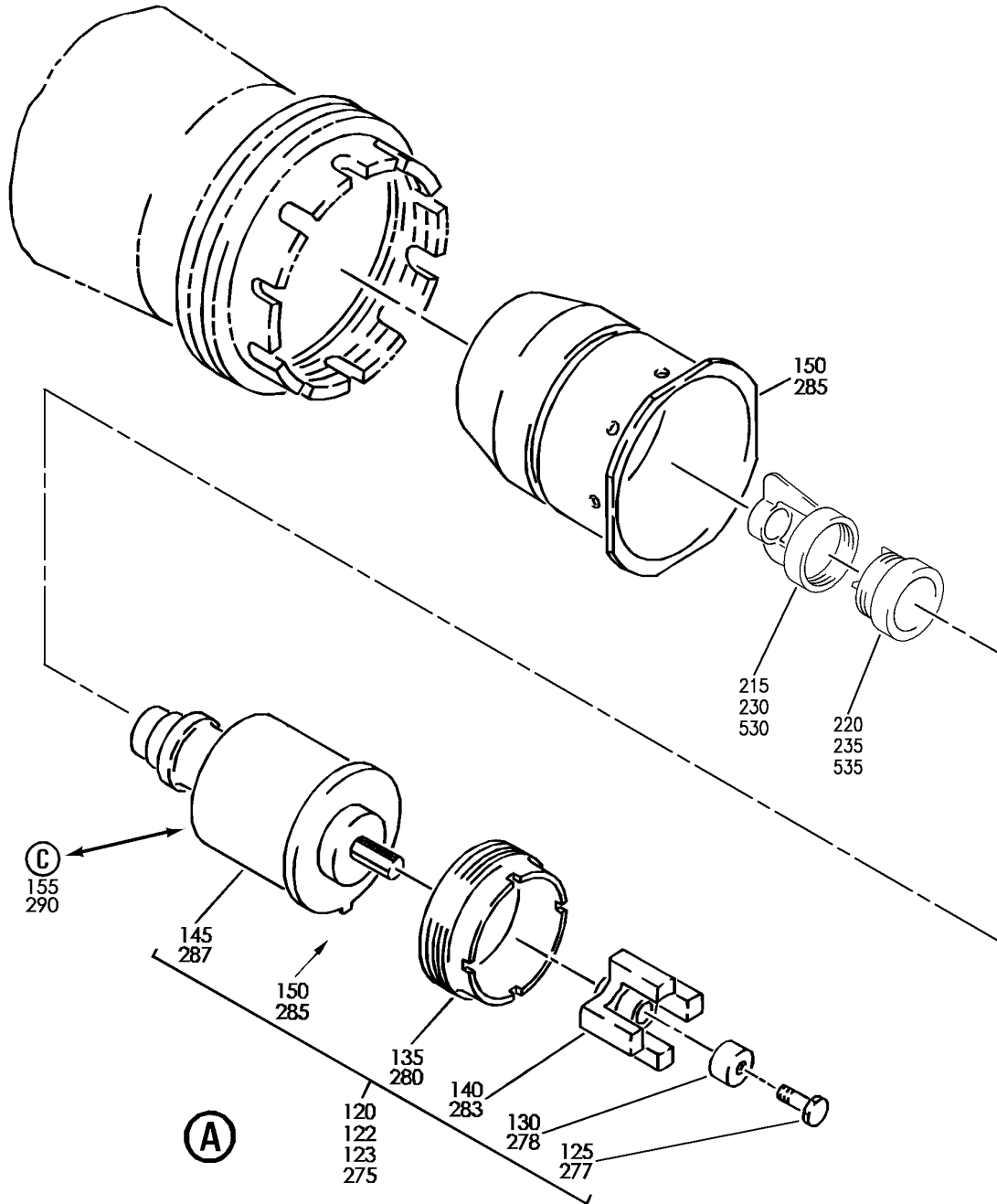
WHEEL AND BRAKE AND E/E HARNESS INSTL-MLG (ANTISKID/AUTOBRAKE SYSTEM ONLY)  
FIGURE 1 (SHEET 1)

**32-42-06-01**

BRI  
MAY 28/07

32-42-06-01  
PAGE 0

**BOEING**  
757  
PARTS CATALOG (MAINTENANCE)



Y 32420601 SHT 2 REV 269

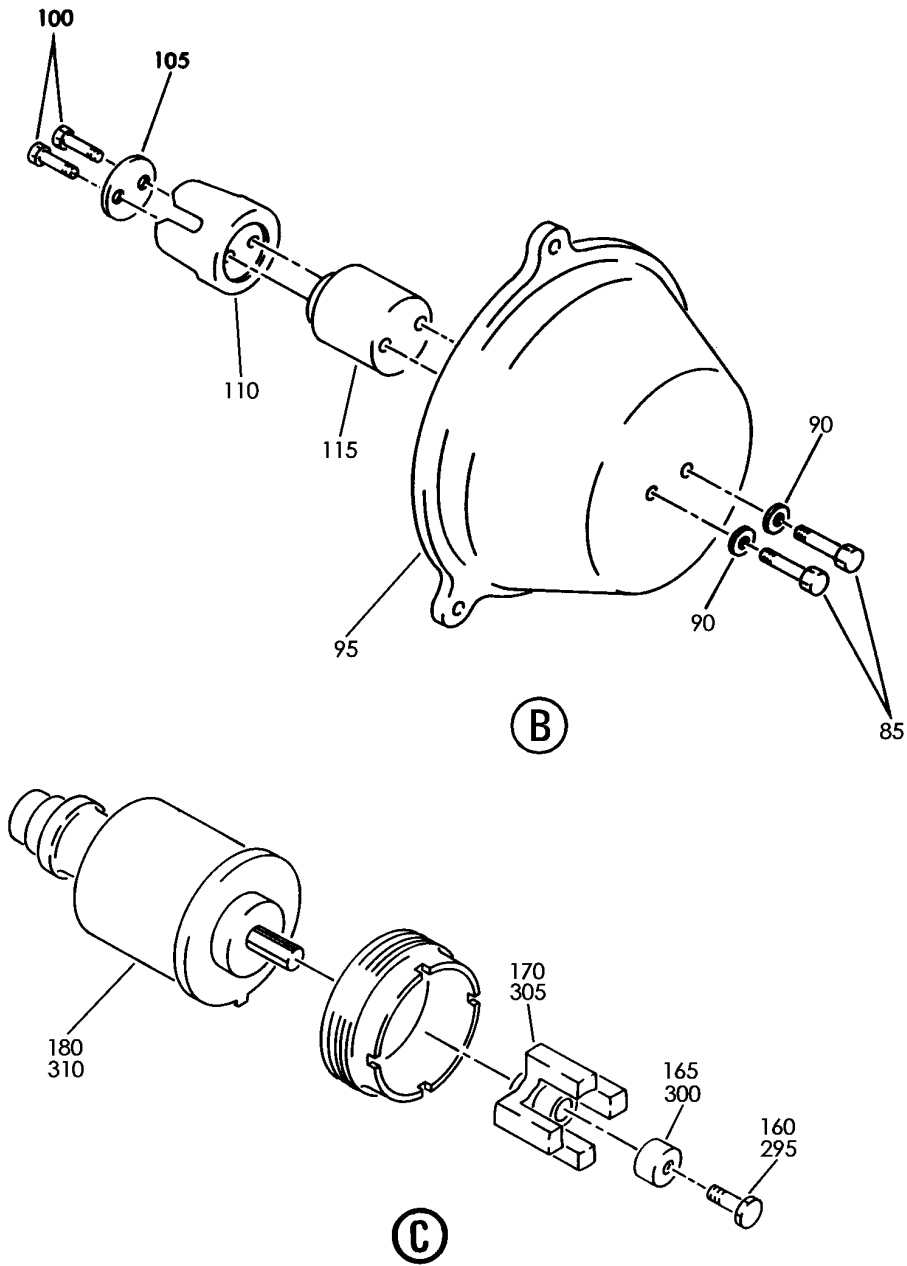
WHEEL AND BRAKE AND E/E HARNESS INSTL-MLG (ANTISKID/AUTOBRAKE SYSTEM ONLY)  
FIGURE 1 (SHEET 2)

BRI  
MAY 28/07

**32-42-06-01**

32-42-06-01  
PAGE 0A

**BOEING**  
757  
PARTS CATALOG (MAINTENANCE)



Y 32420601 SHT 3 REV 248

WHEEL AND BRAKE AND E/E HARNESS INSTL-MLG (ANTISKID/AUTOBRAKE SYSTEM ONLY)  
FIGURE 1 (SHEET 3)

**32-42-06-01**

BRI  
MAY 28/07

32-42-06-01  
PAGE 0B



757

PARTS CATALOG (MAINTENANCE)

FIG ITEM	PART NUMBER	1 2 3 4 5 6 7	NOMENCLATURE	EFFECT FROM TO	UNITS PER ASSY
1			WHEEL AND BRAKE AND E/E HARNESS INSTL-MLG (ANTISKID/AUTOBRAKE SYSTEM ONLY)	002004 006999	
- 1	160N0001-1		WHEEL AND BRAKE INSTL-MLG (ANTISKID/AUTOBRAKE SYSTEM ONLY) POSITION DATA: LH FOR OTHER SYS DETAILS SEE: 32-41-10-01 32-45-01-01	002004 006100 107107 121503 904999	RF
- 3	160N0001-2		WHEEL AND BRAKE INSTL-MLG (ANTISKID/AUTOBRAKE SYSTEM ONLY) POSITION DATA: RH FOR OTHER SYS DETAILS SEE: 32-41-10-01 32-45-01-01	002004 006100 107107 121503 904999	RF
5	BACB30LJ4-8		.BOLT-	002004 006100 107107 121503 904999	12
10	BACB30LJ4-11		.BOLT-	002004 006100 107107 121503 904999	8
15	AN960-416L		.WASHER-	002004 006100 107107 121503 904999	20
20	BRH10C4D		.NUT- SUPPLIER CODE: V52828 SPECIFICATION NUMBER: BACN10JC4CD OPTIONAL PART: T6C428JCD V11815 NS202486-048 V80539 102LH9075-4W V72962 H51650-4BAC V15653	002004 006100 107107 121503 904999	20

MISSING ITEM NUMBERS NOT APPLICABLE

- ITEM NOT ILLUSTRATED

32-42-06-01

32-42-06  
FIG. 01  
PAGE 1  
JAN 20/09

BRI





757

PARTS CATALOG (MAINTENANCE)

FIG ITEM	PART NUMBER	1 2 3 4 5 6 7	NOMENCLATURE	EFFECT FROM TO	UNITS PER ASSY
1					
25	161N0001-27		.HUBCAP ASSY-MLG POSITION DATA: LH SIDE	002004 006100 107107 121503 904999	4
25	160N0001-31		.HUBCAP ASSY-MLG POSITION DATA: LH SIDE	002004 006100 107107 121503 904999	4
25	161N0001-31		.HUBCAP ASSY-MLG POSITION DATA: LH SIDE	002004 006100 107107 121503 904999	4
25	161N0001-99		.HUBCAP ASSY-MLG POSITION DATA: LH SIDE	002004 006100 107107 121503 904999	4
- 27	161N0001-27		.HUBCAP ASSY-MLG POSITION DATA: RH SIDE	002004 006100 107107 121503 904999	4
- 27	161N0001-31		.HUBCAP ASSY-MLG POSITION DATA: RH SIDE	002004 006100 107107 121503 904999	4
- 27	161N0001-99		.HUBCAP ASSY-MLG POSITION DATA: RH SIDE	002004 006100 107107 121503 904999	4
- 27	160N0001-31		.HUBCAP ASSY-MLG POSITION DATA: RH SIDE	002004 006100 107107 121503 904999	4
30	NAS6603H1		..BOLT	002004 006100 107107 121503 904999	4

MISSING ITEM NUMBERS NOT APPLICABLE

- ITEM NOT ILLUSTRATED

32-42-06-01

32-42-06  
FIG. 01  
PAGE 2  
JAN 20/09

BRI

BOEING PROPRIETARY - Copyright © - Unpublished Work - See title page for details.



757

PARTS CATALOG (MAINTENANCE)

FIG ITEM	PART NUMBER	1 2 3 4 5 6 7	NOMENCLATURE	EFFECT FROM TO	UNITS PER ASSY
1					
35	161N1701-1		..HUBCAP ASSY- OPTIONAL PART: 161N1708-1 USED ON: 161N0001-31 161N0001-99 USED WITH: 161N1702-1	002004 006100 107107 121503 904999	1
35	161N1708-1		..HUBCAP ASSY- QUALIFIED I/W DATA: 161N1708-1 OR 161N1701-1 (OPTIONAL) HUB CAP ASSY T/W 1EA 161N1702-1 MOUNTING PLATE AND 6EA NAS6603H1 BOLTS I/W 161N1712-1 HUB CAP T/W 2EA AN960JD10L WASHERS AND 2EA NAS6603H3 BOLTS. OPTIONAL PART: 161N1701-1 USED ON: 161N0001-99 USED ON: 161N0001-27 USED WITH: 161N1702-1	002004 006100 107107 121503 904999	1
40	MS21209F1-15		...INSERT	002004 006100 107107 121503 904999	4
45	161N1701-2		...HUBCAP- USED ON: 161N1701-1	002004 006100 107107 121503 904999	1
45	161N1708-2		...HUBCAP- USED ON: 161N1708-1	002004 006100 107107 121503 904999	1
50	NAS6603H1		..BOLT- USED ON: 161N0001-27 161N0001-31 161N0001-99	002004 006100 107107 121503 904999	2

MISSING ITEM NUMBERS NOT APPLICABLE

- ITEM NOT ILLUSTRATED

32-42-06-01

32-42-06  
FIG. 01  
PAGE 3  
JAN 20/09

BRI

BOEING PROPRIETARY - Copyright © - Unpublished Work - See title page for details.



757

PARTS CATALOG (MAINTENANCE)

FIG ITEM	PART NUMBER	1 2 3 4 5 6 7	NOMENCLATURE	EFFECT FROM TO	UNITS PER ASSY
1					
55	161N1702-1	..	PLATE-MTG USED ON: 161N0001-27 161N0001-31 161N0001-99	002004 006100 107107 121503 904999	1
60	78529	..	COUPLING ASSY- SUPPLIER CODE: V92003 SPECIFICATION NUMBER: S161T102-2	002004 006010 107107 121503 904999	1
60	84490	..	COUPLING ASSY- SUPPLIER CODE: V92003 SPECIFICATION NUMBER: S161T102-4 OPTIONAL PART: 84490-1 V92003	002004 006100 107107 121503 904999	1
65	NAS1352C08H10	..	SCREW- USED ON: 161N0001-27 161N0001-31 161N0001-99	002004 006100 107107 121503 904999	2
70	161T1220-1	..	CUP- MISCELLANEOUS DATA: NOT AN INITIAL PROVISIONING SPARE USED ON: 161N0001-27 161N0001-31 161N0001-99	002004 006100 107107 121503 904999	1
75	161T1223-1	..	WASHER- MISCELLANEOUS DATA: NOT AN INITIAL PROVISIONING SPARE USED ON: 161N0001-27 161N0001-31 161N0001-99	002004 006100 107107 121503 904999	1
80	160N0001-31	.	HUBCAP ASSY-	002004 006100 107107 121503 904999	4
85	NAS6603H3	..	BOLT-	002004 006100 107107 121503 904999	2

MISSING ITEM NUMBERS NOT APPLICABLE

- ITEM NOT ILLUSTRATED

32-42-06-01

32-42-06  
FIG. 01  
PAGE 4  
JAN 20/09

BRI

BOEING PROPRIETARY - Copyright © - Unpublished Work - See title page for details.



757

PARTS CATALOG (MAINTENANCE)

FIG ITEM	PART NUMBER	1 2 3 4 5 6 7	NOMENCLATURE	EFFECT FROM TO	UNITS PER ASSY
1	90 AN960JD10L		.. WASHER	002004 006100 107107 121503 904999	2
	95 161N1712-1		.. HUBCAP- QUALIFIED I/W DATA: 161N1708-1 OR 161N1701-1 (OPTIONAL HUB CAP ASSY T/W 1EA 161N1702-1 MOUNTING PLATE AND 6EA NAS6603H1 BOLTS I/W 161N1712-1 HUB CAP T/W 2EA AN960JD10L WASHERS AND 2EA NAS6603H3 BOLTS	002004 006100 107107 121503 904999	1
	100 NAS1352C08H10		.. SCREW	002004 006100 107107 121503 904999	2
	105 161T1223-1		.. WASHER- MISCELLANEOUS DATA: NOT AN INITIAL PROVISIONING SPARE	002004 006100 107107 121503 904999	1
	110 161T1220-1		.. CUP- MISCELLANEOUS DATA: NOT AN INITIAL PROVISIONING SPARE	002004 006100 107107 121503 904999	1
	115 84490-1		.. COUPLING ASSY- SUPPLIER CODE: V07649 SPECIFICATION NUMBER: S161T102-5	002004 006100 107107 121503 904999	1
	120 161N0001-53		. TRANSDUCER ASSY-ANTISKID POSITION DATA: LH/RH SIDE	002004 006100 107107 121503 904999	4
	120 161N0001-98		. TRANSDUCER ASSY-ANTISKID POSITION DATA: LH/RH SIDE	002004 006100 107107 121503 904999	4

MISSING ITEM NUMBERS NOT APPLICABLE

- ITEM NOT ILLUSTRATED

32-42-06-01

32-42-06  
FIG. 01  
PAGE 5  
JAN 20/09

BRI



**757  
PARTS CATALOG (MAINTENANCE)**

FIG ITEM	PART NUMBER	1 2 3 4 5 6 7	NOMENCLATURE	EFFECT FROM TO	UNITS PER ASSY
1 125	NAS6603H1	..	BOLT-	002004 006100 107107 121503 904999	1
130	161T1222-1	..	WASHER-CONE MISCELLANEOUS DATA: NOT AN INITIAL PROVISIONING SPARE	002004 006100 107107 121503 904999	1
135	161T1209-1	..	NUT-RTNR MISCELLANEOUS DATA: NOT AN INITIAL PROVISIONING SPARE	002004 006100 107107 121503 904999	1
140	161T1221-1	..	DOG- MISCELLANEOUS DATA: NOT AN INITIAL PROVISIONING SPARE OPTIONAL PART: 161T1221-3	002004 006100 107107 121503 904999	1
140	161T1221-3	..	DOG- MISCELLANEOUS DATA: NOT AN INITIAL PROVISIONING SPARE OPTIONAL PART: 161T1221-1	002004 006100 107107 121503 904999	1
145	140-025-1	..	TRANSDUCER ASSY- SUPPLIER CODE: V81982 SPECIFICATION NUMBER: S283T001-10 ELECTRICAL EQUIP NUMBER: TS0082 TS0083 TS0086 TS0087 TS0088 TS0089 COMPONENT MAINT MANUAL REF: 32-42-54	002004 006100 107107 121503 904999	1

MISSING ITEM NUMBERS NOT APPLICABLE

- ITEM NOT ILLUSTRATED

BRI

# 32-42-06-01

BOEING PROPRIETARY - Copyright © - Unpublished Work - See title page for details.

32-42-06  
FIG. 01  
PAGE 6  
JAN 20/09



**757  
PARTS CATALOG (MAINTENANCE)**

FIG ITEM	PART NUMBER	1 2 3 4 5 6 7	NOMENCLATURE	EFFECT FROM TO	UNITS PER ASSY
1 145	140-025-2		.. TRANSDUCER ASSY- SUPPLIER CODE: V81982 FUNCTIONAL DESCRIPTION: PROVIDE ANTISKID PROTECTION FOR EACH WHEEL ON THE NORMAL BRAKE SYSTEM AND FOR SIDE BY SIDE WHEELS ON THE ALTERNATE BRAKE SYSTEM SPECIFICATION NUMBER: S283T001-15 COMPONENT MAINT MANUAL REF: 32-42-54	002004 006100 107107 121503 904999	1
150	161N1703-1		.. SUPPORT-	002004 006100 107107 121503 904999	1
- 200	286N4904-007		WIRE BUNDLE ASSY- (ANTISKID/AUTOBRAKE SYSTEM ONLY)	002004 006010 107107 121503 904999	RF
- 200	286N4904-008		WIRE BUNDLE ASSY- (ANTISKID/AUTOBRAKE SYSTEM ONLY)	011100	RF
- 210	286N3004-009		WIRE BUNDLE ASSY- (ANTISKID/AUTOBRAKE SYSTEM ONLY)	121503 904949	RF
- 210	286N3004-012		WIRE BUNDLE ASSY- (ANTISKID/AUTOBRAKE SYSTEM ONLY)	002004 006010 107107 950999	RF
- 210	286N3004-014		WIRE BUNDLE ASSY- (ANTISKID/AUTOBRAKE SYSTEM ONLY)	011100	RF

MISSING ITEM NUMBERS NOT APPLICABLE

- ITEM NOT ILLUSTRATED

# 32-42-06-01

32-42-06  
FIG. 01  
PAGE 7  
JAN 20/09

BRI



757

PARTS CATALOG (MAINTENANCE)

FIG ITEM	PART NUMBER	1 2 3 4 5 6 7	NOMENCLATURE	EFFECT FROM TO	UNITS PER ASSY
1 215	GS3417-12C	.	CLAMP- SUPPLIER CODE: V06324 SPECIFICATION NUMBER: BACC10HF12 OPTIONAL PART: S2125-12-8 V07418 ELECTRICAL EQUIP NUMBER: D02040T D02042T D02048T D02050T WIRING DIAGRAM REF: 324211 324214	002004 006100 107107 121503 904999	2
220	R071012A3SNL	.	CONNECTOR- SUPPLIER CODE: V41118 SPECIFICATION NUMBER: BACC63BP12A3SNL ELECTRICAL EQUIP NUMBER: D02040 D02042 D02048 D02050 WIRING DIAGRAM REF: 324214	002004 006100 107107 121503 904999	2
- 225	286N3024-008		WIRE BUNDLE ASSY- (ANTISKID/AUTOBRAKE SYSTEM ONLY)	002004 006010 107107 121503 904999	RF
- 225	286N3024-009		WIRE BUNDLE ASSY- (ANTISKID/AUTOBRAKE SYSTEM ONLY)	011100	RF
- 227	286N4924-007		WIRE BUNDLE ASSY- (ANTISKID/AUTOBRAKE SYSTEM ONLY)	002004 006010 107107 121503 904999	RF
- 227	286N4924-008		WIRE BUNDLE ASSY- (ANTISKID/AUTOBRAKE SYSTEM ONLY)	011100	RF

MISSING ITEM NUMBERS NOT APPLICABLE

- ITEM NOT ILLUSTRATED

BRI

32-42-06-01

BOEING PROPRIETARY - Copyright © - Unpublished Work - See title page for details.

32-42-06  
FIG. 01  
PAGE 8  
JAN 20/09



757

PARTS CATALOG (MAINTENANCE)

FIG ITEM	PART NUMBER	1 2 3 4 5 6 7	NOMENCLATURE	EFFECT FROM TO	UNITS PER ASSY
1 230	GS3417-12C		.CLAMP- SUPPLIER CODE: V06324 SPECIFICATION NUMBER: BACC10HF12 OPTIONAL PART: S2125-12-8 V07418 ELECTRICAL EQUIP NUMBER: D02052T D02054T D02044T D02046T WIRING DIAGRAM REF: 324214	002004 006100 107107 121503 904999	2
235	R071012A3SNL		.CONNECTOR- SUPPLIER CODE: V41118 SPECIFICATION NUMBER: BACC63BP12A3SNL ELECTRICAL EQUIP NUMBER: D02052 D02054 D02044 D02046 WIRING DIAGRAM REF: 324214	002004 006100 107107 121503 904999	2
- 250	277N1200-1		IN AXLE INSTL-MAIN LANDING GEAR POSITION DATA: LH SIDE FOR NHA SEE: 32-00-00-18	101102 108120 504903	RF
- 250	MODREF8879		IN AXLE INSTL-MAIN LANDING GEAR MODULE NUMBER: 277N1200-1 REV A POSITION DATA: LH SIDE	103106	1
- 255	277N1200-2		IN AXLE INSTL-MAIN LANDING GEAR POSITION DATA: RH SIDE FOR NHA SEE: 32-00-00-18	101102 108120 504903	RF

MISSING ITEM NUMBERS NOT APPLICABLE

- ITEM NOT ILLUSTRATED

32-42-06-01

32-42-06  
FIG. 01  
PAGE 9  
JAN 20/09

BRI





757

PARTS CATALOG (MAINTENANCE)

FIG ITEM	PART NUMBER	1 2 3 4 5 6 7	NOMENCLATURE	EFFECT FROM TO	UNITS PER ASSY
1					
- 255	MODREF8880		IN AXLE INSTL-MAIN LANDING GEAR MODULE NUMBER: 277N1200-2 REV A POSITION DATA: RH SIDE	103103	1
- 255	MODREF27681		IN AXLE INSTL-MAIN LANDING GEAR MODULE NUMBER: 277N1200-2 REV B POSITION DATA: RH SIDE	104106	1
260	BACB30LJ4-11		.BOLT	101106 108120 504903	8
265	NAS1149F0432P		.WASHER	101106 108120 504903	8
270	BRH10C4D		.NUT SUPPLIER CODE: V52828 SPECIFICATION NUMBER: BACN10JC4CD OPTIONAL PART: T6C428JCD V11815 NS202486-048 V80539 102LH9075-4W V72962 H51650-4BAC V15653	101106 108120 504903	8
275	277N1200-3		.TRANSDUCER ASSY-ANTISKID SYS, MLG	101106 108120 504903	4
280	161T1209-1		..NUT-RTNR MISCELLANEOUS DATA: NOT AN INITIAL PROVISIONING SPARE	101106 108120 504903	1
285	161N1703-1		..SUPPORT-	101106 108120 504903	1
290	165T0101-102		..ANTI-SKID ASSY MISCELLANEOUS DATA: FOR SPARES PROCURE MAJOR COMPONENTS	101106 108120 504903	1
295	NAS6603H2		...BOLT	101106 108120 504903	1

MISSING ITEM NUMBERS NOT APPLICABLE

- ITEM NOT ILLUSTRATED

BRI

32-42-06-01

BOEING PROPRIETARY - Copyright © - Unpublished Work - See title page for details.

32-42-06  
FIG. 01  
PAGE 10  
JAN 20/09



757

PARTS CATALOG (MAINTENANCE)

FIG ITEM	PART NUMBER	1 2 3 4 5 6 7	NOMENCLATURE	EFFECT FROM TO	UNITS PER ASSY
1					
300	161T1222-1		...WASHER-CONE MISCELLANEOUS DATA: NOT AN INITIAL PROVISIONING SPARE	101106 108120 504903	1
305	161T1221-1		...DOG- MISCELLANEOUS DATA: NOT AN INITIAL PROVISIONING SPARE OPTIONAL PART: 161T1221-3	101106 108120 504903	1
305	161T1221-3		...DOG- MISCELLANEOUS DATA: NOT AN INITIAL PROVISIONING SPARE OPTIONAL PART: 161T1221-1	101106 108120 504903	1
310	140-025-1		...TRANSDUCER ASSY- SUPPLIER CODE: V81982 SPECIFICATION NUMBER: S283T001-10 ELECTRICAL EQUIP NUMBER: TS0082 TS0083 TS0084 TS0085 TS0086 TS0087 TS0088 TS0089 COMPONENT MAINT MANUAL REF: 32-42-54 OPTIONAL PART: 140-025-2 V81982	101106 108120 504903	1

MISSING ITEM NUMBERS NOT APPLICABLE

- ITEM NOT ILLUSTRATED

BRI

32-42-06-01

BOEING PROPRIETARY - Copyright © - Unpublished Work - See title page for details.

32-42-06  
FIG. 01  
PAGE 11  
JAN 20/09



757

PARTS CATALOG (MAINTENANCE)

FIG ITEM	PART NUMBER	1 2 3 4 5 6 7	NOMENCLATURE	EFFECT FROM TO	UNITS PER ASSY
1 310	140-025-2		... TRANSDUCER ASSY- SUPPLIER CODE: V81982 FUNCTIONAL DESCRIPTION: PROVIDE ANTISKID PROTECTION FOR EACH WHEEL ON THE NORMAL BRAKE SYSTEM AND FOR SIDE BY SIDE WHEELS ON THE ALTERNATE BRAKE SYSTEM SPECIFICATION NUMBER: S283T001-15 ELECTRICAL EQUIP NUMBER: TS0082 TS0083 TS0084 TS0085 TS0086 TS0087 TS0088 TS0089 COMPONENT MAINT MANUAL REF: 32-42-54 OPTIONAL PART: 140-025-1 V81982	101106 108120 504903	1
- 400	286N3004-303		WIRE BUNDLE ASSY- (ANTISKID/AUTOBRAKE SYSTEM ONLY)	101102 108120	RF
- 400	286N3004-701		WIRE BUNDLE ASSY- (ANTISKID/AUTOBRAKE SYSTEM ONLY)	103106	RF
- 405	286N4904-302		WIRE BUNDLE ASSY- (ANTISKID/AUTOBRAKE SYSTEM ONLY)	101102 108120	RF
- 405	286N4904-701		WIRE BUNDLE ASSY- (ANTISKID/AUTOBRAKE SYSTEM ONLY)	103106	RF

MISSING ITEM NUMBERS NOT APPLICABLE

- ITEM NOT ILLUSTRATED

32-42-06-01

32-42-06  
FIG. 01  
PAGE 12  
JAN 20/09

BRI



757

PARTS CATALOG (MAINTENANCE)

FIG ITEM	PART NUMBER	1 2 3 4 5 6 7	NOMENCLATURE	EFFECT FROM TO	UNITS PER ASSY
1 - 410	GS3417-12C		.CLAMP- SUPPLIER CODE: V06324 SPECIFICATION NUMBER: BACC10HF12 OPTIONAL PART: S2125-12-8 V07418 ELECTRICAL EQUIP NUMBER: D02040T D02042T D02048T D02050T WIRING DIAGRAM REF: 324214	101102 108120	2
- 410	S3819-12-65		.CLAMP- SUPPLIER CODE: V07418 SPECIFICATION NUMBER: BACC10KD12 OPTIONAL PART: 620AS028NF12L V06324 ELECTRICAL EQUIP NUMBER: D02040T D02042T D02048T D02050T WIRING DIAGRAM REF: 324214	103106	2
- 415	R071012A3SNL		.CONNECTOR- SUPPLIER CODE: V41118 SPECIFICATION NUMBER: BACC63BP12A3SNL ELECTRICAL EQUIP NUMBER: D02040 D02042 D02048 D02050 WIRING DIAGRAM REF: 324211 324214	101106 108120	2
- 420	286N3024-302		WIRE BUNDLE ASSY- (ANTISKID/AUTOBRAKE SYSTEM ONLY)	101102 108120	RF
- 420	286N3024-701		WIRE BUNDLE ASSY- (ANTISKID/AUTOBRAKE SYSTEM ONLY)	103106	RF

MISSING ITEM NUMBERS NOT APPLICABLE

- ITEM NOT ILLUSTRATED

32-42-06-01

32-42-06  
FIG. 01  
PAGE 13  
JAN 20/09

BRI



757

PARTS CATALOG (MAINTENANCE)

FIG ITEM	PART NUMBER	1 2 3 4 5 6 7	NOMENCLATURE	EFFECT FROM TO	UNITS PER ASSY
1					
- 425	286N4924-302		WIRE BUNDLE ASSY- (ANTISKID/AUTOBRAKE SYSTEM ONLY)	101102 108120	RF
- 425	286N4924-701		WIRE BUNDLE ASSY- (ANTISKID/AUTOBRAKE SYSTEM ONLY)	103106	RF
- 430	GS3417-12C		.CLAMP- SUPPLIER CODE: V06324 SPECIFICATION NUMBER: BACC10HF12 OPTIONAL PART: S2125-12-8 V07418 ELECTRICAL EQUIP NUMBER: D02044T D02046T D02044T D02054T WIRING DIAGRAM REF: 324214	101102 108120	2
- 430	S3819-12-65		.CLAMP- SUPPLIER CODE: V07418 SPECIFICATION NUMBER: BACC10KD12 OPTIONAL PART: 620AS028NF12L V06324 ELECTRICAL EQUIP NUMBER: D02044T D02044T D02052T D02054T WIRING DIAGRAM REF: 324211	103106	2
- 435	R071012A3SNL		.CONNECTOR- SUPPLIER CODE: V41118 SPECIFICATION NUMBER: BACC63BP12A3SNL ELECTRICAL EQUIP NUMBER: D02044 D02046 D02052 D02054 WIRING DIAGRAM REF: 324211 324214	101106 108120	2

MISSING ITEM NUMBERS NOT APPLICABLE

- ITEM NOT ILLUSTRATED

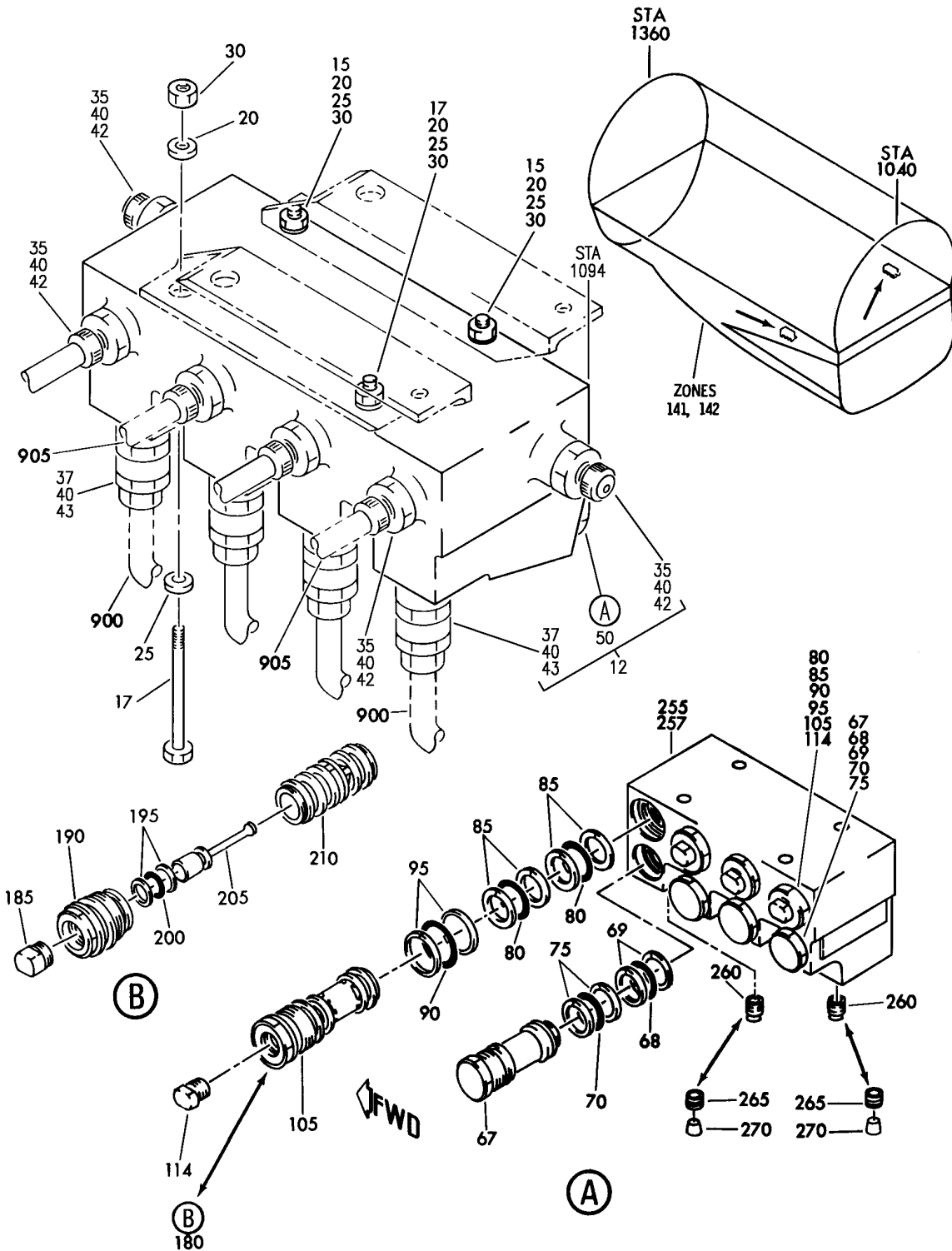
BRI

32-42-06-01

BOEING PROPRIETARY - Copyright © - Unpublished Work - See title page for details.

32-42-06  
FIG. 01  
PAGE 14  
JAN 20/09

**BOEING**  
757  
PARTS CATALOG (MAINTENANCE)



Y 32420701 REV 295

VALVE INSTL-ANTISKID SHUTTLE  
FIGURE 1

**32-42-07-01**

BRI  
MAY 28/07

32-42-07-01  
PAGE 0



757

PARTS CATALOG (MAINTENANCE)

FIG ITEM	PART NUMBER	1 2 3 4 5 6 7	NOMENCLATURE	EFFECT FROM TO	UNITS PER ASSY
1			VALVE INSTL-ANTISKID SHUTTLE	002004 006100 107107 121503 904999	
- 1	274N1004-11		VALVE INSTL-ANTISKID SHUTTLE POSITION DATA: LH VARIABLE DRAWING REF: 274N1004-19 FOR NHA SEE: 29-00-51-05	002004 006100 107107 121503 904951 953999	RF
- 1	274N1004-19		VALVE INSTL-ANTISKID SHUTTLE POSITION DATA: LH POST SERVICE BULLETIN: 32-0126	952952	RF
- 5	274N1004-12		VALVE INSTL-ANTISKID SHUTTLE POSITION DATA: RH VARIABLE DRAWING REF: 274N1004-20 FOR NHA SEE: 29-00-51-05	002004 006100 107107 121503 904951 953999	RF
- 5	274N1004-20		VALVE INSTL-ANTISKID SHUTTLE POSITION DATA: RH POST SERVICE BULLETIN: 32-0126	952952	RF
12	274N1004-13		.VALVE ASSY- USED ON: 274N1004-11 274N1004-12	002004 006100 107107 121503 904999	1
12	274N1004-7		.VALVE ASSY- USED ON: 274N1004-5 274N1004-6	002004 006100 107107 121503 904999	1
12	274N1004-14		.VALVE ASSY- USED ON: 274N1004-11 274N1004-12	002004 006100 107107 121503 904952	1

MISSING ITEM NUMBERS NOT APPLICABLE

- ITEM NOT ILLUSTRATED

32-42-07-01

32-42-07  
FIG. 01  
PAGE 1  
JAN 20/09

BRI



757

PARTS CATALOG (MAINTENANCE)

FIG ITEM	PART NUMBER	1 2 3 4 5 6 7	NOMENCLATURE	EFFECT FROM TO	UNITS PER ASSY
1					
12	274N1004-17	.	VALVE ASSY-	002004 006100 107107 121503 904999	1
12	274N1004-18	.	VALVE ASSY- POST SERVICE BULLETIN: 32-0126 32-0157R1	002004 006100 107107 121503 904999	1
15	BACB30NR4K22	.	BOLT- ATTACHING PARTS OPTIONAL PART: BACB30LE4-24	002004 006100 107107 121503 904999	2
15	BACB30LE4-24	.	BOLT- OPTIONAL PART: BACB30NR4K22	002004 006100 107107 121503 904999	2
17	BACB30NR4K20	.	BOLT- OPTIONAL PART: BACB30LE4-21	002004 006100 107107 121503 904999	2
17	BACB30LE4-21	.	BOLT- OPTIONAL PART: BACB30NR4K20	002004 006100 107107 121503 904999	2
20	BACW10BN4AP	.	WASHER	002004 006100 107107 121503 904999	4
25	BACW10BN4AC	.	WASHER	002004 006100 107107 121503 904999	4

MISSING ITEM NUMBERS NOT APPLICABLE

- ITEM NOT ILLUSTRATED

32-42-07-01

32-42-07  
FIG. 01  
PAGE 2  
JAN 20/09

BRI





757

PARTS CATALOG (MAINTENANCE)

FIG ITEM	PART NUMBER	1 2 3 4 5 6 7	NOMENCLATURE	EFFECT FROM TO	UNITS PER ASSY
1 30	BRH10C4D	.NUT	SUPPLIER CODE: V52828 SPECIFICATION NUMBER: BACN10JC4CD OPTIONAL PART: T6C428JCD V11815 NS202486-048 V80539 102LH9075-4W V72962 H51650-4BAC V15653 -----*-----	002004 006100 107107 121503 904999	4
35	BACU24K6	..UNION		002004 006100 107107 121503 904999	6
37	9R3240-1	..VALVE-	SUPPLIER CODE: V99240 USED ON: 274N1004-13 274N1004-7 274N1004-18 274N1004-26 POST SERVICE BULLETIN: 32-0126 32-0157R1	002004 006100 107107 121503 904999	4
37	6F2602-2	..VALVE-	SUPPLIER CODE: V99240 USED ON: 274N1004-14 274N1004-17	002004 006100 107107 121503 904952	4
40	NAS1612-6	..PACKING-		002004 006100 107107 121503 904952	10
42	NAS1612-6	..PACKING		953999	6
43	NAS1611-006	..PACKING- POST SERVICE BULLETIN: 32-0157R1		953999	4

MISSING ITEM NUMBERS NOT APPLICABLE

- ITEM NOT ILLUSTRATED

32-42-07-01

32-42-07  
FIG. 01  
PAGE 3  
JAN 20/09

BRI



757

PARTS CATALOG (MAINTENANCE)

FIG ITEM	PART NUMBER	1 2 3 4 5 6 7	NOMENCLATURE	EFFECT FROM TO	UNITS PER ASSY
1					
50	2-7460-2		..MODULE ASSY- SUPPLIER CODE: V97415 SPECIFICATION NUMBER: S274T120-4 COMPONENT MAINT MANUAL REF: 32-42-01 USED ON: 274N1004-7	002004 006100 107107 121503 904999	1
50	2-7460-3		..MODULE ASSY-VALVE SUPPLIER CODE: V97415 SPECIFICATION NUMBER: S274T120-6 COMPONENT MAINT MANUAL REF: 32-42-01 USED ON: 274N1004-13 274N1004-17	002004 006100 107107 121503 904999	1
50	2-7460-4		..MODULE ASSY-VALVE SUPPLIER CODE: V97415 SPECIFICATION NUMBER: S274T120-8 COMPONENT MAINT MANUAL REF: 32-42-01 OPTIONAL PART: 2-7460-5 V97415 USED ON: 274N1004-14 274N1004-18	002004 006100 107107 121503 904999	1
50	2-7460-5		..MODULE ASSY-VALVE SUPPLIER CODE: V97415 SPECIFICATION NUMBER: S274T120-10 COMPONENT MAINT MANUAL REF: 32-42-01 OPTIONAL PART: 2-7460-4 V97415 USED ON: 274N1004-14 274N1004-18	002004 006100 107107 121503 904999	1

MISSING ITEM NUMBERS NOT APPLICABLE

- ITEM NOT ILLUSTRATED

32-42-07-01

32-42-07  
FIG. 01  
PAGE 4  
JAN 20/09

BRI



757

PARTS CATALOG (MAINTENANCE)

FIG ITEM	PART NUMBER	1 2 3 4 5 6 7	NOMENCLATURE	EFFECT FROM TO	UNITS PER ASSY
1	50 2-8051-1		..MODULE ASSY-VALVE SUPPLIER CODE: V97415 FUNCTIONAL DESCRIPTION: REGULATES FLOW TO EACH INDIVIDUAL WHEEL SPECIFICATION NUMBER: S274T120-13 COMPONENT MAINT MANUAL REF: 32-42-04	002004 006100 107107 121503 904999	1
- 51	7-0669-1		...PLATE-IDENT SUPPLIER CODE: V97415 USED ON: 2-7460-2 2-7460-3	002004 006100 107107 121503 904999	2
- 51	7-0669-2		...PLATE-IDNT SUPPLIER CODE: V97415 USED ON: 2-7460-4 2-7460-5	002004 006100 107107 121503 904999	2
- 52	7-0675-1		...PLATE-PORT IDENT SUPPLIER CODE: V97415	002004 006100 107107 121503 904999	1
- 53	7-0675-2		...PLATE-PORT IDENT SUPPLIER CODE: V97415	002004 006100 107107 121503 904999	1
- 54	7-0675-3		...PLATE-PORT IDENT SUPPLIER CODE: V97415	002004 006100 107107 121503 904999	1
- 56	7-0675-4		...PLATE-PORT IDENT SUPPLIER CODE: V97415	002004 006100 107107 121503 904999	1
- 57	7-0675-5		...PLATE-PORT IDENT SUPPLIER CODE: V97415	002004 006100 107107 121503 904999	1

MISSING ITEM NUMBERS NOT APPLICABLE

- ITEM NOT ILLUSTRATED

32-42-07-01

32-42-07  
FIG. 01  
PAGE 5  
JAN 20/09

BRI



757

PARTS CATALOG (MAINTENANCE)

FIG ITEM	PART NUMBER	1 2 3 4 5 6 7	NOMENCLATURE	EFFECT FROM TO	UNITS PER ASSY
1					
- 58	7-0675-6		...PLATE-PORT IDENT SUPPLIER CODE: V97415	002004 006100 107107 121503 904999	1
- 59	7-0675-7		...PLATE-PORT IDENT SUPPLIER CODE: V97415	002004 006100 107107 121503 904999	1
- 61	7-0675-8		...PLATE-PORT IDENT SUPPLIER CODE: V97415	002004 006100 107107 121503 904999	1
- 62	7-0675-9		...PLATE-PORT IDENT SUPPLIER CODE: V97415	002004 006100 107107 121503 904999	1
- 63	7-0675-10		...PLATE-PORT IDENT SUPPLIER CODE: V97415	002004 006100 107107 121503 904999	1
67	7553404		... FILTER- SUPPLIER CODE: V05228 OPTIONAL PART: 22580 V10989 4331-505-1 V21550	002004 006100 107107 121503 904999	4
67	22580		... FILTER- SUPPLIER CODE: V10989 OPTIONAL PART: 7553404 V05228 4331-505-1 V21550	002004 006100 107107 121503 904999	4
67	4331-505-1		... FILTER- SUPPLIER CODE: V21550 OPTIONAL PART: 7553404 V05228 22580 V10989	002004 006100 107107 121503 904999	4

MISSING ITEM NUMBERS NOT APPLICABLE

- ITEM NOT ILLUSTRATED

BRI

32-42-07-01

32-42-07  
FIG. 01  
PAGE 6  
JAN 20/09



757

PARTS CATALOG (MAINTENANCE)

FIG ITEM	PART NUMBER	1 2 3 4 5 6 7	NOMENCLATURE	EFFECT FROM TO	UNITS PER ASSY
1	68	NAS1611-114	...PACKING-	002004 006100 107107 121503 904999	4
	69	C11236-114B	...RING SUPPLIER CODE: V26879 SPECIFICATION NUMBER: BACR12BM114 OPTIONAL PART: RMR12BM114 V94878 STF800-114 V02107 S30294-114-1 V97820 TF450-114A V07128 2100-114 V26303	002004 006100 107107 121503 904999	8
	70	NAS1611-115	...PACKING-	002004 006100 107107 121503 904999	4
	75	C11236-115B	...RING SUPPLIER CODE: V26879 SPECIFICATION NUMBER: BACR12BM115 OPTIONAL PART: RMR12BM115 V94878 STF800-115 V02107 S30294-115-1 V97820 TF450-115A V07128 2100-115 V26303	002004 006100 107107 121503 904999	8
	80	NAS1611-117	...PACKING-	002004 006100 107107 121503 904999	8

MISSING ITEM NUMBERS NOT APPLICABLE

- ITEM NOT ILLUSTRATED

32-42-07-01

32-42-07  
FIG. 01  
PAGE 7  
JAN 20/09

BRI

BOEING PROPRIETARY - Copyright © - Unpublished Work - See title page for details.



757

PARTS CATALOG (MAINTENANCE)

FIG ITEM	PART NUMBER	1 2 3 4 5 6 7	NOMENCLATURE	EFFECT FROM TO	UNITS PER ASSY
1 85	C11236-117B	...	RING SUPPLIER CODE: V26879 SPECIFICATION NUMBER: BACR12BM117 OPTIONAL PART: RMR12BM117 V94878 STF800-117 V02107 S30294-117-1 V97820 TF450-117A V07128 2100-117 V26303	002004 006100 107107 121503 904999	16
90	NAS1611-122	...	PACKING-	002004 006100 107107 121503 904999	4
95	C11236-122B	...	RING SUPPLIER CODE: V26879 SPECIFICATION NUMBER: BACR12BM122 OPTIONAL PART: RMR12BM122 V94878 STF800-122 V02107 S30294-122-1 V97820 TF450-122A V07128 2100-122 V26303	002004 006100 107107 121503 904999	8
105	7-0742-1	...	VALVE ASSY- SUPPLIER CODE: V97415 USED ON: 2-7460-2 FOR SPARES PROCURE: 7-1000-1 V97415	002004 006100 107107 121503 904999	4

MISSING ITEM NUMBERS NOT APPLICABLE

- ITEM NOT ILLUSTRATED

BRI

32-42-07-01

BOEING PROPRIETARY - Copyright © - Unpublished Work - See title page for details.

32-42-07  
FIG. 01  
PAGE 8  
JAN 20/09



757

PARTS CATALOG (MAINTENANCE)

FIG ITEM	PART NUMBER	1 2 3 4 5 6 7	NOMENCLATURE	EFFECT FROM TO	UNITS PER ASSY
1 105	7-0742-3		...VALVE ASSY- SUPPLIER CODE: V97415 USED ON: 2-7460-2 FOR SPARES PROCURE: 7-1000-1 V97415	002004 006100 107107 121503 904999	4
105	7-0742-5		...VALVE ASSY- SUPPLIER CODE: V97415 CONFIG CHG DATA FROM A CMM: REPLD BY 7-1000-1 OPTIONAL PART: 7-0742-7 V97415 7-1000-1 V97415 USED ON: 2-7460-3 2-7460-4 2-7460-5 FOR SPARES PROCURE: 7-1000-1 V97415	002004 006100 107107 121503 904999	4
105	7-0742-7		...VALVE ASSY- SUPPLIER CODE: V97415 CONFIG CHG DATA FROM A CMM: REPLD BY 7-1000-1 OPTIONAL PART: 7-0742-5 V97415 7-1000-1 V97415 USED ON: 2-7460-3 2-7460-4 2-7460-5 FOR SPARES PROCURE: 7-1000-1 V97415	002004 006100 107107 121503 904999	4

MISSING ITEM NUMBERS NOT APPLICABLE

- ITEM NOT ILLUSTRATED

32-42-07-01

32-42-07  
FIG. 01  
PAGE 9  
JAN 20/09

BRI



757

PARTS CATALOG (MAINTENANCE)

FIG ITEM	PART NUMBER	1 2 3 4 5 6 7	NOMENCLATURE	EFFECT FROM TO	UNITS PER ASSY
1 114	7-0668-1	.....	PLUG-SLIDE SUPPLIER CODE: V97415 USED ON: 7-0742-1 7-0742-3 7-0742-5 7-0742-7	002004 006100 107107 121503 904999	1
180	7-1000-1	...	VALVE ASSY- SUPPLIER CODE: V97415 CONFIG CHG DATA FROM A CMM: REPLS 7-0742-5 AND -7 OPTIONAL PART: 7-0742-5 V97415 7-0742-7 V97415 USED ON: 2-7460-3 2-7460-4 2-7460-5	002004 006100 107107 121503 904999	4
185	7-0668-2	.....	PLUG-SLIDE SUPPLIER CODE: V97415 USED ON: 7-1000-1	002004 006100 107107 121503 904999	1
190	7-0664-3	.....	PLUG-SLEEVE SUPPLIER CODE: V97415 USED ON: 7-1000-1	002004 006100 107107 121503 904999	1
195	MS28774-011	.....	RING	002004 006100 107107 121503 904999	2
200	NAS1611-011	.....	PACKING-	002004 006100 107107 121503 904999	1
205	7-0667-2	.....	PIN-SLIDE SUPPLIER CODE: V97415 USED ON: 7-1000-1	002004 006100 107107 121503 904999	1

MISSING ITEM NUMBERS NOT APPLICABLE

- ITEM NOT ILLUSTRATED

32-42-07-01

32-42-07  
FIG. 01  
PAGE 10  
JAN 20/09

BRI

BOEING PROPRIETARY - Copyright © - Unpublished Work - See title page for details.





757

PARTS CATALOG (MAINTENANCE)

FIG ITEM	PART NUMBER	1 2 3 4 5 6 7	NOMENCLATURE	EFFECT FROM TO	UNITS PER ASSY
1					
210	7-0742-9	.....	VALVE- SUPPLIER CODE: V97415 OPTIONAL PART: 7-0742-10 V97415	002004 006100 107107 121503 904999	1
210	7-0742-10	.....	VALVE- SUPPLIER CODE: V97415 OPTIONAL PART: 7-0742-9 V97415	002004 006100 107107 121503 904999	1
- 250	7-0662-2	....	BODY ASSY- SUPPLIER CODE: V97415 USED ON: 2-7460-2 2-7460-3	002004 006100 107107 121503 904999	1
- 250	7-0662-4	....	BODY ASSY- SUPPLIER CODE: V97415 USED ON: 2-7460-4 2-7460-5	002004 006100 107107 121503 904999	1
255	7-0662-3	.....	BODY- SUPPLIER CODE: V97415 USED ON: 7-0662-2	002004 006100 107107 121503 904999	1
257	7-0662-5	.....	BODY- SUPPLIER CODE: V97415 USED ON: 7-0662-4	002004 006100 107107 121503 904999	1
260	PLGA4681010	.....	PLUG-PERMANENT SUPPLIER CODE: V92555 CONFIG CHG DATA FROM A CMM: REPLD BY BACP20AX43D REPLD BY BACP20AX43DP QUALIFIED OPTIONAL DATA: (OPT BACP20AX43D USED WITH BACP20AX43DP)	002004 006100 107107 121503 904999	4

MISSING ITEM NUMBERS NOT APPLICABLE

- ITEM NOT ILLUSTRATED

BRI

32-42-07-01

32-42-07  
FIG. 01  
PAGE 11  
JAN 20/09



757

PARTS CATALOG (MAINTENANCE)

FIG ITEM	PART NUMBER	1 2 3 4 5 6 7	NOMENCLATURE	EFFECT FROM TO	UNITS PER ASSY
1 265	BACP20AX43D	....	PLUG- CONFIG CHG DATA FROM A CMM: REPLS PLGA4681010 QUALIFIED OPTIONAL DATA: (OPT PLGA4681010) USED WITH: BACP20AX43DP	002004 006100 107107 121503 904999	4
270	BACP20AX43DP	....	PIN- CONFIG CHG DATA FROM A CMM: REPLS PLGA4681010 USED WITH: BACP20AX43D	002004 006100 107107 121503 904999	4
- 275	BAC5010TYPE75	...	ADHESIVE	002004 006100 107107 121503 904999	AR
900			ILLUSTRATION REFERENCE: PLUMBING INSTL- SECT. 12 HYDR R WING INBD (HYDRAULIC BRAKE SYSTEM ONLY) 32-41-51-16	002004 006100 107107 121503 904999	RF
905			ILLUSTRATION REFERENCE: PLUMBING INSTL-SECT 44 MLG WHL WELL HYDR (ANTISKID/AUTOBRAKE SYSTEM ONLY) 32-42-51-22	002004 006100 107107 121503 904999	RF

MISSING ITEM NUMBERS NOT APPLICABLE

- ITEM NOT ILLUSTRATED

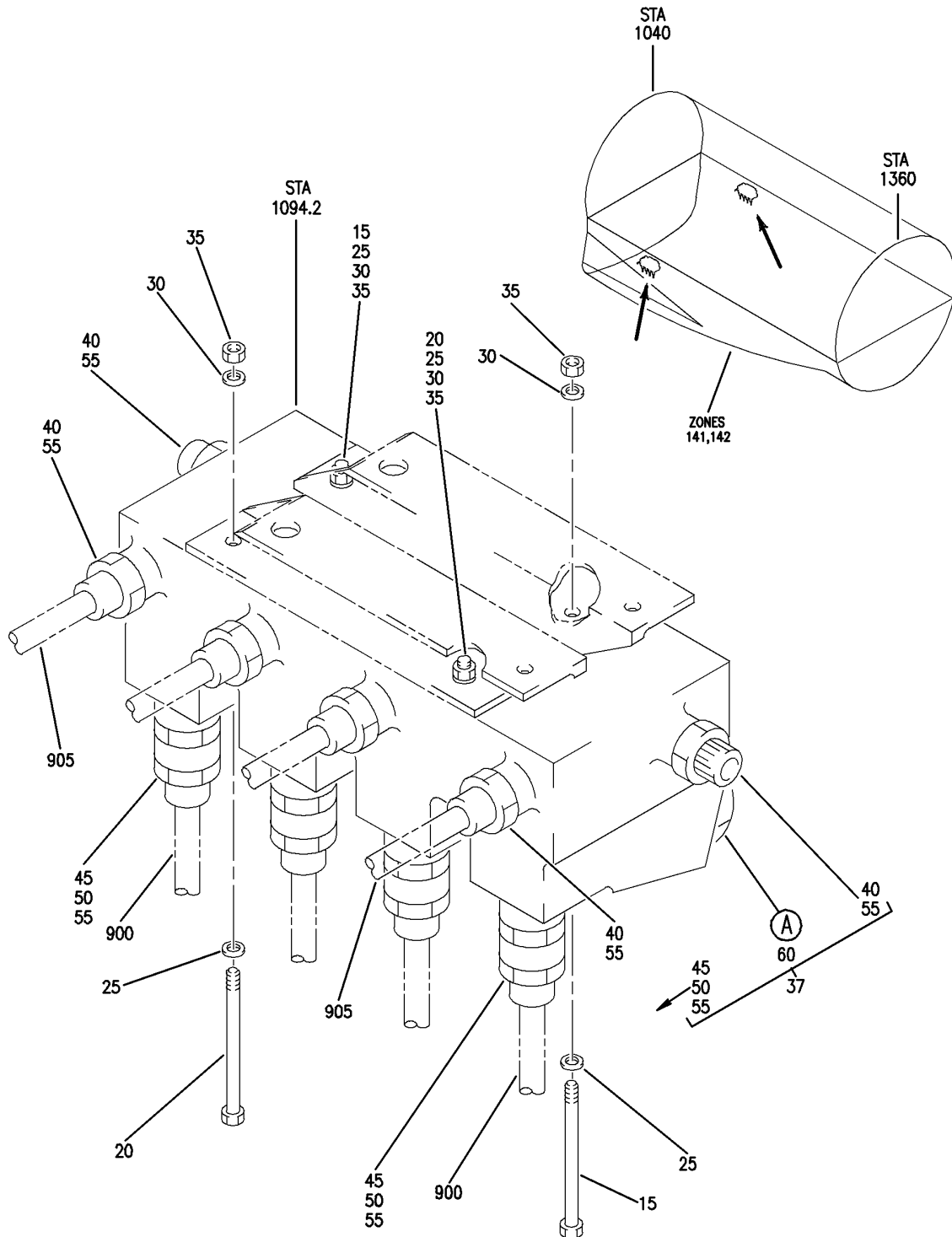
BRI

32-42-07-01

BOEING PROPRIETARY - Copyright © - Unpublished Work - See title page for details.

32-42-07  
FIG. 01  
PAGE 12  
JAN 20/09

**BOEING**  
757  
PARTS CATALOG (MAINTENANCE)



Y 32420701A SHT 1 REV 229

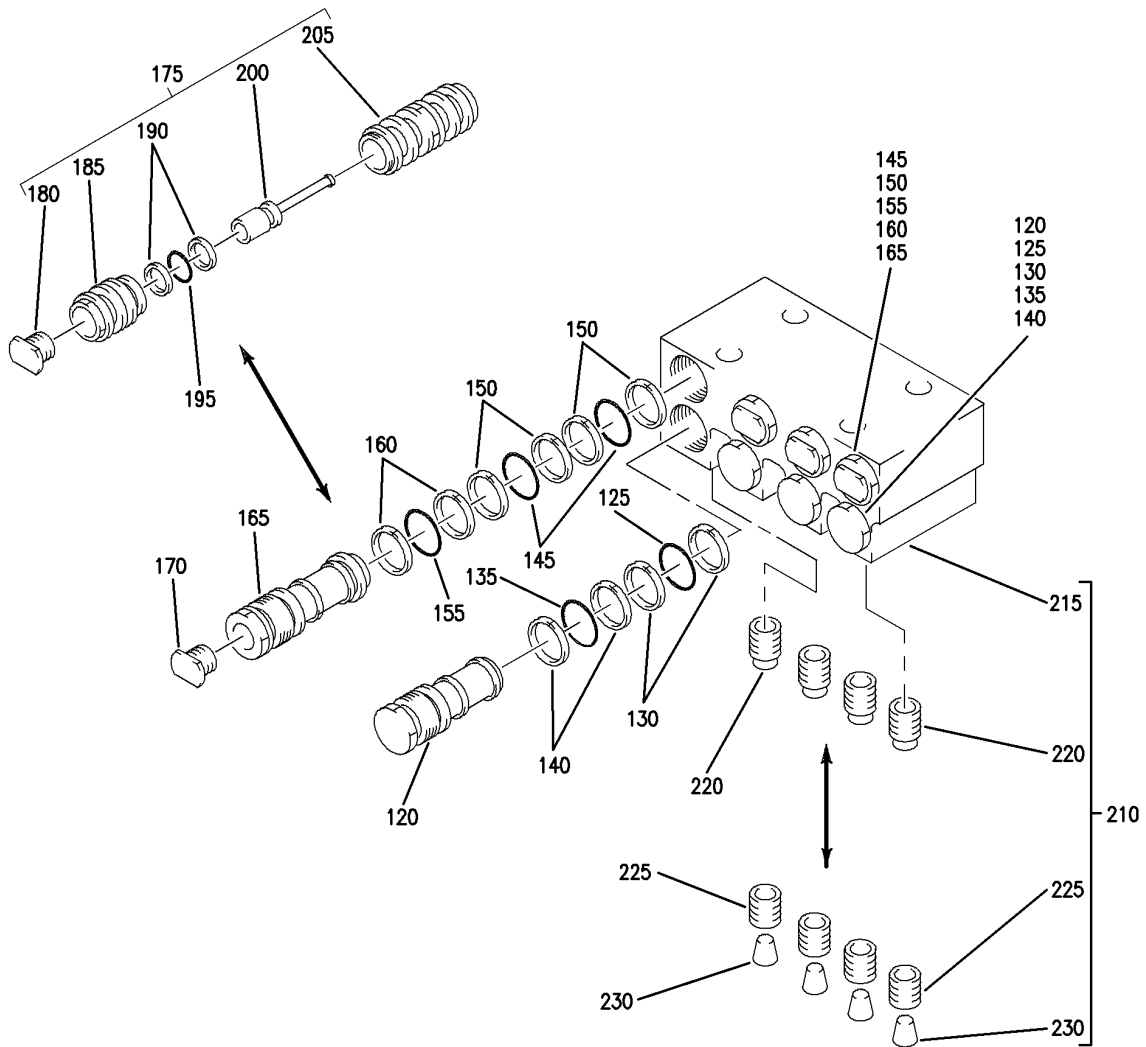
VALVE INSTL-ANTISKID SHUTTLE  
FIGURE 1A (SHEET 1)

**32-42-07-01A**

BRI  
MAY 28/07

32-42-07-01A  
PAGE 0

**BOEING**  
757  
PARTS CATALOG (MAINTENANCE)



**FWD**

(A)

Y 32420701A SH1 2 REV 229

VALVE INSTL-ANTISKID SHUTTLE  
FIGURE 1A (SHEET 2)

**32-42-07-01A**

BRI  
MAY 28/07

32-42-07-01A  
PAGE 0A



757

PARTS CATALOG (MAINTENANCE)

FIG ITEM	PART NUMBER	1 2 3 4 5 6 7	NOMENCLATURE	EFFECT FROM TO	UNITS PER ASSY
1 A			VALVE INSTL-ANTISKID SHUTTLE	101102 108120 504903	
- 1	274N1004-23		VALVE INSTL-ANTISKID SHUTTLE POSITION DATA: LH SIDE FOR NHA SEE: 32-00-00-10	101102 108120 504903	RF
- 3	274N1004-24		VALVE INSTL-ANTISKID SHUTTLE (LH) POSITION DATA: LH SIDE FOR NHA SEE: 32-00-00-21	108120 504903	RF
- 3	274N1004-25		VALVE INSTL-ANTISKID SHUTTLE POSITION DATA: LH SIDE FOR NHA SEE: 32-00-00-19	101102	RF
- 5	274N1004-27		VALVE INSTL-ANTISKID SHUTTLE POSITION DATA: RH SIDE FOR NHA SEE: 32-00-00-10	101102 108120 504903	RF
- 7	274N1004-28		VALVE INSTL-ANTISKID SHUTTLE POSITION DATA: RH SIDE FOR NHA SEE: 32-00-00-21	108120 504903	RF
- 7	274N1004-29		VALVE INSTL-ANTISKID SHUTTLE POSITION DATA: RH SIDE FOR NHA SEE: 32-00-00-19	101102	RF
15	BACB30NR4K22		.BOLT- OPTIONAL PART: BACB30LE4-24 USED ON: 274N1004-23 274N1004-27	101102 108120 504903	2
15	BACB30LE4-24		.BOLT- USED ON: 274N1004-23 274N1004-27	101102 108120 504903	2

MISSING ITEM NUMBERS NOT APPLICABLE

- ITEM NOT ILLUSTRATED

32-42-07-01A

32-42-07  
FIG. 01A  
PAGE 1  
JAN 20/09

BRI

BOEING PROPRIETARY - Copyright © - Unpublished Work - See title page for details.



757

PARTS CATALOG (MAINTENANCE)

FIG ITEM	PART NUMBER	1 2 3 4 5 6 7	NOMENCLATURE	EFFECT FROM TO	UNITS PER ASSY
1 A					
20	BACB30NR4K20	.BOLT-	OPTIONAL PART: BACB30LE4-21 USED ON: 274N1004-23 274N1004-27	101102 108120 504903	2
20	BACB30LE4-21	.BOLT-	USED ON: 274N1004-23 274N1004-27	101102 108120 504903	2
25	BACW10BN4AP	.WASHER-	USED ON: 274N1004-23 274N1004-27	101102 108120 504903	4
30	BACW10BN4AC	.WASHER-	USED ON: 274N1004-23 274N1004-27	101102 108120 504903	4
35	BRH10C4D	.NUT-	SUPPLIER CODE: V52828 SPECIFICATION NUMBER: BACN10JC4CD OPTIONAL PART: T6C428JCD V11815 NS202486-048 V80539 102LH9075-4W V72962 H51650-4BAC V15653 USED ON: 274N1004-23 274N1004-27	101102 108120 504903	4
37	274N1004-14	.VALVE ASSY-	USED ON: 274N1004-25 274N1004-29	101102	1
37	274N1004-26	.VALVE ASSY-	USED ON: 274N1004-24 274N1004-28	108120 504903	1
40	MS21902-6T	..UNION-	USED ON: 274N1004-14 274N1004-26	101102 108120 504903	6

MISSING ITEM NUMBERS NOT APPLICABLE

- ITEM NOT ILLUSTRATED

32-42-07-01A

32-42-07  
FIG. 01A  
PAGE 2  
JAN 20/09

BRI

BOEING PROPRIETARY - Copyright © - Unpublished Work - See title page for details.



757

PARTS CATALOG (MAINTENANCE)

FIG ITEM	PART NUMBER	1 2 3 4 5 6 7	NOMENCLATURE	EFFECT FROM TO	UNITS PER ASSY
1A					
45	9R3240-1	..	VALVE- SUPPLIER CODE: V99240 USED ON: 274N1004-26	108120 504903	4
50	6F2602-2	..	VALVE- SUPPLIER CODE: V99240 USED ON: 274N1004-14	101102	4
55	NAS1612-6	..	PACKING-	101102 108120 504903	10
60	2-7460-4	..	MODULE ASSY-VALVE SUPPLIER CODE: V97415 SPECIFICATION NUMBER: S274T120-8 COMPONENT MAINT MANUAL REF: 32-42-01 OPTIONAL PART: 2-7460-5 V97415 USED ON: 274N1004-14 274N1004-26	101102 108120 504903	1
60	2-7460-5	..	MODULE ASSY-VALVE SUPPLIER CODE: V97415 SPECIFICATION NUMBER: S274T120-10 COMPONENT MAINT MANUAL REF: 32-42-01 OPTIONAL PART: 2-7460-4 V97415 USED ON: 274N1004-14 274N1004-26	101102 108120 504903	1
60	2-8051-1	..	MODULE ASSY-VALVE SUPPLIER CODE: V97415 FUNCTIONAL DESCRIPTION: REGULATES FLOW TO EACH INDIVIDUAL WHEEL SPECIFICATION NUMBER: S274T120-13 COMPONENT MAINT MANUAL REF: 32-42-04	101102 108120 504903	1

MISSING ITEM NUMBERS NOT APPLICABLE

- ITEM NOT ILLUSTRATED

32-42-07-01A

32-42-07  
FIG. 01A  
PAGE 3  
JAN 20/09

BRI

BOEING PROPRIETARY - Copyright © - Unpublished Work - See title page for details.



757

PARTS CATALOG (MAINTENANCE)

FIG ITEM	PART NUMBER	1 2 3 4 5 6 7	NOMENCLATURE	EFFECT FROM TO	UNITS PER ASSY
1A					
- 65	7-0669-2	...	PLATE-IDENT SUPPLIER CODE: V97415	101102 108120 504903	2
- 70	7-0675-1	...	PLATE-PORT IDENT SUPPLIER CODE: V97415	101102 108120 504903	1
- 75	7-0675-2	...	PLATE-PORT IDENT SUPPLIER CODE: V97415	101102 108120 504903	1
- 80	7-0675-3	...	PLATE-PORT IDENT SUPPLIER CODE: V97415	101102 108120 504903	1
- 85	7-0675-4	...	PLATE-PORT IDENT SUPPLIER CODE: V97415	101102 108120 504903	1
- 90	7-0675-5	...	PLATE-PORT IDENT SUPPLIER CODE: V97415	101102 108120 504903	1
- 95	7-0675-6	...	PLATE-PORT IDENT SUPPLIER CODE: V97415	101102 108120 504903	1
- 100	7-0675-7	...	PLATE-PORT IDENT SUPPLIER CODE: V97415	101102 108120 504903	1
- 105	7-0675-8	...	PLATE-PORT IDENT SUPPLIER CODE: V97415	101102 108120 504903	1
- 110	7-0675-9	...	PLATE-PORT IDENT SUPPLIER CODE: V97415	101102 108120 504903	1
- 115	7-0675-10	...	PLATE-PORT IDENT SUPPLIER CODE: V97415	101102 108120 504903	1
120	7553404	...	FILTER- SUPPLIER CODE: V05228 OPTIONAL PART: 22580 V10989 4331-505-1 V21550	101102 108120 504903	4
120	22580	...	FILTER- SUPPLIER CODE: V10989 OPTIONAL PART: 7553404 V05228 4331-505-1 V21550	101102 108120 504903	4

MISSING ITEM NUMBERS NOT APPLICABLE

- ITEM NOT ILLUSTRATED

32-42-07-01A

32-42-07  
FIG. 01A  
PAGE 4  
JAN 20/09

BRI

BOEING PROPRIETARY - Copyright © - Unpublished Work - See title page for details.





757

PARTS CATALOG (MAINTENANCE)

FIG ITEM	PART NUMBER	1 2 3 4 5 6 7	NOMENCLATURE	EFFECT FROM TO	UNITS PER ASSY
1A 120	4331-505-1		... FILTER- SUPPLIER CODE: V21550 OPTIONAL PART: 7553404 V05228 22580 V10989	101102 108120 504903	4
125	NAS1611-114		... PACKING-	101102 108120 504903	4
130	C11236-114B		... RING SUPPLIER CODE: V26879 SPECIFICATION NUMBER: BACR12BM114 OPTIONAL PART: RMR12BM114 V94878 STF800-114 V02107 S30294-114-1 V97820 TF450-114A V07128 2100-114 V26303	101102 108120 504903	8
135	NAS1611-115		... PACKING-	101102 108120 504903	4
140	C11236-115B		... RING SUPPLIER CODE: V26879 SPECIFICATION NUMBER: BACR12BM115 OPTIONAL PART: RMR12BM115 V94878 STF800-115 V02107 S30294-115-1 V97820 TF450-115A V07128 2100-115 V26303	101102 108120 504903	8
145	NAS1611-117		... PACKING-	101102 108120 504903	8

MISSING ITEM NUMBERS NOT APPLICABLE

- ITEM NOT ILLUSTRATED

32-42-07-01A

32-42-07  
FIG. 01A  
PAGE 5  
JAN 20/09

BRI

BOEING PROPRIETARY - Copyright © - Unpublished Work - See title page for details.



757

PARTS CATALOG (MAINTENANCE)

FIG ITEM	PART NUMBER	1 2 3 4 5 6 7	NOMENCLATURE	EFFECT FROM TO	UNITS PER ASSY
1A 150	C11236-117B	...	RING SUPPLIER CODE: V26879 SPECIFICATION NUMBER: BACR12BM117 OPTIONAL PART: RMR12BM117 V94878 STF800-117 V02107 S30294-117-1 V97820 TF450-117A V07128 2100-117 V26303	101102 108120 504903	16
155	NAS1611-122	...	PACKING-	101102 108120 504903	4
160	C11236-122B	...	RING SUPPLIER CODE: V26879 SPECIFICATION NUMBER: BACR12BM122 OPTIONAL PART: RMR12BM122 V94878 STF800-122 V02107 S30294-122-1 V97820 TF450-122A V07128 2100-122 V26303	101102 108120 504903	8
165	7-0742-5	...	VALVE ASSY-(REPLD BY 7-1000-1) SUPPLIER CODE: V97415 OPTIONAL PART: 7-0742-7 V97415 7-1000-1 V97415 FOR SPARES PROCURE: 7-1000-1 V97415	101102 108120 504903	4

MISSING ITEM NUMBERS NOT APPLICABLE

- ITEM NOT ILLUSTRATED

32-42-07-01A

32-42-07  
FIG. 01A  
PAGE 6  
JAN 20/09

BRI

BOEING PROPRIETARY - Copyright © - Unpublished Work - See title page for details.



757

PARTS CATALOG (MAINTENANCE)

FIG ITEM	PART NUMBER	1 2 3 4 5 6 7	NOMENCLATURE	EFFECT FROM TO	UNITS PER ASSY
1A 165	7-0742-7		...VALVE ASSY-(REPLD BY 7-1000-1) SUPPLIER CODE: V97415 OPTIONAL PART: 7-0742-5 V97415 7-1000-1 V97415 FOR SPARES PROCURE: 7-1000-1 V97415	101102 108120 504903	4
170	7-0668-1		....PLUG-SLIDE SUPPLIER CODE: V97415	101102 108120 504903	1
175	7-1000-1		...VALVE ASSY-(REPLS 7-0742-5 AND -7) SUPPLIER CODE: V97415 OPTIONAL PART: 7-0742-5 V97415 7-0742-7 V97415	101102 108120 504903	4
180	7-0668-2		....PLUG-SLIDE SUPPLIER CODE: V97415	101102 108120 504903	1
185	7-0664-3		....PLUG-SLEEVE SUPPLIER CODE: V97415	101102 108120 504903	1
190	MS28774-011		....RING	101102 108120 504903	2
195	NAS1611-011		....PACKING-	101102 108120 504903	1
200	7-0667-2		....PIN-SLIDE SUPPLIER CODE: V97415	101102 108120 504903	1
205	7-0742-9		....VALVE- SUPPLIER CODE: V97415 OPTIONAL PART: 7-0742-10 V97415	101102 108120 504903	1

MISSING ITEM NUMBERS NOT APPLICABLE

- ITEM NOT ILLUSTRATED

32-42-07-01A

32-42-07  
FIG. 01A  
PAGE 7  
JAN 20/09

BRI

BOEING PROPRIETARY - Copyright © - Unpublished Work - See title page for details.



757

PARTS CATALOG (MAINTENANCE)

FIG ITEM	PART NUMBER	1 2 3 4 5 6 7	NOMENCLATURE	EFFECT FROM TO	UNITS PER ASSY
1A 205	7-0742-10	....	VALVE- SUPPLIER CODE: V97415 OPTIONAL PART: 7-0742-9 V97415	101102 108120 504903	1
210	7-0662-4	...	BODY ASSY- SUPPLIER CODE: V97415	101102 108120 504903	1
215	7-0662-5	....	BODY- SUPPLIER CODE: V97415	101102 108120 504903	1
220	PLGA4681010	....	PLUG-PERMANENT (REPLD BY BACP20AX43D AND BACP20AX43DP) SUPPLIER CODE: V92555 QUALIFIED OPTIONAL DATA: (OPT BACP20AX43D USED WITH BACP20AX43DP)	101102 108120 504903	4
225	BACP20AX43D	....	PLUG-(REPLS PLGA4681010) QUALIFIED OPTIONAL DATA: (OPT PLGA4681010) USED WITH: BACP20AX43DP	101102 108120 504903	4
230	BACP20AX43DP	....	PIN-(REPLS PLGA4681010) USED WITH: BACP20AX43D	101102 108120 504903	4
- 275	BAC5010TYPE75	...	ADHESIVE	101102 108120 504903	AR
900			ILLUSTRATION REFERENCE: PLUMBING INSTL- SECT. 12 HYDR R WING INBD (HYDRAULIC BRAKE SYSTEM ONLY) 32-41-51-16	101102 108120 504903	RF
905			ILLUSTRATION REFERENCE: PLUMBING INSTL-SECT 44 MLG WHL WELL HYDR (ANTISKID/AUTOBRAKE SYSTEM ONLY) 32-42-51-22	101102 108120 504903	RF

MISSING ITEM NUMBERS NOT APPLICABLE

- ITEM NOT ILLUSTRATED

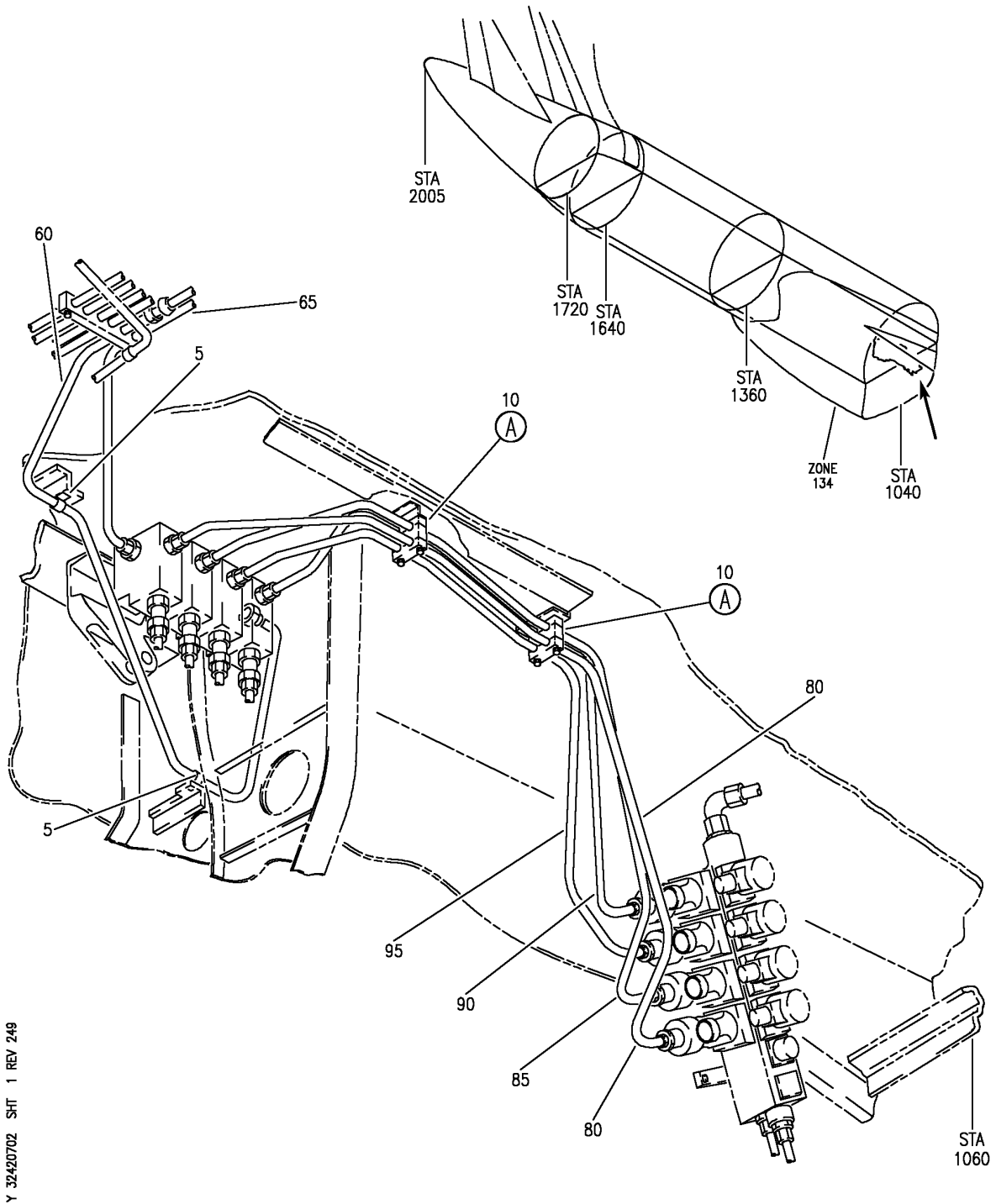
32-42-07-01A

32-42-07  
FIG. 01A  
PAGE 8  
JAN 20/09

BRI

BOEING PROPRIETARY - Copyright © - Unpublished Work - See title page for details.

**BOEING**  
757  
PARTS CATALOG (MAINTENANCE)



Y 32420702 SHT 1 REV 249

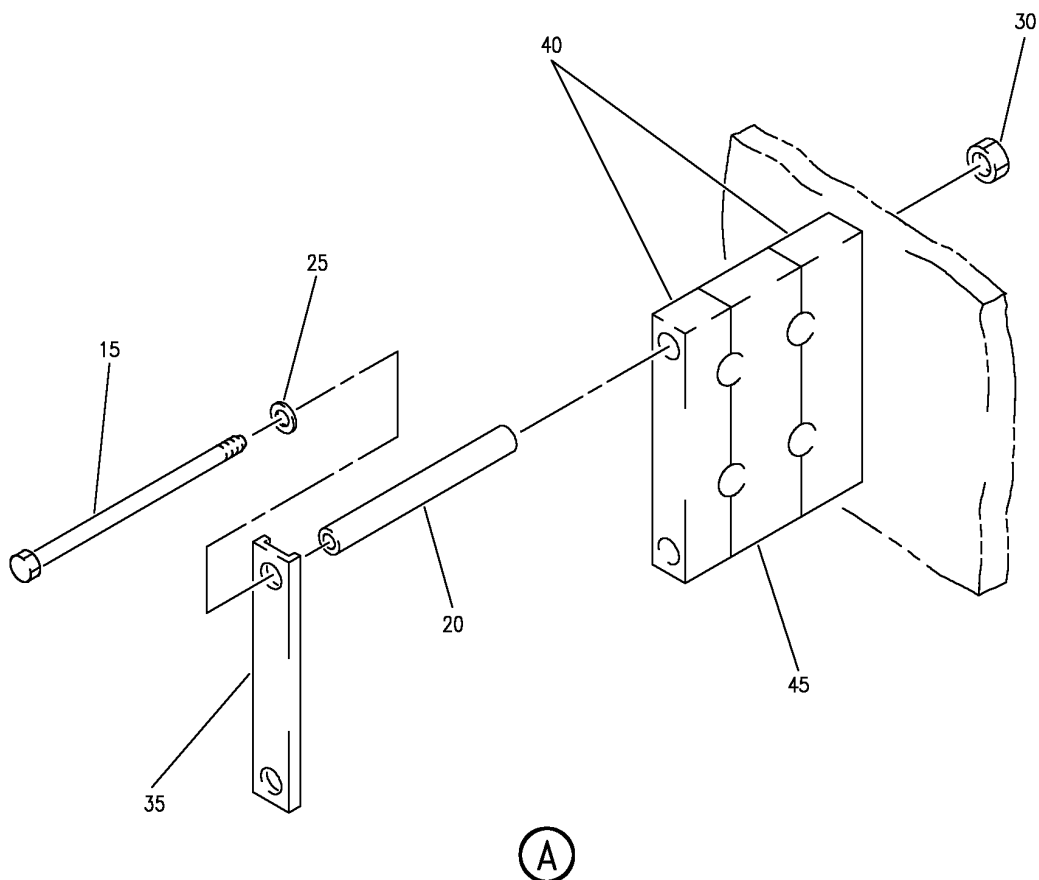
PLUMBING INSTL-MAIN WHL WELL BHD HYDR (ANTISKID SHUTTLE VALVE MODULE AND COMPONENTS ONLY)  
FIGURE 2 (SHEET 1)

BRI  
JAN 20/09

**32-42-07-02**

32-42-07-02  
PAGE 0

**BOEING**  
757  
PARTS CATALOG (MAINTENANCE)



Y 32420702 SH1 2 REV 249

PLUMBING INSTL-MAIN WHL WELL BHD HYDR (ANTISKID SHUTTLE VALVE MODULE AND COMPONENTS ONLY)  
FIGURE 2 (SHEET 2)

BRI  
JAN 20/09

**32-42-07-02**

32-42-07-02  
PAGE 0A



757

PARTS CATALOG (MAINTENANCE)

FIG ITEM	PART NUMBER	1 2 3 4 5 6 7	NOMENCLATURE	EFFECT FROM TO	UNITS PER ASSY
2			PLUMBING INSTL-MAIN WHL WELL BHD HYDR (ANTISKID SHUTTLE VALVE MODULE AND COMPONENTS ONLY)	103106	
- 1	MODREF31807		PLUMBING INSTL-MAIN WHL WELL BHD HYDR (ANTISKID SHUTTLE VALVE MODULE AND COMPONENTS ONLY) MODULE NUMBER: 271N6443-47 REV B FOR OTHER SYS DETAILS SEE: 11-22-06-02 27-51-26-02 29-11-18-05 29-11-29-03 29-11-51-07 FOR ADDITIONAL DETAILS SEE: 32-32-05-04 32-41-02-13 32-41-04-03 32-42-02-05	103106	1
5	M85052-2-6	.	CLAMP	103106	2
10	270N2000-2	.	CLAMP ASSY-BLK	103106	RF
15	NAS1801-3-34	..	SCREW	103106	RF
20	NAS43DD3-100	..	SPACER	103106	RF
25	AN960PD10L	..	WASHER	103106	RF
30	BRH10A3	..	NUT	103106	RF
			SUPPLIER CODE: V52828 SPECIFICATION NUMBER: BACN10JC3 OPTIONAL PART: H10-3BAC V15653 NS202101-02 V80539 RMLH9075-3W V72962 VN303A02 V92215 96-02 V80539 T6S1032J V11815		
35	270N2000-801	..	CHANNEL	103106	RF
40	270N2000-401	..	BLOCK	103106	RF
45	270N2000-402	..	BLOCK	103106	RF

MISSING ITEM NUMBERS NOT APPLICABLE

- ITEM NOT ILLUSTRATED

32-42-07-02

32-42-07  
FIG. 02  
PAGE 1  
JAN 20/09

BRI



757

PARTS CATALOG (MAINTENANCE)

FIG ITEM	PART NUMBER	1 2 3 4 5 6 7	NOMENCLATURE	EFFECT FROM TO	UNITS PER ASSY
2					
60	271N6443-1024	.	TUBE ASSY- TUBING MATERIAL: .375 IN. OD X .019 IN. WALL X 51.6 IN. LG TI BMS 7-234 TI-3AL-2.5V COLD WORKED, STRESS RELIEVED TUBING	103106	1
65	271N6443-1126	.	TUBE ASSY- TUBING MATERIAL: .375 IN. OD X .019 IN. WALL X 110.70 IN. LG TI BMS 7-234 TI-3AL-2.5V COLD WORKED, STRESS RELIEVED TUBING	103106	1
- 70	AS1581T06	..	SLEEVE	103106	2
- 75	BACN10YA6	..	NUT	103106	2
80	271N6443-1150	.	TUBE ASSY- TUBING MATERIAL: .375 IN. OD X .019 IN. WALL X 45.6 IN. LG TI BMS 7-234 TI-3AL-2.5V COLD WORKED, STRESS RELIEVED TUBING	103106	RF
85	271N6443-1151	.	TUBE ASSY- TUBING MATERIAL: .375 IN. OD X .019 IN. WALL X 42.4 IN. LG TI BMS 7-234 TI-3AL-2.5V COLD WORKED, STRESS RELIEVED TUBING	103106	RF
90	271N6443-1152	.	TUBE ASSY- TUBING MATERIAL: .375 IN. OD X .019 IN. WALL X 36.6 IN. LG TI BMS 7-234 TI-3AL-2.5V COLD WORKED, STRESS RELIEVED TUBING	103106	RF
95	271N6443-1153	.	TUBE ASSY- TUBING MATERIAL: .375 IN. OD X .019 IN. WALL X 37.9 IN. LG TI BMS 7-234 TI-3AL-2.5V COLD WORKED, STRESS RELIEVED TUBING	103106	RF
- 100	AS1581T06	..	SLEEVE	103106	RF
- 105	BACN10YA6	..	NUT	103106	RF

MISSING ITEM NUMBERS NOT APPLICABLE

- ITEM NOT ILLUSTRATED

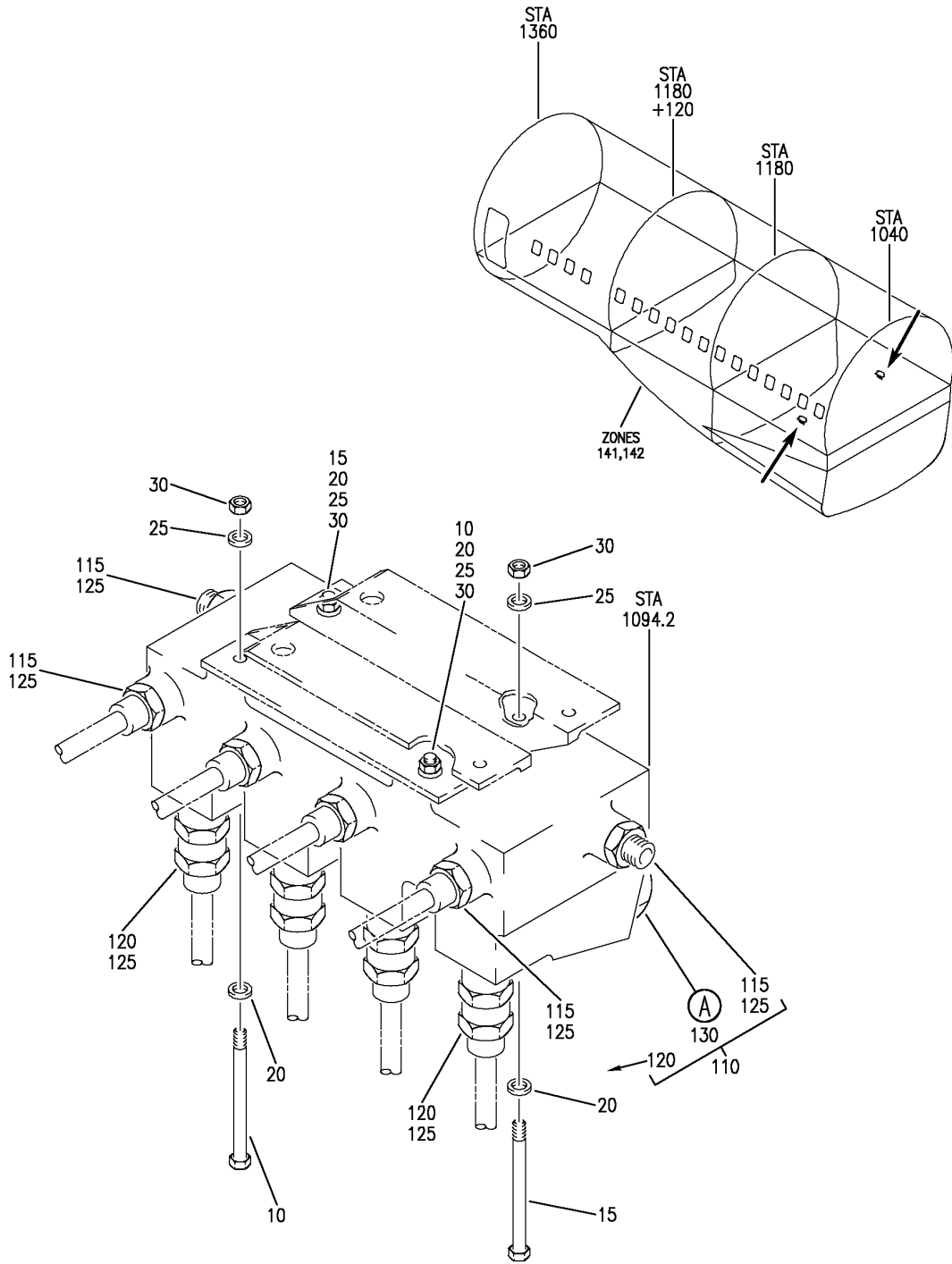
32-42-07-02

32-42-07  
FIG. 02  
PAGE 2  
JAN 20/09

BRI



**BOEING**  
757  
**PARTS CATALOG (MAINTENANCE)**



Y 32420703 SH1 1 REV 329

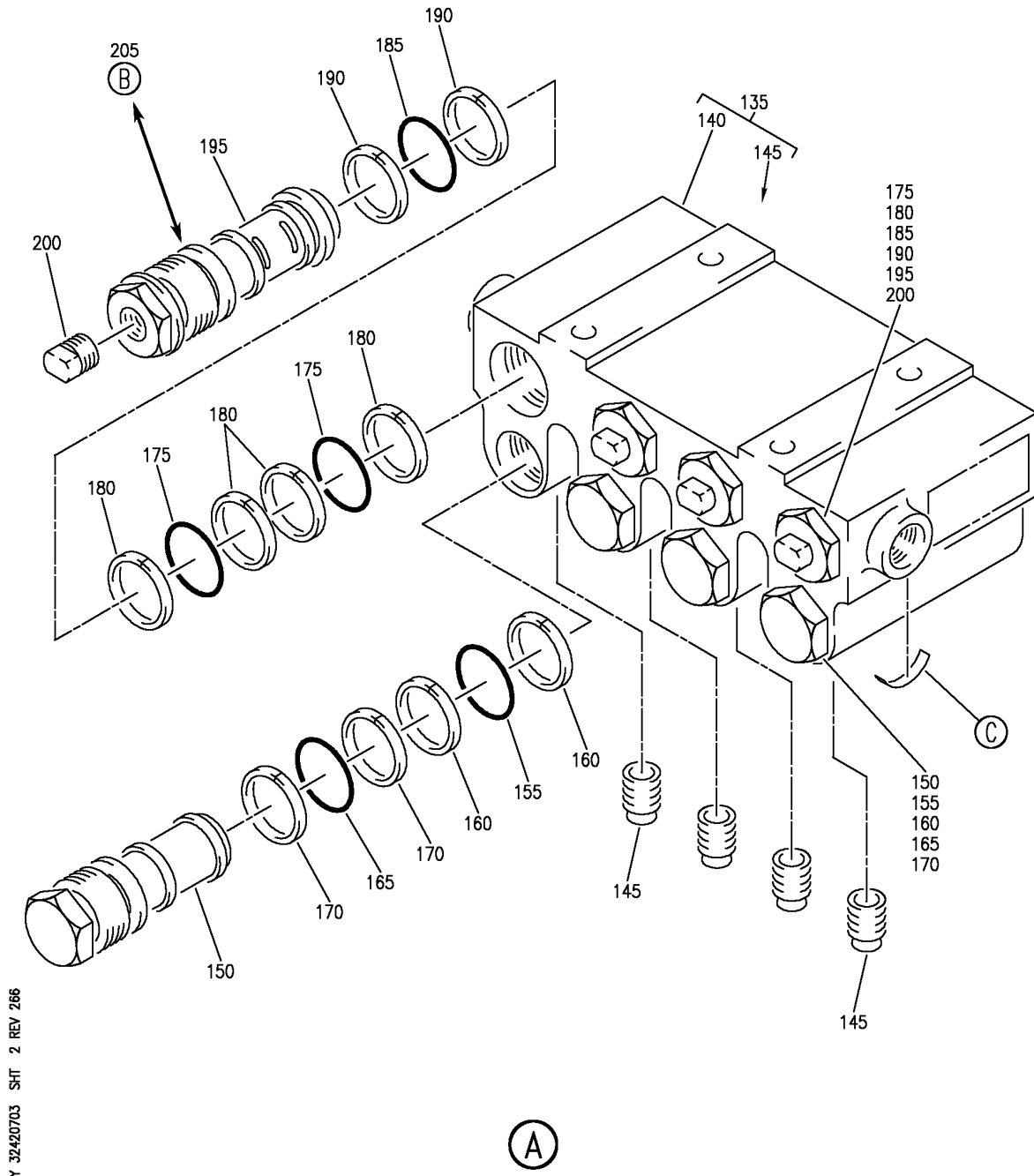
VALVE INSTL-ANTISKID SHUTTLE  
FIGURE 3 (SHEET 1)

**32-42-07-03**

BRI  
JAN 20/09

32-42-07-03  
PAGE 0

**BOEING**  
757  
PARTS CATALOG (MAINTENANCE)



Y 32-42-07-03 SHT 2 REV 266

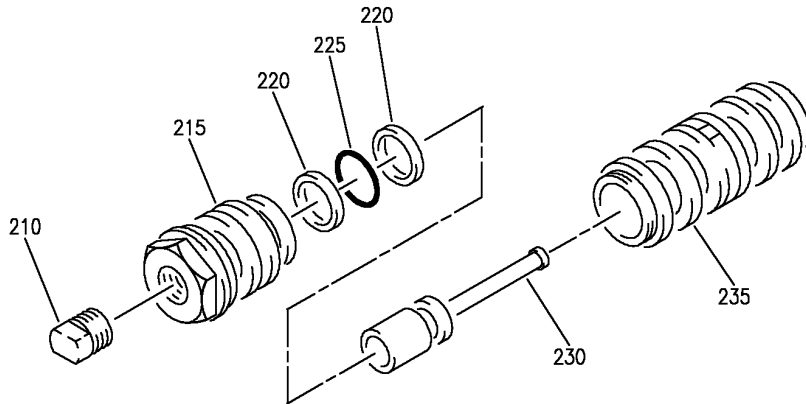
VALVE INSTL-ANTISKID SHUTTLE  
FIGURE 3 (SHEET 2)

**32-42-07-03**

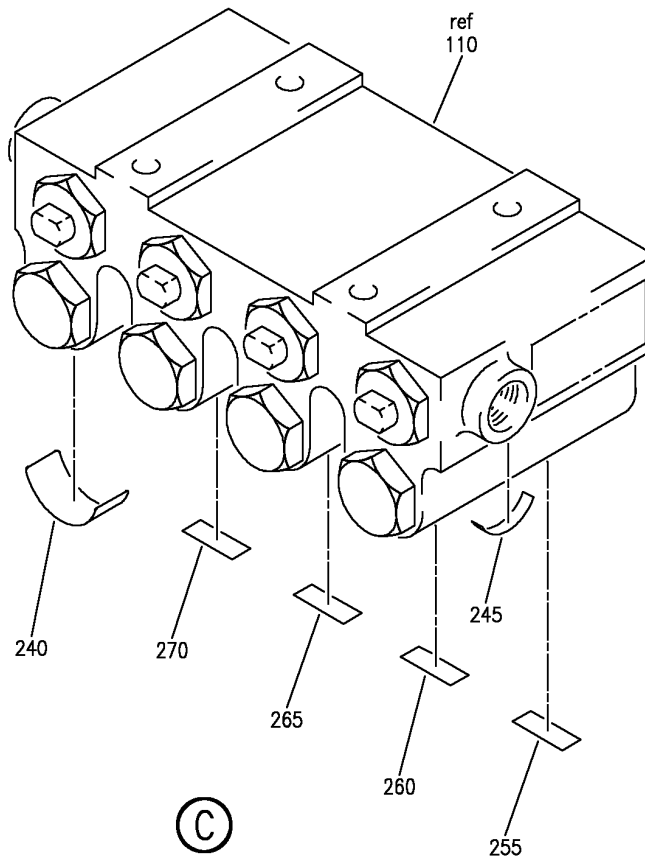
BRI  
JAN 20/09

32-42-07-03  
PAGE 0A

**BOEING**  
757  
PARTS CATALOG (MAINTENANCE)



(B)



(C)

Y 32-42-07-03 SH-T 3 REV 266

VALVE INSTL-ANTISKID SHUTTLE  
FIGURE 3 (SHEET 3)

**32-42-07-03**

BRI  
JAN 20/09

32-42-07-03  
PAGE 0B



757

PARTS CATALOG (MAINTENANCE)

FIG ITEM	PART NUMBER	1 2 3 4 5 6 7	NOMENCLATURE	EFFECT FROM TO	UNITS PER ASSY
3			VALVE INSTL-ANTISKID SHUTTLE	103106	
- 1	MODREF8456		VALVE INSTL-ANTISKID SHUTTLE MODULE NUMBER: 274N1004-23 REV A POSITION DATA: LH SIDE	103103	1
- 1	MODREF27645		VALVE INSTL-ANTISKID SHUTTLE MODULE NUMBER: 274N1004-23 REV B POSITION DATA: LH SIDE	104106	1
- 5	MODREF8459		VALVE INSTL-ANTISKID SHUTTLE MODULE NUMBER: 274N1004-27 REV A POSITION DATA: RH SIDE	103103	1
- 5	MODREF27648		VALVE INSTL-ANTISKID SHUTTLE MODULE NUMBER: 274N1004-27 REV B POSITION DATA: RH SIDE	104106	1
10	BACB30LE4K21		.BOLT- OPTIONAL PART: BACB30NR4K20	103106	2
10	BACB30NR4K20		.BOLT- OPTIONAL PART: BACB30LE4K21	103106	2
15	BACB30LE4K24		.BOLT- OPTIONAL PART: BACB30NR4K22 BACB30NR4K22	103106	2
15	BACB30NR4K22		.BOLT- OPTIONAL PART: BACB30LE4K24	103106	2
20	BACW10BN4AP		.WASHER	103106	4
25	BACW10BN4AC		.WASHER	103106	4

MISSING ITEM NUMBERS NOT APPLICABLE

- ITEM NOT ILLUSTRATED

32-42-07-03

32-42-07  
FIG. 03  
PAGE 1  
JAN 20/09

BRI



757

PARTS CATALOG (MAINTENANCE)

FIG ITEM	PART NUMBER	1 2 3 4 5 6 7	NOMENCLATURE	EFFECT FROM TO	UNITS PER ASSY
3	30 BRH10C4D	.	NUT SUPPLIER CODE: V52828 SPECIFICATION NUMBER: BACN10JC4CD OPTIONAL PART: T6C428JCD V11815 NS202486-048 V80539 102LH9075-4W V72962 H51650-4BAC V15653	103106	4
- 100	MODREF8458		VALVE INSTL-ANTISKID SHUTTLE MODULE NUMBER: 274N1004-25 REV A POSITION DATA: LH SIDE	103103	1
- 100	MODREF27646		VALVE INSTL-ANTISKID SHUTTLE (LH) MODULE NUMBER: 274N1004-24 REV B POSITION DATA: LH SIDE	106106	1
- 100	MODREF27647		VALVE INSTL-ANTISKID SHUTTLE MODULE NUMBER: 274N1004-25 REV B POSITION DATA: LH SIDE	104105	1
- 105	MODREF8538		VALVE INSTL-ANTISKID SHUTTLE MODULE NUMBER: 274N1004-29 REV A POSITION DATA: RH SIDE	103103	1
- 105	MODREF27649		VALVE INSTL-ANTISKID SHUTTLE MODULE NUMBER: 274N1004-28 REV B POSITION DATA: RH SIDE	106106	1

MISSING ITEM NUMBERS NOT APPLICABLE

- ITEM NOT ILLUSTRATED

32-42-07-03

32-42-07  
FIG. 03  
PAGE 2  
JAN 20/09

BRI



757

PARTS CATALOG (MAINTENANCE)

FIG ITEM	PART NUMBER	1 2 3 4 5 6 7	NOMENCLATURE	EFFECT FROM TO	UNITS PER ASSY
3 - 105	MODREF27650		VALVE INSTL-ANTISKID SHUTTLE MODULE NUMBER: 274N1004-29 REV B POSITION DATA: RH SIDE	104105	1
110	274N1004-26	.	VALVE ASSY	106106	1
110	274N1004-13	.	VALVE ASSY-	103105	1
110	274N1004-7	.	VALVE ASSY-	103105	1
110	274N1004-18	.	VALVE ASSY-	103105	1
			POST SERVICE BULLETIN: 32-0157		
115	MS21902-6T	..	UNION	103106	6
120	9R3240-1	..	VALVE- SUPPLIER CODE: V99240 POST SERVICE BULLETIN: 32-0157	103106	4
125	NAS1612-6	..	PACKING	103106	10
130	2-7460-5	..	MODULE ASSY-VALVE SUPPLIER CODE: V97415 SPECIFICATION NUMBER: S274T120-10 CONFIG CHG DATA FROM A CMM: REPLS 2-7460-4 COMPONENT MAINT MANUAL REF: 32-42-01	103106	1
130	2-8051-1	..	MODULE ASSY-VALVE SUPPLIER CODE: V97415 FUNCTIONAL DESCRIPTION: REGULATES FLOW TO EACH INDIVIDUAL WHEEL SPECIFICATION NUMBER: S274T120-13 COMPONENT MAINT MANUAL REF: 32-42-04	103106	1
130	2-7460-4	..	MODULE ASSY-VALVE SUPPLIER CODE: V97415 SPECIFICATION NUMBER: S274T120-8 CONFIG CHG DATA FROM A CMM: REPLS 2-7460-3 COMPONENT MAINT MANUAL REF: 32-42-01	103106	1

MISSING ITEM NUMBERS NOT APPLICABLE

- ITEM NOT ILLUSTRATED

BRI

32-42-07-03

32-42-07  
FIG. 03  
PAGE 3  
JAN 20/09



757

PARTS CATALOG (MAINTENANCE)

FIG ITEM	PART NUMBER	1 2 3 4 5 6 7	NOMENCLATURE	EFFECT FROM TO	UNITS PER ASSY
3					
135	7-0662-4	...	BODY ASSY- SUPPLIER CODE: V97415	103106	1
140	7-0662-5	....	BODY- SUPPLIER CODE: V97415	103106	1
145	PLGA4681010	....	PLUG-PERMANENT SUPPLIER CODE: V92555 CONFIG CHG DATA FROM A CMM: (REPLD BY BACP20AX43D AND BACP20AX43DP)	103106	4
145	BACP20AX43D	....	PLUG- CONFIG CHG DATA FROM A CMM: REPLS PLGA4681010 USED WITH: BACP20AX43DP	103106	4
145	BACP20AX43DP	....	PIN- CONFIG CHG DATA FROM A CMM: REPLS PLGA4681010 USED WITH: BACP20AX43D	103106	4
150	7553404	...	FILTER- SUPPLIER CODE: V05228 OPTIONAL PART: 22580 V10989 4331-505-1 V05CK7	103106	4
150	22580	...	FILTER- SUPPLIER CODE: V10989 OPTIONAL PART: 7553404 V05228 4331-505-1 V05CK7	103106	4
150	4331-505-1	...	FILTER- SUPPLIER CODE: V05CK7 OPTIONAL PART: 7553404 V05228 22580 V10989	103106	4
155	NAS1611-114	...	PACKING-PREFORMED	103106	4

MISSING ITEM NUMBERS NOT APPLICABLE

- ITEM NOT ILLUSTRATED

32-42-07-03

32-42-07  
FIG. 03  
PAGE 4  
JAN 20/09

BRI

BOEING PROPRIETARY - Copyright © - Unpublished Work - See title page for details.



757

PARTS CATALOG (MAINTENANCE)

FIG ITEM	PART NUMBER	1 2 3 4 5 6 7	NOMENCLATURE	EFFECT FROM TO	UNITS PER ASSY
3 160	C11236-114B		...RING SUPPLIER CODE: V26879 SPECIFICATION NUMBER: BACR12BM114 OPTIONAL PART: RMR12BM114 V94878 STF800-114 V02107 S30294-114-1 V97820 TF450-114A V07128 2100-114 V26303	103106	8
165	NAS1611-115		...PACKING-PREFORMED	103106	4
170	C11236-115B		...RING SUPPLIER CODE: V26879 SPECIFICATION NUMBER: BACR12BM115 OPTIONAL PART: RMR12BM115 V94878 STF800-115 V02107 S30294-115-1 V97820 TF450-115A V07128 2100-115 V26303	103106	8
175	NAS1611-117		...PACKING-PREFORMED	103106	8

MISSING ITEM NUMBERS NOT APPLICABLE

- ITEM NOT ILLUSTRATED

BRI

32-42-07-03

BOEING PROPRIETARY - Copyright © - Unpublished Work - See title page for details.

32-42-07  
FIG. 03  
PAGE 5  
JAN 20/09





757

PARTS CATALOG (MAINTENANCE)

FIG ITEM	PART NUMBER	1 2 3 4 5 6 7	NOMENCLATURE	EFFECT FROM TO	UNITS PER ASSY
3 180	C11236-117B		...RING SUPPLIER CODE: V26879 SPECIFICATION NUMBER: BACR12BM117 OPTIONAL PART: RMR12BM117 V94878 STF800-117 V02107 S30294-117-1 V97820 TF450-117A V07128 2100-117 V26303	103106	16
185	NAS1611-122		...PACKING-PREFORMED	103106	4
190	C11236-122B		...RING SUPPLIER CODE: V26879 SPECIFICATION NUMBER: BACR12BM122 OPTIONAL PART: RMR12BM122 V94878 STF800-122 V02107 S30294-122-1 V97820 TF450-122A V07128 2100-122 V26303	103106	8
195	7-0742-5		...VALVE ASSY- SUPPLIER CODE: V97415 CONFIG CHG DATA FROM A CMM: REPLD BY 7-1000-1 OPTIONAL PART: 7-0742-7 V97415 FOR SPARES PROCURE: 7-1000-1 V97415	103106	4

MISSING ITEM NUMBERS NOT APPLICABLE

- ITEM NOT ILLUSTRATED

BRI

32-42-07-03

32-42-07  
FIG. 03  
PAGE 6  
JAN 20/09



757

PARTS CATALOG (MAINTENANCE)

FIG ITEM	PART NUMBER	1 2 3 4 5 6 7	NOMENCLATURE	EFFECT FROM TO	UNITS PER ASSY
3 195	7-0742-7		...VALVE ASSY- SUPPLIER CODE: V97415 CONFIG CHG DATA FROM A CMM: REPLD BY 7-1000-1 OPTIONAL PART: 7-0742-5 V97415 FOR SPARES PROCURE: 7-1000-1 V97415	103106	4
200	7-0668-1		....PLUG-SLIDE SUPPLIER CODE: V97415	103106	1
205	7-1000-1		...VALVE ASSY- SUPPLIER CODE: V97415 CONFIG CHG DATA FROM A CMM: REPLS 7-0742-5 REPLS 7-0742-7	103106	4
210	7-0668-2		....PLUG-SLIDE SUPPLIER CODE: V97415	103106	1
215	7-0664-3		....PLUG-SLEEVE SUPPLIER CODE: V97415	103106	1
220	MS28774-011		....RING	103106	2
225	NAS1611-011		....PACKING-PREFORMED	103106	1
230	7-0667-2		....PIN-SLIDE SUPPLIER CODE: V97415	103106	1
235	7-0742-9		....VALVE- SUPPLIER CODE: V97415 OPTIONAL PART: 7-0742-10 V97415 7-3017-1 V97415	103106	1
235	7-0742-10		....VALVE- SUPPLIER CODE: V97415 OPTIONAL PART: 7-0742-9 V97415 7-3017-1 V97415	103106	1

MISSING ITEM NUMBERS NOT APPLICABLE

- ITEM NOT ILLUSTRATED

32-42-07-03

32-42-07  
FIG. 03  
PAGE 7  
JAN 20/09

BRI

BOEING PROPRIETARY - Copyright © - Unpublished Work - See title page for details.



757

PARTS CATALOG (MAINTENANCE)

FIG ITEM	PART NUMBER	1 2 3 4 5 6 7	NOMENCLATURE	EFFECT FROM TO	UNITS PER ASSY
3					
235	7-3017-1	.....	VALVE- SUPPLIER CODE: V97415 OPTIONAL PART: 7-0742-9 V97415 7-0742-10 V97415	103106	1
240	7-0669-2	....	PLATE-IDENT SUPPLIER CODE: V97415	103106	1
245	7-0675-1	....	PLATE-PORT IDENT SUPPLIER CODE: V97415	103106	1
- 250	7-0675-2	....	PLATE-PORT IDENT SUPPLIER CODE: V97415	103106	1
255	7-0675-3	....	PLATE-PORT IDENT SUPPLIER CODE: V97415	103106	1
260	7-0675-4	....	PLATE-PORT IDENT SUPPLIER CODE: V97415	103106	1
265	7-0675-5	....	PLATE-PORT IDENT SUPPLIER CODE: V97415	103106	1
270	7-0675-6	....	PLATE-PORT IDENT SUPPLIER CODE: V97415	103106	1
- 275	7-0675-7	....	PLATE-PORT IDENT SUPPLIER CODE: V97415	103106	1
- 280	7-0675-8	....	PLATE-PORT IDENT SUPPLIER CODE: V97415	103106	1
- 285	7-0675-9	....	PLATE-PORT IDENT SUPPLIER CODE: V97415	103106	1
- 290	7-0675-10	....	PLATE-PORT IDENT SUPPLIER CODE: V97415	103106	1

MISSING ITEM NUMBERS NOT APPLICABLE

- ITEM NOT ILLUSTRATED

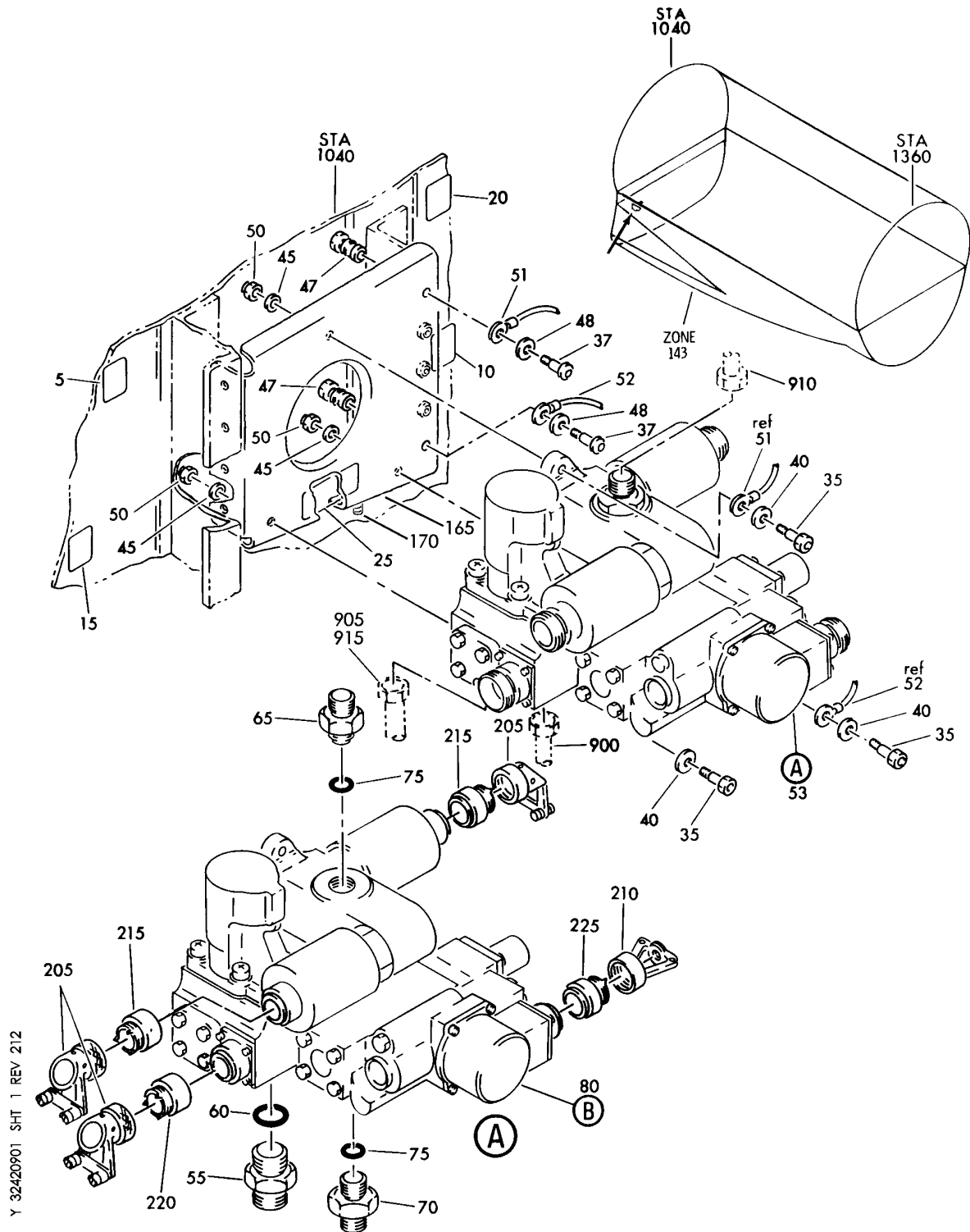
32-42-07-03

32-42-07  
FIG. 03  
PAGE 8  
JAN 20/09

BRI

BOEING PROPRIETARY - Copyright © - Unpublished Work - See title page for details.

**BOEING**  
757  
PARTS CATALOG (MAINTENANCE)



Y 32420901 SHT 1 REV 212

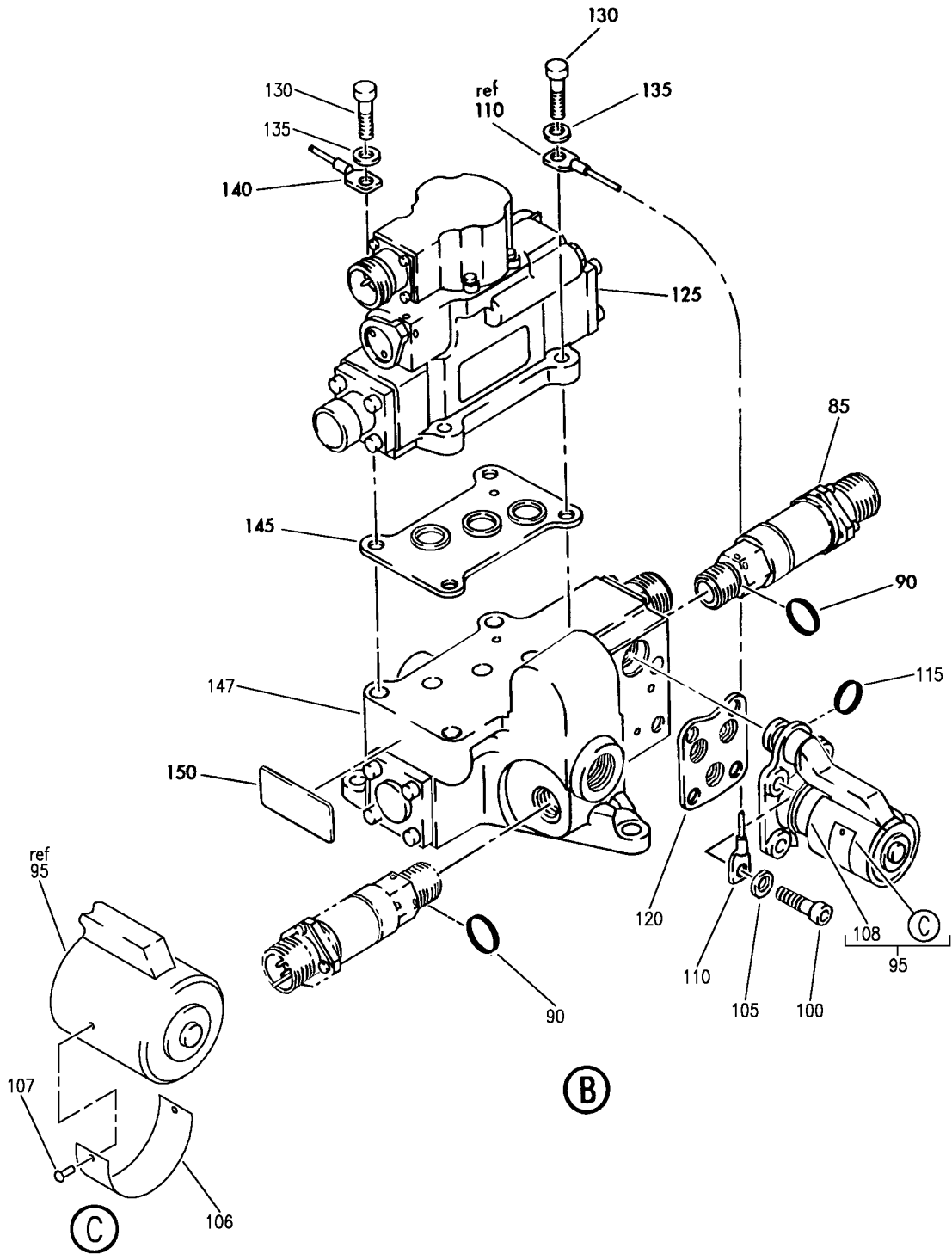
VALVE INSTL-AUTO BRAKE MODULE  
FIGURE 1 (SHEET 1)

**32-42-09-01**

BRI  
MAY 28/07

32-42-09-01  
PAGE 0

**BOEING**  
757  
PARTS CATALOG (MAINTENANCE)



Y 32420901 SHT 2 REV 305

VALVE INSTL-AUTO BRAKE MODULE  
FIGURE 1 (SHEET 2)

**32-42-09-01**

BRI  
MAY 28/07

32-42-09-01  
PAGE 0A



757

PARTS CATALOG (MAINTENANCE)

FIG ITEM	PART NUMBER	1 2 3 4 5 6 7	NOMENCLATURE	EFFECT FROM TO	UNITS PER ASSY
1			VALVE INSTL-AUTO BRAKE MODULE	002004 006999	
- 1	274N1001-1		VALVE INSTL-AUTO BRAKE MODULE FOR NHA SEE: 29-00-51-05	002004 006100 107107 121503 904999	RF
- 1	274N1001-8		VALVE INSTL-AUTO BRAKE MODULE FOR NHA SEE: 32-00-00-10	101102 108120 504903	RF
- 1	MODREF8448		VALVE INSTL-AUTO BRAKE MODULE MODULE NUMBER: 274N1001-8 REV A	103106	1
5	BAC27NHY0018		.MARKER-ALUMINUM FOIL PLACARD CONTENT: YAAS001 D2670J	101106 108120 504903	1
10	BAC27NHY0017		.MARKER-ALUMINUM FOIL PLACARD CONTENT: YAAV002 D2668J	101106 108120 504903	1
15	BAC27NHY0019		.MARKER-ALUMINUM FOIL PLACARD CONTENT: YAAV001 D2672J	101106 108120 504903	1
20	BAC27NHY0020		.MARKER-ALUMINUM FOIL PLACARD CONTENT: YAAS002 D2674J	101106 108120 504903	1
25	BAC27NHY0016		.MARKER-ALUMINUM FOIL PLACARD CONTENT: HYD AUTO-BRAKE CONTROL MODULE M239 YAA	002004 006999	1
35	BACB30NR4K7		.BOLT-	101106 108120 504903	3

MISSING ITEM NUMBERS NOT APPLICABLE

- ITEM NOT ILLUSTRATED

BRI

32-42-09-01

32-42-09  
FIG. 01  
PAGE 1  
JAN 20/09



757

PARTS CATALOG (MAINTENANCE)

FIG ITEM	PART NUMBER	1 2 3 4 5 6 7	NOMENCLATURE	EFFECT FROM TO	UNITS PER ASSY
1 37	HL1012AZ8-3	.BOLT-	SUPPLIER CODE: VOPTK6 SPECIFICATION NUMBER: BACB30NX8K3 OPTIONAL PART: HL12VAZ8-3 V73197 HL12VAZ8-3 V92215 HL12VAZ8-3 V97928 L802-8K3 V06725 HL12VAZ8-3 V56878 HL1012AZ8-3 V06725 HL1012AZ8-3 V06950 HL1012AZ8-3 V17446 HL1012AZ8-3 V56878 HL1012AZ8-3 V60516 HL1012AZ8-3 V73197 HL1012AZ8-3 V97928	002004 006100 107107 121503 904999	2
40	BACW10BN4AC	.WASHER-	POSITION DATA: UNDER HEAD	101106 108120 504903	3
45	BACW10BN4AP	.WASHER-	POSITION DATA: UNDER HEAD	002004 006100 107107 121503 904999	3

MISSING ITEM NUMBERS NOT APPLICABLE

- ITEM NOT ILLUSTRATED

32-42-09-01

32-42-09  
FIG. 01  
PAGE 2  
JAN 20/09

BRI



757

PARTS CATALOG (MAINTENANCE)

FIG ITEM	PART NUMBER	1 2 3 4 5 6 7	NOMENCLATURE	EFFECT FROM TO	UNITS PER ASSY
1	47 HL1187-8		.COLLAR SUPPLIER CODE: V5M902 SPECIFICATION NUMBER: BACC30X8 OPTIONAL PART: HL87-8 V92215 HL87-8 V73197 HL1187-8 V56878 HL1187-8 V92215 HL87-8 V56878 HL1187-8 V73197	002004 006100 107107 121503 904999	2
	48 AN960PD8L		.WASHER-	002004 006100 107107 121503 904999	2
	50 BRH10C4D		.NUT SUPPLIER CODE: V52828 SPECIFICATION NUMBER: BACN10JC4CD OPTIONAL PART: T6C428JCD V11815 NS202486-048 V80539 102LH9075-4W V72962 H51650-4BAC V15653	101106 108120 504903	3
	52 940CW22-2		.JUMPER- SUPPLIER CODE: V91812 SPECIFICATION NUMBER: BACJ40AB22-2 OPTIONAL PART: 100222-2 V1FF12 RBEJ40AB22-2 V1GK47	002004 006100 107107 121503 904999	1

MISSING ITEM NUMBERS NOT APPLICABLE

- ITEM NOT ILLUSTRATED

BRI

32-42-09-01

BOEING PROPRIETARY - Copyright © - Unpublished Work - See title page for details.

32-42-09  
FIG. 01  
PAGE 3  
JAN 20/09





757

PARTS CATALOG (MAINTENANCE)

FIG ITEM	PART NUMBER	1 2 3 4 5 6 7	NOMENCLATURE	EFFECT FROM TO	UNITS PER ASSY
1					
52	940CW22-4	.	JUMPER- SUPPLIER CODE: V91812 SPECIFICATION NUMBER: BACJ40AB22-4 OPTIONAL PART: 100222-4 V1FF12 RBEJ40AB22-4 V1GK47	101106 108120 504903	1
53	274N1001-2	.	VALVE ASSY-	002004 006999	1
53	274N1001-4	.	VALVE ASSY-	002004 006999	1
53	274N1001-5	.	VALVE ASSY-	002004 006999	1
55	BACU24K8	..	UNION	002004 006999	1
60	NAS1612-8	..	PACKING-	002004 006100 107107 121503 904999	1
65	BACU24K6	..	UNION	002004 006999	1

MISSING ITEM NUMBERS NOT APPLICABLE

- ITEM NOT ILLUSTRATED

BRI

32-42-09-01

BOEING PROPRIETARY - Copyright © - Unpublished Work - See title page for details.

32-42-09  
FIG. 01  
PAGE 4  
JAN 20/09



757

PARTS CATALOG (MAINTENANCE)

FIG ITEM	PART NUMBER	1 2 3 4 5 6 7	NOMENCLATURE	EFFECT FROM TO	UNITS PER ASSY
1 70	AFP2328-6		..REDUCER SUPPLIER CODE: V30974 SPECIFICATION NUMBER: BACR17E8-6 OPTIONAL PART: AP10278-6 V01673 BC916T8-6 V50948 DBOR17E8-6 V14798 ER21916T8-6 V88334 ER31916-8-6 V88334 F23-8-6 V73197 2-01075T8-6 V11328 31778-8-6 V14397 US2114-8-6 V50508 AP1027T8-6 V01673 US21148-6 V50808 317788-6 V14397	002004 006999	1
75	NAS1612-6		..PACKING-	002004 006100 107107 121503 904999	2
80	20101420		..MODULE ASSY-VALVE SUPPLIER CODE: V81873 SPECIFICATION NUMBER: S274T401-1 ELECTRICAL EQUIP NUMBER: M00239 COMPONENT MAINT MANUAL REF: 32-40-01 OPTIONAL PART: 20101420-001 V81873 USED ON: 274N1001-2	002004 006999	1

MISSING ITEM NUMBERS NOT APPLICABLE

- ITEM NOT ILLUSTRATED

32-42-09-01

32-42-09  
FIG. 01  
PAGE 5  
JAN 20/09

BRI



757

PARTS CATALOG (MAINTENANCE)

FIG ITEM	PART NUMBER	1 2 3 4 5 6 7	NOMENCLATURE	EFFECT FROM TO	UNITS PER ASSY
1 80	20101420-001		..MODULE ASSY-VALVE SUPPLIER CODE: V81873 SPECIFICATION NUMBER: S274T401-1 ELECTRICAL EQUIP NUMBER: M00239 COMPONENT MAINT MANUAL REF: 32-40-01 OPTIONAL PART: 20101420 V81873 OPTIONAL PART: 20101420-002 V81873 USED ON: 274N1001-2	002004 006999	1
80	20101420-002		..MODULE ASSY-VALVE SUPPLIER CODE: V81873 SPECIFICATION NUMBER: S274T401-2 ELECTRICAL EQUIP NUMBER: M00239 COMPONENT MAINT MANUAL REF: 32-40-01 OPTIONAL PART: 20101420-001 V81873 20101420 V81873 USED ON: 274N1001-2	002004 006999	1
80	20101420-003		..MODULE ASSY-VALVE SUPPLIER CODE: V81873 SPECIFICATION NUMBER: S274T401-3 ELECTRICAL EQUIP NUMBER: M00239 COMPONENT MAINT MANUAL REF: 32-40-01 OPTIONAL PART: 20101420-004 V81873 USED ON: 274N1001-4	002004 006999	1

MISSING ITEM NUMBERS NOT APPLICABLE

- ITEM NOT ILLUSTRATED

BRI

32-42-09-01

BOEING PROPRIETARY - Copyright © - Unpublished Work - See title page for details.

32-42-09  
 FIG. 01  
 PAGE 6  
 JAN 20/09



757

PARTS CATALOG (MAINTENANCE)

FIG ITEM	PART NUMBER	1 2 3 4 5 6 7	NOMENCLATURE	EFFECT FROM TO	UNITS PER ASSY
1 80	20101420-004		..MODULE ASSY-VALVE SUPPLIER CODE: V81873 SPECIFICATION NUMBER: S274T401-4 ELECTRICAL EQUIP NUMBER: M00239 COMPONENT MAINT MANUAL REF: 32-40-04 OPTIONAL PART: 20101420-003 V81873 USED ON: 274N1001-4	002004 006999	1
80	20101420-006		..MODULE ASSY-VALVE SUPPLIER CODE: V81873 SPECIFICATION NUMBER: S274T401-5 ELECTRICAL EQUIP NUMBER: M00239 COMPONENT MAINT MANUAL REF: 32-40-04 OPTIONAL PART: 20101420-005 V81873 20101420-007 V81873	002004 006999	1
80	20101420-005		..MODULE ASSY-VALVE SUPPLIER CODE: V81873 SPECIFICATION NUMBER: S274T401-5 ELECTRICAL EQUIP NUMBER: M00239 COMPONENT MAINT MANUAL REF: 32-40-04 OPTIONAL PART: 20101420-006 V81873 20101420-007 V81873	002004 006999	1

MISSING ITEM NUMBERS NOT APPLICABLE

- ITEM NOT ILLUSTRATED

BRI

32-42-09-01

BOEING PROPRIETARY - Copyright © - Unpublished Work - See title page for details.

32-42-09  
FIG. 01  
PAGE 7  
JAN 20/09



757

PARTS CATALOG (MAINTENANCE)

FIG ITEM	PART NUMBER	1 2 3 4 5 6 7	NOMENCLATURE	EFFECT FROM TO	UNITS PER ASSY
1 80	20101420-007	..	MODULE ASSY-VALVE SUPPLIER CODE: V81873 FUNCTIONAL DESCRIPTION: DEVELOPES BRAKE PRESSURE IN RESPONSE TO SELECTED DECELERATION FOR ALL REQUIRED AUTOBRAKE FUNCTIONS SPECIFICATION NUMBER: S274T401-5 ELECTRICAL EQUIP NUMBER: M00239 COMPONENT MAINT MANUAL REF: 32-40-04 OPTIONAL PART: 20101420-005 V81873 20101420-006 V81873	002004 006999	1
85	211C223-177	...	SWITCH-PRESSURE HYDR SUPPLIER CODE: V02750 SPECIFICATION NUMBER: S271T452-3 COMPONENT MAINT MANUAL REF: 29-09-01 OPTIONAL PART: 211C223-319 V02750 211C223-516 V02750	002004 006999	2
85	211C223-319	...	SWITCH-PRESSURE HYDR SUPPLIER CODE: V02750 SPECIFICATION NUMBER: S271T452-3 COMPONENT MAINT MANUAL REF: 29-09-01 OPTIONAL PART: 211C223-177 V02750 211C223-516 V02750	002004 006999	2

MISSING ITEM NUMBERS NOT APPLICABLE

- ITEM NOT ILLUSTRATED

32-42-09-01

32-42-09  
FIG. 01  
PAGE 8  
JAN 20/09

BRI



757

PARTS CATALOG (MAINTENANCE)

FIG ITEM	PART NUMBER	1 2 3 4 5 6 7	NOMENCLATURE	EFFECT FROM TO	UNITS PER ASSY
1 85	211C223-516	...	SWITCH-PRESSURE SUPPLIER CODE: V02750 FUNCTIONAL DESCRIPTION: AUTOBRAKE SHUTTLE VALVE ASSY SPECIFICATION NUMBER: S271T452-3 COMPONENT MAINT MANUAL REF: 29-09-01 OPTIONAL PART: 211C223-319 V02750 211C223-177 V02750	002004 006999	2
90	NAS1612-6	...	PACKING-	002004 006999	2
95	45080	...	VALVE ASSY-SOL. SUPPLIER CODE: V99643 SPECIFICATION NUMBER: 10-60811-3 SB DATA FROM A CMM: PRE SB 20101420-32-01 COMPONENT MAINT MANUAL REF: 29-09-05 OPTIONAL PART: 59600-5007 V92003 OPTIONAL PART: 45080-1 V99643 59600-5011 V92003 881600-1001 V92003 USED ON: 20101420 20101420-001 20101420-003	002004 006100 107107 121503 904999	1

MISSING ITEM NUMBERS NOT APPLICABLE

- ITEM NOT ILLUSTRATED

BRI

32-42-09-01

BOEING PROPRIETARY - Copyright © - Unpublished Work - See title page for details.

32-42-09  
FIG. 01  
PAGE 9  
JAN 20/09



757

PARTS CATALOG (MAINTENANCE)

FIG ITEM	PART NUMBER	1 2 3 4 5 6 7	NOMENCLATURE	EFFECT FROM TO	UNITS PER ASSY
1 95	45080-1		... VALVE ASSY-SOL. SUPPLIER CODE: V99643 FUNCTIONAL DESCRIPTION: ELECTRICALLY OPERATED VALVE PROVIDES HYDRAULIC PRESSURE SPECIFICATION NUMBER: 10-60811-8 SB DATA FROM A CMM: POST SB 20101420-32-01 COMPONENT MAINT MANUAL REF: 29-09-05 OPTIONAL PART: 45080 V99643 59600-5007 V92003 59600-5011 V92003 881600-1001 V92003 USED ON: 20101420 20101420-001 20101420-003	002004 006100 107107 121503 904999	1

MISSING ITEM NUMBERS NOT APPLICABLE

- ITEM NOT ILLUSTRATED

BRI

32-42-09-01

BOEING PROPRIETARY - Copyright © - Unpublished Work - See title page for details.

32-42-09  
FIG. 01  
PAGE 10  
JAN 20/09



757

PARTS CATALOG (MAINTENANCE)

FIG ITEM	PART NUMBER	1 2 3 4 5 6 7	NOMENCLATURE	EFFECT FROM TO	UNITS PER ASSY
1 95	59600-5007		...VALVE ASSY-SOL. SUPPLIER CODE: V92003 FUNCTIONAL DESCRIPTION: ELECTRICALLY OPERATED VALVE PROVIDES HYDRAULIC PRESSURE SPECIFICATION NUMBER: 10-60811-3 COMPONENT MAINT MANUAL REF: 29-10-02 OPTIONAL PART: 45080 V99643 OPTIONAL PART: 45080-1 V99643 59600-5011 V92003 881600-1001 V92003 USED ON: 20101420 20101420-001 20101420-003	002004 006100 107107 121503 904999	1
95	59600-5011		...VALVE ASSY-SOL. SUPPLIER CODE: V92003 FUNCTIONAL DESCRIPTION: ELECTRICALLY OPERATED VALVE PROVIDES HYDRAULIC PRESSURE SPECIFICATION NUMBER: 10-60811-9 COMPONENT MAINT MANUAL REF: 29-10-02 OPTIONAL PART: 45080 V99643 45080-1 V99643 59600-5007 V92003 881600-1001 V92003 USED ON: 20101420 20101420-001 20101420-003	002004 006100 107107 121503 904999	1

MISSING ITEM NUMBERS NOT APPLICABLE

- ITEM NOT ILLUSTRATED

32-42-09-01

32-42-09  
 FIG. 01  
 PAGE 11  
 JAN 20/09

BRI





757

PARTS CATALOG (MAINTENANCE)

FIG ITEM	PART NUMBER	1 2 3 4 5 6 7	NOMENCLATURE	EFFECT FROM TO	UNITS PER ASSY
1 95	881600-1001		...VALVE ASSY-SOL. SUPPLIER CODE: V92003 SPECIFICATION NUMBER: 10-60811-13 COMPONENT MAINT MANUAL REF: 27-09-03 OPTIONAL PART: 45080 V99643 45080-1 V99643 59600-5007 V92003 59600-5011 V92003 USED ON: 20101420 20101420-001 20101420-003	002004 006100 107107 121503 904999	1
95	45080-1		...VALVE ASSY-SOL. SUPPLIER CODE: V99643 FUNCTIONAL DESCRIPTION: ELECTRICALLY OPERATED VALVE PROVIDES HYDRAULIC PRESSURE SPECIFICATION NUMBER: 10-60811-8 SB DATA FROM A CMM: POST SB 20101420-32-01 COMPONENT MAINT MANUAL REF: 29-09-05 OPTIONAL PART: 59600-5011 V92003 881600-1001 V92003 USED ON: 20101420-002 20101420-004 20101420-005 20101420-006 20101420-007	002004 006999	1

MISSING ITEM NUMBERS NOT APPLICABLE

- ITEM NOT ILLUSTRATED

32-42-09-01

32-42-09  
 FIG. 01  
 PAGE 12  
 JAN 20/09

BRI



757

PARTS CATALOG (MAINTENANCE)

FIG ITEM	PART NUMBER	1 2 3 4 5 6 7	NOMENCLATURE	EFFECT FROM TO	UNITS PER ASSY
1					
95	59600-5011		...VALVE ASSY-SOL. SUPPLIER CODE: V92003 FUNCTIONAL DESCRIPTION: ELECTRICALLY OPERATED VALVE PROVIDES HYDRAULIC PRESSURE SPECIFICATION NUMBER: 10-60811-9 COMPONENT MAINT MANUAL REF: 29-10-02 OPTIONAL PART: 45080-1 V99643 881600-1001 V92003 USED ON: 20101420-002 20101420-004 20101420-005 20101420-006 20101420-007	002004 006999	1
95	881600-1001		...VALVE ASSY-SOL. SUPPLIER CODE: V92003 SPECIFICATION NUMBER: 10-60811-13 COMPONENT MAINT MANUAL REF: 27-09-03 OPTIONAL PART: 45080-1 V99643 59600-5011 V92003 USED ON: 20101420-002 20101420-004 20101420-005 20101420-006 20101420-007 ATTACHING PARTS	002004 006999	1
100	NAS1351-4H14P		...SCREW	002004 006999	4
100	NAS1351N4H14P		...SCREW	002004 006999	4
105	NAS620C416L		...WASHER	002004 006999	4
-----*-----					
MISSING ITEM NUMBERS NOT APPLICABLE					

- ITEM NOT ILLUSTRATED

32-42-09-01

32-42-09  
FIG. 01  
PAGE 13  
JAN 20/09

BRI



757

PARTS CATALOG (MAINTENANCE)

FIG ITEM	PART NUMBER	1 2 3 4 5 6 7	NOMENCLATURE	EFFECT FROM TO	UNITS PER ASSY
1 106	881601-1		.....NAMEPLATE- SUPPLIER CODE: V92003 USED ON: 881600-1001 ATTACHING PARTS	002004 006100 107107 121503 904999	1
107	047-90NSX062		.....SCREW- SUPPLIER CODE: V92003	002004 006100 107107 121503 904999	2
			-----*-----		
108	25027		.....NAMEPLATE- SUPPLIER CODE: V99643 USED ON: 45080	002004 006100 107107 121503 904999	1
108	25027-3		.....NAMEPLATE- SUPPLIER CODE: V99643 USED ON: 45080-1	002004 006100 107107 121503 904999	1
108	59610-3		.....NAMEPLATE- SUPPLIER CODE: V99643 USED ON: 59600-5007	002004 006100 107107 121503 904999	1
108	59610-9		.....NAMEPLATE- SUPPLIER CODE: V99643 USED ON: 59600-5011	002004 006100 107107 121503 904999	1
110	740A30-3		...JUMPER ASSY- SUPPLIER CODE: V91812	002004 006999	1
115	NAS1611-112		...PACKING-	002004 006999	1
120	071261		...PLATE- SUPPLIER CODE: V83259	002004 006999	1

MISSING ITEM NUMBERS NOT APPLICABLE

- ITEM NOT ILLUSTRATED

32-42-09-01

32-42-09  
FIG. 01  
PAGE 14  
JAN 20/09

BRI

BOEING PROPRIETARY - Copyright © - Unpublished Work - See title page for details.



757

PARTS CATALOG (MAINTENANCE)

FIG ITEM	PART NUMBER	1 2 3 4 5 6 7	NOMENCLATURE	EFFECT FROM TO	UNITS PER ASSY
1 120	BA1837		...PLATE-GSKT (69-20184-1) SUPPLIER CODE: V95272 SPECIFICATION NUMBER: 69-20184-1 OPTIONAL PART: 071261 V83259 071261-1 V83259 828108-1 V83259 069000197-1 V83259 PRE SERVICE LETTER: 27-094	002004 006999	1
125	20101460-002		...SERVOVALVE- SUPPLIER CODE: V81873 SB DATA FROM A CMM: POST SB 20101420-32-01 PRE SB 20101420-32-02 USED ON: 20101420-002	002004 006100 107107 121503 904999	1
125	20101460-003		...SERVOVALVE- SUPPLIER CODE: V81873 SB DATA FROM A CMM: POST SB 20101420-32-02 USED ON: 20101420-003	002004 006100 107107 121503 904999	1
125	20101460-004		...SERVOVALVE ASSY- SUPPLIER CODE: V81873 SB DATA FROM A CMM: POST SB 20101420-32-02 USED ON: 20101420-004 FOR DETAILS SEE: 32-42-09-01A	002004 006999	1

MISSING ITEM NUMBERS NOT APPLICABLE

- ITEM NOT ILLUSTRATED

32-42-09-01

32-42-09  
FIG. 01  
PAGE 15  
JAN 20/09

BRI



757

PARTS CATALOG (MAINTENANCE)

FIG ITEM	PART NUMBER	1 2 3 4 5 6 7	NOMENCLATURE	EFFECT FROM TO	UNITS PER ASSY
1 125	20101460-005		...SERVOVALVE ASSY- SUPPLIER CODE: V81873 OPTIONAL PART: 20101460-006 V81873 20101460-007 V81873 20101460-008 V81873 USED ON: 20101420-005 FOR DETAILS SEE: 32-42-09-01A	002004 006999	1
125	20101460-006		...SERVOVALVE ASSY- SUPPLIER CODE: V81873 OPTIONAL PART: 20101460-005 V81873 USED ON: 20101420-005 FOR DETAILS SEE: 32-42-09-01A	002004 006999	1
125	20101460-007		...SERVOVALVE ASSY- SUPPLIER CODE: V81873 CONFIG CHG DATA FROM A CMM: SUPSD BY 20101460-009 IAW SB 20101420-32-01 OPTIONAL PART: 20101460-005 V81873 USED ON: 20101420-005 FOR DETAILS SEE: 32-42-09-01A	002004 006999	1

MISSING ITEM NUMBERS NOT APPLICABLE

- ITEM NOT ILLUSTRATED

BRI

32-42-09-01

BOEING PROPRIETARY - Copyright © - Unpublished Work - See title page for details.

32-42-09  
FIG. 01  
PAGE 16  
JAN 20/09



757

PARTS CATALOG (MAINTENANCE)

FIG ITEM	PART NUMBER	1 2 3 4 5 6 7	NOMENCLATURE	EFFECT FROM TO	UNITS PER ASSY
1 125	20101460-008	...	SERVOVALVE ASSY- SUPPLIER CODE: V81873 CONFIG CHG DATA FROM A CMM: SUPSD BY 20101460-009 IAW SB 20101420-32-01 OPTIONAL PART: 20101460-005 V81873 USED ON: 20101420-005 FOR DETAILS SEE: 32-42-09-01A	002004 006999	1
125	20101460-009	...	SERVOVALVE ASSY- SUPPLIER CODE: V81873 CONFIG CHG DATA FROM A CMM: SUPERSEDES 20101460-007 IAW SB 20101420-32-01 SUPERSEDES 20101460-008 IAW SB 20101420-32-01 USED ON: 20101420-006 FOR DETAILS SEE: 32-42-09-01A	002004 006999	1
125	20101460-010	...	SERVOVALVE ASSY- SUPPLIER CODE: V81873 USED ON: 20101420-007 FOR DETAILS SEE: 32-42-09-01A ATTACHING PARTS	002004 006999	1
130	NAS1351-4H14P	...	SCREW	002004 006999	4
130	NAS1351N4H14P	...	SCREW	002004 006999	4
135	NAS620C416L	...	WASHER	002004 006999	4
140	740A30-5	-----*-----	JUMPER ASSY- SUPPLIER CODE: V91812	002004 006999	1
145	28004372	...	PLATE-GSKT SUPPLIER CODE: V81873	002004 006999	1

MISSING ITEM NUMBERS NOT APPLICABLE

- ITEM NOT ILLUSTRATED

32-42-09-01

32-42-09  
FIG. 01  
PAGE 17  
JAN 20/09

BRI



757

PARTS CATALOG (MAINTENANCE)

FIG ITEM	PART NUMBER	1 2 3 4 5 6 7	NOMENCLATURE	EFFECT FROM TO	UNITS PER ASSY
1					
147	28004380		...VALVE ASSY-SHUTOFF SUPPLIER CODE: V81873 USED ON: 20101420-004	002004 006999	1
147	28007953		...VALVE ASSY-SHUTOFF SUPPLIER CODE: V81873 USED ON: 20101420-005 20101420-006 20101420-007	002004 006999	1
150	28004365-002		...PLATE-IDENT SUPPLIER CODE: V81873 SB DATA FROM A CMM: POST SB 20101420-32-01 PRE SB 20101420-32-02 USED ON: 20101420-002	002004 006100 107107 121503 904999	1
150	28004365-003		...PLATE-IDENT SUPPLIER CODE: V81873 SB DATA FROM A CMM: POST SB 20101420-32-02 USED ON: 20101420-003	002004 006100 107107 121503 904999	1
150	28004365-004		...PLATE-IDENT SUPPLIER CODE: V81873 SB DATA FROM A CMM: POST SB 20101420-32-02 USED ON: 20101420-004	002004 006999	1
150	28007910		...PLATE-IDENT SUPPLIER CODE: V81873 USED ON: 20101420-005	002004 006999	1
150	28008753		...PLATE-IDENT SUPPLIER CODE: V81873 USED ON: 20101420-006 20101420-007	002004 006999	1
- 160	274N1001-9		BRACKET INSTL- FOR NHA SEE: 57-00-00-20	101102 108120 504903	RF

MISSING ITEM NUMBERS NOT APPLICABLE

- ITEM NOT ILLUSTRATED

32-42-09-01

32-42-09  
FIG. 01  
PAGE 18  
JAN 20/09

BRI

BOEING PROPRIETARY - Copyright © - Unpublished Work - See title page for details.



757

PARTS CATALOG (MAINTENANCE)

FIG ITEM	PART NUMBER	1 2 3 4 5 6 7	NOMENCLATURE	EFFECT FROM TO	UNITS PER ASSY
1					
- 160	MODREF8449		BRACKET INSTL- MODULE NUMBER: 274N1001-9 REV A	103106	1
165	274N1021-11		.BRACKET ASSY	101106 108120 504903	1
170	VNS1924CA1-8		..STUD-GROUNDING SUPPLIER CODE: V5M902 SPECIFICATION NUMBER: BACS53B1EA1 OPTIONAL PART: VNS1924CA3-1-8 V92215	101106 108120 504903	1
- 200	286N2412-004		WIRE BUNDLE ASSY	002004 006100 103106 950999	RF
- 200	286N2412-005		WIRE BUNDLE ASSY	107107 121503 904949	RF
- 200	286N2412-307		WIRE BUNDLE ASSY-	108120	RF
205	GS3418-12CD		.CLAMP- SUPPLIER CODE: V06324 SPECIFICATION NUMBER: BACC10HG12 OPTIONAL PART: S2126-12-8 V07418 ELECTRICAL EQUIP NUMBER: D02670T D02672T D02674T WIRING DIAGRAM REF: 324212	002004 006100 107107 121503 904999	3
210	GS3418-12CD		.CLAMP- SUPPLIER CODE: V06324 SPECIFICATION NUMBER: BACC10HG12 OPTIONAL PART: S2126-12-8 V07418 ELECTRICAL EQUIP NUMBER: D02668T WIRING DIAGRAM REF: 324212	002004 006100 103107 121503 904999	1

MISSING ITEM NUMBERS NOT APPLICABLE

- ITEM NOT ILLUSTRATED

BRI

32-42-09-01

BOEING PROPRIETARY - Copyright © - Unpublished Work - See title page for details.

32-42-09  
FIG. 01  
PAGE 19  
JAN 20/09





757

PARTS CATALOG (MAINTENANCE)

FIG ITEM	PART NUMBER	1 2 3 4 5 6 7	NOMENCLATURE	EFFECT FROM TO	UNITS PER ASSY
1 215	R071012R3SNL		.CONNECTOR- SUPPLIER CODE: V41118 SPECIFICATION NUMBER: BACC63BP12R3SNL OPTIONAL PART: CN0966-12A03S V13556 ZZYA0-12D12-03S V49367 48-06R12-3SN266 V02660 ELECTRICAL EQUIP NUMBER: D02670 D02674 WIRING DIAGRAM REF: 324212	002004 006100 107107 121503 904999	2
220	R071012R3S6L		.CONNECTOR- SUPPLIER CODE: V41118 SPECIFICATION NUMBER: BACC63BP12R3S6L ELECTRICAL EQUIP NUMBER: D02672 WIRING DIAGRAM REF: 324212	002004 006100 107107 121503 904999	1
225	R071012R3S7L		.CONNECTOR- SUPPLIER CODE: V41118 SPECIFICATION NUMBER: BACC63BP12R3S7L ELECTRICAL EQUIP NUMBER: D02668 WIRING DIAGRAM REF: 324212	002004 006100 103107 121503 904999	1
900			ILLUSTRATION REFERENCE: PLUMBING INSTL-MAIN WHL WELL FWD BHD HYDR (HYDRAULIC POWER ONLY) 29-11-51-39	002004 006100 107107 121503 904999	RF
905			ILLUSTRATION REFERENCE: PLUMBING INSTL-SECT 44 MLG WHL WELL HYDR (ANTISKID/AUTOBRAKE SYSTEM ONLY) 32-42-51-22	002004 006100 107107 121503 904999	RF

MISSING ITEM NUMBERS NOT APPLICABLE

- ITEM NOT ILLUSTRATED

32-42-09-01

32-42-09  
FIG. 01  
PAGE 20  
JAN 20/09

BRI



757

PARTS CATALOG (MAINTENANCE)

FIG ITEM	PART NUMBER	1 2 3 4 5 6 7	NOMENCLATURE	EFFECT FROM TO	UNITS PER ASSY
1 910			ILLUSTRATION REFERENCE: PLUMBING INSTL-SECT. 44 MLG WHL WELL HYDR (HYDRAULIC BRAKE SYSTEM ONLY) 32-41-51-22	002004 006100 107107 121503 904999	RF
915			ILLUSTRATION REFERENCE: PLUMBING INSTL-MAIN WHL WELL FWD BHD HYDR 29-11-51-78	101102 108120 504903	RF

MISSING ITEM NUMBERS NOT APPLICABLE

- ITEM NOT ILLUSTRATED

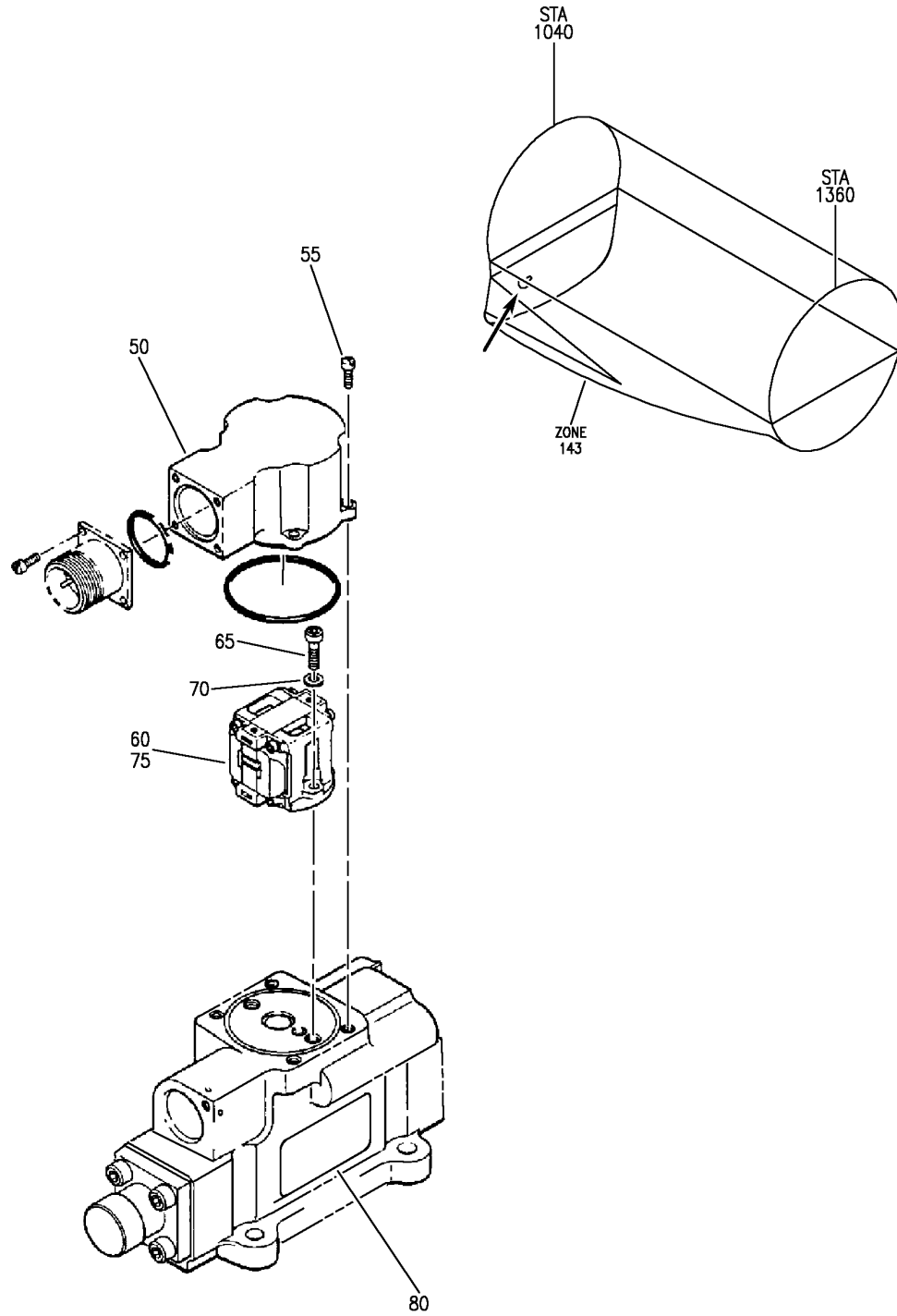
BRI

32-42-09-01

BOEING PROPRIETARY - Copyright © - Unpublished Work - See title page for details.

32-42-09  
FIG. 01  
PAGE 21  
JAN 20/09

**BOEING**  
757  
PARTS CATALOG (MAINTENANCE)



Y 32420901A REV 265

SERVOVALVE ASSY  
FIGURE 1A

**32-42-09-01A**

BRI  
MAY 28/07

32-42-09-01A  
PAGE 0



757

PARTS CATALOG (MAINTENANCE)

FIG ITEM	PART NUMBER	1 2 3 4 5 6 7	NOMENCLATURE	EFFECT FROM TO	UNITS PER ASSY
1 A			SERVOVALVE ASSY	002004 006999	
- 1	20101460-004		SERVOVALVE ASSY- SUPPLIER CODE: V81873 FOR NHA SEE: 32-42-09-01	002004 006999	RF
- 1	20101460-005		SERVOVALVE ASSY- SUPPLIER CODE: V81873 OPTIONAL PART: 20101460-006 V81873 20101460-007 V81873 20101460-008 V81873 FOR NHA SEE: 32-42-09-01	002004 006999	RF
- 1	20101460-006		SERVOVALVE ASSY- SUPPLIER CODE: V81873 OPTIONAL PART: 20101460-005 V81873 FOR NHA SEE: 32-42-09-01	002004 006999	RF
- 1	20101460-007		SERVOVALVE ASSY- SUPPLIER CODE: V81873 CONFIG CHG DATA FROM A CMM: SUPSD BY 20101460-009 IAW SB 20101420-32-01 OPTIONAL PART: 20101460-005 V81873 FOR NHA SEE: 32-42-09-01	002004 006999	RF
- 1	20101460-008		SERVOVALVE ASSY- SUPPLIER CODE: V81873 CONFIG CHG DATA FROM A CMM: SUPSD BY 20101460-009 IAW SB 20101420-32-01 OPTIONAL PART: 20101460-005 V81873 FOR NHA SEE: 32-42-09-01	002004 006999	RF

MISSING ITEM NUMBERS NOT APPLICABLE

- ITEM NOT ILLUSTRATED

32-42-09-01A

32-42-09  
FIG. 01A  
PAGE 1  
SEP 20/08

BRI



757

PARTS CATALOG (MAINTENANCE)

FIG ITEM	PART NUMBER	1 2 3 4 5 6 7	NOMENCLATURE	EFFECT FROM TO	UNITS PER ASSY
1A					
- 1	20101460-009		SERVOVALVE ASSY- SUPPLIER CODE: V81873 CONFIG CHG DATA FROM A CMM: SUPERSEDES 20101460-007 IAW SB 20101420-32-01 SUPERSEDES 20101460-008 IAW SB 20101420-32-01 FOR NHA SEE: 32-42-09-01	002004 006999	RF
- 1	20101460-010		SERVOVALVE ASSY- SUPPLIER CODE: V81873 FOR NHA SEE: 32-42-09-01	002004 006999	RF
50	28004374		.COVER ASSY- SUPPLIER CODE: V81873	002004 006999	1
55	MS35275-214		.ATTACHING PARTS .SCREW	002004 006999	4
55	NAS1352C04H5P		.SCREW	002004 006999	4
60	28004428-001		-----*----- .MOTOR AND WIRE ASSY- SUPPLIER CODE: V81873	002004 006999	1
60	28007862-101		.MOTOR AND WIRE ASSY- SUPPLIER CODE: V81873 USED ON: 20101460-005	002004 006999	1
60	28008318-101		.MOTOR AND WIRE ASSY- SUPPLIER CODE: V81873 USED ON: 20101460-006	002004 006999	1
60	28008318-102		.MOTOR AND WIRE ASSY- SUPPLIER CODE: V81873 USED ON: 20101460-007 20101460-008 20101460-009 20101460-010	002004 006999	1
65	NAS1352-06LL7P		ATTACHING PARTS .SCREW	002004 006999	2

MISSING ITEM NUMBERS NOT APPLICABLE

- ITEM NOT ILLUSTRATED

32-42-09-01A

32-42-09  
FIG. 01A  
PAGE 2  
SEP 20/08

BRI



757

PARTS CATALOG (MAINTENANCE)

FIG ITEM	PART NUMBER	1 2 3 4 5 6 7	NOMENCLATURE	EFFECT FROM TO	UNITS PER ASSY
1 A					
65	84001083	.SCREW-		002004	2
		SUPPLIER CODE:		006999	
		V81873			
70	NAS620C6	.WASHER		018106	2
				108120	
				504903	
		-----*-----			
75	28004387-001	..MOTOR-TORQUE		002004	1
		SUPPLIER CODE:		006999	
		V81873			
75	28007863-101	..MOTOR-TORQUE		002004	1
		SUPPLIER CODE:		006999	
		V81873			
		USED ON:			
		28007862-101			
75	28008317-101	..MOTOR-TORQUE		002004	1
		SUPPLIER CODE:		006999	
		V81873			
		USED ON:			
		28008318-101			
75	28008317-102	..MOTOR-TORQUE		002004	1
		SUPPLIER CODE:		006999	
		V81873			
		USED ON:			
		28008318-102			
80	28004397-004	.PLATE-IDENT		002004	1
		SUPPLIER CODE:		006999	
		V81873			
80	28007903	.PLATE-IDENT		002004	1
		SUPPLIER CODE:		006999	
		V81873			
		USED ON:			
		20101460-005			
80	28008319	.PLATE-IDENT		002004	1
		SUPPLIER CODE:		006999	
		V81873			
		USED ON:			
		20101460-006			
80	28008523	.PLATE-IDENT		002004	1
		SUPPLIER CODE:		006999	
		V81873			
		USED ON:			
		20101460-007			
80	28008659	.PLATE-IDENT		002004	1
		SUPPLIER CODE:		006999	
		V81873			
		USED ON:			
		20101460-008			

MISSING ITEM NUMBERS NOT APPLICABLE

- ITEM NOT ILLUSTRATED

32-42-09-01A

32-42-09  
FIG. 01A  
PAGE 3  
JAN 20/09

BRI

BOEING PROPRIETARY - Copyright © - Unpublished Work - See title page for details.



757

PARTS CATALOG (MAINTENANCE)

FIG ITEM	PART NUMBER	1 2 3 4 5 6 7	NOMENCLATURE	EFFECT FROM TO	UNITS PER ASSY
1 A 80	28008752		.PLATE-IDENT SUPPLIER CODE: V81873 USED ON: 20101460-009 20101460-010	002004 006999	1

MISSING ITEM NUMBERS NOT APPLICABLE

- ITEM NOT ILLUSTRATED

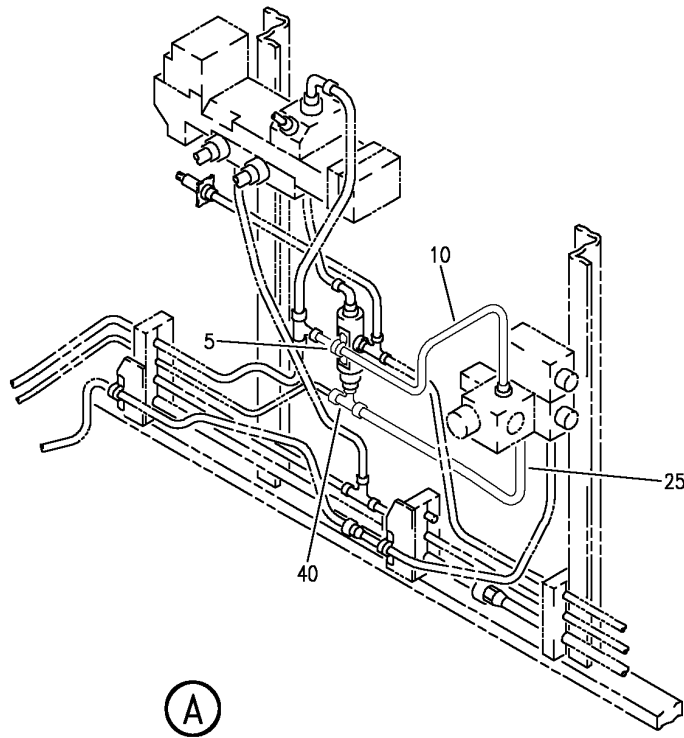
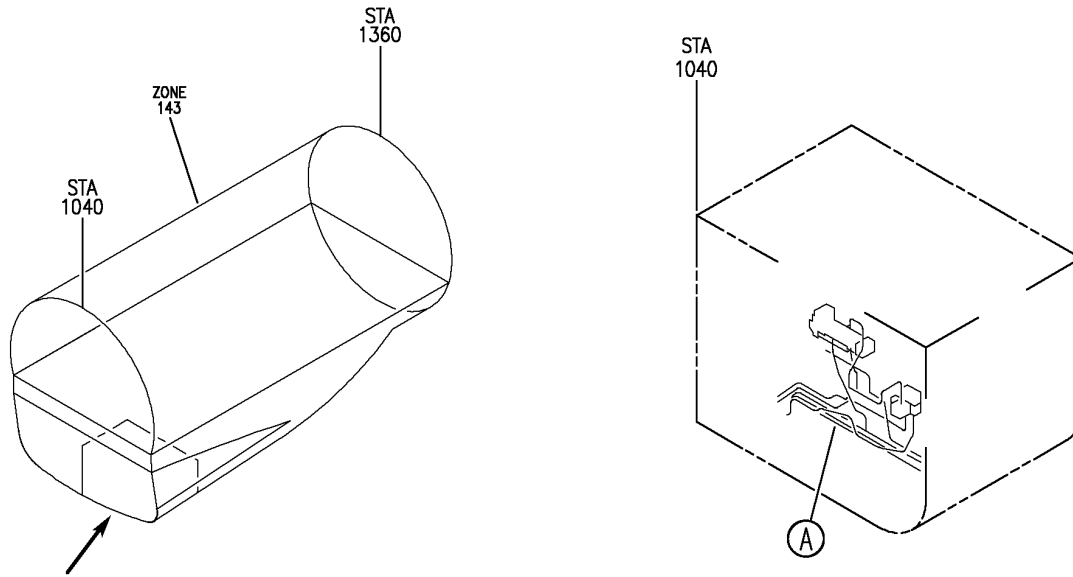
BRI

32-42-09-01A

BOEING PROPRIETARY - Copyright © - Unpublished Work - See title page for details.

32-42-09  
FIG. 01A  
PAGE 4  
SEP 20/08

**BOEING**  
757  
PARTS CATALOG (MAINTENANCE)



Y 32420902 REV 249

PLUMBING INSTL-MAIN WHL WELL BHD HYDR (AUTOBRAKE MODULE ONLY)  
FIGURE 2

**32-42-09-02**

BRI  
JAN 20/09

32-42-09-02  
PAGE 0





757

PARTS CATALOG (MAINTENANCE)

FIG ITEM	PART NUMBER	1 2 3 4 5 6 7	NOMENCLATURE	EFFECT FROM TO	UNITS PER ASSY
2			PLUMBING INSTL-MAIN WHL WELL BHD HYDR (AUTOBRAKE MODULE ONLY)	103106	
- 1	MODREF31486		PLUMBING INSTL-MAIN WHL WELL BHD HYDR (AUTOBRAKE MODULE ONLY) MODULE NUMBER: 271N6441-41 REV B POSITION DATA: FWD FOR OTHER SYS DETAILS SEE: 11-22-06-05 27-11-14-12 29-11-27-02 29-11-51-39D 29-11-51-39E 29-22-01-02 32-35-10-02 32-41-02-11 32-41-02-12 32-41-04-02 32-44-03-03 32-44-06-02 FOR ADDITIONAL DETAILS SEE: 32-42-02-03 32-42-02-04 32-42-10-02	103106	1
	5 TA0910004H106		.CLAMP SUPPLIER CODE: V84971 SPECIFICATION NUMBER: BACC10HB06C	103106	1
	10 271N6441-1308		.TUBE ASSY-RETURN SYS TUBING MATERIAL: .375 IN. OD .019 IN. WALL 18.88 IN. LG TI BMS 7-234 TI-3AL-2.5V COLD WORKED, STRESS RELIEVED TUBING	103106	1
- 15	AS1581T06		..SLEEVE	103106	2
- 20	BACN10YA6		..NUT	103106	2
	25 271N6441-1419		.TUBE ASSY-RETURN SYS TUBING MATERIAL: .500 IN. OD .026 IN. WALL 11.50 IN. LG TI BMS 7-234 TI-3AL-2.5V COLD WORKED, STRESS RELIEVED TUBING	103106	1
- 30	AS1581T08		..SLEEVE	103106	2

MISSING ITEM NUMBERS NOT APPLICABLE

- ITEM NOT ILLUSTRATED

32-42-09-02

32-42-09  
FIG. 02  
PAGE 1  
JAN 20/09

BRI



757

PARTS CATALOG (MAINTENANCE)

FIG ITEM	PART NUMBER	1 2 3 4 5 6 7	NOMENCLATURE	EFFECT FROM TO	UNITS PER ASSY
2					
- 35	BACN10YA8	.	. NUT	103106	2
40	BCREF116872	.	. TEE-	103106	1
			OVERLENGTH PART NUMBER: BACT16BT080606JN		

MISSING ITEM NUMBERS NOT APPLICABLE

- ITEM NOT ILLUSTRATED

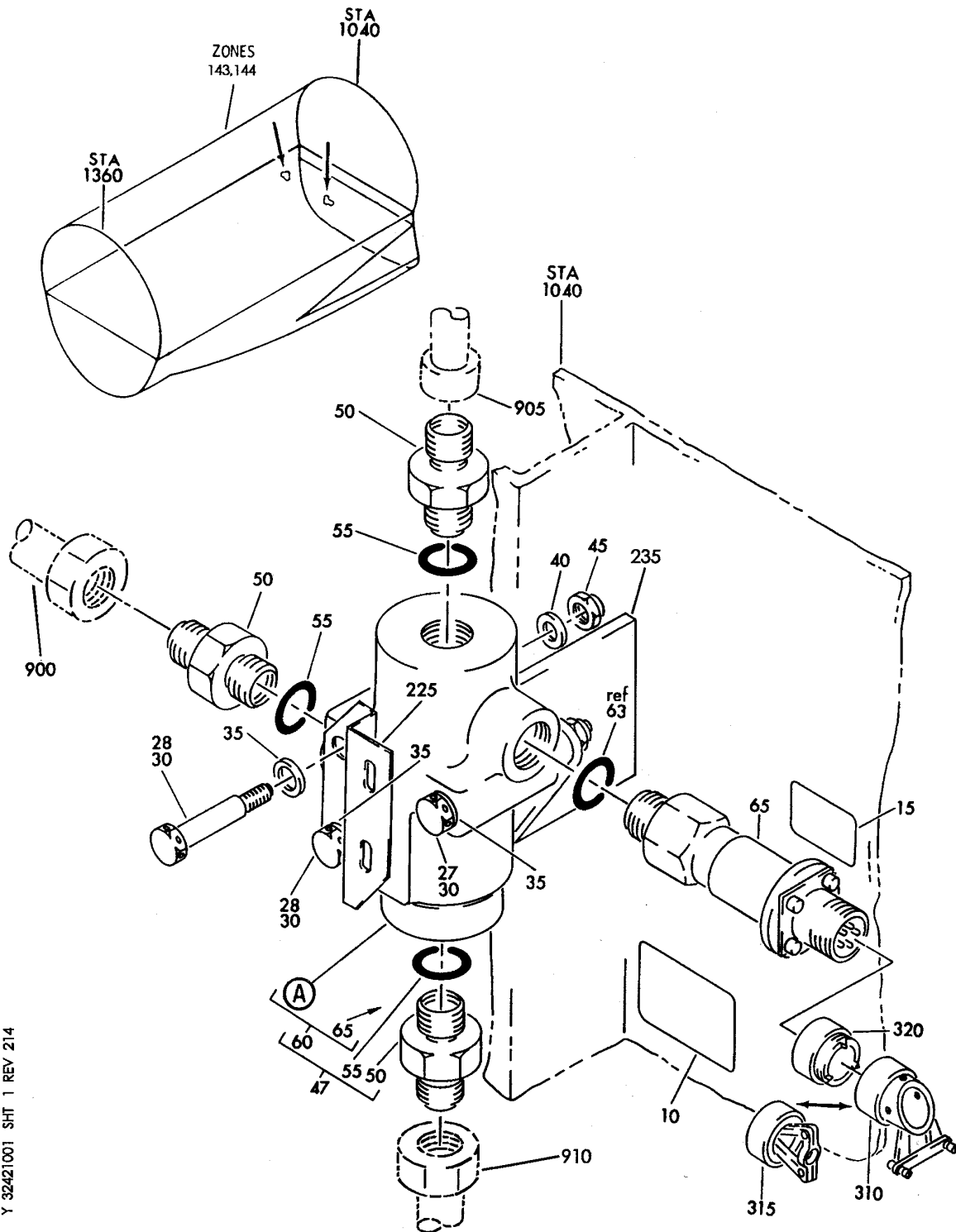
BRI

32-42-09-02

BOEING PROPRIETARY - Copyright © - Unpublished Work - See title page for details.

32-42-09  
FIG. 02  
PAGE 2  
JAN 20/09

**BOEING**  
757  
PARTS CATALOG (MAINTENANCE)



Y 32421001 SHT 1 REV 214

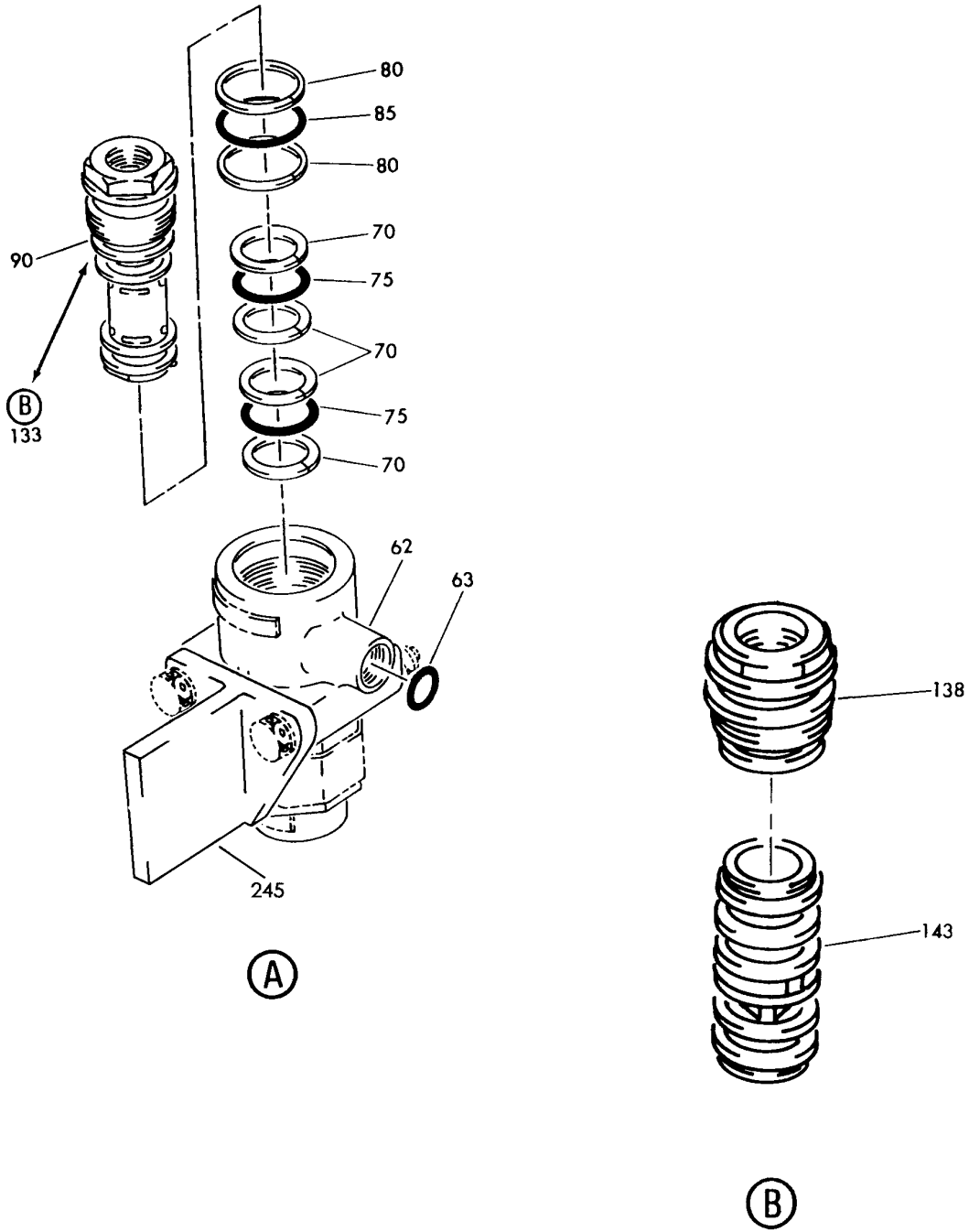
VALVE INSTL-AUTOBRAKE SHUTTLE  
FIGURE 1 (SHEET 1)

**32-42-10-01**

BRI  
MAY 28/07

32-42-10-01  
PAGE 0

**BOEING**  
757  
PARTS CATALOG (MAINTENANCE)



Y 32421001 SHT 2 REV 201

VALVE INSTL-AUTOBRAKE SHUTTLE  
FIGURE 1 (SHEET 2)

**32-42-10-01**

BRI  
MAY 28/07

32-42-10-01  
PAGE 0A



757

PARTS CATALOG (MAINTENANCE)

FIG ITEM	PART NUMBER	1 2 3 4 5 6 7	NOMENCLATURE	EFFECT FROM TO	UNITS PER ASSY
1			VALVE INSTL-AUTOBRAKE SHUTTLE	002004 006999	
- 1	274N1002-12		VALVE INSTL-AUTO BRAKE SHUTTLE POSITION DATA: LH VARIABLE DRAWING REF: 274N1002-14 FOR NHA SEE: 29-00-51-05	002004 006100 107107 121503 904999	RF
- 1	274N1002-21		VALVE INSTL-AUTOBRAKE SHUTTLE POSITION DATA: LH FOR NHA SEE: 32-00-00-10	101102 108120 504903	RF
- 1	MODREF8452		VALVE INSTL-AUTOBRAKE SHUTTLE MODULE NUMBER: 274N1002-21 REV A POSITION DATA: LH	103106	1
- 5	274N1002-13		VALVE INSTL-AUTO BRAKE SHUTTLE POSITION DATA: RH VARIABLE DRAWING REF: 274N1002-15 FOR NHA SEE: 29-00-51-05	002004 006100 107107 121503 904999	RF
- 5	274N1002-22		VALVE INSTL-AUTOBRAKE SHUTTLE POSITION DATA: RH FOR NHA SEE: 32-00-00-10	101102 108120 504903	RF
- 5	MODREF8453		VALVE INSTL-AUTOBRAKE SHUTTLE MODULE NUMBER: 274N1002-22 REV A POSITION DATA: RH	103106	1
10	BAC27NHY0072		.MARKER-ALUMINUM FOIL- PLACARD CONTENT: AUTOBRAKE SHUTTLE VALVE	002004 006999	1
15	BAC27NHY0073		.MARKER-ALUMINUM FOIL- PLACARD CONTENT: S82 D2752J	002004 006999	1

MISSING ITEM NUMBERS NOT APPLICABLE

- ITEM NOT ILLUSTRATED

BRI

32-42-10-01

32-42-10  
FIG. 01  
PAGE 1  
JAN 20/09



757

PARTS CATALOG (MAINTENANCE)

FIG ITEM	PART NUMBER	1 2 3 4 5 6 7	NOMENCLATURE	EFFECT FROM TO	UNITS PER ASSY
1					
- 20	BAC27NHY0074		.MARKER-ALUMINUM FOIL- PLACARD CONTENT: S83R D2666J	002004 006999	1
27	BACB30NR4K29		.BOLT	002004 006106 108903 950999	1
28	BACB30NR4K31		.BOLT	002004 006106 108903 950999	2
30	BACB30NR4K29		.BOLT	107107 904949	3
35	BACW10BN4AP		.WASHER	002004 006999	3
40	BACW10BN4AC		.WASHER	002004 006999	3
45	BRH10C4D		.NUT SUPPLIER CODE: V52828 SPECIFICATION NUMBER: BACN10JC4CD OPTIONAL PART: T6C428JCD V11815 NS202486-048 V80539 102LH9075-4W V72962 H51650-4BAC V15653	002004 006999	3
47	274N1002-8		.VALVE ASSY-	002004 006100 103107 121503 904999	1
47	274N1002-9		.VALVE ASSY-	002004 006999	1
47	274N1002-23		.VALVE ASSY-	002004 006999	1
50	BACU24K6		..UNION	002004 006100 103107 121503 904999	3
50	MS21902-6T		..UNION	101106 108120 504903	3

MISSING ITEM NUMBERS NOT APPLICABLE

- ITEM NOT ILLUSTRATED

32-42-10-01

32-42-10  
FIG. 01  
PAGE 2  
JAN 20/09

BRI

BOEING PROPRIETARY - Copyright © - Unpublished Work - See title page for details.



757

PARTS CATALOG (MAINTENANCE)

FIG ITEM	PART NUMBER	1 2 3 4 5 6 7	NOMENCLATURE	EFFECT FROM TO	UNITS PER ASSY
1					
55	NAS1612-6		..PACKING-	002004 006999	3
60	2-7462-2		..MODULE ASSY- SUPPLIER CODE: V97415 SPECIFICATION NUMBER: S274T120-7 COMPONENT MAINT MANUAL REF: 32-42-01 OPTIONAL PART: 2-7462-3 V97415	002004 006999	1
60	2-7462-3		..MODULE ASSY- SUPPLIER CODE: V97415 SPECIFICATION NUMBER: S274T120-9 COMPONENT MAINT MANUAL REF: 32-42-01	002004 006999	1
62	7-0670-1		...BODY- SUPPLIER CODE: V97415 OPTIONAL PART: 7-0670-2 V97415	002004 006999	1
62	7-0670-2		...BODY- SUPPLIER CODE: V97415 OPTIONAL PART: 7-0670-1 V97415	002004 006999	1
63	NAS1612-6		...PACKING-	002004 006999	1

MISSING ITEM NUMBERS NOT APPLICABLE

- ITEM NOT ILLUSTRATED

BRI

32-42-10-01

BOEING PROPRIETARY - Copyright © - Unpublished Work - See title page for details.

32-42-10  
FIG. 01  
PAGE 3  
JAN 20/09



757

PARTS CATALOG (MAINTENANCE)

FIG ITEM	PART NUMBER	1 2 3 4 5 6 7	NOMENCLATURE	EFFECT FROM TO	UNITS PER ASSY
1 65	211C223-177	...	SWITCH-PRESSURE SUPPLIER CODE: V02750 SPECIFICATION NUMBER: S271T452-3 MISCELLANEOUS DATA: S271T452-3 IS USED-ON SPEC S294W202-1 (VN 74149) FOR MODEL 777 DUE TO THE NHA BEING A SPEC NO MODEL CODE WILL WILL SHOW AGAINST THE P/N S271T452-3 ELECTRICAL EQUIP NUMBER: S00082 S00083 COMPONENT MAINT MANUAL REF: 29-09-01 OPTIONAL PART: 211C223-319 V02750 211C223-516 V02750	002004 006999	1
65	211C223-319	...	SWITCH-PRESSURE SUPPLIER CODE: V02750 SPECIFICATION NUMBER: S271T452-3 MISCELLANEOUS DATA: S271T452-3 IS USED-ON SPEC S294W202-1 (VN 74149) FOR MODEL 777 DUE TO THE NHA BEING A SPEC NO MODEL CODE WILL WILL SHOW AGAINST THE P/N S271T452-3 ELECTRICAL EQUIP NUMBER: S00082 S00083 COMPONENT MAINT MANUAL REF: 29-09-01 OPTIONAL PART: 211C223-177 V02750 211C223-516 V02750	002004 006999	1

MISSING ITEM NUMBERS NOT APPLICABLE

- ITEM NOT ILLUSTRATED

32-42-10-01

32-42-10  
FIG. 01  
PAGE 4  
JAN 20/09

BRI





757

PARTS CATALOG (MAINTENANCE)

FIG ITEM	PART NUMBER	1 2 3 4 5 6 7	NOMENCLATURE	EFFECT FROM TO	UNITS PER ASSY
1 65	211C223-516		... SWITCH-PRESSURE SUPPLIER CODE: V02750 FUNCTIONAL DESCRIPTION: AUTOBRAKE SHUTTLE VALVEAY SPECIFICATION NUMBER: S271T452-3 MISCELLANEOUS DATA: S271T452-3 IS USED-ON SPEC S294W202-1 (VN 74149) FOR MODEL 777 DUE TO THE NHA BEING A SPEC NO MODEL CODE WILL WILL SHOW AGAINST THE P/N S271T452-3 ELECTRICAL EQUIP NUMBER: S00082 S00083 COMPONENT MAINT MANUAL REF: 29-09-01 OPTIONAL PART: 211C223-177 V02750 211C223-319 V02750	002004 006999	1
70	C11236-117B		... RING SUPPLIER CODE: V26879 SPECIFICATION NUMBER: BACR12BM117 OPTIONAL PART: RMR12BM117 V94878 STF800-117 V02107 S30294-117-1 V97820 TF450-117A V07128 2100-117 V26303	002004 006999	4
75	NAS1611-117		... PACKING-	002004 006999	2

MISSING ITEM NUMBERS NOT APPLICABLE

- ITEM NOT ILLUSTRATED

BRI

32-42-10-01

BOEING PROPRIETARY - Copyright © - Unpublished Work - See title page for details.

32-42-10  
FIG. 01  
PAGE 5  
JAN 20/09



757

PARTS CATALOG (MAINTENANCE)

FIG ITEM	PART NUMBER	1 2 3 4 5 6 7	NOMENCLATURE	EFFECT FROM TO	UNITS PER ASSY
1 80	C11236-121B	...	RING SUPPLIER CODE: V26879 SPECIFICATION NUMBER: BACR12BM121 OPTIONAL PART: RMR12BM121 V94878 STF800-121 V02107 S30294-121-1 V97820 TF450-121A V07128 2100-121 V26303	002004 006999	2
85	NAS1611-121	...	PACKING-	002004 006999	1
90	7-0742-8	...	VALVE ASSY- SUPPLIER CODE: V97415 CONFIG CHG DATA FROM A CMM: REPLD BY 7-1000-2 OPTIONAL PART: 7-0742-6 V97415 USED ON: 2-7462-2 2-7462-3 FOR SPARES PROCURE: 7-1000-2 V97415	002004 006999	1
90	7-0742-6	...	VALVE ASSY- SUPPLIER CODE: V97415 CONFIG CHG DATA FROM A CMM: REPLD BY 7-1000-2 OPTIONAL PART: 7-0742-8 V97415 USED ON: 2-7462-2 2-7462-3 FOR SPARES PROCURE: 7-1000-2 V97415	006100 107107 121503 904999	1

MISSING ITEM NUMBERS NOT APPLICABLE

- ITEM NOT ILLUSTRATED

BRI

32-42-10-01

BOEING PROPRIETARY - Copyright © - Unpublished Work - See title page for details.

32-42-10  
FIG. 01  
PAGE 6  
JAN 20/09

 **BOEING**  
757  
**PARTS CATALOG (MAINTENANCE)**

FIG ITEM	PART NUMBER	1 2 3 4 5 6 7	NOMENCLATURE	EFFECT FROM TO	UNITS PER ASSY
1					
133	7-1000-2	...	VALVE ASSY- SUPPLIER CODE: V97415 CONFIG CHG DATA FROM A CMM: REPLS 7-0742-6, -8 USED ON: 2-7462-2 2-7462-3	006100 107107 121503 904999	1
138	7-0664-4	....	PLUG-SLEEVE SUPPLIER CODE: V97415	006100 107107 121503 904999	1
143	7-0742-9	....	VALVE- SUPPLIER CODE: V97415 OPTIONAL PART: 7-0742-10 V97415	002004 006999	1
143	7-0742-10	....	VALVE- SUPPLIER CODE: V97415 OPTIONAL PART: 7-0742-9 V97415	002004 006999	1
- 205	7-0671-1	...	PLATE-IDENT SUPPLIER CODE: V97415	002004 006999	1
- 210	7-0677-1	...	PLATE-PORT IDENT SUPPLIER CODE: V97415	002004 006999	2
- 215	7-0677-2	...	PLATE-PORT IDENT SUPPLIER CODE: V97415	002004 006999	2
- 220	7-0677-3	...	PLATE-PORT IDENT SUPPLIER CODE: V97415	002004 006999	2
- 222	BAC5010TYPE75	...	ADHESIVE	002004 006999	AR
225	271N6294-1	.	BRACKET-SPRT	002004 006106 108903 950999	1
- 230	274N1002-19		BRACKET INSTL- FOR NHA SEE: 57-00-00-20	101102 108120 504903	RF
- 230	MODREF8450		BRACKET INSTL- MODULE NUMBER: 274N1002-19 REV A	103106	1

MISSING ITEM NUMBERS NOT APPLICABLE

- ITEM NOT ILLUSTRATED

BRI

# 32-42-10-01

32-42-10  
FIG. 01  
PAGE 7  
JAN 20/09



757

PARTS CATALOG (MAINTENANCE)

FIG ITEM	PART NUMBER	1 2 3 4 5 6 7	NOMENCLATURE	EFFECT FROM TO	UNITS PER ASSY
1					
235	274N1013-5	.	BRACKET	101106 108120 504903	1
- 240	274N1002-20		BRACKET INSTL- FOR NHA SEE: 57-00-00-20	101102 108120 504903	RF
- 240	MODREF8451		BRACKET INSTL- MODULE NUMBER: 274N1002-20 REV A	103106	1
245	274N1013-6	.	BRACKET	101106 108120 504903	1
- 300	286N2412-004		WIRE BUNDLE ASSY	002004 006100 103106 504903 950999	RF
- 300	286N2412-005		WIRE BUNDLE ASSY	107107 121503 904949	RF
- 300	286N2412-307		WIRE BUNDLE ASSY	108120	RF
- 305	286N2512-004		WIRE BUNDLE ASSY	002004 006100 103106 504903 950999	RF
- 305	286N2512-005		WIRE BUNDLE ASSY	107107 121503 904949	RF
- 305	286N2512-306		WIRE BUNDLE ASSY	108120	RF
310	GS3418-12CD	.	CLAMP- SUPPLIER CODE: V06324 SPECIFICATION NUMBER: BACC10HG12 OPTIONAL PART: S2126-12-8 V07418 ELECTRICAL EQUIP NUMBER: D02666T WIRING DIAGRAM REF: 324212	002004 006100 103999	1

MISSING ITEM NUMBERS NOT APPLICABLE

- ITEM NOT ILLUSTRATED

BRI

32-42-10-01

32-42-10  
FIG. 01  
PAGE 8  
JAN 20/09



757

PARTS CATALOG (MAINTENANCE)

FIG ITEM	PART NUMBER	1 2 3 4 5 6 7	NOMENCLATURE	EFFECT FROM TO	UNITS PER ASSY
1 315	GS3417-12C		.CLAMP- SUPPLIER CODE: V06324 SPECIFICATION NUMBER: BACC10HF12 OPTIONAL PART: S2125-12-8 V07418 ELECTRICAL EQUIP NUMBER: D02752T WIRING DIAGRAM REF: 324212	002004 006100 103999	1
320	R071012R3SNL		.CONNECTOR- SUPPLIER CODE: V41118 SPECIFICATION NUMBER: BACC63BP12R3SNL OPTIONAL PART: CN0966-12A03S V13556 ZZYA0-12D12-03S V49367 48-06R12-3SN266 V02660 ELECTRICAL EQUIP NUMBER: D02666 D02752 WIRING DIAGRAM REF: 324212	002004 006100 103999	1
900			ILLUSTRATION REFERENCE: PLUMBING INSTL-SECT 44 MLG WHL WELL HYDR (ANTISKID/AUTOBRAKE SYSTEM ONLY) 32-42-51-22	002004 006100 107107 121503 904999	RF
905			ILLUSTRATION REFERENCE: PLUMBING INSTL-SECT. 44 MLG WHL WELL HYDR (HYDRAULIC BRAKE SYSTEM ONLY) 32-41-51-22	002004 006100 107107 121503 904999	RF

MISSING ITEM NUMBERS NOT APPLICABLE

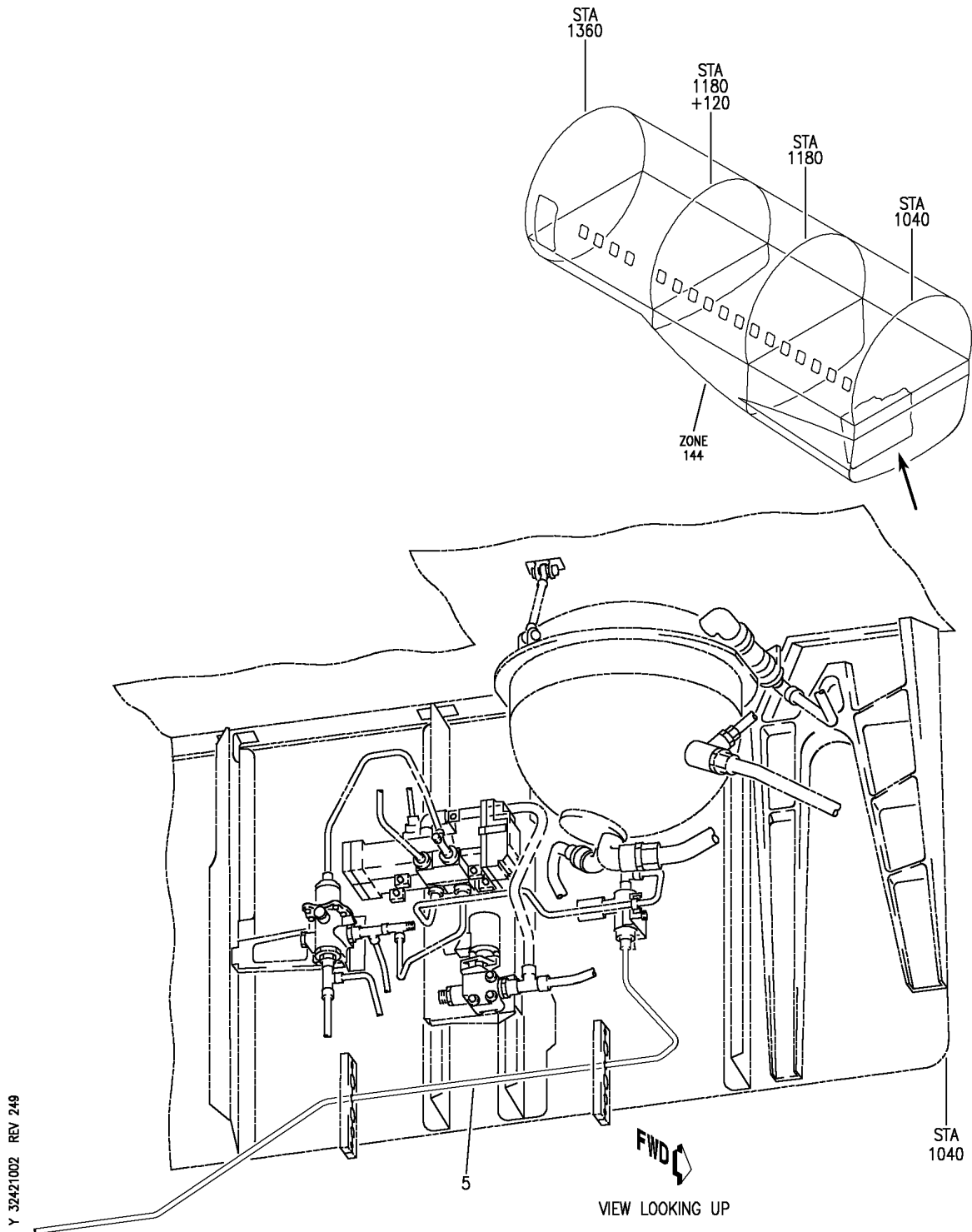
- ITEM NOT ILLUSTRATED

32-42-10-01

32-42-10  
FIG. 01  
PAGE 9  
JAN 20/09

BRI

**BOEING**  
757  
PARTS CATALOG (MAINTENANCE)



Y 32421002 REV 249

PLUMBING INSTL-MAIN WHL WELL BHD HYDR (AUTOBRAKE SHUTTLE VALVE ONLY)  
FIGURE 2

**32-42-10-02**

BRI  
JAN 20/09

32-42-10-02  
PAGE 0



757

PARTS CATALOG (MAINTENANCE)

FIG ITEM	PART NUMBER	1 2 3 4 5 6 7	NOMENCLATURE	EFFECT FROM TO	UNITS PER ASSY
2			PLUMBING INSTL-MAIN WHL WELL BHD HYDR (AUTOBRAKE SHUTTLE VALVE ONLY)	103106	
- 1	MODREF31486		PLUMBING INSTL-MAIN WHL WELL BHD HYDR (AUTOBRAKE SHUTTLE VALVE ONLY) MODULE NUMBER: 271N6441-41 REV B POSITION DATA: FWD FOR OTHER SYS DETAILS SEE: 11-22-06-05 27-11-14-12 29-11-27-02 29-11-51-39D 29-11-51-39E 29-22-01-02 32-35-10-02 32-41-02-11 32-41-02-12 32-41-04-02 32-44-03-03 32-44-06-02 FOR ADDITIONAL DETAILS SEE: 32-42-02-03 32-42-02-04 32-42-09-02	103106	1
	5 271N6441-1071		.TUBE ASSY-RETURN SYS TUBING MATERIAL: .375 IN. OD .019 IN. WALL 103.50 IN. LG TI BMS 7-234 TI-3AL-2.5V COLD WORKED, STRESS RELIEVED TUBING	103106	1
- 10	AS1581T06		..SLEEVE	103106	2
- 15	BACN10YA6		..NUT	103106	2

MISSING ITEM NUMBERS NOT APPLICABLE

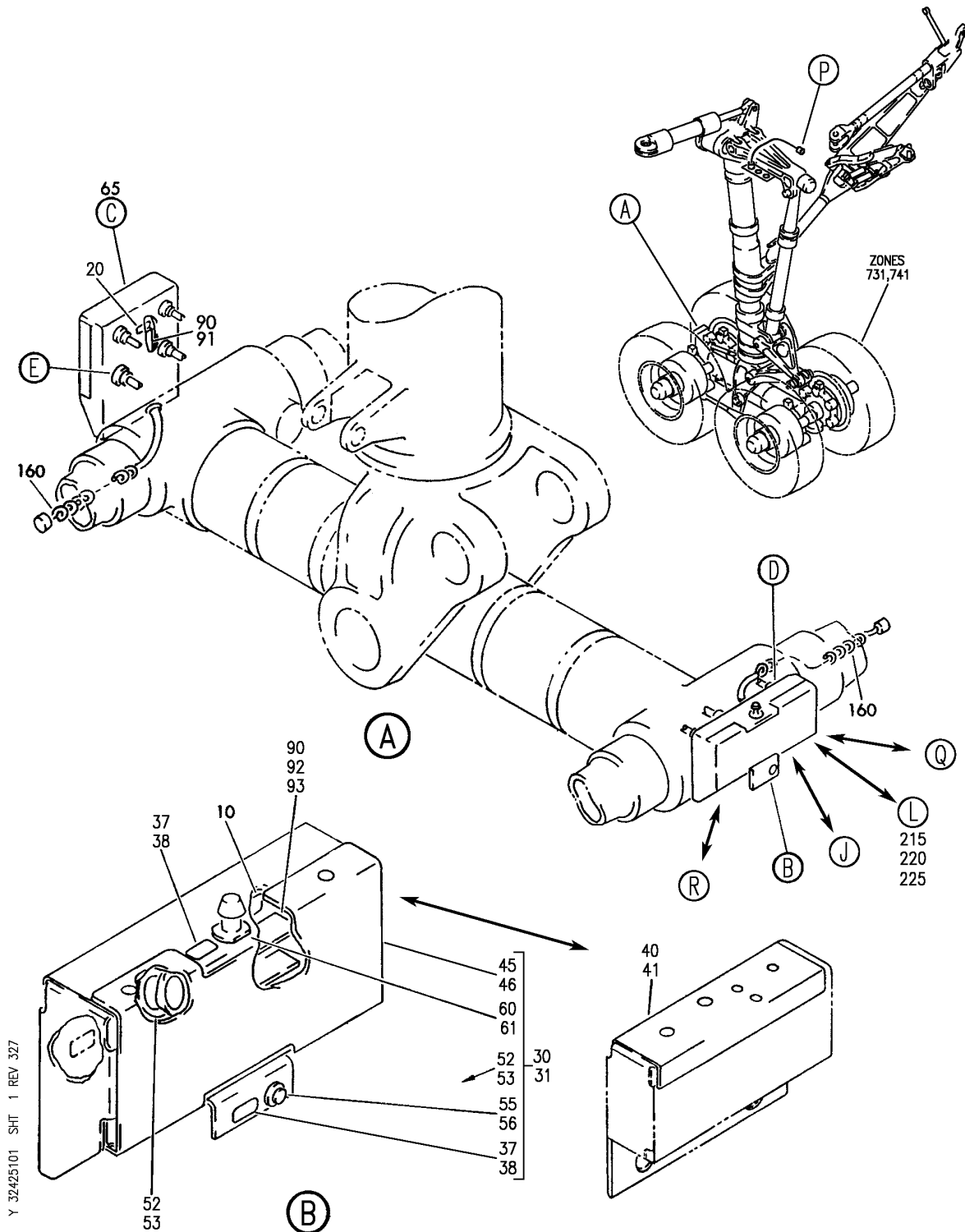
- ITEM NOT ILLUSTRATED

32-42-10-02

32-42-10  
FIG. 02  
PAGE 1  
JAN 20/09

BRI

**BOEING**  
757  
PARTS CATALOG (MAINTENANCE)



HARNESS INSTL-MLG ELEC (ANTISKID/AUTOBRAKE SYSTEM)  
FIGURE 1 (SHEET 1)

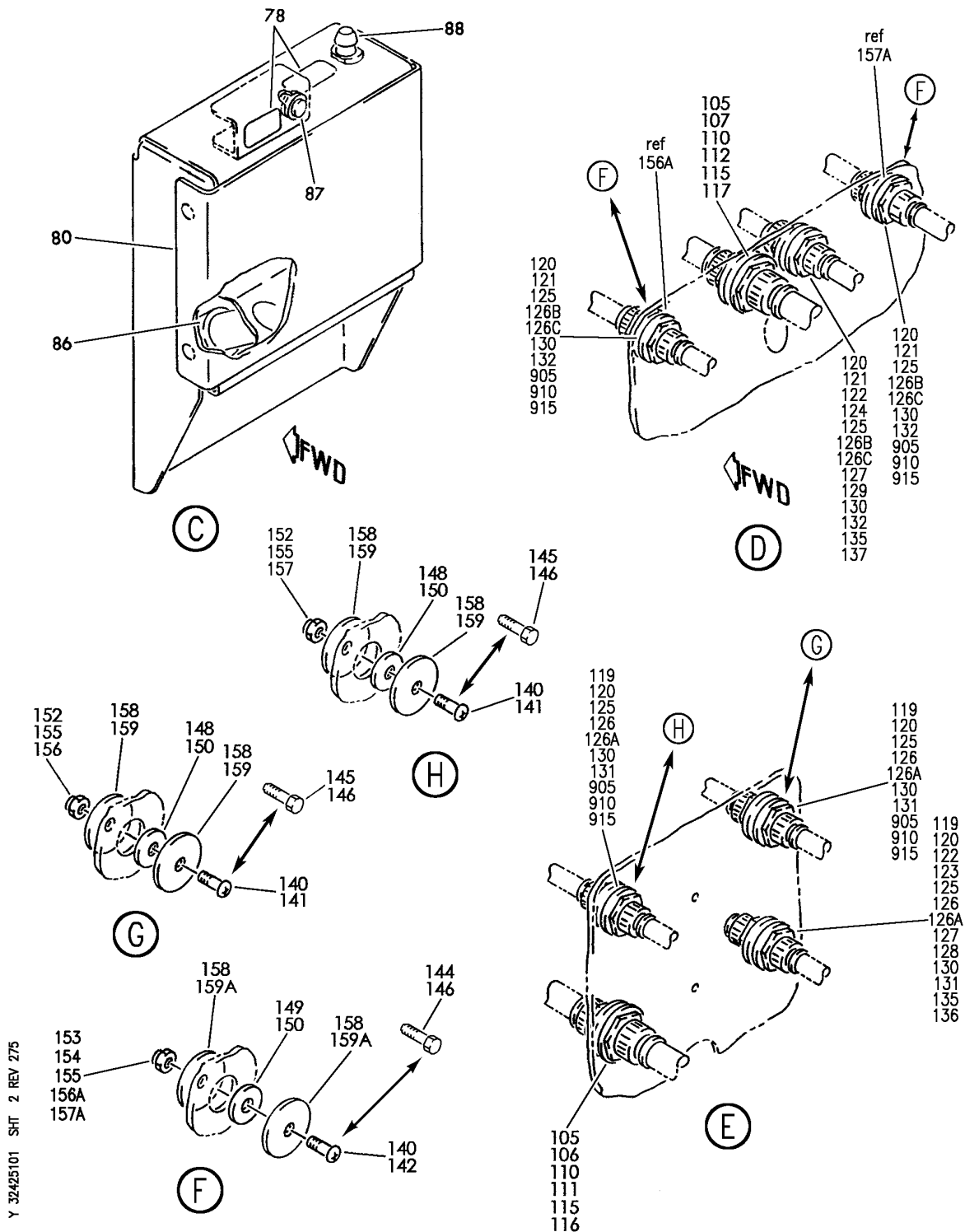
**32-42-51-01**

BRI  
SEP 20/08

32-42-51-01  
PAGE 0



**BOEING**  
757  
PARTS CATALOG (MAINTENANCE)



Y 32425101 SHT 2 REV 275

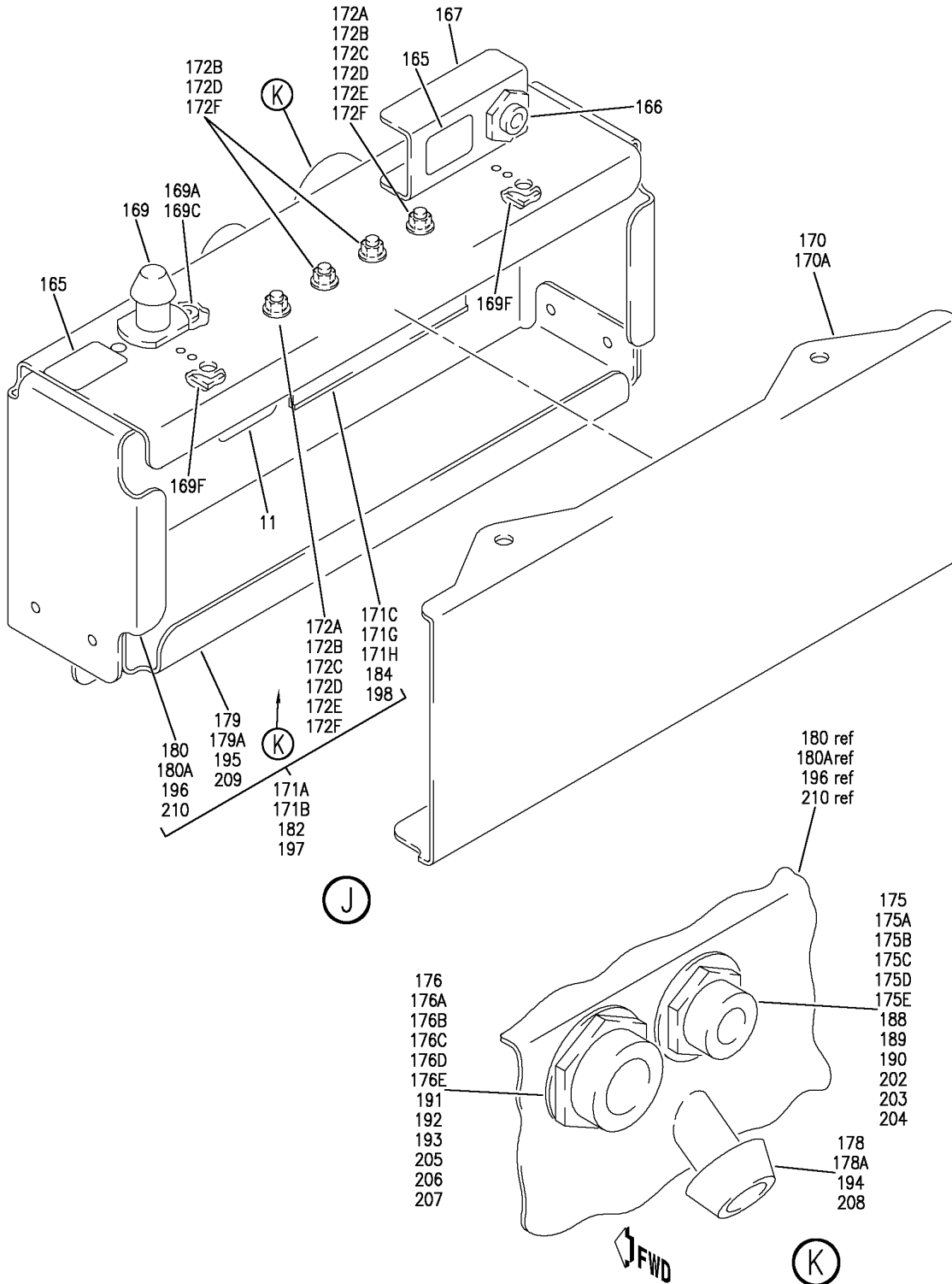
HARNESS INSTL-MLG ELEC (ANTISKID/AUTOBRAKE SYSTEM)  
FIGURE 1 (SHEET 2)

**32-42-51-01**

BRI  
MAY 28/07

32-42-51-01  
PAGE 0A

**BOEING**  
757  
**PARTS CATALOG (MAINTENANCE)**



Y 32425101\_SHT\_3\_REV\_327

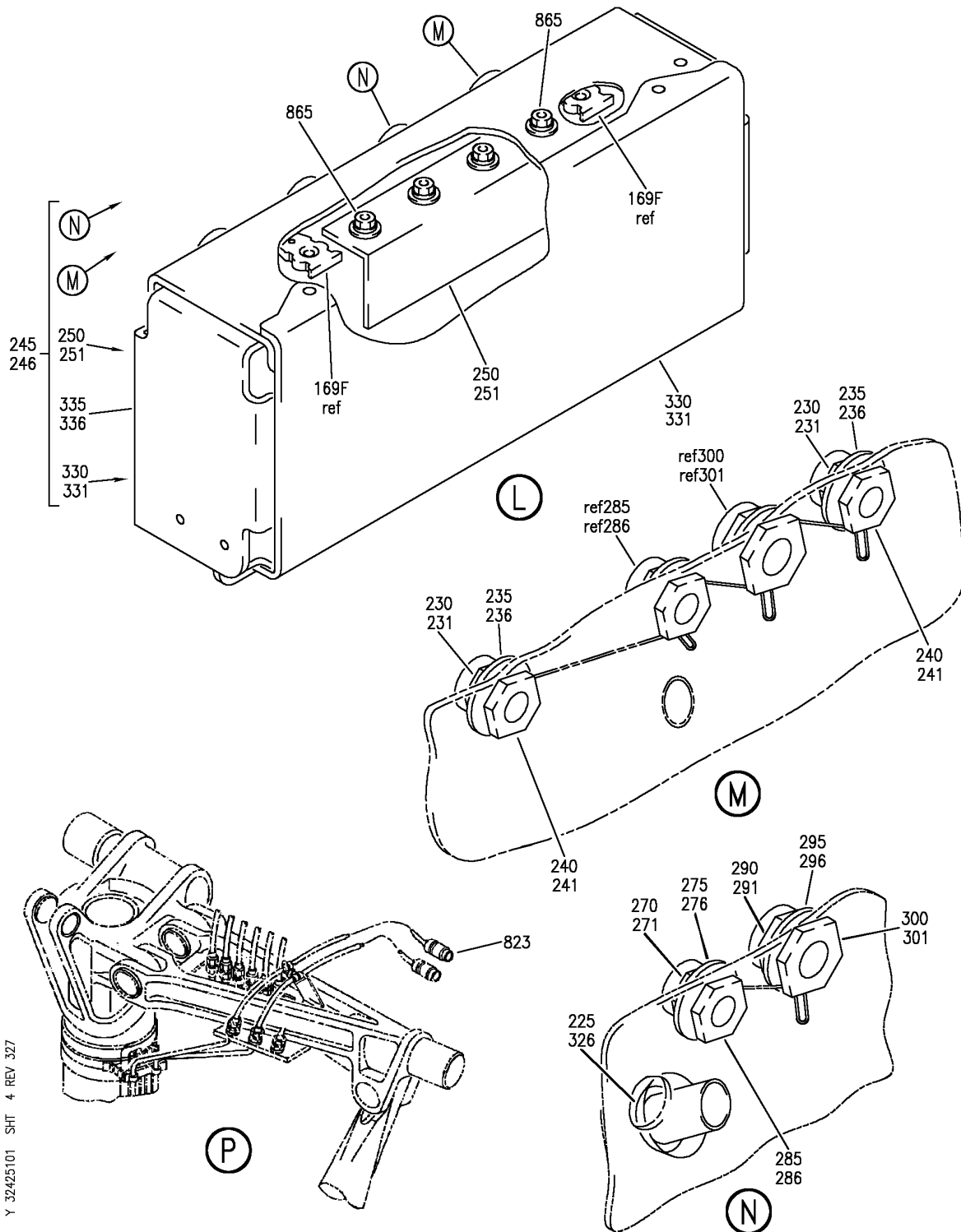
HARNESS INSTL-MLG ELEC (ANTISKID/AUTOBRAKE SYSTEM)  
FIGURE 1 (SHEET 3)

**32-42-51-01**

BRI  
SEP 20/08

32-42-51-01  
PAGE 0B

**BOEING**  
757  
PARTS CATALOG (MAINTENANCE)



Y 32425101 SHT 4 REV 327

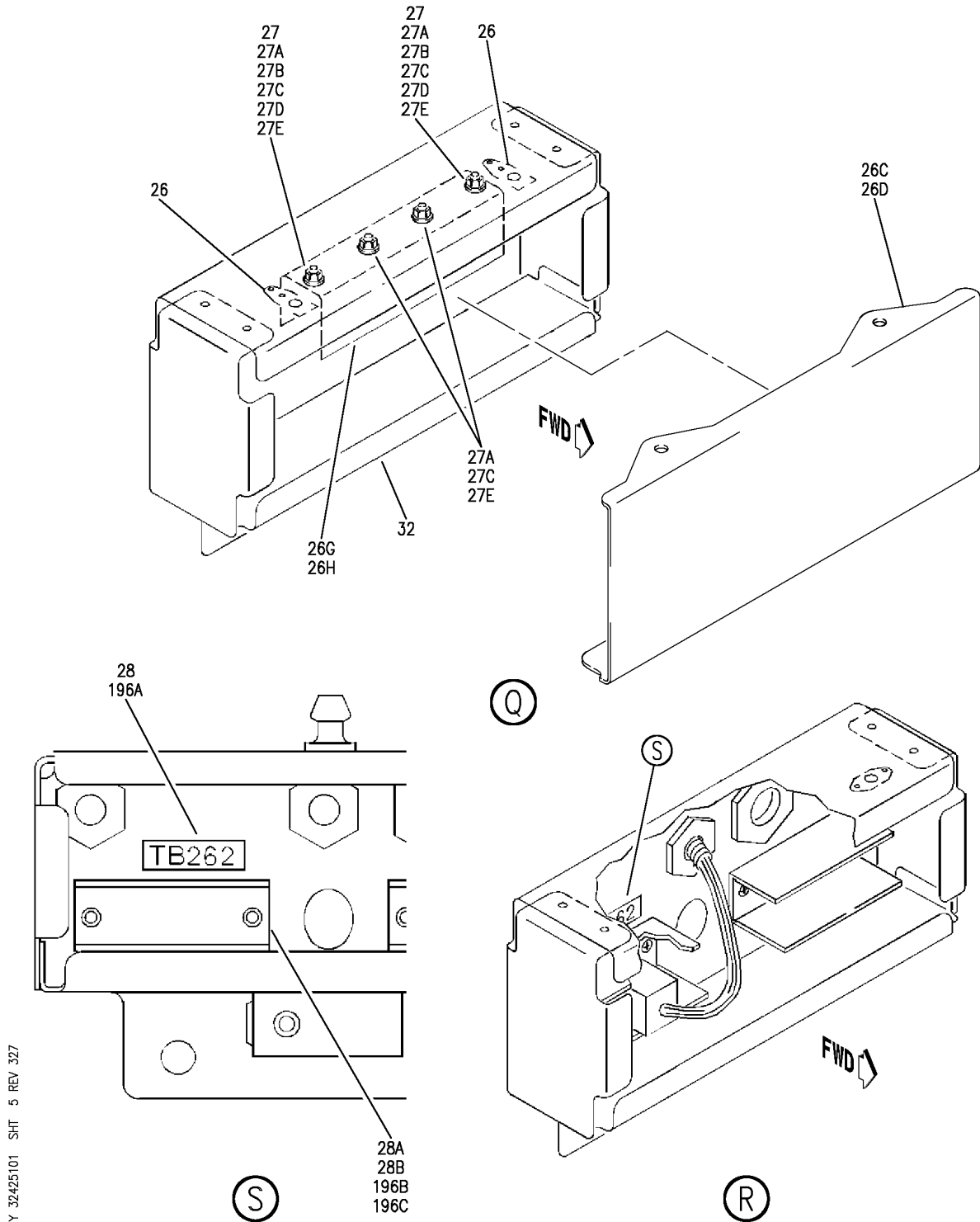
HARNESS INSTL-MLG ELEC (ANTISKID/AUTOBRAKE SYSTEM)  
FIGURE 1 (SHEET 4)

**32-42-51-01**

BRI  
SEP 20/08

32-42-51-01  
PAGE 0C

**BOEING**  
757  
PARTS CATALOG (MAINTENANCE)



Y 32425101 SHT 5 REV 327

HARNESS INSTL-MLG ELEC (ANTISKID/AUTOBRAKE SYSTEM)  
FIGURE 1 (SHEET 5)

**32-42-51-01**

BRI  
SEP 20/08

32-42-51-01  
PAGE 0D



757

PARTS CATALOG (MAINTENANCE)

FIG ITEM	PART NUMBER	1 2 3 4 5 6 7	NOMENCLATURE	EFFECT FROM TO	UNITS PER ASSY
1			HARNESS INSTL-MLG ELEC (ANTISKID/AUTOBRAKE SYSTEM)	002004 006100 107107 121503 904999	
- 1	287N6100-89		HARNESS INSTL-MLG ELEC ANTISKID/AUTOBRAKE SYSTEM POSITION DATA: L FOR NHA/OTHER SYS DET SEE: 24-00-60-01	107107	RF
- 1	287N6100-107		HARNESS INSTL-MLG ELEC ANTISKID/AUTOBRAKE SYSTEM POSITION DATA: L FOR NHA/OTHER SYS DET SEE: 24-00-60-01	904949	RF
- 1	287N6100-113		HARNESS INSTL-MLG ELEC ANTISKID/AUTOBRAKE SYSTEM POSITION DATA: L REWORK DRAWING REF: 012N8940-1 REWORKED BY SB: 32-0121 FOR NHA/OTHER SYS DET SEE: 24-00-60-01	002004 006100 121503 950999	RF
- 5	287N6100-90		HARNESS INSTL-MLG ELEC ANTISKID/AUTOBRAKE SYSTEM POSITION DATA: R FOR NHA/OTHER SYS DET SEE: 24-00-60-01	107107	RF
- 5	287N6100-108		HARNESS INSTL-MLG ELEC ANTISKID/AUTOBRAKE SYSTEM POSITION DATA: R FOR NHA/OTHER SYS DET SEE: 24-00-60-01	904949	RF
- 5	287N6100-114		HARNESS INSTL-MLG ELEC ANTISKID/AUTOBRAKE SYSTEM POSITION DATA: R REWORK DRAWING REF: 012N8940-1 REWORKED BY SB: 32-0121 FOR NHA/OTHER SYS DET SEE: 24-00-60-01	002004 006100 121503 950999	RF

MISSING ITEM NUMBERS NOT APPLICABLE

- ITEM NOT ILLUSTRATED

32-42-51-01

32-42-51  
FIG. 01  
PAGE 1  
JAN 20/09

BRI



757

PARTS CATALOG (MAINTENANCE)

FIG ITEM	PART NUMBER	1 2 3 4 5 6 7	NOMENCLATURE	EFFECT FROM TO	UNITS PER ASSY
1					
10	BAC27NEL1009	.DECAL-	POSITION DATA: LH SIDE (FWD)	002004 006100 107107	1
			PLACARD CONTENT: TB0209	121503 904999	
			PRE SERVICE BULLETIN: 32-0121		
11	BAC27NEL1009	.DECAL-	POSITION DATA: LH SIDE (FWD)	002004 006100 904949	1
			PLACARD CONTENT: TB0209		
			POST SERVICE BULLETIN: 32-0121		
- 15	BAC27NEL1011	.DECAL-	POSITION DATA: RH SIDE (FWD)	002004 006100 107107	1
			PLACARD CONTENT: TB0211	121503 904999	
			PRE SERVICE BULLETIN: 32-0121		
- 16	BAC27NEL1010	.DECAL-	POSITION DATA: RH SIDE (FWD)	002004 006100 904949	1
			PLACARD CONTENT: TB0210		
			POST SERVICE BULLETIN: 32-0121		
20	BAC27NEL1010	.DECAL-	POSITION DATA: LH SIDE (AFT)	002004 006100 107107	1
			PLACARD CONTENT: TB0210	121503 904999	
- 25	BAC27NEL1012	.DECAL-	POSITION DATA: RH SIDE (AFT)	002004 006100 107107	1
			PLACARD CONTENT: TB0212	121503 904999	
30	287N6103-185	.BOX ASSY-JCT	POSITION DATA: LH SIDE	904949	1
30	287N6103-201	.BOX ASSY-JCT	POSITION DATA: LH SIDE	121503	1
30	287N6103-185	.BOX ASSY-JCT	PRE SERVICE BULLETIN: 32-0121	107107	1

MISSING ITEM NUMBERS NOT APPLICABLE

- ITEM NOT ILLUSTRATED

32-42-51-01

32-42-51  
FIG. 01  
PAGE 2  
JAN 20/09

BRI



757

PARTS CATALOG (MAINTENANCE)

FIG ITEM	PART NUMBER	1 2 3 4 5 6 7	NOMENCLATURE	EFFECT FROM TO	UNITS PER ASSY
1					
30	287N6103-201		.BOX ASSY-JCT PRE SERVICE BULLETIN: 32-0121	002004 006100 950999	1
31	287N6103-185		.BOX ASSY-JCT POSITION DATA: RH SIDE PRE ALERT SB: 27A0130R2	904949	1
31	287N6103-201		.BOX ASSY-JCT POSITION DATA: RH SIDE PRE ALERT SB: 27A0130R2	121503	1
40	287N6103-202		..STRIP-RUB	002004 006100 950999	1
40	287N6103-202		..STRIP-RUB POSITION DATA: LH SIDE	121503	1
41	287N6103-202		..STRIP-RUB POSITION DATA: RH SIDE ATTACHING PARTS	121503	1
- 43	NAS514P1032-9		..SCREW-	002004 006100 950999	3
- 43	NAS514P1032-9		..SCREW- POSITION DATA: LH SIDE	121503	3
- 44	NAS514P1032-9		..SCREW- POSITION DATA: RH SIDE	121503	3
45	287N6103-97		-----*----- ..BRACKET-	002004 006100 107107 950999	1
- 47	NAS1801-3-6		ATTACHING PARTS ..SCREW	002004 006100 107107 950999	4
- 47	NAS1801-3-6		..SCREW- POSITION DATA: LH SIDE	121503 904949	4
- 48	NAS1801-3-6		..SCREW- POSITION DATA: RH SIDE -----*-----	121503 904949	4

MISSING ITEM NUMBERS NOT APPLICABLE

- ITEM NOT ILLUSTRATED

BRI

32-42-51-01

32-42-51  
FIG. 01  
PAGE 3  
JAN 20/09

**BOEING**  
757  
**PARTS CATALOG (MAINTENANCE)**

FIG ITEM	PART NUMBER	1 2 3 4 5 6 7	NOMENCLATURE	EFFECT FROM TO	UNITS PER ASSY
1	52 287N6103-92	..	GASKET	002004 006100 107107 950999	1
	52 287N6103-92	..	GASKET- POSITION DATA: LH SIDE	121503 904949	1
	53 287N6103-92	..	GASKET- POSITION DATA: RH SIDE	121503 904949	1
	65 287N6103-148	.BOX	ASSY-JCT	002004 006100 107107 121503 904999	1
	78 BACM10G10-5AV	..	DECAL- PLACARD CONTENT: GROUND HERE OPTIONAL PART: BAC27NEX2851	002004 006100 107107 121503 904999	2
	78 BAC27NEX2851	..	DECAL- PLACARD CONTENT: GROUND HERE OPTIONAL PART: BACM10G10-5AV	002004 006100 107107 121503 904999	2
	80 287N6103-94	..	BRACKET-	002004 006100 107107 121503 904999	1
-	83 NAS603-6	..	ATTACHING PARTS SCREW-	002004 006100 107107 121503 904999	4
-	83 NAS1801-3-6	..	SCREW-	002004 006100 107107 121503 904999	4
	84 NAS1149D0363J	..	-----*----- WASHER- POSITION DATA: RH SIDE POST ALERT SB: 27A0130R2	002004 006100 107107 121503 904999	4

MISSING ITEM NUMBERS NOT APPLICABLE

- ITEM NOT ILLUSTRATED

BRI

# 32-42-51-01

BOEING PROPRIETARY - Copyright © - Unpublished Work - See title page for details.

32-42-51  
FIG. 01  
PAGE 4  
JAN 20/09



 **BOEING**  
757  
**PARTS CATALOG (MAINTENANCE)**

FIG ITEM	PART NUMBER	1 2 3 4 5 6 7	NOMENCLATURE	EFFECT FROM TO	UNITS PER ASSY
1			ATTACHING PARTS		
- 85	130069		..NUT SUPPLIER CODE: V60119 SPECIFICATION NUMBER: BACN10FX16 OPTIONAL PART: A11330-6-3 V72962 A4972-6-02 V72962 A4972-6-02 V72962 -----*-----	002004 006100 107107 121503 904999	4
86	287N6103-92		..GASKET	002004 006100 107107 121503 904999	1
87	MS90298-2		..CONNECTOR	002004 006100 107107 121503 904999	1
88	66-18544-2		..TERMINAL	002004 006100 107107 121503 904999	1
90	MRTBL4		.RAIL ASSY- SUPPLIER CODE: V14283	107107 950999	2
91	MRTBL4		.RAIL ASSY- SUPPLIER CODE: V14283	002004 006100 121503 904949	1
92	MRTBL4		.RAIL ASSY- SUPPLIER CODE: V14283 PRE SERVICE BULLETIN: 32-0121	002004 006100	1
92	MRTBL4		.RAIL ASSY- SUPPLIER CODE: V14283 POSITION DATA: LH SIDE PRE SERVICE BULLETIN: 32-0121	121503 904949	1

MISSING ITEM NUMBERS NOT APPLICABLE

- ITEM NOT ILLUSTRATED

BRI

# 32-42-51-01

BOEING PROPRIETARY - Copyright © - Unpublished Work - See title page for details.

32-42-51  
FIG. 01  
PAGE 5  
JAN 20/09



757

PARTS CATALOG (MAINTENANCE)

FIG ITEM	PART NUMBER	1 2 3 4 5 6 7	NOMENCLATURE	EFFECT FROM TO	UNITS PER ASSY
1	93 MRTBL4		.RAIL ASSY- SUPPLIER CODE: V14283 POSITION DATA: RH SIDE PRE SERVICE BULLETIN: 32-0121 PRE ALERT SB: 27A0130R2 ATTACHING PARTS	121503 904949	1
- 95	MS84693C27		.SCREW-	002004 006100 107107 950999	4
- 96	MS84693C27		.SCREW-	121503 904949	2
- 97	MS84693C27		.SCREW- POSITION DATA: LH SIDE	121503 904949	2
- 98	MS84693C27		.SCREW- POSITION DATA: RH SIDE PRE ALERT SB: 27A0130R2	121503 904949	2
- 100	MS21042L06		.NUT-	002004 006100 107107 950999	4
- 101	MS21042L06		.NUT-	121503 904949	2
- 102	MS21042L06		.NUT- POSITION DATA: LH SIDE	121503 904949	2
- 103	MS21042L06		.NUT- POSITION DATA: RH SIDE PRE ALERT SB: 27A0130R2	121503 904949	2
105	186030FS60K3K		-----*----- .LOCKNUT- SUPPLIER CODE: V30463 OPTIONAL PART: 186030FS60K3 V30463	107107 121503 950999	2

MISSING ITEM NUMBERS NOT APPLICABLE

- ITEM NOT ILLUSTRATED

32-42-51-01

32-42-51  
FIG. 01  
PAGE 6  
JAN 20/09

BRI



757

PARTS CATALOG (MAINTENANCE)

FIG ITEM	PART NUMBER	1 2 3 4 5 6 7	NOMENCLATURE	EFFECT FROM TO	UNITS PER ASSY
1					
105	186030FS60K3		. LOCKNUT- SUPPLIER CODE: V30463 OPTIONAL PART: 186030FS60K3K V30463	107107 121503 950999	2
106	186030FS60K3K		. LOCKNUT- SUPPLIER CODE: V30463 OPTIONAL PART: 186030FS60K3 V30463	002004 006100 904949	1
106	186030FS60K3		. LOCKNUT- SUPPLIER CODE: V30463 OPTIONAL PART: 186030FS60K3K V30463	002004 006100 904949	1
107	186030FS60K3K		. LOCKNUT- SUPPLIER CODE: V30463 OPTIONAL PART: 186030FS60K3 V30463 PRE SERVICE BULLETIN: 32-0121	002004 006100 904949	1
107	186030FS60K3		. LOCKNUT- SUPPLIER CODE: V30463 OPTIONAL PART: 186030FS60K3K V30463 PRE SERVICE BULLETIN: 32-0121	002004 006100 904949	1
110	188197FS60K3J		. CONNECTOR- SUPPLIER CODE: V30463 OPTIONAL PART: 188197FS60K3 V30463	107107 121503 950999	2
110	188197FS60K3		. CONNECTOR- SUPPLIER CODE: V30463 OPTIONAL PART: 188197FS60K3J V30463	107107 121503 950999	2

MISSING ITEM NUMBERS NOT APPLICABLE

- ITEM NOT ILLUSTRATED

32-42-51-01

32-42-51  
FIG. 01  
PAGE 7  
JAN 20/09

BRI

BOEING PROPRIETARY - Copyright © - Unpublished Work - See title page for details.



757

PARTS CATALOG (MAINTENANCE)

FIG ITEM	PART NUMBER	1 2 3 4 5 6 7	NOMENCLATURE	EFFECT FROM TO	UNITS PER ASSY
1					
111	188197FS60K3J		.CONNECTOR- SUPPLIER CODE: V30463 OPTIONAL PART: 188197FS60K3 V30463	002004 006100 904949	1
111	188197FS60K3		.CONNECTOR- SUPPLIER CODE: V30463 OPTIONAL PART: 188197FS60K3J V30463	002004 006100 904949	1
112	188197FS60K3J		.CONNECTOR- SUPPLIER CODE: V30463 OPTIONAL PART: 188197FS60K3 V30463 PRE SERVICE BULLETIN: 32-0121	002004 006100 904949	1
112	188197FS60K3		.CONNECTOR- SUPPLIER CODE: V30463 OPTIONAL PART: 188197FS60K3J V30463 PRE SERVICE BULLETIN: 32-0121	002004 006100 904949	1
115	BACW10P187AL		.WASHER-	107107 121503 950999	2
116	BACW10P187AL		.WASHER-	002004 006100 904949	1
117	BACW10P187AL		.WASHER- PRE SERVICE BULLETIN: 32-0121	002004 006100 904949	1
122	186028FS60K3K		.LOCKNUT- SUPPLIER CODE: V30463 OPTIONAL PART: 186028FS60K3 V30463	107107 121503 950999	2
122	186028FS60K3		.LOCKNUT- SUPPLIER CODE: V30463 OPTIONAL PART: 186028FS60K3K V30463	107107 121503 950999	2

MISSING ITEM NUMBERS NOT APPLICABLE

- ITEM NOT ILLUSTRATED

32-42-51-01

32-42-51  
FIG. 01  
PAGE 8  
JAN 20/09

BRI

BOEING PROPRIETARY - Copyright © - Unpublished Work - See title page for details.



757

PARTS CATALOG (MAINTENANCE)

FIG ITEM	PART NUMBER	1 2 3 4 5 6 7	NOMENCLATURE	EFFECT FROM TO	UNITS PER ASSY
1					
123	186028FS60K3K		. LOCKNUT- SUPPLIER CODE: V30463 OPTIONAL PART: 186028FS60K3 V30463	002004 006100 904949	1
123	186028FS60K3		. LOCKNUT- SUPPLIER CODE: V30463 OPTIONAL PART: 186028FS60K3K V30463	002004 006100 904949	1
124	186028FS60K3K		. LOCKNUT- SUPPLIER CODE: V30463 OPTIONAL PART: 186028FS60K3 V30463 PRE SERVICE BULLETIN: 32-0121	002004 006100 904949	1
124	186028FS60K3		. LOCKNUT- SUPPLIER CODE: V30463 OPTIONAL PART: 186028FS60K3K V30463 PRE SERVICE BULLETIN: 32-0121	002004 006100 904949	1
127	188195FS60K3J		. CONNECTOR- SUPPLIER CODE: V30463 OPTIONAL PART: 188195FS60K3 V30463	107107 121503 950999	2
127	188195FS60K3		. CONNECTOR- SUPPLIER CODE: V30463 OPTIONAL PART: 188195FS60K3J V30463	107107 121503 950999	2
128	188195FS60K3J		. CONNECTOR- SUPPLIER CODE: V30463 OPTIONAL PART: 188195FS60K3 V30463	002004 006100 904949	1

MISSING ITEM NUMBERS NOT APPLICABLE

- ITEM NOT ILLUSTRATED

32-42-51-01

32-42-51  
FIG. 01  
PAGE 9  
JAN 20/09

BRI

BOEING PROPRIETARY - Copyright © - Unpublished Work - See title page for details.



757

PARTS CATALOG (MAINTENANCE)

FIG ITEM	PART NUMBER	1 2 3 4 5 6 7	NOMENCLATURE	EFFECT FROM TO	UNITS PER ASSY
1					
128	188195FS60K3	.	CONNECTOR- SUPPLIER CODE: V30463 OPTIONAL PART: 188195FS60K3J V30463	002004 006100 904949	1
129	188195FS60K3J	.	CONNECTOR- SUPPLIER CODE: V30463 OPTIONAL PART: 188195FS60K3 V30463 PRE SERVICE BULLETIN: 32-0121	002004 006100 904949	1
129	188195FS60K3	.	CONNECTOR- SUPPLIER CODE: V30463 OPTIONAL PART: 188195FS60K3J V30463 PRE SERVICE BULLETIN: 32-0121	002004 006100 904949	1
135	AN960JD1416L	.	WASHER	107107 121503 950999	2
136	AN960JD1416L	.	WASHER	002004 006100 904949	1
137	AN960JD1416L	.	WASHER- PRE SERVICE BULLETIN: 32-0121	002004 006100 904949	1
146	NAS1801-3D9	.	BOLT-	002004 006100 121503 950999	4
153	MS21042L3	.	NUT-	002004 006100 121503 950999	2
155	MS21042L3	.	NUT-	107107	4
156	NAS509-3	.	NUT	002004 006100 121503 950999	1
157	MS21042L3	.	NUT	002004 006100 121503 950999	1

MISSING ITEM NUMBERS NOT APPLICABLE

- ITEM NOT ILLUSTRATED

32-42-51-01

32-42-51  
FIG. 01  
PAGE 10  
JAN 20/09

BRI

BOEING PROPRIETARY - Copyright © - Unpublished Work - See title page for details.



757

PARTS CATALOG (MAINTENANCE)

FIG ITEM	PART NUMBER	1 2 3 4 5 6 7	NOMENCLATURE	EFFECT FROM TO	UNITS PER ASSY
1					
158	287N6103-71	.	COVER-PLATE	107107 950951 953999	8
159	287N6103-71	.	COVER-PLATE	006100	4
159A	287N6103-71	.	COVER-PLATE PRE SERVICE BULLETIN: 32-0121	006100	4
160	287N6100-30	.	TUBE-INSULATING	002004 006100 107107 121503 904999	4
169F	BRF100C3D	.	NUTPLATE- SUPPLIER CODE: V52828 SPECIFICATION NUMBER: BACN10KB3CFD OPTIONAL PART: NS202478-02 V80539 102F9207P3 V72962 F51604-3 V15653 POSITION DATA: RH POST ALERT SB: 27A0130	121503 904949	2
-169G	MS20427M3C3	.	RIVET- POSITION DATA: RH SERVICE BULLETIN OPT DATA: BACR15DR3A3	121503 904949	4
-169H	AF5141-3-3	.	RIVET- SUPPLIER CODE: V53551 SPECIFICATION NUMBER: BACR15DR3A3 OPTIONAL PART: RV541A3-3 V98996 CCR264CS3-3TT V11815 POSITION DATA: RH SERVICE BULLETIN OPT DATA: MS20427M3C3 -----*-----	121503 904949	4

MISSING ITEM NUMBERS NOT APPLICABLE

- ITEM NOT ILLUSTRATED

32-42-51-01

32-42-51  
FIG. 01  
PAGE 11  
JAN 20/09

BRI



757

PARTS CATALOG (MAINTENANCE)

FIG ITEM	PART NUMBER	1 2 3 4 5 6 7	NOMENCLATURE	EFFECT FROM TO	UNITS PER ASSY
1					
170	287N6103-228		.COVER-JCT BOX POSITION DATA: FWD POST SERVICE BULLETIN: 32-0121	002004 006100 904949	1
170A	287N6103-97		.BRACKET- POSITION DATA: RH SIDE POST ALERT SB: 27A0130R2 ATTACHING PARTS	121503	1
-170C	NAS1801-3-7		.SCREW- POST SERVICE BULLETIN: 32-0121	002004 006100 904949	4
-170D	NAS1801-3-7		.SCREW- POSITION DATA: LH SIDE POST SERVICE BULLETIN: 32-0121	904949	4
-170E	NAS1801-3-7		.SCREW- POSITION DATA: RH SIDE POST SERVICE BULLETIN: 32-0121 PRE ALERT SB: 27A0130R2	904949	4
-170F	NAS1801-3-6		.SCREW- POSITION DATA: RH SIDE POST SERVICE BULLETIN: 32-0121 POST ALERT SB: 27A0130R2	121503 904949	4
-170G	NAS1149D0363J		.WASHER- POST SERVICE BULLETIN: 32-0121	002004 006100 904949	4
-170H	NAS1149D0363J		.WASHER- POSITION DATA: RH SIDE POST SERVICE BULLETIN: 32-0121 POST ALERT SB: 27A0130R2 -----*-----	121503 904949	4
171A	287N6103-221		.BOX ASSY-JCT POST SERVICE BULLETIN: 32-0121	002004 006100	1

MISSING ITEM NUMBERS NOT APPLICABLE

- ITEM NOT ILLUSTRATED

32-42-51-01

32-42-51  
FIG. 01  
PAGE 12  
JAN 20/09

BRI





757

PARTS CATALOG (MAINTENANCE)

FIG ITEM	PART NUMBER	1 2 3 4 5 6 7	NOMENCLATURE	EFFECT FROM TO	UNITS PER ASSY
1					
171B	287N6103-252	.BOX-JCT	POSITION DATA: RH FWD POST ALERT SB: 27A0130	121503 904949	1
171C	MRTBL4	..RAIL ASSY-	SUPPLIER CODE: V14283 ATTACHING PARTS	002004 006100	1
-171D	MS24693C27	..SCREW-		002004 006100	2
-171E	NAS1149CN816R	..WASHER-		002004 006100	2
-171F	PLH506CD	..NUT-	SUPPLIER CODE: VF0224 SPECIFICATION NUMBER: BACN10YR06CD OPTIONAL PART: H52732-06CD V15653 -----*-----	002004 006100	2
171G	M81714-5-7	..TERMINAL-	SERVICE BULLETIN OPT DATA: M817145-7	121503 904949	1
171H	M817145-7	..TERMINAL-	SERVICE BULLETIN OPT DATA: M81714-5-7 ATTACHING PARTS	121503 904949	1
172A	MS24693C27	..SCREW		121503 904949	2
172B	MS24693C27	..SCREW		121503 904949	4
172C	NAS1149CN816R	..WASHER-		121503 904949	2
172D	NAS1149CN816R	..WASHER		121503 904949	4
172E	PLH506CD	..NUT-	SUPPLIER CODE: VF0224 SPECIFICATION NUMBER: BACN10YR06CD OPTIONAL PART: H52732-06CD V15653	121503 904949	2

MISSING ITEM NUMBERS NOT APPLICABLE

- ITEM NOT ILLUSTRATED

BRI

32-42-51-01

BOEING PROPRIETARY - Copyright © - Unpublished Work - See title page for details.

32-42-51  
FIG. 01  
PAGE 13  
JAN 20/09



757

PARTS CATALOG (MAINTENANCE)

FIG ITEM	PART NUMBER	1 2 3 4 5 6 7	NOMENCLATURE	EFFECT FROM TO	UNITS PER ASSY
1 172 F	PLH506CD		.. NUT SUPPLIER CODE: VF0224 SPECIFICATION NUMBER: BACN10YR06CD OPTIONAL PART: H52732-06CD V15653 -----*-----	121503 904949	4
175	186028FS60K3		.. LOCKNUT- SUPPLIER CODE: V30463	002004 006100	1
175 A	188195FS60K3		.. CONNECTOR-J-BOX SUPPLIER CODE: V30463	002004 006100	1
175 B	NAS1149C1416R		.. WASHER	002004 006100	1
175 C	S4630-14LWS30S		.. LOCKNUT- SUPPLIER CODE: V07418 POSITION DATA: RH SIDE	121503 904949	1
175 D	S4627-14		.. CONNECTOR-J-BOX SUPPLIER CODE: V07418 POSITION DATA: RH SIDE	121503 904949	1
175 E	NAS1149C1416R		.. WASHER- POSITION DATA: RH SIDE	121503 904949	1
176	186030FS60K3		.. LOCKNUT- SUPPLIER CODE: V30463	002004 006100	1
176 A	188197FS60K3		.. CONNECTOR-J-BOX SUPPLIER CODE: V30463	002004 006100	1
176 B	BACW10P65AL		.. WASHER	002004 006100	1
176 C	S4630-19LW		.. LOCKNUT- SUPPLIER CODE: V07418 POSITION DATA: RH SIDE	121503 904949	1
176 D	S4627-19		.. CONNECTOR- SUPPLIER CODE: V07418 POSITION DATA: RH SIDE	121503 904949	1

MISSING ITEM NUMBERS NOT APPLICABLE

- ITEM NOT ILLUSTRATED

32-42-51-01

32-42-51  
FIG. 01  
PAGE 14  
JAN 20/09

BRI

BOEING PROPRIETARY - Copyright © - Unpublished Work - See title page for details.



757

PARTS CATALOG (MAINTENANCE)

FIG ITEM	PART NUMBER	1 2 3 4 5 6 7	NOMENCLATURE	EFFECT FROM TO	UNITS PER ASSY
1					
176E	BACW10P65AL		.. WASHER- POSITION DATA: RH SIDE	121503 904949	1
178	287N6103-92		.. GASKET	002004 006100	1
178A	287N6103-92		.. GASKET- POSITION DATA: RH SIDE	121503 904949	1
179	287N6103-119		.. BRACKET ASSY	002004 006100	1
179A	287N6103-119		.. BRACKET ASSY- POSITION DATA: RH SIDE	121503 904949	1
180	287N6103-223		.. WELD ASSY	002004 006100	1
180A	287N6103-251		.. WELD ASSY- POSITION DATA: RH SIDE	121503 904949	1
220	287N6103-222		.BOX ASSY-JCT POSITION DATA: LH FWD POST SERVICE BULLETIN: 32-0121	904949	1
- 225	287N6103-222		.BOX ASSY-JCT POSITION DATA: RH FWD POST SERVICE BULLETIN: 32-0121 PRE ALERT SB: 27A0130	904949	1
230	186028FS60K3		.. LOCKNUT- SUPPLIER CODE: V30463 POSITION DATA: LH	904949	2
231	186028FS60K3		.. LOCKNUT- SUPPLIER CODE: V30463 POSITION DATA: RH	904949	2
235	NAS1149C1416R		.. WASHER- POSITION DATA: LH	904949	2
236	NAS1149C1416R		.. WASHER- POSITION DATA: RH	904949	2

MISSING ITEM NUMBERS NOT APPLICABLE

- ITEM NOT ILLUSTRATED

32-42-51-01

32-42-51  
FIG. 01  
PAGE 15  
JAN 20/09

BRI



757

PARTS CATALOG (MAINTENANCE)

FIG ITEM	PART NUMBER	1 2 3 4 5 6 7	NOMENCLATURE	EFFECT FROM TO	UNITS PER ASSY
1					
240	188195FS60K3	..	CONNECTOR-J-BOX SUPPLIER CODE: V30463 POSITION DATA: LH	904949	2
241	188195FS60K3	..	CONNECTOR-J-BOX SUPPLIER CODE: V30463 POSITION DATA: RH	904949	2
245	287N6103-221	..	BOX ASSY- POSITION DATA: LH	904949	1
246	287N6103-221	..	BOX ASSY- POSITION DATA: RH	904949	1
250	MRTBL4	...	RAIL ASSY- SUPPLIER CODE: V14283 POSITION DATA: LH	904949	1
251	MRTBL4	...	RAIL ASSY- SUPPLIER CODE: V14283 POSITION DATA: RH	904949	1
- 255	MS24693C27	...	SCREW- POSITION DATA: LH	904949	2
- 256	MS24693C27	...	SCREW- POSITION DATA: RH	904949	2
- 260	NAS1149CN816R	...	WASHER- POSITION DATA: LH	904949	2
- 261	NAS1149CN816R	...	WASHER- POSITION DATA: RH	904949	2
- 265	PLH506CD	...	NUT- SUPPLIER CODE: VFO224 SPECIFICATION NUMBER: BACN10YR06CD OPTIONAL PART: H52732-06CD V15653 POSITION DATA: LH	904949	2

MISSING ITEM NUMBERS NOT APPLICABLE

- ITEM NOT ILLUSTRATED

32-42-51-01

32-42-51  
FIG. 01  
PAGE 16  
JAN 20/09

BRI



757

PARTS CATALOG (MAINTENANCE)

FIG ITEM	PART NUMBER	1 2 3 4 5 6 7	NOMENCLATURE	EFFECT FROM TO	UNITS PER ASSY
1 - 266	PLH506CD		...NUT- SUPPLIER CODE: VFO224 SPECIFICATION NUMBER: BACN10YR06CD OPTIONAL PART: H52732-06CD V15653 POSITION DATA: RH	904949	2
270	186028FS60K3		-----*----- ...LOCKNUT- SUPPLIER CODE: V30463 POSITION DATA: LH	904949	1
271	186028FS60K3		...LOCKNUT- SUPPLIER CODE: V30463 POSITION DATA: RH	904949	1
275	NAS1149C1416R		...WASHER- POSITION DATA: LH	904949	1
276	NAS1149C1416R		...WASHER- POSITION DATA: RH	904949	1
285	188195FS60K3		...CONNECTOR-J-BOX SUPPLIER CODE: V30463 POSITION DATA: LH	904949	1
286	188195FS60K3		...CONNECTOR-J-BOX SUPPLIER CODE: V30463 POSITION DATA: RH	904949	1
290	186030FS60K3		...LOCKNUT- SUPPLIER CODE: V30463 POSITION DATA: LH	904949	1
291	186030FS60K3		...LOCKNUT- SUPPLIER CODE: V30463 POSITION DATA: RH	904949	1

MISSING ITEM NUMBERS NOT APPLICABLE

- ITEM NOT ILLUSTRATED

32-42-51-01

32-42-51  
FIG. 01  
PAGE 17  
JAN 20/09

BRI

BOEING PROPRIETARY - Copyright © - Unpublished Work - See title page for details.



757

PARTS CATALOG (MAINTENANCE)

FIG ITEM	PART NUMBER	1 2 3 4 5 6 7	NOMENCLATURE	EFFECT FROM TO	UNITS PER ASSY
1					
295	BACW10P65AL	...	WASHER- POSITION DATA: LH	904949	1
296	BACW10P65AL	...	WASHER- POSITION DATA: RH	904949	1
300	188197FS60K3	...	CONNECTOR-J-BOX SUPPLIER CODE: V30463 POSITION DATA: LH	904949	1
301	188197FS60K3	...	CONNECTOR-J-BOX SUPPLIER CODE: V30463 POSITION DATA: RH	904949	1
325	287N6103-92	...	GASKET- POSITION DATA: LH	904949	1
326	287N6103-92	...	GASKET- POSITION DATA: RH	904949	1
330	287N6103-119	...	BRACKET ASSY	904949	1
331	287N6103-119	...	BRACKET ASSY- POSITION DATA: RH	904949	1
335	287N6103-223	...	WELD ASSY	904949	1
336	287N6103-223	...	WELD ASSY- POSITION DATA: RH	904949	1
- 800	286N3010-012	.	WIRE BUNDLE ASSY- POSITION DATA: LH SIDE	121503 904949	RF
- 800	286N3010-014	.	WIRE BUNDLE ASSY- POSITION DATA: LH SIDE	107107	RF
- 800	286N3010-022	.	WIRE BUNDLE ASSY- POSITION DATA: LH SIDE	002004 006010 950999	RF
- 805	286N3010-023	.	WIRE BUNDLE ASSY- POSITION DATA: LH SIDE	011100	RF
- 810	286N4910-012	.	WIRE BUNDLE ASSY- POSITION DATA: RH SIDE REWORKED BY ALERT SB: 27A0130	121503 904949	RF

MISSING ITEM NUMBERS NOT APPLICABLE

- ITEM NOT ILLUSTRATED

32-42-51-01

32-42-51  
FIG. 01  
PAGE 18  
JAN 20/09

BRI



757

PARTS CATALOG (MAINTENANCE)

FIG ITEM	PART NUMBER	1 2 3 4 5 6 7	NOMENCLATURE	EFFECT FROM TO	UNITS PER ASSY
1					
- 810	286N4910-015		.WIRE BUNDLE ASSY- POSITION DATA: RH SIDE REWORKED BY ALERT SB: 27A0130	107107	RF
- 815	286N4910-042		.WIRE BUNDLE ASSY- POSITION DATA: RH SIDE REWORKED BY ALERT SB: 27A0130	002004 006010 950999	RF
- 820	286N4910-043		.WIRE BUNDLE ASSY- POSITION DATA: RH SIDE REWORKED BY ALERT SB: 27A0130	011100	RF
823	BCREF101141		.. PLUG- POSITION DATA: RH SIDE OVERLENGTH PART NUMBER: BACC63BP22B19P6L ELECTRICAL EQUIP NUMBER: D40442P WIRING DIAGRAM REF: 320911 REWORKED BY ALERT SB: 27A0130	002004 006100 107107 121503 904999	1
- 825	286N3012-012		.WIRE BUNDLE ASSY- POSITION DATA: LH SIDE	121503 904949	RF
- 825	286N3012-015		.WIRE BUNDLE ASSY- POSITION DATA: LH SIDE	107107	RF
- 830	286N3012-025		.WIRE BUNDLE ASSY- POSITION DATA: LH SIDE	002004 006010 950999	RF
- 830	286N3012-026		.WIRE BUNDLE ASSY- POSITION DATA: LH SIDE	011100	RF
- 845	286N4912-012		.WIRE BUNDLE ASSY- POSITION DATA: RH SIDE	121503 904949	RF
- 845	286N4912-015		.WIRE BUNDLE ASSY- POSITION DATA: RH SIDE	107107	RF
- 855	286N4912-057		.WIRE BUNDLE ASSY- POSITION DATA: RH SIDE	002004 006010 950999	RF

MISSING ITEM NUMBERS NOT APPLICABLE

- ITEM NOT ILLUSTRATED

32-42-51-01

32-42-51  
FIG. 01  
PAGE 19  
JAN 20/09

BRI



757

PARTS CATALOG (MAINTENANCE)

FIG ITEM	PART NUMBER	1 2 3 4 5 6 7	NOMENCLATURE	EFFECT FROM TO	UNITS PER ASSY
1					
- 855	286N4912-058		.WIRE BUNDLE ASSY- POSITION DATA: RH SIDE	011100	RF
865	M81714-5-7		..TERMINAL- ELECTRICAL EQUIP NUMBER: TB0209 TB0210 TB0211 TB0212 WIRING DIAGRAM REF: 324211 324214	002004 006100 950999	1
865	M81714-5-3		..TERMINAL- ELECTRICAL EQUIP NUMBER: TB0209 TB0210 TB0211 TB0212 WIRING DIAGRAM REF: 324211	107107 121503 904949	1
- 900	287N6100-74		HARNESS INSTL-MLG ELEC ANTISKID/AUTOBRAKE SYSTEM OPTIONAL INSTALLATION POSITION DATA: L FOR NHA SEE: 24-00-60-01	121503 904949	RF
905	186028FS60K3K		.LOCKNUT- SUPPLIER CODE: V30463 OPTIONAL PART: 186028FS60K3 V30463	121503 904949	4
905	186028FS60K3		.LOCKNUT- SUPPLIER CODE: V30463 OPTIONAL PART: 186028FS60K3K V30463	121503 904949	4
910	188195FS60K3J		.CONNECTOR- SUPPLIER CODE: V30463 OPTIONAL PART: 188195FS60K3 V30463	121503 904949	4

MISSING ITEM NUMBERS NOT APPLICABLE

- ITEM NOT ILLUSTRATED

32-42-51-01

32-42-51  
FIG. 01  
PAGE 20  
JAN 20/09

BRI





757

PARTS CATALOG (MAINTENANCE)

FIG ITEM	PART NUMBER	1 2 3 4 5 6 7	NOMENCLATURE	EFFECT FROM TO	UNITS PER ASSY
1 910	188195FS60K3		.CONNECTOR- SUPPLIER CODE: V30463 OPTIONAL PART: 188195FS60K3J V30463	121503 904949	4
915	AN960JD1416L		.WASHER	121503 904949	4

MISSING ITEM NUMBERS NOT APPLICABLE

- ITEM NOT ILLUSTRATED

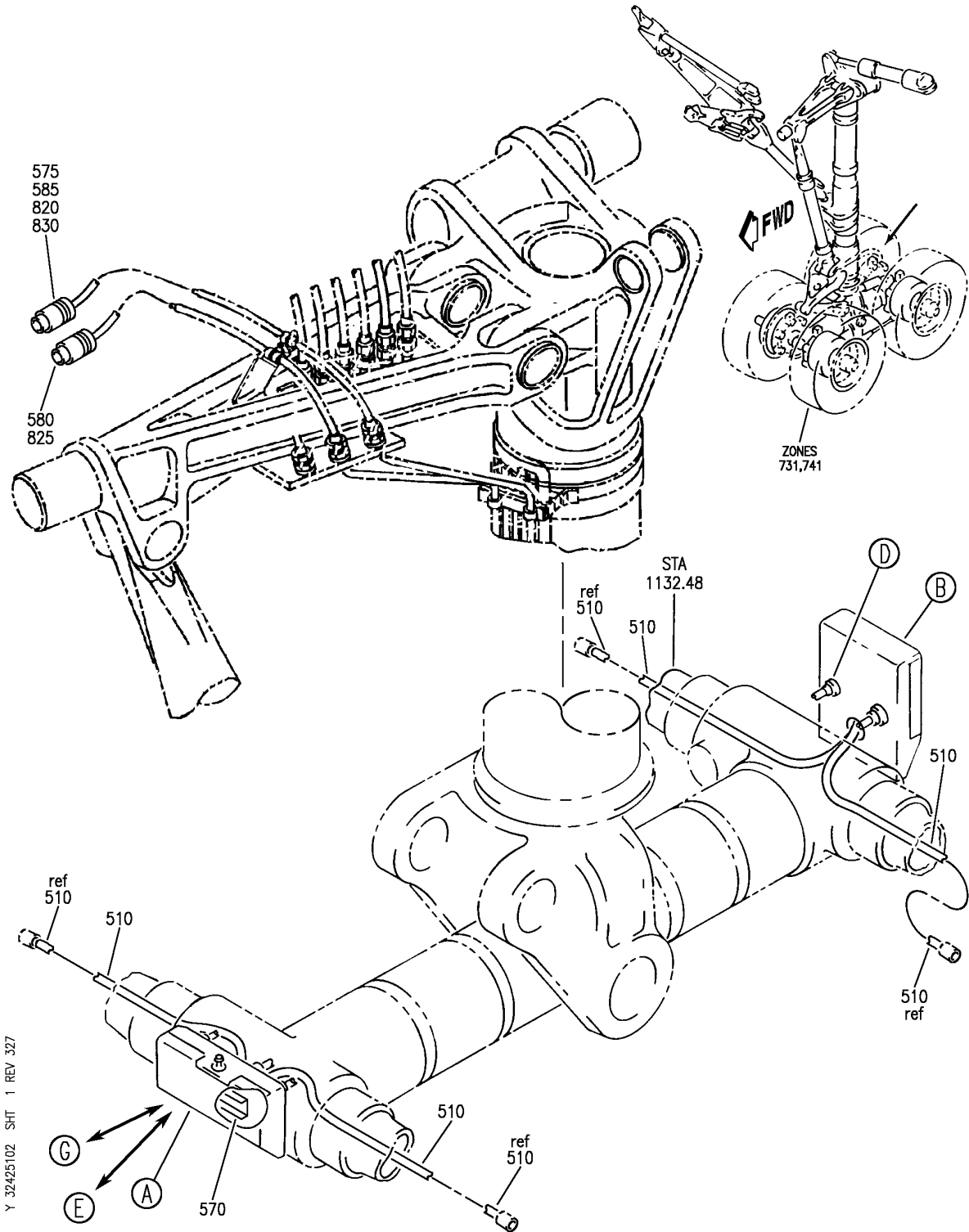
BRI

32-42-51-01

BOEING PROPRIETARY - Copyright © - Unpublished Work - See title page for details.

32-42-51  
FIG. 01  
PAGE 21  
JAN 20/09

**BOEING**  
757  
PARTS CATALOG (MAINTENANCE)



Y 32425102 SHT 1 REV 327

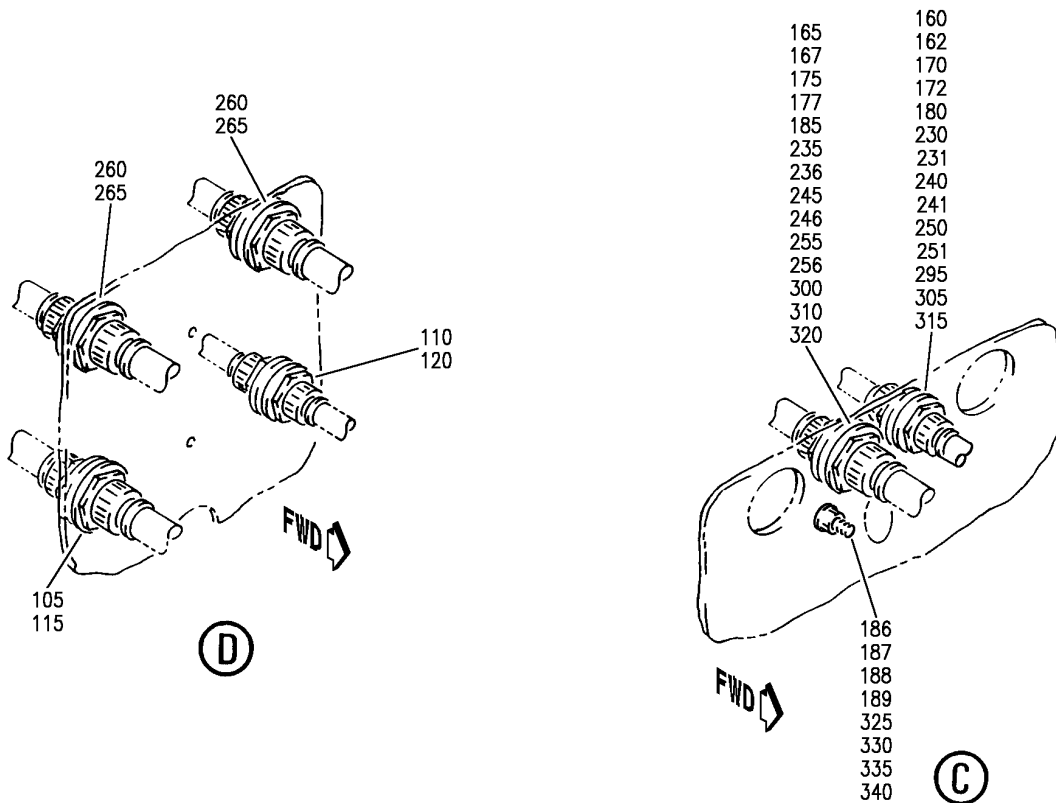
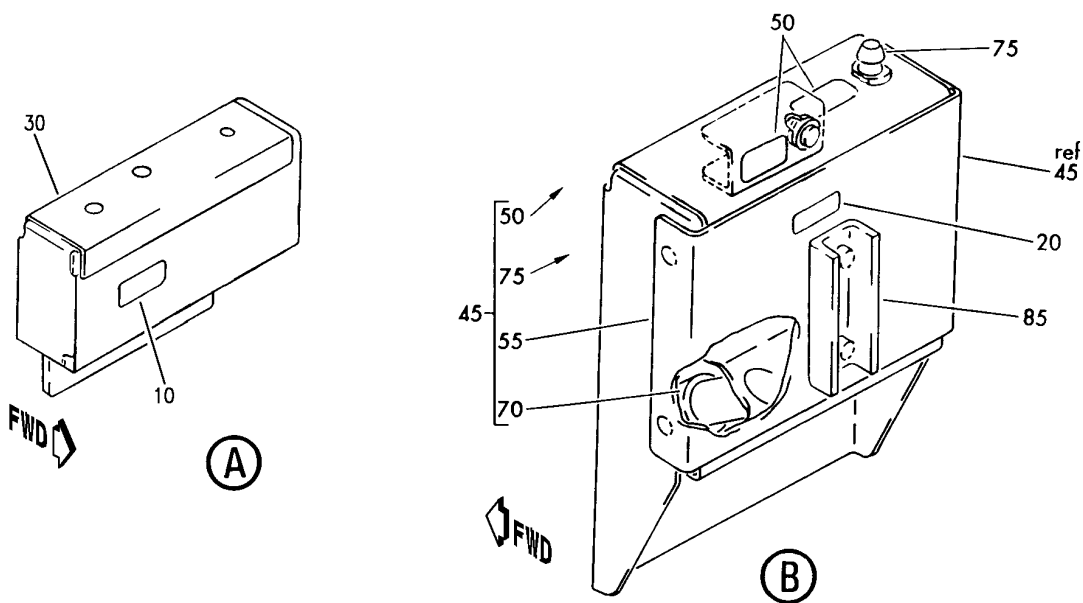
HARNES INST-MLG ELEC (ANTISKID/AUTOBRAKE SYSTEM ONLY)  
FIGURE 2 (SHEET 1)

**32-42-51-02**

BRI  
SEP 20/08

32-42-51-02  
PAGE 0

**BOEING**  
757  
**PARTS CATALOG (MAINTENANCE)**



Y 32425102 SH1 2 REV 327

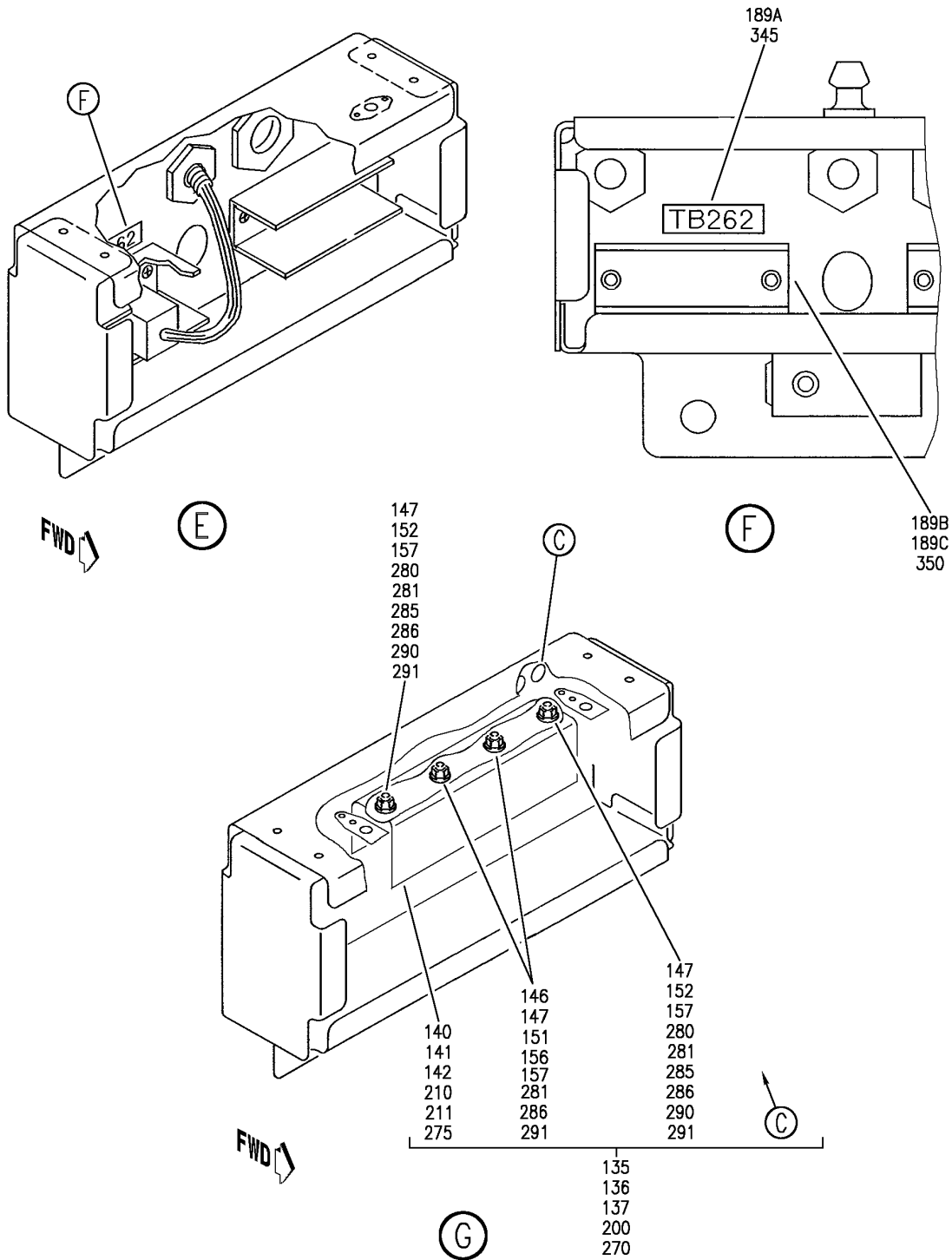
HARNES INST-MLG ELEC (ANTISKID/AUTOBRAKE SYSTEM ONLY)  
FIGURE 2 (SHEET 2)

**32-42-51-02**

BRI  
SEP 20/08

32-42-51-02  
PAGE 0A

**BOEING**  
757  
PARTS CATALOG (MAINTENANCE)



HARNESS INST-MLG ELEC (ANTISKID/AUTOBRAKE SYSTEM ONLY)  
FIGURE 2 (SHEET 3)

**32-42-51-02**

BRI  
SEP 20/08

32-42-51-02  
PAGE 08



757

PARTS CATALOG (MAINTENANCE)

FIG ITEM	PART NUMBER	1 2 3 4 5 6 7	NOMENCLATURE	EFFECT FROM TO	UNITS PER ASSY
2			HARNESS INST-MLG ELEC (ANTISKID/AUTOBRAKE SYSTEM ONLY)	101106 108120 504903	
- 3	287N6100-181		WIRE INSTL-MLG ELEC (ANTISKID/AUTOBRAKE SYSTEM ONLY) POSITION DATA: LWR L FOR NHA/OTHER SYS DET SEE: 24-00-60-20B	101102 504903	RF
- 8	287N6100-182		WIRE INSTL-MLG ELEC (ANTISKID/AUTOBRAKE SYSTEM ONLY) POSITION DATA: LWR R FOR NHA/OTHER SYS DET SEE: 24-00-60-20	101102 504903	RF
10	BAC27NEL1009		.DECAL- POSITION DATA: LH SIDE PLACARD CONTENT: TB0209	101106 108120 504903	1
- 15	BAC27NEL1011		.DECAL- POSITION DATA: RH SIDE PLACARD CONTENT: TB0211	101102 504903	1
20	BAC27NEL1010		.DECAL- POSITION DATA: LH SIDE PLACARD CONTENT: TB0210	101106 108120 504903	1
- 25	BAC27NEL1012		.DECAL- POSITION DATA: RH SIDE PLACARD CONTENT: TB0212	101102 504903	1
30	287N6103-228		.COVER	101102 504903	1
30	287N6103-228		.COVER	108120	1
- 35	NAS1801-3-7		ATTACHING PARTS .SCREW	101102	4
- 35	NAS1801-3-7		.SCREW- POSITION DATA: LH	108120 504903	4

MISSING ITEM NUMBERS NOT APPLICABLE

- ITEM NOT ILLUSTRATED

32-42-51-02

32-42-51  
FIG. 02  
PAGE 1  
JAN 20/09

BRI



757

PARTS CATALOG (MAINTENANCE)

FIG ITEM	PART NUMBER	1 2 3 4 5 6 7	NOMENCLATURE	EFFECT FROM TO	UNITS PER ASSY
2					
- 36	NAS1801-3-7	.	SCREW- POSITION DATA: RH PRE ALERT SB: 27A0130R2	504903	4
- 36	NAS1801-3-6	.	SCREW- POSITION DATA: RH POST ALERT SB: 27A0130R2	504903	4
- 40	NAS1149D0363J	.	WASHER	101102 504903	4
- 40	NAS1149D0363J	.	WASHER	108120	4
			-----*-----		
45	287N6103-148	.	BOX ASSY-JCT	101102 504903	1
45	287N6103-148	.	BOX ASSY-JCT	108120	1
50	BACM10G10-5AV	..	DECAL- PLACARD CONTENT: GROUND HERE OPTIONAL PART: BAC27NEX2851	101102 504903	2
50	BAC27NEX2851	..	DECAL- PLACARD CONTENT: GROUND HERE OPTIONAL PART: BACM10G10-5AV	101102 504903	2
50	BACM10G10-5AV	..	DECAL- PLACARD CONTENT: GROUND HERE OPTIONAL PART: BAC27NEX2851	108120	2
50	BAC27NEX2851	..	DECAL- PLACARD CONTENT: GROUND HERE OPTIONAL PART: BACM10G10-5AV	108120	2
55	287N6103-94	..	BRACKET	101102 504903	1
55	287N6103-94	..	BRACKET ATTACHING PARTS	108120	1
- 60	NAS1801-3-6	..	SCREW	101102 504903	4
- 60	NAS1801-3-6	..	SCREW	108120	4

MISSING ITEM NUMBERS NOT APPLICABLE

- ITEM NOT ILLUSTRATED

32-42-51-02

32-42-51  
FIG. 02  
PAGE 2  
JAN 20/09

BRI

BOEING PROPRIETARY - Copyright © - Unpublished Work - See title page for details.



757

PARTS CATALOG (MAINTENANCE)

FIG ITEM	PART NUMBER	1 2 3 4 5 6 7	NOMENCLATURE	EFFECT FROM TO	UNITS PER ASSY
2					
- 65	130069		..NUT SUPPLIER CODE: V60119 SPECIFICATION NUMBER: BACN10FX16 OPTIONAL PART: A11330-6-3 V72962 A4972-6-02 V72962 A4972-6-02 V72962	101102 504903	4
- 65	130069		..NUT SUPPLIER CODE: V60119 SPECIFICATION NUMBER: BACN10FX16 OPTIONAL PART: A11330-6-3 V72962 A4972-6-02 V72962 A4972-6-02 V72962	108120	4
			-----*-----		
70	287N6103-92		..GASKET	101102 504903	1
70	287N6103-92		..GASKET	108120	1
75	66-18544-2		..TERMINAL	101102 504903	1
75	66-18544-2		..TERMINAL	108120	1
85	MRTBL4		.RAIL ASSY- SUPPLIER CODE: V14283	101102 504903	1
85	MRTBL4		.RAIL ASSY- SUPPLIER CODE: V14283	108120	1
85	M81714-16-3		.RAIL ASSY-	101102 504903	1
85	M81714-16-3		.RAIL ASSY- ATTACHING PARTS	108120	1
- 90	MS24693C27		.SCREW	101102 504903	2
- 90	MS24693C27		.SCREW	108120	2
- 95	NAS1149CN816R		.WASHER	101102 504903	2
- 95	NAS1149CN816R		.WASHER	108120	2

MISSING ITEM NUMBERS NOT APPLICABLE

- ITEM NOT ILLUSTRATED

32-42-51-02

32-42-51  
FIG. 02  
PAGE 3  
JAN 20/09

BRI

BOEING PROPRIETARY - Copyright © - Unpublished Work - See title page for details.

 **BOEING**  
757  
**PARTS CATALOG (MAINTENANCE)**

FIG ITEM	PART NUMBER	1 2 3 4 5 6 7	NOMENCLATURE	EFFECT FROM TO	UNITS PER ASSY
2					
- 100	PLH506CD	.NUT	SUPPLIER CODE: VF0224 SPECIFICATION NUMBER: BACN10YR06CD OPTIONAL PART: H52732-06CD V15653	101102 504903	2
- 100	PLH506CD	.NUT	SUPPLIER CODE: VF0224 SPECIFICATION NUMBER: BACN10YR06CD OPTIONAL PART: H52732-06CD V15653	108120	2
105	186028FS60K3	-----*----- .LOCKNUT-	SUPPLIER CODE: V30463 OPTIONAL PART: S4630-14LWS30S V07418	101102 504903	1
105	S4630-14LWS30S	.LOCKNUT-	SUPPLIER CODE: V07418 OPTIONAL PART: 186028FS60K3 V30463	101102 504903	1
105	186028FS60K3	.LOCKNUT-	SUPPLIER CODE: V30463 OPTIONAL PART: S4630-14LWS30S V07418	108120	1
105	S4630-14LWS30S	.LOCKNUT-	SUPPLIER CODE: V07418 OPTIONAL PART: 186028FS60K3 V30463	108120	1
110	186030FS60K3	.LOCKNUT-	SUPPLIER CODE: V30463 OPTIONAL PART: S4630-19LW V07418	101102 504903	1

MISSING ITEM NUMBERS NOT APPLICABLE

- ITEM NOT ILLUSTRATED

BRI

# 32-42-51-02

BOEING PROPRIETARY - Copyright © - Unpublished Work - See title page for details.

32-42-51  
FIG. 02  
PAGE 4  
JAN 20/09





757

PARTS CATALOG (MAINTENANCE)

FIG ITEM	PART NUMBER	1 2 3 4 5 6 7	NOMENCLATURE	EFFECT FROM TO	UNITS PER ASSY
2					
110	S4630-19LW		. LOCKNUT- SUPPLIER CODE: V07418 OPTIONAL PART: 186030FS60K3 V30463	101102 504903	1
110	186030FS60K3		. LOCKNUT- SUPPLIER CODE: V30463 OPTIONAL PART: S4630-19LW V07418	108120	1
110	S4630-19LW		. LOCKNUT- SUPPLIER CODE: V07418 OPTIONAL PART: 186030FS60K3 V30463	108120	1
115	188195FS60K3		. CONNECTOR- SUPPLIER CODE: V30463 OPTIONAL PART: S4627-14 V07418	101102 504903	1
115	S4627-14		. CONNECTOR- SUPPLIER CODE: V07418 OPTIONAL PART: 188195FS60K3 V30463	101102 504903	1
115	188195FS60K3		. CONNECTOR- SUPPLIER CODE: V30463 OPTIONAL PART: S4627-14 V07418	108120	1
115	S4627-14		. CONNECTOR- SUPPLIER CODE: V07418 OPTIONAL PART: 188195FS60K3 V30463	108120	1
120	188197FS60K3		. CONNECTOR- SUPPLIER CODE: V30463 OPTIONAL PART: S4627-19 V07418	101102 504903	1

MISSING ITEM NUMBERS NOT APPLICABLE

- ITEM NOT ILLUSTRATED

32-42-51-02

32-42-51  
FIG. 02  
PAGE 5  
JAN 20/09

BRI

BOEING PROPRIETARY - Copyright © - Unpublished Work - See title page for details.



757

PARTS CATALOG (MAINTENANCE)

FIG ITEM	PART NUMBER	1 2 3 4 5 6 7	NOMENCLATURE	EFFECT FROM TO	UNITS PER ASSY
2 120	S4627-19		.CONNECTOR- SUPPLIER CODE: V07418 OPTIONAL PART: 188197FS60K3 V30463	101102 504903	1
120	188197FS60K3		.CONNECTOR- SUPPLIER CODE: V30463 OPTIONAL PART: S4627-19 V07418	108120	1
120	S4627-19		.CONNECTOR- SUPPLIER CODE: V07418 OPTIONAL PART: 188197FS60K3 V30463	108120	1
- 600	287N6100-161		WIRE BUNDLE INSTL- POSITION DATA: L	101102 108120 504903	1
- 605	287N6100-162		HARNESS INSTL- POSITION DATA: R	101102 504903	1
- 610	287N6100-30		.TUBE	101102 108120 504903	4
- 610	287N6100-30		.TUBE- POSITION DATA: LH SIDE	108120	4

MISSING ITEM NUMBERS NOT APPLICABLE

- ITEM NOT ILLUSTRATED

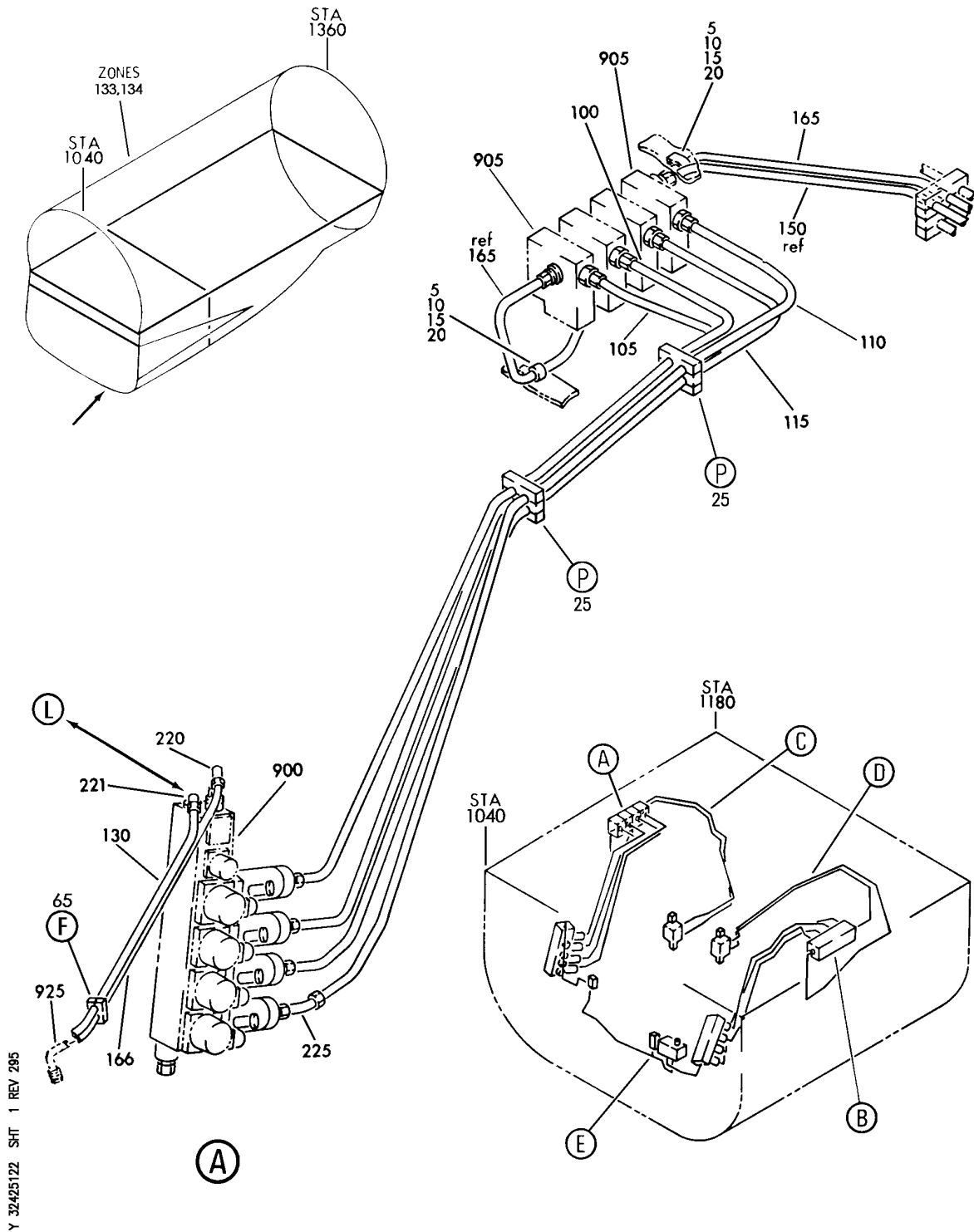
BRI

32-42-51-02

BOEING PROPRIETARY - Copyright © - Unpublished Work - See title page for details.

32-42-51  
FIG. 02  
PAGE 6  
JAN 20/09

**BOEING**  
757  
PARTS CATALOG (MAINTENANCE)



Y 32425122 SHT 1 REV 295

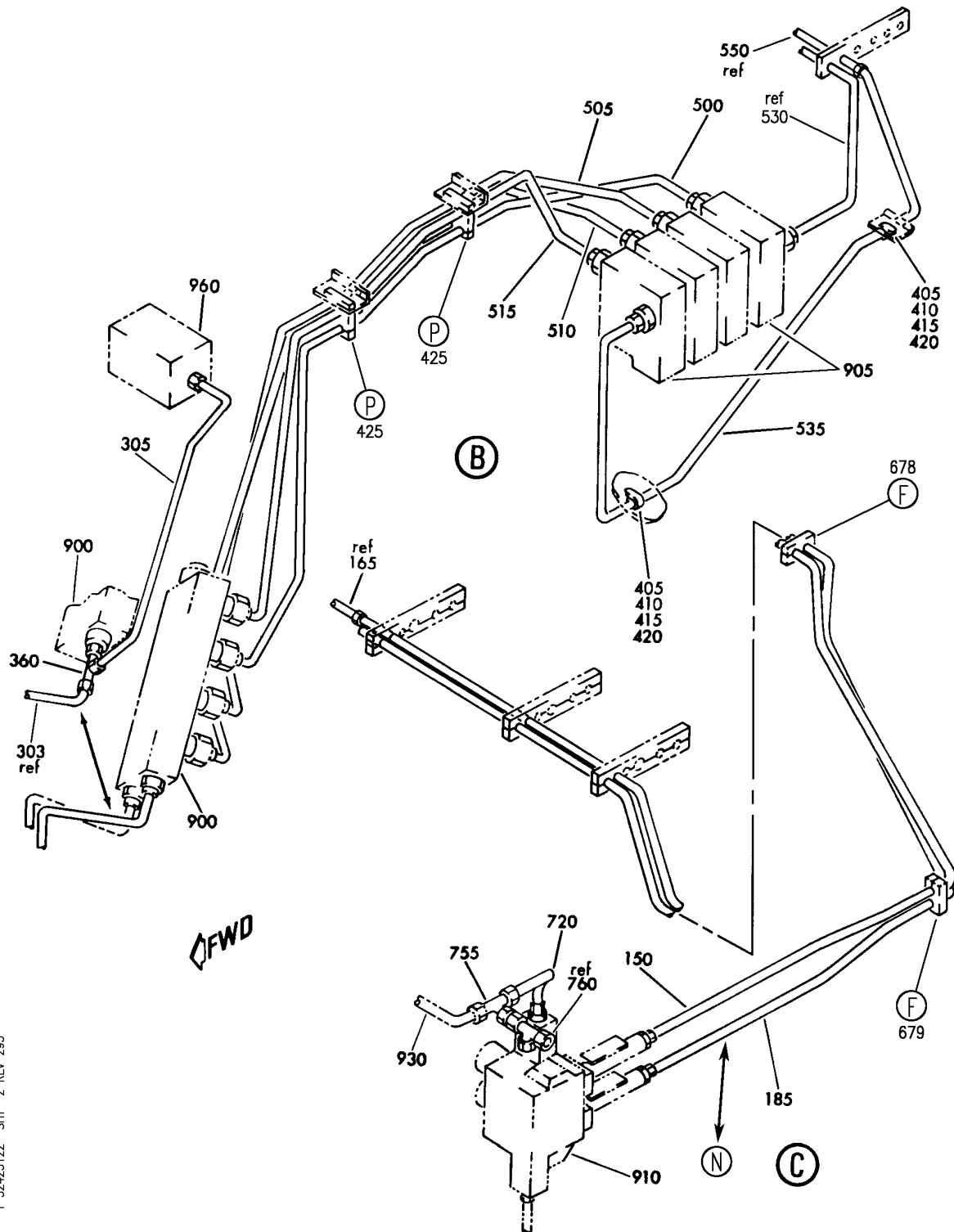
PLUMBING INSTL-SECT 44 MLG WHL WELL HYDR (ANTISKID/AUTOBRAKE SYSTEM ONLY)  
FIGURE 22 (SHEET 1)

BRI  
MAY 28/07

**32-42-51-22**

32-42-51-22  
PAGE 0

**BOEING**  
757  
PARTS CATALOG (MAINTENANCE)



Y 32425122 SH1 2 REV 295

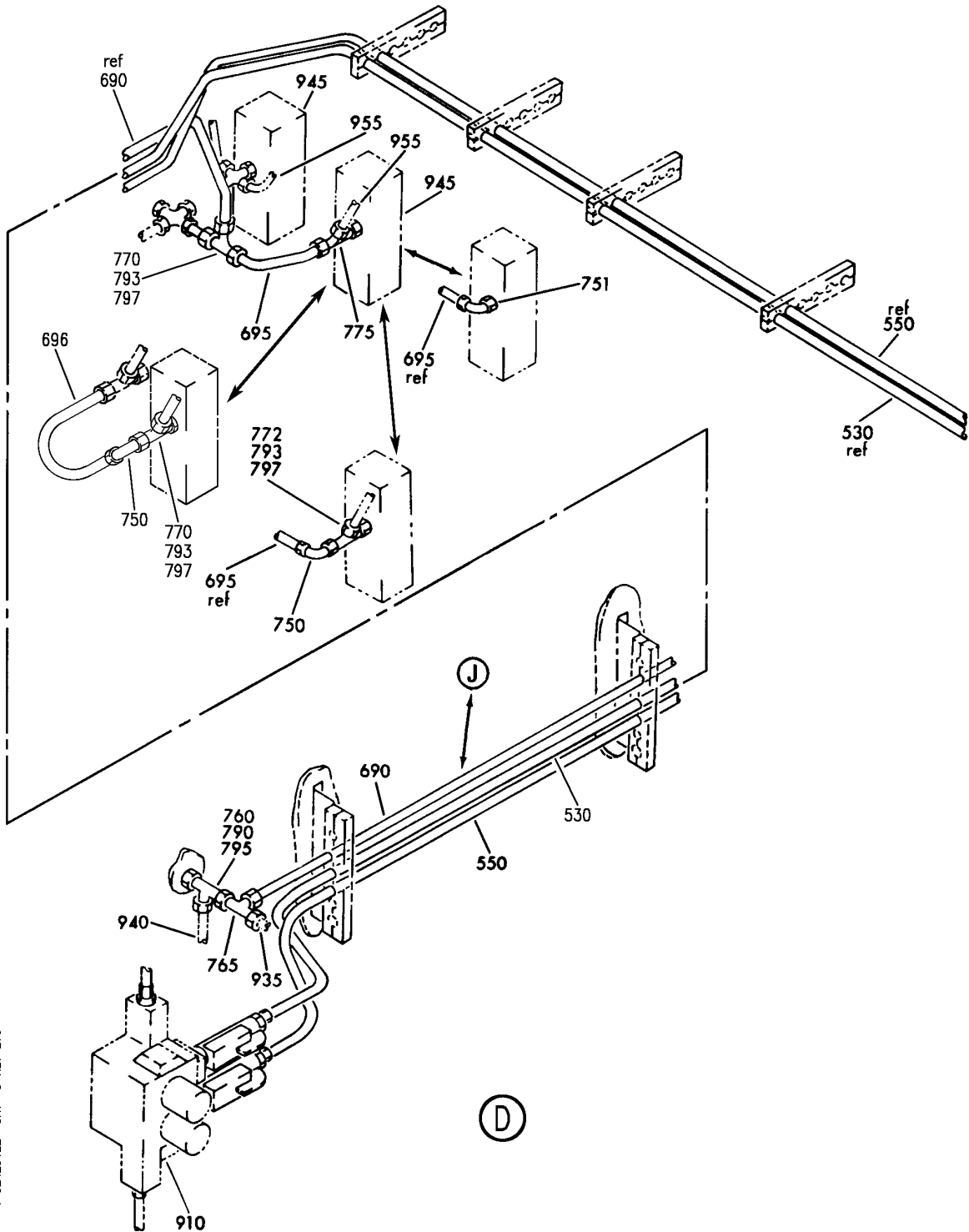
PLUMBING INSTL-SECT 44 MLG WHL WELL HYDR (ANTISKID/AUTOBRAKE SYSTEM ONLY)  
FIGURE 22 (SHEET 2)

**32-42-51-22**

BRI  
MAY 28/07

32-42-51-22  
PAGE 0A

**BOEING**  
757  
PARTS CATALOG (MAINTENANCE)



Y 32425122 SHT 3 REV 279

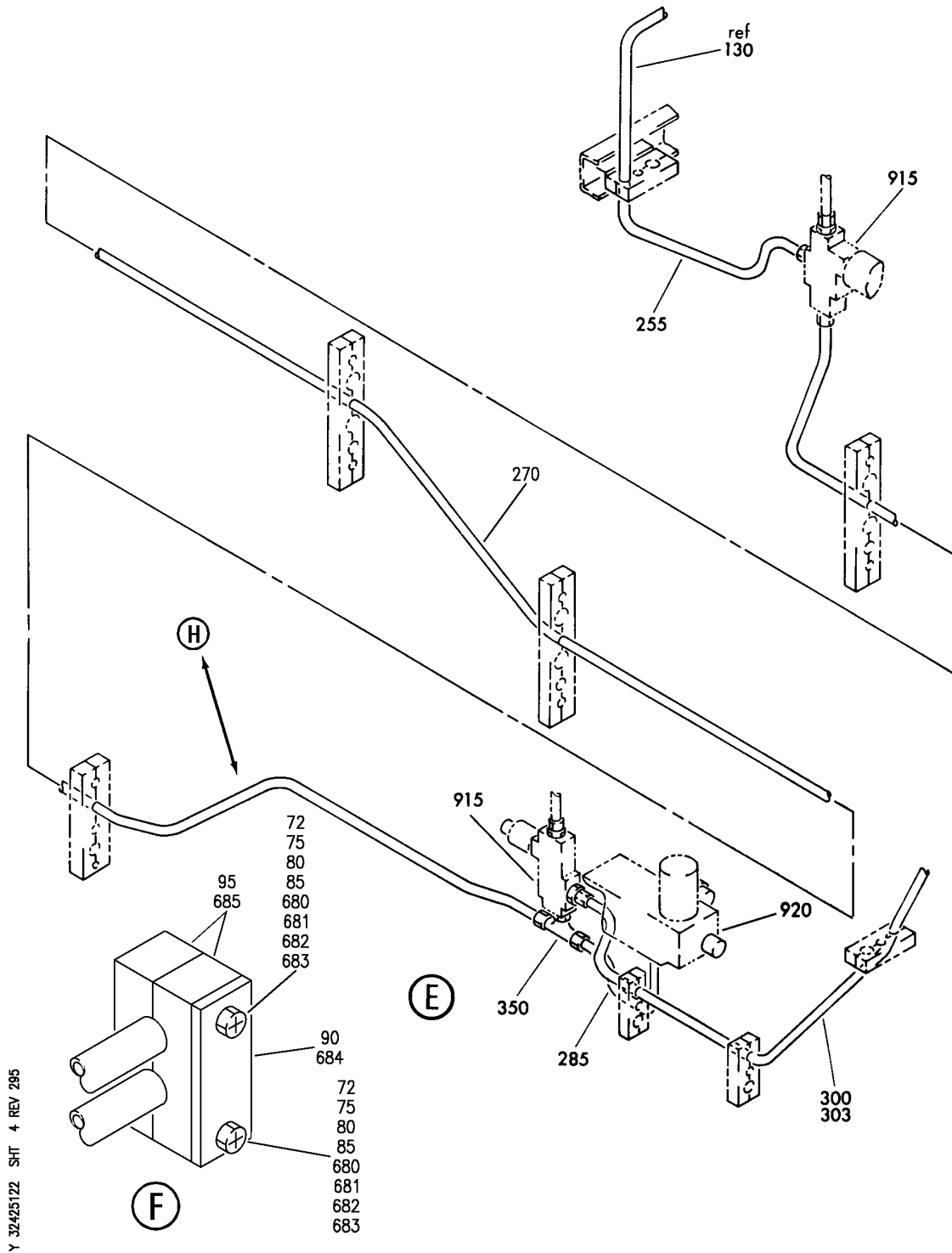
PLUMBING INSTL-SECT 44 MLG WHL WELL HYDR (ANTISKID/AUTOBRAKE SYSTEM ONLY)  
FIGURE 22 (SHEET 3)

BRI  
MAY 28/07

# 32-42-51-22

32-42-51-22  
PAGE 0B

**BOEING**  
757  
PARTS CATALOG (MAINTENANCE)



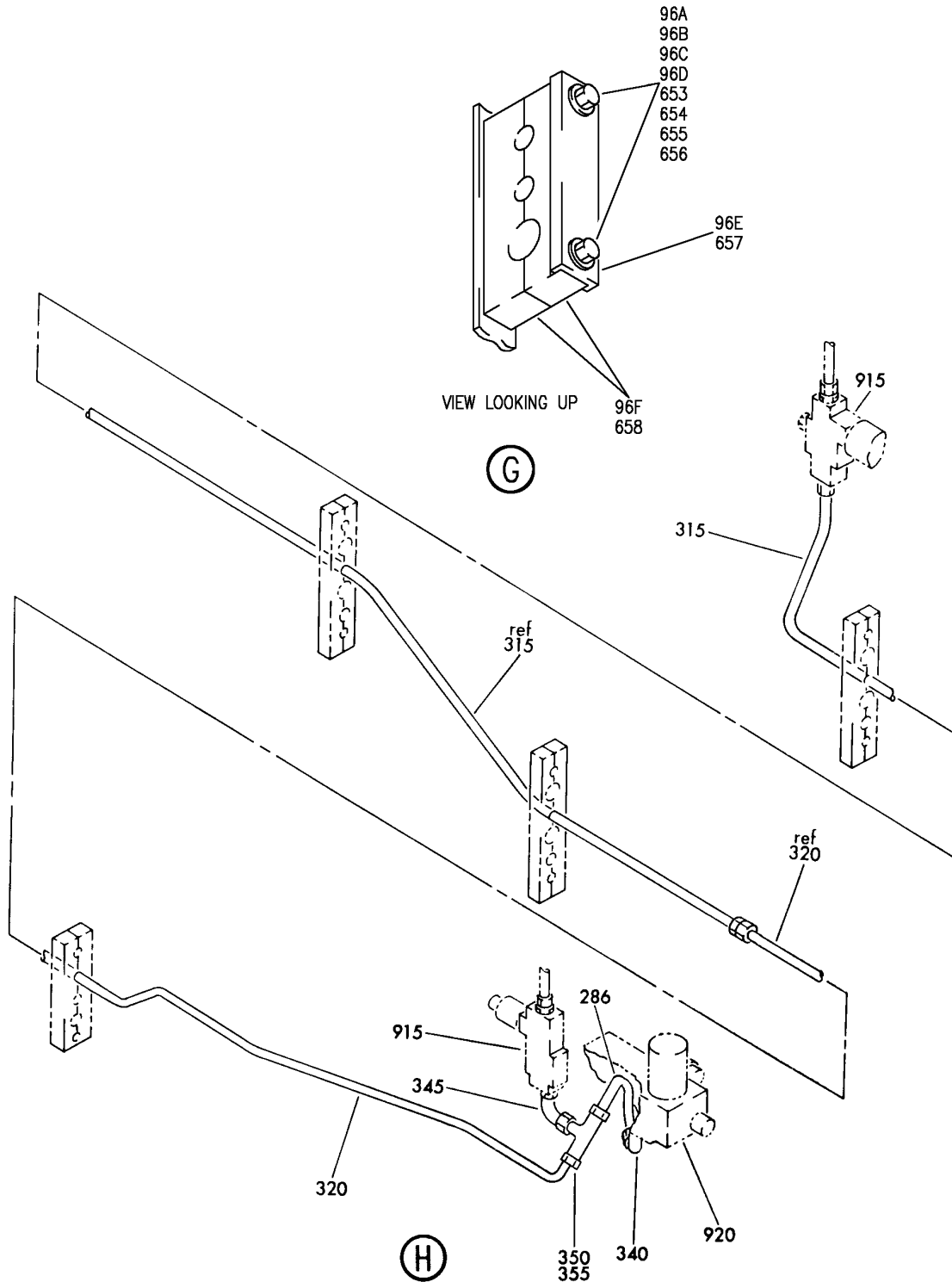
PLUMBING INSTL-SECT 44 MLG WHL WELL HYDR (ANTISKID/AUTOBRAKE SYSTEM ONLY)  
FIGURE 22 (SHEET 4)

BRI  
MAY 28/07

**32-42-51-22**

32-42-51-22  
PAGE 0C

**BOEING**  
757  
PARTS CATALOG (MAINTENANCE)



Y 32425122 SH1 5 REV 295

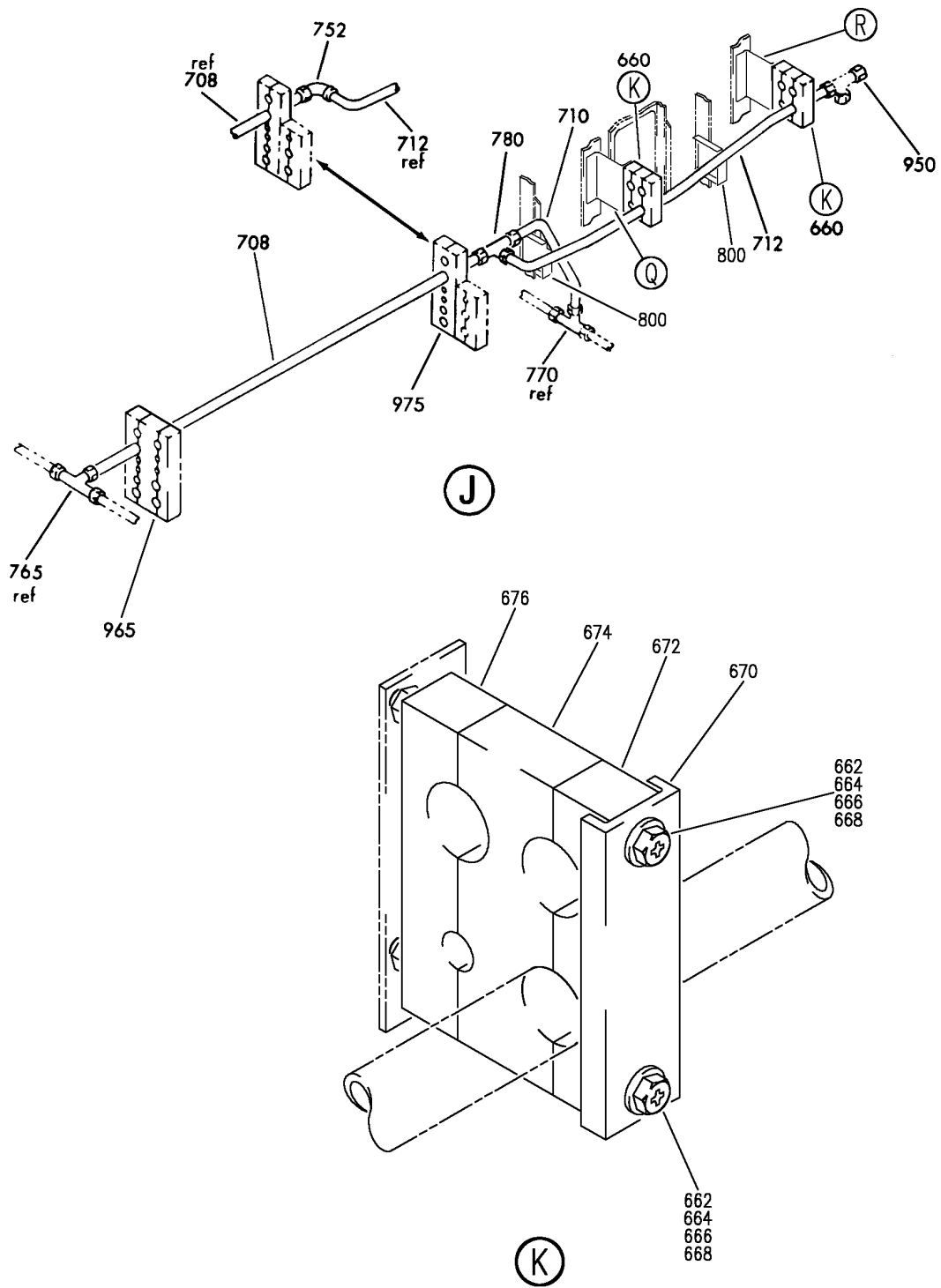
PLUMBING INSTL-SECT 44 MLG WHL WELL HYDR (ANTISKID/AUTOBRAKE SYSTEM ONLY)  
FIGURE 22 (SHEET 5)

BRI  
MAY 28/07

**32-42-51-22**

32-42-51-22  
PAGE 0D

**BOEING**  
757  
PARTS CATALOG (MAINTENANCE)



Y 32425122 SH1 6 REV 309

PLUMBING INSTL-SECT 44 MLG WHL WELL HYDR (ANTISKID/AUTOBRAKE SYSTEM ONLY)  
FIGURE 22 (SHEET 6)

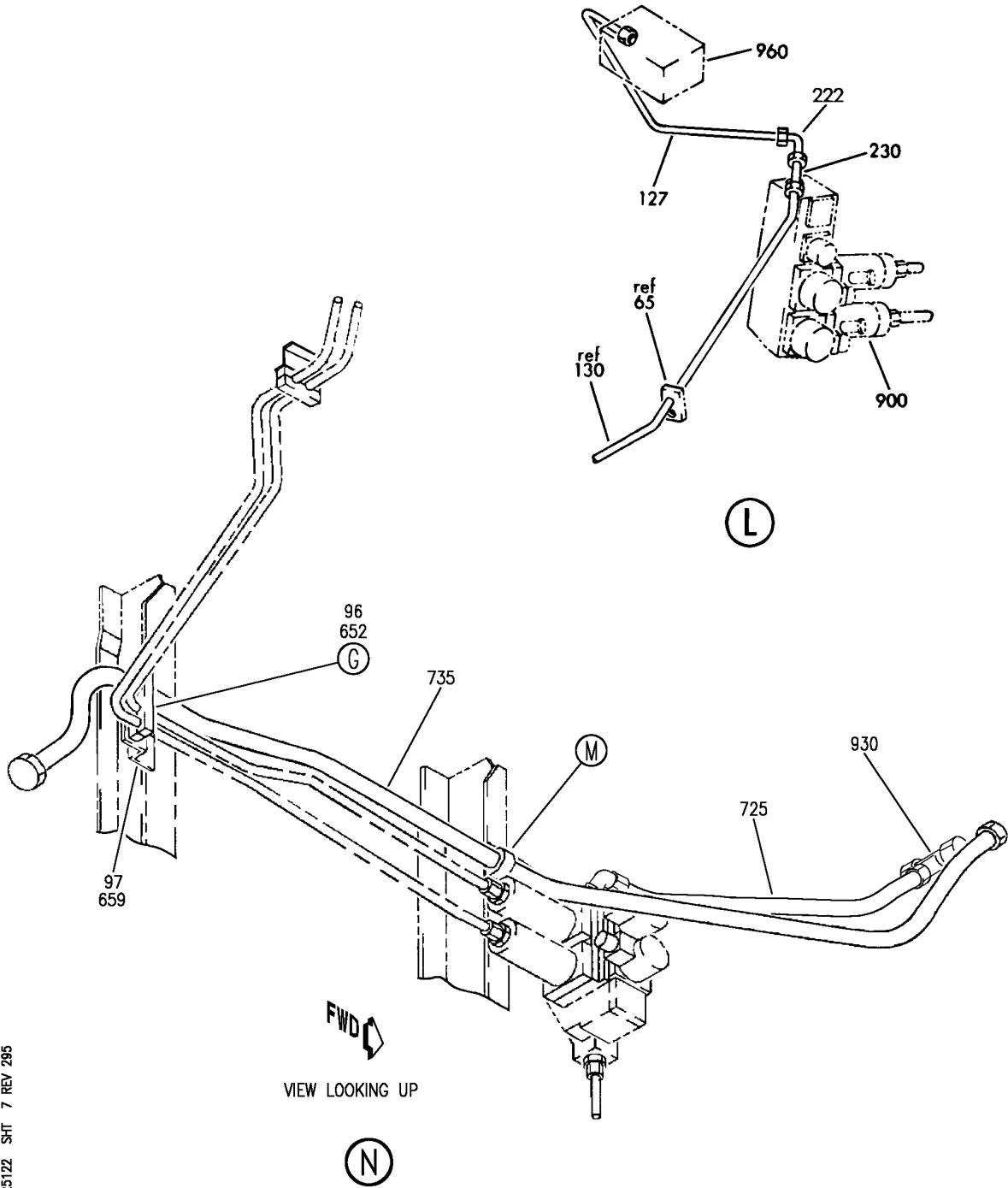
**32-42-51-22**

BRI  
MAY 28/07

32-42-51-22  
PAGE 0E



**BOEING**  
757  
PARTS CATALOG (MAINTENANCE)



Y 32425122 SH1 7 REV 295

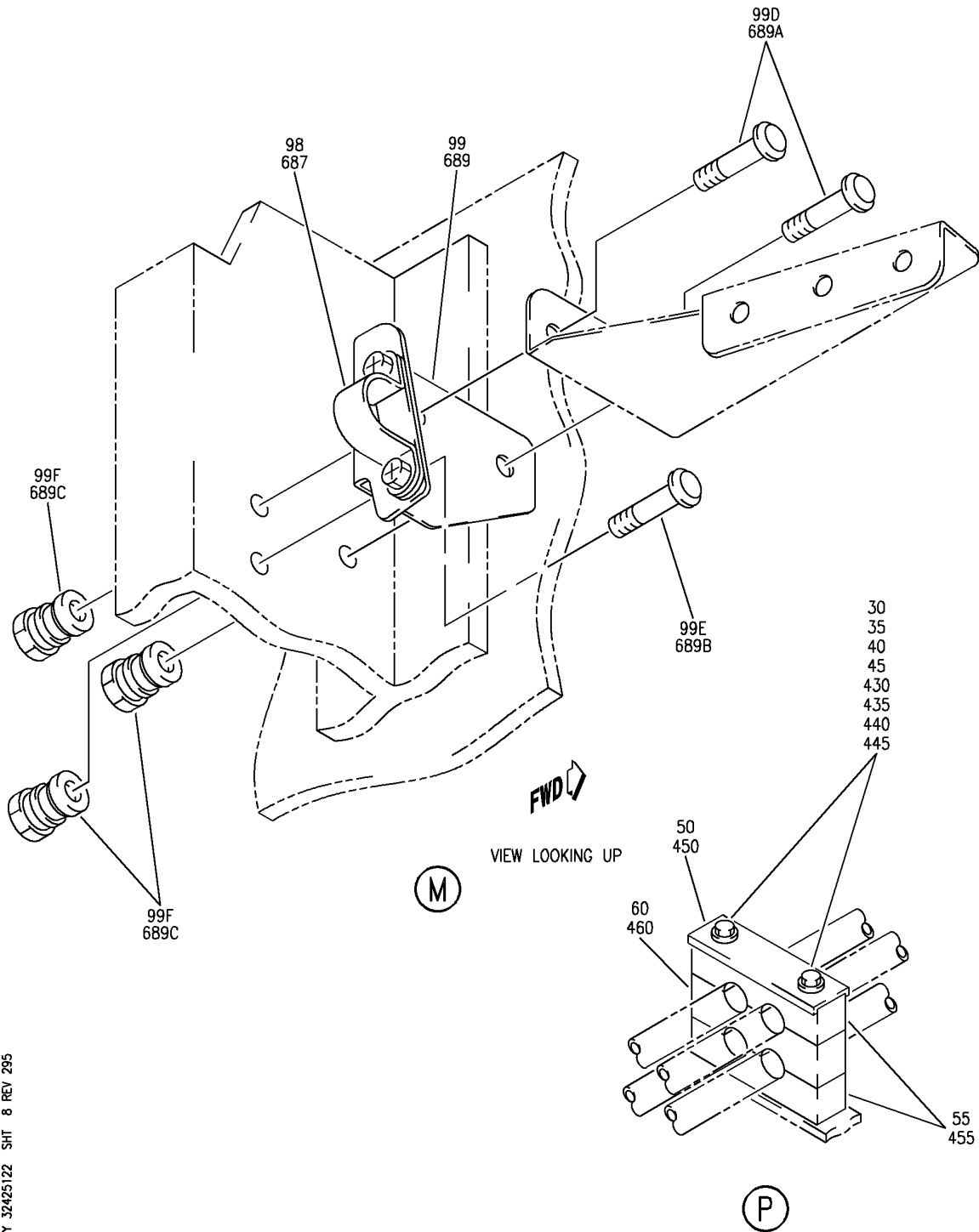
PLUMBING INSTL-SECT 44 MLG WHL WELL HYDR (ANTISKID/AUTOBRAKE SYSTEM ONLY)  
FIGURE 22 (SHEET 7)

BRI  
MAY 28/07

**32-42-51-22**

32-42-51-22  
PAGE OF

**BOEING**  
757  
PARTS CATALOG (MAINTENANCE)



Y 32425122 SH1 8 REV 295

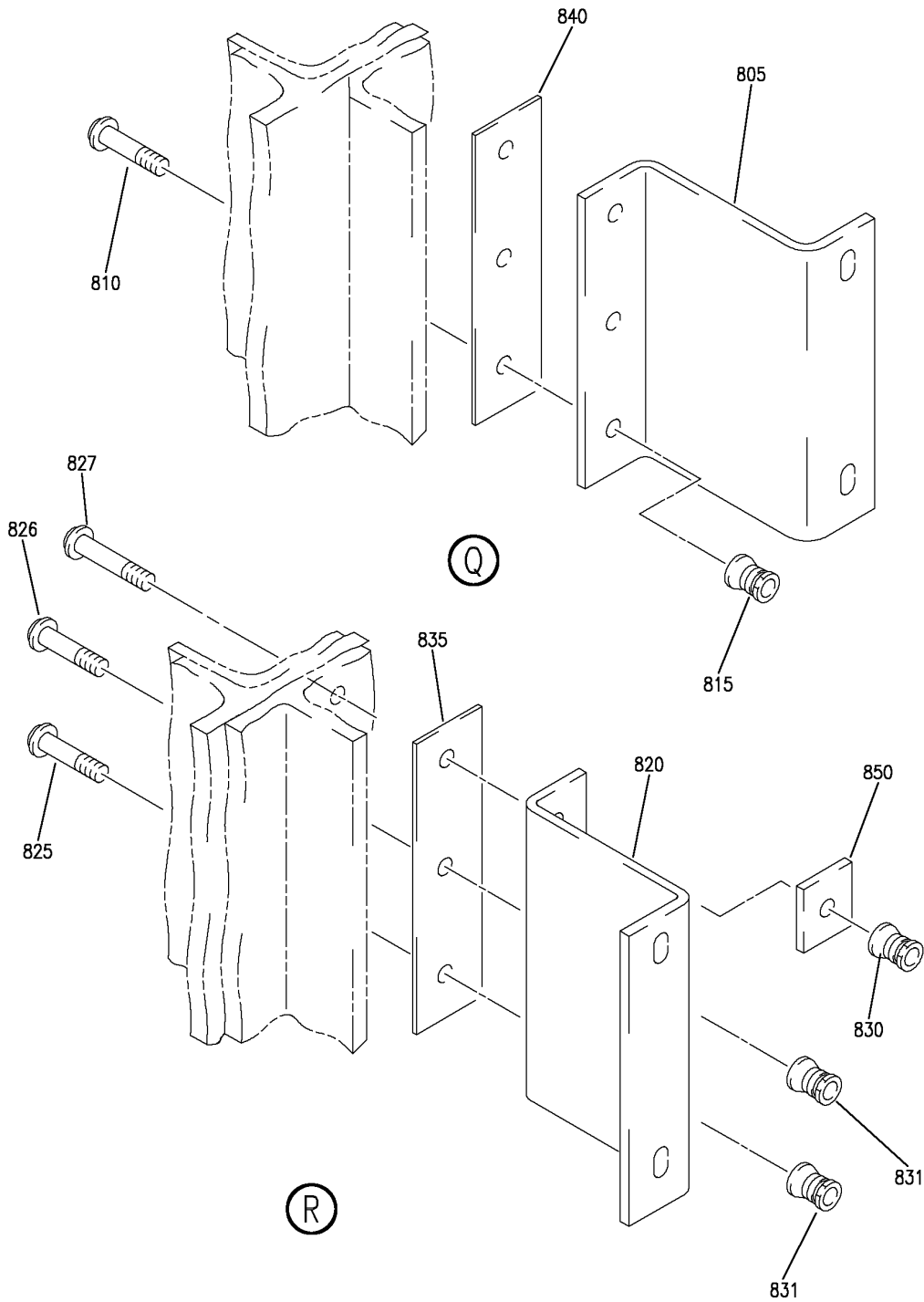
PLUMBING INSTL-SECT 44 MLG WHL WELL HYDR (ANTISKID/AUTOBRAKE SYSTEM ONLY)  
FIGURE 22 (SHEET 8)

BRI  
MAY 28/07

**32-42-51-22**

32-42-51-22  
PAGE 0G

**BOEING**  
757  
**PARTS CATALOG (MAINTENANCE)**



Y 32425122 SH1 9 REV 309

PLUMBING INSTL-SECT 44 MLG WHL WELL HYDR (ANTISKID/AUTOBRAKE SYSTEM ONLY)  
FIGURE 22 (SHEET 9)

**32-42-51-22**

BRI  
MAY 28/07

32-42-51-22  
PAGE 0H



757

PARTS CATALOG (MAINTENANCE)

FIG ITEM	PART NUMBER	1 2 3 4 5 6 7	NOMENCLATURE	EFFECT FROM TO	UNITS PER ASSY
22			PLUMBING INSTL-SECT 44 MLG WHL WELL HYDR (ANTISKID/AUTOBRAKE SYSTEM ONLY)	002004 006102 107999	
- 1	271N6444-1		PLUMBING INSTL-PRESSURE DECK HYDR (ANTISKID/AUTOBRAKE SYSTEM ONLY) POSITION DATA: SECT.44 R VARIABLE DRAWING REF: 271N6444-5	002004 006100 107107 121503 904999	RF
5	NAS1801-3		.SCREW- SIZE DETERMINED ON INSTL.	002004 006100 107107 121503 904999	2
10	AN960KD10L		.WASHER-	002004 006100 107107 121503 904999	AR
15	MS21042L3		.NUT-	002004 006100 107107 121503 904999	2
20	M85052-2-6		.CLAMP	002004 006100 107107 121503 904999	2
25	270N2000-2		.CLAMP ASSY-BLK POSITION DATA: RBL 55 STA 1080,1090	002004 006100 107107 121503 904999	2
30	NAS1801-3-34		..SCREW-	002004 006100 107107 121503 904999	2
35	AN960PD10L		..WASHER	002004 006100 107107 121503 904999	2

MISSING ITEM NUMBERS NOT APPLICABLE

- ITEM NOT ILLUSTRATED

32-42-51-22

32-42-51  
FIG. 22  
PAGE 1  
JAN 20/09

BRI

BOEING PROPRIETARY - Copyright © - Unpublished Work - See title page for details.



757

PARTS CATALOG (MAINTENANCE)

FIG ITEM	PART NUMBER	1 2 3 4 5 6 7	NOMENCLATURE	EFFECT FROM TO	UNITS PER ASSY
22					
40	NAS43DD3-100	..	SPACER	002004 006100 107107 121503 904999	2
45	BRH10A3	..	NUT SUPPLIER CODE: V52828 SPECIFICATION NUMBER: BACN10JC3 OPTIONAL PART: H10-3BAC V15653 NS202101-02 V80539 RMLH9075-3W V72962 VN303A02 V92215 96-02 V80539 T6S1032J V11815	002004 006100 107107 121503 904999	2
50	270N2000-801	..	CHANNEL	002004 006100 107107 121503 904999	1
55	270N2000-401	..	BLOCK	002004 006100 107107 121503 904999	2
60	270N2000-402	..	BLOCK	002004 006100 107107 121503 904999	1
65	270N2000-78	.	CLAMP ASSY-BLK POSITION DATA: STA 1040 RBL 70.5	002004 006100 107107 121503 904999	1
72	NAS1801-3-24	..	SCREW-	002004 006100 107107 121503 904999	2

MISSING ITEM NUMBERS NOT APPLICABLE

- ITEM NOT ILLUSTRATED

32-42-51-22

32-42-51  
FIG. 22  
PAGE 2  
JAN 20/09

BRI

BOEING PROPRIETARY - Copyright © - Unpublished Work - See title page for details.



757

PARTS CATALOG (MAINTENANCE)

FIG ITEM	PART NUMBER	1 2 3 4 5 6 7	NOMENCLATURE	EFFECT FROM TO	UNITS PER ASSY
22					
75	AN960PD10L	..	WASHER	002004 006100 107107 121503 904999	2
80	NAS43DD3-59	..	SPACER	002004 006100 107107 121503 904999	2
85	BRH10A3	..	NUT SUPPLIER CODE: V52828 SPECIFICATION NUMBER: BACN10JC3 OPTIONAL PART: H10-3BAC V15653 NS202101-02 V80539 RMLH9075-3W V72962 VN303A02 V92215 96-02 V80539 T6S1032J V11815	002004 006100 107107 121503 904999	2
90	270N2000-844	..	CHANNEL	002004 006100 107107 121503 904999	1
95	270N2000-502	..	BLOCK	002004 006100 107107 121503 904999	2
100	271N6444-1125	.TUBE ASSY-BRAKE PRESSURE SYS POSITION DATA: R TUBING MATERIAL: .375 IN. OD .019 IN. WALL 40.2 IN. LG TI BMS 7-234 TI-3AL-2.5V COLD WORKED, STRESS RELIEVED TUBING	002004 006100 107107 121503 904999	1	

MISSING ITEM NUMBERS NOT APPLICABLE

- ITEM NOT ILLUSTRATED

32-42-51-22

32-42-51  
FIG. 22  
PAGE 3  
JAN 20/09

BRI



757

PARTS CATALOG (MAINTENANCE)

FIG ITEM	PART NUMBER	1 2 3 4 5 6 7	NOMENCLATURE	EFFECT FROM TO	UNITS PER ASSY
22 105	271N6444-1126	.	TUBE ASSY-BRAKE PRESSURE POSITION DATA: R MANUFACTURED FROM: SYS TUBING MATERIAL: .375 IN. OD .019 IN. WALL 37.10 IN. LG TI BMS 7-234 TI-3AL-2.5V COLD WORKED, STRESS RELIEVED TUBING	002004 006100 107107 121503 904999	1
110	271N6444-1122	.	TUBE ASSY-BRAKE PRESSURE SYS POSITION DATA: R TUBING MATERIAL: .375 IN. OD .019 IN. WALL 46.50 IN. LG TI BMS 7-234 TI-3AL-2.5V COLD WORKED, STRESS RELIEVED TUBING	002004 006100 107107 121503 904999	1
115	271N6444-1121	.	TUBE ASSY-BRAKE PRESSURE SYS POSITION DATA: R TUBING MATERIAL: .375 IN. OD .019 IN. WALL 45.20 IN. LG TI BMS 7-234 TI-3AL-2.5V COLD WORKED, STRESS RELIEVED TUBING	002004 006100 107107 121503 904999	1
- 120	AS1581T06	..	SLEEVE	002004 006100 107107 121503 904999	2
- 125	BACN10YA6	..	NUT	002004 006100 107107 121503 904999	2

MISSING ITEM NUMBERS NOT APPLICABLE

- ITEM NOT ILLUSTRATED

32-42-51-22

32-42-51  
FIG. 22  
PAGE 4  
JAN 20/09

BRI



757

PARTS CATALOG (MAINTENANCE)

FIG ITEM	PART NUMBER	1 2 3 4 5 6 7	NOMENCLATURE	EFFECT FROM TO	UNITS PER ASSY
22 130	271N6444-1211		.TUBE ASSY-BRAKE PRESSURE SYS POSITION DATA: R TUBING MATERIAL: .375 IN. OD .019 IN. WALL 37.60 IN. LG TI BMS 7-234 TI-3AL-2.5V COLD WORKED, STRESS RELIEVED TUBING	002004 107107 121503 904949 952952	1
130	271N6444-1260		.TUBE ASSY-BRAKE PRESSURE SYS POSITION DATA: R TUBING MATERIAL: .375 IN. OD .019 IN. WALL 37.80 IN. LG TI BMS 7-234 TI-3AL-2.5V COLD WORKED, STRESS RELIEVED TUBING	006100 950951 953999	1
- 135	AS1581T06		..SLEEVE	002004 107107 121503 904949 952952	1
- 140	BACN10YA6		..NUT	002004 107107 121503 904949 952952	1
- 145	AS1582T06		..UNION	002004 107107 121503 904949 952952	1
- 147	AS1581T06		..SLEEVE	006100 950951 953999	2
- 148	BACN10YA6		..NUT	006100 950951 953999	2

MISSING ITEM NUMBERS NOT APPLICABLE

- ITEM NOT ILLUSTRATED

32-42-51-22

32-42-51  
FIG. 22  
PAGE 5  
JAN 20/09

BRI





757

PARTS CATALOG (MAINTENANCE)

FIG ITEM	PART NUMBER	1 2 3 4 5 6 7	NOMENCLATURE	EFFECT FROM TO	UNITS PER ASSY
22 150	271N6444-1104		.TUBE ASSY-BRAKE PRESSURE SYS POSITION DATA: L TUBING MATERIAL: .375 IN. OD .019 IN. WALL 91.70 IN. LG TI BMS 7-234 TI03AL-2.5V COLD WORKED, STRESS RELIEVED TUBING	002004 006100 107107 121503 904999	1
- 155	AS1581T06		..SLEEVE	002004 006100 107107 121503 904999	2
- 160	BACN10YA6		..NUT	002004 006100 107107 121503 904999	2
165	271N6444-1052		.TUBE ASSY-BRAKE PRESSURE SYS POSITION DATA: L TUBING MATERIAL: .375 IN. OD .019 IN. WALL 57.50 IN. LG TI BMS 7-234 TI-3AL-2.5V COLD WORKED, STRESS RELIEVED TUBING USED ON: 271N6444-1	002004 006100 107107 121503 904999	1
166	271N6444-1053		.TUBE ASSY-BRAKE PRESSURE SYS POSITION DATA: R TUBING MATERIAL: .375 IN. OD .019 IN. WALL 38.30 IN. LG TI BMS 7-234 TI-3AL-2.5V COLD WORKED, STRESS RELIEVED TUBING	002004 006100 107107 121503 904999	1
- 170	AS1581T06		..SLEEVE	002004 006100 107107 121503 904999	1

MISSING ITEM NUMBERS NOT APPLICABLE

- ITEM NOT ILLUSTRATED

32-42-51-22

32-42-51  
FIG. 22  
PAGE 6  
JAN 20/09

BRI



757

PARTS CATALOG (MAINTENANCE)

FIG ITEM	PART NUMBER	1 2 3 4 5 6 7	NOMENCLATURE	EFFECT FROM TO	UNITS PER ASSY
22 - 175	BACN10YA6	..	NUT	002004 006100 107107 121503 904999	1
- 180	AS1582T06	..	UNION	002004 006100 107107 121503 904999	1
185	271N6444-1105	.TUBE ASSY-BRAKE PRESSURE SYS POSITION DATA: L TUBING MATERIAL: .375 IN. OD .019 IN. WALL 65.00 IN. LG TI BMS 7-234 TIO3AL-2.5V COLD WORKED, STRESS RELIEVED TUBING		002004 006100 107107 121503 904999	1
- 190	AS1581T06	..	SLEEVE	002004 006100 107107 121503 904999	2
- 195	BACN10YA6	..	NUT	002004 006100 107107 121503 904999	2
220	NAS1762T0606	.ELBOW-		002004 006100 107107 121503 904999	1
220	NAS1762J0606	.ELBOW- MISCELLANEOUS DATA: OPTIONAL PART NUMBER: BAC21BT0606JN (81205)		002004 006100 107107 121503 904999	1
221	NAS1762T0606	.ELBOW-		002004 006100 107107 121503 904999	1

MISSING ITEM NUMBERS NOT APPLICABLE

- ITEM NOT ILLUSTRATED

32-42-51-22

32-42-51  
FIG. 22  
PAGE 7  
JAN 20/09

BRI



757

PARTS CATALOG (MAINTENANCE)

FIG ITEM	PART NUMBER	1 2 3 4 5 6 7	NOMENCLATURE	EFFECT FROM TO	UNITS PER ASSY
22 221	NAS1762J0606	.ELBOW-	MISCELLANEOUS DATA: OPTIONAL PART NUMBER: BAC21BT0606JN (81205)	002004 006100 107107 121503 904999	1
225	NAS1761T0606	.ELBOW-		002004 006100 107107 121503 904999	1
225	NAS1761J0606	.ELBOW-	MISCELLANEOUS DATA: REPLACED BY BACE21BR0606JN	002004 006100 107107 121503 904999	1
- 250	271N6441-9	PLUMBING INSTL-BHD MLG WHL WELL HYDR (ANTISKID/ AUTOBRAKE SYSTEM ONLY) POSITION DATA: SECT. 44 FWD VARIABLE DRAWING REF: 271N6441-11 271N6441-12 271N6441-14 FOR NHA/OTHER SYS DET SEE: 29-00-51-05		002004 006100 107107 121503 904999	RF
- 250	271N6441-30	PLUMBING INSTL-MAIN WHL WELL BHD HYDR (ANTISKID/AUTOBRAKE SYSTEM ONLY) POSITION DATA: SECT.44 R FOR NHA/OTHER SYS DET SEE: 29-00-51-02C		101102 504903	RF
- 250	271N6441-35	PLUMBING INSTL-MAIN WHL WELL BHD HYDR (ANTISKID/AUTOBRAKE SYSTEM ONLY) POSITION DATA: SECT.44 R FOR NHA/OTHER SYS DET SEE: 29-00-51-02C		108120	RF

MISSING ITEM NUMBERS NOT APPLICABLE

- ITEM NOT ILLUSTRATED

BRI

32-42-51-22

32-42-51  
FIG. 22  
PAGE 8  
JAN 20/09



757

PARTS CATALOG (MAINTENANCE)

FIG ITEM	PART NUMBER	1 2 3 4 5 6 7	NOMENCLATURE	EFFECT FROM TO	UNITS PER ASSY
22 255	271N6441-1379		.TUBE ASSY-BRAKE PRESSURE SYS POSITION DATA: R TUBING MATERIAL: .375 IN. OD .019 IN. WALL 21.90 IN. LG TI BMS 7-234 TI03AL-2.5V COLD WORKED, STRESS RELIEVED TUBING	002004 107107 121503 904949 952952	1
255	271N6441-1428		.TUBE ASSY-BRAKE PRESSURE SYS POSITION DATA: R TUBING MATERIAL: .375 IN. OD .019 IN. WALL 21.70 IN. LG TI BMS 7-234 TI03AL-2.5V COLD WORKED, STRESS RELIEVED TUBING	006100 950951 953999	1
- 260	AS1581T06		..SLEEVE	002004 107107 121503 904949 952952	2
- 262	AS1581T06		..SLEEVE	006100 950951 953999	1
- 264	AS1582T06		..UNION	006100 950951 953999	1
- 265	BACN10YA6		..NUT-	002004 107107 121503 904949 952952	2
- 267	BACN10YA6		..NUT-	006100 950951 953999	1
270	271N6441-1071		.TUBE ASSY-BRAKE PRESSURE SYS POSITION DATA: R TUBING MATERIAL: .375 IN. OD .019 IN. WALL 103.50 IN. LG TI BMS 7-234 TI-3AL-2.5V COLD WORKED, STRESS RELIEVED TUBING	002004 006102 107999	1

MISSING ITEM NUMBERS NOT APPLICABLE

- ITEM NOT ILLUSTRATED

32-42-51-22

32-42-51  
FIG. 22  
PAGE 9  
JAN 20/09

BRI



757

PARTS CATALOG (MAINTENANCE)

FIG ITEM	PART NUMBER	1 2 3 4 5 6 7	NOMENCLATURE	EFFECT FROM TO	UNITS PER ASSY
22					
- 275	AS1581T06	..	SLEEVE	002004 006102 107999	2
- 280	BACN10YA6	..	NUT	002004 006102 107999	2
285	271N6441-1396	.TUBE ASSY-BRAKE PRESSURE SYS POSITION DATA: R TUBING MATERIAL: .500 IN. OD .026 IN. WALL 11.00 IN. LG TI BMS 7-234 TI-3AL-2.5V COLD WORKED, STRESS RELIEVED TUBING		107107	1
285	271N6441-1419	.TUBE ASSY-BRAKE PRESSURE SYS POSITION DATA: R TUBING MATERIAL: .375 IN. OD .026 IN. WALL 11.50 IN. LG TI BMS 7-234 TI03AL-2.5V COLD WORKED, STRESS RELIEVED TUBING		002004 006102 108999	1
- 290	AS1581T08	..	SLEEVE	002004 006102 107999	2
- 295	BACN10YA8	..	NUT-	002004 006102 107999	2
300	271N6441-1366	.TUBE ASSY-BRAKE PRESSURE SYS POSITION DATA: R TUBING MATERIAL: .375 IN OD .019 IN. WALL 52.60 IN. LG TI BMS 7-234 TI-3AL-2.5V COLD WORKED, STRESS RELIEVED TUBING		107107	1

MISSING ITEM NUMBERS NOT APPLICABLE

- ITEM NOT ILLUSTRATED

BRI

32-42-51-22

BOEING PROPRIETARY - Copyright © - Unpublished Work - See title page for details.

32-42-51  
FIG. 22  
PAGE 10  
JAN 20/09



757

PARTS CATALOG (MAINTENANCE)

FIG ITEM	PART NUMBER	1 2 3 4 5 6 7	NOMENCLATURE	EFFECT FROM TO	UNITS PER ASSY
22 300	271N6441-1420		.TUBE ASSY-BRAKE PRESSURE SYS POSITION DATA: R TUBING MATERIAL: .375 IN. OD .019 IN. WALL 53.30 IN. LG TI BMS 7-234 TI-3AL-2.5V COLD WORKED, STRESS RELIEVED TUBING	006100 950951 953999	1
- 307	AS1581T06		..SLEEVE	006100 950951 953999	2
- 310	BACN10YA6		..NUT	006100 107107 950951 953999	2
345	AP1042T0606		.ELBOW- SUPPLIER CODE: V01673 SPECIFICATION NUMBER: BACE21BT0606T	108120	1
350	NAS1764T080606		.TEE-	002004 006100 107107 121503 904999	1
350	NAS1764J080606		.TEE-	002004 006100 107107 121503 904999	1
- 400	271N6443-1		PLUMBING INSTL-PRESSURE DECK HYDR (ANTISKID/ AUTOBRAKE SYSTEM ONLY) POSITION DATA: SECT. 44 L VARIABLE DRAWING REF: 271N6443-4 271N6443-7 271N6443-8 271N6443-11 271N6443-18 FOR NHA/OTHER SYS DET SEE: 29-00-51-05	002004 006100 107107 121503 904999	RF

MISSING ITEM NUMBERS NOT APPLICABLE

- ITEM NOT ILLUSTRATED

32-42-51-22

32-42-51  
FIG. 22  
PAGE 11  
JAN 20/09

BRI



757

PARTS CATALOG (MAINTENANCE)

FIG ITEM	PART NUMBER	1 2 3 4 5 6 7	NOMENCLATURE	EFFECT FROM TO	UNITS PER ASSY
22 405	NAS1801-3	.	SCREW- SIZE DETERMINED ON INSTL.	002004 006100 107107 121503 904999	1
410	AN960KD10	.	WASHER	002004 006100 107107 121503 904999	AR
415	BRH10A3	.	NUT SUPPLIER CODE: V52828 SPECIFICATION NUMBER: BACN10JC3 OPTIONAL PART: H10-3BAC V15653 NS202101-02 V80539 RMLH9075-3W V72962 VN303A02 V92215 96-02 V80539 T6S1032J V11815	002004 006100 107107 121503 904999	1
420	M85052-2-6	.	CLAMP	002004 006100 107107 121503 904999	2
425	270N2000-2	.	CLAMP ASSY-BLK	002004 006100 107107 121503 904999	2
430	NAS1801-3-34	..	SCREW-	002004 006100 107107 121503 904999	2
435	AN960PD10L	..	WASHER	002004 006100 107107 121503 904999	2

MISSING ITEM NUMBERS NOT APPLICABLE

- ITEM NOT ILLUSTRATED

BRI

32-42-51-22

BOEING PROPRIETARY - Copyright © - Unpublished Work - See title page for details.

32-42-51  
FIG. 22  
PAGE 12  
JAN 20/09



757

PARTS CATALOG (MAINTENANCE)

FIG ITEM	PART NUMBER	1 2 3 4 5 6 7	NOMENCLATURE	EFFECT FROM TO	UNITS PER ASSY
22 440	NAS43DD3-100	..	SPACER	002004 006100 107107 121503 904999	2
445	BRH10A3	..	NUT SUPPLIER CODE: V52828 SPECIFICATION NUMBER: BACN10JC3 OPTIONAL PART: H10-3BAC V15653 NS202101-02 V80539 RMLH9075-3W V72962 VN303A02 V92215 96-02 V80539 T6S1032J V11815	002004 006100 107107 121503 904999	2
450	270N2000-801	..	CHANNEL	002004 006100 107107 121503 904999	1
455	270N2000-401	..	BLOCK	002004 006100 107107 121503 904999	2
460	270N2000-402	..	BLOCK	002004 006100 107107 121503 904999	1
500	271N6443-1150	.	TUBE ASSY-BRAKE PRESSURE SYS POSITION DATA: R TUBING MATERIAL: .375 IN. OD .019 IN. WALL 45.60 IN. LG TI BMS 7-234 TI03AL-2.5V COLD WORKED, STRESS RELIEVED TUBING	002004 006100 107107 121503 904999	1

MISSING ITEM NUMBERS NOT APPLICABLE

- ITEM NOT ILLUSTRATED

BRI

32-42-51-22

32-42-51  
FIG. 22  
PAGE 13  
JAN 20/09





757

PARTS CATALOG (MAINTENANCE)

FIG ITEM	PART NUMBER	1 2 3 4 5 6 7	NOMENCLATURE	EFFECT FROM TO	UNITS PER ASSY
22 505	271N6443-1151		.TUBE ASSY-BRAKE PRESSURE SYS POSITION DATA: R TUBING MATERIAL: .375 IN. OD .019 IN. WALL 42.40 IN. LG TI BMS 7-234 TI-3AL-2.5V COLD WORKED, STRESS RELIEVED TUBING	002004 006100 107107 121503 904999	1
510	271N6443-1153		.TUBE ASSY-BRAKE PRESSURE SYS POSITION DATA: R TUBING MATERIAL: .375 IN. OD .019 IN. WALL 47.90 IN. LG TI BMS 7-234 TI-3AL-2.5V COLD WORKED, STRESS RELIEVED TUBING	002004 006100 107107 121503 904999	1
515	271N6443-1152		.TUBE ASSY-BRAKE PRESSURE SYS POSITION DATA: R TUBING MATERIAL: .375 IN. OD .019 IN. WALL 36.60 IN. LG TI BMS 7-234 TI-3AL-2.5V COLD WORKED, STRESS RELIEVED TUBING	002004 006100 107107 121503 904999	1
- 520	AS1581T06		..SLEEVE	002004 006100 107107 121503 904999	2
- 525	BACN10YA6		..NUT	002004 006100 107107 121503 904999	2

MISSING ITEM NUMBERS NOT APPLICABLE

- ITEM NOT ILLUSTRATED

32-42-51-22

32-42-51  
FIG. 22  
PAGE 14  
JAN 20/09

BRI



757

PARTS CATALOG (MAINTENANCE)

FIG ITEM	PART NUMBER	1 2 3 4 5 6 7	NOMENCLATURE	EFFECT FROM TO	UNITS PER ASSY
22 535	271N6443-1024		.TUBE ASSY-BRAKE PRESSURE SYS POSITION DATA: L TUBING MATERIAL: .375 IN. OD .019 IN. WALL 51.60 IN. LG TI BMS 7-234 TI-3AL-2.5V COLD WORKED, STRESS RELIEVED TUBING	002004 006100 107107 121503 904999	1
- 540	AS1581T06		..SLEEVE	002004 006100 107107 121503 904999	2
- 545	BACN10YA6		..NUT	002004 006100 107107 121503 904999	2
550	271N6443-1052		.TUBE ASSY-BRAKE PRESSURE SYS POSITION DATA: L TUBING MATERIAL: .375 IN. OD .019 IN. WALL 92.40 IN. LG TI BMS 7-234 TI-3AL-2.5V COLD WORKED, STRESS RELIEVED TUBING	002004 006100 107107 121503 904999	1
- 560	AS1581T06		..SLEEVE	002004 006100 107107 121503 904999	1
- 565	BACN10YA6		..NUT	002004 006100 107107 121503 904999	1
- 570	AS1582T06		..UNION	002004 006100 107107 121503 904999	1

MISSING ITEM NUMBERS NOT APPLICABLE

- ITEM NOT ILLUSTRATED

32-42-51-22

32-42-51  
FIG. 22  
PAGE 15  
JAN 20/09

BRI



757

PARTS CATALOG (MAINTENANCE)

FIG ITEM	PART NUMBER	1 2 3 4 5 6 7	NOMENCLATURE	EFFECT FROM TO	UNITS PER ASSY
22 - 650	271N6445-1		PLUMBING INSTL-KEEL BEAM MLG WHL WELL HYDR (ANTISKID/AUTOBRAKE SYSTEM ONLY) POSITION DATA: SECT. 44 VARIABLE DRAWING REF: 271N6445-3 271N6445-6 FOR NHA/OTHER SYS DET SEE: 29-00-51-05	002004 006100 107107 121503 904999	RF
660	270N2000-265		. CLAMP ASSY-BLK POSITION DATA: STA 1140 WL 200 STA 1120 WL 200 POST SERVICE BULLETIN: 24-0048	002004 006100 107107 121503 904949 952999	2
662	NAS1801-3-48		.. SCREW	002004 006100 107107 121503 904949 952999	2
664	AN960PD10L		.. WASHER	002004 006100 107107 121503 904949 952999	2
666	BRH10A3		.. NUT SUPPLIER CODE: V52828 SPECIFICATION NUMBER: BACN10JC3 OPTIONAL PART: H10-3BAC V15653 NS202101-02 V80539 RMLH9075-3W V72962 VN303A02 V92215 96-02 V80539 T6S1032J V11815	002004 006100 107107 121503 904949 952999	2

MISSING ITEM NUMBERS NOT APPLICABLE

- ITEM NOT ILLUSTRATED

BRI

32-42-51-22

32-42-51  
FIG. 22  
PAGE 16  
JAN 20/09



757

PARTS CATALOG (MAINTENANCE)

FIG ITEM	PART NUMBER	1 2 3 4 5 6 7	NOMENCLATURE	EFFECT FROM TO	UNITS PER ASSY
22 668	NAS43DD3-157	. .	SPACER	002004 006100 107107 121503 904949 952999	2
670	270N2000-841	. .	CHANNEL	002004 006100 107107 121503 904949 952999	1
672	270N2000-468	. .	BLOCK	002004 006100 107107 121503 904949 952999	1
674	270N2000-1278	. .	BLOCK	002004 006100 107107 121503 904949 952999	1
676	270N2000-1279	. .	BLOCK-	002004 006100 107107 121503 904949 952999	1
678	270N2000-78	. .	CLAMP ASSY-BLK	002004 006100 107107 121503 904999	1
680	NAS1801-3-24	. .	SCREW	002004 006100 107107 121503 904999	2
681	NAS43DD3-59	. .	SPACER	002004 006100 107107 121503 904999	2

MISSING ITEM NUMBERS NOT APPLICABLE

- ITEM NOT ILLUSTRATED

32-42-51-22

32-42-51  
FIG. 22  
PAGE 17  
JAN 20/09

BRI



757

PARTS CATALOG (MAINTENANCE)

FIG ITEM	PART NUMBER	1 2 3 4 5 6 7	NOMENCLATURE	EFFECT FROM TO	UNITS PER ASSY
22 682	AN960PD10L	..	WASHER	002004 006100 107107 121503 904999	2
683	BRH10A3	..	NUT SUPPLIER CODE: V52828 SPECIFICATION NUMBER: BACN10JC3 OPTIONAL PART: H10-3BAC V15653 NS202101-02 V80539 RMLH9075-3W V72962 VN303A02 V92215 96-02 V80539 T6S1032J V11815	002004 006100 107107 121503 904999	2
684	270N2000-844	..	CHANNEL	002004 006100 107107 121503 904999	1
685	270N2000-502	..	BLOCK	002004 006100 107107 121503 904999	2
690	271N6445-1003	.TUBE ASSY-RETURN SYS POSITION DATA: L TUBING MATERIAL: .75 IN. OD .035 IN. WALL 45.62 IN. LG AL		950951	1

MISSING ITEM NUMBERS NOT APPLICABLE

- ITEM NOT ILLUSTRATED

BRI

32-42-51-22

BOEING PROPRIETARY - Copyright © - Unpublished Work - See title page for details.

32-42-51  
FIG. 22  
PAGE 18  
JAN 20/09



757

PARTS CATALOG (MAINTENANCE)

FIG ITEM	PART NUMBER	1 2 3 4 5 6 7	NOMENCLATURE	EFFECT FROM TO	UNITS PER ASSY
22 - 692	AP2097HP12	..	SLEEVE SUPPLIER CODE: V01673 SPECIFICATION NUMBER: BACS13BX12HP OPTIONAL PART: 2-02903-12HP V11328 35235VN12 V08199 AFP175V12P V30974 DBOS13BX12HP V14798	950951	2
- 693	BACN10YL12	..	NUT	950951	2
696	271N6445-1223	.TUBE ASSY-RETURN SYS POSITION DATA: L TUBING MATERIAL: .625 IN. OD .035 IN. WALL 23.00 IN. LG AL		107107	1
696	271N6445-1233	.TUBE ASSY-RETURN SYS POSITION DATA: L TUBING MATERIAL: .625 IN. OD .035 IN. WALL 22.00 IN. LG AL		002004 006010 121503 904999	1
696	271N6445-1267	.TUBE ASSY-RETURN SYS POSITION DATA: L TUBING MATERIAL: .625 IN. OD .035 IN. WALL 26.00 IN. LG AL		011100	1
- 697	AP2097HP10	..	SLEEVE SUPPLIER CODE: V01673 SPECIFICATION NUMBER: BACS13BX10HP OPTIONAL PART: 2-02903-10HP V11328 35235VN10 V08199 AFP175V10P V30974 DBOS13BX10HP V14798	002004 006100 107107 121503 904999	2

MISSING ITEM NUMBERS NOT APPLICABLE

- ITEM NOT ILLUSTRATED

32-42-51-22

32-42-51  
FIG. 22  
PAGE 19  
JAN 20/09

BRI



757

PARTS CATALOG (MAINTENANCE)

FIG ITEM	PART NUMBER	1 2 3 4 5 6 7	NOMENCLATURE	EFFECT FROM TO	UNITS PER ASSY
22 - 698	BACN10YL10	. .	NUT	002004 006100 107107 121503 904999	2
708	271N6445-1202	. TUBE ASSY-RETURN SYS POSITION DATA: L TUBING MATERIAL: .750 IN. OD .035 IN. WALL 33.00 IN. LG AL POST SERVICE BULLETIN: 24-0048		002004 006010 107107 121503 904949 952999	1
708	271N6445-1270	. TUBE ASSY-RETURN SYS POSITION DATA: L TUBING MATERIAL: .750 IN. OD .035 IN. WALL 39.00 IN. LG AL POST SERVICE BULLETIN: 24-0048		011100	1
710	271N6445-1203	. TUBE ASSY-RETURN SYS POSITION DATA: L TUBING MATERIAL: .750 IN. OD .035 IN. WALL 16.00 IN. LG AL POST SERVICE BULLETIN: 24-0048		002004 006100 107107 121503 904949 952999	1
712	271N6445-1204	. TUBE ASSY-RETURN SYS POSITION DATA: L TUBING MATERIAL: .750 IN. OD .035 IN. ALL 42.50 IN. LG AL POST SERVICE BULLETIN: 24-0048		002004 006010 107107 121503 904949 952999	1
712	271N6445-1279	. TUBE ASSY-RETURN SYS POSITION DATA: L		011100	1

MISSING ITEM NUMBERS NOT APPLICABLE

- ITEM NOT ILLUSTRATED

BRI

32-42-51-22

32-42-51  
FIG. 22  
PAGE 20  
JAN 20/09



757

PARTS CATALOG (MAINTENANCE)

FIG ITEM	PART NUMBER	1 2 3 4 5 6 7	NOMENCLATURE	EFFECT FROM TO	UNITS PER ASSY
22 - 714	AP2097HP12	..	SLEEVE SUPPLIER CODE: V01673 SPECIFICATION NUMBER: BACS13BX12HP OPTIONAL PART: 2-02903-12HP V11328 35235VN12 V08199 AFP175V12P V30974 DBOS13BX12HP V14798	002004 006100 107107 121503 904949 952999	2
- 716	MS21921-12D	..	NUT- OPTIONAL PART: BACN10YL12	002004 006010 107107 121503 904949 952999	2
- 716	BACN10YL12	..	NUT- OPTIONAL PART: MS21921-12D	002004 006010 107107 121503 904949 952999	2
- 718	35056GV12	..	UNION- SUPPLIER CODE: V08199 SPECIFICATION NUMBER: BACU24AB12W OPTIONAL PART: 4671097W12 V50948 2-01027-12W V11328 31875-12W V14397 AP1004W12 V01673 AFP941W12 V30974 DBOU24AB12W V14798 USED ON: 271N6445-1270	011100	1

MISSING ITEM NUMBERS NOT APPLICABLE

- ITEM NOT ILLUSTRATED

32-42-51-22

32-42-51  
FIG. 22  
PAGE 21  
JAN 20/09

BRI





757

PARTS CATALOG (MAINTENANCE)

FIG ITEM	PART NUMBER	1 2 3 4 5 6 7	NOMENCLATURE	EFFECT FROM TO	UNITS PER ASSY
22 725	271N6445-1219	.	TUBE ASSY-RETURN SYS POSITION DATA: L TUBING MATERIAL: .625 IN. OD .035 IN. WALL 13.6 IN. LG AL	002004 006010 107107 121503 904999	1
725	271N6445-1264	.	TUBE ASSY-RETURN SYS POSITION DATA: L TUBING MATERIAL: .625 IN. OD .035 IN. WALL 20.00 IN. LG AL	011100	1
- 727	AP2097HP10	..	SLEEVE SUPPLIER CODE: V01673 SPECIFICATION NUMBER: BACS13BX10HP OPTIONAL PART: 2-02903-10HP V11328 35235VN10 V08199 AFP175V10P V30974 DBOS13BX10HP V14798	002004 006100 107107 121503 904999	2
- 730	BACN10YL10	..	NUT	002004 006100 107107 121503 904999	2
735	271N6445-1278	.	TUBE ASSY-RETURN SYS POSITION DATA: L TUBING MATERIAL: .750 IN. OD. .035 IN. WALL 59.3 IN. LG AL	011100	1

MISSING ITEM NUMBERS NOT APPLICABLE

- ITEM NOT ILLUSTRATED

BRI

32-42-51-22

BOEING PROPRIETARY - Copyright © - Unpublished Work - See title page for details.

32-42-51  
FIG. 22  
PAGE 22  
JAN 20/09



757

PARTS CATALOG (MAINTENANCE)

FIG ITEM	PART NUMBER	1 2 3 4 5 6 7	NOMENCLATURE	EFFECT FROM TO	UNITS PER ASSY
22 - 740	AP2097HP12	..	SLEEVE SUPPLIER CODE: V01673 SPECIFICATION NUMBER: BACS13BX12HP OPTIONAL PART: 2-02903-12HP V11328 35235VN12 V08199 AFP175V12P V30974 DBOS13BX12HP V14798	011100	2
- 745 750	BACN10YL12 NAS1762D1010	.. .	NUT- ELBOW-	011100 002004 006100 107107 121503 904999	2 1
760	APX804D121208	. .	TEE- SUPPLIER CODE: V01673 SPECIFICATION NUMBER: BACT16AX121208D OPTIONAL PART: APX804-121208D V01673 ER804-121208D V50948 ER804-121208D V88334 FER1551-121208D V14397 NAF1844-121208D V52930 US1929-121208D V50808 LER804A121208D V11328 DBOT16AX121208D V14798 AFP329-121208D V30974	002004 006100 107107 121503 904999	1

MISSING ITEM NUMBERS NOT APPLICABLE

- ITEM NOT ILLUSTRATED

32-42-51-22

32-42-51  
FIG. 22  
PAGE 23  
JAN 20/09

BRI



757

PARTS CATALOG (MAINTENANCE)

FIG ITEM	PART NUMBER	1 2 3 4 5 6 7	NOMENCLATURE	EFFECT FROM TO	UNITS PER ASSY
22 760	AFP329-121208W	. TEE-	SUPPLIER CODE: V30974 SPECIFICATION NUMBER: BACT16AX121208W OPTIONAL PART: APX804-121208W V01673 DB0T16AX121208W V14798 ER804-121208W V50948 ER804-121208W V88334 FER1551-121208W V14397 LER804A121208W V11328 NAF1844-121208W V52930 US1929-121208W V50808	011100	1
765	NAS1763D121612	. TEE-		002004 006010 107107 121503 904999	1
765	NAS1763W121612	. TEE-		011100	1

MISSING ITEM NUMBERS NOT APPLICABLE

- ITEM NOT ILLUSTRATED

32-42-51-22

32-42-51  
FIG. 22  
PAGE 24  
JAN 20/09

BRI



757

PARTS CATALOG (MAINTENANCE)

FIG ITEM	PART NUMBER	1 2 3 4 5 6 7	NOMENCLATURE	EFFECT FROM TO	UNITS PER ASSY
22 770	APX804D101012	. TEE-	SUPPLIER CODE: V01673 SPECIFICATION NUMBER: BACT16AX101012D OPTIONAL PART: APX804-101012D V01673 ER804-101012D V50948 ER804-101012D V88334 FER1551-101012D V14397 NAF1844-101012D V52930 US1929-101012D V50808 LER804A101012D V11328 DBOT16AX101012D V14798 AFP329-101012D V30974	002004 006100 107107 121503 904999	1
775	NAS1763D061010	. TEE-		002004 006100 107107 121503 904999	1
780	MS21905D12	. TEE-	POST SERVICE BULLETIN: 24-0048	002004 006100 107107 121503 904949 952999	1
780	MS21905W12	. TEE-	POST SERVICE BULLETIN: 24-0116	002004 006100 107107 121503 904949 952999	1
790	AN924-12D	. NUT		002004 006100 107107 121503 904999	1

MISSING ITEM NUMBERS NOT APPLICABLE

- ITEM NOT ILLUSTRATED

32-42-51-22

32-42-51  
FIG. 22  
PAGE 25  
JAN 20/09

BRI



757

PARTS CATALOG (MAINTENANCE)

FIG ITEM	PART NUMBER	1 2 3 4 5 6 7	NOMENCLATURE	EFFECT FROM TO	UNITS PER ASSY
22 793	AN924-10D	.	NUT	002004 006100 107107 121503 904999	1
795	AN960KD1716	.	WASHER	002004 006100 107107 121503 904999	1
797	AN960KD1416	.	WASHER	002004 006100 107107 121503 904999	1
900			ILLUSTRATION REFERENCE: VALVE INSTL-NORMAL BRAKES ANTISKID 32-42-02-01	002004 006100 107107 121503 904999	RF
905			ILLUSTRATION REFERENCE: VALVE INSTL-ANTISKID SHUTTLE 32-42-07-01	002004 006100 107107 121503 904999	RF
910			ILLUSTRATION REFERENCE: VALVE INSTL-ALTERNATE ANTISKID (LANDING GEAR ONLY) 32-42-02-02	002004 006100 107107 121503 904999	RF
915			ILLUSTRATION REFERENCE: VALVE INSTL-AUTOBRAKE SHUTTLE 32-42-10-01	002004 006100 107107 121503 904999	RF
920			ILLUSTRATION REFERENCE: VALVE INSTL-AUTO BRAKE MODULE 32-42-09-01	002004 006100 107107 121503 904999	RF

MISSING ITEM NUMBERS NOT APPLICABLE

- ITEM NOT ILLUSTRATED

32-42-51-22

32-42-51  
FIG. 22  
PAGE 26  
JAN 20/09

BRI



757

PARTS CATALOG (MAINTENANCE)

FIG ITEM	PART NUMBER	1 2 3 4 5 6 7	NOMENCLATURE	EFFECT FROM TO	UNITS PER ASSY
22 925			ILLUSTRATION REFERENCE: PLUMBING INSTL-MAIN WHL WELL FWD BHD HYDR (HYDRAULIC POWER ONLY) 29-11-51-39	002004 006100 107107 121503 904999	RF
930			ILLUSTRATION REFERENCE: PLUMBING INSTL-SECT.44 R PRESSURE DECK HYDR (LANDING GEAR CONTROL ONLY) 32-31-51-22	002004 006100 107107 121503 904999	RF
935			ILLUSTRATION REFERENCE: PLUMBING INSTL-SECT. 44 MAIN WHL WELL HYDR (HYDRAULIC POWER ONLY) 29-11-51-36	002004 006100 107107 121503 904999	RF
940			ILLUSTRATION REFERENCE: PLUMBING INSTL-SECT. 44 MLG WHL WELL HYDR (TRAILING EDGE FLAP SYSTEM ONLY) 27-51-51-20	002004 006100 107107 121503 904999	RF
945			ILLUSTRATION REFERENCE: VALVE INSTL-MLG DOOR OPERATED SEQ 32-32-05-01	002004 006100 107107 121503 904999	RF
950			ILLUSTRATION REFERENCE: PLUMBING INSTL-SECT. 44 KEEL BEAM MLG WHL WELL HYDR (ELECTRICAL POWER ONLY) 24-25-52-01	002004 006100 121503 904949 952999	RF
955			ILLUSTRATION REFERENCE: PLUMBING INSTL-SECT. 44 KEEL BEAM MLG WHL WELL HYDR 32-35-51-30	002004 006100 107107 121503 904999	RF
970			ILLUSTRATION REFERENCE: PLUMBING INSTL-MAIN WHL WELL FWD BHD HYDR (HYDRAULIC POWER ONLY) 29-11-51-39A	101102 108120 504903	RF

MISSING ITEM NUMBERS NOT APPLICABLE

- ITEM NOT ILLUSTRATED

**32-42-51-22**

32-42-51  
FIG. 22  
PAGE 27  
JAN 20/09

BRI



757

PARTS CATALOG (MAINTENANCE)

FIG ITEM	PART NUMBER	1 2 3 4 5 6 7 NOMENCLATURE	EFFECT FROM TO	UNITS PER ASSY
22 975		ILLUSTRATION REFERENCE: PLUMBING INSTL-SECT. 44 MLG WHL WELL HYDR (HYDRAULIC POWER TRANSFER UNIT SYSTEM ONLY) 29-22-51-20	011100	RF

MISSING ITEM NUMBERS NOT APPLICABLE

- ITEM NOT ILLUSTRATED

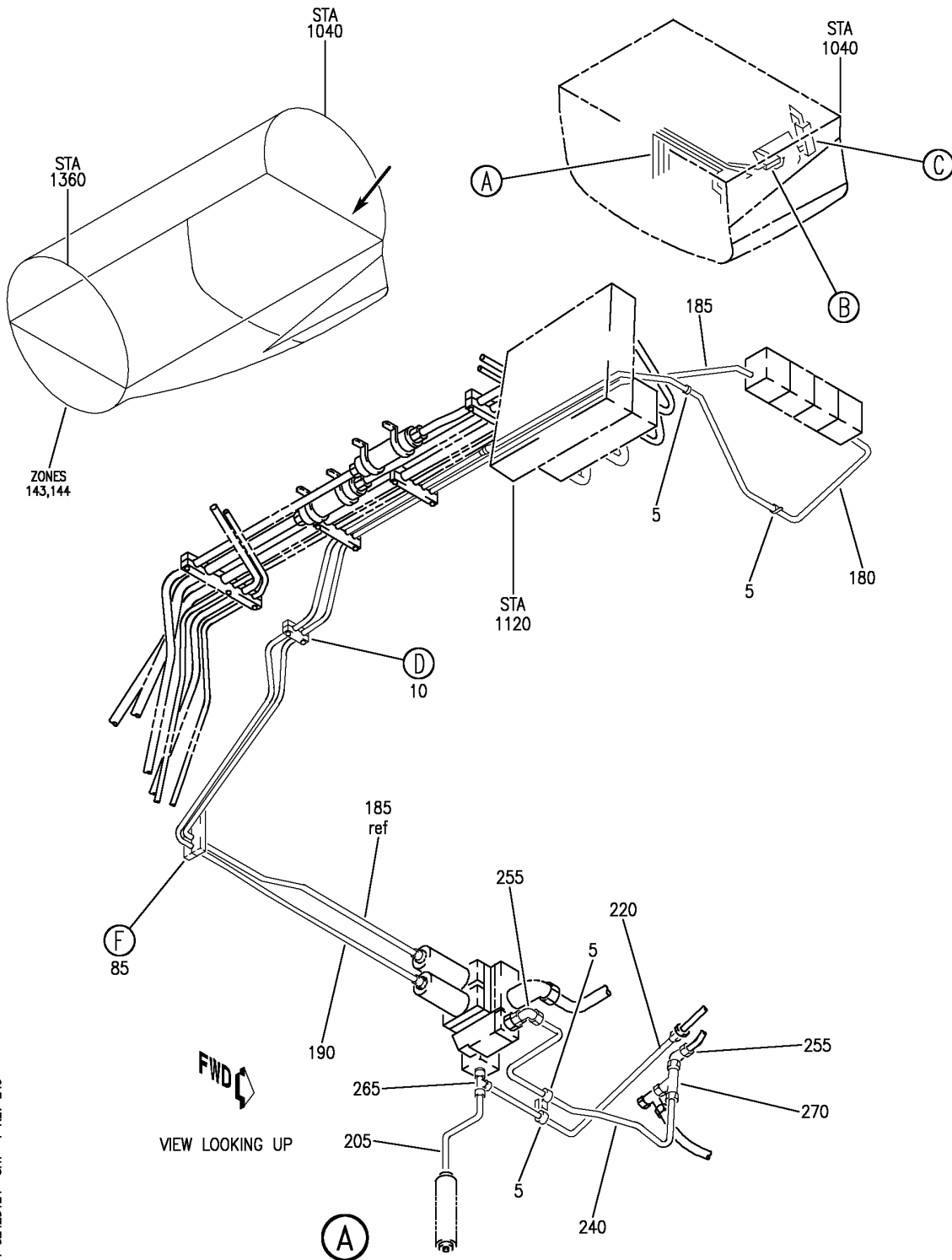
BRI

32-42-51-22

BOEING PROPRIETARY - Copyright © - Unpublished Work - See title page for details.

32-42-51  
FIG. 22  
PAGE 28  
JAN 20/09

**BOEING**  
757  
PARTS CATALOG (MAINTENANCE)



Y 32425124 SHT 1 REV 249

PLUMBING INSTL-SECT.44 R PRESSURE DECK HYDR (ANTISKID/AUTOBRAKE SYSTEM ONLY)  
FIGURE 24 (SHEET 1)

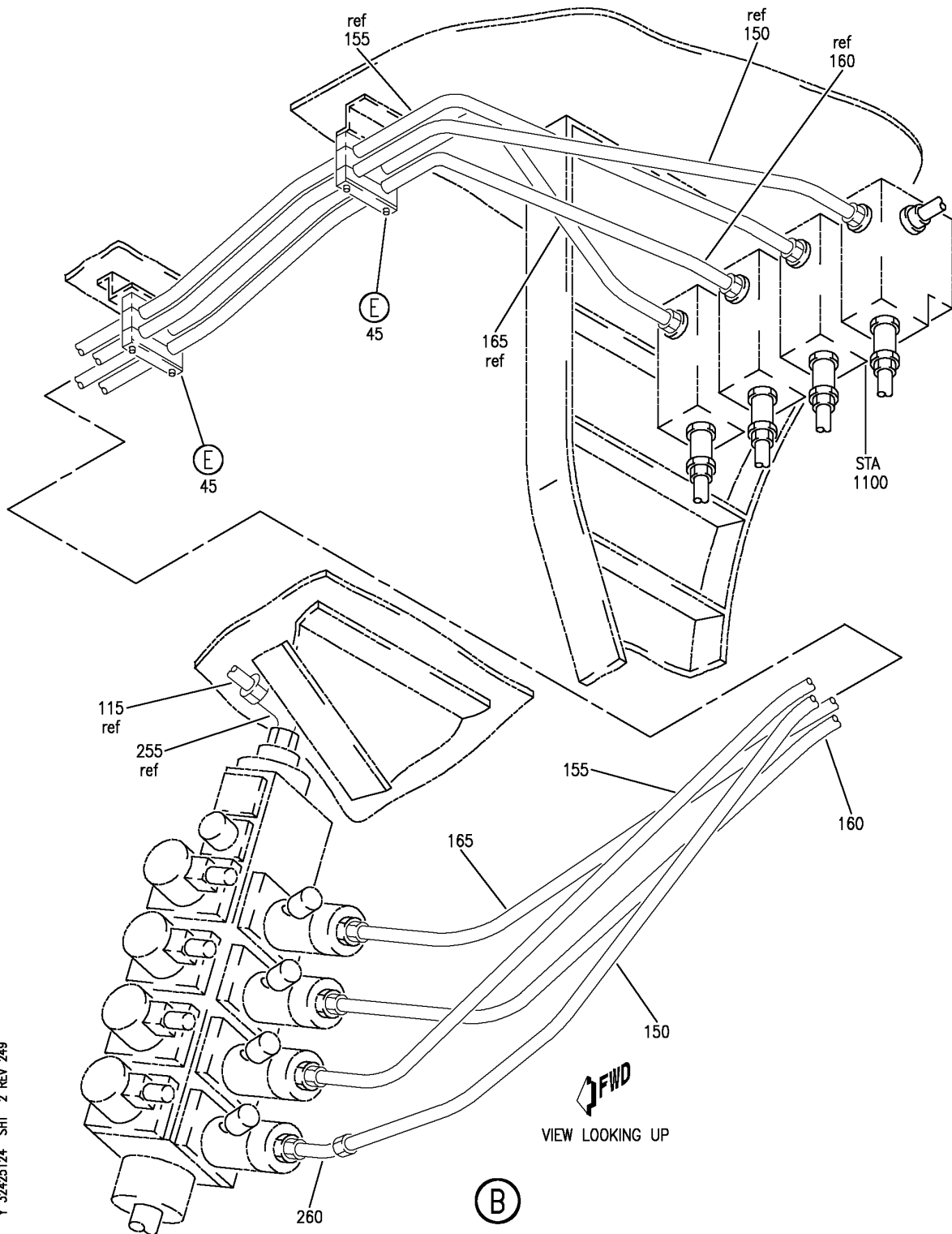
BRI  
JAN 20/09

**32-42-51-24**

32-42-51-24  
PAGE 0



**BOEING**  
757  
PARTS CATALOG (MAINTENANCE)



Y 32425124 SHT 2 REV 249

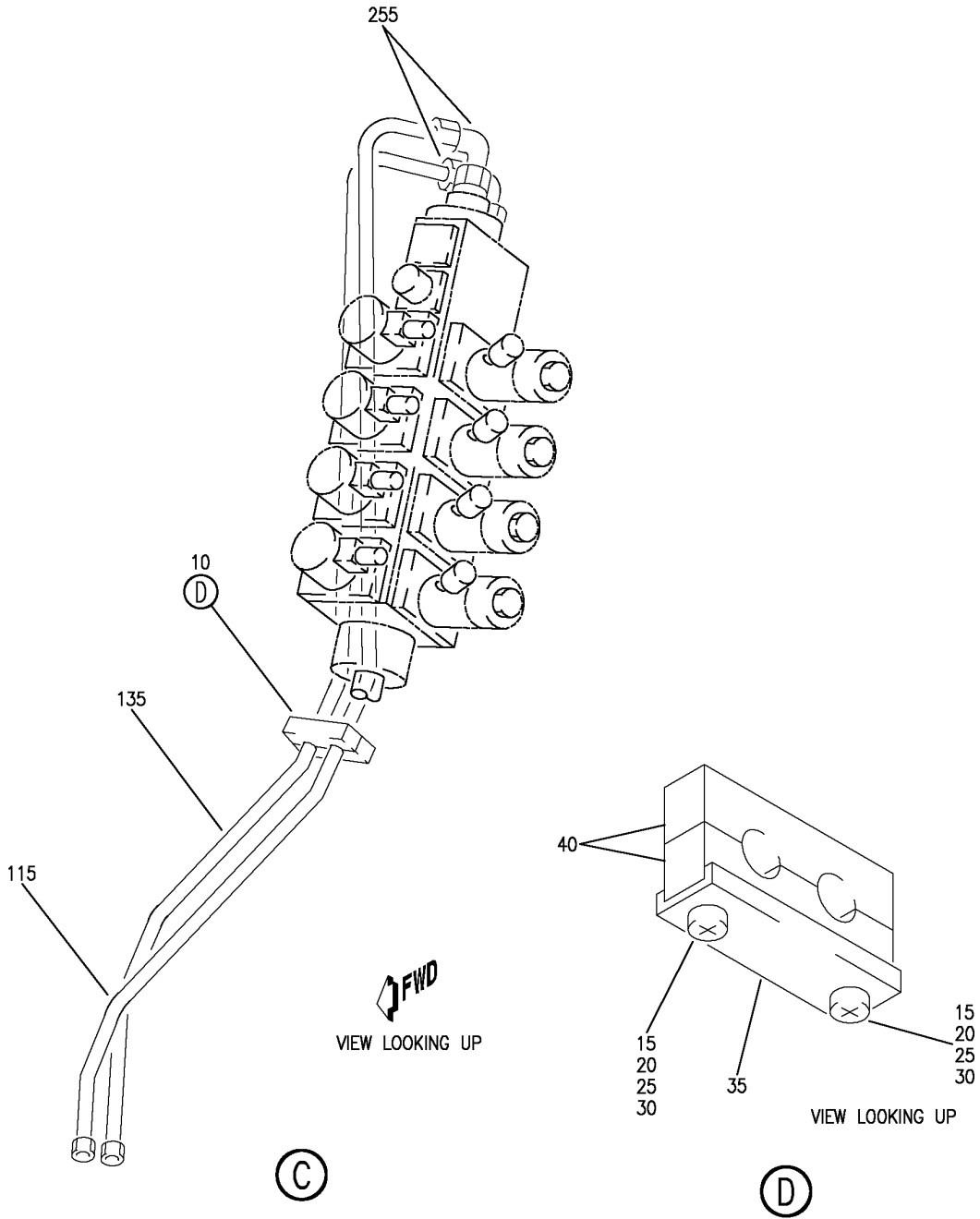
PLUMBING INSTL-SECT.44 R PRESSURE DECK HYDR (ANTISKID/AUTOBRAKE SYSTEM ONLY)  
FIGURE 24 (SHEET 2)

**32-42-51-24**

BRI  
JAN 20/09

32-42-51-24  
PAGE 0A

**BOEING**  
757  
PARTS CATALOG (MAINTENANCE)



Y 32425124 SHT 3 REV 249

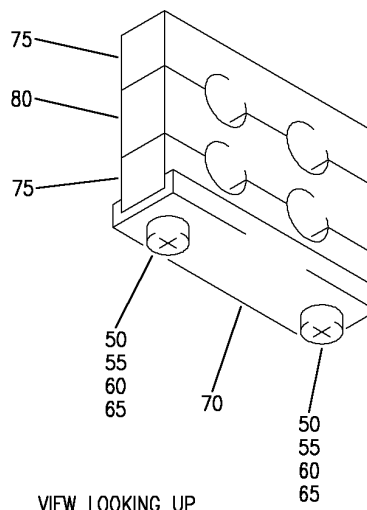
PLUMBING INSTL-SECT.44 R PRESSURE DECK HYDR (ANTISKID/AUTOBRAKE SYSTEM ONLY)  
FIGURE 24 (SHEET 3)

**32-42-51-24**

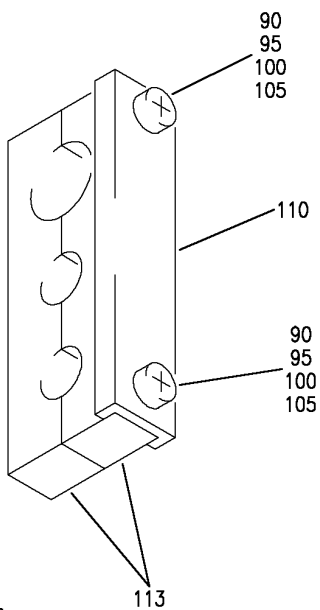
BRI  
JAN 20/09

32-42-51-24  
PAGE 0B

**BOEING**  
757  
PARTS CATALOG (MAINTENANCE)



(E)



VIEW LOOKING UP

(F)

Y 32425124 SH1 4 REV 249

PLUMBING INSTL-SECT.44 R PRESSURE DECK HYDR (ANTISKID/AUTOBRAKE SYSTEM ONLY)  
FIGURE 24 (SHEET 4)

BRI  
JAN 20/09

**32-42-51-24**

32-42-51-24  
PAGE 0C



757

PARTS CATALOG (MAINTENANCE)

FIG ITEM	PART NUMBER	1 2 3 4 5 6 7	NOMENCLATURE	EFFECT FROM TO	UNITS PER ASSY
24			PLUMBING INSTL-SECT.44 R PRESSURE DECK HYDR (ANTISKID/AUTOBRAKE SYSTEM ONLY)	103106	RF
- 1	MODREF31623		PLUMBING INSTL-PRESSURE DECK HYDR (HYDRAULIC BRAKE SYSTEM ONLY) MODULE NUMBER: 271N6444-24 REV B POSITION DATA: SECT 44 R FOR OTHER SYS DETAILS SEE: 29-11-51-24A 32-31-51-23 32-32-51-23 32-35-51-31 32-41-51-24 32-42-51-24	103105	1
- 1	MODREF34294		PLUMBING INSTL-PRESSURE DECK HYDR (HYDRAULIC BRAKE SYSTEM ONLY) MODULE NUMBER: 271N6444-24 REV C POSITION DATA: SECT 44 R FOR OTHER SYS DETAILS SEE: 29-11-51-24A 32-31-51-23 32-32-51-23 32-35-51-31 32-41-51-24 32-42-51-24	106106	1
5	M85052-2-6		.CLAMP	103106	4
10	270N2000-78		.CLAMP ASSY-BLK	103106	2
15	NAS1801-3-24		..SCREW	103106	2
20	NAS43DD3-59		..SPACER	103106	2
25	AN960PD10L		..WASHER	103106	2

MISSING ITEM NUMBERS NOT APPLICABLE

- ITEM NOT ILLUSTRATED

32-42-51-24

32-42-51  
FIG. 24  
PAGE 1  
JAN 20/09

BRI



757

PARTS CATALOG (MAINTENANCE)

FIG ITEM	PART NUMBER	1 2 3 4 5 6 7	NOMENCLATURE	EFFECT FROM TO	UNITS PER ASSY
24					
30	BRH10A3	..	NUT SUPPLIER CODE: V52828 SPECIFICATION NUMBER: BACN10JC3 OPTIONAL PART: H10-3BAC V15653 NS202101-02 V80539 RMLH9075-3W V72962 VN303A02 V92215 96-02 V80539 T6S1032J V11815	103106	2
35	270N2000-844	..	CHANNEL	103106	1
40	270N2000-502	..	BLOCK	103106	2
45	270N2000-2	.	CLAMP ASSY-BLK	103106	2
50	NAS1801-3-34	..	SCREW	103106	2
55	NAS43DD3-100	..	SPACER	103106	2
60	AN960PD10L	..	WASHER	103106	2
65	BRH10A3	..	NUT SUPPLIER CODE: V52828 SPECIFICATION NUMBER: BACN10JC3 OPTIONAL PART: H10-3BAC V15653 NS202101-02 V80539 RMLH9075-3W V72962 VN303A02 V92215 96-02 V80539 T6S1032J V11815	103106	2
70	270N2000-801	..	CHANNEL	103106	1
75	270N2000-401	..	BLOCK	103106	2
80	270N2000-402	..	BLOCK	103106	1
85	270N2000-287	.	CLAMP ASSY-BLOCK	103106	1
90	NAS1801-3-31	..	SCREW	103106	2
95	NAS43DD3-94FC	..	SPACER	103106	2
100	AN960JD10L	..	WASHER	103106	2

MISSING ITEM NUMBERS NOT APPLICABLE

- ITEM NOT ILLUSTRATED

32-42-51-24

32-42-51  
FIG. 24  
PAGE 2  
JAN 20/09

BRI



757

PARTS CATALOG (MAINTENANCE)

FIG ITEM	PART NUMBER	1 2 3 4 5 6 7	NOMENCLATURE	EFFECT FROM TO	UNITS PER ASSY
24 105	BRH10C3D	..	NUT SUPPLIER CODE: V52828 SPECIFICATION NUMBER: BACN10JC3CD OPTIONAL PART: T6C1032JCD V11815 NS202486-02 V80539 102LH9075-3W V72962 H51650-3BAC V15653	103106	2
110	270N2000-800	..	CHANNEL	103106	1
113	270N2000-1300	..	BLOCK-CLAMP	103106	2
115	271N6444-1053	.TUBE ASSY-BRAKE PRESSURE SYS TUBING MATERIAL: .375 IN. OD .019 IN. WALL 38.30 IN. LG TI BMS 7-234 TI-3AL-2.5V COLD WORKED, STRESS RELIEVED TUBING	103106	1	
- 120	AS1581T06	..	SLEEVE	103106	1
- 125	BACN10YA6	..	NUT	103106	1
- 130	AS1582T06	..	UNION	103106	1
135	271N6444-1273	.TUBE ASSY-BRAKE PRESSURE SYS TUBING MATERIAL: .375 IN. OD .019 IN. WALL 37.75 IN. LG TI BMS 7-234 TI-3AL-2.5V COLD WORKED, STRESS RELIEVED TUBING	103106	1	
- 140	AS1581T06	..	SLEEVE	103106	1
- 145	BACN10YA6	..	NUT	103106	1
150	271N6444-1122	.TUBE ASSY-BRAKE PRESSURE SYS TUBING MATERIAL: .375 IN. OD .019 IN. WALL 46.50 IN. LG TI BMS 7-234 TI-3AL-2.5V COLD WORKED, STRESS RELIEVED TUBING	103106	1	

MISSING ITEM NUMBERS NOT APPLICABLE

- ITEM NOT ILLUSTRATED

32-42-51-24

32-42-51  
FIG. 24  
PAGE 3  
JAN 20/09

BRI



757

PARTS CATALOG (MAINTENANCE)

FIG ITEM	PART NUMBER	1 2 3 4 5 6 7	NOMENCLATURE	EFFECT FROM TO	UNITS PER ASSY
24 155	271N6444-1121	.	TUBE ASSY-BRAKE PRESSURE SYS TUBING MATERIAL: .375 IN. OD .019 IN. WALL 45.20 IN. LG TI BMS 7-234 TI-3AL-2.5V COLD WOKRED, STRESS RELIEVED TUBING	103106	1
160	271N6444-1125	.	TUBE ASSY-BRAKE PRESSURE SYS TUBING MATERIAL: .375 IN. OD .019 IN. WALL 40.2 IN. LG TI BMS 7-234 TI-3AL-2.5V COLD WORKED, STRESS RELIEVED TUBING	103106	1
165	271N6444-1126	.	TUBE ASSY-BRAKE PRESSURE MANUFACTURED FROM: SYS TUBING MATERIAL: .375 IN. OD .019 IN. WALL 37.10 IN. LG TI BMS 7-234 TI-3AL-2.5V COLD WORKED, STRESS RELIEVED TUBING	103106	1
- 170	AS1581T06	..	SLEEVE	103106	2
- 175	BACN10YA6	..	NUT	103106	2
180	271N6444-1052	.	TUBE ASSY-BRAKE PRESSURE SYS TUBING MATERIAL: .375 IN. OD .019 IN. WALL 57.50 IN. LG TI BMS 7-234 TI-3AL-2.5V COLD WORKED, STRESS RELIEVED TUBING	103106	1
185	271N6444-1104	.	TUBE ASSY-BRAKE PRESSURE SYS TUBING MATERIAL: .375 IN. OD .019 IN. WALL 91.70 IN. LG TI BMS 7-234 TI-3AL-2.5V COLD WORKED, STRESS RELIEVED TUBING	103106	1

MISSING ITEM NUMBERS NOT APPLICABLE

- ITEM NOT ILLUSTRATED

32-42-51-24

32-42-51  
FIG. 24  
PAGE 4  
JAN 20/09

BRI



757

PARTS CATALOG (MAINTENANCE)

FIG ITEM	PART NUMBER	1 2 3 4 5 6 7	NOMENCLATURE	EFFECT FROM TO	UNITS PER ASSY
24 190	271N6444-1105		.TUBE ASSY-BRAKE PRESSURE SYS TUBING MATERIAL: .375 IN. OD .019 IN. WALL 65.00 IN. LG TI BMS 7-234 TI-3AL-2.5V COLD WORKED, STRESS RELIEVED TUBING	103106	1
- 195	AS1581T06		..SLEEVE	103106	2
- 200	BACN10YA6		..NUT	103106	2
205	271N6444-1240		.TUBE ASSY-L BRAKE PRESSURE SYSTEMS TUBING MATERIAL: .375 IN. OD .019 IN. WALL 8.90 IN. LG TI BMS 7-234 TI-3AL-2.5V COLD WORKED, STRESS RELIEVED TUBING	103106	1
- 210	AS1581T06		..SLEEVE	103106	2
- 215	BACN10YA6		..NUT	103106	2
220	271N6444-1238		.TUBE ASSY-L BRAKE PRESSURE SYSTEMS TUBING MATERIAL: .375 IN. OD .019 IN. WALL 21.00 IN. LG TI BMS 7-234 TI-3AL-2.5V COLD WORKED, STRESS RELIEVED TUBING	103106	1
- 225	AS1581T06		..SLEEVE	103106	1
- 230	BACN10YA6		..NUT	103106	1
- 235	AS1582T06		..UNION	103106	1
240	271N6444-1209		.TUBE ASSY-PRESSURE SYS POSITION DATA: L TUBING MATERIAL: .375 IN. OD .019 IN. WALL 31.20 IN. LG TI BMS 7-234 TI-3AL-2.5V COLD WORKED, STRESS RELIEVED TUBING	103106	1
- 245	AS1581T06		..SLEEVE	103106	2
- 250	BACN10YA6N		..NUT	103106	2
255	AP1042JN0606		.ELBOW SUPPLIER CODE: V01673 SPECIFICATION NUMBER: BACE21BT0606JN	103106	4
260	BACE21BR0606JN		.ELBOW	103106	1

MISSING ITEM NUMBERS NOT APPLICABLE

- ITEM NOT ILLUSTRATED

32-42-51-24

32-42-51  
FIG. 24  
PAGE 5  
JAN 20/09

BRI





757

PARTS CATALOG (MAINTENANCE)

FIG ITEM	PART NUMBER	1 2 3 4 5 6 7	NOMENCLATURE	EFFECT FROM TO	UNITS PER ASSY
24 265	BCREF116854	. TEE-	OVERLENGTH PART NUMBER: BACT16BR060606JN	103106	1
270	BCREF116871	. TEE-	OVERLENGTH PART NUMBER: BACT16BT060606JN	103106	1

MISSING ITEM NUMBERS NOT APPLICABLE

- ITEM NOT ILLUSTRATED

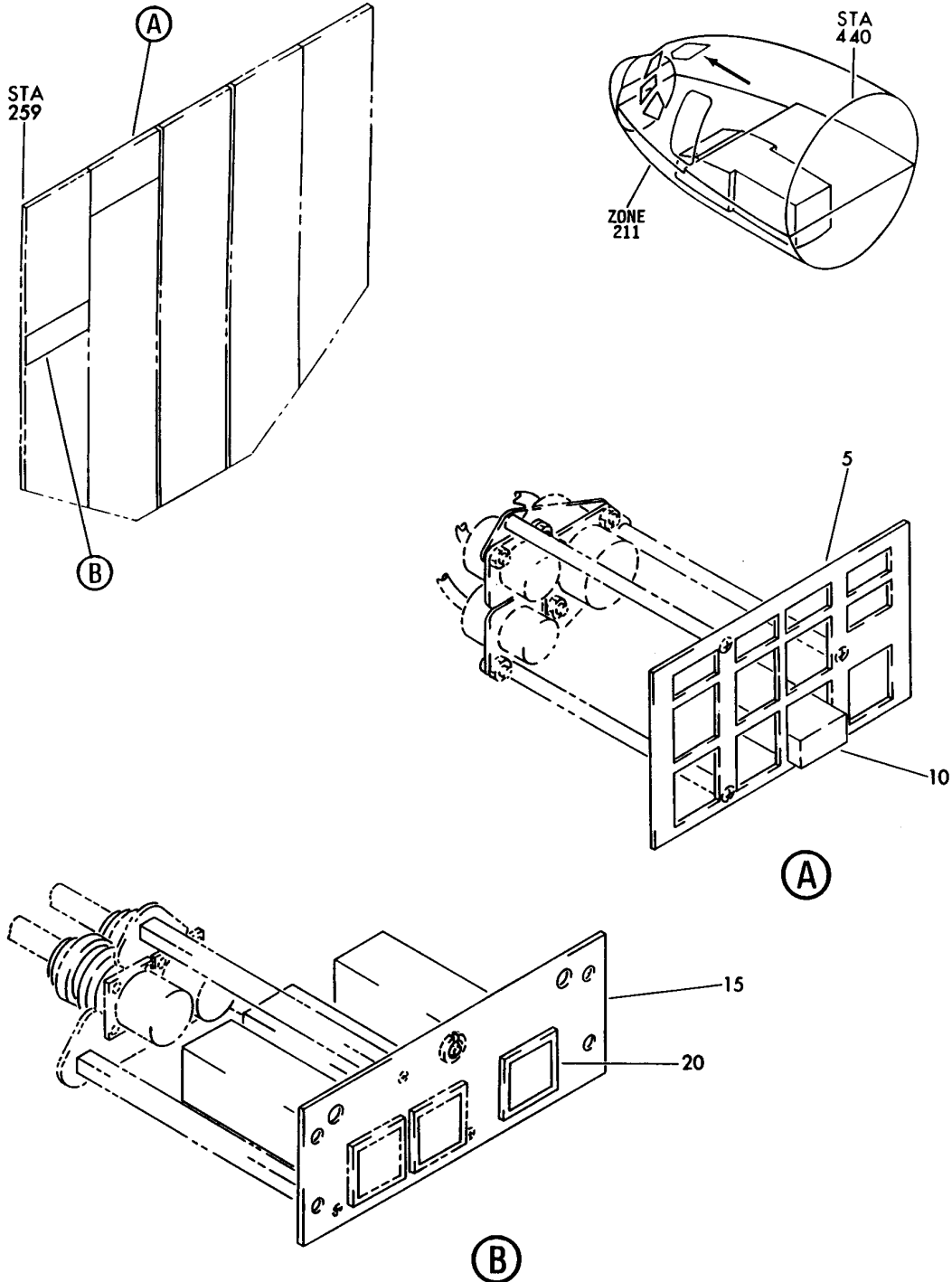
BRI

32-42-51-24

BOEING PROPRIETARY - Copyright © - Unpublished Work - See title page for details.

32-42-51  
FIG. 24  
PAGE 6  
JAN 20/09

**BOEING**  
757  
PARTS CATALOG (MAINTENANCE)



Y 32425201 REV 155

PANEL INSTL-P5 OVHD (LANDING GEAR ONLY)  
FIGURE 1

**32-42-52-01**

BRI  
MAY 28/07

32-42-52-01  
PAGE 0



757

PARTS CATALOG (MAINTENANCE)

FIG ITEM	PART NUMBER	1 2 3 4 5 6 7	NOMENCLATURE	EFFECT FROM TO	UNITS PER ASSY
1			PANEL INSTL-P5 OVHD (LANDING GEAR ONLY)	002004 006010 107107 121503 904999	
- 1	233N3101-1		PANEL INSTL-P5 OVHD (LANDING GEAR ONLY) VARIABLE DRAWING REF: 233N3101-5005 233N3101-5025 233N3101-5041 233N3101-5042 233N3101-5045 FOR NHA/OTHER SYS DET SEE: 25-10-00-05A	002004 006010 107107 121503 904999	RF
5	233N3202-17		.PANEL ASSY-ANN. SUPPLIER CODE: V89954 MISCELLANEOUS DATA: FOR SPARES PROCURE DETAIL PARTS ELECTRICAL EQUIP NUMBER: M10394 COMPONENT MAINT MANUAL REF: 33-16-71	121503 904949 952999	RF
5	233N3202-10		.PANEL ASSY-ANN. SUPPLIER CODE: V89954 ELECTRICAL EQUIP NUMBER: M10394 COMPONENT MAINT MANUAL REF: 33-16-71	950951	RF
5	233N3202-15		.PANEL ASSY-ANN. SUPPLIER CODE: V89954 NOT APPROVED FOR ETOPS. ELECTRICAL EQUIP NUMBER: M10394 COMPONENT MAINT MANUAL REF: 33-16-71	950951	RF

MISSING ITEM NUMBERS NOT APPLICABLE

- ITEM NOT ILLUSTRATED

32-42-52-01

32-42-52  
FIG. 01  
PAGE 1  
JAN 20/09

BRI



757

PARTS CATALOG (MAINTENANCE)

FIG ITEM	PART NUMBER	1 2 3 4 5 6 7	NOMENCLATURE	EFFECT FROM TO	UNITS PER ASSY
1					
5	233N3202-21		.PANEL ASSY-ANN. SUPPLIER CODE: V89954 MISCELLANEOUS DATA: FOR SPARES PROCURE DETAIL PARTS ELECTRICAL EQUIP NUMBER: M10394 COMPONENT MAINT MANUAL REF: 33-16-71	002004 006010	RF
5	233N3202-17		.PANEL ASSY-ANN. (CUSTOMER FURNISHED) SUPPLIER CODE: V89954 MISCELLANEOUS DATA: FOR SPARES PROCURE DETAIL PARTS ELECTRICAL EQUIP NUMBER: M10394 COMPONENT MAINT MANUAL REF: 33-16-71 POST SERVICE BULLETIN: 24-0048	107107	RF
10	BCREF8562		..LIGHT ASSY-ANTISKID IND SUPPLIER CODE: V81590 OVERLENGTH PART NUMBER: 434-674-1031-2212 SPECIFICATION NUMBER: S231T300-2212 OPTIONAL PART: BCREF6324 V81590 USED ON: 233N3202-15 FOR DETAILS SEE: 33-14-70-02	950951	1

MISSING ITEM NUMBERS NOT APPLICABLE

- ITEM NOT ILLUSTRATED

32-42-52-01

32-42-52  
FIG. 01  
PAGE 2  
JAN 20/09

BRI

BOEING PROPRIETARY - Copyright © - Unpublished Work - See title page for details.



757

PARTS CATALOG (MAINTENANCE)

FIG ITEM	PART NUMBER	1 2 3 4 5 6 7	NOMENCLATURE	EFFECT FROM TO	UNITS PER ASSY
1					
10	BCREF8562		..LIGHT ASSY-ANTISKID IND SUPPLIER CODE: V81590 OVERLENGTH PART NUMBER: 434-674-1031-2212 SPECIFICATION NUMBER: S231T300-2212 OPTIONAL PART: BCREf6324 V81590 USED ON: 233N3202-10 233N3202-17 233N3202-18 233N3202-25 FOR DETAILS SEE: 33-14-70-02	107107 121503 904949 952999	1
10	BCREF6324		..LIGHT ASSY-ANTISKID IND SUPPLIER CODE: V81590 OVERLENGTH PART NUMBER: 434-674-1005-1212 SPECIFICATION NUMBER: S231T300-1212 OPTIONAL PART: BCREf8562 V81590 USED ON: 233N3202-15 FOR DETAILS SEE: 33-14-70-02	950951	1
10	BCREF8562		..LIGHT ASSY-ANTISKID IND SUPPLIER CODE: V81590 OVERLENGTH PART NUMBER: 434-674-1031-2212 SPECIFICATION NUMBER: S231T300-2212 USED ON: 233N3202-21 FOR DETAILS SEE: 33-14-70-02	002004 006010	1

MISSING ITEM NUMBERS NOT APPLICABLE

- ITEM NOT ILLUSTRATED

BRI

32-42-52-01

BOEING PROPRIETARY - Copyright © - Unpublished Work - See title page for details.

32-42-52  
 FIG. 01  
 PAGE 3  
 JAN 20/09



757

PARTS CATALOG (MAINTENANCE)

FIG ITEM	PART NUMBER	1 2 3 4 5 6 7	NOMENCLATURE	EFFECT FROM TO	UNITS PER ASSY
1 10	BCREF6324		..LIGHT ASSY-ANTISKID IND SUPPLIER CODE: V81590 OVERLENGTH PART NUMBER: 434-674-1005-1212 SPECIFICATION NUMBER: S231T300-1212 OPTIONAL PART: BCREF8562 V81590 USED ON: 233N3202-10 233N3202-17 233N3202-18 233N3202-25 FOR DETAILS SEE: 33-14-70-02	107107 121503 904949 952999	1

MISSING ITEM NUMBERS NOT APPLICABLE

- ITEM NOT ILLUSTRATED

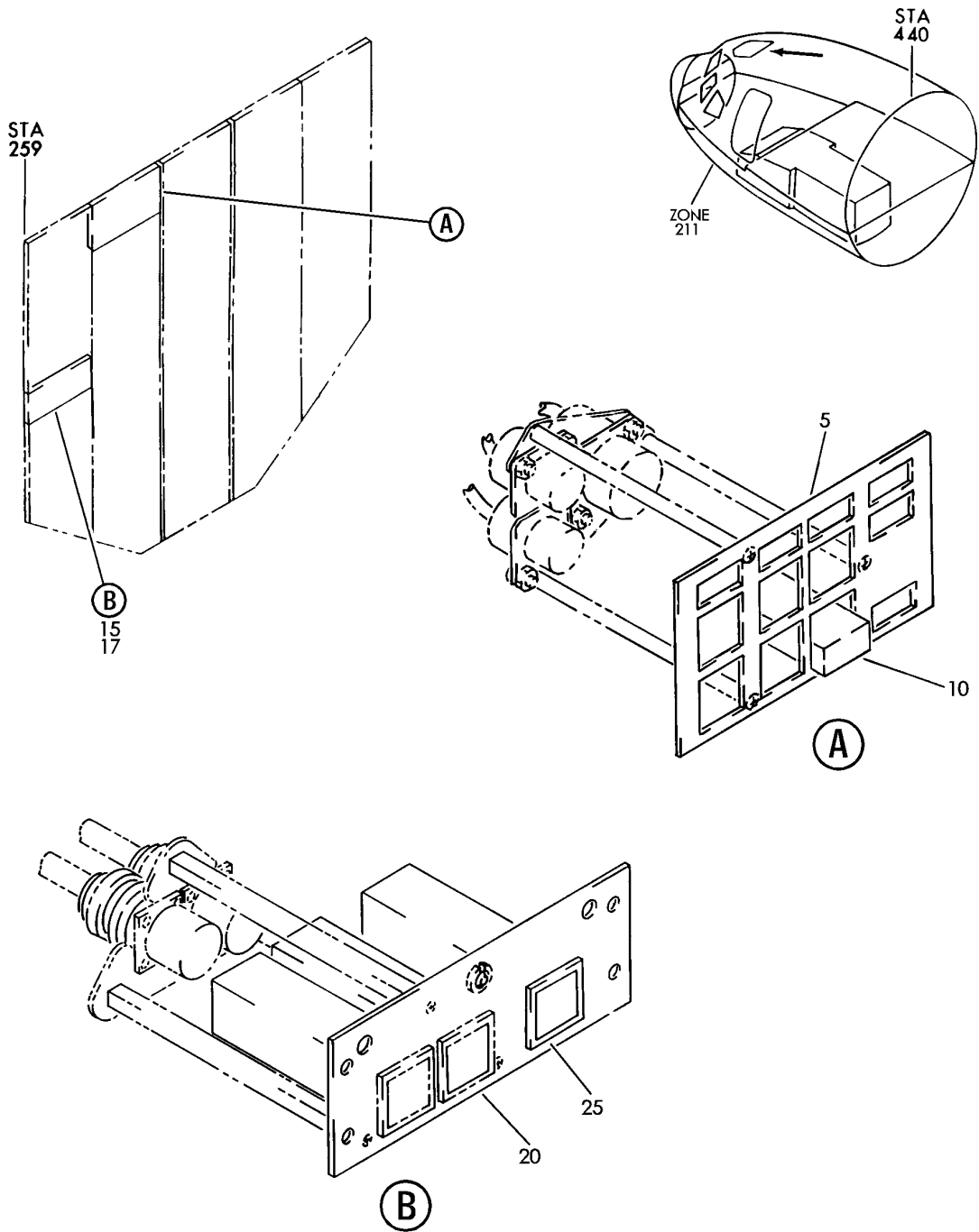
BRI

32-42-52-01

BOEING PROPRIETARY - Copyright © - Unpublished Work - See title page for details.

32-42-52  
FIG. 01  
PAGE 4  
JAN 20/09

**BOEING**  
757  
PARTS CATALOG (MAINTENANCE)



Y 32425202 REV 219

PANEL INSTL-P5 OVHD (LANDING GEAR ONLY)  
FIGURE 2

**32-42-52-02**

BRI  
MAY 28/07

32-42-52-02  
PAGE 0



757

PARTS CATALOG (MAINTENANCE)

FIG ITEM	PART NUMBER	1 2 3 4 5 6 7	NOMENCLATURE	EFFECT FROM TO	UNITS PER ASSY
2			PANEL INSTL-P5 OVHD (LANDING GEAR ONLY)	011100	
- 1	233N3101-1		PANEL INSTL-P5 OVHD (LANDING GEAR ONLY) VARIABLE DRAWING REF: 233N3101-5142 FOR NHA/OTHER SYS DET SEE: 25-10-00-05A	011100	RF
5	233N3202-21		.PANEL ASSY-ANN. SUPPLIER CODE: V89954 MISCELLANEOUS DATA: FOR SPARES PROCURE DETAIL PARTS ELECTRICAL EQUIP NUMBER: M10394 COMPONENT MAINT MANUAL REF: 33-16-71	011100	RF
10	BCREF8562		..LIGHT ASSY-ANTISKID IND SUPPLIER CODE: V81590 OVERLENGTH PART NUMBER: 434-674-1031-2212 SPECIFICATION NUMBER: S231T300-2212 USED ON: 233N3202-21 FOR DETAILS SEE: 33-14-70-02	011100	1

MISSING ITEM NUMBERS NOT APPLICABLE

- ITEM NOT ILLUSTRATED

BRI

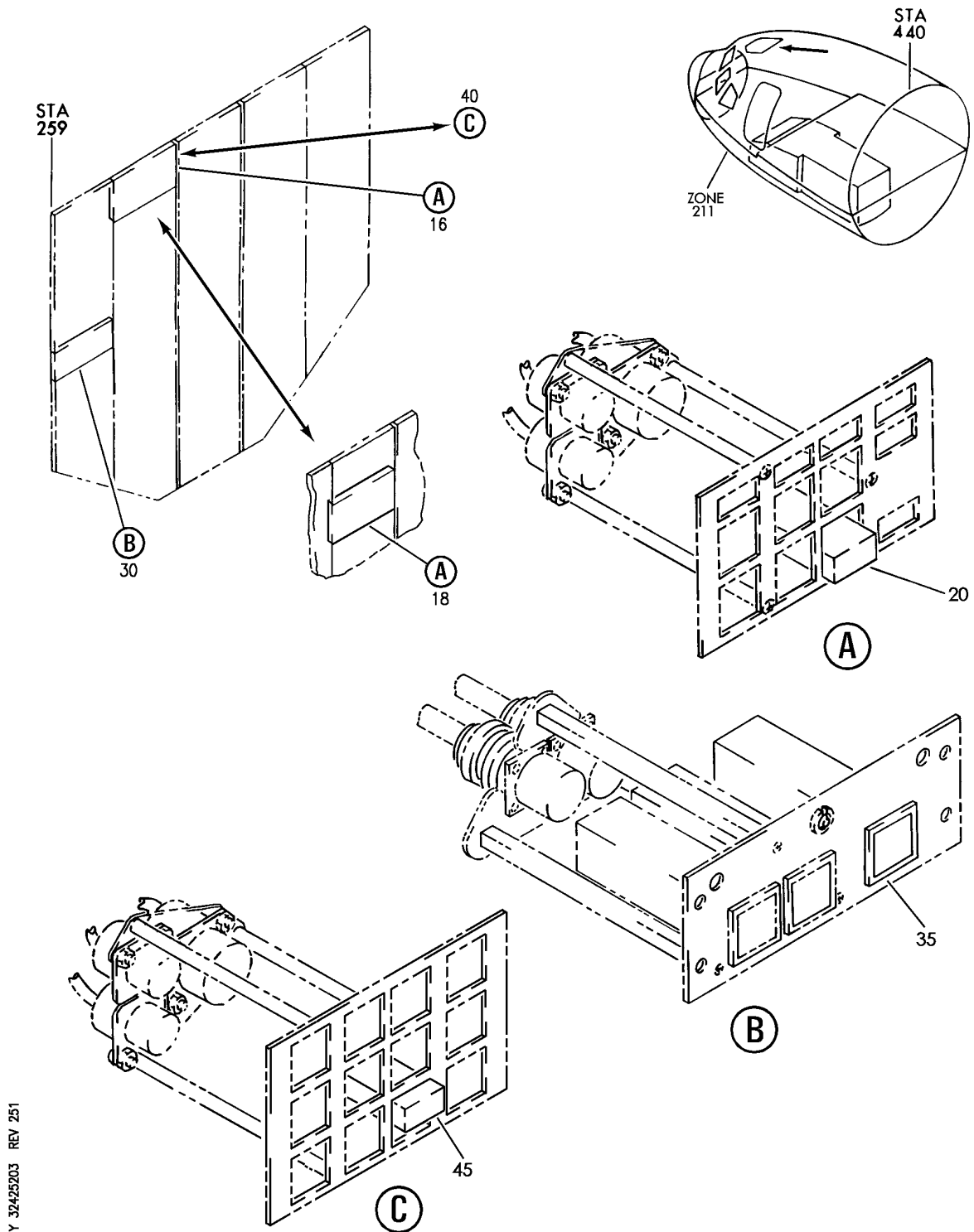
32-42-52-02

BOEING PROPRIETARY - Copyright © - Unpublished Work - See title page for details.

32-42-52  
FIG. 02  
PAGE 1  
JAN 20/09



**BOEING**  
757  
PARTS CATALOG (MAINTENANCE)



Y 32425203 REV 251

PANEL INSTL-P5 OVHD (LANDING GEAR ONLY)  
FIGURE 3

**32-42-52-03**

BRI  
MAY 28/07

32-42-52-03  
PAGE 0



757

**PARTS CATALOG (MAINTENANCE)**

FIG ITEM	PART NUMBER	1 2 3 4 5 6 7	NOMENCLATURE	EFFECT FROM TO	UNITS PER ASSY
3			PANEL INSTL-P5 OVHD (LANDING GEAR ONLY)	101106 108120 504903	
- 3	233N3103-132		PANEL INSTL-P5 OVHD (LANDING GEAR ONLY) FOR NHA/OTHER SYS DET SEE: 25-10-00-15E	101102	RF
- 3	233N3103-136		PANEL INSTL-P5 OVHD (LANDING GEAR ONLY) FOR NHA/OTHER SYS DET SEE: 25-10-00-15E	504903	RF
- 6	233N3103-59		PANEL INSTL-P5 OVHD (LANDING GEAR ONLY) FOR NHA/OTHER SYS DET SEE: 25-10-00-15E	108120	RF
- 7	MODREF33760		PANEL INSTL-P5 OVHD (LANDING GEAR ONLY) MODULE NUMBER: 233N3103-351 REV C FOR OTHER SYS DETAILS SEE: 11-31-10-12 21-25-55-03 21-31-01-02 21-33-51-03 21-51-54-03 21-58-19-10 21-58-51-03 21-61-04-03 21-65-51-01 22-21-01-04 22-24-51-02 23-24-01-01 23-32-00-11 23-42-02-02 23-71-05-02 24-11-52-05 24-22-01-03 24-31-01-10 24-31-03-09 24-33-04-01 24-41-51-04 24-51-62-01 26-18-51-04 27-21-53-02 27-41-55-01 27-61-51-03 27-62-52-02 28-22-51-02 28-41-04-01	103103	1

MISSING ITEM NUMBERS NOT APPLICABLE

- ITEM NOT ILLUSTRATED

**32-42-52-03**

32-42-52  
FIG. 03  
PAGE 1  
JAN 20/09

BRI



757

PARTS CATALOG (MAINTENANCE)

FIG ITEM	PART NUMBER	1 2 3 4 5 6 7	NOMENCLATURE	EFFECT FROM TO	UNITS PER ASSY
3			28-41-51-03 29-11-02-03 29-11-05-04 29-11-52-07 29-21-54-03 29-31-00-01 29-32-51-03 29-33-52-03 30-11-51-03 30-21-51-03 30-31-51-02 30-32-51-01 30-33-51-02 30-41-51-03 30-42-51-03 31-12-11-91 31-12-11-91 A 33-11-03-03 33-11-51-17 33-13-01-65 33-13-02-03 33-16-51-03 33-24-51-02 33-41-52-04 33-42-01-04 33-42-02-04 33-42-52-04 33-43-51-04 33-44-51-05 33-45-53-03 33-51-08-05 34-21-02-01 35-21-51-04 36-11-04-01 36-21-00-01 36-21-02-05 36-22-51-03 49-41-00-02 49-52-00-01 49-70-00-01 52-51-51-03 52-71-51-02 73-21-52-02 74-31-51-05 75-32-00-01 80-11-09-02		
- 7	MODREF34038		PANEL INSTL-P5 OVHD (LANDING GEAR ONLY) MODULE NUMBER:  MISSING ITEM NUMBERS NOT APPLICABLE	104105	1

- ITEM NOT ILLUSTRATED

**32-42-52-03**

32-42-52  
 FIG. 03  
 PAGE 2  
 JAN 20/09

BRI



757

PARTS CATALOG (MAINTENANCE)

FIG ITEM	PART NUMBER	1 2 3 4 5 6 7	NOMENCLATURE	EFFECT FROM TO	UNITS PER ASSY
3			233N3103-351 REV D FOR OTHER SYS DETAILS SEE: 11-31-10-12 21-25-55-03 21-31-01-02 21-33-51-03 21-51-54-03 21-58-19-10 21-58-51-03 21-61-04-03 21-65-51-01 22-21-01-04 22-24-51-02 23-24-01-01 23-32-00-11 23-42-02-02 23-71-05-02 24-11-52-05 24-22-01-03 24-31-01-10 24-31-03-09 24-33-04-01 24-41-51-04 24-51-62-01 26-18-51-04 27-21-53-02 27-41-55-01 27-61-51-03 27-62-52-02 28-22-51-02 28-41-04-01 28-41-51-03 29-11-02-03 29-11-05-04 29-11-52-07 29-21-54-03 29-31-00-01 29-32-51-03 29-33-52-03 30-11-51-03 30-21-51-03 30-31-51-02 30-32-51-01 30-33-51-02 30-41-51-03 30-42-51-03 31-12-11-91 31-12-11-91A 33-11-03-03		

MISSING ITEM NUMBERS NOT APPLICABLE

- ITEM NOT ILLUSTRATED

# 32-42-52-03

32-42-52  
FIG. 03  
PAGE 3  
JAN 20/09

BRI



757

PARTS CATALOG (MAINTENANCE)

FIG ITEM	PART NUMBER	1 2 3 4 5 6 7	NOMENCLATURE	EFFECT FROM TO	UNITS PER ASSY
3			33-11-51-17 33-13-01-65 33-13-02-03 33-16-51-03 33-24-51-02 33-41-52-04 33-42-01-04 33-42-02-04 33-42-52-04 33-43-51-04 33-44-51-05 33-45-53-03 33-51-08-05 34-21-02-01 35-21-51-04 36-11-04-01 36-21-00-01 36-21-02-05 36-22-51-03 49-41-00-02 49-52-00-01 49-70-00-01 52-51-51-03 52-71-51-02 73-21-52-02 74-31-51-05 75-32-00-01 80-11-09-02		
- 8	MODREF170180		PANEL INSTL-P5 OVHD (LANDING GEAR ONLY) MODULE NUMBER: 233N3103-353 REV B FOR OTHER SYS DETAILS SEE: 11-31-10-12 21-25-55-03 21-31-01-02 21-33-51-03 21-51-54-03 21-58-19-10 21-58-51-03 21-61-04-03 21-65-51-01 22-21-01-04 22-24-51-02 23-24-01-01 23-32-00-11 23-42-02-02 23-71-05-02 24-11-52-05	106106	1
MISSING ITEM NUMBERS NOT APPLICABLE					

- ITEM NOT ILLUSTRATED

# 32-42-52-03

32-42-52  
 FIG. 03  
 PAGE 4  
 JAN 20/09

BRI



757

PARTS CATALOG (MAINTENANCE)

FIG ITEM	PART NUMBER	1 2 3 4 5 6 7 NOMENCLATURE	EFFECT FROM TO	UNITS PER ASSY
3		24-22-01-03 24-31-01-10 24-31-03-09 24-33-04-01 24-41-51-04 24-51-62-01 26-18-51-04 27-21-53-02 27-41-55-01 27-61-51-03 27-62-52-02 28-22-51-02 28-41-04-01 28-41-51-03 29-11-02-03 29-11-05-04 29-11-52-07 29-21-54-03 29-31-00-01 29-32-51-03 29-33-52-03 30-11-51-03 30-21-51-03 30-31-51-02 30-32-51-01 30-33-51-02 30-41-51-03 30-42-51-03 31-12-11-84 31-12-11-84 A 33-11-03-03 33-11-51-17 33-13-01-65 33-13-02-03 33-16-51-03 33-24-51-02 33-41-52-04 33-42-01-04 33-42-02-04 33-42-52-04 33-43-51-04 33-44-51-05 33-45-53-03 33-51-08-05 34-21-02-01 35-21-51-04 36-11-04-01 36-21-00-01 36-21-02-05		

MISSING ITEM NUMBERS NOT APPLICABLE

- ITEM NOT ILLUSTRATED

32-42-52-03

32-42-52  
FIG. 03  
PAGE 5  
JAN 20/09

BRI



757

PARTS CATALOG (MAINTENANCE)

FIG ITEM	PART NUMBER	1 2 3 4 5 6 7	NOMENCLATURE	EFFECT FROM TO	UNITS PER ASSY
3			36-22-51-03 49-41-00-02 49-52-00-01 49-70-00-01 52-51-51-03 52-71-51-02 73-21-52-02 74-31-51-05 75-32-00-01 80-11-09-02		
16	233N3202-15		.PANEL ASSY-ANN. SUPPLIER CODE: V89954 NOT APPROVED FOR ETOPS. ELECTRICAL EQUIP NUMBER: M10394 COMPONENT MAINT MANUAL REF: 33-16-71	504903	RF
16	233N3202-17		.PANEL ASSY-ANN. SUPPLIER CODE: V89954 ELECTRICAL EQUIP NUMBER: M10394 COMPONENT MAINT MANUAL REF: 33-16-71	101105 108120	RF
20	BCREF8562		..LIGHT ASSY-ANTISKID IND SUPPLIER CODE: V81590 OVERLENGTH PART NUMBER: 434-674-1031-2212 SPECIFICATION NUMBER: S231T300-2212 OPTIONAL PART: BCREF6324 V81590 FOR DETAILS SEE: 33-14-70-02	504903	1
20	BCREF6324		..LIGHT ASSY-ANTISKID IND SUPPLIER CODE: V81590 OVERLENGTH PART NUMBER: 434-674-1005-1212 SPECIFICATION NUMBER: S231T300-1212 OPTIONAL PART: BCREF8562 V81590 FOR DETAILS SEE: 33-14-70-02	504903	1

MISSING ITEM NUMBERS NOT APPLICABLE

- ITEM NOT ILLUSTRATED

32-42-52-03

32-42-52  
FIG. 03  
PAGE 6  
JAN 20/09

BRI



757

PARTS CATALOG (MAINTENANCE)

FIG ITEM	PART NUMBER	1 2 3 4 5 6 7	NOMENCLATURE	EFFECT FROM TO	UNITS PER ASSY
3					
20	BCREF8562		..LIGHT ASSY-ANTISKID IND SUPPLIER CODE: V81590 OVERLENGTH PART NUMBER: 434-674-1031-2212 SPECIFICATION NUMBER: S231T300-2212 OPTIONAL PART: BCREF6324 V81590 FOR DETAILS SEE: 33-14-70-02	101105 108120	1
20	BCREF6324		..LIGHT ASSY-ANTISKID IND SUPPLIER CODE: V81590 OVERLENGTH PART NUMBER: 434-674-1005-1212 SPECIFICATION NUMBER: S231T300-1212 OPTIONAL PART: BCREF8562 V81590 FOR DETAILS SEE: 33-14-70-02	101105 108120	1
40	233N3202-82		.PANEL ASSY-ANN. SUPPLIER CODE: V89954 ELECTRICAL EQUIP NUMBER: M10394 COMPONENT MAINT MANUAL REF: 33-16-71	106106	RF
45	BCREF8562		..LIGHT ASSY-ANTISKID IND SUPPLIER CODE: V81590 OVERLENGTH PART NUMBER: 434-674-1031-2212 SPECIFICATION NUMBER: S231T300-2212 FOR DETAILS SEE: 33-14-70-02	106106	1

MISSING ITEM NUMBERS NOT APPLICABLE

- ITEM NOT ILLUSTRATED

32-42-52-03

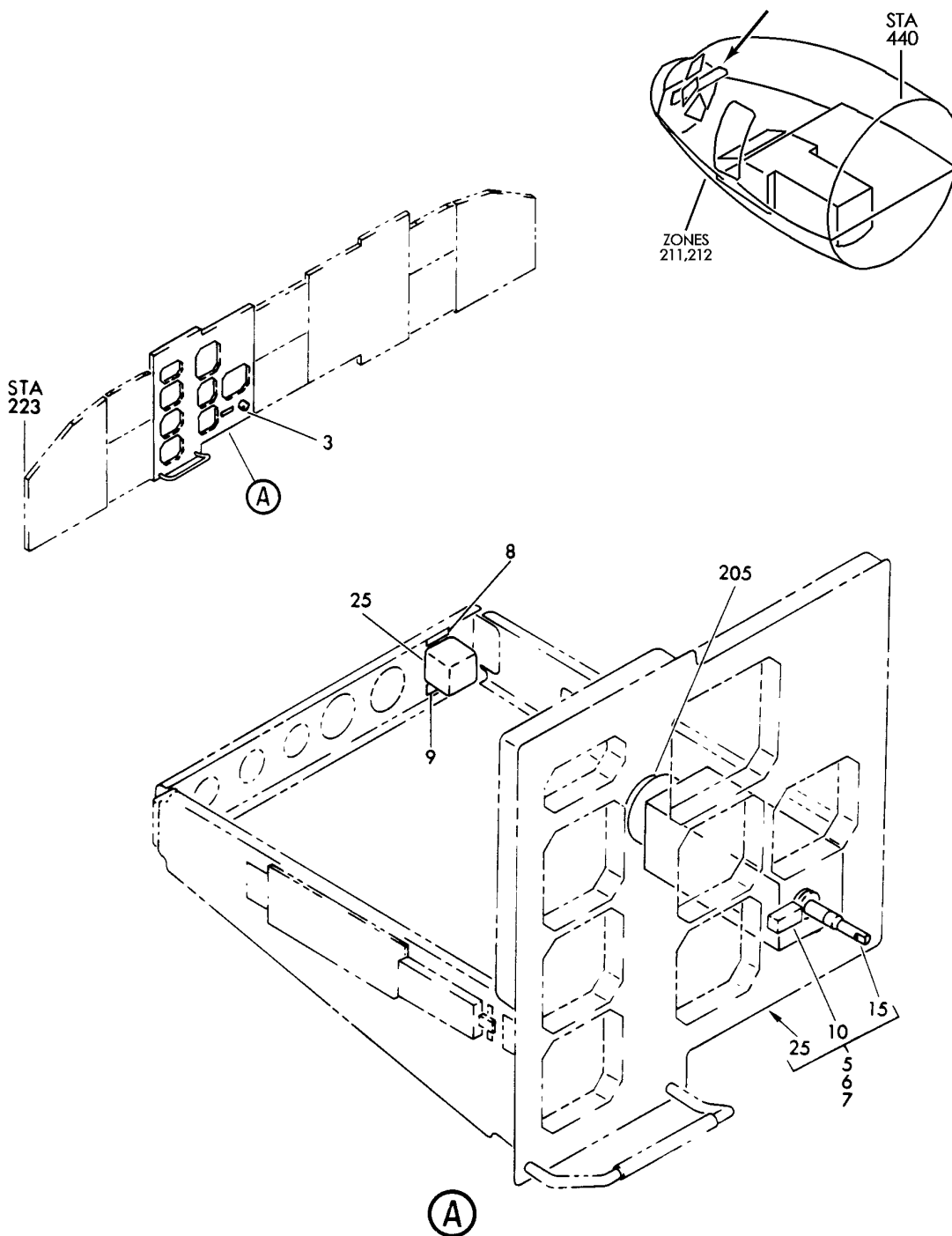
32-42-52  
FIG. 03  
PAGE 7  
JAN 20/09

BRI

BOEING PROPRIETARY - Copyright © - Unpublished Work - See title page for details.



**BOEING**  
757  
PARTS CATALOG (MAINTENANCE)



Y 32425501 REV 229

PANEL INSTL-CAPT AND FIRST OFFICER FWD (ANTISKID AUTOBRAKE SYSTEM ONLY)  
FIGURE 1

**32-42-55-01**

BRI  
MAY 28/07

32-42-55-01  
PAGE 0



757

PARTS CATALOG (MAINTENANCE)

FIG ITEM	PART NUMBER	1 2 3 4 5 6 7	NOMENCLATURE	EFFECT FROM TO	UNITS PER ASSY
1			PANEL INSTL-CAPT AND FIRST OFFICER FWD (ANTISKID AUTOBRAKE SYSTEM ONLY)	002004 006010 107107 121503 904999	
- 1	233N2101-1		PANEL INSTL-CAPT AND FIRST OFFICER (ANTISKID AUTOBRAKE SYSTEM ONLY) POSITION DATA: FWD VARIABLE DRAWING REF: 233N2101-5003 233N2101-5004 233N2101-5037 233N2101-5039 233N2101-5041 FOR NHA/OTHER SYS DET SEE: 25-10-00-05A	002004 006010 107107 121503 904999	RF
3	BP248-110		.KNOB- SUPPLIER CODE: V81590 SPECIFICATION NUMBER: 452-016-9001	002004 006010 107107 121503 904999	1
3	BP248-127		.KNOB- SUPPLIER CODE: V81590	002004 006010 107107 121503 904999	1
6	233N2221-51		.MODULE ASSY-P1-3	002004 006010 950999	RF
7	233N2221-59		.MODULE ASSY-P1-3	107107	RF
7	233N2221-62		.MODULE ASSY-P1-3	121503 904949	RF
9	BAC27NFDE0085		..DECAL- PLACARD CONTENT: M01174 USED ON: 233N2221-26 233N2221-27 233N2221-28 233N2221-30 233N2221-31	002004 006010 107107 121503 904999	1
10	BCREF8526		..LIGHT ASSY-AUTO BRAKES IND SUPPLIER CODE: V81590 OVERLENGTH PART NUMBER: 434-674-1031-2010	002004 006010 107107 121503 904999	1

MISSING ITEM NUMBERS NOT APPLICABLE

- ITEM NOT ILLUSTRATED

32-42-55-01

32-42-55  
FIG. 01  
PAGE 1  
JAN 20/09

BRI



757

PARTS CATALOG (MAINTENANCE)

FIG ITEM	PART NUMBER	1 2 3 4 5 6 7 NOMENCLATURE	EFFECT FROM TO	UNITS PER ASSY
1		SPECIFICATION NUMBER: S231T300-2010 ELECTRICAL EQUIP NUMBER: L00024 OPTIONAL PART: BCRE6209 V81590 USED ON: 233N2221-15 233N2221-16 233N2221-17 233N2221-23 233N2221-24 233N2221-25 233N2221-26 233N2221-27 233N2221-28 233N2221-29 233N2221-30 233N2221-31 233N2221-32 233N2221-33 233N2221-34 233N2221-35 233N2221-36 233N2221-37 233N2221-39 233N2221-40 233N2221-41 233N2221-43 233N2221-44 233N2221-45 233N2221-46 233N2221-48 233N2221-49 233N2221-51 233N2221-52 233N2221-54 233N2221-55 233N2221-56 233N2221-58 233N2221-59 233N2221-61 233N2221-62 233N2221-63 233N2221-64 233N2221-65 233N2221-66 FOR DETAILS SEE:  MISSING ITEM NUMBERS NOT APPLICABLE		

- ITEM NOT ILLUSTRATED

32-42-55-01

32-42-55  
FIG. 01  
PAGE 2  
JAN 20/09

BRI



757

PARTS CATALOG (MAINTENANCE)

FIG ITEM	PART NUMBER	1 2 3 4 5 6 7	NOMENCLATURE	EFFECT FROM TO	UNITS PER ASSY
1					
10	BCREF6209		33-14-70-03 ..LIGHT ASSY-AUTO BRAKES IND SUPPLIER CODE: V81590 OVERLENGTH PART NUMBER: 434-674-1005-1010 SPECIFICATION NUMBER: S231T300-1010 ELECTRICAL EQUIP NUMBER: L00024 OPTIONAL PART: BCREf8526 V81590 USED ON: 233N2221-15 233N2221-16 233N2221-17 233N2221-23 233N2221-24 233N2221-25 233N2221-26 233N2221-27 233N2221-28 233N2221-29 233N2221-30 233N2221-31 233N2221-32 233N2221-33 233N2221-34 233N2221-35 233N2221-36 233N2221-37 233N2221-39 233N2221-40 233N2221-41 233N2221-43 233N2221-44 233N2221-45 233N2221-46 233N2221-48 233N2221-49 233N2221-51 233N2221-52 233N2221-54 233N2221-55 233N2221-56 233N2221-58 233N2221-59	002004 006010 107107 121503 904999	1

MISSING ITEM NUMBERS NOT APPLICABLE

- ITEM NOT ILLUSTRATED

32-42-55-01

32-42-55  
FIG. 01  
PAGE 3  
JAN 20/09

BRI



757

PARTS CATALOG (MAINTENANCE)

FIG ITEM	PART NUMBER	1 2 3 4 5 6 7	NOMENCLATURE	EFFECT FROM TO	UNITS PER ASSY
1			233N2221-61 233N2221-62 233N2221-63 233N2221-64 233N2221-65 233N2221-66		
15	8908K530		FOR DETAILS SEE: 33-14-70-03 .. SWITCH-ROTARY SUPPLIER CODE: V27193 ELECTRICAL EQUIP NUMBER: S00024 OPTIONAL PART: AC30-0003-4 V91812	107107 121503 904949	1
15	AC30-0003-2		.. SWITCH-ROTARY SUPPLIER CODE: V91812 SPECIFICATION NUMBER: S283T022-2 ELECTRICAL EQUIP NUMBER: S00024 OPTIONAL PART: 8908K530 V27193 AC30-0003-4 V91812	107107	1
15	AC30-0003-1		.. SWITCH-ROTARY SUPPLIER CODE: V91812 SPECIFICATION NUMBER: S283T022-1 ELECTRICAL EQUIP NUMBER: S00024 OPTIONAL PART: AC30-0003-3 V91812	002004 006010 121503 904999	1

MISSING ITEM NUMBERS NOT APPLICABLE

- ITEM NOT ILLUSTRATED

32-42-55-01

32-42-55  
FIG. 01  
PAGE 4  
JAN 20/09

BRI



757

PARTS CATALOG (MAINTENANCE)

FIG ITEM	PART NUMBER	1 2 3 4 5 6 7	NOMENCLATURE	EFFECT FROM TO	UNITS PER ASSY
1	15 AC30-0003-4		.. SWITCH-ROTARY SUPPLIER CODE: V91812 SPECIFICATION NUMBER: S283T022-4 ELECTRICAL EQUIP NUMBER: S00024 OPTIONAL PART: 8908K530 V27193 AC30-0003-2 V91812	107107	1
	15 AC30-0003-3		.. SWITCH-ROTARY SUPPLIER CODE: V91812 FUNCTIONAL DESCRIPTION: PROVIDES PILOT'S CHOICE OF FIVE LEVELS (1,2,3,4 & MAX AUTO) AND ONE REFUSED TAKEOFF (RTO) MODE OF AUTOMATIC BRAKING. SPECIFICATION NUMBER: S283T022-3 ELECTRICAL EQUIP NUMBER: S00024 OPTIONAL PART: AC30-0003-1 V91812	002004 006010 121503 904999	1
-	20 NAS514P632-18		.. SCREW-	002004 006010 950999	3
-	20 NAS514P632-20		.. SCREW-	107107	3
	20 MS24693C34		.. SCREW-	121503 904949	3
	25 10167-7000BT		.. RELAY-TIME DELAY SUPPLIER CODE: V08719 ELECTRICAL EQUIP NUMBER: M01174 OPTIONAL PART: 530750-7000 V08719	002004 006010 107107 121503 904999	1

MISSING ITEM NUMBERS NOT APPLICABLE

- ITEM NOT ILLUSTRATED

32-42-55-01

32-42-55  
FIG. 01  
PAGE 5  
JAN 20/09

BRI



757

PARTS CATALOG (MAINTENANCE)

FIG ITEM	PART NUMBER	1 2 3 4 5 6 7	NOMENCLATURE	EFFECT FROM TO	UNITS PER ASSY
1					
25	10167-7500BT		..RELAY-TIME DELAY SUPPLIER CODE: V08719 ELECTRICAL EQUIP NUMBER: M01174 OPTIONAL PART: 10167-7000BT V08719 530750-7500 V08719	002004 006010 107107 121503 904999	1
25	TD1982-7000		..RELAY-TIME DELAY SUPPLIER CODE: V58657 ELECTRICAL EQUIP NUMBER: M01174 OPTIONAL PART: 530750-7000 V08719 530740-7000 V08719	002004 006010 107107 121503 904999	1
25	TD1982-7500		..RELAY-TIME DELAY SUPPLIER CODE: V58657 ELECTRICAL EQUIP NUMBER: M01174 OPTIONAL PART: 530750-7500 V08719	002004 006010 107107 121503 904999	1
25	530750-7000		..RELAY-TIME DELAY SUPPLIER CODE: V08719 ELECTRICAL EQUIP NUMBER: M01174 OPTIONAL PART: 10167-7000BT V08719 TD1982-7000 V58657 530740-7000 V08719	002004 006010 107107 121503 904999	1

MISSING ITEM NUMBERS NOT APPLICABLE

- ITEM NOT ILLUSTRATED

BRI

32-42-55-01

BOEING PROPRIETARY - Copyright © - Unpublished Work - See title page for details.

32-42-55  
FIG. 01  
PAGE 6  
JAN 20/09



757

PARTS CATALOG (MAINTENANCE)

FIG ITEM	PART NUMBER	1 2 3 4 5 6 7	NOMENCLATURE	EFFECT FROM TO	UNITS PER ASSY
1	25 530750-7500		..RELAY-TIME DELAY SUPPLIER CODE: V08719 ELECTRICAL EQUIP NUMBER: M01174 OPTIONAL PART: 10167-7500BT V08719 TD1982-7500 V58657 TD1767-7500 V58657	002004 006010 107107 121503 904999	1
	25 530740-7000		..RELAY-TIME DELAY SUPPLIER CODE: V08719 ELECTRICAL EQUIP NUMBER: M01174 OPTIONAL PART: 530750-7000 V08719 TD1982-7000 V58657	002004 006010 107107 121503 904999	1
- 200	286N0001-002		WIRE BUNDLE ASSY- REWORKED BY ALERT SB: 34A0222	121503 904949	RF
- 200	286N0001-003		WIRE BUNDLE ASSY- REWORKED BY ALERT SB: 34A0222	107107	RF
- 200	286N0001-005		WIRE BUNDLE ASSY- REWORKED BY ALERT SB: 34A0222	002004 006010 950999	RF
	205 BACC45FT20A41S		.CONNECTOR- ELECTRICAL EQUIP NUMBER: D02374 WIRING DIAGRAM REF: 324212	002004 006010 107107 121503 904999	1

MISSING ITEM NUMBERS NOT APPLICABLE

- ITEM NOT ILLUSTRATED

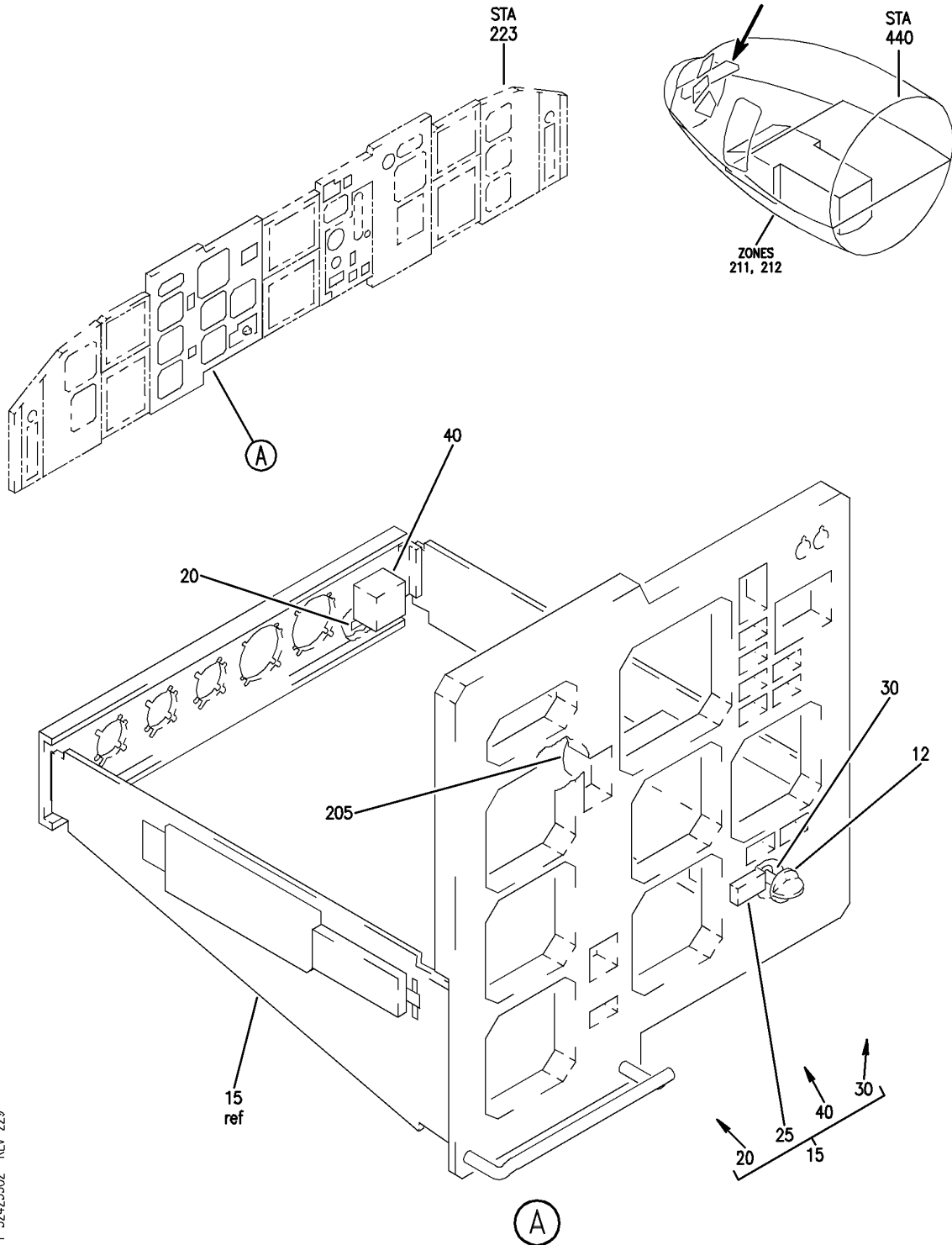
32-42-55-01

32-42-55  
FIG. 01  
PAGE 7  
JAN 20/09

BRI



**BOEING**  
757  
PARTS CATALOG (MAINTENANCE)



Y 32425502 REV 229

PANEL INSTL-CAPT AND FIRST OFFICER FWD (ANTISKID AUTOBRAKE SYSTEM ONLY)  
FIGURE 2

**32-42-55-02**

BRI  
MAY 28/07

32-42-55-02  
PAGE 0



757

PARTS CATALOG (MAINTENANCE)

FIG ITEM	PART NUMBER	1 2 3 4 5 6 7	NOMENCLATURE	EFFECT FROM TO	UNITS PER ASSY
2			PANEL INSTL-CAPT AND FIRST OFFICER FWD (ANTISKID AUTOBRAKE SYSTEM ONLY)	011100	
- 1	233N2101-1		PANEL INSTL-CAPT AND FIRST OFFICER (ANTISKID AUTOBRAKE SYSTEM ONLY) POSITION DATA: FWD VARIABLE DRAWING REF: 233N2101-5039 FOR NHA/OTHER SYS DET SEE: 25-10-00-05A	011100	RF
- 10	233N2221-301		.MODULE ASSY-P1-3 COMPONENT MAINT MANUAL REF: 31-11-48	011100	RF
12	BP248-127		..KNOB- SUPPLIER CODE: V81590	011100	1
12	BP248-110		..KNOB- SUPPLIER CODE: V81590 SPECIFICATION NUMBER: 452-016-9001	011100	1
15	233N2221-51		..MODULE ASSY-	011100	RF
20	BAC27NFDE0085		...DECAL- PLACARD CONTENT: M01174	011100	1
25	BCREF8526		...LIGHT ASSY-AUTO BRAKES IND SUPPLIER CODE: V81590 OVERLENGTH PART NUMBER: 434-674-1031-2010 SPECIFICATION NUMBER: S231T300-2010 ELECTRICAL EQUIP NUMBER: L00024 OPTIONAL PART: BCREF6209 V81590 FOR DETAILS SEE: 33-14-70-03	011100	1

MISSING ITEM NUMBERS NOT APPLICABLE

- ITEM NOT ILLUSTRATED

BRI

32-42-55-02

BOEING PROPRIETARY - Copyright © - Unpublished Work - See title page for details.

32-42-55  
FIG. 02  
PAGE 1  
JAN 20/09



757

PARTS CATALOG (MAINTENANCE)

FIG ITEM	PART NUMBER	1 2 3 4 5 6 7	NOMENCLATURE	EFFECT FROM TO	UNITS PER ASSY
2 25	BCREF6209		...LIGHT ASSY-AUTO BRAKES IND SUPPLIER CODE: V81590 OVERLENGTH PART NUMBER: 434-674-1005-1010 SPECIFICATION NUMBER: S231T300-1010 ELECTRICAL EQUIP NUMBER: L00024 OPTIONAL PART: BCREF8526 V81590 FOR DETAILS SEE: 33-14-70-03	011100	1
30	AC30-0003-1		...SWITCH-ROTARY SUPPLIER CODE: V91812 SPECIFICATION NUMBER: S283T022-1 ELECTRICAL EQUIP NUMBER: S00024 OPTIONAL PART: AC30-0003-3 V91812	011100	1
30	AC30-0003-3		...SWITCH-ROTARY SUPPLIER CODE: V91812 FUNCTIONAL DESCRIPTION: PROVIDES PILOT'S CHOICE OF FIVE LEVELS (1,2,3,4 & MAX AUTO) AND ONE REFUSED TAKEOFF (RTO) MODE OF AUTOMATIC BRAKING. SPECIFICATION NUMBER: S283T022-3 ELECTRICAL EQUIP NUMBER: S00024 OPTIONAL PART: AC30-0003-1 V91812	011100	1
- 35	NAS514P632-18		ATTACHING PARTS ...SCREW- -----*-----	011100	3

MISSING ITEM NUMBERS NOT APPLICABLE

- ITEM NOT ILLUSTRATED

32-42-55-02

32-42-55  
FIG. 02  
PAGE 2  
JAN 20/09

BRI



757

PARTS CATALOG (MAINTENANCE)

FIG ITEM	PART NUMBER	1 2 3 4 5 6 7	NOMENCLATURE	EFFECT FROM TO	UNITS PER ASSY
2					
40	10167-7000BT	...	RELAY-TIME DELAY SUPPLIER CODE: V08719 ELECTRICAL EQUIP NUMBER: M01174	011100	1
40	10167-7500BT	...	RELAY-TIME DELAY SUPPLIER CODE: V08719 ELECTRICAL EQUIP NUMBER: M01174	011100	1
40	530750-7000	...	RELAY-TIME DELAY SUPPLIER CODE: V08719 ELECTRICAL EQUIP NUMBER: M01174 OPTIONAL PART: 530740-7000 V08719	011100	1
40	TD1982-7000	...	RELAY-TIME DELAY SUPPLIER CODE: V58657 ELECTRICAL EQUIP NUMBER: M01174 OPTIONAL PART: 530740-7000 V08719	011100	1
40	TD1982-7500	...	RELAY-TIME DELAY SUPPLIER CODE: V58657 ELECTRICAL EQUIP NUMBER: M01174	011100	1
40	TD1767-7500	...	RELAY-TIME DELAY SUPPLIER CODE: V58657 ELECTRICAL EQUIP NUMBER: M01174 OPTIONAL PART: 530750-7500 V08719	011100	1
40	530740-7000	...	RELAY-TIME DELAY SUPPLIER CODE: V08719 ELECTRICAL EQUIP NUMBER: M01174 OPTIONAL PART: 530750-7000 V08719 TD1982-7000 V58657	011100	1

MISSING ITEM NUMBERS NOT APPLICABLE

- ITEM NOT ILLUSTRATED

32-42-55-02

32-42-55  
FIG. 02  
PAGE 3  
JAN 20/09

BRI



757

PARTS CATALOG (MAINTENANCE)

FIG ITEM	PART NUMBER	1 2 3 4 5 6 7	NOMENCLATURE	EFFECT FROM TO	UNITS PER ASSY
2 - 200	286N0001-005		WIRE BUNDLE ASSY- REWORKED BY ALERT SB: 34A0222	011100	RF
205	BACC45FT20A41S		.CONNECTOR- ELECTRICAL EQUIP NUMBER: D02374 WIRING DIAGRAM REF: 324212	011100	1

MISSING ITEM NUMBERS NOT APPLICABLE

- ITEM NOT ILLUSTRATED

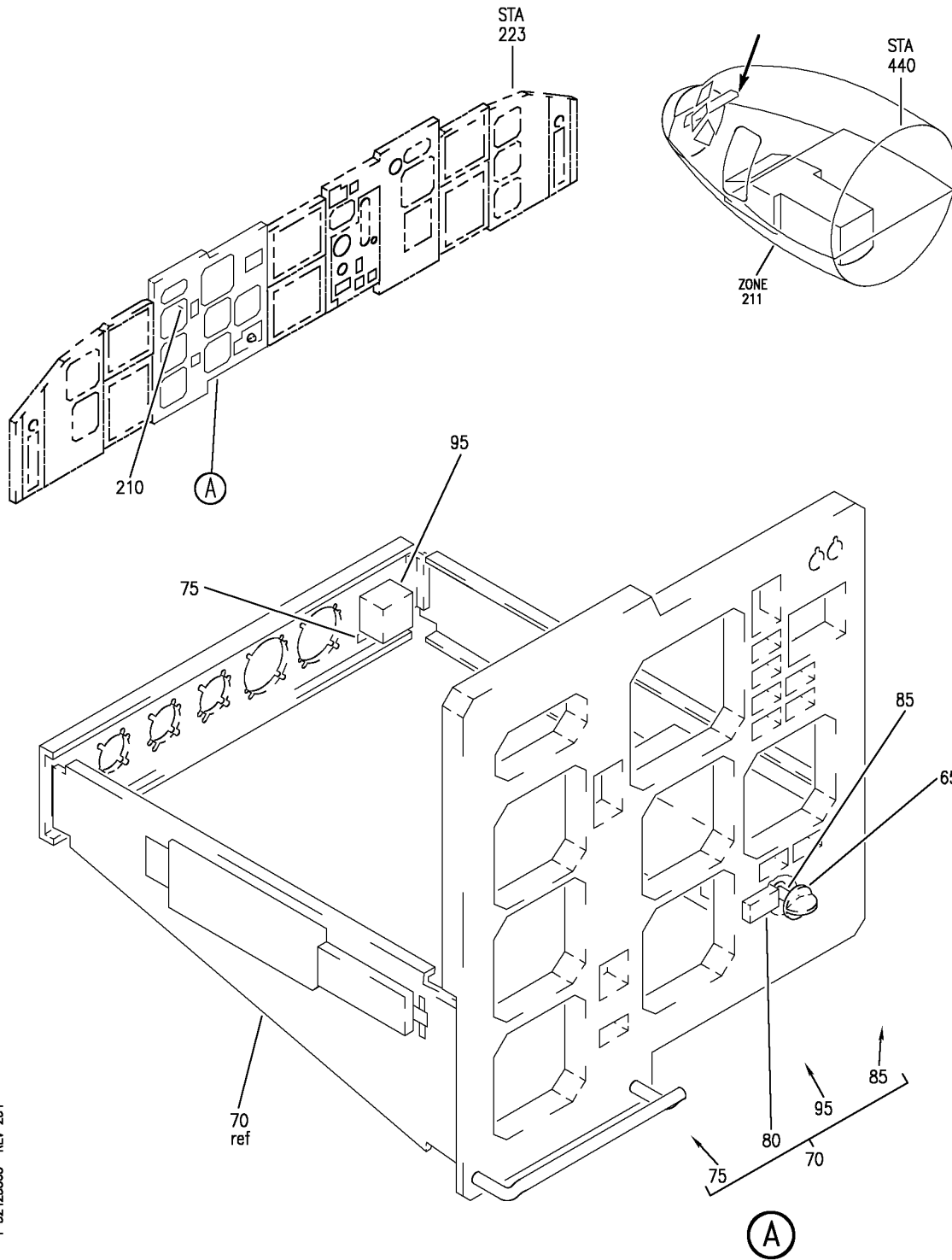
BRI

32-42-55-02

BOEING PROPRIETARY - Copyright © - Unpublished Work - See title page for details.

32-42-55  
FIG. 02  
PAGE 4  
JAN 20/09

**BOEING**  
757  
PARTS CATALOG (MAINTENANCE)



Y 32425503 REV 254

PANEL INSTL-P1-3 (ANTISKID AUTOBRAKE SYSTEM ONLY)  
FIGURE 3

**32-42-55-03**

BRI  
MAY 28/07

32-42-55-03  
PAGE 0



757

PARTS CATALOG (MAINTENANCE)

FIG ITEM	PART NUMBER	1 2 3 4 5 6 7	NOMENCLATURE	EFFECT FROM TO	UNITS PER ASSY
3			PANEL INSTL-P1-3 (ANTISKID AUTOBRAKE SYSTEM ONLY)	101106 108120 504903	
- 1	233N2103-10		PANEL INSTL-P1-3 (ANTISKID AUTOBRAKE SYSTEM ONLY) FOR NHA/OTHER SYS DET SEE: 25-10-00-15B	108120	RF
- 1	233N2103-72		PANEL INSTL-P1-3 (ANTISKID AUTOBRAKE SYSTEM ONLY) FOR NHA/OTHER SYS DET SEE: 25-10-00-15B	101102	RF
- 1	233N2103-280		PANEL INSTL-P1-3 (ANTISKID AUTOBRAKE SYSTEM ONLY) FOR NHA/OTHER SYS DET SEE: 25-10-00-15B	504903	RF

MISSING ITEM NUMBERS NOT APPLICABLE

- ITEM NOT ILLUSTRATED

**32-42-55-03**

32-42-55  
FIG. 03  
PAGE 1  
JAN 20/09

BRI



757

PARTS CATALOG (MAINTENANCE)

FIG ITEM	PART NUMBER	1 2 3 4 5 6 7	NOMENCLATURE	EFFECT FROM TO	UNITS PER ASSY
3 - 5	MODREF31741		PANEL INSTL-P1-3 (ANTISKID AUTOBRAKE SYSTEM ONLY) MODULE NUMBER: 233N2103-425 REV A FOR OTHER SYS DETAILS SEE: 11-31-01-38 22-11-02-03 22-14-01-03 22-31-02-01 22-34-51-02 26-17-51-05 27-58-00-02 27-81-00-01 29-21-55-02 31-11-11-19 31-11-16-01 31-11-26-38 31-25-01-03 31-41-52-02 31-51-52-02 32-35-52-03 32-41-52-02 32-46-00-01 32-61-51-03 33-13-57-01 A 33-16-52-03 34-12-01-03 34-13-01-03 34-13-02-01 34-13-05-01 34-13-06-01 34-16-51-03 34-21-02-02 34-22-02-02 34-22-05-01 A 34-22-06-01 34-24-01-03 34-32-00-02 34-46-51-02 34-51-02-02 34-57-00-01 34-61-01-07 34-61-02-02 77-41-01-01 79-33-51-05	103105	1

MISSING ITEM NUMBERS NOT APPLICABLE

- ITEM NOT ILLUSTRATED

**32-42-55-03**

32-42-55  
FIG. 03  
PAGE 2  
JAN 20/09

BRI





757

PARTS CATALOG (MAINTENANCE)

FIG ITEM	PART NUMBER	1 2 3 4 5 6 7	NOMENCLATURE	EFFECT FROM TO	UNITS PER ASSY
3 - 5	MODREF104335		PANEL INSTL-P1-3 (ANTISKID AUTOBRAKE SYSTEM ONLY) MODULE NUMBER: 233N2103-425 REV B FOR OTHER SYS DETAILS SEE: 11-31-01-38 22-11-02-03 22-14-01-03 22-31-02-01 22-34-51-02 26-17-51-05 27-51-57-03 27-58-00-02 27-81-00-01 29-21-55-02 31-11-11-19 31-11-16-01 31-11-26-38 31-25-01-03 31-41-52-02 31-51-52-02 32-35-52-03 32-41-52-02 32-46-00-01 32-61-51-03 33-13-57-01A 33-16-52-03 34-12-01-03 34-13-01-03 34-13-02-01 34-13-05-01 34-13-06-01 34-16-51-03 34-21-02-02 34-22-02-02 34-22-05-01A 34-22-06-01 34-24-01-03 34-32-00-02 34-46-51-02 34-51-02-02 34-57-00-01 34-61-01-07 34-61-02-02 77-41-01-01 79-33-51-05	106106	1

MISSING ITEM NUMBERS NOT APPLICABLE

- ITEM NOT ILLUSTRATED

**32-42-55-03**

32-42-55  
FIG. 03  
PAGE 3  
JAN 20/09

BRI



757

PARTS CATALOG (MAINTENANCE)

FIG ITEM	PART NUMBER	1 2 3 4 5 6 7	NOMENCLATURE	EFFECT FROM TO	UNITS PER ASSY
3					
- 60	233N2221-301	.	MODULE ASSY- COMPONENT MAINT MANUAL REF: 31-11-48	101102 108120	RF
- 60	233N2221-317	.	MODULE ASSY- COMPONENT MAINT MANUAL REF: 31-11-48	505505 507903	RF
- 60	RR92002-134A101	.	MODULE ASSY- POST RAPID REVISION: RR92002-134A	504504 506506	RF
- 60	233N2221-320	.	MODULE ASSY- COMPONENT MAINT MANUAL REF: 31-11-48	101102 108120	RF
- 60	233N2221-325	.	MODULE ASSY- COMPONENT MAINT MANUAL REF: 31-11-48	103106	RF
- 60	233N2221-326	.	MODULE ASSY- COMPONENT MAINT MANUAL REF: 31-11-48	101102 108120	RF
- 61	233N2221-328	.	MODULE ASSY- COMPONENT MAINT MANUAL REF: 31-11-48	101102 108120	RF
65	BP248-127	..	KNOB- SUPPLIER CODE: V81590	101106 108120 504903	1
70	233N2221-51	..	MODULE ASSY- USED ON: 233N2221-301	101102 108120	RF
70	233N2221-74	..	MODULE ASSY	504903	RF
70	233N2221-81	..	MODULE ASSY- USED ON: 233N2221-320 233N2221-326 233N2221-328	101106 108120	RF
75	BAC27NFDE0085	...	DECAL- PLACARD CONTENT: M01174	101106 108120 504903	1

MISSING ITEM NUMBERS NOT APPLICABLE

- ITEM NOT ILLUSTRATED

BRI

32-42-55-03

BOEING PROPRIETARY - Copyright © - Unpublished Work - See title page for details.

32-42-55  
FIG. 03  
PAGE 4  
JAN 20/09



757

PARTS CATALOG (MAINTENANCE)

FIG ITEM	PART NUMBER	1 2 3 4 5 6 7	NOMENCLATURE	EFFECT FROM TO	UNITS PER ASSY
3 80	BCREF8526		...LIGHT ASSY-AUTO BRAKES IND SUPPLIER CODE: V81590 OVERLENGTH PART NUMBER: 434-674-1031-2010 SPECIFICATION NUMBER: S231T300-2010 ELECTRICAL EQUIP NUMBER: L00024 OPTIONAL PART: BCREF6209 V81590 USED ON: 233N2221-49 233N2221-51 233N2221-54 233N2221-70 233N2221-71 233N2221-72 233N2221-73 233N2221-74 233N2221-75 233N2221-80 233N2221-81 233N2221-83 FOR DETAILS SEE: 33-14-70-03	101106 108120 504903	1

MISSING ITEM NUMBERS NOT APPLICABLE

- ITEM NOT ILLUSTRATED

BRI

32-42-55-03

BOEING PROPRIETARY - Copyright © - Unpublished Work - See title page for details.

32-42-55  
FIG. 03  
PAGE 5  
JAN 20/09



757

PARTS CATALOG (MAINTENANCE)

FIG ITEM	PART NUMBER	1 2 3 4 5 6 7	NOMENCLATURE	EFFECT FROM TO	UNITS PER ASSY
3 80	BCREF6209		...LIGHT ASSY-AUTO BRAKES IND SUPPLIER CODE: V81590 OVERLENGTH PART NUMBER: 434-674-1005-1010 SPECIFICATION NUMBER: S231T300-1010 ELECTRICAL EQUIP NUMBER: L00024 OPTIONAL PART: BCREF8526 V81590 USED ON: 233N2221-49 233N2221-51 233N2221-54 233N2221-70 233N2221-71 233N2221-72 233N2221-74 233N2221-75 233N2221-80 233N2221-81 FOR DETAILS SEE: 33-14-70-03	101106 108120 504903	1
85	AC30-0003-1		...SWITCH-ROTARY SUPPLIER CODE: V91812 SPECIFICATION NUMBER: S283T022-1 ELECTRICAL EQUIP NUMBER: S00024 OPTIONAL PART: AC30-0003-3 V91812	101106 108120 504903	1

MISSING ITEM NUMBERS NOT APPLICABLE

- ITEM NOT ILLUSTRATED

BRI

32-42-55-03

BOEING PROPRIETARY - Copyright © - Unpublished Work - See title page for details.

32-42-55  
FIG. 03  
PAGE 6  
JAN 20/09



757

PARTS CATALOG (MAINTENANCE)

FIG ITEM	PART NUMBER	1 2 3 4 5 6 7	NOMENCLATURE	EFFECT FROM TO	UNITS PER ASSY
3					
85	AC30-0003-3		... SWITCH-ROTARY SUPPLIER CODE: V91812 FUNCTIONAL DESCRIPTION: PROVIDES PILOT'S CHOICE OF FIVE LEVELS (1,2,3,4 & MAX AUTO) AND ONE REFUSED TAKEOFF (RTO) MODE OF AUTOMATIC BRAKING. SPECIFICATION NUMBER: S283T022-3 ELECTRICAL EQUIP NUMBER: S00024 OPTIONAL PART: AC30-0003-1 V91812 ATTACHING PARTS	101106 108120 504903	1
- 90	MS24693C34		... SCREW	504903	3
- 90	NAS514P632-18		... SCREW- USED ON: 233N2221-83 -----*-----	101106 108120	3
95	10167-7000BT		... RELAY-TIME DELAY SUPPLIER CODE: V08719 ELECTRICAL EQUIP NUMBER: M01174 OPTIONAL PART: 10167-7500BT V08719 TD1982-7500 V58657 TD1982-7000 V58657	101106 108120 504903	1
95	10167-7500BT		... RELAY-TIME DELAY SUPPLIER CODE: V08719 ELECTRICAL EQUIP NUMBER: M01174 OPTIONAL PART: 10167-7000BT V08719 TD1982-7500 V58657 TD1982-7000 V58657 530750-7500 V08719	101106 108120 504903	1

MISSING ITEM NUMBERS NOT APPLICABLE

- ITEM NOT ILLUSTRATED

32-42-55-03

32-42-55  
FIG. 03  
PAGE 7  
JAN 20/09

BRI



757

PARTS CATALOG (MAINTENANCE)

FIG ITEM	PART NUMBER	1 2 3 4 5 6 7	NOMENCLATURE	EFFECT FROM TO	UNITS PER ASSY
3	95 TD1982-7000	...	RELAY-TIME DELAY SUPPLIER CODE: V58657 ELECTRICAL EQUIP NUMBER: M01174 OPTIONAL PART: 530740-7000 V08719 10167-7000BT V08719 10167-7500BT V08719 TD1982-7500 V58657	101106 108120 504903	1
	95 TD1982-7500	...	RELAY-TIME DELAY SUPPLIER CODE: V58657 ELECTRICAL EQUIP NUMBER: M01174 OPTIONAL PART: 10167-7500BT V08719 10167-7000BT V08719 TD1982-7000 V58657 530750-7500 V08719 TD1767-7500 V58657	101106 108120 504903	1
	95 530750-7000	...	RELAY-TIME DELAY SUPPLIER CODE: V08719 ELECTRICAL EQUIP NUMBER: M01174 OPTIONAL PART: 530740-7000 V08719	101106 108120	1

MISSING ITEM NUMBERS NOT APPLICABLE

- ITEM NOT ILLUSTRATED

32-42-55-03

32-42-55  
FIG. 03  
PAGE 8  
JAN 20/09

BRI



757

PARTS CATALOG (MAINTENANCE)

FIG ITEM	PART NUMBER	1 2 3 4 5 6 7	NOMENCLATURE	EFFECT FROM TO	UNITS PER ASSY
3					
95	530750-7500	...	RELAY-TIME DELAY SUPPLIER CODE: V08719 ELECTRICAL EQUIP NUMBER: M01174 OPTIONAL PART: TD1982-7500 V58657 TD1767-7500 V58657 10167-7500BT V58657	504903	1
95	TD1767-7500	...	RELAY-TIME DELAY SUPPLIER CODE: V58657 ELECTRICAL EQUIP NUMBER: M01174 OPTIONAL PART: 530750-7500 V08719 TD1982-7500 V58657	504903	1
95	530740-7000	...	RELAY-TIME DELAY SUPPLIER CODE: V08719 ELECTRICAL EQUIP NUMBER: M01174 OPTIONAL PART: TD1982-7000 V58657 530750-7000 V08719 ATTACHING PARTS	101106 108120 504903	1
- 100	NAS601-13P	...	SCREW	504903	2
- 100	BACS12CK06-13	...	SCREW	101106 108120	2
- 105	AN960PD6L	...	WASHER	504903	2
- 105	NAS1149DN616J	...	WASHER	101106 108120	2
- 110	NAS679A06W	...	NUT	504903	2

MISSING ITEM NUMBERS NOT APPLICABLE

- ITEM NOT ILLUSTRATED

32-42-55-03

32-42-55  
FIG. 03  
PAGE 9  
JAN 20/09

BRI



757

PARTS CATALOG (MAINTENANCE)

FIG ITEM	PART NUMBER	1 2 3 4 5 6 7	NOMENCLATURE	EFFECT FROM TO	UNITS PER ASSY
3 - 110	BRH10C06D		...NUT SUPPLIER CODE: V52828 SPECIFICATION NUMBER: BACN10JC06CD OPTIONAL PART: T6C632JCD V11815 NS202486-62 V80539 102LH9075-62W V72962 H51650-06BAC V15653	101106 108120	2
- 201	286N0001-357		-----*----- WIRE BUNDLE ASSY- REWORKED BY ALERT SB: 34A0222	505505 507903	RF
- 202	286N0001-361		WIRE BUNDLE ASSY- REWORKED BY ALERT SB: 34A0222	101101	RF
- 202	286N0001-365		WIRE BUNDLE ASSY- REWORKED BY ALERT SB: 34A0222	102102	RF
- 203	286N0001-382		WIRE BUNDLE ASSY- REWORKED BY ALERT SB: 34A0222	504504 506506	RF
- 203	286N0001-392		WIRE BUNDLE ASSY- REWORKED BY ALERT SB: 34A0222	108120	RF
- 207 210	286N0001-709 BACC45FT20A41S		WIRE BUNDLE ASSY- .CONNECTOR- ELECTRICAL EQUIP NUMBER: D02374 WIRING DIAGRAM REF: 324212	103106 101106 108120 504903	RF 1

MISSING ITEM NUMBERS NOT APPLICABLE

- ITEM NOT ILLUSTRATED

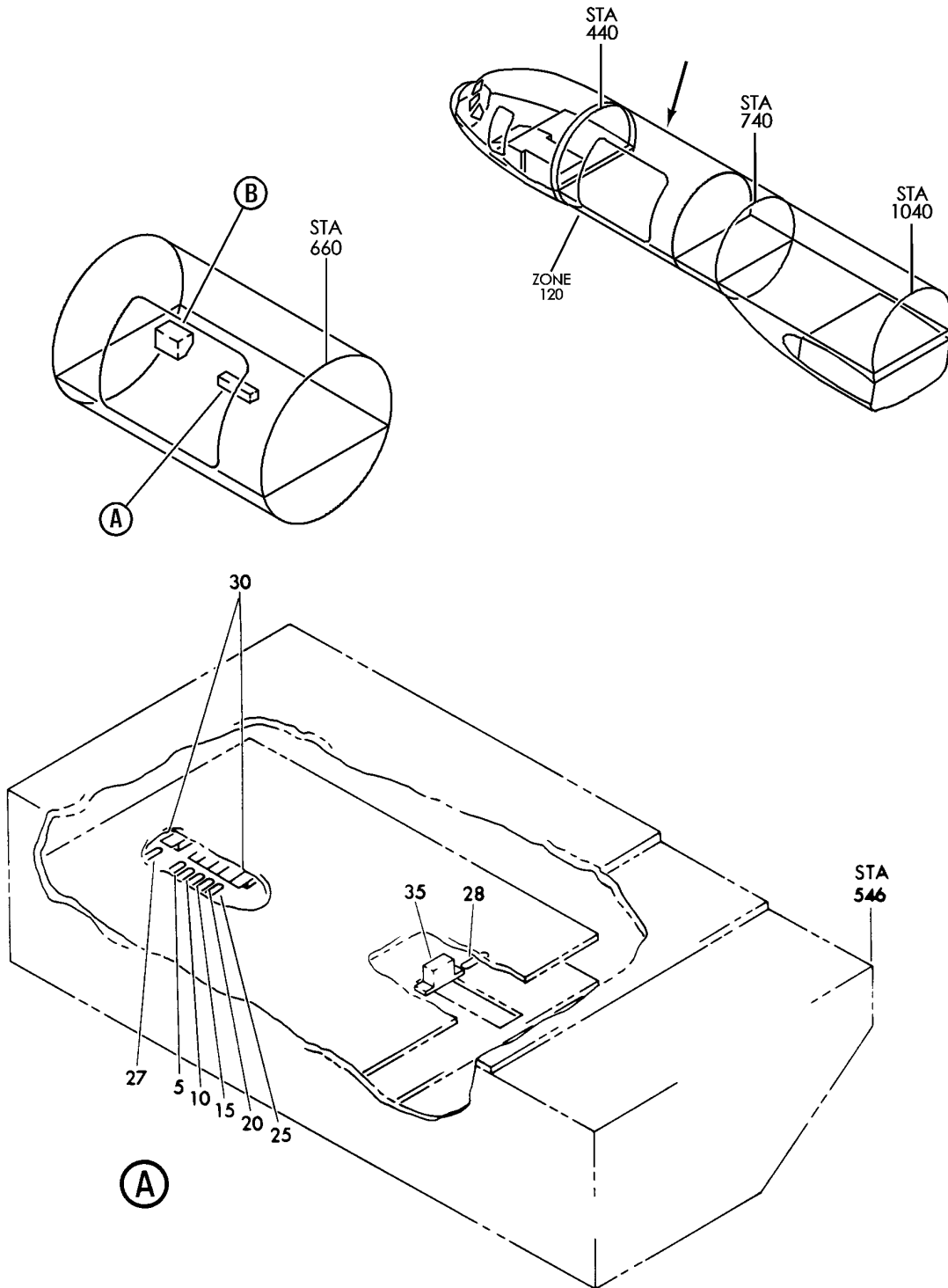
32-42-55-03

32-42-55  
FIG. 03  
PAGE 10  
JAN 20/09

BRI



**BOEING**  
757  
PARTS CATALOG (MAINTENANCE)



Y 32427102 SHT 1 REV 229

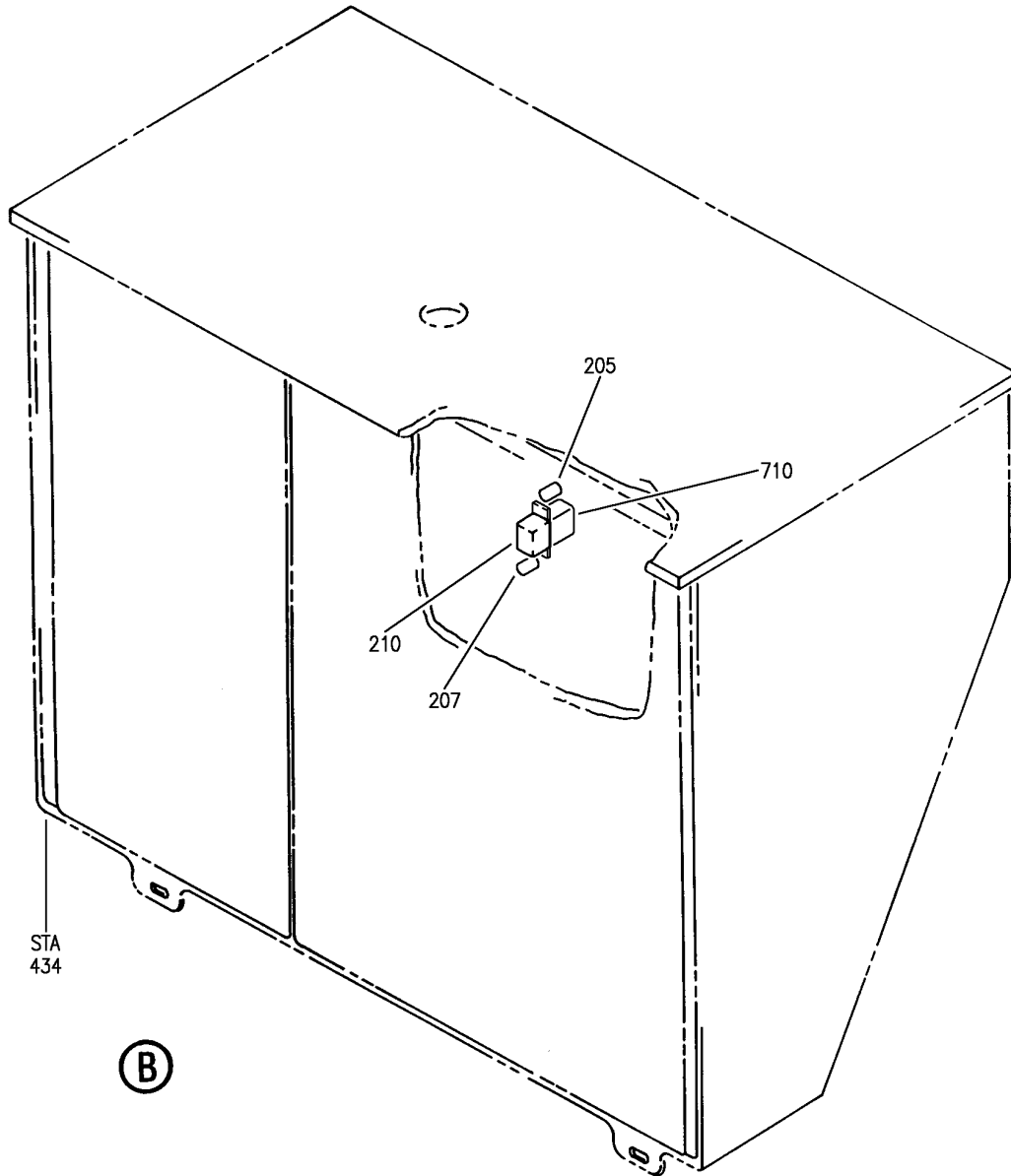
PANEL ASSY-P36 AND P37 MISC RELAY (ANTISKID/AUTOBRAKE SYSTEM ONLY)  
FIGURE 2 (SHEET 1)

**32-42-71-02**

BRI  
MAY 28/07

32-42-71-02  
PAGE 0

**BOEING**  
757  
PARTS CATALOG (MAINTENANCE)



Y 32427102 SH1 2 REV 270

PANEL ASSY-P36 AND P37 MISC RELAY (ANTISKID/AUTOBRAKE SYSTEM ONLY)  
FIGURE 2 (SHEET 2)

BRI  
MAY 28/07

**32-42-71-02**

32-42-71-02  
PAGE 0A



757

PARTS CATALOG (MAINTENANCE)

FIG ITEM	PART NUMBER	1 2 3 4 5 6 7	NOMENCLATURE	EFFECT FROM TO	UNITS PER ASSY
2			PANEL ASSY-P36 AND P37 MISC RELAY (ANTISKID/AUTOBRAKE SYSTEM ONLY)	002004 006100 107107 121503 904999	
- 1	284N1125-1		PANEL ASSY-P36 MISC RELAY (ANTISKID/AUTOBRAKE SYSTEM ONLY) POSITION DATA: L VARIABLE DRAWING REF: 284N1125-5023 284N1125-5030 284N1125-5049 284N1125-5050 284N1125-5054 REWORKED BY SB: 34-0200 REWORKED BY ALERT SB: 27A0130 FOR NHA/OTHER SYS DET SEE: 31-01-36-01B	002004 006100 107107 121503 904999	RF
5	BAC27NEX0225		.DECAL- PLACARD CONTENT: K10229	107107 121503 904949	1
5	BAC27NEX2492		.DECAL- PLACARD CONTENT: K10229	002004 006100 950999	1
10	BAC27NEX0226		.DECAL- PLACARD CONTENT: K10230	107107 121503 904949	1
10	BAC27NEX2493		.DECAL- PLACARD CONTENT: K10230	002004 006100 950999	1
15	BAC27NEX0227		.DECAL- PLACARD CONTENT: K10231	107107 121503 904949	1
15	BAC27NEX2494		.DECAL- PLACARD CONTENT: K10231	002004 006100 950999	1
20	BAC27NEX0228		.DECAL- PLACARD CONTENT: K10232	107107 121503 904949	1
20	BAC27NEX2495		.DECAL- PLACARD CONTENT: K10232	002004 006100 950999	1
25	BAC27NEX0229		.DECAL- PLACARD CONTENT: K10233	107107 121503 904949	1

MISSING ITEM NUMBERS NOT APPLICABLE

- ITEM NOT ILLUSTRATED

32-42-71-02

32-42-71  
FIG. 02  
PAGE 1  
JAN 20/09

BRI



757

PARTS CATALOG (MAINTENANCE)

FIG ITEM	PART NUMBER	1 2 3 4 5 6 7	NOMENCLATURE	EFFECT FROM TO	UNITS PER ASSY
2					
25	BAC27NEX2496	.	DECAL- PLACARD CONTENT: K10233	002004 006100 950999	1
27	BAC27TEX0704	.	DECAL- PLACARD CONTENT: K511	002004 006100 107107 121503 904999	1
30	W260F4AM11	.	RELAY- SUPPLIER CODE: VF0219 SPECIFICATION NUMBER: BACR13CD2 OPTIONAL PART: BR16S233 V09026 EE4AA005 V35344 3SAV1338A2 V01526 HFW1206K03 V58614 HFW1204K01 V71482 ELECTRICAL EQUIP NUMBER: K00511 K10229 K10230 K10231 K10232 K10233	002004 006100 107107 121503 904999	6
- 200	284N1127-1		PANEL ASSY-P37 MISC RELAY R (ANTISKID/AUTOBRAKE SYSTEM ONLY) VARIABLE DRAWING REF: 284N1127-5028 284N1127-5039 284N1127-5063 284N1127-5064 284N1127-5068 REWORKED BY SB: 33-0039 34-0200 REWORKED BY ALERT SB: 27A0130 FOR NHA/OTHER SYS DET SEE: 31-01-37-01B	002004 006100 107107 121503 904999	RF

MISSING ITEM NUMBERS NOT APPLICABLE

- ITEM NOT ILLUSTRATED

BRI

32-42-71-02

BOEING PROPRIETARY - Copyright © - Unpublished Work - See title page for details.

32-42-71  
FIG. 02  
PAGE 2  
JAN 20/09



757

PARTS CATALOG (MAINTENANCE)

FIG ITEM	PART NUMBER	1 2 3 4 5 6 7	NOMENCLATURE	EFFECT FROM TO	UNITS PER ASSY
2 207	BAC27NEX0980	.	DECAL- PLACARD CONTENT: K510	002004 006100 107107 121503 904999	1
210	W260F4AM11	.	RELAY- SUPPLIER CODE: VF0219 SPECIFICATION NUMBER: BACR13CD2 OPTIONAL PART: BR16S233 V09026 EE4AA005 V35344 3SAV1338A2 V01526 HFW1206K03 V58614 HFW1204K01 V71482 ELECTRICAL EQUIP NUMBER: K00510 WIRING DIAGRAM REF: 324211	002004 006100 107107 121503 904999	1
- 700	286N1270-005	WIRE BUNDLE ASSY- REWORKED BY SB: 33-0039 REWORKED BY ALERT SB: 34A0222 27A0130	002004 006100 950999	RF	
- 700	286N1270-002	WIRE BUNDLE ASSY- REWORKED BY ALERT SB: 34A0222 27A0130	121503 904949	RF	
- 700	286N1270-003	WIRE BUNDLE ASSY- REWORKED BY ALERT SB: 34A0222	107107	RF	

MISSING ITEM NUMBERS NOT APPLICABLE

- ITEM NOT ILLUSTRATED

BRI

32-42-71-02

BOEING PROPRIETARY - Copyright © - Unpublished Work - See title page for details.

32-42-71  
FIG. 02  
PAGE 3  
JAN 20/09



757

PARTS CATALOG (MAINTENANCE)

FIG ITEM	PART NUMBER	1 2 3 4 5 6 7	NOMENCLATURE	EFFECT FROM TO	UNITS PER ASSY
2 710	RSE120026		. SOCKET- SUPPLIER CODE: V58982 SPECIFICATION NUMBER: BACS16AG1 OPTIONAL PART: 451120-026 V58982 ELECTRICAL EQUIP NUMBER: D04268 WIRING DIAGRAM REF: 324211	002004 006100 107107 121503 904999	1

MISSING ITEM NUMBERS NOT APPLICABLE

- ITEM NOT ILLUSTRATED

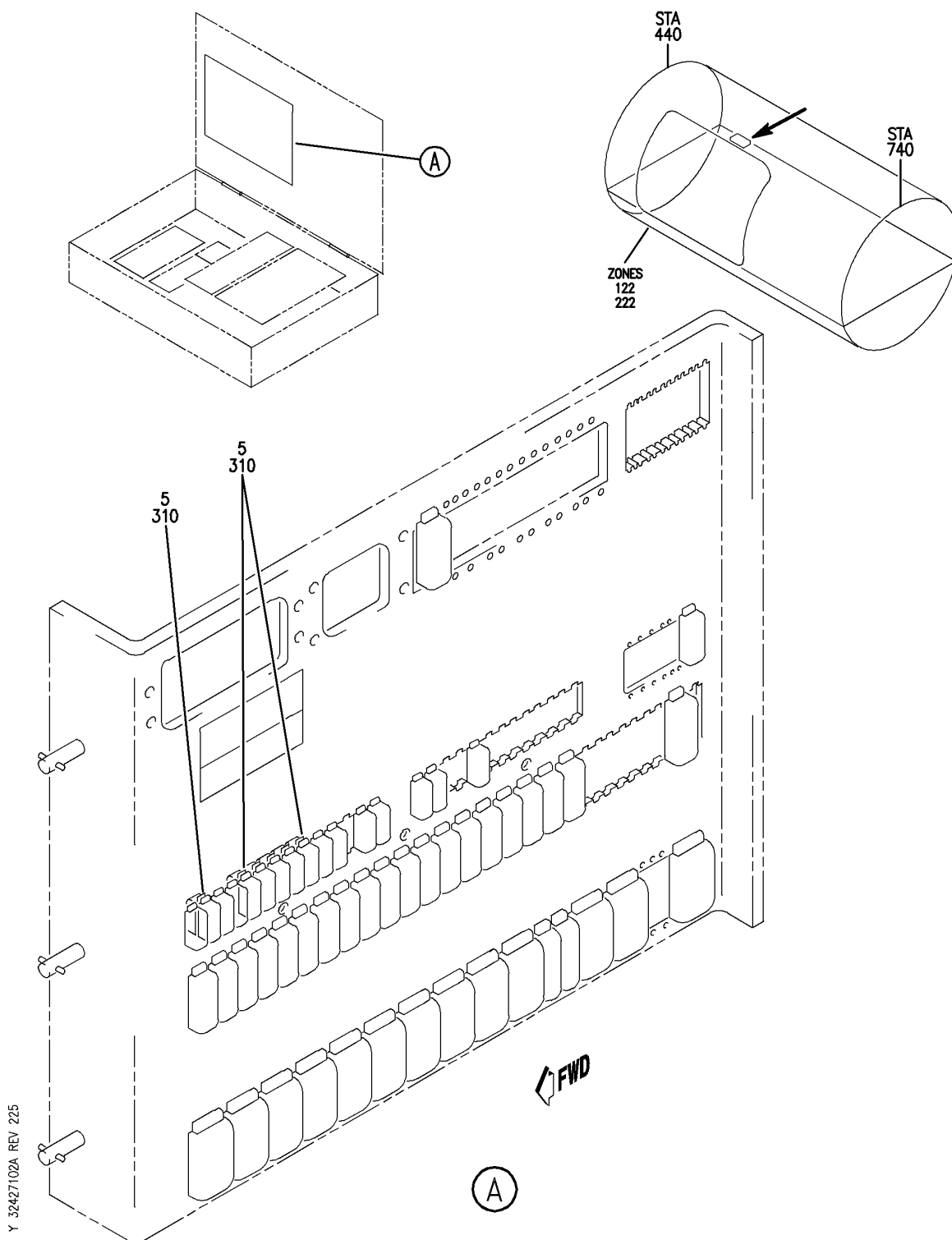
BRI

32-42-71-02

BOEING PROPRIETARY - Copyright © - Unpublished Work - See title page for details.

32-42-71  
FIG. 02  
PAGE 4  
JAN 20/09

**BOEING**  
757  
PARTS CATALOG (MAINTENANCE)



OPTION PACKAGE ASSY-P36 MISC RELAY LH (ANTISKID/ AUTOBRAKE SYSTEM ONLY)  
FIGURE 2A

BRI  
MAY 28/07

**32-42-71-02A**

32-42-71-02A  
PAGE 0



757

PARTS CATALOG (MAINTENANCE)

FIG ITEM	PART NUMBER	1 2 3 4 5 6 7	NOMENCLATURE	EFFECT FROM TO	UNITS PER ASSY
2A			OPTION PACKAGE ASSY-P36 MISC RELAY LH (ANTISKID/ AUTOBRAKE SYSTEM ONLY)	101102 504903	
- 1	284N1125-1018		OPTION PACKAGE ASSY-P36 MISC RELAY (ANTISKID/ AUTOBRAKE SYSTEM ONLY)	101102 504903	RF
	5 W260F4AM11		POSITION DATA: LH REWORKED BY ALERT SB: 27A0130 FOR NHA/OTHER SYS DET SEE: 31-01-36-05 .RELAY- SUPPLIER CODE: VF0219 SPECIFICATION NUMBER: BACR13CD2 OPTIONAL PART: BR16S233 V09026 EE4AA005 V35344 3SAV1338A2 V01526 HFW1206K03 V58614 HFW1204K01 V71482 ELECTRICAL EQUIP NUMBER: K00511 K10229 K10230 K10231 K10232 K10233	101102 504903	6
- 301	286N1260-358		WIRE BUNDLE ASSY- REWORKED BY ALERT SB: 27A0130	101102	RF
- 301	286N1260-364		WIRE BUNDLE ASSY- REWORKED BY ALERT SB: 27A0130	504903	RF

MISSING ITEM NUMBERS NOT APPLICABLE

- ITEM NOT ILLUSTRATED

32-42-71-02A

32-42-71  
FIG. 02A  
PAGE 1  
JAN 20/09

BRI





757

PARTS CATALOG (MAINTENANCE)

FIG ITEM	PART NUMBER	1 2 3 4 5 6 7	NOMENCLATURE	EFFECT FROM TO	UNITS PER ASSY
2A 310	RSE120026		. SOCKET- SUPPLIER CODE: V58982 SPECIFICATION NUMBER: BACS16AG1 OPTIONAL PART: 451120-026 V58982 ELECTRICAL EQUIP NUMBER: D04342 D02734 D02736 D02738 D02740 D02742 WIRING DIAGRAM REF: 324211	101102 504903	6

MISSING ITEM NUMBERS NOT APPLICABLE

- ITEM NOT ILLUSTRATED

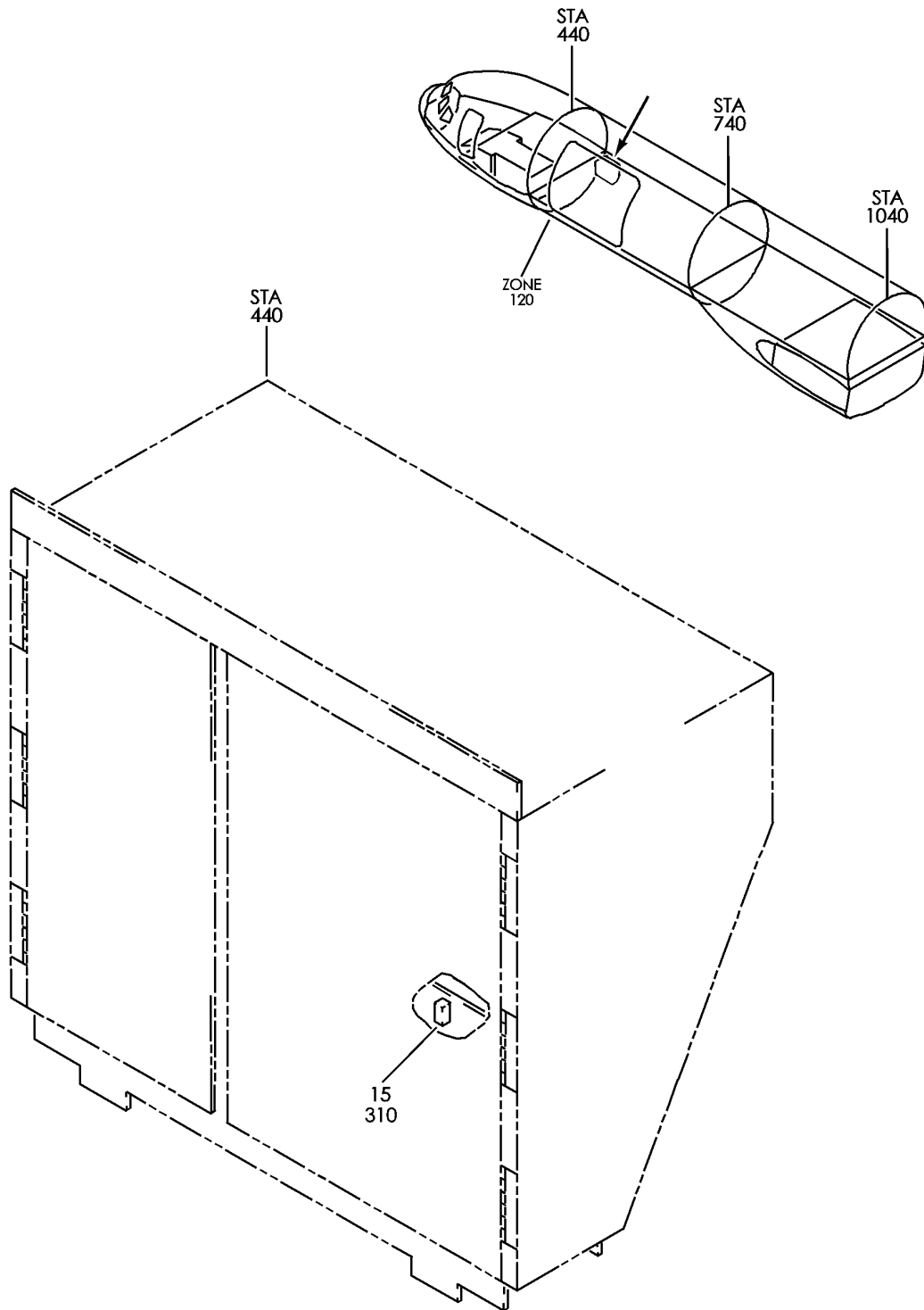
BRI

32-42-71-02A

BOEING PROPRIETARY - Copyright © - Unpublished Work - See title page for details.

32-42-71  
FIG. 02A  
PAGE 2  
JAN 20/09

**BOEING**  
757  
PARTS CATALOG (MAINTENANCE)



Y 32427102B REV 229

PACKAGE ASSY-OPTION P37 MISC RELAY (ANTISKID/AUTOBRAKE SYSTEM ONLY)  
FIGURE 2B

BRI  
MAY 28/07

**32-42-71-02B**

32-42-71-02B  
PAGE 0



757

PARTS CATALOG (MAINTENANCE)

FIG ITEM	PART NUMBER	1 2 3 4 5 6 7	NOMENCLATURE	EFFECT FROM TO	UNITS PER ASSY
2B			PACKAGE ASSY-OPTION P37 MISC RELAY (ANTISKID/AUTOBRAKE SYSTEM ONLY)	101102 504903	
- 1	284N1127-1041		PACKAGE ASSY-OPTION P37 MISC RELAY (ANTISKID/AUTOBRAKE SYSTEM ONLY)	101102 504903	RF
15	W260F4AM11		MISCELLANEOUS DATA: 757 MAJOR MODEL REWORKED BY ALERT SB: 27A0130 FOR NHA/OTHER SYS DET SEE: 31-01-37-02 .RELAY- SUPPLIER CODE: VF0219 SPECIFICATION NUMBER: BACR13CD2 OPTIONAL PART: BR16S233 V09026 EE4AA005 V35344 3SAV1338A2 V01526 HFW1206K03 V58614 HFW1204K01 V71482 ELECTRICAL EQUIP NUMBER: K00510	101102 504903	1
- 300	286N1270-336		WIRE BUNDLE ASSY- REWORKED BY ALERT SB: 34A0222 27A0130	504903	RF
- 301	286N1270-361		WIRE BUNDLE ASSY- REWORKED BY ALERT SB: 34A0222 27A0130	101101	RF
- 302	286N1270-399		WIRE BUNDLE ASSY- REWORKED BY ALERT SB: 34A0222 27A0130	102102	RF

MISSING ITEM NUMBERS NOT APPLICABLE

- ITEM NOT ILLUSTRATED

32-42-71-02B

32-42-71  
FIG. 02B  
PAGE 1  
JAN 20/09

BRI



757

PARTS CATALOG (MAINTENANCE)

FIG ITEM	PART NUMBER	1 2 3 4 5 6 7	NOMENCLATURE	EFFECT FROM TO	UNITS PER ASSY
2B 310	RSE120026		. SOCKET- SUPPLIER CODE: V58982 SPECIFICATION NUMBER: BACS16AG1 OPTIONAL PART: 451120-026 V58982 ELECTRICAL EQUIP NUMBER: D04268 WIRING DIAGRAM REF: 324211	101102 504903	1

MISSING ITEM NUMBERS NOT APPLICABLE

- ITEM NOT ILLUSTRATED

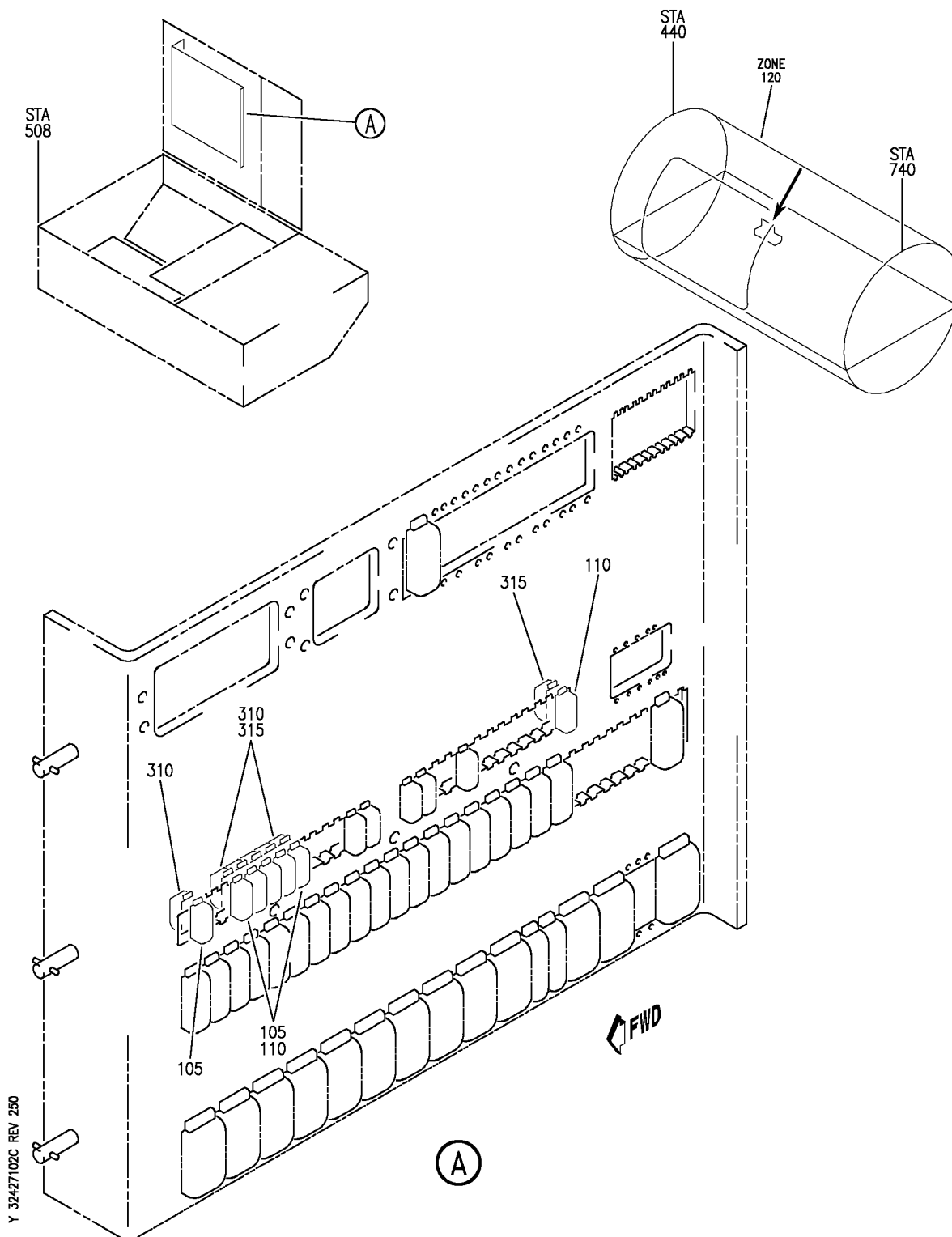
BRI

**32-42-71-02B**

BOEING PROPRIETARY - Copyright © - Unpublished Work - See title page for details.

32-42-71  
FIG. 02B  
PAGE 2  
JAN 20/09

**BOEING**  
757  
PARTS CATALOG (MAINTENANCE)



PANEL INSTL-P36 L MISC RELAY (ANTISKID/AUTOBRAKE SYSTEM ONLY)  
FIGURE 2C

**32-42-71-02C**

BRI  
JAN 20/09

32-42-71-02C  
PAGE 0



757

PARTS CATALOG (MAINTENANCE)

FIG ITEM	PART NUMBER	1 2 3 4 5 6 7	NOMENCLATURE	EFFECT FROM TO	UNITS PER ASSY
2C			PANEL INSTL-P36 L MISC RELAY (ANTISKID/AUTOBRAKE SYSTEM ONLY)	103106 108120	
- 3	284N1125-94		PANEL INSTL-P36 L MISC RELAY (ANTISKID/AUTOBRAKE SYSTEM ONLY) FOR NHA/OTHER SYS DET SEE: 24-00-58-05C	108120	RF

MISSING ITEM NUMBERS NOT APPLICABLE

- ITEM NOT ILLUSTRATED

BRI

32-42-71-02C

BOEING PROPRIETARY - Copyright © - Unpublished Work - See title page for details.

32-42-71  
FIG. 02C  
PAGE 1  
JAN 20/09



757  
PARTS CATALOG (MAINTENANCE)

FIG ITEM	PART NUMBER	1 2 3 4 5 6 7	NOMENCLATURE	EFFECT FROM TO	UNITS PER ASSY
2C - 7	MODREF31944		PANEL INSTL-P36 L MISC RELAY (ANTISKID/AUTOBRAKE SYSTEM ONLY) MODULE NUMBER: 284N1125-123 REV A FOR OTHER SYS DETAILS SEE: 11-36-08-03C 21-25-71-02C 21-33-71-02C 21-51-56-01C 21-58-71-02C 23-12-00-05 23-31-54-01C 23-34-52-01C 24-21-51-01A 26-15-71-02C 26-16-71-01C 26-22-71-01C 27-48-52-03C 27-51-71-03C 27-58-71-02C 27-62-71-03C 29-11-71-03C 29-21-71-01C 30-21-71-03C 30-34-51-01C 31-01-36-01 32-09-02-03C 32-35-71-01C 32-44-71-02C 32-61-71-02C 34-12-71-02C 34-21-71-02C 34-22-52-01C 34-61-52-01C 36-11-71-02C 73-21-55-01C 74-31-71-02C 76-11-71-02C 77-12-71-01C 78-34-71-02C 78-36-71-02C 80-11-71-02C	103106	1

MISSING ITEM NUMBERS NOT APPLICABLE

- ITEM NOT ILLUSTRATED

BRI

32-42-71-02C

BOEING PROPRIETARY - Copyright © - Unpublished Work - See title page for details.

32-42-71  
FIG. 02C  
PAGE 2  
JAN 20/09



757

PARTS CATALOG (MAINTENANCE)

FIG ITEM	PART NUMBER	1 2 3 4 5 6 7	NOMENCLATURE	EFFECT FROM TO	UNITS PER ASSY
2C 105	W260F4AM11		.RELAY- SUPPLIER CODE: VF0219 SPECIFICATION NUMBER: BACR13CD2 OPTIONAL PART: BR16S233 V09026 EE4AA005 V35344 3SAV1338A2 V01526 HFW1206K03 V58614 HFW1204K01 V71482 ELECTRICAL EQUIP NUMBER: K00511 K10229 K10230 K10231 K10232 K10233	108120	6
110	W260F4AM11		.RELAY- SUPPLIER CODE: VF0219 SPECIFICATION NUMBER: BACR13CD2 OPTIONAL PART: BR16S233 V09026 EE4AA005 V35344 3SAV1338A2 V01526 HFW1206K03 V58614 HFW1204K01 V71482 ELECTRICAL EQUIP NUMBER: K00511 K10229 K10230 K10231 K10232 K10233	103106	6
- 300	286N1260-357		WIRE BUNDLE ASSY	108120	RF
- 302	286N1260-601		WIRE BUNDLE ASSY	103106	RF

MISSING ITEM NUMBERS NOT APPLICABLE

- ITEM NOT ILLUSTRATED

32-42-71-02C

32-42-71  
FIG. 02C  
PAGE 3  
JAN 20/09

BRI





757

PARTS CATALOG (MAINTENANCE)

FIG ITEM	PART NUMBER	1 2 3 4 5 6 7	NOMENCLATURE	EFFECT FROM TO	UNITS PER ASSY
2C 310	RSE120026		.SOCKET- SUPPLIER CODE: V58982 SPECIFICATION NUMBER: BACS16AG1 OPTIONAL PART: 451120-026 V58982 ELECTRICAL EQUIP NUMBER: D04342 D02734 D02736 D02738 D02740 D02742 WIRING DIAGRAM REF: 324211	108120	6
315	RSE120026		.SOCKET- SUPPLIER CODE: V58982 SPECIFICATION NUMBER: BACS16AG1 OPTIONAL PART: 451120-026 V58982 ELECTRICAL EQUIP NUMBER: D04342 D02734 D02736 D02738 D02740 D02742 WIRING DIAGRAM REF: 324211	103106	6

MISSING ITEM NUMBERS NOT APPLICABLE

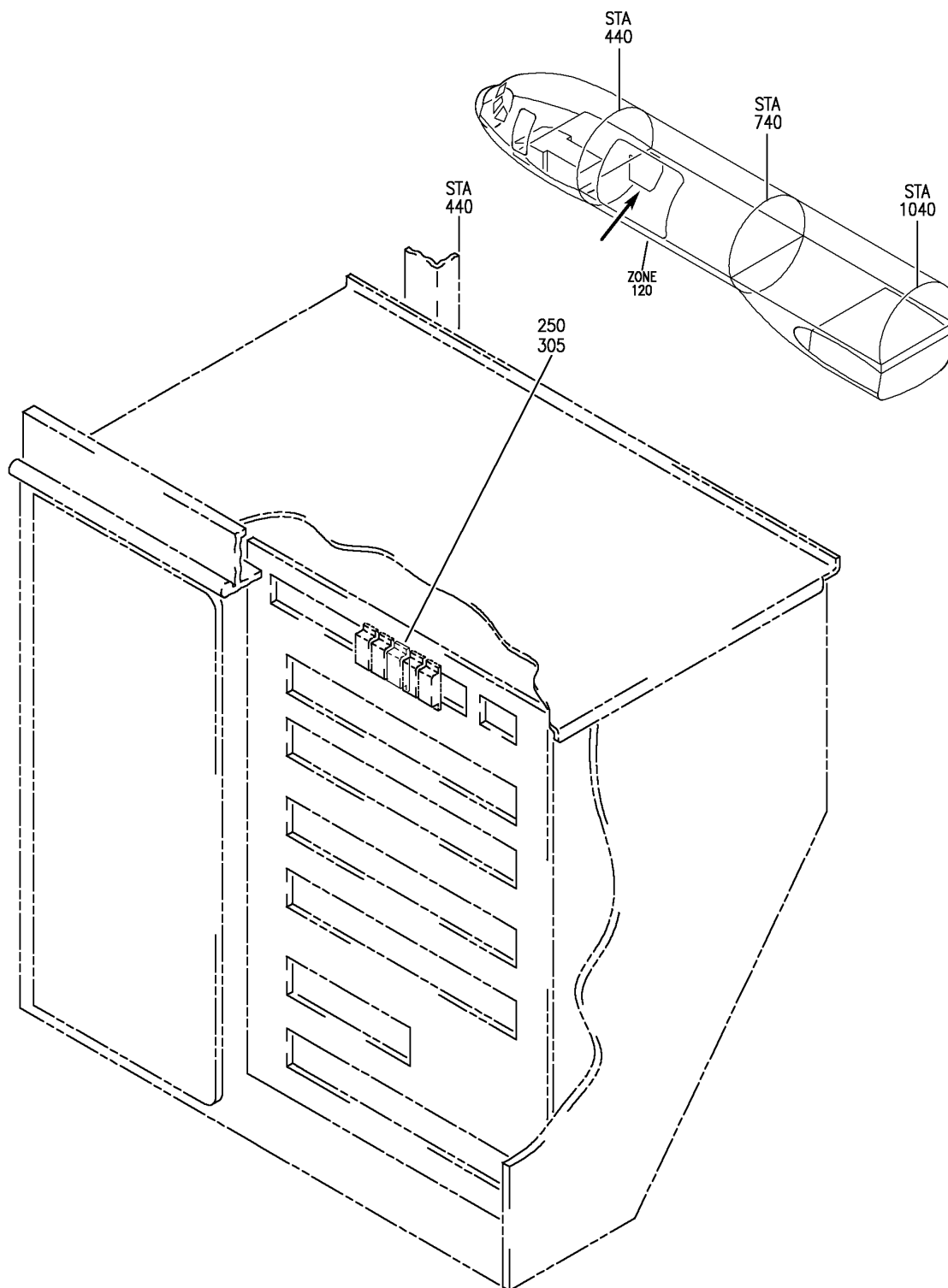
- ITEM NOT ILLUSTRATED

**32-42-71-02C**

32-42-71  
FIG. 02C  
PAGE 4  
JAN 20/09

BRI

**BOEING**  
757  
PARTS CATALOG (MAINTENANCE)



Y 32427102D REV 250

PANEL INSTL-P37 R MISC RELAY (ANTISKID/ AUTOBRAKE SYSTEM ONLY)  
FIGURE 2D

**32-42-71-02D**

BRI  
JAN 20/09

32-42-71-02D  
PAGE 0



757

PARTS CATALOG (MAINTENANCE)

FIG ITEM	PART NUMBER	1 2 3 4 5 6 7	NOMENCLATURE	EFFECT FROM TO	UNITS PER ASSY
2D			PANEL INSTL-P37 R MISC RELAY (ANTISKID/ AUTOBRAKE SYSTEM ONLY)	103106 108120	
- 1	MODREF185037		PANEL INSTL-P37 R MISC RELAY (ANTISKID/ AUTOBRAKE SYSTEM ONLY) MODULE NUMBER: 284N1127-169 REV D FOR OTHER SYS DETAILS SEE: 11-36-12-02A 21-25-71-02D 21-44-71-02D 21-45-31-01D 21-51-55-01D 21-58-71-02D 21-61-71-02D 23-31-51-05 24-21-51-05 24-51-01-02 24-51-02-03 24-51-58-02D 27-62-71-03D 28-22-71-03D 29-21-71-01D 30-11-71-02D 30-21-71-03D 30-31-71-02D 30-32-71-02D 30-33-71-02D 30-34-51-01D 31-01-37-10 31-31-71-02D 32-09-02-04D 32-61-71-02D 33-43-55-01D 33-51-71-01D 34-12-71-02D 34-25-50-01D 34-61-52-01D 35-21-71-02D 36-11-71-02D 38-15-71-02D 73-21-55-01D 74-31-71-02D 76-11-71-02D 77-12-71-01D 78-34-71-02D 78-36-71-02D 80-11-71-02D	106106	1
MISSING ITEM NUMBERS NOT APPLICABLE					

- ITEM NOT ILLUSTRATED

# 32-42-71-02D

32-42-71  
FIG. 02D  
PAGE 1  
JAN 20/09

BRI



757

PARTS CATALOG (MAINTENANCE)

FIG ITEM	PART NUMBER	1 2 3 4 5 6 7	NOMENCLATURE	EFFECT FROM TO	UNITS PER ASSY
2D - 3	284N1127-118		PANEL INSTL-P37 R MISC RELAY (ANTISKID/ AUTOBRAKE SYSTEM ONLY) FOR NHA/OTHER SYS DET SEE: 24-00-58-05C	108108	RF
- 4	284N1127-139		PANEL INSTL-P37 R MISC RELAY (ANTISKID/ AUTOBRAKE SYSTEM ONLY) FOR NHA/OTHER SYS DET SEE: 24-00-58-05C	109120	RF

MISSING ITEM NUMBERS NOT APPLICABLE

- ITEM NOT ILLUSTRATED

BRI

32-42-71-02D

BOEING PROPRIETARY - Copyright © - Unpublished Work - See title page for details.

32-42-71  
FIG. 02D  
PAGE 2  
JAN 20/09



757

PARTS CATALOG (MAINTENANCE)

FIG ITEM	PART NUMBER	1 2 3 4 5 6 7	NOMENCLATURE	EFFECT FROM TO	UNITS PER ASSY
2D - 8	MODREF31945		PANEL INSTL-P37 R MISC RELAY (ANTISKID/ AUTOBRAKE SYSTEM ONLY) MODULE NUMBER: 284N1127-169 REV B FOR OTHER SYS DETAILS SEE: 11-36-12-02A 21-25-71-02D 21-44-71-02D 21-45-31-01D 21-51-55-01D 21-58-71-02D 21-61-71-02D 23-31-51-05 24-21-51-05 24-51-01-02 24-51-02-03 24-51-58-02D 27-62-71-03D 28-22-71-03D 29-21-71-01D 30-11-71-02D 30-21-71-03D 30-31-71-02D 30-32-71-02D 30-33-71-02D 30-34-51-01D 31-01-37-10 31-31-71-02D 32-09-02-04D 32-61-71-02D 33-43-55-01D 33-51-71-01D 34-12-71-02D 34-25-50-01D 34-61-52-01D 35-21-71-02D 36-11-71-02D 38-15-71-02D 73-21-55-01D 74-31-71-02D 76-11-71-02D 77-12-71-01D 78-34-71-02D 78-36-71-02D 80-11-71-02D	103103	1

MISSING ITEM NUMBERS NOT APPLICABLE

- ITEM NOT ILLUSTRATED

BRI

# 32-42-71-02D

BOEING PROPRIETARY - Copyright © - Unpublished Work - See title page for details.

32-42-71  
FIG. 02D  
PAGE 3  
JAN 20/09



757

PARTS CATALOG (MAINTENANCE)

FIG ITEM	PART NUMBER	1 2 3 4 5 6 7	NOMENCLATURE	EFFECT FROM TO	UNITS PER ASSY
2D - 9	MODREF34305		PANEL INSTL-P37 R MISC RELAY (ANTISKID/ AUTOBRAKE SYSTEM ONLY) MODULE NUMBER: 284N1127-169 REV C FOR OTHER SYS DETAILS SEE: 11-36-12-02A 21-25-71-02D 21-44-71-02D 21-45-31-01D 21-51-55-01D 21-58-71-02D 21-61-71-02D 23-31-51-05 24-21-51-05 24-51-01-02 24-51-02-03 24-51-58-02D 27-62-71-03D 28-22-71-03D 29-21-71-01D 30-11-71-02D 30-21-71-03D 30-31-71-02D 30-32-71-02D 30-33-71-02D 30-34-51-01D 31-01-37-10 31-31-71-02D 32-09-02-04D 32-61-71-02D 33-43-55-01D 33-51-71-01D 34-12-71-02D 34-25-50-01D 34-61-52-01D 35-21-71-02D 36-11-71-02D 38-15-71-02D 73-21-55-01D 74-31-71-02D 76-11-71-02D 77-12-71-01D 78-34-71-02D 78-36-71-02D 80-11-71-02D	104105	1

MISSING ITEM NUMBERS NOT APPLICABLE

- ITEM NOT ILLUSTRATED

BRI

# 32-42-71-02D

BOEING PROPRIETARY - Copyright © - Unpublished Work - See title page for details.

32-42-71  
FIG. 02D  
PAGE 4  
JAN 20/09



757

PARTS CATALOG (MAINTENANCE)

FIG ITEM	PART NUMBER	1 2 3 4 5 6 7	NOMENCLATURE	EFFECT FROM TO	UNITS PER ASSY
2D 250	W260F4AM11		.RELAY- SUPPLIER CODE: VF0219 SPECIFICATION NUMBER: BACR13CD2 OPTIONAL PART: BR16S233 V09026 EE4AA005 V35344 3SAV1338A2 V01526 HFW1206K03 V58614 HFW1204K01 V71482 ELECTRICAL EQUIP NUMBER: K00510	103106 108120	1
- 300	286N1270-360		WIRE BUNDLE ASSY- REWORKED BY ALERT SB: 34A0222	108120	RF
- 302 305	286N1270-602 RSE120026		WIRE BUNDLE ASSY .SOCKET- SUPPLIER CODE: V58982 SPECIFICATION NUMBER: BACS16AG1 OPTIONAL PART: 451120-026 V58982 ELECTRICAL EQUIP NUMBER: D04268 WIRING DIAGRAM REF: 324211	103106 103106 108120	RF 1

MISSING ITEM NUMBERS NOT APPLICABLE

- ITEM NOT ILLUSTRATED

BRI

32-42-71-02D

BOEING PROPRIETARY - Copyright © - Unpublished Work - See title page for details.

32-42-71  
FIG. 02D  
PAGE 5  
JAN 20/09

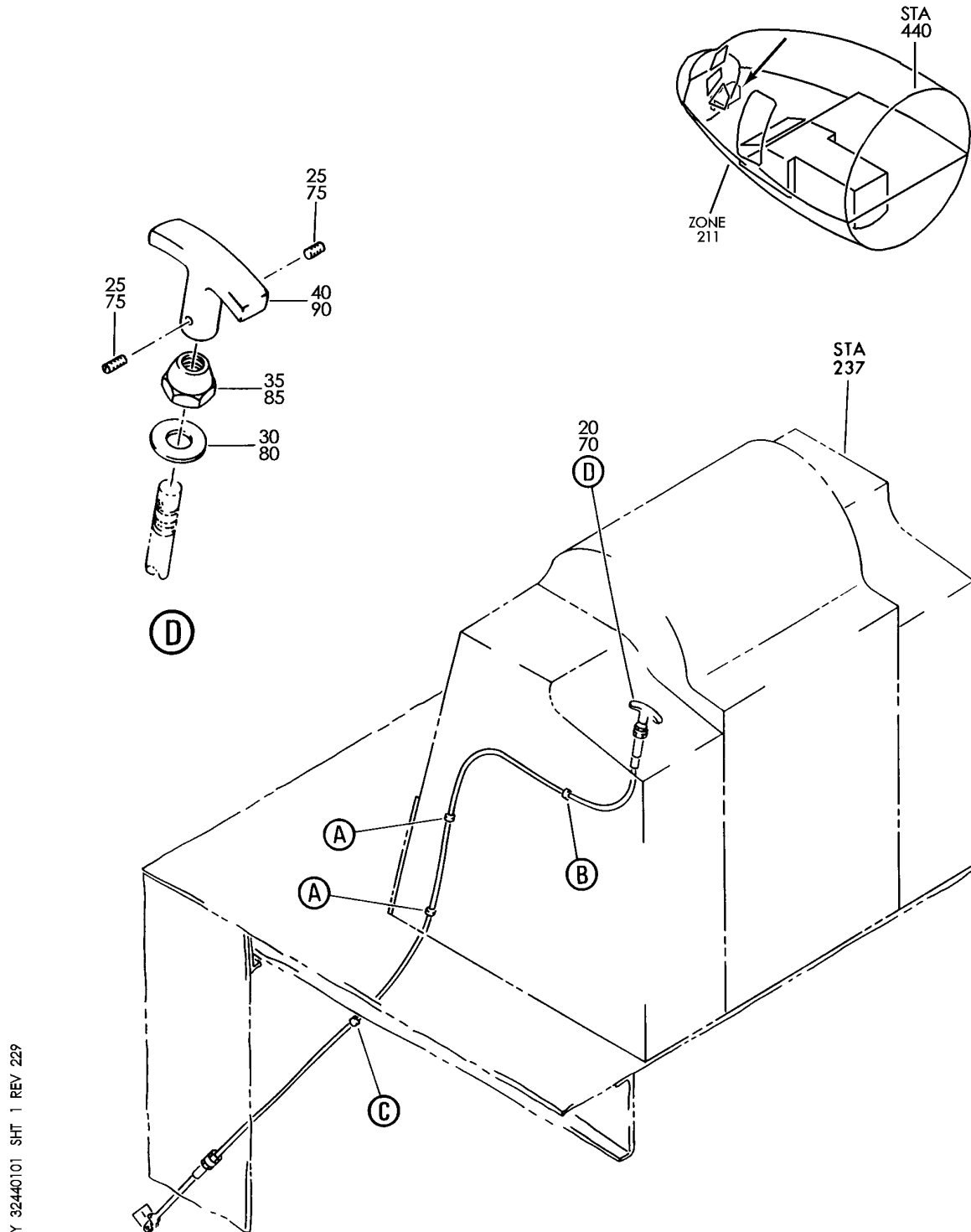
## **PARKING BRAKE SYSTEM**

**BRI**  
**MAY 28/07**

**32-44-00**  
**SECTION TITLE**  
**PAGE 1**



**BOEING**  
757  
PARTS CATALOG (MAINTENANCE)



Y 32440101 SHT 1 REV 229

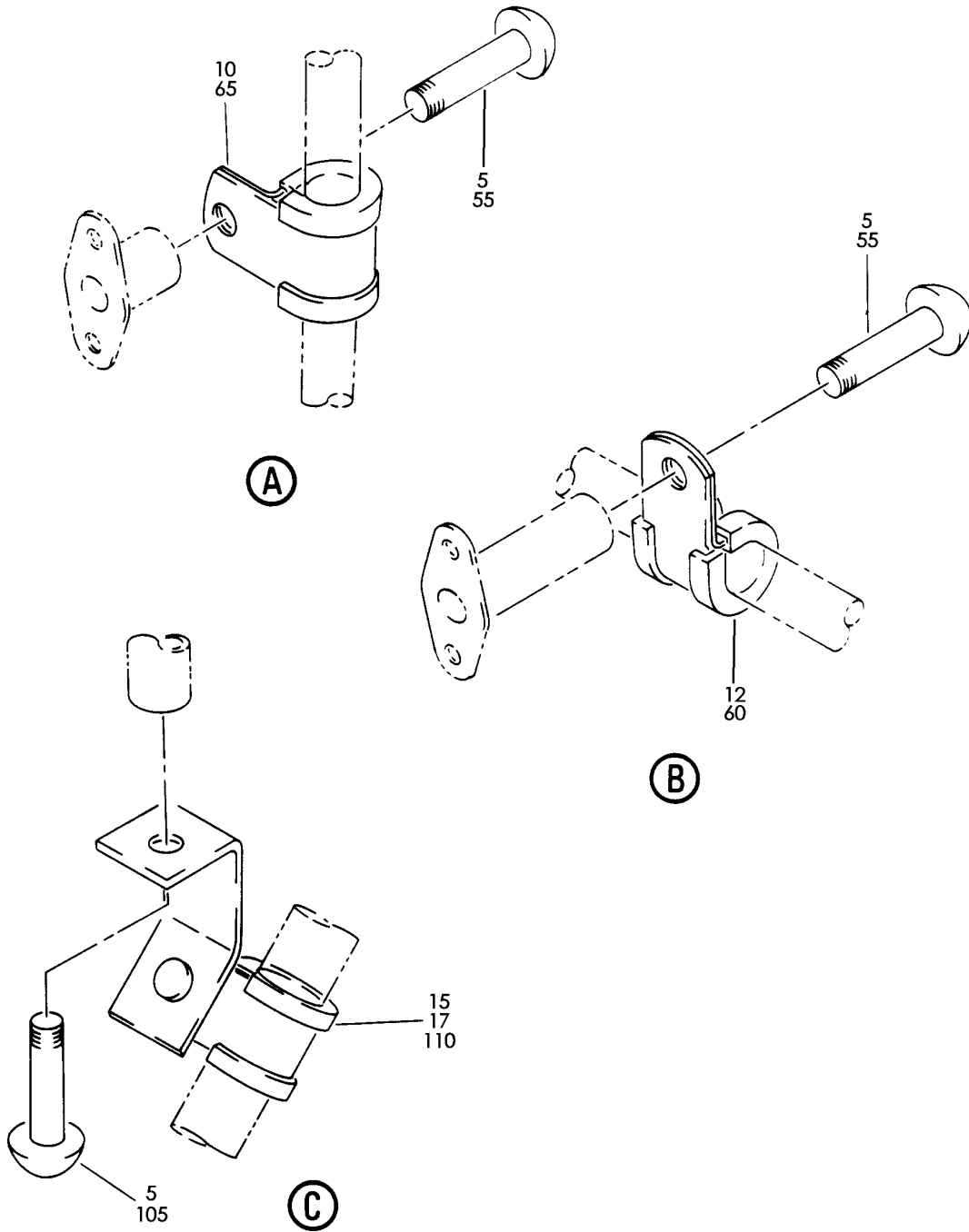
CABLE INSTL-PARKING BRAKE  
FIGURE 1 (SHEET 1)

**32-44-01-01**

BRI  
MAY 28/07

32-44-01-01  
PAGE 0

**BOEING**  
757  
PARTS CATALOG (MAINTENANCE)



Y 32440101 SHT 2 REV 224

CABLE INSTL-PARKING BRAKE  
FIGURE 1 (SHEET 2)

**32-44-01-01**

BRI  
MAY 28/07

32-44-01-01  
PAGE 0A



757

PARTS CATALOG (MAINTENANCE)

FIG ITEM	PART NUMBER	1 2 3 4 5 6 7	NOMENCLATURE	EFFECT FROM TO	UNITS PER ASSY
1			CABLE INSTL-PARKING BRAKE	002004 006999	
- 1	254N1111-2		CABLE INSTL-PARKING BRAKE FOR NHA SEE: 76-11-04-02	002004 006100 107107 121503 904999	RF
- 1	254N1111-3		CABLE INSTL-PARKING BRAKE FOR NHA SEE: 76-11-04-02	101102 504903	RF
	5 NAS603-5		.SCREW	002004 006102 107107 121999	4
	10 S392D4G		.CLAMP SUPPLIER CODE: V18076 SPECIFICATION NUMBER: BACC10BU4DG OPTIONAL PART: 393-4 V83930 JM44LC24D4BB V22175 TA04C44D4CL V84971 393A4 V83930	101102 504903	2
	10 S392DH5		.CLAMP SUPPLIER CODE: V18076 SPECIFICATION NUMBER: BACC10BU5DH OPTIONAL PART: 393-5HT V83930 JM44LC24D5BW V22175 TA04C44D5HA V84971 393A5HT V83930	002004 006100 107107 121503 904999	2

MISSING ITEM NUMBERS NOT APPLICABLE

- ITEM NOT ILLUSTRATED

BRI

32-44-01-01

BOEING PROPRIETARY - Copyright © - Unpublished Work - See title page for details.

32-44-01  
FIG. 01  
PAGE 1  
JAN 20/09



757

PARTS CATALOG (MAINTENANCE)

FIG ITEM	PART NUMBER	1 2 3 4 5 6 7	NOMENCLATURE	EFFECT FROM TO	UNITS PER ASSY
1	12 S392DH5	.CLAMP	SUPPLIER CODE: V18076 SPECIFICATION NUMBER: BACC10BU5DH OPTIONAL PART: 393-5HT V83930 JM44LC24D5BW V22175 TA04C44D5HA V84971 393A5HT V83930	101102 504903	1
	12 S392D4G	.CLAMP	SUPPLIER CODE: V18076 SPECIFICATION NUMBER: BACC10BU4DG OPTIONAL PART: 393-4 V83930 JM44LC24D4BB V22175 TA04C44D4CL V84971 393A4 V83930	002004 006100 107107 121503 904999	1
	15 BACC10K304-2	.CLAMP		002004 006100 107107 121503 904999	1
	17 BACC10K305-2	.CLAMP		101102 504903	1
	20 565-806-009	.CABLE ASSY-	SUPPLIER CODE: V06970	002004 006102 107107 121999	1
	20 565-529-002	.CABLE ASSY-	SUPPLIER CODE: V06970	002004 006102 107107 121999	1
	25 AN565BC6H3	..SCREW		002004 006102 107107 121999	2

MISSING ITEM NUMBERS NOT APPLICABLE

- ITEM NOT ILLUSTRATED

32-44-01-01

32-44-01  
FIG. 01  
PAGE 2  
JAN 20/09

BRI

BOEING PROPRIETARY - Copyright © - Unpublished Work - See title page for details.



757

PARTS CATALOG (MAINTENANCE)

FIG ITEM	PART NUMBER	1 2 3 4 5 6 7	NOMENCLATURE	EFFECT FROM TO	UNITS PER ASSY
1					
30	AN916C716L	..	WASHER- USED ON: 565-529-002	002004 006102 107107 121999	1
35	565-167-014	..	NUT- SUPPLIER CODE: V06970 USED ON: 565-529-002	002004 006102 107107 121999	1
40	565-100-082	..	HANDLE-TEE SUPPLIER CODE: V06970	002004 006102 107107 121999	1
- 50	254N1111-4		CABLE INSTL-PARKING BRAKE FOR NHA SEE: 76-11-04-02	103106 108120	RF
55	NAS603-5	.	SCREW	103106 108120	3
60	S392DH5	.	CLAMP SUPPLIER CODE: V18076 SPECIFICATION NUMBER: BACC10BU5DH OPTIONAL PART: 393-5HT V83930 JM44LC24D5BW V22175 TA04C44D5HA V84971 393A5HT V83930	103106 108120	1
65	S392D4G	.	CLAMP SUPPLIER CODE: V18076 SPECIFICATION NUMBER: BACC10BU4DG OPTIONAL PART: 393-4 V83930 JM44LC24D4BB V22175 TA04C44D4CL V84971 393A4 V83930	103106 108120	2
70	565-529-002	.	CABLE ASSY- SUPPLIER CODE: V06970	103106 108120	1

MISSING ITEM NUMBERS NOT APPLICABLE

- ITEM NOT ILLUSTRATED

32-44-01-01

32-44-01  
FIG. 01  
PAGE 3  
JAN 20/09

BRI

BOEING PROPRIETARY - Copyright © - Unpublished Work - See title page for details.



757

PARTS CATALOG (MAINTENANCE)

FIG ITEM	PART NUMBER	1 2 3 4 5 6 7	NOMENCLATURE	EFFECT FROM TO	UNITS PER ASSY
1					
75	AN565BC6H3	..	SCREW	103106 108120	2
80	AN916C716L	..	WASHER	103106 108120	1
85	565-167-014	..	NUT- SUPPLIER CODE: V06970	103106 108120	1
90	565-100-082	..	HANDLE-TEE SUPPLIER CODE: V06970	103106 108120	1
- 100	254N1111-5		CABLE INSTL-PARKING BRAKE FOR NHA SEE: 76-11-00-05	108120	RF
- 100	MODREF8887		CABLE INSTL-PARKING BRAKE MODULE NUMBER: 254N1111-5 REV A	103106	1
105	NAS603-5	.	SCREW	103106 108120	1
110	BACC10K305-2	.	CLAMP	103106 108120	1

MISSING ITEM NUMBERS NOT APPLICABLE

- ITEM NOT ILLUSTRATED

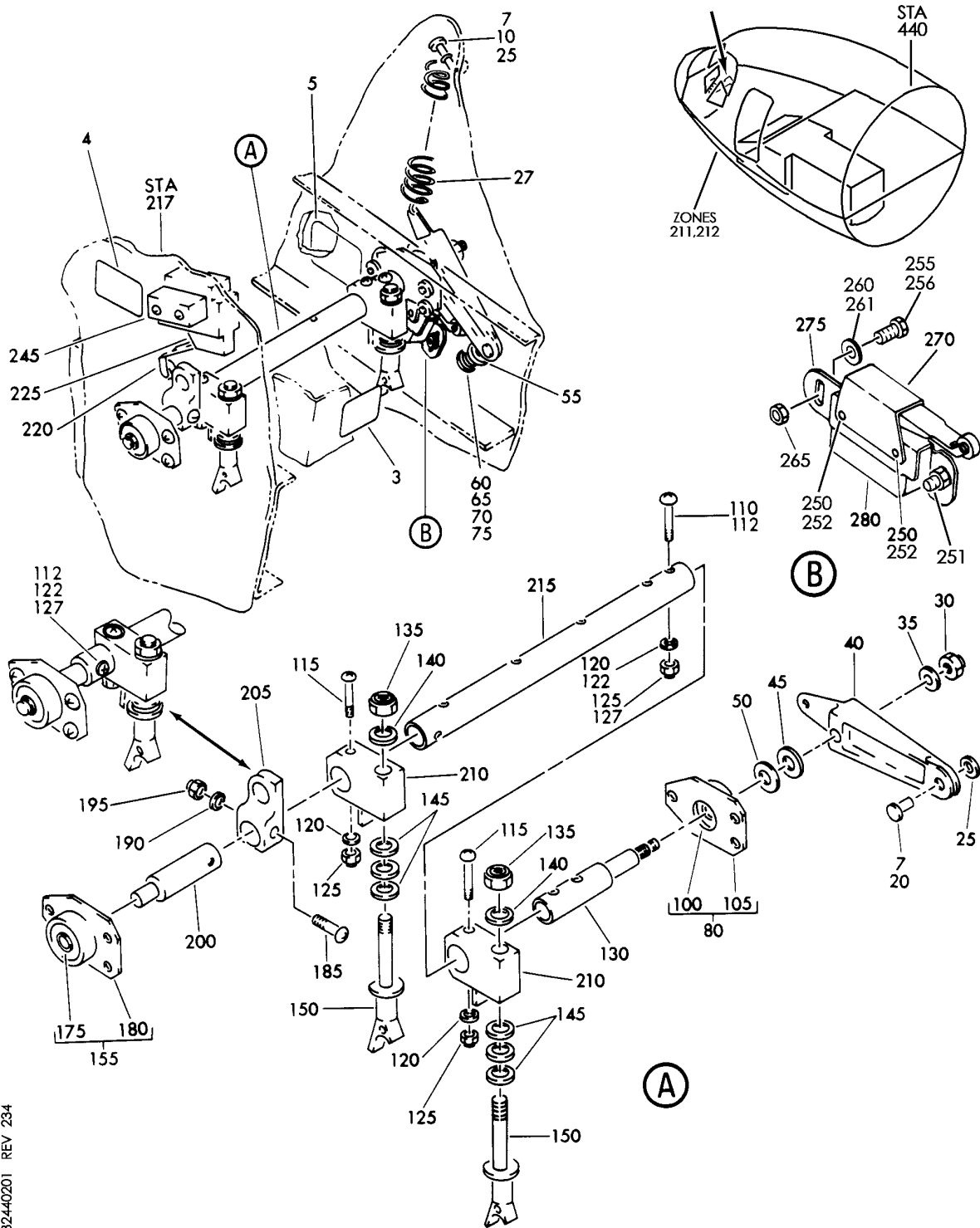
BRI

32-44-01-01

BOEING PROPRIETARY - Copyright © - Unpublished Work - See title page for details.

32-44-01  
FIG. 01  
PAGE 4  
JAN 20/09

**BOEING**  
757  
PARTS CATALOG (MAINTENANCE)



Y 32-440201 REV 234

MECHANISM INSTL-PARKING BRAKE  
FIGURE 1

**32-44-02-01**

BRI  
MAY 28/07

32-44-02-01  
PAGE 0



757

PARTS CATALOG (MAINTENANCE)

FIG ITEM	PART NUMBER	1 2 3 4 5 6 7	NOMENCLATURE	EFFECT FROM TO	UNITS PER ASSY
1			MECHANISM INSTL-PARKING BRAKE	002004 006999	
- 1	274N2012-6		MECHANISM INSTL-PARKING BRAKE FOR NHA SEE: 32-00-00-23	002004 006100 107107 121503 904999	RF
- 1	274N2012-8		MECHANISM INSTL-PARKING BRAKE FOR NHA SEE: 32-00-00-10	101102 108120 504903	RF
- 1	MODREF8650		MECHANISM INSTL-PARKING BRAKE MODULE NUMBER: 274N2012-8 REV A	103106	1
5	BAC27NCT0027		.MARKER-ALUMINUM FOIL PLACARD CONTENT: PARK BRAKE SWITCH S459	002004 006999	1
7	MS24665-134		.PIN	002004 006100 107107 121503 904999	2
10	MS20392-2C33		.PIN	002004 006999	1
20	MS20392-2C9		.PIN	002004 006999	1
25	NAS1149D0332J		.WASHER-	002004 006999	2
27	MS24586-756		.SPRING	002004 006999	1
30	BRH10C4D		.NUT SUPPLIER CODE: V52828 SPECIFICATION NUMBER: BACN10JC4CD OPTIONAL PART: T6C428JCD V11815 NS202486-048 V80539 102LH9075-4W V72962 H51650-4BAC V15653	002004 006999	1
35	NAS1149D0463J		.WASHER-	002004 006999	1

MISSING ITEM NUMBERS NOT APPLICABLE

- ITEM NOT ILLUSTRATED

32-44-02-01

32-44-02  
FIG. 01  
PAGE 1  
JAN 20/09

BRI



**BOEING**  
757  
**PARTS CATALOG (MAINTENANCE)**

FIG ITEM	PART NUMBER	1 2 3 4 5 6 7	NOMENCLATURE	EFFECT FROM TO	UNITS PER ASSY
1					
40	274N2050-1		.ARM-CONT OPTIONAL PART: 274N2050-5	002004 006999	1
40	274N2050-5		.ARM-CONT OPTIONAL PART: 274N2050-1	101106 108120 504903	1
45	NAS1149D0616L		.WASHER-	002004 006999	1
50	NAS1149D0663J		.WASHER-	002004 006999	1
55	BACB45A		.BUMPER SUPPLIER CODE: V70485 SPECIFICATION NUMBER: BACB45A ATTACHING PARTS	002004 006999	1
60	BACB30NT3K10		.BOLT	002004 006999	1
65	AN960PD10		.WASHER-	002004 006100 107107 121503 904999	AR
65	NAS1149D0363J		.WASHER-	002004 006999	AR
70	AN960PD10L		.WASHER-	002004 006100 107107 121503 904999	AR
70	NAS1149D0332J		.WASHER-	002004 006999	AR
75	BRH10C3D		.NUT SUPPLIER CODE: V52828 SPECIFICATION NUMBER: BACN10JC3CD OPTIONAL PART: T6C1032JCD V11815 NS202486-02 V80539 102LH9075-3W V72962 H51650-3BAC V15653 -----*-----	002004 006999	1
80	274N2077-1		.HOUSING ASSY-BRG	002004 006999	1

MISSING ITEM NUMBERS NOT APPLICABLE

— ITEM NOT ILLUSTRATED

BRI

# 32-44-02-01

BOEING PROPRIETARY - Copyright © - Unpublished Work - See title page for details.

32-44-02  
FIG. 01  
PAGE 2  
JAN 20/09



757

PARTS CATALOG (MAINTENANCE)

FIG ITEM	PART NUMBER	1 2 3 4 5 6 7	NOMENCLATURE	EFFECT FROM TO	UNITS PER ASSY
1			ATTACHING PARTS		
- 85	BACB30NT3K4		.BOLT	002004 006999	3
- 90	AN960PD10		.WASHER	002004 006100 107107 121503 904999	3
- 95	BRH10C3D		.NUT SUPPLIER CODE: V52828 SPECIFICATION NUMBER: BACN10JC3CD OPTIONAL PART: T6C1032JCD V11815 NS202486-02 V80539 102LH9075-3W V72962 H51650-3BAC V15653 -----*-----	002004 006999	3
100	KSP6AFS428		.. BEARING SUPPLIER CODE: V21335 SPECIFICATION NUMBER: BACB10AC6A OPTIONAL PART: HHKSP6A V38443 KSP6AE9440A V21335 KSP6A2TS V43991 KSP6AG27 V30163 KSP6ASD610 V83086	002004 006100 107107 121503 904999	1
105	274N2077-2		.. HOUSING	002004 006100 107107 121503 904999	1
112	BACB30NT3K13		.BOLT	002004 006999	2
115	BACB30NT3K17		.BOLT	002004 006999	2

MISSING ITEM NUMBERS NOT APPLICABLE

- ITEM NOT ILLUSTRATED

32-44-02-01

32-44-02  
FIG. 01  
PAGE 3  
JAN 20/09

BRI



757

PARTS CATALOG (MAINTENANCE)

FIG ITEM	PART NUMBER	1 2 3 4 5 6 7	NOMENCLATURE	EFFECT FROM TO	UNITS PER ASSY
1					
122	NAS1149D0363J	.	WASHER-	002004 006999	4
127	BRH10C3D	.	NUT SUPPLIER CODE: V52828 SPECIFICATION NUMBER: BACN10JC3CD OPTIONAL PART: T6C1032JCD V11815 NS202486-02 V80539 102LH9075-3W V72962 H51650-3BAC V15653	002004 006999	4
130	274N2056-1	.	SHAFT- POSITION DATA: INBD	002004 006999	1
135	BRH10C5D	.	NUT SUPPLIER CODE: V52828 SPECIFICATION NUMBER: BACN10JC5CD OPTIONAL PART: T6C524JCD V11815 102LH9075-5W V72962 H51650-5BAC V15653	002004 006999	2
140	AN960PD516L	.	WASHER-	002004 006100 107107 121503 904999	2
140	NAS1149D0516J	.	WASHER-	002004 006999	2
145	AN960PD616L	.	WASHER-	002004 006100 107107 121503 904999	AR
150	274N2116-3	.	PAWL-	002004 006999	2
155	69B81071-1	.	HOUSING ASSY-BRG	002004 006999	1

MISSING ITEM NUMBERS NOT APPLICABLE

- ITEM NOT ILLUSTRATED

32-44-02-01

32-44-02  
FIG. 01  
PAGE 4  
JAN 20/09

BRI

BOEING PROPRIETARY - Copyright © - Unpublished Work - See title page for details.



757

PARTS CATALOG (MAINTENANCE)

FIG ITEM	PART NUMBER	1 2 3 4 5 6 7	NOMENCLATURE	EFFECT FROM TO	UNITS PER ASSY
1			ATTACHING PARTS		
- 160	BACB30NT3K4		.BOLT	002004 006999	3
- 165	AN960PD10		.WASHER-	002004 006100 107107 121503 904999	3
- 165	NAS1149D0363J		.WASHER-	002004 006999	3
- 170	BRH10C3D		.NUT	002004 006999	3
			SUPPLIER CODE: V52828		
			SPECIFICATION NUMBER: BACN10JC3CD		
			OPTIONAL PART: T6C1032JCD V11815 NS202486-02 V80539 102LH9075-3W V72962 H51650-3BAC V15653		
			-----*-----		
175	KSP5AFS428		.. BEARING	002004 006100 107107 121503 904999	1
			SUPPLIER CODE: V21335		
			SPECIFICATION NUMBER: BACB10AC5A		
			OPTIONAL PART: HHKSP5A V38443 KSP5AE9440A V21335 KSP5A2TS V43991 KSP5AG27 V30163 KSP5ASD610 V83086		
180	69B81071-2		.. HOUSING	002004 006100 107107 121503 904999	1
200	274N2080-1		. SHAFT-	107107 904949	1
			POSITION DATA: OUTBD		

MISSING ITEM NUMBERS NOT APPLICABLE

- ITEM NOT ILLUSTRATED

32-44-02-01

32-44-02  
FIG. 01  
PAGE 5  
JAN 20/09

BRI



757

PARTS CATALOG (MAINTENANCE)

FIG ITEM	PART NUMBER	1 2 3 4 5 6 7	NOMENCLATURE	EFFECT FROM TO	UNITS PER ASSY
1					
200	274N2080-2	.SHAFT-	POSITION DATA: OUTBD	002004 006007 121503 952952	1
200	274N2080-3	.SHAFT-	POSITION DATA: OUTBD	008106 108120 504903 950951 953999	1
210	274N2083-1	.LEVER-PAWL		107107 904949	2
210	274N2083-2	.LEVER-PAWL		002004 006010 121503 950950 952999	2
210	274N2083-3	.LEVER-PAWL		011100 951951	2
215	274N2081-1	.SHAFT		002004 006999	1
250	NAS601-18P	.SCREW-		002004 006999	2
251	NAS623-3-6	.SCREW-	POST SERVICE BULLETIN: 32-0066R2	101120 504903	1
252	NAS1149CN632R	.WASHER		101106 108120 504903	2
255	NAS623-3-9	.SCREW-		002004 006106 108999	2
256	NAS623-3-9	.SCREW-	POST SERVICE BULLETIN: 32-0066R2	107107	1
260	AN960KD10	.WASHER-	POST SERVICE BULLETIN: 32-0066	107107	2
260	NAS1149D0363J	.WASHER-		002004 006106 108999	2
261	AN960KD10	.WASHER-	POST SERVICE BULLETIN: 32-0066R2	107107	1

MISSING ITEM NUMBERS NOT APPLICABLE

- ITEM NOT ILLUSTRATED

BRI

32-44-02-01

BOEING PROPRIETARY - Copyright © - Unpublished Work - See title page for details.

32-44-02  
FIG. 01  
PAGE 6  
JAN 20/09



757

PARTS CATALOG (MAINTENANCE)

FIG ITEM	PART NUMBER	1 2 3 4 5 6 7	NOMENCLATURE	EFFECT FROM TO	UNITS PER ASSY
1 265	MF53049-3		.NUTPLATE- SUPPLIER CODE: V15653 SPECIFICATION NUMBER: BACN10JN3 OPTIONAL PART: BRFM20A3 V52828 MF1000-3BAC V15653 NS103218-02 V80539 RMF9201M3 V72962 VN252A02 V92215 T8124S3S V11815	002004 006999	2
270	ADD3721R		.ACTUATOR- SUPPLIER CODE: V91929	002004 006999	1
275	274N2042-1		.MOUNTING ASSY-SWITCH	904949	1
275	274N2042-5		.MOUNTING ASSY-SWITCH POST SERVICE BULLETIN: 32-0066R1	002004 006903 950999	1
280	MS25008-1		.SWITCH- ELECTRICAL EQUIP NUMBER: S00459	002004 006999	1

MISSING ITEM NUMBERS NOT APPLICABLE

- ITEM NOT ILLUSTRATED

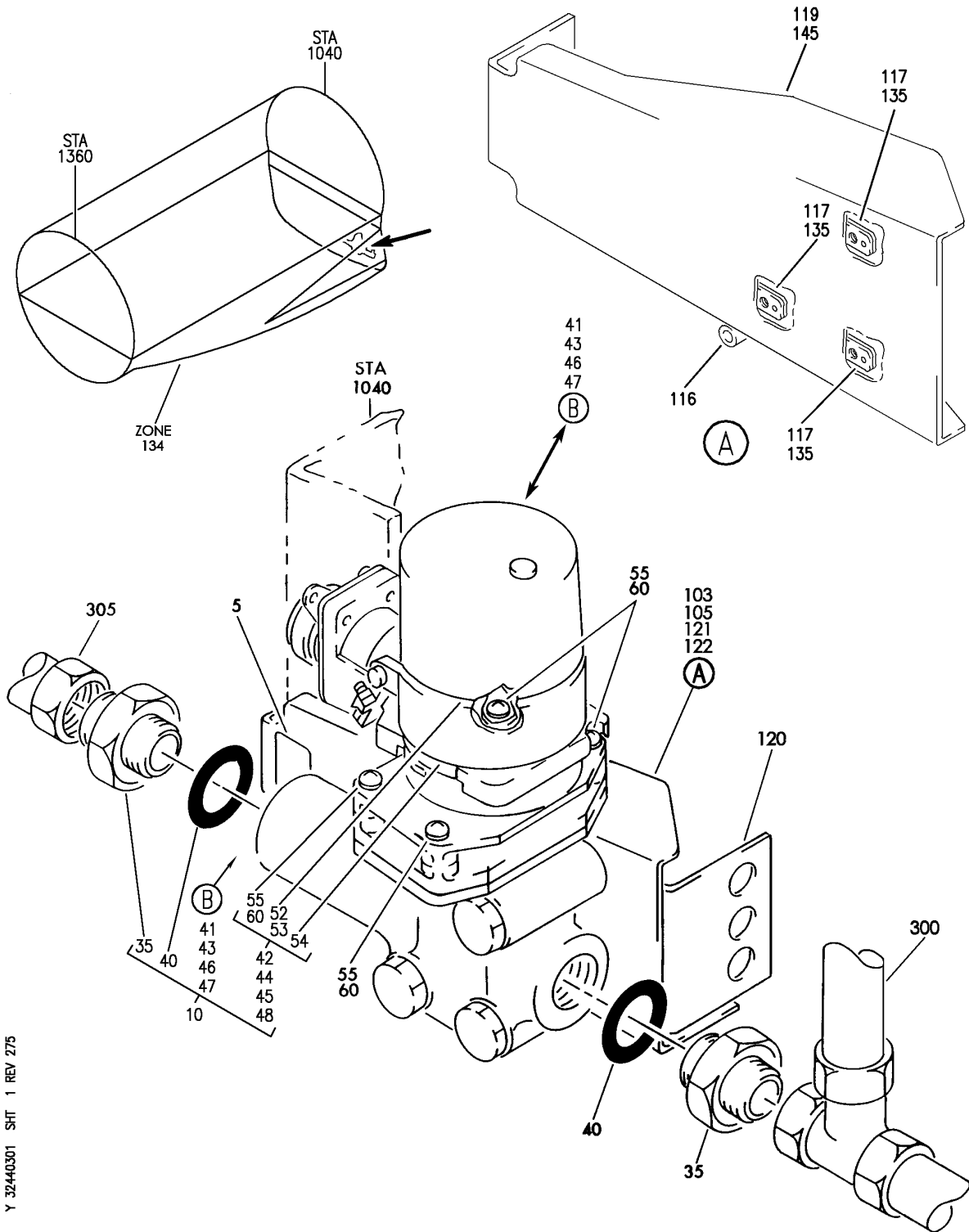
BRI

32-44-02-01

BOEING PROPRIETARY - Copyright © - Unpublished Work - See title page for details.

32-44-02  
FIG. 01  
PAGE 7  
JAN 20/09

**BOEING**  
757  
PARTS CATALOG (MAINTENANCE)



Y 32440301 SHT 1 REV 275

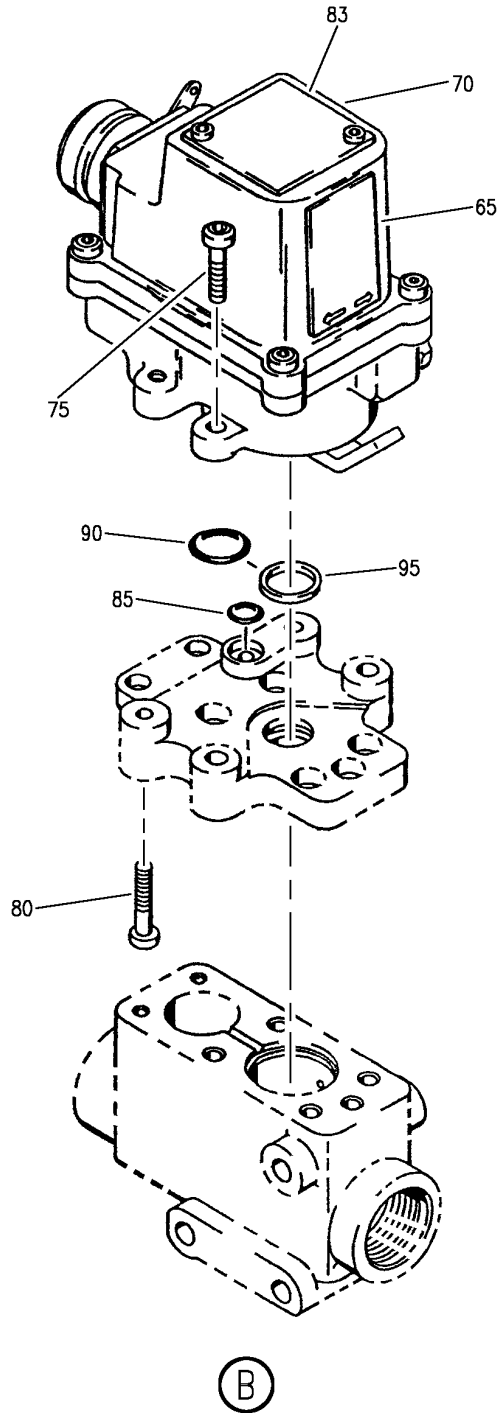
MODULE AND BRACKET INSTL-PARKING BRAKE  
FIGURE 1 (SHEET 1)

**32-44-03-01**

BRI  
MAY 28/07

32-44-03-01  
PAGE 0

**BOEING**  
757  
PARTS CATALOG (MAINTENANCE)



Y 32440301 SH1 2 REV 275

MODULE AND BRACKET INSTL-PARKING BRAKE  
FIGURE 1 (SHEET 2)

**32-44-03-01**

BRI  
MAY 28/07

32-44-03-01  
PAGE 0A





757

PARTS CATALOG (MAINTENANCE)

FIG ITEM	PART NUMBER	1 2 3 4 5 6 7	NOMENCLATURE	EFFECT FROM TO	UNITS PER ASSY
1			MODULE AND BRACKET INSTL-PARKING BRAKE	002004 006999	
- 1	274N1005-1		MODULE INSTL-PARKING BRAKE FOR NHA SEE: 29-00-51-05	002004 006100 107107 121503 904999	RF
- 1	274N1005-15		MODULE INSTL-PARKING BRAKE FOR NHA SEE: 32-00-00-10	101102 504903	RF
- 1	274N1005-18		MODULE INSTL-PARKING BRAKE FOR NHA SEE: 32-00-00-02	108120	RF
- 1	MODREF8540		MODULE INSTL-PARKING BRAKE MODULE NUMBER: 274N1005-18 REV A	103106	1
5	BAC27NHY0054		.MARKER-ALUMINUM FOIL PLACARD CONTENT: PARKING BRAKE VALVE V41, D2646J	002004 006999	1
10	274N1005-4		.VALVE ASSY- QUALIFIED I/W DATA: 274N1005-4 OR -9 CAN REPLACE BUT NOT BE REPLACED BY 274N1005-10	002004 006100 107107 121503 904999	1
10	274N1005-9		.VALVE ASSY- QUALIFIED I/W DATA: 274N1005-4 OR -9 CAN BE REPLACE BUT NOT BE REPLACED BY 274N1005-10	002004 006100 107107 121503 904999	1
10	274N1005-13		.VALVE ASSY-	002004 006100 107107 121503 904999	1
10	274N1005-14		.VALVE ASSY-	101102 504903	1
10	274N1005-17		.VALVE ASSY-	101102 504903	1
10	274N1005-19		.VALVE ASSY-	103106 108120	1
10	274N1005-21		.VALVE ASSY-	103106 108120	1
- 15	BACB30NR4K31		ATTACHING PARTS .BOLT	002004 006999	3
- 20	BACW10BN4AP		.WASHER- POSITION DATA: UNDER NUT	002004 006999	3

MISSING ITEM NUMBERS NOT APPLICABLE

- ITEM NOT ILLUSTRATED

32-44-03-01

32-44-03  
FIG. 01  
PAGE 1  
JAN 20/09

BRI



757

PARTS CATALOG (MAINTENANCE)

FIG ITEM	PART NUMBER	1 2 3 4 5 6 7	NOMENCLATURE	EFFECT FROM TO	UNITS PER ASSY
1					
- 25	BACW10BN4AC		.WASHER- POSITION DATA: UNDER HEAD	002004 006999	3
- 30	BRH10C4D		.NUT SUPPLIER CODE: V52828 SPECIFICATION NUMBER: BACN10JC4CD OPTIONAL PART: T6C428JCD V11815 NS202486-048 V80539 102LH9075-4W V72962 H51650-4BAC V15653	002004 006999	3
			-----*-----		
35	MS21902-10T		..UNION- USED ON: 274N1005-10 274N1005-13 274N1005-14 274N1005-17 274N1005-19 274N1005-21	002004 006999	2
35	BACU24K10		..UNION- USED ON: 274N1005-4 274N1005-9	002004 006100 107107 121503 904999	2
40	NAS1612-10		..PACKING-	002004 006102 107107 121999	2
40	NAS1612-10A		..PACKING-	101106 108120 504903	2

MISSING ITEM NUMBERS NOT APPLICABLE

- ITEM NOT ILLUSTRATED

32-44-03-01

32-44-03  
FIG. 01  
PAGE 2  
JAN 20/09

BRI



757

PARTS CATALOG (MAINTENANCE)

FIG ITEM	PART NUMBER	1 2 3 4 5 6 7	NOMENCLATURE	EFFECT FROM TO	UNITS PER ASSY
1 45	340565		.. VALVE- MODULE ASSY SUPPLIER CODE: V79318 SPECIFICATION NUMBER: S271N501-2 MISCELLANEOUS DATA: FOR COMPLETE INTERCHANGEABILITY REGARDING SPECIFIC USAGE, PLEASE REFER TO DRAWING 270T2001 SHEET 1 ELECTRICAL EQUIP NUMBER: V00041 COMPONENT MAINT MANUAL REF: 29-22-02 SERVICE BULLETIN OPT DATA: EM91-79-5 V91816 341525 V79318 341525-1 V79318 POST SERVICE BULLETIN: 29-0050 REFERENCE SERVICE BULLETIN: 29-0050 POST SERVICE BULLETIN: EM91-79-29-02 V91816	002004 006999	1

MISSING ITEM NUMBERS NOT APPLICABLE

- ITEM NOT ILLUSTRATED

BRI

32-44-03-01

BOEING PROPRIETARY - Copyright © - Unpublished Work - See title page for details.

32-44-03  
FIG. 01  
PAGE 3  
SEP 20/08







757

PARTS CATALOG (MAINTENANCE)

FIG ITEM	PART NUMBER	1 2 3 4 5 6 7	NOMENCLATURE	EFFECT FROM TO	UNITS PER ASSY
1 46	EM91-79-1		.. VALVE-BALL SHUTOFF, 2 WAY 2 POSITION SUPPLIER CODE: V91816 SPECIFICATION NUMBER: S270T010-5 CONFIG CHG DATA FROM A CMM: SUPERSEDES EM91-79 SUPSD BY EM91-79-3 MISCELLANEOUS DATA: FOR COMPLETE INTERCHANGEABILITY REGARDING SPECIFIC USAGE, PLEASE REFER TO DRAWING 270T2001 SHEET 1 ELECTRICAL EQUIP NUMBER: V00041 COMPONENT MAINT MANUAL REF: 29-22-01	002004 006100 107107 121503 904999	1
46	EM91-79-3		.. VALVE-BALL SHUTOFF, 2 WAY 2 POSITION SUPPLIER CODE: V91816 SPECIFICATION NUMBER: S270T010-8 CONFIG CHG DATA FROM A CMM: SUPERSEDES EM91-79-1 SUPSD BY EM91-79-4 MISCELLANEOUS DATA: FOR COMPLETE INTERCHANGEABILITY REGARDING SPECIFIC USAGE, PLEASE REFER TO DRAWING 270T2001 SHEET 1 ELECTRICAL EQUIP NUMBER: V00041 COMPONENT MAINT MANUAL REF: 29-22-01 PRE SERVICE BULLETIN: 29-0050 PRE SERVICE BULLETIN: EM91-79-29-02 V91816	002004 006102 107107 121999	1

MISSING ITEM NUMBERS NOT APPLICABLE

- ITEM NOT ILLUSTRATED

32-44-03-01

32-44-03  
FIG. 01  
PAGE 6  
MAY 20/09

BRI



757

PARTS CATALOG (MAINTENANCE)

FIG ITEM	PART NUMBER	1 2 3 4 5 6 7	NOMENCLATURE	EFFECT FROM TO	UNITS PER ASSY
1 46	EM91-79-4		.. VALVE-BALL SHUTOFF, 2 WAY 2 POSITION SUPPLIER CODE: V91816 SPECIFICATION NUMBER: S270T010-11 CONFIG CHG DATA FROM A CMM: SUPERSEDES EM91-79-3 SUPSD BY EM91-79-5 MISCELLANEOUS DATA: FOR COMPLETE INTERCHANGEABILITY REGARDING SPECIFIC USAGE, PLEASE REFER TO DRAWING 270T2001 SHEET 1 ELECTRICAL EQUIP NUMBER: V00041 COMPONENT MAINT MANUAL REF: 29-22-01	002004 006999	1

MISSING ITEM NUMBERS NOT APPLICABLE

- ITEM NOT ILLUSTRATED

BRI

32-44-03-01

BOEING PROPRIETARY - Copyright © - Unpublished Work - See title page for details.

32-44-03  
FIG. 01  
PAGE 7  
MAY 20/09



757

PARTS CATALOG (MAINTENANCE)

FIG ITEM	PART NUMBER	1 2 3 4 5 6 7	NOMENCLATURE	EFFECT FROM TO	UNITS PER ASSY
1 46	EM91-79-5		.. VALVE-BALL SHUTOFF, 2 WAY 2 POSITION SUPPLIER CODE: V91816 SPECIFICATION NUMBER: S270T010-14 CONFIG CHG DATA FROM A CMM: SUPERSEDES EM91-79-4 MISCELLANEOUS DATA: FOR COMPLETE INTERCHANGEABILITY REGARDING SPECIFIC USAGE, PLEASE REFER TO DRAWING 270T2001 SHEET 1 ELECTRICAL EQUIP NUMBER: V00041 COMPONENT MAINT MANUAL REF: 29-22-01 SERVICE BULLETIN OPT DATA: 340565 V79318 341525 V79318 341525-1 V79318 USED ON: 274N1005-19 POST SERVICE BULLETIN: 29-0050 POST SERVICE BULLETIN: EM91-79-29-02 V91816	002004 006999	1
52	201074-1		... PLATE-IDENT SUPPLIER CODE: V79318 USED ON: 341525 341525-1	002004 006999	1
53	201074		... PLATE-IDENT SUPPLIER CODE: V79318 USED ON: 340565	002004 006999	1

MISSING ITEM NUMBERS NOT APPLICABLE

- ITEM NOT ILLUSTRATED

BRI

32-44-03-01

BOEING PROPRIETARY - Copyright © - Unpublished Work - See title page for details.

32-44-03  
 FIG. 01  
 PAGE 8  
 MAY 20/09





757

PARTS CATALOG (MAINTENANCE)

FIG ITEM	PART NUMBER	1 2 3 4 5 6 7	NOMENCLATURE	EFFECT FROM TO	UNITS PER ASSY
1	54 157720-1		...ACTUATOR ASSY- SUPPLIER CODE: V79318 COMPONENT MAINT MANUAL REF: 27-13-02 USED ON: 341525 341525-1 340565 ATTACHING PARTS	002004 006999	1
	55 NAS1101E3-12		...SCREW- USED ON: 341525 341525-1 340565	002004 006999	4
	60 AN960C10L		...WASHER- USED ON: 341525 341525-1 340565	002004 006999	4
	65 D2686		-----*----- ...NAMEPLATE- USED ON: EM91-79-1	002004 006100 107107 121503 904999	1
	65 E2686		...NAMEPLATE- USED ON: EM91-79-3	002004 006102 107107 121999	1
	65 F2686		...NAMEPLATE- USED ON: EM91-79-4	002004 006999	1
	65 G2686		...NAMEPLATE- USED ON: EM91-79-5	002004 006999	1
	70 N2350-0074		...ACTUATOR-MOTOR SUPPLIER CODE: V91816 COMPONENT MAINT MANUAL REF: 29-22-02 USED ON: EM91-79 EM91-79-1	002004 006100 107107 121503 904999	1

MISSING ITEM NUMBERS NOT APPLICABLE

- ITEM NOT ILLUSTRATED

32-44-03-01

32-44-03  
FIG. 01  
PAGE 9  
MAY 20/09

BRI

BOEING PROPRIETARY - Copyright © - Unpublished Work - See title page for details.



757

PARTS CATALOG (MAINTENANCE)

FIG ITEM	PART NUMBER	1 2 3 4 5 6 7	NOMENCLATURE	EFFECT FROM TO	UNITS PER ASSY
1	70 V2350-0074		...ACTUATOR-MOTOR SUPPLIER CODE: V91816 COMPONENT MAINT MANUAL REF: 29-22-02 USED ON: EM91-79-3	002004 006102 107107 121999	1
	70 W2350-0074		...ACTUATOR-MOTOR SUPPLIER CODE: V91816 COMPONENT MAINT MANUAL REF: 29-22-02 USED ON: EM91-79-4	002004 006999	1
	70 X2350-0074		...ACTUATOR-MOTOR SUPPLIER CODE: V91816 COMPONENT MAINT MANUAL REF: 29-22-02 USED ON: EM91-79-5	002004 006999	1
	75 NAS1352N08-8P		ATTACHING PARTS ...SCREW- USED ON: EM91-79 EM91-79-1 EM91-79-3 EM91-79-4 EM91-79-5	002004 006999	2
	80 NAS1352N08-10P		...SCREW- USED ON: EM91-79 EM91-79-1 EM91-79-3 EM91-79-4 EM91-79-5	002004 006999	2
	83 C37112		-----*----- ....PLATE-MOD SUPPLIER CODE: V91816 USED ON: V2350-0074 W2350-0074 X2350-0074	002004 006999	1

MISSING ITEM NUMBERS NOT APPLICABLE

- ITEM NOT ILLUSTRATED

32-44-03-01

32-44-03  
FIG. 01  
PAGE 10  
MAY 20/09

BRI

BOEING PROPRIETARY - Copyright © - Unpublished Work - See title page for details.



757

PARTS CATALOG (MAINTENANCE)

FIG ITEM	PART NUMBER	1 2 3 4 5 6 7	NOMENCLATURE	EFFECT FROM TO	UNITS PER ASSY
1 85	NAS1601-009		...PACKING- CONFIG CHG DATA FROM A CMM: SUPSD BY NAS1611-009A USED ON: EM91-79 EM91-79-1 EM91-79-3 EM91-79-4 EM91-79-5	002004 006999	1
85	NAS1611-009A		...PACKING- CONFIG CHG DATA FROM A CMM: SUPSDS NAS1601-009 USED ON: EM91-79 EM91-79-1 EM91-79-3 EM91-79-4 EM91-79-5	002004 006999	1
90	NAS1601-112		...PACKING- CONFIG CHG DATA FROM A CMM: SUPSD BY NAS1611-112A USED ON: EM91-79 EM91-79-1 EM91-79-3 EM91-79-4 EM91-79-5	002004 006999	1
90	NAS1611-112A		...PACKING- CONFIG CHG DATA FROM A CMM: SUPSDS NAS1601-112 USED ON: EM91-79 EM91-79-1 EM91-79-3 EM91-79-4 EM91-79-5	002004 006999	1
95	S30650-112-5		...SEAL-SLIPPER SUPPLIER CODE: V09257 MISCELLANEOUS DATA: CIRCLE SEAL CONTROL DWG 4809 USED ON: EM91-79 EM91-79-1 EM91-79-3 EM91-79-4 EM91-79-5	002004 006999	1

MISSING ITEM NUMBERS NOT APPLICABLE

- ITEM NOT ILLUSTRATED

32-44-03-01

32-44-03  
FIG. 01  
PAGE 11  
MAY 20/09

BRI



757

PARTS CATALOG (MAINTENANCE)

FIG ITEM	PART NUMBER	1 2 3 4 5 6 7	NOMENCLATURE	EFFECT FROM TO	UNITS PER ASSY
1					
- 100	274N1005-3		BRACKET INSTL-PARKING BRAKE FOR NHA SEE: 29-00-51-05	002004 006100 107107 121503 904999	RF
- 100	274N1005-12		BRACKET INSTL-PARKING BRAKE FOR NHA SEE: 32-00-00-10	101102 108120 504903	RF
- 100	MODREF8539		BRACKET INSTL-PARKING BRAKE MODULE NUMBER: 274N1005-12 REV A	103106	1
103	274N1014-4		.BRACKET- OPTIONAL PART: 274N1014-5 274N1014-6	002004 006101 103503 506999	1
103	274N1014-5		.BRACKET- OPTIONAL PART: 274N1014-4 274N1014-6	002004 006101 103503 506999	1
105	274N1014-6		.BRACKET ASSY- OPTIONAL PART: 274N1014-4 274N1014-5	002004 006101 103503 506999	1

MISSING ITEM NUMBERS NOT APPLICABLE

- ITEM NOT ILLUSTRATED

BRI

32-44-03-01

BOEING PROPRIETARY - Copyright © - Unpublished Work - See title page for details.

32-44-03  
FIG. 01  
PAGE 12  
MAY 20/09



757

PARTS CATALOG (MAINTENANCE)

FIG ITEM	PART NUMBER	1 2 3 4 5 6 7	NOMENCLATURE	EFFECT FROM TO	UNITS PER ASSY
1			ATTACHING PARTS		
- 110	HL1050PB6-3		.BOLT	002004	5
			SUPPLIER CODE:	006101	
			V97928	103503	
			SPECIFICATION NUMBER:	506999	
			BACB30MB6-3		
			OPTIONAL PART:		
			HL20PB6-3		
			V73197		
			HL20PB6-3		
			V92215		
			HL20PB6-3		
			V97928		
			69307-6-3		
			V56878		
			HL20PB6-3		
			V80539		
			L8066-3		
			V06725		
			HL20PB6-3		
			V60516		
			HL20PB6-3		
			V08524		
			HL20-6-3		
			V06725		
			HL20PB6-3		
			V56878		
			WC8066-3		
			V60516		
			HL1050PB6-3		
			V56878		
			HL1050PB6-3		
			V60516		
			HL1050PB6-3		
			V73197		
			HL1050PB6-3		
			V80539		

MISSING ITEM NUMBERS NOT APPLICABLE

- ITEM NOT ILLUSTRATED

BRI

32-44-03-01

BOEING PROPRIETARY - Copyright © - Unpublished Work - See title page for details.

32-44-03  
FIG. 01  
PAGE 13  
MAY 20/09



757

PARTS CATALOG (MAINTENANCE)

FIG ITEM	PART NUMBER	1 2 3 4 5 6 7	NOMENCLATURE	EFFECT FROM TO	UNITS PER ASSY
1 - 115	HL1187-6		. COLLAR SUPPLIER CODE: V5M902 SPECIFICATION NUMBER: BACC30X6 OPTIONAL PART: HL87-6 V92215 HL87-6 V73197 HL1187-6 V56878 HL1187-6 V92215 HL87-6 V56878 HL1187-6 V73197	002004 006101 103503 506999	5
117	MF53049-4		-----*----- . . NUTPLATE- SUPPLIER CODE: V15653 SPECIFICATION NUMBER: BACN10JN4 OPTIONAL PART: BRFM20A4 V52828 MF1000-4BAC V15653 NS103218-048 V80539 RMF9201M4 V72962 VN252A048 V92215 T8124S4S V11815 USED ON: 274N1014-6 ATTACHING PARTS	002004 006101 103503 506999	3
-117A	BACR15BA3AD		. . RIVET- SIZE DETERMINED ON INSTL.	002004 006101 103503 506999	6
119	274N1014-8		-----*----- . . BRACKET	002004 006101 103503 506999	1

MISSING ITEM NUMBERS NOT APPLICABLE

- ITEM NOT ILLUSTRATED

32-44-03-01

32-44-03  
FIG. 01  
PAGE 14  
MAY 20/09

BRI



757

PARTS CATALOG (MAINTENANCE)

FIG ITEM	PART NUMBER	1 2 3 4 5 6 7	NOMENCLATURE	EFFECT FROM TO	UNITS PER ASSY
1					
120	274N1014-2		.CLIP- OPTIONAL PART: 274N1014-7 274N1014-9	002004 006102 107999	1
120	274N1014-7		.CLIP- OPTIONAL PART: 274N1014-2	107107 904949	1
120	274N1014-9		.CLIP- OPTIONAL PART: 274N1014-2	002004 006101 103106 108503 506903 950999	1
121	274N1014-4		.BRACKET- OPTIONAL PART: 274N1014-5 274N1014-6	101106 108120 504903	1
121	274N1014-5		.BRACKET- OPTIONAL PART: 274N1014-4 274N1014-6	101106 108120 504903	1
122	274N1014-6		.BRACKET ASSY- OPTIONAL PART: 274N1014-5 274N1014-4	101106 108120 504903	1

MISSING ITEM NUMBERS NOT APPLICABLE

- ITEM NOT ILLUSTRATED

BRI

32-44-03-01

BOEING PROPRIETARY - Copyright © - Unpublished Work - See title page for details.

32-44-03  
FIG. 01  
PAGE 15  
MAY 20/09



757

PARTS CATALOG (MAINTENANCE)

FIG ITEM	PART NUMBER	1 2 3 4 5 6 7	NOMENCLATURE	EFFECT FROM TO	UNITS PER ASSY
1			ATTACHING PARTS		
- 125	HL1050PB6-3		.BOLT	002004	3
			SUPPLIER CODE:	006102	
			V97928	107999	
			SPECIFICATION NUMBER:		
			BACB30MB6-3		
			OPTIONAL PART:		
			HL20PB6-3		
			V73197		
			HL20PB6-3		
			V92215		
			HL20PB6-3		
			V97928		
			69307-6-3		
			V56878		
			HL20PB6-3		
			V80539		
			L8066-3		
			V06725		
			HL20PB6-3		
			V60516		
			HL20PB6-3		
			V08524		
			HL20-6-3		
			V06725		
			HL20PB6-3		
			V56878		
			WC8066-3		
			V60516		
			HL1050PB6-3		
			V56878		
			HL1050PB6-3		
			V60516		
			HL1050PB6-3		
			V73197		
			HL1050PB6-3		
			V80539		

MISSING ITEM NUMBERS NOT APPLICABLE

- ITEM NOT ILLUSTRATED

BRI

32-44-03-01

BOEING PROPRIETARY - Copyright © - Unpublished Work - See title page for details.

32-44-03  
FIG. 01  
PAGE 16  
MAY 20/09





757

PARTS CATALOG (MAINTENANCE)

FIG ITEM	PART NUMBER	1 2 3 4 5 6 7	NOMENCLATURE	EFFECT FROM TO	UNITS PER ASSY
1 - 130	HL1187-6		. COLLAR SUPPLIER CODE: V5M902 SPECIFICATION NUMBER: BACC30X6 OPTIONAL PART: HL87-6 V92215 HL87-6 V73197 HL1187-6 V56878 HL1187-6 V92215 HL87-6 V56878 HL1187-6 V73197	002004 006101 103503 506999	3
135	MF53049-4		-----*----- . . NUTPLATE- SUPPLIER CODE: V15653 SPECIFICATION NUMBER: BACN10JN4 OPTIONAL PART: BRFM20A4 V52828 MF1000-4BAC V15653 NS103218-048 V80539 RMF9201M4 V72962 VN252A048 V92215 T8124S4S V11815 USED ON: 274N1014-6 ATTACHING PARTS	101106 108120 504903	3
- 140	BACR15BA3AD		. . RIVET- SIZE DETERMINED ON INSTL. USED ON: 274N1014-6	101106 108120 504903	6
145	274N1014-8		-----*----- . . BRACKET- USED ON: 274N1014-6	101106 108120 504903	1

MISSING ITEM NUMBERS NOT APPLICABLE

- ITEM NOT ILLUSTRATED

32-44-03-01

32-44-03  
FIG. 01  
PAGE 17  
MAY 20/09

BRI



**757  
PARTS CATALOG (MAINTENANCE)**

FIG ITEM	PART NUMBER	1 2 3 4 5 6 7	NOMENCLATURE	EFFECT FROM TO	UNITS PER ASSY
1 300			ILLUSTRATION REFERENCE: PLUMBING INSTL-SECT. 44 MLG WHL WELL HYDR (HYDRAULIC BRAKE SYSTEM ONLY) 32-41-51-22	002004 006100 107107 121503 904999	RF
305			ILLUSTRATION REFERENCE: PLUMBING INSTL-MAIN WHL WELL FWD BHD HYDR (HYDRAULIC POWER ONLY) 29-11-51-39	002004 006100 107107 121503 904999	RF

MISSING ITEM NUMBERS NOT APPLICABLE

— ITEM NOT ILLUSTRATED

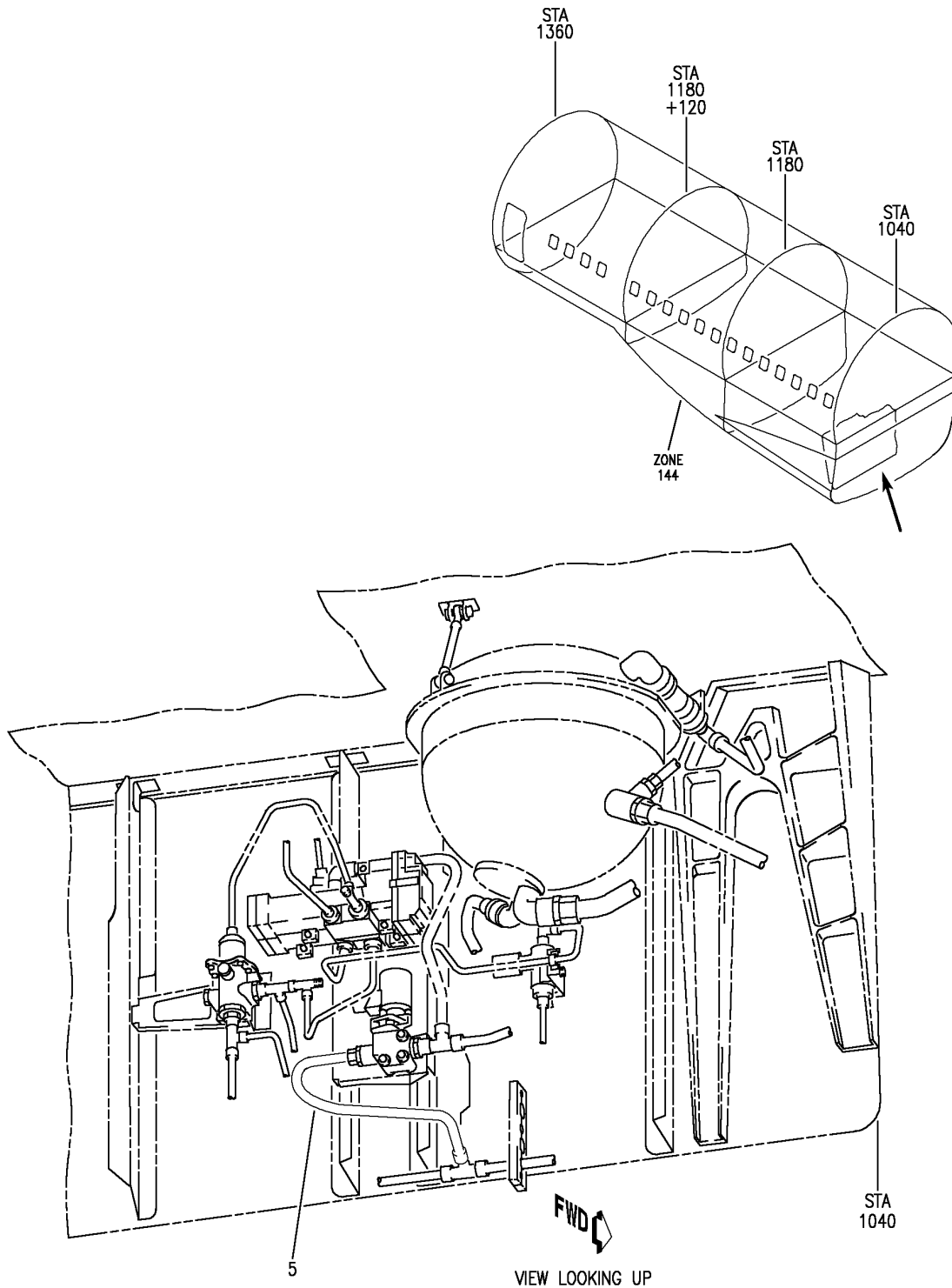
BRI

# 32-44-03-01

BOEING PROPRIETARY - Copyright © - Unpublished Work - See title page for details.

32-44-03  
FIG. 01  
PAGE 18  
MAY 20/09

**BOEING**  
757  
PARTS CATALOG (MAINTENANCE)



Y 32440303 REV 249

PLUMBING INSTL-MAIN WHL WELL BHD HYDR (PARKING BRAKE VALVE ONLY)  
FIGURE 3

**32-44-03-03**

BRI  
JAN 20/09

32-44-03-03  
PAGE 0



757

PARTS CATALOG (MAINTENANCE)

FIG ITEM	PART NUMBER	1 2 3 4 5 6 7	NOMENCLATURE	EFFECT FROM TO	UNITS PER ASSY
3			PLUMBING INSTL-MAIN WHL WELL BHD HYDR (PARKING BRAKE VALVE ONLY)	103106	
- 1	MODREF31486		PLUMBING INSTL-MAIN WHL WELL BHD HYDR (PARKING BRAKE VALVE ONLY) MODULE NUMBER: 271N6441-41 REV B POSITION DATA: FWD FOR OTHER SYS DETAILS SEE: 11-22-06-05 27-11-14-12 29-11-27-02 29-11-51-39D 29-11-51-39E 29-22-01-02 32-35-10-02 32-41-02-11 32-41-02-12 32-41-04-02 32-42-02-03 32-42-02-04 32-42-09-02 32-42-10-02 FOR ADDITIONAL DETAILS SEE: 32-44-06-02	103106	1
	5 271N6441-1030		.TUBE ASSY-RETURN SYS TUBING MATERIAL: .625 IN. OD .032 IN. WALL 20.60 IN. LG TI BMS 7-234 TI-3AL-2.5V COLD WORKED, STRESS RELIEVED TUBING	103106	1
- 10	AS1581T10		..SLEEVE	103106	2
- 15	BACN10YA10		..NUT	103106	2

MISSING ITEM NUMBERS NOT APPLICABLE

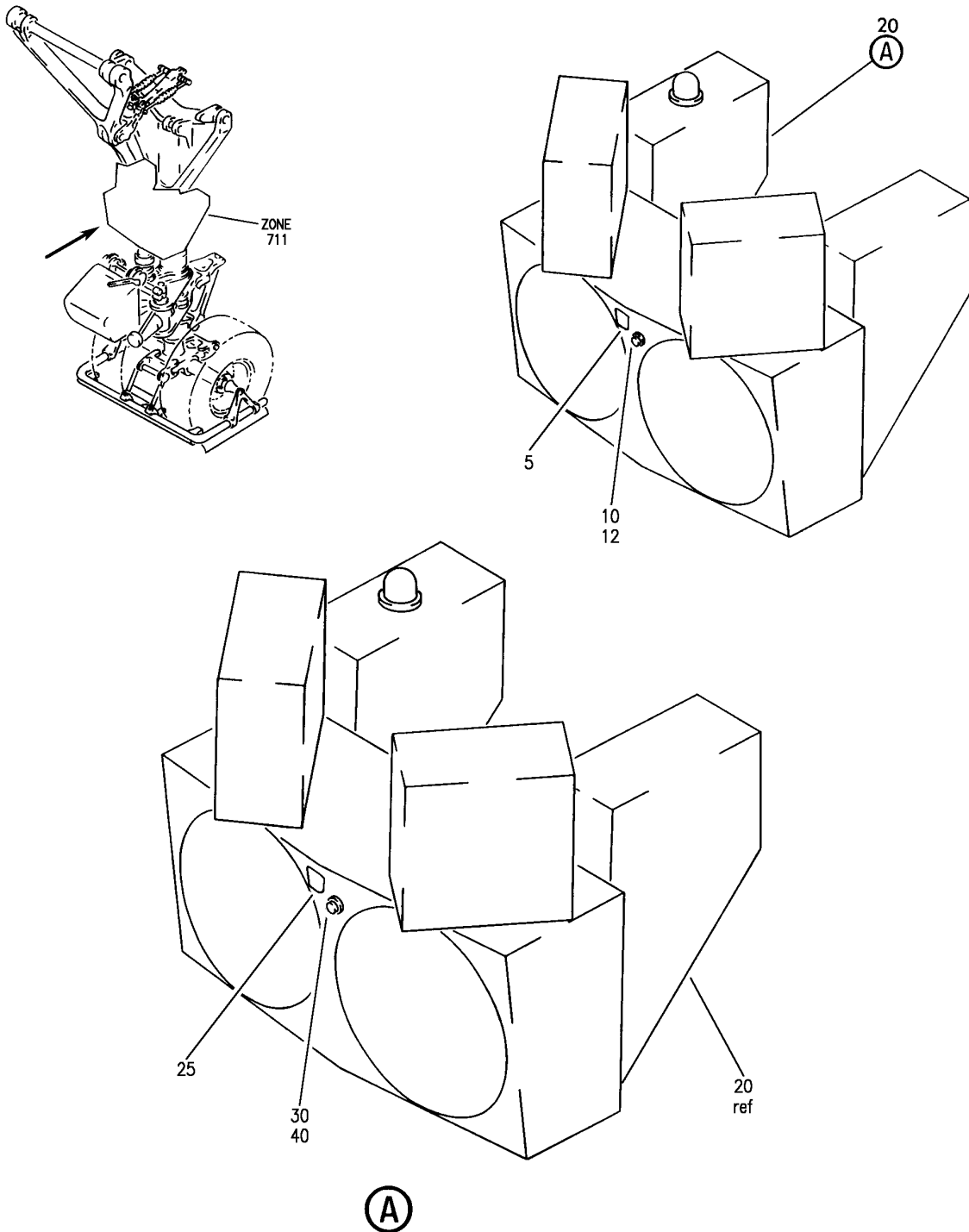
- ITEM NOT ILLUSTRATED

32-44-03-03

32-44-03  
FIG. 03  
PAGE 1  
JAN 20/09

BRI

**BOEING**  
757  
PARTS CATALOG (MAINTENANCE)



Y 32440401 REV 254

PANEL INSTL-P62 AND P63 NLG LDG AND TURNOFF LTS (WHEELS AND BRAKES ONLY)  
FIGURE 1

**32-44-04-01**

BRI  
MAY 28/07

32-44-04-01  
PAGE 0



757

PARTS CATALOG (MAINTENANCE)

FIG ITEM	PART NUMBER	1 2 3 4 5 6 7	NOMENCLATURE	EFFECT FROM TO	UNITS PER ASSY
1			PANEL INSTL-P62 AND P63 NLG LDG AND TURNOFF LTS (WHEELS AND BRAKES ONLY)	121503 904949	
- 1	284N1761-31		PANEL INSTL-P62 AND P63 NLG LDG AND TURNOFF LTS (WHEELS AND BRAKES ONLY) FOR NHA/OTHER SYS DET SEE: 24-00-58-01C	904949	RF
- 1	284N1761-42		PANEL INSTL-P62 AND P63 NLG LDG AND TURNOFF LTS (WHEELS AND BRAKES ONLY) FOR NHA/OTHER SYS DET SEE: 24-00-58-01C	121503	RF
5	BAC27NEL0926		.MARKER-ALUMINUM FOIL PLACARD CONTENT: L00456 LIGHT-PARKING BRAKE ON	121503 904949	1
10	BCREF6373		.LIGHT- SUPPLIER CODE: V81590 OVERLENGTH PART NUMBER: 121-563-1005-003 FOR DETAILS SEE: 33-42-51-10	121503 904949	1

MISSING ITEM NUMBERS NOT APPLICABLE

- ITEM NOT ILLUSTRATED

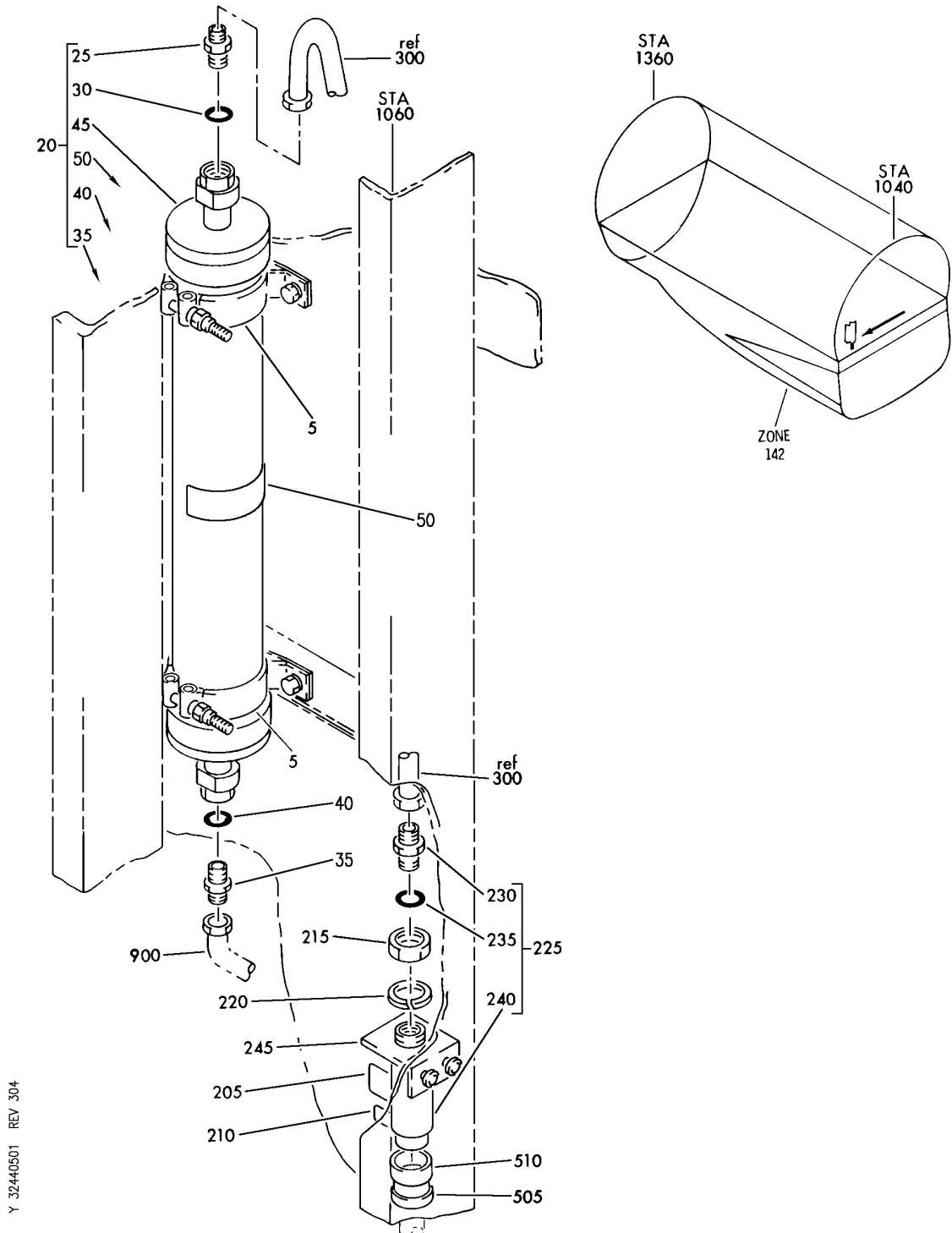
BRI

32-44-04-01

BOEING PROPRIETARY - Copyright © - Unpublished Work - See title page for details.

32-44-04  
FIG. 01  
PAGE 1  
JAN 20/09

**BOEING**  
757  
PARTS CATALOG (MAINTENANCE)



Y 32440501 REV 304

ACCUMULATOR AND PRESSURE TRANSMITTER INSTL-PARKING BRAKE  
FIGURE 1

**32-44-05-01**

BRI  
MAY 28/07

32-44-05-01  
PAGE 0



757

PARTS CATALOG (MAINTENANCE)

FIG ITEM	PART NUMBER	1 2 3 4 5 6 7	NOMENCLATURE	EFFECT FROM TO	UNITS PER ASSY
1			ACCUMULATOR AND PRESSURE TRANSMITTER INSTL-PARKING BRAKE	002004 006999	
- 1	274N1006-1		ACCUMULATOR INSTL-PARKING BRAKE FOR NHA SEE: 29-00-51-05	002004 006100 107107 121503 904999	RF
- 1	274N1006-6		ACCUMULATOR INSTL-PARKING BRAKE FOR NHA SEE: 32-00-00-10	101102 108120 504903	RF
- 1	MODREF8543		ACCUMULATOR INSTL-PARKING BRAKE MODULE NUMBER: 274N1006-6 REV A	103106	1
5	4075EG		.CLAMP ASSY- SUPPLIER CODE: V00624 SPECIFICATION NUMBER: 60B00270-1 OPTIONAL PART: NH1003238-10 V00624	002004 006999	2
- 10	BACB30NR4K4		ATTACHING PARTS .BOLT-	002004 006999	4
- 15	BACW10BN4AC		.WASHER-	002004 006999	8
- 17	BRH10C4D		.NUT SUPPLIER CODE: V52828 SPECIFICATION NUMBER: BACN10JC4CD OPTIONAL PART: T6C428JCD V11815 NS202486-048 V80539 102LH9075-4W V72962 H51650-4BAC V15653	002004 006999	4
20	274N1006-3		-----*----- .ACCUMULATOR ASSY-	002004 006999	1
20	274N1006-5		.ACCUMULATOR ASSY-	002004 006999	1

MISSING ITEM NUMBERS NOT APPLICABLE

- ITEM NOT ILLUSTRATED

32-44-05-01

32-44-05  
FIG. 01  
PAGE 1  
JAN 20/09

BRI





757

PARTS CATALOG (MAINTENANCE)

FIG ITEM	PART NUMBER	1 2 3 4 5 6 7	NOMENCLATURE	EFFECT FROM TO	UNITS PER ASSY
1	20 274N1006-7	.	ACCUMULATOR ASSY-	002004 006999	1
	25 BACU24K8	..	UNION-	002004 006100 107107 121503 904999	1
	25 MS21902-8T	..	UNION-	101106 108120 504903	1
	30 NAS1612-8	..	PACKING-	002004 006999	1
	35 MS21916-6-5T	..	REDUCER-	101106 108120 504903	1
	35 AFP2326-5	..	REDUCER- SUPPLIER CODE: V30974 SPECIFICATION NUMBER: BACR17E6-5 OPTIONAL PART: AP10276-5 V01673 BC916T6-5 V50948 DBOR17E6-5 V14798 ER21916T6-5 V88334 ER31916-6-5 V88334 F23-6-5 V73197 2-01075T6-5 V11328 31778-6-5 V14397 US2114-6-5 V50808 AP1027T6-5 V01673 US21146-5 V50808 317786-5 V14397	002004 006100 107107 121503 904999	1
	40 NAS1612-5	..	PACKING-	002004 006999	1

MISSING ITEM NUMBERS NOT APPLICABLE

- ITEM NOT ILLUSTRATED

32-44-05-01

32-44-05  
FIG. 01  
PAGE 2  
JAN 20/09

BRI

BOEING PROPRIETARY - Copyright © - Unpublished Work - See title page for details.



757

PARTS CATALOG (MAINTENANCE)

FIG ITEM	PART NUMBER	1 2 3 4 5 6 7	NOMENCLATURE	EFFECT FROM TO	UNITS PER ASSY
1					
45	60896-5		.. ACCUMULATOR ASSY- SUPPLIER CODE: V86768 SPECIFICATION NUMBER: 60B00273-5 MISCELLANEOUS DATA: USE OF THIS PART NEGATES INTENT OF SB 32-0075 AND TELEDYNE SB 60896-32-16 COMPONENT MAINT MANUAL REF: 32-41-03	002004 006999	1
45	60946-5		.. ACCUMULATOR ASSY- SUPPLIER CODE: V92003 SPECIFICATION NUMBER: 60B00273-11 COMPONENT MAINT MANUAL REF: 32-41-11 POST SERVICE BULLETIN: 32-0075 POST SERVICE BULLETIN: 60896-32-16 V89307	002004 006999	1
45	30220		.. ACCUMULATOR ASSY- SUPPLIER CODE: V61898 FUNCTIONAL DESCRIPTION: STORES AND DISCHARGES HYDRAULIC FLUID UNDER PRESSURE IN RESPONSE TO SYSTEM DEMAND SPECIFICATION NUMBER: S274A101-2 COMPONENT MAINT MANUAL REF: 32-40-02	002004 006999	1
50	60817-1		... NAMEPLATE- SUPPLIER CODE: V92003	002004 006999	1
- 200	274N1006-2		TRANSMITTER INSTL-PRESSURE PARKING BRAKE FOR NHA SEE: 29-00-51-05 32-00-00-10	002004 006102 107999	RF
- 200	MODREF8542		TRANSMITTER INSTL-PRESSURE PARKING BRAKE MODULE NUMBER: 274N1006-2 REV A	103106	1

MISSING ITEM NUMBERS NOT APPLICABLE

- ITEM NOT ILLUSTRATED

32-44-05-01

32-44-05  
FIG. 01  
PAGE 3  
JAN 20/09

BRI



757

PARTS CATALOG (MAINTENANCE)

FIG ITEM	PART NUMBER	1 2 3 4 5 6 7	NOMENCLATURE	EFFECT FROM TO	UNITS PER ASSY
1					
205	BAC27NHY0083	.	MARKER-ALUMINUM FOIL- PLACARD CONTENT: BRAKE ACCUMULATOR PRESSURE TRANSMITTER	002004 006999	1
210	BAC27NHY0214	.	MARKER-ALUMINUM FOIL- PLACARD CONTENT: TS90 D536J	002004 006999	1
215	BACN10DR10D	.	NUT	002004 006999	1
220	AN960-1416L	.	WASHER	002004 006999	1
225	274N1006-4	.	TRANSMITTER ASSY	002004 006999	1
230	AFP2326-4	..	REDUCER- SUPPLIER CODE: V30974 SPECIFICATION NUMBER: BACR17E6-4 OPTIONAL PART: AP10276-4 V01673 BC916T6-4 V50948 DBOR17E6-4 V14798 ER21916T6-4 V88334 ER31916-6-4 V88334 F23-6-4 V73197 2-01075T6-4 V11328 31778-6-4 V14397 US2114-6-4 V50808 AP1027T6-4 V01673 US21146-4 V50808 317786-4 V14397	002004 006999	1
235	NAS1612-4	..	PACKING-	002004 006999	1

MISSING ITEM NUMBERS NOT APPLICABLE

- ITEM NOT ILLUSTRATED

32-44-05-01

32-44-05  
FIG. 01  
PAGE 4  
JAN 20/09

BRI

BOEING PROPRIETARY - Copyright © - Unpublished Work - See title page for details.



757

PARTS CATALOG (MAINTENANCE)

FIG ITEM	PART NUMBER	1 2 3 4 5 6 7	NOMENCLATURE	EFFECT FROM TO	UNITS PER ASSY
1 240	18-2141		.. TRANSMITTER- SUPPLIER CODE: V96774 SPECIFICATION NUMBER: S271T451-1 ELECTRICAL EQUIP NUMBER: TS0090 COMPONENT MAINT MANUAL REF: 29-30-03 OPTIONAL PART: 18-2141-2 V96774 OPTIONAL PART: 18-2141-3 V96774	002004 006999	1
240	18-2141-2		.. TRANSMITTER- SUPPLIER CODE: V96774 SPECIFICATION NUMBER: S271T451-1 ELECTRICAL EQUIP NUMBER: TS0090 COMPONENT MAINT MANUAL REF: 29-30-03 OPTIONAL PART: 18-2141 V96774 OPTIONAL PART: 18-2141-3 V96774	002004 006999	1
240	18-2141-3		.. TRANSMITTER- SUPPLIER CODE: V96774 FUNCTIONAL DESCRIPTION: TRANSMITS HYDRAULIC FLUID QUANTITY TO THE EICAS COMPUTER SPECIFICATION NUMBER: S271T451-3 ELECTRICAL EQUIP NUMBER: TS0090 COMPONENT MAINT MANUAL REF: 29-30-03 OPTIONAL PART: 18-2141 V96774 18-2141-2 V96774	002004 006999	1

R  
R  
R  
R  
R  
R  
R  
R  
R  
R  
R  
R  
R  
R  
R

MISSING ITEM NUMBERS NOT APPLICABLE

- ITEM NOT ILLUSTRATED

32-44-05-01

32-44-05  
FIG. 01  
PAGE 5  
MAY 20/09

BRI



757

PARTS CATALOG (MAINTENANCE)

FIG ITEM	PART NUMBER	1 2 3 4 5 6 7	NOMENCLATURE	EFFECT FROM TO	UNITS PER ASSY
1	274N1035-1		.BRACKET	002004 006999	1
- 250	BACB30TZ6K4		ATTACHING PARTS .BOLT	002004 006999	2
- 255	2SC3C06		.COLLAR SUPPLIER CODE: V17446 SPECIFICATION NUMBER: BACC30BE6 OPTIONAL PART: 2SC3C06 V92215 -----*-----	002004 006999	2
R R R R R R R R	- 500	286N2516-004	WIRE BUNDLE ASSY	002004 006100 103106 950999	RF
R R R R R	- 500	286N2516-005	WIRE BUNDLE ASSY	107107 121503 904949	RF
R R R	- 501	286N2516-308	WIRE BUNDLE ASSY	108120	RF
	505	GS3417-12C	.CLAMP- SUPPLIER CODE: V06324 SPECIFICATION NUMBER: BACC10HF12 OPTIONAL PART: S2125-12-8 V07418 ELECTRICAL EQUIP NUMBER: D00536T WIRING DIAGRAM REF: 324111	002004 006100 103107 121503 904999	1

MISSING ITEM NUMBERS NOT APPLICABLE

- ITEM NOT ILLUSTRATED

32-44-05-01

32-44-05  
FIG. 01  
PAGE 6  
MAY 20/09

BRI



757

PARTS CATALOG (MAINTENANCE)

FIG ITEM	PART NUMBER	1 2 3 4 5 6 7	NOMENCLATURE	EFFECT FROM TO	UNITS PER ASSY
1 510	R071012R3SNL		.CONNECTOR- SUPPLIER CODE: V41118 SPECIFICATION NUMBER: BACC63BP12R3SNL OPTIONAL PART: CN0966-12A03S V13556 ZZYA0-12D12-03S V49367 48-06R12-3SN266 V02660 ELECTRICAL EQUIP NUMBER: D00536 WIRING DIAGRAM REF: 324111	002004 006100 103107 121503 904999	1
900			ILLUSTRATION REFERENCE: PLUMBING INSTL-SECT. 44 MLG WHL WELL HYDR (PARKING BRAKE SYSTEM ONLY) 32-44-51-20	002004 006100 107107 121503 904999	RF

MISSING ITEM NUMBERS NOT APPLICABLE

- ITEM NOT ILLUSTRATED

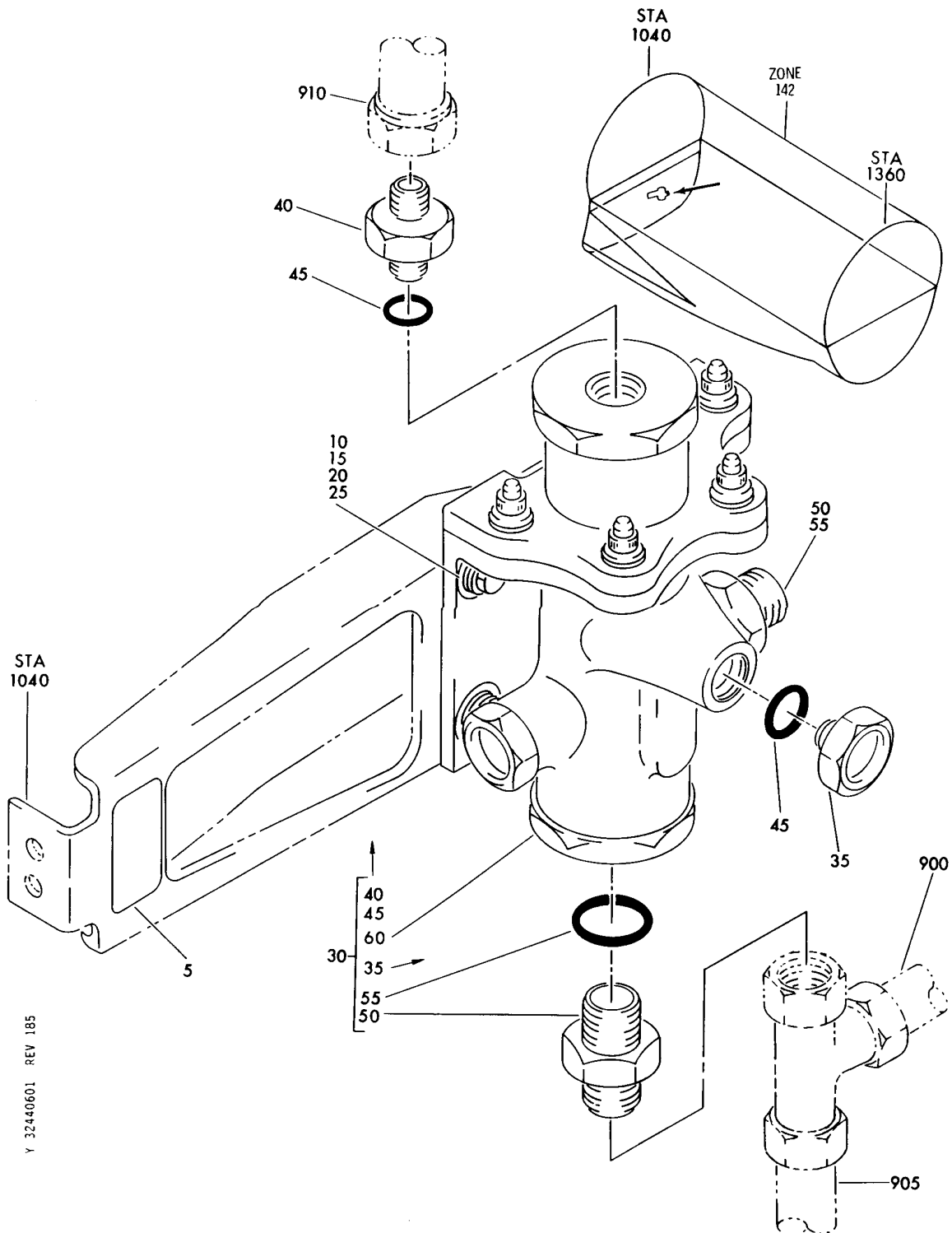
BRI

32-44-05-01

BOEING PROPRIETARY - Copyright © - Unpublished Work - See title page for details.

32-44-05  
FIG. 01  
PAGE 7  
MAY 20/09

**BOEING**  
757  
PARTS CATALOG (MAINTENANCE)



Y 32440601 REV 185

VALVE INSTL-ACCUMULATOR ISOLATION  
FIGURE 1

**32-44-06-01**

BRI  
MAY 28/07

32-44-06-01  
PAGE 0



757

PARTS CATALOG (MAINTENANCE)

FIG ITEM	PART NUMBER	1 2 3 4 5 6 7	NOMENCLATURE	EFFECT FROM TO	UNITS PER ASSY
1			VALVE INSTL-ACCUMULATOR ISOLATION	002004 006999	
- 1	274N1028-1		VALVE INSTL-ACCUMULATOR ISOLATION FOR NHA SEE: 29-00-51-05	002004 006100 107107 121503 904999	RF
- 1	274N1028-9		VALVE INSTL-ACCUMULATOR ISOLATION FOR NHA SEE: 32-00-00-10	101102 108120 504903	RF
- 1	MODREF8549		VALVE INSTL-ACCUMULATOR ISOLATION MODULE NUMBER: 274N1028-9 REV A	103106	1
5	BAC27NHY0032		.MARKER-ALUMINUM FOIL-PLACARD CONTENT: ACCUMULATOR ISOLATION VALVE	002004 006999	1
10	BACB30NR4K6		.BOLT	002004 006999	3
15	BACW10BN4AP		.WASHER	002004 006999	3
20	BACW10BN4AC		.WASHER	002004 006999	3
25	BRH10C4D		.NUT SUPPLIER CODE: V52828 SPECIFICATION NUMBER: BACN10JC4CD OPTIONAL PART: T6C428JCD V11815 NS202486-048 V80539 102LH9075-4W V72962 H51650-4BAC V15653	002004 006999	3
30	274N1028-6		.VALVE ASSY- MISCELLANEOUS DATA: FOR SPARES PROCURE LOWER COMPONENTS COMPONENT MAINT MANUAL REF: 32-41-12	002004 006999	1
35	AN814-6DL		..PLUG	002004 006999	2
40	BACU24K6		..UNION	002004 006999	1

MISSING ITEM NUMBERS NOT APPLICABLE

- ITEM NOT ILLUSTRATED

32-44-06-01

32-44-06  
FIG. 01  
PAGE 1  
JAN 20/09

BRI





757

PARTS CATALOG (MAINTENANCE)

FIG ITEM	PART NUMBER	1 2 3 4 5 6 7	NOMENCLATURE	EFFECT FROM TO	UNITS PER ASSY
1					
45	NAS1612-6	..	PACKING-	002004 006100 107107 121503 904999	3
50	BACU24K8	..	UNION	002004 006999	2
55	NAS1612-8	..	PACKING-	002004 006100 107107 121503 904999	2
60	274N1051-2	..	VALVE ASSY- MISCELLANEOUS DATA: NOT AN INITIAL PROVISIONING SPARE COMPONENT MAINT MANUAL REF: 32-41-12 OPTIONAL PART: 274N1051-3 FOR DETAILS SEE: 32-41-12-01	002004 006999	1
60	274N1051-1	..	VALVE ASSY- MISCELLANEOUS DATA: NOT AN INITIAL PROVISIONING SPARE COMPONENT MAINT MANUAL REF: 32-41-12 FOR DETAILS SEE: 32-41-12-01	002004 006999	1
60	274N1051-3	..	VALVE ASSY- FUNCTIONAL DESCRIPTION: AUTOMATICALLY SELECTS THE SOURCE OF HYDRAULIC PRESSURE TO THE ALTERNATE BRAKE METERING VALVES IF THERE IS A LOSS OF PRESSURE IN HYDRAULICS MISCELLANEOUS DATA: NOT AN INITIAL PROVISIONING SPARE COMPONENT MAINT MANUAL REF: 32-41-12 FOR DETAILS SEE: 32-41-12-01	002004 006999	1

MISSING ITEM NUMBERS NOT APPLICABLE

- ITEM NOT ILLUSTRATED

32-44-06-01

32-44-06  
FIG. 01  
PAGE 2  
JAN 20/09

BRI



757

PARTS CATALOG (MAINTENANCE)

FIG ITEM	PART NUMBER	1 2 3 4 5 6 7	NOMENCLATURE	EFFECT FROM TO	UNITS PER ASSY
1 900			ILLUSTRATION REFERENCE: PLUMBING INSTL-MAIN WHL WELL FWD BHD HYDR (HYDRAULIC POWER ONLY) 29-11-51-39	002004 006100 107107 121503 904999	RF
905			ILLUSTRATION REFERENCE: PLUMBING INSTL-SECT. 44 MLG WHL WELL HYDR (PARKING BRAKE SYSTEM ONLY) 32-44-51-20	002004 006100 107107 121503 904999	RF
910			ILLUSTRATION REFERENCE: PLUMBING INSTL-SECT. 44 MLG WHL WELL HYDR (HYDRAULIC BRAKE SYSTEM ONLY) 32-41-51-22	002004 006100 107107 121503 904999	RF

MISSING ITEM NUMBERS NOT APPLICABLE

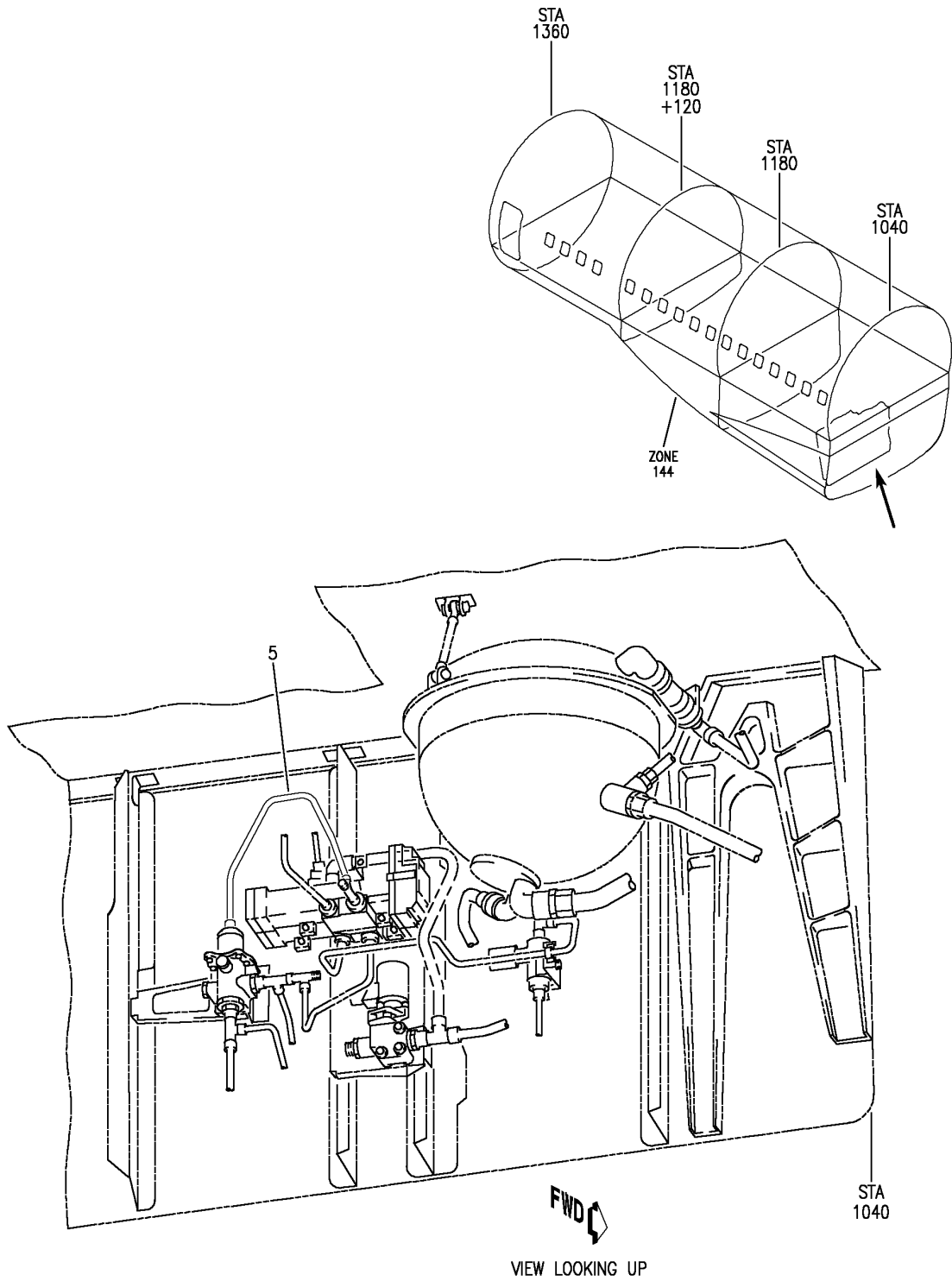
- ITEM NOT ILLUSTRATED

**32-44-06-01**

32-44-06  
FIG. 01  
PAGE 3  
JAN 20/09

BRI

**BOEING**  
757  
PARTS CATALOG (MAINTENANCE)



Y 32440602 REV 249

PLUMBING INSTL-MAIN WHL WELL BHD HYDR (ACCUMULATOR ISOLATION VALVE ONLY)  
FIGURE 2

**32-44-06-02**

BRI  
JAN 20/09

32-44-06-02  
PAGE 0



757

PARTS CATALOG (MAINTENANCE)

FIG ITEM	PART NUMBER	1 2 3 4 5 6 7	NOMENCLATURE	EFFECT FROM TO	UNITS PER ASSY
2			PLUMBING INSTL-MAIN WHL WELL BHD HYDR (ACCUMULATOR ISOLATION VALVE ONLY)	103106	
- 1	MODREF31486		PLUMBING INSTL-MAIN WHL WELL BHD HYDR (ACCUMULATOR ISOLATION VALVE ONLY) MODULE NUMBER: 271N6441-41 REV B POSITION DATA: FWD FOR OTHER SYS DETAILS SEE: 11-22-06-05 27-11-14-12 29-11-27-02 29-11-51-39D 29-11-51-39E 29-22-01-02 32-35-10-02 32-41-02-11 32-41-02-12 32-41-04-02 32-42-02-03 32-42-02-04 32-42-09-02 32-42-10-02 FOR ADDITIONAL DETAILS SEE: 32-44-03-03	103106	1
5	271N6441-1300		.TUBE ASSY-RETURN SYS TUBING MATERIAL: .375 IN. OD .019 IN. WALL 21.50 IN. LG TI BMS 7-234 TI-3AL-2.5V COLD WORKED, STRESS RELIEVED TUBING	103106	1
- 10	AS1581T06		..SLEEVE	103106	2
- 15	BACN10YA6		..NUT	103106	2

MISSING ITEM NUMBERS NOT APPLICABLE

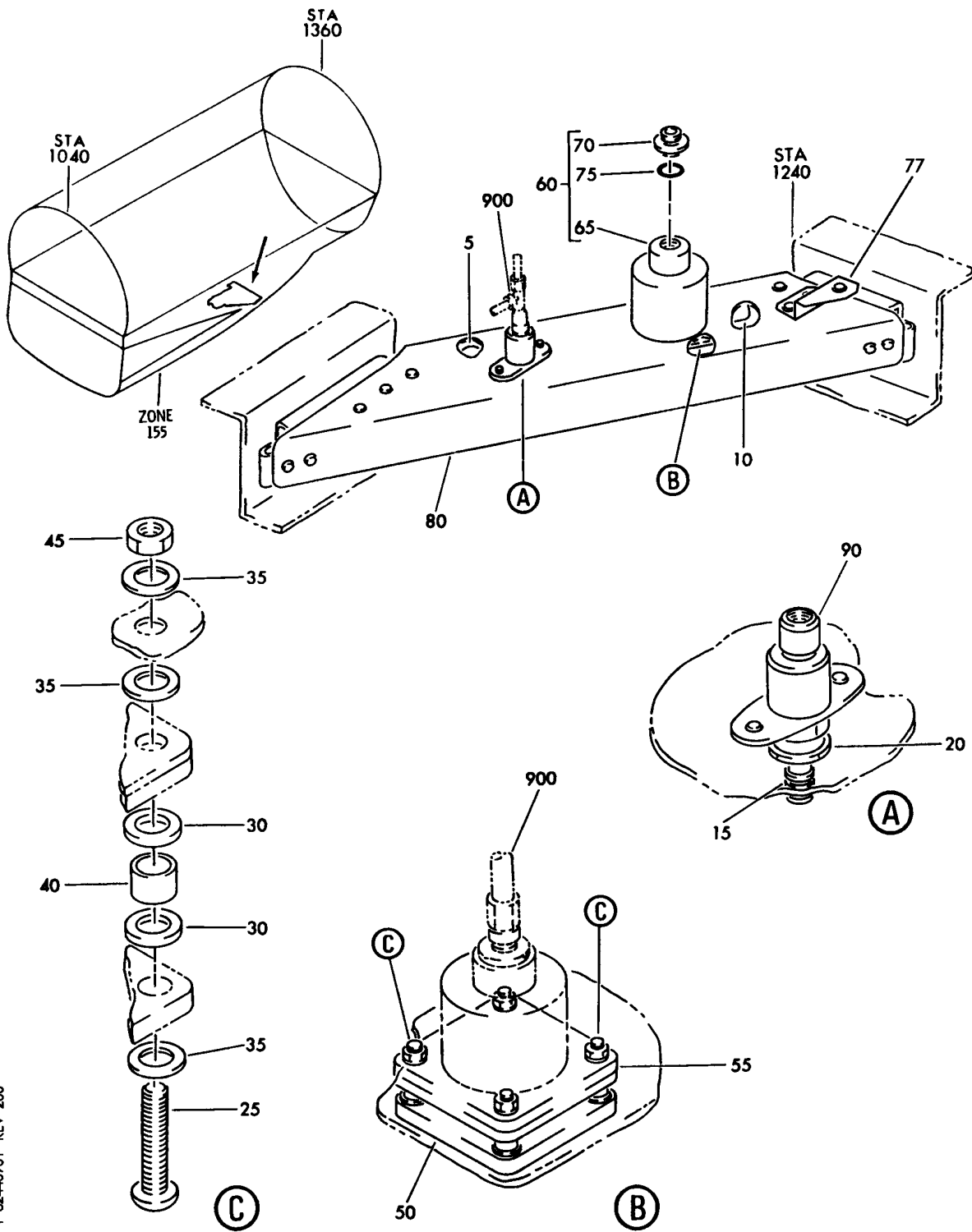
- ITEM NOT ILLUSTRATED

32-44-06-02

32-44-06  
FIG. 02  
PAGE 1  
JAN 20/09

BRI

**BOEING**  
757  
PARTS CATALOG (MAINTENANCE)



Y 32440901 REV 206

VALVE AND GAUGE INSTL-BRAKE ACCUMULATOR CHARGING (LANDING GEAR ONLY)  
FIGURE 1

**32-44-09-01**

BRI  
MAY 28/07

32-44-09-01  
PAGE 0



757

PARTS CATALOG (MAINTENANCE)

FIG ITEM	PART NUMBER	1 2 3 4 5 6 7	NOMENCLATURE	EFFECT FROM TO	UNITS PER ASSY
1			VALVE AND GAUGE INSTL-BRAKE ACCUMULATOR CHARGING (LANDING GEAR ONLY)	002004 006999	
- 1	274N1030-1		VALVE AND GAUGE INSTL-BRAKE ACCUMULATOR CHARGING (LANDING GEAR ONLY)	002004 006100	RF
- 1	274N1030-4		FOR NHA/OTHER SYS DET SEE: 29-00-51-07	107107 121503	
- 1	MODREF8550		VALVE AND GAUGE INSTL-BRAKE ACCUMULATOR CHARGING (LANDING GEAR ONLY)	904999 101102	RF
- 1	MODREF8550		FOR NHA/OTHER SYS DET SEE: 32-00-00-13	108120 504903	
- 1	MODREF8550		VALVE AND GAUGE INSTL-BRAKE ACCUMULATOR CHARGING (LANDING GEAR ONLY)	103106	1
- 1	MODREF8550		MODULE NUMBER: 274N1030-4 REV A		
- 1	MODREF8550		FOR OTHER SYS DETAILS SEE: 11-22-15-01		
5	BAC27NHY0081		.MARKER-ALUMINUM FOIL PLACARD CONTENT: BRAKE ACCUMULATOR PRESSURE VALVE	002004 006999	1
10	BAC27NHY0082		.MARKER-ALUMINUM FOIL PLACARD CONTENT: BRAKE ACCUMULATOR PRESSURE GAUGE	002004 006999	1
15	MS20813-1		.CAP-	002004 006999	1
20	14199-1		.VALVE- SUPPLIER CODE: V03990	002004 006999	1
20	14199-1		SPECIFICATION NUMBER: BACV10T1		
20	14199-1		OPTIONAL PART: 798A196 V27783		
25	NAS602-20P		.SCREW	002004 006999	4
30	NAS1515K08L		.WASHER	002004 006999	8
35	NAS1149D832J		.WASHER-	002004 006999	12
40	NAS43DD3-16		.SPACER-	101106 108120 504903	4

MISSING ITEM NUMBERS NOT APPLICABLE

- ITEM NOT ILLUSTRATED

32-44-09-01

32-44-09  
FIG. 01  
PAGE 1  
JAN 20/09

BRI



757

PARTS CATALOG (MAINTENANCE)

FIG ITEM	PART NUMBER	1 2 3 4 5 6 7	NOMENCLATURE	EFFECT FROM TO	UNITS PER ASSY
1	40 NAS43DD3-16FC	.	SPACER-	002004 006100 107107 121503 904999	4
	45 BRH10A08	.	NUT- SUPPLIER CODE: V52828 SPECIFICATION NUMBER: BACN10JC08 OPTIONAL PART: H10-08BAC V15653 NS202101-82 V80539 RMLH9075-82W V72962 VN303A82 V92215 96-82 V80539 T6S832J V11815	101106 108120 504903	4
	45 BRH10C08D	.	NUT- SUPPLIER CODE: V52828 SPECIFICATION NUMBER: BACN10JC08CD OPTIONAL PART: H51650-08BAC V15653 102LH9075-82W V72962 NS202486-82 V80539 T6C832JCD V11815	002004 006100 107107 121503 904999	4
	50 63-2007-3	.	SHIELD- MISCELLANEOUS DATA: NOT AN INITIAL PROVISIONING SPARE	002004 006999	1
	55 MS28055-11	.	FLANGE	002004 006999	1
	60 274N1030-2	.	GAUGE ASSY	002004 006999	1

MISSING ITEM NUMBERS NOT APPLICABLE

- ITEM NOT ILLUSTRATED

BRI

32-44-09-01

BOEING PROPRIETARY - Copyright © - Unpublished Work - See title page for details.

32-44-09  
FIG. 01  
PAGE 2  
JAN 20/09



757

PARTS CATALOG (MAINTENANCE)

FIG ITEM	PART NUMBER	1 2 3 4 5 6 7	NOMENCLATURE	EFFECT FROM TO	UNITS PER ASSY
1	65 2000-15		.. GAUGE-PRESSURE SUPPLIER CODE: V24708 SPECIFICATION NUMBER: 10-60576-7 OPTIONAL PART: 6931-700 V05167	002004 006999	1
	65 6931-700		.. GAUGE-PRESSURE SUPPLIER CODE: V05167 SPECIFICATION NUMBER: 10-60576-1 OPTIONAL PART: 2000-15 V24708	002004 006999	1
	70 BACU24K4		.. UNION	002004 006999	1
	75 NAS1612-4		.. PACKING-	002004 006999	1
	77 287N4816-3		. BRACKET	101106 108120 504903	1
-	78 BACR15FT6D		ATTACHING PARTS . RIVET- SIZE DETERMINED ON INSTL.	101106 108120 504903	2
	80 274N1036-4		-----*----- . BRACKET ASSY-	002004 006010 107107 121503 904999	1
	80 274N1036-5		. BRACKET ASSY-	011017	1
	80 274N1036-6		. BRACKET ASSY-	018106 108120 504903	1
-	85 BACR15FT6D		ATTACHING PARTS . RIVET- SIZE DETERMINED ON INSTL.	002004 006999	14
	90 274N1032-1		-----*----- .. ADAPTER-VALVE	002004 006999	1
-	95 BACB30UB6K3		ATTACHING PARTS .. BOLT	002004 006999	2

MISSING ITEM NUMBERS NOT APPLICABLE

- ITEM NOT ILLUSTRATED

32-44-09-01

32-44-09  
FIG. 01  
PAGE 3  
JAN 20/09

BRI





757

PARTS CATALOG (MAINTENANCE)

FIG ITEM	PART NUMBER	1 2 3 4 5 6 7	NOMENCLATURE	EFFECT FROM TO	UNITS PER ASSY
1 - 100	2TCC06		.. COLLAR SUPPLIER CODE: V17446 SPECIFICATION NUMBER: BACC30BF6 OPTIONAL PART: 2TCC06 V92215 -----*-----	002004 006999	2
900			ILLUSTRATION REFERENCE: PLUMBING INSTL-SECT. 49 L HYDR BAY AND AFT BHD MLG WHL WELL HYDR (PARKING BRAKE SYSTEM ONLY) 32-44-51-15	002004 006100 107107 121503 904999	RF

MISSING ITEM NUMBERS NOT APPLICABLE

- ITEM NOT ILLUSTRATED

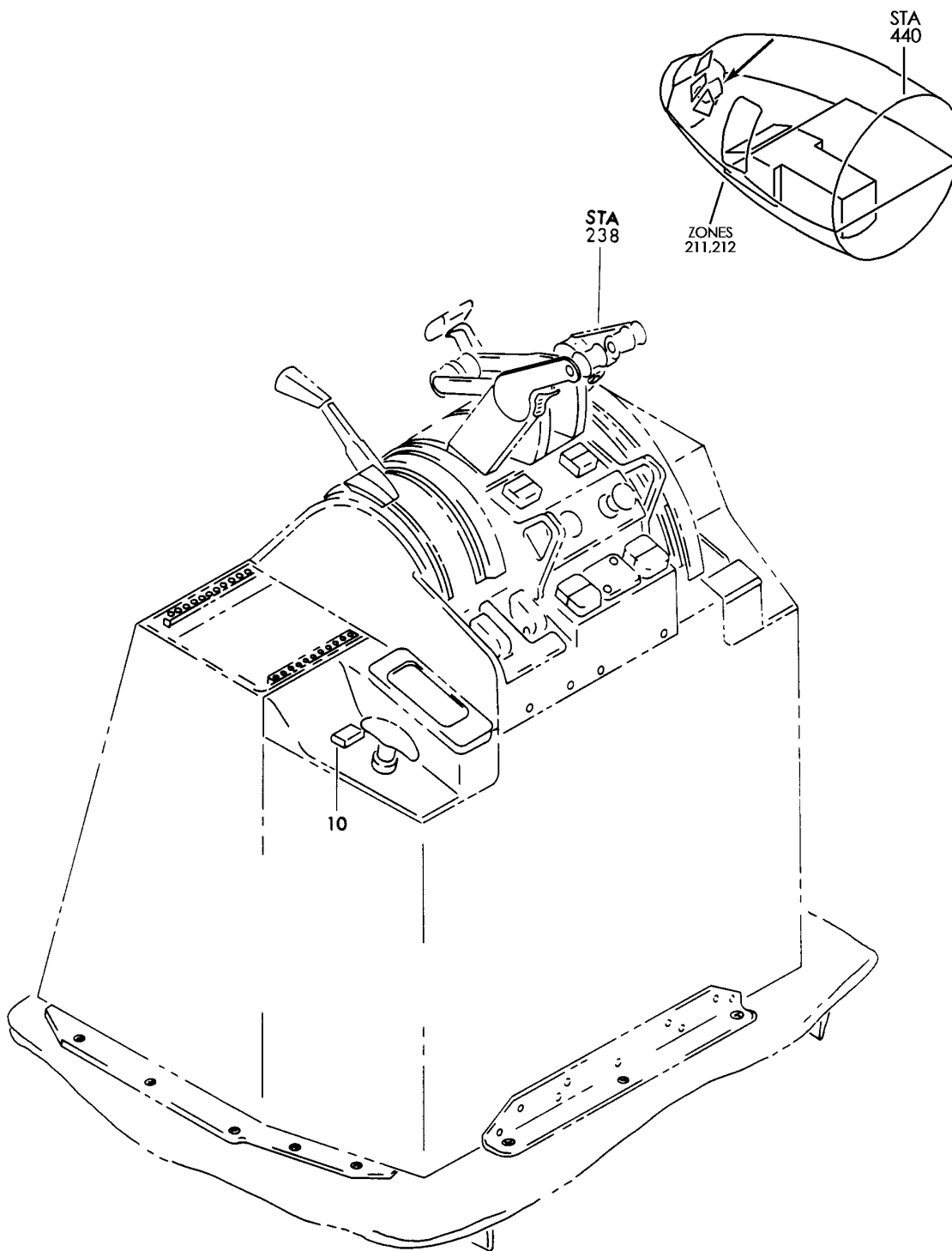
BRI

32-44-09-01

BOEING PROPRIETARY - Copyright © - Unpublished Work - See title page for details.

32-44-09  
FIG. 01  
PAGE 4  
JAN 20/09

**BOEING**  
757  
PARTS CATALOG (MAINTENANCE)



Y 32445101 REV 229

LIGHTPLATE INSTL-CONT STAND (LANDING GEAR ONLY)

FIGURE 1

**32-44-51-01**

BRI  
MAY 28/07

32-44-51-01  
PAGE 0



757

PARTS CATALOG (MAINTENANCE)

FIG ITEM	PART NUMBER	1 2 3 4 5 6 7	NOMENCLATURE	EFFECT FROM TO	UNITS PER ASSY
1			LIGHTPLATE INSTL-CONT STAND (LANDING GEAR ONLY)	002004 006999	
- 5	254N1112-5		LIGHTPLATE INSTL-CONT STAND (LANDING GEAR ONLY)	107107	RF
			FOR NHA/OTHER SYS DET SEE: 76-11-04-02		
- 5	254N1112-8		LIGHTPLATE INSTL-CONT STAND (LANDING GEAR ONLY)	904949	RF
			FOR NHA/OTHER SYS DET SEE: 76-11-04-02		
- 6	254N1112-9		LIGHTPLATE INSTL-CONT STAND (LANDING GEAR ONLY)	002004 006100	RF
			FOR NHA/OTHER SYS DET SEE: 76-11-04-02	121503 950999	
- 6	254N1112-12		LIGHTPLATE INSTL-CONT STAND (LANDING GEAR ONLY)	101106 108120	RF
			FOR NHA/OTHER SYS DET SEE: 76-11-04-02	504903	
10	BCREF6390		.LIGHT ASSY-PARKING IND SUPPLIER CODE: V81590 OVERLENGTH PART NUMBER: 434-674-1005-1234 SPECIFICATION NUMBER: S231T300-1234 OPTIONAL PART: BCREF8405 V81590 FOR DETAILS SEE: 33-14-70-01	002004 006999	1
10	BCREF8405		.LIGHT ASSY-PARKING IND SUPPLIER CODE: V81590 OVERLENGTH PART NUMBER: 434-674-1031-2234 SPECIFICATION NUMBER: S231T300-2234 OPTIONAL PART: BCREF6390 V81590 FOR DETAILS SEE: 33-14-70-01	002004 006999	1

MISSING ITEM NUMBERS NOT APPLICABLE

- ITEM NOT ILLUSTRATED

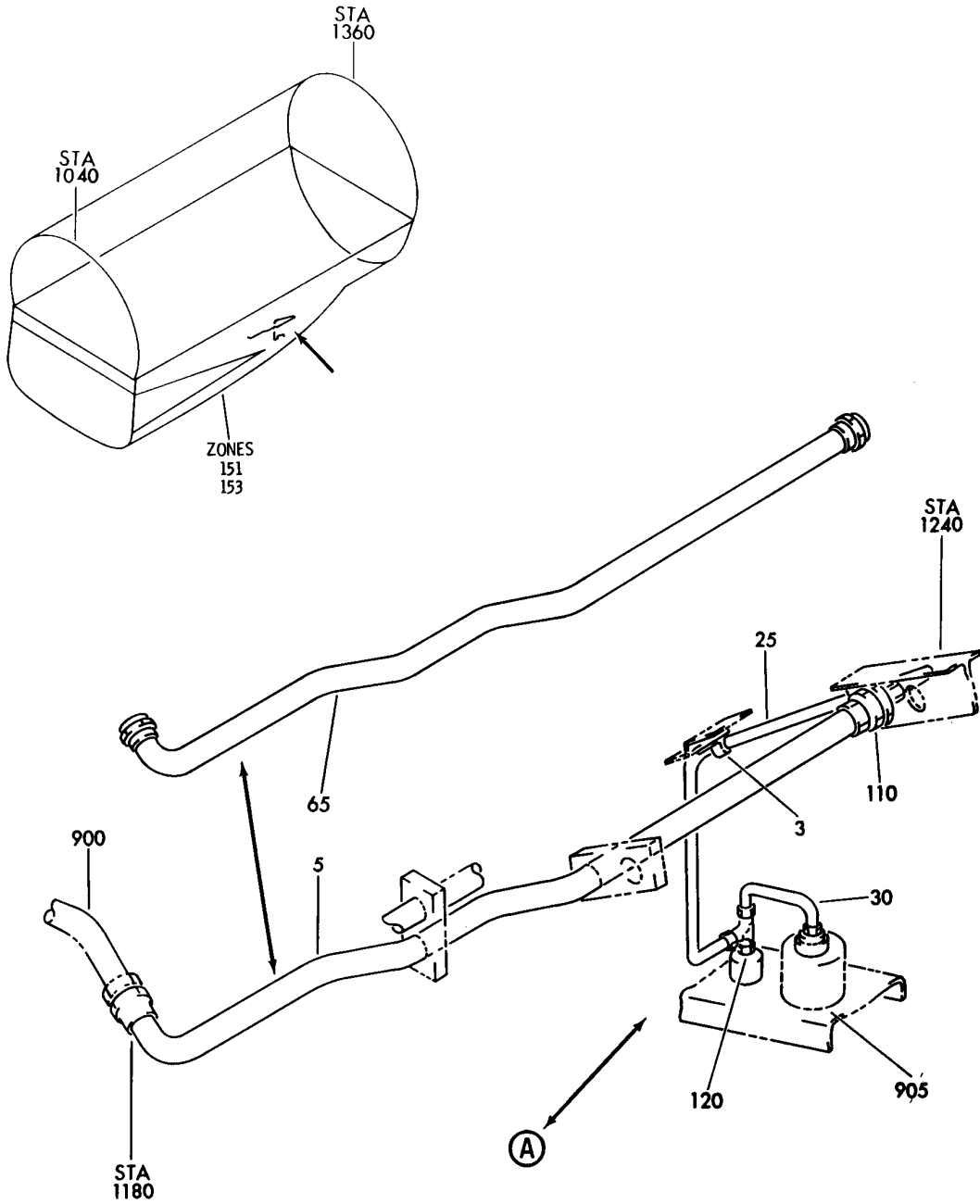
BRI

32-44-51-01

BOEING PROPRIETARY - Copyright © - Unpublished Work - See title page for details.

32-44-51  
FIG. 01  
PAGE 1  
JAN 20/09

**BOEING**  
757  
PARTS CATALOG (MAINTENANCE)



Y 32445115 SH1 1 REV 255

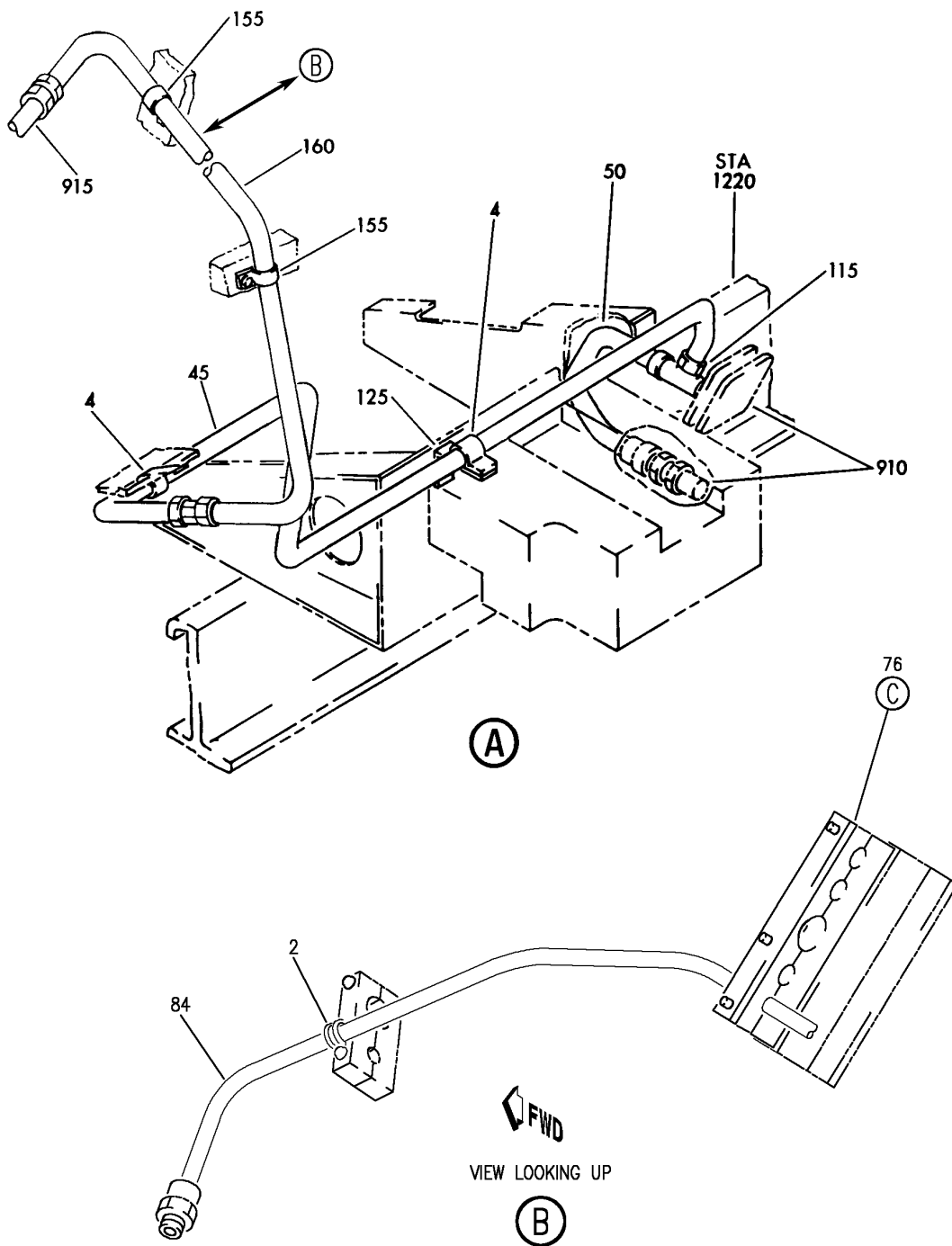
PLUMBING INSTL-SECT. 49 L HYDR BAY AND AFT BHD MLG WHL WELL HYDR (PARKING BRAKE SYSTEM ONLY)  
FIGURE 15 (SHEET 1)

BRI  
MAY 28/07

**32-44-51-15**

32-44-51-15  
PAGE 0

**BOEING**  
757  
PARTS CATALOG (MAINTENANCE)



Y 32445115 SHT 2 REV 269

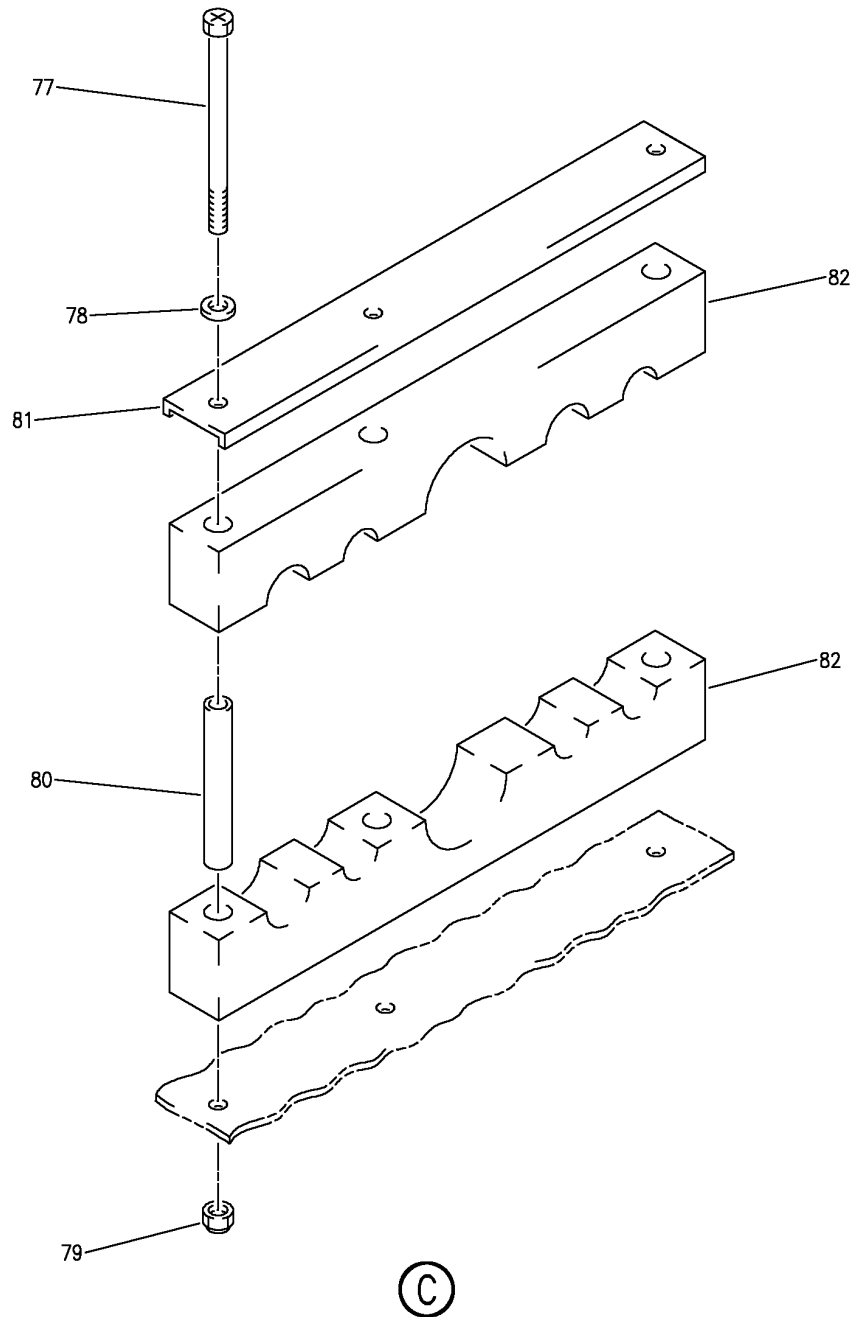
PLUMBING INSTL-SECT. 49 L HYDR BAY AND AFT BHD MLG WHL WELL HYDR (PARKING BRAKE SYSTEM ONLY)  
FIGURE 15 (SHEET 2)

BRI  
MAY 28/07

**32-44-51-15**

32-44-51-15  
PAGE 0A

**BOEING**  
757  
PARTS CATALOG (MAINTENANCE)



Y 32445115 SH1 3 REV 269

PLUMBING INSTL-SECT. 49 L HYDR BAY AND AFT BHD MLG WHL WELL HYDR (PARKING BRAKE SYSTEM ONLY)  
FIGURE 15 (SHEET 3)

BRI  
MAY 28/07

**32-44-51-15**

32-44-51-15  
PAGE 0B



757

PARTS CATALOG (MAINTENANCE)

FIG ITEM	PART NUMBER	1 2 3 4 5 6 7	NOMENCLATURE	EFFECT FROM TO	UNITS PER ASSY
15			PLUMBING INSTL-SECT. 49 L HYDR BAY AND AFT BHD MLG WHL WELL HYDR (PARKING BRAKE SYSTEM ONLY)	002004 006100 107107 121503 904999	RF
- 1	271N6492-1		PLUMBING INSTL-HYDR BAY (PARKING BRAKE SYSTEM ONLY) POSITION DATA: SECT. 49 L FOR NHA/OTHER SYS DET SEE: 29-00-51-07	107107 904949	RF
- 1	271N6492-5		PLUMBING INSTL-HYDR BAY (PARKING BRAKE SYSTEM ONLY) POSITION DATA: SECT. 49 L VARIABLE DRAWING REF: 271N6492-7 FOR NHA/OTHER SYS DET SEE: 29-00-51-07	002004 006100 121503 950999	RF
3	M85052-2-4		.CLAMP	002004 006100 107107 121503 904999	1
4	M85052-2-4		.CLAMP-	002004 006100 107107 121503 904999	2
5	271N6492-1022		.TUBE ASSY-3000 PSI AIR TUBING MATERIAL: 1.00 IN. OD .051 IN. WALL 51.7 IN. LG BMS 7-234 TI-3AL-2.5V COLD WORKED, STRESS RELIEVED TUBING	002004 006010 107107 121503 904999	1
- 10	AS1581T16		..SLEEVE	002004 006010 107107 121503 904999	1
- 15	BACN10YA16L		..NUT-	002004 006010 107107 121503 904999	1

MISSING ITEM NUMBERS NOT APPLICABLE

- ITEM NOT ILLUSTRATED

32-44-51-15

32-44-51  
FIG. 15  
PAGE 1  
JAN 20/09

BRI

BOEING PROPRIETARY - Copyright © - Unpublished Work - See title page for details.



757

PARTS CATALOG (MAINTENANCE)

FIG ITEM	PART NUMBER	1 2 3 4 5 6 7	NOMENCLATURE	EFFECT FROM TO	UNITS PER ASSY
15					
- 20	AS1582T16	..	UNION	002004 006010 107107 121503 904999	1
25	271N6492-1047	.TUBE	ASSY-3000 PSI AIR MANUFACTURED FROM: .250 IN. OD X .016 IN. WALL X 33.2 IN. LG 3AL-2.5V TITANIUM SEAMLESS TUBING PER BMS7-234. TUBING MATERIAL: .250 IN. OD .016 IN. WALL 33.00 IN. LG TITANIUM	002004 006100 107107 121503 904999	1
30	271N6492-1046	.TUBE	ASSY-3000 PSI AIR MANUFACTURED FROM: .250 IN. OD X .016 IN. WALL X 6.7 IN. LG 3AL-2.5V TITANIUM SEAMLESS TUBING PER BMS7-234. TUBING MATERIAL: .250 IN. OD .016 IN. WALL 8.00 IN. LG TITANIUM	002004 006100 107107 121503 904999	1
- 35	AS1581T04	..	SLEEVE	002004 006100 107107 121503 904999	2
- 40	BACN10YA4N	..	NUT-	002004 006100 107107 121503 904999	2
45	271N6492-1096	.TUBE	ASSY-3000 PSI AIR TUBING MATERIAL: .250 IN. OD .016 IN. WALL 34.7 IN. LG BMS 7-234 TI-3AL-2.5V COLD WORKED, STRESS RELIEVED TUBING	002004 006100 107107 121503 904999	1

MISSING ITEM NUMBERS NOT APPLICABLE

- ITEM NOT ILLUSTRATED

32-44-51-15

32-44-51  
FIG. 15  
PAGE 2  
JAN 20/09

BRI





757

PARTS CATALOG (MAINTENANCE)

FIG ITEM	PART NUMBER	1 2 3 4 5 6 7	NOMENCLATURE	EFFECT FROM TO	UNITS PER ASSY
15					
50	271N6492-1098	.	TUBE ASSY-3000 PSI AIR TUBING MATERIAL: .250 IN. OD .016 IN. WALL 10.2 IN. LG BMS 7-234 TI-3AL-2.5V COLD WORKED, STRESS RELIEVED TUBING	002004 006100 107107 121503 904999	1
- 55	AS1581T04	..	SLEEVE	002004 006100 107107 121503 904999	2
- 60	BACN10YA4	..	NUT-	002004 006100 107107 121503 904999	2
65	271N6492-1097	.	TUBE ASSY-3000 PSI AIR TUBING MATERIAL: 1.0 IN. OD .051 IN. WALL 104.2 IN. LG BMS 7-234 TI-3AL-2.5V COLD WORKED, STRESS RELIEVED TUBING	011100	1
- 70	AS1581T16	..	SLEEVE	011100	2
- 75	BACN10YA16L	..	NUT-	011100	2
110	APX832T1604	.	UNION SUPPLIER CODE: V01673 SPECIFICATION NUMBER: BACU24AA1604T OPTIONAL PART: APX832-1604T V01673 DBOU24AA1604T V61498 ER832-1604T V50948 FER1579-1604T V14397 US2113-10604T V50808 2-010891064T V11328 2-01089T1064T V11328 AFP238-1604T V30974	002004 006100 107107 121503 904999	1

MISSING ITEM NUMBERS NOT APPLICABLE

- ITEM NOT ILLUSTRATED

32-44-51-15

32-44-51  
FIG. 15  
PAGE 3  
JAN 20/09

BRI

**BOEING**  
757  
PARTS CATALOG (MAINTENANCE)

FIG ITEM	PART NUMBER	1 2 3 4 5 6 7	NOMENCLATURE	EFFECT FROM TO	UNITS PER ASSY
15					
115	BACT16BR040404P	. TEE-		002004 006100 107107 121503 904999	1
120	NAS1763T040404	. TEE-		002004 006100 107107 121503 904999	1
120	NAS1763J040404	. TEE-		002004 006100 107107 121503 904999	1
125	MS9593-040	. BRACKET-		002004 006100 107107 121503 904999	1
- 150	271N6446-1		PLUMBING INSTL-MLG WHL WELL HYDR (PARKING BRAKE SYSTEM ONLY) POSITION DATA: AFT BHD VARIABLE DRAWING REF: 271N6446-8 FOR NHA/OTHER SYS DET SEE: 29-00-51-05	002004 006100 121503 953999	RF
155	M85052-2-4	. CLAMP		002004 006100 121503 953999	2
160	271N6446-1097	. TUBE ASSY-3000 PSI AIR TUBING MATERIAL: .250 IN. OD .016 IN. WALL 45.30 IN. LG TI BMS 7-234 TI-3AL-2.5V COLD WORKED, STRESS RELIEVED TUBING		002004 006100 121503 953999	1
- 165	AS1581T04	.. SLEEVE		002004 006100 121503 953999	1
- 170	AS1582T04	.. UNION		002004 006100 121503 953999	1

MISSING ITEM NUMBERS NOT APPLICABLE

- ITEM NOT ILLUSTRATED

BRI

# 32-44-51-15

BOEING PROPRIETARY - Copyright © - Unpublished Work - See title page for details.

32-44-51  
FIG. 15  
PAGE 4  
JAN 20/09



757

PARTS CATALOG (MAINTENANCE)

FIG ITEM	PART NUMBER	1 2 3 4 5 6 7	NOMENCLATURE	EFFECT FROM TO	UNITS PER ASSY
15 - 175	BACN10YA4		..NUT-	002004 006100 121503 953999	1
900			ILLUSTRATION REFERENCE: PLUMBING INSTL-SECT. 44 MLG WHL WELL HYDR (PARKING BRAKE SYSTEM ONLY) 32-44-51-20	002004 006100 107107 121503 904999	RF
905			ILLUSTRATION REFERENCE: VALVE AND GAUGE INSTL-BRAKE ACCUMULATOR CHARGING (LANDING GEAR ONLY) 32-44-09-01	002004 006100 107107 121503 904999	RF
910			ILLUSTRATION REFERENCE: GAGE AND BRACKET INSTL HYDR MOTOR/GEN 24-25-04-01	008100 953999	RF
915			ILLUSTRATION REFERENCE: PLUMBING INSTL-SECT. 44 KEEL BEAM MLG WHL WELL HYDR (ELECTRICAL POWER ONLY) 24-25-52-01	002004 006100 121503 953999	RF

MISSING ITEM NUMBERS NOT APPLICABLE

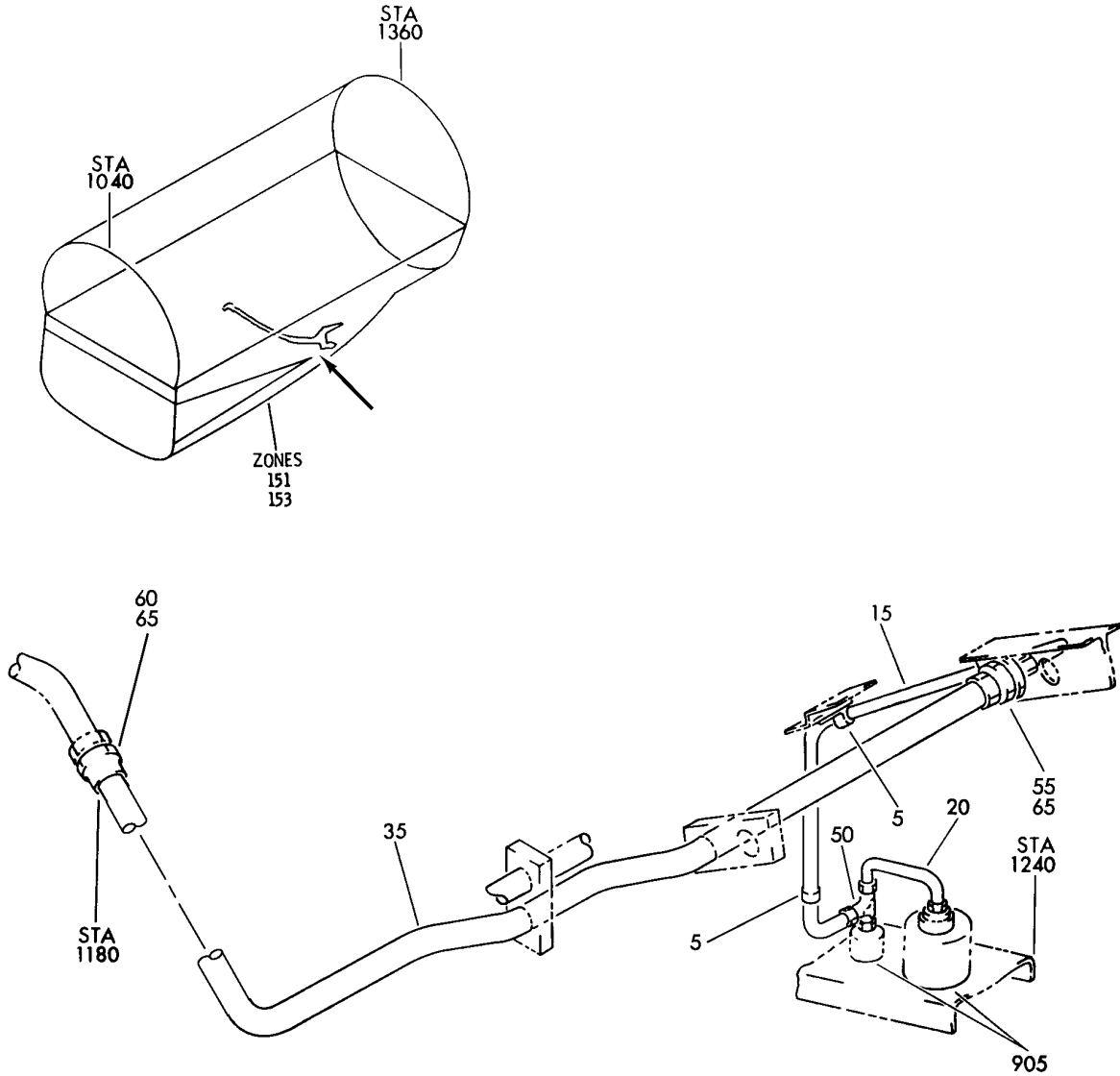
- ITEM NOT ILLUSTRATED

**32-44-51-15**

32-44-51  
FIG. 15  
PAGE 5  
JAN 20/09

BRI

**BOEING**  
757  
PARTS CATALOG (MAINTENANCE)



Y 32445115A REV 230

PLUMBING INSTL-SECT. 49 L HYDR BAY AND AFT BHD MLG WHL WELL HYDR (PARKING BRAKE SYSTEM ONLY)

FIGURE 15A

**32-44-51-15A**

BRI  
MAY 28/07

32-44-51-15A  
PAGE 0



757

PARTS CATALOG (MAINTENANCE)

FIG ITEM	PART NUMBER	1 2 3 4 5 6 7	NOMENCLATURE	EFFECT FROM TO	UNITS PER ASSY
15A			PLUMBING INSTL-SECT. 49 L HYDR BAY AND AFT BHD MLG WHL WELL HYDR (PARKING BRAKE SYSTEM ONLY)	101106 108120 504903	RF
- 1	271N6492-15		PLUMBING INSTL-SECT. 49 L HYDR BAY (PARKING BRAKE SYSTEM ONLY)	101102 504903	RF
- 1	271N6492-19		FOR NHA/OTHER SYS DET SEE: 29-00-51-02C PLUMBING INSTL-SECT. 49 L HYDR BAY (PARKING BRAKE SYSTEM ONLY)	108120	RF
- 1	MODREF32347		FOR NHA/OTHER SYS DET SEE: 29-00-51-02C PLUMBING INSTL-HYDR BAY HYDR BAY (PARKING BRAKE SYSTEM ONLY)	103106	1
			MODULE NUMBER: 271N6492-23 REV B POSITION DATA: SECT. 49 L FOR OTHER SYS DETAILS SEE: 11-22-56-01 29-11-51-20A 29-18-51-15A		
5	M85052-2-4		.CLAMP	101106 108120 504903	2
15	271N6492-1047		.TUBE ASSY-3000 PSI AIR MANUFACTURED FROM: .250 IN. OD X .016 IN. WALL X 33.2 IN. LG 3AL-2.5V TITANIUM SEAMLESS TUBING PER BMS7-234.	101106 108120 504903	1
20	271N6492-1046		.TUBE ASSY-3000 PSI AIR MANUFACTURED FROM: .250 IN. OD X .016 IN. WALL X 6.7 IN. LG 3AL-2.5V TITANIUM SEAMLESS TUBING PER BMS7-234.	101106 108120 504903	1
- 25	AS1581T04		..SLEEVE	101106 108120 504903	2
- 30	BACN10YA4N		..NUT	101106 108120 504903	2

MISSING ITEM NUMBERS NOT APPLICABLE

- ITEM NOT ILLUSTRATED

32-44-51-15A

32-44-51  
FIG. 15A  
PAGE 1  
JAN 20/09

BRI

BOEING PROPRIETARY - Copyright © - Unpublished Work - See title page for details.



757

PARTS CATALOG (MAINTENANCE)

FIG ITEM	PART NUMBER	1 2 3 4 5 6 7	NOMENCLATURE	EFFECT FROM TO	UNITS PER ASSY
15A 35	271N6492-1097	.	TUBE ASSY-3000 PSI AIR TUBING MATERIAL: 1.0 IN. OD X .051 IN. WALL X 103.0 IN. LG 3AL-2.5V TITANIUM SEAMLESS TUBING PER BMS7-234.	101106 108120 504903	1
35	271N6492-1105	.	TUBE ASSY-3000 PSI AIR TUBING MATERIAL: 1.0 IN. OD X .051 IN. WALL X 102.542 IN. LG 3AL-2.5V TITANIUM SEAMLESS TUBING PER BMS7-234.	106106	1
- 40	AS1581T16	..	SLEEVE	101106 108120 504903	2
- 45	BACN10YA16N	..	NUT-	101106 108120 504903	2
- 45	BACN10YA16L	..	NUT-	101106 108120 504903	2
50	BCREF124629	.	TEE- OVERLENGTH PART NUMBER: BACT16BR040404JN	101106 108120 504903	1
55	APX832T1604	.	UNION SUPPLIER CODE: V01673 SPECIFICATION NUMBER: BACU24AA1604T OPTIONAL PART: APX832-1604T V01673 DBOU24AA1604T V61498 ER832-1604T V50948 FER1579-1604T V14397 US2113-10604T V50808 2-010891064T V11328 2-01089T1064T V11328 AFP238-1604T V30974	101106 108120 504903	1

MISSING ITEM NUMBERS NOT APPLICABLE

- ITEM NOT ILLUSTRATED

32-44-51-15A

32-44-51  
FIG. 15A  
PAGE 2  
JAN 20/09

BRI

BOEING PROPRIETARY - Copyright © - Unpublished Work - See title page for details.



757

PARTS CATALOG (MAINTENANCE)

FIG ITEM	PART NUMBER	1 2 3 4 5 6 7	NOMENCLATURE	EFFECT FROM TO	UNITS PER ASSY
15A 60	MS21924-16T	.	UNION	101106 108120 504903	1
65	AN924-16D	.	NUT	101106 108120 504903	2
905			ILLUSTRATION REFERENCE: VALVE AND GAUGE INSTL-BRAKE ACCUMULATOR CHARGING (LANDING GEAR ONLY) 32-44-09-01	101106 108120 504903	RF

MISSING ITEM NUMBERS NOT APPLICABLE

- ITEM NOT ILLUSTRATED

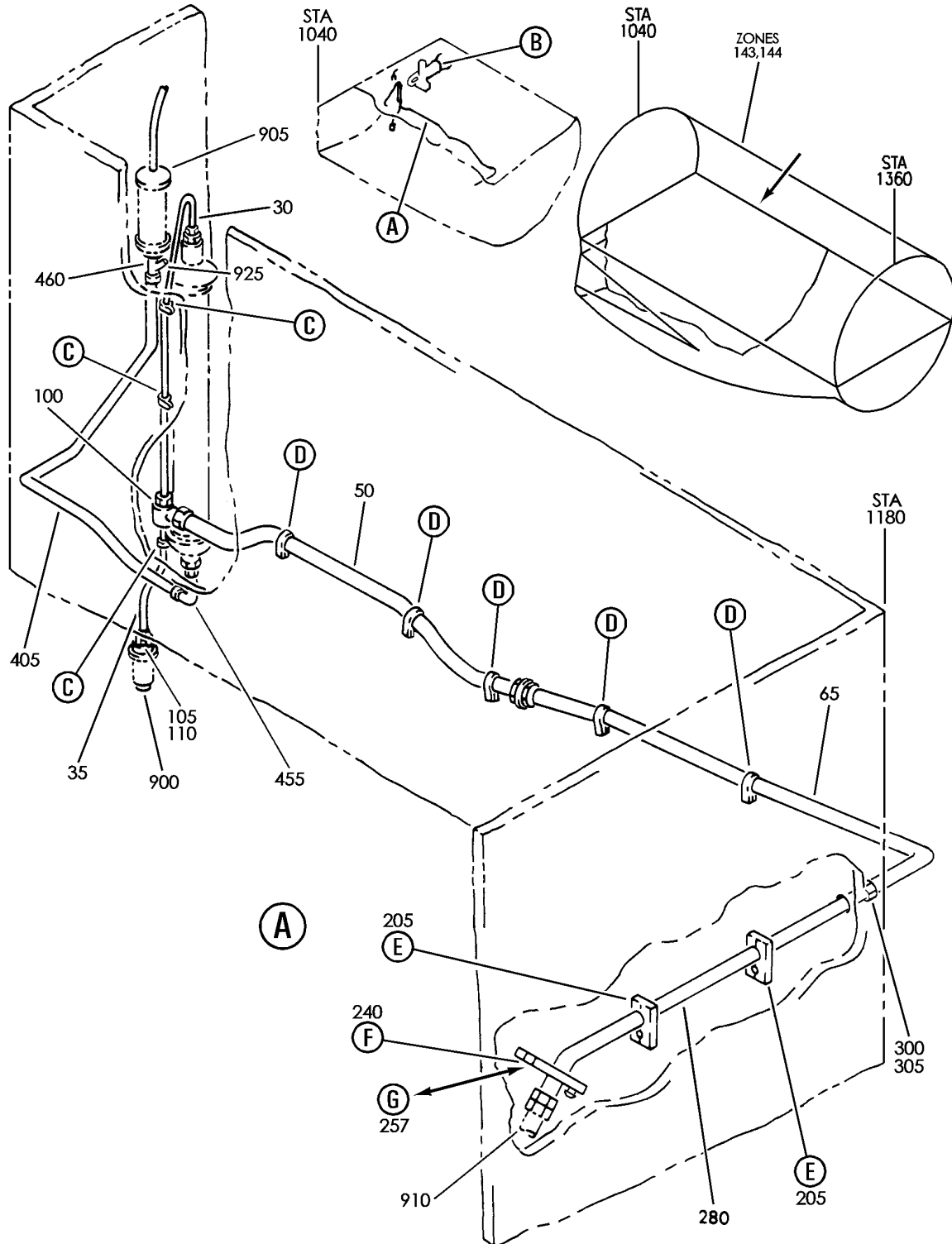
BRI

# 32-44-51-15A

BOEING PROPRIETARY - Copyright © - Unpublished Work - See title page for details.

32-44-51  
FIG. 15A  
PAGE 3  
JAN 20/09

**BOEING**  
757  
PARTS CATALOG (MAINTENANCE)



Y 32445120 SHT 1 REV 219

PLUMBING INSTL-SECT. 44 MLG WHL WELL HYDR (PARKING BRAKE SYSTEM ONLY)  
FIGURE 20 (SHEET 1)

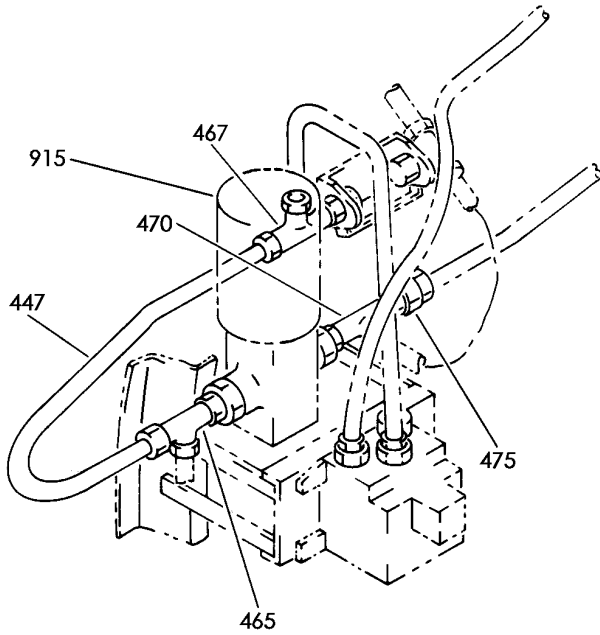
**32-44-51-20**

BRI  
MAY 28/07

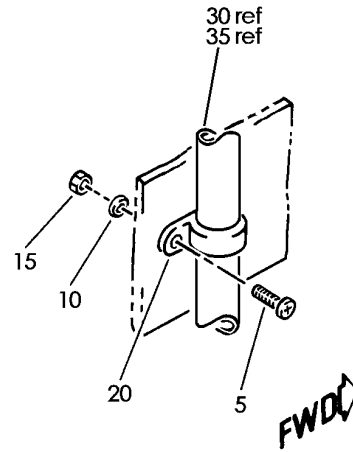
32-44-51-20  
PAGE 0



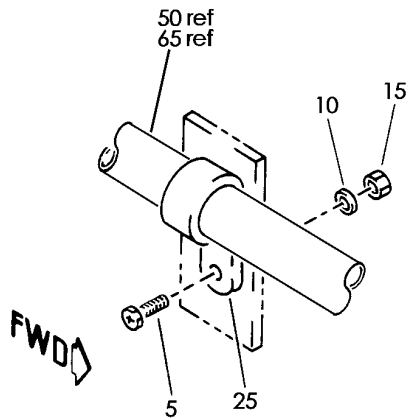
**BOEING**  
757  
PARTS CATALOG (MAINTENANCE)



(B)



(C)



(D)

Y 32445120 SH1 2 REV 216

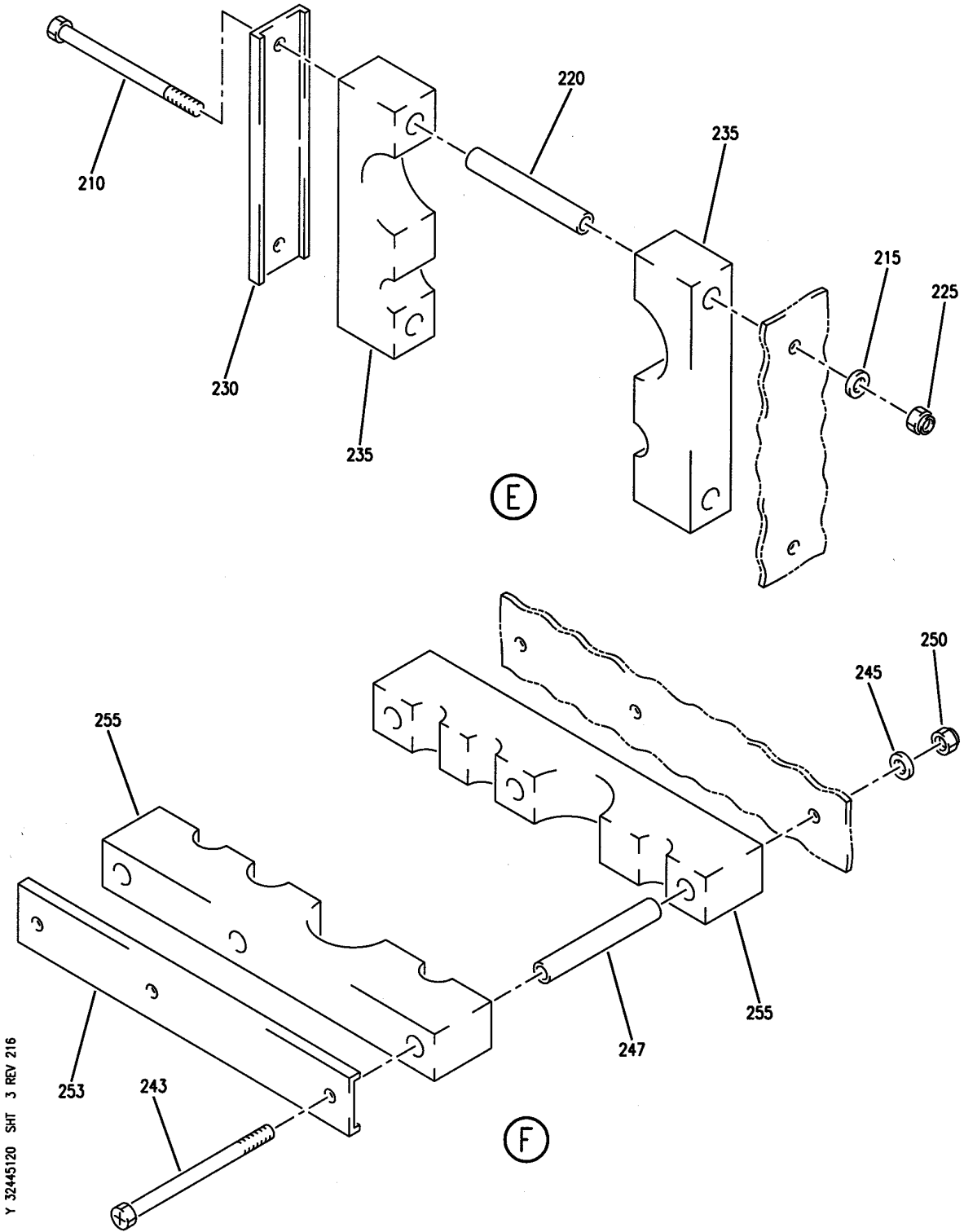
PLUMBING INSTL-SECT. 44 MLG WHL WELL HYDR (PARKING BRAKE SYSTEM ONLY)  
FIGURE 20 (SHEET 2)

BRI  
MAY 28/07

**32-44-51-20**

32-44-51-20  
PAGE 0A

**BOEING**  
757  
PARTS CATALOG (MAINTENANCE)



Y 32445120 SHT 3 REV 216

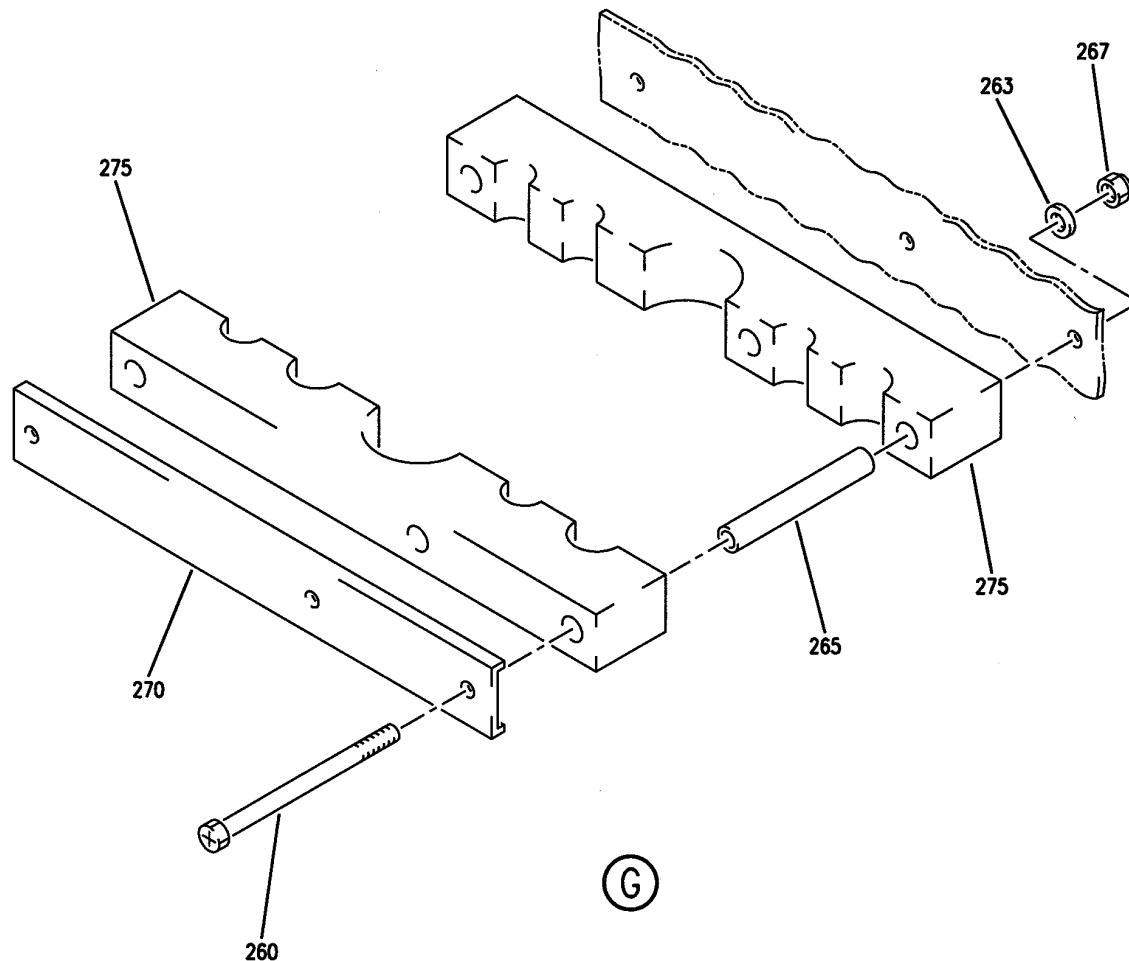
PLUMBING INSTL-SECT. 44 MLG WHL WELL HYDR (PARKING BRAKE SYSTEM ONLY)  
FIGURE 20 (SHEET 3)

**32-44-51-20**

BRI  
MAY 28/07

32-44-51-20  
PAGE 0B

**BOEING**  
757  
PARTS CATALOG (MAINTENANCE)



Y 32445120 SHT 4 REV 216

PLUMBING INSTL-SECT. 44 MLG WHL WELL HYDR (PARKING BRAKE SYSTEM ONLY)  
FIGURE 20 (SHEET 4)

BRI  
MAY 28/07

**32-44-51-20**

32-44-51-20  
PAGE 0C



757

PARTS CATALOG (MAINTENANCE)

FIG ITEM	PART NUMBER	1 2 3 4 5 6 7	NOMENCLATURE	EFFECT FROM TO	UNITS PER ASSY
20			PLUMBING INSTL-SECT. 44 MLG WHL WELL HYDR (PARKING BRAKE SYSTEM ONLY)	002004 006102 107999	
- 1	271N6445-1		PLUMBING INSTL-KEEL BEAM MLG WHL WELL HYDR (PARKING BRAKE SYSTEM ONLY) POSITION DATA: SECT. 44 VARIABLE DRAWING REF: 271N6445-3 271N6445-6 FOR NHA/OTHER SYS DET SEE: 29-00-51-05	002004 006100 107107 121503 904999	RF
5	NAS1801-3		.SCREW- SIZE DETERMINED ON INSTL.	002004 006100 107107 121503 904999	8
10	AN960PD10		.WASHER	002004 006100 107107 121503 904999	AR
15	BRH10A3		.NUT SUPPLIER CODE: V52828 SPECIFICATION NUMBER: BACN10JC3 OPTIONAL PART: H10-3BAC V15653 NS202101-02 V80539 RMLH9075-3W V72962 VN303A02 V92215 96-02 V80539 T6S1032J V11815	002004 006100 107107 121503 904999	8
20	M85052-2-6		.CLAMP	002004 006100 107107 121503 904999	3

MISSING ITEM NUMBERS NOT APPLICABLE

- ITEM NOT ILLUSTRATED

BRI

32-44-51-20

32-44-51  
FIG. 20  
PAGE 1  
JAN 20/09



757

PARTS CATALOG (MAINTENANCE)

FIG ITEM	PART NUMBER	1 2 3 4 5 6 7	NOMENCLATURE	EFFECT FROM TO	UNITS PER ASSY
20					
- 25	TA0910004H116		.CLAMP SUPPLIER CODE: V84971 SPECIFICATION NUMBER: BACC10HB16C	002004 006100 107107 121503 904999	5
- 30	271N6445-1056		.TUBE ASSY-3000 PSI AIR TUBING MATERIAL: .375 IN. OD .019 IN. WALL 34.68 IN. LG TI	107107	1
- 30	271N6445-1238		.TUBE ASSY-3000 PSI AIR TUBING MATERIAL: .375 IN. OD .019 IN. WALL 38.50 IN. LG TI	002004 006100 121503 904999	1
- 35	271N6445-1227		.TUBE ASSY-3000 PSI AIR TUBING MATERIAL: .375 IN. OD .019 IN. WALL 12.00 IN. LG TI	002004 006100 107107 121503 904999	1
- 40	AS1581T06		..SLEEVE	002004 006100 107107 121503 904999	2
- 45	BACN10YA6N		..NUT- USED ON: 271N6445-1227 271N6445-1238	002004 006100 121503 904999	2
- 47	BACN10YA6		..NUT- USED ON: 271N6445-1056	107107	2
- 48	BACN10YA6N		..NUT- USED ON: 271N6445-1227	107107	2
- 50	271N6445-1127		.TUBE ASSY-3000 PSI AIR TUBING MATERIAL: 1.00 IN. OD .051 IN. WALL 62.00 IN. LG TITANIUM	002004 006010 107107 121503 904999	1
- 50	271N6445-1277		.TUBE ASSY-3000 PSI AIR	011100	1
- 55	AS1581T16		..SLEEVE	002004 006100 107107 121503 904999	2
- 60	BACN10YA16		..NUT-	002004 006100 107107 121503 904999	2

MISSING ITEM NUMBERS NOT APPLICABLE

- ITEM NOT ILLUSTRATED

32-44-51-20

32-44-51  
FIG. 20  
PAGE 2  
JAN 20/09

BRI



757

PARTS CATALOG (MAINTENANCE)

FIG ITEM	PART NUMBER	1 2 3 4 5 6 7	NOMENCLATURE	EFFECT FROM TO	UNITS PER ASSY
20					
- 60	BACN10YA16N	..	NUT-	002004 006100 107107 121503 904999	2
65	271N6445-1160	.	TUBE ASSY-3000 PSI AIR TUBING MATERIAL: 1.00 IN. OD .051 IN. WALL 60.00 IN. LG TITANIUM	002004 006010 107107 121503 904999	1
65	271N6445-1276	.	TUBE ASSY-3000 PSI AIR	011100	1
- 70	AS1581T16	..	SLEEVE	002004 006100 107107 121503 904999	1
- 75	BACN10YA16	..	NUT-	002004 006100 107107 121503 904999	1
- 75	BACN10YA16N	..	NUT-	002004 006100 107107 121503 904999	1
- 80	AS1582T16	..	UNION	002004 006100 107107 121503 904999	1
100	BACT16BL060616T	.	TEE-	002004 006100 107107 121503 904999	1
100	BACT16BL060616J	.	TEE-	002004 006100 107107 121503 904999	1
105	BACN10DR10D	.	NUT-	002004 006100 107107 121503 904999	1

MISSING ITEM NUMBERS NOT APPLICABLE

- ITEM NOT ILLUSTRATED

32-44-51-20

32-44-51  
FIG. 20  
PAGE 3  
JAN 20/09

BRI



757

PARTS CATALOG (MAINTENANCE)

FIG ITEM	PART NUMBER	1 2 3 4 5 6 7	NOMENCLATURE	EFFECT FROM TO	UNITS PER ASSY
20 110	AN960-1416L	.	WASHER	002004 006100 107107 121503 904999	1
- 200	271N6446-1		PLUMBING INSTL-BHD MLG WHL WELL HYDR (PARKING BRAKE SYSTEM ONLY) POSITION DATA: SECT. 44 AFT VARIABLE DRAWING REF: 271N6446-8 FOR NHA/OTHER SYS DET SEE: 29-00-51-05	002004 006100 107107 121503 904999	RF
205	270N2000-72	.	CLAMP ASSY-BLK POSITION DATA: WL 170 LBL 30 WL 170 LBL 40	002004 006100 107107 121503 904999	2
210	NAS1801-3-34	..	SCREW-	002004 006100 107107 121503 904999	2
215	AN960PD10L	..	WASHER	002004 006100 107107 121503 904999	2
220	NAS43DD3-99	..	SPACER	002004 006100 107107 121503 904999	2

MISSING ITEM NUMBERS NOT APPLICABLE

- ITEM NOT ILLUSTRATED

BRI

32-44-51-20

BOEING PROPRIETARY - Copyright © - Unpublished Work - See title page for details.

32-44-51  
FIG. 20  
PAGE 4  
JAN 20/09



757

PARTS CATALOG (MAINTENANCE)

FIG ITEM	PART NUMBER	1 2 3 4 5 6 7	NOMENCLATURE	EFFECT FROM TO	UNITS PER ASSY
20 225	BRH10A3	. .	NUT SUPPLIER CODE: V52828 SPECIFICATION NUMBER: BACN10JC3 OPTIONAL PART: H10-3BAC V15653 NS202101-02 V80539 RMLH9075-3W V72962 VN303A02 V92215 96-02 V80539 T6S1032J V11815	002004 006100 107107 121503 904999	2
230	270N2000-892	. .	CHANNEL	002004 006100 107107 121503 904999	1
235	270N2000-573	. .	BLOCK	002004 006100 107107 121503 904999	2
240	270N2000-71	. .	CLAMP ASSY-BLK	107107 904949 952952	1
242	270N2000-284	. .	CLAMP ASSY-BLK	002004 006100 121503 950951 953999	1
245	NAS1801-3-34	. .	SCREW-	002004 006100 107107 121503 904999	3
250	AN960PD10L	. .	WASHER	002004 006100 107107 121503 904999	3

MISSING ITEM NUMBERS NOT APPLICABLE

- ITEM NOT ILLUSTRATED

BRI

32-44-51-20

BOEING PROPRIETARY - Copyright © - Unpublished Work - See title page for details.

32-44-51  
FIG. 20  
PAGE 5  
JAN 20/09





757

PARTS CATALOG (MAINTENANCE)

FIG ITEM	PART NUMBER	1 2 3 4 5 6 7	NOMENCLATURE	EFFECT FROM TO	UNITS PER ASSY
20 255	NAS43DD3-99	..	SPACER-	002004 006100 107107 121503 904999	3
257	NAS43DD3-102	..	SPACER-	002004 006100 121503 950951 953999	3
265	BRH10A3	..	NUT SUPPLIER CODE: V52828 SPECIFICATION NUMBER: BACN10JC3 OPTIONAL PART: H10-3BAC V15653 NS202101-02 V80539 RMLH9075-3W V72962 VN303A02 V92215 96-02 V80539 T6S1032J V11815	002004 006100 107107 121503 904999	3
270	270N2000-891	..	CHANNEL-	002004 006100 107107 121503 904999	1
272	270N2000-1014	..	CHANNEL-	002004 006100 121503 950951 953999	1
275	270N2000-572	..	BLOCK-	002004 006100 107107 121503 904999	2
277	270N2000-1205	..	BLOCK-	002004 006100 121503 950951 953999	2

MISSING ITEM NUMBERS NOT APPLICABLE

- ITEM NOT ILLUSTRATED

32-44-51-20

32-44-51  
FIG. 20  
PAGE 6  
JAN 20/09

BRI

BOEING PROPRIETARY - Copyright © - Unpublished Work - See title page for details.



757

PARTS CATALOG (MAINTENANCE)

FIG ITEM	PART NUMBER	1 2 3 4 5 6 7	NOMENCLATURE	EFFECT FROM TO	UNITS PER ASSY
20 280	271N6446-1016	.	TUBE ASSY-3000 PSI AIR TUBING MATERIAL: 1.00 IN. OD .051 IN. WALL 51.7 IN. LG TI BMS 7-234 TI-3AL-2.5V COLD WORKED, STRESS RELIEVED TUBING	002004 006010 107107 121503 904999	1
- 285	AS1581T16	..	SLEEVE	002004 006010 107107 121503 904999	2
- 290	BACN10YA16L	..	NUT-	002004 006010 107107 121503 904999	2
300	BACU24L16	.	UNION	002004 006100 107107 121503 904999	1
305	AN924-16D	.	NUT	002004 006100 107107 121503 904999	1
- 400	271N6441-9		PLUMBING INSTL-BHD MLG WHL WELL HYDR (PARKING BRAKE SYSTEM ONLY) POSITION DATA: SECT. 44 FWD VARIABLE DRAWING REF: 271N6441-11 271N6441-12 271N6441-14 FOR NHA/OTHER SYS DET SEE: 29-00-51-05	002004 006100 107107 121503 904999	RF
- 400	271N6441-30		PLUMBING INSTL-BHD MLG WHL WELL HYDR (PARKING BRAKE SYSTEM ONLY) POSITION DATA: SECT. 44 FWD FOR NHA/OTHER SYS DET SEE: 29-00-51-02C	101102 504903	RF

MISSING ITEM NUMBERS NOT APPLICABLE

- ITEM NOT ILLUSTRATED

BRI

32-44-51-20

32-44-51  
FIG. 20  
PAGE 7  
JAN 20/09



757

PARTS CATALOG (MAINTENANCE)

FIG ITEM	PART NUMBER	1 2 3 4 5 6 7	NOMENCLATURE	EFFECT FROM TO	UNITS PER ASSY
20					
- 400	271N6441-35		PLUMBING INSTL-BHD MLG WHL WELL HYDR (PARKING BRAKE SYSTEM ONLY) POSITION DATA: SECT. 44 FWD FOR NHA/OTHER SYS DET SEE: 29-00-51-02C	108120	RF
405	271N6441-1399		.TUBE ASSY-PRESSURE SYS POSITION DATA: R TUBING MATERIAL: .500 IN. OD .026 IN. WALL 54.00 IN. LG TI BMS 7-234 TI-3AL-2.5V COLD WORKED, STRESS RELIEVED TUBING	002004 006102 107999	1
- 410	AS1581T08		..SLEEVE	002004 006102 107999	2
- 415	BACN10YA8N		..NUT	002004 006102 107999	2
455	NAS1762T0808		.ELBOW	002004 006100 107107 121503 904999	1
455	AP1042JN0808		.ELBOW-SWIVEL-90 SUPPLIER CODE: V01673 SPECIFICATION NUMBER: BACE21BT0808JN	101102 108120 504903	1
460	NAS1763T080806		.TEE-	002004 006100 107107 121503 904999	1
460	NAS1763J080806		.TEE-	002004 006100 107107 121503 904999	1
460	BCREF119106		.TEE- OVERLENGTH PART NUMBER: BACT16BR080806JN	101102 108120 504903	1

MISSING ITEM NUMBERS NOT APPLICABLE

- ITEM NOT ILLUSTRATED

BRI

32-44-51-20

32-44-51  
FIG. 20  
PAGE 8  
MAY 20/09



757

PARTS CATALOG (MAINTENANCE)

FIG ITEM	PART NUMBER	1 2 3 4 5 6 7	NOMENCLATURE	EFFECT FROM TO	UNITS PER ASSY
20 900			ILLUSTRATION REFERENCE: VALVE INSTL-ACCUMULATOR ISOLATION 32-44-06-01	002004 006100 107107 121503 904999	RF
905			ILLUSTRATION REFERENCE: VALVE INSTL-ACCUMULATOR ISOLATION 32-44-06-01	002004 006100 107107 121503 904999	RF
910			ILLUSTRATION REFERENCE: PLUMBING INSTL-SECT. 49 L HYDR BAY AND AFT BHD MLG WHL WELL HYDR (PARKING BRAKE SYSTEM ONLY) 32-44-51-15	002004 006100 107107 121503 904999	RF
910			ILLUSTRATION REFERENCE: PLUMBING INSTL-SECT. 49 L HYDR BAY AND AFT BHD MLG WHL WELL HYDR (PARKING BRAKE SYSTEM ONLY) 32-44-51-15A	101102 108120 504903	RF
925			ILLUSTRATION REFERENCE: PLUMBING INSTL-MAIN WHL WELL FWD BHD HYDR (HYDRAULIC POWER ONLY) 29-11-51-39	002004 006100 107107 121503 904999	RF
925			ILLUSTRATION REFERENCE: PLUMBING INSTL-MAIN WHL WELL FWD BHD HYDR (HYDRAULIC POWER ONLY) 29-11-51-39A	101102 108120 504903	RF

MISSING ITEM NUMBERS NOT APPLICABLE

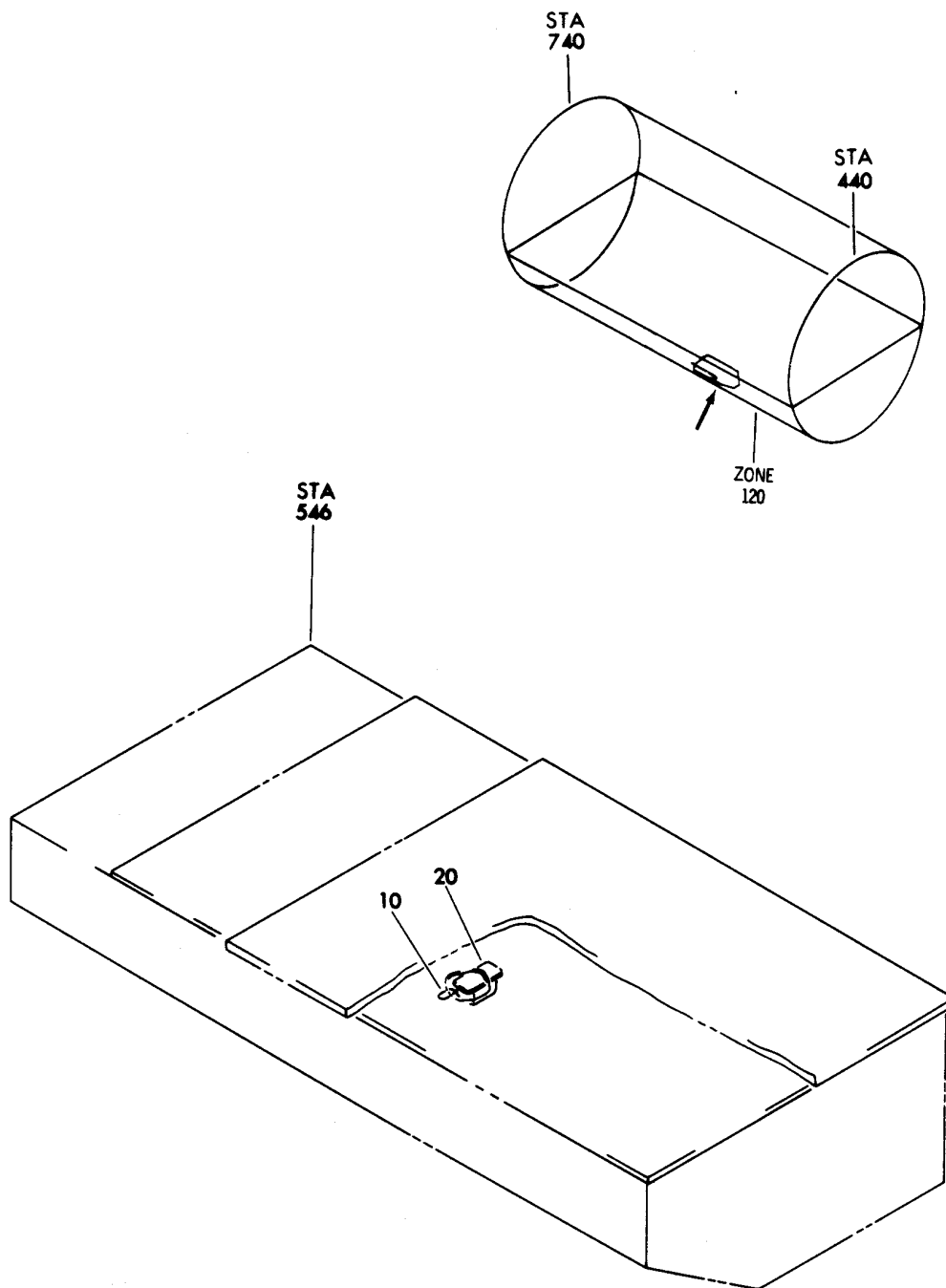
- ITEM NOT ILLUSTRATED

32-44-51-20

32-44-51  
FIG. 20  
PAGE 9  
JAN 20/09

BRI

**BOEING**  
757  
PARTS CATALOG (MAINTENANCE)



Y 32447102 SHT 1 REV 008

PANEL ASSY-P36 MISC RELAY L (PARKING BRAKE SYSTEM ONLY)

FIGURE 2

**32-44-71-02**

BRI  
MAY 28/07

32-44-71-02  
PAGE 0



757

PARTS CATALOG (MAINTENANCE)

FIG ITEM	PART NUMBER	1 2 3 4 5 6 7	NOMENCLATURE	EFFECT FROM TO	UNITS PER ASSY
2			PANEL ASSY-P36 MISC RELAY L (PARKING BRAKE SYSTEM ONLY)	002004 006100 107107 121503 904999	
- 1	284N1125-1		PANEL ASSY-P36 MISC RELAY L (PARKING BRAKE SYSTEM ONLY) VARIABLE DRAWING REF: 284N1125-5023 284N1125-5030 284N1125-5049 284N1125-5050 284N1125-5054 REWORKED BY SB: 34-0200 REWORKED BY ALERT SB: 27A0130 FOR NHA/OTHER SYS DET SEE: 31-01-36-01B	002004 006100 107107 121503 904999	RF
10	BAC27TEX0174		.DECAL- PLACARD CONTENT: K419	002004 006100 107107 121503 904999	1
20	W460F1A		.RELAY- SUPPLIER CODE: VF0219 SPECIFICATION NUMBER: BACR13CE2 OPTIONAL PART: 3SAH5-13-4K1 V01526 3SAH1326A2 V01526 ELECTRICAL EQUIP NUMBER: K419	002004 006100 107107 121503 904999	1

MISSING ITEM NUMBERS NOT APPLICABLE

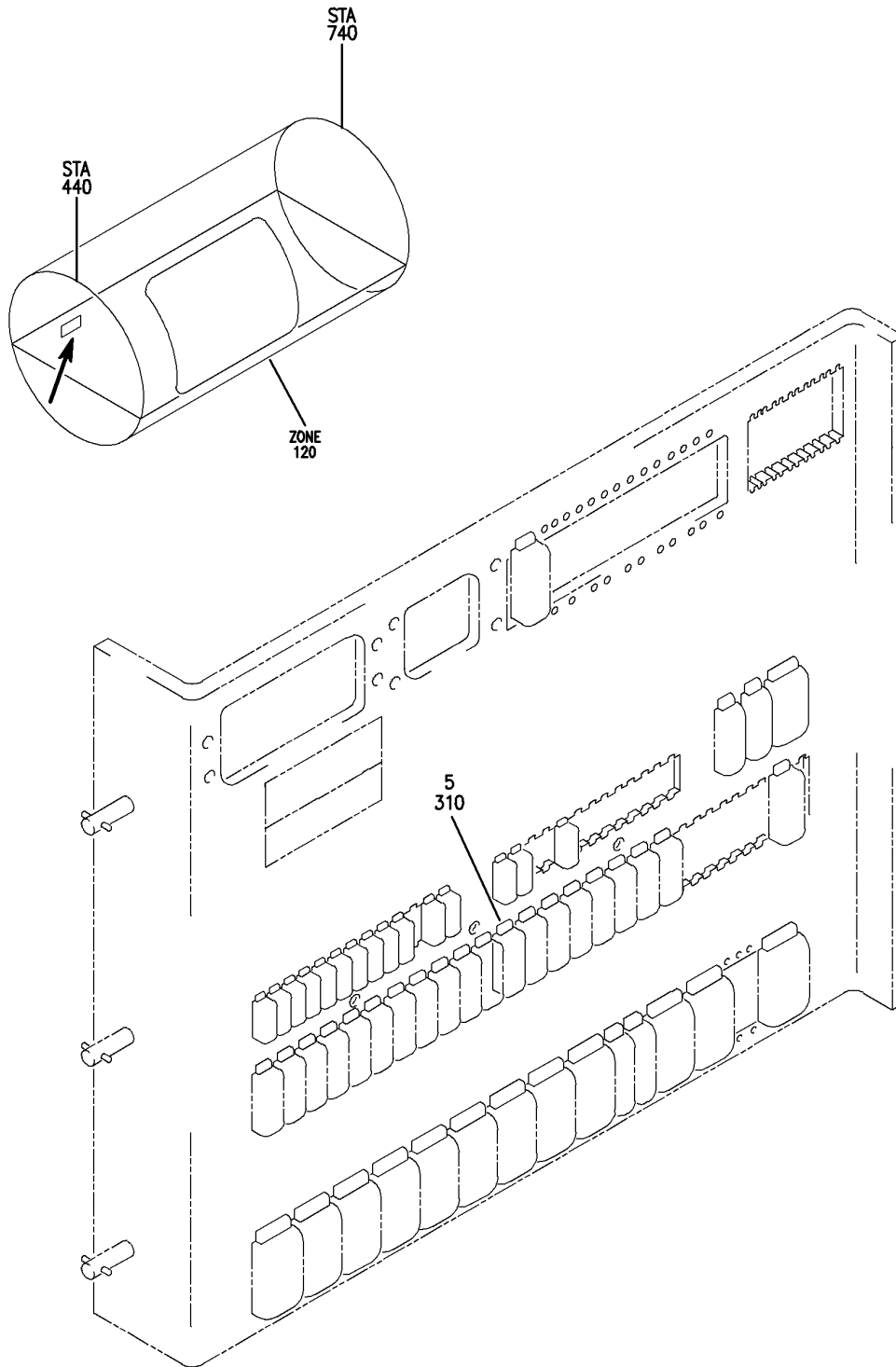
- ITEM NOT ILLUSTRATED

32-44-71-02

32-44-71  
FIG. 02  
PAGE 1  
JAN 20/09

BRI

**BOEING**  
757  
PARTS CATALOG (MAINTENANCE)



Y 32447102A REV 225

OPTION PACKAGE ASSY-P36 MISC RELAY LH (PARKING BRAKE SYSTEM ONLY)  
FIGURE 2A

BRI  
MAY 28/07

**32-44-71-02A**

32-44-71-02A  
PAGE 0



757

PARTS CATALOG (MAINTENANCE)

FIG ITEM	PART NUMBER	1 2 3 4 5 6 7	NOMENCLATURE	EFFECT FROM TO	UNITS PER ASSY
2A			OPTION PACKAGE ASSY-P36 MISC RELAY LH (PARKING BRAKE SYSTEM ONLY)	101102 504903	
- 1	284N1125-1018		OPTION PACKAGE ASSY-P36 MISC RELAY (PARKING BRAKE SYSTEM ONLY)	101102 504903	RF
	5 W460F1A		POSITION DATA: LH REWORKED BY ALERT SB: 27A0130 FOR NHA/OTHER SYS DET SEE: 31-01-36-05 .RELAY- SUPPLIER CODE: VF0219 SPECIFICATION NUMBER: BACR13CE2 OPTIONAL PART: 3SAH5-13-4K1 V01526 3SAH1326A2 V01526 ELECTRICAL EQUIP NUMBER: K419	101102 504903	1
- 301	286N1260-358		WIRE BUNDLE ASSY- REWORKED BY ALERT SB: 27A0130	101102	RF
- 301	286N1260-364		WIRE BUNDLE ASSY- REWORKED BY ALERT SB: 27A0130	504903	RF
310	RSE120027		.SOCKET- SUPPLIER CODE: V58982 SPECIFICATION NUMBER: BACS16AF1 OPTIONAL PART: 451120-027 V58982 ELECTRICAL EQUIP NUMBER: D02768 WIRING DIAGRAM REF: 324411	101102 504903	1

MISSING ITEM NUMBERS NOT APPLICABLE

- ITEM NOT ILLUSTRATED

32-44-71-02A

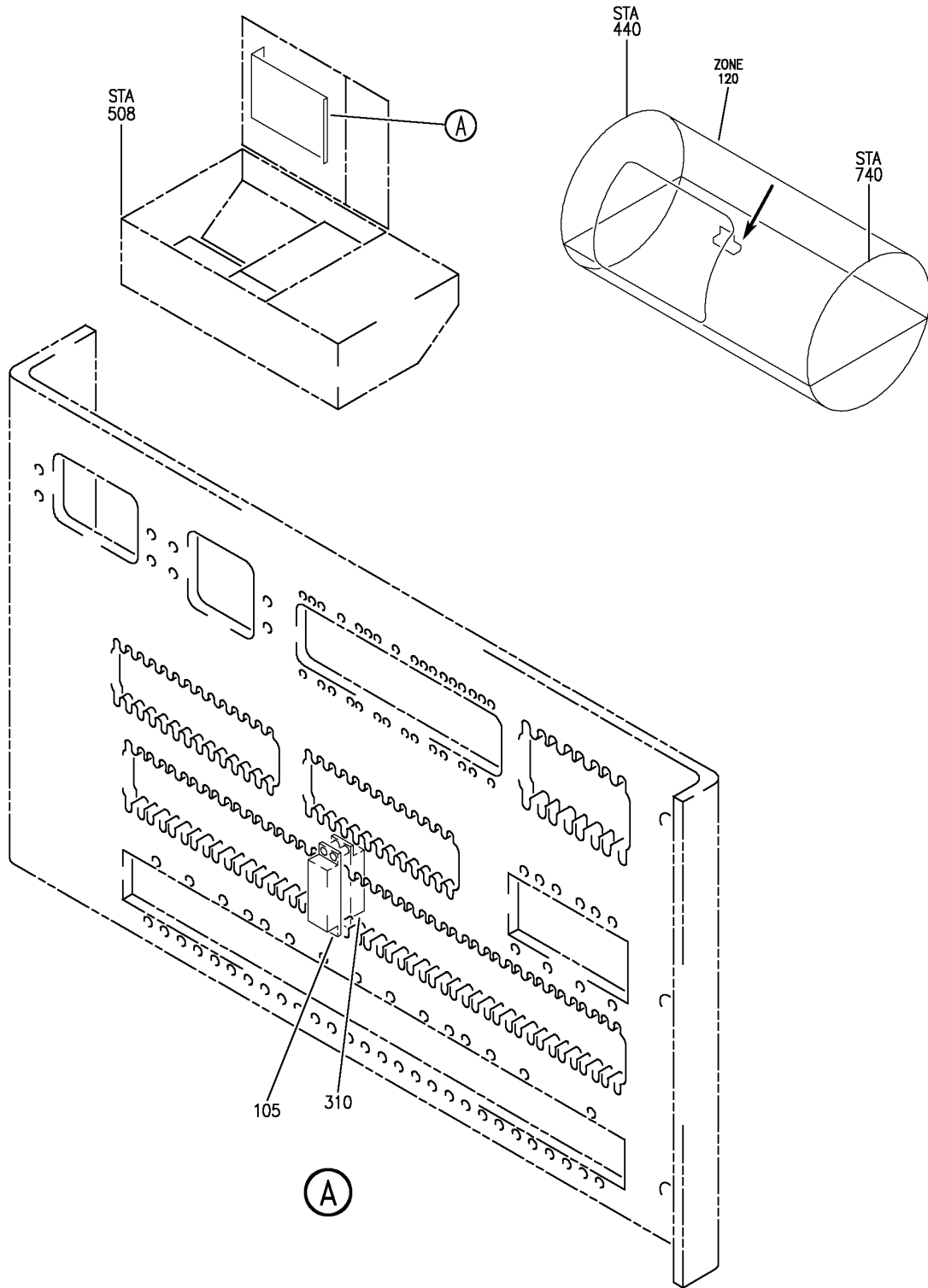
32-44-71  
FIG. 02A  
PAGE 1  
JAN 20/09

BRI

BOEING PROPRIETARY - Copyright © - Unpublished Work - See title page for details.



**BOEING**  
757  
PARTS CATALOG (MAINTENANCE)



Y 32447102C REV 250

PANEL INSTL-P36 L MISC RELAY (PARKING BRAKE SYSTEM ONLY)  
FIGURE 2C

**32-44-71-02C**

BRI  
JAN 20/09

32-44-71-02C  
PAGE 0



757

PARTS CATALOG (MAINTENANCE)

FIG ITEM	PART NUMBER	1 2 3 4 5 6 7	NOMENCLATURE	EFFECT FROM TO	UNITS PER ASSY
2C			PANEL INSTL-P36 L MISC RELAY (PARKING BRAKE SYSTEM ONLY)	103106 108120	
- 3	284N1125-94		PANEL INSTL-P36 L MISC RELAY (PARKING BRAKE SYSTEM ONLY) FOR NHA/OTHER SYS DET SEE: 24-00-58-05C	108120	RF

MISSING ITEM NUMBERS NOT APPLICABLE

- ITEM NOT ILLUSTRATED

BRI

32-44-71-02C

BOEING PROPRIETARY - Copyright © - Unpublished Work - See title page for details.

32-44-71  
FIG. 02C  
PAGE 1  
JAN 20/09



757  
PARTS CATALOG (MAINTENANCE)

FIG ITEM	PART NUMBER	1 2 3 4 5 6 7	NOMENCLATURE	EFFECT FROM TO	UNITS PER ASSY
2C - 7	MODREF31944		PANEL INSTL-P36 L MISC RELAY (PARKING BRAKE SYSTEM ONLY) MODULE NUMBER: 284N1125-123 REV A FOR OTHER SYS DETAILS SEE: 11-36-08-03C 21-25-71-02C 21-33-71-02C 21-51-56-01C 21-58-71-02C 23-12-00-05 23-31-54-01C 23-34-52-01C 24-21-51-01A 26-15-71-02C 26-16-71-01C 26-22-71-01C 27-48-52-03C 27-51-71-03C 27-58-71-02C 27-62-71-03C 29-11-71-03C 29-21-71-01C 30-21-71-03C 30-34-51-01C 31-01-36-01 32-09-02-03C 32-35-71-01C 32-42-71-02C 32-61-71-02C 34-12-71-02C 34-21-71-02C 34-22-52-01C 34-61-52-01C 36-11-71-02C 73-21-55-01C 74-31-71-02C 76-11-71-02C 77-12-71-01C 78-34-71-02C 78-36-71-02C 80-11-71-02C	103106	1

MISSING ITEM NUMBERS NOT APPLICABLE

- ITEM NOT ILLUSTRATED

BRI

32-44-71-02C

BOEING PROPRIETARY - Copyright © - Unpublished Work - See title page for details.

32-44-71  
FIG. 02C  
PAGE 2  
JAN 20/09



757

PARTS CATALOG (MAINTENANCE)

FIG ITEM	PART NUMBER	1 2 3 4 5 6 7	NOMENCLATURE	EFFECT FROM TO	UNITS PER ASSY
2C 105	W460F1A		.RELAY- SUPPLIER CODE: VF0219 SPECIFICATION NUMBER: BACR13CE2 OPTIONAL PART: 3SAH5-13-4K1 V01526 3SAH1326A2 V01526 ELECTRICAL EQUIP NUMBER: K00419	103106 108120	1
- 300	286N1260-357		WIRE BUNDLE ASSY	108120	RF
- 302	286N1260-601		WIRE BUNDLE ASSY	103106	RF
310	RSE120027		.SOCKET- SUPPLIER CODE: V58982 SPECIFICATION NUMBER: BACS16AF1 OPTIONAL PART: 451120-027 V58982 ELECTRICAL EQUIP NUMBER: D02768 WIRING DIAGRAM REF: 324411	103106 108120	1

MISSING ITEM NUMBERS NOT APPLICABLE

- ITEM NOT ILLUSTRATED

32-44-71-02C

32-44-71  
FIG. 02C  
PAGE 3  
JAN 20/09

BRI

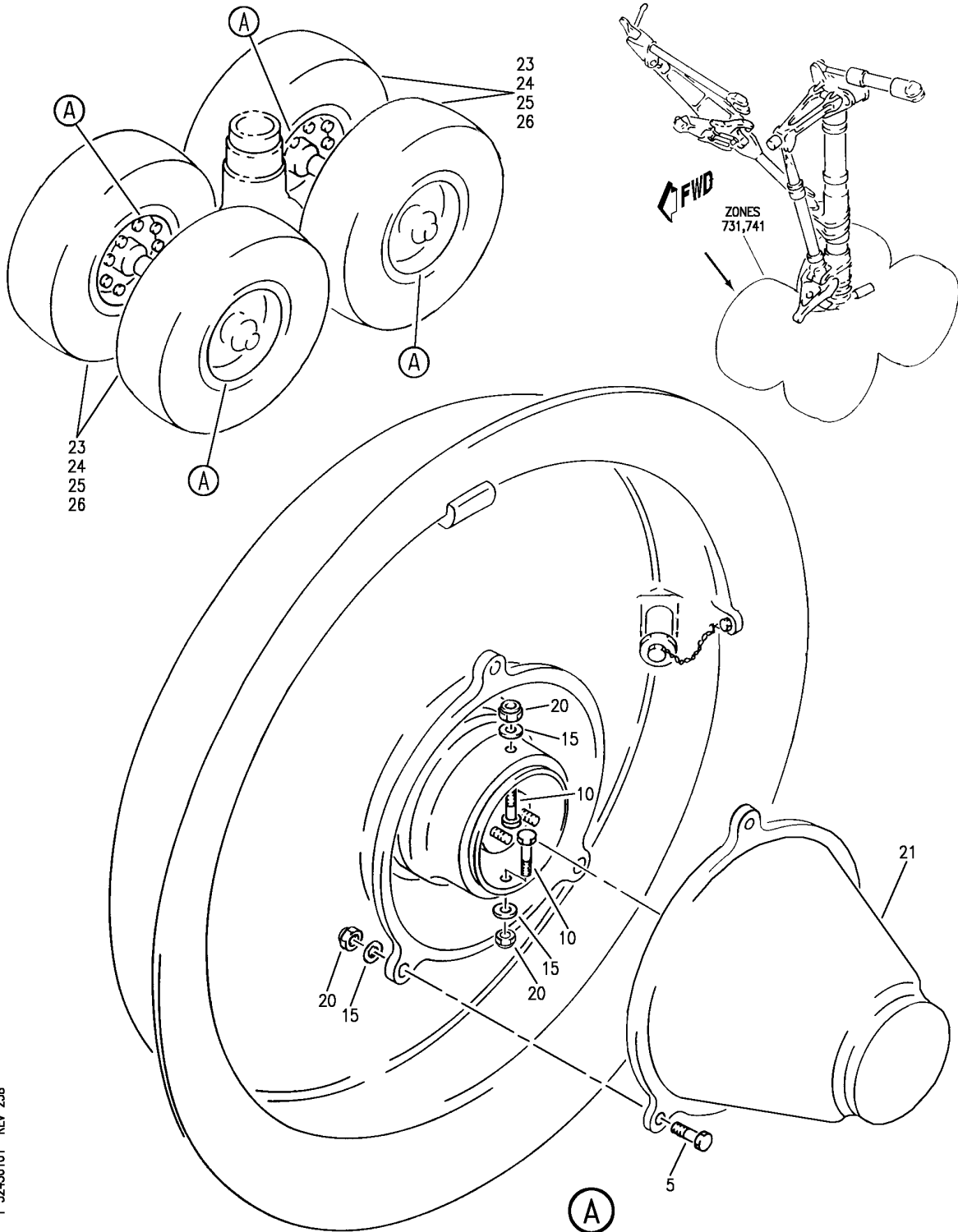
BOEING PROPRIETARY - Copyright © - Unpublished Work - See title page for details.

## WHEELS BRAKES AND TIRES

BRI  
MAY 28/07

32-45-00  
SECTION TITLE  
PAGE 1

**BOEING**  
757  
PARTS CATALOG (MAINTENANCE)



Y 32450101 REV 258

WHEEL AND BRAKE INSTL-MLG (TIRES AND WHEELS ONLY)  
FIGURE 1

**32-45-01-01**

BRI  
MAY 28/07

32-45-01-01  
PAGE 0



757

PARTS CATALOG (MAINTENANCE)

FIG ITEM	PART NUMBER	1 2 3 4 5 6 7	NOMENCLATURE	EFFECT FROM TO	UNITS PER ASSY
1			WHEEL AND BRAKE INSTL-MLG (TIRES AND WHEELS ONLY)	002004 006100 107107 121503 904999	
- 1	160N0001-1		WHEEL AND BRAKE INSTL-MLG (TIRES AND WHEELS ONLY) POSITION DATA: LH FOR OTHER SYS DETAILS SEE: 32-41-10-01 32-42-06-01	002004 006100 107107 121503 904999	RF
- 3	160N0001-2		WHEEL AND BRAKE INSTL-MLG (TIRES AND WHEELS ONLY) POSITION DATA: RH FOR OTHER SYS DETAILS SEE: 32-41-10-01 32-42-06-01	002004 006100 107107 121503 904999	RF
5	BACB30LJ4-8		.BOLT-	002004 006100 107107 121503 904999	RF
10	BACB30LJ4-11		.BOLT-	002004 006100 107107 121503 904999	RF
15	AN960-416L		.WASHER-	002004 006100 107107 121503 904999	RF
20	BRH10C4D		.NUT- SUPPLIER CODE: V52828 SPECIFICATION NUMBER: BACN10JC4CD OPTIONAL PART: T6C428JCD V11815 NS202486-048 V80539 102LH9075-4W V72962 H51650-4BAC V15653	002004 006100 107107 121503 904999	RF

MISSING ITEM NUMBERS NOT APPLICABLE

- ITEM NOT ILLUSTRATED

BRI

32-45-01-01

32-45-01  
FIG. 01  
PAGE 1  
JAN 20/09



757

PARTS CATALOG (MAINTENANCE)

FIG ITEM	PART NUMBER	1 2 3 4 5 6 7	NOMENCLATURE	EFFECT FROM TO	UNITS PER ASSY
1					
21	161N0001-27		.HUBCAP ASSY-MLG POSITION DATA: LH SIDE	002004 006100 107107 121503 904999	RF
21	161N0001-31		.HUBCAP ASSY-MLG POSITION DATA: LH SIDE	002004 006100 107107 121503 904999	RF
21	161N0001-99		.HUBCAP ASSY-MLG POSITION DATA: LH SIDE	002004 006100 107107 121503 904999	RF
21	160N0001-31		.HUBCAP ASSY-MLG POSITION DATA: LH SIDE	002004 006100 107107 121503 904999	RF
- 22	161N0001-27		.HUBCAP ASSY-MLG POSITION DATA: RH SIDE	002004 006100 107107 121503 904999	RF
- 22	161N0001-31		.HUBCAP ASSY-MLG POSITION DATA: RH SIDE	002004 006100 107107 121503 904999	RF
- 22	161N0001-99		.HUBCAP ASSY-MLG POSITION DATA: RH SIDE	002004 006100 107107 121503 904999	RF
- 22	160N0001-31		.HUBCAP ASSY-MLG POSITION DATA: RH SIDE	002004 006100 107107 121503 904999	RF
24	160N0001-15		.WHEEL AND TIRE ASSY- REWORKED BY SB: 32-0126 POST RAPID REVISION: RR92033-14 FOR DETAILS SEE: 32-45-03-04 32-45-04-05 32-45-08-10	002004 006100 952999	4

MISSING ITEM NUMBERS NOT APPLICABLE

- ITEM NOT ILLUSTRATED

32-45-01-01

32-45-01  
FIG. 01  
PAGE 2  
JAN 20/09

BRI





757

PARTS CATALOG (MAINTENANCE)

FIG ITEM	PART NUMBER	1 2 3 4 5 6 7	NOMENCLATURE	EFFECT FROM TO	UNITS PER ASSY
1					
25	161N0001-47		.WHEEL AND TIRE ASSY- FOR DETAILS SEE: 32-45-03-05 32-45-04-05 32-45-08-10	904949	4
25	160N0001-30		.WHEEL AND TIRE ASSY- FOR DETAILS SEE: 32-45-03-05 32-45-04-05 32-45-08-10	950951	4
25	161N0001-91		.WHEEL AND TIRE ASSY- FOR DETAILS SEE: 32-45-03-05 32-45-04-05 32-45-08-10	107107	4
25	160N0001-10		.WHEEL AND TIRE ASSY- FOR DETAILS SEE: 32-45-03-05 32-45-04-05 32-45-08-10	121503	4

MISSING ITEM NUMBERS NOT APPLICABLE

- ITEM NOT ILLUSTRATED

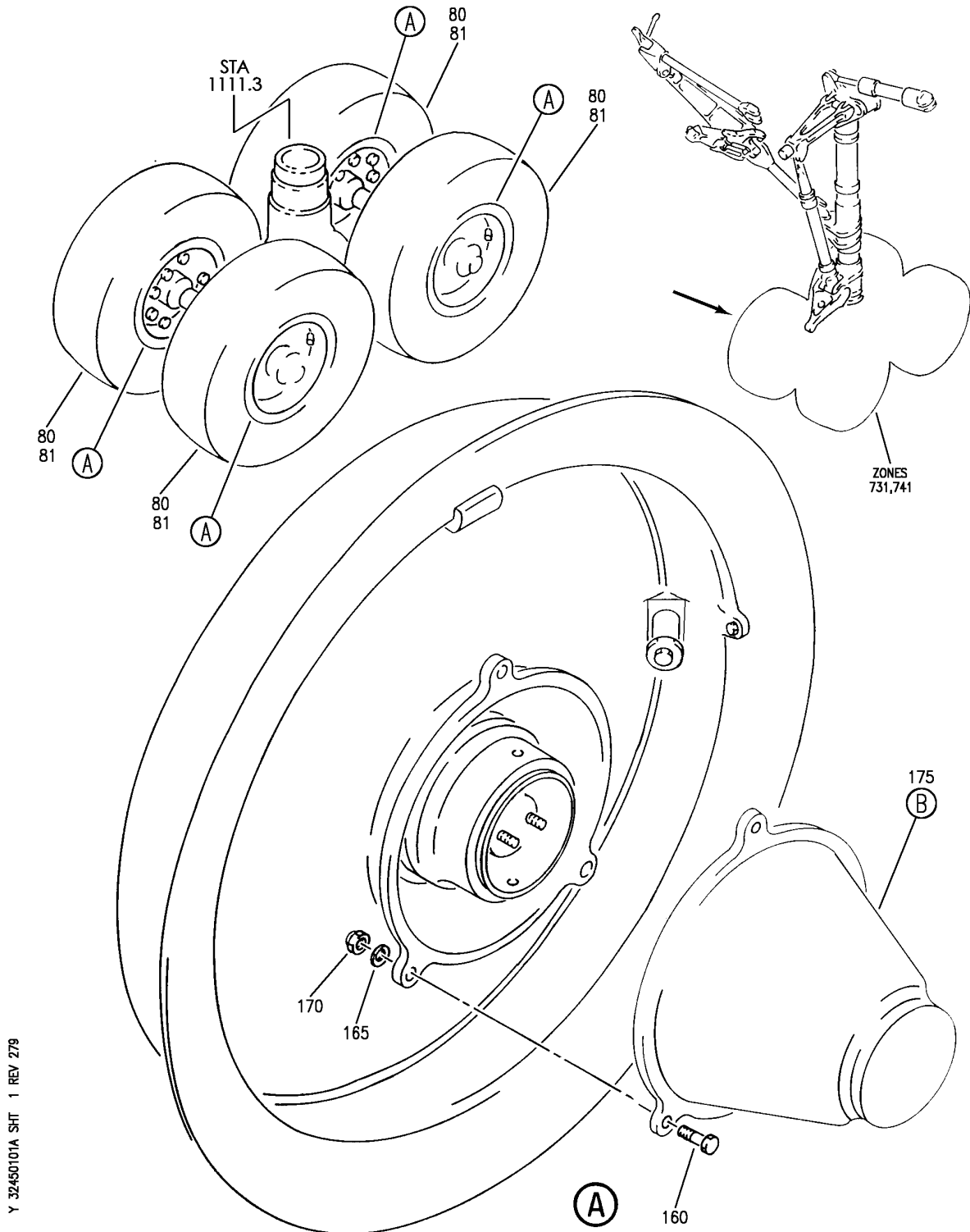
BRI

32-45-01-01

BOEING PROPRIETARY - Copyright © - Unpublished Work - See title page for details.

32-45-01  
FIG. 01  
PAGE 3  
JAN 20/09

**BOEING**  
757  
PARTS CATALOG (MAINTENANCE)



Y 32450101A SHT 1 REV 279

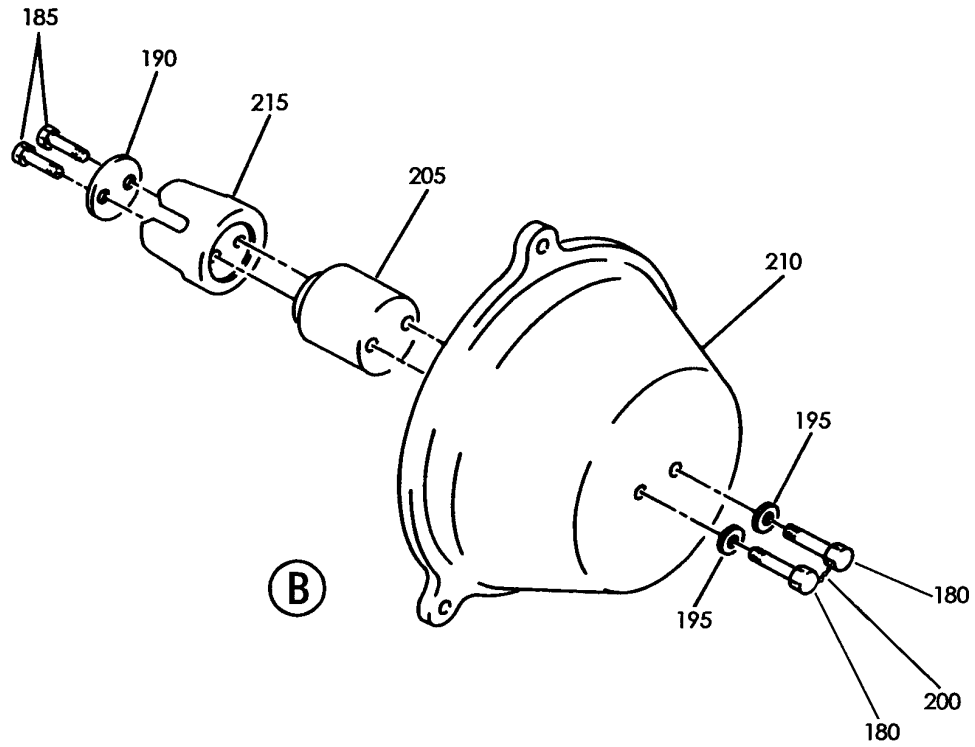
WHEEL AND BRAKE INSTL-MLG (TIRES AND WHEELS ONLY)  
FIGURE 1A (SHEET 1)

**32-45-01-01A**

BRI  
MAY 28/07

32-45-01-01A  
PAGE 0

**BOEING**  
757  
PARTS CATALOG (MAINTENANCE)



Y 32450101A SHT 2 REV 205

WHEEL AND BRAKE INSTL-MLG (TIRES AND WHEELS ONLY)  
FIGURE 1A (SHEET 2)

**32-45-01-01A**

BRI  
MAY 28/07

32-45-01-01A  
PAGE 0A



757

PARTS CATALOG (MAINTENANCE)

FIG ITEM	PART NUMBER	1 2 3 4 5 6 7	NOMENCLATURE	EFFECT FROM TO	UNITS PER ASSY
1 A			WHEEL AND BRAKE INSTL-MLG (TIRES AND WHEELS ONLY)	101102 108120 504903	
- 1	277N1000-103		WHEEL TIRE INSTL-MLG POSITION DATA: LH FOR NHA SEE: 32-00-00-18	101102	RF
- 1	277N1000-203		WHEEL TIRE INSTL-MLG POSITION DATA: LH FOR NHA SEE: 32-00-00-18	108120	RF
- 1	277N1000-211		WHEEL TIRE INSTL-MLG POSITION DATA: LH FOR NHA SEE: 32-00-00-18	504903	RF
- 5	277N1000-104		WHEEL TIRE INSTL-MLG POSITION DATA: RH FOR NHA SEE: 32-00-00-18	101102	RF
- 5	277N1000-204		WHEEL TIRE INSTL-MLG POSITION DATA: RH FOR NHA SEE: 32-00-00-18	108120	RF
- 5	277N1000-212		WHEEL TIRE INSTL-MLG POSITION DATA: RH FOR NHA SEE: 32-00-00-18	504903	RF
80	160N0001-16		.WHEEL AND TIRE ASSY- FOR DETAILS SEE: 32-45-03-05 32-45-04-05 32-45-08-10	108120	4
80	160N0001-10		.WHEEL AND TIRE ASSY- FOR DETAILS SEE: 32-45-03-05 32-45-04-05 32-45-08-10	504903	4
80	277N3000-104		.WHEEL AND TIRE ASSY- FOR DETAILS SEE: 32-45-03-04 32-45-04-05 32-45-08-10	101102	4

MISSING ITEM NUMBERS NOT APPLICABLE

- ITEM NOT ILLUSTRATED

32-45-01-01A

32-45-01  
FIG. 01A  
PAGE 1  
JAN 20/09

BRI

BOEING PROPRIETARY - Copyright © - Unpublished Work - See title page for details.



757

PARTS CATALOG (MAINTENANCE)

FIG ITEM	PART NUMBER	1 2 3 4 5 6 7	NOMENCLATURE	EFFECT FROM TO	UNITS PER ASSY
1A					
- 150	277N1300-1		HUBCAP INSTL-MAIN GEAR POSITION DATA: LH SIDE FOR NHA SEE: 32-00-00-18	101102 108120 504903	RF
- 155	277N1300-2		HUBCAP INSTL-MAIN GEAR POSITION DATA: RH SIDE FOR NHA SEE: 32-00-00-18	101102 108120 504903	RF
160	BACB30LJ4-8		.BOLT	101102 108120 504903	12
165	NAS1149F0432P		.WASHER	101102 108120 504903	12
170	BRH10C4D		.NUT SUPPLIER CODE: V52828 SPECIFICATION NUMBER: BACN10JC4CD OPTIONAL PART: T6C428JCD V11815 NS202486-048 V80539 102LH9075-4W V72962 H51650-4BAC V15653	101102 108120 504903	12
175	160N0001-31		.HUBCAP ASSY-MLG	101102 108120 504903	4
175	161N0001-31		.HUBCAP ASSY-MLG	101102 108120 504903	4
175	161N0001-99		.HUBCAP ASSY-MLG	101102 108120 504903	4
175	161N0001-27		.HUBCAP ASSY-MLG	101102 108120 504903	4
180	NAS6603H3		..BOLT	101102 108120 504903	2
185	NAS1352C08H10		..SCREW	101102 108120 504903	2

MISSING ITEM NUMBERS NOT APPLICABLE

- ITEM NOT ILLUSTRATED

32-45-01-01A

32-45-01  
FIG. 01A  
PAGE 2  
JAN 20/09

BRI

BOEING PROPRIETARY - Copyright © - Unpublished Work - See title page for details.



757

PARTS CATALOG (MAINTENANCE)

FIG ITEM	PART NUMBER	1 2 3 4 5 6 7	NOMENCLATURE	EFFECT FROM TO	UNITS PER ASSY
1A					
190	161T1223-1	..	WASHER- MISCELLANEOUS DATA: NOT AN INITIAL PROVISIONING SPARE	101102 108120 504903	1
195	AN960JD10L	..	WASHER	101102 108120 504903	2
200	MS20995C32	..	WIRE	101102 108120 504903	AR
205	84490-1	..	COUPLING ASSY- SUPPLIER CODE: V07649 SPECIFICATION NUMBER: S161T102-5 USED ON: 160N0001-31	101102 108120 504903	1
205	78529	..	COUPLING ASSY- SUPPLIER CODE: V92003 SPECIFICATION NUMBER: S161T102-2 USED ON: 161N0001-27 161N0001-31	101102 108120 504903	1
205	84490	..	COUPLING ASSY- SUPPLIER CODE: V92003 SPECIFICATION NUMBER: S161T102-4 OPTIONAL PART: 84490-1 V92003 USED ON: 161N0001-99	101102 108120 504903	1
205	84490-1	..	COUPLING ASSY- SUPPLIER CODE: V07649 SPECIFICATION NUMBER: S161T102-5 OPTIONAL PART: 84490 V92003 USED ON: 161N0001-99	101102 108120 504903	1

MISSING ITEM NUMBERS NOT APPLICABLE

- ITEM NOT ILLUSTRATED

32-45-01-01A

32-45-01  
FIG. 01A  
PAGE 3  
JAN 20/09

BRI

BOEING PROPRIETARY - Copyright © - Unpublished Work - See title page for details.



757

PARTS CATALOG (MAINTENANCE)

FIG ITEM	PART NUMBER	1 2 3 4 5 6 7	NOMENCLATURE	EFFECT FROM TO	UNITS PER ASSY
1 A 210	161N1712-1		..HUBCAP- QUALIFIED I/W DATA: 161N1708-1 OR 161N1701-1 (OPTIONAL) HUB CAP ASSY T/W 1EA 161N1702-1 MOUNTING PLATE AND 6EA NAS6603H1 BOLTS I/W 161N1712-1 HUB CAP T/W 2EA AN960JD10L WASHERS AND 2EA NAS6603H3 BOLTS. USED ON: 160N0001-31	101102 108120 504903	1
210	161N1701-1		..HUBCAP ASSY- USED ON: 161N0001-31 USED WITH: 161N1702-1	101102 108120 504903	1
210	161N1708-1		..HUBCAP ASSY- QUALIFIED I/W DATA: 161N1708-1 OR 161N1701-1 (OPTIONAL) HUB CAP ASSY T/W 1EA 161N1702-1 MOUNTING PLATE AND 6EA NAS6603H1 BOLTS I/W 161N1712-1 HUB CAP T/W 2EA AN960JD10L WASHERS AND 2EA NAS6603H3 BOLTS. USED ON: 161N0001-27 USED WITH: 161N1702-1	101102 108120 504903	1
210	161N1708-4		..HUBCAP ASSY- USED WITH: 161N1702-1	101102 108120 504903	1
210	161N1701-1		..HUBCAP ASSY- OPTIONAL PART: 161N1708-1 USED ON: 161N0001-99 USED WITH: 161N1702-1	101102 108120 504903	1

MISSING ITEM NUMBERS NOT APPLICABLE

- ITEM NOT ILLUSTRATED

32-45-01-01A

32-45-01  
FIG. 01A  
PAGE 4  
JAN 20/09

BRI



757

PARTS CATALOG (MAINTENANCE)

FIG ITEM	PART NUMBER	1 2 3 4 5 6 7	NOMENCLATURE	EFFECT FROM TO	UNITS PER ASSY
1 A 210	161N1708-1		..HUBCAP ASSY- QUALIFIED I/W DATA: 161N1708-1 OR 161N1701-1 (OPTIONAL) HUB CAP ASSY T/W 1EA 161N1702-1 MOUNTING PLATE AND 6EA NAS6603H1 BOLTS I/W 161N1712-1 HUB CAP T/W 2EA AN960JD10L WASHERS AND 2EA NAS6603H3 BOLTS. OPTIONAL PART: 161N1701-1 USED ON: 161N0001-99 USED WITH: 161N1702-1	101102 108120 504903	1
215	161T1220-1		..CUP- MISCELLANEOUS DATA: NOT AN INITIAL PROVISIONING SPARE	101102 108120 504903	1

MISSING ITEM NUMBERS NOT APPLICABLE

- ITEM NOT ILLUSTRATED

BRI

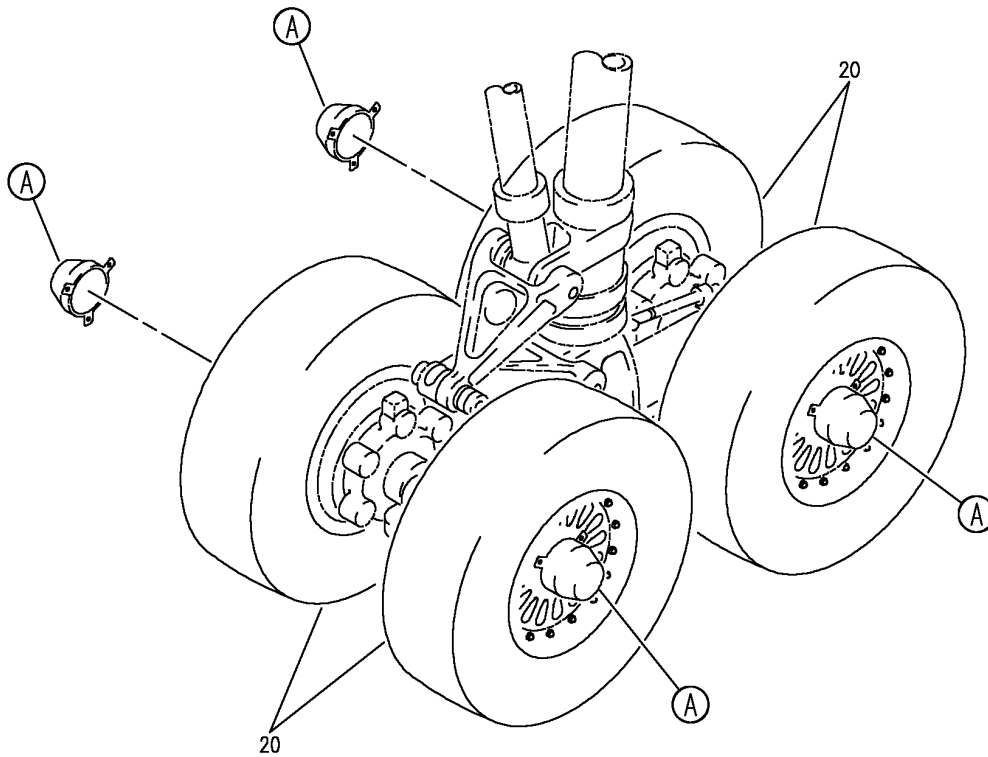
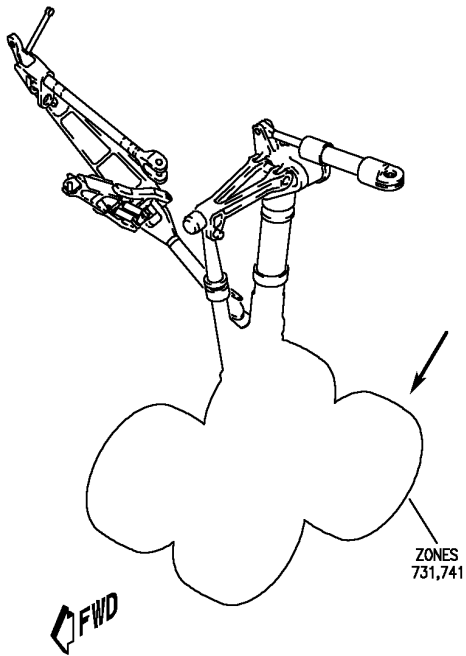
32-45-01-01A

BOEING PROPRIETARY - Copyright © - Unpublished Work - See title page for details.

32-45-01  
FIG. 01A  
PAGE 5  
JAN 20/09



**BOEING**  
757  
PARTS CATALOG (MAINTENANCE)



Y 32450102 SH1 1 REV 262

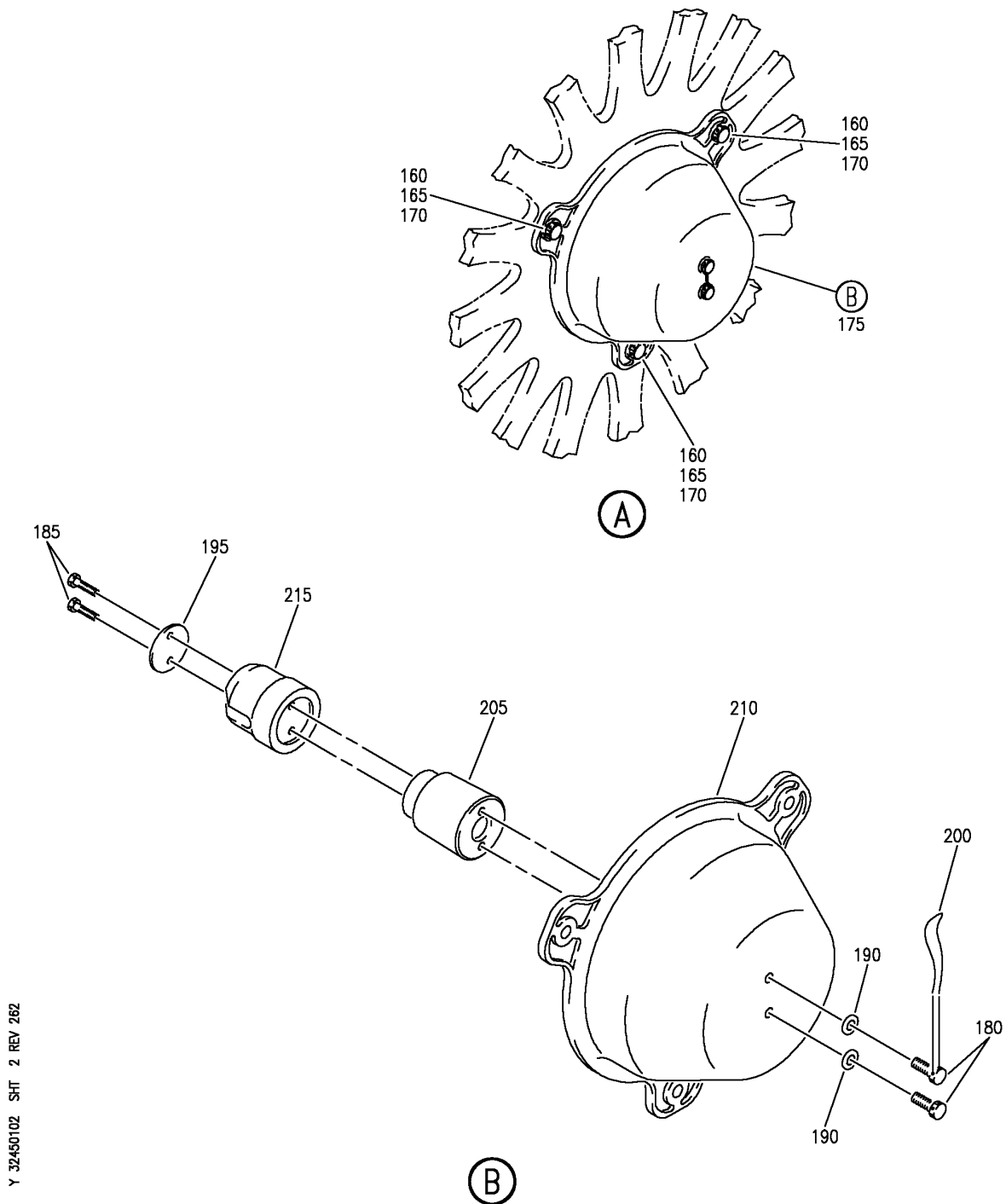
WHEEL TIRE AND HUBCAP INSTL MLG  
FIGURE 2 (SHEET 1)

**32-45-01-02**

BRI  
JAN 20/09

32-45-01-02  
PAGE 0

**BOEING**  
757  
PARTS CATALOG (MAINTENANCE)



Y 32450102 SH1 2 REV 262

WHEEL TIRE AND HUBCAP INSTL MLG  
FIGURE 2 (SHEET 2)

**32-45-01-02**

BRI  
JAN 20/09

32-45-01-02  
PAGE 0A



757

PARTS CATALOG (MAINTENANCE)

FIG ITEM	PART NUMBER	1 2 3 4 5 6 7	NOMENCLATURE	EFFECT FROM TO	UNITS PER ASSY
2			WHEEL TIRE AND HUBCAP INSTL MLG	103106	
- 1	MODREF8761		WHEEL TIRE INSTL-MLG MODULE NUMBER: 277N1000-103 REV A POSITION DATA: LH	103103	1
- 1	MODREF27652		WHEEL TIRE INSTL-MLG MODULE NUMBER: 277N1000-103 REV B POSITION DATA: LH	104105	1
- 1	MODREF27657		WHEEL TIRE INSTL-MLG MODULE NUMBER: 277N1000-203 REV B POSITION DATA: LH	106106	1
- 5	MODREF8762		WHEEL TIRE INSTL-MLG MODULE NUMBER: 277N1000-104 REV A POSITION DATA: RH	103103	1
- 5	MODREF27653		WHEEL TIRE INSTL-MLG MODULE NUMBER: 277N1000-104 REV B POSITION DATA: RH	104105	1
- 5	MODREF27658		WHEEL TIRE INSTL-MLG MODULE NUMBER: 277N1000-204 REV B POSITION DATA: RH	106106	1
20	277N3000-104		.WHEEL AND TIRE ASSY-MLG FOR DETAILS SEE: 32-45-03-04 32-45-04-05 32-45-08-10	103105	4
20	160N0001-16		.WHEEL AND TIRE ASSY-MLG FOR DETAILS SEE: 32-45-03-05 32-45-04-05 32-45-08-10	106106	4
- 150	MODREF27682		HUBCAP INSTL-MLG MODULE NUMBER: 277N1300-1 REV B POSITION DATA: LH SIDE	103106	1

MISSING ITEM NUMBERS NOT APPLICABLE

- ITEM NOT ILLUSTRATED

32-45-01-02

32-45-01  
FIG. 02  
PAGE 1  
JAN 20/09

BRI

BOEING PROPRIETARY - Copyright © - Unpublished Work - See title page for details.



757

PARTS CATALOG (MAINTENANCE)

FIG ITEM	PART NUMBER	1 2 3 4 5 6 7	NOMENCLATURE	EFFECT FROM TO	UNITS PER ASSY
2					
- 155	MODREF27683		HUBCAP INSTL-MLG MODULE NUMBER: 277N1300-2 REV B POSITION DATA: RH SIDE	103106	1
160	BACB30LJ4-8		.BOLT	103106	12
165	NAS1149F0432P		.WASHER	103106	12
170	BRH10C4D		.NUT SUPPLIER CODE: V52828 SPECIFICATION NUMBER: BACN10JC4CD OPTIONAL PART: T6C428JCD V11815 NS202486-048 V80539 102LH9075-4W V72962 H51650-4BAC V15653	103106	12
175	160N0001-31		.HUBCAP ASSY-	103106	4
180	NAS6603H3		..BOLT	103106	2
185	NAS1352C08H10		..SCREW	103106	2
190	AN960JD10L		..WASHER	103106	2
195	161T1223-1		..WASHER- MISCELLANEOUS DATA: NOT AN INITIAL PROVISIONING SPARE	103106	1
200	MS20995C32		..WIRE	103106	AR
205	84490-1		..COUPLING ASSY- SUPPLIER CODE: V07649 SPECIFICATION NUMBER: S161T102-5	103106	1
210	161N1712-1		..HUBCAP- QUALIFIED I/W DATA: 161N1708-1 OR 161N1701-1 (OPTIONAL) HUB CAP ASSY T/W 1EA 161N1702-1 MOUNTING PLATE AND 6EA NAS6603H1 BOLTS I/W 161N1712-1 HUB CAP T/W 2EA AN960JD10L WASHERS AND 2EA NAS6603H3 BOLTS.	103106	1
215	161T1220-1		..CUP- MISCELLANEOUS DATA: NOT AN INITIAL PROVISIONING SPARE	103106	1

MISSING ITEM NUMBERS NOT APPLICABLE

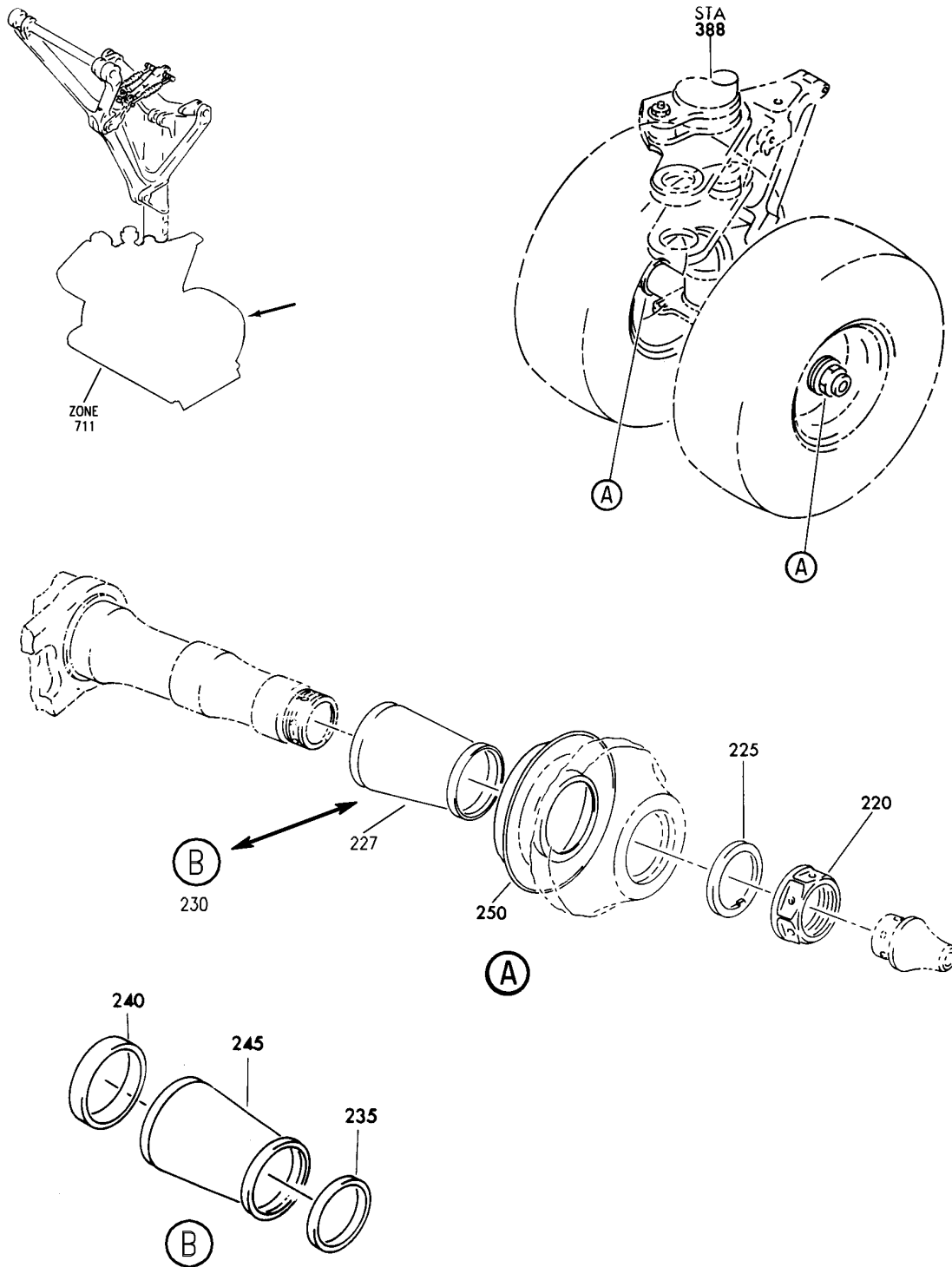
- ITEM NOT ILLUSTRATED

32-45-01-02

32-45-01  
FIG. 02  
PAGE 2  
JAN 20/09

BRI

**BOEING**  
757  
PARTS CATALOG (MAINTENANCE)



Y 32450201 REV 242

NOSE GEAR AND WHEEL AND TIRE ASSY-NLG  
FIGURE 1

**32-45-02-01**

BRI  
MAY 28/07

32-45-02-01  
PAGE 0



757

PARTS CATALOG (MAINTENANCE)

FIG ITEM	PART NUMBER	1 2 3 4 5 6 7	NOMENCLATURE	EFFECT FROM TO	UNITS PER ASSY
1			NOSE GEAR AND WHEEL AND TIRE ASSY-NLG	101106 108120 504903 950951 950951	
- 201	162N0001-97		GEAR ASSY- COMPONENT MAINT MANUAL REF: 32-21-25 QUALIFIED I/W DATA: 162N0001-121, -114, -108, -102, -97 WITH QUICK RELEASE TORSION LINKS AND ONLY FORWARD TOW FITTING MAY REPLACE BUT NOT BE REPLACED BY 162N0001-41, -38, -32, -31, -26, -24, -23, -21, -19, -18, -4, -6 WITH FORWARD AND AFT TOW FITTING AND WITHOUT QUICK RELEASE TORSION LINKS SUBJECT TO CUSTOMER APPROVAL. FOR NHA/OTHER SYS DET SEE: 32-21-00-01B		RF
- 201	162N0001-97		GEAR ASSY- COMPONENT MAINT MANUAL REF: 32-21-25 QUALIFIED I/W DATA: 162N0001-97 MAY REPLACE -49 FOR UNITED AIRLINES ONLY 162N0001-121, -114, -108 -102, -97 T/W (1) BACB28AK06-045, (1) BACB30NR6DK21 WITH QUICK RELEASE TORSION LINK AND FORWARD TOW FITTING ONLY MAY REAPLACE BUT NOT BE REPLACED BY 162N0001-22, -20 T/W (1) BACB28AK06-058, (1) BACB30NR6DK25 WITHOUT QUICK RELEASE TORSION LINK AND WITH FORWARD AND AFT TOW FITTING SUBJECT TO CUSTOMER APPROVAL 162N0001-121, -114, -108 -102, -97 WITH QUICK	950951	RF

MISSING ITEM NUMBERS NOT APPLICABLE

- ITEM NOT ILLUSTRATED

32-45-02-01

32-45-02  
FIG. 01  
PAGE 1  
JAN 20/09

BRI



757

PARTS CATALOG (MAINTENANCE)

FIG ITEM	PART NUMBER	1 2 3 4 5 6 7	NOMENCLATURE	EFFECT FROM TO	UNITS PER ASSY
1			RELEASE TORSION LINKS AND ONLY FORWARD TOW FITTING MAY REPLACE BUT NOT BE REPLACED BY 162N0001-41, -38, -32, -31, -26, -24, -23, -21, -19, -18, -4. -6 WITH FORWARD AND AFT TOW FITTING AND WITHOUT QUICK RELEASE TORSION LINKS SUBJECT TO CUSTOMER APPROVAL 162N0001-121, -114, -108, -102, -97 WITH QUICK RELEASE TORSION LINKS AND ONLY FORWARD FITTING MAY REPLACE BUT NOT BE REPLACED BY 162N0001-41, -38, -32, -31, -26, -24, -23, -21, -19, -18, -4, -6 WITH FORWARD AND AFT TOW FITTING AND WITHOUT QUICK RELEASE TORSION LINKS SUBJECT TO CUSTOMER APPROVAL. FOR NHA/OTHER SYS DET SEE: 32-21-00-01B		

MISSING ITEM NUMBERS NOT APPLICABLE

- ITEM NOT ILLUSTRATED

BRI

# 32-45-02-01

BOEING PROPRIETARY - Copyright © - Unpublished Work - See title page for details.

32-45-02  
FIG. 01  
PAGE 2  
JAN 20/09



757

PARTS CATALOG (MAINTENANCE)

FIG ITEM	PART NUMBER	1 2 3 4 5 6 7 NOMENCLATURE	EFFECT FROM TO	UNITS PER ASSY
1 - 201	162N0001-97	GEAR ASSY- COMPONENT MAINT MANUAL REF: 32-21-25 QUALIFIED I/W DATA: 162N0001-121, -114, -108, -102, -97 WITH ONLY FORWARD TOW FITTING MAY REPLACE BUT NOT BE REPLACED BY 162N0001-46, -42, -33 WITH FORWARD AND AFT TOW FITTING SUBJECT TO CUSTOMER APPROVAL. 162N0001-121, -114, -108, -102, -97 WITH QUICK RELEASE TORSION LINKS AND REQUIRES 757 TOW BAR I/W 126N0001-122, -115, -109, -103, -98 WITHOUT QUICK RELEASE TORSION LINKS AND REQUIRES 727 TOW BAR SUBJECT TO CUSTOMER APPROVAL. 162N0001-121, -114, -108, -102, 97 T/W (1) BACBB28AK06-045, (1) BACB30NR6DK21 WITH QUICK RELEASE TORSION LINK AND FORWARD TOW FITTING ONLY MAY REPLACE BUT NOT BE REPLACED BY 162N0001-22, -20 T/W (1) BABC28AK06-058, (1) BACN30NR6DK25 WITHOUT QUICK RELEASE TORSION LINK AND WITH FORWARD AND AFT TOW FITTINGS SUBJECT TO CUSTOMER APPROVAL. FOR NHA/OTHER SYS DET SEE: 32-21-00-01B	950951	RF

MISSING ITEM NUMBERS NOT APPLICABLE

- ITEM NOT ILLUSTRATED

32-45-02-01

32-45-02  
 FIG. 01  
 PAGE 3  
 JAN 20/09

BRI





757

PARTS CATALOG (MAINTENANCE)

FIG ITEM	PART NUMBER	1 2 3 4 5 6 7	NOMENCLATURE	EFFECT FROM TO	UNITS PER ASSY
1 - 201	162N0001-97		GEAR ASSY- COMPONENT MAINT MANUAL REF: 32-21-25 QUALIFIED I/W DATA: 162N0001-119, -112, -106, -99, -45 WITH FORWARD AND AFT TOW FITTING I/W 162N0001-121, -114, -108, -102, -97 WITH ONLY FORWARD TOW FITTING SUBJECT TO CUSTOMER APPROVAL. 162N0001-121, -114, -108, -102, -97 WITH QUICK RELEASE TORSION LINKS AND ONLY FORWARD TOW FITTING I/W 162N0001-120, -113, -107, -100, -47 WITH FORWARD AND AFT TOW FITTING AND WITHOUT QUICK RELEASE TORSION LINKS SUBJECT TO CUSTOMER APPROVAL. FOR NHA/OTHER SYS DET SEE: 32-21-00-01B	950951	RF

MISSING ITEM NUMBERS NOT APPLICABLE

- ITEM NOT ILLUSTRATED

BRI

# 32-45-02-01

BOEING PROPRIETARY - Copyright © - Unpublished Work - See title page for details.

32-45-02  
FIG. 01  
PAGE 4  
JAN 20/09



757

PARTS CATALOG (MAINTENANCE)

FIG ITEM	PART NUMBER	1 2 3 4 5 6 7 NOMENCLATURE	EFFECT FROM TO	UNITS PER ASSY
1 - 201	162N0001-102	GEAR ASSY- COMPONENT MAINT MANUAL REF: 32-21-25 QUALIFIED I/W DATA: 162N0001-121, -114, -108 -102, -97 T/W (1) BACB28AK06-045, (1) BACB30NR6DK21 WITH QUICK RELEASE TORSION LINK AND FORWARD TOW FITTING ONLY MAY REAPLACE BUT NOT BE REPLACED BY 162N0001-22, -20 T/W (1) BACB28AK06-058, (1) BACB30NR6DK25 WITHOUT QUICK RELEASE TORSION LINK AND WITH FORWARD AND AFT TOW FITTING SUBJECT TO CUSTOMER APPROVAL 162N0001-121, -114, -108 -102, -97 WITH QUICK RELEASE TORSION LINKS AND ONLY FORWARD TOW FITTING MAY REPLACE BUT NOT BE REPLACED BY 162N0001-41, -38, -32, -31, -26, -24, -23, -21, -19, -18, -4. -6 WITH FORWARD AND AFT TOW FITTING AND WITHOUT QUICK RELEASE TORSION LINKS SUBJECT TO CUSTOMER APPROVAL FOR NHA/OTHER SYS DET SEE: 32-21-00-01B	950951	RF

MISSING ITEM NUMBERS NOT APPLICABLE

- ITEM NOT ILLUSTRATED

BRI

32-45-02-01

BOEING PROPRIETARY - Copyright © - Unpublished Work - See title page for details.

32-45-02  
 FIG. 01  
 PAGE 5  
 JAN 20/09

 **BOEING**  
757  
**PARTS CATALOG (MAINTENANCE)**

FIG ITEM	PART NUMBER	1 2 3 4 5 6 7	NOMENCLATURE	EFFECT FROM TO	UNITS PER ASSY
1 - 201	162N0001-108		GEAR ASSY- COMPONENT MAINT MANUAL REF: 32-21-25 QUALIFIED I/W DATA: 162N0001-121, -114, -108 -102, -97 T/W (1) BACB28AK06-045 (1) BACB30NR6DK21 WITH QUICK RELEASE TORSION LINK AND FORWARD TOW FITTING ONLY MAY REPLACE BUT NOT BE REPLACED BY 162N0001-22, -20 T/W (1) BACB28AK06 -058 (1) BACB30NR6DK25 WITHOUT QUICK RELEASE TORSION LINK AND WITH FORWARD AND AFT TOW FITTING SUBJECT TO CUSTOMER APPROVAL 162N0001-121, -114, -108 -102, -97 WITH QUICK RELEASE TORSION LINKS AND ONLY FORWARD TOW FITTING MAY REPLACE BUT NOT BE REPLACED BY 162N0001-41, -38, -32, -31, -26, -24, -23, -21, -19, -18, -4. -6 WITH FORWARD AND AFT TOW FITTING AND WITHOUT QUICK RELEASE TORSION LINKS SUBJECT TO CUSTOMER APPROVAL FOR NHA/OTHER SYS DET SEE: 32-21-00-01B	950951	RF
- 202	162N0001-402		GEAR ASSY- MISCELLANEOUS DATA: 162N0001-111 INCLUDES ONE TOW FITTING AND NO QUICK DISCONNECT OPTION 162N0001-112 INCLUDES TWO TOW FITTINGS AND DISCONNECT OPTION 162N0001-113 INCLUDES TWO TOW FITTINGS AND NO QUICK DISCONNECT OPTION 162N0001-114 INCLUDES ONE TOW FITTING AND QUICK DISCONNECT OPTION	101102 108120 504903	RF

MISSING ITEM NUMBERS NOT APPLICABLE

- ITEM NOT ILLUSTRATED

BRI

# 32-45-02-01

BOEING PROPRIETARY - Copyright © - Unpublished Work - See title page for details.

32-45-02  
FIG. 01  
PAGE 6  
JAN 20/09



757

PARTS CATALOG (MAINTENANCE)

FIG ITEM	PART NUMBER	1 2 3 4 5 6 7 NOMENCLATURE	EFFECT FROM TO	UNITS PER ASSY
1		<p>162N0001-115 INCLUDE 727 TYPE TOW FITTING COMPONENT MAINT MANUAL REF: 32-21-25 QUALIFIED I/W DATA: 162N0001-402, NOSE GEAR ASSEMBLY T/W 162N0001-4001, TOW OPTION INSTALLATION I/W P/N 162N0001-111, NOSE GEAR ASSEMBLY 162N0001-402, NOSE GEAR ASSEMBLY T/W 162N0001-4002, TOW OPTION INSTALLATION, I/W P/N 102N0001-112, NOSE GEAR ASSEMBLY 162N0001-402, NOSE GEAR ASSEMBLY T/W 162N0001-4003, TOW OPTION INSTALLATION I/W P/N 162N0001-113, NOSE GEAR ASSEMBLY 162N0001-402, NOSE GEAR ASSEMBLY T/W 162N0001-4004, TOW OPTION INSTALLATION I/W P/N 162N0001-114, NOSE GEAR ASSEMBLY 162N0001-402 NOSE GEAR ASSEMBLY T/W 162N0001-4005, TOW OPTION INSTALLATION I/W P/N 162N0001-115, NOSE GEAR ASSEMBLY FOR SPARES PROCURE: 162N0001-111 162N0001-112 162N0001-113 162N0001-114 162N0001-115 FOR NHA/OTHER SYS DET SEE: 32-21-00-02</p>		

MISSING ITEM NUMBERS NOT APPLICABLE

- ITEM NOT ILLUSTRATED

32-45-02-01

32-45-02  
FIG. 01  
PAGE 7  
JAN 20/09

BRI



757

PARTS CATALOG (MAINTENANCE)

FIG ITEM	PART NUMBER	1 2 3 4 5 6 7 NOMENCLATURE	EFFECT FROM TO	UNITS PER ASSY
1 - 202	162N0001-121	GEAR ASSY- COMPONENT MAINT MANUAL REF: 32-21-25 QUALIFIED I/W DATA: 162N0001-121, -114, -108 -102, -97 WITH QUICK RELEASE TORSION LINKS AND REQUIRES 757 TOW BAR I/W 162N0001-122, -115, -109, -103, -98 WITHOUT QUICK RELEASE TORSION LINKS AND REQUIRES 727 TOW BAR SUBJECT TO CUSTOMER APPROVAL 162N0001-121, -114, -108 -102, -97 T/W (1) BACB30NR6DK21 WITH QUICK RELEASE TORSION LINK AND FORWARD TOW FITTING ONLY MAY REAPLACE BUT NOT BE REPLACED BY 162N0001-22, -20 T/W (1) BACB28AK06-058, (1) BACB30NR6DK25 WITHOUT QUICK RELEASE TORSION LINK AND WITH FORWARD AND AFT TOW FITTING SUBJECT TO CUSTOMER APPROVAL 162N0001-121, -114, -108 -102, -97 WITH QUICK RELEASE TORSION LINKS AND ONLY FORWARD TOW FITTING MAY REPLACE BUT NOT BE REPLACED BY 162N0001-41, -38, -32, -31, -26, -24, -23, -21, -19, -18, -4. -6 WITH FORWARD AND AFT TOW FITTING AND WITHOUT QUICK RELEASE TORSION LINKS SUBJECT TO CUSTOMER APPROVAL FOR NHA/OTHER SYS DET SEE: 32-21-00-01B	950951	RF

MISSING ITEM NUMBERS NOT APPLICABLE

- ITEM NOT ILLUSTRATED

BRI

32-45-02-01

BOEING PROPRIETARY - Copyright © - Unpublished Work - See title page for details.

32-45-02  
 FIG. 01  
 PAGE 8  
 JAN 20/09



757

PARTS CATALOG (MAINTENANCE)

FIG ITEM	PART NUMBER	1 2 3 4 5 6 7	NOMENCLATURE	EFFECT FROM TO	UNITS PER ASSY
1 - 203	162N0001-114		GEAR ASSY- MISCELLANEOUS DATA: 162N0001-114 INCLUDES ONE TOW FITTING AND QUICK DISCONNECT OPTION COMPONENT MAINT MANUAL REF: 32-21-25 QUALIFIED I/W DATA: 162N0001-402, NOSE GEAR ASSEMBLY T/W 162N0001 -4004, TOW OPTION INSTALLATION I/W P/N 162N0001-114, NOSE GEAR ASSEMBLY 162N0001-121, -114, -108 -102, -97 WITH QUICK RELEASE TORSION LINKS AND ONLY FORWARD TOW FITTING MAY REPLACE BUT NOT BE REPLACED BY 162N0001-41, -38, -32, -31, -26, -24, -23, -21, -19, -18, -4 -6, WITH FORWARD AND AFT TOW FITTING AND WITHOUT QUICK RELEASE TORSION LINKS SUBJECT TO CUSTOMER APPROVAL FOR NHA/OTHER SYS DET SEE: 32-21-00-01B	950951	RF

MISSING ITEM NUMBERS NOT APPLICABLE

- ITEM NOT ILLUSTRATED

BRI

32-45-02-01

BOEING PROPRIETARY - Copyright © - Unpublished Work - See title page for details.

32-45-02  
FIG. 01  
PAGE 9  
JAN 20/09



757

PARTS CATALOG (MAINTENANCE)

FIG ITEM	PART NUMBER	1 2 3 4 5 6 7	NOMENCLATURE	EFFECT FROM TO	UNITS PER ASSY
1 - 203	162N0001-114		GEAR ASSY- MISCELLANEOUS DATA: 162N0001-114 INCLUDES ONE TOW FITTING AND QUICK DISCONNECT OPTION COMPONENT MAINT MANUAL REF: 32-21-25 QUALIFIED I/W DATA: 162N0001-121, -114, -108 -102, -97 WITH QUICK RELEASE TORSION LINKS AND ONLY FORWARD TOW FITTING MAY REPLACED BUT NOT BE REPLACED BY 162N0001-41, -38, -32, -31, -26, -24, -23, -21, -19, -18, - 4, -6 WITH FORWARD AND AFT TOW FITTING AND WITHOUT QUICK RELEASE TORSION LINKS SUBJECT TO CUSTOMER APPROVAL 162N0001-119, -112, -106 -99, -45 WITH FORWARD AND AFT TOW FITTING I/W 162N0001-121, -114, -108 -102, -97 WITH ONLY FORWARD TOW FITTING SUBJECT TO CUSTOMER APPROVAL FOR NHA/OTHER SYS DET SEE: 32-21-00-01B	950951	RF

MISSING ITEM NUMBERS NOT APPLICABLE

- ITEM NOT ILLUSTRATED

BRI

32-45-02-01

BOEING PROPRIETARY - Copyright © - Unpublished Work - See title page for details.

32-45-02  
FIG. 01  
PAGE 10  
JAN 20/09



757

PARTS CATALOG (MAINTENANCE)

FIG ITEM	PART NUMBER	1 2 3 4 5 6 7	NOMENCLATURE	EFFECT FROM TO	UNITS PER ASSY
1 - 203	162N0001-114		GEAR ASSY- MISCELLANEOUS DATA: 162N0001-114 INCLUDES ONE TOW FITTING AND QUICK DISCONNECT OPTION COMPONENT MAINT MANUAL REF: 32-21-25 QUALIFIED I/W DATA: 162N0001-118, -111, -105 -101, -49 WITHOUT QUICK RELEASE TORSION LINKS I/W 162N0001-121, -114, -108, -102, -97 WITH QUICK RELEASE TORSION LINKS SUBJECT TO CUSTOMER APPROVAL 162N0001-121, -114,- 108 -102, -97 WITH QUICK RELEASE TORSION LINKS AND REQUIRES 757 TOW BAR I/W 162N0001-122, -115, -109, -103, -98 WITHOUT QUICK RELEASE TORSION LINKS AND REQUIRES 727 TOW BAR SUBJECT TO CUSTOMER APPROVAL 162N0001-121, -114, -108 -102, -97 WITH ONLY FORWARD TOW FITTING MAY REPLACE BUT NOT BE REPLACED BY 162N0001-46, -42, -33 WITH FORWARD AND AFT TOW FITTING SUBJECT TO CUSTOMER APPROVAL FOR NHA/OTHER SYS DET SEE: 32-21-00-01B	950951	RF

MISSING ITEM NUMBERS NOT APPLICABLE

- ITEM NOT ILLUSTRATED

BRI

32-45-02-01

BOEING PROPRIETARY - Copyright © - Unpublished Work - See title page for details.

32-45-02  
FIG. 01  
PAGE 11  
JAN 20/09





757

PARTS CATALOG (MAINTENANCE)

FIG ITEM	PART NUMBER	1 2 3 4 5 6 7 NOMENCLATURE	EFFECT FROM TO	UNITS PER ASSY
1 - 203	162N0001-114	GEAR ASSY- MISCELLANEOUS DATA: 162N0001-114 INCLUDES ONE TOW FITTING AND QUICK DISCONNECT OPTION COMPONENT MAINT MANUAL REF: 32-21-25 QUALIFIED I/W DATA: 162N0001-121, -114, -108 -102, -97 WITH QUICK RELEASE TORSION LINKS AND ONLY FORWARD TOW FITTING I/W 162N0001-120 -113, -107, -100, -47 WITH FORWARD AND AFT TOW FITTING AND WITHOUT QUICK RELEASE TORSION LINKS SUBJECT TO CUSTOMER APPROVAL 162N0001-121, -114, -108 -102, -97 T/W (1)BACB28AK06-045, (1)BACB30NR6DK21 WITH QUICK RELEASE TORSION LINK AND FORWARD TOW FITTING ONLY MAY REPLACE BUT NOT BE REPLACED BY 162N0001-22, -20 T/W (1)BACB28AK06-058, (1)BACB30NR6DK25 WITHOUT QUICK RELEASE TORSION LINK AND WITH FORWARD AND AFT TOW FITTINGS SUBJECT TO CUSTOMER APPROVAL FOR NHA/OTHER SYS DET SEE: 32-21-00-01B	950951	RF

MISSING ITEM NUMBERS NOT APPLICABLE

- ITEM NOT ILLUSTRATED

32-45-02-01

32-45-02  
 FIG. 01  
 PAGE 12  
 JAN 20/09

BRI



757

PARTS CATALOG (MAINTENANCE)

FIG ITEM	PART NUMBER	1 2 3 4 5 6 7 NOMENCLATURE	EFFECT FROM TO	UNITS PER ASSY
1 - 204	162N0001-102	GEAR ASSY- COMPONENT MAINT MANUAL REF: 32-21-25 QUALIFIED I/W DATA: 162N0001-121, -114, -108, -102, -97 WITH ONLY FORWARD TOW FITTING MAY REPLACE BUT NOT BE REPLACED BY 162N0001-46, -42, -33 WITH FORWARD AND AFT TOW FITTING SUBJECT TO CUSTOMER APPROVAL. 162N0001-118, -111, -105, -101, -49 WITHOUT QUICK RELEASE TORSION LINKS I/W 162N0001-121, -114, -108, -102, -97 WITH QUICK RELEASE TORSION LINKS SUBJECT TO CUSTOMER APPROVAL. 162N0001-121, -114, -108, -102, -97 WITH QUICK RELEASE TORSION LINKS AND REQUIRES 757 TOW BAR I/W 162N0001-122, -115, -109, -103, -98 WITHOUT QUICK RELEASE TORSION LINKS AND REQUIRES 727 TOW BAR SUBJECT TO CUSTOMER APPROVAL. FOR NHA/OTHER SYS DET SEE: 32-21-00-01B	950951	RF

MISSING ITEM NUMBERS NOT APPLICABLE

- ITEM NOT ILLUSTRATED

32-45-02-01

32-45-02  
 FIG. 01  
 PAGE 13  
 JAN 20/09

BRI



757

PARTS CATALOG (MAINTENANCE)

FIG ITEM	PART NUMBER	1 2 3 4 5 6 7	NOMENCLATURE	EFFECT FROM TO	UNITS PER ASSY
1 - 204	162N0001-102		GEAR ASSY- COMPONENT MAINT MANUAL REF: 32-21-25 QUALIFIED I/W DATA: 162N0001-121, -114, -108, -102, -97 WITH QUICK RELEASE TORSION LINKS AND ONLY FORWARD TOW FITTING I/W 162N0001-120, -113, -107, -100, -47 WITH FORWARD AND AFT TOW FITTING AND WITHOUT QUICK RELEASE TORSION LINKS SUBJECT TO CUSTOMER APPROVAL. 162N0001-121, -114, -108, -102, -97 WITH QUICK RELEASE TORSION LINKS AND ONLY FORWARD TOW FITTING MAY REPLACE BUT NOT BE REPLACED BY 162N0001-41, -38, -32 -31, -26, -24, -23, -21 -19, -18, -4, -6 WITH FORWARD AND AFT TOW FITTING AND WITHOUT QUICK RELEASE TORSION LINKS SUBJECT TO CUSTOMER APPROVAL. 162N0001-121, -114, -108, -102, -97 WITH QUICK RELEASE TORSION LINKS AND ONLY FORWARD TOW FITTING MAY REPLACE BUT NOT BE REPLACED BY 162N0001-41, -38, -32 -31, -26, -24, -23, -21 -19, -18, -4, -6 WITH FORWARD AND AFT TOW FITTING AND WITHOUT QUICK RELEASE TORSION FOR NHA/OTHER SYS DET SEE: 32-21-00-01B	950951	RF
- 204	162N0001-102		GEAR ASSY- COMPONENT MAINT MANUAL REF: 32-21-25 QUALIFIED I/W DATA: 162N0001-121, -114,	950951	RF

MISSING ITEM NUMBERS NOT APPLICABLE

- ITEM NOT ILLUSTRATED

32-45-02-01

32-45-02  
FIG. 01  
PAGE 14  
JAN 20/09

BRI



757

PARTS CATALOG (MAINTENANCE)

FIG ITEM	PART NUMBER	1 2 3 4 5 6 7 NOMENCLATURE	EFFECT FROM TO	UNITS PER ASSY
1		<p>-108, -102, -97 WITH QUICK RELEASE TORSION LINKS AND ONLY FORWARD TOW FITTING MAY REPLACE BUT NOT BE REPLACED BY 162N0001-41, -38, -32 -31, -26, -24, -23, -21 -19, -18, -4, -6 WITH FORWARD AND AFT TOW FITTING AND WITHOUT QUICK RELEASE TORSION LINKS SUBJECT TO CUSTOMER APPROVAL. 162N0001-121, -114, -108, --102, -97 WITH QUICK RELEASE TORSION LINKS AND ONLY FORWARD TOW FITTING MAY REPLACE BUT NOT BE REPLACED BY 162N0001-41, -38, -32 -31, -26, -24, -23, -21 -19, -18, -4, -6 WITH FORWARD AND AFT TOW FITTING AND WITHOUT QUICK RELEASE TORSION LINKS SUBJECT TO CUSTOMER APPROVAL. 162N0001-119, -112, -106, -99, -45 WITH FORWARD AND AFT TOW FITTING I/W 162N0001-121, -114, -108, -102, -97 WITH ONLY FORWARD TOW FITTING FITTING SUBJECT TO CUSTOMER APPROVAL. 162N0001-119, -112, -106, -99, -45 WITH FORWARD AND AFT TOW FITTING I/W 162N0001-121, -114, -108, -102, -97 WITH ONLY FORWARD TOW FITTING SUBJECT TO CUSTOMER APPROVAL.</p> <p>FOR NHA/OTHER SYS DET SEE: 32-21-00-01B</p>		

MISSING ITEM NUMBERS NOT APPLICABLE

- ITEM NOT ILLUSTRATED

32-45-02-01

32-45-02  
FIG. 01  
PAGE 15  
JAN 20/09

BRI



757

PARTS CATALOG (MAINTENANCE)

FIG ITEM	PART NUMBER	1 2 3 4 5 6 7 NOMENCLATURE	EFFECT FROM TO	UNITS PER ASSY
1 - 205	162N0001-108	GEAR ASSY- COMPONENT MAINT MANUAL REF: 32-21-25 QUALIFIED I/W DATA: 162N0001-119, -112, -106 -99, -45 WITH FORWARD AND AFT TOW FITTING I/W 162N0001-121, -114, -108 -102, -97 WITH ONLY FORWARD TOW FITTING SUBJECT TO CUSTOMER APPROVAL 162N0001-121, -114, -108 -102, -97 WITH ONLY FORWARD TOWING MAY REPLACE BUT NOT BE REPLACED BY 162N0001-46, -42, -33 WITH FORWARD AND AFT TOW FITTING SUBJECT TO CUSTOMER APPROVAL 162N0001-121, -114, -108 -102, -97 WITH QUICK RELEASE TORSION LINKS AND ONLY FORWARD TOW FITTING MAY REPLACE BUT NOT BE REPLACED BY 162N0001-41, -38, -32, -31, -26, -24, -23, -21, -19, -18, -14, -6 WITH FORWARD AND AFT TOW FITTING AND WITHOUT QUICK RELEASE TORSION LINKS SUBJECT TO CUSTOMER APPROVAL FOR NHA/OTHER SYS DET SEE: 32-21-00-01B	950951	RF

MISSING ITEM NUMBERS NOT APPLICABLE

- ITEM NOT ILLUSTRATED

32-45-02-01

32-45-02  
 FIG. 01  
 PAGE 16  
 JAN 20/09

BRI



757

PARTS CATALOG (MAINTENANCE)

FIG ITEM	PART NUMBER	1 2 3 4 5 6 7	NOMENCLATURE	EFFECT FROM TO	UNITS PER ASSY
1					
- 205	162N0001-108		GEAR ASSY- COMPONENT MAINT MANUAL REF: 32-21-25 QUALIFIED I/W DATA: 162N0001-121, -114, -108 -102, -97 WITH QUICK RELEASE TORSION LINKS AND ONLY FORWARD TOW FITTING MAY REPLACE BUT NOT BE REPLACED BY 162N0001-41, -38, -32, -31, -26, -24, -23, -21, -19, -18, -14, -6 WITH FORWARD AND AFT TOW FITTING AND WITHOUT QUICK RELEASE TORSION LINKS SUBJECT TO CUSTOMER APPROVAL FOR NHA/OTHER SYS DET SEE: 32-21-00-01B	950951	RF
- 205	162N0001-97		GEAR ASSY- COMPONENT MAINT MANUAL REF: 32-21-25 QUALIFIED I/W DATA: 162N0001-118, -111, -105, -101, -49 WITHOUT QUICK RELEASE TORSION LINKS I/W 162N0001-121, -114, -108, -102, -97 WITH QUICK RELEASE TORSION LINKS SUBJECT TO CUSTOMER APPROVAL. 162N0001-118, -111, -105, -101, -49 WITHOUT QUICK RELEASE TORSION LINKS I/W 162N0001-121, -114, -108, -102, -97 WITH QUICK RELEASE TORSION LINKS SIUBJECT TO CUSTOMER APPROVAL. FOR NHA/OTHER SYS DET SEE: 32-21-00-01B	950951	RF

MISSING ITEM NUMBERS NOT APPLICABLE

- ITEM NOT ILLUSTRATED

32-45-02-01

32-45-02  
FIG. 01  
PAGE 17  
JAN 20/09

BRI



757

PARTS CATALOG (MAINTENANCE)

FIG ITEM	PART NUMBER	1 2 3 4 5 6 7 NOMENCLATURE	EFFECT FROM TO	UNITS PER ASSY
1 - 205	162N0001-102	GEAR ASSY- COMPONENT MAINT MANUAL REF: 32-21-25 QUALIFIED I/W DATA: 162N0001-121, -114, -108, -103, -97 WITH QUICK RELEASE TORSION LINKS AND REQUIRES 757 TOW BAR I/W 162N0001-122, -115, -109, -102, -98 WITHOUT QUICK RELEASE TORSION LINKS AND REQUIRES 727 TOW BAR SUBJECT TO CUSTOMER APPROVAL. 162N0001-121, -114, -108, -102, -97 T/W (1) BACB28AK06-045, (1) BACB30NR6DK21 WITH QUICK RELEASE TORSION LINKS AND FORWARD TOW FITTING ONLY MAY REPLACE BUT NOT BE REPLACED BY 162N0001-22, -20 T/W (1) BACB28AK06-058, (1) BACB30NR6DK25, WITHOUT QUICK RELEASE TORSION LINKS AND WITH FORWARD AND AFT TOW FITTINGS SUBJECT TO CUSTOMER APPROVAL. FOR NHA/OTHER SYS DET SEE: 32-21-00-01B	950951	RF

MISSING ITEM NUMBERS NOT APPLICABLE

- ITEM NOT ILLUSTRATED

BRI

32-45-02-01

BOEING PROPRIETARY - Copyright © - Unpublished Work - See title page for details.

32-45-02  
 FIG. 01  
 PAGE 18  
 JAN 20/09



757

PARTS CATALOG (MAINTENANCE)

FIG ITEM	PART NUMBER	1 2 3 4 5 6 7	NOMENCLATURE	EFFECT FROM TO	UNITS PER ASSY
1 - 206	162N0001-108		GEAR ASSY- COMPONENT MAINT MANUAL REF: 32-21-25 QUALIFIED I/W DATA: 162N0001-121, -114, -108 -102, -97 WITH QUICK RELEASE TORSION LINKS AND ONLY FORWARD TOW FITTING I/W 162N0001-120 -113, -107, -100, -47 WITH FORWARD AND AFT TOW FITTING AND WITHOUT QUICK RELEASE TORSION LINKS SUBJECT TO CUSTOMER APPROVAL 162N0001-118, -111, -105 -101, -49 WITHOUT QUICK RELEASE TORSION LINKS I/W 162N0001-121, -114, -108, -102, -97 WITH QUICK RELEASE TORSION LINKS SUBJECT TO CUSTOMER APPROVAL FOR NHA/OTHER SYS DET SEE: 32-21-00-01B	950951	RF
- 206	162N0001-108		GEAR ASSY- COMPONENT MAINT MANUAL REF: 32-21-25 QUALIFIED I/W DATA: 162N0001-121, -114, -108 -102, -97 WITH QUICK RELEASE TORSION LINKS AND REQUIRES 757 TOW BAR I/W 162N0001-122, -115, -109, -103, -98 WITHOUT QUICK RELEASE TORSION LINKS AND REQUIRES 727 TOW BAR SUBJECT TO CUSTOMER APPROVAL FOR NHA/OTHER SYS DET SEE: 32-21-00-01B	950951	RF

MISSING ITEM NUMBERS NOT APPLICABLE

- ITEM NOT ILLUSTRATED

BRI

32-45-02-01

32-45-02  
FIG. 01  
PAGE 19  
JAN 20/09





757

PARTS CATALOG (MAINTENANCE)

FIG ITEM	PART NUMBER	1 2 3 4 5 6 7	NOMENCLATURE	EFFECT FROM TO	UNITS PER ASSY
1 - 208	162N0001-121		GEAR ASSY- COMPONENT MAINT MANUAL REF: 32-21-25 QUALIFIED I/W DATA: 162N0001-121, -114, -108, -102, -97 WITH QUICK RELEASE TORSION LINKS AND ONLY FORWARD TOW FITTING I/W 162N0001-120, -113, -107, -100, -47 WITH FORWARD AND AFT TOW FITTING AND WITHOUT QUICK RELEASE TORSION LINKS SUBJECT TO CUSTOMER APPROVAL. 162N0001-121, -114, -108, -102, -97 WITH QUICK RELEASE TORSION LINKS AND ONLY FORWARD TOW FITTING MAY REPLACE BUT NOT BE REPLACED BY 162N0001-41, -38, -32, -31, -26, -24, -23, -21, -19, -18, -4, -6 WITH FORWARD AND AFT TOW FITTING AND WITHOUT QUICK RELEASE TORSION LINKS SUBJECT TO CUSTOMER APPROVAL	950951	RF

MISSING ITEM NUMBERS NOT APPLICABLE

- ITEM NOT ILLUSTRATED

BRI

32-45-02-01

BOEING PROPRIETARY - Copyright © - Unpublished Work - See title page for details.

32-45-02  
FIG. 01  
PAGE 20  
JAN 20/09



757

PARTS CATALOG (MAINTENANCE)

FIG ITEM	PART NUMBER	1 2 3 4 5 6 7 NOMENCLATURE	EFFECT FROM TO	UNITS PER ASSY
1 - 208	162N0001-121	GEAR ASSY- COMPONENT MAINT MANUAL REF: 32-21-25 QUALIFIED I/W DATA: 162N0001-121, -114, -108, -102, -97 WITH QUICK RELEASE TORSION LINKS AND ONLY FORWARD TOW FITTING MAY REPLACE BUT NOT BE REPLACED BY 162N0001-41, -38, -32, -31, -26, -24, -23, -21, -19, -18, -4, -6 WITH FORWARD AND AFT TOW FITTING AND WITHOUT QUICK RELEASE TORSION LINKS SUBJECT TO CUSTOMER APPROVAL 162N0001-119, -112, -106, -99, -45 WITH FORWARD AND AFT TOW FITTING I/W 162N0001-121, -114, -108, -102, -97 WITH ONLY FORWARD TOW FITTING SUBJECT TO CUSTOMER APPROVAL	950951	RF

MISSING ITEM NUMBERS NOT APPLICABLE

- ITEM NOT ILLUSTRATED

32-45-02-01

32-45-02  
 FIG. 01  
 PAGE 21  
 JAN 20/09

BRI



757

PARTS CATALOG (MAINTENANCE)

FIG ITEM	PART NUMBER	1 2 3 4 5 6 7 NOMENCLATURE	EFFECT FROM TO	UNITS PER ASSY
1 - 208	162N0001-121	GEAR ASSY- COMPONENT MAINT MANUAL REF: 32-21-25 QUALIFIED I/W DATA: 162N0001-121, -114, -108, -102, -97 WITH ONLY FORWARD TOW FITTING MAY REPLACE BUT NOT BE REPLACED BY 162N0001-46, -42, -33 WITH FORWARD AND AFT TOW FITTING SUBJECT TO CUSTOMER APPROVAL. 162N0001-118, -111, -105, -101, -49 WITHOUT QUICK RELEASE TORSION LINKS I/W 162N0001-121, -114, -108, -102, -97 WITH QUICK RELEASE TORSION LINKS SUBJECT TO CUSTOMER APPROVAL 162N0001-121, -114, -108, -102, -97 WITH QUICK RELEASE TORSION LINKS AND REQUIRES 757 TOW BAR I/W 162N0001-122, -115, -109, -103, -98 WITHOUT QUICK RELEASE TORSION LINKS AND REQUIRES 727 TOW BAR SUBJECT TO CUSTOMER APPROVAL	950951	RF

MISSING ITEM NUMBERS NOT APPLICABLE

- ITEM NOT ILLUSTRATED

32-45-02-01

32-45-02  
 FIG. 01  
 PAGE 22  
 JAN 20/09

BRI



757

PARTS CATALOG (MAINTENANCE)

FIG ITEM	PART NUMBER	1 2 3 4 5 6 7	NOMENCLATURE	EFFECT FROM TO	UNITS PER ASSY
1 - 208	162N0001-121		GEAR ASSY- COMPONENT MAINT MANUAL REF: 32-21-25 QUALIFIED I/W DATA: 162N0001-121, -114, -108, -102, -97 WITH QUICK RELEASE TORSION LINKS AND REQUIRES 757 TOW BAR I/W 162N0001-122, -115, -109, -103, -98 WITHOUT QUICK RELEASE TORSION LINKS AND REQUIRES 727 TOW BAR SUBJECT TO CUSTOMER APPROVAL 162N0001-121, -114, -108, -102, -97 WITH QUICK RELEASE TORSION LINKS AND REQUIRES 757 TOW BAR I/W 162N0001-122, -115, -109, -103, -98 WITHOUT QUICK RELEASE TORSION LINKS AND REQUIRES 727 TOW BAR SUBJECT TO CUSTOMER APPROVAL. 162N0001-121, -114, -108, -102, -97 T/W (1)BACB28AK06-045, (1)BACB30NR6DK21 WITH QUICK RELEASE TORSION LINK AND FORWARD TOW FITTING ONLY MAY REPLACE BUT NOT BE REPLACED BY 162N0001-22, -20 T/W (1)BACB28AK06-058, (1)BACB30NR6DK25.	950951	RF
- 210	162N0001-406		GEAR ASSY- FOR NHA/OTHER SYS DET SEE: 32-21-00-02A	103106	RF
220	162N1205-1		.NUT-AXLE	101106 108120 504903 950951	2

MISSING ITEM NUMBERS NOT APPLICABLE

- ITEM NOT ILLUSTRATED

32-45-02-01

32-45-02  
 FIG. 01  
 PAGE 23  
 JAN 20/09

BRI



757

PARTS CATALOG (MAINTENANCE)

FIG ITEM	PART NUMBER	1 2 3 4 5 6 7	NOMENCLATURE	EFFECT FROM TO	UNITS PER ASSY
1					
225	162N3115-8	.	WASHER	101106 108120 504903 950951	2
227	162N1203-1	.	SPACER-	101106 108120 504903 950951	2
230	162N1220-1	.	SPACER ASSY-	101106 108120 504903 950951	2
235	160N0201-71	..	BUSHING- USED ON: 162N1220-1	101106 108120 504903 950951	1
240	160N0201-72	..	BUSHING- USED ON: 162N1220-1	101106 108120 504903 950951	1
245	162N1220-2	..	SPACER- USED ON: 162N1220-1	101106 108120 504903 950951	1
255	BACP18BC02A06P	.	PIN-COTTER	101102 108120 504903	1
260	BACP18BC03A10P	.	PIN-COTTER	101102 108120 504903	3

MISSING ITEM NUMBERS NOT APPLICABLE

- ITEM NOT ILLUSTRATED

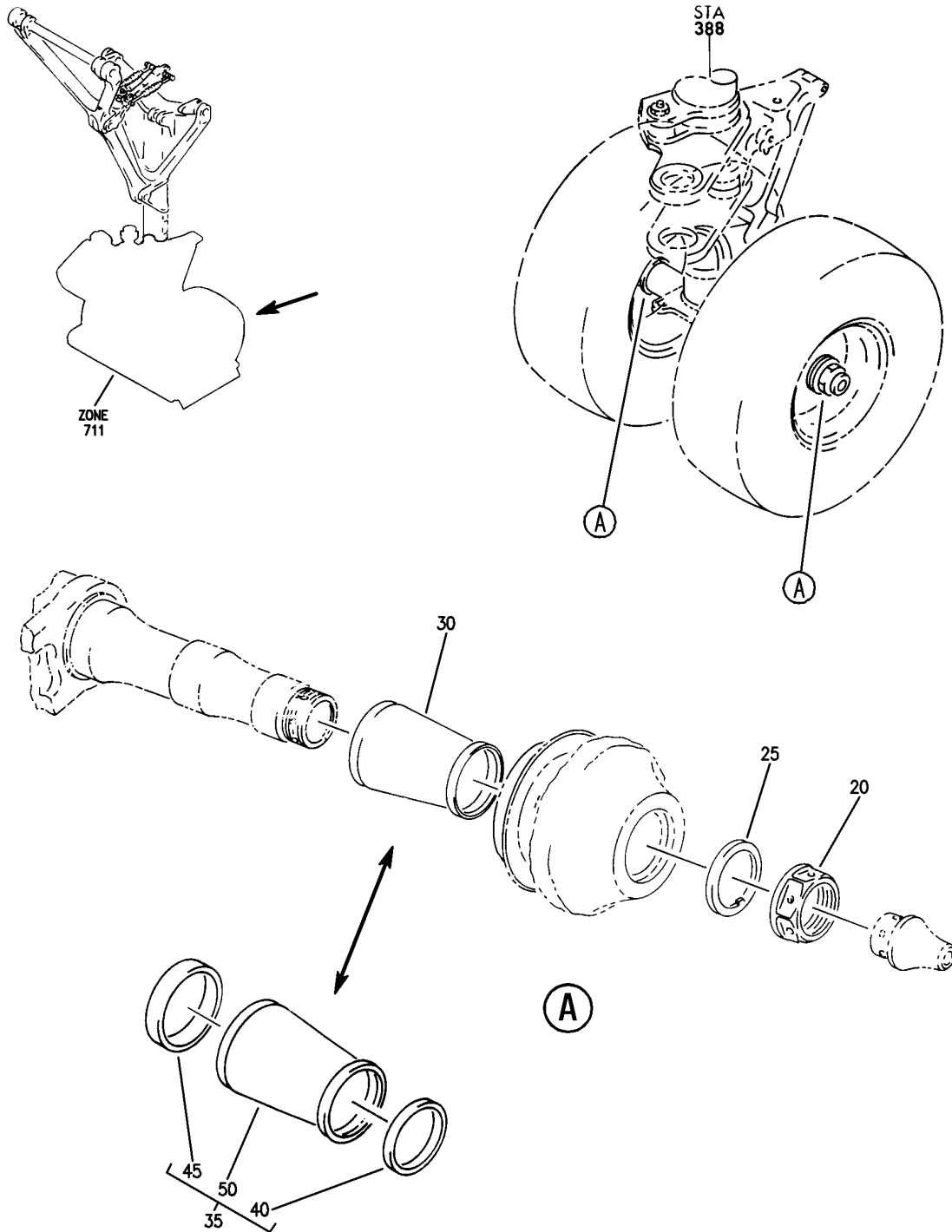
BRI

32-45-02-01

BOEING PROPRIETARY - Copyright © - Unpublished Work - See title page for details.

32-45-02  
FIG. 01  
PAGE 24  
JAN 20/09

**BOEING**  
757  
PARTS CATALOG (MAINTENANCE)



Y 32450201B REV 243

GEAR ASSY-SECT. 62 NLG (NOSE GEAR WHEEL AND TIRE ONLY)  
FIGURE 1B

**32-45-02-01B**

BRI  
MAY 28/07

32-45-02-01B  
PAGE 0

BOEING PROPRIETARY - Copyright © - Unpublished Work - See title page for details.



757

PARTS CATALOG (MAINTENANCE)

FIG ITEM	PART NUMBER	1 2 3 4 5 6 7	NOMENCLATURE	EFFECT FROM TO	UNITS PER ASSY
1B			GEAR ASSY-SECT. 62 NLG (NOSE GEAR WHEEL AND TIRE ONLY)	002004 006100 107107 121503 904949	
- 1	162N0001-6		GEAR ASSY-NLG (NOSE GEAR WHEEL AND TIRE ONLY) POSITION DATA: SECT. 62 COMPONENT MAINT MANUAL REF: 32-21-25 QUALIFIED I/W DATA: 162N0001-41, -38, -32, -31, -26, -24, -23, -21, -19, -18, -14, -6 T/W (1)BACB28AK06-045 AND (1)BACB30NR6DK21 I/W 162N0001-22, -20 I/W (1)BACB28AK06-058 AND (1)BACB30NR6DK25 OPTIONAL PART: 162N0001-18 FOR NHA/OTHER SYS DET SEE: 32-21-00-01B	002004 006100 107107 121503 904949	RF

MISSING ITEM NUMBERS NOT APPLICABLE

- ITEM NOT ILLUSTRATED

BRI

**32-45-02-01B**

BOEING PROPRIETARY - Copyright © - Unpublished Work - See title page for details.

32-45-02  
FIG. 01B  
PAGE 1  
JAN 20/09



757

PARTS CATALOG (MAINTENANCE)

FIG ITEM	PART NUMBER	1 2 3 4 5 6 7	NOMENCLATURE	EFFECT FROM TO	UNITS PER ASSY
1B - 1	162N0001-6		GEAR ASSY-NLG (NOSE GEAR WHEEL AND TIRE ONLY) POSITION DATA: SECT. 62 COMPONENT MAINT MANUAL REF: 32-21-25 QUALIFIED I/W DATA: 12N0001-119, -112, -106, -99, -45 WITH QUICK RELEASE TORSION LINKS MAY REPLACE BUT NOT BE REPLACED BY 162N0001-41, -38, -32, -31, -26, -24, -23, -21, -19, -18, -14, -6 WITHOUT QUICK RELEASE TORSION LINKS SUBJECT TO CUSTOMER APPROVAL 162N0001-122, -115, -109, -103, -98 REQUIRES THE 727 TOW BAR MAY REPLACE BUT NOT BE REPLACED BY 162N0001-41, -38, -32, -31, -26, -24, -23, -21, -19, -18, -14, -6 REQUIRES 757 TOW BAR SUBJECT TO CUSTOMER APPROVAL	002004 006100 107107 121503 904949	RF

MISSING ITEM NUMBERS NOT APPLICABLE

- ITEM NOT ILLUSTRATED

32-45-02-01B

BRI

BOEING PROPRIETARY - Copyright © - Unpublished Work - See title page for details.

32-45-02  
FIG. 01B  
PAGE 2  
JAN 20/09





757

PARTS CATALOG (MAINTENANCE)

FIG ITEM	PART NUMBER	1 2 3 4 5 6 7 NOMENCLATURE	EFFECT FROM TO	UNITS PER ASSY
1B - 1	162N0001-6	GEAR ASSY-NLG (NOSE GEAR WHEEL AND TIRE ONLY) COMPONENT MAINT MANUAL REF: 32-21-25 QUALIFIED I/W DATA: 162N0001-41, -38, -32, -31, -26, -24, -23, -21, -19, -18, -14, -6 WITHOUT QUICK RELEASE TORSION LINKS I/W 162N0001-46, -42, -33 WITH QUICK RELEASE TORSION LINKS SUBJECT TO CUSTOMER APPROVAL 162N0001-118, -111, -105, -101, -49 WITH ONLY FORWARD TOW FITTING MAY REPLACE BUT NOT BE REPLACED BY 162N001-41, -38, -32, -31, -26, -24, -23, -21, -19, -18, -14, -6 WITH FORWARD AND AFT TOW FITTING SUBJECT TO CUSTOMER APPROVAL	002004 006100 107107 121503 904949	RF

MISSING ITEM NUMBERS NOT APPLICABLE

- ITEM NOT ILLUSTRATED

**32-45-02-01B**

32-45-02  
 FIG. 01B  
 PAGE 3  
 JAN 20/09

BRI



757

PARTS CATALOG (MAINTENANCE)

FIG ITEM	PART NUMBER	1 2 3 4 5 6 7	NOMENCLATURE	EFFECT FROM TO	UNITS PER ASSY
1B - 1	162N0001-6		GEAR ASSY-NLG (NOSE GEAR WHEEL AND TIRE ONLY) COMPONENT MAINT MANUAL REF: 32-21-25 QUALIFIED I/W DATA: 162N0001-121, -114, -108, -102, -97 WITH QUICK RELEASE TORSION LINKS AND ONLY FORWARD TOW FITTING MAY REPLACE BUT NOT BE REPLACED BY 162N0001-41, -38, -32, -31, -26, -24, -23, -21, -19, -18, -14, -6 WITH FORWARD AND AFT TOW FITTING AND WITHOUT QUICK RELEASE TORSION LINKS SUBJECT TO CUSTOMER APPROVAL 162N0001-119 WITH QUICK RELEASE TORSION LINKS MAY REPLACE BUT NOT BE REPLACED BY 162N0001-41, -38, -32, -31, -26, -24, -23, -21, -19, -18, -14, -6 WITH CUSTOMER APPROVAL	002004 006100 107107 121503 904949	RF
- 1	162N0001-14		GEAR ASSY-NLG (NOSE GEAR WHEEL AND TIRE ONLY) POSITION DATA: SECT. 62 COMPONENT MAINT MANUAL REF: 32-21-25 QUALIFIED I/W DATA: 162N0001-41, -38, -32, -31, -26, -24, -23, -21, -19, -18, -14, -6 T/W (1)BACB28AK06-045 AND (1)BACB30NR6DK21 I/W 162N0001-22, -20 I/W (1)BACB28AK06-058 AND (1)BACB30NR6DK25 FOR NHA/OTHER SYS DET SEE: 32-21-00-01B	002004 006100 107107 121503 904949	RF

MISSING ITEM NUMBERS NOT APPLICABLE

- ITEM NOT ILLUSTRATED

32-45-02-01B

32-45-02  
FIG. 01B  
PAGE 4  
JAN 20/09

BRI



757

PARTS CATALOG (MAINTENANCE)

FIG ITEM	PART NUMBER	1 2 3 4 5 6 7	NOMENCLATURE	EFFECT FROM TO	UNITS PER ASSY
1B - 1	162N0001-14		GEAR ASSY-NLG (NOSE GEAR WHEEL AND TIRE ONLY) COMPONENT MAINT MANUAL REF: 32-21-25 QUALIFIED I/W DATA: 12N0001-119, -112, -106, -99, -45 WITH QUICK RELEASE TORSION LINKS MAY REPLACE BUT NOT BE REPLACED BY 162N0001-41, -38, -32, -31, -26, -24, -23, -21, -19, -18, -14, -6 WITHOUT QUICK RELEASE TORSION LINKS SUBJECT TO CUSTOMER APPROVAL 162N0001-122, -115, -109, -103, -98 REQUIRES THE 727 TOW BAR MAY REPLACE BUT NOT BE REPLACED BY 162N0001-41, -38, -32, -31, -26, -24, -23, -21, -19, -18, -14, -6 REQUIRES 757 TOW BAR SUBJECT TO CUSTOMER APPROVAL	002004 006100 107107 121503 904949	RF

MISSING ITEM NUMBERS NOT APPLICABLE

- ITEM NOT ILLUSTRATED

**32-45-02-01B**

32-45-02  
 FIG. 01B  
 PAGE 5  
 JAN 20/09

BRI



757

PARTS CATALOG (MAINTENANCE)

FIG ITEM	PART NUMBER	1 2 3 4 5 6 7 NOMENCLATURE	EFFECT FROM TO	UNITS PER ASSY
1B - 1	162N0001-14	GEAR ASSY-NLG (NOSE GEAR WHEEL AND TIRE ONLY) COMPONENT MAINT MANUAL REF: 32-21-25 QUALIFIED I/W DATA: 162N0001-41, -38, -32, -31, -26, -24, -23, -21, -19, -18, -14, -6 WITHOUT QUICK RELEASE TORSION LINKS I/W 162N0001-46, -42, -33 WITH QUICK RELEASE TORSION LINKS SUBJECT TO CUSTOMER APPROVAL 162N0001-118, -111, -105, -101, -49 WITH ONLY FORWARD TOW FITTING MAY REPLACE BUT NOT BE REPLACED BY 162N001-41, -38, -32, -31, -26, -24, -23, -21, -19, -18, -14, -6 WITH FORWARD AND AFT TOW FITTING SUBJECT TO CUSTOMER APPROVAL 162N0001-119 WITH QUICK RELEASE TORSION LINKS MAY REPLACE BUT NOT BE REPLACED BY 162N0001-41, -38, -32, -31, -26, -24, -23, -21, -19, -18, -14, -6 WITH CUSTOMER APPROVAL	002004 006100 107107 121503 904949	RF

MISSING ITEM NUMBERS NOT APPLICABLE

- ITEM NOT ILLUSTRATED

**32-45-02-01B**

32-45-02  
FIG. 01B  
PAGE 6  
JAN 20/09

BRI



757

PARTS CATALOG (MAINTENANCE)

FIG ITEM	PART NUMBER	1 2 3 4 5 6 7	NOMENCLATURE	EFFECT FROM TO	UNITS PER ASSY
1B - 1	162N0001-14		GEAR ASSY-NLG (NOSE GEAR WHEEL AND TIRE ONLY) COMPONENT MAINT MANUAL REF: 32-21-25 QUALIFIED I/W DATA: 162N0001-121, -114, -108, -102, -97 WITH QUICK RELEASE TORSION LINKS AND ONLY FORWARD TOW FITTING MAY REPLACE BUT NOT BE REPLACED BY 162N0001-41, -38, -32, -31, -26, -24, -23, -21, -19, -18, -14, -6 WITH FORWARD AND AFT TOW FITTING AND WITHOUT QUICK RELEASE TORSION LINKS SUBJECT TO CUSTOMER APPROVAL	002004 006100 107107 121503 904949	RF
- 1	162N0001-18		GEAR ASSY-NLG (NOSE GEAR WHEEL AND TIRE ONLY) POSITION DATA: SECT. 62 COMPONENT MAINT MANUAL REF: 32-21-25 QUALIFIED I/W DATA: 162N0001-41, -38, -32, -31, -26, -24, -23, -21, -19, -18, -14, -6 T/W (1)BACB28AK06-045 AND (1)BACB30NR6DK21 I/W 162N0001-22, -20 I/W (1)BACB28AK06-058 AND (1)BACB30NR6DK25 FOR NHA/OTHER SYS DET SEE: 32-21-00-01B	002004 006100 107107 121503 904949	RF

MISSING ITEM NUMBERS NOT APPLICABLE

- ITEM NOT ILLUSTRATED

**32-45-02-01B**

32-45-02  
FIG. 01B  
PAGE 7  
JAN 20/09

BRI



757

PARTS CATALOG (MAINTENANCE)

FIG ITEM	PART NUMBER	1 2 3 4 5 6 7	NOMENCLATURE	EFFECT FROM TO	UNITS PER ASSY
1B - 1	162N0001-18		GEAR ASSY-NLG (NOSE GEAR WHEEL AND TIRE ONLY) COMPONENT MAINT MANUAL REF: 32-21-25 QUALIFIED I/W DATA: 12N0001-119, -112, -106, -99, -45 WITH QUICK RELEASE TORSION LINKS MAY REPLACE BUT NOT BE REPLACED BY 162N0001-41, -38, -32, -31, -26, -24, -23, -21, -19, -18, -14, -6 WITHOUT QUICK RELEASE TORSION LINKS SUBJECT TO CUSTOMER APPROVAL 162N0001-122, -115, -109, -103, -98 REQUIRES THE 727 TOW BAR MAY REPLACE BUT NOT BE REPLACED BY 162N0001-41, -38, -32, -31, -26, -24, -23, -21, -19, -18, -14, -6 REQUIRES 757 TOW BAR SUBJECT TO CUSTOMER APPROVAL	002004 006100 107107 121503 904949	RF

MISSING ITEM NUMBERS NOT APPLICABLE

- ITEM NOT ILLUSTRATED

**32-45-02-01B**

32-45-02  
 FIG. 01B  
 PAGE 8  
 JAN 20/09

BRI



757

PARTS CATALOG (MAINTENANCE)

FIG ITEM	PART NUMBER	1 2 3 4 5 6 7	NOMENCLATURE	EFFECT FROM TO	UNITS PER ASSY
1B - 1	162N0001-18		GEAR ASSY-NLG (NOSE GEAR WHEEL AND TIRE ONLY) COMPONENT MAINT MANUAL REF: 32-21-25 QUALIFIED I/W DATA: 162N0001-41, -38, -32, -31, -26, -24, -23, -21, -19, -18, -14, -6 WITHOUT QUICK RELEASE TORSION LINKS I/W 162N0001-46, -42, -33 WITH QUICK RELEASE TORSION LINKS SUBJECT TO CUSTOMER APPROVAL 162N0001-118, -111, -105, -101, -49 WITH ONLY FORWARD TOW FITTING MAY REPLACE BUT NOT BE REPLACED BY 162N001-41, -38, -32, -31, -26, -24, -23, -21, -19, -18, -14, -6 WITH FORWARD AND AFT TOW FITTING SUBJECT TO CUSTOMER APPROVAL 162N0001-119 WITH QUICK RELEASE TORSION LINKS MAY REPLACE BUT NOT BE REPLACED BY 162N0001-41, -38, -32, -31, -26, -24, -23, -21, -19, -18, -14, -6 WITH CUSTOMER APPROVAL	002004 006100 107107 121503 904949	RF

MISSING ITEM NUMBERS NOT APPLICABLE

- ITEM NOT ILLUSTRATED

**32-45-02-01B**

32-45-02  
 FIG. 01B  
 PAGE 9  
 JAN 20/09

BRI

 **BOEING**  
757  
**PARTS CATALOG (MAINTENANCE)**

FIG ITEM	PART NUMBER	1 2 3 4 5 6 7	NOMENCLATURE	EFFECT FROM TO	UNITS PER ASSY
1B - 1	162N0001-18		GEAR ASSY-NLG (NOSE GEAR WHEEL AND TIRE ONLY) COMPONENT MAINT MANUAL REF: 32-21-25 QUALIFIED I/W DATA: 162N0001-121, -114, -108, -102, -97 WITH QUICK RELEASE TORSION LINKS AND ONLY FORWARD TOW FITTING MAY REPLACE BUT NOT BE REPLACED BY 162N0001-41, -38, -32, -31, -26, -24, -23, -21, -19, -18, -14, -6 WITH FORWARD AND AFT TOW FITTING AND WITHOUT QUICK RELEASE TORSION LINKS SUBJECT TO CUSTOMER APPROVAL	002004 006100 107107 121503 904949	RF
- 2	162N0001-19		GEAR ASSY-NLG (NOSE GEAR WHEEL AND TIRE ONLY) POSITION DATA: SECT. 62 COMPONENT MAINT MANUAL REF: 32-21-25 QUALIFIED I/W DATA: 162N0001-41, -38, -32, -31, -26, -24, -23, -21, -19, -18, -14, -6 T/W (1)BACB28AK06-045 AND (1)BACB30NR6DK21 I/W 162N0001-22, -20 I/W (1)BACB28AK06-058 AND (1)BACB30NR6DK25 FOR NHA/OTHER SYS DET SEE: 32-21-00-01B	002004 006100 107107 121503 904949	RF

MISSING ITEM NUMBERS NOT APPLICABLE

- ITEM NOT ILLUSTRATED

BRI

# 32-45-02-01B

BOEING PROPRIETARY - Copyright © - Unpublished Work - See title page for details.

32-45-02  
FIG. 01B  
PAGE 10  
JAN 20/09





757

PARTS CATALOG (MAINTENANCE)

FIG ITEM	PART NUMBER	1 2 3 4 5 6 7	NOMENCLATURE	EFFECT FROM TO	UNITS PER ASSY
1B - 2	162N0001-19		GEAR ASSY-NLG (NOSE GEAR WHEEL AND TIRE ONLY) COMPONENT MAINT MANUAL REF: 32-21-25 QUALIFIED I/W DATA: 12N0001-119, -112, -106, -99, -45 WITH QUICK RELEASE TORSION LINKS MAY REPLACE BUT NOT BE REPLACED BY 162N0001-41, -38, -32, -31, -26, -24, -23, -21, -19, -18, -14, -6 WITHOUT QUICK RELEASE TORSION LINKS SUBJECT TO CUSTOMER APPROVAL 162N0001-122, -115, -109, -103, -98 REQUIRES THE 727 TOW BAR MAY REPLACE BUT NOT BE REPLACED BY 162N0001-41, -38, -32, -31, -26, -24, -23, -21, -19, -18, -14, -6 REQUIRES 757 TOW BAR SUBJECT TO CUSTOMER APPROVAL	002004 006100 107107 121503 904949	RF

MISSING ITEM NUMBERS NOT APPLICABLE

- ITEM NOT ILLUSTRATED

BRI

32-45-02-01B

BOEING PROPRIETARY - Copyright © - Unpublished Work - See title page for details.

32-45-02  
FIG. 01B  
PAGE 11  
JAN 20/09



757

PARTS CATALOG (MAINTENANCE)

FIG ITEM	PART NUMBER	1 2 3 4 5 6 7	NOMENCLATURE	EFFECT FROM TO	UNITS PER ASSY
1B - 2	162N0001-19		GEAR ASSY-NLG (NOSE GEAR WHEEL AND TIRE ONLY) COMPONENT MAINT MANUAL REF: 32-21-25 QUALIFIED I/W DATA: 162N0001-41, -38, -32, -31, -26, -24, -23, -21, -19, -18, -14, -6 WITHOUT QUICK RELEASE TORSION LINKS I/W 162N0001-46, -42, -33 WITH QUICK RELEASE TORSION LINKS SUBJECT TO CUSTOMER APPROVAL 162N0001-118, -111, -105, -101, -49 WITH ONLY FORWARD TOW FITTING MAY REPLACE BUT NOT BE REPLACED BY 162N001-41, -38, -32, -31, -26, -24, -23, -21, -19, -18, -14, -6 WITH FORWARD AND AFT TOW FITTING SUBJECT TO CUSTOMER APPROVAL	002004 006100 107107 121503 904949	RF
- 2	162N0001-19		GEAR ASSY-NLG (NOSE GEAR WHEEL AND TIRE ONLY) COMPONENT MAINT MANUAL REF: 32-21-25 QUALIFIED I/W DATA: 162N0001-121, -114, -108, -102, -97 WITH QUICK RELEASE TORSION LINKS AND ONLY FORWARD TOW FITTING MAY REPLACE BUT NOT BE REPLACED BY 162N0001-41, -38, -32, -31, -26, -24, -23, -21, -19, -18, -14, -6 WITH FORWARD AND AFT TOW FITTING AND WITHOUT QUICK RELEASE TORSION LINKS SUBJECT TO CUSTOMER APPROVAL	002004 006100 107107 121503 904949	RF

MISSING ITEM NUMBERS NOT APPLICABLE

- ITEM NOT ILLUSTRATED

32-45-02-01B

32-45-02  
FIG. 01B  
PAGE 12  
JAN 20/09

BRI

 **BOEING**  
757  
**PARTS CATALOG (MAINTENANCE)**

FIG ITEM	PART NUMBER	1 2 3 4 5 6 7	NOMENCLATURE	EFFECT FROM TO	UNITS PER ASSY
1B -	2 162N0001-20		GEAR ASSY-NLG (NOSE GEAR WHEEL AND TIRE ONLY) POSITION DATA: SECT. 62 COMPONENT MAINT MANUAL REF: 32-21-25 QUALIFIED I/W DATA: 162N0001-46, -42, -33 T/W (1)BACB28AK06-045 AND (1)BACB30NR6DK21 WITH QUICK RELEASE TORSION LINK I/W 162N0001-21, -20 T/W (1)BACB28AK06-058 AND (1)BACB30NR6DK25 WITHOUT QUICK RELEASE TORSION LINK SUBJECT TO CUSTOMER APPROVAL FOR NHA/OTHER SYS DET SEE: 32-21-00-01B	002004 006100 107107 121503 904949	RF
-	2 162N0001-20		GEAR ASSY-NLG (NOSE GEAR WHEEL AND TIRE ONLY) COMPONENT MAINT MANUAL REF: 32-21-25 QUALIFIED I/W DATA: 162N0001-41, -38, -32, -31, -26, -24, -23, -21, -19, -18, -14, -6 T/W (1)BACB28AK06-045 AND (1)BACB30NR6DK21 I/W 162N0001-22, -20 I/W (1)BACB28AK06-058 AND (1)BACB30NR6DK25	002004 006100 107107 121503 904949	RF

MISSING ITEM NUMBERS NOT APPLICABLE

- ITEM NOT ILLUSTRATED

BRI

# 32-45-02-01B

BOEING PROPRIETARY - Copyright © - Unpublished Work - See title page for details.

32-45-02  
FIG. 01B  
PAGE 13  
JAN 20/09



757

PARTS CATALOG (MAINTENANCE)

FIG ITEM	PART NUMBER	1 2 3 4 5 6 7	NOMENCLATURE	EFFECT FROM TO	UNITS PER ASSY
1B - 2	162N0001-20		GEAR ASSY-NLG (NOSE GEAR WHEEL AND TIRE ONLY) COMPONENT MAINT MANUAL REF: 32-21-25 QUALIFIED I/W DATA: 162N0001-120, -113, -107, -100, -47 T/W (1)BACB28AK06-045 AND (1)BACB30NR6DK21 MAY REPLACE BUT NOT BE REPLACED BY 162N0001-20, -22 T/W (1)BACB28AK06-58 AND (1)BACB30NR6DK25 162N0001-119, -112, -106, -99, -45 T/W (1)BACB28AK06-045 AND (1)BACB30NR6DK21 WITH QUICK RELEASE TORSION LINK MAY REPLACE BUT NOT BE REPLACED BY 162N0001-22, -20 T/W (1)BACB28AK06-058 AND (1)BACB30NR6DK25 WITHOUT QUICK RELEASE TORISON LINK SUBJECT TO CUSTOMER APPROVAL	002004 006100 107107 121503 904949	RF

MISSING ITEM NUMBERS NOT APPLICABLE

- ITEM NOT ILLUSTRATED

**32-45-02-01B**

32-45-02  
 FIG. 01B  
 PAGE 14  
 JAN 20/09

BRI



757

PARTS CATALOG (MAINTENANCE)

FIG ITEM	PART NUMBER	1 2 3 4 5 6 7	NOMENCLATURE	EFFECT FROM TO	UNITS PER ASSY
1B - 2	162N0001-20		GEAR ASSY-NLG (NOSE GEAR WHEEL AND TIRE ONLY) COMPONENT MAINT MANUAL REF: 32-21-25 QUALIFIED I/W DATA: 162N0001-122, -115, 109, -103, -98 T/W (1) BACB28AK06-045, (1) BACB30NR6DK REQUIRES THE 727 TOW BAR MAY REPLACE BUT NOT BE REPLACED BY 162N0001-22, -20 T/W (1) BACB28AK06-058 (1) BACB30NR6DK25 REQUIRES THE 757 TOW BAR SUBJECT TO CUSTOMER 162N0001-118, -111, -105, -101, -49 T/W (1)BACB28AK06-045 AND (1)BACB30NR6DK21 WITH ONLY FORWARD TOW FITTING MAY REPLACE BUT NOT BEREPLACED BY 162N0001-22, -20 T/W (1)BACB28AK06-058 AND (1)BACB30NR6DK25	002004 006100 107107 121503 904949	RF
- 2	162N0001-20		GEAR ASSY-NLG (NOSE GEAR WHEEL AND TIRE ONLY) COMPONENT MAINT MANUAL REF: 32-21-25 QUALIFIED I/W DATA: 162N0001-121, -114, -108, -102, -97 T/W (1)BACB28AK06-045, (1)BACB30NR6DK21 WITH QUICK RELEASE TORSION LINK AND FORWARD TOW FITTING ONLY MAY REPLACE BUT NOT BE REPLACED BY 162N0001-22, -20 T/W (1)BACB28AK06-058, (1)BACB30NR6DK25 WITHOUT QUICK RELEASE TORSION LINK AND WITH FORWARD AND AFT TOW FITTINGS SUBJECT TO CUSTOMER APPROVAL	002004 006100 107107 121503 904949	RF

MISSING ITEM NUMBERS NOT APPLICABLE

- ITEM NOT ILLUSTRATED

32-45-02-01B

32-45-02  
FIG. 01B  
PAGE 15  
JAN 20/09

BRI



757

PARTS CATALOG (MAINTENANCE)

FIG ITEM	PART NUMBER	1 2 3 4 5 6 7 NOMENCLATURE	EFFECT FROM TO	UNITS PER ASSY
1B - 3	162N0001-21	GEAR ASSY-NLG (NOSE GEAR WHEEL AND TIRE ONLY) POSITION DATA: SECT. 62 COMPONENT MAINT MANUAL REF: 32-21-25 QUALIFIED I/W DATA: 162N0001-41, -38, -32, -31, -26, -24, -23, -21, -19, -18, -14, -6 T/W (1)BACB28AK06-045 AND (1)BACB30NR6DK21 I/W 162N0001-22, -20 I/W (1)BACB28AK06-058 AND (1)BACB30NR6DK25 FOR NHA/OTHER SYS DET SEE: 32-21-00-01B	002004 006100 107107 121503 904949	RF

MISSING ITEM NUMBERS NOT APPLICABLE

- ITEM NOT ILLUSTRATED

BRI

32-45-02-01B

BOEING PROPRIETARY - Copyright © - Unpublished Work - See title page for details.

32-45-02  
FIG. 01B  
PAGE 16  
JAN 20/09



757

PARTS CATALOG (MAINTENANCE)

FIG ITEM	PART NUMBER	1 2 3 4 5 6 7	NOMENCLATURE	EFFECT FROM TO	UNITS PER ASSY
1B - 3	162N0001-21		GEAR ASSY-NLG (NOSE GEAR WHEEL AND TIRE ONLY) COMPONENT MAINT MANUAL REF: 32-21-25 QUALIFIED I/W DATA: 162N0001-119 WITH QUICK RELEASE TORSION LINKS MAY REPLACE BUT NOT BE REPLACED BY 162N0001-41, -38, -32, -31, -26, -24, -23, -21, -19, -18, -14, -6 WITH CUSTOMER APPROVAL 162N0001-122, -115, -109, -103, -98 REQUIRES THE 727 TOW BAR MAY REPLACE BUT NOT BE REPLACED BY 162N0001-41, -38, -32, -31, -26, -24, -23, -21, -19, -18, -14, -6 REQUIRES 757 TOW BAR SUBJECT TO CUSTOMER APPROVAL 12N0001-119, -112, -106, -99, -45 WITH QUICK RELEASE TORSION LINKS MAY REPLACE BUT NOT BE REPLACED BY 162N0001-41, -38, -32, -31, -26, -24, -23, -21, -19, -18, -14, -6 WITHOUT QUICK RELEASE TORSION LINKS SUBJECT TO CUSTOMER APPROVAL	002004 006100 107107 121503 904949	RF

MISSING ITEM NUMBERS NOT APPLICABLE

- ITEM NOT ILLUSTRATED

**32-45-02-01B**

32-45-02  
 FIG. 01B  
 PAGE 17  
 JAN 20/09

BRI



757

PARTS CATALOG (MAINTENANCE)

FIG ITEM	PART NUMBER	1 2 3 4 5 6 7	NOMENCLATURE	EFFECT FROM TO	UNITS PER ASSY
1B - 3	162N0001-21		GEAR ASSY-NLG (NOSE GEAR WHEEL AND TIRE ONLY) COMPONENT MAINT MANUAL REF: 32-21-25 QUALIFIED I/W DATA: 162N0001-41, -38, -32, -31, -26, -24, -23, -21, -19, -18, -14, -6 WITHOUT QUICK RELEASE TORSION LINKS I/W 162N0001-46, -42, -33 WITH QUICK RELEASE TORSION LINKS SUBJECT TO CUSTOMER APPROVAL 162N0001-118, -111, -105, -101, -49 WITH ONLY FORWARD TOW FITTING MAY REPLACE BUT NOT BE REPLACED BY 162N001-41, -38, -32, -31, -26, -24, -23, -21, -19, -18, -14, -6 WITH FORWARD AND AFT TOW FITTING SUBJECT TO CUSTOMER APPROVAL	002004 006100 107107 121503 904949	RF
- 3	162N0001-21		GEAR ASSY-NLG (NOSE GEAR WHEEL AND TIRE ONLY) COMPONENT MAINT MANUAL REF: 32-21-25 QUALIFIED I/W DATA: 162N0001-121, -114, -108, -102, -97 WITH QUICK RELEASE TORSION LINKS AND ONLY FORWARD TOW FITTING MAY REPLACE BUT NOT BE REPLACED BY 162N0001-41, -38, -32, -31, -26, -24, -23, -21, -19, -18, -14, -6 WITH FORWARD AND AFT TOW FITTING AND WITHOUT QUICK RELEASE TORSION LINKS SUBJECT TO CUSTOMER APPROVAL	002004 006100 107107 121503 904949	RF

MISSING ITEM NUMBERS NOT APPLICABLE

- ITEM NOT ILLUSTRATED

32-45-02-01B

32-45-02  
FIG. 01B  
PAGE 18  
JAN 20/09

BRI





757

PARTS CATALOG (MAINTENANCE)

FIG ITEM	PART NUMBER	1 2 3 4 5 6 7	NOMENCLATURE	EFFECT FROM TO	UNITS PER ASSY
1B - 3	162N0001-22		GEAR ASSY-NLG (NOSE GEAR WHEEL AND TIRE ONLY) POSITION DATA: SECT. 62 COMPONENT MAINT MANUAL REF: 32-21-25 QUALIFIED I/W DATA: 162N0001-46, -42, -33 T/W (1)BACB28AK06-045 AND (1)BACB30NR6DK21 WITH QUICK RELEASE TORSION LINK I/W 162N0001-21, -20 T/W (1)BACB28AK06-058 AND (1)BACB30NR6DK25 WITHOUT QUICK RELEASE TORSION LINK SUBJECT TO CUSTOMER APPROVAL FOR NHA/OTHER SYS DET SEE: 32-21-00-01B	002004 006100 107107 121503 904949	RF
- 3	162N0001-22		GEAR ASSY-NLG (NOSE GEAR WHEEL AND TIRE ONLY) COMPONENT MAINT MANUAL REF: 32-21-25 QUALIFIED I/W DATA: 162N0001-41, -38, -32, -31, -26, -24, -23, -21, -19, -18, -14, -6 T/W (1)BACB28AK06-045 AND (1)BACB30NR6DK21 I/W 162N0001-22, -20 I/W (1)BACB28AK06-058 AND (1)BACB30NR6DK25	002004 006100 107107 121503 904949	RF

MISSING ITEM NUMBERS NOT APPLICABLE

- ITEM NOT ILLUSTRATED

**32-45-02-01B**

32-45-02  
FIG. 01B  
PAGE 19  
JAN 20/09

BRI



757

PARTS CATALOG (MAINTENANCE)

FIG ITEM	PART NUMBER	1 2 3 4 5 6 7	NOMENCLATURE	EFFECT FROM TO	UNITS PER ASSY
1B - 3	162N0001-22		GEAR ASSY-NLG (NOSE GEAR WHEEL AND TIRE ONLY) COMPONENT MAINT MANUAL REF: 32-21-25 QUALIFIED I/W DATA: 162N0001-120, -113, -107, -100, -47 T/W (1)BACB28AK06-045 AND (1)BACB30NR6DK21 MAY REPLACE BUT NOT BE REPLACED BY 162N0001-20, -22 T/W (1)BACB28AK06-58 AND (1)BACB30NR6DK25 162N0001-119, -112, -106, -99, -45 T/W (1)BACB28AK06-045 AND (1)BACB30NR6DK21 WITH QUICK RELEASE TORSION LINK MAY REPLACE BUT NOT BE REPLACED BY 162N0001-22, -20 T/W (1)BACB28AK06-058 AND (1)BACB30NR6DK25 WITHOUT QUICK RELEASE TORISON LINK SUBJECT TO CUSTOMER APPROVAL	002004 006100 107107 121503 904949	RF

MISSING ITEM NUMBERS NOT APPLICABLE

- ITEM NOT ILLUSTRATED

BRI

32-45-02-01B

BOEING PROPRIETARY - Copyright © - Unpublished Work - See title page for details.

32-45-02  
 FIG. 01B  
 PAGE 20  
 JAN 20/09



757

PARTS CATALOG (MAINTENANCE)

FIG ITEM	PART NUMBER	1 2 3 4 5 6 7	NOMENCLATURE	EFFECT FROM TO	UNITS PER ASSY
1B - 3	162N0001-22		GEAR ASSY-NLG (NOSE GEAR WHEEL AND TIRE ONLY) COMPONENT MAINT MANUAL REF: 32-21-25 QUALIFIED I/W DATA: 162N0001-122, -115, 109, -103, -98 T/W (1) BACB28AK06-045, (1) BACB30NR6DK REQUIRES THE 727 TOW BAR MAY REPLACE BUT NOT BE REPLACED BY 162N0001-22, -20 T/W (1) BACB28AK06-058 (1) BACB30NR6DK25 REQUIRES THE 757 TOW BAR SUBJECT TO CUSTOMER APPROVAL 162N0001-118, -111, -105, -101, -49 T/W (1)BACB28AK06-045 AND (1)BACB30NR6DK21 WITH ONLY FORWARD TOW FITTING MAY REPLACE BUT NOT BEREPLACED BY 162N0001-22, -20 T/W (1)BACB28AK06-058 AND (1)BACB30NR6DK25	002004 006100 107107 121503 904949	RF
- 3	162N0001-22		GEAR ASSY-NLG (NOSE GEAR WHEEL AND TIRE ONLY) COMPONENT MAINT MANUAL REF: 32-21-25 QUALIFIED I/W DATA: 162N0001-121, -114, -108, -102, -97 T/W (1)BACB28AK06-045, (1)BACB30NR6DK21 WITH QUICK RELEASE TORSION LINK AND FORWARD TOW FITTING ONLY MAY REPLACE BUT NOT BE REPLACED BY 162N0001-22, -20 T/W (1)BACB28AK06-058, (1)BACB30NR6DK25 WITHOUT QUICK RELEASE TORSION LINK AND WITH FORWARD AND AFT TOW FITTINGS SUBJECT TO CUSTOMER APPROVAL	002004 006100 107107 121503 904949	RF

MISSING ITEM NUMBERS NOT APPLICABLE

- ITEM NOT ILLUSTRATED

32-45-02-01B

32-45-02  
FIG. 01B  
PAGE 21  
JAN 20/09

BRI



757

PARTS CATALOG (MAINTENANCE)

FIG ITEM	PART NUMBER	1 2 3 4 5 6 7	NOMENCLATURE	EFFECT FROM TO	UNITS PER ASSY
1B - 3	162N0001-23		GEAR ASSY-NLG (NOSE GEAR WHEEL AND TIRE ONLY) POSITION DATA: SECT. 62 COMPONENT MAINT MANUAL REF: 32-21-25 QUALIFIED I/W DATA: 162N0001-41, -38, -32, -31, -26, -24, -23, -21, -19, -18, -14, -6 T/W (1)BACB28AK06-045 AND (1)BACB30NR6DK21 I/W 162N0001-22, -20 I/W (1)BACB28AK06-058 AND (1)BACB30NR6DK25 FOR NHA/OTHER SYS DET SEE: 32-21-00-01B	002004 006100 107107 121503 904949	RF
- 3	162N0001-23		GEAR ASSY-NLG (NOSE GEAR WHEEL AND TIRE ONLY) COMPONENT MAINT MANUAL REF: 32-21-25 QUALIFIED I/W DATA: 12N0001-119, -112, -106, -99, -45 WITH QUICK RELEASE TORSION LINKS MAY REPLACE BUT NOT BE REPLACED BY 162N0001-41, -38, -32, -31, -26, -24, -23, -21, -19, -18, -14, -6 WITHOUT QUICK RELEASE TORSION LINKS SUBJECT TO CUSTOMER APPROVAL 162N0001-122, -115, -109, -103, -98 REQUIRES THE 727 TOW BAR MAY REPLACE BUT NOT BE REPLACED BY 162N0001-41, -38, -32, -31, -26, -24, -23, -21, -19, -18, -14, -6 REQUIRES 757 TOW BAR SUBJECT TO CUSTOMER APPROVAL	002004 006100 107107 121503 904949	RF

MISSING ITEM NUMBERS NOT APPLICABLE

- ITEM NOT ILLUSTRATED

**32-45-02-01B**

32-45-02  
FIG. 01B  
PAGE 22  
JAN 20/09

BRI



757

PARTS CATALOG (MAINTENANCE)

FIG ITEM	PART NUMBER	1 2 3 4 5 6 7 NOMENCLATURE	EFFECT FROM TO	UNITS PER ASSY
1B - 4	162N0001-23	GEAR ASSY-NLG (NOSE GEAR WHEEL AND TIRE ONLY) COMPONENT MAINT MANUAL REF: 32-21-25 QUALIFIED I/W DATA: 162N0001-41, -38, -32, -31, -26, -24, -23, -21, -19, -18, -14, -6 WITHOUT QUICK RELEASE TORSION LINKS I/W 162N0001-46, -42, -33 WITH QUICK RELEASE TORSION LINKS SUBJECT TO CUSTOMER APPROVAL 162N0001-118, -111, -105, -101, -49 WITH ONLY FORWARD TOW FITTING MAY REPLACE BUT NOT BE REPLACED BY 162N001-41, -38, -32, -31, -26, -24, -23, -21, -19, -18, -14, -6 WITH FORWARD AND AFT TOW FITTING SUBJECT TO CUSTOMER APPROVAL	002004 006100 107107 121503 904949	RF

MISSING ITEM NUMBERS NOT APPLICABLE

- ITEM NOT ILLUSTRATED

**32-45-02-01B**

32-45-02  
FIG. 01B  
PAGE 23  
JAN 20/09

BRI



757

PARTS CATALOG (MAINTENANCE)

FIG ITEM	PART NUMBER	1 2 3 4 5 6 7	NOMENCLATURE	EFFECT FROM TO	UNITS PER ASSY
1B - 4	162N0001-23		GEAR ASSY-NLG (NOSE GEAR WHEEL AND TIRE ONLY) COMPONENT MAINT MANUAL REF: 32-21-25 QUALIFIED I/W DATA: 162N0001-121, -114, -108, -102, -97 WITH QUICK RELEASE TORSION LINKS AND ONLY FORWARD TOW FITTING MAY REPLACE BUT NOT BE REPLACED BY 162N0001-41, -38, -32, -31, -26, -24, -23, -21, -19, -18, -14, -6 WITH FORWARD AND AFT TOW FITTING AND WITHOUT QUICK RELEASE TORSION LINKS SUBJECT TO CUSTOMER APPROVAL 162N0001-119 WITH QUICK RELEASE TORSION LINKS MAY REPLACE BUT NOT BE REPLACED BY 162N0001-41, -38, -32, -31, -26, -24, -23, -21, -19, -18, -14, -6 WITH CUSTOMER APPROVAL	002004 006100 107107 121503 904949	RF
- 4	162N0001-24		GEAR ASSY-NLG (NOSE GEAR WHEEL AND TIRE ONLY) POSITION DATA: SECT. 62 COMPONENT MAINT MANUAL REF: 32-21-25 QUALIFIED I/W DATA: 162N0001-41, -38, -32, -31, -26, -24, -23, -21, -19, -18, -14, -6 T/W (1)BACB28AK06-045 AND (1)BACB30NR6DK21 I/W 162N0001-22, -20 I/W (1)BACB28AK06-058 AND (1)BACB30NR6DK25 FOR NHA/OTHER SYS DET SEE: 32-21-00-01B	002004 006100 107107 121503 904949	RF

MISSING ITEM NUMBERS NOT APPLICABLE

- ITEM NOT ILLUSTRATED

32-45-02-01B

32-45-02  
FIG. 01B  
PAGE 24  
JAN 20/09

BRI



757

PARTS CATALOG (MAINTENANCE)

FIG ITEM	PART NUMBER	1 2 3 4 5 6 7 NOMENCLATURE	EFFECT FROM TO	UNITS PER ASSY
1B - 4	162N0001-24	GEAR ASSY-NLG (NOSE GEAR WHEEL AND TIRE ONLY) COMPONENT MAINT MANUAL REF: 32-21-25 QUALIFIED I/W DATA: 12N0001-119, -112, -106, -99, -45 WITH QUICK RELEASE TORSION LINKS MAY REPLACE BUT NOT BE REPLACED BY 162N0001-41, -38, -32, -31, -26, -24, -23, -21, -19, -18, -14, -6 WITHOUT QUICK RELEASE TORSION LINKS SUBJECT TO CUSTOMER APPROVAL 162N0001-122, -115, -109, -103, -98 REQUIRES THE 727 TOW BAR MAY REPLACE BUT NOT BE REPLACED BY 162N0001-41, -38, -32, -31, -26, -24, -23, -21, -19, -18, -14, -6 REQUIRES 757 TOW BAR SUBJECT TO CUSTOMER APPROVAL	002004 006100 107107 121503 904949	RF

MISSING ITEM NUMBERS NOT APPLICABLE

- ITEM NOT ILLUSTRATED

**32-45-02-01B**

32-45-02  
FIG. 01B  
PAGE 25  
JAN 20/09

BRI



757

PARTS CATALOG (MAINTENANCE)

FIG ITEM	PART NUMBER	1 2 3 4 5 6 7 NOMENCLATURE	EFFECT FROM TO	UNITS PER ASSY
1B - 4	162N0001-24	GEAR ASSY-NLG (NOSE GEAR WHEEL AND TIRE ONLY) COMPONENT MAINT MANUAL REF: 32-21-25 QUALIFIED I/W DATA: 162N0001-41, -38, -32, -31, -26, -24, -23, -21, -19, -18, -14, -6 WITHOUT QUICK RELEASE TORSION LINKS I/W 162N0001-46, -42, -33 WITH QUICK RELEASE TORSION LINKS SUBJECT TO CUSTOMER APPROVAL 162N0001-118, -111, -105, -101, -49 WITH ONLY FORWARD TOW FITTING MAY REPLACE BUT NOT BE REPLACED BY 162N001-41, -38, -32, -31, -26, -24, -23, -21, -19, -18, -14, -6 WITH FORWARD AND AFT TOW FITTING SUBJECT TO CUSTOMER APPROVAL	002004 006100 107107 121503 904949	RF

MISSING ITEM NUMBERS NOT APPLICABLE

- ITEM NOT ILLUSTRATED

**32-45-02-01B**

32-45-02  
FIG. 01B  
PAGE 26  
JAN 20/09

BRI





757

PARTS CATALOG (MAINTENANCE)

FIG ITEM	PART NUMBER	1 2 3 4 5 6 7	NOMENCLATURE	EFFECT FROM TO	UNITS PER ASSY
1B - 4	162N0001-24		GEAR ASSY-NLG (NOSE GEAR WHEEL AND TIRE ONLY) COMPONENT MAINT MANUAL REF: 32-21-25 QUALIFIED I/W DATA: 162N0001-121, -114, -108, -102, -97 WITH QUICK RELEASE TORSION LINKS AND ONLY FORWARD TOW FITTING MAY REPLACE BUT NOT BE REPLACED BY 162N0001-41, -38, -32, -31, -26, -24, -23, -21, -19, -18, -14, -6 WITH FORWARD AND AFT TOW FITTING AND WITHOUT QUICK RELEASE TORSION LINKS SUBJECT TO CUSTOMER APPROVAL 162N0001-119 WITH QUICK RELEASE TORSION LINKS MAY REPLACE BUT NOT BE REPLACED BY 162N0001-41, -38, -32, -31, -26, -24, -23, -21, -19, -18, -14, -6 WITH CUSTOMER APPROVAL	002004 006100 107107 121503 904949	RF
- 4	162N0001-26		GEAR ASSY-NLG (NOSE GEAR WHEEL AND TIRE ONLY) POSITION DATA: SECT. 62 COMPONENT MAINT MANUAL REF: 32-21-25 QUALIFIED I/W DATA: 162N0001-41, -38, -32, -31, -26, -24, -23, -21, -19, -18, -14, -6 T/W (1)BACB28AK06-045 AND (1)BACB30NR6DK21 I/W 162N0001-22, -20 I/W (1)BACB28AK06-058 AND (1)BACB30NR6DK25 FOR NHA/OTHER SYS DET SEE: 32-21-00-01B	002004 006100 107107 121503 904949	RF

MISSING ITEM NUMBERS NOT APPLICABLE

- ITEM NOT ILLUSTRATED

32-45-02-01B

32-45-02  
FIG. 01B  
PAGE 27  
JAN 20/09

BRI



757

PARTS CATALOG (MAINTENANCE)

FIG ITEM	PART NUMBER	1 2 3 4 5 6 7 NOMENCLATURE	EFFECT FROM TO	UNITS PER ASSY
1B - 4	162N0001-26	GEAR ASSY-NLG (NOSE GEAR WHEEL AND TIRE ONLY) COMPONENT MAINT MANUAL REF: 32-21-25 QUALIFIED I/W DATA: 12N0001-119, -112, -106, -99, -45 WITH QUICK RELEASE TORSION LINKS MAY REPLACE BUT NOT BE REPLACED BY 162N0001-41, -38, -32, -31, -26, -24, -23, -21, -19, -18, -14, -6 WITHOUT QUICK RELEASE TORSION LINKS SUBJECT TO CUSTOMER APPROVAL 162N0001-122, -115, -109, -103, -98 REQUIRES THE 727 TOW BAR MAY REPLACE BUT NOT BE REPLACED BY 162N0001-41, -38, -32, -31, -26, -24, -23, -21, -19, -18, -14, -6 REQUIRES 757 TOW BAR SUBJECT TO CUSTOMER APPROVAL	002004 006100 107107 121503 904949	RF

MISSING ITEM NUMBERS NOT APPLICABLE

- ITEM NOT ILLUSTRATED

BRI

**32-45-02-01B**

BOEING PROPRIETARY - Copyright © - Unpublished Work - See title page for details.

32-45-02  
FIG. 01B  
PAGE 28  
JAN 20/09



757

PARTS CATALOG (MAINTENANCE)

FIG ITEM	PART NUMBER	1 2 3 4 5 6 7 NOMENCLATURE	EFFECT FROM TO	UNITS PER ASSY
1B - 4	162N0001-26	GEAR ASSY-NLG (NOSE GEAR WHEEL AND TIRE ONLY) COMPONENT MAINT MANUAL REF: 32-21-25 QUALIFIED I/W DATA: 162N0001-41, -38, -32, -31, -26, -24, -23, -21, -19, -18, -14, -6 WITHOUT QUICK RELEASE TORSION LINKS I/W 162N0001-46, -42, -33 WITH QUICK RELEASE TORSION LINKS SUBJECT TO CUSTOMER APPROVAL 162N0001-118, -111, -105, -101, -49 WITH ONLY FORWARD TOW FITTING MAY REPLACE BUT NOT BE REPLACED BY 162N001-41, -38, -32, -31, -26, -24, -23, -21, -19, -18, -14, -6 WITH FORWARD AND AFT TOW FITTING SUBJECT TO CUSTOMER APPROVAL	002004 006100 107107 121503 904949	RF

MISSING ITEM NUMBERS NOT APPLICABLE

- ITEM NOT ILLUSTRATED

**32-45-02-01B**

32-45-02  
FIG. 01B  
PAGE 29  
JAN 20/09

BRI



757

PARTS CATALOG (MAINTENANCE)

FIG ITEM	PART NUMBER	1 2 3 4 5 6 7	NOMENCLATURE	EFFECT FROM TO	UNITS PER ASSY
1B - 4	162N0001-26		GEAR ASSY-NLG (NOSE GEAR WHEEL AND TIRE ONLY) COMPONENT MAINT MANUAL REF: 32-21-25 QUALIFIED I/W DATA: 162N0001-121, -114, -108, -102, -97 WITH QUICK RELEASE TORSION LINKS AND ONLY FORWARD TOW FITTING MAY REPLACE BUT NOT BE REPLACED BY 162N0001-41, -38, -32, -31, -26, -24, -23, -21, -19, -18, -14, -6 WITH FORWARD AND AFT TOW FITTING AND WITHOUT QUICK RELEASE TORSION LINKS SUBJECT TO CUSTOMER APPROVAL 162N0001-119 WITH QUICK RELEASE TORSION LINKS MAY REPLACE BUT NOT BE REPLACED BY 162N0001-41, -38, -32, -31, -26, -24, -23, -21, -19, -18, -14, -6 WITH CUSTOMER APPROVAL	002004 006100 107107 121503 904949	RF
- 5	162N0001-30		GEAR ASSY-NLG (NOSE GEAR WHEEL AND TIRE ONLY) POSITION DATA: SECT. 62 COMPONENT MAINT MANUAL REF: 32-21-25 FOR NHA/OTHER SYS DET SEE: 32-21-00-01B	002004 006100 107107 121503 904949	RF

MISSING ITEM NUMBERS NOT APPLICABLE

- ITEM NOT ILLUSTRATED

BRI

32-45-02-01B

BOEING PROPRIETARY - Copyright © - Unpublished Work - See title page for details.

32-45-02  
FIG. 01B  
PAGE 30  
JAN 20/09



757

PARTS CATALOG (MAINTENANCE)

FIG ITEM	PART NUMBER	1 2 3 4 5 6 7	NOMENCLATURE	EFFECT FROM TO	UNITS PER ASSY
1B - 5	162N0001-31		GEAR ASSY-NLG (NOSE GEAR WHEEL AND TIRE ONLY) POSITION DATA: SECT. 62 COMPONENT MAINT MANUAL REF: 32-21-25 QUALIFIED I/W DATA: 162N0001-41, -38, -32, -31, -26, -24, -23, -21, -19, -18, -14, -6 T/W (1)BACB28AK06-045 AND (1)BACB30NR6DK21 I/W 162N0001-22, -20 I/W (1)BACB28AK06-058 AND (1)BACB30NR6DK25 FOR NHA/OTHER SYS DET SEE: 32-21-00-01B	002004 006100 107107 121503 904949	RF
- 5	162N0001-31		GEAR ASSY-NLG (NOSE GEAR WHEEL AND TIRE ONLY) COMPONENT MAINT MANUAL REF: 32-21-25 QUALIFIED I/W DATA: 12N0001-119, -112, -106, -99, -45 WITH QUICK RELEASE TORSION LINKS MAY REPLACE BUT NOT BE REPLACED BY 162N0001-41, -38, -32, -31, -26, -24, -23, -21, -19, -18, -14, -6 WITHOUT QUICK RELEASE TORSION LINKS SUBJECT TO CUSTOMER APPROVAL 162N0001-122, -115, -109, -103, -98 REQUIRES THE 727 TOW BAR MAY REPLACE BUT NOT BE REPLACED BY 162N0001-41, -38, -32, -31, -26, -24, -23, -21, -19, -18, -14, -6 REQUIRES 757 TOW BAR SUBJECT TO CUSTOMER APPROVAL	002004 006100 107107 121503 904949	RF

MISSING ITEM NUMBERS NOT APPLICABLE

- ITEM NOT ILLUSTRATED

**32-45-02-01B**

32-45-02  
FIG. 01B  
PAGE 31  
JAN 20/09

BRI



757

PARTS CATALOG (MAINTENANCE)

FIG ITEM	PART NUMBER	1 2 3 4 5 6 7 NOMENCLATURE	EFFECT FROM TO	UNITS PER ASSY
1B - 5	162N0001-31	GEAR ASSY-NLG (NOSE GEAR WHEEL AND TIRE ONLY) COMPONENT MAINT MANUAL REF: 32-21-25 QUALIFIED I/W DATA: 162N0001-41, -38, -32, -31, -26, -24, -23, -21, -19, -18, -14, -6 WITHOUT QUICK RELEASE TORSION LINKS I/W 162N0001-46, -42, -33 WITH QUICK RELEASE TORSION LINKS SUBJECT TO CUSTOMER APPROVAL 162N0001-118, -111, -105, -101, -49 WITH ONLY FORWARD TOW FITTING MAY REPLACE BUT NOT BE REPLACED BY 162N001-41, -38, -32, -31, -26, -24, -23, -21, -19, -18, -14, -6 WITH FORWARD AND AFT TOW FITTING SUBJECT TO CUSTOMER APPROVAL	002004 006100 107107 121503 904949	RF

MISSING ITEM NUMBERS NOT APPLICABLE

- ITEM NOT ILLUSTRATED

BRI

**32-45-02-01B**

BOEING PROPRIETARY - Copyright © - Unpublished Work - See title page for details.

32-45-02  
FIG. 01B  
PAGE 32  
JAN 20/09



757

PARTS CATALOG (MAINTENANCE)

FIG ITEM	PART NUMBER	1 2 3 4 5 6 7	NOMENCLATURE	EFFECT FROM TO	UNITS PER ASSY
1B - 5	162N0001-31		GEAR ASSY-NLG (NOSE GEAR WHEEL AND TIRE ONLY) COMPONENT MAINT MANUAL REF: 32-21-25 QUALIFIED I/W DATA: 162N0001-121, -114, -108, -102, -97 WITH QUICK RELEASE TORSION LINKS AND ONLY FORWARD TOW FITTING MAY REPLACE BUT NOT BE REPLACED BY 162N0001-41, -38, -32, -31, -26, -24, -23, -21, -19, -18, -14, -6 WITH FORWARD AND AFT TOW FITTING AND WITHOUT QUICK RELEASE TORSION LINKS SUBJECT TO CUSTOMER APPROVAL 162N0001-119 WITH QUICK RELEASE TORSION LINKS MAY REPLACE BUT NOT BE REPLACED BY 162N0001-41, -38, -32, -31, -26, -24, -23, -21, -19, -18, -14, -6 WITH CUSTOMER APPROVAL	002004 006100 107107 121503 904949	RF
- 5	162N0001-32		GEAR ASSY-NLG (NOSE GEAR WHEEL AND TIRE ONLY) POSITION DATA: SECT. 62 COMPONENT MAINT MANUAL REF: 32-21-25 QUALIFIED I/W DATA: 162N0001-41, -38, -32, -31, -26, -24, -23, -21, -19, -18, -14, -6 T/W (1)BACB28AK06-045 AND (1)BACB30NR6DK21 I/W 162N0001-22, -20 I/W (1)BACB28AK06-058 AND (1)BACB30NR6DK25 FOR NHA/OTHER SYS DET SEE: 32-21-00-01B	002004 006100 107107 121503 904949	RF

MISSING ITEM NUMBERS NOT APPLICABLE

- ITEM NOT ILLUSTRATED

32-45-02-01B

32-45-02  
FIG. 01B  
PAGE 33  
JAN 20/09

BRI



757

PARTS CATALOG (MAINTENANCE)

FIG ITEM	PART NUMBER	1 2 3 4 5 6 7	NOMENCLATURE	EFFECT FROM TO	UNITS PER ASSY
1B - 5	162N0001-32		GEAR ASSY-NLG (NOSE GEAR WHEEL AND TIRE ONLY) COMPONENT MAINT MANUAL REF: 32-21-25 QUALIFIED I/W DATA: 12N0001-119, -112, -106, -99, -45 WITH QUICK RELEASE TORSION LINKS MAY REPLACE BUT NOT BE REPLACED BY 162N0001-41, -38, -32, -31, -26, -24, -23, -21, -19, -18, -14, -6 WITHOUT QUICK RELEASE TORSION LINKS SUBJECT TO CUSTOMER APPROVAL 162N0001-122, -115, -109, -103, -98 REQUIRES THE 727 TOW BAR MAY REPLACE BUT NOT BE REPLACED BY 162N0001-41, -38, -32, -31, -26, -24, -23, -21, -19, -18, -14, -6 REQUIRES 757 TOW BAR SUBJECT TO CUSTOMER APPROVAL	002004 006100 107107 121503 904949	RF

MISSING ITEM NUMBERS NOT APPLICABLE

- ITEM NOT ILLUSTRATED

BRI

**32-45-02-01B**

BOEING PROPRIETARY - Copyright © - Unpublished Work - See title page for details.

32-45-02  
 FIG. 01B  
 PAGE 34  
 JAN 20/09





757

PARTS CATALOG (MAINTENANCE)

FIG ITEM	PART NUMBER	1 2 3 4 5 6 7 NOMENCLATURE	EFFECT FROM TO	UNITS PER ASSY
1B - 5	162N0001-32	GEAR ASSY-NLG (NOSE GEAR WHEEL AND TIRE ONLY) COMPONENT MAINT MANUAL REF: 32-21-25 QUALIFIED I/W DATA: 162N0001-41, -38, -32, -31, -26, -24, -23, -21, -19, -18, -14, -6 WITHOUT QUICK RELEASE TORSION LINKS I/W 162N0001-46, -42, -33 WITH QUICK RELEASE TORSION LINKS SUBJECT TO CUSTOMER APPROVAL 162N0001-118, -111, -105, -101, -49 WITH ONLY FORWARD TOW FITTING MAY REPLACE BUT NOT BE REPLACED BY 162N001-41, -38, -32, -31, -26, -24, -23, -21, -19, -18, -14, -6 WITH FORWARD AND AFT TOW FITTING SUBJECT TO CUSTOMER APPROVAL	002004 006100 107107 121503 904949	RF

MISSING ITEM NUMBERS NOT APPLICABLE

- ITEM NOT ILLUSTRATED

**32-45-02-01B**

32-45-02  
FIG. 01B  
PAGE 35  
JAN 20/09

BRI



757

PARTS CATALOG (MAINTENANCE)

FIG ITEM	PART NUMBER	1 2 3 4 5 6 7	NOMENCLATURE	EFFECT FROM TO	UNITS PER ASSY
1B - 5	162N0001-32		GEAR ASSY-NLG (NOSE GEAR WHEEL AND TIRE ONLY) COMPONENT MAINT MANUAL REF: 32-21-25 QUALIFIED I/W DATA: 162N0001-121, -114, -108, -102, -97 WITH QUICK RELEASE TORSION LINKS AND ONLY FORWARD TOW FITTING MAY REPLACE BUT NOT BE REPLACED BY 162N0001-41, -38, -32, -31, -26, -24, -23, -21, -19, -18, -14, -6 WITH FORWARD AND AFT TOW FITTING AND WITHOUT QUICK RELEASE TORSION LINKS SUBJECT TO CUSTOMER APPROVAL 162N0001-119 WITH QUICK RELEASE TORSION LINKS MAY REPLACE BUT NOT BE REPLACED BY 162N0001-41, -38, -32, -31, -26, -24, -23, -21, -19, -18, -14, -6 WITH CUSTOMER APPROVAL	002004 006100 107107 121503 904949	RF
- 6	162N0001-38		GEAR ASSY-NLG (NOSE GEAR WHEEL AND TIRE ONLY) POSITION DATA: SECT. 62 COMPONENT MAINT MANUAL REF: 32-21-25 QUALIFIED I/W DATA: 162N0001-41, -38, -32, -31, -26, -24, -23, -21, -19, -18, -14, -6 T/W (1)BACB28AK06-045 AND (1)BACB30NR6DK21 I/W 162N0001-22, -20 I/W (1)BACB28AK06-058 AND (1)BACB30NR6DK25 FOR NHA/OTHER SYS DET SEE: 32-21-00-01B	002004 006100 107107 121503 904949	RF

MISSING ITEM NUMBERS NOT APPLICABLE

- ITEM NOT ILLUSTRATED

32-45-02-01B

32-45-02  
FIG. 01B  
PAGE 36  
JAN 20/09

BRI



757

PARTS CATALOG (MAINTENANCE)

FIG ITEM	PART NUMBER	1 2 3 4 5 6 7	NOMENCLATURE	EFFECT FROM TO	UNITS PER ASSY
1B - 6	162N0001-38		GEAR ASSY-NLG (NOSE GEAR WHEEL AND TIRE ONLY) COMPONENT MAINT MANUAL REF: 32-21-25 QUALIFIED I/W DATA: 12N0001-119, -112, -106, -99, -45 WITH QUICK RELEASE TORSION LINKS MAY REPLACE BUT NOT BE REPLACED BY 162N0001-41, -38, -32, -31, -26, -24, -23, -21, -19, -18, -14, -6 WITHOUT QUICK RELEASE TORSION LINKS SUBJECT TO CUSTOMER APPROVAL 162N0001-122, -115, -109, -103, -98 REQUIRES THE 727 TOW BAR MAY REPLACE BUT NOT BE REPLACED BY 162N0001-41, -38, -32, -31, -26, -24, -23, -21, -19, -18, -14, -6 REQUIRES 757 TOW BAR SUBJECT TO CUSTOMER APPROVAL	002004 006100 107107 121503 904949	RF

MISSING ITEM NUMBERS NOT APPLICABLE

- ITEM NOT ILLUSTRATED

**32-45-02-01B**

32-45-02  
 FIG. 01B  
 PAGE 37  
 JAN 20/09

BRI



757

PARTS CATALOG (MAINTENANCE)

FIG ITEM	PART NUMBER	1 2 3 4 5 6 7 NOMENCLATURE	EFFECT FROM TO	UNITS PER ASSY
1B - 6	162N0001-38	GEAR ASSY-NLG (NOSE GEAR WHEEL AND TIRE ONLY) COMPONENT MAINT MANUAL REF: 32-21-25 QUALIFIED I/W DATA: 162N0001-41, -38, -32, -31, -26, -24, -23, -21, -19, -18, -14, -6 WITHOUT QUICK RELEASE TORSION LINKS I/W 162N0001-46, -42, -33 WITH QUICK RELEASE TORSION LINKS SUBJECT TO CUSTOMER APPROVAL 162N0001-118, -111, -105, -101, -49 WITH ONLY FORWARD TOW FITTING MAY REPLACE BUT NOT BE REPLACED BY 162N001-41, -38, -32, -31, -26, -24, -23, -21, -19, -18, -14, -6 WITH FORWARD AND AFT TOW FITTING SUBJECT TO CUSTOMER APPROVAL	002004 006100 107107 121503 904949	RF

MISSING ITEM NUMBERS NOT APPLICABLE

- ITEM NOT ILLUSTRATED

**32-45-02-01B**

32-45-02  
FIG. 01B  
PAGE 38  
JAN 20/09

BRI



757

PARTS CATALOG (MAINTENANCE)

FIG ITEM	PART NUMBER	1 2 3 4 5 6 7	NOMENCLATURE	EFFECT FROM TO	UNITS PER ASSY
1B - 6	162N0001-38		GEAR ASSY-NLG (NOSE GEAR WHEEL AND TIRE ONLY) COMPONENT MAINT MANUAL REF: 32-21-25 QUALIFIED I/W DATA: 162N0001-121, -114, -108, -102, -97 WITH QUICK RELEASE TORSION LINKS AND ONLY FORWARD TOW FITTING MAY REPLACE BUT NOT BE REPLACED BY 162N0001-41, -38, -32, -31, -26, -24, -23, -21, -19, -18, -14, -6 WITH FORWARD AND AFT TOW FITTING AND WITHOUT QUICK RELEASE TORSION LINKS SUBJECT TO CUSTOMER APPROVAL 162N0001-119 WITH QUICK RELEASE TORSION LINKS MAY REPLACE BUT NOT BE REPLACED BY 162N0001-41, -38, -32, -31, -26, -24, -23, -21, -19, -18, -14, -6 WITH CUSTOMER APPROVAL	002004 006100 107107 121503 904949	RF
- 6	162N0001-41		GEAR ASSY-NLG (NOSE GEAR WHEEL AND TIRE ONLY) POSITION DATA: SECT. 62 COMPONENT MAINT MANUAL REF: 32-21-25 QUALIFIED I/W DATA: 162N0001-41, -38, -32, -31, -26, -24, -23, -21, -19, -18, -14, -6 T/W (1)BACB28AK06-045 AND (1)BACB30NR6DK21 I/W 162N0001-22, -20 I/W (1)BACB28AK06-058 AND (1)BACB30NR6DK25 FOR NHA/OTHER SYS DET SEE: 32-21-00-01B	002004 006100 107107 121503 904949	RF

MISSING ITEM NUMBERS NOT APPLICABLE

- ITEM NOT ILLUSTRATED

32-45-02-01B

32-45-02  
FIG. 01B  
PAGE 39  
JAN 20/09

BRI



757

PARTS CATALOG (MAINTENANCE)

FIG ITEM	PART NUMBER	1 2 3 4 5 6 7 NOMENCLATURE	EFFECT FROM TO	UNITS PER ASSY
1B - 6	162N0001-41	GEAR ASSY-NLG (NOSE GEAR WHEEL AND TIRE ONLY) COMPONENT MAINT MANUAL REF: 32-21-25 QUALIFIED I/W DATA: 12N0001-119, -112, -106, -99, -45 WITH QUICK RELEASE TORSION LINKS MAY REPLACE BUT NOT BE REPLACED BY 162N0001-41, -38, -32, -31, -26, -24, -23, -21, -19, -18, -14, -6 WITHOUT QUICK RELEASE TORSION LINKS SUBJECT TO CUSTOMER APPROVAL 162N0001-122, -115, -109, -103, -98 REQUIRES THE 727 TOW BAR MAY REPLACE BUT NOT BE REPLACED BY 162N0001-41, -38, -32, -31, -26, -24, -23, -21, -19, -18, -14, -6 REQUIRES 757 TOW BAR SUBJECT TO CUSTOMER APPROVAL	002004 006100 107107 121503 904949	RF

MISSING ITEM NUMBERS NOT APPLICABLE

- ITEM NOT ILLUSTRATED

BRI

**32-45-02-01B**

BOEING PROPRIETARY - Copyright © - Unpublished Work - See title page for details.

32-45-02  
FIG. 01B  
PAGE 40  
JAN 20/09



757

PARTS CATALOG (MAINTENANCE)

FIG ITEM	PART NUMBER	1 2 3 4 5 6 7	NOMENCLATURE	EFFECT FROM TO	UNITS PER ASSY
1B - 6	162N0001-41		GEAR ASSY-NLG (NOSE GEAR WHEEL AND TIRE ONLY) COMPONENT MAINT MANUAL REF: 32-21-25 QUALIFIED I/W DATA: 162N0001-41, -38, -32, -31, -26, -24, -23, -21, -19, -18, -14, -6 WITHOUT QUICK RELEASE TORSION LINKS I/W 162N0001-46, -42, -33 WITH QUICK RELEASE TORSION LINKS SUBJECT TO CUSTOMER APPROVAL 162N0001-118, -111, -105, -101, -49 WITH ONLY FORWARD TOW FITTING MAY REPLACE BUT NOT BE REPLACED BY 162N001-41, -38, -32, -31, -26, -24, -23, -21, -19, -18, -14, -6 WITH FORWARD AND AFT TOW FITTING SUBJECT TO CUSTOMER APPROVAL 162N0001-119, -112, -106, -99, -45 WITH QUICK RELEASE TORSION LINKS I/W 162N0001-120, -113, -107, -100, -47 WITHOUT QUICK RELEASE TORSION LINKS SUBJECT TO CUSTOMER APPROVAL	002004 006100 107107 121503 904949	RF

MISSING ITEM NUMBERS NOT APPLICABLE

- ITEM NOT ILLUSTRATED

**32-45-02-01B**

32-45-02  
 FIG. 01B  
 PAGE 41  
 JAN 20/09

BRI



757

PARTS CATALOG (MAINTENANCE)

FIG ITEM	PART NUMBER	1 2 3 4 5 6 7	NOMENCLATURE	EFFECT FROM TO	UNITS PER ASSY
1B - 6	162N0001-41		GEAR ASSY-NLG (NOSE GEAR WHEEL AND TIRE ONLY) COMPONENT MAINT MANUAL REF: 32-21-25 QUALIFIED I/W DATA: 162N0001-121, -114, -108, -102, -97 WITH QUICK RELEASE TORSION LINKS AND ONLY FORWARD TOW FITTING MAY REPLACE BUT NOT BE REPLACED BY 162N0001-41, -38, -32, -31, -26, -24, -23, -21, -19, -18, -14, -6 WITH FORWARD AND AFT TOW FITTING AND WITHOUT QUICK RELEASE TORSION LINKS SUBJECT TO CUSTOMER APPROVAL 162N0001-119 WITH QUICK RELEASE TORSION LINKS MAY REPLACE BUT NOT BE REPLACED BY 162N0001-41, -38, -32, -31, -26, -24, -23, -21, -19, -18, -14, -6 WITH CUSTOMER APPROVAL	002004 006100 107107 121503 904949	RF
- 6	162N0001-47		GEAR ASSY-NLG (NOSE GEAR WHEEL AND TIRE ONLY) POSITION DATA: SECT. 62 COMPONENT MAINT MANUAL REF: 32-21-25 QUALIFIED I/W DATA: 162N0001-120, -113, -107, -100, -47 T/W (1)BACB30NR6DK21 MAY REPLACE BUT NOT BE REPLACED BY 162N0001-20, -22 T/W (1)BACB28AK06-058 AND (1)BACB30NR6DK25 FOR NHA/OTHER SYS DET SEE: 32-21-00-01B	002004 006100 107107 121503 904949	RF

MISSING ITEM NUMBERS NOT APPLICABLE

- ITEM NOT ILLUSTRATED

32-45-02-01B

32-45-02  
FIG. 01B  
PAGE 42  
JAN 20/09

BRI





757

PARTS CATALOG (MAINTENANCE)

FIG ITEM	PART NUMBER	1 2 3 4 5 6 7	NOMENCLATURE	EFFECT FROM TO	UNITS PER ASSY
1B - 6	162N0001-47		GEAR ASSY-NLG (NOSE GEAR WHEEL AND TIRE ONLY) COMPONENT MAINT MANUAL REF: 32-21-25 QUALIFIED I/W DATA: 162N0001-118, -111, -105, -101, -49 WITH ONLY FORWARD TOW FITTING I/W 162N0001-120, -113, -107, -100, -47 WITH FORWARD AND AFT TOW FITTINGS WITH CUSTOMER APPROVAL 162N0001-120, -113, -107, -100, -47 WITHOUT QUICK RELEASE TORSION LINKS MAY REPLACE BUT NOT BE REPLACED BY 162N0001-46, -42, -33 WITH QUICK RELEASE COND RPL SUBJECT TO CUSTOMER APPROVAL 162N0001-119, -112, -106, -99, -45 WITH QUICK RELEASE TORSION LINKS I/W 162N0001-120, -113, -107, -100, -47 WITHOUT QUICK RELEASE TORSION LINKS SUBJECT TO CUSTOMER APPROVAL	002004 006100 107107 121503 904949	RF

MISSING ITEM NUMBERS NOT APPLICABLE

- ITEM NOT ILLUSTRATED

32-45-02-01B

BRI

BOEING PROPRIETARY - Copyright © - Unpublished Work - See title page for details.

32-45-02  
FIG. 01B  
PAGE 43  
JAN 20/09



757

PARTS CATALOG (MAINTENANCE)

FIG ITEM	PART NUMBER	1 2 3 4 5 6 7	NOMENCLATURE	EFFECT FROM TO	UNITS PER ASSY
1B - 6	162N0001-47		GEAR ASSY-NLG (NOSE GEAR WHEEL AND TIRE ONLY) COMPONENT MAINT MANUAL REF: 32-21-25 QUALIFIED I/W DATA: 162N0001-122, -115, -109, -103, -98 REQUIRES THE 727 TOW BAR I/W 162N0001-120, -113, -107, -100, -47 REQUIRES THE 757 TOW BAR SUBJECT TO CUSTOMER APPROVAL 162N0001-121, -114, -108, -102, -97 WITH QUICK RELEASE TORSION LINKS AND ONLY FORWARD TOW FITTING I/W 162N0001-120, -113, -107, -100, -47 WITH FORWARD AND AFT TOW FITTING AND WITHOUT QUICK RELEASE TORSION LINKS SUBJECT TO CUSTOMER APPROVAL	002004 006100 107107 121503 904949	RF
- 6	162N0001-47		GEAR ASSY-NLG (NOSE GEAR WHEEL AND TIRE ONLY) COMPONENT MAINT MANUAL REF: 32-21-25 QUALIFIED I/W DATA: 162N0001-119 WITH QUICK RELEASE TORSION LINKS I/W 162N0001-113, -107, -100, -47 WITHOUT QUICK RELEASE TORSION LINKS WITH CUSTOMER APPROVAL	002004 006100 107107 121503 904949	RF

MISSING ITEM NUMBERS NOT APPLICABLE

- ITEM NOT ILLUSTRATED

BRI

32-45-02-01B

BOEING PROPRIETARY - Copyright © - Unpublished Work - See title page for details.

32-45-02  
FIG. 01B  
PAGE 44  
JAN 20/09



757

PARTS CATALOG (MAINTENANCE)

FIG ITEM	PART NUMBER	1 2 3 4 5 6 7	NOMENCLATURE	EFFECT FROM TO	UNITS PER ASSY
1B - 7	162N0001-100		GEAR ASSY-NLG (NOSE GEAR WHEEL AND TIRE ONLY) POSITION DATA: SECT. 62 COMPONENT MAINT MANUAL REF: 32-21-25 QUALIFIED I/W DATA: 162N0001-120, -113, -107, -100, -47 T/W (1)BACB30NR6DK21 MAY REPLACE BUT NOT BE REPLACED BY 162N0001-20, -22 T/W (1)BACB28AK06-058 AND (1)BACB30NR6DK25 FOR NHA/OTHER SYS DET SEE: 32-21-00-01B	002004 006100 107107 121503 904949	RF
- 7	162N0001-100		GEAR ASSY-NLG (NOSE GEAR WHEEL AND TIRE ONLY) COMPONENT MAINT MANUAL REF: 32-21-25 QUALIFIED I/W DATA: 162N0001-118, -111, -105, -101, -49 WITH ONLY FORWARD TOW FITTING I/W 162N0001-120, -113, -107, -100, -47 WITH FORWARD AND AFT TOW FITTINGS WITH CUSTOMER APPROVAL 162N0001-120, -113, -107, -100, -47 WITHOUT QUICK RELEASE TORSION LINKS MAY REPLACE BUT NOT BE REPLACED BY 162N0001-46, -42, -33 WITH QUICK RELEASE COND RPL SUBJECT TO CUSTOMER APPROVAL 162N0001-119, -112, -106, -99, -45 WITH QUICK RELEASE TORSION LINKS I/W 162N0001-120, -113, -107, -100, -47 WITHOUT QUICK RELEASE TORSION LINKS SUBJECT TO CUSTOMER APPROVAL	002004 006100 107107 121503 904949	RF

MISSING ITEM NUMBERS NOT APPLICABLE

- ITEM NOT ILLUSTRATED

**32-45-02-01B**

32-45-02  
FIG. 01B  
PAGE 45  
JAN 20/09

BRI



757

PARTS CATALOG (MAINTENANCE)

FIG ITEM	PART NUMBER	1 2 3 4 5 6 7	NOMENCLATURE	EFFECT FROM TO	UNITS PER ASSY
1B - 7	162N0001-100		GEAR ASSY-NLG (NOSE GEAR WHEEL AND TIRE ONLY) COMPONENT MAINT MANUAL REF: 32-21-25 QUALIFIED I/W DATA: 162N0001-122, -115, -109, -103, -98 REQUIRES THE 727 TOW BAR I/W 162N0001-120, -113, -107, -100, -47 REQUIRES THE 757 TOW BAR SUBJECT TO CUSTOMER APPROVAL 162N0001-121, -114, -108, -102, -97 WITH QUICK RELEASE TORSION LINKS AND ONLY FORWARD TOW FITTING I/W 162N0001-120, -113, -107, -100, -47 WITH FORWARD AND AFT TOW FITTING AND WITHOUT QUICK RELEASE TORSION LINKS SUBJECT TO CUSTOMER APPROVAL	002004 006100 107107 121503 904949	RF
- 7	162N0001-100		GEAR ASSY-NLG (NOSE GEAR WHEEL AND TIRE ONLY) COMPONENT MAINT MANUAL REF: 32-21-25 QUALIFIED I/W DATA: 162N0001-119 WITH QUICK RELEASE TORSION LINKS I/W 162N0001-113, -107, -100, -47 WITHOUT QUICK RELEASE TORSION LINKS WITH CUSTOMER APPROVAL 162N0001-118, -111, -105, -101, -49 WITHOUT QUICK RELEASE TORSION LINKS I/W 162N0001-121, -114, -108, -102, -97 WITH QUICK RELEASE TORSION LINKS SUBJECT TO CUSTOMER APPROVAL	002004 006100 107107 121503 904949	RF

MISSING ITEM NUMBERS NOT APPLICABLE

- ITEM NOT ILLUSTRATED

32-45-02-01B

32-45-02  
FIG. 01B  
PAGE 46  
JAN 20/09

BRI



757

PARTS CATALOG (MAINTENANCE)

FIG ITEM	PART NUMBER	1 2 3 4 5 6 7	NOMENCLATURE	EFFECT FROM TO	UNITS PER ASSY
1B - 7	162N0001-107		GEAR ASSY-NLG (NOSE GEAR WHEEL AND TIRE ONLY) POSITION DATA: SECT. 62 COMPONENT MAINT MANUAL REF: 32-21-25 QUALIFIED I/W DATA: 162N0001-120, -113, -107, -100, -47 T/W (1)BACB30NR6DK21 MAY REPLACE BUT NOT BE REPLACED BY 162N0001-20, -22 T/W (1)BACB28AK06-058 AND (1)BACB30NR6DK25 FOR NHA/OTHER SYS DET SEE: 32-21-00-01B	002004 006100 107107 121503 904949	RF
- 7	162N0001-107		GEAR ASSY-NLG (NOSE GEAR WHEEL AND TIRE ONLY) COMPONENT MAINT MANUAL REF: 32-21-25 QUALIFIED I/W DATA: 162N0001-118, -111, -105, -101, -49 WITH ONLY FORWARD TOW FITTING I/W 162N0001-120, -113, -107, -100, -47 WITH FORWARD AND AFT TOW FITTINGS WITH CUSTOMER APPROVAL 162N0001-120, -113, -107, -100, -47 WITHOUT QUICK RELEASE TORSION LINKS MAY REPLACE BUT NOT BE REPLACED BY 162N0001-46, -42, -33 WITH QUICK RELEASE COND RPL SUBJECT TO CUSTOMER APPROVAL 162N0001-119, -112, -106, -99, -45 WITH QUICK RELEASE TORSION LINKS I/W 162N0001-120, -113, -107, -100, -47 WITHOUT QUICK RELEASE TORSION LINKS SUBJECT TO CUSTOMER APPROVAL	002004 006100 107107 121503 904949	RF

MISSING ITEM NUMBERS NOT APPLICABLE

- ITEM NOT ILLUSTRATED

**32-45-02-01B**

32-45-02  
FIG. 01B  
PAGE 47  
JAN 20/09

BRI



757

PARTS CATALOG (MAINTENANCE)

FIG ITEM	PART NUMBER	1 2 3 4 5 6 7	NOMENCLATURE	EFFECT FROM TO	UNITS PER ASSY
1B - 7	162N0001-107		GEAR ASSY-NLG (NOSE GEAR WHEEL AND TIRE ONLY) COMPONENT MAINT MANUAL REF: 32-21-25 QUALIFIED I/W DATA: 162N0001-122, -115, -109, -103, -98 REQUIRES THE 727 TOW BAR I/W 162N0001-120, -113, -107, -100, -47 REQUIRES THE 757 TOW BAR SUBJECT TO CUSTOMER APPROVAL 162N0001-121, -114, -108, -102, -97 WITH QUICK RELEASE TORSION LINKS AND ONLY FORWARD TOW FITTING I/W 162N0001-120, -113, -107, -100, -47 WITH FORWARD AND AFT TOW FITTING AND WITHOUT QUICK RELEASE TORSION LINKS SUBJECT TO CUSTOMER APPROVAL	002004 006100 107107 121503 904949	RF
- 7	162N0001-107		GEAR ASSY-NLG (NOSE GEAR WHEEL AND TIRE ONLY) COMPONENT MAINT MANUAL REF: 32-21-25 QUALIFIED I/W DATA: 162N0001-119 WITH QUICK RELEASE TORSION LINKS I/W 162N0001-113, -107, -100, -47 WITHOUT QUICK RELEASE TORSION LINKS WITH CUSTOMER APPROVAL	002004 006100 107107 121503 904949	RF

MISSING ITEM NUMBERS NOT APPLICABLE

- ITEM NOT ILLUSTRATED

BRI

32-45-02-01B

BOEING PROPRIETARY - Copyright © - Unpublished Work - See title page for details.

32-45-02  
FIG. 01B  
PAGE 48  
JAN 20/09



757

PARTS CATALOG (MAINTENANCE)

FIG ITEM	PART NUMBER	1 2 3 4 5 6 7	NOMENCLATURE	EFFECT FROM TO	UNITS PER ASSY
1B - 8	162N0001-113		GEAR ASSY-NLG (NOSE GEAR WHEEL AND TIRE ONLY) POSITION DATA: SECT. 62 COMPONENT MAINT MANUAL REF: 32-21-25 QUALIFIED I/W DATA: 162N0001-120, -113, -107, -100, -47 T/W (1)BACB30NR6DK21 MAY REPLACE BUT NOT BE REPLACED BY 162N0001-20, -22 T/W (1)BACB28AK06-058 AND (1)BACB30NR6DK25 FOR NHA/OTHER SYS DET SEE: 32-21-00-01B	002004 006100 107107 121503 904949	RF
- 8	162N0001-113		GEAR ASSY-NLG (NOSE GEAR WHEEL AND TIRE ONLY) COMPONENT MAINT MANUAL REF: 32-21-25 QUALIFIED I/W DATA: 162N0001-122, -115, -109, -103, -98 REQUIRES THE 727 TOW BAR I/W 162N0001-120, -113, -107, -100, -47 REQUIRES THE 757 TOW BAR SUBJECT TO CUSTOMER APPROVAL 162N0001-121, -114, -108, -102, -97 WITH QUICK RELEASE TORSION LINKS AND ONLY FORWARD TOW FITTING I/W 162N0001-120, -113, -107, -100, -47 WITH FORWARD AND AFT TOW FITTING AND WITHOUT QUICK RELEASE TORSION LINKS SUBJECT TO CUSTOMER APPROVAL	002004 006100 107107 121503 904949	RF

MISSING ITEM NUMBERS NOT APPLICABLE

- ITEM NOT ILLUSTRATED

BRI

**32-45-02-01B**

BOEING PROPRIETARY - Copyright © - Unpublished Work - See title page for details.

32-45-02  
FIG. 01B  
PAGE 49  
JAN 20/09



757

PARTS CATALOG (MAINTENANCE)

FIG ITEM	PART NUMBER	1 2 3 4 5 6 7	NOMENCLATURE	EFFECT FROM TO	UNITS PER ASSY
1B - 8	162N0001-113		GEAR ASSY-NLG (NOSE GEAR WHEEL AND TIRE ONLY) COMPONENT MAINT MANUAL REF: 32-21-25 QUALIFIED I/W DATA: 162N0001-119 WITH QUICK RELEASE TORSION LINKS I/W 162N0001-113, -107, -100, -47 WITHOUT QUICK RELEASE TORSION LINKS WITH CUSTOMER APPROVAL 162N0001-122,-115,-109, -103, -98 REQUIRES THE 727 TOW BAR I/W 162N0001-120, -113, -107, -100,-47 REQUIRES THE 757 TOW BAR SUBJECT TO CUSTOMER APPROVAL	002004 006100 107107 121503 904949	RF

MISSING ITEM NUMBERS NOT APPLICABLE

- ITEM NOT ILLUSTRATED

BRI

32-45-02-01B

BOEING PROPRIETARY - Copyright © - Unpublished Work - See title page for details.

32-45-02  
FIG. 01B  
PAGE 50  
JAN 20/09





757

PARTS CATALOG (MAINTENANCE)

FIG ITEM	PART NUMBER	1 2 3 4 5 6 7	NOMENCLATURE	EFFECT FROM TO	UNITS PER ASSY
1B - 8	162N0001-113		GEAR ASSY-NLG (NOSE GEAR WHEEL AND TIRE ONLY) COMPONENT MAINT MANUAL REF: 32-21-25 QUALIFIED I/W DATA: 162N0001-118, -111, -105, -101, -49 WITH ONLY FORWARD TOW FITTING I/W 162N0001-120, -113, -107, -100, -47 WITH FORWARD AND AFT TOW FITTINGS WITH CUSTOMER APPROVAL 162N0001-120, -113, -107, -100, -47 WITHOUT QUICK RELEASE TORSION LINKS MAY REPLACE BUT NOT BE REPLACED BY 162N0001-46, -42, -33 WITH QUICK RELEASE SUBJECT TO CUSTOMER APPROVAL 162N0001-119, -112, -106, -99, -45 WITH QUICK RELEASE TORSION LINKS I/W 162N0001-120, -113, -107, -100, -47 WITHOUT QUICK RELEASE TORSION LINKS SUBJECT TO CUSTOMER APPROVAL	002004 006100 107107 121503 904949	RF

MISSING ITEM NUMBERS NOT APPLICABLE

- ITEM NOT ILLUSTRATED

**32-45-02-01B**

32-45-02  
 FIG. 01B  
 PAGE 51  
 JAN 20/09

BRI



757

PARTS CATALOG (MAINTENANCE)

FIG ITEM	PART NUMBER	1 2 3 4 5 6 7	NOMENCLATURE	EFFECT FROM TO	UNITS PER ASSY
1B - 8	162N0001-120		GEAR ASSY-NLG (NOSE GEAR WHEEL AND TIRE ONLY) POSITION DATA: SECT. 62 MISCELLANEOUS DATA: INCLUDES TWO TOW FITTINGS AND NO QUICK DISCONNECT OPTION COMPONENT MAINT MANUAL REF: 32-21-25 QUALIFIED I/W DATA: 162N0001-120, -113, -107, -100, -47 T/W (1)BACB30NR6DK21 MAY REPLACE BUT NOT BE REPLACED BY 162N0001-20, -22 T/W (1)BACB28AK06-058 AND (1)BACB30NR6DK25 FOR NHA/OTHER SYS DET SEE: 32-21-00-01B	002004 006100 107107 121503 904949	RF
- 8	162N0001-120		GEAR ASSY-NLG (NOSE GEAR WHEEL AND TIRE ONLY) COMPONENT MAINT MANUAL REF: 32-21-25 QUALIFIED I/W DATA: 162N0001-119, -112, -106, -99, -45 WITH QUICK RELEASE TORSION LINKS I/W 162N0001-120, -113, -107, -100, -47 WITHOUT QUICK RELEASE TORSION LINKS SUBJECT TO CUSTOMER APPROVAL 162N0001-118, -111, -105, -101, -49 WITH ONLY FORWARD TOW FITTING I/W 162N0001-120, -113, -107, -100, -47 WITH FORWARD AND AFT TOW FITTINGS WITH CUSTOMER APPROVAL	002004 006100 107107 121503 904949	RF

MISSING ITEM NUMBERS NOT APPLICABLE

- ITEM NOT ILLUSTRATED

BRI

32-45-02-01B

BOEING PROPRIETARY - Copyright © - Unpublished Work - See title page for details.

32-45-02  
FIG. 01B  
PAGE 52  
JAN 20/09



757

PARTS CATALOG (MAINTENANCE)

FIG ITEM	PART NUMBER	1 2 3 4 5 6 7	NOMENCLATURE	EFFECT FROM TO	UNITS PER ASSY
1B - 8	162N0001-120		GEAR ASSY-NLG (NOSE GEAR WHEEL AND TIRE ONLY) COMPONENT MAINT MANUAL REF: 32-21-25 QUALIFIED I/W DATA: 162N0001-120, -113, -107, -100, -47 WITHOUT QUICK RELEASE TORSION LINKS MAY REPLACE BUT NOT BE REPLACED BY 162N0001-46, -42, -33 WITH QUICK RELEASE SUBJECT TO CUSTOMER APPROVAL 162N0001-122, -115, -109, -103, -98 REQUIRES THE 727 TOW BAR I/W 162N0001-120, -113, -107, -100, -47 REQUIRES THE 757 TOW BAR SUBJECT TO CUSTOMER APPROVAL	002004 006100 107107 121503 904949	RF
- 8	162N0001-120		GEAR ASSY-NLG (NOSE GEAR WHEEL AND TIRE ONLY) COMPONENT MAINT MANUAL REF: 32-21-25 QUALIFIED I/W DATA: 162N0001-121, -114, -108, -102, -97 WITH QUICK RELEASE TORSION LINKS AND ONLY FORWARD TOW FITTING I/W 162N0001-120, -113, -107, -100, -47 WITH FORWARD AND AFT TOW FITTING AND WITHOUT QUICK RELEASE TORSION LINKS SUBJECT TO CUSTOMER APPROVAL	002004 006100 107107 121503 904949	RF
20	162N1205-1		.NUT-AXLE	002004 006100 107107 121503 904949	2

MISSING ITEM NUMBERS NOT APPLICABLE

- ITEM NOT ILLUSTRATED

32-45-02-01B

BRI

BOEING PROPRIETARY - Copyright © - Unpublished Work - See title page for details.

32-45-02  
FIG. 01B  
PAGE 53  
JAN 20/09



757

PARTS CATALOG (MAINTENANCE)

FIG ITEM	PART NUMBER	1 2 3 4 5 6 7	NOMENCLATURE	EFFECT FROM TO	UNITS PER ASSY
1B 25	162N3115-8	.	WASHER	002004 006100 107107 121503 904949	2
30	162N1203-1	.	SPACER- USED ON: 162N0001-6 162N0001-14 162N0001-18 162N0001-19 162N0001-20 162N0001-21 162N0001-22 162N0001-23 162N0001-24 162N0001-26 162N0001-30 162N0001-31 162N0001-32 162N0001-38 162N0001-41 USED ON: 162N0001-6 162N0001-14 162N0001-18 162N0001-19 162N0001-21 162N0001-23 162N0001-24 162N0001-26 162N0001-31 162N0001-32 162N0001-38 162N0001-41	002004 006100 107107 121503 904949	2
35	162N1220-1	.	SPACER ASSY- USED ON: 162N0001-47 162N0001-100 162N0001-107 162N0001-113 162N0001-120 USED ON: 162N0001-47 162N0001-100 162N0001-107 162N0001-113 162N0001-120	002004 006100 107107 121503 904949	2

MISSING ITEM NUMBERS NOT APPLICABLE

- ITEM NOT ILLUSTRATED

32-45-02-01B

32-45-02  
FIG. 01B  
PAGE 54  
JAN 20/09

BRI

BOEING PROPRIETARY - Copyright © - Unpublished Work - See title page for details.



757

PARTS CATALOG (MAINTENANCE)

FIG ITEM	PART NUMBER	1 2 3 4 5 6 7	NOMENCLATURE	EFFECT FROM TO	UNITS PER ASSY
1B					
40	160N0201-71	. .	BUSHING	002004 006100 107107 121503 904949	1
45	160N0201-72	. .	BUSHING	002004 006100 107107 121503 904949	1
50	162N1220-2	. .	SPACER	002004 006100 107107 121503 904949	1

MISSING ITEM NUMBERS NOT APPLICABLE

- ITEM NOT ILLUSTRATED

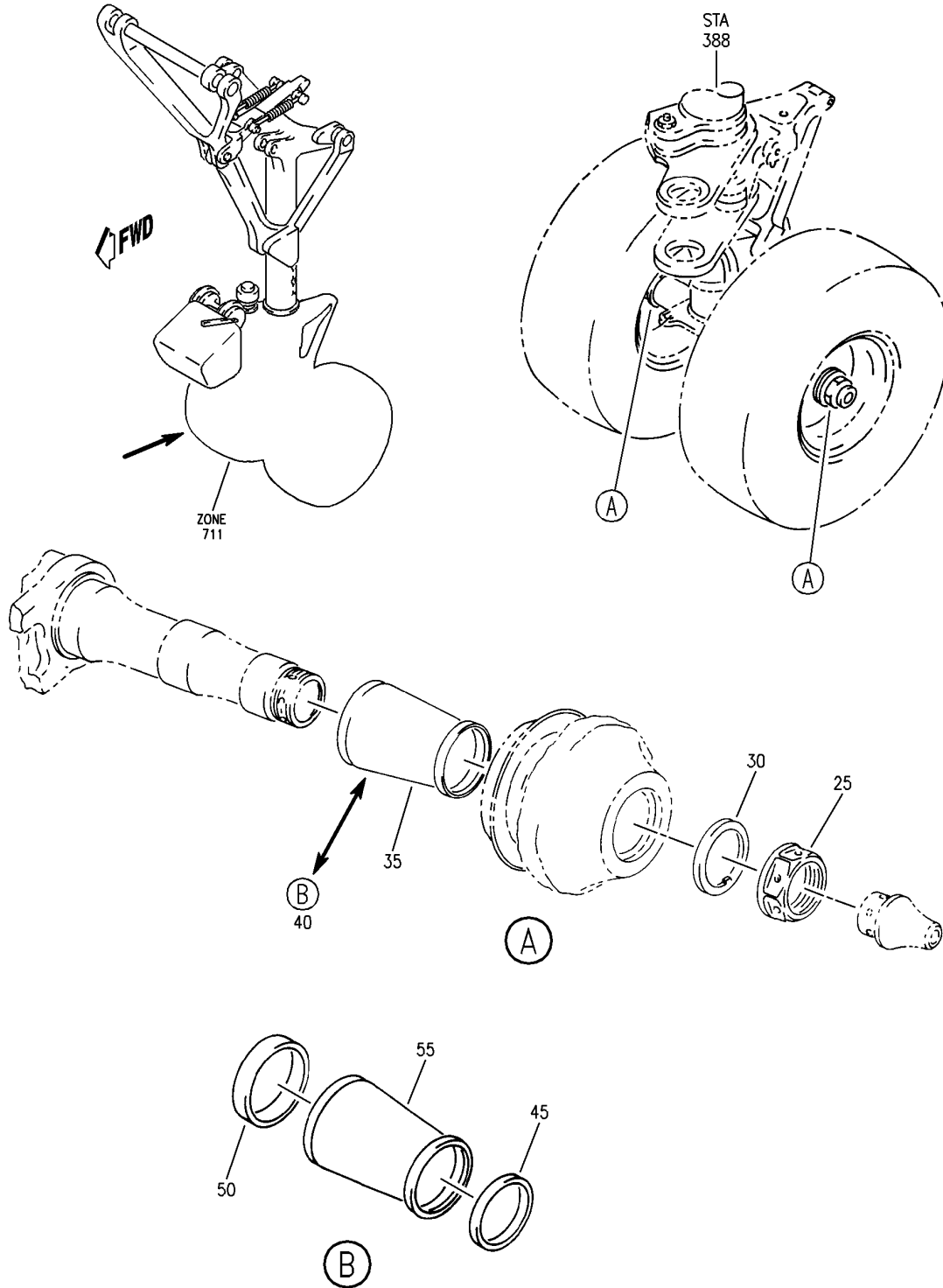
BRI

**32-45-02-01B**

BOEING PROPRIETARY - Copyright © - Unpublished Work - See title page for details.

32-45-02  
FIG. 01B  
PAGE 55  
JAN 20/09

**BOEING**  
757  
PARTS CATALOG (MAINTENANCE)



Y 32450201C REV 239

GEAR ASSY-SECT. 62 NLG (NOSE GEAR WHEEL AND TIRE ONLY)  
FIGURE 1C

**32-45-02-01C**

BRI  
JAN 20/09

32-45-02-01C  
PAGE 0



757

PARTS CATALOG (MAINTENANCE)

FIG ITEM	PART NUMBER	1 2 3 4 5 6 7	NOMENCLATURE	EFFECT FROM TO	UNITS PER ASSY
1C			GEAR ASSY-SECT. 62 NLG (NOSE GEAR WHEEL AND TIRE ONLY)	952999	
- 1	162N0001-101		GEAR ASSY-NLG (NOSE GEAR WHEEL AND TIRE ONLY) POSITION DATA: SECT. 62 COMPONENT MAINT MANUAL REF: 32-21-25 QUALIFIED I/W DATA: 162N0001-118, -111, -105, -101, -49 WITH ONLY FORWARD TOW FITTING I/W 162N0001-120, -113, -107, -100, -47 WITH FORWARD AND AFT TOW FITTINGS WITH CUSTOMER APPROVAL. FOR NHA/OTHER SYS DET SEE: 32-21-00-01B	952999	RF
- 1	162N0001-101		GEAR ASSY-NLG (NOSE GEAR WHEEL AND TIRE ONLY) POSITION DATA: SECT. 62 COMPONENT MAINT MANUAL REF: 32-21-25 QUALIFIED I/W DATA: 162N0001-118, -111, -105, -101, -49 WITH ONLY FORWARD TOW FITTING MAY REPLACE BUT NOT BE REPLACED BY 162N0001-41, -38, -32, -31, -26, -24, -23, -21, -19, -18, -14, -6 WITH FORWARD AND AFT TOW FITTING SUBJECT TO CUSTOMER APPROVAL	952999	RF

MISSING ITEM NUMBERS NOT APPLICABLE

- ITEM NOT ILLUSTRATED

BRI

32-45-02-01C

BOEING PROPRIETARY - Copyright © - Unpublished Work - See title page for details.

32-45-02  
FIG. 01C  
PAGE 1  
JAN 20/09



757

PARTS CATALOG (MAINTENANCE)

FIG ITEM	PART NUMBER	1 2 3 4 5 6 7 NOMENCLATURE	EFFECT FROM TO	UNITS PER ASSY
1C - 1	162N0001-101	GEAR ASSY-NLG (NOSE GEAR WHEEL AND TIRE ONLY) POSITION DATA: SECT. 62 COMPONENT MAINT MANUAL REF: 32-21-25 QUALIFIED I/W DATA: 162N0001-119, -112, -106, -99, -45 WITH FORWARD AND AFT TOW FITTING AND QUICK RELEASE TORSION LINK I/W 162N0001-118, -111, -105, -101, -49 WITH FORWARD TOW FITTING AND WITHOUT QUICK RELEASE TORSION LINK SUBJECT TO CUSTOMER APPROVAL 162N0001-118, -111, -105, -101 WITH FORWARD TOW FITTING AND WITHOUT QUICK RELEASE TORSION LINK MAY REPLACE BUT NOT BE REPLACED BY 162N0001-46, -42, -33 WITH FORWARD AND AFT TOW FITTING AND QUICK RELEASE TORSION LINK SUBJECT TO CUSTOMER APPROVAL 162N0001-118, -111, -105, -101, -49 T/W (1)BACB28AK06-045 AND (1)BACB30NR6DK21 WITH ONLY FORWARD TOW FITTING MAY REPLACE BUT NOT BE REPLACED BY 162N0001-22, -20 T/W (1)BACB28AK06-058 AND (1)BACB30NR6DK25	952999	RF

MISSING ITEM NUMBERS NOT APPLICABLE

- ITEM NOT ILLUSTRATED

32-45-02-01C

32-45-02  
 FIG. 01C  
 PAGE 2  
 JAN 20/09

BRI





757

PARTS CATALOG (MAINTENANCE)

FIG ITEM	PART NUMBER	1 2 3 4 5 6 7	NOMENCLATURE	EFFECT FROM TO	UNITS PER ASSY
1C - 1	162N0001-101		GEAR ASSY-NLG (NOSE GEAR WHEEL AND TIRE ONLY) POSITION DATA: SECT. 62 COMPONENT MAINT MANUAL REF: 32-21-25 QUALIFIED I/W DATA: 162N0001-122, -115, -109, -103, -98 REQUIRES THE 727 TOW BAR I/W 162N0001-118, -111, -105, -101, -49 REQUIRES THE 757 TOW BAR SUBJECT TO CUSTOMER APPROVAL 162N0001-118, -111, -105, -101, -49 WITHOUT QUICK RELEASE TORSION LINKS I/W 162N0001-121, -114, -108, -102, -97 WITH QUICK RELEASE TORSION LINKS SUBJECT TO CUSTOMER APPROVAL	952999	RF
- 1	162N0001-105		GEAR ASSY-NLG (NOSE GEAR WHEEL AND TIRE ONLY) POSITION DATA: SECT. 62 COMPONENT MAINT MANUAL REF: 32-21-25 QUALIFIED I/W DATA: 162N0001-118, -111, -105, -101, -49 WITH ONLY FORWARD TOW FITTING I/W 162N0001-120, -113, -107, -100, -47 WITH FORWARD AND AFT TOW FITTINGS WITH CUSTOMER APPROVAL FOR NHA/OTHER SYS DET SEE: 32-21-00-01B	952999	RF

MISSING ITEM NUMBERS NOT APPLICABLE

- ITEM NOT ILLUSTRATED

BRI

32-45-02-01C

BOEING PROPRIETARY - Copyright © - Unpublished Work - See title page for details.

32-45-02  
FIG. 01C  
PAGE 3  
JAN 20/09



757

PARTS CATALOG (MAINTENANCE)

FIG ITEM	PART NUMBER	1 2 3 4 5 6 7 NOMENCLATURE	EFFECT FROM TO	UNITS PER ASSY
1C - 1	162N0001-105	GEAR ASSY-NLG (NOSE GEAR WHEEL AND TIRE ONLY) POSITION DATA: SECT. 62 COMPONENT MAINT MANUAL REF: 32-21-25 QUALIFIED I/W DATA: 162N0001-118, -111, -105, -101, -49 WITH ONLY FORWARD TOW FITTING MAY REPLACE BUT NOT BE REPLACED BY 162N0001-41, -38, -32, -31, -26, -24, -23, -21, -19, -18, -14, -6 WITH FORWARD AND AFT TOW FITTING SUBJECT TO CUSTOMER APPROVAL	952999	RF

MISSING ITEM NUMBERS NOT APPLICABLE

- ITEM NOT ILLUSTRATED

BRI

**32-45-02-01C**

BOEING PROPRIETARY - Copyright © - Unpublished Work - See title page for details.

32-45-02  
 FIG. 01C  
 PAGE 4  
 JAN 20/09



757

PARTS CATALOG (MAINTENANCE)

FIG ITEM	PART NUMBER	1 2 3 4 5 6 7 NOMENCLATURE	EFFECT FROM TO	UNITS PER ASSY
1C - 1	162N0001-105	GEAR ASSY-NLG (NOSE GEAR WHEEL AND TIRE ONLY) POSITION DATA: SECT. 62 COMPONENT MAINT MANUAL REF: 32-21-25 QUALIFIED I/W DATA: 162N0001-119, -112, -106, -99, -45 WITH FORWARD AND AFT TOW FITTING AND QUICK RELEASE TORSION LINK I/W 162N0001-118, -111, -105, -101, -49 WITH FORWARD TOW FITTING AND WITHOUT QUICK RELEASE TORSION LINK SUBJECT TO CUSTOMER APPROVAL 162N0001-118, -111, -105, -101 WITH FORWARD TOW FITTING AND WITHOUT QUICK RELEASE TORSION LINK MAY REPLACE BUT NOT BE REPLACED BY 162N0001-46, -42, -33 WITH FORWARD AND AFT TOW FITTING AND QUICK RELEASE TORSION LINK SUBJECT TO CUSTOMER APPROVAL 162N0001-118, -111, -105, -101, -49 T/W (1)BACB28AK06-045 AND (1)BACB30NR6DK21 WITH ONLY FORWARD TOW FITTING MAY REPLACE BUT NOT BE REPLACED BY 162N0001-22, -20 T/W (1)BACB28AK06-058 AND (1)BACB30NR6DK25	952999	RF

MISSING ITEM NUMBERS NOT APPLICABLE

- ITEM NOT ILLUSTRATED

32-45-02-01C

32-45-02  
FIG. 01C  
PAGE 5  
JAN 20/09

BRI



757

PARTS CATALOG (MAINTENANCE)

FIG ITEM	PART NUMBER	1 2 3 4 5 6 7	NOMENCLATURE	EFFECT FROM TO	UNITS PER ASSY
1C - 1	162N0001-105		GEAR ASSY-NLG (NOSE GEAR WHEEL AND TIRE ONLY) POSITION DATA: SECT. 62 COMPONENT MAINT MANUAL REF: 32-21-25 QUALIFIED I/W DATA: 162N0001-122, -115, -109, -103, -98 REQUIRES THE 727 TOW BAR I/W 162N0001-118, -111, -105, -101, -49 REQUIRES THE 757 TOW BAR SUBJECT TO CUSTOMER APPROVAL 162N0001-118, -11, -105, -101, -49 WITHOUT QUICK RELEASE TORSION LINKS I/W 162N0001-121, -114, -108, -102, -97 WITH QUICK RELEASE TORSION LINKS SUBJECT TO CUSTOMER APPROVAL	952999	RF
- 1	162N0001-111		GEAR ASSY-NLG (NOSE GEAR WHEEL AND TIRE ONLY) POSITION DATA: SECT. 62 MISCELLANEOUS DATA: 162N0001-111 INCLUDES ONE TOW FITTING AND NO QUICK DISCONNECT OPTION COMPONENT MAINT MANUAL REF: 32-21-25 QUALIFIED I/W DATA: 162N0001-402, NOSE GEAR ASSEMBLY T/W 162N0001-4001, TOW OPTION INSTALLATION I/W P/N 162N0001-111, NOSE GEAR ASSEMBLY 162N0001-118, -111, -105, -101, -49 WITH ONLY FORWARD TOW FITTING I/W 162N0001-120, -113, -107, -100, -47 WITH FORWARD AND AFT TOW FITTINGS WITH CUSTOMER APPROVAL FOR NHA/OTHER SYS DET SEE: 32-21-00-01B	952999	RF

MISSING ITEM NUMBERS NOT APPLICABLE

- ITEM NOT ILLUSTRATED

32-45-02-01C

32-45-02  
FIG. 01C  
PAGE 6  
JAN 20/09

BRI



757

PARTS CATALOG (MAINTENANCE)

FIG ITEM	PART NUMBER	1 2 3 4 5 6 7	NOMENCLATURE	EFFECT FROM TO	UNITS PER ASSY
1C - 1	162N0001-111		GEAR ASSY-NLG (NOSE GEAR WHEEL AND TIRE ONLY) POSITION DATA: SECT. 62 COMPONENT MAINT MANUAL REF: 32-21-25 QUALIFIED I/W DATA: 162N0001-118, -111, -105, -101, -49 WITH ONLY FORWARD TOW FITTING MAY REPLACE BUT NOT BE REPLACED BY 162N0001-41, -38, -32, -31, -26, -24, -23, -21, -19, -18, -14, -6 WITH FORWARD AND AFT TOW FITTING SUBJECT TO CUSTOMER APPROVAL	952999	RF
- 2	162N0001-111		GEAR ASSY-NLG (NOSE GEAR WHEEL AND TIRE ONLY) POSITION DATA: SECT. 62 COMPONENT MAINT MANUAL REF: 32-21-25 QUALIFIED I/W DATA: 162N0001-119, -112, -106, -99, -45 WITH FORWARD AND AFT TOW FITTING AND QUICK RELEASE TORSION LINK I/W 162N0001-118, -111, -105, -101, -49 WITH FORWARD TOW FITTING AND WITHOUT QUICK RELEASE TORSION LINK SUBJECT TO CUSTOMER APPROVAL 162N0001-118, -111, -105, -101, -49 T/W (1)BACB28AK06-045 AND (1)BACB30NR6DK21 WITH ONLY FORWARD TOW FITTING MAY REPLACE BUT NOT BE REPLACED BY 162N0001-22, -20 T/W (1)BACB28AK06-058 AND (1)BACB30NR6DK25	952999	RF

MISSING ITEM NUMBERS NOT APPLICABLE

- ITEM NOT ILLUSTRATED

32-45-02-01C

32-45-02  
FIG. 01C  
PAGE 7  
JAN 20/09

BRI



757

PARTS CATALOG (MAINTENANCE)

FIG ITEM	PART NUMBER	1 2 3 4 5 6 7	NOMENCLATURE	EFFECT FROM TO	UNITS PER ASSY
1C - 2	162N0001-111		GEAR ASSY-NLG (NOSE GEAR WHEEL AND TIRE ONLY) POSITION DATA: SECT. 62 COMPONENT MAINT MANUAL REF: 32-21-25 QUALIFIED I/W DATA: 162N0001-122, -115, -109, -103, -98 REQUIRES THE 727 TOW BAR I/W 162N0001-118, -111, -105, -101, -49 REQUIRES THE 757 TOW BAR SUBJECT TO CUSTOMER APPROVAL 162N0001-118, -111, -105, -101, -49 WITHOUT QUICK RELEASE TORSION LINKS I/W 162N0001-121, -114, -108, -102, -97 WITH QUICK RELEASE TORSION LINKS SUBJECT TO CUSTOMER APPROVAL	952999	RF
- 2	162N0001-118		GEAR ASSY-NLG (NOSE GEAR WHEEL AND TIRE ONLY) POSITION DATA: SECT. 62 COMPONENT MAINT MANUAL REF: 32-21-25 QUALIFIED I/W DATA: 162N0001-118, -111, -105, -101, -49 WITH ONLY FORWARD TOW FITTING I/W 162N0001-120, -113, -107, -100, -47 WITH FORWARD AND AFT TOW FITTINGS WITH CUSTOMER APPROVAL FOR NHA/OTHER SYS DET SEE: 32-21-00-01B	952999	RF

MISSING ITEM NUMBERS NOT APPLICABLE

- ITEM NOT ILLUSTRATED

BRI

32-45-02-01C

BOEING PROPRIETARY - Copyright © - Unpublished Work - See title page for details.

32-45-02  
FIG. 01C  
PAGE 8  
JAN 20/09



757

PARTS CATALOG (MAINTENANCE)

FIG ITEM	PART NUMBER	1 2 3 4 5 6 7	NOMENCLATURE	EFFECT FROM TO	UNITS PER ASSY
1C - 2	162N0001-118		GEAR ASSY-NLG (NOSE GEAR WHEEL AND TIRE ONLY) POSITION DATA: SECT. 62 COMPONENT MAINT MANUAL REF: 32-21-25 QUALIFIED I/W DATA: 162N0001-118, -111, -105, -101, -49 WITH ONLY FORWARD TOW FITTING MAY REPLACE BUT NOT BE REPLACED BY 162N0001-41, -38, -32, -31, -26, -24, -23, -21, -19, -18, -14, -6 WITH FORWARD AND AFT TOW FITTING SUBJECT TO CUSTOMER APPROVAL	952999	RF

MISSING ITEM NUMBERS NOT APPLICABLE

- ITEM NOT ILLUSTRATED

BRI

32-45-02-01C

BOEING PROPRIETARY - Copyright © - Unpublished Work - See title page for details.

32-45-02  
FIG. 01C  
PAGE 9  
JAN 20/09



757

PARTS CATALOG (MAINTENANCE)

FIG ITEM	PART NUMBER	1 2 3 4 5 6 7 NOMENCLATURE	EFFECT FROM TO	UNITS PER ASSY
1C - 2	162N0001-118	GEAR ASSY-NLG (NOSE GEAR WHEEL AND TIRE ONLY) POSITION DATA: SECT. 62 COMPONENT MAINT MANUAL REF: 32-21-25 QUALIFIED I/W DATA: 162N0001-119, -112, -106, -99, -45 WITH FORWARD AND AFT TOW FITTING AND QUICK RELEASE TORSION LINK I/W 162N0001-118, -111, -105, -101, -49 WITH FORWARD TOW FITTING AND WITHOUT QUICK RELEASE TORSION LINK SUBJECT TO CUSTOMER APPROVAL 162N0001-118, -111, -105, -101 WITH FORWARD TOW FITTING AND WITHOUT QUICK RELEASE TORSION LINK MAY REPLACE BUT NOT BE REPLACED BY 162N0001-46, -42, -33 WITH FORWARD AND AFT TOW FITTING AND QUICK RELEASE TORSION LINK SUBJECT TO CUSTOMER APPROVAL 162N0001-118, -111, -105, -101, -49 T/W (1)BACB28AK06-045 AND (1)BACB30NR6DK21 WITH ONLY FORWARD TOW FITTING MAY REPLACE BUT NOT BE REPLACED BY 162N0001-22, -20 T/W (1)BACB28AK06-058 AND (1)BACB30NR6DK25	952999	RF

MISSING ITEM NUMBERS NOT APPLICABLE

- ITEM NOT ILLUSTRATED

32-45-02-01C

32-45-02  
 FIG. 01C  
 PAGE 10  
 JAN 20/09

BRI





757

PARTS CATALOG (MAINTENANCE)

FIG ITEM	PART NUMBER	1 2 3 4 5 6 7	NOMENCLATURE	EFFECT FROM TO	UNITS PER ASSY
1C - 2	162N0001-118		GEAR ASSY-NLG (NOSE GEAR WHEEL AND TIRE ONLY) POSITION DATA: SECT. 62 COMPONENT MAINT MANUAL REF: 32-21-25 QUALIFIED I/W DATA: 162N0001-122, -115, -109, -103, -98 REQUIRES THE 727 TOW BAR I/W 162N0001-118, -111, -105, -101, -49 REQUIRES THE 757 TOW BAR SUBJECT TO CUSTOMER APPROVAL 162N0001-118, -11, -105, -101, -49 WITHOUT QUICK RELEASE TORSION LINKS I/W 162N0001-121, -114, -108, -102, -97 WITH QUICK RELEASE TORSION LINKS SUBJECT TO CUSTOMER APPROVAL	952999	RF
- 2	162N0001-49		GEAR ASSY-NLG (NOSE GEAR WHEEL AND TIRE ONLY) POSITION DATA: SECT. 62 COMPONENT MAINT MANUAL REF: 32-21-25 QUALIFIED I/W DATA: (-98); 162N0001-98 MAY REPLACE -49 FOR AMERICAN AIRLINES ONLY. 162N0001-119, -112, -106, -99, -45 WITH FORWARD AND AFT TOW FITTING AND QUICK RELEASE TORSION LINK I/W 162N0001-118, -111, -105, -101, -49 WITH FORWARD TOW FITTING AND WITHOUT QUICK RELEASE TORSION LINK SUBJECT TO CUSTOMER APPROVAL FOR NHA/OTHER SYS DET SEE: 32-21-00-01B	952999	RF

MISSING ITEM NUMBERS NOT APPLICABLE

- ITEM NOT ILLUSTRATED

BRI

32-45-02-01C

BOEING PROPRIETARY - Copyright © - Unpublished Work - See title page for details.

32-45-02  
FIG. 01C  
PAGE 11  
JAN 20/09



757

PARTS CATALOG (MAINTENANCE)

FIG ITEM	PART NUMBER	1 2 3 4 5 6 7	NOMENCLATURE	EFFECT FROM TO	UNITS PER ASSY
1C - 2	162N0001-49		GEAR ASSY-NLG (NOSE GEAR WHEEL AND TIRE ONLY) POSITION DATA: SECT. 62 COMPONENT MAINT MANUAL REF: 32-21-25 QUALIFIED I/W DATA: 162N0001-118, -111, -105, -101, -49 WITH ONLY FORWARD TOW FITTING MAY REPLACE BUT NOT BE REPLACED BY 162N0001-41, -38, -32, -31, -26, -24, -23, -21, -19, -18, -14, -6 WITH FORWARD AND AFT TOW FITTING SUBJECT TO CUSTOMER APPROVAL	952999	RF

MISSING ITEM NUMBERS NOT APPLICABLE

- ITEM NOT ILLUSTRATED

BRI

32-45-02-01C

BOEING PROPRIETARY - Copyright © - Unpublished Work - See title page for details.

32-45-02  
FIG. 01C  
PAGE 12  
JAN 20/09



757

PARTS CATALOG (MAINTENANCE)

FIG ITEM	PART NUMBER	1 2 3 4 5 6 7	NOMENCLATURE	EFFECT FROM TO	UNITS PER ASSY
1C - 2	162N0001-49		GEAR ASSY-NLG (NOSE GEAR WHEEL AND TIRE ONLY) POSITION DATA: SECT. 62 COMPONENT MAINT MANUAL REF: 32-21-25 QUALIFIED I/W DATA: 162N0001-118, -111, -105, -101 WITH FORWARD TOW FITTING AND WITHOUT QUICK RELEASE TORSION LINK MAY REPLACE BUT NOT BE REPLACED BY 162N0001-46, -42, -33 WITH FORWARD AND AFT TOW FITTING AND QUICK RELEASE TORSION LINK SUBJECT TO CUSTOMER APPROVAL 162N0001-122, -115, -109, -103, -98 REQUIRES THE 727 TOW BAR I/W 162N0001-118, -111, -105, -101, -49 REQUIRES THE 757 TOW BAR SUBJECT TO CUSTOMER APPROVAL 162N0001-118, -11, -105, -101, -49 WITHOUT QUICK RELEASE TORSION LINKS I/W 162N0001-121, -114, -108, -102, -97 WITH QUICK RELEASE TORSION LINKS SUBJECT TO CUSTOMER APPROVAL 162N0001-118, -111, -105, -101, -49 T/W (1)BACB28AK06-045 AND (1)BACB30NR6DK21 WITH ONLY FORWARD TOW FITTING MAY REPLACE BUT NOT BE REPLACED BY 162N0001-22, -20 T/W (1)BACB28AK06-058 AND (1)BACB30NR6DK25	952999	RF

MISSING ITEM NUMBERS NOT APPLICABLE

- ITEM NOT ILLUSTRATED

32-45-02-01C

32-45-02  
 FIG. 01C  
 PAGE 13  
 JAN 20/09

BRI



757

PARTS CATALOG (MAINTENANCE)

FIG ITEM	PART NUMBER	1 2 3 4 5 6 7	NOMENCLATURE	EFFECT FROM TO	UNITS PER ASSY
1C - 2	162N0001-49		GEAR ASSY-NLG (NOSE GEAR WHEEL AND TIRE ONLY) POSITION DATA: SECT. 62 COMPONENT MAINT MANUAL REF: 32-21-25 QUALIFIED I/W DATA: 162N0001-118, -111, -105, -101, -49 WITH ONLY FORWARD TOW FITTING I/W 162N0001-120, -113, -107, -100, -47 WITH FORWARD AND AFT TOW FITTINGS WITH CUSTOMER APPROVAL	952999	RF
25	162N1205-1	.	NUT-AXLE	952999	2
30	162N3115-8	.	WASHER	952999	2
35	162N1203-1	.	SPACER-	952999	2
40	162N1220-1	.	SPACER ASSY-	952999	2
45	160N0201-71	..	BUSHING- USED ON: 162N1220-1	952999	1
50	160N0201-72	..	BUSHING- USED ON: 162N1220-1	952999	1
55	162N1220-2	..	SPACER- USED ON: 162N1220-1	952999	1

MISSING ITEM NUMBERS NOT APPLICABLE

- ITEM NOT ILLUSTRATED

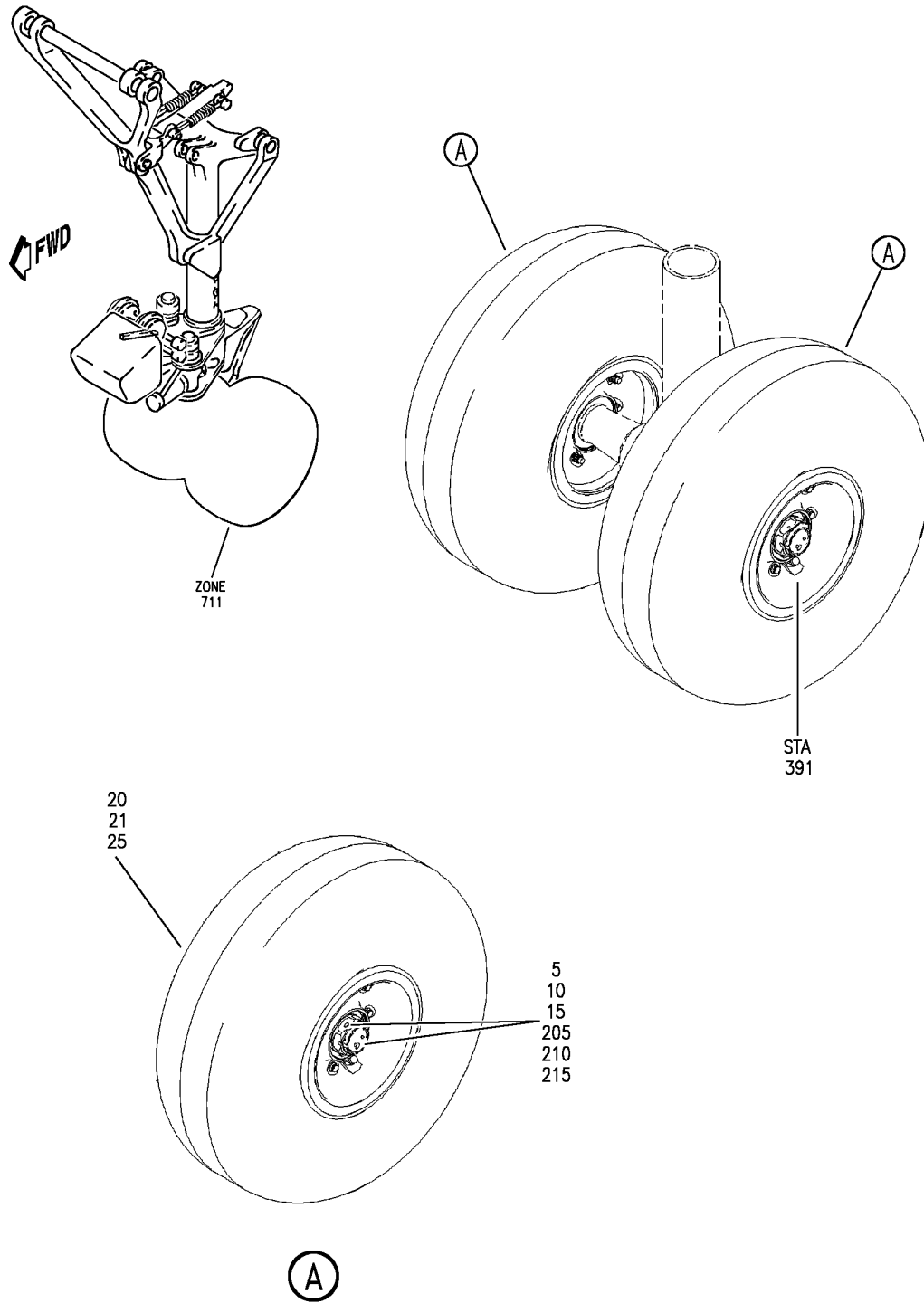
BRI

32-45-02-01C

BOEING PROPRIETARY - Copyright © - Unpublished Work - See title page for details.

32-45-02  
FIG. 01C  
PAGE 14  
JAN 20/09

**BOEING**  
757  
PARTS CATALOG (MAINTENANCE)



Y 32-45-02-02 REV 263

WHEEL/TIRE AND FASTENER INSTL-NLG  
FIGURE 2

**32-45-02-02**

BRI  
MAY 28/07

32-45-02-02  
PAGE 0



757

PARTS CATALOG (MAINTENANCE)

FIG ITEM	PART NUMBER	1 2 3 4 5 6 7	NOMENCLATURE	EFFECT FROM TO	UNITS PER ASSY
2			WHEEL/TIRE AND FASTENER INSTL-NLG	002004 006999	
- 1	160N0001-3		WHEEL INSTL-NLG	002004 006100 107107 121503 904999	1
- 1	277N2000-201		WHEEL TIRE INSTL-NLG FOR NHA SEE: 32-00-00-18	101102 108120	RF
- 1	277N2000-203		WHEEL TIRE INSTL-NLG FOR NHA SEE: 32-00-00-18	504903	RF
5	BACB30LJ4-9		.BOLT- USED ON: 160N0001-3	002004 006100 107107 121503 904999	4
10	AN960C416L		.WASHER- USED ON: 160N0001-3	002004 006100 107107 121503 904999	4
15	BRH10A4		.NUT- SUPPLIER CODE: V52828 SPECIFICATION NUMBER: BACN10JC4 OPTIONAL PART: T6S428J V11815 96-048 V80539 VN303A048 V92215 RMLH9075-4W V72962 NS202101-048 V80539 H10-4BAC V15653 USED ON: 160N0001-3	002004 006100 107107 121503 904999	4
20	162N0001-27		.WHEEL AND TIRE ASSY-NLG FOR DETAILS SEE: 32-45-03-01 32-45-04-01 32-45-08-01	107107	2

MISSING ITEM NUMBERS NOT APPLICABLE

- ITEM NOT ILLUSTRATED

32-45-02-02

32-45-02  
FIG. 02  
PAGE 1  
JAN 20/09

BRI



757

PARTS CATALOG (MAINTENANCE)

FIG ITEM	PART NUMBER	1 2 3 4 5 6 7	NOMENCLATURE	EFFECT FROM TO	UNITS PER ASSY
2	20 162N0001-28		.WHEEL AND TIRE ASSY-NLG FOR DETAILS SEE: 32-45-03-01 32-45-04-01 32-45-08-01	904949	2
	20 160N0001-21		.WHEEL AND TIRE ASSY-NLG USED ON: 160N0001-3 277N2000-203 FOR DETAILS SEE: 32-45-03-02 32-45-04-02 32-45-08-02	121903	2
	20 160N0001-27		.WHEEL AND TIRE ASSY-NLG USED ON: 160N0001-3 277N2000-201 FOR DETAILS SEE: 32-45-03-02 32-45-04-02 32-45-08-02	002004 101102 108120 950999	2
	21 160N0001-32		.WHEEL AND TIRE ASSY-NLG FOR DETAILS SEE: 32-45-03-02 32-45-04-02 32-45-08-02	006100	2
-	202 MODREF8997		FASTENER INSTL-NLG NO DEFLECTOR MODULE NUMBER: 277N2000-300 REV A	103106	RF
	205 BACB30LJ4-9		.BOLT	103106	4
	210 NAS1149C0432R		.WASHER	103106	4

MISSING ITEM NUMBERS NOT APPLICABLE

- ITEM NOT ILLUSTRATED

32-45-02-02

32-45-02  
FIG. 02  
PAGE 2  
JAN 20/09

BRI



757

PARTS CATALOG (MAINTENANCE)

FIG ITEM	PART NUMBER	1 2 3 4 5 6 7	NOMENCLATURE	EFFECT FROM TO	UNITS PER ASSY
2 215	BRH10A4	.	NUT SUPPLIER CODE: V52828 SPECIFICATION NUMBER: BACN10JC4 OPTIONAL PART: T6S428J V11815 96-048 V80539 VN303A048 V92215 RMLH9075-4W V72962 NS202101-048 V80539 H10-4BAC V15653	103106	4

MISSING ITEM NUMBERS NOT APPLICABLE

- ITEM NOT ILLUSTRATED

BRI

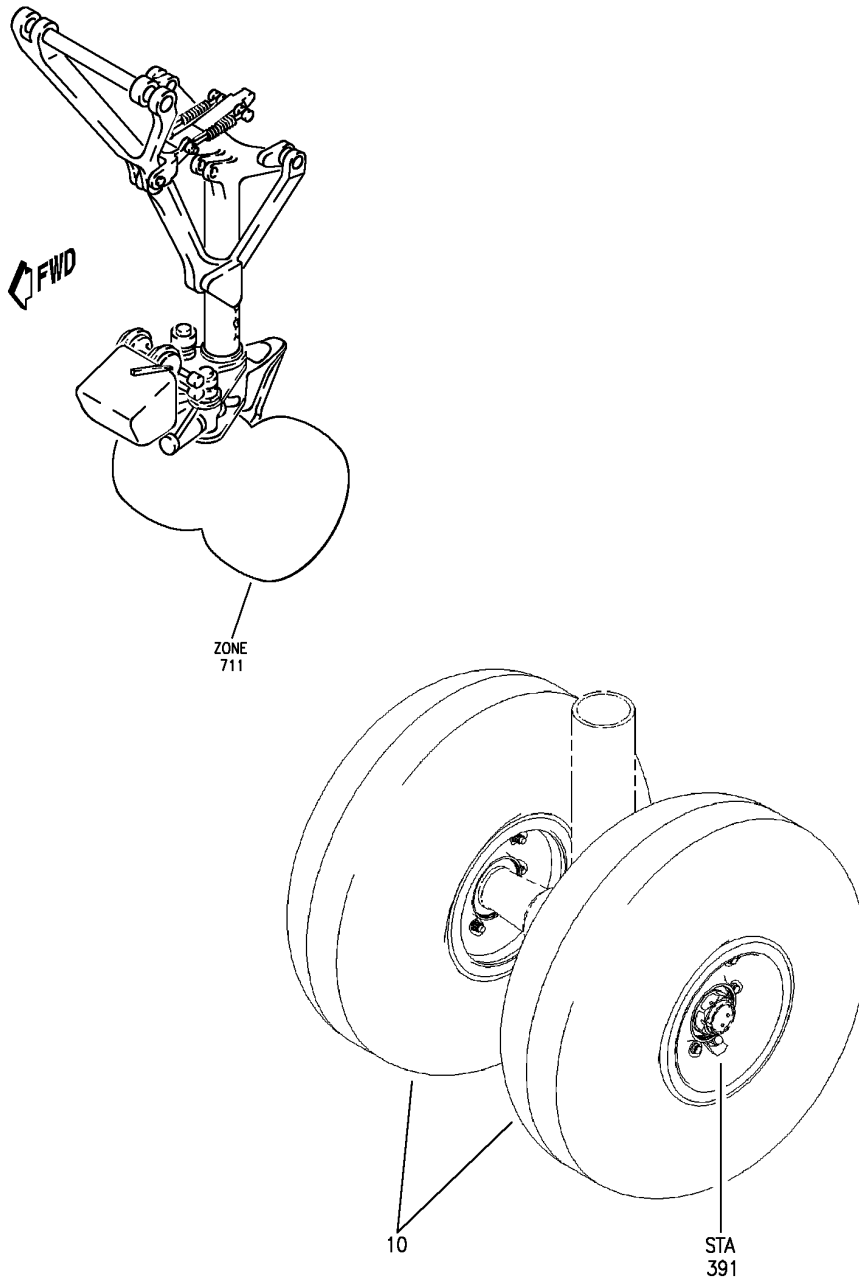
32-45-02-02

BOEING PROPRIETARY - Copyright © - Unpublished Work - See title page for details.

32-45-02  
FIG. 02  
PAGE 3  
JAN 20/09



**BOEING**  
757  
PARTS CATALOG (MAINTENANCE)



Y 32-45-02-02A REV 263

WHEEL/TIRE INSTL-NLG  
FIGURE 2A

**32-45-02-02A**

BRI  
JAN 20/09

32-45-02-02A  
PAGE 0



757

PARTS CATALOG (MAINTENANCE)

FIG ITEM	PART NUMBER	1 2 3 4 5 6 7	NOMENCLATURE	EFFECT FROM TO	UNITS PER ASSY
2A					
- 1	MODREF8988		WHEEL/TIRE INSTL-NLG WHEEL TIRE INSTL-NLG MODULE NUMBER: 277N2000-201 REV A	103106 103106	1
10	160N0001-27		.WHEEL AND TIRE ASSY-NLG FOR DETAILS SEE: 32-45-03-02 32-45-04-02 32-45-08-02	103106	2

MISSING ITEM NUMBERS NOT APPLICABLE

- ITEM NOT ILLUSTRATED

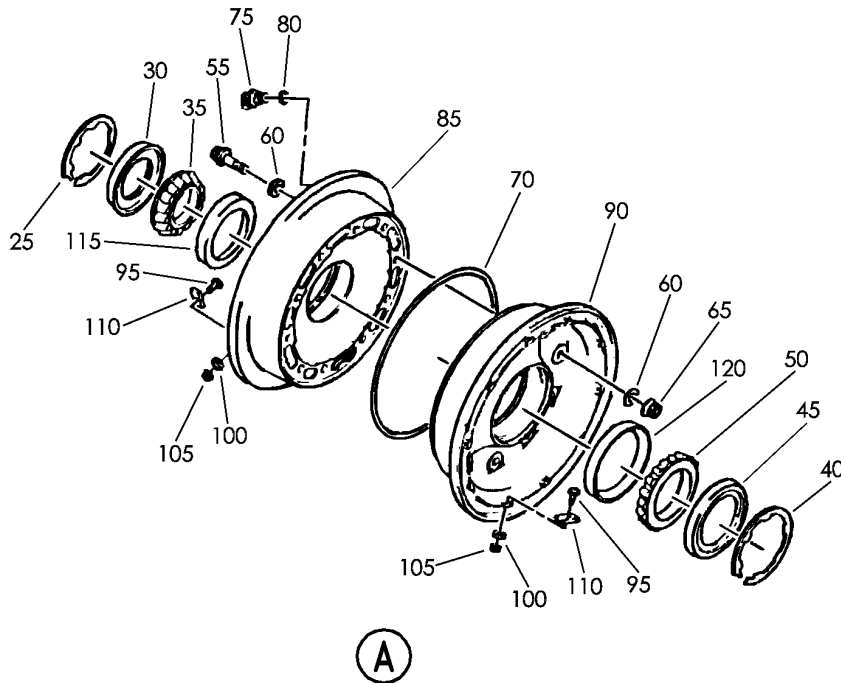
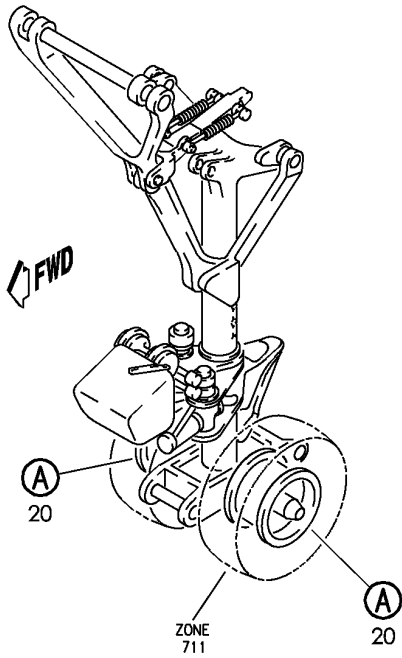
BRI

32-45-02-02A

BOEING PROPRIETARY - Copyright © - Unpublished Work - See title page for details.

32-45-02  
FIG. 02A  
PAGE 1  
JAN 20/09

**BOEING**  
757  
PARTS CATALOG (MAINTENANCE)



Y 32450301 REV 239

WHEEL AND TIRE ASSY-NLG (WHEELS ONLY)  
FIGURE 1

**32-45-03-01**

BRI  
MAY 28/07

32-45-03-01  
PAGE 0



757

PARTS CATALOG (MAINTENANCE)

FIG ITEM	PART NUMBER	1 2 3 4 5 6 7	NOMENCLATURE	EFFECT FROM TO	UNITS PER ASSY
1			WHEEL AND TIRE ASSY-NLG (WHEELS ONLY)	107107 904949	
- 1	162N0001-27		WHEEL AND TIRE ASSY-NLG (WHEELS ONLY) FOR NHA/ADDITIONAL DET SEE: 32-45-02-02	107107	RF
- 1	162N0001-28		WHEEL AND TIRE ASSY-NLG (WHEELS ONLY) FOR NHA/ADDITIONAL DET SEE: 32-45-02-02	904949	RF
20	3-1423-1		.WHEEL ASSY- SUPPLIER CODE: V97153 SPECIFICATION NUMBER: S160N010-30 COMPONENT MAINT MANUAL REF: 32-40-24 USED ON: 162N0001-4 162N0001-5 162N0001-7	107107 904949	1
20	3-1423-2		.WHEEL ASSY- SUPPLIER CODE: V97153 SPECIFICATION NUMBER: S160N010-31 COMPONENT MAINT MANUAL REF: 32-40-24 USED ON: 162N0001-27 162N0001-28 162N0001-29 162N0001-34 162N0001-39 162N0001-50 162N0001-95 162N0001-96	107107 904949	1
25	85-573		..RING-RETAINING SUPPLIER CODE: V97153 POSITION DATA: OUTER	107107 904949	1
30	68-1113		..SEAL- SUPPLIER CODE: V97153 POSITION DATA: OUTER	107107 904949	1

MISSING ITEM NUMBERS NOT APPLICABLE

- ITEM NOT ILLUSTRATED

32-45-03-01

32-45-03  
FIG. 01  
PAGE 1  
JAN 20/09

BRI



757

PARTS CATALOG (MAINTENANCE)

FIG ITEM	PART NUMBER	1 2 3 4 5 6 7	NOMENCLATURE	EFFECT FROM TO	UNITS PER ASSY
1					
35	29685	..	CONE-BEARING SUPPLIER CODE: V60038	107107 904949	1
40	85-574	..	RING-RETAINING SUPPLIER CODE: V97153 POSITION DATA: INNER	107107 904949	1
45	68-1112	..	SEAL- SUPPLIER CODE: V97153 POSITION DATA: INNER	107107 904949	1
50	27684	..	CONE-BEARING SUPPLIER CODE: V60038	107107 904949	1
55	43-1247	..	BOLT- SUPPLIER CODE: V97153	107107 904949	10
60	80-710	..	WASHER-COUNTERSUNK SUPPLIER CODE: V97153	107107 904949	20
65	63-495	..	NUT- SUPPLIER CODE: V97153	107107 904949	10
70	68-559	..	PACKING-PREFORMED SUPPLIER CODE: V97153	107107 904949	1
75	49-279	..	PLUG-OVERINFLATION SUPPLIER CODE: V97153	107107 904949	1
80	68-269	..	PACKING-PREFORMED SUPPLIER CODE: V97153	107107 904949	1
85	300-593-1	..	WHEEL ASSY-HALF SUPPLIER CODE: V97153 POSITION DATA: OUTER USED ON: 3-1423-1	107107 904949	1
85	300-593-2	..	WHEEL ASSY-HALF SUPPLIER CODE: V97153 POSITION DATA: OUTER USED ON: 3-1423-2	107107 904949	1

MISSING ITEM NUMBERS NOT APPLICABLE

- ITEM NOT ILLUSTRATED

32-45-03-01

32-45-03  
FIG. 01  
PAGE 2  
JAN 20/09

BRI



757

PARTS CATALOG (MAINTENANCE)

FIG ITEM	PART NUMBER	1 2 3 4 5 6 7	NOMENCLATURE	EFFECT FROM TO	UNITS PER ASSY
1					
90	300-594-1	..	WHEEL ASSY-HALF SUPPLIER CODE: V97153 POSITION DATA: INNER USED ON: 3-1423-1	107107 904949	1
90	300-594-2	..	WHEEL ASSY-HALF SUPPLIER CODE: V97153 POSITION DATA: INNER USED ON: 3-1423-2	107107 904949	1
95	AN3-5A	...	BOLT- OPTIONAL PART: AN3-7A AN3-10A	107107 904949	AR
95	AN3-7A	...	BOLT- OPTIONAL PART: AN3-5A AN3-10A	107107 904949	AR
95	AN3-10A	...	BOLT- OPTIONAL PART: AN3-5A AN3-7A	107107 904949	AR
100	AN960-10L	...	WASHER	107107 904949	AR
105	MS21042-3	...	NUT	107107 904949	AR
110	97-123	...	WEIGHT-BALANCE SUPPLIER CODE: V97153	107107 904949	AR
115	29620	...	CUP-BEARING SUPPLIER CODE: V60038 USED ON: 300-593-1 300-593-2	107107 904949	1
120	27620	...	CUP-BEARING SUPPLIER CODE: V60038 USED ON: 300-594-1 300-594-2	107107 904949	1

MISSING ITEM NUMBERS NOT APPLICABLE

- ITEM NOT ILLUSTRATED

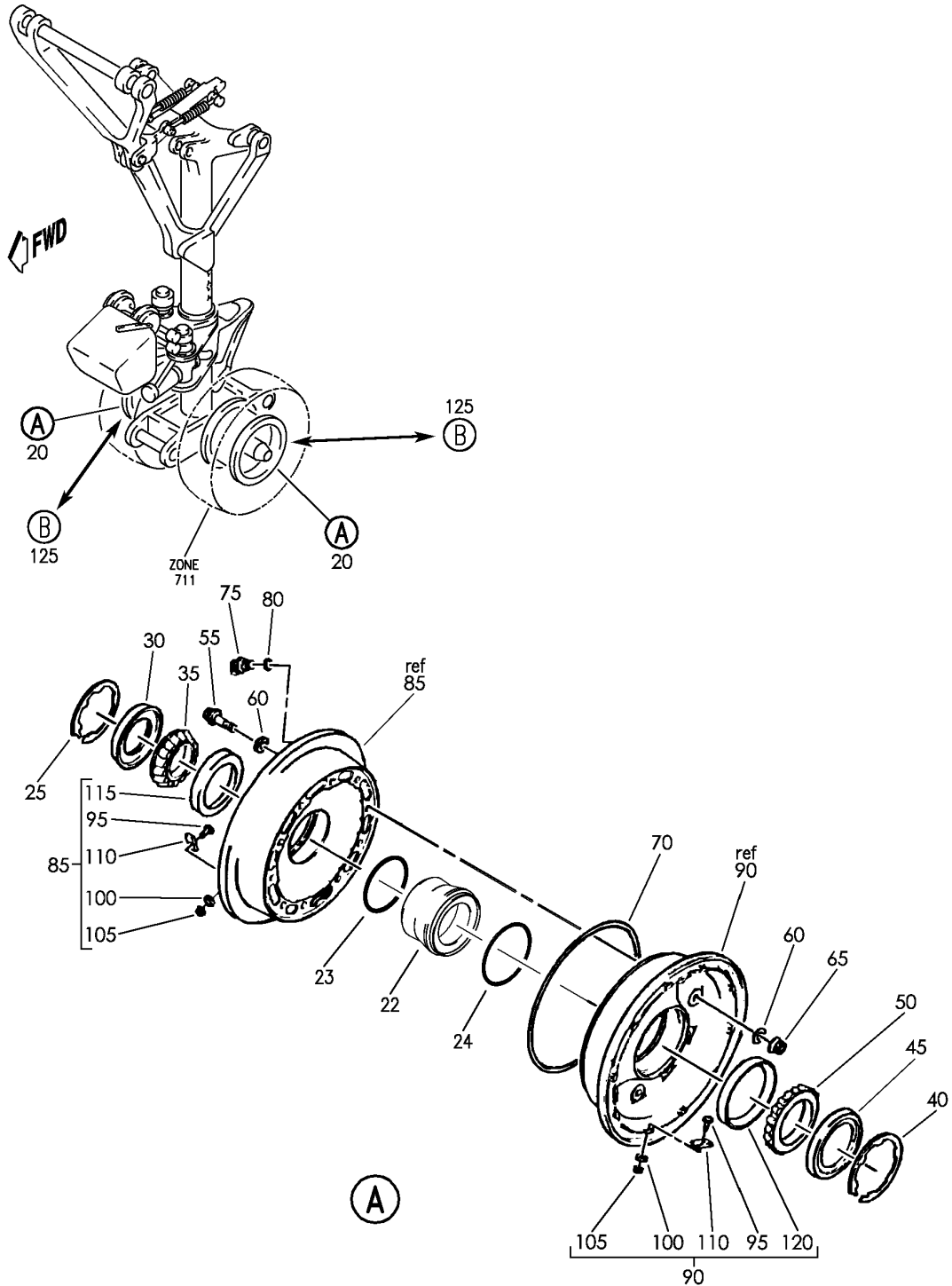
32-45-03-01

32-45-03  
FIG. 01  
PAGE 3  
JAN 20/09

BRI

BOEING PROPRIETARY - Copyright © - Unpublished Work - See title page for details.

**BOEING**  
757  
PARTS CATALOG (MAINTENANCE)



Y 32450302 SHT 1 REV 329

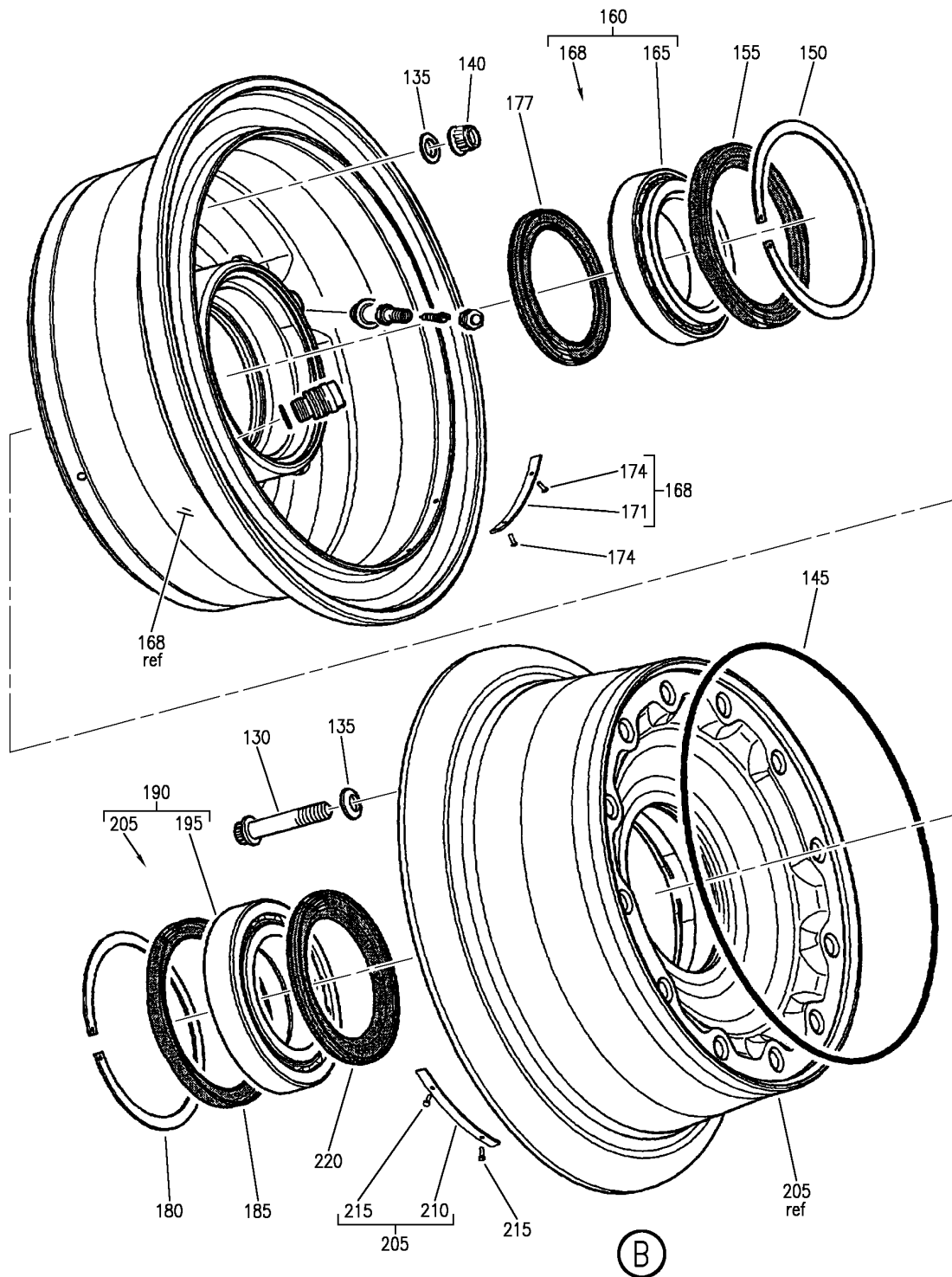
WHEEL AND TIRE ASSY-NLG (WHEELS ONLY)  
FIGURE 2 (SHEET 1)

**32-45-03-02**

BRI  
JAN 20/09

32-45-03-02  
PAGE 0

**BOEING**  
757  
PARTS CATALOG (MAINTENANCE)



Y 32450302 SHT 2 REV 280

WHEEL AND TIRE ASSY-NLG (WHEELS ONLY)  
FIGURE 2 (SHEET 2)

**32-45-03-02**

BRI  
MAY 28/07

32-45-03-02  
PAGE 0A





757

PARTS CATALOG (MAINTENANCE)

FIG ITEM	PART NUMBER	1 2 3 4 5 6 7	NOMENCLATURE	EFFECT FROM TO	UNITS PER ASSY
2			WHEEL AND TIRE ASSY-NLG (WHEELS ONLY)	002004 006106 108903 950999	
- 1	160N0001-21		WHEEL AND TIRE ASSY-NLG (WHEELS ONLY) FOR NHA/ADDITIONAL DET SEE: 32-45-02-02	121903	RF
- 1	160N0001-27		WHEEL AND TIRE ASSY-NLG (WHEELS ONLY) FOR NHA/ADDITIONAL DET SEE: 32-45-02-02 32-45-02-02A	002004 101106 108120 950999	RF
- 1	160N0001-32		WHEEL AND TIRE ASSY-NLG (WHEELS ONLY) FOR NHA/ADDITIONAL DET SEE: 32-45-02-02	006100	RF
20	3-1423-1		.WHEEL ASSY- SUPPLIER CODE: V97153 SPECIFICATION NUMBER: S160N010-30 COMPONENT MAINT MANUAL REF: 32-40-24	002004 006106 108903 950999	1
20	3-1423-2		.WHEEL ASSY- SUPPLIER CODE: V97153 SPECIFICATION NUMBER: S160N010-31 COMPONENT MAINT MANUAL REF: 32-40-24 USED ON: 160N0001-23 160N0001-24 160N0001-25 160N0001-26 160N0001-27 160N0001-28 160N0001-32 160N0001-41	002004 006106 108903 950999	1
25	85-573		..RING-RETAINING SUPPLIER CODE: V97153 POSITION DATA: OUTER	002004 006106 108903 950999	1

MISSING ITEM NUMBERS NOT APPLICABLE

- ITEM NOT ILLUSTRATED

32-45-03-02

32-45-03  
FIG. 02  
PAGE 1  
JAN 20/09

BRI

BOEING PROPRIETARY - Copyright © - Unpublished Work - See title page for details.



757

PARTS CATALOG (MAINTENANCE)

FIG ITEM	PART NUMBER	1 2 3 4 5 6 7	NOMENCLATURE	EFFECT FROM TO	UNITS PER ASSY
2					
30	68-1113	..	SEAL- SUPPLIER CODE: V97153 POSITION DATA: OUTER	002004 006106 108903 950999	1
35	29685	..	CONE-BEARING SUPPLIER CODE: V60038 OPTIONAL PART: 29685-20629 V60038	002004 006106 108903 950999	1
35	29685-20629	..	BEARING-CONE SUPPLIER CODE: V60038 OPTIONAL PART: 29685 V60038	002004 006106 108903 950999	1
40	85-574	..	RING-RETAINING SUPPLIER CODE: V97153 POSITION DATA: INNER	002004 006106 108903 950999	1
45	68-1112	..	SEAL- SUPPLIER CODE: V97153 POSITION DATA: INNER	002004 006106 108903 950999	1
50	27684	..	CONE-BEARING SUPPLIER CODE: V60038 OPTIONAL PART: 27684-20629 V60038	002004 006106 108903 950999	1
50	27684-20629	..	BEARING-CONE SUPPLIER CODE: V60038 OPTIONAL PART: 27684 V60038	002004 006106 108903 950999	1
55	43-1247	..	BOLT- SUPPLIER CODE: V97153	002004 006106 108903 950999	10
60	80-710	..	WASHER-COUNTERSUNK SUPPLIER CODE: V97153	002004 006106 108903 950999	20

MISSING ITEM NUMBERS NOT APPLICABLE

- ITEM NOT ILLUSTRATED

32-45-03-02

32-45-03  
FIG. 02  
PAGE 2  
JAN 20/09

BRI

BOEING PROPRIETARY - Copyright © - Unpublished Work - See title page for details.



**757  
PARTS CATALOG (MAINTENANCE)**

FIG ITEM	PART NUMBER	1 2 3 4 5 6 7	NOMENCLATURE	EFFECT FROM TO	UNITS PER ASSY
2					
65	63-495	..	NUT- SUPPLIER CODE: V97153	002004 006106 108903 950999	10
70	68-559	..	PACKING-PREFORMED SUPPLIER CODE: V97153	002004 006106 108903 950999	1
75	49-279	..	PLUG-OVERINFLATION SUPPLIER CODE: V97153	002004 006106 108903 950999	1
80	68-269	..	PACKING-PREFORMED SUPPLIER CODE: V97153	002004 006106 108903 950999	1
85	300-593-1	..	WHEEL ASSY-HALF SUPPLIER CODE: V97153 POSITION DATA: OUTER USED ON: 3-1423-1	002004 006106 108903 950999	1
85	300-593-2	..	WHEEL ASSY-HALF SUPPLIER CODE: V97153 POSITION DATA: OUTER USED ON: 3-1423-2	002004 006106 108903 950999	1
90	300-594-1	..	WHEEL ASSY-HALF SUPPLIER CODE: V97153 POSITION DATA: INNER USED ON: 3-1423-1	002004 006106 108903 950999	1
90	300-594-2	..	WHEEL ASSY-HALF SUPPLIER CODE: V97153 POSITION DATA: INNER USED ON: 3-1423-2	002004 006106 108903 950999	1
95	AN3-5A	...	BOLT- OPTIONAL PART: AN3-7A AN3-10A	002004 006106 108903 950999	AR

MISSING ITEM NUMBERS NOT APPLICABLE

- ITEM NOT ILLUSTRATED

# 32-45-03-02

32-45-03  
FIG. 02  
PAGE 3  
JAN 20/09

BRI

BOEING PROPRIETARY - Copyright © - Unpublished Work - See title page for details.



757

PARTS CATALOG (MAINTENANCE)

FIG ITEM	PART NUMBER	1 2 3 4 5 6 7	NOMENCLATURE	EFFECT FROM TO	UNITS PER ASSY
2					
95	AN3-7A	...	BOLT- OPTIONAL PART: AN3-5A AN3-10A	002004 006106 108903 950999	AR
95	AN3-10A	...	BOLT- OPTIONAL PART: AN3-5A AN3-7A	002004 006106 108903 950999	AR
95	AN3H5A	...	BOLT- OPTIONAL PART: AN3-5A	002004 006106 108903 950999	AR
95	AN3H7A	...	BOLT- OPTIONAL PART: AN3-5A	002004 006106 108903 950999	AR
95	AN3H10A	...	BOLT- OPTIONAL PART: AN3-5A	002004 006106 108903 950999	AR
95	AN3-6A	...	BOLT- OPTIONAL PART: AN3-5A	002004 006106 108903 950999	AR
95	AN3H6A	...	BOLT- OPTIONAL PART: AN3-5A	002004 006106 108903 950999	AR
100	AN960-10L	...	WASHER	002004 006106 108903 950999	AR
105	MS21042-3	...	NUT	002004 006106 108903 950999	AR
110	97-123	...	WEIGHT-BALANCE SUPPLIER CODE: V97153 OPTIONAL PART: 97-116 V97153 97-125 V97153	002004 006106 108903 950999	AR

MISSING ITEM NUMBERS NOT APPLICABLE

- ITEM NOT ILLUSTRATED

BRI

32-45-03-02

32-45-03  
FIG. 02  
PAGE 4  
JAN 20/09



757

PARTS CATALOG (MAINTENANCE)

FIG ITEM	PART NUMBER	1 2 3 4 5 6 7	NOMENCLATURE	EFFECT FROM TO	UNITS PER ASSY
2 110	97-116	...	WEIGHT-BALANCE SUPPLIER CODE: V97153 OPTIONAL PART: 97-123 V97153	002004 006106 108903 950999	AR
110	97-125	...	WEIGHT-BALANCE SUPPLIER CODE: V97153 OPTIONAL PART: 97-123 V97153	002004 006106 108903 950999	AR
115	29620	...	CUP-BEARING SUPPLIER CODE: V60038 OPTIONAL PART: 29620-20629 V60038 USED ON: 300-593-2 300-593-1	002004 006106 108903 950999	1
115	29620-20629	...	BEARING-BEARING SUPPLIER CODE: V60038 OPTIONAL PART: 29620 V60038 29624 V60038 USED ON: 300-593-2 300-593-1	002004 006106 108903 950999	1
115	29624	...	BEARING-BEARING SUPPLIER CODE: V60038 OPTIONAL PART: 29620-20629 V60038 USED ON: 300-593-2 300-593-1	002004 006106 108903 950999	1

MISSING ITEM NUMBERS NOT APPLICABLE

- ITEM NOT ILLUSTRATED

32-45-03-02

32-45-03  
FIG. 02  
PAGE 5  
JAN 20/09

BRI



757

PARTS CATALOG (MAINTENANCE)

FIG ITEM	PART NUMBER	1 2 3 4 5 6 7	NOMENCLATURE	EFFECT FROM TO	UNITS PER ASSY
2 120	27620		...CUP-BEARING SUPPLIER CODE: V60038 OPTIONAL PART: 27620-20629 V60038 USED ON: 300-594-2 300-594-1	002004 006106 108903 950999	1
120	27620-20629		...BEARING-BEARING SUPPLIER CODE: V60038 OPTIONAL PART: 27620 V60038 USED ON: 300-594-2 300-594-1	002004 006106 108903 950999	1

MISSING ITEM NUMBERS NOT APPLICABLE

- ITEM NOT ILLUSTRATED

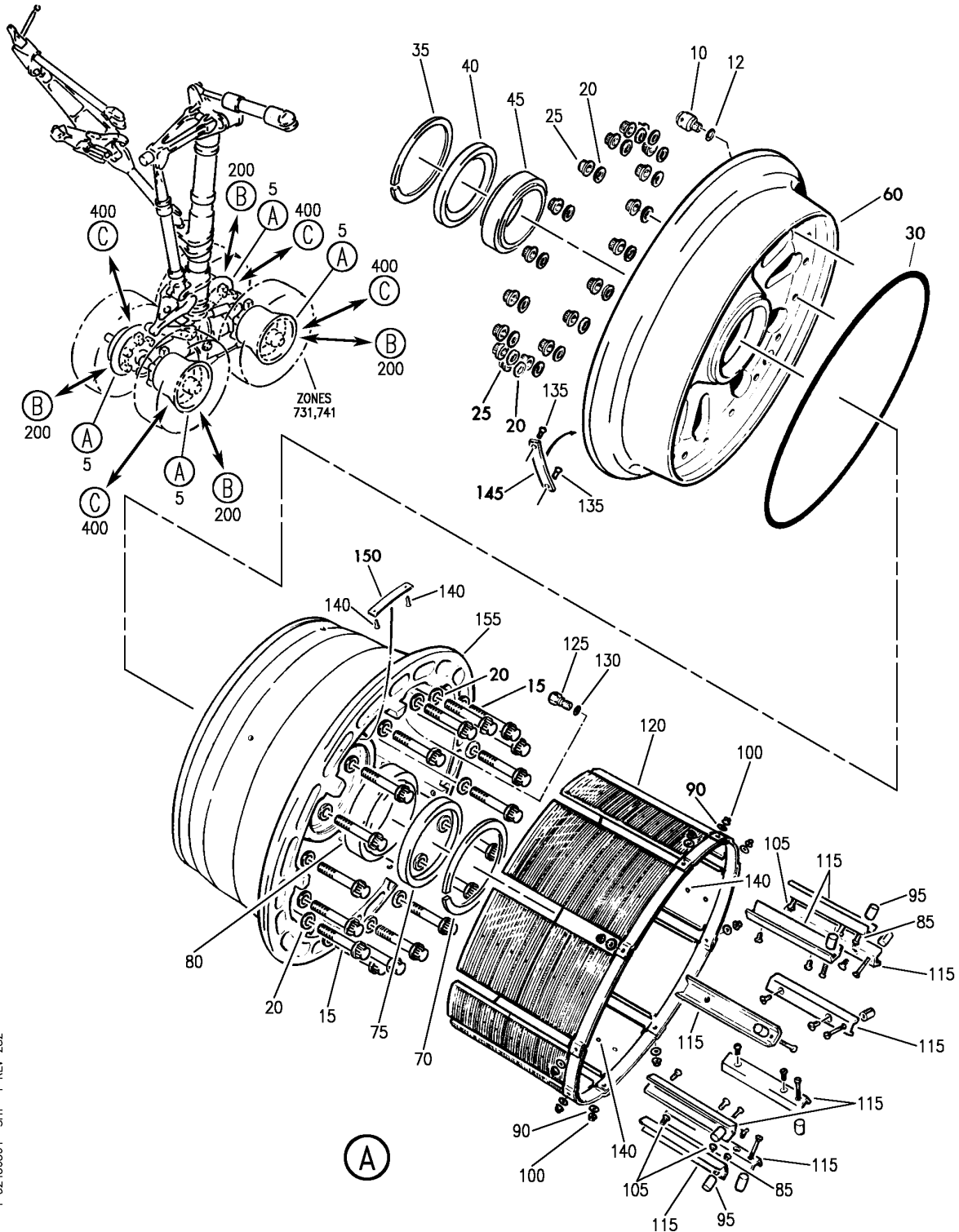
BRI

32-45-03-02

BOEING PROPRIETARY - Copyright © - Unpublished Work - See title page for details.

32-45-03  
FIG. 02  
PAGE 6  
JAN 20/09

**BOEING**  
757  
PARTS CATALOG (MAINTENANCE)



Y 32450304 SHT 1 REV 282

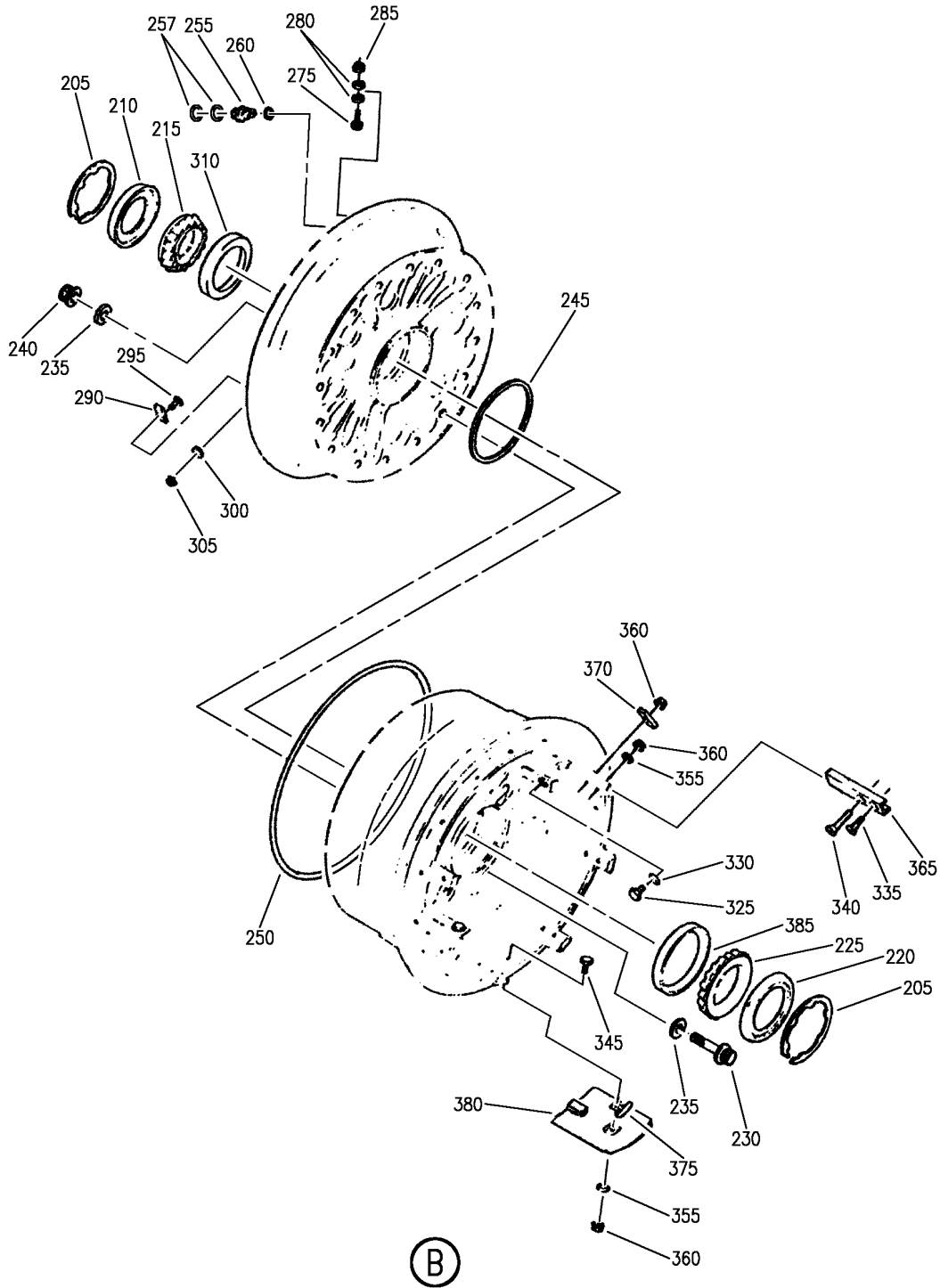
WHEEL AND TIRE ASSY-MLG (WHEELS ONLY)  
FIGURE 4 (SHEET 1)

**32-45-03-04**

BRI  
MAY 28/07

32-45-03-04  
PAGE 0

**BOEING**  
757  
**PARTS CATALOG (MAINTENANCE)**



Y 32450304 SH1 2 REV 295

WHEEL AND TIRE ASSY-MLG (WHEELS ONLY)  
FIGURE 4 (SHEET 2)

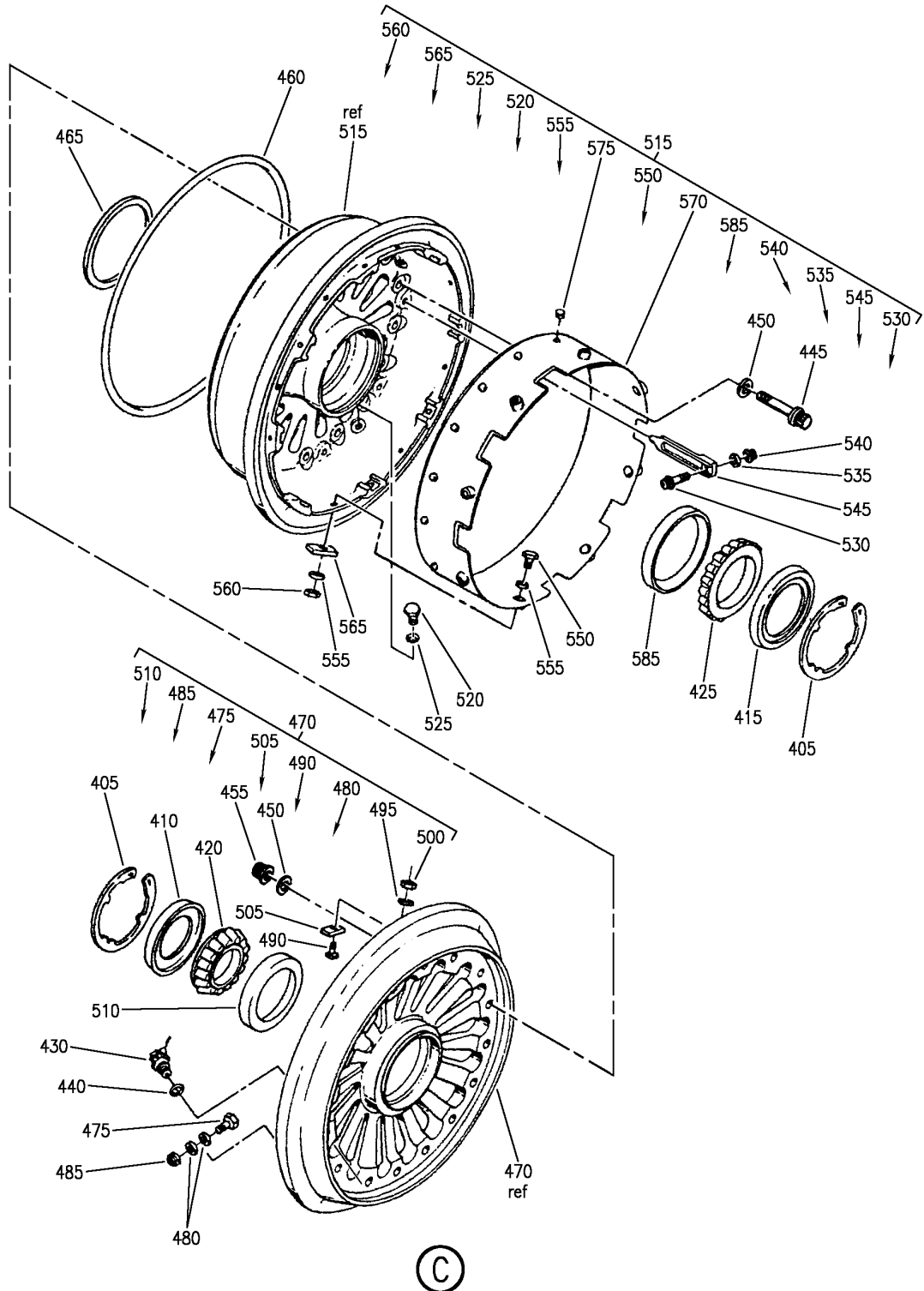
**32-45-03-04**

BRI  
MAY 28/07

32-45-03-04  
PAGE 0A



**BOEING**  
757  
PARTS CATALOG (MAINTENANCE)



Y 32450304 SHT 3 REV 282

WHEEL AND TIRE ASSY-MLG (WHEELS ONLY)  
FIGURE 4 (SHEET 3)

**32-45-03-04**

BRI  
MAY 28/07

32-45-03-04  
PAGE 0B



757

PARTS CATALOG (MAINTENANCE)

FIG ITEM	PART NUMBER	1 2 3 4 5 6 7	NOMENCLATURE	EFFECT FROM TO	UNITS PER ASSY
4			WHEEL AND TIRE ASSY-MLG (WHEELS ONLY)	002004 006105 952999	
- 1	160N0001-15		WHEEL AND TIRE ASSY-MLG (WHEELS ONLY) REWORKED BY SB: 32-0126 POST RAPID REVISION: RR92033-14 FOR NHA/ADDITIONAL DET SEE: 32-45-01-01	002004 006100 952999	RF
- 2	277N3000-104		WHEEL AND TIRE ASSY-MLG (WHEELS ONLY) FOR NHA/ADDITIONAL DET SEE: 32-45-01-01A 32-45-01-02	101105	RF
5	AHA1648		.WHEEL ASSY-MLG SUPPLIER CODE: VK1037 SPECIFICATION NUMBER: S160N020-6 COMPONENT MAINT MANUAL REF: 32-42-82	002004 006102	1
10	AH088790		..PLUG ASSY-SAFETY SUPPLIER CODE: VK1037 USED ON: AHA1648	002004 006102	1
20	MS20002C8		..WASHER- USED ON: AHA1648	002004 006102	36
45	DSR4629-1011		..BEARING- SUPPLIER CODE: VK0036 SB DATA FROM A CMM: MOD C11005(0) OPTIONAL PART: DAS2062-273 VK0036 USED ON: AHA1648	002004 006102	1

MISSING ITEM NUMBERS NOT APPLICABLE

- ITEM NOT ILLUSTRATED

32-45-03-04

32-45-03  
FIG. 04  
PAGE 1  
JAN 20/09

BRI



757

PARTS CATALOG (MAINTENANCE)

FIG ITEM	PART NUMBER	1 2 3 4 5 6 7	NOMENCLATURE	EFFECT FROM TO	UNITS PER ASSY
4					
45	DAS2062-273	..	BEARING- SUPPLIER CODE: VK0036 SB DATA FROM A CMM: PRE MOD C11005(0) QUALIFIED OPTIONAL DATA: DAS2062-273 BEARINGT OT TO LM718947 CUP WITH LM718910 CONE OPTIONAL PART: DSR4629-1011 VK0036 USED ON: AHA1648	002004 006102	1
60	AHA1512	..	HUB-HALF SUPPLIER CODE: VK1037 USED ON: AHA1648	002004 006102	1
80	DAS2062-278	..	BEARING- SUPPLIER CODE: VK1037 SB DATA FROM A CMM: SNL B757-32-11 PRE MOD C11005(0) USED ON: AHA1648	002004 006102	1
80	DSR4629-1052	..	BEARING- SUPPLIER CODE: VK0036 SB DATA FROM A CMM: MOD C11005(0) USED ON: AHA1648	002004 006102	1
90	DSR154-1	..	WASHER- SUPPLIER CODE: VK1037 USED ON: AHA1648	002004 006102	9
95	AH089383	..	SPACER- SUPPLIER CODE: VK1037 USED ON: AHA1648	002004 006102	9
100	NAS1291-3	..	NUT- USED ON: AHA1648	002004 006102	9

MISSING ITEM NUMBERS NOT APPLICABLE

- ITEM NOT ILLUSTRATED

32-45-03-04

32-45-03  
FIG. 04  
PAGE 2  
JAN 20/09

BRI



757

PARTS CATALOG (MAINTENANCE)

FIG ITEM	PART NUMBER	1 2 3 4 5 6 7	NOMENCLATURE	EFFECT FROM TO	UNITS PER ASSY
4 105	DSR1049-2		.. SCREW-SERIES KA SUPPLIER CODE: VK1037 USED ON: AHA1648	002004 006102	18
115	AH089341		.. BLOCK-DRIVE SUPPLIER CODE: VK1037	002004 006102	9
120	AHM8789		.. SHIELD-HEAT SUPPLIER CODE: VK1037 USED ON: AHA1648	002004 006102	9
155	AH089101		.. HUB ASSY-HALF SUPPLIER CODE: VK1037 USED ON: AHA1648	002004 006102	1
- 165	AH44042		.. HUB ASSY-BRG CUP HALF SUPPLIER CODE: VK1037 USED ON: AHA1648	002004 006102	1
200	3-1428		. WHEEL ASSY- (USE WITH STEEL BRAKES ONLY) SUPPLIER CODE: V97153 SPECIFICATION NUMBER: S160N010-25 COMPONENT MAINT MANUAL REF: 32-40-22 POST SERVICE BULLETIN: 32-0126 32-0157 32-0157R1 QUALIFIED SB I/W DATA: (THIS WHEEL ASSY APPLICABLE TO A/C N431UP AND UQ AND ALL AIRCRAFT MODIFIED TO STEEL BRAKES)	103105 952999	1
205	85-575		.. RING-RETAINING SUPPLIER CODE: V97153 SB DATA FROM A CMM: PRE SB 534 CONFIG CHG DATA FROM A CMM: REPLD BY 85-633	103105 952999	2

MISSING ITEM NUMBERS NOT APPLICABLE

- ITEM NOT ILLUSTRATED

32-45-03-04

32-45-03  
FIG. 04  
PAGE 3  
JAN 20/09

BRI



757

PARTS CATALOG (MAINTENANCE)

FIG ITEM	PART NUMBER	1 2 3 4 5 6 7	NOMENCLATURE	EFFECT FROM TO	UNITS PER ASSY
4 205	85-633		..RING-RETAINING SUPPLIER CODE: V97153 SB DATA FROM A CMM: POST SB 534 CONFIG CHG DATA FROM A CMM: REPLS 85-575	103105 952999	2
210	68-1136		..SEAL- SUPPLIER CODE: V97153 POSITION DATA: OUTER	103105 952999	1
215	LM718947		..CONE-BRG SUPPLIER CODE: V60038 POSITION DATA: OUTER OPTIONAL PART: LM718947-20629 V60038	103105 952999	1
215	LM718947-20629		..CONE-BRG SUPPLIER CODE: V60038 POSITION DATA: OUTER OPTIONAL PART: LM718947 V60038	103105 952999	1
220	68-1135		..SEAL- SUPPLIER CODE: V97153 POSITION DATA: INNER	103105 952999	1
225	594		..CONE-BRG SUPPLIER CODE: V60038 POSITION DATA: INNER OPTIONAL PART: 594-20629 V60038	103105 952999	1
225	594-20629		..CONE-BRG SUPPLIER CODE: V60038 POSITION DATA: INNER OPTIONAL PART: 594 V60038	103105 952999	1

MISSING ITEM NUMBERS NOT APPLICABLE

- ITEM NOT ILLUSTRATED

32-45-03-04

32-45-03  
FIG. 04  
PAGE 4  
JAN 20/09

BRI

 **BOEING**  
757  
**PARTS CATALOG (MAINTENANCE)**

FIG ITEM	PART NUMBER	1 2 3 4 5 6 7	NOMENCLATURE	EFFECT FROM TO	UNITS PER ASSY
4					
230	43-1276	..	BOLT- SUPPLIER CODE: V97153	103105 952999	16
235	80-702	..	WASHER-COUNTERSUNK SUPPLIER CODE: V97153	103105 952999	32
240	63-495	..	NUT- SUPPLIER CODE: V97153	103105 952999	16
245	68-1115	..	PACKING- SUPPLIER CODE: V97153	103105 952999	1
250	68-185	..	PACKING-PREFORMED SUPPLIER CODE: V97153	103105 952999	1
255	49-279	..	PLUG-OVERINFLATION SUPPLIER CODE: V97153	103105 952999	1
257	NAS1611-112	..	PACKING-PREFORMED	103105 952999	2
260	68-269	..	PACKING-PREFORMED SUPPLIER CODE: V97153	103105 952999	1
- 265	300-591-1	..	WHEEL HALF ASSY- SUPPLIER CODE: V97153 POSITION DATA: OUTER	103105 952999	1
275	AN3H5A	...	BOLT	103105 952999	2
280	AN960-10L	...	WASHER	103105 952999	4
285	MS21042-3	...	NUT	103105 952999	2
290	97-116	...	WEIGHT-BAL 1/2 OZ. SUPPLIER CODE: V97153 OPTIONAL PART: 97-123 V97153 97-124 V97153 97-125 V97153	103105 952999	AR

MISSING ITEM NUMBERS NOT APPLICABLE

- ITEM NOT ILLUSTRATED

BRI

# 32-45-03-04

BOEING PROPRIETARY - Copyright © - Unpublished Work - See title page for details.

32-45-03  
FIG. 04  
PAGE 5  
JAN 20/09



757

PARTS CATALOG (MAINTENANCE)

FIG ITEM	PART NUMBER	1 2 3 4 5 6 7	NOMENCLATURE	EFFECT FROM TO	UNITS PER ASSY
4 290	97-123		...WEIGHT-BAL 1/2 OZ. SUPPLIER CODE: V97153 OPTIONAL PART: 97-125 V97153 97-116 V97153 97-124 V97153	103105 952999	AR
290	97-124		...WEIGHT-BAL 1 OZ. SUPPLIER CODE: V97153 OPTIONAL PART: 97-125 V97153 97-116 V97153 97-123 V97153	103105 952999	AR
290	97-125		...WEIGHT-BAL 1/4 OZ. SUPPLIER CODE: V97153 OPTIONAL PART: 97-123 V97153 97-116 V97153 97-124 V97153	103105 952999	AR
295	AN3H5A		ATTACHING PARTS ...BOLT-MACHINE 11/16 INCH OPTIONAL PART: AN3H7A AN3H10A AN3H11A AN3-5A AN3-7A AN3-10A AN3-11A	103105 952999	AR
295	AN3H7A		...BOLT-MACHINE 15/16 INCH OPTIONAL PART: AN3H5A AN3H10A AN3H11A AN3-5A AN3-7A AN3-10A AN3-11A	103105 952999	AR

MISSING ITEM NUMBERS NOT APPLICABLE

- ITEM NOT ILLUSTRATED

32-45-03-04

32-45-03  
FIG. 04  
PAGE 6  
JAN 20/09

BRI



757

PARTS CATALOG (MAINTENANCE)

FIG ITEM	PART NUMBER	1 2 3 4 5 6 7	NOMENCLATURE	EFFECT FROM TO	UNITS PER ASSY
4 295	AN3H10A		...BOLT-MACHINE 1 1/16 INCH OPTIONAL PART: AN3H5A AN3H7A AN3H11A AN3-5A AN3-7A AN3-10A AN3-11A	103105 952999	AR
295	AN3H11A		...BOLT-MACHINE 1 3/16 INCH OPTIONAL PART: AN3H5A AN3H7A AN3H10A AN3-5A AN3-7A AN3-10A AN3-11A	103105 952999	AR
295	AN3-5A		...BOLT-MACHINE 11/16 INCH OPTIONAL PART: AN3H5A AN3H7A AN3H10A AN3H11A AN3-7A AN3-10A AN3-11A	103105 952999	AR
295	AN3-7A		...BOLT-MACHINE 15/16 INCH OPTIONAL PART: AN3H5A AN3H7A AN3H10A AN3H11A AN3-5A AN3-10A AN3-11A	103105 952999	AR
295	AN3-10A		...BOLT-MACHINE 1 1/16 INCH OPTIONAL PART: AN3H5A AN3H7A AN3H10A AN3H11A AN3-5A AN3-7A AN3-11A	103105 952999	AR

MISSING ITEM NUMBERS NOT APPLICABLE

- ITEM NOT ILLUSTRATED

32-45-03-04

32-45-03  
FIG. 04  
PAGE 7  
JAN 20/09

BRI



 **BOEING**  
757  
**PARTS CATALOG (MAINTENANCE)**

FIG ITEM	PART NUMBER	1 2 3 4 5 6 7	NOMENCLATURE	EFFECT FROM TO	UNITS PER ASSY
4 295	AN3-11A	...	BOLT-MACHINE 1 3/16 INCH OPTIONAL PART: AN3H5A AN3H7A AN3H10A AN3H11A AN3-5A AN3-7A AN3-10A	103105 952999	AR
300	AN960-10L	...	WASHER- OPTIONAL PART: AN960-10	103105 952999	AR
300	AN960-10	...	WASHER- OPTIONAL PART: AN960-10L	103105 952999	AR
305	MS21042-3	...	NUT	103105 952999	AR
310	LM718910	-----*-----	...CUP-BRG SUPPLIER CODE: V60038 POSITION DATA: OUTER	103105 952999	1
- 315	300-606	..	WHEEL HALF ASSY- SUPPLIER CODE: V97153 POSITION DATA: INNER	103105 952999	1
325	49-276	...	PLUG-THRM SUPPLIER CODE: V97153 SB DATA FROM A CMM: PRE 3-1422-32-1 PRE 3-1427-32-1 PRE SB 404 CONFIG CHG DATA FROM A CMM: SUPSD BY 49-286	103105 952999	4
325	49-286	...	PLUG-THRM SUPPLIER CODE: V97153 SB DATA FROM A CMM: POST 3-1422-32-1 POST 3-1427-32-1 POST SB 404 PRE SB 921 PRE SB 922 CONFIG CHG DATA FROM A CMM: SUPERSEDES 49-276 SUPSD BY 49-395	103105 952999	4

MISSING ITEM NUMBERS NOT APPLICABLE

- ITEM NOT ILLUSTRATED

BRI

# 32-45-03-04

BOEING PROPRIETARY - Copyright © - Unpublished Work - See title page for details.

32-45-03  
FIG. 04  
PAGE 8  
JAN 20/09



757

PARTS CATALOG (MAINTENANCE)

FIG ITEM	PART NUMBER	1 2 3 4 5 6 7	NOMENCLATURE	EFFECT FROM TO	UNITS PER ASSY
4 325	49-395		... PLUG-THRM SUPPLIER CODE: V97153 SB DATA FROM A CMM: POST SB 921 POST SB 922 CONFIG CHG DATA FROM A CMM: SUPERSEDES 49-286	103105 952999	4
330	68-450		... PACKING-PREFORMED SUPPLIER CODE: V97153 SB DATA FROM A CMM: PRE 3-1422-32-2 PRE 3-1422-1-32-1 PRE 3-1427-32-2 PRE 3-1427-1-32-1 PRE 3-1428-32-2 PRE SB 422 CONFIG CHG DATA FROM A CMM: REPLD BY 68-593	103105 952999	4
330	68-593		... PACKING-PREFORMED SUPPLIER CODE: V97153 SB DATA FROM A CMM: POST 3-1422-32-2 POST 3-1422-1-32-1 POST 3-1427-32-2 POST 3-1427-1-32-1 POST 3-1428-32-2 POST SB 422 CONFIG CHG DATA FROM A CMM: REPLS 68-450 REPLD BY 68-1448	103105 952999	4
330	68-1448		... PACKING-PREFORMED SUPPLIER CODE: V97153 CONFIG CHG DATA FROM A CMM: REPLS 68-593	103105 952999	4
335	NAS1102-3-16		... BOLT	103105 952999	8
340	NAS1102-3-22		... BOLT- OPTIONAL PART: NAS1102-3-24 NAS1102-3-26 NAS1102-3-28 NAS1102-3-30	103105 952999	8

MISSING ITEM NUMBERS NOT APPLICABLE

- ITEM NOT ILLUSTRATED

32-45-03-04

32-45-03  
FIG. 04  
PAGE 9  
JAN 20/09

BRI



757

PARTS CATALOG (MAINTENANCE)

FIG ITEM	PART NUMBER	1 2 3 4 5 6 7	NOMENCLATURE	EFFECT FROM TO	UNITS PER ASSY
4	340	NAS1102-3-24	...BOLT- OPTIONAL PART: NAS1102-3-22 NAS1102-3-26 NAS1102-3-28 NAS1102-3-30	103105 952999	AR
	340	NAS1102-3-26	...BOLT- OPTIONAL PART: NAS1102-3-22 NAS1102-3-24 NAS1102-3-28 NAS1102-3-30	103105 952999	AR
	340	NAS1102-3-28	...BOLT- OPTIONAL PART: NAS1102-3-22 NAS1102-3-24 NAS1102-3-26 NAS1102-3-30	103105 952999	AR
	340	NAS1102-3-30	...BOLT- OPTIONAL PART: NAS1102-3-22 NAS1102-3-24 NAS1102-3-26 NAS1102-3-28	103105 952999	AR
	345	AN3-5A	...BOLT-MACHINE 11/16 INCH OPTIONAL PART: AN3H5A AN3H7A AN3H10A AN3H11A AN3-7A AN3-10A AN3-11A	103105 952999	8
	345	AN3H5A	...BOLT-MACHINE 11/16 INCH OPTIONAL PART: AN3H7A AN3H10A AN3H11A AN3-5A AN3-7A AN3-10A AN3-11A	103105 952999	8

MISSING ITEM NUMBERS NOT APPLICABLE

- ITEM NOT ILLUSTRATED

32-45-03-04

32-45-03  
FIG. 04  
PAGE 10  
JAN 20/09

BRI



757

PARTS CATALOG (MAINTENANCE)

FIG ITEM	PART NUMBER	1 2 3 4 5 6 7	NOMENCLATURE	EFFECT FROM TO	UNITS PER ASSY
4 345	AN3-7A		...BOLT-MACHINE 15/16 INCH OPTIONAL PART: AN3H5A AN3H7A AN3H10A AN3H11A AN3-5A AN3-10A AN3-11A	103105 952999	AR
345	AN3H7A		...BOLT-MACHINE 15/16 INCH OPTIONAL PART: AN3H5A AN3H10A AN3H11A AN3-5A AN3-7A AN3-10A AN3-11A	103105 952999	AR
345	AN3-10A		...BOLT-MACHINE 1 1/16 INCH OPTIONAL PART: AN3H5A AN3H7A AN3H10A AN3H11A AN3-5A AN3-7A AN3-11A	103105 952999	AR
345	AN3H10A		...BOLT-MACHINE 1 1/16 INCH OPTIONAL PART: AN3H5A AN3H7A AN3H11A AN3-5A AN3-7A AN3-10A AN3-11A	103105 952999	AR
345	AN3-11A		...BOLT-MACHINE 1 3/16 INCH OPTIONAL PART: AN3H5A AN3H7A AN3H10A AN3H11A AN3-5A AN3-7A AN3-10A	103105 952999	AR

MISSING ITEM NUMBERS NOT APPLICABLE

- ITEM NOT ILLUSTRATED

32-45-03-04

32-45-03  
FIG. 04  
PAGE 11  
JAN 20/09

BRI



757

PARTS CATALOG (MAINTENANCE)

FIG ITEM	PART NUMBER	1 2 3 4 5 6 7	NOMENCLATURE	EFFECT FROM TO	UNITS PER ASSY
4					
345	AN3H11A		...BOLT-MACHINE 1 3/16 INCH OPTIONAL PART: AN3H5A AN3H7A AN3H10A AN3-5A AN3-7A AN3-10A AN3-11A	103105 952999	AR
355	AN960-10L		...WASHER	103105 952999	24
360	MS21042-3		...NUT	103105 952999	24
365	170-204		...INSERT- SUPPLIER CODE: V97153 SELECT FROM ITEM.	103105 952999	8
365	170-264		...INSERT- SUPPLIER CODE: V97153 SELECT FROM ITEM.	103105 952999	AR
370	97-116		...WEIGHT-BAL 1/2 OZ. SUPPLIER CODE: V97153 OPTIONAL PART: 97-123 V97153 97-124 V97153 97-125 V97153	103105 952999	AR
370	97-123		...WEIGHT-BAL 1/2 OZ. SUPPLIER CODE: V97153 OPTIONAL PART: 97-116 V97153 97-124 V97153 97-125 V97153	103105 952999	AR

MISSING ITEM NUMBERS NOT APPLICABLE

- ITEM NOT ILLUSTRATED

32-45-03-04

32-45-03  
FIG. 04  
PAGE 12  
JAN 20/09

BRI



757

PARTS CATALOG (MAINTENANCE)

FIG ITEM	PART NUMBER	1 2 3 4 5 6 7	NOMENCLATURE	EFFECT FROM TO	UNITS PER ASSY
4 370	97-124		...WEIGHT-BAL 1 OZ. SUPPLIER CODE: V97153 OPTIONAL PART: 97-116 V97153 97-123 V97153 97-125 V97153	103105 952999	AR
370	97-125		...WEIGHT-BAL 1/4 OZ. SUPPLIER CODE: V97153 OPTIONAL PART: 97-116 V97153 97-123 V97153 97-124 V97153	103105 952999	AR
375	148-491		...BRACKET-DISK ALIGN. SUPPLIER CODE: V97153	103105 952999	1
380	72-270		...SHIELD-HEAT SUPPLIER CODE: V97153	103105 952999	8
385	592XS		...CUP-BRG SUPPLIER CODE: V60038 POSITION DATA: INNER OPTIONAL PART: 593X V60038 592XS20629 V60038 593X20629 V60038	103105 952999	1

MISSING ITEM NUMBERS NOT APPLICABLE

- ITEM NOT ILLUSTRATED

32-45-03-04

32-45-03  
FIG. 04  
PAGE 13  
JAN 20/09

BRI



757

PARTS CATALOG (MAINTENANCE)

FIG ITEM	PART NUMBER	1 2 3 4 5 6 7	NOMENCLATURE	EFFECT FROM TO	UNITS PER ASSY
4 385	593X	...	CUP-BRG SUPPLIER CODE: V60038 POSITION DATA: INNER OPTIONAL PART: 592XS V60038 592XS20629 V60038 593X20629 V60038	103105 952999	1
385	592XS20629	...	CUP-BRG SUPPLIER CODE: V60038 POSITION DATA: INNER OPTIONAL PART: 592XS V60038 593X V60038 593X20629 V60038	103105 952999	1
385	593X20629	...	CUP-BRG SUPPLIER CODE: V60038 POSITION DATA: INNER OPTIONAL PART: 592XS V60038 592XS20629 V60038 593X V60038	103105 952999	1
- 390	MS20995C32	..	WIRE	103105 952999	AR

MISSING ITEM NUMBERS NOT APPLICABLE

- ITEM NOT ILLUSTRATED

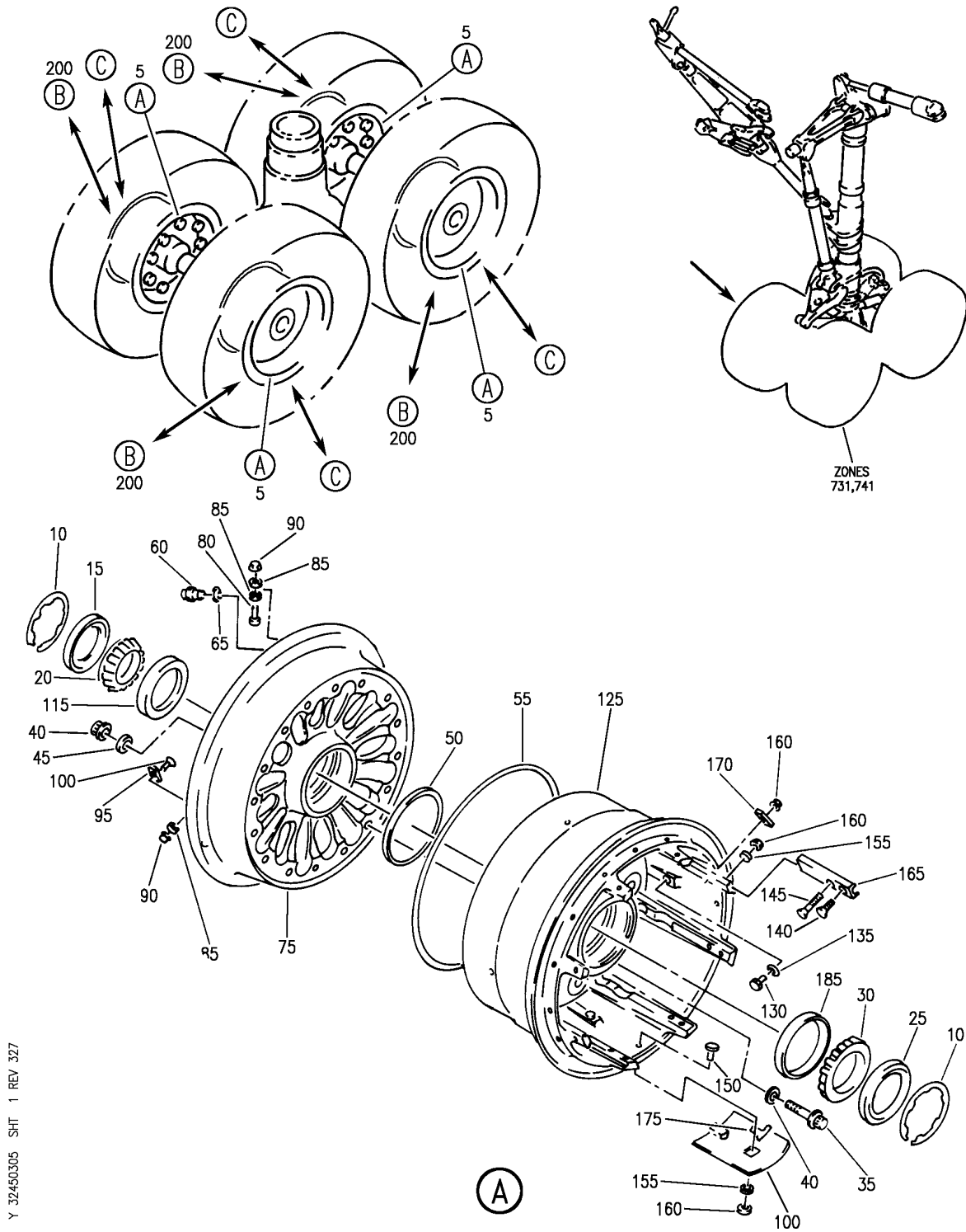
32-45-03-04

32-45-03  
FIG. 04  
PAGE 14  
JAN 20/09

BRI

BOEING PROPRIETARY - Copyright © - Unpublished Work - See title page for details.

**BOEING**  
757  
PARTS CATALOG (MAINTENANCE)



Y 32450305 SH-T 1 REV 327

WHEEL AND TIRE ASSY-MLG (WHEELS ONLY)  
FIGURE 5

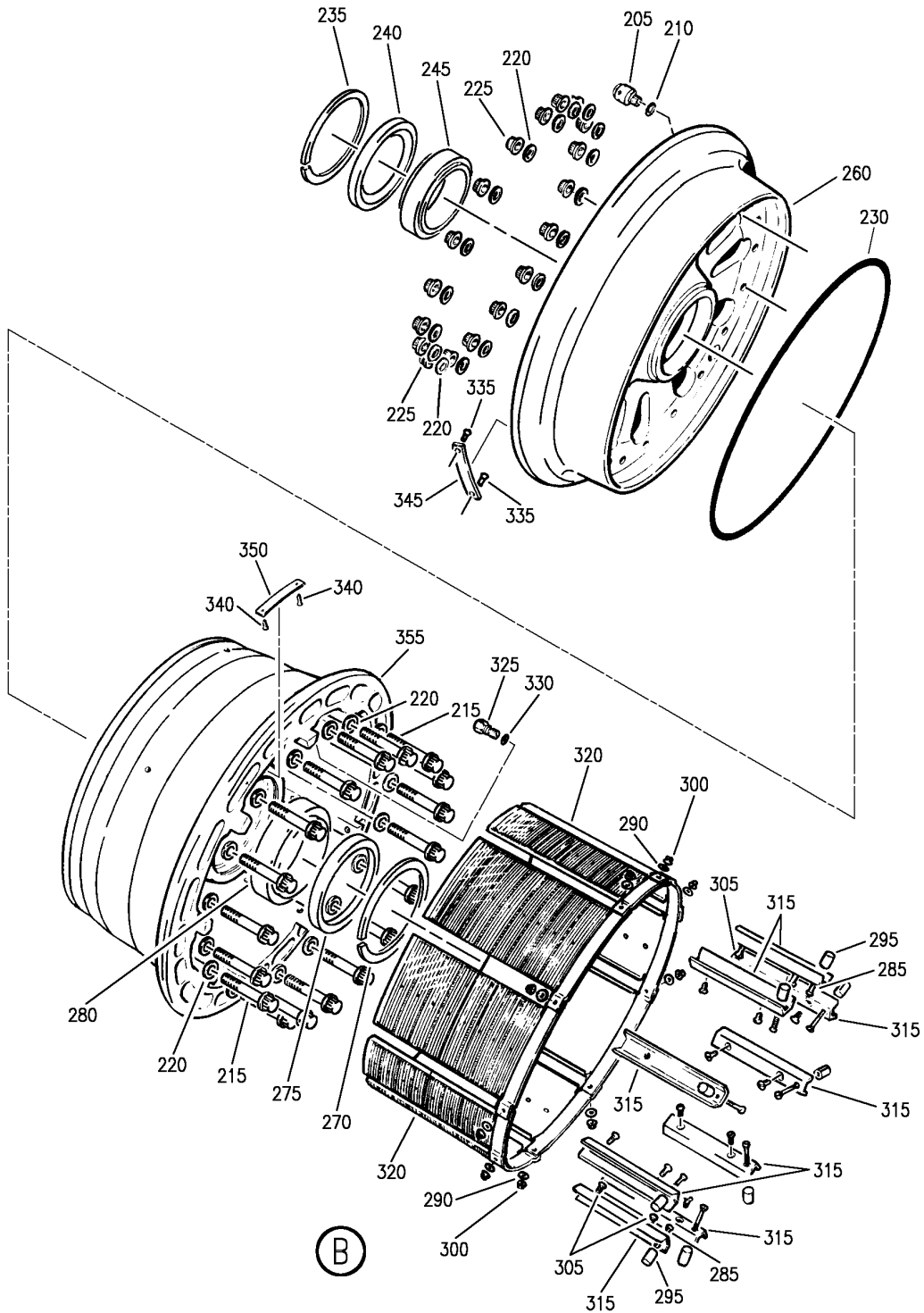
**32-45-03-05**

BRI  
SEP 20/08

32-45-03-05  
PAGE 0



**BOEING**  
757  
PARTS CATALOG (MAINTENANCE)



Y 32450305 SH-T 2 REV 313

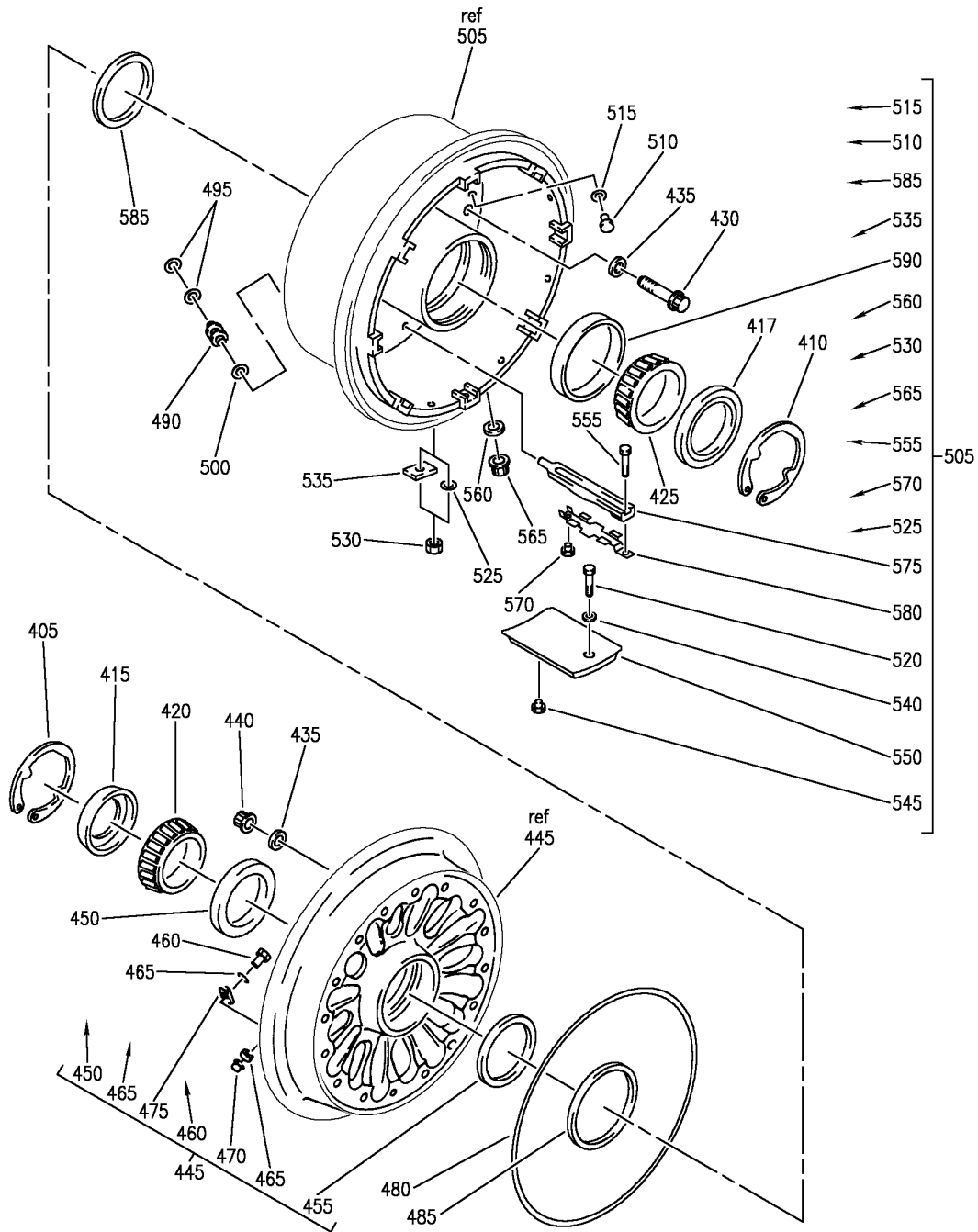
WHEEL AND TIRE ASSY-MLG (WHEELS ONLY)  
FIGURE 5

**32-45-03-05**

BRI  
SEP 28/07

32-45-03-05  
PAGE 0A

**BOEING**  
757  
PARTS CATALOG (MAINTENANCE)



Y 32450305 SHT 3 REV 327

(C)

WHEEL AND TIRE ASSY-MLG (WHEELS ONLY)  
FIGURE 5

**32-45-03-05**

BRI  
SEP 20/08

32-45-03-05  
PAGE 0B



757

PARTS CATALOG (MAINTENANCE)

FIG ITEM	PART NUMBER	1 2 3 4 5 6 7	NOMENCLATURE	EFFECT FROM TO	UNITS PER ASSY
5			WHEEL AND TIRE ASSY-MLG (WHEELS ONLY)	106951	
- 1	161N0001-47		WHEEL AND TIRE ASSY-MLG (WHEELS ONLY) FOR NHA/ADDITIONAL DET SEE: 32-45-01-01	904949	RF
- 1	161N0001-91		WHEEL AND TIRE ASSY-MLG (WHEELS ONLY) FOR NHA/ADDITIONAL DET SEE: 32-45-01-01	107107	RF
- 1	160N0001-10		WHEEL AND TIRE ASSY-MLG (WHEELS ONLY) FOR NHA/ADDITIONAL DET SEE: 32-45-01-01	121903	RF
- 1	160N0001-16		WHEEL AND TIRE ASSY-MLG (WHEELS ONLY) FOR NHA/ADDITIONAL DET SEE: 32-45-01-01A 32-45-01-01A	106106 108120	RF
- 1	160N0001-30		WHEEL AND TIRE ASSY-MLG (WHEELS ONLY) FOR NHA/ADDITIONAL DET SEE: 32-45-01-01	950951	RF
5	3-1428		.WHEEL ASSY-MLG SUPPLIER CODE: V97153 SPECIFICATION NUMBER: S160N010-25 COMPONENT MAINT MANUAL REF: 32-40-22	106951	1
10	85-575		..RING-RETAINING SUPPLIER CODE: V97153	106951	2
15	68-1136		..SEAL- SUPPLIER CODE: V97153 POSITION DATA: OUTER	106951	1
20	LM718947		..CONE-BRG SUPPLIER CODE: V60038	106951	1
25	68-1135		..SEAL- SUPPLIER CODE: V97153 POSITION DATA: INNER	106951	1

MISSING ITEM NUMBERS NOT APPLICABLE

- ITEM NOT ILLUSTRATED

32-45-03-05

32-45-03  
FIG. 05  
PAGE 1  
JAN 20/09

BRI



757

PARTS CATALOG (MAINTENANCE)

FIG ITEM	PART NUMBER	1 2 3 4 5 6 7	NOMENCLATURE	EFFECT FROM TO	UNITS PER ASSY
5					
30	594	..	CONE-BRG SUPPLIER CODE: V60038	106951	1
35	43-1276	..	BOLT- SUPPLIER CODE: V97153 USED ON: 3-1428	106951	16
40	80-702	..	WASHER-COUNTERSUNK SUPPLIER CODE: V97153	106951	32
45	63-495	..	NUT- SUPPLIER CODE: V97153	106951	16
50	68-1115	..	PACKING-PREFORMED SUPPLIER CODE: V97153	106951	1
55	68-185	..	PACKING- SUPPLIER CODE: V97153	106951	1
60	49-279	..	PLUG-OVERINFLATION SUPPLIER CODE: V97153	106951	1
65	68-269	..	PACKING- SUPPLIER CODE: V97153	106951	1
- 70	300-591-1	..	WHEEL HALF ASSY-OUTER SUPPLIER CODE: V97153 USED ON: 3-1428	106951	1
75	10-1391-1	...	WHEEL HALF-OUTER SUPPLIER CODE: V97153 USED ON: 300-591-1	106951	1
80	AN3H5A	...	BOLT	106951	2
85	AN960-10L	...	WASHER- USED ON: 300-591-1	106951	4
90	MS21042-3	...	NUT	106951	2
95	97-116	...	WEIGHT-BAL SUPPLIER CODE: V97153	106951	AR

MISSING ITEM NUMBERS NOT APPLICABLE

- ITEM NOT ILLUSTRATED

32-45-03-05

32-45-03  
FIG. 05  
PAGE 2  
JAN 20/09

BRI

BOEING PROPRIETARY - Copyright © - Unpublished Work - See title page for details.



757

PARTS CATALOG (MAINTENANCE)

FIG ITEM	PART NUMBER	1 2 3 4 5 6 7	NOMENCLATURE	EFFECT FROM TO	UNITS PER ASSY
5			ATTACHING PARTS		
100	AN3H5A	...	BOLT- OPTIONAL PART: AN3H7A AN3H10A AN3H11A	106951	AR
100	AN3H7A	...	BOLT- OPTIONAL PART: AN3H5A AN3H10A AN3H11A	106951	AR
100	AN3H10A	...	BOLT- OPTIONAL PART: AN3H5A AN3H7A AN3H11A	106951	AR
100	AN3H11A	...	BOLT- OPTIONAL PART: AN3H5A AN3H7A AN3H10A	106951	AR
105	AN960-10L	...	WASHER- USED ON: 300-591-1	106951	AR
110	MS21042-3	...	NUT -----*-----	106951	AR
115	LM718910	...	CUP-BRG SUPPLIER CODE: V60038	106951	1
- 120	300-606	..	WHEEL HALF ASSY- SUPPLIER CODE: V97153 POSITION DATA: INNER USED ON: 3-1428	106951	1
125	10-1405	...	WHEEL HALF- SUPPLIER CODE: V97153 POSITION DATA: INNER USED ON: 300-606	106951	1
130	49-286	...	PLUG-THRM RELIEF SUPPLIER CODE: V97153	106951	4
135	68-593	...	PACKING-PREFORMED SUPPLIER CODE: V97153	106951	4

MISSING ITEM NUMBERS NOT APPLICABLE

- ITEM NOT ILLUSTRATED

32-45-03-05

32-45-03  
FIG. 05  
PAGE 3  
JAN 20/09

BRI



757

PARTS CATALOG (MAINTENANCE)

FIG ITEM	PART NUMBER	1 2 3 4 5 6 7	NOMENCLATURE	EFFECT FROM TO	UNITS PER ASSY
5					
140	NAS1102-3-16	...	BOLT- USED ON: 300-606	106951	8
145	NAS1102-3-22	...	BOLT- OPTIONAL PART: NAS1102-3-24 NAS1102-3-26 NAS1102-3-28 NAS1102-3-30	106951	8
145	NAS1102-3-24	...	BOLT- OPTIONAL PART: NAS1102-3-22 NAS1102-3-26 NAS1102-3-28 NAS1102-3-30	106951	8
145	NAS1102-3-26	...	BOLT- OPTIONAL PART: NAS1102-3-22 NAS1102-3-24 NAS1102-3-28 NAS1102-3-30	106951	8
145	NAS1102-3-28	...	BOLT- OPTIONAL PART: NAS1102-3-22 NAS1102-3-24 NAS1102-3-26 NAS1102-3-30	106951	8
145	NAS1102-3-30	...	BOLT- OPTIONAL PART: NAS1102-3-22 NAS1102-3-24 NAS1102-3-26 NAS1102-3-28	106951	8
150	AN3-5A	...	BOLT	106951	8
155	AN960-10L	...	WASHER	106951	24
160	MS21042-3	...	NUT	106951	24
165	170-204	...	INSERT- SUPPLIER CODE: V97153	106951	8
170	97-116	...	WEIGHT-BAL SUPPLIER CODE: V97153	106951	AR
175	148-491	...	BRACKET-DISK ALIGN. SUPPLIER CODE: V97153	106951	1
180	72-270	...	SHIELD-HEAT SUPPLIER CODE: V97153	106951	8

MISSING ITEM NUMBERS NOT APPLICABLE

- ITEM NOT ILLUSTRATED

32-45-03-05

32-45-03  
FIG. 05  
PAGE 4  
JAN 20/09

BRI

BOEING PROPRIETARY - Copyright © - Unpublished Work - See title page for details.



757

PARTS CATALOG (MAINTENANCE)

FIG ITEM	PART NUMBER	1 2 3 4 5 6 7	NOMENCLATURE	EFFECT FROM TO	UNITS PER ASSY
5 185	592XS		. . . CUP-BRG SUPPLIER CODE: V60038	106951	1

MISSING ITEM NUMBERS NOT APPLICABLE

- ITEM NOT ILLUSTRATED

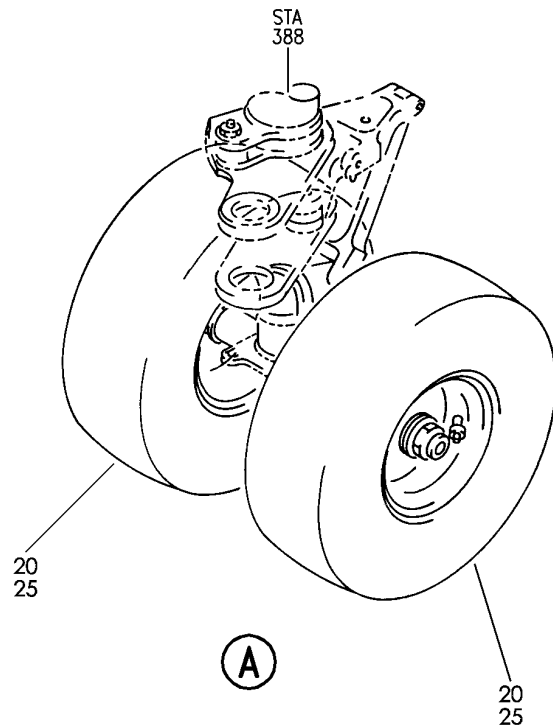
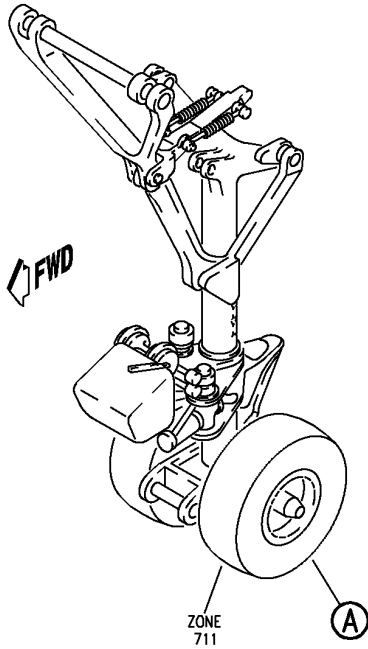
BRI

32-45-03-05

BOEING PROPRIETARY - Copyright © - Unpublished Work - See title page for details.

32-45-03  
FIG. 05  
PAGE 5  
JAN 20/09

**BOEING**  
757  
PARTS CATALOG (MAINTENANCE)



Y 32450401 REV 239

WHEEL AND TIRE ASSY-NLG (TIRES ONLY)  
FIGURE 1

**32-45-04-01**

BRI  
MAY 28/07

32-45-04-01  
PAGE 0





757

PARTS CATALOG (MAINTENANCE)

FIG ITEM	PART NUMBER	1 2 3 4 5 6 7	NOMENCLATURE	EFFECT FROM TO	UNITS PER ASSY
1			WHEEL AND TIRE ASSY-NLG (TIRES ONLY)	107107 904949	
- 1	162N0001-27		WHEEL AND TIRE ASSY-NLG (TIRES ONLY) FOR NHA/ADDITIONAL DET SEE: 32-45-02-02	107107	RF
- 1	162N0001-28		WHEEL AND TIRE ASSY-NLG (TIRES ONLY) FOR NHA/ADDITIONAL DET SEE: 32-45-02-02	904949	RF
20	H31X13-0-20-210		.TIRE-DR23721T H31X13-0-12-20PR 210 MPH SUPPLIER CODE: VK1037 SPECIFICATION NUMBER: S160N015-311	107107	1
25	H31X13-0-20-225		.TIRE-029-838-0 H31X13-0-12-20PR 225 MPH SUPPLIER CODE: VOA1K8 SPECIFICATION NUMBER: S160N015-312 QUALIFIED I/W DATA: TIRES ARE CONDITIONALLY INTERCHANGEABLE AS DETAILED BY INTERCHANGEABILITY DOCUMENT 277N50000. OPTIONAL PART: DR23720T 032-838 APS01150 313K02-1 SERVICE BULLETIN OPT DATA: APS01150A VS4233 DR23722T VU8018 032-838-0 VOA1K8 032-838-1 VOA1K8 REFERENCE SERVICE BULLETIN: 32-064D	904949	1

MISSING ITEM NUMBERS NOT APPLICABLE

- ITEM NOT ILLUSTRATED

32-45-04-01

32-45-04  
FIG. 01  
PAGE 1  
JAN 20/09

BRI



757

PARTS CATALOG (MAINTENANCE)

FIG ITEM	PART NUMBER	1 2 3 4 5 6 7 NOMENCLATURE	EFFECT FROM TO	UNITS PER ASSY
1 25	H31X13-0-20-225	.TIRE-DR23720T H31X13-0-12-20PR 225 MPH SUPPLIER CODE: VK1037 SPECIFICATION NUMBER: S160N015-312 QUALIFIED I/W DATA: TIRES ARE CONDITIONALLY INTERCHANGEABLE AS DETAILED BY INTERCHANGEABILITY DOCUMENT 277N5000. OPTIONAL PART: 029-838-0 032-838 APS01150 313K02-1 SERVICE BULLETIN OPT DATA: APS01150A VS4233 DR23722T VU8018 032-838-0 VOA1K8 032-838-1 VOA1K8 REFERENCE SERVICE BULLETIN: 32-064D	904949	1

MISSING ITEM NUMBERS NOT APPLICABLE

- ITEM NOT ILLUSTRATED

BRI

**32-45-04-01**

BOEING PROPRIETARY - Copyright © - Unpublished Work - See title page for details.

32-45-04  
 FIG. 01  
 PAGE 2  
 JAN 20/09



757

PARTS CATALOG (MAINTENANCE)

FIG ITEM	PART NUMBER	1 2 3 4 5 6 7	NOMENCLATURE	EFFECT FROM TO	UNITS PER ASSY
1 25	H31X13-0-20-225	. TIRE-032-838 H31X13-0-12-20PR 225 MPH SUPPLIER CODE: VK1037 SPECIFICATION NUMBER: S160N015-312 QUALIFIED I/W DATA: TIRES ARE CONDITIONALLY INTERCHANGEABLE AS DETAILED BY INTERCHANGEABILITY DOCUMENT 277N5000. OPTIONAL PART: 029-838-0 DR23720T APS01150 313K02-1 SERVICE BULLETIN OPT DATA: APS01150A VS4233 DR23722T VU8018 032-838-0 VOA1K8 032-838-1 VOA1K8 REFERENCE SERVICE BULLETIN: 32-064D	904949	1	

MISSING ITEM NUMBERS NOT APPLICABLE

- ITEM NOT ILLUSTRATED

BRI

32-45-04-01

BOEING PROPRIETARY - Copyright © - Unpublished Work - See title page for details.

32-45-04  
FIG. 01  
PAGE 3  
JAN 20/09



757  
PARTS CATALOG (MAINTENANCE)

FIG ITEM	PART NUMBER	1 2 3 4 5 6 7	NOMENCLATURE	EFFECT FROM TO	UNITS PER ASSY
1 25	H31X13-0-20-225	. TIRE-APS01150 H31X13-0-12-20PR 225 MPH SUPPLIER CODE: VK1037 SPECIFICATION NUMBER: S160N015-312 QUALIFIED I/W DATA: TIRES ARE CONDITIONALLY INTERCHANGEABLE AS DETAILED BY INTERCHANGEABILITY DOCUMENT 277N5000. OPTIONAL PART: 029-838-0 DR23720T 032-838 313K02-1 SERVICE BULLETIN OPT DATA: APS01150A VS4233 DR23722T VU8018 032-838-0 VOA1K8 032-838-1 VOA1K8 REFERENCE SERVICE BULLETIN: 32-064D	904949	1	

MISSING ITEM NUMBERS NOT APPLICABLE

- ITEM NOT ILLUSTRATED

BRI

32-45-04-01

BOEING PROPRIETARY - Copyright © - Unpublished Work - See title page for details.

32-45-04  
FIG. 01  
PAGE 4  
JAN 20/09



757

PARTS CATALOG (MAINTENANCE)

FIG ITEM	PART NUMBER	1 2 3 4 5 6 7	NOMENCLATURE	EFFECT FROM TO	UNITS PER ASSY
1 25	H31X13-0-20-225	. TIRE-313K02-1 H31X13-0-12-20PR 225 MPH SUPPLIER CODE: VOB9R9 SPECIFICATION NUMBER: S160N015-312 QUALIFIED I/W DATA: TIRES ARE CONDITIONALLY INTERCHANGEABLE AS DETAILED BY INTERCHANGEABILITY DOCUMENT 277N5000. OPTIONAL PART: 029-838-0 DR23720T 032-838 APS01150 SERVICE BULLETIN OPT DATA: APS01150A VS4233 DR23722T VU8018 032-838-0 VOA1K8 032-838-1 VOA1K8 REFERENCE SERVICE BULLETIN: 32-064D	904949	1	

MISSING ITEM NUMBERS NOT APPLICABLE

- ITEM NOT ILLUSTRATED

BRI

32-45-04-01

BOEING PROPRIETARY - Copyright © - Unpublished Work - See title page for details.

32-45-04  
FIG. 01  
PAGE 5  
JAN 20/09



757

PARTS CATALOG (MAINTENANCE)

FIG ITEM	PART NUMBER	1 2 3 4 5 6 7	NOMENCLATURE	EFFECT FROM TO	UNITS PER ASSY
1 25	H31X13-0-20-235	.	TIRE-040-838-0 H31X13-0-12-20PR 235 MPH SUPPLIER CODE: VOA1K8 SPECIFICATION NUMBER: S277A015-603 QUALIFIED I/W DATA: TIRES ARE CONDITIONALLY INTERCHANGEABLE AS DETAILED BY INTERCHANGEABILITY DOCUMENT 277N5000. OPTIONAL PART: APS01570 SERVICE BULLETIN OPT DATA: APS01150A VS4233 DR23722T VU8018 032-838-0 VOA1K8 032-838-1 VOA1K8 REFERENCE SERVICE BULLETIN: 32-064D	904949	1

MISSING ITEM NUMBERS NOT APPLICABLE

- ITEM NOT ILLUSTRATED

BRI

32-45-04-01

BOEING PROPRIETARY - Copyright © - Unpublished Work - See title page for details.

32-45-04  
FIG. 01  
PAGE 6  
JAN 20/09



757

PARTS CATALOG (MAINTENANCE)

FIG ITEM	PART NUMBER	1 2 3 4 5 6 7	NOMENCLATURE	EFFECT FROM TO	UNITS PER ASSY
1 25	H31X13-0-20-235	. TIRE-APS01570 H31X13-0-12-20PR 235 MPH SUPPLIER CODE: VS4233 SPECIFICATION NUMBER: S277A015-603 QUALIFIED I/W DATA: TIRES ARE CONDITIONALLY INTERCHANGEABLE AS DETAILED BY INTERCHANGEABILITY DOCUMENT 277N5000. OPTIONAL PART: 040-838-0 SERVICE BULLETIN OPT DATA: APS01150A VS4233 DR23722T VU8018 032-838-0 VOA1K8 032-838-1 VOA1K8 REFERENCE SERVICE BULLETIN: 32-064D		904949	1

MISSING ITEM NUMBERS NOT APPLICABLE

- ITEM NOT ILLUSTRATED

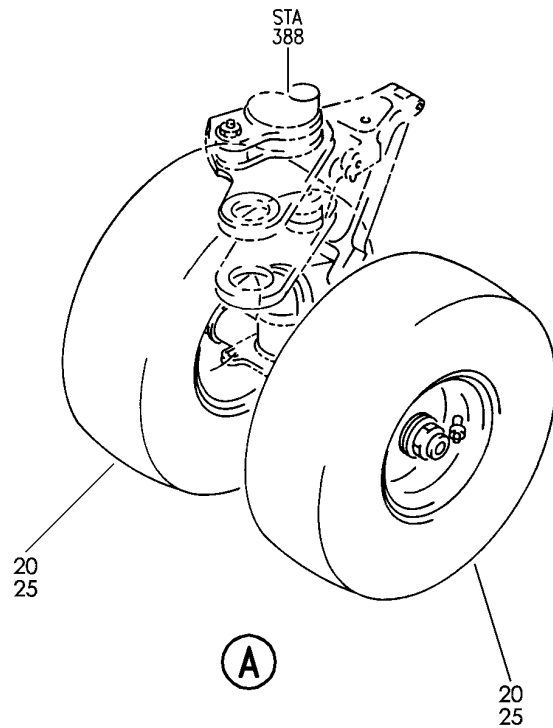
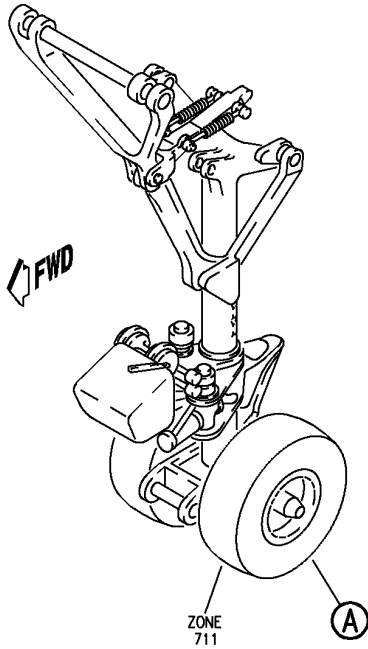
BRI

32-45-04-01

BOEING PROPRIETARY - Copyright © - Unpublished Work - See title page for details.

32-45-04  
FIG. 01  
PAGE 7  
JAN 20/09

**BOEING**  
757  
PARTS CATALOG (MAINTENANCE)



Y 32450402 REV 239

WHEEL AND TIRE ASSY-NLG (TIRES ONLY)  
FIGURE 2

**32-45-04-02**

BRI  
MAY 28/07

32-45-04-02  
PAGE 0



**BOEING**  
757  
**PARTS CATALOG (MAINTENANCE)**

FIG ITEM	PART NUMBER	1 2 3 4 5 6 7	NOMENCLATURE	EFFECT FROM TO	UNITS PER ASSY
2			WHEEL AND TIRE ASSY-NLG (TIRES ONLY)	002004 006106 108903 950999	
- 1	160N0001-21		WHEEL AND TIRE ASSY-NLG (TIRES ONLY) FOR NHA/ADDITIONAL DET SEE: 32-45-02-02	121903	RF
- 1	160N0001-27		WHEEL AND TIRE ASSY-NLG (TIRES ONLY) FOR NHA/ADDITIONAL DET SEE: 32-45-02-02 32-45-02-02A	002004 101106 108120 950999	RF
- 1	160N0001-32		WHEEL AND TIRE ASSY-NLG (TIRES ONLY) FOR NHA/ADDITIONAL DET SEE: 32-45-02-02	006100	RF
25	H31X13-0-20-225		.TIRE-029-838-0 H31 X 13.0-12, 20 PR 225 MPH SUPPLIER CODE: VOA1K8 SPECIFICATION NUMBER: S160N015-312 OPTIONAL PART: 032-838 313K02-1 APS01150 DR23720T OPTIONAL PART: 313K02-1 VOB9R9 DR23720T VK1037 APS01150A VS4233 DR23722T VK1037 SERVICE BULLETIN OPT DATA: 032-838-0 VOA1K8 032-838-1 VOA1K8 APS01150 VS4233 REFERENCE SERVICE BULLETIN: 32-064D	002004 006106 108903 950999	1

MISSING ITEM NUMBERS NOT APPLICABLE

- ITEM NOT ILLUSTRATED

BRI

# 32-45-04-02

BOEING PROPRIETARY - Copyright © - Unpublished Work - See title page for details.

32-45-04  
FIG. 02  
PAGE 1  
JAN 20/09



757

PARTS CATALOG (MAINTENANCE)

FIG ITEM	PART NUMBER	1 2 3 4 5 6 7	NOMENCLATURE	EFFECT FROM TO	UNITS PER ASSY
2 25	H31X13-0-20-225		.TIRE-313K02-1 H31 X 13.0-12, 20 PR 225 MPH SUPPLIER CODE: VOB9R9 SPECIFICATION NUMBER: S160N015-312 OPTIONAL PART: DR23720T 032-838 APS01150 OPTIONAL PART: 029-838-0 VOA1K8 DR23720T VK1037 APS01150A VS4233 DR23722T VK1037 SERVICE BULLETIN OPT DATA: 032-838-0 VOA1K8 032-838-1 VOA1K8 APS01150 VS4233 REFERENCE SERVICE BULLETIN: 32-064D	002004 006106 108903 950999	1

MISSING ITEM NUMBERS NOT APPLICABLE

- ITEM NOT ILLUSTRATED

**32-45-04-02**

32-45-04  
FIG. 02  
PAGE 2  
JAN 20/09

BRI



757

PARTS CATALOG (MAINTENANCE)

FIG ITEM	PART NUMBER	1 2 3 4 5 6 7	NOMENCLATURE	EFFECT FROM TO	UNITS PER ASSY
2 25	H31X13-0-20-225		.TIRE-DR23720T H31 X 13.0-12, 20 PR 225 MPH SUPPLIER CODE: VK1037 SPECIFICATION NUMBER: S160N015-312 OPTIONAL PART: 313K02-1 VOB9R9 029-838-0 VOA1K8 APS01150A VS4233 DR23722T VK1037 SERVICE BULLETIN OPT DATA: APS01150 VS4233 032-838-0 VOA1K8 032-838-1 VOA1K8 REFERENCE SERVICE BULLETIN: 32-064D	002004 006106 108903 950999	1

MISSING ITEM NUMBERS NOT APPLICABLE

- ITEM NOT ILLUSTRATED

BRI

32-45-04-02

BOEING PROPRIETARY - Copyright © - Unpublished Work - See title page for details.

32-45-04  
FIG. 02  
PAGE 3  
JAN 20/09



757

PARTS CATALOG (MAINTENANCE)

FIG ITEM	PART NUMBER	1 2 3 4 5 6 7	NOMENCLATURE	EFFECT FROM TO	UNITS PER ASSY
2 25	H31X13-0-20-225	. TIRE-APS01150A H31 X 13.0-12, 20PR 225 MPH SUPPLIER CODE: VS4233 SPECIFICATION NUMBER: S160N015-312 OPTIONAL PART: 313K02-1 VOB9R9 DR23720T VK1037 029-838-0 VOA1K8 DR23722T VK1037 SERVICE BULLETIN OPT DATA: APS01150 VS4233 32-838-0 VOA1K8 032-838-1 VOA1K8 REFERENCE SERVICE BULLETIN: 32-064D	002004 006106 108903 950999	1	

MISSING ITEM NUMBERS NOT APPLICABLE

- ITEM NOT ILLUSTRATED

BRI

32-45-04-02

BOEING PROPRIETARY - Copyright © - Unpublished Work - See title page for details.

32-45-04  
FIG. 02  
PAGE 4  
JAN 20/09



757

PARTS CATALOG (MAINTENANCE)

FIG ITEM	PART NUMBER	1 2 3 4 5 6 7	NOMENCLATURE	EFFECT FROM TO	UNITS PER ASSY
2 25	H31X13-0-20-225	.TIRE-DR23722T H31 X 13.0-12, 20PR 225 MPH SUPPLIER CODE: VK1037 SPECIFICATION NUMBER: S160N015-312 OPTIONAL PART: 313K02-1 VOB9R9 DR23720T VK1037 APS01150A VS4233 029-838-0 VOA1K8 SERVICE BULLETIN OPT DATA: APS01150 VS4233 32-838-0 VOA1K8 032-838-1 VOA1K8 REFERENCE SERVICE BULLETIN: 32-064D		002004 006106 108903 950999	1
25	H31X13-0-20-225	.TIRE-APS01150 H31 X 13.0-12, 20 PR 225 MPH SUPPLIER CODE: VS4233 SPECIFICATION NUMBER: S160N015-312 SERVICE BULLETIN OPT DATA: APS01150A VS4233 DR23720T VU8018 DR23722T VU8018 313K02-1 VOB9R9 029-838-0 VOA1K8 032-838-0 VOA1K8 032-838-1 VOA1K8 POST SERVICE LETTER: 32-064D		002004 006102	1

MISSING ITEM NUMBERS NOT APPLICABLE

- ITEM NOT ILLUSTRATED

32-45-04-02

32-45-04  
FIG. 02  
PAGE 5  
JAN 20/09

BRI



**757  
PARTS CATALOG (MAINTENANCE)**

FIG ITEM	PART NUMBER	1 2 3 4 5 6 7	NOMENCLATURE	EFFECT FROM TO	UNITS PER ASSY
2 25	H31X13-0-20-225	.	TIRE-032-838-0 H31 X 13.0-12, 20 PR 225 MPH SUPPLIER CODE: VOA1K8 SPECIFICATION NUMBER: S160N015-312 SERVICE BULLETIN OPT DATA: APS01150 VS4233 APS01150A VS4233 DR23720T VU8018 DR23722T VU8018 313K02-1 VOB9R9 029-838-0 VOA1K8 032-838-1 VOA1K8 POST SERVICE LETTER: 32-064D	002004 006102	1
25	H31X13-0-20-225	.	TIRE-032-838-1 H31 X 13.0-12, 20 PR 225 MPH SUPPLIER CODE: VOA1K8 SPECIFICATION NUMBER: S160N015-312 SERVICE BULLETIN OPT DATA: APS01150 VS4233 APS01150A VS4233 DR23720T VU8018 DR23722T VU8018 313K02-1 VOB9R9 029-838-0 VOA1K8 032-838-0 VOA1K8 POST SERVICE LETTER: 32-064D	002004 006102	1

MISSING ITEM NUMBERS NOT APPLICABLE

— ITEM NOT ILLUSTRATED

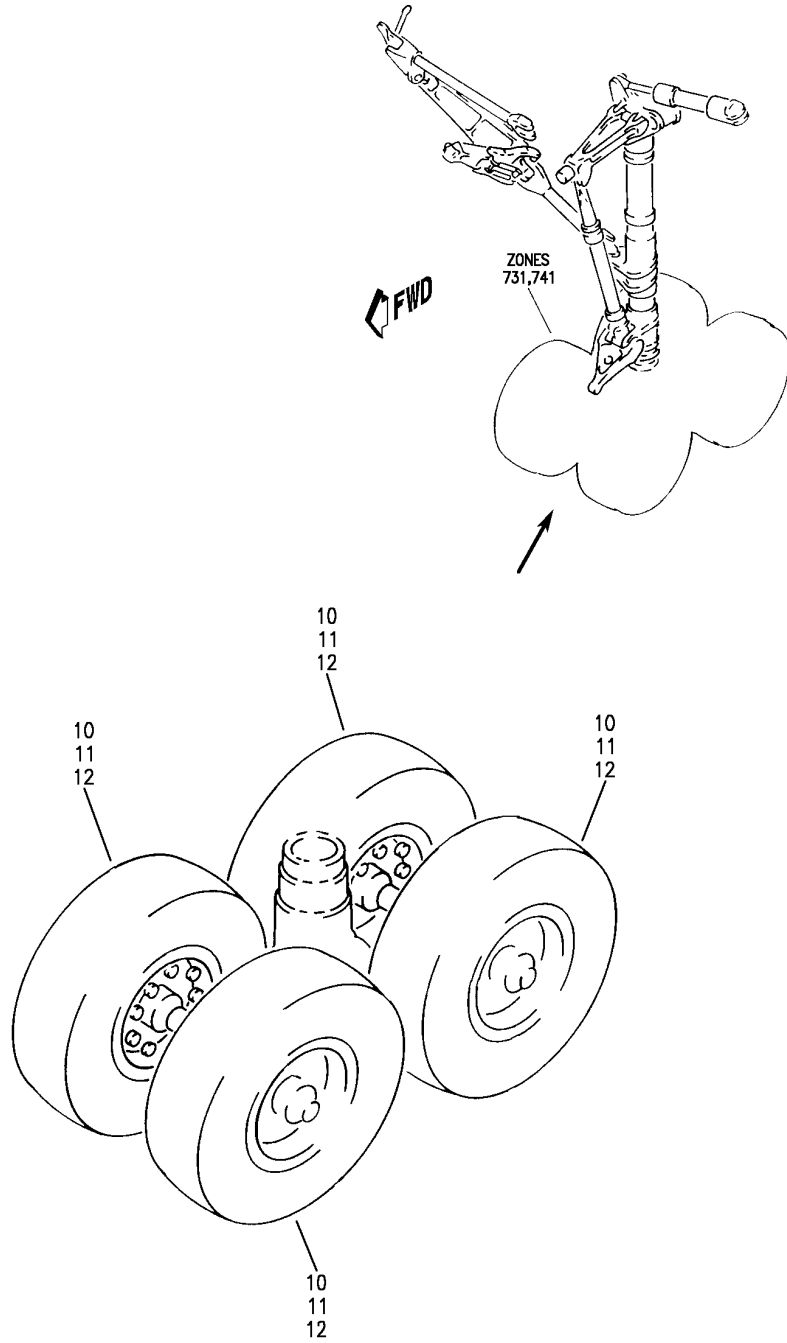
BRI

# 32-45-04-02

BOEING PROPRIETARY - Copyright © - Unpublished Work - See title page for details.

32-45-04  
FIG. 02  
PAGE 6  
JAN 20/09

**BOEING**  
757  
PARTS CATALOG (MAINTENANCE)



Y 32450405 REV 262

WHEEL AND TIRE ASSY-MLG (TIRES ONLY)  
FIGURE 5

**32-45-04-05**

BRI  
MAY 28/07

32-45-04-05  
PAGE 0



757

PARTS CATALOG (MAINTENANCE)

FIG ITEM	PART NUMBER	1 2 3 4 5 6 7	NOMENCLATURE	EFFECT FROM TO	UNITS PER ASSY
5			WHEEL AND TIRE ASSY-MLG (TIRES ONLY)	002004 006999	
- 2	161N0001-47		WHEEL AND TIRE ASSY-MLG (TIRES ONLY) FOR NHA/ADDITIONAL DET SEE: 32-45-01-01	904949	RF
- 2	161N0001-91		WHEEL AND TIRE ASSY-MLG (TIRES ONLY) FOR NHA/ADDITIONAL DET SEE: 32-45-01-01	107107	RF
- 2	160N0001-10		WHEEL AND TIRE ASSY-MLG (TIRES ONLY) FOR NHA/ADDITIONAL DET SEE: 32-45-01-01	121903	RF
- 3	160N0001-15		WHEEL AND TIRE ASSY-MLG (TIRES ONLY) REWORKED BY SB: 32-0126 POST RAPID REVISION: RR92033-14 FOR NHA/ADDITIONAL DET SEE: 32-45-01-01	002004 006100 952999	RF
- 3	160N0001-16		WHEEL AND TIRE ASSY-MLG (TIRES ONLY) FOR NHA/ADDITIONAL DET SEE: 32-45-01-01A 32-45-01-02	106106 108120	RF
- 3	160N0001-30		WHEEL AND TIRE ASSY-MLG (TIRES ONLY) FOR NHA/ADDITIONAL DET SEE: 32-45-01-01	950951	RF
- 4	277N3000-104		WHEEL AND TIRE ASSY-MLG (TIRES ONLY) FOR NHA/ADDITIONAL DET SEE: 32-45-01-01A 32-45-01-02	101105	RF

MISSING ITEM NUMBERS NOT APPLICABLE

- ITEM NOT ILLUSTRATED

32-45-04-05

32-45-04  
FIG. 05  
PAGE 1  
JAN 20/09

BRI





757

PARTS CATALOG (MAINTENANCE)

FIG ITEM	PART NUMBER	1 2 3 4 5 6 7	NOMENCLATURE	EFFECT FROM TO	UNITS PER ASSY
5 10	H40X14-5-24-225	.	TIRE-029-781-0 H40 X 14.5-19, 24 PR 225 MPH SUPPLIER CODE: V73842 SPECIFICATION NUMBER: 65-58256-173 QUALIFIED I/W DATA: TIRES ARE CONDITIONALLY INTERCHANGEABLE AS DETAILED BY INTERCHANGEABILITY DOCUMENT 277N5000. OPTIONAL PART: 039-781-2 029-781-1 039-781-0 039-781-1 419K42-1 419K42-3 419K42G2 419K42G3 419K42T1 419K42G4 APS00598 APS00598A APS00598B APS01339 DR23633T DR23635T S0131 V1382 POST SERVICE BULLETIN: 32-0087 POST RAPID REVISION: RR92033-14	002004 006949 952999	1

MISSING ITEM NUMBERS NOT APPLICABLE

- ITEM NOT ILLUSTRATED

32-45-04-05

32-45-04  
FIG. 05  
PAGE 2  
JAN 20/09

BRI



757

PARTS CATALOG (MAINTENANCE)

FIG ITEM	PART NUMBER	1 2 3 4 5 6 7	NOMENCLATURE	EFFECT FROM TO	UNITS PER ASSY
5 10	H40X14-5-24-225	.TIRE-029-781-1	H40 X 14.5-19, 24 PR 225 MPH SUPPLIER CODE: V73842 SPECIFICATION NUMBER: 65-58256-173 QUALIFIED I/W DATA: TIRES ARE CONDITIONALLY INTERCHANGEABLE AS DETAILED BY INTERCHANGEABILITY DOCUMENT 277N5000. OPTIONAL PART: 039-781-2 029-781-0 039-781-0 039-781-1 419K42-1 419K42-3 419K42G2 419K42G3 419K42T1 419K42G4 APS00598 APS00598A APS00598B APS01339 DR23633T DR23635T S0131 V1382	002004 006949 952999	1

MISSING ITEM NUMBERS NOT APPLICABLE

- ITEM NOT ILLUSTRATED

32-45-04-05

32-45-04  
FIG. 05  
PAGE 3  
JAN 20/09

BRI



757

PARTS CATALOG (MAINTENANCE)

FIG ITEM	PART NUMBER	1 2 3 4 5 6 7	NOMENCLATURE	EFFECT FROM TO	UNITS PER ASSY
5 10	H40X14-5-24-225	.TIRE-039-781-0	H40 X 14.5-19, 24 PR 225 MPH SUPPLIER CODE: V73842 SPECIFICATION NUMBER: 65-58256-173 QUALIFIED I/W DATA: TIRES ARE CONDITIONALLY INTERCHANGEABLE AS DETAILED BY INTERCHANGEABILITY DOCUMENT 277N5000. OPTIONAL PART: 039-781-2 029-781-0 029-781-1 039-781-1 419K42-1 419K42-3 419K42G2 419K42G3 419K42T1 419K42G4 APS00598 APS00598A APS00598B APS01339 DR23633T DR23635T S0131 V1382	002004 006949 952999	1

MISSING ITEM NUMBERS NOT APPLICABLE

- ITEM NOT ILLUSTRATED

BRI

32-45-04-05

BOEING PROPRIETARY - Copyright © - Unpublished Work - See title page for details.

32-45-04  
FIG. 05  
PAGE 4  
JAN 20/09



757

PARTS CATALOG (MAINTENANCE)

FIG ITEM	PART NUMBER	1 2 3 4 5 6 7	NOMENCLATURE	EFFECT FROM TO	UNITS PER ASSY
5 10	H40X14-5-24-225	.TIRE-039-781-1	H40 X 14.5-19, 24 PR 225 MPH SUPPLIER CODE: V73842 SPECIFICATION NUMBER: 65-58256-173 QUALIFIED I/W DATA: TIRES ARE CONDITIONALLY INTERCHANGEABLE AS DETAILED BY INTERCHANGEABILITY DOCUMENT 277N5000. OPTIONAL PART: 039-781-2 029-781-0 029-781-1 039-781-0 419K42-1 419K42-3 419K42G2 419K42G3 419K42T1 419K42G4 APS00598 APS00598A APS00598B APS01339 DR23633T DR23635T S0131 V1382	002004 006949 952999	1

MISSING ITEM NUMBERS NOT APPLICABLE

- ITEM NOT ILLUSTRATED

BRI

32-45-04-05

BOEING PROPRIETARY - Copyright © - Unpublished Work - See title page for details.

32-45-04  
FIG. 05  
PAGE 5  
JAN 20/09



757

PARTS CATALOG (MAINTENANCE)

FIG ITEM	PART NUMBER	1 2 3 4 5 6 7	NOMENCLATURE	EFFECT FROM TO	UNITS PER ASSY
5 11	H40X14-5-24-225	.	TIRE-419K42-1 H40 X 14.5-19, 24 PR 225 MPH SUPPLIER CODE: V73842 SPECIFICATION NUMBER: 65-58256-173 QUALIFIED I/W DATA: TIRES ARE CONDITIONALLY INTERCHANGEABLE AS DETAILED BY INTERCHANGEABILITY DOCUMENT 277N5000. OPTIONAL PART: 039-781-2 029-781-0 029-781-1 039-781-0 039-781-1 419K42-3 419K42G2 419K42G3 419K42T1 419K42G4 APS00598 APS00598A APS00598B APS01339 DR23633T DR23635T S0131 V1382	002004 006949 952999	1

MISSING ITEM NUMBERS NOT APPLICABLE

- ITEM NOT ILLUSTRATED

32-45-04-05

32-45-04  
FIG. 05  
PAGE 6  
JAN 20/09

BRI



757

PARTS CATALOG (MAINTENANCE)

FIG ITEM	PART NUMBER	1 2 3 4 5 6 7 NOMENCLATURE	EFFECT FROM TO	UNITS PER ASSY
5 11	H40X14-5-24-225	.TIRE-419K42-3 H40 X 14.5-19, 24 PR 225 MPH SUPPLIER CODE: V73842 SPECIFICATION NUMBER: 65-58256-173 QUALIFIED I/W DATA: TIRES ARE CONDITIONALLY INTERCHANGEABLE AS DETAILED BY INTERCHANGEABILITY DOCUMENT 277N5000. OPTIONAL PART: 039-781-2 029-781-0 029-781-1 039-781-0 039-781-1 419K42-1 419K42G2 419K42G3 419K42T1 419K42G4 APS00598 APS00598A APS00598B APS01339 DR23633T DR23635T S0131 V1382	002004 006949 952999	1

MISSING ITEM NUMBERS NOT APPLICABLE

- ITEM NOT ILLUSTRATED

32-45-04-05

32-45-04  
FIG. 05  
PAGE 7  
JAN 20/09

BRI



757

PARTS CATALOG (MAINTENANCE)

FIG ITEM	PART NUMBER	1 2 3 4 5 6 7	NOMENCLATURE	EFFECT FROM TO	UNITS PER ASSY
5 11	H40X14-5-24-225	.	TIRE-419K42G2 H40 X 14.5-19, 24 PR 225 MPH SUPPLIER CODE: V73842 SPECIFICATION NUMBER: 65-58256-173 QUALIFIED I/W DATA: TIRES ARE CONDITIONALLY INTERCHANGEABLE AS DETAILED BY INTERCHANGEABILITY DOCUMENT 277N5000. OPTIONAL PART: 039-781-2 029-781-0 029-781-1 039-781-0 039-781-1 419K42-1 419K42-3 419K42G3 419K42T1 419K42G4 APS00598 APS00598A APS00598B APS01339 DR23633T DR23635T S0131 V1382	002004 006949 952999	1

MISSING ITEM NUMBERS NOT APPLICABLE

- ITEM NOT ILLUSTRATED

32-45-04-05

32-45-04  
FIG. 05  
PAGE 8  
JAN 20/09

BRI



757

PARTS CATALOG (MAINTENANCE)

FIG ITEM	PART NUMBER	1 2 3 4 5 6 7	NOMENCLATURE	EFFECT FROM TO	UNITS PER ASSY
5 11	H40X14-5-24-225	.TIRE-419K42G3	H40 X 14.5-19, 24 PR 225 MPH SUPPLIER CODE: V73842 SPECIFICATION NUMBER: 65-58256-173 QUALIFIED I/W DATA: TIRES ARE CONDITIONALLY INTERCHANGEABLE AS DETAILED BY INTERCHANGEABILITY DOCUMENT 277N5000. OPTIONAL PART: 039-781-2 029-781-0 029-781-1 039-781-0 039-781-1 419K42-1 419K42-3 419K42G2 419K42T1 419K42G4 APS00598 APS00598A APS00598B APS01339 DR23633T DR23635T S0131 V1382	002004 006949 952999	1

MISSING ITEM NUMBERS NOT APPLICABLE

- ITEM NOT ILLUSTRATED

32-45-04-05

32-45-04  
FIG. 05  
PAGE 9  
JAN 20/09

BRI





757

PARTS CATALOG (MAINTENANCE)

FIG ITEM	PART NUMBER	1 2 3 4 5 6 7	NOMENCLATURE	EFFECT FROM TO	UNITS PER ASSY
5 11	H40X14-5-24-225	.	TIRE-419K42T1 H40 X 14.5-19, 24 PR 225 MPH SUPPLIER CODE: V73842 SPECIFICATION NUMBER: 65-58256-173 QUALIFIED I/W DATA: TIRES ARE CONDITIONALLY INTERCHANGEABLE AS DETAILED BY INTERCHANGEABILITY DOCUMENT 277N5000. OPTIONAL PART: 039-781-2 029-781-0 029-781-1 039-781-0 039-781-1 419K42-1 419K42-3 419K42G2 419K42G3 419K42G4 APS00598 APS00598A APS00598B APS01339 DR23633T DR23635T S0131 V1382	002004 006949 952999	1

MISSING ITEM NUMBERS NOT APPLICABLE

- ITEM NOT ILLUSTRATED

**32-45-04-05**

32-45-04  
FIG. 05  
PAGE 10  
JAN 20/09

BRI



757

PARTS CATALOG (MAINTENANCE)

FIG ITEM	PART NUMBER	1 2 3 4 5 6 7	NOMENCLATURE	EFFECT FROM TO	UNITS PER ASSY
5 11	H40X14-5-24-225	.TIRE-419K42G4	H40 X 14.5-19, 24 PR 225 MPH SUPPLIER CODE: V73842 SPECIFICATION NUMBER: 65-58256-173 QUALIFIED I/W DATA: TIRES ARE CONDITIONALLY INTERCHANGEABLE AS DETAILED BY INTERCHANGEABILITY DOCUMENT 277N5000. OPTIONAL PART: 039-781-2 029-781-0 029-781-1 039-781-0 039-781-1 419K42-1 419K42-3 419K42G2 419K42G3 419K42T1 APS00598 APS00598A APS00598B APS01339 DR23633T DR23635T S0131 V1382	002004 006949 952999	1

MISSING ITEM NUMBERS NOT APPLICABLE

- ITEM NOT ILLUSTRATED

32-45-04-05

32-45-04  
FIG. 05  
PAGE 11  
JAN 20/09

BRI



757

PARTS CATALOG (MAINTENANCE)

FIG ITEM	PART NUMBER	1 2 3 4 5 6 7	NOMENCLATURE	EFFECT FROM TO	UNITS PER ASSY
5 11	H40X14-5-24-225	.	TIRE-APS00598 H40 X 14.5-19, 24 PR 225 MPH SUPPLIER CODE: V73842 SPECIFICATION NUMBER: 65-58256-173 QUALIFIED I/W DATA: TIRES ARE CONDITIONALLY INTERCHANGEABLE AS DETAILED BY INTERCHANGEABILITY DOCUMENT 277N5000. OPTIONAL PART: 039-781-2 029-781-0 029-781-1 039-781-0 039-781-1 419K42-1 419K42-3 419K42G2 419K42G3 419K42T1 419K42G4 APS00598A APS00598B APS01339 DR23633T DR23635T S0131 V1382	002004 006949 952999	1

MISSING ITEM NUMBERS NOT APPLICABLE

- ITEM NOT ILLUSTRATED

32-45-04-05

32-45-04  
FIG. 05  
PAGE 12  
JAN 20/09

BRI



757

PARTS CATALOG (MAINTENANCE)

FIG ITEM	PART NUMBER	1 2 3 4 5 6 7 NOMENCLATURE	EFFECT FROM TO	UNITS PER ASSY
5 11	H40X14-5-24-225	.TIRE-APS00598A H40 X 14.5-19, 24 PR 225 MPH SUPPLIER CODE: V73842 SPECIFICATION NUMBER: 65-58256-173 QUALIFIED I/W DATA: TIRES ARE CONDITIONALLY INTERCHANGEABLE AS DETAILED BY INTERCHANGEABILITY DOCUMENT 277N5000. OPTIONAL PART: 039-781-2 029-781-0 029-781-1 039-781-0 039-781-1 419K42-1 419K42-3 419K42G2 419K42G3 419K42T1 419K42G4 APS00598 APS00598B APS01339 DR23633T DR23635T S0131 V1382	002004 006949 952999	1

MISSING ITEM NUMBERS NOT APPLICABLE

- ITEM NOT ILLUSTRATED

32-45-04-05

32-45-04  
FIG. 05  
PAGE 13  
JAN 20/09

BRI



757

PARTS CATALOG (MAINTENANCE)

FIG ITEM	PART NUMBER	1 2 3 4 5 6 7	NOMENCLATURE	EFFECT FROM TO	UNITS PER ASSY
5 11	H40X14-5-24-225	. TIRE-APS00598B H40 X 14.5-19, 24 PR 225 MPH SUPPLIER CODE: V73842 SPECIFICATION NUMBER: 65-58256-173 QUALIFIED I/W DATA: TIRES ARE CONDITIONALLY INTERCHANGEABLE AS DETAILED BY INTERCHANGEABILITY DOCUMENT 277N5000. OPTIONAL PART: 039-781-2 029-781-0 029-781-1 039-781-0 039-781-1 419K42-1 419K42-3 419K42G2 419K42G3 419K42T1 419K42G4 APS00598 APS00598A APS01339 DR23633T DR23635T S0131 V1382		002004 006949 952999	1

MISSING ITEM NUMBERS NOT APPLICABLE

- ITEM NOT ILLUSTRATED

32-45-04-05

32-45-04  
FIG. 05  
PAGE 14  
JAN 20/09

BRI



757

PARTS CATALOG (MAINTENANCE)

FIG ITEM	PART NUMBER	1 2 3 4 5 6 7	NOMENCLATURE	EFFECT FROM TO	UNITS PER ASSY
5 11	H40X14-5-24-225	.	TIRE-APS01339 H40 X 14.5-19, 24 PR 225 MPH SUPPLIER CODE: V73842 SPECIFICATION NUMBER: 65-58256-173 QUALIFIED I/W DATA: TIRES ARE CONDITIONALLY INTERCHANGEABLE AS DETAILED BY INTERCHANGEABILITY DOCUMENT 277N5000. OPTIONAL PART: 039-781-2 029-781-0 029-781-1 039-781-0 039-781-1 419K42-1 419K42-3 419K42G2 419K42G3 419K42T1 419K42G4 APS00598 APS00598A APS00598B DR23633T DR23635T S0131 V1382	002004 006949 952999	1

MISSING ITEM NUMBERS NOT APPLICABLE

- ITEM NOT ILLUSTRATED

32-45-04-05

32-45-04  
FIG. 05  
PAGE 15  
JAN 20/09

BRI



757

PARTS CATALOG (MAINTENANCE)

FIG ITEM	PART NUMBER	1 2 3 4 5 6 7	NOMENCLATURE	EFFECT FROM TO	UNITS PER ASSY
5 11	H40X14-5-24-225	.	TIRE-DR23633T H40 X 14.5-19, 24 PR 225 MPH SUPPLIER CODE: VU8018 SPECIFICATION NUMBER: 65-58256-173 QUALIFIED I/W DATA: TIRES ARE CONDITIONALLY INTERCHANGEABLE AS DETAILED BY INTERCHANGEABILITY DOCUMENT 277N5000. OPTIONAL PART: 039-781-2 029-781-0 029-781-1 039-781-0 039-781-1 419K42-1 419K42-3 419K42G2 419K42G3 419K42T1 419K42G4 APS00598 APS00598A APS00598B APS01339 DR23635T S0131 V1382	002004 006949 952999	1

MISSING ITEM NUMBERS NOT APPLICABLE

- ITEM NOT ILLUSTRATED

32-45-04-05

32-45-04  
FIG. 05  
PAGE 16  
JAN 20/09

BRI



757

PARTS CATALOG (MAINTENANCE)

FIG ITEM	PART NUMBER	1 2 3 4 5 6 7	NOMENCLATURE	EFFECT FROM TO	UNITS PER ASSY
5 11	H40X14-5-24-225	.	TIRE-DR23635T H40 X 14.5-19, 24 PR 225 MPH SUPPLIER CODE: VU8018 SPECIFICATION NUMBER: 65-58256-173 QUALIFIED I/W DATA: TIRES ARE CONDITIONALLY INTERCHANGEABLE AS DETAILED BY INTERCHANGEABILITY DOCUMENT 277N5000. OPTIONAL PART: 039-781-2 029-781-0 029-781-1 039-781-0 039-781-1 419K42-1 419K42-3 419K42G2 419K42G3 419K42T1 419K42G4 APS00598 APS00598A APS00598B APS01339 DR23633T S0131 V1382	002004 006949 952999	1

MISSING ITEM NUMBERS NOT APPLICABLE

- ITEM NOT ILLUSTRATED

BRI

32-45-04-05

BOEING PROPRIETARY - Copyright © - Unpublished Work - See title page for details.

32-45-04  
FIG. 05  
PAGE 17  
JAN 20/09





757

PARTS CATALOG (MAINTENANCE)

FIG ITEM	PART NUMBER	1 2 3 4 5 6 7	NOMENCLATURE	EFFECT FROM TO	UNITS PER ASSY
5 11	H40X14-5-24-225	.	TIRE-S0131 H40 X 14.5-19, 24 PR 225 MPH SUPPLIER CODE: V73842 SPECIFICATION NUMBER: 65-58256-173 QUALIFIED I/W DATA: TIRES ARE CONDITIONALLY INTERCHANGEABLE AS DETAILED BY INTERCHANGEABILITY DOCUMENT 277N5000. OPTIONAL PART: 039-781-2 029-781-0 029-781-1 039-781-0 039-781-1 419K42-1 419K42-3 419K42G2 419K42G3 419K42T1 419K42G4 APS00598 APS00598A APS00598B APS01339 DR23633T DR23635T V1382	002004 006949 952999	1

MISSING ITEM NUMBERS NOT APPLICABLE

- ITEM NOT ILLUSTRATED

32-45-04-05

32-45-04  
FIG. 05  
PAGE 18  
JAN 20/09

BRI



757

PARTS CATALOG (MAINTENANCE)

FIG ITEM	PART NUMBER	1 2 3 4 5 6 7	NOMENCLATURE	EFFECT FROM TO	UNITS PER ASSY
5 11	H40X14-5-24-225	.	TIRE-V1382 H40 X 14.5-19, 24 PR 225 MPH SUPPLIER CODE: V73842 SPECIFICATION NUMBER: 65-58256-173 QUALIFIED I/W DATA: TIRES ARE CONDITIONALLY INTERCHANGEABLE AS DETAILED BY INTERCHANGEABILITY DOCUMENT 277N5000. OPTIONAL PART: 039-781-2 029-781-0 029-781-1 039-781-0 039-781-1 419K42-1 419K42-3 419K42G2 419K42G3 419K42T1 419K42G4 APS00598 APS00598A APS00598B APS01339 DR23633T DR23635T S0131	002004 006949 952999	1

MISSING ITEM NUMBERS NOT APPLICABLE

- ITEM NOT ILLUSTRATED

32-45-04-05

32-45-04  
FIG. 05  
PAGE 19  
JAN 20/09

BRI



757

PARTS CATALOG (MAINTENANCE)

FIG ITEM	PART NUMBER	1 2 3 4 5 6 7	NOMENCLATURE	EFFECT FROM TO	UNITS PER ASSY
5 11	H40X14-5-24-225	.TIRE-039-781-2	H40 X 14.5-19, 24 PR 225 MPH SUPPLIER CODE: V73842 SPECIFICATION NUMBER: 65-58256-173 QUALIFIED I/W DATA: TIRES ARE CONDITIONALLY INTERCHANGEABLE AS DETAILED BY INTERCHANGEABILITY DOCUMENT 277N5000. OPTIONAL PART: 029-781-0 029-781-1 039-781-0 039-781-1 419K42-1 419K42-3 419K42G2 419K42G3 419K42T1 419K42G4 APS00598 APS00598A APS00598B APS01339 DR23633T DR23635T S0131 V1382	002004 006949 952999	1

MISSING ITEM NUMBERS NOT APPLICABLE

- ITEM NOT ILLUSTRATED

32-45-04-05

32-45-04  
FIG. 05  
PAGE 20  
JAN 20/09

BRI



757

PARTS CATALOG (MAINTENANCE)

FIG ITEM	PART NUMBER	1 2 3 4 5 6 7	NOMENCLATURE	EFFECT FROM TO	UNITS PER ASSY
5 12	H40X14-5-22-225	. TIRE-DR23620T H40X14.5-19 22PR/225MPH SUPPLIER CODE: VU8018 SPECIFICATION NUMBER: S160N015-122 OPTIONAL PART: 419K22-1 V73842 USED ON: 160N0001-4 160N0001-12 160N0001-20 160N0001-22 160N0001-29 160N0001-30 160N0001-6 161N0001-28 161N0001-29 161N0001-47 161N0001-56 161N0001-73 161N0001-75 161N0001-103 161N0001-105 161N0001-138 USED ON: 160N0001-6 PRE SERVICE BULLETIN: 32-0087		904951	1

MISSING ITEM NUMBERS NOT APPLICABLE

- ITEM NOT ILLUSTRATED

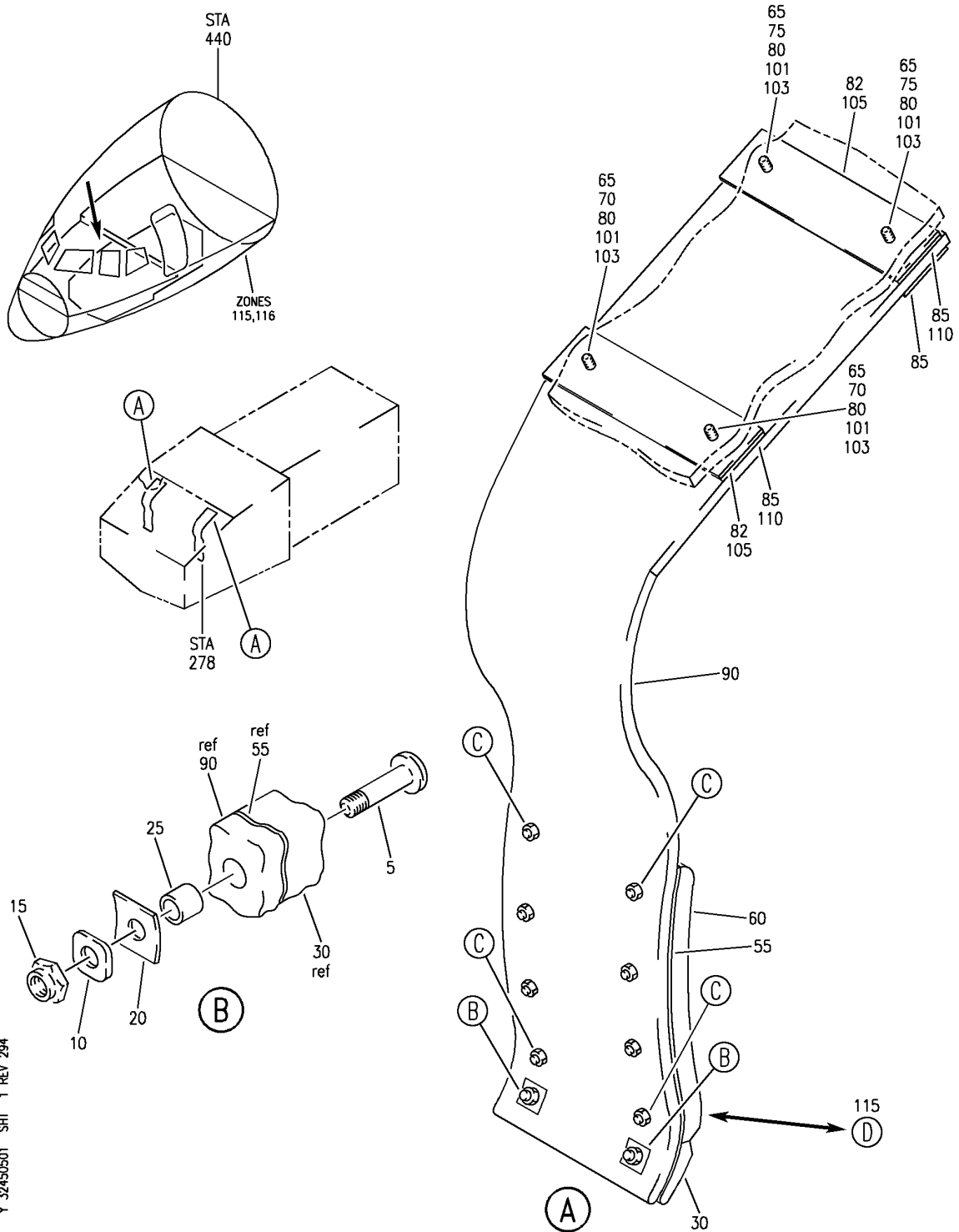
BRI

32-45-04-05

BOEING PROPRIETARY - Copyright © - Unpublished Work - See title page for details.

32-45-04  
FIG. 05  
PAGE 21  
JAN 20/09

**BOEING**  
757  
PARTS CATALOG (MAINTENANCE)



Y 32450501 SHT 1 REV 294

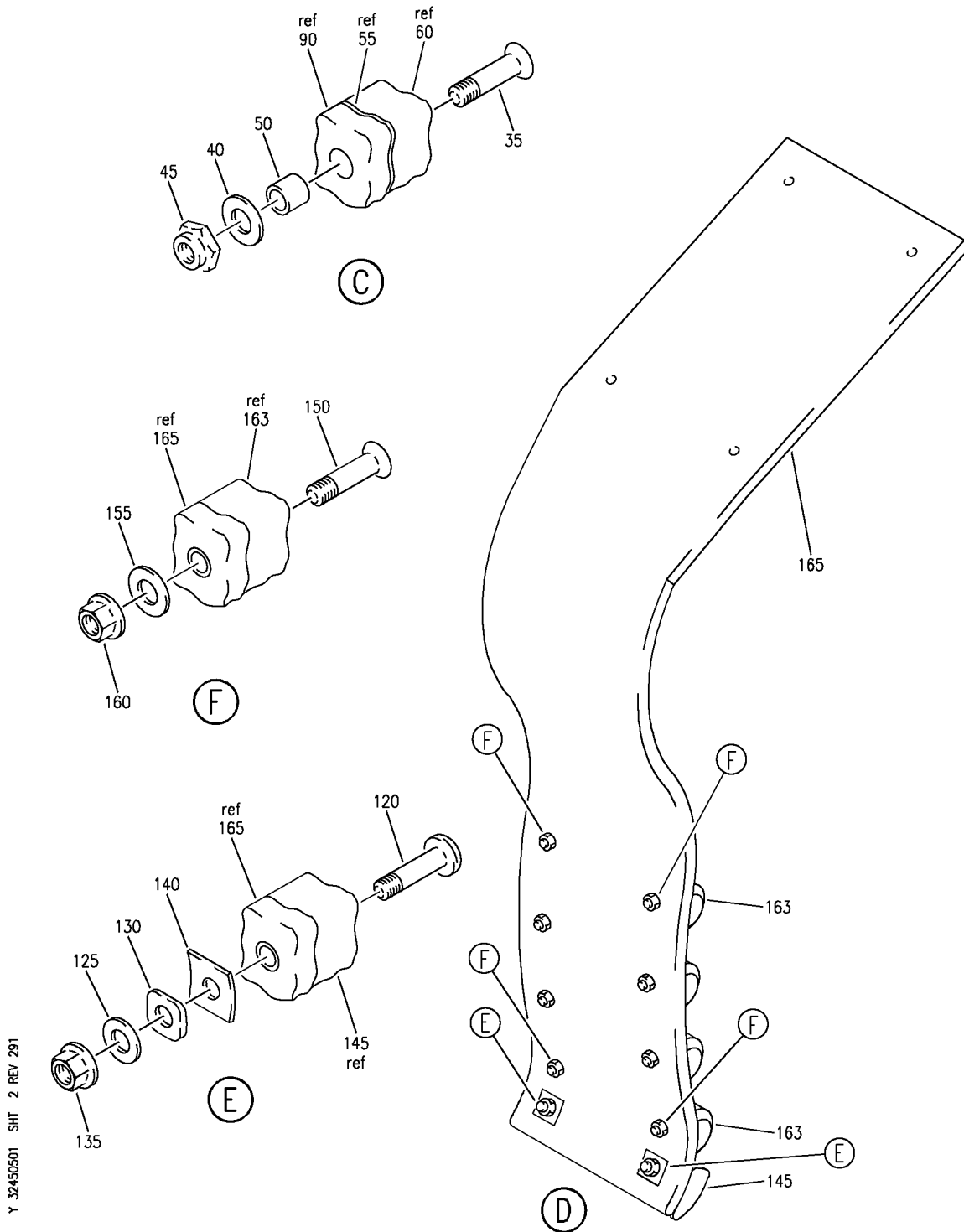
BRAKE INSTL-NOSE WHL WELL SPIN  
FIGURE 1 (SHEET 1)

**32-45-05-01**

BRI  
MAY 28/07

32-45-05-01  
PAGE 0

**BOEING**  
757  
PARTS CATALOG (MAINTENANCE)



Y 32450501 SHT 2 REV 291

BRAKE INSTL-NOSE WHL WELL SPIN  
FIGURE 1 (SHEET 2)

**32-45-05-01**

BRI  
MAY 28/07

32-45-05-01  
PAGE 0A



757

PARTS CATALOG (MAINTENANCE)

FIG ITEM	PART NUMBER	1 2 3 4 5 6 7	NOMENCLATURE	EFFECT FROM TO	UNITS PER ASSY
1			BRAKE INSTL-NOSE WHL WELL SPIN	002004 006100 107107 109503 505505 507999	
- 1	141N0091-13		BRAKE INSTL-NOSE WHL WELL SPIN POST SERVICE BULLETIN: 32-0176 FOR NHA SEE: 53-00-00-01 53-00-00-01A	107107 109503 505505 507949	RF
5	L8008K8		.BOLT SUPPLIER CODE: V06725 SPECIFICATION NUMBER: BACB30MY8K8	107107 109503 505505 507949	2
10	141N0096-2		.WASHER	107107 109503 505505 507949	2
15	BRH10C4D		.NUT SUPPLIER CODE: V52828 SPECIFICATION NUMBER: BACN10JC4CD OPTIONAL PART: T6C428JCD V11815 NS202486-048 V80539 102LH9075-4W V72962 H51650-4BAC V15653	107107 109503 505505 507949	2
20	141N0091-10		.INSULATOR	107107 109503 505505 507949	2
25	141N0091-11		.BUSHING	107107 109503 505505 507949	2
30	141N0097-4		.PIECE-TOE	107107 109503 505505 507949	1

MISSING ITEM NUMBERS NOT APPLICABLE

- ITEM NOT ILLUSTRATED

BRI

32-45-05-01

32-45-05  
FIG. 01  
PAGE 1  
JAN 20/09



757

PARTS CATALOG (MAINTENANCE)

FIG ITEM	PART NUMBER	1 2 3 4 5 6 7	NOMENCLATURE	EFFECT FROM TO	UNITS PER ASSY
1 35	HL11VAZ6-7	.BOLT	SUPPLIER CODE: V60516 SPECIFICATION NUMBER: BACB30NW6K7 OPTIONAL PART: B30NW6K7 V97928 HL11VAZ6-7 V73197 HL11VAZ6-7 V92215 HL11VAZ6-7 V97928 L803-6K7 V06725 HL11VAZ6-7 VOPTK6 HL11VAZ6-7 V56878	107107 109503 505505 507949	8
40	NAS549-10	.WASHER		107107 109503 505505 507949	8
45	BRH10C3M	.NUT	SUPPLIER CODE: V52828 SPECIFICATION NUMBER: BACN10JC3CM OPTIONAL PART: T6C1032JM V11815 97E02 V80539 109LH9075-3W V72962 VN303D02 V92215 NS202101SE02 V80539 H01-3BAC V15653	107107 109503 505505 507949	8
50	141N0091-12	.BUSHING		107107 109503 505505 507949	8

MISSING ITEM NUMBERS NOT APPLICABLE

- ITEM NOT ILLUSTRATED

BRI

32-45-05-01

BOEING PROPRIETARY - Copyright © - Unpublished Work - See title page for details.

32-45-05  
FIG. 01  
PAGE 2  
JAN 20/09





757

PARTS CATALOG (MAINTENANCE)

FIG ITEM	PART NUMBER	1 2 3 4 5 6 7	NOMENCLATURE	EFFECT FROM TO	UNITS PER ASSY
1					
55	141N0091-15		.INSULATOR- QUALIFIED I/W DATA: 141N0091-15 TOGETHER WITH 141N0091-14 TOGETHER WITH 141N0091-16 (REF 654N0244-362 KIT) MAY REPLACE BUT MAY NOT BE REPLACED BY 141N0091-9 TOGETHER WITH 141N0091-6	107107 109503 505505 507949	1
60	141N0091-14		.PAD-BRAKE QUALIFIED I/W DATA: 141N0091-15 TOGETHER WITH 141N0091-14 TOGETHER WITH 141N0091-16 (REF 654N0244-362 KIT) MAY REPLACE BUT MAY NOT BE REPLACED BY 141N0091-9 TOGETHER WITH 141N0091-6	107107 109503 505505 507949	1
65	BACB30NM5K14		.BOLT- POST SERVICE BULLETIN: 32-0176	107107 109503 505505 507949	4
70	AN960XC516		.WASHER- PRE SERVICE BULLETIN: 32-0176	107107 109503 505505 507949	2
75	AN960KD516		.WASHER- PRE SERVICE BULLETIN: 32-0176	107107 109503 505505 507949	2
80	AN960KD516		.WASHER- POST SERVICE BULLETIN: 32-0176	107107 109120	4
82	BACS40R14F46F		.SHIM- POST SERVICE BULLETIN: 32-0176	107107 109503 505505 507949	2
85	141N0096-1		.FILLER- POST SERVICE BULLETIN: 32-0176	107107 109503 505505 507949	3

MISSING ITEM NUMBERS NOT APPLICABLE

- ITEM NOT ILLUSTRATED

32-45-05-01

32-45-05  
FIG. 01  
PAGE 3  
JAN 20/09

BRI

BOEING PROPRIETARY - Copyright © - Unpublished Work - See title page for details.



757

PARTS CATALOG (MAINTENANCE)

FIG ITEM	PART NUMBER	1 2 3 4 5 6 7	NOMENCLATURE	EFFECT FROM TO	UNITS PER ASSY
1 90	141N0091-5		. SPRING- QUALIFIED I/W DATA: 141N0091-5 TOGETHER WITH QTY 3 141N0096-1 FILLERS AND QTY 2 BACS40R014Y046F SHIMS AND QTY 4 BACB30NM5K14 BOLTS AND QTY 2 NAS1149D0563J WASHERS AND QTY 2 NAS1149C0563B WASHERS AND QTY 1 141N0091-14 BRAKE PAD AND QTY 1 141N0091-15 INSULATOR AND QTY 8 141N0091-12 BUSHINGS AND QTY 8 BACB30NW6K7 BOLTS AND QTY 8 BACNJC3CM NUTS AND QTY 8 NAS549-10 WASHERS AND QTY 1 141N0097-4 TOEPIECE AND QTY 2 141N0091-10 INSULATORS AND QTY 2 141N0091-11 BUSHINGS AND QTY 2 141N0096-2 WASHERS AND QTY 2 BACB30MY8K8 BOLTS AND QTY 2 BACN10JC4CD NUTS AND QTY 1 141N0091-16 THREAD CAN REPLACE OR BE REPLACED BY 141N0091-22 TOGETHER WITH QTY 2 141N0096-1 FILLERS AND QTY 2 BACS40R014Y050F SHIMS AND QTY 4 BACB30NM5K16 BOLTS AND QTY 4 NAS1149D0563J WASHERS	107107 109503 505505 507949	1
90	141N0091-8		. SPRING-	107107 109503 505505 507949	1
- 100	141N0091-20		BRAKE INSTL-NOSE WHL WELL SPIN PRE SERVICE BULLETIN: 32-0176 FOR NHA SEE: 53-00-00-01	002004 006100 121503 950999	RF

MISSING ITEM NUMBERS NOT APPLICABLE

- ITEM NOT ILLUSTRATED

32-45-05-01

32-45-05  
FIG. 01  
PAGE 4  
JAN 20/09

BRI



757

PARTS CATALOG (MAINTENANCE)

FIG ITEM	PART NUMBER	1 2 3 4 5 6 7	NOMENCLATURE	EFFECT FROM TO	UNITS PER ASSY
1 101	BACB30NM5K16	.	BOLT-	002004 006100 121503 950999	4
103	AN960JD516	.	WASHER-	002004 006100 121503 950999	4
105	BACS40R014F050F	.	SHIM-	002004 006100 121503 950999	2
110	141N0096-1	.	FILLER-	002004 006100 121503 950999	2
115	141N0091-18	.	BRAKE ASSY-SPIN PRE SERVICE BULLETIN: 32-0176	002004 006016 121503 950999	1

MISSING ITEM NUMBERS NOT APPLICABLE

- ITEM NOT ILLUSTRATED

BRI

32-45-05-01

BOEING PROPRIETARY - Copyright © - Unpublished Work - See title page for details.

32-45-05  
FIG. 01  
PAGE 5  
JAN 20/09



757

PARTS CATALOG (MAINTENANCE)

FIG ITEM	PART NUMBER	1 2 3 4 5 6 7	NOMENCLATURE	EFFECT FROM TO	UNITS PER ASSY
1 115	141N0091-22		.BRAKE ASSY-SPIN QUALIFIED I/W DATA: 141N0091-5 TOGETHER WITH QTY 3 141N0096-1 FILLERS AND QTY 2 BACS40R014Y046F SHIMS AND QTY 4 BACB30NM5K14 BOLTS AND QTY 2 NAS1149D0563J WASHERS AND QTY 2 NAS1149C0563B WASHERS AND QTY 1 141N0091-14 BRAKE PAD AND QTY 1 141N0091-15 INSULATOR AND QTY 8 141N0091-12 BUSHINGS AND QTY 8 BACB30NW6K7 BOLTS AND QTY 8 BACNJC3CM NUTS AND QTY 8 NAS549-10 WASHERS AND QTY 1 141N0097-4 TOEPIECE AND QTY 2 141N0091-10 INSULATORS AND QTY 2 141N0091-11 BUSHINGS AND QTY 2 141N0096-2 WASHERS AND QTY 2 BACB30MY8K8 BOLTS AND QTY 2 BACN10JC4CD NUTS AND QTY 1 141N0091-16 THREAD CAN REPLACE OR BE REPLACED BY 141N0091-22 TOGETHER WITH QTY 2 141N0096-1 FILLERS AND QTY 2 BACS40R014Y050F SHIMS AND QTY 4 BACB30NM5K16 BOLTS AND QTY 4 NAS1149D0563J WASHERS PRE SERVICE BULLETIN: 32-0176	002004 006100 121503 950999	1

MISSING ITEM NUMBERS NOT APPLICABLE

- ITEM NOT ILLUSTRATED

32-45-05-01

32-45-05  
FIG. 01  
PAGE 6  
JAN 20/09

BRI



757

PARTS CATALOG (MAINTENANCE)

FIG ITEM	PART NUMBER	1 2 3 4 5 6 7	NOMENCLATURE	EFFECT FROM TO	UNITS PER ASSY
1					
120	HST10AG8-9	..	BOLT SUPPLIER CODE: VOPTK6 SPECIFICATION NUMBER: BACB30VT8K9 OPTIONAL PART: HST10AG8-9 V06725 HST10AG8-9 V56878 HST10AG8-9 V73197 WC10K8-9 V60516	002004 006100 121503 950999	2
125	AN960JD416	..	WASHER	002004 006100 121503 950999	2
130	141N0096-2	..	WASHER	002004 006100 121503 950999	2
135	PLH54CD	..	NUT SUPPLIER CODE: VF0224 SPECIFICATION NUMBER: BACN10YR4CD OPTIONAL PART: H52732-4CD V15653	002004 006100 121503 950999	2
140	141N0091-10	..	INSULATOR	002004 006100 121503 950999	2
145	141N0097-4	..	PIECE-TOE	002004 006016 121503 950999	1
145	141N0097-6	..	PIECE-TOE	002004 006100 121503 950999	1

MISSING ITEM NUMBERS NOT APPLICABLE

- ITEM NOT ILLUSTRATED

32-45-05-01

32-45-05  
FIG. 01  
PAGE 7  
JAN 20/09

BRI

BOEING PROPRIETARY - Copyright © - Unpublished Work - See title page for details.



757

## PARTS CATALOG (MAINTENANCE)

FIG ITEM	PART NUMBER	1 2 3 4 5 6 7	NOMENCLATURE	EFFECT FROM TO	UNITS PER ASSY
1 150	HST11AG6-8	..	BOLT SUPPLIER CODE: V06725 SPECIFICATION NUMBER: BACB30VU6K8 OPTIONAL PART: HST11AG6-8 V73197 HST11AG6-8 V56878 HST11AG6-8 V0PTK6	002004 006100 121503 950999	8
155	AN960JD10	..	WASHER	002004 006100 121503 950999	8
160	PLH53CD	..	NUT SUPPLIER CODE: VF0224 SPECIFICATION NUMBER: BACN10YR3CD OPTIONAL PART: H52732-3CD V15653	002004 006100 121503 950999	8
163	141N0092-1	..	BAR-WEAR	002004 006100 121503 950999	4
165	141N0091-19	..	SPRING-	002004 006100 121503 950999	1

MISSING ITEM NUMBERS NOT APPLICABLE

- ITEM NOT ILLUSTRATED

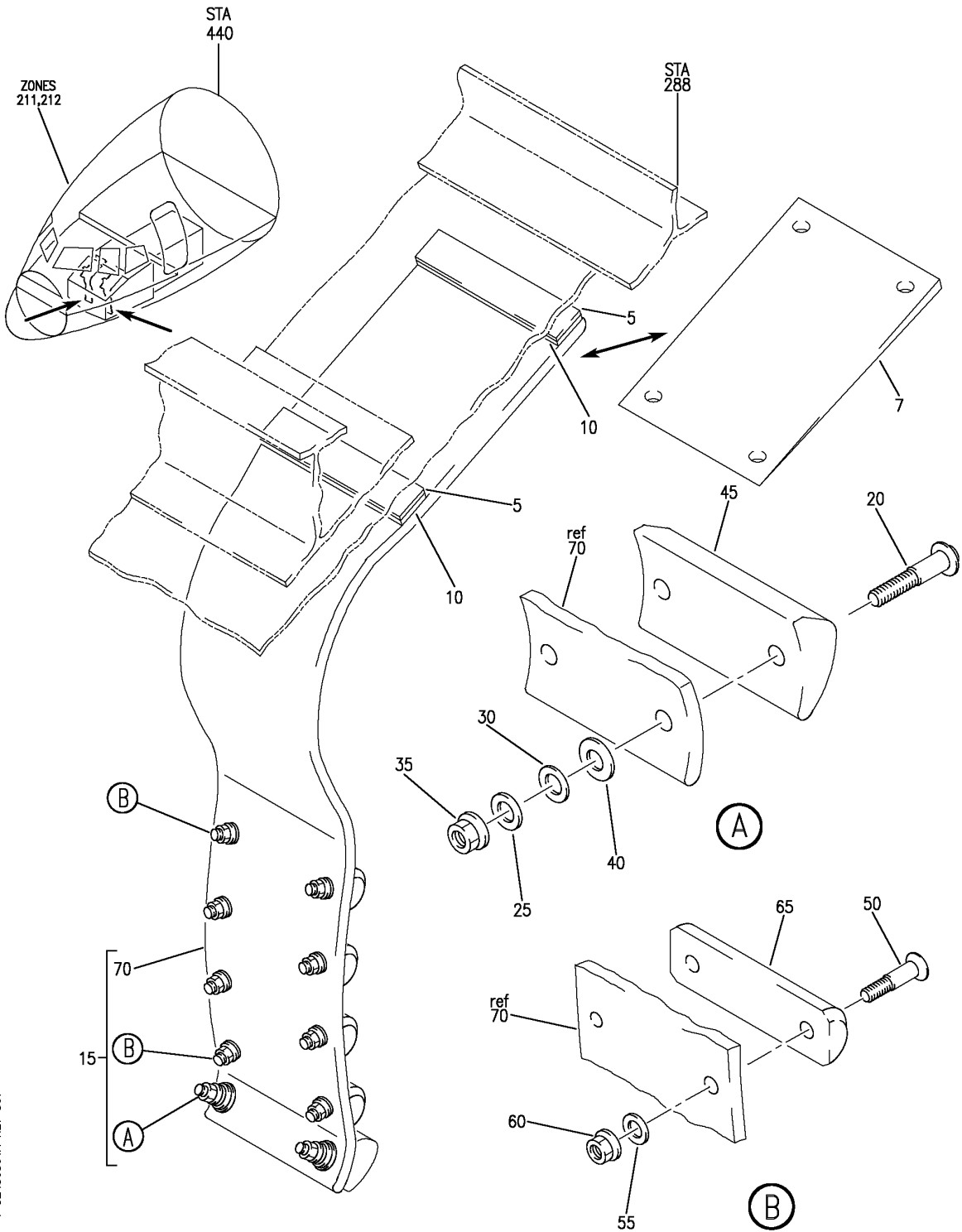
BRI

32-45-05-01

BOEING PROPRIETARY - Copyright © - Unpublished Work - See title page for details.

32-45-05  
FIG. 01  
PAGE 8  
JAN 20/09

**BOEING**  
757  
PARTS CATALOG (MAINTENANCE)



Y 32450501A REV 307

BRAKE INSTL-NOSE WHL WELL SPIN  
FIGURE 1A

**32-45-05-01A**

BRI  
MAY 28/07

32-45-05-01A  
PAGE 0



757

PARTS CATALOG (MAINTENANCE)

FIG ITEM	PART NUMBER	1 2 3 4 5 6 7	NOMENCLATURE	EFFECT FROM TO	UNITS PER ASSY
1 A			BRAKE INSTL-NOSE WHL WELL SPIN	101106 108120 504903	
- 1	141N0091-23		BRAKE INSTL-NOSE WHL WELL SPIN PRE SERVICE BULLETIN: 32-0176 FOR NHA SEE: 53-00-00-01A	101102 108120 504903	RF
- 1	MODREF1936		BRAKE INSTL-NOSE WHL WELL SPIN MODULE NUMBER: 141N0091-23 REV A	103103	1
- 1	MODREF30030		BRAKE INSTL-NOSE WHL WELL SPIN MODULE NUMBER: 141N0091-23 REV B	104106	1
- 3	141N0091-24		BRAKE INSTL-NOSE WHL WELL SPIN PRE SERVICE BULLETIN: 32-0176 FOR NHA SEE: 53-00-00-01A	101102 108120 504903	RF
- 3	MODREF1937		BRAKE INSTL-NOSE WHL WELL SPIN MODULE NUMBER: 141N0091-24 REV A	103103	1
- 3	MODREF30049		BRAKE INSTL-NOSE WHL WELL SPIN MODULE NUMBER: 141N0091-24 REV B	104106	1
5	BACS40R014F050F		.SHIM-	101106 108120 504903	2
10	141N0096-1		.FILLER-	101106 108120 504903	2

MISSING ITEM NUMBERS NOT APPLICABLE

- ITEM NOT ILLUSTRATED

32-45-05-01A

32-45-05  
FIG. 01A  
PAGE 1  
JAN 20/09

BRI

BOEING PROPRIETARY - Copyright © - Unpublished Work - See title page for details.





757

PARTS CATALOG (MAINTENANCE)

FIG ITEM	PART NUMBER	1 2 3 4 5 6 7 NOMENCLATURE	EFFECT FROM TO	UNITS PER ASSY
1 A 15	141N0091-22	.BRAKE ASSY-SPIN QUALIFIED I/W DATA: 141N0091-5 TOGETHER WITH QTY 3 141N0096-1 FILLERS AND QTY 2 BACS40R014Y046F SHIMS AND QTY 4 BACB30NM5K14 BOLTS AND QTY 2 NAS1149D0563J WASHERS AND QTY 2 NAS1149C0563B WASHERS AND QTY 1 141N0091-14 BRAKE PAD AND QTY 1 141N0091-15 INSULATOR AND QTY 8 141N0091-12 BUSHINGS AND QTY 8 BACB30NW6K7 BOLTS AN QTY 8 BACNJC3CM NUTS AND QTY 8 NAS549-10 WASHERS AND QTY 1 141N0097-4 TOEPIECE AND QTY 2 141N0091-10 INSULATORS AND QTY 2 141N0091-11 BUSHINGS AND QTY 2 141N0096-2 WASHERS AND QTY 2 BACB30MY8K8 BOLTS AND QTY 2 BACN10JC4CD NUTS AND QTY 1 141N0091-16 THREAD CAN REPLACE OR BE REPLACED BY 141N0091-22 TOGETHER WITH QTY 2 141N0096-1 FILLERS AND QTY 2 BACS40R014Y050F SHIMS AND QTY 4 BACB30NM5K16 BOLTS AND QTY 4 NAS1149D0563J WASHERS PRE SERVICE BULLETIN: 32-0176	101106 108120 504903	1

MISSING ITEM NUMBERS NOT APPLICABLE

- ITEM NOT ILLUSTRATED

32-45-05-01A

32-45-05  
FIG. 01A  
PAGE 2  
JAN 20/09

BRI



757

PARTS CATALOG (MAINTENANCE)

FIG ITEM	PART NUMBER	1 2 3 4 5 6 7	NOMENCLATURE	EFFECT FROM TO	UNITS PER ASSY
1 A					
20	HST10AG8-9	..	BOLT SUPPLIER CODE: VOPTK6 SPECIFICATION NUMBER: BACB30VT8K9 OPTIONAL PART: HST10AG8-9 V06725 HST10AG8-9 V56878 HST10AG8-9 V73197 WC10K8-9 V60516	101106 108120 504903	2
25	AN960JD416	..	WASHER	101106 108120 504903	2
30	141N0096-2	..	WASHER	101106 108120 504903	2
35	PLH54CD	..	NUT SUPPLIER CODE: VF0224 SPECIFICATION NUMBER: BACN10YR4CD OPTIONAL PART: H52732-4CD V15653	101106 108120 504903	2
40	141N0091-10	..	INSULATOR	101106 108120 504903	2
45	141N0097-6	..	PIECE-TOE	101106 108120 504903	1
50	HST11AG6-8	..	BOLT SUPPLIER CODE: V06725 SPECIFICATION NUMBER: BACB30VU6K8 OPTIONAL PART: HST11AG6-8 V73197 HST11AG6-8 V56878 HST11AG6-8 VOPTK6	101106 108120 504903	8
55	AN960JD10	..	WASHER	101106 108120 504903	8

MISSING ITEM NUMBERS NOT APPLICABLE

- ITEM NOT ILLUSTRATED

32-45-05-01A

32-45-05  
FIG. 01A  
PAGE 3  
JAN 20/09

BRI

BOEING PROPRIETARY - Copyright © - Unpublished Work - See title page for details.



757

PARTS CATALOG (MAINTENANCE)

FIG ITEM	PART NUMBER	1 2 3 4 5 6 7	NOMENCLATURE	EFFECT FROM TO	UNITS PER ASSY
1 A 60	PLH53CD	. .	NUT SUPPLIER CODE: VF0224 SPECIFICATION NUMBER: BACN10YR3CD OPTIONAL PART: H52732-3CD V15653	101106 108120 504903	8
65	141N0092-1	. .	BAR-WEAR	101106 108120 504903	4
70	141N0091-19	. .	SPRING	101106 108120 504903	1

MISSING ITEM NUMBERS NOT APPLICABLE

- ITEM NOT ILLUSTRATED

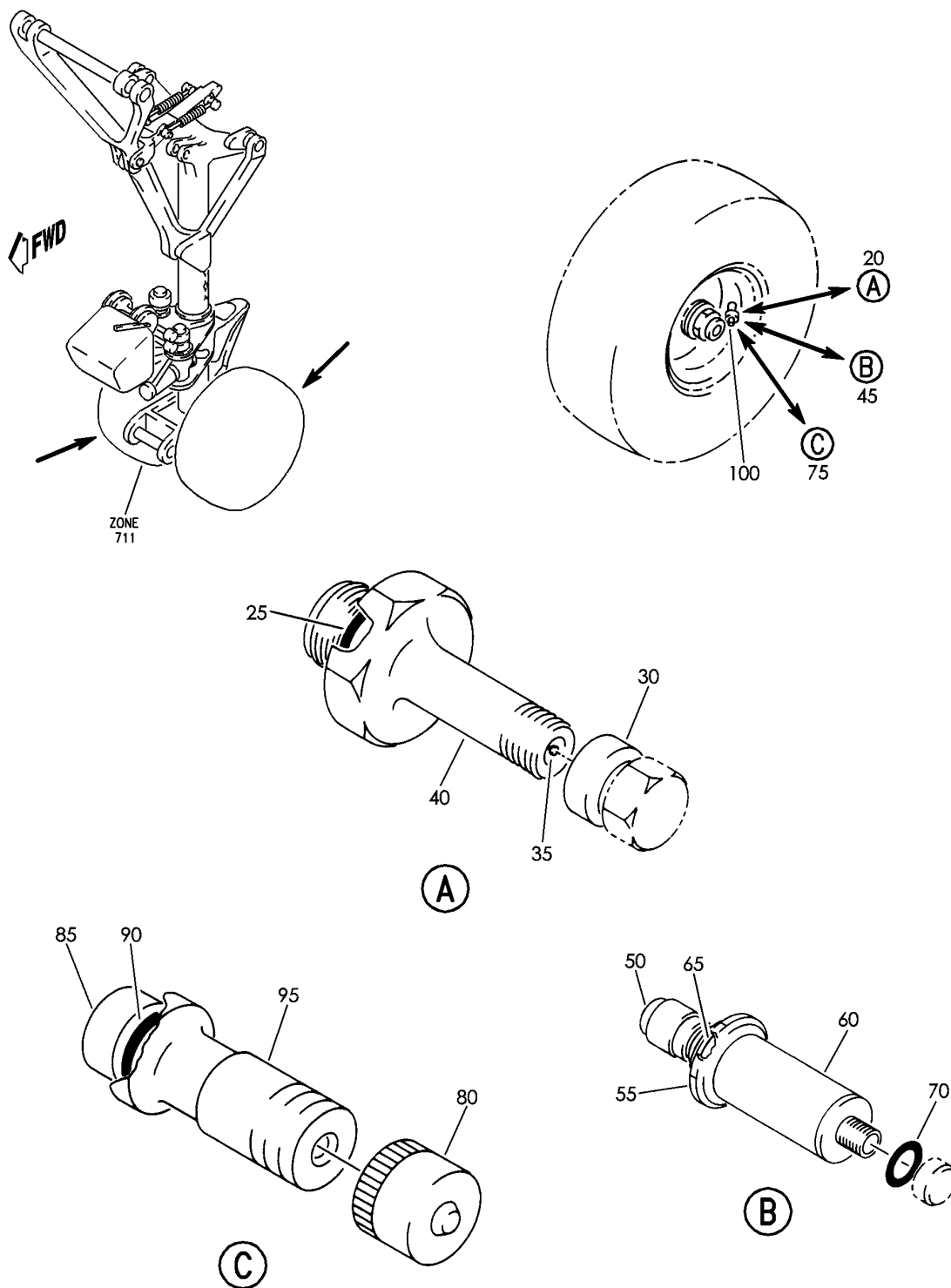
BRI

32-45-05-01A

BOEING PROPRIETARY - Copyright © - Unpublished Work - See title page for details.

32-45-05  
FIG. 01A  
PAGE 4  
JAN 20/09

**BOEING**  
757  
PARTS CATALOG (MAINTENANCE)



Y 32450801 REV 239

WHEEL AND TIRE ASSY-NLG (TIRE INFLATION VALVE ONLY)  
FIGURE 1

**32-45-08-01**

BRI  
MAY 28/07

32-45-08-01  
PAGE 0



757

PARTS CATALOG (MAINTENANCE)

FIG ITEM	PART NUMBER	1 2 3 4 5 6 7	NOMENCLATURE	EFFECT FROM TO	UNITS PER ASSY
1			WHEEL AND TIRE ASSY-NLG (TIRE INFLATION VALVE ONLY)	107107 904949	
- 1	162N0001-27		WHEEL AND TIRE ASSY-NLG (TIRE INFLATION VALVE ONLY)	107107	RF
- 1	162N0001-28		FOR NHA/ADDITIONAL DET SEE: 32-45-02-02 WHEEL AND TIRE ASSY-NLG (TIRE INFLATION VALVE ONLY)	904949	RF
			FOR NHA/ADDITIONAL DET SEE: 32-45-02-02		
45	10-44		. VALVE ASSY-FILL GSE ADDED BY UAL SUPPLIER CODE: V91816 SPECIFICATION NUMBER: 60B10055-4 QUALIFIED I/W DATA: I/W ON CUSTOMER APPROVAL CUSTOMER PREFERENCE. 10-44 HAS A GAGE, TR761-03 AND TR763-03 DO NOT HAVE THE GAGE.	107107 904949	1
50	10-6017		.. CAP- SUPPLIER CODE: V91816	107107 904949	1
70	10-4905-24		.. PACKING- SUPPLIER CODE: V91816	107107 904949	1

MISSING ITEM NUMBERS NOT APPLICABLE

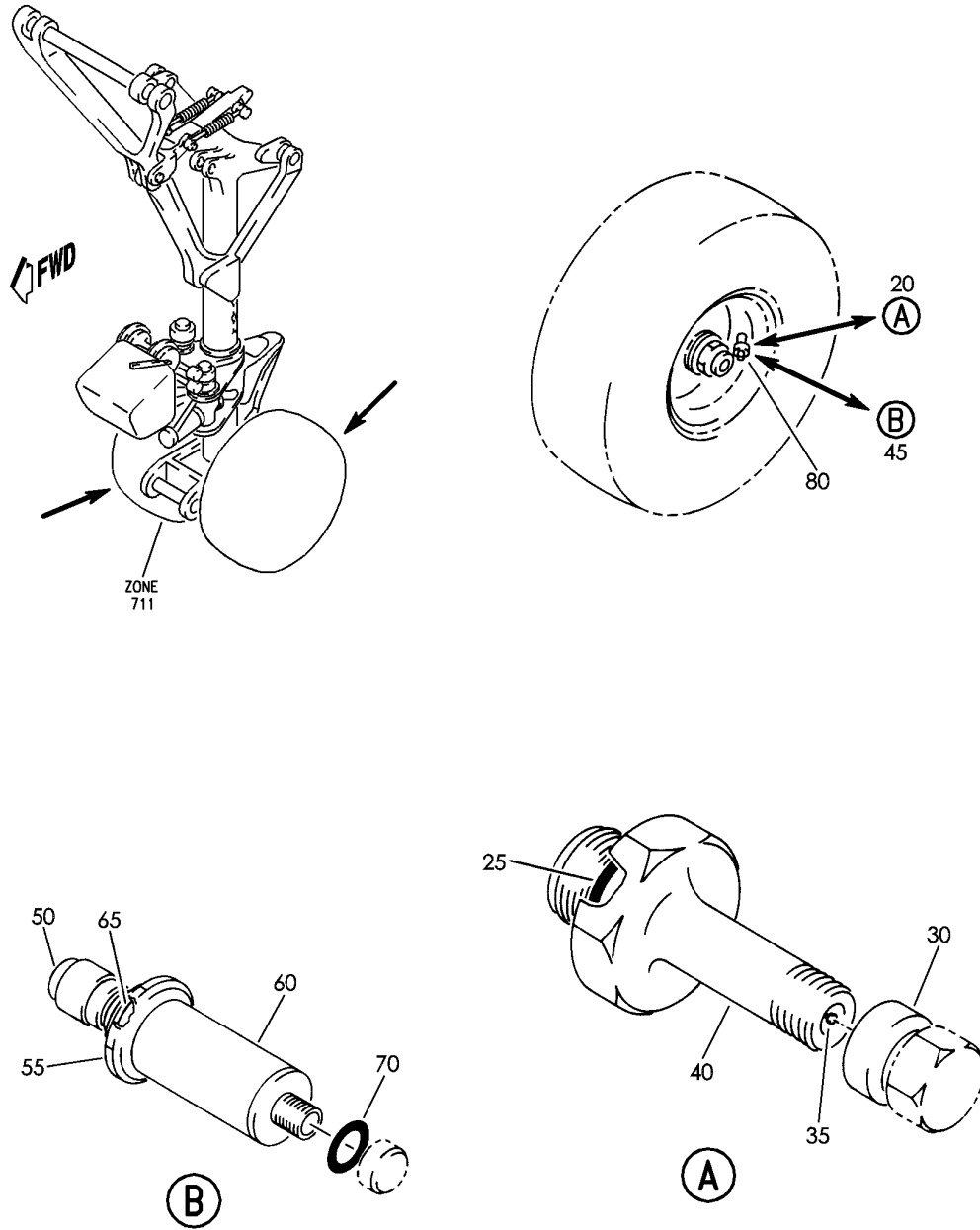
- ITEM NOT ILLUSTRATED

32-45-08-01

32-45-08  
FIG. 01  
PAGE 1  
JAN 20/09

BRI

**BOEING**  
757  
PARTS CATALOG (MAINTENANCE)



Y 32-45-08-02 REV 239

WHEEL AND TIRE ASSY-NLG (TIRE INFLATION VALVE ONLY)  
FIGURE 2

**32-45-08-02**

BRI  
MAY 28/07

32-45-08-02  
PAGE 0

BOEING PROPRIETARY - Copyright © - Unpublished Work - See title page for details.



757

PARTS CATALOG (MAINTENANCE)

FIG ITEM	PART NUMBER	1 2 3 4 5 6 7	NOMENCLATURE	EFFECT FROM TO	UNITS PER ASSY
2			WHEEL AND TIRE ASSY-NLG (TIRE INFLATION VALVE ONLY)	002004 006106 108903 950999	
- 1	160N0001-21		WHEEL AND TIRE ASSY-NLG (TIRE INFLATION VALVE ONLY) FOR NHA/ADDITIONAL DET SEE: 32-45-02-02	121903	RF
- 1	160N0001-27		WHEEL AND TIRE ASSY-NLG (TIRE INFLATION VALVE ONLY) FOR NHA/ADDITIONAL DET SEE: 32-45-02-02	002004 101106 108120 950999	RF
- 1	160N0001-32		WHEEL AND TIRE ASSY-NLG (TIRE INFLATION VALVE ONLY) FOR NHA/ADDITIONAL DET SEE: 32-45-02-02 32-45-02-02A	006100	RF
45	10-44		. VALVE ASSY-FILL GSE ADDED BY UAL SUPPLIER CODE: V91816 SPECIFICATION NUMBER: 60B10055-4 QUALIFIED I/W DATA: I/W ON CUSTOMER APPROVAL CUSTOMER PREFERENCE. 10-44 HAS A GAGE, TR761-03 AND TR763-03 DO NOT HAVE THE GAGE.	121903	1
50	10-6017		.. CAP- SUPPLIER CODE: V91816	121903	1
70	10-4905-24		.. PACKING- SUPPLIER CODE: V91816	121903	1

MISSING ITEM NUMBERS NOT APPLICABLE

- ITEM NOT ILLUSTRATED

32-45-08-02

32-45-08  
FIG. 02  
PAGE 1  
JAN 20/09

BRI



757

PARTS CATALOG (MAINTENANCE)

FIG ITEM	PART NUMBER	1 2 3 4 5 6 7	NOMENCLATURE	EFFECT FROM TO	UNITS PER ASSY
2 80	TR763-03		.VALVE ASSY-FILL GSE PRESSURE GAGE, REGULAR VALVE CORE SUPPLIER CODE: V91816 QUALIFIED I/W DATA: CUSTOMER PREFERENCE. 10-44 HAS A GAGE, TR763-03 DOES NOT HAVE A GAGE I/W ON CUSTOMER APPROVAL (TR761-03); TR761-03 I/W TR763-03 WITH CUSTOMER APPROVAL	002004 006106 108120 950999	1

MISSING ITEM NUMBERS NOT APPLICABLE

- ITEM NOT ILLUSTRATED

BRI

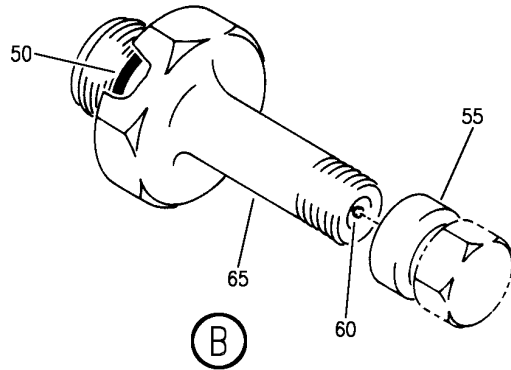
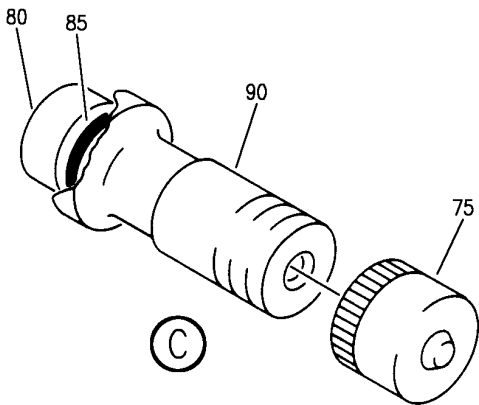
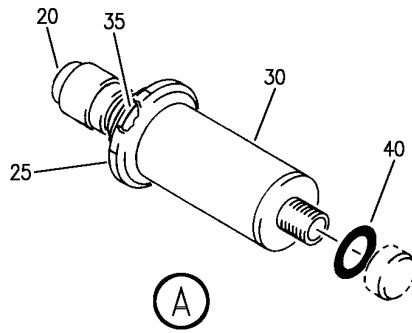
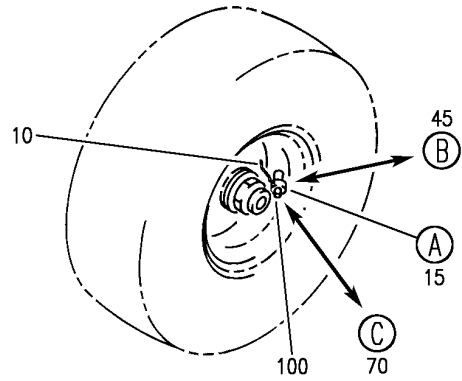
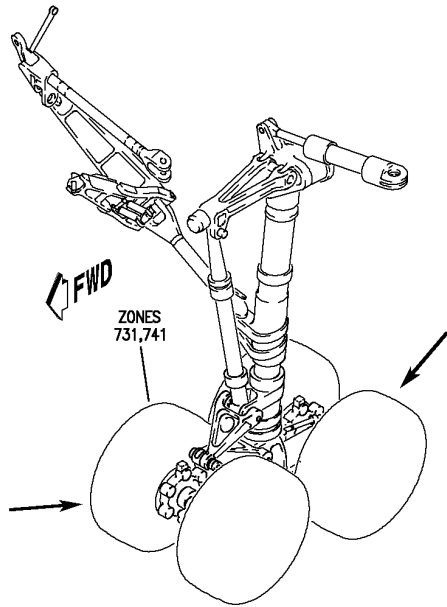
32-45-08-02

BOEING PROPRIETARY - Copyright © - Unpublished Work - See title page for details.

32-45-08  
FIG. 02  
PAGE 2  
JAN 20/09



**BOEING**  
757  
PARTS CATALOG (MAINTENANCE)



Y 32450810 REV 250

WHEEL AND TIRE ASSY-MLG (TIRE INFLATION VALVE ONLY)  
FIGURE 10

**32-45-08-10**

BRI  
MAY 28/07

32-45-08-10  
PAGE 0



757

PARTS CATALOG (MAINTENANCE)

FIG ITEM	PART NUMBER	1 2 3 4 5 6 7	NOMENCLATURE	EFFECT FROM TO	UNITS PER ASSY
10			WHEEL AND TIRE ASSY-MLG (TIRE INFLATION VALVE ONLY)	002004 006999	
- 1	160N0001-10		WHEEL AND TIRE ASSY-MLG (TIRE INFLATION VALVE ONLY) FOR NHA/ADDITIONAL DET SEE: 32-45-01-01 32-45-01-01A	121903	RF
- 1	160N0001-15		WHEEL AND TIRE ASSY-MLG (TIRE INFLATION VALVE ONLY) REWORKED BY SB: 32-0126 POST RAPID REVISION: RR92033-14 FOR NHA/ADDITIONAL DET SEE: 32-45-01-01	002004 006100 952999	RF
- 1	160N0001-16		WHEEL AND TIRE ASSY-MLG (TIRE INFLATION VALVE ONLY) FOR NHA/ADDITIONAL DET SEE: 32-45-01-01A 32-45-01-02	106106 108120	RF
- 1	160N0001-30		WHEEL AND TIRE ASSY-MLG (TIRE INFLATION VALVE ONLY) FOR NHA/ADDITIONAL DET SEE: 32-45-01-01	950951	RF
- 4	161N0001-47		WHEEL AND TIRE ASSY-MLG (TIRE INFLATION VALVE ONLY) FOR NHA/ADDITIONAL DET SEE: 32-45-01-01	904949	RF
- 4	161N0001-91		WHEEL AND TIRE ASSY-MLG (TIRE INFLATION VALVE ONLY) FOR NHA/ADDITIONAL DET SEE: 32-45-01-01	107107	RF
- 5	277N3000-104		WHEEL AND TIRE ASSY-MLG (TIRE INFLATION VALVE ONLY) FOR NHA/ADDITIONAL DET SEE: 32-45-01-01A 32-45-01-02	101105	RF
10	MS20995C32		.WIRE	107107 121949	AR

MISSING ITEM NUMBERS NOT APPLICABLE

- ITEM NOT ILLUSTRATED

32-45-08-10

32-45-08  
FIG. 10  
PAGE 1  
JAN 20/09

BRI



757

PARTS CATALOG (MAINTENANCE)

FIG ITEM	PART NUMBER	1 2 3 4 5 6 7	NOMENCLATURE	EFFECT FROM TO	UNITS PER ASSY
10					
15	10-44		. VALVE ASSY-TIRE FILL SUPPLIER CODE: V91816 SPECIFICATION NUMBER: 60B10055-4 QUALIFIED I/W DATA: I/W ON CUSTOMER APPROVAL USED ON: 160N0001-7 160N0001-10	107107 121949	1
20	10-6017		.. CAP- SUPPLIER CODE: V91816	107107 121949	1
25	BCREF11204		.. CRYSTAL- SUPPLIER CODE: V91816 OVERLENGTH PART NUMBER: 10-44-91800-17-4	107107 121949	1
30	BCREF11203		.. SPACER- SUPPLIER CODE: V91816 OVERLENGTH PART NUMBER: 10-44-91730-12-4	107107 121949	1
35	BCREF11203		.. SPACER- SUPPLIER CODE: V91816 OVERLENGTH PART NUMBER: 10-44-91730-12-4	107107 121949	1
40	10-4905-24		.. PACKING- SUPPLIER CODE: V91816	107107 121949	1
40	10-91700-52		.. CASE- SUPPLIER CODE: V91816	107107 121949	1
100	TR763-03		. VALVE ASSY-TIRE FILL SUPPLIER CODE: V91816 QUALIFIED I/W DATA: I/W ON CUSTOMER APPROVAL USED ON: 160N0001-15 160N0001-16 PRE AIRLINE MOD: MO 72L80 VTWA	002004 006106 108120 950999	1

MISSING ITEM NUMBERS NOT APPLICABLE

- ITEM NOT ILLUSTRATED

32-45-08-10

32-45-08  
FIG. 10  
PAGE 2  
JAN 20/09

BRI

BOEING PROPRIETARY - Copyright © - Unpublished Work - See title page for details.



757

PARTS CATALOG (MAINTENANCE)

FIG ITEM	PART NUMBER	1 2 3 4 5 6 7	NOMENCLATURE	EFFECT FROM TO	UNITS PER ASSY
10 100	10300-3		. VALVE ASSY-PRESSURE INDICATING INFLATION SUPPLIER CODE: VOFRR4 POST AIRLINE MOD: M0 72L80 VTWA	108120	1

MISSING ITEM NUMBERS NOT APPLICABLE

- ITEM NOT ILLUSTRATED

BRI

32-45-08-10

BOEING PROPRIETARY - Copyright © - Unpublished Work - See title page for details.

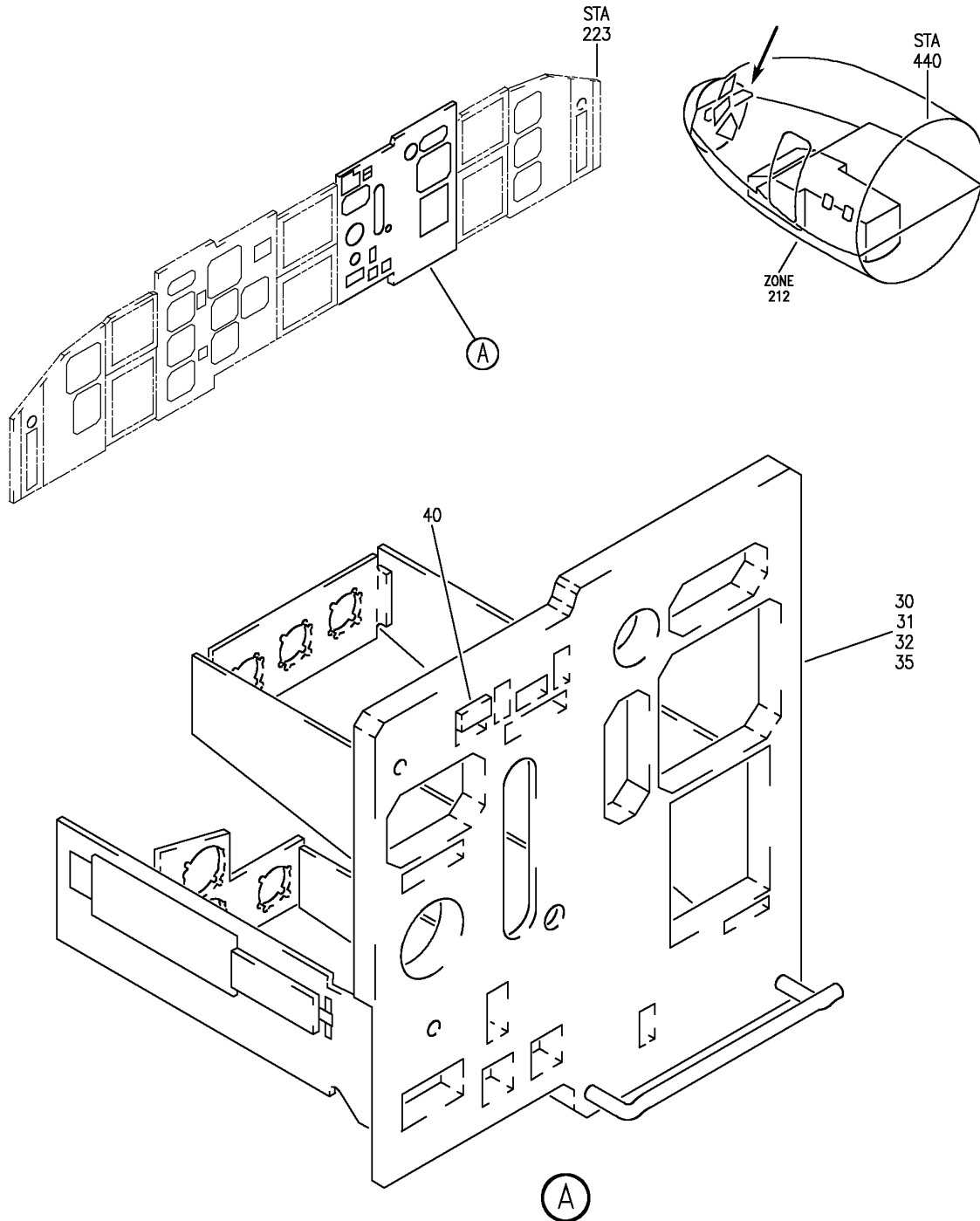
32-45-08  
FIG. 10  
PAGE 3  
JAN 20/09

## **BRAKE TEMPERATURE MONITORING SYSTEM (BTMS)**

BRI  
MAY 28/07

32-46-00  
SECTION TITLE  
PAGE 1

**BOEING**  
757  
PARTS CATALOG (MAINTENANCE)



Y 32460001 REV 277

PANEL INSTL-P3-1 (BRAKE TEMPERATURE MONITORING SYSTEM ONLY)  
FIGURE 1

**32-46-00-01**

BRI  
JAN 20/09

32-46-00-01  
PAGE 0



757

PARTS CATALOG (MAINTENANCE)

FIG ITEM	PART NUMBER	1 2 3 4 5 6 7	NOMENCLATURE	EFFECT FROM TO	UNITS PER ASSY
1			PANEL INSTL-P3-1 (BRAKE TEMPERATURE MONITORING SYSTEM ONLY)	103106 504903	
- 1	233N2103-254		PANEL INSTL-P3-1 (BRAKE TEMPERATURE MONITORING SYSTEM ONLY) FOR NHA/OTHER SYS DET SEE: 25-10-00-15B	504903	RF

MISSING ITEM NUMBERS NOT APPLICABLE

- ITEM NOT ILLUSTRATED

BRI

32-46-00-01

BOEING PROPRIETARY - Copyright © - Unpublished Work - See title page for details.

32-46-00  
FIG. 01  
PAGE 1  
JAN 20/09



757

PARTS CATALOG (MAINTENANCE)

FIG ITEM	PART NUMBER	1 2 3 4 5 6 7	NOMENCLATURE	EFFECT FROM TO	UNITS PER ASSY
1 - 5	MODREF31741		PANEL INSTL-P3-1 (BRAKE TEMPERATURE MONITORING SYSTEM ONLY) MODULE NUMBER: 233N2103-425 REV A FOR OTHER SYS DETAILS SEE: 11-31-01-38 22-11-02-03 22-14-01-03 22-31-02-01 22-34-51-02 26-17-51-05 27-51-57-03 27-58-00-02 27-81-00-01 29-21-55-02 31-11-11-19 31-11-16-01 31-11-26-38 31-25-01-03 31-41-52-02 31-51-52-02 32-35-52-03 32-41-52-02 32-42-55-03 32-61-51-03 33-13-57-01A 33-16-52-03 34-12-01-03 34-13-01-03 34-13-02-01 34-13-05-01 34-13-06-01 34-16-51-03 34-21-02-02 34-22-02-02 34-22-05-01A 34-22-06-01 34-24-01-03 34-32-00-02 34-46-51-02 34-51-02-02 34-57-00-01 34-61-01-07 34-61-02-02 77-41-01-01 79-33-51-05	103105	1

MISSING ITEM NUMBERS NOT APPLICABLE

- ITEM NOT ILLUSTRATED

BRI

# 32-46-00-01

BOEING PROPRIETARY - Copyright © - Unpublished Work - See title page for details.

32-46-00  
FIG. 01  
PAGE 2  
JAN 20/09





757

PARTS CATALOG (MAINTENANCE)

FIG ITEM	PART NUMBER	1 2 3 4 5 6 7	NOMENCLATURE	EFFECT FROM TO	UNITS PER ASSY
1 - 5	MODREF104335		PANEL INSTL-P3-1 (BRAKE TEMPERATURE MONITORING SYSTEM ONLY) MODULE NUMBER: 233N2103-425 REV B FOR OTHER SYS DETAILS SEE: 11-31-01-38 22-11-02-03 22-14-01-03 22-31-02-01 22-34-51-02 26-17-51-05 27-51-57-03 27-58-00-02 27-81-00-01 29-21-55-02 31-11-11-19 31-11-16-01 31-11-26-38 31-25-01-03 31-41-52-02 31-51-52-02 32-35-52-03 32-41-52-02 32-42-55-03 32-61-51-03 33-13-57-01A 33-16-52-03 34-12-01-03 34-13-01-03 34-13-02-01 34-13-05-01 34-13-06-01 34-16-51-03 34-21-02-02 34-22-02-02 34-22-05-01A 34-22-06-01 34-24-01-03 34-32-00-02 34-46-51-02 34-51-02-02 34-57-00-01 34-61-01-07 34-61-02-02 77-41-01-01 79-33-51-05	106106	1

MISSING ITEM NUMBERS NOT APPLICABLE

- ITEM NOT ILLUSTRATED

BRI

# 32-46-00-01

BOEING PROPRIETARY - Copyright © - Unpublished Work - See title page for details.

32-46-00  
FIG. 01  
PAGE 3  
JAN 20/09



757

PARTS CATALOG (MAINTENANCE)

FIG ITEM	PART NUMBER	1 2 3 4 5 6 7	NOMENCLATURE	EFFECT FROM TO	UNITS PER ASSY
1					
- 20	233N2222-326		.MODULE ASSY- COMPONENT MAINT MANUAL REF: 31-11-49 PRE ALERT SB: 33A0044	504903	RF
- 20	233N2222-334		.MODULE ASSY- COMPONENT MAINT MANUAL REF: 31-11-49 PRE ALERT SB: 33A0044	504903	RF
- 20	233N2222-347		.MODULE ASSY- COMPONENT MAINT MANUAL REF: 31-11-49 PRE ALERT SB: 33A0044	504903	RF
- 22	233N2222-379		.MODULE ASSY- COMPONENT MAINT MANUAL REF: 31-11-49	103106	RF
- 22	233N2222-1326		.MODULE ASSY- COMPONENT MAINT MANUAL REF: 31-11-49 POST ALERT SB: 33A0044	504903	RF
- 22	233N2222-1334		.MODULE ASSY- COMPONENT MAINT MANUAL REF: 31-11-49 POST ALERT SB: 33A0044	504903	RF
- 22	233N2222-1347		.MODULE ASSY- COMPONENT MAINT MANUAL REF: 31-11-49 POST ALERT SB: 33A0044	504903	RF
30	233N2222-105		..MODULE ASSY- USED ON: 233N2222-326 PRE ALERT SB: 33A0044	504903	RF
30	233N2222-116		..MODULE ASSY- USED ON: 233N2222-334 PRE ALERT SB: 33A0044	504903	RF
30	233N2222-127		..MODULE ASSY- USED ON: 233N2222-347 PRE ALERT SB: 33A0044	504903	RF
31	233N2222-153		..MODULE ASSY-	103106	RF

MISSING ITEM NUMBERS NOT APPLICABLE

- ITEM NOT ILLUSTRATED

32-46-00-01

32-46-00  
FIG. 01  
PAGE 4  
JAN 20/09

BRI

BOEING PROPRIETARY - Copyright © - Unpublished Work - See title page for details.



757

PARTS CATALOG (MAINTENANCE)

FIG ITEM	PART NUMBER	1 2 3 4 5 6 7	NOMENCLATURE	EFFECT FROM TO	UNITS PER ASSY
1					
32	233N2222-1105	..	MODULE ASSY- USED ON: 233N2222-1326 POST ALERT SB: 33A0044	504903	RF
32	233N2222-1116	..	MODULE ASSY- USED ON: 233N2222-1334 POST ALERT SB: 33A0044	504903	RF
32	233N2222-1127	..	MODULE ASSY- USED ON: 233N2222-1347 POST ALERT SB: 33A0044	504903	RF
40	BCREF8592	...	LIGHT ASSY-BRAKE TEMP IND SUPPLIER CODE: V81590 OVERLENGTH PART NUMBER: 434-674-1031-2290 SPECIFICATION NUMBER: S231T300-2290 ELECTRICAL EQUIP NUMBER: L00530 USED ON: 233N2222-89 233N2222-90 233N2222-95 233N2222-96 233N2222-97 233N2222-98 233N2222-103 233N2222-105 233N2222-113 233N2222-114 233N2222-116 233N2222-117 233N2222-118 233N2222-120 233N2222-124 233N2222-125 233N2222-127 233N2222-128 233N2222-129 233N2222-130 233N2222-135 233N2222-146 233N2222-151	504903	1

MISSING ITEM NUMBERS NOT APPLICABLE

- ITEM NOT ILLUSTRATED

32-46-00-01

32-46-00  
FIG. 01  
PAGE 5  
JAN 20/09

BRI



757

PARTS CATALOG (MAINTENANCE)

FIG ITEM	PART NUMBER	1 2 3 4 5 6 7 NOMENCLATURE	EFFECT FROM TO	UNITS PER ASSY
1		233N2222-154 233N2222-157 233N2222-1089 233N2222-1090 233N2222-1096 233N2222-1098 233N2222-1103 233N2222-1105 233N2222-1113 233N2222-1114 233N2222-1116 233N2222-1117 233N2222-1120 233N2222-1124 233N2222-1125 233N2222-1127 233N2222-1128 233N2222-1130 FOR DETAILS SEE: 33-14-70-03 ...LIGHT ASSY-BRAKE TEMP IND SUPPLIER CODE: V81590 OVERLENGTH PART NUMBER: 434-674-1005-1290 SPECIFICATION NUMBER: S231T300-1290 ELECTRICAL EQUIP NUMBER: L00530 USED ON: 233N2222-89 233N2222-90 233N2222-95 233N2222-96 233N2222-1089 233N2222-1090 233N2222-1096 FOR DETAILS SEE: 33-14-70-03	504903	1
40	BCREF6266			

MISSING ITEM NUMBERS NOT APPLICABLE

- ITEM NOT ILLUSTRATED

BRI

32-46-00-01

BOEING PROPRIETARY - Copyright © - Unpublished Work - See title page for details.

32-46-00  
FIG. 01  
PAGE 6  
JAN 20/09



757

PARTS CATALOG (MAINTENANCE)

FIG ITEM	PART NUMBER	1 2 3 4 5 6 7	NOMENCLATURE	EFFECT FROM TO	UNITS PER ASSY
1 40	BCREF8555		...LIGHT ASSY-BRAKE TEMP IND SUPPLIER CODE: V81590 OVERLENGTH PART NUMBER: 434-674-1031-2153 SPECIFICATION NUMBER: S231T300-2153 ELECTRICAL EQUIP NUMBER: L00530 FOR DETAILS SEE: 33-14-70-03	103106	1

MISSING ITEM NUMBERS NOT APPLICABLE

- ITEM NOT ILLUSTRATED

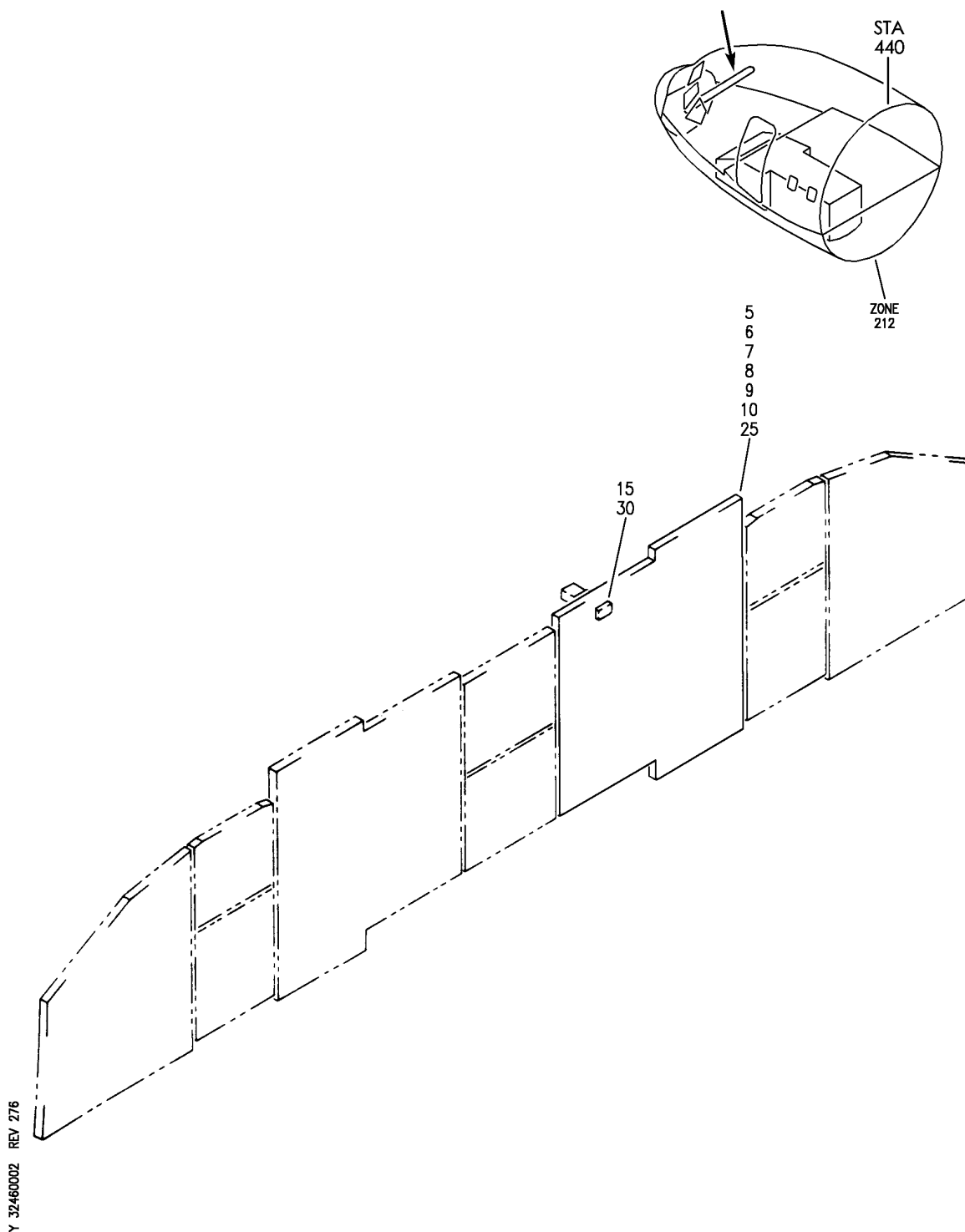
BRI

32-46-00-01

BOEING PROPRIETARY - Copyright © - Unpublished Work - See title page for details.

32-46-00  
FIG. 01  
PAGE 7  
JAN 20/09

**BOEING**  
757  
PARTS CATALOG (MAINTENANCE)



PANEL INSTL-CAPT AND FIRST OFFICER FWD (BRAKE TEMPERATURE MONITORING SYSTEM ONLY)

FIGURE 2

**32-46-00-02**

BRI  
MAY 28/07

32-46-00-02  
PAGE 0



757

PARTS CATALOG (MAINTENANCE)

FIG ITEM	PART NUMBER	1 2 3 4 5 6 7	NOMENCLATURE	EFFECT FROM TO	UNITS PER ASSY
2			PANEL INSTL-CAPT AND FIRST OFFICER FWD (BRAKE TEMPERATURE MONITORING SYSTEM ONLY)	107107 121503 904949	
- 1	233N2101-1		PANEL INSTL-CAPT AND FIRST OFFICER (BRAKE TEMPERATURE MONITORING SYSTEM ONLY) POSITION DATA: FWD VARIABLE DRAWING REF: 233N2101-5003 233N2101-5004 FOR NHA/OTHER SYS DET SEE: 25-10-00-05A	121503 904949	RF
6	233N2222-85		.MODULE ASSY-P3-1 PRE ALERT SB: 33A0044R1	121503 904949	RF
9	233N2222-1053		.MODULE ASSY-P3-1 POST ALERT SB: 33A0044	107107	RF
10	233N2222-1085		.MODULE ASSY-P3-1 POST ALERT SB: 33A0044R1	121503 904949	RF
15	BCREF8592		..LIGHT ASSY-BRAKE TEMP IND SUPPLIER CODE: V81590 OVERLENGTH PART NUMBER: 434-674-1031-2290 SPECIFICATION NUMBER: S231T300-2290 ELECTRICAL EQUIP NUMBER: L00530 OPTIONAL PART: BCREF6266 V81590 USED ON: 233N2222-50 233N2222-51 233N2222-52 233N2222-54 233N2222-56 233N2222-58 233N2222-59 233N2222-68 233N2222-73 233N2222-75 233N2222-76	121503 904949	1

MISSING ITEM NUMBERS NOT APPLICABLE

- ITEM NOT ILLUSTRATED

32-46-00-02

32-46-00  
FIG. 02  
PAGE 1  
JAN 20/09

BRI



757

PARTS CATALOG (MAINTENANCE)

FIG ITEM	PART NUMBER	1 2 3 4 5 6 7 NOMENCLATURE	EFFECT FROM TO	UNITS PER ASSY
2		233N2222-79 233N2222-80 233N2222-81 233N2222-83 233N2222-85 233N2222-87 233N2222-89 233N2222-90 233N2222-1050 233N2222-1051 233N2222-1052 233N2222-1054 233N2222-1056 233N2222-1058 233N2222-1059 233N2222-1073 233N2222-1075 233N2222-1076 233N2222-1080 233N2222-1081 233N2222-1083 233N2222-1085 233N2222-1089 233N2222-1090 FOR DETAILS SEE: 33-14-70-03 ..LIGHT ASSY-BRAKE TEMP IND SUPPLIER CODE: V81590 OVERLENGTH PART NUMBER: 434-674-1005-1290 SPECIFICATION NUMBER: S231T300-1290 ELECTRICAL EQUIP NUMBER: L00530 OPTIONAL PART: BCREf8592 V81590 USED ON: 233N2222-16 233N2222-18 233N2222-19 233N2222-32 233N2222-34 233N2222-37 233N2222-40 233N2222-43 233N2222-44		
15	BCREf6266	FOR DETAILS SEE: 33-14-70-03 ..LIGHT ASSY-BRAKE TEMP IND SUPPLIER CODE: V81590 OVERLENGTH PART NUMBER: 434-674-1005-1290 SPECIFICATION NUMBER: S231T300-1290 ELECTRICAL EQUIP NUMBER: L00530 OPTIONAL PART: BCREf8592 V81590 USED ON: 233N2222-16 233N2222-18 233N2222-19 233N2222-32 233N2222-34 233N2222-37 233N2222-40 233N2222-43 233N2222-44	121503 904949	1

MISSING ITEM NUMBERS NOT APPLICABLE

- ITEM NOT ILLUSTRATED

32-46-00-02

32-46-00  
FIG. 02  
PAGE 2  
JAN 20/09

BRI





757

PARTS CATALOG (MAINTENANCE)

FIG ITEM	PART NUMBER	1 2 3 4 5 6 7 NOMENCLATURE	EFFECT FROM TO	UNITS PER ASSY
2		233N2222-50 233N2222-51 233N2222-52 233N2222-54 233N2222-56 233N2222-58 233N2222-59 233N2222-68 233N2222-73 233N2222-75 233N2222-76 233N2222-79 233N2222-80 233N2222-81 233N2222-83 233N2222-85 233N2222-87 233N2222-89 233N2222-90 233N2222-1016 233N2222-1019 233N2222-1032 233N2222-1034 233N2222-1037 233N2222-1040 233N2222-1043 233N2222-1044 233N2222-1050 233N2222-1051 233N2222-1052 233N2222-1054 233N2222-1056 233N2222-1058 233N2222-1059 233N2222-1073 233N2222-1075 233N2222-1076 233N2222-1080 233N2222-1081 233N2222-1083 233N2222-1085 233N2222-1089 233N2222-1090 FOR DETAILS SEE: 33-14-70-03		

MISSING ITEM NUMBERS NOT APPLICABLE

- ITEM NOT ILLUSTRATED

BRI

32-46-00-02

BOEING PROPRIETARY - Copyright © - Unpublished Work - See title page for details.

32-46-00  
FIG. 02  
PAGE 3  
JAN 20/09



757

PARTS CATALOG (MAINTENANCE)

FIG ITEM	PART NUMBER	1 2 3 4 5 6 7	NOMENCLATURE	EFFECT FROM TO	UNITS PER ASSY
2 15	BCREF8592		..LIGHT ASSY-BRAKE TEMP IND SUPPLIER CODE: V81590 OVERLENGTH PART NUMBER: 434-674-1031-2290 SPECIFICATION NUMBER: S231T300-2290 OPTIONAL PART: BCREF6266 V81590 USED ON: 823N0001-1 823N0001-2 823N3446-1 233N2222-1053 233N2222-1077 233N2222-1082 233N2222-1501 233N2222-1502 233N2222-1508 POST SERVICE BULLETIN: 31-0174 FOR DETAILS SEE: 33-14-70-03	107107	1

MISSING ITEM NUMBERS NOT APPLICABLE

- ITEM NOT ILLUSTRATED

BRI

32-46-00-02

BOEING PROPRIETARY - Copyright © - Unpublished Work - See title page for details.

32-46-00  
FIG. 02  
PAGE 4  
JAN 20/09



757

PARTS CATALOG (MAINTENANCE)

FIG ITEM	PART NUMBER	1 2 3 4 5 6 7 NOMENCLATURE	EFFECT FROM TO	UNITS PER ASSY
2 15	BCREF6266	..LIGHT ASSY-BRAKE TEMP IND SUPPLIER CODE: V81590 OVERLENGTH PART NUMBER: 434-674-1005-1290 SPECIFICATION NUMBER: S231T300-1290 OPTIONAL PART: BCREf8592 V81590 USED ON: 823N0001-1 823N0001-2 823N3446-1 233N222-53 233N222-77 233N222-82 233N222-301 233N2222-1501 233N2222-1502 233N2222-1508 POST SERVICE BULLETIN: 31-0174 FOR DETAILS SEE: 33-14-70-03	107107	1

MISSING ITEM NUMBERS NOT APPLICABLE

- ITEM NOT ILLUSTRATED

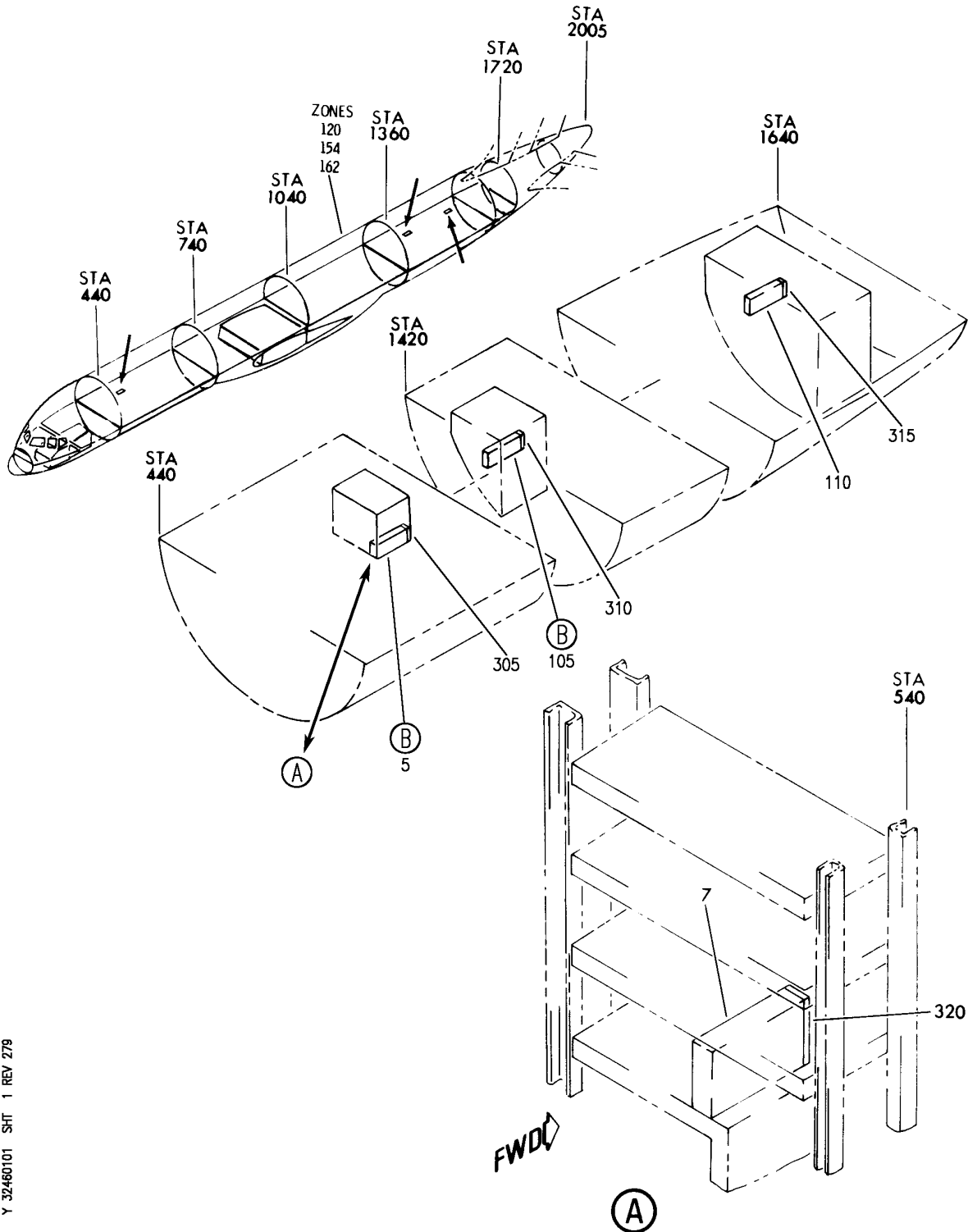
BRI

32-46-00-02

BOEING PROPRIETARY - Copyright © - Unpublished Work - See title page for details.

32-46-00  
FIG. 02  
PAGE 5  
JAN 20/09

**BOEING**  
757  
PARTS CATALOG (MAINTENANCE)



Y 32460101 SH1 1 REV 279

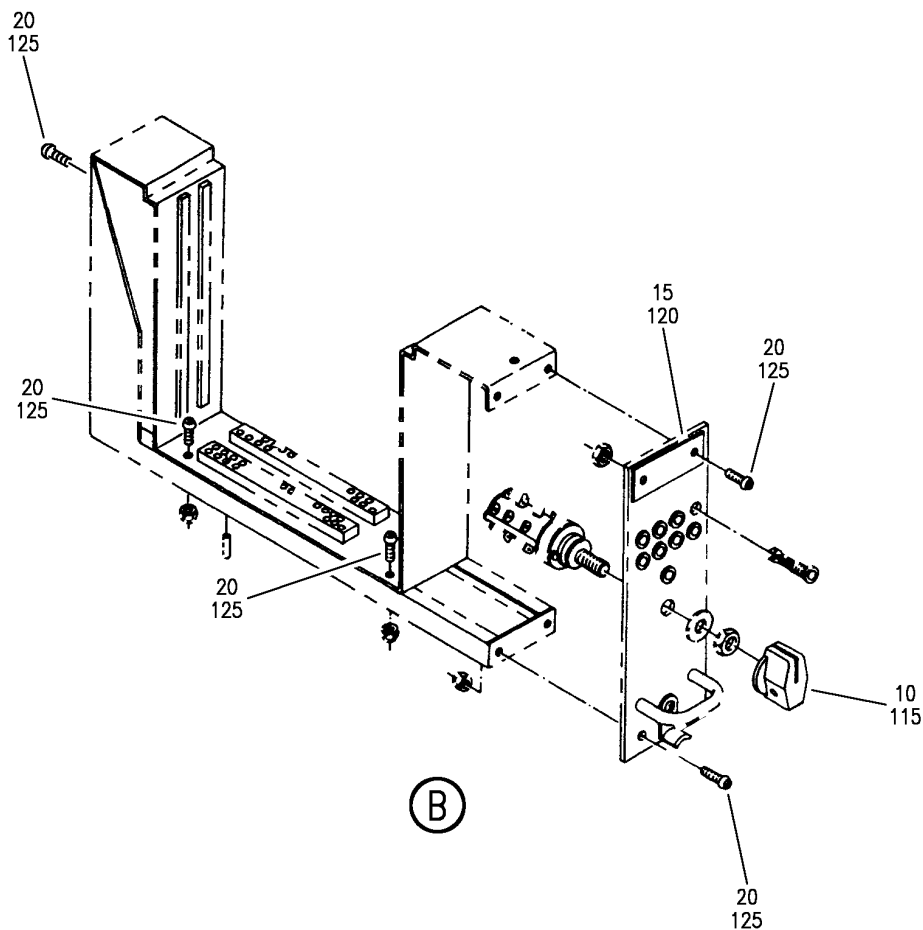
EQUIPMENT INSTL-MAIN ELECTRONICS AND E6 AFT EQPT CTR (BRAKE TEMPERATURE MONITORING SYSTEM ONLY)  
FIGURE 1 (SHEET 1)

BRI  
MAY 28/07

**32-46-01-01**

32-46-01-01  
PAGE 0

**BOEING**  
757  
PARTS CATALOG (MAINTENANCE)



Y 32460101 SH1 2 REV 279

EQUIPMENT INSTL-MAIN ELECTRONICS AND E6 AFT EQPT CTR (BRAKE TEMPERATURE MONITORING SYSTEM ONLY)  
FIGURE 1 (SHEET 2)

BRI  
MAY 28/07

**32-46-01-01**

32-46-01-01  
PAGE 0A

 **BOEING**  
757  
**PARTS CATALOG (MAINTENANCE)**

FIG ITEM	PART NUMBER	1 2 3 4 5 6 7	NOMENCLATURE	EFFECT FROM TO	UNITS PER ASSY
1			EQUIPMENT INSTL-MAIN ELECTRONICS AND E6 AFT EQPT CTR (BRAKE TEMPERATURE MONITORING SYSTEM ONLY)	121949	
- 3	284N1800-88		EQUIPMENT INSTL-MAIN ELECTRONICS EQPT CTR (BRAKE TEMPERATURE MONITORING SYSTEM ONLY) FOR NHA/OTHER SYS DET SEE: 24-00-58-05E	505505	RF
- 3	284N1800-190		EQUIPMENT INSTL-MAIN ELECTRONICS EQPT CTR (BRAKE TEMPERATURE MONITORING SYSTEM ONLY) FOR NHA/OTHER SYS DET SEE: 24-00-58-05E	504504 506903	RF
7	3199680		. MONITOR ASSY-BRAKE TEMP SUPPLIER CODE: V60678 SPECIFICATION NUMBER: S283T002-1 ELECTRICAL EQUIP NUMBER: M00115 COMPONENT MAINT MANUAL REF: 32-46-10	504903	1
10	3283404		.. KNOB-PLASTIC SUPPLIER CODE: V35918	504903	1
15	3283232		.. NAMEPLATE- SUPPLIER CODE: V35918	504903	1
20	NAS1635-06-6		ATTACHING PARTS .. SCREW -----*-----	504903	13
- 100	284N1686-3		EQUIPMENT INSTL-E6 EQPT CTR (BRAKE TEMPERATURE MONITORING SYSTEM ONLY) POSITION DATA: AFT FOR NHA/OTHER SYS DET SEE: 24-00-58-01	121503 904949	RF

MISSING ITEM NUMBERS NOT APPLICABLE

- ITEM NOT ILLUSTRATED

BRI

# 32-46-01-01

BOEING PROPRIETARY - Copyright © - Unpublished Work - See title page for details.

32-46-01  
FIG. 01  
PAGE 1  
JAN 20/09



757

PARTS CATALOG (MAINTENANCE)

FIG ITEM	PART NUMBER	1 2 3 4 5 6 7	NOMENCLATURE	EFFECT FROM TO	UNITS PER ASSY
1 110	3199680		.MONITOR ASSY-BRAKE TEMP SUPPLIER CODE: V60678 SPECIFICATION NUMBER: S283T002-1 ELECTRICAL EQUIP NUMBER: M00115 COMPONENT MAINT MANUAL REF: 32-46-10	121503 904949	1
115	3283404		..KNOB-PLASTIC SUPPLIER CODE: V35918	121503 904949	1
120	3283232		..NAMEPLATE- SUPPLIER CODE: V35918	121503 904949	1
125	NAS1635-06-6		ATTACHING PARTS ..SCREW  -----*-----	121503 904949	13
- 300	286N1032-001		WIRE BUNDLE ASSY	121503 904949	RF
315	BKA11C1801		.CONNECTOR- SUPPLIER CODE: V71468 SPECIFICATION NUMBER: BACC66F11C1801 OPTIONAL PART: S611C1801 V59610 NIC66F11C1801 V00779 ELECTRICAL EQUIP NUMBER: D02794 WIRING DIAGRAM REF: 324611	121503 904949	1
- 317	286N1286-333		WIRE BUNDLE ASSY-	504903	RF

MISSING ITEM NUMBERS NOT APPLICABLE

- ITEM NOT ILLUSTRATED

32-46-01-01

32-46-01  
FIG. 01  
PAGE 2  
JAN 20/09

BRI



757  
PARTS CATALOG (MAINTENANCE)

FIG ITEM	PART NUMBER	1 2 3 4 5 6 7	NOMENCLATURE	EFFECT FROM TO	UNITS PER ASSY
1 320	BKA11C1801		.CONNECTOR- SUPPLIER CODE: V71468 SPECIFICATION NUMBER: BACC66F11C1801 OPTIONAL PART: S611C1801 V59610 NIC66F11C1801 V00779 ELECTRICAL EQUIP NUMBER: D02794 WIRING DIAGRAM REF: 324611	504903	1

MISSING ITEM NUMBERS NOT APPLICABLE

- ITEM NOT ILLUSTRATED

BRI

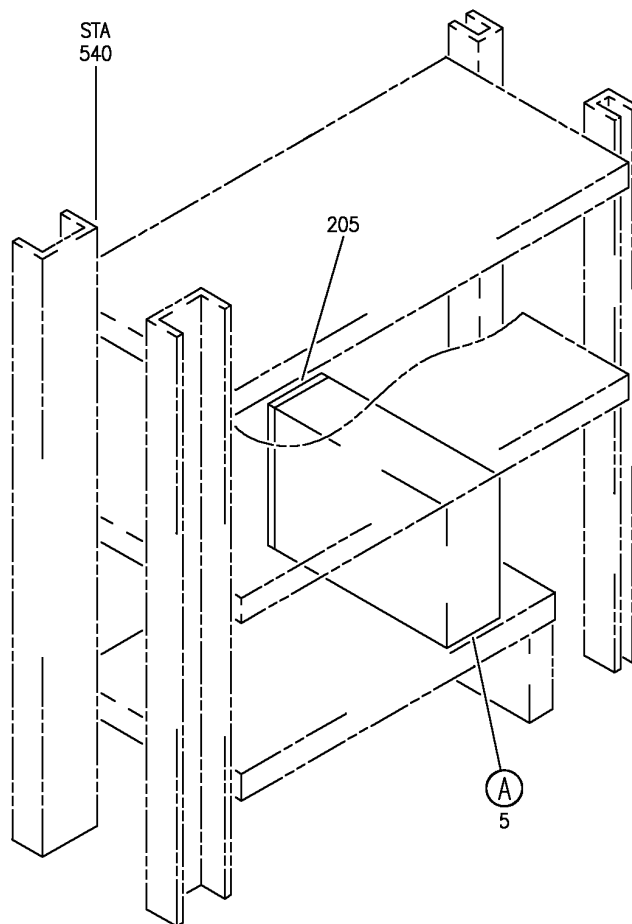
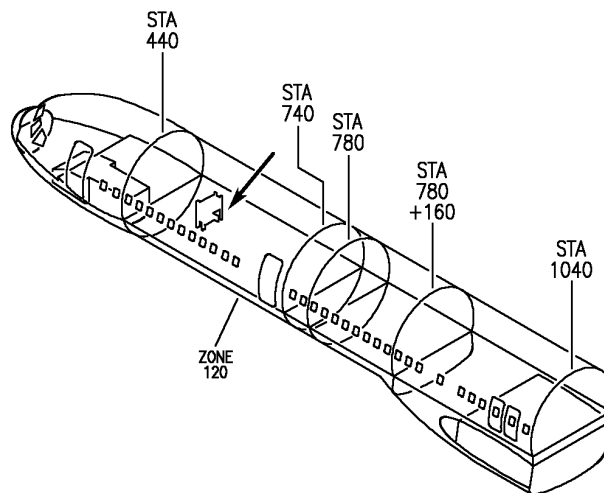
32-46-01-01

BOEING PROPRIETARY - Copyright © - Unpublished Work - See title page for details.

32-46-01  
FIG. 01  
PAGE 3  
JAN 20/09



**BOEING**  
757  
PARTS CATALOG (MAINTENANCE)



Y 32460108 SH1 1 REV 279

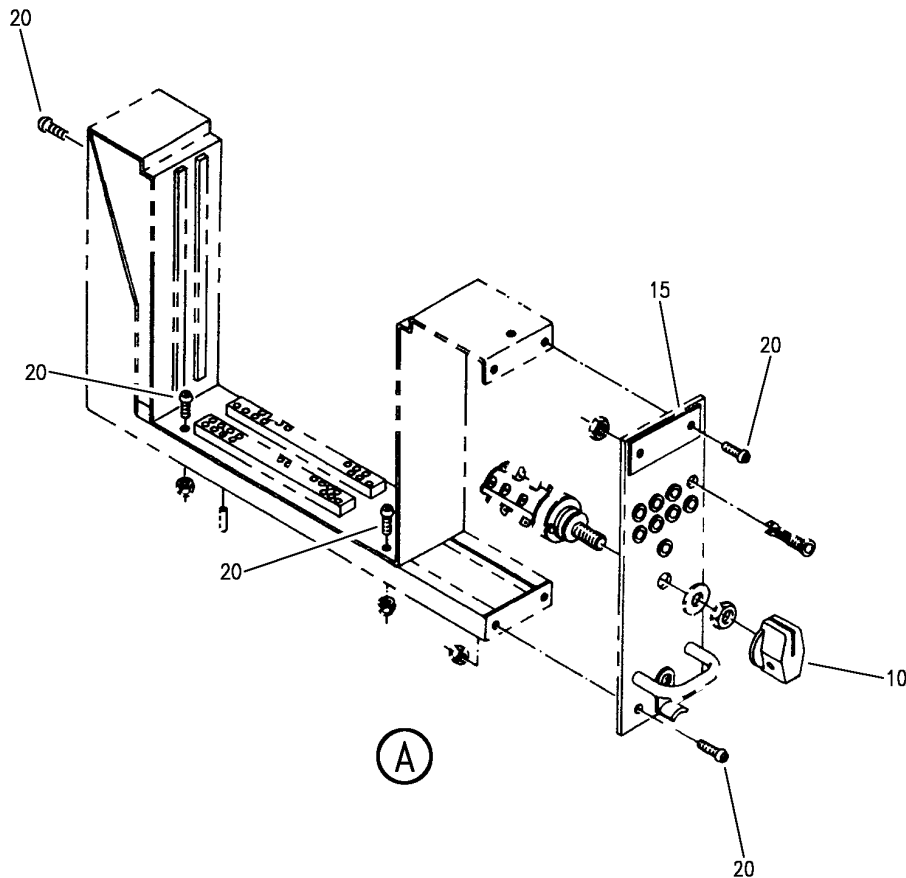
EQUIPMENT INSTL-MAIN ELECTRONICS EQPT CTR (BRAKE TEMPERATURE MONITORING UNIT ONLY)  
FIGURE 8 (SHEET 1)

BRI  
SEP 20/08

**32-46-01-08**

32-46-01-08  
PAGE 0

**BOEING**  
757  
PARTS CATALOG (MAINTENANCE)



Y 32460108 SH1 2 REV 279

EQUIPMENT INSTL-MAIN ELECTRONICS EQPT CTR (BRAKE TEMPERATURE MONITORING UNIT ONLY)  
FIGURE 8 (SHEET 2)

BRI  
SEP 20/08

**32-46-01-08**

32-46-01-08  
PAGE 0A



757

PARTS CATALOG (MAINTENANCE)

FIG ITEM	PART NUMBER	1 2 3 4 5 6 7	NOMENCLATURE	EFFECT FROM TO	UNITS PER ASSY
8			EQUIPMENT INSTL-MAIN ELECTRONICS EQPT CTR (BRAKE TEMPERATURE MONITORING UNIT ONLY)	107107	
- 1	284N1307-33		EQUIPMENT INSTL-MAIN ELECTRONICS EQPT CTR E5 (EQUIPMENT/FURNISHINGS ONLY)	107107	RF
5	3199949		FOR NHA/OTHER SYS DET SEE: 24-00-58-01 .MONITOR UNIT ASSY- SUPPLIER CODE: V60678 SPECIFICATION NUMBER: S283T002-11 ELECTRICAL EQUIP NUMBER: M00115 COMPONENT MAINT MANUAL REF: 32-46-10 SERVICE BULLETIN OPT DATA: S283T002-1 POST SERVICE BULLETIN: 31-0174	107107	1
5	3199680		.MONITOR ASSY- SUPPLIER CODE: V60678 SPECIFICATION NUMBER: S283T002-1 ELECTRICAL EQUIP NUMBER: M00115 COMPONENT MAINT MANUAL REF: 32-46-10 SERVICE BULLETIN OPT DATA: S283T002-11 POST SERVICE BULLETIN: 31-0174	107107	1
10	3283404		..KNOB-PLASTIC SUPPLIER CODE: V35918	107107	1
15	3284437		..NAMEPLATE- SUPPLIER CODE: V35918	107107	1
20	NAS1635-06-6		ATTACHING PARTS ..SCREW -----*-----	107107	13

MISSING ITEM NUMBERS NOT APPLICABLE

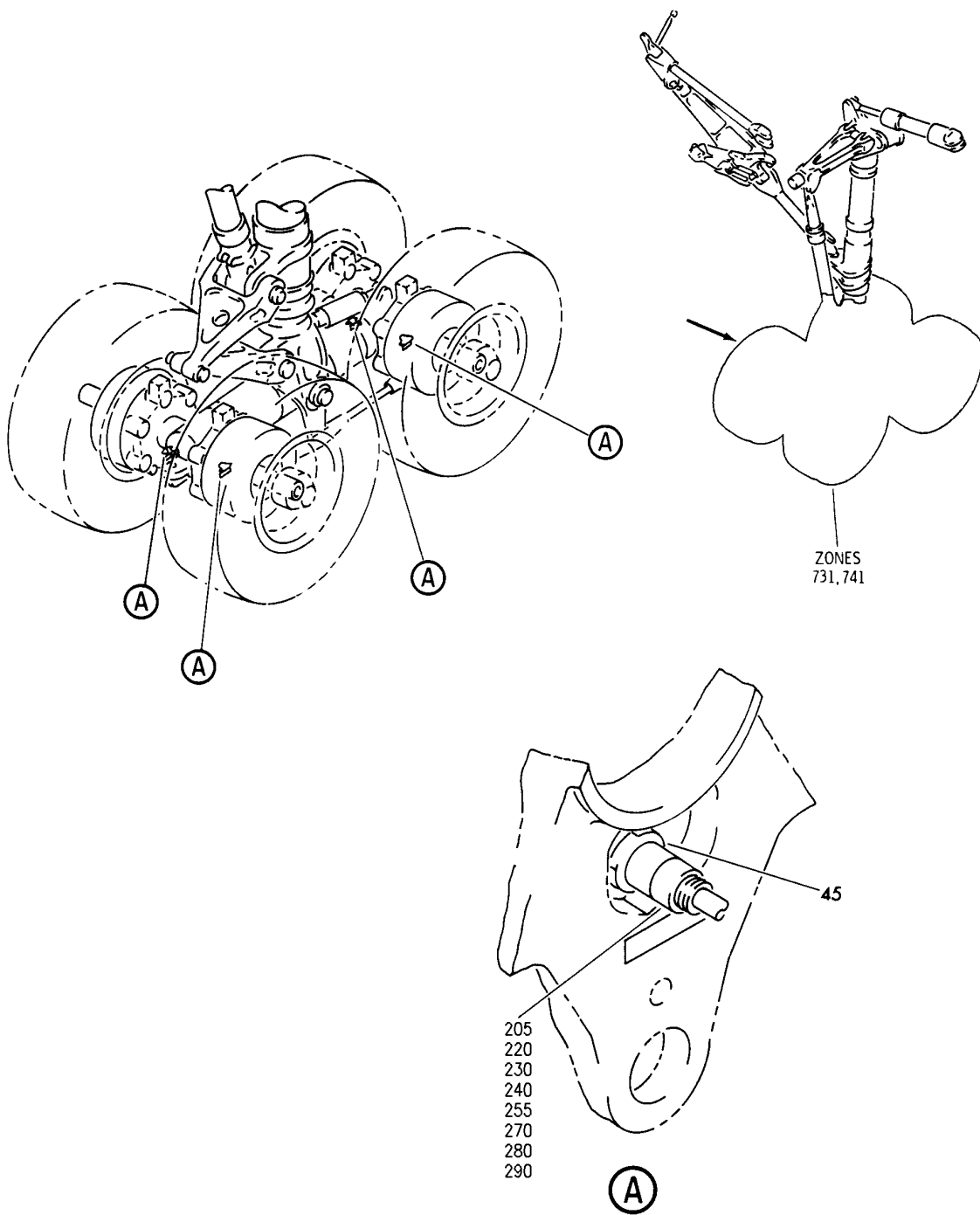
- ITEM NOT ILLUSTRATED

BRI

32-46-01-08

32-46-01  
FIG. 08  
PAGE 1  
JAN 20/09

**BOEING**  
757  
PARTS CATALOG (MAINTENANCE)



Y 32460301 REV 242

SENSOR INSTL-MLG BRAKE TEMP AND EQUIPMENT INSTL-MLG BRAKE TEMP KIT (BRAKE TEMPERATURE SENSOR ONLY)

FIGURE 1

**32-46-03-01**

BRI  
MAY 28/07

32-46-03-01  
PAGE 0



757

PARTS CATALOG (MAINTENANCE)

FIG ITEM	PART NUMBER	1 2 3 4 5 6 7	NOMENCLATURE	EFFECT FROM TO	UNITS PER ASSY
1			SENSOR INSTL-MLG BRAKE TEMP AND EQUIPMENT INSTL-MLG BRAKE TEMP KIT (BRAKE TEMPERATURE SENSOR ONLY)	107107 121949	
- 1	284N1614-3		SENSOR INSTL-MLG BRAKE TEMP FOR NHA SEE: 24-00-58-01A 24-00-58-05E	121949	RF
- 15	824N4130-1		EQUIPMENT INSTL-MLG BREAK TEMP KIT (BREAK TEMPERATURE SENSOR SYSTEM) POST SERVICE BULLETIN: 31-0174	107107	1
45	3100065		.SENSOR- SUPPLIER CODE: V60678 SPECIFICATION NUMBER: S283T002-12 ELECTRICAL EQUIP NUMBER: TS0091 TS0092 TS0093 TS0094 TS0095 TS0096 TS0097 TS0098 POST SERVICE BULLETIN: 31-0174	107107 121949	8
45	3199762		.SENSOR- SUPPLIER CODE: V60678 SPECIFICATION NUMBER: S283T002-4 ELECTRICAL EQUIP NUMBER: TS0091 TS0092 TS0093 TS0094 TS0095 TS0096 TS0097 TS0098	121949	8
- 50	NAS1801-4D11		ATTACHING PARTS .SCREW- OPTIONAL PART: BACB30USK43	121949	16

MISSING ITEM NUMBERS NOT APPLICABLE

- ITEM NOT ILLUSTRATED

32-46-03-01

32-46-03  
FIG. 01  
PAGE 1  
JAN 20/09

BRI



757

PARTS CATALOG (MAINTENANCE)

FIG ITEM	PART NUMBER	1 2 3 4 5 6 7	NOMENCLATURE	EFFECT FROM TO	UNITS PER ASSY
1					
- 50	BACB30US4K3		.BOLT- OPTIONAL PART: NAS1801-4D11 BACB30US4K3H POST SERVICE BULLETIN: 31-0174	107107 121949	16
- 50	BACB30US4K3H		.BOLT- OPTIONAL PART: BACB30US4K3 POST SERVICE BULLETIN: 31-0174	107107	16
- 55	BACW10BP4CD		.WASHER- POST SERVICE BULLETIN: 31-0174	107107 121949	16
- 200	286N3002-004		-----*----- WIRE BUNDLE ASSY	121503 904949	RF
- 200	286N3002-005		WIRE BUNDLE ASSY	504903	RF
205	R071012S3S7L		.CONNECTOR- SUPPLIER CODE: V41118 SPECIFICATION NUMBER: BACC63BP12S3S7L ELECTRICAL EQUIP NUMBER: D02652 WIRING DIAGRAM REF: 324611	121949	1
- 210	286N3000-005		WIRE BUNDLE ASSY	121949	RF
220	R071012S3S7L		.CONNECTOR- SUPPLIER CODE: V41118 SPECIFICATION NUMBER: BACC63BP12S3S7L ELECTRICAL EQUIP NUMBER: D02648 WIRING DIAGRAM REF: 324611	121949	1
- 225	286N3030-005		WIRE BUNDLE ASSY	121949	RF
230	R071012S3S7L		.CONNECTOR- SUPPLIER CODE: V41118 SPECIFICATION NUMBER: BACC63BP12S3S7L ELECTRICAL EQUIP NUMBER: D02650 WIRING DIAGRAM REF: 324611	121949	1
- 235	286N4900-004		WIRE BUNDLE ASSY	121949	RF

MISSING ITEM NUMBERS NOT APPLICABLE

- ITEM NOT ILLUSTRATED

32-46-03-01

32-46-03  
FIG. 01  
PAGE 2  
JAN 20/09

BRI



757

PARTS CATALOG (MAINTENANCE)

FIG ITEM	PART NUMBER	1 2 3 4 5 6 7	NOMENCLATURE	EFFECT FROM TO	UNITS PER ASSY
1 240	R071012S3S7L		.CONNECTOR- SUPPLIER CODE: V41118 SPECIFICATION NUMBER: BACC63BP12S3S7L ELECTRICAL EQUIP NUMBER: D02656 WIRING DIAGRAM REF: 324611	121949	1
- 245 255	286N4930-004 R071012S3S7L		WIRE BUNDLE ASSY .CONNECTOR- SUPPLIER CODE: V41118 SPECIFICATION NUMBER: BACC63BP12S3S7L ELECTRICAL EQUIP NUMBER: D02658 WIRING DIAGRAM REF: 324611	121949 121949	RF 1
- 260	286N4902-004		WIRE BUNDLE ASSY- REWORKED BY ALERT SB: 27A0130	121503 904949	RF
- 260 270	286N4902-005 R071012S3S7L		WIRE BUNDLE ASSY- .CONNECTOR- SUPPLIER CODE: V41118 SPECIFICATION NUMBER: BACC63BP12S3S7L ELECTRICAL EQUIP NUMBER: D02660 WIRING DIAGRAM REF: 324611	504903 121949	RF 1
- 275	286N4932-004		WIRE BUNDLE ASSY- REWORKED BY ALERT SB: 27A0130	121503 904949	RF
- 275 280	286N4932-005 R071012S3S7L		WIRE BUNDLE ASSY- .CONNECTOR- SUPPLIER CODE: V41118 SPECIFICATION NUMBER: BACC63BP12S3S7L ELECTRICAL EQUIP NUMBER: D02662 WIRING DIAGRAM REF: 324611	504903 121949	RF 1
- 285	286N3032-005		WIRE BUNDLE ASSY	121503 904949	RF
- 285	286N3032-006		WIRE BUNDLE ASSY	504903	RF

MISSING ITEM NUMBERS NOT APPLICABLE

- ITEM NOT ILLUSTRATED

32-46-03-01

32-46-03  
FIG. 01  
PAGE 3  
JAN 20/09

BRI



757

PARTS CATALOG (MAINTENANCE)

FIG ITEM	PART NUMBER	1 2 3 4 5 6 7	NOMENCLATURE	EFFECT FROM TO	UNITS PER ASSY
1 290	R071012S3S7L		.CONNECTOR- SUPPLIER CODE: V41118 SPECIFICATION NUMBER: BACC63BP12S3S7L ELECTRICAL EQUIP NUMBER: D02654 WIRING DIAGRAM REF: 324611	121949	1

MISSING ITEM NUMBERS NOT APPLICABLE

- ITEM NOT ILLUSTRATED

BRI

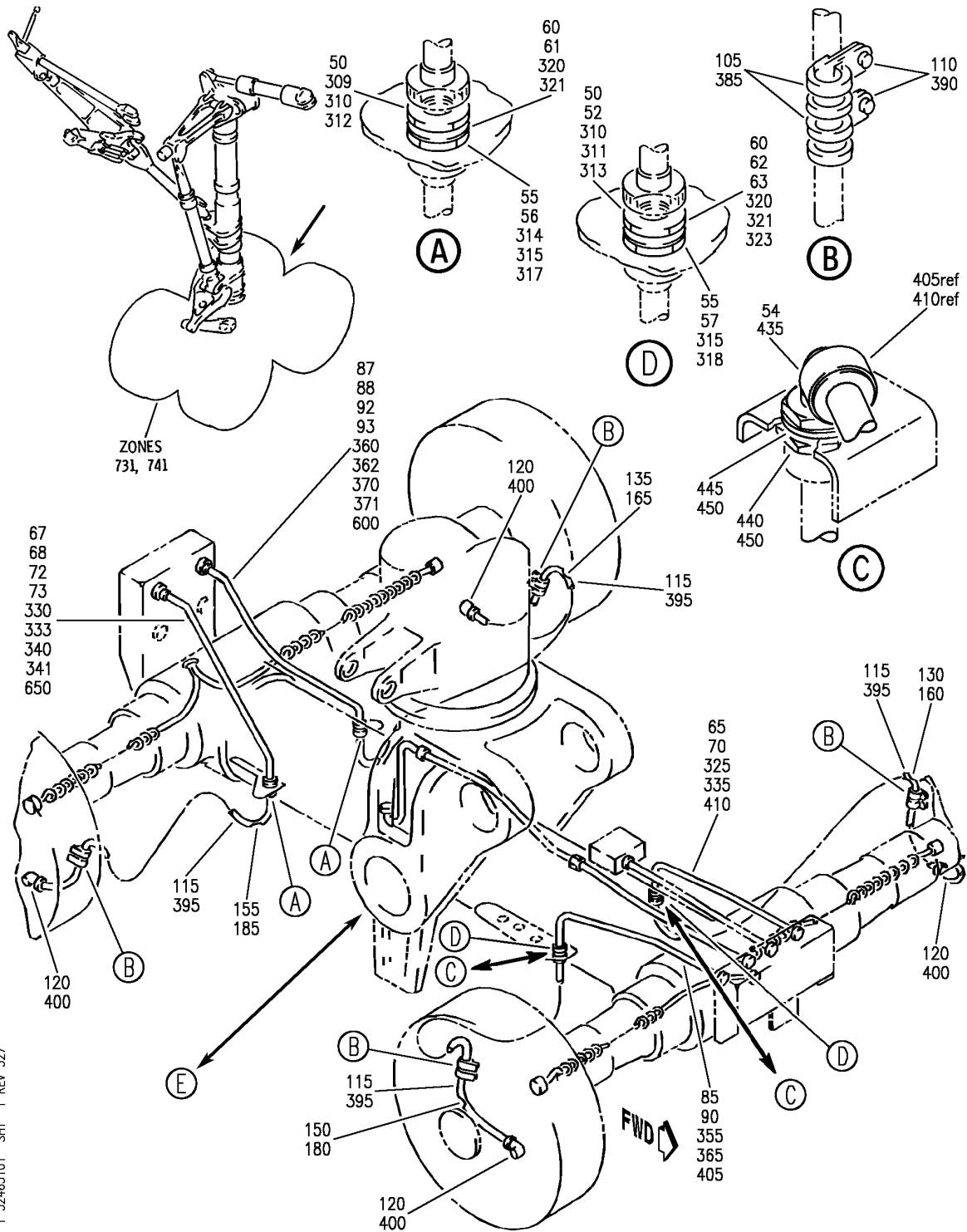
32-46-03-01

BOEING PROPRIETARY - Copyright © - Unpublished Work - See title page for details.

32-46-03  
FIG. 01  
PAGE 4  
JAN 20/09



**BOEING**  
757  
PARTS CATALOG (MAINTENANCE)



Y 32465101 SHT 1 REV 327

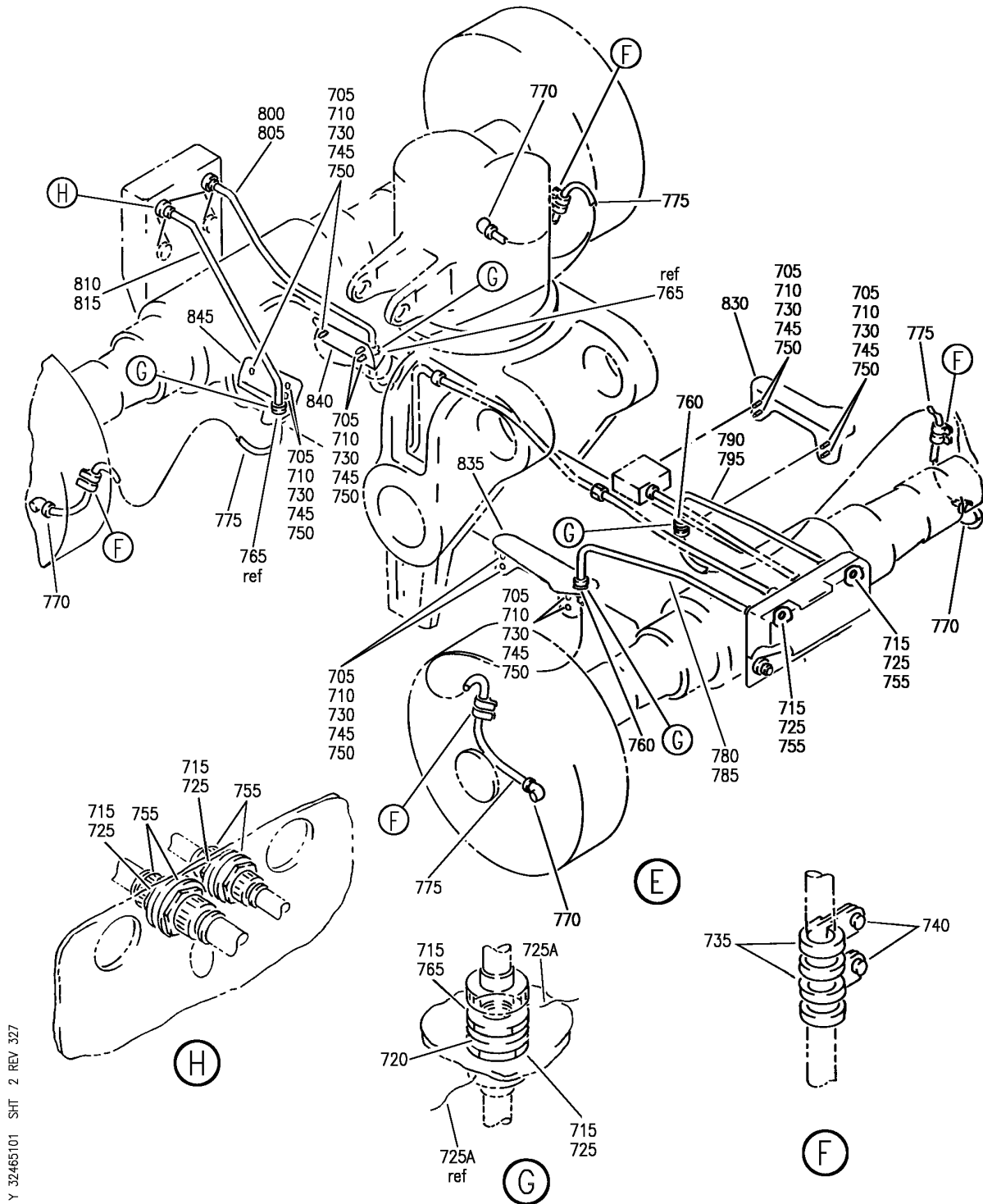
HARNESS INSTL-MLG ELEC (BRAKE TEMPERATURE MONITORING SYSTEM)  
FIGURE 1

**32-46-51-01**

BRI  
SEP 20/08

32-46-51-01  
PAGE 0

**BOEING**  
**757**  
**PARTS CATALOG (MAINTENANCE)**



Y 32465101 SHT 2 REV 327

HARNES INSTL-MLG ELEC (BRAKE TEMPERATURE MONITORING SYSTEM)  
 FIGURE 1

**32-46-51-01**

BRI  
 SEP 20/08

32-46-51-01  
 PAGE 0A



757

PARTS CATALOG (MAINTENANCE)

FIG ITEM	PART NUMBER	1 2 3 4 5 6 7	NOMENCLATURE	EFFECT FROM TO	UNITS PER ASSY
1			HARNESS INSTL-MLG ELEC (BRAKE TEMPERATURE MONITORING SYSTEM)	107107 121503 904949	
- 300	287N6100-73		HARNESS INSTL-BRAKE TEMP SENSOR MLG OPT POSITION DATA: LH FOR NHA SEE: 24-00-60-01	121503 904949	RF
- 305	287N6100-74		HARNESS INSTL-BRAKE TEMP SENSOR MLG OPT POSITION DATA: RH FOR NHA SEE: 24-00-60-01	121503 904949	RF
309	186056FS60K3G		.FEEDTHRU- SUPPLIER CODE: V30463 POSITION DATA: RH OPTIONAL PART: 186056FS60K3 V30463 PRE ALERT SB: 27A0130	904949	2
309	186056FS60K3		.FEEDTHRU- SUPPLIER CODE: V30463 POSITION DATA: RH OPTIONAL PART: 186056FS60K3G V30463 PRE ALERT SB: 27A0130	904949	2
309	S4613-1414		.ADAPTER- SUPPLIER CODE: V07418 POSITION DATA: RH POST ALERT SB: 27A0130	904949	2
310	186056FS60K3G		.FEEDTHRU- SUPPLIER CODE: V30463 OPTIONAL PART: 186056FS60K3 V30463	121503	4

MISSING ITEM NUMBERS NOT APPLICABLE

- ITEM NOT ILLUSTRATED

32-46-51-01

32-46-51  
FIG. 01  
PAGE 1  
JAN 20/09

BRI



757

PARTS CATALOG (MAINTENANCE)

FIG ITEM	PART NUMBER	1 2 3 4 5 6 7	NOMENCLATURE	EFFECT FROM TO	UNITS PER ASSY
1 310	186056FS60K3	.	FEEDTHRU- SUPPLIER CODE: V30463 OPTIONAL PART: 186056FS60K3G V30463	121503	4
310	186056FS60K3G	.	FEEDTHRU- SUPPLIER CODE: V30463 POSITION DATA: LH OPTIONAL PART: 186056FS60K3 V30463	904949	4
310	186056FS60K3	.	FEEDTHRU- SUPPLIER CODE: V30463 POSITION DATA: LH OPTIONAL PART: 186056FS60K3G V30463	904949	4
311	186056FS60K3G	.	FEEDTHRU- SUPPLIER CODE: V30463 POSITION DATA: LH OPTIONAL PART: 186056FS60K3 V30463 PRE SERVICE BULLETIN: 32-0121	904949	2
311	186056FS60K3	.	FEEDTHRU- SUPPLIER CODE: V30463 POSITION DATA: LH OPTIONAL PART: 186056FS60K3G V30463 PRE SERVICE BULLETIN: 32-0121	904949	2
312	186056FS60K3G	.	FEEDTHRU- SUPPLIER CODE: V30463 OPTIONAL PART: 186056FS60K3 V30463	904949	2

MISSING ITEM NUMBERS NOT APPLICABLE

- ITEM NOT ILLUSTRATED

BRI

32-46-51-01

BOEING PROPRIETARY - Copyright © - Unpublished Work - See title page for details.

32-46-51  
FIG. 01  
PAGE 2  
JAN 20/09



757

PARTS CATALOG (MAINTENANCE)

FIG ITEM	PART NUMBER	1 2 3 4 5 6 7	NOMENCLATURE	EFFECT FROM TO	UNITS PER ASSY
1 312	186056FS60K3	.	FEEDTHRU- SUPPLIER CODE: V30463 OPTIONAL PART: 186056FS60K3G V30463	904949	2
313	186056FS60K3G	.	FEEDTHRU- SUPPLIER CODE: V30463 OPTIONAL PART: 186056FS60K3 V30463 PRE SERVICE BULLETIN: 32-0121	904949	2
313	186056FS60K3	.	FEEDTHRU- SUPPLIER CODE: V30463 OPTIONAL PART: 186056FS60K3G V30463 PRE SERVICE BULLETIN: 32-0121	904949	2
314	186028FS60K3K	.	LOCKNUT- SUPPLIER CODE: V30463 POSITION DATA: LH OPTIONAL PART: 186028FS60K3 V30463 PRE ALERT SB: 27A0130	904949	2
314	186028FS60K3	.	LOCKNUT- SUPPLIER CODE: V30463 POSITION DATA: LH OPTIONAL PART: 186028FS60K3K V30463 PRE ALERT SB: 27A0130	904949	2
315	186028FS60K3K	.	LOCKNUT- SUPPLIER CODE: V30463 OPTIONAL PART: 186028FS60K3 V30463	121503	4

MISSING ITEM NUMBERS NOT APPLICABLE

- ITEM NOT ILLUSTRATED

32-46-51-01

32-46-51  
FIG. 01  
PAGE 3  
JAN 20/09

BRI



757

PARTS CATALOG (MAINTENANCE)

FIG ITEM	PART NUMBER	1 2 3 4 5 6 7	NOMENCLATURE	EFFECT FROM TO	UNITS PER ASSY
1 315	186028FS60K3		.LOCKNUT- SUPPLIER CODE: V30463 OPTIONAL PART: 186028FS60K3K V30463	121503	4
315	186028FS60K3K		.LOCKNUT- SUPPLIER CODE: V30463 POSITION DATA: LH OPTIONAL PART: 186028FS60K3 V30463	904949	4
315	186028FS60K3		.LOCKNUT- SUPPLIER CODE: V30463 POSITION DATA: LH OPTIONAL PART: 186028FS60K3K V30463	904949	4
317	186028FS60K3K		.LOCKNUT- SUPPLIER CODE: V30463 OPTIONAL PART: 186028FS60K3 V30463 PRE ALERT SB: 27A0130	904949	2
317	186028FS60K3		.LOCKNUT- SUPPLIER CODE: V30463 OPTIONAL PART: 186028FS60K3K V30463 PRE ALERT SB: 27A0130	904949	2
317	S4630-14LW5305		.LOCKNUT- SUPPLIER CODE: V23663 POSITION DATA: RH POST ALERT SB: 27A0130	904949	2

MISSING ITEM NUMBERS NOT APPLICABLE

- ITEM NOT ILLUSTRATED

32-46-51-01

32-46-51  
FIG. 01  
PAGE 4  
JAN 20/09

BRI



757

PARTS CATALOG (MAINTENANCE)

FIG ITEM	PART NUMBER	1 2 3 4 5 6 7	NOMENCLATURE	EFFECT FROM TO	UNITS PER ASSY
1 318	186028FS60K3K		. LOCKNUT- SUPPLIER CODE: V30463 OPTIONAL PART: 186028FS60K3 V30463 PRE SERVICE BULLETIN: 32-0121	904949	2
318	186028FS60K3		. LOCKNUT- SUPPLIER CODE: V30463 OPTIONAL PART: 186028FS60K3K V30463 PRE SERVICE BULLETIN: 32-0121	904949	2
320	AN960JD1416L		. WASHER	121503	8
320	AN960JD1416L		. WASHER- POSITION DATA: LH	904949	8
321	AN960JD1416L		. WASHER- POSITION DATA: RH PRE ALERT SB: 27A0130	904949	4
321	NAS1149C1415R		. WASHER- POST ALERT SB: 27A0130	904949	4
323	AN960JD1416L		. WASHER- PRE SERVICE BULLETIN: 32-0121	904949	4
325	287N6100-77		. CONDUIT ASSY-RIGID PRE SERVICE BULLETIN: 32-0121	121503 904949	1
330	287N6100-56		. CONDUIT ASSY-RIGID POSITION DATA: LH	121503 904949	1

MISSING ITEM NUMBERS NOT APPLICABLE

- ITEM NOT ILLUSTRATED

32-46-51-01

32-46-51  
FIG. 01  
PAGE 5  
JAN 20/09

BRI



757

PARTS CATALOG (MAINTENANCE)

FIG ITEM	PART NUMBER	1 2 3 4 5 6 7	NOMENCLATURE	EFFECT FROM TO	UNITS PER ASSY
1 333	287N6116-32		.TUBE ASSY-RIGID POSITION DATA: RH TUBING MATERIAL: .5 IN. OD X .035 IN. WALL X 8.2 IN. LG MIL-T-8808 321 ANNEALED TUBING .75 IN. OD X .028 IN. WALL X 8.2 IN. LG MIL-T-8808 321 ANNEALED TUBING POST ALERT SB: 27A0130R2	121503 904949	1
333	287N6100-56		.CONDUIT ASSY-RIGID POSITION DATA: RH PRE ALERT SB: 27A0130 27A0130R2	121503 904949	1
335	287N6100-81		..TUBE- USED ON: 287N6100-77	121503 904949	1
340	287N6100-64		..TUBE- POSITION DATA: LH USED ON: 287N6100-56	121503 904949	1
341	287N6100-64		..TUBE- POSITION DATA: RH USED ON: 287N6100-56 PRE ALERT SB: 27A0130R2	121503 904949	1
341	MH404A		..TUBE-ANNEALED POSITION DATA: RH SIDE OPTIONAL PART: MD169A USED ON: 287N6116-32 POST ALERT SB: 27A0130R2	121503 904949	1

MISSING ITEM NUMBERS NOT APPLICABLE

- ITEM NOT ILLUSTRATED

32-46-51-01

32-46-51  
FIG. 01  
PAGE 6  
JAN 20/09

BRI





757

PARTS CATALOG (MAINTENANCE)

FIG ITEM	PART NUMBER	1 2 3 4 5 6 7	NOMENCLATURE	EFFECT FROM TO	UNITS PER ASSY
1	341 MD169A		..TUBE-ANNEALED POSITION DATA: RH SIDE OPTIONAL PART: MH404A USED ON: 287N6116-32 POST ALERT SB: 27A0130R2	121503 904949	1
- 345	BACF32H8C		..FERRULE-	121503 904949	2
- 350	BACN10WW8C		..NUT-	121503 904949	2
	355 287N6100-78		.CONDUIT ASSY-RIGID PRE SERVICE BULLETIN: 32-0121	121503 904949	1
	360 287N6100-55		.CONDUIT ASSY-RIGID POSITION DATA: LH	121503 904949	1
	362 287N6116-28		.TUBE ASSY-RIGID POSITION DATA: RH TUBING MATERIAL: .5 IN. OD X .035 IN. WALL X 8.2 IN. LG MIL-T-8808 321 ANNEALED TUBING .75 IN. OD X .028 IN. WALL X 8.2 IN. LG MIL-T-8808 321 ANNEALED TUBING POST ALERT SB: 27A0130	121503 904949	1
	362 287N6100-55		.CONDUIT ASSY-RIGID POSITION DATA: RH PRE ALERT SB: 27A0130	121503 904949	1
	365 287N6100-82		..TUBE- USED ON: 287N6100-78	121503 904949	1
	370 287N6100-63		..TUBE- POSITION DATA: LH USED ON: 287N6100-55	121503 904949	1

MISSING ITEM NUMBERS NOT APPLICABLE

- ITEM NOT ILLUSTRATED

32-46-51-01

32-46-51  
FIG. 01  
PAGE 7  
JAN 20/09

BRI



757

PARTS CATALOG (MAINTENANCE)

FIG ITEM	PART NUMBER	1 2 3 4 5 6 7	NOMENCLATURE	EFFECT FROM TO	UNITS PER ASSY
1					
371	287N6100-63	..	TUBE- POSITION DATA: RH USED ON: 287N6100-55 PRE ALERT SB: 27A0130R2	121503 904949	1
371	MH404A	..	TUBE-ANNEALED POSITION DATA: RH SIDE OPTIONAL PART: MD169A USED ON: 287N6116-28 POST ALERT SB: 27A0130R2	121503 904949	1
371	MD169A	..	TUBE-ANNEALED POSITION DATA: RH SIDE OPTIONAL PART: MH404A USED ON: 287N6116-28 POST ALERT SB: 27A0130R2	121503 904949	1
- 375	BACF32H8C	..	FERRULE	121503 904949	2
- 380	BACN10WW8C	..	NUT	121503 904949	2
385	S717-105	.	CLAMP SUPPLIER CODE: V18076 SPECIFICATION NUMBER: BACC10GU105 OPTIONAL PART: 534CS105 V83930 JM44LC39S105RG V22175	121503 904949	8
390	NAS1801-3-6	.	SCREW	121503 904949	8
395	287N6102-18	.	CONDUIT ASSY-FLEX	121503 904949	4
400	208425FS00K3	.	BACKSHELL-90 DEG SUPPLIER CODE: V30463	121503 904949	4
405	287N6116-4	.	CONDUIT ASSY-RIGID POST SERVICE BULLETIN: 32-0121	904949	1

MISSING ITEM NUMBERS NOT APPLICABLE

- ITEM NOT ILLUSTRATED

32-46-51-01

32-46-51  
FIG. 01  
PAGE 8  
JAN 20/09

BRI

BOEING PROPRIETARY - Copyright © - Unpublished Work - See title page for details.



757

PARTS CATALOG (MAINTENANCE)

FIG ITEM	PART NUMBER	1 2 3 4 5 6 7	NOMENCLATURE	EFFECT FROM TO	UNITS PER ASSY
1					
410	287N6116-5		.CONDUIT ASSY-RIGID POST SERVICE BULLETIN: 32-0121	904949	1
- 415	287N6116-9		..TUBE- USED ON: 287N6116-4	904949	2
- 420	287N6116-10		..TUBE- USED ON: 287N6116-5	904949	2
- 425	BACF32H8C		..FERRULE	904949	4
- 430	BACN10WW8C		..NUT	904949	4
435	230808FS67K3		.ELBOW- SUPPLIER CODE: V30463 SERVICE BULLETIN OPT DATA: 230838FS00K3 V30463 POST SERVICE BULLETIN: 32-0121	904949	2
435	230808FS00K3		.ELBOW- SUPPLIER CODE: V30463 SERVICE BULLETIN OPT DATA: 230838FS67K3 V30463 POST SERVICE BULLETIN: 32-0121R2	904949	2
440	186030FS60K3		.LOCKNUT- SUPPLIER CODE: V30463 POST SERVICE BULLETIN: 32-0121	904949	2
445	NAS1149C1416J		.WASHER- POST SERVICE BULLETIN: 32-0121	904949	2
- 700	827N0042-1		KIT-WIRE PROVISION INSTL LEFT AND RIGHT MLG BRAKE TEMPERATURE INDICATING SYS POST SERVICE BULLETIN: 31-0174	107107	1
705	BACB30NM3K4		.BOLT	107107	14
710	NAS1149D0363J		.WASHER	107107	14
715	NAS1149C1416R		.WASHER	107107	12
720	NAS1515M8H		.WASHER	107107	4
725	S4630-14LWS30S		.LOCKNUT- SUPPLIER CODE: V07418	107107	8
725A	MS20995NC20		.LOCKWIRE	107107	8

MISSING ITEM NUMBERS NOT APPLICABLE

- ITEM NOT ILLUSTRATED

32-46-51-01

32-46-51  
FIG. 01  
PAGE 9  
JAN 20/09

BRI



757

PARTS CATALOG (MAINTENANCE)

FIG ITEM	PART NUMBER	1 2 3 4 5 6 7	NOMENCLATURE	EFFECT FROM TO	UNITS PER ASSY
1					
730	PLH53CD	.	NUT SUPPLIER CODE: VF0224 SPECIFICATION NUMBER: BACN10YR3CD OPTIONAL PART: H52732-3CD V15653	107107	14
735	S717-105	.	CLAMP SUPPLIER CODE: V18076 SPECIFICATION NUMBER: BACC10GU105 OPTIONAL PART: 534CS105 V83930 JM44LC39S105RG V22175	107107	8
740	BACS12HN3-8	.	SCREW	107107	8
740	NAS1801-3-8	.	SCREW	107107	8
745	BACC15AN10	.	CLIP	107107	14
750	BACB19F10S	.	BLOCK	107107	14
755	S4627-14	.	CONNECTOR- SUPPLIER CODE: V07418	107107	4
760	S4628-14	.	FITTING- SUPPLIER CODE: V07418	107107	2
765	S6413-1414	.	ADAPTER	107107	2
770	S4098-12	.	ADAPTER	107107	4
775	287N6102-18	.	CONDUIT ASSY-FLEX	107107	4
780	287N6116-23	.	CONDUIT	107107	1
785	287N6116-24	.	TUBE	107107	1
790	287N6116-25	.	CONDUIT	107107	1
795	287N6116-26	.	TUBE	107107	1
800	287N6100-55	.	CONDUIT ASSY-RIGID	107107	1
805	287N6100-63	.	TUBE	107107	1
810	287N6100-56	.	CONDUIT ASSY-RIGID	107107	1
815	287N6100-64	.	TUBE	107107	1
- 820	BACF32H8C	..	FERRULE	107107	4
- 825	BACN10WW8C	..	NUT	107107	4
830	287N6103-138	.	BRACKET	107107	1
835	287N6103-139	.	BRACKET	107107	1
840	287N6103-140	.	BRACKET	107107	1
845	287N6103-141	.	BRACKET	107107	1

MISSING ITEM NUMBERS NOT APPLICABLE

- ITEM NOT ILLUSTRATED

32-46-51-01

32-46-51  
FIG. 01  
PAGE 10  
JAN 20/09

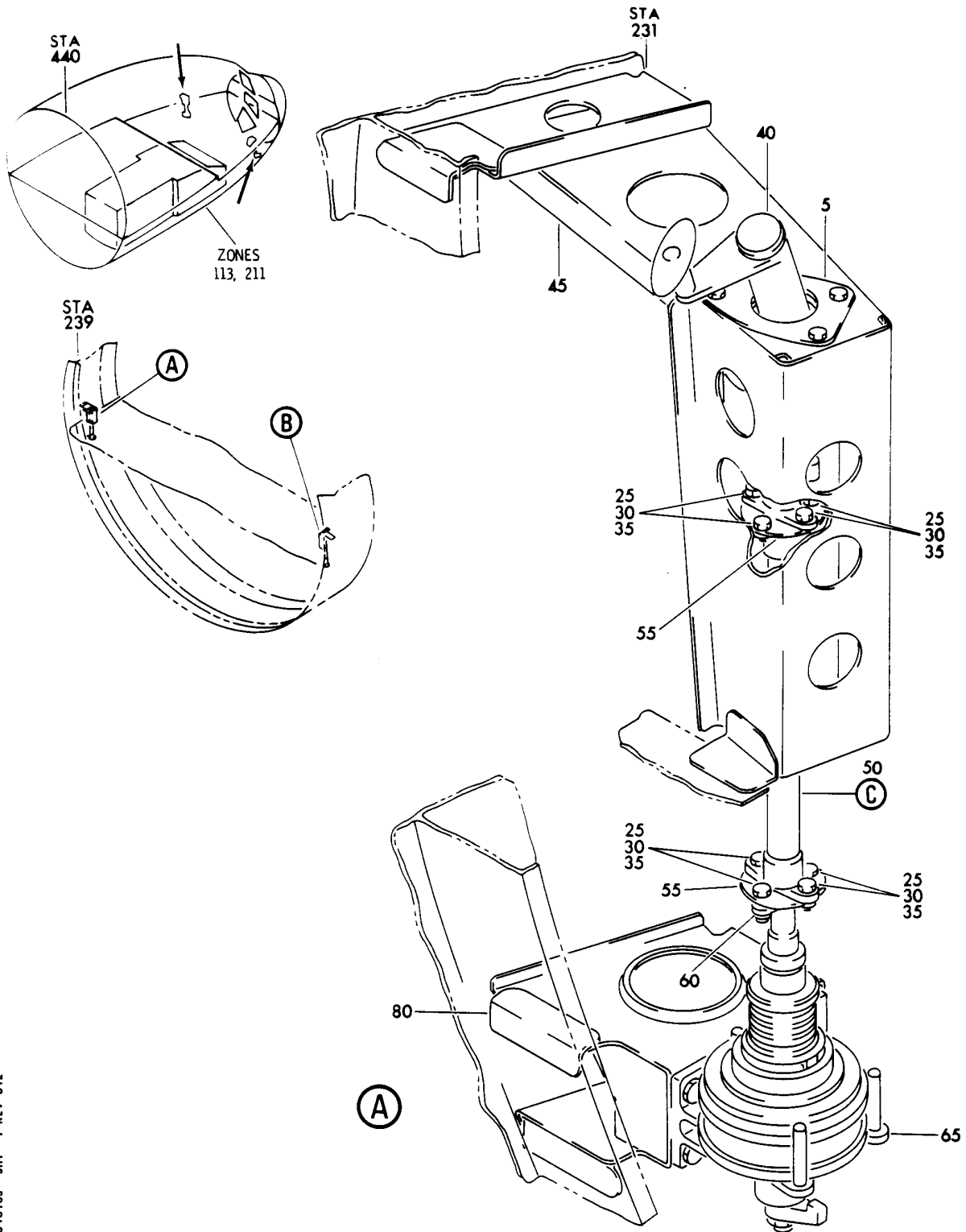
BRI

## NOSE LANDING GEAR STEERING SYSTEM

BRI  
MAY 28/07

32-51-00  
SECTION TITLE  
PAGE 1

**BOEING**  
757  
PARTS CATALOG (MAINTENANCE)



Y 32510105 SHT 1 REV 012

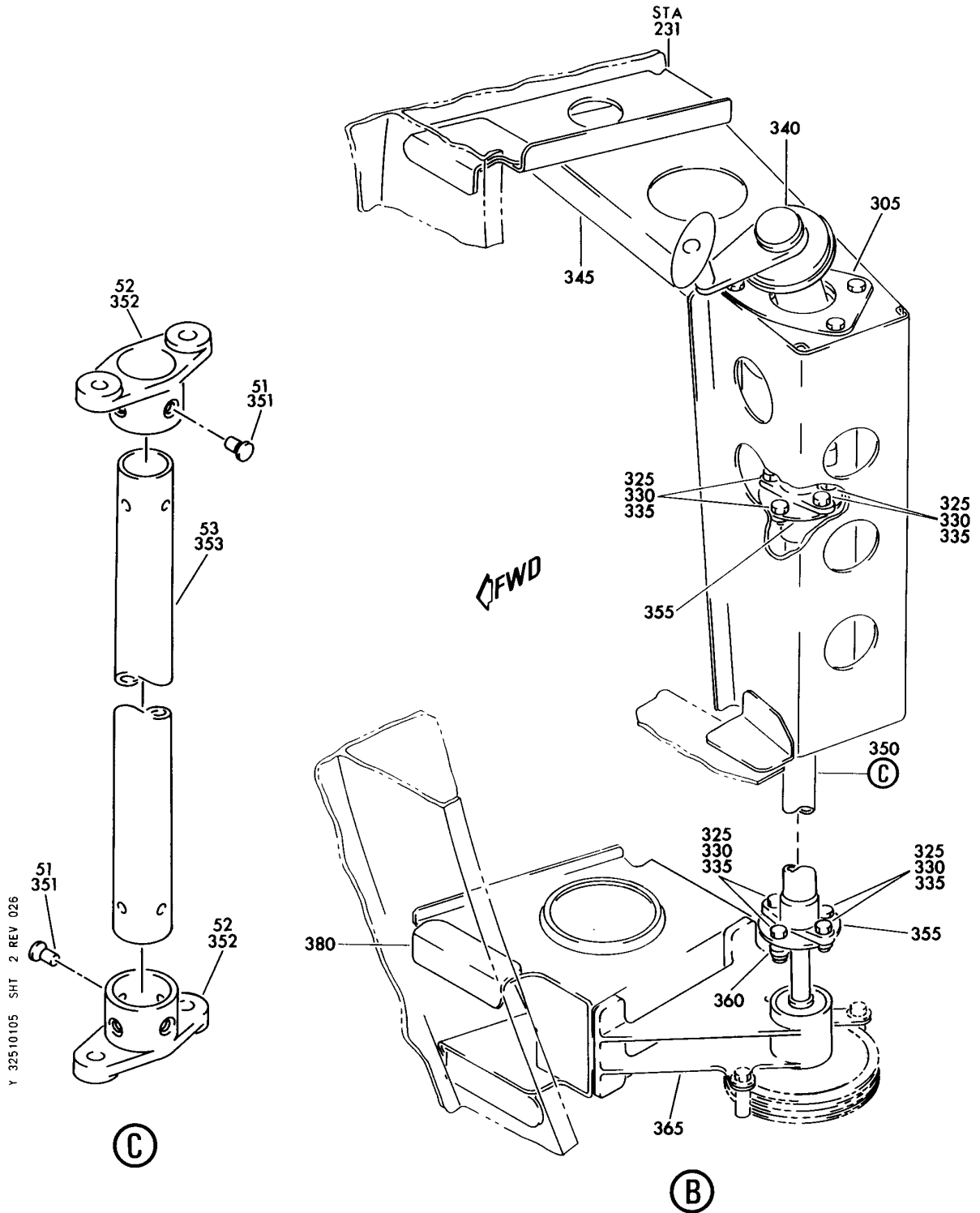
MECHANISM INSTL-NOSE WHL STEERING CONT TILLER AND GEARBOX  
FIGURE 5 (SHEET 1)

**32-51-01-05**

BRI  
MAY 28/07

32-51-01-05  
PAGE 0

**BOEING**  
757  
PARTS CATALOG (MAINTENANCE)



Y 32510105 SHT 2 REV 026

MECHANISM INSTL-NOSE WHL STEERING CONT TILLER AND GEARBOX  
FIGURE 5 (SHEET 2)

**32-51-01-05**

BRI  
MAY 28/07

32-51-01-05  
PAGE 0A



757

PARTS CATALOG (MAINTENANCE)

FIG ITEM	PART NUMBER	1 2 3 4 5 6 7	NOMENCLATURE	EFFECT FROM TO	UNITS PER ASSY
5			MECHANISM INSTL-NOSE WHL STEERING CONT TILLER AND GEARBOX	002004 006999	
- 1	275N2011-1		MECHANISM INSTL-NOSE WHL STEERING CONT TILLER AND GEARBOX POSITION DATA: LH VARIABLE DRAWING REF: 275N2011-3 FOR NHA SEE: 32-51-53-01	002004 006100 107107 121503 904999	RF
- 1	275N2011-9		MECHANISM INSTL-NOSE WHL STEERING CONT TILLER AND GEARBOX POSITION DATA: LH FOR NHA SEE: 32-00-00-22	101102 108120	RF
- 1	275N2011-10		MECHANISM INSTL-NOSE WHL STEERING CONT TILLER AND GEARBOX POSITION DATA: LH FOR NHA SEE: 32-00-00-22	504903	RF
- 1	MODREF8751		MECHANISM INSTL-NOSE WHL STEERING CONT TILLER AND GEARBOX MODULE NUMBER: 275N2011-9 REV A POSITION DATA: LH	103106	1
5	275N2129-11		.DOUBLER	002004 006999	1
- 10	BACB30NR4K8		ATTACHING PARTS .BOLT	002004 006999	3
- 15	NAS1149D0463J		.WASHER-	002004 006999	3

MISSING ITEM NUMBERS NOT APPLICABLE

- ITEM NOT ILLUSTRATED

32-51-01-05

32-51-01  
FIG. 05  
PAGE 1  
JAN 20/09

BRI



 **BOEING**  
757  
**PARTS CATALOG (MAINTENANCE)**

FIG ITEM	PART NUMBER	1 2 3 4 5 6 7	NOMENCLATURE	EFFECT FROM TO	UNITS PER ASSY
5 - 20	BRH10C4D	.NUT	SUPPLIER CODE: V52828 SPECIFICATION NUMBER: BACN10JC4CD OPTIONAL PART: T6C428JCD V11815 NS202486-048 V80539 102LH9075-4W V72962 H51650-4BAC V15653	002004 006999	3
25	BACB30NF4-4	.BOLT	-----*-----	002004 006999	8
30	NAS1149C0432R	.WASHER-		002004 006999	8
35	BRH10C4D	.NUT-	SUPPLIER CODE: V52828 SPECIFICATION NUMBER: BACN10JC4CD OPTIONAL PART: T6C428JCD V11815 NS202486-048 V80539 102LH9075-4W V72962 H51650-4BAC V15653	002004 006999	8
40	275N2101-13	.MECHANISM ASSY-	COMPONENT MAINT MANUAL REF: 32-51-05 OPTIONAL PART: 275N2101-15 FOR DETAILS SEE: 32-51-01-10	002004 006999	1
40	275N2101-15	.MECHANISM ASSY-	COMPONENT MAINT MANUAL REF: 32-51-05 OPTIONAL PART: 275N2101-13 FOR DETAILS SEE: 32-51-01-10	002004 006999	1

MISSING ITEM NUMBERS NOT APPLICABLE

- ITEM NOT ILLUSTRATED

BRI

# 32-51-01-05

BOEING PROPRIETARY - Copyright © - Unpublished Work - See title page for details.

32-51-01  
FIG. 05  
PAGE 2  
JAN 20/09



757

PARTS CATALOG (MAINTENANCE)

FIG ITEM	PART NUMBER	1 2 3 4 5 6 7	NOMENCLATURE	EFFECT FROM TO	UNITS PER ASSY
5					
45	275N2004-1	.	BRACKET INSTL-SPRT	002004 006100 107107 121503 904999	1
50	275N2113-1	.	SHAFT ASSY-TORQUE COMPONENT MAINT MANUAL REF: 32-51-09	002004 006999	1
51	BACR15FT6D	..	RIVET- SIZE DETERMINED ON INSTL.	002004 006999	8
52	275N2108-1	..	COUPLING	002004 006999	2
53	275N2113-3	..	TUBE	002004 006999	1
55	275N2114-1	.	DISK-FLEX CPLG	002004 006999	2
60	275N2115-1	.	COUPLING-SPLINED	002004 006999	1
65	275N2116-1	.	MECHANISM ASSY-DRUM MISCELLANEOUS DATA: FOR SPARES PROCURE LOWER COMPONENTS COMPONENT MAINT MANUAL REF: 32-51-08 OPTIONAL PART: 275N2116-3 USED ON: 275N2011-1 FOR DETAILS SEE: 32-51-02-10	006100 107107 121503 904999	1
65	275N2116-2	.	MECHANISM ASSY-DRUM VARIABLE MISCELLANEOUS DATA: FOR SPARES PROCURE LOWER COMPONENTS COMPONENT MAINT MANUAL REF: 32-51-08 OPTIONAL PART: 275N2116-4 USED ON: 275N2011-1 FOR DETAILS SEE: 32-51-02-10	121949	1

MISSING ITEM NUMBERS NOT APPLICABLE

- ITEM NOT ILLUSTRATED

32-51-01-05

32-51-01  
FIG. 05  
PAGE 3  
JAN 20/09

BRI



757

PARTS CATALOG (MAINTENANCE)

FIG ITEM	PART NUMBER	1 2 3 4 5 6 7	NOMENCLATURE	EFFECT FROM TO	UNITS PER ASSY
5 65	275N2116-3		.MECHANISM ASSY-DRUM COMPONENT MAINT MANUAL REF: 32-51-08 QUALIFIED I/W DATA: 275N2116-4 MAY REPLACE -3 FOR INT FIN AMW BAB ELA ONLY OPTIONAL PART: 275N2116-5 USED ON: 275N2011-1 275N2011-9 MODREF8751 FOR DETAILS SEE: 32-51-02-10	006100 107107 121503 904999	1
65	275N2116-4		.MECHANISM ASSY-DRUM VARIABLE COMPONENT MAINT MANUAL REF: 32-51-08 QUALIFIED I/W DATA: 275N2116-4 MAY REPLACE -3 FOR INT FIN AMW BAB ELA ONLY OPTIONAL PART: 275N2116-6 USED ON: 275N2011-1 FOR DETAILS SEE: 32-51-02-10	121949	1
65	275N2116-5		.MECHANISM ASSY-DRUM COMPONENT MAINT MANUAL REF: 32-51-08 QUALIFIED I/W DATA: 275N2116-6 MAY REPLACE -5 FOR INT FIN AMW BAB ELA ONLY OPTIONAL PART: 275N2116-3 USED ON: 275N2011-1 275N2011-9 MODREF8751 FOR DETAILS SEE: 32-51-02-10	002004 006999	1

MISSING ITEM NUMBERS NOT APPLICABLE

- ITEM NOT ILLUSTRATED

32-51-01-05

32-51-01  
FIG. 05  
PAGE 4  
JAN 20/09

BRI



757

PARTS CATALOG (MAINTENANCE)

FIG ITEM	PART NUMBER	1 2 3 4 5 6 7	NOMENCLATURE	EFFECT FROM TO	UNITS PER ASSY
5					
65	275N2116-6		.MECHANISM ASSY-DRUM VARIABLE COMPONENT MAINT MANUAL REF: 32-51-08 QUALIFIED I/W DATA: 275N2116-6 MAY REPLACE -5 FOR INT FIN AMW BAB ELA ONLY OPTIONAL PART: 275N2116-4 USED ON: 275N2011-1 FOR DETAILS SEE: 32-51-02-10	121949	1
65	275N2116-7		.MECHANISM ASSY-DRUM VARIABLE COMPONENT MAINT MANUAL REF: 32-51-08 OPTIONAL PART: 275N2116-8 USED ON: 275N2011-10 FOR DETAILS SEE: 32-51-02-10	006100 107107 121503 904999	1
65	275N2116-8		.MECHANISM ASSY-DRUM VARIABLE COMPONENT MAINT MANUAL REF: 32-51-08 OPTIONAL PART: 275N2116-7 USED ON: 275N2011-10 FOR DETAILS SEE: 32-51-02-10	121949	1
- 70	BACB30NR4K8		.BOLT	002004 006999	4
- 75	NAS1149D0416J		.WASHER-	002004 006999	4
80	275N2006-1		-----*----- .BRACKET INSTL-SPRT	002004 006100 107107 121503 904999	1

MISSING ITEM NUMBERS NOT APPLICABLE

- ITEM NOT ILLUSTRATED

BRI

32-51-01-05

32-51-01  
FIG. 05  
PAGE 5  
JAN 20/09



757

PARTS CATALOG (MAINTENANCE)

FIG ITEM	PART NUMBER	1 2 3 4 5 6 7	NOMENCLATURE	EFFECT FROM TO	UNITS PER ASSY
5					
- 300	275N2011-8		MECHANISM INSTL-NOSE WHL STEERING CONT TILLER AND GEARBOX POSITION DATA: RH FOR NHA SEE: 32-51-53-01	121503 904949	RF
- 300	275N2011-11		MECHANISM INSTL-NOSE WHL STEERING CONT TILLER AND GEARBOX POSITION DATA: RH FOR NHA SEE: 32-00-00-22	504903	RF
305	275N2129-11		.DOUBLER ATTACHING PARTS	121949	1
- 310	BACB30NR4K8		.BOLT	121949	3
- 315	AN960PD416		.WASHER-	121503 904949	3
- 315	NAS1149D0463J		.WASHER-	504903	3
- 320	BRH10C4D		.NUT	121949	3
			SUPPLIER CODE: V52828 SPECIFICATION NUMBER: BACN10JC4CD OPTIONAL PART: T6C428JCD V11815 NS202486-048 V80539 102LH9075-4W V72962 H51650-4BAC V15653 -----*-----		
325	BACB30NF4-4		.BOLT	121949	8
330	AN960C416L		.WASHER-	121503 904949	8
330	NAS1149C0432R		.WASHER-	504903	8

MISSING ITEM NUMBERS NOT APPLICABLE

- ITEM NOT ILLUSTRATED

BRI

32-51-01-05

BOEING PROPRIETARY - Copyright © - Unpublished Work - See title page for details.

32-51-01  
FIG. 05  
PAGE 6  
JAN 20/09



757

PARTS CATALOG (MAINTENANCE)

FIG ITEM	PART NUMBER	1 2 3 4 5 6 7	NOMENCLATURE	EFFECT FROM TO	UNITS PER ASSY
5 335	BRH10A4	.NUT-	SUPPLIER CODE: V52828 SPECIFICATION NUMBER: BACN10JC4 OPTIONAL PART: T6S428J V11815 96-048 V80539 VN303A048 V92215 RMLH9075-4W V72962 NS202101-048 V80539 H10-4BAC V15653	121503 904949	8
335	BRH10C4D	.NUT-	SUPPLIER CODE: V52828 SPECIFICATION NUMBER: BACN10JC4CD OPTIONAL PART: T6C428JCD V11815 NS202486-048 V80539 102LH9075-4W V72962 H51650-4BAC V15653	504903	8
340	275N2101-14	.MECHANISM ASSY-	COMPONENT MAINT MANUAL REF: 32-51-05 OPTIONAL PART: 275N2101-16 USED ON: 275N2011-6 275N2011-8 275N2011-11 FOR DETAILS SEE: 32-51-01-10	121949	1

MISSING ITEM NUMBERS NOT APPLICABLE

- ITEM NOT ILLUSTRATED

BRI

32-51-01-05

BOEING PROPRIETARY - Copyright © - Unpublished Work - See title page for details.

32-51-01  
FIG. 05  
PAGE 7  
JAN 20/09



757

PARTS CATALOG (MAINTENANCE)

FIG ITEM	PART NUMBER	1 2 3 4 5 6 7	NOMENCLATURE	EFFECT FROM TO	UNITS PER ASSY
5 340	275N2101-16		.MECHANISM ASSY- COMPONENT MAINT MANUAL REF: 32-51-05 OPTIONAL PART: 275N2101-14 USED ON: 275N2011-6 275N2011-8 275N2011-11 FOR DETAILS SEE: 32-51-01-10	121949	1
345	275N2004-2		.BRACKET INSTL-SPRT USED ON: 275N2011-2 275N2011-6 275N2011-8	121503 904949	1
345	275N2004-4		.BRACKET INSTL-SPRT USED ON: 275N2011-8	504903	1
350	275N2113-2		.SHAFT ASSY-TORQUE COMPONENT MAINT MANUAL REF: 32-51-09	121949	1
351	BACR15FT6D		..RIVET- SIZE DETERMINED ON INSTL.	121949	8
352	275N2108-1		..COUPLING	121949	2
353	275N2113-4		..TUBE	121949	1
355	275N2114-1		.DISK-FLEX CPLG	121949	2
360	275N2115-1		.COUPLING-SPLINED	121949	1
365	275N2130-1		.MECHANISM ASSY- COMPONENT MAINT MANUAL REF: 32-51-09 FOR DETAILS SEE: 32-51-02-10 ATTACHING PARTS	121949	1
- 370	BACB30NR4K8		.BOLT	121949	4
- 375	AN960PD416L		.WASHER	121503 904949	4
- 375	NAS1149D0416J		.WASHER- -----*-----	504903	4
380	275N2006-4		.BRACKET INSTL-SPRT USED ON: 275N2011-8	121503 904949	1

MISSING ITEM NUMBERS NOT APPLICABLE

- ITEM NOT ILLUSTRATED

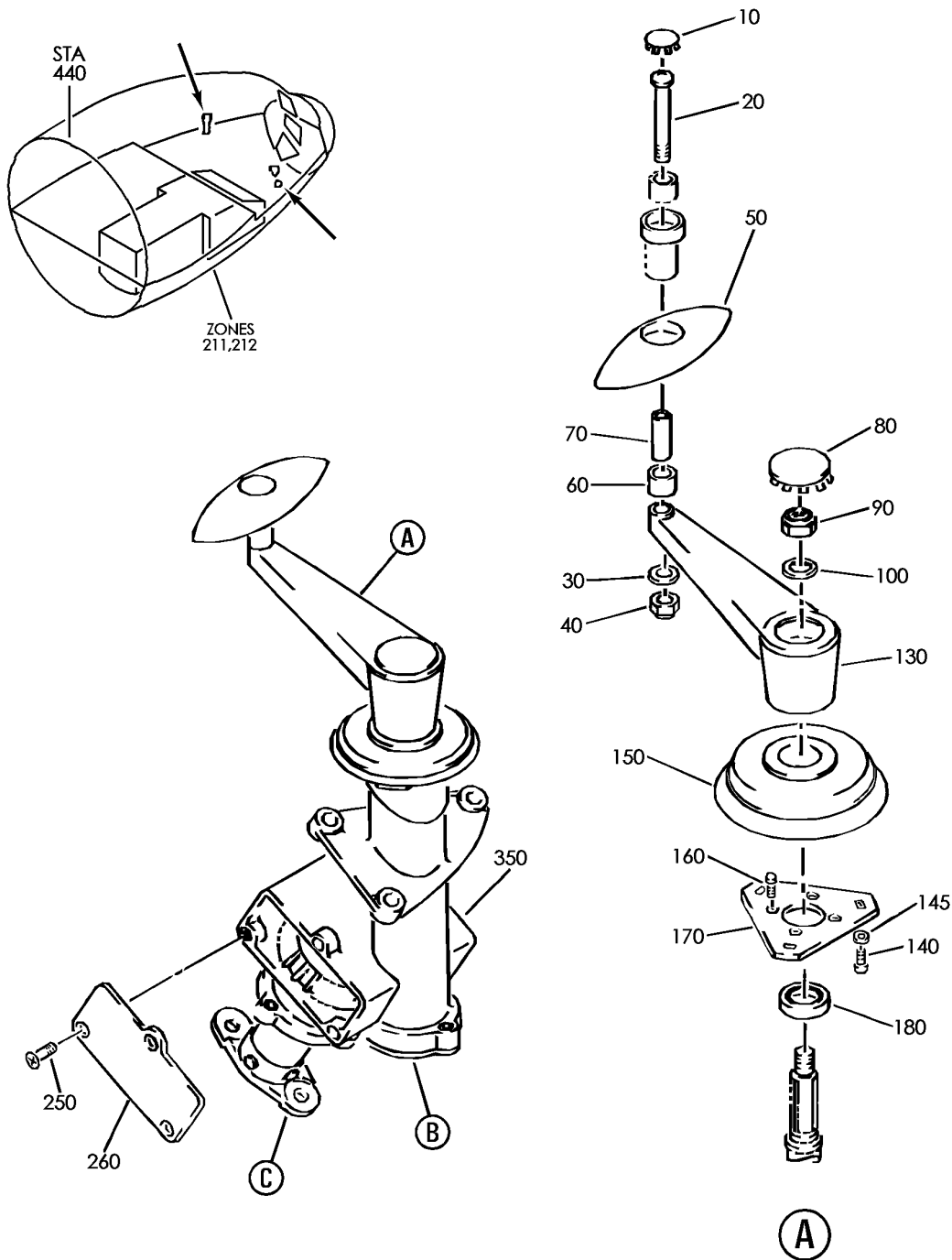
32-51-01-05

32-51-01  
FIG. 05  
PAGE 8  
JAN 20/09

BRI

BOEING PROPRIETARY - Copyright © - Unpublished Work - See title page for details.

**BOEING**  
757  
PARTS CATALOG (MAINTENANCE)



Y 32510110 SHT 1 REV 219

MECHANISM ASSY-NOSE WHL STEERING CONT TILLER AND GEAR BOX  
FIGURE 10 (SHEET 1)

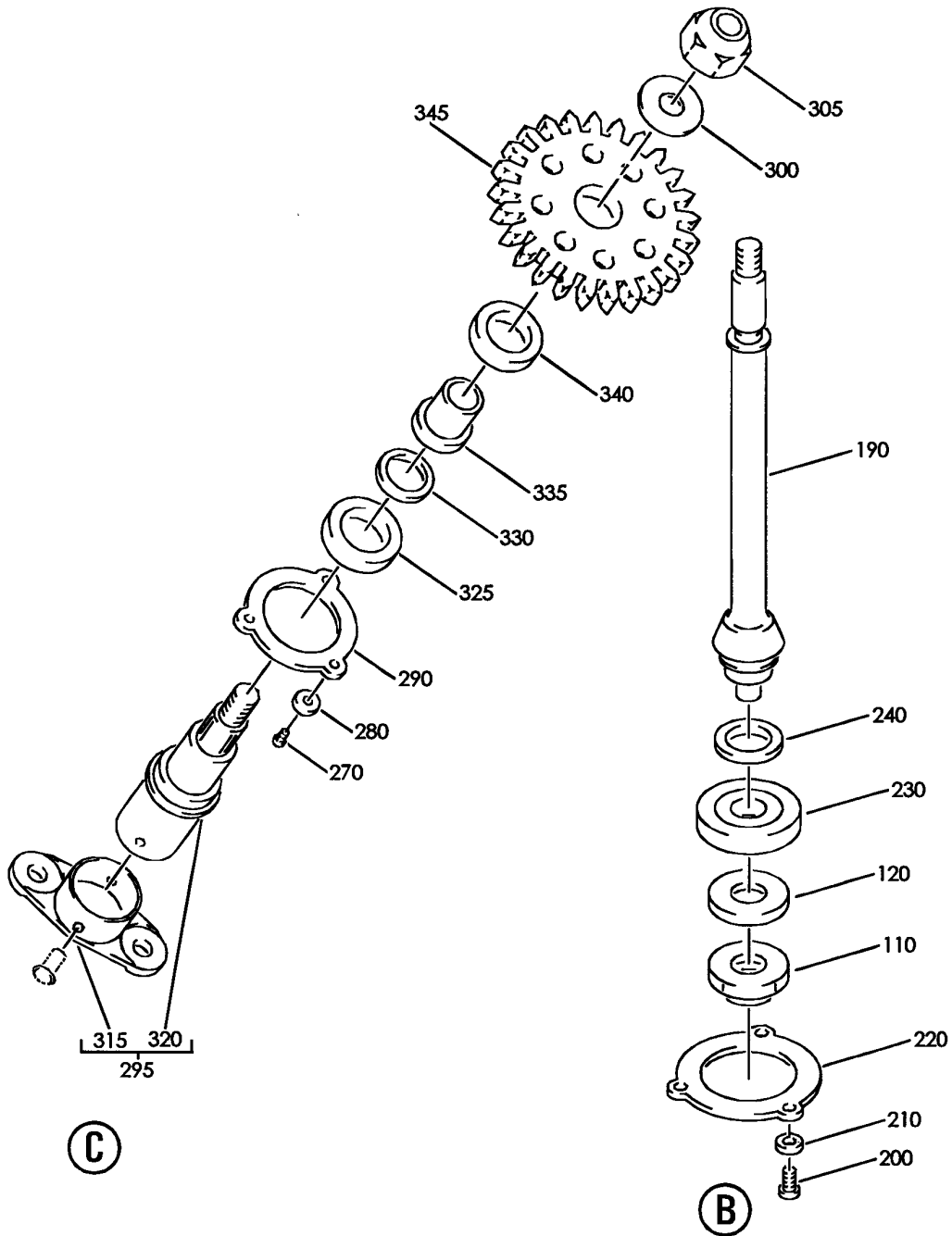
**32-51-01-10**

BRI  
MAY 28/07

32-51-01-10  
PAGE 0



**BOEING**  
757  
PARTS CATALOG (MAINTENANCE)



Y 32510110 SHT 2 REV 204

MECHANISM ASSY-NOSE WHL STEERING CONT TILLER AND GEAR BOX  
FIGURE 10 (SHEET 2)

**32-51-01-10**

BRI  
MAY 28/07

32-51-01-10  
PAGE 0A



757

PARTS CATALOG (MAINTENANCE)

FIG ITEM	PART NUMBER	1 2 3 4 5 6 7	NOMENCLATURE	EFFECT FROM TO	UNITS PER ASSY
10			MECHANISM ASSY-NOSE WHL STEERING CONT TILLER AND GEAR BOX	002004 006999	
- 1	275N2101-13		MECHANISM ASSY-NOSE WHL STEERING CONT TILLER AND GEAR BOX POSITION DATA: LH COMPONENT MAINT MANUAL REF: 32-51-05 OPTIONAL PART: 275N2101-15 FOR NHA SEE: 32-51-01-05	002004 006999	RF
- 1	275N2101-15		MECHANISM ASSY-NOSE WHL STEERING CONT TILLER AND GEAR BOX POSITION DATA: LH COMPONENT MAINT MANUAL REF: 32-51-05 OPTIONAL PART: 275N2101-13 FOR NHA SEE: 32-51-01-05	002004 006999	RF
- 5	275N2101-14		MECHANISM ASSY-NOSE WHL STEERING CONT TILLER AND GEAR BOX POSITION DATA: RH COMPONENT MAINT MANUAL REF: 32-51-05 OPTIONAL PART: 275N2101-16 FOR NHA SEE: 32-51-01-05	121949	RF
- 5	275N2101-16		MECHANISM ASSY-NOSE WHL STEERING CONT TILLER AND GEAR BOX POSITION DATA: RH COMPONENT MAINT MANUAL REF: 32-51-05 OPTIONAL PART: 275N2101-14 FOR NHA SEE: 32-51-01-05	121949	RF

MISSING ITEM NUMBERS NOT APPLICABLE

- ITEM NOT ILLUSTRATED

**32-51-01-10**

32-51-01  
FIG. 10  
PAGE 1  
JAN 20/09

BRI



757

PARTS CATALOG (MAINTENANCE)

FIG ITEM	PART NUMBER	1 2 3 4 5 6 7	NOMENCLATURE	EFFECT FROM TO	UNITS PER ASSY
10					
10	275N2101-4		.BUTTON-PLUG	002004 006120 950999	1
10	275N2101-4		.BUTTON-PLUG	121949	1
20	NAS623-4-25		.SCREW	002004 006120 950999	1
20	NAS623-4-25		.SCREW	121949	1
30	AN960PD416L		.WASHER	002004 006120 950999	1
30	AN960PD416L		.WASHER	121949	1
40	BRH10A4		.NUT	002004 006120 950999	1
			SUPPLIER CODE: V52828		
			SPECIFICATION NUMBER: BACN10JC4		
			OPTIONAL PART: T6S428J		
			V11815		
			96-048		
			V80539		
			VN303A048		
			V92215		
			RMLH9075-4W		
			V72962		
			NS202101-048		
			V80539		
			H10-4BAC		
			V15653		
40	BRH10A4		.NUT	121949	1
			SUPPLIER CODE: V52828		
			SPECIFICATION NUMBER: BACN10JC4		
			OPTIONAL PART: T6S428J		
			V11815		
			96-048		
			V80539		
			VN303A048		
			V92215		
			RMLH9075-4W		
			V72962		
			NS202101-048		
			V80539		
			H10-4BAC		
			V15653		

MISSING ITEM NUMBERS NOT APPLICABLE

- ITEM NOT ILLUSTRATED

BRI

32-51-01-10

BOEING PROPRIETARY - Copyright © - Unpublished Work - See title page for details.

32-51-01  
FIG. 10  
PAGE 2  
JAN 20/09



757

PARTS CATALOG (MAINTENANCE)

FIG ITEM	PART NUMBER	1 2 3 4 5 6 7	NOMENCLATURE	EFFECT FROM TO	UNITS PER ASSY
10					
50	69B81297-7	.KNOB ASSY-		002004	1
		MISCELLANEOUS DATA:		006120	
		NOT AN INITIAL		950999	
		PROVISIONING SPARE			
50	69B81297-7	.KNOB ASSY-		121949	1
		MISCELLANEOUS DATA:			
		NOT AN INITIAL			
		PROVISIONING SPARE			
60	S037-2A	..BUSHING-		002004	2
		SUPPLIER CODE:		006120	
		V97820		950999	
60	S037-2A	..BUSHING-		121949	2
		SUPPLIER CODE:			
		V97820			
70	BACB28Y4C107	.BUSHING		002004	1
				006120	
				950999	
70	BACB28Y4C107	.BUSHING		121949	1
80	275N2101-7	.BUTTON-PLUG		002004	1
				006120	
				950999	
80	275N2101-7	.BUTTON-PLUG		121949	1
90	BRH10A6	.NUT		002004	1
		SUPPLIER CODE:		006120	
		V52828		950999	
		SPECIFICATION NUMBER:			
		BACN10JC6			
		OPTIONAL PART:			
		96-064			
		V80539			
		RMLH9075-6			
		V72962			
		H10-6BAC			
		V15653			
90	BRH10A6	.NUT		121949	1
		SUPPLIER CODE:			
		V52828			
		SPECIFICATION NUMBER:			
		BACN10JC6			
		OPTIONAL PART:			
		96-064			
		V80539			
		RMLH9075-6			
		V72962			
		H10-6BAC			
		V15653			
100	AN960PD616	.WASHER		002004	1
				006120	
				950999	

MISSING ITEM NUMBERS NOT APPLICABLE

- ITEM NOT ILLUSTRATED

BRI

32-51-01-10

BOEING PROPRIETARY - Copyright © - Unpublished Work - See title page for details.

32-51-01  
FIG. 10  
PAGE 3  
JAN 20/09



757

PARTS CATALOG (MAINTENANCE)

FIG ITEM	PART NUMBER	1 2 3 4 5 6 7	NOMENCLATURE	EFFECT FROM TO	UNITS PER ASSY
10					
100	AN960PD616	.	WASHER	121949	1
110	BMN4122AD3-9	.	NUT	002004	1
			SUPPLIER CODE: V97928	006120	
			SPECIFICATION NUMBER: BACN10JC9	950999	
			OPTIONAL PART: 48FT918		
			V56878		
			RMLH9074-9		
			V72962		
			H10-9BAC		
			V15653		
			BMN4122A9		
			V85495		
110	BMN4122AD3-9	.	NUT	121949	1
			SUPPLIER CODE: V97928		
			SPECIFICATION NUMBER: BACN10JC9		
			OPTIONAL PART: 48FT918		
			V56878		
			RMLH9074-9		
			V72962		
			H10-9BAC		
			V15653		
			BMN4122A9		
			V85495		
120	AN960-916	.	WASHER	002004	1
				006120	
				950999	
120	AN960-916	.	WASHER	121949	1
130	275N2140-5	.	HANDLE-	002004	1
			POSITION DATA: LH SIDE	006999	
			USED ON: 275N2101-13		
- 135	275N2140-5	.	HANDLE-	121949	1
			POSITION DATA: RH SIDE		
			USED ON: 275N2101-14		
140	NAS1352-04-4	.	SCREW-	002004	3
			OPTIONAL PART: NAS1802-04-4	006120	
				950999	
140	NAS1352-04-4	.	SCREW-	121949	3
			OPTIONAL PART: NAS1802-04-4		

MISSING ITEM NUMBERS NOT APPLICABLE

- ITEM NOT ILLUSTRATED

32-51-01-10

32-51-01  
FIG. 10  
PAGE 4  
JAN 20/09

BRI



757

PARTS CATALOG (MAINTENANCE)

FIG ITEM	PART NUMBER	1 2 3 4 5 6 7	NOMENCLATURE	EFFECT FROM TO	UNITS PER ASSY
10					
140	NAS1802-04-4	.SCREW-		002004	3
		OPTIONAL PART:		006120	
		NAS1352-04-4		950999	
140	NAS1802-04-4	.SCREW-		121949	3
		OPTIONAL PART:			
		NAS1352-04-4			
145	AN960-4	.WASHER		002004	3
				006120	
				950999	
145	AN960-4	.WASHER		121949	3
150	611101-1	.INDICATOR ASSY-		002004	1
		SUPPLIER CODE:		006120	
		V99145		950999	
		FOR DETAILS SEE:			
		32-51-01-51			
150	611101-1	.INDICATOR ASSY-		121949	1
		SUPPLIER CODE:			
		V99145			
		FOR DETAILS SEE:			
		32-51-01-51			
160	BACB30LU04-1	.SCREW-		002004	4
		OPTIONAL PART:		006120	
		BACS12ER04K5		950999	
160	BACB30LU04-1	.SCREW-		121949	4
		OPTIONAL PART:			
		BACS12ER04K5			
160	BACS12ER04K5	.SCREW-100 DEG HEAD		002004	4
		OPTIONAL PART:		006120	
		BACB30LU04-1		950999	
160	BACS12ER04K5	.SCREW-100 DEG HEAD		121949	4
		OPTIONAL PART:			
		BACB30LU04-1			
170	275N2139-1	.PLATE-		002004	1
		POSITION DATA:		006120	
		LH SIDE		950999	
- 175	275N2139-2	.PLATE-		121949	1
		POSITION DATA:			
		RH SIDE			

MISSING ITEM NUMBERS NOT APPLICABLE

- ITEM NOT ILLUSTRATED

32-51-01-10

32-51-01  
FIG. 10  
PAGE 5  
JAN 20/09

BRI



757

PARTS CATALOG (MAINTENANCE)

FIG ITEM	PART NUMBER	1 2 3 4 5 6 7	NOMENCLATURE	EFFECT FROM TO	UNITS PER ASSY
10	R9302PPA4298		.BEARING-	002004	1
180	R9302PPA4298		SUPPLIER CODE: V21335 SPECIFICATION NUMBER: BACB10BB15PP OPTIONAL PART: 9302PPFS428 V21335 PKTLL002P1 V78118 C002RRPOZZ V40920 R9302PPA4298 V9V013 1902RRT1C1-01 V21760 1902RRT1C1-01 V21760 USED ON: 275N2101-9 USED ON: 275N2101-13	006120 950999	
180	R9302PPA4298		.BEARING-	121949	1
			SUPPLIER CODE: V21335 SPECIFICATION NUMBER: BACB10BB15PP OPTIONAL PART: 9302PPFS428 V21335 PKTLL002P1 V78118 C002RRPOZZ V40920 R9302PPA4298 V9V013 1902RRT1C1-01 V21760 1902RRT1C1-01 V21760 USED ON: 275N2101-6 275N2101-9 USED ON: 275N2101-13 275N2101-14		

MISSING ITEM NUMBERS NOT APPLICABLE

- ITEM NOT ILLUSTRATED

32-51-01-10

32-51-01  
FIG. 10  
PAGE 6  
MAY 20/09

BRI







757

PARTS CATALOG (MAINTENANCE)

FIG ITEM	PART NUMBER	1 2 3 4 5 6 7	NOMENCLATURE	EFFECT FROM TO	UNITS PER ASSY
10					
190	275N2103-2		.SHAFT-TILLER USED ON: 275N2101-13 275N2101-9	002004 006999	1
190	275N2103-2		.SHAFT-TILLER USED ON: 275N2101-13 275N2101-14 275N2101-6 275N2101-9	121503 904949	1
190	275N2103-3		.SHAFT-TILLER OPTIONAL PART: 275N2103-4 USED ON: 275N2101-15	002004 006120 950999	1
190	275N2103-4		.SHAFT-TILLER OPTIONAL PART: 275N2103-3 USED ON: 275N2101-15	002004 006120 950999	1
190	275N2103-3		.SHAFT-TILLER OPTIONAL PART: 275N2103-4 USED ON: 275N2101-15 275N2101-16	121949	1
190	275N2103-4		.SHAFT-TILLER OPTIONAL PART: 275N2103-3 USED ON: 275N2101-15 275N2101-16	121949	1
200	BACB30NR4K2		.BOLT	002004 006120 950999	3
200	BACB30NR4K2		.BOLT	121949	3
210	AN960PD416		.WASHER	002004 006120 950999	3
210	AN960PD416		.WASHER	121949	3
220	275N2104-2		.RETAINER	002004 006120 950999	1
220	275N2104-2		.RETAINER	121949	1

MISSING ITEM NUMBERS NOT APPLICABLE

- ITEM NOT ILLUSTRATED

32-51-01-10

32-51-01  
FIG. 10  
PAGE 8  
MAY 20/09

BRI

BOEING PROPRIETARY - Copyright © - Unpublished Work - See title page for details.

**BOEING**  
757  
**PARTS CATALOG (MAINTENANCE)**

FIG ITEM	PART NUMBER	1 2 3 4 5 6 7	NOMENCLATURE	EFFECT FROM TO	UNITS PER ASSY	
R R R R R R R R R R	10 230	R9304PPPRBA4298	.BEARING SUPPLIER CODE: V21335 SPECIFICATION NUMBER: BACB10BB20PP OPTIONAL PART: 9304PPPRBFS428 V21335 PKTLL004P1 V78118 C004RRPOZZ V40920 R9304PPPRBA4298 V9V013 1904LLT1C1-01 V21760 1904LLT1C1-01 V21760	002004 006120 950999	1	
	230	R9304PPPRBA4298	.BEARING- SUPPLIER CODE: V21335 SPECIFICATION NUMBER: BACB10BB20PP OPTIONAL PART: 9304PPPRBFS428 V21335 PKTLL004P1 V78118 C004RRPOZZ V40920 R9304PPPRBA4298 V9V013 1904LLT1C1-01 V21760 1904LLT1C1-01 V21760	121949	1	
	240	250N2002-1	.SHIM- MANUFACTURED FROM: SH AL BAC1534-62 .062 X 1.1 X 1.1	002004 006120 950999	1	
	240	250N2002-1	.SHIM- MANUFACTURED FROM: SH AL BAC1534-62 .062 X 1.1 X 1.1	121949	1	
	250	BACB30NN3K1	.BOLT	002004 006120 950999	3	
	MISSING ITEM NUMBERS NOT APPLICABLE					

- ITEM NOT ILLUSTRATED

BRI

# 32-51-01-10

BOEING PROPRIETARY - Copyright © - Unpublished Work - See title page for details.

32-51-01  
FIG. 10  
PAGE 9  
MAY 20/09



757

PARTS CATALOG (MAINTENANCE)

FIG ITEM	PART NUMBER	1 2 3 4 5 6 7	NOMENCLATURE	EFFECT FROM TO	UNITS PER ASSY
10					
250	BACB30NN3K1	.	BOLT	121949	3
260	275N2111-2	.	COVER	002004	1
				006120	
				950999	
260	275N2111-2	.	COVER	121949	1
270	BACB30NR4K2	.	BOLT	002004	3
				006120	
				950999	
270	BACB30NR4K2	.	BOLT	121949	3
280	AN960PD416	.	WASHER	002004	3
				006120	
				950999	
280	AN960PD416	.	WASHER	121949	3
290	275N2104-1	.	RETAINER	002004	1
				006120	
				950999	
290	275N2104-1	.	RETAINER	121949	1
295	275N2107-1	.	SHAFT ASSY	121949	1
295	275N2107-1	.	SHAFT ASSY	002004	1
				006120	
				950999	
			ATTACHING PARTS		
300	AN960-716	.	WASHER	121949	1
300	AN960-716	.	WASHER	002004	1
				006120	
				950999	
305	BRH10A7	.	NUT	121949	1
			SUPPLIER CODE:		
			V52828		
			SPECIFICATION NUMBER:		
			BACN10JC7		
			OPTIONAL PART:		
			H10-7BAC		
			V15653		
			RMLH9075-7		
			V72962		
			96-070		
			V80539		

MISSING ITEM NUMBERS NOT APPLICABLE

- ITEM NOT ILLUSTRATED

BRI

32-51-01-10

BOEING PROPRIETARY - Copyright © - Unpublished Work - See title page for details.

32-51-01  
FIG. 10  
PAGE 10  
JAN 20/09



**757  
PARTS CATALOG (MAINTENANCE)**

FIG ITEM	PART NUMBER	1 2 3 4 5 6 7	NOMENCLATURE	EFFECT FROM TO	UNITS PER ASSY
10 305	BRH10A7	.	NUT SUPPLIER CODE: V52828 SPECIFICATION NUMBER: BACN10JC7 OPTIONAL PART: H10-7BAC V15653 RMLH9075-7 V72962 96-070 V80539 -----*-----	002004 006120 950999	1
- 310	BACR15FT6D	..	RIVET- SIZE DETERMINED ON INSTL.	121949	4
- 310	BACR15FT6D	..	RIVET- SIZE DETERMINED ON INSTL.	002004 006120 950999	4
315	275N2108-1	..	COUPLING	121949	1
315	275N2108-1	..	COUPLING	002004 006120 950999	1
320	275N2109-1	..	SHAFT	121949	1
320	275N2109-1	..	SHAFT	002004 006120 950999	1
R R R R R R R R R R R R R R R R R R R R R R	325	R9305PPA4298	.BEARING SUPPLIER CODE: V21335 SPECIFICATION NUMBER: BACB10BB25PP OPTIONAL PART: 9305PPFS428 V21335 PKTLL005P1 V78118 C005RRPOZZ V40920 R9305PPA4298 V9V013 1905LLT1C1-01 V21760 1905LLT1C1-01 V21760	121949	1

MISSING ITEM NUMBERS NOT APPLICABLE

- ITEM NOT ILLUSTRATED

# 32-51-01-10

32-51-01  
FIG. 10  
PAGE 11  
MAY 20/09

BRI

 **BOEING**  
757  
**PARTS CATALOG (MAINTENANCE)**

FIG ITEM	PART NUMBER	1 2 3 4 5 6 7	NOMENCLATURE	EFFECT FROM TO	UNITS PER ASSY	
R R R R R R R R R R	10 325	R9305PPA4298	.BEARING SUPPLIER CODE: V21335 SPECIFICATION NUMBER: BACB10BB25PP OPTIONAL PART: 9305PPFS428 V21335 PKTLL005P1 V78118 C005RRPOZZ V40920 R9305PPA4298 V9V013 1905LLT1C1-01 V21760 1905LLT1C1-01 V21760	002004 006120 950999	1	
	330	250N2002-2	.SHIM	121949	1	
	330	250N2002-2	.SHIM	002004 006120 950999	1	
	335	275N2105-1	.SPACER	121949	1	
	335	275N2105-1	.SPACER	002004 006120 950999	1	
	R R R R R R R R R R	340	R9304PPPRBA4298	.BEARING SUPPLIER CODE: V21335 SPECIFICATION NUMBER: BACB10BB20PP OPTIONAL PART: 9304PPPRBFS428 V21335 PKTLL004P1 V78118 C004RRPOZZ V40920 R9304PPPRBA4298 V9V013 1904LLT1C1-01 V21760 1904LLT1C1-01 V21760	121949	1

MISSING ITEM NUMBERS NOT APPLICABLE

— ITEM NOT ILLUSTRATED

BRI

# 32-51-01-10

BOEING PROPRIETARY - Copyright © - Unpublished Work - See title page for details.

32-51-01  
FIG. 10  
PAGE 12  
MAY 20/09



757

PARTS CATALOG (MAINTENANCE)

FIG ITEM	PART NUMBER	1 2 3 4 5 6 7	NOMENCLATURE	EFFECT FROM TO	UNITS PER ASSY
10					
R R R R R R R R R R R R R R R	340 R9304PPRBA4298		.BEARING SUPPLIER CODE: V21335 SPECIFICATION NUMBER: BACB10BB20PP OPTIONAL PART: 9304PPRBFS428 V21335 PKTLL004P1 V78118 C004RRPOZZ V40920 R9304PPRBA4298 V9V013 1904LLT1C1-01 V21760 1904LLT1C1-01 V21760	002004 006120 950999	1
	345 275N2106-1		.GEAR	121949	1
	345 275N2106-1		.GEAR	002004 006120 950999	1
	350 275N2110-11		.HOUSING ASSY- OPTIONAL PART: 275N2110-15 USED ON: 275N2101-15	002004 006999	1
	350 275N2110-15		.HOUSING ASSY- OPTIONAL PART: 275N2110-11 USED ON: 275N2101-15	002004 006999	1
	350 275N2110-12		.HOUSING ASSY- OPTIONAL PART: 275N2110-16 USED ON: 275N2101-16	121949	1
	350 275N2110-16		.HOUSING ASSY- OPTIONAL PART: 275N2110-12 USED ON: 275N2101-16	121949	1
	350 275N2110-7		.HOUSING ASSY- USED ON: 275N2101-9 275N2101-13	002004 006999	1

MISSING ITEM NUMBERS NOT APPLICABLE

- ITEM NOT ILLUSTRATED

32-51-01-10

32-51-01  
FIG. 10  
PAGE 13  
MAY 20/09

BRI



757

PARTS CATALOG (MAINTENANCE)

FIG ITEM	PART NUMBER	1 2 3 4 5 6 7	NOMENCLATURE	EFFECT FROM TO	UNITS PER ASSY
10 350	275N2110-8		.HOUSING ASSY- USED ON: 275N2101-6 275N2101-14	121949	1

MISSING ITEM NUMBERS NOT APPLICABLE

- ITEM NOT ILLUSTRATED

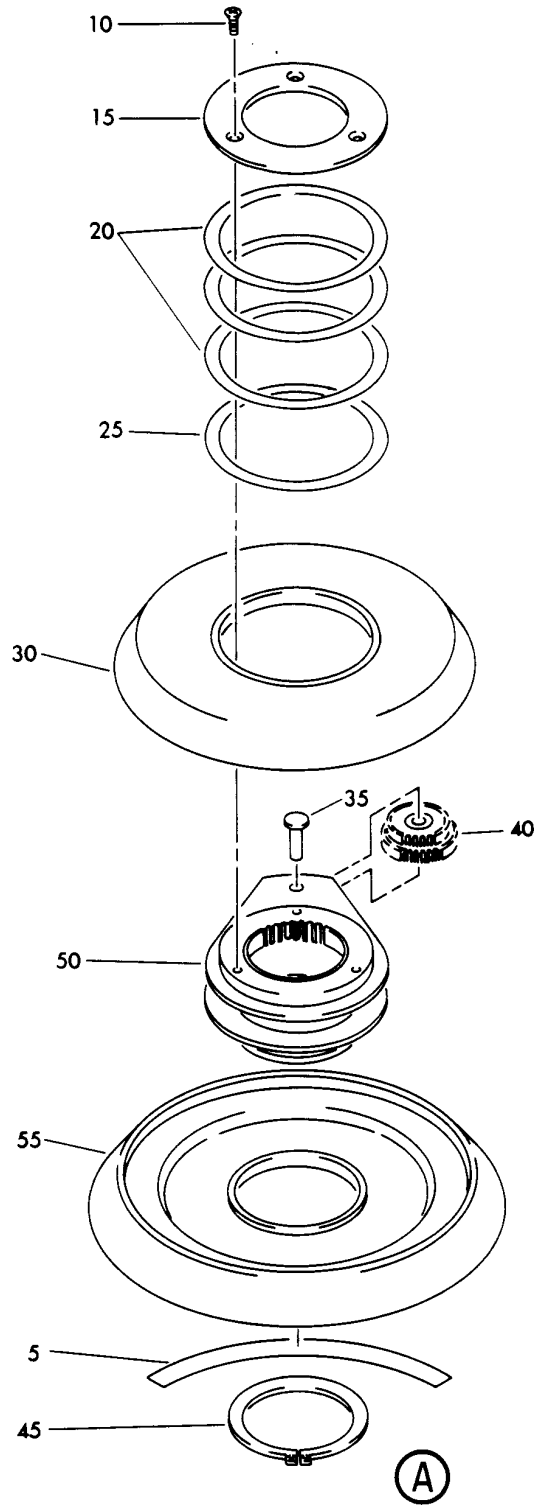
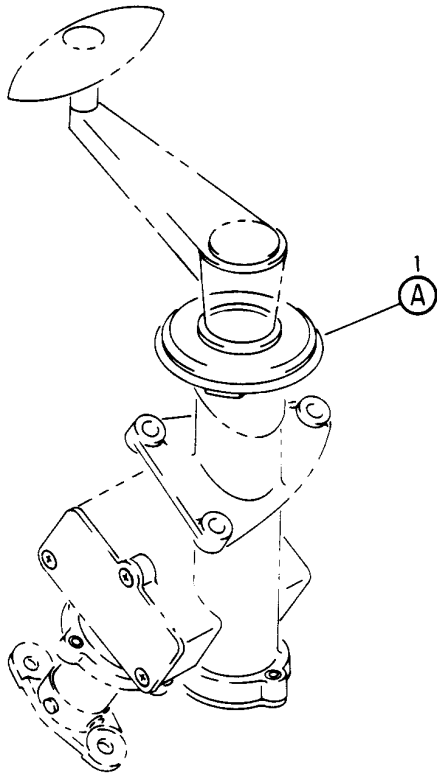
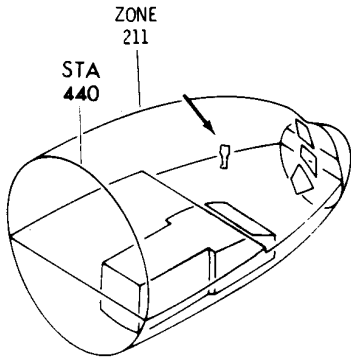
BRI

32-51-01-10

BOEING PROPRIETARY - Copyright © - Unpublished Work - See title page for details.

32-51-01  
FIG. 10  
PAGE 14  
JAN 20/09

**BOEING**  
757  
PARTS CATALOG (MAINTENANCE)



Y 32510151 SHT 1 REV 041

INDICATOR ASSY-NOSE WHL STEERING  
FIGURE 51

**32-51-01-51**

BRI  
MAY 28/07

32-51-01-51  
PAGE 0





757

PARTS CATALOG (MAINTENANCE)

FIG ITEM	PART NUMBER	1 2 3 4 5 6 7	NOMENCLATURE	EFFECT FROM TO	UNITS PER ASSY
51			INDICATOR ASSY-NOSE WHL STEERING	002004 006100 103107 121503 904999	
1	611101-1		INDICATOR ASSY-NOSE WHL STEERING SUPPLIER CODE: V99145 FOR NHA SEE: 32-51-01-10	002004 006100 103107 121503 904999	RF
5	611132-1		.PLATE-IDENT SUPPLIER CODE: V99145	002004 006100 103107 950999	1
5	611132-1		.PLATE-IDENT SUPPLIER CODE: V99145	121503 904949	1
10	NAS662-2R4		.SCREW	002004 006100 103107 950999	3
10	NAS662-2R4		.SCREW	121503 904949	3
15	611102-1		.RING- SUPPLIER CODE: V99145	002004 006100 103107 950999	1
15	611102-1		.RING- SUPPLIER CODE: V99145	121503 904949	1
20	611116-5		.SHIM- SUPPLIER CODE: V99145	002004 006100 103107 950999	3
20	611116-5		.SHIM- SUPPLIER CODE: V99145	121503 904949	3
25	611116-10		.SHIM- SUPPLIER CODE: V99145	002004 006100 103107 950999	1
25	611116-10		.SHIM- SUPPLIER CODE: V99145	121503 904949	1
30	611106-1		.DIAL ASSY-POINTER SUPPLIER CODE: V99145	002004 006100 103107 950999	1

MISSING ITEM NUMBERS NOT APPLICABLE

- ITEM NOT ILLUSTRATED

32-51-01-51

32-51-01  
FIG. 51  
PAGE 1  
JAN 20/09

BRI



757

PARTS CATALOG (MAINTENANCE)

FIG ITEM	PART NUMBER	1 2 3 4 5 6 7	NOMENCLATURE	EFFECT FROM TO	UNITS PER ASSY
51					
30	611106-1		.DIAL ASSY-POINTER SUPPLIER CODE: V99145	121503 904949	1
35	MS20392-1C11		.PIN	002004 006100 103107 950999	1
35	MS20392-1C11		.PIN	121503 904949	1
40	611117-1		.GEAR ASSY-PLANET SUPPLIER CODE: V99145	002004 006100 103107 950999	1
40	611117-1		.GEAR ASSY-PLANET SUPPLIER CODE: V99145	121503 904949	1
45	MS16624-1112		.RING	002004 006100 103107 950999	1
45	MS16624-1112		.RING	121503 904949	1
50	611126-1		.CARRIER ASSY- SUPPLIER CODE: V99145	002004 006100 103107 950999	1
50	611126-1		.CARRIER ASSY- SUPPLIER CODE: V99145	121503 904949	1
55	611133-1		.SUPPORT ASSY- SUPPLIER CODE: V99145	002004 006100 103107 950999	1
55	611133-1		.SUPPORT ASSY- SUPPLIER CODE: V99145	121503 904949	1

MISSING ITEM NUMBERS NOT APPLICABLE

- ITEM NOT ILLUSTRATED

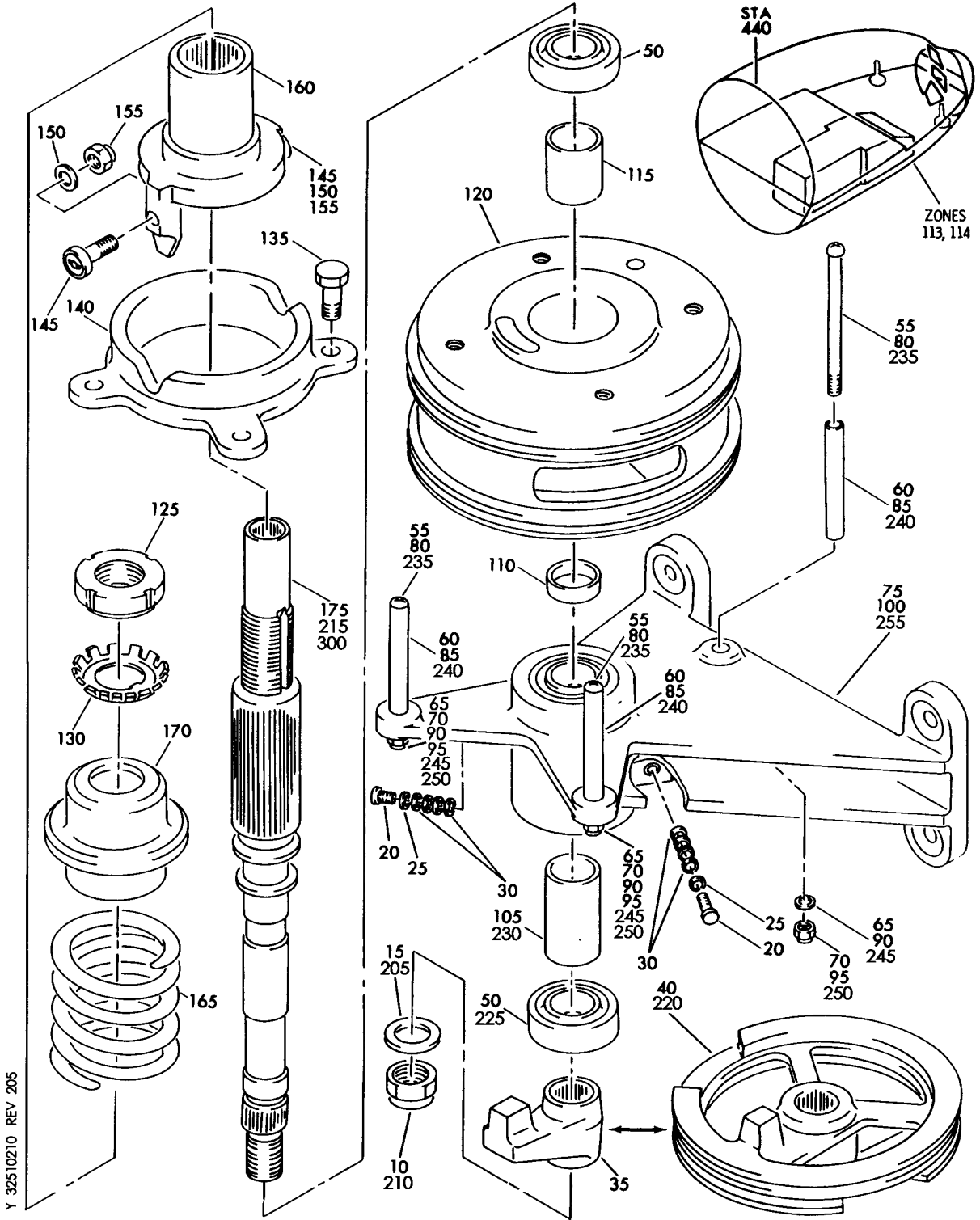
32-51-01-51

32-51-01  
FIG. 51  
PAGE 2  
JAN 20/09

BRI

BOEING PROPRIETARY - Copyright © - Unpublished Work - See title page for details.

**BOEING**  
757  
**PARTS CATALOG (MAINTENANCE)**



MECHANISM ASSY-NOSE WHL STEERING CONT TORQUE LIMITER DRUM  
FIGURE 10

**32-51-02-10**

BRI  
MAY 28/07

32-51-02-10  
PAGE 0

 **BOEING**  
757  
**PARTS CATALOG (MAINTENANCE)**

FIG ITEM	PART NUMBER	1 2 3 4 5 6 7	NOMENCLATURE	EFFECT FROM TO	UNITS PER ASSY
10			MECHANISM ASSY-NOSE WHL STEERING CONT TORQUE LIMITER DRUM	002004 006999	
- 1	275N2116-1		MECHANISM ASSY-NOSE WHL STEERING CONT TORQUE LIMITER DRUM MISCELLANEOUS DATA: FOR SPARES PROCURE LOWER COMPONENTS COMPONENT MAINT MANUAL REF: 32-51-08 OPTIONAL PART: 275N2116-3 FOR NHA SEE: 32-51-01-05	002004 006999	RF
- 1	275N2116-2		MECHANISM ASSY-NOSE WHL STEERING CONT TORQUE LIMITER DRUM VARIABLE MISCELLANEOUS DATA: FOR SPARES PROCURE LOWER COMPONENTS COMPONENT MAINT MANUAL REF: 32-51-08 OPTIONAL PART: 275N2116-4 FOR NHA SEE: 32-51-01-05	121949	RF
- 1	275N2116-3		MECHANISM ASSY-NOSE WHL STEERING CONT TORQUE LIMITER DRUM COMPONENT MAINT MANUAL REF: 32-51-08 OPTIONAL PART: 275N2116-5 FOR NHA SEE: 32-51-01-05	002004 006999	RF
- 1	275N2116-4		MECHANISM ASSY-NOSE WHL STEERING CONT TORQUE LIMITER DRUM VARIABLE COMPONENT MAINT MANUAL REF: 32-51-08 OPTIONAL PART: 275N2116-6 FOR NHA SEE: 32-51-01-05	121949	RF

MISSING ITEM NUMBERS NOT APPLICABLE

- ITEM NOT ILLUSTRATED

BRI

# 32-51-02-10

BOEING PROPRIETARY - Copyright © - Unpublished Work - See title page for details.

32-51-02  
FIG. 10  
PAGE 1  
JAN 20/09



757

PARTS CATALOG (MAINTENANCE)

FIG ITEM	PART NUMBER	1 2 3 4 5 6 7	NOMENCLATURE	EFFECT FROM TO	UNITS PER ASSY
10 - 1	275N2116-5		MECHANISM ASSY-NOSE WHL STEERING CONT TORQUE LIMITER DRUM COMPONENT MAINT MANUAL REF: 32-51-08 OPTIONAL PART: 275N2116-3 FOR NHA SEE: 32-51-01-05	002004 006999	RF
- 1	275N2116-6		MECHANISM ASSY-NOSE WHL STEERING CONT TORQUE LIMITER DRUM VARIABLE COMPONENT MAINT MANUAL REF: 32-51-08 OPTIONAL PART: 275N2116-4 FOR NHA SEE: 32-51-01-05	121949	RF
- 1	275N2116-7		MECHANISM ASSY-NOSE WHL STEERING CONT TORQUE LIMITER DRUM COMPONENT MAINT MANUAL REF: 32-51-08 OPTIONAL PART: 275N2116-8 FOR NHA SEE: 32-51-01-05	002004 006999	RF
- 1	275N2116-8		MECHANISM ASSY-NOSE WHL STEERING CONT TORQUE LIMITER DRUM COMPONENT MAINT MANUAL REF: 32-51-08 OPTIONAL PART: 275N2116-7 FOR NHA SEE: 32-51-01-05	121949	RF

MISSING ITEM NUMBERS NOT APPLICABLE

- ITEM NOT ILLUSTRATED

BRI

32-51-02-10

BOEING PROPRIETARY - Copyright © - Unpublished Work - See title page for details.

32-51-02  
FIG. 10  
PAGE 2  
JAN 20/09



757

PARTS CATALOG (MAINTENANCE)

FIG ITEM	PART NUMBER	1 2 3 4 5 6 7	NOMENCLATURE	EFFECT FROM TO	UNITS PER ASSY
10					
10	BMN4122AD3-8	.	NUT SUPPLIER CODE: V97928 SPECIFICATION NUMBER: BACN10JC8 OPTIONAL PART: BMN4122A8 V85495 H10-8BAC V15653 RMLH9074-8 V72962 48FT820 V56878	002004 006999	1
15	AN960-816	.	WASHER	002004 006999	1
20	NAS428-3-4	.	BOLT	002004 006999	2
25	AN960PD10	.	WASHER	002004 006999	2
30	AN960PD10L	.	WASHER	002004 006999	AR
35	275N2125-1	.	STOP	002004 006503 904999	1
40	275N2119-1	.	DRUM-BUS	121949	1

MISSING ITEM NUMBERS NOT APPLICABLE

- ITEM NOT ILLUSTRATED

BRI

32-51-02-10

BOEING PROPRIETARY - Copyright © - Unpublished Work - See title page for details.

32-51-02  
FIG. 10  
PAGE 3  
MAY 20/09

 **BOEING**  
757  
**PARTS CATALOG (MAINTENANCE)**

FIG ITEM	PART NUMBER	1 2 3 4 5 6 7	NOMENCLATURE	EFFECT FROM TO	UNITS PER ASSY
R R R R R R R R R R R R R R R R R	10 50	KP10AFS428	.BEARING SUPPLIER CODE: V21335 SPECIFICATION NUMBER: BACB10BX10 OPTIONAL PART: KP10A2TS V43991 LLKP10A V38443 KP10AG27 V30163 KP10A V38443 KP10ALY196 V40920 KP10ASD610 V83086 CS210E VK8455 KP10A V21760 KP10ANJC V06144	002004 006999	2
	55	NAS623-3-38	.BOLT	002004 006503 904999	3
	60	NAS42DD6-134	.SPACER	002004 006503 904999	3
	65	AN960PD10	.WASHER	002004 006503 904999	3

MISSING ITEM NUMBERS NOT APPLICABLE

— ITEM NOT ILLUSTRATED

BRI

# 32-51-02-10

BOEING PROPRIETARY - Copyright © - Unpublished Work - See title page for details.

32-51-02  
FIG. 10  
PAGE 4  
MAY 20/09



757

PARTS CATALOG (MAINTENANCE)

FIG ITEM	PART NUMBER	1 2 3 4 5 6 7	NOMENCLATURE	EFFECT FROM TO	UNITS PER ASSY
10					
70	BRH10A3	.	NUT SUPPLIER CODE: V52828 SPECIFICATION NUMBER: BACN10JC3 OPTIONAL PART: H10-3BAC V15653 NS202101-02 V80539 RMLH9075-3W V72962 VN303A02 V92215 96-02 V80539 T6S1032J V11815	002004 006503 904999	3
75	275N2117-1	.	BRACKET ASSY	002004 006503 904999	1
80	NAS623-3-21	.	SCREW	121949	3
85	NAS42DD6-67	.	SPACER	121949	3
90	AN960PD10	.	WASHER	121949	3
95	BRH10A3	.	NUT SUPPLIER CODE: V52828 SPECIFICATION NUMBER: BACN10JC3 OPTIONAL PART: H10-3BAC V15653 NS202101-02 V80539 RMLH9075-3W V72962 VN303A02 V92215 96-02 V80539 T6S1032J V11815	121949	3
100	275N2117-2	.	BRACKET ASSY	121949	1
105	NAS43DD10-96	.	SPACER	002004 006999	1
110	NAS43DD10-12	.	SPACER	002004 006999	1
115	NAS43DD10-57	.	SPACER	002004 006999	1

MISSING ITEM NUMBERS NOT APPLICABLE

- ITEM NOT ILLUSTRATED

32-51-02-10

32-51-02  
FIG. 10  
PAGE 5  
MAY 20/09

BRI





757

PARTS CATALOG (MAINTENANCE)

FIG ITEM	PART NUMBER	1 2 3 4 5 6 7	NOMENCLATURE	EFFECT FROM TO	UNITS PER ASSY
10					
120	275N2118-4	.	DRUM ASSY	002004 006999	1
125	MS19068-042	.	NUT	002004 006999	1
130	MS19070-042	.	WASHER	002004 006999	1
135	BACB30NR4K2	.	BOLT	002004 006999	4
140	275N2120-1	.	CAM- OPTIONAL PART: 275N2128-1 USED ON: 275N2116-1 275N2116-3 275N2116-7	002004 006999	1
140	275N2128-1	.	CAM- OPTIONAL PART: 275N2120-1 USED ON: 275N2116-1 275N2116-5 275N2116-8	002004 006999	1
145	HRS1CFR5	.	BEARING SUPPLIER CODE: V07484 SPECIFICATION NUMBER: BACB10AF3F5HS OPTIONAL PART: HRS1CFR5 V92563 HRS1CFR5 V60380	002004 006999	2
150	AN960PD10	.	WASHER	002004 006999	2

MISSING ITEM NUMBERS NOT APPLICABLE

- ITEM NOT ILLUSTRATED

32-51-02-10

32-51-02  
FIG. 10  
PAGE 6  
MAY 20/09

BRI

BOEING PROPRIETARY - Copyright © - Unpublished Work - See title page for details.



757

PARTS CATALOG (MAINTENANCE)

FIG ITEM	PART NUMBER	1 2 3 4 5 6 7	NOMENCLATURE	EFFECT FROM TO	UNITS PER ASSY
10 155	BRH10A3	.	NUT SUPPLIER CODE: V52828 SPECIFICATION NUMBER: BACN10JC3 OPTIONAL PART: H10-3BAC V15653 NS202101-02 V80539 RMLH9075-3W V72962 VN303A02 V92215 96-02 V80539 T6S1032J V11815	002004 006999	2
160	275N2121-2	.	CARRIER-ROLLER	002004 006999	1
165	275N2124-1	.	SPRING- USED ON: 275N2116-1	002004 006999	1
165	275N2141-1	.	SPRING- USED ON: 275N2116-3 275N2116-5 275N2116-7 275N2116-8	002004 006999	1
170	275N2122-1	.	GUIDE-SPG	002004 006999	1
175	275N2123-1	.	SHAFT	002004 006999	1
- 200	275N2130-1		MECHANISM ASSY- COMPONENT MAINT MANUAL REF: 32-51-09 FOR NHA SEE: 32-51-01-05	121949	RF
205	AN960-816	.	WASHER	121949	1

MISSING ITEM NUMBERS NOT APPLICABLE

- ITEM NOT ILLUSTRATED

BRI

32-51-02-10

BOEING PROPRIETARY - Copyright © - Unpublished Work - See title page for details.

32-51-02  
FIG. 10  
PAGE 7  
MAY 20/09



**757  
PARTS CATALOG (MAINTENANCE)**

FIG ITEM	PART NUMBER	1 2 3 4 5 6 7	NOMENCLATURE	EFFECT FROM TO	UNITS PER ASSY
10 210	BMN4122AD3-8		.NUT SUPPLIER CODE: V97928 SPECIFICATION NUMBER: BACN10JC8 OPTIONAL PART: BMN4122A8 V85495 H10-8BAC V15653 RMLH9074-8 V72962 48FT820 V56878	121949	1
215	275N2131-1		.SHAFT	121949	1
220	275N2119-2		.DRUM-BUS OPTIONAL PART: 275N2119-4	121949	1
220	275N2119-4		.DRUM-BUS OPTIONAL PART: 275N2119-2	121949	1
225	KP10AFS428		.BEARING SUPPLIER CODE: V21335 SPECIFICATION NUMBER: BACB10BX10 OPTIONAL PART: KP10A2TS V43991 LLKP10A V38443 KP10AG27 V30163 KP10A V38443 KP10ALY196 V40920 KP10ASD610 V83086 CS210E VK8455 KP10A V21760 KP10ANJC V06144	121949	1
230	NAS43DD10-96		.SPACER	121949	1
235	NAS623-3-21		.SCREW	121949	3
240	NAS42DD6-67		.SPACER	121949	3
245	AN960PD10		.WASHER	121949	3

R  
R  
R  
R  
R  
R  
R  
R  
R  
R  
R  
R  
R  
R  
R  
R  
R  
R  
R  
R  
R  
R  
R  
R  
R

MISSING ITEM NUMBERS NOT APPLICABLE

- ITEM NOT ILLUSTRATED

32-51-02-10

32-51-02  
FIG. 10  
PAGE 8  
MAY 20/09

BRI



757

PARTS CATALOG (MAINTENANCE)

FIG ITEM	PART NUMBER	1 2 3 4 5 6 7	NOMENCLATURE	EFFECT FROM TO	UNITS PER ASSY
10 250	BRH10A3	.	NUT SUPPLIER CODE: V52828 SPECIFICATION NUMBER: BACN10JC3 OPTIONAL PART: H10-3BAC V15653 NS202101-02 V80539 RMLH9075-3W V72962 VN303A02 V92215 96-02 V80539 T6S1032J V11815	121949	3
255	275N2126-1	.	BRACKET	121949	1
300	275N2131-1	.	SHAFT	121949	1

MISSING ITEM NUMBERS NOT APPLICABLE

- ITEM NOT ILLUSTRATED

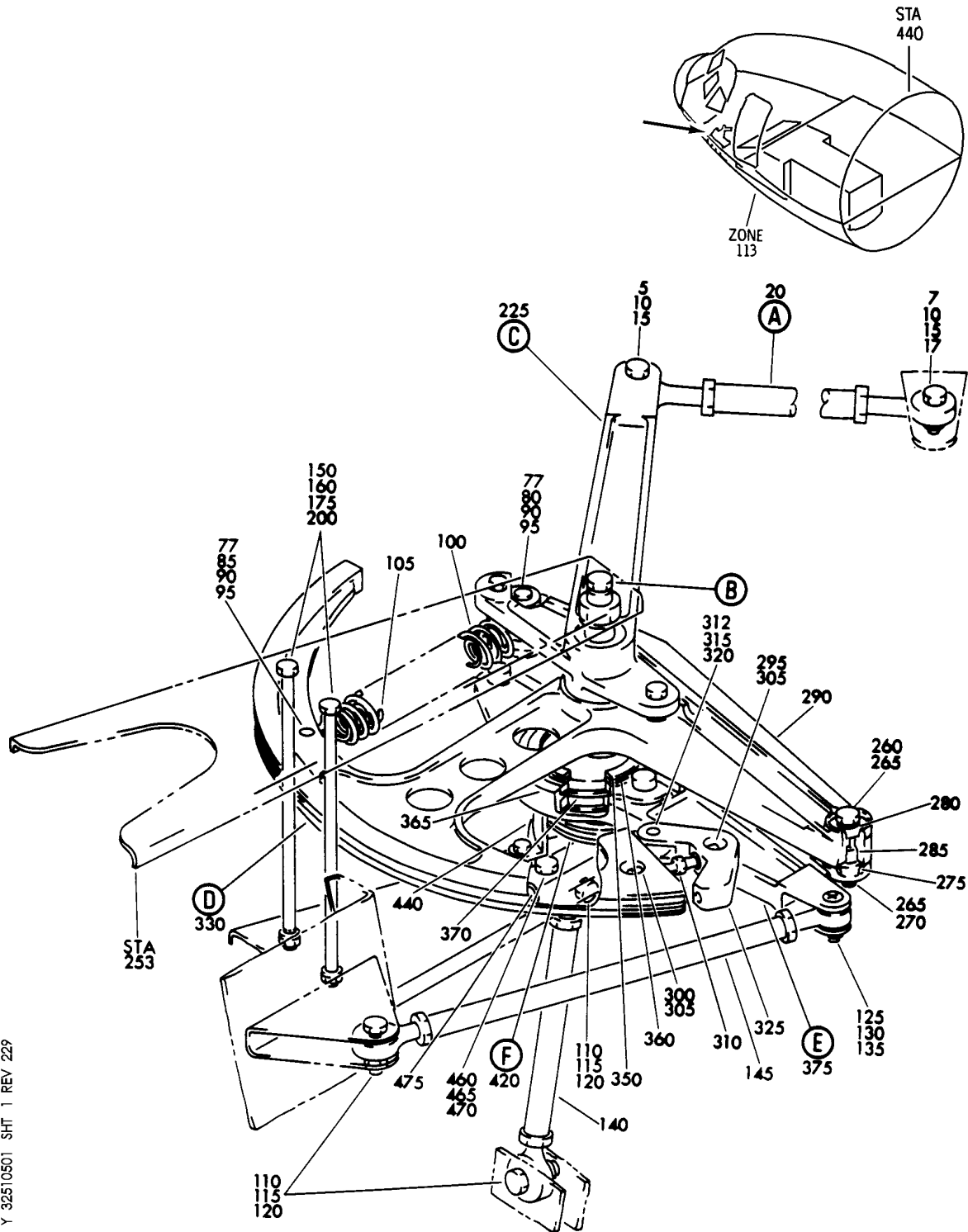
BRI

32-51-02-10

BOEING PROPRIETARY - Copyright © - Unpublished Work - See title page for details.

32-51-02  
FIG. 10  
PAGE 9  
MAY 20/09

**BOEING**  
757  
PARTS CATALOG (MAINTENANCE)



Y 32510501 SHT 1 REV 229

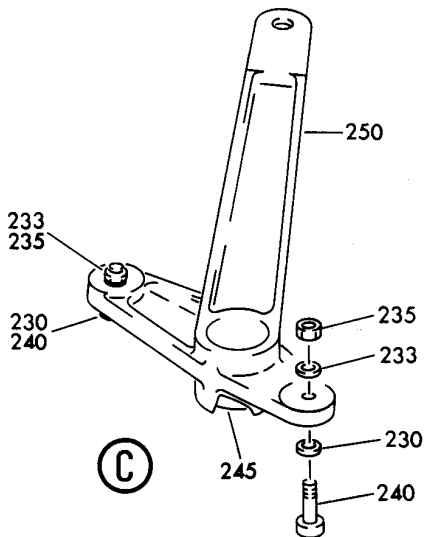
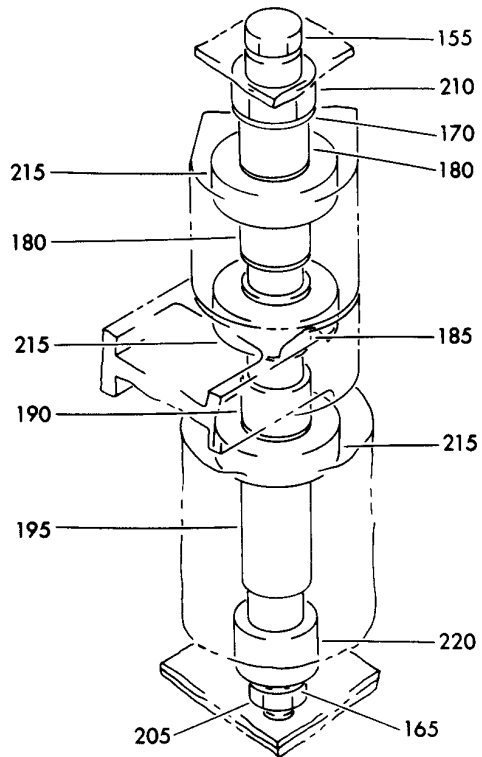
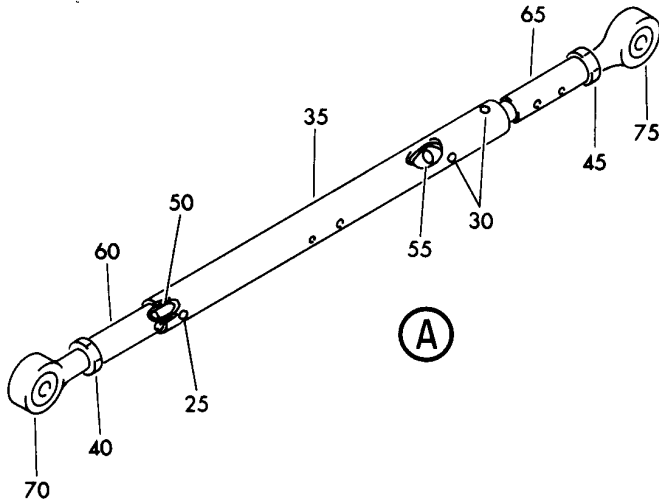
INTERCONNECT INSTL-RUD PEDAL STEERING  
FIGURE 1 (SHEET 1)

**32-51-05-01**

BRI  
MAY 28/07

32-51-05-01  
PAGE 0

**BOEING**  
757  
PARTS CATALOG (MAINTENANCE)



Y 32510501 SHT 2 REV 072

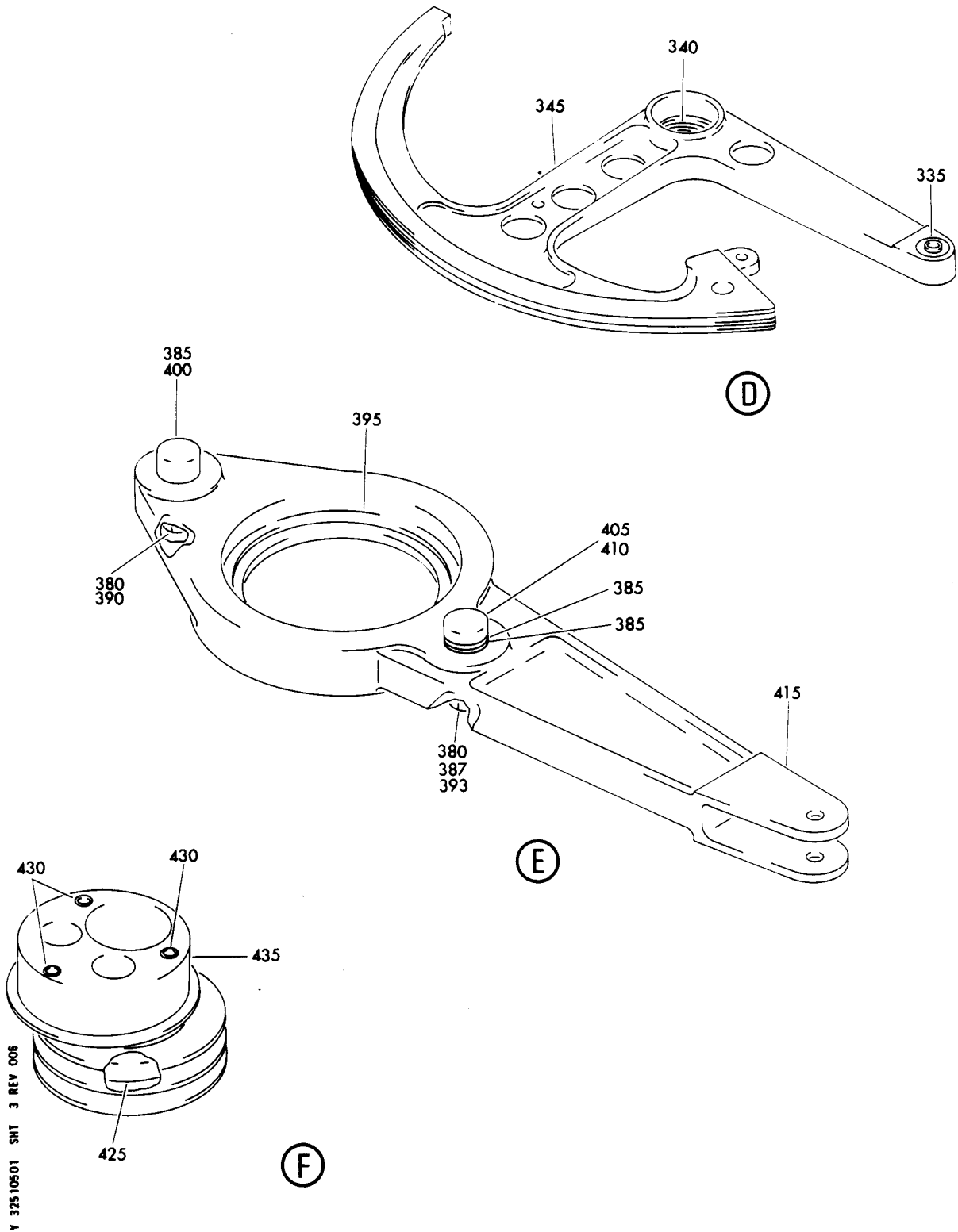
INTERCONNECT INSTL-RUD PEDAL STEERING  
FIGURE 1 (SHEET 2)

**32-51-05-01**

BRI  
MAY 28/07

32-51-05-01  
PAGE 0A

**BOEING**  
757  
PARTS CATALOG (MAINTENANCE)



INTERCONNECT INSTL-RUD PEDAL STEERING  
FIGURE 1 (SHEET 3)

**32-51-05-01**

BRI  
MAY 28/07

32-51-05-01  
PAGE 0B



757

PARTS CATALOG (MAINTENANCE)

FIG ITEM	PART NUMBER	1 2 3 4 5 6 7	NOMENCLATURE	EFFECT FROM TO	UNITS PER ASSY
1			INTERCONNECT INSTL-RUD PEDAL STEERING	002004 006999	
- 1	275N2012-1		INTERCONNECT INSTL-RUD PEDAL STEERING FOR NHA SEE: 32-51-53-01	002004 006100 107107 121503 904999	RF
- 1	275N2012-2		INTERCONNECT INSTL-RUD PEDAL STEERING FOR NHA SEE: 32-00-00-22	101102 108120 504903	RF
- 1	MODREF31943		INTERCONNECT INSTL-RUD PEDAL STEERING MODULE NUMBER: 275N2012-2 REV B	103106	1
7	BACB30NF4-14		.BOLT	002004 006999	1
7	BACB30NF4-15		.BOLT	002004 006999	1
10	AN960PD416		.WASHER	002004 006100 107107 121503 904999	2
10	NAS1149D0463J		.WASHER	101106 108120 504903	2
15	BRH10A4		.NUT SUPPLIER CODE: V52828 SPECIFICATION NUMBER: BACN10JC4 OPTIONAL PART: T6S428J V11815 96-048 V80539 VN303A048 V92215 RMLH9075-4W V72962 NS202101-048 V80539 H10-4BAC V15653	002004 006100 107107 121503 904999	2

MISSING ITEM NUMBERS NOT APPLICABLE

- ITEM NOT ILLUSTRATED

32-51-05-01

32-51-05  
FIG. 01  
PAGE 1  
JAN 20/09

BRI





757

PARTS CATALOG (MAINTENANCE)

FIG ITEM	PART NUMBER	1 2 3 4 5 6 7	NOMENCLATURE	EFFECT FROM TO	UNITS PER ASSY
1					
15	BRH10C4D	.	NUT SUPPLIER CODE: V52828 SPECIFICATION NUMBER: BACN10JC4CD OPTIONAL PART: T6C428JCD V11815 NS202486-048 V80539 102LH9075-4W V72962 H51650-4BAC V15653	101106 108120 504903	2
17	65-35436-20	.	RETAINER-BOLT	002004 006999	1
20	275N2089-9	.	ROD ASSY- FUNCTIONAL REFERENCE: PLACARDS AND MARKINGS FOR DETAILS SEE 11-26-01-01	002004 006999	1
25	BACR15BB5A	..	RIVET- SIZE DETERMINED ON INSTL.	002004 006999	1
30	BACR15BB5D	..	RIVET- SIZE DETERMINED ON INSTL.	002004 006999	2
35	275N2089-2	..	TUBE-LINKING	002004 006999	1
40	MS35691-21	..	NUT-	002004 006999	1
45	MS35691-29	..	NUT-	002004 006999	1
50	275N2089-8	..	PLUG-	002004 006999	1
55	275N2089-7	..	PLUG-	002004 006999	1
60	275N2089-4	..	TUBE	002004 006999	1
65	275N2089-3	..	TUBE	002004 006999	1

MISSING ITEM NUMBERS NOT APPLICABLE

- ITEM NOT ILLUSTRATED

32-51-05-01

32-51-05  
FIG. 01  
PAGE 2  
JAN 20/09

BRI

BOEING PROPRIETARY - Copyright © - Unpublished Work - See title page for details.



757

PARTS CATALOG (MAINTENANCE)

FIG ITEM	PART NUMBER	1 2 3 4 5 6 7	NOMENCLATURE	EFFECT FROM TO	UNITS PER ASSY
1 70	REP4M6-5FS428		.. BEARING SUPPLIER CODE: V73134 SPECIFICATION NUMBER: BACB10AD12 OPTIONAL PART: HHRE4M6-2 V38443 REP4M6-5E9171B V21335 ABR4M103 VS0352 REP4M6-2CP62 VF0222 REP4M6-5FS428 V21335 REB4M6-21 V92563 DBM4-6B1-501 V77896 ABR4M103B V15860 REP4M6-012J V73134	002004 006999	1
75	REP4M7-2FS428		.. BEARING SUPPLIER CODE: V73134 SPECIFICATION NUMBER: BACB10AD13 OPTIONAL PART: HHRE4M7-1 V38443 REP4M7-2E9171B V21335 ABR4M104 VS0352 REP4M7CP62 VF0222 REP4M7-2FS428 V21335 REB4M7-21 V92563 DBM4-7A1-501 V77896 ABR4M104B V15860 REP4M7-013J V73134	002004 006999	1

MISSING ITEM NUMBERS NOT APPLICABLE

- ITEM NOT ILLUSTRATED

32-51-05-01

32-51-05  
FIG. 01  
PAGE 3  
JAN 20/09

BRI



757

PARTS CATALOG (MAINTENANCE)

FIG ITEM	PART NUMBER	1 2 3 4 5 6 7	NOMENCLATURE	EFFECT FROM TO	UNITS PER ASSY
1					
77	MS24665-134	.	PIN	002004 006999	2
80	MS20392-3C53	.	PIN	002004 006999	1
85	MS20392-3C15	.	PIN	002004 006999	1
90	BACW10P134A	.	WASHER	002004 006999	2
95	AN960PD416	.	WASHER	002004 006100 107107 121503 904999	2
95	NAS1149D0463J	.	WASHER	101106 108120 504903	2
100	275N2090-2	.	SPRING-EXTENSION OUTER	002004 006999	1
105	275N2094-2	.	SPRING-EXTENSION INNER	002004 006999	1
110	BACB30NF4-12	.	BOLT	002004 006999	3
115	AN960PD416	.	WASHER	002004 006100 107107 121503 904999	3
115	NAS1149D0463J	.	WASHER	101106 108120 504903	3
120	BRH10A4	.	NUT	002004 006100 107107 121503 904999	3
			SUPPLIER CODE: V52828		
			SPECIFICATION NUMBER: BACN10JC4		
			OPTIONAL PART: T6S428J V11815 96-048 V80539 VN303A048 V92215 RMLH9075-4W V72962 NS202101-048 V80539 H10-4BAC V15653		
MISSING ITEM NUMBERS NOT APPLICABLE					

- ITEM NOT ILLUSTRATED

32-51-05-01

32-51-05  
FIG. 01  
PAGE 4  
JAN 20/09

BRI



757

PARTS CATALOG (MAINTENANCE)

FIG ITEM	PART NUMBER	1 2 3 4 5 6 7	NOMENCLATURE	EFFECT FROM TO	UNITS PER ASSY
1 120	BRH10C4D	.NUT	SUPPLIER CODE: V52828 SPECIFICATION NUMBER: BACN10JC4CD OPTIONAL PART: T6C428JCD V11815 NS202486-048 V80539 102LH9075-4W V72962 H51650-4BAC V15653	101106 108120 504903	3
125	BACB30LU3-11	.BOLT		002004 006999	1
130	AN960PD10	.WASHER		002004 006100 107107 121503 904999	1
130	NAS1149D0463J	.WASHER		101106 108120 504903	1
135	BRH10A3	.NUT	SUPPLIER CODE: V52828 SPECIFICATION NUMBER: BACN10JC3 OPTIONAL PART: H10-3BAC V15653 NS202101-02 V80539 RMLH9075-3W V72962 VN303A02 V92215 96-02 V80539 T6S1032J V11815	002004 006100 107107 121503 904999	1

MISSING ITEM NUMBERS NOT APPLICABLE

- ITEM NOT ILLUSTRATED

BRI

32-51-05-01

BOEING PROPRIETARY - Copyright © - Unpublished Work - See title page for details.

32-51-05  
FIG. 01  
PAGE 5  
JAN 20/09



757

PARTS CATALOG (MAINTENANCE)

FIG ITEM	PART NUMBER	1 2 3 4 5 6 7	NOMENCLATURE	EFFECT FROM TO	UNITS PER ASSY
1 135	BRH10C4D	.	NUT SUPPLIER CODE: V52828 SPECIFICATION NUMBER: BACN10JC4CD OPTIONAL PART: T6C428JCD V11815 NS202486-048 V80539 102LH9075-4W V72962 H51650-4BAC V15653	101106 108120 504903	1
140	BACR24N674	.	ROD ASSY	002004 006999	1
145	BACR24N5111	.	ROD ASSY	002004 006999	1
150	BACB30NF4-110	.	BOLT	002004 006999	2
155	BACB30LJ4U111	.	BOLT	002004 006999	1
160	AN960PD416	.	WASHER	002004 006100 107107 121503 904999	2
160	NAS1149D0463J	.	WASHER	101106 108120 504903	2
165	AN960PD416	.	WASHER	002004 006100 107107 121503 904999	1
165	NAS1149D0463J	.	WASHER	101106 108120 504903	1
170	MS27111-5	.	WASHER	002004 006999	1
175	NAS42DD8-431	.	SPACER	002004 006100 107107 121503 904999	2
175	NAS42DD8-431FC	.	SPACER	101106 108120 504903	2

MISSING ITEM NUMBERS NOT APPLICABLE

- ITEM NOT ILLUSTRATED

32-51-05-01

32-51-05  
FIG. 01  
PAGE 6  
JAN 20/09

BRI

BOEING PROPRIETARY - Copyright © - Unpublished Work - See title page for details.



757

PARTS CATALOG (MAINTENANCE)

FIG ITEM	PART NUMBER	1 2 3 4 5 6 7	NOMENCLATURE	EFFECT FROM TO	UNITS PER ASSY
1	180	NAS43DD8-39	. SPACER	002004 006100 107107 121503 904999	2
	180	NAS43DD8-39FC	. SPACER	101106 108120 504903	2
	185	NAS43DD8-19	. SPACER	002004 006100 107107 121503 904999	1
	185	NAS43DD8-19FC	. SPACER	101106 108120 504903	1
	190	NAS43DD8-32	. SPACER	002004 006100 107107 121503 904999	1
	190	NAS43DD8-32FC	. SPACER	101106 108120 504903	1
	195	NAS43DD8-84	. SPACER	002004 006100 107107 121503 904999	1
	195	NAS43DD8-84FC	. SPACER	101106 108120 504903	1

MISSING ITEM NUMBERS NOT APPLICABLE

- ITEM NOT ILLUSTRATED

BRI

32-51-05-01

BOEING PROPRIETARY - Copyright © - Unpublished Work - See title page for details.

32-51-05  
FIG. 01  
PAGE 7  
JAN 20/09



757

PARTS CATALOG (MAINTENANCE)

FIG ITEM	PART NUMBER	1 2 3 4 5 6 7	NOMENCLATURE	EFFECT FROM TO	UNITS PER ASSY
1 200	BRH10A4	.NUT	SUPPLIER CODE: V52828 SPECIFICATION NUMBER: BACN10JC4 OPTIONAL PART: T6S428J V11815 96-048 V80539 VN303A048 V92215 RMLH9075-4W V72962 NS202101-048 V80539 H10-4BAC V15653	002004 006100 107107 121503 904999	2
200	BRH10C4D	.NUT	SUPPLIER CODE: V52828 SPECIFICATION NUMBER: BACN10JC4CD OPTIONAL PART: T6C428JCD V11815 NS202486-048 V80539 102LH9075-4W V72962 H51650-4BAC V15653	101106 108120 504903	2

MISSING ITEM NUMBERS NOT APPLICABLE

- ITEM NOT ILLUSTRATED

BRI

32-51-05-01

BOEING PROPRIETARY - Copyright © - Unpublished Work - See title page for details.

32-51-05  
FIG. 01  
PAGE 8  
JAN 20/09



757

PARTS CATALOG (MAINTENANCE)

FIG ITEM	PART NUMBER	1 2 3 4 5 6 7	NOMENCLATURE	EFFECT FROM TO	UNITS PER ASSY
1 205	BRH10A4	.NUT-	SUPPLIER CODE: V52828 SPECIFICATION NUMBER: BACN10JC4 OPTIONAL PART: T6S428J V11815 96-048 V80539 VN303A048 V92215 RMLH9075-4W V72962 NS202101-048 V80539 H10-4BAC V15653	002004 006100 107107 121503 904999	1
205	BRH10C4D	.NUT	SUPPLIER CODE: V52828 SPECIFICATION NUMBER: BACN10JC4CD OPTIONAL PART: T6C428JCD V11815 NS202486-048 V80539 102LH9075-4W V72962 H51650-4BAC V15653	101106 108120 504903	1
210	MS35691-37	.NUT		002004 006999	1

MISSING ITEM NUMBERS NOT APPLICABLE

- ITEM NOT ILLUSTRATED

32-51-05-01

32-51-05  
FIG. 01  
PAGE 9  
JAN 20/09

BRI

BOEING PROPRIETARY - Copyright © - Unpublished Work - See title page for details.



**BOEING**  
757  
**PARTS CATALOG (MAINTENANCE)**

FIG ITEM	PART NUMBER	1 2 3 4 5 6 7	NOMENCLATURE	EFFECT FROM TO	UNITS PER ASSY	
R R R R R R R R R R R R R R R R R	1 215	KP8AFS428	.BEARING- SUPPLIER CODE: V06144 SPECIFICATION NUMBER: BACB10BX8 OPTIONAL PART: KP8AFS428 V21335 KP8A2TS V43991 LLKP8A V38443 KP8AG27 V30163 KP8A V38443 KP8BSD610 V83086 CS208E VK8455 KP8A V21760 KP8ANJC V06144 KP8ALY196 V40920	002004 006999	3	
	220	275N2088-1	.SHAFT	002004 006999	1	
	225	275N2081-1	.CRANK ASSY-	002004 006999	1	
	230	AN960PD10	..WASHER- POSITION DATA: UNDER BEARING	002004 006999	2	
	233	AN960PD10L	..WASHER- POSITION DATA: UNDER NUT	002004 006999	2	
	235	BACN10JD103	..NUT-	002004 006999	2	
	MISSING ITEM NUMBERS NOT APPLICABLE					

- ITEM NOT ILLUSTRATED

# 32-51-05-01

32-51-05  
FIG. 01  
PAGE 10  
MAY 20/09

BRI

BOEING PROPRIETARY - Copyright © - Unpublished Work - See title page for details.

**BOEING**  
757  
**PARTS CATALOG (MAINTENANCE)**

FIG ITEM	PART NUMBER	1 2 3 4 5 6 7	NOMENCLATURE	EFFECT FROM TO	UNITS PER ASSY
1 240	HRS1CFR7		.. BEARING SUPPLIER CODE: V07484 SPECIFICATION NUMBER: BACB10AF3F7HS OPTIONAL PART: HRS1CFR7 V92563 HRS1CFR7 V83132 HRS1CFR7 V60380	002004 006999	2
R R R R R R R R R R R R R R R R R R R R R R	245		.. BEARING- SUPPLIER CODE: V06144 SPECIFICATION NUMBER: BACB10BX8 OPTIONAL PART: KP8AFS428 V21335 KP8A2TS V43991 LLKP8A V38443 KP8AG27 V30163 KP8A V38443 KP8BSD610 V83086 CS208E VK8455 KP8A V21760 KP8ANJC V06144 KP8ALY196 V40920	002004 006999	1
	250		.. CRANK- USED ON: 275N2081-1	002004 006999	1
	260		. BOLT	002004 006999	1
	265		. WASHER	002004 006100 107107 121503 904999	2

MISSING ITEM NUMBERS NOT APPLICABLE

— ITEM NOT ILLUSTRATED

BRI

# 32-51-05-01

BOEING PROPRIETARY - Copyright © - Unpublished Work - See title page for details.

32-51-05  
FIG. 01  
PAGE 11  
MAY 20/09



757

PARTS CATALOG (MAINTENANCE)

FIG ITEM	PART NUMBER	1 2 3 4 5 6 7	NOMENCLATURE	EFFECT FROM TO	UNITS PER ASSY
1					
265	NAS1149D0463J	.	WASHER	101106 108120 504903	2
270	BRH10A4	.	NUT- SUPPLIER CODE: V52828 SPECIFICATION NUMBER: BACN10JC4 OPTIONAL PART: T6S428J V11815 96-048 V80539 VN303A048 V92215 RMLH9075-4W V72962 NS202101-048 V80539 H10-4BAC V15653	002004 006100 107107 121503 904999	1
270	BRH10C4D	.	NUT SUPPLIER CODE: V52828 SPECIFICATION NUMBER: BACN10JC4CD OPTIONAL PART: T6C428JCD V11815 NS202486-048 V80539 102LH9075-4W V72962 H51650-4BAC V15653	101106 108120 504903	1

MISSING ITEM NUMBERS NOT APPLICABLE

- ITEM NOT ILLUSTRATED

BRI

32-51-05-01

BOEING PROPRIETARY - Copyright © - Unpublished Work - See title page for details.

32-51-05  
FIG. 01  
PAGE 12  
MAY 20/09



757

PARTS CATALOG (MAINTENANCE)

FIG ITEM	PART NUMBER	1 2 3 4 5 6 7	NOMENCLATURE	EFFECT FROM TO	UNITS PER ASSY
1 275	KP4AFS428		.BEARING SUPPLIER CODE: V06144 SPECIFICATION NUMBER: BACB10BX4 OPTIONAL PART: KP4AFS428 V21335 KP4A2TS V43991 LLKP4A V38443 KP4AG27 V30163 KP4A V38443 KP4ALY196 V40920 KP4ASD610 V83086 CS204E VK8455 KP4A V21760 KP4ANJC V06144	002004 006999	1
280	NAS73-4E004		.BUSHING- MISCELLANEOUS DATA: REPLACED BY NAS73-4-004	002004 006100 107107 121503 904999	1
280	NAS73-4-004		.BUSHING	101106 108120 504903	1
285	NAS43DD4-27		.SPACER	002004 006100 107107 121503 904999	1
285	NAS43DD4-27FC		.SPACER	101106 108120 504903	1
290	275N2080-1		.ARM-CLUTCH OPTIONAL PART: 275N2080-3	002004 107107 121503 904949 952952	1

MISSING ITEM NUMBERS NOT APPLICABLE

- ITEM NOT ILLUSTRATED

BRI

32-51-05-01

BOEING PROPRIETARY - Copyright © - Unpublished Work - See title page for details.

32-51-05  
FIG. 01  
PAGE 13  
JAN 20/09



757

PARTS CATALOG (MAINTENANCE)

FIG ITEM	PART NUMBER	1 2 3 4 5 6 7	NOMENCLATURE	EFFECT FROM TO	UNITS PER ASSY
1					
290	275N2080-3	.	ARM-CLUTCH	002004 107107 121503 904949 952952	1
290	275N2080-4	.	ARM-CLUTCH	002004 006100 107107 121503 904999	1
295	SL414-4N	.	NUT-BARREL SUPPLIER CODE: V97393	002004 006999	1
300	SL414-4NL	.	NUT-BARREL SUPPLIER CODE: V97393	002004 006999	1
305	SLR414-4B	.	RETAINER- SUPPLIER CODE: V97393	002004 006999	2
310	275N2091-1	.	BOLT-TRNBKL	002004 006999	1
312	MS24665-134	.	PIN	002004 006100 107107 121503 904999	1
312	BACP18BC02C06P	.	PIN	101106 108120 504903	1
315	MS20392-3C23	.	PIN	002004 006999	1
320	AN960PD416	.	WASHER	002004 006100 107107 121503 904999	1
320	NAS1149D0463J	.	WASHER	101106 108120 504903	1
325	275N2092-1	.	LINK-CABLE TENSIONER	002004 006999	1
330	275N2077-4	.	QUADRANT ASSY	002004 006999	1

MISSING ITEM NUMBERS NOT APPLICABLE

- ITEM NOT ILLUSTRATED

32-51-05-01

32-51-05  
FIG. 01  
PAGE 14  
JAN 20/09

BRI

BOEING PROPRIETARY - Copyright © - Unpublished Work - See title page for details.



757

PARTS CATALOG (MAINTENANCE)

FIG ITEM	PART NUMBER	1 2 3 4 5 6 7	NOMENCLATURE	EFFECT FROM TO	UNITS PER ASSY
1 335	KP4AFS428		. . BEARING SUPPLIER CODE: V06144 SPECIFICATION NUMBER: BACB10BX4 OPTIONAL PART: KP4AFS428 V21335 KP4A2TS V43991 LLKP4A V38443 KP4AG27 V30163 KP4A V38443 KP4ALY196 V40920 KP4ASD610 V83086 CS204E VK8455 KP4A V21760 KP4ANJC V06144	002004 006999	1

MISSING ITEM NUMBERS NOT APPLICABLE

- ITEM NOT ILLUSTRATED

BRI

32-51-05-01

BOEING PROPRIETARY - Copyright © - Unpublished Work - See title page for details.

32-51-05  
FIG. 01  
PAGE 15  
JAN 20/09



757

PARTS CATALOG (MAINTENANCE)

FIG ITEM	PART NUMBER	1 2 3 4 5 6 7	NOMENCLATURE	EFFECT FROM TO	UNITS PER ASSY
1	KP8AFS428		.. BEARING-	002004	1
R	340		SUPPLIER CODE:	006999	
R			V06144		
R			SPECIFICATION NUMBER:		
R			BACB10BX8		
R			OPTIONAL PART:		
R			KP8AFS428		
R			V21335		
R			KP8A2TS		
R			V43991		
R			LLKP8A		
R			V38443		
R			KP8AG27		
R			V30163		
R			KP8A		
R			V38443		
R			KP8BSD610		
R			V83086		
R			CS208E		
R			VK8455		
R			KP8A		
R			V21760		
R			KP8ANJC		
R			V06144		
R			KP8ALY196		
R			V40920		
	345		.. QUADRANT	002004	1
				006999	
	350		. RETAINER-BRG	002004	1
				006999	
			ATTACHING PARTS		
-	355		. SCREW	002004	3
				006999	
			-----*-----		
	360		. SHIM	002004	1
				006999	

MISSING ITEM NUMBERS NOT APPLICABLE

- ITEM NOT ILLUSTRATED

32-51-05-01

32-51-05  
FIG. 01  
PAGE 16  
MAY 20/09

BRI

**BOEING**  
757  
PARTS CATALOG (MAINTENANCE)

FIG ITEM	PART NUMBER	1 2 3 4 5 6 7	NOMENCLATURE	EFFECT FROM TO	UNITS PER ASSY	
R R R R R R R R R R	1 365	B546DDFS428	. BEARING SUPPLIER CODE: V06144 SPECIFICATION NUMBER: BACB10CF37PP OPTIONAL PART: B546-2TS V43991 B546DDFS428 V21335 T346E VK8455 B546DDFS101 V06144 B546DD V38443 B546FS101 V06144 B546DDP V21760 B546DDNJC V06144	002004 006999	1	
	370	66-15736-6	. SPACER	002004 006999	1	
	375	275N2078-1	. ARM ASSY-ECCENTRIC	002004 006999	1	
	380	BACN10JD103	.. NUT	002004 006999	2	
	385	AN960PD10	.. WASHER	002004 006999	3	
	387	AN960PD10	.. WASHER- USED WITH: BACB10AF3F14HS	002004 006999	1	
	390	AN960PD10L	.. WASHER	002004 006999	1	
	393	AN960PD10L	.. WASHER- USED WITH: BACB10AF3F12HS	002004 006999	1	
	MISSING ITEM NUMBERS NOT APPLICABLE					

- ITEM NOT ILLUSTRATED

BRI

# 32-51-05-01

BOEING PROPRIETARY - Copyright © - Unpublished Work - See title page for details.

32-51-05  
FIG. 01  
PAGE 17  
MAY 20/09



 **BOEING**  
757  
**PARTS CATALOG (MAINTENANCE)**

FIG ITEM	PART NUMBER	1 2 3 4 5 6 7	NOMENCLATURE	EFFECT FROM TO	UNITS PER ASSY
R R R R R R R R R R R R R R R R R R R R R R	1 395	B546DDFS428	.. BEARING SUPPLIER CODE: V06144 SPECIFICATION NUMBER: BACB10CF37PP OPTIONAL PART: B546-2TS V43991 B546DDFS428 V21335 T346E VK8455 B546DDFS101 V06144 B546DD V38443 B546FS101 V06144 B546DDP V21760 B546DDNJC V06144	002004 006999	1
	400	HRS1CFR8	.. BEARING SUPPLIER CODE: V07484 SPECIFICATION NUMBER: BACB10AF3F8HS OPTIONAL PART: HRS1CFR8 V92563 HRS1CFR8 V60380	002004 006999	1
	405	HRS1CFR12	.. BEARING- SUPPLIER CODE: V60380 SPECIFICATION NUMBER: BACB10AF3F12HS OPTIONAL PART: HRS1CFR12 V92563 HRS1CFR12 V07484 BACB10AF8F14HS	002004 006999	1
	405	BACB10AF3F14HS	.. BEARING- OPTIONAL PART: BACB10AF3F12HS	002004 006999	1
	415	275N2078-2	.. ARM- USED ON: 275N2078-1	002004 006999	1

MISSING ITEM NUMBERS NOT APPLICABLE

— ITEM NOT ILLUSTRATED

BRI

# 32-51-05-01

BOEING PROPRIETARY - Copyright © - Unpublished Work - See title page for details.

32-51-05  
FIG. 01  
PAGE 18  
MAY 20/09



**757  
PARTS CATALOG (MAINTENANCE)**

FIG ITEM	PART NUMBER	1 2 3 4 5 6 7	NOMENCLATURE	EFFECT FROM TO	UNITS PER ASSY
1 420	275N2082-5	.	DRUM ASSY-ECCENTRIC	002004 006100 121503 904999	1
420	275N2082-3	.	DRUM ASSY-ECCENTRIC	101120 504903	1
425	KP8AFS428	..	BEARING- SUPPLIER CODE: V06144 SPECIFICATION NUMBER: BACB10BX8 OPTIONAL PART: KP8AFS428 V21335 KP8A2TS V43991 LLKP8A V38443 KP8AG27 V30163 KP8A V38443 KP8BSD610 V83086 CS208E VK8455 KP8A V21760 KP8ANJC V06144 KP8ALY196 V40920	002004 006999	1
430	MS21209F1-15P	..	INSERT	002004 006999	3
435	275N2082-6	..	DRUM-	002004 006100 121503 904999	1
435	275N2082-4	..	DRUM-	101120 504903	1
440	275N2083-1	.	GUARD-CABLE	002004 006999	1
- 445	BACB30NR4K3	.	ATTACHING PARTS BOLT	002004 006999	2

R  
R  
R  
R  
R  
R  
R  
R  
R  
R  
R  
R  
R  
R  
R  
R  
R  
R  
R  
R  
R  
R  
R

MISSING ITEM NUMBERS NOT APPLICABLE

- ITEM NOT ILLUSTRATED

**32-51-05-01**

32-51-05  
FIG. 01  
PAGE 19  
MAY 20/09

BRI



757

PARTS CATALOG (MAINTENANCE)

FIG ITEM	PART NUMBER	1 2 3 4 5 6 7	NOMENCLATURE	EFFECT FROM TO	UNITS PER ASSY
1					
- 450	AN960PD416	.	WASHER	002004 006100 107107 121503 904999	2
- 450	NAS1149D0463J	.	WASHER	101106 108120 504903	2
- 455	BRH10C4D	.	NUT- SUPPLIER CODE: V52828 SPECIFICATION NUMBER: BACN10JC4CD OPTIONAL PART: T6C428JCD V11815 NS202486-048 V80539 102LH9075-4W V72962 H51650-4BAC V15653 NAS679A4W NAS1291C4M	002004 006999	2
- 455	NAS679A4W	.	NUT- OPTIONAL PART: BACN10JC4CD NAS1291C4M	002004 006999	2
- 455	NAS1291C4M	.	NUT- OPTIONAL PART: BACN10JC4CD NAS679A4W	002004 006999	2
			-----*-----		
460	BACB30NR4K2	.	BOLT	002004 006100 107107 121503 904999	1
465	AN960PD416	.	WASHER	002004 006100 107107 121503 904999	1

MISSING ITEM NUMBERS NOT APPLICABLE

- ITEM NOT ILLUSTRATED

BRI

32-51-05-01

BOEING PROPRIETARY - Copyright © - Unpublished Work - See title page for details.

32-51-05  
FIG. 01  
PAGE 20  
MAY 20/09



757

PARTS CATALOG (MAINTENANCE)

FIG ITEM	PART NUMBER	1 2 3 4 5 6 7	NOMENCLATURE	EFFECT FROM TO	UNITS PER ASSY
1 470	BRH10C4D	.NUT-	SUPPLIER CODE: V52828 SPECIFICATION NUMBER: BACN10JC4CD OPTIONAL PART: T6C428JCD V11815 NS202486-048 V80539 102LH9075-4W V72962 H51650-4BAC V15653 NAS679A4W NAS1291C4M	002004 006999	1
470	NAS679A4W	.NUT-	OPTIONAL PART: BACN10JC4CD NAS1291C4M	002004 006999	1
470	NAS1291C4M	.NUT-	OPTIONAL PART: BACN10JC4CD NAS679A4W	002004 006999	1
475	275N2085-3	.BRACKET		002004 006999	1

MISSING ITEM NUMBERS NOT APPLICABLE

- ITEM NOT ILLUSTRATED

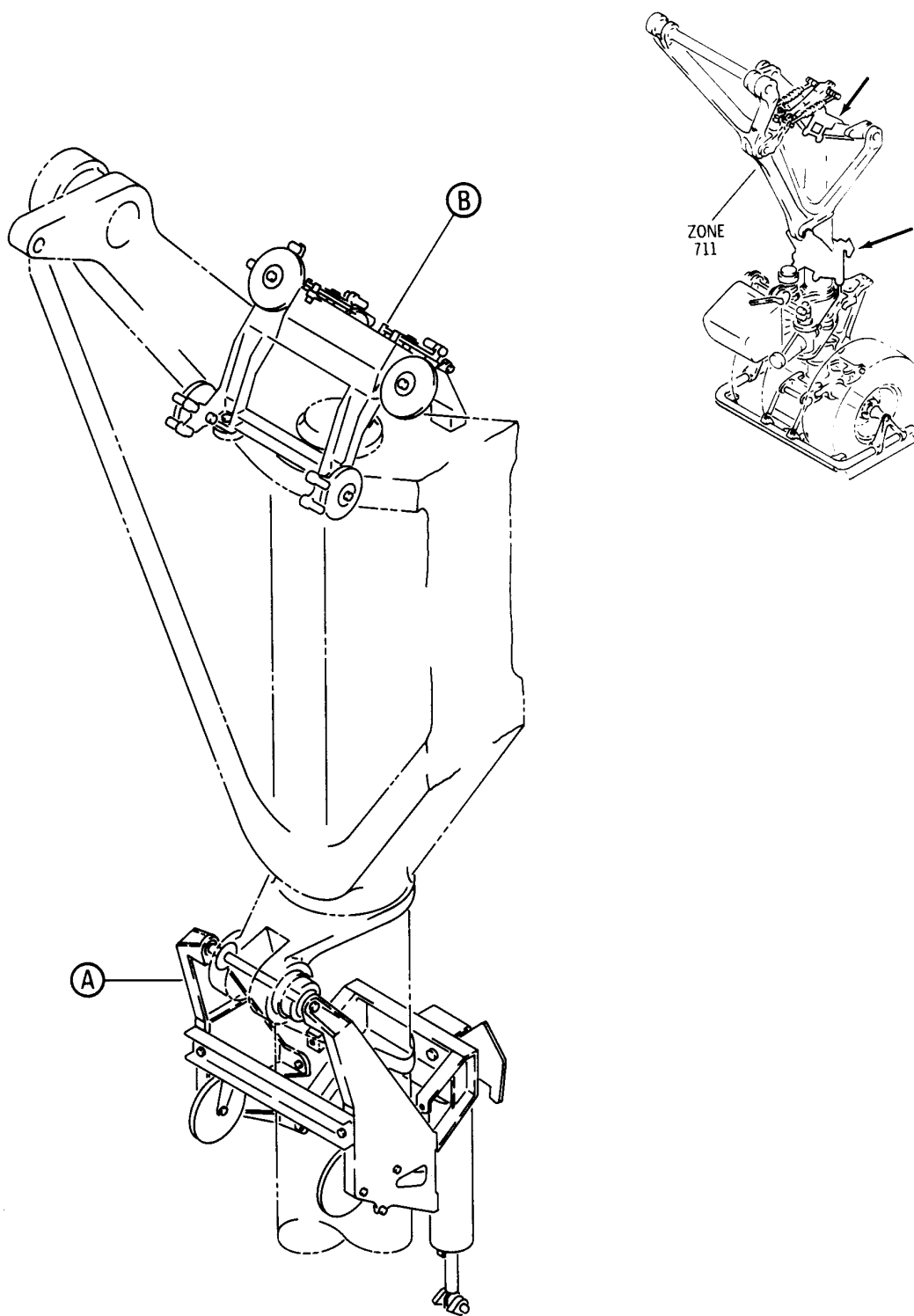
BRI

32-51-05-01

BOEING PROPRIETARY - Copyright © - Unpublished Work - See title page for details.

32-51-05  
FIG. 01  
PAGE 21  
JAN 20/09

**BOEING**  
757  
PARTS CATALOG (MAINTENANCE)



Y 32510801 SHT 1 REV 002

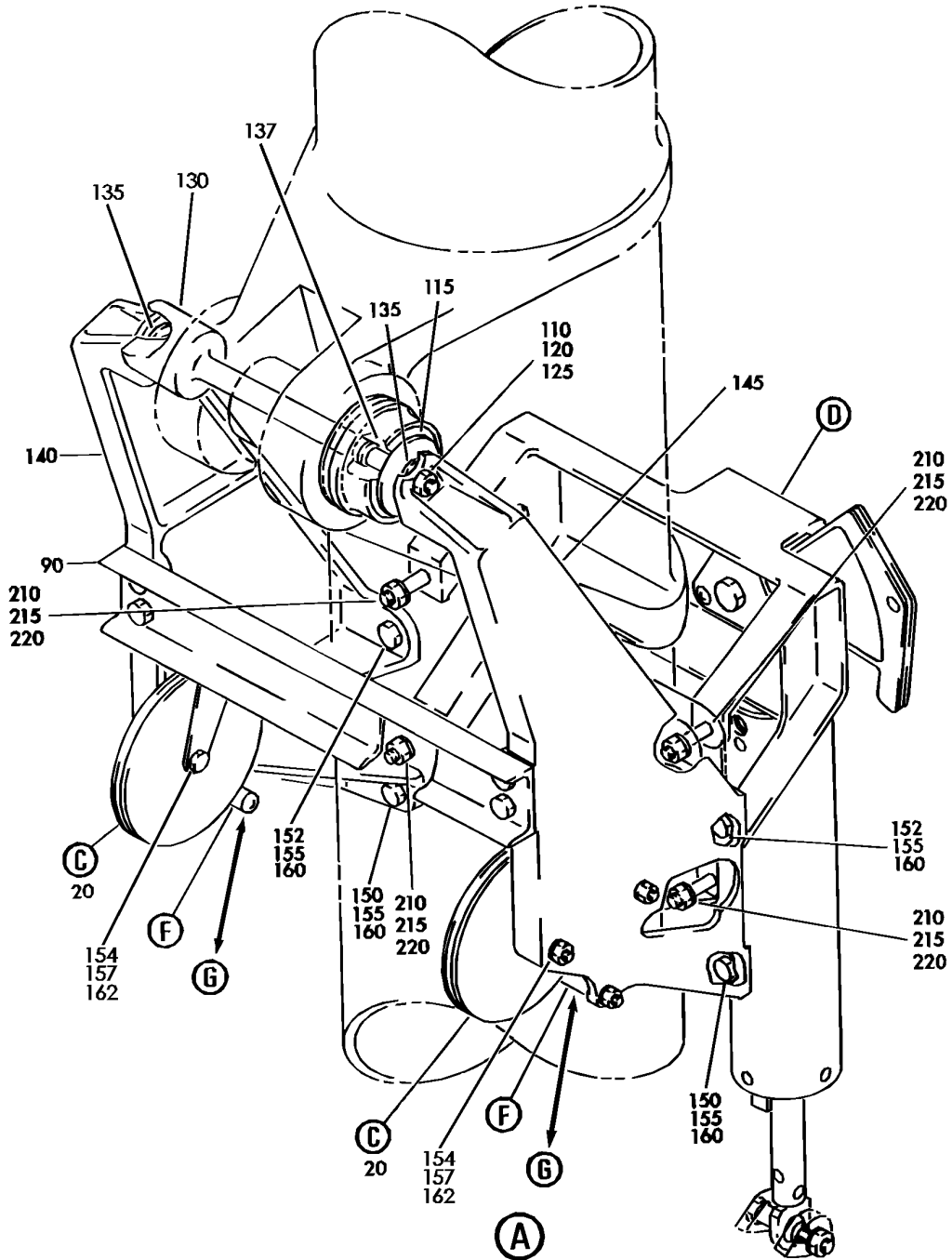
DRUM AND LINK INSTL-NOSE WHL STEERING CONT  
FIGURE 1 (SHEET 1)

**32-51-06-01**

BRI  
MAY 28/07

32-51-06-01  
PAGE 0

**BOEING**  
757  
PARTS CATALOG (MAINTENANCE)



Y 32510601 SHT 2 REV 244

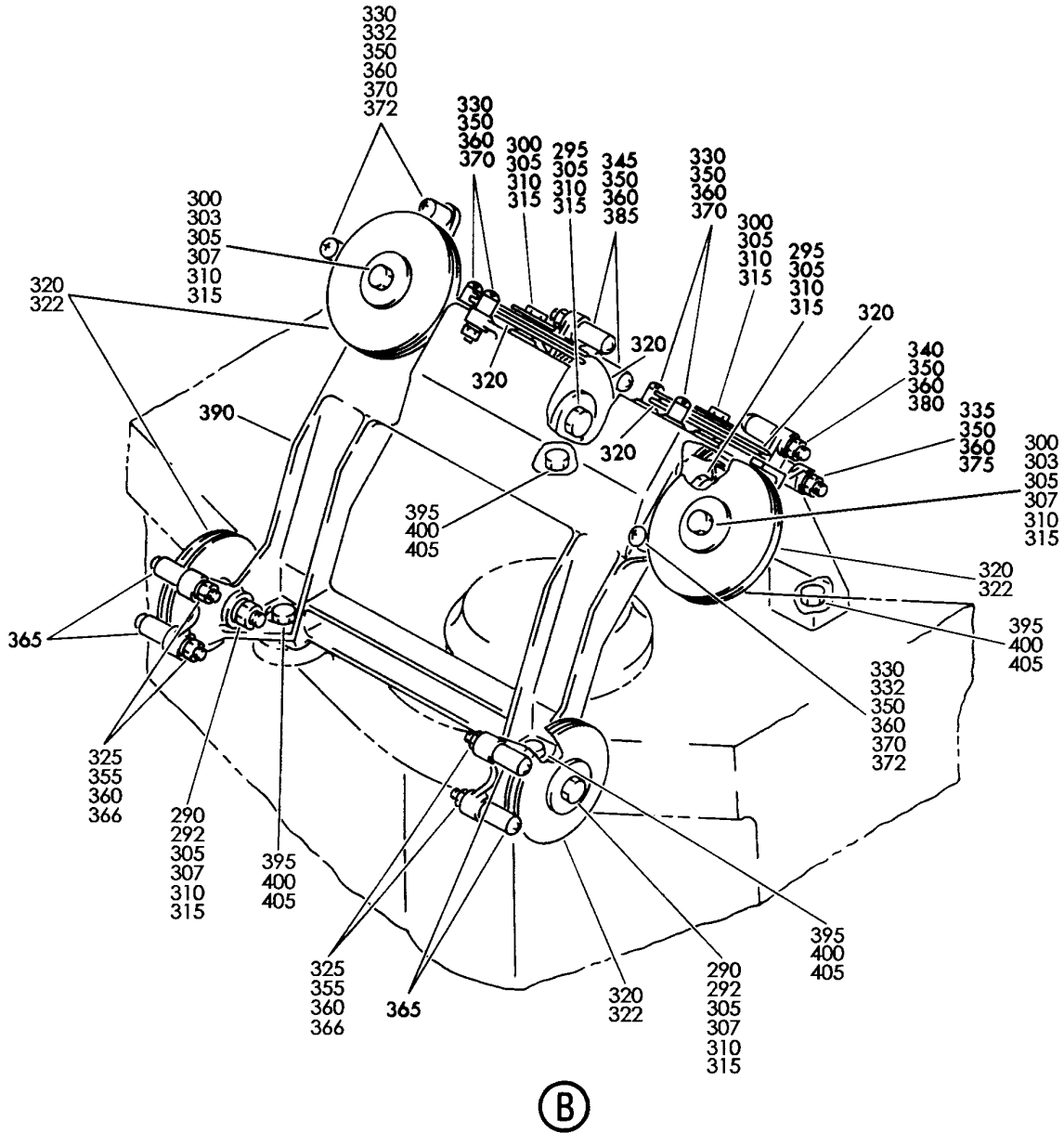
DRUM AND LINK INSTL-NOSE WHL STEERING CONT  
FIGURE 1 (SHEET 2)

**32-51-06-01**

BRI  
MAY 28/07

32-51-06-01  
PAGE 0A

**BOEING**  
757  
PARTS CATALOG (MAINTENANCE)



Y 32510601 SHT 3 REV 206

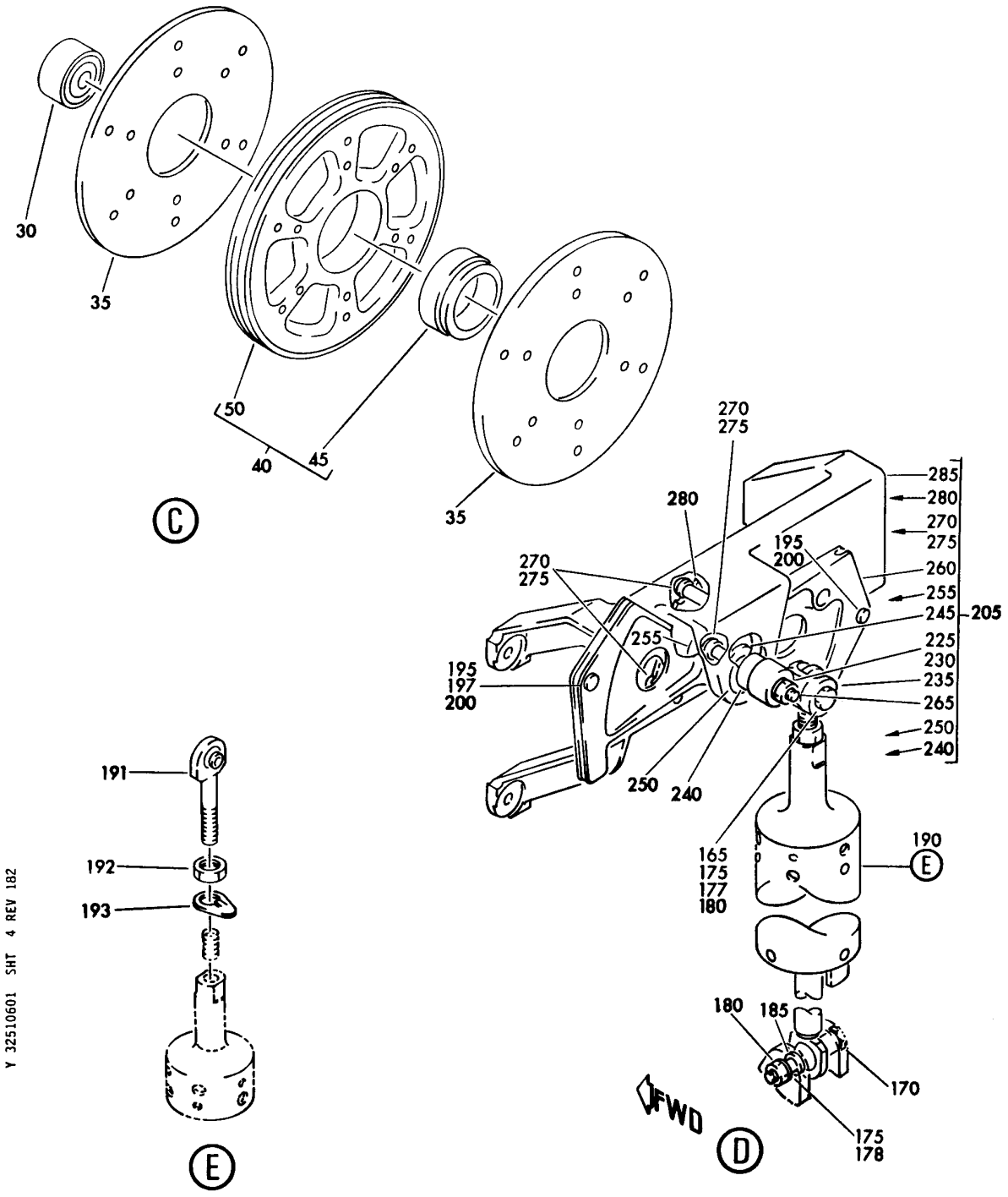
DRUM AND LINK INSTL-NOSE WHL STEERING CONT  
FIGURE 1 (SHEET 3)

**32-51-06-01**

BRI  
MAY 28/07

32-51-06-01  
PAGE 0B

**BOEING**  
757  
PARTS CATALOG (MAINTENANCE)



Y 32510601 SHT 4 REV 182

DRUM AND LINK INSTL-NOSE WHL STEERING CONT  
FIGURE 1 (SHEET 4)

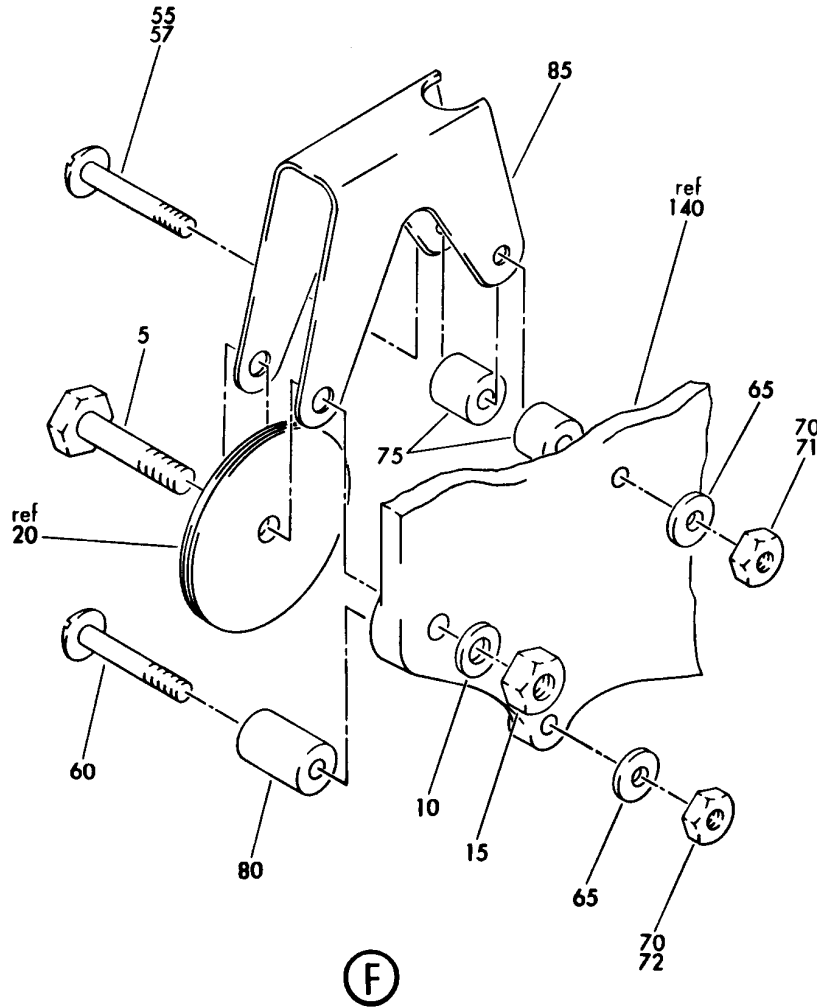
**32-51-06-01**

BRI  
MAY 28/07

32-51-06-01  
PAGE 0C



**BOEING**  
757  
PARTS CATALOG (MAINTENANCE)



Y 32510601 SHT 5 REV 182

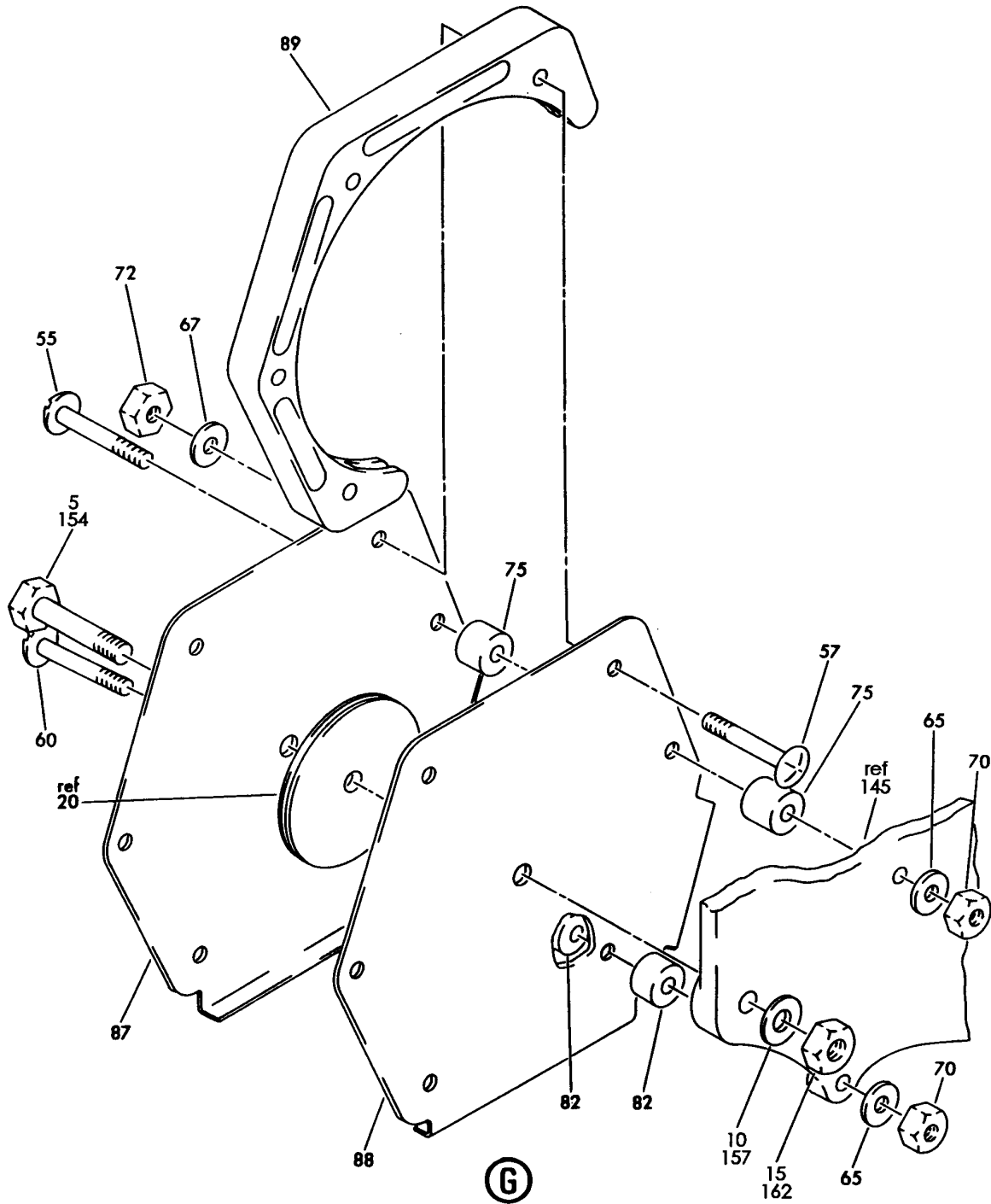
DRUM AND LINK INSTL-NOSE WHL STEERING CONT  
FIGURE 1 (SHEET 5)

**32-51-06-01**

BRI  
MAY 28/07

32-51-06-01  
PAGE 0D

**BOEING**  
757  
PARTS CATALOG (MAINTENANCE)



Y 32510601 SHT 6 REV 204

DRUM AND LINK INSTL-NOSE WHL STEERING CONT  
FIGURE 1 (SHEET 6)

**32-51-06-01**

BRI  
MAY 28/07

32-51-06-01  
PAGE 0E



757

PARTS CATALOG (MAINTENANCE)

FIG ITEM	PART NUMBER	1 2 3 4 5 6 7	NOMENCLATURE	EFFECT FROM TO	UNITS PER ASSY
1			DRUM AND LINK INSTL-NOSE WHL STEERING CONT	002004 006102 107999	
- 1	275N2021-1		DRUM AND LINK INSTL-NOSE WHL STEERING CONT FOR NHA SEE: 32-51-53-01	107107 904949 952952	RF
- 1	275N2021-2		DRUM AND LINK INSTL-NOSE WHL STEERING CONT FOR NHA SEE: 32-51-53-01	002004 006100 121503 950951 953999	RF
- 1	275N2021-3		DRUM AND LINK INSTL-NOSE WHL STEERING CONT FOR NHA SEE: 32-00-00-22	101102 108120 504903	RF
5	BACB30NF4-21		.BOLT	002004 006102 107999	2
10	AN960JD416L		.WASHER	002004 006100 107107 121503 904999	2
10	NAS1149D0416J		.WASHER	101102 108120 504903	2
15	BRH10A4		.NUT SUPPLIER CODE: V52828 SPECIFICATION NUMBER: BACN10JC4 OPTIONAL PART: T6S428J V11815 96-048 V80539 VN303A048 V92215 RMLH9075-4W V72962 NS202101-048 V80539 H10-4BAC V15653	002004 006100 107107 121503 904999	2

MISSING ITEM NUMBERS NOT APPLICABLE

- ITEM NOT ILLUSTRATED

BRI

32-51-06-01

32-51-06  
FIG. 01  
PAGE 1  
JAN 20/09



757

PARTS CATALOG (MAINTENANCE)

FIG ITEM	PART NUMBER	1 2 3 4 5 6 7	NOMENCLATURE	EFFECT FROM TO	UNITS PER ASSY
1	15 BRH10C4D	.	NUT SUPPLIER CODE: V52828 SPECIFICATION NUMBER: BACN10JC4CD OPTIONAL PART: T6C428JCD V11815 NS202486-048 V80539 102LH9075-4W V72962 H51650-4BAC V15653	101102 108120 504903	2
	20 65B80977-1	.	PULLEY ASSY-4 IN. DIA 3/32 IN. CABLE FOR SPARES PROCURE: BACP30M4	002004 006102 107999	2
	30 JMKP4P25LY196	..	BEARING SUPPLIER CODE: V40920 SPECIFICATION NUMBER: BACB10AN4 OPTIONAL PART: MKP4FS428 V21335 MKP4G20 V38443 LLMKP4 V38443 MKP4 V38443 MKP4-2TS V43991 MKP4E6531 V21335 MKP4TT V43991 MKP4SD610 V83086	002004 006102 107999	1
	35 69B81979-1	..	SHIELD	002004 006102 107999	2
	40 65B80978-1	..	SHEAVE ASSY	002004 006102 107999	1
	45 69B81362-2	...	INSERT	002004 006102 107999	1

MISSING ITEM NUMBERS NOT APPLICABLE

- ITEM NOT ILLUSTRATED

32-51-06-01

32-51-06  
FIG. 01  
PAGE 2  
JAN 20/09

BRI

BOEING PROPRIETARY - Copyright © - Unpublished Work - See title page for details.



757

PARTS CATALOG (MAINTENANCE)

FIG ITEM	PART NUMBER	1 2 3 4 5 6 7	NOMENCLATURE	EFFECT FROM TO	UNITS PER ASSY
1					
50	69B80978-2	. . .	SHEAVE	002004 006102 107999	1
55	BACB30NT3K21	.BOLT		107107 904949 952952	2
57	BACB30NT3K21	.BOLT		002004 006102 108903 950951 953999	4
60	BACB30NT3K19	.BOLT-		107107 904949 952952	2
65	AN960JD10L	.WASHER		002004 006100 107107 121503 904999	4
65	NAS1149D0332J	.WASHER		101102 108120 504903	4
70	BRH10C3D	.NUT-		107107 904949 952952	4
			SUPPLIER CODE: V52828		
			SPECIFICATION NUMBER: BACN10JC3CD		
			OPTIONAL PART: T6C1032JCD		
			V11815		
			NS202486-02		
			V80539		
			102LH9075-3W		
			V72962		
			H51650-3BAC		
			V15653		
71	PLH53CD	.NUT		002004 006102 108903 950951 953999	2
			SUPPLIER CODE: VF0224		
			SPECIFICATION NUMBER: BACN10YR3CD		
			OPTIONAL PART: H52732-3CD		
			V15653		

MISSING ITEM NUMBERS NOT APPLICABLE

- ITEM NOT ILLUSTRATED

BRI

32-51-06-01

BOEING PROPRIETARY - Copyright © - Unpublished Work - See title page for details.

32-51-06  
FIG. 01  
PAGE 3  
JAN 20/09



757

PARTS CATALOG (MAINTENANCE)

FIG ITEM	PART NUMBER	1 2 3 4 5 6 7	NOMENCLATURE	EFFECT FROM TO	UNITS PER ASSY
1	72 BRH10C3D	.	NUT SUPPLIER CODE: V52828 SPECIFICATION NUMBER: BACN10JC3CD OPTIONAL PART: T6C1032JCD V11815 NS202486-02 V80539 102LH9075-3W V72962 H51650-3BAC V15653	002004 006102 108903 950951 953999	2
	75 NAS42DD6-32FC	.	SPACER- OPTIONAL PART: NAS42DD6-32N	002004 006102 107999	4
	75 NAS42DD6-32N	.	SPACER- OPTIONAL PART: NAS42DD6-32FC	002004 006100 107107 121503 904999	4
	80 NAS42DD6-64	.	SPACER-	107107 904949 952952	2
	82 NAS42DD6-32FC	.	SPACER- OPTIONAL PART: NAS42DD6-32N	002004 006102 108903 950951 953999	4
	82 NAS42DD6-32N	.	SPACER- OPTIONAL PART: NAS42DD6-32FC	002004 006100 121503 950951 953999	4
	85 275N2138-1	.	SHIELD ASSY-	107107 904949 952952	2
	87 275N2010-1	.	SHIELD-	002004 006102 108903 950951 953999	2
	88 275N2010-2	.	SHIELD-	002004 006102 108903 950951 953999	2

MISSING ITEM NUMBERS NOT APPLICABLE

- ITEM NOT ILLUSTRATED

32-51-06-01

32-51-06  
FIG. 01  
PAGE 4  
JAN 20/09

BRI

BOEING PROPRIETARY - Copyright © - Unpublished Work - See title page for details.



757

PARTS CATALOG (MAINTENANCE)

FIG ITEM	PART NUMBER	1 2 3 4 5 6 7	NOMENCLATURE	EFFECT FROM TO	UNITS PER ASSY
1					
89	275N2015-1	.	GUARD-	002004 006102 108903 950951 953999	2
89	275N2015-2	.	GUARD-	002004 006102 108903 950951 953999	2
90	275N2099-2	.	CHANNEL	002004 006102 107999	1
- 95	BACB30NR4K5	.	BOLT	002004 006102 107999	4
- 100	AN960JD416	.	WASHER	002004 006100 107107 121503 904999	4
- 100	NAS1149D0463J	.	WASHER	101102 108120 504903	4
- 105	BRH10C4D	.	NUT	002004	4
			SUPPLIER CODE: V52828	006102	
			SPECIFICATION NUMBER: BACN10JC4CD	107999	
			OPTIONAL PART: T6C428JCD		
			V11815		
			NS202486-048		
			V80539		
			102LH9075-4W		
			V72962		
			H51650-4BAC		
			V15653		
			-----*-----		
110	BACB30NR4K122	.	BOLT	002004 006102 107999	1
115	275N2073-1	.	WASHER	002004 006102 107999	1

MISSING ITEM NUMBERS NOT APPLICABLE

- ITEM NOT ILLUSTRATED

BRI

32-51-06-01

BOEING PROPRIETARY - Copyright © - Unpublished Work - See title page for details.

32-51-06  
FIG. 01  
PAGE 5  
JAN 20/09



757

PARTS CATALOG (MAINTENANCE)

FIG ITEM	PART NUMBER	1 2 3 4 5 6 7	NOMENCLATURE	EFFECT FROM TO	UNITS PER ASSY
1					
120	AN960JD416	.	WASHER	002004 006100 107107 121503 904999	1
120	NAS1149D0463J	.	WASHER	101102 108120 504903	1
125	BRH10C4D	.	NUT SUPPLIER CODE: V52828 SPECIFICATION NUMBER: BACN10JC4CD OPTIONAL PART: T6C428JCD V11815 NS202486-048 V80539 102LH9075-4W V72962 H51650-4BAC V15653	002004 006102 107999	1
130	275N2076-2	.	SLEEVE-	002004 006010 107107 121503 904999	1
130	275N2076-3	.	SLEEVE-	002004 006102 107999	1
135	275N2098-1	.	SHIM	002004 006102 107999	2
140	275N2054-18	.	BRACKET-SPRT	002004 107107 121503 904949 952952	1
140	275N2054-20	.	BRACKET-SPRT	002004 107107 121503 904949 952952	1
140	275N2054-14	.	BRACKET-SPRT	002004 107107 121503 904949 952952	1

MISSING ITEM NUMBERS NOT APPLICABLE

- ITEM NOT ILLUSTRATED

32-51-06-01

32-51-06  
FIG. 01  
PAGE 6  
JAN 20/09

BRI

BOEING PROPRIETARY - Copyright © - Unpublished Work - See title page for details.





757

PARTS CATALOG (MAINTENANCE)

FIG ITEM	PART NUMBER	1 2 3 4 5 6 7	NOMENCLATURE	EFFECT FROM TO	UNITS PER ASSY
1					
140	275N2054-16	.	BRACKET-SPRT	002004 107107 121503 904949 952952	1
140	275N2054-24	.	BRACKET-SPRT	002004 006102 107999	1
140	275N2054-26	.	BRACKET-SPRT	002004 006102 107999	1
145	275N2054-17	.	BRACKET-SPRT	002004 107107 121503 904949 952952	1
145	275N2054-19	.	BRACKET-SPRT	002004 107107 121503 904949 952952	1
145	275N2054-13	.	BRACKET-SPRT	002004 107107 121503 904949 952952	1
145	275N2054-15	.	BRACKET-SPRT	002004 107107 121503 904949 952952	1
145	275N2054-23	.	BRACKET-SPRT	002004 006102 107999	1
145	275N2054-25	.	BRACKET-SPRT	002004 006102 107999	1
150	BACB30NR4K16		ATTACHING PARTS .BOLT	002004 006102 107999	2
152	BACB30NR4K18	.	BOLT	002004 006102 107999	2
155	AN960JD416	.	WASHER	002004 006100 107107 121503 904999	4

MISSING ITEM NUMBERS NOT APPLICABLE

- ITEM NOT ILLUSTRATED

BRI

32-51-06-01

32-51-06  
FIG. 01  
PAGE 7  
JAN 20/09



757

PARTS CATALOG (MAINTENANCE)

FIG ITEM	PART NUMBER	1 2 3 4 5 6 7	NOMENCLATURE	EFFECT FROM TO	UNITS PER ASSY
1					
155	NAS1149D0463J	.	WASHER	101102 108120 504903	4
160	BRH10C4D	.	NUT SUPPLIER CODE: V52828 SPECIFICATION NUMBER: BACN10JC4CD OPTIONAL PART: T6C428JCD V11815 NS202486-048 V80539 102LH9075-4W V72962 H51650-4BAC V15653 -----*-----	002004 006102 107999	4
165	BACB30NF4-16	.	BOLT	002004 006102 107999	1
170	BACB30NF4-24	.	BOLT-	002004 006102 107999	1
175	AN960JD416	.	WASHER-	002004 006100 107107 121503 904999	2
177	NAS1149D0463J	.	WASHER	101102 108120 504903	1
178	NAS1149D0416J	.	WASHER	101102 108120 504903	1

MISSING ITEM NUMBERS NOT APPLICABLE

- ITEM NOT ILLUSTRATED

BRI

32-51-06-01

BOEING PROPRIETARY - Copyright © - Unpublished Work - See title page for details.

32-51-06  
FIG. 01  
PAGE 8  
JAN 20/09



757

PARTS CATALOG (MAINTENANCE)

FIG ITEM	PART NUMBER	1 2 3 4 5 6 7	NOMENCLATURE	EFFECT FROM TO	UNITS PER ASSY
1 180	BRH10A4	.NUT-	SUPPLIER CODE: V52828 SPECIFICATION NUMBER: BACN10JC4 OPTIONAL PART: T6S428J V11815 96-048 V80539 VN303A048 V92215 RMLH9075-4W V72962 NS202101-048 V80539 H10-4BAC V15653	002004 006100 107107 121503 904999	2
180	BRH10C4D	.NUT	SUPPLIER CODE: V52828 SPECIFICATION NUMBER: BACN10JC4CD OPTIONAL PART: T6C428JCD V11815 NS202486-048 V80539 102LH9075-4W V72962 H51650-4BAC V15653	101102 108120 504903	2
185	BACB28AK04-045	.BUSHING-		002004 006102 107999	1

MISSING ITEM NUMBERS NOT APPLICABLE

- ITEM NOT ILLUSTRATED

32-51-06-01

32-51-06  
FIG. 01  
PAGE 9  
JAN 20/09

BRI



757

PARTS CATALOG (MAINTENANCE)

FIG ITEM	PART NUMBER	1 2 3 4 5 6 7	NOMENCLATURE	EFFECT FROM TO	UNITS PER ASSY
1 190	275N2059-2		. CARTRIDGE ASSY-SPR COMPONENT MAINT MANUAL REF: 32-51-07 QUALIFIED I/W DATA: 275N2059-3 CAN REPLACE 275N2059-2 WITH INCORPORATION OF SB-757-32-0099. 275N2059-2 CAN REPLACE 275N2059-3 WITH CUSTOMER ACCEPTANCE OF NEGATING THE EFFECT OF SB-757-32-0099 FUNCTIONAL REFERENCE: PLACARDS AND MARKINGS FOR DETAILS SEE 11-22-50-01	002004 006102 107999	1
190	275N2059-3		. CARTRIDGE ASSY-SPR QUALIFIED I/W DATA: 275N2059-3 CAN REPLACE 275N2059-2 WITH INCORPORATION OF SB-757-32-0099. 275N2059-2 CAN REPLACE 275N2059-3 WITH CUSTOMER ACCEPTANCE OF NEGATING THE EFFECT OF SB-757-32-0099 FUNCTIONAL REFERENCE: PLACARDS AND MARKINGS FOR DETAILS SEE 11-22-50-01	002004 006102 107999	1
191	MK45-23EFG		.. ROD END ASSY- SUPPLIER CODE: V73134	002004 006102 107999	1
192	NAS509-6		.. NUT	002004 006102 107999	1
193	NAS513-6		.. WASHER	002004 006102 107999	1
195	MS20392-2C13		. PIN	002004 006102 107999	2
197	MS24665-132		. PIN	002004 006102 107999	2

MISSING ITEM NUMBERS NOT APPLICABLE

- ITEM NOT ILLUSTRATED

32-51-06-01

32-51-06  
FIG. 01  
PAGE 10  
JAN 20/09

BRI



757

PARTS CATALOG (MAINTENANCE)

FIG ITEM	PART NUMBER	1 2 3 4 5 6 7	NOMENCLATURE	EFFECT FROM TO	UNITS PER ASSY
1					
200	AN960JD10	.	WASHER	002004 006100 107107 121503 904999	2
200	NAS1149D0363J	.	WASHER	101102 108120 504903	2
205	275N2055-3	.	QUADRANT ASSY	002004 006102 108903 950951 953999	1
205	275N2055-2	.	QUADRANT ASSY-	002004 006102 107999	1
210	BACB30NR4K15	.	ATTACHING PARTS BOLT	002004 006102 107999	4
215	AN960JD416	.	WASHER	002004 006100 107107 121503 904999	4
215	NAS1149D0463J	.	WASHER	101102 108120 504903	4
220	BRH10C4D	.	NUT SUPPLIER CODE: V52828 SPECIFICATION NUMBER: BACN10JC4CD OPTIONAL PART: T6C428JCD V11815 NS202486-048 V80539 102LH9075-4W V72962 H51650-4BAC V15653 -----*-----	002004 006102 107999	4

MISSING ITEM NUMBERS NOT APPLICABLE

- ITEM NOT ILLUSTRATED

BRI

32-51-06-01

BOEING PROPRIETARY - Copyright © - Unpublished Work - See title page for details.

32-51-06  
FIG. 01  
PAGE 11  
JAN 20/09



757

PARTS CATALOG (MAINTENANCE)

FIG ITEM	PART NUMBER	1 2 3 4 5 6 7	NOMENCLATURE	EFFECT FROM TO	UNITS PER ASSY
1 225	BRH10A5	..	NUT SUPPLIER CODE: V52828 SPECIFICATION NUMBER: BACN10JC5 OPTIONAL PART: T6S524J V11815 96-054 V80539 RMLH9075-5W V72962 H10-5BAC V15653	002004 006102 107999	1
230	AN960PD516	..	WASHER	002004 006102 107999	1
235	275N2142-1	..	CRANK	002004 006102 107999	1
240	NAS43HT8-26	..	SPACER	002004 006102 107999	1
245	BACW10AT48	..	WASHER	002004 006102 107999	1

MISSING ITEM NUMBERS NOT APPLICABLE

- ITEM NOT ILLUSTRATED

BRI

32-51-06-01

BOEING PROPRIETARY - Copyright © - Unpublished Work - See title page for details.

32-51-06  
FIG. 01  
PAGE 12  
JAN 20/09



757

PARTS CATALOG (MAINTENANCE)

FIG ITEM	PART NUMBER	1 2 3 4 5 6 7	NOMENCLATURE	EFFECT FROM TO	UNITS PER ASSY
1	KP8AFS428		.. BEARING-	002004	1
250			SUPPLIER CODE:	006102	
			V06144	107999	
			SPECIFICATION NUMBER:		
			BACB10BX8		
			OPTIONAL PART:		
			KP8AFS428		
			V21335		
			KP8A2TS		
			V43991		
			LLKP8A		
			V38443		
			KP8AG27		
			V30163		
			KP8A		
			V38443		
			KP8BSD610		
			V83086		
			CS208E		
			VK8455		
			KP8A		
			V21760		
			KP8ANJC		
			V06144		
			KP8ALY196		
			V40920		

MISSING ITEM NUMBERS NOT APPLICABLE

- ITEM NOT ILLUSTRATED

32-51-06-01

32-51-06  
FIG. 01  
PAGE 13  
MAY 20/09

BRI



757

PARTS CATALOG (MAINTENANCE)

FIG ITEM	PART NUMBER	1 2 3 4 5 6 7	NOMENCLATURE	EFFECT FROM TO	UNITS PER ASSY
1 255	KP12AFS428		.. BEARING- SUPPLIER CODE: V21335 SPECIFICATION NUMBER: BACB10BX12 OPTIONAL PART: KP12A2TS V43991 LLKP12A V38443 KP12AG27 V30163 KP12A V38443 KF12ALY196 V40920 KP12ASD610 V83086 CS212E VK8455 KP12ANJC V06144 KP12AFS428 V06144	002004 006102 107999	1
260	275N2056-1		.. QUADRANT-	002004 006102 107999	1
260	275N2056-3		.. QUADRANT-	101102 108120 504903	1
265	275N2057-1		.. SHAFT	002004 006102 107999	1
270	NAS623-3-3		.. SCREW	002004 006102 107999	3
275	AN960PD10		.. WASHER	002004 006102 107999	3
280	275N2058-1		.. RETAINER	002004 006102 107999	1
285	275N2051-4		.. BRACKET-SPRT	002004 006102 107999	1
290	BACB30NF4-19		. BOLT	002004 006102 107999	2

MISSING ITEM NUMBERS NOT APPLICABLE

- ITEM NOT ILLUSTRATED

32-51-06-01

32-51-06  
FIG. 01  
PAGE 14  
MAY 20/09

BRI





757

PARTS CATALOG (MAINTENANCE)

FIG ITEM	PART NUMBER	1 2 3 4 5 6 7	NOMENCLATURE	EFFECT FROM TO	UNITS PER ASSY
1					
295	BACB30NF4-16	.	BOLT	002004 006102 107999	2
300	BACB30NF4-13	.	BOLT	002004 006102 107999	4
305	AN970-4	.	WASHER	002004 006102 107999	8
310	AN960JD416L	.	WASHER	002004 006100 107107 121503 904999	8
310	NAS1149D0416J	.	WASHER	101102 108120 504903	8
315	BRH10A4	.	NUT SUPPLIER CODE: V52828 SPECIFICATION NUMBER: BACN10JC4 OPTIONAL PART: T6S428J V11815 96-048 V80539 VN303A048 V92215 RMLH9075-4W V72962 NS202101-048 V80539 H10-4BAC V15653	002004 006100 107107 121503 904999	8
315	BRH10C4D	.	NUT SUPPLIER CODE: V52828 SPECIFICATION NUMBER: BACN10JC4CD OPTIONAL PART: T6C428JCD V11815 NS202486-048 V80539 102LH9075-4W V72962 H51650-4BAC V15653	101102 108120 504903	8

MISSING ITEM NUMBERS NOT APPLICABLE

- ITEM NOT ILLUSTRATED

BRI

32-51-06-01

BOEING PROPRIETARY - Copyright © - Unpublished Work - See title page for details.

32-51-06  
FIG. 01  
PAGE 15  
MAY 20/09



757

PARTS CATALOG (MAINTENANCE)

FIG ITEM	PART NUMBER	1 2 3 4 5 6 7	NOMENCLATURE	EFFECT FROM TO	UNITS PER ASSY
1 320	BMP30J4	.	PULLEY SUPPLIER CODE: V22277 SPECIFICATION NUMBER: BACP30J4 OPTIONAL PART: R30F4 V25337	002004 006100 107107 121503 904999	8
320	APM219-4	.	PULLEY- SUPPLIER CODE: V29965 SPECIFICATION NUMBER: BACP30F4 OPTIONAL PART: R30F4 V25337 BMP30F4 V22277 SMS20219-4 V29965	101102 108120 504903	8
325	BACB30NT3K18	.	BOLT	002004 006102 107999	4
335	BACB30NT3K14	.	BOLT	002004 006102 107999	1
340	BACB30NT3K15	.	BOLT	002004 006102 107999	1
345	BACB30NT3K16	.	BOLT	002004 006102 107999	2
350	AN960JD10L	.	WASHER	002004 006100 107107 121503 904999	11
350	NAS1149D0332J	.	WASHER	101102 108120 504903	11
355	AN960JD10	.	WASHER	002004 006100 107107 121503 904999	4
355	NAS1149D0363J	.	WASHER	002004 006102 107999	4

MISSING ITEM NUMBERS NOT APPLICABLE

- ITEM NOT ILLUSTRATED

32-51-06-01

32-51-06  
FIG. 01  
PAGE 16  
MAY 20/09

BRI

BOEING PROPRIETARY - Copyright © - Unpublished Work - See title page for details.



757

PARTS CATALOG (MAINTENANCE)

FIG ITEM	PART NUMBER	1 2 3 4 5 6 7	NOMENCLATURE	EFFECT FROM TO	UNITS PER ASSY
1 360	BRH10C3D	.NUT	SUPPLIER CODE: V52828 SPECIFICATION NUMBER: BACN10JC3CD OPTIONAL PART: T6C1032JCD V11815 NS202486-02 V80539 102LH9075-3W V72962 H51650-3BAC V15653	002004 006102 107999	15
365	NAS42DD6-52	.SPACER		002004 006100 107107 121503 904999	4
365	NAS42DD6-52FC	.SPACER		101102 108120 504903	4
366	NAS42DD6-52FC	.SPACER		101102 108120 504903	4
370	NAS42DD6-24	.SPACER		002004 006100 107107 121503 904999	7
375	NAS42DD6-38	.SPACER		002004 006100 107107 121503 904999	1
375	NAS42DD6-38FC	.SPACER		101102 108120 504903	1
380	NAS42DD6-43	.SPACER		002004 006100 107107 121503 904999	1
380	NAS42DD6-43FC	.SPACER		101102 108120 504903	1

MISSING ITEM NUMBERS NOT APPLICABLE

- ITEM NOT ILLUSTRATED

32-51-06-01

32-51-06  
FIG. 01  
PAGE 17  
JAN 20/09

BRI

BOEING PROPRIETARY - Copyright © - Unpublished Work - See title page for details.

**BOEING**  
757  
PARTS CATALOG (MAINTENANCE)

FIG ITEM	PART NUMBER	1 2 3 4 5 6 7	NOMENCLATURE	EFFECT FROM TO	UNITS PER ASSY
1					
385	NAS42DD6-45	.	SPACER	002004 006100 107107 121503 904999	2
385	NAS42DD6-45FC	.	SPACER	101102 108120 504903	2
390	275N2052-1	.	BRACKET-SPRT	107107	1
390	275N2052-3	.	BRACKET-SPRT	002004 107107 904949 952952	1
390	275N2052-4	.	BRACKET-SPRT	006102 108903 950951 953999	1
390	275N2052-5	.	BRACKET-SPRT	006102 108903 950951 953999	1
395	BACB30NR4K13	.	ATTACHING PARTS BOLT	002004 006102 107999	4
400	AN960JD416	.	WASHER	002004 006100 107107 121503 904999	4
400	NAS1149D0463J	.	WASHER	101102 108120 504903	4
405	BRH10C4D	.	NUT SUPPLIER CODE: V52828 SPECIFICATION NUMBER: BACN10JC4CD OPTIONAL PART: T6C428JCD V11815 NS202486-048 V80539 102LH9075-4W V72962 H51650-4BAC V15653 -----*-----	002004 006102 107999	4

MISSING ITEM NUMBERS NOT APPLICABLE

— ITEM NOT ILLUSTRATED

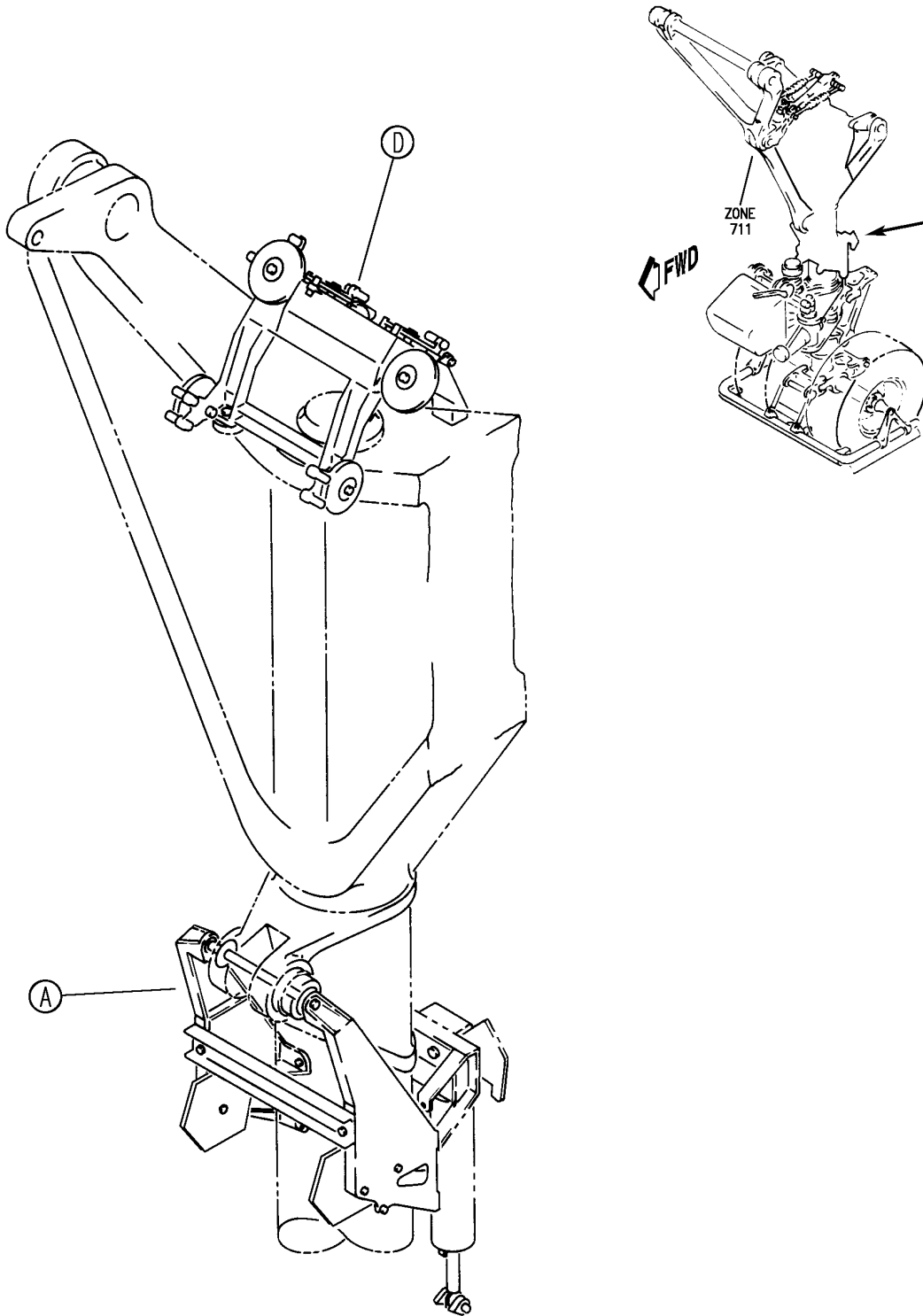
BRI

# 32-51-06-01

BOEING PROPRIETARY - Copyright © - Unpublished Work - See title page for details.

32-51-06  
FIG. 01  
PAGE 18  
JAN 20/09

**BOEING**  
757  
PARTS CATALOG (MAINTENANCE)



Y 32510601A SHT 1 REV 262

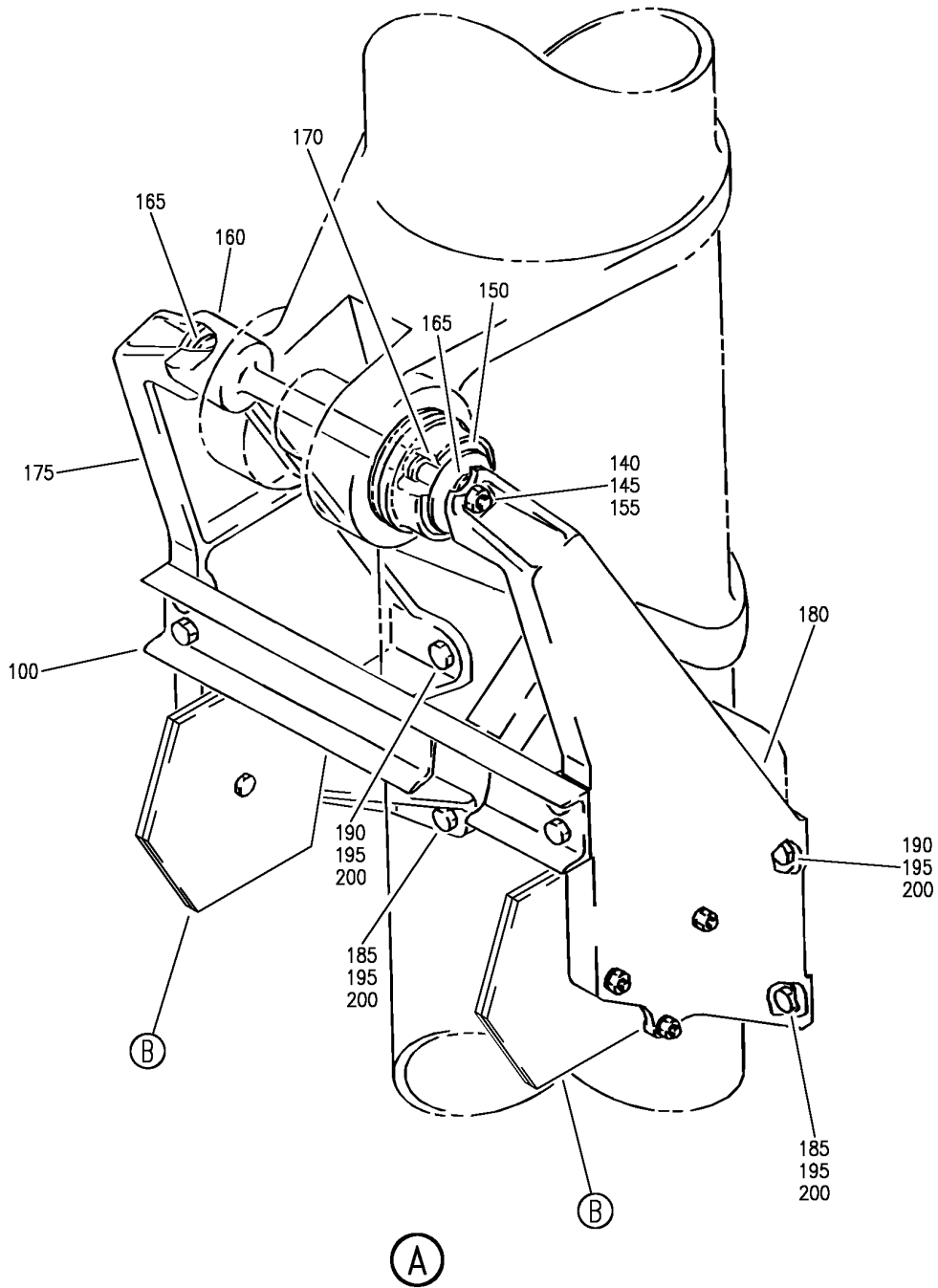
DRUM AND LINK INSTL-NOSE WHL STEERING CONT  
FIGURE 1A (SHEET 1)

**32-51-06-01A**

BRI  
JAN 20/09

32-51-06-01A  
PAGE 0

**BOEING**  
757  
PARTS CATALOG (MAINTENANCE)



Y 32510601A SHT 2 REV 262

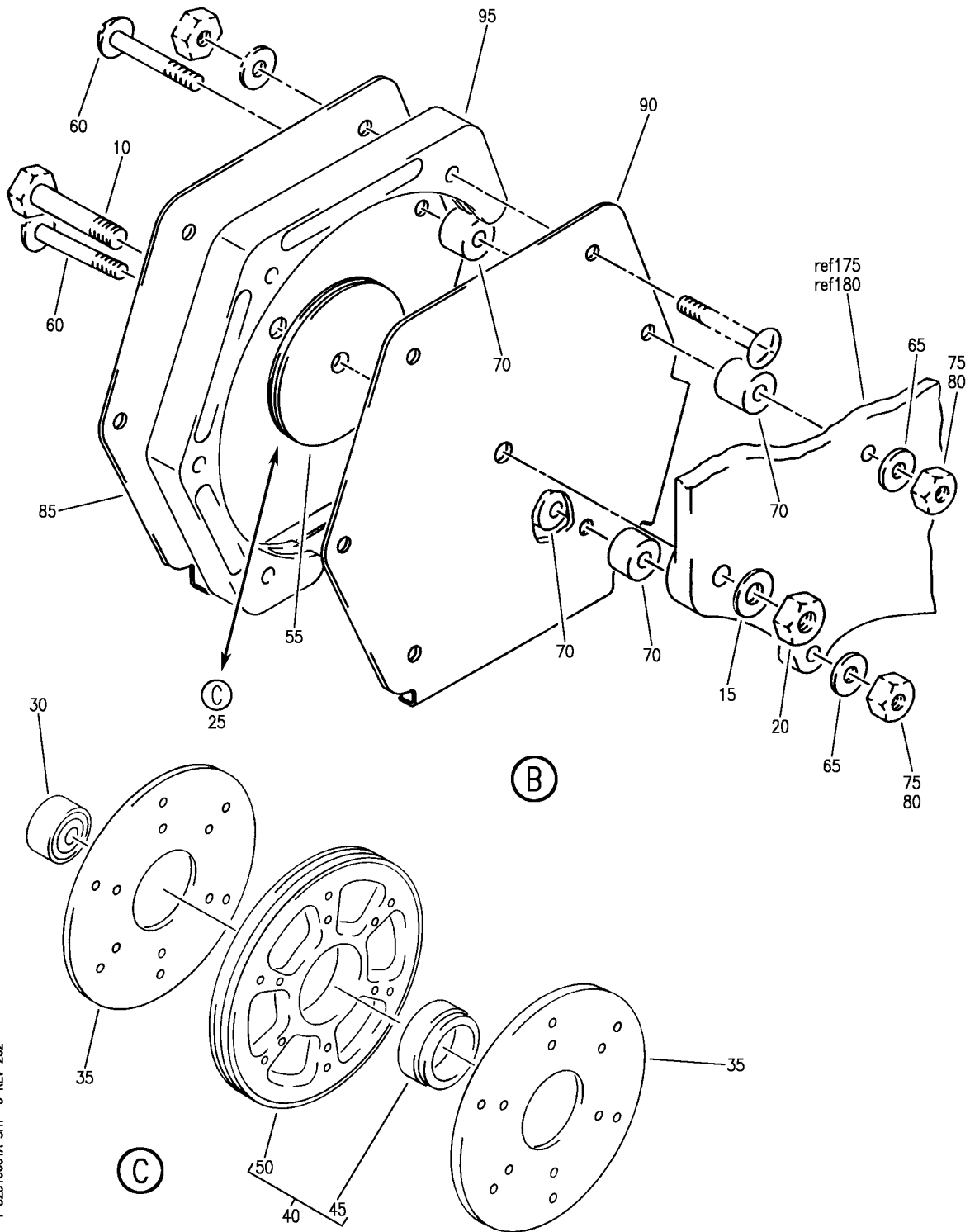
DRUM AND LINK INSTL-NOSE WHL STEERING CONT  
FIGURE 1A (SHEET 2)

**32-51-06-01A**

BRI  
JAN 20/09

32-51-06-01A  
PAGE 0A

**BOEING**  
757  
PARTS CATALOG (MAINTENANCE)



Y 32510601A SHT. 3 REV 262

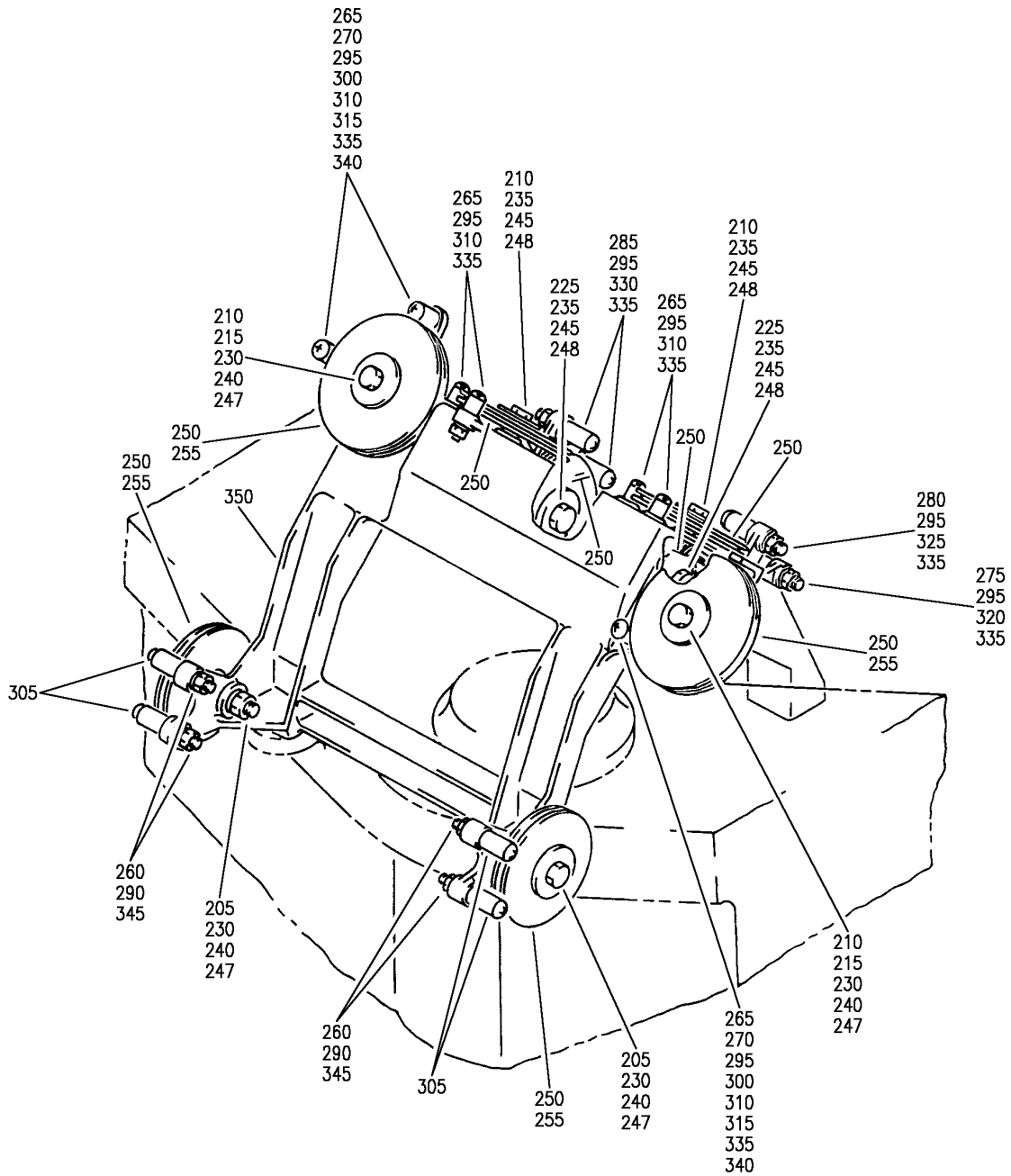
DRUM AND LINK INSTL-NOSE WHL STEERING CONT  
FIGURE 1A (SHEET 3)

**32-51-06-01A**

BRI  
JAN 20/09

32-51-06-01A  
PAGE 0B

**BOEING**  
757  
**PARTS CATALOG (MAINTENANCE)**



(D)

Y 32510601A SHT 4 REV 262

DRUM AND LINK INSTL-NOSE WHL STEERING CONT  
FIGURE 1A (SHEET 4)

**32-51-06-01A**

BRI  
JAN 20/09

32-51-06-01A  
PAGE 0C





757

PARTS CATALOG (MAINTENANCE)

FIG ITEM	PART NUMBER	1 2 3 4 5 6 7	NOMENCLATURE	EFFECT FROM TO	UNITS PER ASSY
1 A			DRUM AND LINK INSTL-NOSE WHL STEERING CONT	103106	
- 1	MODREF8756		DRUM AND LINK INSTL-NOSE WHL STEERING CONT	103105	1
- 1	MODREF31331		MODULE NUMBER: 275N2021-3 REV A DRUM AND LINK INSTL-NOSE WHL STEERING CONT	106106	1
10	BACB30NF4-21		.BOLT	103105	2
10	BACB30NR4K21		.BOLT- OPTIONAL PART: BACB30NF4-21	106106	2
10	BACB30NF4-21		.BOLT- OPTIONAL PART: BACB30NR4K21	106106	2
15	NAS1149D0416J		.WASHER	103106	2
20	BRH10C4D		.NUT SUPPLIER CODE: V52828 SPECIFICATION NUMBER: BACN10JC4CD OPTIONAL PART: T6C428JCD V11815 NS202486-048 V80539 102LH9075-4W V72962 H51650-4BAC V15653	103105	2
20	PLH54CD		.NUT SUPPLIER CODE: VF0224 SPECIFICATION NUMBER: BACN10YR4CD OPTIONAL PART: H52732-4CD V15653	106106	2
25	65B80977-1		.PULLEY ASSY-4 IN. DIA 3/32 IN. CABLE FOR SPARES PROCURE: BACP30M4	103105	2

MISSING ITEM NUMBERS NOT APPLICABLE

- ITEM NOT ILLUSTRATED

32-51-06-01A

32-51-06  
FIG. 01A  
PAGE 1  
JAN 20/09

BRI

BOEING PROPRIETARY - Copyright © - Unpublished Work - See title page for details.



757

PARTS CATALOG (MAINTENANCE)

FIG ITEM	PART NUMBER	1 2 3 4 5 6 7	NOMENCLATURE	EFFECT FROM TO	UNITS PER ASSY
1 A					
30	JMKP4P25LY196		.. BEARING SUPPLIER CODE: V40920 SPECIFICATION NUMBER: BACB10AN4 OPTIONAL PART: MKP4FS428 V21335 MKP4G20 V38443 LLMKP4 V38443 MKP4 V38443 MKP4-2TS V43991 MKP4E6531 V21335 MKP4TT V43991 MKP4SD610 V83086	103105	1
35	69B81979-1		.. SHIELD	103105	2
40	65B80978-1		.. SHEAVE ASSY	103105	1
45	69B81362-2		... INSERT	103105	1
50	69B80978-2		... SHEAVE	103105	1
55	AVS4CM		. PULLEY ASSY SUPPLIER CODE: V29965 SPECIFICATION NUMBER: BACP30M4C OPTIONAL PART: BMP30M4C V22277 R30M4C V25337	106106	2
60	BACB30NT3K21		. BOLT	103106	4
65	NAS1149D0332J		. WASHER	103106	4
70	NAS42DD6-32FC		. SPACER	103106	8

MISSING ITEM NUMBERS NOT APPLICABLE

- ITEM NOT ILLUSTRATED

32-51-06-01A

32-51-06  
FIG. 01A  
PAGE 2  
JAN 20/09

BRI

BOEING PROPRIETARY - Copyright © - Unpublished Work - See title page for details.



757

PARTS CATALOG (MAINTENANCE)

FIG ITEM	PART NUMBER	1 2 3 4 5 6 7	NOMENCLATURE	EFFECT FROM TO	UNITS PER ASSY
1 A 75	BRH10C3D	.NUT	SUPPLIER CODE: V52828 SPECIFICATION NUMBER: BACN10JC3CD OPTIONAL PART: T6C1032JCD V11815 NS202486-02 V80539 102LH9075-3W V72962 H51650-3BAC V15653	103105	4
80	PLH53CD	.NUT	SUPPLIER CODE: VF0224 SPECIFICATION NUMBER: BACN10YR3CD OPTIONAL PART: H52732-3CD V15653	106106	4
85	275N2010-1	.SHIELD		103106	2
90	275N2010-2	.SHIELD		103106	2
95	275N2015-2	.GUARD-		103106	2
95	275N2015-1	.GUARD-		103106	2
100	BACB30NT3K9	.BOLT	ATTACHING PARTS	103106	8
105	NAS1149D0332J	.WASHER		103106	8
110	PLH53CD	.NUT	SUPPLIER CODE: VF0224 SPECIFICATION NUMBER: BACN10YR3CD OPTIONAL PART: H52732-3CD V15653	103106	8
115	275N2099-2	.CHANNEL	-----*----- ATTACHING PARTS	103106	1
120	BACB30NR4K5	.BOLT		103106	4
125	NAS1149D0463J	.WASHER		103106	4

MISSING ITEM NUMBERS NOT APPLICABLE

- ITEM NOT ILLUSTRATED

32-51-06-01A

32-51-06  
FIG. 01A  
PAGE 3  
JAN 20/09

BRI

BOEING PROPRIETARY - Copyright © - Unpublished Work - See title page for details.



757

PARTS CATALOG (MAINTENANCE)

FIG ITEM	PART NUMBER	1 2 3 4 5 6 7	NOMENCLATURE	EFFECT FROM TO	UNITS PER ASSY
1A 130	BRH10C4D	.NUT	SUPPLIER CODE: V52828 SPECIFICATION NUMBER: BACN10JC4CD OPTIONAL PART: T6C428JCD V11815 NS202486-048 V80539 102LH9075-4W V72962 H51650-4BAC V15653	103105	4
130	PLH54CD	.NUT	SUPPLIER CODE: VF0224 SPECIFICATION NUMBER: BACN10YR4CD OPTIONAL PART: H52732-4CD V15653	106106	4
140	BACB30NR4K122	.BOLT	-----*-----	103106	1
145	NAS1149D0463J	.WASHER		103106	1
150	275N2073-1	.WASHER		103106	1
155	BRH10C4D	.NUT	SUPPLIER CODE: V52828 SPECIFICATION NUMBER: BACN10JC4CD OPTIONAL PART: T6C428JCD V11815 NS202486-048 V80539 102LH9075-4W V72962 H51650-4BAC V15653	103105	1
155	PLH54CD	.NUT	SUPPLIER CODE: VF0224 SPECIFICATION NUMBER: BACN10YR4CD OPTIONAL PART: H52732-4CD V15653	106106	1
160	275N2076-3	.SLEEVE		103106	1

MISSING ITEM NUMBERS NOT APPLICABLE

- ITEM NOT ILLUSTRATED

32-51-06-01A

32-51-06  
FIG. 01A  
PAGE 4  
JAN 20/09

BRI

BOEING PROPRIETARY - Copyright © - Unpublished Work - See title page for details.

**BOEING**  
757  
**PARTS CATALOG (MAINTENANCE)**

FIG ITEM	PART NUMBER	1 2 3 4 5 6 7	NOMENCLATURE	EFFECT FROM TO	UNITS PER ASSY
1 A					
R	165	275N2098-1	.SHIM	103106	2
R	175	275N2054-24	.BRACKET-SPRT	103106	1
R	175	275N2054-26	.BRACKET-SPRT	103106	1
R	180	275N2054-23	.BRACKET-SPRT	103106	1
R	180	275N2054-25	.BRACKET-SPRT	103106	1
			ATTACHING PARTS		
	185	BACB30NR4K16	.BOLT	103106	2
	190	BACB30NR4K18	.BOLT	103106	2
	195	NAS1149D0463J	.WASHER	103106	4
	200	BRH10C4D	.NUT	103105	4
			SUPPLIER CODE: V52828		
			SPECIFICATION NUMBER: BACN10JC4CD		
			OPTIONAL PART: T6C428JCD		
			V11815		
			NS202486-048		
			V80539		
			102LH9075-4W		
			V72962		
			H51650-4BAC		
			V15653		
	200	PLH54CD	.NUT	106106	4
			SUPPLIER CODE: VF0224		
			SPECIFICATION NUMBER: BACN10YR4CD		
			OPTIONAL PART: H52732-4CD		
			V15653		
			-----*-----		
	205	BACB30NF4-19	.BOLT	103105	2
	205	BACB30NR4K19	.BOLT-	106106	2
			OPTIONAL PART: BACB30NF4-19		
	205	BACB30NF4-19	.BOLT-	106106	2
			OPTIONAL PART: BACB30NR4K19		
	210	BACB30NF4-13	.BOLT	103105	4
	210	BACB30NR4K13	.BOLT-	106106	4
			OPTIONAL PART: BACB30NF4-13		
	210	BACB30NF4-13	.BOLT-	106106	4
			OPTIONAL PART: BACB30NR4K13		
	225	BACB30NF4-16	.BOLT	103105	2

MISSING ITEM NUMBERS NOT APPLICABLE

— ITEM NOT ILLUSTRATED

BRI

# 32-51-06-01A

BOEING PROPRIETARY - Copyright © - Unpublished Work - See title page for details.

32-51-06  
FIG. 01A  
PAGE 5  
MAY 20/09



757

PARTS CATALOG (MAINTENANCE)

FIG ITEM	PART NUMBER	1 2 3 4 5 6 7	NOMENCLATURE	EFFECT FROM TO	UNITS PER ASSY
1 A					
225	BACB30NR4K16	.BOLT-		106106	2
		OPTIONAL PART:			
		BACB30NF4-16			
225	BACB30NF4-16	.BOLT-		106106	2
		OPTIONAL PART:			
		BACB30NR4K16			
230	AN970-4	.WASHER		103106	4
235	AN970-4	.WASHER		103106	4
240	NAS1149D0416J	.WASHER		103106	4
245	NAS1149D0416J	.WASHER		103106	4
247	PLH54CD	.NUT		103106	4
		SUPPLIER CODE:			
		VF0224			
		SPECIFICATION NUMBER:			
		BACN10YR4CD			
		OPTIONAL PART:			
		H52732-4CD			
		V15653			
248	PLH54CD	.NUT		103106	4
		SUPPLIER CODE:			
		VF0224			
		SPECIFICATION NUMBER:			
		BACN10YR4CD			
		OPTIONAL PART:			
		H52732-4CD			
		V15653			
250	APM219-4	.PULLEY		103105	8
		SUPPLIER CODE:			
		V29965			
		SPECIFICATION NUMBER:			
		BACP30F4			
		OPTIONAL PART:			
		R30F4			
		V25337			
		BMP30F4			
		V22277			
		SMS20219-4			
		V29965			
250	BACP30F4C	.PULLEY		106106	8
260	BACB30NT3K18	.BOLT		103106	4
265	BACB30NT3K11	.BOLT		103106	7
275	BACB30NT3K14	.BOLT		103106	1
280	BACB30NT3K15	.BOLT		103106	1
285	BACB30NT3K16	.BOLT		103106	2
290	NAS1149D0363J	.WASHER		103106	4
295	NAS1149D0332J	.WASHER		103106	11
305	NAS42DD6-52FC	.SPACER		106106	4
305	NAS42DD6-52FC	.SPACER		103105	4
310	NAS42DD6-24FC	.SPACER		103106	7

MISSING ITEM NUMBERS NOT APPLICABLE

- ITEM NOT ILLUSTRATED

32-51-06-01A

32-51-06  
FIG. 01A  
PAGE 6  
MAY 20/09

BRI

BOEING PROPRIETARY - Copyright © - Unpublished Work - See title page for details.



757

PARTS CATALOG (MAINTENANCE)

FIG ITEM	PART NUMBER	1 2 3 4 5 6 7	NOMENCLATURE	EFFECT FROM TO	UNITS PER ASSY
1 A					
320	NAS42DD6-38FC	.	SPACER	103106	1
325	NAS42DD6-43FC	.	SPACER	106106	1
325	NAS42DD6-43FC	.	SPACER	103105	1
330	NAS42DD6-45FC	.	SPACER	103106	2
335	BRH10C3D	.	NUT	103105	11
			SUPPLIER CODE: V52828		
			SPECIFICATION NUMBER: BACN10JC3CD		
			OPTIONAL PART: T6C1032JCD		
			V11815		
			NS202486-02		
			V80539		
			102LH9075-3W		
			V72962		
			H51650-3BAC		
			V15653		
335	PLH53CD	.	NUT	106106	11
			SUPPLIER CODE: VF0224		
			SPECIFICATION NUMBER: BACN10YR3CD		
			OPTIONAL PART: H52732-3CD		
			V15653		
345	PLH53CD	.	NUT	103106	4
			SUPPLIER CODE: VF0224		
			SPECIFICATION NUMBER: BACN10YR3CD		
			OPTIONAL PART: H52732-3CD		
			V15653		
350	275N2052-4	.	BRACKET-SPRT	103106	1
350	275N2052-5	.	BRACKET-SPRT	103106	1
			ATTACHING PARTS		
355	BACB30NR4K13	.	BOLT	103106	4
360	NAS1149D0463J	.	WASHER	103106	4

MISSING ITEM NUMBERS NOT APPLICABLE

- ITEM NOT ILLUSTRATED

32-51-06-01A

32-51-06  
FIG. 01A  
PAGE 7  
MAY 20/09

BRI

BOEING PROPRIETARY - Copyright © - Unpublished Work - See title page for details.



757

PARTS CATALOG (MAINTENANCE)

FIG ITEM	PART NUMBER	1 2 3 4 5 6 7	NOMENCLATURE	EFFECT FROM TO	UNITS PER ASSY
1 A 365	BRH10C4D	.NUT	SUPPLIER CODE: V52828 SPECIFICATION NUMBER: BACN10JC4CD OPTIONAL PART: T6C428JCD V11815 NS202486-048 V80539 102LH9075-4W V72962 H51650-4BAC V15653	103105	4
365	PLH54CD	.NUT	SUPPLIER CODE: VF0224 SPECIFICATION NUMBER: BACN10YR4CD OPTIONAL PART: H52732-4CD V15653	106106	4
370	BACB30NF4-16	.BOLT	-----*-----	103105	1
370	BACB30NR4K16	.BOLT-	OPTIONAL PART: BACB30NF4-16	106106	1
370	BACB30NF4-16	.BOLT-	OPTIONAL PART: BACB30NR4K16	106106	1
375	BACB30NF4-24	.BOLT		103105	1
375	BACB30NR4K24	.BOLT-	OPTIONAL PART: BACB30NF4-24	106106	1
375	BACB30NF4-24	.BOLT-	OPTIONAL PART: BACB30NR4K24	106106	1
380	NAS1149D0416J	.WASHER		103106	1
385	NAS1149D0463J	.WASHER		103106	1

MISSING ITEM NUMBERS NOT APPLICABLE

- ITEM NOT ILLUSTRATED

32-51-06-01A

32-51-06  
FIG. 01A  
PAGE 8  
JAN 20/09

BRI

BOEING PROPRIETARY - Copyright © - Unpublished Work - See title page for details.





757

PARTS CATALOG (MAINTENANCE)

FIG ITEM	PART NUMBER	1 2 3 4 5 6 7	NOMENCLATURE	EFFECT FROM TO	UNITS PER ASSY
1 A 390	BRH10C4D	.	NUT SUPPLIER CODE: V52828 SPECIFICATION NUMBER: BACN10JC4CD OPTIONAL PART: T6C428JCD V11815 NS202486-048 V80539 102LH9075-4W V72962 H51650-4BAC V15653	103105	2
390	PLH54CD	.	NUT SUPPLIER CODE: VF0224 SPECIFICATION NUMBER: BACN10YR4CD OPTIONAL PART: H52732-4CD V15653	106106	2
395	BACB28AK04-045	.	BUSHING	103106	1
400	275N2059-3	.	CARTRIDGE ASSY-SPRING QUALIFIED I/W DATA: 275N2059-3 CAN REPLACE 275N2059-2 WITH INCORPORATION OF SB-757-32-0099. 275N2059-2 CAN REPLACE 275N2059-3 WITH CUSTOMER ACCEPTANCE OF NEGATING THE EFFECT OF SB-757-32-0099 FUNCTIONAL REFERENCE: PLACARDS AND MARKINGS FOR DETAILS SEE 11-22-50-01	103106	1
405	NAS513-6	..	WASHER	103106	1
410	NAS509-6	..	NUT	103106	1
415	MK45-23EFG	..	ROD END ASSY- SUPPLIER CODE: V73134	103106	1
430	275N2065-3	..	FTG ASSY-ROD END	103106	1
435	275N2062-1	..	TUBE ASSY	103106	1
440	275N2062-2	...	TUBE	103106	1
445	275N2066-1	...	STOPPER	103106	1

MISSING ITEM NUMBERS NOT APPLICABLE

- ITEM NOT ILLUSTRATED

32-51-06-01A

32-51-06  
FIG. 01A  
PAGE 9  
JAN 20/09

BRI

BOEING PROPRIETARY - Copyright © - Unpublished Work - See title page for details.



757

PARTS CATALOG (MAINTENANCE)

FIG ITEM	PART NUMBER	1 2 3 4 5 6 7	NOMENCLATURE	EFFECT FROM TO	UNITS PER ASSY
1 A			ATTACHING PARTS		
- 450	BACR15BA5D	...	RIVET- SIZE DETERMINED ON INSTL. -----*-----	103106	4
455	275N2135-3	..	SPRING ASSY	103106	1
460	275N2135-2	...	TUBE ASSY-SPRT	103106	1
465	275N2060-2	...	SLIDE- OPTIONAL PART: 275N2060-3	103106	2
465	275N2060-3	...	SLIDE- OPTIONAL PART: 275N2060-2	103106	2
470	275N2061-1	...	SLIDER	103106	1
475	275N2064-1	...	SPRING	103106	1
480	275N2067-1	...	FITTING	103106	1
485	275N2133-1	...	SLIDE-SPRT	103106	1
490	275N2134-1	...	WASHER	103106	2
495	275N2136-1	...	SLEEVE-FITTING	103106	1
500	275N2137-1	...	PIN-FITTING	103106	2
505	M4-23AFG	...	ROD END ASSY	103106	1
510	MS20392-2C13	.	PIN	103105	2
510	BACP18BD2C13	.	PIN	106106	2
515	BACP18BC02C04P	.	PIN-COTTER	103106	2
520	NAS1149D0363J	.	WASHER	103106	2
525	275N2055-3	.	QUADRANT ASSY	103105	1
525	275N2055-4	.	QUADRANT ASSY	106106	1
			ATTACHING PARTS		
530	BACB30NR4K15	.	BOLT	103106	4
535	NAS1149D0463J	.	WASHER	103106	4
540	BRH10C4D	.	NUT	103105	4
			SUPPLIER CODE: V52828		
			SPECIFICATION NUMBER: BACN10JC4CD		
			OPTIONAL PART: T6C428JCD V11815 NS202486-048 V80539 102LH9075-4W V72962 H51650-4BAC V15653		

MISSING ITEM NUMBERS NOT APPLICABLE

- ITEM NOT ILLUSTRATED

32-51-06-01A

32-51-06  
FIG. 01A  
PAGE 10  
JAN 20/09

BRI



757

PARTS CATALOG (MAINTENANCE)

FIG ITEM	PART NUMBER	1 2 3 4 5 6 7	NOMENCLATURE	EFFECT FROM TO	UNITS PER ASSY
1 A 540	PLH54CD	.	NUT SUPPLIER CODE: VF0224 SPECIFICATION NUMBER: BACN10YR4CD OPTIONAL PART: H52732-4CD V15653 -----*-----	106106	4
545	NAS623-3-3	..	SCREW	103106	3
550	AN960PD10	..	WASHER	103105	3
550	NAS1149D0363J	..	WASHER	106106	3
555	275N2058-1	..	RETAINER	103106	1
560	275N2142-1	..	CRANK	103106	1
565	275N2051-4	..	BRACKET-SPRT	103106	1
570	NAS43HT8-26	..	SPACER	103106	1
575	BACW10AT48	..	WASHER	103106	1
580	AN960PD516	..	WASHER	103105	1
580	NAS1149D0563J	..	WASHER	106106	1
585	BRH10A5	..	NUT SUPPLIER CODE: V52828 SPECIFICATION NUMBER: BACN10JC5 OPTIONAL PART: T6S524J V11815 96-054 V80539 RMLH9075-5W V72962 H10-5BAC V15653	103105	1
585	BRH10C5D	..	NUT SUPPLIER CODE: V52828 SPECIFICATION NUMBER: BACN10JC5CD OPTIONAL PART: T6C524JCD V11815 102LH9075-5W V72962 H51650-5BAC V15653	106106	1
590	275N2057-1	..	SHAFT	103106	1

MISSING ITEM NUMBERS NOT APPLICABLE

- ITEM NOT ILLUSTRATED

32-51-06-01A

32-51-06  
FIG. 01A  
PAGE 11  
JAN 20/09

BRI

BOEING PROPRIETARY - Copyright © - Unpublished Work - See title page for details.



757

PARTS CATALOG (MAINTENANCE)

FIG ITEM	PART NUMBER	1 2 3 4 5 6 7	NOMENCLATURE	EFFECT FROM TO	UNITS PER ASSY
R R R R R R R R R R R R R R R R R R R R R R	1 A 595		.. BEARING SUPPLIER CODE: V06144 SPECIFICATION NUMBER: BACB10BX8 OPTIONAL PART: KP8AFS428 V21335 KP8A2TS V43991 LLKP8A V38443 KP8AG27 V30163 KP8A V38443 KP8BSD610 V83086 CS208E VK8455 KP8A V21760 KP8ANJC V06144 KP8ALY196 V40920	103105	1
	595	PACMKP8AFS428	.. BEARING SUPPLIER CODE: V21335 SPECIFICATION NUMBER: BACB10FS08J OPTIONAL PART: SSMKP8ASD536 V50294	106106	1

MISSING ITEM NUMBERS NOT APPLICABLE

- ITEM NOT ILLUSTRATED

BRI

32-51-06-01A

BOEING PROPRIETARY - Copyright © - Unpublished Work - See title page for details.

32-51-06  
FIG. 01A  
PAGE 12  
MAY 20/09



757

PARTS CATALOG (MAINTENANCE)

FIG ITEM	PART NUMBER	1 2 3 4 5 6 7	NOMENCLATURE	EFFECT FROM TO	UNITS PER ASSY
1 A 600	KP12AFS428	..	BEARING SUPPLIER CODE: V21335 SPECIFICATION NUMBER: BACB10BX12 OPTIONAL PART: KP12A2TS V43991 LLKP12A V38443 KP12AG27 V30163 KP12A V38443 KF12ALY196 V40920 KP12ASD610 V83086 CS212E VK8455 KP12ANJC V06144 KP12AFS428 V06144	103105	1
600	SSMKP12AP	..	BEARING SUPPLIER CODE: V21760 SPECIFICATION NUMBER: BACB10FS12J OPTIONAL PART: PACMKP12AFS428 V21335	106106	1
605	275N2056-3	..	QUADRANT	103106	1

MISSING ITEM NUMBERS NOT APPLICABLE

- ITEM NOT ILLUSTRATED

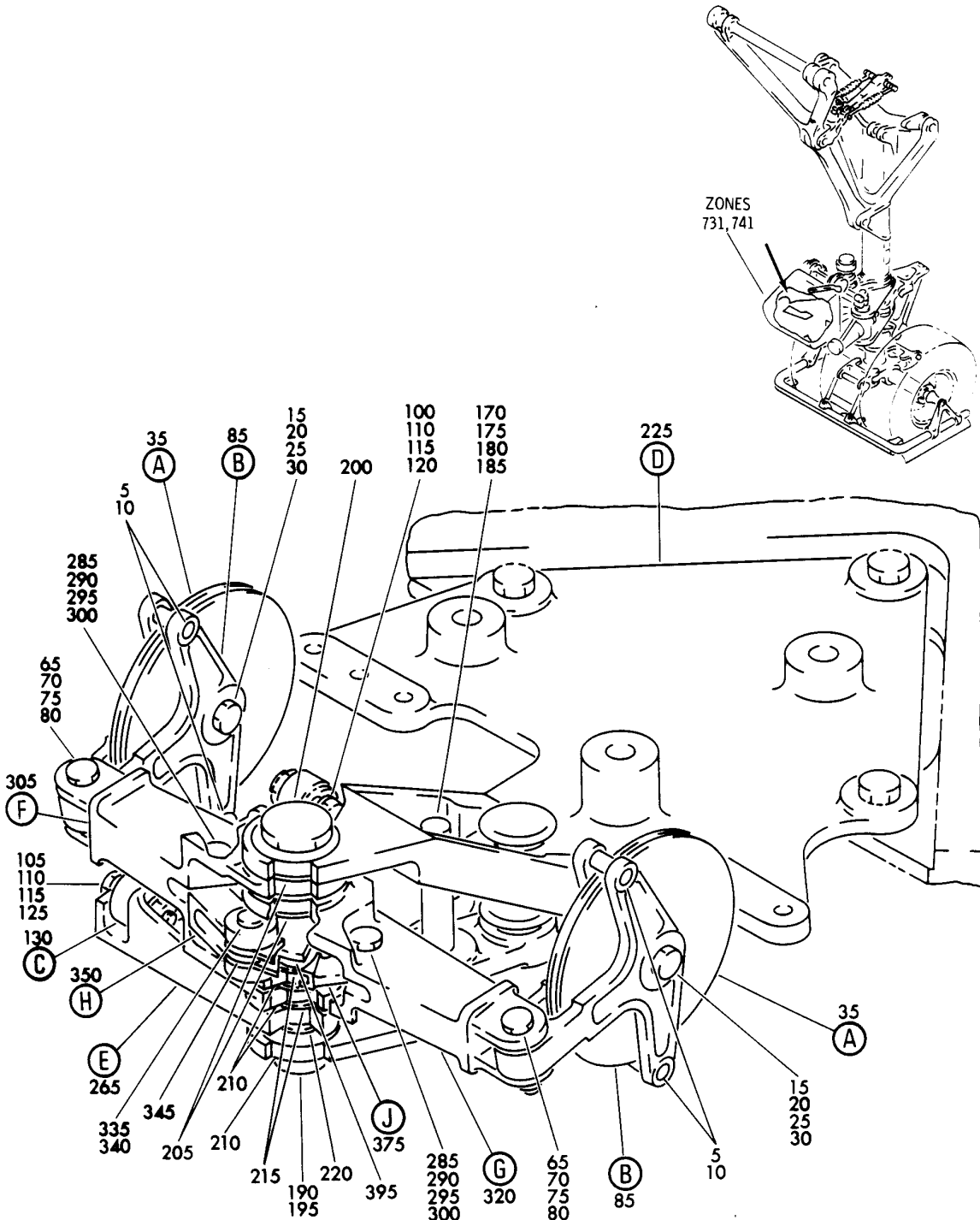
BRI

32-51-06-01A

BOEING PROPRIETARY - Copyright © - Unpublished Work - See title page for details.

32-51-06  
FIG. 01A  
PAGE 13  
JAN 20/09

**BOEING**  
757  
PARTS CATALOG (MAINTENANCE)



Y 32510802 SHT 1 REV 081

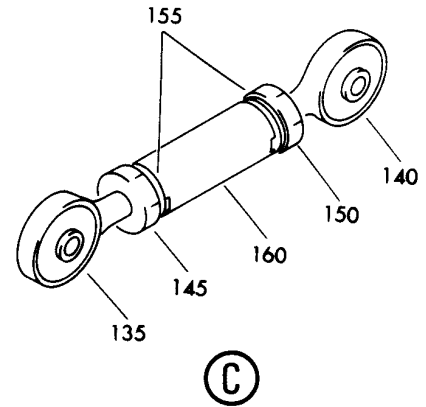
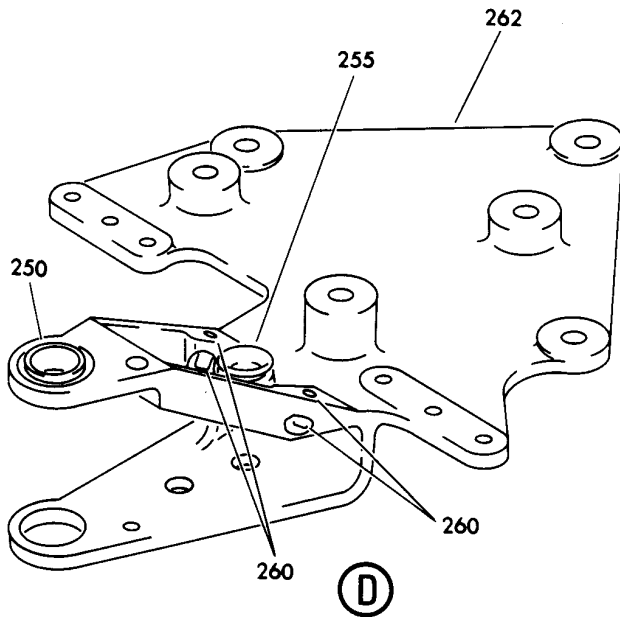
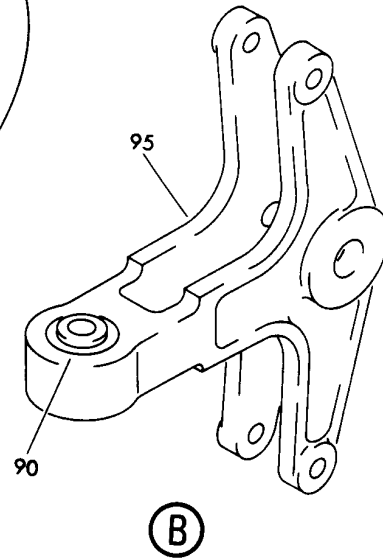
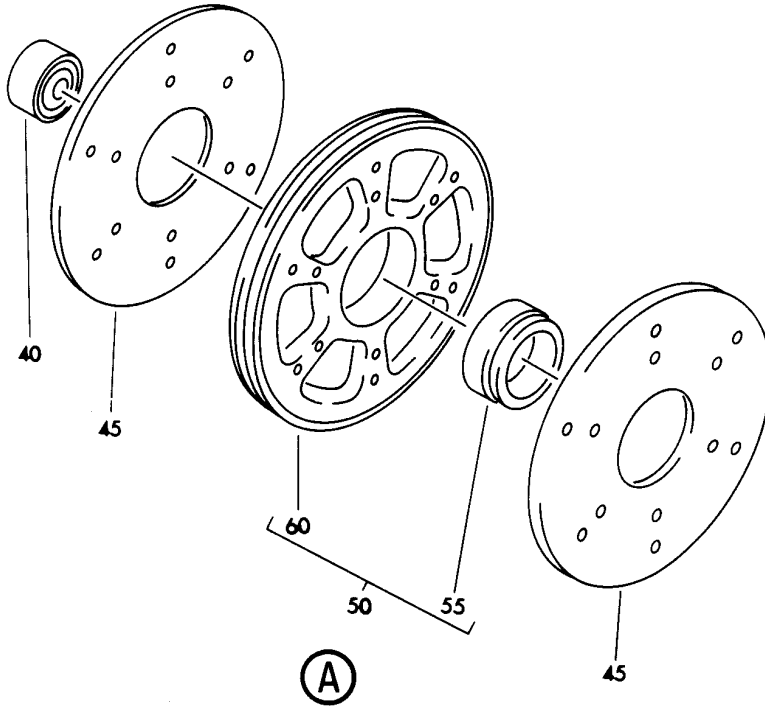
MECHANISM INSTL-NOSE WHL STRG VALVE SUMMING  
FIGURE 2 (SHEET 1)

**32-51-09-02**

BRI  
MAY 28/07

32-51-09-02  
PAGE 0

**BOEING**  
757  
PARTS CATALOG (MAINTENANCE)



Y 32510902 SHT 2 REV 041

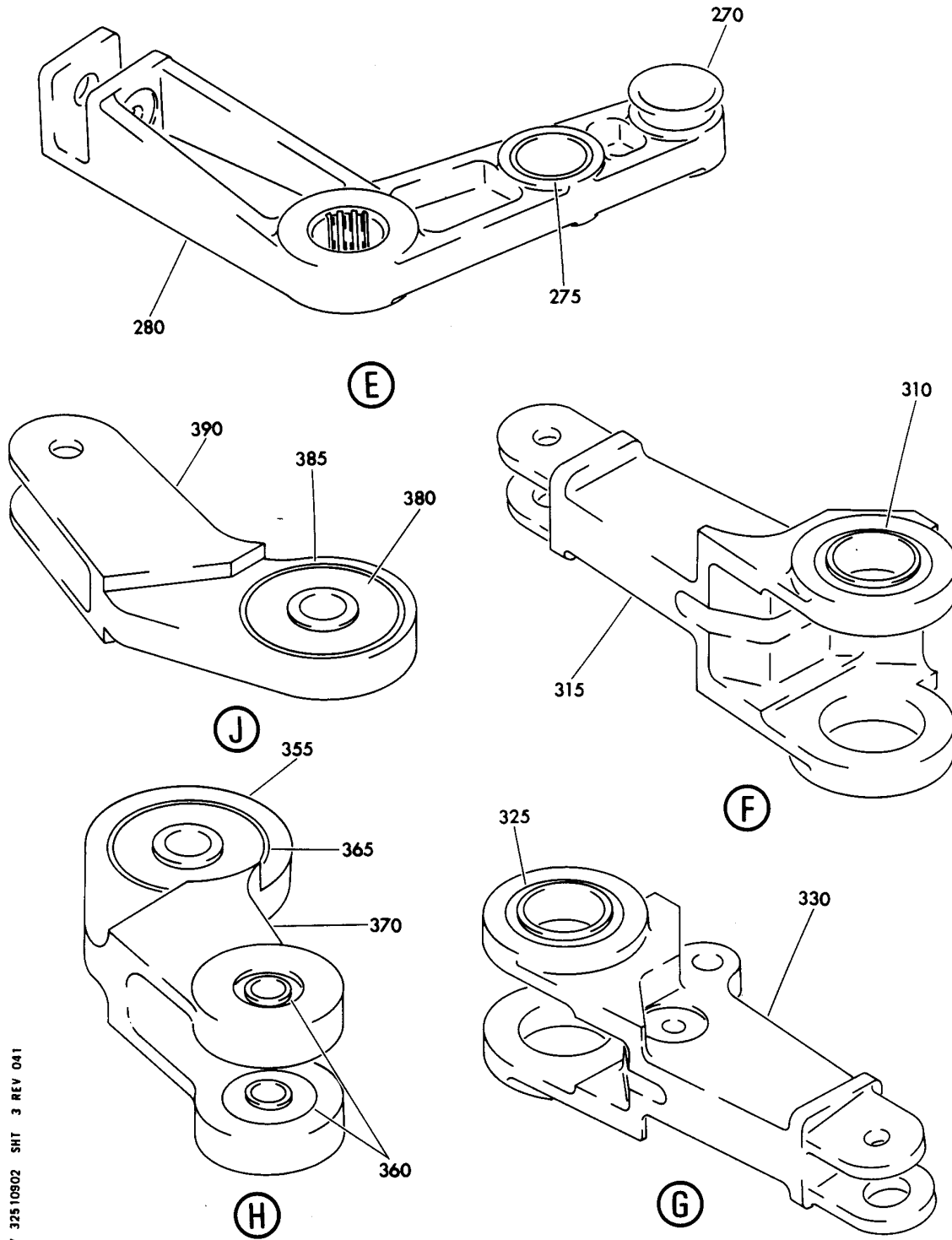
MECHANISM INSTL-NOSE WHL STRG VALVE SUMMING  
FIGURE 2 (SHEET 2)

**32-51-09-02**

BRI  
MAY 28/07

32-51-09-02  
PAGE 0A

**BOEING**  
757  
PARTS CATALOG (MAINTENANCE)



Y 32510802 SHT 3 REV 041

MECHANISM INSTL-NOSE WHL STRG VALVE SUMMING  
FIGURE 2 (SHEET 3)

**32-51-09-02**

BRI  
MAY 28/07

32-51-09-02  
PAGE 0B





757

PARTS CATALOG (MAINTENANCE)

FIG ITEM	PART NUMBER	1 2 3 4 5 6 7	NOMENCLATURE	EFFECT FROM TO	UNITS PER ASSY
2			MECHANISM INSTL-NOSE WHL STRG VALVE SUMMING	002004 006102 107999	
- 1	275N2022-1		MECHANISM INSTL-NOSE WHL STRG VALVE SUMMING FOR NHA SEE: 32-51-53-01	002004 006100 107107 121503 904999	RF
- 1	275N2022-2		MECHANISM INSTL-NOSE WHL STRG VALVE SUMMING FOR NHA SEE: 32-00-00-22	101102 108120 504903	RF
5	MS20392-2C35		.PIN	002004 006102 107999	4
10	AN960PD10		.WASHER	002004 006102 107999	4
15	BACB30NF4-17		.BOLT	002004 006102 107999	2
20	AN960PD416		.WASHER	002004 006102 107999	2
25	BRH10A4		.NUT SUPPLIER CODE: V52828 SPECIFICATION NUMBER: BACN10JC4 OPTIONAL PART: T6S428J V11815 96-048 V80539 VN303A048 V92215 RMLH9075-4W V72962 NS202101-048 V80539 H10-4BAC V15653	002004 006102 107999	2
30	BACB28AK04-030		.BUSHING	002004 006102 107999	2
35	65B80977-1		.PULLEY ASSY-4 IN. DIA 3/32 IN. CABLE FOR SPARES PROCURE: BACP30M4	002004 006102 107999	2

MISSING ITEM NUMBERS NOT APPLICABLE

- ITEM NOT ILLUSTRATED

BRI

32-51-09-02

32-51-09  
FIG. 02  
PAGE 1  
JAN 20/09



757

PARTS CATALOG (MAINTENANCE)

FIG ITEM	PART NUMBER	1 2 3 4 5 6 7	NOMENCLATURE	EFFECT FROM TO	UNITS PER ASSY
2	40	JMKP4P25LY196	.. BEARING- SUPPLIER CODE: V40920 SPECIFICATION NUMBER: BACB10AN4 OPTIONAL PART: MKP4FS428 V21335 MKP4G20 V38443 LLMKP4 V38443 MKP4 V38443 MKP4-2TS V43991 MKP4E6531 V21335 MKP4TT V43991 MKP4SD610 V83086	002004 006102 107999	1
	45	69B81979-1	.. SHIELD	002004 006102 107999	2
	50	65B80978-1	.. SHEAVE ASSY	002004 006102 107999	1
	55	69B81362-2	... INSERT	002004 006102 107999	1
	60	69B80978-2	... SHEAVE	002004 006102 107999	1
	65	BACB30NF4-15	. BOLT-	002004 006102 107999	2
	70	AN960PD416	. WASHER	002004 006102 107999	2

MISSING ITEM NUMBERS NOT APPLICABLE

- ITEM NOT ILLUSTRATED

32-51-09-02

32-51-09  
FIG. 02  
PAGE 2  
JAN 20/09

BRI

BOEING PROPRIETARY - Copyright © - Unpublished Work - See title page for details.



757

PARTS CATALOG (MAINTENANCE)

FIG ITEM	PART NUMBER	1 2 3 4 5 6 7	NOMENCLATURE	EFFECT FROM TO	UNITS PER ASSY
2	75 BRH10A4	.NUT	SUPPLIER CODE: V52828 SPECIFICATION NUMBER: BACN10JC4 OPTIONAL PART: T6S428J V11815 96-048 V80539 VN303A048 V92215 RMLH9075-4W V72962 NS202101-048 V80539 H10-4BAC V15653	002004 006102 107999	2
	80 BACB28AK04-025	.BUSHING		002004 006102 107999	2
	85 275N2053-1	.BRACKET ASSY		002004 006102 107999	2
	90 GDW4K2SD610	..BEARING-	SUPPLIER CODE: V83086 SPECIFICATION NUMBER: BACB10CG4 OPTIONAL PART: GDW4K2TT V43991 GDW4K2FS428 V21335 DW4K2-1 V38443	002004 006102 107999	1
	95 275N2053-2	..BRACKET		002004 006102 107999	1
	100 BACB30NF4-16	.BOLT-		002004 006102 107999	1
	105 BACB30NF4-17	.BOLT-		002004 006102 107999	1
	110 AN960PD416	.WASHER		002004 006102 107999	2

MISSING ITEM NUMBERS NOT APPLICABLE

- ITEM NOT ILLUSTRATED

32-51-09-02

32-51-09  
FIG. 02  
PAGE 3  
JAN 20/09

BRI

BOEING PROPRIETARY - Copyright © - Unpublished Work - See title page for details.



757

PARTS CATALOG (MAINTENANCE)

FIG ITEM	PART NUMBER	1 2 3 4 5 6 7	NOMENCLATURE	EFFECT FROM TO	UNITS PER ASSY
2 115	BRH10A4	.	NUT SUPPLIER CODE: V52828 SPECIFICATION NUMBER: BACN10JC4 OPTIONAL PART: T6S428J V11815 96-048 V80539 VN303A048 V92215 RMLH9075-4W V72962 NS202101-048 V80539 H10-4BAC V15653	002004 006102 107999	2
120	BACB28AK04-020	.	BUSHING	002004 006102 107999	1
125	BACB28AK04-025	.	BUSHING	002004 006102 107999	1
130	275N2069-1	.	ROD ASSY-INPUT	002004 006102 107999	1
135	REP4MK6-4FS428	..	BEARING SUPPLIER CODE: V73134 SPECIFICATION NUMBER: BACB10AD5K OPTIONAL PART: HHRE4MS6-1 V38443 REP4M6-4E9171B V21335 ABR4M8WG VS0352 ABR4M120 VS0352 REB4MK6-18 V92563 DBM4-6A1-502 V77896 ABR4M8WB V15860 REP4MK6-8J V73134	002004 006102 107999	1

MISSING ITEM NUMBERS NOT APPLICABLE

- ITEM NOT ILLUSTRATED

32-51-09-02

32-51-09  
FIG. 02  
PAGE 4  
JAN 20/09

BRI



757

PARTS CATALOG (MAINTENANCE)

FIG ITEM	PART NUMBER	1 2 3 4 5 6 7	NOMENCLATURE	EFFECT FROM TO	UNITS PER ASSY
2					
140	REP4ML6-4FS428	..	BEARING- SUPPLIER CODE: V73134 SPECIFICATION NUMBER: BACB10AD5LK OPTIONAL PART: HHRE4MLS6-1 V38443 REP4ML6-4E9171B V21335 ABRL4M9WG VS0352 REP4ML6-4FS428 V21335 ABRL4M120 VS0352 REB4MLK6-18 V92563 ABRL4M9WB V15860 REP4MKL6-9J V73134 MS21151-9C	002004 006102 107999	1
140	MS21151-9C	..	BEARING- OPTIONAL PART: BACB10AD5LK	002004 006102 107999	1
145	NAS509-6	..	NUT	002004 006102 107999	1
150	NAS509L6	..	NUT	002004 006102 107999	1
155	NAS1193E6CP	..	DEVICE	002004 006102 107999	2
160	275N2069-2	..	ROD	002004 006102 107999	1
170	BACB30NF4-48	.	BOLT	002004 006102 107999	1
175	AN960PD416	.	WASHER	002004 006102 107999	1

MISSING ITEM NUMBERS NOT APPLICABLE

- ITEM NOT ILLUSTRATED

32-51-09-02

32-51-09  
FIG. 02  
PAGE 5  
JAN 20/09

BRI

BOEING PROPRIETARY - Copyright © - Unpublished Work - See title page for details.



757

PARTS CATALOG (MAINTENANCE)

FIG ITEM	PART NUMBER	1 2 3 4 5 6 7	NOMENCLATURE	EFFECT FROM TO	UNITS PER ASSY
2 180	BRH10A4	.NUT	SUPPLIER CODE: V52828 SPECIFICATION NUMBER: BACN10JC4 OPTIONAL PART: T6S428J V11815 96-048 V80539 VN303A048 V92215 RMLH9075-4W V72962 NS202101-048 V80539 H10-4BAC V15653	002004 006102 107999	1
185	NAS73-4E205	.BUSHING		002004 006102 107999	1
190	BMN4122AD3-8	.NUT	SUPPLIER CODE: V97928 SPECIFICATION NUMBER: BACN10JC8 OPTIONAL PART: BMN4122A8 V85495 H10-8BAC V15653 RMLH9074-8 V72962 48FT820 V56878	002004 006102 107999	1
195	AN960PD816	.WASHER		002004 006102 107999	1
200	275N2074-2	.SHAFT-		002004 006100 107107 121503 904999	1
200	275N2074-3	.SHAFT-		002004 006102 107999	1
205	BACB28Y14C008	.BUSHING		002004 006102 107999	3

MISSING ITEM NUMBERS NOT APPLICABLE

- ITEM NOT ILLUSTRATED

32-51-09-02

32-51-09  
FIG. 02  
PAGE 6  
JAN 20/09

BRI



757

PARTS CATALOG (MAINTENANCE)

FIG ITEM	PART NUMBER	1 2 3 4 5 6 7	NOMENCLATURE	EFFECT FROM TO	UNITS PER ASSY
R R R R R R R R R R R R R R R R R R R R R R	2 210	MB538DDFS428	.BEARING- SUPPLIER CODE: V06144 SPECIFICATION NUMBER: BACB10AS10 OPTIONAL PART: MB538-2TS V43991 MB538DDFS428 V21335 MB538TT V43991 MT338E VK8455 MB538DDL196 V40920 MB538DD V06144 MB538DDNJC V06144 MB538DDSD610 V83086	002004 006102 107999	3
	215	BACB28Y10C008	.BUSHING	002004 006102 107999	3
	220	275N2095-1	.BUSHING	002004 006102 107999	1
	225	275N2072-5	.BRACKET ASSY-SPRT	002004 006102 107999	1
	- 230	BACB30NR6K11	ATTACHING PARTS .BOLT	002004 006102 107999	3
	- 235	BACW10BN6AC	.WASHER	002004 006102 107999	3
	- 240	BACW10BN6AP	.WASHER-	002004 006102 107999	3
	MISSING ITEM NUMBERS NOT APPLICABLE				

- ITEM NOT ILLUSTRATED

32-51-09-02

32-51-09  
FIG. 02  
PAGE 7  
MAY 20/09

BRI







757

PARTS CATALOG (MAINTENANCE)

FIG ITEM	PART NUMBER	1 2 3 4 5 6 7	NOMENCLATURE	EFFECT FROM TO	UNITS PER ASSY
2					
265	275N2075-4	.	LEVER ASSY-INPUT OPTIONAL PART: 275N2075-1	002004 006102 107999	1
270	69B82080-2	..	BUSHING	002004 006102 107999	1
275	BACB28Y11C050	..	BUSHING	002004 006102 107999	1
280	275N2075-2	..	LEVER	002004 006102 107999	1
285	BACB30NF4-12	.	BOLT-	002004 006102 107999	2
290	AN960PD416	.	WASHER	002004 006102 107999	2
295	BRH10A4	.	NUT SUPPLIER CODE: V52828 SPECIFICATION NUMBER: BACN10JC4 OPTIONAL PART: T6S428J V11815 96-048 V80539 VN303A048 V92215 RMLH9075-4W V72962 NS202101-048 V80539 H10-4BAC V15653	002004 006102 107999	2
300	BACB28AK04-030	.	BUSHING	002004 006102 107999	2
305	275N2071-4	.	LEVER ASSY- POSITION DATA: R	002004 006102 107999	1
305	275N2071-6	.	LEVER ASSY- POSITION DATA: R	002004 006102 107999	1

MISSING ITEM NUMBERS NOT APPLICABLE

- ITEM NOT ILLUSTRATED

BRI

32-51-09-02

BOEING PROPRIETARY - Copyright © - Unpublished Work - See title page for details.

32-51-09  
FIG. 02  
PAGE 9  
MAY 20/09



757

PARTS CATALOG (MAINTENANCE)

FIG ITEM	PART NUMBER	1 2 3 4 5 6 7	NOMENCLATURE	EFFECT FROM TO	UNITS PER ASSY
R R R R R R R R R R R R R R R R R R R R R R	2 310	MB540DDFS428	.. BEARING- SUPPLIER CODE: V06144 SPECIFICATION NUMBER: BACB10AS14 OPTIONAL PART: LLMB540 V38443 MB540-2TS V43991 MB540DDFS428 V21335 MB540TT V43991 MB540DDG20 V38443 MT340E VK8455 MB540DDL196 V40920 MB540DD V06144 MB540DDNJC V06144 MB540DDSD610 V83086	002004 006102 107999	1
	310	ACMB540DDFS428	.. BEARING SUPPLIER CODE: V06144 SPECIFICATION NUMBER: BACB10FU14RJ OPTIONAL PART: SSMB540DDSD629 V83086 AMB540DDRJC V06144 ACMB540DDFS428 V21335	002004 006102 107999	1
	315	275N2071-5	.. LEVER-	002004 006102 107999	1
	320	275N2070-1	. LEVER ASSY- POSITION DATA: L OPTIONAL PART: 275N2070-4	002004 006102 107999	1
	320	275N2070-4	. LEVER ASSY- POSITION DATA: L	002004 006102 107999	1

MISSING ITEM NUMBERS NOT APPLICABLE

- ITEM NOT ILLUSTRATED

32-51-09-02

32-51-09  
FIG. 02  
PAGE 10  
MAY 20/09

BRI



757

PARTS CATALOG (MAINTENANCE)

FIG ITEM	PART NUMBER	1 2 3 4 5 6 7	NOMENCLATURE	EFFECT FROM TO	UNITS PER ASSY
2	320 275N2070-6		. LEVER ASSY- POSITION DATA: L	002004 006102 107999	1
R	325 MB540DDFS428		.. BEARING- SUPPLIER CODE: V06144 SPECIFICATION NUMBER: BACB10AS14 OPTIONAL PART: LLMB540 V38443 MB540-2TS V43991 MB540DDFS428 V21335 MB540TT V43991 MB540DDG20 V38443 MT340E VK8455 MB540DDL196 V40920 MB540DD V06144 MB540DDNJC V06144 MB540DDSD610 V83086	002004 006102 107999	1
R	325 ACMB540DDFS428		.. BEARING SUPPLIER CODE: V06144 SPECIFICATION NUMBER: BACB10FU14RJ OPTIONAL PART: SSMB540DDSD629 V83086 AMB540DDRJC V06144 ACMB540DDFS428 V21335	002004 006102 107999	1
R	330 275N2070-2		.. LEVER	002004 006102 107999	1
R	330 275N2070-5		.. LEVER	002004 006102 107999	1

MISSING ITEM NUMBERS NOT APPLICABLE

- ITEM NOT ILLUSTRATED

32-51-09-02

32-51-09  
FIG. 02  
PAGE 11  
MAY 20/09

BRI



757

PARTS CATALOG (MAINTENANCE)

FIG ITEM	PART NUMBER	1 2 3 4 5 6 7	NOMENCLATURE	EFFECT FROM TO	UNITS PER ASSY
2 335	HL18PB6-15		.BOLT SUPPLIER CODE: V06725 SPECIFICATION NUMBER: BACB30FM6-15 OPTIONAL PART: HL18PB6-15 V73197 HL18PB6-15 V92215 HL18PB6-15 V97928 HL18PB6-15 V80539 62550-6-15 V56878 HL18PB6-15 V08524 HL18PB6-15 V56878 HL18PB6-15 V56878	002004 006102 107999	1
340	HL79-6		.COLLAR SUPPLIER CODE: V5M902 SPECIFICATION NUMBER: BACC30M6 OPTIONAL PART: HL79-6 V73197 HL79-6 V92215 66014-6 V56878 HL79-6 V56878	002004 006102 107999	1
345	ATF3		.BEARING- SUPPLIER CODE: V60380 SPECIFICATION NUMBER: BACB10ET03 OPTIONAL PART: 3AFC512 V92563 YAF03B V07484	002004 006102 107999	1

MISSING ITEM NUMBERS NOT APPLICABLE

- ITEM NOT ILLUSTRATED

BRI

32-51-09-02

32-51-09  
FIG. 02  
PAGE 12  
JAN 20/09



757

PARTS CATALOG (MAINTENANCE)

FIG ITEM	PART NUMBER	1 2 3 4 5 6 7	NOMENCLATURE	EFFECT FROM TO	UNITS PER ASSY
2					
350	65B82754-3	.LINK ASSY-CABLE COMPENSATOR		002004 006100 107107 121503 904999	1
355	KSP4AFS428	..BEARING- SUPPLIER CODE: V21335 SPECIFICATION NUMBER: BACB10AC4A OPTIONAL PART: HHKSP4A V38443 KSP4AE9440A V21335 KSP4A2TS V43991 KSP4AG27 V30163		002004 006102 107999	1
360	BACB10A122	..BEARING- SUPPLIER CODE: V38443 SPECIFICATION NUMBER: BACB10A122 OPTIONAL PART: KP3AL V21335 BACB10A122H		002004 006102 107999	2
360	BACB10A122H	..BEARING- OPTIONAL PART: BACB10A122		002004 006102 107999	2
365	65B82744-3	..SLEEVE		002004 006102 107999	1
370	65B82754-4	..LINK		002004 006100 107107 121503 904999	1
375	65B82744-1	.LINK ASSY-CABLE COMPENSATOR		002004 006102 107999	1
375	65B82744-4	.LINK ASSY-CABLE COMPENSATOR MISCELLANEOUS DATA: NOT AN INITIAL PROVISIONING SPARE		002004 006102 107999	1

R  
R  
R  
R  
R  
R  
R  
R

MISSING ITEM NUMBERS NOT APPLICABLE

- ITEM NOT ILLUSTRATED

32-51-09-02

32-51-09  
FIG. 02  
PAGE 13  
MAY 20/09

BRI



757

PARTS CATALOG (MAINTENANCE)

FIG ITEM	PART NUMBER	1 2 3 4 5 6 7	NOMENCLATURE	EFFECT FROM TO	UNITS PER ASSY
2					
375	65B82744-6	.	LINK ASSY-CABLE COMPENSATOR	002004 006102 107999	1
380	KSP4AFS428	..	BEARING- SUPPLIER CODE: V21335 SPECIFICATION NUMBER: BACB10AC4A OPTIONAL PART: HHKSP4A V38443 KSP4AE9440A V21335 KSP4A2TS V43991 KSP4AG27 V30163	002004 006102 107999	1
380	ACMKSP4AFS428	..	BEARING SUPPLIER CODE: V21335 SPECIFICATION NUMBER: BACB10FP04AJ OPTIONAL PART: SSMKSP4ASD529 V50294	002004 006102 107999	1
385	65B82744-3	..	SLEEVE	002004 006102 107999	1
390	65B82744-5	..	LINK	002004 006100 107107 121503 904999	1
395	65B82752-2	.	CAM	002004 006102 107999	1

MISSING ITEM NUMBERS NOT APPLICABLE

- ITEM NOT ILLUSTRATED

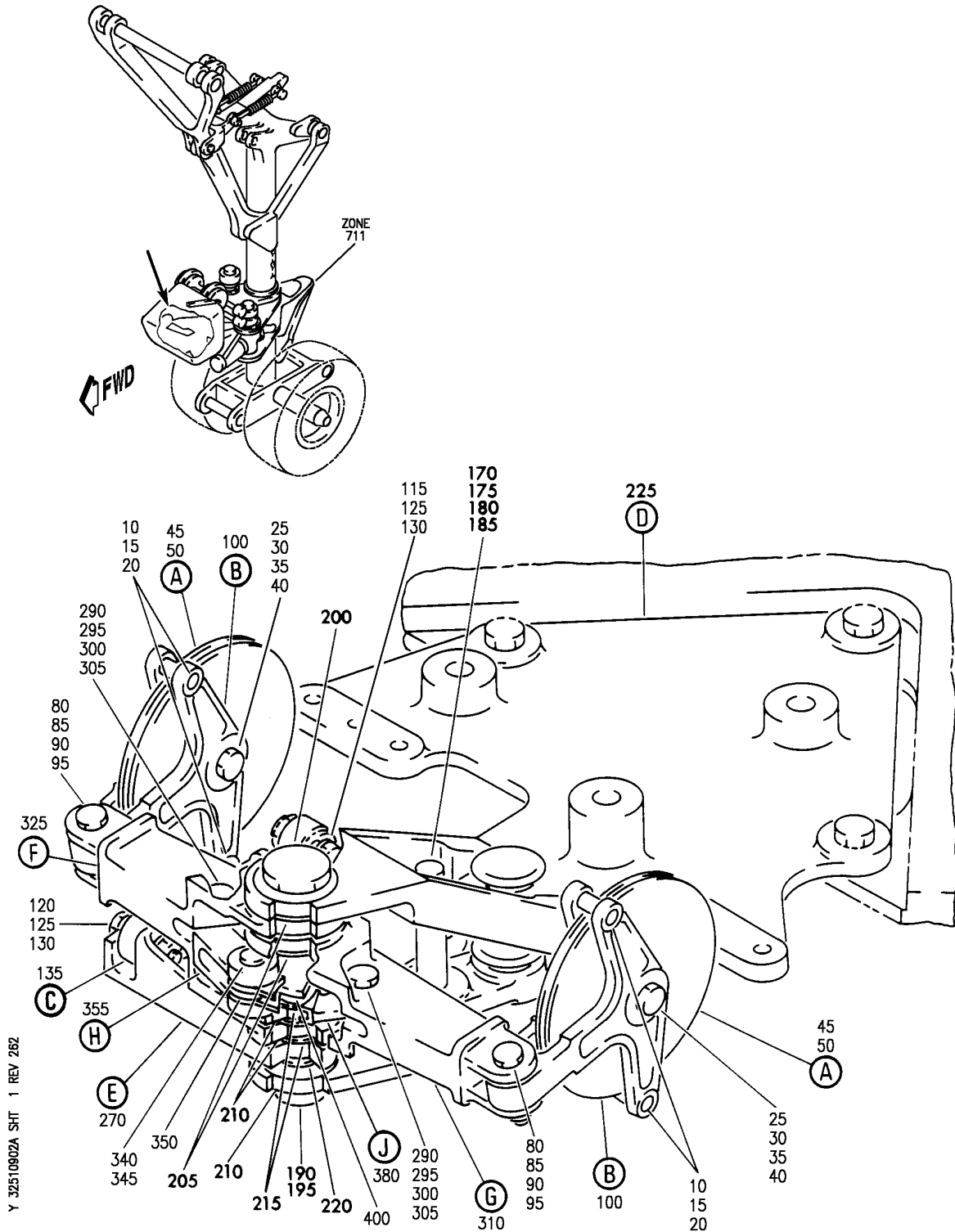
BRI

32-51-09-02

BOEING PROPRIETARY - Copyright © - Unpublished Work - See title page for details.

32-51-09  
FIG. 02  
PAGE 14  
JAN 20/09

**BOEING**  
757  
**PARTS CATALOG (MAINTENANCE)**



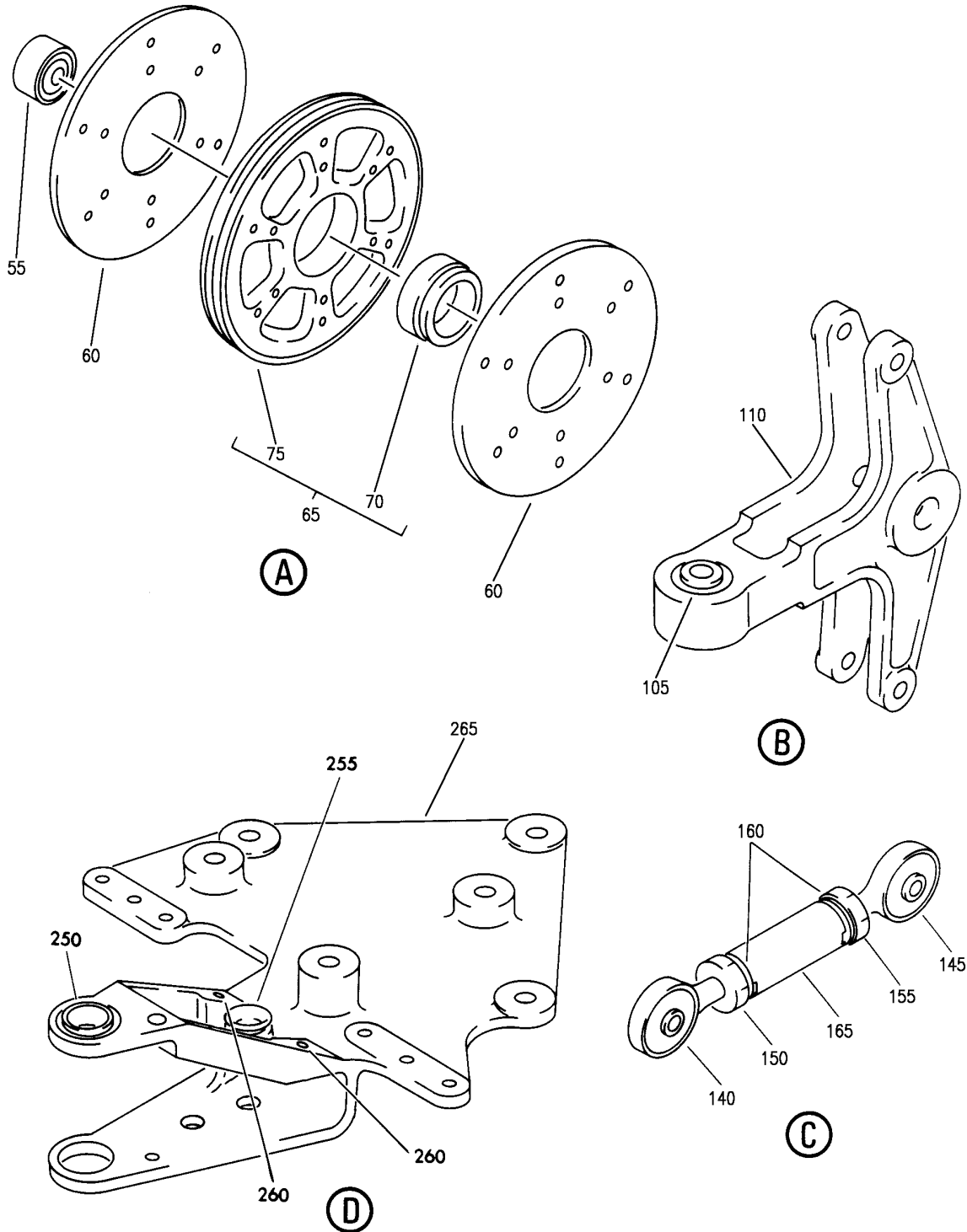
MECHANISM INSTL-NOSE WHL STRG VALVE SUMMING  
FIGURE 2A (SHEET 1)

**32-51-09-02A**

BRI  
JAN 20/09

32-51-09-02A  
PAGE 0

**BOEING**  
757  
PARTS CATALOG (MAINTENANCE)



Y 32510902A SHT 2 REV 262

MECHANISM INSTL-NOSE WHL STRG VALVE SUMMING  
FIGURE 2A (SHEET 2)

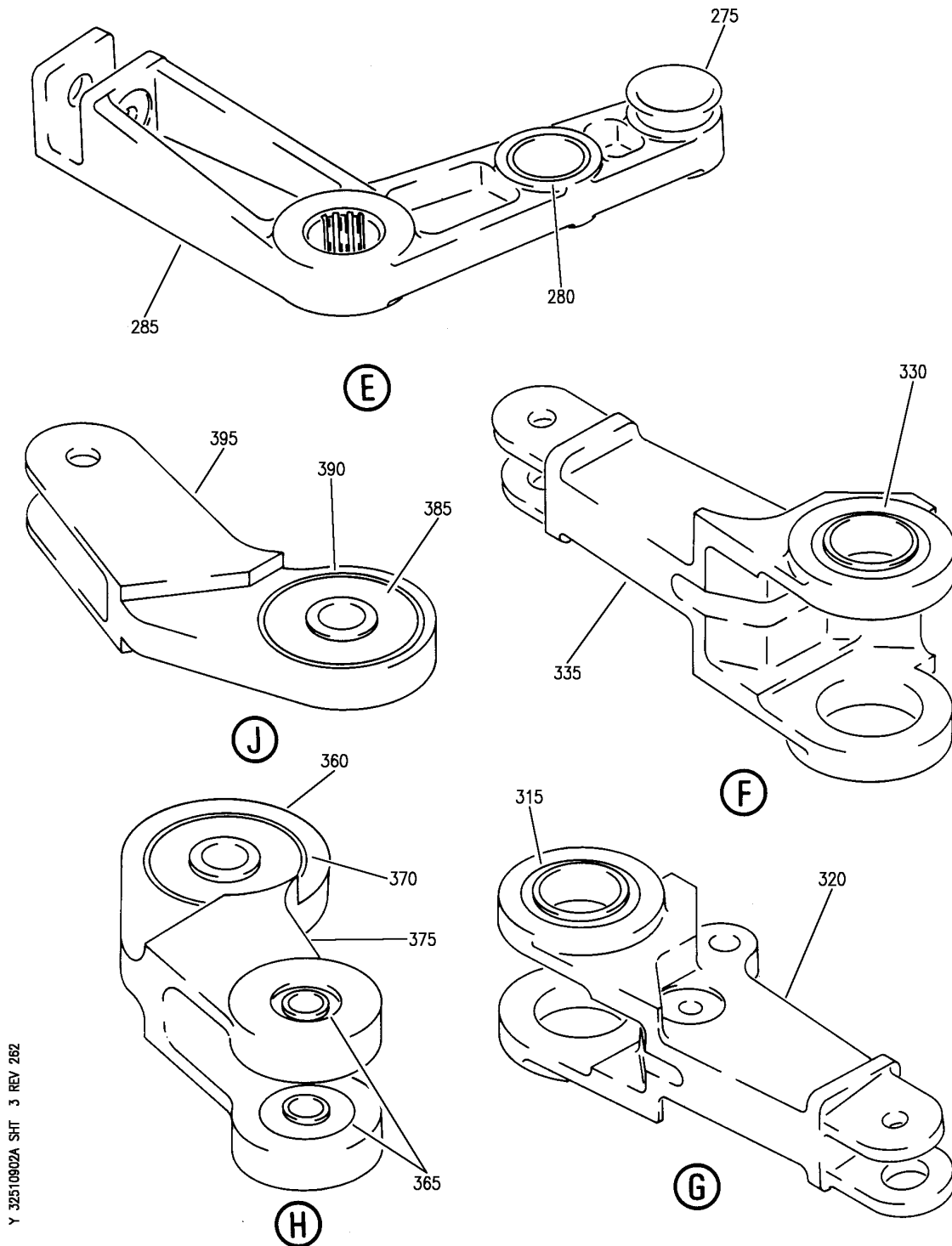
**32-51-09-02A**

BRI  
JAN 20/09

32-51-09-02A  
PAGE 0A



**BOEING**  
757  
PARTS CATALOG (MAINTENANCE)



Y 32510902A SHT. 3 REV. 262

MECHANISM INSTL-NOSE WHL STRG VALVE SUMMING  
FIGURE 2A (SHEET 3)

**32-51-09-02A**

BRI  
JAN 20/09

32-51-09-02A  
PAGE 0B



757

PARTS CATALOG (MAINTENANCE)

FIG ITEM	PART NUMBER	1 2 3 4 5 6 7	NOMENCLATURE	EFFECT FROM TO	UNITS PER ASSY
2A			MECHANISM INSTL-NOSE WHL STRG VALVE SUMMING	103106	
- 1	MODREF8758		MECHANISM INSTL-NOSE WHL STRG VALVE SUMMING	103105	1
- 1	MODREF31333		MODULE NUMBER: 275N2022-2 REV A MECHANISM INSTL-NOSE WHL STRG VALVE SUMMING	106106	1
			MODULE NUMBER: 275N2022-2 REV B		
10	BACP18BD2C35		.PIN	103106	4
15	BACP18BC02C04P		.PIN	103106	4
20	NAS1149D0363J		.WASHER	103106	4
25	BACB30NF4-17		.BOLT	103105	2
25	BACB30NR4K17		.BOLT-	106106	2
			OPTIONAL PART: BACB30NF4-17		
25	BACB30NF4-17		.BOLT-	106106	2
			OPTIONAL PART: BACB30NR4K17		
30	NAS1149D0463J		.WASHER	103106	2
35	BRH10C4D		.NUT	103105	2
			SUPPLIER CODE: V52828 SPECIFICATION NUMBER: BACN10JC4CD OPTIONAL PART: T6C428JCD V11815 NS202486-048 V80539 102LH9075-4W V72962 H51650-4BAC V15653		
35	PLH54CD		.NUT	106106	2
			SUPPLIER CODE: VF0224 SPECIFICATION NUMBER: BACN10YR4CD OPTIONAL PART: H52732-4CD V15653		
40	BACB28AK04-030		.BUSHING	103106	2

MISSING ITEM NUMBERS NOT APPLICABLE

- ITEM NOT ILLUSTRATED

32-51-09-02A

32-51-09  
FIG. 02A  
PAGE 1  
JAN 20/09

BRI

BOEING PROPRIETARY - Copyright © - Unpublished Work - See title page for details.



757

PARTS CATALOG (MAINTENANCE)

FIG ITEM	PART NUMBER	1 2 3 4 5 6 7	NOMENCLATURE	EFFECT FROM TO	UNITS PER ASSY
2A 45	AVS4CM	.	PULLEY ASSY SUPPLIER CODE: V29965 SPECIFICATION NUMBER: BACP30M4C OPTIONAL PART: BMP30M4C V22277 R30M4C V25337	106106	2
50	65B80977-1	.	PULLEY ASSY-4 IN. DIA 3/32 IN. CABLE FOR SPARES PROCURE: BACP30M4	103105	2
55	JMKP4P25LY196	..	BEARING SUPPLIER CODE: V40920 SPECIFICATION NUMBER: BACB10AN4 OPTIONAL PART: MKP4FS428 V21335 MKP4G20 V38443 LLMKP4 V38443 MKP4 V38443 MKP4-2TS V43991 MKP4E6531 V21335 MKP4TT V43991 MKP4SD610 V83086	103105	1
60	69B81979-1	..	SHIELD	103105	2
65	65B80978-1	..	SHEAVE ASSY	103105	1
70	69B81362-2	...	INSERT	103106	1
75	69B80978-2	...	SHEAVE	103106	1
80	BACB30NF4-15	.	BOLT	103105	2
80	BACB30NR4K15	.	BOLT- OPTIONAL PART: BACB30NF4-15	106106	2
80	BACB30NF4-15	.	BOLT- OPTIONAL PART: BACB30NR4K15	106106	2
85	NAS1149D0463J	.	WASHER	103106	2

MISSING ITEM NUMBERS NOT APPLICABLE

- ITEM NOT ILLUSTRATED

32-51-09-02A

32-51-09  
FIG. 02A  
PAGE 2  
JAN 20/09

BRI

BOEING PROPRIETARY - Copyright © - Unpublished Work - See title page for details.



757

PARTS CATALOG (MAINTENANCE)

FIG ITEM	PART NUMBER	1 2 3 4 5 6 7	NOMENCLATURE	EFFECT FROM TO	UNITS PER ASSY
2A 90	BRH10C4D	.NUT	SUPPLIER CODE: V52828 SPECIFICATION NUMBER: BACN10JC4CD OPTIONAL PART: T6C428JCD V11815 NS202486-048 V80539 102LH9075-4W V72962 H51650-4BAC V15653	103105	2
90	PLH54CD	.NUT	SUPPLIER CODE: VF0224 SPECIFICATION NUMBER: BACN10YR4CD OPTIONAL PART: H52732-4CD V15653	106106	2
95	BACB28AK04-025	.BUSHING		103106	2
100	275N2053-1	.BRACKET ASSY		103105	2
100	275N2053-4	.BRACKET ASSY-CABLE PULLEY		106106	2
105	GDW4K2SD610	..BEARING	SUPPLIER CODE: V83086 SPECIFICATION NUMBER: BACB10CG4 OPTIONAL PART: GDW4K2TT V43991 GDW4K2FS428 V21335 DW4K2-1 V38443	103105	1
105	ACMGDW4K2FS428	..BEARING	SUPPLIER CODE: V21335 SPECIFICATION NUMBER: BACB10FY04J	106106	1
110	275N2053-2	..BRACKET		103106	1
115	BACB30NF4-16	.BOLT		103105	1
115	BACB30NR4K16	.BOLT-	OPTIONAL PART: BACB30NF4-16	106106	1

MISSING ITEM NUMBERS NOT APPLICABLE

- ITEM NOT ILLUSTRATED

32-51-09-02A

32-51-09  
FIG. 02A  
PAGE 3  
JAN 20/09

BRI

BOEING PROPRIETARY - Copyright © - Unpublished Work - See title page for details.



757

PARTS CATALOG (MAINTENANCE)

FIG ITEM	PART NUMBER	1 2 3 4 5 6 7	NOMENCLATURE	EFFECT FROM TO	UNITS PER ASSY
2A 115	BACB30NF4-16	.BOLT-	OPTIONAL PART: BACB30NR4K16	106106	1
120	BACB30NF4-17	.BOLT		103105	1
120	BACB30NR4K17	.BOLT-	OPTIONAL PART: BACB30NF4-17	106106	1
120	BACB30NF4-17	.BOLT-	OPTIONAL PART: BACB30NR4K17	106106	1
125	NAS1149D0463J	.WASHER		103106	2
130	BRH10C4D	.NUT	SUPPLIER CODE: V52828 SPECIFICATION NUMBER: BACN10JC4CD OPTIONAL PART: T6C428JCD V11815 NS202486-048 V80539 102LH9075-4W V72962 H51650-4BAC V15653	103105	2
130	PLH54CD	.NUT	SUPPLIER CODE: VF0224 SPECIFICATION NUMBER: BACN10YR4CD OPTIONAL PART: H52732-4CD V15653	106106	2
135	275N2069-1	.ROD ASSY-INPUT		103106	1

MISSING ITEM NUMBERS NOT APPLICABLE

- ITEM NOT ILLUSTRATED

32-51-09-02A

32-51-09  
FIG. 02A  
PAGE 4  
JAN 20/09

BRI

BOEING PROPRIETARY - Copyright © - Unpublished Work - See title page for details.



757

PARTS CATALOG (MAINTENANCE)

FIG ITEM	PART NUMBER	1 2 3 4 5 6 7	NOMENCLATURE	EFFECT FROM TO	UNITS PER ASSY
2A 140	REP4MK6-4FS428	..	BEARING SUPPLIER CODE: V73134 SPECIFICATION NUMBER: BACB10AD5K OPTIONAL PART: HHRE4MS6-1 V38443 REP4M6-4E9171B V21335 ABR4M8WG VS0352 ABR4M120 VS0352 REB4MK6-18 V92563 DBM4-6A1-502 V77896 ABR4M8WB V15860 REP4MK6-8J V73134	103106	1
145	REP4ML6-4FS428	..	BEARING- SUPPLIER CODE: V73134 SPECIFICATION NUMBER: BACB10AD5LK OPTIONAL PART: HHRE4MLS6-1 V38443 REP4ML6-4E9171B V21335 ABRL4M9WG VS0352 REP4ML6-4FS428 V21335 ABRL4M120 VS0352 REB4MLK6-18 V92563 ABRL4M9WB V15860 REP4MKL6-9J V73134 MS21151-9C	103106	1
145	MS21151-9C	..	BEARING- OPTIONAL PART: BACB10AD5LK	103106	1
150	NAS509-6	..	NUT	103106	1

MISSING ITEM NUMBERS NOT APPLICABLE

- ITEM NOT ILLUSTRATED

32-51-09-02A

32-51-09  
FIG. 02A  
PAGE 5  
JAN 20/09

BRI

BOEING PROPRIETARY - Copyright © - Unpublished Work - See title page for details.



757

PARTS CATALOG (MAINTENANCE)

FIG ITEM	PART NUMBER	1 2 3 4 5 6 7	NOMENCLATURE	EFFECT FROM TO	UNITS PER ASSY
2A					
155	NAS509L6	..	NUT	103106	1
160	NAS1193E6CP	..	DEVICE-LOCKING	103106	2
165	275N2069-2	..	ROD	103106	1
170	BACB30NF4-48	.B	BOLT	103105	1
170	BACB30NR4K48	.B	BOLT-	106106	1
			OPTIONAL PART: BACB30NF4-48		
170	BACB30NF4-48	.B	BOLT-	106106	1
			OPTIONAL PART: BACB30NR4K48		
175	NAS1149D0463J	.W	WASHER	103106	1
180	BRH10C4D	.N	NUT	103105	1
			SUPPLIER CODE: V52828		
			SPECIFICATION NUMBER: BACN10JC4CD		
			OPTIONAL PART: T6C428JCD		
			V11815		
			NS202486-048		
			V80539		
			102LH9075-4W		
			V72962		
			H51650-4BAC		
			V15653		
180	PLH54CD	.N	NUT	106106	1
			SUPPLIER CODE: VF0224		
			SPECIFICATION NUMBER: BACN10YR4CD		
			OPTIONAL PART: H52732-4CD		
			V15653		
185	NAS73-4E205	.B	BUSHING	103106	1
190	NAS1149D0863J	.W	WASHER	103106	1
195	69235-820CD	.N	NUT	103106	1
			SUPPLIER CODE: V92215		
			SPECIFICATION NUMBER: BACN10JC8CD		
			OPTIONAL PART: 102LH9074-8		
			V72962		
			BMN4122CPD8-8		
			V97928		
			H51650-8BAC		
			V15653		
200	275N2074-3	.S	SHAFT-	103106	1
200	275N2074-2	.S	SHAFT-	103106	1

MISSING ITEM NUMBERS NOT APPLICABLE

- ITEM NOT ILLUSTRATED

32-51-09-02A

32-51-09  
FIG. 02A  
PAGE 6  
JAN 20/09

BRI

BOEING PROPRIETARY - Copyright © - Unpublished Work - See title page for details.



757

PARTS CATALOG (MAINTENANCE)

FIG ITEM	PART NUMBER	1 2 3 4 5 6 7	NOMENCLATURE	EFFECT FROM TO	UNITS PER ASSY
2A					
205	BACB28Y14C008	.	BUSHING	103106	3
210	SSMB538DDSD629	.	BEARING	103106	3
			SUPPLIER CODE: V83086		
			SPECIFICATION NUMBER: BACB10FU10RJ		
			OPTIONAL PART: ACMB538DDFS428		
			V21335		
			AMB538DDRJC		
			V06144		
			ACMB538DDFS428		
			V06144		
215	BACB28Y10C008	.	BUSHING	103106	3
220	275N2095-1	.	BUSHING	103106	1
225	275N2072-5	.	BRACKET ASSY-SPRT	103105	1
225	275N2072-6	.	BRACKET ASSY-VALVE MECH	106106	1
			NWS CONTROL		
			ATTACHING PARTS		
- 230	BACB30NR6K11	.	BOLT	103106	3
- 235	BACW10BN6AC	.	WASHER	103106	3
- 240	BACW10BN6AP	.	WASHER	103106	3
- 245	BRH10C6D	.	NUT	103105	3
			SUPPLIER CODE: V52828		
			SPECIFICATION NUMBER: BACN10JC6CD		
			OPTIONAL PART: H51650-6BAC		
			V15653		
- 245	PLH56CD	.	NUT	106106	3
			SUPPLIER CODE: VF0224		
			SPECIFICATION NUMBER: BACN10YR6CD		
			OPTIONAL PART: H52732-6CD		
			V15653		
			-----*-----		

MISSING ITEM NUMBERS NOT APPLICABLE

- ITEM NOT ILLUSTRATED

32-51-09-02A

32-51-09  
FIG. 02A  
PAGE 7  
JAN 20/09

BRI

BOEING PROPRIETARY - Copyright © - Unpublished Work - See title page for details.



**BOEING**  
757  
**PARTS CATALOG (MAINTENANCE)**

FIG ITEM	PART NUMBER	1 2 3 4 5 6 7	NOMENCLATURE	EFFECT FROM TO	UNITS PER ASSY
R R R R R R R R R R	2A 250	MB540DDFS428	.. BEARING SUPPLIER CODE: V06144 SPECIFICATION NUMBER: BACB10AS14 OPTIONAL PART: LLMB540 V38443 MB540-2TS V43991 MB540DDFS428 V21335 MB540TT V43991 MB540DDG20 V38443 MT340E VK8455 MB540DDL196 V40920 MB540DD V06144 MB540DDNJC V06144 MB540DDSD610 V83086	103105	1
	250	ACMB540DDFS428	.. BEARING SUPPLIER CODE: V06144 SPECIFICATION NUMBER: BACB10FU14RJ OPTIONAL PART: SSMB540DDSD629 V83086 AMB540DDRJC V06144 ACMB540DDFS428 V21335	106106	1
	255	69B82080-2	.. BUSHING	103106	1
	260	MS21209F1-20P	.. INSERT	103106	2
	265	275N2072-4	.. BRACKET	103106	1
	270	275N2075-4	. LEVER ASSY-INPUT OPTIONAL PART: 275N2075-1	103106	1
	270	275N2075-1	. LEVER ASSY-INPUT OPTIONAL PART: 275N2075-4	103106	1
	275	69B82080-2	.. BUSHING	103106	1
	280	BACB28Y11C050	.. BUSHING	103106	1
	MISSING ITEM NUMBERS NOT APPLICABLE				

- ITEM NOT ILLUSTRATED

# 32-51-09-02A

32-51-09  
FIG. 02A  
PAGE 8  
MAY 20/09

BRI

BOEING PROPRIETARY - Copyright © - Unpublished Work - See title page for details.



757

PARTS CATALOG (MAINTENANCE)

FIG ITEM	PART NUMBER	1 2 3 4 5 6 7	NOMENCLATURE	EFFECT FROM TO	UNITS PER ASSY
2A					
285	275N2075-5	..	LEVER- USED ON: 275N2075-4	103106	1
285	275N2075-2	..	LEVER- USED ON: 275N2075-1	103106	1
290	BACB30NF4-12	.	BOLT	103105	2
290	BACB30NR4K12	.	BOLT- OPTIONAL PART: BACB30NF4-12	106106	2
290	BACB30NF4-12	.	BOLT- OPTIONAL PART: BACB30NR4K12	106106	2
295	NAS1149D0463J	.	WASHER	103106	2
300	BRH10C4D	.	NUT SUPPLIER CODE: V52828 SPECIFICATION NUMBER: BACN10JC4CD OPTIONAL PART: T6C428JCD V11815 NS202486-048 V80539 102LH9075-4W V72962 H51650-4BAC V15653	103105	2
300	PLH54CD	.	NUT SUPPLIER CODE: VF0224 SPECIFICATION NUMBER: BACN10YR4CD OPTIONAL PART: H52732-4CD V15653	106106	2
305	BACB28AK04-030	.	BUSHING	103106	2
310	275N2070-4	.	LEVER ASSY- POSITION DATA: L	103106	1
310	275N2070-6	.	LEVER ASSY- POSITION DATA: L	103106	1
310	275N2070-1	.	LEVER ASSY- POSITION DATA: L	103106	1

MISSING ITEM NUMBERS NOT APPLICABLE

- ITEM NOT ILLUSTRATED

32-51-09-02A

32-51-09  
FIG. 02A  
PAGE 9  
JAN 20/09

BRI

BOEING PROPRIETARY - Copyright © - Unpublished Work - See title page for details.



757

PARTS CATALOG (MAINTENANCE)

FIG ITEM	PART NUMBER	1 2 3 4 5 6 7	NOMENCLATURE	EFFECT FROM TO	UNITS PER ASSY	
R R R R R R R R R R	2A 315	MB540DDFS428	.. BEARING SUPPLIER CODE: V06144 SPECIFICATION NUMBER: BACB10AS14 OPTIONAL PART: LLMB540 V38443 MB540-2TS V43991 MB540DDFS428 V21335 MB540TT V43991 MB540DDG20 V38443 MT340E VK8455 MB540DDL196 V40920 MB540DD V06144 MB540DDNJC V06144 MB540DDSD610 V83086	103106	1	
	315	ACMB540DDFS428	.. BEARING SUPPLIER CODE: V06144 SPECIFICATION NUMBER: BACB10FU14RJ OPTIONAL PART: SSMB540DDSD629 V83086 AMB540DDRJC V06144 ACMB540DDFS428 V21335	103106	1	
	320	275N2070-5	.. LEVER	103106	1	
	320	275N2070-2	.. LEVER	103106	1	
	325	275N2071-4	. LEVER ASSY- POSITION DATA: R	103106	1	
	325	275N2071-6	. LEVER ASSY- POSITION DATA: R	103106	1	
	MISSING ITEM NUMBERS NOT APPLICABLE					

- ITEM NOT ILLUSTRATED

32-51-09-02A

32-51-09  
FIG. 02A  
PAGE 10  
MAY 20/09

BRI



757

PARTS CATALOG (MAINTENANCE)

FIG ITEM	PART NUMBER	1 2 3 4 5 6 7	NOMENCLATURE	EFFECT FROM TO	UNITS PER ASSY
R R R R R R R R R R R R R R R R R R R R R R	2A 330	MB540DDFS428	.. BEARING SUPPLIER CODE: V06144 SPECIFICATION NUMBER: BACB10AS14 OPTIONAL PART: LLMB540 V38443 MB540-2TS V43991 MB540DDFS428 V21335 MB540TT V43991 MB540DDG20 V38443 MT340E VK8455 MB540DDL196 V40920 MB540DD V06144 MB540DDNJC V06144 MB540DDSD610 V83086	106106	1
	330	ACMB540DDFS428	.. BEARING SUPPLIER CODE: V06144 SPECIFICATION NUMBER: BACB10FU14RJ OPTIONAL PART: SSMB540DDSD629 V83086 AMB540DDRJC V06144 ACMB540DDFS428 V21335	103106	1
	335	275N2071-5	.. LEVER	103106	1

MISSING ITEM NUMBERS NOT APPLICABLE

- ITEM NOT ILLUSTRATED

32-51-09-02A

32-51-09  
FIG. 02A  
PAGE 11  
MAY 20/09

BRI



757

PARTS CATALOG (MAINTENANCE)

FIG ITEM	PART NUMBER	1 2 3 4 5 6 7	NOMENCLATURE	EFFECT FROM TO	UNITS PER ASSY
2A 340	HL1440UC6-15	.	BOLT SUPPLIER CODE: V56878 SPECIFICATION NUMBER: BACB30FM6A15 OPTIONAL PART: HL440UC6-15 V08524 HL440UC6-15 V73197 HL440UC6-15 V80539 HL440UC6-15 V92215 HL440UC6-15 V97928 HL441UC6-15 V60516 67067-6A15 V56878	103106	1
345	HL79-6	.	COLLAR SUPPLIER CODE: V5M902 SPECIFICATION NUMBER: BACC30M6 OPTIONAL PART: HL79-6 V73197 HL79-6 V92215 66014-6 V56878 HL79-6 V56878	103106	1
350	ATF3	.	BEARING SUPPLIER CODE: V60380 SPECIFICATION NUMBER: BACB10ET03 OPTIONAL PART: 3AFC512 V92563 YAF03B V07484	103105	1

MISSING ITEM NUMBERS NOT APPLICABLE

- ITEM NOT ILLUSTRATED

32-51-09-02A

32-51-09  
FIG. 02A  
PAGE 12  
JAN 20/09

BRI



757

PARTS CATALOG (MAINTENANCE)

FIG ITEM	PART NUMBER	1 2 3 4 5 6 7	NOMENCLATURE	EFFECT FROM TO	UNITS PER ASSY
2A 350	ATF3T8	.	BEARING SUPPLIER CODE: V60380 SPECIFICATION NUMBER: BACB10HH03 OPTIONAL PART: YAF03XD V07484 FAG594037 VD2456	106106	1
355	65B82754-3	.	LINK ASSY-CABLE COMPENSATOR	103105	1
355	65B82754-5	.	LINK ASSY-CABLE COMPENSATOR	106106	1
360	KSP4AFS428	..	BEARING SUPPLIER CODE: V21335 SPECIFICATION NUMBER: BACB10AC4A OPTIONAL PART: HHKSP4A V38443 KSP4AE9440A V21335 KSP4A2TS V43991 KSP4AG27 V30163	103105	1
360	ACMKSP4AFS428	..	BEARING SUPPLIER CODE: V21335 SPECIFICATION NUMBER: BACB10FP04AJ OPTIONAL PART: SSMKSP4ASD529 V50294	106106	1
365	BACB10A122H	..	BEARING- OPTIONAL PART: BACB10A122	103105	2
365	BACB10A122	..	BEARING- SUPPLIER CODE: V38443 SPECIFICATION NUMBER: BACB10A122 OPTIONAL PART: KP3AL V21335 BACB10A122H	103105	2
365	BACB10GN1MJ	..	BEARING	106106	2

MISSING ITEM NUMBERS NOT APPLICABLE

- ITEM NOT ILLUSTRATED

R  
R  
R  
R  
R  
R  
R  
R

BRI

32-51-09-02A

BOEING PROPRIETARY - Copyright © - Unpublished Work - See title page for details.

32-51-09  
FIG. 02A  
PAGE 13  
MAY 20/09



757

PARTS CATALOG (MAINTENANCE)

FIG ITEM	PART NUMBER	1 2 3 4 5 6 7	NOMENCLATURE	EFFECT FROM TO	UNITS PER ASSY
2A					
370	65B82744-3	..	SLEEVE	103106	1
375	65B82754-4	..	LINK	103106	1
380	65B82744-4	.LINK	ASSY-CABLE COMPENSATOR MISCELLANEOUS DATA: NOT AN INITIAL PROVISIONING SPARE	103106	1
380	65B82744-6	.LINK	ASSY-CABLE COMPENSATOR MISCELLANEOUS DATA: NOT AN INITIAL PROVISIONING SPARE	103106	1
380	65B82744-1	.LINK	ASSY-CABLE COMPENSATOR MISCELLANEOUS DATA: NOT AN INITIAL PROVISIONING SPARE	103106	1
385	KSP4AFS428	..	BEARING SUPPLIER CODE: V21335 SPECIFICATION NUMBER: BACB10AC4A OPTIONAL PART: HHKSP4A V38443 KSP4AE9440A V21335 KSP4A2TS V43991 KSP4AG27 V30163	103106	1
385	ACMKSP4AFS428	..	BEARING SUPPLIER CODE: V21335 SPECIFICATION NUMBER: BACB10FP04AJ OPTIONAL PART: SSMKSP4ASD529 V50294	103106	1
390	65B82744-3	..	SLEEVE	103106	1
395	65B82744-5	..	LINK	103106	1
395	65B82744-2	..	LINK	103106	1
400	65B82752-2	.CAM		103106	1

MISSING ITEM NUMBERS NOT APPLICABLE

- ITEM NOT ILLUSTRATED

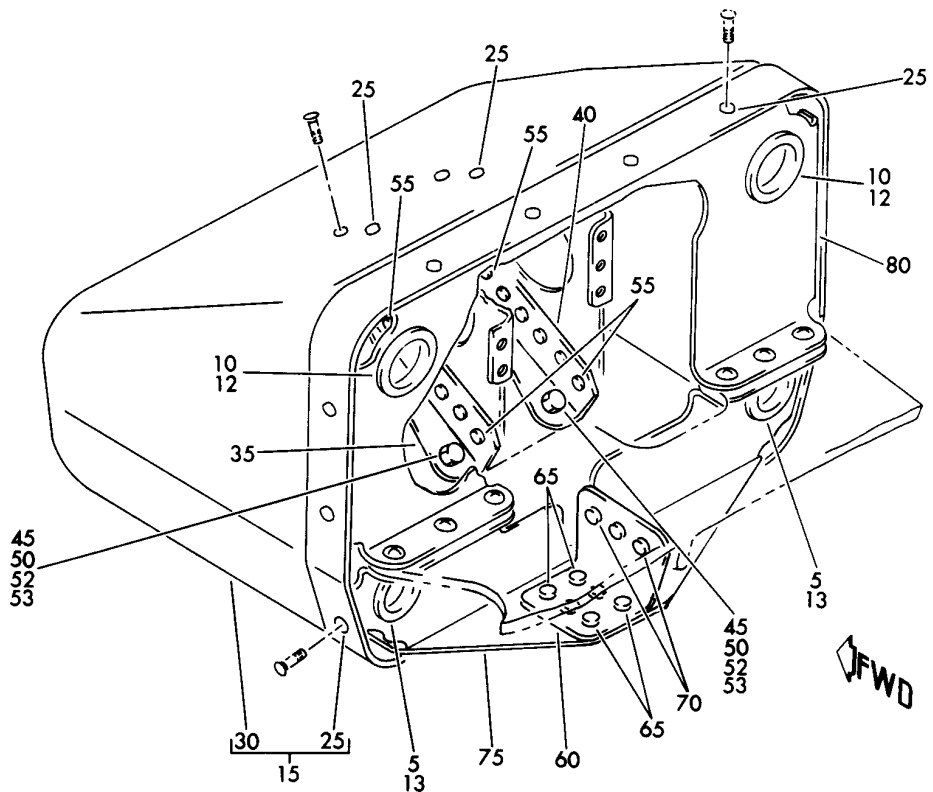
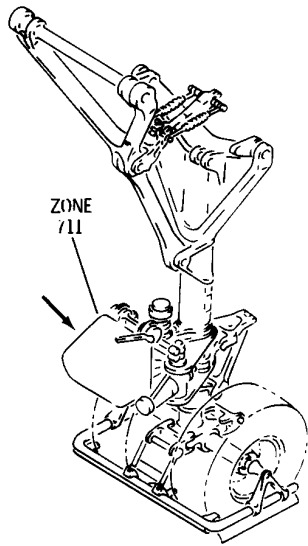
32-51-09-02A

32-51-09  
FIG. 02A  
PAGE 14  
JAN 20/09

BRI

BOEING PROPRIETARY - Copyright © - Unpublished Work - See title page for details.

**BOEING**  
757  
PARTS CATALOG (MAINTENANCE)



Y 32510910 SH1 1 REV 064

COVER INSTL-NOSE WHL STEERING CONT SUMMING MECH  
FIGURE 10

**32-51-09-10**

BRI  
MAY 28/07

32-51-09-10  
PAGE 0





757

PARTS CATALOG (MAINTENANCE)

FIG ITEM	PART NUMBER	1 2 3 4 5 6 7	NOMENCLATURE	EFFECT FROM TO	UNITS PER ASSY
10			COVER INSTL-NOSE WHL STEERING CONT SUMMING MECH	002004 006999	
- 1	275N2003-3		COVER INSTL-NOSE WHL STEERING CONT SUMMING MECH	002004 006100 107107	RF
- 1	275N2003-5		FOR NHA SEE: 32-51-53-01	121503 904999	
- 1	275N2003-5		COVER INSTL-NOSE WHL STEERING CONT SUMMING MECH	101102 108120 504903	RF
- 1	MODREF8661		FOR NHA SEE: 32-00-00-22		
- 1	MODREF8661		COVER INSTL-NOSE WHL STEERING CONT SUMMING MECH	103106	1
			MODULE NUMBER: 275N2003-5 REV A		
5	NAS1368N12A		.GROMMET	002004 006999	2
10	NAS1368N16A		.GROMMET	002004 006999	2
15	275N2096-1		.COVER ASSY- FUNCTIONAL REFERENCE: PLACARDS AND MARKINGS FOR DETAILS SEE 11-22-01-01	002004 006999	1
- 20	BACS12ER3K9		ATTACHING PARTS .SCREW	002004 006999	18
			-----*-----		
25	BACG20L2		..GROMMET	002004 006999	18
30	275N2096-2		..COVER	002004 006999	1
35	275N2144-1		.BRACKET-SPRT	002004 006999	1
40	275N2144-6		.BRACKET-SPRT	002004 006999	1
			ATTACHING PARTS		
45	NAS1801-3-10		.SCREW	002004 006999	2
50	AN960KD10		.WASHER	002004 006100 107107 121503 904999	2

MISSING ITEM NUMBERS NOT APPLICABLE

- ITEM NOT ILLUSTRATED

BRI

32-51-09-10

32-51-09  
FIG. 10  
PAGE 1  
JAN 20/09



757

PARTS CATALOG (MAINTENANCE)

FIG ITEM	PART NUMBER	1 2 3 4 5 6 7	NOMENCLATURE	EFFECT FROM TO	UNITS PER ASSY
10					
50	NAS1149D0363J	.	WASHER	101106 108120 504903	2
53	AN960KD10L	.	WASHER	002004 006100 107107 121503 904999	AR
53	NAS1149D0332J	.	WASHER	101106 108120 504903	AR
55	BACR15BB5D	.	RIVET- SIZE DETERMINED ON INSTL. -----*-----	002004 006999	12
60	275N2097-12	.	BRACKET-SPRT	002004 006999	1
			ATTACHING PARTS		
65	BACR15BB5D	.	RIVET- SIZE DETERMINED ON INSTL.	002004 006999	6
70	BACR15BB6D	.	RIVET- SIZE DETERMINED ON INSTL. -----*-----	002004 006999	3
75	275N2143-1	.	BRACKET ASSY-SPRT	002004 006999	1
80	275N2143-3	.	BRACKET ASSY-SPRT	107107	1
80	275N2143-4	.	BRACKET ASSY-SPRT OPTIONAL PART: 275N2143-5	002004 006106 108999	1
80	275N2143-5	.	BRACKET ASSY-SPRT OPTIONAL PART: 275N2143-4	002004 006106 108999	1
			ATTACHING PARTS		
- 85	BACB30NT3K10	.	BOLT-	002004 006999	6
- 90	AN960KD10	.	WASHER-	002004 006100 107107 121503 904999	6
- 90	NAS1149D0363J	.	WASHER	101106 108120 504903	6

MISSING ITEM NUMBERS NOT APPLICABLE

- ITEM NOT ILLUSTRATED

BRI

32-51-09-10

32-51-09  
FIG. 10  
PAGE 2  
JAN 20/09



757

PARTS CATALOG (MAINTENANCE)

FIG ITEM	PART NUMBER	1 2 3 4 5 6 7 NOMENCLATURE	EFFECT FROM TO	UNITS PER ASSY
10 - 95	BRH10C3D	.NUT SUPPLIER CODE: V52828 SPECIFICATION NUMBER: BACN10JC3CD OPTIONAL PART: T6C1032JCD V11815 NS202486-02 V80539 102LH9075-3W V72962 H51650-3BAC V15653 -----*-----	002004 006999	6

MISSING ITEM NUMBERS NOT APPLICABLE

- ITEM NOT ILLUSTRATED

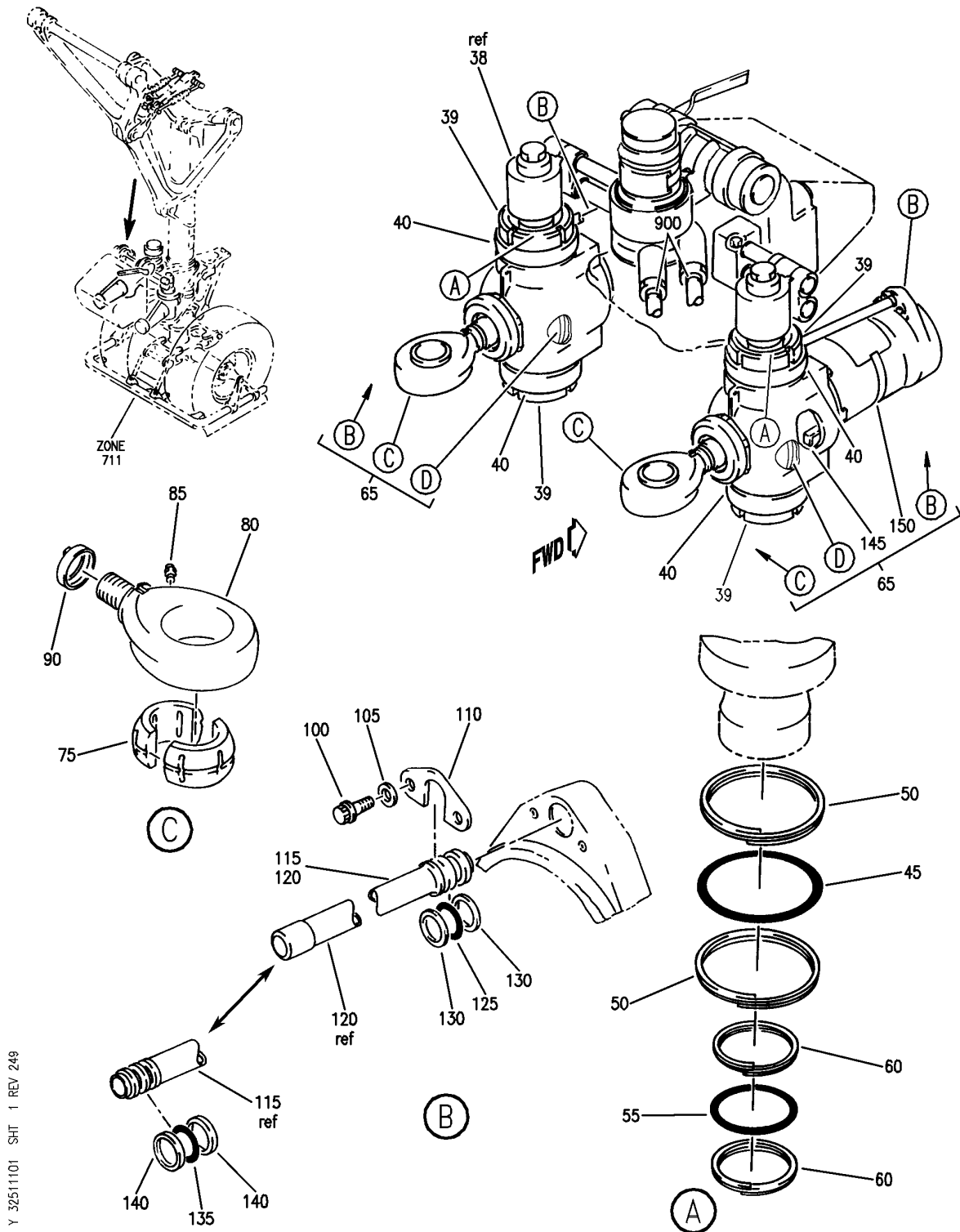
BRI

32-51-09-10

BOEING PROPRIETARY - Copyright © - Unpublished Work - See title page for details.

32-51-09  
FIG. 10  
PAGE 3  
JAN 20/09

**BOEING**  
757  
PARTS CATALOG (MAINTENANCE)



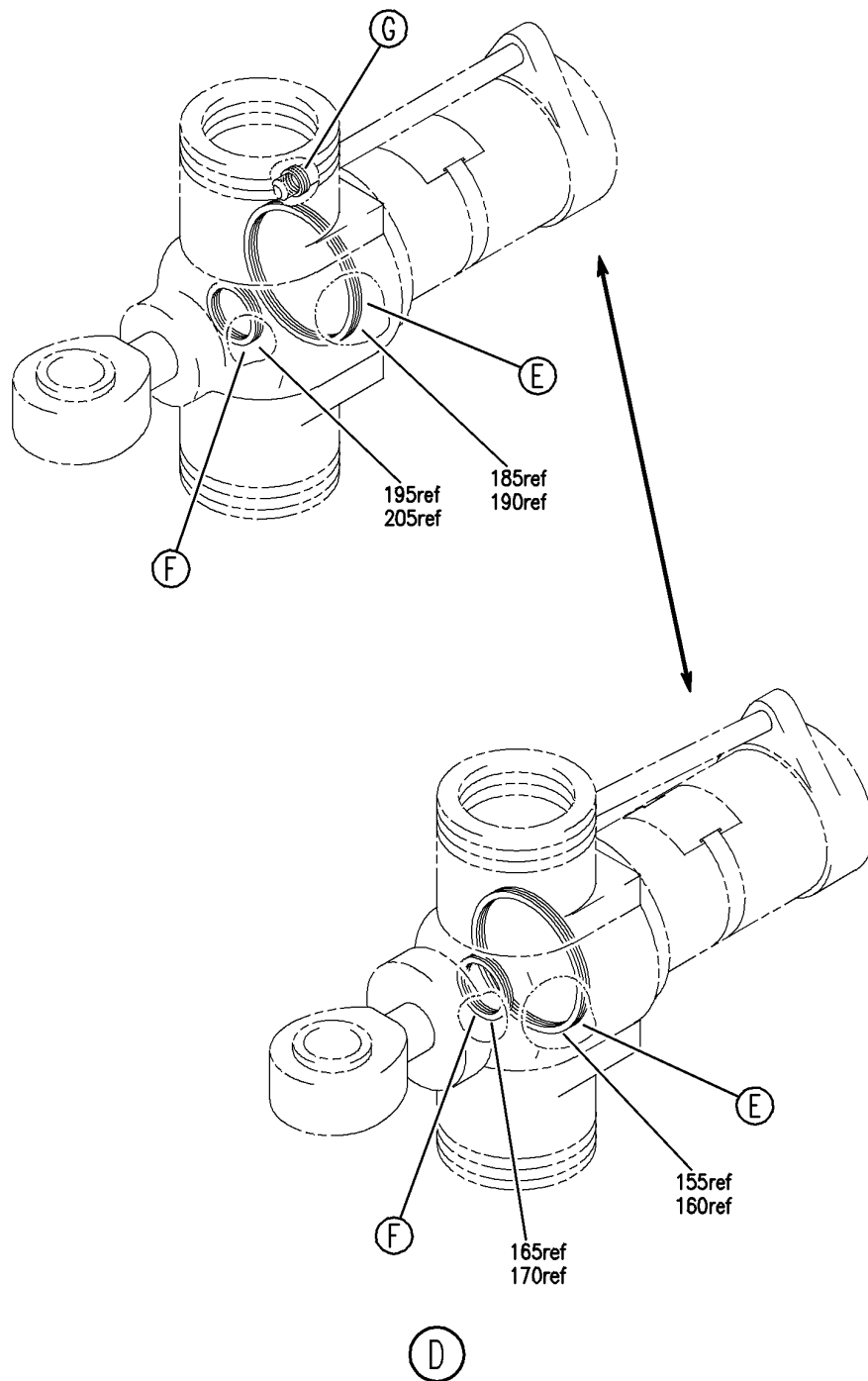
VALVE AND ACTUATOR INSTL-NOSE GR STEERING METERING (NOSE WHEEL STEERING ACTUATOR ONLY)  
FIGURE 1 (SHEET 1)

BRI  
MAY 28/07

**32-51-11-01**

32-51-11-01  
PAGE 0

**BOEING**  
757  
PARTS CATALOG (MAINTENANCE)



Y 32511101 SHT 2 REV 237

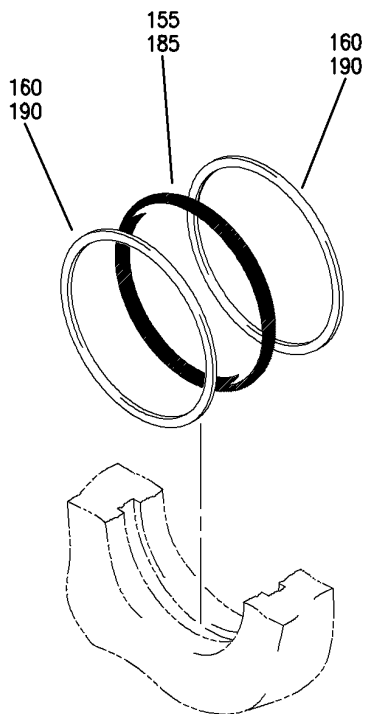
VALVE AND ACTUATOR INSTL-NOSE GR STEERING METERING (NOSE WHEEL STEERING ACTUATOR ONLY)  
FIGURE 1 (SHEET 2)

BRI  
MAY 28/07

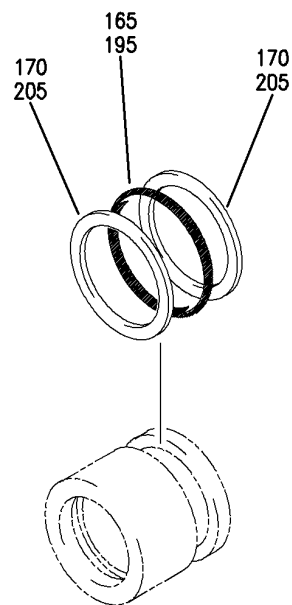
**32-51-11-01**

32-51-11-01  
PAGE 0A

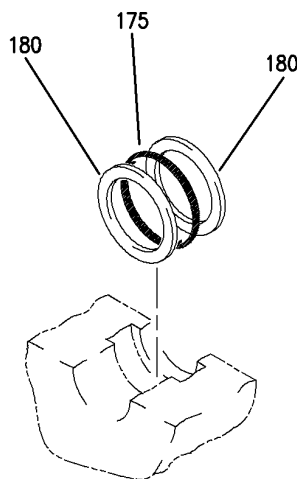
**BOEING**  
757  
PARTS CATALOG (MAINTENANCE)



(E)



(F)



(G)

Y 32511101 SHT 3 REV 237

VALVE AND ACTUATOR INSTL-NOSE GR STEERING METERING (NOSE WHEEL STEERING ACTUATOR ONLY)  
FIGURE 1 (SHEET 3)

**32-51-11-01**

BRI  
MAY 28/07

32-51-11-01  
PAGE 08



757

PARTS CATALOG (MAINTENANCE)

FIG ITEM	PART NUMBER	1 2 3 4 5 6 7	NOMENCLATURE	EFFECT FROM TO	UNITS PER ASSY
1			VALVE AND ACTUATOR INSTL- NOSE GR STEERING METERING (NOSE WHEEL STEERING ACTUATOR ONLY)	002004 006102 107999	
1	275N1001-12		VALVE AND ACTUATOR INSTL- NOSE GR STEERING METERING (NOSE WHEEL STEERING ACTUATOR ONLY)	101102 108120 504903	RF
1	275N1001-3		FOR NHA/OTHER SYS DET SEE: 32-00-00-22 VALVE AND ACTUATOR INSTL- NOSE GR STEERING METERING (NOSE WHEEL STEERING ACTUATOR ONLY)	002004 006100 107107 121503 904999	RF
39	82631-6012		.NUT SUPPLIER CODE: V56878 SPECIFICATION NUMBER: BACN10RF60 OPTIONAL PART: BR9080-6012 V72962 SL2822-60 V97393	002004 006102 107999	4
40	DAT64-82B1-502		.BEARING- SUPPLIER CODE: V77896	002004 006102 107999	4
40	DAT64-82B1-504		.BEARING- SUPPLIER CODE: V77896	002004 006102 107999	4
40	DAT64-82B1-506		.BEARING- SUPPLIER CODE: V77896 OPTIONAL PART: DAT64-82B1-507 V77896 DAT64-82B1-509 V77896	002004 006102 107999	4
40	DAT64-82B1-509		.BEARING- SUPPLIER CODE: V77896 OPTIONAL PART: DAT64-82B1-506 V77896 DAT64-82B1-507 V77896	002004 006102 107999	4

MISSING ITEM NUMBERS NOT APPLICABLE

- ITEM NOT ILLUSTRATED

32-51-11-01

32-51-11  
FIG. 01  
PAGE 1  
JAN 20/09

BRI



757

PARTS CATALOG (MAINTENANCE)

FIG ITEM	PART NUMBER	1 2 3 4 5 6 7	NOMENCLATURE	EFFECT FROM TO	UNITS PER ASSY
1					
40	DAT64-82B1-507	.BEARING-	SUPPLIER CODE: V77896	002004 006102 107999	4
			OPTIONAL PART: DAT64-82B1-506 V77896 DAT64-82B1-509 V77896		
45	NAS1611-222	.PACKING-		002004 006100 107107 121503 904999	2
45	NAS1611-222A	.PACKING-		101102 108120 504903	2
50	MS28782-27	.RING		002004 006102 107999	4
55	NAS1611-213	.PACKING-		002004 006100 107107 121503 904999	2
55	NAS1611-213A	.PACKING-		101102 108120 504903	2
60	MS28782-18	.RETAINER		002004 006102 107999	4
65	275N1211-2	.ACTUATOR ASSY-	COMPONENT MAINT MANUAL REF: 32-51-15	002004 006102 107999	2
75	273N1045-4	..BEARING ASSY-BALL		002004 006102 107999	1
80	275N1226-1	..ROD END ASSY		002004 006102 107999	1
85	1728B	...FITTING-LUBE	SUPPLIER CODE: VOFKM1	002004 006102 107999	1
90	66-12156-4	..CUP-		002004 006102 107999	1
100	BACB30LE4HU1	..BOLT		002004 006102 107999	2

MISSING ITEM NUMBERS NOT APPLICABLE

- ITEM NOT ILLUSTRATED

32-51-11-01

32-51-11  
FIG. 01  
PAGE 2  
JAN 20/09

BRI

BOEING PROPRIETARY - Copyright © - Unpublished Work - See title page for details.



 **BOEING**  
757  
**PARTS CATALOG (MAINTENANCE)**

FIG ITEM	PART NUMBER	1 2 3 4 5 6 7	NOMENCLATURE	EFFECT FROM TO	UNITS PER ASSY
1					
105	AN960C416	..	WASHER	101102 108120 504903	2
105	BACW10BP4ACU	..	WASHER	002004 006102 107999	2
110	275N1229-1	..	RETAINER	002004 006102 107999	1
115	275N1227-1	..	TUBE-TRANSFER	002004 006102 107999	1
125	NAS1611-112A	..	PACKING-	002004 006102 107999	1
130	MS28782-10	..	RETAINER	002004 006102 107999	2
135	NAS1611-112A	..	PACKING-	002004 006102 107999	1
140	MS28782-10	..	RETAINER	002004 006102 107999	2
145	69B80038-1	..	KEY- MISCELLANEOUS DATA: NOT AN INITIAL PROVISIONING SPARE	002004 006102 107999	1
150	69B80300-2	..	STRAP- MISCELLANEOUS DATA: NOT AN INITIAL PROVISIONING SPARE	002004 006102 107999	1
155	NAS1611-344A	..	PACKING	002004 006102 107999	1
160	MS28782-47	..	RING	002004 006102 107999	2
165	NAS1611-327A	..	PACKING	002004 006102 107999	1
170	MS28782-30	..	RING	002004 006102 107999	2
900			ILLUSTRATION REFERENCE: PLUMBING INSTL-SECT. 62 NOSE GR 32-51-51-15	002004 006102 107999	RF

MISSING ITEM NUMBERS NOT APPLICABLE

— ITEM NOT ILLUSTRATED

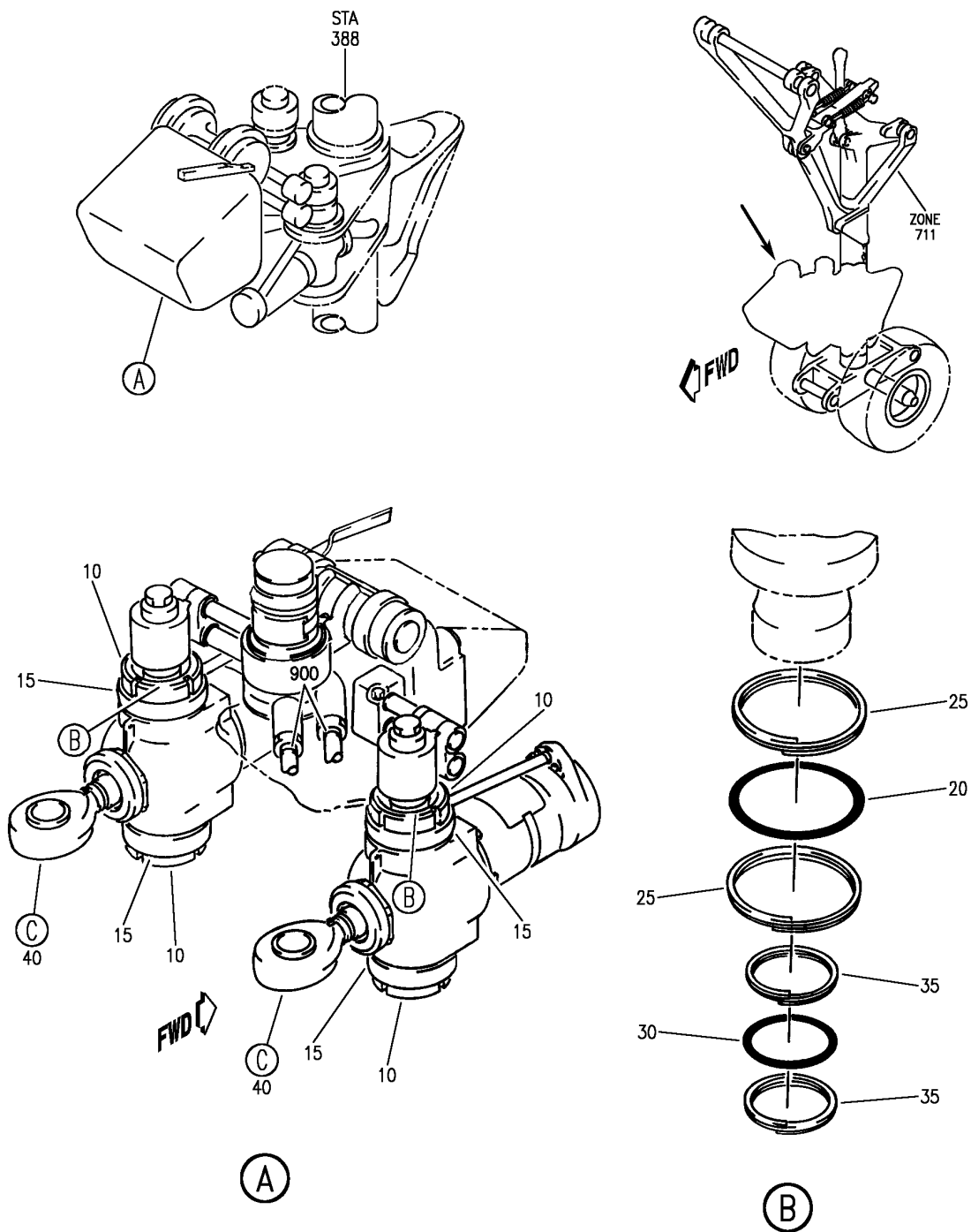
BRI

# 32-51-11-01

BOEING PROPRIETARY - Copyright © - Unpublished Work - See title page for details.

32-51-11  
FIG. 01  
PAGE 3  
JAN 20/09

**BOEING**  
757  
PARTS CATALOG (MAINTENANCE)



Y 32511101A SHT 1 REV 262

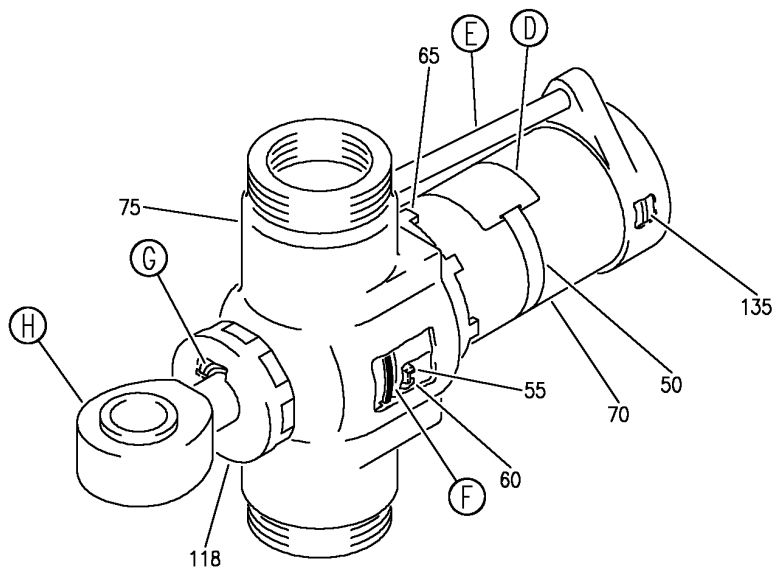
VALVE AND ACTUATOR INSTL-NOSE GR STEERING METERING (NOSE WHEEL STEERING ACTUATOR ONLY)  
FIGURE 1A (SHEET 1)

BRI  
JAN 20/09

**32-51-11-01A**

32-51-11-01A  
PAGE 0

**BOEING**  
757  
PARTS CATALOG (MAINTENANCE)

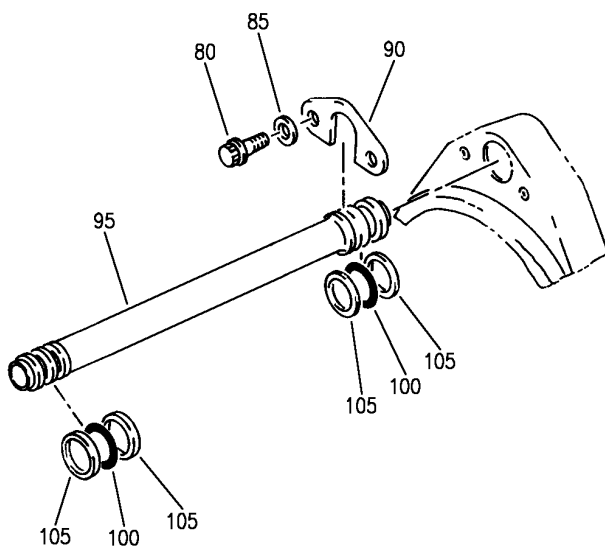


(C)

45

BOEING ASSEMBLY	
NO. 275N1211	<input type="text"/>
MFG DATE	<input type="text"/>
SERIAL NO.	<input type="text"/>
MFG BY	<input type="text"/>
NOSE GEAR STEERING ACTUATOR ASSEMBLY FOR USE WITH BMS 3-11 FLUIDS ONLY	

(D)



(E)

Y 3251101A SHT 2 REV 262

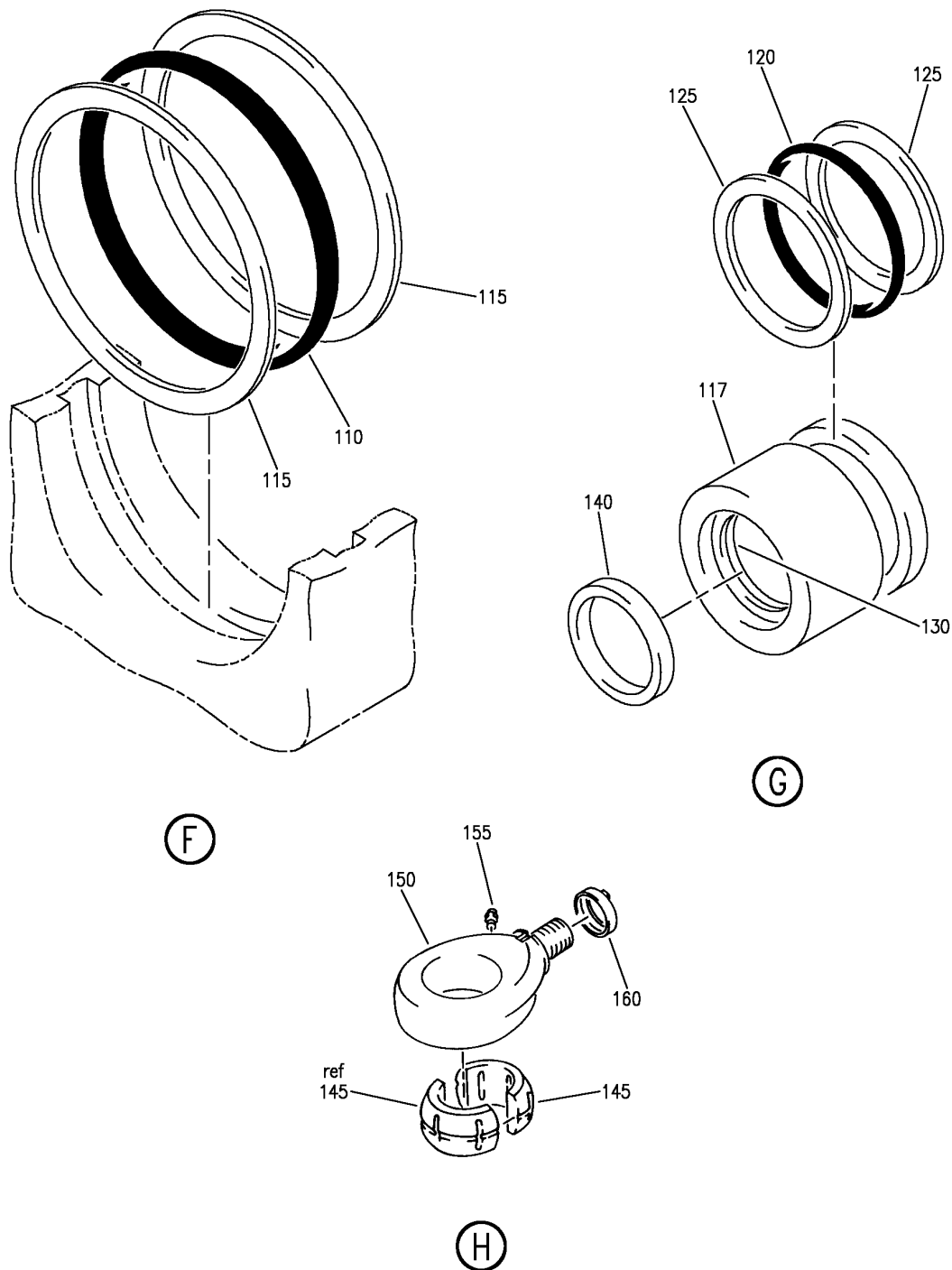
VALVE AND ACTUATOR INSTL-NOSE GR STEERING METERING (NOSE WHEEL STEERING ACTUATOR ONLY)  
FIGURE 1A (SHEET 2)

BRI  
JAN 20/09

**32-51-11-01A**

32-51-11-01A  
PAGE 0A

**BOEING**  
757  
PARTS CATALOG (MAINTENANCE)



Y 3251101A SHT 3 REV 262

VALVE AND ACTUATOR INSTL-NOSE GR STEERING METERING (NOSE WHEEL STEERING ACTUATOR ONLY)  
FIGURE 1A (SHEET 3)

BRI  
JAN 20/09

**32-51-11-01A**

32-51-11-01A  
PAGE 0B

BOEING PROPRIETARY - Copyright © - Unpublished Work - See title page for details.



757

PARTS CATALOG (MAINTENANCE)

FIG ITEM	PART NUMBER	1 2 3 4 5 6 7	NOMENCLATURE	EFFECT FROM TO	UNITS PER ASSY
1 A			VALVE AND ACTUATOR INSTL- NOSE GR STEERING METERING (NOSE WHEEL STEERING ACTUATOR ONLY)	103106	
- 1	MODREF8655		VALVE AND ACTUATOR INSTL- NOSE GR STEERING METERING (NOSE WHEEL STEERING ACTUATOR ONLY) MODULE NUMBER: 275N1001-12 REV A FOR ADDITIONAL DETAILS SEE: 32-51-12-01A	103106	1
10	82631-6012		.NUT SUPPLIER CODE: V56878 SPECIFICATION NUMBER: BACN10RF60 OPTIONAL PART: BR9080-6012 V72962 SL2822-60 V97393	103106	4
15	DAT64-82B1-509		.BEARING- SUPPLIER CODE: V77896	103106	4
15	DAT64-82B1-506		.BEARING- SUPPLIER CODE: V77896	103106	4
15	DAT64-82B1-504		.BEARING- SUPPLIER CODE: V77896	103106	4
15	DAT64-82B1-502		.BEARING- SUPPLIER CODE: V77896	103106	4
20	NAS1611-222A		.PACKING- OPTIONAL PART: NAS1611-222	103106	2
20	NAS1611-222		.PACKING- OPTIONAL PART: NAS1611-222A	103106	2
25	MS28782-27		.RING	103106	4
30	NAS1611-213A		.PACKING- OPTIONAL PART: NAS1611-213	103106	2
30	NAS1611-213		.PACKING- OPTIONAL PART: NAS1611-213A	103106	2
35	MS28782-18		.RETAINER	103106	4

MISSING ITEM NUMBERS NOT APPLICABLE

- ITEM NOT ILLUSTRATED

32-51-11-01A

32-51-11  
FIG. 01A  
PAGE 1  
JAN 20/09

BRI

BOEING PROPRIETARY - Copyright © - Unpublished Work - See title page for details.



757

PARTS CATALOG (MAINTENANCE)

FIG ITEM	PART NUMBER	1 2 3 4 5 6 7	NOMENCLATURE	EFFECT FROM TO	UNITS PER ASSY
1 A					
40	275N1211-2	.	ACTUATOR ASSY- COMPONENT MAINT MANUAL REF: 32-51-15	103106	2
45	BAC27NHY0052	..	MARKER-ALUMINUM FOIL	103106	1
50	69B80300-2	..	STRAP- MISCELLANEOUS DATA: NOT AN INITIAL PROVISIONING SPARE	103106	1
55	69B80038-1	..	KEY- MISCELLANEOUS DATA: NOT AN INITIAL PROVISIONING SPARE	103106	1
60	MS20995NC32	..	LOCK WIRE- OPTIONAL PART: MS20995N32	103106	1
60	MS20995N32	..	LOCKWIRE- OPTIONAL PART: MS20995NC32	103106	1
65	275N1224-1	..	NUT-CYLINDER	103106	1
70	275N1222-1	..	CYLINDER- OPTIONAL PART: 275N1222-3	103106	1
70	275N1222-3	..	CYLINDER- OPTIONAL PART: 275N1222-1	103106	1
75	275N1228-1	..	TRUNNION- OPTIONAL PART: 275N1228-3	103106	1
75	275N1228-3	..	TRUNNION- OPTIONAL PART: 275N1228-1	103106	1
80	BACB30LE4HU1	..	BOLT	103106	2
85	BACW10BP4ACU	..	WASHER	103106	2
90	275N1229-1	..	RETAINER	103106	1
95	275N1227-1	..	TUBE-TRANSFER	103106	1
100	NAS1611-112A	..	PACKING	103106	2
105	MS28782-10	..	RETAINER	103106	4
110	NAS1611-344A	..	PACKING	103106	1
115	MS28782-47	..	RING	103106	2
117	275N1221-1	..	BUSHING	103106	1
118	275N1223-1	..	NUT-SEAL, ACTUATOR	103106	1
120	NAS1611-327A	..	PACKING	103106	1
125	MS28782-30	..	RING	103106	2
130	S33555-325H5	..	SEAL- SUPPLIER CODE: V09257 OPTIONAL PART: 275N1211-3	103106	1

MISSING ITEM NUMBERS NOT APPLICABLE

- ITEM NOT ILLUSTRATED

32-51-11-01A

32-51-11  
FIG. 01A  
PAGE 2  
JAN 20/09

BRI

BOEING PROPRIETARY - Copyright © - Unpublished Work - See title page for details.



757

PARTS CATALOG (MAINTENANCE)

FIG ITEM	PART NUMBER	1 2 3 4 5 6 7	NOMENCLATURE	EFFECT FROM TO	UNITS PER ASSY
1A					
130	275N1211-3	..	SEAL- OPTIONAL PART: S33555-325H5 V97820	103106	1
135	7339MT952T	..	RING- SUPPLIER CODE: V5F573	103106	1
140	CWR76-17B	..	RING SUPPLIER CODE: V26879 SPECIFICATION NUMBER: BACS34A17A OPTIONAL PART: TF005-17A V07128 2140-17A V26303 DW96801-17A V02886 RMS34A17A V94878	103106	1
145	273N1045-4	..	BEARING ASSY-BALL	103106	1
150	275N1226-1	..	ROD END ASSY	103106	1
155	1728B	...	FITTING-LUBE SUPPLIER CODE: VOFKM1	103106	1
160	66-12156-4	..	CUP	103106	1
900			ILLUSTRATION REFERENCE: PLUMBING INSTL-SECT. 62 NOSE GR 32-51-51-15	103106	RF

MISSING ITEM NUMBERS NOT APPLICABLE

- ITEM NOT ILLUSTRATED

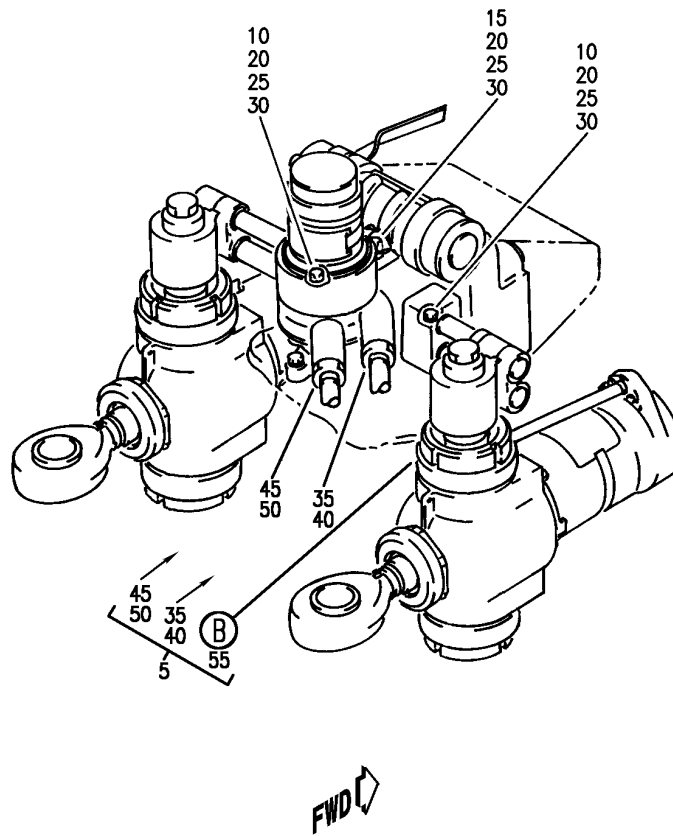
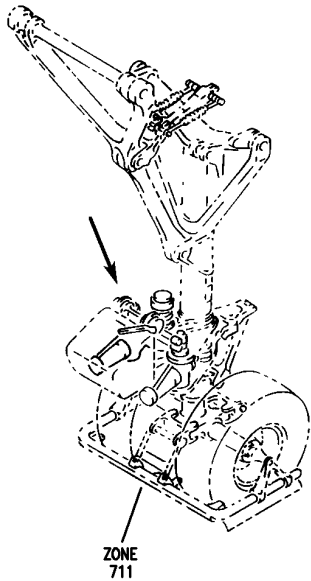
32-51-11-01A

32-51-11  
FIG. 01A  
PAGE 3  
JAN 20/09

BRI

BOEING PROPRIETARY - Copyright © - Unpublished Work - See title page for details.

**BOEING**  
757  
PARTS CATALOG (MAINTENANCE)



Y 32511201 SHT 1 REV 303

VALVE AND ACTUATOR INSTL-NOSE GR STEERING METERING (NOSE WHEEL STEERING METERING VALVE ONLY)  
FIGURE 1 (SHEET 1)

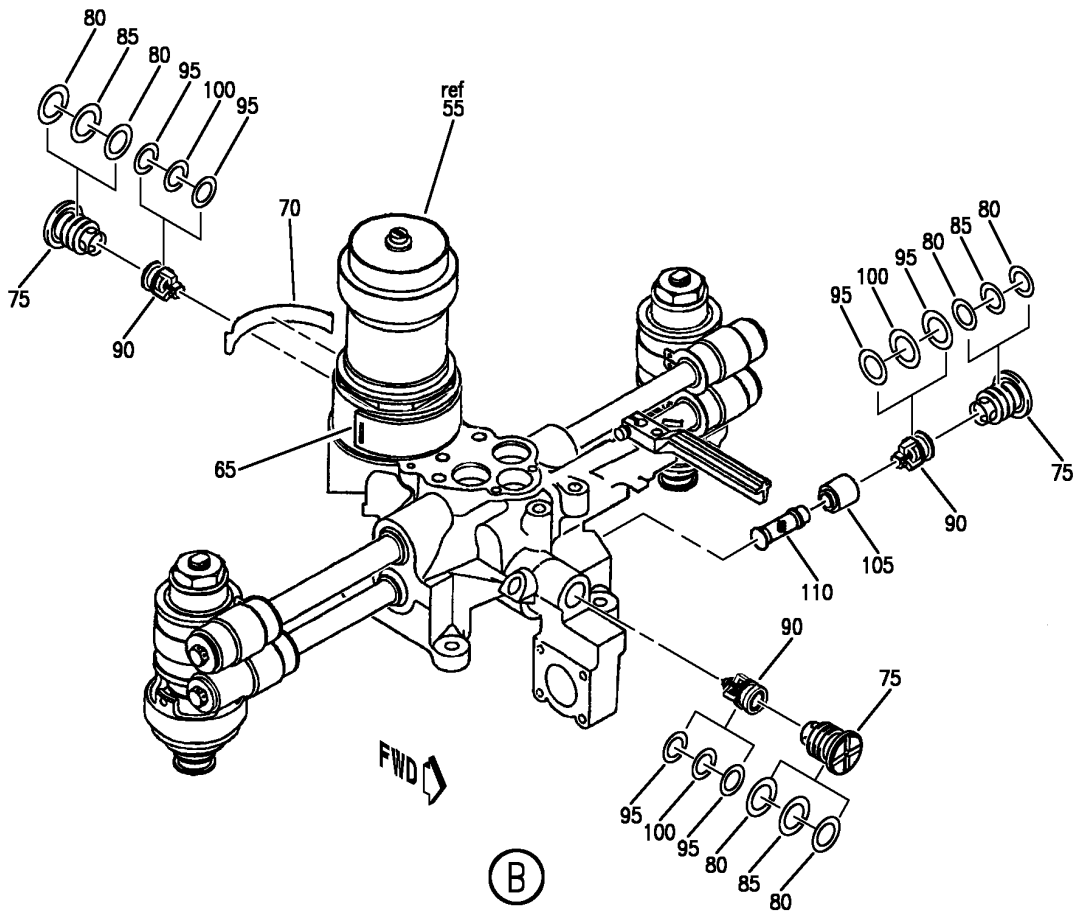
BRI  
MAY 28/07

**32-51-12-01**

32-51-12-01  
PAGE 0



**BOEING**  
757  
PARTS CATALOG (MAINTENANCE)



Y 32511201 SHT 2 REV 303

VALVE AND ACTUATOR INSTL-NOSE GR STEERING METERING (NOSE WHEEL STEERING METERING VALVE ONLY)  
FIGURE 1 (SHEET 2)

BRI  
MAY 28/07

**32-51-12-01**

32-51-12-01  
PAGE 0A



757

PARTS CATALOG (MAINTENANCE)

FIG ITEM	PART NUMBER	1 2 3 4 5 6 7	NOMENCLATURE	EFFECT FROM TO	UNITS PER ASSY
1			VALVE AND ACTUATOR INSTL- NOSE GR STEERING METERING (NOSE WHEEL STEERING METERING VALVE ONLY)	002004 006102 107999	
1	275N1001-3		VALVE AND ACTUATOR INSTL- NOSE GR STEERING METERING (NOSE WHEEL STEERING METERING VALVE ONLY) FOR NHA/ADDITIONAL DET SEE: 32-21-00-01B	002004 006100 107107 121503 904999	RF
1	275N1001-12		VALVE AND ACTUATOR INSTL- NOSE GR STEERING METERING (NOSE WHEEL STEERING METERING VALVE ONLY) FOR NHA/OTHER SYS DET SEE: 32-00-00-22	101102 108120 504903	RF
5	275N1001-9		.MODULE ASSY-VALVE	002004 006102 107999	1
5	275N1001-7		.MODULE ASSY-VALVE	002004 006102 107999	1
5	275N1001-10		.MODULE ASSY-VALVE	002004 006102 107999	1
10	BACB30NR6K24		ATTACHING PARTS .BOLT	002004 006102 107999	2
15	BACB30NR6K32		.BOLT	002004 006102 107999	1
20	BACW10BP6C		.WASHER	002004 006102 107999	3
25	BACW10BP6P		.WASHER	002004 006102 107999	3
30	BRH10C6D		.NUT SUPPLIER CODE: V52828 SPECIFICATION NUMBER: BACN10JC6CD OPTIONAL PART: H51650-6BAC V15653 -----*-----	002004 006102 107999	3

MISSING ITEM NUMBERS NOT APPLICABLE

- ITEM NOT ILLUSTRATED

32-51-12-01

32-51-12  
FIG. 01  
PAGE 1  
JAN 20/09

BRI



757

PARTS CATALOG (MAINTENANCE)

FIG ITEM	PART NUMBER	1 2 3 4 5 6 7	NOMENCLATURE	EFFECT FROM TO	UNITS PER ASSY
1 35	AFP23210-8	..	REDUCER SUPPLIER CODE: V30974 SPECIFICATION NUMBER: BACR17E10-8 OPTIONAL PART: AP102710-8 V01673 BC916T10-8 V50948 DBOR17E10-8 V14798 ER21916T10-8 V88334 ER31916-10-8 V88334 F23-10-8 V73197 2-01075T10-8 V11328 31778-10-8 V14397 US2114-10-8 V50808	002004 006102 107999	1
40	NAS1612-10A	..	PACKING	002004 006102 107999	1
45	MS21916D12-8	..	REDUCER	002004 006102 107999	1
50	NAS1612-12A	..	PACKING	002004 006102 107999	1
55	3800014-104	..	VALVE- SUPPLIER CODE: V92003 SPECIFICATION NUMBER: S275T601-8 COMPONENT MAINT MANUAL REF: 32-50-06	002004 006102 107999	1
55	3800014-105	..	VALVE- SUPPLIER CODE: V92003 SPECIFICATION NUMBER: S275T601-9 COMPONENT MAINT MANUAL REF: 32-50-06	002004 006102 107999	1

MISSING ITEM NUMBERS NOT APPLICABLE

- ITEM NOT ILLUSTRATED

32-51-12-01

32-51-12  
FIG. 01  
PAGE 2  
JAN 20/09

BRI



757

PARTS CATALOG (MAINTENANCE)

FIG ITEM	PART NUMBER	1 2 3 4 5 6 7	NOMENCLATURE	EFFECT FROM TO	UNITS PER ASSY
1					
55	3800014-106	..	VALVE- SUPPLIER CODE: V92003 SPECIFICATION NUMBER: S275T601-12 COMPONENT MAINT MANUAL REF: 32-50-06	002004 006102 107999	1
65	3791542-101	...	PLATE-IDENT SUPPLIER CODE: V92003	002004 006102 107999	1
70	2733127-1030	...	STRAP- SUPPLIER CODE: V92003	002004 006102 107999	1
75	3791540-101	...	RETAINER- SUPPLIER CODE: V92003	002004 006102 107999	3
80	C11236-211B	...	RING SUPPLIER CODE: V26879 SPECIFICATION NUMBER: BACR12BM211 OPTIONAL PART: RMR12BM211 V94878 STF800-211 V02107 S30294-211-1 V97820 TF450-211A V07128 2100-211 V26303	002004 006102 107999	6
85	NAS1611-211	...	PACKING	002004 006102 107999	3
90	92980-5003	...	VALVE-CHECK SUPPLIER CODE: V92003	002004 006102 107999	3

MISSING ITEM NUMBERS NOT APPLICABLE

- ITEM NOT ILLUSTRATED

32-51-12-01

32-51-12  
FIG. 01  
PAGE 3  
JAN 20/09

BRI

BOEING PROPRIETARY - Copyright © - Unpublished Work - See title page for details.



757

PARTS CATALOG (MAINTENANCE)

FIG ITEM	PART NUMBER	1 2 3 4 5 6 7	NOMENCLATURE	EFFECT FROM TO	UNITS PER ASSY
1 95	C11236-115B	...	RING SUPPLIER CODE: V26879 SPECIFICATION NUMBER: BACR12BM115 OPTIONAL PART: RMR12BM115 V94878 STF800-115 V02107 S30294-115-1 V97820 TF450-115A V07128 2100-115 V26303	002004 006102 107999	6
100	NAS1611-115	...	PACKING	002004 006102 107999	3
105	3791541-101	...	RETAINER-SCREEN SUPPLIER CODE: V92003	002004 006102 107999	1
110	10-774	...	SCREEN- SUPPLIER CODE: V14818 SPECIFICATION NUMBER: S252T002-1 OPTIONAL PART: 1745174 V90005 26570 V18350	002004 006102 107999	1

MISSING ITEM NUMBERS NOT APPLICABLE

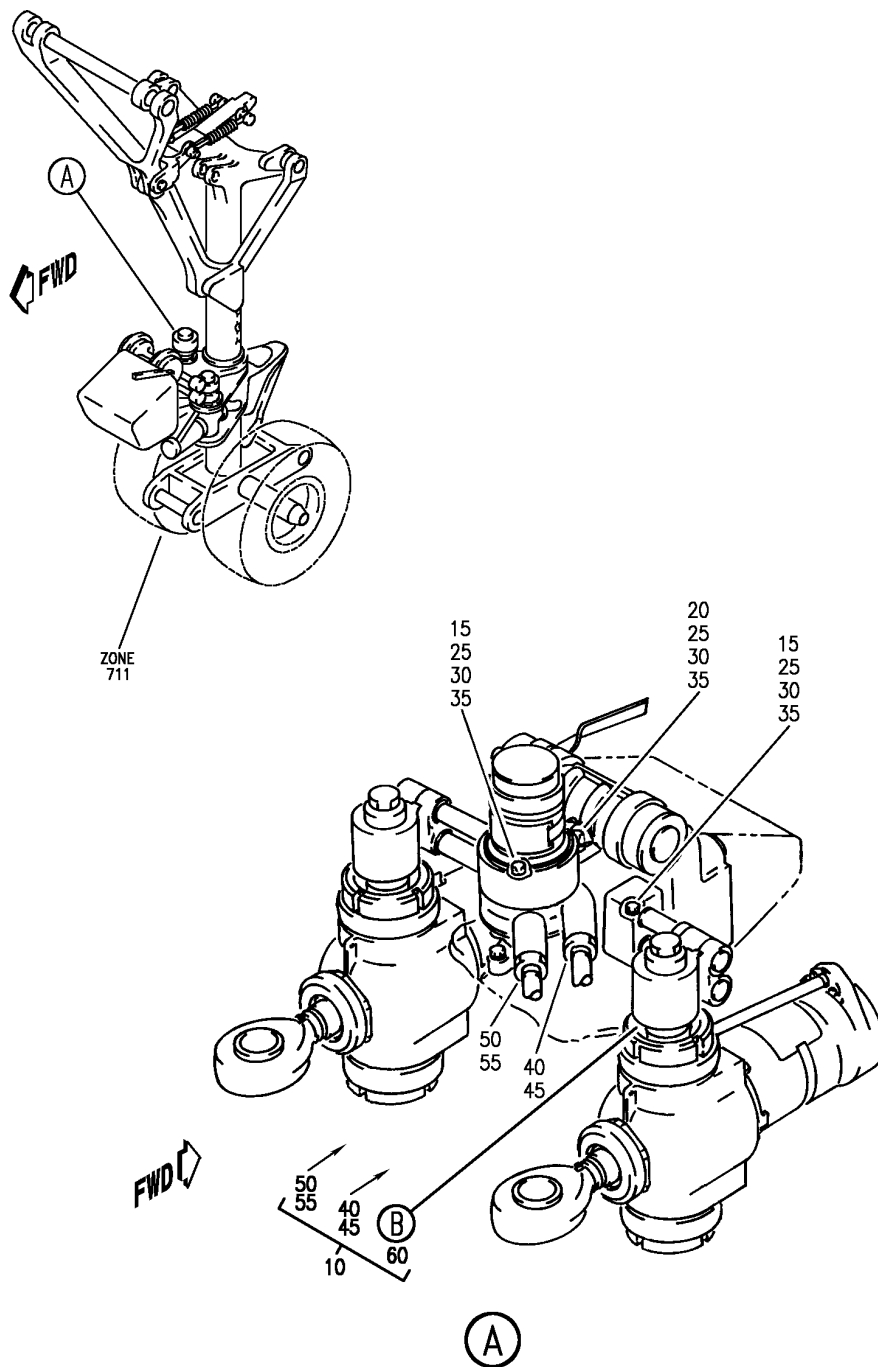
- ITEM NOT ILLUSTRATED

32-51-12-01

32-51-12  
FIG. 01  
PAGE 4  
JAN 20/09

BRI

**BOEING**  
757  
PARTS CATALOG (MAINTENANCE)



Y 32511201A SHT 1 REV 303

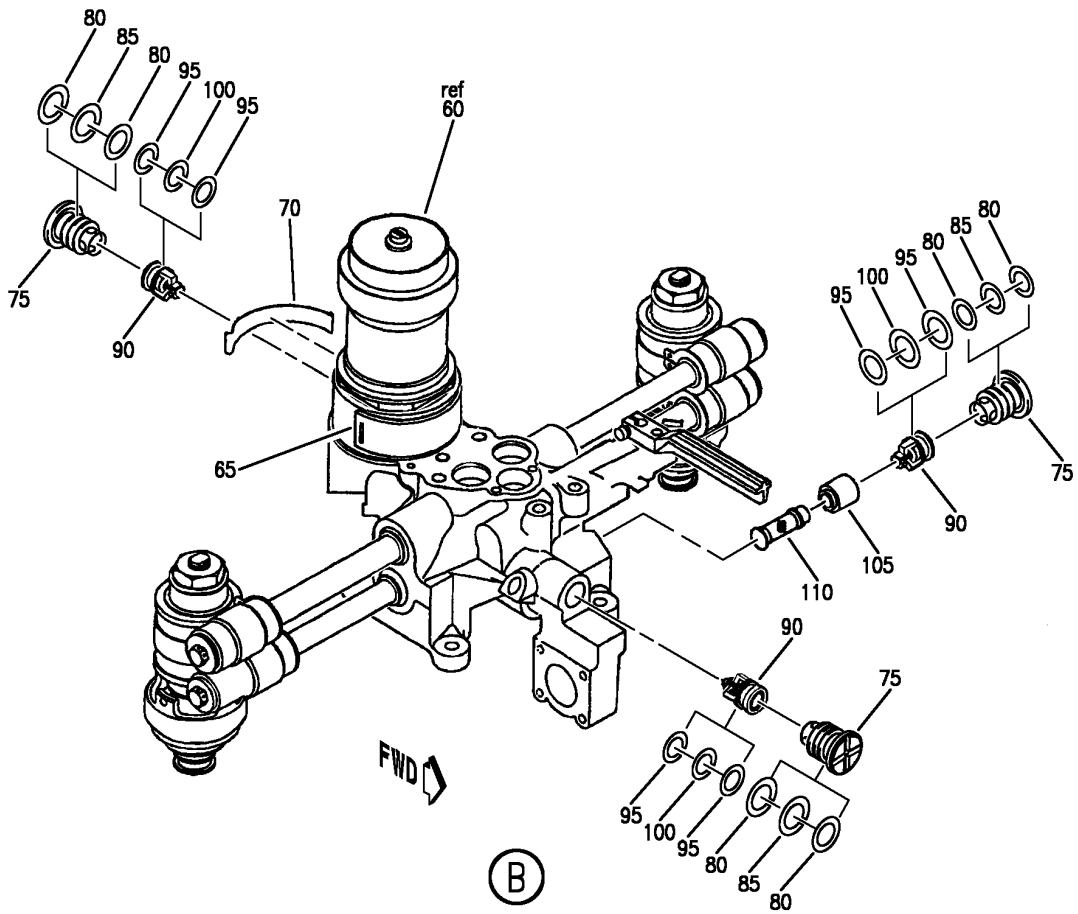
VALVE AND ACTUATOR INSTL-NOSE GR STEERING METERING (NOSE WHEEL STEERING METERING VALVE ONLY)  
FIGURE 1A (SHEET 1)

BRI  
JAN 20/09

**32-51-12-01A**

32-51-12-01A  
PAGE 0

**BOEING**  
757  
PARTS CATALOG (MAINTENANCE)



Y 32511201A SHT 2 REV 303

VALVE AND ACTUATOR INSTL-NOSE GR STEERING METERING (NOSE WHEEL STEERING METERING VALVE ONLY)  
FIGURE 1A (SHEET 2)

BRI  
JAN 20/09

**32-51-12-01A**

32-51-12-01A  
PAGE 0A



757

PARTS CATALOG (MAINTENANCE)

FIG ITEM	PART NUMBER	1 2 3 4 5 6 7	NOMENCLATURE	EFFECT FROM TO	UNITS PER ASSY
1 A			VALVE AND ACTUATOR INSTL- NOSE GR STEERING METERING (NOSE WHEEL STEERING METERING VALVE ONLY)	103106	
- 1	MODREF8655		VALVE AND ACTUATOR INSTL- NOSE GR STEERING METERING (NOSE WHEEL STEERING METERING VALVE ONLY) MODULE NUMBER: 272N1001-12 REV A FOR ADDITIONAL DETAILS SEE: 32-51-11-01A	103106	1
10	275N1001-10		.MODULE ASSY-VALVE	103106	1
10	275N1001-7		.MODULE ASSY-VALVE	103106	1
10	275N1001-9		.MODULE ASSY-VALVE ATTACHING PARTS	103106	1
15	BACB30NR6K24		.BOLT	103106	2
20	BACB30NR6K32		.BOLT	103106	1
25	BACW10BP6C		.WASHER	103106	3
30	BACW10BP6P		.WASHER	103106	3
35	BRH10C6D		.NUT	103106	3
			SUPPLIER CODE: V52828 SPECIFICATION NUMBER: BACN10JC6CD OPTIONAL PART: H51650-6BAC V15653 -----*-----		

MISSING ITEM NUMBERS NOT APPLICABLE

- ITEM NOT ILLUSTRATED

32-51-12-01A

32-51-12  
FIG. 01A  
PAGE 1  
JAN 20/09

BRI





757

PARTS CATALOG (MAINTENANCE)

FIG ITEM	PART NUMBER	1 2 3 4 5 6 7	NOMENCLATURE	EFFECT FROM TO	UNITS PER ASSY
1 A 40	AFP23210-8		..REDUCER SUPPLIER CODE: V30974 SPECIFICATION NUMBER: BACR17E10-8 OPTIONAL PART: AP102710-8 V01673 BC916T10-8 V50948 DBOR17E10-8 V14798 ER21916T10-8 V88334 ER31916-10-8 V88334 F23-10-8 V73197 2-01075T10-8 V11328 31778-10-8 V14397 US2114-10-8 V50808	103106	1
45	NAS1612-10A		..PACKING- OPTIONAL PART: NAS1612-10	103106	1
45	NAS1612-10		..PACKING- OPTIONAL PART: NAS1612-10A	103106	1
50	MS21916D12-8		..REDUCER	103106	1
55	NAS1612-12A		..PACKING- OPTIONAL PART: NAS1612-12	103106	1
55	NAS1612-12		..PACKING- OPTIONAL PART: NAS1612-12A	103106	1
60	3800014-106		..VALVE- SUPPLIER CODE: V92003 SPECIFICATION NUMBER: S275T601-12 SB DATA FROM A CMM: 3800014-32-49 COMPONENT MAINT MANUAL REF: 32-50-06	103106	1

MISSING ITEM NUMBERS NOT APPLICABLE

- ITEM NOT ILLUSTRATED

32-51-12-01A

32-51-12  
FIG. 01A  
PAGE 2  
JAN 20/09

BRI

BOEING PROPRIETARY - Copyright © - Unpublished Work - See title page for details.



757

PARTS CATALOG (MAINTENANCE)

FIG ITEM	PART NUMBER	1 2 3 4 5 6 7	NOMENCLATURE	EFFECT FROM TO	UNITS PER ASSY
1 A					
60	3800014-105	..	VALVE- SUPPLIER CODE: V92003 SPECIFICATION NUMBER: S275T601-9 SB DATA FROM A CMM: 3800014-32-41 COMPONENT MAINT MANUAL REF: 32-50-06	103106	1
60	3800014-104	..	VALVE- SUPPLIER CODE: V92003 SPECIFICATION NUMBER: S275T601-8 COMPONENT MAINT MANUAL REF: 32-50-06	103106	1
60	3800014-103	..	VALVE MODULE- SUPPLIER CODE: V92003 SPECIFICATION NUMBER: S275T601-6 COMPONENT MAINT MANUAL REF: 32-50-06	103106	1
65	3791542-101	...	PLATE-IDENT SUPPLIER CODE: V92003	103106	1
70	2733127-1030	...	STRAP- SUPPLIER CODE: V92003	103106	1
75	3791540-101	...	RETAINER- SUPPLIER CODE: V92003	103106	3
80	C11236-211B	...	RING SUPPLIER CODE: V26879 SPECIFICATION NUMBER: BACR12BM211 OPTIONAL PART: RMR12BM211 V94878 STF800-211 V02107 S30294-211-1 V97820 TF450-211A V07128 2100-211 V26303	103106	6
85	NAS1611-211	...	PACKING	103106	3

MISSING ITEM NUMBERS NOT APPLICABLE

- ITEM NOT ILLUSTRATED

32-51-12-01A

32-51-12  
FIG. 01A  
PAGE 3  
JAN 20/09

BRI

BOEING PROPRIETARY - Copyright © - Unpublished Work - See title page for details.



757

PARTS CATALOG (MAINTENANCE)

FIG ITEM	PART NUMBER	1 2 3 4 5 6 7	NOMENCLATURE	EFFECT FROM TO	UNITS PER ASSY
1 A					
90	92980-5003		... VALVE-CHECK SUPPLIER CODE: V92003	103106	3
95	C11236-115B		... RING SUPPLIER CODE: V26879 SPECIFICATION NUMBER: BACR12BM115 OPTIONAL PART: RMR12BM115 V94878 STF800-115 V02107 S30294-115-1 V97820 TF450-115A V07128 2100-115 V26303	103106	6
100	NAS1611-115		... PACKING	103106	3
105	3791541-101		... RETAINER-SCREEN SUPPLIER CODE: V92003	103106	1
110	10-774		... SCREEN- SUPPLIER CODE: V14818 SPECIFICATION NUMBER: S252T002-1 OPTIONAL PART: 1745174 V90005 26570 V18350	103106	1

MISSING ITEM NUMBERS NOT APPLICABLE

- ITEM NOT ILLUSTRATED

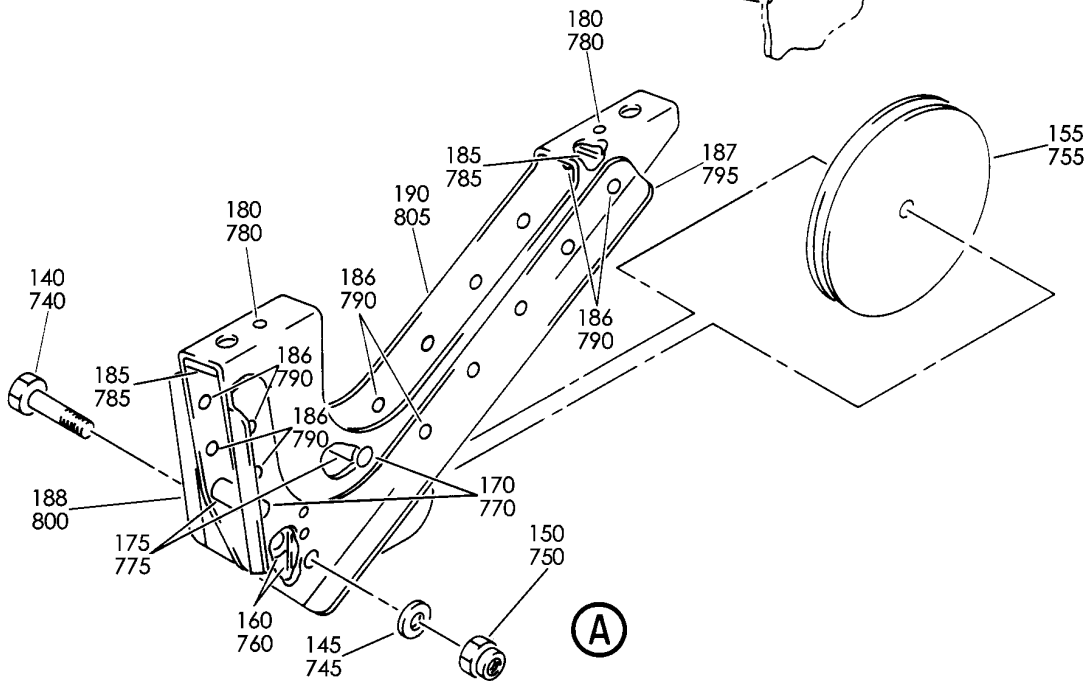
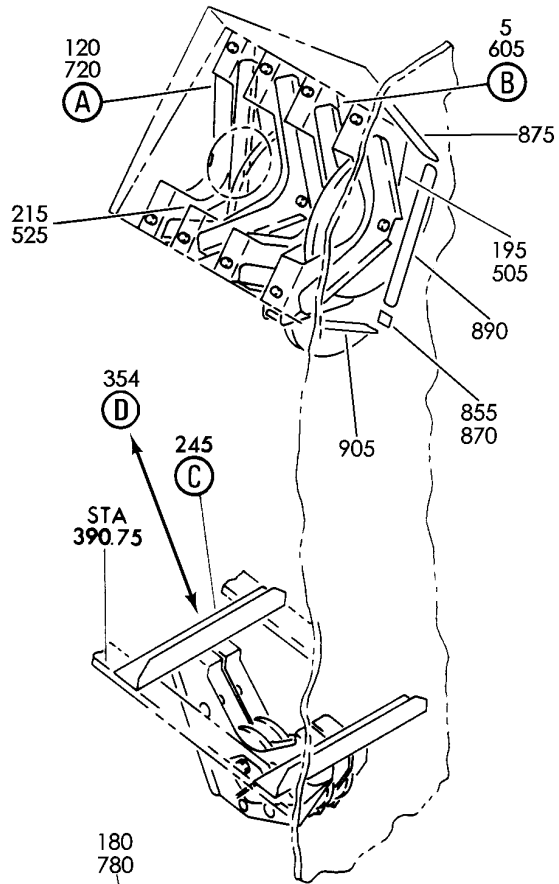
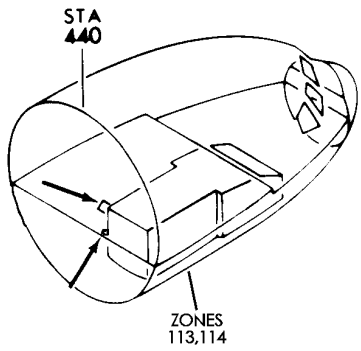
32-51-12-01A

32-51-12  
FIG. 01A  
PAGE 4  
JAN 20/09

BRI

BOEING PROPRIETARY - Copyright © - Unpublished Work - See title page for details.

**BOEING**  
757  
PARTS CATALOG (MAINTENANCE)



Y 32515101 SHT 1 REV 226

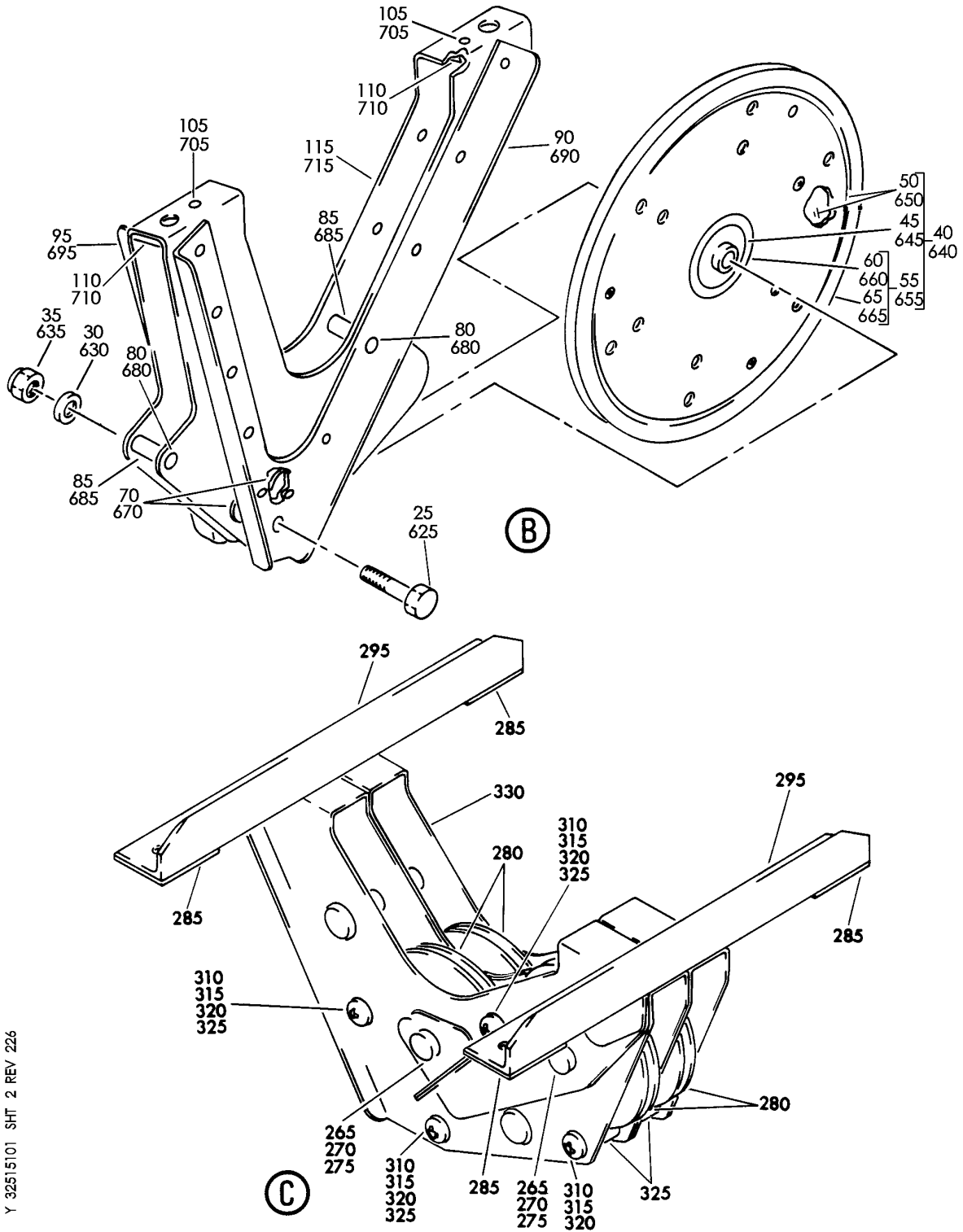
BRACKET INSTL-STA 388 NWSA NWSB NSPPA NGPPA PULLEY LH  
FIGURE 1 (SHEET 1)

**32-51-51-01**

BRI  
MAY 28/07

32-51-51-01  
PAGE 0

**BOEING**  
757  
PARTS CATALOG (MAINTENANCE)



Y 32515101 SHT 2 REV 226

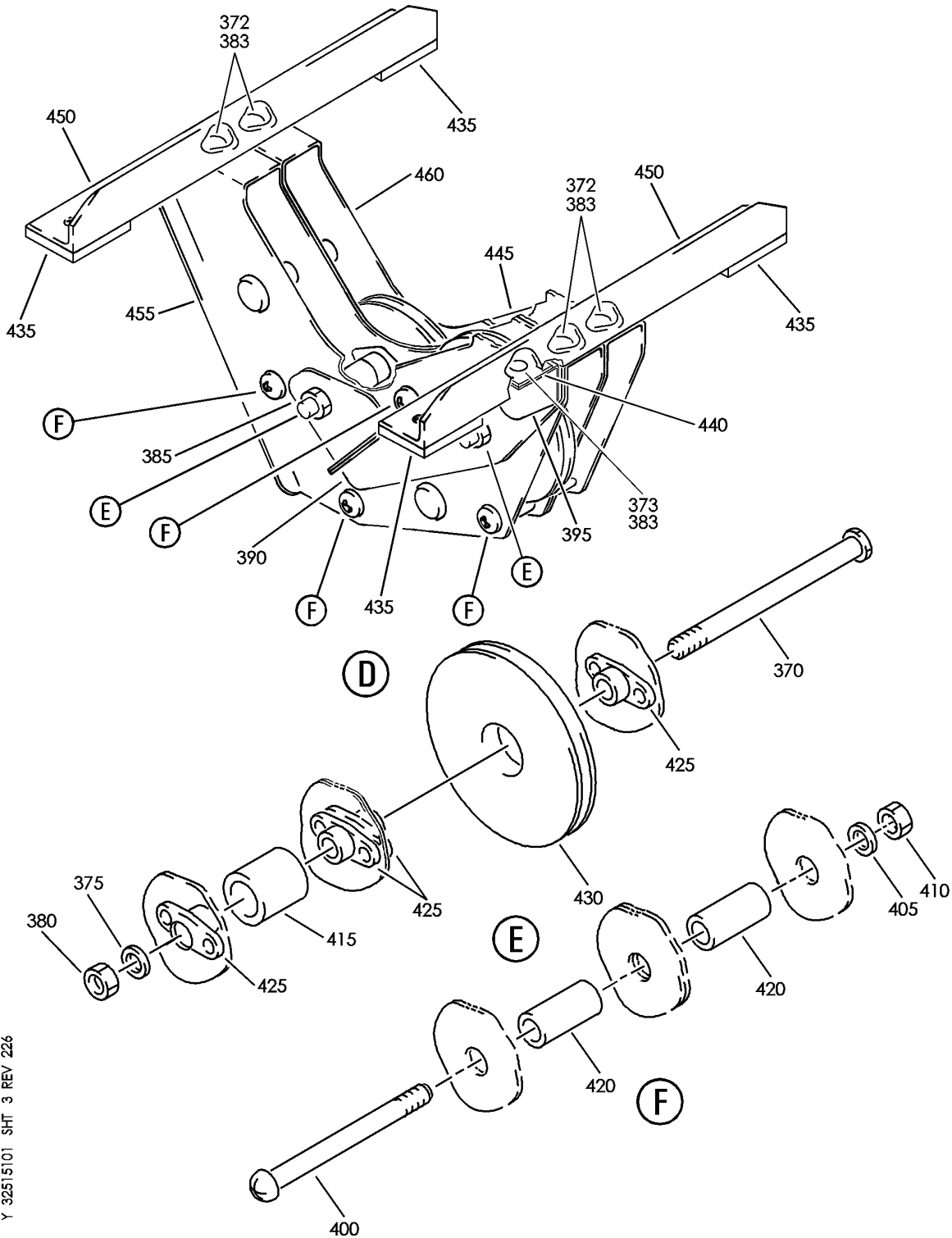
BRACKET INSTL-STA 388 NWSA NWSB NSPPA NGPPA PULLEY LH  
FIGURE 1 (SHEET 2)

**32-51-51-01**

BRI  
MAY 28/07

32-51-51-01  
PAGE 0A

**BOEING**  
757  
PARTS CATALOG (MAINTENANCE)



Y 32515101 SHT 3 REV 226

BRACKET INSTL-STA 388 NWSA NWSB NSPPA NGPPA PULLEY LH  
FIGURE 1 (SHEET 3)

**32-51-51-01**

BRI  
MAY 28/07

32-51-51-01  
PAGE 0B

 **BOEING**  
757  
**PARTS CATALOG (MAINTENANCE)**

FIG ITEM	PART NUMBER	1 2 3 4 5 6 7	NOMENCLATURE	EFFECT FROM TO	UNITS PER ASSY
1			BRACKET INSTL-STA 388 NWSA NWSB NSPPA NGPPA PULLEY LH	002004 006999	
- 1	251N6011-1		BRACKET INSTL-NGPPA PULLEY POSITION DATA: STA 388 LH FOR NHA SEE: 32-51-53-01	002004 006100 107107 121503 904999	RF
5	251N6160-1		.BRACKET ASSY	002004 006100 107107 121503 904999	1
- 10	BACB30NE4-3		ATTACHING PARTS .BOLT	002004 006100 107107 121503 904999	2
- 15	NAS1149D0463J		.WASHER	002004 006100 107107 121503 904999	2
- 20	BRH10A4		.NUT SUPPLIER CODE: V52828 SPECIFICATION NUMBER: BACN10JC4 OPTIONAL PART: T6S428J V11815 96-048 V80539 VN303A048 V92215 RMLH9075-4W V72962 NS202101-048 V80539 H10-4BAC V15653	002004 006100 107107 121503 904999	2
25	BACB30NF4-12		-----*----- . . BOLT	002004 006100 107107 121503 904999	1

MISSING ITEM NUMBERS NOT APPLICABLE

- ITEM NOT ILLUSTRATED

BRI

# 32-51-51-01

BOEING PROPRIETARY - Copyright © - Unpublished Work - See title page for details.

32-51-51  
FIG. 01  
PAGE 1  
JAN 20/09



757

PARTS CATALOG (MAINTENANCE)

FIG ITEM	PART NUMBER	1 2 3 4 5 6 7	NOMENCLATURE	EFFECT FROM TO	UNITS PER ASSY
1	30 AN960PD416		.. WASHER	002004 006100 107107 121503 904999	1
	35 BRH10A4		.. NUT SUPPLIER CODE: V52828 SPECIFICATION NUMBER: BACN10JC4 OPTIONAL PART: T6S428J V11815 96-048 V80539 VN303A048 V92215 RMLH9075-4W V72962 NS202101-048 V80539 H10-4BAC V15653	002004 006100 107107 121503 904999	1
	40 65B80973-1		.. PULLEY ASSY-6 IN. DIA 3/32 IN. CABLE	002004 006100 107107 121503 904999	1

MISSING ITEM NUMBERS NOT APPLICABLE

- ITEM NOT ILLUSTRATED

BRI

32-51-51-01

BOEING PROPRIETARY - Copyright © - Unpublished Work - See title page for details.

32-51-51  
FIG. 01  
PAGE 2  
JAN 20/09





757

PARTS CATALOG (MAINTENANCE)

FIG ITEM	PART NUMBER	1 2 3 4 5 6 7	NOMENCLATURE	EFFECT FROM TO	UNITS PER ASSY
1	45	JMKP4P25LY196	... BEARING- SUPPLIER CODE: V40920 SPECIFICATION NUMBER: BACB10AN4 OPTIONAL PART: MKP4FS428 V21335 MKP4G20 V38443 LLMKP4 V38443 MKP4 V38443 MKP4-2TS V43991 MKP4E6531 V21335 MKP4TT V43991 MKP4SD610 V83086	002004 006100 107107 121503 904999	1
	50	65B81234-1	... SHIELD	002004 006100 107107 121503 904999	2
	55	65B80974-1	... SHEAVE ASSY	002004 006100 107107 121503 904999	1
	60	69B81362-2	.... INSERT	002004 006100 107107 121503 904999	1
	65	65B80974-2	.... SHEAVE	002004 006100 107107 121503 904999	1
	70	NAS463TKDD416H	.. SPACER	002004 006100 107107 121503 904999	2

MISSING ITEM NUMBERS NOT APPLICABLE

- ITEM NOT ILLUSTRATED

32-51-51-01

32-51-51  
 FIG. 01  
 PAGE 3  
 JAN 20/09

BRI

BOEING PROPRIETARY - Copyright © - Unpublished Work - See title page for details.



757

PARTS CATALOG (MAINTENANCE)

FIG ITEM	PART NUMBER	1 2 3 4 5 6 7	NOMENCLATURE	EFFECT FROM TO	UNITS PER ASSY
1			ATTACHING PARTS		
- 75	BACR15BA3AD		..RIVET- SIZE DETERMINED ON INSTL.	002004 006100 107107 121503 904999	4
			-----*-----		
80	BACR15BB4AD		..RIVET- SIZE DETERMINED ON INSTL.	002004 006100 107107 121503 904999	2
85	NAS42DD4-42		..SPACER	002004 006100 107107 121503 904999	2
90	251N6160-3		..DOUBLER	002004 006100 107107 121503 904999	1
95	251N6160-4		..DOUBLER	002004 006100 107107 121503 904999	1
			ATTACHING PARTS		
- 100	BACR15FT5D		..RIVET- SIZE DETERMINED ON INSTL.	002004 006100 107107 121503 904999	18
			-----*-----		
105	BACR15BA4AD		..RIVET- SIZE DETERMINED ON INSTL.	002004 006100 107107 121503 904999	2
110	50-3361-8503		..FILLER-RADIUS	002004 006100 107107 121503 904999	2
115	251N6160-2		..BRACKET	002004 006100 107107 121503 904999	1

MISSING ITEM NUMBERS NOT APPLICABLE

- ITEM NOT ILLUSTRATED

32-51-51-01

32-51-51  
FIG. 01  
PAGE 4  
JAN 20/09

BRI

BOEING PROPRIETARY - Copyright © - Unpublished Work - See title page for details.



757

PARTS CATALOG (MAINTENANCE)

FIG ITEM	PART NUMBER	1 2 3 4 5 6 7	NOMENCLATURE	EFFECT FROM TO	UNITS PER ASSY
1 120	251N6161-5	.	BRACKET ASSY	002004 006100 107107 121503 904999	1
- 125	BACB30NE4-3	.	ATTACHING PARTS BOLT	002004 006100 107107 121503 904999	2
- 130	NAS1149D0463J	.	WASHER	002004 006100 107107 121503 904999	2
- 135	BRH10A4	.	NUT SUPPLIER CODE: V52828 SPECIFICATION NUMBER: BACN10JC4 OPTIONAL PART: T6S428J V11815 96-048 V80539 VN303A048 V92215 RMLH9075-4W V72962 NS202101-048 V80539 H10-4BAC V15653 -----*-----	002004 006100 107107 121503 904999	2
140	BACB30NF4-13	..	BOLT-	002004 006100 107107 121503 904999	1
145	AN960PD416	..	WASHER	002004 006100 107107 121503 904999	1

MISSING ITEM NUMBERS NOT APPLICABLE

- ITEM NOT ILLUSTRATED

BRI

32-51-51-01

32-51-51  
FIG. 01  
PAGE 5  
JAN 20/09



757

PARTS CATALOG (MAINTENANCE)

FIG ITEM	PART NUMBER	1 2 3 4 5 6 7	NOMENCLATURE	EFFECT FROM TO	UNITS PER ASSY
1 150	BRH10A4	..	NUT SUPPLIER CODE: V52828 SPECIFICATION NUMBER: BACN10JC4 OPTIONAL PART: T6S428J V11815 96-048 V80539 VN303A048 V92215 RMLH9075-4W V72962 NS202101-048 V80539 H10-4BAC V15653	002004 006100 107107 121503 904999	1
155	BMP30J4	..	PULLEY SUPPLIER CODE: V22277 SPECIFICATION NUMBER: BACP30J4 OPTIONAL PART: R30F4 V25337	002004 006100 107107 121503 904999	1
160	NAS463TKDD416H	..	SPACER	002004 006100 107107 121503 904999	2
- 165	BACR15BA3AD	..	ATTACHING PARTS RIVET- SIZE DETERMINED ON INSTL.	002004 006100 107107 121503 904999	2
170	BACR15FT4D	..	-----*----- RIVET- SIZE DETERMINED ON INSTL.	002004 006100 107107 121503 904999	2
175	NAS42DD4-40	..	SPACER	002004 006100 107107 121503 904999	2

MISSING ITEM NUMBERS NOT APPLICABLE

- ITEM NOT ILLUSTRATED

32-51-51-01

32-51-51  
FIG. 01  
PAGE 6  
JAN 20/09

BRI

BOEING PROPRIETARY - Copyright © - Unpublished Work - See title page for details.



757

PARTS CATALOG (MAINTENANCE)

FIG ITEM	PART NUMBER	1 2 3 4 5 6 7	NOMENCLATURE	EFFECT FROM TO	UNITS PER ASSY
1					
180	BACR15BA5AD	..	RIVET- SIZE DETERMINED ON INSTL.	002004 006100 107107 121503 904999	2
185	50-3361-8531	..	FILLER-RADIUS	002004 006100 107107 121503 904999	2
186	BACR15FT5D	..	RIVET- SIZE DETERMINED ON INSTL.	002004 006100 107107 121503 904999	14
187	251N6161-3	..	STIFFENER-	002004 006100 107107 121503 904999	1
188	251N6161-4	..	STIFFENER-	002004 006100 107107 121503 904999	1
190	251N6161-2	..	BRACKET	002004 006100 107107 121503 904999	1
- 191	BACR15BA5DC	..	ATTACHING PARTS RIVET	002004 006100 107107 121503 904999	2
195	251N6158-5	..	-----*----- .BRACKET ASSY- FOR DETAILS SEE: 32-51-51-02	002004 006010 107107 121503 904999	1
195	251N6158-7	..	.BRACKET ASSY- FOR DETAILS SEE: 32-51-51-02	011100	1

MISSING ITEM NUMBERS NOT APPLICABLE

- ITEM NOT ILLUSTRATED

# 32-51-51-01

32-51-51  
FIG. 01  
PAGE 7  
JAN 20/09

BRI



757

PARTS CATALOG (MAINTENANCE)

FIG ITEM	PART NUMBER	1 2 3 4 5 6 7	NOMENCLATURE	EFFECT FROM TO	UNITS PER ASSY
1			ATTACHING PARTS		
- 200	BACB3ONE4-3		.BOLT	002004 006100 107107 121503 904999	2
- 205	NAS1149D0463J		.WASHER	002004 006100 107107 121503 904999	2
- 210	BRH10A4		.NUT SUPPLIER CODE: V52828 SPECIFICATION NUMBER: BACN10JC4 OPTIONAL PART: T6S428J V11815 96-048 V80539 VN303A048 V92215 RMLH9075-4W V72962 NS202101-048 V80539 H10-4BAC V15653	002004 006100 107107 121503 904999	2
215	251N6159-5		-----*----- .BRACKET ASSY- FOR DETAILS SEE: 32-51-51-02	002004 006100 107107 121503 904999	1
- 220	BACB3ONE4-3		ATTACHING PARTS .BOLT	002004 006100 107107 121503 904999	2
- 225	NAS1149D0463J		.WASHER	002004 006100 107107 121503 904999	2

MISSING ITEM NUMBERS NOT APPLICABLE

- ITEM NOT ILLUSTRATED

32-51-51-01

32-51-51  
FIG. 01  
PAGE 8  
JAN 20/09

BRI



757

PARTS CATALOG (MAINTENANCE)

FIG ITEM	PART NUMBER	1 2 3 4 5 6 7	NOMENCLATURE	EFFECT FROM TO	UNITS PER ASSY
1 - 230	BRH10A4		.NUT SUPPLIER CODE: V52828 SPECIFICATION NUMBER: BACN10JC4 OPTIONAL PART: T6S428J V11815 96-048 V80539 VN303A048 V92215 RMLH9075-4W V72962 NS202101-048 V80539 H10-4BAC V15653 -----*-----	002004 006100 107107 121503 904999	2
- 240	251N6011-3		BRACKET INSTL-NWSA NWSB NSPPA NGPPA PULLEY POSITION DATA: STA 388 LH FOR NHA SEE: 32-51-53-01 32-00-00-22	002004 006102 107999	RF
- 240	MODREF7977		BRACKET INSTL-NWSA NWSB NSPPA NGPPA PULLEY MODULE NUMBER: 251N6011-3 REV A POSITION DATA: STA 388 LH	103106	1
245	251N6162-1		.BRACKET ASSY	002004 006100 103107 121503 904999	1
- 250	BACB30NF4-7		ATTACHING PARTS .BOLT-	002004 006100 103107 121503 904999	4
- 255	AN960PD416		.WASHER -----*-----	002004 006100 103107 121503 904999	4

MISSING ITEM NUMBERS NOT APPLICABLE

- ITEM NOT ILLUSTRATED

32-51-51-01

32-51-51  
FIG. 01  
PAGE 9  
JAN 20/09

BRI



757

PARTS CATALOG (MAINTENANCE)

FIG ITEM	PART NUMBER	1 2 3 4 5 6 7	NOMENCLATURE	EFFECT FROM TO	UNITS PER ASSY
1	265 BACB30NF4-27	..	BOLT	002004 006100 103107 121503 904999	2
	270 AN960PD416	..	WASHER	002004 006100 103107 121503 904999	2
	275 BRH10A4	..	NUT SUPPLIER CODE: V52828 SPECIFICATION NUMBER: BACN10JC4 OPTIONAL PART: T6S428J V11815 96-048 V80539 VN303A048 V92215 RMLH9075-4W V72962 NS202101-048 V80539 H10-4BAC V15653	002004 006100 103107 121503 904999	2
	280 BMP30J4	..	PULLEY SUPPLIER CODE: V22277 SPECIFICATION NUMBER: BACP30J4 OPTIONAL PART: R30F4 V25337	002004 006100 103107 121503 904999	4
	285 251N6186-26	..	INSULATOR	002004 006100 103107 121503 904999	4
-	290 BACR15BA4AD	..	ATTACHING PARTS RIVET- SIZE DETERMINED ON INSTL.  -----*-----	002004 006100 103107 121503 904999	8

MISSING ITEM NUMBERS NOT APPLICABLE

- ITEM NOT ILLUSTRATED

BRI

32-51-51-01

BOEING PROPRIETARY - Copyright © - Unpublished Work - See title page for details.

32-51-51  
FIG. 01  
PAGE 10  
JAN 20/09





757

PARTS CATALOG (MAINTENANCE)

FIG ITEM	PART NUMBER	1 2 3 4 5 6 7	NOMENCLATURE	EFFECT FROM TO	UNITS PER ASSY
1 295	251N6162-9		.. ANGLE	002004 006100 103107 121503 904999	2
- 300	HST10AG6-3		ATTACHING PARTS .. BOLT SUPPLIER CODE: V0PTK6 SPECIFICATION NUMBER: BACB30VT6K3 OPTIONAL PART: HST10AG6-3 V06725 HST10AG6-3 V56878 HST10AG6-3 V73197 WC10K6-3 V60516	002004 006100 103107 121503 904999	4
- 305	BACC3OBL6		.. COLLAR SUPPLIER CODE: V73197 SPECIFICATION NUMBER: BACC3OBL6 OPTIONAL PART: HST79-6 V92215 HST79CY6 V56878 HST79CY6 V5M902	002004 006100 103107 121503 904999	4
310	NAS623-3-26		-----*----- .. SCREW	002004 006100 103107 121503 904999	4
315	AN960PD10		.. WASHER	002004 006100 103107 121503 904999	4

MISSING ITEM NUMBERS NOT APPLICABLE

- ITEM NOT ILLUSTRATED

BRI

32-51-51-01

BOEING PROPRIETARY - Copyright © - Unpublished Work - See title page for details.

32-51-51  
FIG. 01  
PAGE 11  
JAN 20/09



757

PARTS CATALOG (MAINTENANCE)

FIG ITEM	PART NUMBER	1 2 3 4 5 6 7	NOMENCLATURE	EFFECT FROM TO	UNITS PER ASSY
1 320	BRH10A3	..	NUT SUPPLIER CODE: V52828 SPECIFICATION NUMBER: BACN10JC3 OPTIONAL PART: H10-3BAC V15653 NS202101-02 V80539 RMLH9075-3W V72962 VN303A02 V92215 96-02 V80539 T6S1032J V11815	002004 006100 103107 121503 904999	4
325	NAS42DD6-44	..	SPACER	002004 006100 103107 121503 904999	8
330	251N6162-2	..	BRACKET ASSY	002004 006100 103107 121503 904999	1
- 500	251N6011-15		BRACKET INSTL-NWSA AND NWSB PULLEY POSITION DATA: STA 388 LH FOR NHA SEE: 32-00-00-22	101102 108120 504903	RF
- 500	MODREF7975		BRACKET INSTL-NWSA AND NWSB PULLEY MODULE NUMBER: 251N6011-15 REV A POSITION DATA: STA 388 LH	103106	1
505	251N6158-7	.	BRACKET ASSY-NWSA POSITION DATA: LBL 24.26 FOR DETAILS SEE: 32-51-51-02	101106 108120 504903	1
- 510	NAS6604-3	.	ATTACHING PARTS BOLT	101106 108120 504903	2

MISSING ITEM NUMBERS NOT APPLICABLE

- ITEM NOT ILLUSTRATED

32-51-51-01

32-51-51  
FIG. 01  
PAGE 12  
JAN 20/09

BRI

 **BOEING**  
757  
**PARTS CATALOG (MAINTENANCE)**

FIG ITEM	PART NUMBER	1 2 3 4 5 6 7	NOMENCLATURE	EFFECT FROM TO	UNITS PER ASSY
1					
- 515	NAS1149D0463J	.	WASHER	101106 108120 504903	2
- 520	BRH10C4D	.	NUT SUPPLIER CODE: V52828 SPECIFICATION NUMBER: BACN10JC4CD OPTIONAL PART: T6C428JCD V11815 NS202486-048 V80539 102LH9075-4W V72962 H51650-4BAC V15653 -----*-----	101106 108120 504903	2
525	251N6159-5	.	BRACKET ASSY-NWSB POSITION DATA: LBL 28.73 FOR DETAILS SEE: 32-51-51-02 ATTACHING PARTS	101106 108120 504903	1
- 530	NAS6604-3	.	BOLT	101106 108120 504903	2
- 535	NAS1149D0463J	.	WASHER	101106 108120 504903	2
- 540	BRH10C4D	.	NUT SUPPLIER CODE: V52828 SPECIFICATION NUMBER: BACN10JC4CD OPTIONAL PART: T6C428JCD V11815 NS202486-048 V80539 102LH9075-4W V72962 H51650-4BAC V15653 -----*-----	101106 108120 504903	2

MISSING ITEM NUMBERS NOT APPLICABLE

- ITEM NOT ILLUSTRATED

BRI

# 32-51-51-01

BOEING PROPRIETARY - Copyright © - Unpublished Work - See title page for details.

32-51-51  
FIG. 01  
PAGE 13  
JAN 20/09



757

PARTS CATALOG (MAINTENANCE)

FIG ITEM	PART NUMBER	1 2 3 4 5 6 7	NOMENCLATURE	EFFECT FROM TO	UNITS PER ASSY
1					
- 600	251N6011-16		BRACKET INSTL-NGPPA AND NGPPB PULLEY POSITION DATA: STA 388 LH FOR NHA SEE: 32-00-00-22	101102 108120 504903	RF
- 600	MODREF7976		BRACKET INSTL-NGPPA AND NGPPB PULLEY MODULE NUMBER: 251N6011-16 REV A POSITION DATA: STA 388 LH	103106	1
605	251N6160-1		.BRACKET ASSY-NGPPA POSITION DATA: LBL 26.39	101106 108120 504903	1
- 610	NAS6604-3		.BOLT	101106 108120 504903	2
- 615	NAS1149D0463J		.WASHER	101106 108120 504903	2
- 620	BRH10C4D		.NUT SUPPLIER CODE: V52828 SPECIFICATION NUMBER: BACN10JC4CD OPTIONAL PART: T6C428JCD V11815 NS202486-048 V80539 102LH9075-4W V72962 H51650-4BAC V15653 -----*-----	101106 108120 504903	2
625	BACB30NF4-12		..BOLT	101106 108120 504903	1
630	AN960PD416		..WASHER	101106 108120 504903	1

MISSING ITEM NUMBERS NOT APPLICABLE

- ITEM NOT ILLUSTRATED

BRI

32-51-51-01

BOEING PROPRIETARY - Copyright © - Unpublished Work - See title page for details.

32-51-51  
FIG. 01  
PAGE 14  
JAN 20/09



757

PARTS CATALOG (MAINTENANCE)

FIG ITEM	PART NUMBER	1 2 3 4 5 6 7	NOMENCLATURE	EFFECT FROM TO	UNITS PER ASSY
1 635	BRH10A4	. .	NUT SUPPLIER CODE: V52828 SPECIFICATION NUMBER: BACN10JC4 OPTIONAL PART: T6S428J V11815 96-048 V80539 VN303A048 V92215 RMLH9075-4W V72962 NS202101-048 V80539 H10-4BAC V15653	101106 108120 504903	1
640	65B80973-1	. .	PULLEY ASSY	101106 108120 504903	1
645	JMKP4P25LY196	. . .	BEARING SUPPLIER CODE: V40920 SPECIFICATION NUMBER: BACB10AN4 OPTIONAL PART: MKP4FS428 V21335 MKP4G20 V38443 LLMKP4 V38443 MKP4 V38443 MKP4-2TS V43991 MKP4E6531 V21335 MKP4TT V43991 MKP4SD610 V83086	101106 108120 504903	1
650	65B81234-1	. . .	SHIELD	101106 108120 504903	2
655	65B80974-1	. . .	SHEAVE ASSY	101106 108120 504903	1

MISSING ITEM NUMBERS NOT APPLICABLE

- ITEM NOT ILLUSTRATED

32-51-51-01

32-51-51  
FIG. 01  
PAGE 15  
JAN 20/09

BRI

BOEING PROPRIETARY - Copyright © - Unpublished Work - See title page for details.



757

PARTS CATALOG (MAINTENANCE)

FIG ITEM	PART NUMBER	1 2 3 4 5 6 7	NOMENCLATURE	EFFECT FROM TO	UNITS PER ASSY
1					
660	69B81362-2	....	INSERT	101106 108120 504903	1
665	65B80974-2	....	SHEAVE	101106 108120 504903	1
670	NAS463TKDD416H	..	SPACER	101106 108120 504903	2
- 675	BACR15BA3AD	..	RIVET- SIZE DETERMINED ON INSTL.	101106 108120 504903	4
680	BACR15BB4AD	..	RIVET- SIZE DETERMINED ON INSTL.	101106 108120 504903	2
685	NAS42DD4-42	..	SPACER	101106 108120 504903	2
690	251N6160-3	..	DOUBLER	101106 108120 504903	1
695	251N6160-4	..	DOUBLER	101106 108120 504903	1
- 700	BACR15FT5D	..	RIVET- SIZE DETERMINED ON INSTL.  -----*-----	101106 108120 504903	18
705	BACR15BA4AD	..	RIVET- SIZE DETERMINED ON INSTL.	101106 108120 504903	2
710	50-3361-8503	..	FILLER	101106 108120 504903	2
715	251N6160-2	..	BRACKET	101106 108120 504903	1
720	251N6161-5	.	BRACKET ASSY-NGPPB POSITION DATA: LBL 30.72 ATTACHING PARTS	101106 108120 504903	1
- 725	NAS6604-3	.	BOLT	101106 108120 504903	2
- 730	NAS1149D0463J	.	WASHER	101106 108120 504903	2

MISSING ITEM NUMBERS NOT APPLICABLE

- ITEM NOT ILLUSTRATED

32-51-51-01

32-51-51  
FIG. 01  
PAGE 16  
JAN 20/09

BRI



757

PARTS CATALOG (MAINTENANCE)

FIG ITEM	PART NUMBER	1 2 3 4 5 6 7	NOMENCLATURE	EFFECT FROM TO	UNITS PER ASSY
1 - 735	BRH10C4D	.NUT	SUPPLIER CODE: V52828 SPECIFICATION NUMBER: BACN10JC4CD OPTIONAL PART: T6C428JCD V11815 NS202486-048 V80539 102LH9075-4W V72962 H51650-4BAC V15653	101106 108120 504903	2
740	BACB30NF4-13	..BOLT	-----*-----	101106 108120 504903	1
745	AN960PD416	..WASHER		101106 108120 504903	1
750	BRH10A4	..NUT	SUPPLIER CODE: V52828 SPECIFICATION NUMBER: BACN10JC4 OPTIONAL PART: T6S428J V11815 96-048 V80539 VN303A048 V92215 RMLH9075-4W V72962 NS202101-048 V80539 H10-4BAC V15653	101106 108120 504903	1
755	BMP30J4	..PULLEY	SUPPLIER CODE: V22277 SPECIFICATION NUMBER: BACP30J4 OPTIONAL PART: R30F4 V25337	101106 108120 504903	1

MISSING ITEM NUMBERS NOT APPLICABLE

- ITEM NOT ILLUSTRATED

32-51-51-01

32-51-51  
FIG. 01  
PAGE 17  
JAN 20/09

BRI

 **BOEING**  
757  
**PARTS CATALOG (MAINTENANCE)**

FIG ITEM	PART NUMBER	1 2 3 4 5 6 7	NOMENCLATURE	EFFECT FROM TO	UNITS PER ASSY
1					
760	NAS463TKDD416H	..	SPACER	101106 108120 504903	2
			ATTACHING PARTS		
- 765	BACR15BA3AD	..	RIVET- SIZE DETERMINED ON INSTL.	101106 108120 504903	2
			-----*-----		
770	BACR15FT4D	..	RIVET- SIZE DETERMINED ON INSTL.	101106 108120 504903	2
775	NAS42DD4-40	..	SPACER	101106 108120 504903	2
780	BACR15BA5AD	..	RIVET- SIZE DETERMINED ON INSTL.	101106 108120 504903	2
785	50-3361-8531	..	FILLER	101106 108120 504903	2
790	BACR15FT5D	..	RIVET	101106 108120 504903	14
795	251N6161-3	..	STIFFENER	101106 108120 504903	1
800	251N6161-4	..	STIFFENER	101106 108120 504903	1
805	251N6161-2	..	BRACKET	101106 108120 504903	1
			ATTACHING PARTS		
- 810	BACR15BA5DC	..	RIVET	101106 108120 504903	2
			-----*-----		
- 850	251N6011-12		SUPPORT INSTL- POSITION DATA: STA 388 LH FOR NHA SEE: 32-00-00-22	101102 108120 504903	RF
- 850	MODREF7973		SUPPORT INSTL- MODULE NUMBER: 251N6011-12 REV A POSITION DATA: STA 388 LH	103106	1

MISSING ITEM NUMBERS NOT APPLICABLE

- ITEM NOT ILLUSTRATED

BRI

# 32-51-51-01

BOEING PROPRIETARY - Copyright © - Unpublished Work - See title page for details.

32-51-51  
FIG. 01  
PAGE 18  
JAN 20/09



 **BOEING**  
757  
**PARTS CATALOG (MAINTENANCE)**

FIG ITEM	PART NUMBER	1 2 3 4 5 6 7	NOMENCLATURE	EFFECT FROM TO	UNITS PER ASSY
1 855	251N6011-11	.	INSULATOR	101106 108120 504903	1
- 860	BACB30MY6K	.	ATTACHING PARTS BOLT- SIZE DETERMINED ON INSTL.	101106 108120 504903	1
- 865	HL79-6	.	COLLAR SUPPLIER CODE: V5M902 SPECIFICATION NUMBER: BACC30M6 OPTIONAL PART: HL79-6 V73197 HL79-6 V92215 66014-6 V56878 HL79-6 V56878 -----*-----	101106 108120 504903	1
870	251N6011-17	.	FILLER	101106 108120 504903	1
875	251N6011-5	.	INSULATOR	101106 108120 504903	1
- 880	BACB30MY6K	.	ATTACHING PARTS BOLT- SIZE DETERMINED ON INSTL.	101106 108120 504903	7
- 885	HL79-6	.	COLLAR SUPPLIER CODE: V5M902 SPECIFICATION NUMBER: BACC30M6 OPTIONAL PART: HL79-6 V73197 HL79-6 V92215 66014-6 V56878 HL79-6 V56878 -----*-----	101106 108120 504903	7

MISSING ITEM NUMBERS NOT APPLICABLE

- ITEM NOT ILLUSTRATED

BRI

# 32-51-51-01

BOEING PROPRIETARY - Copyright © - Unpublished Work - See title page for details.

32-51-51  
FIG. 01  
PAGE 19  
JAN 20/09



757

PARTS CATALOG (MAINTENANCE)

FIG ITEM	PART NUMBER	1 2 3 4 5 6 7	NOMENCLATURE	EFFECT FROM TO	UNITS PER ASSY
1 890	251N6011-8		. INSULATOR	101106 108120 504903	1
- 895	BACB30MY6K		ATTACHING PARTS . BOLT- SIZE DETERMINED ON INSTL.	101106 108120 504903	9
- 900	HL79-6		. COLLAR SUPPLIER CODE: V5M902 SPECIFICATION NUMBER: BACC30M6 OPTIONAL PART: HL79-6 V73197 HL79-6 V92215 66014-6 V56878 HL79-6 V56878 -----*-----	101106 108120 504903	9
905	251N6011-9		. INSULATOR	101106 108120 504903	1
- 910	BACB30MY6K		ATTACHING PARTS . BOLT	101106 108120 504903	6
- 915	HL79-6		. COLLAR SUPPLIER CODE: V5M902 SPECIFICATION NUMBER: BACC30M6 OPTIONAL PART: HL79-6 V73197 HL79-6 V92215 66014-6 V56878 HL79-6 V56878 -----*-----	101106 108120 504903	6

MISSING ITEM NUMBERS NOT APPLICABLE

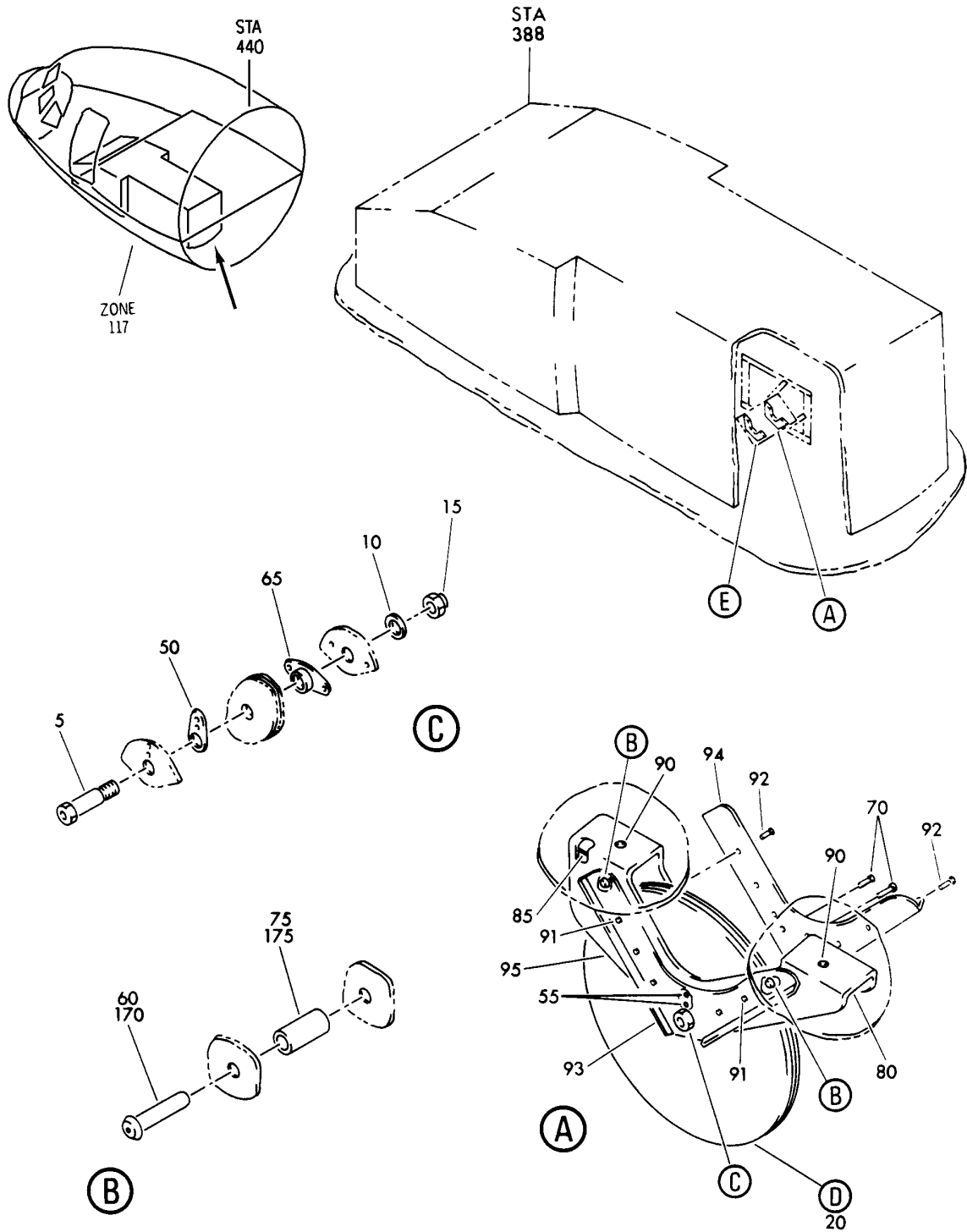
- ITEM NOT ILLUSTRATED

32-51-51-01

32-51-51  
FIG. 01  
PAGE 20  
JAN 20/09

BRI

**BOEING**  
757  
PARTS CATALOG (MAINTENANCE)



Y 32515102 REV 229

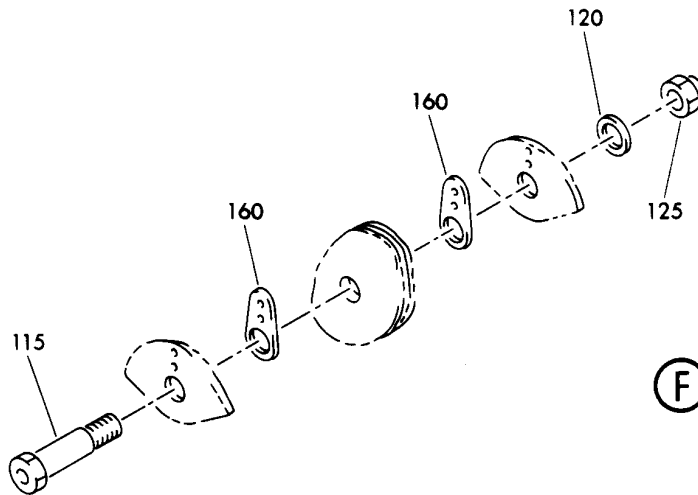
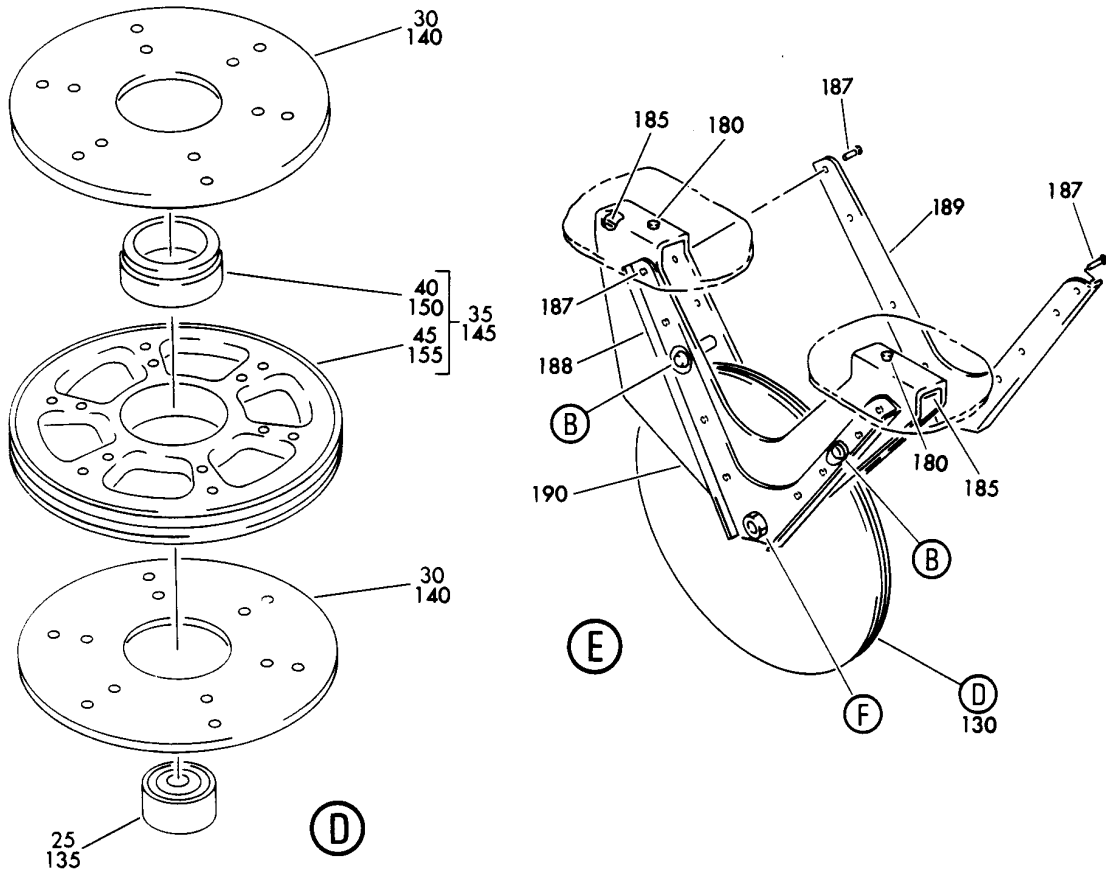
BRACKET ASSY-STA 388 NOSE WHL STEERING A AND B PULLEY  
FIGURE 2 (SHEET 1)

**32-51-51-02**

BRI  
MAY 28/07

32-51-51-02  
PAGE 0

**BOEING**  
757  
PARTS CATALOG (MAINTENANCE)



Y 32515102 SHT 2 REV 083

BRACKET ASSY-STA 388 NOSE WHL STEERING A AND B PULLEY  
FIGURE 2 (SHEET 2)

**32-51-51-02**

BRI  
MAY 28/07

32-51-51-02  
PAGE 0A



757

PARTS CATALOG (MAINTENANCE)

FIG ITEM	PART NUMBER	1 2 3 4 5 6 7	NOMENCLATURE	EFFECT FROM TO	UNITS PER ASSY
2			BRACKET ASSY-STA 388 NOSE WHL STEERING A AND B PULLEY	002004 006999	
- 1	251N6158-5		BRACKET ASSY-NOSE WHL STEERING A PULLEY POSITION DATA: STA 388 FOR NHA SEE: 32-51-51-01	002004 006010 107107 121503 904999	RF
- 1	251N6158-7		BRACKET ASSY-NOSE WHL STEERING A PULLEY POSITION DATA: STA 388 FOR NHA SEE: 32-51-51-01	011106 108120 504903	RF
5	BACB30NF4-16		.BOLT	002004 006999	1
10	AN960PD416		.WASHER	002004 006999	1
15	BRH10A4		.NUT SUPPLIER CODE: V52828 SPECIFICATION NUMBER: BACN10JC4 OPTIONAL PART: T6S428J V11815 96-048 V80539 VN303A048 V92215 RMLH9075-4W V72962 NS202101-048 V80539 H10-4BAC V15653	002004 006999	1
20	65B80973-1		.PULLEY ASSY-6 IN. DIA 3/32 IN. CABLE	002004 006999	1

MISSING ITEM NUMBERS NOT APPLICABLE

- ITEM NOT ILLUSTRATED

BRI

32-51-51-02

BOEING PROPRIETARY - Copyright © - Unpublished Work - See title page for details.

32-51-51  
FIG. 02  
PAGE 1  
JAN 20/09

 **BOEING**  
757  
**PARTS CATALOG (MAINTENANCE)**

FIG ITEM	PART NUMBER	1 2 3 4 5 6 7	NOMENCLATURE	EFFECT FROM TO	UNITS PER ASSY
2					
25	JMKP4P25LY196	..	BEARING- SUPPLIER CODE: V40920 SPECIFICATION NUMBER: BACB10AN4 OPTIONAL PART: MKP4FS428 V21335 MKP4G20 V38443 LLMKP4 V38443 MKP4 V38443 MKP4-2TS V43991 MKP4E6531 V21335 MKP4TT V43991 MKP4SD610 V83086	002004 006999	1
30	65B81234-1	..	SHIELD	002004 006999	2
35	65B80974-1	..	SHEAVE ASSY	002004 006999	1
40	69B81362-2	...	INSERT	002004 006999	1
45	65B80974-2	...	SHEAVE	002004 006999	1
50	NAS463TKDD416H	.	SPACER-	002004 006010 107107 121503 904999	1
50	NAS463TFDD416H	.	SPACER-	011106 108120 504903	1
			ATTACHING PARTS		
55	BACR15BA3AD	.	RIVET- SIZE DETERMINED ON INSTL.	002004 006999	2
60	BACR15BB4AD	.	RIVET- SIZE DETERMINED ON INSTL.	002004 006999	2
			-----*-----		
65	BACS18G30B	.	SPACER	002004 006999	1

MISSING ITEM NUMBERS NOT APPLICABLE

— ITEM NOT ILLUSTRATED

BRI

# 32-51-51-02

BOEING PROPRIETARY - Copyright © - Unpublished Work - See title page for details.

32-51-51  
FIG. 02  
PAGE 2  
JAN 20/09



757

PARTS CATALOG (MAINTENANCE)

FIG ITEM	PART NUMBER	1 2 3 4 5 6 7	NOMENCLATURE	EFFECT FROM TO	UNITS PER ASSY
2			ATTACHING PARTS		
70	BACR15BB3AD		.RIVET- SIZE DETERMINED ON INSTL. -----*-----	002004 006999	2
75	NAS42DD4-56		.SPACER	002004 006999	2
80	50-3361-8523		.FILLER-RADIUS	002004 006999	1
85	50-3361-8554		.FILLER-RADIUS	002004 006999	1
90	BACR15BA4AD		ATTACHING PARTS .RIVET- SIZE DETERMINED ON INSTL. -----*-----	002004 006999	2
91	BACR15BA5D		.RIVET- SIZE DETERMINED ON INSTL.	002004 006999	5
92	BACR15FT5D		.RIVET- SIZE DETERMINED ON INSTL.	002004 006999	5
93	251N6158-3		.STIFFNER	002004 006999	1
94	251N6158-4		.STIFFNER	002004 006999	1
95	251N6158-2		.BRACKET	002004 006999	1
- 110	251N6159-5		BRACKET ASSY-NOSE WHL STEERING B PULLEY POSITION DATA: STA 388 FOR NHA SEE: 32-51-51-01	002004 006999	RF
115	BACB30NF4-12		.BOLT	002004 006999	1
120	AN960PD416		.WASHER	002004 006999	1

MISSING ITEM NUMBERS NOT APPLICABLE

- ITEM NOT ILLUSTRATED

32-51-51-02

32-51-51  
FIG. 02  
PAGE 3  
JAN 20/09

BRI



757

PARTS CATALOG (MAINTENANCE)

FIG ITEM	PART NUMBER	1 2 3 4 5 6 7	NOMENCLATURE	EFFECT FROM TO	UNITS PER ASSY
2 125	BRH10A4	.NUT	SUPPLIER CODE: V52828 SPECIFICATION NUMBER: BACN10JC4 OPTIONAL PART: T6S428J V11815 96-048 V80539 VN303A048 V92215 RMLH9075-4W V72962 NS202101-048 V80539 H10-4BAC V15653	002004 006999	1
130	65B80973-1	.PULLEY ASSY-6 IN. DIA 3/32 IN. CABLE		002004 006999	1
135	JMKP4P25LY196	..BEARING- SUPPLIER CODE: V40920 SPECIFICATION NUMBER: BACB10AN4 OPTIONAL PART: MKP4FS428 V21335 MKP4G20 V38443 LLMKP4 V38443 MKP4 V38443 MKP4-2TS V43991 MKP4E6531 V21335 MKP4TT V43991 MKP4SD610 V83086		002004 006999	1
140	65B81234-1	..SHIELD		002004 006999	2
145	65B80974-1	..SHEAVE ASSY		002004 006999	1
150	69B81362-2	...INSERT		002004 006999	1

MISSING ITEM NUMBERS NOT APPLICABLE

- ITEM NOT ILLUSTRATED

32-51-51-02

32-51-51  
FIG. 02  
PAGE 4  
JAN 20/09

BRI





757

PARTS CATALOG (MAINTENANCE)

FIG ITEM	PART NUMBER	1 2 3 4 5 6 7	NOMENCLATURE	EFFECT FROM TO	UNITS PER ASSY
2					
155	65B80974-2	. . .	SHEAVE	002004 006999	1
160	NAS463TKDD416H	. SPACER		002004 006999	2
			ATTACHING PARTS		
- 165	BACR15BA3AD	. RIVET-		002004 006999	4
			SIZE DETERMINED ON INSTL. -----*-----		
170	BACR15FT4D	. RIVET-		002004 006999	2
			SIZE DETERMINED ON INSTL.		
175	NAS42DD4-42	. SPACER		002004 006999	2
180	BACR15BA5AD	. RIVET-		002004 006999	2
			SIZE DETERMINED ON INSTL.		
185	50-3361-8503	. FILLER-RADIUS		002004 006999	2
187	BACR15FT5D	. RIVET-		002004 006999	16
			SIZE DETERMINED ON INSTL.		
188	251N6159-3	. STIFFNER		002004 006999	1
189	251N6159-4	. STIFFNER		002004 006999	1
190	251N6159-2	. BRACKET		002004 006999	1

MISSING ITEM NUMBERS NOT APPLICABLE

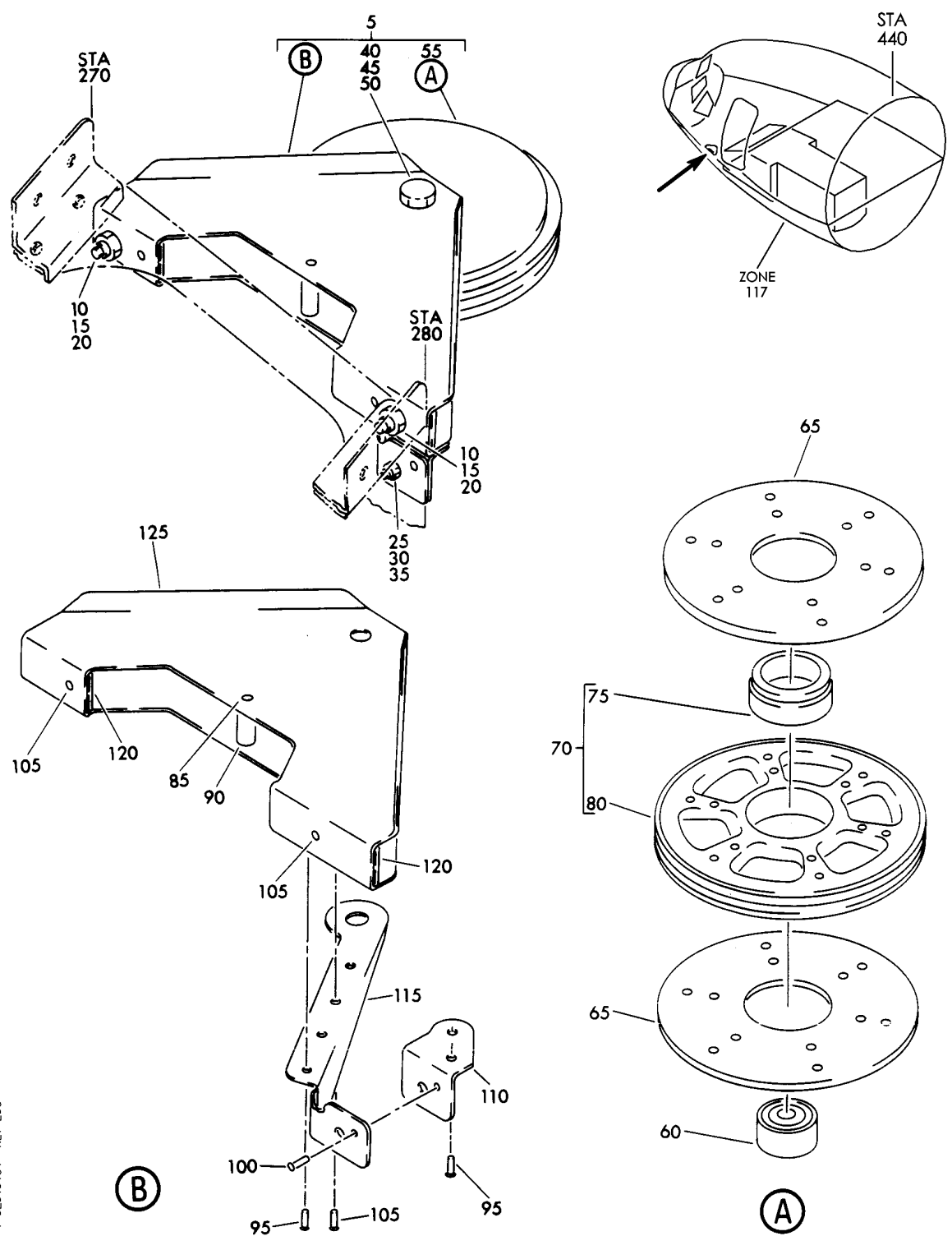
- ITEM NOT ILLUSTRATED

32-51-51-02

32-51-51  
FIG. 02  
PAGE 5  
JAN 20/09

BRI

**BOEING**  
757  
PARTS CATALOG (MAINTENANCE)



Y 32515104 REV 236

BRACKET INSTL-STA 274 NWSA PULLEY  
FIGURE 4

**32-51-51-04**

BRI  
MAY 28/07

32-51-51-04  
PAGE 0



757

PARTS CATALOG (MAINTENANCE)

FIG ITEM	PART NUMBER	1 2 3 4 5 6 7	NOMENCLATURE	EFFECT FROM TO	UNITS PER ASSY
4			BRACKET INSTL-STA 274 NWSA PULLEY	002004 006999	
- 1	MODREF7881		BRACKET INSTL-NSWA PULLEY MODULE NUMBER: 251N6006-1 REV A POSITION DATA: STA 274	103106	1
- 1	251N6006-1		BRACKET INSTL-NWSA PULLEY POSITION DATA: STA 274 FOR NHA SEE: 32-00-00-22 32-51-53-01	002004 006102 107999	RF
5	251N6130-1		.BRACKET ASSY	002004 006999	1
10	BACB30NF4-4		ATTACHING PARTS .BOLT	002004 006999	2
15	NAS1149D0463H		.WASHER	002004 006999	2
20	BRH10A4		.NUT SUPPLIER CODE: V52828 SPECIFICATION NUMBER: BACN10JC4 OPTIONAL PART: T6S428J V11815 96-048 V80539 VN303A048 V92215 RMLH9075-4W V72962 NS202101-048 V80539 H10-4BAC V15653	002004 006999	2
25	NAS623-3-4		.SCREW	002004 006999	1
30	NAS1149D0363H		.WASHER	002004 006999	1

MISSING ITEM NUMBERS NOT APPLICABLE

- ITEM NOT ILLUSTRATED

BRI

32-51-51-04

BOEING PROPRIETARY - Copyright © - Unpublished Work - See title page for details.

32-51-51  
FIG. 04  
PAGE 1  
JAN 20/09

 **BOEING**  
757  
**PARTS CATALOG (MAINTENANCE)**

FIG ITEM	PART NUMBER	1 2 3 4 5 6 7	NOMENCLATURE	EFFECT FROM TO	UNITS PER ASSY
4 35	BRH10A3	.	NUT SUPPLIER CODE: V52828 SPECIFICATION NUMBER: BACN10JC3 OPTIONAL PART: H10-3BAC V15653 NS202101-02 V80539 RMLH9075-3W V72962 VN303A02 V92215 96-02 V80539 T6S1032J V11815 -----*-----	002004 006999	1
40	BACB30NF4-13	..	BOLT	002004 006999	1
45	NAS1149D0463H	..	WASHER	002004 006999	1
50	BRH10A4	..	NUT SUPPLIER CODE: V52828 SPECIFICATION NUMBER: BACN10JC4 OPTIONAL PART: T6S428J V11815 96-048 V80539 VN303A048 V92215 RMLH9075-4W V72962 NS202101-048 V80539 H10-4BAC V15653	002004 006999	1
55	65B80977-1	..	PULLEY ASSY-4 IN. DIA 3/32 IN. CABLE FOR SPARES PROCURE: BACP30M4	002004 006999	1

MISSING ITEM NUMBERS NOT APPLICABLE

— ITEM NOT ILLUSTRATED

BRI

# 32-51-51-04

BOEING PROPRIETARY - Copyright © - Unpublished Work - See title page for details.

32-51-51  
FIG. 04  
PAGE 2  
SEP 20/08



757

PARTS CATALOG (MAINTENANCE)

FIG ITEM	PART NUMBER	1 2 3 4 5 6 7	NOMENCLATURE	EFFECT FROM TO	UNITS PER ASSY
4	60	JMKP4P25LY196	... BEARING SUPPLIER CODE: V40920 SPECIFICATION NUMBER: BACB10AN4 OPTIONAL PART: MKP4FS428 V21335 MKP4G20 V38443 LLMKP4 V38443 MKP4 V38443 MKP4-2TS V43991 MKP4E6531 V21335 MKP4TT V43991 MKP4SD610 V83086	002004 006999	1
	65	69B81979-1	... SHIELD	002004 006999	2
	70	65B80978-1	... SHEAVE ASSY	002004 006999	1
	75	69B81362-2	.... INSERT	002004 006999	1
	80	65B80978-2	.... SHEAVE	002004 006999	1
	85	BACR15BB4D	.. RIVET- SIZE DETERMINED ON INSTL.	002004 006999	1
	90	NAS42DD4-42	.. SPACER	002004 006999	1
	95	BACR15FT5D	.. RIVET- SIZE DETERMINED ON INSTL.	002004 006999	4
	100	BACR15BA4AD	.. RIVET- SIZE DETERMINED ON INSTL.	002004 006999	1
	105	BACR15BA5AD	.. RIVET- SIZE DETERMINED ON INSTL.	002004 006999	4
	110	251N6130-4	.. CLIP	002004 006999	1
	115	251N6130-3	.. BRACE-SIDE	002004 006999	1
	120	50-3361-8503	.. FILLER-RADIUS	002004 006999	2
	125	251N6130-2	.. BRACKET	002004 006999	1

MISSING ITEM NUMBERS NOT APPLICABLE

- ITEM NOT ILLUSTRATED

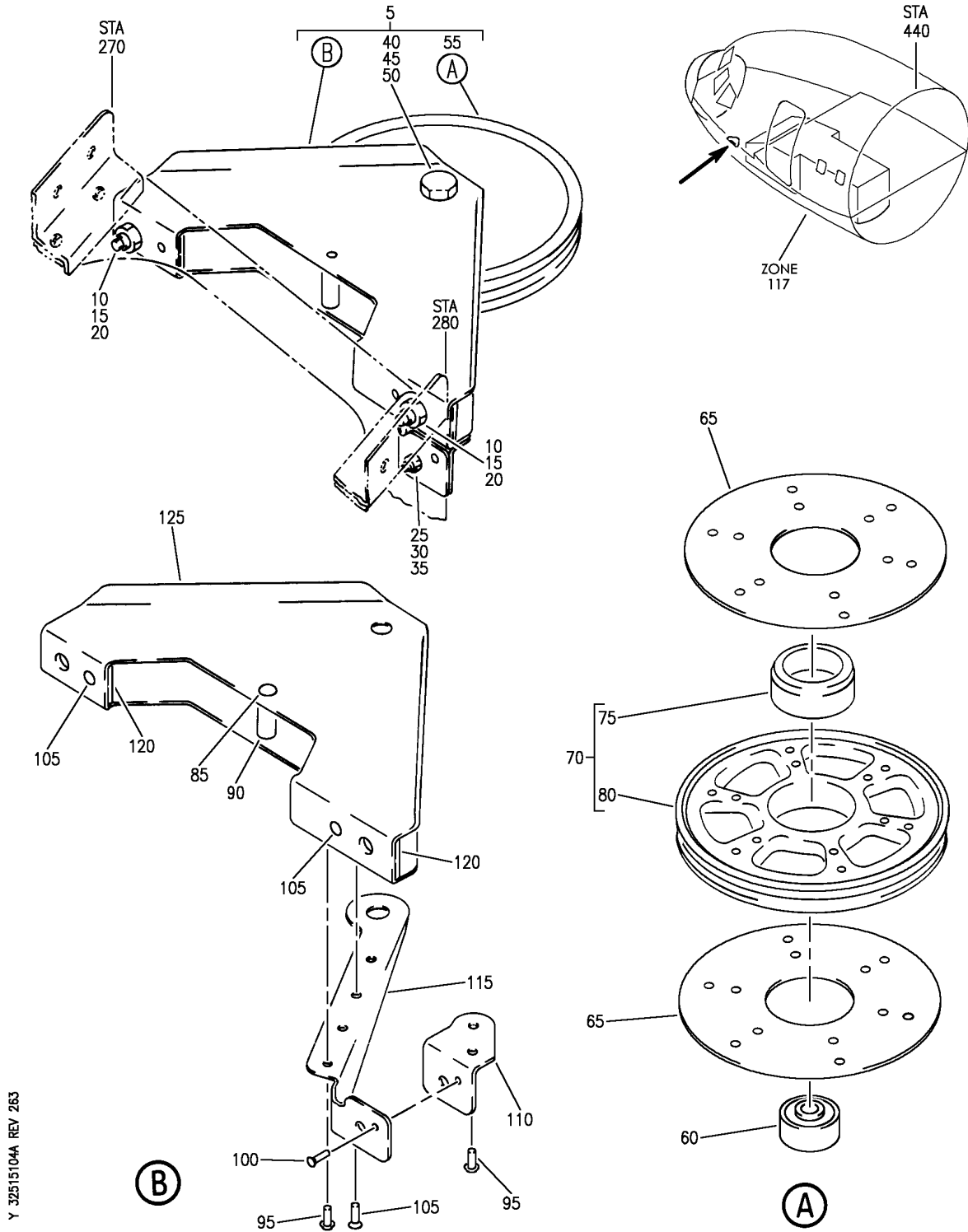
32-51-51-04

32-51-51  
FIG. 04  
PAGE 3  
SEP 20/08

BRI

BOEING PROPRIETARY - Copyright © - Unpublished Work - See title page for details.

**BOEING**  
757  
PARTS CATALOG (MAINTENANCE)



Y 32515104A REV 263

BRACKET INSTL-STA 274 NWSA PULLEY  
FIGURE 4A

**32-51-51-04A**

BRI  
JAN 20/09

32-51-51-04A  
PAGE 0



757

PARTS CATALOG (MAINTENANCE)

FIG ITEM	PART NUMBER	1 2 3 4 5 6 7	NOMENCLATURE	EFFECT FROM TO	UNITS PER ASSY
4 A			BRACKET INSTL-STA 274 NWSA PULLEY	103106	
- 1	MODREF7881		BRACKET INSTL-NWSA PULLEY MODULE NUMBER: 251N6006-1 REV A POSITION DATA: STA 274	103106	1
5	251N6130-1		.BRACKET ASSY ATTACHING PARTS	103106	1
10	BACB30NF4-4		.BOLT	103106	2
15	NAS1149D0463H		.WASHER	103106	2
20	BRH10C4D		.NUT  SUPPLIER CODE: V52828 SPECIFICATION NUMBER: BACN10JC4CD OPTIONAL PART: T6C428JCD V11815 NS202486-048 V80539 102LH9075-4W V72962 H51650-4BAC V15653	103106	2
25	NAS623-3-4		.SCREW	103106	1
30	NAS1149D0363H		.WASHER	103106	1
35	BRH10C3D		.NUT  SUPPLIER CODE: V52828 SPECIFICATION NUMBER: BACN10JC3CD OPTIONAL PART: T6C1032JCD V11815 NS202486-02 V80539 102LH9075-3W V72962 H51650-3BAC V15653	103106	1
40	BACB30NF4-13		-----*----- . . BOLT	103106	1
45	NAS1149D0463H		. . WASHER	103106	1

MISSING ITEM NUMBERS NOT APPLICABLE

- ITEM NOT ILLUSTRATED

32-51-51-04A

32-51-51  
FIG. 04A  
PAGE 1  
JAN 20/09

BRI

BOEING PROPRIETARY - Copyright © - Unpublished Work - See title page for details.



757

PARTS CATALOG (MAINTENANCE)

FIG ITEM	PART NUMBER	1 2 3 4 5 6 7	NOMENCLATURE	EFFECT FROM TO	UNITS PER ASSY
4 A 50	BRH10A4	..	NUT SUPPLIER CODE: V52828 SPECIFICATION NUMBER: BACN10JC4 OPTIONAL PART: T6S428J V11815 96-048 V80539 VN303A048 V92215 RMLH9075-4W V72962 NS202101-048 V80539 H10-4BAC V15653	103106	1
55	65B80977-1	..	PULLEY ASSY-4 IN. DIA 3/32 IN. CABLE FOR SPARES PROCURE: BACP30M4	103106	1
60	JMKP4P25LY196	...	BEARING SUPPLIER CODE: V40920 SPECIFICATION NUMBER: BACB10AN4 OPTIONAL PART: MKP4FS428 V21335 MKP4G20 V38443 LLMKP4 V38443 MKP4 V38443 MKP4-2TS V43991 MKP4E6531 V21335 MKP4TT V43991 MKP4SD610 V83086	103106	1
65	69B81979-1	...	SHIELD	103106	2
70	65B80978-1	...	SHEAVE ASSY	103106	1
75	69B81362-2	....	INSERT	103106	1
80	65B80978-2	....	SHEAVE	103106	1

MISSING ITEM NUMBERS NOT APPLICABLE

- ITEM NOT ILLUSTRATED

32-51-51-04A

32-51-51  
FIG. 04A  
PAGE 2  
JAN 20/09

BRI

BOEING PROPRIETARY - Copyright © - Unpublished Work - See title page for details.





757

PARTS CATALOG (MAINTENANCE)

FIG ITEM	PART NUMBER	1 2 3 4 5 6 7	NOMENCLATURE	EFFECT FROM TO	UNITS PER ASSY
4 A					
85	BACR15BB4D	..	RIVET- SIZE DETERMINED ON INSTL.	103106	1
90	NAS42DD4-42	..	SPACER	103106	1
95	BACR15FT5D	..	RIVET- SIZE DETERMINED ON INSTL.	103106	4
100	BACR15BA4AD	..	RIVET- SIZE DETERMINED ON INSTL.	103106	1
105	BACR15BA5AD	..	RIVET- SIZE DETERMINED ON INSTL.	103106	4
110	251N6130-4	..	CLIP	103106	1
115	251N6130-3	..	BRACE-SIDE	103106	1
120	50-3361-8503	..	FILLER-RADIUS	103106	2
125	251N6130-2	..	BRACKET	103106	1

MISSING ITEM NUMBERS NOT APPLICABLE

- ITEM NOT ILLUSTRATED

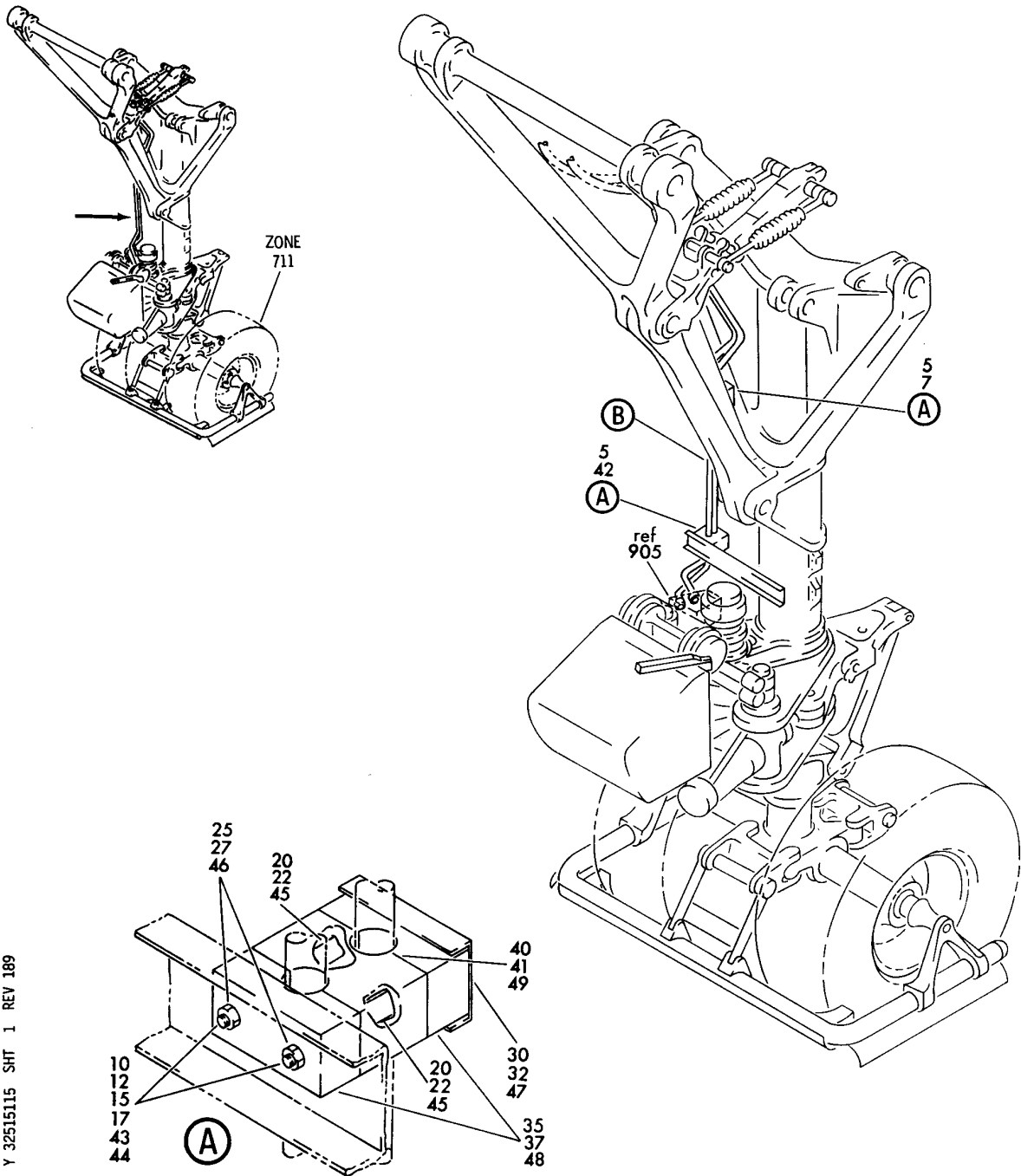
32-51-51-04A

32-51-51  
FIG. 04A  
PAGE 3  
JAN 20/09

BRI

BOEING PROPRIETARY - Copyright © - Unpublished Work - See title page for details.

**BOEING**  
757  
PARTS CATALOG (MAINTENANCE)



Y 32515115 SHT 1 REV 189

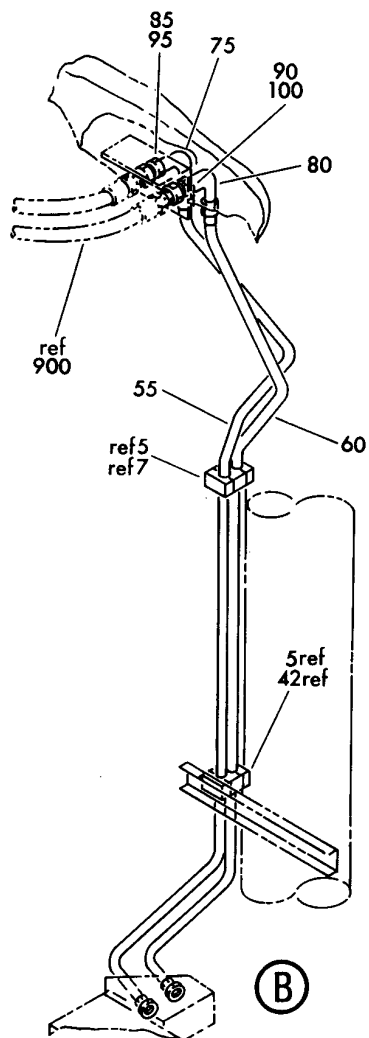
PLUMBING INSTL-SECT. 62 NOSE GR  
FIGURE 15 (SHEET 1)

**32-51-51-15**

BRI  
MAY 28/07

32-51-51-15  
PAGE 0

**BOEING**  
757  
PARTS CATALOG (MAINTENANCE)



Y 32515115 SHT 2 REV 189

PLUMBING INSTL-SECT. 62 NOSE GR  
FIGURE 15 (SHEET 2)

**32-51-51-15**

BRI  
MAY 28/07

32-51-51-15  
PAGE 0A



757

PARTS CATALOG (MAINTENANCE)

FIG ITEM	PART NUMBER	1 2 3 4 5 6 7	NOMENCLATURE	EFFECT FROM TO	UNITS PER ASSY
15			PLUMBING INSTL-SECT. 62	002004	
- 1	271N6621-1		NOSE GR	006999	
			PLUMBING INSTL-NOSE GR	002004	RF
			POSITION DATA:	006100	
			SECT. 62	107107	
			FOR NHA SEE:	121503	
			29-00-51-04	904999	
- 1	271N6621-2		PLUMBING INSTL-NOSE GR	101102	RF
			POSITION DATA:	108120	
			SECT. 62	504903	
			FOR NHA SEE:		
			32-00-00-02		
- 1	MODREF31790		PLUMBING INSTL-NOSE GR	103106	1
			MODULE NUMBER:		
			271N6621-2 REV B		
			POSITION DATA:		
			SECT. 62		
7	270N2000-26		.CLAMP ASSY-BLK	002004	1
				006999	
12	NAS1801-3-42		..SCREW-	002004	2
				006999	
17	AN960PD10L		..WASHER	002004	2
				006999	
22	NAS43DD3-130		..SPACER	002004	2
				006999	
27	BRH10A3		..NUT	002004	2
			SUPPLIER CODE:	006999	
			V52828		
			SPECIFICATION NUMBER:		
			BACN10JC3		
			OPTIONAL PART:		
			H10-3BAC		
			V15653		
			NS202101-02		
			V80539		
			RMLH9075-3W		
			V72962		
			VN303A02		
			V92215		
			96-02		
			V80539		
			T6S1032J		
			V11815		
32	270N2000-817		..CHANNEL	002004	1
				006999	
37	270N2000-443		..BLOCK-	002004	2
			OPTIONAL PART:	006999	
			270N2000-611		

MISSING ITEM NUMBERS NOT APPLICABLE

- ITEM NOT ILLUSTRATED

32-51-51-15

32-51-51  
FIG. 15  
PAGE 1  
JAN 20/09

BRI



757

PARTS CATALOG (MAINTENANCE)

FIG ITEM	PART NUMBER	1 2 3 4 5 6 7	NOMENCLATURE	EFFECT FROM TO	UNITS PER ASSY
15					
37	270N2000-611	..	BLOCK- OPTIONAL PART: 270N2000-443	002004 006999	2
41	270N2000-442	..	BLOCK	002004 006999	1
42	270N2000-202	.CLAMP	ASSY-BLK	002004 006999	1
43	NAS514P1032-42P	..	SCREW-	002004 006999	2
44	AN960KD10L	..	WASHER-	002004 006999	2
45	NAS43DD3-130	..	SPACER	002004 006999	2
46	BRH10A3	..	NUT SUPPLIER CODE: V52828 SPECIFICATION NUMBER: BACN10JC3 OPTIONAL PART: H10-3BAC V15653 NS202101-02 V80539 RMLH9075-3W V72962 VN303A02 V92215 96-02 V80539 T6S1032J V11815	002004 006999	2
47	270N2000-1012	..	CHANNEL-	002004 006999	1
48	270N2000-443	..	BLOCK- OPTIONAL PART: 270N2000-611	002004 006999	2
48	270N2000-611	..	BLOCK- OPTIONAL PART: 270N2000-443	002004 006999	2
49	270N2000-442	..	BLOCK	002004 006999	1
55	271N6621-1003	.TUBE	ASSY-LDG GEAR DOWN AND EMER BRAKE PRESSURE TUBING MATERIAL: .500 IN OD .026 IN. WALL 55.3 IN. LG TITANIUM	002004 006999	1

MISSING ITEM NUMBERS NOT APPLICABLE

- ITEM NOT ILLUSTRATED

32-51-51-15

32-51-51  
FIG. 15  
PAGE 2  
JAN 20/09

BRI



757

PARTS CATALOG (MAINTENANCE)

FIG ITEM	PART NUMBER	1 2 3 4 5 6 7	NOMENCLATURE	EFFECT FROM TO	UNITS PER ASSY
15					
60	271N6621-1004		.TUBE ASSY-RETURN AND EMER BRAKE PRESSURE TUBING MATERIAL: .500 IN. OD .026 IN WALL 52.3 IN. LG TITANIUM	002004 006999	1
- 65	AS1581T08		..SLEEVE	002004 006999	2
- 70	BACN10YA8N		..NUT-	002004 006999	2
75	BACE21BN0808T		.ELBOW-	002004 006999	1
75	BACE21BN0808J		.ELBOW-	002004 006999	1
80	BACE21BN1008T		.ELBOW-	002004 006999	1
80	BACE21BN1008J		.ELBOW-	002004 006999	1
85	AN924-8D		.NUT	002004 006999	1
90	AN924-10D		.NUT	002004 006999	1
95	AN960PD1216		.WASHER	002004 006999	1
100	AN960PD1416		.WASHER	002004 006999	1
900			ILLUSTRATION REFERENCE: PLUMBING INSTL-SECT. 41 NOSE WHLWELL HYDR (NOSE GEAR EXTENSION AND RETRACTION ONLY) 32-34-51-15	002004 006100 107107 121503 904999	RF
900			ILLUSTRATION REFERENCE: PLUMBING INSTL-HYDR BAY AND NOSE WHLWELL (NOSE GEAR EXTENSION AND RETRACTION ONLY) SECT. 41 32-34-51-15A	101106 108120 504903	RF
905			ILLUSTRATION REFERENCE: VALVE AND ACTUATOR INSTL- NOSE GR STEERING METERING (NOSE WHEEL STEERING ACTUATOR ONLY) 32-51-11-01	002004 006102 107999	RF

MISSING ITEM NUMBERS NOT APPLICABLE

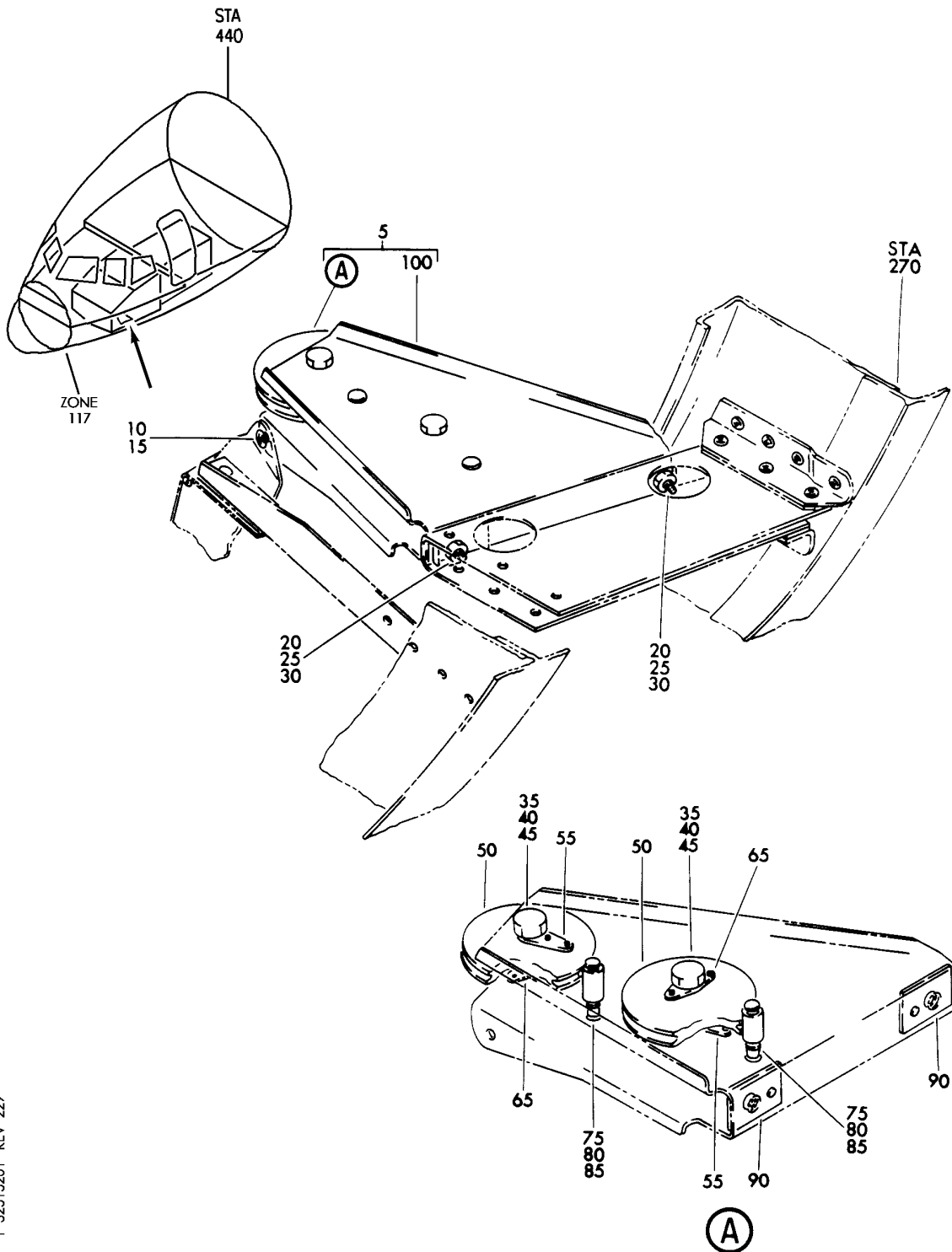
- ITEM NOT ILLUSTRATED

32-51-51-15

32-51-51  
FIG. 15  
PAGE 3  
JAN 20/09

BRI

**BOEING**  
757  
PARTS CATALOG (MAINTENANCE)



Y 32515201 REV 229

BRACKET INSTL-STA 266 LGB AND NGPP PULLEY (NOSE WHEEL STEERING SYSTEM ONLY) (LH)  
FIGURE 1

**32-51-52-01**

BRI  
MAY 28/07

32-51-52-01  
PAGE 0



757

PARTS CATALOG (MAINTENANCE)

FIG ITEM	PART NUMBER	1 2 3 4 5 6 7	NOMENCLATURE	EFFECT FROM TO	UNITS PER ASSY
1			BRACKET INSTL-STA 266 LGB AND NGPP PULLEY (NOSE WHEEL STEERING SYSTEM ONLY) (LH)	002004 006999	
- 1	251N6002-21		BRACKET INSTL-LGP AND NGPP PULLEY (NOSE WHEEL STEERING SYSTEM ONLY) POSITION DATA: STA 266 LH VARIABLE DRAWING REF: 251N6002-25 FOR NHA/OTHER SYS DET SEE: 32-00-00-23	002004 006100 107107 121503 904999	RF
- 1	251N6002-31		BRACKET INSTL-LGB AND NGPP PULLEY (NOSE WHEEL STEERING SYSTEM ONLY) POSITION DATA: STA 266 LH FOR NHA SEE: 32-00-00-10	101102 108120 504903	RF
- 1	MODREF7876		BRACKET INSTL-LGB AND NGPP PULLEY (NOSE WHEEL STEERING SYSTEM ONLY) MODULE NUMBER: 251N6002-31 REV A POSITION DATA: STA 266 LH	103103	1
- 1	MODREF27551		BRACKET INSTL-LGB AND NGPP PULLEY (NOSE WHEEL STEERING SYSTEM ONLY) MODULE NUMBER: 251N6002-31 REV B POSITION DATA: STA 266 LH FOR OTHER SYS DETAILS SEE: 32-41-51-02	104106	1
5	251N6119-1		.BRACKET ASSY-NGPPA AND NGPPB PULLEY POSITION DATA: STA 266	002004 006999	1
10	NAS623-3-2		.SCREW	002004 006999	1
15	AN960PD10		.WASHER-	002004 006999	1

MISSING ITEM NUMBERS NOT APPLICABLE

- ITEM NOT ILLUSTRATED

32-51-52-01

32-51-52  
FIG. 01  
PAGE 1  
JAN 20/09

BRI





757

PARTS CATALOG (MAINTENANCE)

FIG ITEM	PART NUMBER	1 2 3 4 5 6 7	NOMENCLATURE	EFFECT FROM TO	UNITS PER ASSY
1	15		.WASHER-	002004 006999	1
	20		.BOLT	002004 006999	2
	25		.WASHER	002004 006999	2
	30		.NUT	002004 006999	2
			SUPPLIER CODE: V52828		
			SPECIFICATION NUMBER: BACN10JC4		
			OPTIONAL PART: T6S428J		
			V11815		
			96-048		
			V80539		
		VN303A048			
		V92215			
		RMLH9075-4W			
		V72962			
		NS202101-048			
		V80539			
		H10-4BAC			
		V15653			
		-----*-----			
	35		..BOLT	002004 006999	2
	40		..WASHER	002004 006999	2
	45		..NUT	002004 006999	2
			SUPPLIER CODE: V52828		
			SPECIFICATION NUMBER: BACN10JC4		
			OPTIONAL PART: T6S428J		
			V11815		
			96-048		
			V80539		
			VN303A048		
			V92215		
			RMLH9075-4W		
			V72962		
			NS202101-048		
			V80539		
			H10-4BAC		
			V15653		

MISSING ITEM NUMBERS NOT APPLICABLE

- ITEM NOT ILLUSTRATED

BRI

32-51-52-01

32-51-52  
FIG. 01  
PAGE 2  
JAN 20/09



757

PARTS CATALOG (MAINTENANCE)

FIG ITEM	PART NUMBER	1 2 3 4 5 6 7	NOMENCLATURE	EFFECT FROM TO	UNITS PER ASSY
1	50 BMP30J4		.. PULLEY SUPPLIER CODE: V22277 SPECIFICATION NUMBER: BACP30J4 OPTIONAL PART: R30F4 V25337	002004 006999	2
	55 NAS463TKDD416H		.. SPACER  ATTACHING PARTS	002004 006999	2
-	60 BACR15BA3AD		.. RIVET- SIZE DETERMINED ON INSTL. -----*-----	002004 006999	4
	65 BACS18G39B		.. SPACER  ATTACHING PARTS	002004 006999	2
-	70 BACR15BB3AD		.. RIVET- SIZE DETERMINED ON INSTL. -----*-----	002004 006999	4
	75 HL1012AZ6-16		.. BOLT SUPPLIER CODE: V97928 SPECIFICATION NUMBER: BACB30NX6K16 OPTIONAL PART: HL12VAZ6-16 V73197 HL12VAZ6-16 V92215 HL12VAZ6-16 V97928 L802-6K16 V06725 HL1012AZ6-16 V0PTK6 HL1012AZ6-16 V06725 HL1012AZ6-16 V06950 HL1012AZ6-16 V17446 HL1012AZ6-16 V56878 HL1012AZ6-16 V60516 HL1012AZ6-16 V73197	002004 006999	2

MISSING ITEM NUMBERS NOT APPLICABLE

- ITEM NOT ILLUSTRATED

32-51-52-01

32-51-52  
FIG. 01  
PAGE 3  
JAN 20/09

BRI



757

PARTS CATALOG (MAINTENANCE)

FIG ITEM	PART NUMBER	1 2 3 4 5 6 7	NOMENCLATURE	EFFECT FROM TO	UNITS PER ASSY
1 80	HL1187-6	..	COLLAR SUPPLIER CODE: V5M902 SPECIFICATION NUMBER: BACC30X6 OPTIONAL PART: HL87-6 V92215 HL87-6 V73197 HL1187-6 V56878 HL1187-6 V92215 HL87-6 V56878 HL1187-6 V73197	002004 006999	2
85	NAS42DD6-59	..	SPACER	002004 006999	2
90	50-3361-8505	..	FILLER-RADIUS	002004 006999	2
- 95	BACR15BA5AD	..	ATTACHING PARTS RIVET- SIZE DETERMINED ON INSTL. -----*-----	002004 006999	2
100	251N6119-2	..	BRACKET	002004 006999	1

MISSING ITEM NUMBERS NOT APPLICABLE

- ITEM NOT ILLUSTRATED

32-51-52-01

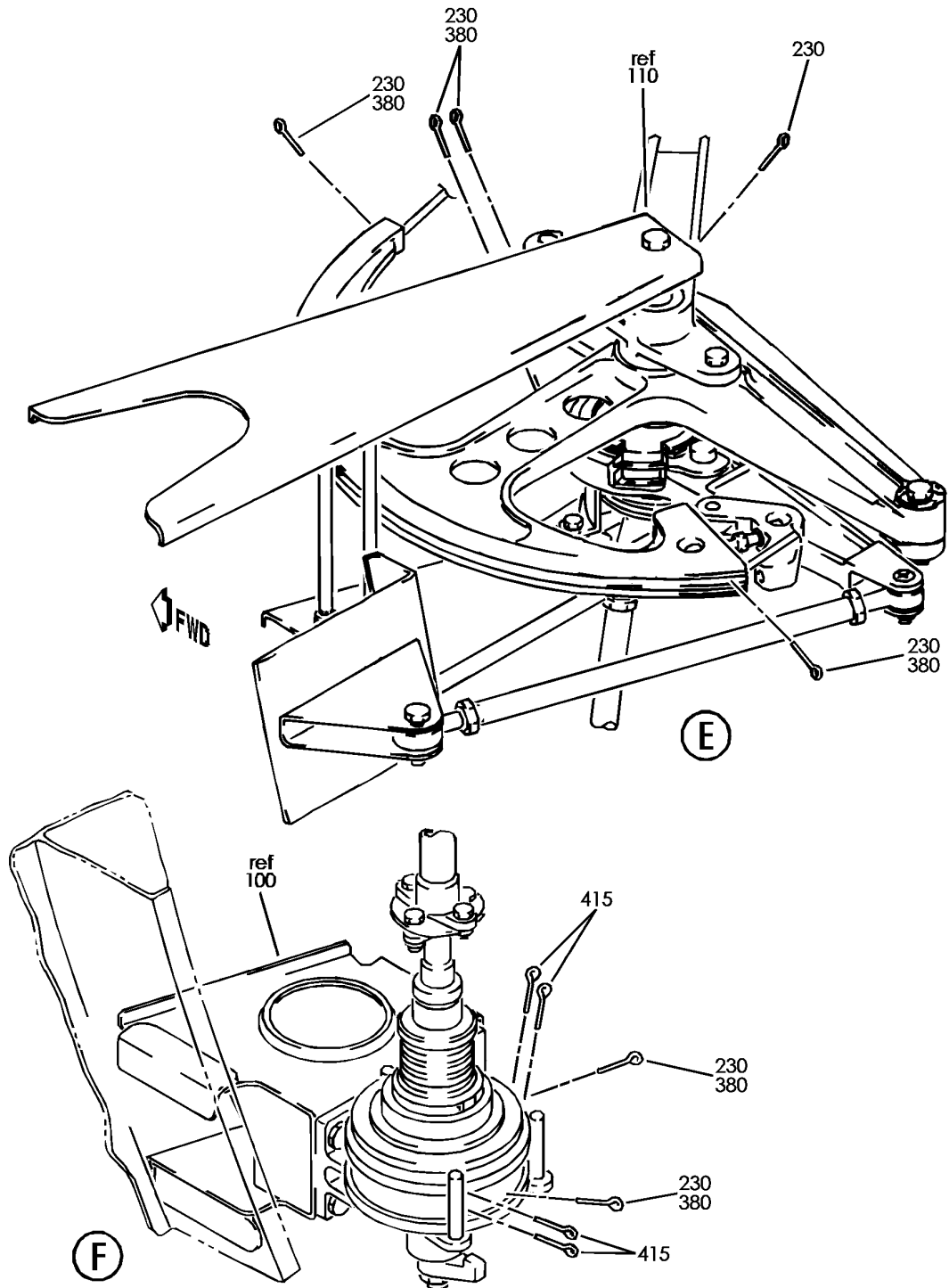
32-51-52  
FIG. 01  
PAGE 4  
SEP 20/08

BRI

BOEING PROPRIETARY - Copyright © - Unpublished Work - See title page for details.



**BOEING**  
757  
PARTS CATALOG (MAINTENANCE)



Y 32515301 SHT 2 REV 280

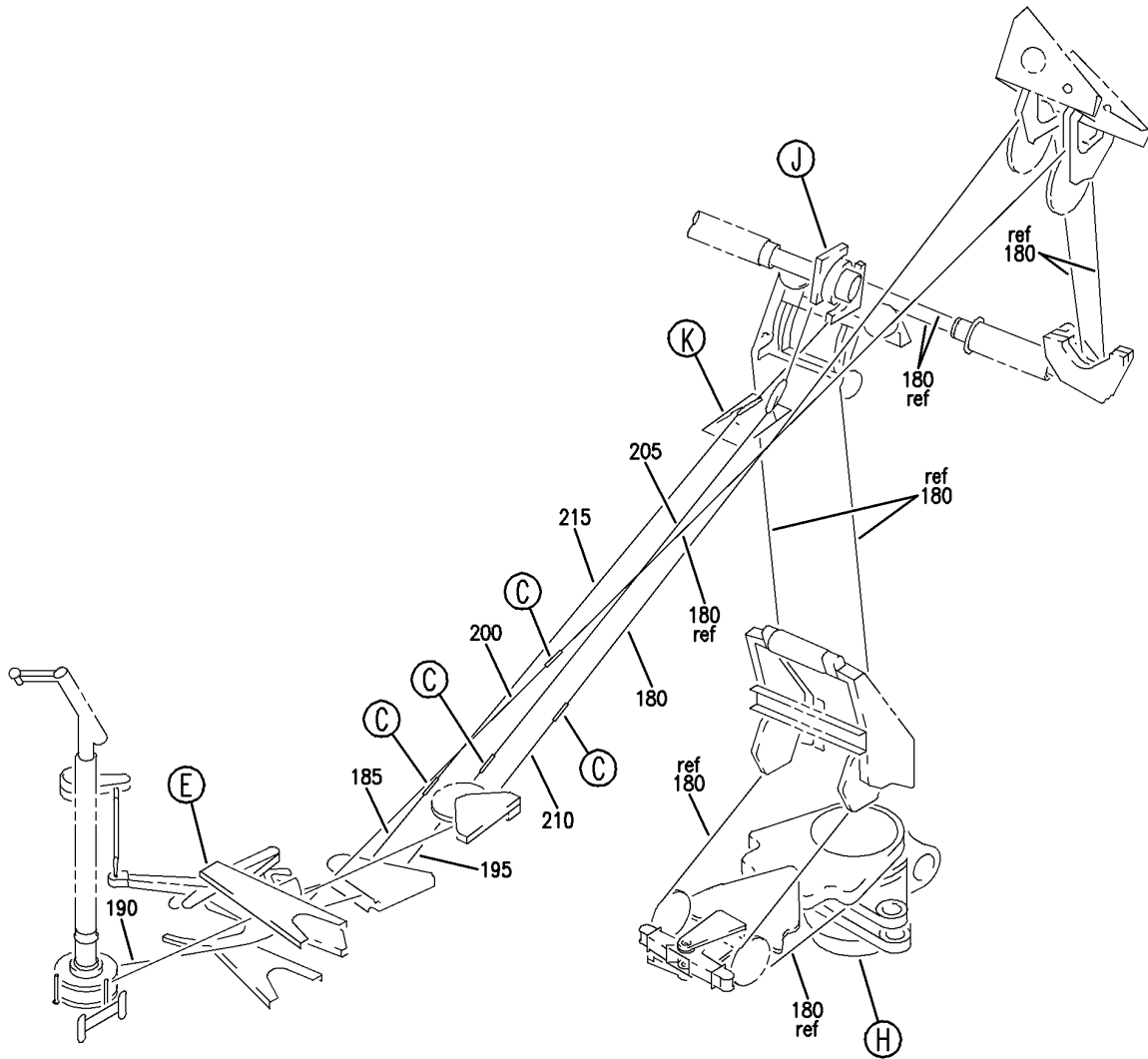
CONTROL INSTL-NOSE WHEEL STEERING  
FIGURE 1 (SHEET 2)

**32-51-53-01**

BRI  
MAY 28/07

32-51-53-01  
PAGE 0A

**BOEING**  
757  
PARTS CATALOG (MAINTENANCE)



(G)

Y 32515301 SHT 3 REV 228

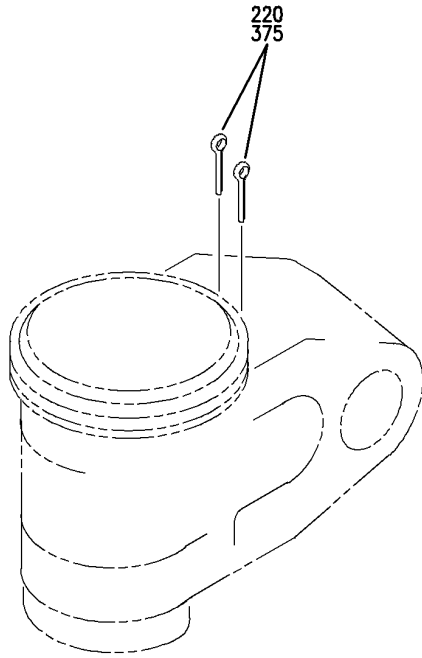
CONTROL INSTL-NOSE WHEEL STEERING  
FIGURE 1 (SHEET 3)

**32-51-53-01**

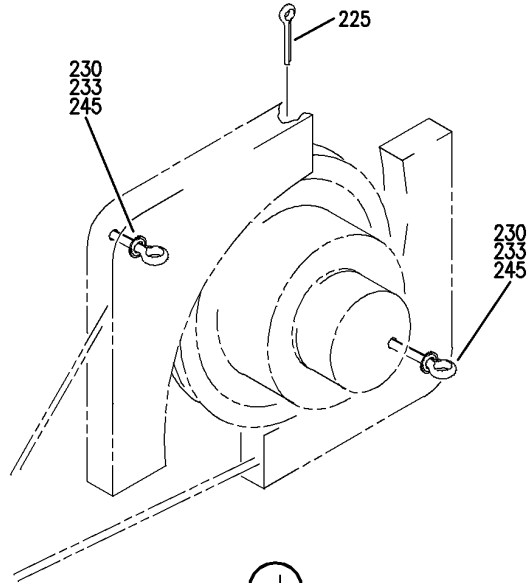
BRI  
MAY 28/07

32-51-53-01  
PAGE 0B

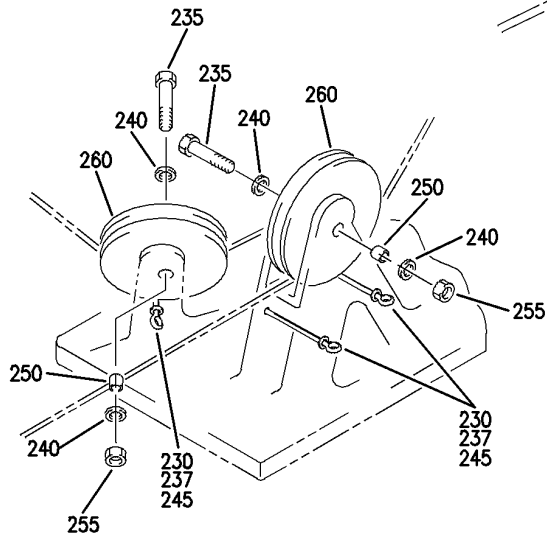
**BOEING**  
757  
PARTS CATALOG (MAINTENANCE)



(H)



(J)



(K)

Y 32515301 SH1 4 REV 228

CONTROL INSTL-NOSE WHEEL STEERING  
FIGURE 1 (SHEET 4)

**32-51-53-01**

BRI  
MAY 28/07

32-51-53-01  
PAGE 0C



757

PARTS CATALOG (MAINTENANCE)

FIG ITEM	PART NUMBER	1 2 3 4 5 6 7	NOMENCLATURE	EFFECT FROM TO	UNITS PER ASSY
1			CONTROL INSTL-NOSE WHEEL STEERING	002004 006999	
- 5	275N2001-41		CONTROL INSTL-NOSE WHEEL STEERING VARIABLE DRAWING REF: 275N2001-741 FOR NHA SEE: 32-00-00-24	002004 006100 107107 121503 904999	RF
10	BACC15AJ2		.CLIP-	002004 006100 107107 121503 904999	8
13	BACC15AJ2		.CLIP-	121503 904949	4
15	MS21251B3L		.TURNBUCKLE BODY-	002004 006100 107107 121503 904999	4
17	MS21251B3L		.TURNBUCKLE BODY-	121503 904949	2
20	251T2050-77		.CABLE ASSY-NWSA-NWSB	002004 006100 107107 121503 904999	1
20	251T2050-80		.CABLE ASSY-NWSA-NWSB	002004 006100 107107 121503 904999	1
25	BACC2C3D00321GG		.CABLE ASSY-NWSB	002004 006100 107107 121503 904999	1
30	BACC2C3D00572EG		.CABLE ASSY-NWSB	002004 006100 107107 121503 904999	1
35	BACC2C3D00633FG		.CABLE ASSY-NWSA	002004 006100 107107 121503 904999	1

MISSING ITEM NUMBERS NOT APPLICABLE

- ITEM NOT ILLUSTRATED

BRI

32-51-53-01

32-51-53  
FIG. 01  
PAGE 1  
JAN 20/09





757

PARTS CATALOG (MAINTENANCE)

FIG ITEM	PART NUMBER	1 2 3 4 5 6 7	NOMENCLATURE	EFFECT FROM TO	UNITS PER ASSY
1					
40	BACC2C3D01507FH	.	CABLE ASSY-NGPPA	002004 006100 107107 121503 904999	1
45	BACC2D3B00835EG	.	CABLE ASSY-NGPPA	002004 006100 107107 121503 904999	1
50	BACC2C3D01500EH	.	CABLE ASSY-NGPPB	002004 006100 107107 121503 904999	1
55	BACC2D3B00834FG	.	CABLE ASSY-NGPPB	002004 006100 107107 121503 904999	1
60	BACC2C3D00216EG	.	CABLE ASSY-NWSBA-NWSBB	121503 904949	2
65	BACC2C3D00646FG	.	CABLE ASSY-NWSBA-NWSBB	121503 904949	2
75	251N6006-1	..	BRACKET INSTL-NOSE WHEEL STEERING TURN PULLEY POSITION DATA: STA 274 L FOR DETAILS SEE: 32-51-51-04	002004 006100 107107 121503 904999	1
80	251N6011-1	..	BRACKET INSTL-NOSE GEAR PISTON POSITION PULLEY POSITION DATA: STA 388 FOR DETAILS SEE: 32-51-51-01	002004 006100 107107 121503 904999	1
85	251N6011-3	..	BRACKET INSTL-NOSE GEAR PISTON POSITION PULLEY POSITION DATA: STA 388 FOR DETAILS SEE: 32-51-51-01	002004 006100 107107 121503 904999	1
90	275N2002-1	..	SEAL INSTL-CABLE PRESSURE FOR DETAILS SEE: 53-13-55-01	002004 006100 107107 121503 904999	1

MISSING ITEM NUMBERS NOT APPLICABLE

- ITEM NOT ILLUSTRATED

**32-51-53-01**

32-51-53  
FIG. 01  
PAGE 2  
JAN 20/09

BRI



757

PARTS CATALOG (MAINTENANCE)

FIG ITEM	PART NUMBER	1 2 3 4 5 6 7	NOMENCLATURE	EFFECT FROM TO	UNITS PER ASSY
1					
95	275N2003-3		..COVER INSTL-SUMMING MECH FOR DETAILS SEE: 32-51-09-10	002004 006100 107107 121503 904999	1
100	275N2011-1		..MECHANISM INSTL-TILLER AND GEARBOX VARIABLE DRAWING REF: 275N2011-3 FOR DETAILS SEE: 32-51-01-05	002004 006100 107107 121503 904999	1
105	275N2011-8		..MECHANISM INSTL-TILLER AND GEARBOX FOR DETAILS SEE: 32-51-01-05	121503 904949	1
110	275N2012-1		..INTERCONNECT INSTL-RUD PEDAL STEERING FOR DETAILS SEE: 32-51-05-01	002004 006100 107107 121503 904999	1
115	275N2021-1		..DRUM AND LINK INSTL- FOR DETAILS SEE: 32-51-06-01	107107 904949 952952	1
115	275N2021-2		..DRUM AND LINK INSTL- FOR DETAILS SEE: 32-51-06-01	002004 006100 121503 950951 953999	1
120	275N2022-1		..MECHANISM INSTL-VALVE SUMMING FOR DETAILS SEE: 32-51-09-02	002004 006100 107107 121503 904999	1
- 125	275N2009-1		..GUARD INSTL-CABLE FOR DETAILS SEE: 32-51-53-02	002004 006100 107107 121503 904999	1
- 300	275N2001-42		CONTROL INSTL-NOSE WHEEL STEERING FOR NHA SEE: 32-00-00-22	101102 108120 504903	RF
- 300	MODREF8656		CONTROL INSTL-NOSE WHEEL STEERING MODULE NUMBER: 275N2001-42 REV A	103106	1
305	BACC15AJ2		.CLIP	101106 108120 504903	8

MISSING ITEM NUMBERS NOT APPLICABLE

- ITEM NOT ILLUSTRATED

32-51-53-01

32-51-53  
FIG. 01  
PAGE 3  
JAN 20/09

BRI



757

PARTS CATALOG (MAINTENANCE)

FIG ITEM	PART NUMBER	1 2 3 4 5 6 7	NOMENCLATURE	EFFECT FROM TO	UNITS PER ASSY
1					
315	MS21251B3L	.	TURNBUCKLE BODY	101106 108120	4
325	251T2050-80	.	CABLE ASSY-NWSA-NWSB	504903 101106 108120	1
330	BACC2C3D00321GG	.	CABLE ASSY-NWSB	504903 101106 108120	1
335	BACC2C3D00572EG	.	CABLE ASSY-NWSB	504903 101106 108120	1
340	BACC2C3D00633FG	.	CABLE ASSY-NWSA	504903 101106 108120	1
345	BACC2C3D01507FH	.	CABLE ASSY-NGPPA	504903 101106 108120	1
350	BACC2C3D01500EH	.	CABLE ASSY-NGPPB	504903 101106 108120	1
355	BACC2D3B00835EG	.	CABLE ASSY-NGPPA	504903 101106 108120	1
360	BACC2D3B00834FG	.	CABLE ASSY-NGPPB	504903 101106 108120	1
375	MS24665-71	.	PIN-COTTER	504903 101106 108120	2
380	MS24665-132	.	PIN	504903 101106 108120	6
- 390	275N2001-43		CONTROL INSTL-NOSE WHEEL STEERING FOR NHA SEE: 32-00-00-22	504903 504903	RF
395	BACC15AJ2	.	CLIP	504903	4
400	MS21251B3L	.	TURNBUCKLE BODY	504903	2
405	BACC2C3D00216EG	.	CABLE ASSY-NWSBA-NWSBB	504903	2
410	BACC2C3D00646FG	.	CABLE ASSY-NWSBA-NWSBB	504903	2
415	MS24665-132	.	PIN	504903	4

MISSING ITEM NUMBERS NOT APPLICABLE

- ITEM NOT ILLUSTRATED

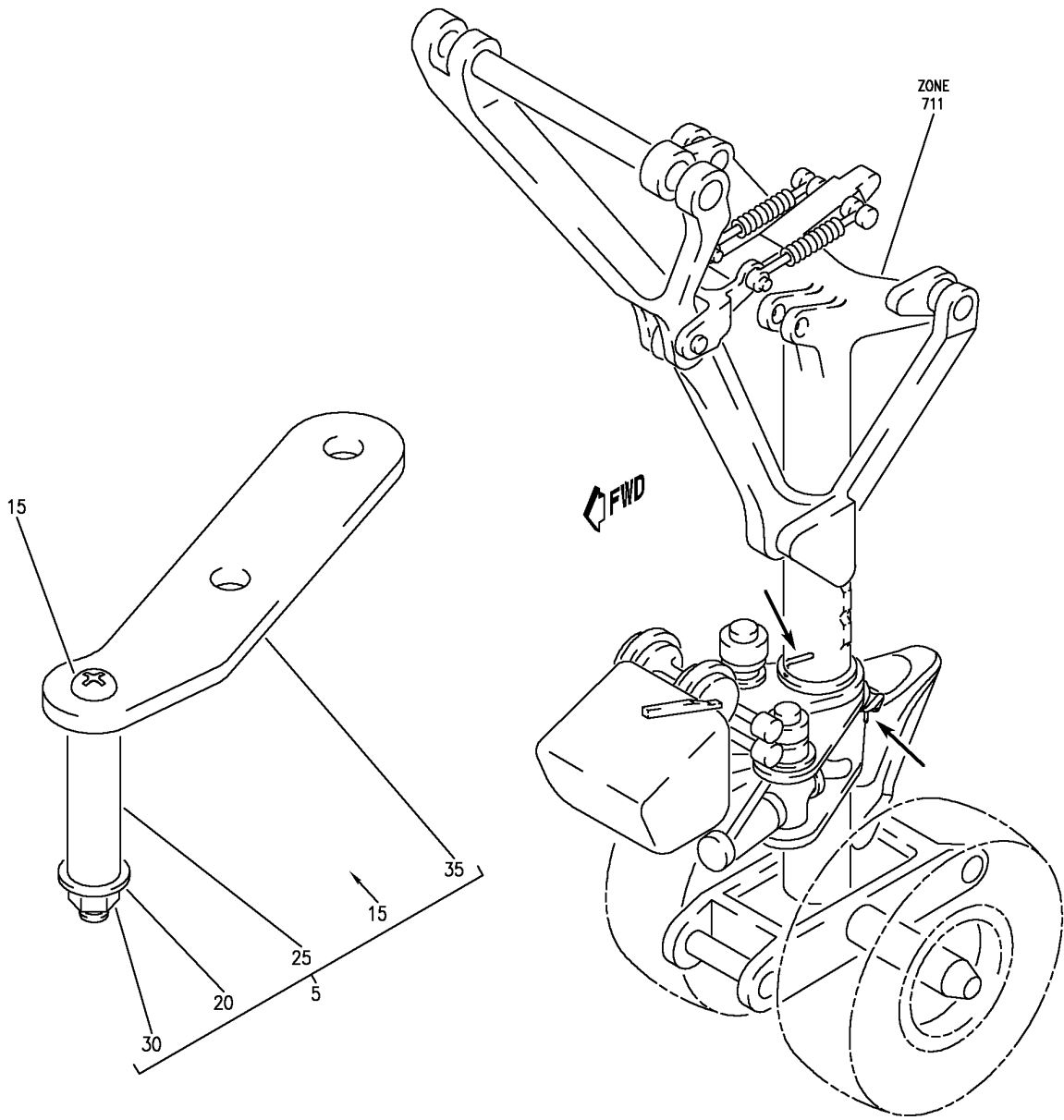
BRI

32-51-53-01

BOEING PROPRIETARY - Copyright © - Unpublished Work - See title page for details.

32-51-53  
FIG. 01  
PAGE 4  
JAN 20/09

**BOEING**  
757  
PARTS CATALOG (MAINTENANCE)



Y 32515302 REV 280

GUARD INSTL-CABLE NOSE WHEEL STEERING  
FIGURE 2

**32-51-53-02**

BRI  
MAY 28/07

32-51-53-02  
PAGE 0



757

PARTS CATALOG (MAINTENANCE)

FIG ITEM	PART NUMBER	1 2 3 4 5 6 7	NOMENCLATURE	EFFECT FROM TO	UNITS PER ASSY
2			GUARD INSTL-CABLE	002004	
			NOSE WHEEL STEERING	006999	
- 1	275N2009-1		GUARD INSTL-CABLE	002004	RF
			NOSE WHEEL STEERING	006102	
			FOR NHA SEE:	107999	
			32-00-00-22		
			32-51-53-01		
- 1	MODREF8667		GUARD INSTL-CABLE	103106	1
			NOSE WHEEL STEERING		
			MODULE NUMBER:		
			275N2009-1 REV A		
5	275N2008-1		.GUARD ASSY-CABLE	002004	1
			POSITION DATA:	006999	
			LH		
- 10	275N2008-2		.GUARD ASSY-CABLE	002004	1
			POSITION DATA:	006999	
			RH		
15	NAS600-22P		..SCREW	002004	1
				006999	
20	AN960KD4L		..WASHER	002004	1
				006999	
25	NAS42DD4-64		..SPACER	002004	1
				006999	
30	BRH10A04		..NUT	002004	1
			SUPPLIER CODE:	006999	
			V52828		
			SPECIFICATION NUMBER:		
			BACN10JCO4		
			OPTIONAL PART:		
			NS202101-40		
			V80539		
			RMLH9075-40W		
			V72962		
			VN303A40		
			V92215		
			96-40		
			V80539		
			T6S440J		
			V11815		
			H10-04BAC		
			V15653		
35	275N2008-3		..SUPPORT	002004	1
				006999	

MISSING ITEM NUMBERS NOT APPLICABLE

- ITEM NOT ILLUSTRATED

BRI

32-51-53-02

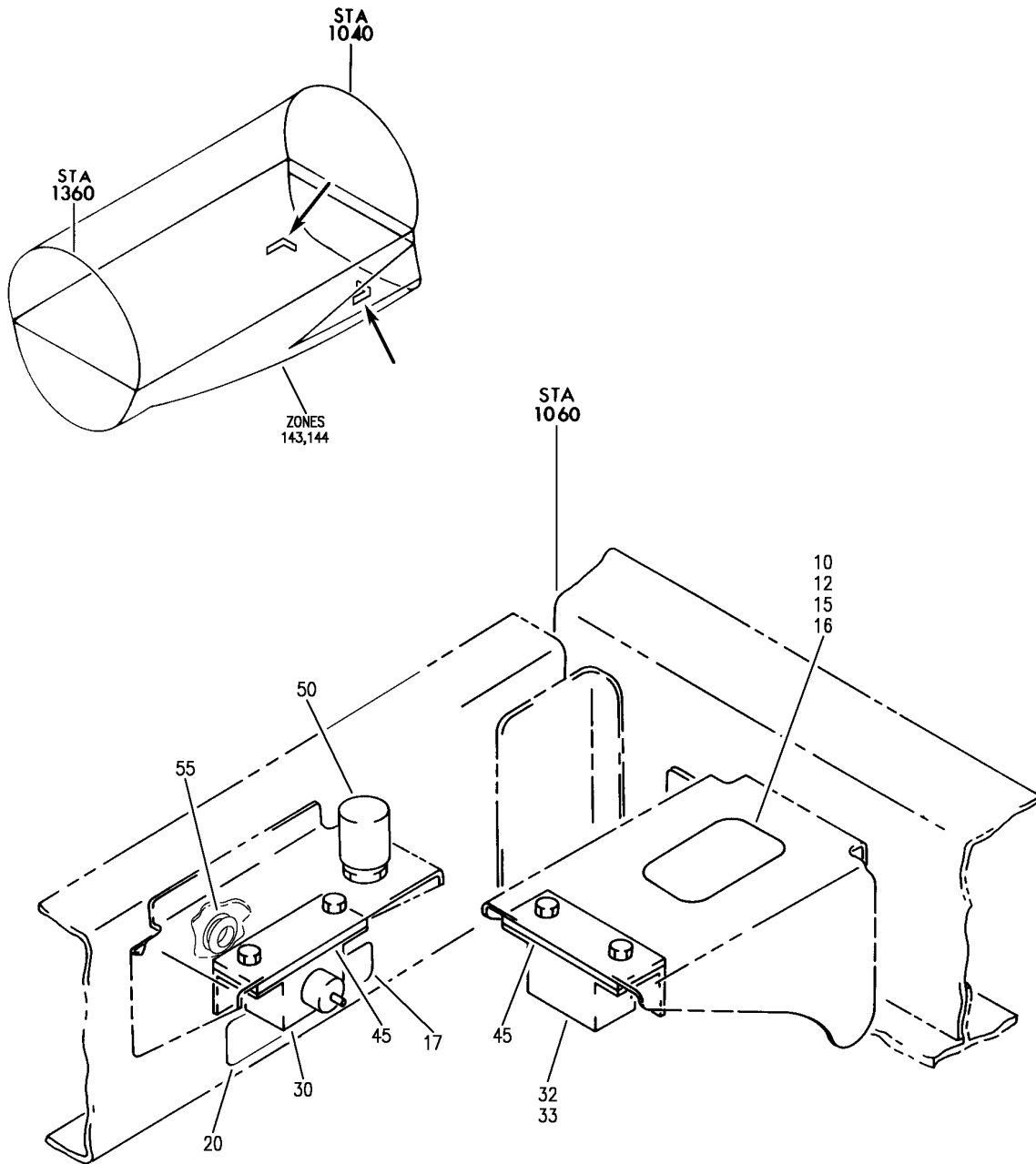
32-51-53  
FIG. 02  
PAGE 1  
JAN 20/09

**LANDING GEAR POSITION  
INDICATING AND WARNING SYSTEM**

BRI  
MAY 28/07

32-61-00  
SECTION TITLE  
PAGE 1

**BOEING**  
757  
PARTS CATALOG (MAINTENANCE)



Y 32610201 REV 275

SENSOR INSTL-MLG DOOR CLOSED  
FIGURE 1

BRI  
MAY 28/07

**32-61-02-01**

32-61-02-01  
PAGE 0



757

PARTS CATALOG (MAINTENANCE)

FIG ITEM	PART NUMBER	1 2 3 4 5 6 7	NOMENCLATURE	EFFECT FROM TO	UNITS PER ASSY
1			SENSOR INSTL-MLG DOOR CLOSED	002004 006999	
- 1	284N1445-1		SENSOR INSTL-MLG DOOR CLOSED POSITION DATA: LH FOR NHA SEE: 24-00-58-01A	107107	RF
- 1	284N1445-3		SENSOR INSTL-MLG DOOR CLOSED POSITION DATA: LH FOR NHA SEE: 24-00-58-01A	002004 006017 121503 904999	RF
- 1	284N1445-5		SENSOR INSTL-MLG DOOR CLOSED POSITION DATA: LH FOR NHA SEE: 24-00-58-01A	018102 108120 504903	RF
- 1	MODREF10477		SENSOR INSTL-MLG DOOR CLOSED MODULE NUMBER: 284N1445-5 REV A POSITION DATA: LH	103103	1
- 1	MODREF27733		SENSOR INSTL-MLG DOOR CLOSED MODULE NUMBER: 284N1445-5 REV B POSITION DATA: LH	104106	1
- 5	284N1445-2		SENSOR INSTL-MLG DOOR CLOSED POSITION DATA: RH FOR NHA SEE: 24-00-58-01A	107107	RF
- 5	284N1445-4		SENSOR INSTL-MLG DOOR CLOSED POSITION DATA: RH FOR NHA SEE: 24-00-58-01A	002004 006017 121503 904999	RF

MISSING ITEM NUMBERS NOT APPLICABLE

- ITEM NOT ILLUSTRATED

32-61-02-01

32-61-02  
FIG. 01  
PAGE 1  
JAN 20/09

BRI





757

PARTS CATALOG (MAINTENANCE)

FIG ITEM	PART NUMBER	1 2 3 4 5 6 7	NOMENCLATURE	EFFECT FROM TO	UNITS PER ASSY
1					
- 5	284N1445-6		SENSOR INSTL-MLG DOOR CLOSED POSITION DATA: RH FOR NHA SEE: 24-00-58-01A 24-00-58-05	018102 108120 504903	RF
- 5	MODREF10478		SENSOR INSTL-MLG DOOR CLOSED MODULE NUMBER: 284N1445-6 REV A POSITION DATA: RH	103103	1
- 5	MODREF27734		SENSOR INSTL-MLG DOOR CLOSED MODULE NUMBER: 284N1445-6 REV B POSITION DATA: RH	104106	1
10	BAC27NEX0497		.MARKER-ALUMINUM FOIL POSITION DATA: LH SIDE PLACARD CONTENT: S10242 LEFT GEAR DOOR CLOSED SYSTEM 1	002004 006999	1
15	BAC27NEX0498		.MARKER-ALUMINUM FOIL POSITION DATA: RH SIDE PLACARD CONTENT: S10241 RIGHT GEAR DOOR CLOSED SYSTEM 1 RH SIDE	002004 006999	1
17	BAC27NEL0838		.MARKER-ALUMINUM FOIL- POSITION DATA: LH SIDE PLACARD CONTENT: S10371 LEFT MLG DOOR CLOSED SW	002004 006999	1
20	BAC27NEX0045		.MARKER-ALUMINUM FOIL- POSITION DATA: LH SIDE PLACARD CONTENT: S10076 LEFT GEAR DOOR CLOSED SYSTEM 2	002004 006999	1

MISSING ITEM NUMBERS NOT APPLICABLE

- ITEM NOT ILLUSTRATED

32-61-02-01

32-61-02  
FIG. 01  
PAGE 2  
JAN 20/09

BRI





757

PARTS CATALOG (MAINTENANCE)

FIG ITEM	PART NUMBER	1 2 3 4 5 6 7	NOMENCLATURE	EFFECT FROM TO	UNITS PER ASSY
1 30	8-345-03		.SENSOR-SWITCH SYS PROXIMITY SUPPLIER CODE: V08748 SPECIFICATION NUMBER: S283T006-10 ELECTRICAL EQUIP NUMBER: S10072 S10076 WIRING DIAGRAM REF: 326111 QUALIFIED I/W DATA: FOR 757-200 AIRCRAFT, 8-935-01 CAN REPLACE OR BE REPLACED BY 8-345-01, 8-345-02, OR 8-345-03. FOR 757-300 AIRCRAFT, 8-935-01 TOGETHER WITH PSEU 8-949-02 CAN REPLACE OR BE REPLACED BY 8-345-01, 8-345-02, OR 8-345-03 TOGETHER WITH PSEU 8-949-01, AS DETAILED IN SERVICE BULLETIN 757-32-0175, REV. 1 OPTIONAL PART: 8-345-02 V08748 OPTIONAL PART: 8-345-01 V08748	002004 006999	1
30	8-345-02		.SENSOR-SWITCH SYS PROXIMITY SUPPLIER CODE: V08748 SPECIFICATION NUMBER: S283T006-10 ELECTRICAL EQUIP NUMBER: S10072 S10076 WIRING DIAGRAM REF: 326111 OPTIONAL PART: 8-345-03 V08748	002004 006999	1

R  
R  
R  
R  
R  
R  
R  
R  
R  
R  
R

MISSING ITEM NUMBERS NOT APPLICABLE

- ITEM NOT ILLUSTRATED

32-61-02-01

32-61-02  
FIG. 01  
PAGE 4  
MAY 20/09

BRI

**BOEING**  
757  
**PARTS CATALOG (MAINTENANCE)**

FIG ITEM	PART NUMBER	1 2 3 4 5 6 7	NOMENCLATURE	EFFECT FROM TO	UNITS PER ASSY
1 32	8-345-01		.SENSOR-SWITCH SYS PROXIMITY SUPPLIER CODE: V08748 POSITION DATA: LH SIDE SPECIFICATION NUMBER: S283T006-5 ELECTRICAL EQUIP NUMBER: S10242 WIRING DIAGRAM REF: 326111 QUALIFIED I/W DATA: 8-935-01 CAN REPLACE OR BE REPLACED BY 8-345-01, 8-345-02, OR 8-345-03 FOR 757 ONLY. 8-935-01 CANNOT BE USED ON THRUST REVERSER OR ENGINES. OPTIONAL PART: 8-345-03 V08748	002004 006999	1

R  
R  
R  
R  
R  
R  
R  
R  
R  
R  
R  
R  
R  
R  
R  
R  
R  
R  
R  
R  
R  
R

MISSING ITEM NUMBERS NOT APPLICABLE

— ITEM NOT ILLUSTRATED

# 32-61-02-01

32-61-02  
FIG. 01  
PAGE 5  
MAY 20/09

BRI



757

PARTS CATALOG (MAINTENANCE)

FIG ITEM	PART NUMBER	1 2 3 4 5 6 7	NOMENCLATURE	EFFECT FROM TO	UNITS PER ASSY
1 32	8-345-03		.SENSOR-SWITCH SYS PROXIMITY SUPPLIER CODE: V08748 POSITION DATA: LH SIDE SPECIFICATION NUMBER: S283T006-10 ELECTRICAL EQUIP NUMBER: S10242 WIRING DIAGRAM REF: 326111 QUALIFIED I/W DATA: FOR 757-200 AIRCRAFT, 8-935-01 CAN REPLACE OR BE REPLACED BY 8-345-01, 8-345-02, OR 8-345-03. FOR 757-300 AIRCRAFT, 8-935-01 TOGETHER WITH PSEU 8-949-02 CAN REPLACE OR BE REPLACED BY 8-345-01, 8-345-02, OR 8-345-03 TOGETHER WITH PSEU 8-949-01, AS DETAILED IN SERVICE BULLETIN 757-32-0175, REV. 1 OPTIONAL PART: 8-345-02 V08748 OPTIONAL PART: 8-345-01 V08748	002004 006999	1
R R R R R R R R R R R R R	32 8-345-02		.SENSOR-SWITCH SYS PROXIMITY SUPPLIER CODE: V08748 POSITION DATA: LH SIDE SPECIFICATION NUMBER: S283T006-10 ELECTRICAL EQUIP NUMBER: S10242 WIRING DIAGRAM REF: 326111 OPTIONAL PART: 8-345-03 V08748	002004 006999	1

MISSING ITEM NUMBERS NOT APPLICABLE

- ITEM NOT ILLUSTRATED

32-61-02-01

32-61-02  
FIG. 01  
PAGE 6  
MAY 20/09

BRI



757

PARTS CATALOG (MAINTENANCE)

FIG ITEM	PART NUMBER	1 2 3 4 5 6 7	NOMENCLATURE	EFFECT FROM TO	UNITS PER ASSY
1 33	8-345-01		. SENSOR-SWITCH SYS PROXIMITY SUPPLIER CODE: V08748 POSITION DATA: RH SIDE SPECIFICATION NUMBER: S283T006-5 ELECTRICAL EQUIP NUMBER: S10241 WIRING DIAGRAM REF: 326111 QUALIFIED I/W DATA: 8-935-01 CAN REPLACE OR BE REPLACED BY 8-345-01, 8-345-02, OR 8-345-03 FOR 757 ONLY. 8-935-01 CANNOT BE USED ON THRUST REVERSER OR ENGINES. OPTIONAL PART: 8-345-03 V08748	002004 006999	1

R  
R  
R  
R  
R  
R  
R  
R  
R  
R  
R  
R  
R  
R  
R  
R  
R  
R  
R  
R  
R  
R

MISSING ITEM NUMBERS NOT APPLICABLE

- ITEM NOT ILLUSTRATED

**32-61-02-01**

32-61-02  
FIG. 01  
PAGE 7  
MAY 20/09

BRI



757

PARTS CATALOG (MAINTENANCE)

FIG ITEM	PART NUMBER	1 2 3 4 5 6 7	NOMENCLATURE	EFFECT FROM TO	UNITS PER ASSY
1 33	8-345-03		.SENSOR-SWITCH SYS PROXIMITY SUPPLIER CODE: V08748 POSITION DATA: RH SIDE SPECIFICATION NUMBER: S283T006-10 ELECTRICAL EQUIP NUMBER: S10241 WIRING DIAGRAM REF: 326111 QUALIFIED I/W DATA: FOR 757-200 AIRCRAFT, 8-935-01 CAN REPLACE OR BE REPLACED BY 8-345-01, 8-345-02, OR 8-345-03. FOR 757-300 AIRCRAFT, 8-935-01 TOGETHER WITH PSEU 8-949-02 CAN REPLACE OR BE REPLACED BY 8-345-01, 8-345-02, OR 8-345-03 TOGETHER WITH PSEU 8-949-01, AS DETAILED IN SERVICE BULLETIN 757-32-0175, REV. 1 OPTIONAL PART: 8-345-02 V08748 OPTIONAL PART: 8-345-01 V08748	002004 006999	1
R R R R R R R R R R R R R	33 8-345-02		.SENSOR-SWITCH SYS PROXIMITY SUPPLIER CODE: V08748 POSITION DATA: RH SIDE SPECIFICATION NUMBER: S283T006-10 ELECTRICAL EQUIP NUMBER: S10241 WIRING DIAGRAM REF: 326111 OPTIONAL PART: 8-345-03 V08748	002004 006999	1

MISSING ITEM NUMBERS NOT APPLICABLE

- ITEM NOT ILLUSTRATED

32-61-02-01

32-61-02  
FIG. 01  
PAGE 8  
MAY 20/09

BRI



757

PARTS CATALOG (MAINTENANCE)

FIG ITEM	PART NUMBER	1 2 3 4 5 6 7	NOMENCLATURE	EFFECT FROM TO	UNITS PER ASSY
1			ATTACHING PARTS		
- 35	NAS1801-3-8		.SCREW-	002004 006999	4
- 40	BRH10A3		.NUT-	002004 006999	4
			SUPPLIER CODE: V52828		
			SPECIFICATION NUMBER: BACN10JC3		
			OPTIONAL PART: H10-3BAC		
			V15653		
			NS202101-02		
			V80539		
			RMLH9075-3W		
			V72962		
			VN303A02		
			V92215		
			96-02		
			V80539		
			T6S1032J		
			V11815		
			-----*-----		
45	284N1641-5		.SHIM-	002004 006999	2
50	21EN107-6		.SWITCH-	002004 006999	1
			SUPPLIER CODE: V91929		
			ELECTRICAL EQUIP NUMBER: S10370		
			S10371		

MISSING ITEM NUMBERS NOT APPLICABLE

- ITEM NOT ILLUSTRATED

BRI

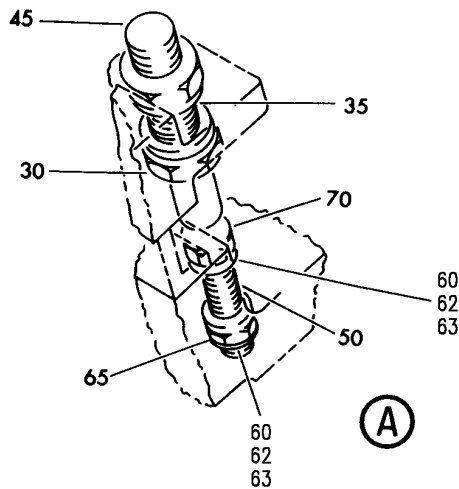
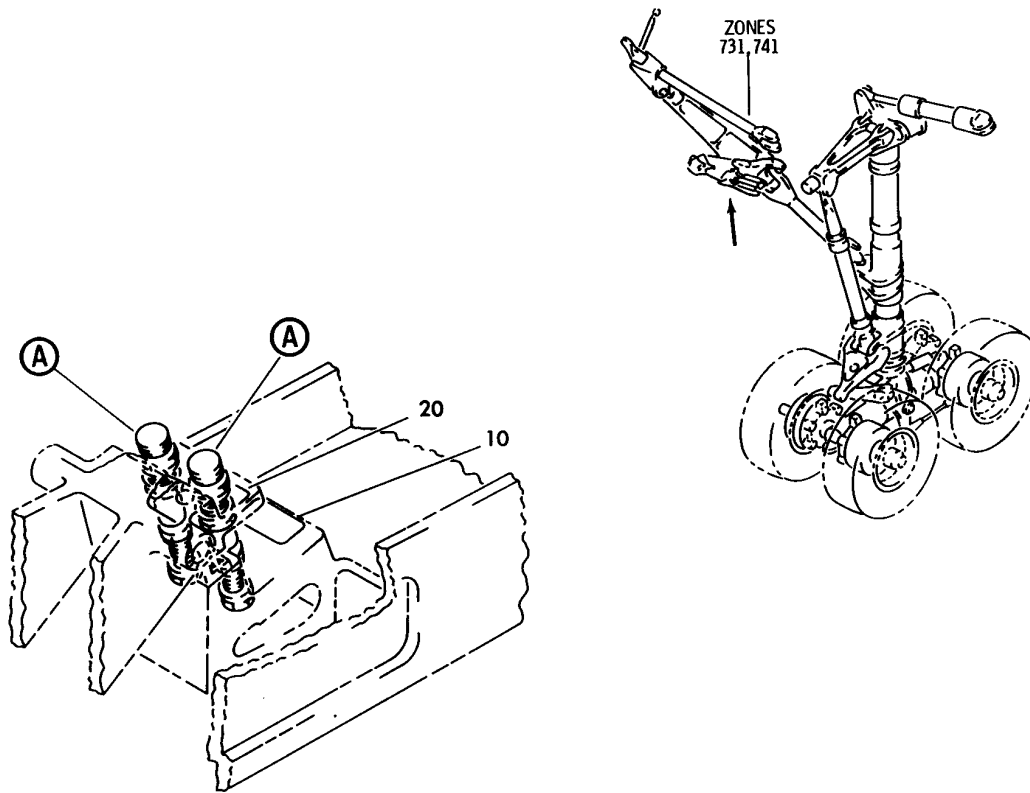
32-61-02-01

BOEING PROPRIETARY - Copyright © - Unpublished Work - See title page for details.

32-61-02  
FIG. 01  
PAGE 9  
MAY 20/09



**BOEING**  
757  
PARTS CATALOG (MAINTENANCE)



Y 32610202 REV 295

SENSOR INSTL-MLG DN AND LKD  
FIGURE 2

**32-61-02-02**

BRI  
MAY 28/07

32-61-02-02  
PAGE 0



757

PARTS CATALOG (MAINTENANCE)

FIG ITEM	PART NUMBER	1 2 3 4 5 6 7	NOMENCLATURE	EFFECT FROM TO	UNITS PER ASSY
2			SENSOR INSTL-MLG DN AND LKD	002004	
- 1	284N1611-1		SENSOR INSTL-MLG DN AND LKD POSITION DATA: LH FOR NHA SEE: 24-00-58-01A	006999 107107 904949	RF
- 1	284N1611-3		SENSOR INSTL-MLG DN AND LKD POSITION DATA: LH FOR NHA SEE: 24-00-58-01A 24-00-58-05	002004 006102 108903 950999	RF
- 1	MODREF9022		SENSOR INSTL-MLG DN AND LKD MODULE NUMBER: 284N1611-3 REV A POSITION DATA: LH	103103	1
- 1	MODREF34032		SENSOR INSTL-MLG DN AND LKD MODULE NUMBER: 284N1611-3 REV C POSITION DATA: LH	104106	1
- 5	284N1611-2		SENSOR INSTL-MLG DN AND LKD POSITION DATA: RH FOR NHA SEE: 24-00-58-01A	107107 904949	RF
- 5	284N1611-4		SENSOR INSTL-MLG DN AND LKD POSITION DATA: RH FOR NHA SEE: 24-00-58-01A 24-00-58-05	002004 006102 108903 950999	RF
- 5	MODREF9023		SENSOR INSTL-MLG DN AND LKD MODULE NUMBER: 284N1611-4 REV A POSITION DATA: RH	103103	1
- 5	MODREF27757		SENSOR INSTL-MLG DN AND LKD MODULE NUMBER: 284N1611-4 REV B POSITION DATA: RH	104106	1

MISSING ITEM NUMBERS NOT APPLICABLE

- ITEM NOT ILLUSTRATED

32-61-02-02

32-61-02  
FIG. 02  
PAGE 1  
JAN 20/09

BRI



757

PARTS CATALOG (MAINTENANCE)

FIG ITEM	PART NUMBER	1 2 3 4 5 6 7	NOMENCLATURE	EFFECT FROM TO	UNITS PER ASSY
2	10 BAC27NEX0041		.MARKER-ALUMINUM FOIL- POSITION DATA: LH SIDE PLACARD CONTENT: S10074 LEFT GEAR DOWN AND LOCKED. SYSTEM	002004 006999	1
-	15 BAC27NEX0044		.MARKER-ALUMINUM FOIL- POSITION DATA: RH SIDE PLACARD CONTENT: S10070 RIGHT GEAR DOWN AND LOCKED. SYSTEM 2	002004 006999	1
	20 BAC27NEX0042		.MARKER-ALUMINUM FOIL- POSITION DATA: LH SIDE PLACARD CONTENT: S10061 LEFT GEAR DOWN AND LOCKED. SYSTEM 1	002004 006999	1
-	25 BAC27NEX0043		.MARKER-ALUMINUM FOIL- POSITION DATA: RH SIDE PLACARD CONTENT: S10057 RIGHT GEAR DOWN AND LOCKED. SYSTEM 1	002004 006999	1
	30 MS21340-05		.NUT-	002004 006999	2
	35 BACW10P237S		.WASHER-	002004 006999	AR
	45 8-348-02		.SENSOR-PROXIMITY SWITCH SYS SUPPLIER CODE: V08748 SPECIFICATION NUMBER: S283T006-8 ELECTRICAL EQUIP NUMBER: S10057 S10061 S10070 S10074 OPTIONAL PART: 8-348-01 V08748 8-716-01 V08748	002004 006999	2

MISSING ITEM NUMBERS NOT APPLICABLE

- ITEM NOT ILLUSTRATED

32-61-02-02

32-61-02  
FIG. 02  
PAGE 2  
JAN 20/09

BRI



757

PARTS CATALOG (MAINTENANCE)

FIG ITEM	PART NUMBER	1 2 3 4 5 6 7	NOMENCLATURE	EFFECT FROM TO	UNITS PER ASSY
2					
45	8-348-01		.SENSOR-PROXIMITY SWITCH SYS SUPPLIER CODE: V08748 SPECIFICATION NUMBER: S283T006-3 ELECTRICAL EQUIP NUMBER: S10057 S10061 S10070 S10074 OPTIONAL PART: 8-348-02 V08748 8-716-01 V08748	002004 006999	2
45	8-716-01		.SENSOR-PROXIMITY SWITCH SYS SUPPLIER CODE: V08748 SPECIFICATION NUMBER: S283T006-28 ELECTRICAL EQUIP NUMBER: S10057 S10061 S10070 S10074 OPTIONAL PART: 8-348-02 V08748 8-348-01 V08748	002004 006999	2
50	BACB30LU4-11		.BOLT-	002004 006999	2
60	AN960C416L		.WASHER-	002004 006999	2
62	AN960C416		.WASHER	002004 006999	2

MISSING ITEM NUMBERS NOT APPLICABLE

- ITEM NOT ILLUSTRATED

32-61-02-02

32-61-02  
FIG. 02  
PAGE 3  
JAN 20/09

BRI



757

PARTS CATALOG (MAINTENANCE)

FIG ITEM	PART NUMBER	1 2 3 4 5 6 7	NOMENCLATURE	EFFECT FROM TO	UNITS PER ASSY
2 65	BRH10A4	.NUT-	SUPPLIER CODE: V52828 SPECIFICATION NUMBER: BACN10JC4 OPTIONAL PART: T6S428J V11815 96-048 V80539 VN303A048 V92215 RMLH9075-4W V72962 NS202101-048 V80539 H10-4BAC V15653	107107 904949	2
65	MS21042L4	.NUT-		002004 006106 108903 950999	2
70	284N1757-1	.TARGET-	QUALIFIED I/W DATA: TARGET SENSOR 284N1630-5 TOGETHER WITH NUT MS21042L4 AND INSTALLED PER 284N1611 SHEET 2 CAN REPLACE BUT NOT BE REPLACED BY TARGET SENSOR 284N1757-1 TOGETHER WITH BOLT BACB30LU4-11 AND NUT BACN10JC4	002004 006999	2

MISSING ITEM NUMBERS NOT APPLICABLE

- ITEM NOT ILLUSTRATED

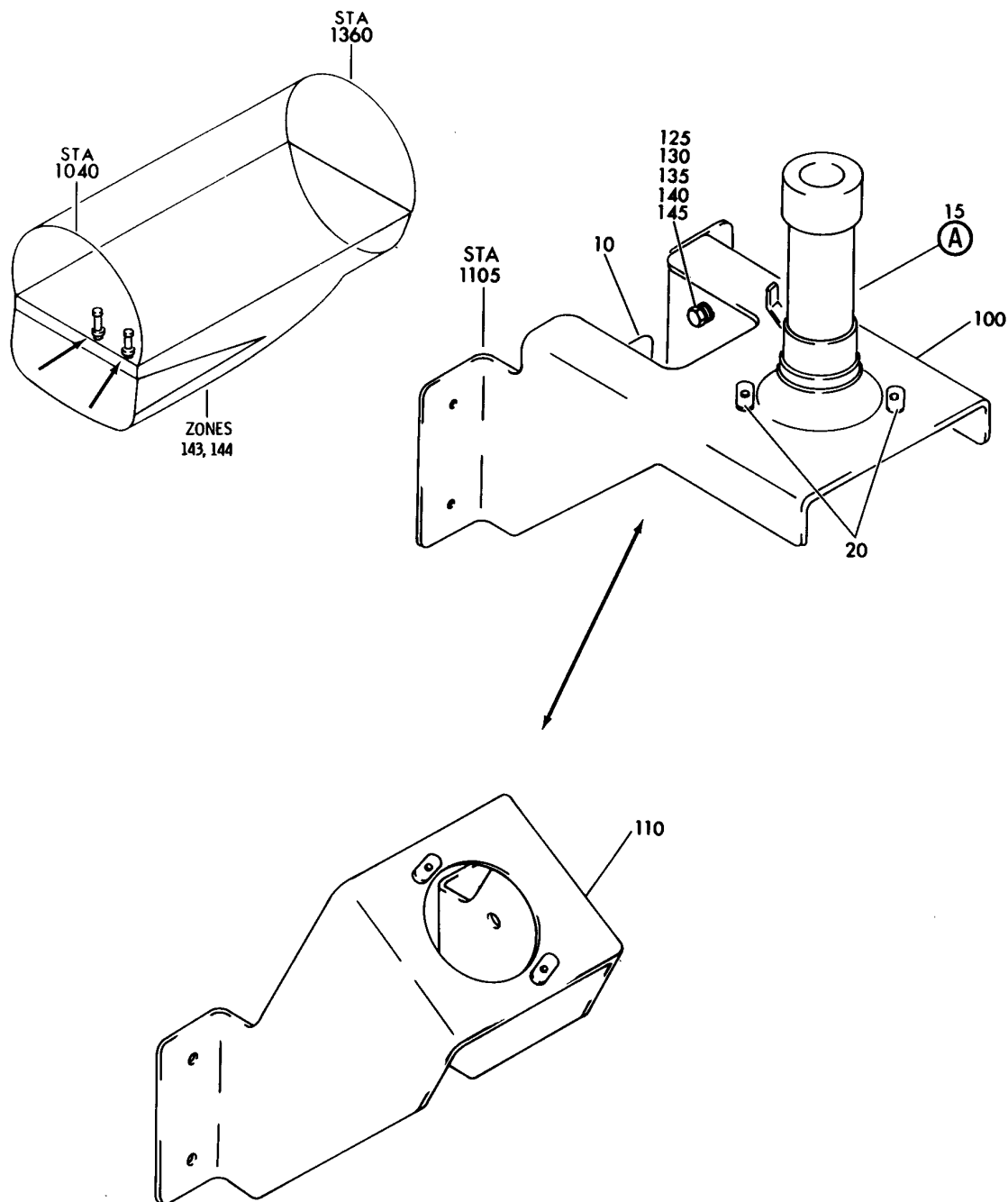
BRI

32-61-02-02

BOEING PROPRIETARY - Copyright © - Unpublished Work - See title page for details.

32-61-02  
FIG. 02  
PAGE 4  
JAN 20/09

**BOEING**  
757  
PARTS CATALOG (MAINTENANCE)



Y 32610204 SHT 1 REV 041

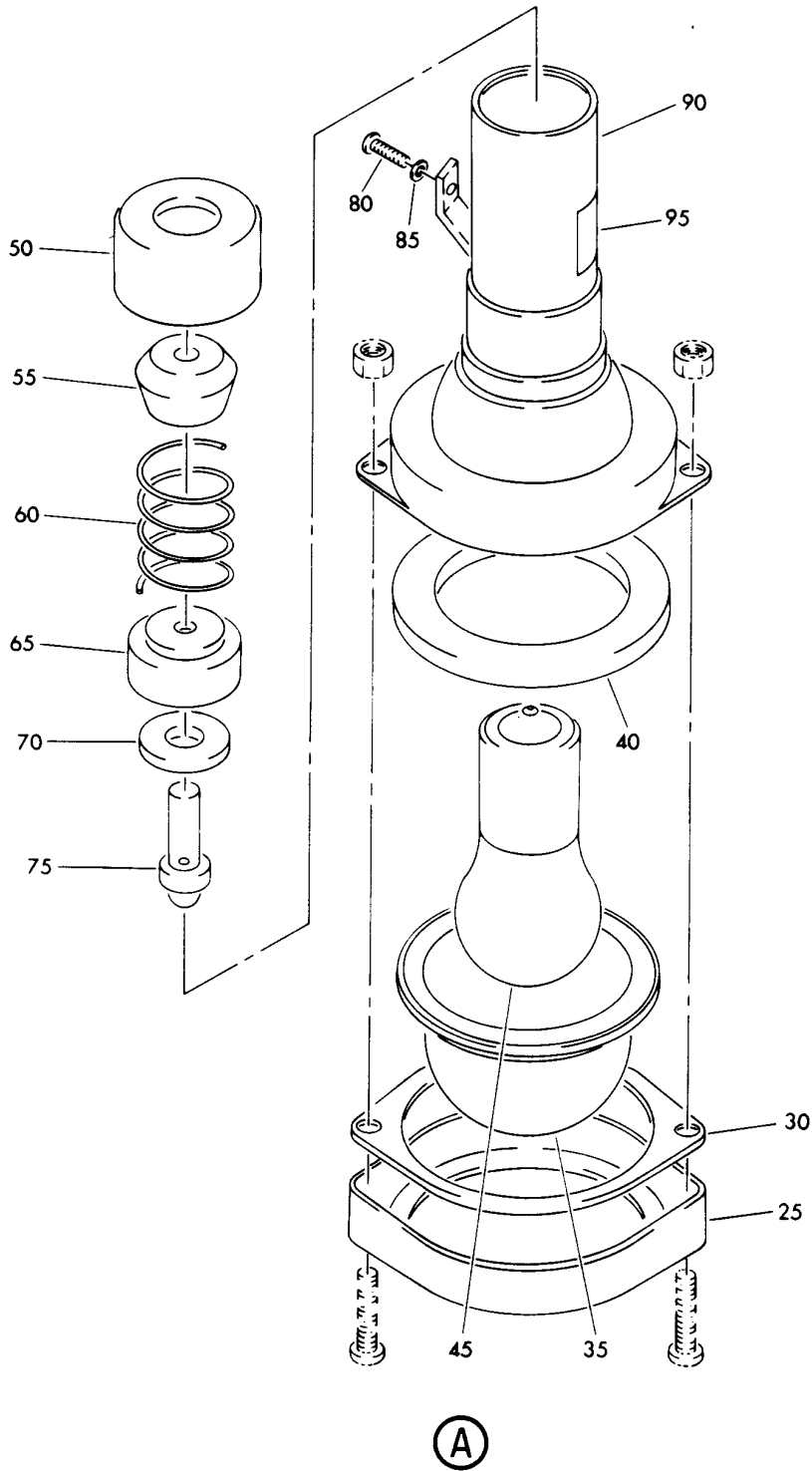
LIGHT INSTL-MAIN WHL WELL DOOR UNLOCKED WARNING  
FIGURE 4 (SHEET 1)

**32-61-02-04**

BRI  
MAY 28/07

32-61-02-04  
PAGE 0

**BOEING**  
757  
PARTS CATALOG (MAINTENANCE)



Y 32610204 SHT 2 REV 013

LIGHT INSTL-MAIN WHL WELL DOOR UNLOCKED WARNING  
FIGURE 4 (SHEET 2)

**32-61-02-04**

BRI  
MAY 28/07

32-61-02-04  
PAGE 0A



757

PARTS CATALOG (MAINTENANCE)

FIG ITEM	PART NUMBER	1 2 3 4 5 6 7	NOMENCLATURE	EFFECT FROM TO	UNITS PER ASSY
4			LIGHT INSTL-MAIN WHL WELL DOOR UNLOCKED WARNING	002004 006999	
- 1	284N1839-5		LIGHT INSTL-MAIN WHL WELL DOOR UNLOCKED WARNING POSITION DATA: LH FOR NHA SEE: 24-00-58-01A	107107	RF
- 1	284N1839-7		LIGHT INSTL-MAIN WHL WELL DOOR UNLOCKED WARNING POSITION DATA: LH FOR NHA SEE: 24-00-58-01A 24-00-58-05	002004 006102 108999	RF
- 1	MODREF9343		LIGHT INSTL-MAIN WHL WELL DOOR UNLOCKED WARNING MODULE NUMBER: 284N1839-7 REV A POSITION DATA: LH	103103	1
- 1	MODREF27781		LIGHT INSTL-MAIN WHL WELL DOOR UNLOCKED WARNING MODULE NUMBER: 284N1839-7 REV B POSITION DATA: LH	104106	1
- 5	284N1839-6		LIGHT INSTL-MAIN WHL WELL DOOR UNLOCKED WARNING POSITION DATA: RH FOR NHA SEE: 24-00-58-01A	107107	RF
- 5	284N1839-8		LIGHT INSTL-MAIN WHL WELL DOOR UNLOCKED WARNING POSITION DATA: RH FOR NHA SEE: 24-00-58-01A 24-00-58-05	002004 006102 108999	RF
- 5	MODREF9344		LIGHT INSTL-MAIN WHL WELL DOOR UNLOCKED WARNING MODULE NUMBER: 284N1839-8 REV A POSITION DATA: RH	103103	1

MISSING ITEM NUMBERS NOT APPLICABLE

- ITEM NOT ILLUSTRATED

32-61-02-04

32-61-02  
FIG. 04  
PAGE 1  
JAN 20/09

BRI





757

PARTS CATALOG (MAINTENANCE)

FIG ITEM	PART NUMBER	1 2 3 4 5 6 7	NOMENCLATURE	EFFECT FROM TO	UNITS PER ASSY
4					
- 5	MODREF27782		LIGHT INSTL-MAIN WHL WELL DOOR UNLOCKED WARNING MODULE NUMBER: 284N1839-8 REV B POSITION DATA: RH	104106	1
10	BAC27NEL0952		.MARKER-ALUMINUM FOIL- PLACARD CONTENT: L00505 LIGHT-MAIN GEAR DOOR UNSAFE, L	002004 006999	1
- 12	BAC27NEL0951		.MARKER-ALUMINUM FOIL- PLACARD CONTENT: L00490 LIGHT-MAIN GEAR DOOR UNSAFE R	002004 006999	1
15	A8985-10		.LIGHT ASSY-FLOOD SUPPLIER CODE: V72914	002004 006999	1
20	NAS1801-06-12		ATTACHING PARTS .SCREW	002004 006999	2
25	A4861-1		-----*----- ..RETAINER- SUPPLIER CODE: V72914	002004 006999	1
30	A4865-1		..WASHER- SUPPLIER CODE: V72914	002004 006999	2
35	A4513-2		..LENS- SUPPLIER CODE: V72914	002004 006999	1
40	A2109-4		..GASKET- SUPPLIER CODE: V72914	002004 006999	1
45	1665		..LAMP- SUPPLIER CODE: V71744	002004 006999	1
50	A4711		..NUT-CONDUIT SUPPLIER CODE: V72914	002004 006999	1
55	A9314-1		..GROMMET- SUPPLIER CODE: V72914	002004 006999	1
60	A5717		..SPRING- SUPPLIER CODE: V72914	002004 006999	1
65	60-1542-1		..INSULATOR- SUPPLIER CODE: V72914	002004 006999	1

MISSING ITEM NUMBERS NOT APPLICABLE

- ITEM NOT ILLUSTRATED

32-61-02-04

32-61-02  
FIG. 04  
PAGE 2  
JAN 20/09

BRI



757

PARTS CATALOG (MAINTENANCE)

FIG ITEM	PART NUMBER	1 2 3 4 5 6 7	NOMENCLATURE	EFFECT FROM TO	UNITS PER ASSY
4					
70	60-1543-1	..	WASHER- SUPPLIER CODE: V72914	002004 006999	1
75	60-1541-1	..	CONTACT- SUPPLIER CODE: V72914	002004 006999	1
80	MS35206-226	..	ATTACHING PARTS SCREW	002004 006999	1
85	MS35338-41	..	WASHER	002004 006999	1
90	A8515-1	..	-----*----- LAMPHOLDER ASSY- SUPPLIER CODE: V72914	002004 006999	1
95	31-1752-1	..	PLATE-IDENT SUPPLIER CODE: V72914	002004 006999	1
110	284N1838-13	.BRACKET ASSY- POSITION DATA: LH SIDE		002004 006999	1
- 115	284N1838-14	.BRACKET ASSY- POSITION DATA: RH SIDE		002004 006999	1
- 120	BACR15FT5D	ATTACHING PARTS .RIVET- SIZE DETERMINED ON INSTL. -----*-----		002004 006999	4
125	NAS1801-3-10	..	SCREW	002004 006999	1
130	MS35338-43	..	WASHER	002004 006999	1
135	NAS1149D0316H	..	WASHER-	002004 006999	3

MISSING ITEM NUMBERS NOT APPLICABLE

- ITEM NOT ILLUSTRATED

32-61-02-04

32-61-02  
FIG. 04  
PAGE 3  
JAN 20/09

BRI

BOEING PROPRIETARY - Copyright © - Unpublished Work - See title page for details.



757

PARTS CATALOG (MAINTENANCE)

FIG ITEM	PART NUMBER	1 2 3 4 5 6 7	NOMENCLATURE	EFFECT FROM TO	UNITS PER ASSY
4 140	BRH10A3	. .	NUT SUPPLIER CODE: V52828 SPECIFICATION NUMBER: BACN10JC3 OPTIONAL PART: H10-3BAC V15653 NS202101-02 V80539 RMLH9075-3W V72962 VN303A02 V92215 96-02 V80539 T6S1032J V11815	002004 006999	1
145	MS35650-305T	. .	NUT	002004 006999	1

MISSING ITEM NUMBERS NOT APPLICABLE

- ITEM NOT ILLUSTRATED

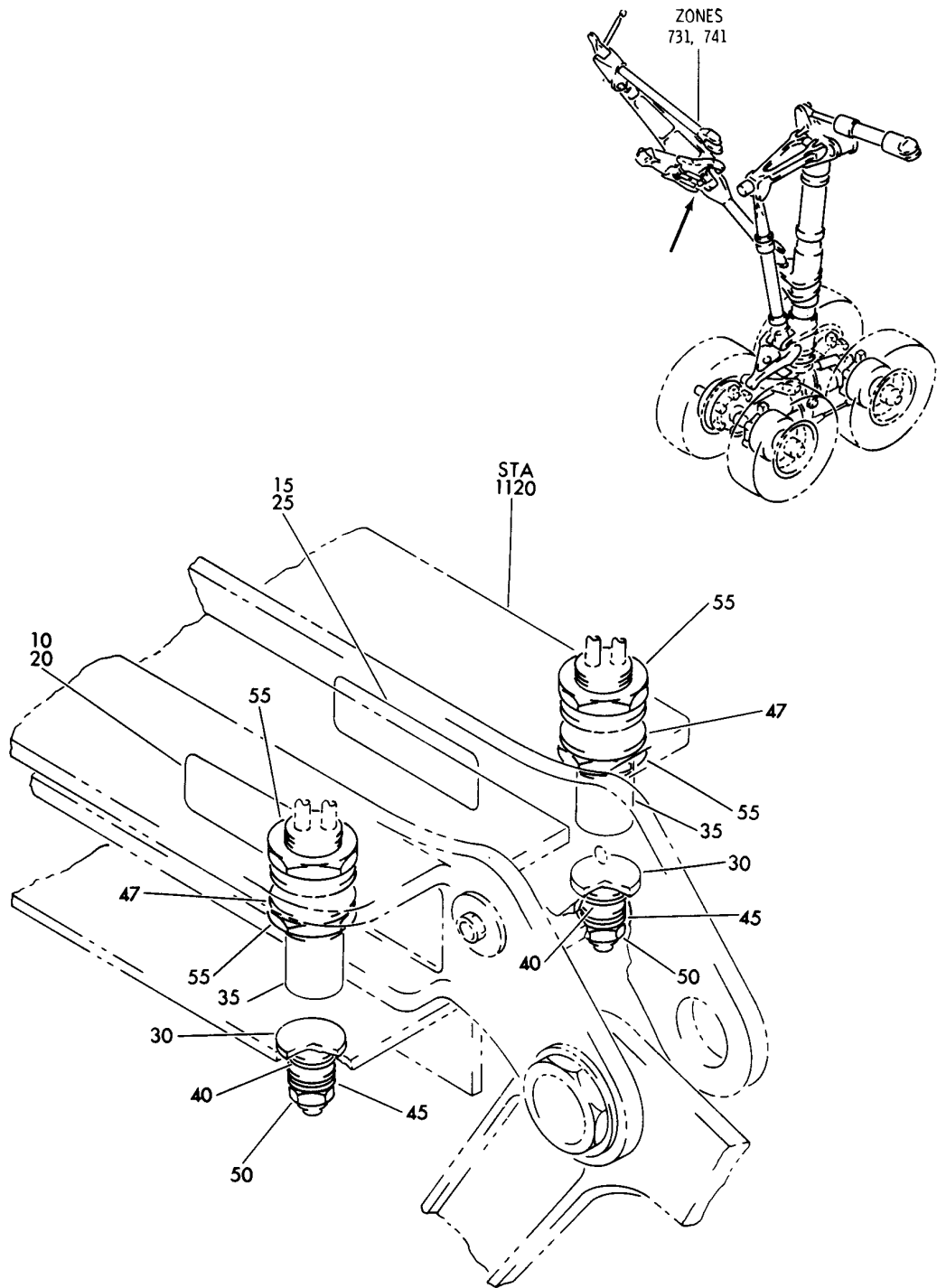
BRI

32-61-02-04

BOEING PROPRIETARY - Copyright © - Unpublished Work - See title page for details.

32-61-02  
FIG. 04  
PAGE 4  
JAN 20/09

**BOEING**  
757  
PARTS CATALOG (MAINTENANCE)



Y 32810205 SH1 1 REV 036

SENSOR INSTL-MLG UP AND LOCKED  
FIGURE 5

**32-61-02-05**

BRI  
MAY 28/07

32-61-02-05  
PAGE 0

 **BOEING**  
757  
**PARTS CATALOG (MAINTENANCE)**

FIG ITEM	PART NUMBER	1 2 3 4 5 6 7	NOMENCLATURE	EFFECT FROM TO	UNITS PER ASSY
5			SENSOR INSTL-MLG UP AND LOCKED	002004 006999	
- 1	284N1612-1		SENSOR INSTL-MLG UP AND LOCKED POSITION DATA: LH FOR NHA SEE: 24-00-58-01A	002004 006100 107107 121503 904999	RF
- 1	284N1612-3		SENSOR INSTL-MLG UP AND LOCKED POSITION DATA: LH FOR NHA SEE: 24-00-58-05	101102 108120 504903	RF
- 1	MODREF9024		SENSOR INSTL-MLG UP AND LOCKED MODULE NUMBER: 284N1612-3 REV A POSITION DATA: LH	103103	1
- 1	MODREF27758		SENSOR INSTL-MLG UP AND LOCKED MODULE NUMBER: 284N1612-3 REV B POSITION DATA: LH	104106	1
- 5	284N1612-2		SENSOR INSTL-MLG UP AND LOCKED POSITION DATA: RH FOR NHA SEE: 24-00-58-01A	002004 006100 107107 121503 904999	RF
- 5	284N1612-4		SENSOR INSTL-MLG UP AND LOCKED POSITION DATA: RH FOR NHA SEE: 24-00-58-05	101102 108120 504903	RF
- 5	MODREF9025		SENSOR INSTL-MLG UP AND LOCKED MODULE NUMBER: 284N1612-4 REV A POSITION DATA: RH	103103	1

MISSING ITEM NUMBERS NOT APPLICABLE

- ITEM NOT ILLUSTRATED

BRI

# 32-61-02-05

BOEING PROPRIETARY - Copyright © - Unpublished Work - See title page for details.

32-61-02  
FIG. 05  
PAGE 1  
JAN 20/09



757

PARTS CATALOG (MAINTENANCE)

FIG ITEM	PART NUMBER	1 2 3 4 5 6 7	NOMENCLATURE	EFFECT FROM TO	UNITS PER ASSY
5					
- 5	MODREF27759		SENSOR INSTL-MLG UP AND LOCKED MODULE NUMBER: 284N1612-4 REV B POSITION DATA: RH	104106	1
10	BAC27NEX0006		.MARKER-ALUMINUM FOIL- POSITION DATA: LH PLACARD CONTENT: S10073-LEFT GEAR UP AND LOCKED-SYSTEM 2	002004 006999	1
15	BAC27NEX0089		.MARKER-ALUMINUM FOIL- POSITION DATA: LH PLACARD CONTENT: S10240-LEFT GEAR UP AND LOCKED-SYSTEM 1	002004 006999	1
20	BAC27NEX0007		.MARKER-ALUMINUM FOIL- POSITION DATA: RH PLACARD CONTENT: S10069-RIGHT GEAR UP AND LOCKED-SYSTEM 2	002004 006999	1
25	BAC27NEL0861		.MARKER-ALUMINUM FOIL- POSITION DATA: RH PLACARD CONTENT: S10239-RIGHT GEAR UP AND LOCKED-SYSTEM 1	002004 006999	1
30	284N1630-4		.TARGET-SENSOR	002004 006999	2
35	8-348-02		.SENSOR- SUPPLIER CODE: V08748 SPECIFICATION NUMBER: S283T006-8 OPTIONAL PART: 8-716-01 V08748	002004 006999	2
35	8-716-01		.SENSOR- SUPPLIER CODE: V08748 SPECIFICATION NUMBER: S283T006-28 OPTIONAL PART: 8-348-02 V08748	002004 006999	2

MISSING ITEM NUMBERS NOT APPLICABLE

- ITEM NOT ILLUSTRATED

32-61-02-05

32-61-02  
FIG. 05  
PAGE 2  
JAN 20/09

BRI



757

PARTS CATALOG (MAINTENANCE)

FIG ITEM	PART NUMBER	1 2 3 4 5 6 7	NOMENCLATURE	EFFECT FROM TO	UNITS PER ASSY
5					
40	AN960D416L	.	WASHER	002004 006999	AR
45	AN960D416	.	WASHER	002004 006999	AR
47	BACW10P237S	.	WASHER-	002004 006999	2
50	BRH10A4	.	NUT	002004 006999	1
			SUPPLIER CODE: V52828		
			SPECIFICATION NUMBER: BACN10JC4		
			OPTIONAL PART: T6S428J		
			V11815		
			96-048		
			V80539		
			VN303A048		
			V92215		
			RMLH9075-4W		
			V72962		
			NS202101-048		
			V80539		
			H10-4BAC		
			V15653		
55	MS21340-05	.	NUT-	002004 006999	4

MISSING ITEM NUMBERS NOT APPLICABLE

- ITEM NOT ILLUSTRATED

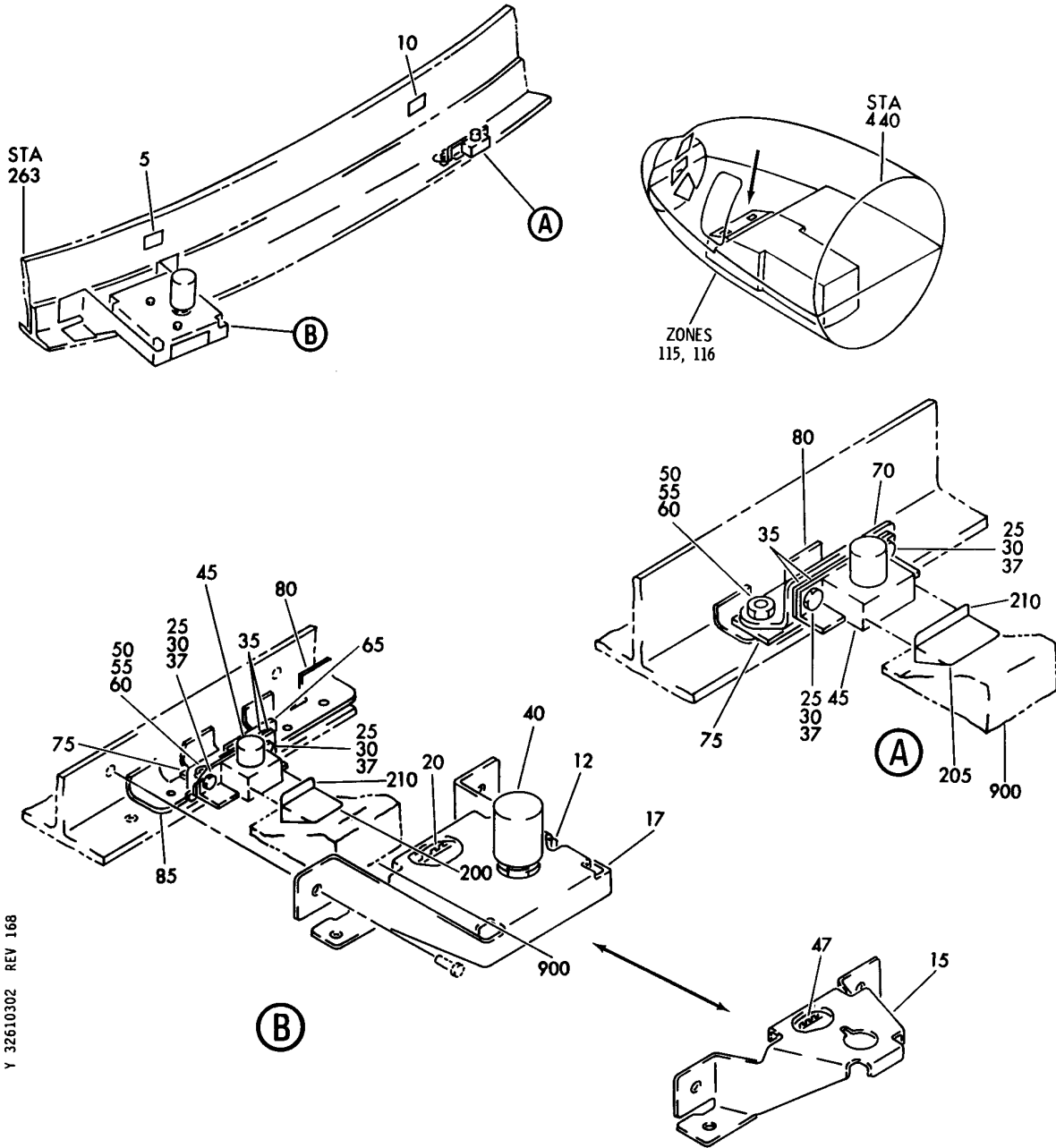
BRI

32-61-02-05

BOEING PROPRIETARY - Copyright © - Unpublished Work - See title page for details.

32-61-02  
FIG. 05  
PAGE 3  
JAN 20/09

**BOEING**  
757  
PARTS CATALOG (MAINTENANCE)



SENSOR INSTL-NLG DOOR CLOSED  
FIGURE 2

**32-61-03-02**

BRI  
MAY 28/07

32-61-03-02  
PAGE 0





757

PARTS CATALOG (MAINTENANCE)

FIG ITEM	PART NUMBER	1 2 3 4 5 6 7	NOMENCLATURE	EFFECT FROM TO	UNITS PER ASSY
2			SENSOR INSTL-NLG DOOR CLOSED	002004 006999	
- 1	284N1406-1		SENSOR INSTL-NLG DOOR CLOSED FOR NHA SEE: 24-00-58-01A	002004 006011 107107 121503 904999	RF
- 1	284N1406-2		SENSOR INSTL-NLG DOOR CLOSED FOR NHA SEE: 24-00-58-01A	012016	RF
- 1	284N1406-3		SENSOR INSTL-NLG DOOR CLOSED FOR NHA SEE: 24-00-58-01A 24-00-58-05	013102 108120 504903	RF
- 1	MODREF10219		SENSOR INSTL-NLG DOOR CLOSED MODULE NUMBER: 284N1406-3 REV A	103106	1
5	BAC27NEX0139		.MARKER-ALUMINUM FOIL- PLACARD CONTENT: S10243 LEFT GEAR DOOR CLOSED SYSTEM 1.	002004 006999	1
10	BAC27NEX0005		.MARKER-ALUMINUM FOIL- PLACARD CONTENT: S10081 RIGHT GEAR DOOR CLOSED SYSTEM 2.	002004 006999	1
12	BAC27NEL0837		.MARKER-ALUMINUM FOIL- PLACARD CONTENT: S10372 NLG DOOR CLOSED SW	002004 006999	1
15	284N4147-5		.BRACKET	002004 006100 107107 121503 904999	1
25	NAS1801-3-7		.SCREW-	002004 006999	4
30	AN960JD10L		.WASHER-	002004 006011 107107 121503 904999	4
30	NAS1149D0332J		.WASHER	012106 108120 504903	4

MISSING ITEM NUMBERS NOT APPLICABLE

- ITEM NOT ILLUSTRATED

32-61-03-02

32-61-03  
FIG. 02  
PAGE 1  
JAN 20/09

BRI



757

PARTS CATALOG (MAINTENANCE)

FIG ITEM	PART NUMBER	1 2 3 4 5 6 7	NOMENCLATURE	EFFECT FROM TO	UNITS PER ASSY
2	35 284N1641-5	. SHIM		002004 006012 107107 121503 904999	4
	35 284N1641-25	. SHIM		013106 108120 504903	4
	37 BRC600-8-3	.NUT- SUPPLIER CODE: V52828 SPECIFICATION NUMBER: BACN10YD1 OPTIONAL PART: 130120 V60119 BACN10FX5D		002004 006999	4
	37 293163	.NUT- SUPPLIER CODE: V60119 SPECIFICATION NUMBER: BACN10FX5D OPTIONAL PART: F19594-3-1 V15653 BACN10YD1		013106 108120 504903	4
	40 21EN107-6	.SWITCH- SUPPLIER CODE: V91929 ELECTRICAL EQUIP NUMBER: S10372		002004 006999	1
	45 8-345-01	.SENSOR- SUPPLIER CODE: V08748 SPECIFICATION NUMBER: S283T006-5 ELECTRICAL EQUIP NUMBER: S10081 S10243 WIRING DIAGRAM REF: 326111 QUALIFIED I/W DATA: 8-935-01 CAN REPLACE OR BE REPLACED BY 8-345-01, 8-345-02, OR 8-345-03 FOR 757 ONLY. 8-935-01 CANNOT BE USED ON THRUST REVERSER OR ENGINES.		002004 006999	2

MISSING ITEM NUMBERS NOT APPLICABLE

- ITEM NOT ILLUSTRATED

32-61-03-02

32-61-03  
FIG. 02  
PAGE 2  
JAN 20/09

BRI



757

PARTS CATALOG (MAINTENANCE)

FIG ITEM	PART NUMBER	1 2 3 4 5 6 7	NOMENCLATURE	EFFECT FROM TO	UNITS PER ASSY
2 45	8-345-03	.	SENSOR- SUPPLIER CODE: V08748 SPECIFICATION NUMBER: S283T006-10 ELECTRICAL EQUIP NUMBER: S10081 S10243 WIRING DIAGRAM REF: 326111 QUALIFIED I/W DATA: FOR 757-200 AIRCRAFT, 8-935-01 CAN REPLACE OR BE REPLACED BY 8-345-01, 8-345-02, OR 8-345-03. FOR 757-300 AIRCRAFT, 8-935-01 TOGETHER WITH PSEU 8-949-02 CAN REPLACE OR BE REPLACED BY 8-345-01, 8-345-02, OR 8-345-03 TOGETHER WITH PSEU 8-949-01, AS DETAILED IN SERVICE BULLETIN 757-32-0175, REV. 1	002004 006999	2
45	8-345-02	.	SENSOR- SUPPLIER CODE: V08748 SPECIFICATION NUMBER: S283T006-10 ELECTRICAL EQUIP NUMBER: S10081 S10243 WIRING DIAGRAM REF: 326111	002004 006999	2
47	BACG20ZB0150	.	GROMMET	002004 006012 107107 121503 904999	1
47	BACG20ZB000150	.	GROMMET	013106 108120 504903	1

MISSING ITEM NUMBERS NOT APPLICABLE

- ITEM NOT ILLUSTRATED

BRI

32-61-03-02

32-61-03  
FIG. 02  
PAGE 3  
JAN 20/09



757

PARTS CATALOG (MAINTENANCE)

FIG ITEM	PART NUMBER	1 2 3 4 5 6 7	NOMENCLATURE	EFFECT FROM TO	UNITS PER ASSY
2 50	HL11VAZ8-7	.BOLT	SUPPLIER CODE: V56878 SPECIFICATION NUMBER: BACB30NW8K7 OPTIONAL PART: B30NW8K7 V97928 HL11VAZ8-7 V73197 HL11VAZ8-7 V92215 HL11VAZ8-7 V97928 L803-8K7 V06725 HL11VAZ8-7 VOPTK6 HL11VAZ8-7 V60516	002004 006999	4
55	AN960JD416L	.WASHER-		002004 006011 107107 121503 904999	4
55	NAS1149D0416J	.WASHER		012106 108120 504903	4
60	BRH10C4M	.NUT-	SUPPLIER CODE: V52828 SPECIFICATION NUMBER: BACN10JC4CM OPTIONAL PART: T6C428JM V11815 97E48 V80539 109LH9075-4W V72962 VN303D048 V92215 H01-4BAC V15653 NS202101SE048 V80539 BACN10YR4CM	002004 006011 107107 121503 904999	4

MISSING ITEM NUMBERS NOT APPLICABLE

- ITEM NOT ILLUSTRATED

32-61-03-02

32-61-03  
FIG. 02  
PAGE 4  
JAN 20/09

BRI

 **BOEING**  
757  
**PARTS CATALOG (MAINTENANCE)**

FIG ITEM	PART NUMBER	1 2 3 4 5 6 7	NOMENCLATURE	EFFECT FROM TO	UNITS PER ASSY
2					
60	PLH54CM		.NUT- SUPPLIER CODE: V62554 SPECIFICATION NUMBER: BACN10YR4CM OPTIONAL PART: H52732-4CM V15653 BACN10JC4CM	002004 006999	4
65	284N4147-15		.BRACKET	011012 107107 904949 952952	1
65	284N4147-17		.BRACKET	002004 006012 121503 950951 953999	1
65	284N4147-27		.BRACKET	013106 108120 504903	1
70	284N4147-16		.BRACKET	011012 107107 904949 952952	1
70	284N4147-18		.BRACKET	002004 006012 121503 950951 953999	1
70	284N4147-28		.BRACKET	013106 108120 504903	1
75	284N4147-11		.SHIM	107107 904949 952952	2
75	284N4147-19		.SHIM	002004 006012 121503 950951 953999	2
75	284N4147-25		.SHIM	013106 108120 504903	2
80	284N4147-12		.SHIM	002004 006011 107107 121503 904999	2

MISSING ITEM NUMBERS NOT APPLICABLE

— ITEM NOT ILLUSTRATED

BRI

# 32-61-03-02

BOEING PROPRIETARY - Copyright © - Unpublished Work - See title page for details.

32-61-03  
FIG. 02  
PAGE 5  
JAN 20/09



757

PARTS CATALOG (MAINTENANCE)

FIG ITEM	PART NUMBER	1 2 3 4 5 6 7	NOMENCLATURE	EFFECT FROM TO	UNITS PER ASSY
2					
85	284N4147-13	.	SHIM	002004 006011 107107 121503 904999	1
200	141N6915-69	BLOCK ASSY- POSITION DATA: LH OPTIONAL PART: 141N6915-113 FOR NHA SEE: 32-22-01-01		002004 006999	RF
200	141N6915-113	BLOCK ASSY- POSITION DATA: LH OPTIONAL PART: 141N6915-69 FOR NHA SEE: 32-22-01-01		101106 108120 504903	RF
205	141N6915-70	BLOCK ASSY- POSITION DATA: RH OPTIONAL PART: 141N6915-117 FOR NHA SEE: 32-22-01-01		002004 006999	RF
205	141N6915-117	BLOCK ASSY- POSITION DATA: RH OPTIONAL PART: 141N6915-70 FOR NHA SEE: 32-22-01-01		101106 108120 504903	RF
210	141N6915-71	.	TARGET	002004 006999	1

MISSING ITEM NUMBERS NOT APPLICABLE

- ITEM NOT ILLUSTRATED

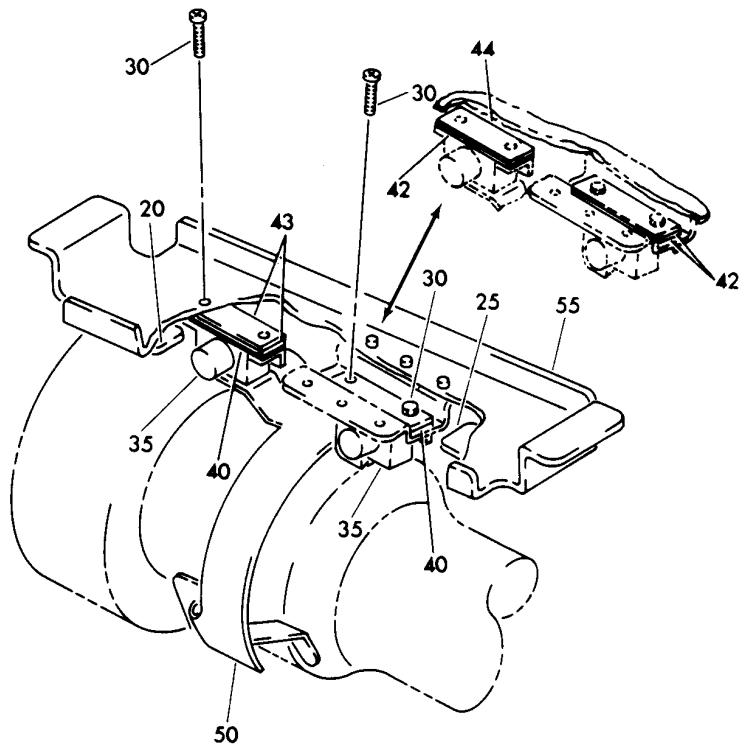
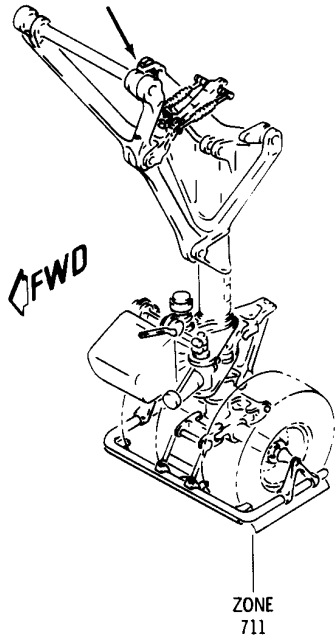
BRI

32-61-03-02

BOEING PROPRIETARY - Copyright © - Unpublished Work - See title page for details.

32-61-03  
FIG. 02  
PAGE 6  
JAN 20/09

**BOEING**  
757  
PARTS CATALOG (MAINTENANCE)



Y 32610303 SHT 1 REV 081

SENSOR INSTL-NLG UP AND DOWN POSITION  
FIGURE 3

**32-61-03-03**

BRI  
MAY 28/07

32-61-03-03  
PAGE 0



757

PARTS CATALOG (MAINTENANCE)

FIG ITEM	PART NUMBER	1 2 3 4 5 6 7	NOMENCLATURE	EFFECT FROM TO	UNITS PER ASSY
3					
- 1	284N1405-9		SENSOR INSTL-NLG UP AND DOWN POSITION SENSOR INSTL-NLG UP POSITION POSITION DATA: LH FOR NHA SEE: 24-00-58-01A	002004 006999 107107	RF
- 1	284N1405-11		SENSOR INSTL-NLG UP POSITION POSITION DATA: LH FOR NHA SEE: 24-00-58-01A	002004 006102 121999	RF
- 1	284N1405-17		SENSOR INSTL-NLG UP POSITION POSITION DATA: LH FOR NHA SEE: 24-00-58-01A 24-00-58-05	108120	RF
- 1	MODREF10217		SENSOR INSTL-NLG UP POSITION MODULE NUMBER: 284N1405-17 REV A POSITION DATA: LH	103103	1
- 1	MODREF27731		SENSOR INSTL-NLG UP POSITION MODULE NUMBER: 284N1405-17 REV B POSITION DATA: LH	104106	1
- 5	284N1405-10		SENSOR INSTL-NLG DOWN POSITION POSITION DATA: RH FOR NHA SEE: 24-00-58-01A	107107	RF
- 5	284N1405-12		SENSOR INSTL-NLG DOWN POSITION POSITION DATA: RH FOR NHA SEE: 24-00-58-01A 24-00-58-05	002004 006102 121999	RF

MISSING ITEM NUMBERS NOT APPLICABLE

- ITEM NOT ILLUSTRATED

32-61-03-03

32-61-03  
FIG. 03  
PAGE 1  
JAN 20/09

BRI





757

PARTS CATALOG (MAINTENANCE)

FIG ITEM	PART NUMBER	1 2 3 4 5 6 7	NOMENCLATURE	EFFECT FROM TO	UNITS PER ASSY
3					
- 5	284N1405-18		SENSOR INSTL-NLG DOWN POSITION POSITION DATA: RH FOR NHA SEE: 24-00-58-05	108120	RF
- 5	MODREF10218		SENSOR INSTL-NLG DOWN POSITION MODULE NUMBER: 284N1405-18 REV A POSITION DATA: RH	103103	1
- 5	MODREF27732		SENSOR INSTL-NLG DOWN POSITION MODULE NUMBER: 284N1405-18 REV B POSITION DATA: RH	104106	1
- 10	BAC27NEX0003		.MARKER-ALUMINUM FOIL- POSITION DATA: RH PLACARD CONTENT: S10079 GEAR DOWN AND LOCKED SYSTEM 2	002004 006999	1
- 15	BAC27NEX0004		.MARKER-ALUMINUM FOIL- POSITION DATA: RH PLACARD CONTENT: S10077 GEAR DOWN AND LOCKED SYSTEM 2	002004 006999	1
20	BAC27NEX0002		.MARKER-ALUMINUM FOIL- POSITION DATA: LH PLACARD CONTENT: S10066 GEAR DOWN AND LOCKED SYSTEM 1	002004 006999	1
25	BAC27NEX0138		.MARKER-ALUMINUM FOIL- POSITION DATA: LH PLACARD CONTENT: S10238 GEAR UP AND LOCKED SYSTEM 1	002004 006999	1
30	NAS1801-3-7		.SCREW-	002004 006102 107107 121999	4
30	NAS1801-3-9		.SCREW	103106 108120	4

MISSING ITEM NUMBERS NOT APPLICABLE

- ITEM NOT ILLUSTRATED

32-61-03-03

32-61-03  
FIG. 03  
PAGE 2  
JAN 20/09

BRI

BOEING PROPRIETARY - Copyright © - Unpublished Work - See title page for details.



757

PARTS CATALOG (MAINTENANCE)

FIG ITEM	PART NUMBER	1 2 3 4 5 6 7	NOMENCLATURE	EFFECT FROM TO	UNITS PER ASSY
3 35	8-345-01		.SENSOR- SUPPLIER CODE: V08748 SPECIFICATION NUMBER: S283T006-5 ELECTRICAL EQUIP NUMBER: S10066 S10077 S10079 S10238 WIRING DIAGRAM REF: 326112 QUALIFIED I/W DATA: 8-935-01 CAN REPLACE OR BE REPLACED BY 8-345-01, 8-345-02, OR 8-345-03 FOR 757 ONLY. 8-935-01 CANNOT BE USED ON THRUST REVERSER OR ENGINES.	002004 006999	2
35	8-345-02		.SENSOR- SUPPLIER CODE: V08748 SPECIFICATION NUMBER: S283T006-10 ELECTRICAL EQUIP NUMBER: S10066 S10077 S10079 S10238 WIRING DIAGRAM REF: 326112	002004 006999	2

MISSING ITEM NUMBERS NOT APPLICABLE

- ITEM NOT ILLUSTRATED

BRI

32-61-03-03

BOEING PROPRIETARY - Copyright © - Unpublished Work - See title page for details.

32-61-03  
FIG. 03  
PAGE 3  
JAN 20/09



757

PARTS CATALOG (MAINTENANCE)

FIG ITEM	PART NUMBER	1 2 3 4 5 6 7	NOMENCLATURE	EFFECT FROM TO	UNITS PER ASSY
3 35	8-345-03		.SENSOR- SUPPLIER CODE: V08748 SPECIFICATION NUMBER: S283T006-10 ELECTRICAL EQUIP NUMBER: S10066 S10077 S10079 S10238 WIRING DIAGRAM REF: 326112 QUALIFIED I/W DATA: FOR 757-200 AIRCRAFT, 8-935-01 CAN REPLACE OR BE REPLACED BY 8-345-01, 8-345-02, OR 8-345-03. FOR 757-300 AIRCRAFT, 8-935-01 TOGETHER WITH PSEU 8-949-02 CAN REPLACE OR BE REPLACED BY 8-345-01, 8-345-02, OR 8-345-03 TOGETHER WITH PSEU 8-949-01, AS DETAILED IN SERVICE BULLETIN 757-32-0175, REV. 1	002004 006999	2
40	284N1641-5		.SHIM-	103106 108120	2
42	284N1641-5		.SHIM-	002004 006102 107107 121999	3
43	284N1641-13		.SHIM-	103106 108120	2
44	284N1641-13		.SHIM-	002004 006102 107107 121999	1
- 45	284N1429-11		.STRAP-SENSING FACE USED ON: 284N1405-10 284N1405-11	002004 006102 107107 121999	1

MISSING ITEM NUMBERS NOT APPLICABLE

- ITEM NOT ILLUSTRATED

32-61-03-03

32-61-03  
FIG. 03  
PAGE 4  
JAN 20/09

BRI



757

PARTS CATALOG (MAINTENANCE)

FIG ITEM	PART NUMBER	1 2 3 4 5 6 7	NOMENCLATURE	EFFECT FROM TO	UNITS PER ASSY
3					
- 45	284N1429-20		.STRAP-SENSING FACE POSITION DATA: RH SIDE USED ON: 284N1405-18 MODREF10217 MODREF27731	002004 006999	1
50	284N1429-12		.STRAP-SENSING FACE USED ON: 284N1405-9 284N1405-12	002004 006102 107107 121999	1
50	284N1429-19		.STRAP-SENSING FACE POSITION DATA: LH SIDE USED ON: 284N1405-17 MODREF10217 MODREF27731	103106 108120	1
55	284N4146-29		.BRACKET ASSY- USED ON: 284N1405-9 284N1405-12 284N1405-17 MODREF10217 MODREF27731	002004 006999	1
- 60	284N4146-30		.BRACKET ASSY- USED ON: 284N1405-10 284N1405-11 284N1405-18 MODREF10218 MODREF27732	002004 006999	1

MISSING ITEM NUMBERS NOT APPLICABLE

- ITEM NOT ILLUSTRATED

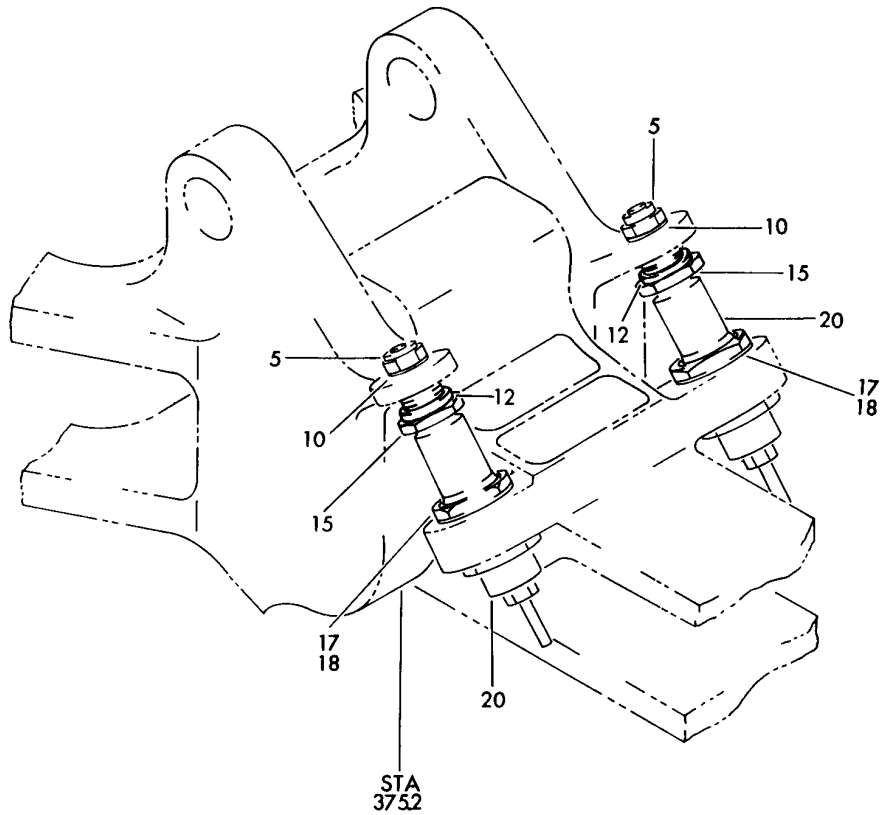
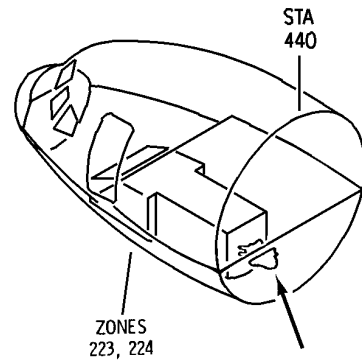
BRI

32-61-03-03

BOEING PROPRIETARY - Copyright © - Unpublished Work - See title page for details.

32-61-03  
FIG. 03  
PAGE 5  
JAN 20/09

**BOEING**  
757  
PARTS CATALOG (MAINTENANCE)



Y 32610304 REV 229

SENSOR INSTL-NLG UP AND DOWN LOCKED (NAVIGATION ONLY)  
FIGURE 4

**32-61-03-04**

BRI  
MAY 28/07

32-61-03-04  
PAGE 0

 **BOEING**  
757  
**PARTS CATALOG (MAINTENANCE)**

FIG ITEM	PART NUMBER	1 2 3 4 5 6 7	NOMENCLATURE	EFFECT FROM TO	UNITS PER ASSY
4			SENSOR INSTL-NLG UP AND DOWN LOCKED (NAVIGATION ONLY)	002004 006999	
- 1	284N1623-2		SENSOR INSTL-NLG UP AND DOWN LOCKED (NAVIGATION ONLY) FOR NHA/OTHER SYS DET SEE: 24-00-58-01A	002004 006100 107107 121503 904999	RF
- 1	284N1623-3		SENSOR INSTL-NLG UP AND DOWN LOCKED (NAVIGATION ONLY) FOR OTHER SYS DETAILS SEE: 24-00-58-05	101102 108120 504903	RF
- 1	MODREF9032		SENSOR INSTL-NLG UP AND DOWN LOCKED (NAVIGATION ONLY) MODULE NUMBER: 284N1623-3 REV A	103106	1
5	BRH10C4		.NUT- SUPPLIER CODE: V52828 SPECIFICATION NUMBER: BACN10JC4C OPTIONAL PART: T6C428J V11815 97-048 V80539 101LH9075-4W V72962 VN303B048 V92215 NS202101S048 V80539 H31-4BAC V15653	002004 006999	2
10	AN960-416L		.WASHER-	002004 006999	2
12	BACS40U4N2C		.SHIM	002004 006999	2
15	284N1630-3		.TARGET-SENSOR DOWN AND LOCKED, NLG	002004 006010 107107 121503 904999	2
15	284N1630-5		.TARGET-SENSOR DOWN AND LOCKED, NLG	011106 108120 504903	2

MISSING ITEM NUMBERS NOT APPLICABLE

- ITEM NOT ILLUSTRATED

BRI

# 32-61-03-04

BOEING PROPRIETARY - Copyright © - Unpublished Work - See title page for details.

32-61-03  
FIG. 04  
PAGE 1  
JAN 20/09



757

PARTS CATALOG (MAINTENANCE)

FIG ITEM	PART NUMBER	1 2 3 4 5 6 7	NOMENCLATURE	EFFECT FROM TO	UNITS PER ASSY	
4	17	AN960PD1016L	.WASHER-	002004 006999	2	
	18	MS21340-05	.NUT-	002004 006999	2	
	20	8-348-02	.SENSOR- SUPPLIER CODE: V08748 SPECIFICATION NUMBER: S283T006-8 ELECTRICAL EQUIP NUMBER: S10065 S10078 OPTIONAL PART: 8-348-01 V08748 8-716-01 V08748	002004 006999	2	
	20	8-348-01	.SENSOR- SUPPLIER CODE: V08748 SPECIFICATION NUMBER: S283T006-3 ELECTRICAL EQUIP NUMBER: S10065 S10078 OPTIONAL PART: 8-348-02 V08748 8-716-01 V08748	002004 006999	2	
	20	8-716-01	.SENSOR- SUPPLIER CODE: V08748 SPECIFICATION NUMBER: S283T006-28 ELECTRICAL EQUIP NUMBER: S10065 S10078 OPTIONAL PART: 8-348-02 V08748 8-348-01 V08748	002004 006999	2	
	MISSING ITEM NUMBERS NOT APPLICABLE					

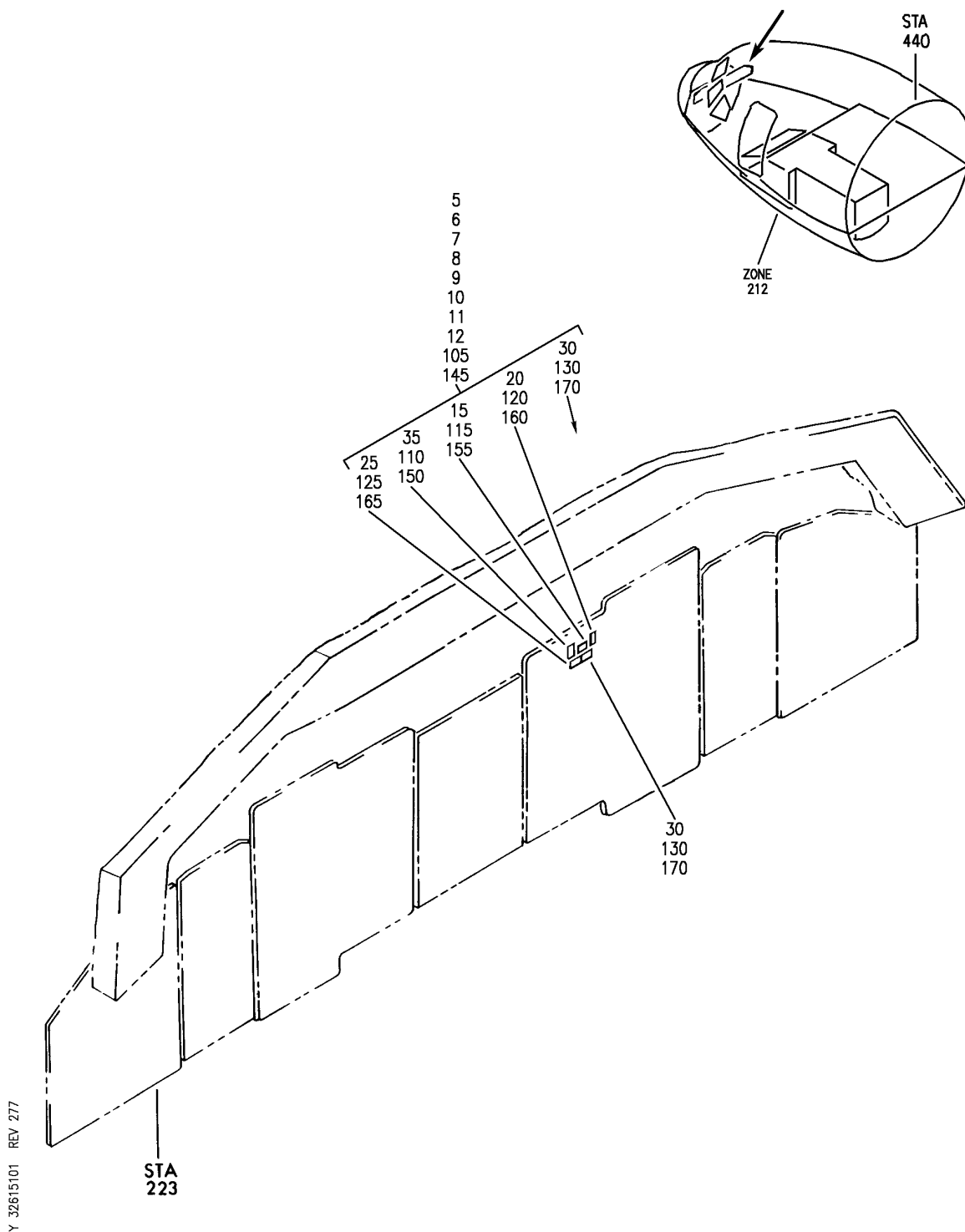
- ITEM NOT ILLUSTRATED

32-61-03-04

32-61-03  
FIG. 04  
PAGE 2  
JAN 20/09

BRI

**BOEING**  
757  
PARTS CATALOG (MAINTENANCE)



PANEL INSTL-CAPT AND FIRST OFFICER FWD (LANDING GEAR POSITION AND WARNING SYSTEM ONLY)

FIGURE 1

**32-61-51-01**

BRI  
MAY 28/07

32-61-51-01  
PAGE 0





757

PARTS CATALOG (MAINTENANCE)

FIG ITEM	PART NUMBER	1 2 3 4 5 6 7	NOMENCLATURE	EFFECT FROM TO	UNITS PER ASSY
1			PANEL INSTL-CAPT AND FIRST OFFICER FWD (LANDING GEAR POSITION AND WARNING SYSTEM ONLY)	002004 006010 107107 121503 904999	
- 1	233N2101-1		PANEL INSTL-CAPT AND FIRST OFFICER (LANDING GEAR POSITION AND WARNING SYSTEM ONLY) POSITION DATA: FWD VARIABLE DRAWING REF: 233N2101-5003 233N2101-5004 233N2101-5037 233N2101-5039 233N2101-5041 FOR NHA/OTHER SYS DET SEE: 25-10-00-05A	002004 006010 107107 121503 904999	RF
5	233N2222-53		.MODULE ASSY-P3-1 PRE ALERT SB: 33A0044	107107	RF
7	233N2222-77		.MODULE ASSY-P3-1 PRE SERVICE BULLETIN: 34-0200 PRE ALERT SB: 33A0044	002004 006010 950999	RF
7	233N2222-85		.MODULE ASSY-P3-1 PRE ALERT SB: 33A0044R1	121503 904949	RF
7	233N2222-1077		.MODULE ASSY-P3-1 POST ALERT SB: 33A0044	002004 006010 950951 953999	RF
11	233N2222-1053		.MODULE ASSY-P3-1 POST ALERT SB: 33A0044	107107	RF
12	233N2222-1085		.MODULE ASSY-P3-1 POST ALERT SB: 33A0044R1	121503 904949	RF
15	BCREF7816		..LIGHT ASSY-NOSE IND SUPPLIER CODE: V81590 OVERLENGTH PART NUMBER: 434-674-1009-1205 SPECIFICATION NUMBER: S231T301-1205 ELECTRICAL EQUIP NUMBER: L00398	002004 006010 107107 121503 904999	1

MISSING ITEM NUMBERS NOT APPLICABLE

- ITEM NOT ILLUSTRATED

32-61-51-01

32-61-51  
FIG. 01  
PAGE 1  
JAN 20/09

BRI



757

PARTS CATALOG (MAINTENANCE)

FIG ITEM	PART NUMBER	1 2 3 4 5 6 7	NOMENCLATURE	EFFECT FROM TO	UNITS PER ASSY
1			OPTIONAL PART: BCREF8605 V81590 USED ON: 233N2222-32 233N2222-34 233N2222-36 233N2222-37 233N2222-40 233N2222-43 233N2222-44 233N2222-45 233N2222-46 233N2222-50 233N2222-51 233N2222-52 233N2222-53 233N2222-54 233N2222-55 233N2222-56 233N2222-58 233N2222-59 233N2222-61 233N2222-68 233N2222-73 233N2222-74 233N2222-75 233N2222-76 233N2222-78 233N2222-79 233N2222-80 233N2222-81 233N2222-82 233N2222-83 233N2222-85 233N2222-86 233N2222-87 233N2222-89 233N2222-90 233N2222-114 233N2222-1077 233N2222-1080 233N2222-1082 233N2222-1090 233N2222-1103 233N2222-1508 PRE SERVICE BULLETIN: 34-0200 FOR DETAILS SEE:  MISSING ITEM NUMBERS NOT APPLICABLE		

- ITEM NOT ILLUSTRATED

32-61-51-01

32-61-51  
FIG. 01  
PAGE 2  
JAN 20/09

BRI



757

PARTS CATALOG (MAINTENANCE)

FIG ITEM	PART NUMBER	1 2 3 4 5 6 7	NOMENCLATURE	EFFECT FROM TO	UNITS PER ASSY
1					
15	BCREF8605		33-14-70-03 ..LIGHT ASSY-NOSE IND SUPPLIER CODE: V81590 OVERLENGTH PART NUMBER: 434-674-1033-2205 SPECIFICATION NUMBER: S231T301-2205 ELECTRICAL EQUIP NUMBER: L00398 OPTIONAL PART: BCREP7816 V81590 USED ON: 233N2222-36 233N2222-40 233N2222-50 233N2222-51 233N2222-52 233N2222-53 233N2222-54 233N2222-55 233N2222-56 233N2222-58 233N2222-59 233N2222-61 233N2222-68 233N2222-73 233N2222-74 233N2222-75 233N2222-76 233N2222-78 233N2222-79 233N2222-80 233N2222-81 233N2222-82 233N2222-83 233N2222-85 233N2222-86 233N2222-87 233N2222-89 233N2222-90 233N2222-114 233N2222-1077 233N2222-1080 233N2222-1082 233N2222-1090 233N2222-1103 233N2222-1508	002004 006010 107107 121503 904999	1
MISSING ITEM NUMBERS NOT APPLICABLE					

- ITEM NOT ILLUSTRATED

32-61-51-01

32-61-51  
FIG. 01  
PAGE 3  
JAN 20/09

BRI



757

PARTS CATALOG (MAINTENANCE)

FIG ITEM	PART NUMBER	1 2 3 4 5 6 7	NOMENCLATURE	EFFECT FROM TO	UNITS PER ASSY
1			PRE SERVICE BULLETIN: 34-0200 FOR DETAILS SEE: 33-14-70-03		
20	BCREF7815		..LIGHT ASSY-GEAR IND SUPPLIER CODE: V81590 OVERLENGTH PART NUMBER: 434-674-1009-1204 SPECIFICATION NUMBER: S231T301-1204 ELECTRICAL EQUIP NUMBER: L00397 OPTIONAL PART: BCREF8604 V81590 USED ON: 233N2222-32 233N2222-34 233N2222-36 233N2222-37 233N2222-40 233N2222-43 233N2222-44 233N2222-45 233N2222-46 233N2222-50 233N2222-51 233N2222-52 233N2222-53 233N2222-54 233N2222-55 233N2222-56 233N2222-58 233N2222-59 233N2222-61 233N2222-68 233N2222-73 233N2222-74 233N2222-75 233N2222-76 233N2222-78 233N2222-79 233N2222-80 233N2222-81 233N2222-82 233N2222-83 233N2222-85 233N2222-86	002004 006010 107107 121503 904999	1
MISSING ITEM NUMBERS NOT APPLICABLE					

- ITEM NOT ILLUSTRATED

32-61-51-01

32-61-51  
FIG. 01  
PAGE 4  
JAN 20/09

BRI



757

PARTS CATALOG (MAINTENANCE)

FIG ITEM	PART NUMBER	1 2 3 4 5 6 7 NOMENCLATURE	EFFECT FROM TO	UNITS PER ASSY
1	20 BCREF8604	233N2222-87 233N2222-89 233N2222-90 233N2222-114 233N2222-1077 233N2222-1080 233N2222-1082 233N2222-1090 233N2222-1103 233N2222-1508 PRE SERVICE BULLETIN: 34-0200 FOR DETAILS SEE: 33-14-70-03 ..LIGHT ASSY-GEAR IND SUPPLIER CODE: V81590 OVERLENGTH PART NUMBER: 434-674-1033-2204 SPECIFICATION NUMBER: S231T301-2204 ELECTRICAL EQUIP NUMBER: L00397 OPTIONAL PART: BCREF7815 V81590 USED ON: 233N2222-36 233N2222-40 233N2222-50 233N2222-51 233N2222-52 233N2222-53 233N2222-54 233N2222-55 233N2222-56 233N2222-58 233N2222-59 233N2222-61 233N2222-68 233N2222-73 233N2222-74 233N2222-75 233N2222-76 233N2222-78 233N2222-79 233N2222-80 233N2222-81 233N2222-82  MISSING ITEM NUMBERS NOT APPLICABLE	002004 006010 107107 121503 904999	1

- ITEM NOT ILLUSTRATED

32-61-51-01

32-61-51  
FIG. 01  
PAGE 5  
JAN 20/09

BRI



757

PARTS CATALOG (MAINTENANCE)

FIG ITEM	PART NUMBER	1 2 3 4 5 6 7 NOMENCLATURE	EFFECT FROM TO	UNITS PER ASSY
1		233N2222-83 233N2222-85 233N2222-86 233N2222-87 233N2222-89 233N2222-90 233N2222-114 233N2222-1077 233N2222-1080 233N2222-1082 233N2222-1090 233N2222-1103 233N2222-1508 PRE SERVICE BULLETIN: 34-0200 FOR DETAILS SEE: 33-14-70-03 ..LIGHT ASSY-LEFT IND SUPPLIER CODE: V81590 OVERLENGTH PART NUMBER: 434-674-1009-1206 SPECIFICATION NUMBER: S231T301-1206 ELECTRICAL EQUIP NUMBER: L00400 OPTIONAL PART: BCREf8606 V81590 USED ON: 233N2222-32 233N2222-34 233N2222-36 233N2222-37 233N2222-40 233N2222-43 233N2222-44 233N2222-45 233N2222-46 233N2222-50 233N2222-51 233N2222-52 233N2222-53 233N2222-54 233N2222-55 233N2222-56 233N2222-58 233N2222-59 233N2222-61	002004 006010 107107 121503 904999	1
25	BCREf7817			

MISSING ITEM NUMBERS NOT APPLICABLE

- ITEM NOT ILLUSTRATED

32-61-51-01

32-61-51  
 FIG. 01  
 PAGE 6  
 JAN 20/09

BRI



757

PARTS CATALOG (MAINTENANCE)

FIG ITEM	PART NUMBER	1 2 3 4 5 6 7 NOMENCLATURE	EFFECT FROM TO	UNITS PER ASSY
1		233N2222-68 233N2222-73 233N2222-74 233N2222-75 233N2222-76 233N2222-78 233N2222-79 233N2222-80 233N2222-81 233N2222-82 233N2222-83 233N2222-85 233N2222-86 233N2222-87 233N2222-89 233N2222-90 233N2222-114 233N2222-1077 233N2222-1080 233N2222-1082 233N2222-1090 233N2222-1103 233N2222-1508 PRE SERVICE BULLETIN: 34-0200 FOR DETAILS SEE: 33-14-70-03 ..LIGHT ASSY-LEFT IND SUPPLIER CODE: V81590 OVERLENGTH PART NUMBER: 434-674-1033-2206 SPECIFICATION NUMBER: S231T301-2206 ELECTRICAL EQUIP NUMBER: L00400 OPTIONAL PART: BCREf7817 V81590 USED ON: 233N2222-36 233N2222-40 233N2222-50 233N2222-51 233N2222-52 233N2222-53 233N2222-54 233N2222-55 233N2222-56		
25	BCREf8606	..LIGHT ASSY-LEFT IND SUPPLIER CODE: V81590 OVERLENGTH PART NUMBER: 434-674-1033-2206 SPECIFICATION NUMBER: S231T301-2206 ELECTRICAL EQUIP NUMBER: L00400 OPTIONAL PART: BCREf7817 V81590 USED ON: 233N2222-36 233N2222-40 233N2222-50 233N2222-51 233N2222-52 233N2222-53 233N2222-54 233N2222-55 233N2222-56	002004 006010 107107 121503 904999	1

MISSING ITEM NUMBERS NOT APPLICABLE

- ITEM NOT ILLUSTRATED

BRI

32-61-51-01

BOEING PROPRIETARY - Copyright © - Unpublished Work - See title page for details.

32-61-51  
 FIG. 01  
 PAGE 7  
 JAN 20/09

 **BOEING**  
757  
**PARTS CATALOG (MAINTENANCE)**

FIG ITEM	PART NUMBER	1 2 3 4 5 6 7	NOMENCLATURE	EFFECT FROM TO	UNITS PER ASSY
1			233N2222-58 233N2222-59 233N2222-61 233N2222-68 233N2222-73 233N2222-74 233N2222-75 233N2222-76 233N2222-78 233N2222-79 233N2222-80 233N2222-81 233N2222-82 233N2222-83 233N2222-85 233N2222-86 233N2222-87 233N2222-89 233N2222-90 233N2222-114 233N2222-1077 233N2222-1080 233N2222-1082 233N2222-1090 233N2222-1103 233N2222-1508 PRE SERVICE BULLETIN: 34-0200 FOR DETAILS SEE: 33-14-70-03 ..LIGHT ASSY-RIGHT IND SUPPLIER CODE: V81590 OVERLENGTH PART NUMBER: 434-674-1009-1207 SPECIFICATION NUMBER: S231T301-1207 ELECTRICAL EQUIP NUMBER: L00399 OPTIONAL PART: BCREf8607 V81590 USED ON: 233N2222-32 233N2222-34 233N2222-36 233N2222-37 233N2222-40 233N2222-43		
	30 BCREf7818		PRE SERVICE BULLETIN: 34-0200 FOR DETAILS SEE: 33-14-70-03 ..LIGHT ASSY-RIGHT IND SUPPLIER CODE: V81590 OVERLENGTH PART NUMBER: 434-674-1009-1207 SPECIFICATION NUMBER: S231T301-1207 ELECTRICAL EQUIP NUMBER: L00399 OPTIONAL PART: BCREf8607 V81590 USED ON: 233N2222-32 233N2222-34 233N2222-36 233N2222-37 233N2222-40 233N2222-43	002004 006010 107107 121503 904999	1

MISSING ITEM NUMBERS NOT APPLICABLE

— ITEM NOT ILLUSTRATED

BRI

# 32-61-51-01

BOEING PROPRIETARY - Copyright © - Unpublished Work - See title page for details.

32-61-51  
FIG. 01  
PAGE 8  
JAN 20/09





757

PARTS CATALOG (MAINTENANCE)

FIG ITEM	PART NUMBER	1 2 3 4 5 6 7 NOMENCLATURE	EFFECT FROM TO	UNITS PER ASSY
1		233N2222-44 233N2222-45 233N2222-46 233N2222-50 233N2222-51 233N2222-52 233N2222-53 233N2222-54 233N2222-55 233N2222-56 233N2222-58 233N2222-59 233N2222-61 233N2222-68 233N2222-73 233N2222-74 233N2222-75 233N2222-76 233N2222-78 233N2222-79 233N2222-80 233N2222-81 233N2222-82 233N2222-83 233N2222-85 233N2222-86 233N2222-87 233N2222-89 233N2222-90 233N2222-114 233N2222-1077 233N2222-1080 233N2222-1082 233N2222-1090 233N2222-1103 233N2222-1508 PRE SERVICE BULLETIN: 34-0200 FOR DETAILS SEE: 33-14-70-03 ..LIGHT ASSY-RIGHT IND SUPPLIER CODE: V81590 OVERLENGTH PART NUMBER: 434-674-1033-2207 SPECIFICATION NUMBER: S231T301-2207 ELECTRICAL EQUIP NUMBER: L00399 MISSING ITEM NUMBERS NOT APPLICABLE		
30	BCREF8607		002004 006010 107107 121503 904999	1

- ITEM NOT ILLUSTRATED

32-61-51-01

32-61-51  
 FIG. 01  
 PAGE 9  
 JAN 20/09

BRI



757

PARTS CATALOG (MAINTENANCE)

FIG ITEM	PART NUMBER	1 2 3 4 5 6 7 NOMENCLATURE	EFFECT FROM TO	UNITS PER ASSY
1		OPTIONAL PART: BCRE7818 V81590 USED ON: 233N2222-36 233N2222-40 233N2222-50 233N2222-51 233N2222-52 233N2222-53 233N2222-54 233N2222-55 233N2222-56 233N2222-58 233N2222-59 233N2222-61 233N2222-68 233N2222-73 233N2222-74 233N2222-75 233N2222-76 233N2222-78 233N2222-79 233N2222-80 233N2222-81 233N2222-82 233N2222-83 233N2222-85 233N2222-86 233N2222-87 233N2222-89 233N2222-90 233N2222-114 233N2222-1077 233N2222-1080 233N2222-1082 233N2222-1090 233N2222-1103 233N2222-1508 PRE SERVICE BULLETIN: 34-0200 FOR DETAILS SEE: 33-14-70-03		
35	BCREF7814	..LIGHT ASSY-DOORS IND SUPPLIER CODE: V81590 OVERLENGTH PART NUMBER: 434-674-1009-1203 SPECIFICATION NUMBER:  MISSING ITEM NUMBERS NOT APPLICABLE	002004 006010 107107 121503 904999	1

- ITEM NOT ILLUSTRATED

BRI

# 32-61-51-01

BOEING PROPRIETARY - Copyright © - Unpublished Work - See title page for details.

32-61-51  
FIG. 01  
PAGE 10  
JAN 20/09



757

PARTS CATALOG (MAINTENANCE)

FIG ITEM	PART NUMBER	1 2 3 4 5 6 7 NOMENCLATURE	EFFECT FROM TO	UNITS PER ASSY
1		S231T301-1203 ELECTRICAL EQUIP NUMBER: L00396 OPTIONAL PART: BCREP8603 V81590 USED ON: 233N2222-32 233N2222-34 233N2222-36 233N2222-37 233N2222-40 233N2222-43 233N2222-44 233N2222-45 233N2222-46 233N2222-50 233N2222-51 233N2222-52 233N2222-53 233N2222-54 233N2222-55 233N2222-56 233N2222-58 233N2222-59 233N2222-61 233N2222-68 233N2222-73 233N2222-74 233N2222-75 233N2222-76 233N2222-77 233N2222-78 233N2222-79 233N2222-80 233N2222-81 233N2222-82 233N2222-83 233N2222-85 233N2222-86 233N2222-87 233N2222-89 233N2222-90 233N2222-114 233N2222-1032 233N2222-1034 233N2222-1036 233N2222-1037 233N2222-1040  MISSING ITEM NUMBERS NOT APPLICABLE		

- ITEM NOT ILLUSTRATED

BRI

32-61-51-01

BOEING PROPRIETARY - Copyright © - Unpublished Work - See title page for details.

32-61-51  
FIG. 01  
PAGE 11  
JAN 20/09



757

PARTS CATALOG (MAINTENANCE)

FIG ITEM	PART NUMBER	1 2 3 4 5 6 7	NOMENCLATURE	EFFECT FROM TO	UNITS PER ASSY
1			233N2222-1043 233N2222-1044 233N2222-1045 233N2222-1050 233N2222-1051 233N2222-1052 233N2222-1053 233N2222-1054 233N2222-1055 233N2222-1056 233N2222-1058 233N2222-1059 233N2222-1061 233N2222-1073 233N2222-1074 233N2222-1075 233N2222-1076 233N2222-1077 233N2222-1078 233N2222-1080 233N2222-1081 233N2222-1082 233N2222-1083 233N2222-1085 233N2222-1086 233N2222-1089 233N2222-1090 233N2222-1103 PRE SERVICE BULLETIN: 34-0200 FOR DETAILS SEE: 33-14-70-03 ..LIGHT ASSY-DOORS IND SUPPLIER CODE: V81590 OVERLENGTH PART NUMBER: 434-674-1033-2203 SPECIFICATION NUMBER: S231T301-2203 ELECTRICAL EQUIP NUMBER: L00396 OPTIONAL PART: BCRE7814 V81590 USED ON: 233N2222-36 233N2222-40 233N2222-50 233N2222-51		
35	BREF8603		..LIGHT ASSY-DOORS IND SUPPLIER CODE: V81590 OVERLENGTH PART NUMBER: 434-674-1033-2203 SPECIFICATION NUMBER: S231T301-2203 ELECTRICAL EQUIP NUMBER: L00396 OPTIONAL PART: BREF7814 V81590 USED ON: 233N2222-36 233N2222-40 233N2222-50 233N2222-51	002004 006010 107107 121503 904999	1

MISSING ITEM NUMBERS NOT APPLICABLE

- ITEM NOT ILLUSTRATED

32-61-51-01

32-61-51  
FIG. 01  
PAGE 12  
JAN 20/09

BRI



757

PARTS CATALOG (MAINTENANCE)

FIG ITEM	PART NUMBER	1 2 3 4 5 6 7	NOMENCLATURE	EFFECT FROM TO	UNITS PER ASSY
1			233N2222-52 233N2222-53 233N2222-54 233N2222-55 233N2222-56 233N2222-58 233N2222-59 233N2222-61 233N2222-68 233N2222-73 233N2222-74 233N2222-75 233N2222-76 233N2222-77 233N2222-78 233N2222-79 233N2222-80 233N2222-81 233N2222-82 233N2222-83 233N2222-85 233N2222-86 233N2222-90 233N2222-114 233N2222-1036 233N2222-1040 233N2222-1050 233N2222-1051 233N2222-1052 233N2222-1053 233N2222-1054 233N2222-1055 233N2222-1056 233N2222-1058 233N2222-1059 233N2222-1061 233N2222-1073 233N2222-1074 233N2222-1075 233N2222-1076 233N2222-1077 233N2222-1078 233N2222-1080 233N2222-1081 233N2222-1082 233N2222-1083 233N2222-1085 233N2222-1086 233N2222-1090		
MISSING ITEM NUMBERS NOT APPLICABLE					

- ITEM NOT ILLUSTRATED

BRI

# 32-61-51-01

BOEING PROPRIETARY - Copyright © - Unpublished Work - See title page for details.

32-61-51  
FIG. 01  
PAGE 13  
JAN 20/09



757

PARTS CATALOG (MAINTENANCE)

FIG ITEM	PART NUMBER	1 2 3 4 5 6 7	NOMENCLATURE	EFFECT FROM TO	UNITS PER ASSY
1			233N2222-1103 FOR DETAILS SEE: 33-14-70-03		
- 100	233N2222-329	.MODULE ASSY-	COMPONENT MAINT MANUAL REF: 31-11-49 POST SERVICE BULLETIN: 34-0200 PRE ALERT SB: 33A0044	952952	RF
- 100	233N2222-1329	.MODULE ASSY-	COMPONENT MAINT MANUAL REF: 31-11-49 POST ALERT SB: 33A0044	952952	RF
105	233N2222-111	..MODULE ASSY-	PRE ALERT SB: 33A0044	952952	RF
105	233N2222-1111	..MODULE ASSY-	POST ALERT SB: 33A0044	952952	RF
110	BCREF8603	...LIGHT ASSY-DOORS IND	SUPPLIER CODE: V81590 OVERLENGTH PART NUMBER: 434-674-1033-2203 SPECIFICATION NUMBER: S231T301-2203 ELECTRICAL EQUIP NUMBER: L00396 POST SERVICE BULLETIN: 32-0024 FOR DETAILS SEE: 33-14-70-03	952952	1
110	BCREF7814	...LIGHT ASSY-DOORS IND	SUPPLIER CODE: V81590 OVERLENGTH PART NUMBER: 434-674-1009-1203 SPECIFICATION NUMBER: S231T301-1203 ELECTRICAL EQUIP NUMBER: L00396 FOR DETAILS SEE: 33-14-70-03	952952	1

MISSING ITEM NUMBERS NOT APPLICABLE

- ITEM NOT ILLUSTRATED

32-61-51-01

32-61-51  
FIG. 01  
PAGE 14  
JAN 20/09

BRI



757

PARTS CATALOG (MAINTENANCE)

FIG ITEM	PART NUMBER	1 2 3 4 5 6 7	NOMENCLATURE	EFFECT FROM TO	UNITS PER ASSY
1 115	BCREF8605	...	LIGHT ASSY-NOSE IND SUPPLIER CODE: V81590 OVERLENGTH PART NUMBER: 434-674-1033-2205 SPECIFICATION NUMBER: S231T301-2205 ELECTRICAL EQUIP NUMBER: L00398 POST SERVICE BULLETIN: 32-0200 FOR DETAILS SEE: 33-14-70-03	952952	1
115	BCREF7816	...	LIGHT ASSY-NOSE IND SUPPLIER CODE: V81590 OVERLENGTH PART NUMBER: 434-674-1009-1205 SPECIFICATION NUMBER: S231T301-1205 ELECTRICAL EQUIP NUMBER: L00398 FOR DETAILS SEE: 33-14-70-03	952952	1
120	BCREF8604	...	LIGHT ASSY-GEAR IND SUPPLIER CODE: V81590 OVERLENGTH PART NUMBER: 434-674-1033-2204 SPECIFICATION NUMBER: S231T301-2204 ELECTRICAL EQUIP NUMBER: L00397 POST SERVICE BULLETIN: 32-0200 FOR DETAILS SEE: 33-14-70-03	952952	1
120	BCREF7815	...	LIGHT ASSY-GEAR IND SUPPLIER CODE: V81590 OVERLENGTH PART NUMBER: 434-674-1009-1204 SPECIFICATION NUMBER: S231T301-1204 ELECTRICAL EQUIP NUMBER: L00397 FOR DETAILS SEE: 33-14-70-03	952952	1

MISSING ITEM NUMBERS NOT APPLICABLE

- ITEM NOT ILLUSTRATED

32-61-51-01

32-61-51  
FIG. 01  
PAGE 15  
JAN 20/09

BRI



757

PARTS CATALOG (MAINTENANCE)

FIG ITEM	PART NUMBER	1 2 3 4 5 6 7	NOMENCLATURE	EFFECT FROM TO	UNITS PER ASSY
1 125	BCREF8606		...LIGHT ASSY-LEFT IND SUPPLIER CODE: V81590 OVERLENGTH PART NUMBER: 434-674-1033-2206 SPECIFICATION NUMBER: S231T301-2206 ELECTRICAL EQUIP NUMBER: L00400 POST SERVICE BULLETIN: 32-0200 FOR DETAILS SEE: 33-14-70-03	952952	1
125	BCREF7817		...LIGHT ASSY-LEFT IND SUPPLIER CODE: V81590 OVERLENGTH PART NUMBER: 434-674-1009-1206 SPECIFICATION NUMBER: S231T301-1206 ELECTRICAL EQUIP NUMBER: L00400 FOR DETAILS SEE: 33-14-70-03	952952	1
130	BCREF8607		...LIGHT ASSY-LEFT IND SUPPLIER CODE: V81590 OVERLENGTH PART NUMBER: 434-674-1033-2207 SPECIFICATION NUMBER: S231T301-2207 ELECTRICAL EQUIP NUMBER: L00399 POST SERVICE BULLETIN: 32-0200 FOR DETAILS SEE: 33-14-70-03	952952	1
130	BCREF7818		...LIGHT ASSY-RIGHT IND SUPPLIER CODE: V81590 OVERLENGTH PART NUMBER: 434-674-1009-1207 SPECIFICATION NUMBER: S231T301-1207 ELECTRICAL EQUIP NUMBER: L00399 FOR DETAILS SEE: 33-14-70-03	952952	1

MISSING ITEM NUMBERS NOT APPLICABLE

- ITEM NOT ILLUSTRATED

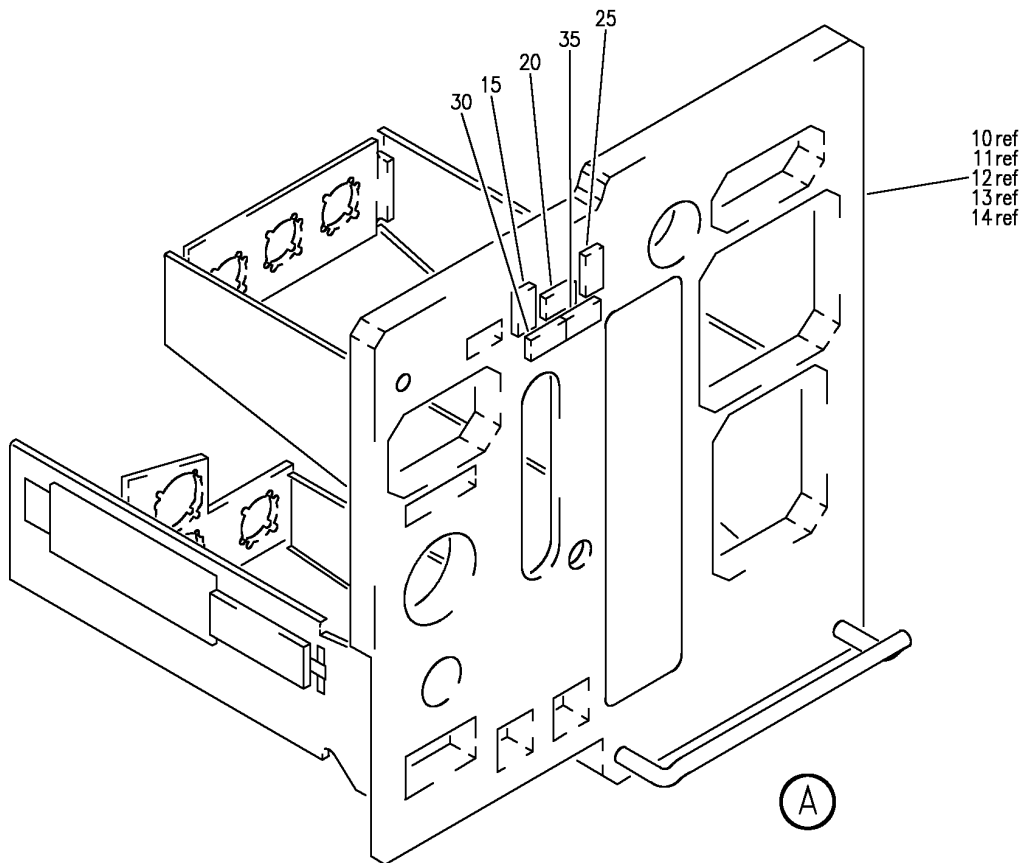
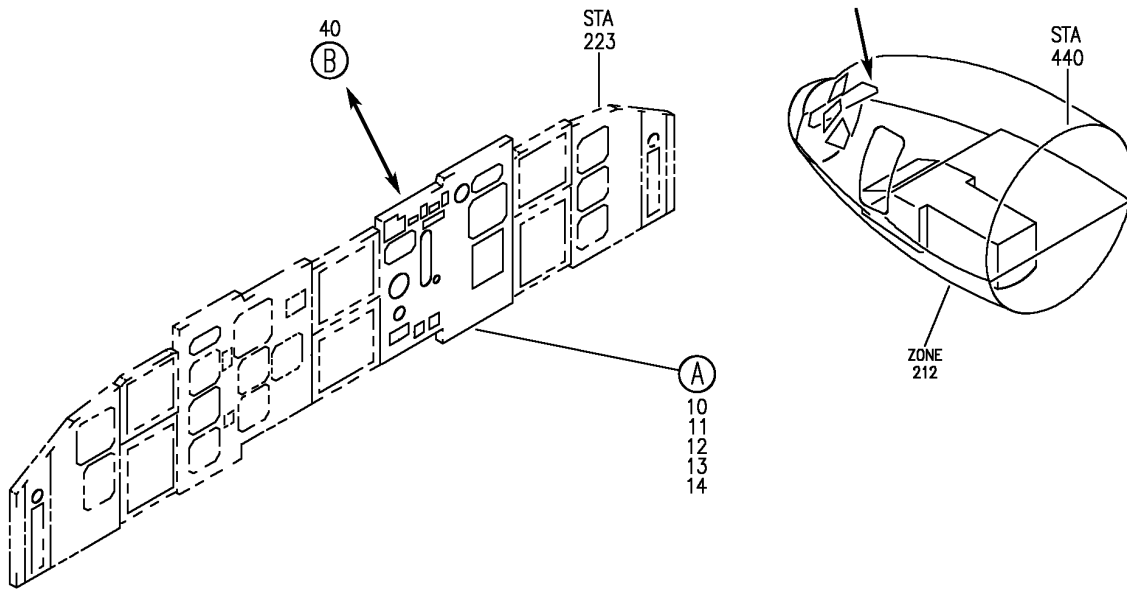
32-61-51-01

32-61-51  
FIG. 01  
PAGE 16  
JAN 20/09

BRI



**BOEING**  
757  
PARTS CATALOG (MAINTENANCE)



Y 32615102 SH1 1 REV 277

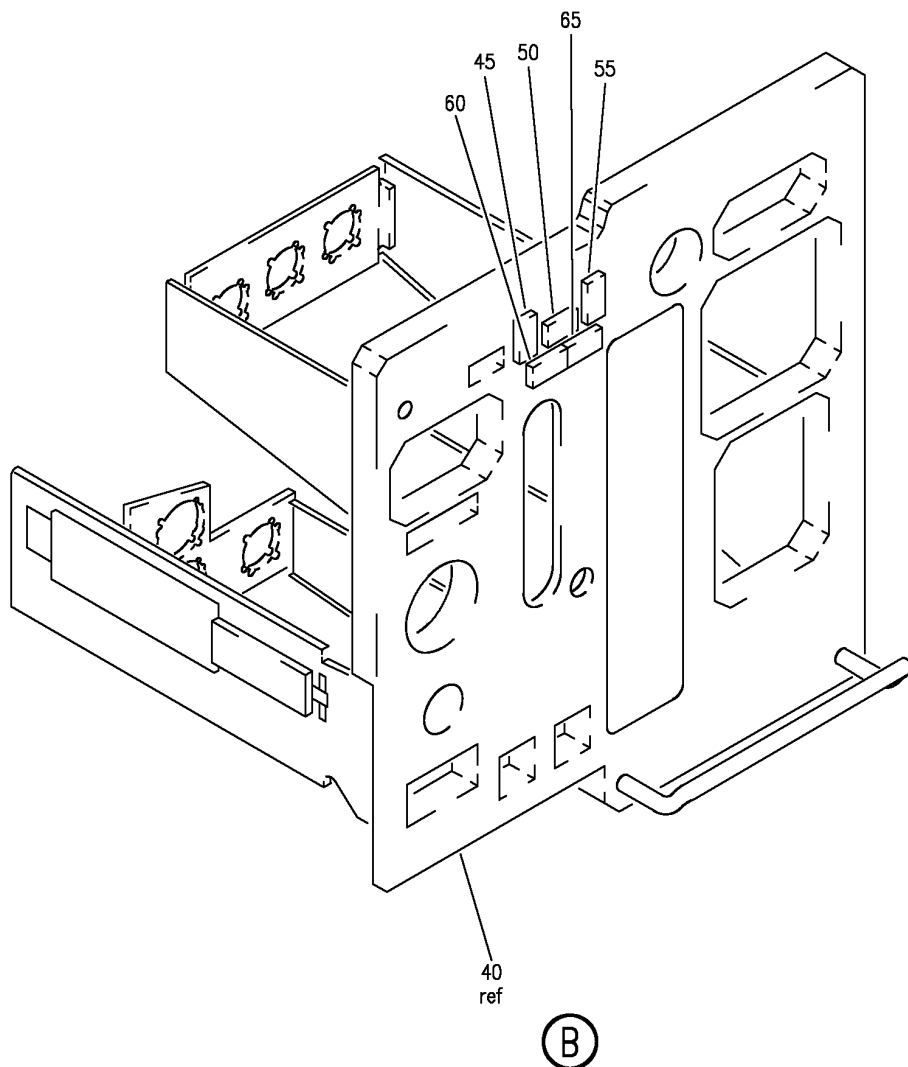
PANEL INSTL-CAPT AND FIRST OFFICER FWD (LANDING GEAR POSITION AND WARNING SYSTEM ONLY)  
FIGURE 2 (SHEET 1)

BRI  
MAY 28/07

**32-61-51-02**

32-61-51-02  
PAGE 0

**BOEING**  
757  
PARTS CATALOG (MAINTENANCE)



Y 32615102 SH1 2 REV 266

PANEL INSTL-CAPT AND FIRST OFFICER FWD (LANDING GEAR POSITION AND WARNING SYSTEM ONLY)  
FIGURE 2 (SHEET 2)

BRI  
MAY 28/07

**32-61-51-02**

32-61-51-02  
PAGE 0A



757

PARTS CATALOG (MAINTENANCE)

FIG ITEM	PART NUMBER	1 2 3 4 5 6 7	NOMENCLATURE	EFFECT FROM TO	UNITS PER ASSY
2			PANEL INSTL-CAPT AND FIRST OFFICER FWD (LANDING GEAR POSITION AND WARNING SYSTEM ONLY)	011100	
- 1	233N2101-1		PANEL INSTL-CAPT AND FIRST OFFICER (LANDING GEAR POSITION AND WARNING SYSTEM ONLY) POSITION DATA: FWD VARIABLE DRAWING REF: 233N2101-5039 FOR NHA/OTHER SYS DET SEE: 25-10-00-05A	011100	RF
- 5	233N2222-301		.MODULE ASSY-P3-1 COMPONENT MAINT MANUAL REF: 31-11-49 PRE ALERT SB: 33A0044	011100	RF
- 5	233N2222-1301		.MODULE ASSY-P3-1 COMPONENT MAINT MANUAL REF: 31-11-49 POST ALERT SB: 33A0044	011100	RF
10	233N2222-77		..MODULE ASSY- PRE ALERT SB: 33A0044	011100	RF
10	233N2222-1077		..MODULE ASSY- POST ALERT SB: 33A0044	011100	RF

MISSING ITEM NUMBERS NOT APPLICABLE

- ITEM NOT ILLUSTRATED

BRI

32-61-51-02

BOEING PROPRIETARY - Copyright © - Unpublished Work - See title page for details.

32-61-51  
FIG. 02  
PAGE 1  
JAN 20/09



757

PARTS CATALOG (MAINTENANCE)

FIG ITEM	PART NUMBER	1 2 3 4 5 6 7	NOMENCLATURE	EFFECT FROM TO	UNITS PER ASSY
2 15	BCREF7814		...LIGHT ASSY-DOORS IND SUPPLIER CODE: V81590 OVERLENGTH PART NUMBER: 434-674-1009-1203 SPECIFICATION NUMBER: S231T301-1203 ELECTRICAL EQUIP NUMBER: L00396 OPTIONAL PART: BCREF8603 V81590 USED ON: 233N2222-77 233N2222-78 233N2222-80 233N2222-81 233N2222-82 233N2222-87 233N2222-89 233N2222-90 233N2222-91 233N2222-93 233N2222-94 233N2222-114 233N2222-1077 233N2222-1078 233N2222-1080 233N2222-1082 233N2222-1089 233N2222-1090 233N2222-1091 233N2222-1093 233N2222-1094 233N2222-1103 FOR DETAILS SEE: 33-14-70-03	011100	1

MISSING ITEM NUMBERS NOT APPLICABLE

- ITEM NOT ILLUSTRATED

BRI

32-61-51-02

BOEING PROPRIETARY - Copyright © - Unpublished Work - See title page for details.

32-61-51  
FIG. 02  
PAGE 2  
JAN 20/09



757

PARTS CATALOG (MAINTENANCE)

FIG ITEM	PART NUMBER	1 2 3 4 5 6 7	NOMENCLATURE	EFFECT FROM TO	UNITS PER ASSY
2 15	BCREF8603		...LIGHT ASSY-DOORS IND SUPPLIER CODE: V81590 OVERLENGTH PART NUMBER: 434-674-1033-2203 SPECIFICATION NUMBER: S231T301-2203 ELECTRICAL EQUIP NUMBER: L00396 OPTIONAL PART: BCREP7814 V81590 USED ON: 233N2222-77 233N2222-78 233N2222-80 233N2222-81 233N2222-82 233N2222-87 233N2222-89 233N2222-90 233N2222-91 233N2222-93 233N2222-94 233N2222-114 233N2222-125 233N2222-139 233N2222-153 233N2222-1077 233N2222-1078 233N2222-1080 233N2222-1082 233N2222-1089 233N2222-1090 233N2222-1091 233N2222-1093 233N2222-1094 233N2222-1103 233N2222-1125 FOR DETAILS SEE: 33-14-70-03	011100	1

MISSING ITEM NUMBERS NOT APPLICABLE

- ITEM NOT ILLUSTRATED

BRI

32-61-51-02

BOEING PROPRIETARY - Copyright © - Unpublished Work - See title page for details.

32-61-51  
FIG. 02  
PAGE 3  
JAN 20/09



757

PARTS CATALOG (MAINTENANCE)

FIG ITEM	PART NUMBER	1 2 3 4 5 6 7 NOMENCLATURE	EFFECT FROM TO	UNITS PER ASSY
2 20	BCREF7816	...LIGHT ASSY-NOSE IND SUPPLIER CODE: V81590 OVERLENGTH PART NUMBER: 434-674-1009-1205 SPECIFICATION NUMBER: S231T301-1205 ELECTRICAL EQUIP NUMBER: L00398 OPTIONAL PART: BCREF8605 V81590 USED ON: 233N2222-77 233N2222-78 233N2222-80 233N2222-81 233N2222-82 233N2222-87 233N2222-89 233N2222-90 233N2222-91 233N2222-93 233N2222-94 233N2222-1077 233N2222-1078 233N2222-1080 233N2222-1082 233N2222-1089 233N2222-1090 233N2222-1091 233N2222-1093 233N2222-1094 FOR DETAILS SEE: 33-14-70-03	011100	1

MISSING ITEM NUMBERS NOT APPLICABLE

- ITEM NOT ILLUSTRATED

BRI

32-61-51-02

BOEING PROPRIETARY - Copyright © - Unpublished Work - See title page for details.

32-61-51  
FIG. 02  
PAGE 4  
JAN 20/09



757

PARTS CATALOG (MAINTENANCE)

FIG ITEM	PART NUMBER	1 2 3 4 5 6 7	NOMENCLATURE	EFFECT FROM TO	UNITS PER ASSY
2 20	BCREF8605		...LIGHT ASSY-NOSE IND SUPPLIER CODE: V81590 OVERLENGTH PART NUMBER: 434-674-1033-2205 SPECIFICATION NUMBER: S231T301-2205 ELECTRICAL EQUIP NUMBER: L00398 OPTIONAL PART: BCREP7816 V81590 USED ON: 233N2222-77 233N2222-78 233N2222-80 233N2222-81 233N2222-82 233N2222-87 233N2222-89 233N2222-90 233N2222-91 233N2222-93 233N2222-94 233N2222-114 233N2222-125 233N2222-139 233N2222-153 233N2222-1077 233N2222-1078 233N2222-1080 233N2222-1082 233N2222-1089 233N2222-1090 233N2222-1091 233N2222-1093 233N2222-1094 233N2222-1103 233N2222-1125 FOR DETAILS SEE: 33-14-70-03	011100	1

MISSING ITEM NUMBERS NOT APPLICABLE

- ITEM NOT ILLUSTRATED

BRI

32-61-51-02

BOEING PROPRIETARY - Copyright © - Unpublished Work - See title page for details.

32-61-51  
FIG. 02  
PAGE 5  
JAN 20/09



757

PARTS CATALOG (MAINTENANCE)

FIG ITEM	PART NUMBER	1 2 3 4 5 6 7 NOMENCLATURE	EFFECT FROM TO	UNITS PER ASSY
2 25	BCREF7815	...LIGHT ASSY-GEAR IND SUPPLIER CODE: V81590 OVERLENGTH PART NUMBER: 434-674-1009-1204 SPECIFICATION NUMBER: S231T301-1204 ELECTRICAL EQUIP NUMBER: L00397 OPTIONAL PART: BCREP8604 V81590 USED ON: 233N2222-77 233N2222-78 233N2222-80 233N2222-81 233N2222-82 233N2222-87 233N2222-89 233N2222-90 233N2222-91 233N2222-93 233N2222-94 233N2222-114 233N2222-1077 233N2222-1078 233N2222-1080 233N2222-1082 233N2222-1089 233N2222-1090 233N2222-1091 233N2222-1093 233N2222-1094 233N2222-1103 FOR DETAILS SEE: 33-14-70-03	011100	1

MISSING ITEM NUMBERS NOT APPLICABLE

- ITEM NOT ILLUSTRATED

BRI

32-61-51-02

BOEING PROPRIETARY - Copyright © - Unpublished Work - See title page for details.

32-61-51  
FIG. 02  
PAGE 6  
JAN 20/09





757

PARTS CATALOG (MAINTENANCE)

FIG ITEM	PART NUMBER	1 2 3 4 5 6 7	NOMENCLATURE	EFFECT FROM TO	UNITS PER ASSY
2 25	BCREF8604		...LIGHT ASSY-GEAR IND SUPPLIER CODE: V81590 OVERLENGTH PART NUMBER: 434-674-1033-2204 SPECIFICATION NUMBER: S231T301-2204 ELECTRICAL EQUIP NUMBER: L00397 OPTIONAL PART: BCREF7815 V81590 USED ON: 233N2222-77 233N2222-78 233N2222-80 233N2222-81 233N2222-82 233N2222-87 233N2222-89 233N2222-90 233N2222-91 233N2222-93 233N2222-94 233N2222-114 233N2222-125 233N2222-139 233N2222-153 233N2222-1077 233N2222-1078 233N2222-1080 233N2222-1082 233N2222-1089 233N2222-1090 233N2222-1091 233N2222-1093 233N2222-1094 233N2222-1103 233N2222-1125 FOR DETAILS SEE: 33-14-70-03	011100	1

MISSING ITEM NUMBERS NOT APPLICABLE

- ITEM NOT ILLUSTRATED

BRI

32-61-51-02

BOEING PROPRIETARY - Copyright © - Unpublished Work - See title page for details.

32-61-51  
FIG. 02  
PAGE 7  
JAN 20/09



757

PARTS CATALOG (MAINTENANCE)

FIG ITEM	PART NUMBER	1 2 3 4 5 6 7 NOMENCLATURE	EFFECT FROM TO	UNITS PER ASSY
2 30	BCREF7817	...LIGHT ASSY-LEFT IND SUPPLIER CODE: V81590 OVERLENGTH PART NUMBER: 434-674-1009-1206 SPECIFICATION NUMBER: S231T301-1206 ELECTRICAL EQUIP NUMBER: L00400 OPTIONAL PART: BCREP8606 V81590 USED ON: 233N2222-77 233N2222-78 233N2222-80 233N2222-81 233N2222-82 233N2222-87 233N2222-89 233N2222-90 233N2222-91 233N2222-93 233N2222-94 233N2222-114 233N2222-1077 233N2222-1078 233N2222-1080 233N2222-1082 233N2222-1089 233N2222-1090 233N2222-1091 233N2222-1093 233N2222-1094 233N2222-1103 FOR DETAILS SEE: 33-14-70-03	011100	1

MISSING ITEM NUMBERS NOT APPLICABLE

- ITEM NOT ILLUSTRATED

BRI

# 32-61-51-02

BOEING PROPRIETARY - Copyright © - Unpublished Work - See title page for details.

32-61-51  
FIG. 02  
PAGE 8  
JAN 20/09



757

PARTS CATALOG (MAINTENANCE)

FIG ITEM	PART NUMBER	1 2 3 4 5 6 7	NOMENCLATURE	EFFECT FROM TO	UNITS PER ASSY
2 30	BCREF8606		...LIGHT ASSY-LEFT IND SUPPLIER CODE: V81590 OVERLENGTH PART NUMBER: 434-674-1033-2206 SPECIFICATION NUMBER: S231T301-2206 ELECTRICAL EQUIP NUMBER: L00400 OPTIONAL PART: BCREF7817 V81590 USED ON: 233N2222-77 233N2222-78 233N2222-80 233N2222-81 233N2222-82 233N2222-87 233N2222-89 233N2222-90 233N2222-91 233N2222-93 233N2222-94 233N2222-114 233N2222-125 233N2222-139 233N2222-153 233N2222-1077 233N2222-1078 233N2222-1080 233N2222-1082 233N2222-1089 233N2222-1090 233N2222-1091 233N2222-1093 233N2222-1094 233N2222-1103 233N2222-1125 FOR DETAILS SEE: 33-14-70-03	011100	1

MISSING ITEM NUMBERS NOT APPLICABLE

- ITEM NOT ILLUSTRATED

BRI

# 32-61-51-02

BOEING PROPRIETARY - Copyright © - Unpublished Work - See title page for details.

32-61-51  
FIG. 02  
PAGE 9  
JAN 20/09



757

PARTS CATALOG (MAINTENANCE)

FIG ITEM	PART NUMBER	1 2 3 4 5 6 7	NOMENCLATURE	EFFECT FROM TO	UNITS PER ASSY
2 35	BCREF7818		...LIGHT ASSY-RIGHT IND SUPPLIER CODE: V81590 OVERLENGTH PART NUMBER: 434-674-1009-1207 SPECIFICATION NUMBER: S231T301-1207 ELECTRICAL EQUIP NUMBER: L00399 OPTIONAL PART: BCREP8607 V81590 USED ON: 233N2222-77 233N2222-78 233N2222-80 233N2222-81 233N2222-82 233N2222-87 233N2222-89 233N2222-90 233N2222-91 233N2222-93 233N2222-94 233N2222-114 233N2222-1077 233N2222-1078 233N2222-1080 233N2222-1082 233N2222-1089 233N2222-1090 233N2222-1091 233N2222-1093 233N2222-1094 233N2222-1103 FOR DETAILS SEE: 33-14-70-03	011100	1

MISSING ITEM NUMBERS NOT APPLICABLE

- ITEM NOT ILLUSTRATED

BRI

32-61-51-02

BOEING PROPRIETARY - Copyright © - Unpublished Work - See title page for details.

32-61-51  
FIG. 02  
PAGE 10  
JAN 20/09



757

PARTS CATALOG (MAINTENANCE)

FIG ITEM	PART NUMBER	1 2 3 4 5 6 7	NOMENCLATURE	EFFECT FROM TO	UNITS PER ASSY
2 35	BCREF8607		...LIGHT ASSY-RIGHT IND SUPPLIER CODE: V81590 OVERLENGTH PART NUMBER: 434-674-1033-2207 SPECIFICATION NUMBER: S231T301-2207 ELECTRICAL EQUIP NUMBER: L00399 OPTIONAL PART: BCREP7818 V81590 USED ON: 233N2222-77 233N2222-78 233N2222-80 233N2222-81 233N2222-82 233N2222-87 233N2222-89 233N2222-90 233N2222-91 233N2222-93 233N2222-94 233N2222-114 233N2222-125 233N2222-139 233N2222-153 233N2222-1077 233N2222-1078 233N2222-1080 233N2222-1082 233N2222-1089 233N2222-1090 233N2222-1091 233N2222-1093 233N2222-1094 233N2222-1103 233N2222-1125 FOR DETAILS SEE: 33-14-70-03	011100	1

MISSING ITEM NUMBERS NOT APPLICABLE

- ITEM NOT ILLUSTRATED

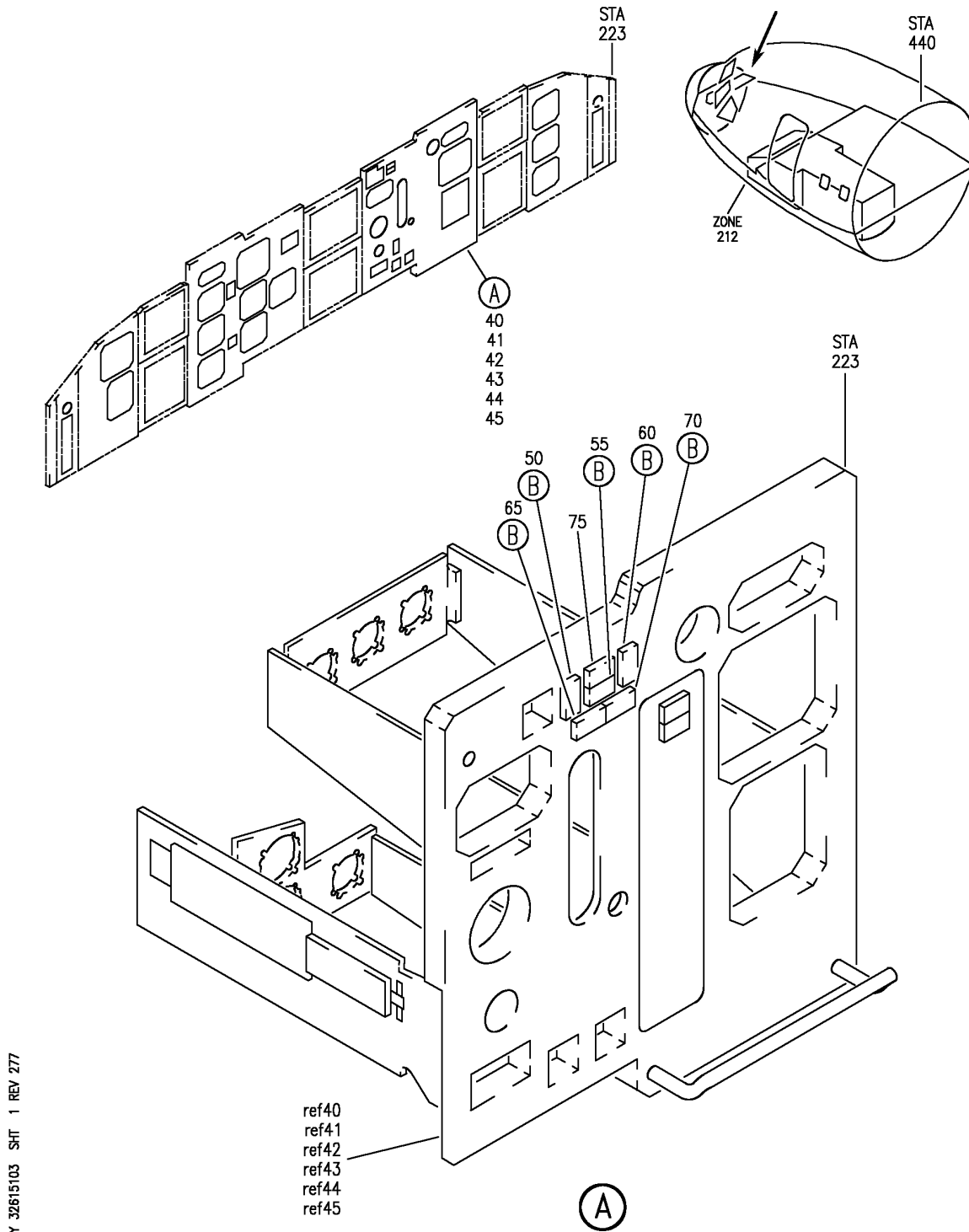
BRI

32-61-51-02

BOEING PROPRIETARY - Copyright © - Unpublished Work - See title page for details.

32-61-51  
FIG. 02  
PAGE 11  
JAN 20/09

**BOEING**  
757  
PARTS CATALOG (MAINTENANCE)



Y 32615103 SH1 1 REV 277

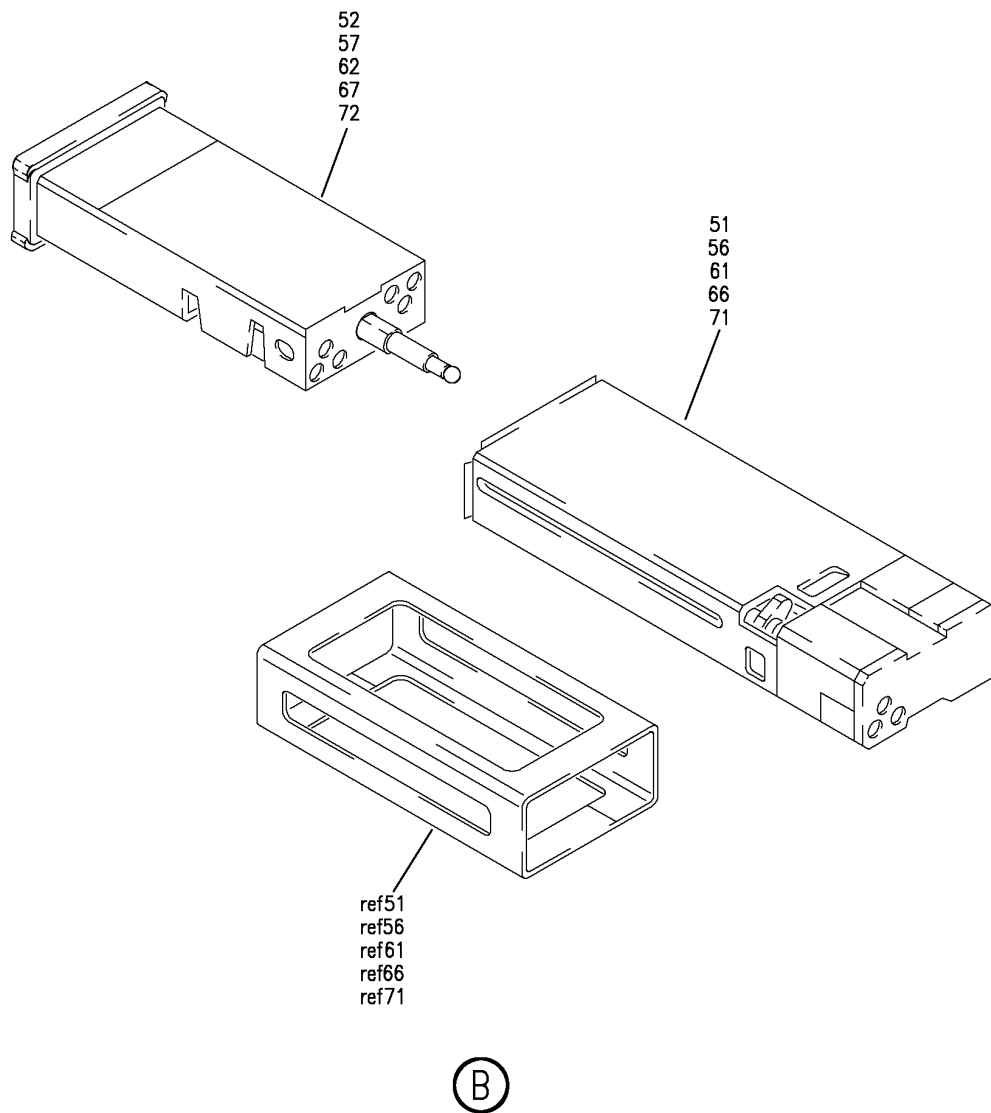
PANEL INSTL-P3-1 (LANDING GEAR POSITION INDICATING AND WARNING SYSTEM ONLY)  
FIGURE 3 (SHEET 1)

**32-61-51-03**

BRI  
MAY 28/07

32-61-51-03  
PAGE 0

**BOEING**  
757  
PARTS CATALOG (MAINTENANCE)



Y 32615103 SH1 2 REV 249

PANEL INSTL-P3-1 (LANDING GEAR POSITION INDICATING AND WARNING SYSTEM ONLY)  
FIGURE 3 (SHEET 2)

BRI  
MAY 28/07

**32-61-51-03**

32-61-51-03  
PAGE 0A



757

PARTS CATALOG (MAINTENANCE)

FIG ITEM	PART NUMBER	1 2 3 4 5 6 7	NOMENCLATURE	EFFECT FROM TO	UNITS PER ASSY
3			PANEL INSTL-P3-1 (LANDING GEAR POSITION INDICATING AND WARNING SYSTEM ONLY)	101106 108120 504903	
- 1	233N2103-17		PANEL INSTL-P3-1 (LANDING GEAR POSITION INDICATING AND WARNING SYSTEM ONLY) FOR NHA/OTHER SYS DET SEE: 25-10-00-15B	101101	RF
- 1	233N2103-217		PANEL INSTL-P3-1 (LANDING GEAR POSITION INDICATING AND WARNING SYSTEM ONLY) FOR NHA/OTHER SYS DET SEE: 25-10-00-15B	102102	RF
- 2	233N2103-254		PANEL INSTL-P3-1 (LANDING GEAR POSITION INDICATING AND WARNING SYSTEM ONLY) FOR NHA/OTHER SYS DET SEE: 25-10-00-15B	504903	RF
- 3	233N2103-371		PANEL INSTL-P3-1 (LANDING GEAR POSITION INDICATING AND WARNING SYSTEM ONLY) FOR NHA/OTHER SYS DET SEE: 25-10-00-15B	108120	RF

MISSING ITEM NUMBERS NOT APPLICABLE

- ITEM NOT ILLUSTRATED

BRI

32-61-51-03

BOEING PROPRIETARY - Copyright © - Unpublished Work - See title page for details.

32-61-51  
FIG. 03  
PAGE 1  
JAN 20/09





757

PARTS CATALOG (MAINTENANCE)

FIG ITEM	PART NUMBER	1 2 3 4 5 6 7	NOMENCLATURE	EFFECT FROM TO	UNITS PER ASSY
3 - 5	MODREF31741		PANEL INSTL-P3-1 (LANDING GEAR POSITION INDICATING AND WARNING SYSTEM ONLY) MODULE NUMBER: 233N2103-425 REV A FOR OTHER SYS DETAILS SEE: 11-31-01-38 22-11-02-03 22-14-01-03 22-31-02-01 22-34-51-02 26-17-51-05 27-51-57-03 27-58-00-02 27-81-00-01 29-21-55-02 31-11-11-19 31-11-16-01 31-11-26-38 31-25-01-03 31-41-52-02 31-51-52-02 32-35-52-03 32-41-52-02 32-42-55-03 32-46-00-01 33-13-57-01A 33-16-52-03 34-12-01-03 34-13-01-03 34-13-02-01 34-13-05-01 34-13-06-01 34-16-51-03 34-21-02-02 34-22-02-02 34-22-05-01A 34-22-06-01 34-24-01-03 34-32-00-02 34-46-51-02 34-51-02-02 34-57-00-01 34-61-01-07 34-61-02-02 77-41-01-01 79-33-51-05	103105	1

MISSING ITEM NUMBERS NOT APPLICABLE

- ITEM NOT ILLUSTRATED

**32-61-51-03**

32-61-51  
 FIG. 03  
 PAGE 2  
 JAN 20/09

BRI



757

PARTS CATALOG (MAINTENANCE)

FIG ITEM	PART NUMBER	1 2 3 4 5 6 7	NOMENCLATURE	EFFECT FROM TO	UNITS PER ASSY
3 - 5	MODREF104335		PANEL INSTL-P3-1 (LANDING GEAR POSITION INDICATING AND WARNING SYSTEM ONLY) MODULE NUMBER: 233N2103-425 REV B FOR OTHER SYS DETAILS SEE: 11-31-01-38 22-11-02-03 22-14-01-03 22-31-02-01 22-34-51-02 26-17-51-05 27-51-57-03 27-58-00-02 27-81-00-01 29-21-55-02 31-11-11-19 31-11-16-01 31-11-26-38 31-25-01-03 31-41-52-02 31-51-52-02 32-35-52-03 32-41-52-02 32-42-55-03 32-46-00-01 33-13-57-01A 33-16-52-03 34-12-01-03 34-13-01-03 34-13-02-01 34-13-05-01 34-13-06-01 34-16-51-03 34-21-02-02 34-22-02-02 34-22-05-01A 34-22-06-01 34-24-01-03 34-32-00-02 34-46-51-02 34-51-02-02 34-57-00-01 34-61-01-07 34-61-02-02 77-41-01-01 79-33-51-05	106106	1

MISSING ITEM NUMBERS NOT APPLICABLE

- ITEM NOT ILLUSTRATED

32-61-51-03

32-61-51  
FIG. 03  
PAGE 3  
JAN 20/09

BRI



757

PARTS CATALOG (MAINTENANCE)

FIG ITEM	PART NUMBER	1 2 3 4 5 6 7	NOMENCLATURE	EFFECT FROM TO	UNITS PER ASSY
3					
- 30	233N2222-301		.MODULE ASSY- COMPONENT MAINT MANUAL REF: 31-11-49 PRE ALERT SB: 33A0044	101101	RF
- 30	233N2222-321		.MODULE ASSY- COMPONENT MAINT MANUAL REF: 31-11-49 PRE ALERT SB: 33A0044	102102	RF
- 31	233N2222-326		.MODULE ASSY- COMPONENT MAINT MANUAL REF: 31-11-49 PRE ALERT SB: 33A0044	504903	RF
- 31	233N2222-329		.MODULE ASSY- COMPONENT MAINT MANUAL REF: 31-11-49 PRE ALERT SB: 33A0044	102102	RF
- 31	233N2222-334		.MODULE ASSY- COMPONENT MAINT MANUAL REF: 31-11-49 PRE ALERT SB: 33A0044	504903	RF
- 31	233N2222-342		.MODULE ASSY- COMPONENT MAINT MANUAL REF: 31-11-49 PRE ALERT SB: 33A0044	102102 108120	RF
- 31	233N2222-1342		.MODULE ASSY- COMPONENT MAINT MANUAL REF: 31-11-49 POST ALERT SB: 33A0044	102102 108120	RF
- 32	233N2222-347		.MODULE ASSY- COMPONENT MAINT MANUAL REF: 31-11-49 PRE ALERT SB: 33A0044	504903	RF
- 33	233N2222-379		.MODULE ASSY- COMPONENT MAINT MANUAL REF: 31-11-49	103106	RF
- 33	233N2222-1301		.MODULE ASSY- COMPONENT MAINT MANUAL REF: 31-11-49 POST ALERT SB: 33A0044	101101	RF

MISSING ITEM NUMBERS NOT APPLICABLE

- ITEM NOT ILLUSTRATED

32-61-51-03

32-61-51  
FIG. 03  
PAGE 4  
JAN 20/09

BRI



757

PARTS CATALOG (MAINTENANCE)

FIG ITEM	PART NUMBER	1 2 3 4 5 6 7	NOMENCLATURE	EFFECT FROM TO	UNITS PER ASSY
3					
- 33	233N2222-1321		.MODULE ASSY- COMPONENT MAINT MANUAL REF: 31-11-49 POST ALERT SB: 33A0044	102102	RF
- 33	233N2222-1329		.MODULE ASSY- COMPONENT MAINT MANUAL REF: 31-11-49 POST ALERT SB: 33A0044	102102	RF
- 34	233N2222-1326		.MODULE ASSY- COMPONENT MAINT MANUAL REF: 31-11-49 POST ALERT SB: 33A0044	504903	RF
- 34	233N2222-1334		.MODULE ASSY- COMPONENT MAINT MANUAL REF: 31-11-49 POST ALERT SB: 33A0044	504903	RF
- 34	233N2222-1347		.MODULE ASSY- COMPONENT MAINT MANUAL REF: 31-11-49 POST ALERT SB: 33A0044	504903	RF
40	233N2222-77		..MODULE ASSY- PRE ALERT SB: 33A0044	101101	RF
40	233N2222-100		..MODULE ASSY- USED ON: 233N2222-321 PRE ALERT SB: 33A0044	102102	RF
40	233N2222-105		..MODULE ASSY- USED ON: 233N2222-326 PRE ALERT SB: 33A0044	504903	RF
40	233N2222-111		..MODULE ASSY- USED ON: 233N2222-329 PRE ALERT SB: 33A0044	102102	RF
41	233N2222-116		..MODULE ASSY- USED ON: 233N2222-334 PRE ALERT SB: 33A0044	504903	RF

MISSING ITEM NUMBERS NOT APPLICABLE

- ITEM NOT ILLUSTRATED

32-61-51-03

32-61-51  
FIG. 03  
PAGE 5  
JAN 20/09

BRI

BOEING PROPRIETARY - Copyright © - Unpublished Work - See title page for details.



757

PARTS CATALOG (MAINTENANCE)

FIG ITEM	PART NUMBER	1 2 3 4 5 6 7	NOMENCLATURE	EFFECT FROM TO	UNITS PER ASSY
3					
41	233N2222-122		..MODULE ASSY- USED ON: 233N2222-342 PRE ALERT SB: 33A0044	102102 108120	RF
41	233N2222-127		..MODULE ASSY- USED ON: 233N2222-347 PRE ALERT SB: 33A0044	504903	RF
42	233N2222-153		..MODULE ASSY-	103106	RF
42	233N2222-1077		..MODULE ASSY- POST ALERT SB: 33A0044	101101	RF
43	233N2222-1100		..MODULE ASSY- USED ON: 233N2222-1321 POST ALERT SB: 33A0044	102102	RF
43	233N2222-1111		..MODULE ASSY- USED ON: 233N2222-1329 POST ALERT SB: 33A0044	102102	RF
43	233N2222-1122		..MODULE ASSY- USED ON: 233N2222-1342 POST ALERT SB: 33A0044	102102 108120	RF
43	233N2222-1105		..MODULE ASSY- USED ON: 233N2222-1326 POST ALERT SB: 33A0044	504903	RF
43	233N2222-1116		..MODULE ASSY- USED ON: 233N2222-1334 POST ALERT SB: 33A0044	504903	RF
43	233N2222-1127		..MODULE ASSY- USED ON: 233N2222-1347 POST ALERT SB: 33A0044	504903	RF
50	BCREF8603		...LIGHT ASSY-DOORS IND SUPPLIER CODE: V81590 OVERLENGTH PART NUMBER: 434-674-1033-2203	101106 108120 504903	1

MISSING ITEM NUMBERS NOT APPLICABLE

- ITEM NOT ILLUSTRATED

32-61-51-03

32-61-51  
FIG. 03  
PAGE 6  
JAN 20/09

BRI

BOEING PROPRIETARY - Copyright © - Unpublished Work - See title page for details.



757

PARTS CATALOG (MAINTENANCE)

FIG ITEM	PART NUMBER	1 2 3 4 5 6 7	NOMENCLATURE	EFFECT FROM TO	UNITS PER ASSY
3			SPECIFICATION NUMBER: S231T301-2203 ELECTRICAL EQUIP NUMBER: L00396 OPTIONAL PART: BCREF7814 V81590 USED ON: 233N2222-77 233N2222-78 233N2222-82 233N2222-89 233N2222-90 233N2222-95 233N2222-96 233N2222-97 233N2222-98 233N2222-100 233N2222-103 233N2222-105 233N2222-111 233N2222-113 233N2222-114 233N2222-116 233N2222-117 233N2222-118 233N2222-120 233N2222-121 233N2222-122 233N2222-123 233N2222-124 233N2222-125 233N2222-126 233N2222-127 233N2222-128 233N2222-129 233N2222-130 233N2222-131 233N2222-132 233N2222-133 233N2222-135 233N2222-136 233N2222-146 233N2222-149 233N2222-150 233N2222-151 233N2222-152 233N2222-153 233N2222-154		

MISSING ITEM NUMBERS NOT APPLICABLE

- ITEM NOT ILLUSTRATED

32-61-51-03

32-61-51  
FIG. 03  
PAGE 7  
JAN 20/09

BRI



757

PARTS CATALOG (MAINTENANCE)

FIG ITEM	PART NUMBER	1 2 3 4 5 6 7	NOMENCLATURE	EFFECT FROM TO	UNITS PER ASSY
3			233N2222-155 233N2222-157 233N2222-1077 233N2222-1098 233N2222-1100 233N2222-1103 233N2222-1111 233N2222-1114 233N2222-1120 233N2222-1121 233N2222-1122 233N2222-1123 233N2222-1125 233N2222-1128 233N2222-1130 233N2222-1131 FOR DETAILS SEE: 33-14-70-03		
50	BCREF7814		...LIGHT ASSY-DOORS IND SUPPLIER CODE: V81590 OVERLENGTH PART NUMBER: 434-674-1009-1203 SPECIFICATION NUMBER: S231T301-1203 ELECTRICAL EQUIP NUMBER: L00396 WIRING DIAGRAM REF: 326111 OPTIONAL PART: BCREf8603 V81590 BCREf8603 V81590 USED ON: 233N2222-77 233N2222-78 233N2222-82 233N2222-89 233N2222-90 233N2222-95 233N2222-96 233N2222-1077 FOR DETAILS SEE: 33-14-70-03	101106 108120 504903	1
55	BCREF8605		...LIGHT ASSY-NOSE IND SUPPLIER CODE: V81590 OVERLENGTH PART NUMBER: MISSING ITEM NUMBERS NOT APPLICABLE	101106 108120 504903	1

- ITEM NOT ILLUSTRATED

32-61-51-03

32-61-51  
FIG. 03  
PAGE 8  
JAN 20/09

BRI



757

PARTS CATALOG (MAINTENANCE)

FIG ITEM	PART NUMBER	1 2 3 4 5 6 7 NOMENCLATURE	EFFECT FROM TO	UNITS PER ASSY
3		434-674-1033-2205 SPECIFICATION NUMBER: S231T301-2205 ELECTRICAL EQUIP NUMBER: L00398 OPTIONAL PART: BCRE7816 V81590 USED ON: 233N2222-77 233N2222-78 233N2222-82 233N2222-89 233N2222-90 233N2222-95 233N2222-96 233N2222-97 233N2222-98 233N2222-100 233N2222-103 233N2222-105 233N2222-111 233N2222-113 233N2222-114 233N2222-116 233N2222-117 233N2222-118 233N2222-120 233N2222-121 233N2222-122 233N2222-123 233N2222-124 233N2222-125 233N2222-126 233N2222-127 233N2222-128 233N2222-129 233N2222-130 233N2222-131 233N2222-132 233N2222-133 233N2222-135 233N2222-136 233N2222-146 233N2222-149 233N2222-150 233N2222-151 233N2222-152 233N2222-153		

MISSING ITEM NUMBERS NOT APPLICABLE

- ITEM NOT ILLUSTRATED

32-61-51-03

32-61-51  
FIG. 03  
PAGE 9  
JAN 20/09

BRI





757

PARTS CATALOG (MAINTENANCE)

FIG ITEM	PART NUMBER	1 2 3 4 5 6 7	NOMENCLATURE	EFFECT FROM TO	UNITS PER ASSY
3			233N2222-154 233N2222-155 233N2222-157 233N2222-1077 233N2222-1098 233N2222-1100 233N2222-1103 233N2222-1111 233N2222-1114 233N2222-1120 233N2222-1121 233N2222-1122 233N2222-1123 233N2222-1125 233N2222-1128 233N2222-1130 233N2222-1131 FOR DETAILS SEE: 33-14-70-03		
55	BCREF7816		...LIGHT ASSY-NOSE IND SUPPLIER CODE: V81590 OVERLENGTH PART NUMBER: 434-674-1009-1205 SPECIFICATION NUMBER: S231T301-1205 ELECTRICAL EQUIP NUMBER: L00398 WIRING DIAGRAM REF: 326112 OPTIONAL PART: BCREF8605 V81590 USED ON: 233N2222-77 233N2222-78 233N2222-82 233N2222-89 233N2222-90 233N2222-95 233N2222-96 233N2222-1077 FOR DETAILS SEE: 33-14-70-03	101106 108120 504903	1
60	BCREF8604		...LIGHT ASSY-GEAR IND SUPPLIER CODE: V81590 OVERLENGTH PART NUMBER: 434-674-1033-2204	101106 108120 504903	1

MISSING ITEM NUMBERS NOT APPLICABLE

- ITEM NOT ILLUSTRATED

32-61-51-03

32-61-51  
FIG. 03  
PAGE 10  
JAN 20/09

BRI



757

PARTS CATALOG (MAINTENANCE)

FIG ITEM	PART NUMBER	1 2 3 4 5 6 7	NOMENCLATURE	EFFECT FROM TO	UNITS PER ASSY
3			SPECIFICATION NUMBER: S231T301-2204 ELECTRICAL EQUIP NUMBER: L00397 OPTIONAL PART: BCREF7815 V81590 USED ON: 233N2222-77 233N2222-78 233N2222-82 233N2222-89 233N2222-90 233N2222-95 233N2222-96 233N2222-97 233N2222-98 233N2222-100 233N2222-103 233N2222-105 233N2222-111 233N2222-113 233N2222-114 233N2222-116 233N2222-117 233N2222-118 233N2222-120 233N2222-121 233N2222-122 233N2222-123 233N2222-124 233N2222-125 233N2222-126 233N2222-127 233N2222-128 233N2222-129 233N2222-130 233N2222-131 233N2222-132 233N2222-133 233N2222-135 233N2222-136 233N2222-146 233N2222-149 233N2222-150 233N2222-151 233N2222-152 233N2222-153 233N2222-154		
MISSING ITEM NUMBERS NOT APPLICABLE					

- ITEM NOT ILLUSTRATED

32-61-51-03

32-61-51  
FIG. 03  
PAGE 11  
JAN 20/09

BRI

 **BOEING**  
757  
**PARTS CATALOG (MAINTENANCE)**

FIG ITEM	PART NUMBER	1 2 3 4 5 6 7	NOMENCLATURE	EFFECT FROM TO	UNITS PER ASSY
3			233N2222-155 233N2222-157 233N2222-1077 233N2222-1098 233N2222-1100 233N2222-1103 233N2222-1111 233N2222-1114 233N2222-1120 233N2222-1121 233N2222-1122 233N2222-1123 233N2222-1125 233N2222-1128 233N2222-1130 233N2222-1131 FOR DETAILS SEE: 33-14-70-03		
60	BCREF7815		...LIGHT ASSY-GEAR IND SUPPLIER CODE: V81590 OVERLENGTH PART NUMBER: 434-674-1009-1204 SPECIFICATION NUMBER: S231T301-1204 ELECTRICAL EQUIP NUMBER: L00397 WIRING DIAGRAM REF: 326111 OPTIONAL PART: BCREF8604 V81590 USED ON: 233N2222-77 233N2222-78 233N2222-82 233N2222-89 233N2222-90 233N2222-95 233N2222-96 233N2222-1077 FOR DETAILS SEE: 33-14-70-03	101106 108120 504903	1
65	BCREF8606		...LIGHT ASSY-LEFT IND SUPPLIER CODE: V81590 OVERLENGTH PART NUMBER: 434-674-1033-2206 SPECIFICATION NUMBER:	101106 108120 504903	1

MISSING ITEM NUMBERS NOT APPLICABLE

— ITEM NOT ILLUSTRATED

BRI

# 32-61-51-03

BOEING PROPRIETARY - Copyright © - Unpublished Work - See title page for details.

32-61-51  
FIG. 03  
PAGE 12  
JAN 20/09



757

PARTS CATALOG (MAINTENANCE)

FIG ITEM	PART NUMBER	1 2 3 4 5 6 7 NOMENCLATURE	EFFECT FROM TO	UNITS PER ASSY
3		S231T301-2206 ELECTRICAL EQUIP NUMBER: L00400 OPTIONAL PART: BCRE7817 V81590 USED ON: 233N2222-77 233N2222-78 233N2222-82 233N2222-89 233N2222-90 233N2222-95 233N2222-96 233N2222-97 233N2222-98 233N2222-100 233N2222-103 233N2222-105 233N2222-111 233N2222-113 233N2222-114 233N2222-116 233N2222-117 233N2222-118 233N2222-120 233N2222-121 233N2222-122 233N2222-123 233N2222-124 233N2222-125 233N2222-126 233N2222-127 233N2222-128 233N2222-129 233N2222-130 233N2222-131 233N2222-132 233N2222-133 233N2222-135 233N2222-136 233N2222-146 233N2222-149 233N2222-150 233N2222-151 233N2222-152 233N2222-153 233N2222-154 233N2222-155		

MISSING ITEM NUMBERS NOT APPLICABLE

- ITEM NOT ILLUSTRATED

32-61-51-03

32-61-51  
FIG. 03  
PAGE 13  
JAN 20/09

BRI



757

PARTS CATALOG (MAINTENANCE)

FIG ITEM	PART NUMBER	1 2 3 4 5 6 7	NOMENCLATURE	EFFECT FROM TO	UNITS PER ASSY
3			233N2222-157 233N2222-1077 233N2222-1098 233N2222-1100 233N2222-1103 233N2222-1111 233N2222-1114 233N2222-1120 233N2222-1121 233N2222-1122 233N2222-1123 233N2222-1125 233N2222-1128 233N2222-1130 233N2222-1131 FOR DETAILS SEE: 33-14-70-03		
65	BCREF7817		...LIGHT ASSY-LEFT IND SUPPLIER CODE: V81590 OVERLENGTH PART NUMBER: 434-674-1009-1206 SPECIFICATION NUMBER: S231T301-1206 ELECTRICAL EQUIP NUMBER: L00400 WIRING DIAGRAM REF: 326112 OPTIONAL PART: BCREF8606 V81590 USED ON: 233N2222-77 233N2222-78 233N2222-82 233N2222-89 233N2222-90 233N2222-95 233N2222-96 233N2222-1077 FOR DETAILS SEE: 33-14-70-03	101106 108120 504903	1
70	BCREF8607		...LIGHT ASSY-RIGHT IND SUPPLIER CODE: V81590 OVERLENGTH PART NUMBER: 434-674-1033-2207 SPECIFICATION NUMBER: S231T301-2207	101106 108120 504903	1

MISSING ITEM NUMBERS NOT APPLICABLE

- ITEM NOT ILLUSTRATED

32-61-51-03

32-61-51  
FIG. 03  
PAGE 14  
JAN 20/09

BRI



757

PARTS CATALOG (MAINTENANCE)

FIG ITEM	PART NUMBER	1 2 3 4 5 6 7	NOMENCLATURE	EFFECT FROM TO	UNITS PER ASSY
3			ELECTRICAL EQUIP NUMBER: L00399 OPTIONAL PART: BCREF7818 V81590 USED ON: 233N2222-77 233N2222-78 233N2222-82 233N2222-89 233N2222-90 233N2222-95 233N2222-96 233N2222-97 233N2222-98 233N2222-100 233N2222-103 233N2222-105 233N2222-111 233N2222-113 233N2222-114 233N2222-116 233N2222-117 233N2222-118 233N2222-120 233N2222-121 233N2222-122 233N2222-123 233N2222-124 233N2222-125 233N2222-126 233N2222-127 233N2222-128 233N2222-129 233N2222-130 233N2222-131 233N2222-132 233N2222-133 233N2222-135 233N2222-136 233N2222-146 233N2222-149 233N2222-150 233N2222-151 233N2222-152 233N2222-153 233N2222-154 233N2222-155 233N2222-157		

MISSING ITEM NUMBERS NOT APPLICABLE

- ITEM NOT ILLUSTRATED

32-61-51-03

32-61-51  
FIG. 03  
PAGE 15  
JAN 20/09

BRI



**757  
PARTS CATALOG (MAINTENANCE)**

FIG ITEM	PART NUMBER	1 2 3 4 5 6 7 NOMENCLATURE	EFFECT FROM TO	UNITS PER ASSY
3	70 BCREF7818	233N2222-1077 233N2222-1098 233N2222-1100 233N2222-1103 233N2222-1111 233N2222-1114 233N2222-1120 233N2222-1121 233N2222-1122 233N2222-1123 233N2222-1125 233N2222-1128 233N2222-1130 233N2222-1131 FOR DETAILS SEE: 33-14-70-03 ...LIGHT ASSY-RIGHT IND SUPPLIER CODE: V81590 OVERLENGTH PART NUMBER: 434-674-1009-1207 SPECIFICATION NUMBER: S231T301-1207 ELECTRICAL EQUIP NUMBER: L00399 WIRING DIAGRAM REF: 326112 OPTIONAL PART: BCREF8607 V81590 USED ON: 233N2222-77 233N2222-78 233N2222-82 233N2222-89 233N2222-90 233N2222-95 233N2222-96 233N2222-1077 FOR DETAILS SEE: 33-14-70-03	101106 108120 504903	1

MISSING ITEM NUMBERS NOT APPLICABLE

— ITEM NOT ILLUSTRATED

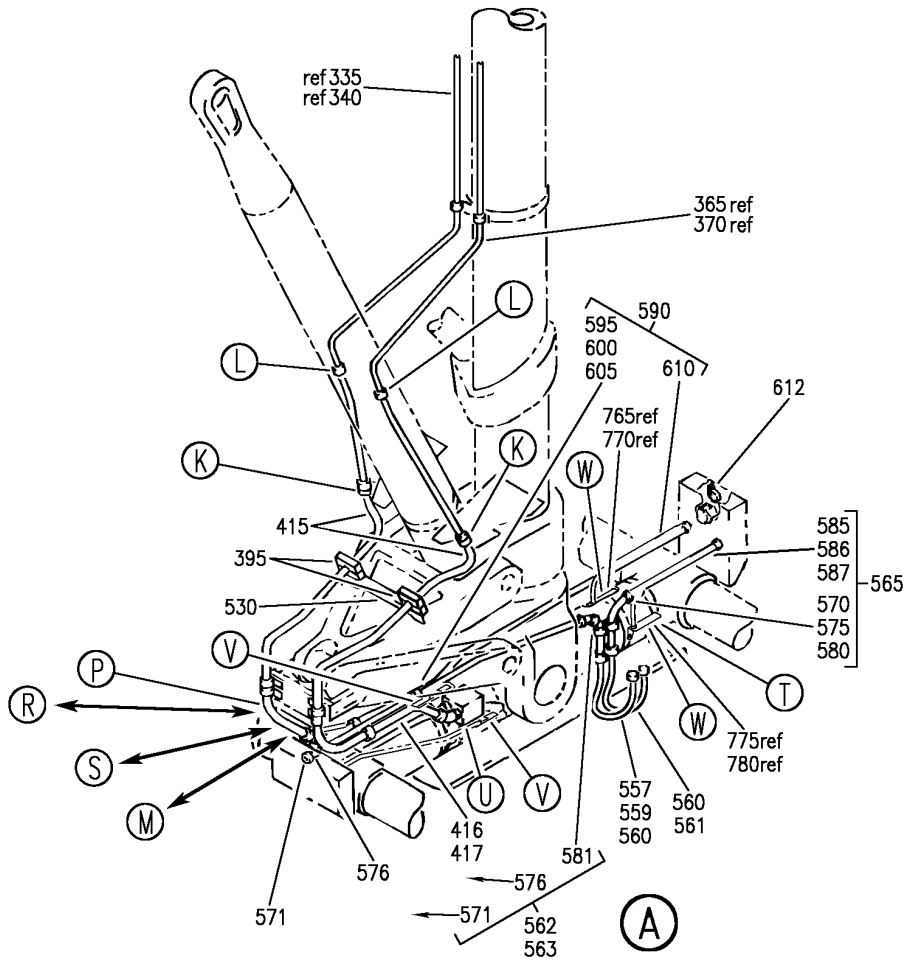
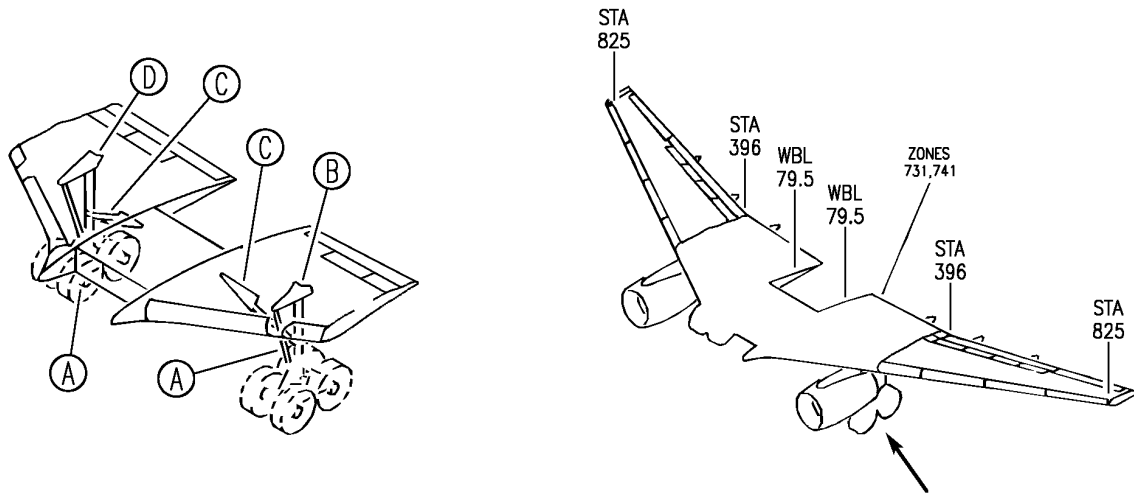
BRI

# 32-61-51-03

BOEING PROPRIETARY - Copyright © - Unpublished Work - See title page for details.

32-61-51  
FIG. 03  
PAGE 16  
JAN 20/09

**BOEING**  
757  
**PARTS CATALOG (MAINTENANCE)**



Y 32615202 SH-T 1 REV 327

HARNES INSTL-MLG ELEC LANDING GEAR POSITION INDICATING AND WARNING SYSTEM  
FIGURE 2 (SHEET 1)

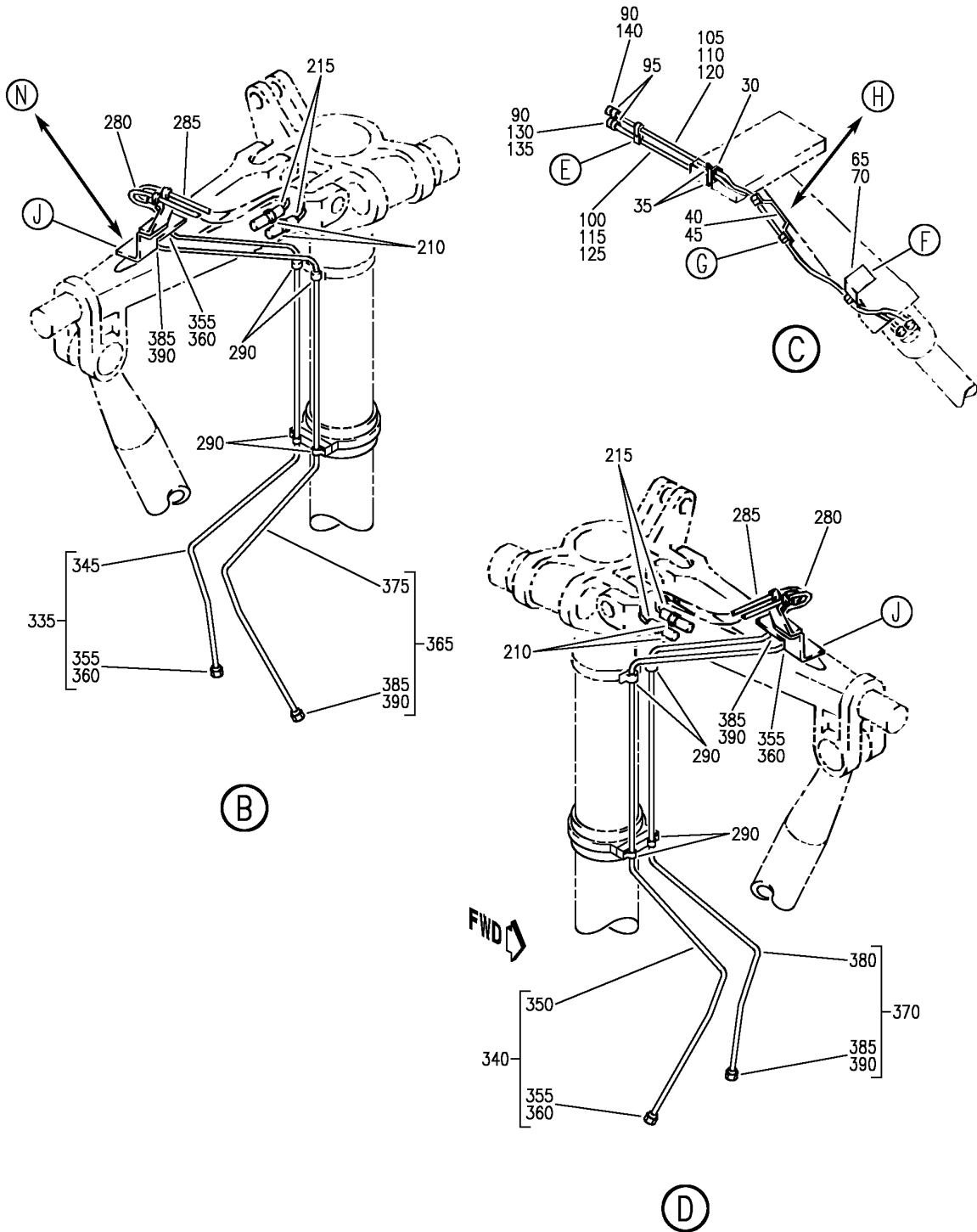
**32-61-52-02**

BRI  
SEP 20/08

32-61-52-02  
PAGE 0




**BOEING**  
 757  
**PARTS CATALOG (MAINTENANCE)**



Y 32615202 SH1 2 REV 305

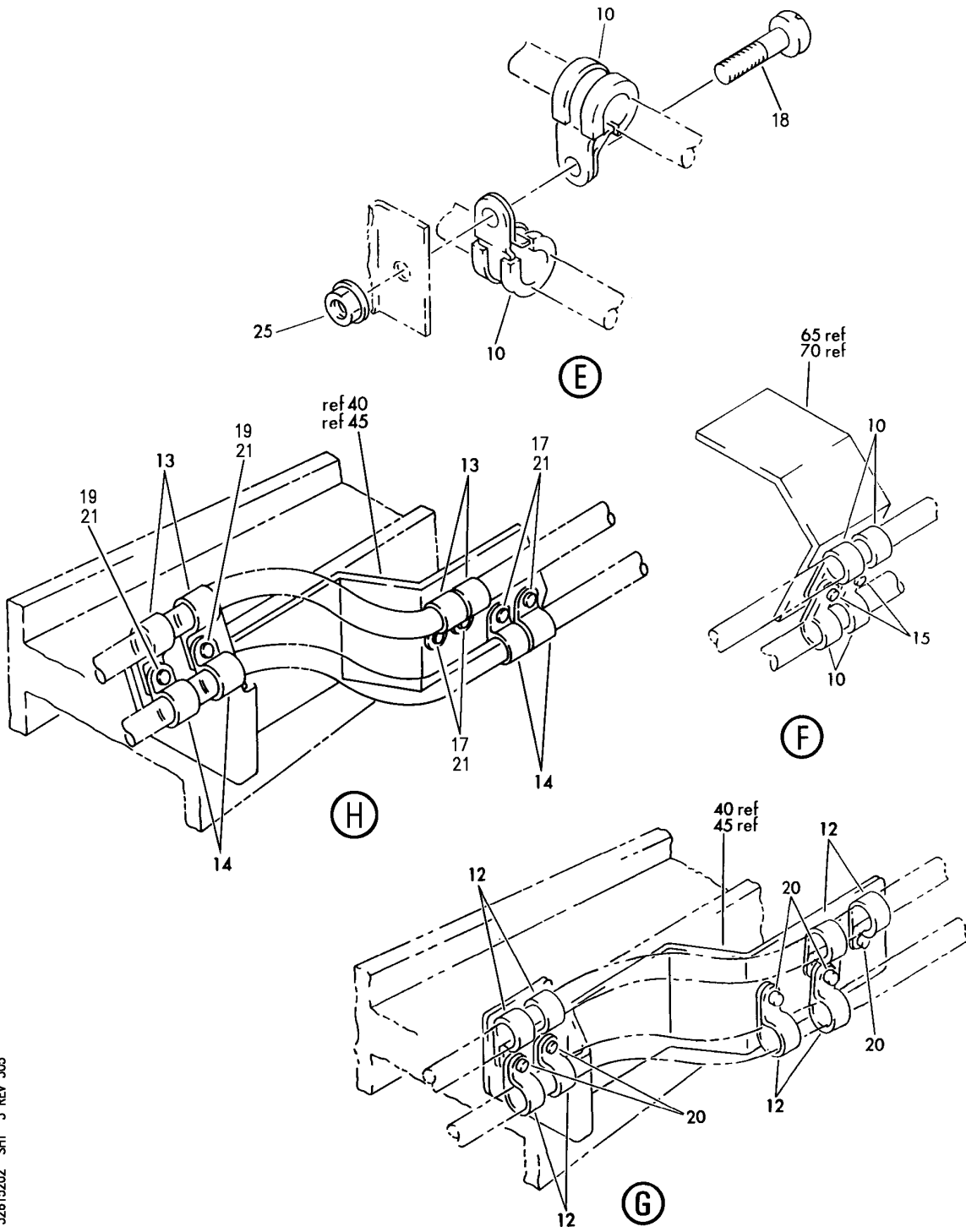
HARNESS INSTL-MLG ELEC LANDING GEAR POSITION INDICATING AND WARNING SYSTEM  
 FIGURE 2 (SHEET 2)

**32-61-52-02**

BRI  
MAY 28/07

32-61-52-02  
 PAGE 0A

**BOEING**  
757  
PARTS CATALOG (MAINTENANCE)



Y 32615202 SHT 3 REV 305

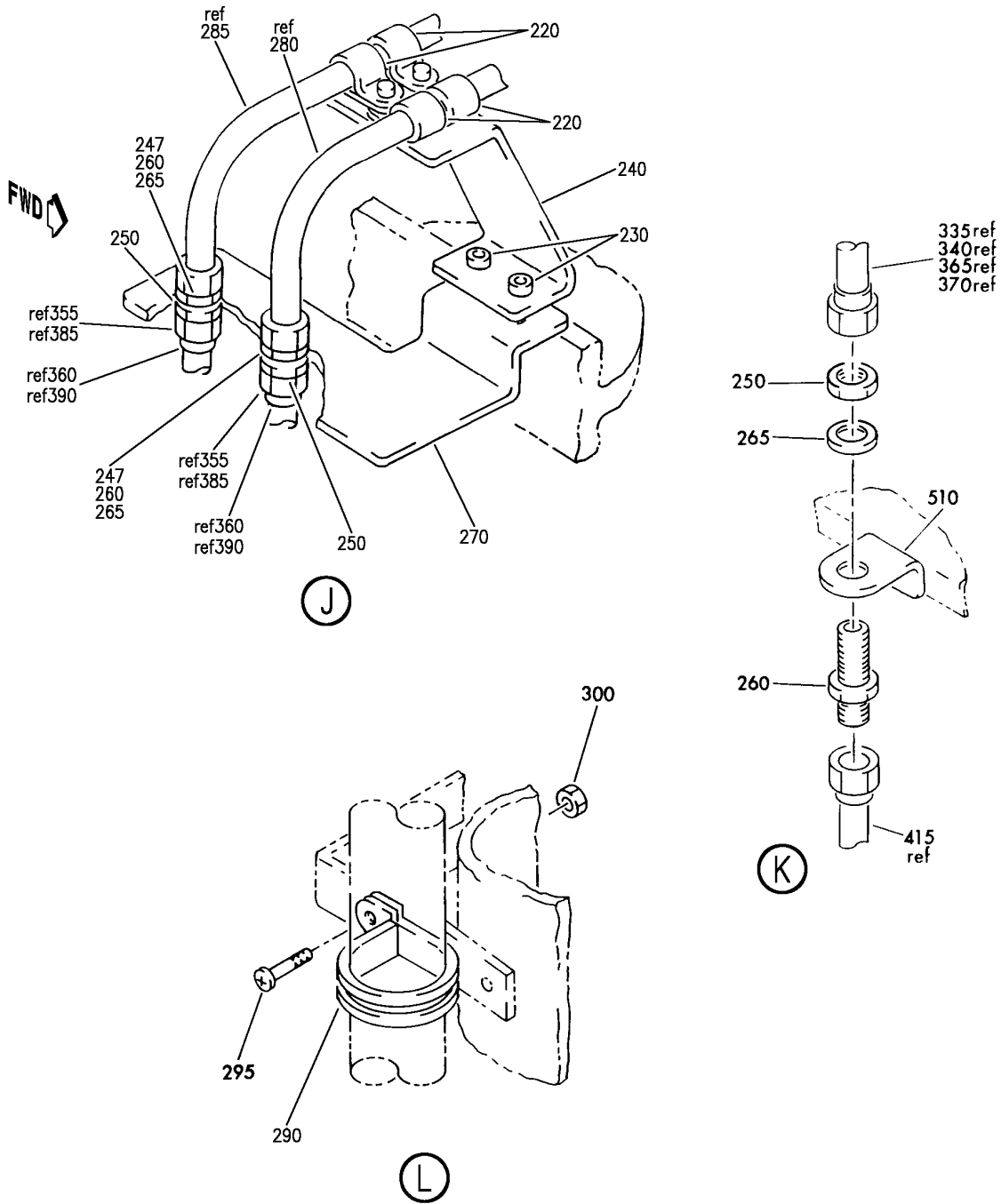
HARNESS INSTL-MLG ELEC LANDING GEAR POSITION INDICATING AND WARNING SYSTEM  
FIGURE 2 (SHEET 3)

**32-61-52-02**

BRI  
MAY 28/07

32-61-52-02  
PAGE 0B


**BOEING**  
 757  
**PARTS CATALOG (MAINTENANCE)**



Y 32615202 SH-T 4 REV 278

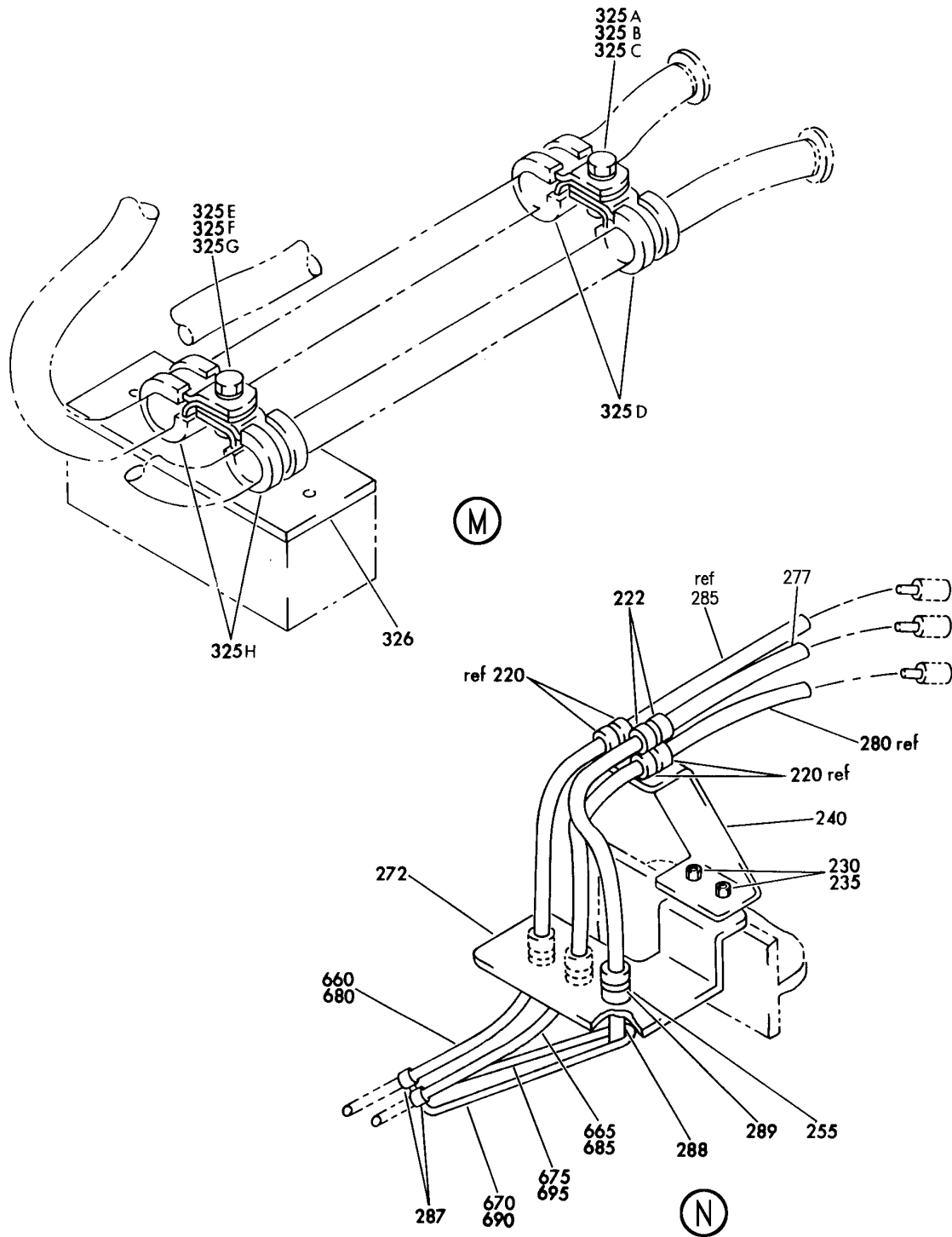
HARNESS INSTL-MLG ELEC LANDING GEAR POSITION INDICATING AND WARNING SYSTEM  
 FIGURE 2 (SHEET 4)

**32-61-52-02**

BRI  
 MAY 28/07

32-61-52-02  
 PAGE 0C

**BOEING**  
757  
PARTS CATALOG (MAINTENANCE)



Y 32615202 SH1 5 REV 265

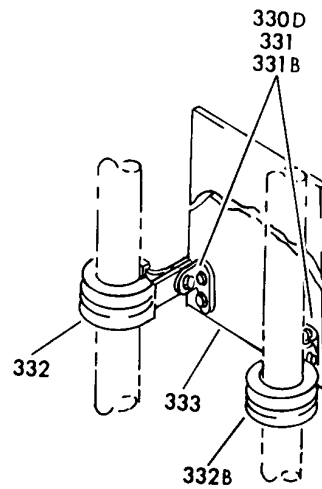
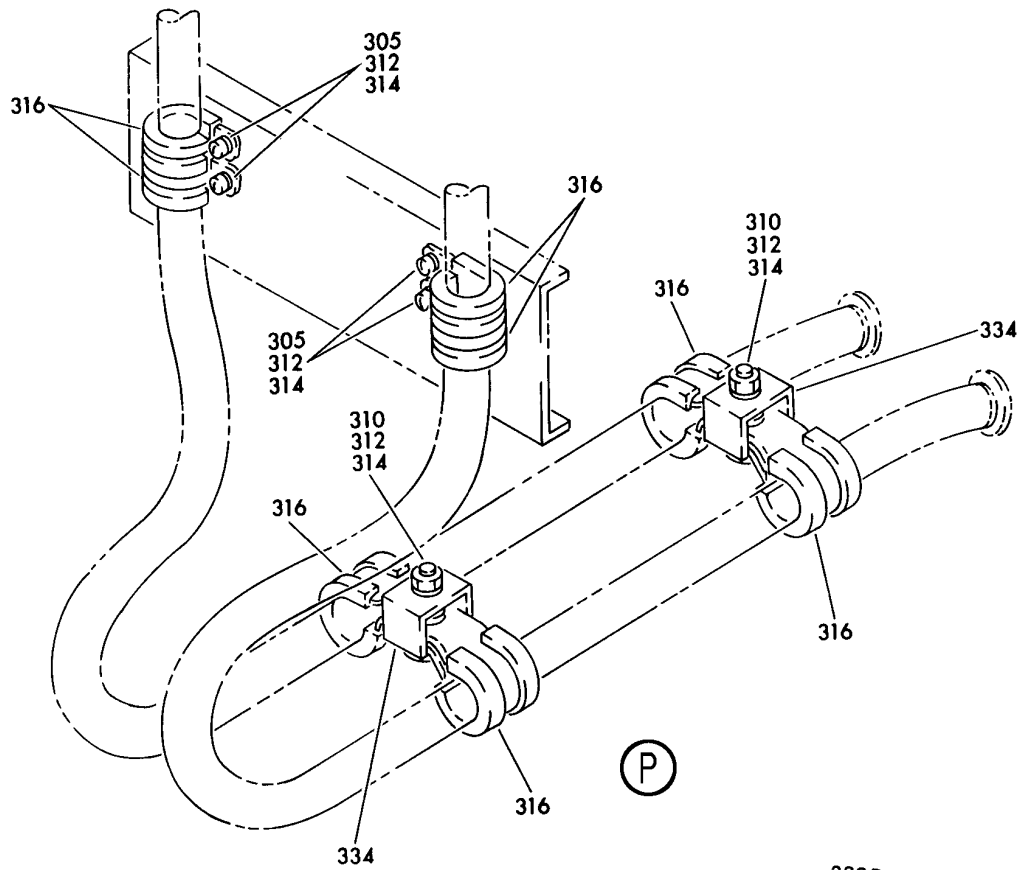
HARNESS INSTL-MLG ELEC LANDING GEAR POSITION INDICATING AND WARNING SYSTEM  
FIGURE 2 (SHEET 5)

**32-61-52-02**

BRI  
MAY 28/07

32-61-52-02  
PAGE 0D

**BOEING**  
757  
PARTS CATALOG (MAINTENANCE)



Y 32615202 SH1 6 REV 291

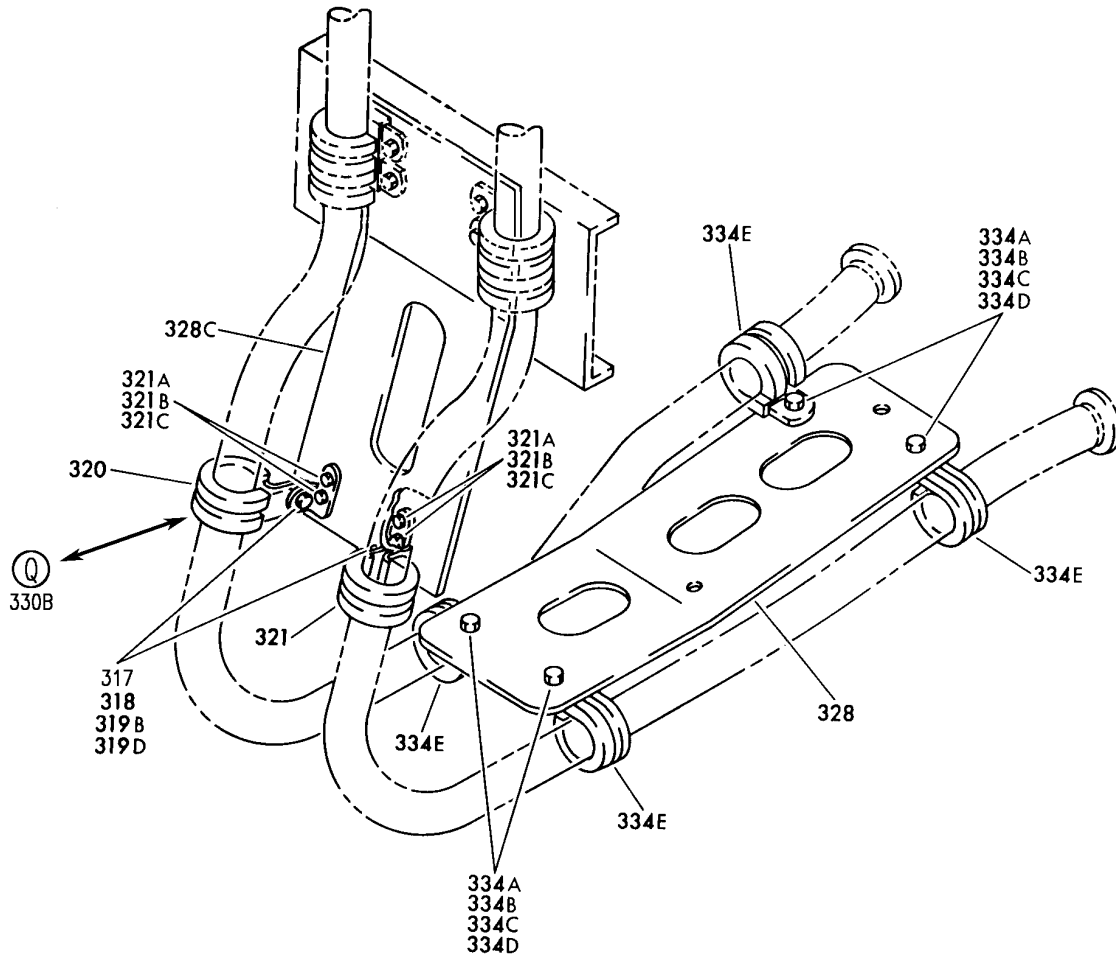
HARNESS INSTL-MLG ELEC LANDING GEAR POSITION INDICATING AND WARNING SYSTEM  
FIGURE 2 (SHEET 6)

**32-61-52-02**

BRI  
MAY 28/07

32-61-52-02  
PAGE 0E

**BOEING**  
757  
PARTS CATALOG (MAINTENANCE)



(R)

Y 32615202 SH1 7 REV 291

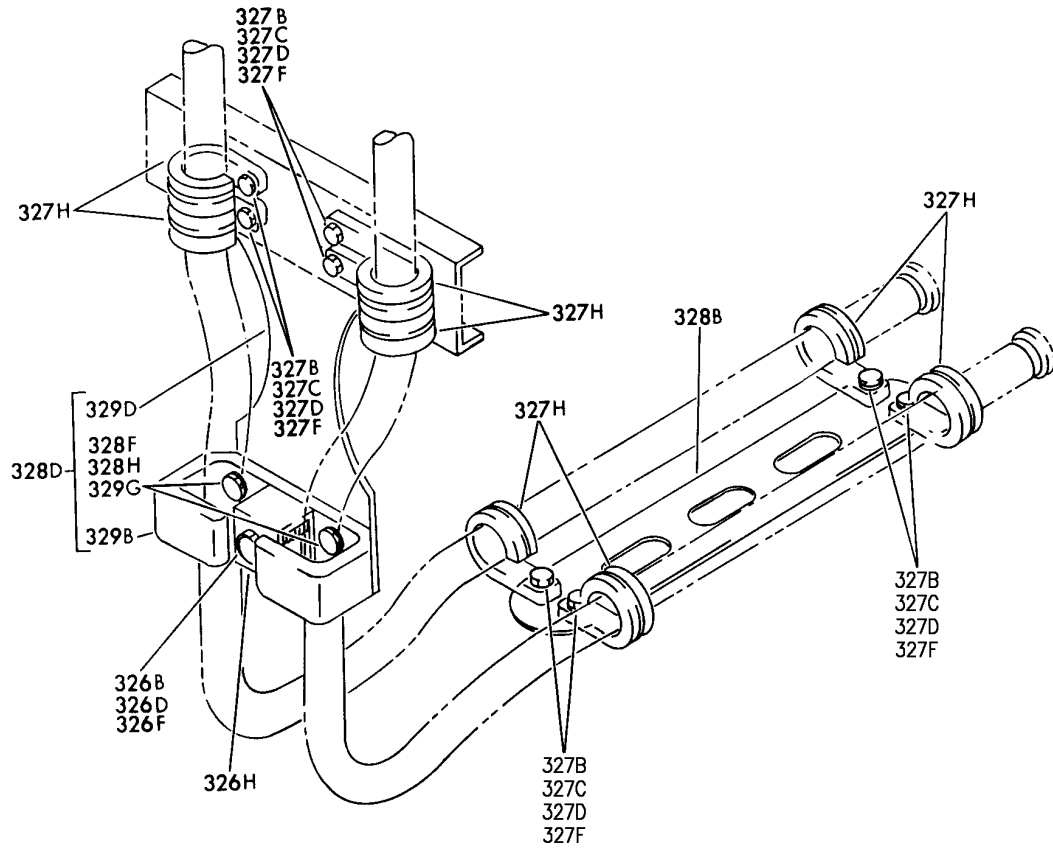
HARNESS INSTL-MLG ELEC LANDING GEAR POSITION INDICATING AND WARNING SYSTEM  
FIGURE 2 (SHEET 7)

**32-61-52-02**

BRI  
MAY 28/07

32-61-52-02  
PAGE OF

**BOEING**  
757  
PARTS CATALOG (MAINTENANCE)



(S)

Y 32615202 SH 8 REV 265

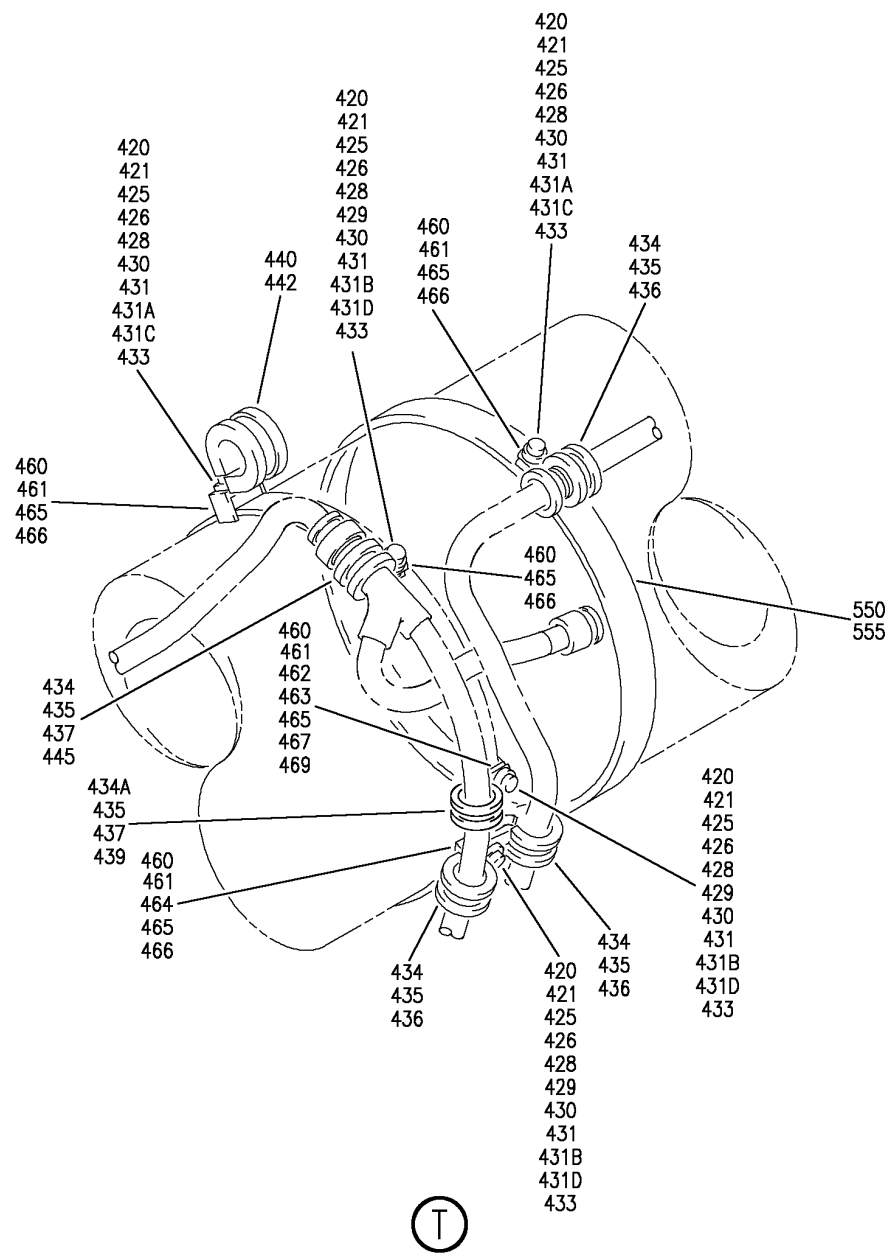
HARNES INSTL-MLG ELEC LANDING GEAR POSITION INDICATING AND WARNING SYSTEM  
FIGURE 2 (SHEET 8)

**32-61-52-02**

BRI  
MAY 28/07

32-61-52-02  
PAGE 0G

**BOEING**  
757  
**PARTS CATALOG (MAINTENANCE)**



Y 32615202 SH1 9 REV 327

HARNES INSTL-MLG ELEC LANDING GEAR POSITION INDICATING AND WARNING SYSTEM  
FIGURE 2 (SHEET 9)

**32-61-52-02**

BRI  
SEP 20/08

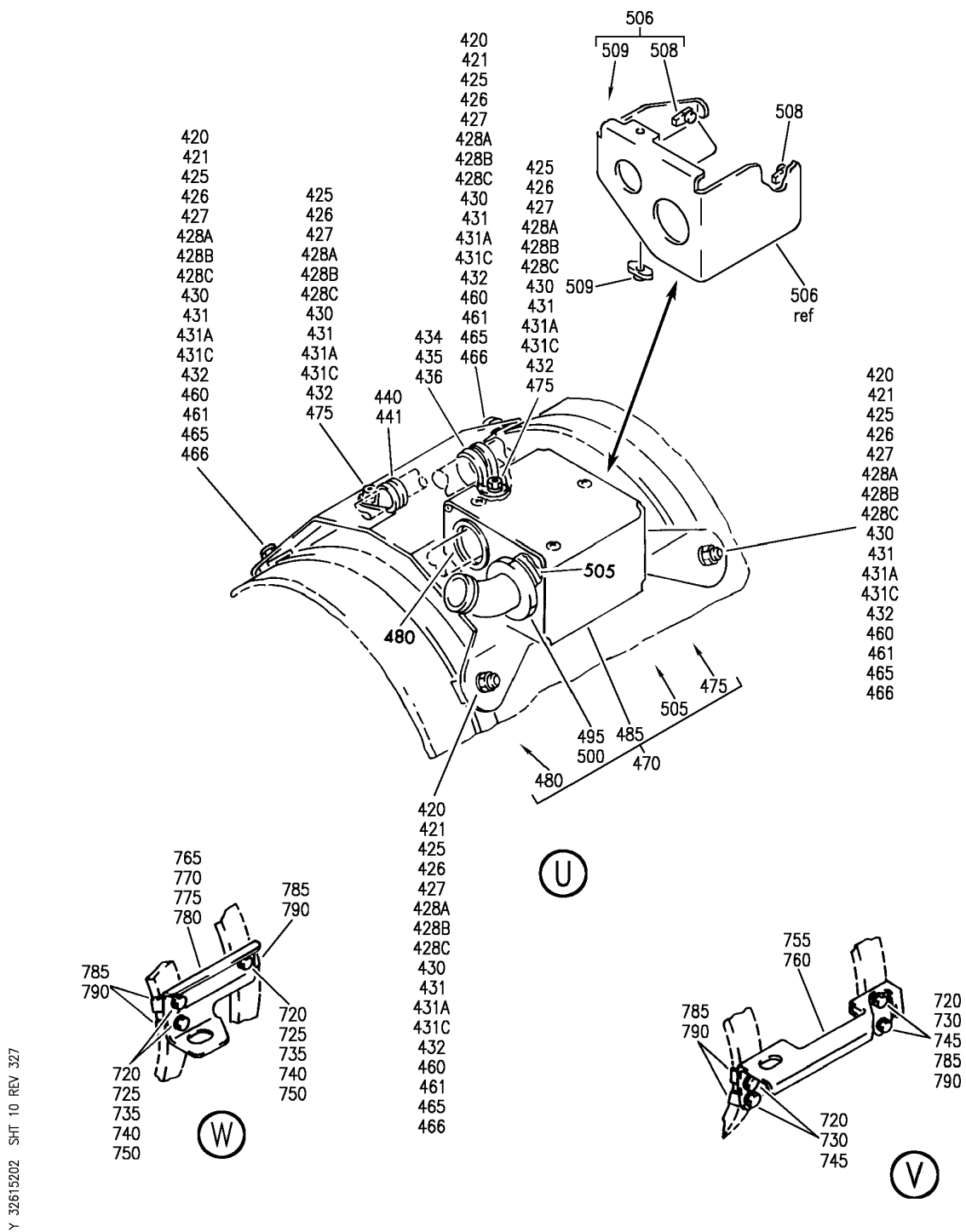
32-61-52-02  
PAGE 0H



# BOEING

## 757

### PARTS CATALOG (MAINTENANCE)



HARNES INSTL-MLG ELEC LANDING GEAR POSITION INDICATING AND WARNING SYSTEM  
FIGURE 2 (SHEET 10)

# 32-61-52-02

BRI  
SEP 20/08

32-61-52-02  
PAGE 01



757

PARTS CATALOG (MAINTENANCE)

FIG ITEM	PART NUMBER	1 2 3 4 5 6 7	NOMENCLATURE	EFFECT FROM TO	UNITS PER ASSY
2			HARNESS INSTL-MLG ELEC LANDING GEAR POSITION INDICATING AND WARNING SYSTEM	002004 006999	
- 1	287N6100-87		HARNESS INSTL-MLG ELEC LANDING GEAR POSITION INDICATING AND WARNING SYSTEM POSITION DATA: L FOR NHA SEE: 24-00-60-01	107107	RF
- 1	287N6100-111		HARNESS INSTL-MLG ELEC LANDING GEAR POSITION INDICATING AND WARNING SYSTEM POSITION DATA: L FOR NHA SEE: 24-00-60-01	002004 006100 121503 904999	RF
- 1	287N6100-159		HARNESS INSTL-MLG ELEC LANDING GEAR POSITION INDICATING AND WARNING SYSTEM POSITION DATA: L FOR NHA SEE: 24-00-60-01	101102 108120 504903	RF
- 1	MODREF31831		HARNESS INSTL-MLG ELEC LANDING GEAR POSITION INDICATING AND WARNING SYSTEM MODULE NUMBER: 287N6100-159 REV B POSITION DATA: L	103105	1
- 1	MODREF186668		HARNESS INSTL-MLG ELEC LANDING GEAR POSITION INDICATING AND WARNING SYSTEM MODULE NUMBER: 287N6100-159 REV C POSITION DATA: L	106106	RF

MISSING ITEM NUMBERS NOT APPLICABLE

- ITEM NOT ILLUSTRATED

32-61-52-02

32-61-52  
FIG. 02  
PAGE 1  
JAN 20/09

BRI

BOEING PROPRIETARY - Copyright © - Unpublished Work - See title page for details.



757

PARTS CATALOG (MAINTENANCE)

FIG ITEM	PART NUMBER	1 2 3 4 5 6 7	NOMENCLATURE	EFFECT FROM TO	UNITS PER ASSY
2 - 5	287N6100-88		HARNESS INSTL-MLG ELEC LANDING GEAR POSITION INDICATING AND WARNING SYSTEM POSITION DATA: R FOR NHA SEE: 24-00-60-01	107107	RF
- 5	287N6100-112		HARNESS INSTL-MLG ELEC LANDING GEAR POSITION INDICATING AND WARNING SYSTEM POSITION DATA: R FOR NHA SEE: 24-00-60-01	002004 006100 121503 904999	RF
- 5	287N6100-160		HARNESS INSTL-MLG ELEC LANDING GEAR POSITION INDICATING AND WARNING SYSTEM POSITION DATA: R FOR NHA SEE: 24-00-60-01	101102 108120 504903	RF
- 5	MODREF31832		HARNESS INSTL-MLG ELEC LANDING GEAR POSITION INDICATING AND WARNING SYSTEM MODULE NUMBER: 287N6100-160 REV B POSITION DATA: R	103105	1
- 5	MODREF186669		HARNESS INSTL-MLG ELEC LANDING GEAR POSITION INDICATING AND WARNING SYSTEM MODULE NUMBER: 287N6100-160 REV C POSITION DATA: R	106106	RF

MISSING ITEM NUMBERS NOT APPLICABLE

- ITEM NOT ILLUSTRATED

BRI

32-61-52-02

BOEING PROPRIETARY - Copyright © - Unpublished Work - See title page for details.

32-61-52  
FIG. 02  
PAGE 2  
JAN 20/09



757

PARTS CATALOG (MAINTENANCE)

FIG ITEM	PART NUMBER	1 2 3 4 5 6 7	NOMENCLATURE	EFFECT FROM TO	UNITS PER ASSY
2 10	S717-105	.CLAMP	SUPPLIER CODE: V18076 SPECIFICATION NUMBER: BACC10GU105 OPTIONAL PART: 534CS105 V83930 JM44LC39S105RG V22175	002004 006999	6
12	S717-105	.CLAMP-	SUPPLIER CODE: V18076 SPECIFICATION NUMBER: BACC10GU105 OPTIONAL PART: 534CS105 V83930 JM44LC39S105RG V22175	101105 108120 504903	8
13	S717-106	.CLAMP-	SUPPLIER CODE: V18076 SPECIFICATION NUMBER: BACC10GU106 OPTIONAL PART: 534CS106 V83930 JM44LC39S106RG V22175 POST SERVICE BULLETIN: 32-0097	107107	4
13	S717-105	.CLAMP	SUPPLIER CODE: V18076 SPECIFICATION NUMBER: BACC10GU105 OPTIONAL PART: 534CS105 V83930 JM44LC39S105RG V22175	002004 006100 106107 121503 904999	4

MISSING ITEM NUMBERS NOT APPLICABLE

- ITEM NOT ILLUSTRATED

BRI

32-61-52-02

BOEING PROPRIETARY - Copyright © - Unpublished Work - See title page for details.

32-61-52  
FIG. 02  
PAGE 3  
JAN 20/09



757

PARTS CATALOG (MAINTENANCE)

FIG ITEM	PART NUMBER	1 2 3 4 5 6 7	NOMENCLATURE	EFFECT FROM TO	UNITS PER ASSY
2					
14	S717-107		.CLAMP- SUPPLIER CODE: V18076 SPECIFICATION NUMBER: BACC10GU107 OPTIONAL PART: 534CS107 V83930 JM44LC39S107RG V22175 POST SERVICE BULLETIN: 32-0097	107107	4
14	S717-105		.CLAMP SUPPLIER CODE: V18076 SPECIFICATION NUMBER: BACC10GU105 OPTIONAL PART: 534CS105 V83930 JM44LC39S105RG V22175 ATTACHING PARTS	002004 006100 106107 121503 904999	4
15	NAS1801-3-8		.SCREW	101105 108120 504903	2
15	NAS1801-3-10		.SCREW	002004 006100 107107 121503 904999	2
15	BACS12HN3-10		.SCREW	106106	2
17	NAS1801-3-6		.SCREW	002004 006100 107107 121503 904999	4
17	BACS12HN3-8		.SCREW	106106	4
18	NAS1801-3-10		.SCREW	101105 108120 504903	1
18	NAS1801-3-8		.SCREW	002004 006100 107107 121503 904999	1
18	BACS12HN3-10		.SCREW	106106	1
19	BACS12HN3-10		.SCREW	106106	2

MISSING ITEM NUMBERS NOT APPLICABLE

- ITEM NOT ILLUSTRATED

32-61-52-02

32-61-52  
FIG. 02  
PAGE 4  
JAN 20/09

BRI

BOEING PROPRIETARY - Copyright © - Unpublished Work - See title page for details.



757

PARTS CATALOG (MAINTENANCE)

FIG ITEM	PART NUMBER	1 2 3 4 5 6 7	NOMENCLATURE	EFFECT FROM TO	UNITS PER ASSY
2	19 NAS1801-3-10	.	SCREW	002004 006100 107107 121503 904999	2
	20 NAS1801-3-6	.	SCREW-	101105 108120 504903 107107	5
	21 NAS1801-3-6	.	SCREW- POST SERVICE BULLETIN: 32-0097		6
	25 BRC600-8-3	.	NUT SUPPLIER CODE: V52828 SPECIFICATION NUMBER: BACN10YD1 OPTIONAL PART: 130120 V60119	002004 006999	1
	30 JM45SC3H36T	.	CLAMP SUPPLIER CODE: V22175 SPECIFICATION NUMBER: BACC10CC36C OPTIONAL PART: TA04C36H10 V84971 421SS36 V83930 ATTACHING PARTS	002004 006999	1
	35 NAS1801-3-8	.	SCREW	002004 006105 107999	2
	35 BACS12HN3-8	.	SCREW	106106	2
	40 287N6103-195	.	BRACKET ASSY- POSITION DATA: LH SIDE POST SERVICE BULLETIN: 32-0097	002004 006999	1
	45 287N6103-196	.	BRACKET ASSY- POSITION DATA: RH SIDE POST SERVICE BULLETIN: 32-0097 ATTACHING PARTS	002004 006999	1
-	50 NAS6604-8	.	BOLT	002004 006999	3

MISSING ITEM NUMBERS NOT APPLICABLE

- ITEM NOT ILLUSTRATED

32-61-52-02

32-61-52  
FIG. 02  
PAGE 5  
JAN 20/09

BRI

BOEING PROPRIETARY - Copyright © - Unpublished Work - See title page for details.



757

PARTS CATALOG (MAINTENANCE)

FIG ITEM	PART NUMBER	1 2 3 4 5 6 7	NOMENCLATURE	EFFECT FROM TO	UNITS PER ASSY
2					
- 55	AN960D416L	.	WASHER-	002004 006015 101999	3
- 55	AN960KD416L	.	WASHER-	002004 006015 101999	3
- 60	MS21042L4	.	NUT-	002004 006015 101999	3
			-----*-----		
65	287N6103-39	.	BRACKET ASSY- POSITION DATA: LH SIDE	002004 006015 101999	1
70	287N6103-40	.	BRACKET ASSY- POSITION DATA: RH SIDE	002004 006999	1
- 75	NAS6604-5	.	ATTACHING PARTS BOLT	002004 006015 101999	2
- 80	AN960D416L	.	WASHER-	002004 006015 101999	2
- 80	AN960KD416L	.	WASHER-	002004 006015 101999	2
- 85	MS21042L4	.	NUT-	002004 006999	2
			-----*-----		
90	100140FS6000	.	BACKSHELL- SUPPLIER CODE: V30463 OPTIONAL PART: 100140FS60000 V30463	002004 006999	2
90	100140FS60000	.	BACKSHELL- SUPPLIER CODE: V30463 OPTIONAL PART: 100140FS6000 V30463	002004 006999	2
100	287N6102-11	.	CONDUIT ASSY-FLEX	002004 006106 108999	1
105	287N6102-12	.	CONDUIT ASSY-FLEX	002004 006106 108999	1

MISSING ITEM NUMBERS NOT APPLICABLE

- ITEM NOT ILLUSTRATED

BRI

32-61-52-02

32-61-52  
FIG. 02  
PAGE 6  
JAN 20/09



757

PARTS CATALOG (MAINTENANCE)

FIG ITEM	PART NUMBER	1 2 3 4 5 6 7	NOMENCLATURE	EFFECT FROM TO	UNITS PER ASSY
2 - 200	287N6100-89		HARNESS INSTL-MLG ELEC LANDING GEAR POSITION INDICATING AND WARNING SYSTEM POSITION DATA: L PRE SERVICE BULLETIN: 32-0121 FOR NHA/OTHER SYS DET SEE: 24-00-60-01	107107	RF
- 200	287N6100-107		HARNESS INSTL-MLG ELEC LANDING GEAR POSITION INDICATING AND WARNING SYSTEM POSITION DATA: L PRE SERVICE BULLETIN: 32-0121 FOR NHA/OTHER SYS DET SEE: 24-00-60-01	904949	RF
- 200	287N6100-113		HARNESS INSTL-MLG ELEC LANDING GEAR POSITION INDICATING AND WARNING SYSTEM POSITION DATA: L PRE SERVICE BULLETIN: 32-0121 FOR NHA/OTHER SYS DET SEE: 24-00-60-01	002004 006100 121503 950999	RF
- 205	287N6100-90		HARNESS INSTL-MLG ELEC LANDING GEAR POSITION INDICATING AND WARNING SYSTEM POSITION DATA: R PRE SERVICE BULLETIN: 32-0121 FOR NHA/OTHER SYS DET SEE: 24-00-60-01	107107	RF

MISSING ITEM NUMBERS NOT APPLICABLE

- ITEM NOT ILLUSTRATED

32-61-52-02

32-61-52  
FIG. 02  
PAGE 7  
JAN 20/09

BRI





757

PARTS CATALOG (MAINTENANCE)

FIG ITEM	PART NUMBER	1 2 3 4 5 6 7	NOMENCLATURE	EFFECT FROM TO	UNITS PER ASSY
2 - 205	287N6100-108		HARNESS INSTL-MLG ELEC LANDING GEAR POSITION INDICATING AND WARNING SYSTEM POSITION DATA: R PRE SERVICE BULLETIN: 32-0121 FOR NHA/OTHER SYS DET SEE: 24-00-60-01	904949	RF
- 205	287N6100-114		HARNESS INSTL-MLG ELEC LANDING GEAR POSITION INDICATING AND WARNING SYSTEM POSITION DATA: R PRE SERVICE BULLETIN: 32-0121 FOR NHA/OTHER SYS DET SEE: 24-00-60-01	002004 006100 121503 950999	RF
210	100013FS6000		.BACKSHELL- SUPPLIER CODE: V30463 OPTIONAL PART: 100013FS60000 V30463	002004 006100 107107 121503 904999	2
210	100013FS60000		.BACKSHELL- SUPPLIER CODE: V30463 OPTIONAL PART: 100013FS6000 V30463	002004 006100 107107 121503 904999	2
215	GP0135-22-69-05		.SLEEVE- SUPPLIER CODE: V59659	107107	2
220	S717-108		.CLAMP SUPPLIER CODE: V18076 SPECIFICATION NUMBER: BACC10GU108 OPTIONAL PART: 534CS108 V83930 JM44LC39S108RG V22175	002004 006100 107107 121503 904999	4

MISSING ITEM NUMBERS NOT APPLICABLE

- ITEM NOT ILLUSTRATED

32-61-52-02

32-61-52  
FIG. 02  
PAGE 8  
JAN 20/09

BRI



757

PARTS CATALOG (MAINTENANCE)

FIG ITEM	PART NUMBER	1 2 3 4 5 6 7	NOMENCLATURE	EFFECT FROM TO	UNITS PER ASSY
2			ATTACHING PARTS		
- 225	NAS1801-3-6		.SCREW	002004 006100 107107 121503 904999	2
230	NAS6604-9		-----*----- .BOLT	002004 006100 107107 121503 904999	2
235	MS21042L4		.NUT-	107107 121503 904999	2
240	287N6103-33		.BRACKET ASSY- POSITION DATA: LH SIDE	002004 006100 107107 121503 904999	1
- 245	287N6103-34		.BRACKET ASSY- POSITION DATA: RH SIDE	002004 006100 107107 121503 904999	1
247	NAS1515M9H		.WASHER	002004 006100 121503 904999	AR
250	186030FS60K3K		.LOCKNUT- SUPPLIER CODE: V30463 OPTIONAL PART: 186030FS60K3 V30463	002004 006100 107107 121503 904999	4
250	186030FS60K3		.LOCKNUT- SUPPLIER CODE: V30463 OPTIONAL PART: 186030FS60K3K V30463	002004 006100 107107 121503 904999	4
260	186058FS60K3G		.FEEDTHRU- SUPPLIER CODE: V30463 OPTIONAL PART: 186058FS60K3 V30463	002004 006100 107107 121503 904999	4

MISSING ITEM NUMBERS NOT APPLICABLE

- ITEM NOT ILLUSTRATED

32-61-52-02

32-61-52  
FIG. 02  
PAGE 9  
JAN 20/09

BRI



757

PARTS CATALOG (MAINTENANCE)

FIG ITEM	PART NUMBER	1 2 3 4 5 6 7	NOMENCLATURE	EFFECT FROM TO	UNITS PER ASSY
2					
260	186058FS60K3	.	FEEDTHRU- SUPPLIER CODE: V30463 OPTIONAL PART: 186058FS60K3G V30463	002004 006100 107107 121503 904999	4
265	AN960JD2016L	.	WASHER	002004 006100 107107 121503 904999	4
270	287N6103-35	.	BRACKET- POSITION DATA: LH SIDE	107107 121503 904999	1
- 275	287N6103-36	.	BRACKET- POSITION DATA: RH SIDE	002004 006100 107107 121503 904999	1
280	287N6102-9	.	CONDUIT ASSY	002004 006100 107107 121503 904999	1
285	287N6102-8	.	CONDUIT ASSY	002004 006100 107107 121503 904999	1
290	S717-107	.	CLAMP SUPPLIER CODE: V18076 SPECIFICATION NUMBER: BACC10GU107 OPTIONAL PART: 534CS107 V83930 JM44LC39S107RG V22175	002004 006100 107107 121503 904999	6
295	NAS1801-3-8	.	ATTACHING PARTS SCREW	002004 006100 107107 121503 904999	2

MISSING ITEM NUMBERS NOT APPLICABLE

- ITEM NOT ILLUSTRATED

32-61-52-02

32-61-52  
FIG. 02  
PAGE 10  
JAN 20/09

BRI

BOEING PROPRIETARY - Copyright © - Unpublished Work - See title page for details.



757

PARTS CATALOG (MAINTENANCE)

FIG ITEM	PART NUMBER	1 2 3 4 5 6 7	NOMENCLATURE	EFFECT FROM TO	UNITS PER ASSY
2					
300	MS21042L3	.	NUT-	002004 006100 107107 121503 904999	2
			-----*-----		
305	NAS1801-3-10	.	SCREW-	107107	4
310	NAS1801-3-9	.	SCREW-	107107	2
312	AN960KD10	.	WASHER-	107107	6
314	MS21042L3	.	NUT-	107107	6
316	S717-110	.	CLAMP-	107107	8
			SUPPLIER CODE: V18076		
			SPECIFICATION NUMBER: BACC10GU110		
			OPTIONAL PART: 534CS110 V83930 JM44LC39S110RG V22175		
318	NAS1801-3-10	.	SCREW-	002004 006100 121503 904999	2
319B	NAS1057T3-008	.	SPACER-	002004 006100 121503 904999	2
319D	AN960C9	.	WASHER-	002004 006100 121503 904999	2
320	TA45000044-01	.	CLAMP-SWIVEL SUPPLIER CODE: V84971	002004 006100 121503 904999	1
			POSITION DATA: R		
321	TA45000044-01L	.	CLAMP-SWIVEL SUPPLIER CODE: V84971	002004 006100 121503 904999	1
			POSITION DATA: L		
321A	NAS1801-08-7	.	ATTACHING PARTS SCREW-	002004 006100 121503 904999	4

MISSING ITEM NUMBERS NOT APPLICABLE

- ITEM NOT ILLUSTRATED

32-61-52-02

32-61-52  
FIG. 02  
PAGE 11  
JAN 20/09

BRI

BOEING PROPRIETARY - Copyright © - Unpublished Work - See title page for details.



757

PARTS CATALOG (MAINTENANCE)

FIG ITEM	PART NUMBER	1 2 3 4 5 6 7	NOMENCLATURE	EFFECT FROM TO	UNITS PER ASSY
2 321B	AN960C8L	.	WASHER-	002004 006100 121503 904999	4
321C	MS21042L08	.	NUT-	002004 006100 121503 904999	4
327B	NAS1801-3-9	-----*	SCREW-	002004 006100 121503 904999	8
327C	AN960JD10	.	WASHER-	002004 006100 121503 904999	8
327D	AN960KD10	.	WASHER-	002004 006100 121503 904999	8
327F	MS21042L3	.	NUT-	002004 006100 121503 904999	8
327H	S717-110	.	CLAMP- SUPPLIER CODE: V18076 SPECIFICATION NUMBER: BACC10GU110 OPTIONAL PART: 534CS110 V83930 JM44LC39S110RG V22175	002004 006100 121503 904999	8
328C	287N1023-8	.	GUIDE ASSY-HOSE	002004 006100 121503 904999	1
334 334A	287N6104-3 NAS1801-3-9	.	GUIDE-CLAMP SCREW-	107107 002004 006100 121503 904999	2 4
334B	AN960KD10	.	WASHER-	002004 006100 121503 904999	4

MISSING ITEM NUMBERS NOT APPLICABLE

- ITEM NOT ILLUSTRATED

32-61-52-02

32-61-52  
FIG. 02  
PAGE 12  
JAN 20/09

BRI



757

PARTS CATALOG (MAINTENANCE)

FIG ITEM	PART NUMBER	1 2 3 4 5 6 7	NOMENCLATURE	EFFECT FROM TO	UNITS PER ASSY
2 334D	MS21042L3	.	NUT-	002004 006100 121503 904999	4
334E	S717-110	.	CLAMP- SUPPLIER CODE: V18076 SPECIFICATION NUMBER: BACC10GU110 OPTIONAL PART: 534CS110 V83930 JM44LC39S110RG V22175	002004 006100 121503 904999	4
335	287N6100-41	.	CONDUIT ASSY-RIGID POSITION DATA: LH SIDE	107107 121503 904999	1
335	287N6100-133	.	CONDUIT ASSY-RIGID POSITION DATA: LH SIDE	016017	1
335	287N6100-141	.	CONDUIT ASSY-RIGID POSITION DATA: LH SIDE	018100	1
340	287N6100-42	.	CONDUIT ASSY-RIGID POSITION DATA: RH SIDE	016100	1
340	287N6100-132	.	CONDUIT ASSY-RIGID POSITION DATA: RH SIDE	016017	1
340	287N6100-140	.	CONDUIT ASSY-RIGID POSITION DATA: RH SIDE	018100	1
345	287N6100-31	..	TUBE- POSITION DATA: LH SIDE	107107 121503 904999	1
345	287N6100-129	..	TUBE- POSITION DATA: LH SIDE	016017	1
345	287N6100-137	..	TUBE- POSITION DATA: LH SIDE	018100	1
350	287N6100-32	..	TUBE- POSITION DATA: RH SIDE	016100	1
350	287N6100-128	..	TUBE- POSITION DATA: RH SIDE	016017	1

MISSING ITEM NUMBERS NOT APPLICABLE

- ITEM NOT ILLUSTRATED

32-61-52-02

32-61-52  
FIG. 02  
PAGE 13  
JAN 20/09

BRI

BOEING PROPRIETARY - Copyright © - Unpublished Work - See title page for details.



757

PARTS CATALOG (MAINTENANCE)

FIG ITEM	PART NUMBER	1 2 3 4 5 6 7	NOMENCLATURE	EFFECT FROM TO	UNITS PER ASSY
2					
350	287N6100-136	..	TUBE- POSITION DATA: RH SIDE	016017	1
355	BACN10WW12C	..	NUT	002004 006100 107107 121503 904999	2
360	BACF32H12C	..	FERRULE	002004 006100 107107 121503 904999	2
365	287N6100-43	.CONDUIT ASSY-RIGID POSITION DATA: LH SIDE		107107 121503 904999	1
365	287N6100-135	.CONDUIT ASSY-RIGID POSITION DATA: LH SIDE		016017	1
365	287N6100-143	.CONDUIT ASSY-RIGID POSITION DATA: LH SIDE		018100	1
370	287N6100-44	.CONDUIT ASSY-RIGID POSITION DATA: RH SIDE		016100	1
370	287N6100-134	.CONDUIT ASSY-RIGID POSITION DATA: RH SIDE		016017	1
370	287N6100-142	.CONDUIT ASSY-RIGID POSITION DATA: RH SIDE		018100	1
375	287N6100-33	..TUBE- POSITION DATA: LH SIDE		107107 121503 904999	1
375	287N6100-131	..TUBE- POSITION DATA: LH SIDE		016017	1
375	287N6100-139	..TUBE- POSITION DATA: LH SIDE		018100	1
380	287N6100-34	..TUBE- POSITION DATA: RH SIDE		016100	1
380	287N6100-130	..TUBE- POSITION DATA: RH SIDE		016017	1
380	287N6100-138	..TUBE- POSITION DATA: RH SIDE		018100	1

MISSING ITEM NUMBERS NOT APPLICABLE

- ITEM NOT ILLUSTRATED

32-61-52-02

32-61-52  
FIG. 02  
PAGE 14  
JAN 20/09

BRI



757

PARTS CATALOG (MAINTENANCE)

FIG ITEM	PART NUMBER	1 2 3 4 5 6 7	NOMENCLATURE	EFFECT FROM TO	UNITS PER ASSY
2					
385	BACN10WW12C	. .	NUT	002004 006100 107107 121503 904999	2
390	BACF32H12C	. .	FERRULE	002004 006100 107107 121503 904999	2
395	287N6104-1	. .	GUIDE-	002004 006100 107107 121503 904999	2
395	287N6104-4	. .	GUIDE-	002004 006100 107107 121503 904999	2
- 400	BACB30NR4K33		ATTACHING PARTS .BOLT	002004 006100 107107 121503 904999	4
- 405	AN960PD416	. .	WASHER-	002004 006100 107107 121503 904999	4
- 405	AN960KD416	. .	WASHER-	002004 006100 107107 121503 904999	4

MISSING ITEM NUMBERS NOT APPLICABLE

- ITEM NOT ILLUSTRATED

BRI

32-61-52-02

BOEING PROPRIETARY - Copyright © - Unpublished Work - See title page for details.

32-61-52  
FIG. 02  
PAGE 15  
JAN 20/09





757

PARTS CATALOG (MAINTENANCE)

FIG ITEM	PART NUMBER	1 2 3 4 5 6 7	NOMENCLATURE	EFFECT FROM TO	UNITS PER ASSY
2 - 410	BRH10C4D	.NUT	SUPPLIER CODE: V52828 SPECIFICATION NUMBER: BACN10JC4CD OPTIONAL PART: T6C428JCD V11815 NS202486-048 V80539 102LH9075-4W V72962 H51650-4BAC V15653	002004 006100 107107 121503 904999	4
415	287N6102-21	-----*----- .CONDUIT ASSY-FLEX		002004 006100 107107 121503 904999	2
415	287N6102-31	.CONDUIT ASSY-FLEX		002004 006100 107107 121503 904999	2
415	287N6102-20	.CONDUIT ASSY-FLEX		002004 006100 107107 121503 904999	2
415	287N6102-19	.CONDUIT ASSY-FLEX		002004 006100 107107 121503 904999	2
416	287N6100-51	.CONDUIT ASSY-RIGID		002004 006100 107107 121503 904999	1
417	287N6100-59	. . TUBE		002004 006100 107107 121503 904999	1

MISSING ITEM NUMBERS NOT APPLICABLE

- ITEM NOT ILLUSTRATED

32-61-52-02

32-61-52  
FIG. 02  
PAGE 16  
JAN 20/09

BRI



757

PARTS CATALOG (MAINTENANCE)

FIG ITEM	PART NUMBER	1 2 3 4 5 6 7	NOMENCLATURE	EFFECT FROM TO	UNITS PER ASSY
2					
- 418	BACF32H12C	. .	FERRULE	002004 006100 107107 121503 904999	1
- 419	BACN10WW12C	. .	NUT	002004 006100 107107 121503 904999	1
420	BACB30NM3K4	.B	BOLT	002004 006100 107107 121503 904999	9
425	AN960PD10	.W	WASHER- POSITION DATA: LH SIDE	002004 006100 107107 121503 904999	11
425	AN960KD10	.W	WASHER- POSITION DATA: LH SIDE	002004 006100 107107 121503 904999	11
425	AN960JD10	.W	WASHER- POSITION DATA: LH SIDE	002004 006100 107107 121503 904999	11
428A	AN960PD10	.W	WASHER- POSITION DATA: RH	002004 006100 107107 121503 904999	8
428B	AN960KD10	. . .	WASHER- POSITION DATA: RH	002004 006100 107107 121503 904999	8
428C	AN960JD10	.W	WASHER- POSITION DATA: RH	002004 006100 107107 121503 904999	8

MISSING ITEM NUMBERS NOT APPLICABLE

- ITEM NOT ILLUSTRATED

32-61-52-02

32-61-52  
FIG. 02  
PAGE 17  
JAN 20/09

BRI

BOEING PROPRIETARY - Copyright © - Unpublished Work - See title page for details.



757

PARTS CATALOG (MAINTENANCE)

FIG ITEM	PART NUMBER	1 2 3 4 5 6 7	NOMENCLATURE	EFFECT FROM TO	UNITS PER ASSY
2					
429	AN960PD10		.WASHER- POSITION DATA: RH PRE ALERT SB: 27A0130R2	002004 006100 107107 121503 904999	3
429	AN960KD10		...WASHER- POSITION DATA: RH PRE ALERT SB: 27A0130R2	002004 006100 107107 121503 904999	3
429	AN960JD10		.WASHER- POSITION DATA: RH PRE ALERT SB: 27A0130R2	002004 006100 107107 121503 904999	3
431	MS21042L3		.NUT- POSITION DATA: LH	002004 006100 107107 121503 904999	11
431A	MS21042L3		.NUT- POSITION DATA: RH	002004 006100 107107 121503 904999	8
431B	MS21042L3		.NUT- POSITION DATA: RH PRE ALERT SB: 27A0130R2	002004 006100 107107 121503 904999	3
432	MS21042L3		.NUT- POSITION DATA: RH	002004 006100 107107 121503 904999	6
434	S717-105		.CLAMP- SUPPLIER CODE: V18076 SPECIFICATION NUMBER: BACC10GU105 OPTIONAL PART: 534CS105 V83930 JM44LC39S105RG V22175 POSITION DATA: RH	002004 006100 107107 121503 904999	5

MISSING ITEM NUMBERS NOT APPLICABLE

- ITEM NOT ILLUSTRATED

32-61-52-02

32-61-52  
FIG. 02  
PAGE 18  
JAN 20/09

BRI



757

PARTS CATALOG (MAINTENANCE)

FIG ITEM	PART NUMBER	1 2 3 4 5 6 7	NOMENCLATURE	EFFECT FROM TO	UNITS PER ASSY
2 434A	S717-105		.CLAMP- SUPPLIER CODE: V18076 SPECIFICATION NUMBER: BACC10GU105 OPTIONAL PART: 534CS105 V83930 JM44LC39S105RG V22175 POSITION DATA: RH PRE ALERT SB: 27A0130R2	002004 006100 107107 121503 904999	1
435	S717-105		.CLAMP- SUPPLIER CODE: V18076 SPECIFICATION NUMBER: BACC10GU105 OPTIONAL PART: 534CS105 V83930 JM44LC39S105RG V22175 POSITION DATA: LH	002004 006100 107107 121503 904999	6
440	S717-107		.CLAMP- SUPPLIER CODE: V18076 SPECIFICATION NUMBER: BACC10GU107 OPTIONAL PART: 534CS107 V83930 JM44LC39S107RG V22175 POSITION DATA: LH	002004 006100 107107 121503 904999	2

MISSING ITEM NUMBERS NOT APPLICABLE

- ITEM NOT ILLUSTRATED

BRI

32-61-52-02

BOEING PROPRIETARY - Copyright © - Unpublished Work - See title page for details.

32-61-52  
FIG. 02  
PAGE 19  
JAN 20/09



757

PARTS CATALOG (MAINTENANCE)

FIG ITEM	PART NUMBER	1 2 3 4 5 6 7	NOMENCLATURE	EFFECT FROM TO	UNITS PER ASSY
2 441	S717-107		.CLAMP- SUPPLIER CODE: V18076 SPECIFICATION NUMBER: BACC10GU107 OPTIONAL PART: 534CS107 V83930 JM44LC39S107RG V22175 POSITION DATA: RH	002004 006100 107107 121503 904999	1
442	S717-107		.CLAMP- SUPPLIER CODE: V18076 SPECIFICATION NUMBER: BACC10GU107 OPTIONAL PART: 534CS107 V83930 JM44LC39S107RG V22175 POSITION DATA: RH POST ALERT SB: 27A0130R2	002004 006100 107107 121503 904999	1
460	BACC15AN10		.CLIP	002004 006100 107107 121503 904999	9
465	BACB19F10S		.BLOCK	002004 006100 107107 121503 904999	9
470	287N6103-189		.BRACKET ASSY-	107107	1
470	287N6103-200		.BRACKET ASSY-	002004 006100 121503 904999	1
475	VNS1924CA1-8		..STUD SUPPLIER CODE: V5M902 SPECIFICATION NUMBER: BACS53B1EA1 OPTIONAL PART: VNS1924CA3-1-8 V92215	002004 006100 107107 121503 904999	2

MISSING ITEM NUMBERS NOT APPLICABLE

- ITEM NOT ILLUSTRATED

32-61-52-02

32-61-52  
FIG. 02  
PAGE 20  
JAN 20/09

BRI



757

PARTS CATALOG (MAINTENANCE)

FIG ITEM	PART NUMBER	1 2 3 4 5 6 7	NOMENCLATURE	EFFECT FROM TO	UNITS PER ASSY
2					
480	BACG20ZA275	..	GROMMET-	002004 006100 107107 121503 904999	1
485	287N6103-186	..	COVER-	107107	1
485	287N6103-199	..	COVER-	002004 006100 121503 904999	1
			ATTACHING PARTS		
- 490	NAS1801-3-6	..	SCREW	002004 006100 107107 121503 904999	3
			-----*-----		
495	BACW10P65AL	..	WASHER	002004 006100 107107 121503 904999	1
500	188148FS67K3	..	COUPLING- SUPPLIER CODE: V30463	002004 006100 107107 121503 904999	1
505	186030FS60K3	..	LOCKNUT- SUPPLIER CODE: V30463 OPTIONAL PART: 186030FS60K3K V30463	002004 006100 107107 121503 904999	1
505	186030FS60K3K	..	LOCKNUT- SUPPLIER CODE: V30463 OPTIONAL PART: 186030FS60K3 V30463	002004 006100 107107 121503 904999	1
506	287N6103-188	..	BRACKET ASSY	002004 006100 107107 121503 904999	1

MISSING ITEM NUMBERS NOT APPLICABLE

- ITEM NOT ILLUSTRATED

BRI

32-61-52-02

BOEING PROPRIETARY - Copyright © - Unpublished Work - See title page for details.

32-61-52  
FIG. 02  
PAGE 21  
JAN 20/09



757

PARTS CATALOG (MAINTENANCE)

FIG ITEM	PART NUMBER	1 2 3 4 5 6 7	NOMENCLATURE	EFFECT FROM TO	UNITS PER ASSY
2			ATTACHING PARTS		
- 507	MS20427M4		..RIVET- SIZE DETERMINED ON INSTL.	002004 006100 107107 121503 904999	4
508	F2000-3		-----*----- ...NUTPLATE SUPPLIER CODE: V15653 SPECIFICATION NUMBER: BACN10KB3F OPTIONAL PART: NS103185-02 V80539 RMF9207-3 V72962 T8114S1032S V11815 VN151A1-02 V92215 BRF100A3 V52828	002004 006100 107107 121503 904999	2
509	BRF200A3		...NUTPLATE SUPPLIER CODE: V52828 SPECIFICATION NUMBER: BACN10JR3F OPTIONAL PART: NS103203-02 V80539 RMF9201-3 V72962 VN152A1-02 V92215 T8091S1032 V11815 F5000-3BAC V15653	002004 006100 107107 121503 904999	1
-509A	MS20427M3		ATTACHING PARTS ...RIVET- SIZE DETERMINED ON INSTL.  -----*-----	002004 006100 107107 121503 904999	6

MISSING ITEM NUMBERS NOT APPLICABLE

- ITEM NOT ILLUSTRATED

BRI

32-61-52-02

32-61-52  
FIG. 02  
PAGE 22  
JAN 20/09



757

PARTS CATALOG (MAINTENANCE)

FIG ITEM	PART NUMBER	1 2 3 4 5 6 7	NOMENCLATURE	EFFECT FROM TO	UNITS PER ASSY
2					
510	287N6103-137	.	BRACKET-	002004 006100 107107 121503 904999	2
510	287N6103-255	.	BRACKET-	002004 006100 107107 121503 904999	2
- 515	NAS1801-3-8		ATTACHING PARTS .SCREW	002004 006100 107107 121503 904999	4
- 520	AN960PD10	.	WASHER-	002004 006100 107107 121503 904999	8
- 520	AN960KD10	.	WASHER-	002004 006100 107107 121503 904999	8
- 525	MS21042L3	.	NUT-	002004 006100 107107 121503 904999	4
530	287N6103-142	-----*	BRACKET	107107 121503 904999	1
- 535	BACB30NM4K6		ATTACHING PARTS .BOLT	107107 121503 904999	2
- 540	AN960PD416	.	WASHER-	002004 006100 107107 121503 904999	2
- 540	AN960KD416	.	WASHER-	107107 121503 904999	2

MISSING ITEM NUMBERS NOT APPLICABLE

- ITEM NOT ILLUSTRATED

32-61-52-02

32-61-52  
FIG. 02  
PAGE 23  
JAN 20/09

BRI





757

PARTS CATALOG (MAINTENANCE)

FIG ITEM	PART NUMBER	1 2 3 4 5 6 7	NOMENCLATURE	EFFECT FROM TO	UNITS PER ASSY
2 - 545	BRH10C4D	.NUT	SUPPLIER CODE: V52828 SPECIFICATION NUMBER: BACN10JC4CD OPTIONAL PART: T6C428JCD V11815 NS202486-048 V80539 102LH9075-4W V72962 H51650-4BAC V15653	107107 121503 904999	2
550	BC1083-074S	-----*----- .CLAMP	SUPPLIER CODE: V14242 SPECIFICATION NUMBER: BACC10FY074S OPTIONAL PART: 3140AB074 V94581 57490-074 V98625 B06A074S V10234 MBC68941-074 V8W928 57490-740 V8W928	002004 006007 012015 018100 107107 121503 904999	1
555	BACB30NM3K4	.BOLT		107107 121503 904999	1
557	287N6102-16	.CONDUIT ASSY-FLEX	POSITION DATA: LH SIDE	002004 006100 107107 121503 904999	1
559	287N6102-16	.CONDUIT ASSY-FLEX	POSITION DATA: RH SIDE PRE ALERT SB: 27A0130R2	002004 006100 107107 121503 904999	1
561	287N6102-16	.CONDUIT ASSY-FLEX		002004 006100 107107 121503 904999	1

MISSING ITEM NUMBERS NOT APPLICABLE

- ITEM NOT ILLUSTRATED

32-61-52-02

32-61-52  
FIG. 02  
PAGE 24  
JAN 20/09

BRI



757

PARTS CATALOG (MAINTENANCE)

FIG ITEM	PART NUMBER	1 2 3 4 5 6 7	NOMENCLATURE	EFFECT FROM TO	UNITS PER ASSY
2					
562	287N6100-69	.	CONDUIT ASSY-RIGID POSITION DATA: LH SIDE	002004 006100 107107 121503 904999	1
563	287N6100-69	.	CONDUIT ASSY-RIGID POSITION DATA: RH SIDE PRE ALERT SB: 27A0130R2	002004 006100 107107 121503 904999	1
565	287N6100-58	.	CONDUIT ASSY-RIGID	002004 006100 107107 121503 904999	1
570	BACN10WW8C	..	NUT- USED ON: 287N6100-58	002004 006100 107107 121503 904999	2
571	BACN10WW8C	..	NUT- USED ON: 287N6100-69	002004 006100 107107 121503 904999	1
575	BACF32H8C	..	FERRULE- USED ON: 287N6100-58	002004 006100 107107 121503 904999	2
576	BACF32H8C	..	FERRULE- USED ON: 287N6100-69	002004 006100 107107 121503 904999	1
580	BACC42Y8C	..	COUPLING- USED ON: 287N6100-58	002004 006100 107107 121503 904999	1
581	BACC42Y8C	..	COUPLING- USED ON: 287N6100-69	002004 006100 107107 121503 904999	1

MISSING ITEM NUMBERS NOT APPLICABLE

- ITEM NOT ILLUSTRATED

32-61-52-02

32-61-52  
FIG. 02  
PAGE 25  
JAN 20/09

BRI



757

PARTS CATALOG (MAINTENANCE)

FIG ITEM	PART NUMBER	1 2 3 4 5 6 7	NOMENCLATURE	EFFECT FROM TO	UNITS PER ASSY
2					
585	287N6100-66	..	TUBE- USED ON: 287N6100-58	002004 006100 107107 121503 904999	1
586	287N6100-75	..	TUBE- POSITION DATA: LH SIDE USED ON: 287N6100-69	002004 006100 107107 121503 904999	1
587	287N6100-75	..	TUBE- POSITION DATA: RH SIDE USED ON: 287N6100-69 PRE ALERT SB: 27A0130R2	002004 006100 107107 121503 904999	1
590	287N6100-70	.	CONDUIT ASSY-RIGID	002004 006100 107107 121503 904999	1
595	BACN10WW12C	..	NUT	002004 006100 107107 121503 904999	1
600	BACF32H12C	..	FERRULE	002004 006100 107107 121503 904999	1
605	BACC42Y12C	..	COUPLING	107107 121503 904999	1
610	287N6100-76	..	TUBE	002004 006100 107107 121503 904999	1

MISSING ITEM NUMBERS NOT APPLICABLE

- ITEM NOT ILLUSTRATED

32-61-52-02

32-61-52  
FIG. 02  
PAGE 26  
JAN 20/09

BRI

BOEING PROPRIETARY - Copyright © - Unpublished Work - See title page for details.



757

PARTS CATALOG (MAINTENANCE)

FIG ITEM	PART NUMBER	1 2 3 4 5 6 7	NOMENCLATURE	EFFECT FROM TO	UNITS PER ASSY
2 612	S717-106		.CLAMP SUPPLIER CODE: V18076 SPECIFICATION NUMBER: BACC10GU106 OPTIONAL PART: 534CS106 V83930 JM44LC39S106RG V22175	107107	1
- 710	287N6100-73		HARNESS INSTL-BRAKE TEMP SENSOR MLG OPT POSITION DATA: LH FOR NHA SEE: 24-00-60-01	121503 904949	RF
- 715	287N6100-74		HARNESS INSTL-BRAKE TEMP SENSOR MLG OPT POSITION DATA: RH FOR NHA SEE: 24-00-60-01	121503 904949	RF
720	BACB30NM3K4		.BOLT	121503 904949	14
725	AN960PD10		.WASHER- POSITION DATA: LH	121503 904949	6
730	AN960PD10		.WASHER	121503 904949	8
735	AN960PD10		.WASHER- POSITION DATA: RH PRE ALERT SB: 27A0130	121503 904949	6

MISSING ITEM NUMBERS NOT APPLICABLE

- ITEM NOT ILLUSTRATED

BRI

32-61-52-02

BOEING PROPRIETARY - Copyright © - Unpublished Work - See title page for details.

32-61-52  
FIG. 02  
PAGE 27  
JAN 20/09



757

PARTS CATALOG (MAINTENANCE)

FIG ITEM	PART NUMBER	1 2 3 4 5 6 7	NOMENCLATURE	EFFECT FROM TO	UNITS PER ASSY
2 740	BRH10C3D		.NUT- SUPPLIER CODE: V52828 SPECIFICATION NUMBER: BACN10JC3CD OPTIONAL PART: T6C1032JCD V11815 NS202486-02 V80539 102LH9075-3W V72962 H51650-3BAC V15653 POSITION DATA: LH	121503 904949	6
745	BRH10C3D		.NUT SUPPLIER CODE: V52828 SPECIFICATION NUMBER: BACN10JC3CD OPTIONAL PART: T6C1032JCD V11815 NS202486-02 V80539 102LH9075-3W V72962 H51650-3BAC V15653	121503 904949	8
750	BRH10C3D		.NUT- SUPPLIER CODE: V52828 SPECIFICATION NUMBER: BACN10JC3CD OPTIONAL PART: T6C1032JCD V11815 NS202486-02 V80539 102LH9075-3W V72962 H51650-3BAC V15653 POSITION DATA: RH PRE ALERT SB: 27A0130	121503 904949	6

MISSING ITEM NUMBERS NOT APPLICABLE

- ITEM NOT ILLUSTRATED

BRI

32-61-52-02

BOEING PROPRIETARY - Copyright © - Unpublished Work - See title page for details.

32-61-52  
FIG. 02  
PAGE 28  
JAN 20/09



757

PARTS CATALOG (MAINTENANCE)

FIG ITEM	PART NUMBER	1 2 3 4 5 6 7	NOMENCLATURE	EFFECT FROM TO	UNITS PER ASSY
2					
755	287N6103-138	.	BRACKET	121503 904949	1
760	287N6103-139	.	BRACKET	121503 904949	1
765	287N6103-140	.	BRACKET- POSITION DATA: LH	121503 904949	1
770	287N6103-140	.	BRACKET- POSITION DATA: RH PRE ALERT SB: 27A0130	121503 904949	1
775	287N6103-141	.	BRACKET- POSITION DATA: LH	121503 904949	1
780	287N6103-141	.	BRACKET- POSITION DATA: RH PRE ALERT SB: 27A0130	121503 904949	1
785	BACC15AN10	.	CLIP	121503 904949	14
790	BACB19F10S	.	BLOCK	121503 904949	14
- 850	286N3006-004	.	WIRE BUNDLE ASSY- POSITION DATA: LH SIDE	107107 121503 904999	1
- 855	286N3026-004	.	WIRE BUNDLE ASSY- POSITION DATA: LH SIDE	107107 121503 904951	1
- 865	286N4926-002	.	WIRE BUNDLE ASSY- POSITION DATA: RH SIDE	107107 121503 904951	1

MISSING ITEM NUMBERS NOT APPLICABLE

- ITEM NOT ILLUSTRATED

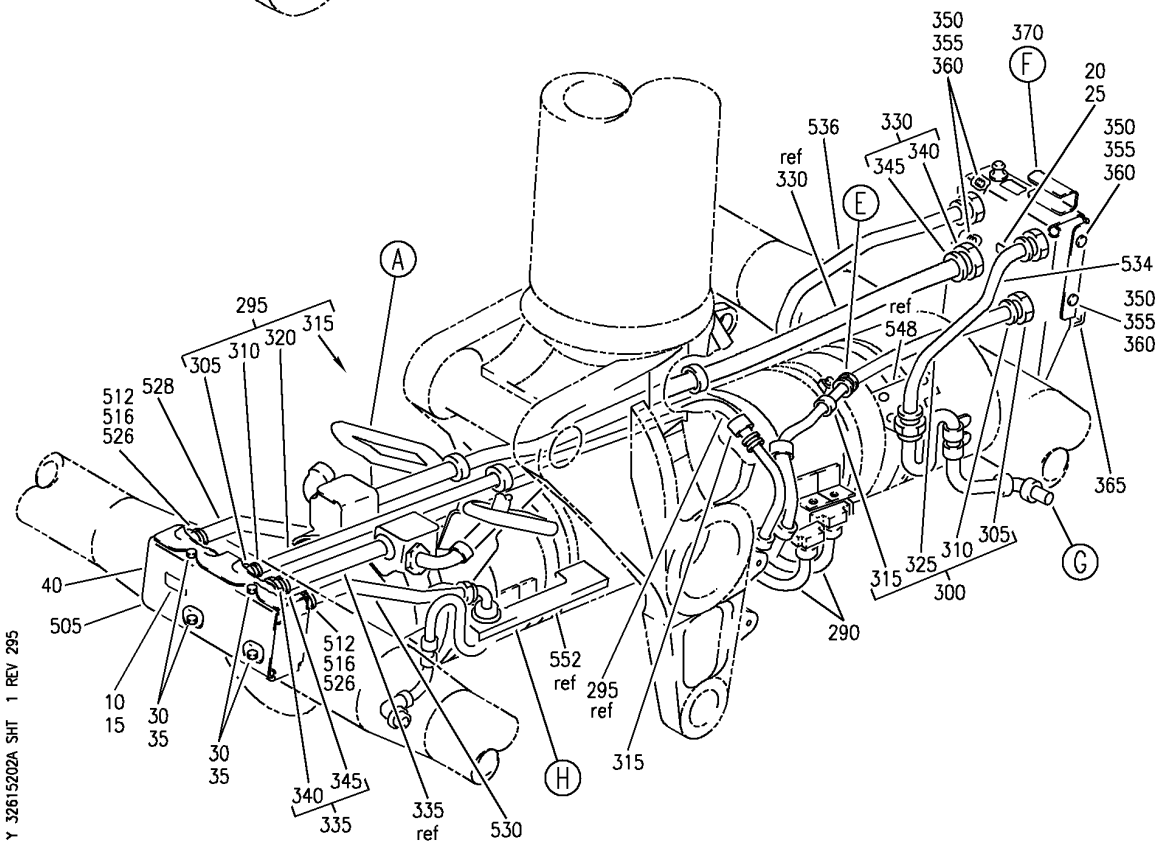
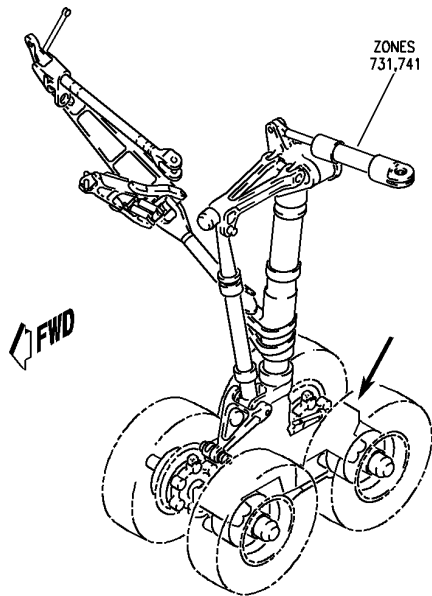
BRI

32-61-52-02

BOEING PROPRIETARY - Copyright © - Unpublished Work - See title page for details.

32-61-52  
FIG. 02  
PAGE 29  
JAN 20/09

**BOEING**  
757  
**PARTS CATALOG (MAINTENANCE)**



Y 32615202A SHT 1 REV 295

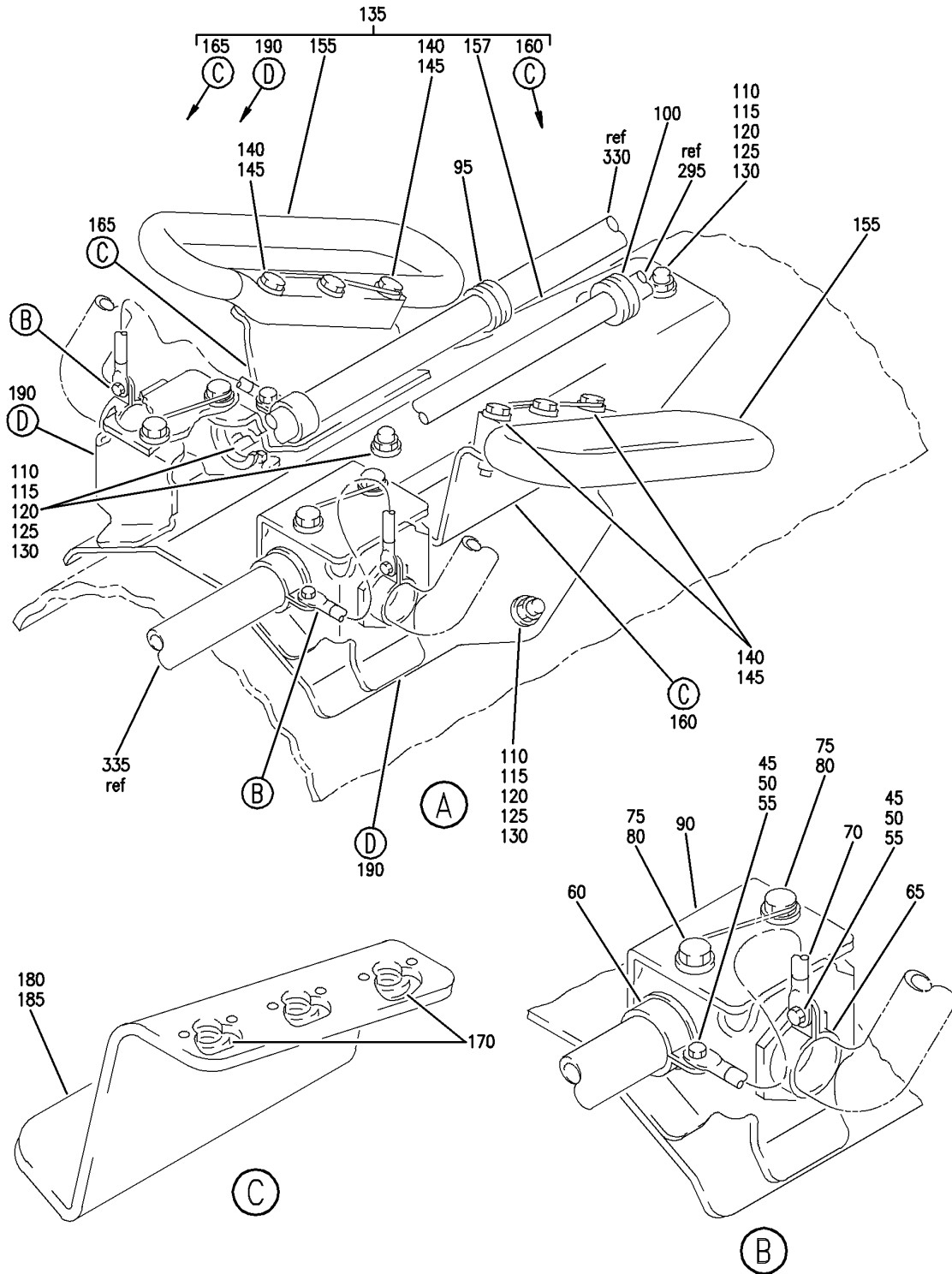
PROV AND HARNESS INSTL-WIRE MLG  
FIGURE 2A (SHEET 1)

# 32-61-52-02A

BRI  
JAN 20/09

32-61-52-02A  
PAGE 0

**BOEING**  
757  
PARTS CATALOG (MAINTENANCE)



Y 32615202A SH1 2 REV 243

PROV AND HARNESS INSTL-WIRE MLG  
FIGURE 2A (SHEET 2)

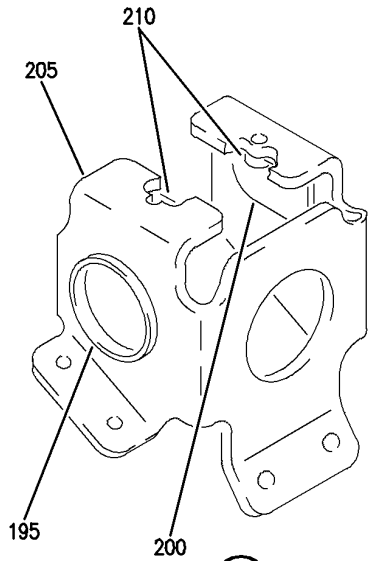
**32-61-52-02A**

BRI  
JAN 20/09

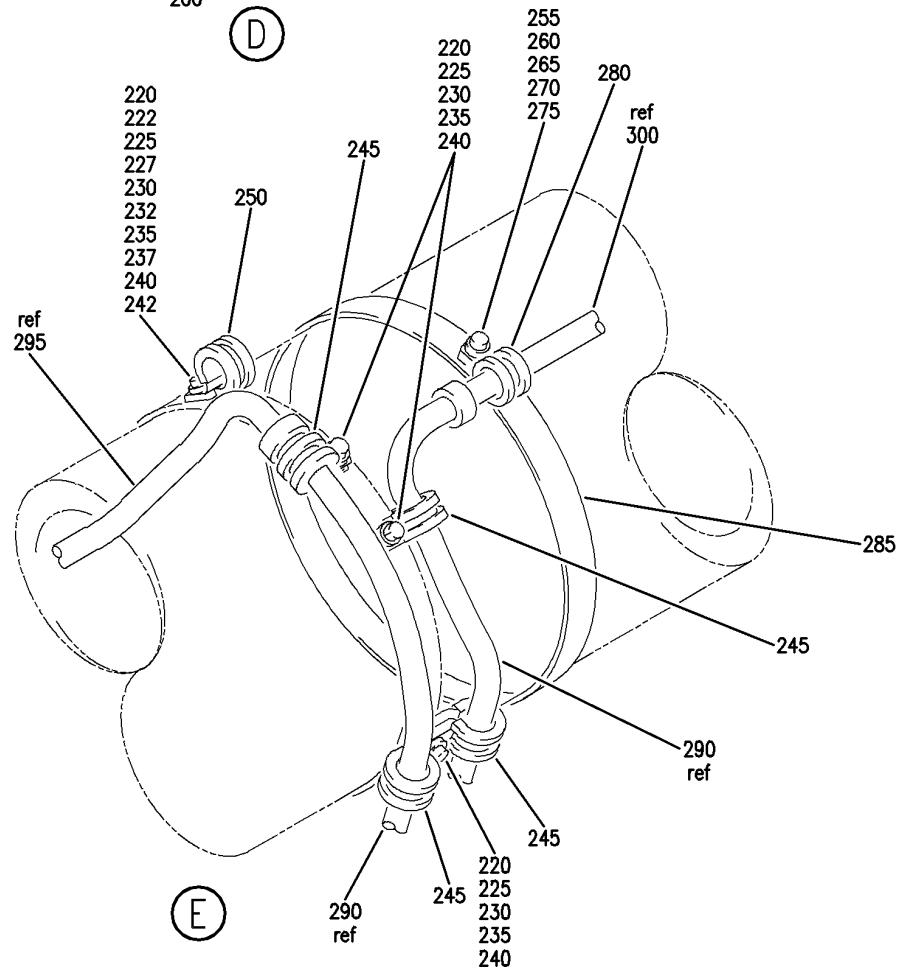
32-61-52-02A  
PAGE 0A



**BOEING**  
757  
PARTS CATALOG (MAINTENANCE)



(D)



(E)

Y 32615202A SH1 3 REV 244

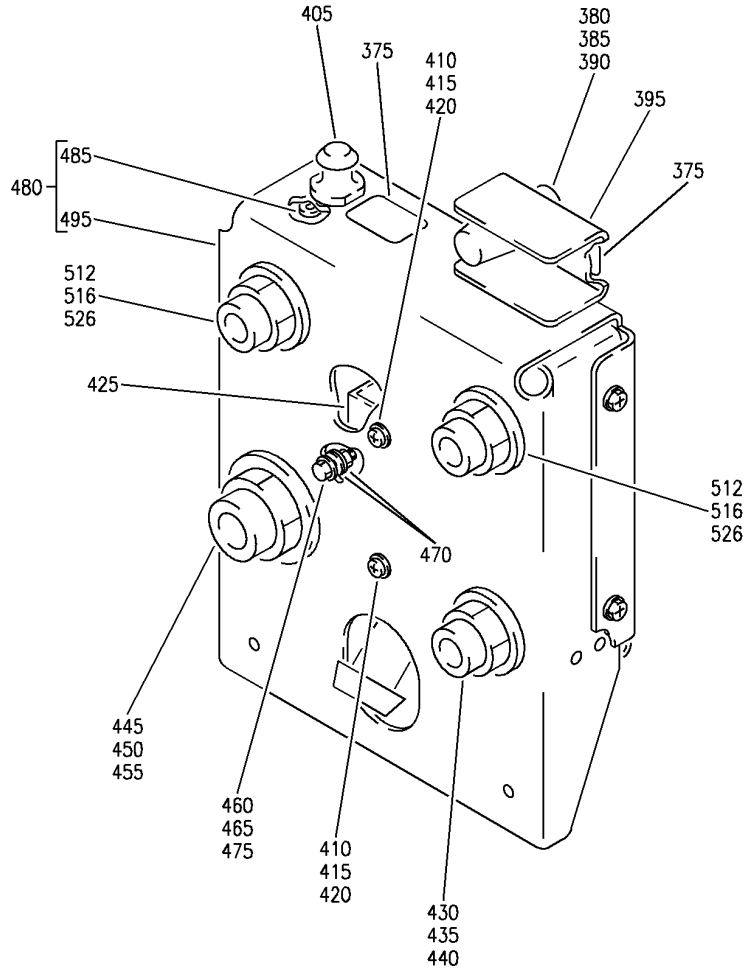
PROV AND HARNESS INSTL-WIRE MLG  
FIGURE 2A (SHEET 3)

**32-61-52-02A**

BRI  
JAN 20/09

32-61-52-02A  
PAGE 0B

**BOEING**  
757  
PARTS CATALOG (MAINTENANCE)



(F)

Y 32615202A SH1 4 REV 295

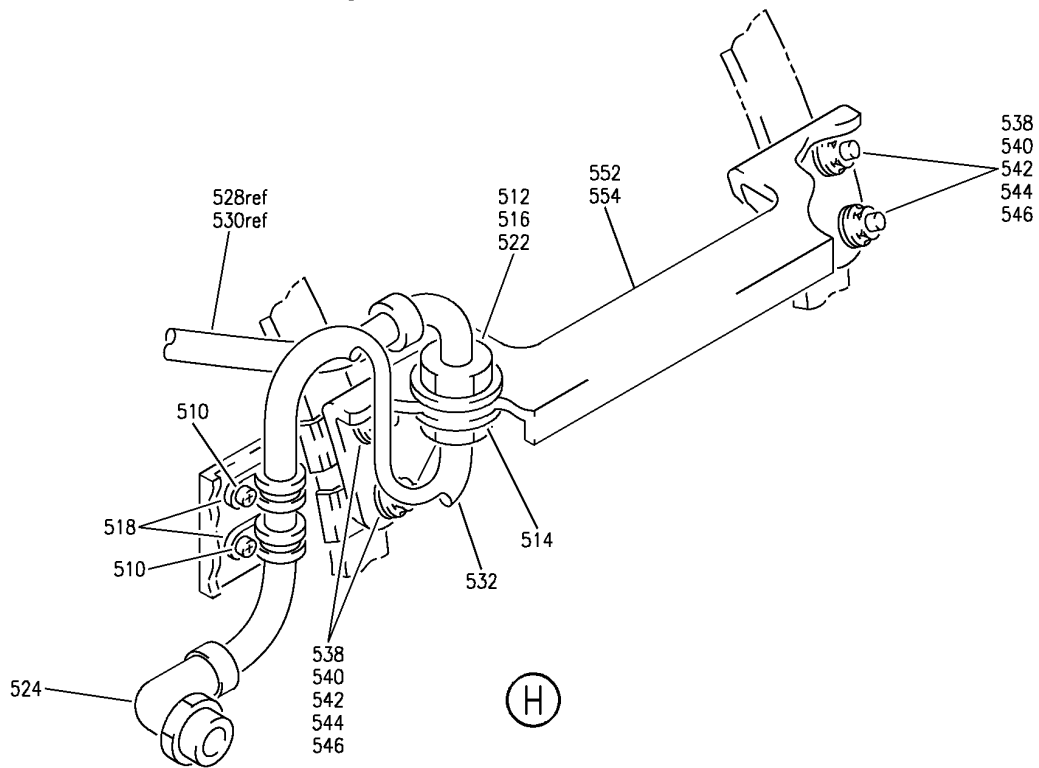
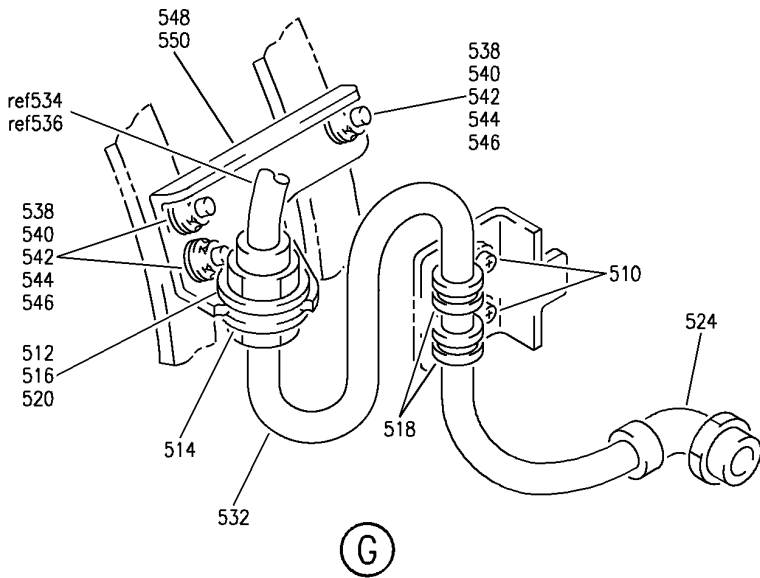
PROV AND HARNESS INSTL-WIRE MLG  
FIGURE 2A (SHEET 4)

**32-61-52-02A**

BRI  
JAN 20/09

32-61-52-02A  
PAGE 0C

**BOEING**  
757  
**PARTS CATALOG (MAINTENANCE)**



Y 32615202A SH1 5 REV 295

PROV AND HARNESS INSTL-WIRE MLG  
FIGURE 2A (SHEET 5)

**32-61-52-02A**

BRI  
JAN 20/09

32-61-52-02A  
PAGE 0D



757

PARTS CATALOG (MAINTENANCE)

FIG ITEM	PART NUMBER	1 2 3 4 5 6 7	NOMENCLATURE	EFFECT FROM TO	UNITS PER ASSY
2A			PROV AND HARNESS INSTL- WIRE MLG	103106 108120	
- 1	287N6100-203		PROVISION INSTL-MLG POSITION DATA: LH SIDE FOR NHA SEE: 24-00-60-20	108120	RF
- 1	MODREF11455		PROVISION INSTL-MLG MODULE NUMBER: 287N6100-203 REV A POSITION DATA: LH SIDE	103106	1
- 5	287N6100-204		PROVISION INSTL-MLG POSITION DATA: RH SIDE FOR NHA SEE: 24-00-60-20	108120	RF
- 5	MODREF11456		PROVISION INSTL-MLG MODULE NUMBER: 287N6100-204 REV A POSITION DATA: RH SIDE	103106	1
10	BAC27NEL1009		.DECAL- POSITION DATA: LH SIDE PLACARD CONTENT: TB0209 USED ON: 287N6100-197	103106 108120	1
15	BAC27NEL1011		.DECAL- POSITION DATA: RH SIDE PLACARD CONTENT: TB0211 USED ON: 287N6100-198	103106 108120	1
20	BAC27NEL1010		.DECAL- POSITION DATA: LH SIDE PLACARD CONTENT: TB0210 USED ON: 287N6100-197	103106 108120	1

MISSING ITEM NUMBERS NOT APPLICABLE

- ITEM NOT ILLUSTRATED

32-61-52-02A

32-61-52  
FIG. 02A  
PAGE 1  
JAN 20/09

BRI

BOEING PROPRIETARY - Copyright © - Unpublished Work - See title page for details.



757

PARTS CATALOG (MAINTENANCE)

FIG ITEM	PART NUMBER	1 2 3 4 5 6 7	NOMENCLATURE	EFFECT FROM TO	UNITS PER ASSY
2A					
25	BAC27NEL1012	.DECAL-	POSITION DATA: RH SIDE PLACARD CONTENT: TB0212 USED ON: 287N6100-198	103106 108120	1
30	NAS1801-3-7	.SCREW-HEX HEAD		103106 108120	4
35	NAS1149D0363J	.WASHER		103106 108120	4
40	287N6103-228	.COVER		103106 108120	1
45	NAS1802-3-8	.SCREW		103106 108120	4
50	BACW10BP3APU	.WASHER		103106 108120	8
55	BRH10C3M	.NUT	SUPPLIER CODE: V52828 SPECIFICATION NUMBER: BACN10JC3CM OPTIONAL PART: T6C1032JM V11815 97E02 V80539 109LH9075-3W V72962 VN303D02 V92215 NS202101SE02 V80539 H01-3BAC V15653	103106 108120	4
60	AN735C12	.CLAMP-LOOP		103106 108120	2
65	AN735C11	.CLAMP-LOOP		103106 108120	2
70	940CW20-4	.JUMPER ASSY	SUPPLIER CODE: V91812 SPECIFICATION NUMBER: BACJ40AB20-4 OPTIONAL PART: 100220-4 V1FF12 RBEJ40AB20-4 V1GK47	103106 108120	2

MISSING ITEM NUMBERS NOT APPLICABLE

- ITEM NOT ILLUSTRATED

32-61-52-02A

32-61-52  
FIG. 02A  
PAGE 2  
JAN 20/09

BRI

BOEING PROPRIETARY - Copyright © - Unpublished Work - See title page for details.



757

PARTS CATALOG (MAINTENANCE)

FIG ITEM	PART NUMBER	1 2 3 4 5 6 7	NOMENCLATURE	EFFECT FROM TO	UNITS PER ASSY
2A					
75	BACB30NM3HK3	.	BOLT	103106 108120	4
80	NAS1149D0363J	.	WASHER	103106 108120	4
90	287N6103-219	.	COVER-TURNAROUND BOX	103106 108120	2
100	S717-107	.	CLAMP	103106 108120	1
			SUPPLIER CODE: V18076		
			SPECIFICATION NUMBER: BACC10GU107		
			OPTIONAL PART: 534CS107		
			V83930		
			JM44LC39S107RG		
			V22175		
			ATTACHING PARTS		
- 107	BACB30NM3K2	.	BOLT	103106 108120	1
			-----*-----		
110	BACB30NM3K4	.	BOLT	103106 108120	4
115	NAS1149D0363J	.	WASHER	103106 108120	4
120	PLH53CD	.	NUT	103106 108120	4
			SUPPLIER CODE: VF0224		
			SPECIFICATION NUMBER: BACN10YR3CD		
			OPTIONAL PART: H52732-3CD		
			V15653		
125	BACB19F10S	.	BLOCK	103106 108120	4
130	BACC15AN10	.	CLIP	103106 108120	4
135	287N6103-248	.	BRACKET ASSY-TURNAROUND	103106 108120	1
140	BACB30NMHK11	..	BOLT	103106 108120	6
145	NAS1149D0363J	..	WASHER	103106 108120	6
155	287N6115-5	..	GUIDE-FLEXIBLE CONDUIT	103106 108120	2
157	287N6117-9	..	BRACKET	103106 108120	1
160	287N6103-213	..	BRACKET ASSY	103106 108120	1

MISSING ITEM NUMBERS NOT APPLICABLE

- ITEM NOT ILLUSTRATED

32-61-52-02A

32-61-52  
FIG. 02A  
PAGE 3  
JAN 20/09

BRI

BOEING PROPRIETARY - Copyright © - Unpublished Work - See title page for details.

 **BOEING**  
757  
**PARTS CATALOG (MAINTENANCE)**

FIG ITEM	PART NUMBER	1 2 3 4 5 6 7	NOMENCLATURE	EFFECT FROM TO	UNITS PER ASSY
2A					
165	287N6103-214	..	BRACKET ASSY	103106 108120	1
170	BACN10JP3ACD	...	NUTPLATE	103106 108120	3
			ATTACHING PARTS		
- 175	BACR15BA3ADC	...	RIVET- SIZE DETERMINED ON INSTL. -----*-----	103106 108120	6
180	287N6103-215	...	BRACKET- USED ON: 287N6103-213	103106 108120	1
185	287N6103-216	...	BRACKET- USED ON: 287N6103-214	103106 108120	1
190	287N6117-13	..	BOX ASSY-TURNAROUND	103106 108120	2
195	BACG20ZB000273	...	GROMMET	103106 108120	1
200	287N6117-220	...	CLIP	103106 108120	1
205	287N6117-14	...	BRACKET	103106 108120	1
210	BACN10JP3ACD	...	NUTPLATE	103106 108120	2
			ATTACHING PARTS		
- 215	BACR15BA3ADC	...	RIVET- SIZE DETERMINED ON INSTL. -----*-----	103106 108120	4
222	BACB30NM3K4	.	BOLT	103106 108120	1
227	NAS1149D0363J	.	WASHER	103106 108120	1
232	PLH53CD	.	NUT SUPPLIER CODE: VF0224 SPECIFICATION NUMBER: BACN10YR3CD OPTIONAL PART: H52732-3CD V15653	103106 108120	1
237	BACC15AN10	.	CLIP	103106 108120	1
242	BACB19F10S	.	BLOCK	103106 108120	1

MISSING ITEM NUMBERS NOT APPLICABLE

- ITEM NOT ILLUSTRATED

BRI

# 32-61-52-02A

BOEING PROPRIETARY - Copyright © - Unpublished Work - See title page for details.

32-61-52  
FIG. 02A  
PAGE 4  
JAN 20/09



757

PARTS CATALOG (MAINTENANCE)

FIG ITEM	PART NUMBER	1 2 3 4 5 6 7	NOMENCLATURE	EFFECT FROM TO	UNITS PER ASSY
2A 250	S717-107	.	CLAMP SUPPLIER CODE: V18076 SPECIFICATION NUMBER: BACC10GU107 OPTIONAL PART: 534CS107 V83930 JM44LC39S107RG V22175	103106 108120	1
330	287N6116-34	.	TUBE ASSY	103106 108120	1
335	287N6116-35	.	TUBE ASSY	103106 108120	1
340	BACN10WW12C	..	NUT-COUPLING	103106 108120	1
345	BACF32H12C	..	FERRULE	103106 108120	1
350	NAS1801-3-6	.	SCREW	103106 108120	4
355	NAS1149D0363J	.	WASHER	103106 108120	4
360	130069	.	NUT SUPPLIER CODE: V60119 SPECIFICATION NUMBER: BACN10FX16 OPTIONAL PART: A11330-6-3 V72962 A4972-6-02 V72962 A4972-6-02 V72962	103106 108120	4
365	287N6117-19	.	BRACKET	103106 108120	1
370	287N6103-246	.	BOX ASSY-JUNCTION	103106 108120	1
375	BAC27NEX2851	..	DECAL- PLACARD CONTENT: GROUND HERE	103106 108120	2
380	MS90298-2	..	CONNECTOR	103106 108120	1
385	NAS1149C0516R	..	WASHER	103106 108120	1
390	MS25082-5	..	NUT-HEX	103106 108120	1
395	287N6103-147	..	BRACKET	103106 108120	1

MISSING ITEM NUMBERS NOT APPLICABLE

- ITEM NOT ILLUSTRATED

32-61-52-02A

32-61-52  
FIG. 02A  
PAGE 5  
JAN 20/09

BRI

BOEING PROPRIETARY - Copyright © - Unpublished Work - See title page for details.





757

PARTS CATALOG (MAINTENANCE)

FIG ITEM	PART NUMBER	1 2 3 4 5 6 7	NOMENCLATURE	EFFECT FROM TO	UNITS PER ASSY
2A			ATTACHING PARTS		
- 400	MS20615M5-6	..	RIVET- SIZE DETERMINED ON INSTL. -----*-----	103106 108120	3
405	66-18544-2	..	TERMINAL	103106 108120	1
410	MS24693C27	..	SCREW	103106 108120	2
415	NAS1149CN816R	..	WASHER	103106 108120	2
420	PLH506CD	..	NUT SUPPLIER CODE: VFO224 SPECIFICATION NUMBER: BACN10YR06CD OPTIONAL PART: H52732-06CD V15653	103106 108120	2
425	MRTBL4	..	RAIL ASSY- SUPPLIER CODE: V14283	103106 108120	1
430	NAS1149C1416R	..	WASHER	103106 108120	1
435	S4630-14LWS30S	..	LOCKNUT- SUPPLIER CODE: V07418 OPTIONAL PART: 186028FS60K3 V30463	103106 108120	1
435	186028FS60K3	..	LOCKNUT- SUPPLIER CODE: V30463 OPTIONAL PART: S4630-14LWS30S V07418	103106 108120	1
440	188195FS60K3	..	CONNECTOR- SUPPLIER CODE: V30463 OPTIONAL PART: S4627-14 V07418	103106 108120	1
440	S4627-14	..	CONNECTOR- SUPPLIER CODE: V07418 OPTIONAL PART: 188195FS60K3 V30463	103106 108120	1
445	BACW10P65AL	..	WASHER	103106 108120	1

MISSING ITEM NUMBERS NOT APPLICABLE

- ITEM NOT ILLUSTRATED

32-61-52-02A

32-61-52  
FIG. 02A  
PAGE 6  
JAN 20/09

BRI

BOEING PROPRIETARY - Copyright © - Unpublished Work - See title page for details.



757

PARTS CATALOG (MAINTENANCE)

FIG ITEM	PART NUMBER	1 2 3 4 5 6 7	NOMENCLATURE	EFFECT FROM TO	UNITS PER ASSY
2A 450	186030FS60K3	..	LOCKNUT- SUPPLIER CODE: V30463 OPTIONAL PART: S4630-19LW V07418	103106 108120	1
450	S4630-19LW	..	LOCKNUT- SUPPLIER CODE: V07418 OPTIONAL PART: 186030FS60K3 V30463	103106 108120	1
455	188197FS60K3	..	CONNECTOR- SUPPLIER CODE: V30463 OPTIONAL PART: S4627-19 V07418	103106 108120	1
455	S4627-19	..	CONNECTOR- SUPPLIER CODE: V07418 OPTIONAL PART: 188197FS60K3 V30463	103106 108120	1
460	NAS1802-3-12	..	SCREW	103106 108120	1
465	BACW10EC3C	..	WASHER- OPTIONAL PART: MS35338-138	103106 108120	1
465	MS35338-138	..	WASHER- OPTIONAL PART: BACW10EC3C	103106 108120	1
470	BACW10BP3APU	..	WASHER	103106 108120	2
475	MS35650-304	..	NUT	103106 108120	1
480	287N6117-5	..	BOX ASSY	103106 108120	1
485	42NA1-066	...	NUTPLATE	103106 108120	1
- 490	MS20427M4C4	...	RIVET	103106 108120	2
495	287N6117-6	...	BOX	103106 108120	1

MISSING ITEM NUMBERS NOT APPLICABLE

- ITEM NOT ILLUSTRATED

32-61-52-02A

32-61-52  
FIG. 02A  
PAGE 7  
JAN 20/09

BRI

BOEING PROPRIETARY - Copyright © - Unpublished Work - See title page for details.



757

PARTS CATALOG (MAINTENANCE)

FIG ITEM	PART NUMBER	1 2 3 4 5 6 7	NOMENCLATURE	EFFECT FROM TO	UNITS PER ASSY
2A			ATTACHING PARTS		
- 500	MS20615-4M4	...	RIVET	103106 108120	4
			-----*-----		
505	287N6103-252	.	BOX-JUNCTION	103106 108120	1
- 600	MODREF31380		HARNESS INSTL-MLG ELEC MODULE NUMBER: 287N61000-217 REV A POSITION DATA: LH SIDE	103106	RF
- 605	M81714-3DB1	.	TERMINAL- SUPPLIER CODE: V14283 ELECTRICAL EQUIP NUMBER: TB0209 TB0210	103106	AR
- 610	M81714-3DD1	.	TERMINAL- SUPPLIER CODE: V14283 ELECTRICAL EQUIP NUMBER: TB0209 TB0210	103106	AR
- 625	MODREF31381		HARNESS INSTL-MLG ELEC MODULE NUMBER: 287N61000-218 REV A POSITION DATA: RH SIDE	103106	RF
- 630	M81714-3DB1	.	TERMINAL- SUPPLIER CODE: V14283 ELECTRICAL EQUIP NUMBER: TB0211 TB0212	103106	AR
- 635	M81714-3DD1	.	TERMINAL- SUPPLIER CODE: V14283 ELECTRICAL EQUIP NUMBER: TB0211 TB0212	103106	AR

MISSING ITEM NUMBERS NOT APPLICABLE

- ITEM NOT ILLUSTRATED

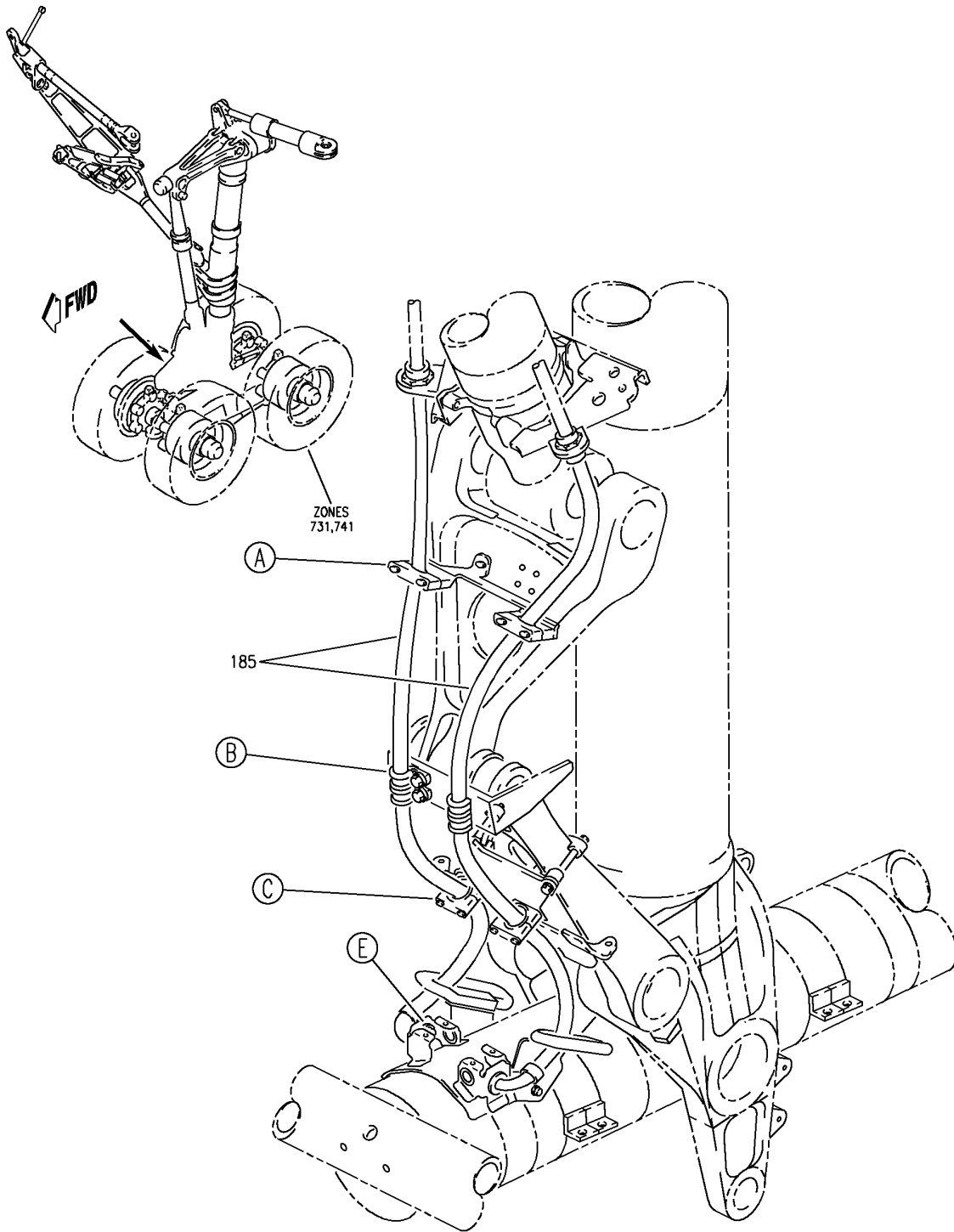
32-61-52-02A

32-61-52  
FIG. 02A  
PAGE 8  
JAN 20/09

BRI

BOEING PROPRIETARY - Copyright © - Unpublished Work - See title page for details.

**BOEING**  
757  
PARTS CATALOG (MAINTENANCE)



Y 32615202C SHT 1 REV 298

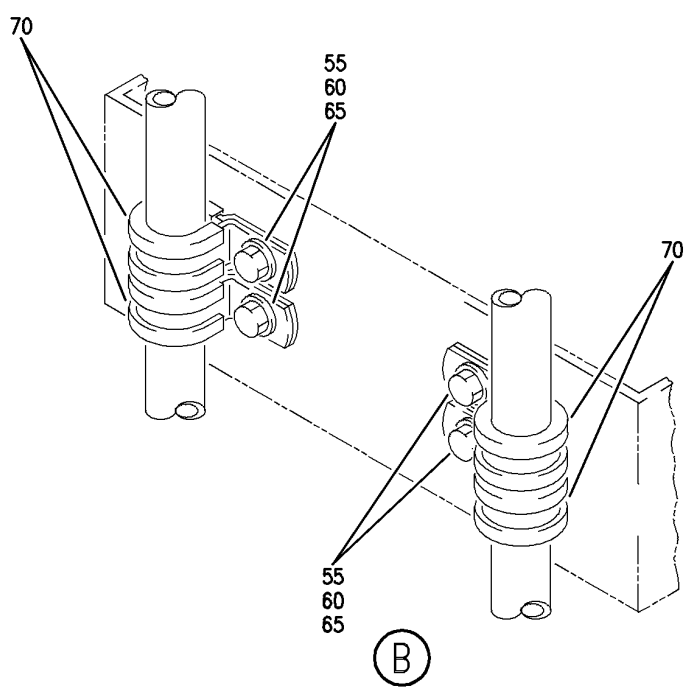
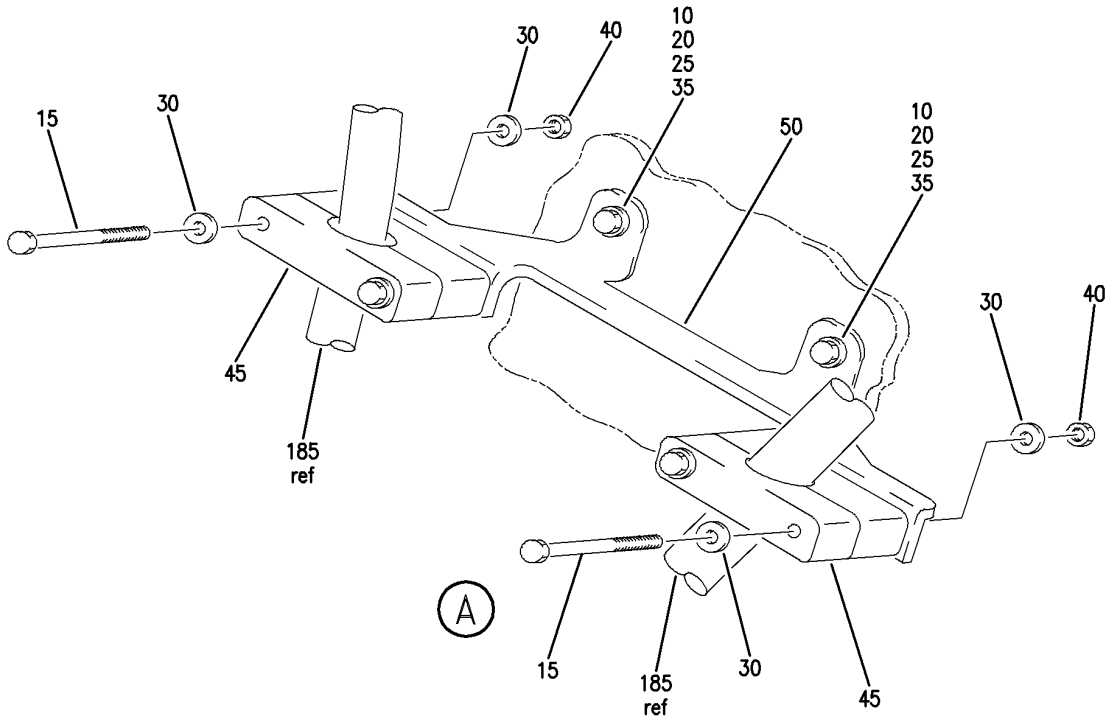
WIRE PROVISION INSTL- MLG FLEX CONDUIT  
FIGURE 2C (SHEET 1)

**32-61-52-02C**

BRI  
JAN 20/09

32-61-52-02C  
PAGE 0

**BOEING**  
757  
PARTS CATALOG (MAINTENANCE)



Y 32615202C SHT 2 REV 222

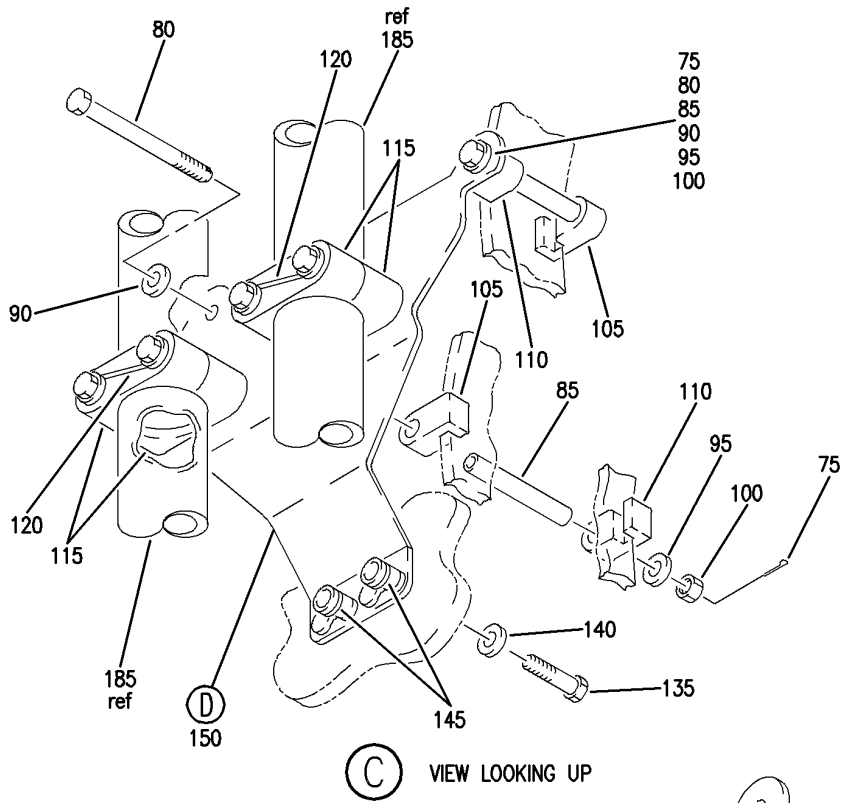
WIRE PROVISION INSTL- MLG FLEX CONDUIT  
FIGURE 2C (SHEET 2)

**32-61-52-02C**

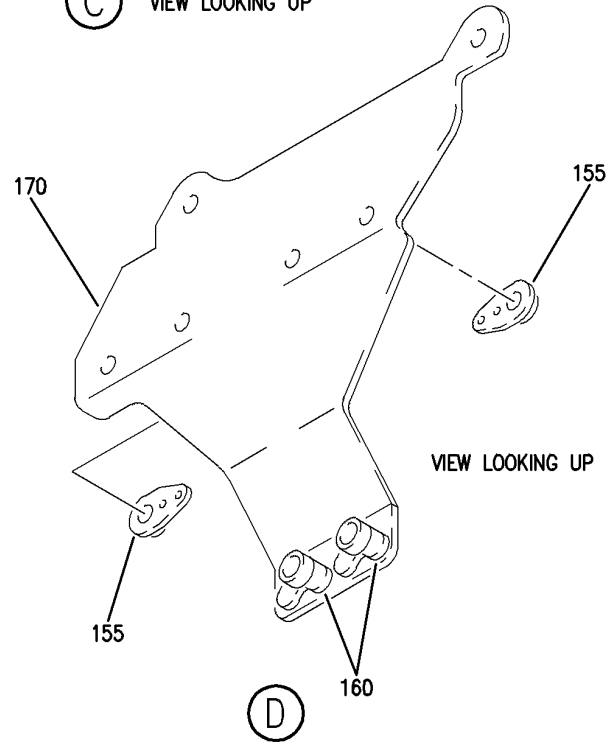
BRI  
JAN 20/09

32-61-52-02C  
PAGE 0A

**BOEING**  
757  
PARTS CATALOG (MAINTENANCE)



(C) VIEW LOOKING UP



VIEW LOOKING UP

Y 32615202C SHT 3 REV 222

WIRE PROVISION INSTL- MLG FLEX CONDUIT  
FIGURE 2C (SHEET 3)

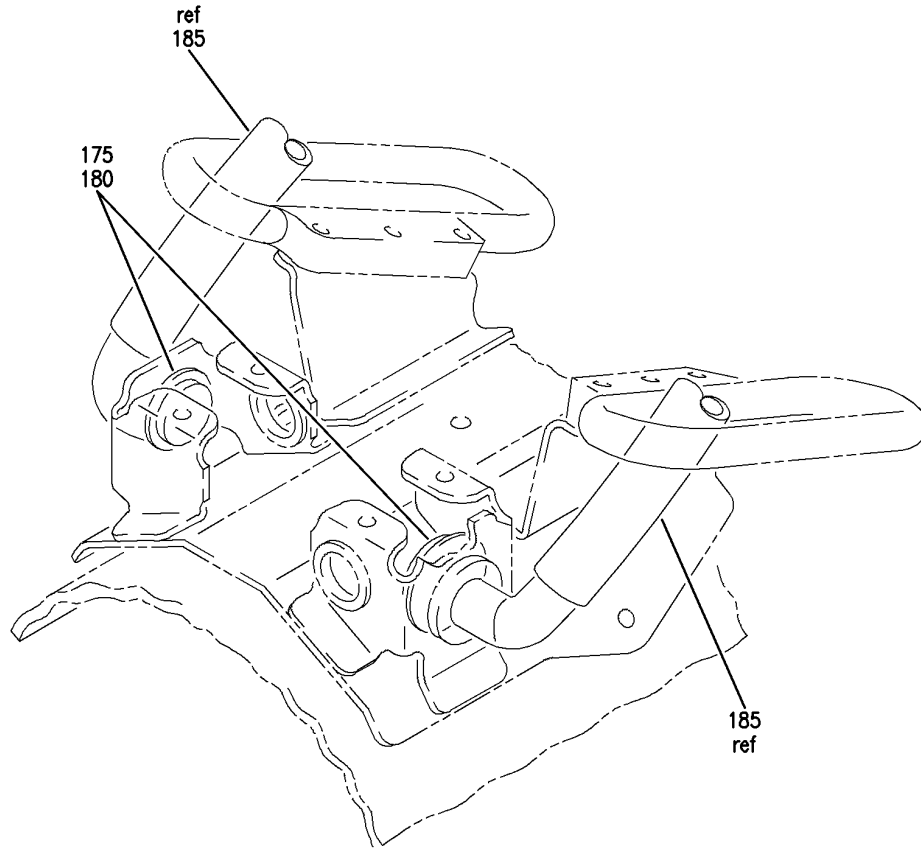
**32-61-52-02C**

BRI  
JAN 20/09

32-61-52-02C  
PAGE 0B

BOEING PROPRIETARY - Copyright © - Unpublished Work - See title page for details.

**BOEING**  
757  
PARTS CATALOG (MAINTENANCE)



(E)

Y 32615202C SHT 4 REV 222

WIRE PROVISION INSTL- MLG FLEX CONDUIT  
FIGURE 2C (SHEET 4)

**32-61-52-02C**

BRI  
JAN 20/09

32-61-52-02C  
PAGE 0C



757

PARTS CATALOG (MAINTENANCE)

FIG ITEM	PART NUMBER	1 2 3 4 5 6 7	NOMENCLATURE	EFFECT FROM TO	UNITS PER ASSY
2C			WIRE PROVISION INSTL- MLG FLEX CONDUIT	103106 108120	
- 1	287N6100-195		WIRE PROVISION INSTL-MLG FLEX CONDUIT POSITION DATA: LH SIDE FOR NHA SEE: 24-00-60-20	108120	RF
- 1	MODREF11453		WIRE PROVISION INSTL-MLG FLEX CONDUIT MODULE NUMBER: 287N6100-195 REV A POSITION DATA: LH SIDE	103106	1
- 5	287N6100-194		WIRE PROVISION INSTL-MLG FLEX CONDUIT POSITION DATA: RH SIDE FOR NHA SEE: 24-00-60-20	108120	RF
- 5	MODREF11452		WIRE PROVISION INSTL-MLG FLEX CONDUIT MODULE NUMBER: 287N6100-194 REV A POSITION DATA: RH SIDE	103106	1
10	BACB30NM4K7		.BOLT	103106 108120	2
15	BACB30NR4K35		.BOLT	103106 108120	4
20	BACW10BP4CD		.WASHER	103106 108120	2
25	BACW10BP4DP		.WASHER	103106 108120	2
30	NAS1149D0463J		.WASHER	103106 108120	8
35	NAS1805-4L		.NUT	103106 108120	2
40	PLH54CD		.NUT SUPPLIER CODE: VF0224 SPECIFICATION NUMBER: BACN10YR4CD OPTIONAL PART: H52732-4CD V15653	103106 108120	4
45	287N6104-4		.GUIDE-	103106 108120	2

MISSING ITEM NUMBERS NOT APPLICABLE

- ITEM NOT ILLUSTRATED

32-61-52-02C

32-61-52  
FIG. 02C  
PAGE 1  
JAN 20/09

BRI

BOEING PROPRIETARY - Copyright © - Unpublished Work - See title page for details.



 **BOEING**  
757  
**PARTS CATALOG (MAINTENANCE)**

FIG ITEM	PART NUMBER	1 2 3 4 5 6 7	NOMENCLATURE	EFFECT FROM TO	UNITS PER ASSY
2C					
45	287N6104-1	.	GUIDE-	103106 108120	2
50	287N6103-142	.	BRACKET	103106 108120	1
55	BACB30NM3K5	.	BOLT	103106 108120	4
60	NAS1149D0363J	.	WASHER	103106 108120	4
65	PLH53CD	.	NUT SUPPLIER CODE: VF0224 SPECIFICATION NUMBER: BACN10YR3CD OPTIONAL PART: H52732-3CD V15653	103106 108120	4
70	S717-109	.	CLAMP SUPPLIER CODE: V18076 SPECIFICATION NUMBER: BACC10GU109 OPTIONAL PART: 534CS109 V83930 JM44LC39S109RG V22175	103106 108120	4
75	BACP18BC02A06P	.	PIN	103106 108120	2
80	BACB30NM4DK51	.	BOLT	103106 108120	2
85	NAS43DD4-108FC	.	SPACER	103106 108120	2
90	BACW10BN4AC	.	WASHER	103106 108120	2
95	BACW10BP4DP	.	WASHER	103106 108120	2
100	BACN10JD4CD	.	NUT	103106 108120	2
105	287N6115-1	.	CLIP-SPRT	103106 108120	2
110	287N6115-2	.	CLIP-SPRT	103106 108120	2
115	287N6115-3	.	GUIDE	103106 108120	4
120	MS20995NC20	.	LOCKWIRE	103106 108120	2
- 125	BACB30NM4HK32	.	ATTACHING PARTS BOLT	103106 108120	4

MISSING ITEM NUMBERS NOT APPLICABLE

- ITEM NOT ILLUSTRATED

# 32-61-52-02C

32-61-52  
FIG. 02C  
PAGE 2  
JAN 20/09

BRI

BOEING PROPRIETARY - Copyright © - Unpublished Work - See title page for details.

 **BOEING**  
757  
**PARTS CATALOG (MAINTENANCE)**

FIG ITEM	PART NUMBER	1 2 3 4 5 6 7	NOMENCLATURE	EFFECT FROM TO	UNITS PER ASSY
2C					
- 130	NAS1149D0463J	.	WASHER	103106 108120	4
		-----*			
135	BACB30NM4HK6	.	BOLT	103106 108120	2
140	BACW10BN4AC	.	WASHER	103106 108120	2
145	MS20995NC20	.	LOCKWIRE- POSITION DATA: FAR SIDE	103106 108120	2
150	287N6103-226	.	SUPPORT ASSY	103106 108120	1
155	K2001-4	..	NUTPLATE SUPPLIER CODE: V15653 SPECIFICATION NUMBER: BACN10KB4CM OPTIONAL PART: NS103184SE048 V80539 T8110C428 V11815 VN101D1-048 V92215 109A9207-4 V72962 BR1000C4M V52828	103106 108120	4
160	BR3000C4D	..	NUTPLATE SUPPLIER CODE: V52828 SPECIFICATION NUMBER: BACN10KF4CD OPTIONAL PART: K51598-4BAC V15653 NS202441-048 V80539 ATTACHING PARTS	103106 108120	2
- 165	BACR15BA3ADC	..	RIVET- SIZE DETERMINED ON INSTL. -----*	103106 108120	12
170	287N6103-227	..	BRACKET	103106 108120	1
175	BACW10P65AL	.	WASHER	103106 108120	2
180	S4630-19LW	.	LOCKNUT- SUPPLIER CODE: V07418	103106 108120	2

MISSING ITEM NUMBERS NOT APPLICABLE

- ITEM NOT ILLUSTRATED

# 32-61-52-02C

32-61-52  
FIG. 02C  
PAGE 3  
JAN 20/09

BRI

BOEING PROPRIETARY - Copyright © - Unpublished Work - See title page for details.



757  
PARTS CATALOG (MAINTENANCE)

FIG ITEM	PART NUMBER	1 2 3 4 5 6 7	NOMENCLATURE	EFFECT FROM TO	UNITS PER ASSY
2C 185	287N6102-33	.	CONDUIT ASSY-FLEX	103106 108120	2

MISSING ITEM NUMBERS NOT APPLICABLE

- ITEM NOT ILLUSTRATED

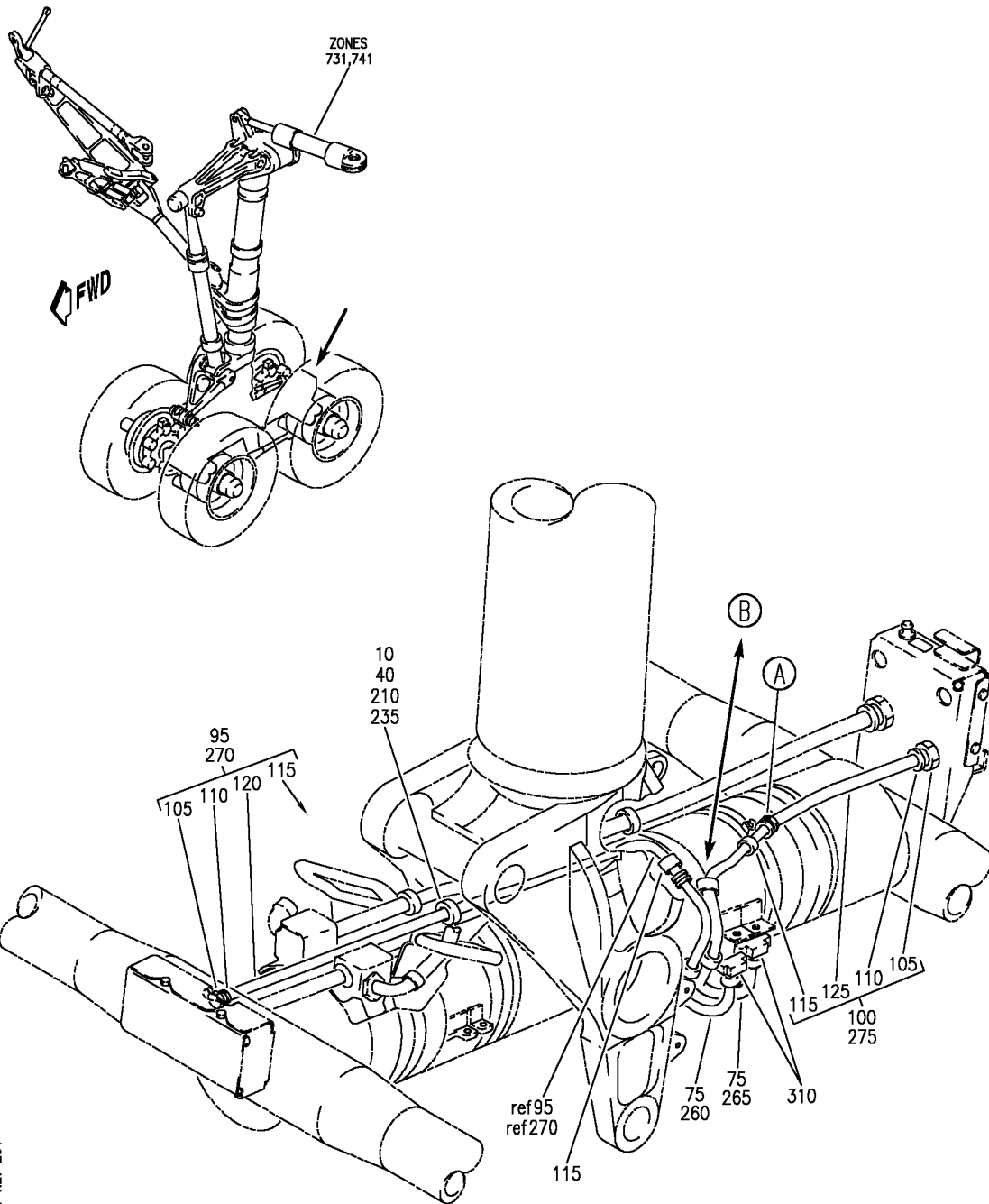
BRI

32-61-52-02C

BOEING PROPRIETARY - Copyright © - Unpublished Work - See title page for details.

32-61-52  
FIG. 02C  
PAGE 4  
JAN 20/09

**BOEING**  
757  
PARTS CATALOG (MAINTENANCE)



Y 32615202E SHT 1 REV 264

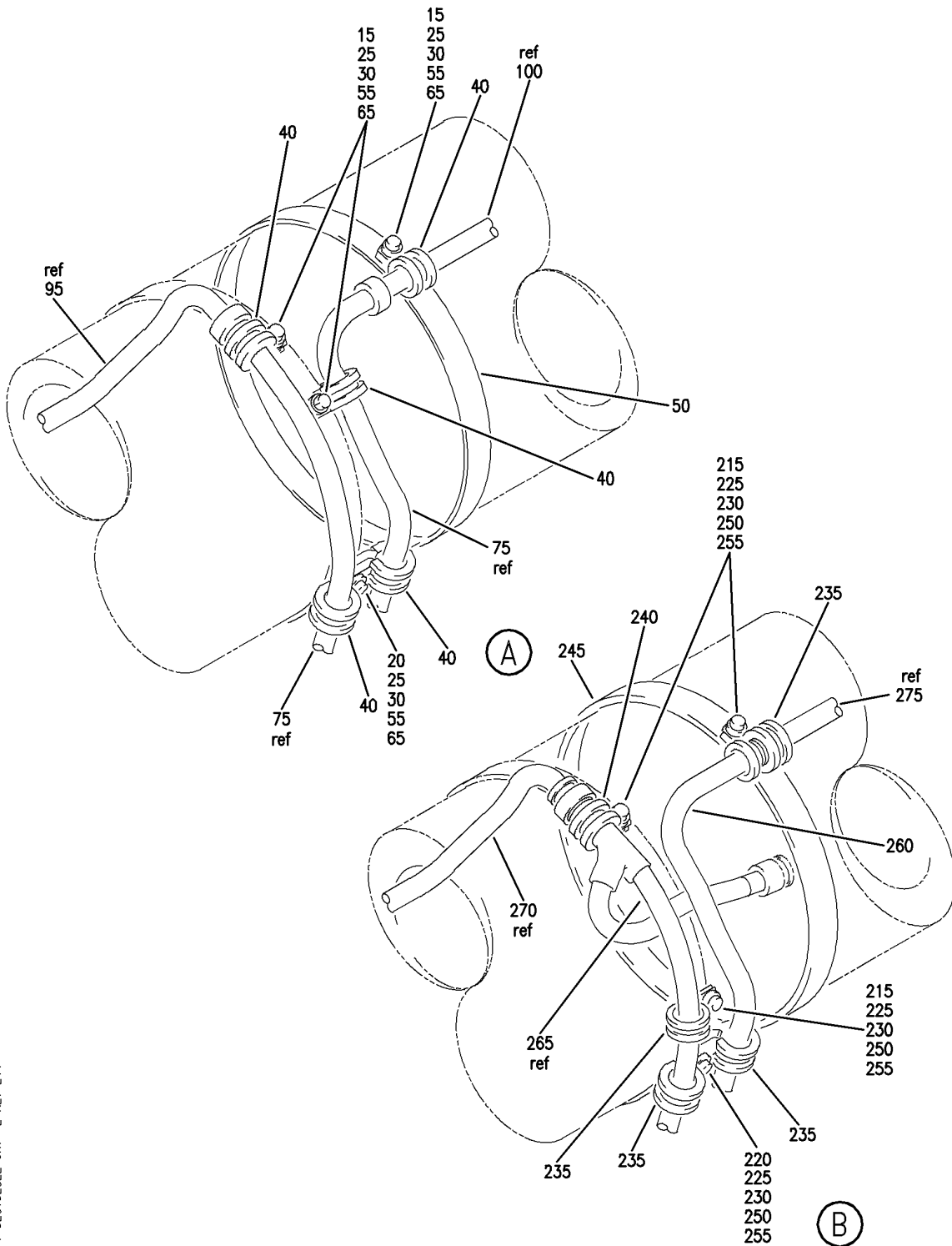
PROVISION INSTL-WIRE MLG  
FIGURE 2E (SHEET 1)

**32-61-52-02E**

BRI  
JAN 20/09

32-61-52-02E  
PAGE 0

**BOEING**  
757  
PARTS CATALOG (MAINTENANCE)



Y 32615202E SHT 2 REV 244

PROVISION INSTL-WIRE MLG  
FIGURE 2E (SHEET 2)

**32-61-52-02E**

BRI  
JAN 20/09

32-61-52-02E  
PAGE 0A



757

PARTS CATALOG (MAINTENANCE)

FIG ITEM	PART NUMBER	1 2 3 4 5 6 7	NOMENCLATURE	EFFECT FROM TO	UNITS PER ASSY
2E			PROVISION INSTL-WIRE MLG	103106	
- 1	287N6100-205		PROVISION INSTL-WIRE MLG POSITION DATA: LH SIDE FOR NHA SEE: 24-00-60-20	108120 108120	RF
- 1	MODREF22768		PROVISION INSTL-WIRE MLG MODULE NUMBER: 287N6100-205 REV B POSITION DATA: LH SIDE	103106	1
- 5	MODREF22769		PROVISION INSTL-WIRE MLG MODULE NUMBER: 287N6100-206 REV B POSITION DATA: RH SIDE	106106	1
10	BACB30NM3K2		.BOLT	103105 108120	1
10	BACB30NM3K2		.BOLT	106106	1
15	BACB30NM3K4		.BOLT	103105 108120	3
15	BACB30NM3K4		.BOLT	106106	3
20	BACB30NM3K5		.BOLT	103105 108120	1
20	BACB30NM3K5		.BOLT	106106	1
25	NAS1149D0363J		.WASHER	103105 108120	4
25	NAS1149D0363J		.WASHER	106106	4
30	PLH53CD		.NUT SUPPLIER CODE: VF0224 SPECIFICATION NUMBER: BACN10YR3CD OPTIONAL PART: H52732-3CD V15653	103105 108120	4
30	PLH53CD		.NUT SUPPLIER CODE: VF0224 SPECIFICATION NUMBER: BACN10YR3CD OPTIONAL PART: H52732-3CD V15653	106106	4

MISSING ITEM NUMBERS NOT APPLICABLE

- ITEM NOT ILLUSTRATED

32-61-52-02E

32-61-52  
FIG. 02E  
PAGE 1  
JAN 20/09

BRI

BOEING PROPRIETARY - Copyright © - Unpublished Work - See title page for details.



757

PARTS CATALOG (MAINTENANCE)

FIG ITEM	PART NUMBER	1 2 3 4 5 6 7	NOMENCLATURE	EFFECT FROM TO	UNITS PER ASSY
2E 40	S717-105	.CLAMP	SUPPLIER CODE: V18076 SPECIFICATION NUMBER: BACC10GU105 OPTIONAL PART: 534CS105 V83930 JM44LC39S105RG V22175	103105 108120	6
40	S717-105	.CLAMP	SUPPLIER CODE: V18076 SPECIFICATION NUMBER: BACC10GU105 OPTIONAL PART: 534CS105 V83930 JM44LC39S105RG V22175	106106	6
50	3140AB074E	.CLAMP	SUPPLIER CODE: V94581 SPECIFICATION NUMBER: BACC10FY074SE OPTIONAL PART: BC1083-074SE V14242 NE103338-074 V8W928	103105 108120	1
50	3140AB074E	.CLAMP	SUPPLIER CODE: V94581 SPECIFICATION NUMBER: BACC10FY074SE OPTIONAL PART: BC1083-074SE V14242 NE103338-074 V8W928	106106	1
55	BACC15AN10	.CLIP		103105 108120	4
55	BACC15AN10	.CLIP		106106	4
65	BACB19F10S	.BLOCK		106106	4
65	BACB19F10S	.BLOCK		103105 108120	4
75	287N6102-16	.CONDUIT ASSY-FLEX		103105 108120	2
75	287N6102-16	.CONDUIT ASSY-FLEX		106106	2

MISSING ITEM NUMBERS NOT APPLICABLE

- ITEM NOT ILLUSTRATED

32-61-52-02E

32-61-52  
FIG. 02E  
PAGE 2  
JAN 20/09

BRI

BOEING PROPRIETARY - Copyright © - Unpublished Work - See title page for details.

 **BOEING**  
757  
**PARTS CATALOG (MAINTENANCE)**

FIG ITEM	PART NUMBER	1 2 3 4 5 6 7	NOMENCLATURE	EFFECT FROM TO	UNITS PER ASSY
2E					
95	287N6116-15	.	CONDUIT ASSY-	103105 108120	1
95	287N6116-15	.	CONDUIT ASSY-	106106	1
95	287N6116-3	.	CONDUIT ASSY-	103106 108120	1
100	287N6116-17	.	CONDUIT ASSY	103105 108120	1
100	287N6116-17	.	CONDUIT ASSY	106106	1
105	BACN10WW8C	..	NUT	103105 108120	1
105	BACN10WW8C	..	NUT	106106	1
110	BACF32H8C	..	FERRULE	103105 108120	1
110	BACF32H8C	..	FERRULE	106106	1
115	BACC42Y8C	..	COUPLING	103105 108120	1
115	BACC42Y8C	..	COUPLING	106106	1
120	287N6116-16	..	TUBE-	103105 108120	1
			USED ON: 287N6116-15		
120	287N6116-16	..	TUBE-	106106	1
			USED ON: 287N6116-15		
125	287N6116-18	..	TUBE-	103105 108120	1
			USED ON: 287N6116-17		
125	287N6116-18	..	TUBE-	106106	1
			USED ON: 287N6116-17		
- 200	287N6100-214		PROVISION INSTL-WIRE MLG POSITION DATA: RH SIDE FOR NHA SEE: 24-00-60-20B	108120	RF
- 200	MODREF25000		PROVISION INSTL-WIRE MLG MODULE NUMBER: 287N6100-214 REV C POSITION DATA: RH SIDE	103105	1
210	BACB30NM3K2	.	BOLT	103105 108120	1
215	BACB30NM3K4	.	BOLT	103105 108120	3
220	BACB30NM3K5	.	BOLT	103105 108120	1
225	NAS1149D0363J	.	WASHER	103105 108120	4

MISSING ITEM NUMBERS NOT APPLICABLE

- ITEM NOT ILLUSTRATED

BRI

# 32-61-52-02E

BOEING PROPRIETARY - Copyright © - Unpublished Work - See title page for details.

32-61-52  
FIG. 02E  
PAGE 3  
JAN 20/09





757

PARTS CATALOG (MAINTENANCE)

FIG ITEM	PART NUMBER	1 2 3 4 5 6 7	NOMENCLATURE	EFFECT FROM TO	UNITS PER ASSY
2E 230	PLH53CD	.NUT	SUPPLIER CODE: VF0224 SPECIFICATION NUMBER: BACN10YR3CD OPTIONAL PART: H52732-3CD V15653	103105 108120	4
235	S717-105	.CLAMP	SUPPLIER CODE: V18076 SPECIFICATION NUMBER: BACC10GU105 OPTIONAL PART: 534CS105 V83930 JM44LC39S105RG V22175	103105 108120	5
240	S717-107	.CLAMP	SUPPLIER CODE: V18076 SPECIFICATION NUMBER: BACC10GU107 OPTIONAL PART: 534CS107 V83930 JM44LC39S107RG V22175	103105 108120	1
245	3140AB074E	.CLAMP	SUPPLIER CODE: V94581 SPECIFICATION NUMBER: BACC10FY074SE OPTIONAL PART: BC1083-074SE V14242 NE103338-074 V8W928	103105 108120	1
250	BACC15AN10	.CLIP		103105 108120	4
255	BACB19F10S	.BLOCK		103105 108120	4
260	287N6102-16	.CONDUIT ASSY-FLEX		103105 108120	1
265	287N6102-37	.CONDUIT ASSY-FLEX		103105 108120	1
270	287N6116-36	.CONDUIT ASSY		103105 108120	1

MISSING ITEM NUMBERS NOT APPLICABLE

- ITEM NOT ILLUSTRATED

32-61-52-02E

32-61-52  
FIG. 02E  
PAGE 4  
JAN 20/09

BRI

BOEING PROPRIETARY - Copyright © - Unpublished Work - See title page for details.



757

PARTS CATALOG (MAINTENANCE)

FIG ITEM	PART NUMBER	1 2 3 4 5 6 7	NOMENCLATURE	EFFECT FROM TO	UNITS PER ASSY
2E 275	287N6116-30	.	TUBE ASSY	103105 108120	1
- 300	MODREF99834		PROVISION INSTL-WIRE MLG MODULE NUMBER: 287N6100-219 REV A POSITION DATA: LH SIDE	103105	1
- 300	MODREF100688		PROVISION INSTL-WIRE MLG MODULE NUMBER: 287N6100-219 REV B POSITION DATA: LH SIDE	106106	1
- 305	MODREF99835		PROVISION INSTL-WIRE MLG MODULE NUMBER: 287N6100-220 REV A POSITION DATA: RH SIDE	103105	1
- 305	MODREF100689		PROVISION INSTL-WIRE MLG MODULE NUMBER: 287N6100-220 REV B POSITION DATA: RH SIDE	106106	1
310	8-345-02	.	SENSOR-SW-PROX SUPPLIER CODE: V08748 SPECIFICATION NUMBER: S283T006-10 ELECTRICAL EQUIP NUMBER: S10059 S10060 S10062 S10064 QUALIFIED I/W DATA: 8-935-01 CAN REPLACE OR BE REPLACED BY 8-345-01, 8-345-02, OR 8-345-03 FOR 757 ONLY. 8-935-01 CANNOT BE USED ON THRUST REVERSER OR ENGINES.	103106	2

MISSING ITEM NUMBERS NOT APPLICABLE

- ITEM NOT ILLUSTRATED

32-61-52-02E

32-61-52  
FIG. 02E  
PAGE 5  
JAN 20/09

BRI



757

PARTS CATALOG (MAINTENANCE)

FIG ITEM	PART NUMBER	1 2 3 4 5 6 7	NOMENCLATURE	EFFECT FROM TO	UNITS PER ASSY
2E 310	8-345-03		.SENSOR-SW-PROX SUPPLIER CODE: V08748 SPECIFICATION NUMBER: S283T006-10 ELECTRICAL EQUIP NUMBER: S10059 S10060 S10062 S10064 QUALIFIED I/W DATA: 8-935-01 CAN REPLACE OR BE REPLACED BY 8-345-01, 8-345-02, OR 8-345-03 FOR 757-200 AIRCRAFT. 8-935-01 CANNOT BE USED ON THRUST REVERSER OR ENGINE APPLICATIONS.	103106	2
310	8-345-01		.SENSOR- SUPPLIER CODE: V08748 SPECIFICATION NUMBER: S283T006-10 ELECTRICAL EQUIP NUMBER: S10059 S10060 S10062 S10064 ATTACHING PARTS	103106	2
- 315	BACS12GU3K7		.SCREW	103106	4
- 320	NAS1149D0332J		.WASHER	103106	4
- 325	PLH53CD		.NUT SUPPLIER CODE: VF0224 SPECIFICATION NUMBER: BACN10YR3CD OPTIONAL PART: H52732-3CD V15653 -----*-----	103106	4

MISSING ITEM NUMBERS NOT APPLICABLE

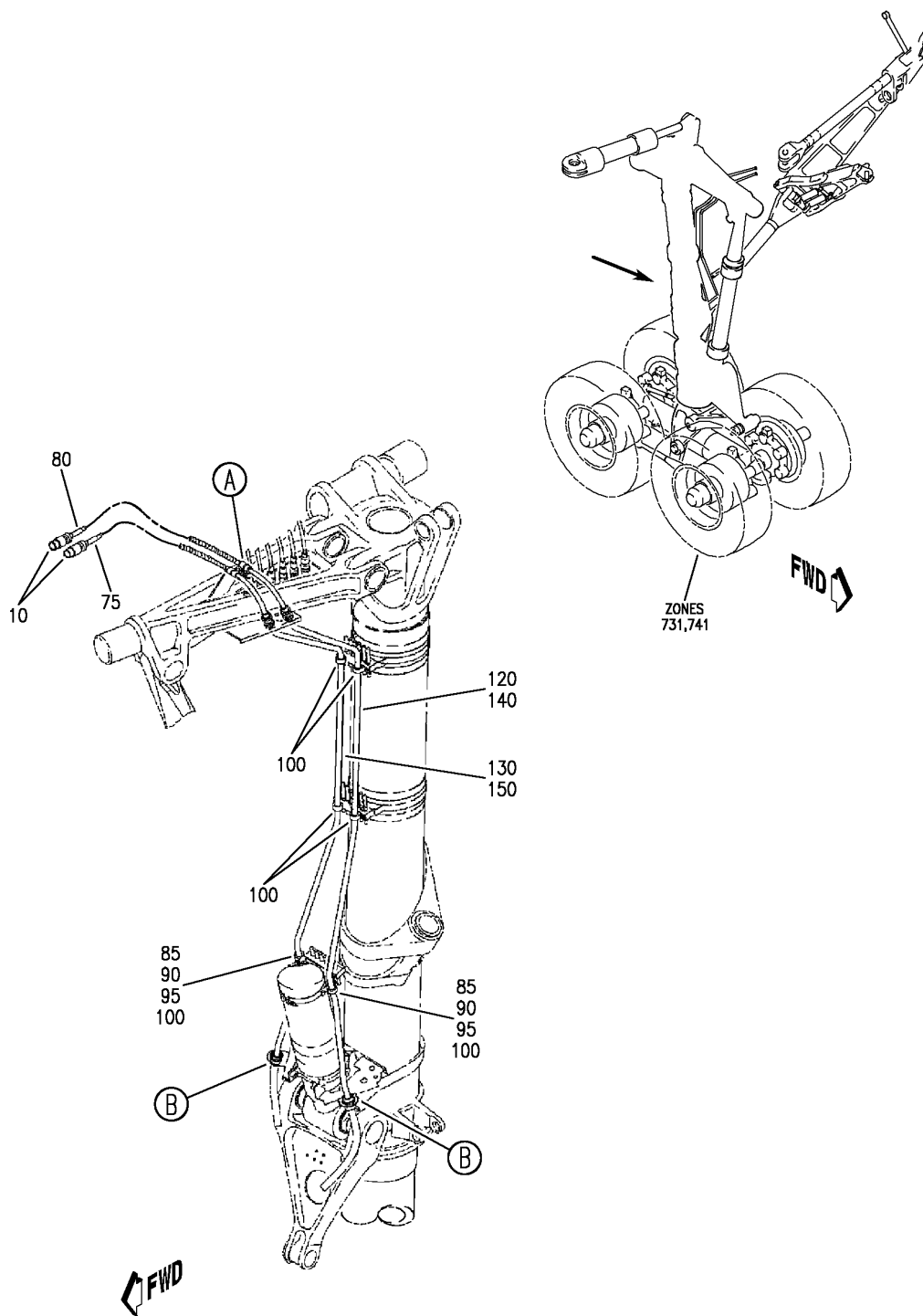
- ITEM NOT ILLUSTRATED

32-61-52-02E

32-61-52  
FIG. 02E  
PAGE 6  
JAN 20/09

BRI

**BOEING**  
757  
PARTS CATALOG (MAINTENANCE)



Y 32615202F SHT 1 REV 260

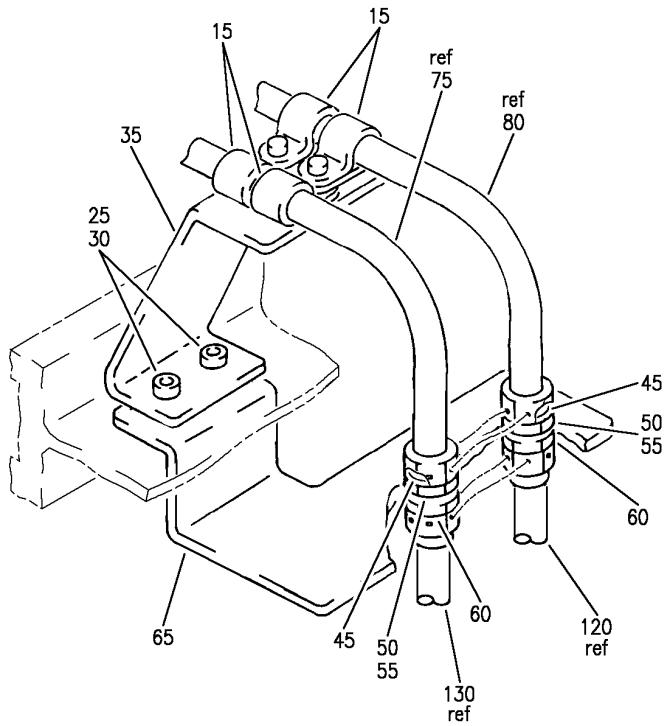
HARNES INSTL-UPR MLG (LANDING GEAR POSITION INDICATING AND WARNING SYSTEM ONLY)  
FIGURE 2F (SHEET 1)

BRI  
MAY 28/07

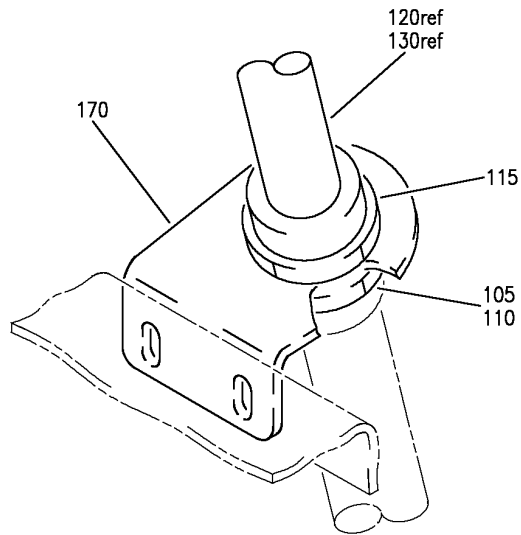
**32-61-52-02F**

32-61-52-02F  
PAGE 0

**BOEING**  
757  
PARTS CATALOG (MAINTENANCE)



(A)



(B)

Y 32615202F SHT 2 REV 260

HARNESS INSTL-UPR MLG (LANDING GEAR POSITION INDICATING AND WARNING SYSTEM ONLY)  
FIGURE 2F (SHEET 2)

**32-61-52-02F**

BRI  
MAY 28/07

32-61-52-02F  
PAGE 0A



757

PARTS CATALOG (MAINTENANCE)

FIG ITEM	PART NUMBER	1 2 3 4 5 6 7	NOMENCLATURE	EFFECT FROM TO	UNITS PER ASSY
2 F			HARNESS INSTL-UPR MLG (LANDING GEAR POSITION INDICATING AND WARNING SYSTEM ONLY)	101106 108120 504903	
- 1	287N6100-145		HARNESS INSTL-MLG (LANDING GEAR POSITION INDICATING AND WARNING SYSTEM ONLY)	101102 108120 504903	RF
- 1	MODREF11443		POSITION DATA: UPR L FOR NHA/OTHER SYS DET SEE: 24-00-60-20	103103	1
- 1	MODREF27945		HARNESS INSTL-MLG ELEC LANDING GEAR POSITION INDICATING AND WARNING SYSTEM MODULE NUMBER: 287N6100-145 REV A POSITION DATA: UPR L	104106	1
- 5	287N6100-146		HARNESS INSTL-MLG ELEC LANDING GEAR POSITION INDICATING AND WARNING SYSTEM MODULE NUMBER: 287N6100-145 REV B POSITION DATA: UPR L	101102 108120 504903	RF
- 5	MODREF11444		HARNESS INSTL-MLG (LANDING GEAR POSITION INDICATING AND WARNING SYSTEM ONLY)	103103	1
			POSITION DATA: UPR R FOR NHA/OTHER SYS DET SEE: 24-00-60-20		
			HARNESS INSTL-MLG ELEC LANDING GEAR POSITION INDICATING AND WARNING SYSTEM MODULE NUMBER: 287N6100-146 REV A POSITION DATA: UPR R		

MISSING ITEM NUMBERS NOT APPLICABLE

- ITEM NOT ILLUSTRATED

32-61-52-02F

32-61-52  
FIG. 02F  
PAGE 1  
JAN 20/09

BRI



757

PARTS CATALOG (MAINTENANCE)

FIG ITEM	PART NUMBER	1 2 3 4 5 6 7	NOMENCLATURE	EFFECT FROM TO	UNITS PER ASSY
2 F					
- 5	MODREF27946		HARNES INSTL-MLG ELEC LANDING GEAR POSITION INDICATING AND WARNING SYSTEM MODULE NUMBER: 287N6100-146 REV B POSITION DATA: UPR R	104106	1
10	100013FS6000		.BACKSHELL- SUPPLIER CODE: V30463 OPTIONAL PART: S4614-1 V07418	101106 108120 504903	2
10	S4614-1		.BACKSHELL- SUPPLIER CODE: V07418 OPTIONAL PART: 100013FS6000 V30463	101106 108120 504903	2
15	S717-108		.CLAMP SUPPLIER CODE: V18076 SPECIFICATION NUMBER: BACC10GU108 OPTIONAL PART: 534CS108 V83930 JM44LC39S108RG V22175	101106 108120 504903	4
- 20	NAS1801-3-12		ATTACHING PARTS .SCREW	101106 108120 504903	2
25	NAS6604-9		-----*----- .BOLT	101106 108120 504903	2
30	PLH54CD		.NUT SUPPLIER CODE: VF0224 SPECIFICATION NUMBER: BACN10YR4CD OPTIONAL PART: H52732-4CD V15653	101106 108120 504903	2
35	287N6103-33		.BRACKET ASSY- POSITION DATA: LH SIDE	101106 108120 504903	1

MISSING ITEM NUMBERS NOT APPLICABLE

- ITEM NOT ILLUSTRATED

32-61-52-02F

32-61-52  
FIG. 02F  
PAGE 2  
JAN 20/09

BRI

BOEING PROPRIETARY - Copyright © - Unpublished Work - See title page for details.

 **BOEING**  
757  
**PARTS CATALOG (MAINTENANCE)**

FIG ITEM	PART NUMBER	1 2 3 4 5 6 7	NOMENCLATURE	EFFECT FROM TO	UNITS PER ASSY
2 F					
- 40	287N6103-34		.BRACKET ASSY- POSITION DATA: RH SIDE	101106 108120 504903	1
45	NAS1515M9H		.WASHER	101106 108120 504903	AR
50	BACW10P65AL		.WASHER	101106 108120 504903	2
55	186030FS60K3		.LOCKNUT- SUPPLIER CODE: V30463 OPTIONAL PART: S4630-19LW V07418	101106 108120 504903	2
55	S4630-19LW		.LOCKNUT- SUPPLIER CODE: V07418 OPTIONAL PART: 186030FS60K3 V30463	101106 108120 504903	2
60	186058FS60K3		.FEEDTHRU- SUPPLIER CODE: V30463 OPTIONAL PART: S4613-1919 V07418	101106 108120 504903	2
60	S4613-1919		.FEEDTHRU- SUPPLIER CODE: V07418 OPTIONAL PART: 186058FS60K3 V30463	101106 108120 504903	2
65	287N6103-35		.BRACKET- POSITION DATA: LH SIDE	101106 108120 504903	1
- 70	287N6103-36		.BRACKET- POSITION DATA: RH SIDE	101106 108120 504903	1
75	287N6102-9		.CONDUIT ASSY	101106 108120 504903	1
80	287N6102-8		.CONDUIT ASSY	101106 108120 504903	1
85	NAS1801-3-9		.SCREW	101106 108120 504903	2

MISSING ITEM NUMBERS NOT APPLICABLE

- ITEM NOT ILLUSTRATED

# 32-61-52-02F

32-61-52  
FIG. 02F  
PAGE 3  
JAN 20/09

BRI

BOEING PROPRIETARY - Copyright © - Unpublished Work - See title page for details.





757

PARTS CATALOG (MAINTENANCE)

FIG ITEM	PART NUMBER	1 2 3 4 5 6 7	NOMENCLATURE	EFFECT FROM TO	UNITS PER ASSY
2F					
90	NAS1149D0363J	.	WASHER	101106 108120 504903	4
95	PLH53CD	.	NUT SUPPLIER CODE: VF0224 SPECIFICATION NUMBER: BACN10YR3CD OPTIONAL PART: H52732-3CD V15653	101106 108120 504903	2
100	S717-107	.	CLAMP SUPPLIER CODE: V18076 SPECIFICATION NUMBER: BACC10GU107 OPTIONAL PART: 534CS107 V83930 JM44LC39S107RG V22175	101106 108120 504903	6
105	BACW10P65AL	.	WASHER	101106 108120 504903	2
110	186030FS60K3	.	LOCKNUT- SUPPLIER CODE: V30463 OPTIONAL PART: S4630-19LW V07418	101106 108120 504903	2
110	S4630-19LW	.	LOCKNUT- SUPPLIER CODE: V07418 OPTIONAL PART: 186030FS60K3 V30463	101106 108120 504903	2
115	186058FS60K3	.	FEEDTHRU- SUPPLIER CODE: V30463 OPTIONAL PART: S4613-1919 V07418	101106 108120 504903	2
115	S4613-1919	.	FEEDTHRU- SUPPLIER CODE: V07418 OPTIONAL PART: 186058FS60K3 V30463	101106 108120 504903	2

MISSING ITEM NUMBERS NOT APPLICABLE

- ITEM NOT ILLUSTRATED

32-61-52-02F

32-61-52  
FIG. 02F  
PAGE 4  
JAN 20/09

BRI

BOEING PROPRIETARY - Copyright © - Unpublished Work - See title page for details.



757

PARTS CATALOG (MAINTENANCE)

FIG ITEM	PART NUMBER	1 2 3 4 5 6 7	NOMENCLATURE	EFFECT FROM TO	UNITS PER ASSY
2F					
120	287N6100-141	.	CONDUIT ASSY-RIGID POSITION DATA: LH SIDE	101106 108120 504903	1
- 125	287N6100-142	.	CONDUIT ASSY-RIGID POSITION DATA: RH SIDE	101106 108120 504903	1
130	287N6100-143	.	CONDUIT ASSY-RIGID POSITION DATA: LH SIDE	101106 108120 504903	1
- 135	287N6100-140	.	CONDUIT ASSY-RIGID POSITION DATA: RH SIDE	101106 108120 504903	1
140	287N6100-137	..	TUBE- USED ON: 287N6100-141	101106 108120 504903	1
- 145	287N6100-138	..	TUBE- USED ON: 287N6100-142	101106 108120 504903	1
150	287N6100-139	..	TUBE- USED ON: 287N6100-143	101106 108120 504903	1
- 155	287N6100-136	..	TUBE- USED ON: 287N6100-140	101106 108120 504903	1
- 160	BACN10WW12C	..	NUT	101106 108120 504903	2
- 165	BACF32H12C	..	FERRULE	101106 108120 504903	2
170	287N6103-137	.	BRACKET-	101106 108120 504903	2
170	287N6103-255	.	BRACKET-	101106 108120 504903	2
- 175	NAS1801-3-9	.	ATTACHING PARTS SCREW	101106 108120 504903	4
- 180	NAS1149D0363J	.	WASHER	101106 108120 504903	8

MISSING ITEM NUMBERS NOT APPLICABLE

- ITEM NOT ILLUSTRATED

32-61-52-02F

32-61-52  
FIG. 02F  
PAGE 5  
JAN 20/09

BRI

BOEING PROPRIETARY - Copyright © - Unpublished Work - See title page for details.



757

PARTS CATALOG (MAINTENANCE)

FIG ITEM	PART NUMBER	1 2 3 4 5 6 7	NOMENCLATURE	EFFECT FROM TO	UNITS PER ASSY
2 F - 185	PLH53CD		.NUT SUPPLIER CODE: VF0224 SPECIFICATION NUMBER: BACN10YR3CD OPTIONAL PART: H52732-3CD V15653 -----*-----	101106 108120 504903	4

MISSING ITEM NUMBERS NOT APPLICABLE

- ITEM NOT ILLUSTRATED

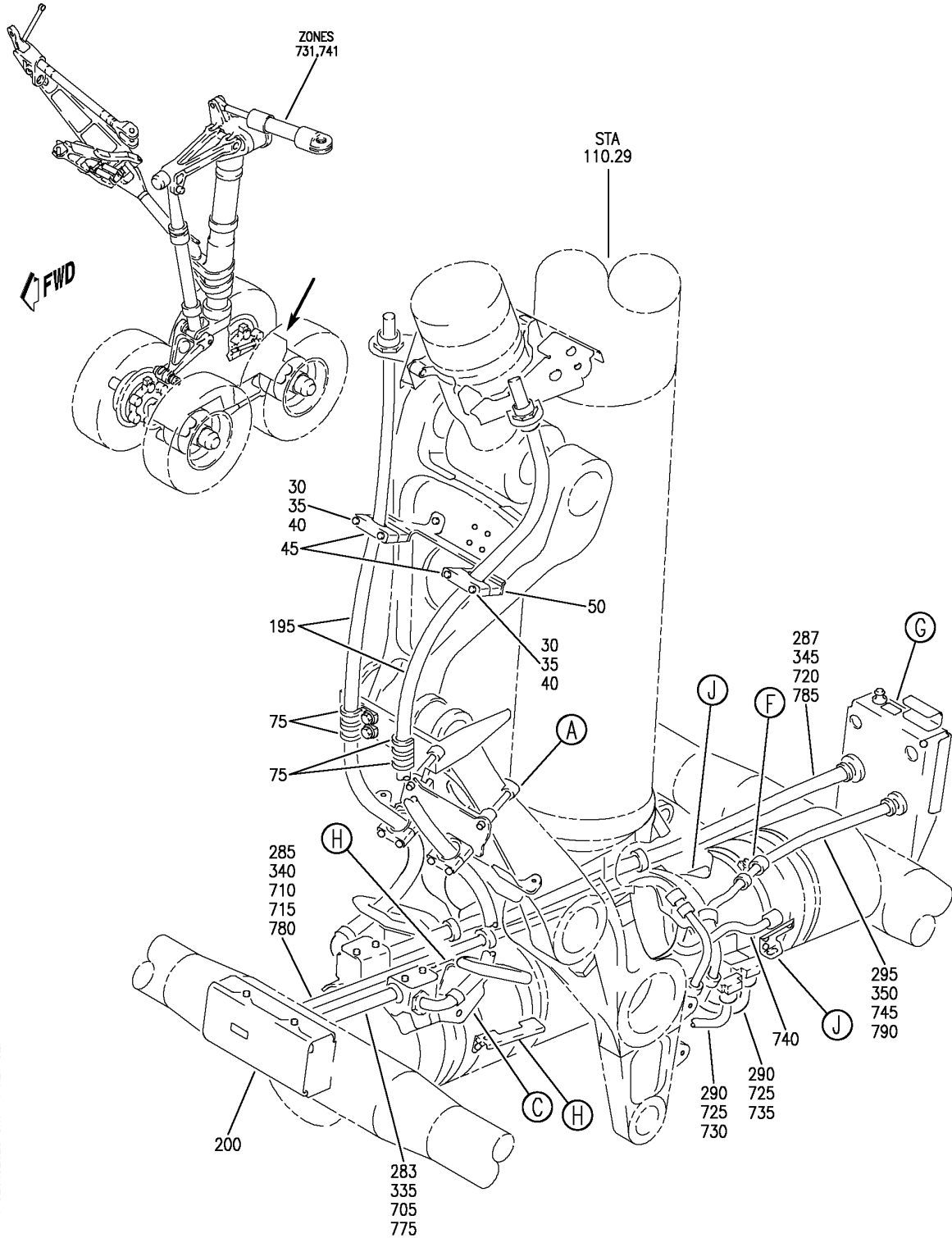
BRI

32-61-52-02F

BOEING PROPRIETARY - Copyright © - Unpublished Work - See title page for details.

32-61-52  
FIG. 02F  
PAGE 6  
JAN 20/09

**BOEING**  
757  
PARTS CATALOG (MAINTENANCE)



Y 32615202G SHT 1 REV 327

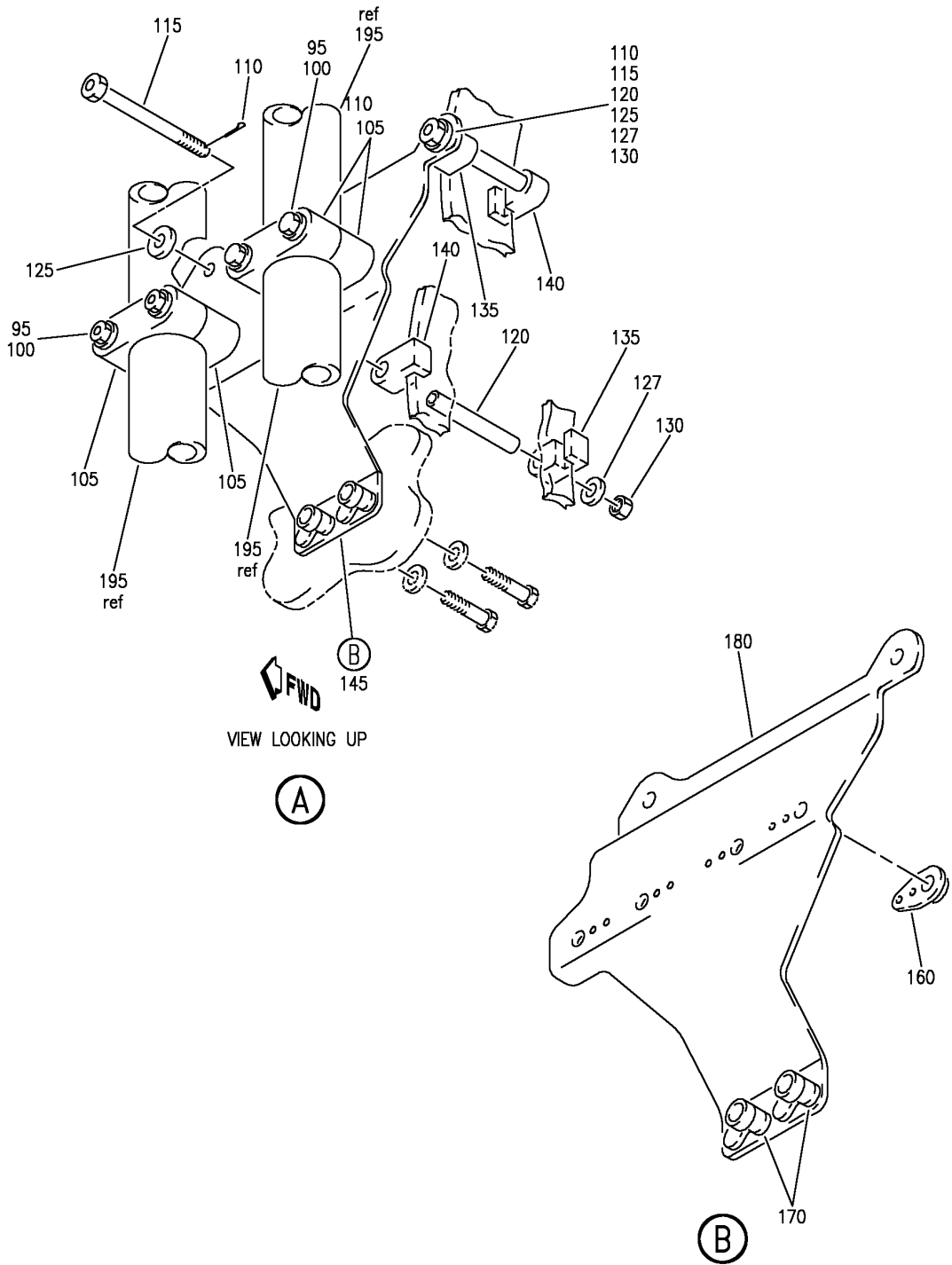
HARNES INSTL-LWR MLG (LANDING GEAR POSITION INDICATING AND WARNING SYSTEM ONLY)  
FIGURE 2G (SHEET 1)

BRI  
SEP 20/08

**32-61-52-02G**

32-61-52-02G  
PAGE 0

**BOEING**  
757  
**PARTS CATALOG (MAINTENANCE)**



Y 32615202G SHT 2 REV 260

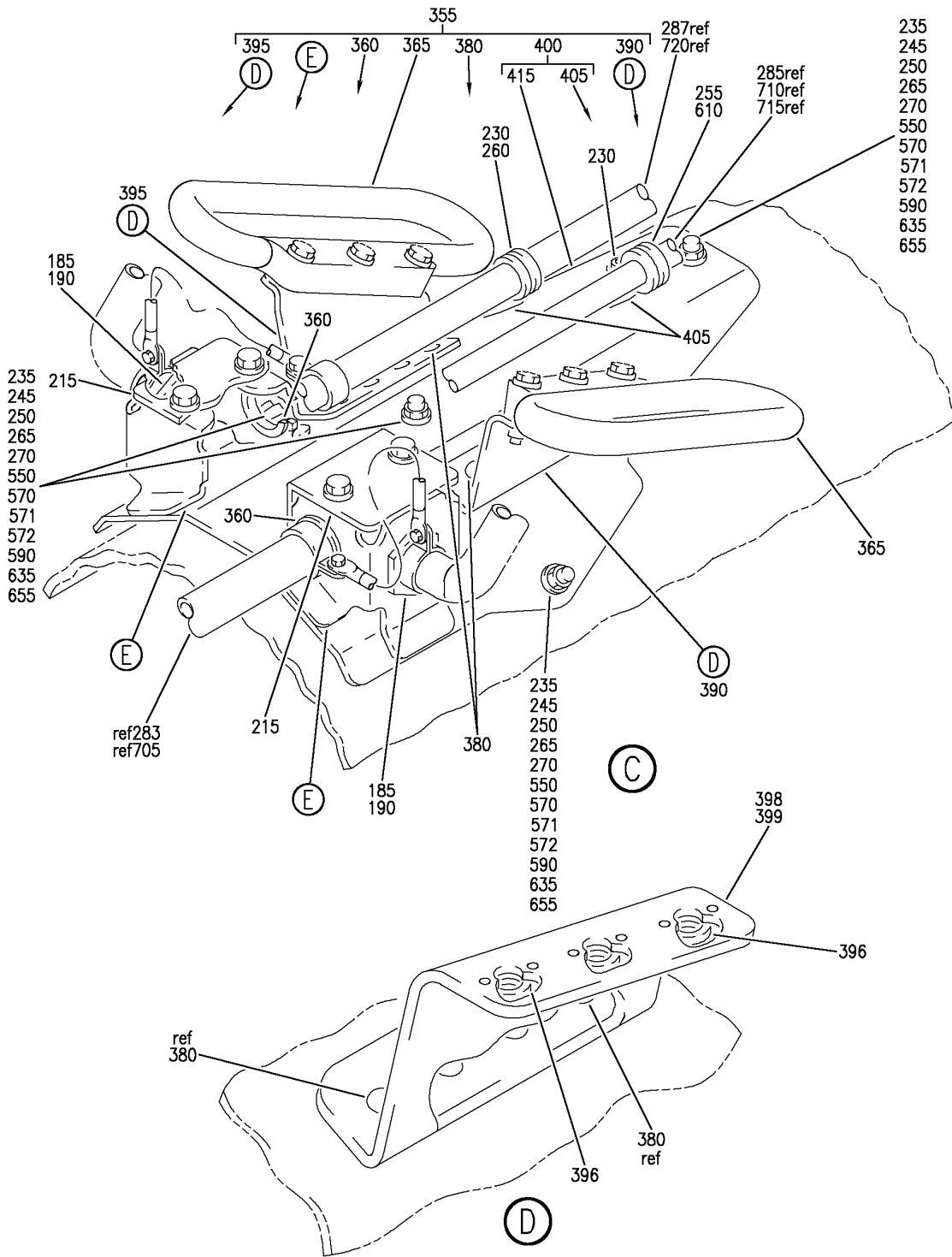
HARNES INSTL-LWR MLG (LANDING GEAR POSITION INDICATING AND WARNING SYSTEM ONLY)  
FIGURE 2G (SHEET 2)

**32-61-52-02G**

BRI  
MAY 28/07

32-61-52-02G  
PAGE 0A

**BOEING**  
757  
PARTS CATALOG (MAINTENANCE)



Y 32615202G SH1 3 REV 327

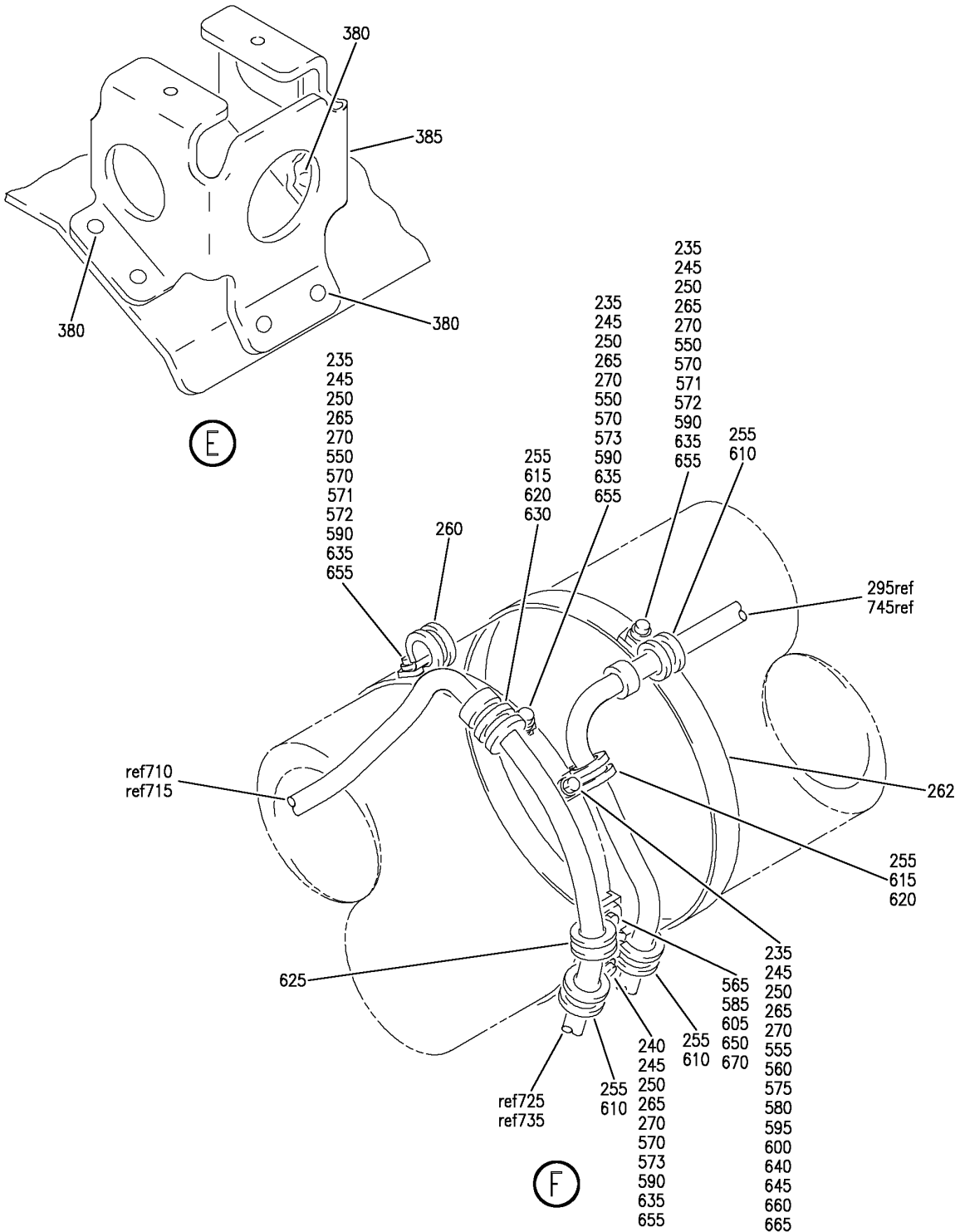
HARNES INSTL-LWR MLG (LANDING GEAR POSITION INDICATING AND WARNING SYSTEM ONLY)  
FIGURE 2G (SHEET 3)

**32-61-52-02G**

BRI  
SEP 20/08

32-61-52-02G  
PAGE 0B

**BOEING**  
757  
PARTS CATALOG (MAINTENANCE)



Y 32615202G SH1 4 REV 327

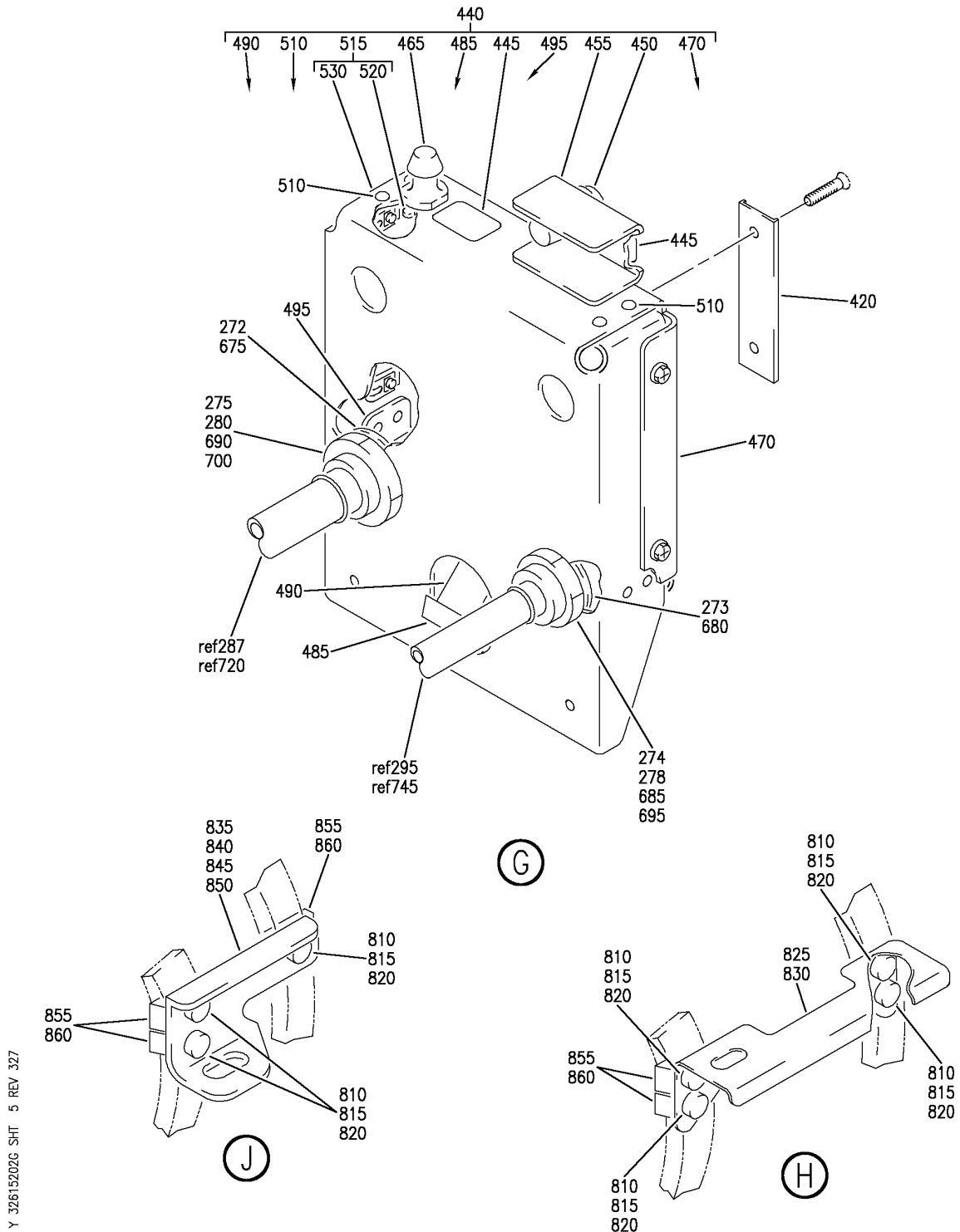
HARNESS INSTL-LWR MLG (LANDING GEAR POSITION INDICATING AND WARNING SYSTEM ONLY)  
FIGURE 2G (SHEET 4)

**32-61-52-02G**

BRI  
SEP 20/08

32-61-52-02G  
PAGE 0C

**BOEING**  
757  
PARTS CATALOG (MAINTENANCE)



HARNESS INSTL-LWR MLG (LANDING GEAR POSITION INDICATING AND WARNING SYSTEM ONLY)  
FIGURE 2G (SHEET 5)

BRI  
SEP 20/08

**32-61-52-02G**

32-61-52-02G  
PAGE 0D





757

PARTS CATALOG (MAINTENANCE)

FIG ITEM	PART NUMBER	1 2 3 4 5 6 7	NOMENCLATURE	EFFECT FROM TO	UNITS PER ASSY
2G			HARNES INSTL-LWR MLG (LANDING GEAR POSITION INDICATING AND WARNING SYSTEM ONLY)	101102 504903	
- 1	287N6100-181		WIRE INSTL-MLG (LANDING GEAR POSITION INDICATING AND WARNING SYSTEM ONLY) POSITION DATA: LWR L FOR NHA/OTHER SYS DET SEE: 24-00-60-20B	101102 504903	RF
- 5	287N6100-182		WIRE INSTL-MLG (LANDING GEAR POSITION INDICATING AND WARNING SYSTEM ONLY) POSITION DATA: LWR R FOR NHA/OTHER SYS DET SEE: 24-00-60-20	101102 504903	RF
30	BACB30NR4K35		.BOLT	101102 504903	4
35	NAS1149D0463J		.WASHER	101102 504903	8
40	PLH54CD		.NUT SUPPLIER CODE: VF0224 SPECIFICATION NUMBER: BACN10YR4CD OPTIONAL PART: H52732-4CD V15653	101102 504903	4
45	287N6104-4		.GUIDE-	101102 504903	2
45	287N6104-1		.GUIDE-	101102 504903	2
50	287N6103-142		.BRACKET	101102 504903	1
			ATTACHING PARTS		
- 55	BACB30NM4K7		.BOLT	101102 504903	2
- 60	BACW10BP4CD		.WASHER	101102 504903	2
- 65	BACW10BP4DP		.WASHER	101102 504903	2
- 70	NAS1805-4L		.NUT	101102 504903	2
			-----*		

MISSING ITEM NUMBERS NOT APPLICABLE

- ITEM NOT ILLUSTRATED

32-61-52-026

32-61-52  
FIG. 026  
PAGE 1  
JAN 20/09

BRI

BOEING PROPRIETARY - Copyright © - Unpublished Work - See title page for details.



757

PARTS CATALOG (MAINTENANCE)

FIG ITEM	PART NUMBER	1 2 3 4 5 6 7	NOMENCLATURE	EFFECT FROM TO	UNITS PER ASSY
2G 75	S717-109	.	CLAMP SUPPLIER CODE: V18076 SPECIFICATION NUMBER: BACC10GU109 OPTIONAL PART: 534CS109 V83930 JM44LC39S109RG V22175 ATTACHING PARTS	101102 504903	4
- 80	BACB30NM3K5	.	BOLT	101102 504903	4
- 85	NAS1149D0363J	.	WASHER	101102 504903	4
- 90	PLH53CD	.	NUT SUPPLIER CODE: VF0224 SPECIFICATION NUMBER: BACN10YR3CD OPTIONAL PART: H52732-3CD V15653 -----*-----	101102 504903	4
95	BACB30NM4HK32	.	BOLT	101102 504903	4
100	NAS1149D0463J	.	WASHER	101102 504903	4
105	287N6115-3	.	GUIDE	101102 504903	4
110	BACP18BC02A06P	.	PIN	101102 504903	2
115	BACB30NM4DK51	.	BOLT	101102 504903	2
120	NAS43DD4-106FC	.	SPACER	101102 504903	2
125	BACW10BN4AC	.	WASHER	101102 504903	2
127	BACW10BP4DP	.	WASHER	101102 504903	2
130	BACN10JD4CD	.	NUT	101102 504903	2
135	287N6115-1	.	CLIP	101102 504903	2
140	287N6115-2	.	CLIP	101102 504903	2
145	287N6103-226	.	SUPPORT ASSY	101102 504903	1

MISSING ITEM NUMBERS NOT APPLICABLE

- ITEM NOT ILLUSTRATED

32-61-52-02G

32-61-52  
FIG. 02G  
PAGE 2  
JAN 20/09

BRI

BOEING PROPRIETARY - Copyright © - Unpublished Work - See title page for details.



757

PARTS CATALOG (MAINTENANCE)

FIG ITEM	PART NUMBER	1 2 3 4 5 6 7	NOMENCLATURE	EFFECT FROM TO	UNITS PER ASSY
2G			ATTACHING PARTS		
- 150	BACB30NM4HK6		.BOLT	101102 504903	2
- 155	BACW10BN4AC		.WASHER	101102 504903	2
			-----*-----		
160	K2001-4		..NUTPLATE	101102	4
			SUPPLIER CODE: V15653	504903	
			SPECIFICATION NUMBER: BACN10KB4CM		
			OPTIONAL PART: NS103184SE048		
			V80539		
			T8110C428		
			V11815		
			VN101D1-048		
			V92215		
			109A9207-4		
			V72962		
			BR1000C4M		
			V52828		
			ATTACHING PARTS		
- 165	BACR15BA3ADC		..RIVET-	101102	8
			SIZE DETERMINED ON INSTL.	504903	
			-----*-----		
170	BR3000C4D		..NUTPLATE	101102	2
			SUPPLIER CODE: V52828	504903	
			SPECIFICATION NUMBER: BACN10KF4CD		
			OPTIONAL PART: K51598-4BAC		
			V15653		
			NS202441-048		
			V80539		
			ATTACHING PARTS		
- 175	BACR15BA3ADC		..RIVET-	101102	4
			SIZE DETERMINED ON INSTL.	504903	
			-----*-----		
180	287N6103-227		..BRACKET	101102	1
				504903	
185	BACW10P65AL		.WASHER	101102	2
				504903	
190	186030FS60K3		.LOCKNUT-	101102	2
			SUPPLIER CODE: V30463	504903	
195	287N6102-33		.CONDUIT ASSY-RIGID	101102	2
				504903	

MISSING ITEM NUMBERS NOT APPLICABLE

- ITEM NOT ILLUSTRATED

32-61-52-02G

32-61-52  
FIG. 02G  
PAGE 3  
JAN 20/09

BRI

BOEING PROPRIETARY - Copyright © - Unpublished Work - See title page for details.

**BOEING**  
757  
**PARTS CATALOG (MAINTENANCE)**

FIG ITEM	PART NUMBER	1 2 3 4 5 6 7	NOMENCLATURE	EFFECT FROM TO	UNITS PER ASSY
2G					
200	287N6103-228		.COVER ATTACHING PARTS	101102	1
- 205	NAS1801-3-7		.SCREW	101102	4
- 210	NAS1149D0363J		.WASHER	101102	4
			-----*-----		
215	287N6103-219		.COVER ATTACHING PARTS	101102 504903	2
- 220	BACB30NM3HK3		.BOLT	101102 504903	4
- 225	NAS1149D0363J		.WASHER	101102 504903	4
			-----*-----		
230	BACB30NM3K2		.BOLT	101102 504903	2
240	BACB30NM3K5		.BOLT	101102 504903	1
260	S717-107		.CLAMP SUPPLIER CODE: V18076 SPECIFICATION NUMBER: BACC10GU107 OPTIONAL PART: 534CS107 V83930 JM44LC39S107RG V22175	101102 504903	2
355	287N6103-210		.BRACKET ASSY-	101102 504903	1
360	BACG20ZA275		..GROMMET	101102 504903	2
365	287N6115-4		..GUIDE- USED ON: 287N6103-210 ATTACHING PARTS	101102 504903	1
- 370	BACB30NM3HK12		..BOLT- USED ON: 287N6103-210	101102 504903	6
- 375	NAS1149D0363J		..WASHER	101102 504903	6
			-----*-----		
380	MS20615-6M		..RIVET	101102 504903	16
385	287N6103-211		..BOX ASSY- USED ON: 287N6103-210	101102 504903	2
390	287N6103-213		..BRACKET ASSY	101102 504903	1

MISSING ITEM NUMBERS NOT APPLICABLE

- ITEM NOT ILLUSTRATED

BRI

# 32-61-52-02G

BOEING PROPRIETARY - Copyright © - Unpublished Work - See title page for details.

32-61-52  
FIG. 02G  
PAGE 4  
JAN 20/09



757

PARTS CATALOG (MAINTENANCE)

FIG ITEM	PART NUMBER	1 2 3 4 5 6 7	NOMENCLATURE	EFFECT FROM TO	UNITS PER ASSY
2G					
395	287N6103-214	..	BRACKET ASSY	101102 504903	1
400	287N6103-217	..	BRACKET ASSY- USED ON: 287N6103-210	101102 504903	1
405	WSI4-3	...	NUT SUPPLIER CODE: V04169 SPECIFICATION NUMBER: BACN10TL3-3 ATTACHING PARTS	101102 504903	2
- 410	BACR15BB3ADC	...	RIVET	101102 504903	4
			-----*-----		
415	287N6103-218	...	BRACKET- USED ON: 287N6103-217	101102 504903	1
420	MRTBL4	.	RAIL ASSY- SUPPLIER CODE: V14283 ATTACHING PARTS	101102 504903	1
- 425	MS24693C27	.	SCREW	101102 504903	2
- 430	NAS1149CN816R	.	WASHER	101102 504903	2
- 435	PLH506CD	.	NUT SUPPLIER CODE: VF0224 SPECIFICATION NUMBER: BACN10YRO6CD OPTIONAL PART: H52732-06CD V15653	101102 504903	2
			-----*-----		
440	287N6103-148	.	BOX ASSY	101102 504903	1
445	BACM10G10-5AV	..	DECAL- OPTIONAL PART: BAC27NEX2851	101102 504903	2
445	BAC27NEX2851	..	DECAL- OPTIONAL PART: BACM10G10-5AV	101102 504903	2
450	MS90298-2	..	CONNECTOR	101102 504903	1
455	287N6103-147	..	BRACKET	101102 504903	1

MISSING ITEM NUMBERS NOT APPLICABLE

- ITEM NOT ILLUSTRATED

32-61-52-02G

32-61-52  
FIG. 02G  
PAGE 5  
JAN 20/09

BRI

BOEING PROPRIETARY - Copyright © - Unpublished Work - See title page for details.



757

PARTS CATALOG (MAINTENANCE)

FIG ITEM	PART NUMBER	1 2 3 4 5 6 7	NOMENCLATURE	EFFECT FROM TO	UNITS PER ASSY
2G			ATTACHING PARTS		
- 460	MS20427M5	..	RIVET- SIZE DETERMINED ON INSTL. OPTIONAL PART: MS20615M5	101102 504903	3
- 460	MS20615M5	..	RIVET- SIZE DETERMINED ON INSTL. OPTIONAL PART: MS20427M5	101102 504903	3
			-----*-----		
465	66-18544-2	..	TERMINAL	101102 504903	1
470	287N6103-94	..	BRACKET	101102 504903	1
			ATTACHING PARTS		
- 475	NAS1801-3-6	..	SCREW	101102 504903	4
- 480	130069	..	NUT SUPPLIER CODE: V60119 SPECIFICATION NUMBER: BACN10FX16 OPTIONAL PART: A11330-6-3 V72962 A4972-6-02 V72962 A4972-6-02 V72962	101102 504903	4
			-----*-----		
485	287N6103-92	..	GASKET	101102 504903	1
490	287N6103-93	..	TUBE	101102 504903	1
495	287N6103-91	..	BRACKET	101102 504903	1
			ATTACHING PARTS		
- 500	MS20427M4	..	RIVET- SIZE DETERMINED ON INSTL.	101102 504903	2
- 505	MS20615-4M	..	RIVET- SIZE DETERMINED ON INSTL.	101102 504903	2
			-----*-----		
510	MS20615-4M	..	RIVET	101102 504903	4
515	287N6103-143	..	BRACKET ASSY	101102 504903	1
520	42NA1-066	...	NUTPLATE	101102 504903	1

MISSING ITEM NUMBERS NOT APPLICABLE

- ITEM NOT ILLUSTRATED

32-61-52-02G

32-61-52  
FIG. 02G  
PAGE 6  
JAN 20/09

BRI

BOEING PROPRIETARY - Copyright © - Unpublished Work - See title page for details.



757

PARTS CATALOG (MAINTENANCE)

FIG ITEM	PART NUMBER	1 2 3 4 5 6 7	NOMENCLATURE	EFFECT FROM TO	UNITS PER ASSY
2G			ATTACHING PARTS		
- 525	MS20427M4	...	RIVET- SIZE DETERMINED ON INSTL. -----*-----	101102 504903	2
530	287N6103-144	...	PLATE	101102 504903	1
550	BACB30NM3K4	.	BOLT	101102 504903	7
555	BACB30NM3K4	.	BOLT- POSITION DATA: LH	101102 504903	1
560	BACB30NM3K4	.	BOLT- POSITION DATA: RH PRE ALERT SB: 27A0130 27A0130R2	101102 504504	1
565	BACB30NM3K4	.	BOLT- POSITION DATA: RH POST ALERT SB: 27A0130	101102 504903	1
570	NAS1149D0363J	.	WASHER- POSITION DATA: LH	101102 505903	8
571	NAS1149D0363J	.	WASHER- POSITION DATA: RH SERVICE BULLETIN OPT DATA: NAS1149F0332P POST ALERT SB: 27A0130R2	101102 504903	6
571	NAS1149F0332P	.	WASHER- POSITION DATA: RH SERVICE BULLETIN OPT DATA: NAS1149D0363J POST ALERT SB: 27A0130R2	101102 504903	6
572	NAS1149D0363J	.	WASHER- POSITION DATA: LH	504504	6
573	NAS1149D0363J	.	WASHER- POSITION DATA: RH SERVICE BULLETIN OPT DATA: NAS1149F0332P POST ALERT SB: 27A0130R2	101102 504903	2

MISSING ITEM NUMBERS NOT APPLICABLE

- ITEM NOT ILLUSTRATED

32-61-52-02G

32-61-52  
FIG. 02G  
PAGE 7  
JAN 20/09

BRI

BOEING PROPRIETARY - Copyright © - Unpublished Work - See title page for details.



757

PARTS CATALOG (MAINTENANCE)

FIG ITEM	PART NUMBER	1 2 3 4 5 6 7	NOMENCLATURE	EFFECT FROM TO	UNITS PER ASSY
2G 573	NAS1149F0332P	.	WASHER- POSITION DATA: RH SERVICE BULLETIN OPT DATA: NAS1149D0363J POST ALERT SB: 27A0130R2	101102 504903	2
575	NAS1149D0363J	.	WASHER- POSITION DATA: LH	101102 504903	1
580	NAS1149D0363J	.	WASHER- POSITION DATA: RH PRE ALERT SB: 27A0130 27A0130R2	101102 504504	1
585	NAS1149D0363J	.	WASHER- POSITION DATA: RH SERVICE BULLETIN OPT DATA: NAS1149F0332P POST ALERT SB: 27A0130	101102 504903	1
585	NAS1149F0332P	.	WASHER- POSITION DATA: RH SERVICE BULLETIN OPT DATA: NAS1149D0363J POST ALERT SB: 27A0130R2	101102 504903	1
590	PLH53CD	.	NUT SUPPLIER CODE: VF0224 SPECIFICATION NUMBER: BACN10YR3CD OPTIONAL PART: H52732-3CD V15653	101102 504903	8
595	PLH53CD	.	NUT- SUPPLIER CODE: VF0224 SPECIFICATION NUMBER: BACN10YR3CD OPTIONAL PART: H52732-3CD V15653 POSITION DATA: LH	101102 504903	1

MISSING ITEM NUMBERS NOT APPLICABLE

- ITEM NOT ILLUSTRATED

32-61-52-026

32-61-52  
FIG. 026  
PAGE 8  
JAN 20/09

BRI

BOEING PROPRIETARY - Copyright © - Unpublished Work - See title page for details.





757

PARTS CATALOG (MAINTENANCE)

FIG ITEM	PART NUMBER	1 2 3 4 5 6 7	NOMENCLATURE	EFFECT FROM TO	UNITS PER ASSY
2G 600	PLH53CD	.NUT-	SUPPLIER CODE: VF0224 SPECIFICATION NUMBER: BACN10YR3CD OPTIONAL PART: H52732-3CD V15653 POSITION DATA: RH PRE ALERT SB: 27A0130 27A0130R2	101102 504504	1
605	PLH53CD	.NUT-	SUPPLIER CODE: VF0224 SPECIFICATION NUMBER: BACN10YR3CD OPTIONAL PART: H52732-3CD V15653 POSITION DATA: RH POST ALERT SB: 27A0130	101102 504903	1
610	S717-105	.CLAMP	SUPPLIER CODE: V18076 SPECIFICATION NUMBER: BACC10GU105 OPTIONAL PART: 534CS105 V83930 JM44LC39S105RG V22175	101102 504903	4
615	S717-105	.CLAMP-	SUPPLIER CODE: V18076 SPECIFICATION NUMBER: BACC10GU105 OPTIONAL PART: 534CS105 V83930 JM44LC39S105RG V22175 POSITION DATA: LH	101102 504903	2

MISSING ITEM NUMBERS NOT APPLICABLE

- ITEM NOT ILLUSTRATED

32-61-52-026

32-61-52  
FIG. 02G  
PAGE 9  
JAN 20/09

BRI



757

PARTS CATALOG (MAINTENANCE)

FIG ITEM	PART NUMBER	1 2 3 4 5 6 7	NOMENCLATURE	EFFECT FROM TO	UNITS PER ASSY
2G 620	S717-105		.CLAMP- SUPPLIER CODE: V18076 SPECIFICATION NUMBER: BACC10GU105 OPTIONAL PART: 534CS105 V83930 JM44LC39S105RG V22175 POSITION DATA: RH PRE ALERT SB: 27A0130 27A0130R2	101102 504504	2
625	S717-105		.CLAMP- SUPPLIER CODE: V18076 SPECIFICATION NUMBER: BACC10GU105 OPTIONAL PART: 534CS105 V83930 JM44LC39S105RG V22175 POSITION DATA: RH POST ALERT SB: 27A0130	101102 504903	1
630	S717-107		.CLAMP- SUPPLIER CODE: V18076 SPECIFICATION NUMBER: BACC10GU107 OPTIONAL PART: 534CS107 V83930 JM44LC39S107RG V22175 POSITION DATA: RH POST ALERT SB: 27A0130	101102 504903	1
635	BACB19F10S		.BLOCK	101102 504903	8
640	BACB19F10S		.BLOCK- POSITION DATA: LH	101102 504903	1

MISSING ITEM NUMBERS NOT APPLICABLE

- ITEM NOT ILLUSTRATED

32-61-52-026

32-61-52  
FIG. 02G  
PAGE 10  
JAN 20/09

BRI

BOEING PROPRIETARY - Copyright © - Unpublished Work - See title page for details.



757

PARTS CATALOG (MAINTENANCE)

FIG ITEM	PART NUMBER	1 2 3 4 5 6 7	NOMENCLATURE	EFFECT FROM TO	UNITS PER ASSY
2G 645	BACB19F10S		.BLOCK- POSITION DATA: RH PRE ALERT SB: 27A0130 27A0130R2	101102 504504	1
650	BACB19F10S		.BLOCK- POSITION DATA: RH POST ALERT SB: 27A0130	101102 504903	1
655	BACC15AN10		.CLIP	101102 504903	8
660	BACC15AN10		.CLIP- POSITION DATA: LH	101102 504903	1
665	BACC15AN10		.CLIP- POSITION DATA: RH PRE ALERT SB: 27A0130 27A0130R2	101102 504504	1
670	BACC15AN10		.CLIP- POSITION DATA: RH POST ALERT SB: 27A0130	101102 504903	1
675	BACW10P65AL		.WASHER	101102 504903	1
680	NAS1149C1416R		.WASHER	101102 504903	1
685	186028FS60K3		.LOCKNUT- SUPPLIER CODE: V30463	101102 504903	1
690	186030FS60K3		.LOCKNUT- SUPPLIER CODE: V30463	101102 504903	1
695	188195FS60K3		.CONNECTOR- SUPPLIER CODE: V30463	101102 504903	1
700	188197FS60K3		.CONNECTOR- SUPPLIER CODE: V30463	101102 504903	1
705	287N6116-13		.CONDUIT ASSY-	101102 504903	1
710	287N6116-15		.CONDUIT ASSY- POSITION DATA: LH	101102 504903	1

MISSING ITEM NUMBERS NOT APPLICABLE

- ITEM NOT ILLUSTRATED

32-61-52-026

32-61-52  
FIG. 026  
PAGE 11  
JAN 20/09

BRI

BOEING PROPRIETARY - Copyright © - Unpublished Work - See title page for details.



757

PARTS CATALOG (MAINTENANCE)

FIG ITEM	PART NUMBER	1 2 3 4 5 6 7	NOMENCLATURE	EFFECT FROM TO	UNITS PER ASSY
2G					
710	287N6116-3	.	CONDUIT ASSY- POSITION DATA: LH	101102 504903	1
715	287N6116-15	.	CONDUIT ASSY- POSITION DATA: RH	101102 504504	1
715	287N6116-36	.	CONDUIT ASSY-RIGID POSITION DATA: RH SIDE TUBING MATERIAL: .5 IN. OD X .028 IN. WALL X 35.5 LG MIL-T-8808 321 ANNEALED TUBING POST ALERT SB: 27A0130	101102 504903	1
715	287N6116-3	.	CONDUIT ASSY- POSITION DATA: RH	101102 504504	1
720	287N6116-11	.	CONDUIT ASSY-	101102 504903	1
720	287N6116-1	.	CONDUIT ASSY-	101102 504903	1
725	287N6102-16	.	CONDUIT ASSY- POSITION DATA: LH	101102 504903	2
730	287N6102-16	.	CONDUIT ASSY- POSITION DATA: RH	101102 504903	1
735	287N6102-16	.	CONDUIT ASSY- POSITION DATA: RH PRE ALERT SB: 27A0130 27A0130R2	101102 504504	1
740	287N6102-37	.	CONDUIT ASSY- POSITION DATA: RH POST ALERT SB: 27A0130R1	101102 504903	1
745	287N6116-17	.	CONDUIT ASSY	101102 504903	1

MISSING ITEM NUMBERS NOT APPLICABLE

- ITEM NOT ILLUSTRATED

BRI

32-61-52-026

BOEING PROPRIETARY - Copyright © - Unpublished Work - See title page for details.

32-61-52  
FIG. 026  
PAGE 12  
JAN 20/09



757

PARTS CATALOG (MAINTENANCE)

FIG ITEM	PART NUMBER	1 2 3 4 5 6 7	NOMENCLATURE	EFFECT FROM TO	UNITS PER ASSY
2G - 750	BACF32H12C	..	FERRULE- USED ON: 287N6116-1 287N6116-2 287N6116-11 287N6116-13 287N6116-34 287N6116-35	101102 504903	1
- 755	BACF32H8C	..	FERRULE- USED ON: 287N6100-58 287N6116-3 287N6116-15 287N6116-17 287N6116-36 287N6116-37	101102 504903	1
- 760	BACC42Y8C	..	COUPLING- USED ON: 287N6100-58 287N6116-3 287N6116-15 287N6116-17 287N6116-36 287N6116-37	101102 504903	1
- 765	BACN10WW12C	..	NUT- USED ON: 287N6116-1 287N6116-2 287N6116-11 287N6116-13 287N6116-34 287N6116-35	101102 504903	1
- 770	BACN10WW8C	..	NUT- USED ON: 287N6100-58 287N6116-3 287N6116-15 287N6116-17 287N6116-36 287N6116-37	101102 504903	1
775	287N6116-14	..	TUBE- USED ON: 287N6116-13	101102 504903	1
780	287N6116-16	..	TUBE- POSITION DATA: LH SIDE USED ON: 287N6116-15	101102 504903	1

MISSING ITEM NUMBERS NOT APPLICABLE

- ITEM NOT ILLUSTRATED

32-61-52-02G

32-61-52  
FIG. 02G  
PAGE 13  
JAN 20/09

BRI

BOEING PROPRIETARY - Copyright © - Unpublished Work - See title page for details.



757

PARTS CATALOG (MAINTENANCE)

FIG ITEM	PART NUMBER	1 2 3 4 5 6 7	NOMENCLATURE	EFFECT FROM TO	UNITS PER ASSY
2G - 782	287N6116-16		..TUBE- POSITION DATA: RH SIDE USED ON: 287N6116-15	101102 504504	1
782	MH404A		..TUBE-ANNEALED POSITION DATA: RH USED ON: 287N6116-36 287N6116-37 POST ALERT SB: 27A0130R2	101102 504903	1
785	287N6116-12		..TUBE- USED ON: 287N6116-11	101102 504903	1
790	287N6116-18		..TUBE- USED ON: 287N6116-17	101102 504903	1

MISSING ITEM NUMBERS NOT APPLICABLE

- ITEM NOT ILLUSTRATED

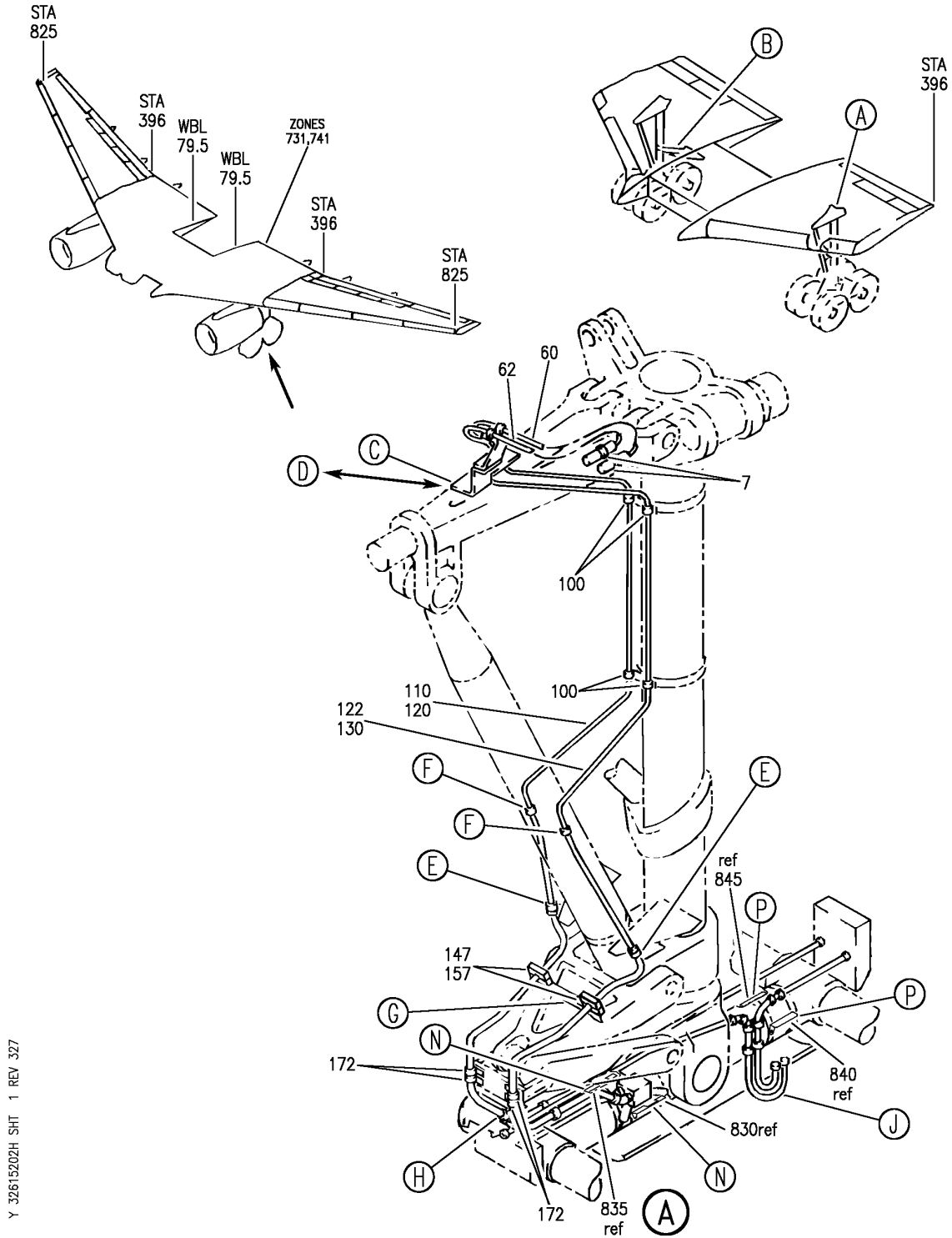
BRI

32-61-52-02G

BOEING PROPRIETARY - Copyright © - Unpublished Work - See title page for details.

32-61-52  
FIG. 02G  
PAGE 14  
JAN 20/09

**BOEING**  
757  
PARTS CATALOG (MAINTENANCE)



Y 32615202H SHT 1 REV 327

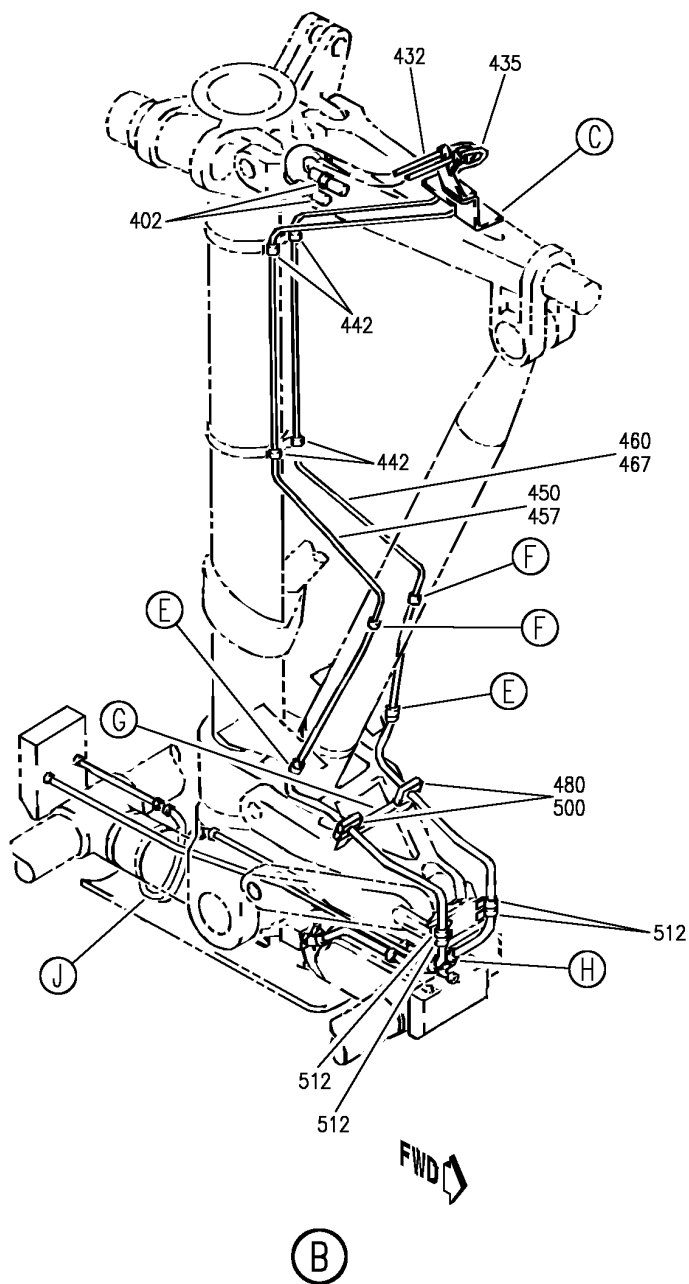
HARNES INSTL-MLG ELEC (LANDING GEAR POSITION INDICATING AND WARNING SYSTEM ONLY)  
FIGURE 2H (SHEET 1)

BRI  
SEP 20/08

**32-61-52-02H**

32-61-52-02H  
PAGE 0

**BOEING**  
757  
PARTS CATALOG (MAINTENANCE)



Y 32615202H SHT 2 REV 327

HARNES INSTL-MLG ELEC (LANDING GEAR POSITION INDICATING AND WARNING SYSTEM ONLY)  
FIGURE 2H (SHEET 2)

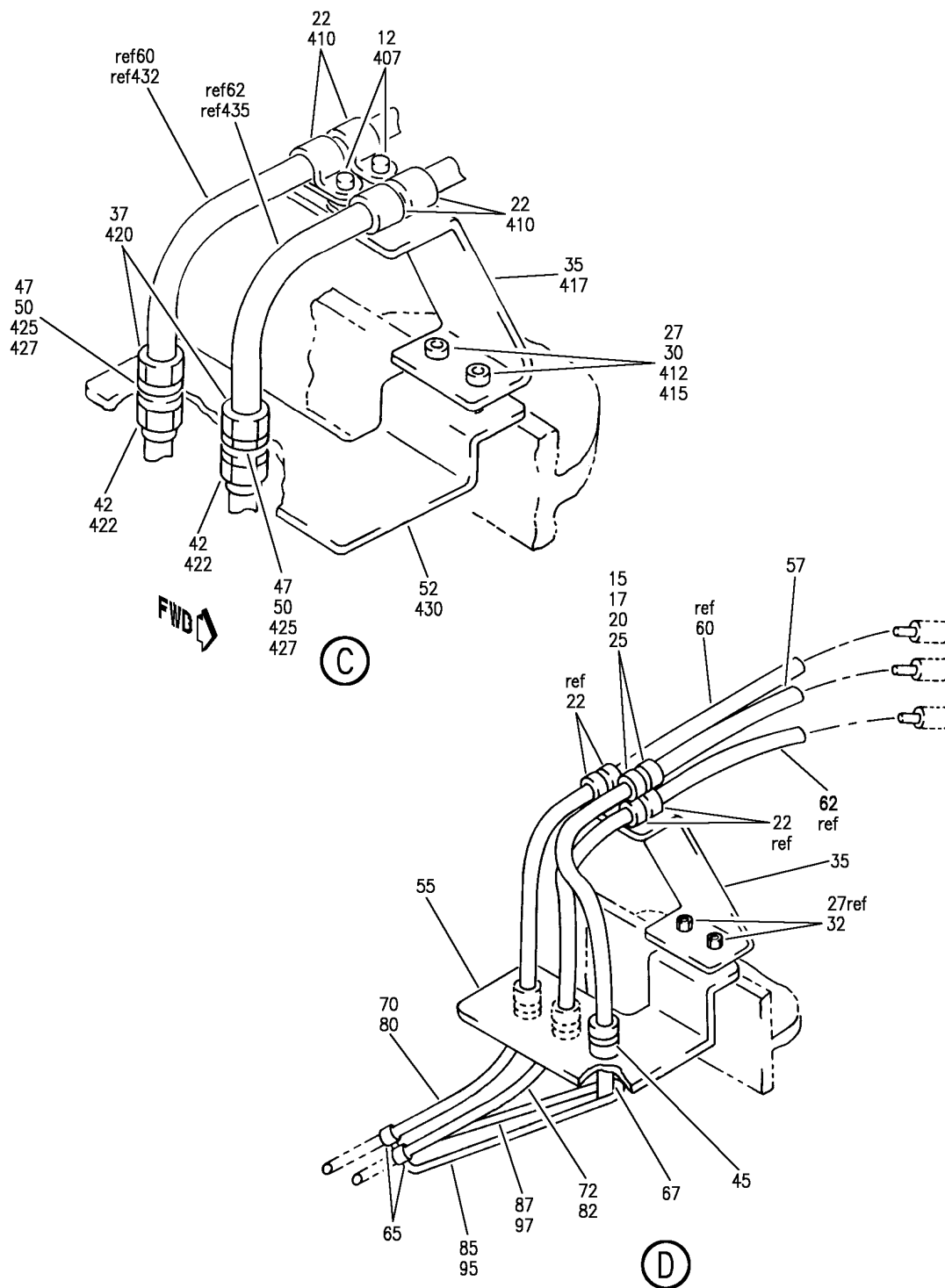
BRI  
SEP 20/08

**32-61-52-02H**

32-61-52-02H  
PAGE 0A



**BOEING**  
757  
PARTS CATALOG (MAINTENANCE)



Y 32615202H SHT 3 REV 327

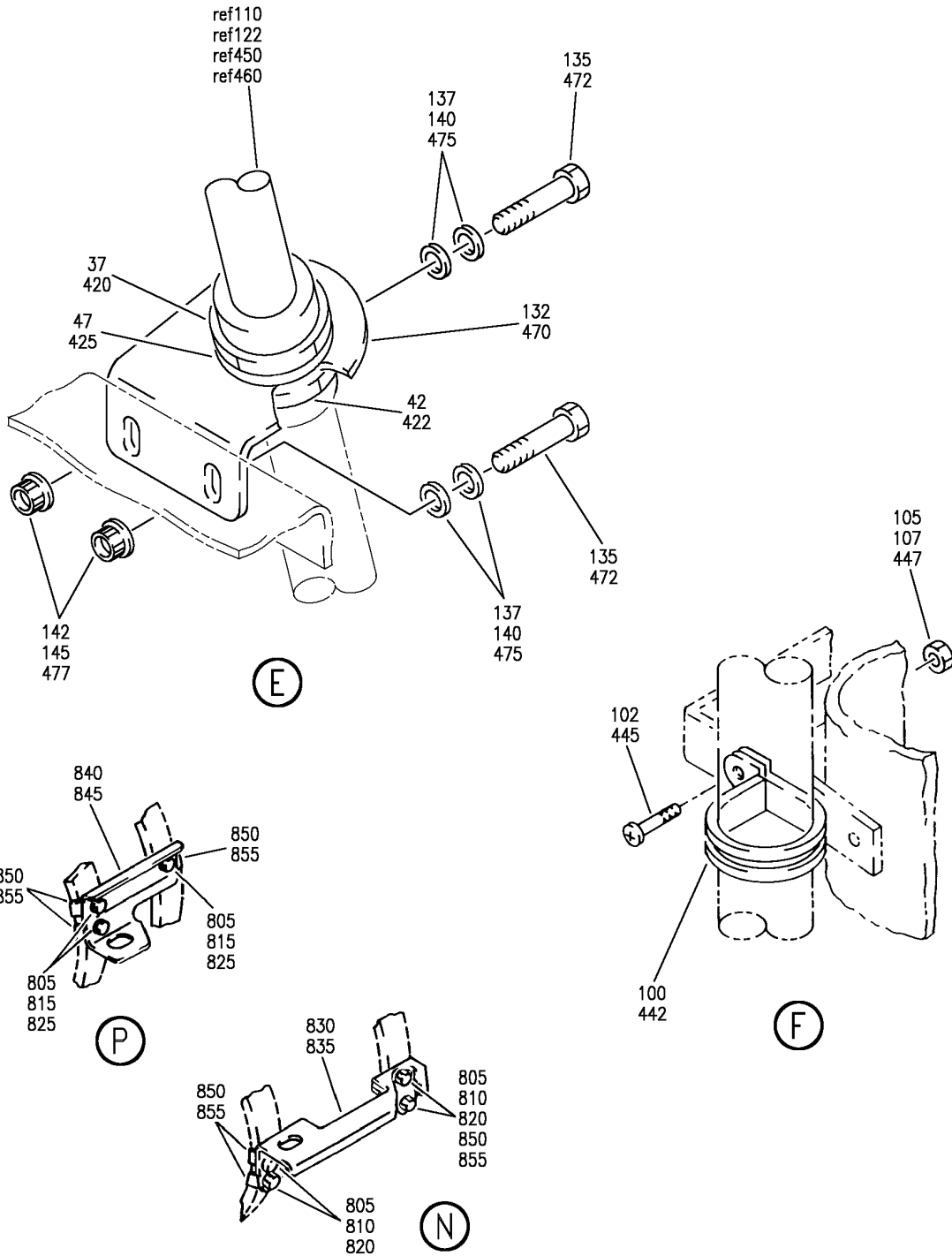
HARNES INSTL-MLG ELEC (LANDING GEAR POSITION INDICATING AND WARNING SYSTEM ONLY)  
FIGURE 2H (SHEET 3)

**32-61-52-02H**

BRI  
SEP 20/08

32-61-52-02H  
PAGE 0B

**BOEING**  
757  
PARTS CATALOG (MAINTENANCE)



Y 32615202H SHT 4 REV 327

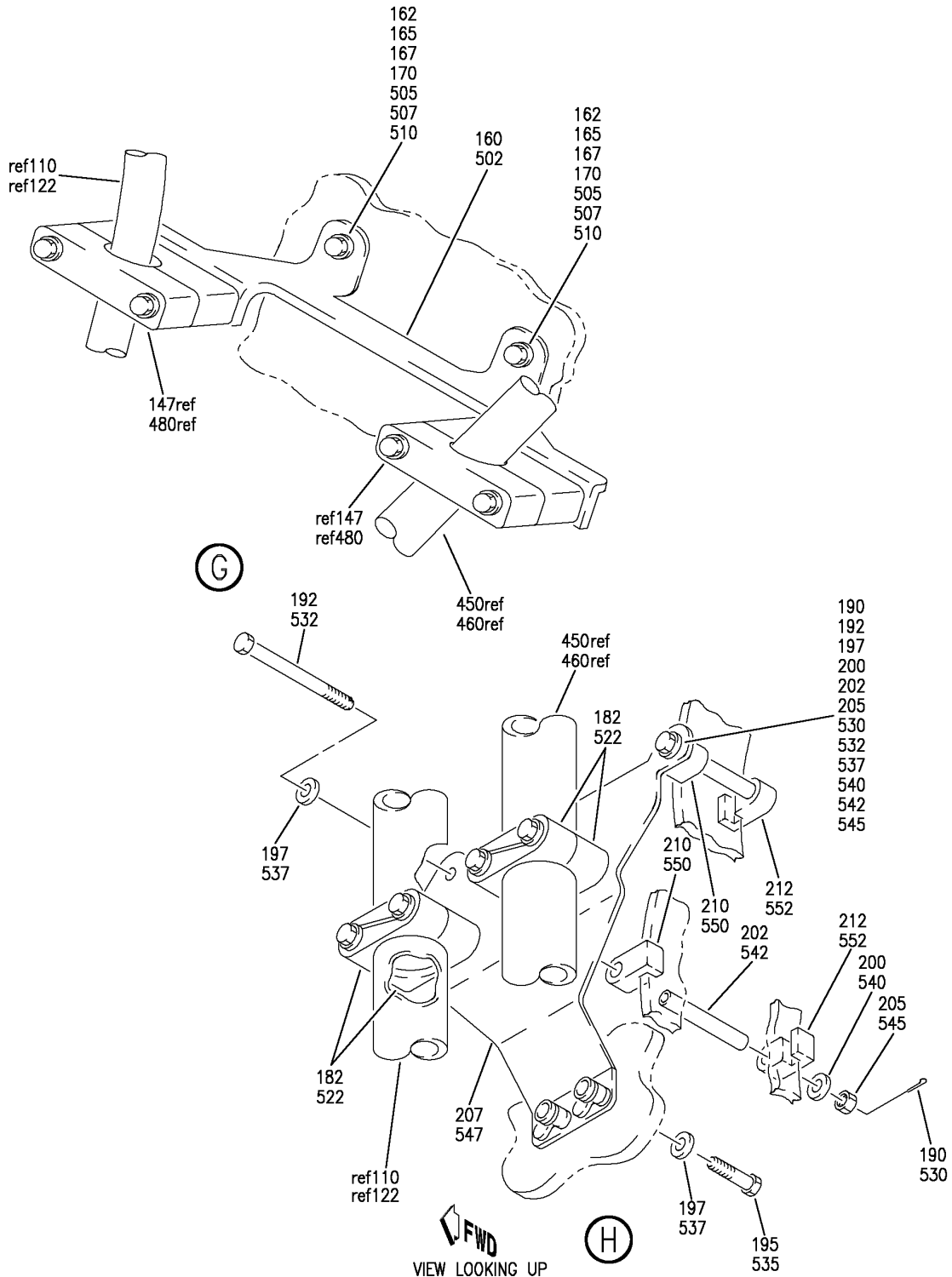
HARNES INSTL-MLG ELEC (LANDING GEAR POSITION INDICATING AND WARNING SYSTEM ONLY)  
FIGURE 2H (SHEET 4)

BRI  
SEP 20/08

# 32-61-52-02H

32-61-52-02H  
PAGE 0C

**BOEING**  
757  
**PARTS CATALOG (MAINTENANCE)**



Y 32615202H SHT 5 REV 327

HARNES INSTL-MLG ELEC (LANDING GEAR POSITION INDICATING AND WARNING SYSTEM ONLY)  
FIGURE 2H (SHEET 5)

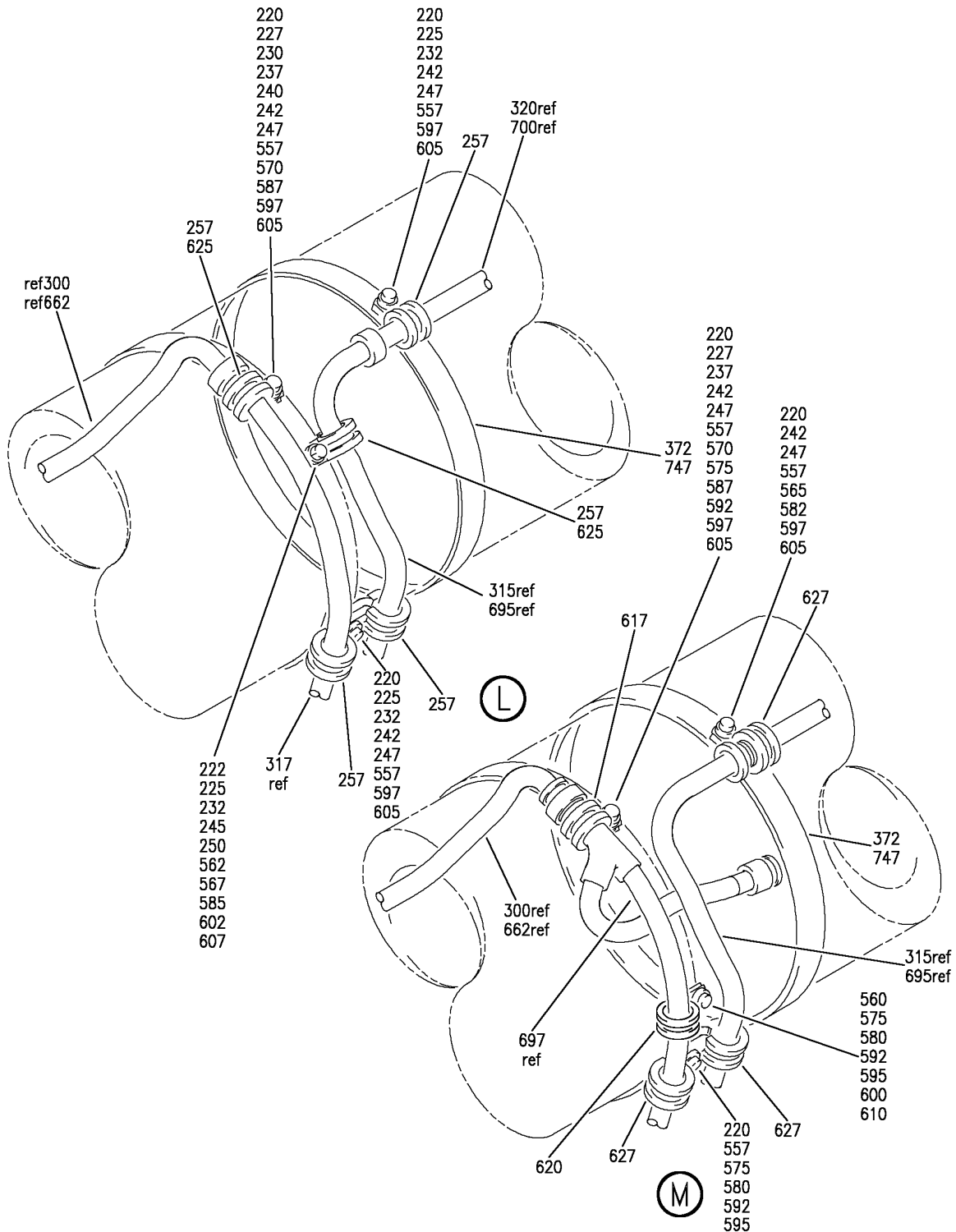
BRI  
SEP 20/08

**32-61-52-02H**

32-61-52-02H  
PAGE 0D



**BOEING**  
757  
PARTS CATALOG (MAINTENANCE)



Y 32615202H SHT 7 REV 327

HARNES INSTL-MLG ELEC (LANDING GEAR POSITION INDICATING AND WARNING SYSTEM ONLY)  
FIGURE 2H (SHEET 7)

**32-61-52-02H**

BRI  
SEP 20/08

32-61-52-02H  
PAGE OF



757

PARTS CATALOG (MAINTENANCE)

FIG ITEM	PART NUMBER	1 2 3 4 5 6 7	NOMENCLATURE	EFFECT FROM TO	UNITS PER ASSY
2H			HARNESS INSTL-MLG ELEC (LANDING GEAR POSITION INDICATING AND WARNING SYSTEM ONLY)	002004 006100 107107 121503 904999	
- 5	287N6100-89		HARNESS INSTL-MLG ELEC (LANDING GEAR POSITION INDICATING AND WARNING SYSTEM ONLY) POSITION DATA: L FOR NHA/OTHER SYS DET SEE: 24-00-60-01	107107	RF
- 5	287N6100-107		HARNESS INSTL-MLG ELEC (LANDING GEAR POSITION INDICATING AND WARNING SYSTEM ONLY) POSITION DATA: L FOR NHA/OTHER SYS DET SEE: 24-00-60-01	904949	RF
- 5	287N6100-113		HARNESS INSTL-MLG ELEC (LANDING GEAR POSITION INDICATING AND WARNING SYSTEM ONLY) POSITION DATA: L REWORK DRAWING REF: 012N8940-1 REWORKED BY SB: 32-0121 FOR NHA/OTHER SYS DET SEE: 24-00-60-01	002004 006100 121503 950999	RF
7	100013FS6000		.BACKSHELL- SUPPLIER CODE: V30463 SERVICE BULLETIN OPT DATA: 100013FS60000 V30463	002004 006100 904949	2
7	100013FS60000		.BACKSHELL- SUPPLIER CODE: V30463 SERVICE BULLETIN OPT DATA: 100013RS6000 V30463	002004 006100 904949	2

MISSING ITEM NUMBERS NOT APPLICABLE

- ITEM NOT ILLUSTRATED

32-61-52-02H

32-61-52  
FIG. 02H  
PAGE 1  
JAN 20/09

BRI



757

PARTS CATALOG (MAINTENANCE)

FIG ITEM	PART NUMBER	1 2 3 4 5 6 7	NOMENCLATURE	EFFECT FROM TO	UNITS PER ASSY
2H					
12	NAS1801-3-6	.SCREW-	USED ON: 287N6100-113	002004 006100 107107 121503 904999	2
22	S717-108	.CLAMP	SUPPLIER CODE: V18076 SPECIFICATION NUMBER: BACC10GU108 OPTIONAL PART: 534CS108 V83930 JM44LC39S108RG V22175	002004 006100 904949	4
27	NAS6604-9	.BOLT		002004 006100 904949	2
30	MS21042L4	.NUT-	USED ON: 287N6100-113	002004 006100 107107 121503 904999	2
35	287N6103-33	.BRACKET ASSY		002004 006100 904949	1
37	186030FS60K3K	.LOCKNUT-	SUPPLIER CODE: V30463 SERVICE BULLETIN OPT DATA: 186030FS60K3 V30463	002004 006100 904949	4
37	186030FS60K3	.LOCKNUT-	SUPPLIER CODE: V30463 SERVICE BULLETIN OPT DATA: 186030RS60K3K V30463	002004 006100 904949	4
42	186058FS60K3G	.FEEDTHRU-	SUPPLIER CODE: V30463 SERVICE BULLETIN OPT DATA: 186058FS60K3 V30463	002004 006100 904949	4

MISSING ITEM NUMBERS NOT APPLICABLE

- ITEM NOT ILLUSTRATED

32-61-52-02H

32-61-52  
FIG. 02H  
PAGE 2  
JAN 20/09

BRI

BOEING PROPRIETARY - Copyright © - Unpublished Work - See title page for details.



757

PARTS CATALOG (MAINTENANCE)

FIG ITEM	PART NUMBER	1 2 3 4 5 6 7	NOMENCLATURE	EFFECT FROM TO	UNITS PER ASSY
2H					
42	186058FS60K3	.	FEEDTHRU- SUPPLIER CODE: V30463 SERVICE BULLETIN OPT DATA: 186058FS60K3G V30463	002004 006100 904949	4
47	AN960JD2016L	.	WASHER	002004 006100 904949	4
50	NAS1515M9H	.	WASHER	002004 006100	AR
52	287N6103-35	.	BRACKET- USED ON: 287N6100-113	002004 006100 107107 121503 904999	1
60	287N6102-8	.	CONDUIT ASSY	002004 006100 904949	1
62	287N6102-9	.	CONDUIT ASSY	002004 006100 904949	1
100	S717-107	.	CLAMP SUPPLIER CODE: V18076 SPECIFICATION NUMBER: BACC10GU107 OPTIONAL PART: 534CS107 V83930 JM44LC39S107RG V22175	002004 006100 904949	6
102	NAS1801-3-8	.	ATTACHING PARTS SCREW	002004 006100 904949	2
105	MS21042L3	.	NUT	002004 006100 107107 121503 904999	2
110	287N6100-41	-----*	CONDUIT ASSY-RIGID	002004 006015	1
110	287N6100-133	.	CONDUIT ASSY-RIGID	016017	1
110	287N6100-141	.	CONDUIT ASSY-RIGID USED ON: 287N6100-113	018100	1

MISSING ITEM NUMBERS NOT APPLICABLE

- ITEM NOT ILLUSTRATED

32-61-52-02H

32-61-52  
FIG. 02H  
PAGE 3  
JAN 20/09

BRI

BOEING PROPRIETARY - Copyright © - Unpublished Work - See title page for details.





757

PARTS CATALOG (MAINTENANCE)

FIG ITEM	PART NUMBER	1 2 3 4 5 6 7	NOMENCLATURE	EFFECT FROM TO	UNITS PER ASSY
2H					
- 115	BACN10WW12C	..	NUT	002004 006100 904949	2
- 117	BACF32H12C	..	FERRULE	002004 006100 904949	2
120	287N6100-31	..	TUBE	002004 006015	1
120	287N6100-129	..	TUBE	016017	1
120	287N6100-137	..	TUBE-	018100	1
			USED ON: 287N6100-141		
122	287N6100-43	.	CONDUIT ASSY-RIGID	002004 006015	1
122	287N6100-135	.	CONDUIT ASSY-RIGID	016017	1
122	287N6100-143	.	CONDUIT ASSY-RIGID	018100	1
- 125	BACN10WW12C	..	NUT	002004 006100 904949	2
- 127	BACF32H12C	..	FERRULE	002004 006100 904949	2
130	287N6100-33	..	TUBE	002004 006015	1
130	287N6100-131	..	TUBE	016017	1
130	287N6100-139	..	TUBE-	018100	1
			USED ON: 287N6100-143		
132	287N6103-137	.	BRACKET-	002004 006100 904949	2
132	287N6103-255	.	BRACKET-	002004 006100 904949	2
			ATTACHING PARTS		
135	NAS1801-3-8	.	SCREW	002004 006100 904949	4
140	AN960KD10	.	WASHER-	002004 006100	8
			USED ON: 287N6100-113	107107 121503	
145	MS21042L3	.	NUT-	904999 002004	4
			USED ON: 287N6100-113	006100 107107 121503 904999	
			-----*-----		

MISSING ITEM NUMBERS NOT APPLICABLE

- ITEM NOT ILLUSTRATED

32-61-52-02H

32-61-52  
FIG. 02H  
PAGE 4  
JAN 20/09

BRI

BOEING PROPRIETARY - Copyright © - Unpublished Work - See title page for details.



757

PARTS CATALOG (MAINTENANCE)

FIG ITEM	PART NUMBER	1 2 3 4 5 6 7	NOMENCLATURE	EFFECT FROM TO	UNITS PER ASSY
2H 147	287N6104-1		.GUIDE- POST SERVICE BULLETIN: 32-0121	002004 006100 904949	2
147	287N6104-4		.GUIDE- POST SERVICE BULLETIN: 32-0121	002004 006100 904949	2
- 150	BACB30NR4K35		.BOLT- POST SERVICE BULLETIN: 32-0121	002004 006100 904949	4
- 152	NAS1149D0463J		.WASHER- POST SERVICE BULLETIN: 32-0121	002004 006100 904949	4
- 155	PLH54CD		.NUT- SUPPLIER CODE: VF0224 SPECIFICATION NUMBER: BACN10YR4CD OPTIONAL PART: H52732-4CD V15653 POST SERVICE BULLETIN: 32-0121	002004 006100 904949	4
157	287N6104-2		..GUIDE-HALF USED ON: 287N6104-1	002004 006100 904949	2
157	287N6104-5		..GUIDE-HALF USED ON: 287N6104-4	002004 006100 904949	2
160	287N6103-142		.BRACKET	002004 006100 904949	1
162	BACB30NM4K6		ATTACHING PARTS .BOLT	002004 006100 904949	2
167	AN960KD416		.WASHER- USED ON: 287N6100-113	002004 006100 107107 121503 904999	2

MISSING ITEM NUMBERS NOT APPLICABLE

- ITEM NOT ILLUSTRATED

32-61-52-02H

32-61-52  
FIG. 02H  
PAGE 5  
JAN 20/09

BRI

BOEING PROPRIETARY - Copyright © - Unpublished Work - See title page for details.



757

PARTS CATALOG (MAINTENANCE)

FIG ITEM	PART NUMBER	1 2 3 4 5 6 7	NOMENCLATURE	EFFECT FROM TO	UNITS PER ASSY
2H 170	BRH10C4D	.NUT	SUPPLIER CODE: V52828 SPECIFICATION NUMBER: BACN10JC4CD OPTIONAL PART: T6C428JCD V11815 NS202486-048 V80539 102LH9075-4W V72962 H51650-4BAC V15653	002004 006100 904949	2
172	S717-109	.CLAMP-	SUPPLIER CODE: V18076 SPECIFICATION NUMBER: BACC10GU109 OPTIONAL PART: 534CS109 V83930 JM44LC39S109RG V22175 POST SERVICE BULLETIN: 32-0121	002004 006100 904949	4
- 175	BACB30NM3K5	.BOLT-	ATTACHING PARTS	002004 006100 904949	4
- 177	NAS1149D0363J	.WASHER-		002004 006100 904949	4
- 180	PLH53CD	.NUT-	SUPPLIER CODE: VF0224 SPECIFICATION NUMBER: BACN10YR3CD OPTIONAL PART: H52732-3CD V15653	002004 006100 904949	4
182	287N6115-3	.GUIDE-	POST SERVICE BULLETIN: 32-0121	002004 006100 904949	4

MISSING ITEM NUMBERS NOT APPLICABLE

- ITEM NOT ILLUSTRATED

32-61-52-02H

32-61-52  
FIG. 02H  
PAGE 6  
JAN 20/09

BRI



757

PARTS CATALOG (MAINTENANCE)

FIG ITEM	PART NUMBER	1 2 3 4 5 6 7	NOMENCLATURE	EFFECT FROM TO	UNITS PER ASSY
2H			ATTACHING PARTS		
- 185	BACB30NM4HK32		.BOLT- SERVICE BULLETIN OPT DATA: NAS6704HU34 POST SERVICE BULLETIN: 32-0121	002004 006100 904949	4
- 185	NAS6704HU34		.BOLT- SERVICE BULLETIN OPT DATA: BACB30NM4HK32 POST SERVICE BULLETIN: 32-0121R2	002004 006100 904949	4
- 187	NAS1149D0463J		.WASHER	002004 006100 904949	4
			-----*-----		
190	BACP18BC02A06P		.PIN-COTTER POST SERVICE BULLETIN: 32-0121	002004 006100 904949	2
192	BACB30NM4DK51		.BOLT- SERVICE BULLETIN OPT DATA: NAS6604D52 POST SERVICE BULLETIN: 32-0121	002004 006100 904949	2
192	NAS6604D52		.BOLT- SERVICE BULLETIN OPT DATA: BACB30NM4DK51 POST SERVICE BULLETIN: 32-0121R2	002004 006100 904949	2
195	BACB30NM4HK6		.BOLT- POST SERVICE BULLETIN: 32-0121	002004 006100 904949	2
197	BACW10BN4AC		.WASHER- POST SERVICE BULLETIN: 32-0121	002004 006100 904949	4
200	BACW10BP4DP		.WASHER- POST SERVICE BULLETIN: 32-0121	002004 006100 904949	AR
202	NAS43DD4-106FC		.SPACER-SLEEVE POST SERVICE BULLETIN: 32-0121	002004 006100 904949	2
205	BACN10JD4CD		.NUT- POST SERVICE BULLETIN: 32-0121	002004 006100 904949	2
207	287N6103-226		.SUPPORT ASSY-FLEXIBLE POST SERVICE BULLETIN: 32-0121	002004 006100 904949	1
210	287N6115-1		.CLIP-SUPPORT POST SERVICE BULLETIN: 32-0121	002004 006100 904949	2

MISSING ITEM NUMBERS NOT APPLICABLE

- ITEM NOT ILLUSTRATED

32-61-52-02H

32-61-52  
FIG. 02H  
PAGE 7  
JAN 20/09

BRI



757

PARTS CATALOG (MAINTENANCE)

FIG ITEM	PART NUMBER	1 2 3 4 5 6 7	NOMENCLATURE	EFFECT FROM TO	UNITS PER ASSY
2H					
212	287N6115-2		.CLIP-SUPPORT POST SERVICE BULLETIN: 32-0121	002004 006100 904949	2
215	BACB30NM3K2		.BOLT- POST SERVICE BULLETIN: 32-0121	002004 006100 904949	2
220	BACB30NM3K4		.BOLT	002004 006100 904949	4
222	BACB30NM3K4		.BOLT	002004 006100 904949	1
225	AN960KD10		.WASHER- USED ON: 287N6100-113	002004 006100 107107 121503 904999	3
227	NAS1149D0363J		.WASHER-SAA POST SERVICE BULLETIN: 32-0121	002004 006100 904949	2
232	MS21042L3		.NUT- USED ON: 287N6100-113	002004 006100 107107 121503 904999	3
237	PLH53CD		.NUT- SUPPLIER CODE: VF0224 SPECIFICATION NUMBER: BACN10YR3CD OPTIONAL PART: H52732-3CD V15653 POST SERVICE BULLETIN: 32-0121	002004 006100 904949	2
242	BACC15AN10		.CLIP	002004 006100 904949	4
245	BACC15AN10		.CLIP	002004 006100 904949	1
247	BACB19F10S		.BLOCK	002004 006100 904949	4
250	BACB19F10S		.BLOCK	002004 006100 904949	1

MISSING ITEM NUMBERS NOT APPLICABLE

- ITEM NOT ILLUSTRATED

32-61-52-02H

32-61-52  
FIG. 02H  
PAGE 8  
JAN 20/09

BRI

BOEING PROPRIETARY - Copyright © - Unpublished Work - See title page for details.



757

PARTS CATALOG (MAINTENANCE)

FIG ITEM	PART NUMBER	1 2 3 4 5 6 7	NOMENCLATURE	EFFECT FROM TO	UNITS PER ASSY
2H 252	S717-107	.CLAMP-	SUPPLIER CODE: V18076 SPECIFICATION NUMBER: BACC10GU107 OPTIONAL PART: 534CS107 V83930 JM44LC39S107RG V22175 POST SERVICE BULLETIN: 32-0121	002004 006100 904949	1
255	S717-105	.CLAMP-	SUPPLIER CODE: V18076 SPECIFICATION NUMBER: BACC10GU105 OPTIONAL PART: 534CS105 V83930 JM44LC39S105RG V22175 POST SERVICE BULLETIN: 32-0121	002004 006100 904949	1
257	S717-105	.CLAMP	SUPPLIER CODE: V18076 SPECIFICATION NUMBER: BACC10GU105 OPTIONAL PART: 534CS105 V83930 JM44LC39S105RG V22175	002004 006100 904949	5
260	S717-107	.CLAMP	SUPPLIER CODE: V18076 SPECIFICATION NUMBER: BACC10GU107 OPTIONAL PART: 534CS107 V83930 JM44LC39S107RG V22175	002004 006100 904949	1
262	287N6103-219	.COVER-TURNAROUND BOX	POST SERVICE BULLETIN: 32-0121	002004 006100 904949	2

MISSING ITEM NUMBERS NOT APPLICABLE

- ITEM NOT ILLUSTRATED

32-61-52-02H

32-61-52  
FIG. 02H  
PAGE 9  
JAN 20/09

BRI



757

PARTS CATALOG (MAINTENANCE)

FIG ITEM	PART NUMBER	1 2 3 4 5 6 7	NOMENCLATURE	EFFECT FROM TO	UNITS PER ASSY
2H			ATTACHING PARTS		
- 265	BACB30NM3HK3		.BOLT- SERVICE BULLETIN OPT DATA: NAS6603H3 POST SERVICE BULLETIN: 32-0121	002004 006100 904949	4
- 265	NAS6603H3		.BOLT- SERVICE BULLETIN OPT DATA: BACB30NM3HK3 POST SERVICE BULLETIN: 32-0121R2	002004 006100 904949	4
- 272	NAS1149D0363J		.WASHER-	002004 006100 904949	4
			-----*-----		
275	186030FS60K3		.LOCKNUT- SUPPLIER CODE: V30463 SERVICE BULLETIN OPT DATA: S4630-14LWS30S V07418 POST SERVICE BULLETIN: 32-0121	002004 006100 904949	2
275	S4630-14LWS30S		.LOCKNUT- SUPPLIER CODE: V07418 SERVICE BULLETIN OPT DATA: 186030FS60K3 V30463 POST SERVICE BULLETIN: 32-0121R2	002004 006100 904949	2
277	BACW10P65AL		.WASHER- POST SERVICE BULLETIN: 32-0121	002004 006100 904949	2
280	287N6102-33		.CONDUIT ASSY-FLEX POST SERVICE BULLETIN: 32-0121	002004 006100 904949	2
282	287N6116-1		.CONDUIT ASSY-RIGID POST SERVICE BULLETIN: 32-0121	002004 006100 904949	1
282	287N6116-11		.CONDUIT ASSY-RIGID POST SERVICE BULLETIN: 32-0121R2	002004 006100 904949	1
285	287N6116-2		.CONDUIT ASSY-RIGID SERVICE BULLETIN OPT DATA: 287N6116-13 POST SERVICE BULLETIN: 32-0121	002004 006100 904949	1

MISSING ITEM NUMBERS NOT APPLICABLE

- ITEM NOT ILLUSTRATED

32-61-52-02H

32-61-52  
FIG. 02H  
PAGE 10  
JAN 20/09

BRI



757

PARTS CATALOG (MAINTENANCE)

FIG ITEM	PART NUMBER	1 2 3 4 5 6 7	NOMENCLATURE	EFFECT FROM TO	UNITS PER ASSY
2H 285	287N6116-13	.	CONDUIT ASSY-RIGID SERVICE BULLETIN OPT DATA: 287N6116-2 POST SERVICE BULLETIN: 32-0121R2	002004 006100 904949	1
- 287	BACN10WW12C	..	NUT-	002004 006100 904949	1
- 290	BACF32H12C	..	FERRULE-	002004 006100 904949	1
292	287N6116-6	..	TUBE- USED ON: 287N6116-1	002004 006100 904949	1
292	287N6116-12	..	TUBE- USED ON: 287N6116-11	002004 006100 904949	1
295	287N6116-7	..	CONDUIT- USED ON: 287N6116-2	002004 006100 904949	1
295	287N6116-14	..	TUBE- USED ON: 287N6116-13	002004 006100 904949	1
297	012N8940-3	.	SLEEVING-PROTECTIVE MISCELLANEOUS DATA: USE 12 TO 14 INCHES POST SERVICE BULLETIN: 32-0121	002004 006100 904949	AR
- 305	BACN10WW8C	..	NUT	002004 006100 904949	1
- 307	BACF32H8C	..	FERRULE	002004 006100 904949	1
- 310	BACC42Y8C	..	COUPLING	002004 006100 904949	1
312	287N6116-8	..	TUBE- USED ON: 287N6116-3	002004 006100 904949	1
315	287N6102-16	.	CONDUIT ASSY-FLEX	002004 006100 904949	1
317	287N6102-16	.	CONDUIT ASSY-FLEX	002004 006100 904949	1
320	287N6100-58	.	CONDUIT ASSY-RIGID	002004 006100 904949	1

MISSING ITEM NUMBERS NOT APPLICABLE

- ITEM NOT ILLUSTRATED

32-61-52-02H

32-61-52  
FIG. 02H  
PAGE 11  
JAN 20/09

BRI

BOEING PROPRIETARY - Copyright © - Unpublished Work - See title page for details.





757

PARTS CATALOG (MAINTENANCE)

FIG ITEM	PART NUMBER	1 2 3 4 5 6 7	NOMENCLATURE	EFFECT FROM TO	UNITS PER ASSY
2H - 322	BACN10WW8C	. .	NUT	002004 006100 904949	2
- 325	BACF32H8C	. .	FERRULE	002004 006100 904949	2
- 327	BACC42Y8C	. .	COUPLING	002004 006100 904949	1
330	287N6100-66	. .	TUBE	002004 006100 904949	1
332	BACB30NM3K4	. BOLT-	POST SERVICE BULLETIN: 32-0121	002004 006100 904949	4
335	NAS1149D0363J	. WASHER-	POST SERVICE BULLETIN: 32-0121	002004 006100 904949	4
340	PLH53CD	. NUT-	SUPPLIER CODE: VF0224 SPECIFICATION NUMBER: BACN10YR3CD OPTIONAL PART: H52732-3CD V15653 POST SERVICE BULLETIN: 32-0121	002004 006100 904949	4
342	BACC15AN10	. CLIP-	POST SERVICE BULLETIN: 32-0121	002004 006100 904949	4
345	BACB19F10S	. BLOCK-	POST SERVICE BULLETIN: 32-0121	002004 006100 904949	4
347	287N6103-210	. BRACKET ASSY-TURNAROUND BOXES AND FLEXIBLE CONDUIT GUIDE	POST SERVICE BULLETIN: 32-0121	002004 006100 904949	1
350	BACG20ZA275	. .	GROMMET-	002004 006100 904949	2
352	BACB30NM3HK12	. . BOLT-	SERVICE BULLETIN OPT DATA: NAS6603H12	002004 006100 904949	6
352	NAS6603H12	. . BOLT-	SERVICE BULLETIN OPT DATA: BACB30NM3HK12	002004 006100 904949	6

MISSING ITEM NUMBERS NOT APPLICABLE

- ITEM NOT ILLUSTRATED

32-61-52-02H

32-61-52  
FIG. 02H  
PAGE 12  
JAN 20/09

BRI



757

PARTS CATALOG (MAINTENANCE)

FIG ITEM	PART NUMBER	1 2 3 4 5 6 7	NOMENCLATURE	EFFECT FROM TO	UNITS PER ASSY
2H 357	NAS1149D0363J	..	WASHER-	002004 006100 904949	6
360	287N6115-4	..	GUIDE-FLEXIBLE CONDUIT, ELECTRICAL	002004 006100 904949	2
362	287N6103-213	..	BRACKET ASSY-	002004 006100 904949	1
365	287N6103-214	..	BRACKET ASSY-	002004 006100 904949	1
367	287N6103-211	..	BOX ASSY-TURNAROUND	002004 006100 904949	2
370	287N6103-217	..	BRACKET ASSY-	002004 006100 904949	1
372	BC1083-074S	.	CLAMP SUPPLIER CODE: V14242 SPECIFICATION NUMBER: BACC10FY074S OPTIONAL PART: 3140AB074 V94581 57490-074 V98625 B06A074S V10234 MBC68941-074 V8W928 57490-740 V8W928	002004 006100 904949	1
- 400	287N6100-90		HARNESS INSTL-MLG ELEC (LANDING GEAR POSITION INDICATING AND WARNING SYSTEM ONLY) POSITION DATA: R FOR NHA/OTHER SYS DET SEE: 24-00-60-01	107107	RF

MISSING ITEM NUMBERS NOT APPLICABLE

- ITEM NOT ILLUSTRATED

32-61-52-02H

32-61-52  
FIG. 02H  
PAGE 13  
JAN 20/09

BRI

BOEING PROPRIETARY - Copyright © - Unpublished Work - See title page for details.



757

PARTS CATALOG (MAINTENANCE)

FIG ITEM	PART NUMBER	1 2 3 4 5 6 7	NOMENCLATURE	EFFECT FROM TO	UNITS PER ASSY
2H - 400	287N6100-108		HARNES INSTL-MLG ELEC (LANDING GEAR POSITION INDICATING AND WARNING SYSTEM ONLY) POSITION DATA: R FOR NHA/OTHER SYS DET SEE: 24-00-60-01	904949	RF
- 400	287N6100-114		HARNES INSTL-MLG ELEC (LANDING GEAR POSITION INDICATING AND WARNING SYSTEM ONLY) POSITION DATA: R REWORK DRAWING REF: 012N8940-1 REWORKED BY SB: 32-0121 FOR NHA/OTHER SYS DET SEE: 24-00-60-01	002004 006100 121503 950999	RF
402	100013FS6000		.BACKSHELL- SUPPLIER CODE: V30463 OPTIONAL PART: 100013FS60000 V30463 SERVICE BULLETIN OPT DATA: 100013FS60000 V30463	002004 006100 107107 121503 904999	2
402	100013FS60000		.BACKSHELL- SUPPLIER CODE: V30463 SERVICE BULLETIN OPT DATA: 100013RS6000 V30463	002004 006100 904949	2
- 405	GP0135-22-69-05		.SLEEVE- SUPPLIER CODE: V59659	107107	2
407	NAS1801-3-6		.SCREW- USED ON: 287N6100-114	002004 006100 107107 121503 904999	2

MISSING ITEM NUMBERS NOT APPLICABLE

- ITEM NOT ILLUSTRATED

32-61-52-02H

32-61-52  
FIG. 02H  
PAGE 14  
JAN 20/09

BRI



757

PARTS CATALOG (MAINTENANCE)

FIG ITEM	PART NUMBER	1 2 3 4 5 6 7	NOMENCLATURE	EFFECT FROM TO	UNITS PER ASSY
2H 410	S717-108	.	CLAMP SUPPLIER CODE: V18076 SPECIFICATION NUMBER: BACC10GU108 OPTIONAL PART: 534CS108 V83930 JM44LC39S108RG V22175	002004 006100 107107 121503 904999	4
412	NAS6604-9	.	BOLT	002004 006100 107107 121503 904999	2
415	MS21042L4	.	NUT- USED ON: 287N6100-114	002004 006100 107107 121503 904999	2
417	287N6103-34	.	BRACKET ASSY	002004 006100 107107 121503 904999	1
420	186030FS60K3K	.	LOCKNUT- SUPPLIER CODE: V30463 OPTIONAL PART: 186030FS60K3 V30463 SERVICE BULLETIN OPT DATA: 186030FS60K3 V30463	002004 006100 107107 121503 904999	4
420	186030FS60K3	.	LOCKNUT- SUPPLIER CODE: V30463 OPTIONAL PART: 186030FS60K3K V30463 SERVICE BULLETIN OPT DATA: 186030RS60K3K V30463	002004 006100 107107 121503 904999	4

MISSING ITEM NUMBERS NOT APPLICABLE

- ITEM NOT ILLUSTRATED

32-61-52-02H

32-61-52  
FIG. 02H  
PAGE 15  
JAN 20/09

BRI



757

PARTS CATALOG (MAINTENANCE)

FIG ITEM	PART NUMBER	1 2 3 4 5 6 7	NOMENCLATURE	EFFECT FROM TO	UNITS PER ASSY
2H 422	186058FS60K3G	.	FEEDTHRU- SUPPLIER CODE: V30463 OPTIONAL PART: 186058FS60K3 V30463 SERVICE BULLETIN OPT DATA: 186058FS60K3 V30463	002004 006100 107107 121503 904999	4
422	186058FS60K3	.	FEEDTHRU- SUPPLIER CODE: V30463 OPTIONAL PART: 186058FS60K3G V30463 SERVICE BULLETIN OPT DATA: 186058FS60K3G V30463	002004 006100 107107 121503 904999	4
425	AN960JD2016L	.	WASHER	002004 006100 107107 121503 904999	4
427	NAS1515M9H	.	WASHER	002004 006100 121503 904999	AR
430	287N6103-36	.	BRACKET- USED ON: 287N6100-114	002004 006100 107107 121503 904999	1
432	287N6102-8	.	CONDUIT ASSY	002004 006100 107107 121503 904999	1
435	287N6102-9	.	CONDUIT ASSY	002004 006100 107107 121503 904999	1

MISSING ITEM NUMBERS NOT APPLICABLE

- ITEM NOT ILLUSTRATED

32-61-52-02H

32-61-52  
FIG. 02H  
PAGE 16  
JAN 20/09

BRI

BOEING PROPRIETARY - Copyright © - Unpublished Work - See title page for details.

 **BOEING**  
757  
**PARTS CATALOG (MAINTENANCE)**

FIG ITEM	PART NUMBER	1 2 3 4 5 6 7	NOMENCLATURE	EFFECT FROM TO	UNITS PER ASSY
2H 442	S717-107	.	CLAMP SUPPLIER CODE: V18076 SPECIFICATION NUMBER: BACC10GU107 OPTIONAL PART: 534CS107 V83930 JM44LC39S107RG V22175 ATTACHING PARTS	002004 006100 107107 121503 904999	6
445	NAS1801-3-8	.	SCREW	002004 006100 107107 121503 904999	2
447	MS21042L3	.	NUT	002004 006100 107107 121503 904999	2
450	287N6100-42	-----*	. CONDUIT ASSY-RIGID	002004 006100	1
450	287N6100-132	.	CONDUIT ASSY-RIGID	016017	1
450	287N6100-140	.	CONDUIT ASSY-RIGID	018100	1
- 452	BACN10WW12C	..	NUT	002004 006100 107107 121503 904999	2
- 455	BACF32H12C	..	FERRULE	002004 006100 107107 121503 904999	2
457	287N6100-32	..	TUBE	002004 006100	1
457	287N6100-128	..	TUBE	016017	1
457	287N6100-136	..	TUBE	016100	1
460	287N6100-44	.	CONDUIT ASSY-RIGID	002004 006100	1
460	287N6100-134	.	CONDUIT ASSY-RIGID	016017	1
460	287N6100-142	.	CONDUIT ASSY-RIGID	018100	1
- 462	BACN10WW12C	..	NUT	002004 006100 107107 121503 904999	2

MISSING ITEM NUMBERS NOT APPLICABLE

- ITEM NOT ILLUSTRATED

# 32-61-52-02H

32-61-52  
FIG. 02H  
PAGE 17  
JAN 20/09

BRI

BOEING PROPRIETARY - Copyright © - Unpublished Work - See title page for details.

 **BOEING**  
757  
**PARTS CATALOG (MAINTENANCE)**

FIG ITEM	PART NUMBER	1 2 3 4 5 6 7	NOMENCLATURE	EFFECT FROM TO	UNITS PER ASSY
2H - 465	BACF32H12C	. .	FERRULE	002004 006100 107107 121503 904999	2
467	287N6100-34	. .	TUBE	002004 006100	1
467	287N6100-130	. .	TUBE	016017	1
467	287N6100-138	. .	TUBE	018100	1
470	287N6103-137	. .	BRACKET-	002004 006100 107107 121503 904999	2
470	287N6103-255	. .	BRACKET-	002004 006100 107107 121503 904999	2
472	NAS1801-3-8	. .	ATTACHING PARTS SCREW	002004 006100 107107 121503 904999	4
475	AN960KD10	. .	WASHER- USED ON: 287N6100-114	002004 006100 107107 121503 904999	8
477	MS21042L3	. .	NUT- USED ON: 287N6100-114	002004 006100 107107 121503 904999	4
480	287N6104-1	. .	-----*----- GUIDE- POST SERVICE BULLETIN: 32-0121	002004 006100 904949	2
480	287N6104-4	. .	GUIDE- POST SERVICE BULLETIN: 32-0121	002004 006100 904949	2
- 482	BACB30NR4K35	. .	ATTACHING PARTS BOLT- POST SERVICE BULLETIN: 32-0121	002004 006100 904949	4
- 487	NAS1149D0463J	. .	WASHER- POST SERVICE BULLETIN: 32-0121	002004 006100 904949	4

MISSING ITEM NUMBERS NOT APPLICABLE

- ITEM NOT ILLUSTRATED

BRI

# 32-61-52-02H

BOEING PROPRIETARY - Copyright © - Unpublished Work - See title page for details.

32-61-52  
FIG. 02H  
PAGE 18  
JAN 20/09



757

PARTS CATALOG (MAINTENANCE)

FIG ITEM	PART NUMBER	1 2 3 4 5 6 7	NOMENCLATURE	EFFECT FROM TO	UNITS PER ASSY
2H - 492	PLH54CD		.NUT- SUPPLIER CODE: VF0224 SPECIFICATION NUMBER: BACN10YR4CD OPTIONAL PART: H52732-4CD V15653 POST SERVICE BULLETIN: 32-0121 -----*-----	002004 006100 904949	4
500	287N6104-2		..GUIDE-HALF USED ON: 287N6104-1	002004 006100 904949	2
500	287N6104-5		..GUIDE-HALF USED ON: 287N6104-4	002004 006100 904949	2
502	287N6103-142		.BRACKET	002004 006100 107107 121503 904999	1
505	BACB30NM4K6		ATTACHING PARTS .BOLT	002004 006100 107107 121503 904999	2
507	AN960KD416		.WASHER- USED ON: 287N6100-114	002004 006100 107107 121503 904999	2
510	BRH10C4D		.NUT SUPPLIER CODE: V52828 SPECIFICATION NUMBER: BACN10JC4CD OPTIONAL PART: T6C428JCD V11815 NS202486-048 V80539 102LH9075-4W V72962 H51650-4BAC V15653 -----*-----	002004 006100 107107 121503 904999	2

MISSING ITEM NUMBERS NOT APPLICABLE

- ITEM NOT ILLUSTRATED

32-61-52-02H

32-61-52  
FIG. 02H  
PAGE 19  
JAN 20/09

BRI

BOEING PROPRIETARY - Copyright © - Unpublished Work - See title page for details.





757

PARTS CATALOG (MAINTENANCE)

FIG ITEM	PART NUMBER	1 2 3 4 5 6 7	NOMENCLATURE	EFFECT FROM TO	UNITS PER ASSY
2H 512	S717-109		.CLAMP- SUPPLIER CODE: V18076 SPECIFICATION NUMBER: BACC10GU109 OPTIONAL PART: 534CS109 V83930 JM44LC39S109RG V22175 POST SERVICE BULLETIN: 32-0121 ATTACHING PARTS	002004 006100 904949	4
- 515	BACB30NM3K5		.BOLT-	002004 006100 904949	4
- 517	NAS1149D0363J		.WASHER-	002004 006100 904949	4
- 520	PLH53CD		.NUT- SUPPLIER CODE: VF0224 SPECIFICATION NUMBER: BACN10YR3CD OPTIONAL PART: H52732-3CD V15653 -----*-----	002004 006100 904949	4
522	287N6115-3		.GUIDE- POST SERVICE BULLETIN: 32-0121 ATTACHING PARTS	002004 006100 904949	4
- 525	BACB30NM4HK32		.BOLT- SERVICE BULLETIN OPT DATA: NAS6704HU34 POST SERVICE BULLETIN: 32-0121	002004 006100 904949	4
- 525	NAS6704HU34		.BOLT- SERVICE BULLETIN OPT DATA: BACB30NM4HK32 POST SERVICE BULLETIN: 32-0121R2	002004 006100 904949	4
- 527	NAS1149D0463J		.WASHER -----*-----	002004 006100 904949	4
530	BACP18BC02A06P		.PIN-COTTER POST SERVICE BULLETIN: 32-0121	002004 006100 904949	2

MISSING ITEM NUMBERS NOT APPLICABLE

- ITEM NOT ILLUSTRATED

32-61-52-02H

32-61-52  
FIG. 02H  
PAGE 20  
JAN 20/09

BRI



757

PARTS CATALOG (MAINTENANCE)

FIG ITEM	PART NUMBER	1 2 3 4 5 6 7	NOMENCLATURE	EFFECT FROM TO	UNITS PER ASSY
2H 532	BACB30NM4DK51	.BOLT-	SERVICE BULLETIN OPT DATA: NAS6604D52 POST SERVICE BULLETIN: 32-0121	002004 006100 904949	2
532	NAS6604D52	.BOLT-	SERVICE BULLETIN OPT DATA: BACB30NM4DK51 POST SERVICE BULLETIN: 32-0121R2	002004 006100 904949	2
535	BACB30NM4HK6	.BOLT-	POST SERVICE BULLETIN: 32-0121	002004 006100 904949	2
537	BACW10BN4AC	.WASHER-	POST SERVICE BULLETIN: 32-0121	002004 006100 904949	4
540	BACW10BP4DP	.WASHER-	POST SERVICE BULLETIN: 32-0121	002004 006100 904949	AR
542	NAS43DD4-106FC	.SPACER-SLEEVE	POST SERVICE BULLETIN: 32-0121	002004 006100 904949	2
545	BACN10JD4CD	.NUT-	POST SERVICE BULLETIN: 32-0121	002004 006100 904949	2
547	287N6103-226	.SUPPORT ASSY-FLEXIBLE	POST SERVICE BULLETIN: 32-0121	002004 006100 904949	1
550	287N6115-1	.CLIP-SUPPORT	POST SERVICE BULLETIN: 32-0121	002004 006100 904949	2
552	287N6115-2	.CLIP-SUPPORT	POST SERVICE BULLETIN: 32-0121	002004 006100 904949	2
555	BACB30NM3K2	.BOLT-	POST SERVICE BULLETIN: 32-0121	002004 006100 904949	2
556	BACB30NM3K2	.BOLT-	POST ALERT SB: 27A0130R2	107107 121503 950999	1
557	BACB30NM3K4	.BOLT		002004 006100 904949	4
560	BACB30NM3K4	.BOLT-	POST ALERT SB: 27A0130	002004 006100 107107 121503 904999	1

MISSING ITEM NUMBERS NOT APPLICABLE

- ITEM NOT ILLUSTRATED

32-61-52-02H

32-61-52  
FIG. 02H  
PAGE 21  
JAN 20/09

BRI

BOEING PROPRIETARY - Copyright © - Unpublished Work - See title page for details.



757

PARTS CATALOG (MAINTENANCE)

FIG ITEM	PART NUMBER	1 2 3 4 5 6 7	NOMENCLATURE	EFFECT FROM TO	UNITS PER ASSY
2H					
562	BACB30NM3K4	.	BOLT- PRE ALERT SB: 27A0130R2	002004 006100 904949	1
565	AN960KD10	.	WASHER	002004 006100 107107 121503 904999	2
567	AN960KD10	.	WASHER- PRE ALERT SB: 27A0130R2	002004 006100 904949	1
570	NAS1149D0363J	.	WASHER-SAA POST SERVICE BULLETIN: 32-0121	002004 006100 904949	2
572	AN960KD10	.	WASHER	002004 006100 107107 121503 904999	1
575	NAS1149D0363J	.	WASHER- SERVICE BULLETIN OPT DATA: NAS1149F0332P POST ALERT SB: 27A0130 27A0130R2	002004 006100 107107 121503 904999	3
575	NAS1149F0332P	.	WASHER- SERVICE BULLETIN OPT DATA: NAS1149D0363J POST ALERT SB: 27A0130R2	002004 006100 107107 121503 904999	3
582	MS21042L3	.	NUT	002004 006100 107107 121503 904999	1
585	MS21042L3	.	NUT- PRE ALERT SB: 27A0130R2	002004 006100 904949	1
587	PLH53CD	.	NUT- SUPPLIER CODE: VF0224 SPECIFICATION NUMBER: BACN10YR3CD OPTIONAL PART: H52732-3CD V15653 POST SERVICE BULLETIN: 32-0121	002004 006100 904949	2

MISSING ITEM NUMBERS NOT APPLICABLE

- ITEM NOT ILLUSTRATED

32-61-52-02H

32-61-52  
FIG. 02H  
PAGE 22  
JAN 20/09

BRI



757

PARTS CATALOG (MAINTENANCE)

FIG ITEM	PART NUMBER	1 2 3 4 5 6 7	NOMENCLATURE	EFFECT FROM TO	UNITS PER ASSY
2H 590	MS21042L3	.	NUT	002004 006100 107107 121503 904999	1
592	PLH53CD	.	NUT- SUPPLIER CODE: VF0224 SPECIFICATION NUMBER: BACN10YR3CD OPTIONAL PART: H52732-3CD V15653 POST ALERT SB: 27A0130	107107 121503 950999	3
595	PLH53CD	.	NUT- SUPPLIER CODE: VF0224 SPECIFICATION NUMBER: BACN10YR3CD OPTIONAL PART: H52732-3CD V15653 POST ALERT SB: 27A0130	002004 006100 904949	2
597	BACC15AN10	.	CLIP	002004 006100 107107 121503 904999	4
600	BACC15AN10	.	CLIP- POST ALERT SB: 27A0130	002004 006100 107107 121503 904999	1
602	BACC15AN10	.	CLIP- PRE ALERT SB: 27A0130R2	002004 006100 904949	1
605	BACB19F10S	.	BLOCK	002004 006100 107107 121503 904999	4
607	BACB19F10S	.	BLOCK- PRE ALERT SB: 27A0130R2	002004 006100 904949	1

MISSING ITEM NUMBERS NOT APPLICABLE

- ITEM NOT ILLUSTRATED

32-61-52-02H

32-61-52  
FIG. 02H  
PAGE 23  
JAN 20/09

BRI

BOEING PROPRIETARY - Copyright © - Unpublished Work - See title page for details.



757

PARTS CATALOG (MAINTENANCE)

FIG ITEM	PART NUMBER	1 2 3 4 5 6 7	NOMENCLATURE	EFFECT FROM TO	UNITS PER ASSY
2H 610	BACB19F10S		.BLOCK- POST ALERT SB: 27A0130 27A0130R2	002004 006100 107107 121503 904999	1
612	S717-107		.CLAMP- SUPPLIER CODE: V18076 SPECIFICATION NUMBER: BACC10GU107 OPTIONAL PART: 534CS107 V83930 JM44LC39S107RG V22175 POST SERVICE BULLETIN: 32-0121	002004 006100 904949	1
615	S717-105		.CLAMP- SUPPLIER CODE: V18076 SPECIFICATION NUMBER: BACC10GU105 OPTIONAL PART: 534CS105 V83930 JM44LC39S105RG V22175 POST SERVICE BULLETIN: 32-0121 POST ALERT SB: 27A0130R2	002004 006100 107107 121503 904999	1
617	S717-106		.CLAMP- SUPPLIER CODE: V18076 SPECIFICATION NUMBER: BACC10GU106 OPTIONAL PART: 534CS106 V83930 JM44LC39S106RG V22175 POST ALERT SB: 27A0130	002004 006100 107107 121503 904999	1

MISSING ITEM NUMBERS NOT APPLICABLE

- ITEM NOT ILLUSTRATED

32-61-52-02H

32-61-52  
FIG. 02H  
PAGE 24  
JAN 20/09

BRI

BOEING PROPRIETARY - Copyright © - Unpublished Work - See title page for details.



757

PARTS CATALOG (MAINTENANCE)

FIG ITEM	PART NUMBER	1 2 3 4 5 6 7	NOMENCLATURE	EFFECT FROM TO	UNITS PER ASSY
2H 620	S717-105	.CLAMP-	SUPPLIER CODE: V18076 SPECIFICATION NUMBER: BACC10GU105 OPTIONAL PART: 534CS105 V83930 JM44LC39S105RG V22175 POST ALERT SB: 27A0130	002004 006100 107107 121503 904999	1
622	S717-107	.CLAMP	SUPPLIER CODE: V18076 SPECIFICATION NUMBER: BACC10GU107 OPTIONAL PART: 534CS107 V83930 JM44LC39S107RG V22175	002004 006100 107107 121503 904999	1
625	S717-105	.CLAMP-	SUPPLIER CODE: V18076 SPECIFICATION NUMBER: BACC10GU105 OPTIONAL PART: 534CS105 V83930 JM44LC39S105RG V22175 PRE ALERT SB: 27A0130R2	002004 006100 904949	2
627	S717-105	.CLAMP	SUPPLIER CODE: V18076 SPECIFICATION NUMBER: BACC10GU105 OPTIONAL PART: 534CS105 V83930 JM44LC39S105RG V22175	002004 006100 107107 121503 904999	3
630	287N6103-219	.COVER-TURNAROUND BOX	POST SERVICE BULLETIN: 32-0121	002004 006100 904949	2

MISSING ITEM NUMBERS NOT APPLICABLE

- ITEM NOT ILLUSTRATED

32-61-52-02H

32-61-52  
FIG. 02H  
PAGE 25  
JAN 20/09

BRI



757

PARTS CATALOG (MAINTENANCE)

FIG ITEM	PART NUMBER	1 2 3 4 5 6 7	NOMENCLATURE	EFFECT FROM TO	UNITS PER ASSY
2H			ATTACHING PARTS		
- 632	BACB30NM3HK3		.BOLT- SERVICE BULLETIN OPT DATA: NAS6603H3 POST SERVICE BULLETIN: 32-0121	002004 006100 904949	4
- 632	NAS6603H3		.BOLT- SERVICE BULLETIN OPT DATA: BACB30NM3HK3 POST SERVICE BULLETIN: 32-0121R2	002004 006100 904949	4
- 635	NAS1149D0363J		.WASHER-	002004 006100 904949	4
			-----*-----		
637	186030FS60K3		.LOCKNUT- SUPPLIER CODE: V30463 SERVICE BULLETIN OPT DATA: S4630-14LWS30S V07418 POST SERVICE BULLETIN: 32-0121	002004 006100 904949	2
637	S4630-14LWS30S		.LOCKNUT- SUPPLIER CODE: V07418 SERVICE BULLETIN OPT DATA: 186030FS60K3 V30463 POST SERVICE BULLETIN: 32-0121R2	002004 006100 904949	2
640	BACW10P65AL		.WASHER- POST SERVICE BULLETIN: 32-0121	002004 006100 904949	2
642	287N6102-33		.CONDUIT ASSY-FLEX POST SERVICE BULLETIN: 32-0121	002004 006100 904949	2
645	287N6116-1		.CONDUIT ASSY-RIGID POST SERVICE BULLETIN: 32-0121	002004 006100 904949	1
645	287N6116-11		.CONDUIT ASSY-RIGID POST SERVICE BULLETIN: 32-0121R2	002004 006100 904949	1
647	287N6116-2		.CONDUIT ASSY-RIGID SERVICE BULLETIN OPT DATA: 287N6116-13 POST SERVICE BULLETIN: 32-0121	002004 006100 904949	1

MISSING ITEM NUMBERS NOT APPLICABLE

- ITEM NOT ILLUSTRATED

32-61-52-02H

32-61-52  
FIG. 02H  
PAGE 26  
JAN 20/09

BRI



757

PARTS CATALOG (MAINTENANCE)

FIG ITEM	PART NUMBER	1 2 3 4 5 6 7	NOMENCLATURE	EFFECT FROM TO	UNITS PER ASSY
2H 647	287N6116-13		.CONDUIT ASSY-RIGID SERVICE BULLETIN OPT DATA: 287N6116-2 POST SERVICE BULLETIN: 32-0121R2	002004 006100 904949	1
- 650	BACN10WW12C		..NUT-	002004 006100 904949	1
- 652	BACF32H12C		..FERRULE-	002004 006100 904949	1
655	287N6116-6		..TUBE- USED ON: 287N6116-1	002004 006100 904949	1
655	287N6116-12		..TUBE- USED ON: 287N6116-11	002004 006100 904949	1
657	287N6116-7		..CONDUIT- USED ON: 287N6116-2	002004 006100 904949	1
657	287N6116-14		..TUBE- USED ON: 287N6116-13	002004 006100 904949	1
660	012N8940-3		.SLEEVING-PROTECTIVE MISCELLANEOUS DATA: USE 12 TO 14 INCHES POST SERVICE BULLETIN: 32-0121	002004 006100 904949	AR
- 665	BACN10WW8C		..NUT	002004 006100 904949	1
- 667	BACF32H8C		..FERRULE	002004 006100 904949	1
- 670	BACC42Y8C		..COUPLING	002004 006100 904949	1
672	287N6116-8		..TUBE- USED ON: 287N6116-3	002004 006100 904949	1
677	287N6116-3		.CONDUIT ASSY-RIGID POST SERVICE BULLETIN: 32-0121 PRE ALERT SB: 27A0130R2	002004 006100 107107 121503 904999	1

MISSING ITEM NUMBERS NOT APPLICABLE

- ITEM NOT ILLUSTRATED

32-61-52-02H

32-61-52  
FIG. 02H  
PAGE 27  
JAN 20/09

BRI

BOEING PROPRIETARY - Copyright © - Unpublished Work - See title page for details.





757

PARTS CATALOG (MAINTENANCE)

FIG ITEM	PART NUMBER	1 2 3 4 5 6 7	NOMENCLATURE	EFFECT FROM TO	UNITS PER ASSY
2H 677	287N6116-15	.	CONDUIT ASSY-RIGID POST SERVICE BULLETIN: 32-0121 PRE SERVICE BULLETIN: 27A0130R2	002004 006100 107107 121503 904999	1
680	287N6116-36	.	CONDUIT ASSY-RIGID POST ALERT SB: 27A0130	002004 006100 107107 121503 904999	1
- 682	BACN10WW8C	..	NUT-	002004 006100 904949	1
- 682	BACN10WW8C	..	NUT	107107 121503 950999	1
- 687	BACF32H8C	..	FERRULE-	002004 006100 904949	1
- 687	BACF32H8C	..	FERRULE	107107 121503 950999	1
- 690	BACC42Y8C	..	COUPLING-	002004 006100 904949	1
- 690	BACC42Y8C	..	COUPLING	107107 121503 950999	1
692	287N6116-8	..	TUBE- USED ON: 287N6116-3 PRE ALERT SB: 27A0130R2	002004 006100 904949	1
692	287N6116-16	..	TUBE- USED ON: 287N6116-15 PRE ALERT SB: 27A0130R2	002004 006100 904949	1
692	MH404A	..	TUBE-ANNEALED USED ON: 287N6116-36 287N6116-37 POST ALERT SB: 27A0130R2	002004 006100 107107 121503 904999	1
695	287N6102-16	.	CONDUIT ASSY-FLEX PRE ALERT SB: 27A0130R2	002004 006100 904949	1

MISSING ITEM NUMBERS NOT APPLICABLE

- ITEM NOT ILLUSTRATED

32-61-52-02H

32-61-52  
FIG. 02H  
PAGE 28  
JAN 20/09

BRI

BOEING PROPRIETARY - Copyright © - Unpublished Work - See title page for details.



757

PARTS CATALOG (MAINTENANCE)

FIG ITEM	PART NUMBER	1 2 3 4 5 6 7	NOMENCLATURE	EFFECT FROM TO	UNITS PER ASSY
2H 697	287N6102-37	.	CONDUIT ASSY-RIGID POST ALERT SB: 27A0130	002004 006100 107107 121503 904999	1
700	287N6100-58	.	CONDUIT ASSY-RIGID	002004 006100 107107 121503 904999	1
- 702	BACN10WW8C	..	NUT	002004 006100 107107 121503 904999	2
- 705	BACF32H8C	..	FERRULE	002004 006100 107107 121503 904999	2
- 707	BACC42Y8C	..	COUPLING	002004 006100 107107 121503 904999	1
710	287N6100-66	..	TUBE- USED ON: 287N6100-58	002004 006100 107107 121503 904999	1
712	BACB30NM3K4	.	BOLT- POST SERVICE BULLETIN: 32-0121	002004 006100 904949	4
715	NAS1149D0363J	.	WASHER- POST SERVICE BULLETIN: 32-0121	002004 006100 904949	4
717	PLH53CD	.	NUT- SUPPLIER CODE: VF0224 SPECIFICATION NUMBER: BACN10YR3CD OPTIONAL PART: H52732-3CD V15653 POST SERVICE BULLETIN: 32-0121	002004 006100 904949	4
720	BACC15AN10	.	CLIP- POST SERVICE BULLETIN: 32-0121	002004 006100 904949	4

MISSING ITEM NUMBERS NOT APPLICABLE

- ITEM NOT ILLUSTRATED

32-61-52-02H

32-61-52  
FIG. 02H  
PAGE 29  
JAN 20/09

BRI

BOEING PROPRIETARY - Copyright © - Unpublished Work - See title page for details.



757

PARTS CATALOG (MAINTENANCE)

FIG ITEM	PART NUMBER	1 2 3 4 5 6 7	NOMENCLATURE	EFFECT FROM TO	UNITS PER ASSY
2H 722	BACB19F10S		.BLOCK- POST SERVICE BULLETIN: 32-0121	002004 006100 904949	4
725	287N6103-210		.BRACKET ASSY-TURNAROUND BOXES AND FLEXIBLE CONDUIT GUIDE POST SERVICE BULLETIN: 32-0121	002004 006100 904949	1
727	BACG20ZA275		..GROMMET- USED ON: 287N6103-210	002004 006100 904949	2
730	BACB30NM3HK12		..BOLT- SERVICE BULLETIN OPT DATA: NAS6603H12 USED ON: 287N6103-210	002004 006100 904949	6
730	NAS6603H12		..BOLT- SERVICE BULLETIN OPT DATA: BACB30NM3HK12 USED ON: 287N6103-210	002004 006100 904949	6
732	NAS1149D0363J		..WASHER-	002004 006100 904949	6
735	287N6115-4		..GUIDE-FLEXIBLE CONDUIT, ELECTRICAL USED ON: 287N6103-210	002004 006100 904949	2
737	287N6103-213		..BRACKET ASSY-	002004 006100 904949	1
740	287N6103-214		..BRACKET ASSY-	002004 006100 904949	1
742	287N6103-211		..BOX ASSY-TURNAROUND USED ON: 287N6103-210	002004 006100 904949	2
745	287N6103-217		..BRACKET ASSY- USED ON: 287N6103-210	002004 006100 904949	1

MISSING ITEM NUMBERS NOT APPLICABLE

- ITEM NOT ILLUSTRATED

32-61-52-02H

32-61-52  
FIG. 02H  
PAGE 30  
JAN 20/09

BRI

BOEING PROPRIETARY - Copyright © - Unpublished Work - See title page for details.



757

PARTS CATALOG (MAINTENANCE)

FIG ITEM	PART NUMBER	1 2 3 4 5 6 7	NOMENCLATURE	EFFECT FROM TO	UNITS PER ASSY
2H 747	BC1083-074S	.	CLAMP SUPPLIER CODE: V14242 SPECIFICATION NUMBER: BACC10FY074S OPTIONAL PART: 3140AB074 V94581 57490-074 V98625 B06A074S V10234 MBC68941-074 V8W928 57490-740 V8W928	002004 006100 107107 121503 904999	1
750	S717-106	.	CLAMP SUPPLIER CODE: V18076 SPECIFICATION NUMBER: BACC10GU106 OPTIONAL PART: 534CS106 V83930 JM44LC39S106RG V22175	107107	1
- 800	287N6100-74	H	HARNESS INSTL-BRAKE TEMP SENSOR MLG OPT POSITION DATA: RH FOR NHA SEE: 24-00-60-01	121503 904949	RF
805	BACB30NM3K4	.	BOLT	121503 904949	6
810	AN960PD10	.	WASHER	121503 904949	8
815	NAS1149D0363J	.	WASHER- POST ALERT SB: 27A0130R2	121503 904949	6

MISSING ITEM NUMBERS NOT APPLICABLE

- ITEM NOT ILLUSTRATED

32-61-52-02H

32-61-52  
FIG. 02H  
PAGE 31  
JAN 20/09

BRI



757

PARTS CATALOG (MAINTENANCE)

FIG ITEM	PART NUMBER	1 2 3 4 5 6 7	NOMENCLATURE	EFFECT FROM TO	UNITS PER ASSY
2H 820	BRH10C3D	.NUT	SUPPLIER CODE: V52828 SPECIFICATION NUMBER: BACN10JC3CD OPTIONAL PART: T6C1032JCD V11815 NS202486-02 V80539 102LH9075-3W V72962 H51650-3BAC V15653	121503 904949	8
825	PLH53CD	.NUT-	SUPPLIER CODE: VF0224 SPECIFICATION NUMBER: BACN10YR3CD OPTIONAL PART: H52732-3CD V15653 POST ALERT SB: 27A0130R2	121503 904949	6
830	287N6103-138	.BRACKET		121503 904949	1
835	287N6103-139	.BRACKET		121503 904949	1
840	287N6117-7	.BRACKET-	POST ALERT SB: 27A0130R2	121503 904949	1
845	287N6117-8	.BRACKET-	POST ALERT SB: 27A0130R2	121503 904949	1
850	BACC15AN10	.CLIP		121503 904949	14
855	BACB19F10S	.BLOCK		121503 904949	14

MISSING ITEM NUMBERS NOT APPLICABLE

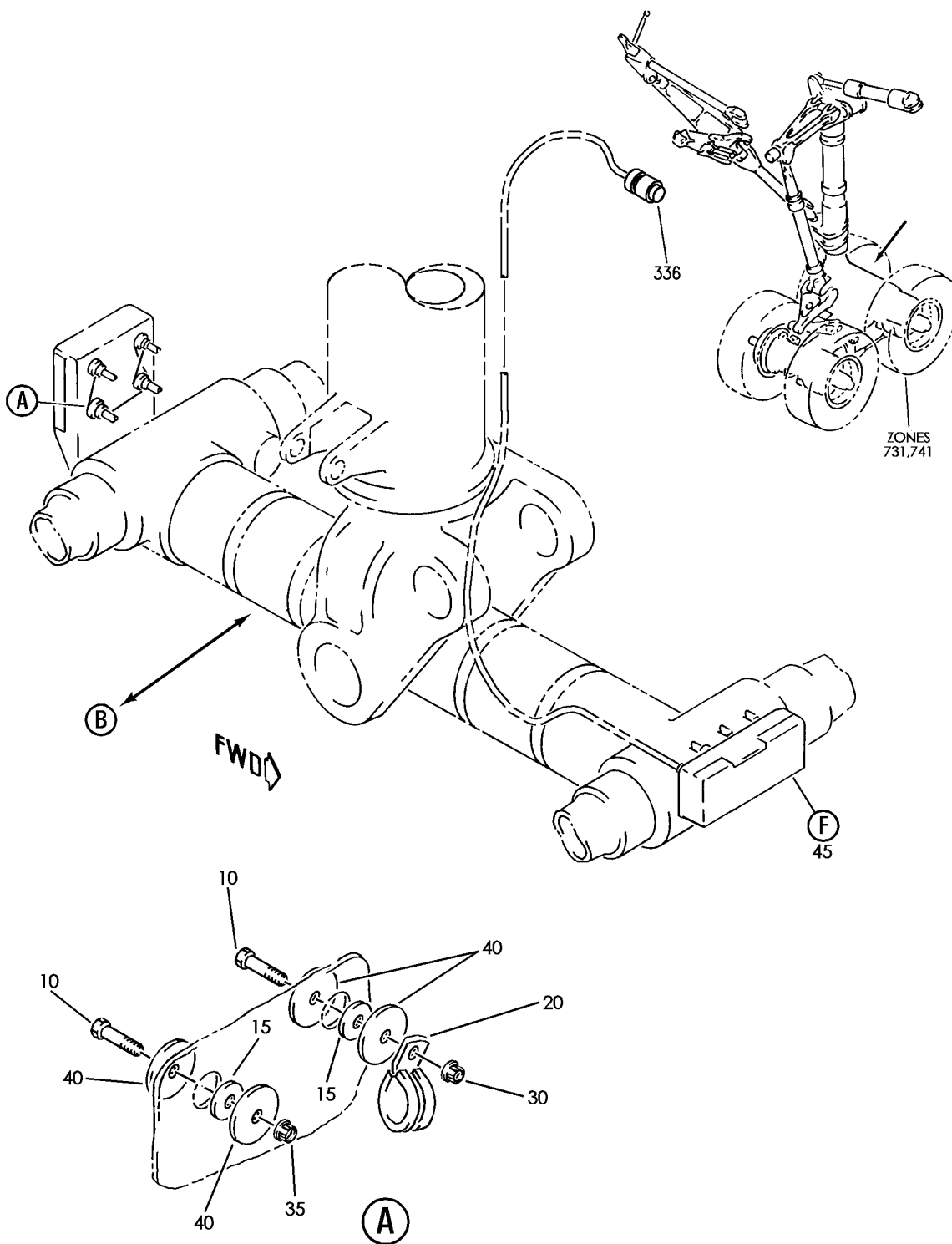
- ITEM NOT ILLUSTRATED

32-61-52-02H

32-61-52  
FIG. 02H  
PAGE 32  
JAN 20/09

BRI

**BOEING**  
757  
PARTS CATALOG (MAINTENANCE)



Y 32615203 SH1 1 REV 259

HARNES INSTL-MLG ELEC LANDING GEAR POSITION INDICATING AND WARNING SYSTEM  
FIGURE 3 (SHEET 1)

BRI  
MAY 28/07

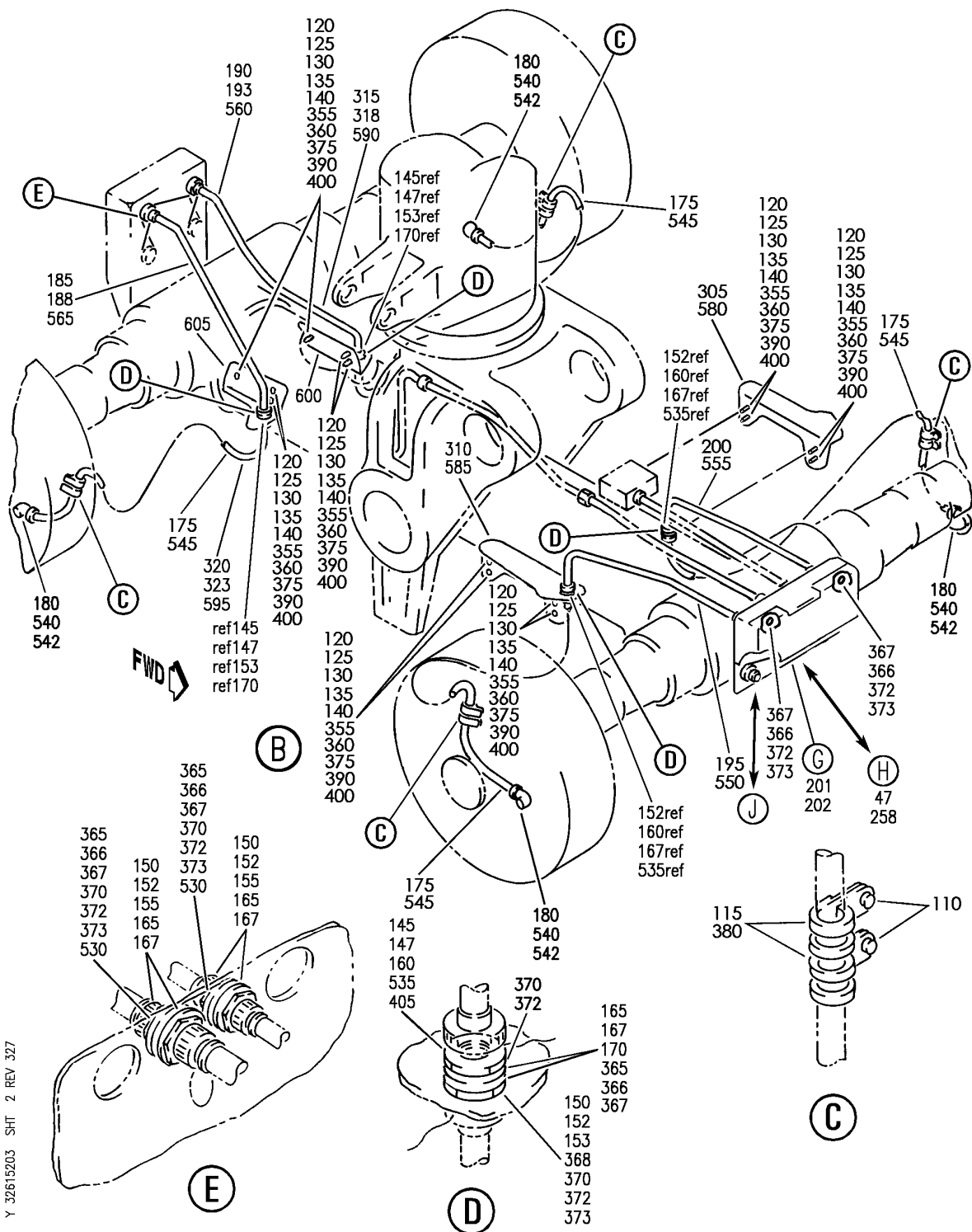
**32-61-52-03**

32-61-52-03  
PAGE 0

# BOEING

## 757

### PARTS CATALOG (MAINTENANCE)



Y 32615203 SHT 2 REV 327

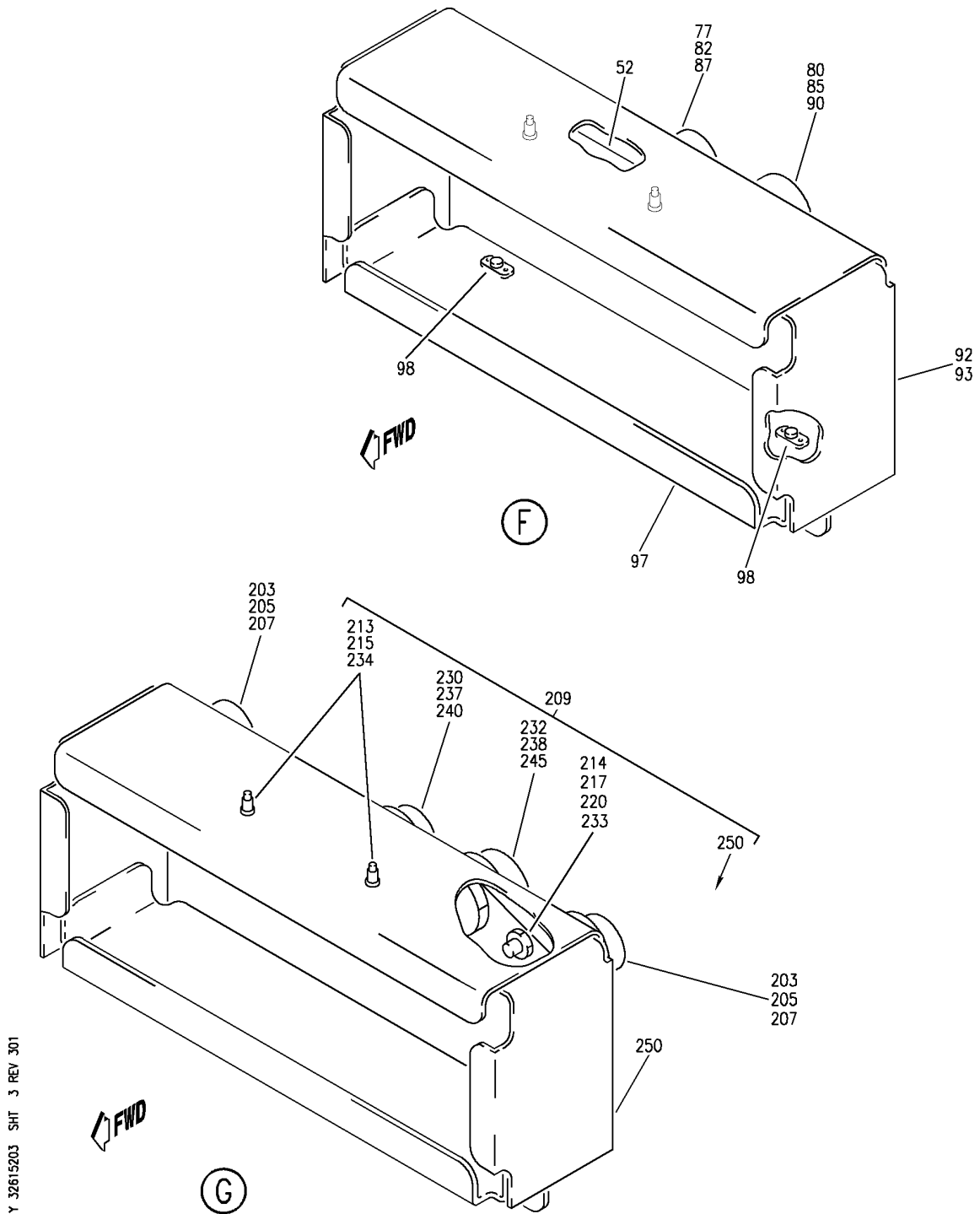
HARNES INSTL-MLG ELEC LANDING GEAR POSITION INDICATING AND WARNING SYSTEM  
FIGURE 3 (SHEET 2)

# 32-61-52-03

BRI  
SEP 20/08

32-61-52-03  
PAGE 0A

**BOEING**  
757  
PARTS CATALOG (MAINTENANCE)



HARNESS INSTL-MLG ELEC LANDING GEAR POSITION INDICATING AND WARNING SYSTEM  
FIGURE 3 (SHEET 3)

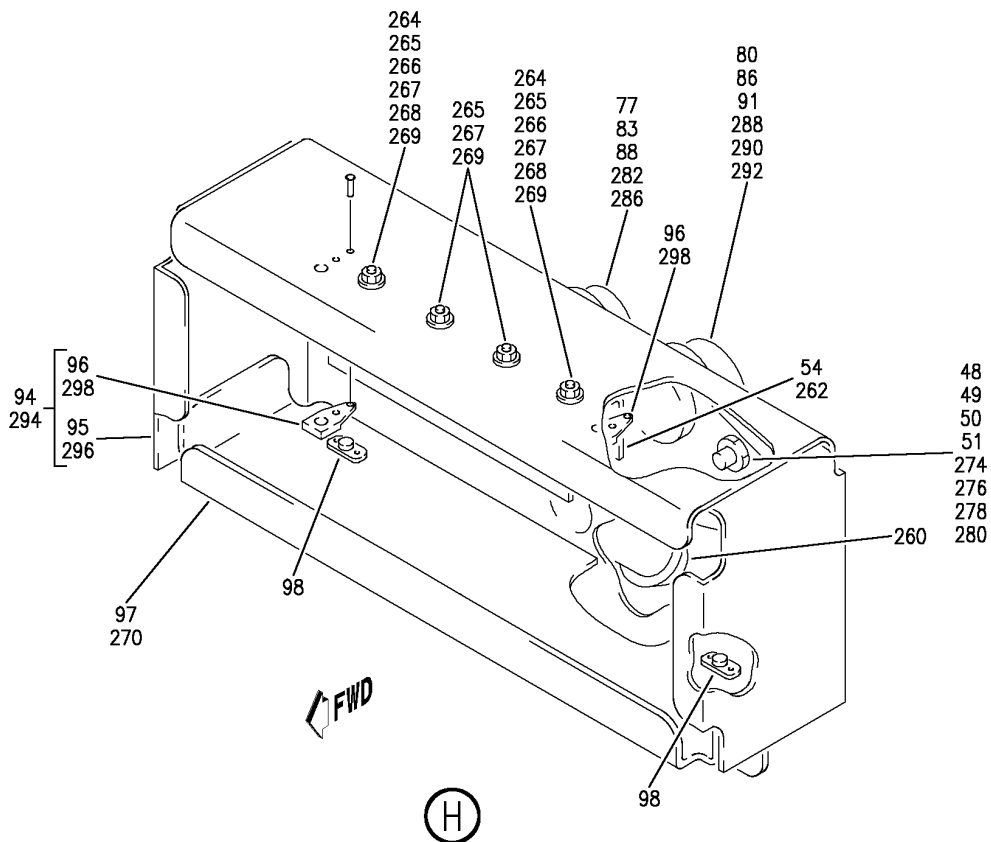
BRI  
MAY 28/07

**32-61-52-03**

32-61-52-03  
PAGE 0B



**BOEING**  
757  
PARTS CATALOG (MAINTENANCE)



Y 32615203 SH1 4 REV 327

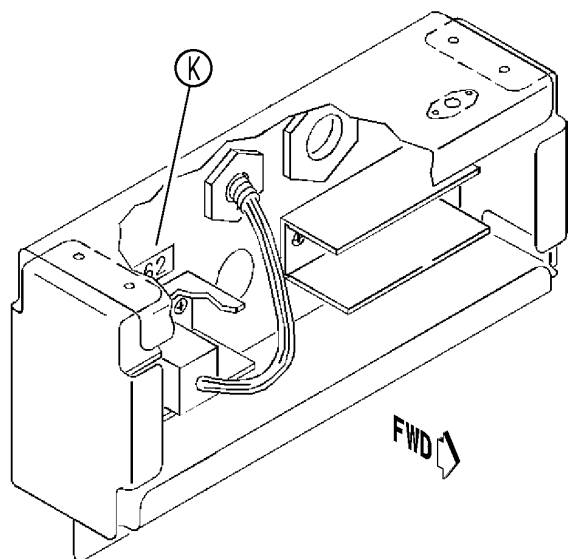
HARNESS INSTL-MLG ELEC LANDING GEAR POSITION INDICATING AND WARNING SYSTEM  
FIGURE 3 (SHEET 4)

**32-61-52-03**

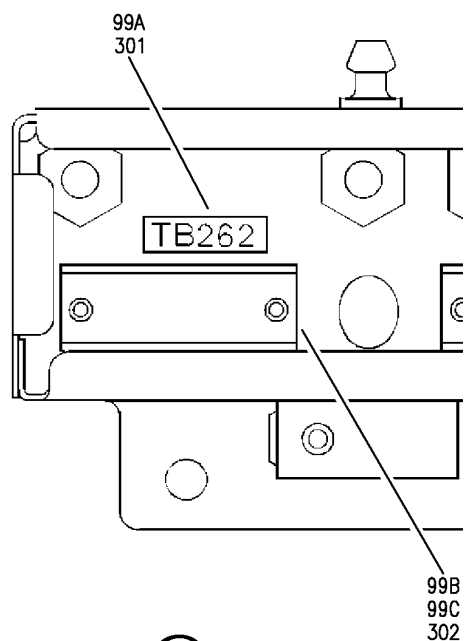
BRI  
SEP 20/08

32-61-52-03  
PAGE 0C

**BOEING**  
757  
PARTS CATALOG (MAINTENANCE)



(J)



(K)

Y 32615203 SH-T 5 REV 327

HARNESS INSTL-MLG ELEC LANDING GEAR POSITION INDICATING AND WARNING SYSTEM  
FIGURE 3 (SHEET 5)

BRI  
SEP 20/08

**32-61-52-03**

32-61-52-03  
PAGE 0D



757

PARTS CATALOG (MAINTENANCE)

FIG ITEM	PART NUMBER	1 2 3 4 5 6 7	NOMENCLATURE	EFFECT FROM TO	UNITS PER ASSY
3			HARNES INSTL-MLG ELEC LANDING GEAR POSITION INDICATING AND WARNING SYSTEM	101102 504903	
- 1	287N6100-177		WIRE INSTL-MLG ELEC LANDING GEAR POSITION NON BREAK TEMP SENSING SYSTEM POSITION DATA: L FOR NHA SEE: 24-00-60-20G	101102	RF
- 5	287N6100-178		WIRE INSTL-MLG ELEC LANDING GEAR POSITION NON BREAK TEMP SENSING SYSTEM POSITION DATA: R FOR NHA SEE: 24-00-60-20G	101102	RF
10	NAS1801-3D9		.BOLT	101102	2
15	AN970-3		.WASHER	101102	2
20	S717-106		.CLAMP SUPPLIER CODE: V18076 SPECIFICATION NUMBER: BACC10GU106 OPTIONAL PART: 534CS106 V83930 JM44LC39S106RG V22175	101102	1
30	PLH53CD		.NUT SUPPLIER CODE: VF0224 SPECIFICATION NUMBER: BACN10YR3CD OPTIONAL PART: H52732-3CD V15653	101102	1
35	NAS509-3		.NUT	101102	1
40	287N6103-71		.COVER-PLATE	101102	4
45	287N6103-239		.BOX ASSY	101102	1
52	MRTBL4		..RAIL ASSY- SUPPLIER CODE: V14283 ATTACHING PARTS	101102	1
- 55	MS24693C27		..SCREW	101102	2
- 60	NAS1149CN816R		..WASHER	101102	2

MISSING ITEM NUMBERS NOT APPLICABLE

- ITEM NOT ILLUSTRATED

32-61-52-03

32-61-52  
FIG. 03  
PAGE 1  
JAN 20/09

BRI



757

PARTS CATALOG (MAINTENANCE)

FIG ITEM	PART NUMBER	1 2 3 4 5 6 7	NOMENCLATURE	EFFECT FROM TO	UNITS PER ASSY
3					
- 65	PLH506CD	..	NUT SUPPLIER CODE: VFO224 SPECIFICATION NUMBER: BACN10YR06CD OPTIONAL PART: H52732-06CD V15653 -----*-----	101102	2
77	NAS1149C1416R	..	WASHER	101102	1
80	BACW10P65AL	..	WASHER	101102	1
82	186028FS60K3	..	LOCKNUT- SUPPLIER CODE: V30463	101102	1
85	186030FS60K3	..	LOCKNUT- SUPPLIER CODE: V30463	101102	1
87	188195FS60K3	..	CONNECTOR- SUPPLIER CODE: V30463	101102	1
90	188197FS60K3	..	CONNECTOR- SUPPLIER CODE: V30463	101102	1
92	287N6103-240	..	WELD ASSY ATTACHING PARTS	101102	1
- 94A	MS20615-4M	..	RIVET- SIZE DETERMINED ON INSTL. -----*-----	101102	4
97	287N6103-119	..	BRACKET ASSY	101102	1
98	T8076S1032	...	NUTPLATE SUPPLIER CODE: V11815 SPECIFICATION NUMBER: BACN10JP3A OPTIONAL PART: MK1000-3BAC V15653 NS103197-02 V80539 RMA9201M3 V72962 VN202A1-02 V92215 BRM200A3 V52828 ATTACHING PARTS	101102	2
- 99	MS20427M3	...	RIVET- SIZE DETERMINED ON INSTL. -----*-----	101102	4

MISSING ITEM NUMBERS NOT APPLICABLE

- ITEM NOT ILLUSTRATED

32-61-52-03

32-61-52  
FIG. 03  
PAGE 2  
JAN 20/09

BRI

BOEING PROPRIETARY - Copyright © - Unpublished Work - See title page for details.



757

PARTS CATALOG (MAINTENANCE)

FIG ITEM	PART NUMBER	1 2 3 4 5 6 7	NOMENCLATURE	EFFECT FROM TO	UNITS PER ASSY
3					
- 100	287N6100-179		WIRE INSTL-MLG ELEC LANDING GEAR POSITION NON BREAK TEMP SENSING SYSTEM POSITION DATA: LWR LH FOR NHA SEE: 24-00-60-20G	504903	RF
- 105	287N6100-180		WIRE INSTL-MLG ELEC LANDING GEAR POSITION NON BREAK TEMP SENSING SYSTEM POSITION DATA: LWR RH FOR NHA SEE: 24-00-60-20G	504903	RF
110	NAS1801-3-8	.	SCREW	504903	8
115	S717-105	.	CLAMP SUPPLIER CODE: V18076 SPECIFICATION NUMBER: BACC10GU105 OPTIONAL PART: 534CS105 V83930 JM44LC39S105RG V22175	504903	8
120	BACB30NM3K4	.	BOLT	504903	14
125	NAS1149D0363J	.	WASHER	504903	14
130	BACC15AN10	.	CLIP	504903	14
135	BACB19F10S	.	BLOCK	504903	14
140	PLH53CD	.	NUT SUPPLIER CODE: VF0224 SPECIFICATION NUMBER: BACN10YR3CD OPTIONAL PART: H52732-3CD V15653	504903	14
145	186056FS60K3	.	FEEDTHRU- SUPPLIER CODE: V30463 POSITION DATA: LH OPTIONAL PART: S4613-1414 V07418	504903	2

MISSING ITEM NUMBERS NOT APPLICABLE

- ITEM NOT ILLUSTRATED

32-61-52-03

32-61-52  
FIG. 03  
PAGE 3  
JAN 20/09

BRI

BOEING PROPRIETARY - Copyright © - Unpublished Work - See title page for details.



757

PARTS CATALOG (MAINTENANCE)

FIG ITEM	PART NUMBER	1 2 3 4 5 6 7	NOMENCLATURE	EFFECT FROM TO	UNITS PER ASSY
3 145	S4613-1414		.ADAPTER- SUPPLIER CODE: V07418 POSITION DATA: LH OPTIONAL PART: 186056FS60K3 V30463	504903	2
147	186056FS60K3		.FEEDTHRU- SUPPLIER CODE: V30463 POSITION DATA: RH OPTIONAL PART: S4613-1414 V07418 PRE ALERT SB: 27A0130	504903	2
147	S4613-1414		.ADAPTER- SUPPLIER CODE: V07418 POSITION DATA: RH	504903	2
150	186028FS60K3		.LOCKNUT- SUPPLIER CODE: V30463 POSITION DATA: LH OPTIONAL PART: S4630-14LWS30S V07418	504903	8
150	S4630-14LWS30S		.LOCKNUT- SUPPLIER CODE: V07418 POSITION DATA: LH OPTIONAL PART: 186028FS60K3 V30463	504903	8
152	186028FS60K3		.LOCKNUT- SUPPLIER CODE: V30463 POSITION DATA: RH OPTIONAL PART: S4630-14LWS30S V07418	504903	6

MISSING ITEM NUMBERS NOT APPLICABLE

- ITEM NOT ILLUSTRATED

32-61-52-03

32-61-52  
FIG. 03  
PAGE 4  
JAN 20/09

BRI



757

PARTS CATALOG (MAINTENANCE)

FIG ITEM	PART NUMBER	1 2 3 4 5 6 7	NOMENCLATURE	EFFECT FROM TO	UNITS PER ASSY
3 - 152	S4630-14LWS30S		. LOCKNUT- SUPPLIER CODE: V07418 POSITION DATA: RH OPTIONAL PART: 186028FS60K3 V30463	504903	6
153	186028FS60K3		. LOCKNUT- SUPPLIER CODE: V30463 POSITION DATA: RH OPTIONAL PART: S4630-14LWS30S V07418 PRE ALERT SB: 27A0130	504903	2
153	S4630-14LW5305		. LOCKNUT- SUPPLIER CODE: V07418 POSITION DATA: RH POST ALERT SB: 27A0130	504903	2
155	188195FS60K3		. CONNECTOR- SUPPLIER CODE: V30463 OPTIONAL PART: S4627-14 V07418	504903	4
155	S4627-14		. CONNECTOR- SUPPLIER CODE: V07418 OPTIONAL PART: 188195FS60K3 V30463	504903	4
160	230808F007K3		. FITTING- SUPPLIER CODE: V30463 OPTIONAL PART: 230808FS67K3 V30463 S4627-14 V07418	504903	2

MISSING ITEM NUMBERS NOT APPLICABLE

- ITEM NOT ILLUSTRATED

32-61-52-03

32-61-52  
FIG. 03  
PAGE 5  
JAN 20/09

BRI

BOEING PROPRIETARY - Copyright © - Unpublished Work - See title page for details.



757

PARTS CATALOG (MAINTENANCE)

FIG ITEM	PART NUMBER	1 2 3 4 5 6 7	NOMENCLATURE	EFFECT FROM TO	UNITS PER ASSY
3					
160	230808FS67K3		.ELBOW- SUPPLIER CODE: V30463 OPTIONAL PART: 230808FS00K3 V30463 S4627-14 V07418	504903	2
160	S4628-14		.FITTING- SUPPLIER CODE: V07418 OPTIONAL PART: 230808FS67K3 V30463 230808F007K3 V30463	504903	2
165	NAS1149C1416R		.WASHER- POSITION DATA: LH	504903	12
167	NAS1149C1416R		.WASHER- POSITION DATA: RH	504903	8
170	NAS1149C1416R		.WASHER- POSITION DATA: RH PRE ALERT SB: 27A0130	504903	4
170	NAS1149C1415R		.WASHER- POSITION DATA: RH POST ALERT SB: 27A0130	504903	4
175	287N6102-18		.CONDUIT ASSY	504903	4
180	208425FS00K3		.BACKSHELL- SUPPLIER CODE: V30463 OPTIONAL PART: S4629-12 V07418	504903	4
180	S4629-12		.BACKSHELL- SUPPLIER CODE: V07418 OPTIONAL PART: 208425FS00K3 V30463	504903	4
185	287N6116-19		.CONDUIT- POSITION DATA: LH SIDE	504903	1

MISSING ITEM NUMBERS NOT APPLICABLE

- ITEM NOT ILLUSTRATED

32-61-52-03

32-61-52  
FIG. 03  
PAGE 6  
JAN 20/09

BRI

BOEING PROPRIETARY - Copyright © - Unpublished Work - See title page for details.





757

PARTS CATALOG (MAINTENANCE)

FIG ITEM	PART NUMBER	1 2 3 4 5 6 7	NOMENCLATURE	EFFECT FROM TO	UNITS PER ASSY
3					
188	287N6116-19		.CONDUIT- POSITION DATA: RH SIDE PRE ALERT SB: 27A0130	504504	1
188	287N6116-32		.TUBE ASSY- POSITION DATA: RH SIDE POST ALERT SB: 27A0130	504903	1
190	287N6116-21		.CONDUIT- POSITION DATA: LH SIDE	504903	1
193	287N6116-21		.CONDUIT- POSITION DATA: RH SIDE PRE ALERT SB: 27A0130	504504	1
193	287N6116-28		.TUBE ASSY- POSITION DATA: RH SIDE POST ALERT SB: 27A0130	504903	1
195	287N6116-23		.CONDUIT	504903	1
200	287N6116-25		.CONDUIT	504903	1
201	287N6103-238		.BOX ASSY-BRAKE TEMP SENSING VAR POSITION DATA: LH SIDE	504903	1
202	287N6103-238		.BOX ASSY-BRAKE TEMP SENSING VAR POSITION DATA: RH SIDE PRE ALERT SB: 27A0130	504903	1
203	NAS1149C1416R		..WASHER- POSITION DATA: LH SIDE	504903	2
- 204	NAS1149C1416R		..WASHER- POSITION DATA: RH SIDE	504903	2
205	186028FS60K3		..LOCKNUT- SUPPLIER CODE: V30463 POSITION DATA: LH SIDE OPTIONAL PART: S4630-14LW V07418	504903	2

MISSING ITEM NUMBERS NOT APPLICABLE

- ITEM NOT ILLUSTRATED

32-61-52-03

32-61-52  
FIG. 03  
PAGE 7  
JAN 20/09

BRI



757

PARTS CATALOG (MAINTENANCE)

FIG ITEM	PART NUMBER	1 2 3 4 5 6 7	NOMENCLATURE	EFFECT FROM TO	UNITS PER ASSY
3					
205	S4630-14LW	..	LOCKNUT- SUPPLIER CODE: V07418 POSITION DATA: LH SIDE OPTIONAL PART: 186028FS60K3 V30463	504903	2
- 206	186028FS60K3	..	LOCKNUT- SUPPLIER CODE: V30463 POSITION DATA: RH SIDE OPTIONAL PART: S4630-14LW V07418	504903	2
- 206	S4630-14LW	..	LOCKNUT- SUPPLIER CODE: V07418 POSITION DATA: RH SIDE OPTIONAL PART: 186028FS60K3 V30463	504903	2
207	188195FS60K3	..	CONNECTOR- SUPPLIER CODE: V30463 POSITION DATA: LH SIDE	504903	2
- 208	188195FS60K3	..	CONNECTOR- SUPPLIER CODE: V30463 POSITION DATA: RH SIDE	504903	2
209	287N6103-239	..	BOX ASSY- POSITION DATA: LH SIDE	504903	1
- 210	287N6103-239	..	BOX ASSY- POSITION DATA: RH SIDE	504903	1
- 212	MS24693C27	...	SCREW- POSITION DATA: RH SIDE	504903	2
213	MS24693C27	...	SCREW- POSITION DATA: LH SIDE	504903	2
215	NAS1149CN816R	...	WASHER- POSITION DATA: LH SIDE	504903	2

MISSING ITEM NUMBERS NOT APPLICABLE

- ITEM NOT ILLUSTRATED

32-61-52-03

32-61-52  
FIG. 03  
PAGE 8  
JAN 20/09

BRI



757

PARTS CATALOG (MAINTENANCE)

FIG ITEM	PART NUMBER	1 2 3 4 5 6 7	NOMENCLATURE	EFFECT FROM TO	UNITS PER ASSY
3					
- 216	NAS1149CN816R	...	WASHER- POSITION DATA: RH SIDE	504903	2
- 229	NAS1149C1416R	...	WASHER- POSITION DATA: RH SIDE	504903	1
230	NAS1149C1416R	...	WASHER- POSITION DATA: LH SIDE	504903	1
- 231	BACW10P65AL	...	WASHER- POSITION DATA: RH SIDE	504903	1
232	BACW10P65AL	...	WASHER- POSITION DATA: LH SIDE	504903	1
234	PLH506CD	...	NUT- SUPPLIER CODE: VFO224 SPECIFICATION NUMBER: BACN10YR06CD OPTIONAL PART: H52732-06CD V15653 POSITION DATA: LH SIDE	504903	2
- 235	PLH506CD	...	NUT- SUPPLIER CODE: VFO224 SPECIFICATION NUMBER: BACN10YR06CD OPTIONAL PART: H52732-06CD V15653 POSITION DATA: RH SIDE	504903	2
- 236	186028FS60K3	...	LOCKNUT- SUPPLIER CODE: V30463 POSITION DATA: RH SIDE	504903	1
237	186028FS60K3	...	LOCKNUT- SUPPLIER CODE: V30463 POSITION DATA: LH SIDE	504903	1

MISSING ITEM NUMBERS NOT APPLICABLE

- ITEM NOT ILLUSTRATED

32-61-52-03

32-61-52  
FIG. 03  
PAGE 9  
JAN 20/09

BRI

BOEING PROPRIETARY - Copyright © - Unpublished Work - See title page for details.



757

PARTS CATALOG (MAINTENANCE)

FIG ITEM	PART NUMBER	1 2 3 4 5 6 7	NOMENCLATURE	EFFECT FROM TO	UNITS PER ASSY
3 238	186030FS60K3	...	LOCKNUT- SUPPLIER CODE: V30463 POSITION DATA: LH SIDE	504903	1
- 239	186030FS60K3	...	LOCKNUT- SUPPLIER CODE: V30463 POSITION DATA: RH SIDE	504903	1
240	188195FS60K3	...	CONNECTOR- SUPPLIER CODE: V30463 POSITION DATA: LH SIDE	504903	1
- 241	188195FS60K3	...	CONNECTOR- SUPPLIER CODE: V30463 POSITION DATA: RH SIDE	504903	1
245	188197FS60K3	...	CONNECTOR- SUPPLIER CODE: V30463 POSITION DATA: LH SIDE	504903	1
- 246	188197FS60K3	...	CONNECTOR- SUPPLIER CODE: V30463 POSITION DATA: RH SIDE	504903	1
250	287N6103-240	...	WELD ASSY- POSITION DATA: LH SIDE	504903	1
- 251	287N6103-240	...	WELD ASSY- POSITION DATA: RH SIDE	504903	1
258	287N6103-252	.	BOX-BRAKE TEMP SENSING VAR POSITION DATA: RH SIDE POST ALERT SB: 27A0130	504903	1
260	287N6103-92	..	GASKET	504903	1
262	M81714-5-7	..	TERMINAL- SERVICE BULLETIN OPT DATA: M817145-7	504903	1

MISSING ITEM NUMBERS NOT APPLICABLE

- ITEM NOT ILLUSTRATED

32-61-52-03

32-61-52  
FIG. 03  
PAGE 10  
JAN 20/09

BRI

BOEING PROPRIETARY - Copyright © - Unpublished Work - See title page for details.



757

PARTS CATALOG (MAINTENANCE)

FIG ITEM	PART NUMBER	1 2 3 4 5 6 7	NOMENCLATURE	EFFECT FROM TO	UNITS PER ASSY
3					
262	M817145-7	..	TERMINAL- SERVICE BULLETIN OPT DATA: M81714-5-7 POST ALERT SB: 27A0130R2 ATTACHING PARTS	504903	1
264	MS24693C27	..	SCREW	504903	2
265	MS24693C27	..	SCREW- POST ALERT SB: 27A0130R2	504903	4
266	NAS1149CN816R	..	WASHER	504903	2
267	NAS1149CN816R	..	WASHER- POST ALERT SB: 27A0130R2	504903	4
268	PLH506CD	..	NUT SUPPLIER CODE: VFO224 SPECIFICATION NUMBER: BACN10YR06CD OPTIONAL PART: H52732-06CD V15653	504903	2
269	PLH506CD	..	NUT- SUPPLIER CODE: VFO224 SPECIFICATION NUMBER: BACN10YR06CD OPTIONAL PART: H52732-06CD V15653 POST ALERT SB: 27A0130R2	504903	4
270	287N6103-119	..	BRACKET ASSY ATTACHING PARTS	504903	1
- 272	MS20615-4M	..	RIVET- SIZE DETERMINED ON INSTL.	504903	4
274	NAS1802-3-12	..	SCREW	504903	1
276	BACW10EC3C	..	WASHER	504903	1
278	BACW10BP3APU	..	WASHER	504903	2
280	MS35650-304	..	NUT	504903	1
282	S4627-14	..	CONNECTOR- SUPPLIER CODE: V07418 ATTACHING PARTS	504903	1
- 284	NAS1149C1416R	..	WASHER	504903	1

MISSING ITEM NUMBERS NOT APPLICABLE

- ITEM NOT ILLUSTRATED

32-61-52-03

32-61-52  
FIG. 03  
PAGE 11  
JAN 20/09

BRI

BOEING PROPRIETARY - Copyright © - Unpublished Work - See title page for details.



757

PARTS CATALOG (MAINTENANCE)

FIG ITEM	PART NUMBER	1 2 3 4 5 6 7	NOMENCLATURE	EFFECT FROM TO	UNITS PER ASSY
3					
286	S4630-14LWS30S	..	LOCKNUT- SUPPLIER CODE: V07418	504903	1
288	S4627-19	..	CONNECTOR- SUPPLIER CODE: V07418	504903	1
290	BACW10P65AL	..	WASHER	504903	1
292	S4630-19LW	..	LOCKNUT- SUPPLIER CODE: V07418	504903	1
294	287N6103-251	..	WELD ASSY	504903	1
296	287N6117-15	...	BRACKET ASSY	504903	1
298	BRF100C3D	....	NUTPLATE SUPPLIER CODE: V52828 SPECIFICATION NUMBER: BACN10KB3CFD OPTIONAL PART: NS202478-02 V80539 102F9207P3 V72962 F51604-3 V15653	504903	2
- 300	AF5141-3-3	....	ATTACHING PARTS RIVET- SUPPLIER CODE: V53551 SPECIFICATION NUMBER: BACR15DR3A3 OPTIONAL PART: RV541A3-3 V98996 CCR264CS3-3TT V11815 SERVICE BULLETIN OPT DATA: MS20427M3C3	504903	4
- 300	MS20427M3C3	....	RIVET- SERVICE BULLETIN OPT DATA: BACR15DR3A3 -----*-----	504903	4

MISSING ITEM NUMBERS NOT APPLICABLE

- ITEM NOT ILLUSTRATED

32-61-52-03

32-61-52  
FIG. 03  
PAGE 12  
JAN 20/09

BRI

BOEING PROPRIETARY - Copyright © - Unpublished Work - See title page for details.



757

PARTS CATALOG (MAINTENANCE)

FIG ITEM	PART NUMBER	1 2 3 4 5 6 7	NOMENCLATURE	EFFECT FROM TO	UNITS PER ASSY
3 301	TTVF7525WE10		.TAPE- SUPPLIER CODE: VOKW00 SPECIFICATION NUMBER: BACT19J4 OPTIONAL PART: THT1-437W10 V85480 POSITION DATA: RH SIDE PLACARD CONTENT: TB262 POST ALERT SB: 27A0130R2	504903	1
302	M81714-5-2		.RACK ASSY- POSITION DATA: RH SIDE SERVICE BULLETIN OPT DATA: M817145-2 POST ALERT SB: 27A0130R2	504903	1
302	M817145-2		.RACK ASSY- POSITION DATA: RH SIDE SERVICE BULLETIN OPT DATA: M81714-5-2 POST ALERT SB: 27A0130R2	504903	1
- 303	MS24693C27		.SCREW- POST ALERT SB: 27A0130R2	504903	2
- 304	NAS1149CN816R		.WASHER- POST ALERT SB: 27A0130R2	504903	2
-304A	PLH506CD		.NUT- SUPPLIER CODE: VF0224 SPECIFICATION NUMBER: BACN10YR06CD OPTIONAL PART: H52732-06CD V15653 POST ALERT SB: 27A0130R2	504903	2
305	287N6103-138		.BRACKET	504903	1
310	287N6103-139		.BRACKET	504903	1

MISSING ITEM NUMBERS NOT APPLICABLE

- ITEM NOT ILLUSTRATED

32-61-52-03

32-61-52  
FIG. 03  
PAGE 13  
JAN 20/09

BRI

BOEING PROPRIETARY - Copyright © - Unpublished Work - See title page for details.



757

PARTS CATALOG (MAINTENANCE)

FIG ITEM	PART NUMBER	1 2 3 4 5 6 7	NOMENCLATURE	EFFECT FROM TO	UNITS PER ASSY
3					
315	287N6103-140		.BRACKET- POSITION DATA: LH SIDE	504903	1
318	287N6103-140		.BRACKET- POSITION DATA: RH SIDE PRE ALERT SB: 27A0130	504504	1
318	287N6117-7		.BRACKET- POSITION DATA: RH SIDE POST ALERT SB: 27A0130	504903	1
320	287N6103-141		.BRACKET- POSITION DATA: LH SIDE	504903	1
323	287N6103-141		.BRACKET- POSITION DATA: RH SIDE PRE ALERT SB: 27A0130	504504	1
323	287N6117-8		.BRACKET- POSITION DATA: RH SIDE POST ALERT SB: 27A0130	504903	1
- 330	286N4910-044		WIRE BUNDLE ASSY- POSITION DATA: RH SIDE REWORKED BY ALERT SB: 27A0130	504903	1
- 333	M81714-3BB1		.TERMINAL- SUPPLIER CODE: V14283 ELECTRICAL EQUIP NUMBER: TB0211L WIRING DIAGRAM REF: 324211	504903	1
336	BCREF101141		.PLUG- POSITION DATA: RH SIDE OVERLENGTH PART NUMBER: BACC63BP22B19P6L ELECTRICAL EQUIP NUMBER: D40442P WIRING DIAGRAM REF: 320911 REWORKED BY ALERT SB: 27A0130	504903	1

MISSING ITEM NUMBERS NOT APPLICABLE

- ITEM NOT ILLUSTRATED

32-61-52-03

32-61-52  
FIG. 03  
PAGE 14  
JAN 20/09

BRI





757

PARTS CATALOG (MAINTENANCE)

FIG ITEM	PART NUMBER	1 2 3 4 5 6 7	NOMENCLATURE	EFFECT FROM TO	UNITS PER ASSY
3 - 340	280N3321-10901		.ID TAPE- PLACARD CONTENT: W4910-3001B-20, W4910-3001R-20 AND W4910-3001Y-20 POST ALERT SB: 27A0130	504903	1

MISSING ITEM NUMBERS NOT APPLICABLE

- ITEM NOT ILLUSTRATED

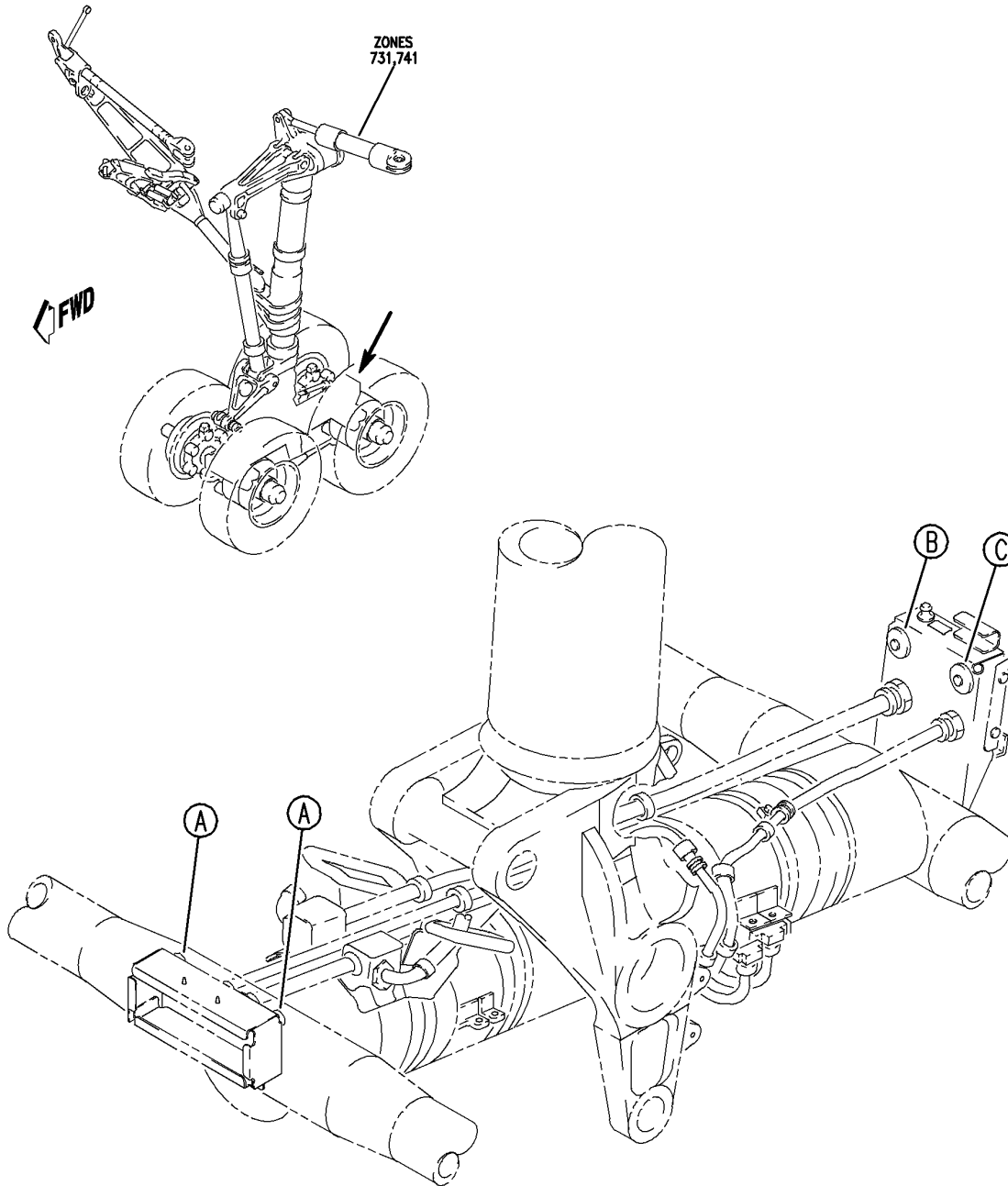
BRI

32-61-52-03

BOEING PROPRIETARY - Copyright © - Unpublished Work - See title page for details.

32-61-52  
FIG. 03  
PAGE 15  
JAN 20/09

**BOEING**  
757  
PARTS CATALOG (MAINTENANCE)



Y 32615204 SHT 1 REV 242

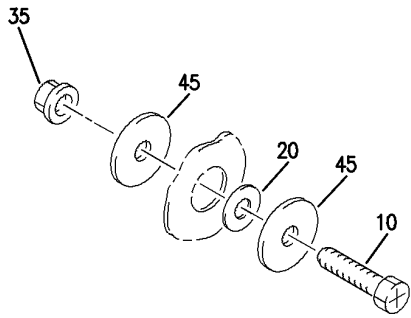
PROVISION INSTL-WIRE MAIN LANDING GEAR, NON BRAKE TEMP SENSING  
FIGURE 4 (SHEET 1)

BRI  
JAN 20/09

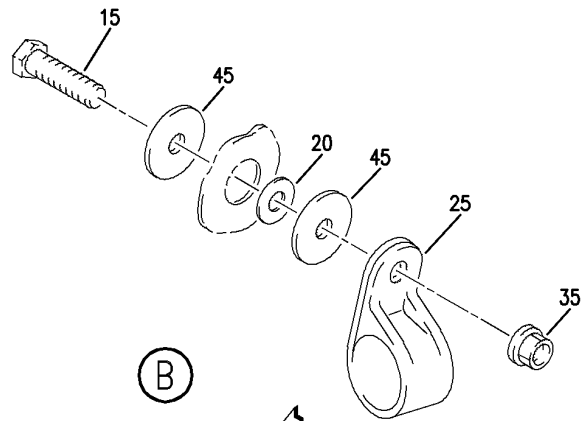
**32-61-52-04**

32-61-52-04  
PAGE 0

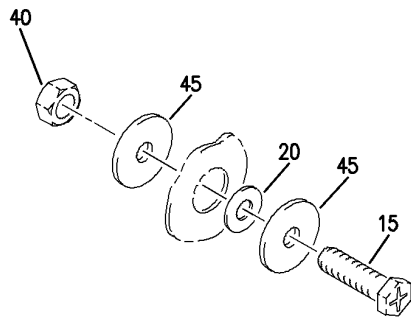
**BOEING**  
757  
PARTS CATALOG (MAINTENANCE)



(A) FWD ↘



(B) ↙ FWD



(C) ↙ FWD

Y 32615204 SH1 2 REV 240

PROVISION INSTL-WIRE MAIN LANDING GEAR, NON BRAKE TEMP SENSING  
FIGURE 4 (SHEET 2)

**32-61-52-04**

BRI  
JAN 20/09

32-61-52-04  
PAGE 0A



757

PARTS CATALOG (MAINTENANCE)

FIG ITEM	PART NUMBER	1 2 3 4 5 6 7	NOMENCLATURE	EFFECT FROM TO	UNITS PER ASSY
4			PROVISION INSTL-WIRE MAIN LANDING GEAR, NON BRAKE TEMP SENSING	103106 108120	
- 1	287N6100-211		PROVISION INSTL-WIRE MAIN LANDING GEAR, NON BRAKE TEMP SENSING POSITION DATA: LH FOR NHA SEE: 24-00-60-20G	108120	RF
- 1	MODREF11461		PROVISION INSTL-WIRE MAIN LANDING GEAR, NON BRAKE TEMP SENSING MODULE NUMBER: 287N6100-211 REV A POSITION DATA: LH	103106	1
- 5	287N6100-212		PROVISION INSTL-WIRE MAIN LANDING GEAR, NON BRAKE TEMP SENSING POSITION DATA: RH FOR NHA SEE: 24-00-60-20G	108120	RF
- 5	MODREF11462		PROVISION INSTL-WIRE MAIN LANDING GEAR, NON BRAKE TEMP SENSING MODULE NUMBER: 287N6100-212 REV A POSITION DATA: RH	103106	1
10	NAS1801-3-6		.SCREW	103106 108120	2
15	NAS1801-3D9		.BOLT	103106 108120	2
20	AN970-3		.WASHER	103106 108120	4
25	S717-106		.CLAMP SUPPLIER CODE: V18076 SPECIFICATION NUMBER: BACC10GU106 OPTIONAL PART: 534CS106 V83930 JM44LC39S106RG V22175	103106 108120	1

MISSING ITEM NUMBERS NOT APPLICABLE

- ITEM NOT ILLUSTRATED

32-61-52-04

32-61-52  
FIG. 04  
PAGE 1  
JAN 20/09

BRI



757

PARTS CATALOG (MAINTENANCE)

FIG ITEM	PART NUMBER	1 2 3 4 5 6 7	NOMENCLATURE	EFFECT FROM TO	UNITS PER ASSY
4	35 PLH53CD	.NUT	SUPPLIER CODE: VF0224 SPECIFICATION NUMBER: BACN10YR3CD OPTIONAL PART: H52732-3CD V15653	103106 108120	3
	40 NAS509-3	.NUT		103106 108120	1
	45 287N6103-71	.COVER-PLATE		103106 108120	8

MISSING ITEM NUMBERS NOT APPLICABLE

- ITEM NOT ILLUSTRATED

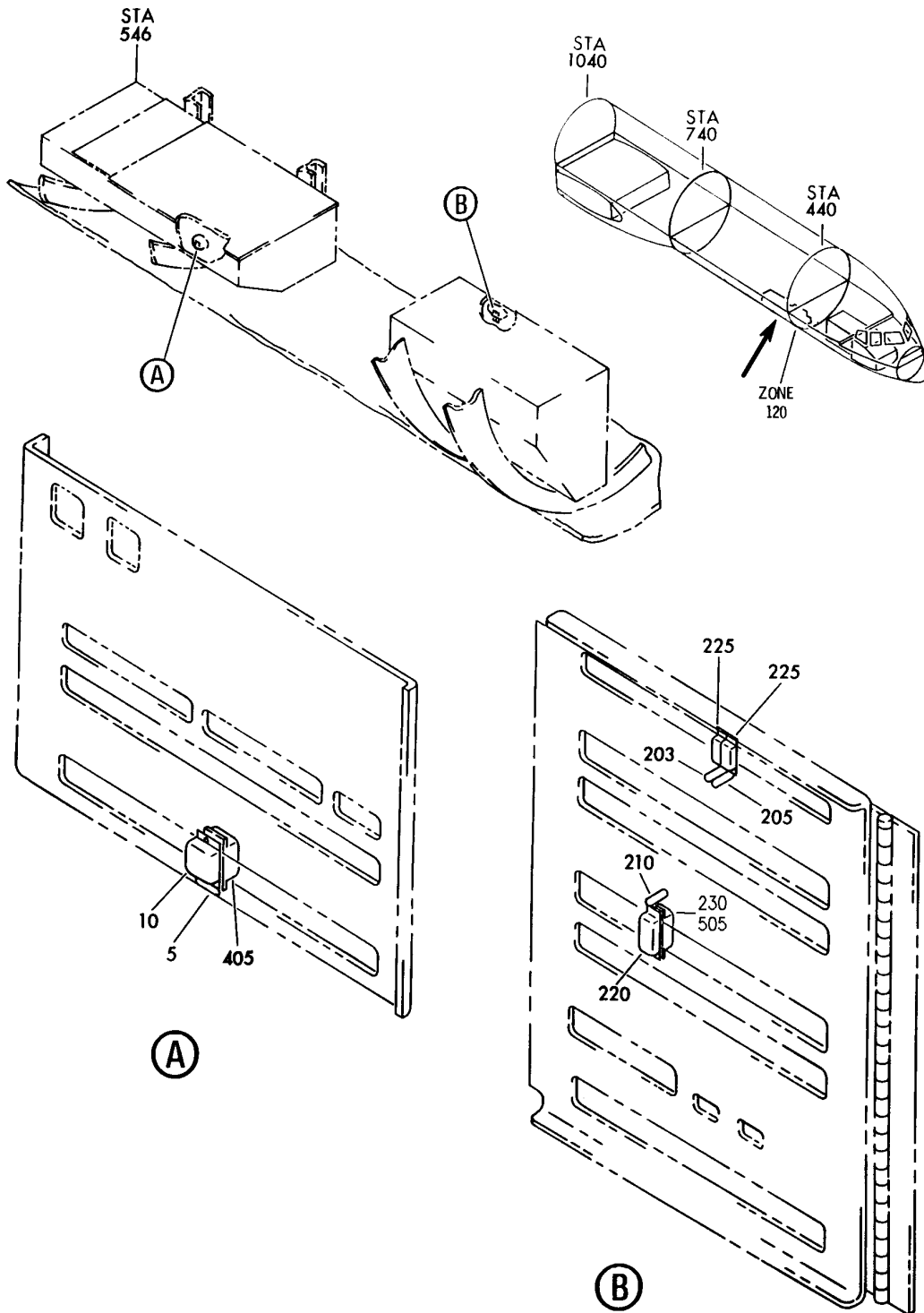
BRI

32-61-52-04

BOEING PROPRIETARY - Copyright © - Unpublished Work - See title page for details.

32-61-52  
FIG. 04  
PAGE 2  
JAN 20/09

**BOEING**  
757  
PARTS CATALOG (MAINTENANCE)



Y 32617102 REV 239

PANEL ASSY-P36 AND P37 MISC RELAY (LANDING GEAR POSITION INDICATING AND WARNING SYSTEM ONLY)

FIGURE 2

**32-61-71-02**

BRI  
MAY 28/07

32-61-71-02  
PAGE 0



757

PARTS CATALOG (MAINTENANCE)

FIG ITEM	PART NUMBER	1 2 3 4 5 6 7	NOMENCLATURE	EFFECT FROM TO	UNITS PER ASSY
2			PANEL ASSY-P36 AND P37 MISC RELAY (LANDING GEAR POSITION INDICATING AND WARNING SYSTEM ONLY)	002004 006100 107107 121503 904999	
- 1	284N1125-1		PANEL ASSY-P36 MISC RELAY L (LANDING GEAR POSITION INDICATING AND WARNING SYSTEM ONLY) VARIABLE DRAWING REF: 284N1125-5023 284N1125-5030 284N1125-5049 284N1125-5050 284N1125-5054 REWORKED BY SB: 34-0200 REWORKED BY ALERT SB: 27A0130 FOR NHA/OTHER SYS DET SEE: 31-01-36-01B	002004 006100 107107 121503 904999	RF
5	BAC27NEX0233		.DECAL- PLACARD CONTENT: K10240	107107 121503 904949	1
5	BAC27NEX2500		.DECAL- PLACARD CONTENT: K10240	002004 006100 950999	1
10	E410-1537		.RELAY- SUPPLIER CODE: V99699 SPECIFICATION NUMBER: BACR13CG2A OPTIONAL PART: E415-1078 V99699 BR230S0116 V56623 KD4A017 V58687 FCA410-62 V78290 ELECTRICAL EQUIP NUMBER: K10240	002004 006100 107107 121503 904999	1

MISSING ITEM NUMBERS NOT APPLICABLE

- ITEM NOT ILLUSTRATED

BRI

32-61-71-02

BOEING PROPRIETARY - Copyright © - Unpublished Work - See title page for details.

32-61-71  
FIG. 02  
PAGE 1  
JAN 20/09



757

PARTS CATALOG (MAINTENANCE)

FIG ITEM	PART NUMBER	1 2 3 4 5 6 7	NOMENCLATURE	EFFECT FROM TO	UNITS PER ASSY
2 - 200	284N1127-1		PANEL ASSY-P37 MISC RELAY R (LANDING GEAR POSITION INDICATING AND WARNING SYSTEM ONLY) VARIABLE DRAWING REF: 284N1127-5028 284N1127-5039 284N1127-5063 284N1127-5064 284N1127-5068 REWORKED BY SB: 33-0039 34-0200 REWORKED BY ALERT SB: 27A0130 FOR NHA/OTHER SYS DET SEE: 31-01-37-01B	002004 006100 107107 121503 904999	RF
203	BAC27NEX1016		.DECAL- PLACARD CONTENT: K10266	002004 006100 107107 121503 904999	1
205	BAC27NEX1017		.DECAL- PLACARD CONTENT: K10267	002004 006100 107107 121503 904999	1
210	BAC27NEX2786		.DECAL- PLACARD CONTENT: K10718 POST SERVICE BULLETIN: 78-0032	006100 107107 121503 950951	1

MISSING ITEM NUMBERS NOT APPLICABLE

- ITEM NOT ILLUSTRATED

BRI

32-61-71-02

BOEING PROPRIETARY - Copyright © - Unpublished Work - See title page for details.

32-61-71  
FIG. 02  
PAGE 2  
JAN 20/09





757

PARTS CATALOG (MAINTENANCE)

FIG ITEM	PART NUMBER	1 2 3 4 5 6 7	NOMENCLATURE	EFFECT FROM TO	UNITS PER ASSY
2 220	E210-1631		.RELAY- SUPPLIER CODE: V99699 SPECIFICATION NUMBER: BACR13CF2A OPTIONAL PART: BR246S0112 V56623 FCA210-70 V78290 E215-1050 V99699 JD4A017 V35344 BR64S104 V56623 61GB19-1A320 V98927 ELECTRICAL EQUIP NUMBER: K10718 WIRING DIAGRAM REF: 326111 POST SERVICE BULLETIN: 78-0032	006100 107107 121503 950951	1
225	W260F4AM11		.RELAY- SUPPLIER CODE: VF0219 SPECIFICATION NUMBER: BACR13CD2 OPTIONAL PART: BR16S233 V09026 EE4AA005 V35344 3SAV1338A2 V01526 HFW1206K03 V58614 HFW1204K01 V71482 ELECTRICAL EQUIP NUMBER: K10266 K10267	002004 006100 107107 121503 904999	2

MISSING ITEM NUMBERS NOT APPLICABLE

- ITEM NOT ILLUSTRATED

BRI

32-61-71-02

BOEING PROPRIETARY - Copyright © - Unpublished Work - See title page for details.

32-61-71  
FIG. 02  
PAGE 3  
JAN 20/09



757

PARTS CATALOG (MAINTENANCE)

FIG ITEM	PART NUMBER	1 2 3 4 5 6 7	NOMENCLATURE	EFFECT FROM TO	UNITS PER ASSY
2 230	RSF116200		. SOCKET- SUPPLIER CODE: V58982 SPECIFICATION NUMBER: BACS16X1A OPTIONAL PART: 102-006-1 V09922 000300-1538 V05574 POST SERVICE BULLETIN: 78-0032	107107 121503	1
- 400	286N1260-002		WIRE BUNDLE ASSY- REWORKED BY ALERT SB: 27A0130	121503 904949	RF
- 400	286N1260-003		WIRE BUNDLE ASSY- REWORKED BY ALERT SB: 27A0130	107107	RF
- 400	286N1260-005		WIRE BUNDLE ASSY- REWORKED BY SB: 34-0200 REWORKED BY ALERT SB: 27A0130	002004 006100 950999	RF
405	BACS16W1		. SOCKET- ELECTRICAL EQUIP NUMBER: D02678 WIRING DIAGRAM REF: NO.326111	002004 006100 107107 121503 904999	1
- 500	286N1270-005		WIRE BUNDLE ASSY- REWORKED BY SB: 33-0039 REWORKED BY ALERT SB: 27A0130 34A0222	002004 006100 950999	RF
- 500	286N1270-002		WIRE BUNDLE ASSY- REWORKED BY ALERT SB: 34A0222 27A0130	904949	RF

MISSING ITEM NUMBERS NOT APPLICABLE

- ITEM NOT ILLUSTRATED

BRI

32-61-71-02

BOEING PROPRIETARY - Copyright © - Unpublished Work - See title page for details.

32-61-71  
FIG. 02  
PAGE 4  
JAN 20/09



757

PARTS CATALOG (MAINTENANCE)

FIG ITEM	PART NUMBER	1 2 3 4 5 6 7	NOMENCLATURE	EFFECT FROM TO	UNITS PER ASSY
2 505	RSF116200		. SOCKET- SUPPLIER CODE: V58982 SPECIFICATION NUMBER: BACS16X1A OPTIONAL PART: 102-006-1 V09922 000300-1538 V05574 ELECTRICAL EQUIP NUMBER: D07750 WIRING DIAGRAM REF: 326111	002004 006100 107107 904999	1

MISSING ITEM NUMBERS NOT APPLICABLE

- ITEM NOT ILLUSTRATED

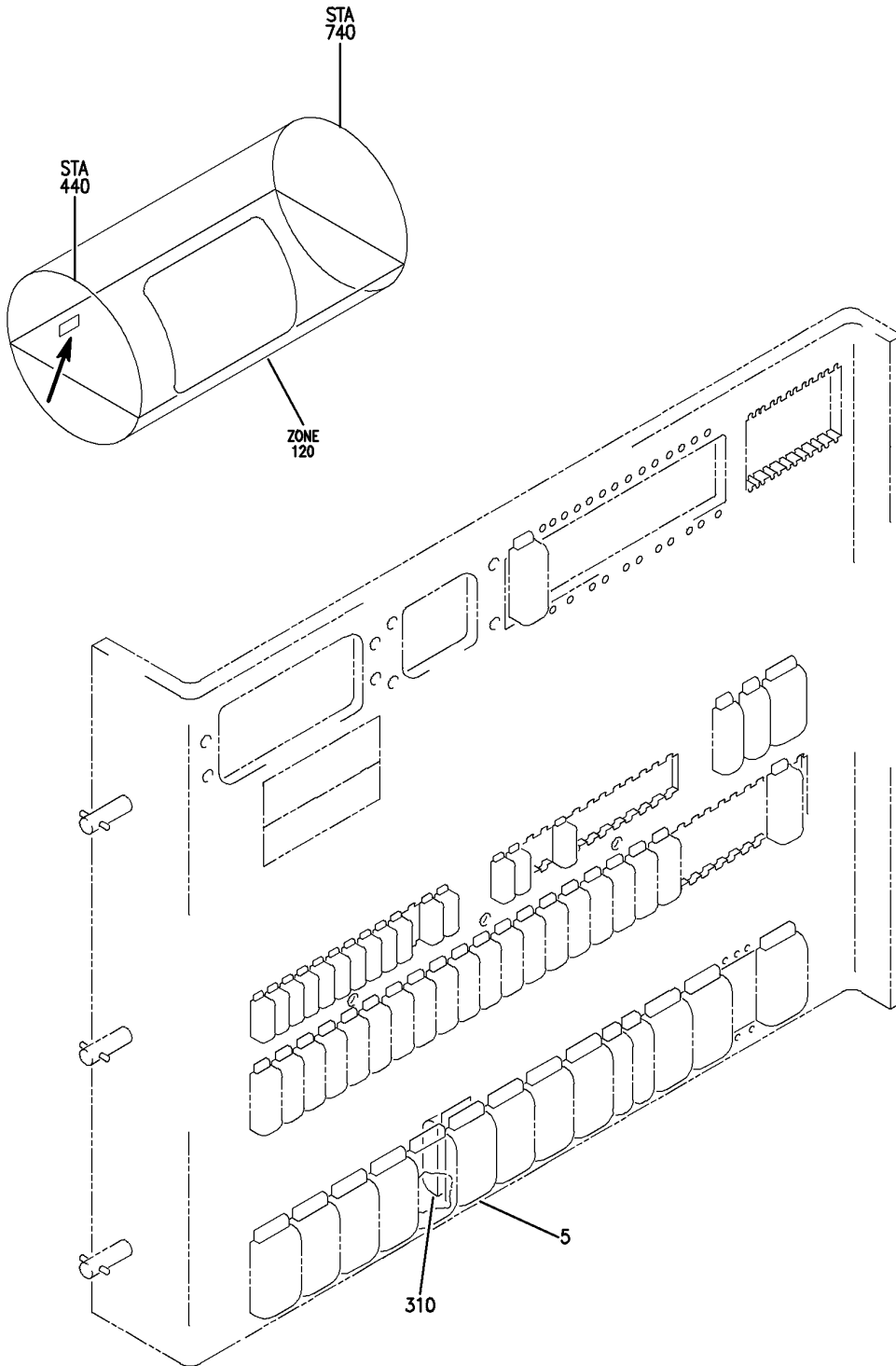
BRI

32-61-71-02

BOEING PROPRIETARY - Copyright © - Unpublished Work - See title page for details.

32-61-71  
FIG. 02  
PAGE 5  
JAN 20/09

**BOEING**  
757  
PARTS CATALOG (MAINTENANCE)



Y 32617102A REV 225

OPTION PACKAGE ASSY-P36 MISC RELAY LH (LANDING GEAR POSITION INDICATING AND WARNING SYSTEM ONLY)  
FIGURE 2A

BRI  
MAY 28/07

**32-61-71-02A**

32-61-71-02A  
PAGE 0



757

PARTS CATALOG (MAINTENANCE)

FIG ITEM	PART NUMBER	1 2 3 4 5 6 7	NOMENCLATURE	EFFECT FROM TO	UNITS PER ASSY
2A			OPTION PACKAGE ASSY-P36 MISC RELAY LH (LANDING GEAR POSITION INDICATING AND WARNING SYSTEM ONLY)	101102 504903	
- 1	284N1125-1018		OPTION PACKAGE ASSY-P36 MISC RELAY (LANDING GEAR POSITION INDICATING AND WARNING SYSTEM ONLY) POSITION DATA: LH REWORKED BY ALERT SB: 27A0130 FOR NHA/OTHER SYS DET SEE: 31-01-36-05	101102 504903	RF
5	E410-1537		.RELAY- SUPPLIER CODE: V99699 SPECIFICATION NUMBER: BACR13CG2A OPTIONAL PART: E415-1078 V99699 BR230S0116 V56623 KD4A017 V58687 FCA410-62 V78290 ELECTRICAL EQUIP NUMBER: K10240	101102 504903	1
- 301	286N1260-358		WIRE BUNDLE ASSY- REWORKED BY ALERT SB: 27A0130	101102	RF
- 301	286N1260-364		WIRE BUNDLE ASSY- REWORKED BY ALERT SB: 27A0130	504903	RF
310	BACS16W1		.SOCKET- ELECTRICAL EQUIP NUMBER: D02678 WIRING DIAGRAM REF: 326111	101102 504903	1

MISSING ITEM NUMBERS NOT APPLICABLE

- ITEM NOT ILLUSTRATED

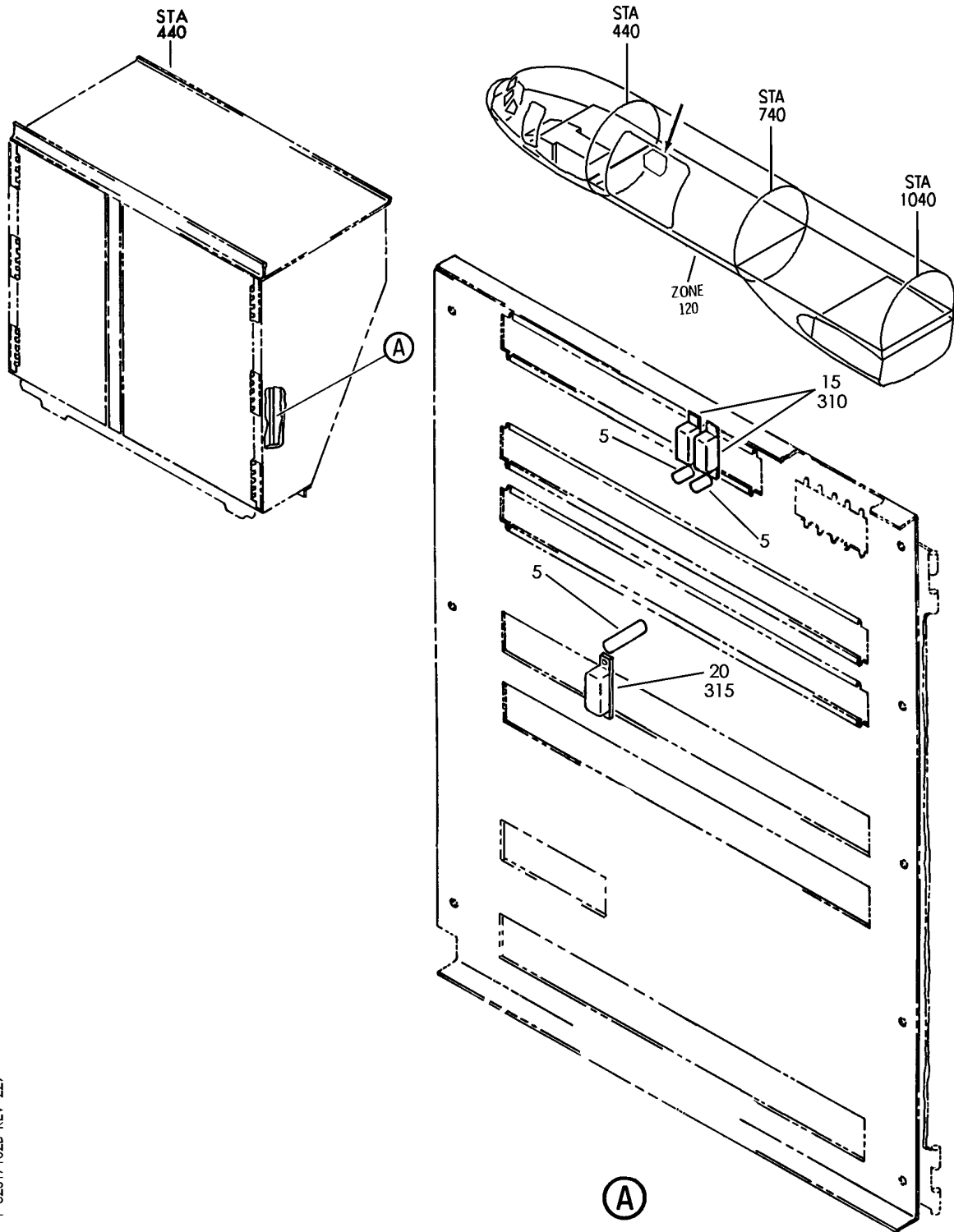
32-61-71-02A

32-61-71  
FIG. 02A  
PAGE 1  
JAN 20/09

BRI

BOEING PROPRIETARY - Copyright © - Unpublished Work - See title page for details.

**BOEING**  
757  
PARTS CATALOG (MAINTENANCE)



Y 32617102B REV 229

PACKAGE ASSY-OPTION P37 MISC RELAY (LANDING GEAR POSITION INDICATING AND WARNING SYSTEM ONLY)  
FIGURE 2B

BRI  
MAY 28/07

**32-61-71-02B**

32-61-71-02B  
PAGE 0



757

PARTS CATALOG (MAINTENANCE)

FIG ITEM	PART NUMBER	1 2 3 4 5 6 7	NOMENCLATURE	EFFECT FROM TO	UNITS PER ASSY
2B			PACKAGE ASSY-OPTION P37 MISC RELAY (LANDING GEAR POSITION INDICATING AND WARNING SYSTEM ONLY)	101102 504903	
- 1	284N1127-1041		PACKAGE ASSY-OPTION P37 MISC RELAY (LANDING GEAR POSITION INDICATING AND WARNING SYSTEM ONLY)	101102 504903	RF
15	W260F4AM11		MISCELLANEOUS DATA: 757 MAJOR MODEL REWORKED BY ALERT SB: 27A0130 FOR NHA/OTHER SYS DET SEE: 31-01-37-02 .RELAY- SUPPLIER CODE: VF0219 SPECIFICATION NUMBER: BACR13CD2 OPTIONAL PART: BR16S233 V09026 EE4AA005 V35344 3SAV1338A2 V01526 HFW1206K03 V58614 HFW1204K01 V71482 ELECTRICAL EQUIP NUMBER: K10266 K10267	101102 504903	2

MISSING ITEM NUMBERS NOT APPLICABLE

- ITEM NOT ILLUSTRATED

BRI

32-61-71-02B

BOEING PROPRIETARY - Copyright © - Unpublished Work - See title page for details.

32-61-71  
FIG. 02B  
PAGE 1  
JAN 20/09



757

PARTS CATALOG (MAINTENANCE)

FIG ITEM	PART NUMBER	1 2 3 4 5 6 7	NOMENCLATURE	EFFECT FROM TO	UNITS PER ASSY
2B 20	E210-1631		.RELAY- SUPPLIER CODE: V99699 SPECIFICATION NUMBER: BACR13CF2A OPTIONAL PART: BR246S0112 V56623 FCA210-70 V78290 E215-1050 V99699 JD4A017 V35344 BR64S104 V56623 61GB19-1A320 V98927 ELECTRICAL EQUIP NUMBER: K10718	101102 504903	1
- 300	286N1270-336		WIRE BUNDLE ASSY- REWORKED BY ALERT SB: 34A0222 27A0130	504903	RF
- 301	286N1270-361		WIRE BUNDLE ASSY- REWORKED BY ALERT SB: 34A0222 27A0130	101101	RF
- 302	286N1270-399		WIRE BUNDLE ASSY- REWORKED BY ALERT SB: 34A0222 27A0130	102102	RF
310	RSE120026		.SOCKET- SUPPLIER CODE: V58982 SPECIFICATION NUMBER: BACS16AG1 OPTIONAL PART: 451120-026 V58982 ELECTRICAL EQUIP NUMBER: D03220 D03222 WIRING DIAGRAM REF: 326111 326112	101102 504903	2

MISSING ITEM NUMBERS NOT APPLICABLE

- ITEM NOT ILLUSTRATED

32-61-71-02B

32-61-71  
FIG. 02B  
PAGE 2  
JAN 20/09

BRI



 **BOEING**  
757  
**PARTS CATALOG (MAINTENANCE)**

FIG ITEM	PART NUMBER	1 2 3 4 5 6 7 NOMENCLATURE	EFFECT FROM TO	UNITS PER ASSY
2B 315	RSF116200	. SOCKET- SUPPLIER CODE: V58982 SPECIFICATION NUMBER: BACS16X1A OPTIONAL PART: 102-006-1 V09922 000300-1538 V05574 ELECTRICAL EQUIP NUMBER: D07750 WIRING DIAGRAM REF: 326111	101102 504903	1

MISSING ITEM NUMBERS NOT APPLICABLE

— ITEM NOT ILLUSTRATED

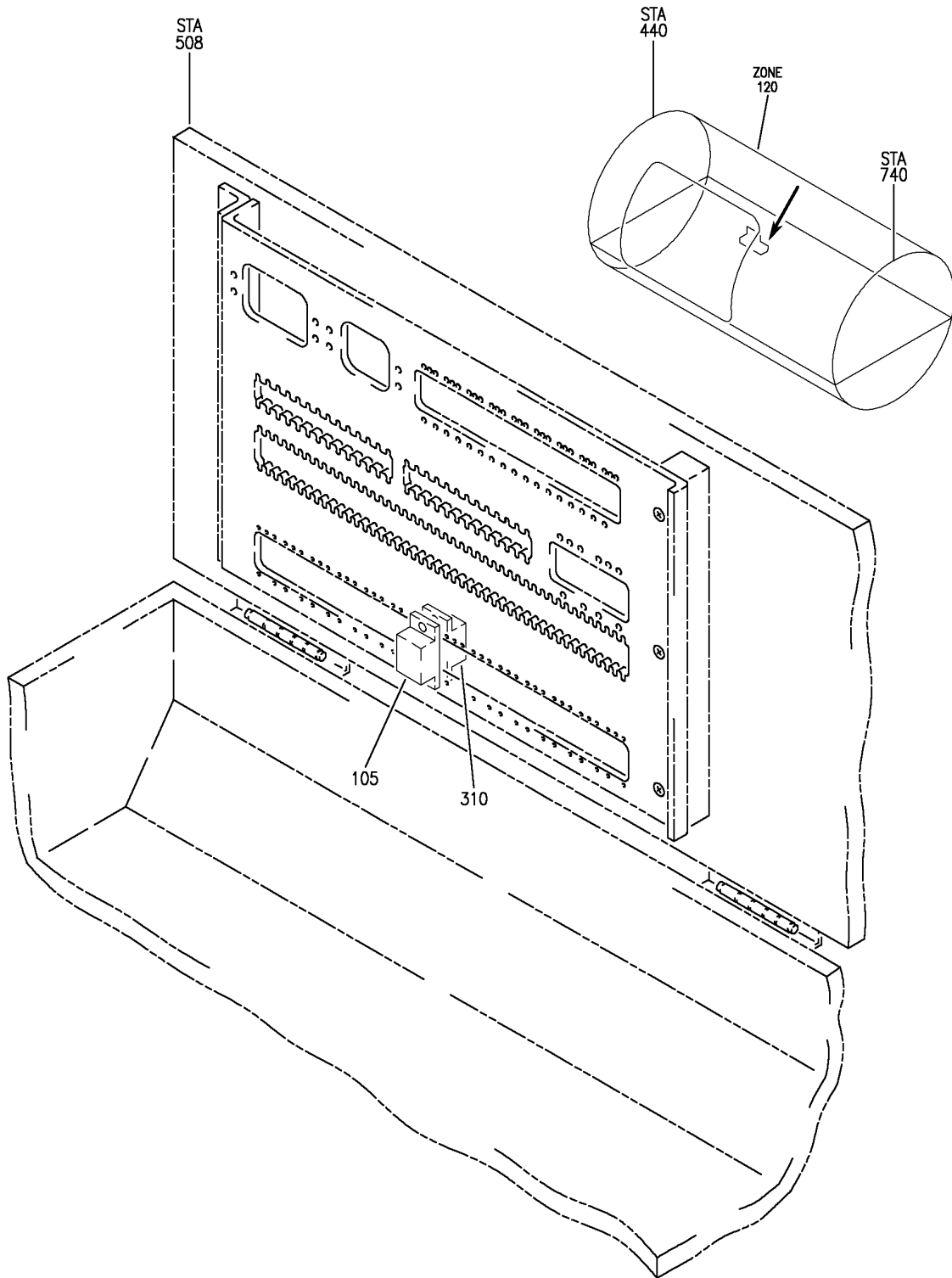
BRI

# 32-61-71-02B

BOEING PROPRIETARY - Copyright © - Unpublished Work - See title page for details.

32-61-71  
FIG. 02B  
PAGE 3  
JAN 20/09

**BOEING**  
757  
PARTS CATALOG (MAINTENANCE)



Y 32617102C REV 250

PANEL INSTL-P36 L MISC RELAY (LANDING GEAR POSITION INDICATING AND WARNING SYSTEM ONLY)  
FIGURE 2C

BRI  
JAN 20/09

**32-61-71-02C**

32-61-71-02C  
PAGE 0



757

PARTS CATALOG (MAINTENANCE)

FIG ITEM	PART NUMBER	1 2 3 4 5 6 7	NOMENCLATURE	EFFECT FROM TO	UNITS PER ASSY
2C			PANEL INSTL-P36 L MISC RELAY (LANDING GEAR POSITION INDICATING AND WARNING SYSTEM ONLY)	103106 108120	
- 3	284N1125-94		PANEL INSTL-P36 L MISC RELAY (LANDING GEAR POSITION INDICATING AND WARNING SYSTEM ONLY) FOR NHA/OTHER SYS DET SEE: 24-00-58-05C	108120	RF

MISSING ITEM NUMBERS NOT APPLICABLE

- ITEM NOT ILLUSTRATED

BRI

32-61-71-02C

BOEING PROPRIETARY - Copyright © - Unpublished Work - See title page for details.

32-61-71  
FIG. 02C  
PAGE 1  
JAN 20/09



757

PARTS CATALOG (MAINTENANCE)

FIG ITEM	PART NUMBER	1 2 3 4 5 6 7	NOMENCLATURE	EFFECT FROM TO	UNITS PER ASSY
2C - 7	MODREF31944		PANEL INSTL-P36 L MISC RELAY (LANDING GEAR POSITION INDICATING AND WARNING SYSTEM ONLY) MODULE NUMBER: 284N1125-123 REV A FOR OTHER SYS DETAILS SEE: 11-36-08-03C 21-25-71-02C 21-33-71-02C 21-51-56-01C 21-58-71-02C 23-12-00-05 23-31-54-01C 23-34-52-01C 24-21-51-01A 26-15-71-02C 26-16-71-01C 26-22-71-01C 27-48-52-03C 27-51-71-03C 27-58-71-02C 27-62-71-03C 29-11-71-03C 29-21-71-01C 30-21-71-03C 30-34-51-01C 31-01-36-01 32-09-02-03C 32-35-71-01C 32-42-71-02C 32-44-71-02C 34-12-71-02C 34-21-71-02C 34-22-52-01C 34-61-52-01C 36-11-71-02C 73-21-55-01C 74-31-71-02C 76-11-71-02C 77-12-71-01C 78-34-71-02C 78-36-71-02C 80-11-71-02C	103106	1

MISSING ITEM NUMBERS NOT APPLICABLE

- ITEM NOT ILLUSTRATED

BRI

**32-61-71-02C**

BOEING PROPRIETARY - Copyright © - Unpublished Work - See title page for details.

32-61-71  
 FIG. 02C  
 PAGE 2  
 JAN 20/09



757

PARTS CATALOG (MAINTENANCE)

FIG ITEM	PART NUMBER	1 2 3 4 5 6 7	NOMENCLATURE	EFFECT FROM TO	UNITS PER ASSY
2C 105	E410-1537		.RELAY- SUPPLIER CODE: V99699 SPECIFICATION NUMBER: BACR13CG2A OPTIONAL PART: E415-1078 V99699 BR230S0116 V56623 KD4A017 V58687 FCA410-62 V78290 ELECTRICAL EQUIP NUMBER: K10240	103106 108120	1
- 300	286N1260-357		WIRE BUNDLE ASSY	108120	RF
- 302	286N1260-601		WIRE BUNDLE ASSY	103106	RF
310	BACS16W1		.SOCKET- ELECTRICAL EQUIP NUMBER: D02678 WIRING DIAGRAM REF: 326111	103106 108120	1

MISSING ITEM NUMBERS NOT APPLICABLE

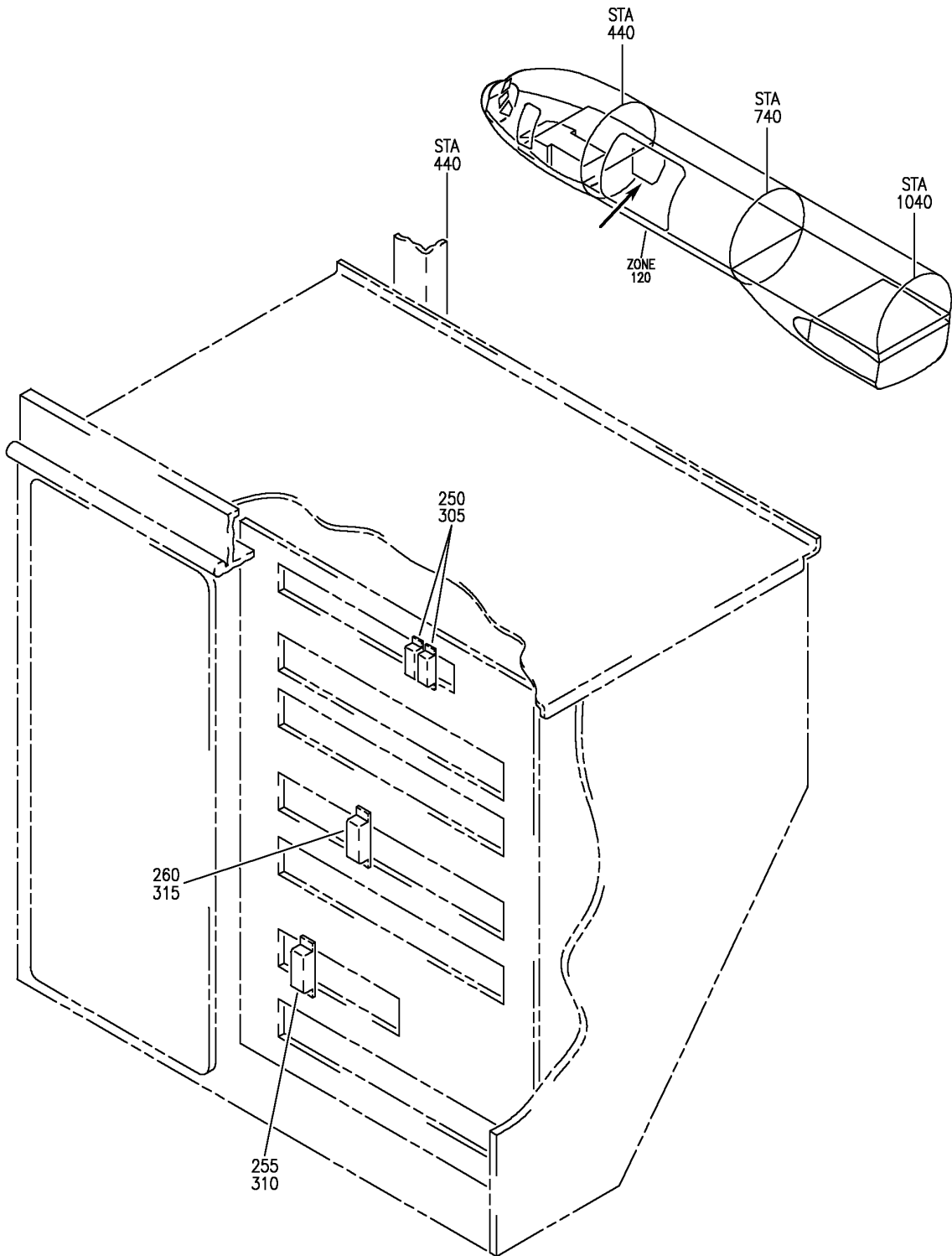
- ITEM NOT ILLUSTRATED

**32-61-71-02C**

32-61-71  
FIG. 02C  
PAGE 3  
JAN 20/09

BRI

**BOEING**  
757  
PARTS CATALOG (MAINTENANCE)



Y 32617102D REV 250

PANEL INSTL-P37 R MISC RELAY (LANDING GEAR POSITION INDICATING AND WARNING SYSTEM ONLY)  
FIGURE 2D

BRI  
JAN 20/09

**32-61-71-02D**

32-61-71-02D  
PAGE 0



757

PARTS CATALOG (MAINTENANCE)

FIG ITEM	PART NUMBER	1 2 3 4 5 6 7	NOMENCLATURE	EFFECT FROM TO	UNITS PER ASSY
2D			PANEL INSTL-P37 R MISC RELAY (LANDING GEAR POSITION INDICATING AND WARNING SYSTEM ONLY)	103106 108120	

MISSING ITEM NUMBERS NOT APPLICABLE

- ITEM NOT ILLUSTRATED

BRI

**32-61-71-02D**

BOEING PROPRIETARY - Copyright © - Unpublished Work - See title page for details.

32-61-71  
FIG. 02D  
PAGE 1  
JAN 20/09



757

PARTS CATALOG (MAINTENANCE)

FIG ITEM	PART NUMBER	1 2 3 4 5 6 7	NOMENCLATURE	EFFECT FROM TO	UNITS PER ASSY
2D - 1	MODREF185037		PANEL INSTL-P37 R MISC RELAY (LANDING GEAR POSITION INDICATING AND WARNING SYSTEM ONLY) MODULE NUMBER: 284N1127-169 REV D FOR OTHER SYS DETAILS SEE: 11-36-12-02A 21-25-71-02D 21-44-71-02D 21-45-31-01D 21-51-55-01D 21-58-71-02D 21-61-71-02D 23-31-51-05 24-21-51-05 24-51-01-02 24-51-02-03 24-51-58-02D 27-62-71-03D 28-22-71-03D 29-21-71-01D 30-11-71-02D 30-21-71-03D 30-31-71-02D 30-32-71-02D 30-33-71-02D 30-34-51-01D 31-01-37-10 31-31-71-02D 32-09-02-04D 32-42-71-02D 33-43-55-01D 33-51-71-01D 34-12-71-02D 34-25-50-01D 34-61-52-01D 35-21-71-02D 36-11-71-02D 38-15-71-02D 73-21-55-01D 74-31-71-02D 76-11-71-02D 77-12-71-01D 78-34-71-02D 78-36-71-02D 80-11-71-02D	106106	1

MISSING ITEM NUMBERS NOT APPLICABLE

- ITEM NOT ILLUSTRATED

32-61-71-02D

32-61-71  
FIG. 02D  
PAGE 2  
JAN 20/09

BRI





757

PARTS CATALOG (MAINTENANCE)

FIG ITEM	PART NUMBER	1 2 3 4 5 6 7	NOMENCLATURE	EFFECT FROM TO	UNITS PER ASSY
2D - 3	284N1127-118		PANEL INSTL-P37 R MISC RELAY (LANDING GEAR POSITION INDICATING AND WARNING SYSTEM ONLY) FOR NHA/OTHER SYS DET SEE: 24-00-58-05C	108108	RF
- 4	284N1127-139		PANEL INSTL-P37 R MISC RELAY (LANDING GEAR POSITION INDICATING AND WARNING SYSTEM ONLY) FOR NHA/OTHER SYS DET SEE: 24-00-58-05C	109120	RF

MISSING ITEM NUMBERS NOT APPLICABLE

- ITEM NOT ILLUSTRATED

BRI

32-61-71-02D

BOEING PROPRIETARY - Copyright © - Unpublished Work - See title page for details.

32-61-71  
FIG. 02D  
PAGE 3  
JAN 20/09



757

PARTS CATALOG (MAINTENANCE)

FIG ITEM	PART NUMBER	1 2 3 4 5 6 7	NOMENCLATURE	EFFECT FROM TO	UNITS PER ASSY
2D - 8	MODREF31945		PANEL INSTL-P37 R MISC RELAY (LANDING GEAR POSITION INDICATING AND WARNING SYSTEM ONLY) MODULE NUMBER: 284N1127-169 REV B FOR OTHER SYS DETAILS SEE: 11-36-12-02A 21-25-71-02D 21-44-71-02D 21-45-31-01D 21-51-55-01D 21-58-71-02D 21-61-71-02D 23-31-51-05 24-21-51-05 24-51-01-02 24-51-02-03 24-51-58-02D 27-62-71-03D 28-22-71-03D 29-21-71-01D 30-11-71-02D 30-21-71-03D 30-31-71-02D 30-32-71-02D 30-33-71-02D 30-34-51-01D 31-01-37-10 31-31-71-02D 32-09-02-04D 32-42-71-02D 33-43-55-01D 33-51-71-01D 34-12-71-02D 34-25-50-01D 34-61-52-01D 35-21-71-02D 36-11-71-02D 38-15-71-02D 73-21-55-01D 74-31-71-02D 76-11-71-02D 77-12-71-01D 78-34-71-02D 78-36-71-02D 80-11-71-02D	103103	1

MISSING ITEM NUMBERS NOT APPLICABLE

- ITEM NOT ILLUSTRATED

BRI

# 32-61-71-02D

BOEING PROPRIETARY - Copyright © - Unpublished Work - See title page for details.

32-61-71  
FIG. 02D  
PAGE 4  
JAN 20/09



757

PARTS CATALOG (MAINTENANCE)

FIG ITEM	PART NUMBER	1 2 3 4 5 6 7	NOMENCLATURE	EFFECT FROM TO	UNITS PER ASSY
2D - 9	MODREF34305		PANEL INSTL-P37 R MISC RELAY (LANDING GEAR POSITION INDICATING AND WARNING SYSTEM ONLY) MODULE NUMBER: 284N1127-169 REV C FOR OTHER SYS DETAILS SEE: 11-36-12-02A 21-25-71-02D 21-44-71-02D 21-45-31-01D 21-51-55-01D 21-58-71-02D 21-61-71-02D 23-31-51-05 24-21-51-05 24-51-01-02 24-51-02-03 24-51-58-02D 27-62-71-03D 28-22-71-03D 29-21-71-01D 30-11-71-02D 30-21-71-03D 30-31-71-02D 30-32-71-02D 30-33-71-02D 30-34-51-01D 31-01-37-10 31-31-71-02D 32-09-02-04D 32-42-71-02D 33-43-55-01D 33-51-71-01D 34-12-71-02D 34-25-50-01D 34-61-52-01D 35-21-71-02D 36-11-71-02D 38-15-71-02D 73-21-55-01D 74-31-71-02D 76-11-71-02D 77-12-71-01D 78-34-71-02D 78-36-71-02D 80-11-71-02D	104105	1

MISSING ITEM NUMBERS NOT APPLICABLE

- ITEM NOT ILLUSTRATED

BRI

32-61-71-02D

BOEING PROPRIETARY - Copyright © - Unpublished Work - See title page for details.

32-61-71  
FIG. 02D  
PAGE 5  
JAN 20/09



**757  
PARTS CATALOG (MAINTENANCE)**

FIG ITEM	PART NUMBER	1 2 3 4 5 6 7	NOMENCLATURE	EFFECT FROM TO	UNITS PER ASSY
2D 250	W260F4AM11		.RELAY- SUPPLIER CODE: VF0219 SPECIFICATION NUMBER: BACR13CD2 OPTIONAL PART: BR16S233 V09026 EE4AA005 V35344 3SAV1338A2 V01526 HFW1206K03 V58614 HFW1204K01 V71482 ELECTRICAL EQUIP NUMBER: K10266 K10267	103103 108120	2
250	WB260F1AD		.RELAY- SUPPLIER CODE: V58657 ELECTRICAL EQUIP NUMBER: K10266 K10267	104106	2
260	E210-1631		.RELAY- SUPPLIER CODE: V99699 SPECIFICATION NUMBER: BACR13CF2A OPTIONAL PART: BR246S0112 V56623 FCA210-70 V78290 E215-1050 V99699 JD4A017 V35344 BR64S104 V56623 61GB19-1A320 V98927 ELECTRICAL EQUIP NUMBER: K10718	103106 108120	1
- 300	286N1270-360		WIRE BUNDLE ASSY- REWORKED BY ALERT SB: 34A022	108120	RF
- 302	286N1270-602		WIRE BUNDLE ASSY	103106	RF

MISSING ITEM NUMBERS NOT APPLICABLE

- ITEM NOT ILLUSTRATED

# 32-61-71-02D

32-61-71  
FIG. 02D  
PAGE 6  
JAN 20/09

BRI



757

PARTS CATALOG (MAINTENANCE)

FIG ITEM	PART NUMBER	1 2 3 4 5 6 7	NOMENCLATURE	EFFECT FROM TO	UNITS PER ASSY
2D 305	RSE120026		.SOCKET- SUPPLIER CODE: V58982 SPECIFICATION NUMBER: BACS16AG1 OPTIONAL PART: 451120-026 V58982 ELECTRICAL EQUIP NUMBER: D03220 D03222 WIRING DIAGRAM REF: 326111 326112	103106 108120	2
315	RSF116200		.SOCKET- SUPPLIER CODE: V58982 SPECIFICATION NUMBER: BACS16X1A OPTIONAL PART: 102-006-1 V09922 000300-1538 V05574 ELECTRICAL EQUIP NUMBER: D07750 WIRING DIAGRAM REF: 326111	103106 108120	1

MISSING ITEM NUMBERS NOT APPLICABLE

- ITEM NOT ILLUSTRATED

**32-61-71-02D**

32-61-71  
FIG. 02D  
PAGE 7  
JAN 20/09

BRI